



Count on it.

Parts Catalog

Verticutter

**Reelmaster® 5010-H Series Cutting Unit with
7in Reel**

Model No. 03619—Serial No. 315000001 and Up



Ordering Replacement Parts

To order replacement parts, please supply the part number, the quantity, and the description of each part desired.

Understanding Reference Numbers

Each identified part in an illustration has a reference number. The reference number for a part also appears in the parts list, along with other information about the part.

This catalog uses two special reference number formats, one to indicate parts in a service assembly and another to indicate the quantity of a given part in an illustration.

Service Assembly Reference Numbers

Parts in service assemblies have reference numbers in the form a:b. The a represents the reference number of the entire service assembly and the b represents a sequential number unique to each part within the service assembly.

For example, a wheel assembly might be identified by reference number 6, the tire by 6:1, the valve by 6:2, and the wheel by 6:3. When you order the assembly identified by reference number 6, you receive all parts identified by reference numbers 6:1, 6:2, and 6:3. However, you may also order any part individually. Reference numbers of this type appear in illustration and in parts lists.

Reference Numbers Indicating Quantity

In an illustration, if a reference number indicates more than one part, the reference number has the form nX y. The n represents the quantity of the part, the X is the multiplication symbol, and the y represents the reference number.

For example, in an illustration, the reference number 2X 37 means that two of the parts identified by reference number 37 are indicated.

List of Abbreviations

AR: as required

ASM: assembly

BBC: blade brake control

BHTF: button head thread forming

CARR: carriage

CCW: counter clockwise

CW: clockwise

DEG: degrees

DPA: Dual Point Adjustment

ECM: electronic control module

EXT: external

FH: flat head

GA: gauge

HD: heavy-duty

HF: hex flange

HH: hex head

HHF: hex head flange

HHFTF: hex head flange thread forming

HJ: hex jam

HLH: hex lag head

HOC: height-of-cut

HP: high pressure

HSBH: hex socket button head

HSFH: hex socket flat head

HSH: hex socket head

HWH: hex washer head

HWHTF: hex washer head thread forming

HYD: hydraulic

LH: left hand

LP: low pressure

LPG: Liquefied Petroleum Gas

NI: nylon insert

NPTF: national pipe thread fine

PFH: phillips flat head

PPH: phillips pan head

PPHTF: phillips pan head thread forming

PRH: phillips round head

PTH: phillips truss head

PTO: power-take-off

RH: right hand

ROPS: roll-over protection system

RRB: rear roller brush

SFH: slotted fillister head

SHH: slotted hex head

SHWH: slotted hex washer head

SPH: slotted pan head

SQH: square head

SRH: slotted round head

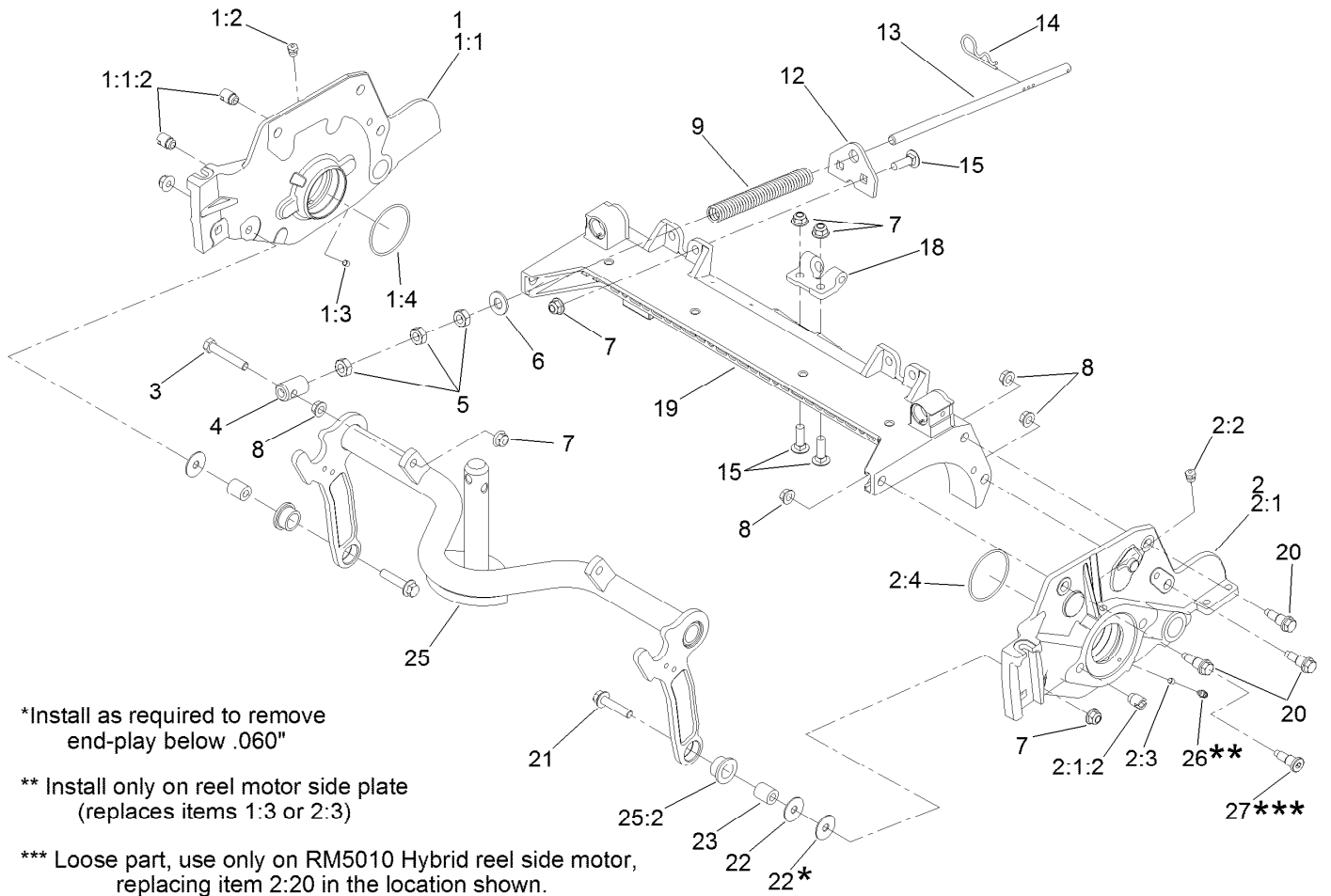
STD: standard

TAP: self tapping

TTH: torx truss head

Contents

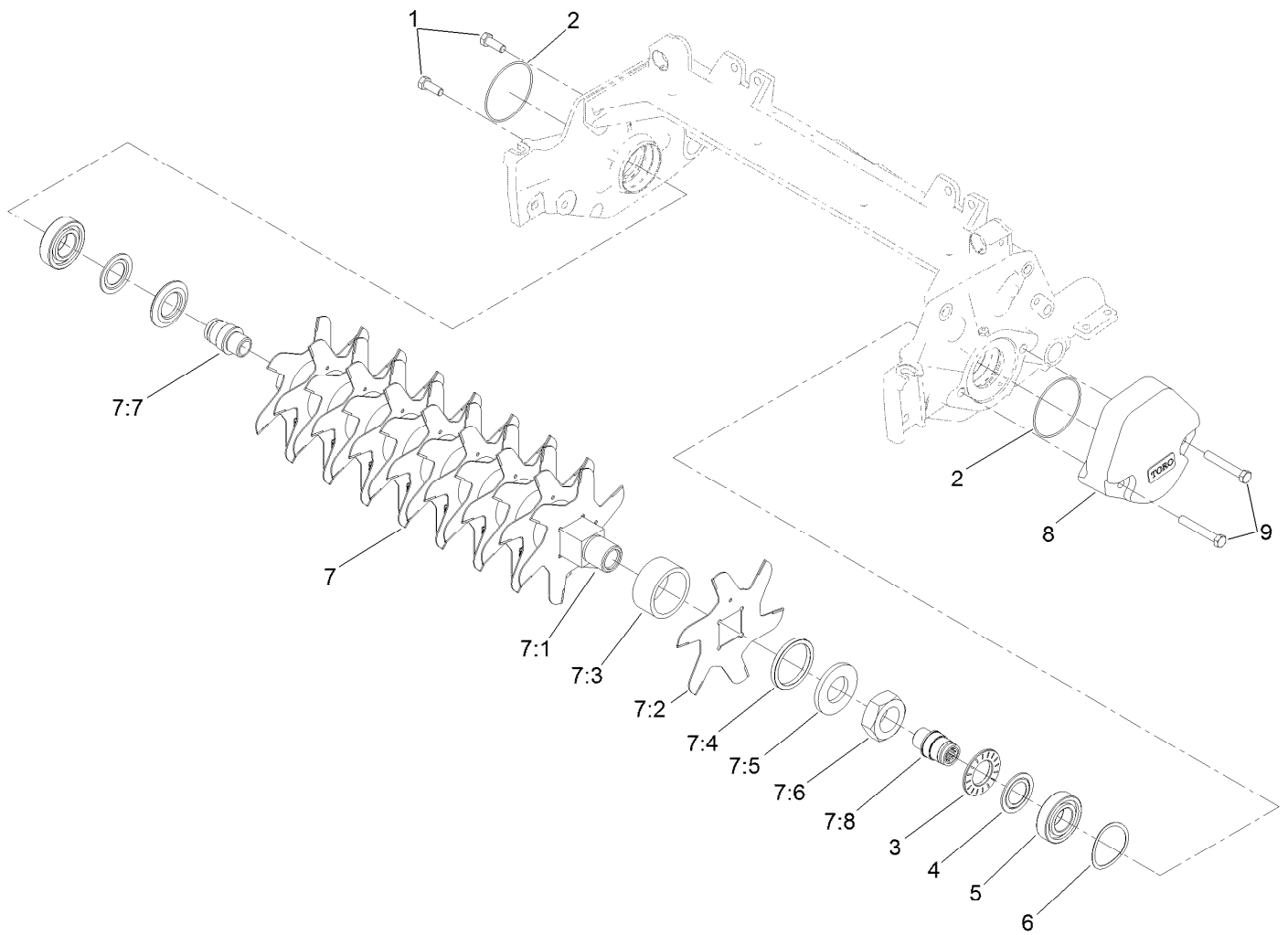
Frame Assembly.....	4
Verticutter Assembly	5
Roller and Scraper Assembly.....	6
Long Roller Assembly No. 114-5404.....	7
Full Front Roller Assembly No. 114-5419.....	8
Shield Assembly.....	9



Frame Assembly

Ref.	Part Number	Qty.	Description	Ref.	Part Number	Qty.	Description
1	131-0523	1	RH Side Plate ASM	8	3290-357	7	Nut-HHF, Whiz
1:1		1	RH Side Plate Sub ASM ●	9	110-4079	1	Spring-Compression
1:1:2	127-7149	2	Insert-Threaded, Side Plate	12	110-4069	1	Bracket
1:2	302-39	1	Fitting-Plug	13	115-2007	1	Rod-Spring
1:3	3245-35	1	Screw-Set, HSH	14	92-2762	1	Pin-Hair
1:4	117-8177	1	O-Ring	15	3231-25	4	Bolt-CARR
2	131-0522	1	LH Side Plate ASM	18	110-4058	1	Bracket-Chain
2:1		1	LH Side Plate Sub ASM ●	19	107-3258	1	Frame
2:1:2	127-7149	2	Insert-Threaded, Side Plate	20	107-2979	6	Bolt-Shoulder
2:2	302-39	1	Fitting-Plug	21	3234-19	2	Screw-HHF
2:3	3245-35	1	Screw-Set, HSH	22	130-8094	2	Washer
2:4	117-8177	1	O-Ring	23	108-4279	2	Spacer-Frame
3	104-3396	1	Screw-HH	25	107-7433	1	Carrier Frame ASM
4	99-8662	1	Tube-Spring	25:2	93-2877	2	Bushing
5	3218-5	3	Nut-Jam	26	302-5	1	Fitting-Grease
6	87-7270	1	Washer-Thrust	27	127-7122	1	Bolt-Shoulder, Flange Hex Socket
7	104-8301	7	Nut-Flange, NI				

● Not serviced separately

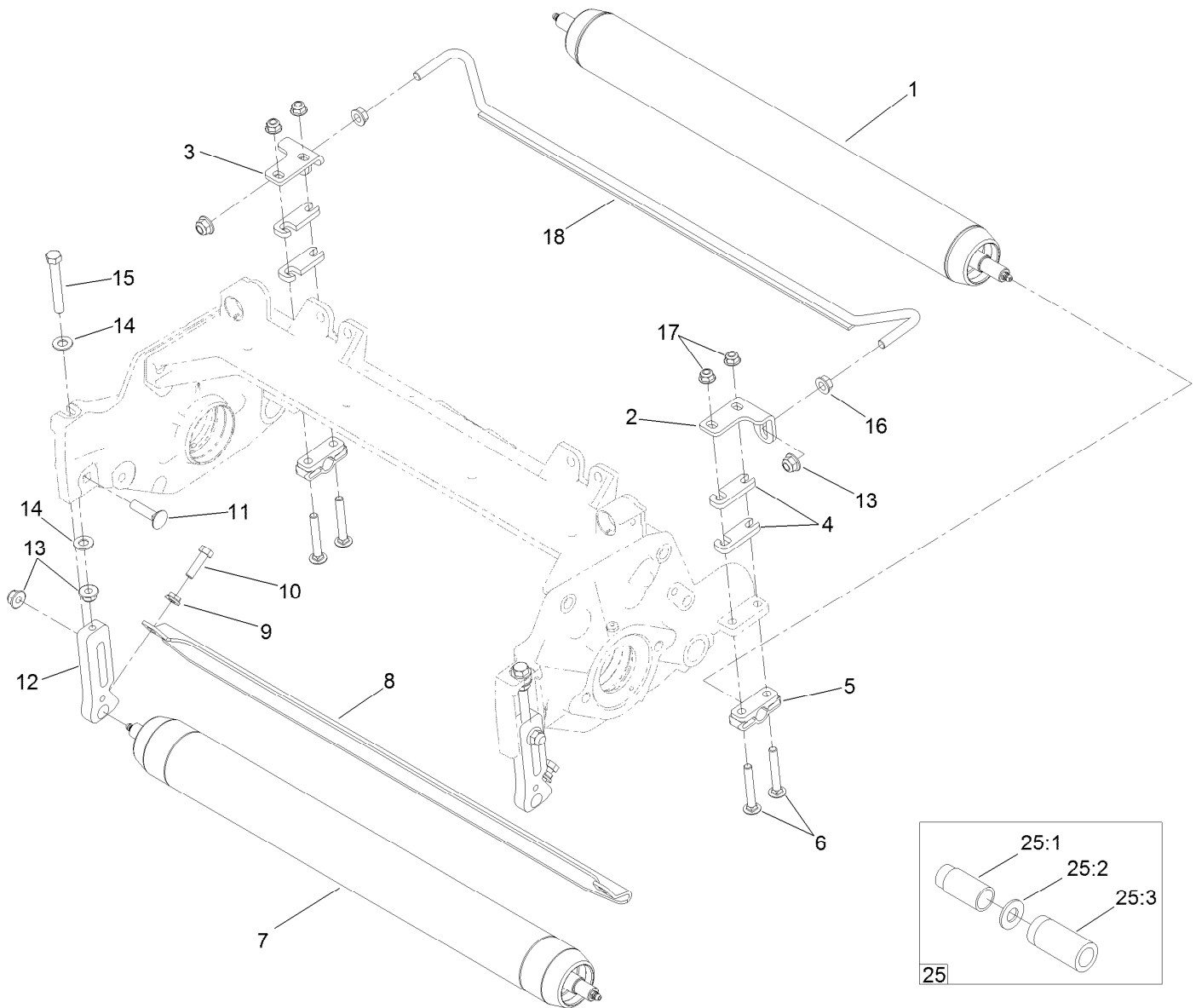


Verticutter Assembly

Ref.	Part Number	Qty.	Description	Ref.	Part Number	Qty.	Description
1	323-6	2	Screw-HH	7:2	93-3038-03	16	Blade-Dethatcher ●
2	112-6967	2	O-Ring	7:3	105-0172	15	Spacer
3	127-4284	2	Washer-Special	7:4	105-0177	1	Spacer
4	115-3299	2	Seal-Flocked	7:5	105-0173	1	Washer
5	115-3296	2	Bearing-Sealed	7:6	3220-25	1	Nut-Jam
6	115-5258	1	Spring-Wire, Flat	7:7	131-0516	1	Insert-Verticutter, RH
7		1	7 In Verticutter Shaft And Blade ASM ■	7:8	131-0515	1	Insert-Verticutter, LH
7:1	108-4975	1	Shaft ASM	8	108-4269-01	1	Weight
7:2	106-8625	16	Blade-Carbide	9	323-12	2	Screw-HH

● Optional Equipment

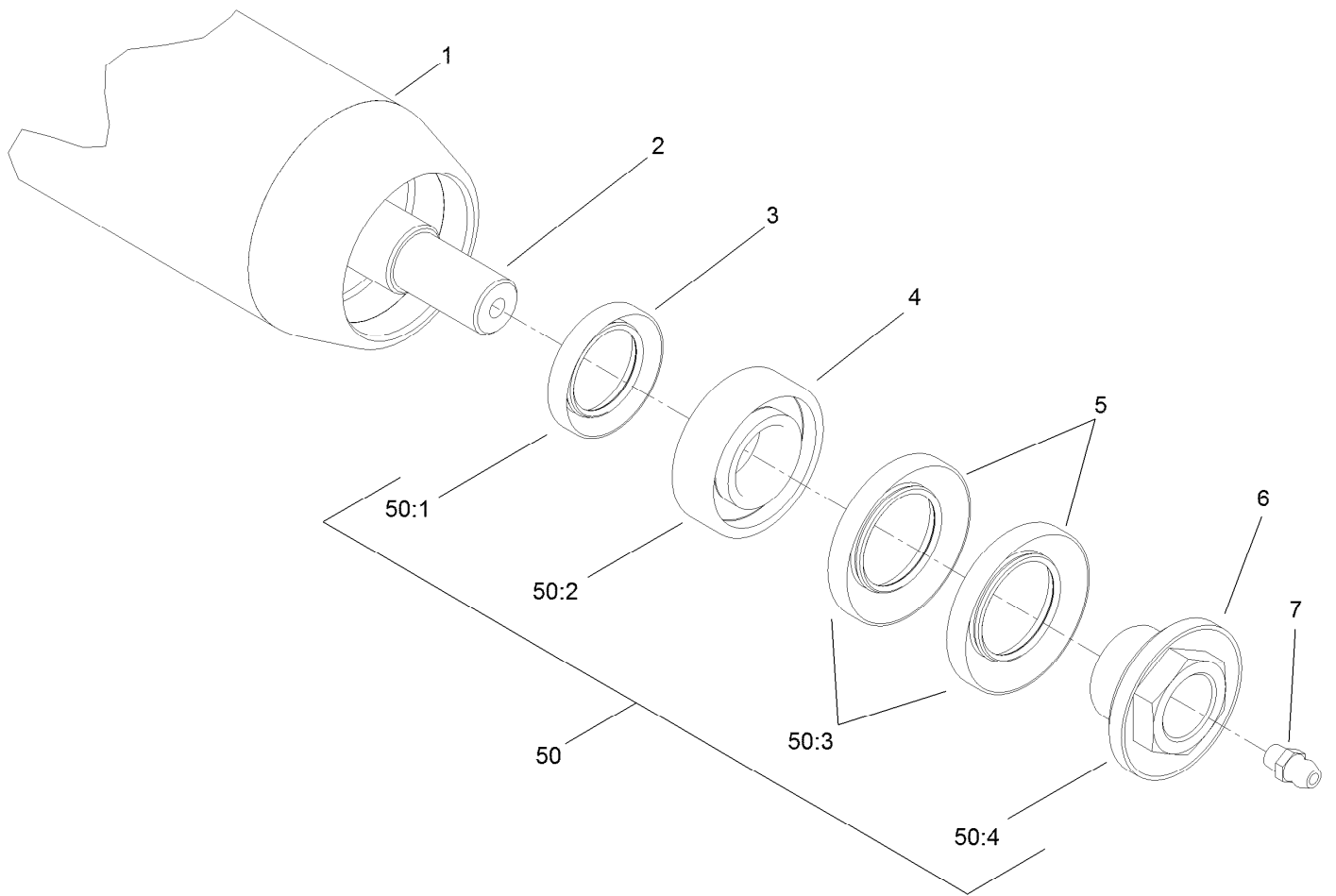
■ Not serviced separately



Roller and Scraper Assembly

Ref.	Part Number	Qty.	Description	Ref.	Part Number	Qty.	Description
1	114-5404	1	Roller ASM (Long)	12	125-2796	2	Bracket-Front HOC
2	107-3279	1	Bracket-Scraper, LH	13	104-8301	6	Nut-Flange, NI
3	107-3281	1	Bracket-Scraper, RH	14	48-9220	4	Washer
4	119-0626	4	Shim-Roller	15	112-7451	2	Screw-TAP
5	106-3924	2	Bracket-Roller, Rear	16	3290-357	2	Nut-HHF, Whiz
6	3230-7	4	Bolt-CARR	17	104-8300	4	Nut-Flange, NI
7	114-5419	1	Full Front Roller ASM	18	107-2999	1	Scraper Rod ASM
8	108-4475-03	1	Scraper-Roller, Full Front	25	115-0803	1	Roller Rebuild Tool Kit ●
9	32128-20	2	Nut-HF	25:1	115-0852	1	Tool-Inner Seal
10	322-16	2	Screw-HH	25:2	107-8133	1	Washer-Flat
11	3231-4	2	Screw-CARR	25:3	115-0853	1	Tool-Bearing/Outer Seals

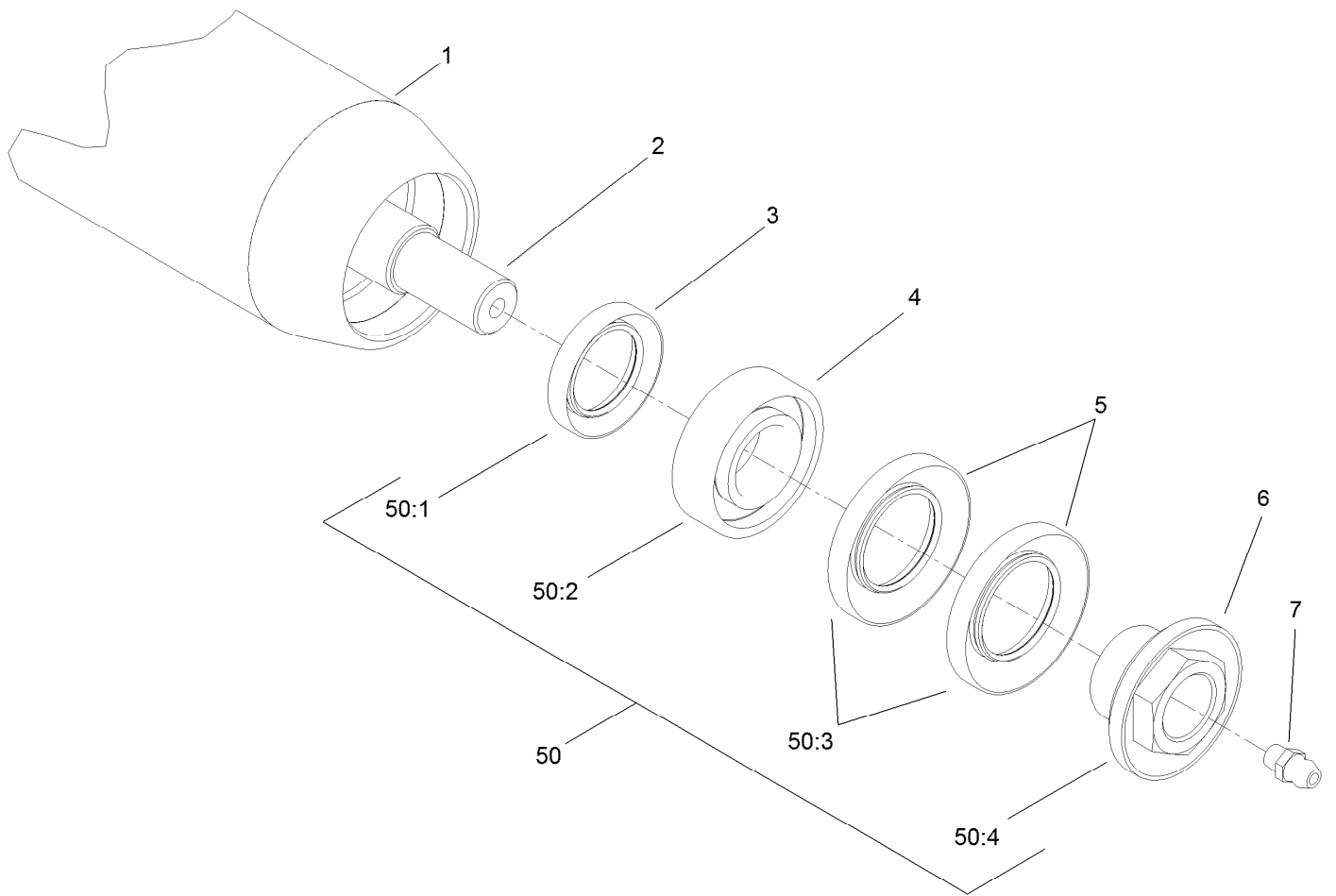
● Optional Equipment



Long Roller Assembly No. 114-5404

<i>Ref.</i>	<i>Part Number</i>	<i>Qty.</i>	<i>Description</i>
1	115-8294-03	1	Tube-Roller (Long)
2	114-5407	1	Shaft-Long, Rear Roller
3	114-3717	2	Seal-Oil
4	112-5290	2	Bearing-Steel, Stainless
5	112-7494	4	Seal
6	114-5411	2	Nut-Lock, Bearing
7	302-5	2	Fitting-Grease
50	114-5430	1	Roller Rebuild Kit ●
50:1	114-3717	2	Seal-Oil
50:2	112-5290	2	Bearing-Steel, Stainless
50:3	112-7494	4	Seal
50:4	114-5411	2	Nut-Lock, Bearing

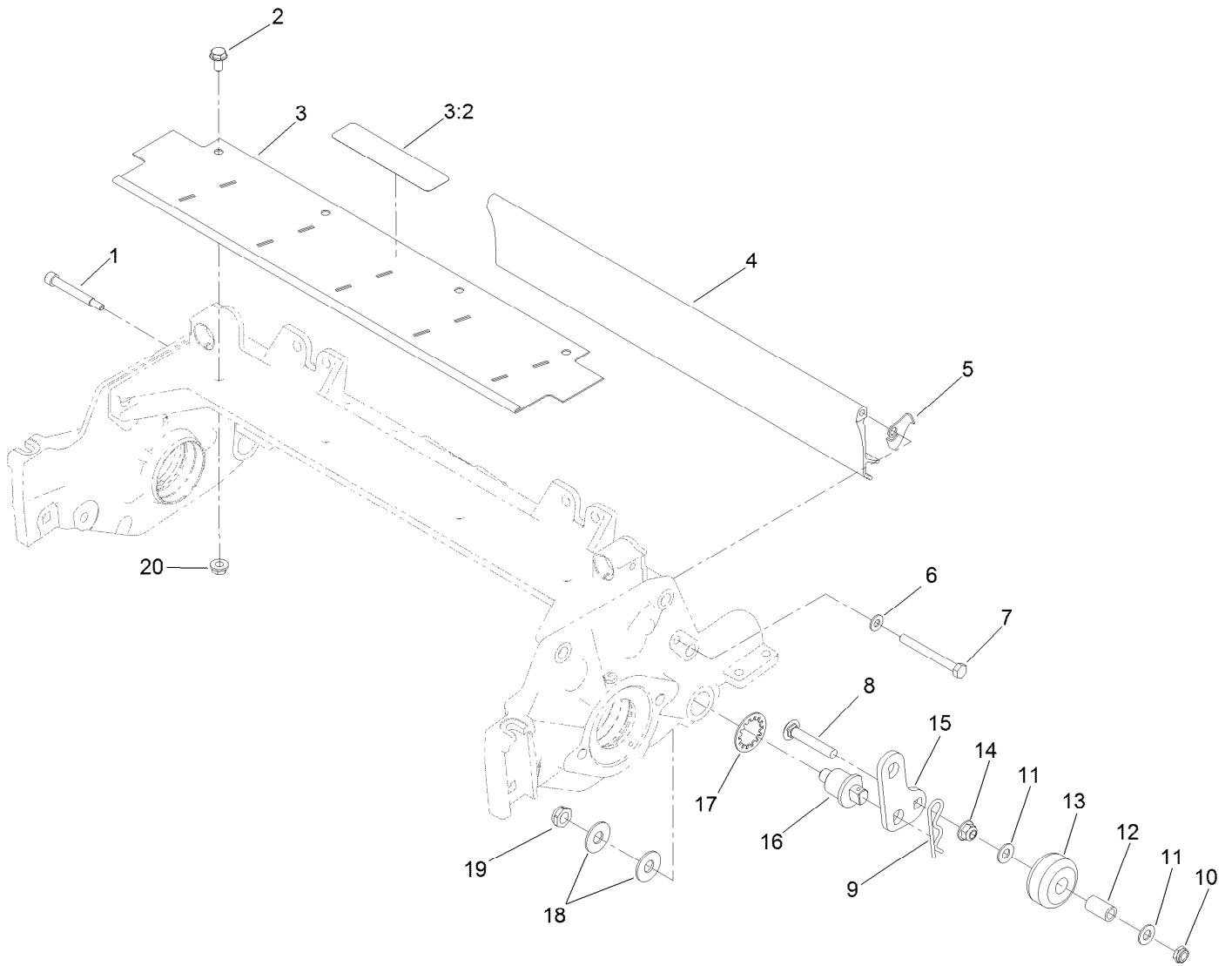
● Optional Equipment



Full Front Roller Assembly No. 114-5419

<i>Ref.</i>	<i>Part Number</i>	<i>Qty.</i>	<i>Description</i>
1	115-8295-03	1	Roller Tube ASM (Full)
2	114-5403	1	Shaft-Roller, Front
3	114-3717	2	Seal-Oil
4	112-5290	2	Bearing-Steel, Stainless
5	112-7494	4	Seal
6	114-5411	2	Nut-Lock, Bearing
7	302-5	2	Fitting-Grease
50	114-5430	1	Roller Rebuild Kit ●
50:1	114-3717	2	Seal-Oil
50:2	112-5290	2	Bearing-Steel, Stainless
50:3	112-7494	4	Seal
50:4	114-5411	2	Nut-Lock, Bearing

● Optional Equipment



Shield Assembly

<i>Ref.</i>	<i>Part Number</i>	<i>Qty.</i>	<i>Description</i>	<i>Ref.</i>	<i>Part Number</i>	<i>Qty.</i>	<i>Description</i>
1	107-7773	1	Screw-HSH	11	48-9220	4	Washer
2	3234-7	4	Screw-HHF	12	59-2580	2	Spacer-Tubular
3	107-2996	1	Front Grass Shield ASM	13	108-4293	2	Roller
3:2	93-6688	1	Decal-Danger	14	104-8301	2	Nut-Flange, NI
4	125-1978	1	Shield-Grass, Rear	15	108-4286	2	Bracket-Adjustment
5	125-2107	1	Tab-Shield, Stop	16	108-4289	2	Pin-Mount, Roller
6	3256-74	1	Washer-Flat	17	3254-21	2	Washer-Lock/Int
7	322-14	1	Screw-HH	18	3256-5	4	Washer-Flat
8	3231-33	2	Screw-CARR	19	3296-28	2	Nut-Lock, NI
9	3290-355	2	Pin-Hair	20	32128-20	4	Nut-HF
10	3296-59	2	Nut-Lock, NI				

Notes:

Notes:



Count on it.