



**Count on it.**

**Parts Catalog**

**Workman® MDX-D Utility Vehicle**

Model No. 07359—Serial No. 313000501 and Up



# Ordering Replacement Parts

To order replacement parts, please supply the part number, the quantity, and the description of each part desired.

## Understanding Reference Numbers

Each identified part in an illustration has a reference number. The reference number for a part also appears in the parts list, along with other information about the part.

This catalog uses two special reference number formats, one to indicate parts in a service assembly and another to indicate the quantity of a given part in an illustration.

## Service Assembly Reference Numbers

Parts in service assemblies have reference numbers in the form a:b. The a represents the reference number of the entire service assembly and the b represents a sequential number unique to each part within the service assembly.

For example, a wheel assembly might be identified by reference number 6, the tire by 6:1, the valve by 6:2, and the wheel by 6:3. When you order the assembly identified by reference number 6, you receive all parts identified by reference numbers 6:1, 6:2, and 6:3. However, you may also order any part individually. Reference numbers of this type appear in illustration and in parts lists.

## Reference Numbers Indicating Quantity

In an illustration, if a reference number indicates more than one part, the reference number has the form nX y. The n represents the quantity of the part, the X is the multiplication symbol, and the y represents the reference number.

For example, in an illustration, the reference number 2X 37 means that two of the parts identified by reference number 37 are indicated.

# List of Abbreviations

**AR:** as required

**ASM:** assembly

**BBC:** blade brake control

**BHTF:** button head thread forming

**CARR:** carriage

**CCW:** counter clockwise

**CW:** clockwise

**DEG:** degrees

**DPA:** Dual Point Adjustment

**ECM:** electronic control module

**EXT:** external

**FH:** flat head

**GA:** gauge

**HD:** heavy-duty

**HF:** hex flange

**HH:** hex head

**HHF:** hex head flange

**HHFTF:** hex head flange thread forming

**HJ:** hex jam

**HLH:** hex lag head

**HOC:** height-of-cut

**HP:** high pressure

**HSBH:** hex socket button head

**HSFH:** hex socket flat head

**HSH:** hex socket head

**HWH:** hex washer head

**HWHTF:** hex washer head thread forming

**HYD:** hydraulic

**LH:** left hand

**LP:** low pressure

**LPG:** Liquefied Petroleum Gas

**NI:** nylon insert

**NPTF:** national pipe thread fine

**PFH:** phillips flat head

**PPH:** phillips pan head

**PPHTF:** phillips pan head thread forming

**PRH:** phillips round head

**PTH:** phillips truss head

**PTO:** power-take-off

**RH:** right hand

**ROPS:** roll-over protection system

**RRB:** rear roller brush

**SFH:** slotted fillister head

**SHH:** slotted hex head

**SHWH:** slotted hex washer head

**SPH:** slotted pan head

**SQH:** square head

**SRH:** slotted round head

**STD:** standard

**TAP:** self tapping

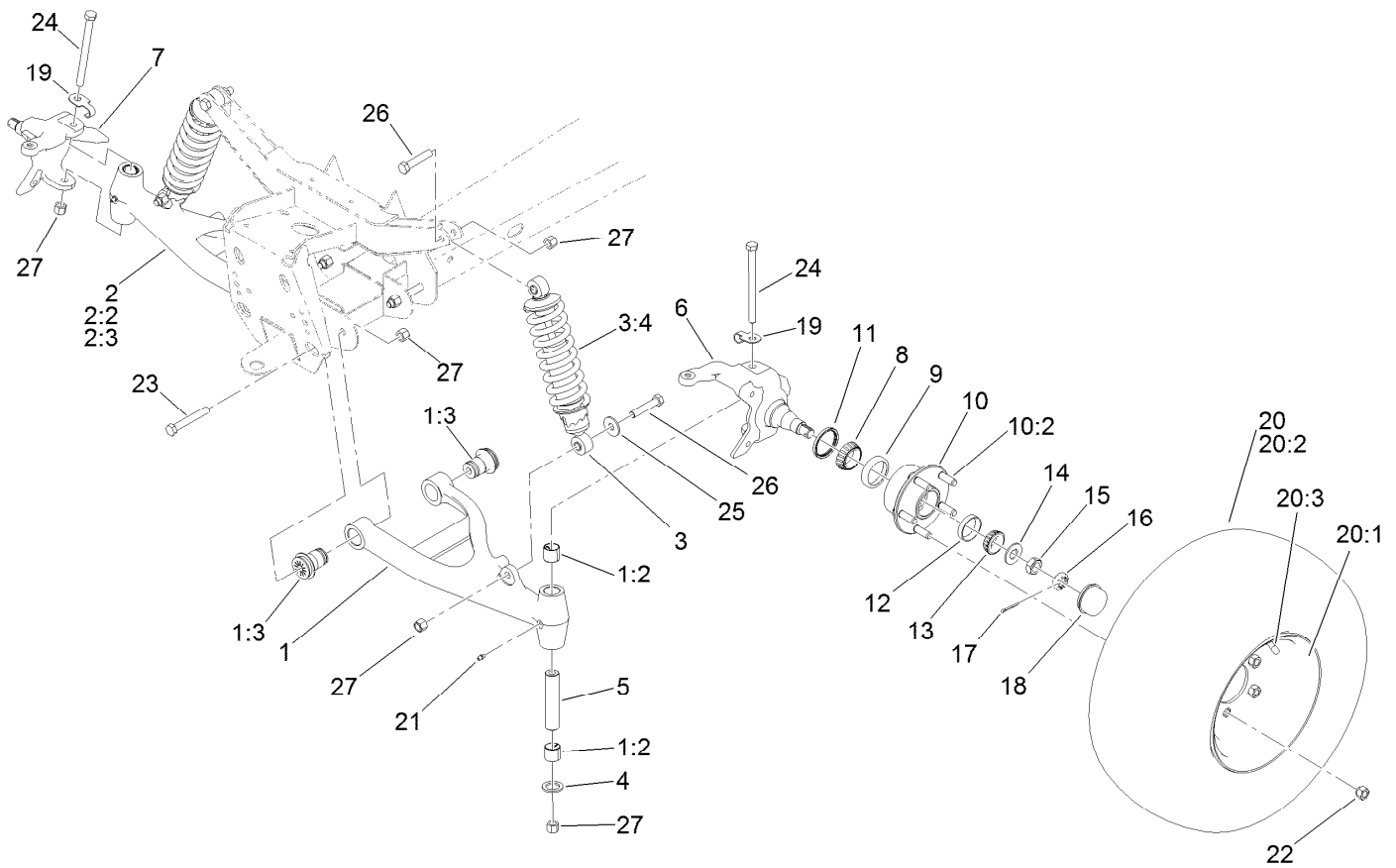
**TTH:** torx truss head

# Contents

Front Suspension and Wheel Assembly	5
Front Frame Assembly	6
Engine Mount Assembly	7
Rear Frame and Suspension Assembly	8
Front Brake Assembly	9
Master Cylinder Assembly No. 104-6782	10
Brake Caliper Assembly No. 119-9535	11
Rear Brake Assembly	12
RH Rear Brake Assembly No. 114-8331	13
LH Rear Brake Assembly No. 114-8332	14
Steering Assembly	15
Steering Box Assembly No. 112-3130	16
Pedal Box Assembly	17
Shifter Assembly	18
Hood and Bumper Assembly	19
Fender Well Assembly	20
Fender Assembly	21
Dash Installation Assembly	22
Dash Assembly	23
Seatbase Assembly	24
Cargo Bed Installation Assembly	25
Cargo Bed Service Assembly No. 121-9810	26
Cargo Bed and Tailgate Assembly	27
Engine, Primary Clutch and Exhaust Assembly	28
Primary Clutch Assembly No. 119-9610	29
Air Cleaner, Throttle and Engine Mount Assembly	30
Air Cleaner Assembly No. 119-9714	31
Radiator Assembly	32
Secondary Clutch and Rear Axle Assembly	33
Transaxle Assembly No. 119-0760	34
Secondary Clutch Assembly No. 119-6011	36
Battery Assembly	37
Wire Harness Assembly	38
Fuel Tank Assembly	39
Crankcase Assembly	40
Oil Pan Assembly	41
Cylinder Head Assembly	42
Gear Case Assembly	43
Cylinder Head Cover Assembly	44
Dipstick, Guide and Oil Pump Assembly	45
Main Bearing Case Assembly	46
Camshaft and Idle Gear Shaft Assembly	47
Piston and Crankshaft Assembly	48
Flywheel Assembly	49
Fuel Camshaft and Governor Shaft Assembly	50
Idle Apparatus and Stop Solenoid Assembly	51
Injection Pump Assembly	52
Governor Assembly	53
Speed Control Plate Assembly	54
Nozzle Holder and Glow Plug Assembly	55
Nozzle Holder Component Assembly	56
Alternator, Pulley and Fan Assembly	58
Alternator Components	59
Starter Installation Assembly	60

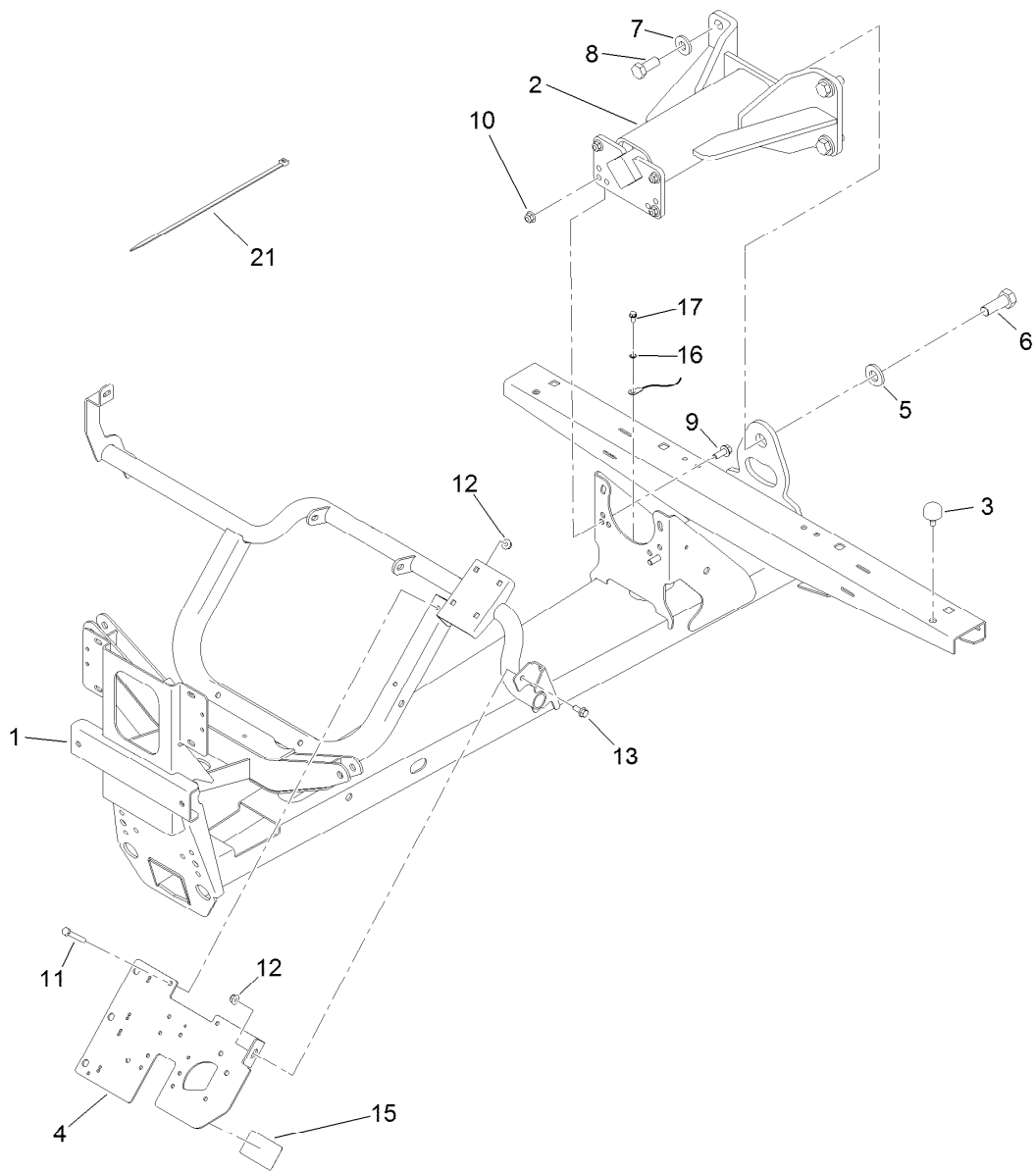
# Contents (continued)

- Starter Assembly No. 121-3816..... 61
- Water Flange and Thermostat Assembly ..... 62
- Water Flange and Water Pipe Assembly ..... 63
- Valve and Rocker Arm Assembly..... 64
- Intake and Exhaust Manifold Assembly ..... 65
- Attachments and Accessories ..... 66



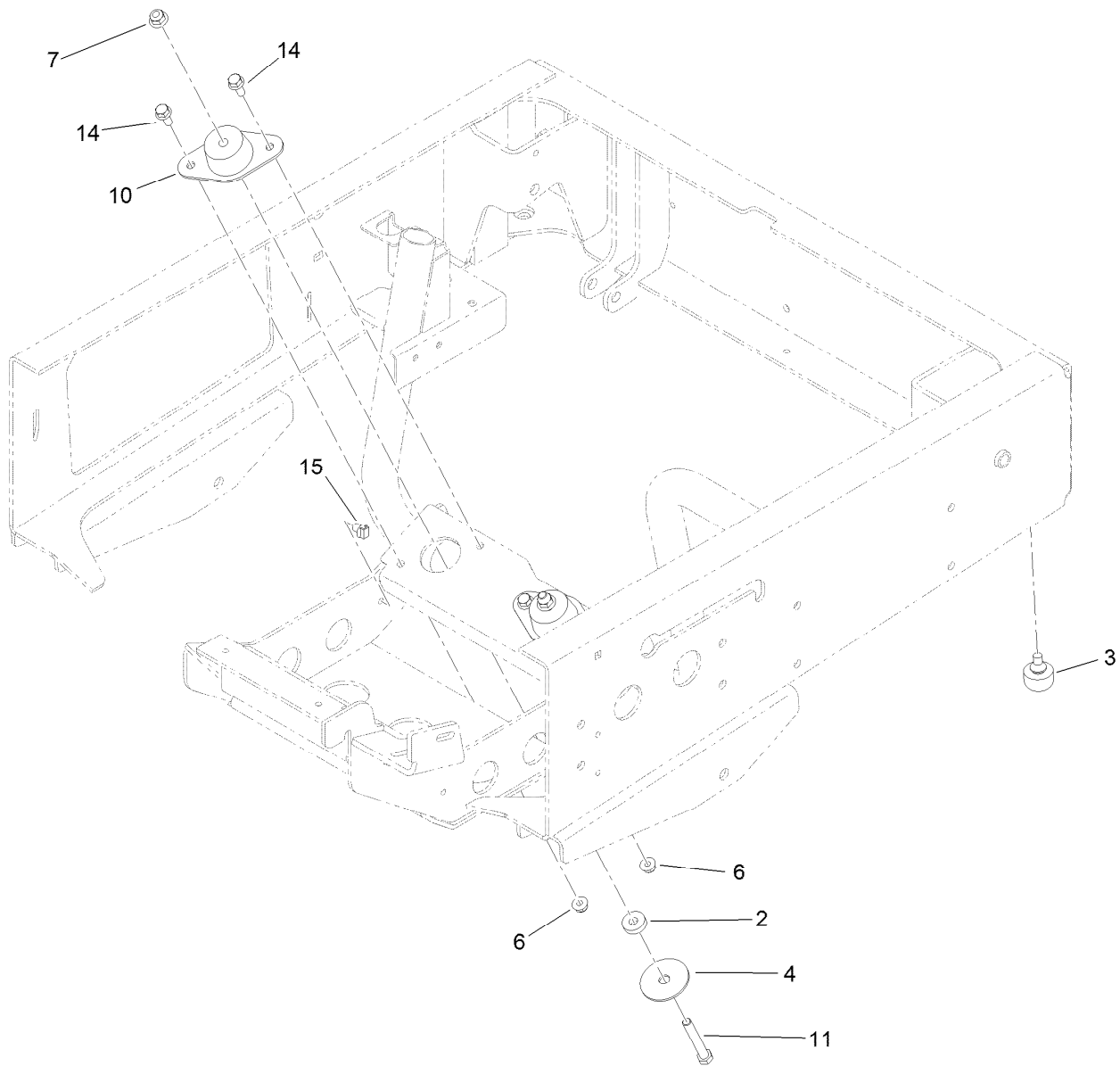
## Front Suspension and Wheel Assembly

Ref.	Part Number	Qty.	Description	Ref.	Part Number	Qty.	Description
1	114-8313	1	LH A-Arm ASM	13	254-94	2	Bearing-Cone, Tapered
1:2	125-5196	2	Bushing	14	93-0309	2	Washer-Tab
1:3	87-1450	2	Bushing-Flange	15	3220-7	2	Nut-Jam
2	114-8314	1	RH A-Arm ASM	16	93-0307	2	Nut-Lock, Retainer
2:2	125-5196	2	Bushing	17	3272-12	2	Pin-Cotter
2:3	87-1450	2	Bushing-Flange	18	241-119	2	Cap-Dust
3	112-2975	2	Shock/Spring ASM	19	112-3311	2	Clip-Hose
3:4	112-3383	1	Spring	20	120-5025	2	Tire And Wheel ASM
4	256-115	2	Washer-Thrust	20:1	120-4974	1	Wheel
5	99-7499	2	Sleeve-Kingpin	20:2	104-7289	1	Tire
6	119-9521	1	Spindle-LH	20:3	232-27	1	Stem-Valve
7	119-9522	1	Spindle-RH	21	302-5	2	Fitting-Grease
8	254-106	2	Cone-Bearing, Tapered	22	242-50	10	Nut-Lug
9	254-107	2	Cup-Bearing, Tapered	23	325-14	4	Screw-HH
10	117-8071	2	Hub ASM	24	325-20	2	Screw-HH
10:2	10-6830	5	Stud-Type, Drive	25	51-3500	2	Washer
11	108-7019	2	Seal-Shaft	26	325-10	4	Screw-HH
12	254-72	2	Bearing-Cup, Tapered	27	3296-23	10	Nut-Lock, NI



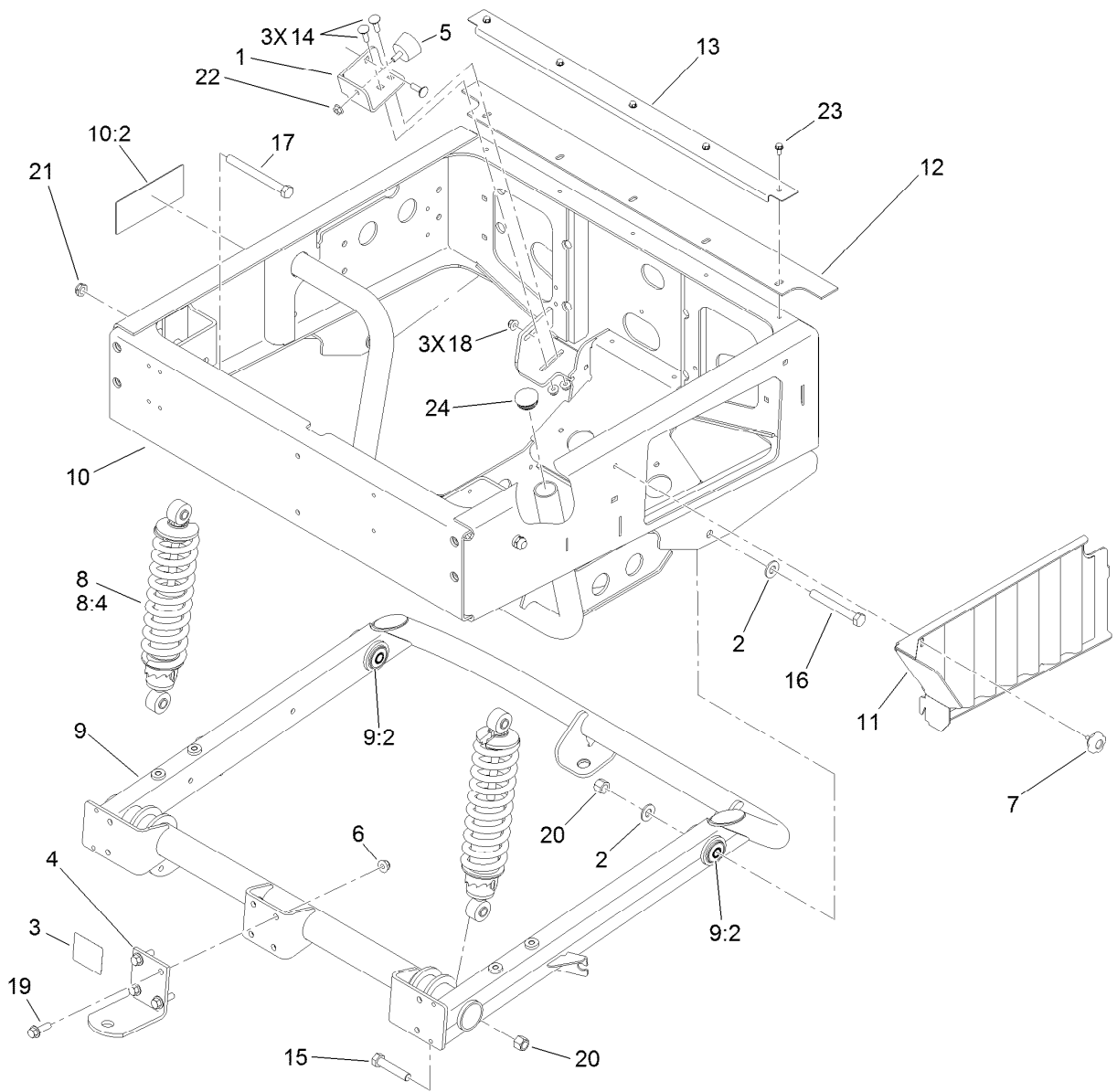
## Front Frame Assembly

<i>Ref.</i>	<i>Part Number</i>	<i>Qty.</i>	<i>Description</i>	<i>Ref.</i>	<i>Part Number</i>	<i>Qty.</i>	<i>Description</i>
1	112-3340-03	1	Frame-Front	10	104-8301	4	Nut-Flange, NI
2	99-7700	1	Pivot Yoke ASM	11	322-11	2	Screw-HH
3	87-2440	1	Bumper-Rubber	12	104-8300	3	Nut-Flange, NI
4	112-3376-03	1	Plate-Mount, Electrical	13	110-5053	1	Screw-HHF
5	87-3060	1	Washer-Hardened	15	120-4837	1	Decal-Fuse Block
6	328-24	1	Screw-HH	16	3254-16	1	Washer-Lock/Int
7	99-7667	4	Washer-Flat	17	32144-4	1	Screw-HWH
8	327-4	4	Screw-HH	21	3290-379	12	Tie-Cable
9	3234-11	4	Screw-HHF				



## Engine Mount Assembly

<b>Ref.</b>	<b>Part Number</b>	<b>Qty.</b>	<b>Description</b>
2	62-6660	4	Spacer
3	87-2440	2	Bumper-Rubber
4	87-5100	4	Washer-Snubbing
6	104-8300	8	Nut-Flange, NI
7	104-8301	4	Nut-Flange, NI
10	119-9745	4	Mount-Engine
11	323-12	4	Screw-HH
14	3234-47	8	Screw-HHF
15	32180-030	1	Clip-Tie

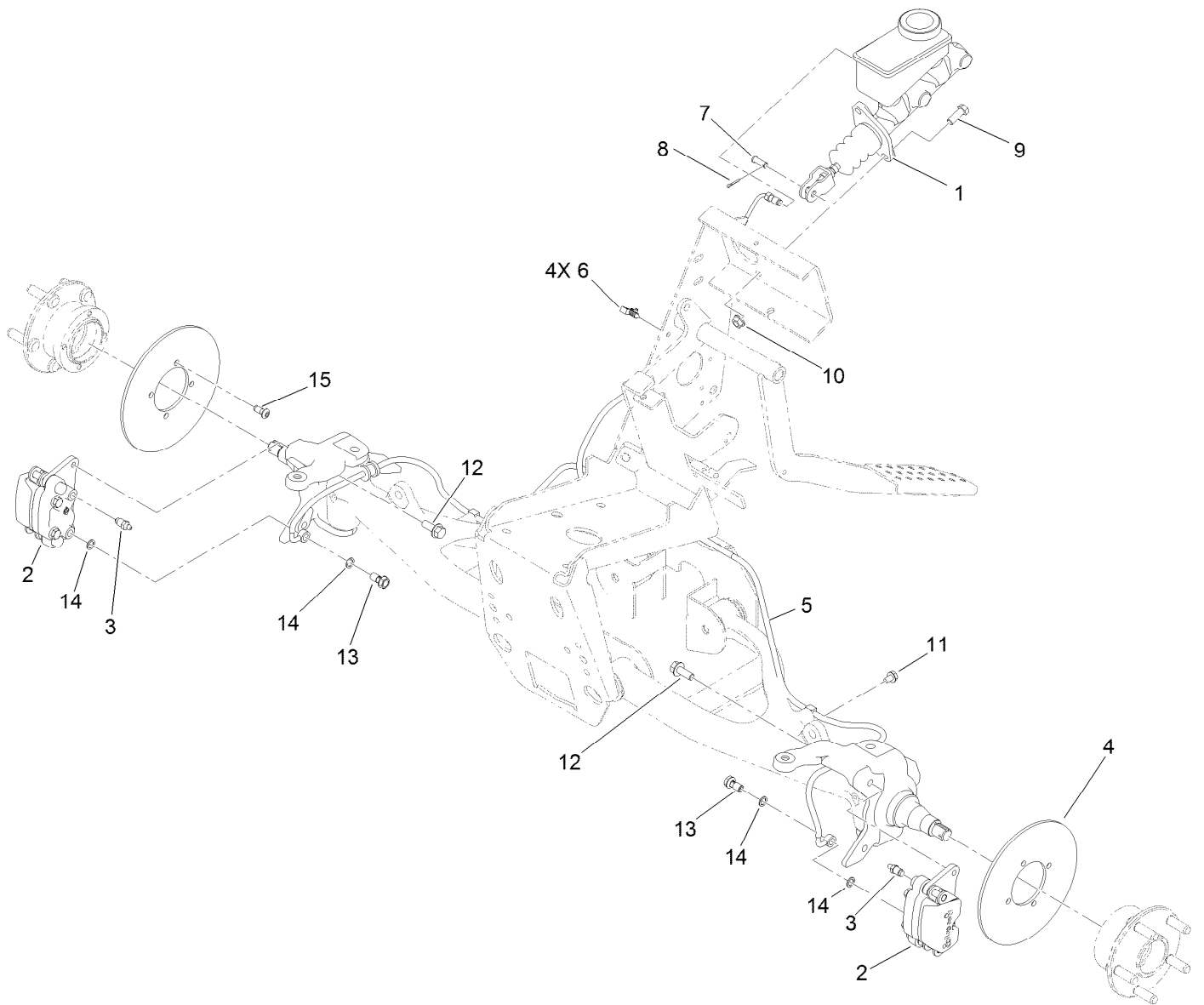


## Rear Frame and Suspension Assembly

Ref.	Part Number	Qty.	Description
1	119-9743-03	1	Mount-Bumper
2	87-7270	4	Washer-Thrust
3	99-7350	1	Decal-Rating, Hitch (Light Duty)
4	99-7654-03	1	Hitch-Duty, Light
5	68-3270	1	Bumper-Rubber
6	104-8301	4	Nut-Flange, NI
7	105-1406	1	Knob
8	112-3168	2	Rear Shock/Spring ASM
8:4	112-3386	1	Spring
9	115-7614	1	Swing Arm ASM
9:2	112-3377	2	Bushing-Arm, Control
10	120-5052	1	Rear Frame ASM
10:2	99-7345	1	Decal-Warning

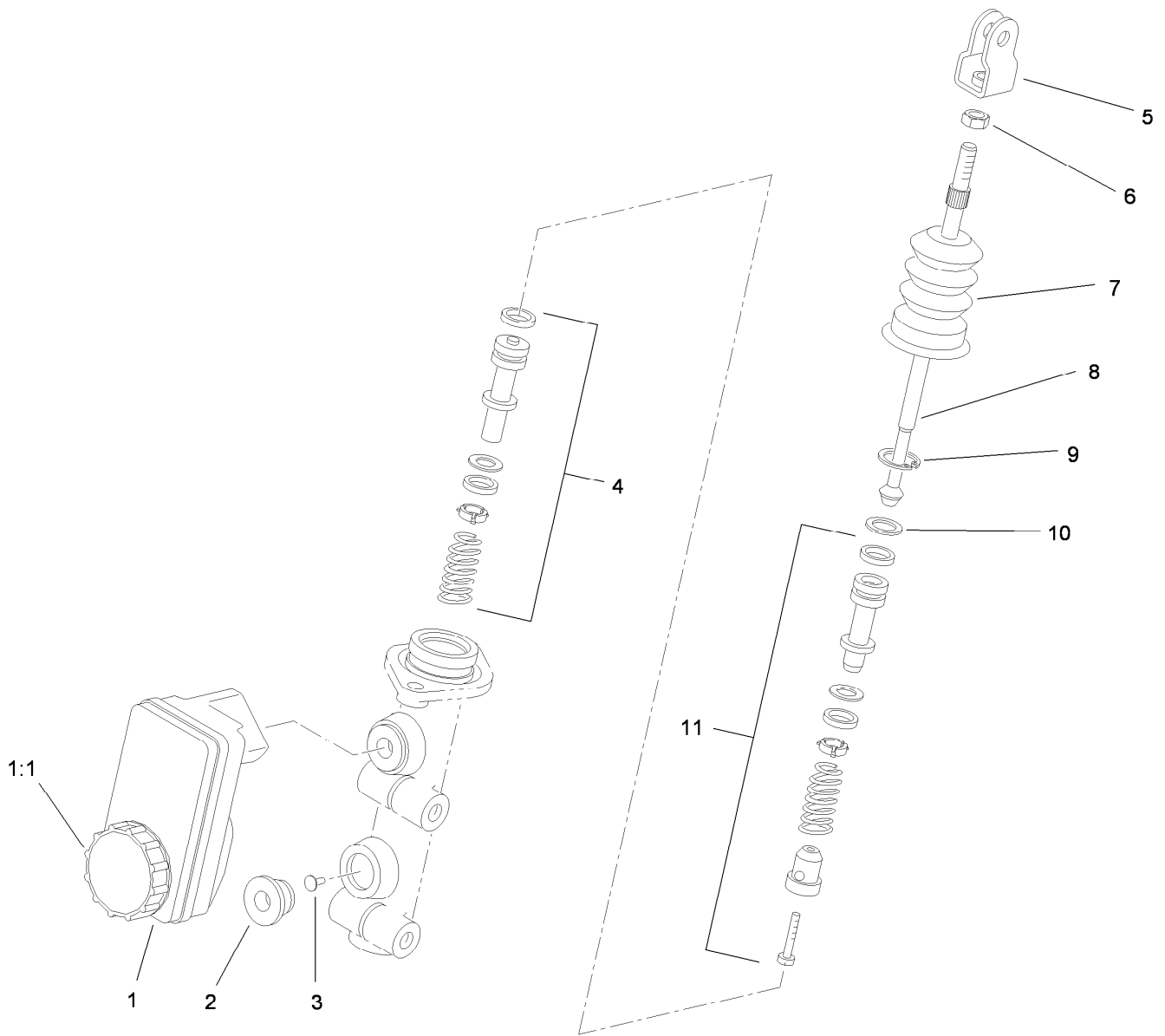
Ref.	Part Number	Qty.	Description
11	119-9597-03	1	Screen-Radiator
12	119-9728	1	Seal-Frame, Rear
13	119-9729-03	1	Reinforcement-Seal
14	3230-2	3	Bolt-CARR
15	325-10	2	Screw-HH
16	325-17	2	Screw-HH
17	325-19	2	Screw-HH
18	104-8300	3	Nut-Flange, NI
19	3234-24	4	Screw-HHF
20	3296-23	4	Nut-Lock, NI
21	3296-45	2	Nut-Lock, NI
22	32128-20	1	Nut-HF
23	32144-4	5	Screw-HWH
24	117-0946	1	Plug-Plastic





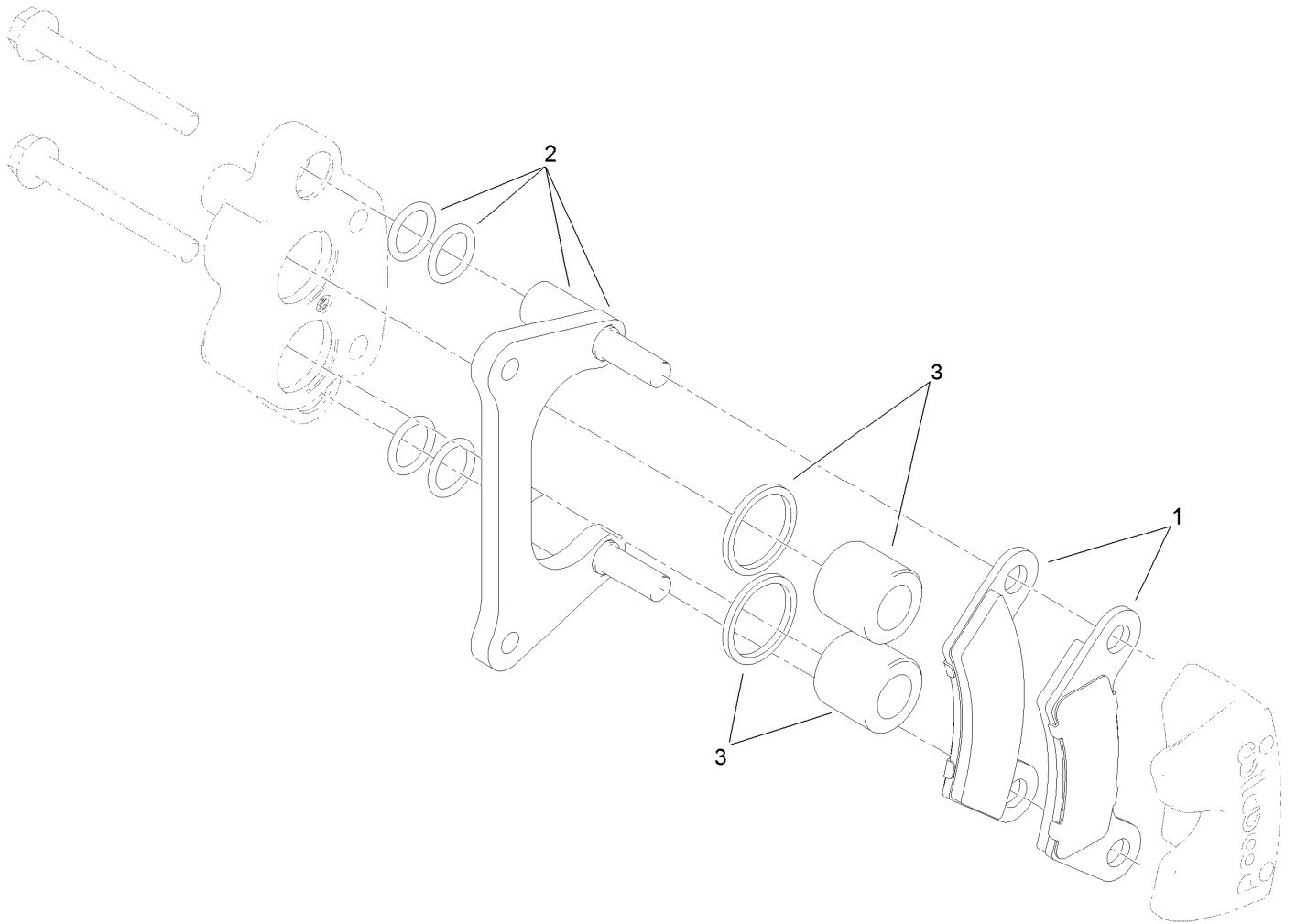
## Front Brake Assembly

Ref.	Part Number	Qty.	Description
1	104-6782	1	Master Cylinder ASM
2	119-9535	2	Brake Caliper ASM
3	119-9509	2	Screw-Bleed
4	119-9520	2	Rotor
5	119-9683	1	Front Brake Line ASM
6	114-8324	4	Clip-Line, Brake
7	283-2	1	Pin-Clevis
8	3272-10	1	Pin-Cotter
9	323-6	2	Screw-HH
10	3290-357	2	Nut-HHF, Whiz
11	32104-32	2	Screw-HWH
12	3234-11	4	Screw-HHF
13	120-4875	2	Bolt-Flange, Banjo
14	115-2341	4	Washer-Banjo
15	121-9671	8	Screw-HSBH



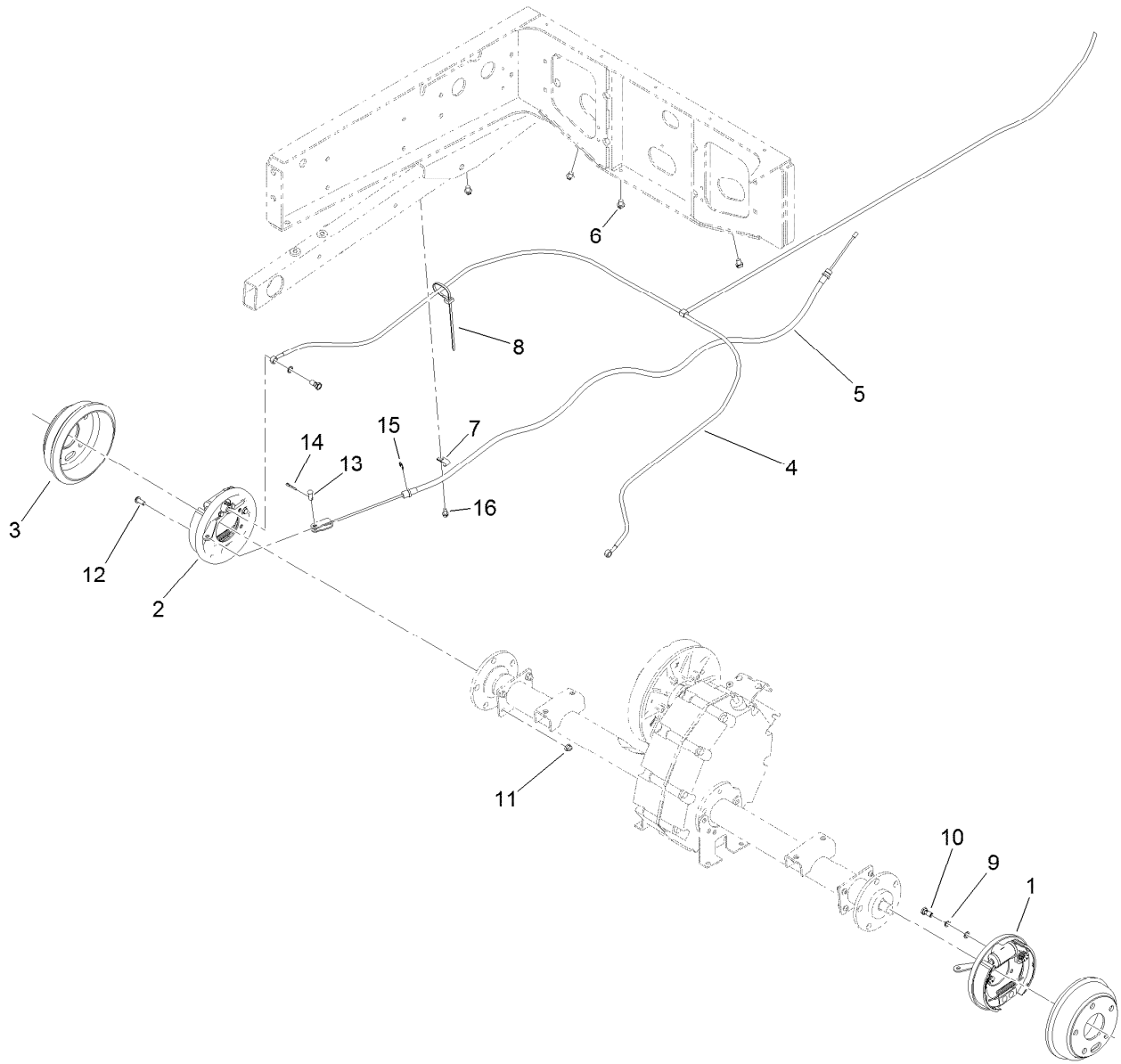
## Master Cylinder Assembly No. 104-6782

Ref.	Part Number	Qty.	Description
1	104-6845	1	Reservoir ASM
1:1	92-4112	1	Cap ASM
2	93-8971	2	Seal-Port, Flange
3	92-4103	1	Pin-Stop
4	92-4102	1	Secondary Piston ASM
5	92-4110	1	Clevis
6	21-0360	1	Nut-Hex
7	94-5209	1	Cover-Dust
8	94-5210	1	Rod-Push
9	92-4109	1	Ring-Snap
10	92-4108	1	Retainer-Washer
11	92-4101	1	Primary Piston ASM



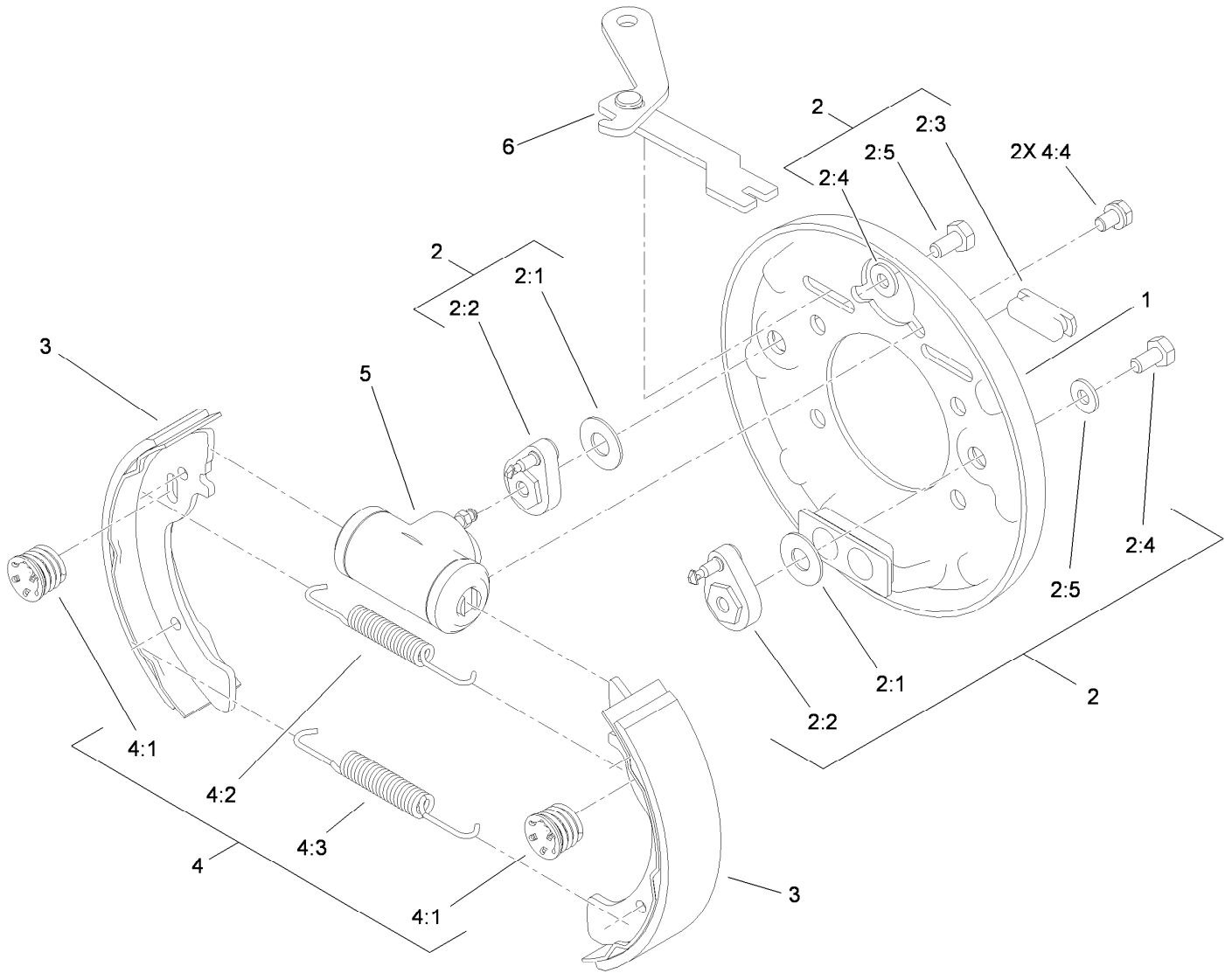
## Brake Caliper Assembly No. 119-9535

<i>Ref.</i>	<i>Part Number</i>	<i>Qty.</i>	<i>Description</i>
1	119-9510	1	Pads-Brake
2	119-9511	1	Bracket Kit
3	119-9512	1	Piston Kit



## Rear Brake Assembly

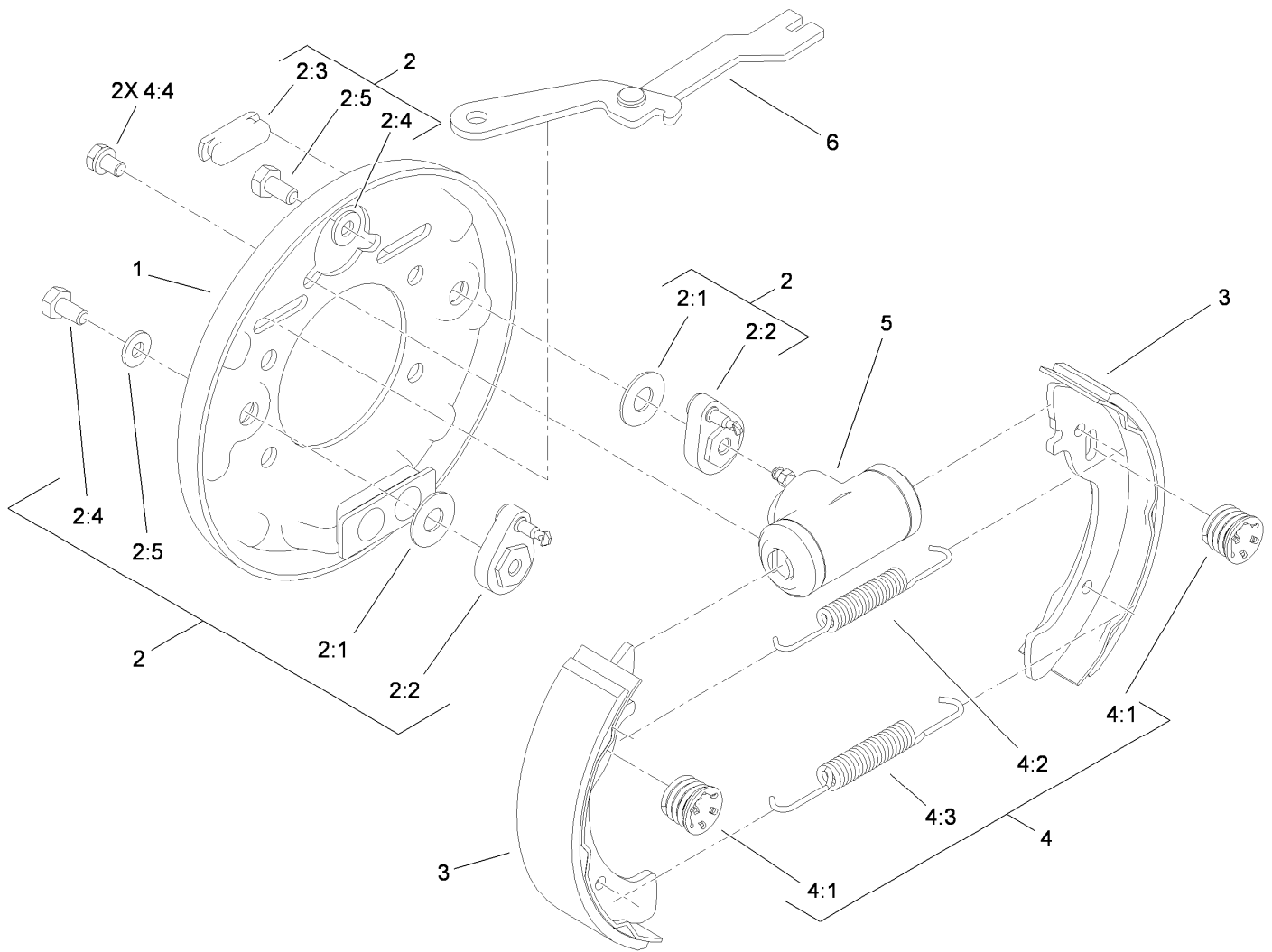
<i>Ref.</i>	<i>Part Number</i>	<i>Qty.</i>	<i>Description</i>	<i>Ref.</i>	<i>Part Number</i>	<i>Qty.</i>	<i>Description</i>
1	114-8331	1	RH Brake ASM	9	115-2341	4	Washer-Banjo
2	114-8332	1	LH Brake ASM	10	115-2340	2	Bolt-Banjo
3	104-6500	2	Drum-Brake	11	104-8300	8	Nut-Flange, NI
4	112-2926	1	Rear Brake Line ASM	12	3274-55	8	Screw-HSBH
5	112-3309	2	Cable-Brake	13	283-62	2	Pin-Clevis
6	32180-030	6	Clip-Tie	14	3272-10	2	Pin-Cotter
7	2412-89	2	Clamp-R	15	32120-47	2	Ring-Retaining, External
8	3290-378	2	Tie-Cable	16	32104-17	2	Screw-HWH



## RH Rear Brake Assembly No. 114-8331

Ref.	Part Number	Qty.	Description
1	100-8586	1	Backing Plate ASM
2	104-6820	1	Adjuster Kit
2:1	100-8585	2	Washer-Bellville
2:2	100-8588	2	Adjuster Lever ASM
2:3	100-8584	2	Cover-Dust
2:4		2	Washer ●
2:5		2	Bolt ●
3	104-6818	4	Shoe And Lining Kit
4	104-6819	1	Hardware Kit
4:1	100-8583	2	Shoe Hold Down Spring ASM
4:2	100-8581	2	Spring-Upper
4:3	100-8582	2	Spring-Lower
4:4		2	Bolt And Washer ●
5	114-8333	1	Wheel Cylinder ASM
6	104-6826	1	RH Park Brake Lever ASM

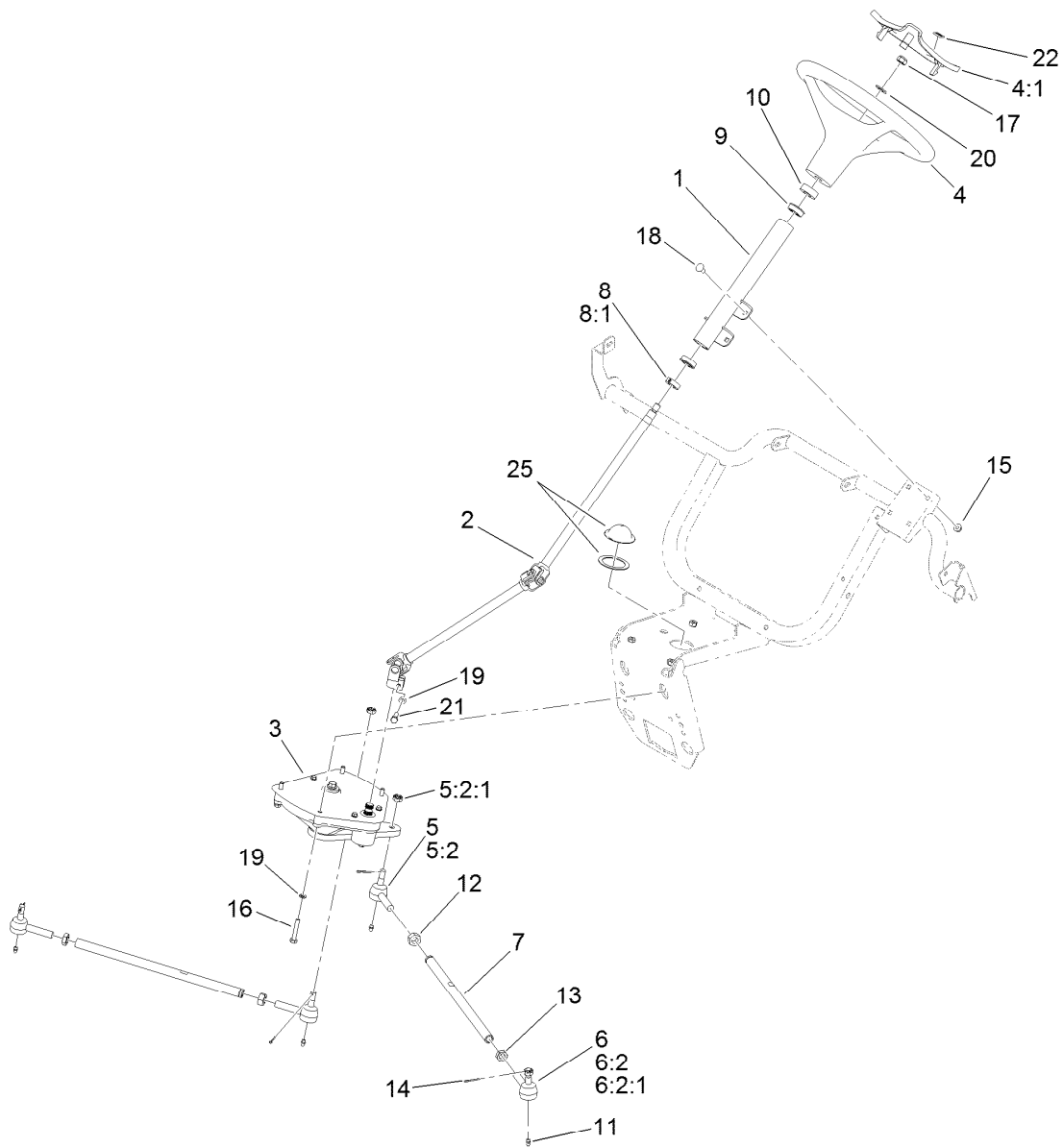
● Not serviced separately



## LH Rear Brake Assembly No. 114-8332

Ref.	Part Number	Qty.	Description
1	100-8586	1	Backing Plate ASM
2	104-6820	1	Adjuster Kit
2:1	100-8585	2	Washer-Bellville
2:2	100-8588	2	Adjuster Lever ASM
2:3	100-8584	2	Cover-Dust
2:4		2	Washer ●
2:5		2	Bolt ●
3	104-6818	4	Shoe And Lining Kit
4	104-6819	1	Hardware Kit
4:1	100-8583	2	Shoe Hold Down Spring ASM
4:2	100-8581	2	Spring-Upper
4:3	100-8582	2	Spring-Lower
4:4		2	Bolt And Washer ●
5	114-8333	1	Wheel Cylinder ASM
6	104-6825	1	LH Park Brake Lever ASM

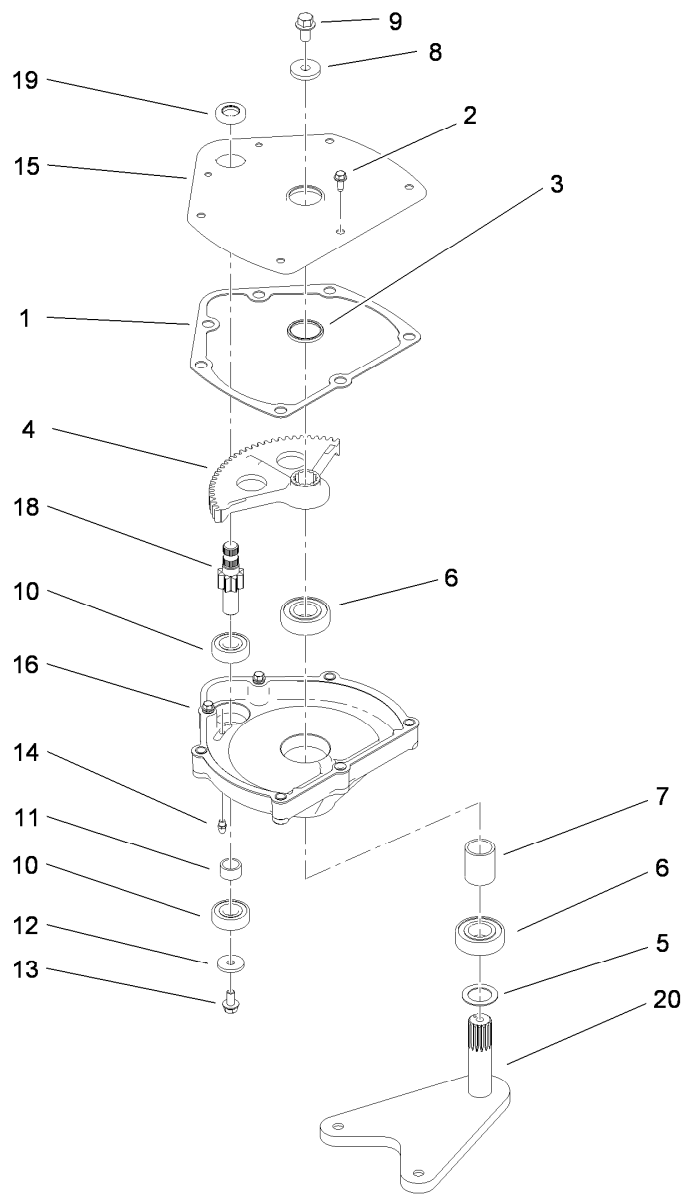
● Not serviced separately



## Steering Assembly

Ref.	Part Number	Qty.	Description	Ref.	Part Number	Qty.	Description
1	112-3264-03	1	Column	10	21-9260	1	Cover-Dust
2	112-3355	1	Steering Shaft ASM	11	302-5	4	Fitting-Grease
3	112-3130	1	Steering Box ASM	12	3218-21	2	Nut-Jam
4	98-1471	1	Wheel-Steering	13	3220-11	2	Nut-Jam
4:1	98-1468	1	Cover-Wheel, Steering	14	3272-7	4	Pin-Cotter
5	112771-03	2	Joint-Ball, LH	15	104-8300	4	Nut-Flange, NI
5:2		1	Socket-Balljoint ●	16	112-3305	4	Screw-HH
5:2:1	915031	1	Nut	17	119-9493	1	Nut-Lock, NI
6	112772-03	2	Joint-Ball, RH	18	3230-1	4	Bolt-CARR
6:2		1	Socket-Balljoint ●	19	3253-4	5	Washer-Lock
6:2:1	915031	1	Nut	20	3256-26	1	Washer-Flat
7	115-7654	2	Tie Rod	21	48-7730	1	Screw-Cap, HH
8	111383	1	Collar	22	98-1459	1	Decal
8:1	3245-32	1	Screw-HSH	25	120-5049	1	Steering Box Cover Kit
9	112-3262	2	Bearing				

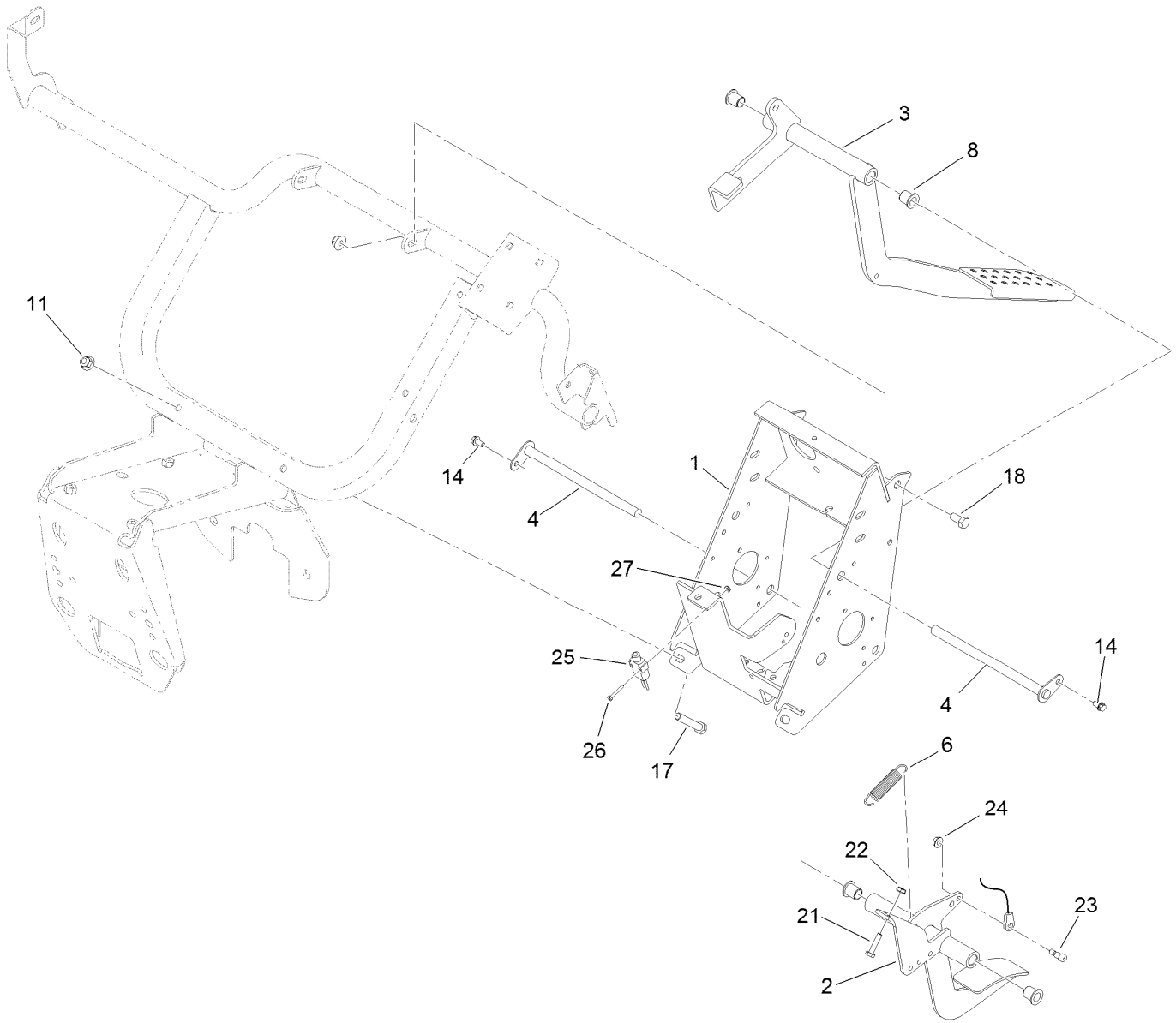
● Not serviced separately



## Steering Box Assembly No. 112-3130

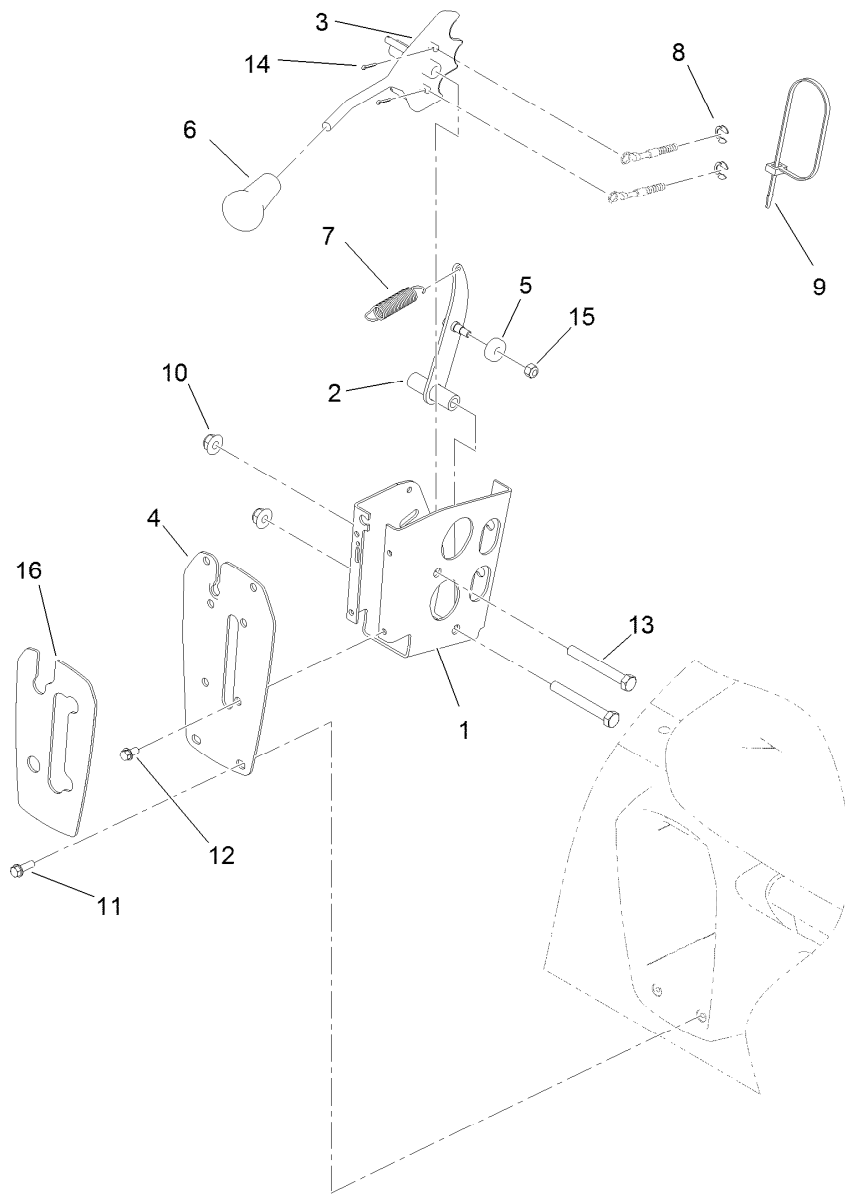
<i>Ref.</i>	<i>Part Number</i>	<i>Qty.</i>	<i>Description</i>	<i>Ref.</i>	<i>Part Number</i>	<i>Qty.</i>	<i>Description</i>
1	94-2135	1	Gasket	11	94-2217	1	Spacer-Shaft, Input
2	32144-10	3	Screw-HWH	12	1-613235	1	Washer
3	103118	1	Seal	13	98-3498	1	Screw-HH
4	99-7843	1	Sector-Gear	14	302-5	1	Fitting-Grease
5	3256-42	1	Washer-Flat	15	112-2918-03	1	Cover-Housing, Steering
6	251-82	2	Bearing-Ball	16	114-8309	1	Housing-Steering
7	112-2917	1	Spacer	18	115-7726	1	Gear-Pinion
8	104-6563	1	Washer-Stepped	19	99-7657	1	Seal-Oil
9	104-7156	1	Screw-HHF	20	112-3096-03	1	Arm-Pitman
10	38-7820	2	Bearing-Ball				





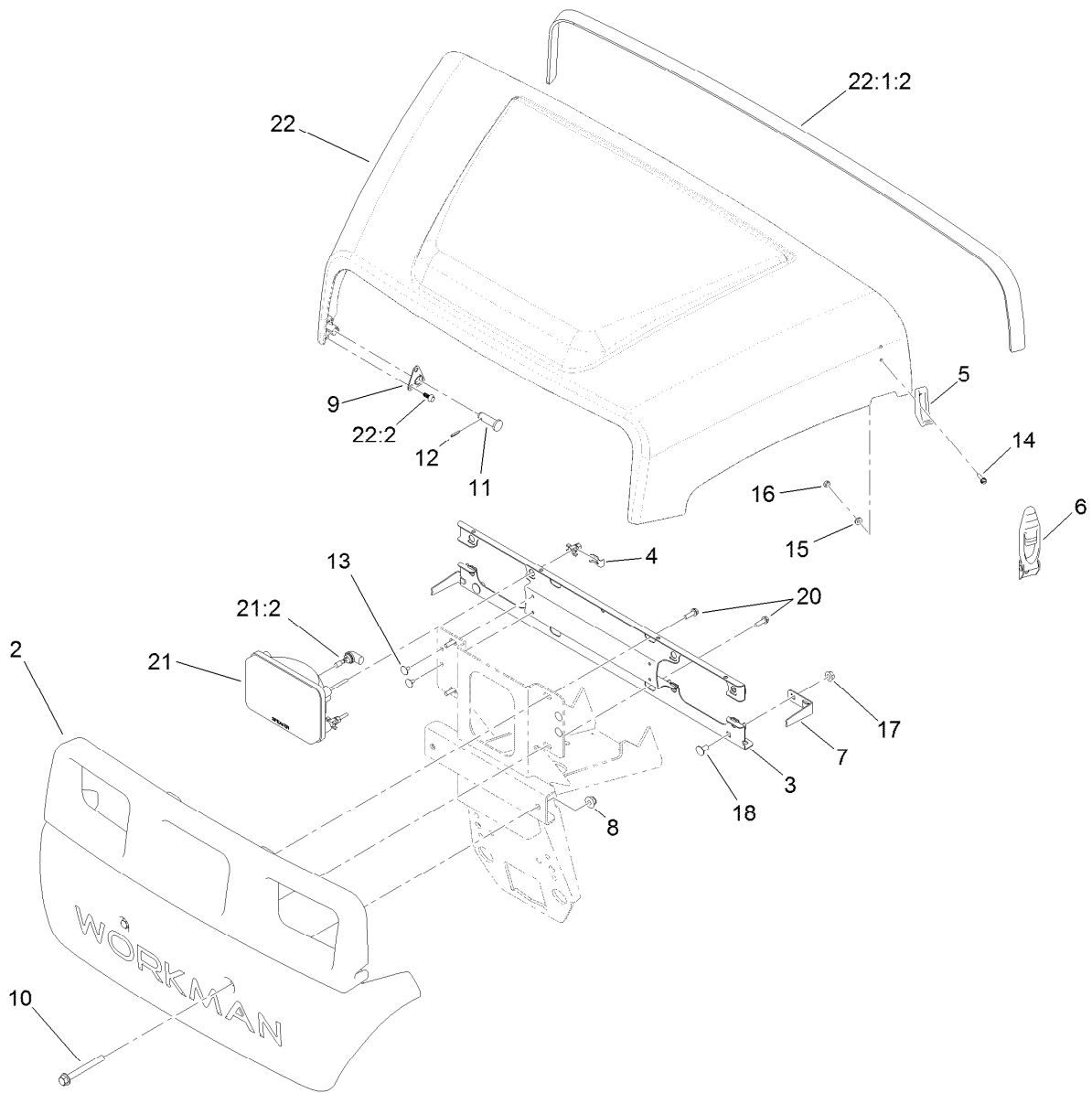
## Pedal Box Assembly

<i>Ref.</i>	<i>Part Number</i>	<i>Qty.</i>	<i>Description</i>	<i>Ref.</i>	<i>Part Number</i>	<i>Qty.</i>	<i>Description</i>
1	119-0748-03	1	Support-Pedal	18	323-4	2	Screw-HH
2	119-9747-03	1	Pedal-Throttle	21	321-7	1	Screw-HH
3	112-3314-03	1	Pedal-Brake	22	32149-2	1	Nut-Keps
4	104-7164	2	Pivot-Pedal	23	119-4881	1	Bolt-Shoulder
6	104-6415	1	Spring-Return, Pedal	24	32128-33	1	Nut-HF
8	256-155	4	Bushing-Flange	25	95-8900	1	Switch
11	104-8301	4	Nut-Flange, NI	26	32105-9	2	Screw
14	32144-4	2	Screw-HWH	27	3296-9	2	Nut-Lock
17	323-11	2	Screw-HH				



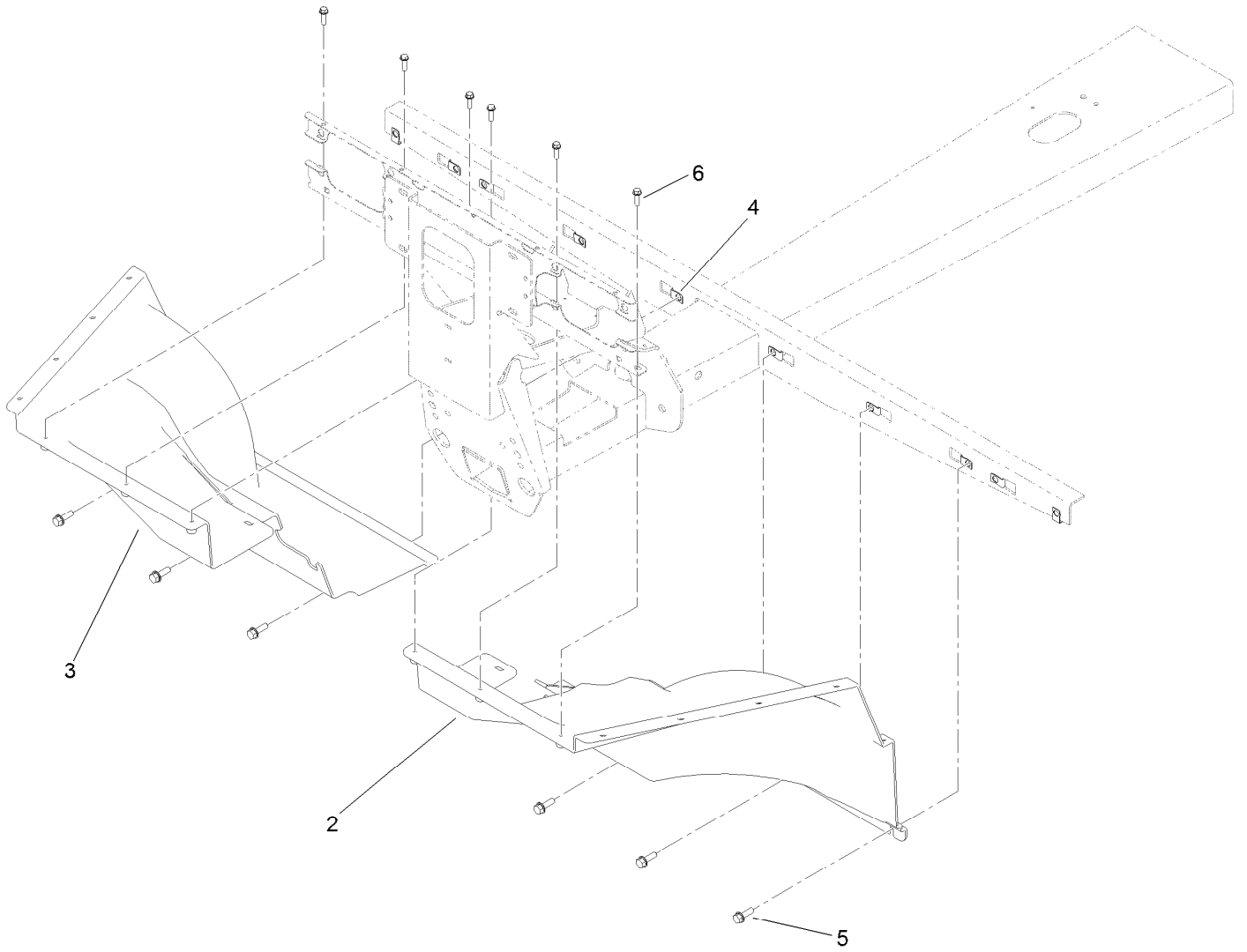
## Shifter Assembly

<i>Ref.</i>	<i>Part Number</i>	<i>Qty.</i>	<i>Description</i>	<i>Ref.</i>	<i>Part Number</i>	<i>Qty.</i>	<i>Description</i>
1	108-3141-03	1	Bracket-Shift	9	3290-378	1	Tie-Cable
2	108-3138	1	Arm-Detent	10	104-8301	2	Nut-Flange, NI
3	114-2719	1	Plate-Detent	11	32105-15	4	Screw-HWH
4	99-7887-03	1	Plate-Shifter	12	32144-4	4	Screw-HWH
5	251-307	1	Bearing-Ball	13	323-14	2	Screw-HH
6	99-7981	1	Knob-Grip, Soft	14	3272-5	2	Pin-Cotter
7	104-6415	1	Spring-Return, Pedal	15	3296-42	1	Nut-Lock, NI
8	32151-101	2	E-Ring	16	99-7952	1	Decal-Shifter



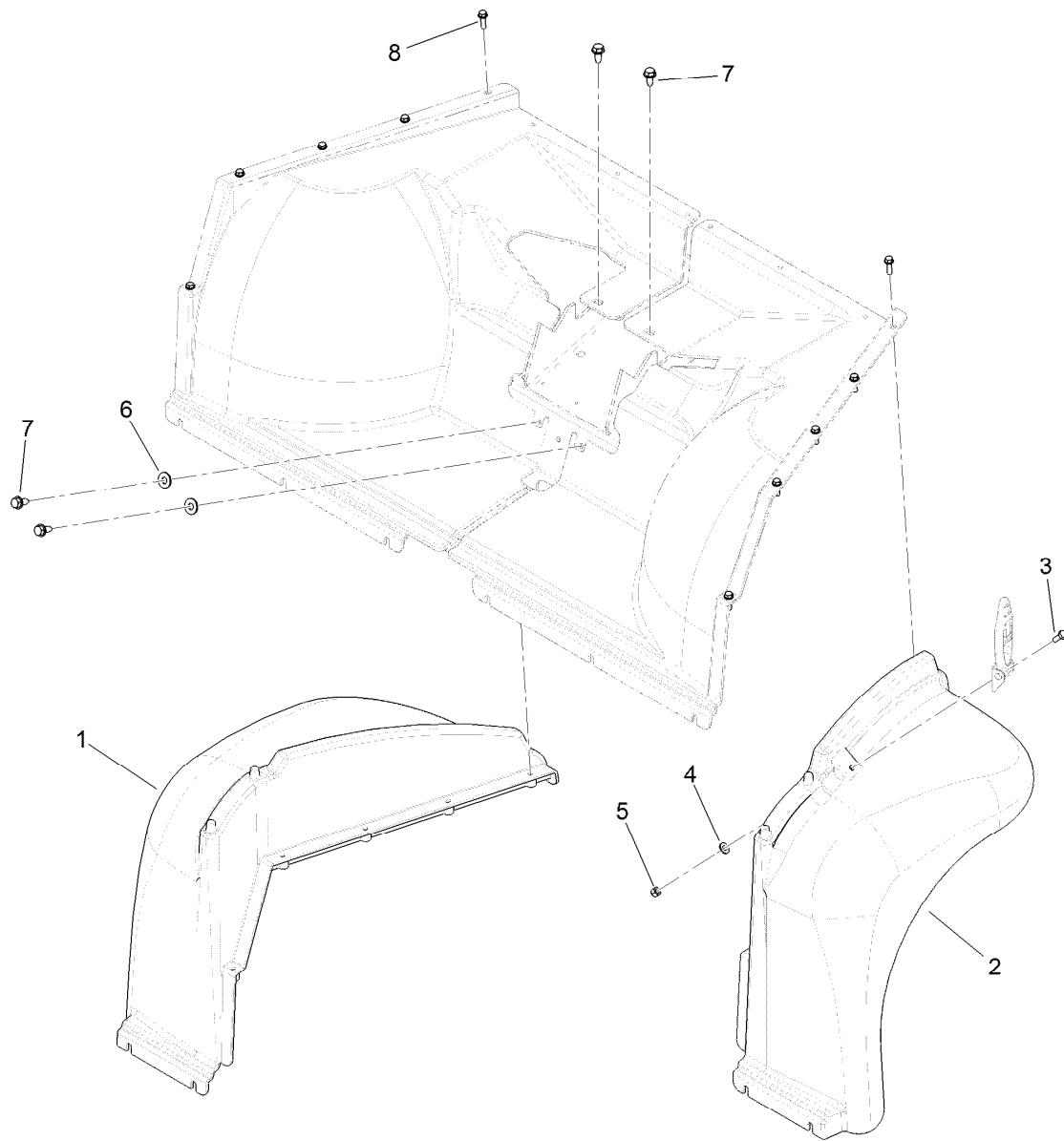
## Hood and Bumper Assembly

<i>Ref.</i>	<i>Part Number</i>	<i>Qty.</i>	<i>Description</i>	<i>Ref.</i>	<i>Part Number</i>	<i>Qty.</i>	<i>Description</i>
2	112-3365	1	Bumper	14	32105-13	4	Screw-HWH
3	119-0841-03	1	Bracket-Headlight	15	3256-14	4	Washer-Flat
4	115-2408	6	Clip-Speed	16	3296-2	4	Nut-Lock, NI
5	103-2897	2	Latch-Catch	17	32128-20	2	Nut-HF
6	115-2416	2	Latch-Rubber	18	3230-18	2	Screw-CARR
7	112-3373	2	Keeper-Pivot, Hood	20	46-8091	4	Screw-HWH
8	104-8301	2	Nut-Flange, NI	21	114-8322	2	Headlight ASM
9	112-3308	2	Retainer-Pin	21:2	115-2395	1	Light Bulb ASM
10	115-7660	2	Screw-HHF	22	121-9606	1	Hood ASM
11	117-5094	2	Pin-Clevis	22:1:2	115-7635	1	Seal-Foam
12	32121-50	2	Pin-Spring	22:2	121-9605	6	Screw-HWH
13	146489	4	Rivet				



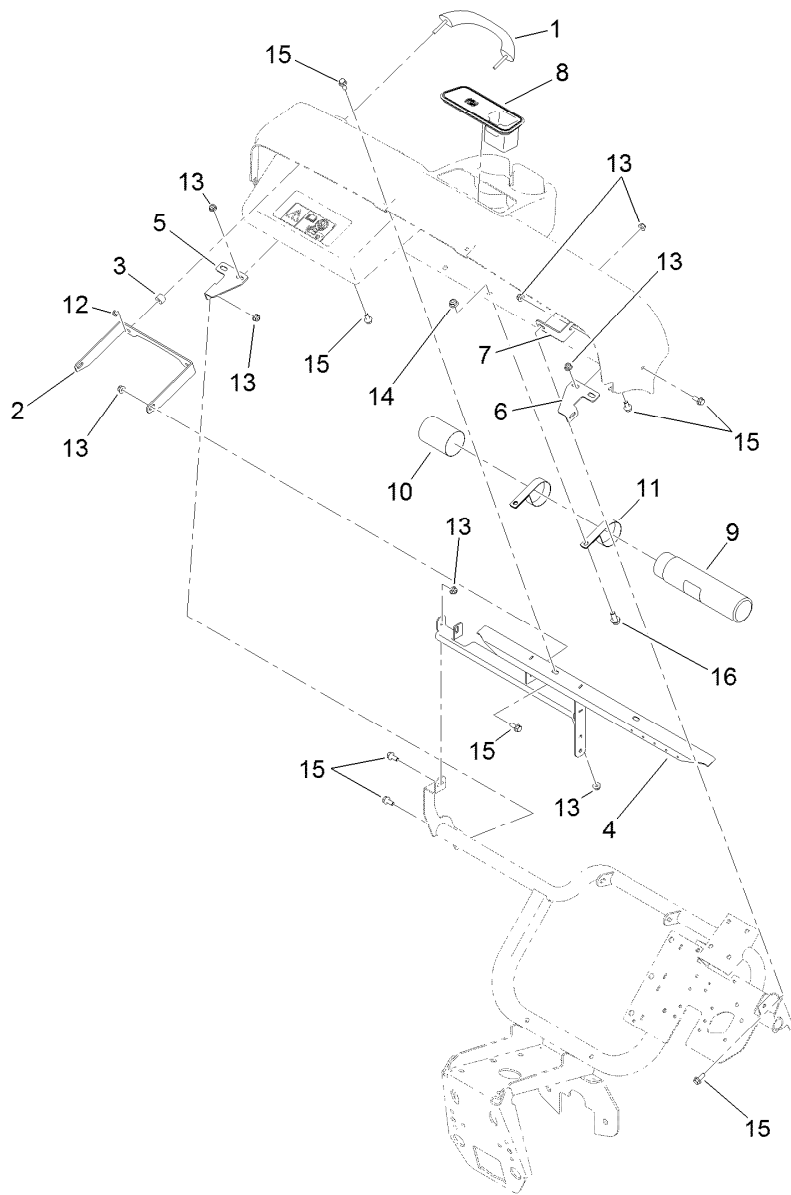
## Fender Well Assembly

<i>Ref.</i>	<i>Part Number</i>	<i>Qty.</i>	<i>Description</i>
2	112-3369	1	Well-Fender, LH
3	112-3368	1	Well-Fender, RH
4	112-3306	10	Nut
5	3234-29	10	Screw-HHF
6	46-8091	6	Screw-HWH



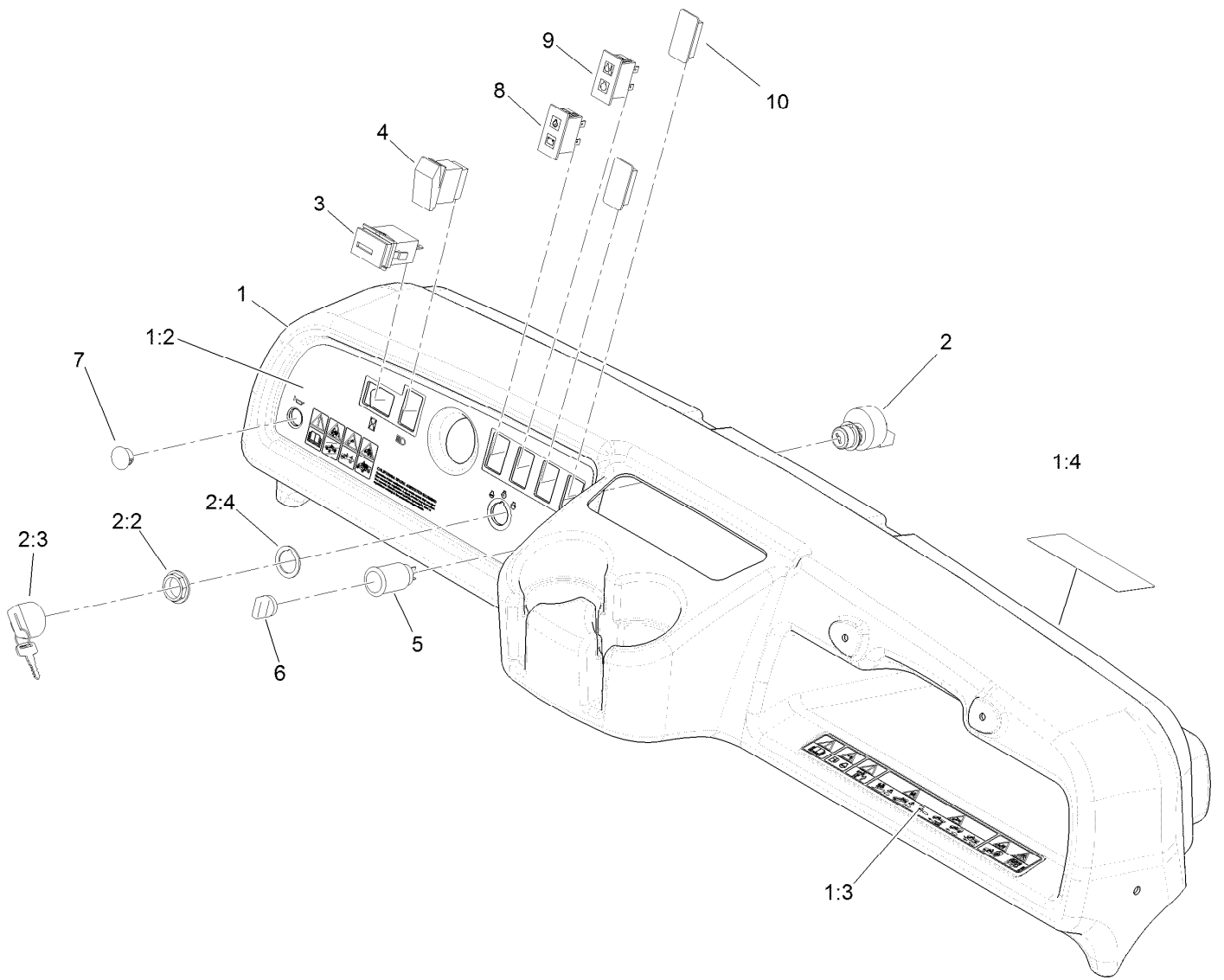
## Fender Assembly

<i>Ref.</i>	<i>Part Number</i>	<i>Qty.</i>	<i>Description</i>
1	112-3371	1	Fender-LH
2	112-3370	1	Fender-RH
3	321-39	2	Screw-HH
4	3256-22	2	Washer-Flat
5	3296-42	2	Nut-Lock, NI
6	3256-71	2	Washer-Flat
7	32104-32	4	Screw-HWH
8	46-8091	10	Screw-HWH



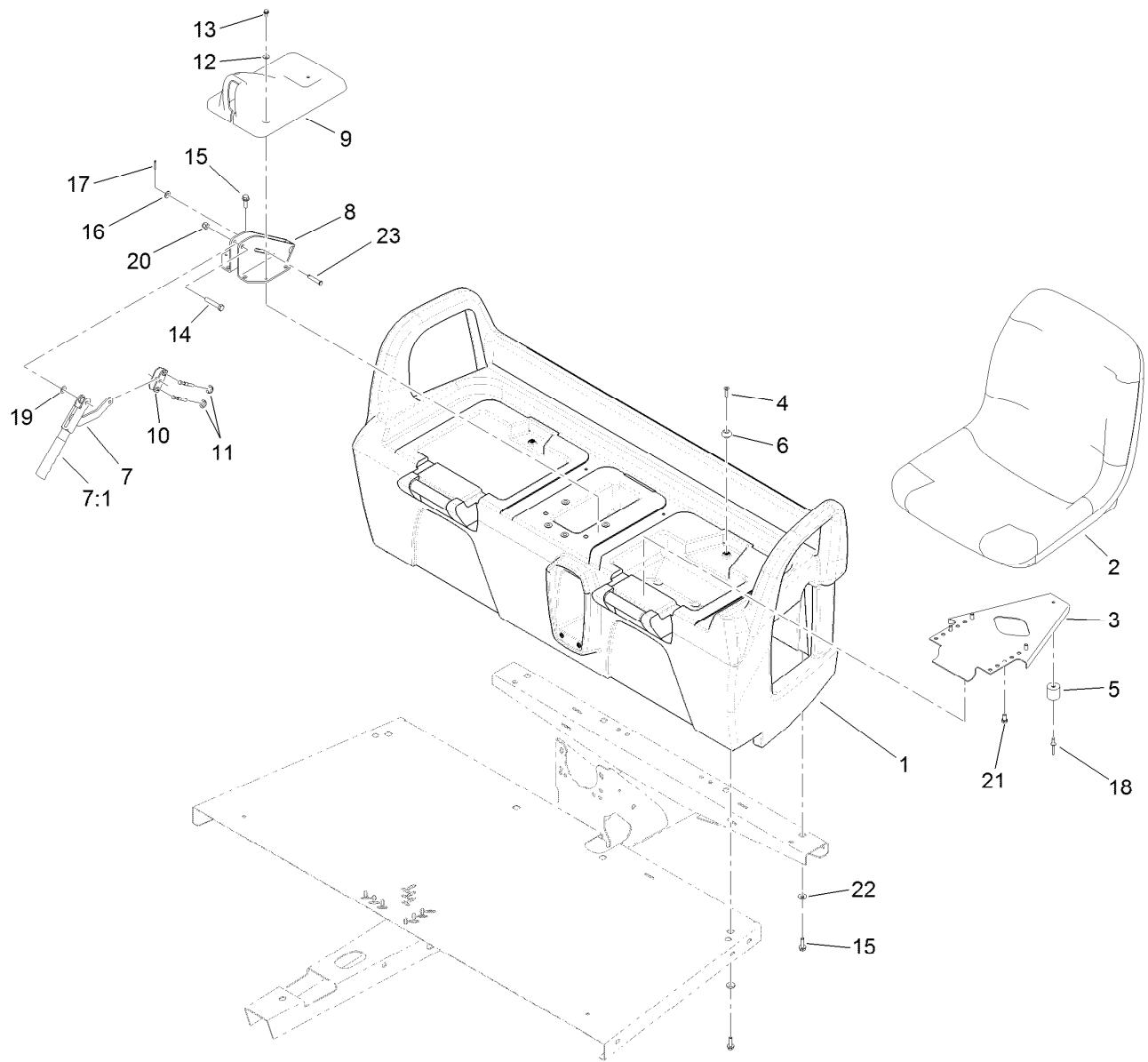
## Dash Installation Assembly

<i>Ref.</i>	<i>Part Number</i>	<i>Qty.</i>	<i>Description</i>	<i>Ref.</i>	<i>Part Number</i>	<i>Qty.</i>	<i>Description</i>
1	112-3320	1	Handle-Grip	9	104-7050	1	Tube-Manual
2	112-3391-03	1	Bracket-Grip, Handle	10	104-7048	1	Cap-Housing
3	114-8301	2	Spacer	11	2412-133	2	R-Clamp
4	115-7651-03	1	Support-Dash	12	104-7201	2	Nut-HF
5	114-8304	1	Bracket-Mount, Dash (RH)	13	104-8300	15	Nut-Flange, NI
6	114-8312	1	Bracket-Mount, Dash (LH)	14	104-8301	2	Nut-Flange, NI
7	114-8305	1	Angle-Mount, Dash (LH)	15	110-5053	15	Screw-HHF
8	104-6930	1	Plug-Rubber	16	3234-11	2	Screw-HHF



## Dash Assembly

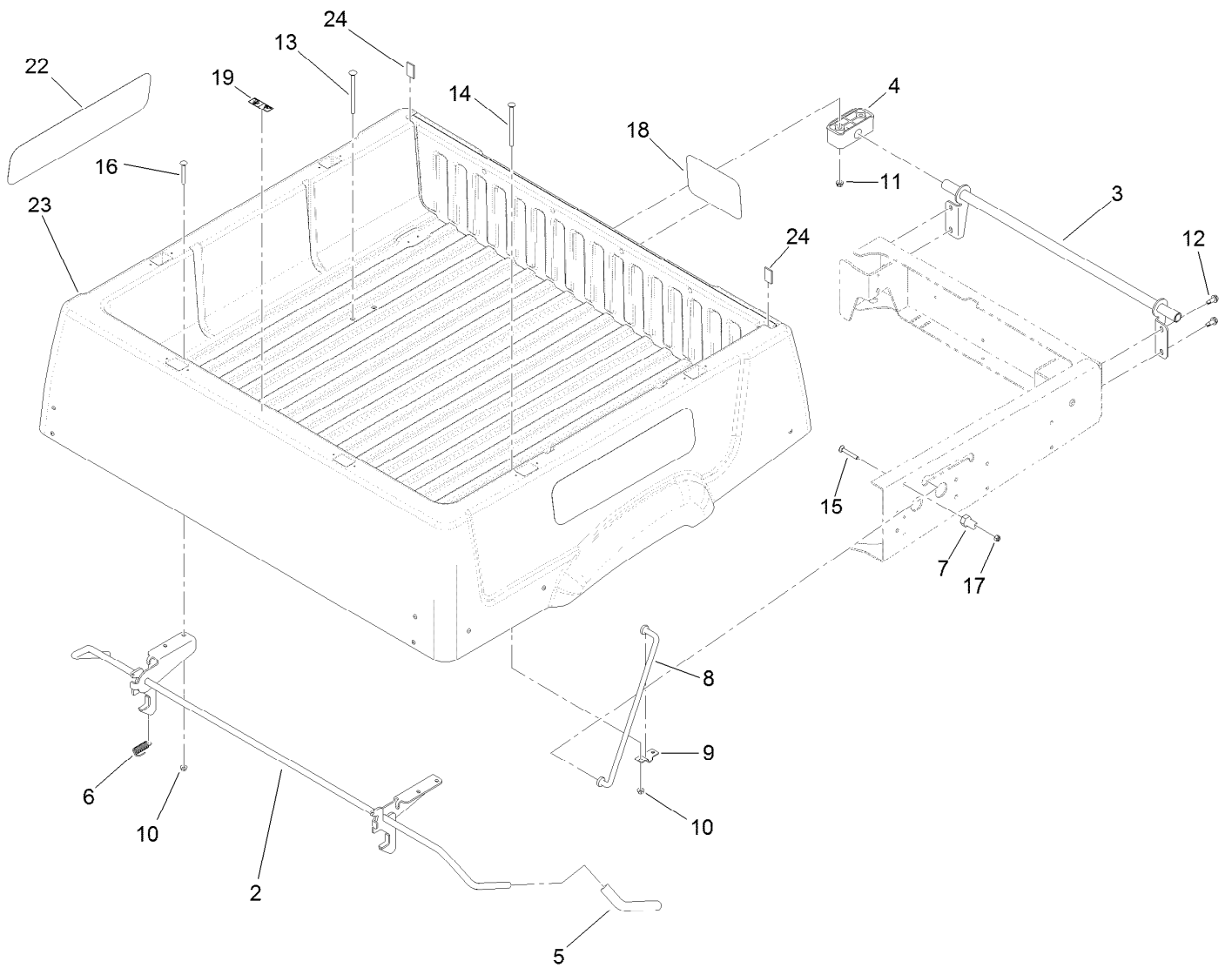
<i>Ref.</i>	<i>Part Number</i>	<i>Qty.</i>	<i>Description</i>	<i>Ref.</i>	<i>Part Number</i>	<i>Qty.</i>	<i>Description</i>
1	119-9726	1	Dash ASM	3	94-4208	1	Hourmeter
1:2	119-9727	1	Decal-Panel, Control	4	95-8999	1	Switch
1:3	104-6581	1	Decal-Danger	5	99-7411	1	Point-Power
1:4	115-2412	1	Decal-No Storage	6	99-7416	1	Cap
2	106-5269	1	Ignition Switch ASM	7	94-5627	1	Plug
2:2	108-8660	1	Nut-Mounting	8	100-8070	1	Lamp-Warning
2:3	106-5270	1	Ignition Key Set	9	100-8071	1	Lamp-Warning
2:4	108-8659	1	Washer-Backup	10	99-7420	2	Plug-Hole



## Seatbase Assembly

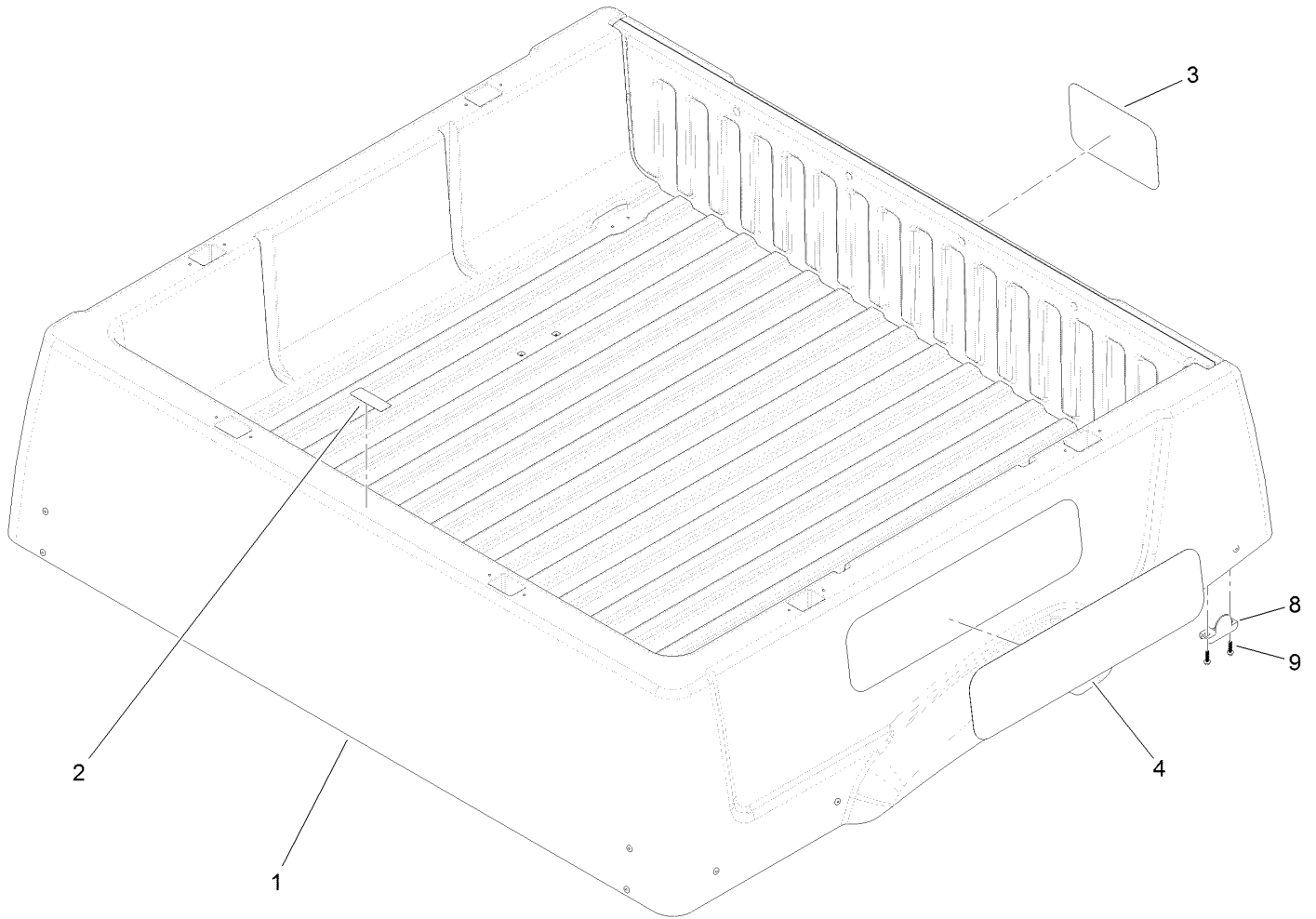
<i>Ref.</i>	<i>Part Number</i>	<i>Qty.</i>	<i>Description</i>	<i>Ref.</i>	<i>Part Number</i>	<i>Qty.</i>	<i>Description</i>
1	104-6847	1	Seat Base ASM	12	3256-1	2	Washer-Flat
2	112-2923	2	Seat ASM	13	32144-4	2	Screw-HWH
3	99-7829	2	Bracket-Seat	14	323-10	1	Screw-HH
4	32108-5	2	Screw-FH	15	3234-17	12	Screw-HHF
5	99-7830	2	Rubber Receptical ASM	16	3256-23	1	Washer-Flat
6	99-7833	2	Post-Holding	17	3272-6	1	Pin-Cotter
7	104-6842	1	Lever-Brake, Park	18	3290-412	2	Rivet
7:1	106-7972	1	Grip-Handle	19	3290-477	1	Washer-Curved
8	104-6844-03	1	Support-Brake, Park	20	3296-39	1	Nut-Lock, NI
9	104-7014	1	Cover-Brake, Parking	21	33114-016	8	Screw-HH
10	87-3480	1	Bracket-Equalizer, Cable	22	88-7200	8	Washer-Flat
11	32120-47	2	Ring-Retaining, External	23	94-3829	1	Pin-Clevis





## Cargo Bed Installation Assembly

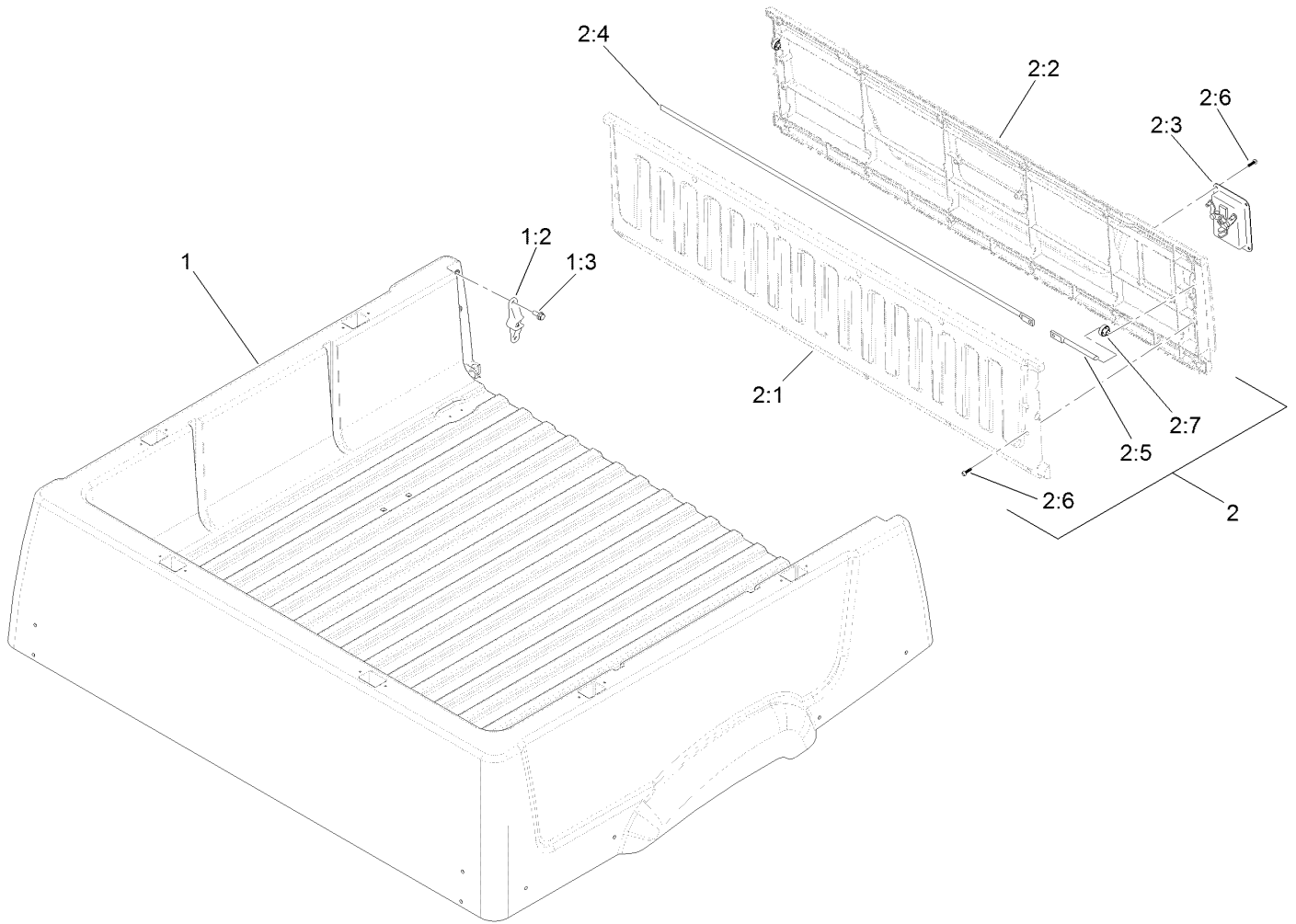
<i>Ref.</i>	<i>Part Number</i>	<i>Qty.</i>	<i>Description</i>	<i>Ref.</i>	<i>Part Number</i>	<i>Qty.</i>	<i>Description</i>
2	119-0837	1	Latch ASM	13	109-6795	4	Bolt-CARR
3	119-0848-03	1	Bracket-Pivot	14	119-0914	2	Bolt-CARR
4	119-0835	2	Bushing-Pivot	15	3230-7	2	Bolt-CARR
5	119-9627	2	Grip-Handle	16	3230-8	4	Screw-CARR
6	5-7290	2	Spring-Tension	17	3296-29	2	Nut-Lock, NI
7	104-7248	2	Pin-Latch	18	104-7213	1	Decal
8	119-0844	1	Rod-Prop	19	115-7739	1	Decal-No Riders
9	99-7896	1	Bracket-U, Prop Rod	22	120-4826	2	Decal
10	32128-20	6	Nut-HF	23	121-9810	1	Complete Cargo Bed ASM
11	3290-357	4	Nut-HHF, Whiz	24	120-4944	2	Pad-Foam
12	105-6245	4	Screw-Tapping				



## Cargo Bed Service Assembly No. 121-9810

<i>Ref.</i>	<i>Part Number</i>	<i>Qty.</i>	<i>Description</i>
1		1	Cargo Bed And Tailgate ASM ●
2	115-7739	1	Decal-No Riders
3	104-7213	1	Decal
4	120-4825	2	Decal
8	121-9720	2	Cap-Pivot, Tailgate
9	121-9102	4	Screw-HWH

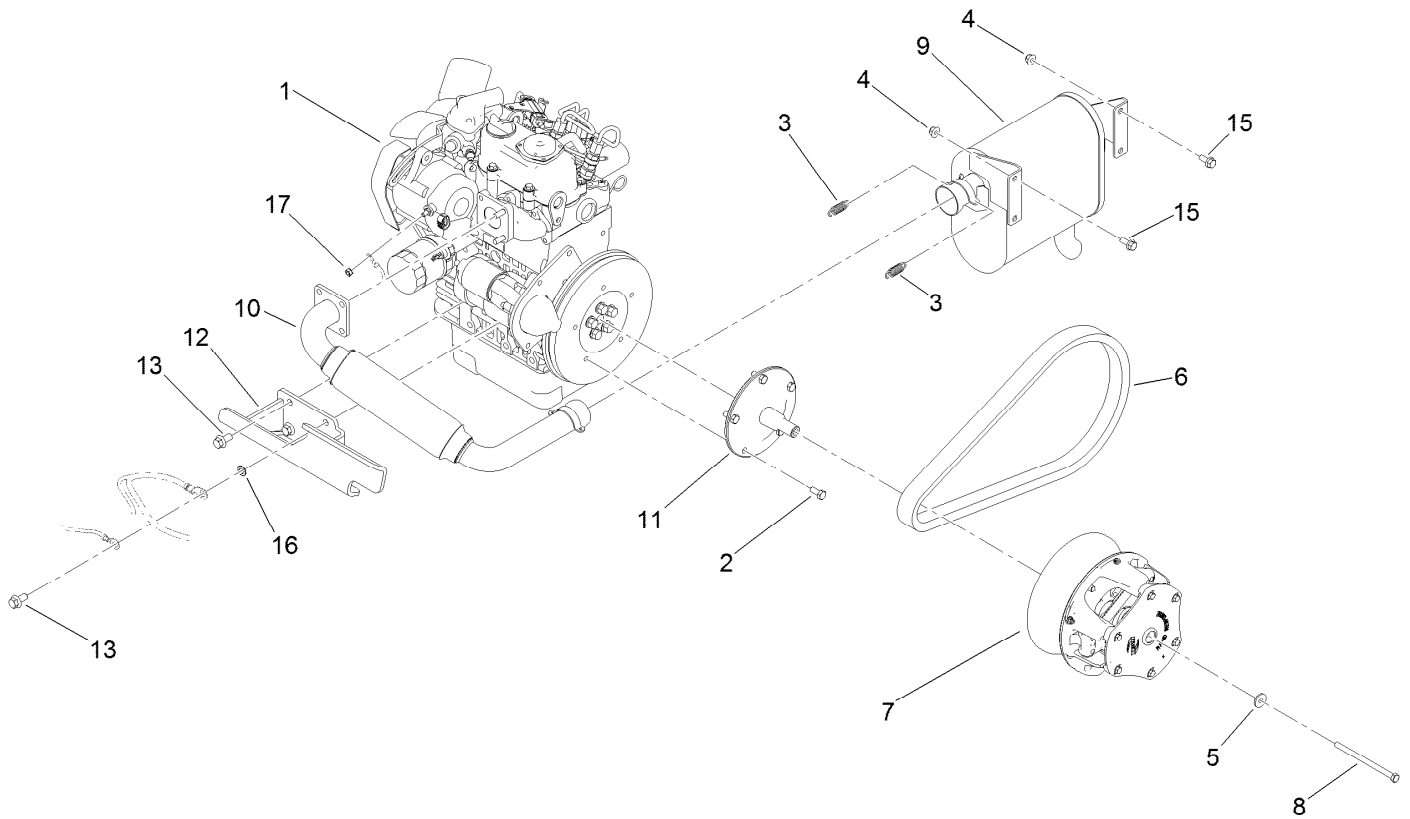
● Not serviced separately



## Cargo Bed and Tailgate Assembly

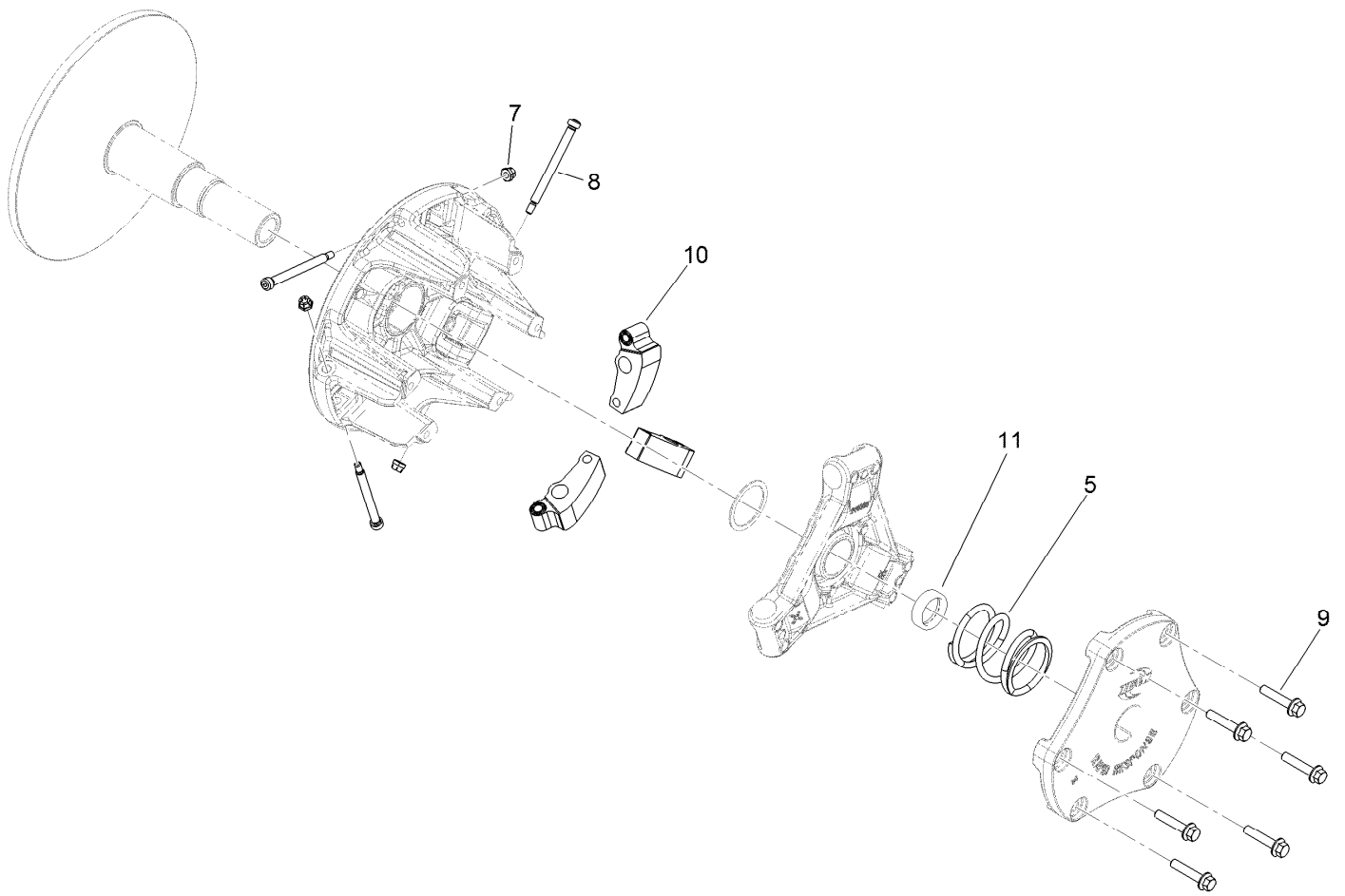
Ref.	Part Number	Qty.	Description
1		1	Cargo Bed W/ Strikes ●
1:2	121-9717	2	Striker-Latch
1:3	3234-47	4	Screw-HHF
2	121-9806	1	Tailgate ASM
2:1		1	Tailgate-Inner ●
2:2		1	Tailgate-Outer ●
2:3	119-0891	1	Handle-Latch
2:4	121-9741	1	Rod-Latch, RH
2:5	121-9742	1	Rod-Latch, LH
2:6	121-9102	20	Screw-HWH
2:7	121-9724	2	Bushing

● Not serviced separately



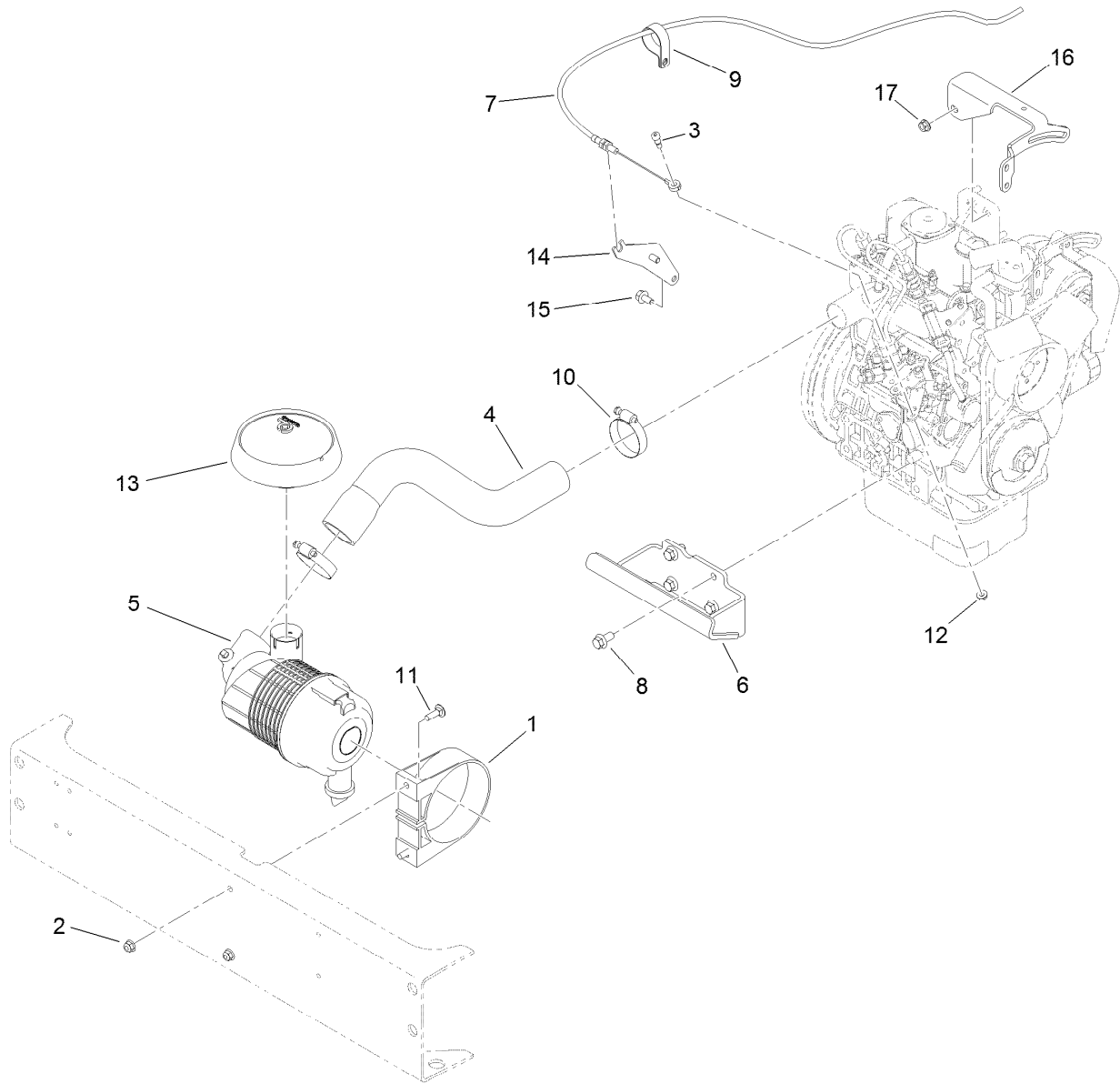
## Engine, Primary Clutch and Exhaust Assembly

<i>Ref.</i>	<i>Part Number</i>	<i>Qty.</i>	<i>Description</i>	<i>Ref.</i>	<i>Part Number</i>	<i>Qty.</i>	<i>Description</i>
1	119-9589	1	Engine ASM	9	119-9715	1	Muffler-Exhaust
2	33114-016	5	Screw-HH	10	119-9716	1	Header-Exhaust
3	104-6478	2	Spring-Extension	11	119-9722	1	Adapter-Clutch
4	104-8300	4	Nut-Flange, NI	12	120-4940-03	1	Front Engine Mount ASM
5	119-0724	1	Washer-Flange	13	120-4839	4	Screw-HHF
6	119-0934	1	Belt-Cvt	15	3234-47	4	Screw-HHF
7	119-9610	1	Clutch-Primary	16	3255-9	1	Washer-Lock
8	107-0277	1	Screw-HH	17	98-5845	1	Nut-Hex



## Primary Clutch Assembly No. 119-9610

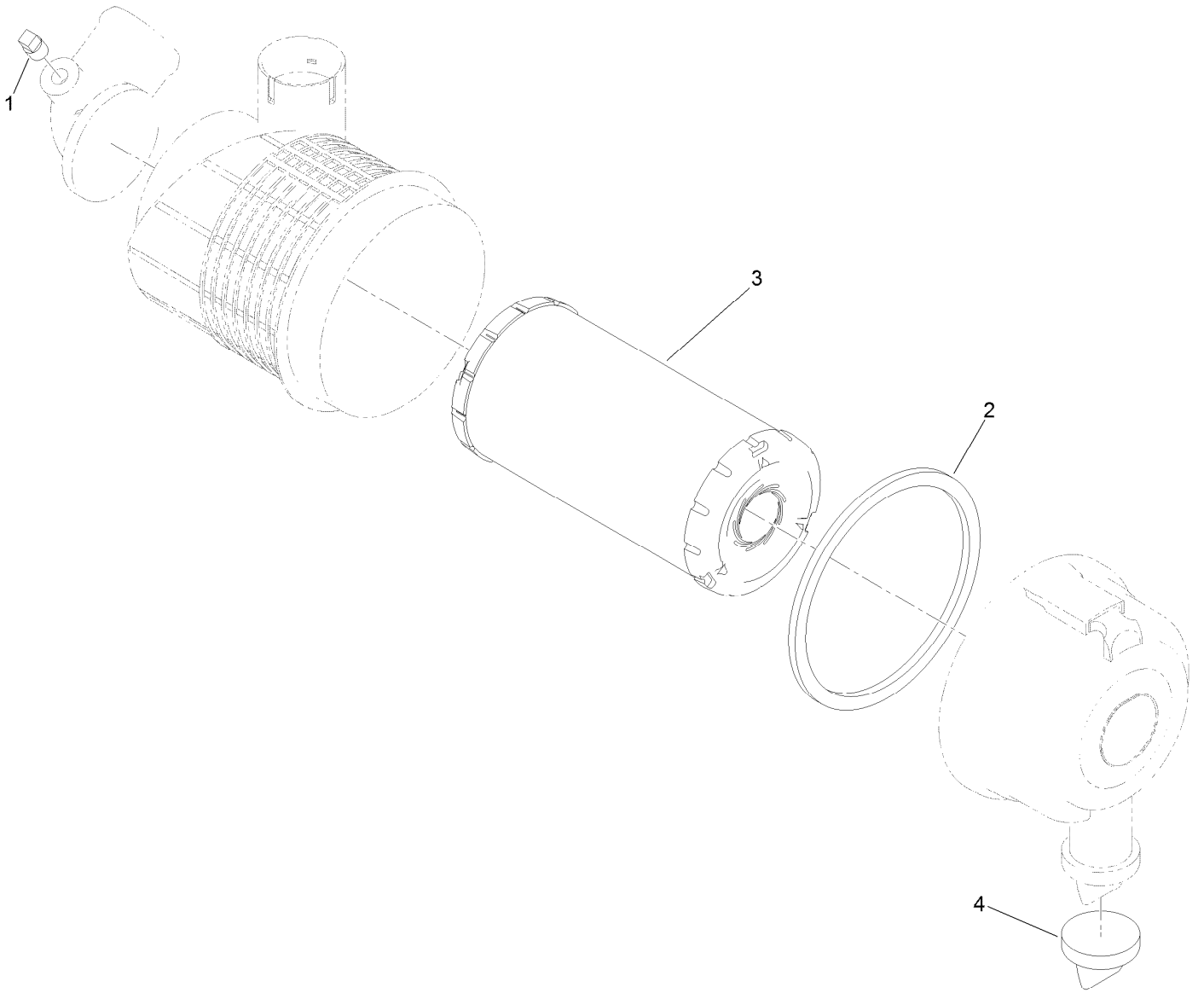
<i>Ref.</i>	<i>Part Number</i>	<i>Qty.</i>	<i>Description</i>
5	120-4807	1	Spring-Compression
7	119-6015	3	Nut-Hex, Lock
8	119-6016	3	Screw-Shoulder
9	119-6017	6	Screw-HF
10	119-6019	3	Weight-Clutch
11	120-4803	1	Shim-Limiter, Speed



## Air Cleaner, Throttle and Engine Mount Assembly

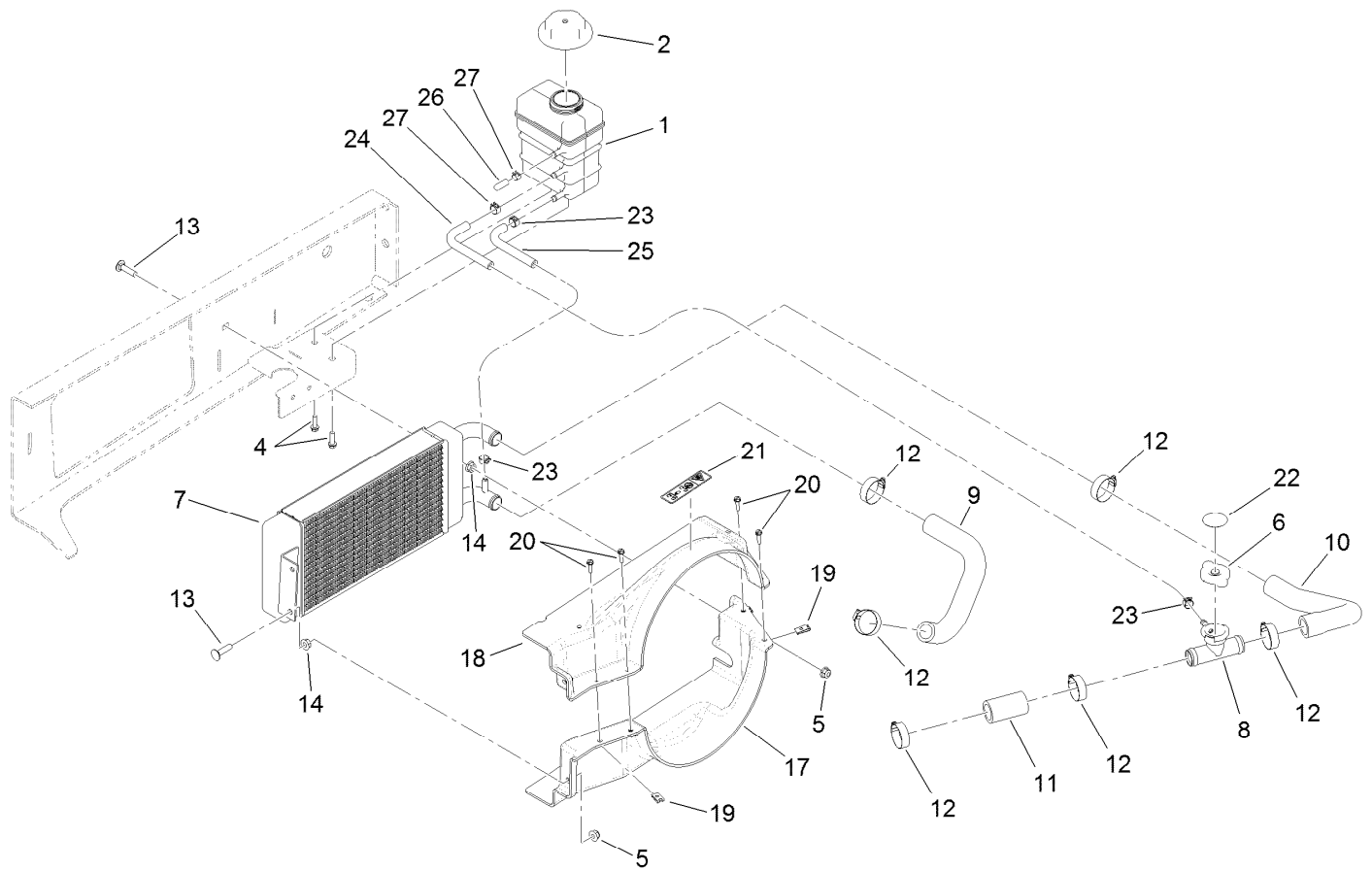
Ref.	Part Number	Qty.	Description
1	95-5806	1	Bracket-Mounting
2	104-8300	2	Nut-Flange, NI
3	119-4881	1	Bolt-Shoulder
4	119-9707	1	Hose-Intake, Air
5	119-9714	1	Air Cleaner ASM
6	119-9739-03	1	Rear Engine Mount ASM
7	119-9746	1	Cable-Throttle
8	120-4839	4	Screw-HHF
9	2412-74	1	R-Clamp

Ref.	Part Number	Qty.	Description
10	2412-92	2	Clamp-Hose
11	3230-2	2	Bolt-CARR
12	32128-33	1	Nut-HF
13	120-4848	1	Hood-Inlet, Air
14	119-9453-03	1	Mount-Cable, Throttle
15	33104-016	2	Screw-HHF
16	120-4847-03	1	Bracket-Alternator
17	112-2844	1	Nut-HF



## Air Cleaner Assembly No. 119-9714

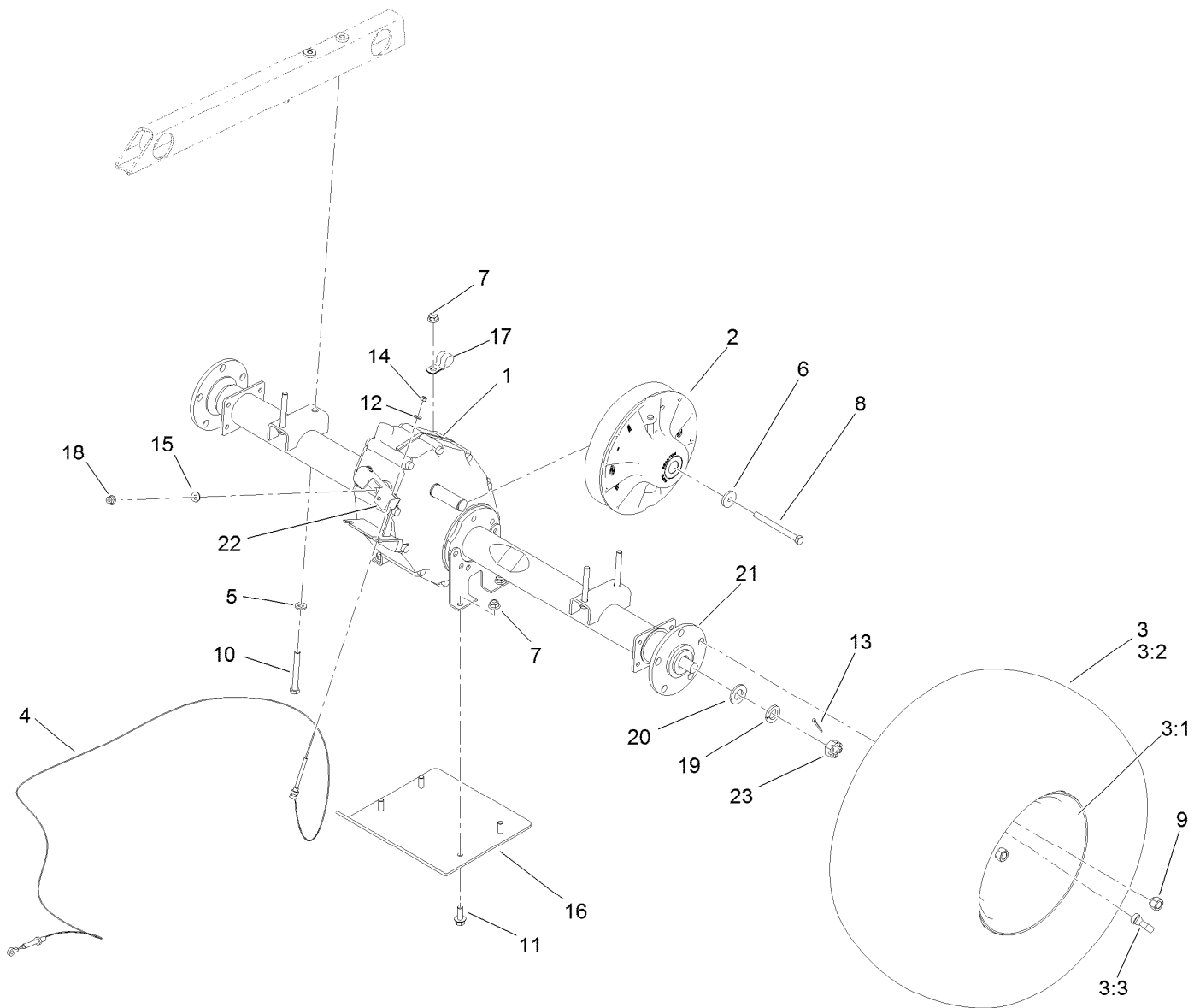
<i>Ref.</i>	<i>Part Number</i>	<i>Qty.</i>	<i>Description</i>
1	285-17	1	Plug-Pipe
2	106-6748	1	Gasket
3	108-3811	1	Filter-Air
4	104-0498	1	Valve-Vacuator



## Radiator Assembly

<i>Ref.</i>	<i>Part Number</i>	<i>Qty.</i>	<i>Description</i>	<i>Ref.</i>	<i>Part Number</i>	<i>Qty.</i>	<i>Description</i>
1	120-4856	1	Surge Tank ASM	14	32128-20	3	Nut-HF
2	120-4867	1	Cap-Coolant, Threaded (15 Psi)	17	120-4828	1	Shroud-Radiator, Lower
4	46-8091	2	Screw-HWH	18	120-4827	1	Shroud-Radiator, Upper
5	104-8300	3	Nut-Flange, NI	19	3290-277	4	Nut-Speed
6	120-4866	1	Cap-System, Cooling	20	32105-13	4	Screw-HWH
7	119-0915	1	Radiator	21	120-0627	1	Decal-Warning
8	119-9700	1	Filler Neck ASM	22	106-6755	1	Decal-Cap, Radiator
9	119-9708	1	Hose-Radiator, Lower	23	92-2379	4	Clamp-Hose
10	119-9709	1	Hose-Radiator, Upper	24	120-4868	1	Hose-Coolant
11	119-9711	1	Hose-Straight	25	120-4869	1	Hose-Coolant
12	2412-34	6	Clamp-Hose	26	115-2403	1	Cap
13	3230-3	3	Screw-CARR	27	2412-146	1	Clamp-Hose

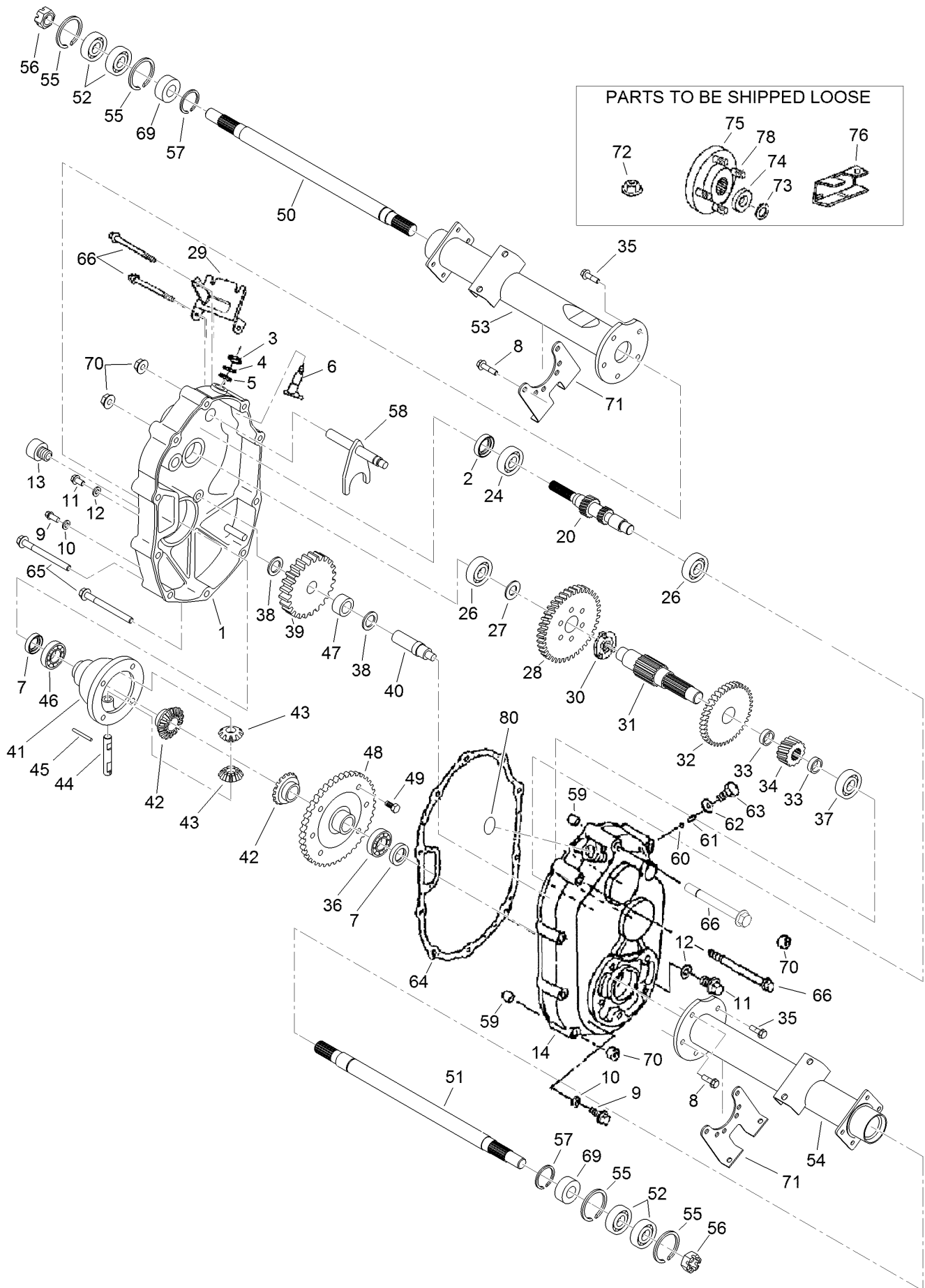




## Secondary Clutch and Rear Axle Assembly

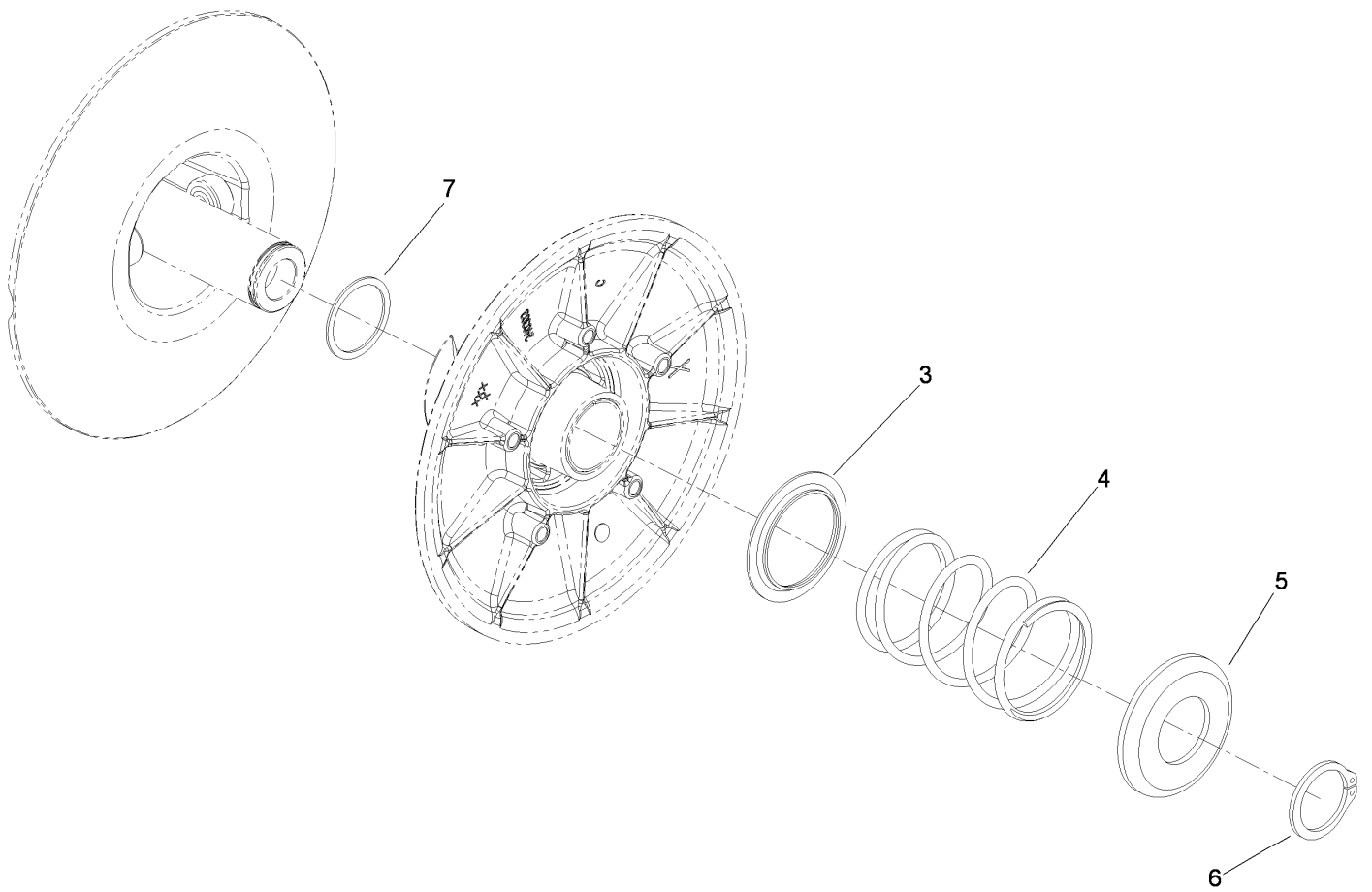
Ref.	Part Number	Qty.	Description	Ref.	Part Number	Qty.	Description
1	119-0760	1	Transaxle ASM	11	3234-11	4	Screw-HHF
2	119-6011	1	Secondary Clutch ASM	12	3256-49	2	Washer-Flat
3	120-4972	2	Tire And Wheel ASM	13	3272-12	2	Pin-Cotter
3:1	87-5720	1	Wheel	14	3296-2	2	Nut-Lock, NI
3:2	104-7281	1	Tire	15	87-8640	1	Washer-Flat
3:3	232-27	1	Stem-Valve	16	119-9741-03	1	Plate-Skid, Axle
4	104-6896	2	Cable-Shift	17	2412-4	1	Clamp
5	100-4852	4	Washer-Hardened	18	104-1672	1	Nut-Lock
6	104-6563	1	Washer-Stepped	19	104-1673	2	Washer-Spring
7	104-8301	4	Nut-Flange, NI	20	104-1674	2	Washer
8	119-0723	1	Screw-HH, Lock	21	104-1675	2	Hub
9	242-50	10	Nut-Lug	22	104-6860	1	Lever-Select
10	323-14	4	Screw-HH	23	104-1656	2	Nut-Castle

# Transaxle Assembly No. 119-0760



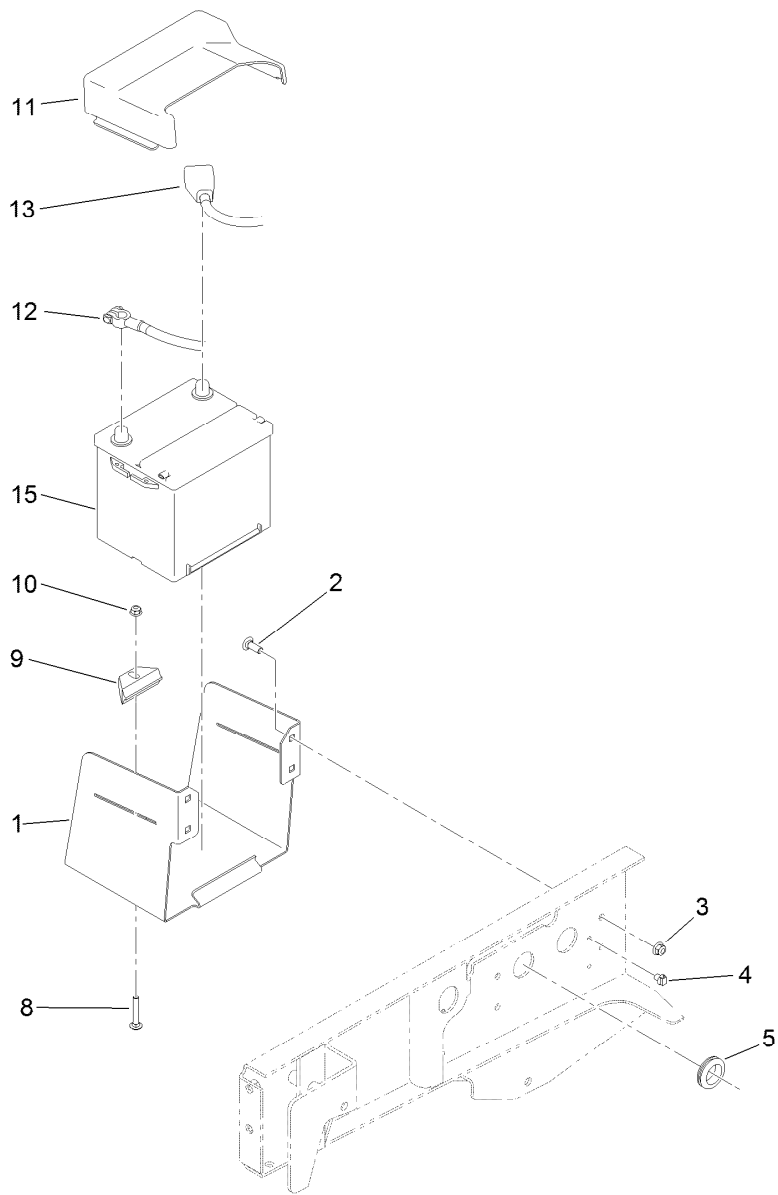
## Transaxle Assembly No. 119-0760 (continued)

<i>Ref.</i>	<i>Part Number</i>	<i>Qty.</i>	<i>Description</i>	<i>Ref.</i>	<i>Part Number</i>	<i>Qty.</i>	<i>Description</i>
1	104-1601	1	Case-LH, Complete	44	104-1644	1	Shaft-Differential
2	104-1602	1	Seal-Oil	45	104-1645	1	Pin
3	104-1603	1	Seal-Oil	46	104-1646	1	Bearing-Ball
4	104-1604	1	Ring-Snap	47	104-1647	1	Bearing-Needle
5	104-1605	1	Spacer	48	104-1648	1	Gear
6	104-1606	1	Shaft-Selector	49	104-1649	6	Bolt
7	104-1607	2	Seal-Oil	50	104-1650	1	Shaft-Axle, LH
8	104-1608	4	Bolt-Flange	51	104-1651	1	Shaft-Axle, RH
9	104-1609	2	Plug-Check, Oil	52	104-1652	4	Bearing-Ball
10	104-1610	2	Gasket	53	104-1653	1	Case-Axle, LH
11	104-1611	2	Plug-Drain, Oil	54	104-1654	1	Case-Axle, RH
12	104-1612	2	Gasket	55	104-1655	4	Ring-Snap
13	104-1613	1	Plug-Filler, Oil	56	104-1656	2	Nut-Castle
14	104-1614	1	Case-Complete, RH	57	104-1657	2	Ring-Snap
20	104-7002	1	Shaft-Input, Complete	58	104-6870	1	Shaft-Shift, Complete
24	104-1624	1	Bearing-Ball	59	104-1659	2	Knock-Pipe
26	104-1626	2	Bearing-Ball	60	104-1660	1	Ball-Steel
27	104-1627	1	Spacer	61	104-1661	1	Spring
28	104-1628	1	Gear	62	104-1662	1	Gasket
29	104-1629	1	Bracket-Wire, Change	63	104-1663	1	Bolt
30	104-1630	1	Clutch-Pin	64	104-1664	1	Gasket
31	104-1631	1	Shaft-Center	65	104-1665	6	Bolt-Flange
32	104-1632	1	Gear	66	104-1666	4	Bolt-Flange
33	104-1633	2	Collar	69	104-6867	2	Collar
34	104-1634	1	Gear	70	33004-00	10	Nut-HF
35	104-1635	6	Bolt-Flange	71	104-1671	2	Bracket-Axle
36	104-1636	1	Bearing-Ball	72	104-1672	1	Nut-Lock
37	104-1637	1	Bearing-Ball	73	104-1673	2	Washer-Spring
38	104-1638	2	Spacer	74	104-1674	2	Washer
39	104-1639	1	Gear	75	104-1675	2	Hub
40	104-1640	1	Shaft-Counter	76	104-6860	1	Lever-Select
41	104-1641	1	Case-Differential	78	104-8649	10	Stud
42	104-1642	2	Gear-Side, Differential	80	121-9718	1	Cap-Seal
43	104-1643	2	Pinion-Differential				



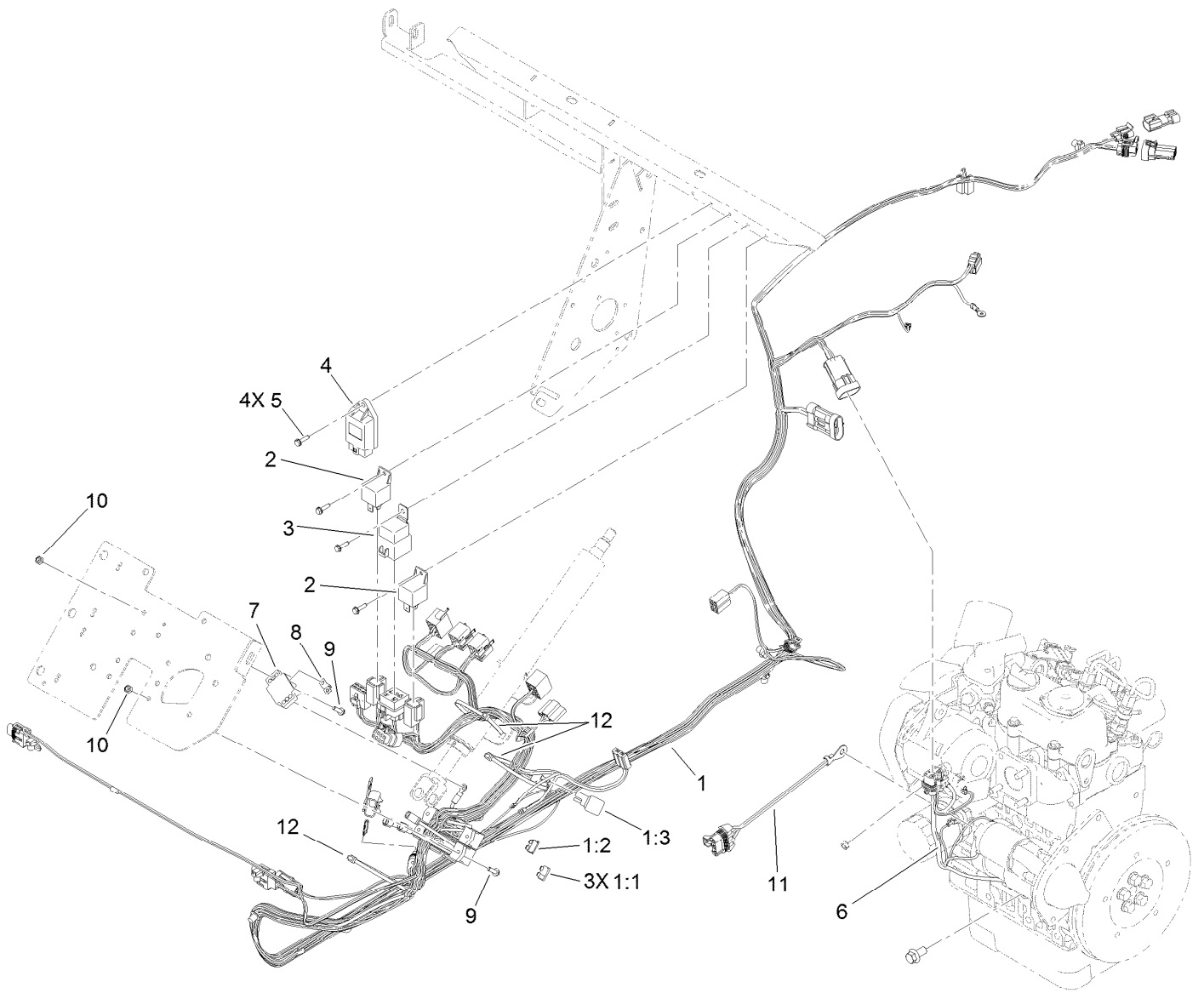
## Secondary Clutch Assembly No. 119-6011

<i>Ref.</i>	<i>Part Number</i>	<i>Qty.</i>	<i>Description</i>
3	119-0809	1	Cup-Spring Retainer, Inner
4	119-9360	1	Spring-Compression, Black/Almond
5	119-0810	1	Cup-Spring Retainer, Outer
6	119-0811	1	Ring-Retaining
7	119-6018	1	Shim-Thrust



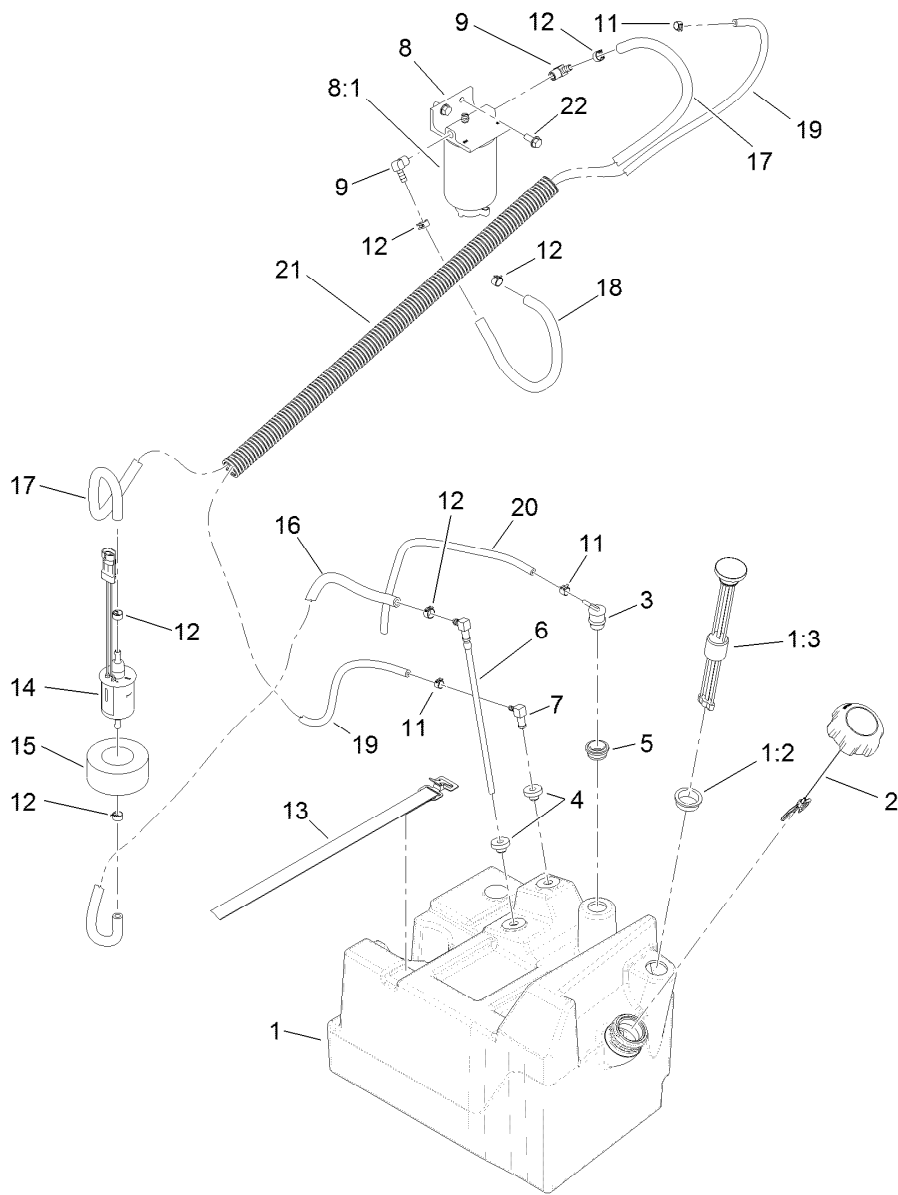
## Battery Assembly

<i>Ref.</i>	<i>Part Number</i>	<i>Qty.</i>	<i>Description</i>
1	119-9495-03	1	Tray-Battery
2	3231-22	4	Screw-CARR
3	104-8301	4	Nut-Flange, NI
4	32180-030	6	Clip-Tie
5	120-4831	2	Grommet
8	3230-6	1	Screw-CARR
9	66-2490	1	Retainer-Battery
10	104-8300	1	Nut-Flange, NI
11	119-9496	1	Cover-Battery
12	120-4849	1	Cable-Battery, Negative
13	120-4850	1	Cable-Battery, Positive
15	106-5187	1	Battery-Dry



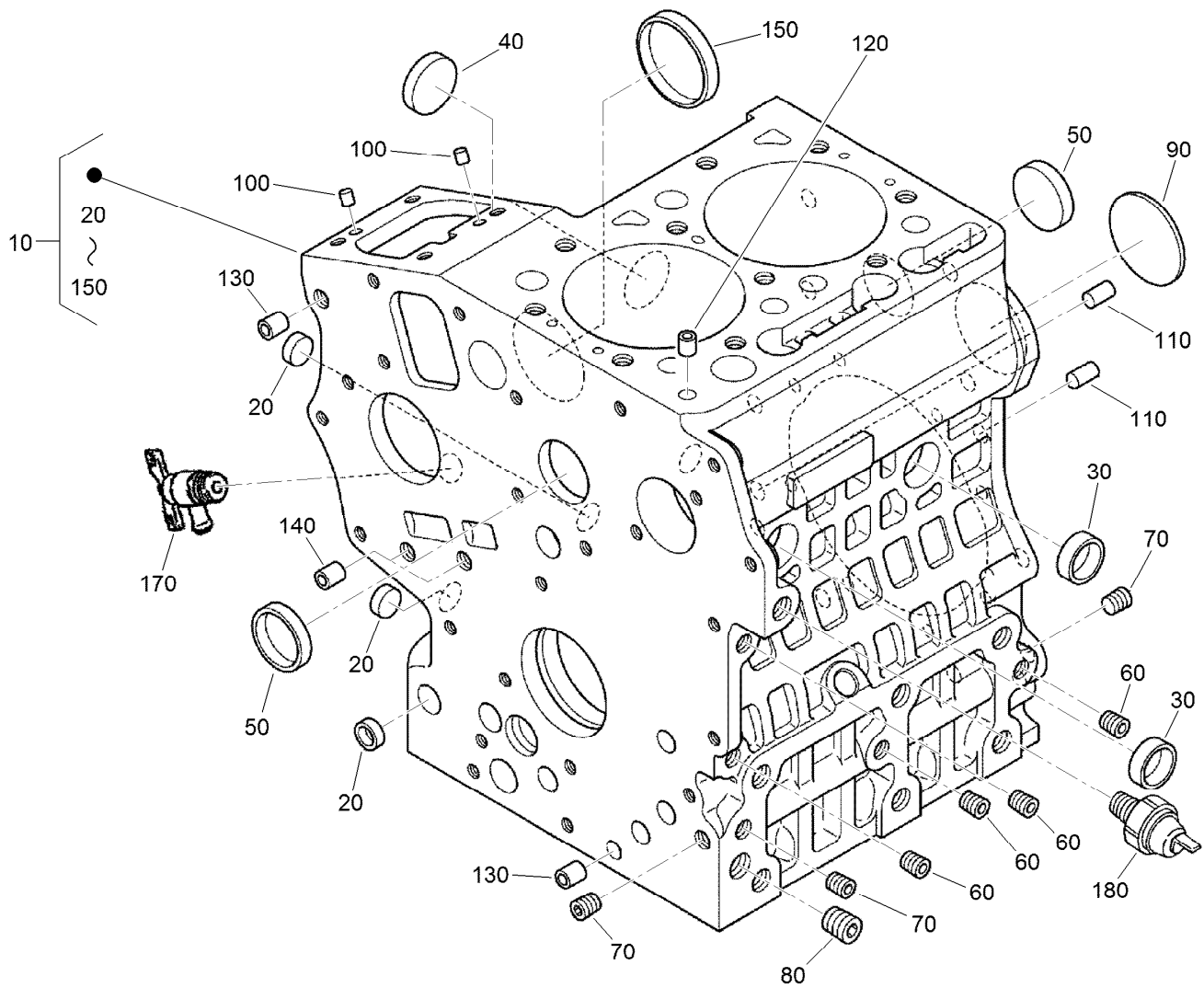
## Wire Harness Assembly

Ref.	Part Number	Qty.	Description
1	119-5799	1	Harness-Wire
1:1	218-578	4	Fuse-Blade, 10 Amp
1:2	109355	1	Fuse-Blade, 15 Amp
1:3	104-4022	1	Resistor-75 Ohm
2	99-7435	2	Relay-Power
3	99-7430	1	Relay
4	98-7611	1	Controller-Glow
5	100-4351	4	Screw-HWH
6	120-3961	1	Harness-Wire, Engine
7	42862	1	Block-Terminal, Ground
8	42863	1	Strip-Jumper
9	32105-13	4	Screw-HWH
10	3296-2	4	Nut-Lock, NI
11	99-3441	1	Harness-Wire, Fusible Link
12	3290-379	3	Tie-Cable



## Fuel Tank Assembly

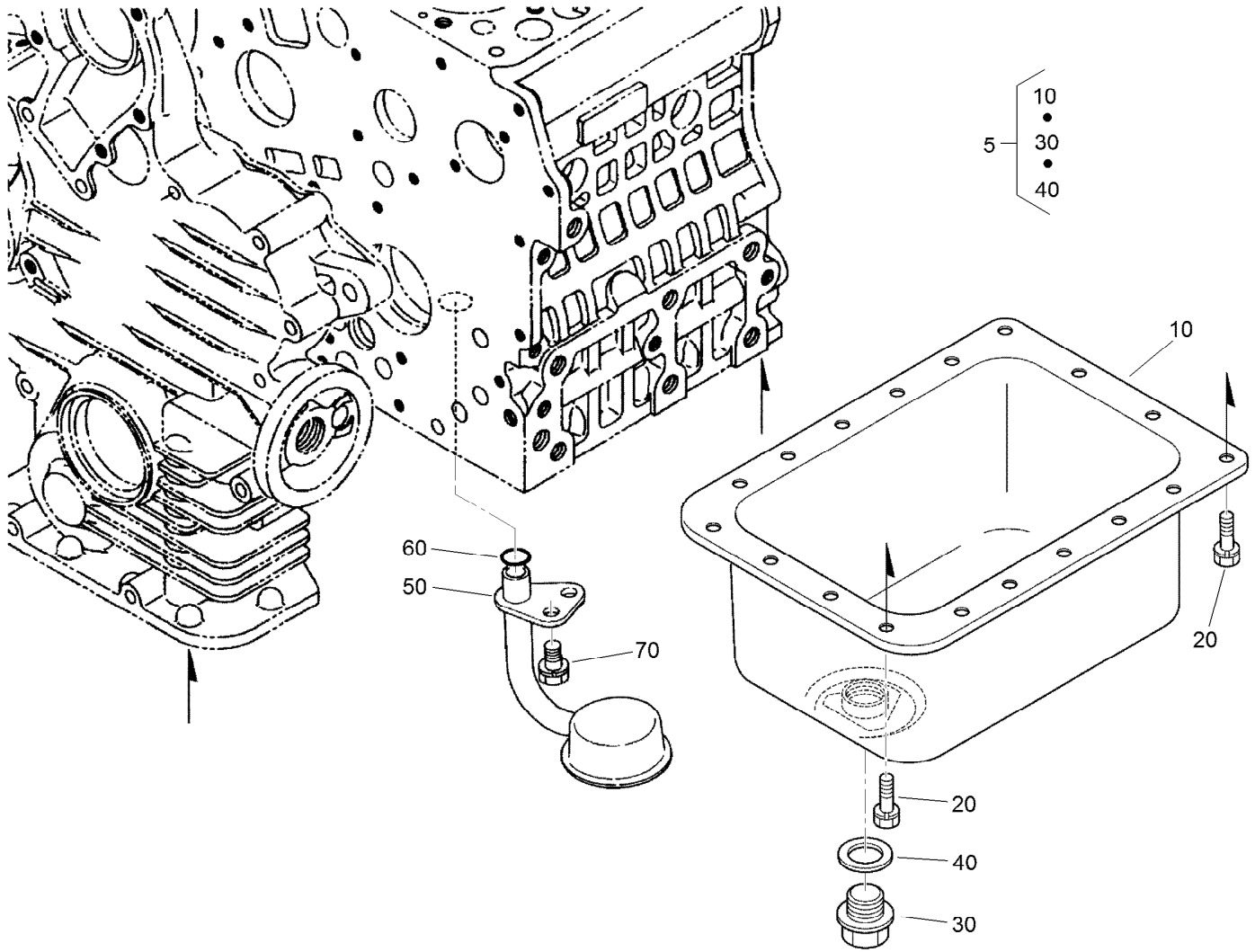
<i>Ref.</i>	<i>Part Number</i>	<i>Qty.</i>	<i>Description</i>	<i>Ref.</i>	<i>Part Number</i>	<i>Qty.</i>	<i>Description</i>
1	119-9723	1	Fuel Tank ASM	11	2412-146	3	Clamp-Hose
1:2	95-8972	1	Grommet	12	92-2379	6	Clamp-Hose
1:3	99-7262	1	Gauge-Fuel	13	3339-175	1	Strapping-Web
2	115-7789	1	Cap-Fuel, Diesel	14	110-8806	1	Pump-Fuel
3	114-0285	1	Valve-Rollover	15	119-9749	1	Holder-Fuel Pump
4	46-6560	2	Bushing	16	108-3284	1	Hose-Fuel
5	114-0284	1	Grommet	17	110-3259	1	Hose-Fuel
6	110-9689	1	Pipe-Stand	18	114-4028	1	Hose-Fuel
7	100-1596	1	Fitting-90 DEG	19	117-6395	1	Hose-Vent, Tank
8	110-9044	1	Seperator Filter ASM	20	110-8255	1	Hose-Fuel
8:1	110-9049	1	Filter-Spin On	21	120-4829	1	Conduit-Corrugated
9	353-781	2	Fitting-Elbow	22	32144-11	2	Screw-HWHTF



## Crankcase Assembly

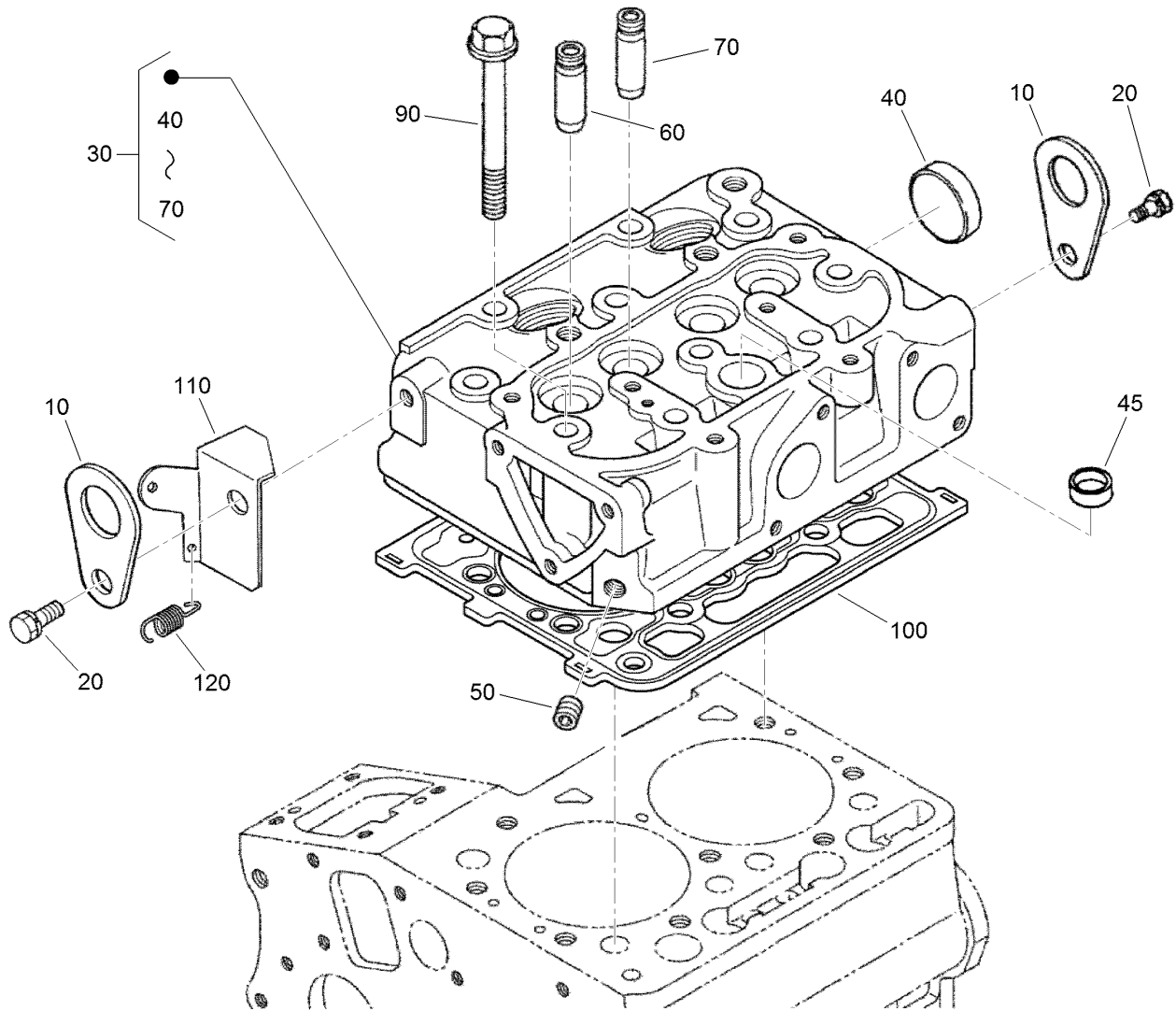
<i>Ref.</i>	<i>Part Number</i>	<i>Qty.</i>	<i>Description</i>	<i>Ref.</i>	<i>Part Number</i>	<i>Qty.</i>	<i>Description</i>
10	121-3839	1	Crankcase ASM	100	98-9375	2	Pin-Straight
20	100-2019	3	Cap-Sealing	110	98-9377	2	Pin-Straight
30	100-2020	2	Cap-Sealing	120	98-7506	1	Pin-Pipe
40	110-3702	1	Cap-Sealing	130	98-9387	2	Pin-Pipe
50	98-9398	2	Cap-Sealing	140	98-9387	2	Pin-Pipe
60	98-9687	4	Plug	150	100-1991	1	Cover-Fuel, Camshaft
70	98-7487	3	Plug	170	120-3121	1	Draincock ASM
80	98-7488	1	Plug	180	121-3801	1	Switch-Pressure, Oil
90	100-1851	1	Plug-Expansion				





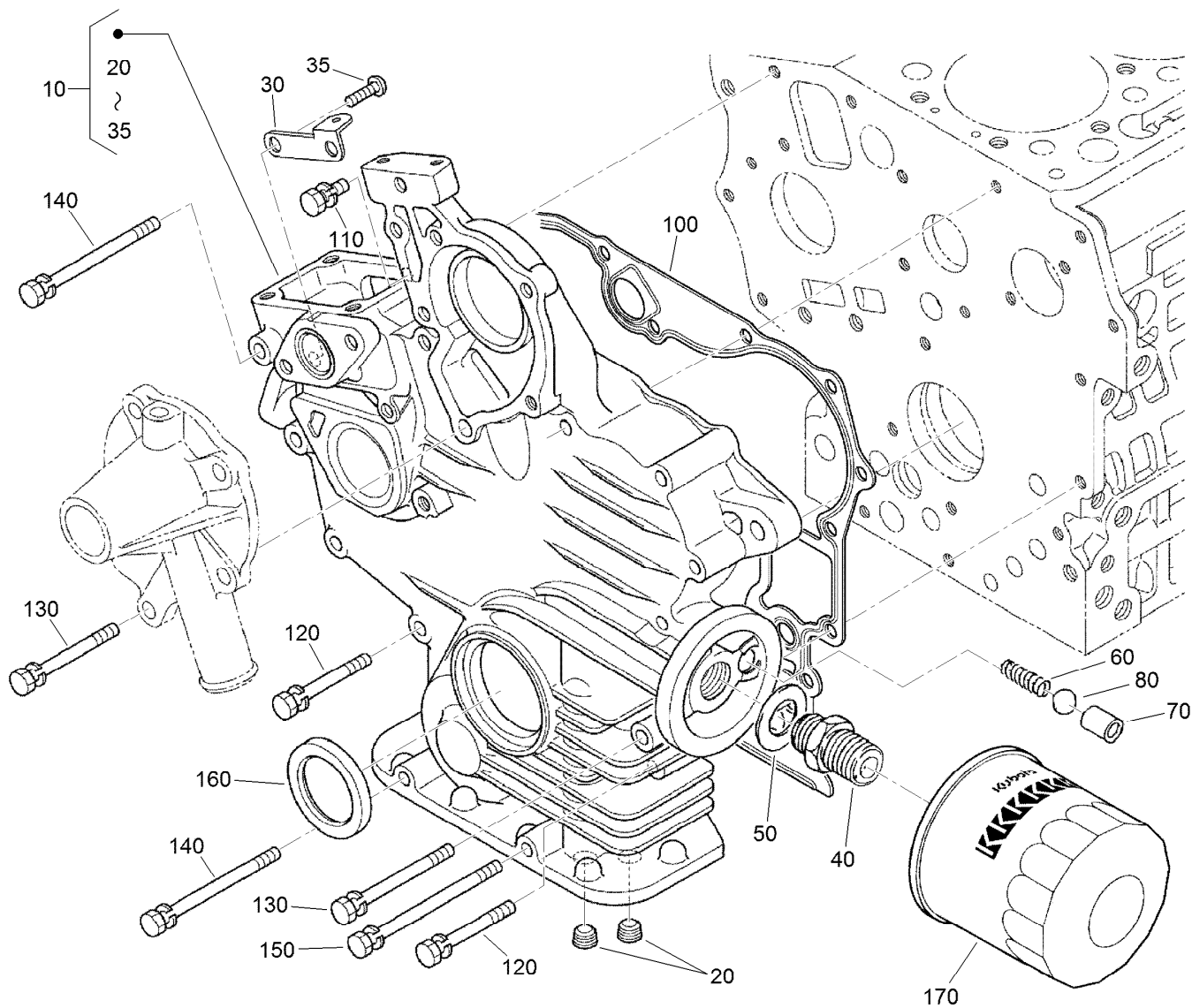
## Oil Pan Assembly

Ref.	Part Number	Qty.	Description
5	121-3843	1	Oil Pan Kit
10	121-3842	1	Oil Pan ASM
20	98-9351	18	Bolt
30	98-9686	1	Plug-Drain
40	110-9715	1	Gasket-Pan, Oil
50	100-2001	1	Strainer-Pickup, Oil
60	105-3776	1	O-Ring
70	100-9195	1	Bolt



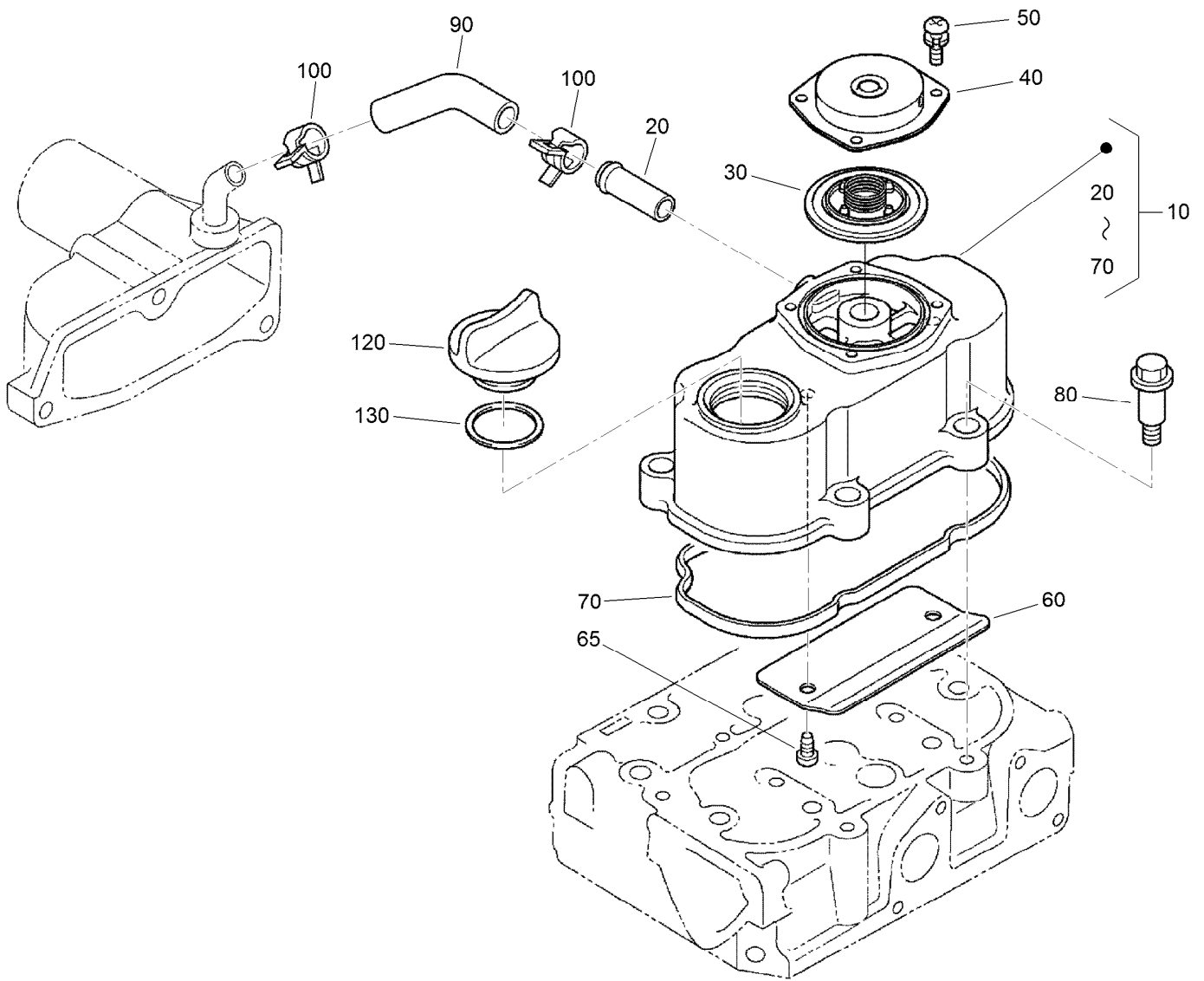
## Cylinder Head Assembly

<i>Ref.</i>	<i>Part Number</i>	<i>Qty.</i>	<i>Description</i>
10	98-7531	2	Hook-Engine
20	98-7526	2	Bolt
30	121-3823	1	Cylinder Head ASM
40	105-3705	1	Cap-Sealing
45	98-9389	1	Cap-Sealing
50	98-9687	1	Plug
60	100-1882	2	Guide-Valve, Inlet
70	100-1883	2	Guide-Valve, Exhaust
90	100-1820	10	Bolt-Head, Cylinder
100	121-3824	1	Gasket-Head, Cylinder
110	121-3810	1	Stay
120	121-3820	1	Spring-Return



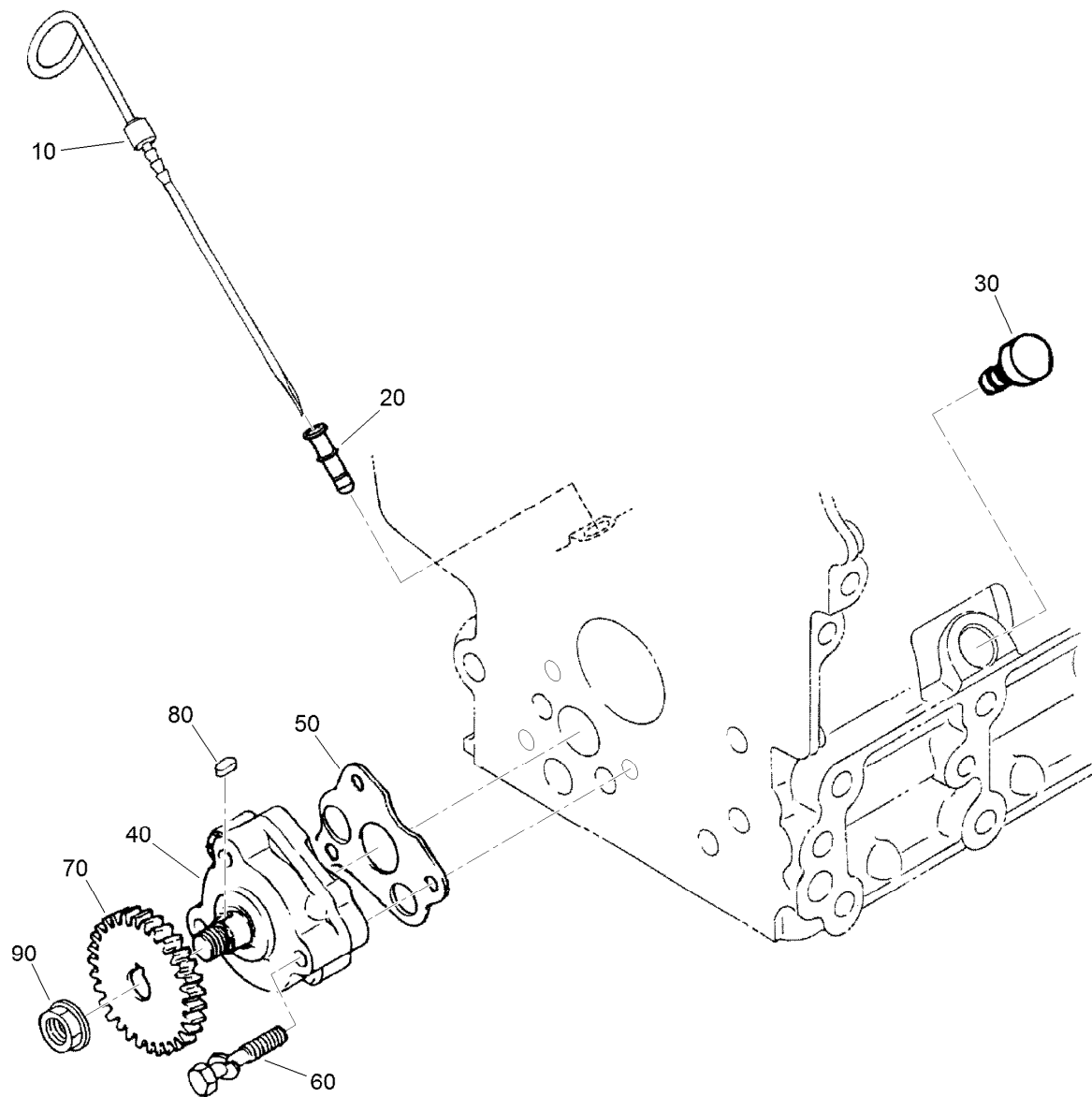
## Gear Case Assembly

Ref.	Part Number	Qty.	Description	Ref.	Part Number	Qty.	Description
10	121-2423	1	Gear Case ASM	100	117-0327	1	Gasket-Case, Gear
20	98-7488	2	Plug	110	98-7605	1	Bolt
30	110-3708	1	Stay-Spring, Start	120	105-3797	9	Bolt
35	100-2040	2	Screw	130	100-1922	2	Bolt
40	98-9388	1	Joint-Pipe	140	98-9357	2	Bolt
50	100-1926	1	Washer-Plain	150	110-3710	1	Bolt
60	100-2004	1	Spring	160	120-7852	1	Seal-Oil
70	100-1894	1	Seat-Valve	170	115-8189	1	Filter-Oil, Engine
80	100-1792	1	Ball				



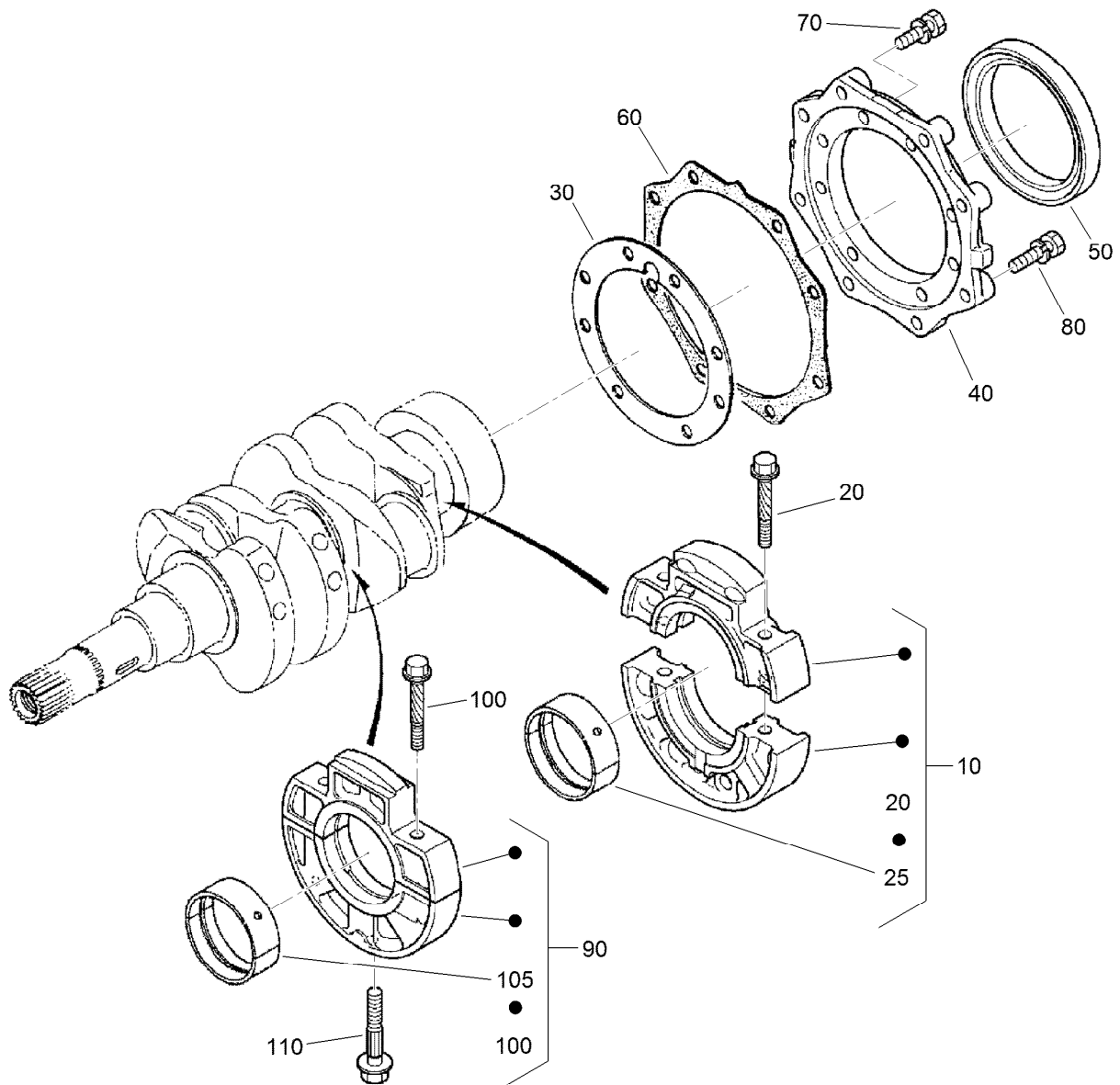
## Cylinder Head Cover Assembly

<i>Ref.</i>	<i>Part Number</i>	<i>Qty.</i>	<i>Description</i>
10	121-3841	1	Cylinder Head Cover ASM
20	98-9580	1	Pipe-Return, Water
30	110-3715	1	Valve-Breather
40	110-3714	1	Cover-Breather
50	98-9364	4	Screw (With Washer)
60	110-3716	1	Shield-Breather
65	100-2040	2	Screw
70	121-3828	1	Gasket-Cover, Head
80	108-7063	4	Bolt
90	120-3139	1	Tube-Breather
100	110-3712	2	Clamp-Hose
120	107-9075	1	Plug-Filler, Oil
130	99-3446	1	O-Ring



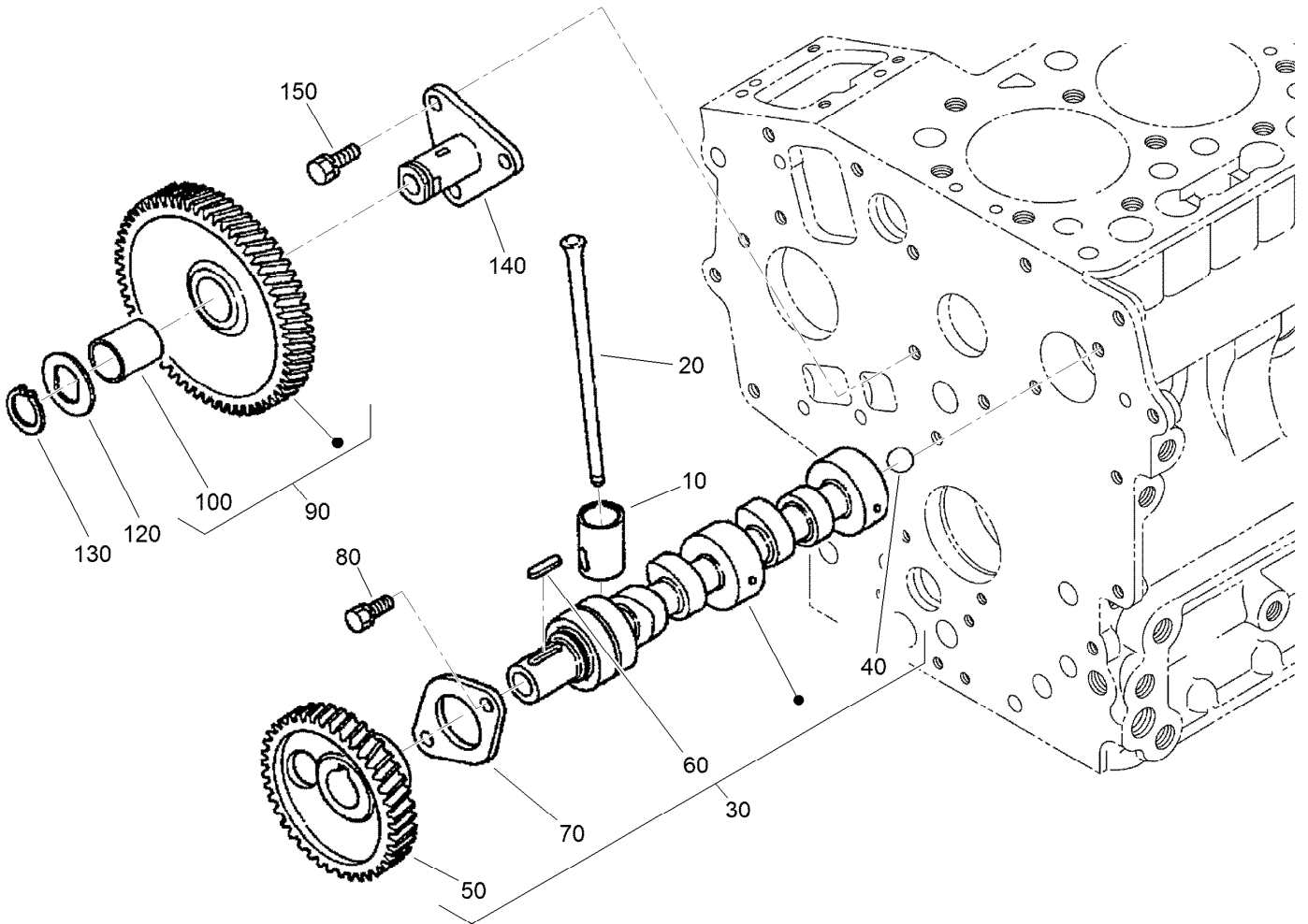
## Dipstick, Guide and Oil Pump Assembly

Ref.	Part Number	Qty.	Description
10	110-3719	1	Gauge-Oil
20	105-4580	1	Guide-Gauge, Oil
30	110-3720	1	Plug-Gauge, Oil
40	100-2002	1	Oil Pump ASM
50	100-2003	1	Gasket-Pump, Oil
60	100-1923	3	Bolt
70	100-1893	1	Gear-Drive, Oil Pump
80	98-7658	1	Key-Feather
90	100-1779	1	Nut-Flange



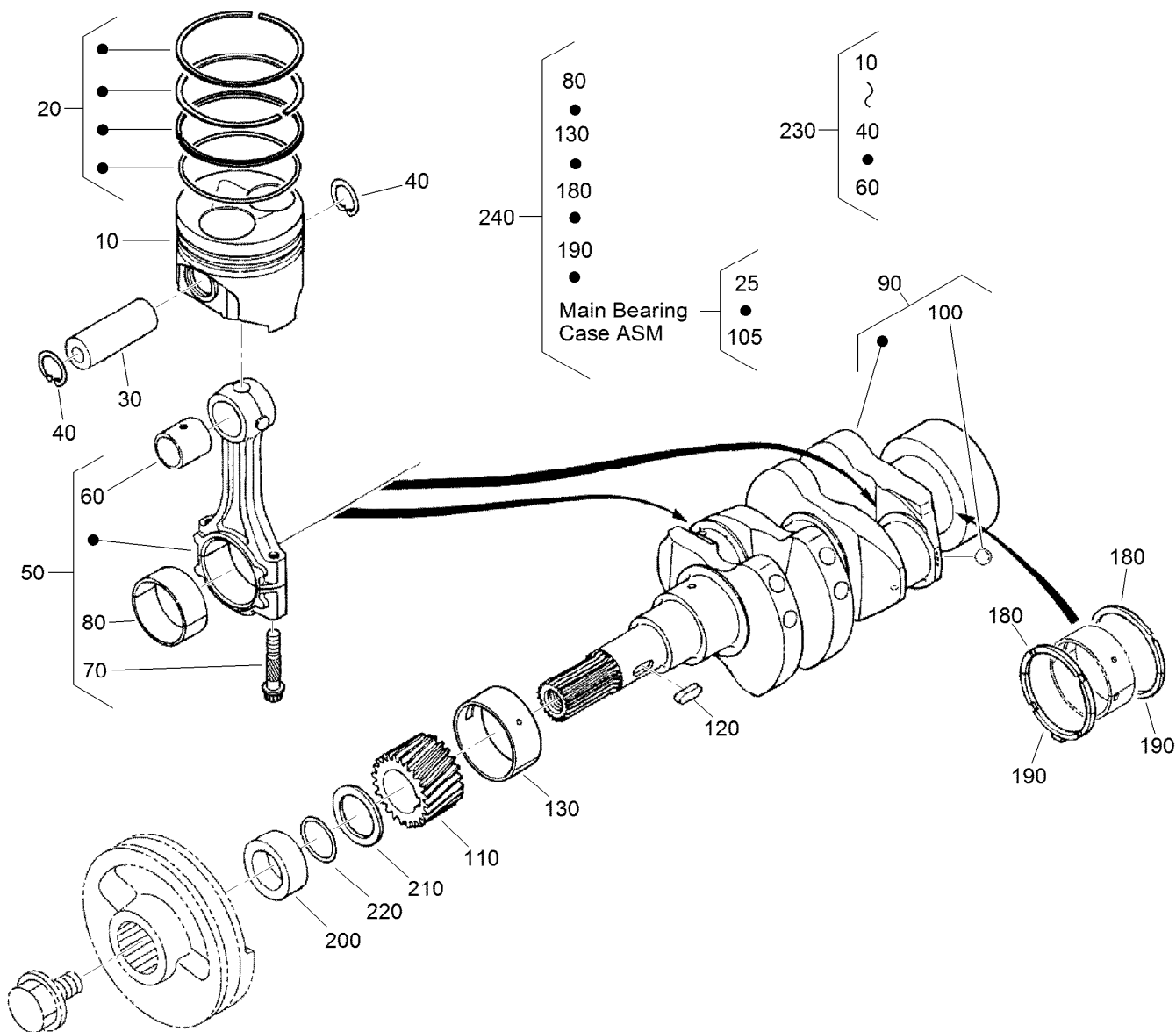
## Main Bearing Case Assembly

Ref.	Part Number	Qty.	Description
10	121-2426	1	Bearing Case Wheel ASM
20	110-3723	2	Bolt-Case, Bearing
25	110-3744	1	Crankshaft Metal ASM (STD)
30	100-1873	1	Gasket-Case, Bearing
40	112-8334	1	Cover-Case, Bearing
50	110-3724	1	Seal-Oil
60	100-1876	1	Gasket-Cover, Case
70	98-7568	8	Bolt
80	100-1750	8	Bolt
90	121-2427	1	Main Bearing Case ASM
100	110-3723	2	Bolt-Case, Bearing
105	110-3741	1	Crankshaft Metal ASM (STD)
110	100-1874	1	Bolt-Case, Bearing



## Camshaft and Idle Gear Shaft Assembly

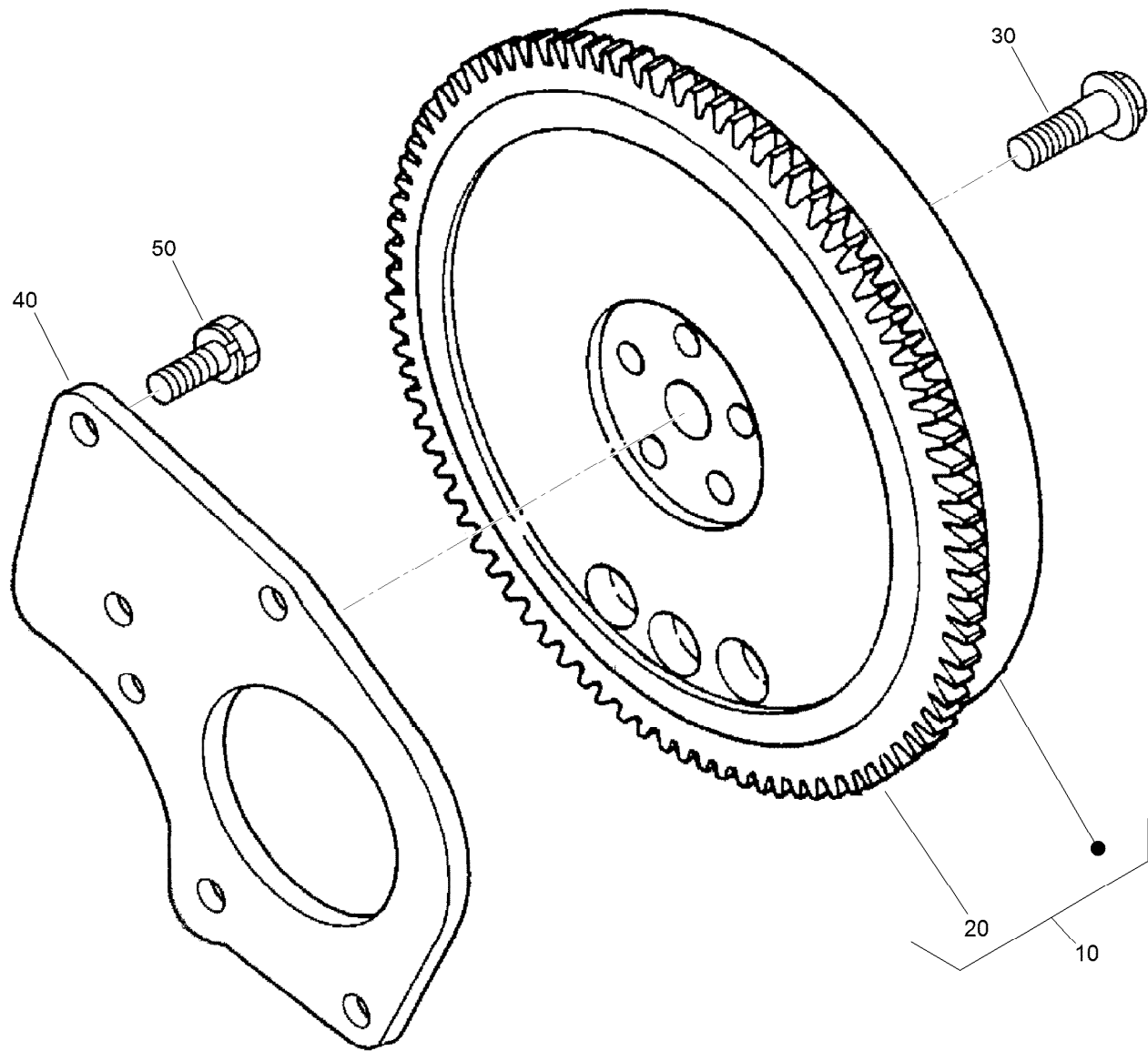
<i>Ref.</i>	<i>Part Number</i>	<i>Qty.</i>	<i>Description</i>
10	110-3727	4	Tappet
20	100-1989	4	Rod-Push
30	121-3845	1	Camshaft ASM
40	110-3729	1	Ball
50	100-1889	1	Gear-Camshaft
60	98-9378	1	Key-Feather
70	100-1887	1	Stopper-Camshaft
80	98-9350	2	Bolt
90	121-2421	1	Idle Gear ASM
100	121-2422	1	Bushing
120	100-1970	1	Collar-Gear, Idle
130	100-1969	1	Ring-Snap
140	100-1967	1	Shaft-Gear, Idle
150	98-9351	3	Bolt



## Piston and Crankshaft Assembly

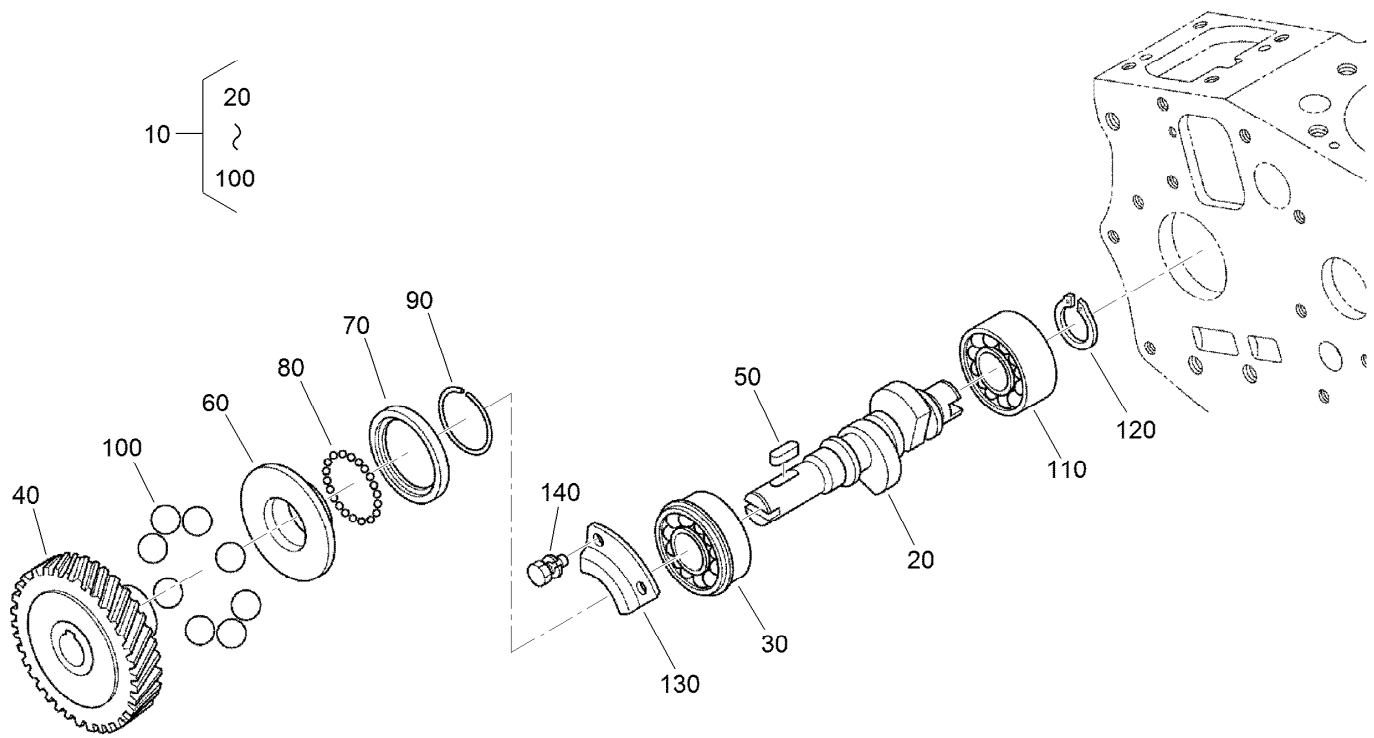
Ref.	Part Number	Qty.	Description	Ref.	Part Number	Qty.	Description
10	117-8849	2	Piston STD	130	121-2425	1	Metal-Crankshaft (-.40Mm)
10	112-8399	2	Piston (+.25Mm)	180	100-1836	2	Metal-Side (STD)
20	110-3732	2	Piston Ring ASM (STD)	180	121-3847	2	Metal-Side (+.20Mm)
20	110-3733	2	Piston Ring ASM (+.25Mm)	180	121-3848	2	Metal-Side (+.40Mm)
30	110-3734	2	Pin-Piston	190	117-0309	2	Metal-Side (STD)
40	100-1835	4	Circlip-Internal	190	121-2428	2	Metal-Side (+.20Mm)
50	110-3735	2	Connecting Rod ASM	190	121-2429	2	Metal-Side (+.40Mm)
60	110-3736	2	Bushing-Pin, Piston	200	100-1890	1	Collar-Crankshaft
70	100-1999	4	Bolt-Rod, Connecting	210	100-1974	1	Slinger-Oil
80	121-3849	2	Metal-Crankpin (-.20Mm)	220	100-2209	1	O-Ring
80	121-2420	2	Metal-Crankpin (-.40Mm)	230	117-0328	2	Piston Kit (STD)
80	100-2000	2	Metal-Crankpin (STD)	230	117-0329	2	Piston Kit (+.25Mm)
90	121-3829	1	Crankshaft ASM	240	121-3830	1	Engine Metal Kit (STD)
100	100-1791	2	Ball	240	121-3831	1	Engine Metal Kit (-0.20Mm/+0.20Mm)
110	100-1891	1	Gear-Crankshaft	240	121-3832	1	Engine Metal Kit (-0.40Mm/+0.40Mm)
120	100-1752	1	Key-Feather				
130	110-3738	1	Metal-Crankshaft (STD)				
130	121-2424	1	Metal-Crankshaft (-.20Mm)				





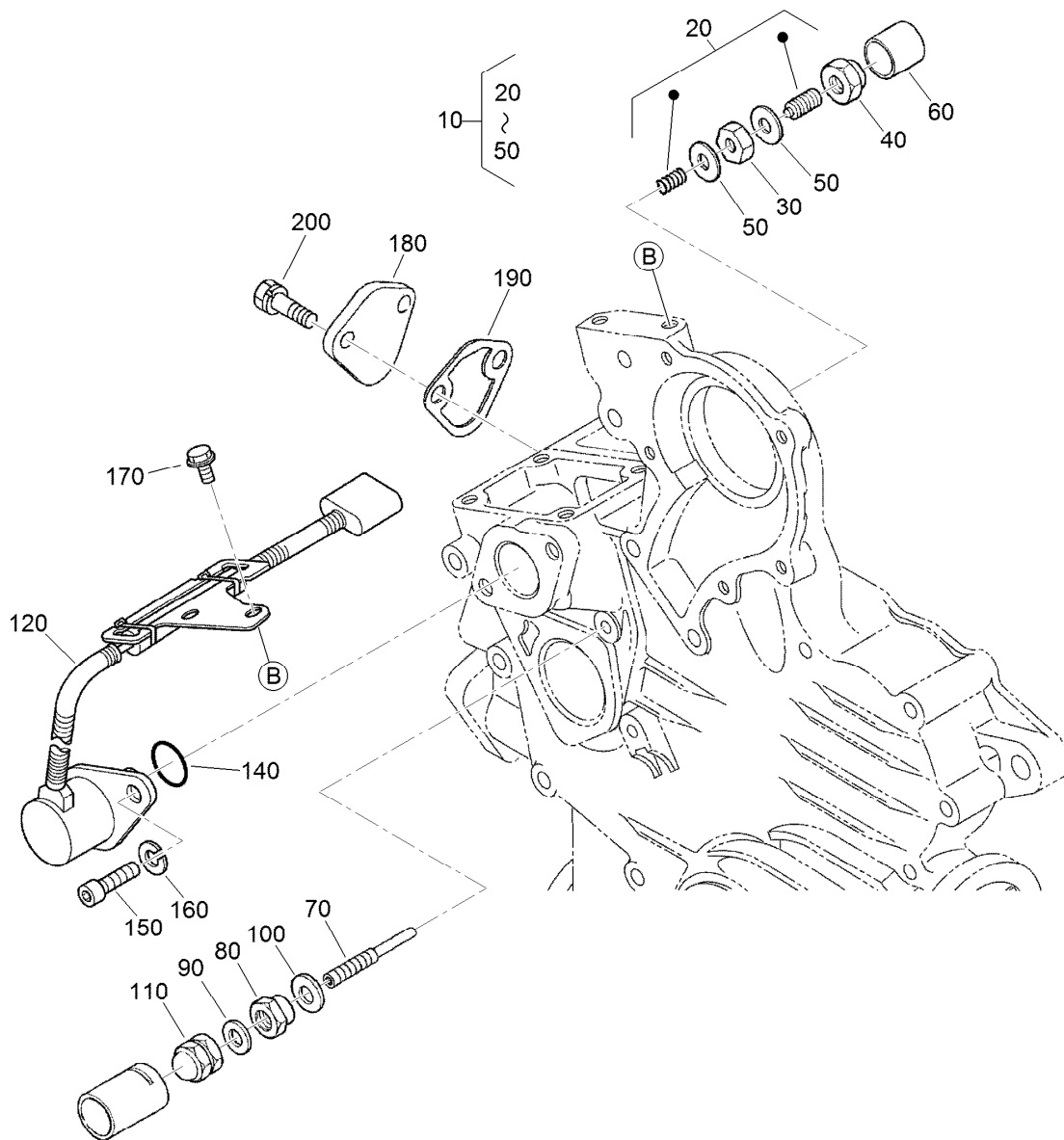
## Flywheel Assembly

<i>Ref.</i>	<i>Part Number</i>	<i>Qty.</i>	<i>Description</i>
10	121-3815	1	Flywheel ASM
20	120-3129	1	Ring-Gear
30	100-1930	5	Bolt-Flywheel
40	117-0323	1	Plate-End, Rear
50	110-3754	3	Bolt



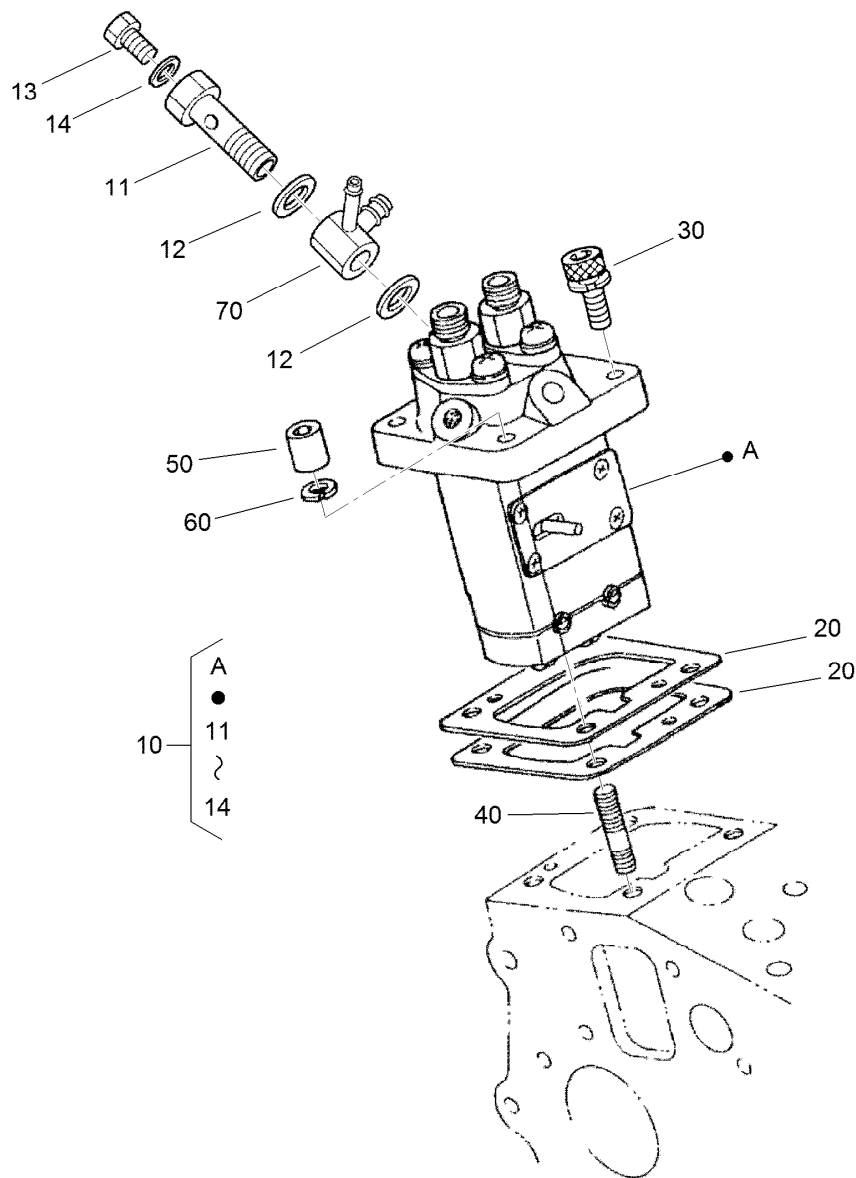
## Fuel Camshaft and Governor Shaft Assembly

Ref.	Part Number	Qty.	Description
10	121-3814	1	Fuel Camshaft ASM
20	121-3802	1	Camshaft-Fuel
30	100-1795	1	Bearing-Ball
40	100-2006	1	Gear-Pump, Injection
50	100-1752	1	Key-Feather
60	112-8336	1	Sleeve-Governor
70	100-1904	1	Case-Ball, Governor
80	100-1790	32	Ball
90	100-1843	1	Circ-Clip
100	100-1793	8	Ball
110	110-3757	1	Bearing-Ball
120	100-1784	1	Circ-Clip, External
130	100-1888	1	Stopper-Fuel, Camshaft
140	98-9350	2	Bolt



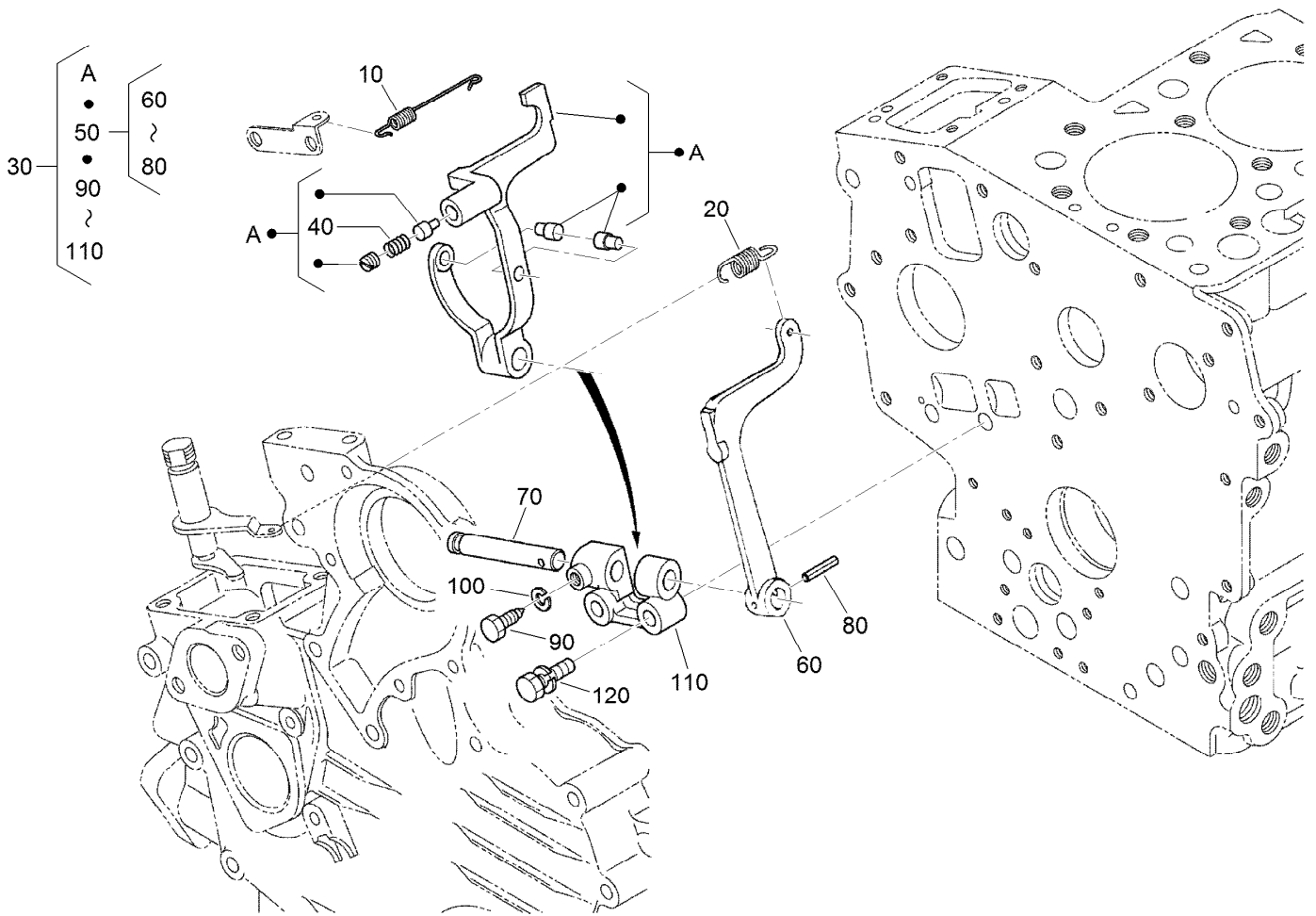
## Idle Apparatus and Stop Solenoid Assembly

<i>Ref.</i>	<i>Part Number</i>	<i>Qty.</i>	<i>Description</i>	<i>Ref.</i>	<i>Part Number</i>	<i>Qty.</i>	<i>Description</i>
10	100-1898	1	Idle Apparatus ASM	110	99-8387	1	Nut-Cap
20	100-1899	1	Adjusting Bolt ASM	120	117-2719	1	Solenoid Stop ASM
30	100-1846	1	Nut	140	110-3762	1	O-Ring
40	100-1901	1	Nut-Cap	150	110-3763	2	Bolt-HSH
50	98-7428	2	Gasket	160	98-7699	2	Washer-Spring
60	100-1902	1	Cap	170	100-1774	2	Bolt-Flange
70	110-3758	1	Bolt-Adjusting	180	99-3514	1	Cover
80	100-2175	1	Nut-Lock	190	98-9636	1	Gasket-Pump, Fuel
90	98-7654	1	Gasket	200	98-7692	2	Bolt
100	107-9081	1	Gasket				



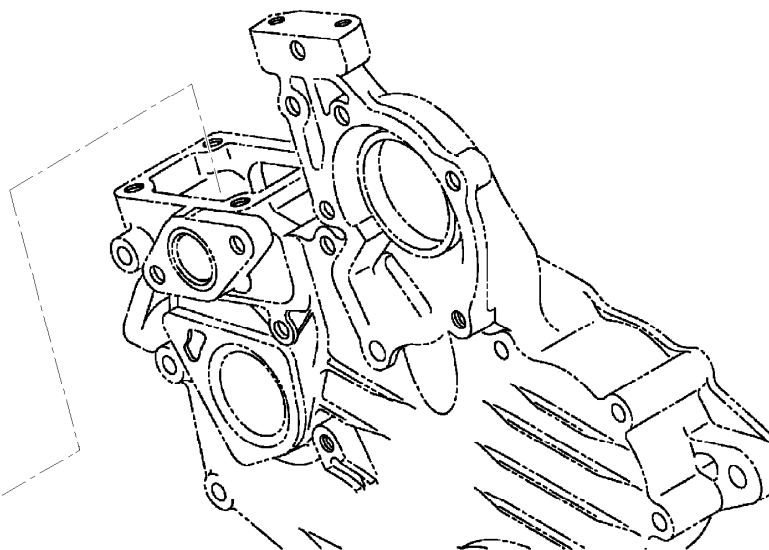
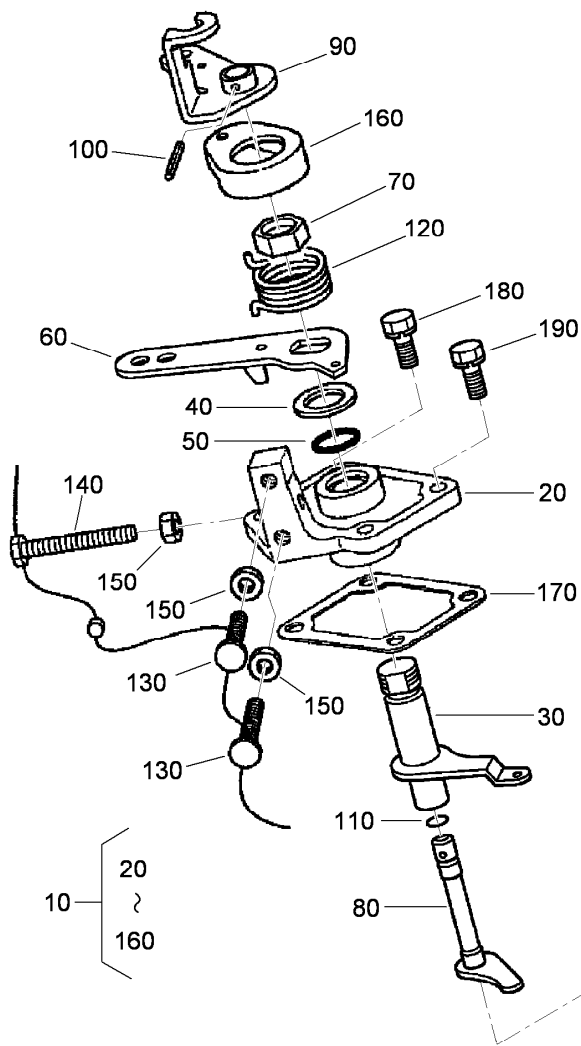
## Injection Pump Assembly

Ref.	Part Number	Qty.	Description
10	121-3821	1	Injection Pump ASM
11	100-1896	1	Screw-Hollow
12	98-9445	2	Gasket
13	98-9430	1	Screw
14	98-9446	1	Gasket
20	121-3836	1	Shim-Pump, Injection (0.350Mm)
20	121-3837	1	Shim-Pump, Injection (0.175Mm)
20	121-3806	1	Shim-Pump, Injection (0.200Mm)
20	121-3807	1	Shim-Pump, Injection (0.250Mm)
20	121-3808	1	Shim-Pump, Injection (0.300Mm)
30	117-7564	3	Bolt-Hex Soc HD
40	98-9438	1	Stud
50	98-9440	1	Nut-Cap
60	98-7699	1	Washer-Spring
70	110-3764	1	Joint



## Governor Assembly

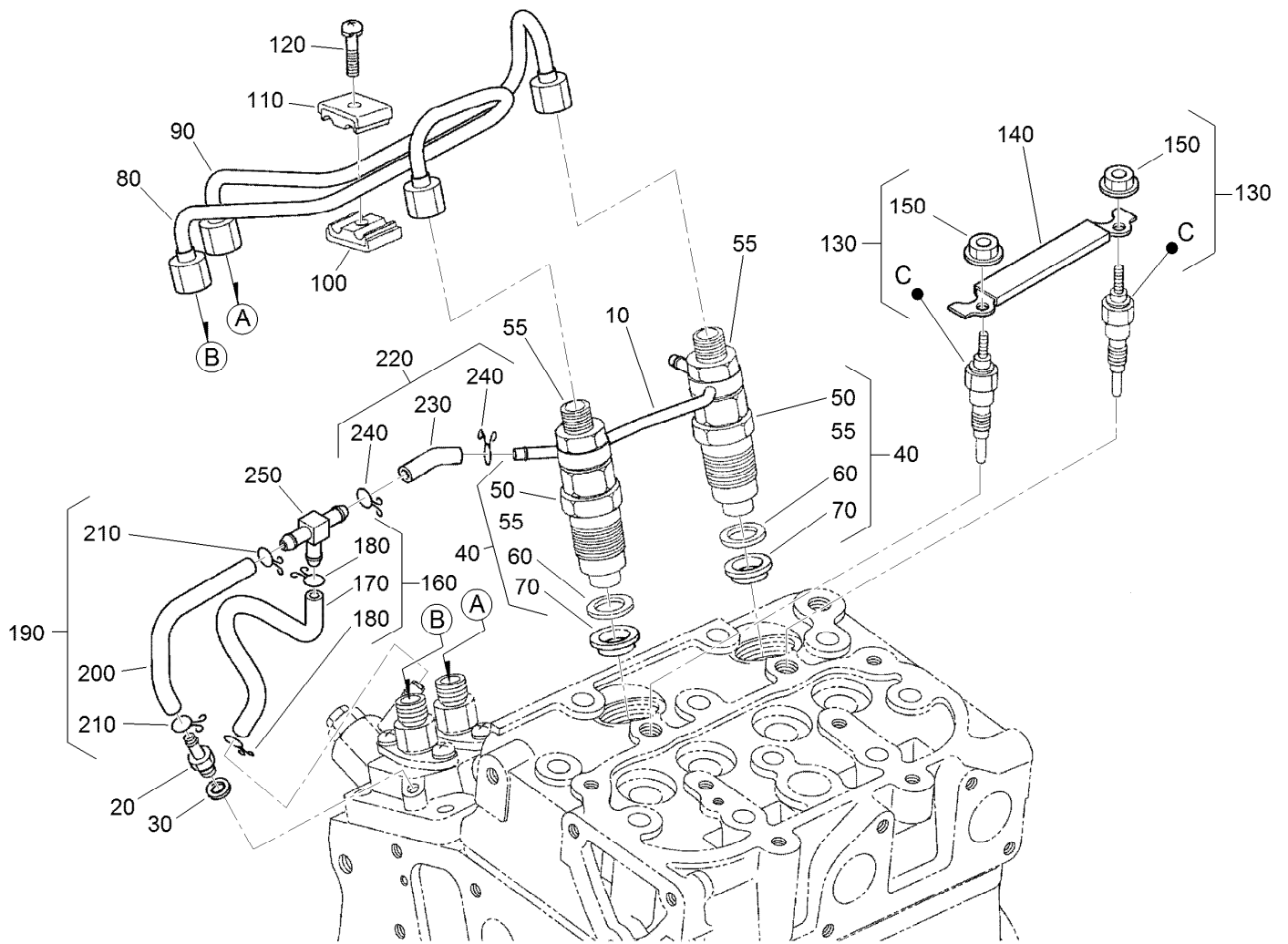
Ref.	Part Number	Qty.	Description
10	110-3766	1	Spring-Start
20	110-3767	1	Spring-Governor
30	121-3822	1	Fork Lever ASM
40	121-3803	1	Spring
50	100-1905	1	Fork Lever ASM
60	100-1907	1	Lever-Fork
70	100-1908	1	Shaft-Lever, Fork
80	100-1751	1	Pin-Spring
90	100-1845	1	Bolt
100	100-2204	1	Washer-Spring
110	100-1909	1	Holder-Lever, Fork
120	100-1763	2	Bolt



## Speed Control Plate Assembly

Ref.	Part Number	Qty.	Description
10	110-3769	1	Speed Control Plate ASM
20	110-3770	1	Plate-Control, Speed
30	110-3771	1	Lever-Governor
40	110-3772	1	Collar
50	100-2208	1	O-Ring
60	110-3773	1	Lever-Control, Speed
70	110-3774	1	Nut-Control, Speed
80	110-3775	1	Shaft-Lever
90	110-3776	1	Lever-Stop, Engine
100	110-3777	1	Pin-Spring

Ref.	Part Number	Qty.	Description
110	100-2207	1	O-Ring
120	110-3778	1	Spring-Return
130	120-3133	2	Screw-Stopper
140	120-3134	1	Bolt
150	98-7572	3	Nut
160	110-3779	1	Cap
170	100-1962	1	Gasket-Plate, Control
180	98-7605	2	Bolt
190	112-2507	2	Bolt

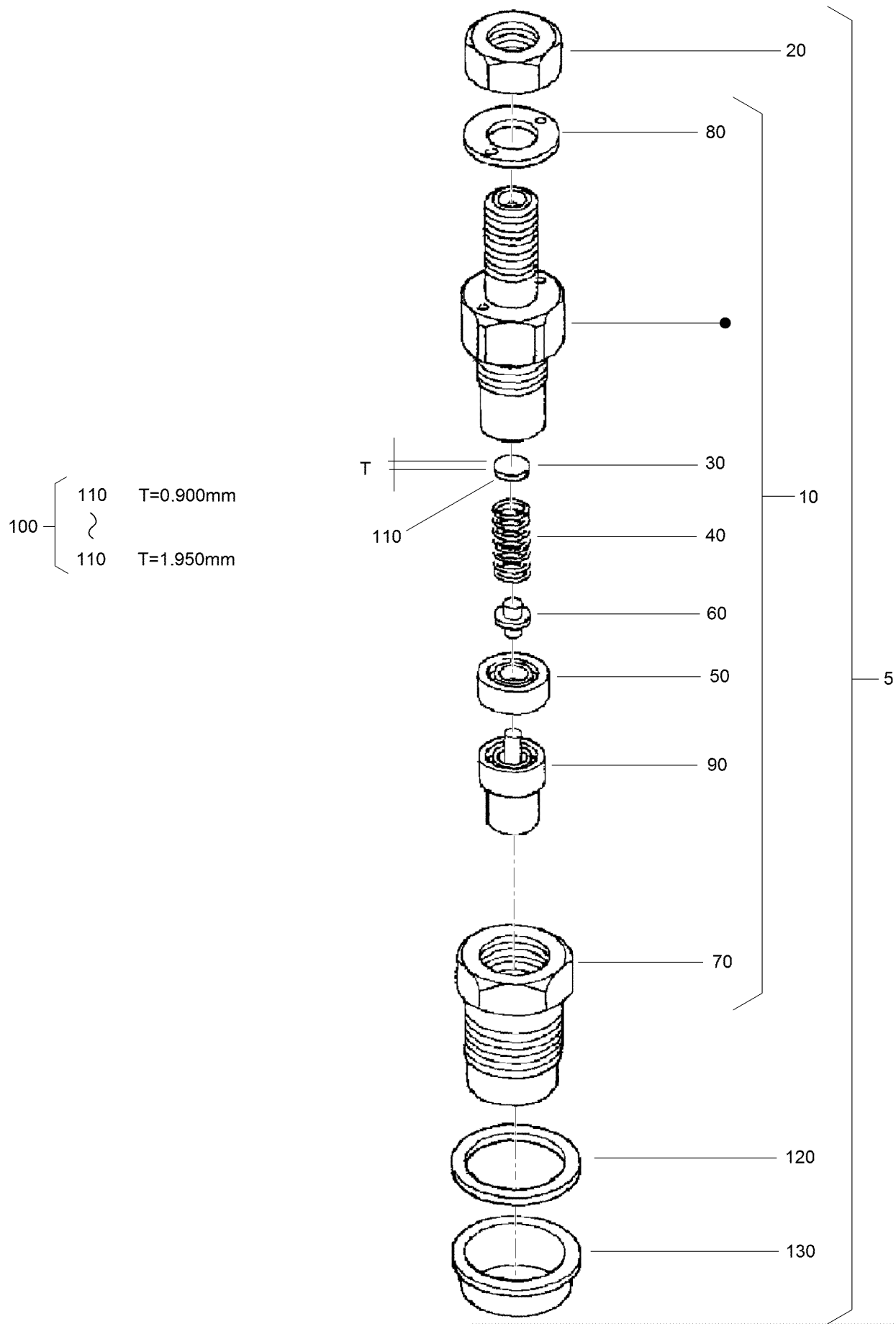


## Nozzle Holder and Glow Plug Assembly

Ref.	Part Number	Qty.	Description
10	121-3833	1	Overflow Pipe ASM
20	98-9431	1	Screw-Bleeder, Air
30	98-7654	1	Gasket
40	100-1982	2	Nozzle Holder Kit
50	100-1758	2	Nozzle Holder ASM
55	121-2411	2	Nut
60	98-7676	2	Gasket
70	98-7677	2	Seal-Heat
80	110-3781	1	Pipe-Injection
90	110-3782	1	Pipe-Injection
100	98-7682	1	Clamp-Pipe
110	98-7683	1	Clamp-Pipe
120	98-7684	1	Screw (W/Washer)

Ref.	Part Number	Qty.	Description
130	100-1854	2	Plug-Glow
140	121-3834	1	Cord-Plug, Glow
150	99-8377	2	Nut-Flange
160	110-3787	1	Fuel Tube ASM
170	110-3788	1	Tube-Fuel
180	98-7671	2	Clip-Pipe
190	110-3785	1	Fuel Tube ASM
200	110-3786	1	Tube-Fuel
210	98-7671	2	Clip-Pipe
220	110-3790	1	Fuel Tube ASM
230	110-3791	1	Tube-Fuel
240	98-7671	2	Clip-Pipe
250	112-8338	1	Pipe-Joint, T

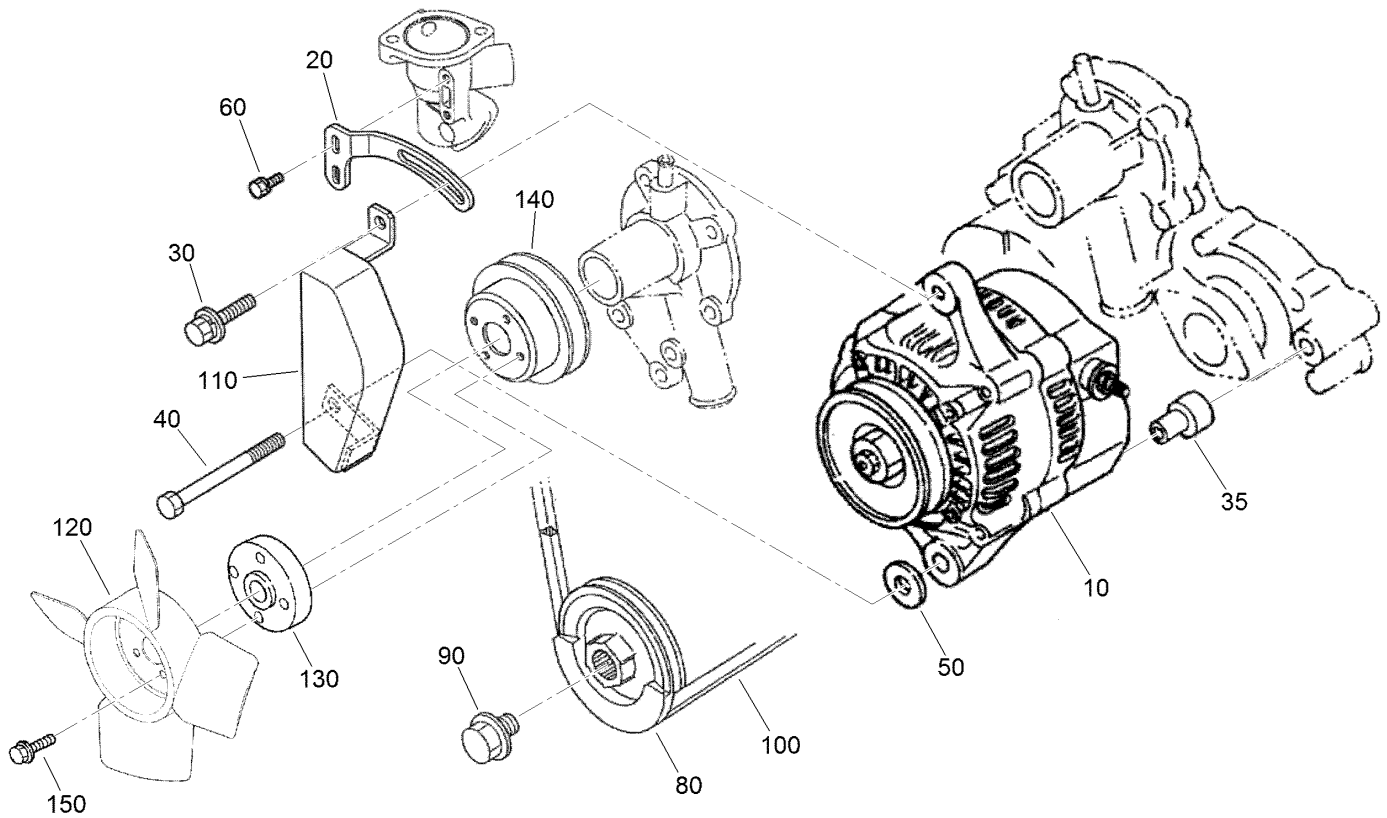
# Nozzle Holder Component Assembly





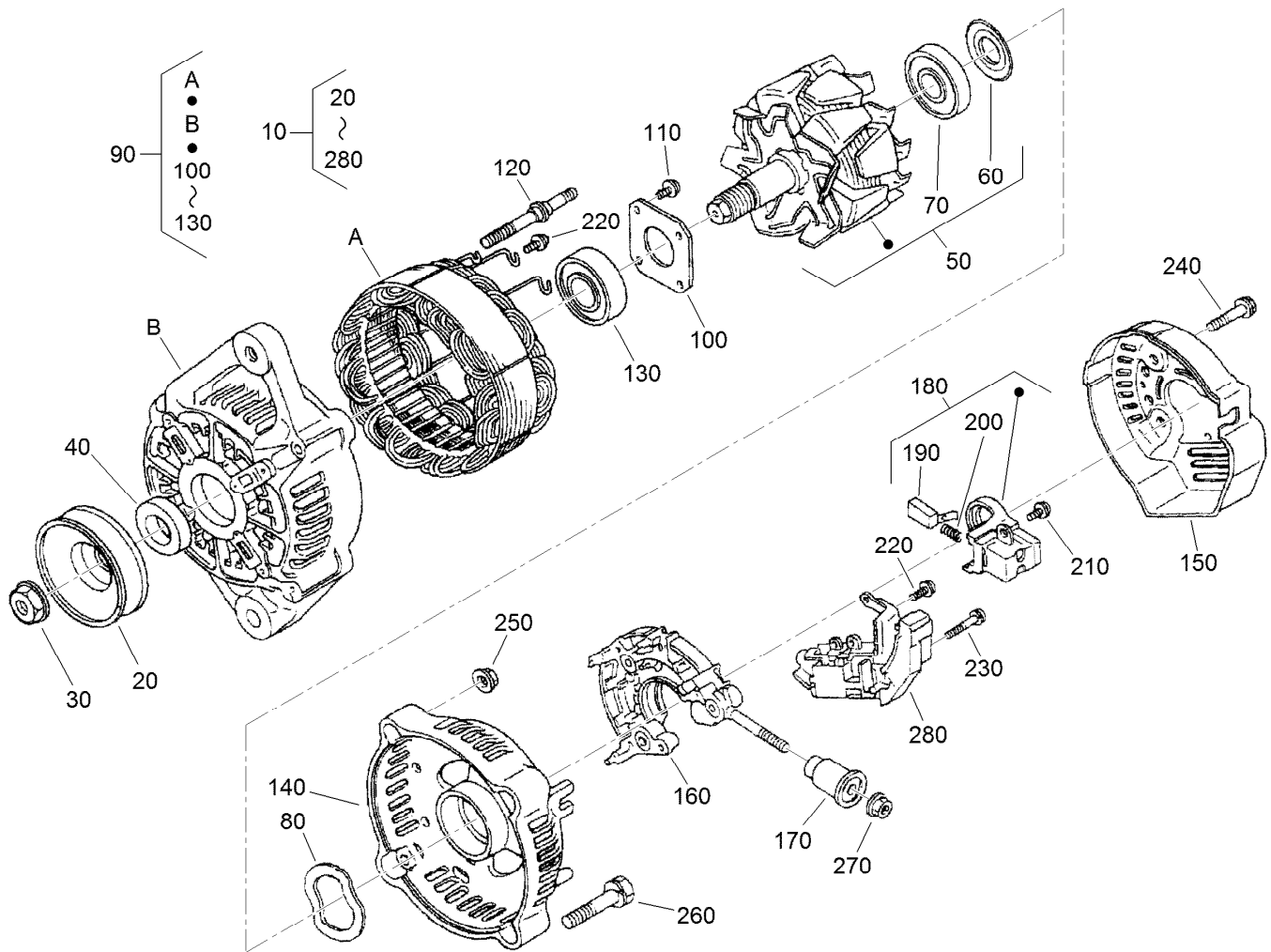
## Nozzle Holder Component Assembly (continued)

<i>Ref.</i>	<i>Part Number</i>	<i>Qty.</i>	<i>Description</i>	<i>Ref.</i>	<i>Part Number</i>	<i>Qty.</i>	<i>Description</i>
5	100-1982	2	Nozzle Holder Kit	110	98-7859	2	Washer-Adjusting (1.375Mm)
10	100-1758	2	Nozzle Holder ASM	110	98-7860	2	Washer-Adjusting (1.400Mm)
20	121-2411	2	Nut	110	98-7861	2	Washer-Adjusting (1.425Mm)
30	98-7642	2	Washer-Adjusting (0.900Mm)	110	98-7862	2	Washer-Adjusting (1.450Mm)
40	98-7647	2	Spring-Nozzle	110	98-7863	2	Washer-Adjusting (1.475Mm)
50	98-7665	2	Spacer-Distance	110	98-7864	2	Washer-Adjusting (1.500Mm)
60	98-7666	2	Rod-Push	110	98-7865	2	Washer-Adjusting (1.525Mm)
70	100-2008	2	Nut-Nozzle	110	98-7866	2	Washer-Adjusting (1.550Mm)
80	98-7668	2	Washer	110	98-7867	2	Washer-Adjusting (1.575Mm)
90	100-2009	2	Piece-Nozzle	110	98-7868	2	Washer-Adjusting (1.600Mm)
100	98-9448	2	Adjusting Washer ASM	110	98-7869	2	Washer-Adjusting (1.625Mm)
110	98-7642	2	Washer-Adjusting (0.900Mm)	110	98-7870	2	Washer-Adjusting (1.650Mm)
110	98-7841	2	Washer-Adjusting (0.925Mm)	110	98-7871	2	Washer-Adjusting (1.675Mm)
110	98-7842	2	Washer-Adjusting (0.950Mm)	110	98-7872	2	Washer-Adjusting (1.700Mm)
110	98-7843	2	Washer-Adjusting (0.975Mm)	110	98-7873	2	Washer-Adjusting (1.725Mm)
110	98-7844	2	Washer-Adjusting (1.000Mm)	110	98-7874	2	Washer-Adjusting (1.750Mm)
110	98-7845	2	Washer-Adjusting (1.025Mm)	110	98-7875	2	Washer-Adjusting (1.775Mm)
110	98-7846	2	Washer-Adjusting (1.050Mm)	110	98-7876	2	Washer-Adjusting (1.800Mm)
110	98-7847	2	Washer-Adjusting (1.075Mm)	110	98-7877	2	Washer-Adjusting (1.825Mm)
110	98-7848	2	Washer-Adjusting (1.100Mm)	110	98-7878	2	Washer-Adjusting (1.850Mm)
110	98-7849	2	Washer-Adjusting (1.125Mm)	110	98-7879	2	Washer-Adjusting (1.875Mm)
110	98-7850	2	Washer-Adjusting (1.150Mm)	110	98-7880	2	Washer-Adjusting (1.900Mm)
110	98-7851	2	Washer-Adjusting (1.175Mm)	110	98-7881	2	Washer-Adjusting (1.925Mm)
110	98-7852	2	Washer-Adjusting (1.200Mm)	110	98-7882	2	Washer-Adjusting (1.950Mm)
110	98-7853	2	Washer-Adjusting (1.225Mm)	120	98-7676	2	Gasket
110	98-7854	2	Washer-Adjusting (1.250Mm)	130	98-7677	2	Seal-Heat
110	98-7855	2	Washer-Adjusting (1.275Mm)				
110	98-7856	2	Washer-Adjusting 1.300Mm)				
110	98-7857	2	Washer-Adjusting (1.325Mm)				
110	98-7858	2	Washer-Adjusting (1.350Mm)				



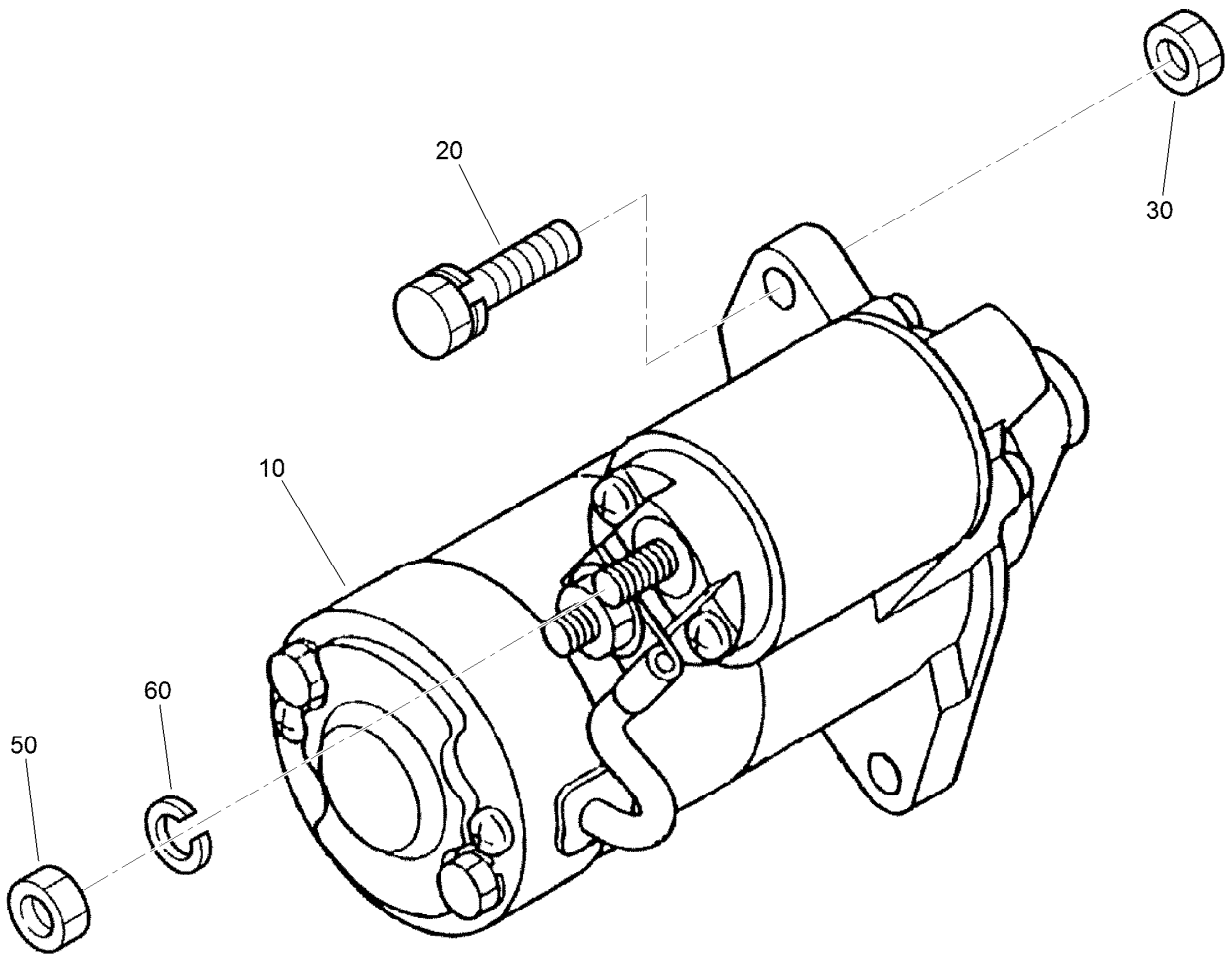
## Alternator, Pulley and Fan Assembly

Ref.	Part Number	Qty.	Description
10	121-3811	1	Alternator ASM
20	120-4847-03	1	Bracket-Alternator
30	121-3800	1	Bolt-Sems
35	110-3794	1	Collar
40	110-3793	1	Bolt
50	120-5832	1	Washer-Plain
60	98-7692	2	Bolt
80	121-3819	1	Pulley-Drive, Fan
90	100-1978	1	Bolt
100	112-2511	1	Belt
110	110-3797	1	Cover
120	121-3804	1	Fan
130	108-2872	1	Collar-Fan
140	100-1921	1	Pulley-Fan
150	108-2873	4	Bolt-Flange



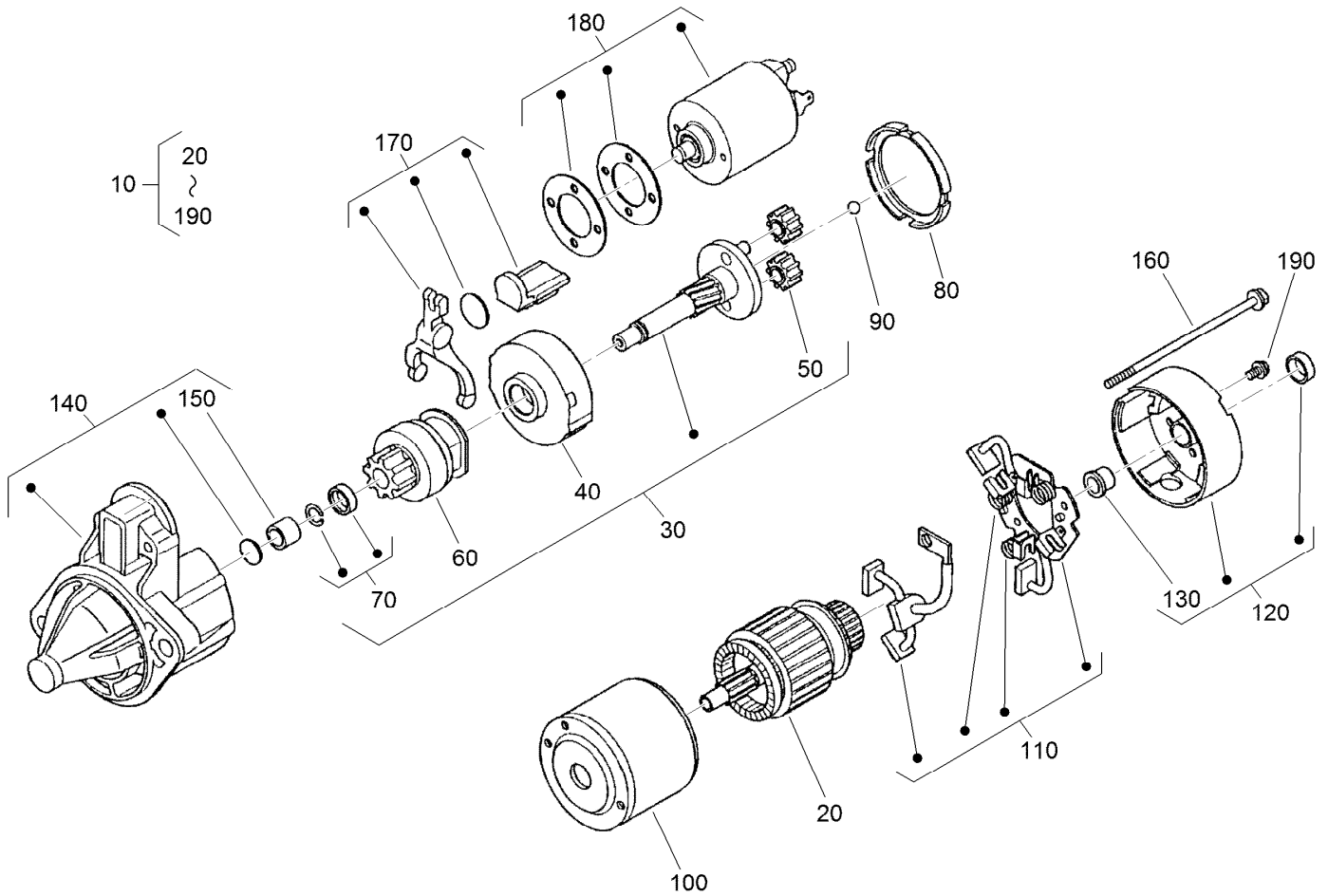
## Alternator Components

<i>Ref.</i>	<i>Part Number</i>	<i>Qty.</i>	<i>Description</i>	<i>Ref.</i>	<i>Part Number</i>	<i>Qty.</i>	<i>Description</i>
10	121-3811	1	Alternator ASM	150	121-3813	1	Cover-End
20	98-9453	1	Pulley-Dynamo	160	121-3805	1	Rectifier ASM
30	98-7708	1	Nut	170	117-0321	1	Insulation-Brush
40	98-7709	1	Collar	180	107-0141	1	Brush Holder ASM
50	107-0136	1	Rotor ASM	190	98-7724	2	Brush
60	98-7711	1	Cover-Bearing	200	98-7725	2	Spring-Brush
70	107-0138	1	Bearing-Ball	210	98-7726	2	Screw-Head, Round
80	98-7713	1	Washer-Thrust	220	98-7727	6	Screw-Head, Round
90	107-0139	1	Drive End Frame ASM	230	98-7728	1	Screw-Head, Round
100	98-7715	1	Plate-Retainer	240	98-7729	3	Bolt
110	98-7716	4	Screw-Head, Round	250	98-7730	2	Nut
120	98-7717	2	Bolt-Through	260	98-7731	2	Bolt
130	107-0137	1	Bearing-Ball	270	98-7732	1	Nut
140	121-3812	1	Frame-End	280	121-3809	1	Regulator ASM



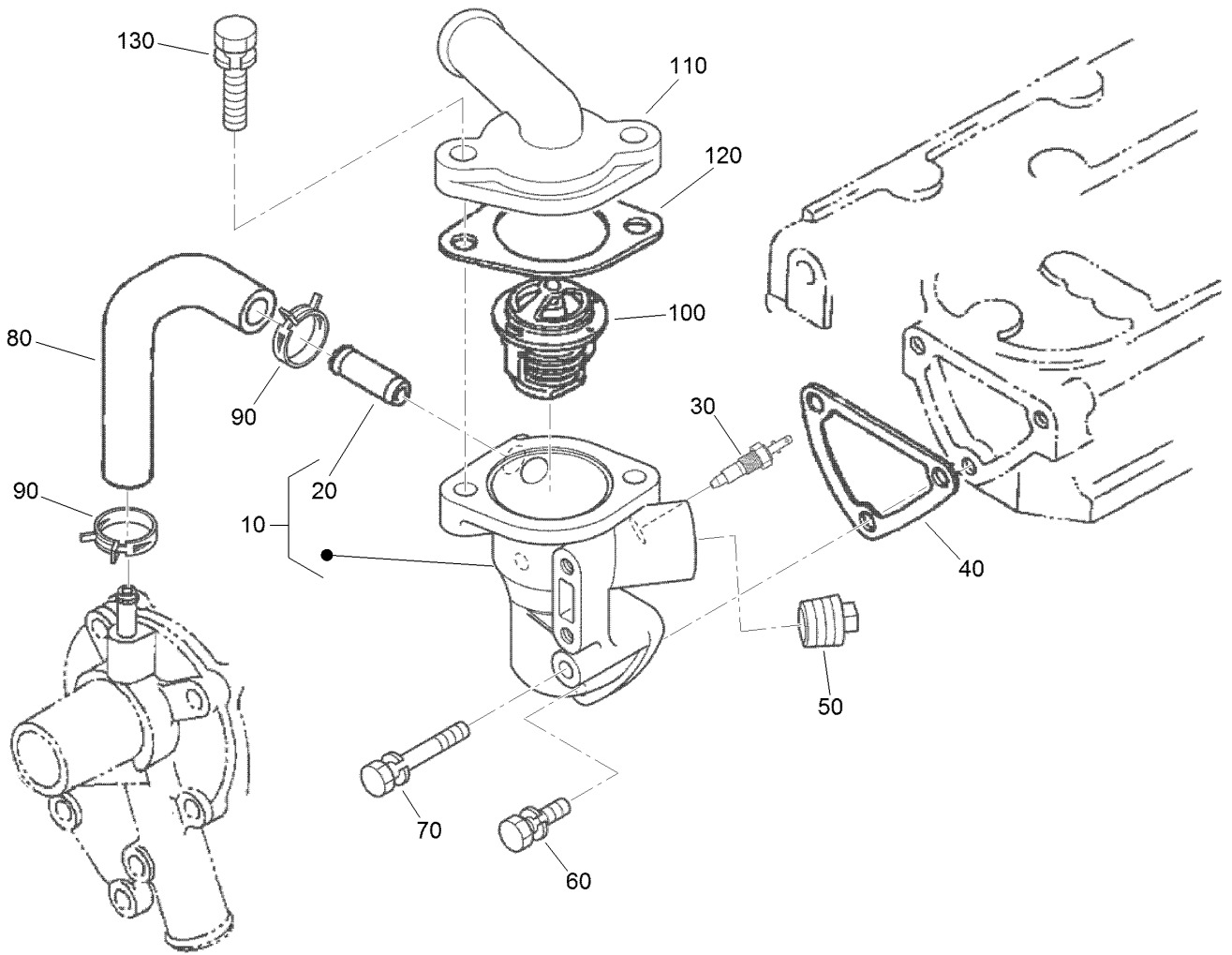
## Starter Installation Assembly

<i>Ref.</i>	<i>Part Number</i>	<i>Qty.</i>	<i>Description</i>
10	121-3816	1	Starter ASM
20	98-7697	2	Bolt
30	98-7534	2	Nut
50	98-7534	1	Nut
60	105-2893	1	Washer-Spring



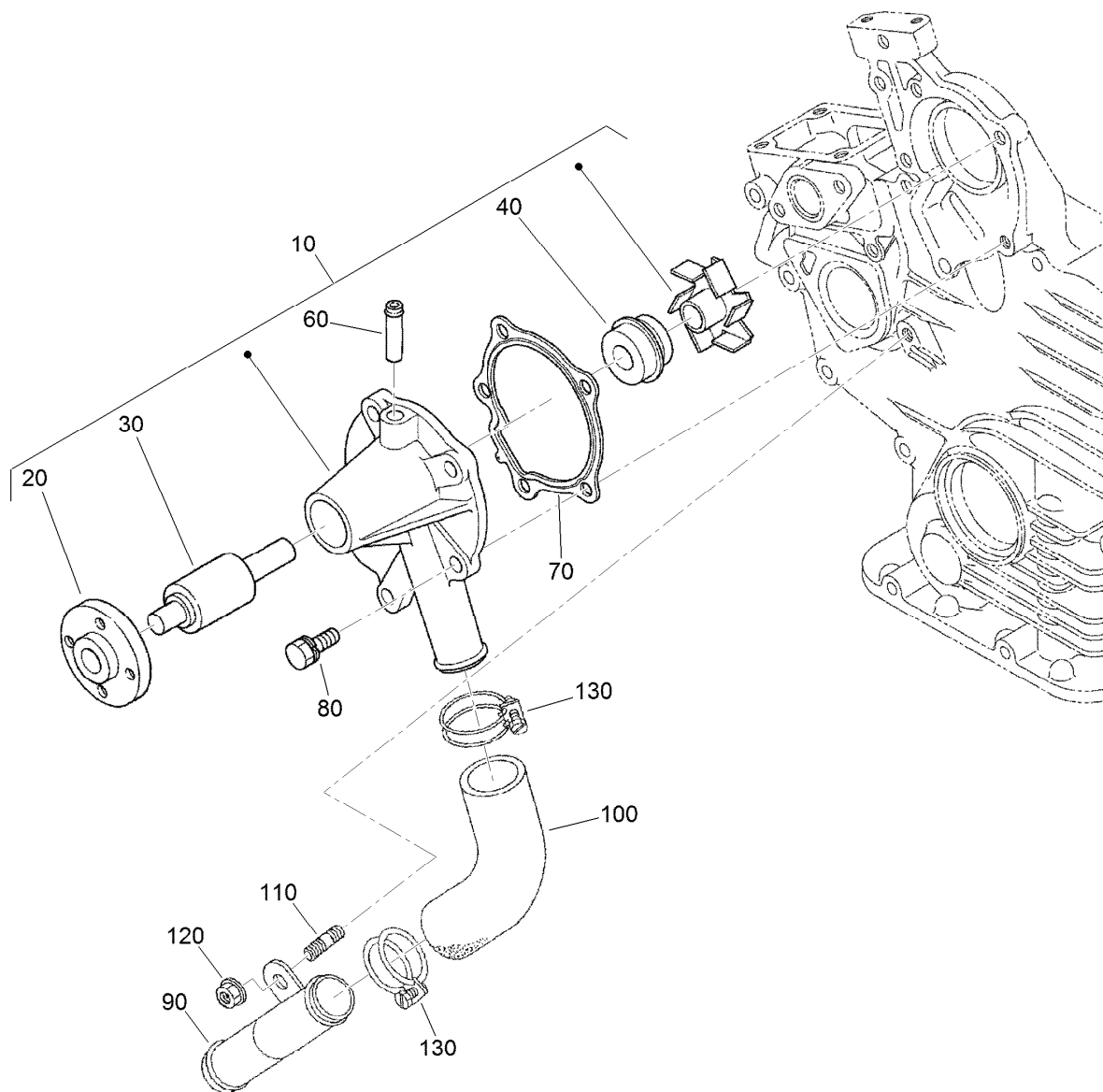
## Starter Assembly No. 121-3816

Ref.	Part Number	Qty.	Description	Ref.	Part Number	Qty.	Description
10	121-3816	1	Starter ASM	110	110-3810	1	Brush Holder ASM
20	121-3817	1	Armature	120	110-3811	1	Rear Bracket ASM
30	110-3802	1	Shaft ASM	130	110-3812	1	Bushing
40	120-3142	1	Gear-Internal	140	110-3813	1	Front Bracket ASM
50	110-3804	3	Gear-Planetary	150	110-3814	1	Bushing
60	110-3805	1	Clutch-Running, Over	160	121-3846	2	Bolt
70	110-3806	1	Stopper	170	110-3816	1	Fork Lever ASM
80	120-3143	1	Gasket	180	110-3817	1	Magnetic Switch ASM
90	110-3808	1	Ball	190	110-3818	4	Screws (Set Of 4)
100	121-3818	1	Yoke				



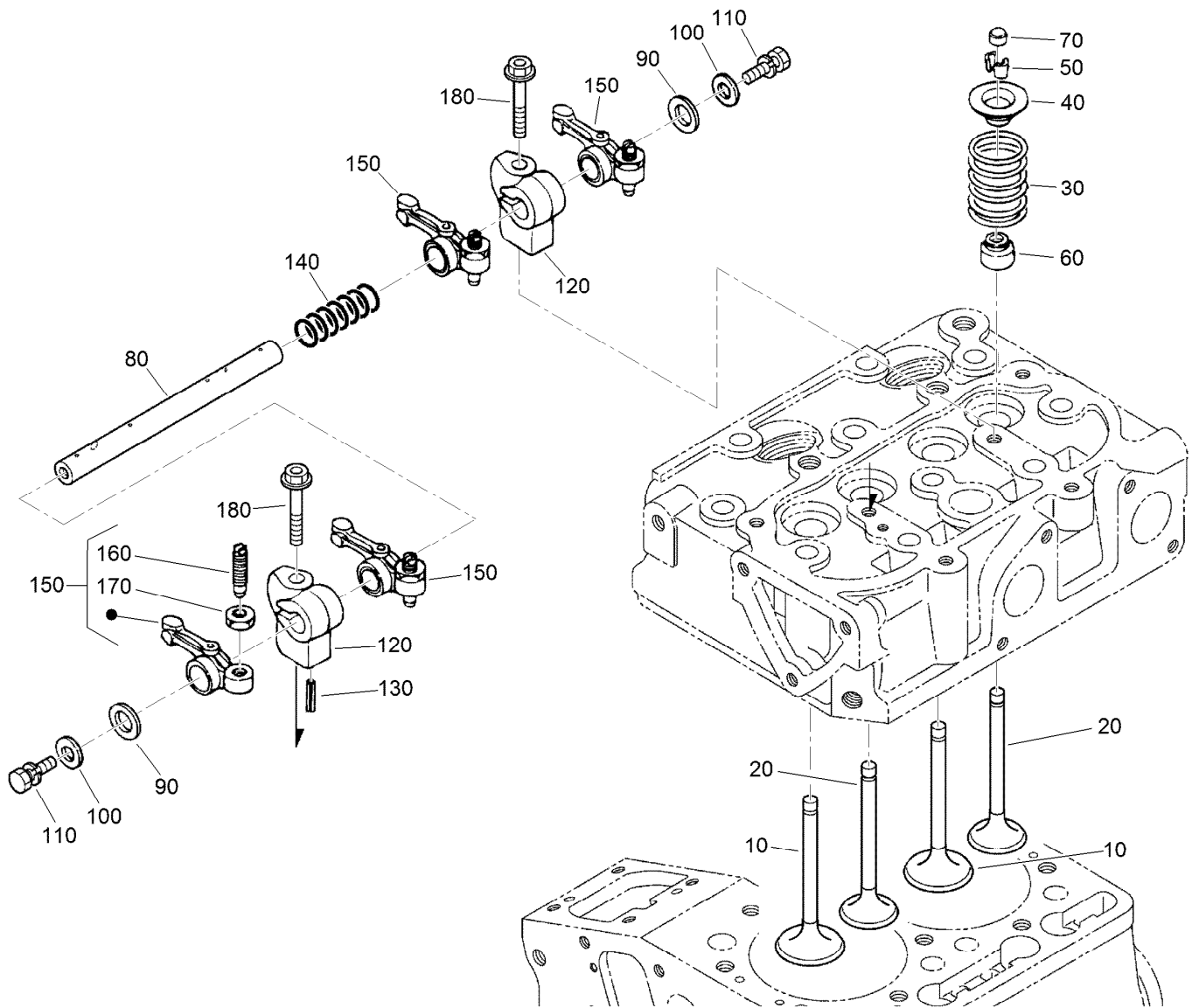
## Water Flange and Thermostat Assembly

<i>Ref.</i>	<i>Part Number</i>	<i>Qty.</i>	<i>Description</i>
10	110-3819	1	Water Flange ASM
20	98-9580	1	Pipe-Return, Water
30	99-3582	1	Thermoswitch
40	110-3820	1	Gasket-Flange, Water
50	110-3821	1	Plug
60	98-7692	2	Bolt
70	105-3797	1	Bolt
80	110-3822	1	Pipe-Return, Water
90	121-3835	2	Clamp-Hose
100	98-7778	1	Thermostat ASM
110	110-3823	1	Cover-Thermostat
120	105-3748	1	Gasket-Thermostat
130	98-7777	2	Bolt



## Water Flange and Water Pipe Assembly

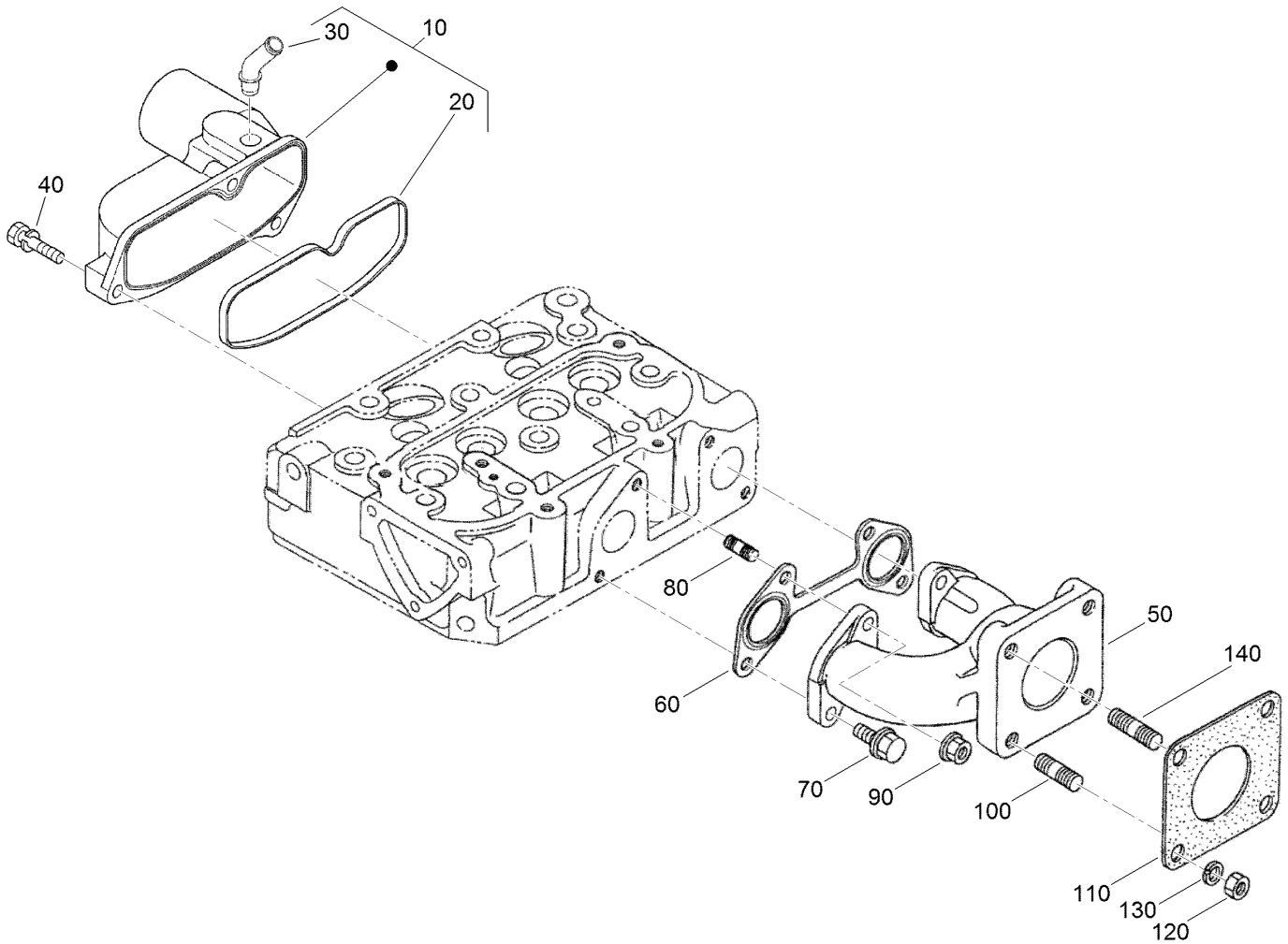
<i>Ref.</i>	<i>Part Number</i>	<i>Qty.</i>	<i>Description</i>
10	110-3824	1	Water Pump ASM
20	100-1933	1	Flange-Pump, Water
30	100-1934	1	Bearing-Ball
40	99-3518	1	Water Pump Seal ASM
60	100-1932	1	Pipe-Return, Water
70	117-0330	1	Gasket-Pump, Water
80	100-1750	4	Bolt
90	100-1918	1	Pipe-Water
100	110-3827	1	Pipe-Water
110	100-1924	1	Stud
120	100-2203	1	Nut-Flange
130	110-3828	2	Band-Pipe



## Valve and Rocker Arm Assembly

Ref.	Part Number	Qty.	Description	Ref.	Part Number	Qty.	Description
10	112-2514	2	Valve-Inlet	100	110-3832	2	Washer-Plain
20	112-2515	2	Valve-Exhaust	110	100-1762	2	Bolt
30	100-1823	4	Spring-Valve	120	110-3833	2	Bracket-Arm, Rocker
40	100-1825	4	Retainer-Spring, Valve	130	98-7602	1	Pin-Spring
50	120-3136	4	Collet-Spring, Valve	140	112-8342	1	Spring
60	100-1797	4	Seal-Stem, Valve	150	100-1884	4	Rocker Arm ASM
70	100-2155	4	Cap-Valve	160	100-1885	4	Screw-Adjusting
80	121-3827	1	Shaft-Arm, Rocker	170	100-1827	4	Nut
90	100-2044	2	Washer	180	110-3834	2	Bolt-Flange





## Intake and Exhaust Manifold Assembly

Ref.	Part Number	Qty.	Description
10	121-3840	1	Intake Manifold ASM
20	121-3825	1	Gasket- Manifold, Intake
30	121-2417	1	Pipe-Breather
40	98-9352	3	Bolt
50	121-3844	1	Manifold-Exhaust
60	121-3826	1	Gasket-Manifold, Exhaust
70	100-1775	2	Bolt
80	100-2202	2	Stud
90	100-1778	2	Nut
100	98-7769	3	Stud
110	99-8343	1	Gasket-Muffler
120	98-7534	4	Nut
130	105-2893	4	Washer-Spring
140	120-4862	1	Stud-Exhaust, Long

# Attachments and Accessories

## For 07359 Workman MDX-D Utility Vehicle

<b>Product Name</b>	<b>Model/Part</b>
Roll-Over Protection System .....	07276
Receiver Hitch Kit .....	07278
Canopy Kit .....	07324
Solid Windshield Kit .....	07325
Folding Windshield Kit .....	07326
Snow Plow .....	07327
Hard Cab .....	07328
Heavy-Duty Bumper Kit .....	07329
Heavy-Duty Brush Guard and Bumper Kit .....	07338
Heater Kit.....	07349
Sliding Window Door Kit .....	07352
Fixed Window Door Kit .....	07353
Electric Bed Lift Kit, 2011 and After Workman MD/MDX/MDX-D Utility Vehicle .....	07381
Wheel-5 Bolt .....	104-6889
Tire-AT 489, 24x10.5-10 .....	104-7061
Tire-AT 489, 22x9.5-10 .....	104-7062
Lift Wire Harness Kit .....	115-7823
Backup Alarm Kit .....	115-7824
Horn Kit.....	115-7825
Replacement Front Spring Kit.....	117-4847
Tire And Wheel Asm .....	119-0751
Tapered Nozzle Kit, Pro Force Debris Blower .....	119-6280
Rectangular Nozzle Kit, Pro Force Debris Blower .....	119-6281
Nozzle-Extension, Straight .....	119-6282
Nozzle-Extension, Tapered.....	119-6283
Nozzle-Extension, Rectangular .....	119-6284
Side Mirror Kit .....	119-9546
Stake Pocket Adapter Kit, 2011 and After Workman MD Series Utility Vehicle.....	119-9604
Tie-Down Kit, 2011 and After Workman MD Series Utility Vehicle .....	119-9605
Road Light and Homologation Kit .....	120-5031
Brake and Signal Light Kit.....	120-5044
Lanyard Kit, Workman MD Series Utility Vehicle with Serial Number 313000501 thru 313999999 .....	121-9898
Pro Force Debris Blower.....	44538
Road-Ready Pro Force Debris Blower.....	44539
Bed Mount Kit, Pro Force Debris Blower.....	44543
Bed Mount Sound Barrier Kit, Pro Force Debris Blower .....	44546
Spark Arrestor Screen .....	94-8157

**Notes:**



**Count on it.**