



Count on it.

Parts Catalog

Workman® MDX-D

Utility Vehicle

Model No. 07236TC—Serial No. 410300000 and Up



Ordering Replacement Parts

To order replacement parts, please supply the part number, the quantity, and the description of each part desired.

Understanding Reference Numbers

Each identified part in an illustration has a reference number. The reference number for a part also appears in the parts list, along with other information about the part.

This catalog uses two special reference number formats, one to indicate parts in a service assembly and another to indicate the quantity of a given part in an illustration.

Service Assembly Reference Numbers

Parts in service assemblies have reference numbers in the form a:b. The a represents the reference number of the entire service assembly and the b represents a sequential number unique to each part within the service assembly.

For example, a wheel assembly might be identified by reference number 6, the tire by 6:1, the valve by 6:2, and the wheel by 6:3. When you order the assembly identified by reference number 6, you receive all parts identified by reference numbers 6:1, 6:2, and 6:3. However, you may also order any part individually. Reference numbers of this type appear in illustration and in parts lists.

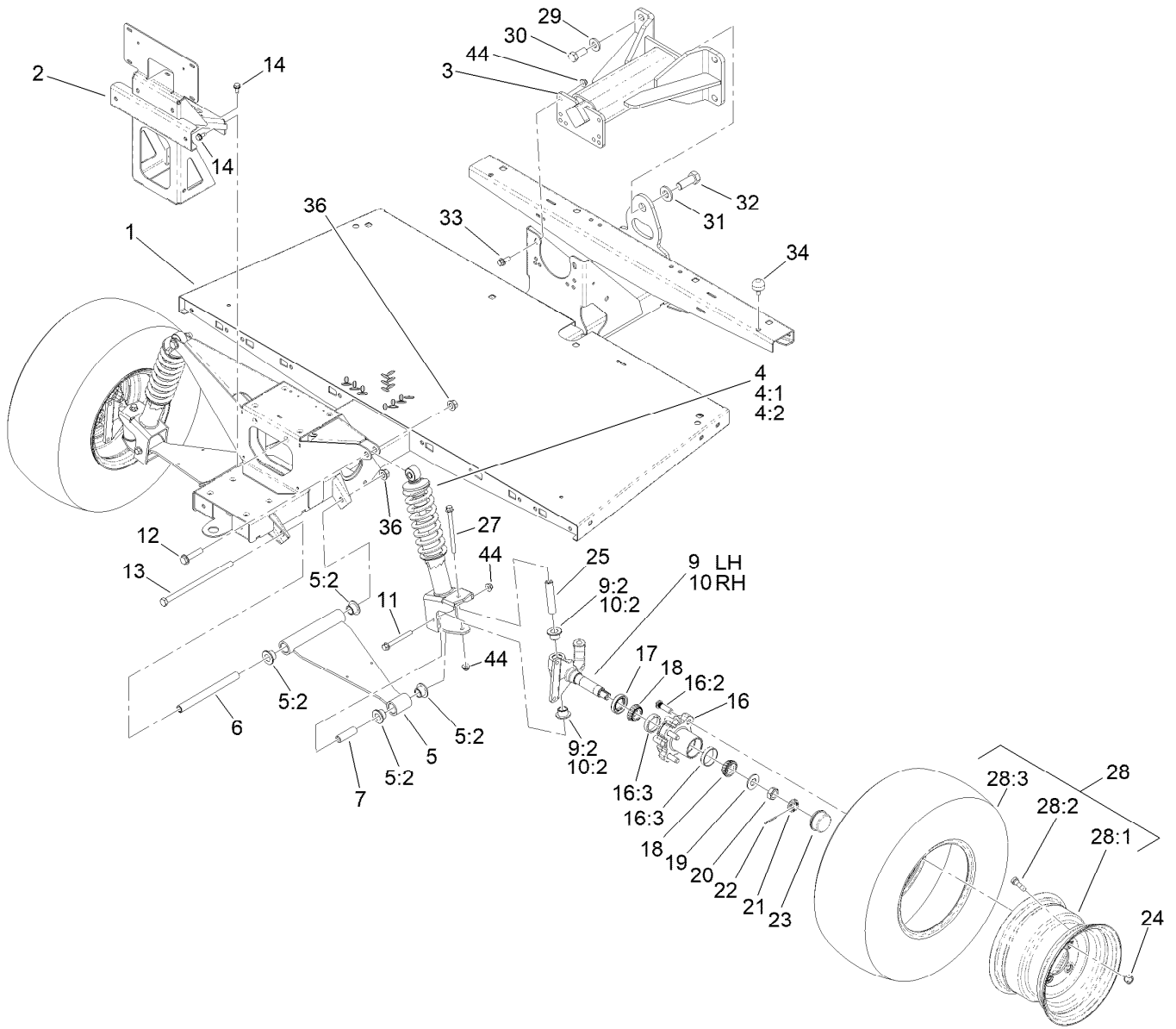
Reference Numbers Indicating Quantity

In an illustration, if a reference number indicates more than one part, the reference number has the form nX y. The n represents the quantity of the part, the X is the multiplication symbol, and the y represents the reference number.

For example, in an illustration, the reference number 2X 37 means that two of the parts identified by reference number 37 are indicated.

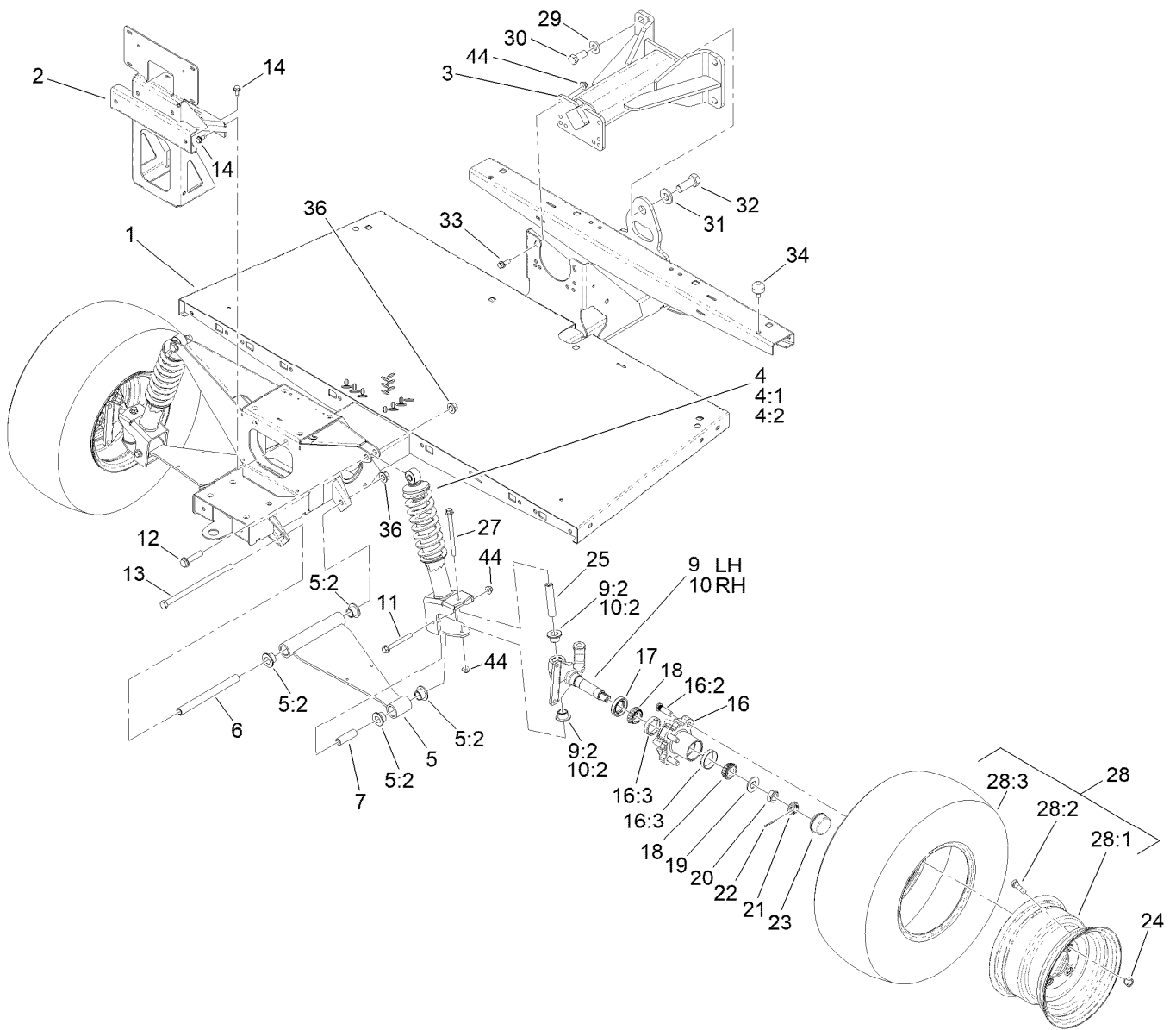
Contents

| | |
|--|----|
| Front Frame and Suspension Assembly | 4 |
| Rear Frame and Suspension Assembly | 6 |
| Diesel Engine Mount Assembly | 7 |
| Front Brake Assembly | 8 |
| Master Cylinder Assembly No. 104-6782 | 9 |
| Brake Caliper Assembly No. 127-7424 | 10 |
| Rear Brake Assembly | 11 |
| RH Rear Brake Assembly No. 114-8331 | 12 |
| LH Rear Brake Assembly No. 114-8332 | 13 |
| Steering Assembly | 14 |
| Pedal Assembly | 15 |
| Shifter Assembly | 16 |
| Hood and Fender Assembly | 17 |
| Dash Assembly | 18 |
| Control Panel Assembly | 19 |
| Seatbase Assembly | 20 |
| Cargo Bed Assembly | 21 |
| Cargo Bed and Tailgate Service Assembly No. 133-0560 | 22 |
| Engine, Primary Clutch and Exhaust Assembly | 23 |
| Primary Clutch Assembly No. 119-9610 | 24 |
| Air Cleaner and Throttle Cable Assembly | 25 |
| Air Cleaner Assembly No. 138-5651 | 26 |
| Radiator Assembly | 27 |
| Rear Axle Drive System Assembly | 28 |
| Secondary Clutch Assembly No. 119-6011 | 29 |
| Transaxle Assembly No. 119-0760 | 30 |
| Battery Assembly | 32 |
| Electrical Assembly | 33 |
| Fuel Tank Assembly | 34 |
| Crankcase Assembly | 35 |
| Oil Pan, Oil Pump and Dipstick Assembly | 36 |
| Cylinder Head Assembly | 37 |
| Gear Case and Oil Filter Cartridge Assembly | 38 |
| Cylinder Head Cover Assembly | 39 |
| Main Bearing Case Assembly | 40 |
| Camshaft and Idle Gear Shaft Assembly | 41 |
| Piston and Crankshaft Assembly | 42 |
| Fuel Camshaft Assembly | 43 |
| Idle Apparatus and Fuel Pump Cover Assembly | 44 |
| Injection Pump Assembly | 45 |
| Governor Assembly | 46 |
| Stop Solenoid and Speed Control Plate Assembly | 47 |
| Nozzle Holder Assembly | 48 |
| Nozzle Holder and Glow Plug Assembly | 50 |
| Alternator, Pulley and Fan Assembly | 51 |
| Alternator Components Assembly | 52 |
| Starter and Flywheel Assembly | 53 |
| Starter Component Assembly | 54 |
| Water Flange and Thermostat Assembly | 55 |
| Water Pump and Water Pipe Assembly | 56 |
| Valve and Rocker Arm Assembly | 57 |
| Inlet and Exhaust Manifold Assembly | 58 |
| Miscellaneous Engine Parts | 59 |
| Attachments and Accessories | 60 |



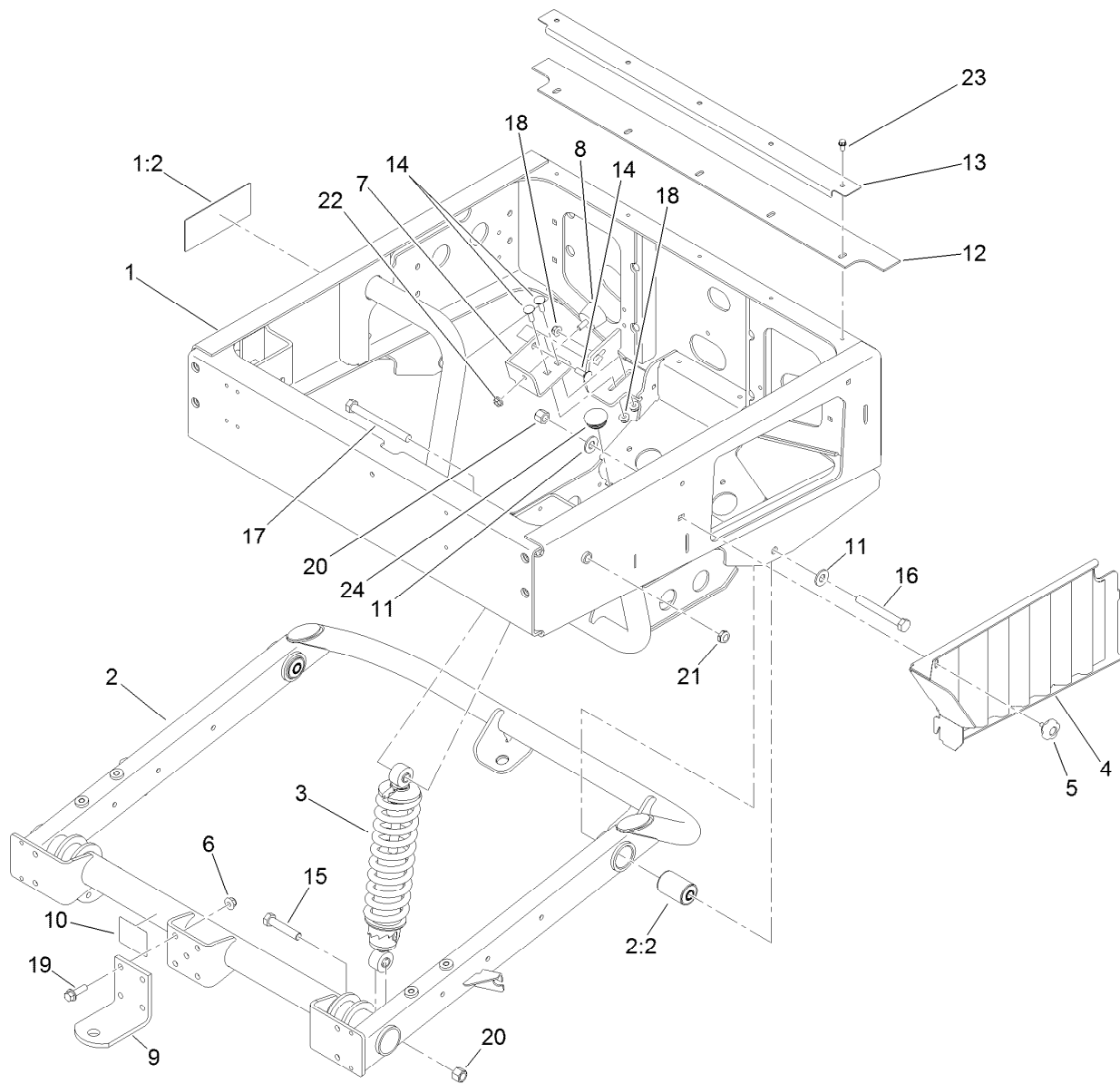
Front Frame and Suspension Assembly

| Ref. | Part Number | Qty. | Description | Ref. | Part Number | Qty. | Description |
|------|-------------|------|---------------------------|------|-------------|------|---------------------------|
| 1 | 132-6735-03 | 1 | Frame-Front | 17 | 112-1690 | 2 | Seal-Oil |
| 2 | 132-6736-03 | 1 | Support-Bumper | 18 | 254-94 | 4 | Bearing-Cone, Tapered |
| 3 | 99-7700 | 1 | Yoke-Pivot | 19 | 93-0309 | 2 | Washer-Tab |
| 4 | 132-6791 | 2 | Strut ASM | 20 | 3220-7 | 2 | Nut-Jam |
| 4:1 | 133-0556 | 1 | Spring-Coil | 21 | 93-0307 | 2 | Nut-Lock, Retainer |
| 4:2 | 131-8574 | 1 | Isolator-Shock | 22 | 3272-12 | 2 | Pin-Cotter |
| 5 | 144-2160 | 2 | Control Arm ASM | 23 | 241-119 | 2 | Cap-Dust |
| 5:2 | 140-4615 | 4 | Bushing-Flange | 24 | 242-50 | 8 | Nut-Lug |
| 6 | 133-0595 | 2 | Sleeve-Control Arm, Inner | 25 | 131-8582 | 2 | Sleeve-Kingpin |
| 7 | 131-8583 | 2 | Sleeve-Control Arm, Outer | 27 | 139-3350 | 2 | Screw-HF |
| 9 | 144-2162 | 1 | Spindle ASM, LH | 28 | 133-0579 | 2 | Wheel And Tire ASM |
| 9:2 | 140-4615 | 2 | Bushing-Flange | 28:1 | 133-0590 | 1 | Wheel |
| 10 | 144-2163 | 1 | Spindle ASM, RH | 28:2 | 127-7435 | 1 | Tire (22 X 9.50-10) 4-Ply |
| 10:2 | 140-4615 | 2 | Bushing-Flange | 28:3 | 232-27 | 1 | Stem-Valve |
| 11 | 139-3370 | 2 | Screw-HF | 29 | 99-7667 | 4 | Washer-Flat |
| 12 | 3234-46 | 2 | Screw-HHF | 30 | 327-4 | 4 | Screw-HH |
| 13 | 325-39 | 2 | Screw-HH | 31 | 87-3060 | 1 | Washer-Hardened |
| 14 | 32144-70 | 6 | Screw-HWHTF | 32 | 328-24 | 1 | Screw-HH |
| 16 | 127-8851 | 2 | Front Hub ASM | 33 | 131-2220 | 4 | Screw-HHF |
| 16:2 | 10-6830 | 4 | Stud-Type, Drive | 34 | 87-2440 | 1 | Bumper-Rubber |
| 16:3 | 254-72 | 2 | Bearing-Cup, Tapered | | | | |



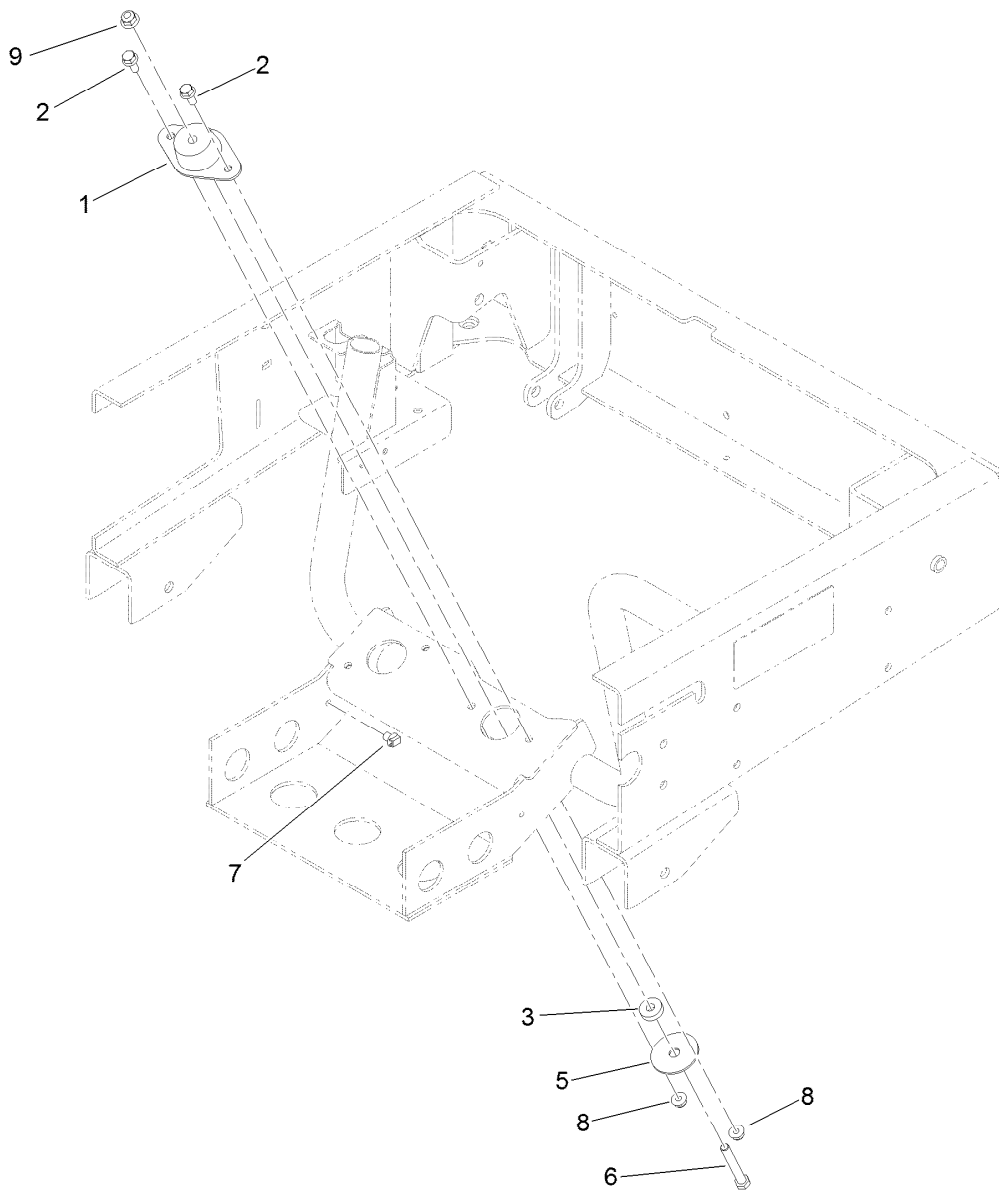
Front Frame and Suspension Assembly (continued)

| Ref. | Part Number | Qty. | Description |
|------|-------------|------|-------------|
| 36 | 99-5107 | 4 | Nut-Lock |
| 44 | 139-3380 | 8 | Nut-HF |



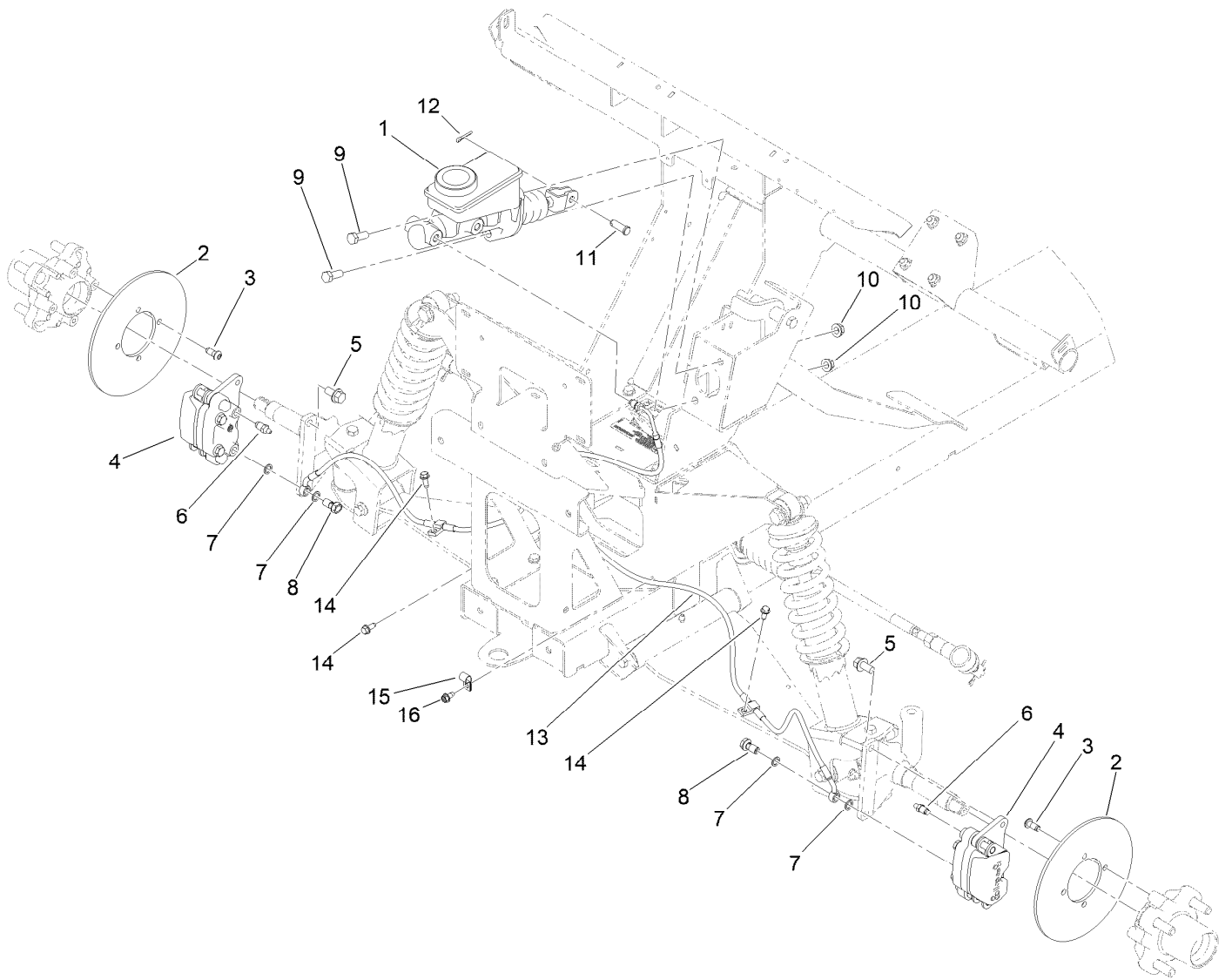
Rear Frame and Suspension Assembly

| <i>Ref.</i> | <i>Part Number</i> | <i>Qty.</i> | <i>Description</i> | <i>Ref.</i> | <i>Part Number</i> | <i>Qty.</i> | <i>Description</i> |
|-------------|--------------------|-------------|----------------------|-------------|--------------------|-------------|--------------------|
| 1 | 120-5052 | 1 | Rear Frame ASM | 12 | 119-9728 | 1 | Seal-Frame, Rear |
| 1:2 | 99-7345 | 1 | Decal-Warning | 13 | 119-9729-0P | 1 | Reinforcement-Seal |
| 2 | 140-2596 | 1 | Swing Arm ASM | 14 | 3230-2 | 3 | Bolt-CARR |
| 2:2 | 112-3377 | 2 | Bushing-Arm, Control | 15 | 325-10 | 2 | Screw-HH |
| 3 | 133-0553 | 2 | Shock And Spring ASM | 16 | 325-17 | 2 | Screw-HH |
| 4 | 119-9597-03 | 1 | Screen-Radiator | 17 | 325-19 | 2 | Screw-HH |
| 5 | 105-1406 | 1 | Knob | 18 | 104-8300 | 3 | Nut-HF, NI |
| 6 | 104-8301 | 4 | Nut-HF, NI | 19 | 3234-24 | 4 | Screw-HHF |
| 7 | 119-9743-0P | 1 | Mount-Bumper | 20 | 3296-23 | 4 | Nut-Lock, NI |
| 8 | 68-3270 | 1 | Bumper-Rubber | 21 | 3296-45 | 2 | Nut-Hex |
| 9 | 99-7654-03 | 1 | Hitch-Duty, Light | 22 | 32128-20 | 1 | Nut-HF |
| 10 | 136-1164 | 1 | Decal-Load, Towing | 23 | 32144-4 | 5 | Screw-HWH |
| 11 | 87-7270 | 4 | Washer-Thrust | 24 | 117-0946 | 1 | Plug-Plastic |



Diesel Engine Mount Assembly

| <i>Ref.</i> | <i>Part Number</i> | <i>Qty.</i> | <i>Description</i> |
|-------------|--------------------|-------------|--------------------|
| 1 | 119-9745 | 4 | Mount-Engine |
| 2 | 3234-47 | 8 | Screw-HHF |
| 3 | 62-6660 | 4 | Spacer |
| 5 | 87-5100 | 4 | Washer-Snubbing |
| 6 | 323-12 | 4 | Screw-HH |
| 7 | 32180-030 | 1 | Clip-Tie |
| 8 | 104-8300 | 8 | Nut-HF, NI |
| 9 | 104-8301 | 4 | Nut-HF, NI |



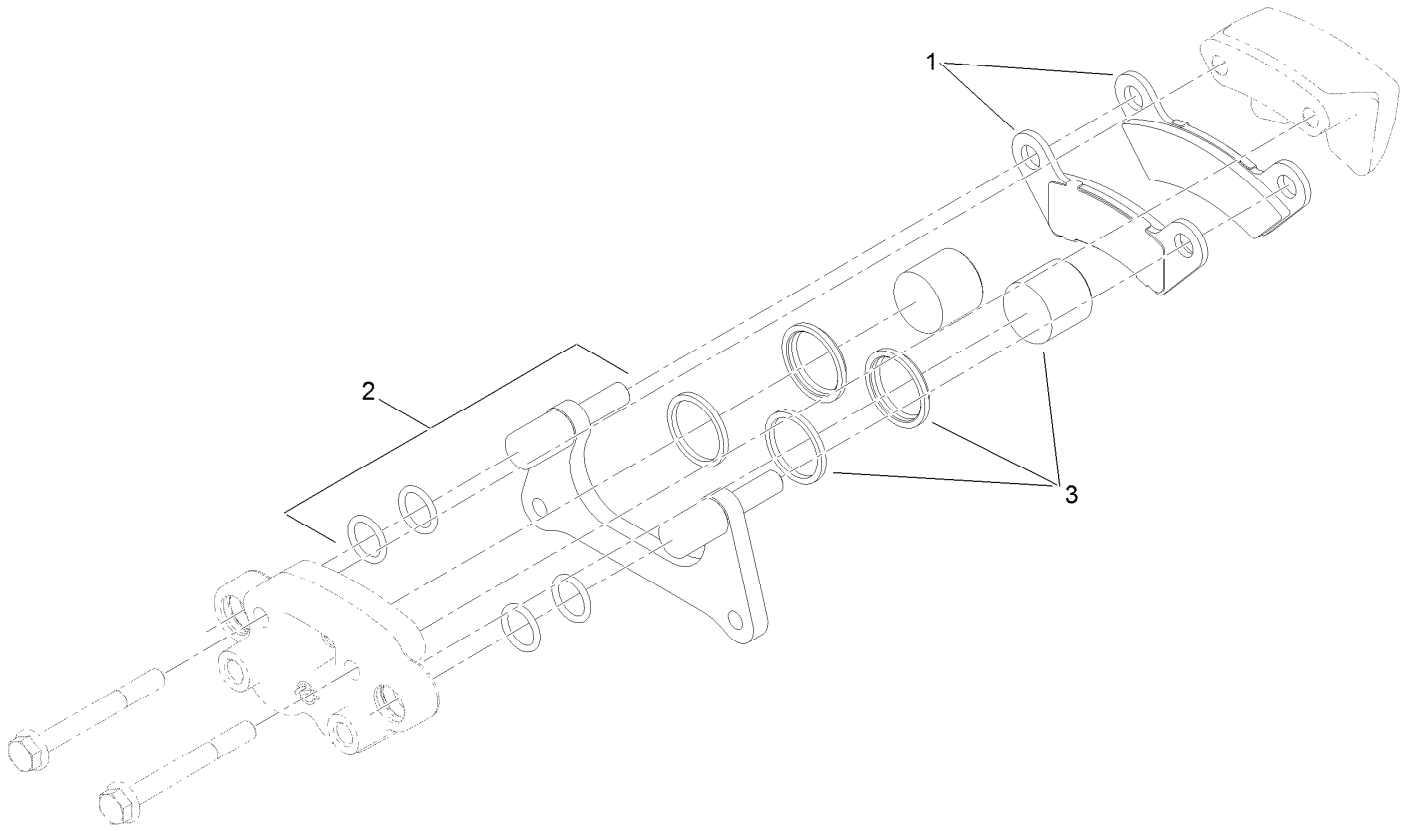
Front Brake Assembly

| <i>Ref.</i> | <i>Part Number</i> | <i>Qty.</i> | <i>Description</i> | <i>Ref.</i> | <i>Part Number</i> | <i>Qty.</i> | <i>Description</i> |
|-------------|--------------------|-------------|---------------------|-------------|--------------------|-------------|--------------------|
| 1 | 104-6782 | 1 | Master Cylinder ASM | 9 | 323-6 | 2 | Screw-HH |
| 2 | 136-6295 | 2 | Rotor-Brake | 10 | 104-8301 | 2 | Nut-HF, NI |
| 3 | 121-9671 | 8 | Screw-HSBH | 11 | 283-2 | 1 | Pin-Clevis |
| 4 | 127-7424 | 2 | Brake Caliper ASM | 12 | 3272-10 | 1 | Pin-Cotter |
| 5 | 3234-1 | 4 | Screw-HHF | 13 | 132-6793 | 1 | Line-Brake, Front |
| 6 | 119-9509 | 2 | Screw-Bleed | 14 | 32144-10 | 3 | Screw-HWH |
| 7 | 115-2341 | 4 | Washer-Banjo | 15 | 2412-89 | 1 | Clamp-R |
| 8 | 120-4875 | 2 | Bolt-Flange, Banjo | 16 | 32104-17 | 1 | Screw-HWH |



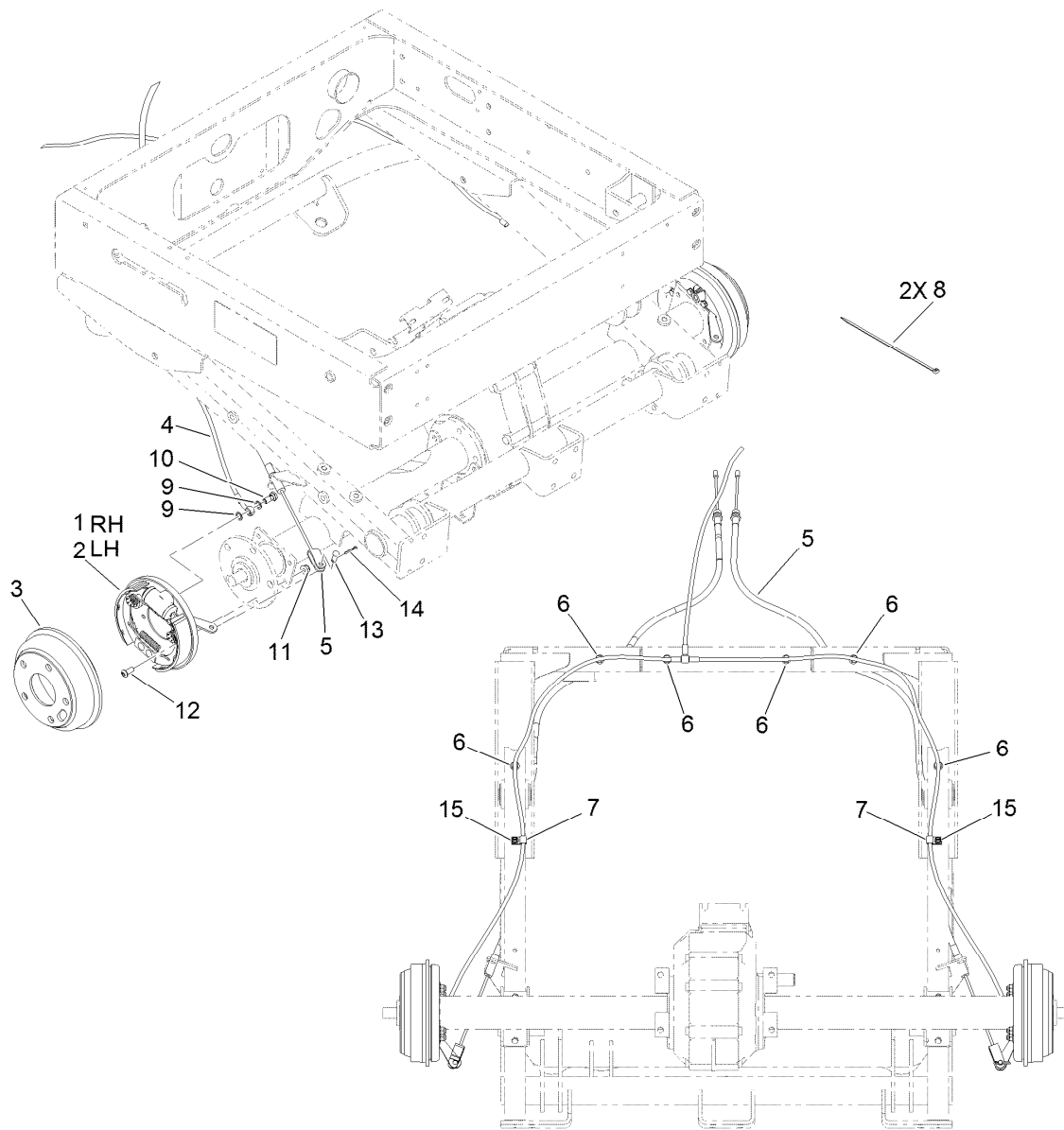
Master Cylinder Assembly No. 104-6782

| Ref. | Part Number | Qty. | Description |
|------|-------------|------|----------------------|
| 1 | 104-6845 | 1 | Reservoir ASM |
| 1:1 | 92-4112 | 1 | Cap ASM |
| 2 | 93-8971 | 2 | Seal-Port, Flange |
| 3 | 92-4103 | 1 | Pin-Stop |
| 4 | 92-4102 | 1 | Secondary Piston ASM |
| 5 | 92-4110 | 1 | Clevis |
| 6 | 21-0360 | 1 | Nut-Hex |
| 7 | 94-5209 | 1 | Cover-Dust |
| 8 | 94-5210 | 1 | Rod-Push |
| 9 | 92-4109 | 1 | Ring-Snap |
| 10 | 92-4108 | 1 | Retainer-Washer |
| 11 | 92-4101 | 1 | Primary Piston ASM |



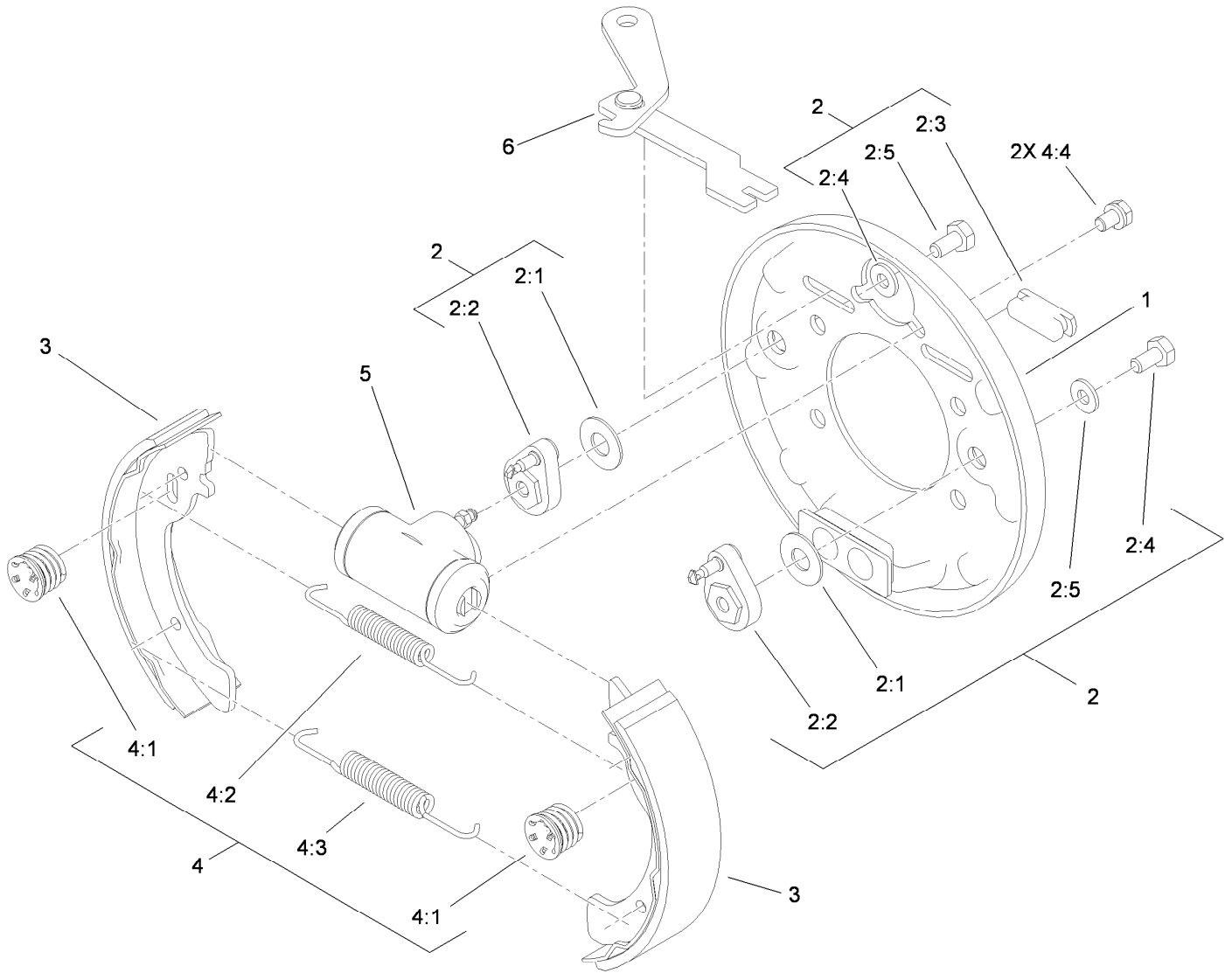
Brake Caliper Assembly No. 127-7424

| <i>Ref.</i> | <i>Part Number</i> | <i>Qty.</i> | <i>Description</i> |
|-------------|--------------------|-------------|--------------------|
| 1 | 133-0628 | 1 | Brake Pad Kit |
| 2 | 119-9511 | 1 | Bracket Kit |
| 3 | 133-0614 | 1 | Piston Kit |



Rear Brake Assembly

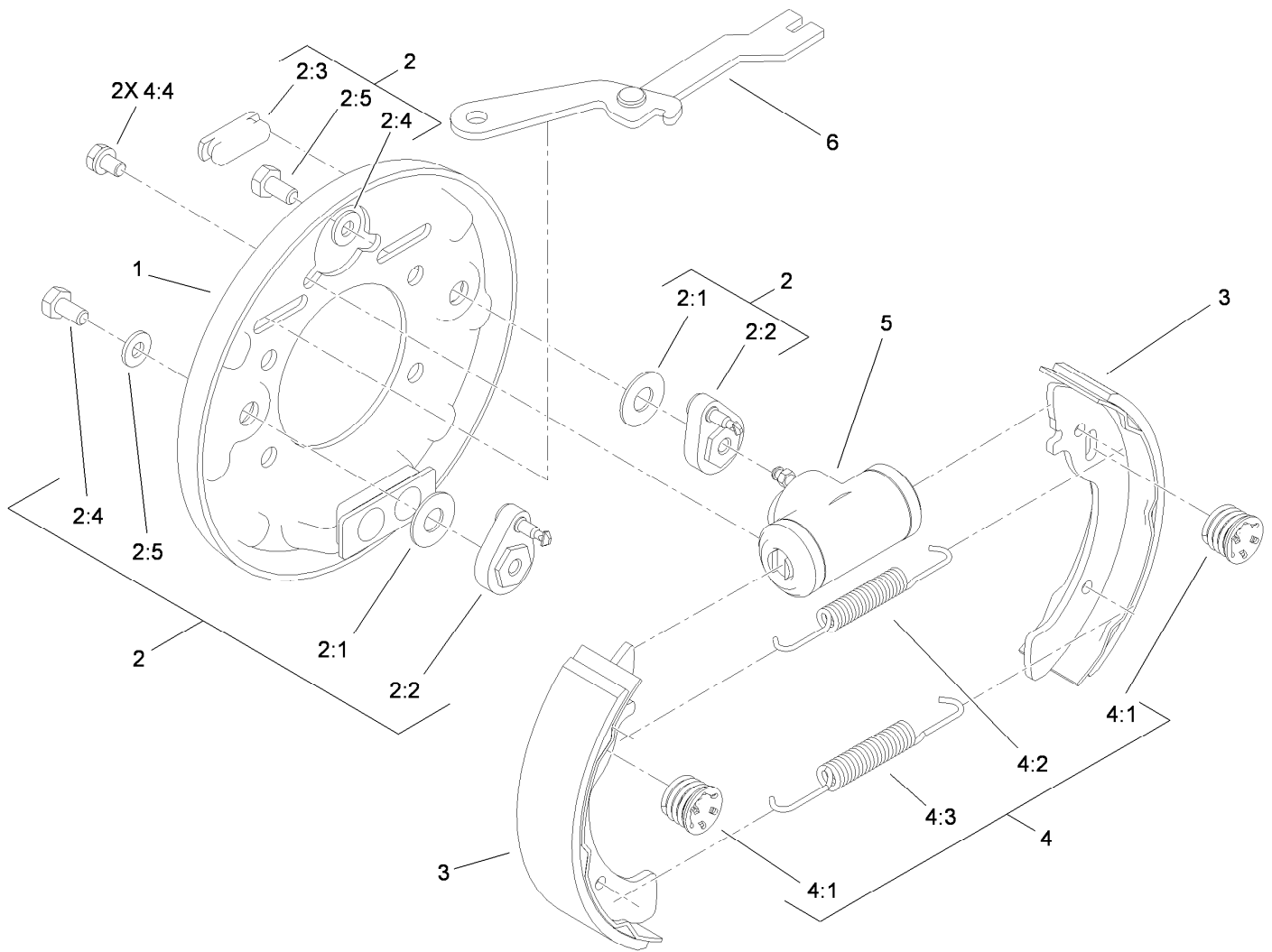
| Ref. | Part Number | Qty. | Description |
|------|-------------|------|-------------------------|
| 1 | 114-8331 | 1 | RH Brake ASM |
| 2 | 114-8332 | 1 | LH Brake ASM |
| 3 | 104-6500 | 2 | Drum-Brake |
| 4 | 112-2926 | 1 | Rear Brake Line ASM |
| 5 | 127-8684 | 2 | Cable-Brake, Adjustable |
| 6 | 32180-030 | 6 | Clip-Tie |
| 7 | 2412-89 | 2 | Clamp-R |
| 8 | 3290-378 | 2 | Tie-Cable |
| 9 | 115-2341 | 4 | Washer-Banjo |
| 10 | 115-2340 | 2 | Bolt-Banjo |
| 11 | 104-8300 | 8 | Nut-HF, NI |
| 12 | 3274-55 | 8 | Screw-HSBH |
| 13 | 283-62 | 2 | Pin-Clevis |
| 14 | 3272-10 | 2 | Pin-Cotter |
| 15 | 32104-17 | 2 | Screw-HWH |



RH Rear Brake Assembly No. 114-8331

| Ref. | Part Number | Qty. | Description |
|------|-------------|------|---------------------------|
| 1 | 100-8586 | 1 | Backing Plate ASM |
| 2 | 104-6820 | 1 | Adjuster Kit |
| 2:1 | 100-8585 | 2 | Washer-Bellville |
| 2:2 | 100-8588 | 2 | Adjuster Lever ASM |
| 2:3 | 100-8584 | 2 | Cover-Dust |
| 2:4 | | 2 | Washer ● |
| 2:5 | | 2 | Bolt ● |
| 3 | 104-6818 | 4 | Shoe And Lining Kit |
| 4 | 104-6819 | 1 | Hardware Kit |
| 4:1 | 100-8583 | 4 | Shoe Hold Down Spring ASM |
| 4:2 | 100-8581 | 2 | Spring-Upper |
| 4:3 | 100-8582 | 2 | Spring-Lower |
| 4:4 | 139-4494 | 4 | Bolt And Washer ASM |
| 5 | 114-8333 | 1 | Wheel Cylinder ASM |
| 6 | 104-6826 | 1 | RH Park Brake Lever ASM |

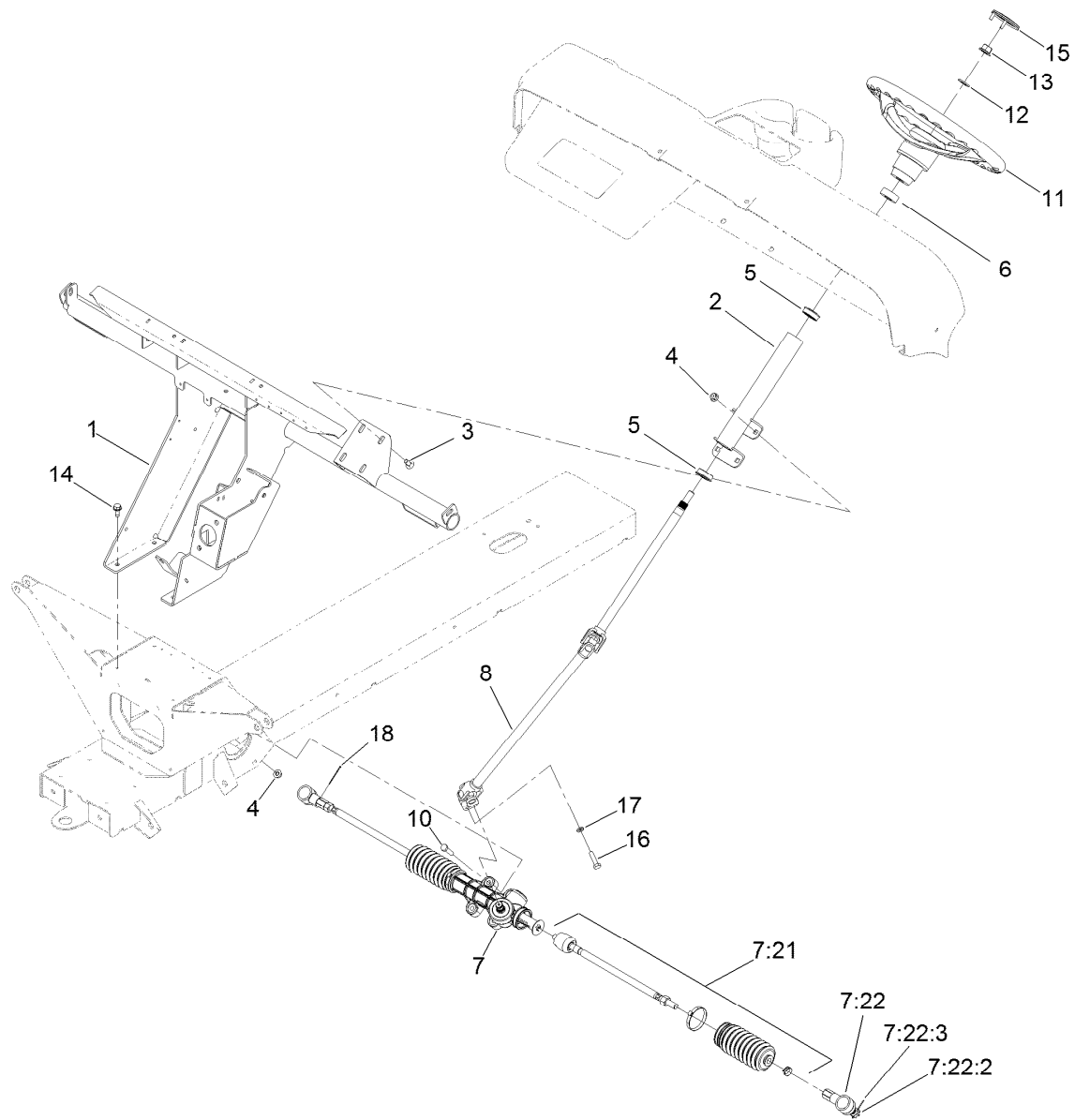
● Not serviced separately



LH Rear Brake Assembly No. 114-8332

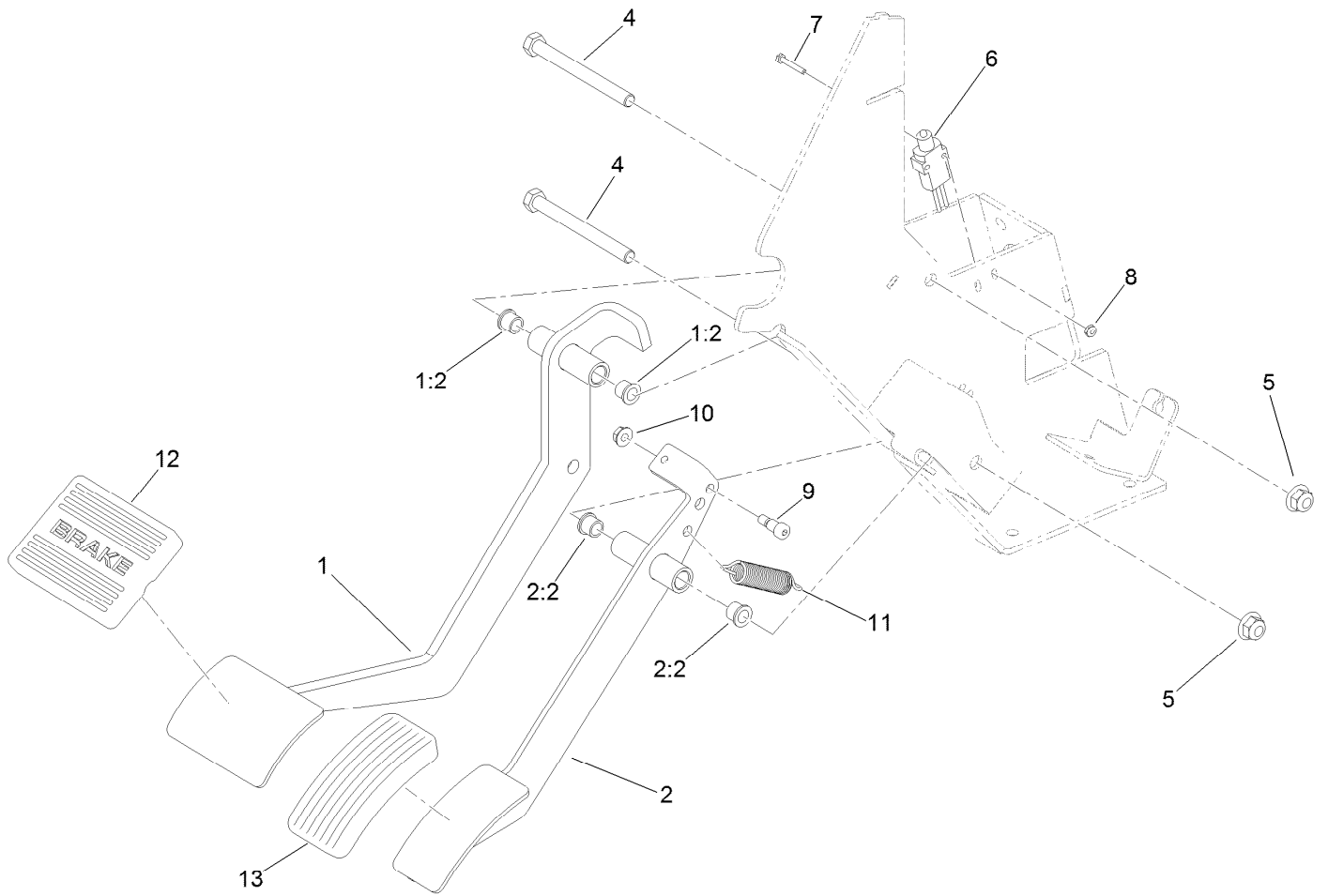
| Ref. | Part Number | Qty. | Description |
|------|-------------|------|---------------------------|
| 1 | 100-8586 | 1 | Backing Plate ASM |
| 2 | 104-6820 | 1 | Adjuster Kit |
| 2:1 | 100-8585 | 2 | Washer-Bellville |
| 2:2 | 100-8588 | 2 | Adjuster Lever ASM |
| 2:3 | 100-8584 | 2 | Cover-Dust |
| 2:4 | | 2 | Washer ● |
| 2:5 | | 2 | Bolt ● |
| 3 | 104-6818 | 4 | Shoe And Lining Kit |
| 4 | 104-6819 | 1 | Hardware Kit |
| 4:1 | 100-8583 | 4 | Shoe Hold Down Spring ASM |
| 4:2 | 100-8581 | 2 | Spring-Upper |
| 4:3 | 100-8582 | 2 | Spring-Lower |
| 4:4 | 139-4494 | 4 | Bolt And Washer ASM |
| 5 | 114-8333 | 1 | Wheel Cylinder ASM |
| 6 | 104-6825 | 1 | LH Park Brake Lever ASM |

● Not serviced separately



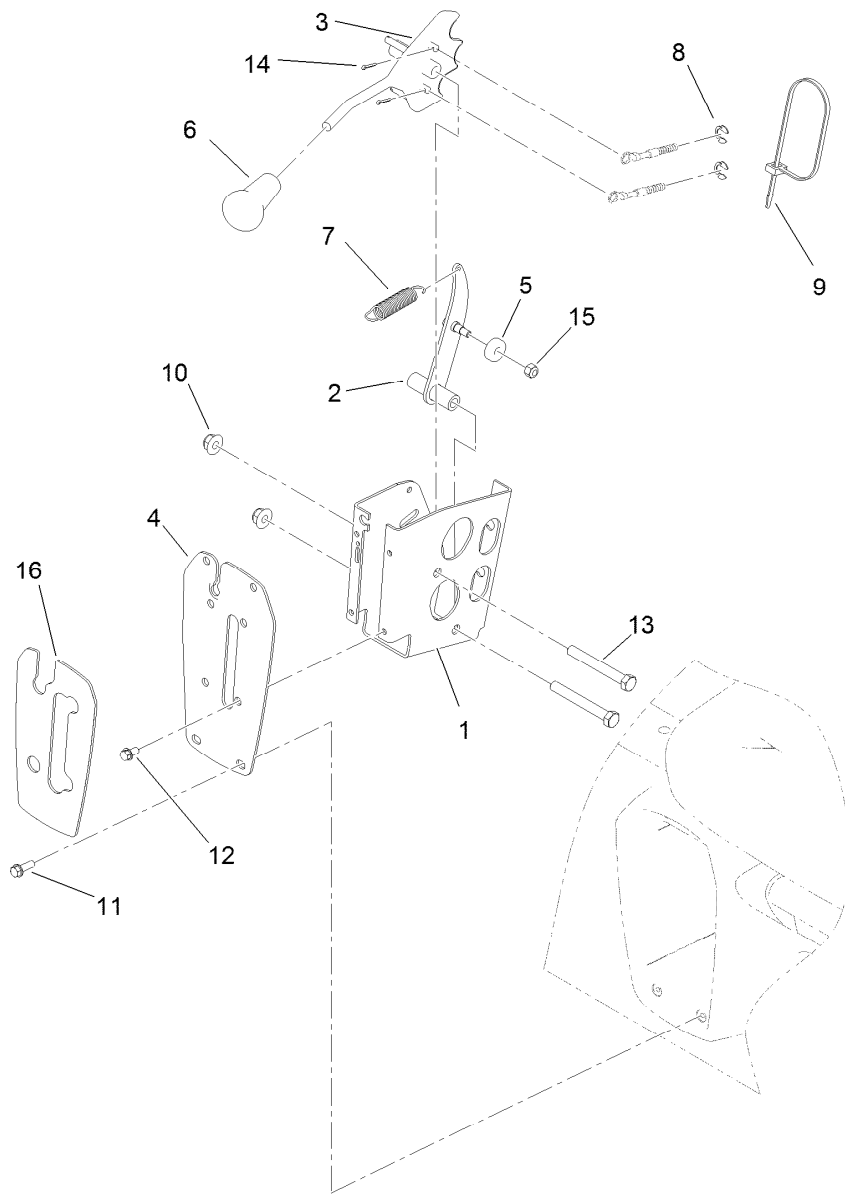
Steering Assembly

| <i>Ref.</i> | <i>Part Number</i> | <i>Qty.</i> | <i>Description</i> | <i>Ref.</i> | <i>Part Number</i> | <i>Qty.</i> | <i>Description</i> |
|-------------|--------------------|-------------|--------------------------|-------------|--------------------|-------------|---------------------|
| 1 | 132-6740-03 | 1 | Support-Dash | 8 | 132-6763 | 1 | Shaft-Steering |
| 2 | 139-4635 | 1 | Steering Column ASM, MDX | 10 | 322-6 | 4 | Screw-HH |
| 3 | 3230-1 | 4 | Bolt-CARR | 11 | 131-0957 | 1 | Wheel-Steering |
| 4 | 104-8300 | 8 | Nut-HF, NI | 12 | 3256-26 | 1 | Washer-Flat |
| 5 | 112-3262 | 2 | Bearing | 13 | 99-5107 | 1 | Nut-Lock |
| 6 | 21-9260 | 1 | Cover-Dust | 14 | 32144-70 | 4 | Screw-HWHTF |
| 7 | 140-4560 | 1 | Steering Rack ASM | 15 | 131-3630 | 1 | Cap-Wheel, Steering |
| 7:21 | 140-4594 | 1 | Kit-Tie Rod ASM, MDX | 16 | 116-3515 | 1 | Screw-HH, Special |
| 7:22 | 140-4592 | 1 | Kit-Rod End ASM | 17 | 3253-4 | 1 | Washer-Lock |
| 7:22:2 | 3272-42 | 1 | Pin-Cotter | 18 | 3272-42 | 2 | Pin-Cotter |
| 7:22:3 | 140-2493 | 1 | Nut-Hex, Slotted | | | | |



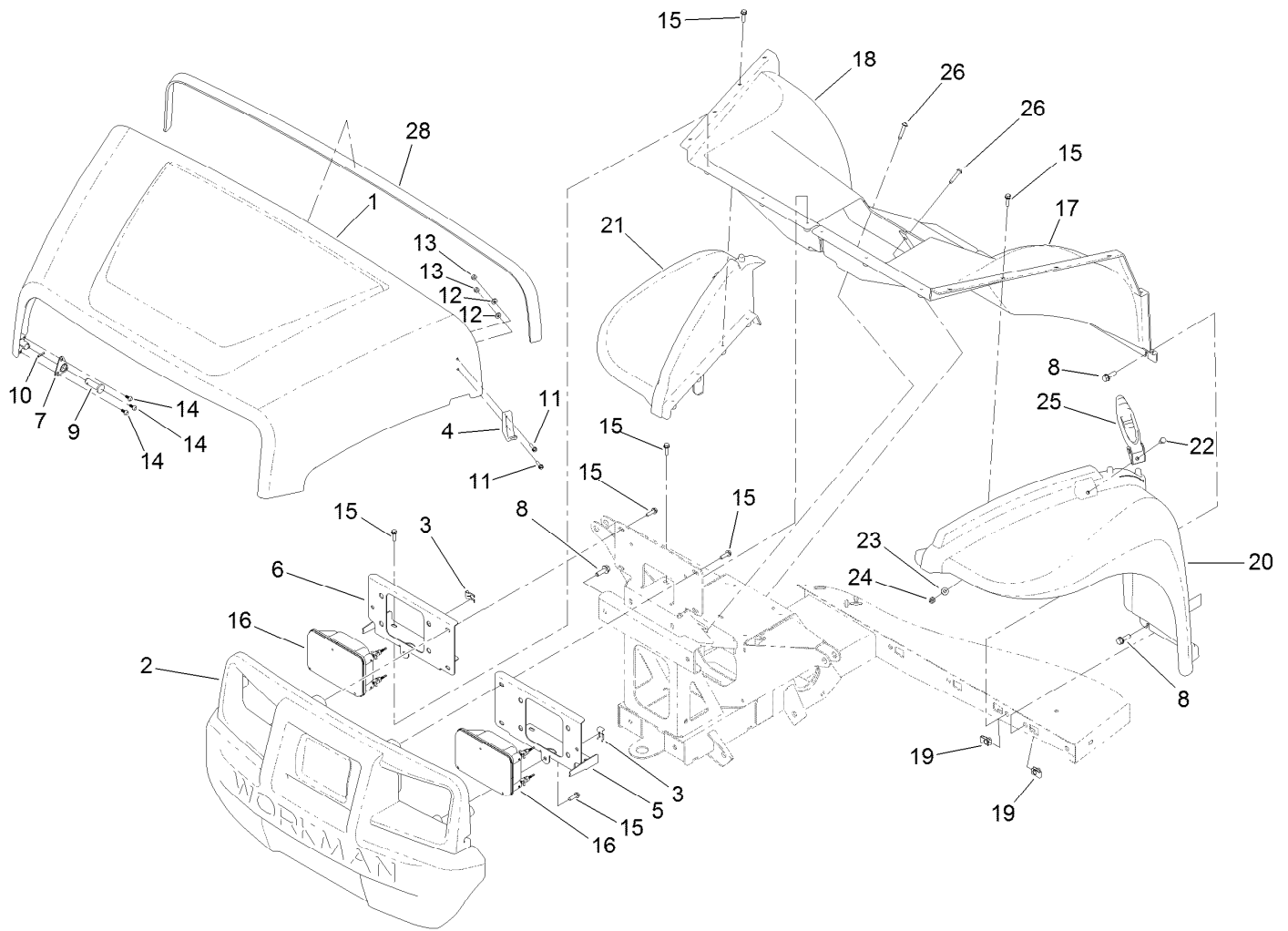
Pedal Assembly

| <i>Ref.</i> | <i>Part Number</i> | <i>Qty.</i> | <i>Description</i> |
|-------------|--------------------|-------------|-------------------------|
| 1 | 138-3581 | 1 | Brake Pedal ASM |
| 1:2 | 256-116 | 2 | Bushing-Flange |
| 2 | 138-3582 | 1 | Throttle Pedal ASM, MDX |
| 2:2 | 256-116 | 2 | Bushing-Flange |
| 4 | 323-16 | 2 | Screw-HH |
| 5 | 104-8301 | 2 | Nut-HF, NI |
| 6 | 95-8900 | 1 | Switch |
| 7 | 32105-9 | 2 | Screw-HH |
| 8 | 3296-9 | 2 | Nut-Hex |
| 9 | 119-4881 | 1 | Bolt-Shoulder |
| 10 | 32128-33 | 1 | Nut-HF |
| 11 | 104-6415 | 1 | Spring-Return, Pedal |
| 12 | 7-3900 | 1 | Pad-Brake |
| 13 | 140-4572 | 1 | Pedal Pad-Throttle |



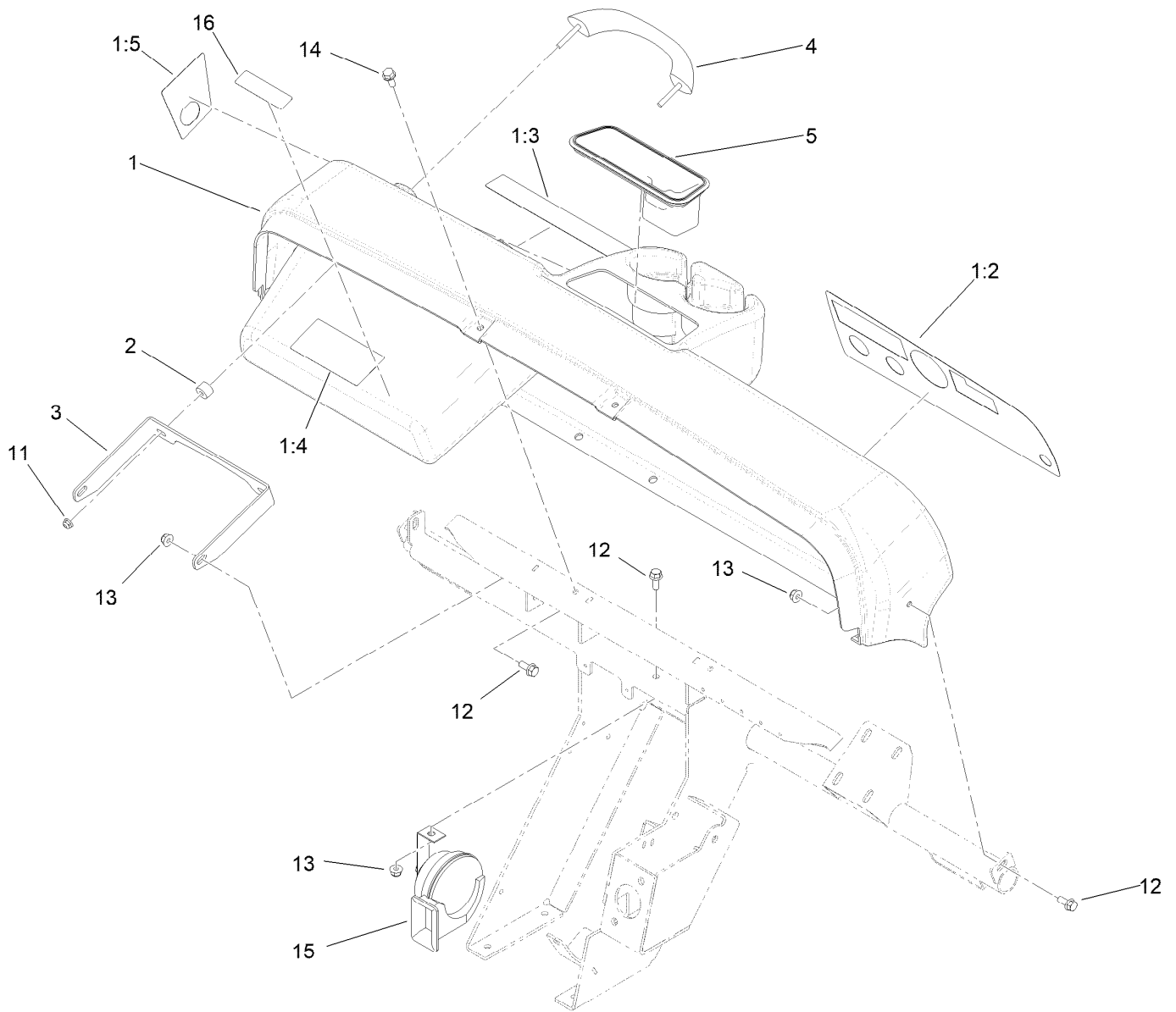
Shifter Assembly

| <i>Ref.</i> | <i>Part Number</i> | <i>Qty.</i> | <i>Description</i> | <i>Ref.</i> | <i>Part Number</i> | <i>Qty.</i> | <i>Description</i> |
|-------------|--------------------|-------------|----------------------|-------------|--------------------|-------------|--------------------|
| 1 | 108-3141-0P | 1 | Bracket-Shift | 9 | 3290-378 | 1 | Tie-Cable |
| 2 | 108-3138 | 1 | Arm-Detent | 10 | 104-8301 | 2 | Nut-HF, NI |
| 3 | 114-2719 | 1 | Plate-Detent | 11 | 32105-15 | 4 | Screw-HWH |
| 4 | 99-7887-03 | 1 | Plate-Shifter | 12 | 32144-4 | 4 | Screw-HWH |
| 5 | 251-307 | 1 | Bearing-Ball | 13 | 323-14 | 2 | Screw-HH |
| 6 | 99-7981 | 1 | Knob-Grip, Soft | 14 | 3272-5 | 2 | Pin-Cotter |
| 7 | 104-6415 | 1 | Spring-Return, Pedal | 15 | 3296-42 | 1 | Nut-Lock, NI |
| 8 | 32151-101 | 2 | E-Ring | 16 | 99-7952 | 1 | Decal-Shifter |



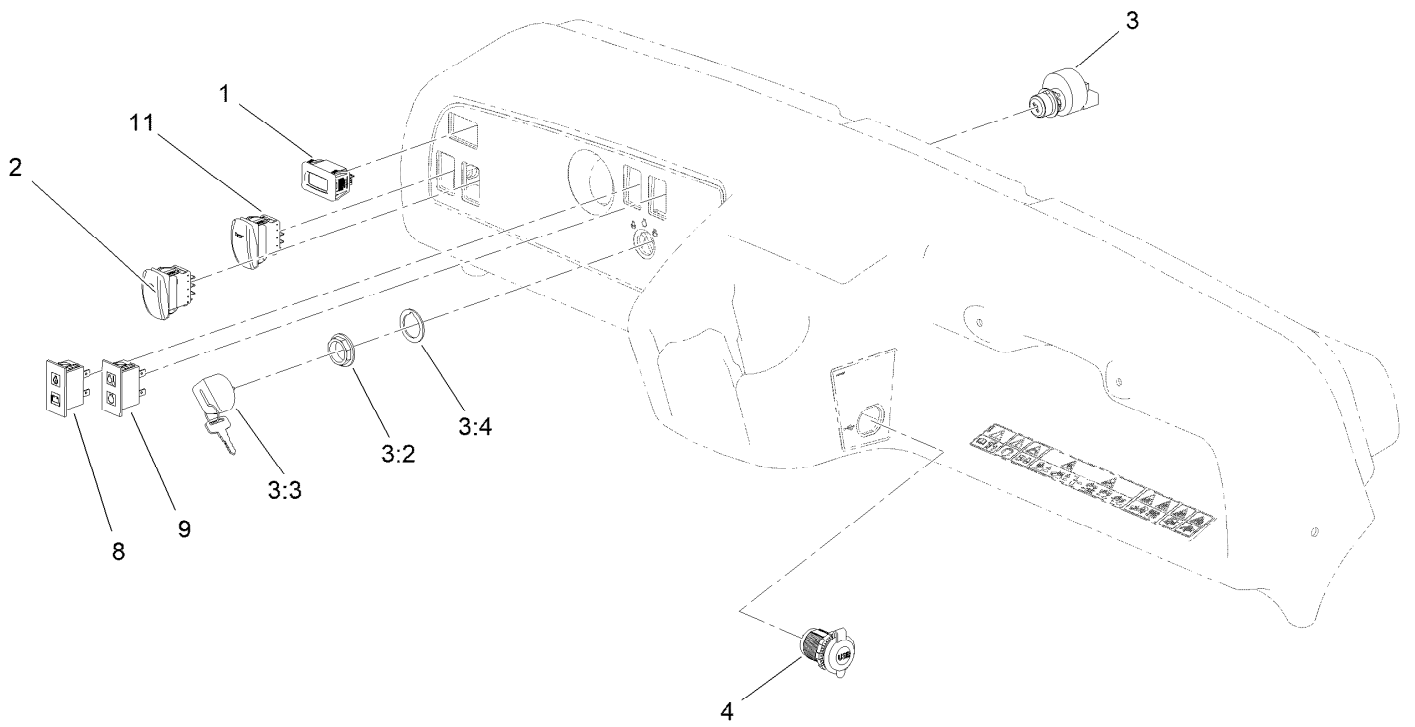
Hood and Fender Assembly

| <i>Ref.</i> | <i>Part Number</i> | <i>Qty.</i> | <i>Description</i> | <i>Ref.</i> | <i>Part Number</i> | <i>Qty.</i> | <i>Description</i> |
|-------------|--------------------|-------------|-----------------------|-------------|--------------------|-------------|--------------------|
| 1 | 136-6281 | 1 | Hood | 15 | 46-8091 | 24 | Screw-HWH |
| 2 | 132-8530 | 1 | Bumper | 16 | 138-9260 | 2 | Headlight ASM |
| 3 | 115-2408 | 6 | Clip-Speed | 17 | 132-6775 | 1 | Fender-Inner, LH |
| 4 | 103-2897 | 2 | Latch-Catch | 18 | 132-6776 | 1 | Fender-Inner, RH |
| 5 | 140-4780-0P | 1 | Bracket-Headlight, LH | 19 | 112-3306 | 10 | Nut |
| 6 | 140-4781-0P | 1 | Bracket-Headlight, RH | 20 | 112-3371 | 1 | Fender-LH |
| 7 | 112-3308 | 2 | Retainer-Pin | 21 | 112-3370 | 1 | Fender-RH |
| 8 | 3234-29 | 12 | Screw-HHF | 22 | 321-39 | 2 | Screw-HH |
| 9 | 117-5094 | 2 | Pin-Clevis | 23 | 3256-22 | 2 | Washer-Flat |
| 10 | 32121-50 | 2 | Pin-Spring | 24 | 3296-42 | 2 | Nut-Lock, NI |
| 11 | 32105-13 | 4 | Screw-HWH | 25 | 115-2416 | 2 | Latch-Rubber |
| 12 | 3256-14 | 4 | Washer-Flat | 26 | 132-6777 | 4 | Screw-Twh Thd Roll |
| 13 | 3296-2 | 4 | Nut-Lock, NI | 28 | 115-7635 | 1 | Seal-Foam |
| 14 | 121-9605 | 6 | Screw-HWH | | | | |



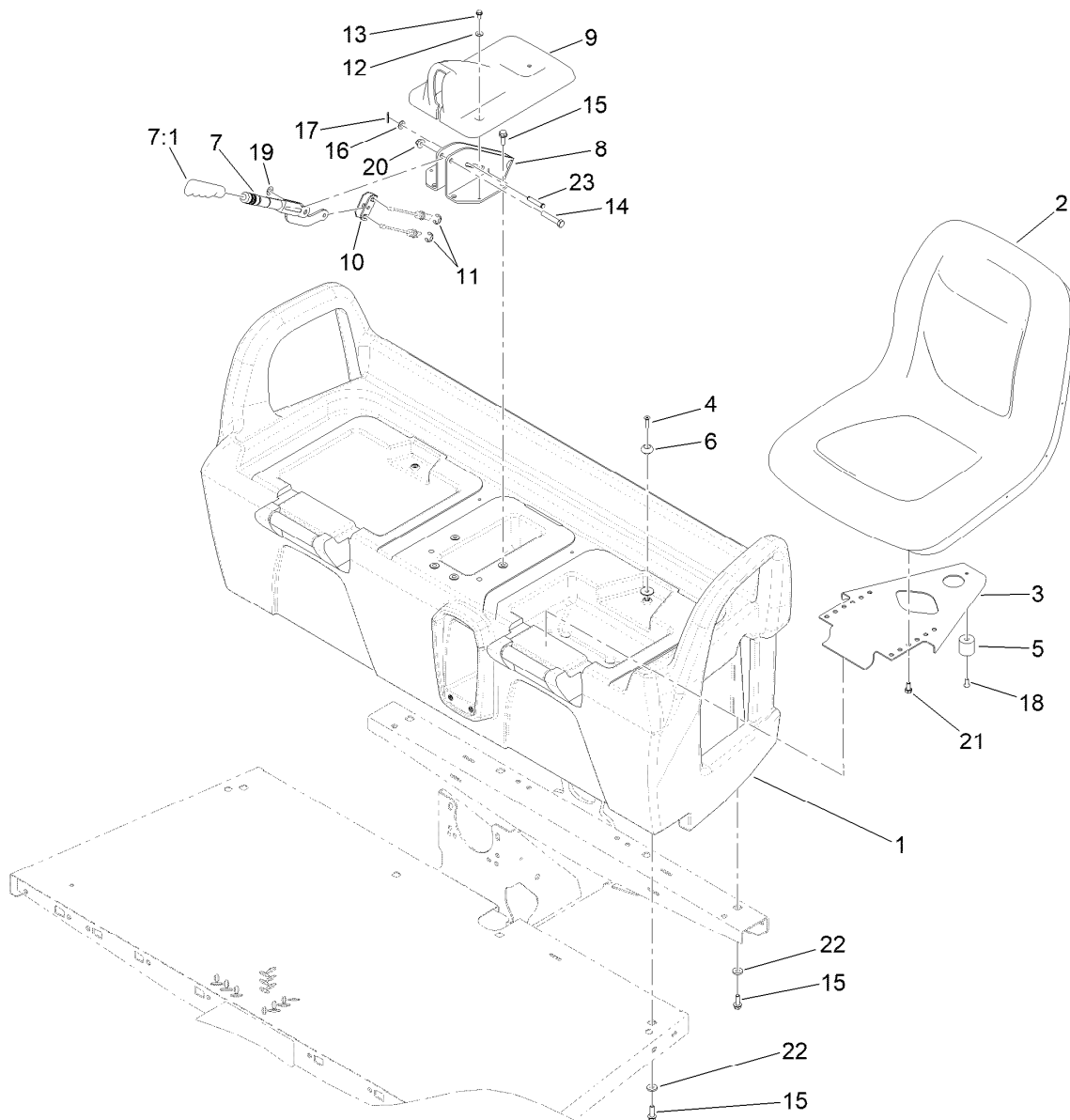
Dash Assembly

| Ref. | Part Number | Qty. | Description |
|-------------|--------------------|-------------|----------------------------|
| 1 | 145-2268 | 1 | Dash ASM-Diesel |
| 1:2 | 145-2270 | 1 | Decal-Control Panel, MDX-D |
| 1:3 | 145-2277 | 1 | Decal-Danger |
| 1:4 | 115-2412 | 1 | Decal-No Storage |
| 1:5 | 145-2271 | 1 | Decal-USB |
| 2 | 114-8301 | 2 | Spacer |
| 3 | 112-3391-0P | 1 | Bracket-Grip Handle |
| 4 | 112-3320 | 1 | Handle-Grip |
| 5 | 104-6930 | 1 | Plug-Rubber |
| 11 | 104-7201 | 2 | Nut-HF, NI |
| 12 | 110-5053 | 4 | Screw-HHF |
| 13 | 104-8300 | 4 | Nut-HF, NI |
| 14 | 32144-70 | 6 | Screw-HWHTF |
| 15 | 110-2594 | 1 | Horn |
| 16 | 145-2279 | 1 | Decal-Fuse Block, Diesel |



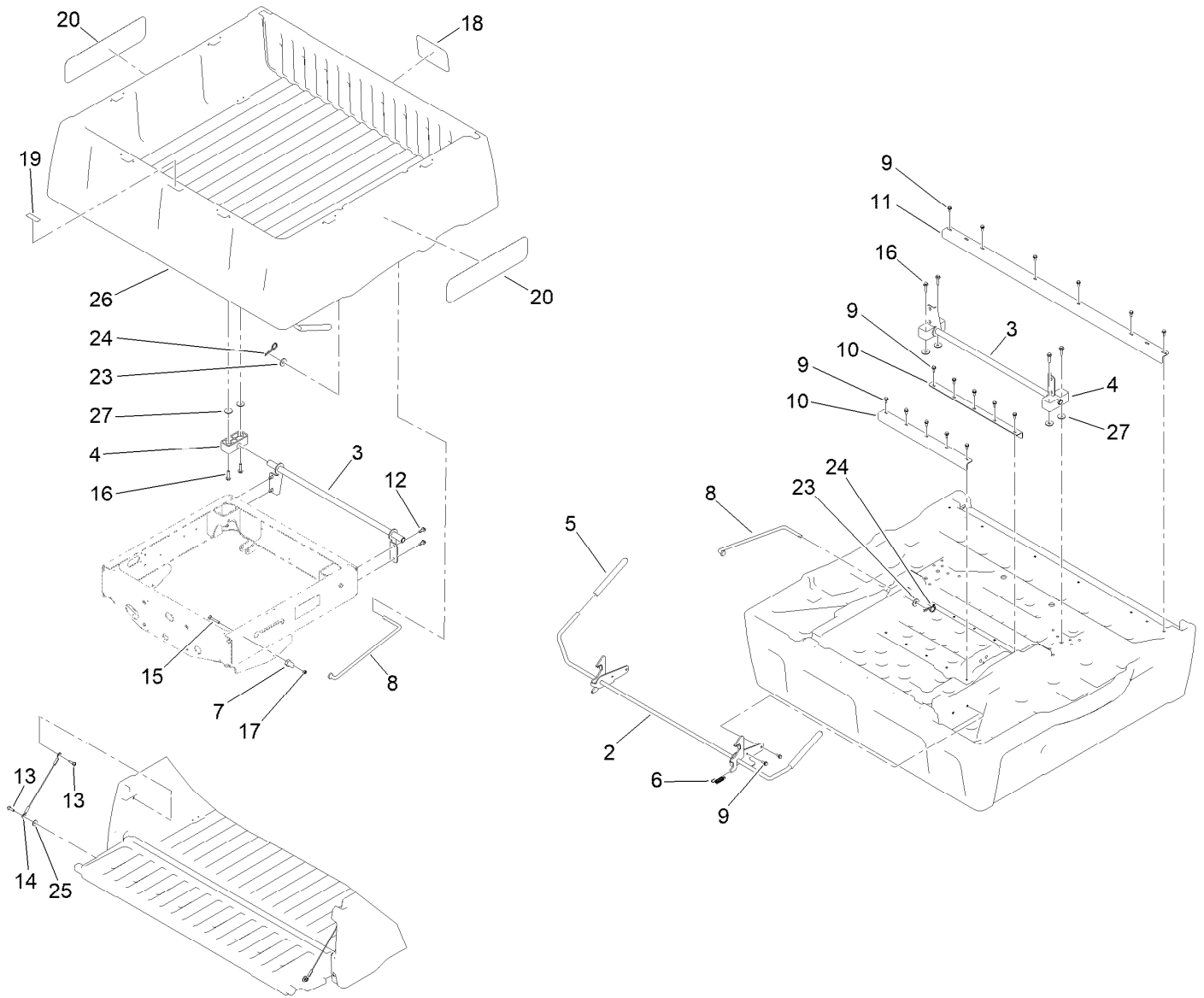
Control Panel Assembly

| <i>Ref.</i> | <i>Part Number</i> | <i>Qty.</i> | <i>Description</i> |
|-------------|--------------------|-------------|------------------------------|
| 1 | 120-2244 | 1 | Hourmeter |
| 2 | 144-2405 | 1 | Switch-Rocker, On-None-On |
| 3 | 106-5269 | 1 | Ignition Switch ASM |
| 3:2 | 108-8660 | 1 | Nut-Mounting |
| 3:3 | 106-5270 | 1 | Ignition Key Set |
| 3:4 | 108-8659 | 1 | Washer-Backup |
| 4 | 131-8388 | 1 | Socket-USB |
| 8 | 100-8070 | 1 | Lamp-Warning |
| 9 | 100-8071 | 1 | Lamp-Warning |
| 11 | 144-2415 | 1 | Switch-Rocker, (On)-None-Off |



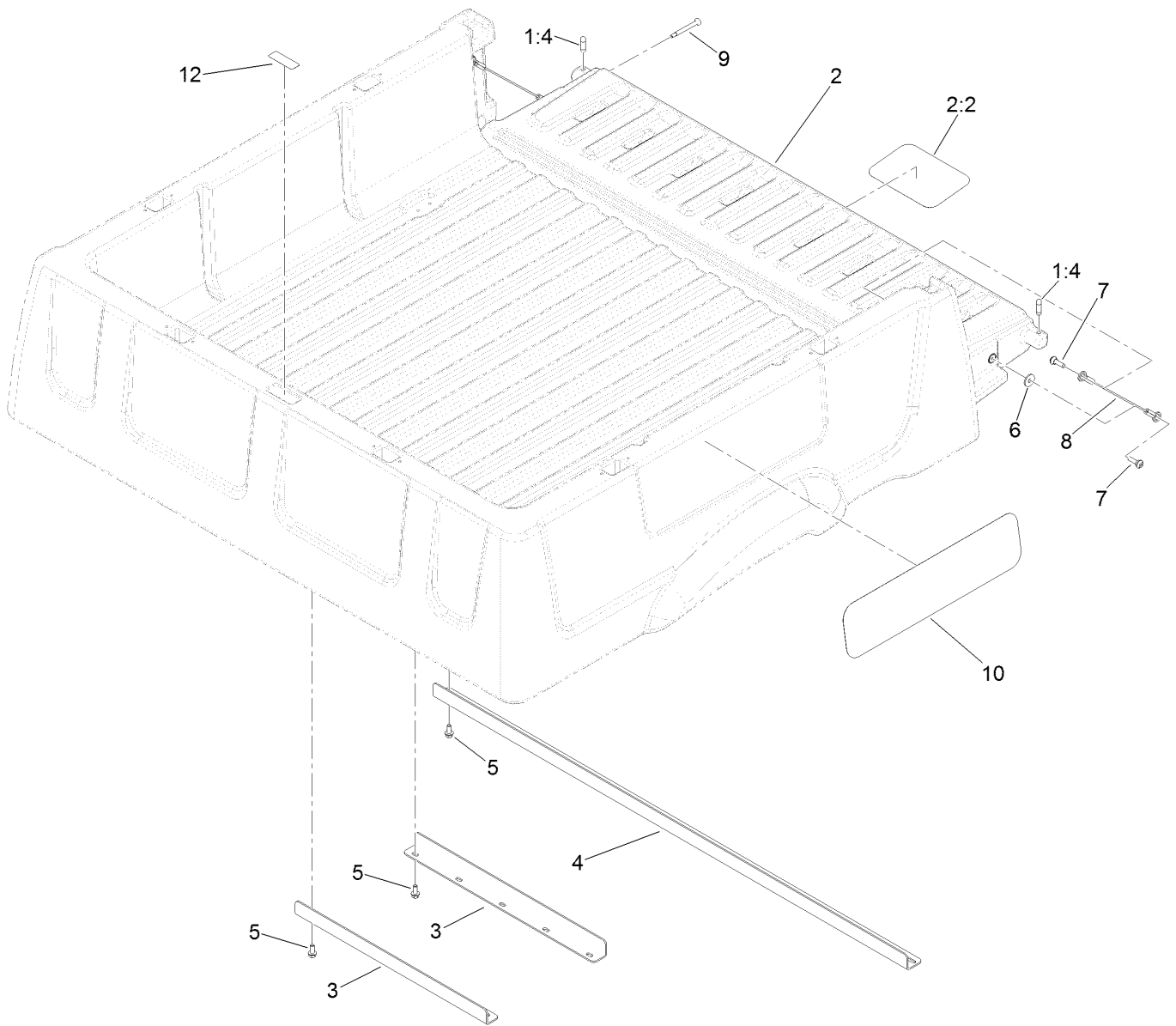
Seatbase Assembly

| <i>Ref.</i> | <i>Part Number</i> | <i>Qty.</i> | <i>Description</i> | <i>Ref.</i> | <i>Part Number</i> | <i>Qty.</i> | <i>Description</i> |
|-------------|--------------------|-------------|--------------------------|-------------|--------------------|-------------|--------------------|
| 1 | 104-6847 | 1 | Base-Seat | 12 | 3256-1 | 4 | Washer-Flat |
| 2 | 133-0577 | 2 | Seat ASM | 13 | 32144-4 | 2 | Screw-HWH |
| 3 | 99-7829 | 2 | Bracket-Seat | 14 | 323-10 | 1 | Screw-HH |
| 4 | 32108-5 | 2 | Screw-FH | 15 | 3234-17 | 12 | Screw-HHF |
| 5 | 99-7830 | 2 | Receptical-Rubber | 16 | 3256-23 | 1 | Washer-Plain |
| 6 | 99-7833 | 2 | Post-Holding | 17 | 3272-6 | 1 | Pin-Cotter |
| 7 | 127-8863 | 1 | Lever-Brake, Park | 18 | 3290-412 | 2 | Rivet-Blind |
| 7:1 | 127-8864 | 1 | Grip-Handle | 19 | 3290-477 | 1 | Washer-Curved |
| 8 | 104-6844-0P | 1 | Support-Park Brake, Wa | 20 | 104-8301 | 1 | Nut-HF, NI |
| 9 | 104-7014 | 1 | Cover-Brake, Parking | 21 | 33114-016 | 8 | Screw-HH |
| 10 | 87-3480 | 1 | Bracket-Equalizer, Cable | 22 | 88-7200 | 8 | Washer-Flat |
| 11 | 32120-47 | 2 | Ring-Retaining, External | 23 | 94-3829 | 1 | Pin-Clevis |



Cargo Bed Assembly

| <i>Ref.</i> | <i>Part Number</i> | <i>Qty.</i> | <i>Description</i> | <i>Ref.</i> | <i>Part Number</i> | <i>Qty.</i> | <i>Description</i> |
|-------------|--------------------|-------------|----------------------|-------------|--------------------|-------------|------------------------|
| 2 | 121-6344 | 1 | Latch | 14 | 121-6343 | 2 | Lanyard-Tailgate |
| 3 | 133-0625-03 | 1 | Bracket-Pivot | 15 | 3230-7 | 2 | Bolt-CARR |
| 4 | 121-6342 | 2 | Bushing-Pivot | 16 | 3234-18 | 4 | Screw-HHF |
| 5 | 119-9627 | 2 | Grip-Handle | 17 | 104-8300 | 2 | Nut-HF, NI |
| 6 | 5-7290 | 2 | Spring-Tension | 18 | 104-7213 | 1 | Decal |
| 7 | 144-2191 | 2 | Pin-Latch | 19 | 115-7739 | 1 | Decal-No Riders |
| 8 | 121-6316 | 1 | Rod-Prop | 20 | 120-4826 | 2 | Decal |
| 9 | 3234-5 | 20 | Screw-HHF | 23 | 110-6147 | 1 | Washer-Flat |
| 10 | 121-6314-0P | 2 | Brace-Middle, Bed | 24 | 107-3155 | 1 | Hairpin |
| 11 | 121-6315-0P | 1 | Brace-Rear, Bed | 25 | 115-7109 | 2 | Washer-Flat |
| 12 | 126-1696 | 4 | Screw-HWHTF | 26 | 133-0560 | 1 | Cargo Bed/Tailgate ASM |
| 13 | 119-2267 | 4 | Screw-Shoulder, BHTF | 27 | 87-5330 | 4 | Washer |

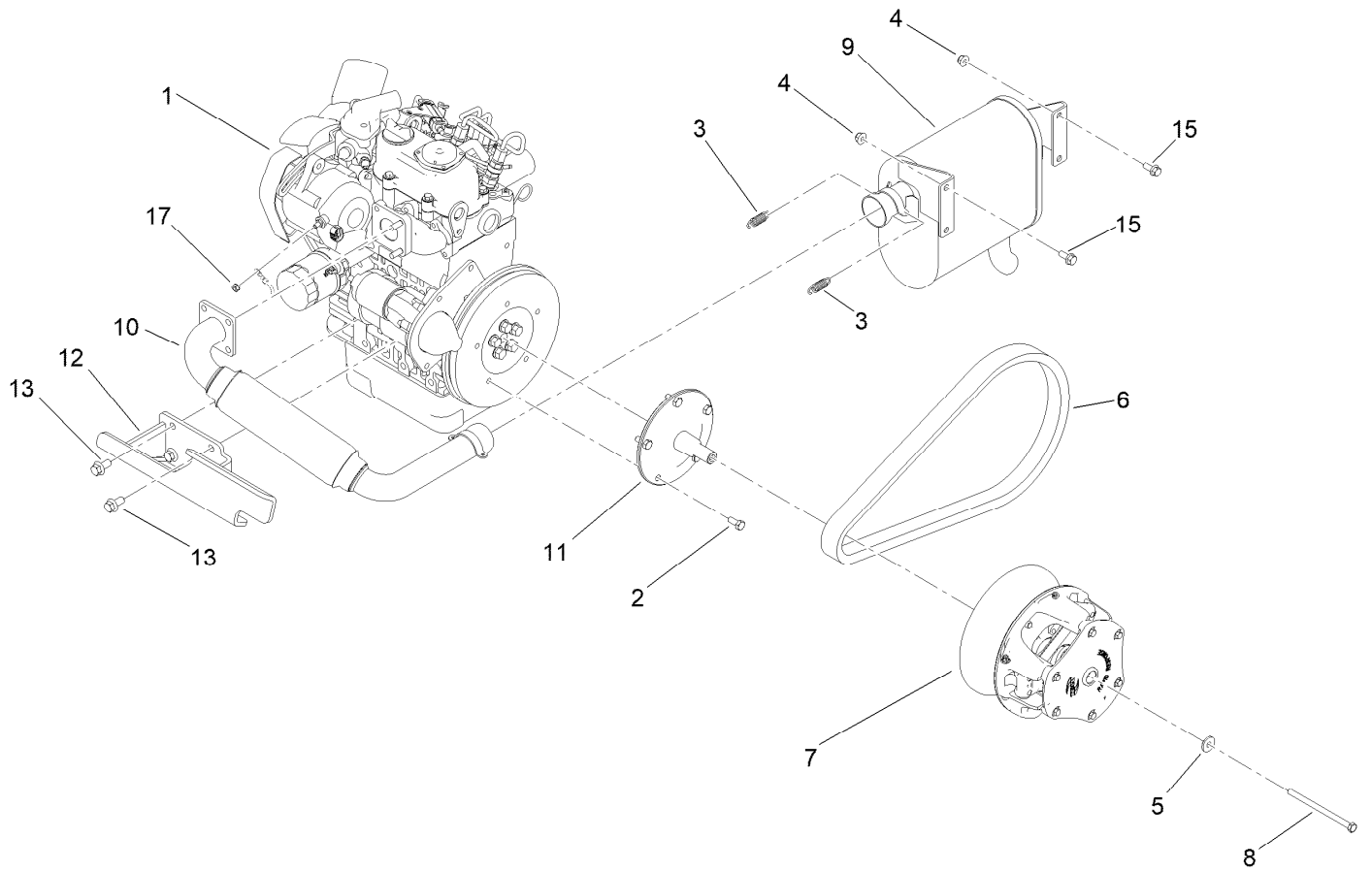


Cargo Bed and Tailgate Service Assembly No. 133-0560

| Ref. | Part Number | Qty. | Description |
|------|-------------|------|----------------------------|
| 1 | | 1 | Cargo Bed/Tailgate ASM ●■ |
| 1:4 | 133-7146 | 2 | Plug-Tailgate, Anti-Rattle |
| 2 | 133-0561 | 1 | Tailgate ASM W/Decals |
| 2:2 | 104-7213 | 1 | Decal |
| 3 | 121-6314-0P | 2 | Brace-Middle, Bed |
| 4 | 121-6315-0P | 1 | Brace-Rear, Bed |
| 5 | 3234-5 | 16 | Screw-HHF |
| 6 | 115-7109 | 2 | Washer-Flat |
| 7 | 119-2267 | 4 | Screw-Shoulder, BHTF |
| 8 | 121-6343 | 2 | Lanyard-Tailgate |
| 9 | 127-7383 | 2 | Screw-Shoulder, Bh (Torx) |
| 10 | 120-4825 | 2 | Decal |
| 12 | 115-7739 | 1 | Decal-No Riders |

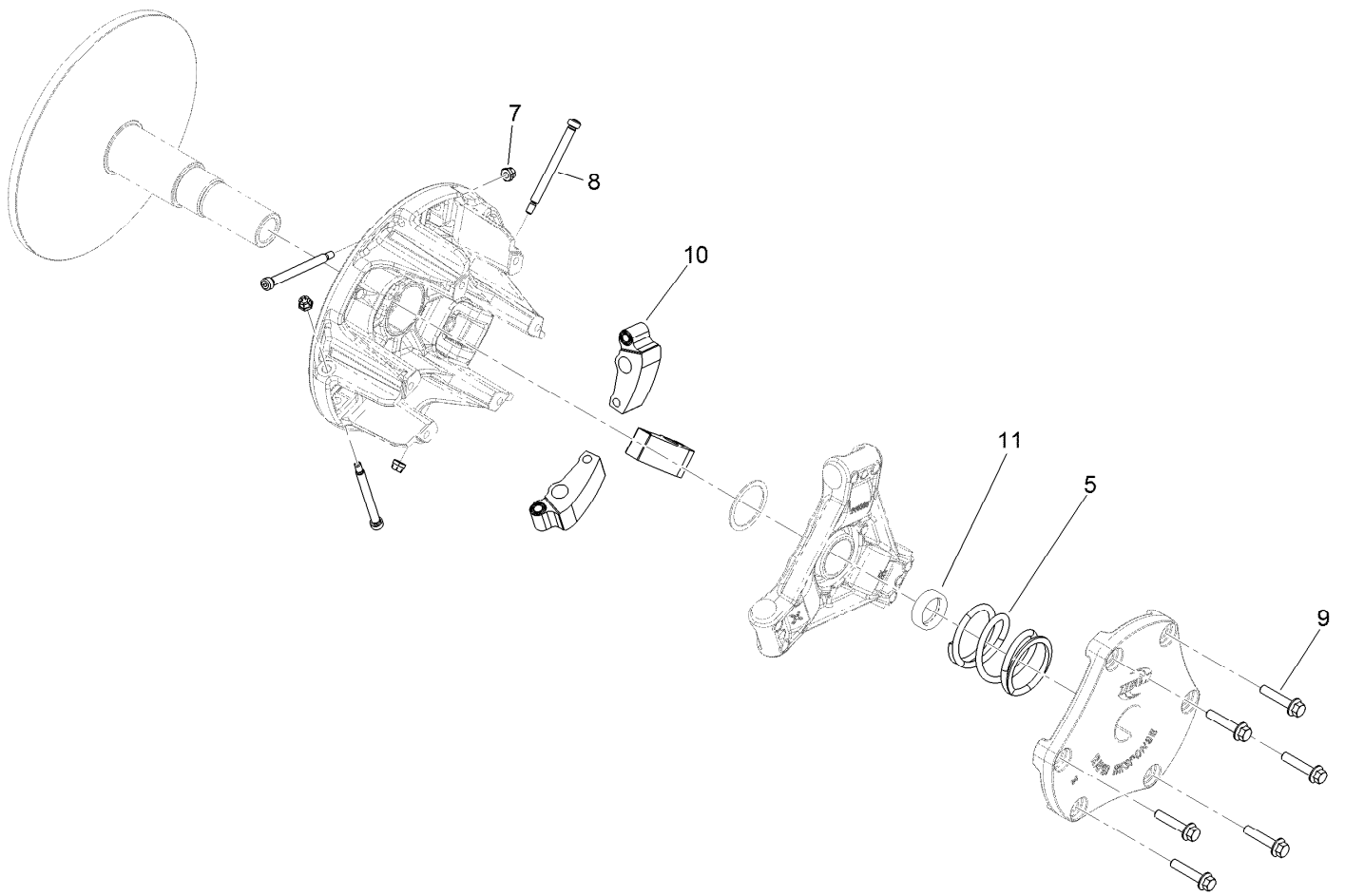
● Not illustrated

■ Not serviced separately



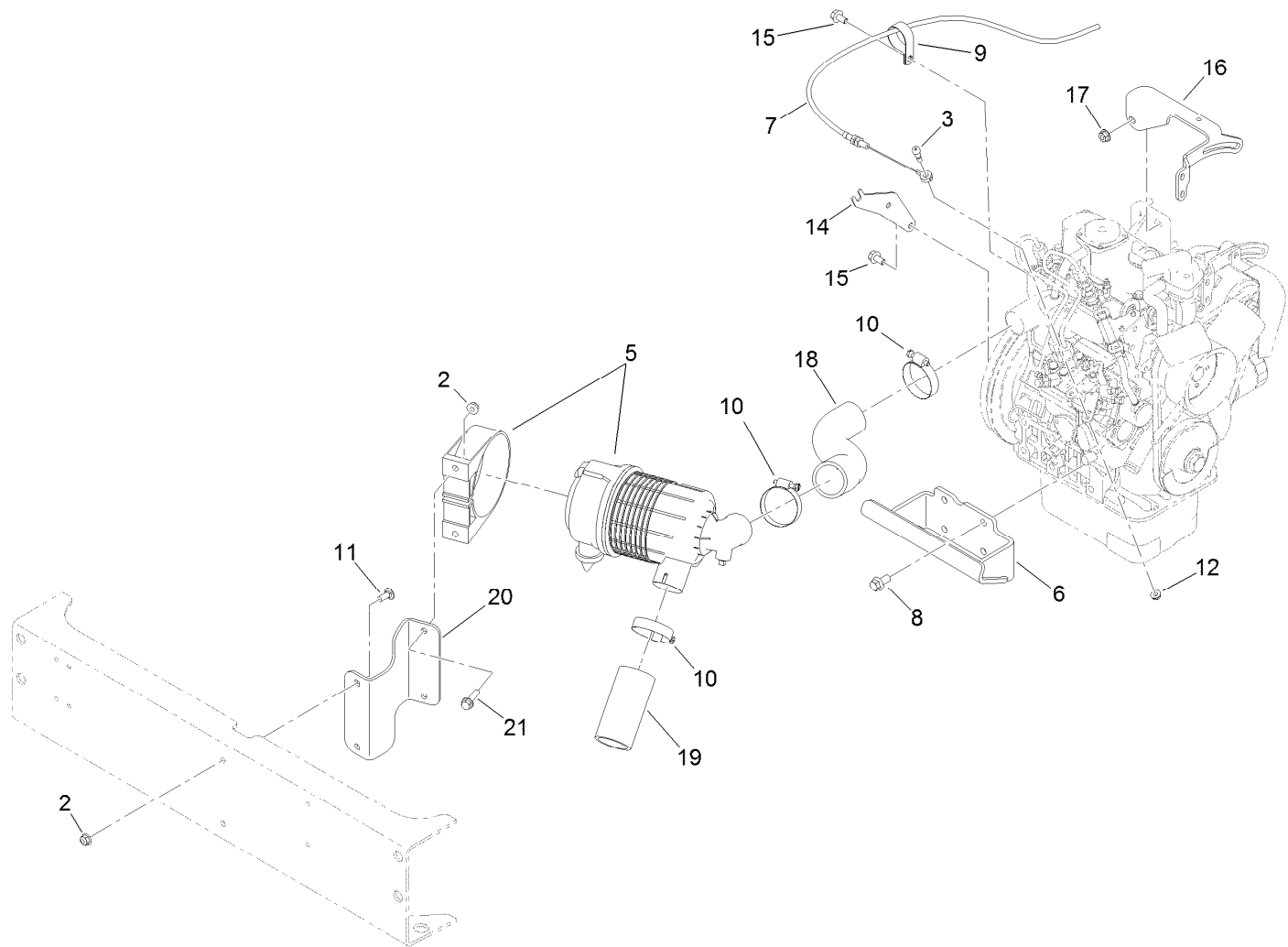
Engine, Primary Clutch and Exhaust Assembly

| <i>Ref.</i> | <i>Part Number</i> | <i>Qty.</i> | <i>Description</i> |
|-------------|--------------------|-------------|-------------------------|
| 1 | 138-6900 | 1 | Engine-Kubota, Z602 |
| 2 | 33114-016 | 5 | Screw-HH |
| 3 | 104-6478 | 2 | Spring-Extension |
| 4 | 104-8300 | 4 | Nut-HF, NI |
| 5 | 119-0724 | 1 | Washer-Flange |
| 6 | 119-0934 | 1 | Belt-Cvt |
| 7 | 119-9610 | 1 | Clutch-Primary |
| 8 | 107-0277 | 1 | Screw-HH |
| 9 | 119-9715 | 1 | Muffler-Exhaust |
| 10 | 119-9716 | 1 | Header-Exhaust |
| 11 | 119-9722 | 1 | Adapter-Clutch |
| 12 | 120-4940-0P | 1 | Engine Mount ASM, Front |
| 13 | 120-4839 | 4 | Screw-HHF |
| 15 | 3234-47 | 4 | Screw-HHF |
| 17 | 98-5845 | 1 | Nut-Hex |



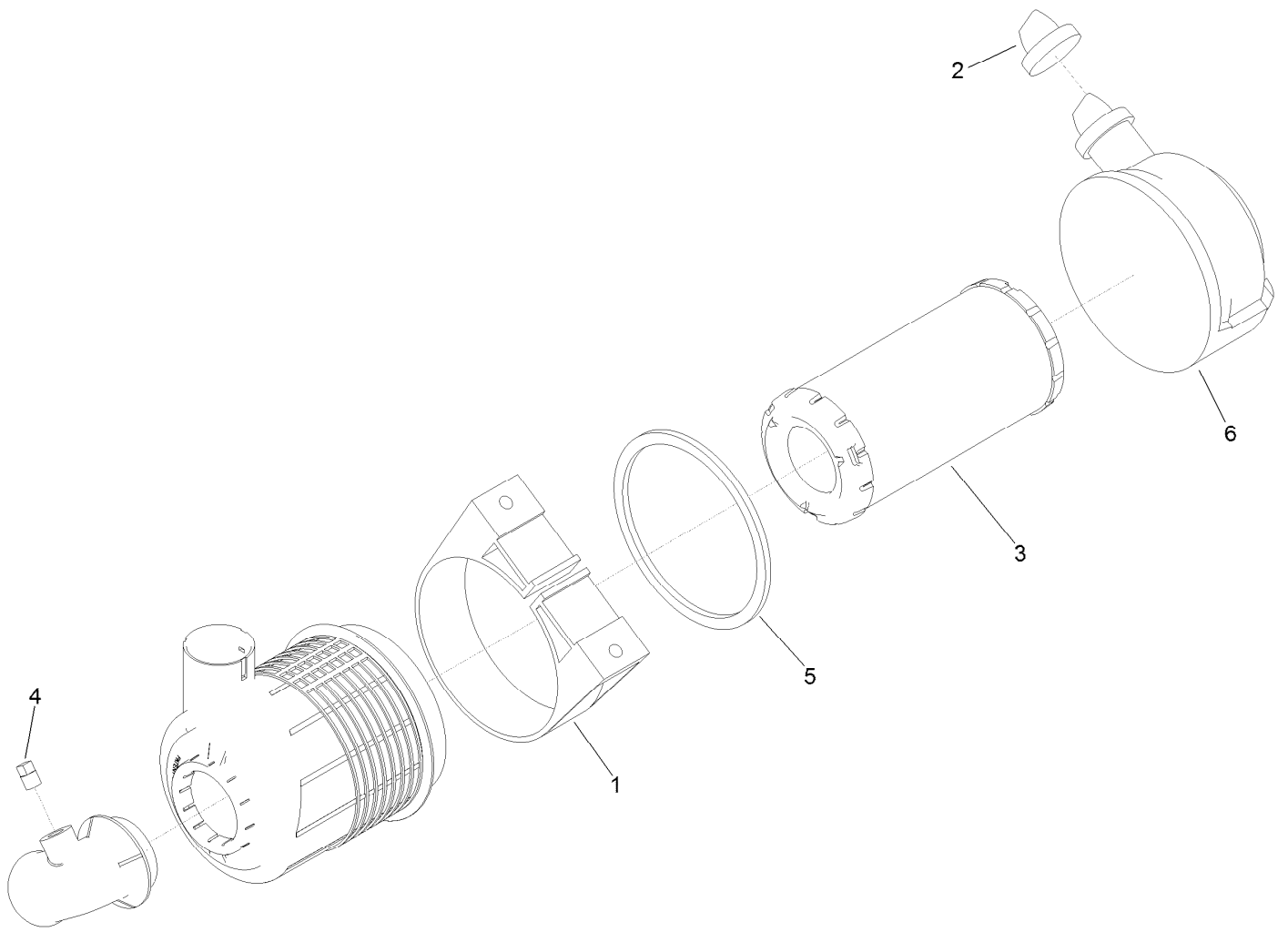
Primary Clutch Assembly No. 119-9610

| <i>Ref.</i> | <i>Part Number</i> | <i>Qty.</i> | <i>Description</i> |
|-------------|--------------------|-------------|---------------------|
| 5 | 120-4807 | 1 | Spring-Compression |
| 7 | 119-6015 | 3 | Nut-Hex, Lock |
| 8 | 119-6016 | 3 | Screw-Shoulder |
| 9 | 119-6017 | 6 | Screw-HF |
| 10 | 119-6019 | 3 | Weight-Clutch |
| 11 | 120-4803 | 1 | Shim-Limiter, Speed |



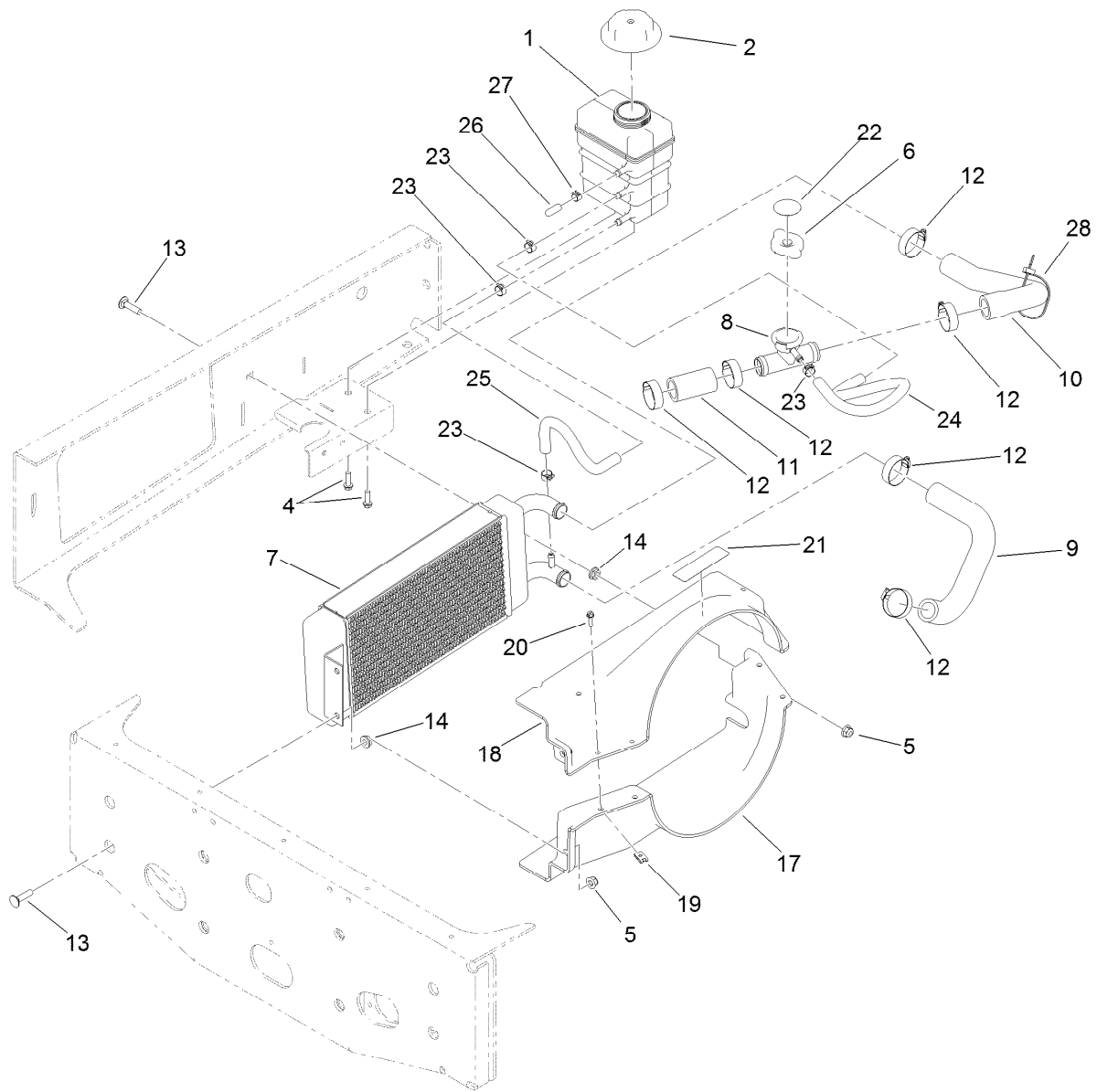
Air Cleaner and Throttle Cable Assembly

| <i>Ref.</i> | <i>Part Number</i> | <i>Qty.</i> | <i>Description</i> | <i>Ref.</i> | <i>Part Number</i> | <i>Qty.</i> | <i>Description</i> |
|-------------|--------------------|-------------|------------------------|-------------|--------------------|-------------|--------------------------|
| 2 | 104-8300 | 4 | Nut-HF, NI | 12 | 32128-33 | 1 | Nut-HF |
| 3 | 119-4881 | 1 | Bolt-Shoulder | 14 | 119-9453-0P | 1 | Mount-Throttle Cable |
| 5 | 138-5651 | 1 | Air Cleaner ASM | 15 | 33104-016 | 2 | Screw-HHF |
| 6 | 119-9739-0P | 1 | Engine Mount ASM, Rear | 16 | 120-4847-0P | 1 | Bracket-Alternator |
| 7 | 119-9746 | 1 | Cable-Throttle | 17 | 112-2844 | 1 | Nut-HF |
| 8 | 120-4839 | 4 | Screw-HHF | 18 | 131-6665 | 1 | Hose-Intake |
| 9 | 2412-74 | 1 | R-Clamp | 19 | 93-6724 | 1 | Hose-Intake |
| 10 | 2412-92 | 3 | Clamp-Hose | 20 | 131-6664-0P | 1 | Bracket-Air Filter Mount |
| 11 | 3230-23 | 2 | Bolt-CARR | 21 | 3234-36 | 2 | Screw-HHF |



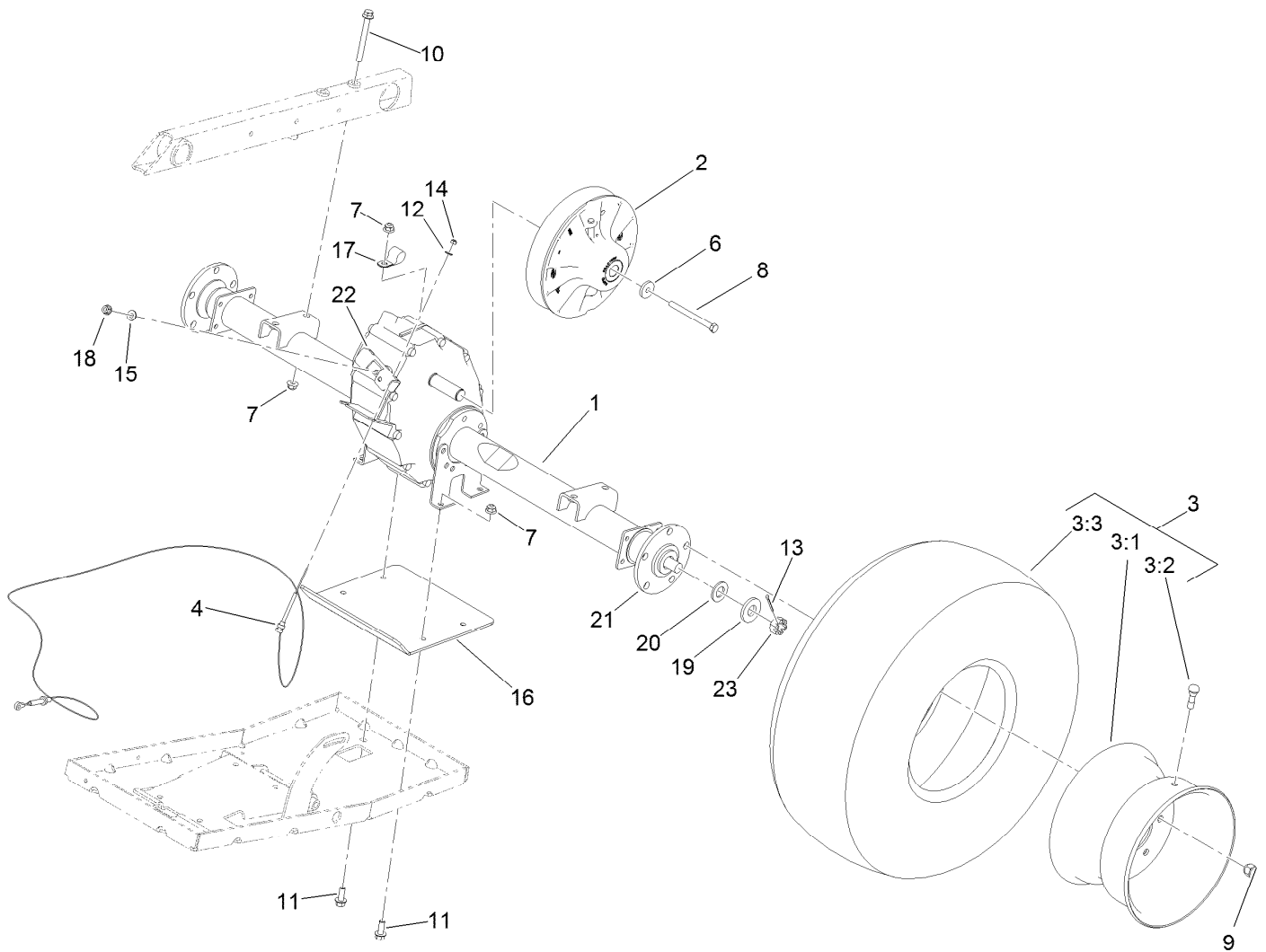
Air Cleaner Assembly No. 138-5651

| <i>Ref.</i> | <i>Part Number</i> | <i>Qty.</i> | <i>Description</i> |
|-------------|--------------------|-------------|-------------------------------|
| 1 | 95-5806 | 1 | Bracket-Mounting, Air Cleaner |
| 2 | 104-0498 | 1 | Valve-Vacuator |
| 3 | 108-3811 | 1 | Filter-Air |
| 4 | 281-7 | 1 | Cap-Pipe |
| 5 | 106-6748 | 1 | Gasket |
| 6 | 107-7971 | 1 | Cup |



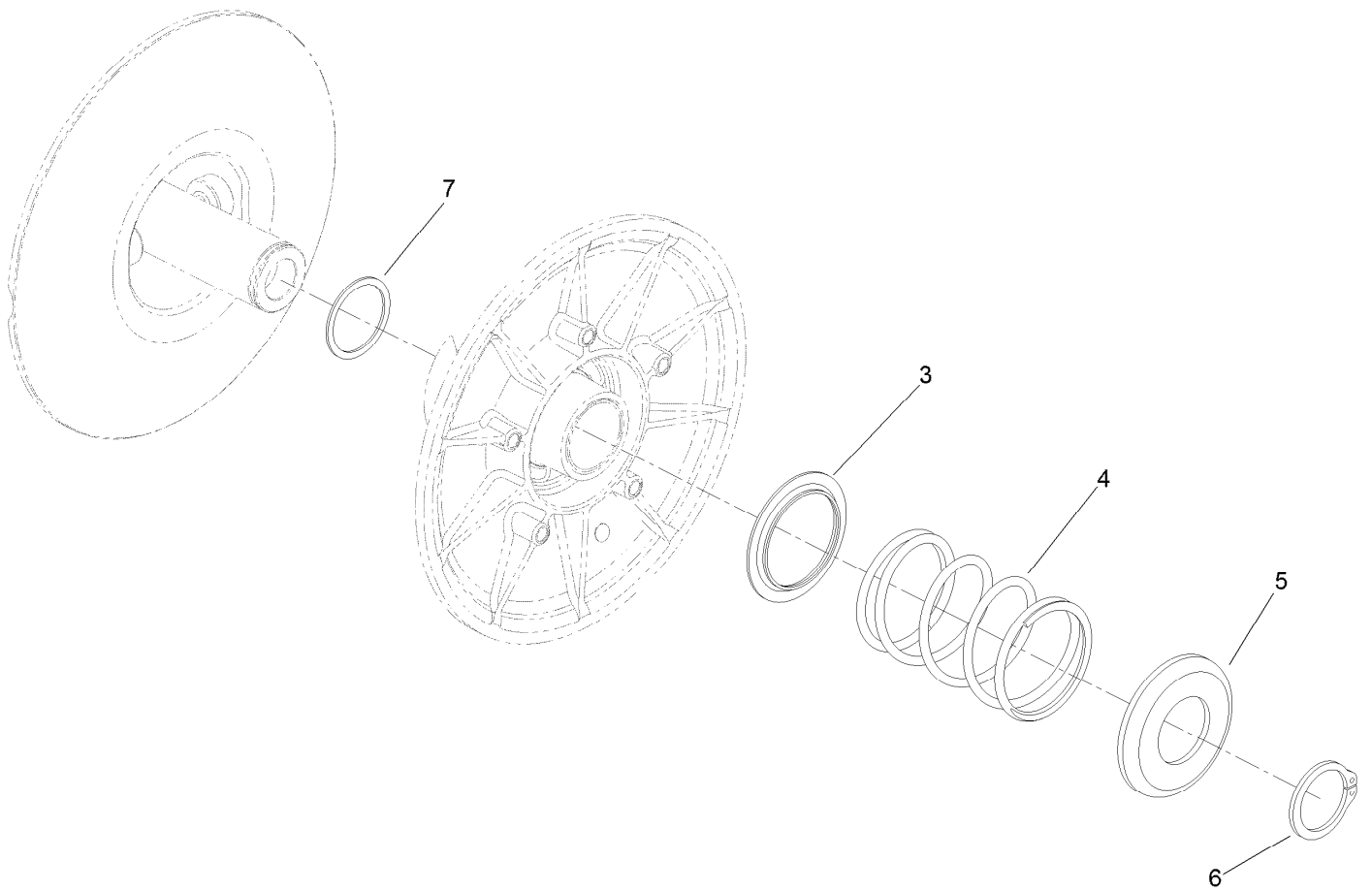
Radiator Assembly

| <i>Ref.</i> | <i>Part Number</i> | <i>Qty.</i> | <i>Description</i> | <i>Ref.</i> | <i>Part Number</i> | <i>Qty.</i> | <i>Description</i> |
|-------------|--------------------|-------------|--------------------------------|-------------|--------------------|-------------|------------------------|
| 1 | 120-4856 | 1 | Tank-Surge | 14 | 32128-20 | 3 | Nut-HF |
| 2 | 120-4867 | 1 | Cap-Coolant, Threaded (15 PSI) | 17 | 120-4828 | 1 | Shroud-Radiator, Lower |
| 4 | 46-8091 | 2 | Screw-HWH | 18 | 120-4827 | 1 | Shroud-Radiator, Upper |
| 5 | 104-8300 | 3 | Nut-HF, NI | 19 | 3290-277 | 4 | Nut-Speed |
| 6 | 120-4866 | 1 | Cap-System, Cooling | 20 | 32105-13 | 4 | Screw-HWH |
| 7 | 119-0915 | 1 | Radiator | 21 | 120-0627 | 1 | Decal-Warning |
| 8 | 119-9700 | 1 | Filler Neck ASM | 22 | 106-6755 | 1 | Decal-Cap, Radiator |
| 9 | 119-9708 | 1 | Hose-Radiator, Lower | 23 | 92-2379 | 4 | Clamp-Hose |
| 10 | 119-9709 | 1 | Hose-Radiator, Upper | 24 | 136-1192 | 1 | Hose-Coolant |
| 11 | 119-9711 | 1 | Hose-Straight | 25 | 120-4869 | 1 | Hose-Coolant |
| 12 | 2412-34 | 6 | Clamp-Hose | 26 | 115-2403 | 1 | Cap |
| 13 | 3230-3 | 3 | Screw-CARR | 27 | 2412-146 | 1 | Clamp-Hose |
| | | | | 28 | 3290-378 | 1 | Tie-Cable |



Rear Axle Drive System Assembly

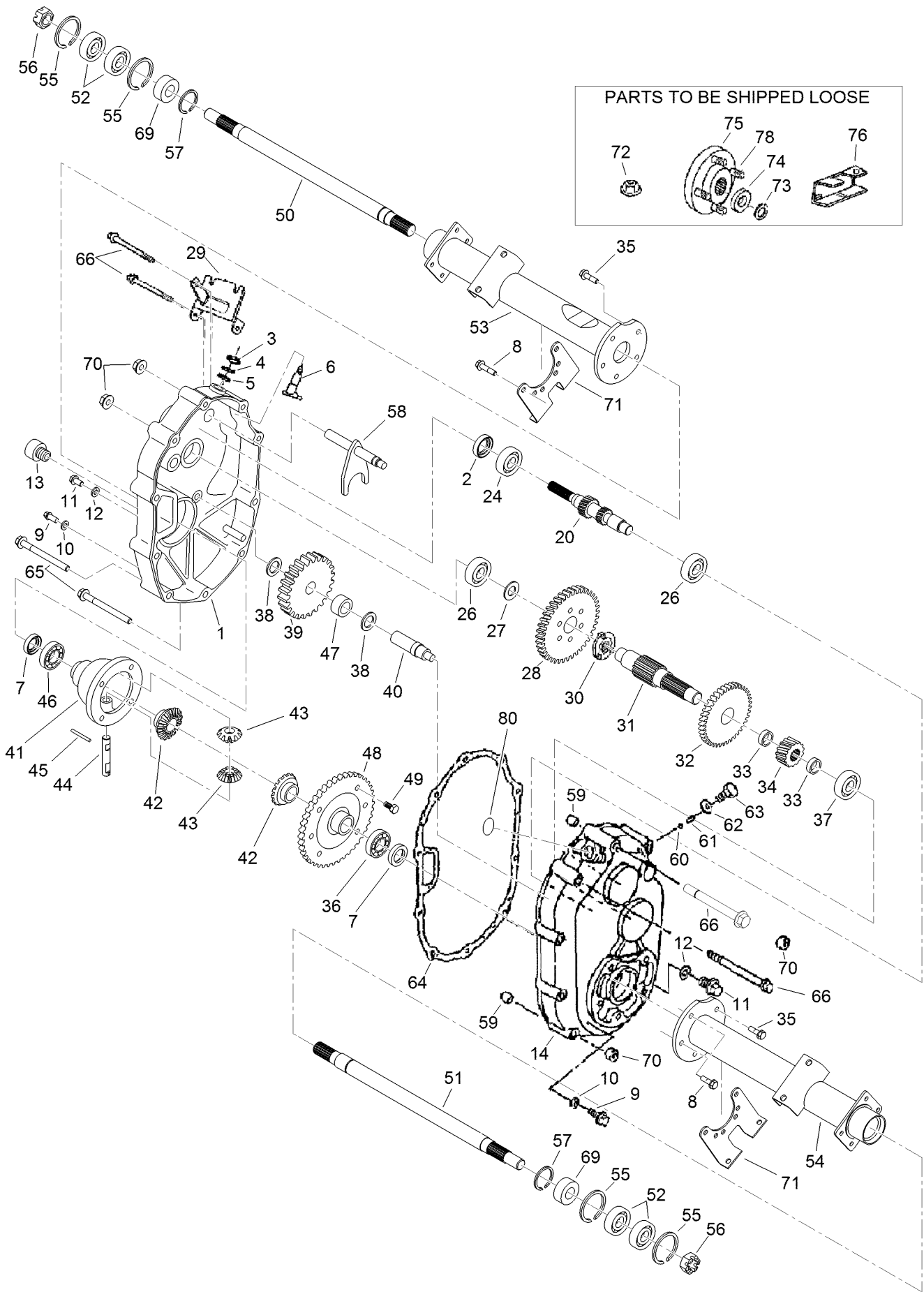
| <i>Ref.</i> | <i>Part Number</i> | <i>Qty.</i> | <i>Description</i> | <i>Ref.</i> | <i>Part Number</i> | <i>Qty.</i> | <i>Description</i> |
|-------------|--------------------|-------------|------------------------------|-------------|--------------------|-------------|--------------------|
| 1 | 119-0760 | 1 | Transaxle ASM | 11 | 3234-11 | 4 | Screw-HHF |
| 2 | 119-6011 | 1 | Secondary Clutch ASM | 12 | 3256-49 | 2 | Washer-Plain |
| 3 | 131-8434 | 2 | Tire And Wheel ASM | 13 | 3272-12 | 2 | Pin-Cotter |
| 3:1 | 131-8435 | 1 | Wheel | 14 | 3296-2 | 2 | Nut-Lock, NI |
| 3:2 | 232-27 | 1 | Stem-Valve | 15 | 87-8640 | 1 | Washer-Flat |
| 3:3 | 131-6667 | 1 | Tire (24 X 12.00-10) 4P K506 | 16 | 119-9741-03 | 1 | Plate-Skid, Axle |
| 4 | 104-6896 | 2 | Cable-Shift | 17 | 2412-4 | 1 | Clamp-R |
| 6 | 104-6563 | 1 | Washer-Stepped | 18 | 104-1672 | 1 | Nut-Lock |
| 7 | 104-8301 | 8 | Nut-HF, NI | 19 | 133-0632 | 2 | Spacer |
| 8 | 119-0723 | 1 | Screw-HH, Lock | 20 | 104-1674 | 2 | Washer |
| 9 | 242-50 | 10 | Nut-Lug | 21 | 104-1675 | 2 | Hub |
| 10 | 116-4701 | 4 | Screw-HHF | 22 | 104-6860 | 1 | Lever-Select |
| | | | | 23 | 104-1656 | 2 | Nut-Castle |



Secondary Clutch Assembly No. 119-6011

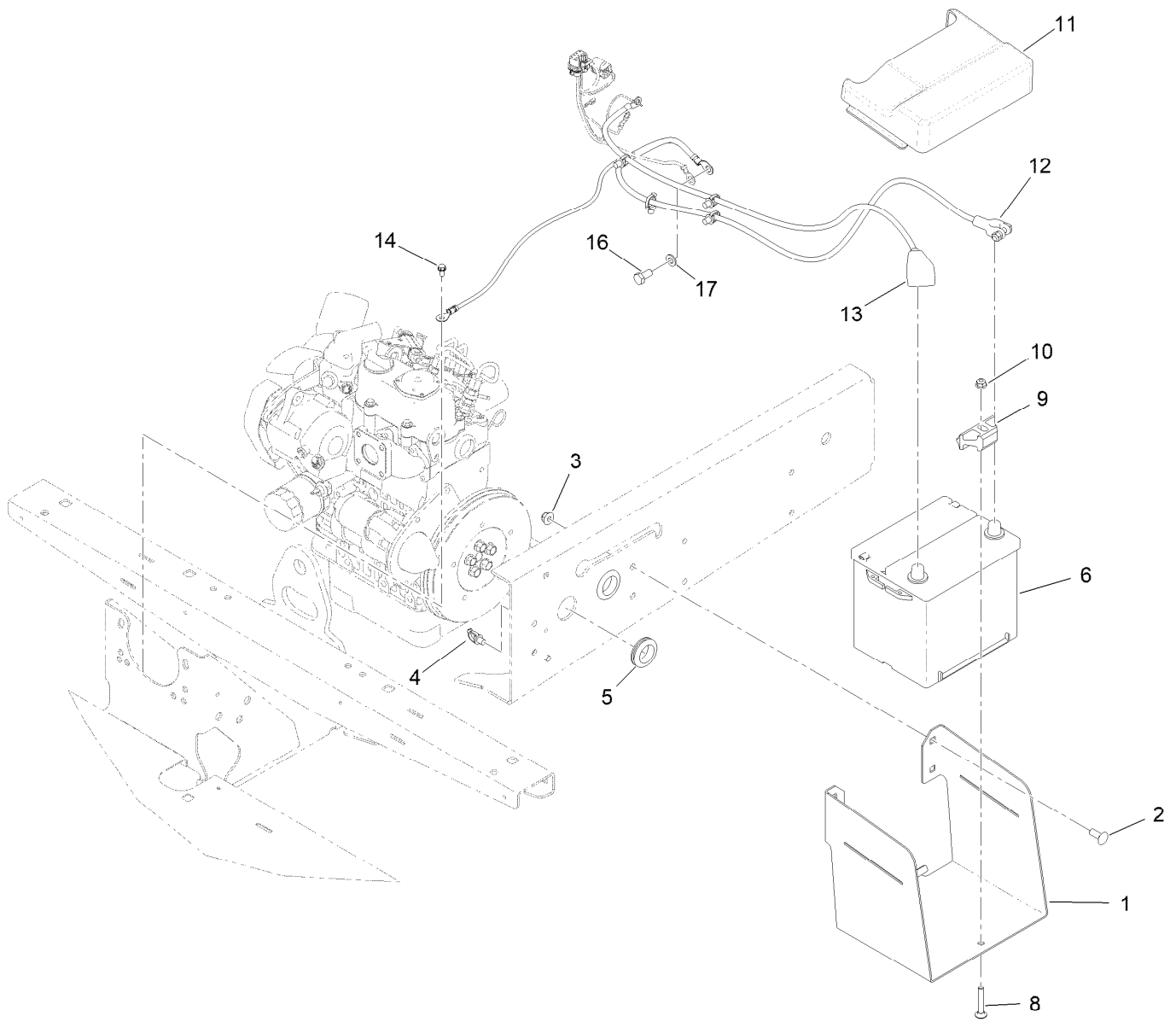
| <i>Ref.</i> | <i>Part Number</i> | <i>Qty.</i> | <i>Description</i> |
|-------------|--------------------|-------------|----------------------------------|
| 3 | 119-0809 | 1 | Cup-Spring Retainer, Inner |
| 4 | 119-9360 | 1 | Spring-Compression, Black/Almond |
| 5 | 119-0810 | 1 | Cup-Spring Retainer, Outer |
| 6 | 119-0811 | 1 | Ring-Retaining |
| 7 | 119-6018 | 1 | Shim-Thrust |

Transaxle Assembly No. 119-0760



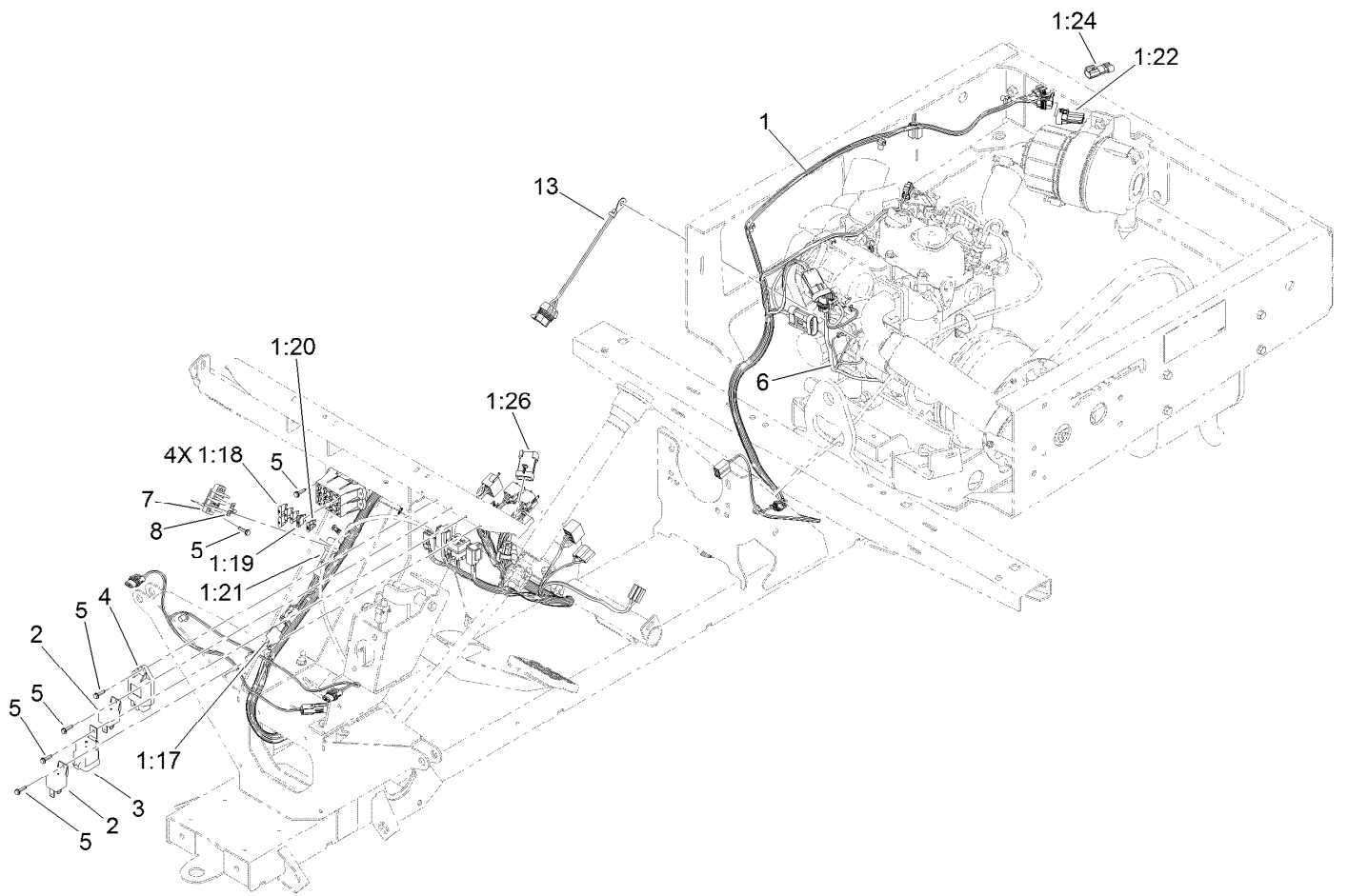
Transaxle Assembly No. 119-0760 (continued)

| <i>Ref.</i> | <i>Part Number</i> | <i>Qty.</i> | <i>Description</i> | <i>Ref.</i> | <i>Part Number</i> | <i>Qty.</i> | <i>Description</i> |
|-------------|--------------------|-------------|-------------------------|-------------|--------------------|-------------|-----------------------|
| 1 | 104-1601 | 1 | Case-LH, Complete | 44 | 104-1644 | 1 | Shaft-Differential |
| 2 | 104-1602 | 1 | Seal-Oil | 45 | 104-1645 | 1 | Pin |
| 3 | 104-1603 | 1 | Seal-Oil | 46 | 104-1646 | 1 | Bearing-Ball |
| 4 | 104-1604 | 1 | Ring-Snap | 47 | 104-1647 | 1 | Bearing-Needle |
| 5 | 104-1605 | 1 | Spacer | 48 | 104-1648 | 1 | Gear |
| 6 | 104-1606 | 1 | Shaft-Selector | 49 | 104-1649 | 6 | Bolt |
| 7 | 104-1607 | 2 | Seal-Oil | 50 | 104-1650 | 1 | Shaft-Axle, LH |
| 8 | 104-1608 | 4 | Bolt-Flange | 51 | 104-1651 | 1 | Shaft-Axle, RH |
| 9 | 104-1609 | 2 | Plug-Check, Oil | 52 | 104-1652 | 4 | Bearing-Ball |
| 10 | 104-1610 | 2 | Gasket | 53 | 104-1653 | 1 | Case-Axle, LH |
| 11 | 104-1611 | 2 | Plug-Drain, Oil | 54 | 104-1654 | 1 | Case-Axle, RH |
| 12 | 104-1612 | 2 | Gasket | 55 | 104-1655 | 4 | Ring-Snap |
| 13 | 104-1613 | 1 | Plug-Filler, Oil | 56 | 104-1656 | 2 | Nut-Castle |
| 14 | 104-1614 | 1 | Case-Complete, RH | 57 | 104-1657 | 2 | Ring-Snap |
| 20 | 104-7002 | 1 | Shaft-Input, Complete | 58 | 104-6870 | 1 | Shaft-Shift, Complete |
| 24 | 104-1624 | 1 | Bearing-Ball | 59 | 104-1659 | 2 | Knock-Pipe |
| 26 | 104-1626 | 2 | Bearing-Ball | 60 | 104-1660 | 1 | Ball-Steel |
| 27 | 104-1627 | 1 | Spacer | 61 | 104-1661 | 1 | Spring |
| 28 | 104-1628 | 1 | Gear | 62 | 104-1662 | 1 | Gasket |
| 29 | 104-1629 | 1 | Bracket-Wire, Change | 63 | 104-1663 | 1 | Bolt |
| 30 | 104-1630 | 1 | Clutch-Pin | 64 | 104-1664 | 1 | Gasket |
| 31 | 104-1631 | 1 | Shaft-Center | 65 | 104-1665 | 6 | Bolt-Flange |
| 32 | 104-1632 | 1 | Gear | 66 | 104-1666 | 4 | Bolt-Flange |
| 33 | 104-1633 | 2 | Collar | 69 | 104-6867 | 2 | Collar |
| 34 | 104-1634 | 1 | Gear | 70 | 33004-00 | 10 | Nut-HF |
| 35 | 104-1635 | 6 | Bolt-Flange | 71 | 104-1671 | 2 | Bracket-Axle |
| 36 | 104-1636 | 1 | Bearing-Ball | 72 | 104-1672 | 1 | Nut-Lock |
| 37 | 104-1637 | 1 | Bearing-Ball | 73 | 104-1673 | 2 | Washer-Spring |
| 38 | 104-1638 | 2 | Spacer | 74 | 104-1674 | 2 | Washer |
| 39 | 104-1639 | 1 | Gear | 75 | 104-1675 | 2 | Hub |
| 40 | 104-1640 | 1 | Shaft-Counter | 76 | 104-6860 | 1 | Lever-Select |
| 41 | 104-1641 | 1 | Case-Differential | 78 | 104-8649 | 10 | Stud |
| 42 | 104-1642 | 2 | Gear-Side, Differential | 80 | 121-9718 | 1 | Cap-Seal |
| 43 | 104-1643 | 2 | Pinion-Differential | | | | |



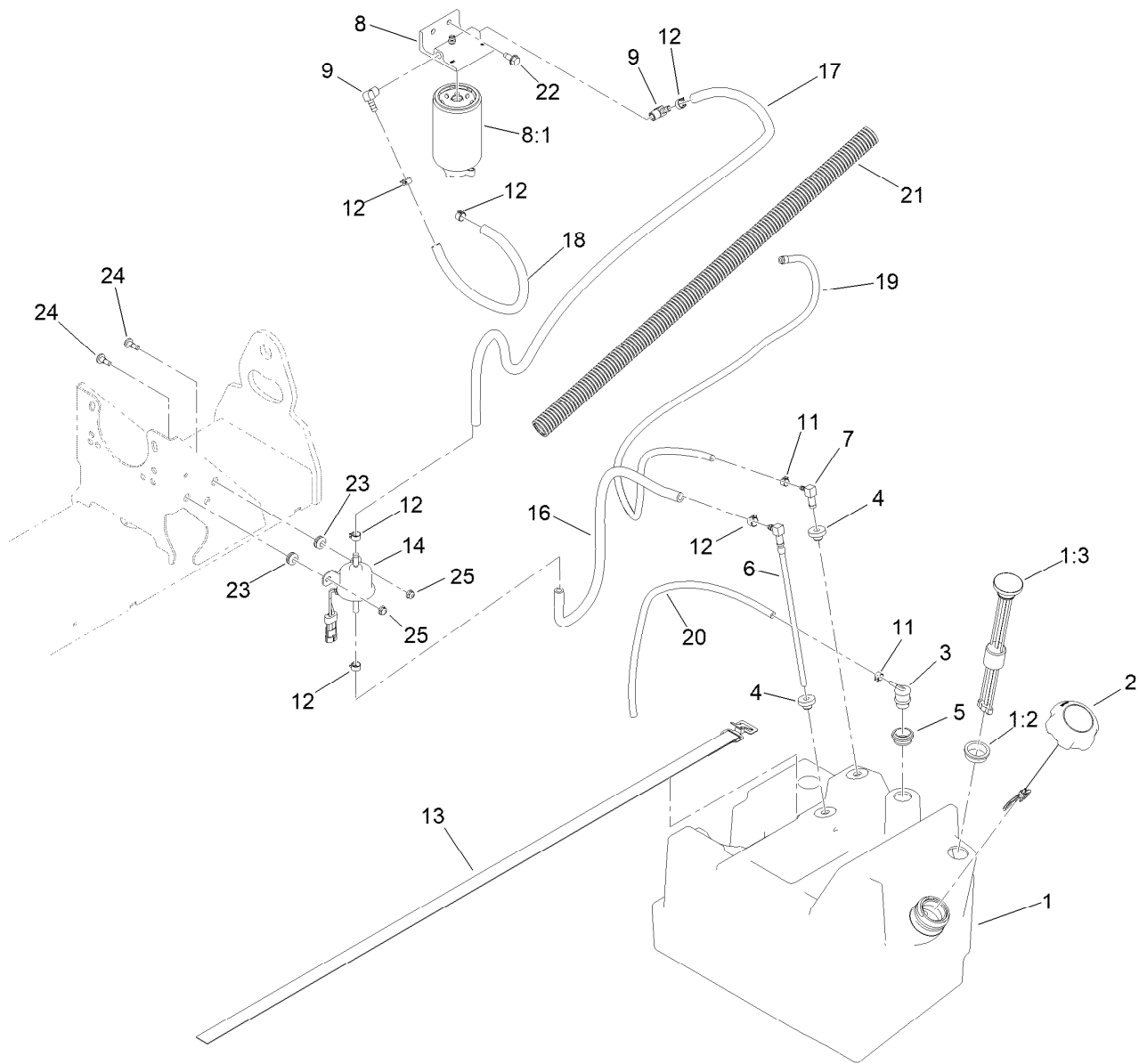
Battery Assembly

| Ref. | Part Number | Qty. | Description |
|------|-------------|------|----------------------------|
| 1 | 119-9495-03 | 1 | Tray-Battery |
| 2 | 3231-22 | 4 | Screw-CARR |
| 3 | 104-8301 | 4 | Nut-HF, NI |
| 4 | 32180-030 | 6 | Clip-Tie |
| 5 | 120-4831 | 2 | Grommet |
| 6 | 106-5187 | 1 | Battery- Dry, 12V, 525 CCA |
| 8 | 3230-6 | 1 | Bolt-CARR |
| 9 | 138-6335 | 1 | Retainer-Battery |
| 10 | 104-8300 | 1 | Nut-HF, NI |
| 11 | 119-9496 | 1 | Cover-Battery |
| 12 | 120-4849 | 1 | Cable-Battery, Negative |
| 13 | 120-4850 | 1 | Cable-Battery, Positive |
| 14 | 32144-4 | 1 | Screw-HWH |
| 16 | 63-7790 | 1 | Screw-Cap |
| 17 | 33095-00 | 1 | Washer-Flat |



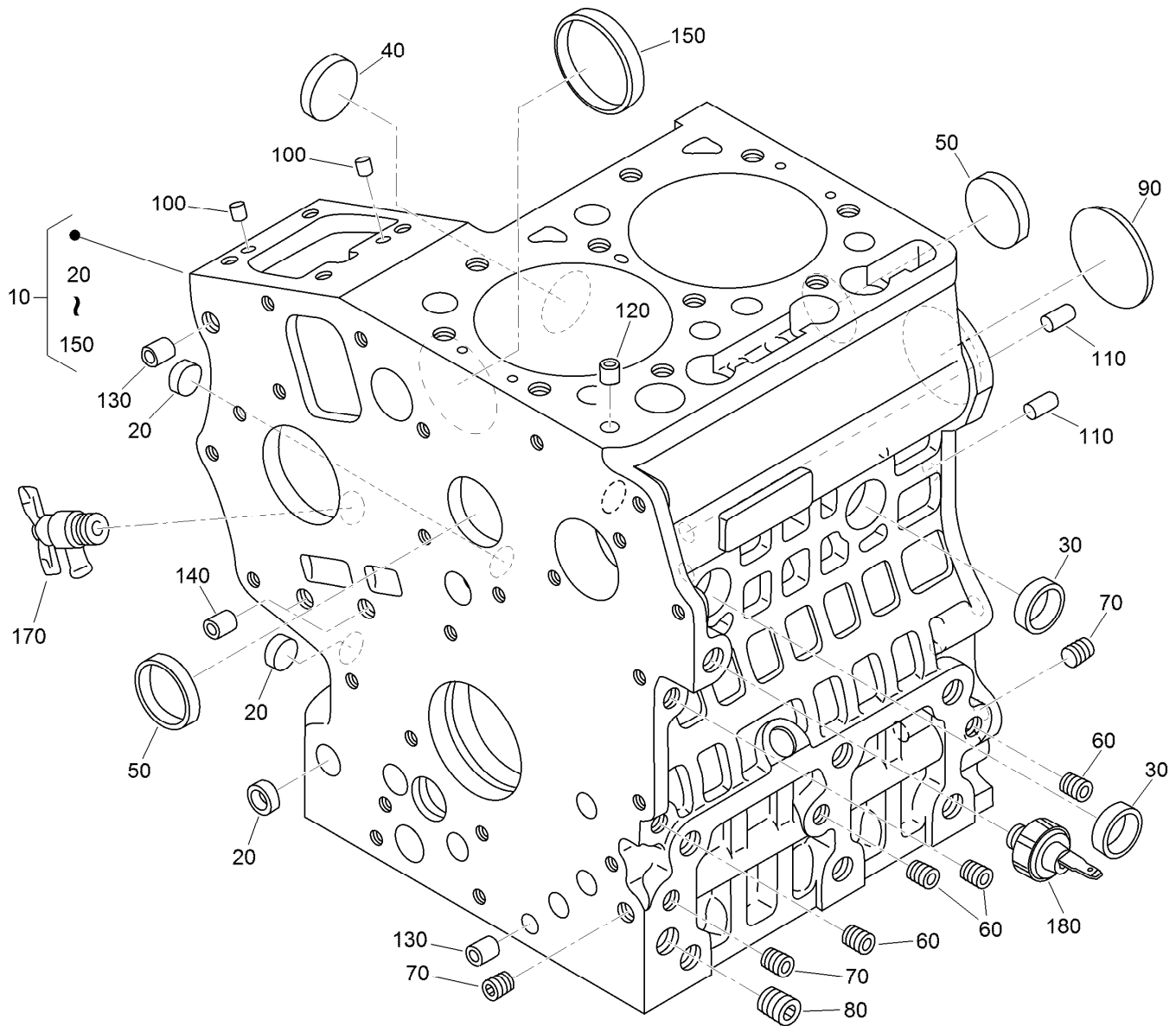
Electrical Assembly

| <i>Ref.</i> | <i>Part Number</i> | <i>Qty.</i> | <i>Description</i> | <i>Ref.</i> | <i>Part Number</i> | <i>Qty.</i> | <i>Description</i> |
|-------------|--------------------|-------------|---------------------|-------------|--------------------|-------------|----------------------------|
| 1 | 122-2485 | 1 | Harness-Wire, Main | 2 | 99-7435 | 2 | Relay |
| 1:17 | 32180-156 | 1 | Cap-Plug, 6 Way | 3 | 99-7430 | 1 | Relay-Mini |
| 1:18 | 218-578 | 4 | Fuse-Blade, 10 Amp | 4 | 98-7611 | 1 | Controller-Glow |
| 1:19 | 109355 | 1 | Fuse-Blade, 15 Amp | 5 | 100-4351 | 8 | Screw-HWH |
| 1:20 | 109101 | 1 | Fuse-Blade, 20 Amp | 6 | 120-3961 | 1 | Harness-Wire, Engine |
| 1:21 | 104-4022 | 1 | Resistor-75 Ohm | 7 | 42862 | 1 | Block-Terminal, Ground |
| 1:22 | 32160-035 | 1 | Connector | 8 | 42863 | 1 | Strip-Jumper |
| 1:24 | 32160-093 | 1 | Connector-Mp280, 2M | 13 | 99-3441 | 1 | Harness-Wire, Fusible Link |
| 1:26 | 32160-036 | 1 | Connector-Mp150, 8M | | | | |



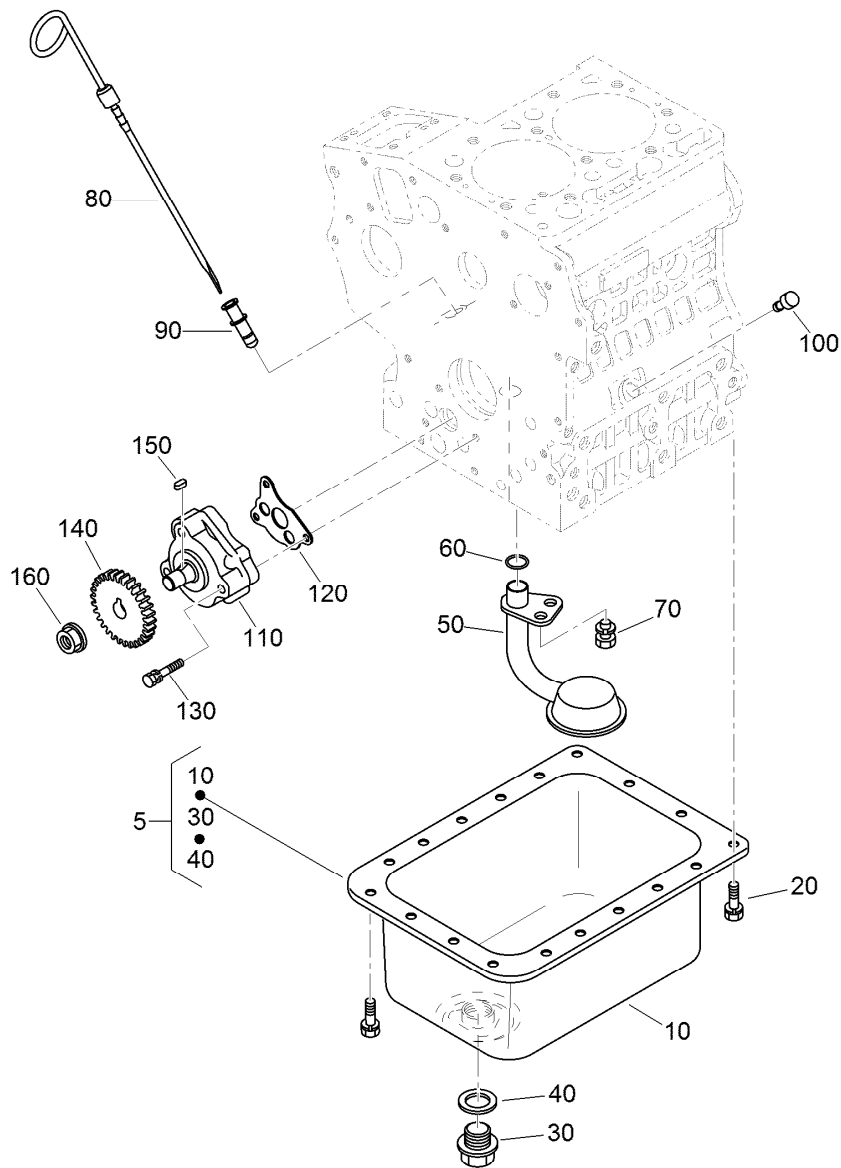
Fuel Tank Assembly

| Ref. | Part Number | Qty. | Description | Ref. | Part Number | Qty. | Description |
|------|-------------|------|----------------------------|------|-------------|------|---------------------|
| 1 | 119-9723 | 1 | Fuel Tank ASM | 12 | 92-2379 | 6 | Clamp-Hose |
| 1:2 | 95-8972 | 1 | Grommet | 13 | 3339-175 | 1 | Strapping-Web |
| 1:3 | 99-7262 | 1 | Gauge-Fuel | 14 | 145-3154 | 1 | Pump-Fuel, Electric |
| 2 | 115-7789 | 1 | Cap-Fuel, Diesel | 16 | 108-3284 | 1 | Hose-Fuel |
| 3 | 114-0285 | 1 | Valve-Rollover | 17 | 110-3259 | 1 | Hose-Fuel |
| 4 | 46-6560 | 2 | Bushing | 18 | 114-4028 | 1 | Hose-Fuel |
| 5 | 114-0284 | 1 | Grommet | 19 | 117-6395 | 1 | Hose-Fuel |
| 6 | 110-9689 | 1 | Pipe-Stand | 20 | 110-8255 | 1 | Hose-Fuel |
| 7 | 104-5228 | 1 | Fitting-Elbow, 90 DEG | 21 | 120-4829 | 1 | Conduit-Corrogated |
| 8 | 110-9044 | 1 | Separator-Filter | 22 | 32144-70 | 2 | Screw-HWHTF |
| 8:1 | 110-9049 | 1 | Filter-Spin On, Fuel/Water | 23 | 237-136 | 2 | Grommet |
| 9 | 353-781 | 2 | Fitting-HYD, 90 | 24 | 135-2015 | 2 | Screw-Shoulder |
| 11 | 2412-146 | 3 | Clamp-Hose | 25 | 104-7201 | 2 | Nut-HF, NI |



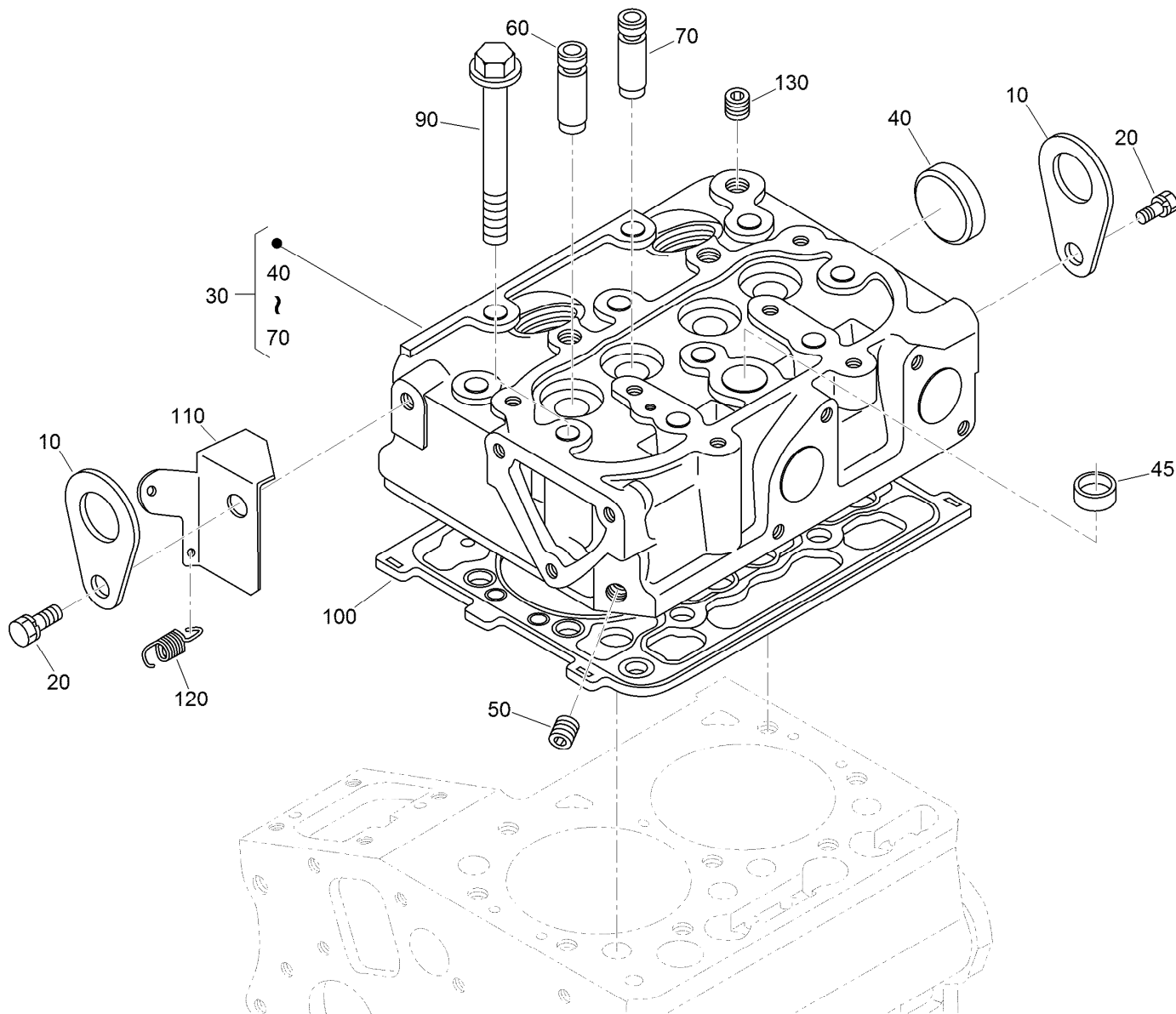
Crankcase Assembly

| <i>Ref.</i> | <i>Part Number</i> | <i>Qty.</i> | <i>Description</i> | <i>Ref.</i> | <i>Part Number</i> | <i>Qty.</i> | <i>Description</i> |
|-------------|--------------------|-------------|--------------------|-------------|--------------------|-------------|----------------------|
| 10 | 130-1485 | 1 | Crankcase ASM | 100 | 98-9375 | 2 | Pin-Straight |
| 20 | 100-2019 | 3 | Cap-Sealing | 110 | 98-9377 | 2 | Pin-Straight |
| 30 | 100-2020 | 2 | Cap-Sealing | 120 | 98-7506 | 1 | Pin-Pipe |
| 40 | 110-3702 | 1 | Cap-Sealing | 130 | 100-2051 | 2 | Pin-Pipe |
| 50 | 98-9398 | 2 | Cap-Sealing | 140 | 100-2051 | 2 | Pin-Pipe |
| 60 | 98-9687 | 4 | Plug | 150 | 100-1991 | 1 | Cover-Fuel, Camshaft |
| 70 | 98-7487 | 3 | Plug | 170 | 120-3121 | 1 | Draincock ASM |
| 80 | 98-7488 | 1 | Plug | 180 | 98-9416 | 1 | Switch-Oil |
| 90 | 100-1851 | 1 | Plug-Expansion | | | | |



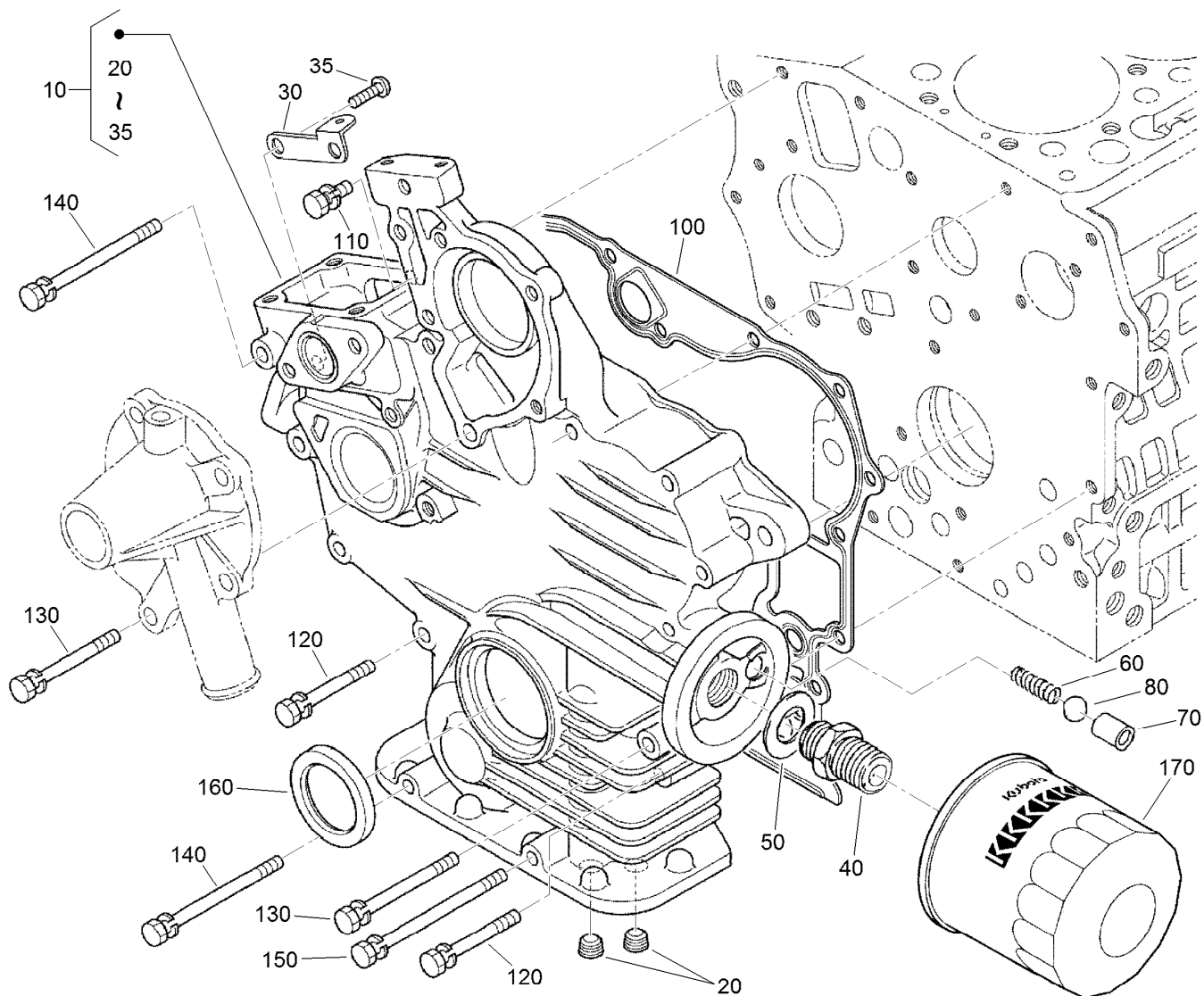
Oil Pan, Oil Pump and Dipstick Assembly

| <i>Ref.</i> | <i>Part Number</i> | <i>Qty.</i> | <i>Description</i> | <i>Ref.</i> | <i>Part Number</i> | <i>Qty.</i> | <i>Description</i> |
|-------------|--------------------|-------------|----------------------|-------------|--------------------|-------------|----------------------|
| 5 | 121-3843 | 1 | Oil Pan Kit | 90 | 105-4580 | 1 | Guide-Gauge, Oil |
| 10 | 121-3842 | 1 | Oil Pan ASM | 100 | 110-3720 | 1 | Plug-Gauge, Oil |
| 20 | 98-9350 | 18 | Bolt | 110 | 100-2002 | 1 | Oil Pump ASM |
| 30 | 98-9686 | 1 | Plug-Drain | 120 | 100-2003 | 1 | Gasket-Pump, Oil |
| 40 | 110-9715 | 1 | Gasket-Pan, Oil | 130 | 100-1923 | 3 | Bolt |
| 50 | 100-2001 | 1 | Strainer-Pickup, Oil | 140 | 130-1419 | 1 | Gear-Drive, Oil Pump |
| 60 | 105-3776 | 1 | O-Ring | 150 | 98-7658 | 1 | Key-Feather |
| 70 | 100-9195 | 1 | Bolt | 160 | 100-1779 | 1 | Nut-Flange |
| 80 | 110-3719 | 1 | Gauge-Oil | | | | |



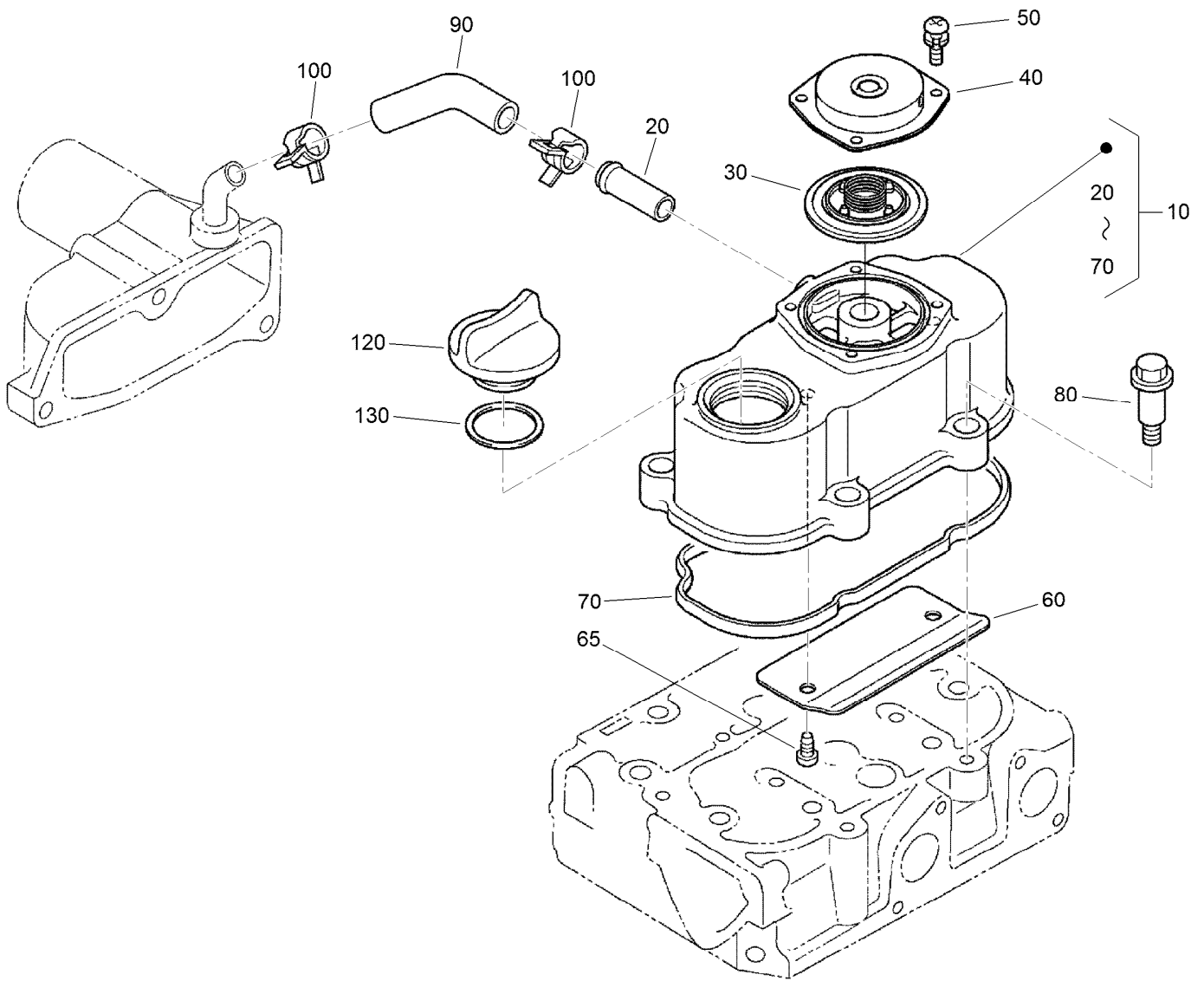
Cylinder Head Assembly

| <i>Ref.</i> | <i>Part Number</i> | <i>Qty.</i> | <i>Description</i> |
|-------------|--------------------|-------------|-----------------------|
| 10 | 98-7531 | 2 | Hook-Engine |
| 20 | 98-7526 | 2 | Bolt |
| 30 | 121-3823 | 1 | Cylinder Head ASM |
| 40 | 105-3705 | 1 | Cap-Sealing |
| 45 | 98-9389 | 1 | Cap-Sealing |
| 50 | 98-9687 | 1 | Plug |
| 60 | 100-1882 | 2 | Guide-Valve, Inlet |
| 70 | 100-1883 | 2 | Guide-Valve, Exhaust |
| 90 | 100-1820 | 10 | Bolt-Head, Cylinder |
| 100 | 121-3824 | 1 | Gasket-Head, Cylinder |
| 110 | 121-3810 | 1 | Stay |
| 120 | 121-3820 | 1 | Spring-Return |
| 130 | 98-9444 | 1 | Plug |



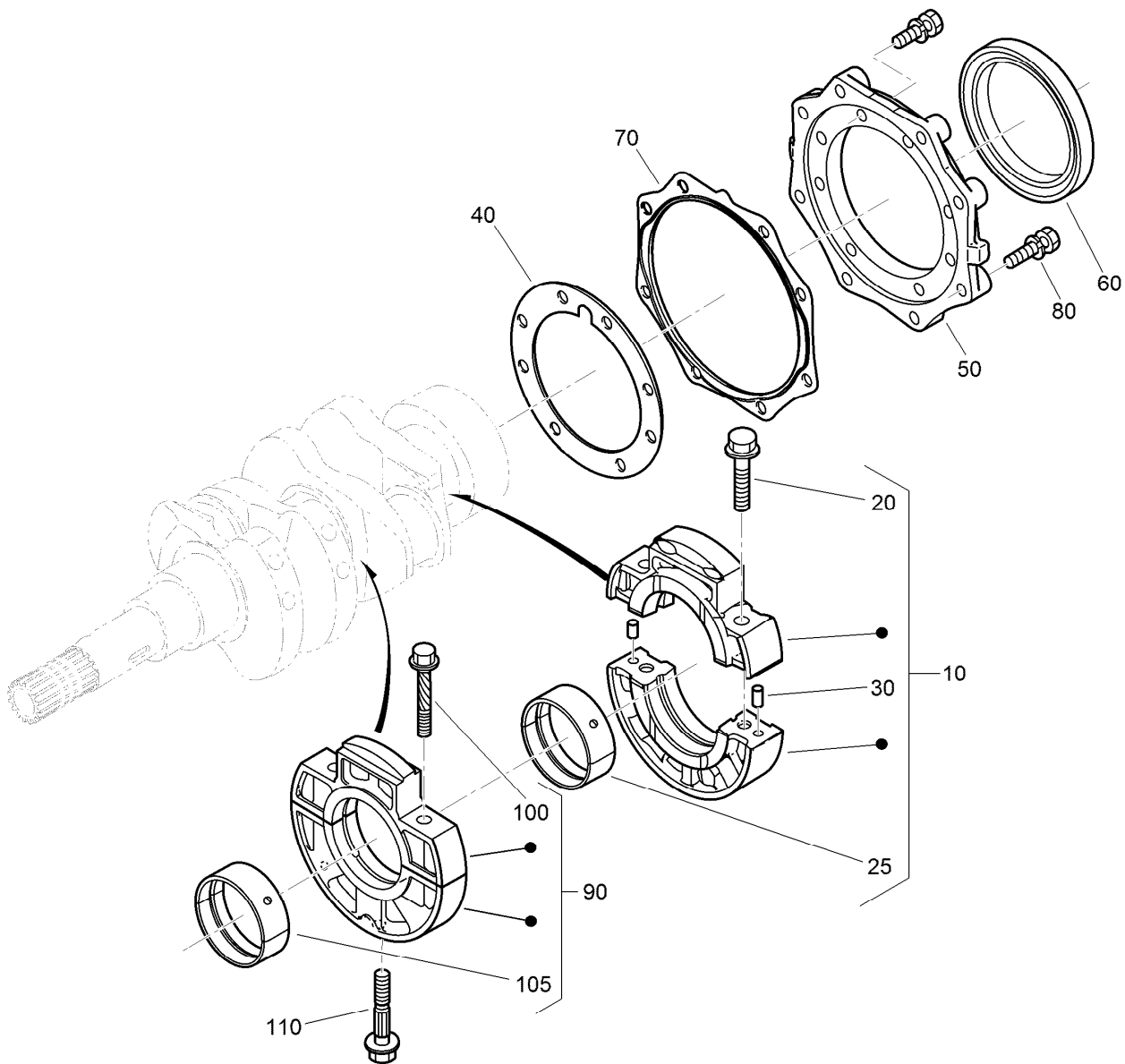
Gear Case and Oil Filter Cartridge Assembly

| <i>Ref.</i> | <i>Part Number</i> | <i>Qty.</i> | <i>Description</i> | <i>Ref.</i> | <i>Part Number</i> | <i>Qty.</i> | <i>Description</i> |
|-------------|--------------------|-------------|--------------------|-------------|--------------------|-------------|--------------------|
| 10 | 110-3707 | 1 | Case-Gear | 100 | 117-0327 | 1 | Gasket-Case, Gear |
| 20 | 98-7488 | 2 | Plug | 110 | 127-0403 | 1 | Bolt-Flange |
| 30 | 110-3708 | 1 | Stay-Spring, Start | 120 | 125-9063 | 9 | Bolt-Sems |
| 35 | 100-2040 | 2 | Screw | 130 | 100-1922 | 2 | Bolt |
| 40 | 98-9388 | 1 | Joint-Pipe | 140 | 98-9357 | 2 | Bolt |
| 50 | 100-1926 | 1 | Washer-Plain | 150 | 110-3710 | 1 | Bolt |
| 60 | 100-2004 | 1 | Spring | 160 | 120-7852 | 1 | Seal-Oil |
| 70 | 100-1894 | 1 | Seat-Valve | 170 | 115-8189 | 1 | Filter-Oil, Engine |
| 80 | 100-1792 | 1 | Ball | | | | |



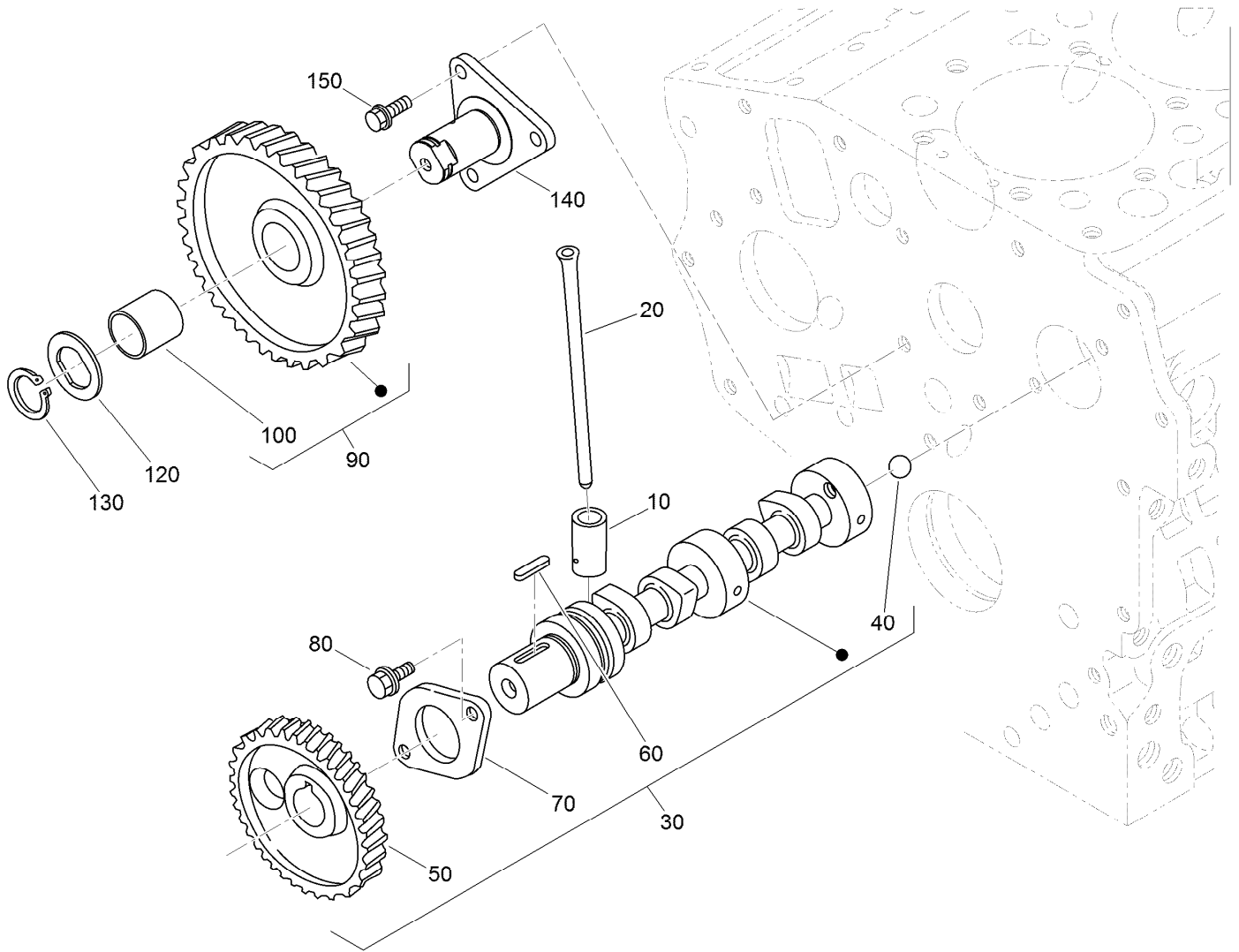
Cylinder Head Cover Assembly

| <i>Ref.</i> | <i>Part Number</i> | <i>Qty.</i> | <i>Description</i> |
|-------------|--------------------|-------------|-------------------------|
| 10 | 121-3841 | 1 | Cylinder Head Cover ASM |
| 20 | 98-9580 | 1 | Pipe-Return, Water |
| 30 | 110-3715 | 1 | Valve-Breather |
| 40 | 110-3714 | 1 | Cover-Breather |
| 50 | 98-9364 | 4 | Screw (With Washer) |
| 60 | 110-3716 | 1 | Shield-Breather |
| 65 | 100-2040 | 2 | Screw |
| 70 | 121-3828 | 1 | Gasket-Cover, Head |
| 80 | 108-7063 | 4 | Bolt |
| 90 | 120-3139 | 1 | Tube-Breather |
| 100 | 110-3712 | 2 | Clamp-Hose |
| 120 | 107-9075 | 1 | Plug-Filler, Oil |
| 130 | 99-3446 | 1 | O-Ring |



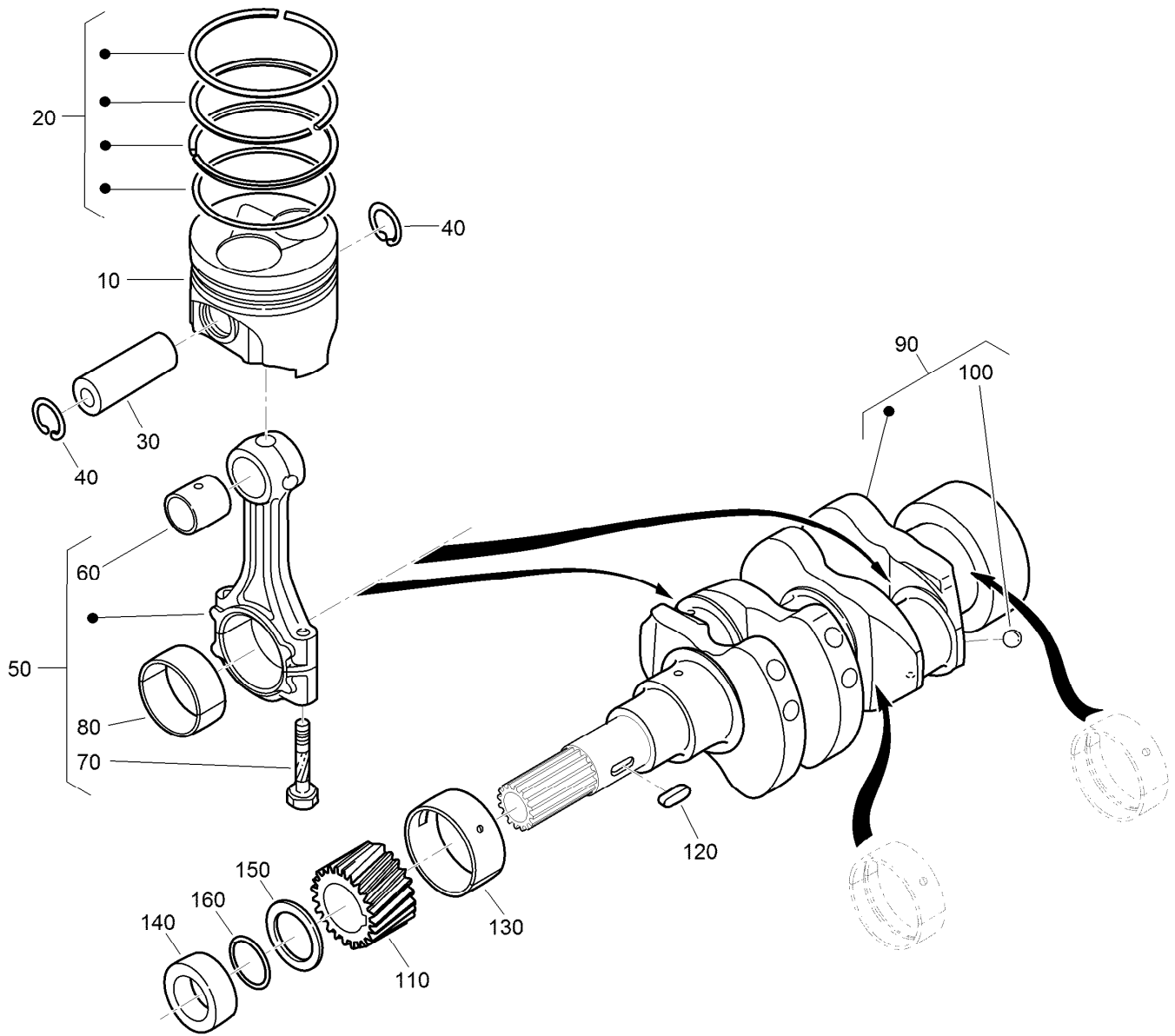
Main Bearing Case Assembly

| <i>Ref.</i> | <i>Part Number</i> | <i>Qty.</i> | <i>Description</i> | <i>Ref.</i> | <i>Part Number</i> | <i>Qty.</i> | <i>Description</i> |
|-------------|--------------------|-------------|--------------------------------|-------------|--------------------|-------------|--------------------------------|
| 10 | 125-9064 | 1 | Wheel Bearing Case ASM | 70 | 100-1876 | 1 | Gasket-Cover, Case |
| 20 | 125-9065 | 2 | Bolt-Flange | 80 | 100-1750 | 16 | Bolt |
| 25 | 125-9066 | 1 | Crankshaft Metal ASM (STD) | 90 | 110-3725 | 1 | Main Bearing Case ASM |
| 25 | 125-9067 | 1 | Crankshaft Metal ASM (-0.20Mm) | 100 | 110-3723 | 2 | Bolt-Case, Bearing |
| 25 | 125-9068 | 1 | Crankshaft Metal ASM (-0.40Mm) | 105 | 110-3741 | 1 | Crankshaft Metal ASM (STD) |
| 30 | 125-9082 | 2 | Pin-Straight | 105 | 125-9083 | 1 | Crankshaft Metal ASM (-0.20Mm) |
| 40 | 100-1873 | 1 | Gasket-Case, Bearing | 105 | 110-3743 | 1 | Crankshaft Metal ASM (-0.40Mm) |
| 50 | 112-8334 | 1 | Cover-Case, Bearing | 110 | 100-1874 | 1 | Bolt-Case, Bearing |
| 60 | 110-3724 | 1 | Seal-Oil | | | | |



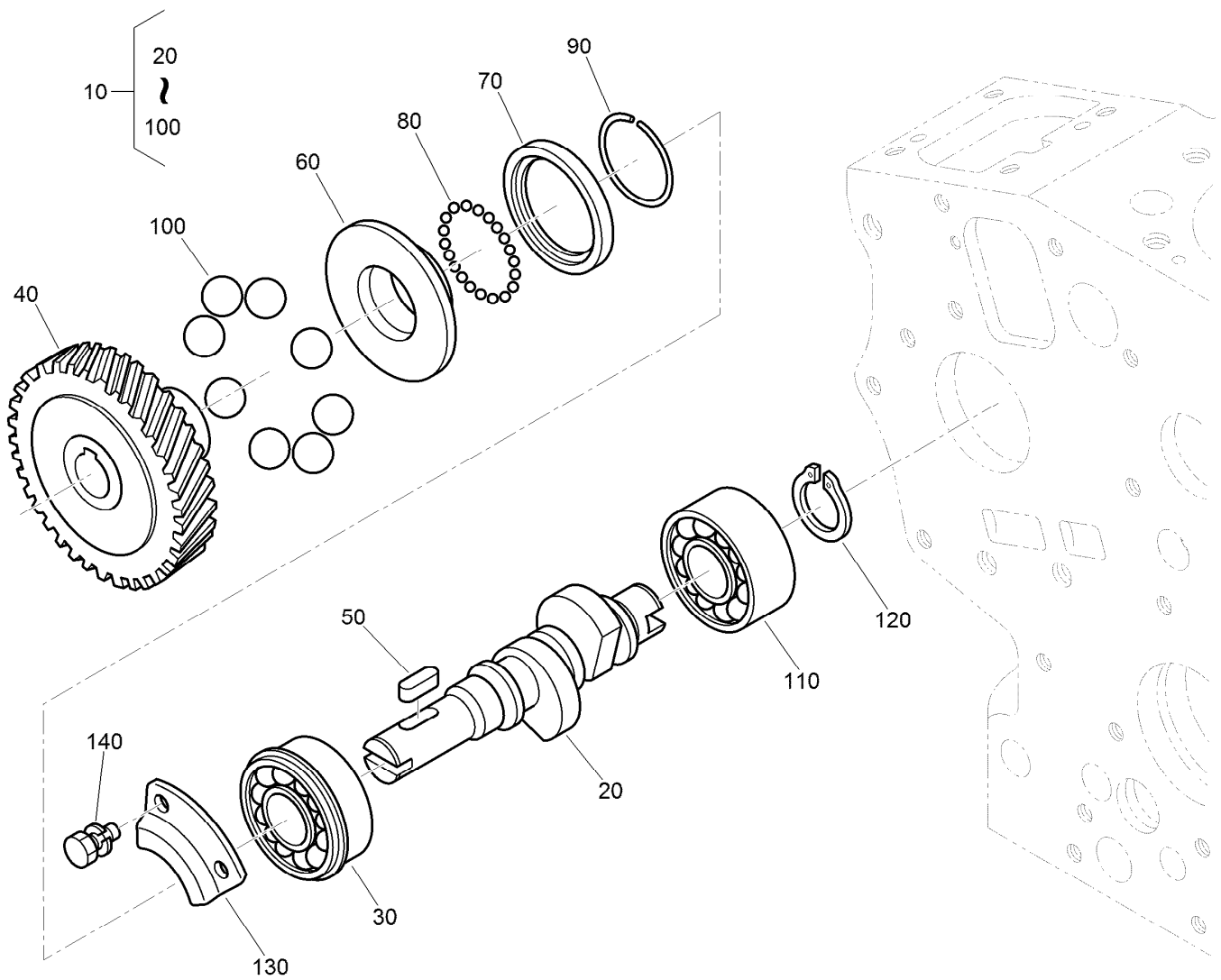
Camshaft and Idle Gear Shaft Assembly

| <i>Ref.</i> | <i>Part Number</i> | <i>Qty.</i> | <i>Description</i> |
|-------------|--------------------|-------------|--------------------|
| 10 | 110-3727 | 4 | Tappet |
| 20 | 100-1989 | 4 | Rod-Push |
| 30 | 121-3845 | 1 | Camshaft ASM |
| 40 | 110-3729 | 1 | Ball |
| 50 | 130-1534 | 1 | Gear-Cam |
| 60 | 98-9378 | 1 | Key-Feather |
| 70 | 100-1887 | 1 | Stopper-Camshaft |
| 80 | 98-9350 | 2 | Bolt |
| 90 | 121-2421 | 1 | Idle Gear ASM |
| 100 | 121-2422 | 1 | Bushing |
| 120 | 100-1970 | 1 | Collar-Gear, Idle |
| 130 | 100-1969 | 1 | Ring-Snap |
| 140 | 100-1967 | 1 | Shaft-Gear, Idle |
| 150 | 100-1774 | 3 | Bolt-Flange |



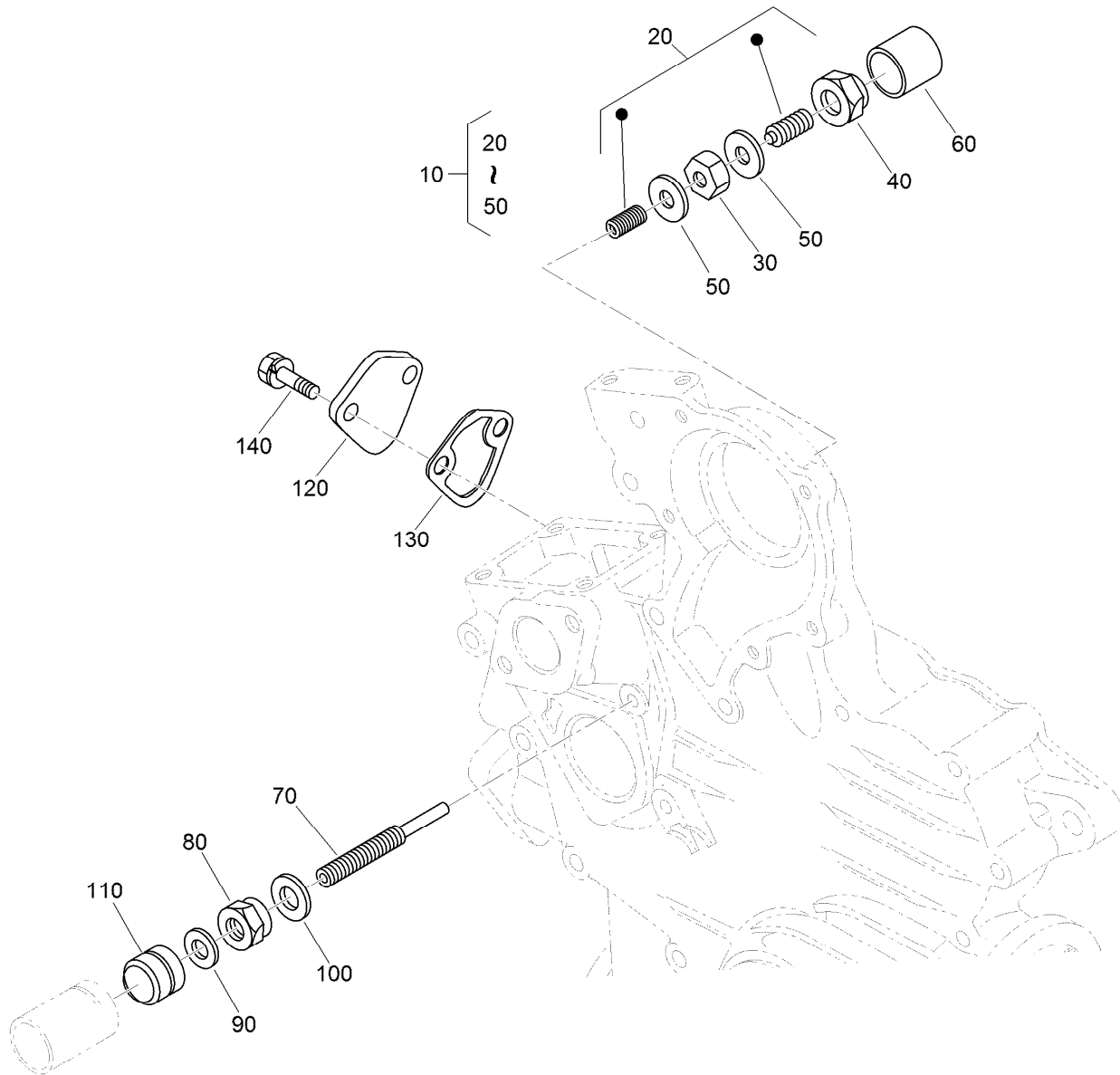
Piston and Crankshaft Assembly

| <i>Ref.</i> | <i>Part Number</i> | <i>Qty.</i> | <i>Description</i> | <i>Ref.</i> | <i>Part Number</i> | <i>Qty.</i> | <i>Description</i> |
|-------------|--------------------|-------------|-------------------------|-------------|--------------------|-------------|---------------------------|
| 10 | 130-1518 | 2 | Piston | 80 | 121-2420 | 2 | Metal-Crankpin (-.40MM) |
| 10 | 130-1520 | 2 | Piston | 90 | 121-3829 | 1 | Crankshaft ASM |
| 20 | 130-1516 | 2 | Piston Ring ASM | 100 | 100-1791 | 2 | Ball |
| 20 | 130-1517 | 2 | Piston Ring ASM | 110 | 100-1891 | 1 | Gear-Crankshaft |
| 30 | 110-3734 | 2 | Pin-Piston | 120 | 100-1752 | 1 | Key-Feather |
| 40 | 100-1835 | 4 | Circlip-Internal | 130 | 110-3738 | 1 | Metal-Crankshaft (STD) |
| 50 | 125-9070 | 2 | Connecting Rod ASM | 130 | 121-2424 | 1 | Metal-Crankshaft (-.20MM) |
| 60 | 110-3736 | 2 | Bushing-Pin, Piston | 130 | 121-2425 | 1 | Metal-Crankshaft (-.40MM) |
| 70 | 100-1999 | 4 | Bolt-Rod, Connecting | 140 | 100-1890 | 1 | Collar-Crankshaft |
| 80 | 100-2000 | 2 | Metal-Crankpin (STD) | 150 | 100-1974 | 1 | Slinger-Oil |
| 80 | 121-3849 | 2 | Metal-Crankpin (-.20MM) | 160 | 100-2209 | 1 | O-Ring |



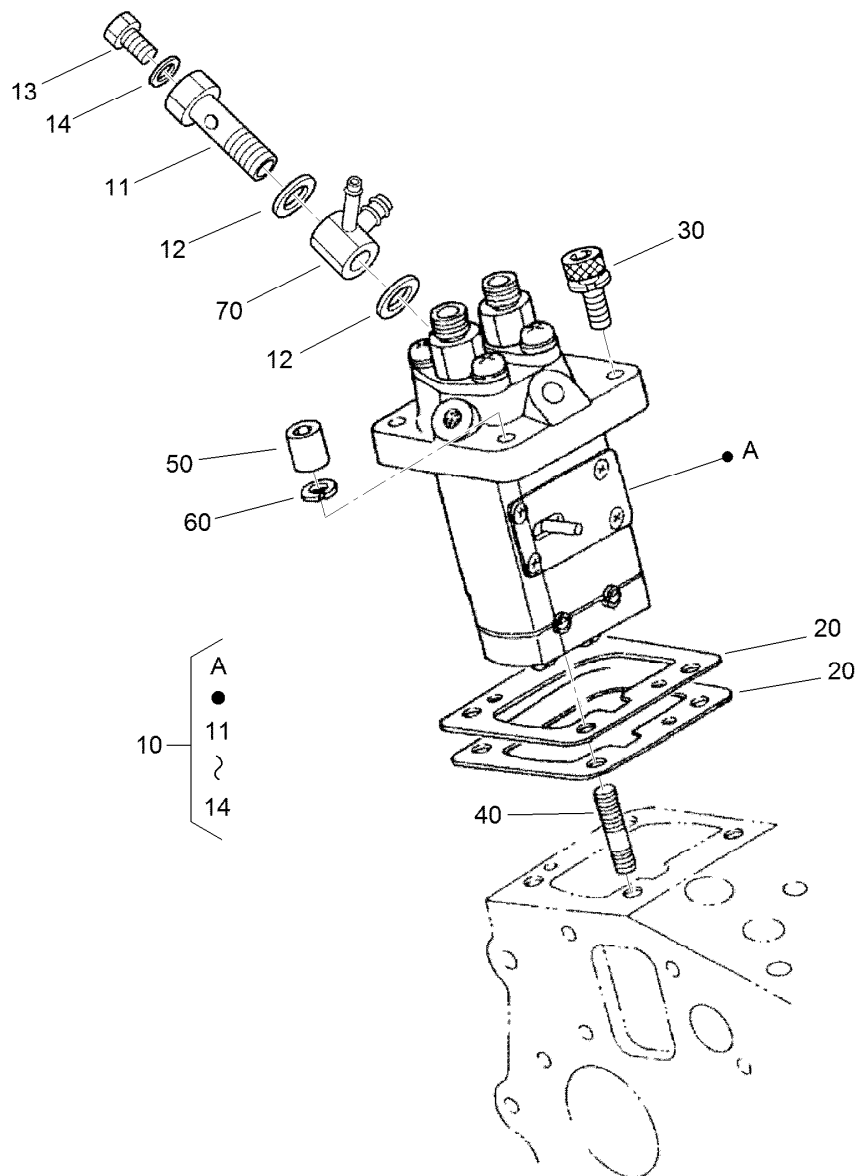
Fuel Camshaft Assembly

| Ref. | Part Number | Qty. | Description |
|------|-------------|------|------------------------|
| 10 | 130-1515 | 1 | Fuel Camshaft ASM |
| 20 | 121-3802 | 1 | Camshaft-Fuel |
| 30 | 100-1795 | 1 | Bearing-Ball |
| 40 | 130-1521 | 1 | Pump-Gear, Injection |
| 50 | 100-1752 | 1 | Key-Feather |
| 60 | 112-8336 | 1 | Sleeve-Governor |
| 70 | 100-1904 | 1 | Case-Ball, Governor |
| 80 | 100-1790 | 32 | Ball |
| 90 | 100-1843 | 1 | Circ-Clip |
| 100 | 100-1793 | 8 | Ball |
| 110 | 110-3757 | 1 | Bearing-Ball |
| 120 | 100-1784 | 1 | Circ-Clip, External |
| 130 | 100-1888 | 1 | Stopper-Fuel, Camshaft |
| 140 | 98-9350 | 2 | Bolt |



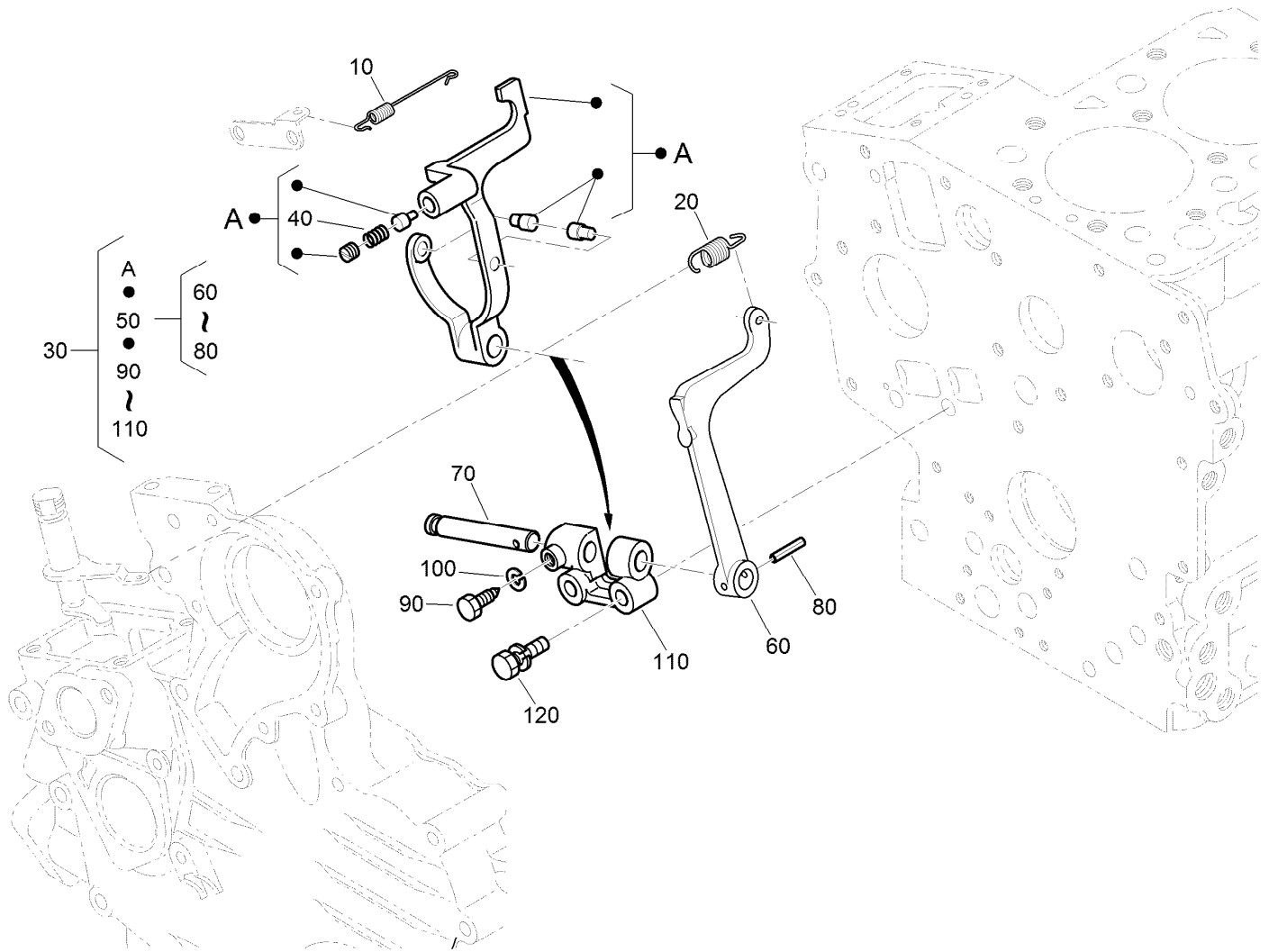
Idle Apparatus and Fuel Pump Cover Assembly

| <i>Ref.</i> | <i>Part Number</i> | <i>Qty.</i> | <i>Description</i> |
|-------------|--------------------|-------------|--------------------|
| 10 | 100-1898 | 1 | Idle Apparatus ASM |
| 20 | 100-1899 | 1 | Adjusting Bolt ASM |
| 30 | 100-1846 | 1 | Nut |
| 40 | 100-1901 | 1 | Nut-Cap |
| 50 | 98-7428 | 2 | Gasket |
| 60 | 100-1902 | 1 | Cap |
| 70 | 110-3758 | 1 | Bolt-Adjusting |
| 80 | 100-2175 | 1 | Nut-Lock |
| 90 | 98-7654 | 1 | Gasket |
| 100 | 107-9081 | 1 | Gasket |
| 110 | 99-8387 | 1 | Nut-Cap |
| 120 | 99-3514 | 1 | Cover |
| 130 | 98-9636 | 1 | Gasket-Pump, Fuel |
| 140 | 98-7692 | 2 | Bolt |



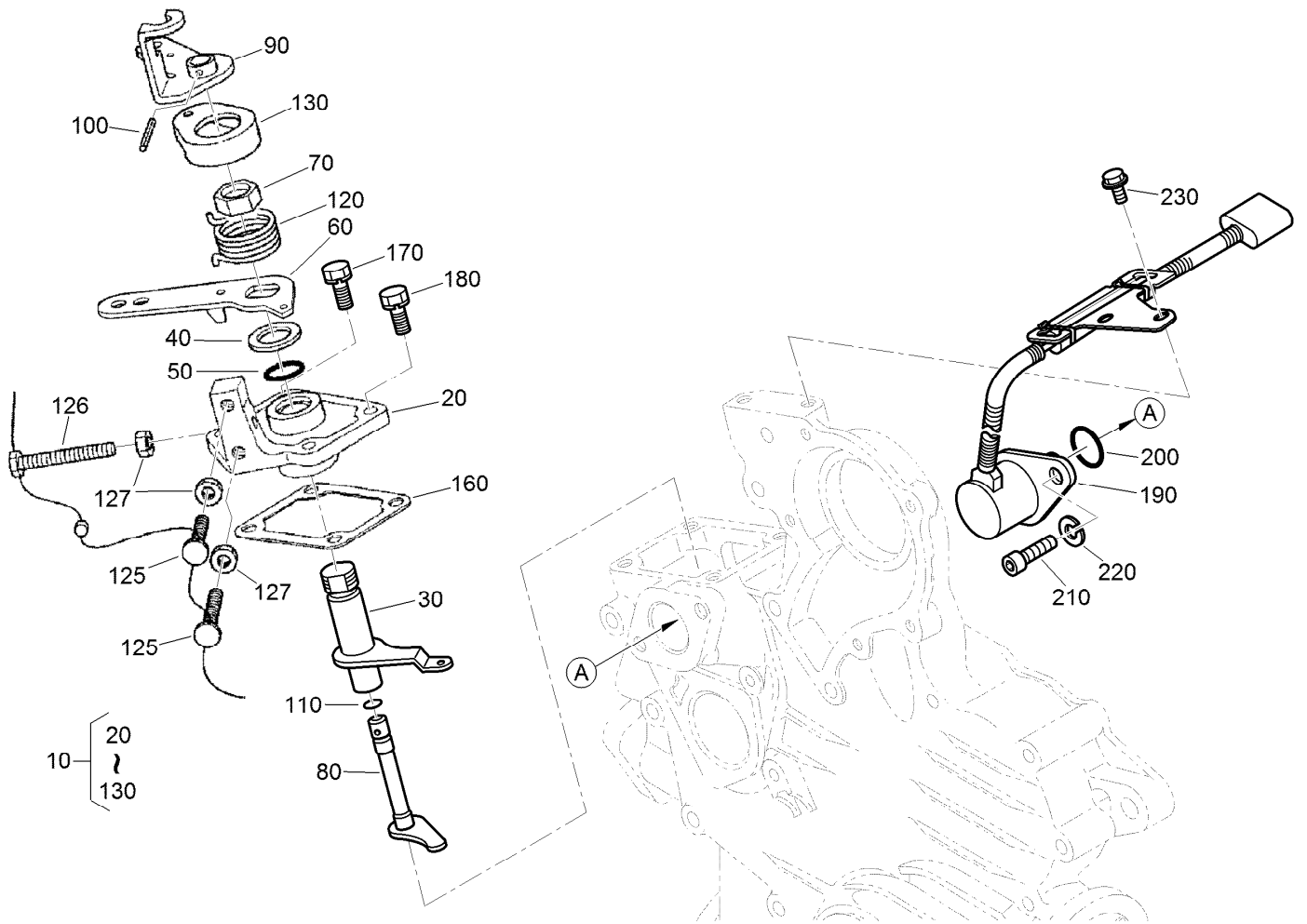
Injection Pump Assembly

| <i>Ref.</i> | <i>Part Number</i> | <i>Qty.</i> | <i>Description</i> |
|-------------|--------------------|-------------|--------------------------------|
| 10 | 121-3821 | 1 | Injection Pump ASM |
| 11 | 100-1896 | 1 | Screw-Hollow |
| 12 | 98-9445 | 2 | Gasket |
| 13 | 98-9430 | 1 | Screw |
| 14 | 98-9446 | 1 | Gasket |
| 20 | 121-3836 | 1 | Shim-Pump, Injection (0.350Mm) |
| 20 | 121-3837 | 1 | Shim-Pump, Injection (0.175Mm) |
| 20 | 121-3806 | 1 | Shim-Pump, Injection (0.200Mm) |
| 20 | 121-3807 | 1 | Shim-Pump, Injection (0.250Mm) |
| 20 | 121-3808 | 1 | Shim-Pump, Injection (0.300Mm) |
| 30 | 117-7564 | 3 | Bolt-Hex Soc HD |
| 40 | 98-9438 | 1 | Stud |
| 50 | 98-9440 | 1 | Nut-Cap |
| 60 | 98-7699 | 1 | Washer-Spring |
| 70 | 110-3764 | 1 | Joint |



Governor Assembly

| Ref. | Part Number | Qty. | Description |
|------|-------------|------|---------------------|
| 10 | 110-3766 | 1 | Spring-Start |
| 20 | 110-3767 | 1 | Spring-Governor |
| 30 | 121-3822 | 1 | Fork Lever ASM |
| 40 | 121-3803 | 1 | Spring |
| 50 | 100-1905 | 1 | Fork Lever ASM |
| 60 | 100-1907 | 1 | Lever-Fork |
| 70 | 100-1908 | 1 | Shaft-Lever, Fork |
| 80 | 100-1751 | 1 | Pin-Spring |
| 90 | 100-1845 | 1 | Bolt |
| 100 | 127-0408 | 1 | Washer-Lock, Spring |
| 110 | 100-1909 | 1 | Holder-Lever, Fork |
| 120 | 100-1763 | 2 | Bolt |

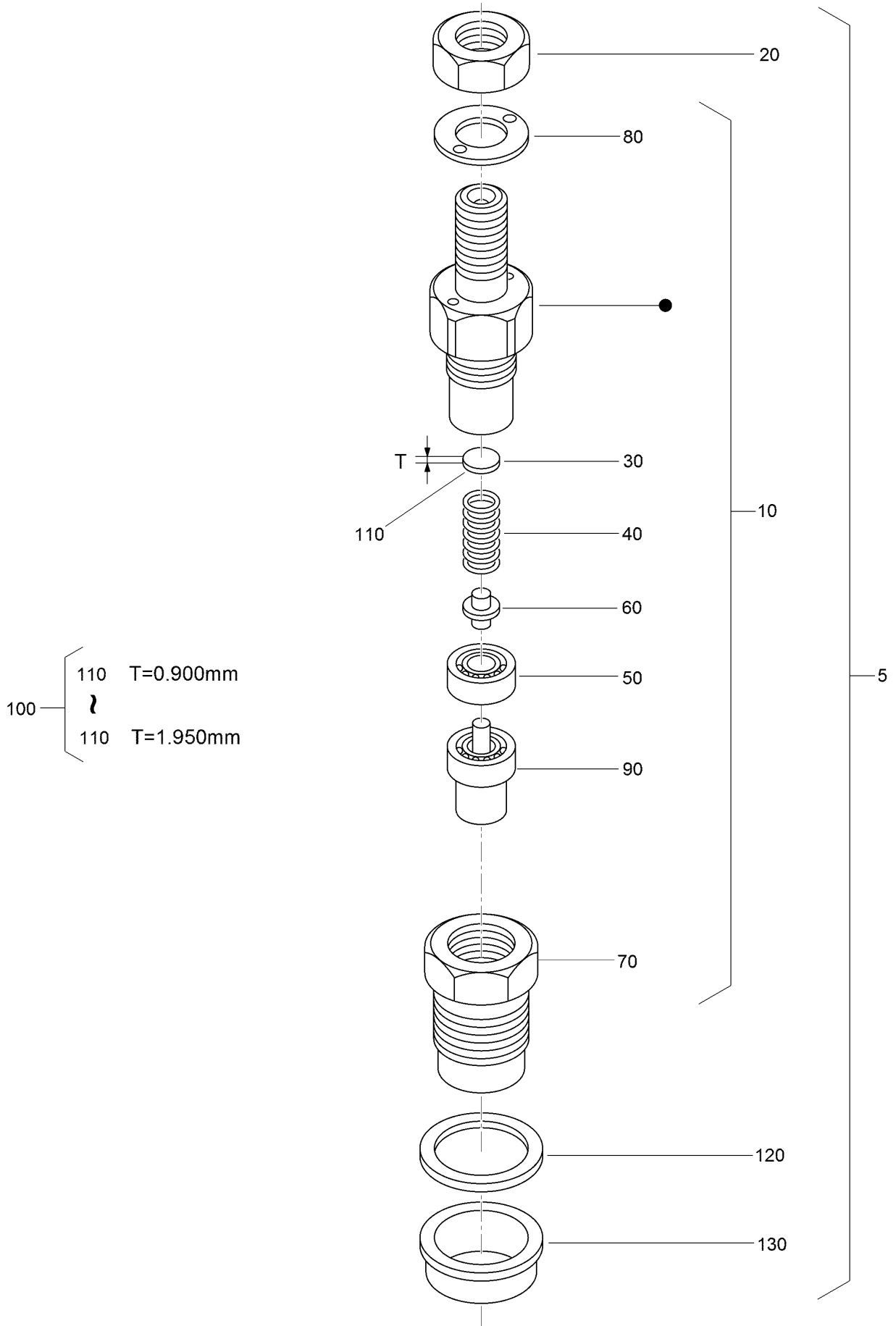


Stop Solenoid and Speed Control Plate Assembly

| Ref. | Part Number | Qty. | Description |
|------|-------------|------|-------------------------|
| 10 | 110-3769 | 1 | Speed Control Plate ASM |
| 20 | 110-3770 | 1 | Plate-Control, Speed |
| 30 | 110-3771 | 1 | Lever-Governor |
| 40 | 110-3772 | 1 | Collar |
| 50 | 100-2208 | 1 | O-Ring |
| 60 | 110-3773 | 1 | Lever-Control, Speed |
| 70 | 110-3774 | 1 | Nut-Control, Speed |
| 80 | 110-3775 | 1 | Shaft-Lever |
| 90 | 110-3776 | 1 | Lever-Stop, Engine |
| 100 | 110-3777 | 1 | Pin-Spring |
| 110 | 100-2207 | 1 | O-Ring |
| 120 | 110-3778 | 1 | Spring-Return |

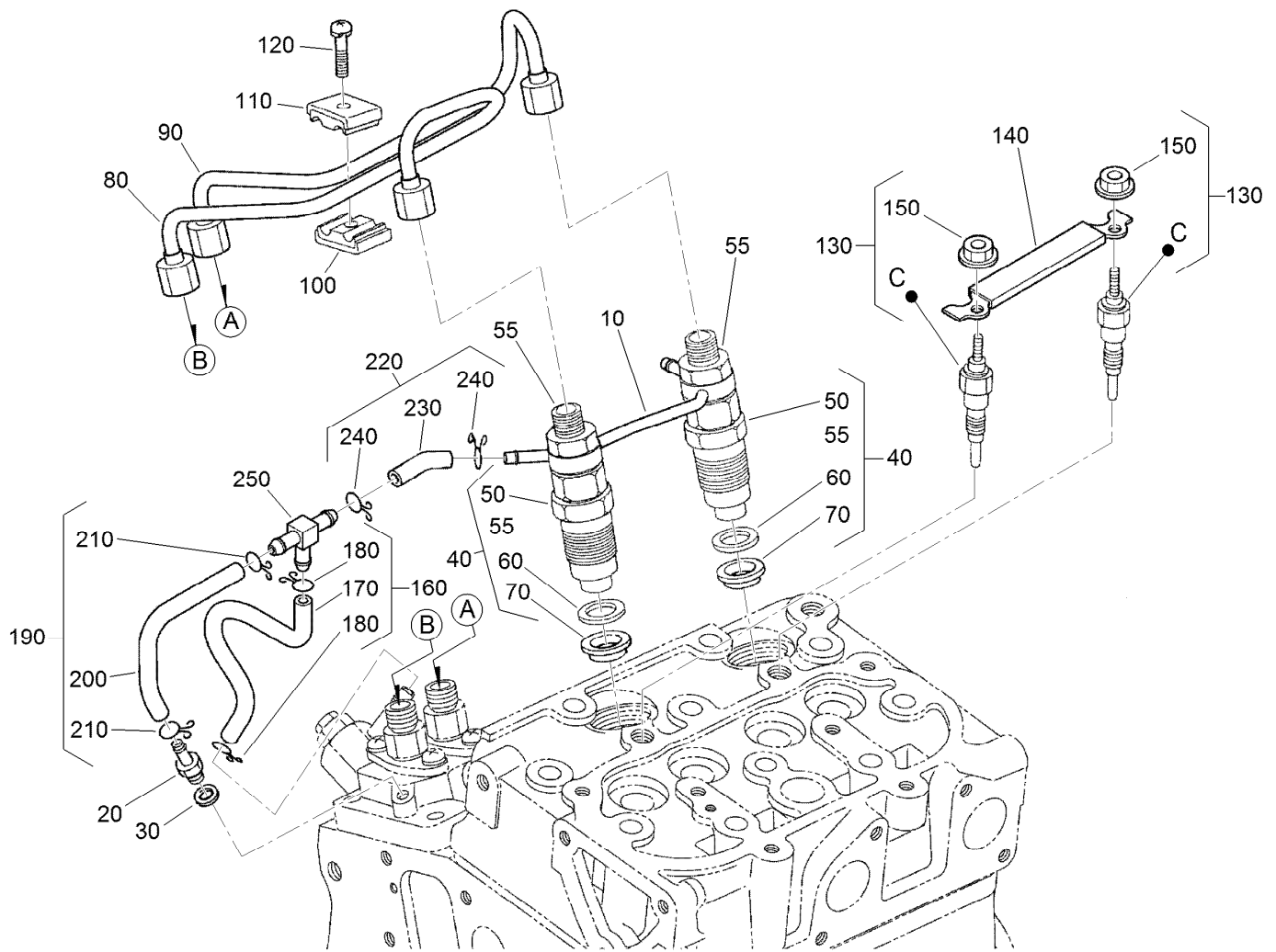
| Ref. | Part Number | Qty. | Description |
|------|-------------|------|-----------------------|
| 125 | 120-3133 | 2 | Screw-Stopper |
| 126 | 120-3134 | 1 | Bolt |
| 127 | 98-7572 | 3 | Nut |
| 130 | 110-3779 | 1 | Cap |
| 160 | 100-1962 | 1 | Gasket-Plate, Control |
| 170 | 127-0403 | 2 | Bolt-Flange |
| 180 | 112-2507 | 2 | Bolt |
| 190 | 117-2719 | 1 | Solenoid Stop ASM |
| 200 | 110-3762 | 1 | O-Ring |
| 210 | 110-3763 | 2 | Bolt-HSH |
| 220 | 98-7699 | 2 | Washer-Spring |
| 230 | 100-1774 | 2 | Bolt-Flange |

Nozzle Holder Assembly



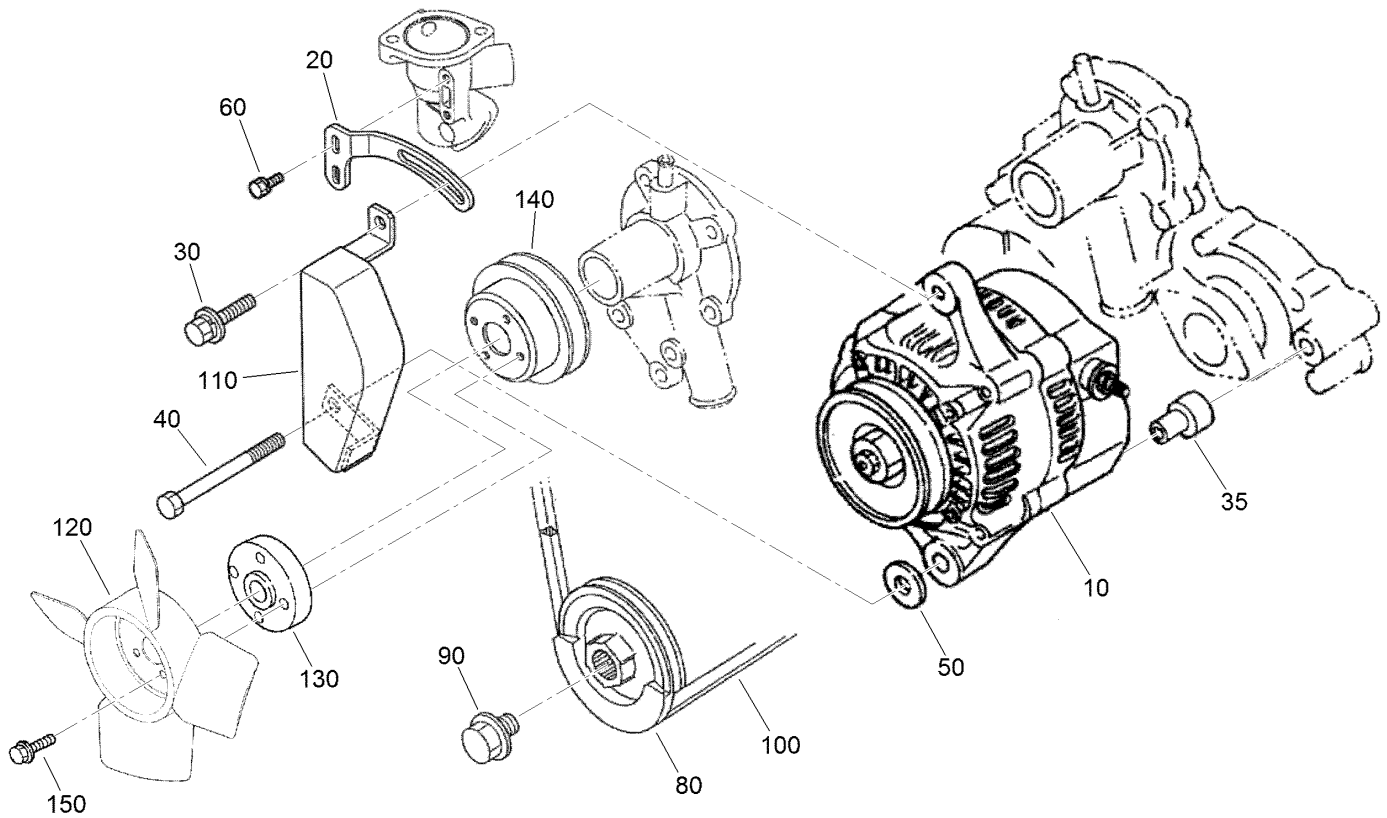
Nozzle Holder Assembly (continued)

| <i>Ref.</i> | <i>Part Number</i> | <i>Qty.</i> | <i>Description</i> | <i>Ref.</i> | <i>Part Number</i> | <i>Qty.</i> | <i>Description</i> |
|-------------|--------------------|-------------|----------------------------|-------------|--------------------|-------------|----------------------------|
| 5 | 130-1305 | 2 | Nozzle Holder Kit | 110 | 98-7860 | 2 | Washer-Adjusting (1.400MM) |
| 10 | 130-1303 | 2 | Nozzle Holder ASM | 110 | 98-7861 | 2 | Washer-Adjusting (1.425MM) |
| 20 | 130-1442 | 2 | Nut | 110 | 98-7862 | 2 | Washer-Adjusting (1.450MM) |
| 30 | 99-8302 | 2 | Washer-Adjusting | 110 | 98-7863 | 2 | Washer-Adjusting (1.475MM) |
| 40 | 99-8303 | 2 | Spring-Nozzle | 110 | 98-7864 | 2 | Washer-Adjusting (1.500MM) |
| 50 | 99-8304 | 2 | Spacer-Distance | 110 | 98-7865 | 2 | Washer-Adjusting (1.525MM) |
| 60 | 99-8305 | 2 | Rod-Push | 110 | 98-7866 | 2 | Washer-Adjusting (1.550MM) |
| 70 | 130-1304 | 2 | Nut-Nozzle | 110 | 98-7867 | 2 | Washer-Adjusting (1.575MM) |
| 80 | 99-8307 | 2 | Washer-Plain | 110 | 98-7868 | 2 | Washer-Adjusting (1.600MM) |
| 90 | 130-1497 | 2 | Nozzle-Piece | 110 | 98-7869 | 2 | Washer-Adjusting (1.625MM) |
| 100 | 98-9448 | 2 | Adjusting Washer ASM | 110 | 98-7870 | 2 | Washer-Adjusting (1.650MM) |
| 110 | 98-7642 | 2 | Washer-Adjusting (0.900Mm) | 110 | 98-7871 | 2 | Washer-Adjusting (1.675MM) |
| 110 | 98-7841 | 2 | Washer-Adjusting (0.925Mm) | 110 | 98-7872 | 2 | Washer-Adjusting (1.700MM) |
| 110 | 98-7842 | 2 | Washer-Adjusting (0.950Mm) | 110 | 98-7873 | 2 | Washer-Adjusting (1.725MM) |
| 110 | 98-7843 | 2 | Washer-Adjusting (0.975Mm) | 110 | 98-7874 | 2 | Washer-Adjusting (1.750MM) |
| 110 | 98-7844 | 2 | Washer-Adjusting (1.000Mm) | 110 | 98-7875 | 2 | Washer-Adjusting (1.775MM) |
| 110 | 98-7845 | 2 | Washer-Adjusting (1.025Mm) | 110 | 98-7876 | 2 | Washer-Adjusting (1.800MM) |
| 110 | 98-7846 | 2 | Washer-Adjusting (1.050Mm) | 110 | 98-7877 | 2 | Washer-Adjusting (1.825MM) |
| 110 | 98-7847 | 2 | Washer-Adjusting (1.075MM) | 110 | 98-7878 | 2 | Washer-Adjusting (1.850MM) |
| 110 | 98-7848 | 2 | Washer-Adjusting (1.100MM) | 110 | 98-7879 | 2 | Washer-Adjusting (1.875MM) |
| 110 | 98-7849 | 2 | Washer-Adjusting (1.125MM) | 110 | 98-7880 | 2 | Washer-Adjusting (1.900MM) |
| 110 | 98-7850 | 2 | Washer-Adjusting (1.150MM) | 110 | 98-7881 | 2 | Washer-Adjusting (1.925MM) |
| 110 | 98-7851 | 2 | Washer-Adjusting (1.175MM) | 110 | 98-7882 | 2 | Washer-Adjusting (1.950MM) |
| 110 | 98-7852 | 2 | Washer-Adjusting (1.200MM) | 120 | 98-7676 | 2 | Gasket |
| 110 | 98-7853 | 2 | Washer-Adjusting (1.225MM) | 130 | 98-7677 | 2 | Seal-Heat |
| 110 | 98-7854 | 2 | Washer-Adjusting (1.250MM) | | | | |
| 110 | 98-7855 | 2 | Washer-Adjusting (1.275MM) | | | | |
| 110 | 98-7856 | 2 | Washer-Adjusting 1.300MM) | | | | |
| 110 | 98-7857 | 2 | Washer-Adjusting (1.325MM) | | | | |
| 110 | 98-7858 | 2 | Washer-Adjusting (1.350MM) | | | | |
| 110 | 98-7859 | 2 | Washer-Adjusting (1.375MM) | | | | |



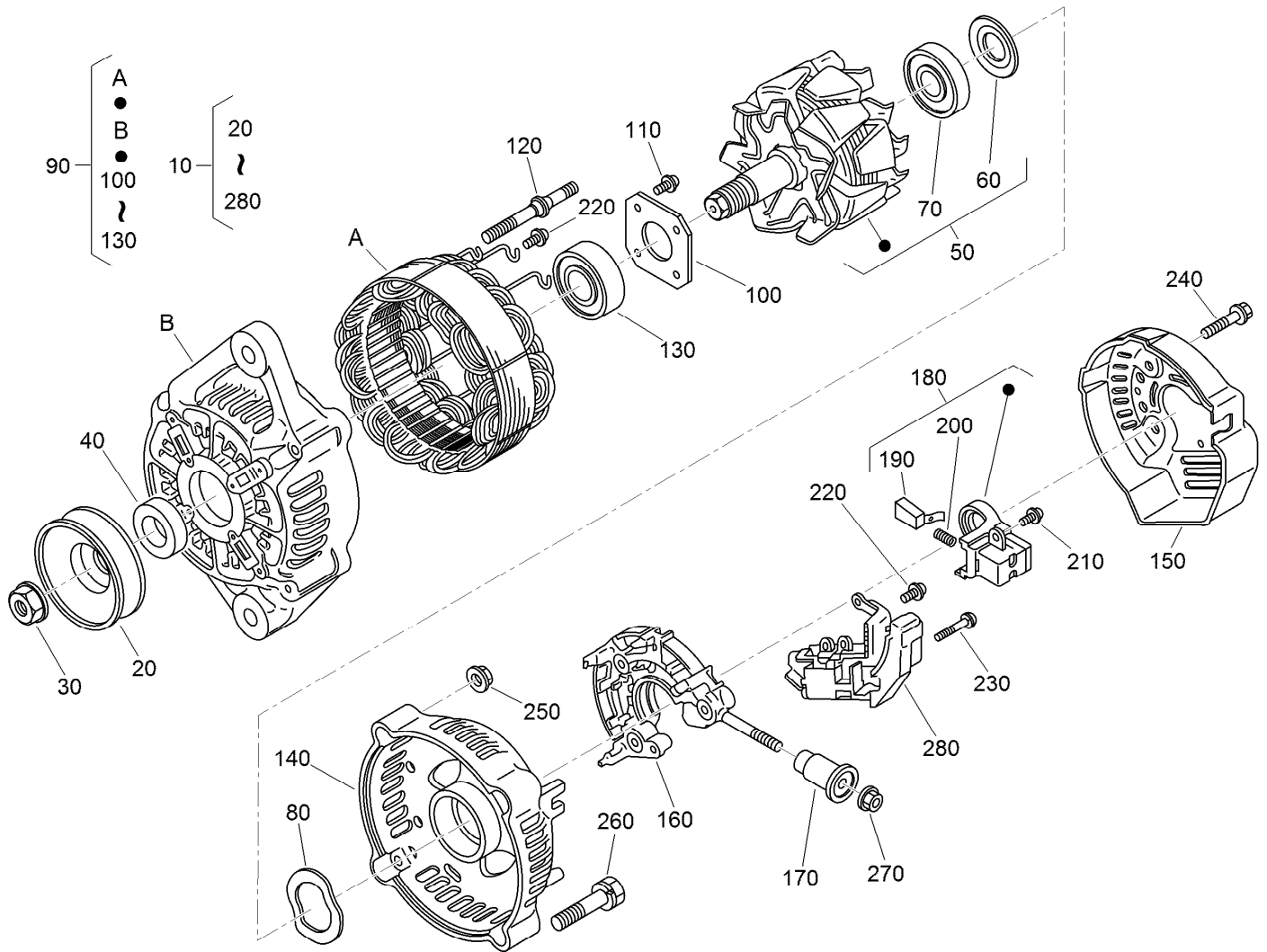
Nozzle Holder and Glow Plug Assembly

| <i>Ref.</i> | <i>Part Number</i> | <i>Qty.</i> | <i>Description</i> | <i>Ref.</i> | <i>Part Number</i> | <i>Qty.</i> | <i>Description</i> |
|-------------|--------------------|-------------|--------------------|-------------|--------------------|-------------|--------------------|
| 10 | 121-3833 | 1 | Overflow Pipe ASM | 130 | 130-1411 | 2 | Plug-Glow |
| 20 | 98-9431 | 1 | Screw-Bleeder, Air | 140 | 121-3834 | 1 | Cord-Plug, Glow |
| 30 | 98-7654 | 1 | Gasket | 150 | 99-8377 | 2 | Nut-Flange |
| 40 | 130-1305 | 2 | Nozzle Holder Kit | 160 | 110-3787 | 1 | Fuel Tube ASM |
| 50 | 130-1303 | 2 | Nozzle Holder ASM | 170 | 110-3788 | 1 | Tube-Fuel |
| 55 | 130-1442 | 2 | Nut | 180 | 98-7671 | 2 | Clip-Pipe |
| 60 | 98-7676 | 2 | Gasket | 190 | 110-3785 | 1 | Fuel Tube ASM |
| 70 | 98-7677 | 2 | Seal-Heat | 200 | 110-3786 | 1 | Tube-Fuel |
| 80 | 130-1522 | 1 | Pipe-Injection | 210 | 98-7671 | 2 | Clip-Pipe |
| 90 | 130-1523 | 1 | Pipe-Injection | 220 | 110-3790 | 1 | Fuel Tube ASM |
| 100 | 98-7682 | 1 | Clamp-Pipe | 230 | 110-3791 | 1 | Tube-Fuel |
| 110 | 98-7683 | 1 | Clamp-Pipe | 240 | 98-7671 | 2 | Clip-Pipe |
| 120 | 98-7684 | 1 | Screw (W/Washer) | 250 | 112-8338 | 1 | Pipe-Joint, T |



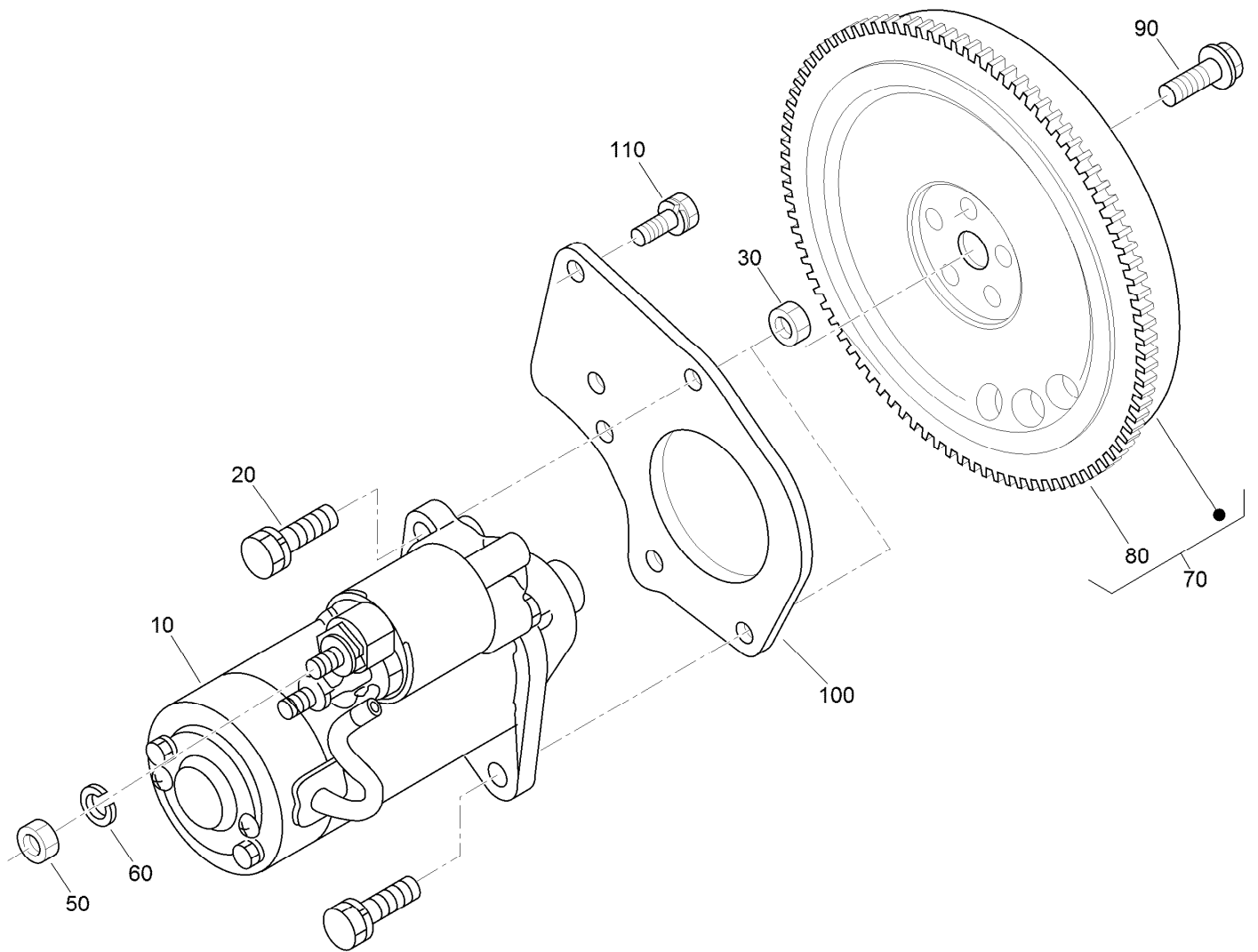
Alternator, Pulley and Fan Assembly

| Ref. | Part Number | Qty. | Description |
|------|-------------|------|-----------------|
| 10 | 121-3811 | 1 | Alternator ASM |
| 20 | 110-3792 | 1 | Stay-Alternator |
| 30 | 121-3800 | 1 | Bolt-Sems |
| 35 | 110-3794 | 1 | Collar |
| 40 | 110-3793 | 1 | Bolt |
| 50 | 120-5832 | 1 | Washer-Plain |
| 60 | 98-7692 | 2 | Bolt |
| 80 | 121-3809 | 1 | Regulator ASM |
| 90 | 100-1978 | 1 | Bolt |
| 100 | 112-2511 | 1 | Belt |
| 110 | 110-3797 | 1 | Cover |
| 120 | 121-3804 | 1 | Fan |
| 130 | 108-2872 | 1 | Collar-Fan |
| 140 | 100-1921 | 1 | Pulley-Fan |
| 150 | 108-2873 | 4 | Bolt-Flange |



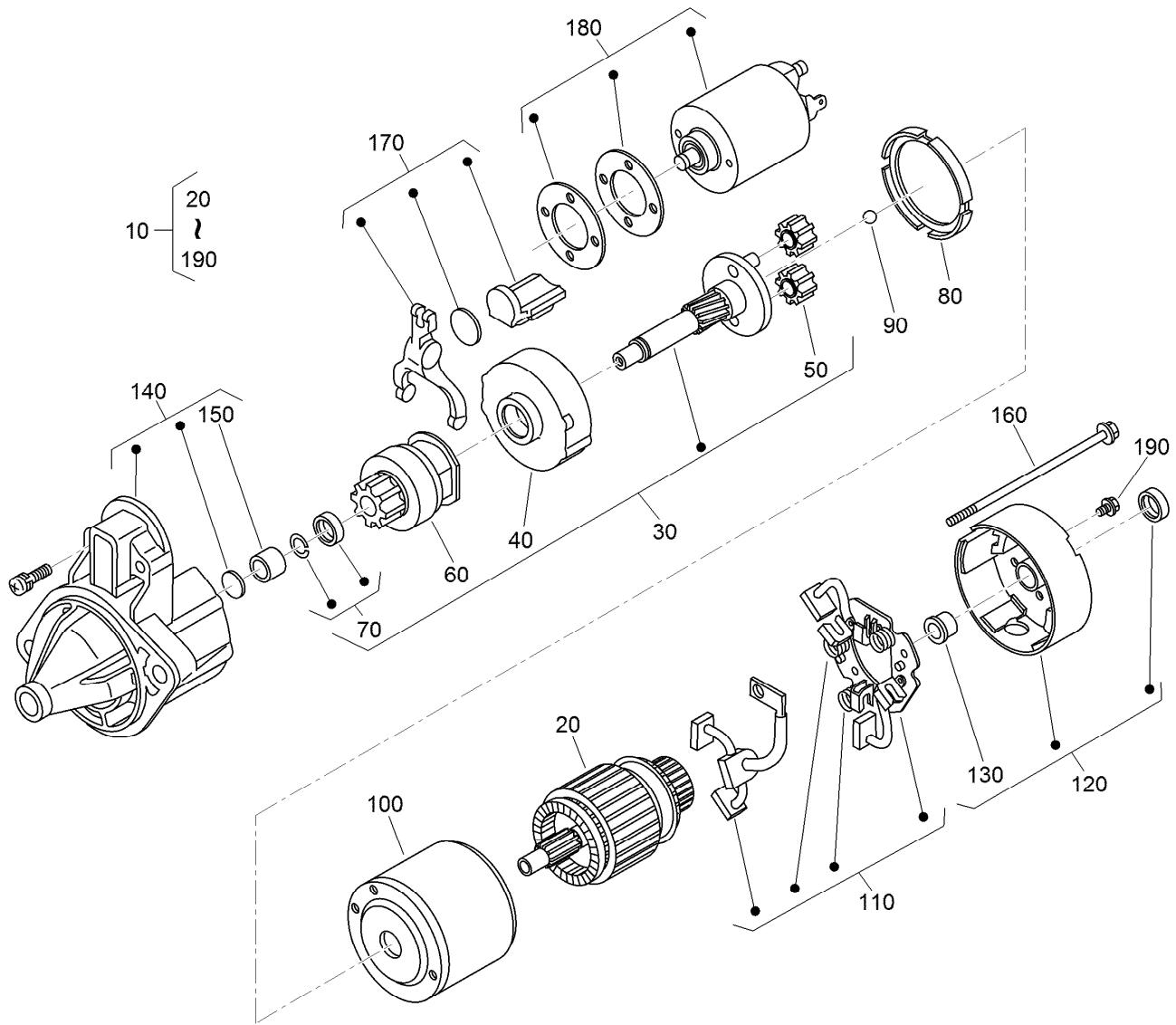
Alternator Components Assembly

| <i>Ref.</i> | <i>Part Number</i> | <i>Qty.</i> | <i>Description</i> | <i>Ref.</i> | <i>Part Number</i> | <i>Qty.</i> | <i>Description</i> |
|-------------|--------------------|-------------|---------------------|-------------|--------------------|-------------|--------------------|
| 10 | 121-3811 | 1 | Alternator ASM | 150 | 121-3813 | 1 | Cover-End |
| 20 | 98-9453 | 1 | Pulley-Dynamo | 160 | 121-3805 | 1 | Rectifier ASM |
| 30 | 98-7708 | 1 | Nut | 170 | 117-0321 | 1 | Insulation-Brush |
| 40 | 98-7709 | 1 | Collar | 180 | 107-0141 | 1 | Brush Holder ASM |
| 50 | 107-0136 | 1 | Rotor ASM | 190 | 98-7724 | 2 | Brush |
| 60 | 98-7711 | 1 | Cover-Bearing | 200 | 98-7725 | 2 | Spring-Brush |
| 70 | 107-0138 | 1 | Bearing-Ball | 210 | 98-7726 | 2 | Screw-Head, Round |
| 80 | 98-7713 | 1 | Washer-Thrust | 220 | 98-7727 | 6 | Screw-Head, Round |
| 90 | 107-0139 | 1 | Drive End Frame ASM | 230 | 98-7728 | 1 | Screw-Head, Round |
| 100 | 98-7715 | 1 | Plate-Retainer | 240 | 98-7729 | 3 | Bolt |
| 110 | 98-7716 | 4 | Screw-Head, Round | 250 | 98-7730 | 2 | Nut |
| 120 | 98-7717 | 2 | Bolt-Through | 260 | 98-7731 | 2 | Bolt |
| 130 | 133-2811 | 1 | Bearing | 270 | 98-7732 | 1 | Nut |
| 140 | 121-3812 | 1 | Frame-End | 280 | 121-3809 | 1 | Regulator ASM |



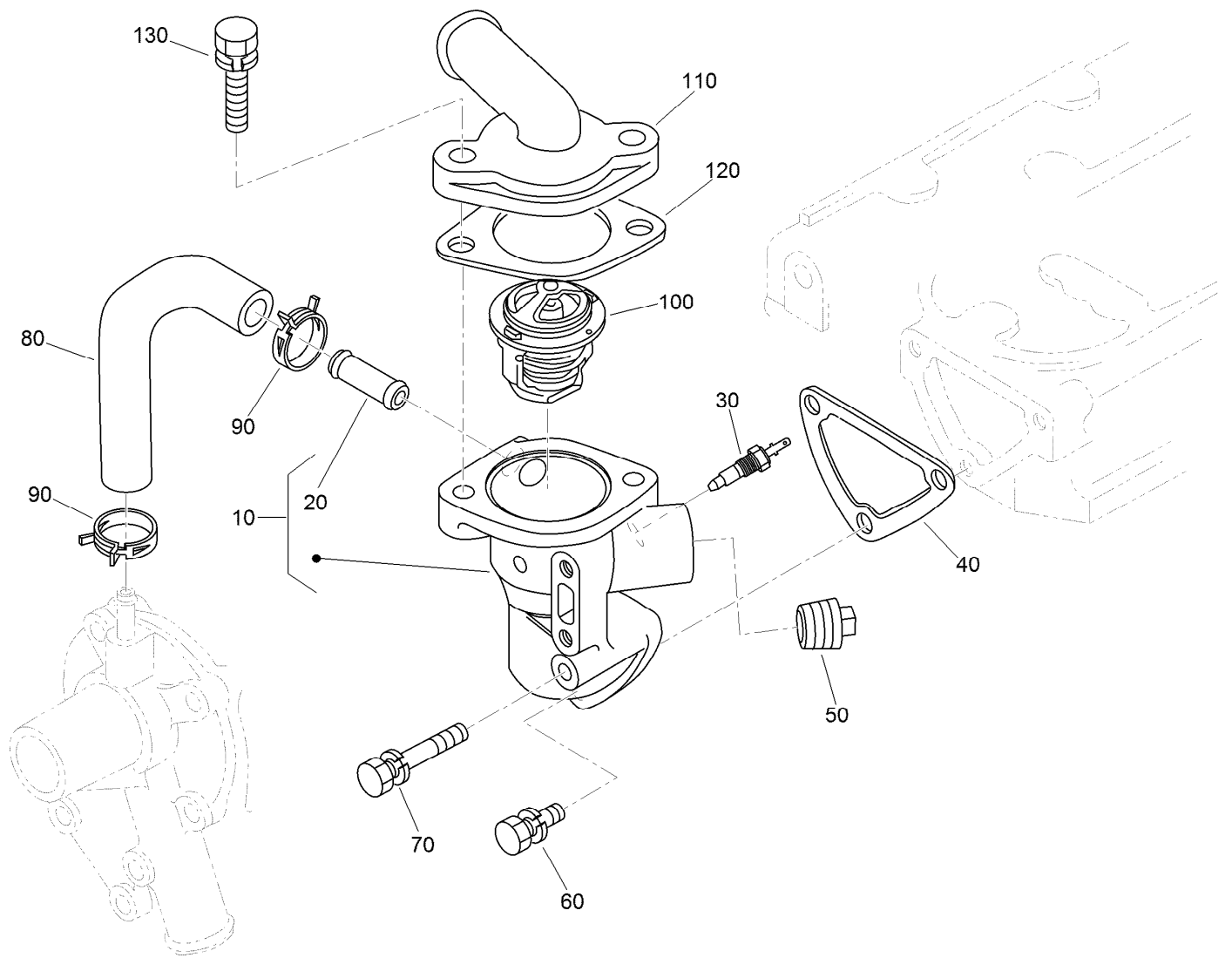
Starter and Flywheel Assembly

| <i>Ref.</i> | <i>Part Number</i> | <i>Qty.</i> | <i>Description</i> |
|-------------|--------------------|-------------|--------------------|
| 10 | 121-3816 | 1 | Starter ASM |
| 20 | 98-7697 | 2 | Bolt |
| 30 | 98-7534 | 2 | Nut |
| 50 | 98-7534 | 1 | Nut |
| 60 | 105-2893 | 1 | Washer-Spring |
| 70 | 121-3815 | 1 | Flywheel ASM |
| 80 | 127-1604 | 1 | Gear-Ring |
| 90 | 100-1930 | 5 | Bolt-Flywheel |
| 100 | 117-0323 | 1 | Plate-End, Rear |
| 110 | 110-3754 | 3 | Bolt |



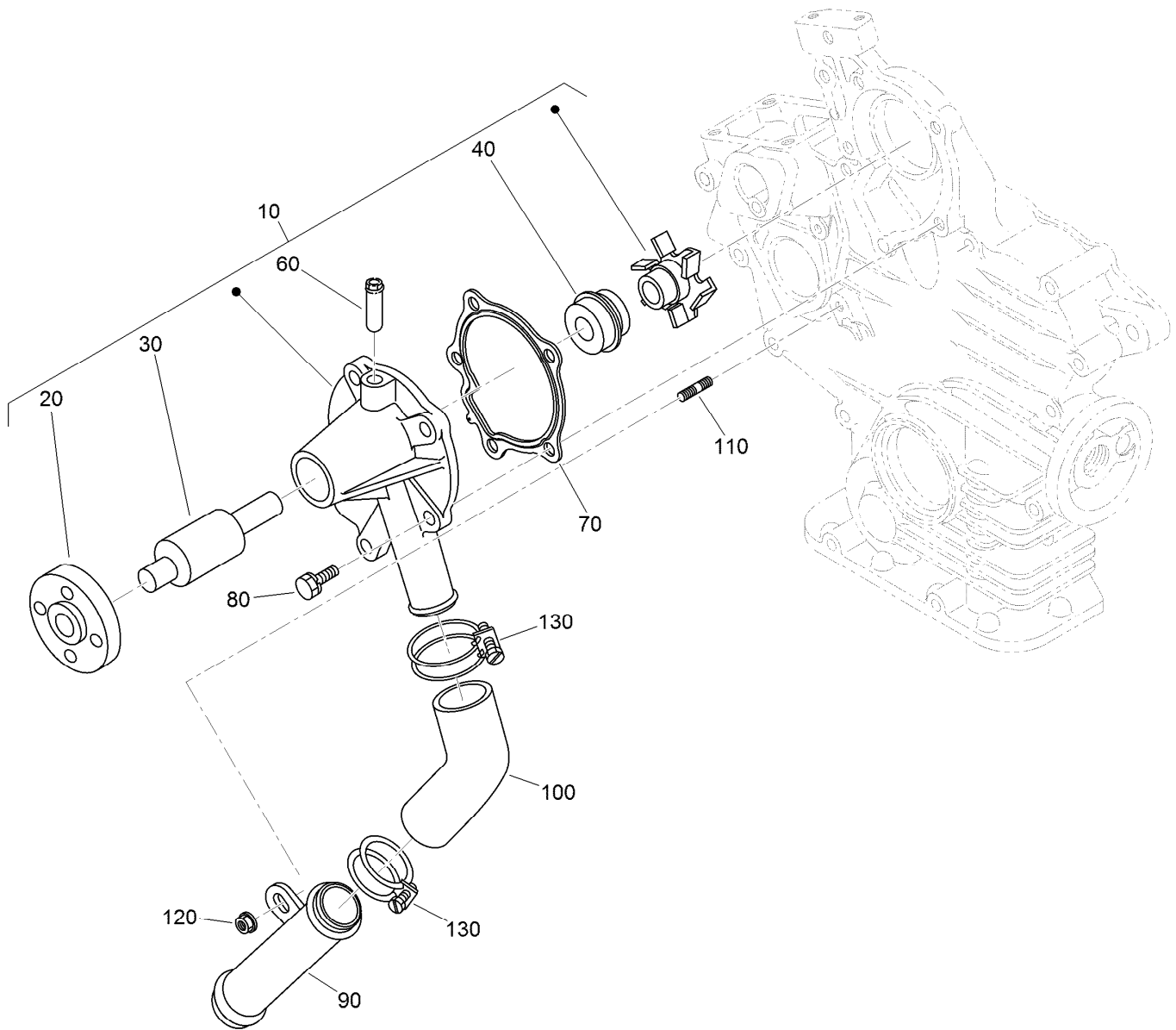
Starter Component Assembly

| Ref. | Part Number | Qty. | Description | Ref. | Part Number | Qty. | Description |
|------|-------------|------|----------------------|------|-------------|------|-------------------|
| 10 | 121-3816 | 1 | Starter ASM | 110 | 110-3810 | 1 | Brush Holder ASM |
| 20 | 121-3817 | 1 | Armature | 120 | 110-3811 | 1 | Rear Bracket ASM |
| 30 | 110-3802 | 1 | Shaft ASM | 130 | 110-3812 | 1 | Bushing |
| 40 | 120-3142 | 1 | Gear-Internal | 140 | 110-3813 | 1 | Front Bracket ASM |
| 50 | 110-3804 | 3 | Gear-Planetary | 150 | 110-3814 | 1 | Bushing |
| 60 | 110-3805 | 1 | Clutch-Running, Over | 160 | 121-3846 | 2 | Bolt |
| 70 | 110-3806 | 1 | Stopper | 170 | 110-3816 | 1 | Fork Lever ASM |
| 80 | 120-3143 | 1 | Gasket | 180 | 125-9099 | 1 | Switch-Magnetic |
| 90 | 110-3808 | 1 | Ball | 190 | 110-3818 | 4 | Screws (Set Of 4) |
| 100 | 130-1298 | 1 | Yoke | | | | |



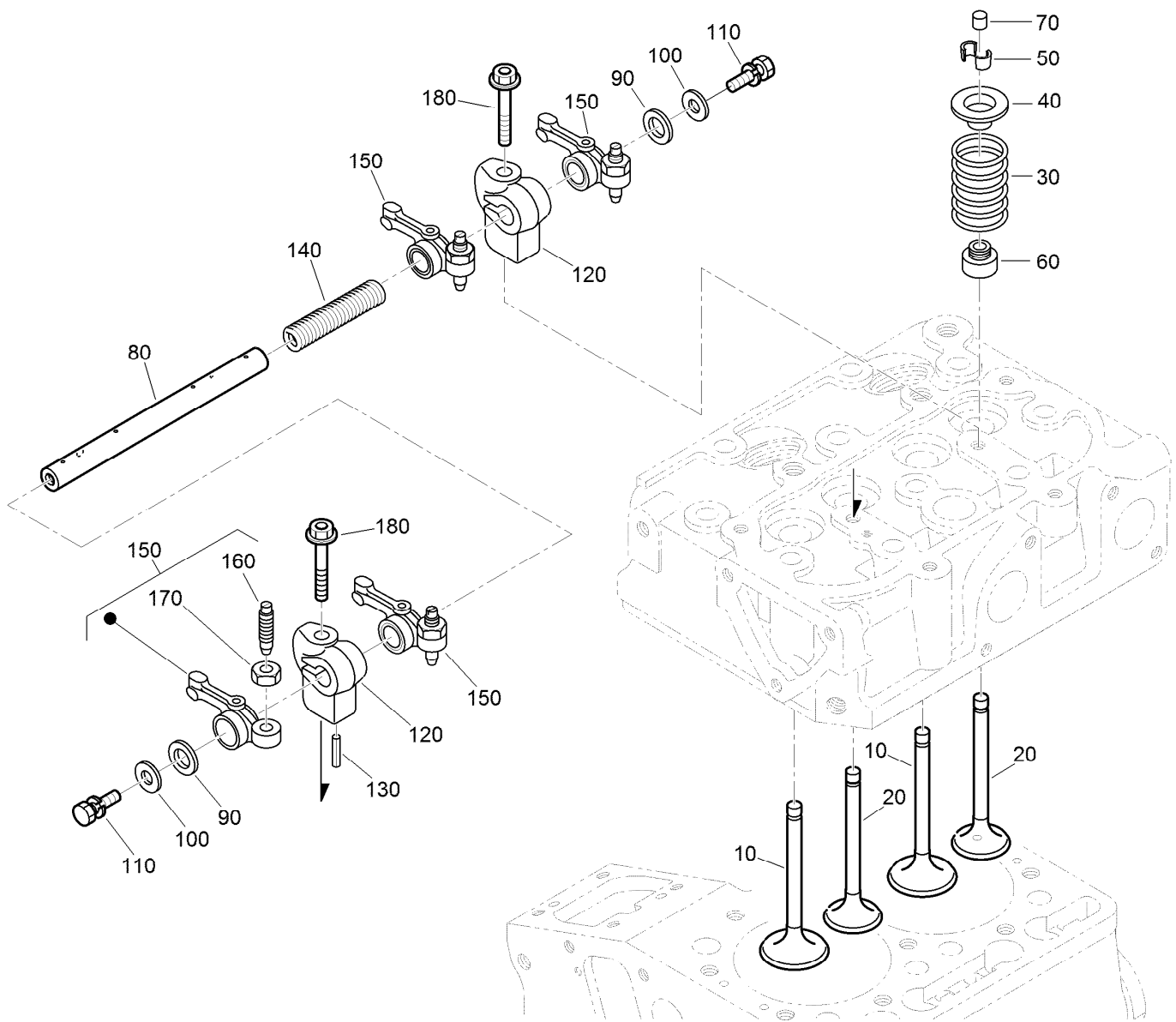
Water Flange and Thermostat Assembly

| <i>Ref.</i> | <i>Part Number</i> | <i>Qty.</i> | <i>Description</i> |
|-------------|--------------------|-------------|----------------------|
| 10 | 110-3819 | 1 | Water Flange ASM |
| 20 | 98-9580 | 1 | Pipe-Return, Water |
| 30 | 99-3582 | 1 | Thermoswitch |
| 40 | 110-3820 | 1 | Gasket-Flange, Water |
| 50 | 110-3821 | 1 | Plug |
| 60 | 98-7692 | 2 | Bolt |
| 70 | 125-9063 | 1 | Bolt-Sems |
| 80 | 110-3822 | 1 | Pipe-Return, Water |
| 90 | 125-9078 | 2 | Clamp-Hose |
| 100 | 98-7778 | 1 | Thermostat ASM |
| 110 | 110-3823 | 1 | Cover-Thermostat |
| 120 | 105-3748 | 1 | Gasket-Thermostat |
| 130 | 98-7777 | 2 | Bolt |



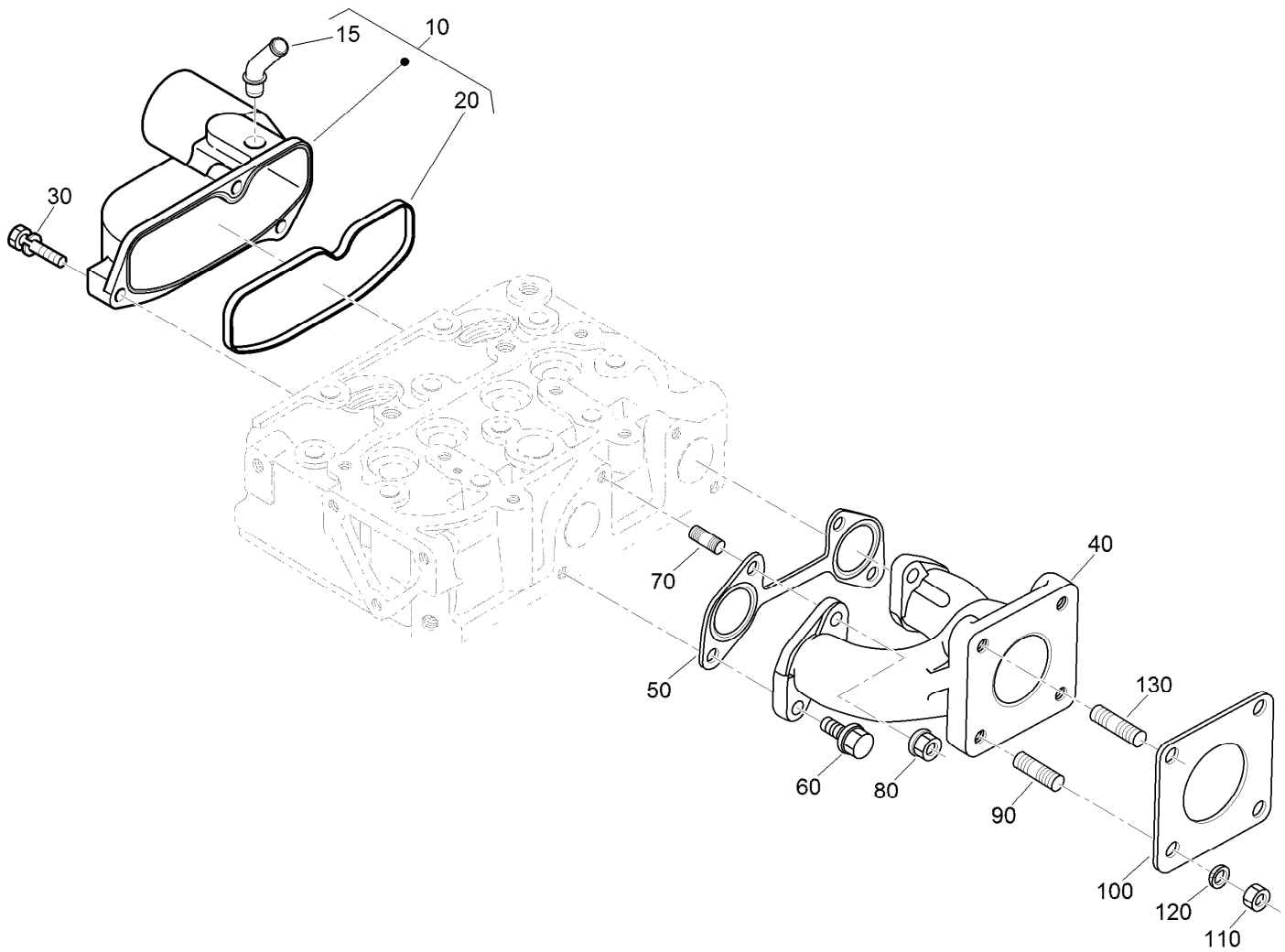
Water Pump and Water Pipe Assembly

| <i>Ref.</i> | <i>Part Number</i> | <i>Qty.</i> | <i>Description</i> |
|-------------|--------------------|-------------|---------------------|
| 10 | 110-3824 | 1 | Water Pump ASM |
| 20 | 125-9081 | 1 | Flange-Pump, Water |
| 30 | 100-1934 | 1 | Bearing-Ball |
| 40 | 99-3518 | 1 | Water Pump Seal ASM |
| 60 | 100-1932 | 1 | Pipe-Return, Water |
| 70 | 117-0330 | 1 | Gasket-Pump, Water |
| 80 | 100-1750 | 4 | Bolt |
| 90 | 100-1918 | 1 | Pipe-Water |
| 100 | 110-3827 | 1 | Pipe-Water |
| 110 | 100-1924 | 1 | Stud |
| 120 | 100-2203 | 1 | Nut-Flange |
| 130 | 110-3828 | 2 | Band-Pipe |



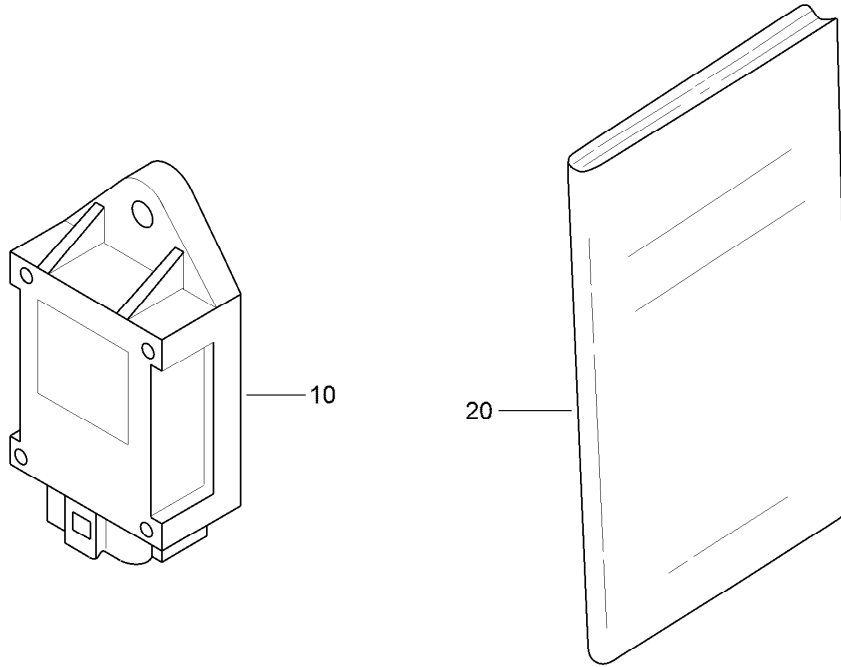
Valve and Rocker Arm Assembly

| <i>Ref.</i> | <i>Part Number</i> | <i>Qty.</i> | <i>Description</i> | <i>Ref.</i> | <i>Part Number</i> | <i>Qty.</i> | <i>Description</i> |
|-------------|--------------------|-------------|------------------------|-------------|--------------------|-------------|---------------------|
| 10 | 112-2514 | 2 | Valve-Inlet | 100 | 110-3832 | 2 | Washer-Plain |
| 20 | 112-2515 | 2 | Valve-Exhaust | 110 | 100-1762 | 2 | Bolt |
| 30 | 100-1823 | 4 | Spring-Valve | 120 | 110-3833 | 2 | Bracket-Arm, Rocker |
| 40 | 100-1825 | 4 | Retainer-Spring, Valve | 130 | 98-7602 | 1 | Pin-Spring |
| 50 | 120-3136 | 4 | Collet-Spring, Valve | 140 | 112-8342 | 1 | Spring |
| 60 | 100-1797 | 4 | Seal-Stem, Valve | 150 | 100-1884 | 4 | Rocker Arm ASM |
| 70 | 100-2155 | 4 | Cap-Valve | 160 | 100-1885 | 4 | Screw-Adjusting |
| 80 | 121-3827 | 1 | Shaft-Arm, Rocker | 170 | 100-1827 | 4 | Nut |
| 90 | 100-2044 | 2 | Washer | 180 | 110-3834 | 2 | Bolt-Flange |



Inlet and Exhaust Manifold Assembly

| <i>Ref.</i> | <i>Part Number</i> | <i>Qty.</i> | <i>Description</i> |
|-------------|--------------------|-------------|--------------------------|
| 10 | 121-3840 | 1 | Intake Manifold ASM |
| 15 | 121-2417 | 1 | Pipe-Breather |
| 20 | 121-3825 | 1 | Gasket- Manifold, Intake |
| 30 | 98-9352 | 3 | Bolt |
| 40 | 121-3844 | 1 | Manifold-Exhaust |
| 50 | 121-3826 | 1 | Gasket-Manifold, Exhaust |
| 60 | 130-1154 | 2 | Screw-Hex HD |
| 70 | 130-1156 | 2 | Bolt-Stud |
| 80 | 100-1778 | 2 | Nut |
| 90 | 98-7769 | 3 | Stud |
| 100 | 99-8343 | 1 | Gasket-Muffler |
| 110 | 98-7534 | 4 | Nut |
| 120 | 105-2893 | 4 | Washer-Spring |
| 130 | 120-4862 | 1 | Stud-Exhaust, Long |



Miscellaneous Engine Parts

| <i>Ref.</i> | <i>Part Number</i> | <i>Qty.</i> | <i>Description</i> |
|-------------|--------------------|-------------|--------------------|
| 10 | 98-7611 | 1 | Controller-Glow |
| 20 | 130-1513 | 1 | Manual-Operator |

Attachments and Accessories

For 07236TC Workman MDX-D Utility Vehicle

| Product Name | Model/Part |
|---|-------------------|
| Electric Bed Lift Kit, 2014 and After Workman MD/MDX/MDX-D Utility Vehicle | 07389 |
| Receiver Hitch Kit | 07278 |
| Roll-Over Protection System | 07276 |
| Canopy Kit | 07324 |
| Folding Windshield Kit | 07326 |
| Solid Windshield Kit | 07325 |
| Cab Kit | 07320 |
| Work Light Kit | 130-5485 |
| Beacon Kit | 130-5484 |
| Wireless Hourmeter | 115-4754 |
| Exterior Mirror Kit | 130-5448 |
| Interior Mirror Kit | 130-5449 |
| Door Kit with Sliding Window | 07356 |
| Windshield Washer Fluid Kit, 2015 and after Workman MD/HD Series Utility Vehicle | 130-5615 |
| Lift Wire Harness Kit | 115-7823 |
| External Antenna Kit, Wireless Hourmeter System | 115-9524 |
| Backup Alarm Kit | 115-7824 |
| Base Station Kit, Wireless Hourmeter System | 115-9542 |
| Tire-AT 489, 24x10.5-10 | 104-7061 |
| Repeater Kit, Wireless Hourmeter System | 115-9543 |
| Tire-AT 489, 22x9.5-10 | 104-7062 |
| Spark Arrestor Screen | 94-8157 |
| Battery Kit | 119-9680 |
| Stake Pocket Adapter Kit, 2011 and After Workman MD Series Utility Vehicle | 119-9604 |
| Tie-Down Kit, 2011 and After Workman MD Series Utility Vehicle | 119-9605 |
| Hitch ASM | 131-3462 |
| Road Light and Homologation Kit | 120-5031 |
| Heater Kit | 07349 |
| Cargo Bed Installation Kit with Manual Dump, 2011 to 2013 Workman MD Series Utility Vehicle | 127-7385 |
| Cargo Bed Installation Kit with Electric Lift, 2011 to 2013 Workman MD Series Utility Vehicle | 127-7386 |
| Horn Kit | 115-7825 |
| LED Worklight Kit | 133-0554 |
| ROPS Beacon Kit | 133-0609 |
| Front Spring Kit, 2016 and After MDX or MDX-D Series Utility Vehicle | 133-0630 |
| Spanner Wrench | 132-5069 |
| Brush Guard Kit | 07145 |
| Side Mirror Kit | 119-9546 |
| Service Hood ASM | 133-7209 |
| Wireless Hour Meter Finish Kit | 138-5698 |
| Door Mount Mirror Kit | 136-1997 |
| Hose Reel Mounting Kit | 07027 |
| Trash Can Mounting Kit | 07028 |
| Walk Spreader Mounting Kit | 07029 |
| Front Hitch Kit, Workman GTX Series Utility Vehicles with Brush Guard | 07146 |

Attachments and Accessories (continued)

| | |
|---|----------|
| Front Hitch Kit, Workman GTX or MDX Series Utility Vehicles without Brush Guard | 07147 |
| Small Seat Cover | 131-6690 |
| Tire (22 X 9.50-10) 4-PLY | 127-7435 |
| Tire (24 X 12.00-10) 4P K506 | 131-6667 |
| Aggressive Tire Kit, Workman MDX Series Utility Vehicle | 136-1135 |
| Brake and Signal LED Light Kit, Workman MD Series Utility Vehicle | 145-2082 |
| LED Homologation Lamp Kit..... | 147-2798 |
| Power Point Kit | 131-8550 |

Notes:

Notes:



Count on it.