



Count on it.

Parts Catalog

**Workman® MDX
Utility Vehicle**

Model No. 07235TC—Serial No. 415300000 and Up



Ordering Replacement Parts

To order replacement parts, please supply the part number, the quantity, and the description of each part desired.

Understanding Reference Numbers

Each identified part in an illustration has a reference number. The reference number for a part also appears in the parts list, along with other information about the part.

This catalog uses two special reference number formats, one to indicate parts in a service assembly and another to indicate the quantity of a given part in an illustration.

Service Assembly Reference Numbers

Parts in service assemblies have reference numbers in the form a:b. The a represents the reference number of the entire service assembly and the b represents a sequential number unique to each part within the service assembly.

For example, a wheel assembly might be identified by reference number 6, the tire by 6:1, the valve by 6:2, and the wheel by 6:3. When you order the assembly identified by reference number 6, you receive all parts identified by reference numbers 6:1, 6:2, and 6:3. However, you may also order any part individually. Reference numbers of this type appear in illustration and in parts lists.

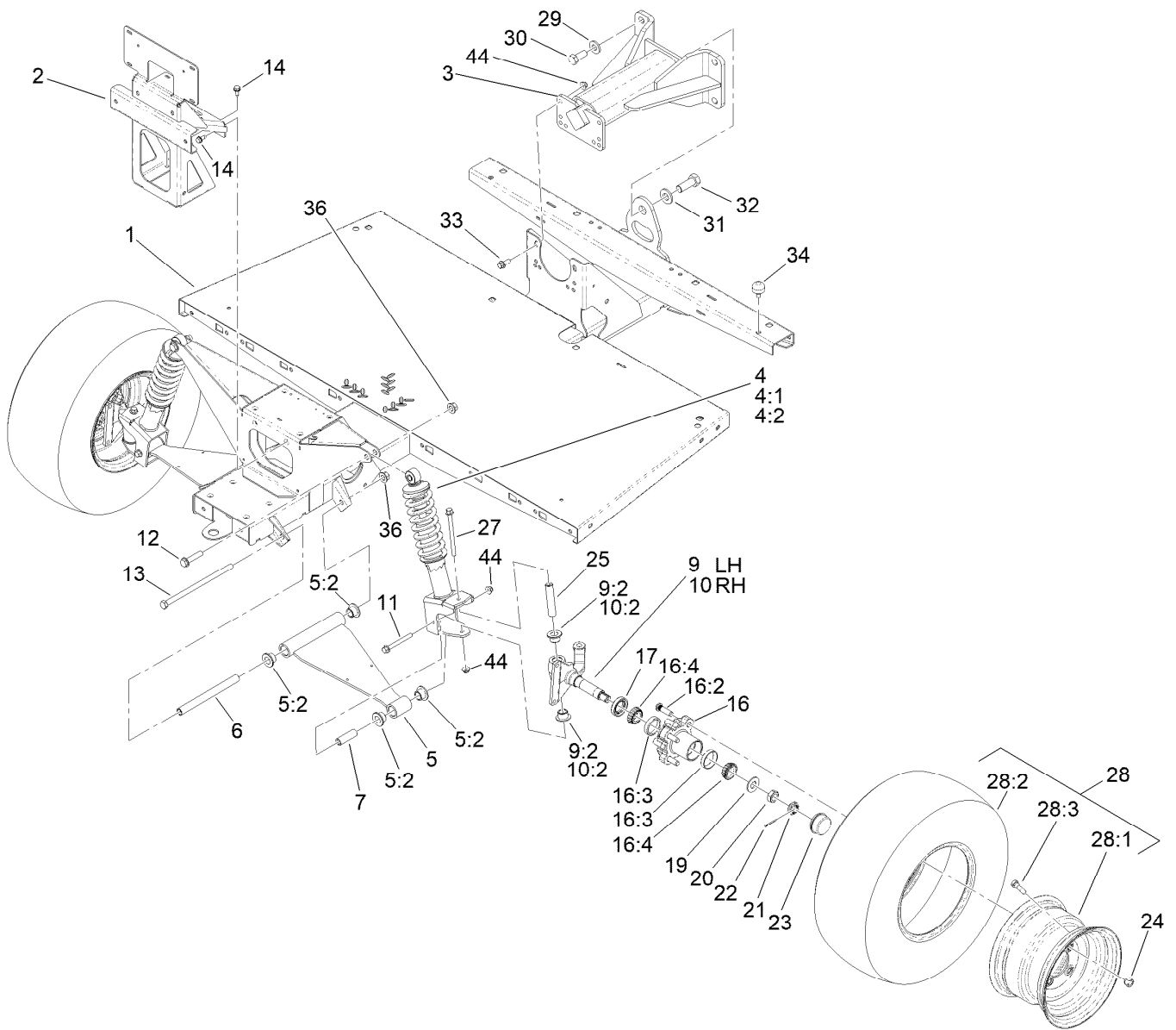
Reference Numbers Indicating Quantity

In an illustration, if a reference number indicates more than one part, the reference number has the form nX y. The n represents the quantity of the part, the X is the multiplication symbol, and the y represents the reference number.

For example, in an illustration, the reference number 2X 37 means that two of the parts identified by reference number 37 are indicated.

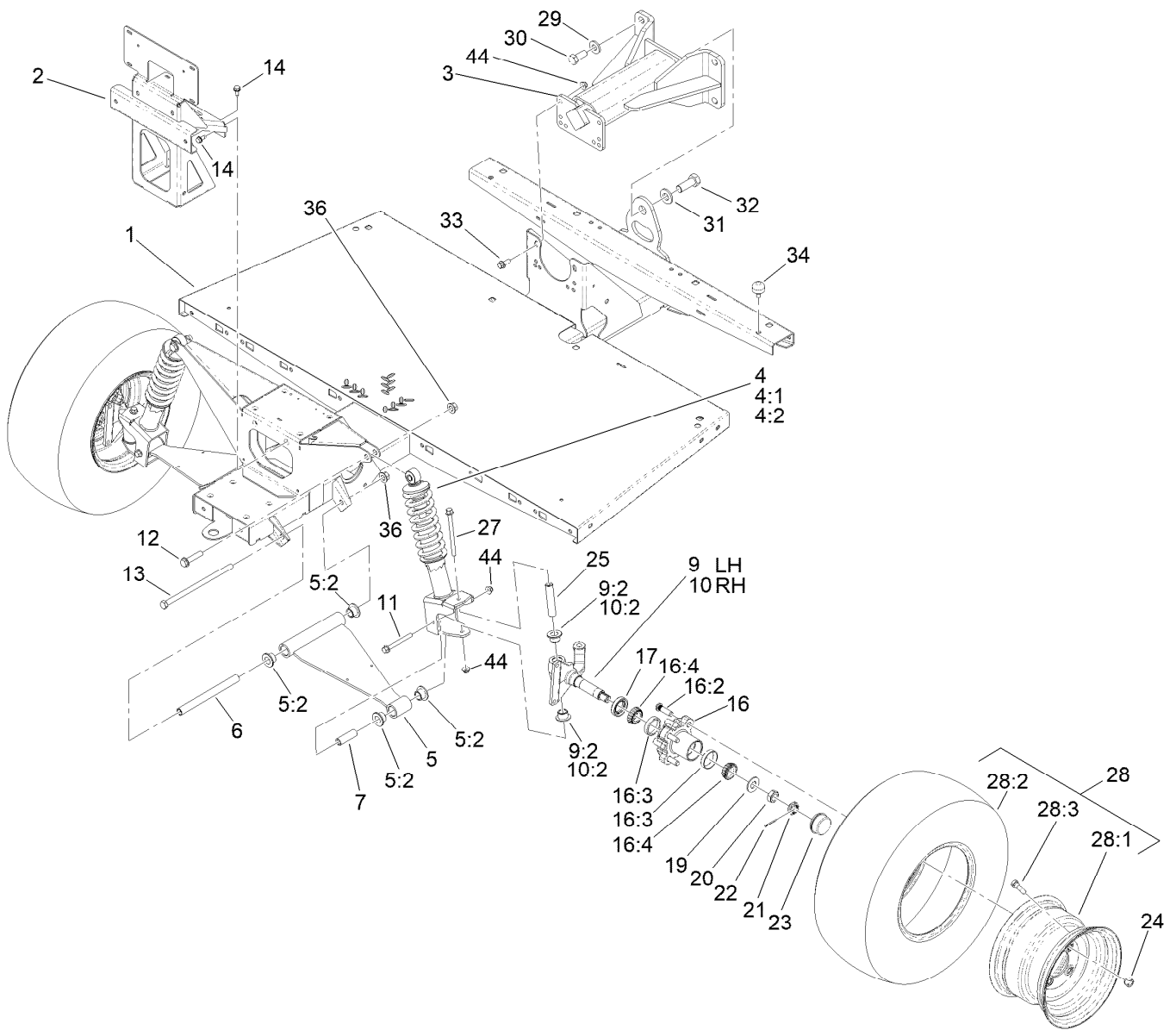
Contents

Front Frame and Suspension Assembly	4
Rear Frame and Suspension Assembly	6
Front Brake Assembly	7
Master Cylinder Assembly No. 104-6782	8
Brake Caliper Assembly No. 127-7424	9
Rear Brake Assembly	10
RH Rear Brake Assembly No. 114-8331	11
LH Rear Brake Assembly No. 114-8332	12
Steering Assembly	13
Pedal Assembly	14
Shifter Assembly	15
Hood and Fender Assembly	16
Dash Assembly	17
Control Panel Assembly	18
Seatbase Assembly	19
Cargo Bed Assembly	20
Cargo Bed Service Assembly No. 147-4026	22
Engine, Clutch and Air Cleaner Assembly	24
Primary Clutch Assembly No. 138-0094	26
Air Cleaner Assembly No. 99-7120	27
Battery Assembly	28
Rear Axle Drive System Assembly	29
Transaxle Assembly No. 119-0760	30
Secondary Clutch Assembly No. 136-6289	32
Electrical Assembly	33
Starter Generator Assembly No. 131-8444	34
Fuel Tank Assembly	35
Attachments and Accessories	36



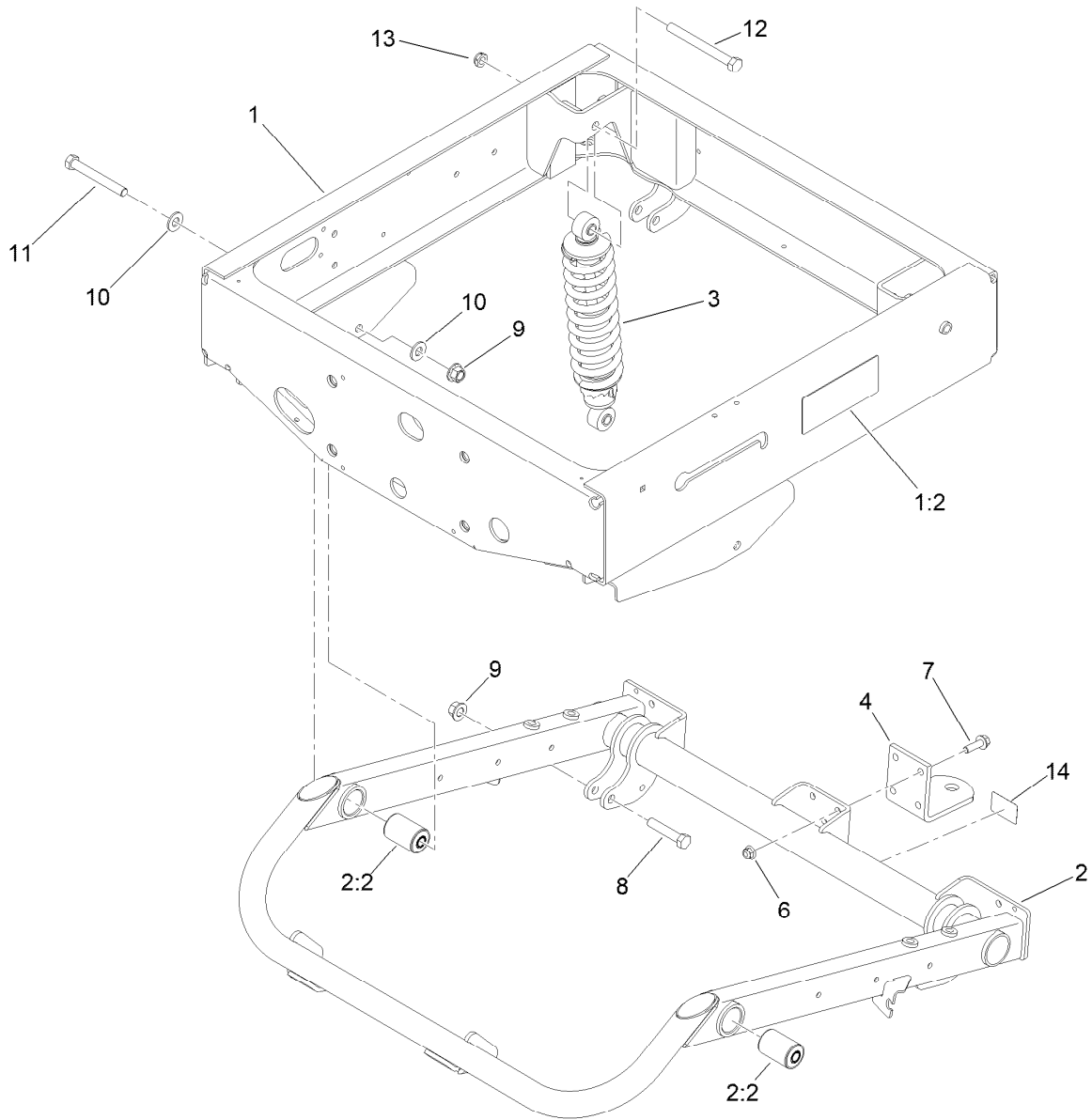
Front Frame and Suspension Assembly

Ref.	Part Number	Qty.	Description	Ref.	Part Number	Qty.	Description
1	147-3841-03	1	Front Frame ASM [black]	16:4	254-94	2	Bearing-Cone, Tapered
2	132-6736-03	1	Support-Bumper	17	112-1690	2	Seal-Oil
3	99-7700	1	Yoke-Pivot	19	93-0309	2	Washer-Tab
4	132-6791	2	Strut ASM	20	3220-7	2	Nut-Jam
4:1	133-0556	1	Spring-Coil	21	93-0307	2	Nut-Lock, Retainer
4:2	131-8574	1	Isolator-Shock	22	3272-12	2	Pin-Cotter
5	144-2160	2	Control Arm ASM	23	241-119	2	Cap-Dust
5:2	140-4615	4	Bushing-Flange	24	242-50	8	Nut-Lug
6	133-0595	2	Sleeve-Control Arm, Inner	25	131-8582	2	Sleeve-Kingpin
7	131-8583	2	Sleeve-Control Arm, Outer	27	139-3350	2	Screw-HF
9	144-5468	1	Spindle ASM LH	28	147-2765	2	Wheel And Tire ASM
9:2	140-4615	2	Bushing-Flange	28:1	147-2766	1	Wheel
10	144-5469	1	Spindle ASM RH	28:2	127-7435	1	Tire (22 X 9.50-10) 4-Ply
10:2	140-4615	2	Bushing-Flange	28:3	232-27	1	Stem-Valve
11	139-3370	2	Screw-HF	29	99-7667	4	Washer-Flat
12	3234-46	2	Screw-HHF	30	327-4	4	Screw-HH
13	325-39	2	Screw-HH	31	87-3060	1	Washer-Hardened
14	32144-70	6	Screw-HWHTF	32	328-24	1	Screw-HH
16	144-5470	2	Front Hub ASM	33	131-2220	4	Screw-HHF
16:2	10-6830	4	Stud-Type, Drive	34	87-2440	1	Bumper-Rubber
16:3	254-72	2	Bearing-Cup, Tapered				



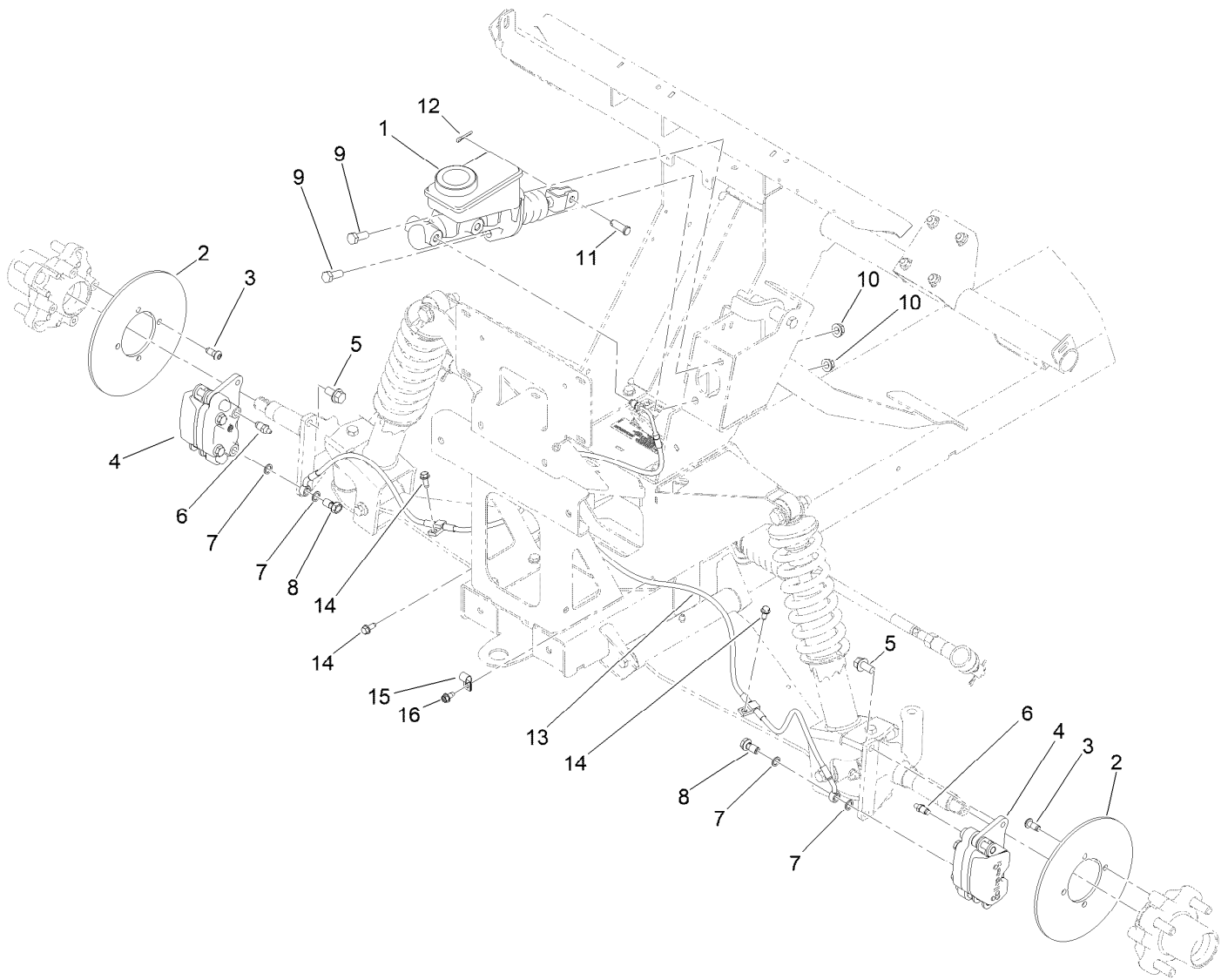
Front Frame and Suspension Assembly (continued)

Ref.	Part Number	Qty.	Description
36	99-5107	4	Nut-Lock
44	139-3380	8	Nut-HF



Rear Frame and Suspension Assembly

Ref.	Part Number	Qty.	Description
1	133-0610	1	Frame-Rear
1:2	99-7345	2	Decal-Warning
2	140-2596	1	Swing Arm ASM
2:2	112-3377	2	Bushing-Arm, Control
3	133-0553	2	Shock And Spring ASM
4	99-7654-03	1	Hitch-Duty, Light
6	104-8301	4	Nut-HF, NI
7	3234-24	4	Screw-HHF
8	325-10	2	Screw-HH
9	99-5107	4	Nut-Lock
10	87-7270	4	Washer-Thrust
11	325-17	2	Screw-HH
12	325-19	2	Screw-HH
13	3296-45	2	Nut-Hex
14	136-1164	1	Decal-Load, Towing



Front Brake Assembly

<i>Ref.</i>	<i>Part Number</i>	<i>Qty.</i>	<i>Description</i>	<i>Ref.</i>	<i>Part Number</i>	<i>Qty.</i>	<i>Description</i>
1	104-6782	1	Master Cylinder ASM	9	323-6	2	Screw-HH
2	136-6295	2	Rotor-Brake	10	104-8301	2	Nut-HF, NI
3	121-9671	8	Screw-HSBH	11	283-2	1	Pin-Clevis
4	127-7424	2	Brake Caliper ASM	12	3272-10	1	Pin-Cotter
5	3234-1	4	Screw-HHF	13	132-6793	1	Line-Brake, Front
6	119-9509	2	Screw-Bleed	14	32144-10	3	Screw-HWH
7	115-2341	4	Washer-Banjo	15	2412-89	1	Clamp-R
8	120-4875	2	Bolt-Flange, Banjo	16	32104-17	1	Screw-HWH



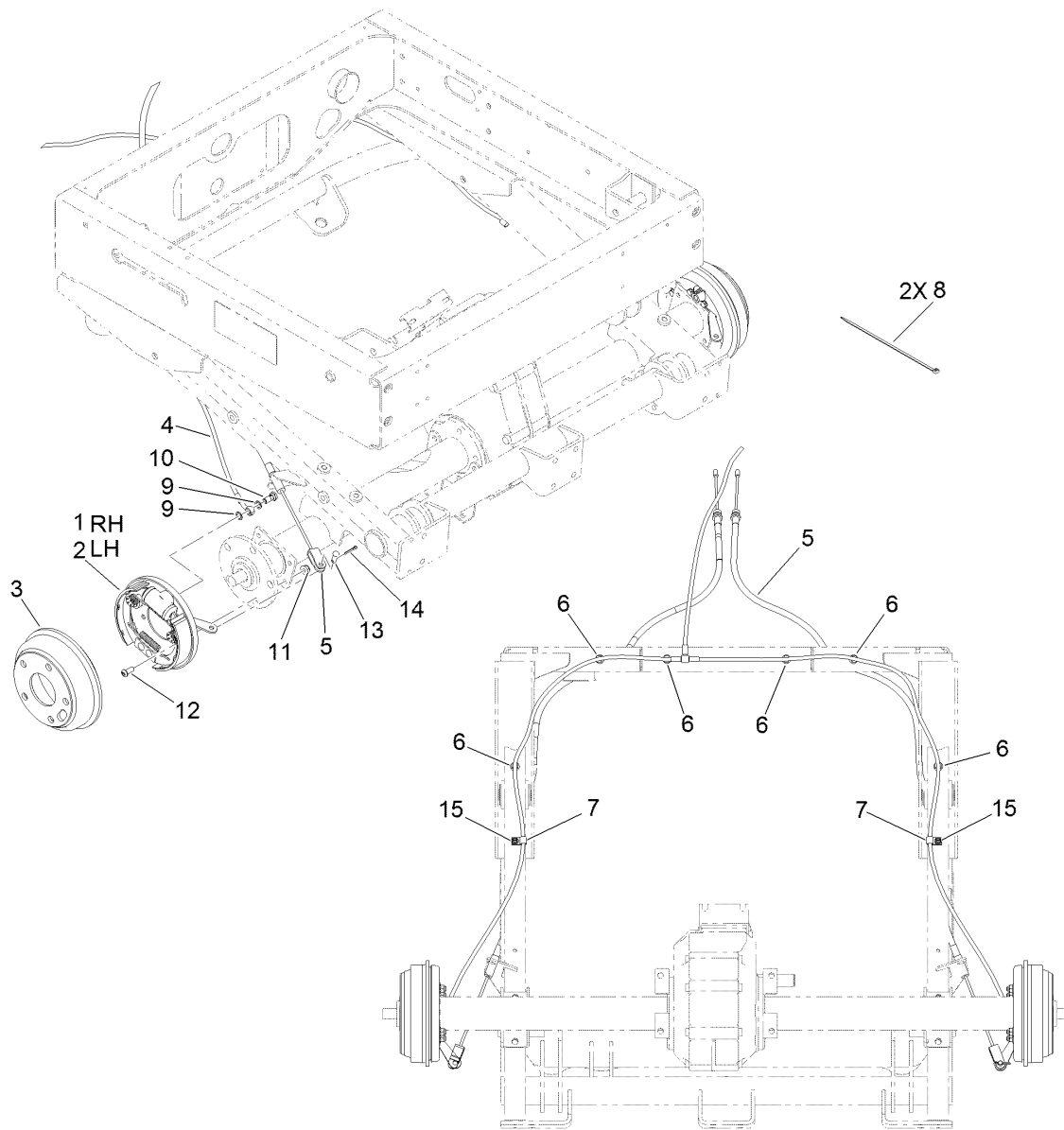
Master Cylinder Assembly No. 104-6782

Ref.	Part Number	Qty.	Description
1	104-6845	1	Reservoir ASM
1:1	92-4112	1	Cap ASM
2	93-8971	2	Seal-Port, Flange
3	92-4103	1	Pin-Stop
4	92-4102	1	Secondary Piston ASM
5	92-4110	1	Clevis
6	21-0360	1	Nut-Hex
7	94-5209	1	Cover-Dust
8	94-5210	1	Rod-Push
9	92-4109	1	Ring-Snap
10	92-4108	1	Retainer-Washer
11	92-4101	1	Primary Piston ASM



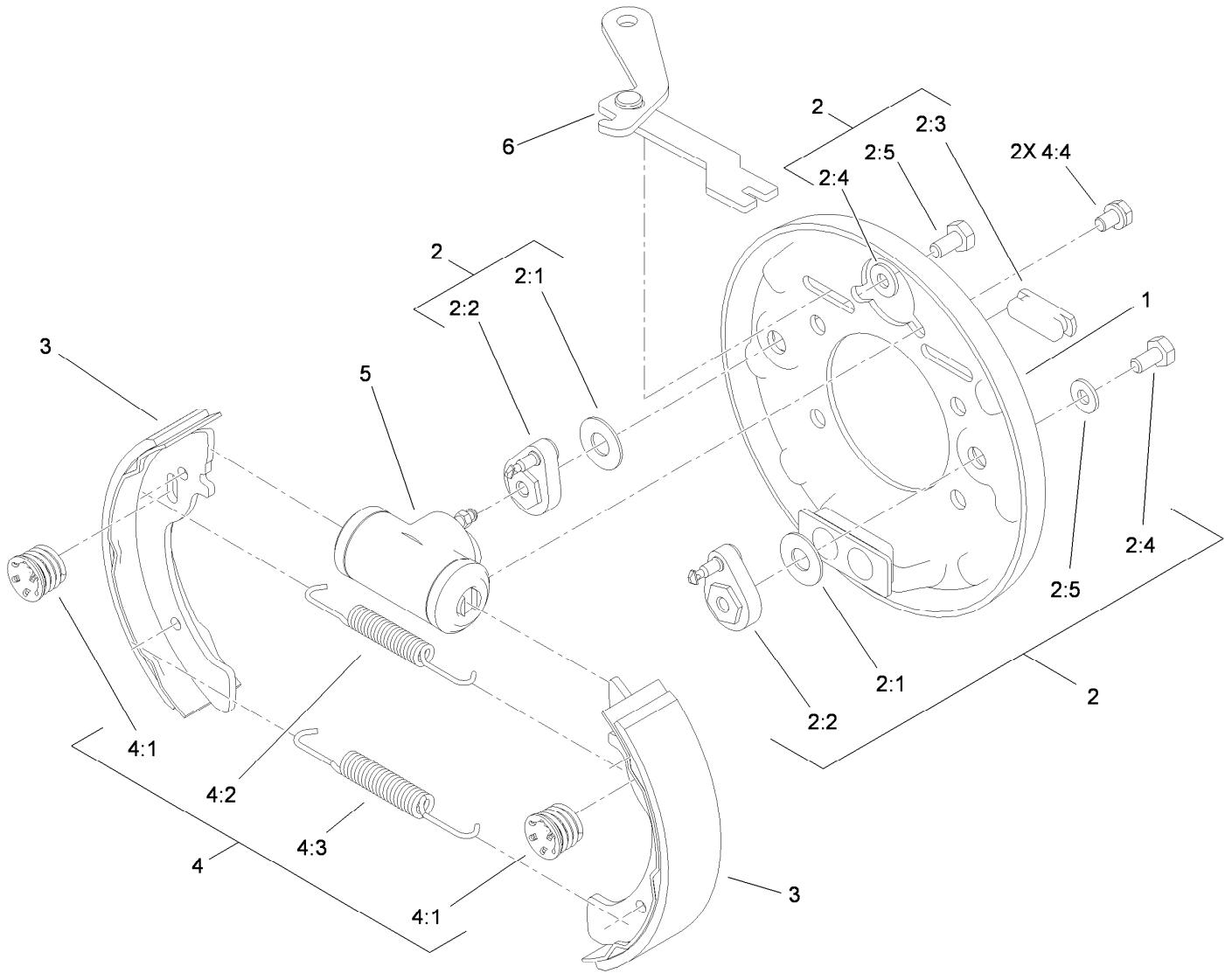
Brake Caliper Assembly No. 127-7424

<i>Ref.</i>	<i>Part Number</i>	<i>Qty.</i>	<i>Description</i>
1	133-0628	1	Brake Pad Kit
2	119-9511	1	Bracket Kit
3	133-0614	1	Piston Kit



Rear Brake Assembly

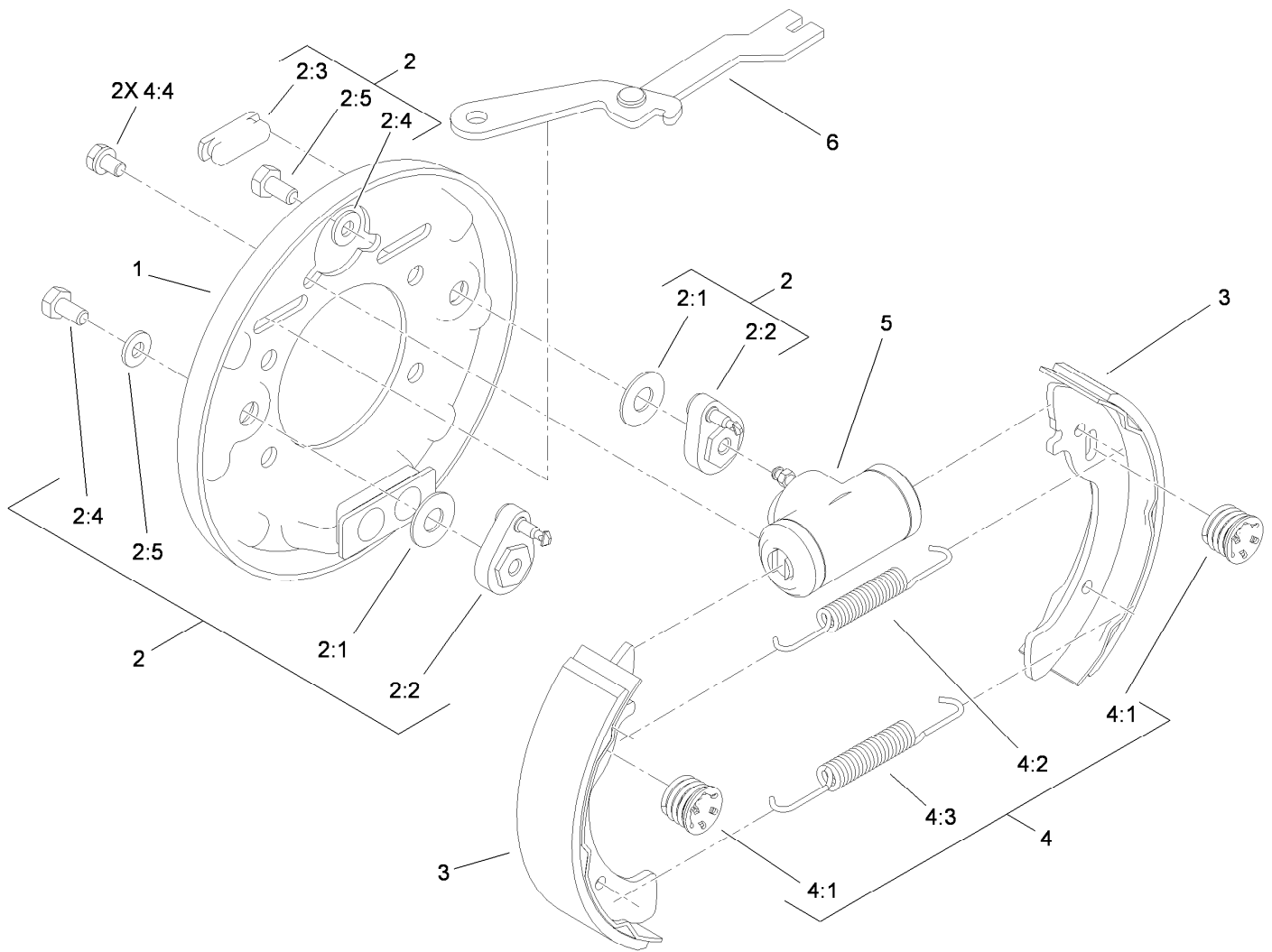
Ref.	Part Number	Qty.	Description
1	114-8331	1	RH Brake ASM
2	114-8332	1	LH Brake ASM
3	104-6500	2	Drum-Brake
4	112-2926	1	Rear Brake Line ASM
5	127-8684	2	Cable-Brake, Adjustable
6	32180-030	6	Clip-Tie
7	2412-89	2	Clamp-R
8	3290-378	2	Tie-Cable
9	115-2341	4	Washer-Banjo
10	115-2340	2	Bolt-Banjo
11	104-8300	8	Nut-HF, NI
12	3274-55	8	Screw-HSBH
13	283-62	2	Pin-Clevis
14	3272-10	2	Pin-Cotter
15	32104-17	2	Screw-HWH



RH Rear Brake Assembly No. 114-8331

Ref.	Part Number	Qty.	Description
1	100-8586	1	Backing Plate ASM
2	104-6820	1	Adjuster Kit
2:1	100-8585	2	Washer-Bellville
2:2	100-8588	2	Adjuster Lever ASM
2:3	100-8584	2	Cover-Dust
2:4		2	Washer ●
2:5		2	Bolt ●
3	104-6818	4	Shoe And Lining Kit
4	104-6819	1	Hardware Kit
4:1	100-8583	4	Shoe Hold Down Spring ASM
4:2	100-8581	2	Spring-Upper
4:3	100-8582	2	Spring-Lower
4:4	139-4494	4	Bolt And Washer ASM
5	114-8333	1	Wheel Cylinder ASM
6	104-6826	1	RH Park Brake Lever ASM

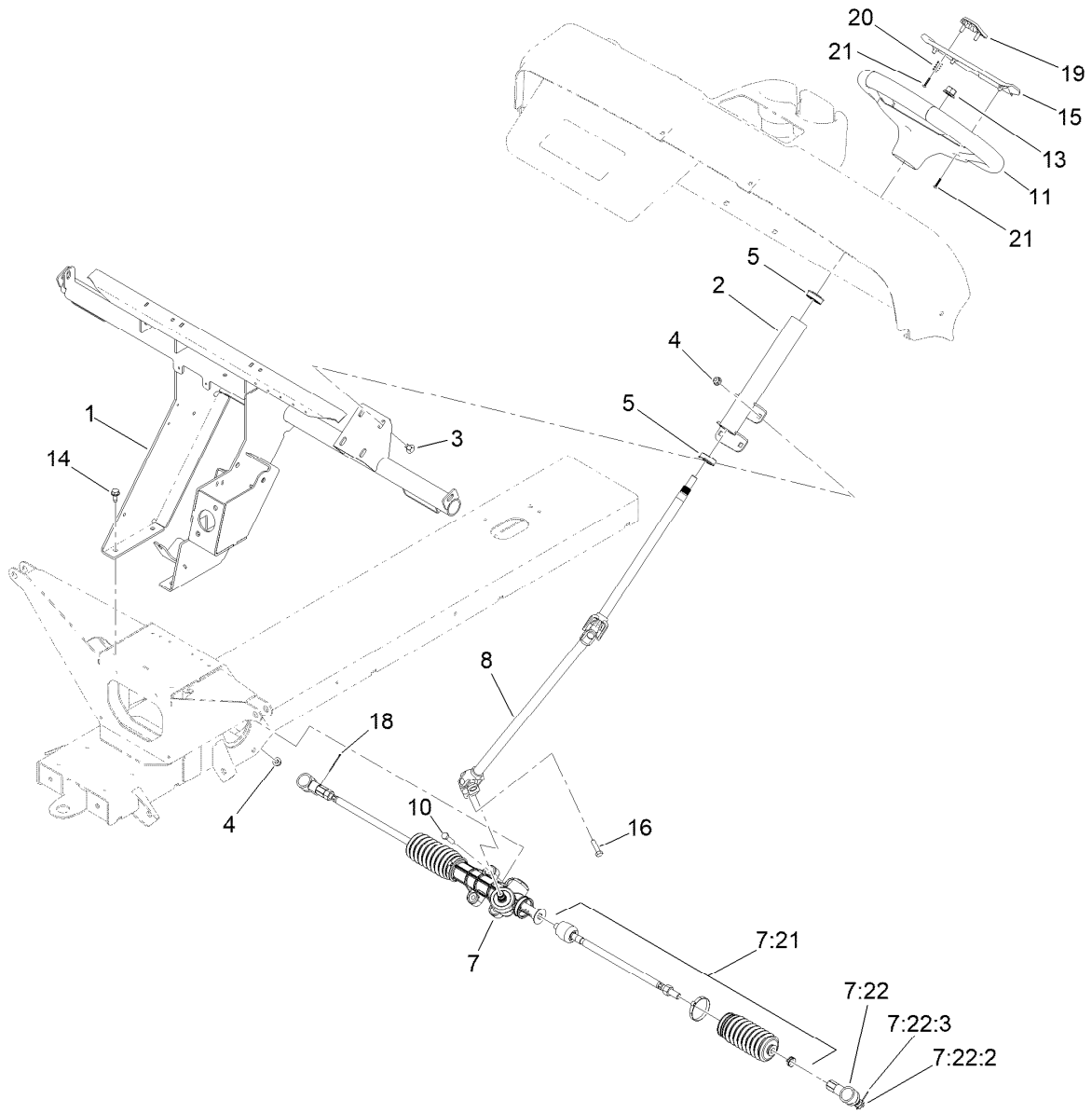
● Not serviced separately



LH Rear Brake Assembly No. 114-8332

Ref.	Part Number	Qty.	Description
1	100-8586	1	Backing Plate ASM
2	104-6820	1	Adjuster Kit
2:1	100-8585	2	Washer-Bellville
2:2	100-8588	2	Adjuster Lever ASM
2:3	100-8584	2	Cover-Dust
2:4		2	Washer ●
2:5		2	Bolt ●
3	104-6818	4	Shoe And Lining Kit
4	104-6819	1	Hardware Kit
4:1	100-8583	4	Shoe Hold Down Spring ASM
4:2	100-8581	2	Spring-Upper
4:3	100-8582	2	Spring-Lower
4:4	139-4494	4	Bolt And Washer ASM
5	114-8333	1	Wheel Cylinder ASM
6	104-6825	1	LH Park Brake Lever ASM

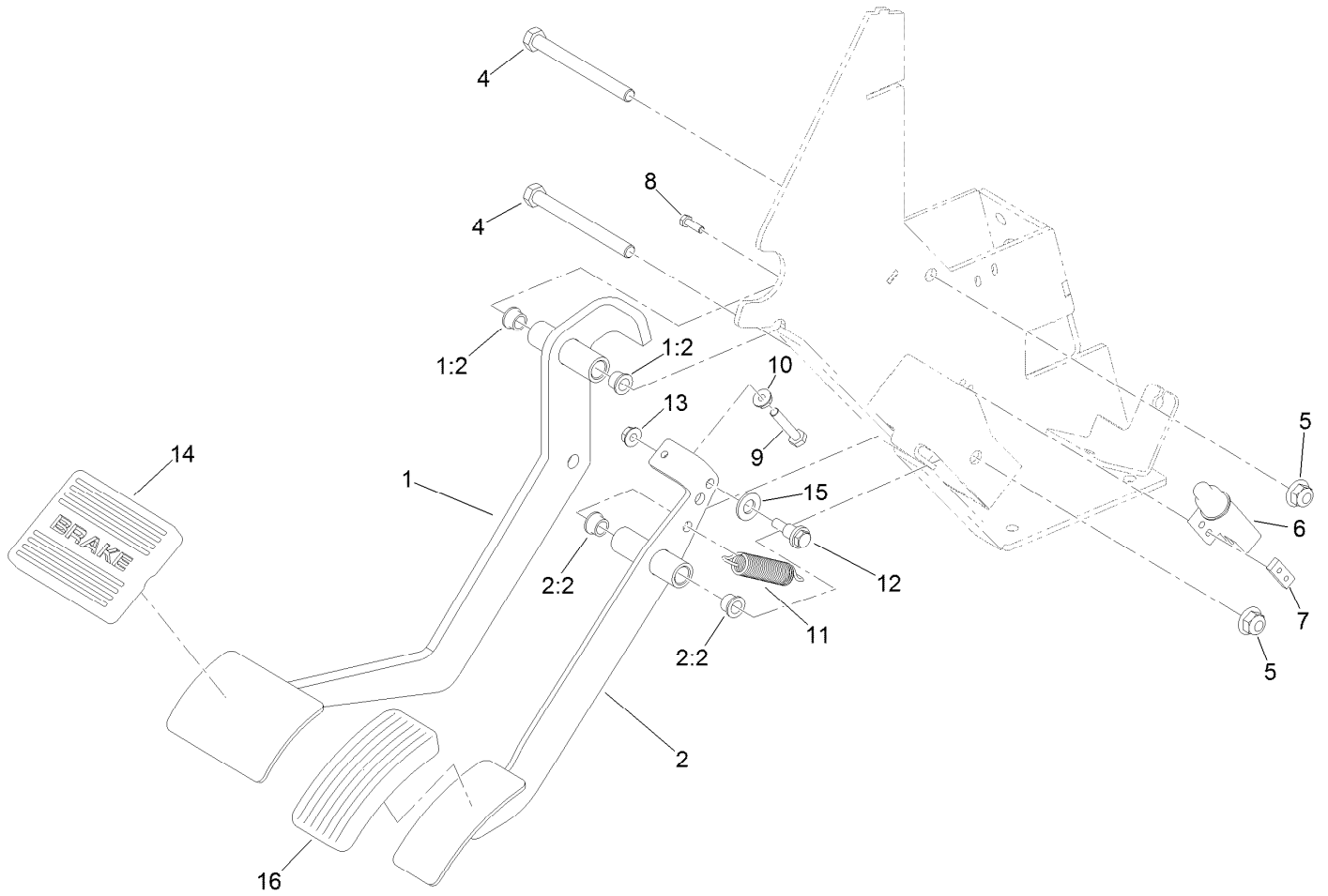
● Not serviced separately



Steering Assembly

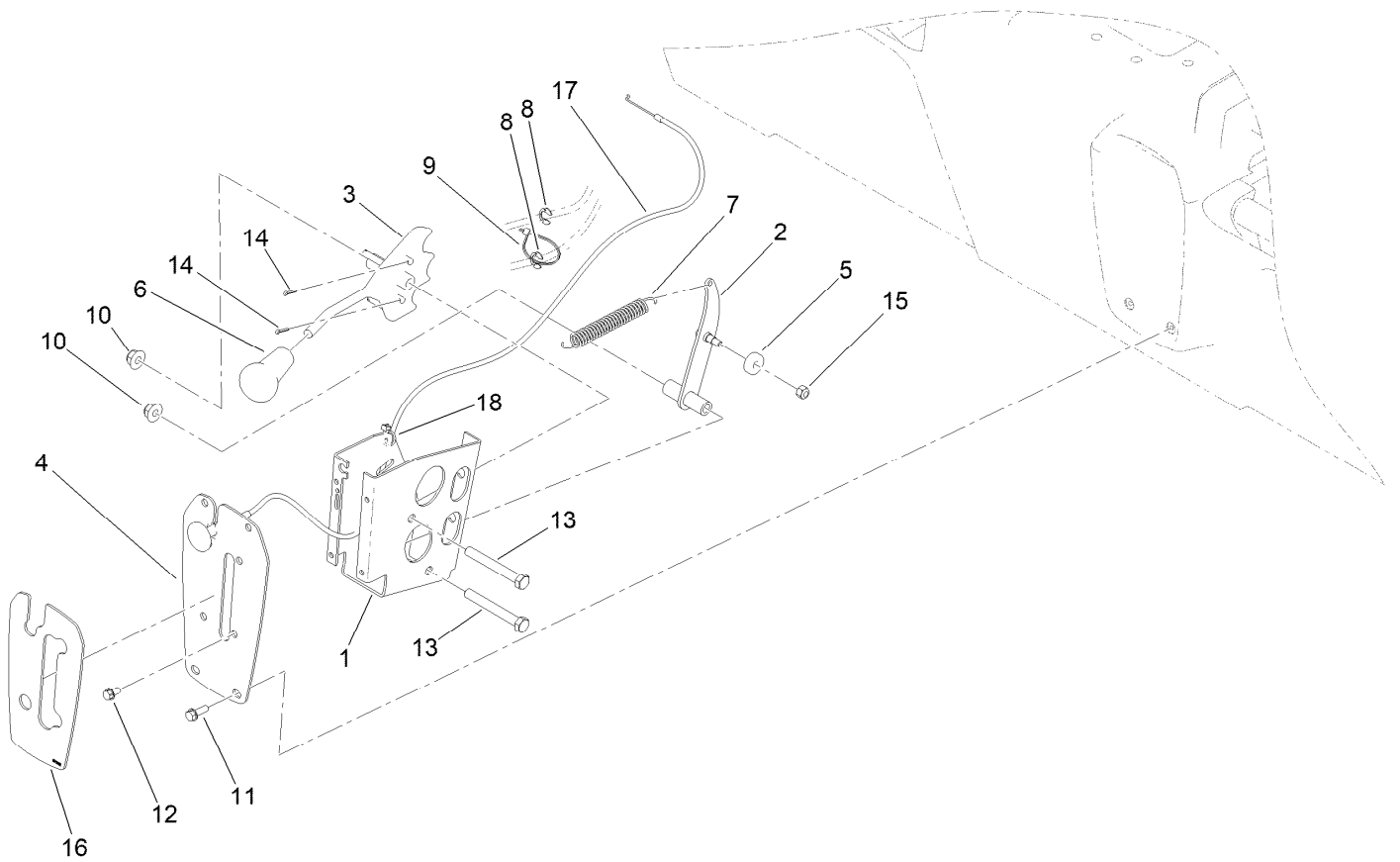
<i>Ref.</i>	<i>Part Number</i>	<i>Qty.</i>	<i>Description</i>
1	132-6740-03	1	Support-Dash
2	147-8045	1	Steering Column ASM,MDX
3	3230-1	4	Bolt-CARR
4	104-8300	8	Nut-HF, NI
5	112-3262	2	Bearing
7	140-4560	1	Steering Rack ASM
7:21	140-4594	1	Kit-Tie Rod ASM, MDX
7:22	140-4592	1	Kit-Rod End ASM
7:22:2	3272-42	1	Pin-Cotter
7:22:3	140-2493	1	Nut-Hex, Slotted
8	145-2051	1	Steering Shaft ASM

<i>Ref.</i>	<i>Part Number</i>	<i>Qty.</i>	<i>Description</i>
10	322-6	4	Screw-HH
11	144-5570	1	Steering Wheel ASM
13	99-5107	1	Nut-Lock
14	32144-70	4	Screw-HWHTF
15	144-5567	1	Cover-Wheel, Steering
16	145-7145	1	Screw-HSH,Lock
18	3272-42	2	Pin-Cotter
19	144-5566	1	Clip-Wheel, Steering
20	144-5537	2	Spring-Compression
21	94-4496	5	Screw-PPH



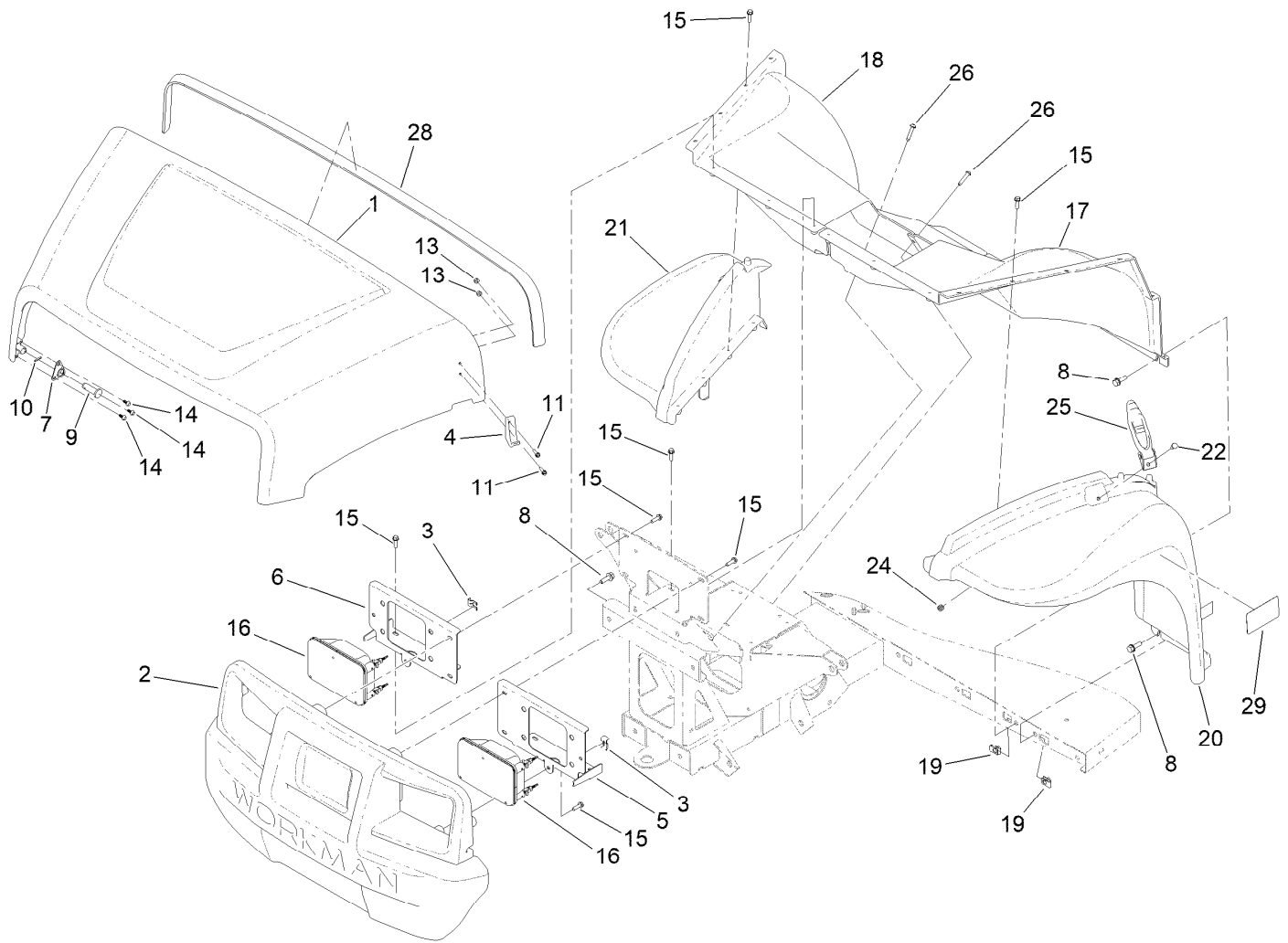
Pedal Assembly

<i>Ref.</i>	<i>Part Number</i>	<i>Qty.</i>	<i>Description</i>	<i>Ref.</i>	<i>Part Number</i>	<i>Qty.</i>	<i>Description</i>
1	138-3581	1	Brake Pedal ASM	9	321-13	1	Screw-HH
1:2	256-116	2	Bushing-Flange	10	32149-2	1	Nut-Keps
2	138-3582	1	Throttle Pedal ASM, MDX	11	104-6415	1	Spring-Return, Pedal
2:2	256-116	2	Bushing-Flange	12	104-0858	1	Bolt-Shoulder
4	323-16	2	Screw-HH	13	32128-33	1	Nut-HF
5	104-8301	2	Nut-HF, NI	14	7-3900	1	Pad-Brake
6	99-7407	1	Switch	15	3256-24	1	Washer-Plain
7	1-633181	1	Plate-Tapped	16	140-4572	1	Pedal Pad-Throttle
8	3290-134	2	Screw				



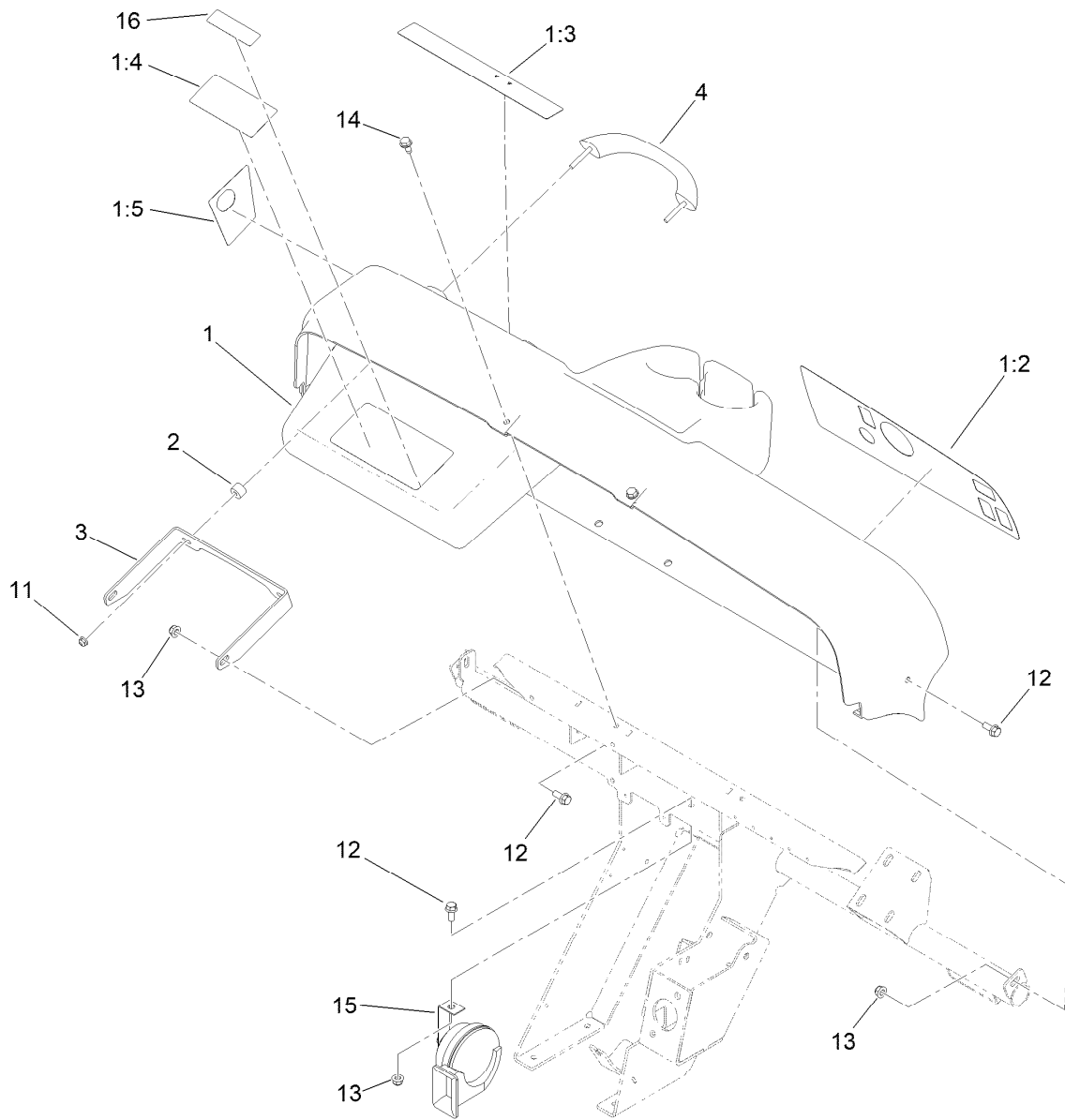
Shifter Assembly

<i>Ref.</i>	<i>Part Number</i>	<i>Qty.</i>	<i>Description</i>	<i>Ref.</i>	<i>Part Number</i>	<i>Qty.</i>	<i>Description</i>
1	108-3141-03	1	Bracket-Shift	10	104-8301	2	Nut-HF, NI
2	108-3138	1	Arm-Detent	11	32105-15	4	Screw-HWH
3	114-2719	1	Plate-Detent	12	32144-4	4	Screw-HWH
4	99-7887-03	1	Plate-Shifter	13	323-14	2	Screw-HH
5	251-307	1	Bearing-Ball	14	3272-5	2	Pin-Cotter
6	99-7981	1	Knob-Grip, Soft	15	3296-42	1	Nut-Lock, NI
7	104-6415	1	Spring-Return, Pedal	16	99-7952	1	Decal-Shifter
8	32151-101	2	E-Ring	17	99-7111	1	Cable-Choke
9	3290-378	1	Tie-Cable	18	3290-381	1	Tie-Cable



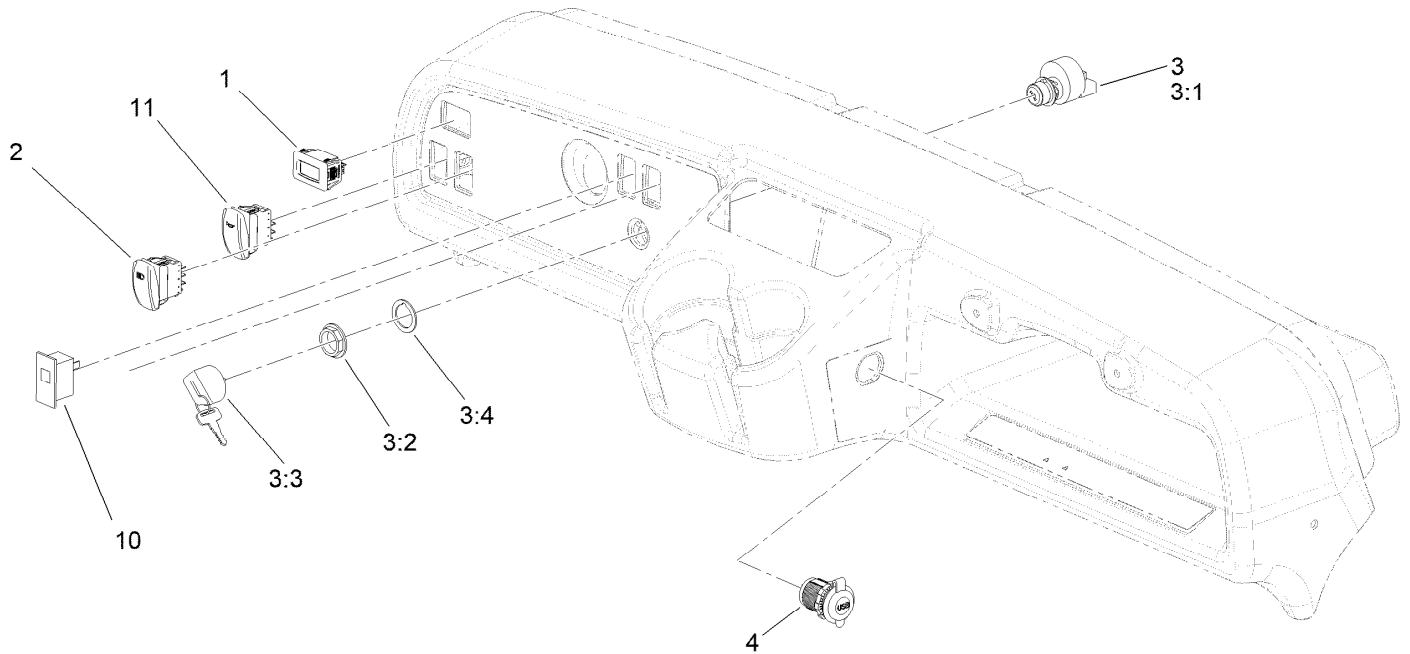
Hood and Fender Assembly

<i>Ref.</i>	<i>Part Number</i>	<i>Qty.</i>	<i>Description</i>	<i>Ref.</i>	<i>Part Number</i>	<i>Qty.</i>	<i>Description</i>
1	136-6281	1	Hood	15	46-8091	24	Screw-HWH
2	132-8530	1	Bumper	16	138-9260	2	Headlight ASM
3	115-2408	6	Clip-Speed	17	132-6775	1	Fender-Inner, LH
4	103-2897	2	Latch-Catch	18	132-6776	1	Fender-Inner, RH
5	140-4780-03	1	Bracket-Headlight, LH	19	112-3306	10	Nut
6	140-4781-03	1	Bracket-Headlight, RH	20	147-3947	1	Fender-Front, LH (MDX)
7	112-3308	2	Retainer-Pin	21	147-3946	1	Fender-Front, RH (MDX)
8	3234-29	12	Screw-HHF	22	321-39	2	Screw-HH
9	117-5094	2	Pin-Clevis	24	104-7201	2	Nut-HF, NI
10	32121-50	2	Pin-Spring	25	115-2416	2	Latch-Rubber
11	32105-13	4	Screw-HWH	26	49-2040	4	Screw-HWHTF
13	120-4578	4	Nut-HF	28	115-7635	1	Seal-Foam
14	121-9605	6	Screw-HWH	29	147-3922	2	Decal-Fender, MDX



Dash Assembly

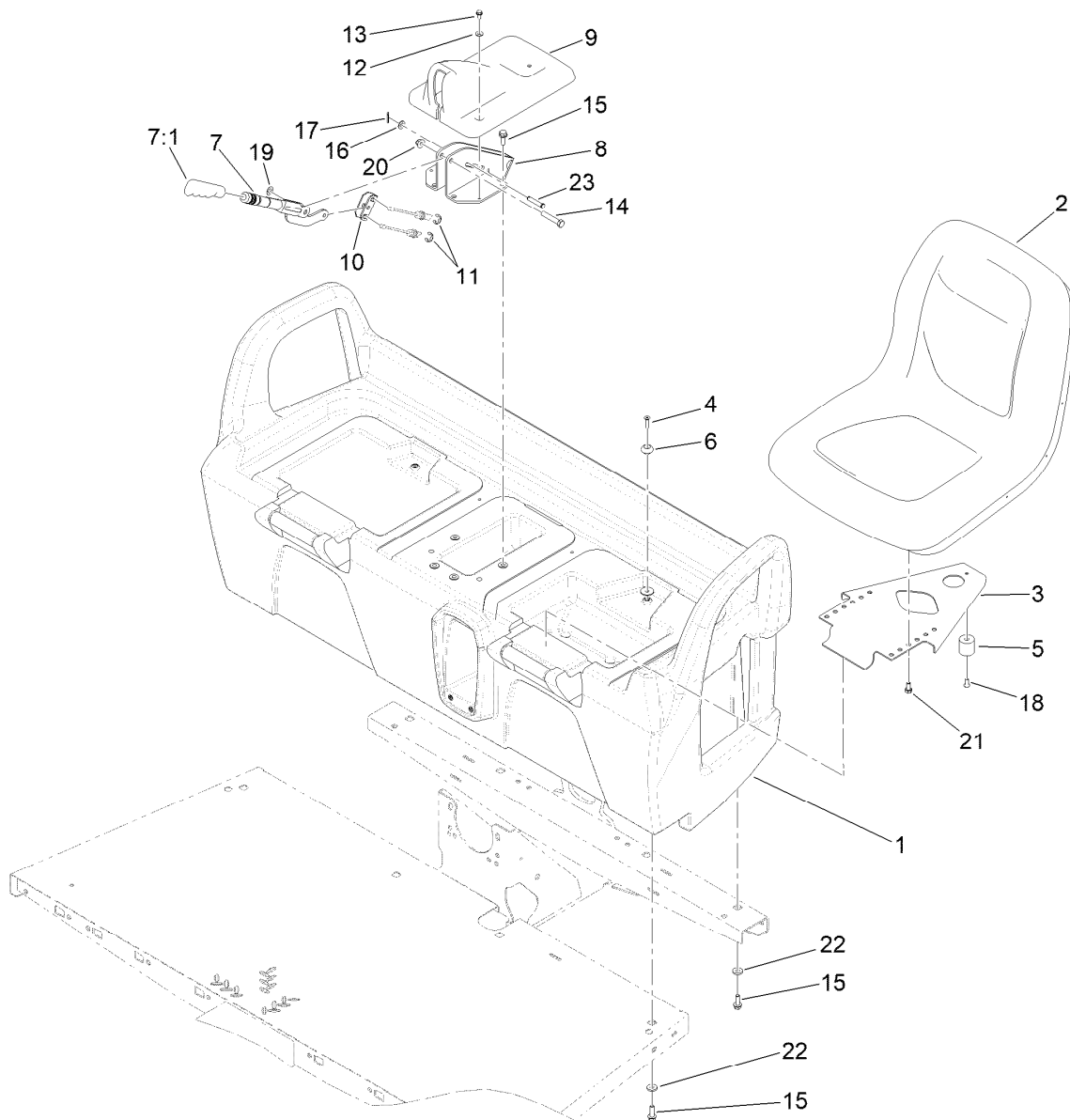
Ref.	Part Number	Qty.	Description
1	145-2267	1	Dash ASM-Gas
1:2	145-2269	1	Decal-Control Panel, MDX
1:3	145-2277	1	Decal-Danger
1:4	115-2412	1	Decal-No Storage
1:5	147-8185	1	Decal-USB
2	114-8301	2	Spacer
3	112-3391-03	1	Bracket-Grip, Handle
4	112-3320	1	Handle-Grip
11	104-7201	2	Nut-HF, NI
12	110-5053	4	Screw-HHF
13	104-8300	4	Nut-HF, NI
14	32144-70	6	Screw-HWHTF
15	110-2594	1	Horn
16	145-2278	1	Decal-Fuse Block, Gas



Control Panel Assembly

Ref.	Part Number	Qty.	Description
1	120-2244	1	Hourmeter
2	144-2405	1	Switch-Rocker, On-None-On
3	122-1145	1	Ignition Switch ASM
3:1		1	Switch-Ignition ●
3:2	108-8660	1	Nut-Mounting
3:3	106-5270	1	Ignition Key Set
3:4	108-8659	1	Washer-Backup
4	131-8388	1	Socket-USB
10	99-7410	1	Indicator-Light, Low-Oil Pressure
11	144-2415	1	Switch-Rocker, (On)-None-Off

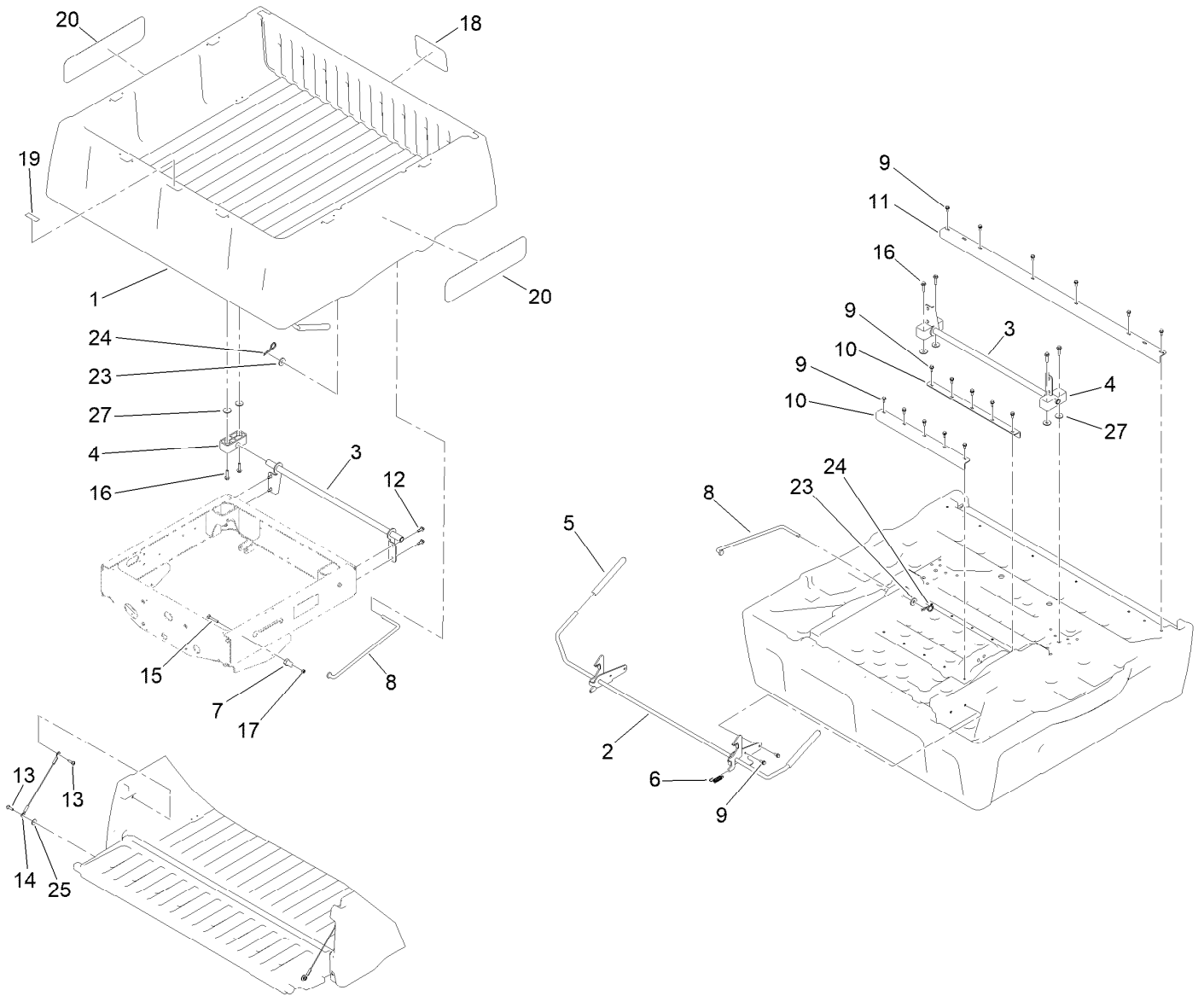
● Not serviced separately



Seatbase Assembly

<i>Ref.</i>	<i>Part Number</i>	<i>Qty.</i>	<i>Description</i>	<i>Ref.</i>	<i>Part Number</i>	<i>Qty.</i>	<i>Description</i>
1	104-6847	1	Base-Seat	12	3256-1	4	Washer-Flat
2	133-0577	2	Seat ASM	13	32144-4	2	Screw-HWH
3	99-7829	2	Bracket-Seat	14	323-10	1	Screw-HH
4	32108-5	2	Screw-FH	15	3234-17	12	Screw-HHF
5	99-7830	2	Receptical-Rubber	16	3256-23	1	Washer-Plain
6	99-7833	2	Post-Holding	17	3272-6	1	Pin-Cotter
7	127-8863	1	Lever-Brake, Park	18	3290-412	2	Rivet-Blind
7:1	127-8864	1	Grip-Handle	19	3290-477	1	Washer-Curved
8	104-6844-03	1	Support-Brake, Park	20	104-8301	1	Nut-HF, NI
9	104-7014	1	Cover-Brake, Parking	21	33114-016	8	Screw-HH
10	87-3480	1	Bracket-Equalizer, Cable	22	88-7200	8	Washer-Flat
11	32120-47	2	Ring-Retaining, External	23	94-3829	1	Pin-Clevis

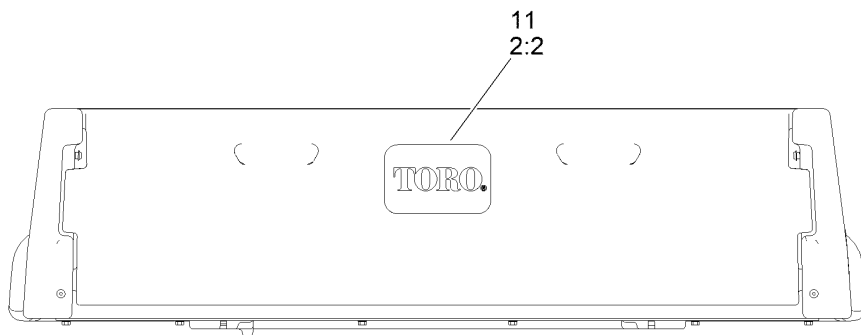
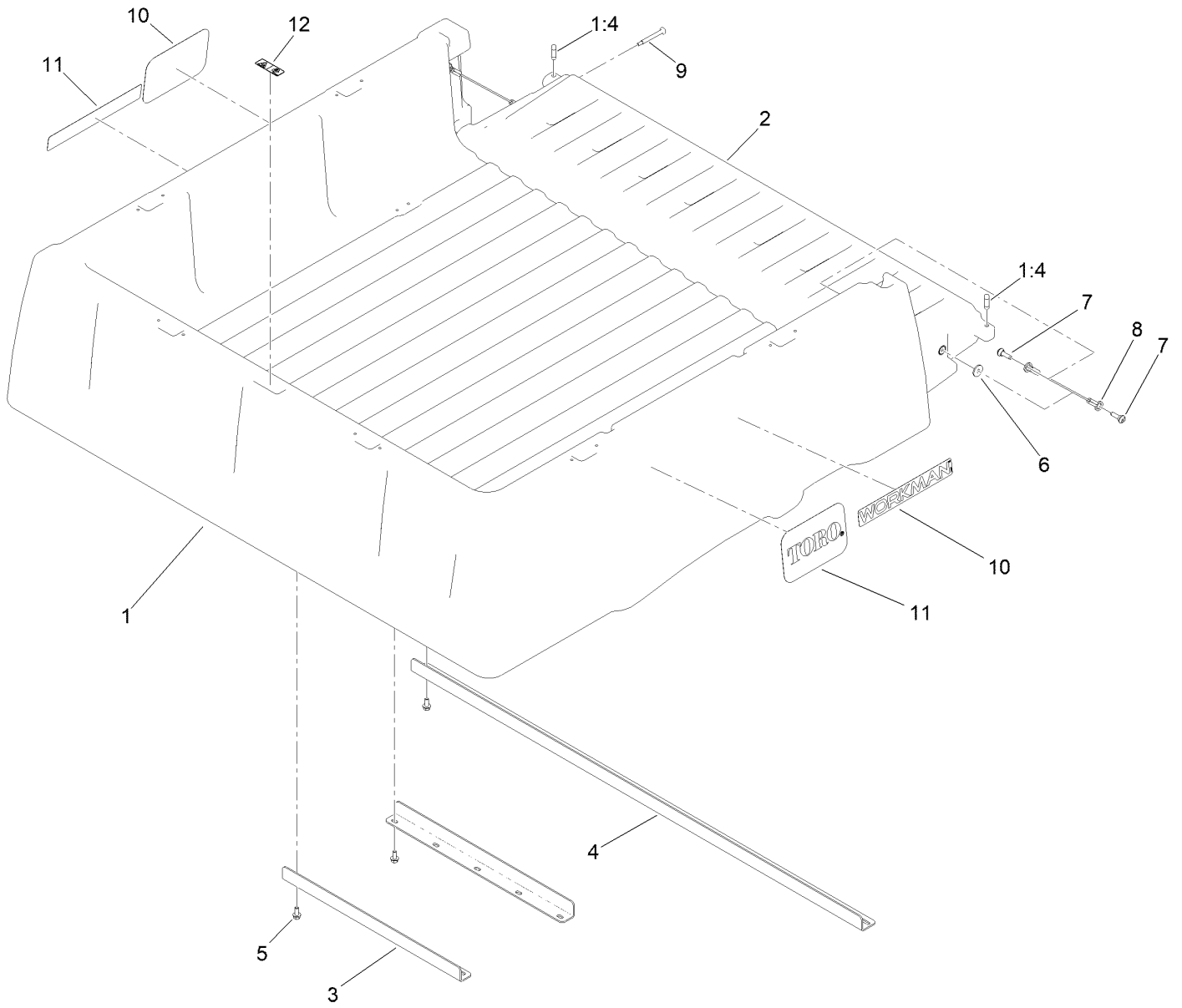
Cargo Bed Assembly



Cargo Bed Assembly (continued)

<i>Ref.</i>	<i>Part Number</i>	<i>Qty.</i>	<i>Description</i>	<i>Ref.</i>	<i>Part Number</i>	<i>Qty.</i>	<i>Description</i>
1	147-4026	1	Cargo Bed/Tailgate ASM [svc]	13	119-2267	4	Screw-Shoulder, BHTF
2	121-6344	1	Latch	14	121-6343	2	Lanyard-Tailgate
3	133-0625-03	1	Bracket-Pivot	15	3230-7	2	Bolt-CARR
4	121-6342	2	Bushing-Pivot	16	3234-18	4	Screw-HHF
5	119-9627	2	Grip-Handle	17	104-8300	2	Nut-HF, NI
6	5-7290	2	Spring-Tension	18	104-7213	3	Decal
7	144-2191	2	Pin-Latch	19	115-7739	1	Decal-No Riders
8	121-6316	1	Rod-Prop	20	140-4835	2	Decal-Workman, Gray
9	3234-5	20	Screw-HHF	23	110-6147	1	Washer-Flat
10	121-6314-03	2	Brace-Bed, Middle	24	107-3155	1	Hairpin
11	121-6315-03	1	Brace-Bed, Rear	25	115-7109	2	Washer-Flat
12	126-1696	4	Screw-HWHTF	27	87-5330	4	Washer

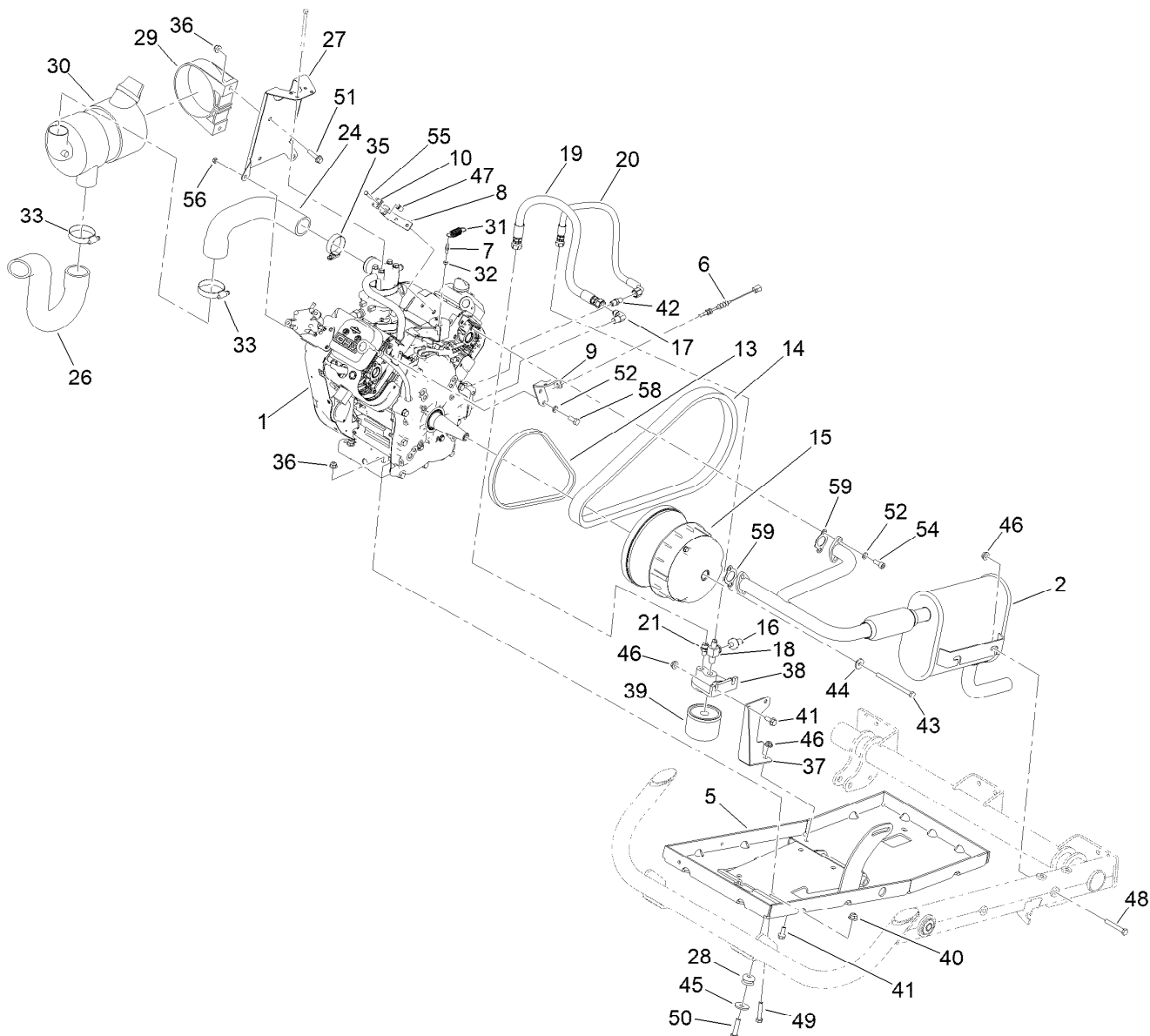
Cargo Bed Service Assembly No. 147-4026



Cargo Bed Service Assembly No. 147-4026 (continued)

<i>Ref.</i>	<i>Part Number</i>	<i>Qty.</i>	<i>Description</i>	<i>Ref.</i>	<i>Part Number</i>	<i>Qty.</i>	<i>Description</i>
1		1	Cargo Bed And Tailgate ASM ●	6	115-7109	2	Washer-Flat
1:4	133-7146	2	Plug-Tailgate, Anti-Rattle	7	119-2267	4	Screw-Shoulder, BHTF
2	133-0561	1	Tailgate ASM W/Decals	8	121-6343	2	Lanyard-Tailgate
2:2	104-7213	1	Decal	9	127-7383	2	Screw-Shoulder, Bh (Torx)
3	121-6314-0P	2	Brace-Middle, Bed	10	140-4835	2	Decal-Workman, Gray
4	121-6315-0P	1	Brace-Rear, Bed	11	104-7213	3	Decal
5	3234-5	16	Screw-HHF	12	115-7739	1	Decal-No Riders

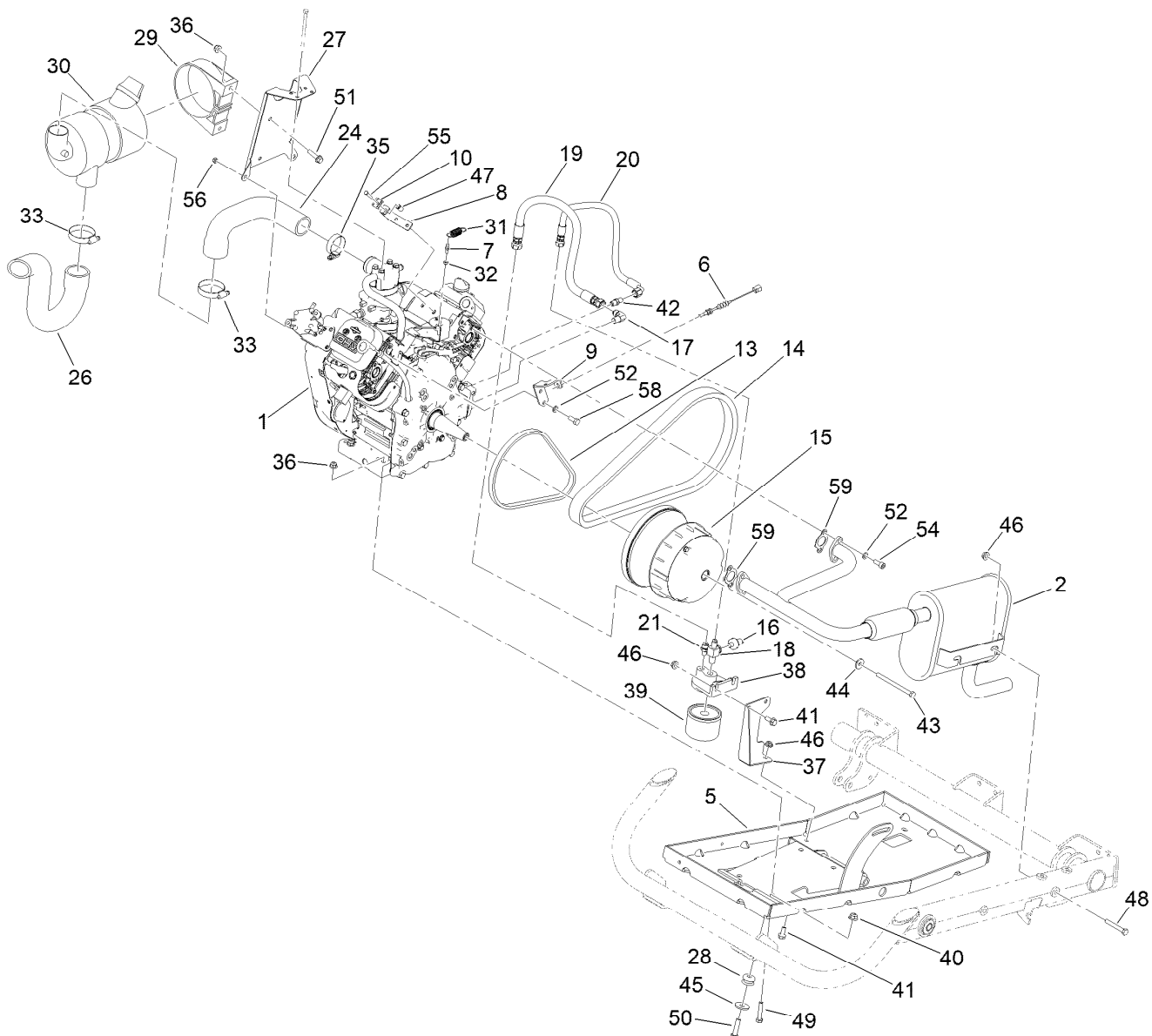
● Not serviced separately



Engine, Clutch and Air Cleaner Assembly

Ref.	Part Number	Qty.	Description	Ref.	Part Number	Qty.	Description
1	140-2599	1	Engine-Briggs And Stratton ●	24	131-6696	1	Hose-Air Intake
2	139-3399	1	MDX Exhaust ASM	26	115-7623	1	Hose-Intake
5	119-0709-03	1	Tray-Engine	27	132-6796-03	1	Bracket-Cleaner, Air
6	115-7612	1	Cable-Accelerator	28	63-9750	2	Mount
7	99-7847	1	Ball-Stud	29	95-5806	1	Bracket-Mounting, Air Cleaner
8	107-0319	1	Bracket-Cable	30	99-7120	1	Air Cleaner ASM
9	115-2393	1	Bracket-Cable	31	71-5470	1	Spring-Brake
10	81-1690	1	Clamp-Cable	32	110-2619	1	Keeper-Spring
13	121-9778	1	Belt-V	33	2412-130	2	Clamp-Hose
14	136-6296	1	Belt-Variable	35	2412-3	1	Clamp-Hose
15	138-0094	1	Clutch-Primary	36	104-8300	6	Nut-HF, NI
16	115-2316	1	Switch-Pressure F/W	37	112-3240-03	1	Bracket-Filter, Oil
17	115-2317	1	Fitting-Elbow	38	115-2314	1	Adapter-Filter, Oil
18	119-0826	1	Fitting-Tee	39	107-7817	1	Filter-Oil, Engine
19	119-0831	1	Hose-HYD	40	104-8301	2	Nut-HF, NI
20	119-0832	1	Hose-HYD	41	110-5053	4	Screw-HHF
21	119-0833	1	Fitting-Straight	42	112-3282	1	Fitting-Straight

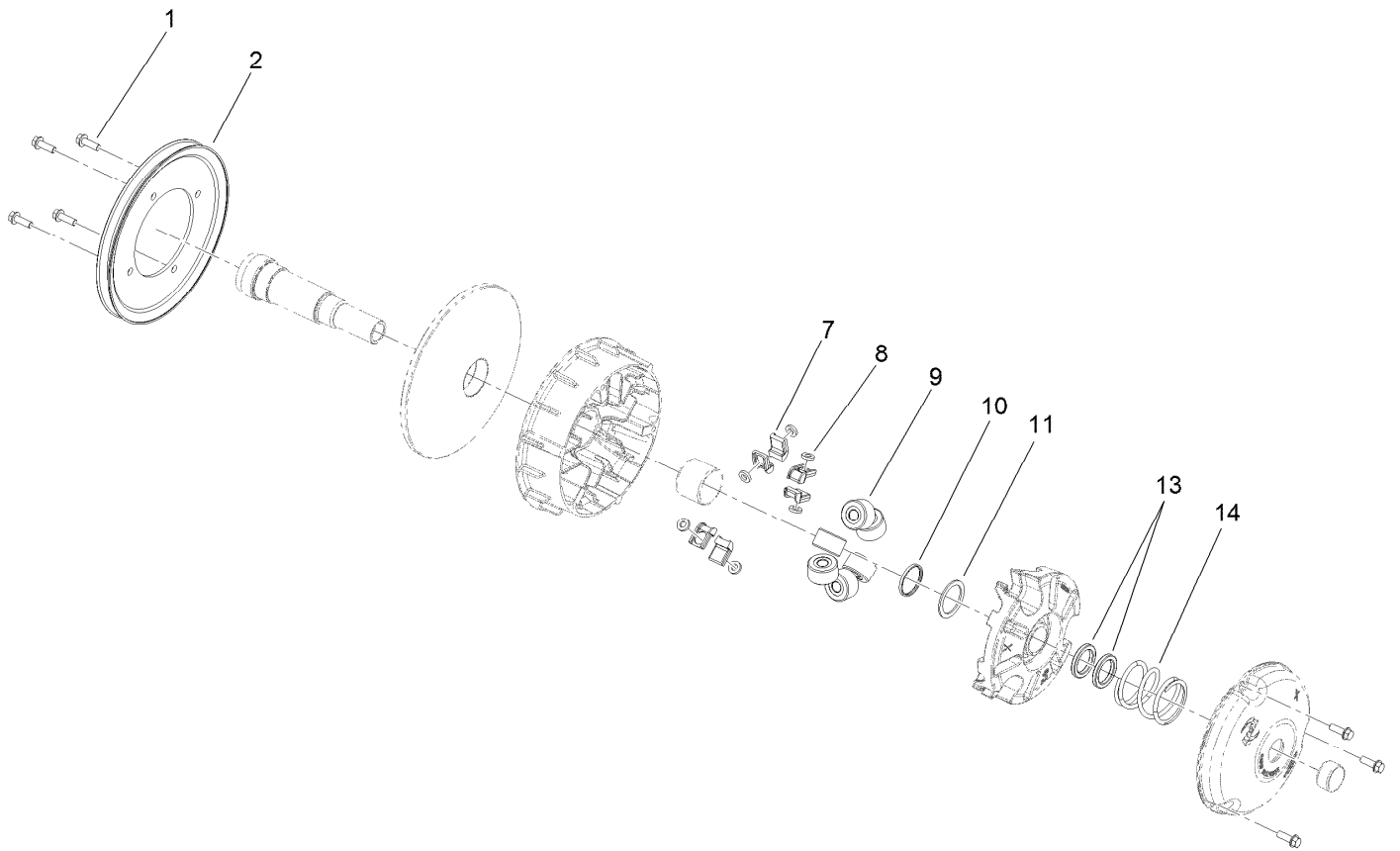
● Obtain parts from www.briggsandstratton.com



Engine, Clutch and Air Cleaner Assembly (continued)

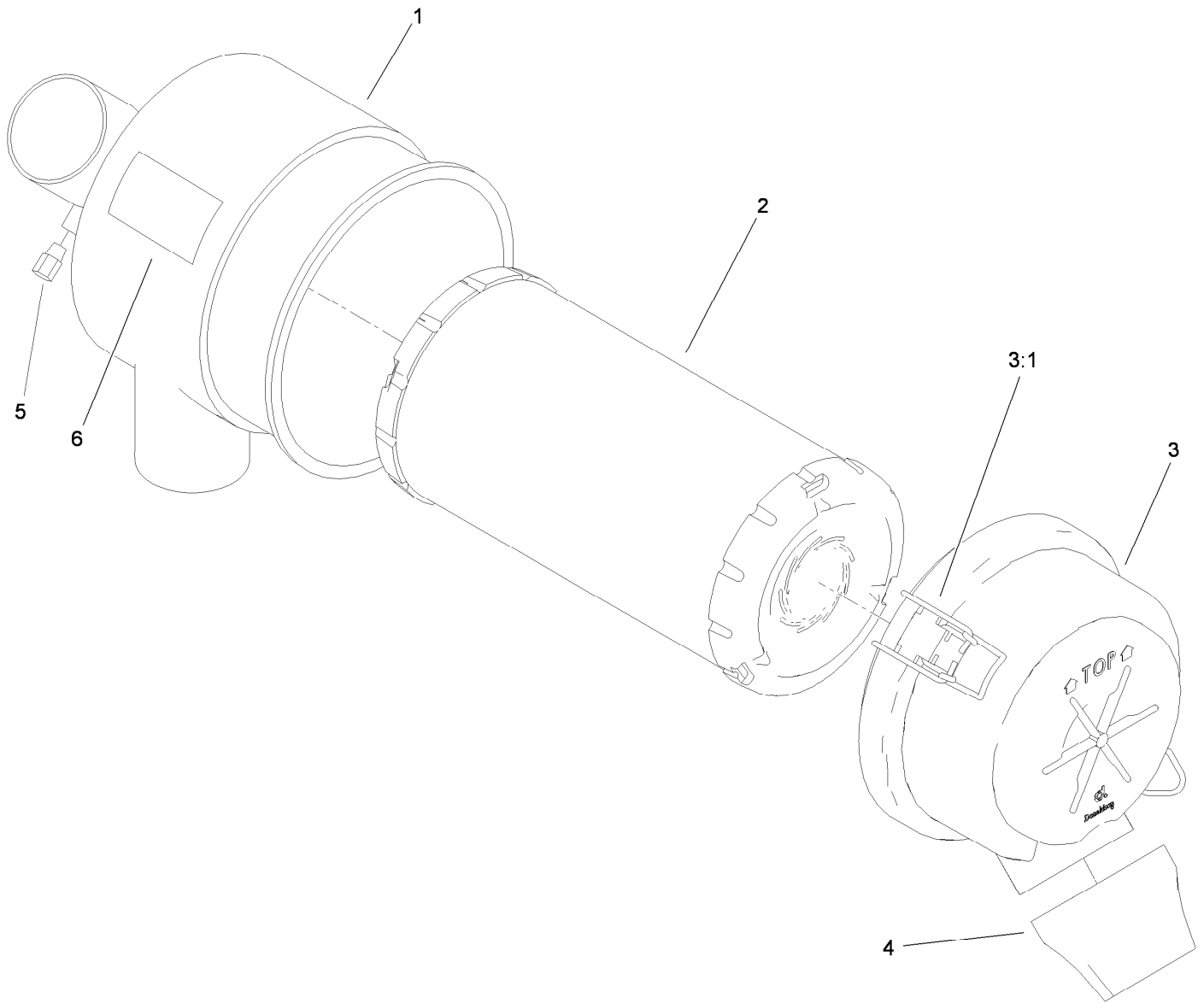
Ref.	Part Number	Qty.	Description	Ref.	Part Number	Qty.	Description
43	119-0722	1	Screw-HH	51	3234-36	2	Screw-HHF
44	119-0724	1	Washer-Flange	52	3253-4	6	Washer-Lock
45	2844	2	Washer	54	108-6343	4	Screw-HSH,Lock
46	32128-20	6	Nut-HF	55	3290-432	1	Screw-HH
47	32148-14	1	Nut-Clinch	56	33023-00	2	Nut-Lock
48	139-4479	2	Screw-HHF	58	66-3160	2	Screw-Cap
49	322-9	4	Screw-HH	59	94-5844	2	Gasket
50	323-8	2	Screw-HH				

● Obtain parts from www.briggsandstratton.com



Primary Clutch Assembly No. 138-0094

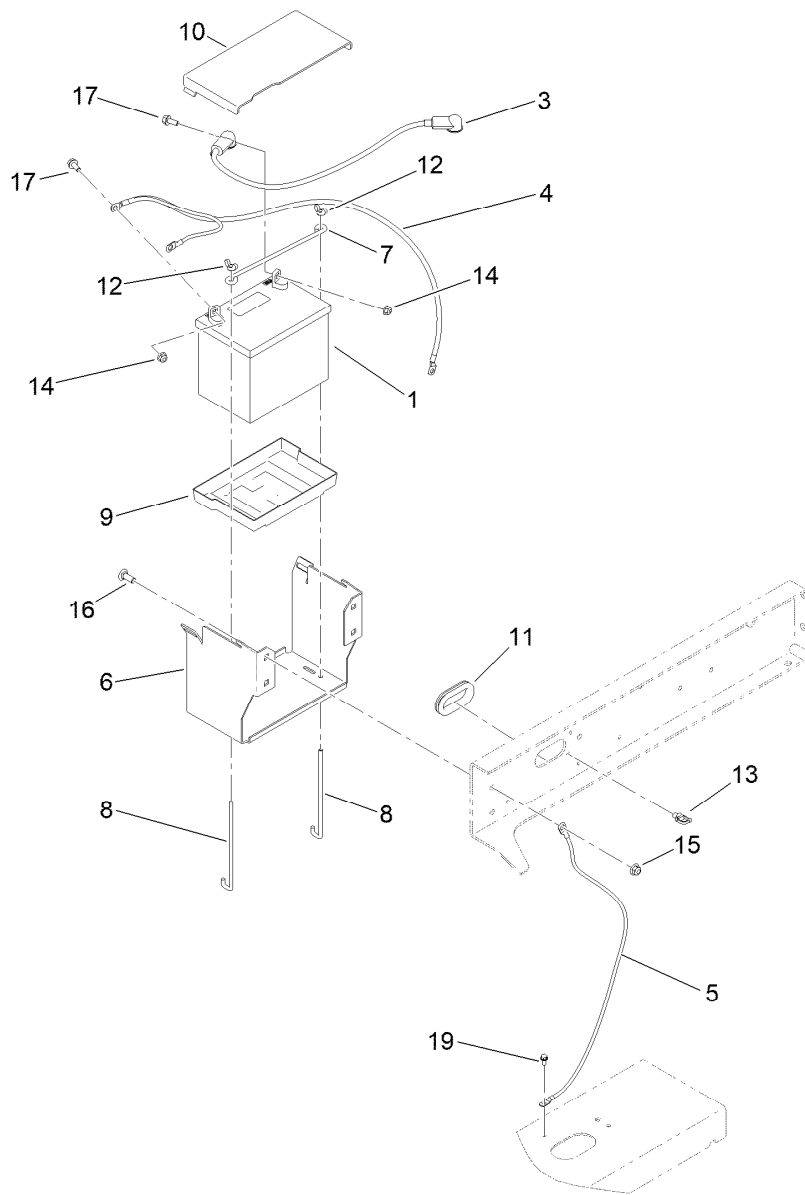
<i>Ref.</i>	<i>Part Number</i>	<i>Qty.</i>	<i>Description</i>
1	49-2040	7	Screw-HWHTF
2	119-0813	1	Pulley-Primary
7	127-8689	6	Button-Primary, Torque
8	127-8690	6	Plug-Button, Torque
9	119-0804	6	Weight-Roller
10	119-0815	1	Shim-Spider
11	119-0812	1	Shim-Spider
13	119-0807	2	Shim-Limiter
14	119-9532	1	Spring-Red/White



Air Cleaner Assembly No. 99-7120

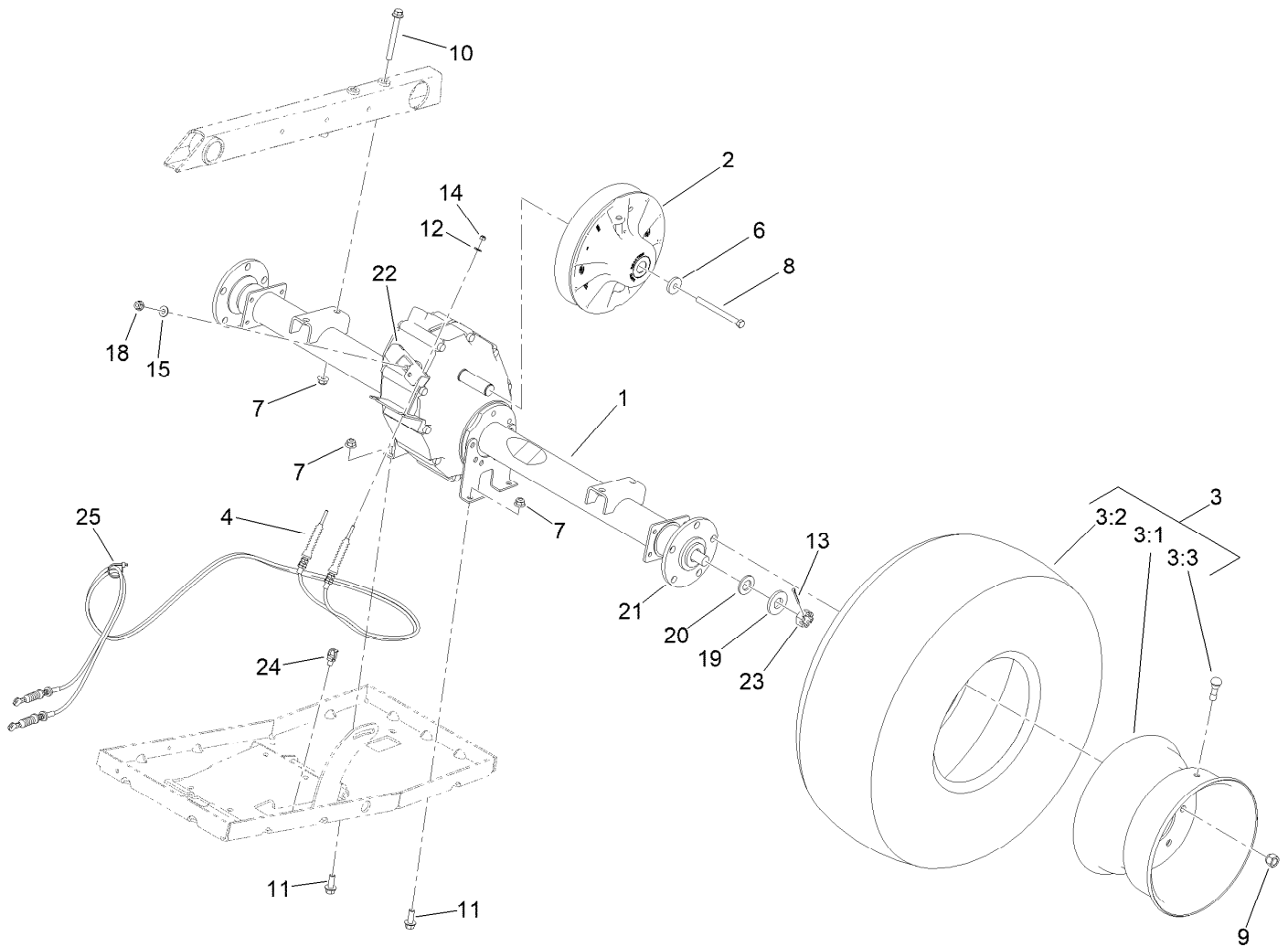
Ref.	Part Number	Qty.	Description
1		1	Body ●
2	108-3811	1	Filter-Air V-Twin HD
3	94-3652	1	Cover ASM
3:1	1-643283	2	Latch-Cleaner, Air
4	87-9400	1	Valve-Vacuator
5		1	Plug ●
6		1	Marking ●

● Not serviced separately



Battery Assembly

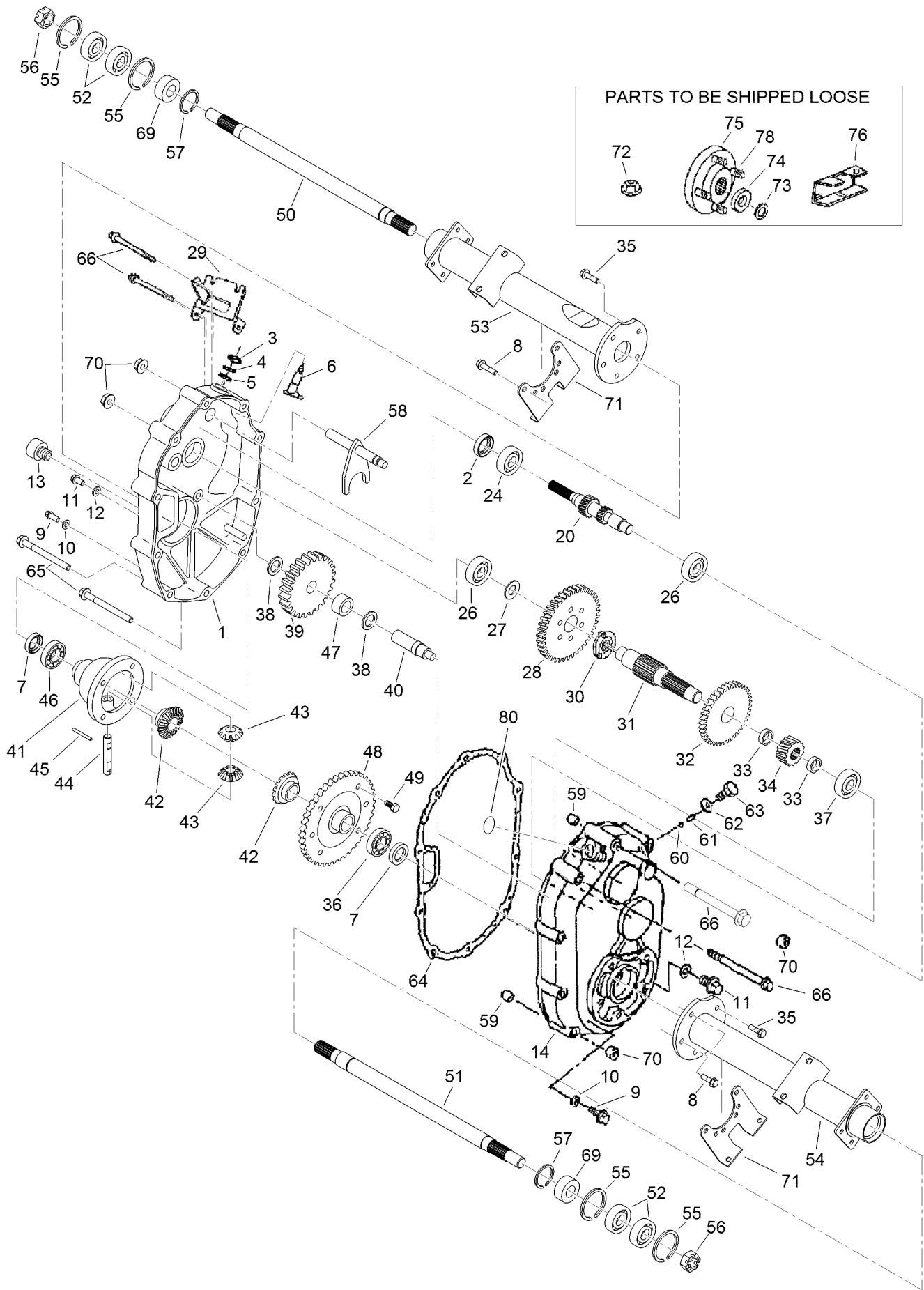
<i>Ref.</i>	<i>Part Number</i>	<i>Qty.</i>	<i>Description</i>	<i>Ref.</i>	<i>Part Number</i>	<i>Qty.</i>	<i>Description</i>
1	104-8162	1	Battery	11	240-12	1	Grommet-Rubber
3	114-9404	1	Cable-Battery, Positive	12	32103-22	2	Nut-Wing
4	115-8107	1	Cable-Battery, Negative	13	32180-030	2	Clip-Tie
5	115-8108	1	Cable-Battery, Negative	14	104-8300	2	Nut-HF, NI
6	115-2302-03	1	Base-Battery	15	104-8301	4	Nut-HF, NI
7	100-6434	1	Rod-Hold Down, Battery	16	3231-22	4	Screw-CARR
8	100-6435	2	Post-Battery	17	3234-5	2	Screw-HHF
9	106948	1	Tray-Battery	19	32144-4	1	Screw-HWH
10	115-2394	1	Cover-Battery				



Rear Axle Drive System Assembly

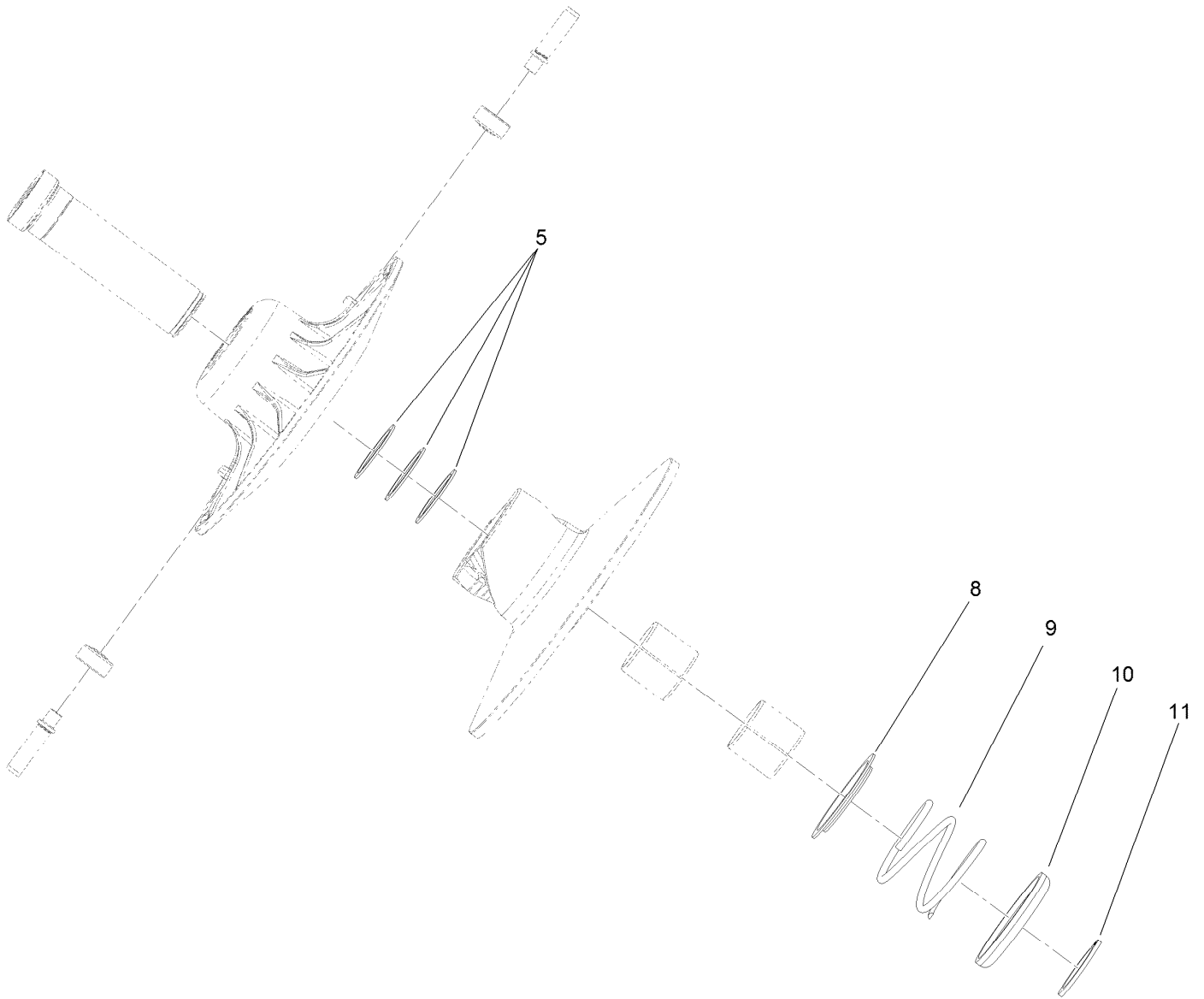
Ref.	Part Number	Qty.	Description	Ref.	Part Number	Qty.	Description
1	119-0760	1	Transaxle ASM	11	3234-11	4	Screw-HHF
2	136-6289	1	Clutch-Secondary	12	3256-49	2	Washer-Plain
3	147-2767	2	Wheel And Tire ASM	13	3272-12	2	Pin-Cotter
3:1	147-2768	1	Wheel	14	3296-2	2	Nut-Lock, NI
3:2	131-6667	1	Tire (24 X 12.00-10) 4P K506	15	87-8640	1	Washer-Flat
3:3	232-27	1	Stem-Valve	18	104-1672	1	Nut-Lock
4	115-7679	2	Cable-Control, Tension	19	133-0632	2	Spacer
6	104-6563	1	Washer-Stepped	20	104-1674	2	Washer
7	104-8301	8	Nut-HF, NI	21	104-1675	2	Hub
8	119-0723	1	Screw-HH, Lock	22	104-6860	1	Lever-Select
9	242-50	10	Nut-Lug	23	104-1656	2	Nut-Castle
10	116-4701	4	Screw-HHF	24	32180-030	1	Clip-Tie
				25	3290-378	1	Tie-Cable

Transaxle Assembly No. 119-0760



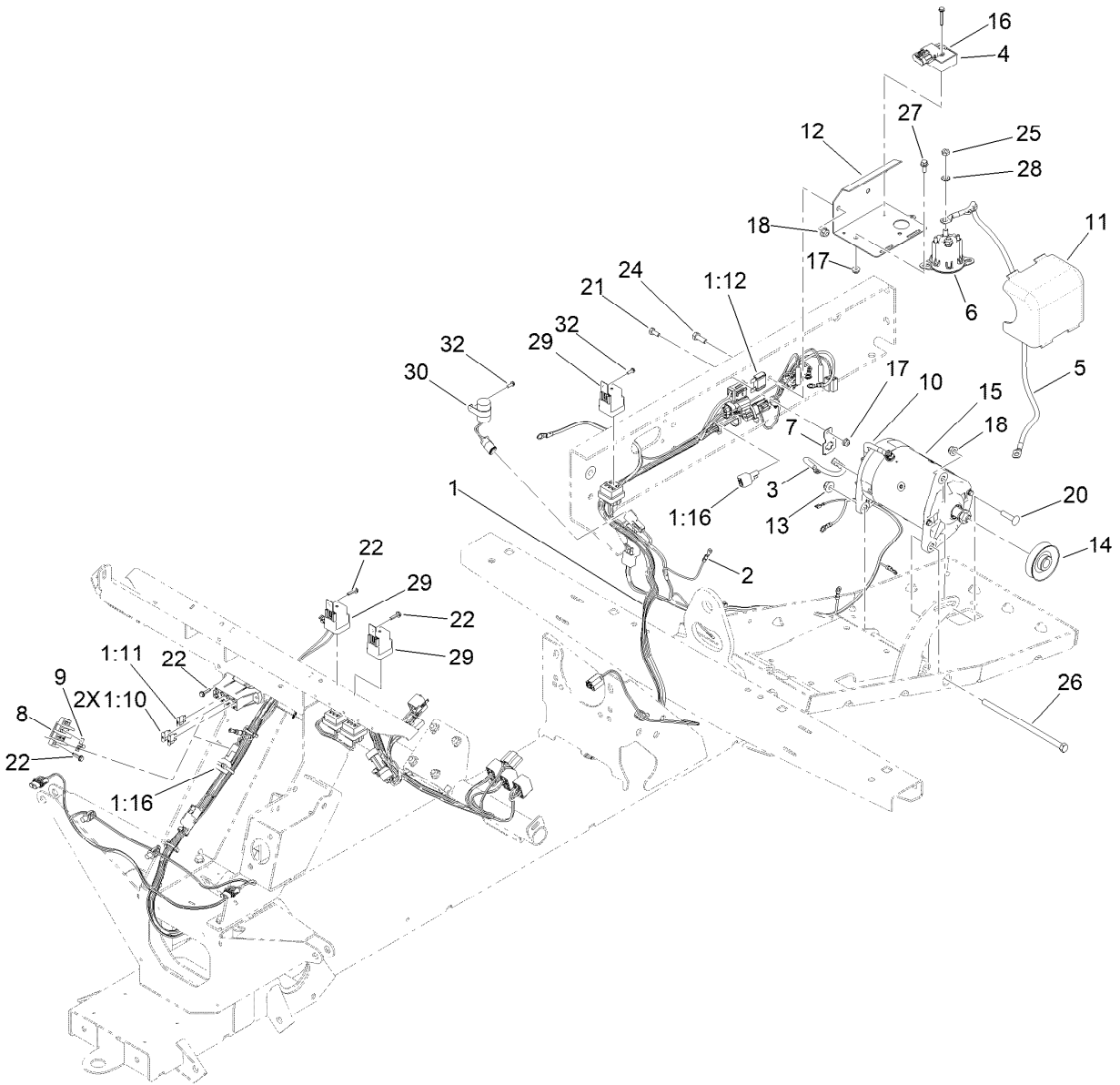
Transaxle Assembly No. 119-0760 (continued)

<i>Ref.</i>	<i>Part Number</i>	<i>Qty.</i>	<i>Description</i>	<i>Ref.</i>	<i>Part Number</i>	<i>Qty.</i>	<i>Description</i>
1	104-1601	1	Case-LH, Complete	44	104-1644	1	Shaft-Differential
2	104-1602	1	Seal-Oil	45	104-1645	1	Pin
3	104-1603	1	Seal-Oil	46	104-1646	1	Bearing-Ball
4	104-1604	1	Ring-Snap	47	104-1647	1	Bearing-Needle
5	104-1605	1	Spacer	48	104-1648	1	Gear
6	104-1606	1	Shaft-Selector	49	104-1649	6	Bolt
7	104-1607	2	Seal-Oil	50	104-1650	1	Shaft-Axle, LH
8	104-1608	4	Bolt-Flange	51	104-1651	1	Shaft-Axle, RH
9	104-1609	2	Plug-Check, Oil	52	104-1652	4	Bearing-Ball
10	104-1610	2	Gasket	53	104-1653	1	Case-Axle, LH
11	104-1611	2	Plug-Drain, Oil	54	104-1654	1	Case-Axle, RH
12	104-1612	2	Gasket	55	104-1655	4	Ring-Snap
13	104-1613	1	Plug-Filler, Oil	56	104-1656	2	Nut-Castle
14	104-1614	1	Case-Complete, RH	57	104-1657	2	Ring-Snap
20	104-7002	1	Shaft-Input, Complete	58	104-6870	1	Shaft-Shift, Complete
24	104-1624	1	Bearing-Ball	59	104-1659	2	Knock-Pipe
26	104-1626	2	Bearing-Ball	60	104-1660	1	Ball-Steel
27	104-1627	1	Spacer	61	104-1661	1	Spring
28	104-1628	1	Gear	62	104-1662	1	Gasket
29	104-1629	1	Bracket-Wire, Change	63	104-1663	1	Bolt
30	104-1630	1	Clutch-Pin	64	104-1664	1	Gasket
31	104-1631	1	Shaft-Center	65	104-1665	6	Bolt-Flange
32	104-1632	1	Gear	66	104-1666	4	Bolt-Flange
33	104-1633	2	Collar	69	104-6867	2	Collar
34	104-1634	1	Gear	70	33004-00	10	Nut-HF
35	104-1635	6	Bolt-Flange	71	104-1671	2	Bracket-Axle
36	104-1636	1	Bearing-Ball	72	104-1672	1	Nut-Lock
37	104-1637	1	Bearing-Ball	73	104-1673	2	Washer-Spring
38	104-1638	2	Spacer	74	104-1674	2	Washer
39	104-1639	1	Gear	75	104-1675	2	Hub
40	104-1640	1	Shaft-Counter	76	104-6860	1	Lever-Select
41	104-1641	1	Case-Differential	78	104-8649	10	Stud
42	104-1642	2	Gear-Side, Differential	80	121-9718	1	Cap-Seal
43	104-1643	2	Pinion-Differential				



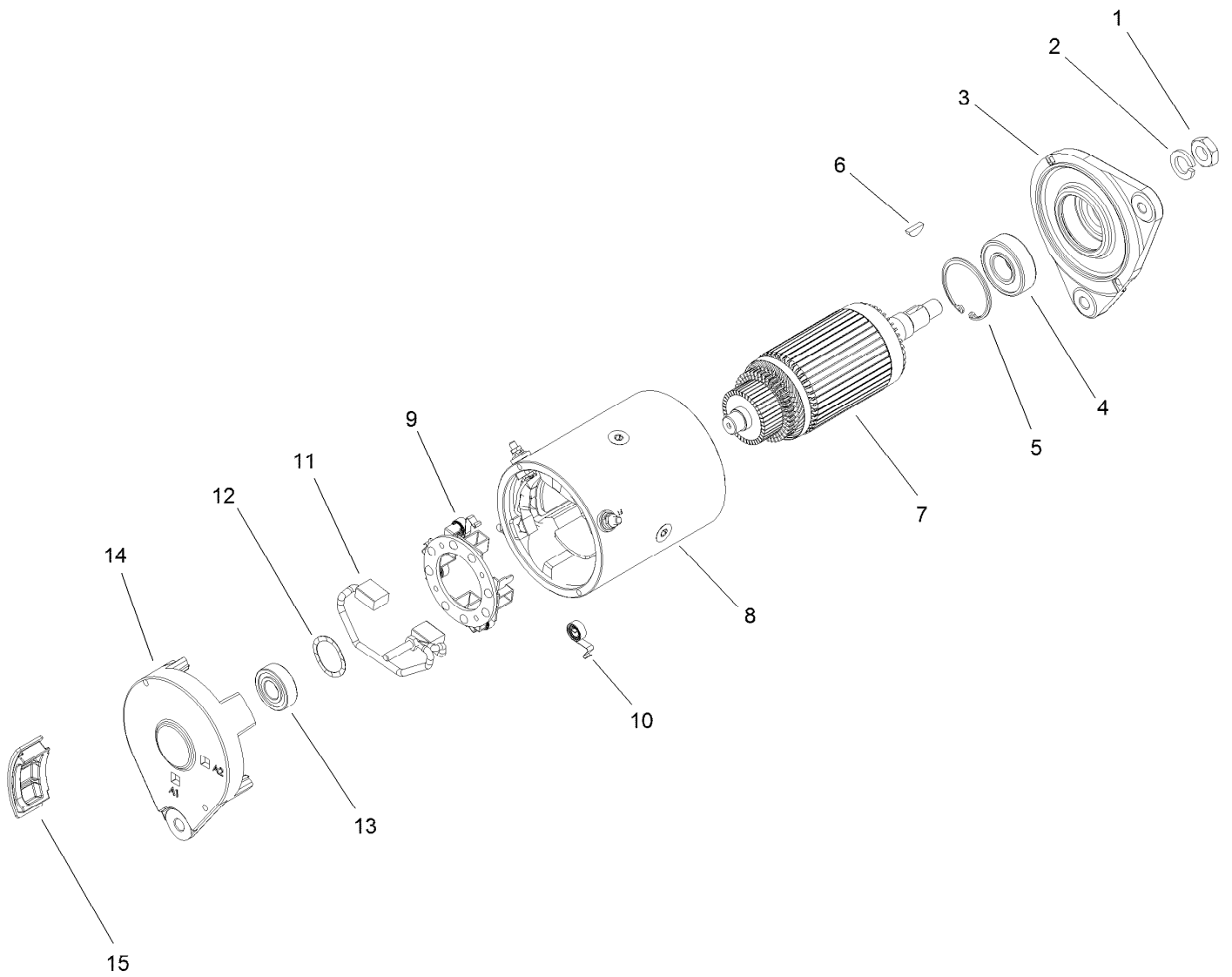
Secondary Clutch Assembly No. 136-6289

<i>Ref.</i>	<i>Part Number</i>	<i>Qty.</i>	<i>Description</i>
5	119-6018	3	Shim-Thrust
8	119-0809	1	Cup-Spring Retainer, Inner
9	119-9360	1	Spring-Compression, Black/Almond
10	119-0810	1	Cup-Spring Retainer, Outer
11	119-0811	1	Ring-Retaining



Electrical Assembly

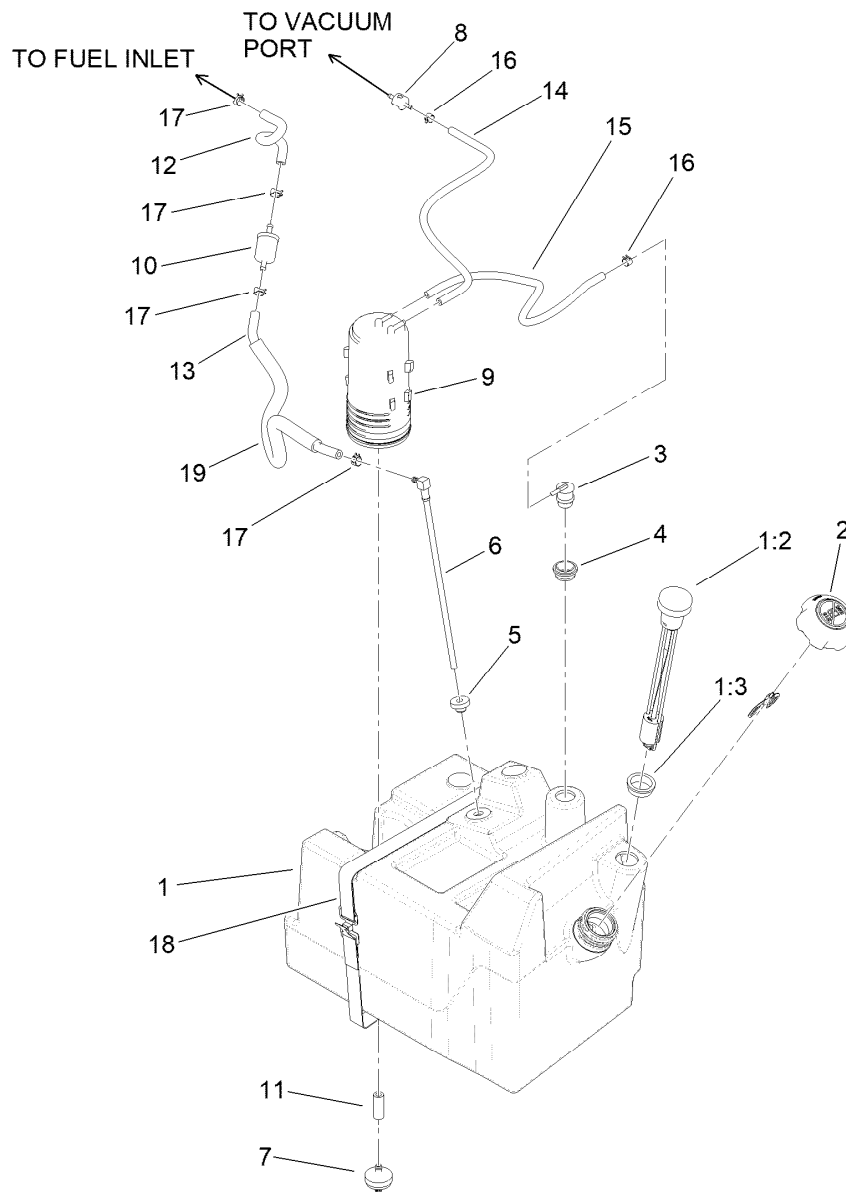
<i>Ref.</i>	<i>Part Number</i>	<i>Qty.</i>	<i>Description</i>	<i>Ref.</i>	<i>Part Number</i>	<i>Qty.</i>	<i>Description</i>
1	122-2484	1	Harness-Wire, Main	14	121-6277	1	Pulley-Drive
1:10	218-578	2	Fuse-Blade, 10 Amp	15	131-8444	1	Starter/Generator ASM
1:11	109101	1	Fuse-Blade, 20 Amp	16	100-4352	1	Screw-HWH
1:12	114-3342	1	Fuse-Maxi, 60 Amp	17	104-7201	3	Nut-HF, NI
1:16	100-4918	2	Diode	18	104-8300	3	Nut-HF, NI
2	122-1140	1	Harness-Wire, Engine	20	112-6950	1	Screw-CARR
3	94-2777	1	Wire-Ground	21	321-3	1	Screw-HH
4	119-9492	1	Regulator-Voltage	22	100-4351	6	Screw-HWH
5	112-3537	1	Cable-Battery, Positive	24	322-4	2	Screw-HH
6	114-3315	1	Solenoid	25	3220-2	2	Nut-Jam
7	114-5502	1	Clip-Fuse	26	323-30	1	Screw-HH
8	42862	1	Block-Terminal, Ground	27	3234-33	2	Screw-HHF
9	42863	1	Strip-Jumper	28	3255-8	2	Washer-Lock
10	122-1176	1	Cable-Battery, Negative	29	99-7430	3	Relay-Mini
11	112-3027	1	Cover-Controller	30	122-1128	1	Module-Delay, Timer
12	145-2281-03	1	Mount-Solenoid	32	32144-87	2	Screw-HWHTF
13	104-8301	1	Nut-HF, NI				



Starter Generator Assembly No. 131-8444

Ref.	Part Number	Qty.	Description
1	119-9651	1	Nut
2	119-9652	1	Washer-Lock
3	133-0599	1	Head-Drive End
4	119-9655	1	Bearing
5	119-9656	1	Ring-Retaining
6	119-9657	1	Key-Woodruff
7	119-9658	1	Armature ASM
8		1	Frame And Field Assembly ●
9	119-9661	1	Brush Box ASM
10	119-9660	4	Spring-Brush
11	119-9659	1	Brush Lead And Terminal Service Kit
12	119-9662	1	Washer-Wave
13	119-9663	1	Bearing
14		1	Head-End, Cummutator ●
15	133-0600	4	Plug-Rubber

● Not serviced separately



Fuel Tank Assembly

<i>Ref.</i>	<i>Part Number</i>	<i>Qty.</i>	<i>Description</i>	<i>Ref.</i>	<i>Part Number</i>	<i>Qty.</i>	<i>Description</i>
1	121-9769	1	Fuel Tank ASM	10	94-2690	1	Filter-Fuel
1:2	145-2298	1	Gauge-Fuel	11	106-5317	1	Hose-Fuel
1:3	95-8972	1	Grommet	12	109-0303	1	Hose-Fuel
2	137-4127	1	Cap-Fuel	13	110-4103	1	Hose-Fuel
3	114-0285	1	Valve-Rollover	14	75-4701	1	Hose-Fuel
4	114-0284	1	Grommet	15	110-8751	1	Hose-Fuel
5	46-6560	1	Bushing	16	2412-146	2	Clamp-Hose
6	99-7264	1	Pipe-Stand	17	2412-98	4	Clamp-Hose
7	115-7854	1	Filter-Fuel, Inline	18	3339-175	1	Strapping-Web
8	133-8499	1	Valve-Check, Vacuum	19	99-7129	1	Conduit-Line, Fuel
9	117-1221	1	Canister-Carbon, 800Cc				

Attachments and Accessories

For 07235TC Workman MDX Utility Vehicle

Product Name	Model/Part
Electric Bed Lift Kit, 2014 and After Workman MD/MDX/MDX-D Utility Vehicle	07389
Receiver Hitch Kit	07278
Roll-Over Protection System	07276
Canopy Kit	07324
Folding Windshield Kit	07326
Solid Windshield Kit	07325
Cab Kit	07320
Work Light Kit	130-5485
Beacon Kit	130-5484
Exterior Mirror Kit	130-5448
Interior Mirror Kit	130-5449
Door Kit with Sliding Window	07356
Windshield Washer Fluid Kit, 2015 and after Workman MD/HD Series Utility Vehicle	130-5615
Lift Wire Harness Kit	115-7823
Backup Alarm Kit	115-7824
Tire-AT 489, 24x10.5-10	104-7061
Tire-AT 489, 22x9.5-10	104-7062
Spark Arrestor Screen	94-8157
Battery Kit	119-9680
Stake Pocket Adapter Kit, 2011 and After Workman MD Series Utility Vehicle	119-9604
Tie-Down Kit, 2011 and After Workman MD Series Utility Vehicle	119-9605
Hitch ASM	131-3462
Road Light and Homologation Kit	120-5031
Cargo Bed Installation Kit with Manual Dump, 2011 to 2013 Workman MD Series Utility Vehicle	127-7385
Cargo Bed Installation Kit with Electric Lift, 2011 to 2013 Workman MD Series Utility Vehicle	127-7386
Horn Kit	115-7825
LED Worklight Kit	133-0554
ROPS Beacon Kit	133-0609
Front Spring Kit, 2016 and After MDX or MDX-D Series Utility Vehicle	133-0630
Spanner Wrench	132-5069
Brush Guard Kit	07145
Side Mirror Kit	119-9546
Service Hood ASM	133-7209
Wireless Hourmeter	115-4754
Wireless Hour Meter Finish Kit	138-5698
Door Mount Mirror Kit	136-1997
Hose Reel Mounting Kit	07027
Trash Can Mounting Kit	07028
Front Hitch Kit, Workman GTX Series Utility Vehicles with Brush Guard	07146
Front Hitch Kit, Workman GTX or MDX Series Utility Vehicles without Brush Guard	07147
Shim-Limiter	119-0807
Small Seat Cover	131-6690
Tire (22 X 9.50-10) 4-PLY	127-7435
Tire (24 X 12.00-10) 4P K506	131-6667

Attachments and Accessories (continued)

Aggressive Tire Kit, Workman MDX Series Utility Vehicle	136-1135
MVP Filter Kit, Mid-Duty Workman Utility Vehicle.....	30004
External Antenna Kit, Wireless Hourmeter System	115-9524
Base Station Kit, Wireless Hourmeter System	115-9542
Repeater Kit, Wireless Hourmeter System	115-9543
Brake and Signal LED Light Kit, Workman MD Series Utility Vehicle	145-2082
LED Homologation Lamp Kit.....	147-2798
Power Point Kit	131-8550

Notes:

Notes:



Count on it.