



## Foam Marker Kit

### Multi-Pro<sup>®</sup> 1200, 1250, 5600 and 5700 Turf Sprayers and Workman<sup>®</sup> 200 Spray Systems

Model No. 41236 - 00001 and up.

## Parts Catalog

---

### Ordering Replacement Parts

To order replacement parts, please supply the part number, the quantity, and the description of each part desired.

### Understanding Reference Numbers

Each identified part in an illustration has a reference number. The reference number for a part also appears in the parts list, along with other information about the part.

This catalog uses two special reference number formats, one to indicate parts in a service assembly and another to indicate the quantity of a given part in an illustration.

### Service Assembly Reference Numbers

Parts in service assemblies have reference numbers in the form a:b. The a represents the reference number of the entire service assembly and the b represents a sequential number unique to each part within the service assembly.

For example, a wheel assembly might be identified by reference number 6, the tire by 6:1, the valve by 6:2, and the wheel by 6:3. When you order the assembly identified by reference number 6, you receive all parts identified by reference numbers 6:1, 6:2, and 6:3. However, you may also order any part individually. Reference numbers of this type appear in illustrations and in part lists.

### Reference Numbers Indicating Quantity

In an illustration, if a reference number indicates more than one part, the reference number has the form nX y. The n represents the quantity of the part, the X is the multiplication symbol, and the y represents the reference number.

For example, in an illustration, the reference number 2X 37 means that two of the parts identified by reference number 37 are indicated.

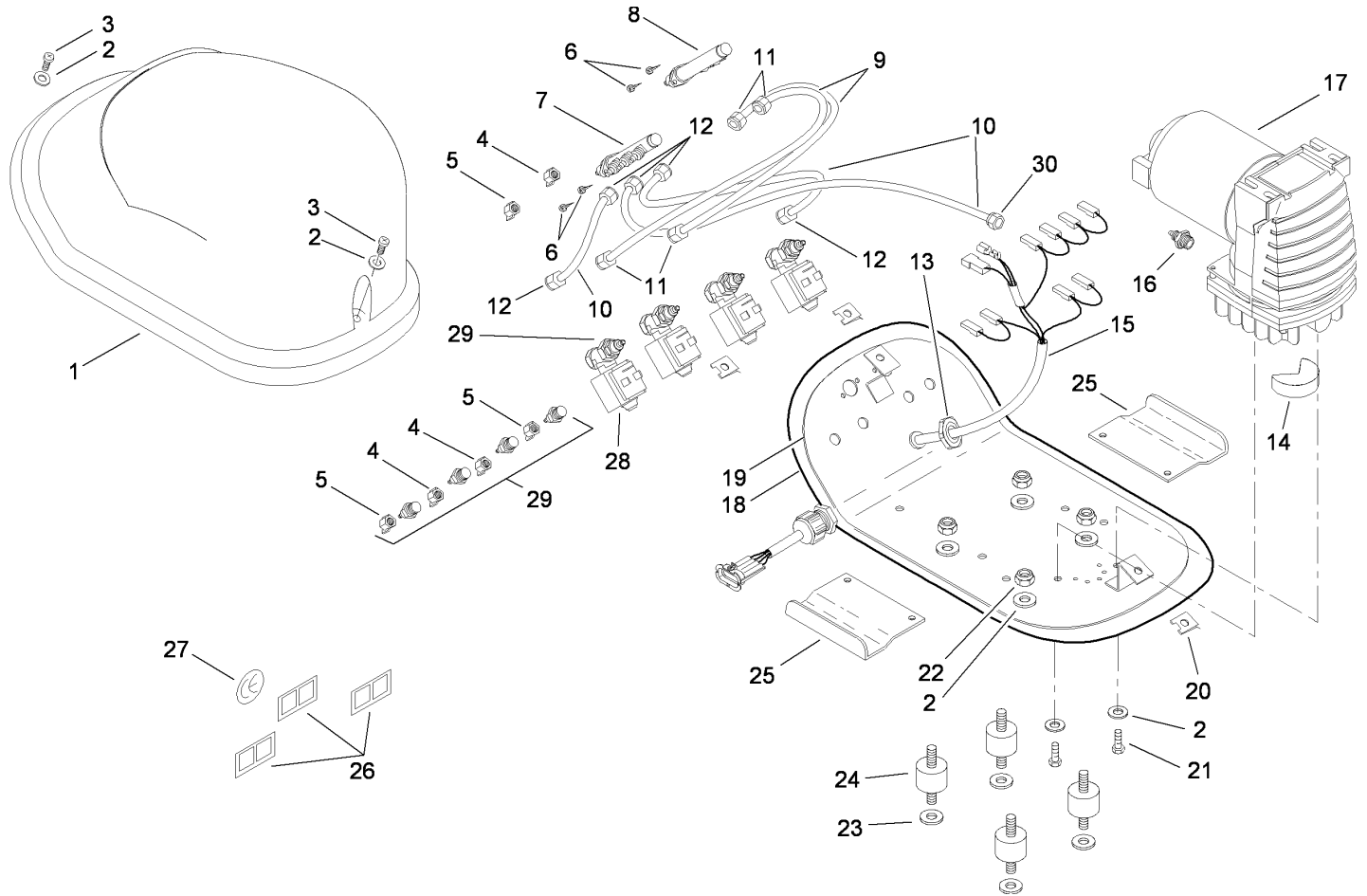
# Contents

Description	Page	Description	Page
Compressor Assembly	..... 3	Tank Components and Mounting Hardware	..... 4

## Part Description Abbreviations

Part descriptions in this catalog may include the following abbreviations.

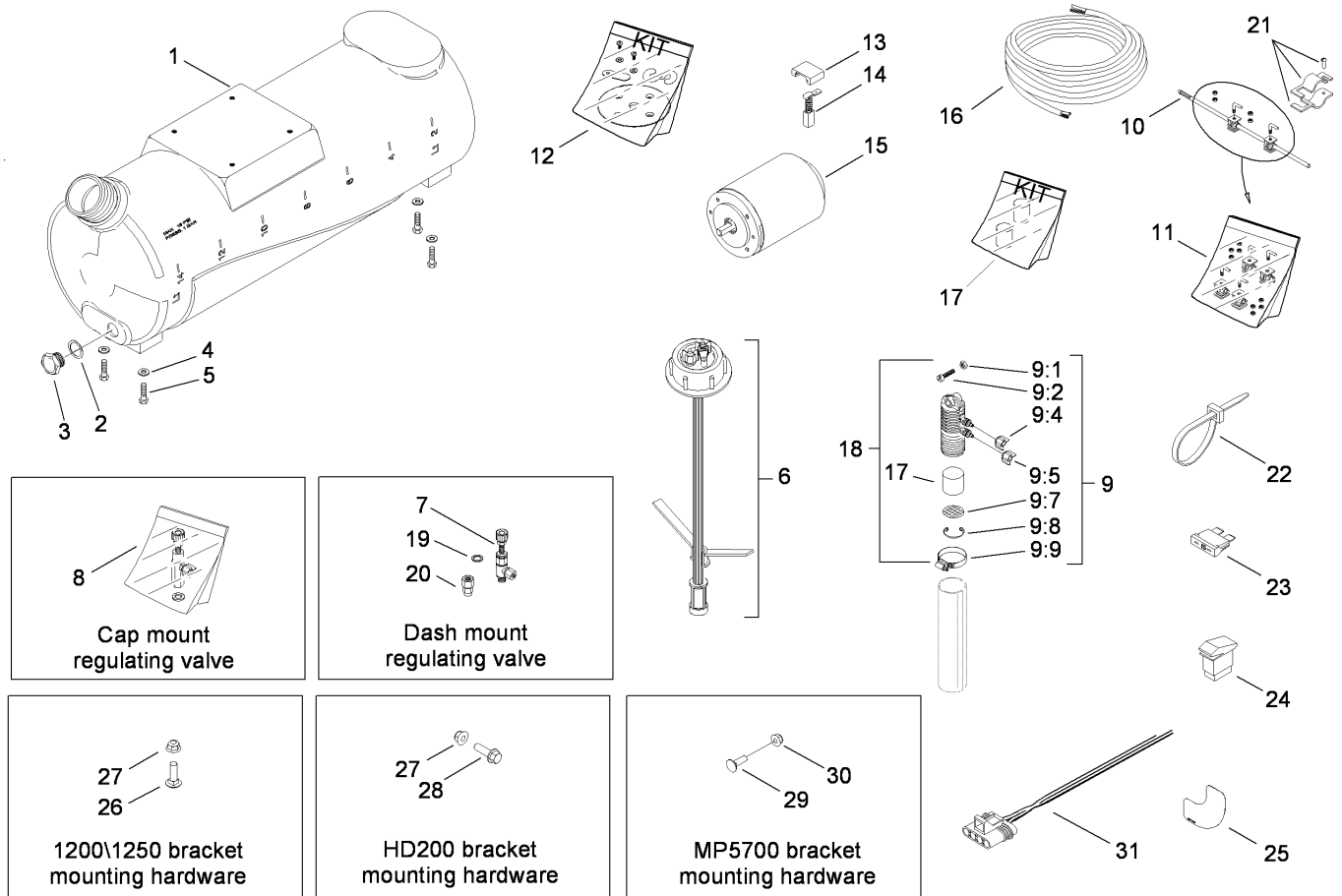
AR. ....	as required	HYD. ....	hydraulic
ASM. ....	assembly	LH. ....	left hand
BBC. ....	blade brake clutch	NI. ....	nylon insert
CARR. ....	carriage	NPTF. ....	national pipe thread fine
DEG. ....	degrees	PFH. ....	phillips flat head
EXT. ....	external	PPH. ....	phillips pan head
FH. ....	flat head	PPHTF. ....	phillips pan head thread forming
GA. ....	gauge	PRH. ....	phillips round head
HD. ....	heavy-duty	PTH. ....	phillips truss head
HF. ....	hex flange	PTO. ....	power-take-off
HH. ....	hex head	RH. ....	right hand
HHF. ....	hex head flange	ROPS. ....	roll-over protection system
HHFTF. ....	hex head flange thread forming	SFH. ....	slotted fillister head
HJ. ....	hex jam	SHH. ....	slotted hex head
HLH. ....	hex lag head	SHWH. ....	slotted hex washer head
HOC. ....	height-of-cut	SPH. ....	slotted pan head
HSBH. ....	hex socket button head	SQH. ....	square head
HSFH. ....	hex socket flat head	SRH. ....	slotted round head
HSH. ....	hex socket head	STD. ....	standard
HWH. ....	hex washer head	TAP. ....	self tapping
HWHTF. ....	hex washer head thread forming	TTH. ....	torx truss head



## Compressor Assembly

Ref	Part No.	Qty.	Description
1	114-9500	1	Cover-Compressor
2	114-9501	10	Washer
3	114-9502	2	Screw
4	114-9503	3	Nut-Wing, Plastic
5	114-9504	3	Nut-Wing
6	114-9505	4	Screw-Machine
7	114-9506	1	Manifold-4 Way ASM
8	114-9507	1	Manifold-3 Way ASM
9	114-9512	2	Tube-Blue
10	114-9513	3	Tube-White
11	114-9514	4	Nut-Plastic
12	114-9515	6	Connector-Tubing
13	114-9516	1	Nut-Harness Holder
14	114-9517	1	Filter-Sponge
15	114-9518	1	Harness-Wire
16	114-9519	1	Connector
17	114-9520	1	Compressor
18	114-9521	1	Sealer
19	114-9522	1	Plate-Compressor Mount
20	114-9523	2	Clip
21	114-9524	4	Screw
22	114-9525	4	Nut-Lock
23	114-9526	4	Washer
24	114-9527	4	Shock Absorber

Ref	Part No.	Qty.	Description
25	114-9528	2	Hook-Compressor Cover
26	114-9529	1	Decal-Air/Liquid Color Code
27	114-9530	1	Decal-Ce
28	114-9531	4	Valve-Solenoid
29	114-9540	4	Connector-Tubing
30	114-9567	1	Connector-Tubing



## Tank Components and Mounting Hardware

Ref	Part No.	Qty.	Description
1	114-9535	1	Tank
2	114-9538	1	Seal
3	114-9539	1	Plug-Drain
4	114-9532	4	Washer-M6
5	114-9533	4	Screw-M6
6	114-9537	1	Cap ASM
7	114-9536	1	Regulator-Flow
8	114-9568	1	Regulator-Flow, Cap Mount
9	114-9541	1	Nozzle-Foam ASM
9:1	114-9542	1	Nut
9:2	114-9543	1	Screw
9:4	114-9503	1	Nut-Wing, Plastic
9:5	114-9504	1	Nut-Wing
9:7	114-9546	1	Screen-Stainless Steel
9:8	114-9547	1	Ring-Snap, Stainless Steel
9:9	114-9548	1	Clamp-Hose
10	114-9556	2	Rod
11	114-9555	1	Kit-Rod Mount
12	114-9549	1	Kit-Diaphragm
13	114-9550	1	Cover-Motor Brush
14	114-9551	1	Brush-Motor
15	114-9552	1	Motor-Compressor
16	114-9553	1	Tube ASM
17	114-9554	1	Kit-Mixer Sponge

Ref	Part No.	Qty.	Description
18	114-9570	1	Mixer-Foam ASM
19	114-9572	1	Washer-Plastic
20	114-9571	1	Nut-Valve
21	40999	4	Clamp Assy
22	3290-378	12	Tie-Cable
23	109355	1	Fuse-15 Amp
24	95-8999	2	Switch
25	112-7890	1	Decal-Foam Control
26	3231-25	4	Screw-CARR
27	104-8301	4	Nut-Flange, NI
28	3234-24	4	Screw-HHF
29	3230-2	4	Bolt-CARR
30	104-8300	4	Nut-Flange, NI
31	114-3394	1	Harness-Wire,Foam,Retro Fit

## NOTES

# NOTES

# NOTES

