



**Count on it.**

**Parts Catalog**

**Workman® 200 Spray System**

**Heavy-Duty Workman® Vehicles**

Model No. 41235—Serial No. 312000202 and Up



# Ordering Replacement Parts

To order replacement parts, please supply the part number, the quantity, and the description of each part desired.

## Understanding Reference Numbers

Each identified part in an illustration has a reference number. The reference number for a part also appears in the parts list, along with other information about the part.

This catalog uses two special reference number formats, one to indicate parts in a service assembly and another to indicate the quantity of a given part in an illustration.

## Service Assembly Reference Numbers

Parts in service assemblies have reference numbers in the form a:b. The a represents the reference number of the entire service assembly and the b represents a sequential number unique to each part within the service assembly.

For example, a wheel assembly might be identified by reference number 6, the tire by 6:1, the valve by 6:2, and the wheel by 6:3. When you order the assembly identified by reference number 6, you receive all parts identified by reference numbers 6:1, 6:2, and 6:3. However, you may also order any part individually. Reference numbers of this type appear in illustration and in parts lists.

## Reference Numbers Indicating Quantity

In an illustration, if a reference number indicates more than one part, the reference number has the form nX y. The n represents the quantity of the part, the X is the multiplication symbol, and the y represents the reference number.

For example, in an illustration, the reference number 2X 37 means that two of the parts identified by reference number 37 are indicated.

# List of Abbreviations

**AR:** as required

**ASM:** assembly

**BBC:** blade brake control

**BHTF:** button head thread forming

**CARR:** carriage

**CCW:** counter clockwise

**CW:** clockwise

**DEG:** degrees

**DPA:** Dual Point Adjustment

**ECM:** electronic control module

**EXT:** external

**FH:** flat head

**GA:** gauge

**HD:** heavy-duty

**HF:** hex flange

**HH:** hex head

**HHF:** hex head flange

**HHFTF:** hex head flange thread forming

**HJ:** hex jam

**HLH:** hex lag head

**HOC:** height-of-cut

**HSBH:** hex socket button head

**HSFH:** hex socket flat head

**HSH:** hex socket head

**HWH:** hex washer head

**HWHTF:** hex washer head thread forming

**HYD:** hydraulic

**LH:** left hand

**LP:** Liquefied Petroleum Gas

**LPG:** Liquefied Petroleum Gas

**NI:** nylon insert

**NPTF:** national pipe thread fine

**PFH:** phillips flat head

**PPH:** phillips pan head

**PPHTF:** phillips pan head thread forming

**PRH:** phillips round head

**PTH:** phillips truss head

**PTO:** power-take-off

**RH:** right hand

**ROPS:** roll-over protection system

**RRB:** rear roller brush

**SFH:** slotted fillister head

**SHH:** slotted hex head

**SHWH:** slotted hex washer head

**SPH:** slotted pan head

**SQH:** square head

**SRH:** slotted round head

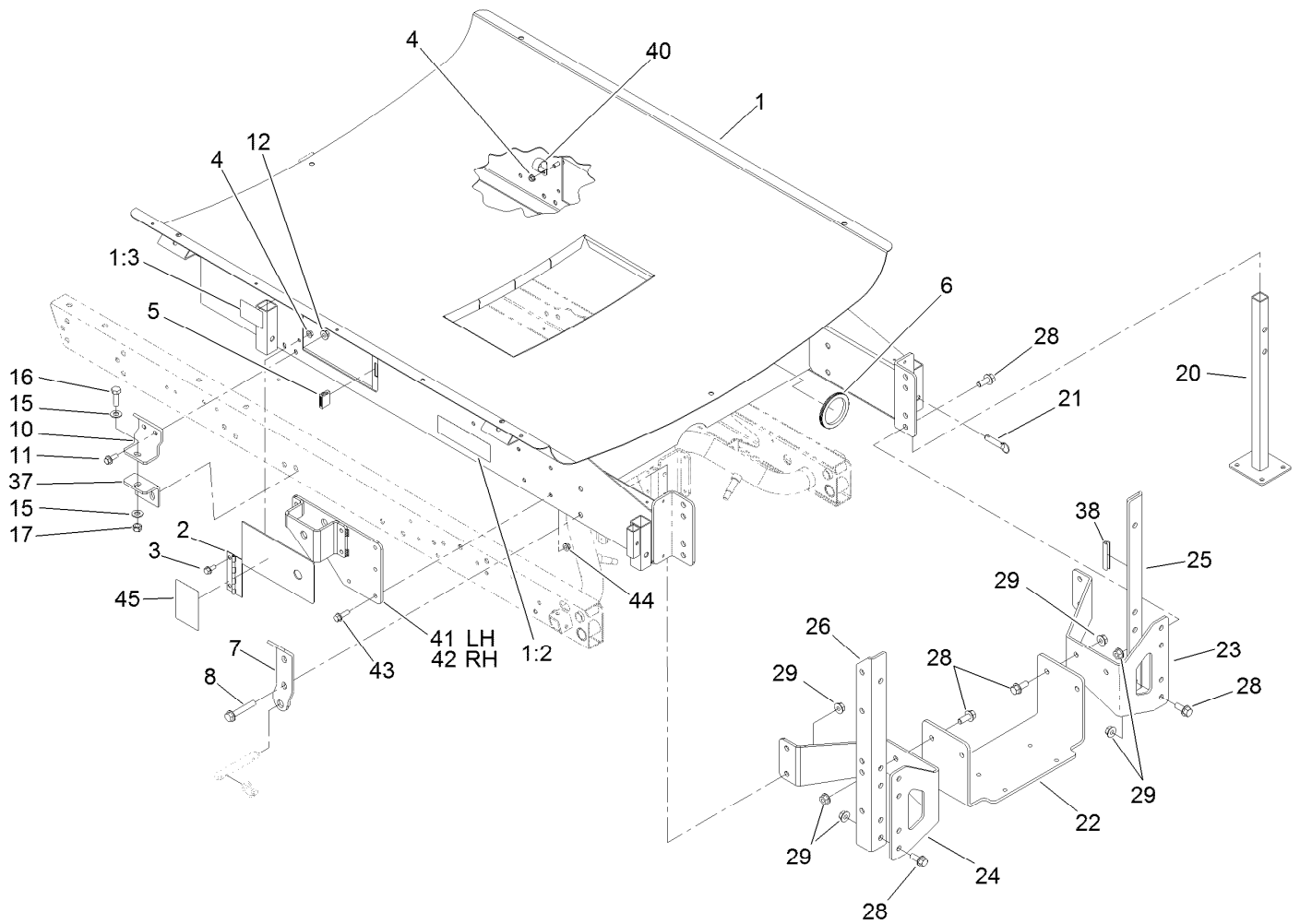
**STD:** standard

**TAP:** self tapping

**TTH:** torx truss head

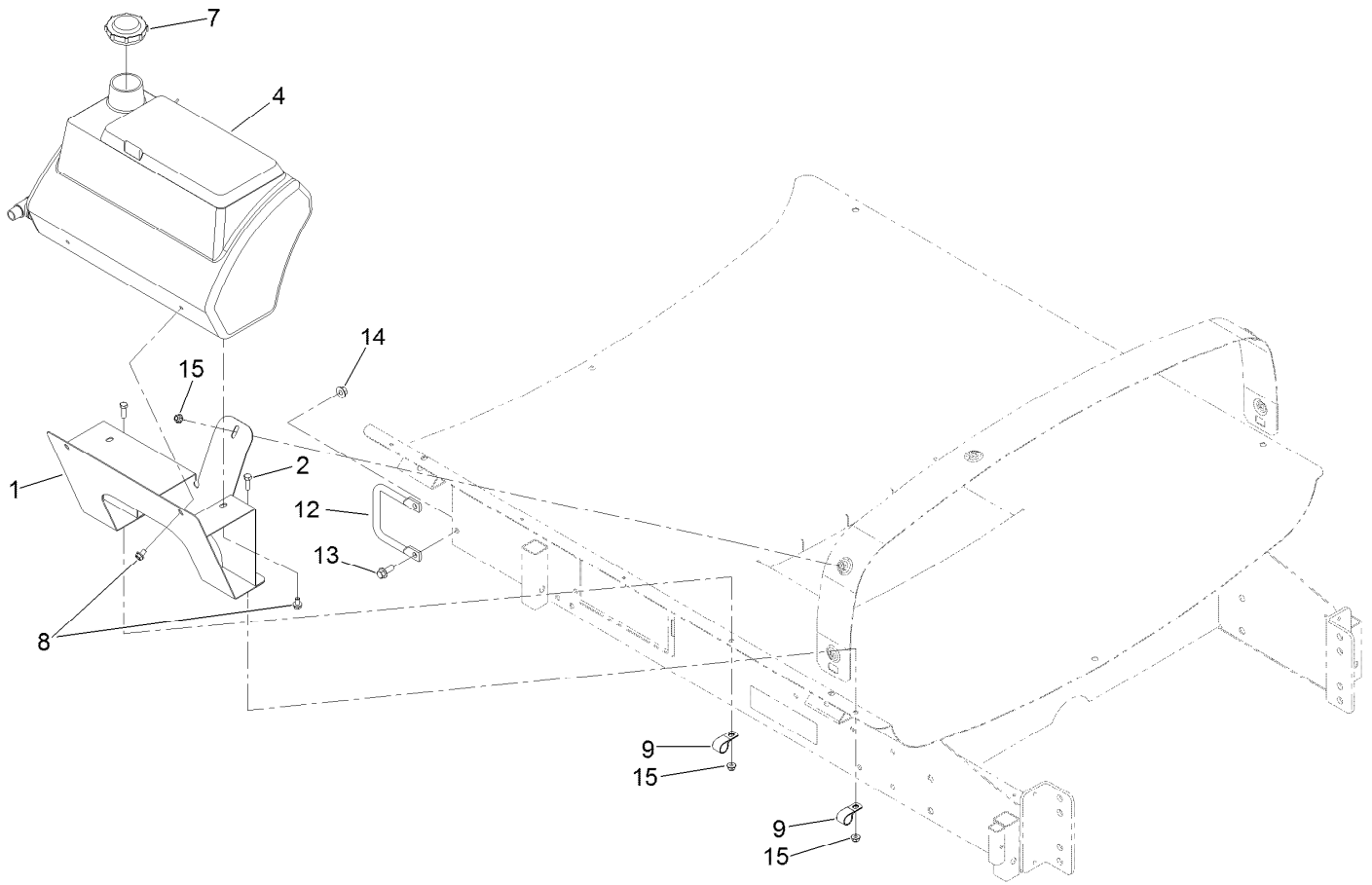
# Contents

Skid and Frame Assembly .....	4
Fresh Water Tank Assembly .....	5
Fresh Water Tank Assembly No. 100-8438 .....	6
Tank and Cover Assembly .....	7
Replacement 200-Gallon Tank Assembly No. 119-9405 .....	8
Spray Tank Lid Assembly No. 119-9380 .....	9
Pump and Drive Assembly .....	10
Pump Assembly No. 106-5121 .....	11
Drive Shaft Assembly No. 107-2810 .....	12
Upper Sprayer Component Assembly .....	13
Pressure Damper Assembly No. 100-6662 .....	14
Suction and Drain Assembly .....	15
Tank Drain Assembly .....	16
Upper Tank Drain Bulkhead Assembly .....	17
Top Mounted Suction Assembly No. 107-2800 .....	18
Lower Sprayer Component Assembly .....	19
Safety Valve Assembly No. 100-6820 .....	20
Control Valve Assembly .....	21
Regulating Valve Assembly .....	22
Flow Meter Assembly No. 106-1038 .....	23
Manifold Valve W/Bypass Assembly .....	24
Control Box Assembly .....	25
Hose Assembly .....	26
Electrical Assembly .....	28
Center Boom Assembly .....	29
Left and Right Hand Boom Assembly .....	31
RH Single Body Turret Assembly No. 108-3726 .....	32
LH Single Turret Body Assembly No. 108-3725 .....	33
Double Turret Body Assembly No. 108-3727 .....	34
Attachments and Accessories .....	35



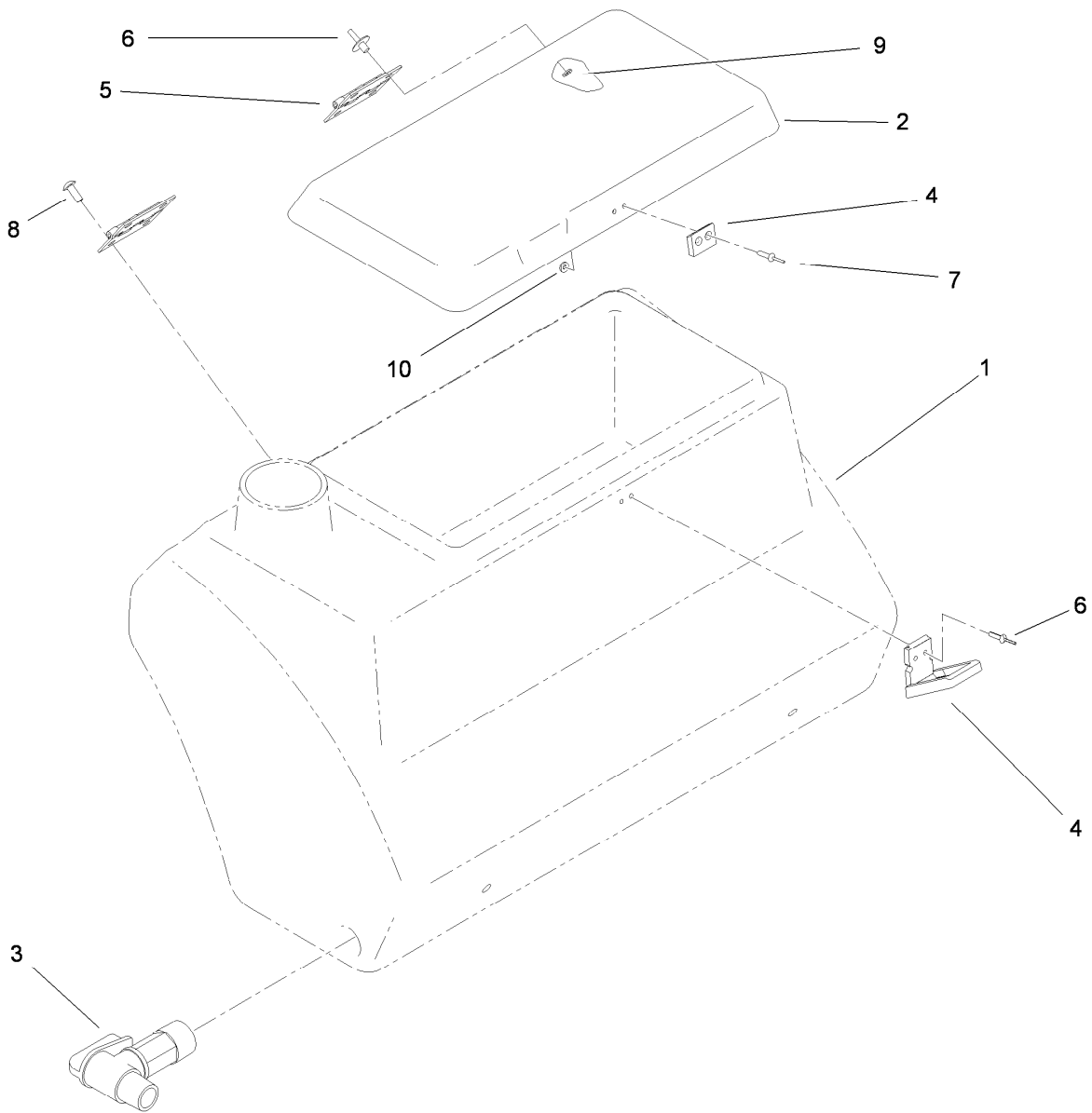
## Skid and Frame Assembly

<i>Ref.</i>	<i>Part Number</i>	<i>Qty.</i>	<i>Description</i>	<i>Ref.</i>	<i>Part Number</i>	<i>Qty.</i>	<i>Description</i>
1	106-1367	1	Skid ASM	21	100-4523	4	Pin-Hitch
1:2	106-1365	1	Decal-Danger	22	106-1345-03	1	Base-Pump
1:3	106-1434	2	Decal-Caution	23	108-3496-03	1	Bracket-Pump, RH
2	106-1290-03	2	Door ASM	24	108-3497-03	1	Bracket-Pump, LH
3	3234-5	4	Screw-HHF	25	108-3703-03	1	Angle-Boom Mount, RH
4	32128-20	4	Nut-HF	26	108-3704-03	1	Angle-Boom Mount, LH
5	92-3700	2	Magnet-Door	28	3234-32	10	Screw-HHF
6	237-102	3	Grommet	29	32128-49	14	Nut-HHF
7	107-2858	2	Pivot-Lug	37	92-2667-03	2	Bracket-Mount
8	3234-40	4	Screw-HF	38	70-2041	1	Trim
10	107-2859	2	Bracket-Mount, Front	40	2412-126	1	R-Clamp
11	3234-42	4	Screw-HHF	41	119-0686-03	1	LH Cylinder Mount ASM
12	32128-43	4	Nut-Flange	42	119-0688-03	1	RH Cylinder Mount ASM
15	3256-26	4	Washer-Flat	43	110-5050	16	Screw-HHF
16	325-6	2	Screw-HH	44	3290-357	16	Nut-HHF, Whiz
17	32153-5	2	Nut-Hex	45	119-0651	2	Decal-Tipping
20	105-9482-03	4	Jack Stand ASM				



## Fresh Water Tank Assembly

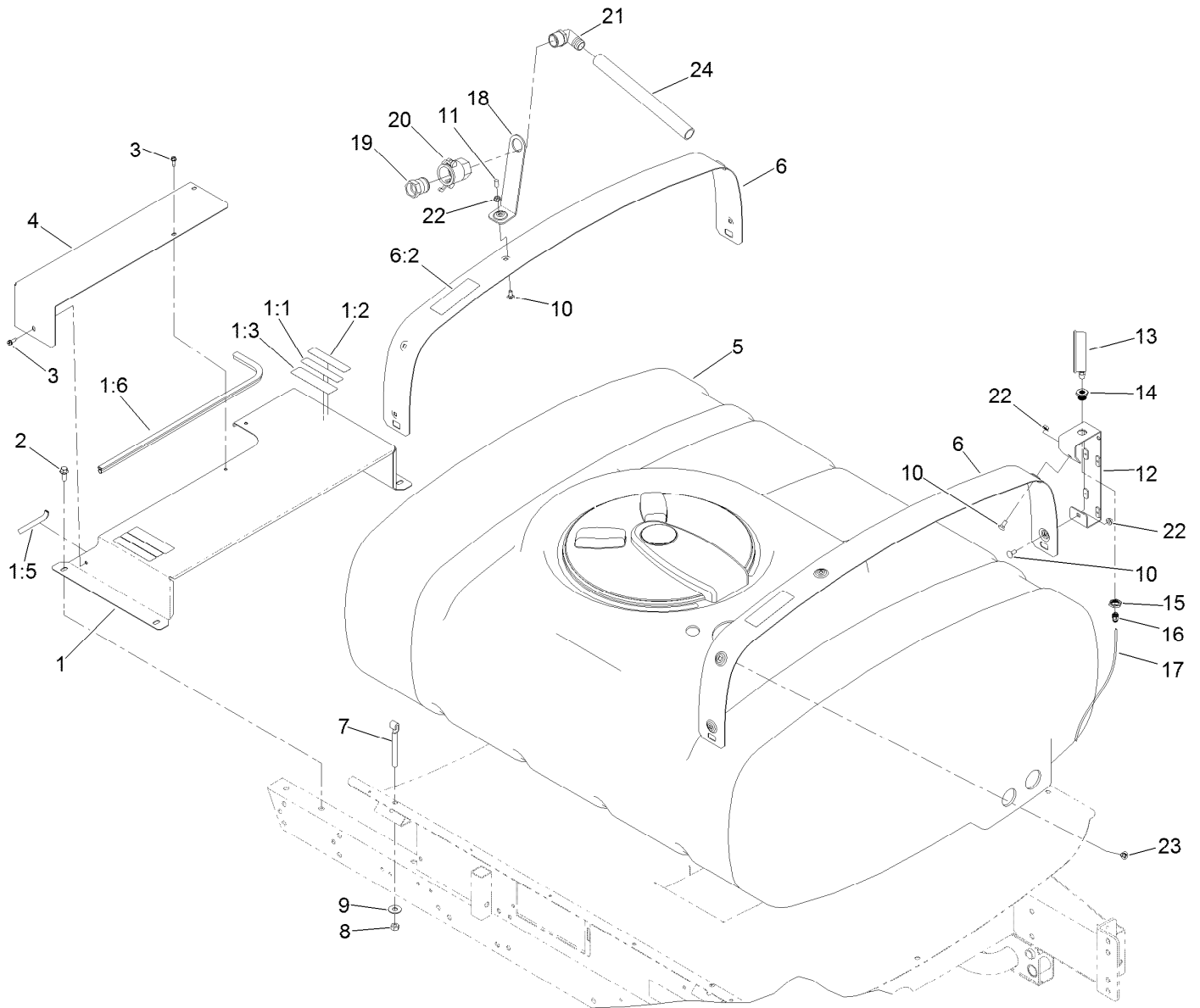
<i>Ref.</i>	<i>Part Number</i>	<i>Qty.</i>	<i>Description</i>
1	107-2819-03	1	Fresh Water Tank Bracket ASM
2	322-5	2	Screw-HH
4	100-8438	1	Fresh Water Tank ASM
7	100-7008	1	Cap-Tank, Fresh Water
8	3234-28	4	Screw-HHF
9	2412-4	2	Clamp
12	106-1357	2	Handle
13	3234-42	4	Screw-HHF
14	32128-43	4	Nut-Flange
15	104-8300	3	Nut-Flange, NI



## Fresh Water Tank Assembly No. 100-8438

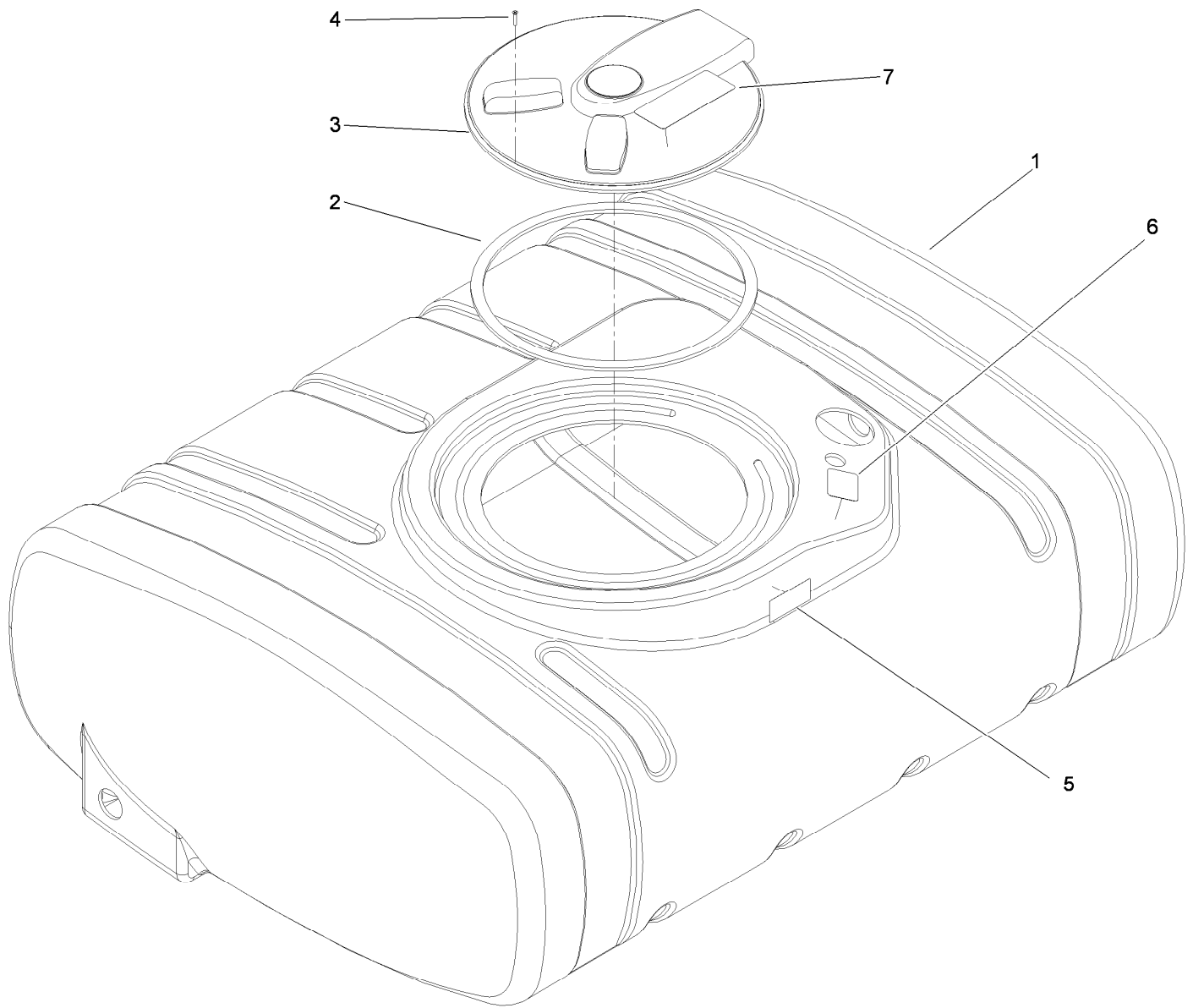
Ref.	Part Number	Qty.	Description
1		1	Tank-Water, Fresh ●
2	100-8397	1	Cover-Tank
3	100-7011	1	Spigot-90 DEG
4	100-7009	1	Latch-Draw
5	100-7010	2	Hinge
6	100-7062	4	Rivet
7	100-7063	4	Rivet
8	100-7064	4	Screw
9	100-7065	4	Washer
10	100-7066	2	Washer

● Not serviced separately



## Tank and Cover Assembly

Ref.	Part Number	Qty.	Description	Ref.	Part Number	Qty.	Description
1	106-2275	1	Radiator Cover ASM	10	3230-1	3	Bolt-CARR
1:1	93-6687	2	Decal-No Step	11	42452	1	Cap-Protective
1:2	93-6689	2	Decal-No Riders	12	106-7997-03	1	Tee Mounting Bracket ASM
1:3	93-7814	2	Decal-Danger	13	121-4976	1	Gauge-Pressure
1:5	92-3627	1	Trim	14	100-8665	1	Reducer-Gauge, Pressure
1:6	42657	1	Trim-Panel, Front	15	100-8666	1	Nut-Reducer
2	3234-42	4	Screw-HHF	16	100-8667	1	Coupler-Reducer
3	32104-95	3	Screw-HWH	17	107-2834	1	Tubing-Pressure
4	93-6427-03	1	Panel-Radiator	18	100-6778-03	1	Bracket-Siphon, Anti
5	119-9405	1	Tank ASM	19	41316	1	Adapter-Quick
6	106-1368	2	Band-Tank	20	100-6779	1	Coupling-Female
6:2	106-5016	1	Decal-Caution, Electric Shock	21	41140	1	Elbow
7	92-3668	4	Bolt-J	22	32128-20	3	Nut-HF
8	3217-8	4	Nut-Hex	23	3230-19	1	Screw-CARR
9	3256-5	4	Washer-Flat	24	104-9075	1	Hose-Siphon, Anti

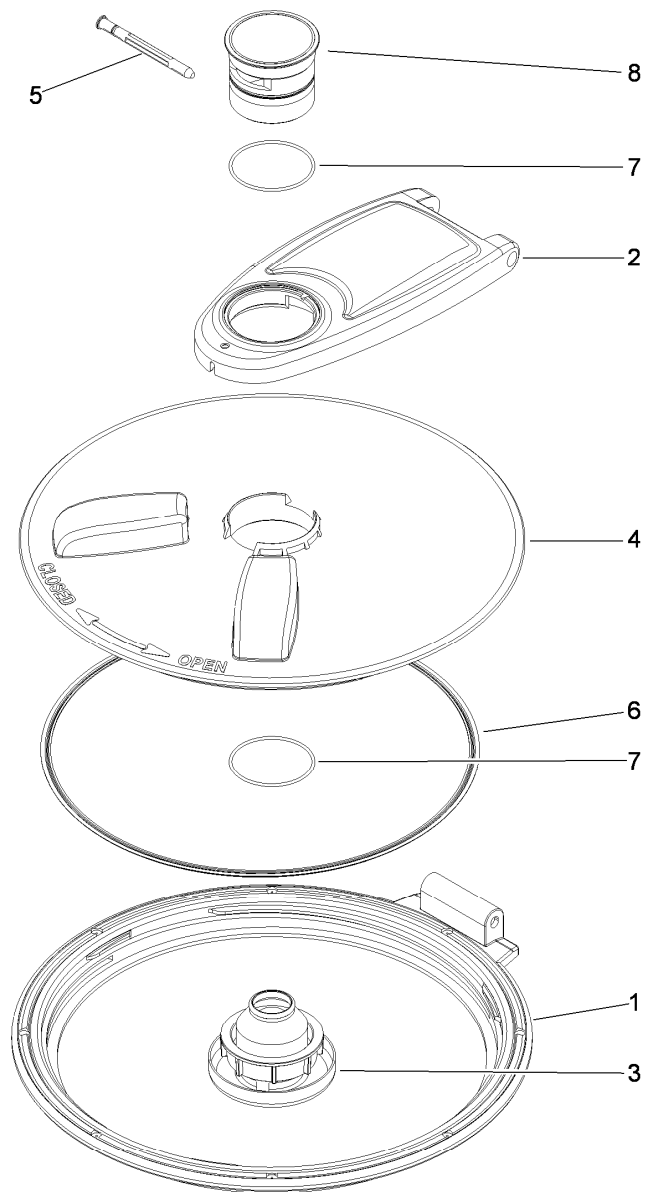


## Replacement 200-Gallon Tank Assembly No. 119-9405

<i>Ref.</i>	<i>Part Number</i>	<i>Qty.</i>	<i>Description</i>
1		1	Tank-Spray, 200 Gallon ●
2	119-9378	1	Gasket-Lid, Tank
3	119-9380	1	Spray Tank Lid ASM
4	107-8635	8	Screw-PFH
5	106-1355	1	Decal-No Tank Entry
6	106-5065	1	Decal-Drain, Tank
7	93-0688	1	Decal-Warning, Chemical

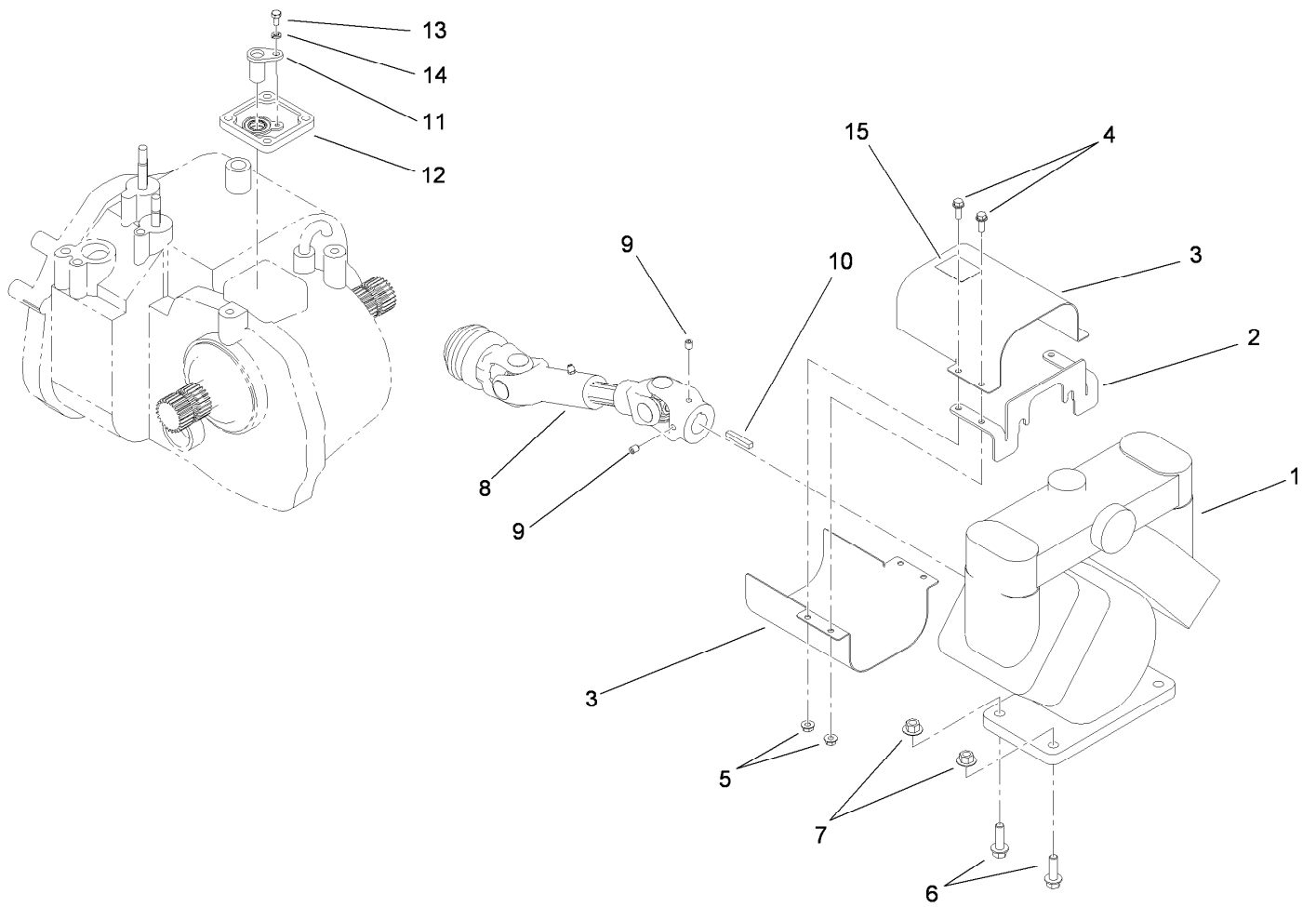
● Not serviced separately





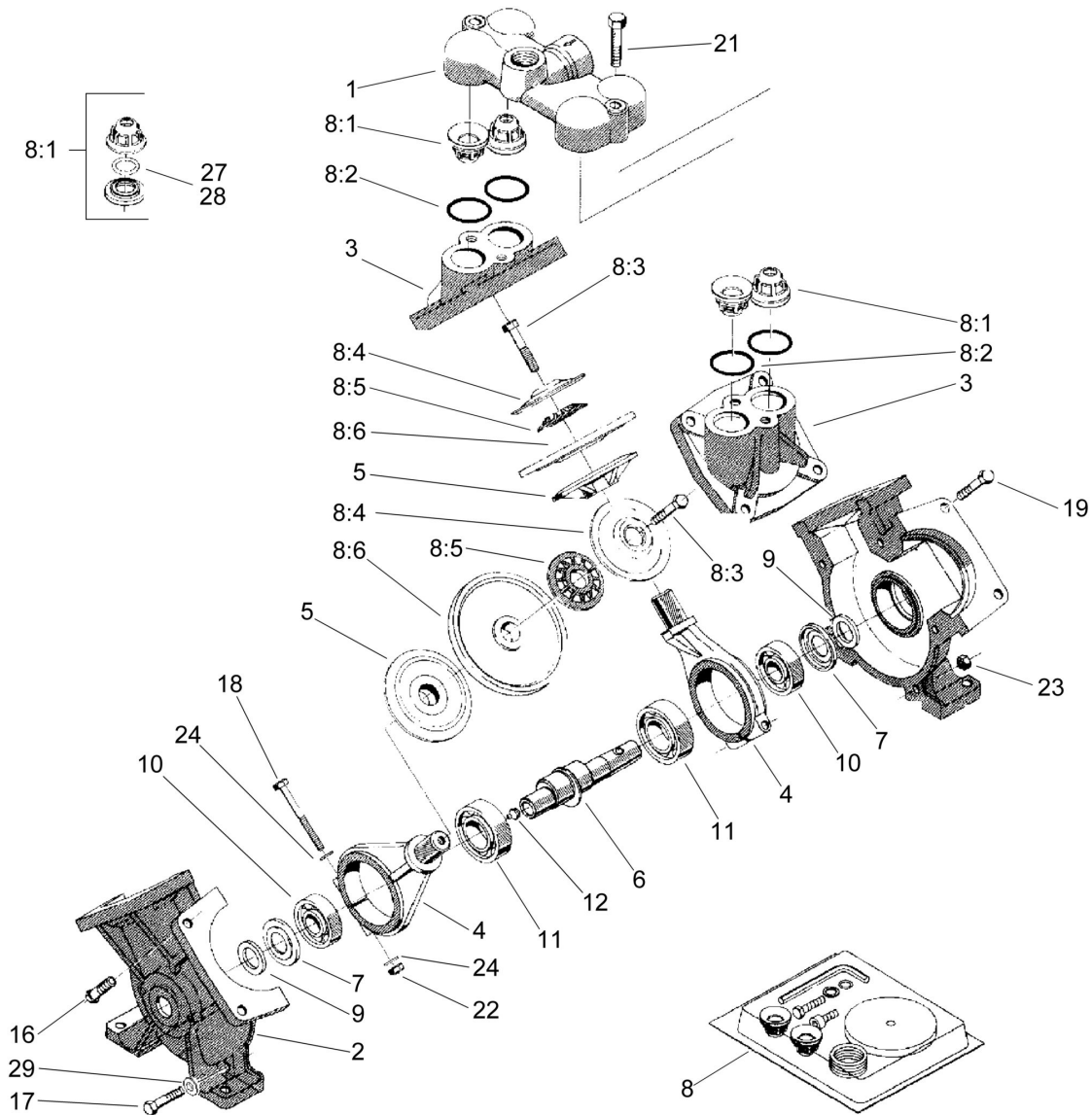
## Spray Tank Lid Assembly No. 119-9380

<i>Ref.</i>	<i>Part Number</i>	<i>Qty.</i>	<i>Description</i>
1	119-9381	1	Ring-Lid
2	119-9382	1	Arm-Lid
3	119-9383	1	Lid Vent ASM
4	119-9384	1	Cover-Lid
5	119-9385	1	Pin-Pivot
6	106-5004	1	Seal-Lid
7	119-9386	2	O-Ring
8	119-9387	1	Cap-Lid



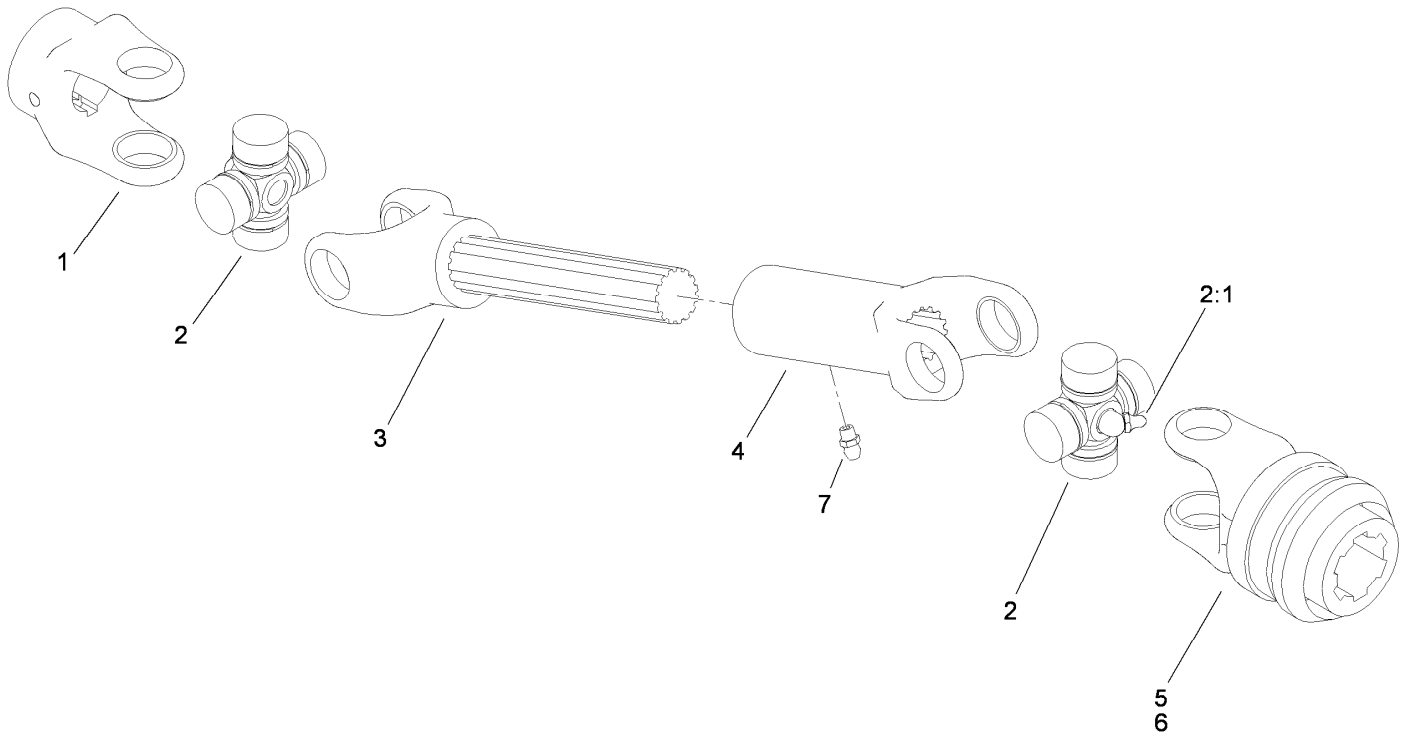
## Pump and Drive Assembly

<i>Ref.</i>	<i>Part Number</i>	<i>Qty.</i>	<i>Description</i>
1	106-5121	1	Pump ASM
2	104-8970-03	1	Bracket-Shroud
3	104-8971-03	2	Shroud-Drive, Pump
4	3234-4	4	Screw-HHF
5	32128-33	4	Nut-HF
6	3234-18	4	Screw-HHF
7	32128-43	4	Nut-Flange
8	107-2810	1	Shaft-Drive, PTO
9	3246-18	2	Setscrew
10	67-7490	1	Key-Square
11	85-4350	1	Sensor-Gear tooth
12	92-3736	1	Cover ASM
13	33113-012	1	Screw-HH
14	48-8020	1	Washer-Spring
15	106-1354	1	Decal



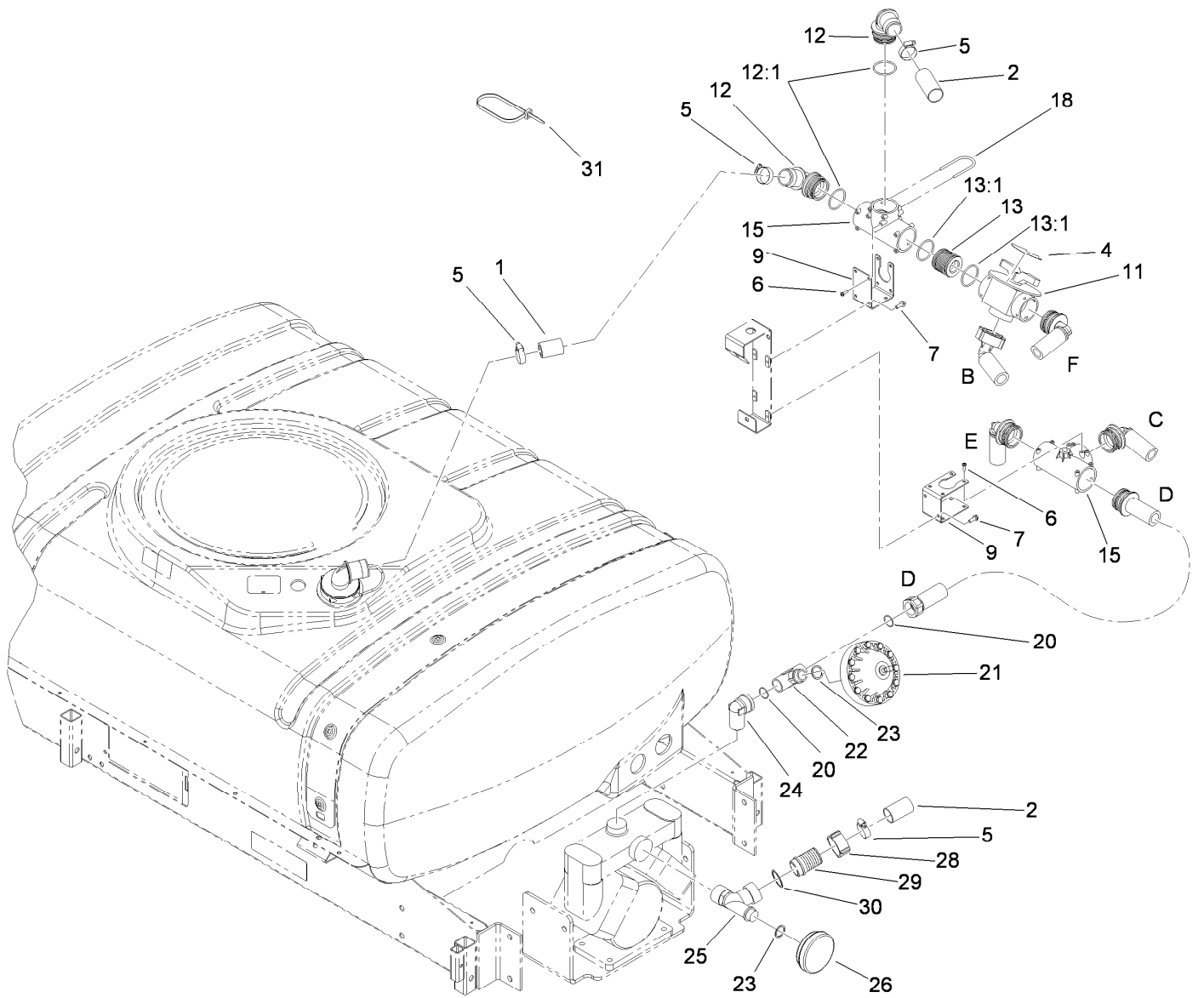
## Pump Assembly No. 106-5121

Ref.	Part Number	Qty.	Description	Ref.	Part Number	Qty.	Description
1	106-5139	1	Cover-Valve	10	100-8327	2	Bearing-Ball
2	106-5140	2	Housing-Pump	11	100-8329	2	Bearing-Ball
3	106-5141	2	Cover-Diaphragm	12	99-0873	1	Fitting-Grease
4	106-5142	2	Rod-Connecting	16	106-5143	3	Bolt
5	100-8314	2	Disc-Back, Diaphragm	17	106-5144	2	Bolt
6	104-9052	1	Crankshaft-Keyed	18	106-5145	2	Bolt
7	100-8325	2	Plate-Dust	19	106-5146	8	Bolt
8	106-5150	1	Repair Kit	21	106-5148	2	Bolt
8:1	100-8307	4	Valve	22	100-8326	2	Nut-Hex
8:2	100-6652	4	Gasket	23	106-5149	5	Nut
8:3	106-5147	2	Bolt	24	100-8316	4	Washer-Lock
8:4	100-8311	2	Washer	27	100-8336	4	O-Ring
8:5	100-8312	2	Washer-Nylon	28	106-5138	4	O-Ring
8:6	100-8313	2	Diaphragm	29	106-5137	2	Washer
9	99-0868	2	Felt-Seal				



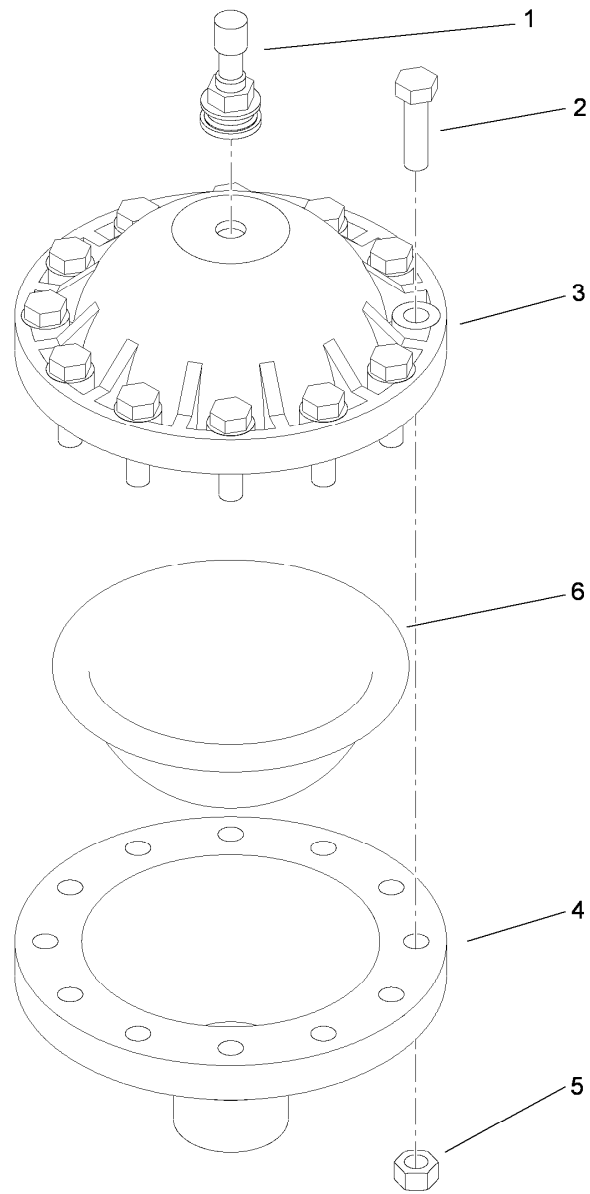
## Drive Shaft Assembly No. 107-2810

<i>Ref.</i>	<i>Part Number</i>	<i>Qty.</i>	<i>Description</i>
1	107-2823	1	Yoke-Shaft
2	54-9180	2	U-Joint Kit
2:1	62-3820	1	Fitting-Grease
3	107-2824	1	Shaft-Yoke, Slip
4	94-7379	1	Tube-Yoke, Slip
5	99-4476	1	Spring-Lok Yoke ASM
6	99-4477	1	Yoke Spring Lock Repair Kit
7	302-5	1	Fitting-Grease



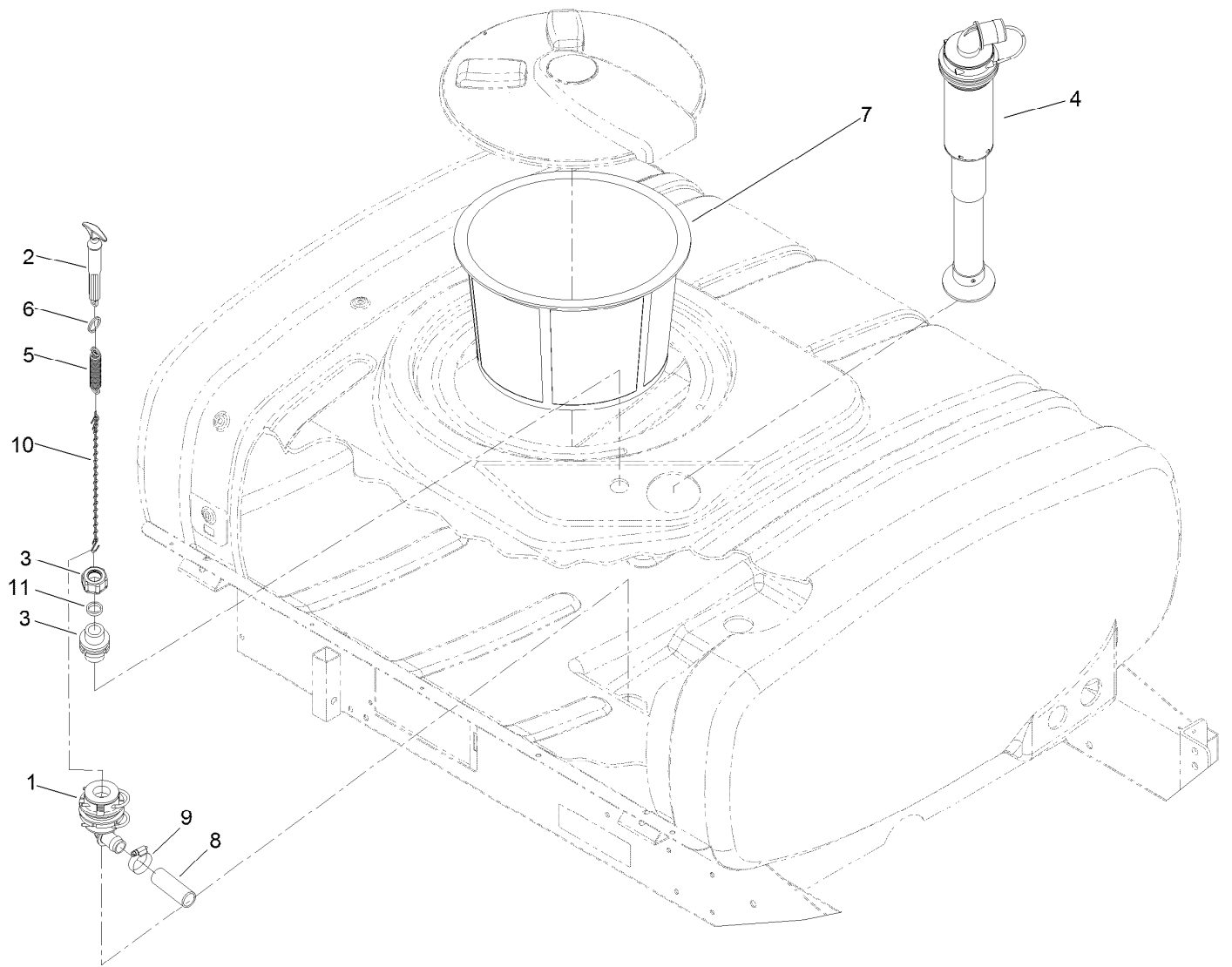
## Upper Sprayer Component Assembly

Ref.	Part Number	Qty.	Description	Ref.	Part Number	Qty.	Description
1	107-2804	1	Hose-Suction	18	100-8635	8	Fork
2	107-2805	1	Hose-Suction	20	100-6655	1	Gasket
4	107-8621	1	Decal-Agitation	21	100-6662	1	Pressure Damper ASM
5	41327	4	Clamp-Hose	22	100-8699	1	Tee
6	32144-32	8	Screw	23	100-6656	2	O-Ring
7	3234-4	4	Screw-HHF	24	100-8698	1	Elbow
9	100-8478	2	Bracket-Tee	25	100-8681	1	Tee
11	100-8673	1	Agitation Valve ASM	26	100-6660	1	Suction Damper ASM
12	106-4946	2	Hosebarb-90 DEG	28	100-8678	1	Nut
12:1	100-8637	1	O-Ring	29	100-8679	1	Hosebarb
13	106-4947	1	Connector	30	100-8680	1	Seal
13:1	100-8637	2	O-Ring	31	3334-945	4	Tie-Cable
15	100-6704	2	Tee				



## Pressure Damper Assembly No. 100-6662

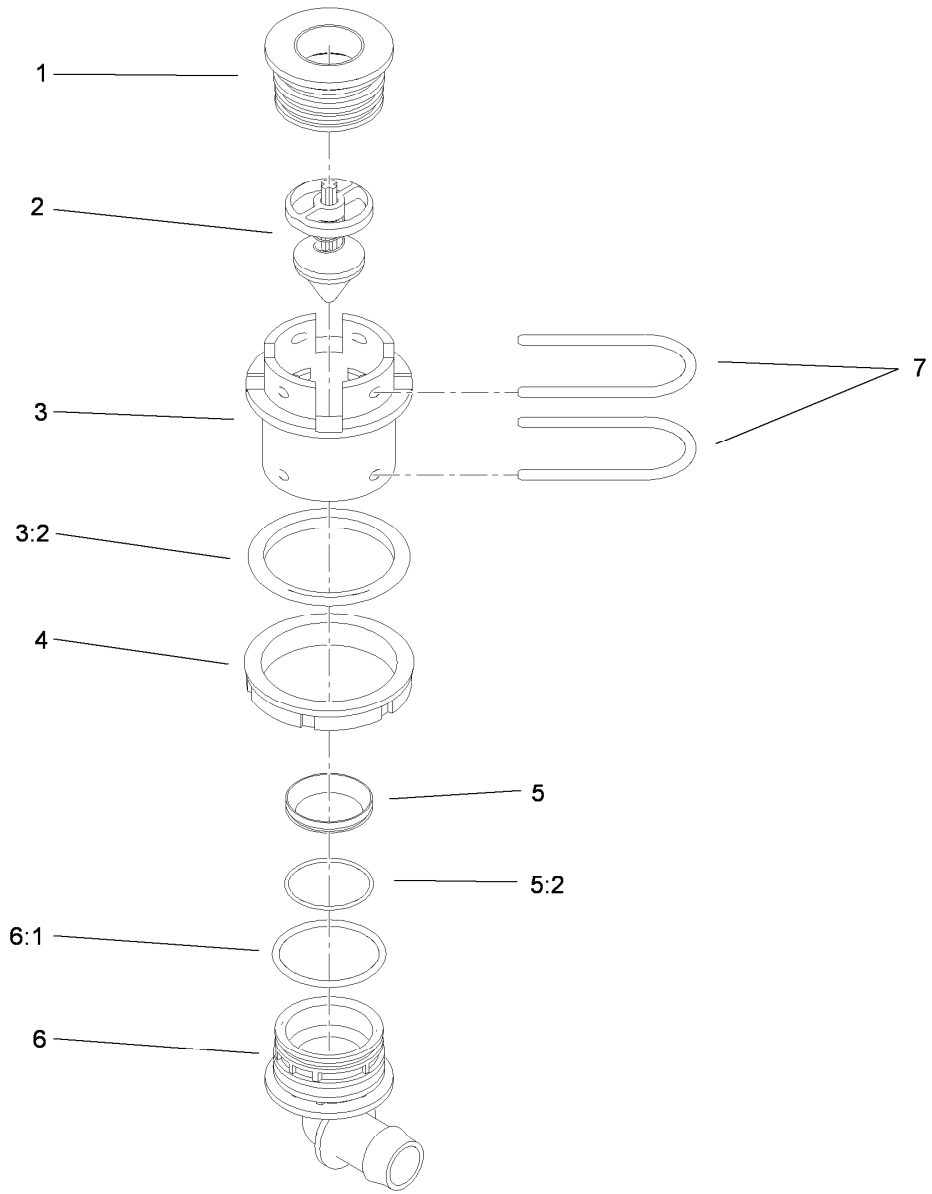
<i>Ref.</i>	<i>Part Number</i>	<i>Qty.</i>	<i>Description</i>
1	99-0895	1	Valve
2	33114-030	12	Screw-HH
3	99-0896	1	Half-Upper, Damper
4	99-0898	1	Half-Lower, Damper
5	33014-00	12	Nut-Hex
6	99-0897	1	Diaphragm



## Suction and Drain Assembly

Ref.	Part Number	Qty.	Description
1		1	Drain ASM ●
2	106-1347	1	Handle-Drain
3		1	Upper Tank Drain Bulkhead ASM ●
4	107-2800	1	Top Mounted Suction ASM
5	106-1415	1	Spring-Extension
6	106-1416	1	Ring-Retaining, Spiral (EXT)
7	119-9419	1	Basket-Filter
8	106-1351	1	Hose-Drain
9	2412-34	1	Clamp-Hose
10	106-1356	1	Chain ASM
11	106-1414	1	Seal

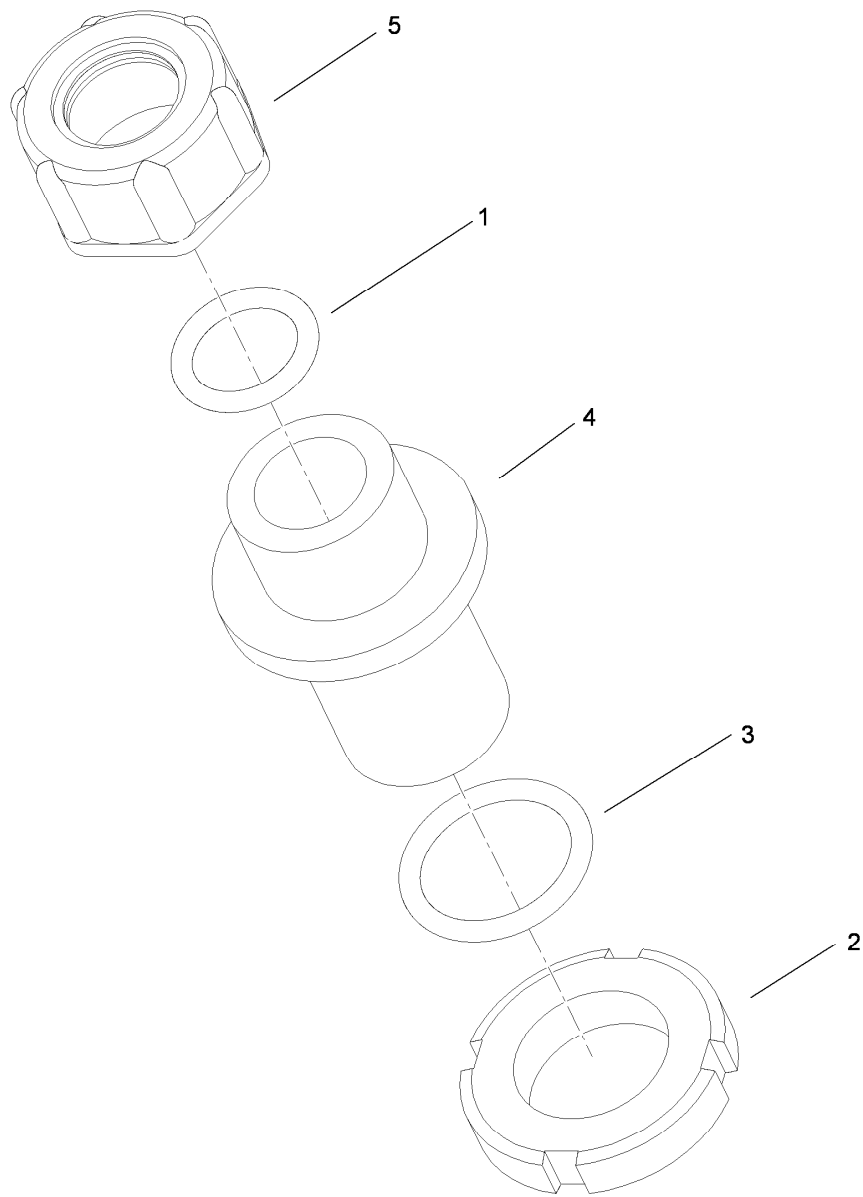
● Not serviced separately



## Tank Drain Assembly

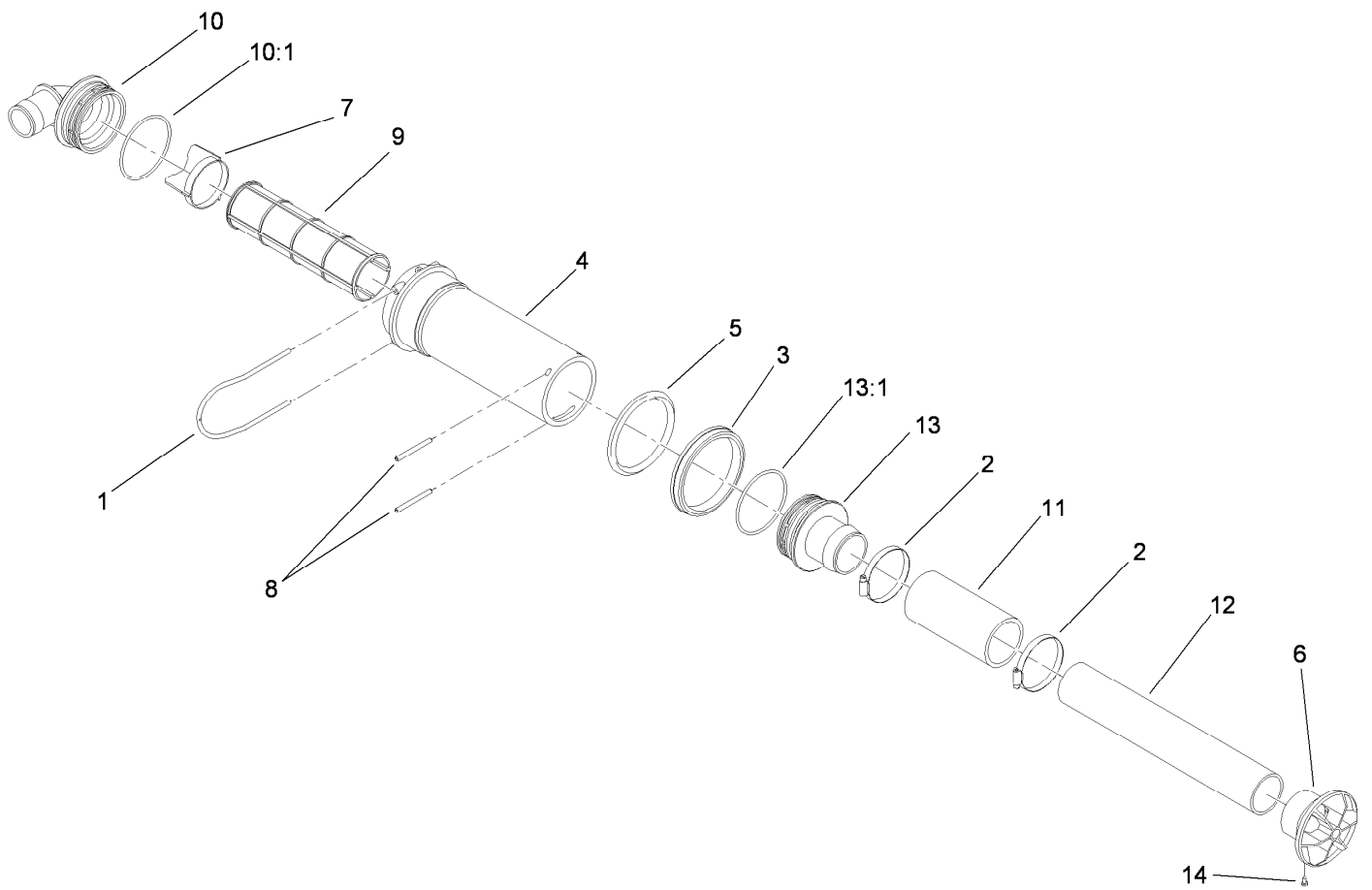
<i>Ref.</i>	<i>Part Number</i>	<i>Qty.</i>	<i>Description</i>
1	107-2868	1	Adapter
2	108-7016	1	Drain Valve ASM
3	107-2862	1	Drain Bulkhead ASM
3:2	107-2864	1	Gasket-Bulkhead
4	100-7051	1	Nut-Bulkhead
5	107-2867	1	Seat Drain ASM
5:2	107-2866	1	O-Ring
6	106-4933	1	Hosebarb ASM
6:1	100-8637	1	O-Ring
7	100-8635	2	Fork





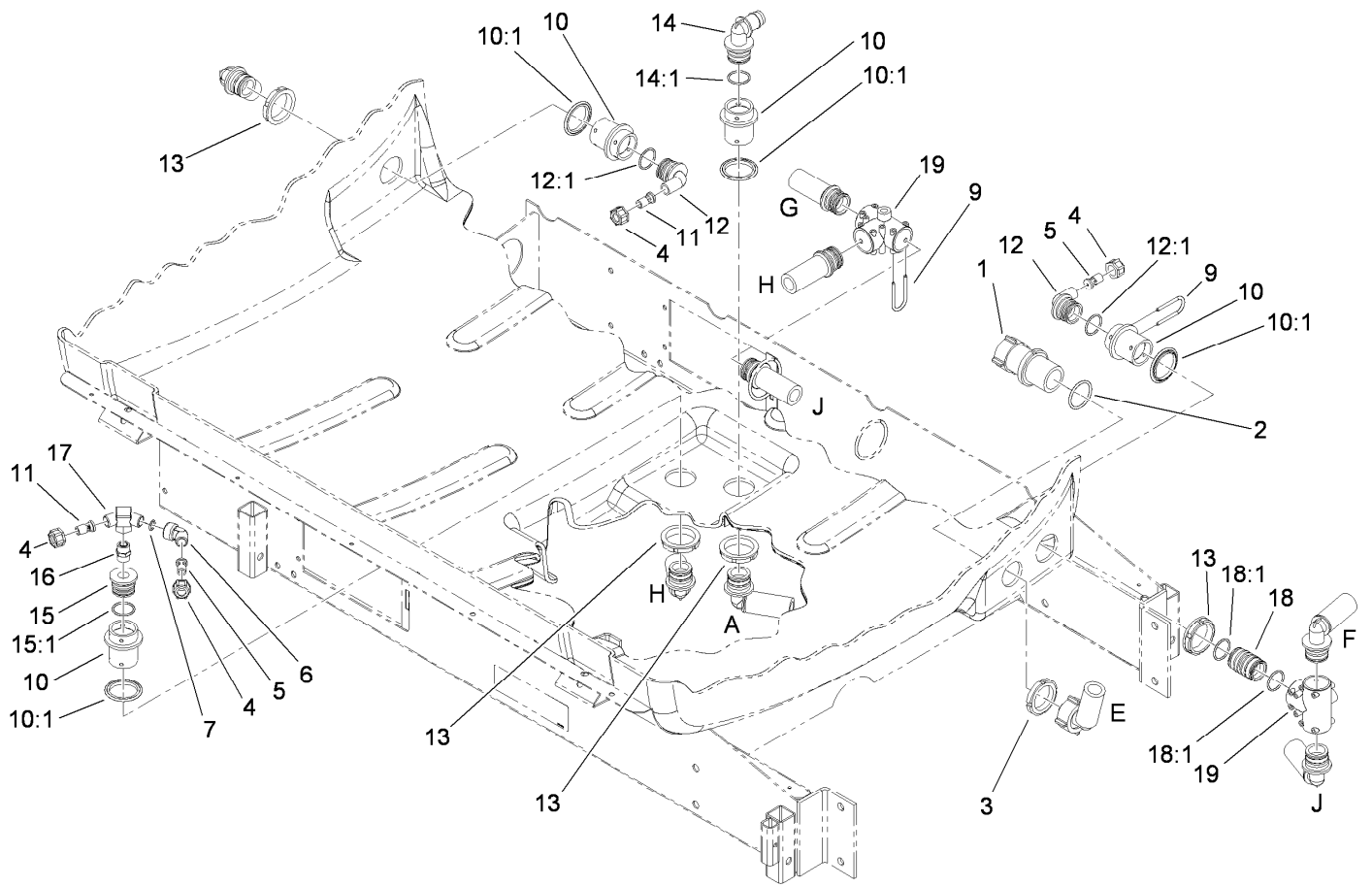
## Upper Tank Drain Bulkhead Assembly

<i>Ref.</i>	<i>Part Number</i>	<i>Qty.</i>	<i>Description</i>
1	100-6643	1	O-Ring
2	99-0758	1	Nut
3	100-6658	1	Gasket
4	106-1240	1	Bulkhead
5	106-1241	1	Nut-Special



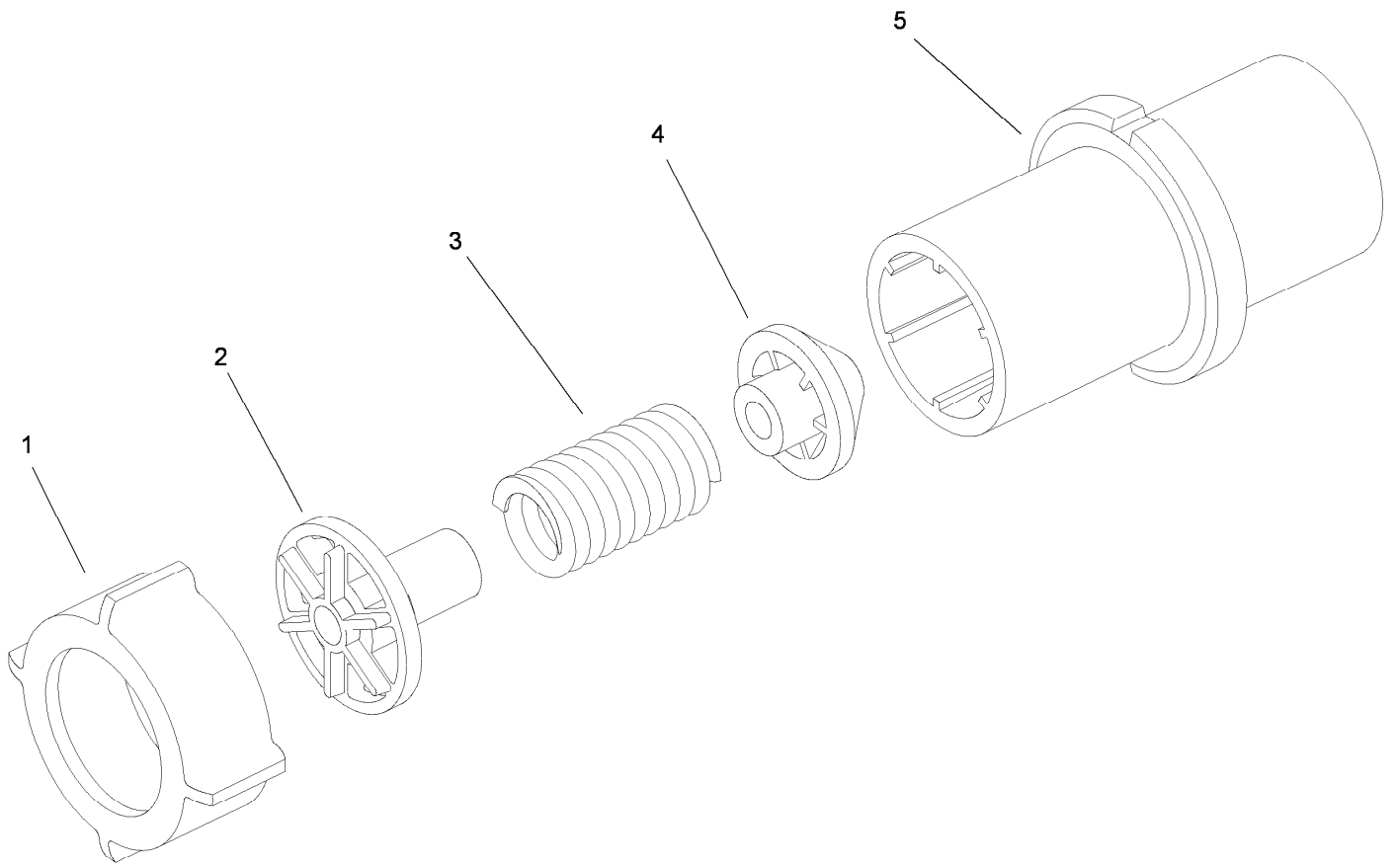
## Top Mounted Suction Assembly No. 107-2800

<i>Ref.</i>	<i>Part Number</i>	<i>Qty.</i>	<i>Description</i>	<i>Ref.</i>	<i>Part Number</i>	<i>Qty.</i>	<i>Description</i>
1	100-8636	1	Fork-Special	9	100-8642	1	Screen-Suction
2	26392	2	Clamp-Hose	10	106-4952	1	Hosebarb-90 DEG
3	100-8647	1	Nut-Bulkhead	10:1	100-6989	1	O-Ring
4	100-8643	1	Housing-Filter	11	100-8649	1	Hose-Suction
5	100-8646	1	Gasket-Bulkhead	12	107-2801	1	Tube-Suction
6	100-6714	1	Foot-Tube, Suction	13	106-4942	1	Hosebarb-Straight
7	100-8641	1	Vane-Screen	13:1	100-6989	1	O-Ring
8	100-8644	2	Pin-Expansion	14	108-3270	1	Screw-TAP



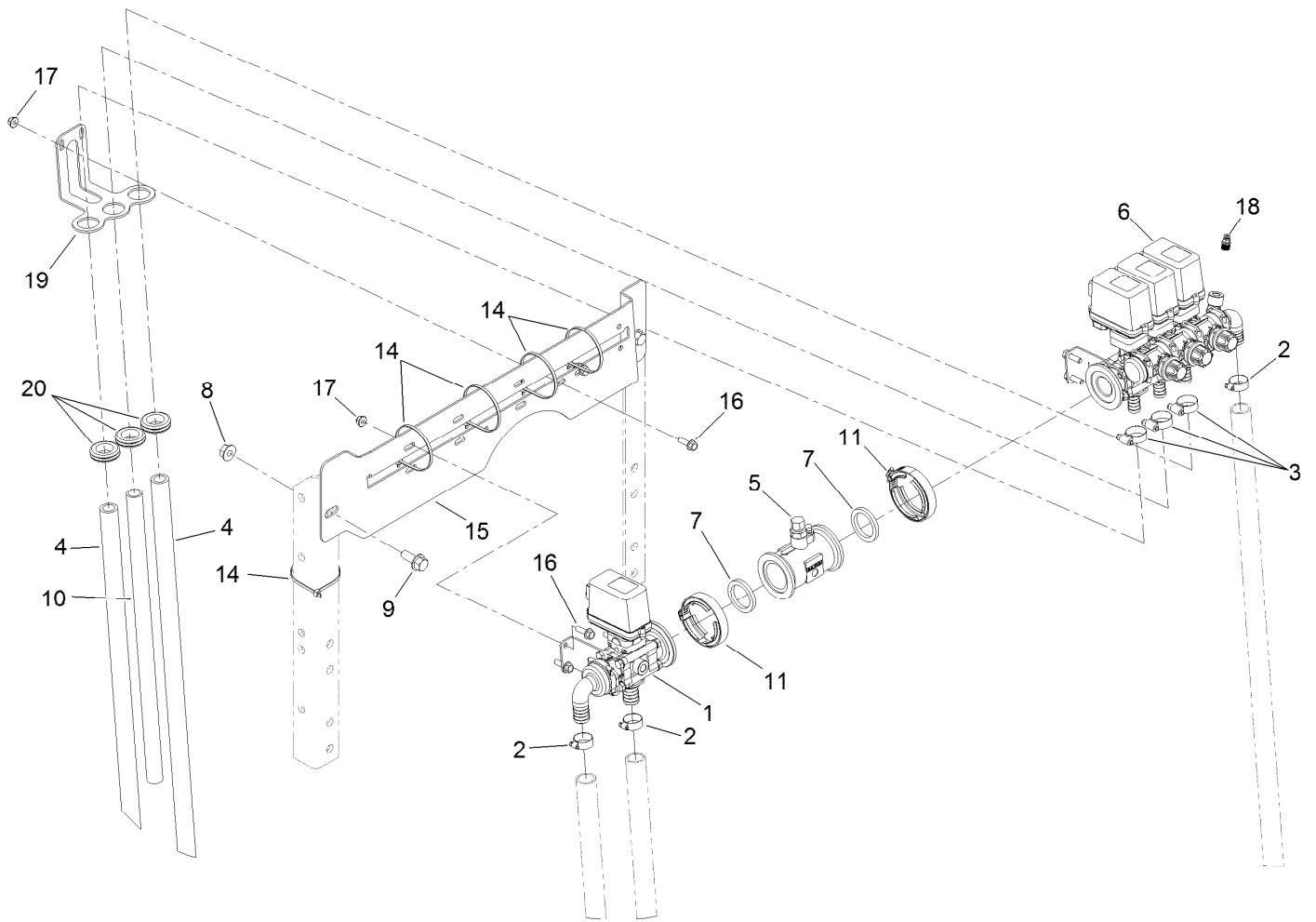
## Lower Sprayer Component Assembly

<i>Ref.</i>	<i>Part Number</i>	<i>Qty.</i>	<i>Description</i>	<i>Ref.</i>	<i>Part Number</i>	<i>Qty.</i>	<i>Description</i>
1	100-6820	1	Safety Valve ASM (225 Psi)	12:1	100-6712	1	O-Ring
2	100-6652	1	Gasket	13	100-6713	4	Nut-Bulkhead
3	99-0761	1	Ringnut	14	106-4945	1	Elbow
4	99-0766	4	Nut	14:1	100-6712	1	O-Ring
5	100-6705	2	Nozzle-Agitation	15	106-4943	1	Adapter ASM
6	99-0768	1	Elbow-60 DEG	15:1	100-6712	1	O-Ring
7	100-6653	1	O-Ring	16	100-6722	1	Nipple
9	100-6708	14	Fork	17	100-6723	1	Tee
10	106-4896	4	Fitting-Bulkhead	18	107-2802	1	Connector
10:1	100-6710	1	Gasket-Bulkhead	18:1	100-6712	2	O-Ring
11	100-6706	2	Nozzle-Agitation	19	104-9041	2	Tee
12	106-4944	2	Fitting-90 DEG				



## Safety Valve Assembly No. 100-6820

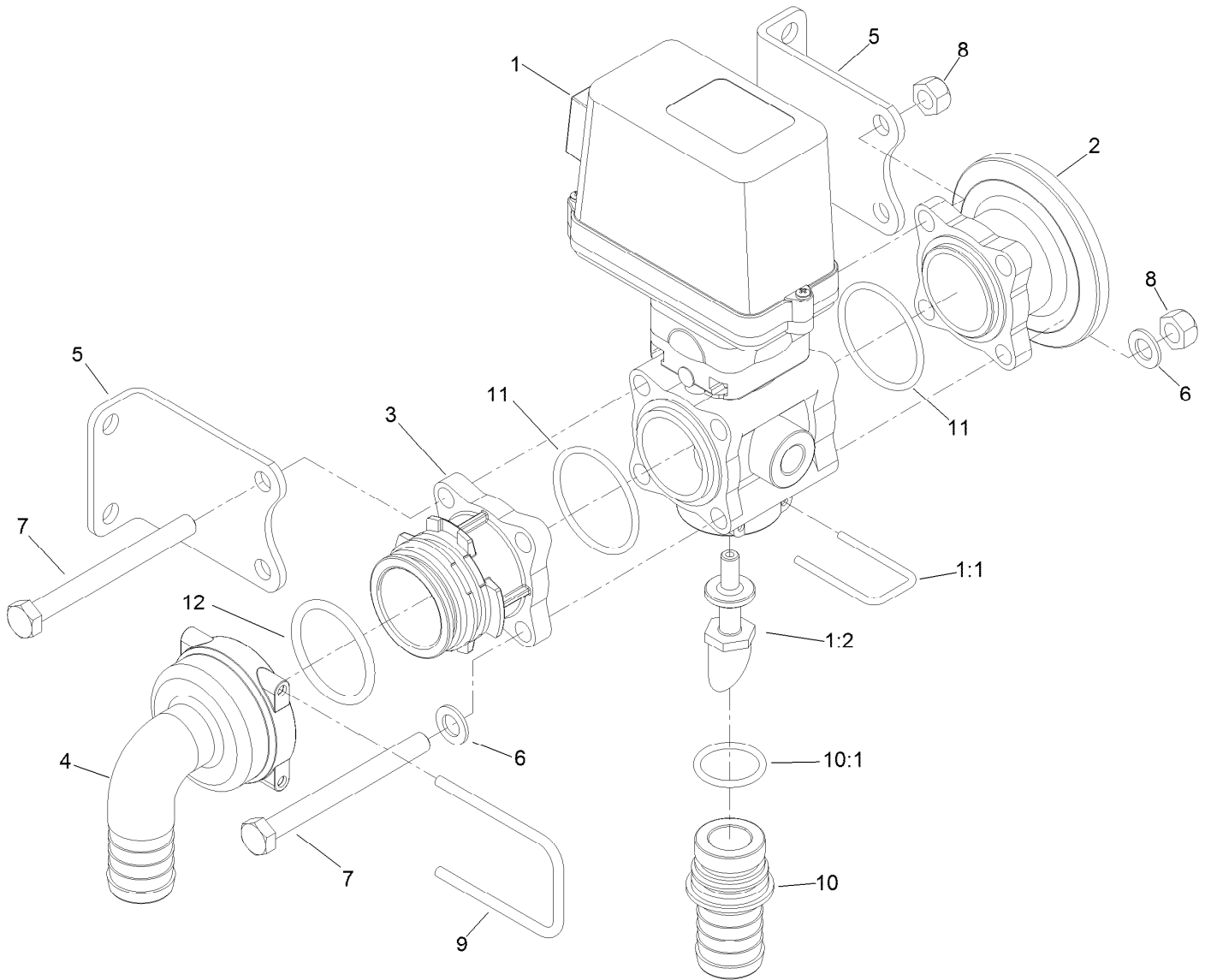
<i>Ref.</i>	<i>Part Number</i>	<i>Qty.</i>	<i>Description</i>
1	100-8678	1	Nut
2	100-6724	1	Valve-Relief, Seat
3	100-6725	1	Spring-Relief, Valve
4	100-6726	1	Cone-Relief, Valve
5	100-6727	1	Housing-Relief, Valve



## Control Valve Assembly

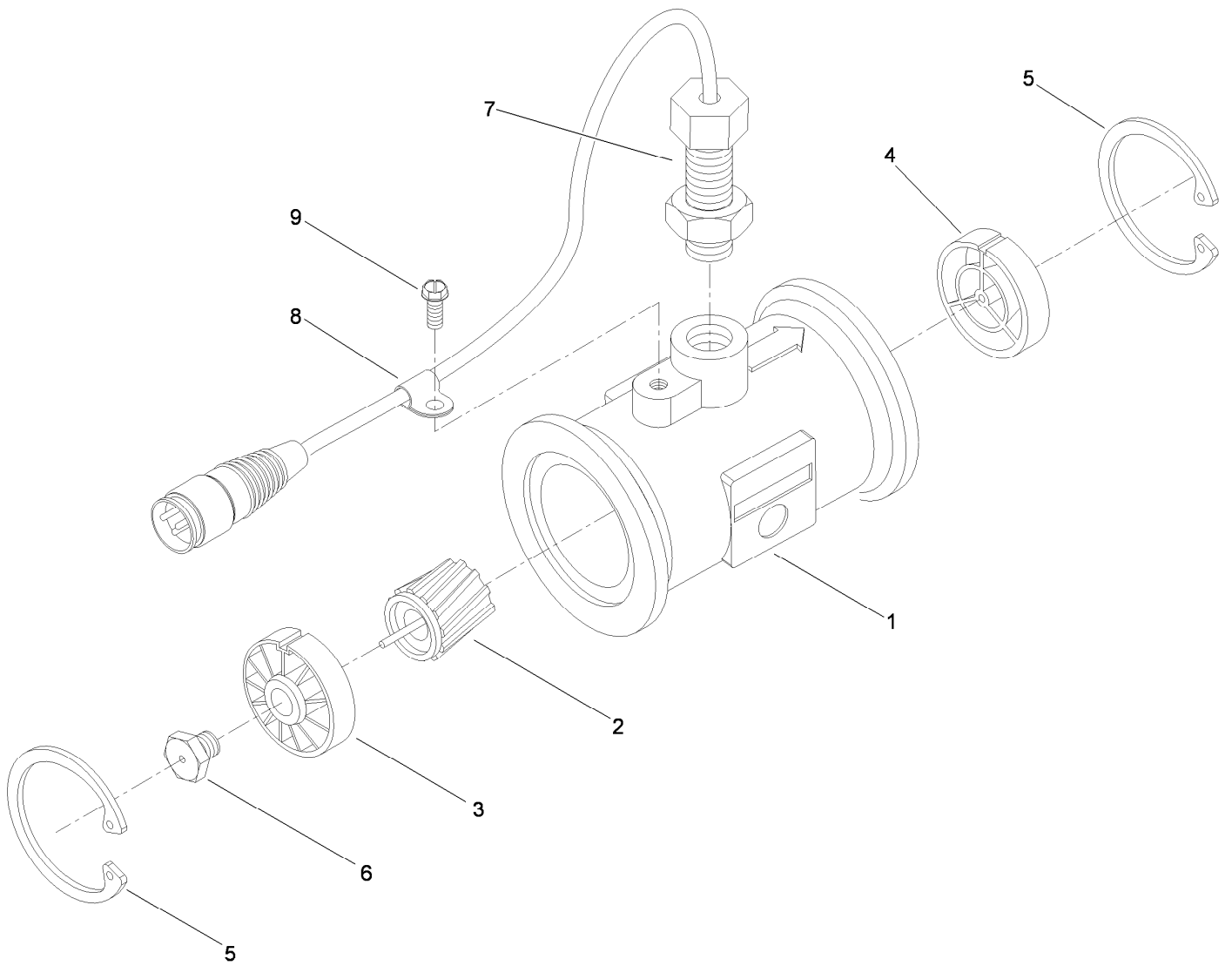
Ref.	Part Number	Qty.	Description	Ref.	Part Number	Qty.	Description
1		1	Regulating Valve ASM ●	10	95-2229	1	Hose
2	2412-34	3	Clamp-Hose	11	104-9089	2	Clamp-Screw, Worm
3	2412-129	3	Clamp-Hose	14	3290-379	6	Tie-Cable
4	108-3720	2	Hose-Boom, LH	15	121-4992-03	1	Mount-Valve
5	106-1038	1	Flow Meter ASM	16	3234-17	10	Screw-HHF
6		1	Manifold-Valve W/Bypass ●	17	104-8300	10	Nut-Flange, NI
7	104-9090	2	Gasket	18	100-8674	1	Coupler-Tube
8	32128-49	2	Nut-HHF	19	121-4991-03	1	Loom-Hose, 3 Hole
9	3234-32	2	Screw-HHF	20	108-3723	3	Grommet

● Not serviced separately



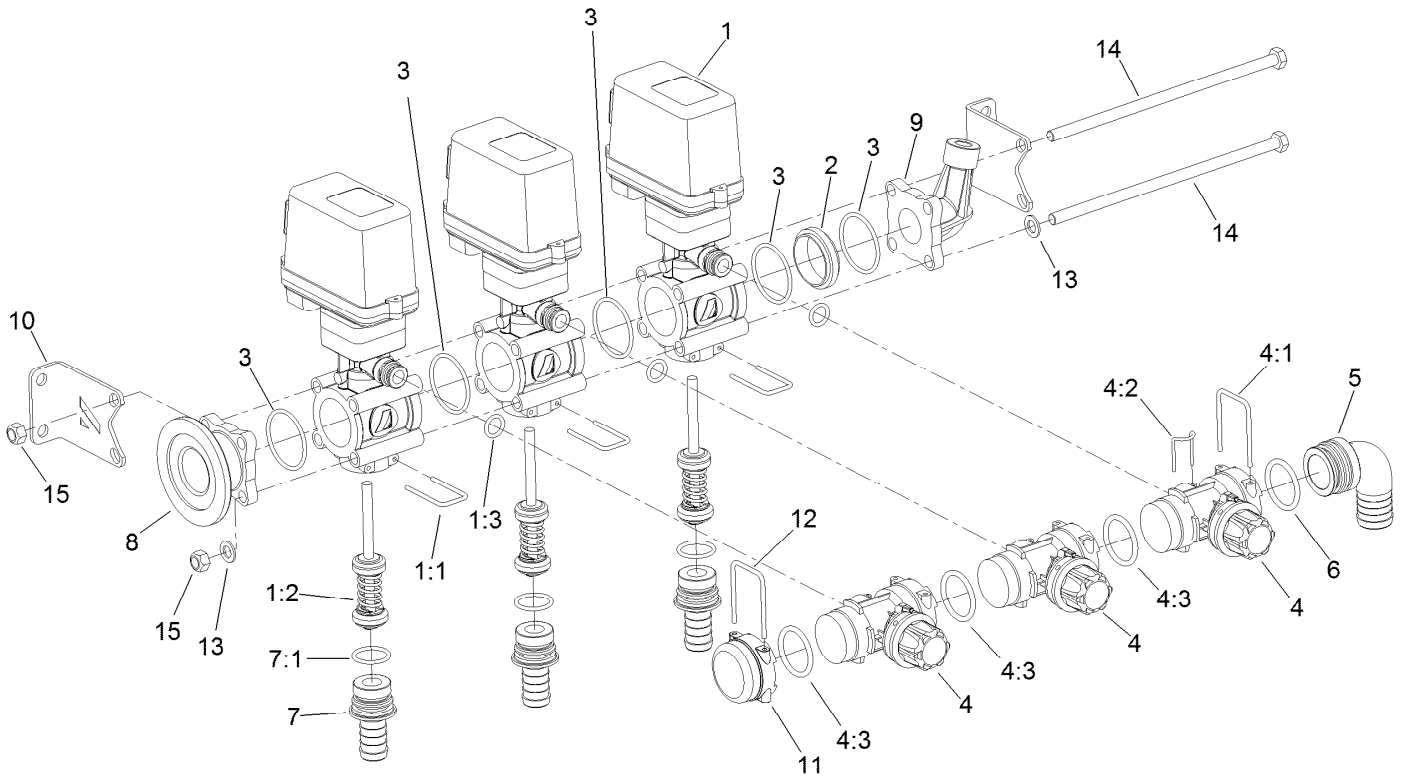
## Regulating Valve Assembly

Ref.	Part Number	Qty.	Description
1	121-5121	1	Valve-Proportional
1:1	119-4901	1	Fork
1:2	121-5128	1	Piston-Rate Control
2	121-5125	1	Flange
3	121-5126	1	Flange
4	121-5127	1	Hosebarb
5	119-4973	1	Bracket-Mounting
6	119-4871	2	Washer
7	119-4866	4	Screw-HH
8	33024-00	4	Nut-Lock, NI
9	119-4863	1	Fork
10	121-5124	1	Hosebarb
10:1	119-4975	1	O-Ring
11	119-4974	2	O-Ring
12	121-5098	1	*obs* O-Ring



## Flow Meter Assembly No. 106-1038

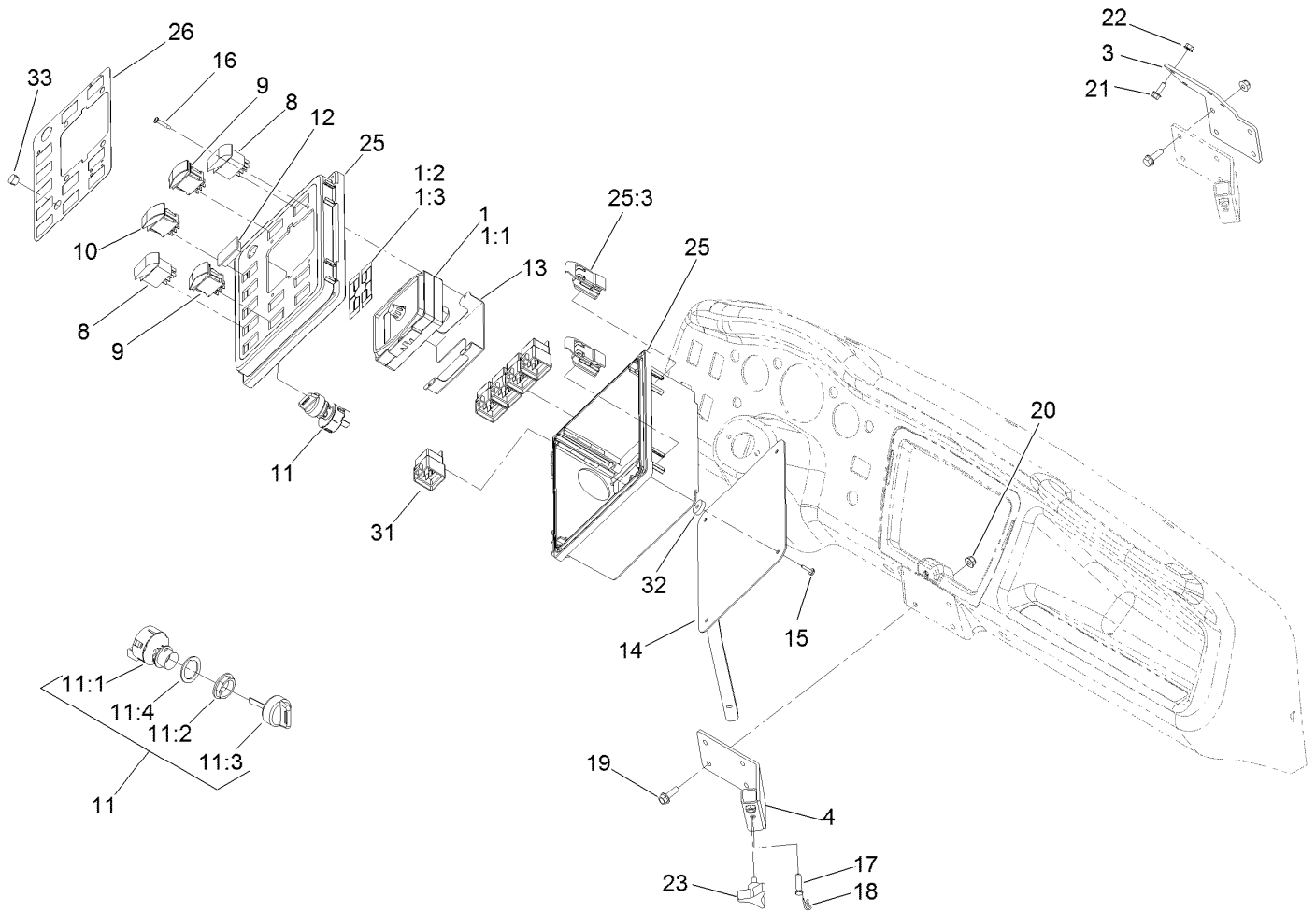
<i>Ref.</i>	<i>Part Number</i>	<i>Qty.</i>	<i>Description</i>
1	106-1042	1	Body-Meter, Flow
2	104-9059	1	Rotor / Magnet ASM
3	104-9060	1	Upstream Hub And Bearing ASM
4	104-9061	1	Downstream Hub ASM
5	104-9062	2	Ring-Retaining, Internal
6	42480	1	Stud-Turbine (W / Bearing)
7	104-9065	1	External Sensor ASM
8	104-9063	1	Clamp-Cable
9	104-9064	1	Screw-HWHTF



## Manifold Valve W/Bypass Assembly

Ref.	Part Number	Qty.	Description	Ref.	Part Number	Qty.	Description
1	121-5101	3	Valve-W/Bypass	6	121-5114	1	O-Ring
1:1	119-4901	1	Fork	7	121-5102	3	Hosebarb
1:2	121-5116	1	Piston-Arag Valve	7:1	119-4975	1	O-Ring
1:3	121-5123	1	O-Ring	8	121-5104	1	Flange-Female
2	119-0453	1	Adapter-Male-Male	9	121-5103	1	Port-Pressure Gauge
3	119-4974	5	O-Ring	10	121-5109	2	Bracket-Mounting Kit
4	121-5105	4	Valve-Bypass	11	121-5106	1	Cap-Bypass Valve
4:1	121-5108	1	Fork	12	121-5108	1	Fork
4:2	121-5110	1	Fork	13	119-4871	2	Washer
4:3	121-5114	1	O-Ring	14	119-4867	4	Screw-HH
5	121-5107	1	Elbow-Hosebarb	15	33024-00	4	Nut-Lock, NI

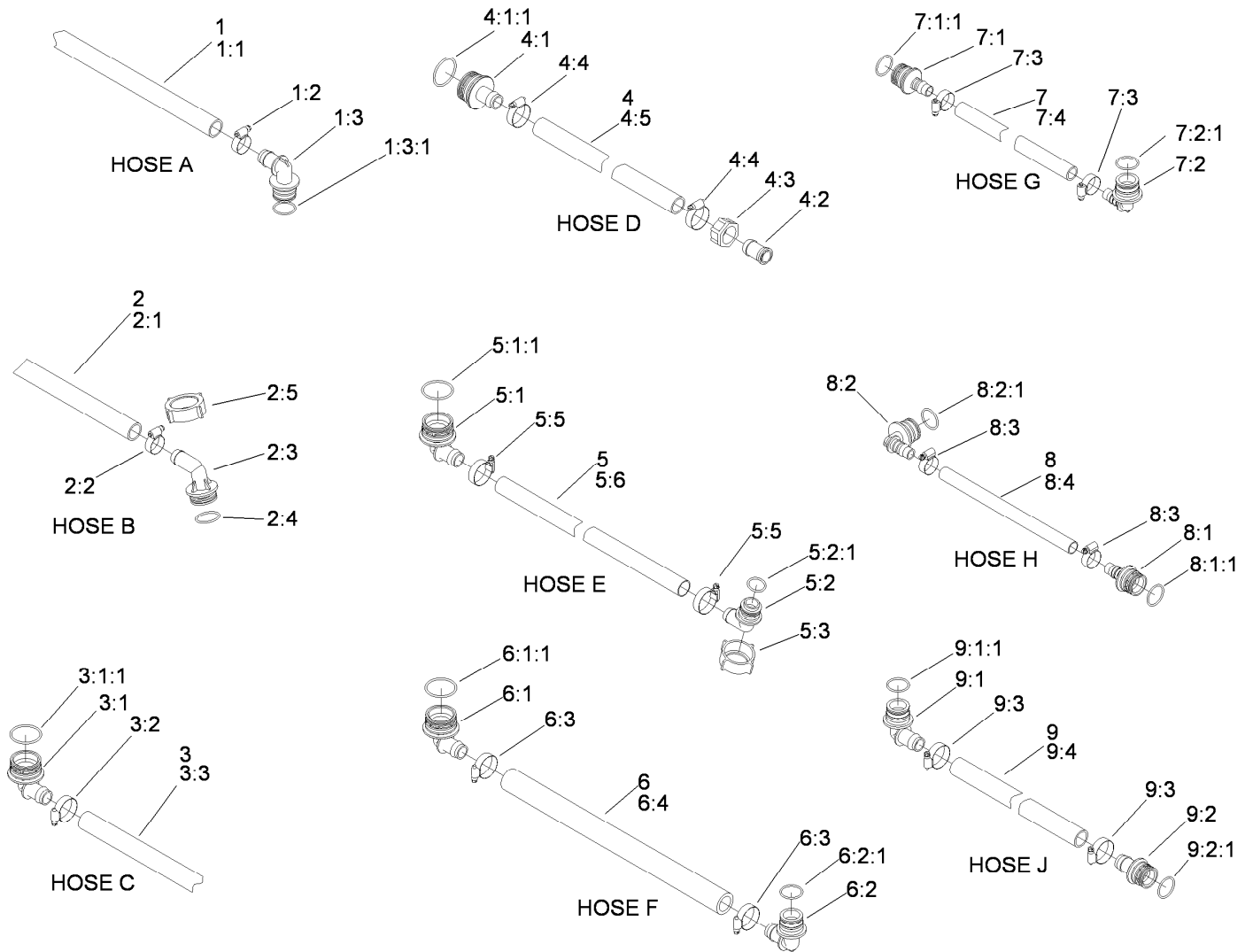




## Control Box Assembly

Ref.	Part Number	Qty.	Description	Ref.	Part Number	Qty.	Description
1	121-5022	1	Spray Monitor ASM	14	119-9411-03	1	Control Box Mount ASM
1:1	121-5023	1	Monitor-Spray, Mp1250	15	98-1375	4	Screw-HWH
1:2	108-3307	1	Decal-Monitor	16	121-5017	4	Screw-TAP, PPH
1:3	108-3309	1	Decal-Monitor, Ce	17	283-6	1	Pin-Clevis
3	107-2811-03	1	Bracket-Adapter, Control	18	3290-307	1	Pin-Hair
4	106-7992-03	1	Receiver ASM	19	3234-17	4	Screw-HHF
8	100-8490	4	Switch-Rocker	20	104-8300	4	Nut-Flange, NI
9	100-1535	3	Switch	21	3234-4	4	Screw-HHF
10	100-8589	1	Switch-Rocker	22	32128-33	4	Nut-HF
11	110-2580	1	Switch-Key, Supervisor	23	92-9674	1	Knob
11:1		1	Switch-Key ●	25	119-9409	1	Control Enclosure ASM
11:2	108-8660	1	Nut-Mounting	25:3	119-9412	1	Latch-Control Box
11:3	110-5221	1	Set-Key, Supervisor	26	119-9413	1	Decal-Control Box
11:4	108-8659	1	Washer-Backup	31	99-7430	5	Relay
12	99-7420	3	Plug-Hole	32	1-323417	4	Washer
13	107-2831	1	Bracket-Monitor	33	2410-64	1	Plug-Button

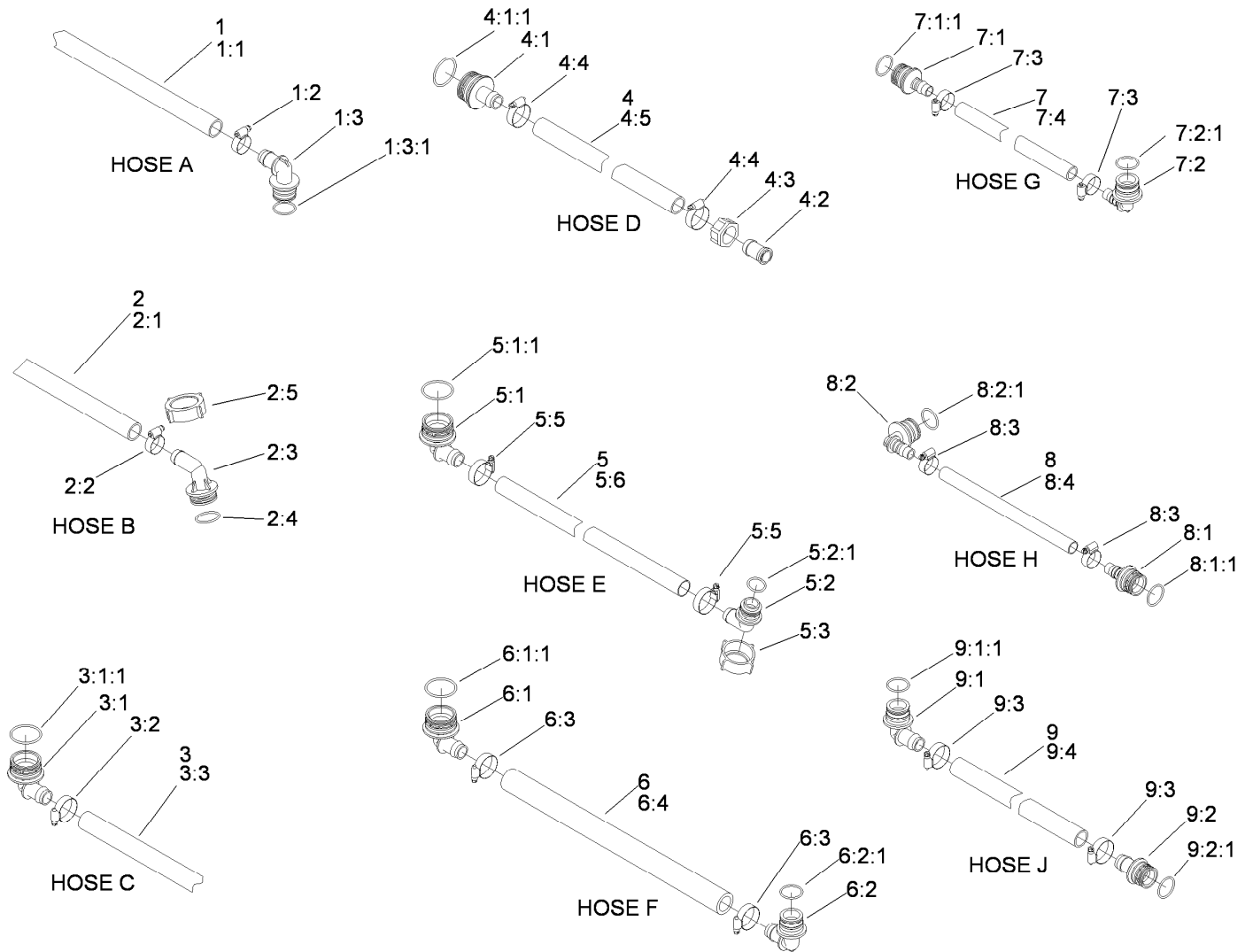
● Not serviced separately



## Hose Assembly

Ref.	Part Number	Qty.	Description	Ref.	Part Number	Qty.	Description
1	119-0514	1	Bypass Hose ASM	4:1:1	100-8637	1	O-Ring
1:1	119-0512	1	Hose-Bypass	4:2	99-0781	1	Hosebarb
1:2	2412-129	1	Clamp-Hose	4:3	99-0769	1	Nut
1:3	106-4945	1	Elbow	4:4	2412-3	2	Clamp-Hose
1:3:1	100-6712	1	O-Ring	4:5	107-2807	1	Hose
2	119-0515	1	Agitation-Bypass Hose ASM	5		1	Relief Valve Hose ASM ●
2:1	119-0511	1	Hose-Agitation, Bypass	5:1	106-4933	1	Hosebarb ASM
2:2	2412-129	1	Clamp-Hose	5:1:1	100-8637	1	O-Ring
2:3	100-6898	1	Hosebarb	5:2	106-4949	1	Hosebarb
2:4	100-8671	1	O-Ring	5:2:1	100-6646	1	O-Ring
2:5	100-8669	1	Nut	5:3	100-8678	1	Nut
3		1	Tee Controls Hose ASM ●	5:5	2412-3	2	Clamp-Hose
3:1	106-4933	1	Hosebarb ASM	5:6	104-8710	1	Hose
3:1:1	100-8637	1	O-Ring	6		1	Agitation Valve Hose ASM ●
3:2	2412-3	1	Clamp-Hose	6:1	106-4933	1	Hosebarb ASM
3:3	107-2832	1	Hose	6:1:1	100-8637	1	O-Ring
4		1	Manifold Tee Hose ASM ●	6:2	106-4945	1	Elbow
4:1	106-4932	1	Hosebarb-Straight	6:2:1	100-6712	1	O-Ring

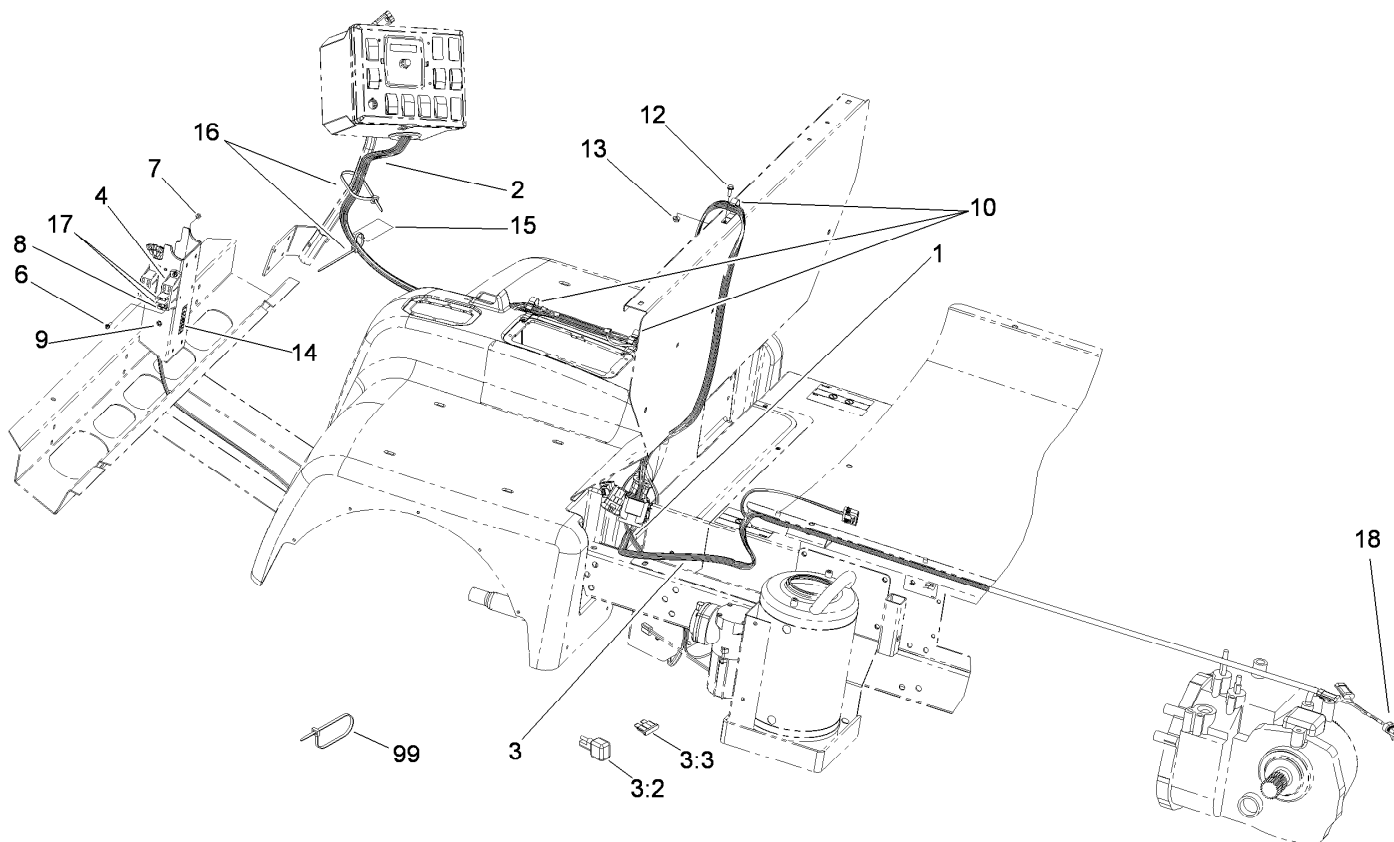
● Not serviced separately



## Hose Assembly (continued)

<i>Ref.</i>	<i>Part Number</i>	<i>Qty.</i>	<i>Description</i>	<i>Ref.</i>	<i>Part Number</i>	<i>Qty.</i>	<i>Description</i>
6:3	2412-3	2	Clamp-Hose	8:1:1	100-6712	1	O-Ring
6:4	106-4975	1	Hose	8:2	106-4940	1	Hosebarb-90 DEG
7		1	Front Agitation Hose ASM ●	8:2:1	100-6712	1	O-Ring
7:1	106-4939	1	Hosebarb-Straight	8:3	2412-129	2	Clamp-Hose
7:1:1	100-6712	1	O-Ring	8:4	106-1360	1	Hose
7:2	106-4940	1	Hosebarb-90 DEG	9		1	Agitation Tee Hose ASM ●
7:2:1	100-6712	1	O-Ring	9:1	106-4945	1	Elbow
7:3	2412-129	2	Clamp-Hose	9:1:1	100-6712	1	O-Ring
7:4	107-2813	1	Hose	9:2	106-4935	1	Hosebarb ASM
8		1	Middle Agitation Hose ASM ●	9:2:1	100-6712	1	O-Ring
8:1	106-4939	1	Hosebarb-Straight	9:3	2412-3	2	Clamp-Hose
				9:4	107-2812	1	Hose

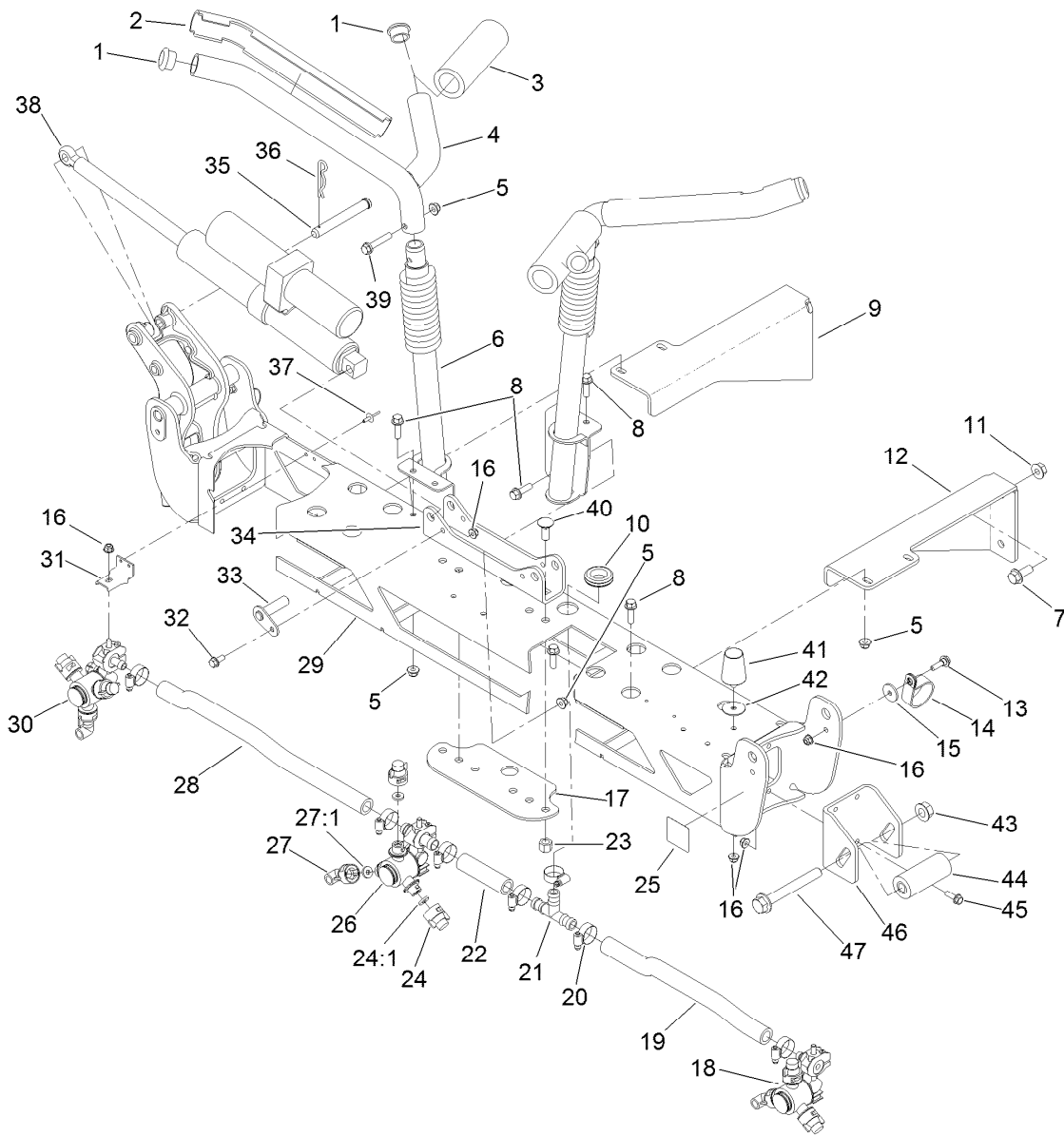
● Not serviced separately



## Electrical Assembly

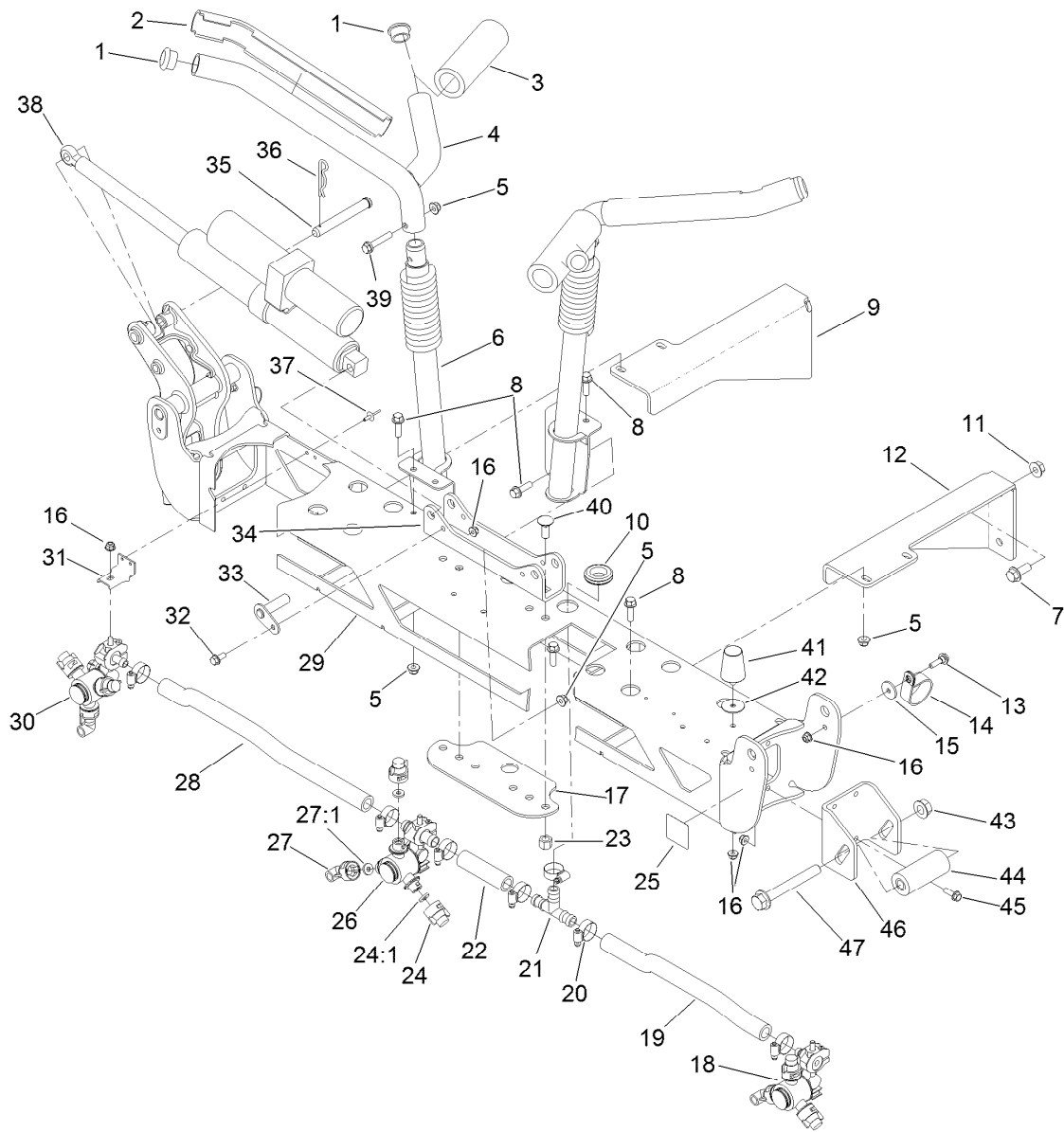
Ref.	Part Number	Qty.	Description
1	106-1417	1	Harness-Wire, Sprayer Power
2	119-5756	1	Harness-Wire, Spray Controller
3	119-1787	1	Harness-Wire, Sprayer Main
3:2	108-9493	2	Diode-Tvs
3:3	110928	4	Fuse-Blade, 5 Amp
4	92-2641	1	Block-Fuse
6	32105-13	2	Screw-HWH
7	3296-2	2	Nut-Lock, NI
8	218-578	1	Fuse-Blade, 10 Amp

Ref.	Part Number	Qty.	Description
9	3255-7	1	Washer-Lock/EXT
10	106-1429	3	Clamp-J
12	3234-4	1	Screw-HHF
13	32128-33	1	Nut-HF
14	106-1425	1	Decal-Fuse Block
15	104-8900	1	Tag-Monitor
16	3290-378	3	Tie-Cable
17	108-3736	2	Breaker-Circuit, 30A
18	119-1762	1	Harness-Wire, Speedometer Adapter
99	3290-378	8	Tie-Cable



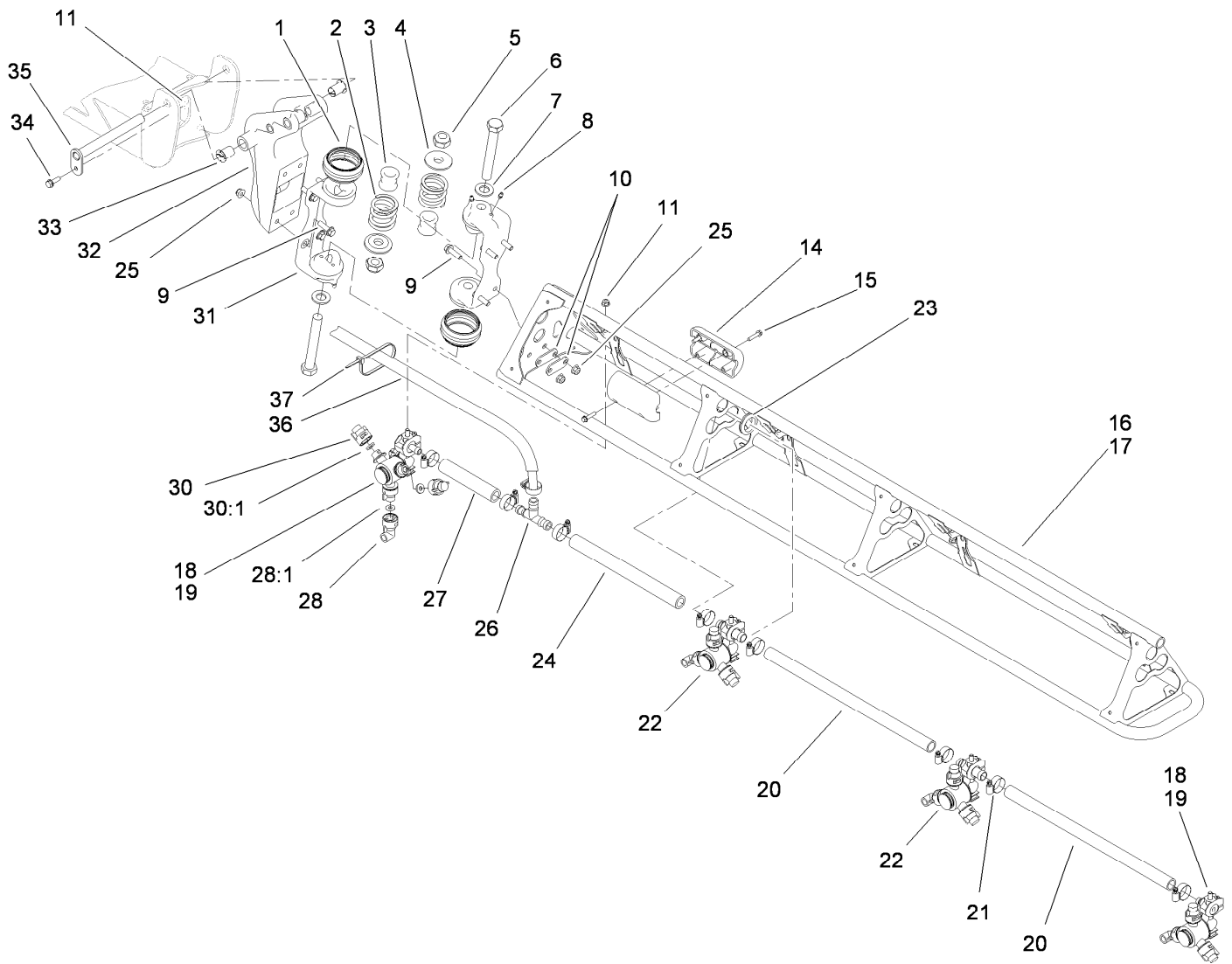
## Center Boom Assembly

<i>Ref.</i>	<i>Part Number</i>	<i>Qty.</i>	<i>Description</i>	<i>Ref.</i>	<i>Part Number</i>	<i>Qty.</i>	<i>Description</i>
1	108-3489	4	Cap-Tube	22	108-3717	1	Hose-Boom
2	108-3495	2	Cover-Slide	23	3296-23	2	Nut-Lock, NI
3	108-3457	2	Spacer	24	95-9187	6	Cap-Blank
4	108-3476-03	2	Upper Cradle ASM	24:1	40998	1	Seat-Gasket
5	104-8301	12	Nut-Flange, NI	25	114-9576	2	Decal-Pinchpoint
6	108-3472-03	2	Lower Cradle ASM	26	108-3727	1	Double Turret Body ASM
7	110-5057	4	Capscrew-HHF	27	95-9186	3	Cap
8	110-5050	10	Screw-HHF	27:1	40998	1	Seat-Gasket
9	121-5004-03	1	Bracket-Mount, Boom	28	108-3735	1	Hose-Boom, Center (LH)
10	108-3723	1	Grommet	29	114-9579-03	1	Frame ASM
11	108-3745	4	Nut-HF, Whiz	30	108-3725	1	LH Single Body Turret ASM
12	121-5005-03	1	Bracket-Mount, Boom	31	107-8775	3	Bracket-Mount, Nozzle
13	108-3744	2	Screw-Shoulder	32	110-5053	2	Screw-HHF
14	114-9566	2	Clamp-R	33	112-7884	2	Pivot Pin ASM
15	108-3743	2	Washer	34	114-9560-03	1	Strap-Clevis
16	104-8300	17	Nut-Flange, NI	35	108-3436	2	Pin-Clevis
17	108-3469-03	1	Plate-Washer	36	3290-468	2	Pin-Cotter
18	108-3726	1	RH Single Body Turret ASM	37	3269-18	6	Rivet-Pop
19	108-3718	1	Hose-Boom, Center (RH)	38	108-3438	2	Actuator
20	2412-129	7	Clamp-Hose	39	108-3742	2	Screw-HHF
21	108-3439	1	Tee	40	110-5067	2	Screw-CARR



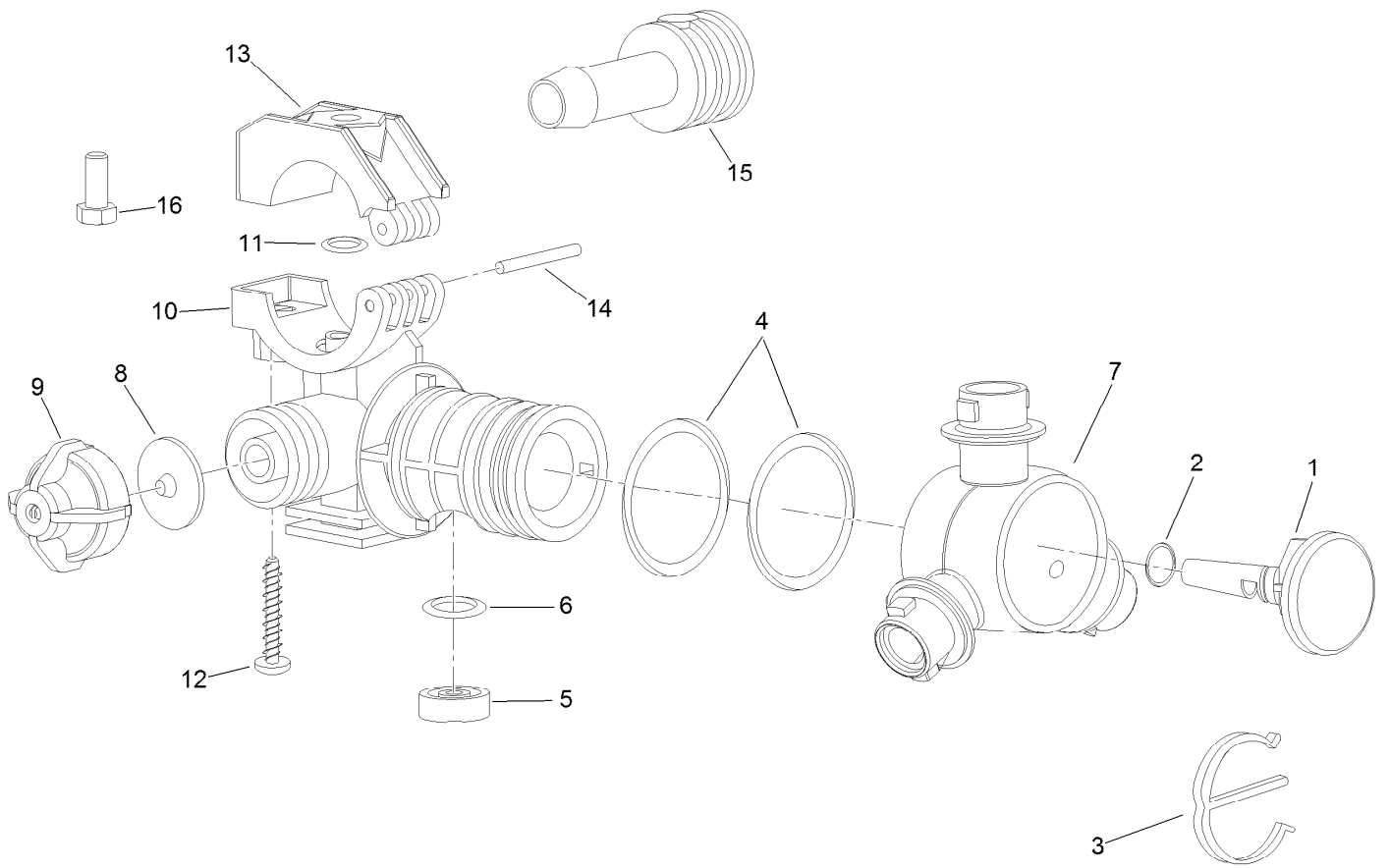
## Center Boom Assembly (continued)

<i>Ref.</i>	<i>Part Number</i>	<i>Qty.</i>	<i>Description</i>	<i>Ref.</i>	<i>Part Number</i>	<i>Qty.</i>	<i>Description</i>
41	110-5070	2	Bumper	45	108-3748	8	Screw-HHF
42	3256-68	2	Washer-Flat	46	112-7872-03	2	Bracket-Hard Stop
43	32128-54	2	Nut-HF	47	105-1763	2	Screw-HHF
44	112-7881	2	Bumper				



## Left and Right Hand Boom Assembly

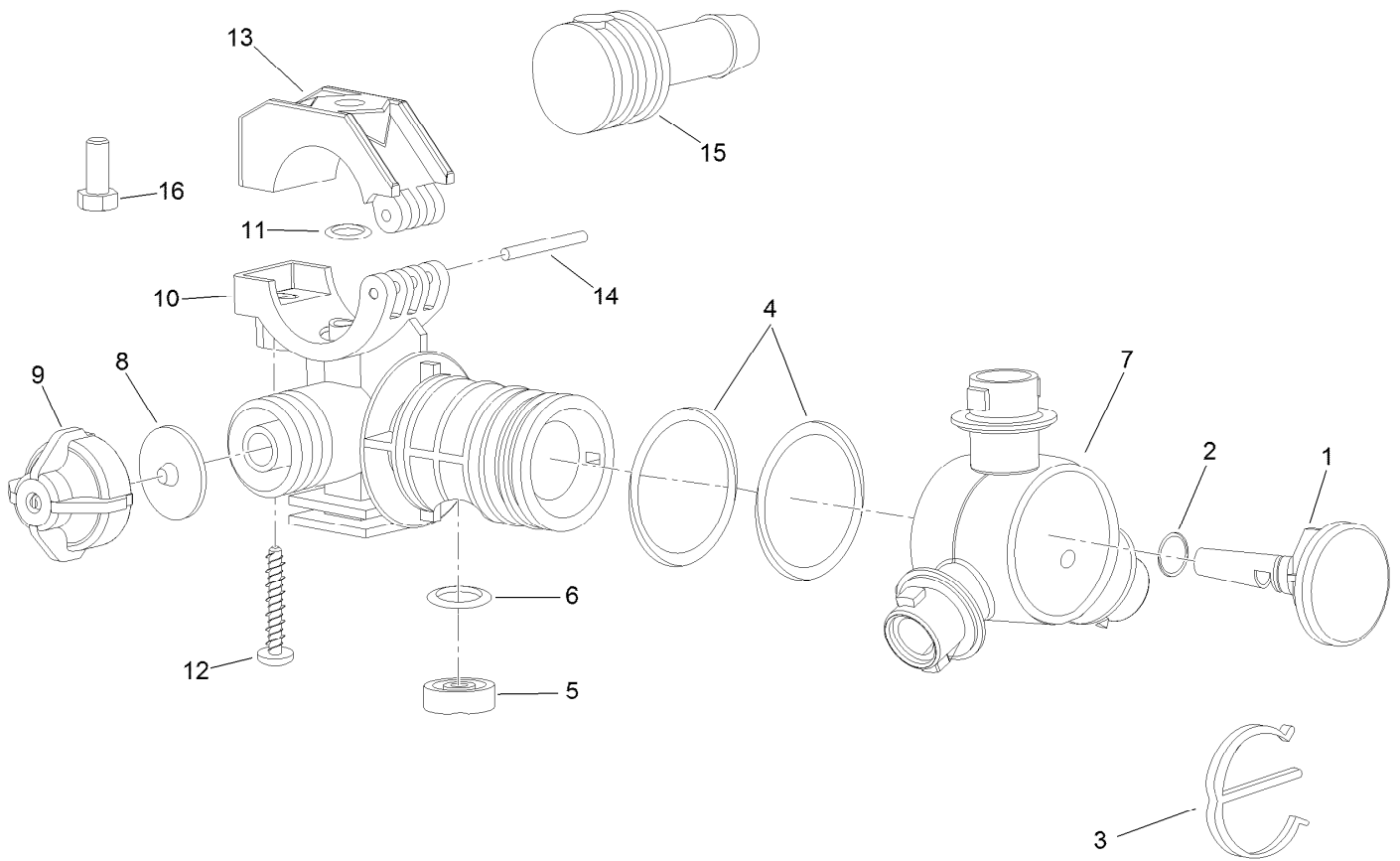
Ref.	Part Number	Qty.	Description	Ref.	Part Number	Qty.	Description
1	108-3459	4	Boot-Hinge	21	2412-129	18	Clamp-Hose
2	108-3440	4	Spring-Breakaway, Boom	22	108-3727	4	Double Turret Body ASM
3	120-8541	4	Dampener-Hinge	23	240-3	4	Grommet-Rubber
4	108-3444	4	Retainer-Spring	24	108-3721	2	Hose-Boom
5	3296-15	4	Nut-Lock, NI	25	104-8301	16	Nut-Flange, NI
6	108-3738	4	Screw-HH	26	108-3439	2	Tee
7	110-5054	4	Washer-Flat	27	108-3728	2	Hose-Boom
8	302-5	8	Fitting-Grease	28	95-9186	8	Cap
9	110-5050	16	Screw-HHF	28:1	40998	1	Seat-Gasket
10	108-3605	8	Plate-Backing	30	95-9187	16	Cap-Blank
11	104-8300	10	Nut-Flange, NI	30:1	40998	1	Seat-Gasket
14	119-9368	4	Block Slide	31	108-3471-03	4	Hinge
15	119-9369	8	Screw-Hfh	32	119-4993-03	2	Bracket-Pivot
16	108-3524-03	1	RH Boom ASM	33	100-8541	4	Bushing-A Arm
17	108-3525-03	1	LH Boom ASM	34	108-3748	2	Screw-HHF
18	108-3726	2	RH Single Body Turret ASM	35	108-3419	2	Pivot Pin ASM
19	108-3725	2	LH Single Body Turret ASM	36	107-8650	2	Conduit-Convolutd
20	40506	4	Hose-Jumper	37	3290-378	4	Tie-Cable



## RH Single Body Turret Assembly No. 108-3726

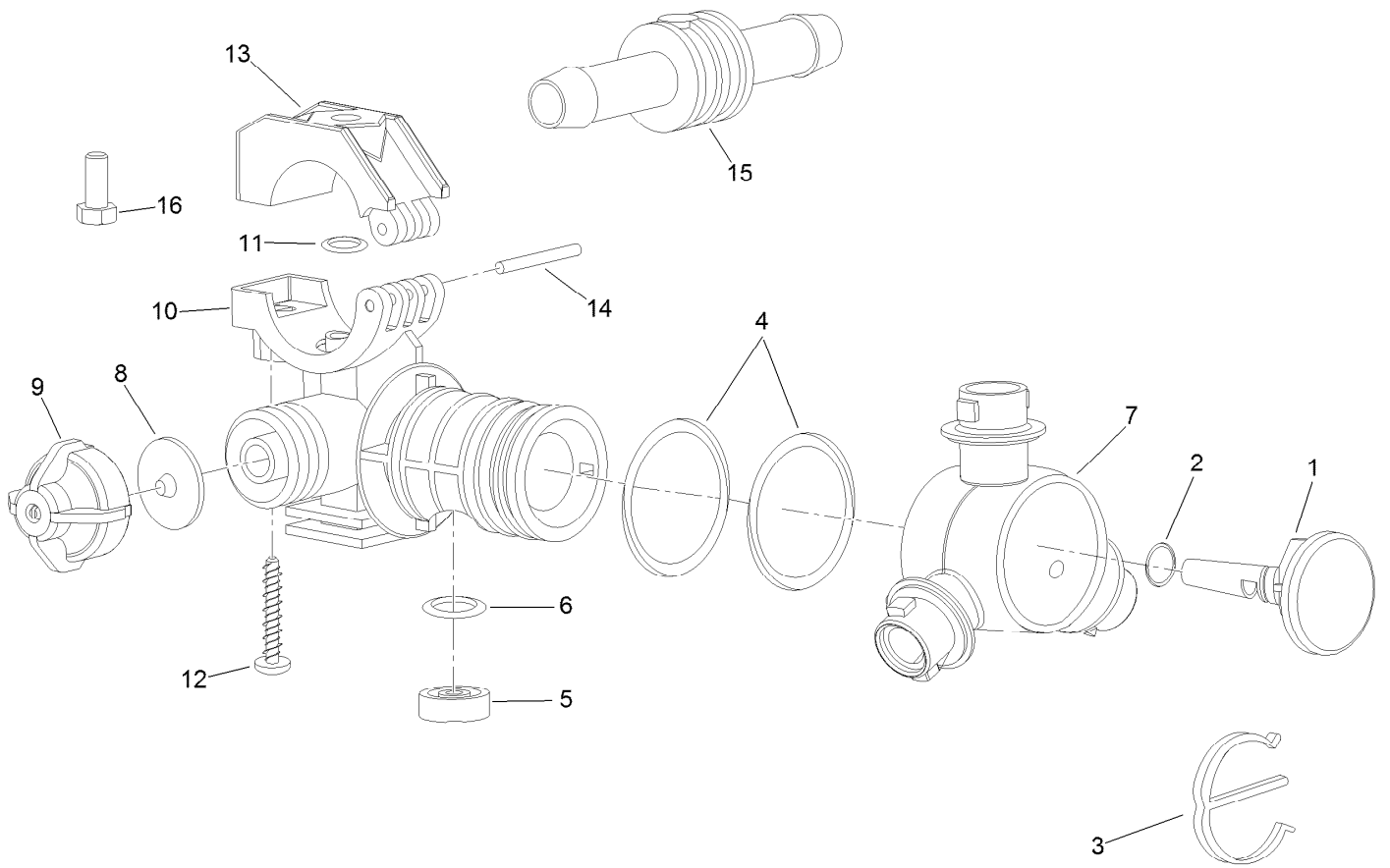
<i>Ref.</i>	<i>Part Number</i>	<i>Qty.</i>	<i>Description</i>	<i>Ref.</i>	<i>Part Number</i>	<i>Qty.</i>	<i>Description</i>
1	95-9200	1	Plug	9	95-9193	1	Cap-Diaphragm
2	95-9198	1	O-Ring	10	95-9192	1	Body-Split Eyelet
3	95-9197	1	E-Clip	11	95-9191	1	O-Ring
4	95-9199	2	O-Ring	12	99-0811	1	Screw-Clamp
5	108-3264	1	Seal-Viton	13	99-0812	1	Clamp-Upper
6	108-3265	1	O-Ring-Viton	14	99-0814	1	Pin-Pivot
7	95-9196	1	Turret	15	95-9201	1	Shank-Hose
8	41003	1	Diaphragm	16	322-3	1	Screw-HH





## LH Single Turret Body Assembly No. 108-3725

<i>Ref.</i>	<i>Part Number</i>	<i>Qty.</i>	<i>Description</i>	<i>Ref.</i>	<i>Part Number</i>	<i>Qty.</i>	<i>Description</i>
1	95-9200	1	Plug	9	95-9193	1	Cap-Diaphragm
2	95-9198	1	O-Ring	10	95-9192	1	Body-Split Eyelet
3	95-9197	1	E-Clip	11	95-9191	1	O-Ring
4	95-9199	2	O-Ring	12	99-0811	1	Screw-Clamp
5	108-3264	1	Seal-Viton	13	99-0812	1	Clamp-Upper
6	108-3265	1	O-Ring-Viton	14	99-0814	1	Pin-Pivot
7	95-9196	1	Turret	15	95-9201	1	Shank-Hose
8	41003	1	Diaphragm	16	322-3	1	Screw-HH



## Double Turret Body Assembly No. 108-3727

<i>Ref.</i>	<i>Part Number</i>	<i>Qty.</i>	<i>Description</i>	<i>Ref.</i>	<i>Part Number</i>	<i>Qty.</i>	<i>Description</i>
1	95-9200	1	Plug	9	95-9193	1	Cap-Diaphragm
2	95-9198	1	O-Ring	10	95-9192	1	Body-Split Eyelet
3	95-9197	1	E-Clip	11	95-9191	1	O-Ring
4	95-9199	2	O-Ring	12	99-0811	1	Screw-Clamp
5	108-3264	1	Seal-Viton	13	99-0812	1	Clamp-Upper
6	108-3265	1	O-Ring-Viton	14	99-0814	1	Pin-Pivot
7	95-9196	1	Turret	15	95-9202	1	Shank-Hose
8	41003	1	Diaphragm	16	322-3	1	Screw-HH

# Attachments and Accessories

## For 41235 Workman 200 Spray System Heavy-Duty Workman Vehicles

<b>Product Name</b>	<b>Model/Part</b>
Sprayer Valves O-Ring Kit .....	106-4846
Turret Seal Repair Kit .....	108-3263
Foam Marker Bracket Assembly .....	112-7866
Spring Upgrade Kit, Multi-Pro Turf Sprayer with Covered Boom Kit .....	120-8508
Single Nozzle Kit.....	41023
Single Nozzle Kit.....	41024
Hose Reel Kit.....	41097
Spray Gun Kit 9 (inc. 25ft Of 1/2in Hose) .....	41133
Pro Foam Concentrate (4 x 1 Gallon) .....	41157
Sonic Boom Kit .....	41218
Foam Marker Kit .....	41236
Covered Boom Kit.....	41602
Pro-Foam.....	41607



**Count on it.**