



Count on it.

Parts Catalog

Workman® 200 Spray System

Heavy-Duty Workman® Vehicles

Model No. 41235—Serial No. 312000001 and Up



Ordering Replacement Parts

To order replacement parts, please supply the part number, the quantity, and the description of each part desired.

Understanding Reference Numbers

Each identified part in an illustration has a reference number. The reference number for a part also appears in the parts list, along with other information about the part.

This catalog uses two special reference number formats, one to indicate parts in a service assembly and another to indicate the quantity of a given part in an illustration.

Service Assembly Reference Numbers

Parts in service assemblies have reference numbers in the form a:b. The a represents the reference number of the entire service assembly and the b represents a sequential number unique to each part within the service assembly.

For example, a wheel assembly might be identified by reference number 6, the tire by 6:1, the valve by 6:2, and the wheel by 6:3. When you order the assembly identified by reference number 6, you receive all parts identified by reference numbers 6:1, 6:2, and 6:3. However, you may also order any part individually. Reference numbers of this type appear in illustration and in parts lists.

Reference Numbers Indicating Quantity

In an illustration, if a reference number indicates more than one part, the reference number has the form nX y. The n represents the quantity of the part, the X is the multiplication symbol, and the y represents the reference number.

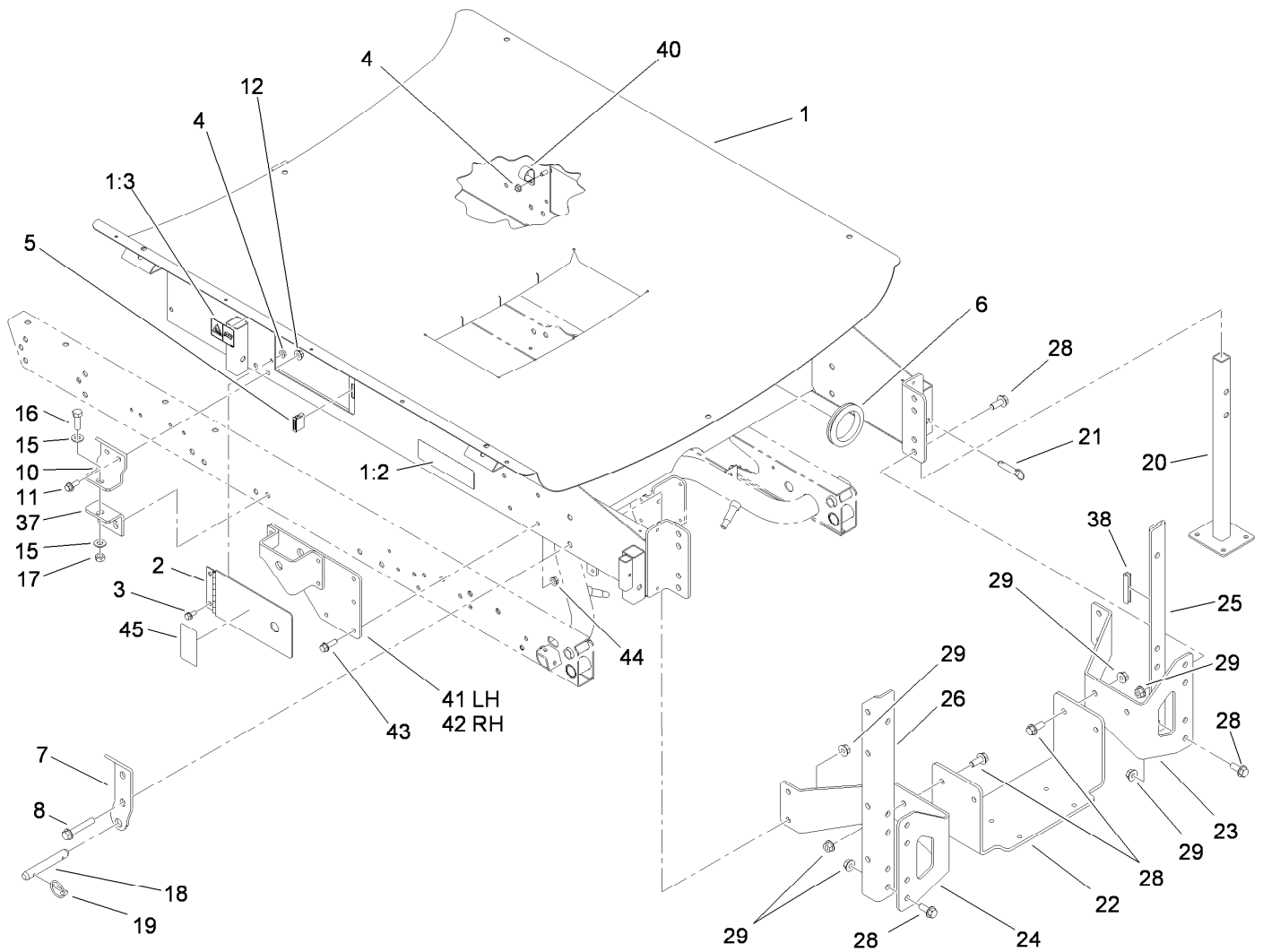
For example, in an illustration, the reference number 2X 37 means that two of the parts identified by reference number 37 are indicated.

List of Abbreviations

AR: as required	HLH: hex lag head	PTO: power-take-off
ASM: assembly	HOC: height-of-cut	RH: right hand
BBC: blade brake control	HSBH: hex socket button head	ROPS: roll-over protection system
BHTF: button head thread forming	HSFH: hex socket flat head	RRB: rear roller brush
CARR: carriage	HSH: hex socket head	SFH: slotted fillister head
CCW: counter clockwise	HWH: hex washer head	SHH: slotted hex head
CW: clockwise	HWHTF: hex washer head thread forming	SHWH: slotted hex washer head
DEG: degrees	HYD: hydraulic	SPH: slotted pan head
DPA: Dual Point Adjustment	LH: left hand	SQH: square head
ECM: electronic control module	LP: Liquefied Petroleum Gas	SRH: slotted round head
EXT: external	LPG: Liquefied Petroleum Gas	STD: standard
FH: flat head	NI: nylon insert	TAP: self tapping
GA: gauge	NPTF: national pipe thread fine	TTH: torx truss head
HD: heavy-duty	PFH: phillips flat head	
HF: hex flange	PPH: phillips pan head	
HH: hex head	PPHTF: phillips pan head thread forming	
HHF: hex head flange	PRH: phillips round head	
HHFTF: hex head flange thread forming	PTH: phillips truss head	
HJ: hex jam		

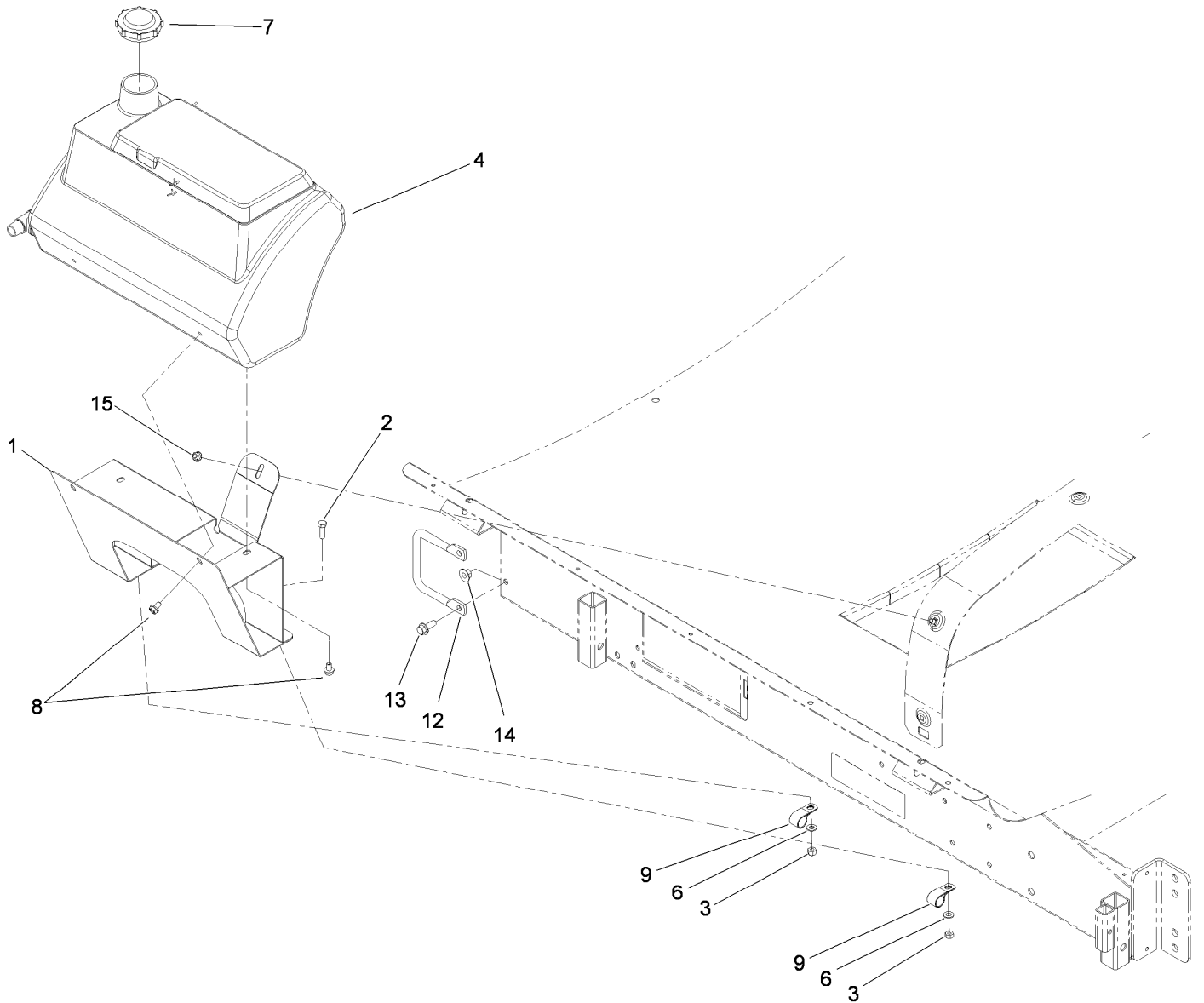
Contents

Skid and Frame Assembly	4
Fresh Water Tank Assembly	5
Fresh Water Tank Assembly No. 100-8438	6
Tank and Cover Assembly	7
Replacement 200-Gallon Tank Assembly No. 119-9405	8
Spray Tank Lid Assembly No. 119-9380	9
Pump and Drive Assembly	10
Pump Assembly No. 106-5121	11
Drive Shaft Assembly No. 107-2810	12
Upper Sprayer Component Assembly	13
Pressure Damper Assembly No. 100-6662	14
Suction and Drain Assembly	15
Tank Drain Assembly	16
Upper Tank Drain Bulkhead Assembly	17
Top Mounted Suction Assembly No. 107-2800	18
Lower Sprayer Component Assembly	19
Safety Valve Assembly No. 100-6820	20
Control Valve Assembly	21
Regulating Valve Assembly No. 119-0466	22
Flow Meter Assembly No. 106-1038	23
Boom Manifold Assembly	24
Valve Assmebly No. 121-5053	25
Control Box Assembly	26
Hose Assembly	27
Electrical Assembly	29
Center Boom Assembly	30
Left and Right Hand Boom Assembly	32
RH Single Body Turret Assembly No. 108-3726	33
LH Single Turret Body Assembly No. 108-3725	34
Double Turret Body Assembly No. 108-3727	35
Attachments and Accessories	36



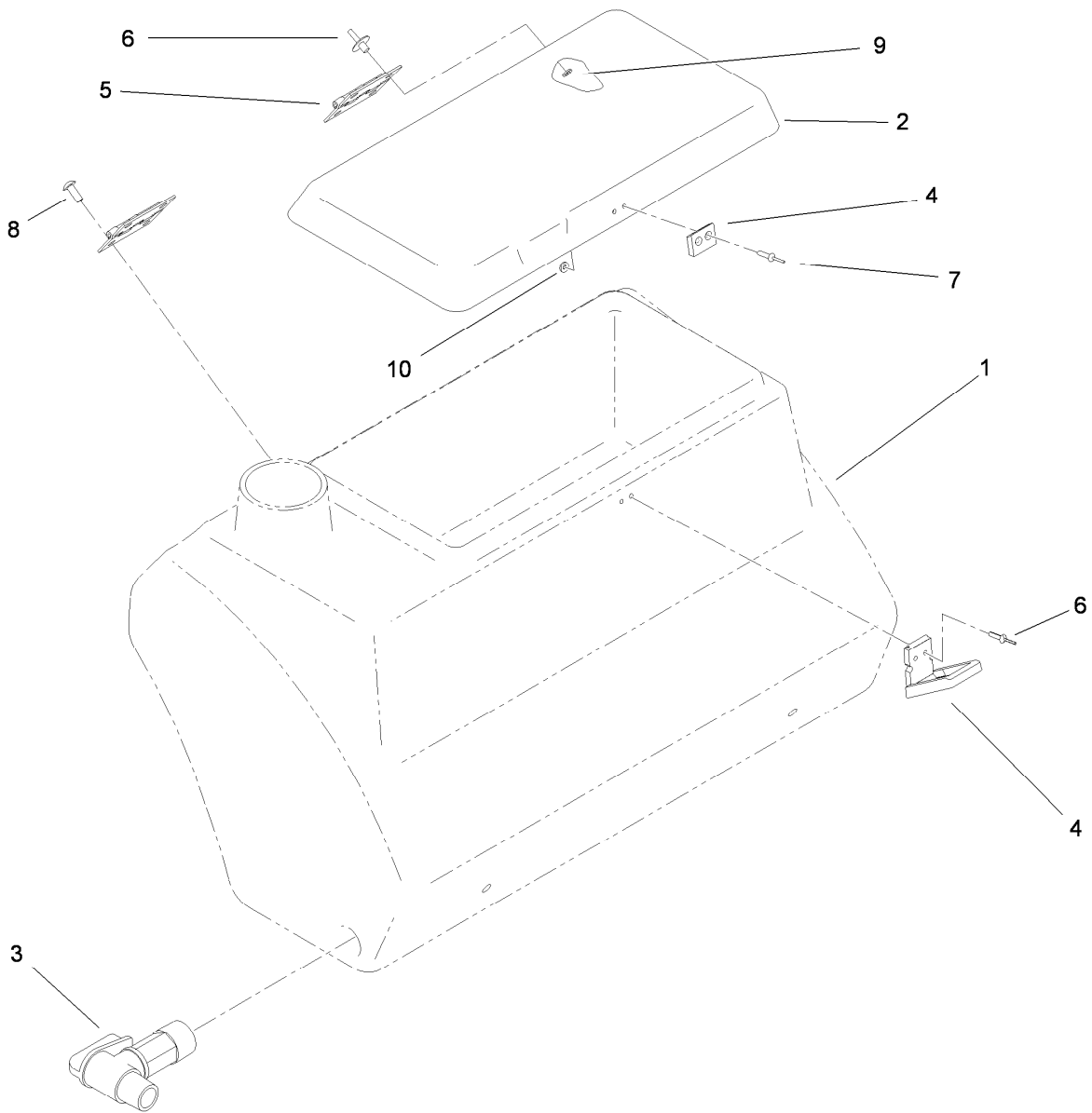
Skid and Frame Assembly

Ref.	Part Number	Qty.	Description	Ref.	Part Number	Qty.	Description
1	106-1367	1	Skid ASM	20	105-9482-03	4	Jack Stand ASM
1:2	106-1365	1	Decal-Danger	21	100-4523	4	Pin-Hitch
1:3	106-1434	2	Decal-Caution	22	106-1345-03	1	Base-Pump
2	106-1290-03	2	Door ASM	23	108-3496-03	1	Bracket-Pump, RH
3	3234-5	4	Screw-HHF	24	108-3497-03	1	Bracket-Pump, LH
4	32128-20	4	Nut-HF	25	108-3703-03	1	Angle-Boom Mount, RH
5	92-3700	2	Magnet-Door	26	108-3704-03	1	Angle-Boom Mount, LH
6	237-102	3	Grommet	28	3234-32	10	Screw-HHF
7	107-2858	2	Pivot-Lug	29	32128-49	14	Nut-HHF
8	3234-40	4	Screw-HF	37	92-2667-03	2	Bracket-Mount
10	107-2859	2	Bracket-Mount, Front	38	70-2041	1	Trim
11	3234-42	4	Screw-HHF	40	2412-126	1	R-Clamp
12	32128-43	4	Nut-Flange	41	119-0686-03	1	LH Cylinder Mount ASM
15	3256-26	4	Washer-Flat	42	119-0688-03	1	RH Cylinder Mount ASM
16	325-6	2	Screw-HH	43	110-5050	16	Screw-HHF
17	32153-5	2	Nut-Hex	44	3290-357	16	Nut-HHF, Whiz
18	92-1233	2	Pin-Clevis	45	119-0651	2	Decal-Tipping
19	92-1298	4	Pin-Lynch				



Fresh Water Tank Assembly

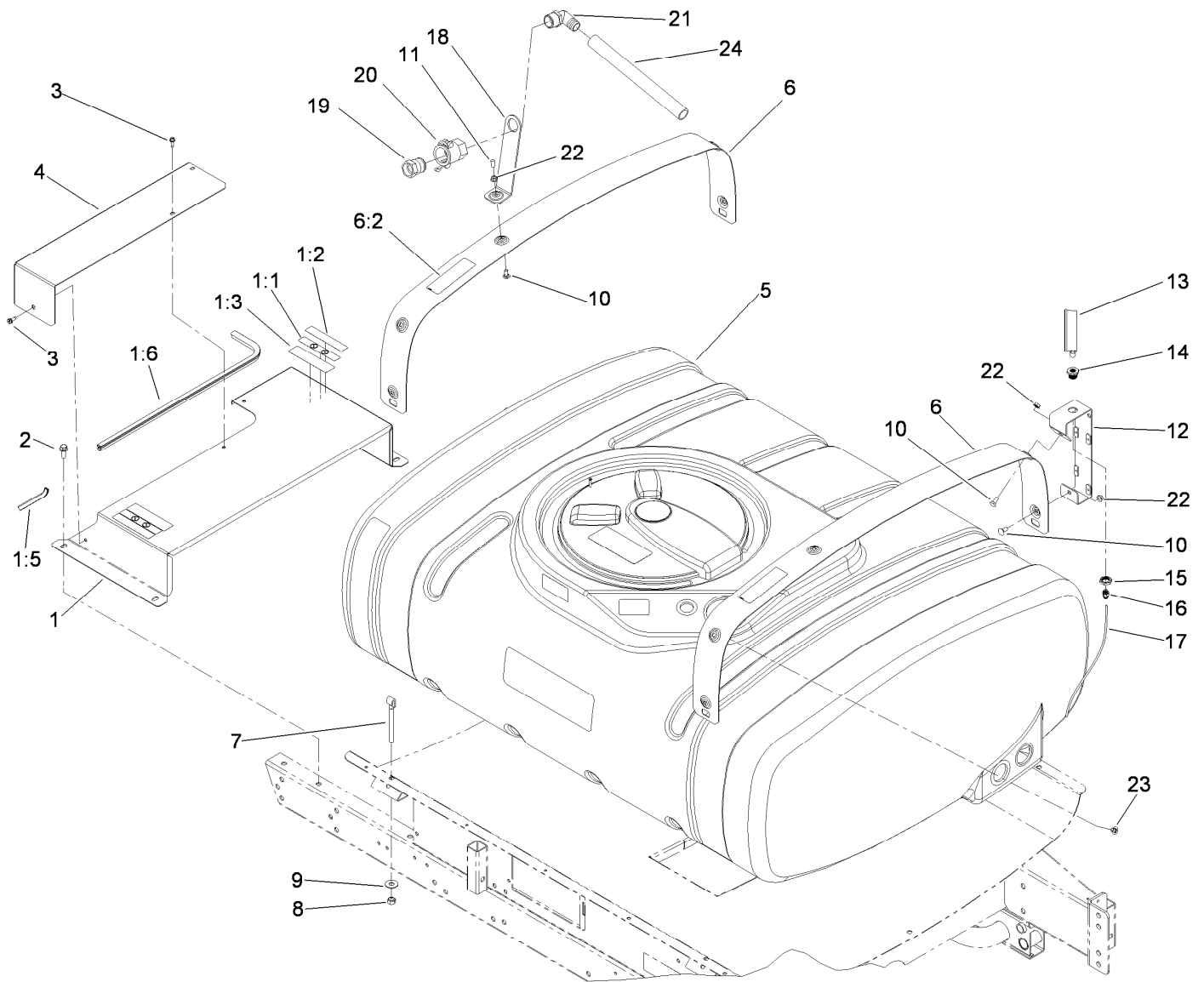
<i>Ref.</i>	<i>Part Number</i>	<i>Qty.</i>	<i>Description</i>
1	107-2819-03	1	Fresh Water Tank Bracket ASM
2	322-5	2	Screw-HH
3	3296-29	1	Nut-Lock, NI
4	100-8438	1	Fresh Water Tank ASM
6	3256-23	2	Washer-Flat
7	100-7008	1	Cap-Tank, Fresh Water
8	3234-28	4	Screw-HHF
9	2412-4	2	Clamp
12	106-1357	2	Handle
13	3234-42	4	Screw-HHF
14	32128-43	4	Nut-Flange
15	104-8300	1	Nut-Flange, NI



Fresh Water Tank Assembly No. 100-8438

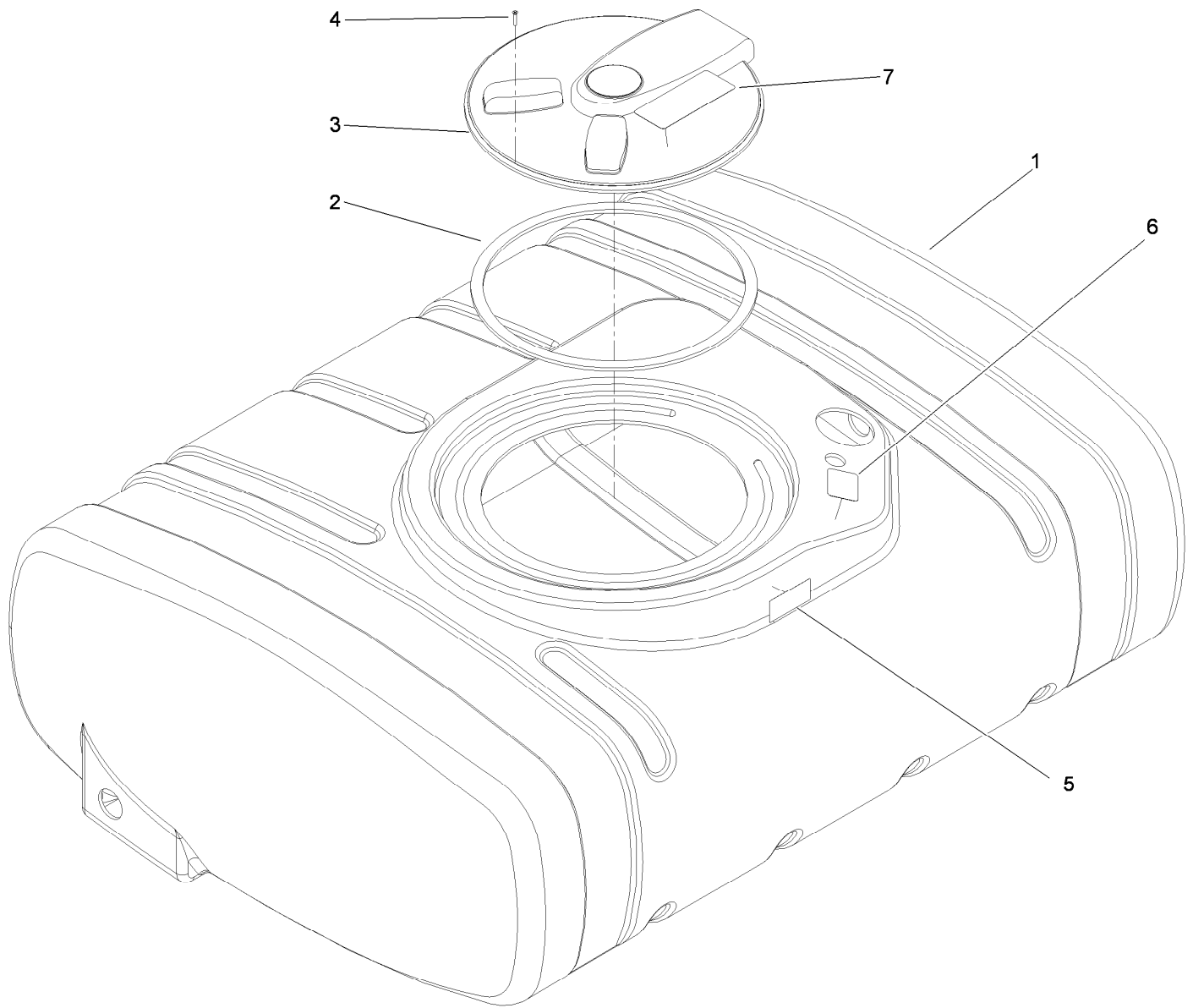
Ref.	Part Number	Qty.	Description
1		1	Tank-Water, Fresh ●
2	100-8397	1	Cover-Tank
3	100-7011	1	Spigot-90 DEG
4	100-7009	1	Latch-Draw
5	100-7010	2	Hinge
6	100-7062	4	Rivet
7	100-7063	4	Rivet
8	100-7064	4	Screw
9	100-7065	4	Washer
10	100-7066	2	Washer

● Not serviced separately



Tank and Cover Assembly

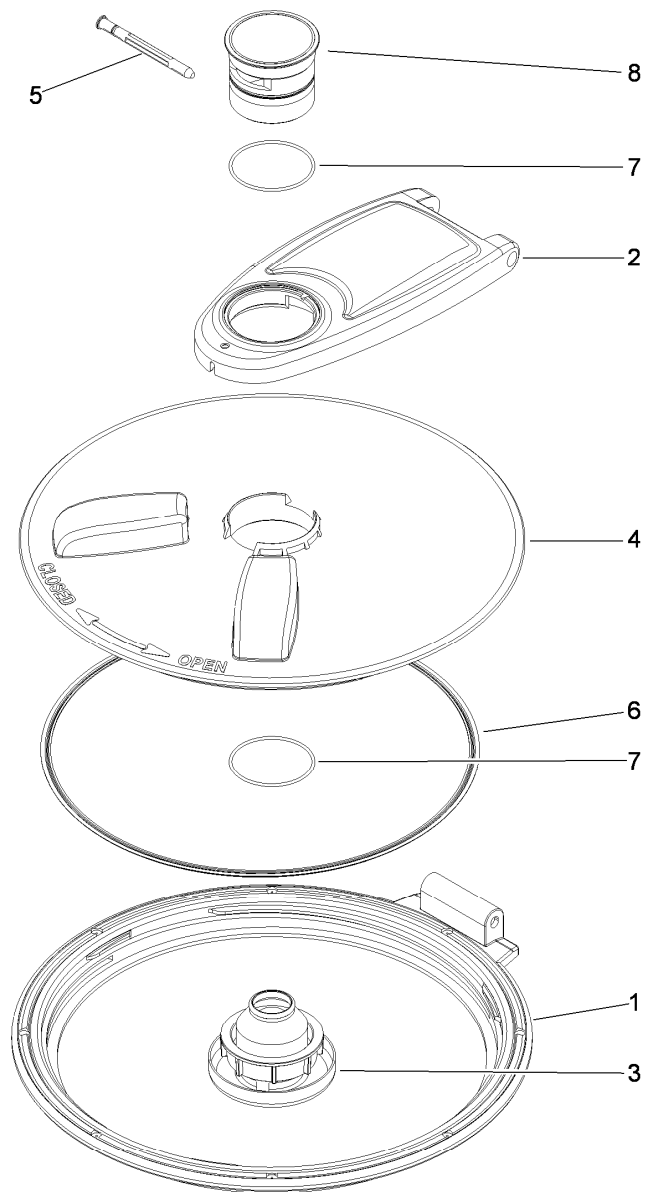
<i>Ref.</i>	<i>Part Number</i>	<i>Qty.</i>	<i>Description</i>	<i>Ref.</i>	<i>Part Number</i>	<i>Qty.</i>	<i>Description</i>
1	106-2275	1	Radiator Cover ASM	10	3230-1	3	Bolt-CARR
1:1	93-6687	2	Decal-No Step	11	42452	1	Cap-Protective
1:2	93-6689	2	Decal-No Riders	12	106-7997-03	1	Tee Mounting Bracket ASM
1:3	93-7814	2	Decal-Danger	13	110-5078	1	Gauge-Pressure
1:5	92-3627	1	Trim	14	100-8665	1	Reducer-Gauge, Pressure
1:6	42657	1	Trim-Panel, Front	15	100-8666	1	Nut-Reducer
2	3234-42	4	Screw-HHF	16	100-8667	1	Coupler-Reducer
3	32104-95	3	Screw-HWH	17	107-2834	1	Tubing-Pressure
4	93-6427-03	1	Panel-Radiator	18	100-6778-03	1	Bracket-Siphon, Anti
5	119-9405	1	Tank ASM	19	41316	1	Adapter-Quick
6	106-1368	2	Band-Tank	20	100-6779	1	Coupling-Female
6:2	106-5016	1	Decal-Caution, Electric Shock	21	41140	1	Elbow
7	92-3668	4	Bolt-J	22	32128-20	3	Nut-HF
8	3217-8	4	Nut-Hex	23	3230-19	1	Screw-CARR
9	3256-5	4	Washer-Flat	24	104-9075	1	Hose-Siphon, Anti



Replacement 200-Gallon Tank Assembly No. 119-9405

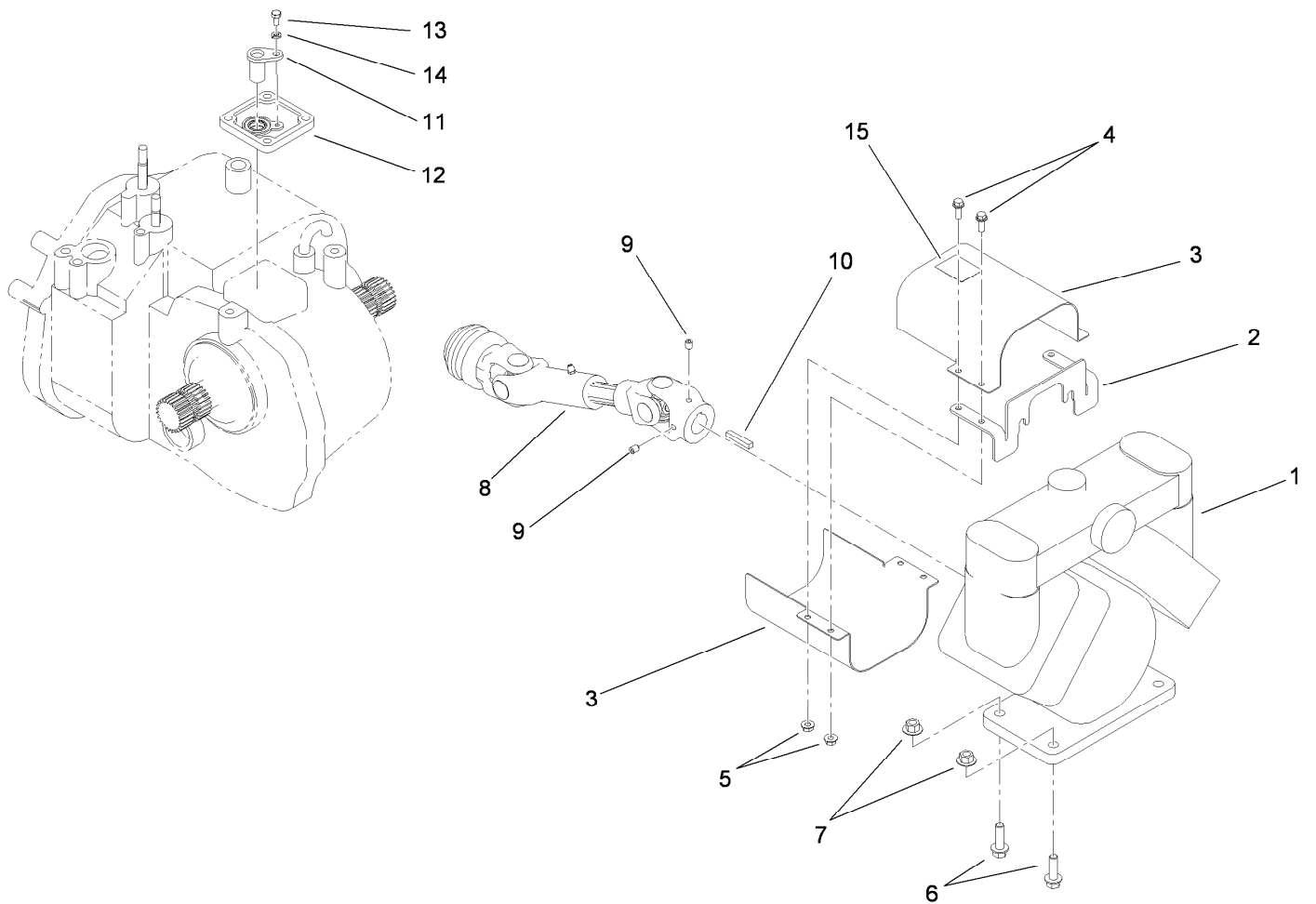
<i>Ref.</i>	<i>Part Number</i>	<i>Qty.</i>	<i>Description</i>
1		1	Tank-Spray, 200 Gallon ●
2	119-9378	1	Gasket-Lid, Tank
3	119-9380	1	Spray Tank Lid ASM
4	107-8635	8	Screw-PFH
5	106-1355	1	Decal-No Tank Entry
6	106-5065	1	Decal-Drain, Tank
7	93-0688	1	Decal-Warning, Chemical

● Not serviced separately



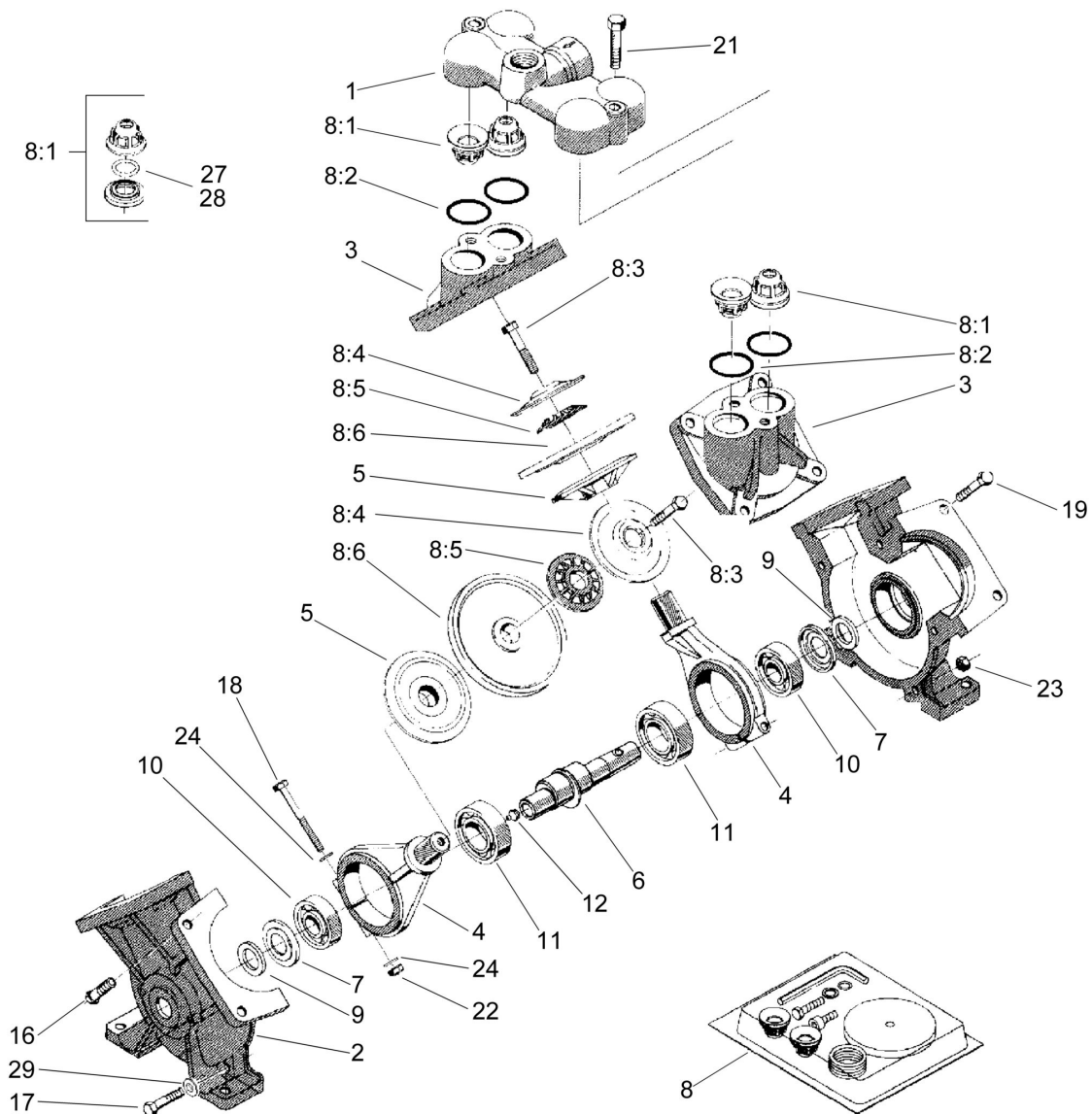
Spray Tank Lid Assembly No. 119-9380

<i>Ref.</i>	<i>Part Number</i>	<i>Qty.</i>	<i>Description</i>
1	119-9381	1	Ring-Lid
2	119-9382	1	Arm-Lid
3	119-9383	1	Lid Vent ASM
4	119-9384	1	Cover-Lid
5	119-9385	1	Pin-Pivot
6	106-5004	1	Seal-Lid
7	119-9386	2	O-Ring
8	119-9387	1	Cap-Lid



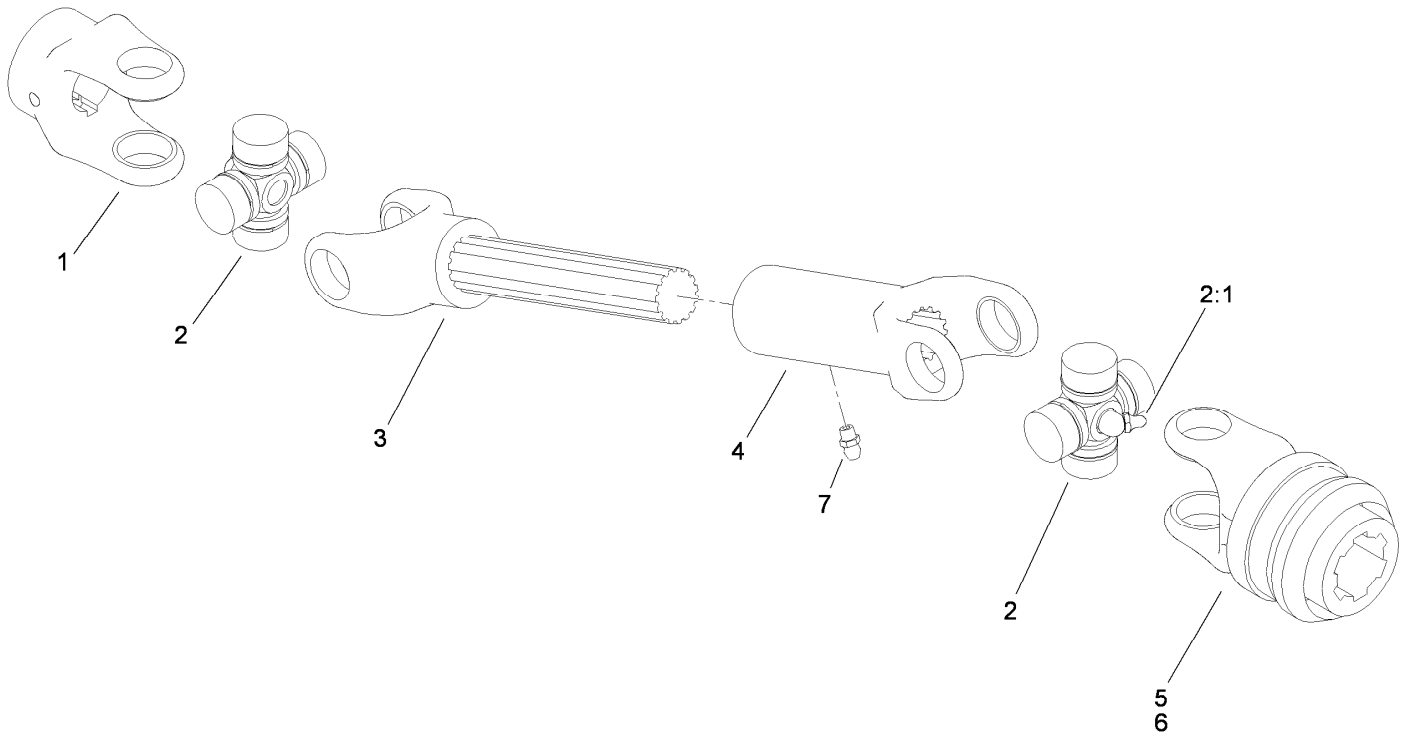
Pump and Drive Assembly

<i>Ref.</i>	<i>Part Number</i>	<i>Qty.</i>	<i>Description</i>
1	106-5121	1	Pump ASM
2	104-8970-03	1	Bracket-Shroud
3	104-8971-03	2	Shroud-Drive, Pump
4	3234-4	4	Screw-HHF
5	32128-33	4	Nut-HF
6	3234-18	4	Screw-HHF
7	32128-43	4	Nut-Flange
8	107-2810	1	Shaft-Drive, PTO
9	3246-18	2	Setscrew
10	67-7490	1	Key-Square
11	85-4350	1	Sensor-Geartooth
12	92-3736	1	Cover ASM
13	33113-012	1	Screw-HH
14	48-8020	1	Washer-Spring
15	106-1354	1	Decal



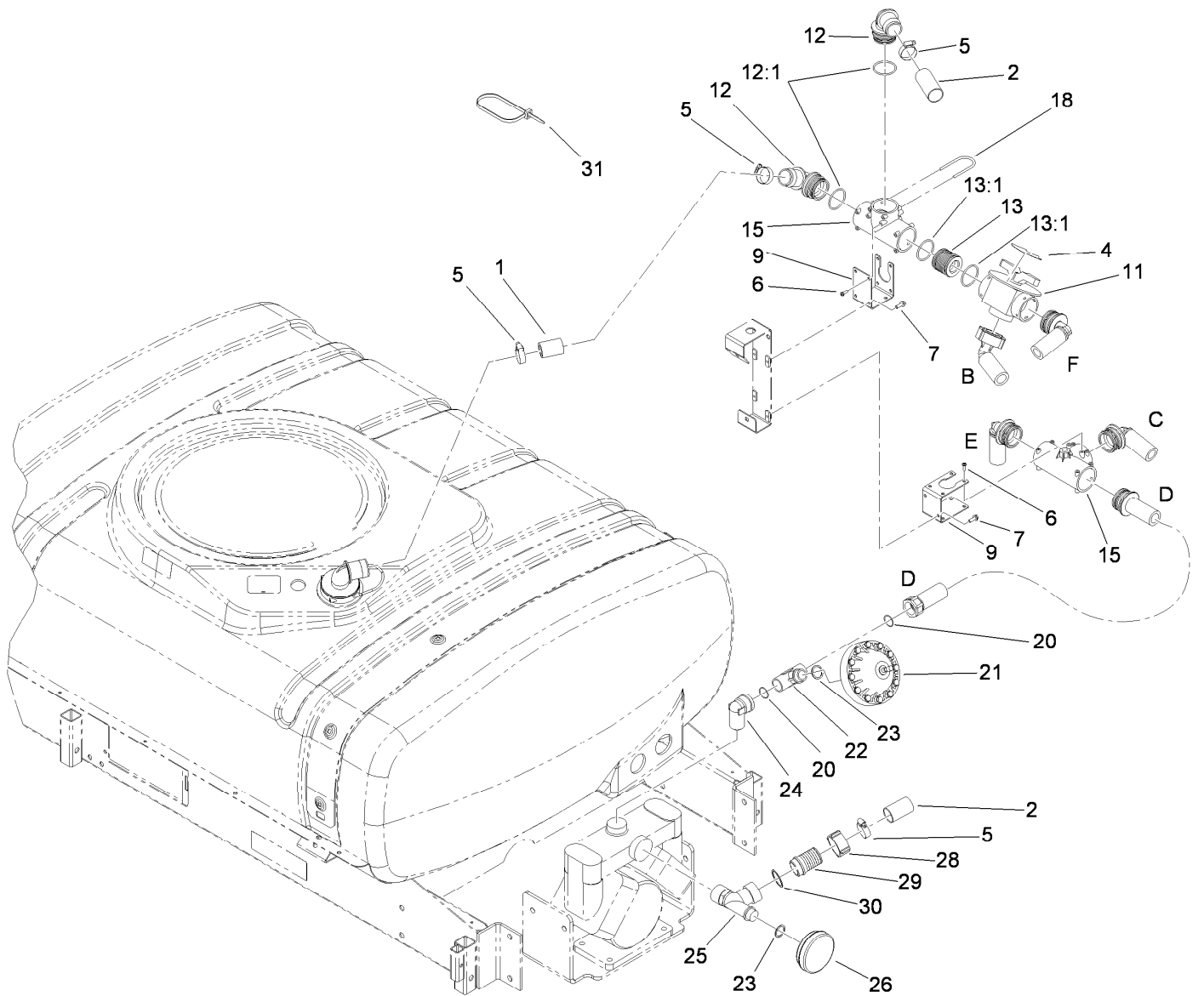
Pump Assembly No. 106-5121

Ref.	Part Number	Qty.	Description	Ref.	Part Number	Qty.	Description
1	106-5139	1	Cover-Valve	10	100-8327	2	Bearing-Ball
2	106-5140	2	Housing-Pump	11	100-8329	2	Bearing-Ball
3	106-5141	2	Cover-Diaphragm	12	99-0873	1	Fitting-Grease
4	106-5142	2	Rod-Connecting	16	106-5143	3	Bolt
5	100-8314	2	Disc-Back, Diaphragm	17	106-5144	2	Bolt
6	104-9052	1	Crankshaft-Keyed	18	106-5145	2	Bolt
7	100-8325	2	Plate-Dust	19	106-5146	8	Bolt
8	106-5150	1	Repair Kit	21	106-5148	2	Bolt
8:1	100-8307	4	Valve	22	100-8326	2	Nut-Hex
8:2	100-6652	4	Gasket	23	106-5149	5	Nut
8:3	106-5147	2	Bolt	24	100-8316	4	Washer-Lock
8:4	100-8311	2	Washer	27	100-8336	4	O-Ring
8:5	100-8312	2	Washer-Nylon	28	106-5138	4	O-Ring
8:6	100-8313	2	Diaphragm	29	106-5137	2	Washer
9	99-0868	2	Felt-Seal				



Drive Shaft Assembly No. 107-2810

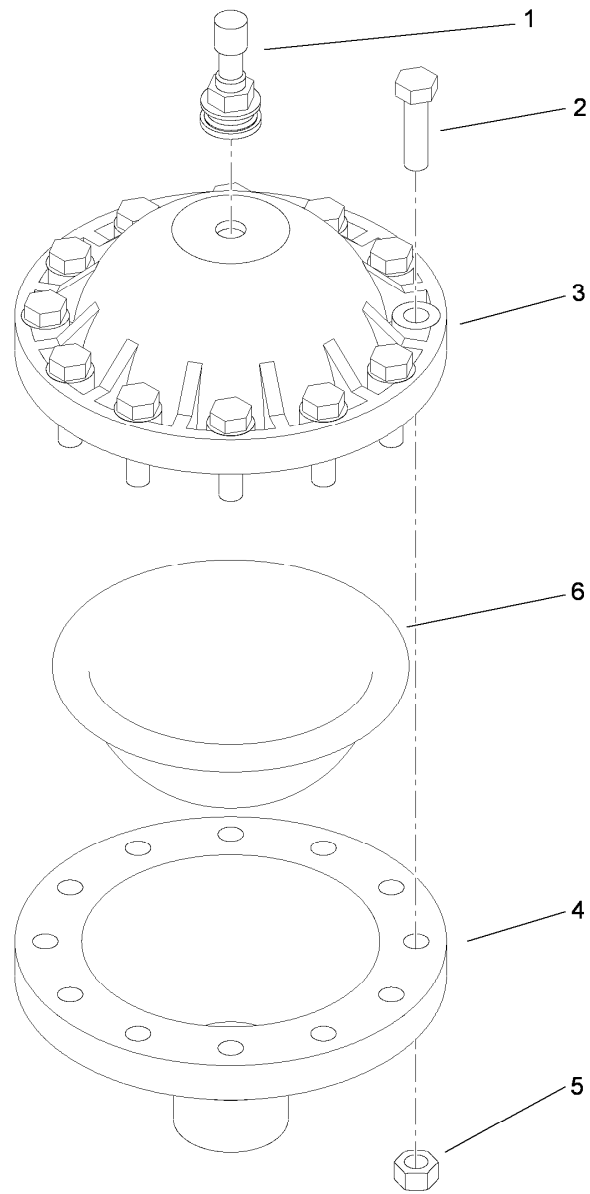
<i>Ref.</i>	<i>Part Number</i>	<i>Qty.</i>	<i>Description</i>
1	107-2823	1	Yoke-Shaft
2	54-9180	2	U-Joint Kit
2:1	62-3820	1	Fitting-Grease
3	107-2824	1	Shaft-Yoke, Slip
4	94-7379	1	Tube-Yoke, Slip
5	99-4476	1	Spring-Lok Yoke ASM
6	99-4477	1	Yoke Spring Lock Repair Kit
7	302-5	1	Fitting-Grease



Upper Sprayer Component Assembly

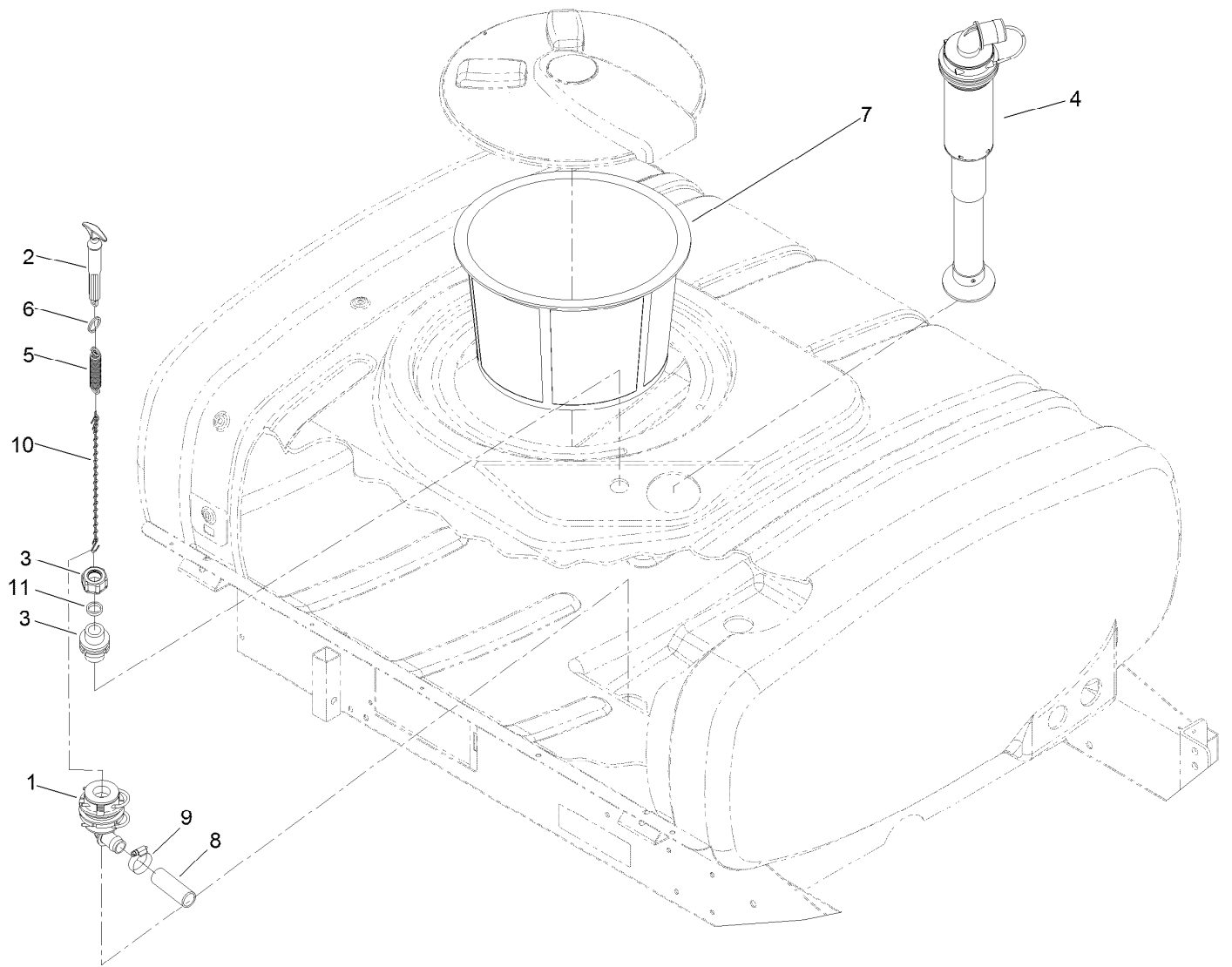
Ref.	Part Number	Qty.	Description
1	107-2804	1	Hose-Suction
2	107-2805	1	Hose-Suction
4	107-8621	1	Decal-Agitation
5	41327	4	Clamp-Hose
6	32144-32	8	Screw
7	3234-4	4	Screw-HHF
9	100-8478	2	Bracket-Tee
11	100-8673	1	Agitation Valve ASM
12	106-4946	2	Hosebarb-90 DEG
12:1	100-8637	1	O-Ring
13	106-4947	1	Connector
13:1	100-8637	2	O-Ring
15	100-6704	2	Tee

Ref.	Part Number	Qty.	Description
18	100-8635	8	Fork
20	100-6655	1	Gasket
21	100-6662	1	Pressure Damper ASM
22	100-8699	1	Tee
23	100-6656	2	O-Ring
24	100-8698	1	Elbow
25	100-8681	1	Tee
26	100-6660	1	Suction Damper ASM
28	100-8678	1	Nut
29	100-8679	1	Hosebarb
30	100-8680	1	Seal
31	3334-945	4	Tie-Cable



Pressure Damper Assembly No. 100-6662

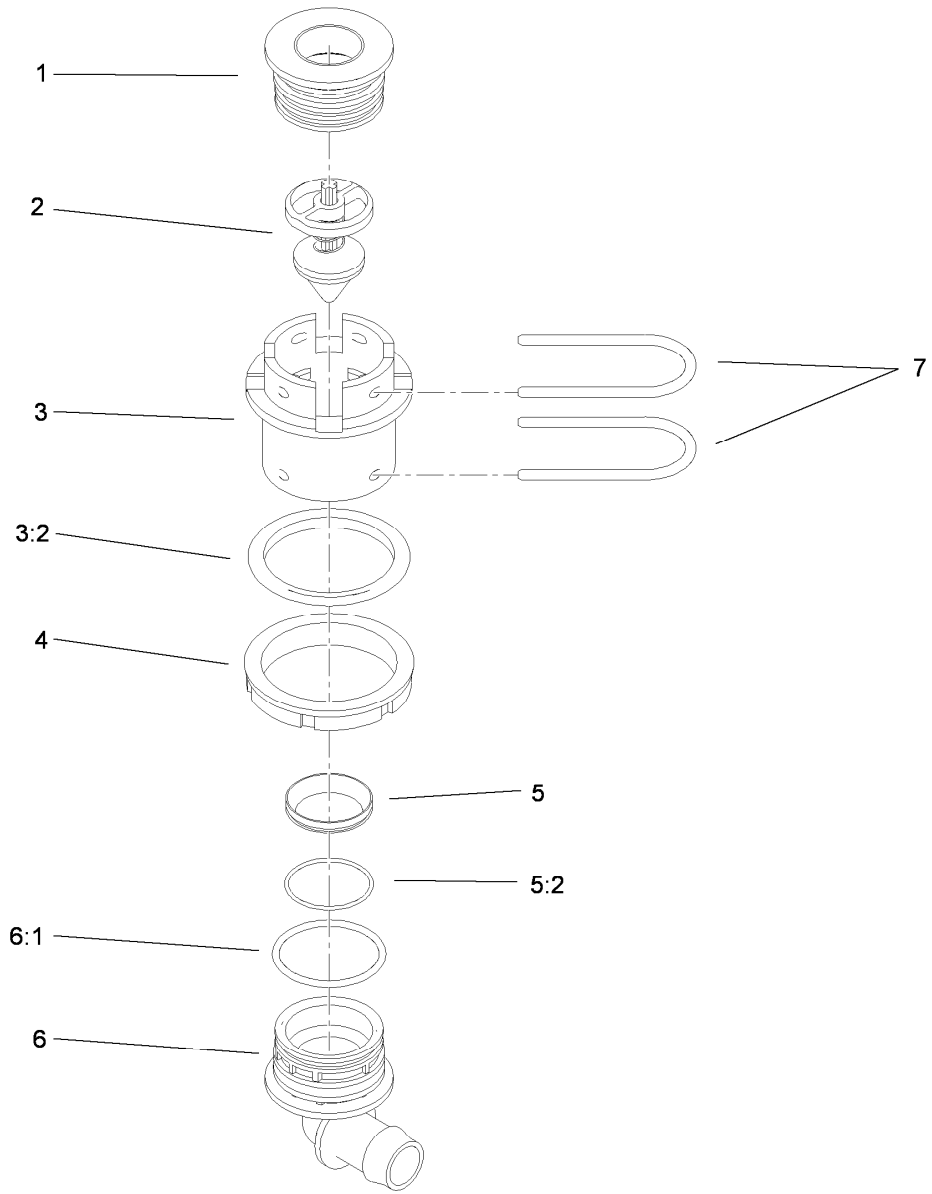
<i>Ref.</i>	<i>Part Number</i>	<i>Qty.</i>	<i>Description</i>
1	99-0895	1	Valve
2	33114-030	12	Screw-HH
3	99-0896	1	Half-Upper, Damper
4	99-0898	1	Half-Lower, Damper
5	33014-00	12	Nut-Hex
6	99-0897	1	Diaphragm



Suction and Drain Assembly

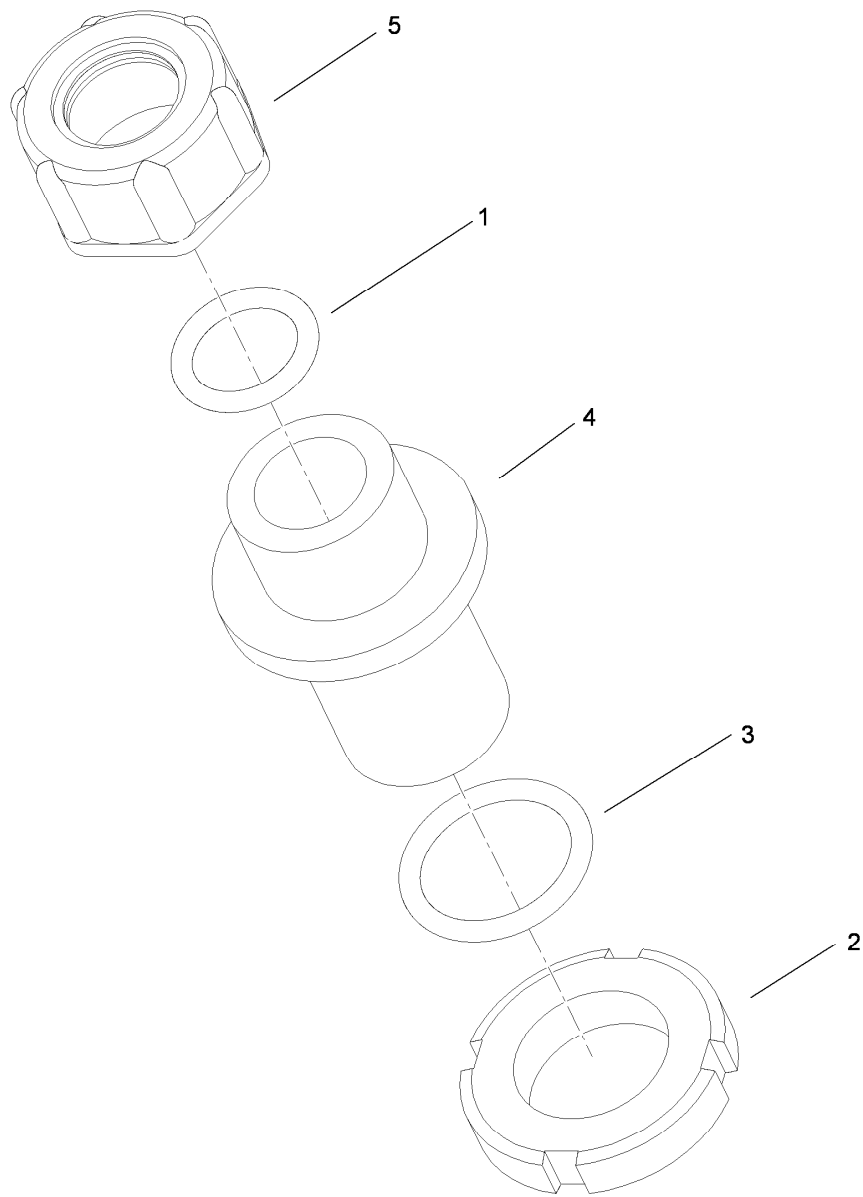
Ref.	Part Number	Qty.	Description
1		1	Drain ASM ●
2	106-1347	1	Handle-Drain
3		1	Upper Tank Drain Bulkhead ASM ●
4	107-2800	1	Top Mounted Suction ASM
5	106-1415	1	Spring-Extension
6	106-1416	1	Ring-Retaining, Spiral (EXT)
7	119-9419	1	Basket-Filter
8	106-1351	1	Hose-Drain
9	2412-34	1	Clamp-Hose
10	106-1356	1	Chain ASM
11	106-1414	1	Seal

● Not serviced separately



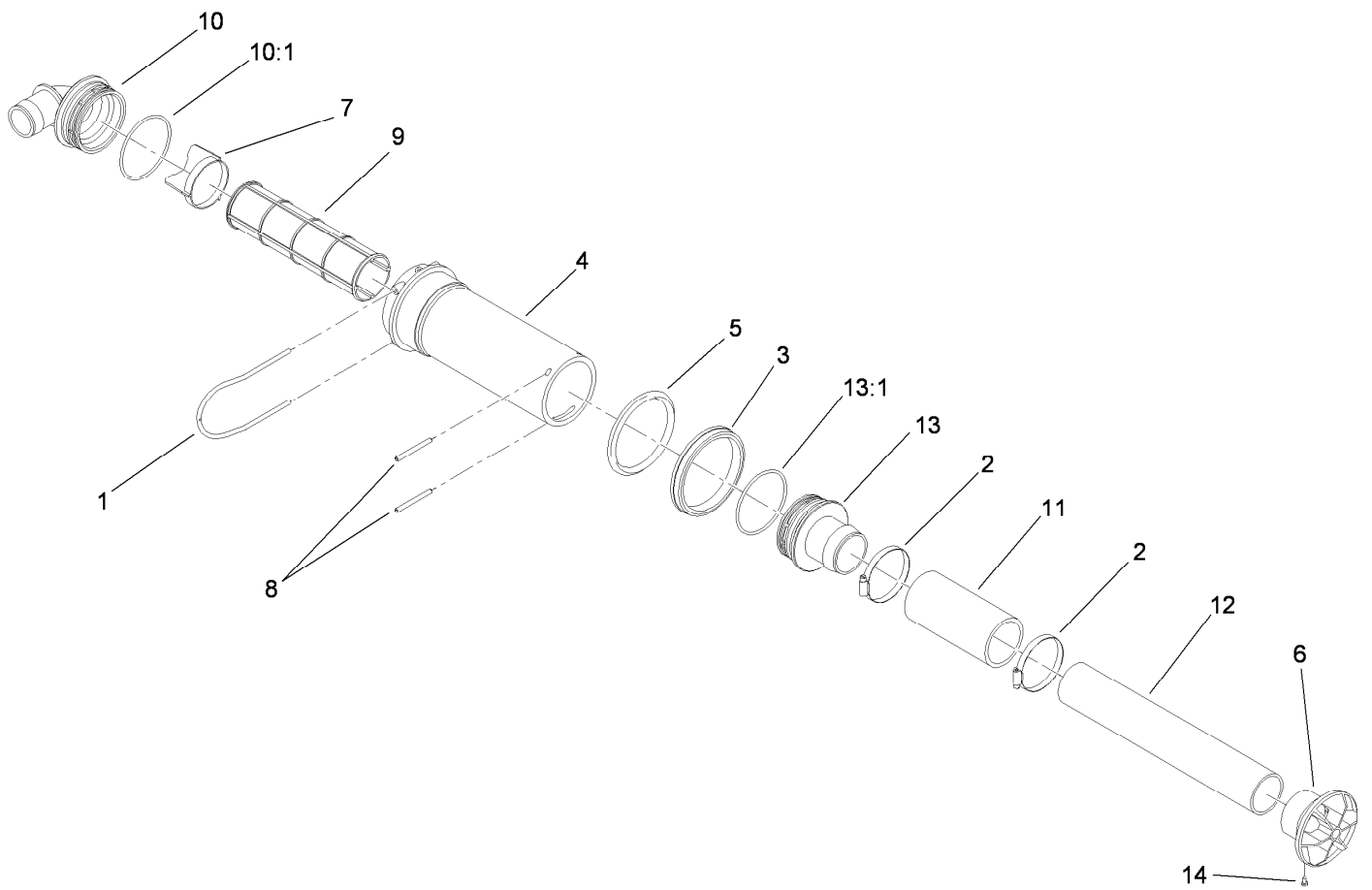
Tank Drain Assembly

<i>Ref.</i>	<i>Part Number</i>	<i>Qty.</i>	<i>Description</i>
1	107-2868	1	Adapter
2	108-7016	1	Drain Valve ASM
3	107-2862	1	Drain Bulkhead ASM
3:2	107-2864	1	Gasket-Bulkhead
4	100-7051	1	Nut-Bulkhead
5	107-2867	1	Seat Drain ASM
5:2	107-2866	1	O-Ring
6	106-4933	1	Hosebarb ASM
6:1	100-8637	1	O-Ring
7	100-8635	2	Fork



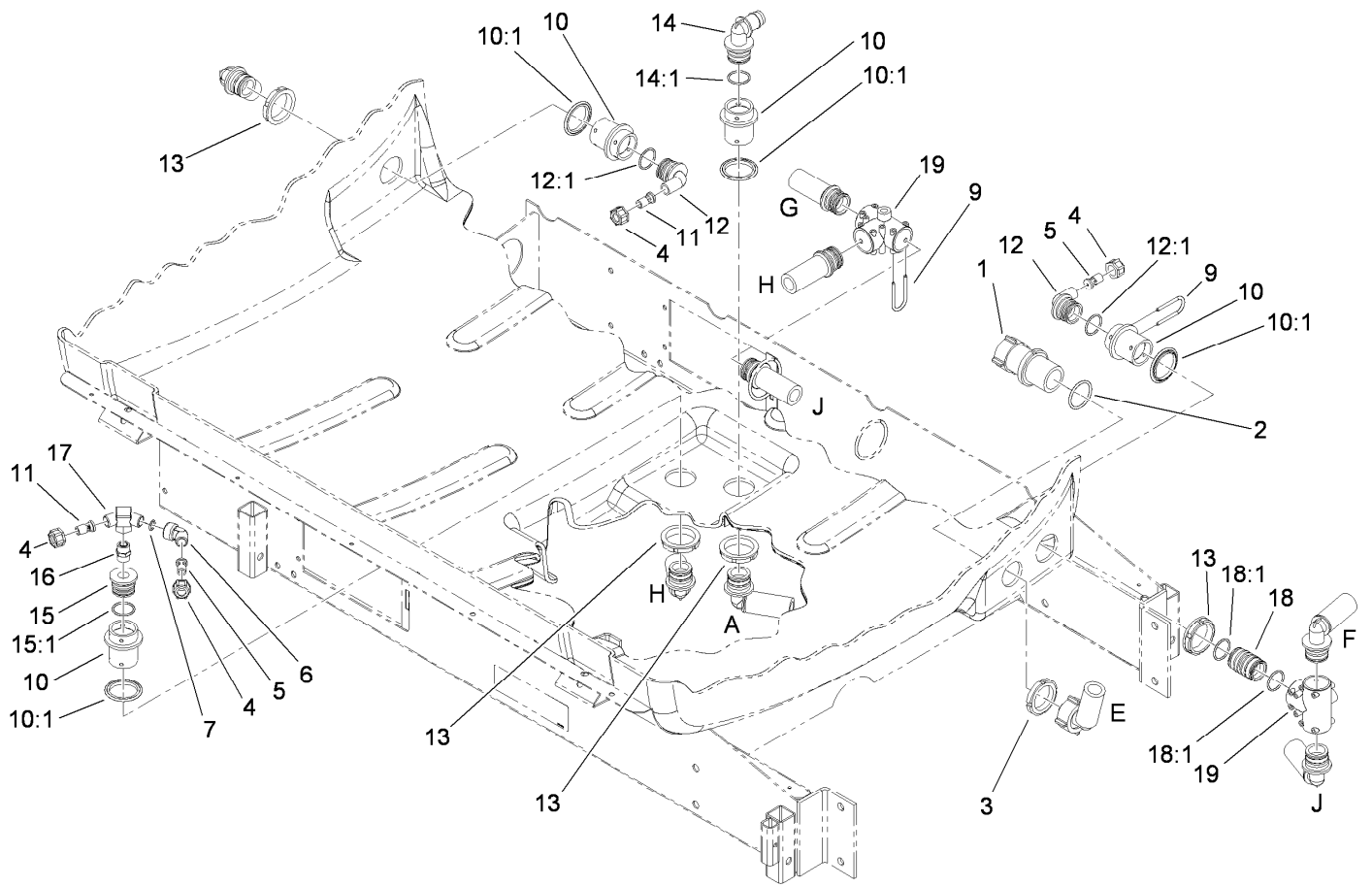
Upper Tank Drain Bulkhead Assembly

<i>Ref.</i>	<i>Part Number</i>	<i>Qty.</i>	<i>Description</i>
1	100-6643	1	O-Ring
2	99-0758	1	Nut
3	100-6658	1	Gasket
4	106-1240	1	Bulkhead
5	106-1241	1	Nut-Special



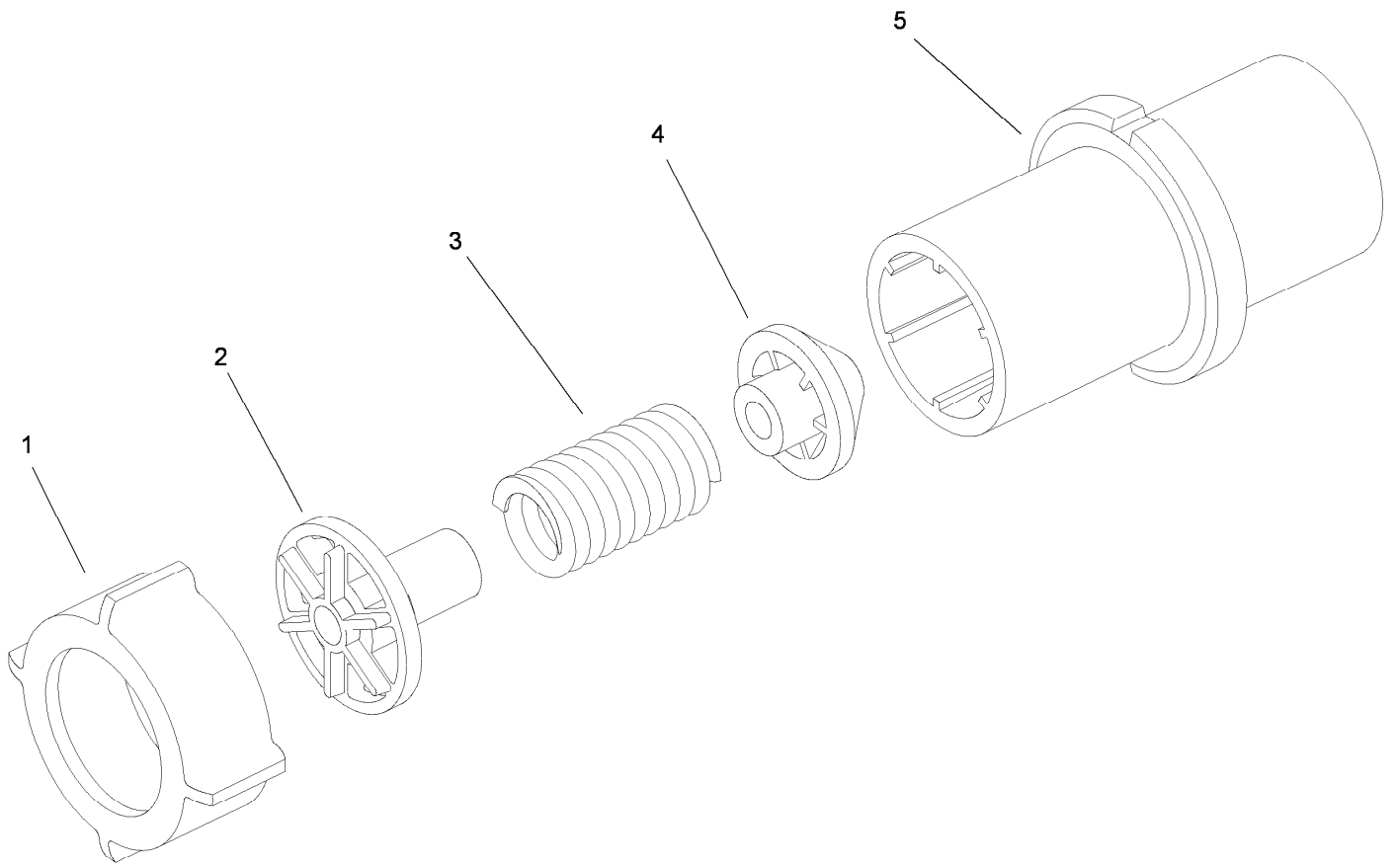
Top Mounted Suction Assembly No. 107-2800

<i>Ref.</i>	<i>Part Number</i>	<i>Qty.</i>	<i>Description</i>	<i>Ref.</i>	<i>Part Number</i>	<i>Qty.</i>	<i>Description</i>
1	100-8636	1	Fork-Special	9	100-8642	1	Screen-Suction
2	26392	2	Clamp-Hose	10	106-4952	1	Hosebarb-90 DEG
3	100-8647	1	Nut-Bulkhead	10:1	100-6989	1	O-Ring
4	100-8643	1	Housing-Filter	11	100-8649	1	Hose-Suction
5	100-8646	1	Gasket-Bulkhead	12	107-2801	1	Tube-Suction
6	100-6714	1	Foot-Tube, Suction	13	106-4942	1	Hosebarb-Straight
7	100-8641	1	Vane-Screen	13:1	100-6989	1	O-Ring
8	100-8644	2	Pin-Expansion	14	108-3270	1	Screw-TAP



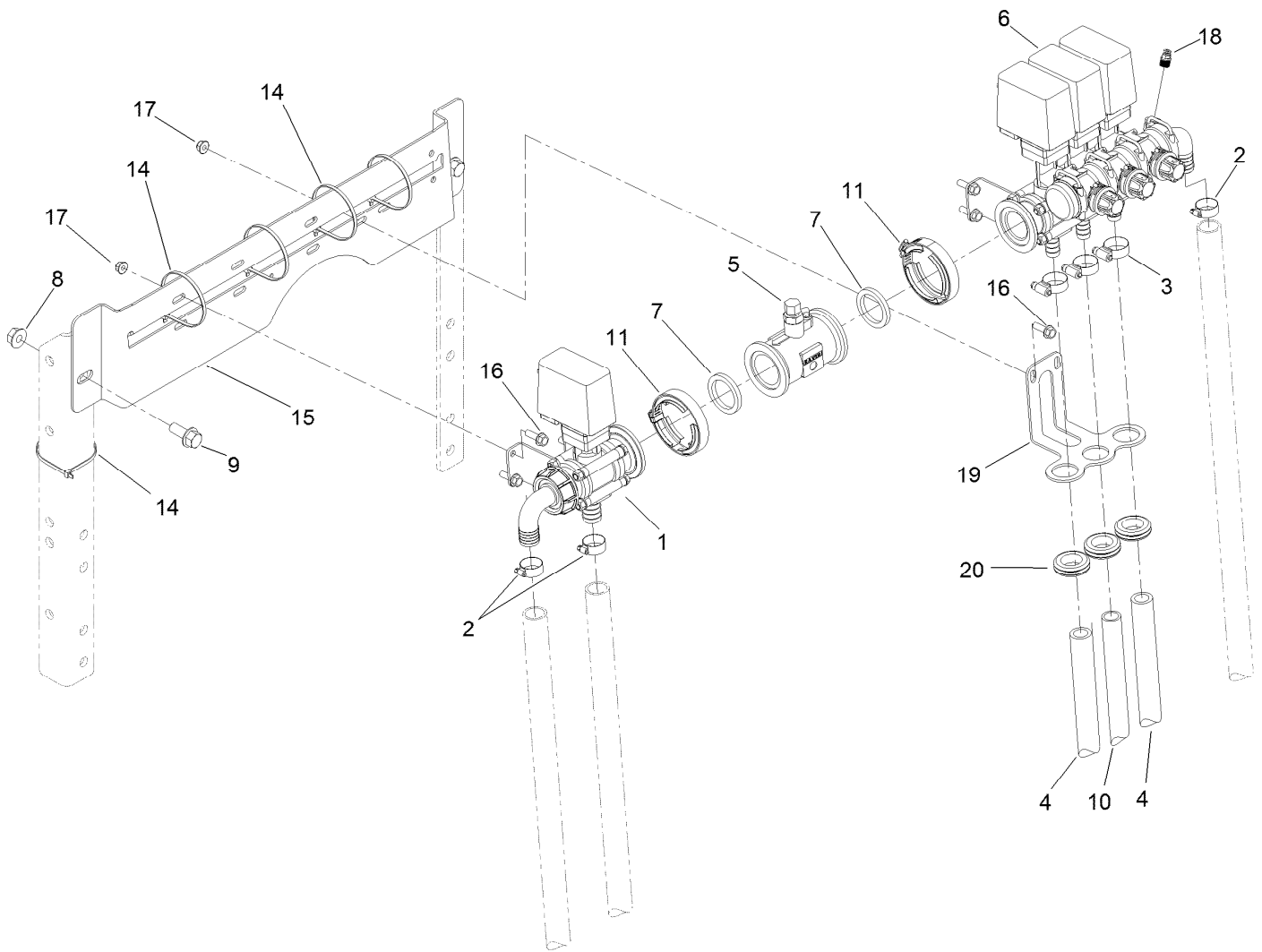
Lower Sprayer Component Assembly

<i>Ref.</i>	<i>Part Number</i>	<i>Qty.</i>	<i>Description</i>	<i>Ref.</i>	<i>Part Number</i>	<i>Qty.</i>	<i>Description</i>
1	100-6820	1	Safety Valve ASM (225 Psi)	12:1	100-6712	1	O-Ring
2	100-6652	1	Gasket	13	100-6713	4	Nut-Bulkhead
3	99-0761	1	Ringnut	14	106-4945	1	Elbow
4	99-0766	4	Nut	14:1	100-6712	1	O-Ring
5	100-6705	2	Nozzle-Agitation	15	106-4943	1	Adapter ASM
6	99-0768	1	Elbow-60 DEG	15:1	100-6712	1	O-Ring
7	100-6653	1	O-Ring	16	100-6722	1	Nipple
9	100-6708	14	Fork	17	100-6723	1	Tee
10	106-4896	4	Fitting-Bulkhead	18	107-2802	1	Connector
10:1	100-6710	1	Gasket-Bulkhead	18:1	100-6712	2	O-Ring
11	100-6706	2	Nozzle-Agitation	19	104-9041	2	Tee
12	106-4944	2	Fitting-90 DEG				



Safety Valve Assembly No. 100-6820

<i>Ref.</i>	<i>Part Number</i>	<i>Qty.</i>	<i>Description</i>
1	100-8678	1	Nut
2	100-6724	1	Valve-Relief, Seat
3	100-6725	1	Spring-Relief, Valve
4	100-6726	1	Cone-Relief, Valve
5	100-6727	1	Housing-Relief, Valve

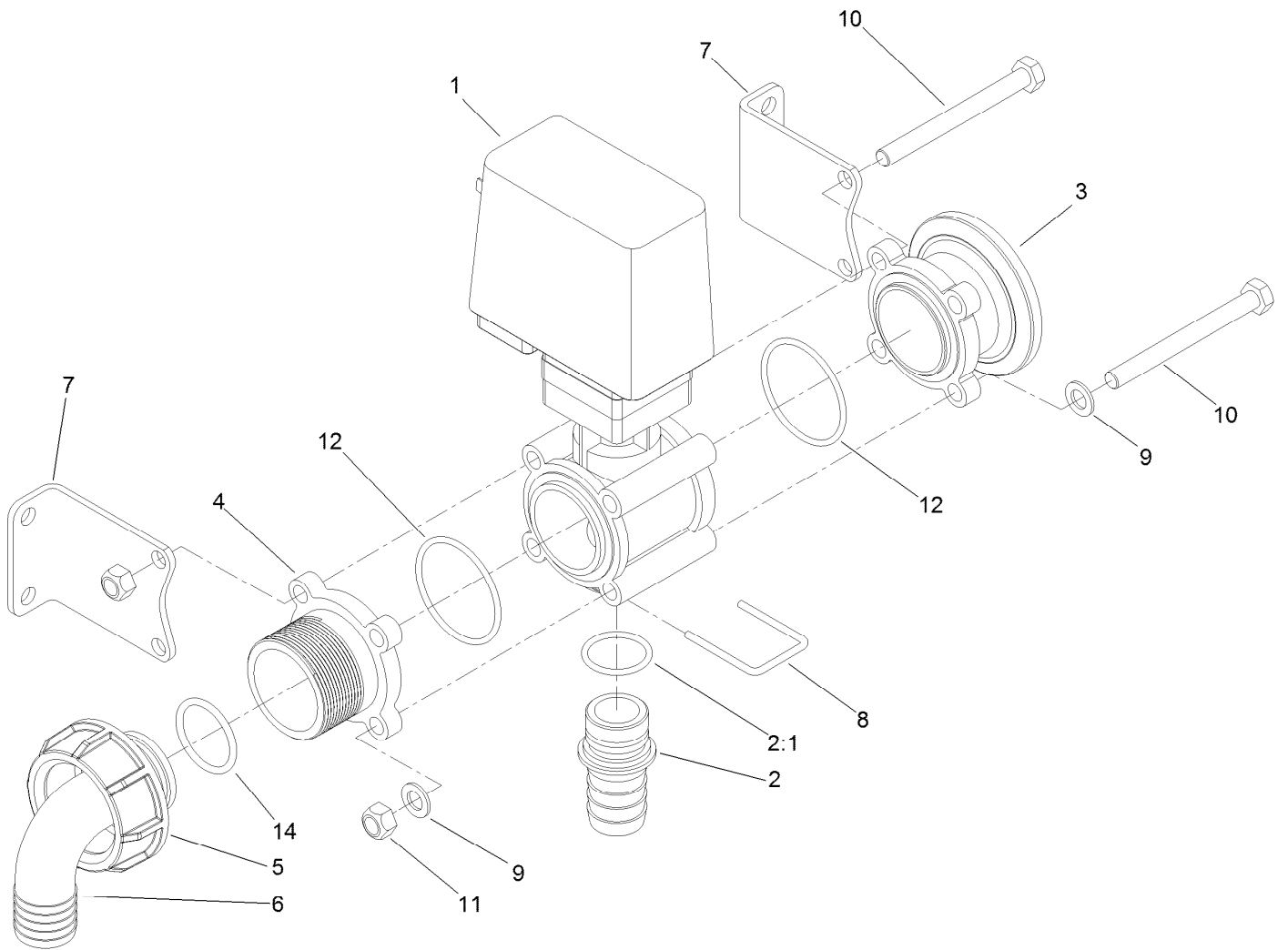


Control Valve Assembly

Ref.	Part Number	Qty.	Description
1		1	Regulating Valve ASM ●
2	2412-34	3	Clamp-Hose
3	2412-129	3	Clamp-Hose
4	108-3720	2	Hose-Boom, LH
5	106-1038	1	Flow Meter ASM
6		1	Manifold-Boom Valve ●
7	104-9090	2	Gasket
8	32128-49	2	Nut-HHF
9	3234-32	2	Screw-HHF

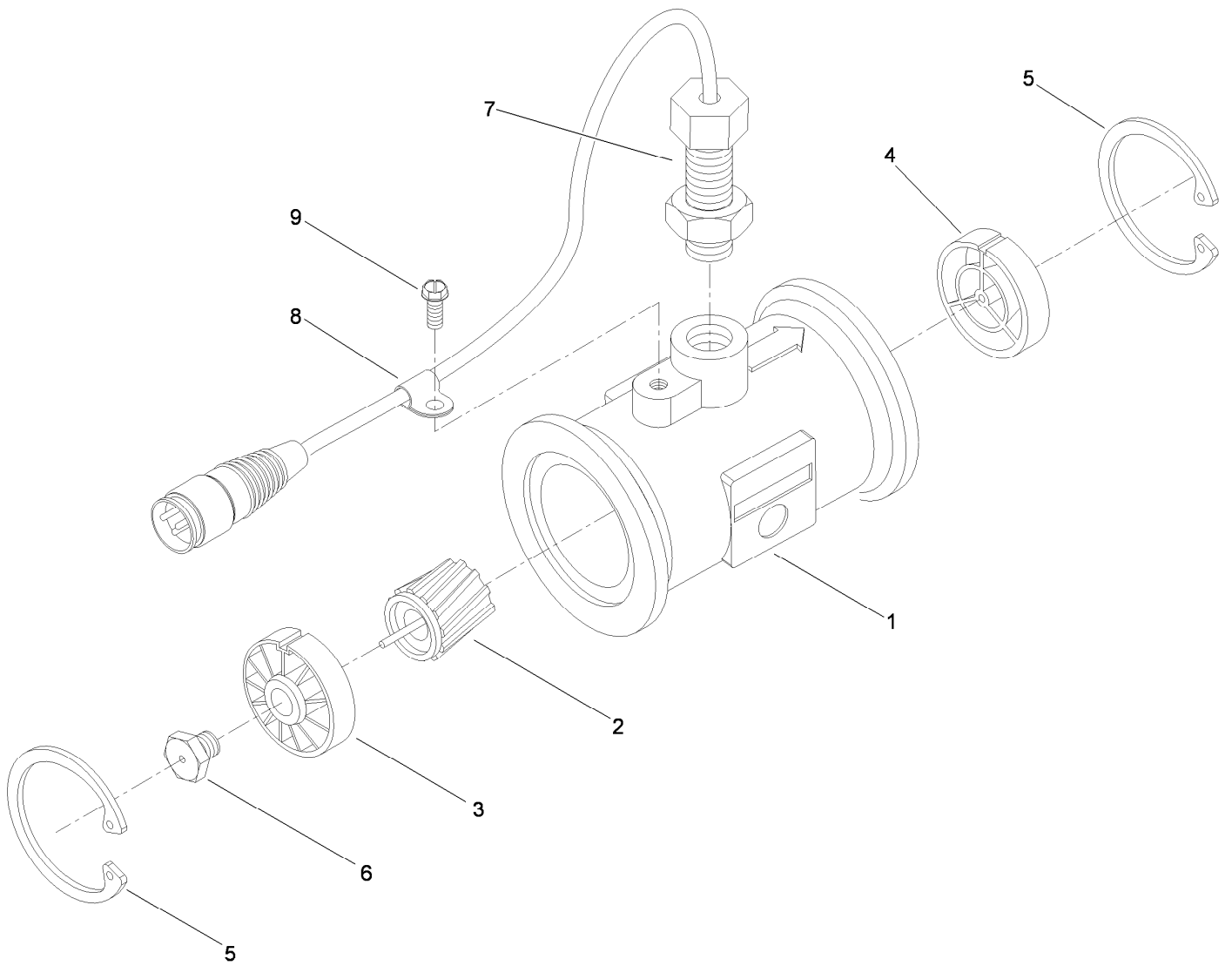
Ref.	Part Number	Qty.	Description
10	95-2229	1	Hose
11	104-9089	2	Clamp-Screw, Worm
14	3290-379	6	Tie-Cable
15	121-4992-03	1	Mount-Valve
16	3234-17	10	Screw-HHF
17	104-8300	10	Nut-Flange, NI
18	100-8674	1	Coupler-Tube
19	121-4991-03	1	Loom-Hose, 3 Hole
20	108-3723	3	Grommet

● Not serviced separately



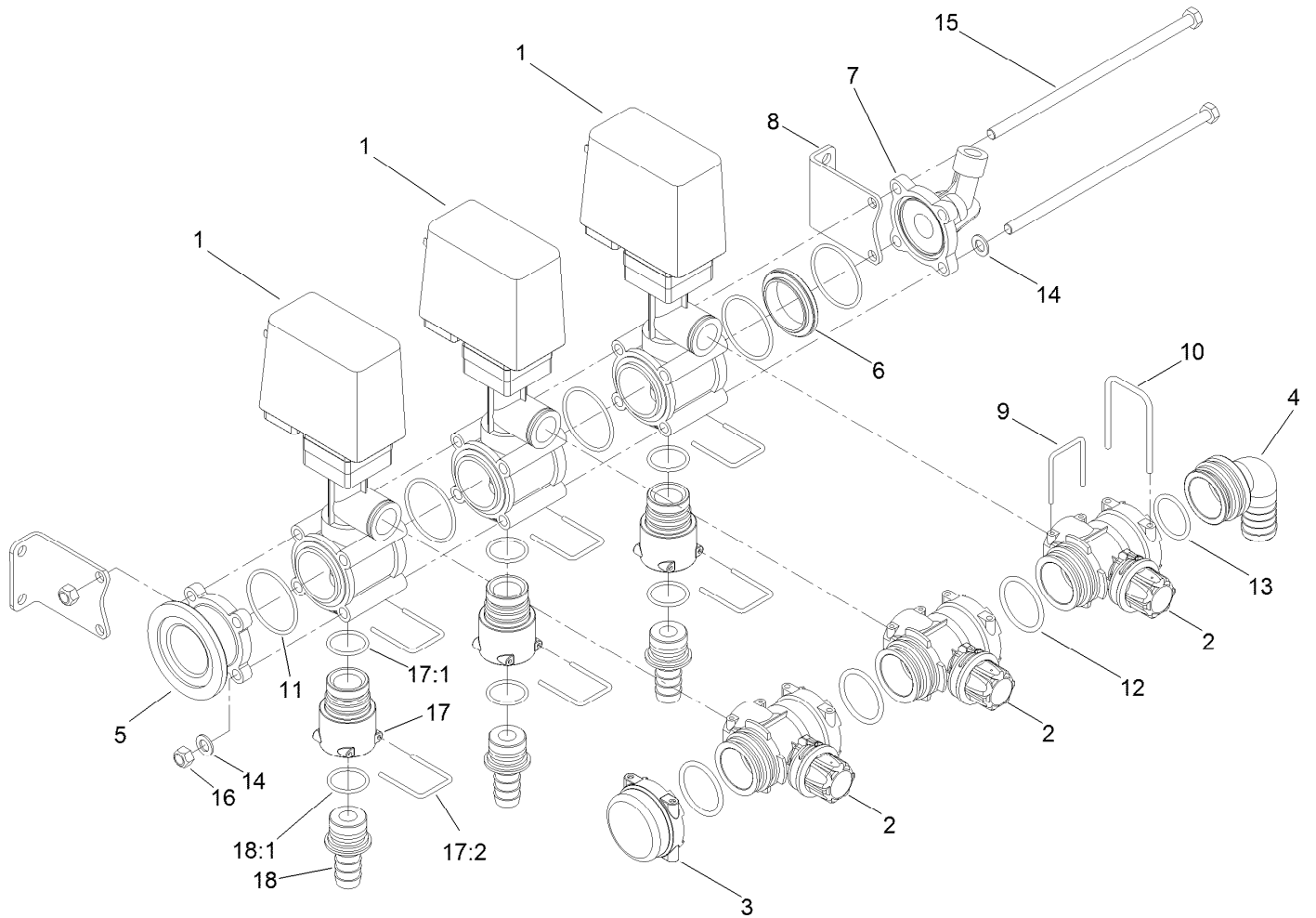
Regulating Valve Assembly No. 119-0466

<i>Ref.</i>	<i>Part Number</i>	<i>Qty.</i>	<i>Description</i>
1	119-0465	1	Valve-Proportional
2	117-7992	1	Hosebarb
2:1	119-4868	1	O-Ring
3	117-7966	1	Flange
4	119-0522	1	Adapter
5	117-7879	1	Nut-Fly
6	119-0459	1	Elbow-90 DEG, Flynut
7	117-7975	1	Bracke Mounting Kit
8	119-4862	1	Fork
9	119-4871	4	Washer
10	119-4866	4	Screw-HH
11	33024-00	4	Nut-Lock, NI
12	119-4870	2	O-Ring
14	117-7922	1	O-Ring



Flow Meter Assembly No. 106-1038

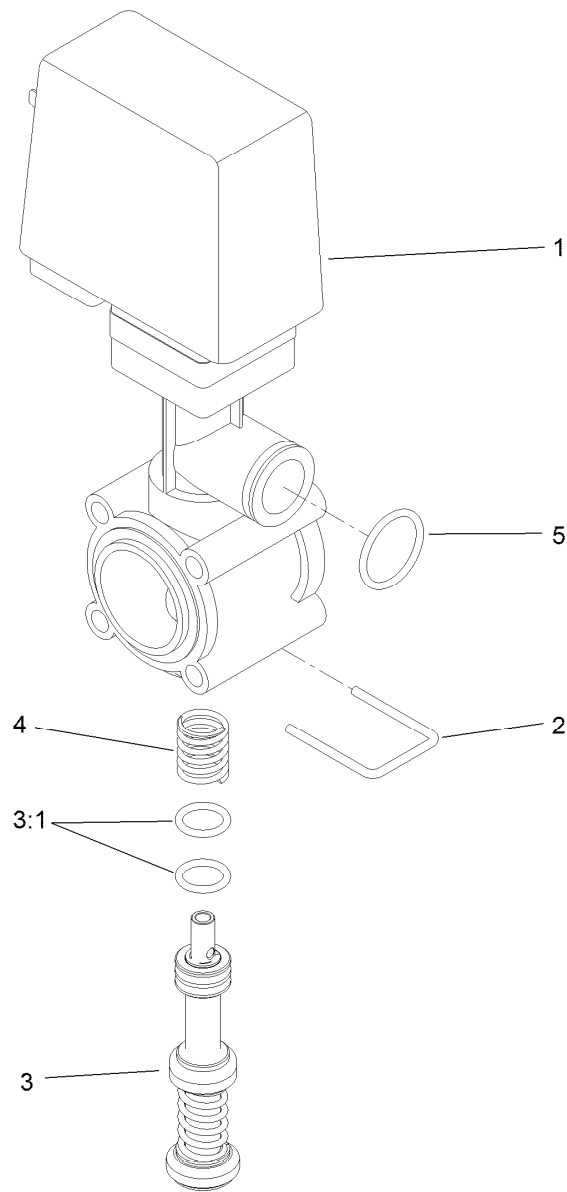
<i>Ref.</i>	<i>Part Number</i>	<i>Qty.</i>	<i>Description</i>
1	106-1042	1	Body-Meter, Flow
2	104-9059	1	Rotor / Magnet ASM
3	104-9060	1	Upstream Hub And Bearing ASM
4	104-9061	1	Downstream Hub ASM
5	104-9062	2	Ring-Retaining, Internal
6	42480	1	Stud-Turbine (W / Bearing)
7	104-9065	1	External Sensor ASM
8	104-9063	1	Clamp-Cable
9	104-9064	1	Screw-HWHTF



Boom Manifold Assembly

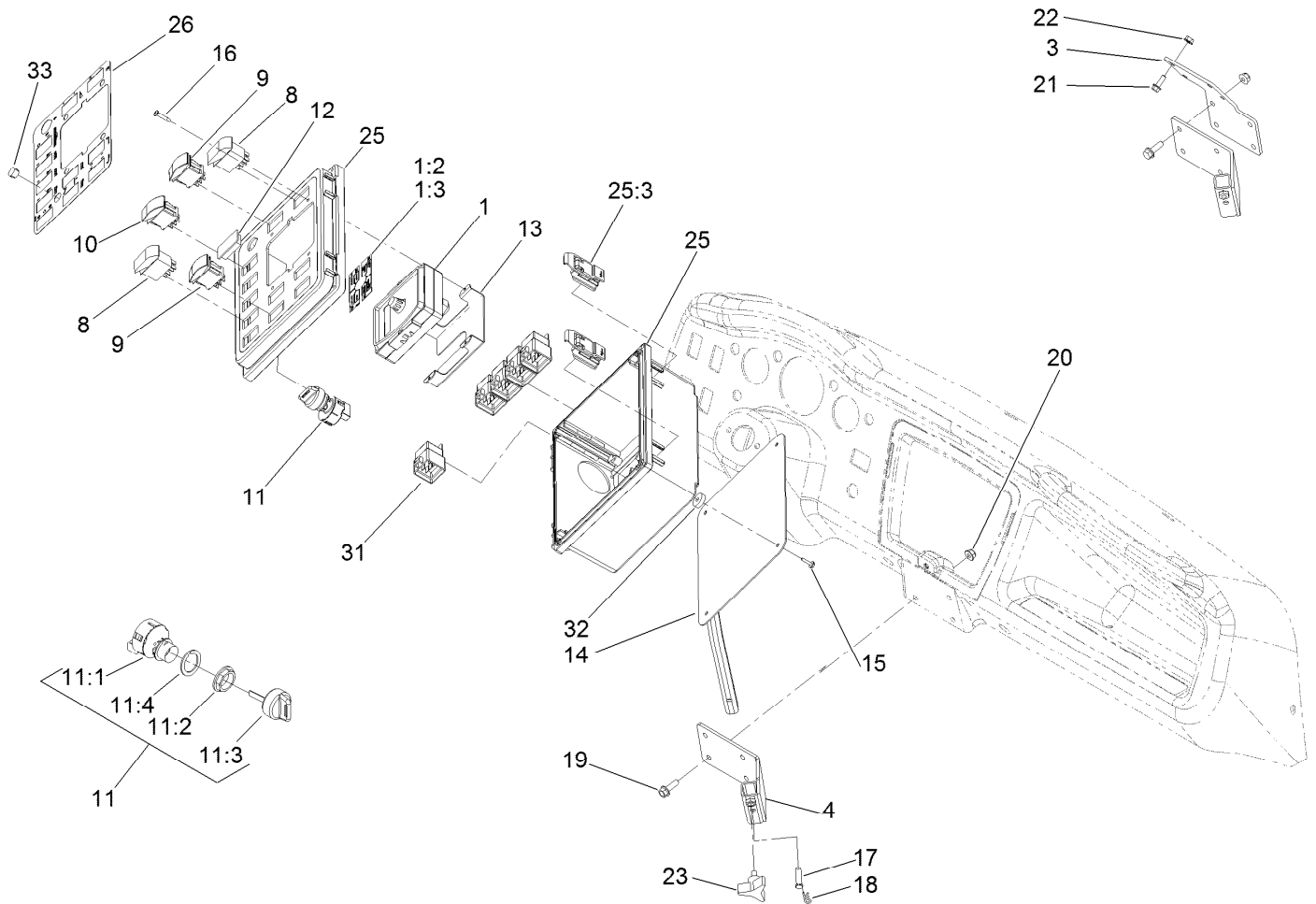
Ref.	Part Number	Qty.	Description
1	121-5053	3	Valve (W/Bypass)
2	120-8595	3	Valve-Bypass
3	120-8596	1	Cap-Valve
4	120-8606	1	Elbow
5	117-7967	1	Flange-Female
6	119-0463	1	Adapter-Male-Male
7	119-9421	1	Port-Pressure Gauge
8	119-0449	2	Bracket Mounting Kit
9	119-4862	1	Fork
10	119-4863	4	Fork
11	119-4870	5	O-Ring

Ref.	Part Number	Qty.	Description
12	119-4869	3	O-Ring
13	117-7922	1	O-Ring
14	119-4871	6	Washer
15	119-4867	4	Screw-HH
16	33024-00	4	Nut-Lock, NI
17	121-5055	3	Seat-Valve ASM
17:1	119-4868	1	O-Ring
17:2	119-4862	1	Fork
18	119-0464	3	Hosebarb
18:1	119-4868	1	O-Ring



Valve Assmebly No. 121-5053

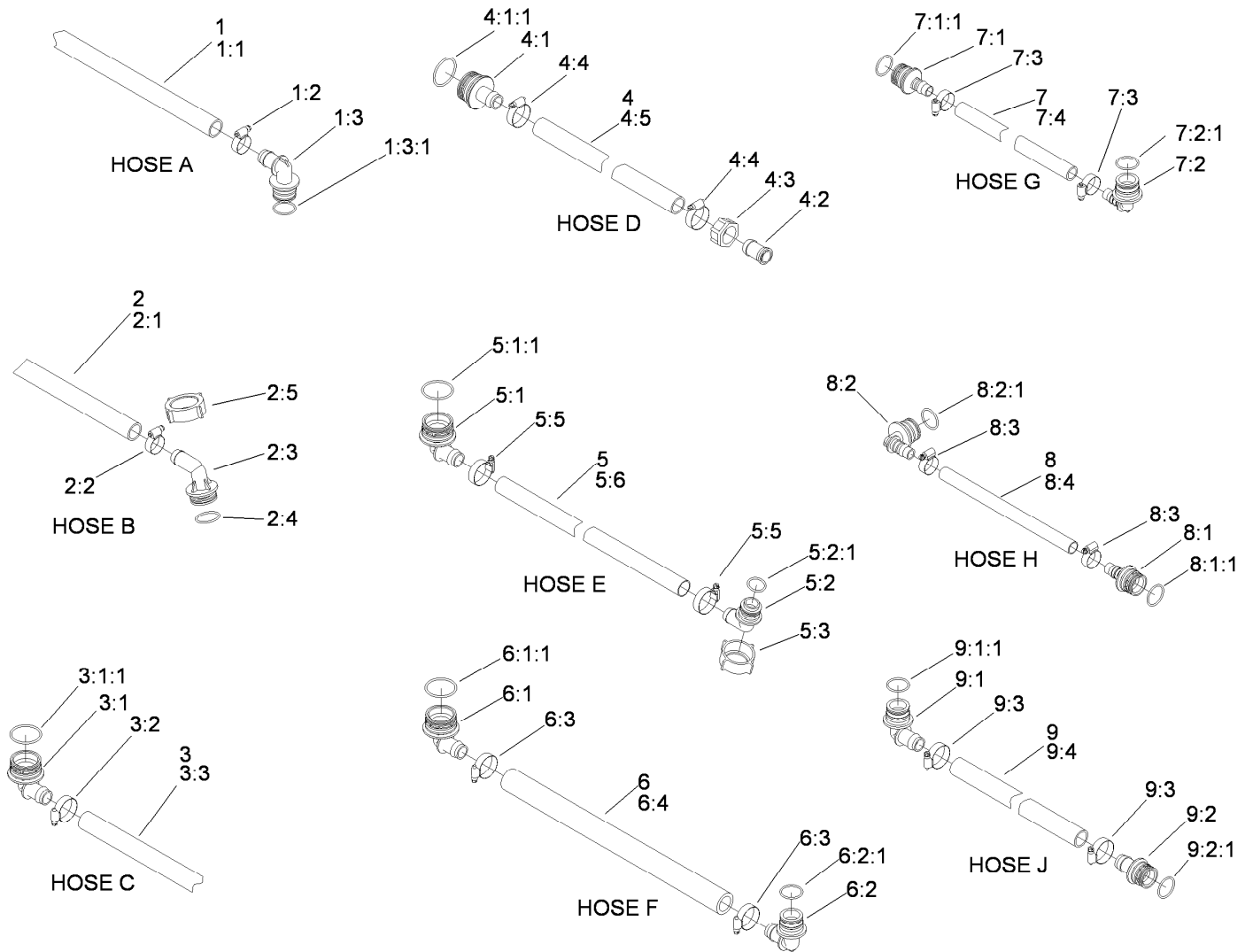
<i>Ref.</i>	<i>Part Number</i>	<i>Qty.</i>	<i>Description</i>
1	119-9397	1	Motor Valve Cover ASM
2	119-4862	1	Fork
3	121-5054	1	Piston ASM
3:1	121-5057	2	O-Ring, Arag Valve Piston
4	121-5056	1	Spring-Piston, Arag Valve
5	119-4868	1	O-Ring



Control Box Assembly

Ref.	Part Number	Qty.	Description	Ref.	Part Number	Qty.	Description
1	121-5022	1	Spray Monitor ASM	15	98-1375	4	Screw-HWH
1:2	108-3307	1	Decal-Monitor	16	104-1451	4	Screw-TAP, PPH
1:3	108-3309	1	Decal-Monitor, Ce	17	283-6	1	Pin-Clevis
3	107-2811-03	1	Bracket-Adapter, Control	18	3290-307	1	Pin-Hair
4	106-7992-03	1	Receiver ASM	19	3234-17	4	Screw-HHF
8	100-8490	4	Switch-Rocker	20	104-8300	4	Nut-Flange, NI
9	100-1535	3	Switch	21	3234-4	4	Screw-HHF
10	100-8589	1	Switch-Rocker	22	32128-33	4	Nut-HF
11	110-2580	1	Switch-Key, Supervisor	23	92-9674	1	Knob
11:1		1	Switch-Key ●	25	119-9409	1	Control Enclosure ASM
11:2	108-8660	1	Nut-Mounting	25:3	119-9412	1	Latch-Control Box
11:3	110-5221	1	Set-Key, Supervisor	26	119-9413	1	Decal-Control Box
11:4	108-8659	1	Washer-Backup	31	99-7430	5	Relay
12	99-7420	3	Plug-Hole	32	1-323417	4	Washer
13	107-2831	1	Bracket-Monitor	33	2410-64	1	Plug-Button
14	119-9411-03	1	Control Box Mount ASM				

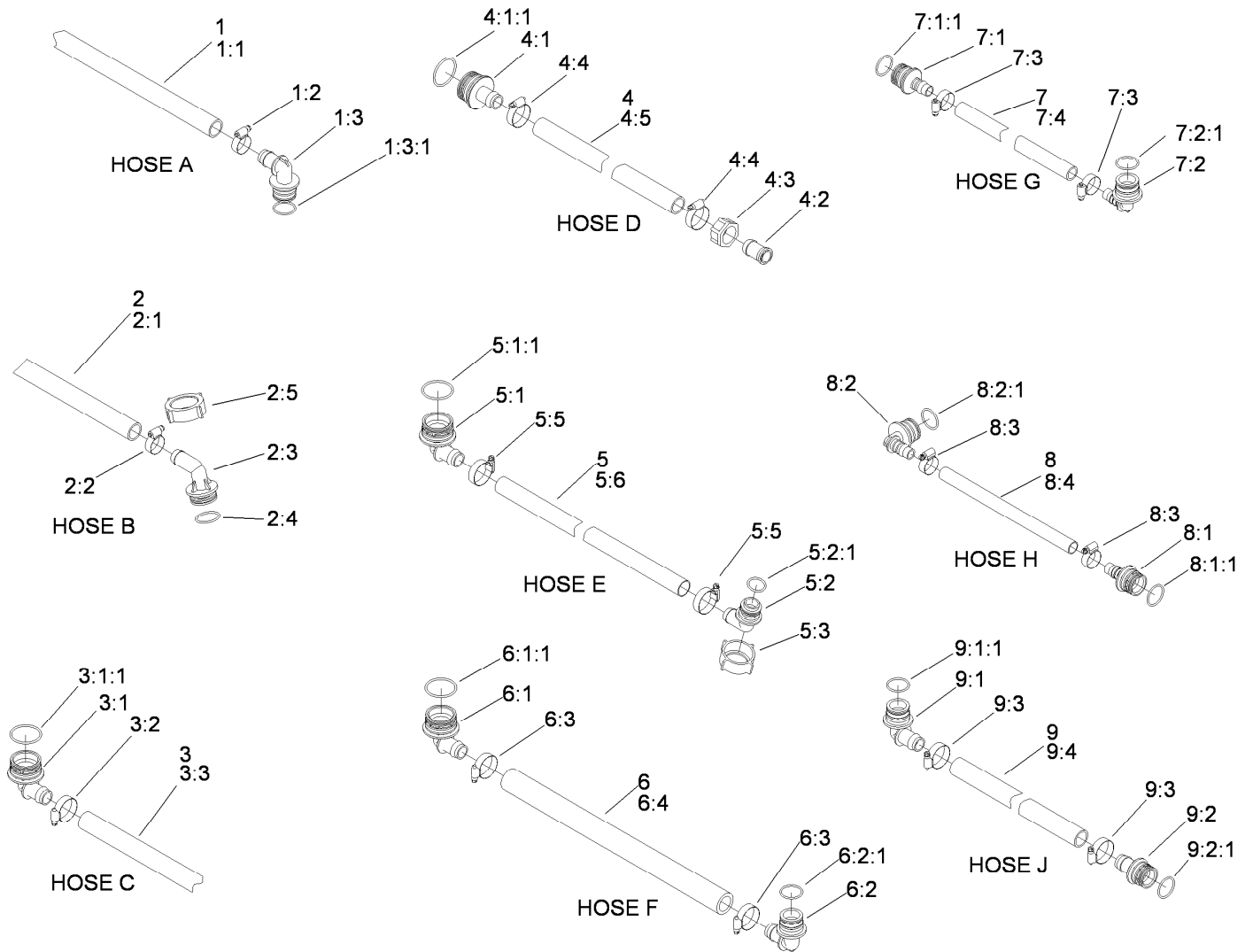
● Not serviced separately



Hose Assembly

Ref.	Part Number	Qty.	Description	Ref.	Part Number	Qty.	Description
1	119-0514	1	Bypass Hose ASM	4:1:1	100-8637	1	O-Ring
1:1	119-0512	1	Hose-Bypass	4:2	99-0781	1	Hosebarb
1:2	2412-129	1	Clamp-Hose	4:3	99-0769	1	Nut
1:3	106-4945	1	Elbow	4:4	2412-3	2	Clamp-Hose
1:3:1	100-6712	1	O-Ring	4:5	107-2807	1	Hose
2	119-0515	1	Agitation-Bypass Hose ASM	5		1	Relief Valve Hose ASM ●
2:1	119-0511	1	Hose-Agitation, Bypass	5:1	106-4933	1	Hosebarb ASM
2:2	2412-129	1	Clamp-Hose	5:1:1	100-8637	1	O-Ring
2:3	100-6898	1	Hosebarb	5:2	106-4949	1	Hosebarb
2:4	100-8671	1	O-Ring	5:2:1	100-6646	1	O-Ring
2:5	100-8669	1	Nut	5:3	100-8678	1	Nut
3		1	Tee Controls Hose ASM ●	5:5	2412-3	2	Clamp-Hose
3:1	106-4933	1	Hosebarb ASM	5:6	104-8710	1	Hose
3:1:1	100-8637	1	O-Ring	6		1	Agitation Valve Hose ASM ●
3:2	2412-3	1	Clamp-Hose	6:1	106-4933	1	Hosebarb ASM
3:3	107-2832	1	Hose	6:1:1	100-8637	1	O-Ring
4		1	Manifold Tee Hose ASM ●	6:2	106-4945	1	Elbow
4:1	106-4932	1	Hosebarb-Straight	6:2:1	100-6712	1	O-Ring

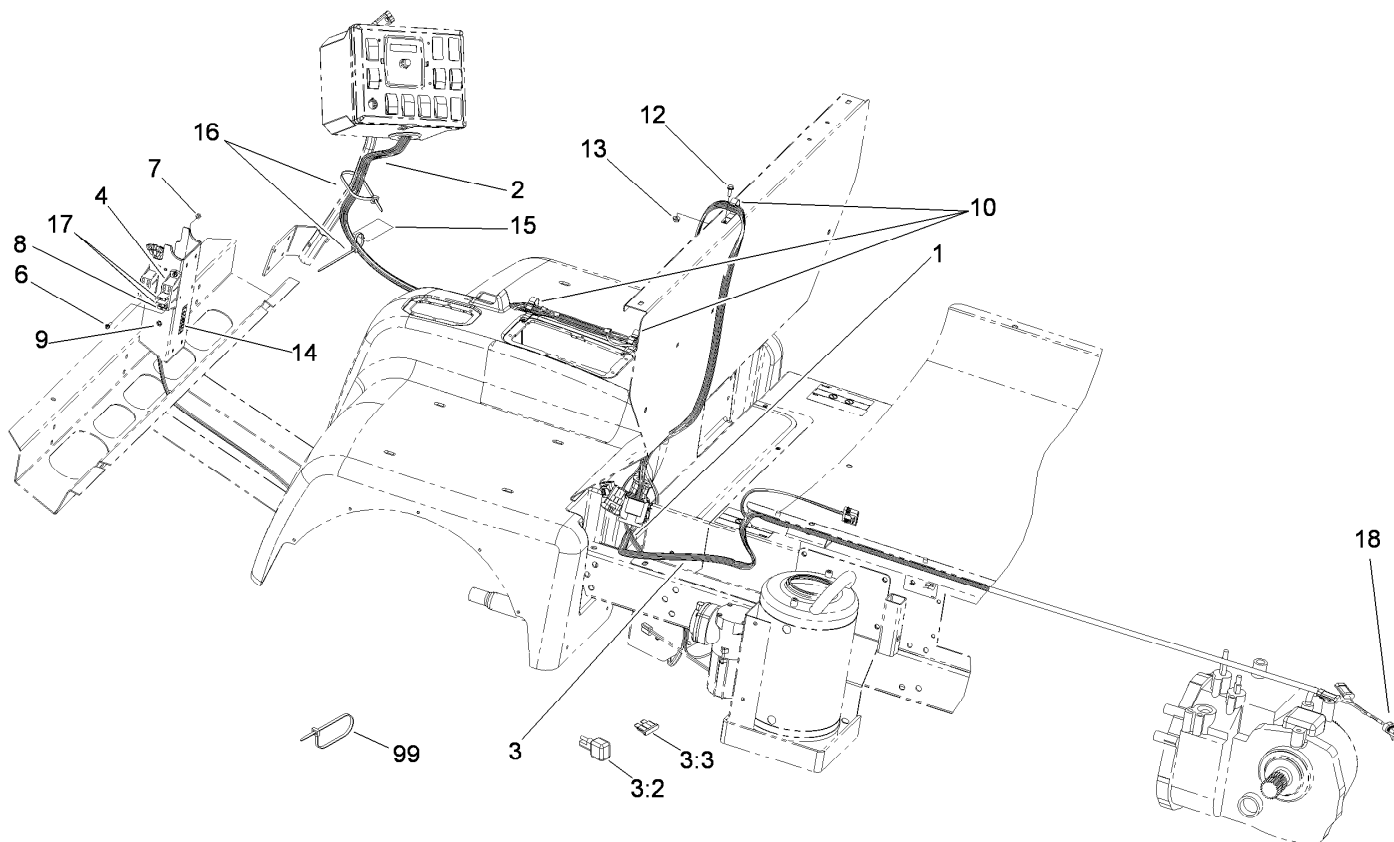
● Not serviced separately



Hose Assembly (continued)

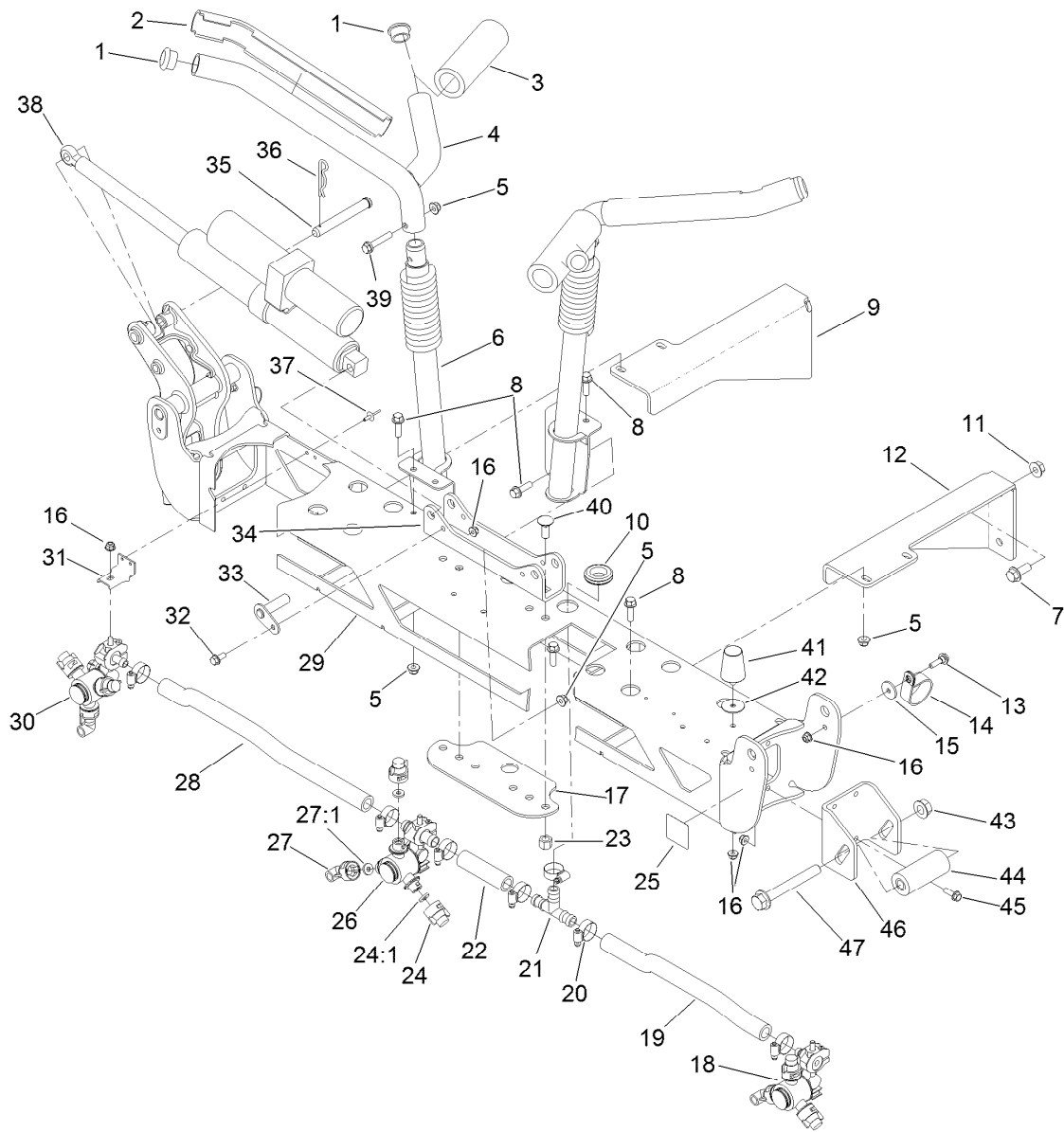
Ref.	Part Number	Qty.	Description	Ref.	Part Number	Qty.	Description
6:3	2412-3	2	Clamp-Hose	8:1:1	100-6712	1	O-Ring
6:4	106-4975	1	Hose	8:2	106-4940	1	Hosebarb-90 DEG
7		1	Front Agitation Hose ASM ●	8:2:1	100-6712	1	O-Ring
7:1	106-4939	1	Hosebarb-Straight	8:3	2412-129	2	Clamp-Hose
7:1:1	100-6712	1	O-Ring	8:4	106-1360	1	Hose
7:2	106-4940	1	Hosebarb-90 DEG	9		1	Agitation Tee Hose ASM ●
7:2:1	100-6712	1	O-Ring	9:1	106-4945	1	Elbow
7:3	2412-129	2	Clamp-Hose	9:1:1	100-6712	1	O-Ring
7:4	107-2813	1	Hose	9:2	106-4935	1	Hosebarb ASM
8		1	Middle Agitation Hose ASM ●	9:2:1	100-6712	1	O-Ring
8:1	106-4939	1	Hosebarb-Straight	9:3	2412-3	2	Clamp-Hose
				9:4	107-2812	1	Hose

● Not serviced separately



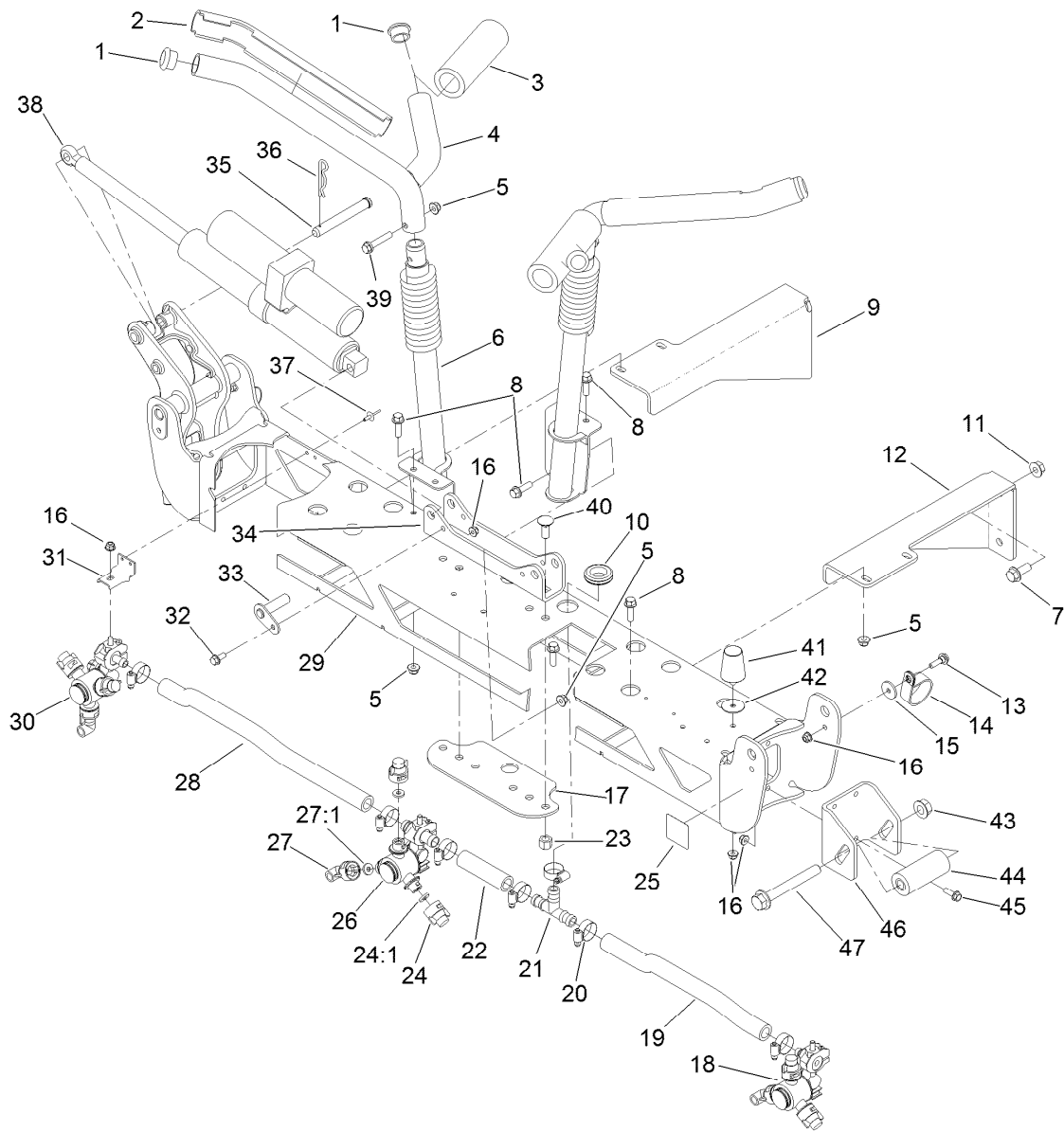
Electrical Assembly

<i>Ref.</i>	<i>Part Number</i>	<i>Qty.</i>	<i>Description</i>	<i>Ref.</i>	<i>Part Number</i>	<i>Qty.</i>	<i>Description</i>
1	106-1417	1	Harness-Wire, Sprayer Power	9	3255-7	1	Washer-Lock/EXT
2	119-5756	1	Harness-Wire, Spray Controller	10	106-1429	3	Clamp-J
3	119-1787	1	Harness-Wire, Sprayer Main	12	3234-4	1	Screw-HHF
3:2	108-9493	2	Diode-Tvs	13	32128-33	1	Nut-HF
3:3	110928	4	Fuse-Blade, 5 Amp	14	106-1425	1	Decal-Fuse Block
4	92-2641	1	Block-Fuse	15	104-8900	1	Tag-Monitor
6	32105-13	2	Screw-HWH	16	3290-378	3	Tie-Cable
7	3296-2	2	Nut-Lock, NI	17	108-3736	2	Breaker-Circuit, 30A
8	218-578	1	Fuse-Blade, 10 Amp	18	119-1762	1	Harness-Wire, Speedometer Adapter
				99	3290-378	8	Tie-Cable



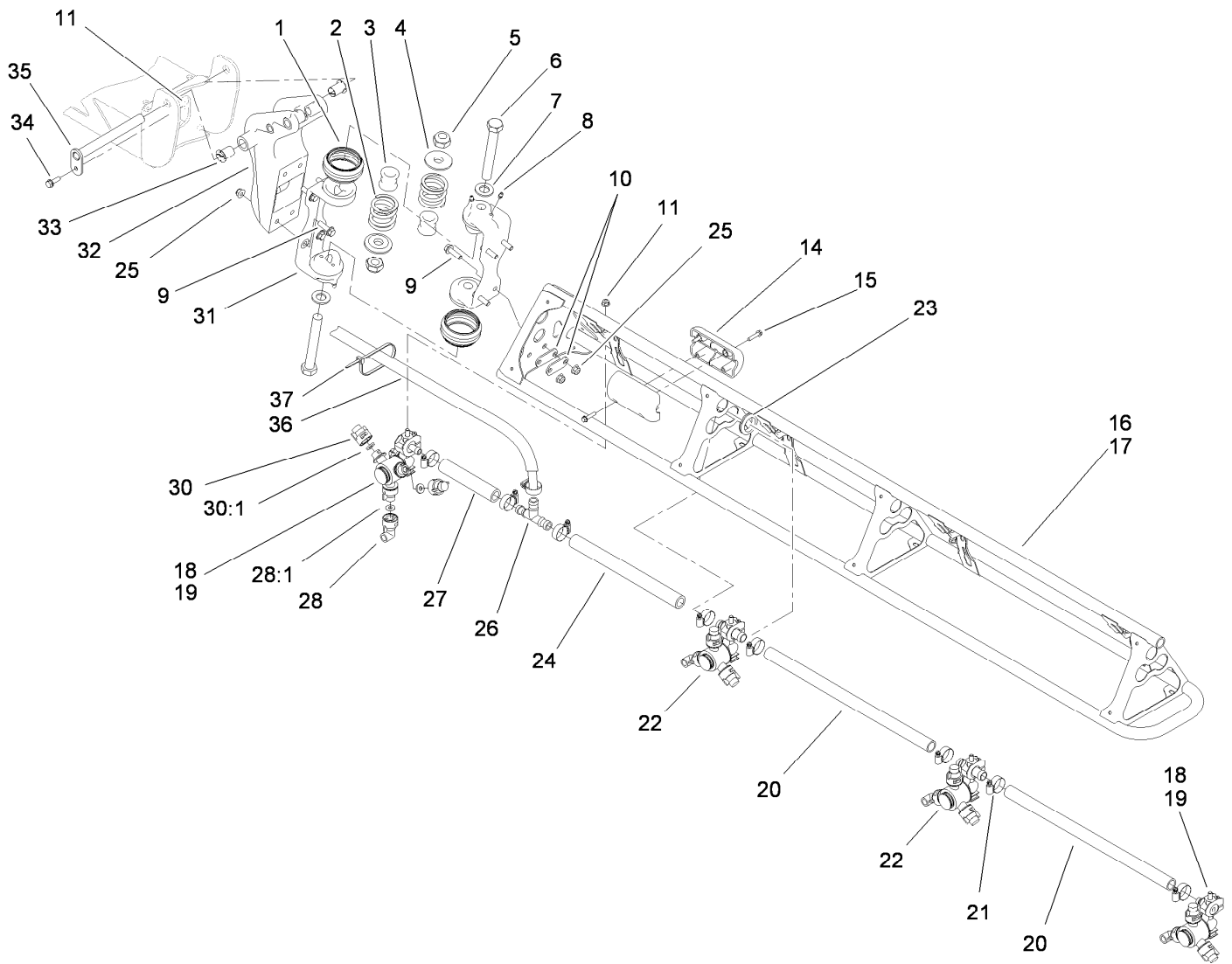
Center Boom Assembly

Ref.	Part Number	Qty.	Description	Ref.	Part Number	Qty.	Description
1	108-3489	4	Cap-Tube	22	108-3717	1	Hose-Boom
2	108-3495	2	Cover-Slide	23	3296-23	2	Nut-Lock, NI
3	108-3457	2	Spacer	24	95-9187	6	Cap-Blank
4	108-3476-03	2	Upper Cradle ASM	24:1	40998	1	Seat-Gasket
5	104-8301	12	Nut-Flange, NI	25	114-9576	2	Decal-Pinchpoint
6	108-3472-03	2	Lower Cradle ASM	26	108-3727	1	Double Turret Body ASM
7	110-5057	4	Capscrew-HHF	27	95-9186	3	Cap
8	110-5050	10	Screw-HHF	27:1	40998	1	Seat-Gasket
9	121-5004-03	1	Bracket-Mount, Boom	28	108-3735	1	Hose-Boom, Center (LH)
10	108-3723	1	Grommet	29	114-9579-03	1	Frame ASM
11	108-3745	4	Nut-HF, Whiz	30	108-3725	1	LH Single Body Turret ASM
12	121-5005-03	1	Bracket-Mount, Boom	31	107-8775	3	Bracket-Mount, Nozzle
13	108-3744	2	Screw-Shoulder	32	110-5053	2	Screw-HHF
14	114-9566	2	Clamp-R	33	112-7884	2	Pivot Pin ASM
15	108-3743	2	Washer	34	114-9560-03	1	Strap-Clevis
16	104-8300	17	Nut-Flange, NI	35	108-3436	2	Pin-Clevis
17	108-3469-03	1	Plate-Washer	36	3290-468	2	Pin-Cotter
18	108-3726	1	RH Single Body Turret ASM	37	3269-18	6	Rivet-Pop
19	108-3718	1	Hose-Boom, Center (RH)	38	108-3438	2	Actuator
20	2412-129	7	Clamp-Hose	39	108-3742	2	Screw-HHF
21	108-3439	1	Tee	40	110-5067	2	Screw-CARR



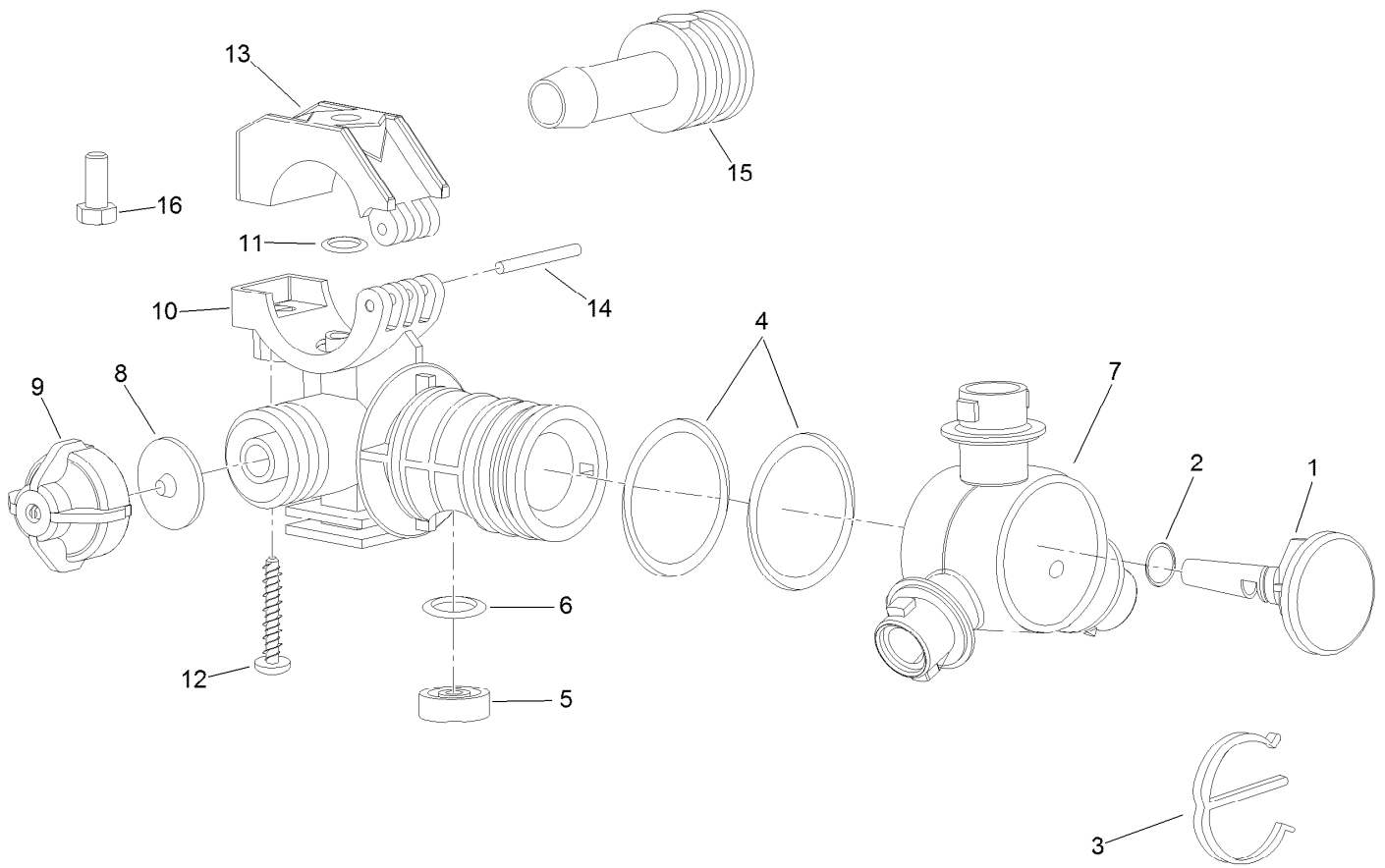
Center Boom Assembly (continued)

<i>Ref.</i>	<i>Part Number</i>	<i>Qty.</i>	<i>Description</i>	<i>Ref.</i>	<i>Part Number</i>	<i>Qty.</i>	<i>Description</i>
41	110-5070	2	Bumper	45	108-3748	8	Screw-HHF
42	3256-68	2	Washer-Flat	46	112-7872-03	2	Bracket-Hard Stop
43	32128-54	2	Nut-HF	47	105-1763	2	Screw-HHF
44	112-7881	2	Bumper				



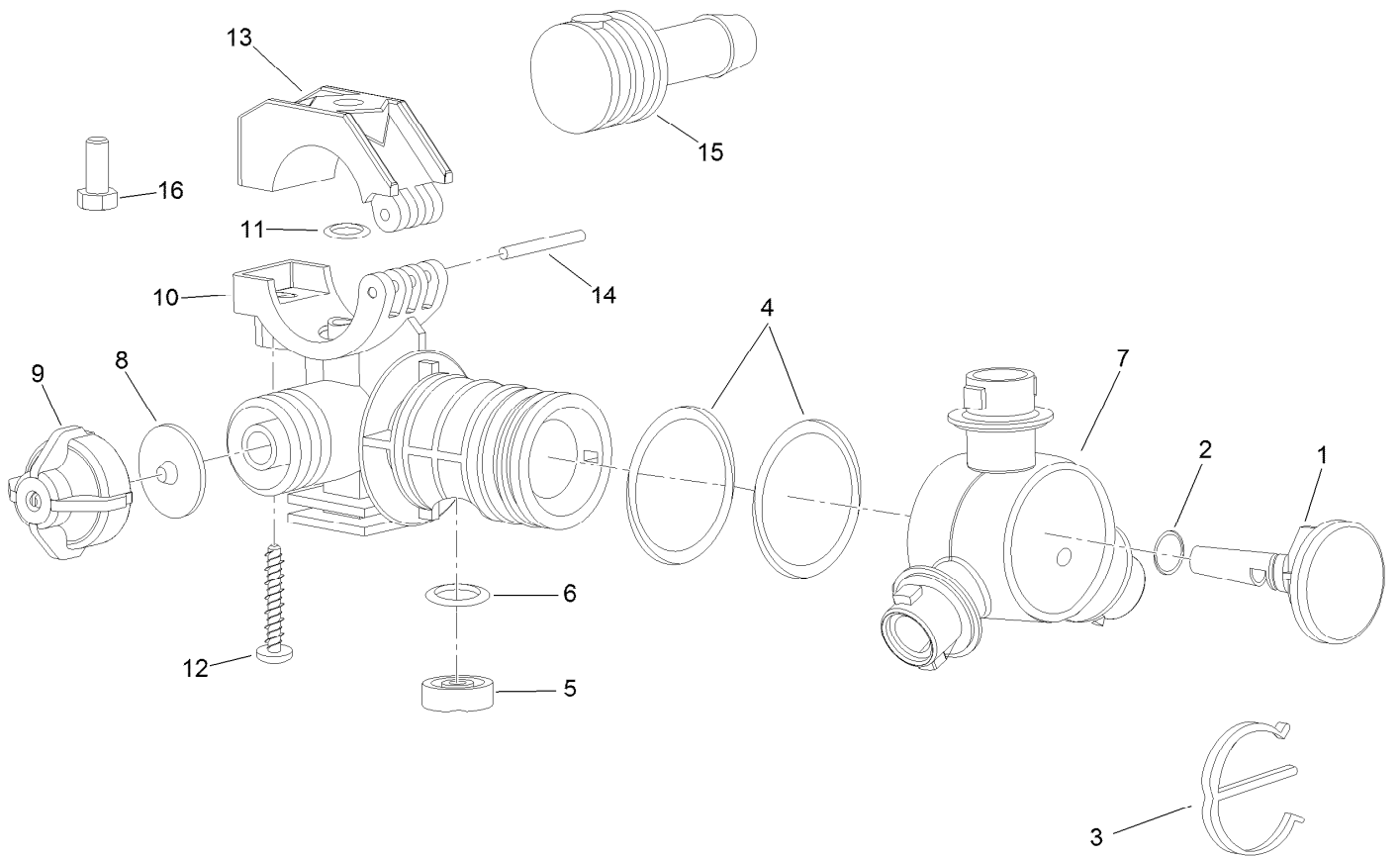
Left and Right Hand Boom Assembly

Ref.	Part Number	Qty.	Description	Ref.	Part Number	Qty.	Description
1	108-3459	4	Boot-Hinge	21	2412-129	18	Clamp-Hose
2	108-3440	4	Spring-Breakaway, Boom	22	108-3727	4	Double Turret Body ASM
3	120-8541	4	Dampener-Hinge	23	240-3	4	Grommet-Rubber
4	108-3444	4	Retainer-Spring	24	108-3721	2	Hose-Boom
5	3296-15	4	Nut-Lock, NI	25	104-8301	16	Nut-Flange, NI
6	108-3738	4	Screw-HH	26	108-3439	2	Tee
7	110-5054	4	Washer-Flat	27	108-3728	2	Hose-Boom
8	302-5	8	Fitting-Grease	28	95-9186	8	Cap
9	110-5050	16	Screw-HHF	28:1	40998	1	Seat-Gasket
10	108-3605	8	Plate-Backing	30	95-9187	16	Cap-Blank
11	104-8300	10	Nut-Flange, NI	30:1	40998	1	Seat-Gasket
14	119-9368	4	Block Slide	31	108-3471-03	4	Hinge
15	119-9369	8	Screw-Hfh	32	119-4993-03	2	Bracket-Pivot
16	108-3524-03	1	RH Boom ASM	33	100-8541	4	Bushing-A Arm
17	108-3525-03	1	LH Boom ASM	34	108-3748	2	Screw-HHF
18	108-3726	2	RH Single Body Turret ASM	35	108-3419	2	Pivot Pin ASM
19	108-3725	2	LH Single Body Turret ASM	36	107-8650	2	Conduit-Convolutd
20	40506	4	Hose-Jumper	37	3290-378	4	Tie-Cable



RH Single Body Turret Assembly No. 108-3726

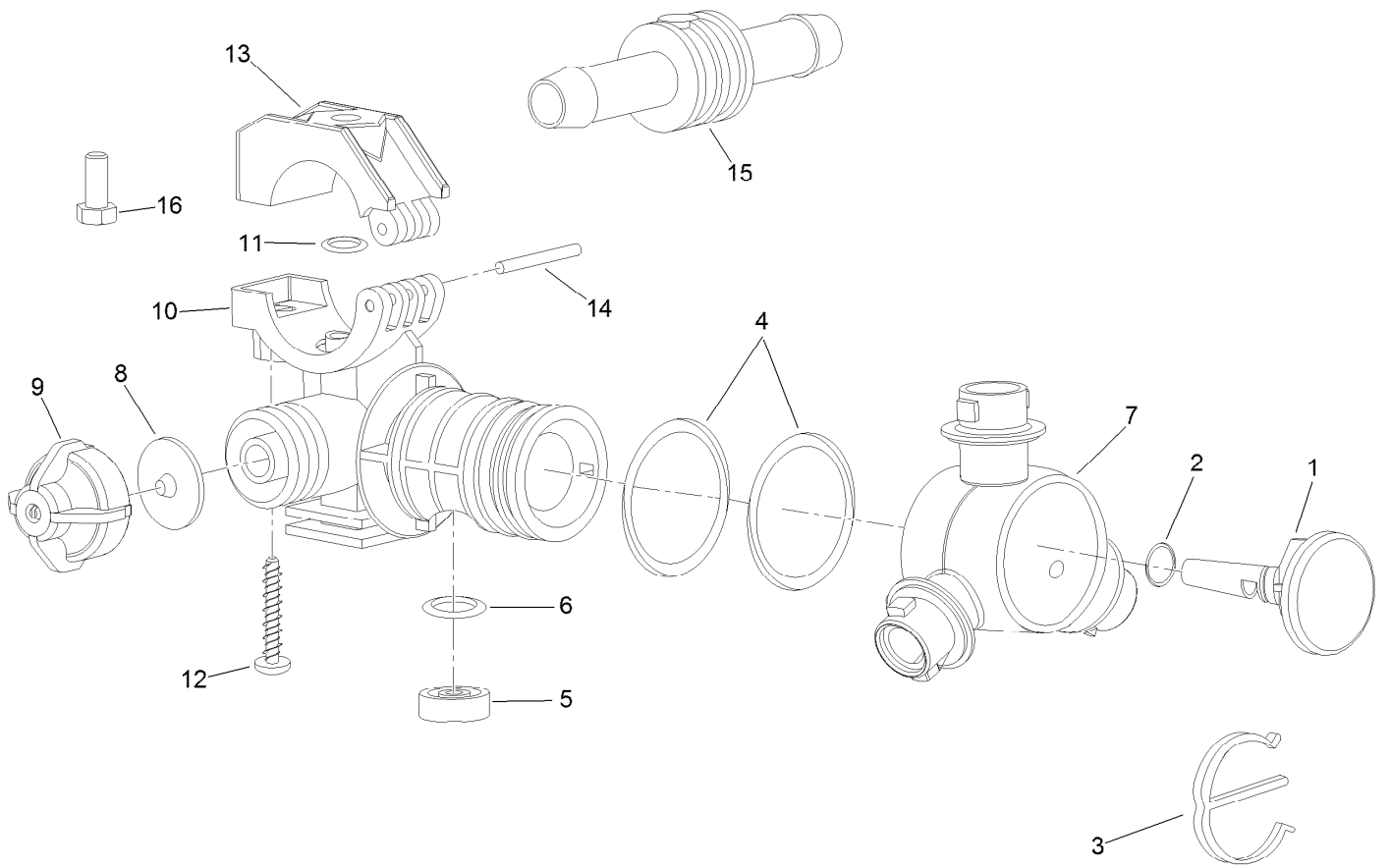
<i>Ref.</i>	<i>Part Number</i>	<i>Qty.</i>	<i>Description</i>	<i>Ref.</i>	<i>Part Number</i>	<i>Qty.</i>	<i>Description</i>
1	95-9200	1	Plug	9	95-9193	1	Cap-Diaphragm
2	95-9198	1	O-Ring	10	95-9192	1	Body-Split Eyelet
3	95-9197	1	E-Clip	11	95-9191	1	O-Ring
4	95-9199	2	O-Ring	12	99-0811	1	Screw-Clamp
5	108-3264	1	Seal-Viton	13	99-0812	1	Clamp-Upper
6	108-3265	1	O-Ring-Viton	14	99-0814	1	Pin-Pivot
7	95-9196	1	Turret	15	95-9201	1	Shank-Hose
8	41003	1	Diaphragm	16	322-3	1	Screw-HH



LH Single Turret Body Assembly No. 108-3725

<i>Ref.</i>	<i>Part Number</i>	<i>Qty.</i>	<i>Description</i>
1	95-9200	1	Plug
2	95-9198	1	O-Ring
3	95-9197	1	E-Clip
4	95-9199	2	O-Ring
5	108-3264	1	Seal-Viton
6	108-3265	1	O-Ring-Viton
7	95-9196	1	Turret
8	41003	1	Diaphragm

<i>Ref.</i>	<i>Part Number</i>	<i>Qty.</i>	<i>Description</i>
9	95-9193	1	Cap-Diaphragm
10	95-9192	1	Body-Split Eyelet
11	95-9191	1	O-Ring
12	99-0811	1	Screw-Clamp
13	99-0812	1	Clamp-Upper
14	99-0814	1	Pin-Pivot
15	95-9201	1	Shank-Hose
16	322-3	1	Screw-HH



Double Turret Body Assembly No. 108-3727

<i>Ref.</i>	<i>Part Number</i>	<i>Qty.</i>	<i>Description</i>	<i>Ref.</i>	<i>Part Number</i>	<i>Qty.</i>	<i>Description</i>
1	95-9200	1	Plug	9	95-9193	1	Cap-Diaphragm
2	95-9198	1	O-Ring	10	95-9192	1	Body-Split Eyelet
3	95-9197	1	E-Clip	11	95-9191	1	O-Ring
4	95-9199	2	O-Ring	12	99-0811	1	Screw-Clamp
5	108-3264	1	Seal-Viton	13	99-0812	1	Clamp-Upper
6	108-3265	1	O-Ring-Viton	14	99-0814	1	Pin-Pivot
7	95-9196	1	Turret	15	95-9202	1	Shank-Hose
8	41003	1	Diaphragm	16	322-3	1	Screw-HH

Attachments and Accessories

For 41235 Workman 200 Spray System Heavy-Duty Workman Vehicles

Product Name	Model/Part
Sprayer Valves O-Ring Kit	106-4846
Turret Seal Repair Kit	108-3263
Foam Marker Bracket Assembly	112-7866
Spring Upgrade Kit, Multi-Pro Turf Sprayer with Covered Boom Kit	120-8508
Single Nozzle Kit.....	41023
Single Nozzle Kit.....	41024
Hose Reel Kit.....	41097
Spray Gun Kit 9 (inc. 25ft Of 1/2in Hose)	41133
Pro Foam Concentrate (4 x 1 Gallon)	41157
Sonic Boom Kit	41218
Foam Marker Kit	41236
Covered Boom Kit.....	41602
Pro-Foam.....	41607

Notes:

Notes:

Notes:



Count on it.