



Count on it.

Parts Catalog

Workman® 200 Spray System

Heavy-Duty Workman® Vehicles

Model No. 41235—Serial No. 31000001 and Up

Ordering Replacement Parts

To order replacement parts, please supply the part number, the quantity, and the description of each part desired.

Understanding Reference Numbers

Each identified part in an illustration has a reference number. The reference number for a part also appears in the parts list, along with other information about the part.

This catalog uses two special reference number formats, one to indicate parts in a service assembly and another to indicate the quantity of a given part in an illustration.

Service Assembly Reference Numbers

Parts in service assemblies have reference numbers in the form a:b. The a represents the reference number of the entire service assembly and the b represents a sequential number unique to each part within the service assembly.

For example, a wheel assembly might be identified by reference number 6, the tire by 6:1, the valve by 6:2, and the wheel by 6:3. When you order the assembly identified by reference number 6, you receive all parts identified by reference numbers 6:1, 6:2, and 6:3. However, you may also order any part individually. Reference numbers of this type appear in illustration and in parts lists.

Reference Numbers Indicating Quantity

In an illustration, if a reference number indicates more than one part, the reference number has the form nX y. The n represents the quantity of the part, the X is the multiplication symbol, and the y represents the reference number.

For example, in an illustration, the reference number 2X 37 means that two of the parts identified by reference number 37 are indicated.

List of Abbreviations

AR: as required

ASM: assembly

BBC: blade brake control

BHTF: button head thread forming

CARR: carriage

CCW: counter clockwise

CW: clockwise

DEG: degrees

DPA: Dual Point Adjustment

ECM: electronic control module

EXT: external

FH: flat head

GA: gauge

HD: heavy-duty

HF: hex flange

HH: hex head

HHF: hex head flange

HHFTF: hex head flange thread forming

HJ: hex jam

HLH: hex lag head

HOC: height-of-cut

HSBH: hex socket button head

HSFH: hex socket flat head

HSH: hex socket head

HWH: hex washer head

HWTF: hex washer head thread forming

HYD: hydraulic

LH: left hand

LP: Liquid Propane

NI: nylon insert

NPTF: national pipe thread fine

PFH: phillips flat head

PPH: phillips pan head

PPHTF: phillips pan head thread forming

PRH: phillips round head

PTH: phillips truss head

PTO: power-take-off

RH: right hand

ROPS: roll-over protection system

RRB: rear roller brush

SFH: slotted fillister head

SHH: slotted hex head

SHWH: slotted hex washer head

SPH: slotted pan head

SQH: square head

SRH: slotted round head

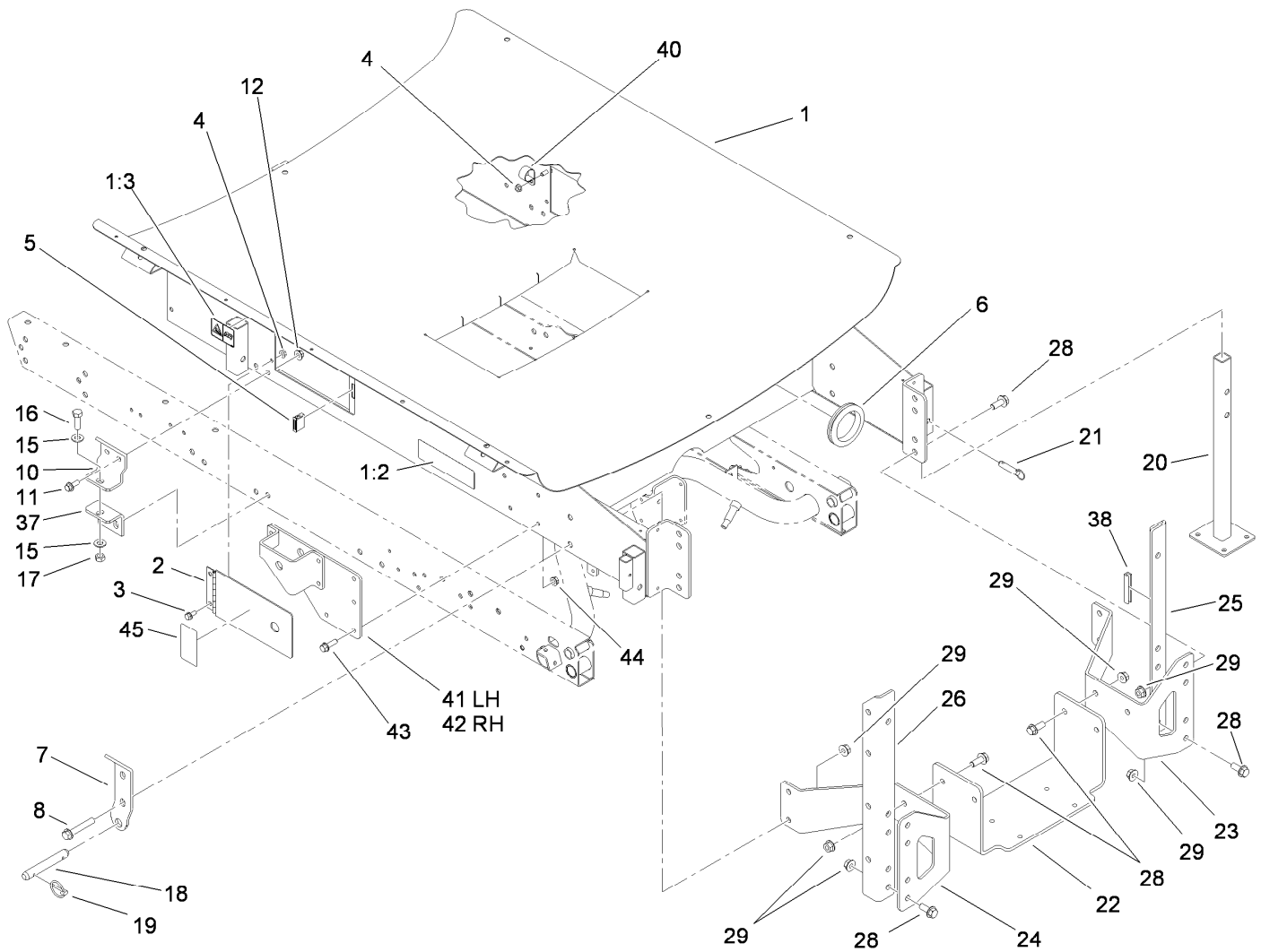
STD: standard

TAP: self tapping

TTH: torx truss head

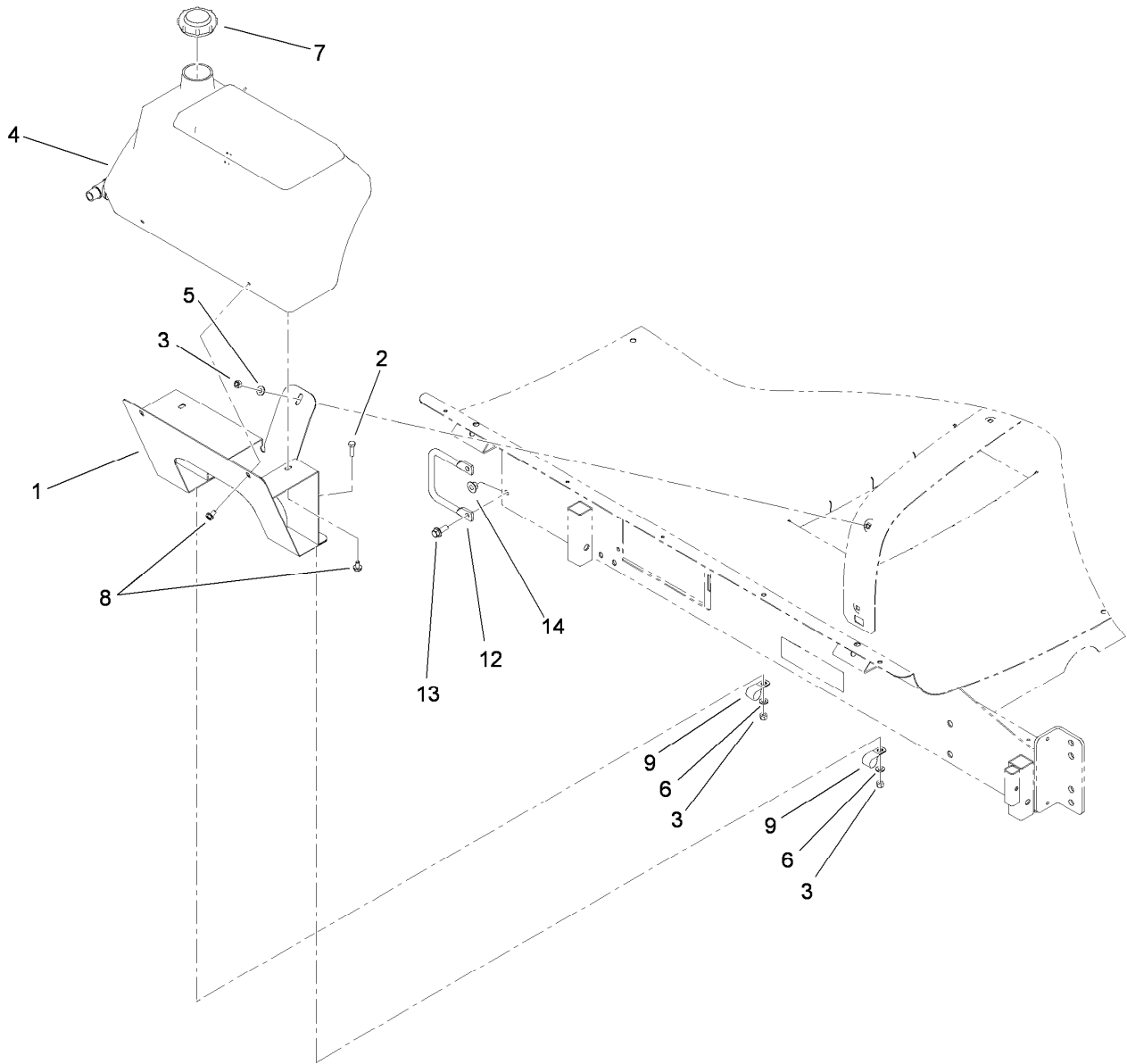
Contents

| | |
|---|----|
| Skid and Frame Assembly | 4 |
| Fresh Water Tank Assembly | 5 |
| Fresh Water Tank Assembly No. 100-8438 | 6 |
| Tank and Cover Assembly | 7 |
| 200 Gallon Tank Assembly No. 106-1366 | 8 |
| Lid Seal Assembly | 9 |
| Lid Assembly | 10 |
| Pump and Drive Assembly | 11 |
| Pump Assembly No. 106-5121 | 12 |
| Drive Shaft Assembly No. 107-2810 | 13 |
| Upper Sprayer Component Assembly | 14 |
| Pressure Damper Assembly No. 100-6662 | 15 |
| Suction and Drain Assembly | 16 |
| Tank Drain Assembly | 17 |
| Upper Tank Drain Bulkhead Assembly | 18 |
| Top Mounted Suction Assembly No. 107-2800 | 19 |
| Lower Sprayer Component Assembly | 20 |
| Safety Valve Assembly No. 100-6820 | 21 |
| Control Valve Assembly | 22 |
| Regulating Valve Assembly No. 119-0466 | 23 |
| Flow Meter Assembly No. 106-1038 | 24 |
| Boom Valve Manifold Assembly No. 119-0458 | 25 |
| Bypass Valve Assembly No. 119-0456 | 26 |
| Control Box Assembly | 27 |
| Electrical Assembly | 28 |
| Hose Assembly | 29 |
| Center Boom Assembly | 31 |
| Left and Right Hand Boom Assembly | 32 |
| RH Single Body Turret Assembly No. 108-3726 | 33 |
| LH Single Turret Body Assembly No. 108-3725 | 34 |
| Double Turret Body Assembly No. 108-3727 | 35 |
| Attachments and Accessories | 36 |



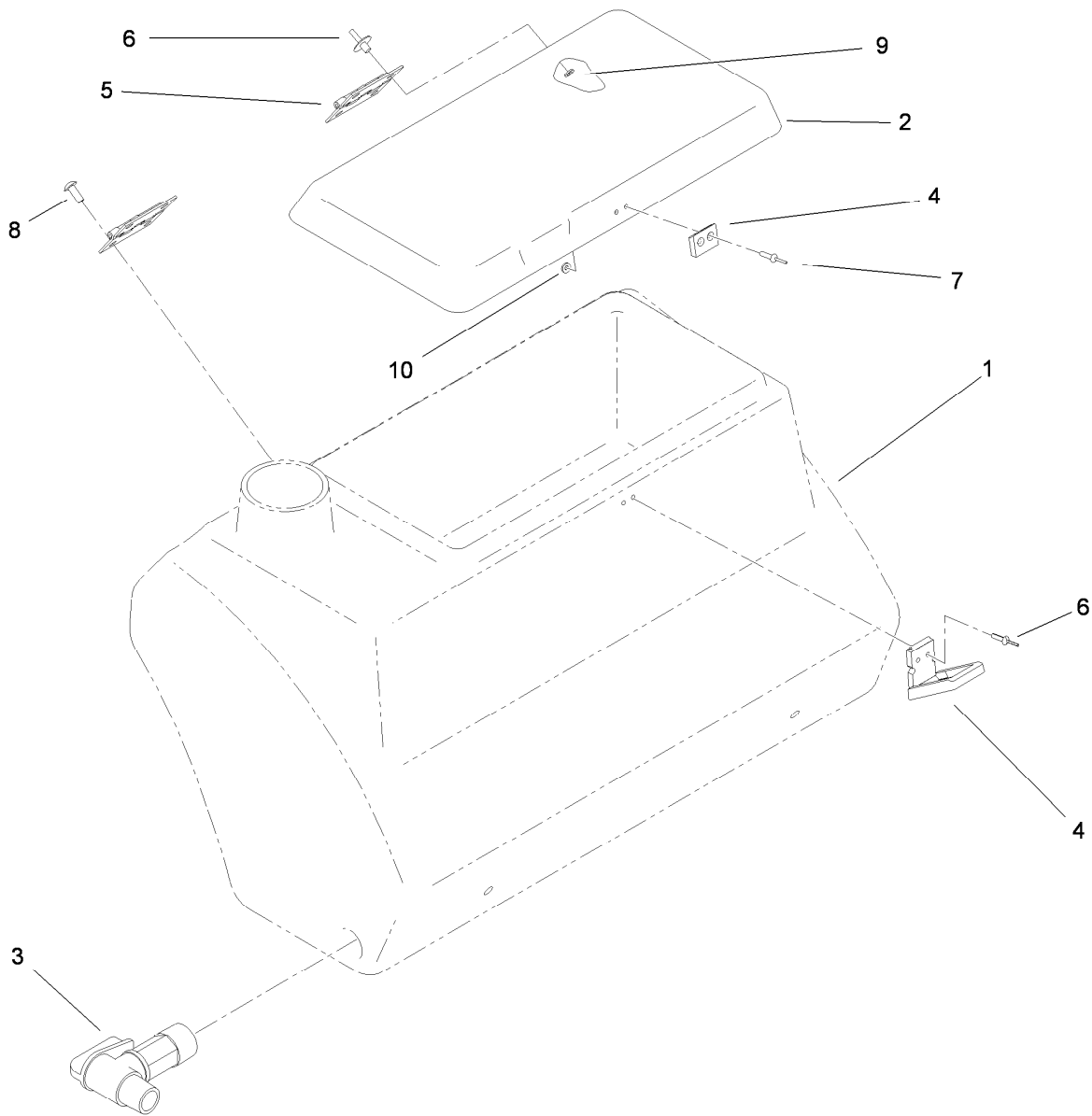
Skid and Frame Assembly

| Ref. | Part Number | Qty. | Description | Ref. | Part Number | Qty. | Description |
|------|-------------|------|----------------------|------|-------------|------|-----------------------|
| 1 | 106-1367 | 1 | Skid ASM | 20 | 105-9482-03 | 4 | Jack Stand ASM |
| 1:2 | 106-1365 | 1 | Decal-Danger | 21 | 100-4523 | 4 | Pin-Hitch |
| 1:3 | 106-1434 | 2 | Decal-Caution | 22 | 106-1345-03 | 1 | Base-Pump |
| 2 | 106-1290-03 | 2 | Door ASM | 23 | 108-3496-03 | 1 | Bracket-Pump, RH |
| 3 | 3234-5 | 4 | Screw-HHF | 24 | 108-3497-03 | 1 | Bracket-Pump, LH |
| 4 | 32128-20 | 4 | Nut-HF | 25 | 108-3703-03 | 1 | Angle-Boom Mount, RH |
| 5 | 92-3700 | 2 | Magnet-Door | 26 | 108-3704-03 | 1 | Angle-Boom Mount, LH |
| 6 | 237-102 | 3 | Grommet | 28 | 3234-32 | 10 | Screw-HHF |
| 7 | 107-2858 | 2 | Pivot-Lug | 29 | 32128-49 | 14 | Nut-HHF |
| 8 | 3234-40 | 4 | Screw-HF | 37 | 92-2667-03 | 2 | Bracket-Mount |
| 10 | 107-2859 | 2 | Bracket-Mount, Front | 38 | 70-2041 | 1 | Trim |
| 11 | 3234-42 | 4 | Screw-HHF | 40 | 2412-126 | 1 | R-Clamp |
| 12 | 32128-43 | 4 | Nut-Flange | 41 | 119-0686-03 | 1 | LH Cylinder Mount ASM |
| 15 | 3256-26 | 4 | Washer-Flat | 42 | 119-0688-03 | 1 | RH Cylinder Mount ASM |
| 16 | 325-6 | 2 | Screw-HH | 43 | 110-5050 | 16 | Screw-HHF |
| 17 | 32153-5 | 2 | Nut-Hex | 44 | 3290-357 | 16 | Nut-HHF, Whiz |
| 18 | 92-1233 | 2 | Pin-Clevis | 45 | 119-0651 | 2 | Decal-Tipping |
| 19 | 92-1298 | 4 | Pin-Lynch | | | | |



Fresh Water Tank Assembly

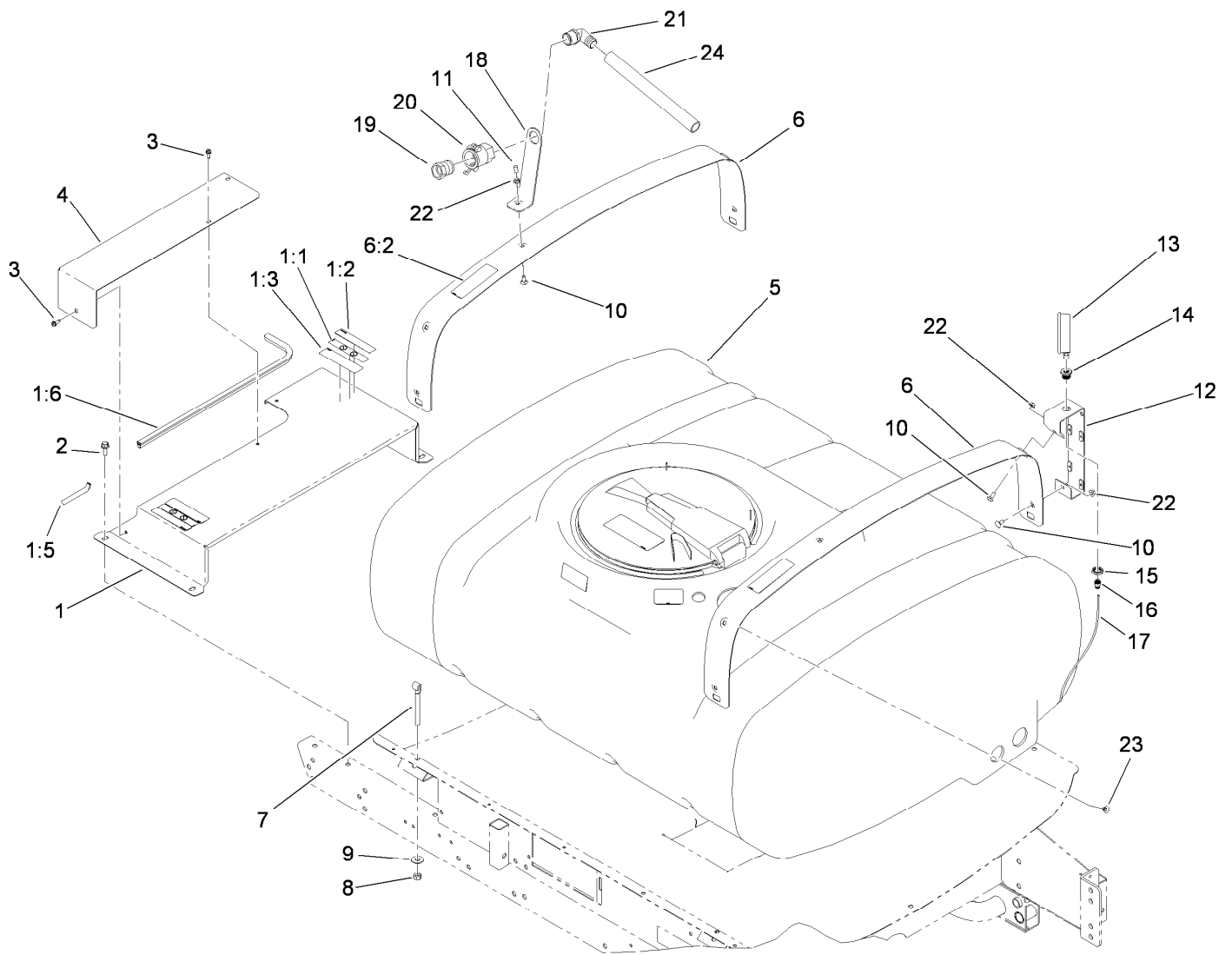
| <i>Ref.</i> | <i>Part Number</i> | <i>Qty.</i> | <i>Description</i> |
|-------------|--------------------|-------------|------------------------------|
| 1 | 107-2819-03 | 1 | Fresh Water Tank Bracket ASM |
| 2 | 322-5 | 2 | Screw-HH |
| 3 | 3296-29 | 3 | Nut-Lock, NI |
| 4 | 100-8438 | 1 | Fresh Water Tank ASM |
| 5 | 3256-56 | 1 | Washer-Flat |
| 6 | 3256-23 | 2 | Washer-Flat |
| 7 | 100-7008 | 1 | Cap-Tank, Fresh Water |
| 8 | 3234-28 | 4 | Screw-HHF |
| 9 | 2412-4 | 2 | Clamp |
| 12 | 106-1357 | 2 | Handle |
| 13 | 3234-42 | 4 | Screw-HHF |
| 14 | 32128-43 | 4 | Nut-Flange |



Fresh Water Tank Assembly No. 100-8438

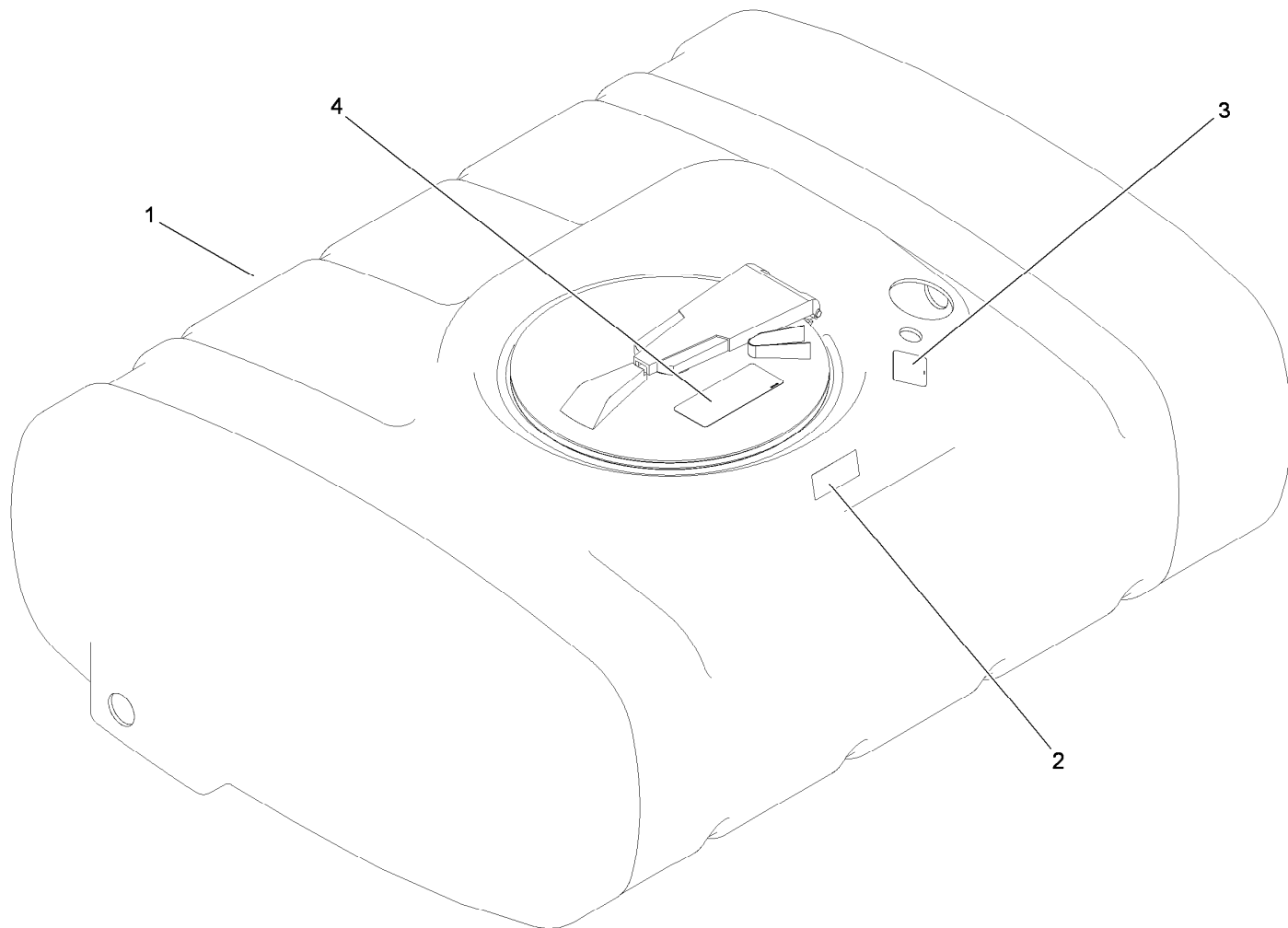
| Ref. | Part Number | Qty. | Description |
|------|-------------|------|---------------------|
| 1 | | 1 | Tank-Water, Fresh ● |
| 2 | 100-8397 | 1 | Cover-Tank |
| 3 | 100-7011 | 1 | Spigot-90 DEG |
| 4 | 100-7009 | 1 | Latch-Draw |
| 5 | 100-7010 | 2 | Hinge |
| 6 | 100-7062 | 4 | Rivet |
| 7 | 100-7063 | 4 | Rivet |
| 8 | 100-7064 | 4 | Screw |
| 9 | 100-7065 | 4 | Washer |
| 10 | 100-7066 | 2 | Washer |

● Not serviced separately



Tank and Cover Assembly

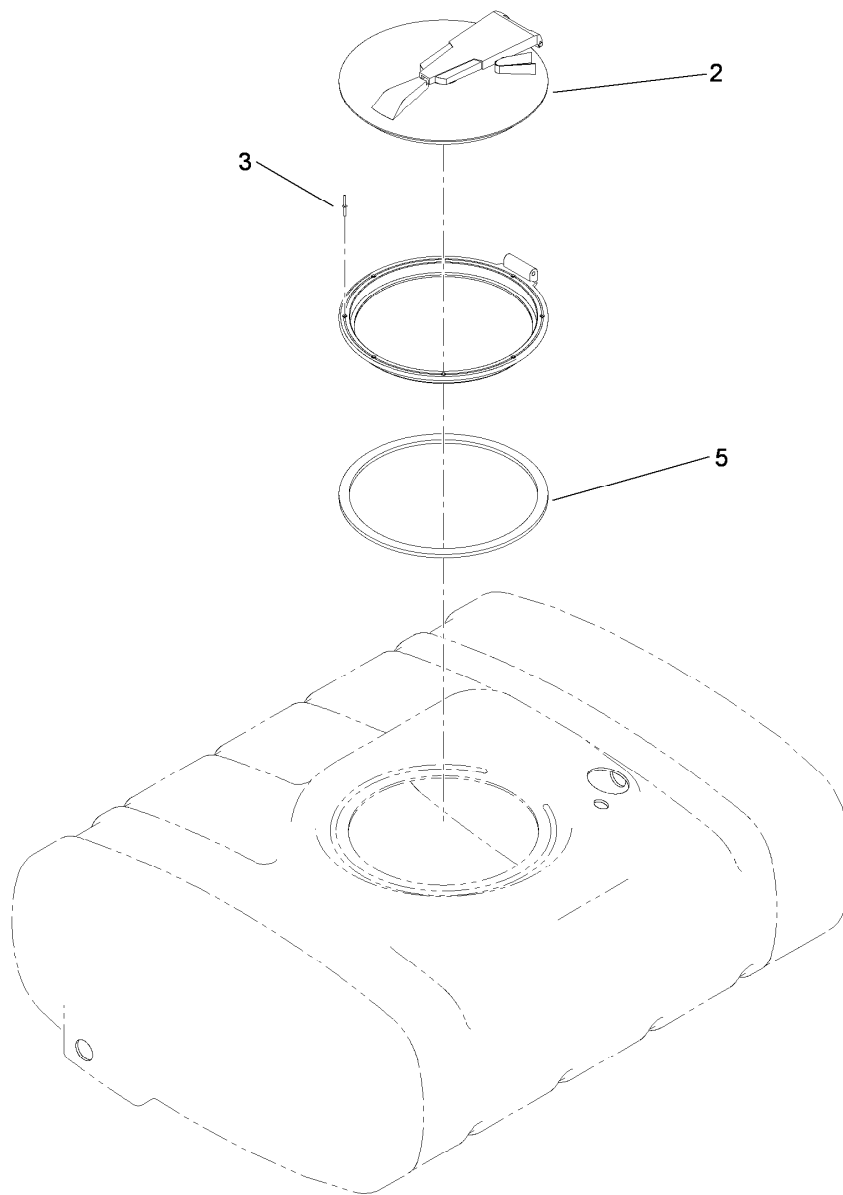
| Ref. | Part Number | Qty. | Description | Ref. | Part Number | Qty. | Description |
|------|-------------|------|-------------------------------|------|-------------|------|--------------------------|
| 1 | 106-2275 | 1 | Radiator Cover ASM | 10 | 3230-1 | 3 | Bolt-CARR |
| 1:1 | 93-6687 | 2 | Decal-No Step | 11 | 42452 | 1 | Cap-Protective |
| 1:2 | 93-6689 | 2 | Decal-No Riders | 12 | 106-7997-03 | 1 | Tee Mounting Bracket ASM |
| 1:3 | 93-7814 | 2 | Decal-Danger | 13 | 110-5078 | 1 | Gauge-Pressure |
| 1:5 | 92-3627 | 1 | Trim | 14 | 100-8665 | 1 | Gauge-Reducer, Pressure |
| 1:6 | 42657 | 1 | Trim-Panel, Front | 15 | 100-8666 | 1 | Nut-Reducer |
| 2 | 3234-42 | 4 | Screw-HHF | 16 | 100-8667 | 1 | Coupler-Reducer |
| 3 | 32104-95 | 3 | Screw-HWH | 17 | 107-2834 | 1 | Tubing-Pressure |
| 4 | 93-6427-03 | 1 | Panel-Radiator | 18 | 100-6778-03 | 1 | Bracket-Siphon, Anti |
| 5 | 106-1366 | 1 | 200 Gallon Tank ASM | 19 | 41316 | 1 | Adapter-Quick |
| 6 | 106-1368 | 2 | Band-Tank | 20 | 100-6779 | 1 | Coupling-Female |
| 6:2 | 106-5016 | 1 | Decal-Caution, Electric Shock | 21 | 41140 | 1 | Elbow |
| 7 | 92-3668 | 4 | Bolt-J | 22 | 32128-20 | 3 | Nut-HF |
| 8 | 3217-8 | 4 | Nut-Hex | 23 | 3230-19 | 1 | Screw-CARR |
| 9 | 3256-5 | 4 | Washer-Flat | 24 | 104-9075 | 1 | Hose-Siphon, Anti |



200 Gallon Tank Assembly No. 106-1366

| <i>Ref.</i> | <i>Part Number</i> | <i>Qty.</i> | <i>Description</i> |
|-------------|--------------------|-------------|-------------------------|
| 1 | | 1 | Spray Tank ASM ● |
| 2 | 106-1355 | 1 | Decal-No Tank Entry |
| 3 | 106-5065 | 1 | Decal-Drain, Tank |
| 4 | 93-0688 | 1 | Decal-Warning, Chemical |

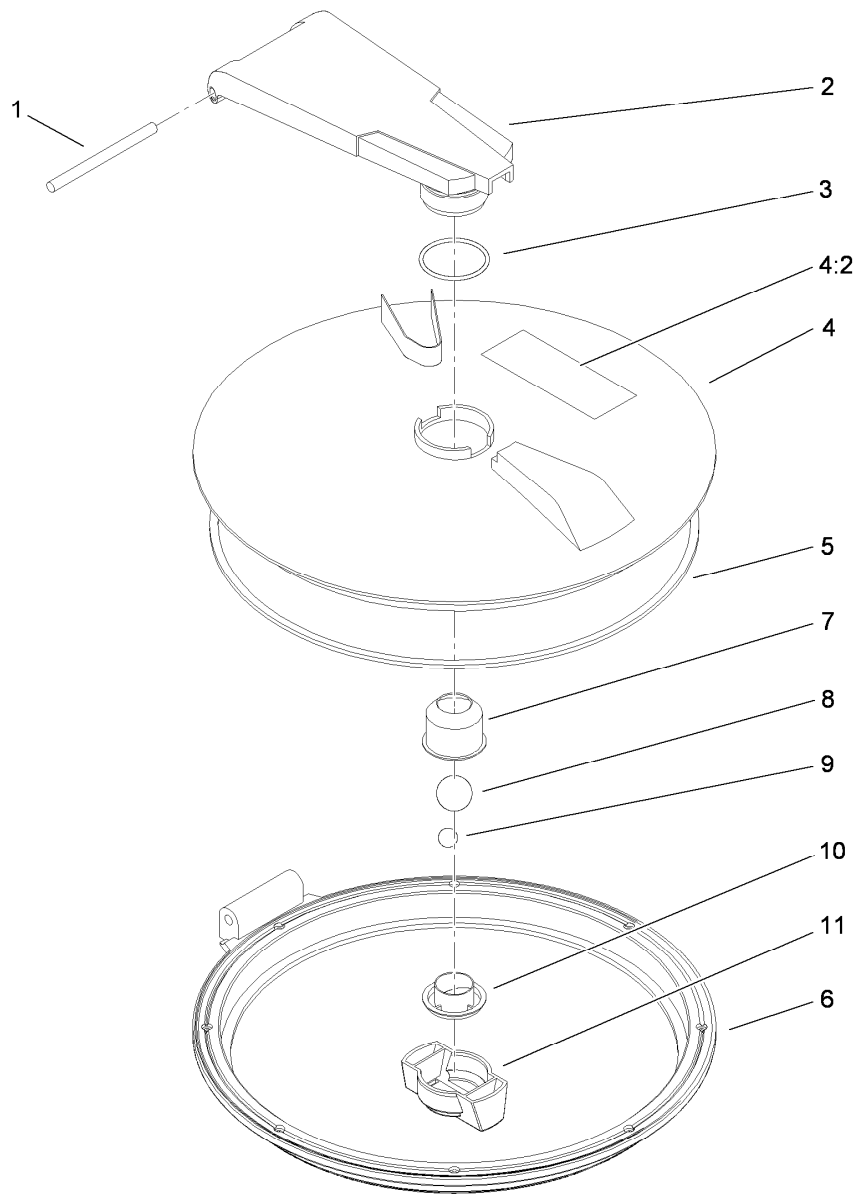
● Not serviced separately



Lid Seal Assembly

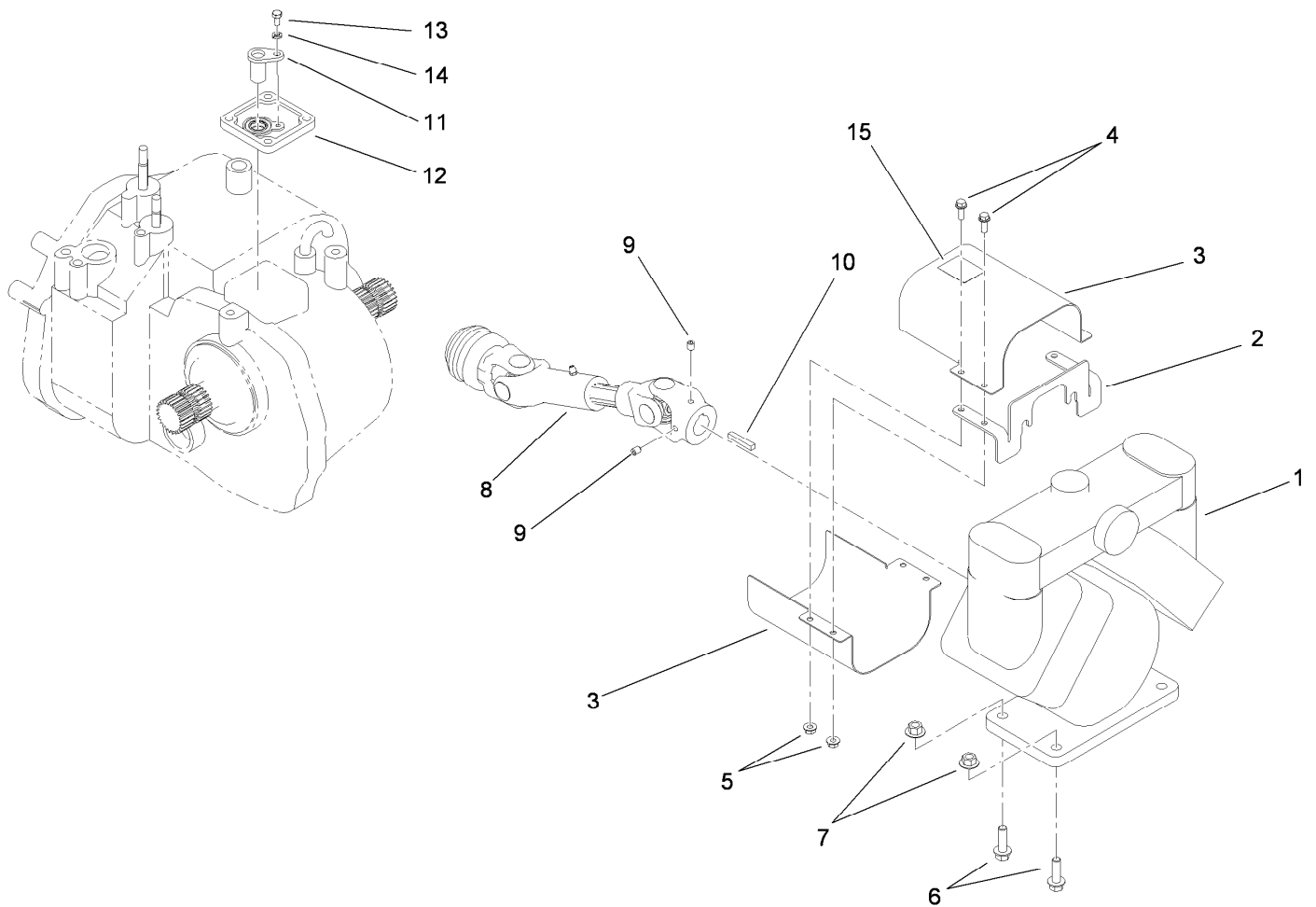
| <i>Ref.</i> | <i>Part Number</i> | <i>Qty.</i> | <i>Description</i> |
|-------------|--------------------|-------------|---------------------------|
| 2 | | 1 | Screw Type Tank Lid ASM ● |
| 3 | 93-0833 | 8 | Rivet-Blind |
| 5 | 106-4991 | 1 | Seal-Lid |

● Not serviced separately



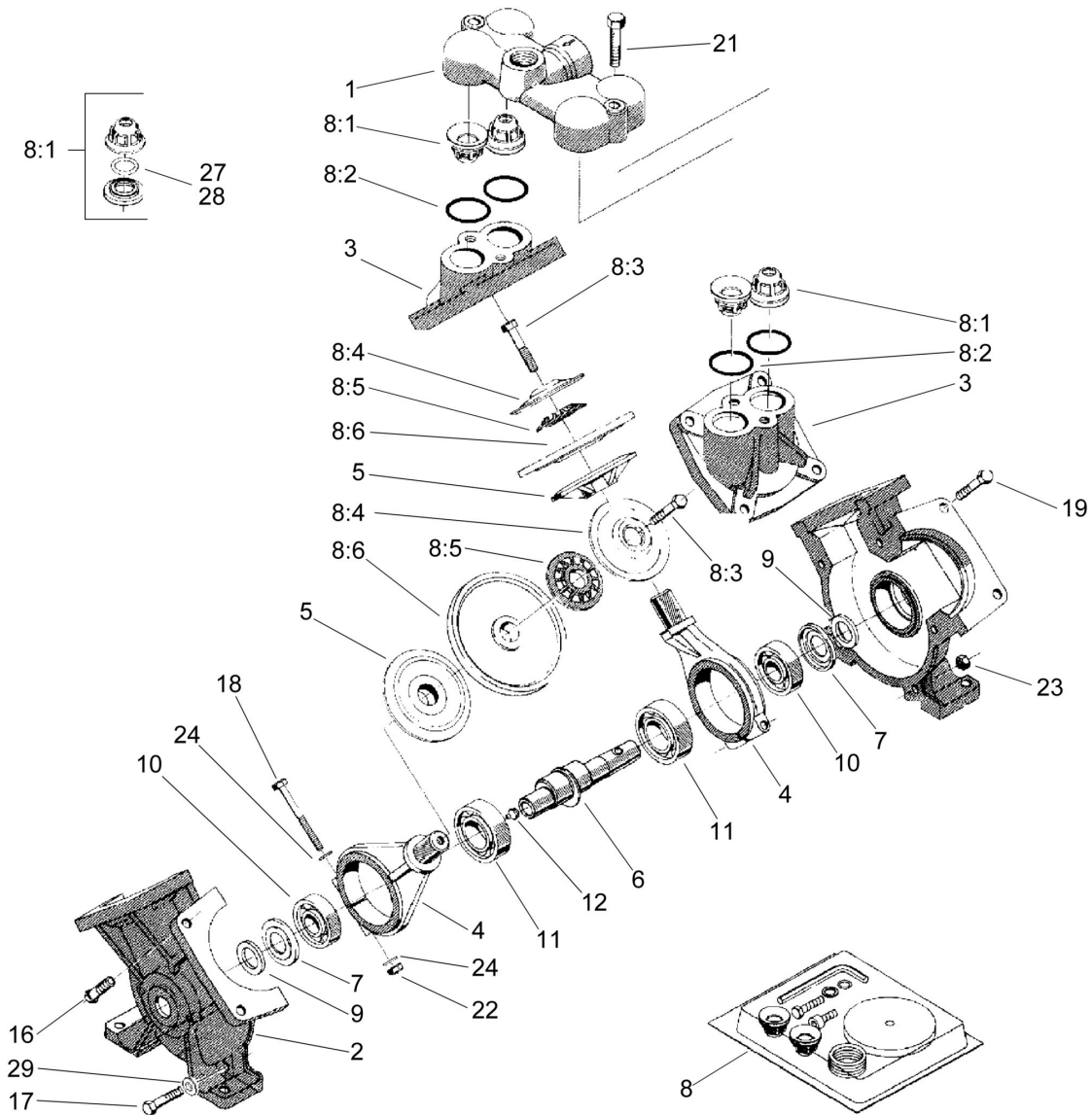
Lid Assembly

| <i>Ref.</i> | <i>Part Number</i> | <i>Qty.</i> | <i>Description</i> |
|-------------|--------------------|-------------|-------------------------|
| 1 | 106-5000 | 1 | Pin-Pivot |
| 2 | 106-5001 | 1 | Arm |
| 3 | 106-5002 | 1 | O-Ring |
| 4 | 106-1369 | 1 | Lid |
| 4:2 | 93-0688 | 1 | Decal-Warning, Chemical |
| 5 | 106-5004 | 1 | Seal-Lid |
| 6 | 106-5005 | 1 | Ring |
| 7 | 106-5006 | 1 | Cup-Vent |
| 8 | 106-5007 | 1 | Ball-Floating |
| 9 | 106-5008 | 1 | Ball-Weight |
| 10 | 106-5009 | 1 | Holder-Ball |
| 11 | 106-5010 | 1 | Nut-Wing |



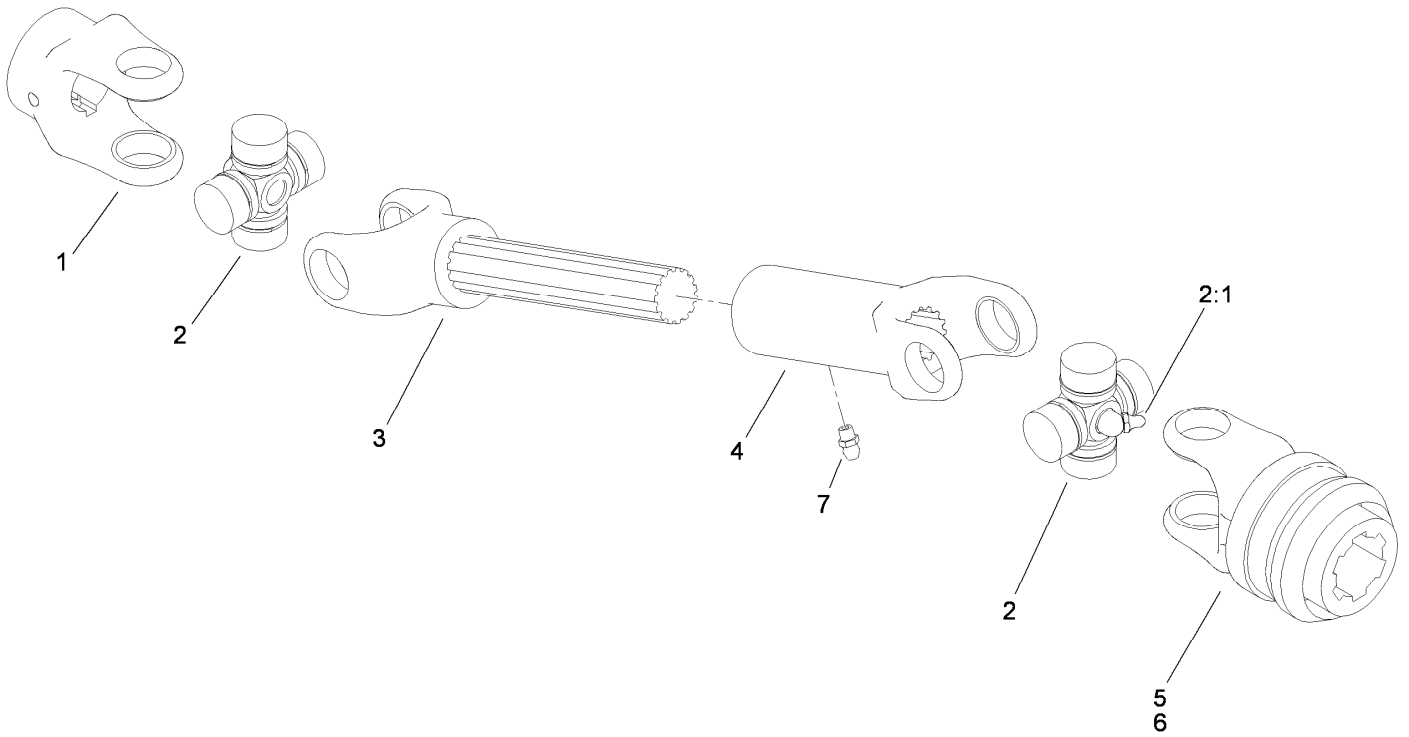
Pump and Drive Assembly

| Ref. | Part Number | Qty. | Description |
|------|-------------|------|--------------------|
| 1 | 106-5121 | 1 | Pump ASM |
| 2 | 104-8970-03 | 1 | Bracket-Shroud |
| 3 | 104-8971-03 | 2 | Shroud-Drive, Pump |
| 4 | 3234-4 | 4 | Screw-HHF |
| 5 | 32128-33 | 4 | Nut-HF |
| 6 | 3234-18 | 4 | Screw-HHF |
| 7 | 32128-43 | 4 | Nut-Flange |
| 8 | 107-2810 | 1 | Shaft-Drive, PTO |
| 9 | 3246-18 | 2 | Setscrew |
| 10 | 67-7490 | 1 | Key-Square |
| 11 | 85-4350 | 1 | Sensor-Geartooth |
| 12 | 92-3736 | 1 | Cover ASM |
| 13 | 33113-012 | 1 | Screw-HH |
| 14 | 48-8020 | 1 | Washer-Spring |
| 15 | 106-1354 | 1 | Decal |



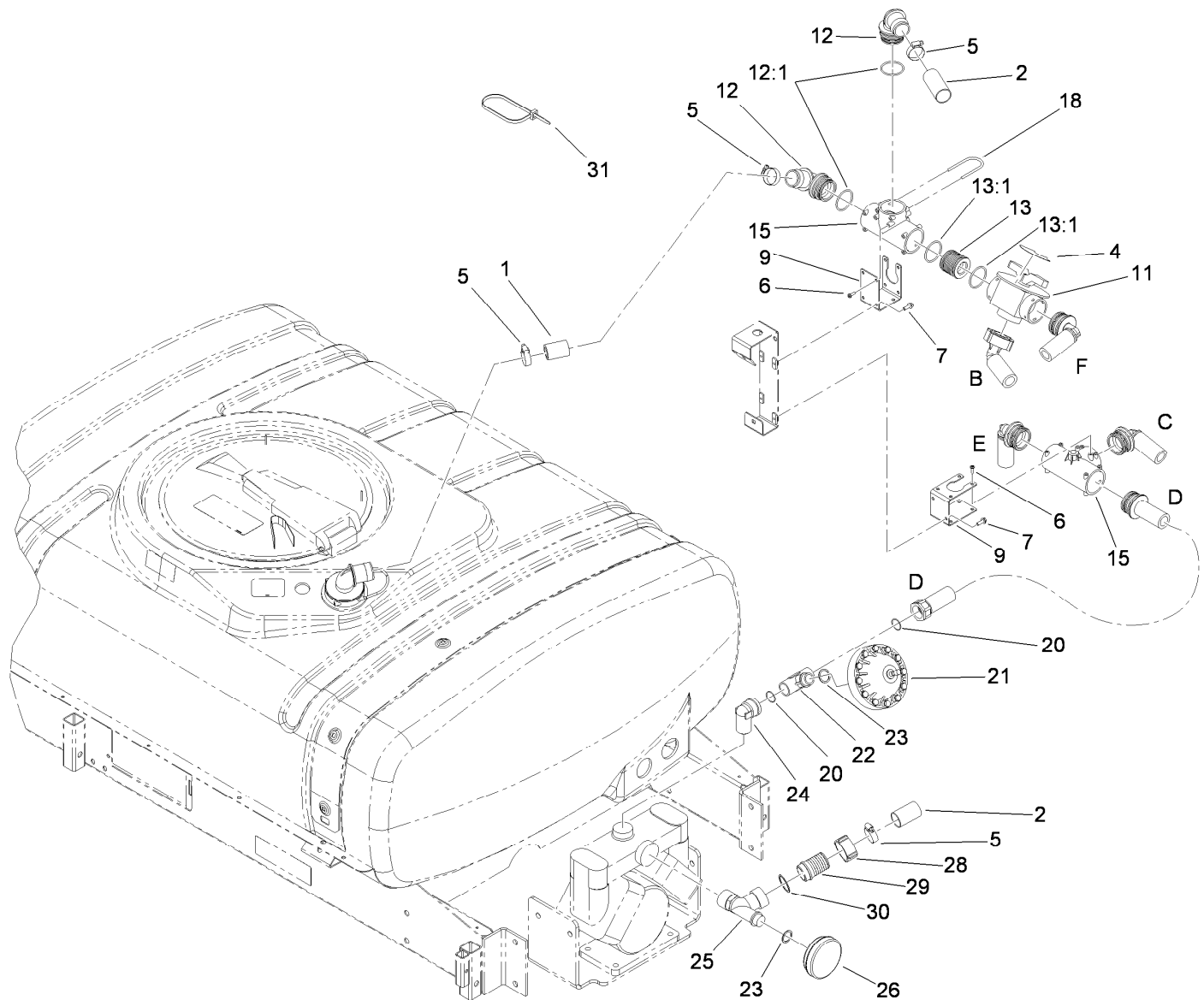
Pump Assembly No. 106-5121

| Ref. | Part Number | Qty. | Description | Ref. | Part Number | Qty. | Description |
|------|-------------|------|----------------------|------|-------------|------|----------------|
| 1 | 106-5139 | 1 | Cover-Valve | 10 | 100-8327 | 2 | Bearing-Ball |
| 2 | 106-5140 | 2 | Housing-Pump | 11 | 100-8329 | 2 | Bearing-Ball |
| 3 | 106-5141 | 2 | Cover-Diaphragm | 12 | 99-0873 | 1 | Fitting-Grease |
| 4 | 106-5142 | 2 | Rod-Connecting | 16 | 106-5143 | 3 | Bolt |
| 5 | 100-8314 | 2 | Disc-Back, Diaphragm | 17 | 106-5144 | 2 | Bolt |
| 6 | 104-9052 | 1 | Crankshaft-Keyed | 18 | 106-5145 | 2 | Bolt |
| 7 | 100-8325 | 2 | Plate-Dust | 19 | 106-5146 | 8 | Bolt |
| 8 | 106-5150 | 1 | Repair Kit | 21 | 106-5148 | 2 | Bolt |
| 8:1 | 100-8307 | 4 | Valve | 22 | 100-8326 | 2 | Nut-Hex |
| 8:2 | 100-6652 | 4 | Gasket | 23 | 106-5149 | 5 | Nut |
| 8:3 | 106-5147 | 2 | Bolt | 24 | 100-8316 | 4 | Washer-Lock |
| 8:4 | 100-8311 | 2 | Washer | 27 | 100-8336 | 4 | O-Ring |
| 8:5 | 100-8312 | 2 | Washer-Nylon | 28 | 106-5138 | 4 | O-Ring |
| 8:6 | 100-8313 | 2 | Diaphragm | 29 | 106-5137 | 2 | Washer |
| 9 | 99-0868 | 2 | Felt-Seal | | | | |



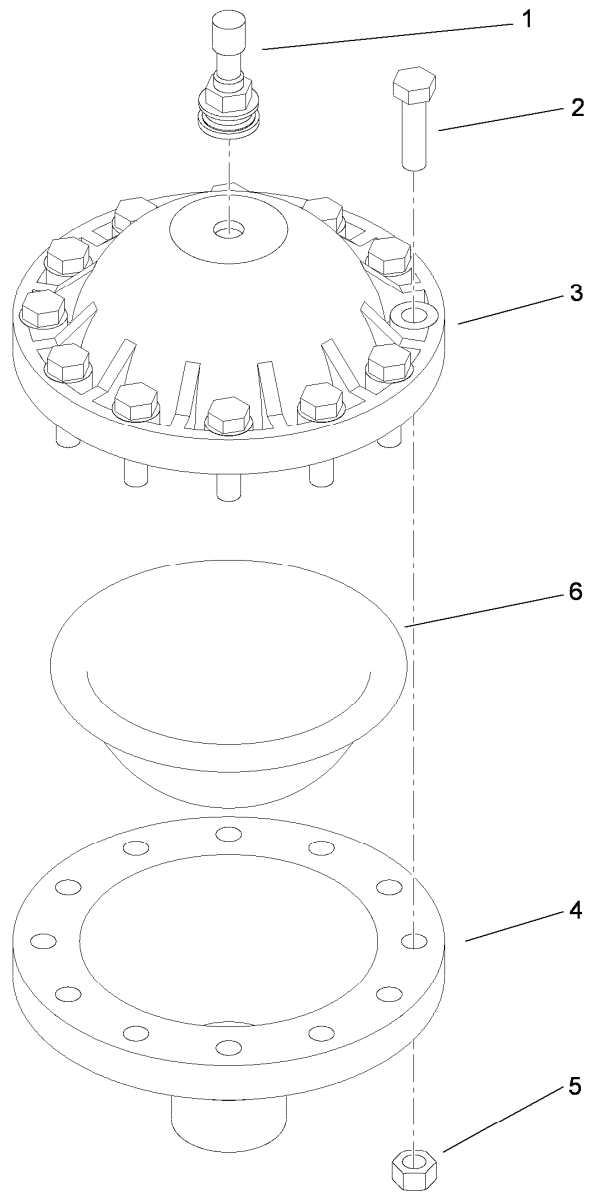
Drive Shaft Assembly No. 107-2810

| <i>Ref.</i> | <i>Part Number</i> | <i>Qty.</i> | <i>Description</i> |
|-------------|--------------------|-------------|-----------------------------|
| 1 | 107-2823 | 1 | Yoke-Shaft |
| 2 | 54-9180 | 2 | U-Joint Kit |
| 2:1 | 62-3820 | 1 | Fitting-Grease |
| 3 | 107-2824 | 1 | Shaft-Yoke, Slip |
| 4 | 94-7379 | 1 | Tube-Yoke, Slip |
| 5 | 99-4476 | 1 | Spring-Lok Yoke ASM |
| 6 | 99-4477 | 1 | Yoke Spring Lock Repair Kit |
| 7 | 302-5 | 1 | Fitting-Grease |



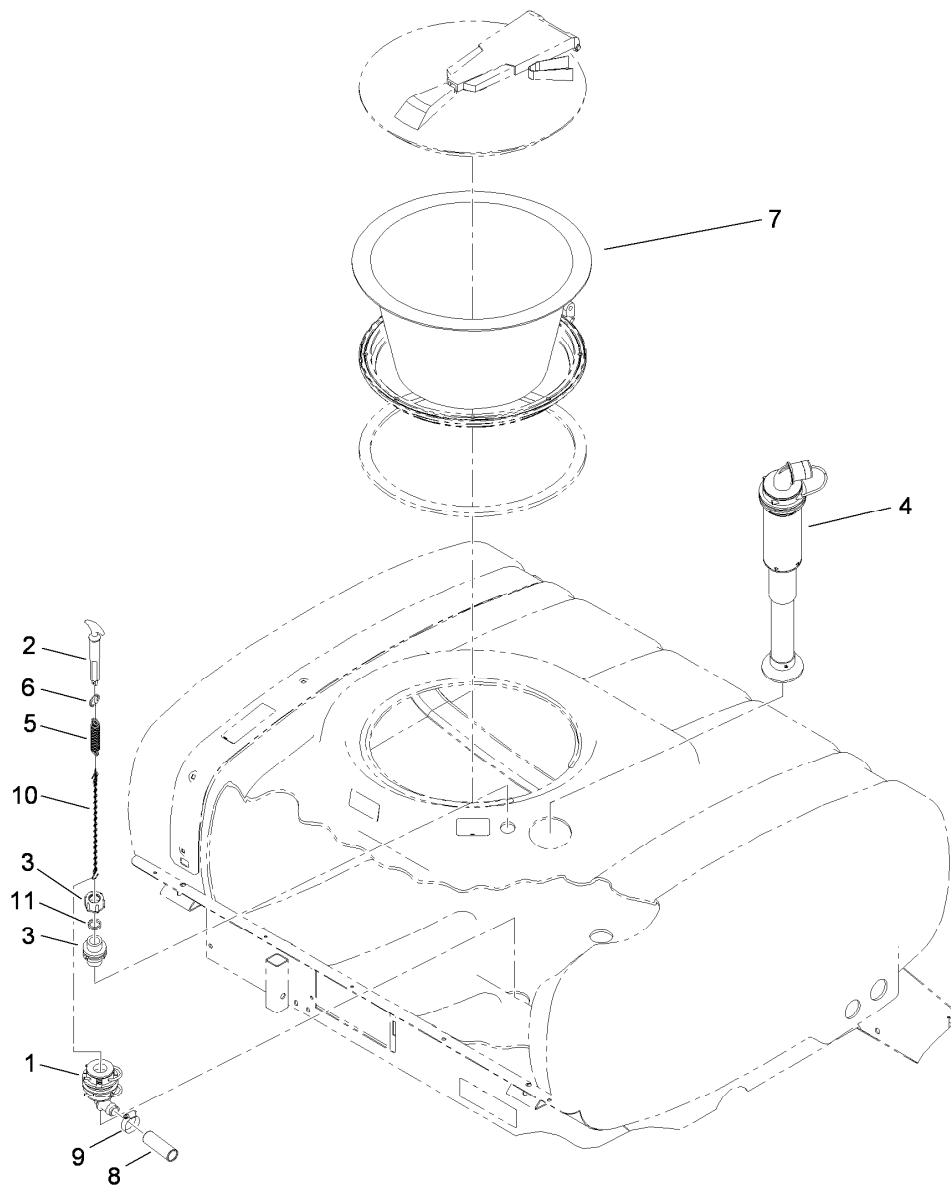
Upper Sprayer Component Assembly

| <i>Ref.</i> | <i>Part Number</i> | <i>Qty.</i> | <i>Description</i> | <i>Ref.</i> | <i>Part Number</i> | <i>Qty.</i> | <i>Description</i> |
|-------------|--------------------|-------------|---------------------|-------------|--------------------|-------------|---------------------|
| 1 | 107-2804 | 1 | Hose-Suction | 18 | 100-8635 | 8 | Fork |
| 2 | 107-2805 | 1 | Hose-Suction | 20 | 100-6655 | 1 | Gasket |
| 4 | 107-8621 | 1 | Decal-Agitation | 21 | 100-6662 | 1 | Pressure Damper ASM |
| 5 | 41327 | 4 | Clamp-Hose | 22 | 100-8699 | 1 | Tee |
| 6 | 32144-32 | 8 | Screw | 23 | 100-6656 | 2 | O-Ring |
| 7 | 3234-4 | 4 | Screw-HHF | 24 | 100-8698 | 1 | Elbow |
| 9 | 100-8478 | 2 | Bracket-Tee | 25 | 100-8681 | 1 | Tee |
| 11 | 100-8673 | 1 | Agitation Valve ASM | 26 | 100-6660 | 1 | Suction Damper ASM |
| 12 | 106-4946 | 2 | Hosebarb-90 DEG | 28 | 100-8678 | 1 | Nut |
| 12:1 | 100-8637 | 1 | O-Ring | 29 | 100-8679 | 1 | Hosebarb |
| 13 | 106-4947 | 1 | Connector | 30 | 100-8680 | 1 | Seal |
| 13:1 | 100-8637 | 2 | O-Ring | 31 | 3334-945 | 3 | Cable Tie |
| 15 | 100-6704 | 2 | Tee | | | | |



Pressure Damper Assembly No. 100-6662

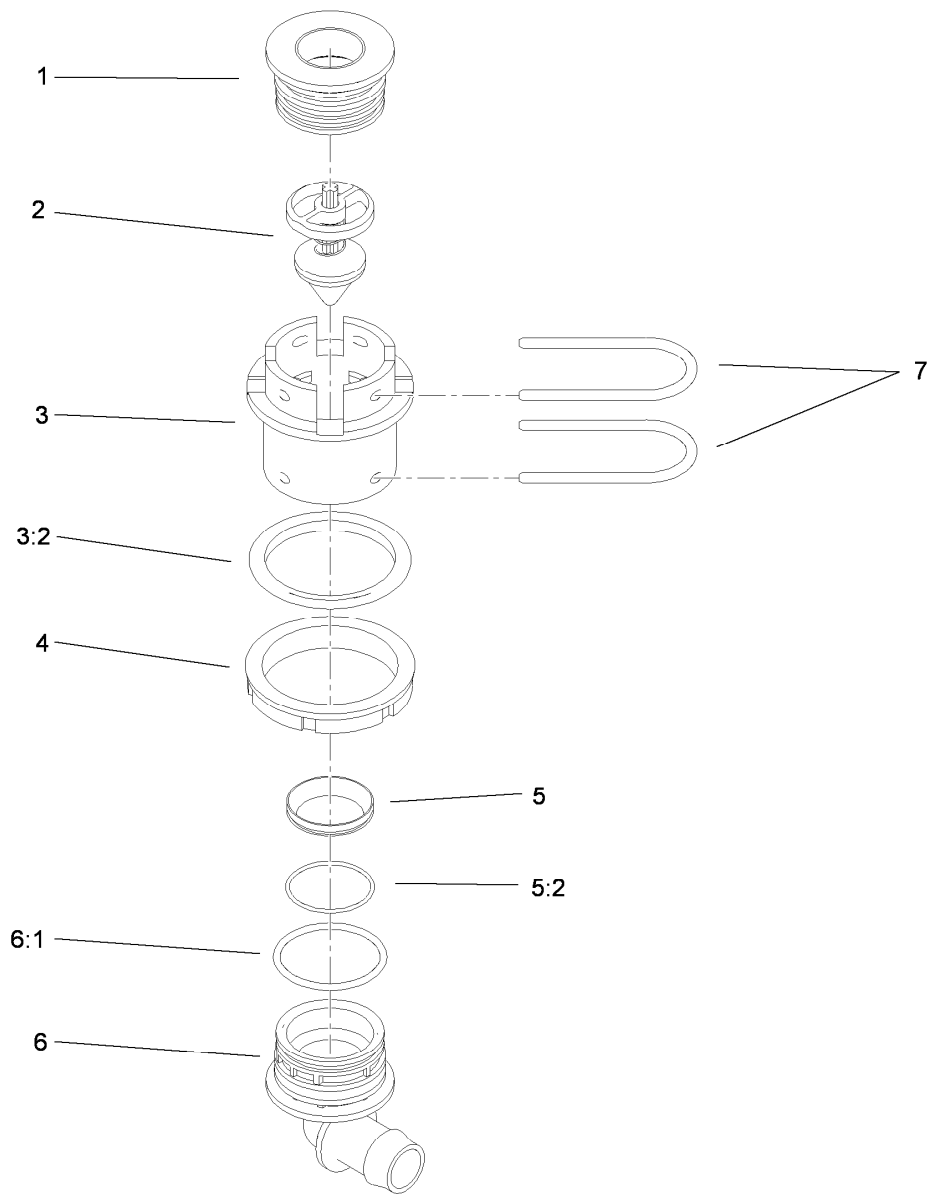
| <i>Ref.</i> | <i>Part Number</i> | <i>Qty.</i> | <i>Description</i> |
|-------------|--------------------|-------------|--------------------|
| 1 | 99-0895 | 1 | Valve |
| 2 | 33114-030 | 12 | Screw-HH |
| 3 | 99-0896 | 1 | Half-Upper, Damper |
| 4 | 99-0898 | 1 | Half-Lower, Damper |
| 5 | 33014-00 | 12 | Nut-Hex |
| 6 | 99-0897 | 1 | Diaphragm |



Suction and Drain Assembly

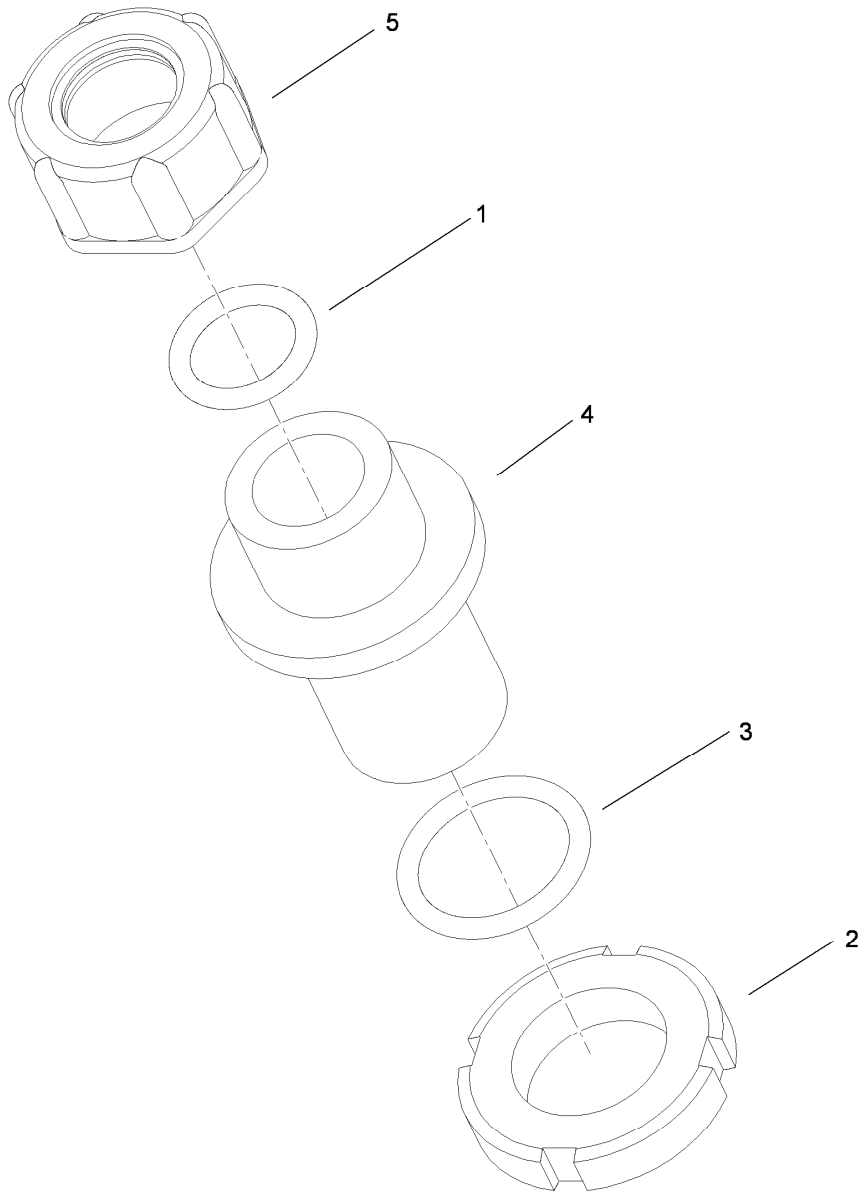
| Ref. | Part Number | Qty. | Description |
|------|-------------|------|---------------------------------|
| 1 | | 1 | Drain ASM ● |
| 2 | 106-1347 | 1 | Handle-Drain |
| 3 | | 1 | Upper Tank Drain Bulkhead ASM ● |
| 4 | 107-2800 | 1 | Top Mounted Suction ASM |
| 5 | 106-1415 | 1 | Spring-Extension |
| 6 | 106-1416 | 1 | Ring-Retaining, Spiral (EXT) |
| 7 | 104-9051 | 1 | Basket-Strainer |
| 8 | 106-1351 | 1 | Hose-Drain |
| 9 | 2412-34 | 1 | Clamp-Hose |
| 10 | 106-1356 | 1 | Chain ASM |
| 11 | 106-1414 | 1 | Seal |

● Not serviced separately



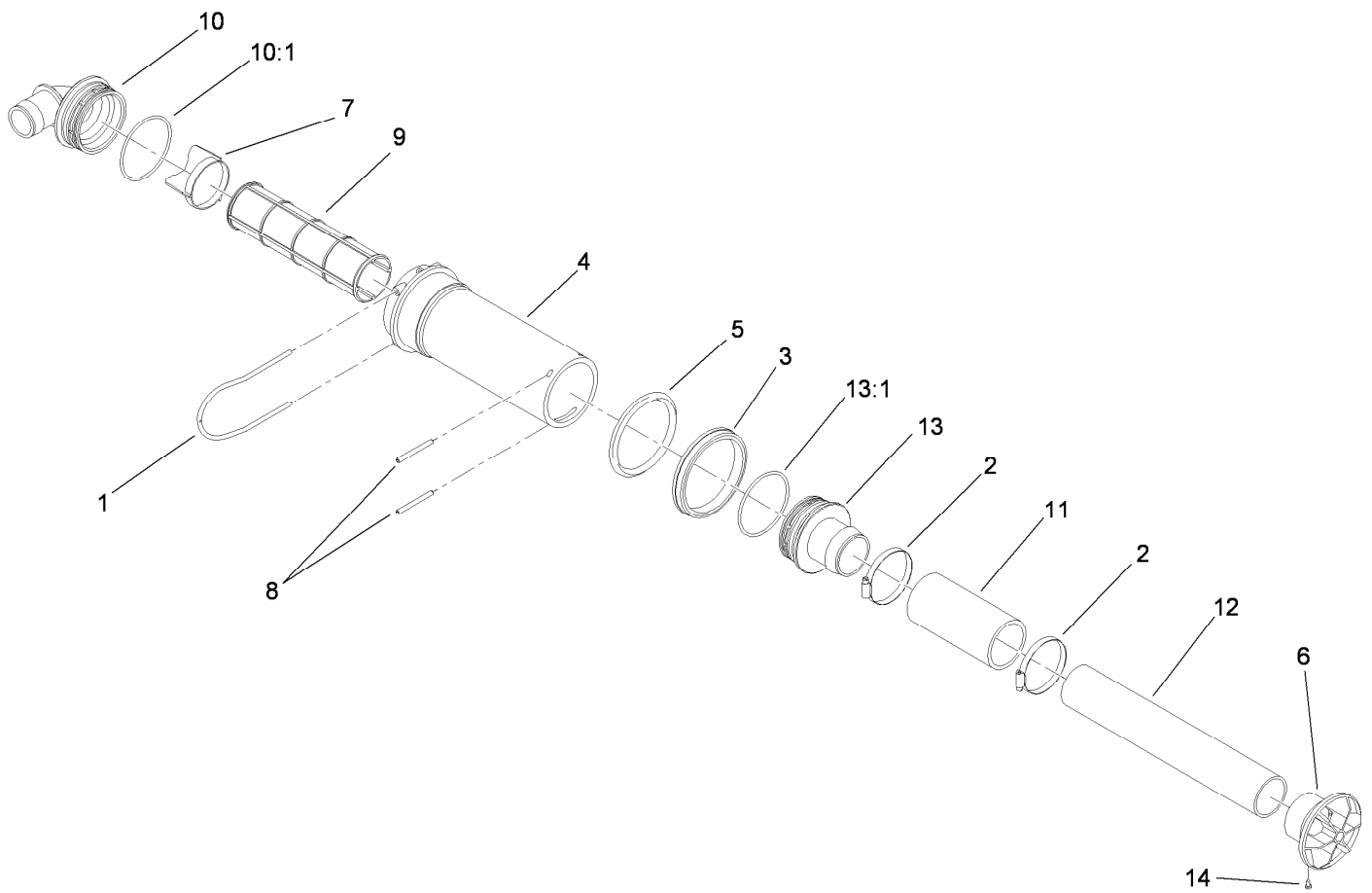
Tank Drain Assembly

| <i>Ref.</i> | <i>Part Number</i> | <i>Qty.</i> | <i>Description</i> |
|-------------|--------------------|-------------|--------------------|
| 1 | 107-2868 | 1 | Adapter |
| 2 | 108-7016 | 1 | Drain Valve ASM |
| 3 | 107-2862 | 1 | Drain Bulkhead ASM |
| 3:2 | 107-2864 | 1 | Gasket-Bulkhead |
| 4 | 100-7051 | 1 | Nut-Bulkhead |
| 5 | 107-2867 | 1 | Seat Drain ASM |
| 5:2 | 107-2866 | 1 | O-Ring |
| 6 | 106-4933 | 1 | Hosebarb ASM |
| 6:1 | 100-8637 | 1 | O-Ring |
| 7 | 100-8635 | 2 | Fork |



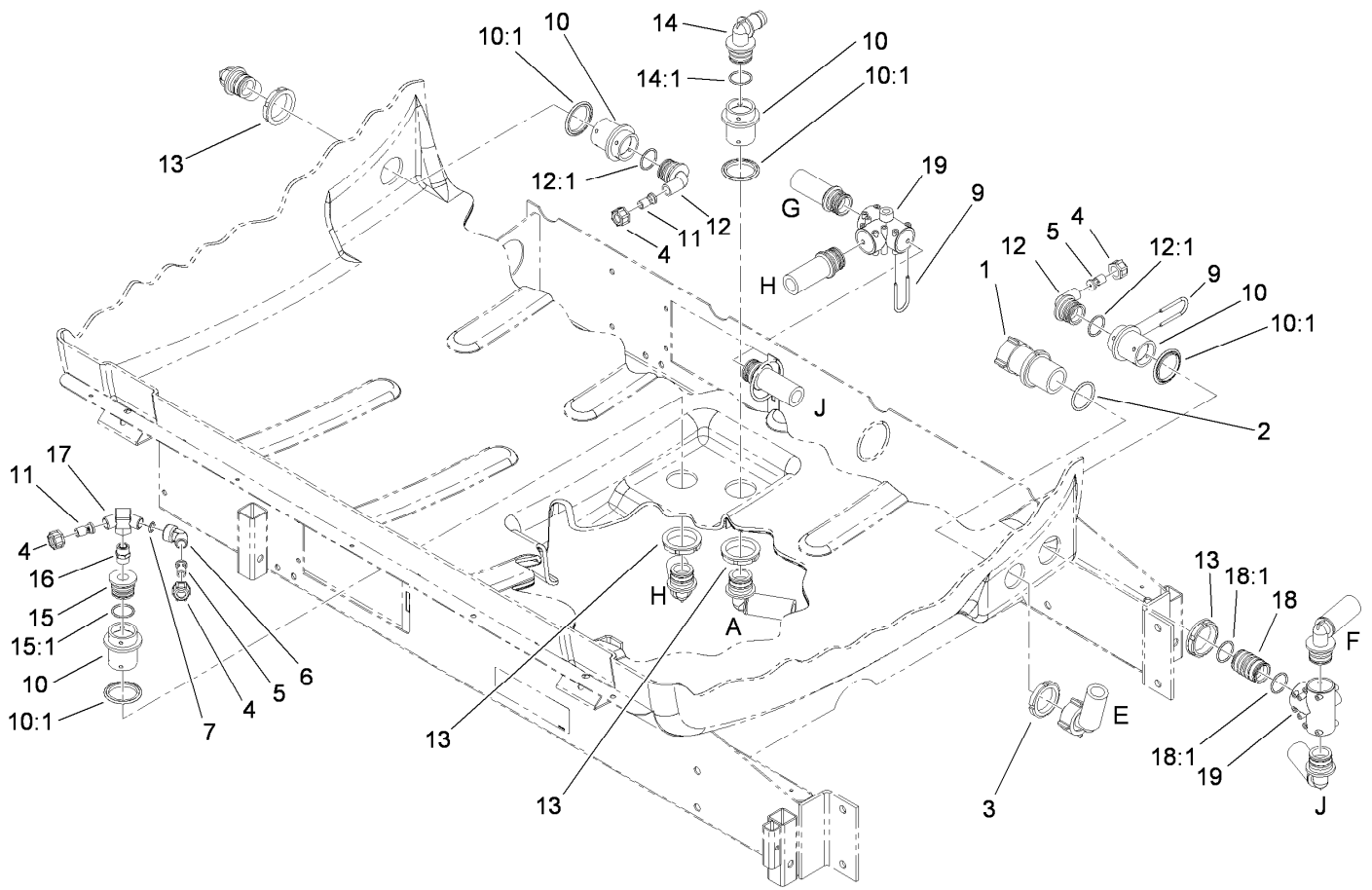
Upper Tank Drain Bulkhead Assembly

| <i>Ref.</i> | <i>Part Number</i> | <i>Qty.</i> | <i>Description</i> |
|-------------|--------------------|-------------|--------------------|
| 1 | 100-6643 | 1 | O-Ring |
| 2 | 99-0758 | 1 | Nut |
| 3 | 100-6658 | 1 | Gasket |
| 4 | 106-1240 | 1 | Bulkhead |
| 5 | 106-1241 | 1 | Nut-Special |



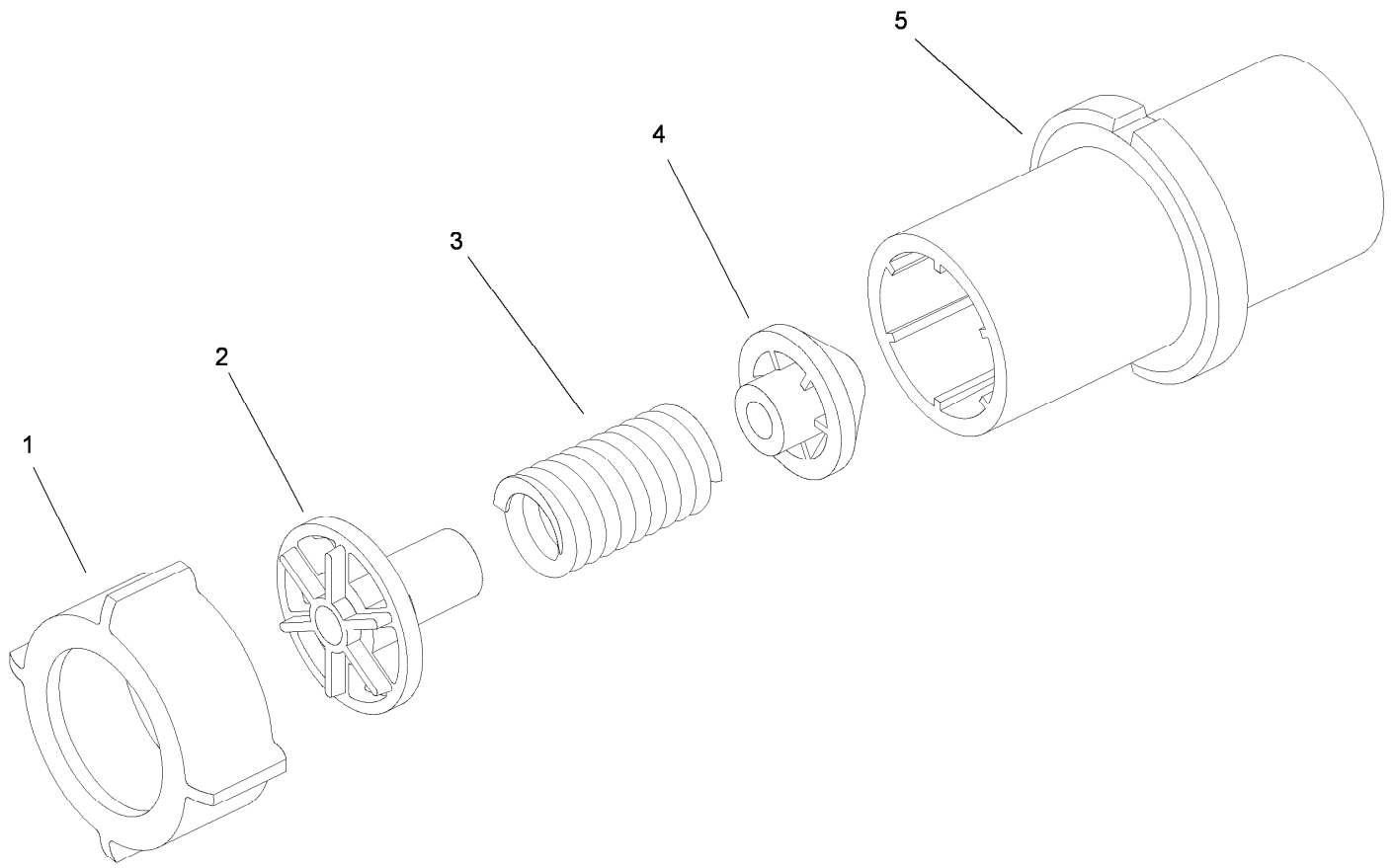
Top Mounted Suction Assembly No. 107-2800

| <i>Ref.</i> | <i>Part Number</i> | <i>Qty.</i> | <i>Description</i> | <i>Ref.</i> | <i>Part Number</i> | <i>Qty.</i> | <i>Description</i> |
|-------------|--------------------|-------------|--------------------|-------------|--------------------|-------------|--------------------|
| 1 | 100-8636 | 1 | Fork-Special | 9 | 100-8642 | 1 | Screen-Suction |
| 2 | 26392 | 2 | Clamp-Hose | 10 | 106-4952 | 1 | Hosebarb-90 DEG |
| 3 | 100-8647 | 1 | Nut-Bulkhead | 10:1 | 100-6989 | 1 | O-Ring |
| 4 | 100-8643 | 1 | Housing-Filter | 11 | 100-8649 | 1 | Hose-Suction |
| 5 | 100-8646 | 1 | Gasket-Bulkhead | 12 | 107-2801 | 1 | Tube-Suction |
| 6 | 100-6714 | 1 | Foot-Tube, Suction | 13 | 106-4942 | 1 | Hosebarb-Straight |
| 7 | 100-8641 | 1 | Vane-Screen | 13:1 | 100-6989 | 1 | O-Ring |
| 8 | 100-8644 | 2 | Pin-Expansion | 14 | 108-3270 | 1 | Screw-TAP |



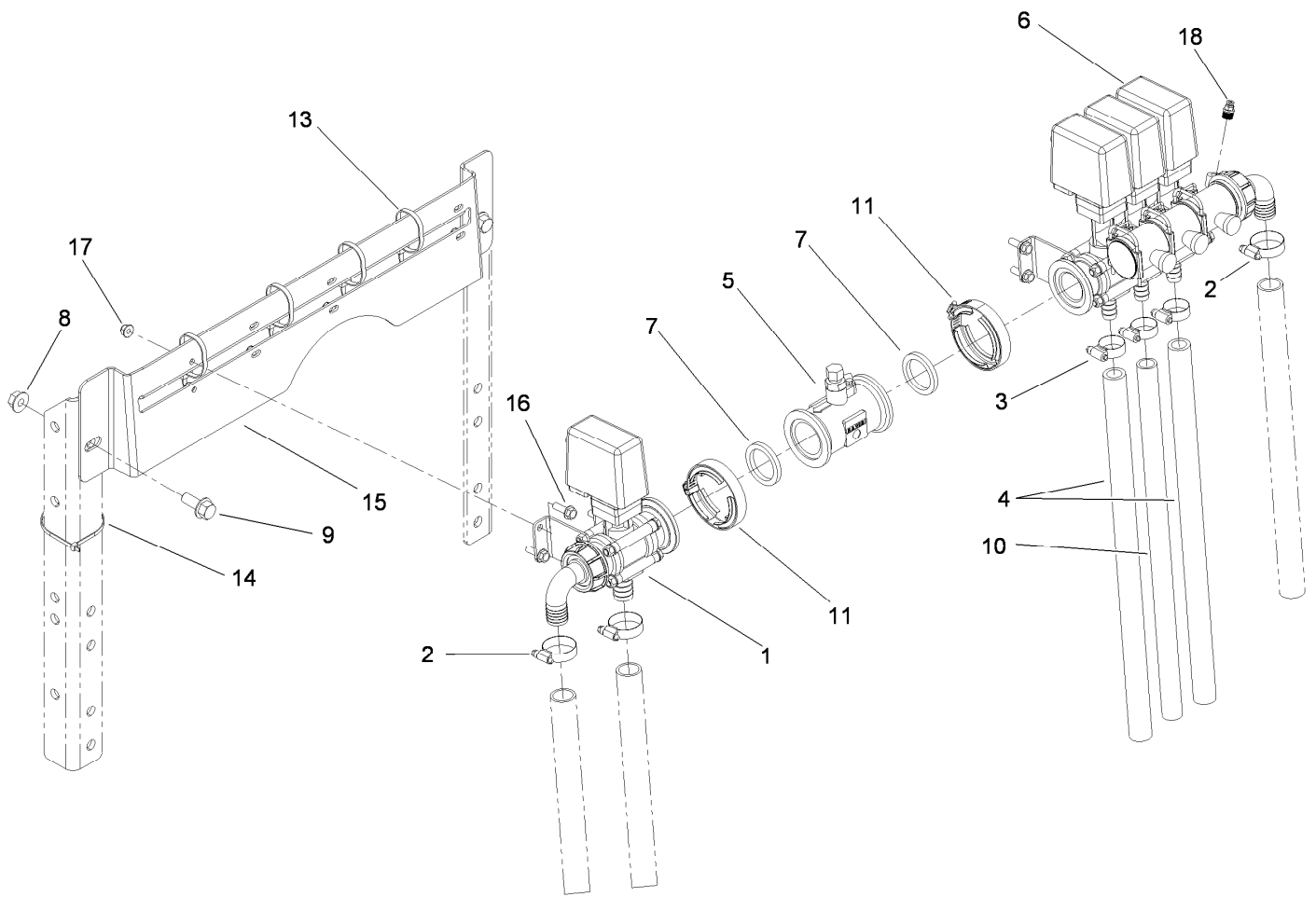
Lower Sprayer Component Assembly

| <i>Ref.</i> | <i>Part Number</i> | <i>Qty.</i> | <i>Description</i> | <i>Ref.</i> | <i>Part Number</i> | <i>Qty.</i> | <i>Description</i> |
|-------------|--------------------|-------------|----------------------------|-------------|--------------------|-------------|--------------------|
| 1 | 100-6820 | 1 | Safety Valve ASM (225 Psi) | 12:1 | 100-6712 | 1 | O-Ring |
| 2 | 100-6652 | 1 | Gasket | 13 | 100-6713 | 4 | Nut-Bulkhead |
| 3 | 99-0761 | 1 | Ringnut | 14 | 106-4945 | 1 | Elbow |
| 4 | 99-0766 | 4 | Nut | 14:1 | 100-6712 | 1 | O-Ring |
| 5 | 100-6705 | 2 | Nozzle-Agitation | 15 | 106-4943 | 1 | Adapter ASM |
| 6 | 99-0768 | 1 | Elbow-60 DEG | 15:1 | 100-6712 | 1 | O-Ring |
| 7 | 100-6653 | 1 | O-Ring | 16 | 100-6722 | 1 | Nipple |
| 9 | 100-6708 | 14 | Fork | 17 | 100-6723 | 1 | Tee |
| 10 | 106-4896 | 4 | Fitting-Bulkhead | 18 | 107-2802 | 1 | Connector |
| 10:1 | 100-6710 | 1 | Gasket-Bulkhead | 18:1 | 100-6712 | 2 | O-Ring |
| 11 | 100-6706 | 2 | Nozzle-Agitation | 19 | 104-9041 | 2 | Tee |
| 12 | 106-4944 | 2 | Fitting-90 DEG | | | | |



Safety Valve Assembly No. 100-6820

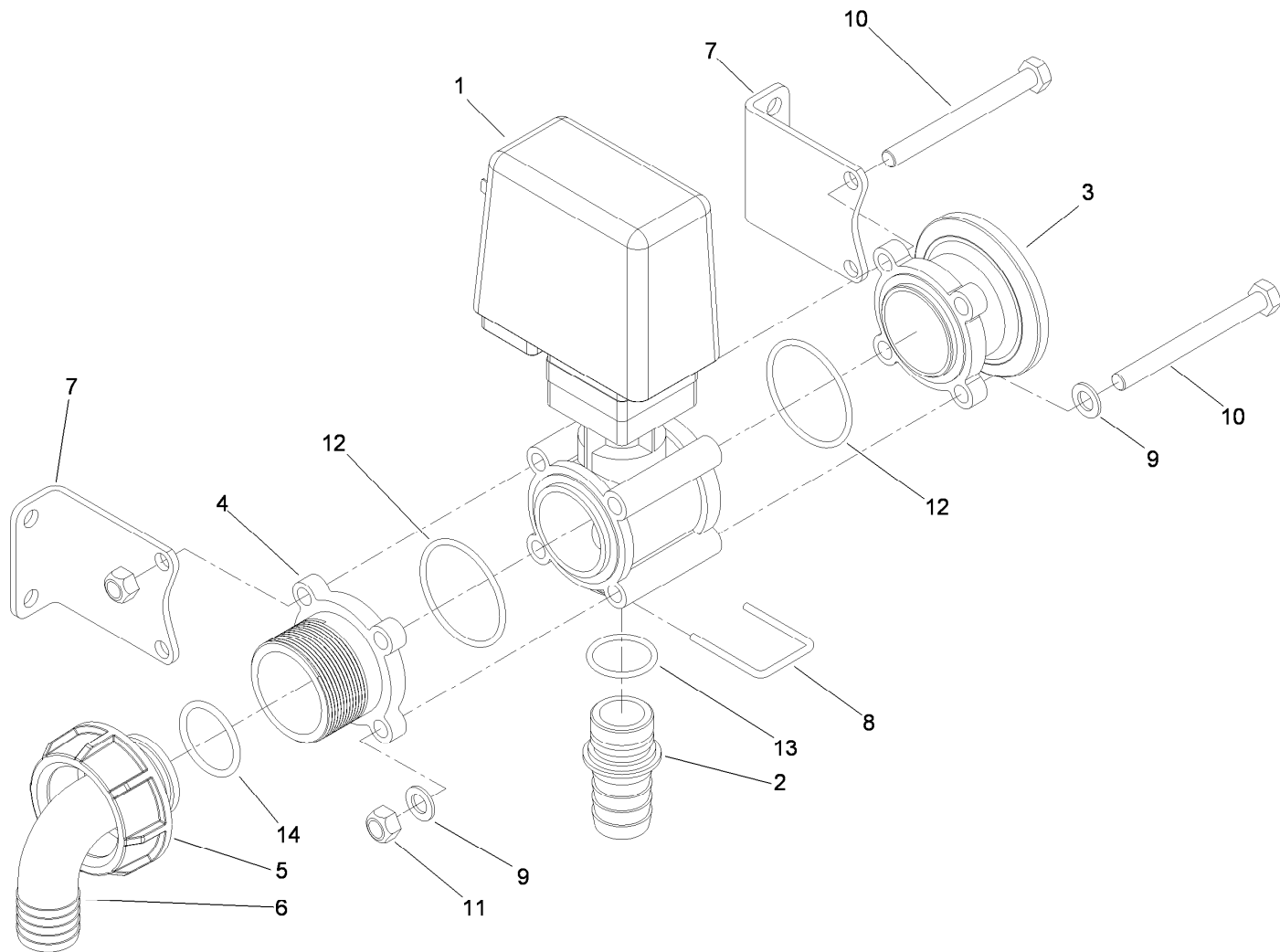
| <i>Ref.</i> | <i>Part Number</i> | <i>Qty.</i> | <i>Description</i> |
|-------------|--------------------|-------------|-----------------------|
| 1 | 100-8678 | 1 | Nut |
| 2 | 100-6724 | 1 | Valve-Relief, Seat |
| 3 | 100-6725 | 1 | Spring-Relief, Valve |
| 4 | 100-6726 | 1 | Cone-Relief, Valve |
| 5 | 100-6727 | 1 | Housing-Relief, Valve |



Control Valve Assembly

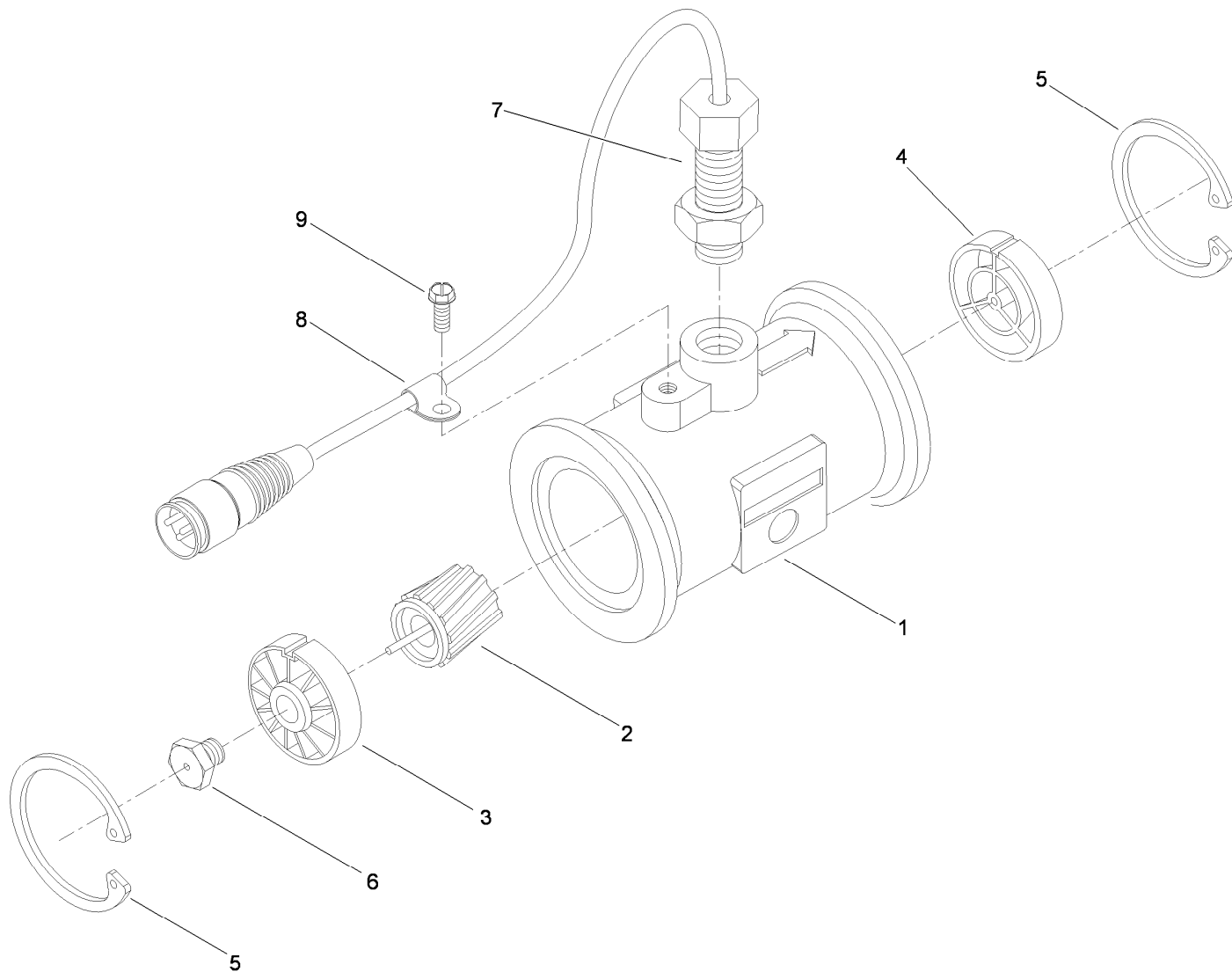
| <i>Ref.</i> | <i>Part Number</i> | <i>Qty.</i> | <i>Description</i> |
|-------------|--------------------|-------------|-------------------------|
| 1 | 119-0466 | 1 | Regulating Valve ASM |
| 2 | 2412-3 | 3 | Clamp-Hose |
| 3 | 2412-129 | 3 | Clamp-Hose |
| 4 | 108-3720 | 2 | Hose-Boom, LH |
| 5 | 106-1038 | 1 | Flow Meter ASM |
| 6 | 119-0458 | 1 | Boom Valve Manifold ASM |
| 7 | 104-9090 | 2 | Gasket |
| 8 | 32128-49 | 2 | Nut-HHF |
| 9 | 3234-32 | 2 | Screw-HHF |

| <i>Ref.</i> | <i>Part Number</i> | <i>Qty.</i> | <i>Description</i> |
|-------------|--------------------|-------------|--------------------|
| 10 | 95-2229 | 1 | Hose |
| 11 | 104-9089 | 2 | Clamp-Screw, Worm |
| 13 | 3290-378 | 4 | Cable Tie |
| 14 | 3290-379 | 1 | Tie-Cable |
| 15 | 119-0549-03 | 1 | Mount-Valve |
| 16 | 3234-17 | 8 | Screw-HHF |
| 17 | 104-8300 | 8 | Nut-Flange, NI |
| 18 | 100-8674 | 1 | Coupler-Tube |



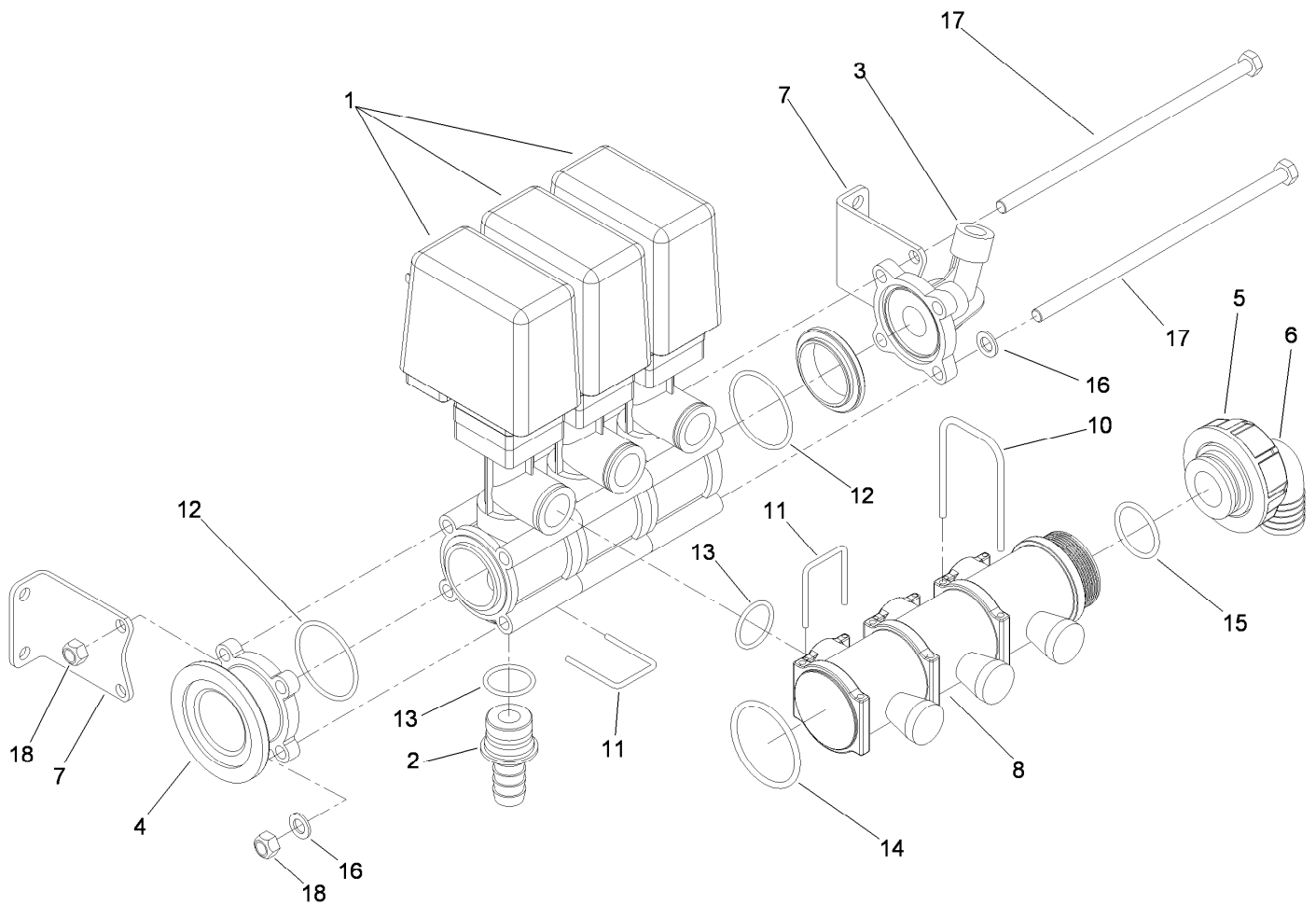
Regulating Valve Assembly No. 119-0466

| <i>Ref.</i> | <i>Part Number</i> | <i>Qty.</i> | <i>Description</i> |
|-------------|--------------------|-------------|----------------------|
| 1 | 119-0465 | 1 | Valve-Proportional |
| 2 | 117-7992 | 1 | Hosebarb |
| 3 | 117-7966 | 1 | Flange |
| 4 | 119-0522 | 1 | Adapter |
| 5 | 117-7879 | 1 | Nut-Fly |
| 6 | 119-0459 | 1 | Elbow-90 DEG, Flynut |
| 7 | 117-7975 | 1 | Bracke Mounting Kit |
| 8 | 119-4862 | 1 | Fork |
| 9 | 119-4871 | 4 | Washer |
| 10 | 119-4866 | 4 | Screw-HH |
| 11 | 33024-00 | 4 | Nut-Lock |
| 12 | 119-4870 | 2 | O-Ring |
| 13 | 119-4868 | 1 | O-Ring |
| 14 | 117-7922 | 1 | O-Ring |



Flow Meter Assembly No. 106-1038

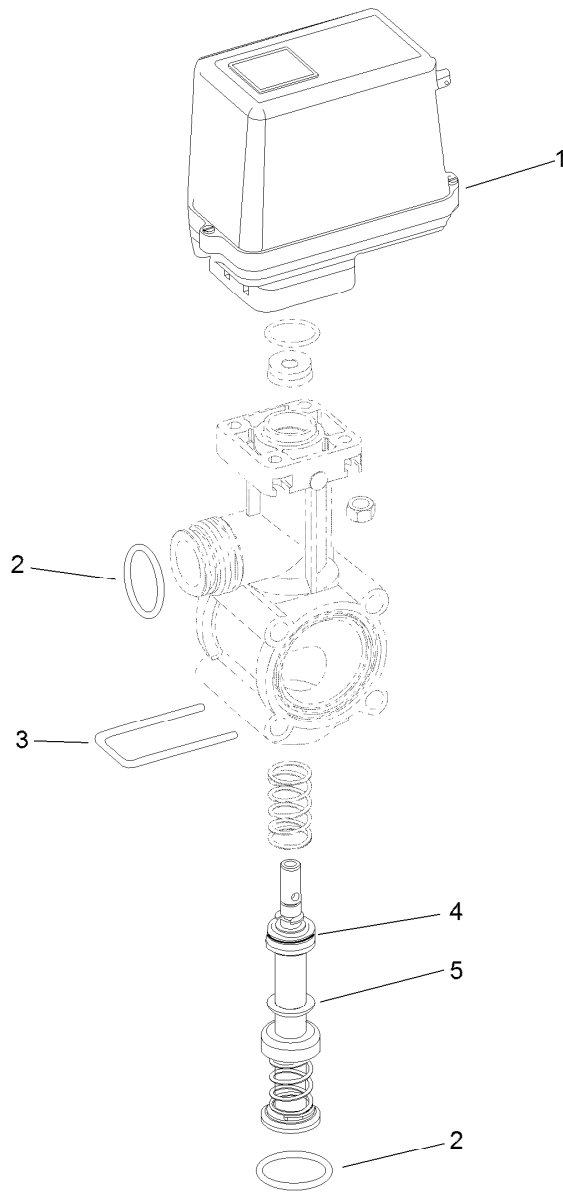
| <i>Ref.</i> | <i>Part Number</i> | <i>Qty.</i> | <i>Description</i> |
|-------------|--------------------|-------------|------------------------------|
| 1 | 106-1042 | 1 | Body-Meter, Flow |
| 2 | 104-9059 | 1 | Rotor / Magnet ASM |
| 3 | 104-9060 | 1 | Upstream Hub And Bearing ASM |
| 4 | 104-9061 | 1 | Downstream Hub ASM |
| 5 | 104-9062 | 2 | Ring-Retaining, Internal |
| 6 | 42480 | 1 | Stud-Turbine (W / Bearing) |
| 7 | 104-9065 | 1 | External Sensor ASM |
| 8 | 104-9063 | 1 | Clamp-Cable |
| 9 | 104-9064 | 1 | Screw-HWHTF |



Boom Valve Manifold Assembly No. 119-0458

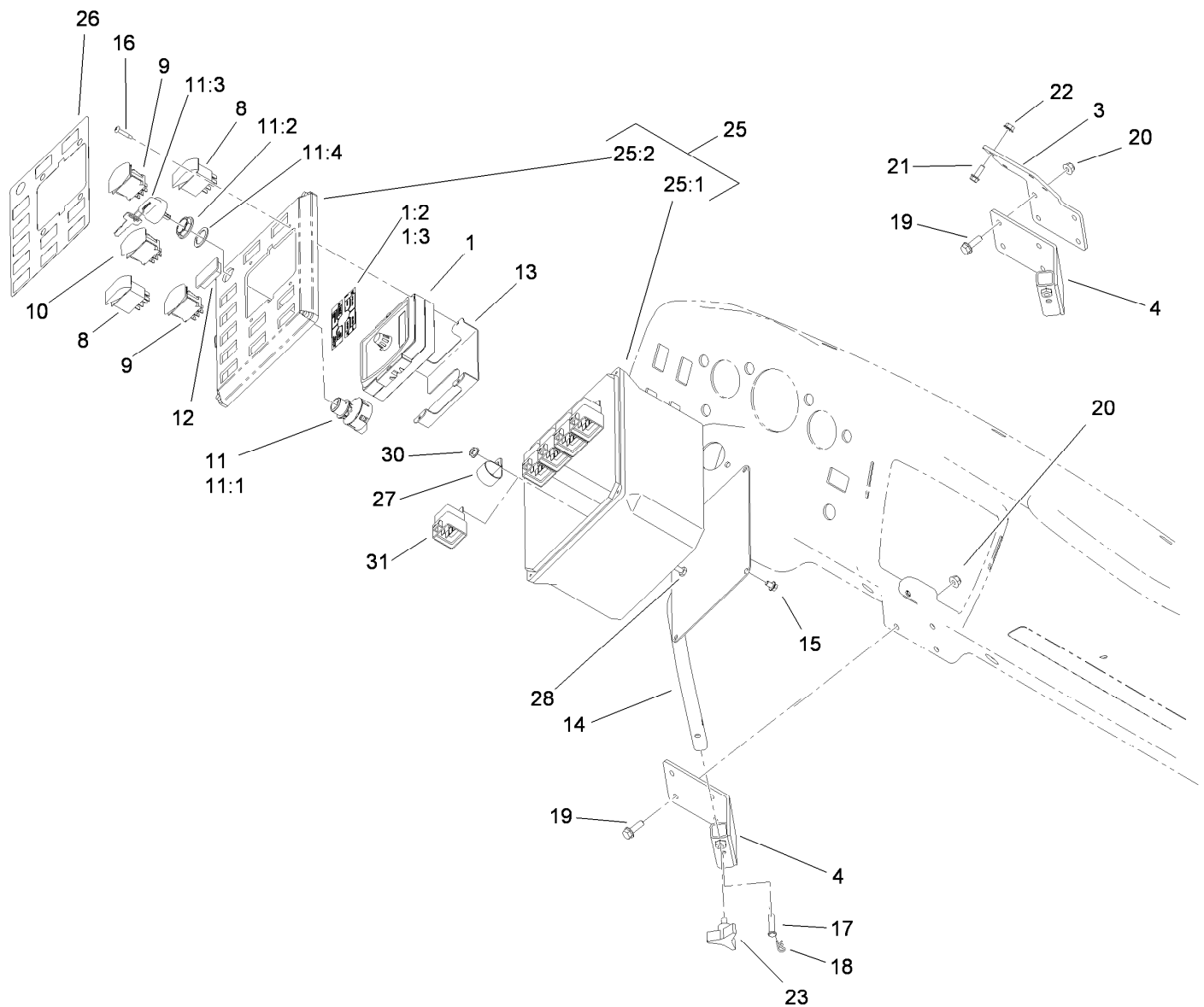
| <i>Ref.</i> | <i>Part Number</i> | <i>Qty.</i> | <i>Description</i> |
|-------------|--------------------|-------------|----------------------|
| 1 | 119-0456 | 3 | Valve (W/Bypass) |
| 2 | 119-0464 | 3 | Hosebarb |
| 3 | 119-0462 | 1 | Port-Pressure Gauge |
| 4 | 117-7967 | 1 | Flange-Female |
| 5 | 117-7879 | 1 | Nut-Fly |
| 6 | 119-0459 | 1 | Elbow-90 DEG, Flynut |
| 7 | 119-0449 | 1 | Bracket Mounting Kit |
| 8 | 119-0457 | 1 | Valve-Balancing |
| 10 | 119-4863 | 3 | Fork |

| <i>Ref.</i> | <i>Part Number</i> | <i>Qty.</i> | <i>Description</i> |
|-------------|--------------------|-------------|--------------------|
| 11 | 119-4862 | 6 | Fork |
| 12 | 119-4870 | 4 | O-Ring |
| 13 | 119-4868 | 6 | O-Ring |
| 14 | 119-4869 | 3 | O-Ring |
| 15 | 117-7922 | 1 | O-Ring |
| 16 | 119-4871 | 4 | Washer |
| 17 | 119-4867 | 4 | Screw-HH |
| 18 | 33024-00 | 4 | Nut-Lock |



Bypass Valve Assembly No. 119-0456

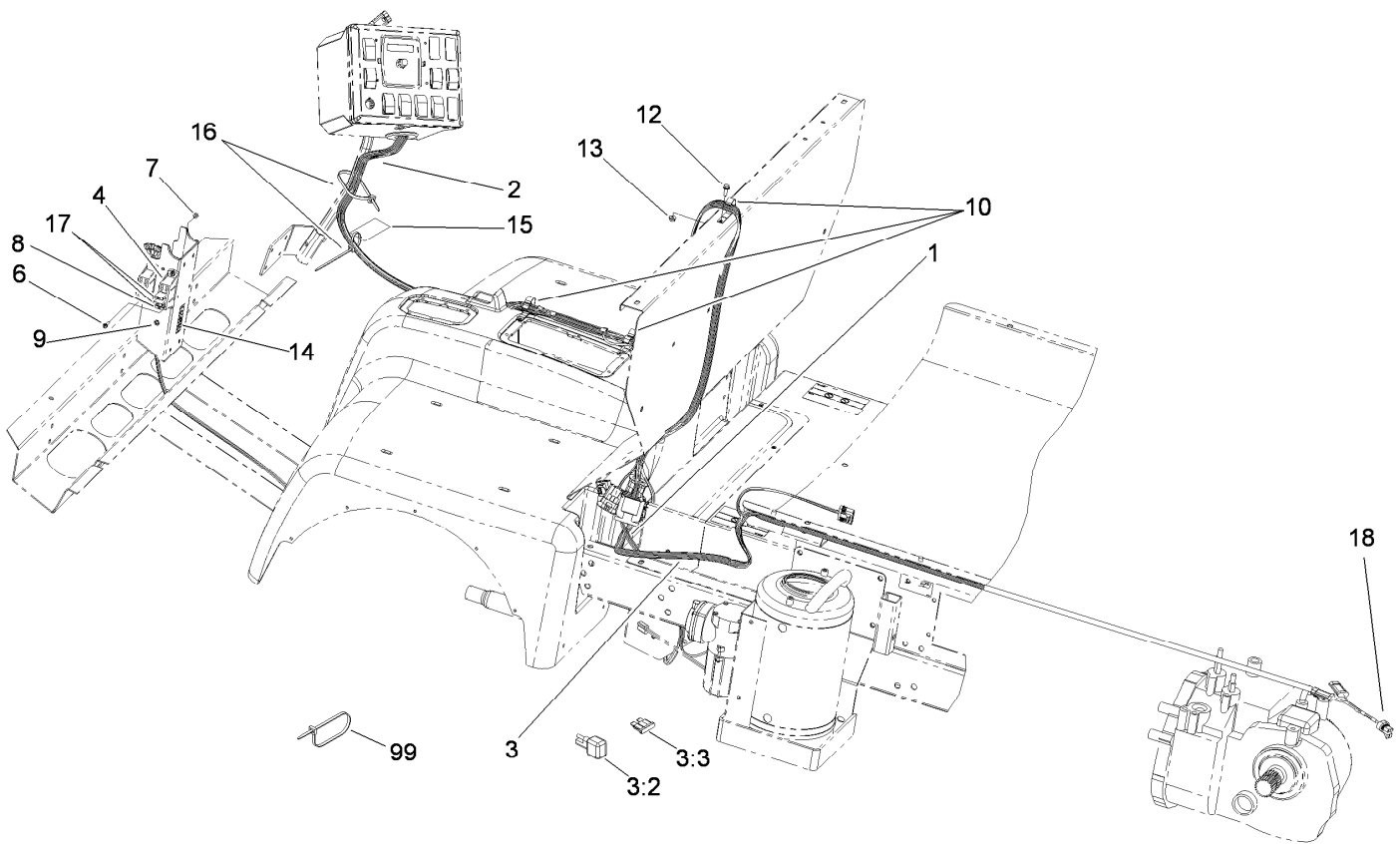
| <i>Ref.</i> | <i>Part Number</i> | <i>Qty.</i> | <i>Description</i> |
|-------------|--------------------|-------------|-----------------------|
| 1 | 119-9397 | 1 | Motor Valve Cover ASM |
| 2 | 119-4868 | 2 | O-Ring |
| 3 | 119-4862 | 1 | Fork |
| 4 | 120-7645 | 1 | Seal-Piston, Valve |
| 5 | 120-7646 | 1 | Piston Valve ASM |



Control Box Assembly

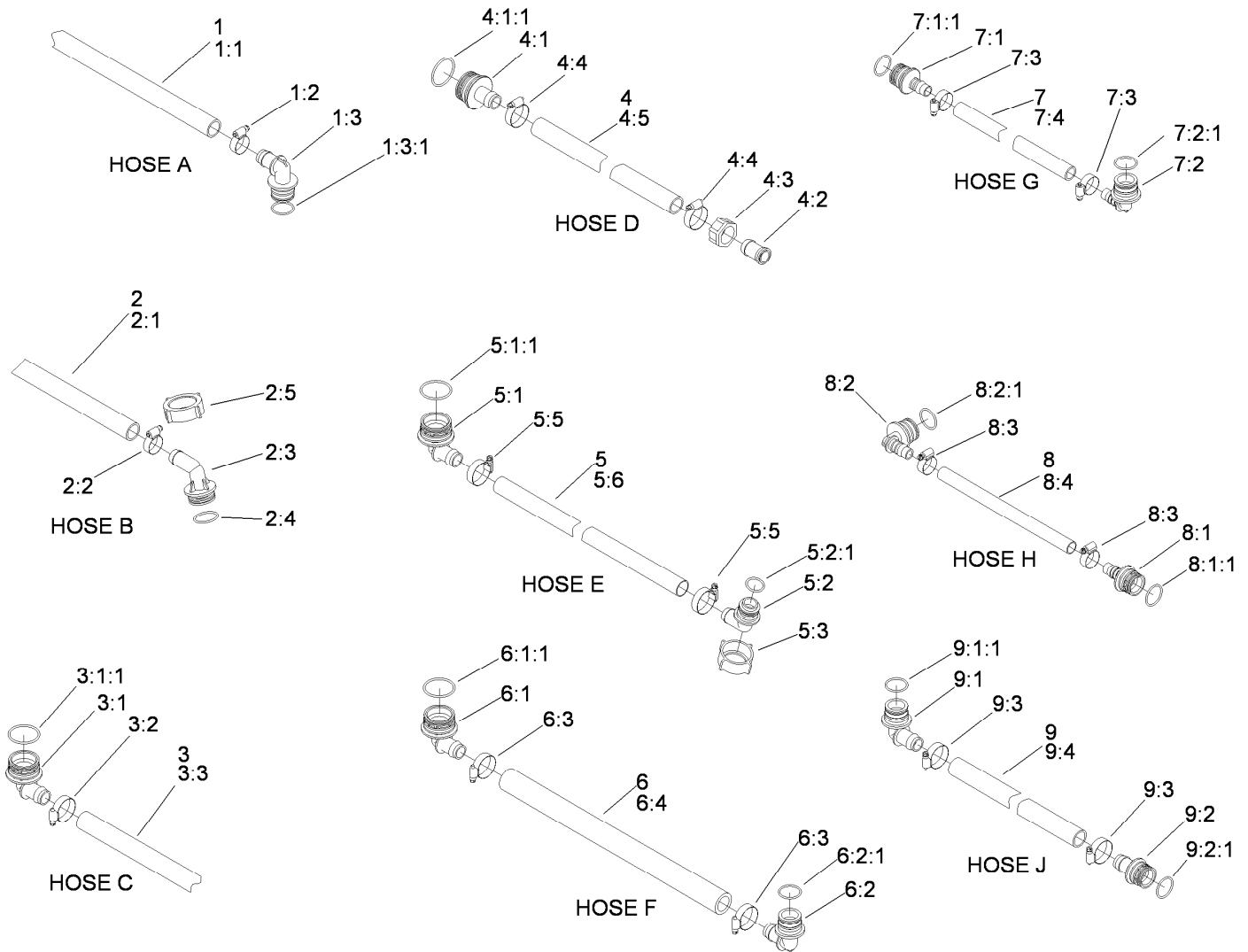
| Ref. | Part Number | Qty. | Description | Ref. | Part Number | Qty. | Description |
|------|-------------|------|--------------------------|------|-------------|------|--------------------------|
| 1 | 108-3312 | 1 | Monitor-Spray | 16 | 104-1451 | 4 | Screw-TAP, PPH |
| 1:2 | 108-3307 | 1 | Decal-Monitor | 17 | 283-6 | 1 | Pin-Clevis |
| 1:3 | 108-3309 | 1 | Decal-Monitor, Ce | 18 | 3290-307 | 1 | Pin-Hair |
| 3 | 107-2811-03 | 1 | Bracket-Adapter, Control | 19 | 3234-17 | 4 | Screw-HHF |
| 4 | 106-7992-03 | 1 | Receiver ASM | 20 | 104-8300 | 4 | Nut-Flange, NI |
| 8 | 100-8490 | 4 | Switch-Rocker | 21 | 3234-4 | 4 | Screw-HHF |
| 9 | 100-1535 | 3 | Switch | 22 | 32128-33 | 4 | Nut-HF |
| 10 | 100-8589 | 1 | Switch-Rocker | 23 | 92-9674 | 1 | Knob |
| 11 | 110-2580 | 1 | Switch-Key, Supervisor | 25 | | 1 | Control Enclosure ASM ● |
| 11:1 | | 1 | Switch-Key ● | 25:1 | 106-1427 | 1 | Base-Enclosure, Control |
| 11:2 | 108-8660 | 1 | Nut-Mounting | 25:2 | 110-5223 | 1 | Cover-Enclosure, Control |
| 11:3 | 110-5221 | 1 | Set-Key, Supervisor | 26 | 107-2825 | 1 | Decal-Switchplate |
| 11:4 | 108-8659 | 1 | Washer-Backup | 27 | 2412-126 | 1 | R-Clamp |
| 12 | 99-7420 | 3 | Plug-Hole | 28 | 321-5 | 1 | Screw-HH |
| 13 | 107-2831 | 1 | Bracket-Monitor | 30 | 32128-33 | 1 | Nut-HF |
| 14 | 106-7995-03 | 1 | Control Box Mount ASM | 31 | 99-7430 | 5 | Relay |
| 15 | 3234-26 | 4 | Screw-HHF | | | | |

● Not serviced separately



Electrical Assembly

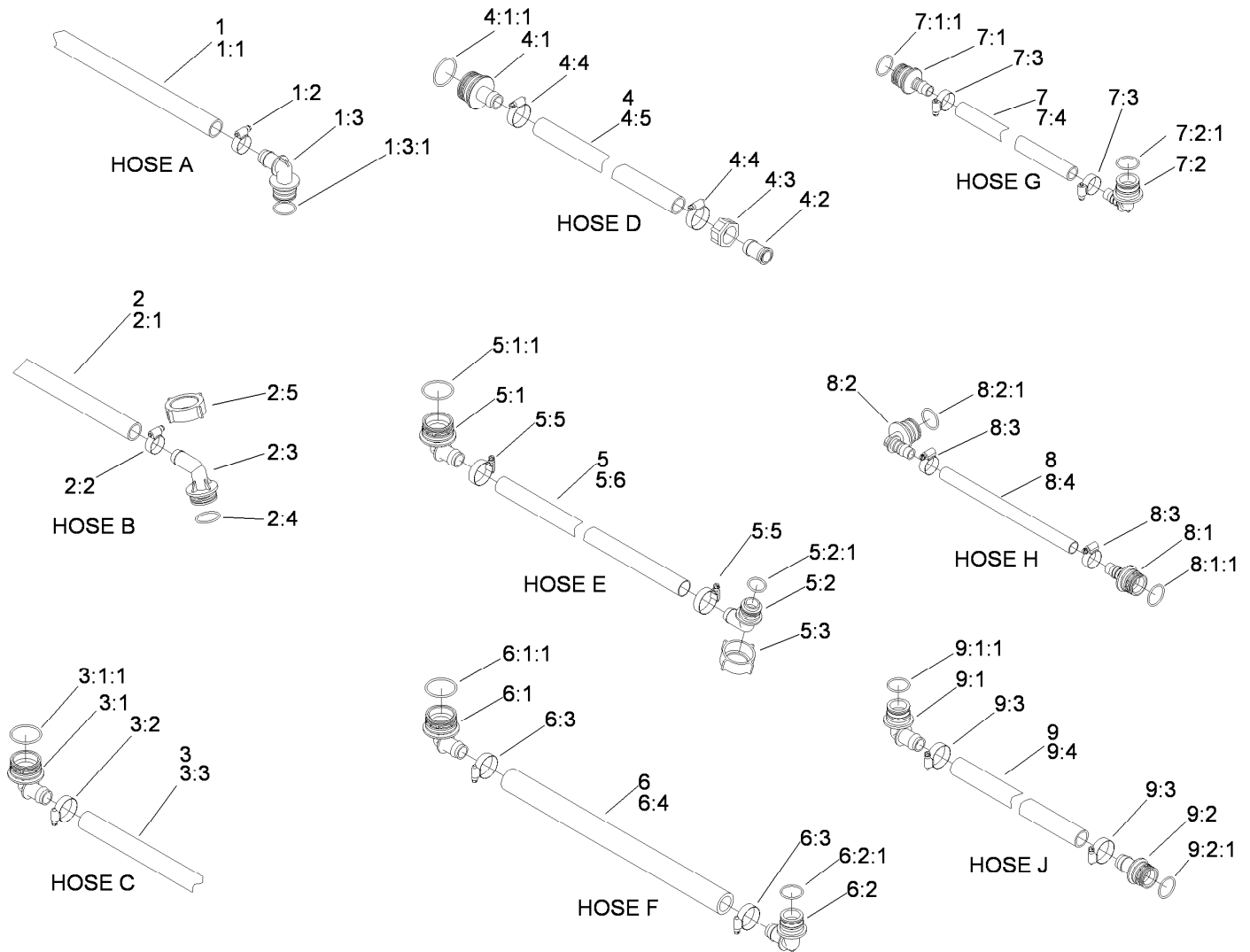
| <i>Ref.</i> | <i>Part Number</i> | <i>Qty.</i> | <i>Description</i> | <i>Ref.</i> | <i>Part Number</i> | <i>Qty.</i> | <i>Description</i> |
|-------------|--------------------|-------------|--------------------------------|-------------|--------------------|-------------|-----------------------------------|
| 1 | 106-1417 | 1 | Harness-Wire, Sprayer Power | 9 | 3255-7 | 1 | Washer-Lock/EXT |
| 2 | 119-5756 | 1 | Harness-Wire, Spray Controller | 10 | 106-1429 | 3 | Clamp-J |
| 3 | 119-1787 | 1 | Harness-Wire, Sprayer Main | 12 | 3234-4 | 1 | Screw-HHF |
| 3:2 | 108-9493 | 2 | Diode-Tvs | 13 | 32128-33 | 1 | Nut-HF |
| 3:3 | 110928 | 4 | Fuse-Blade, 5 Amp | 14 | 106-1425 | 1 | Decal-Fuse Block |
| 4 | 92-2641 | 1 | Block-Fuse | 15 | 104-8900 | 1 | Tag-Monitor |
| 6 | 32105-13 | 2 | Screw-HWH | 16 | 3290-378 | 2 | Cable Tie |
| 7 | 3296-2 | 2 | Nut-Lock, NI | 17 | 108-3736 | 2 | Breaker-Circuit, 30A |
| 8 | 218-578 | 1 | Fuse-Blade, 10 Amp | 18 | 119-1762 | 1 | Harness-Wire, Speedometer Adapter |
| | | | | 99 | 3290-378 | 8 | Cable Tie |



Hose Assembly

| Ref. | Part Number | Qty. | Description | Ref. | Part Number | Qty. | Description |
|-------|-------------|------|---------------------------|-------|-------------|------|----------------------------|
| 1 | 119-0514 | 1 | Bypass Hose ASM | 4:2 | 99-0781 | 1 | Hosebarb |
| 1:1 | 119-0512 | 1 | Hose-Bypass | 4:3 | 99-0769 | 1 | Nut |
| 1:2 | 2412-129 | 1 | Clamp-Hose | 4:4 | 2412-3 | 2 | Clamp-Hose |
| 1:3 | 106-4945 | 1 | Elbow | 4:5 | 107-2807 | 1 | Hose |
| 1:3:1 | 100-6712 | 1 | O-Ring | 5 | | 1 | Relief Valve Hose ASM ● |
| 2 | 119-0515 | 1 | Agitation-Bypass Hose ASM | 5:1 | 106-4933 | 1 | Hosebarb ASM |
| 2:1 | 119-0511 | 1 | Hose-Agitation, Bypass | 5:1:1 | 100-8637 | 1 | O-Ring |
| 2:2 | 2412-129 | 1 | Clamp-Hose | 5:2 | 106-4949 | 1 | Hosebarb |
| 2:3 | 100-6898 | 1 | Hosebarb | 5:2:1 | 100-6646 | 1 | O-Ring |
| 2:4 | 100-8671 | 1 | O-Ring | 5:3 | 100-8678 | 1 | Nut |
| 2:5 | 100-8669 | 1 | Nut | 5:5 | 2412-3 | 2 | Clamp-Hose |
| 3 | | 1 | Tee Controls Hose ASM ● | 5:6 | 104-8710 | 1 | Hose |
| 3:1 | 106-4933 | 1 | Hosebarb ASM | 6 | | 1 | Agitation Valve Hose ASM ● |
| 3:1:1 | 100-8637 | 1 | O-Ring | 6:1 | 106-4933 | 1 | Hosebarb ASM |
| 3:2 | 2412-3 | 1 | Clamp-Hose | 6:1:1 | 100-8637 | 1 | O-Ring |
| 3:3 | 107-2832 | 1 | Hose | 6:2 | 106-4945 | 1 | Elbow |
| 4 | | 1 | Manifold Tee Hose ASM ● | 6:2:1 | 100-6712 | 1 | O-Ring |
| 4:1 | 106-4932 | 1 | Hosebarb-Straight | 6:3 | 2412-3 | 2 | Clamp-Hose |
| 4:1:1 | 100-8637 | 1 | O-Ring | 6:4 | 106-4975 | 1 | Hose |

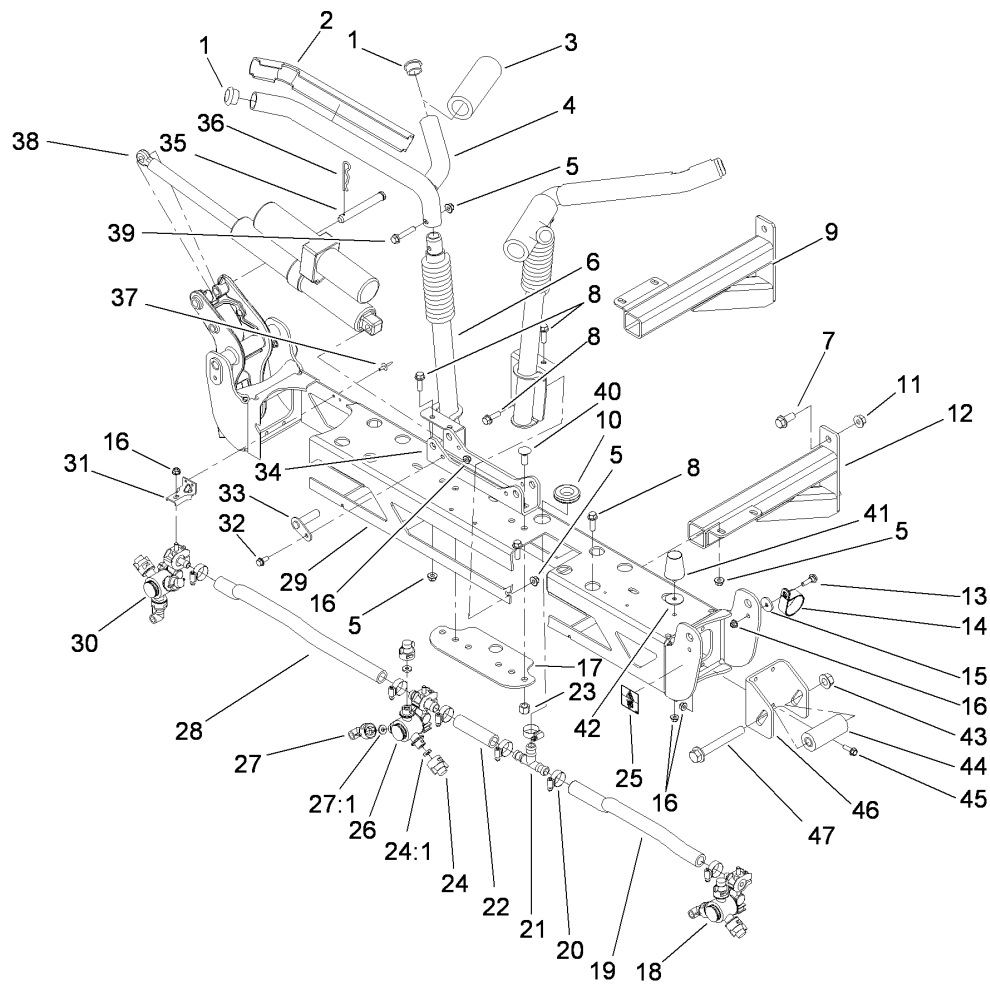
● Not serviced separately



Hose Assembly (continued)

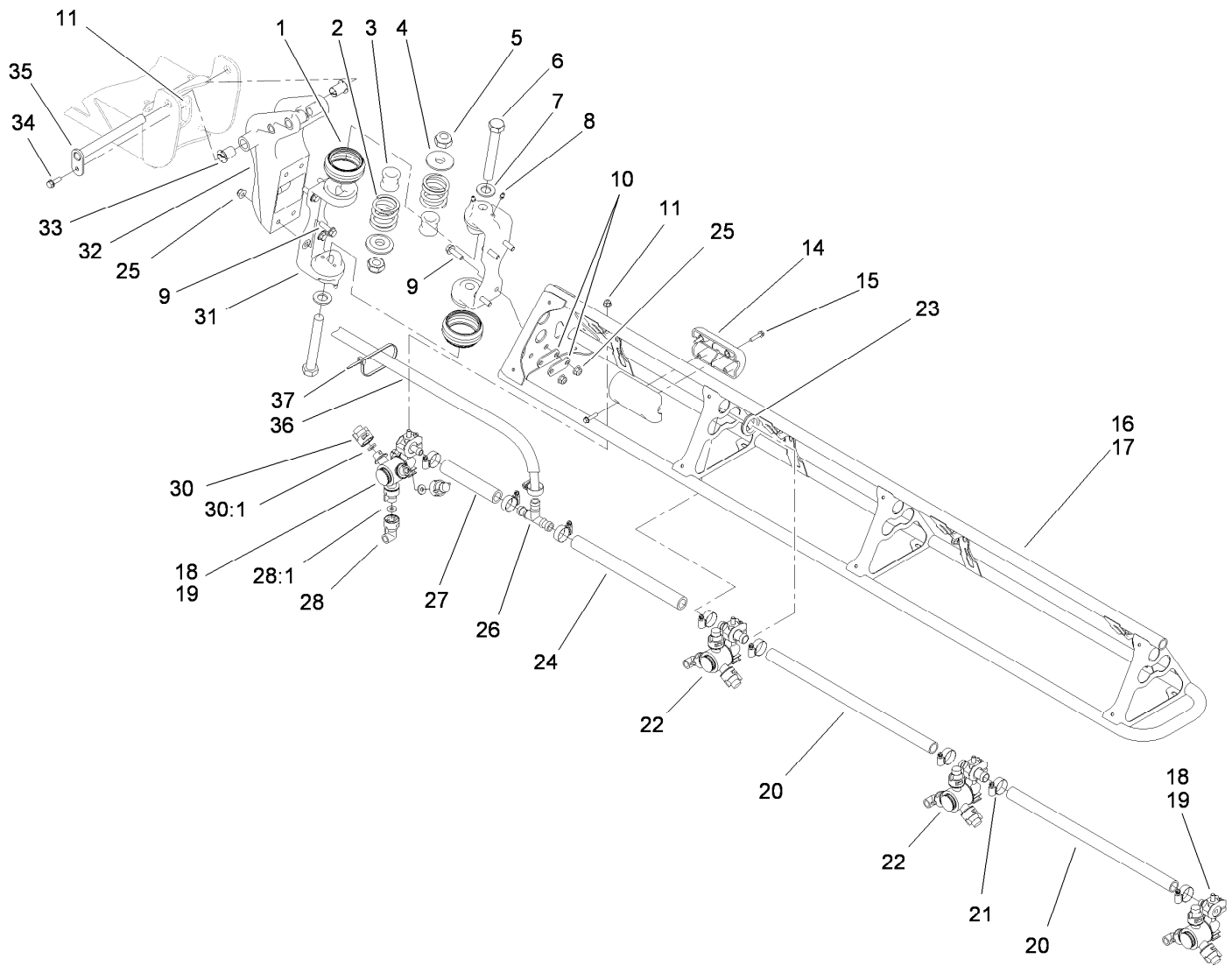
| Ref. | Part Number | Qty. | Description | Ref. | Part Number | Qty. | Description |
|-------|-------------|------|-----------------------------|-------|-------------|------|--------------------------|
| 7 | | 1 | Front Agitation Hose ASM ● | 8:2 | 106-4940 | 1 | Hosebarb-90 DEG |
| 7:1 | 106-4939 | 1 | Hosebarb-Straight | 8:2:1 | 100-6712 | 1 | O-Ring |
| 7:1:1 | 100-6712 | 1 | O-Ring | 8:3 | 2412-129 | 2 | Clamp-Hose |
| 7:2 | 106-4940 | 1 | Hosebarb-90 DEG | 8:4 | 106-1360 | 1 | Hose |
| 7:2:1 | 100-6712 | 1 | O-Ring | 9 | | 1 | Agitation Tee Hose ASM ● |
| 7:3 | 2412-129 | 2 | Clamp-Hose | 9:1 | 106-4945 | 1 | Elbow |
| 7:4 | 107-2813 | 1 | Hose | 9:1:1 | 100-6712 | 1 | O-Ring |
| 8 | | 1 | Middle Agitation Hose ASM ● | 9:2 | 106-4935 | 1 | Hosebarb ASM |
| 8:1 | 106-4939 | 1 | Hosebarb-Straight | 9:2:1 | 100-6712 | 1 | O-Ring |
| 8:1:1 | 100-6712 | 1 | O-Ring | 9:3 | 2412-3 | 2 | Clamp-Hose |
| | | | | 9:4 | 107-2812 | 1 | Hose |

● Not serviced separately



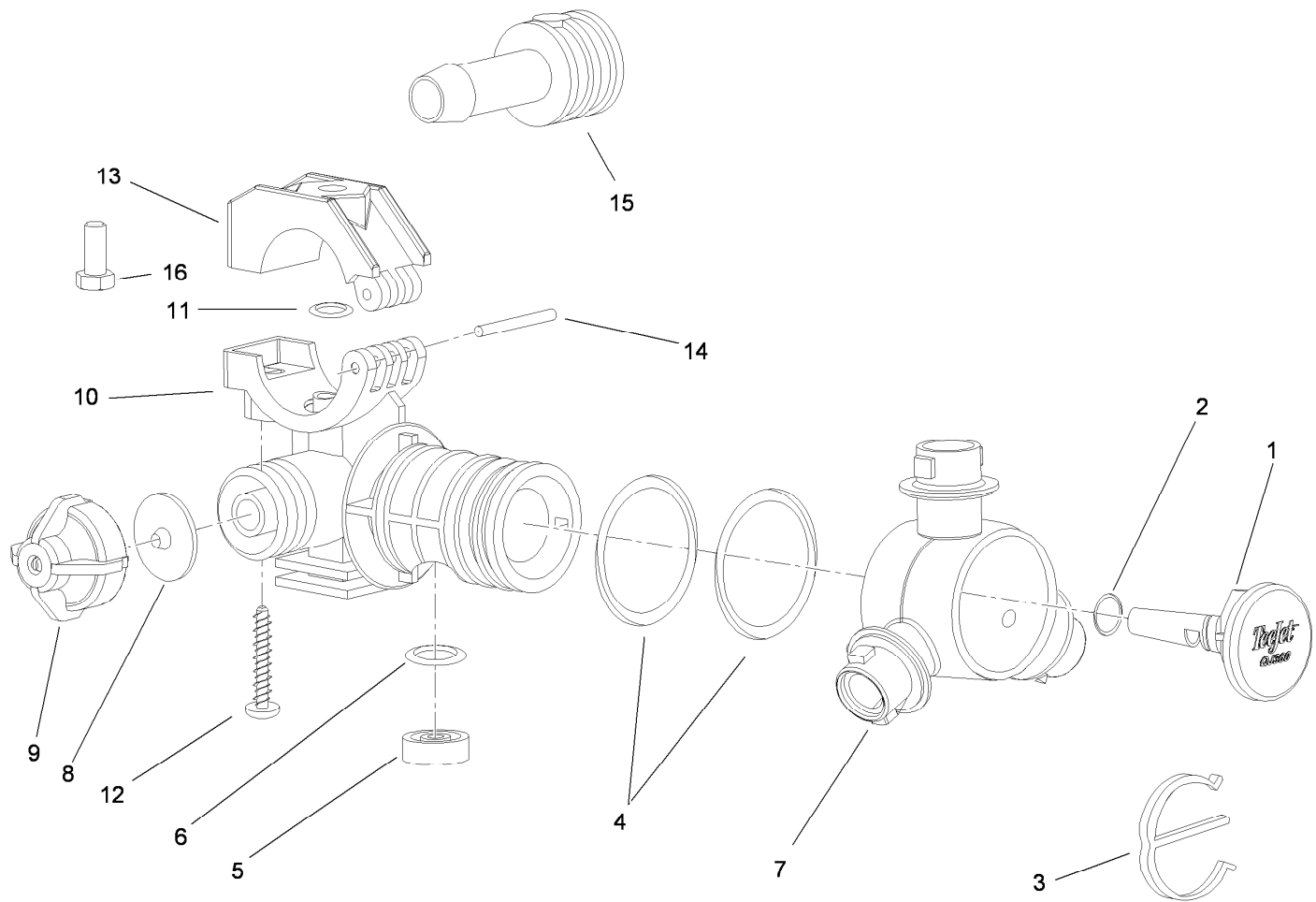
Center Boom Assembly

| <i>Ref.</i> | <i>Part Number</i> | <i>Qty.</i> | <i>Description</i> | <i>Ref.</i> | <i>Part Number</i> | <i>Qty.</i> | <i>Description</i> |
|-------------|--------------------|-------------|---------------------------|-------------|--------------------|-------------|---------------------------|
| 1 | 108-3489 | 4 | Cap-Tube | 25 | 114-9576 | 2 | Decal-Pinchpoint |
| 2 | 108-3495 | 2 | Cover-Slide | 26 | 108-3727 | 1 | Double Turret Body ASM |
| 3 | 108-3457 | 2 | Spacer | 27 | 95-9186 | 3 | Cap |
| 4 | 108-3476-03 | 2 | Upper Cradle ASM | 27:1 | 40998 | 1 | Seat-Gasket |
| 5 | 104-8301 | 12 | Nut-Flange, NI | 28 | 108-3735 | 1 | Hose-Boom, Center (LH) |
| 6 | 108-3472-03 | 2 | Lower Cradle ASM | 29 | 114-9579-03 | 1 | Frame ASM |
| 7 | 110-5057 | 4 | Capscrew-HHF | 30 | 108-3725 | 1 | LH Single Body Turret ASM |
| 8 | 110-5050 | 10 | Screw-HHF | 31 | 107-8775 | 3 | Bracket-Mount, Nozzle |
| 9 | 108-3408-03 | 1 | Frame-Mount, Boom (LH) | 32 | 110-5053 | 2 | Screw-Flange |
| 10 | 108-3723 | 1 | Grommet | 33 | 112-7884 | 2 | Pivot Pin ASM |
| 11 | 108-3745 | 4 | Nut-HF, Whiz | 34 | 114-9560-03 | 1 | Strap-Clevis |
| 12 | 108-3409-03 | 1 | Frame-Mount, Boom (RH) | 35 | 108-3436 | 2 | Pin-Clevis |
| 13 | 108-3744 | 2 | Screw-Shoulder | 36 | 3290-468 | 2 | Pin-Cotter |
| 14 | 114-9566 | 2 | Clamp-R | 37 | 3269-18 | 6 | Rivet-Pop |
| 15 | 108-3743 | 2 | Washer | 38 | 108-3438 | 2 | Actuator |
| 16 | 104-8300 | 17 | Nut-Flange, NI | 39 | 108-3742 | 2 | Screw-HHF |
| 17 | 108-3469-03 | 1 | Plate-Washer | 40 | 110-5067 | 2 | Screw-CARR |
| 18 | 108-3726 | 1 | RH Single Body Turret ASM | 41 | 110-5070 | 2 | Bumper-Neoprene |
| 19 | 108-3718 | 1 | Hose-Boom, Center (RH) | 42 | 3256-68 | 2 | Washer-Flat |
| 20 | 2412-129 | 7 | Clamp-Hose | 43 | 32128-54 | 2 | Nut-HF |
| 21 | 108-3439 | 1 | Tee | 44 | 112-7881 | 2 | Bumper |
| 22 | 108-3717 | 1 | Hose-Boom | 45 | 108-3748 | 8 | Screw-HHF |
| 23 | 3296-23 | 2 | Nut-Lock, NI | 46 | 112-7872-03 | 2 | Bracket-Hard Stop |
| 24 | 95-9187 | 6 | Cap-Blank | 47 | 105-1763 | 2 | Screw-HHF |
| 24:1 | 40998 | 1 | Seat-Gasket | | | | |



Left and Right Hand Boom Assembly

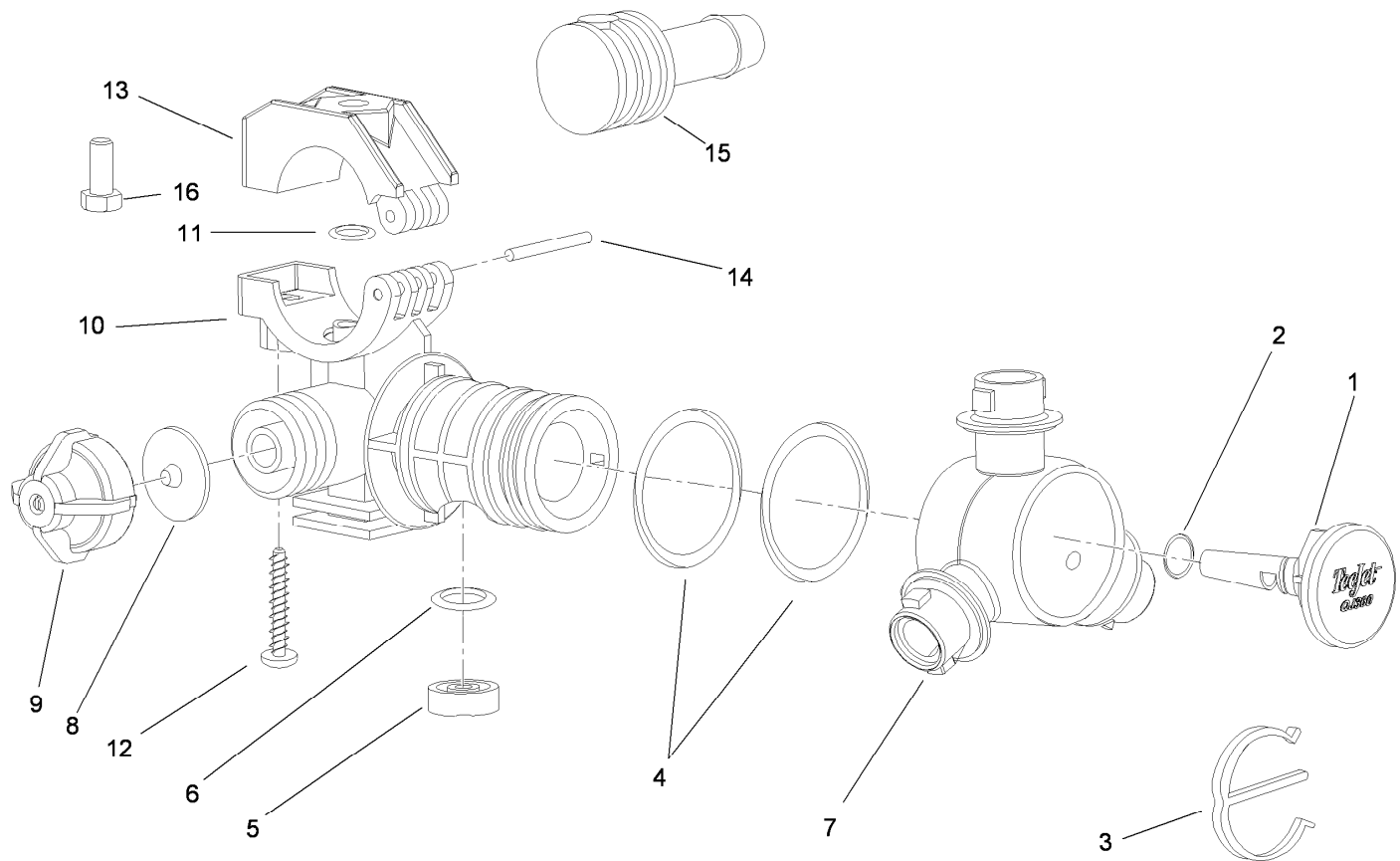
| Ref. | Part Number | Qty. | Description | Ref. | Part Number | Qty. | Description |
|------|-------------|------|---------------------------|------|-------------|------|------------------------|
| 1 | 108-3459 | 4 | Boot-Hinge | 21 | 2412-129 | 18 | Clamp-Hose |
| 2 | 108-3440 | 4 | Spring-Breakaway, Boom | 22 | 108-3727 | 4 | Double Turret Body ASM |
| 3 | 108-3730 | 4 | Tube-Hinge | 23 | 240-3 | 4 | Grommet-Rubber |
| 4 | 108-3444 | 4 | Retainer-Spring | 24 | 108-3721 | 2 | Hose-Boom |
| 5 | 3296-15 | 4 | Nut-Lock, NI | 25 | 104-8301 | 16 | Nut-Flange, NI |
| 6 | 108-3738 | 4 | Screw-HH | 26 | 108-3439 | 2 | Tee |
| 7 | 110-5054 | 4 | Washer-Flat | 27 | 108-3728 | 2 | Hose-Boom |
| 8 | 302-5 | 8 | Fitting-Grease | 28 | 95-9186 | 8 | Cap |
| 9 | 110-5050 | 16 | Screw-HHF | 28:1 | 40998 | 1 | Seat-Gasket |
| 10 | 108-3605 | 8 | Plate-Backing | 30 | 95-9187 | 16 | Cap-Blank |
| 11 | 104-8300 | 10 | Nut-Flange, NI | 30:1 | 40998 | 1 | Seat-Gasket |
| 14 | 108-3429 | 4 | Block-Slide | 31 | 108-3471-03 | 4 | Hinge |
| 15 | 108-3746 | 8 | Screw-Plastite | 32 | 108-3600-03 | 2 | *obs* Bracket-Pivot |
| 16 | 108-3524-03 | 1 | RH Boom ASM | 33 | 100-8541 | 4 | Bushing-A Arm |
| 17 | 108-3525-03 | 1 | LH Boom ASM | 34 | 108-3748 | 2 | Screw-HHF |
| 18 | 108-3726 | 2 | RH Single Body Turret ASM | 35 | 108-3419 | 2 | Pivot Pin ASM |
| 19 | 108-3725 | 2 | LH Single Body Turret ASM | 36 | 107-8650 | 2 | Conduit-Convolutod |
| 20 | 40506 | 4 | Hose-Jumper | 37 | 3290-378 | 4 | Cable Tie |



RH Single Body Turret Assembly No. 108-3726

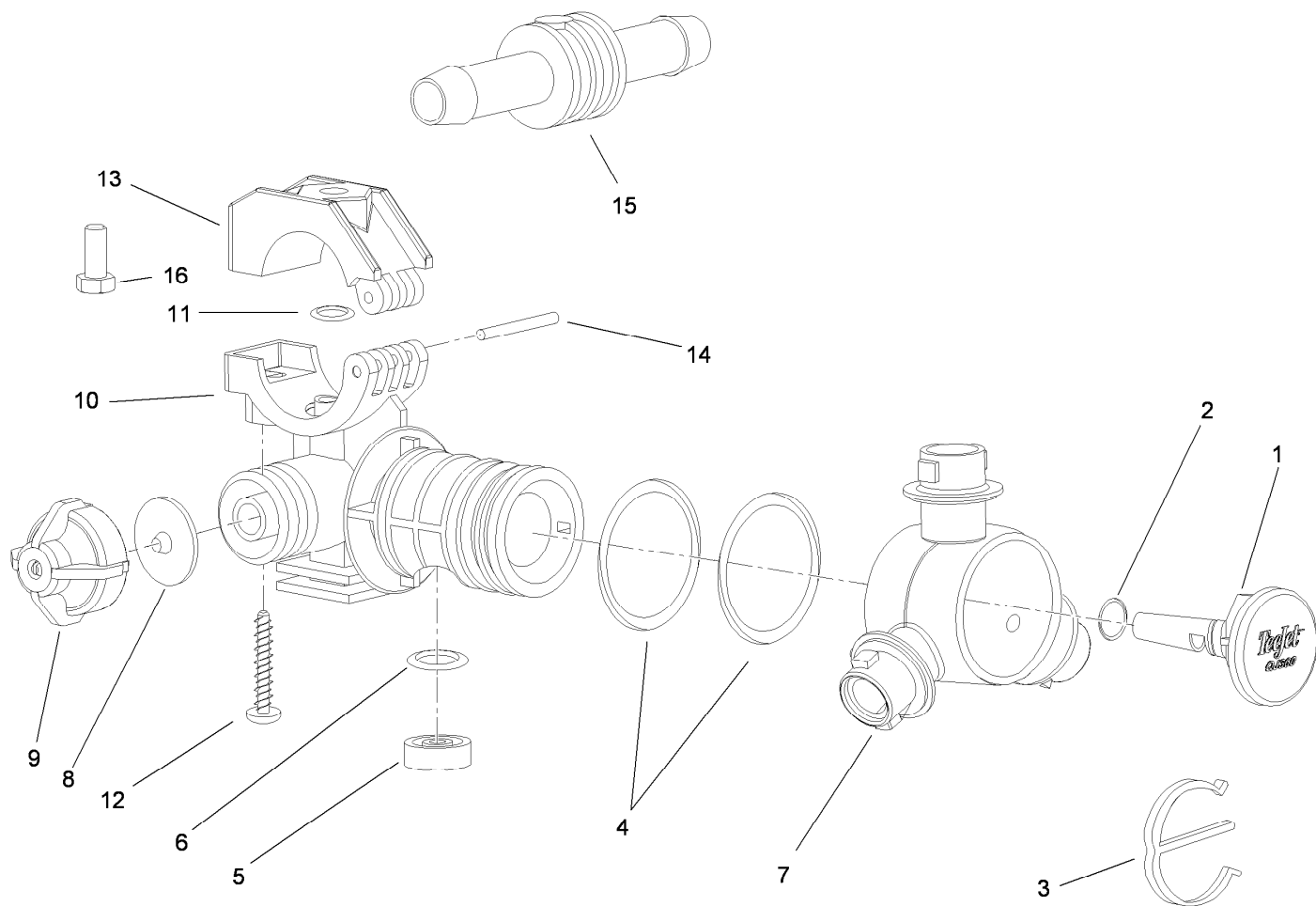
| <i>Ref.</i> | <i>Part Number</i> | <i>Qty.</i> | <i>Description</i> |
|-------------|--------------------|-------------|--------------------|
| 1 | 95-9200 | 1 | Plug |
| 2 | 95-9198 | 1 | O-Ring |
| 3 | 95-9197 | 1 | E-Clip |
| 4 | 95-9199 | 2 | O-Ring |
| 5 | 108-3264 | 1 | Seal-Viton |
| 6 | 108-3265 | 1 | O-Ring-Viton |
| 7 | 95-9196 | 1 | Turret |
| 8 | 41003 | 1 | Diaphragm |

| <i>Ref.</i> | <i>Part Number</i> | <i>Qty.</i> | <i>Description</i> |
|-------------|--------------------|-------------|--------------------|
| 9 | 95-9193 | 1 | Cap-Diaphragm |
| 10 | 95-9192 | 1 | Body-Split Eyelet |
| 11 | 95-9191 | 1 | O-Ring |
| 12 | 99-0811 | 1 | Screw-Clamp |
| 13 | 99-0812 | 1 | Clamp-Upper |
| 14 | 99-0814 | 1 | Pin-Pivot |
| 15 | 95-9201 | 1 | Shank-Hose |
| 16 | 322-3 | 1 | Screw-HH |



LH Single Turret Body Assembly No. 108-3725

| Ref. | Part Number | Qty. | Description | Ref. | Part Number | Qty. | Description |
|------|-------------|------|--------------|------|-------------|------|-------------------|
| 1 | 95-9200 | 1 | Plug | 9 | 95-9193 | 1 | Cap-Diaphragm |
| 2 | 95-9198 | 1 | O-Ring | 10 | 95-9192 | 1 | Body-Split Eyelet |
| 3 | 95-9197 | 1 | E-Clip | 11 | 95-9191 | 1 | O-Ring |
| 4 | 95-9199 | 2 | O-Ring | 12 | 99-0811 | 1 | Screw-Clamp |
| 5 | 108-3264 | 1 | Seal-Viton | 13 | 99-0812 | 1 | Clamp-Upper |
| 6 | 108-3265 | 1 | O-Ring-Viton | 14 | 99-0814 | 1 | Pin-Pivot |
| 7 | 95-9196 | 1 | Turret | 15 | 95-9201 | 1 | Shank-Hose |
| 8 | 41003 | 1 | Diaphragm | 16 | 322-3 | 1 | Screw-HH |



Double Turret Body Assembly No. 108-3727

| Ref. | Part Number | Qty. | Description | Ref. | Part Number | Qty. | Description |
|------|-------------|------|--------------|------|-------------|------|-------------------|
| 1 | 95-9200 | 1 | Plug | 9 | 95-9193 | 1 | Cap-Diaphragm |
| 2 | 95-9198 | 1 | O-Ring | 10 | 95-9192 | 1 | Body-Split Eyelet |
| 3 | 95-9197 | 1 | E-Clip | 11 | 95-9191 | 1 | O-Ring |
| 4 | 95-9199 | 2 | O-Ring | 12 | 99-0811 | 1 | Screw-Clamp |
| 5 | 108-3264 | 1 | Seal-Viton | 13 | 99-0812 | 1 | Clamp-Upper |
| 6 | 108-3265 | 1 | O-Ring-Viton | 14 | 99-0814 | 1 | Pin-Pivot |
| 7 | 95-9196 | 1 | Turret | 15 | 95-9202 | 1 | Shank-Hose |
| 8 | 41003 | 1 | Diaphragm | 16 | 322-3 | 1 | Screw-HH |

Attachments and Accessories

For 41235 Workman 200 Spray System Heavy-Duty Workman Vehicles

| Product Name | Model/Part |
|---|-------------------|
| Sprayer Valves O-Ring Kit | 106-4846 |
| Turret Seal Repair Kit | 108-3263 |
| Foam Marker Bracket Assembly | 112-7866 |
| Single Nozzle Kit..... | 41024 |
| Hose Reel Kit..... | 41097 |
| Spray Gun Kit | 41133 |
| Pro Foam Concentrate (4 x 1 Gallon) | 41157 |
| Sonic Boom Kit | 41217 |
| Foam Marker Kit | 41236 |
| Pro-Foam..... | 41607 |

Notes:

Notes:

Notes:



Count on it.