



**Count on it.**

**Parts Catalog**

**Workman® 200 Spray System**

**Heavy-Duty Workman® Vehicles**

Model No. 41235—Serial No. 290000301 and Up

# Ordering Replacement Parts

To order replacement parts, please supply the part number, the quantity, and the description of each part desired.

## Understanding Reference Numbers

Each identified part in an illustration has a reference number. The reference number for a part also appears in the parts list, along with other information about the part.

This catalog uses two special reference number formats, one to indicate parts in a service assembly and another to indicate the quantity of a given part in an illustration.

## Service Assembly Reference Numbers

Parts in service assemblies have reference numbers in the form a:b. The a represents the reference number of the entire service assembly and the b represents a sequential number unique to each part within the service assembly.

For example, a wheel assembly might be identified by reference number 6, the tire by 6:1, the valve by 6:2, and the wheel by 6:3. When you order the assembly identified by reference number 6, you receive all parts identified by reference numbers 6:1, 6:2, and 6:3. However, you may also order any part individually. Reference numbers of this type appear in illustration and in parts lists.

## Reference Numbers Indicating Quantity

In an illustration, if a reference number indicates more than one part, the reference number has the form nX y. The n represents the quantity of the part, the X is the multiplication symbol, and the y represents the reference number.

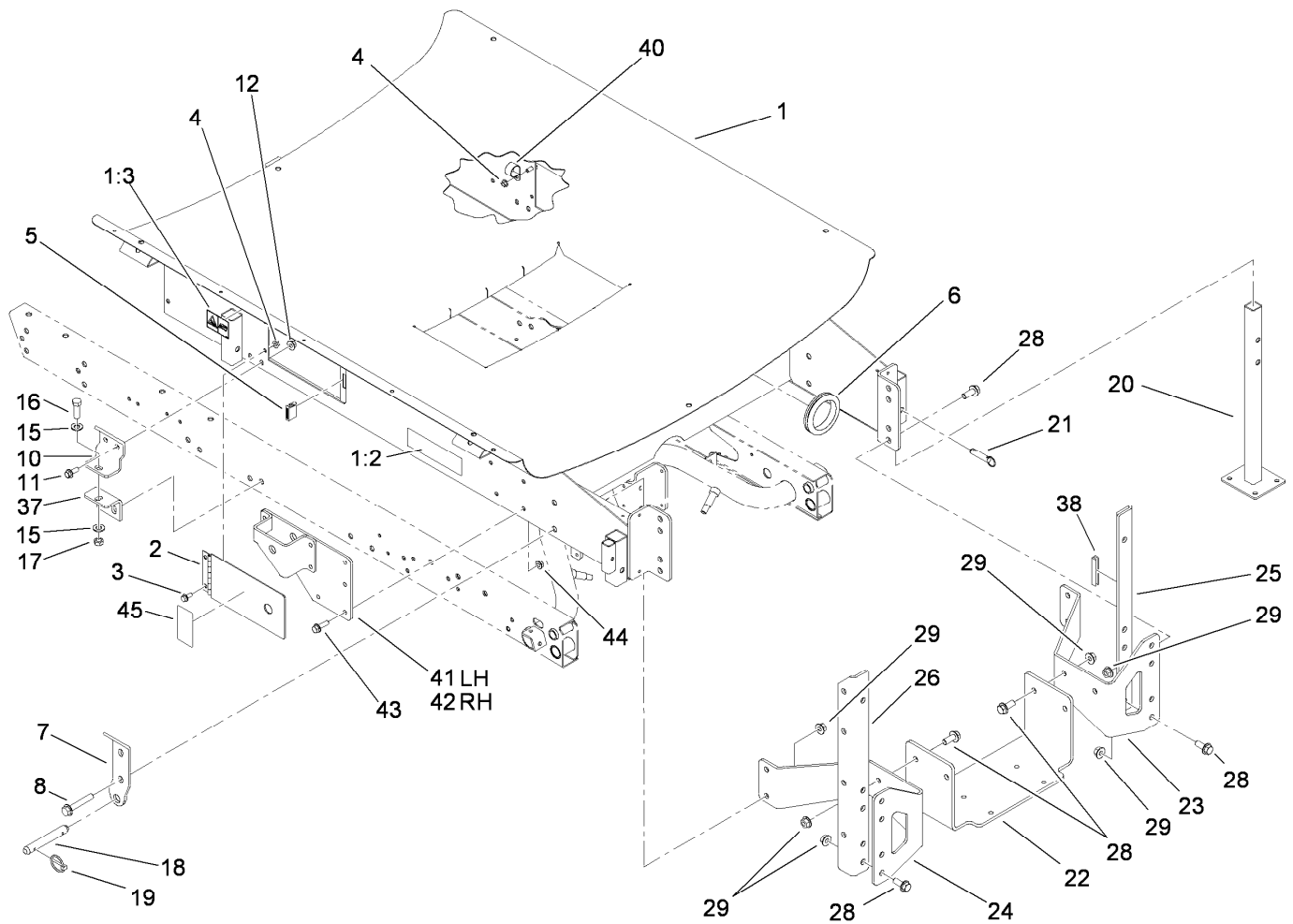
For example, in an illustration, the reference number 2X 37 means that two of the parts identified by reference number 37 are indicated.

# List of Abbreviations

<b>AR:</b> as required	<b>HLH:</b> hex lag head	<b>PTO:</b> power-take-off
<b>ASM:</b> assembly	<b>HOC:</b> height-of-cut	<b>RH:</b> right hand
<b>BBC:</b> blade brake clutch	<b>HSBH:</b> hex socket button head	<b>ROPS:</b> roll-over protection system
<b>CARR:</b> carriage	<b>HSFH:</b> hex socket flat head	<b>SFH:</b> slotted fillister head
<b>CCW:</b> counter clock wise	<b>HSH:</b> hex socket head	<b>SHH:</b> slotted hex head
<b>CW:</b> clockwise	<b>HWH:</b> hex washer head	<b>SHWH:</b> slotted hex washer head
<b>DEG:</b> degrees	<b>HWHTF:</b> hex washer head thread forming	<b>SPH:</b> slotted pan head
<b>ECM:</b> electronic control module	<b>HYD:</b> hydraulic	<b>SQH:</b> square head
<b>EXT:</b> external	<b>LH:</b> left hand	<b>SRH:</b> slotted round head
<b>FH:</b> flat head	<b>NI:</b> nylon insert	<b>STD:</b> standard
<b>GA:</b> gauge	<b>NPTF:</b> national pipe thread fine	<b>TAP:</b> self tapping
<b>HD:</b> heavy-duty	<b>PFH:</b> phillips flat head	<b>TTH:</b> torx truss head
<b>HF:</b> hex flange	<b>PPH:</b> phillips pan head	
<b>HH:</b> hex head	<b>PPHTF:</b> phillips pan head thread forming	
<b>HHF:</b> hex head flange	<b>PRH:</b> phillips round head	
<b>HHFTF:</b> hex head flange thread forming	<b>PTH:</b> phillips truss head	
<b>HJ:</b> hex jam		

# Contents

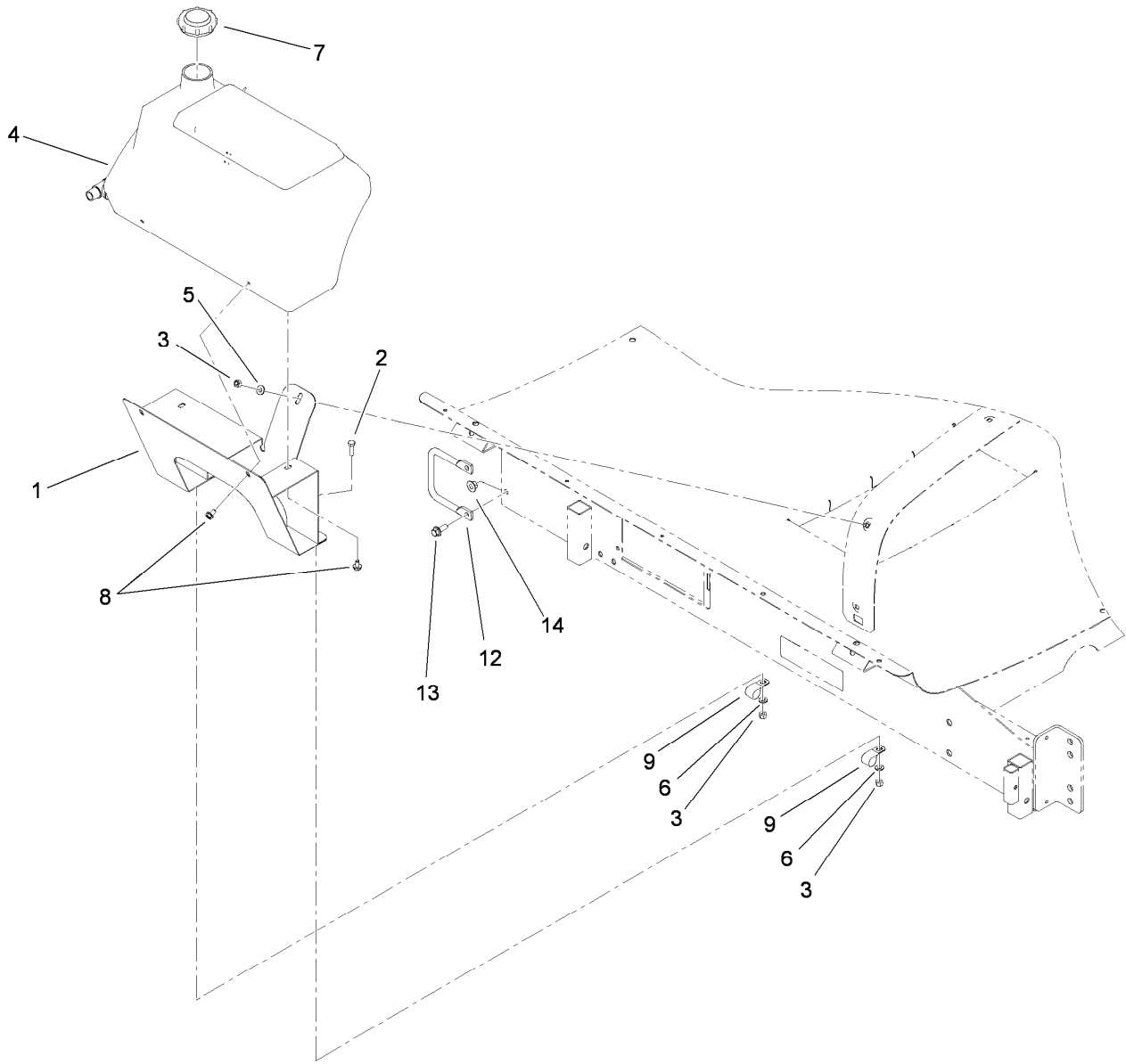
Skid and Frame Assembly .....	4
Fresh Water Tank Assembly .....	5
Fresh Water Tank Assembly No. 100-8438 .....	6
Tank and Cover Assembly .....	7
200 Gallon Tank Assembly No. 106-1366 .....	8
Lid Seal Assembly .....	9
Lid Assembly .....	10
Pump and Drive Assembly .....	11
Pump Assembly No. 106-5121 .....	12
Drive Shaft Assembly No. 107-2810 .....	13
Upper Sprayer Component Assembly .....	14
Pressure Damper Assembly No. 100-6662 .....	15
Suction and Drain Assembly .....	16
Tank Drain Assembly .....	17
Upper Tank Drain Bulkhead Assembly .....	18
Top Mounted Suction Assembly No. 107-2800 .....	19
Lower Sprayer Component Assembly .....	20
Safety Valve Assembly No. 100-6820 .....	21
Control Valve Assembly .....	22
EVC Control Valve Assembly .....	23
Control Box Assembly .....	25
Hose Assembly .....	26
Electrical Harness Assembly .....	28
Center Boom Assembly .....	29
Left and Right Hand Boom Assembly .....	30
RH Single Body Turret Assembly No. 108-3726 .....	31
LH Single Turret Body Assembly No. 108-3725 .....	32
Double Turret Body Assembly No. 108-3727 .....	33
Attachments and Accessories .....	34



## Skid and Frame Assembly

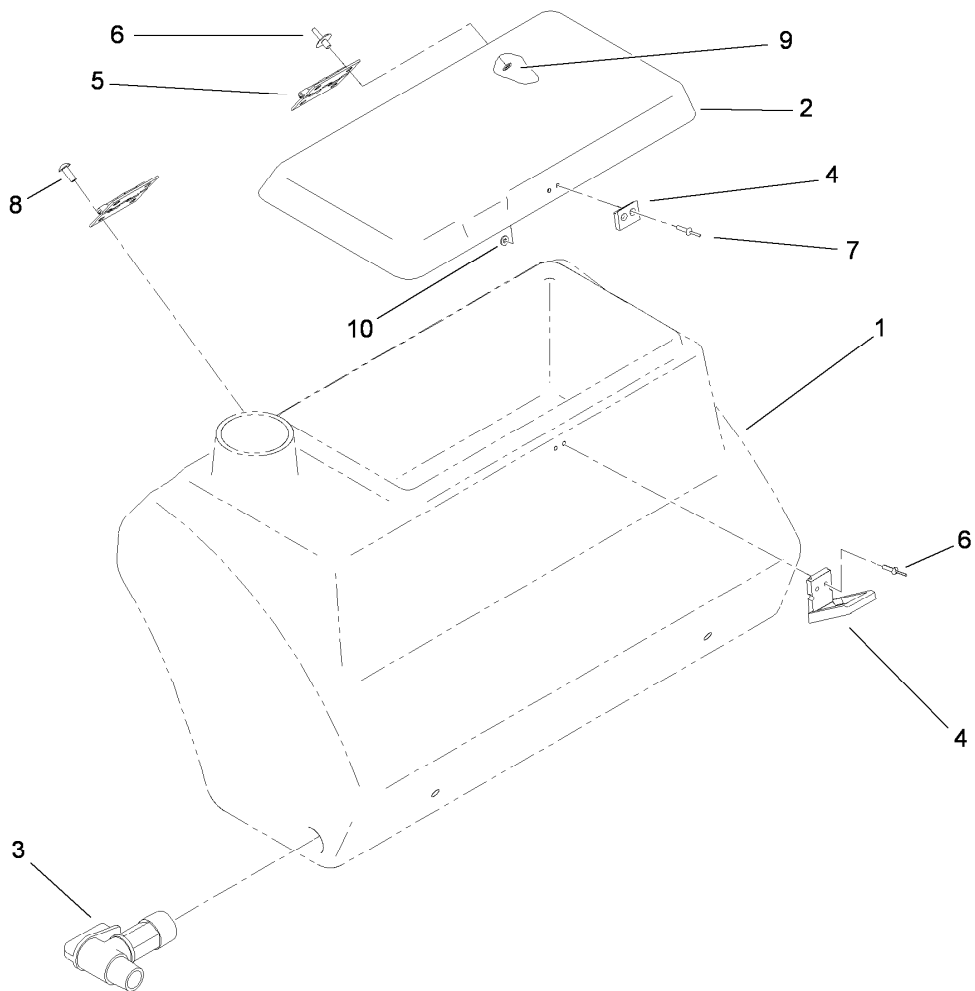
<i>Ref.</i>	<i>Part Number</i>	<i>Qty.</i>	<i>Description</i>
1	106-1367	1	Skid ASM
1:2	106-1365	1	Decal-Danger
1:3	106-1434	2	Decal-Caution
2	106-1290-03	2	Door ASM
3	3234-5	4	Screw-HHF
4	32128-20	4	Nut-HF
5	92-3700	2	Magnet-Door
6	237-102	3	Grommet
7	107-2858	2	Pivot-Lug
8	3234-40	4	Screw-HF
10	107-2859	2	Bracket-Mount, Front
11	3234-42	4	Screw-HHF
12	32128-43	4	Nut-Flange
15	3256-26	4	Washer-Flat
16	325-6	2	Screw-HH
17	32153-5	2	Nut-Lock, Side
18	92-1233	2	Pin-Clevis
19	92-1298	4	Pin-Lynch

<i>Ref.</i>	<i>Part Number</i>	<i>Qty.</i>	<i>Description</i>
20	105-9482-03	4	Jack Stand ASM
21	100-4523	4	Pin-Hitch
22	106-1345-03	1	Base-Pump
23	108-3496-03	1	Bracket-Pump, RH
24	108-3497-03	1	Bracket-Pump, LH
25	108-3703-03	1	Angle-Boom Mount, RH
26	108-3704-03	1	Angle-Boom Mount, LH
28	3234-32	10	Screw-HHF
29	32128-49	14	Nut-HHF
37	92-2667-03	2	Bracket-Mount
38	70-2041	1	Trim
40	2412-126	1	R-Clamp
41	119-0686-03	1	LH Cylinder Mount ASM
42	119-0688-03	1	RH Cylinder Mount ASM
43	110-5050	16	Screw-HHF
44	3290-357	16	Nut-HHF, Whiz
45	119-0651	2	Decal-Tipping



## Fresh Water Tank Assembly

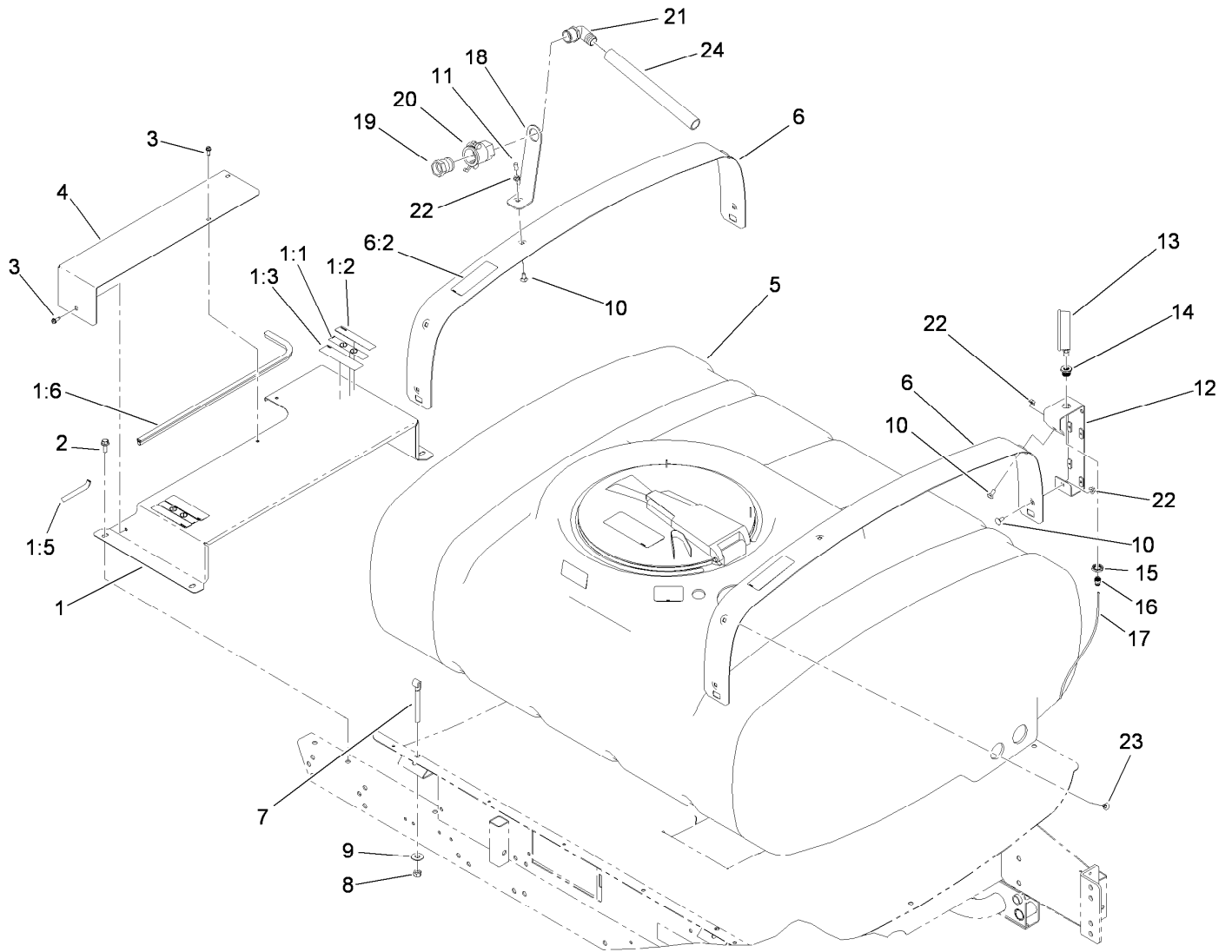
<i>Ref.</i>	<i>Part Number</i>	<i>Qty.</i>	<i>Description</i>
1	107-2819-03	1	Fresh Water Tank Bracket ASM
2	322-5	2	Screw-HH
3	3296-29	3	Nut-Lock, NI
4	100-8438	1	Fresh Water Tank ASM
5	3256-56	1	Washer-Flat
6	3256-23	2	Washer-Flat
7	100-7008	1	Cap-Tank, Fresh Water
8	3234-28	4	Screw-HHF
9	2412-4	2	Clamp
12	106-1357	2	Handle
13	3234-42	4	Screw-HHF
14	32128-43	4	Nut-Flange



## Fresh Water Tank Assembly No. 100-8438

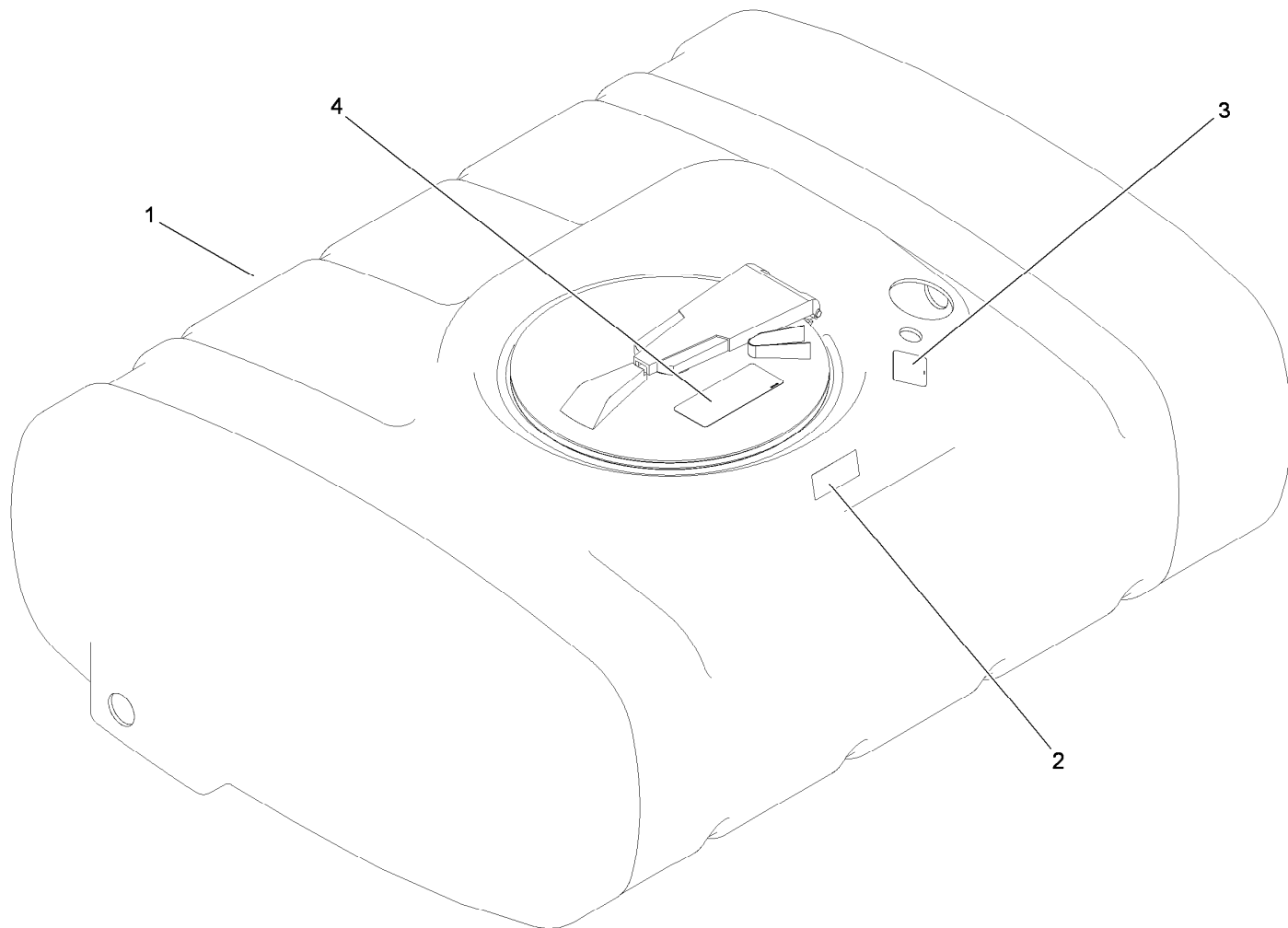
<i>Ref.</i>	<i>Part Number</i>	<i>Qty.</i>	<i>Description</i>
1		1	Tank-Water, Fresh ●
2	100-8397	1	Cover-Tank
3	100-7011	1	Spigot-90 DEG
4	100-7009	1	Latch-Draw
5	100-7010	2	Hinge
6	100-7062	4	Rivet
7	100-7063	4	Rivet
8	100-7064	4	Screw
9	100-7065	4	Washer
10	100-7066	2	Washer

● Not serviced separately



## Tank and Cover Assembly

<i>Ref.</i>	<i>Part Number</i>	<i>Qty.</i>	<i>Description</i>	<i>Ref.</i>	<i>Part Number</i>	<i>Qty.</i>	<i>Description</i>
1	106-2275	1	Radiator Cover ASM	10	3230-1	3	Bolt-CARR
1:1	93-6687	2	Decal-No Step	11	42452	1	Cap-Protective
1:2	93-6689	2	Decal-No Riders	12	106-7997-03	1	Tee Mounting Bracket ASM
1:3	93-7814	2	Decal-Danger	13	110-5078	1	Gauge-Pressure
1:5	92-3627	1	Trim	14	100-8665	1	Reducer-Gauge, Pressure
1:6	42657	1	Trim-Panel, Front	15	100-8666	1	Nut-Reducer
2	3234-42	4	Screw-HHF	16	100-8667	1	Coupler-Reducer
3	32104-95	3	Screw-HWH	17	107-2834	1	Tubing-Pressure
4	93-6427-03	1	Panel-Radiator	18	100-6778-03	1	Bracket-Siphon, Anti
5	106-1366	1	200 Gallon Tank ASM	19	41316	1	Adapter-Quick
6	106-1368	2	Band-Tank	20	100-6779	1	Coupling-Female
6:2	106-5016	1	Decal-Caution, Electric Shock	21	41140	1	Elbow
7	92-3668	4	Bolt-J	22	32128-20	3	Nut-HF
8	3217-8	4	Nut-Hex	23	3230-19	1	Screw-CARR
9	3256-5	4	Washer-Flat	24	104-9075	1	Hose-Siphon, Anti

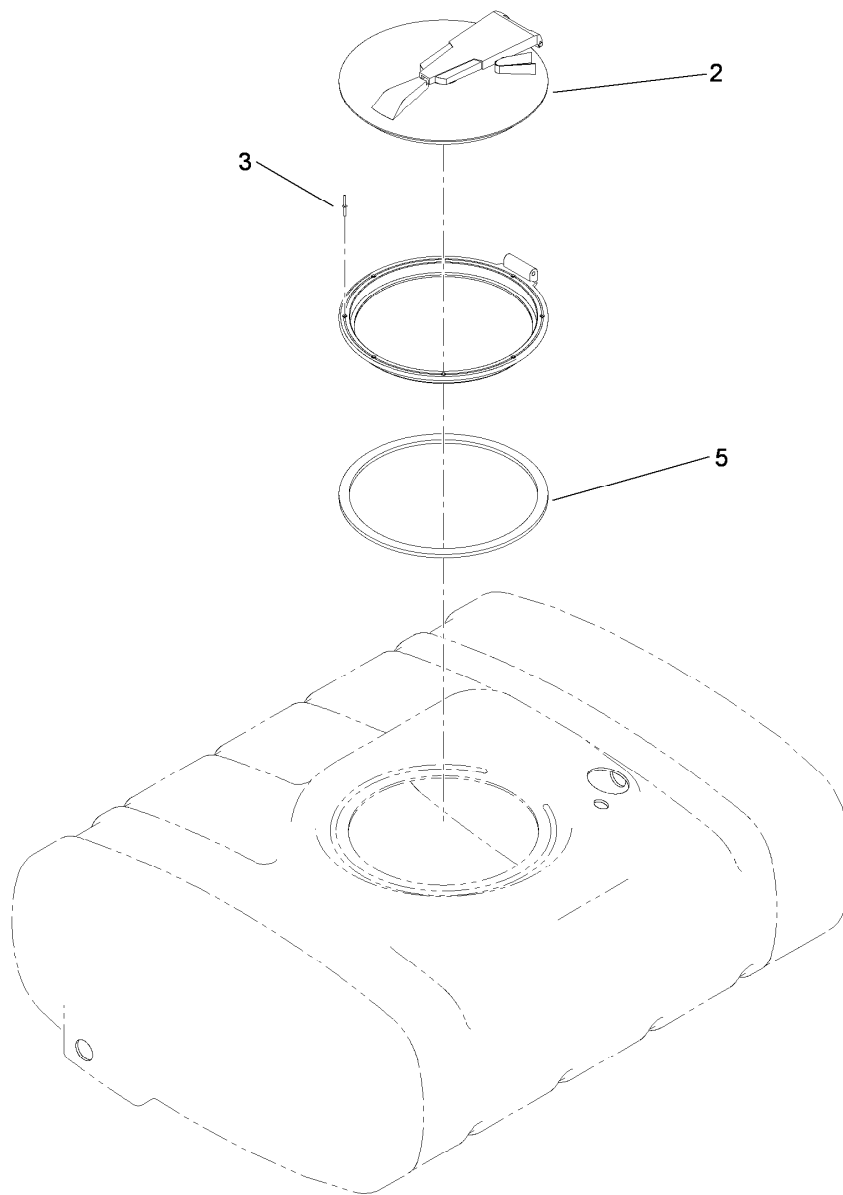


## 200 Gallon Tank Assembly No. 106-1366

<i>Ref.</i>	<i>Part Number</i>	<i>Qty.</i>	<i>Description</i>
1		1	Spray Tank ASM ●
2	106-1355	1	Decal-No Tank Entry
3	106-5065	1	Decal-Drain, Tank
4	93-0688	1	Decal-Warning, Chemical

● Not serviced separately

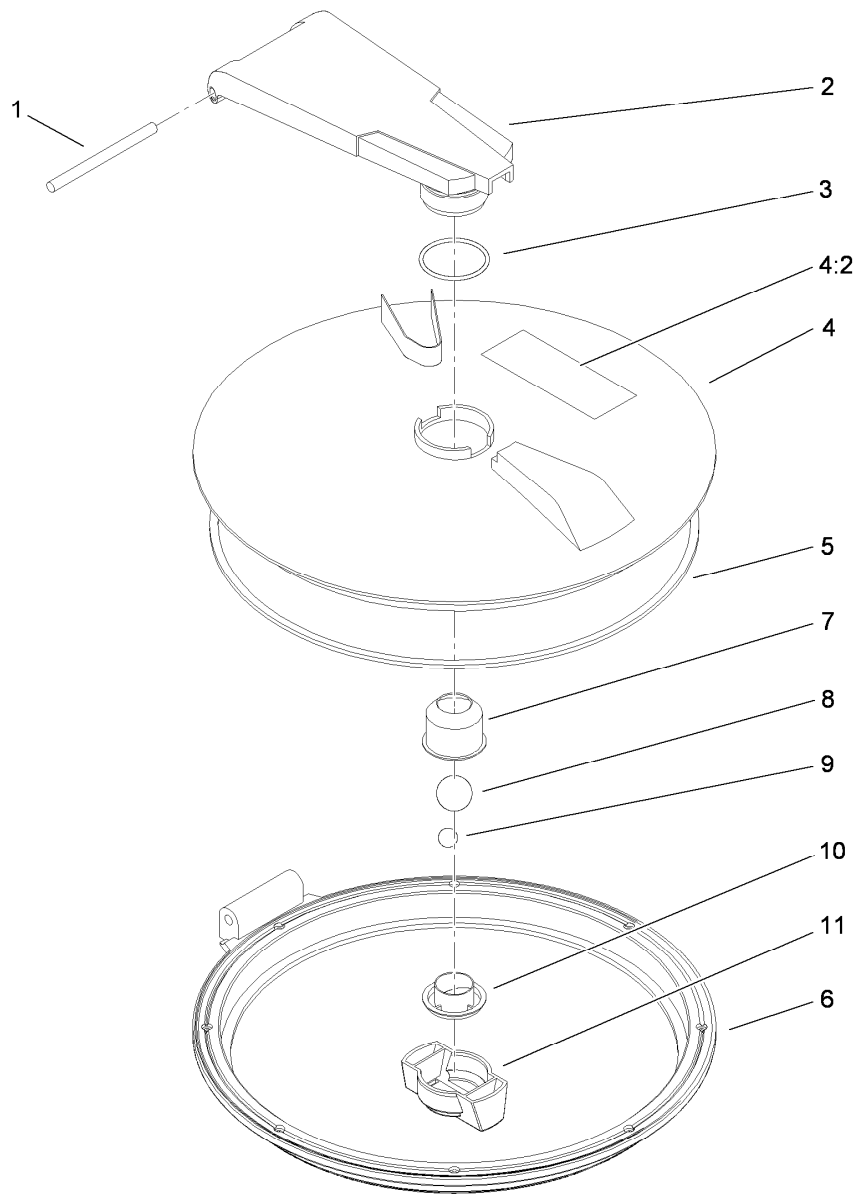




## Lid Seal Assembly

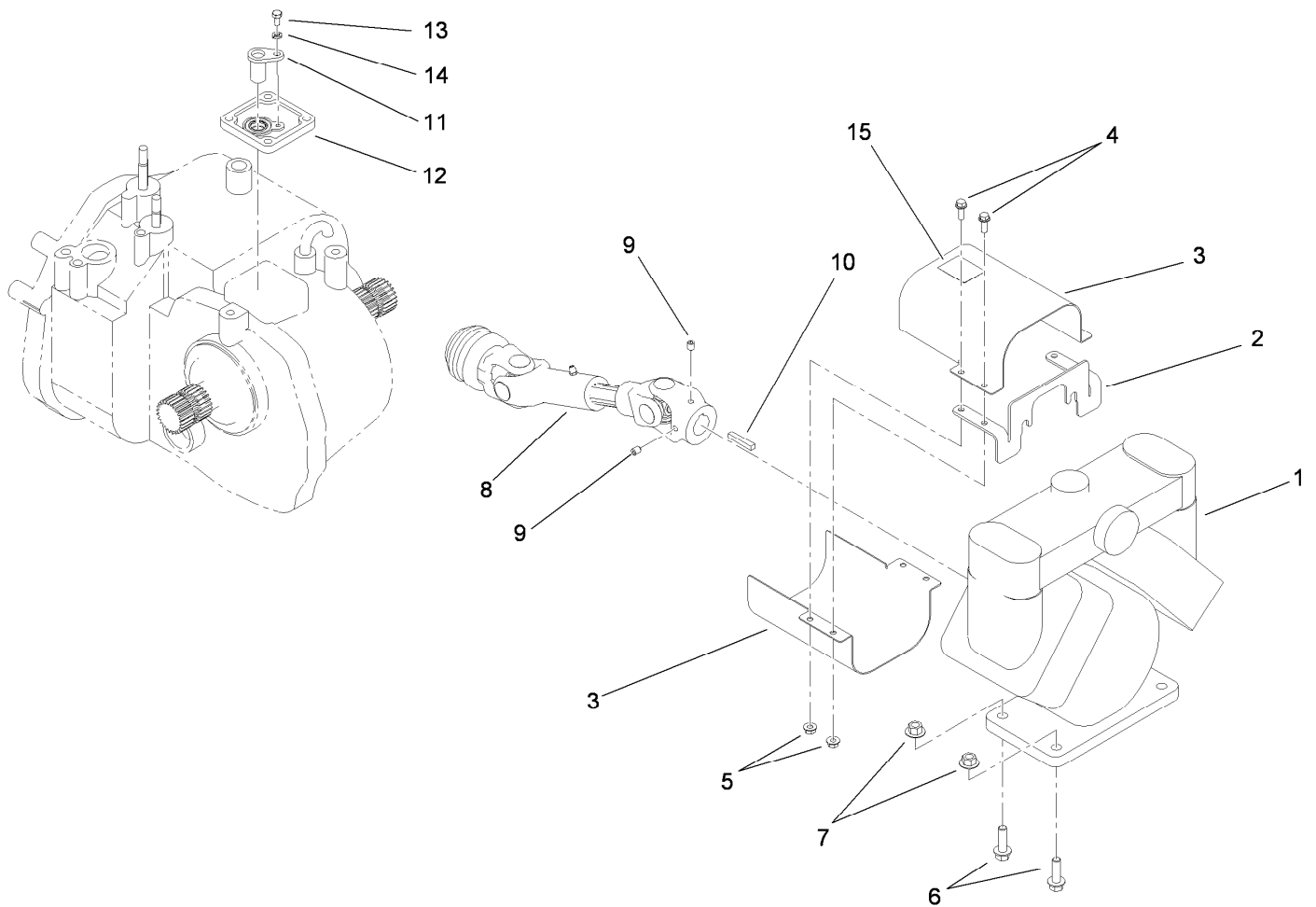
<i>Ref.</i>	<i>Part Number</i>	<i>Qty.</i>	<i>Description</i>
2		1	Screw Type Tank Lid ASM ●
3	93-0833	8	Rivet
5	106-4991	1	Seal-Lid

● Not serviced separately



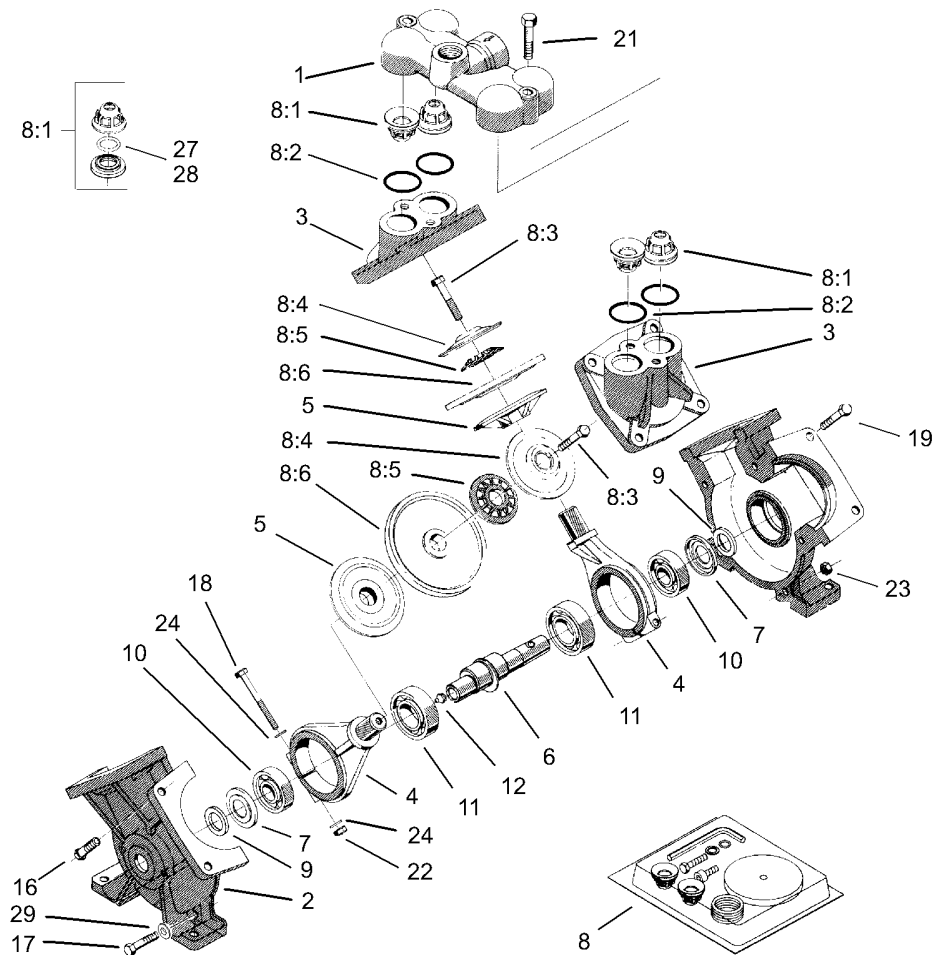
## Lid Assembly

<i>Ref.</i>	<i>Part Number</i>	<i>Qty.</i>	<i>Description</i>
1	106-5000	1	Pin-Pivot
2	106-5001	1	Arm
3	106-5002	1	O-Ring
4	106-1369	1	Lid
4:2	93-0688	1	Decal-Warning, Chemical
5	106-5004	1	Seal-Lid
6	106-5005	1	Ring
7	106-5006	1	Cup-Vent
8	106-5007	1	Ball-Floating
9	106-5008	1	Ball-Weight
10	106-5009	1	Holder-Ball
11	106-5010	1	Nut-Wing



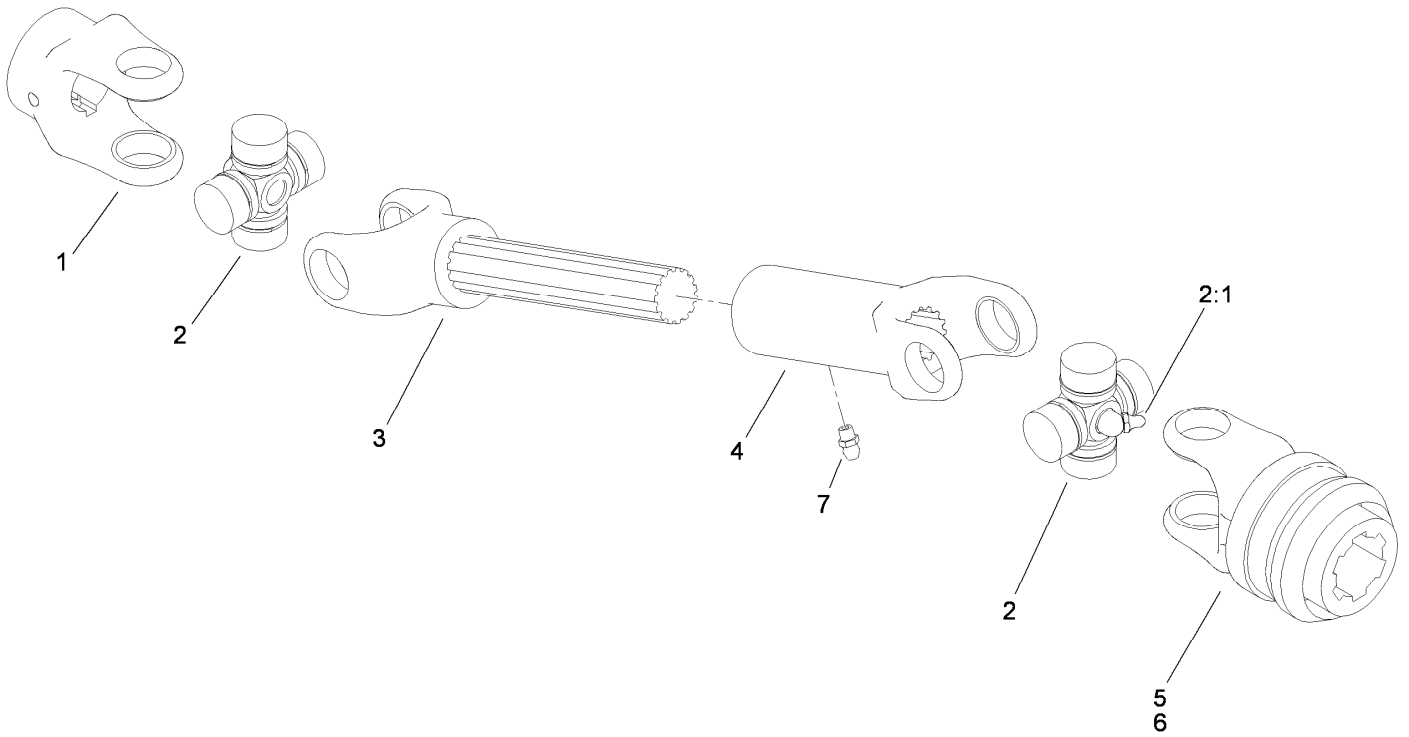
## Pump and Drive Assembly

Ref.	Part Number	Qty.	Description
1	106-5121	1	Pump
2	104-8970-03	1	Bracket-Shroud
3	104-8971-03	2	Shroud-Drive, Pump
4	3234-4	4	Screw-HHF
5	32128-33	4	Nut-HF
6	3234-18	4	Screw-HHF
7	32128-43	4	Nut-Flange
8	107-2810	1	Shaft-Drive, PTO
9	3246-18	2	Setscrew
10	67-7490	1	Key-Square
11	85-4350	1	Sensor-Gear tooth
12	92-3736	1	Cover ASM
13	33113-012	1	Screw-HH
14	48-8020	1	Washer-Spring
15	106-1354	1	Decal



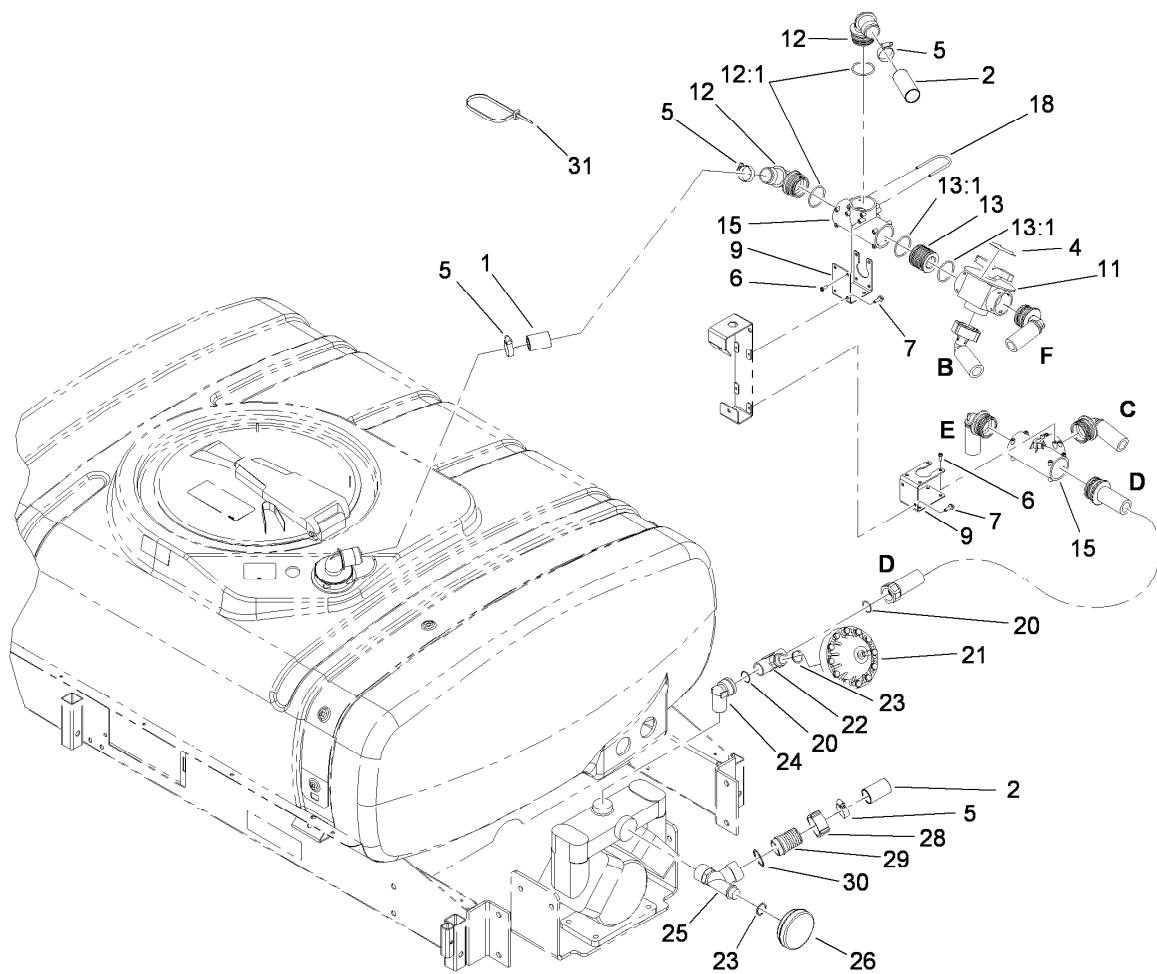
## Pump Assembly No. 106-5121

<i>Ref.</i>	<i>Part Number</i>	<i>Qty.</i>	<i>Description</i>	<i>Ref.</i>	<i>Part Number</i>	<i>Qty.</i>	<i>Description</i>
1	106-5139	1	Cover-Valve	10	100-8327	2	Bearing-Ball
2	106-5140	2	Housing-Pump	11	100-8329	2	Bearing-Ball
3	106-5141	2	Cover-Diaphragm	12	99-0873	1	Fitting-Grease
4	106-5142	2	Rod-Connecting	16	106-5143	3	Bolt
5	100-8314	2	Disc-Back, Diaphragm	17	106-5144	2	Bolt
6	104-9052	1	Crankshaft-Keyed	18	106-5145	2	Bolt
7	100-8325	2	Plate-Dust	19	106-5146	8	Bolt
8	106-5150	1	Repair Kit	21	106-5148	2	Bolt
8:1	100-8307	4	Valve	22	100-8326	2	Nut-Hex
8:2	100-6652	4	Gasket	23	106-5149	5	Nut
8:3	106-5147	2	Bolt	24	100-8316	4	Washer-Lock
8:4	100-8311	2	Washer	27	100-8336	4	O-Ring
8:5	100-8312	2	Washer-Nylon	28	106-5138	4	O-Ring
8:6	100-8313	2	Diaphragm	29	106-5137	2	Washer
9	99-0868	2	Felt-Seal				



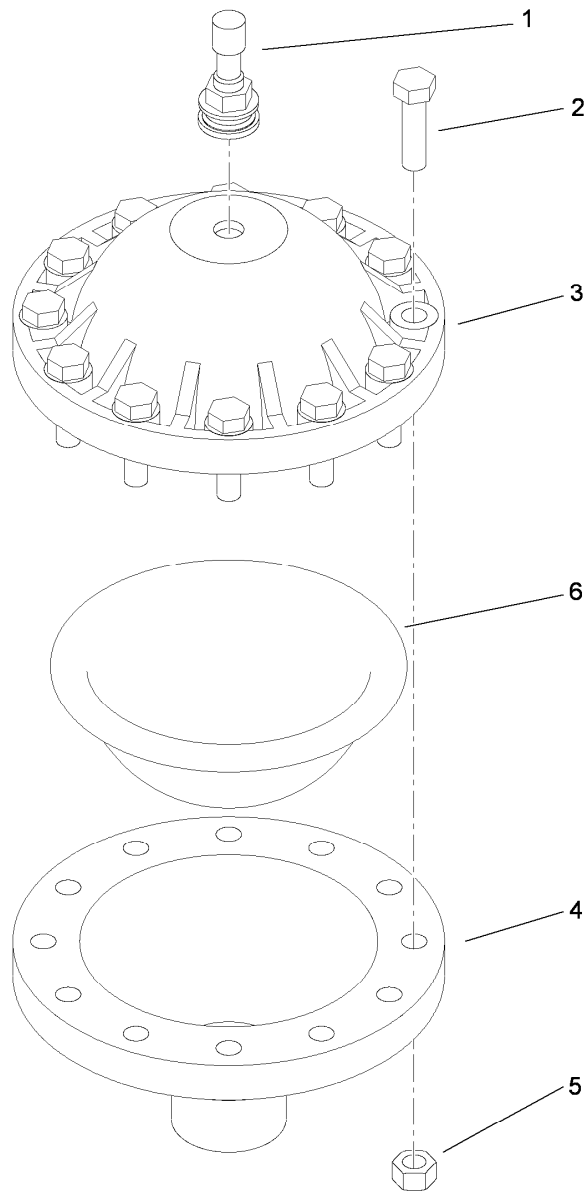
## Drive Shaft Assembly No. 107-2810

<i>Ref.</i>	<i>Part Number</i>	<i>Qty.</i>	<i>Description</i>
1	107-2823	1	Yoke-Shaft
2	54-9180	2	U-Joint Kit
2:1	62-3820	1	Fitting-Grease
3	107-2824	1	Shaft-Yoke, Slip
4	94-7379	1	Tube-Yoke, Slip
5	99-4476	1	Spring-Lok Yoke ASM
6	99-4477	1	Yoke Spring Lock Repair Kit ASM
7	302-5	1	Fitting-Grease



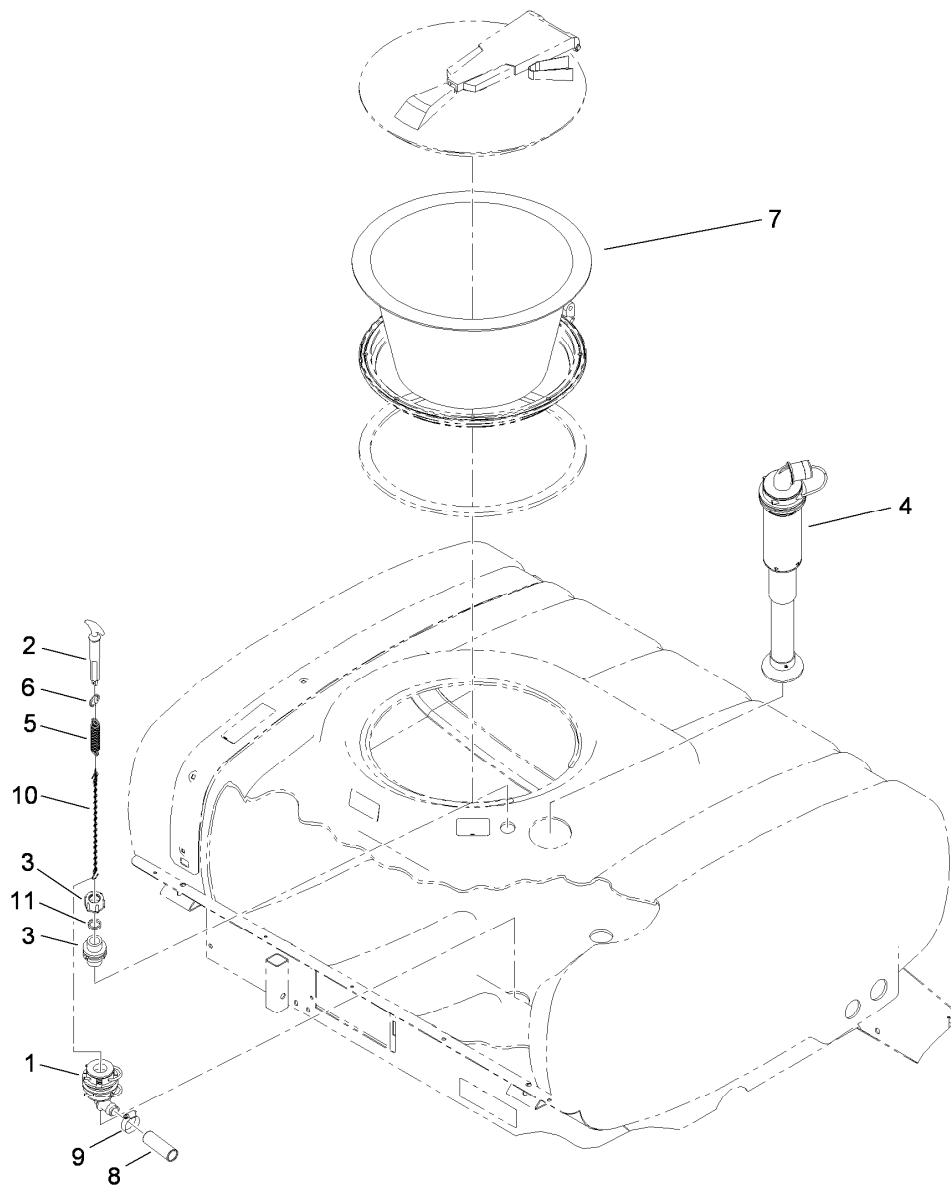
## Upper Sprayer Component Assembly

<i>Ref.</i>	<i>Part Number</i>	<i>Qty.</i>	<i>Description</i>	<i>Ref.</i>	<i>Part Number</i>	<i>Qty.</i>	<i>Description</i>
1	107-2804	1	Hose-Suction	18	100-8635	8	Fork
2	107-2805	1	Hose-Suction	20	100-6655	1	Gasket
4	107-8621	1	Decal-Agitation	21	100-6662	1	Damper-Pressure
5	41327	4	Clamp-Hose	22	100-8699	1	Tee
6	32144-32	8	Screw	23	100-6656	2	O-Ring
7	3234-4	4	Screw-HHF	24	100-8698	1	Elbow
9	100-8478	2	Bracket-Tee	25	100-8681	1	Tee
11	100-8673	1	Agitation Valve ASM	26	100-6660	1	Suction Damper ASM
12	106-4946	2	Hosebarb-90 DEG	28	100-8678	1	Nut
12:1	100-8637	1	O-Ring	29	100-8679	1	Hosebarb
13	106-4947	1	Connector	30	100-8680	1	Seal
13:1	100-8637	2	O-Ring	31	3334-945	3	Tie-Cable
15	100-6704	2	Tee				



## Pressure Damper Assembly No. 100-6662

<i>Ref.</i>	<i>Part Number</i>	<i>Qty.</i>	<i>Description</i>
1	99-0895	1	Valve
2	33114-030	12	Screw-HH
3	99-0896	1	Half-Upper, Damper
4	99-0898	1	Half-Lower, Damper
5	33014-00	12	Nut-Hex
6	99-0897	1	Diaphragm

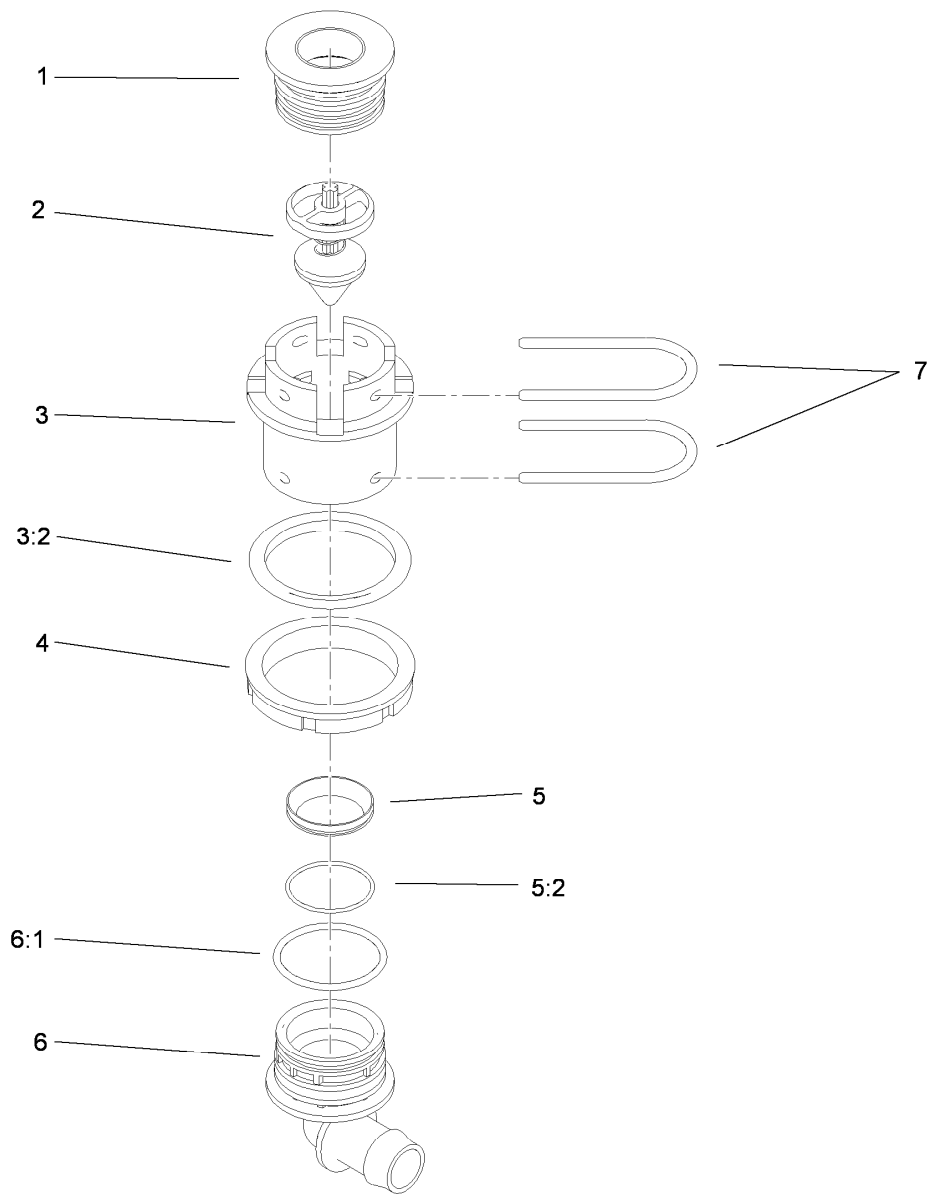


## Suction and Drain Assembly

Ref.	Part Number	Qty.	Description
1		1	Drain ASM ●
2	106-1347	1	Handle-Drain
3		1	Upper Tank Drain Bulkhead ASM ●
4	107-2800	1	Top Mounted Suction ASM
5	106-1415	1	Spring-Extension
6	106-1416	1	Ring-Retaining, Spiral (EXT)
7	104-9051	1	Basket-Strainer
8	106-1351	1	Hose-Drain
9	2412-34	1	Clamp-Hose
10	106-1356	1	Chain ASM
11	106-1414	1	Seal

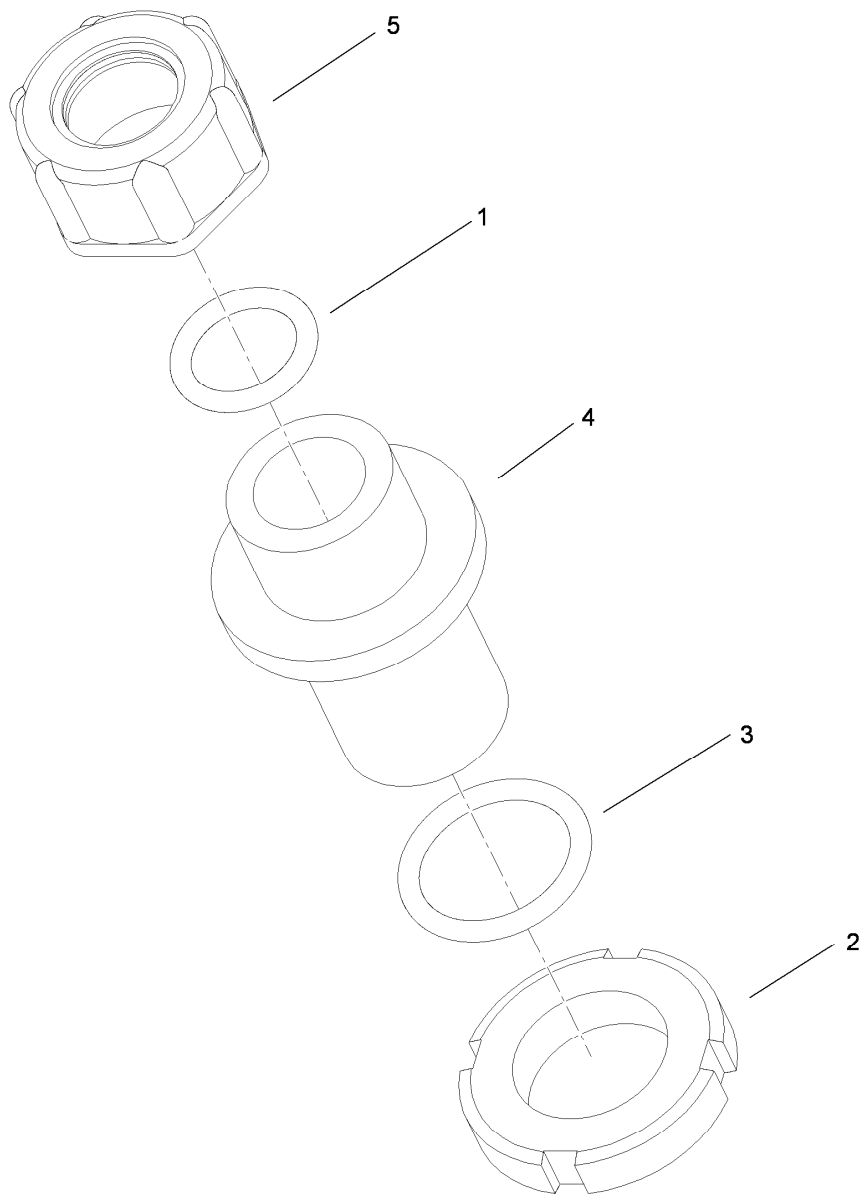
● Not serviced separately





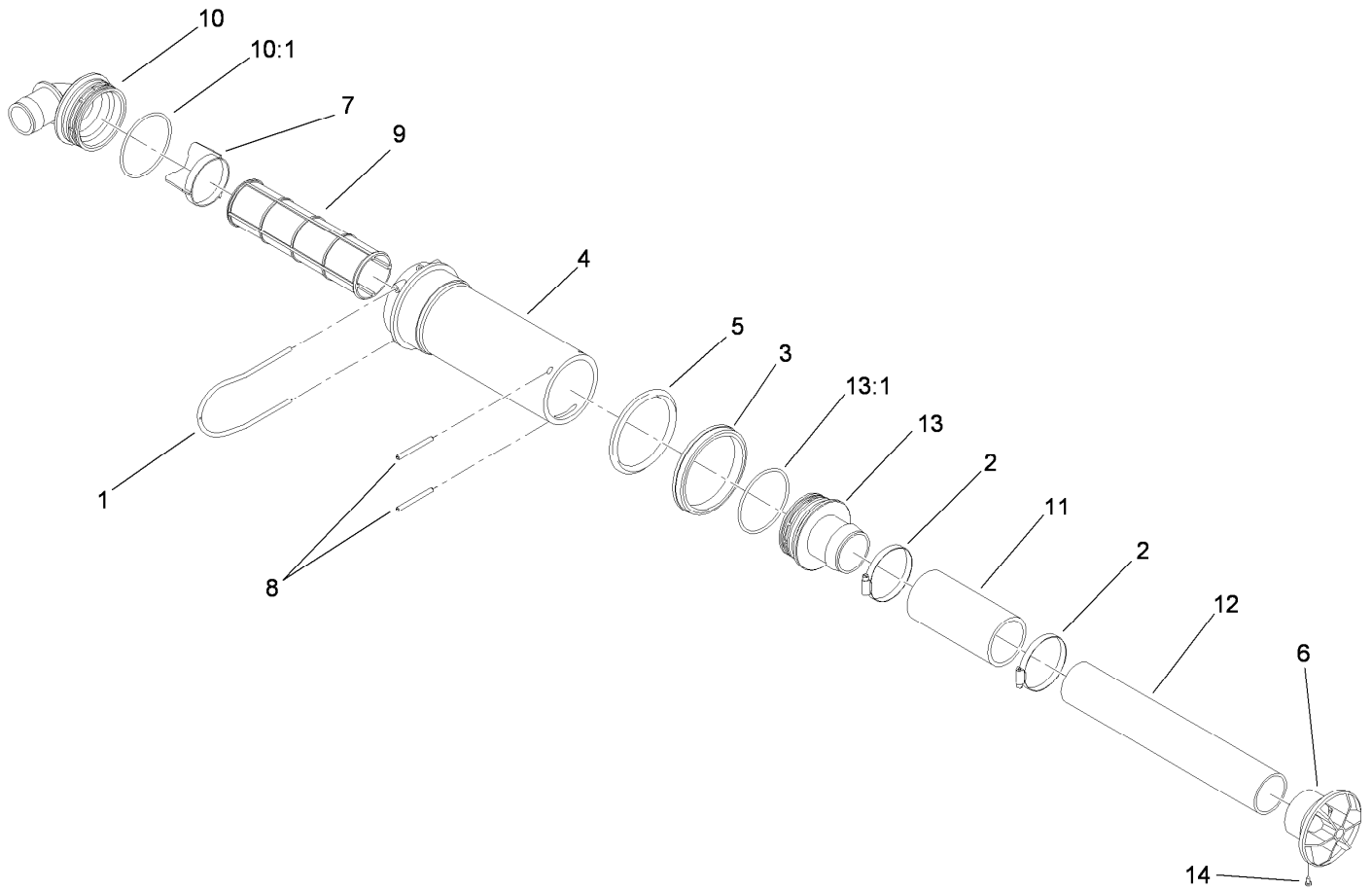
## Tank Drain Assembly

<i>Ref.</i>	<i>Part Number</i>	<i>Qty.</i>	<i>Description</i>
1	107-2868	1	Adapter
2	108-7016	1	Drain Valve ASM
3	107-2862	1	Drain Bulkhead ASM
3:2	107-2864	1	Gasket-Bulkhead
4	100-7051	1	Nut-Bulkhead
5	107-2867	1	Seat Drain ASM
5:2	107-2866	1	O-Ring
6	106-4933	1	Hosebarb ASM
6:1	100-8637	1	O-Ring
7	100-8635	2	Fork



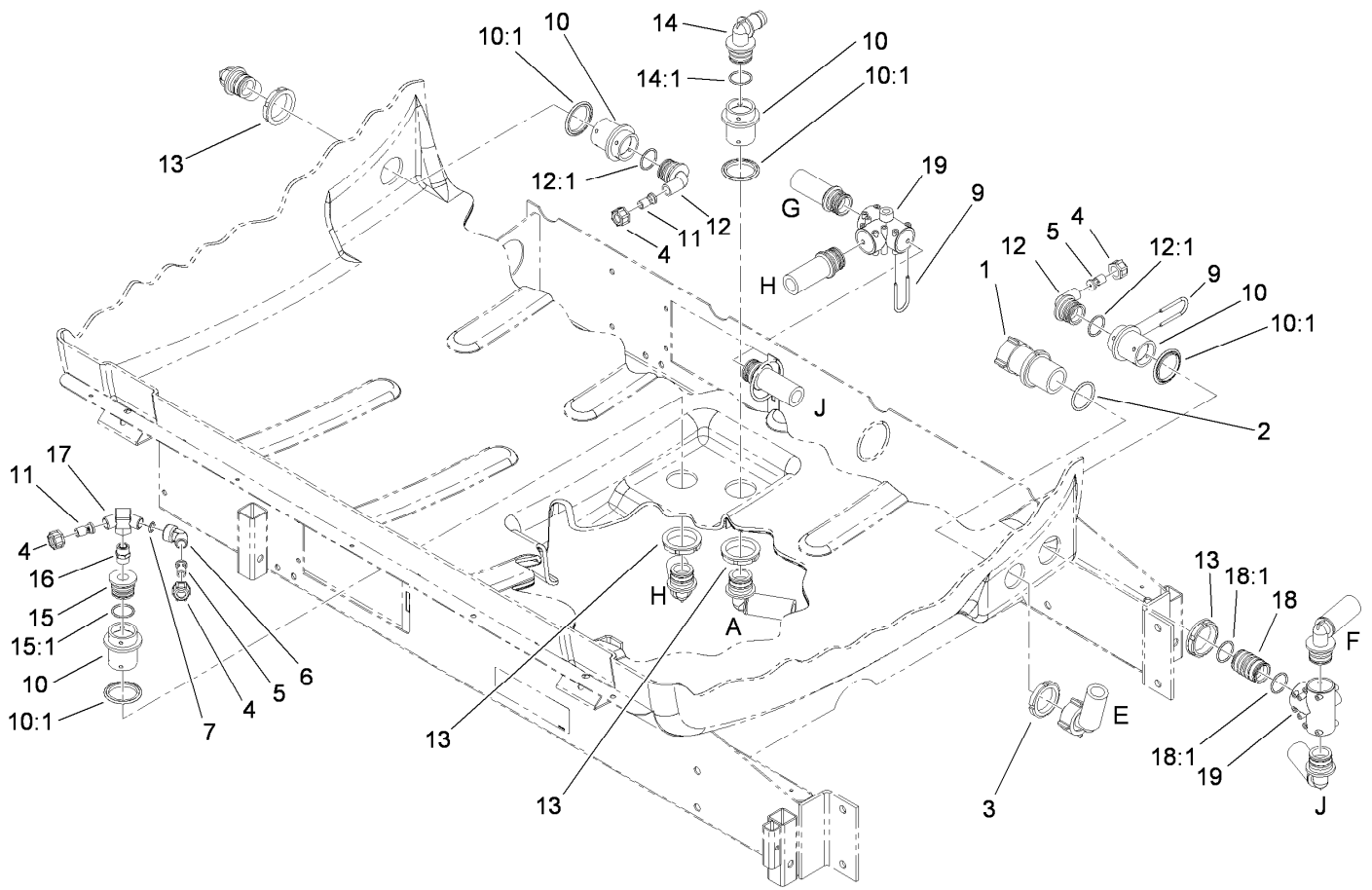
## Upper Tank Drain Bulkhead Assembly

<i>Ref.</i>	<i>Part Number</i>	<i>Qty.</i>	<i>Description</i>
1	100-6643	1	O-Ring
2	99-0758	1	Nut
3	100-6658	1	Gasket
4	106-1240	1	Bulkhead
5	106-1241	1	Nut-Special



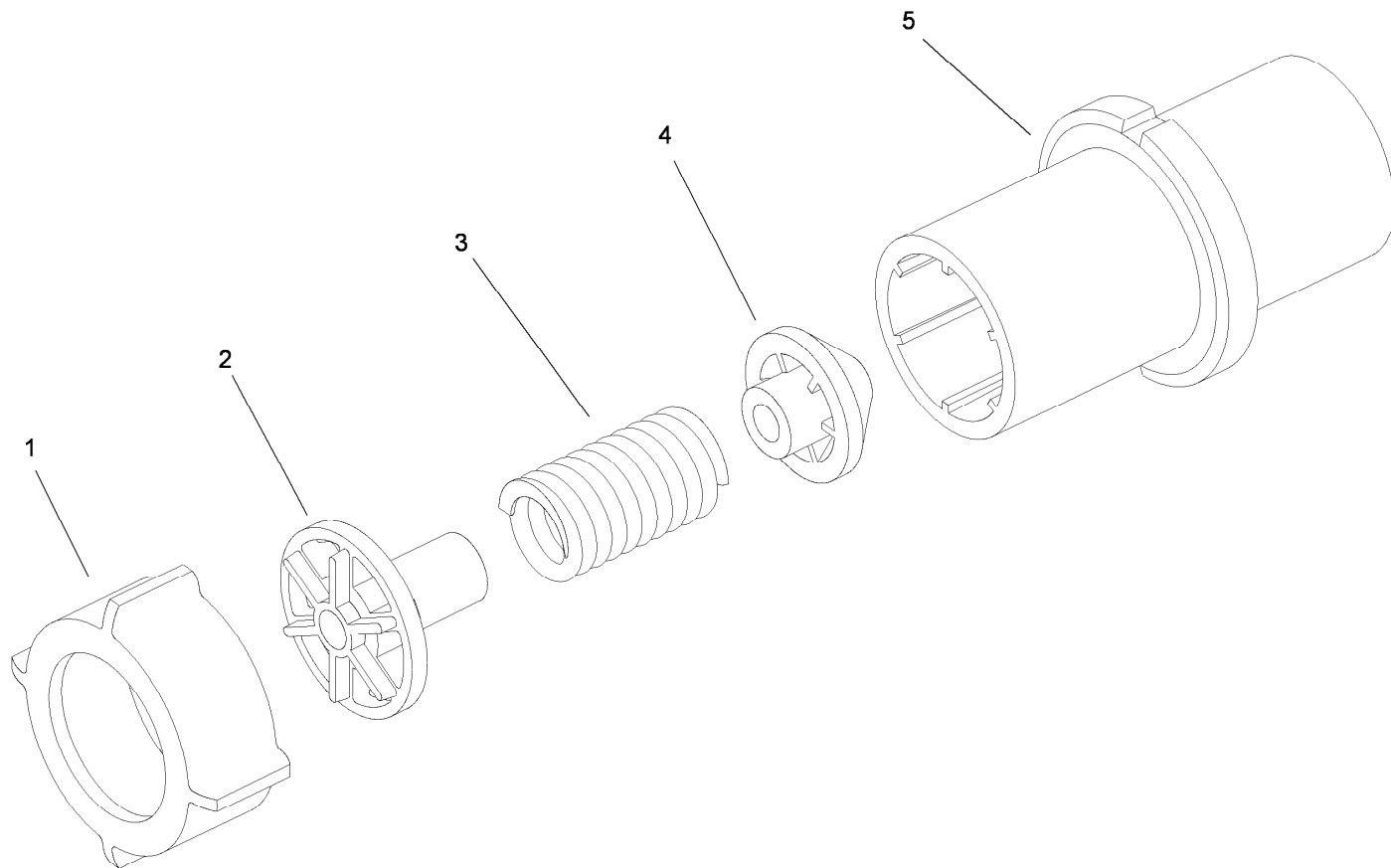
## Top Mounted Suction Assembly No. 107-2800

<i>Ref.</i>	<i>Part Number</i>	<i>Qty.</i>	<i>Description</i>	<i>Ref.</i>	<i>Part Number</i>	<i>Qty.</i>	<i>Description</i>
1	100-8636	1	Fork-Special	9	100-8642	1	Screen-Suction, Mesh 50
2	26392	2	Clamp-Hose	10	106-4952	1	Hosebarb-90 DEG
3	100-8647	1	Nut-Bulkhead	10:1	100-6989	1	O-Ring
4	100-8643	1	Housing-Filter	11	100-8649	1	Hose-Suction
5	100-8646	1	Gasket-Bulkhead	12	107-2801	1	Tube-Suction
6	100-6714	1	Foot-Tube, Suction	13	106-4942	1	Hosebarb-Straight
7	100-8641	1	Vane-Screen	13:1	100-6989	1	O-Ring
8	100-8644	2	Pin-Expansion	14	108-3270	1	Screw-TAP



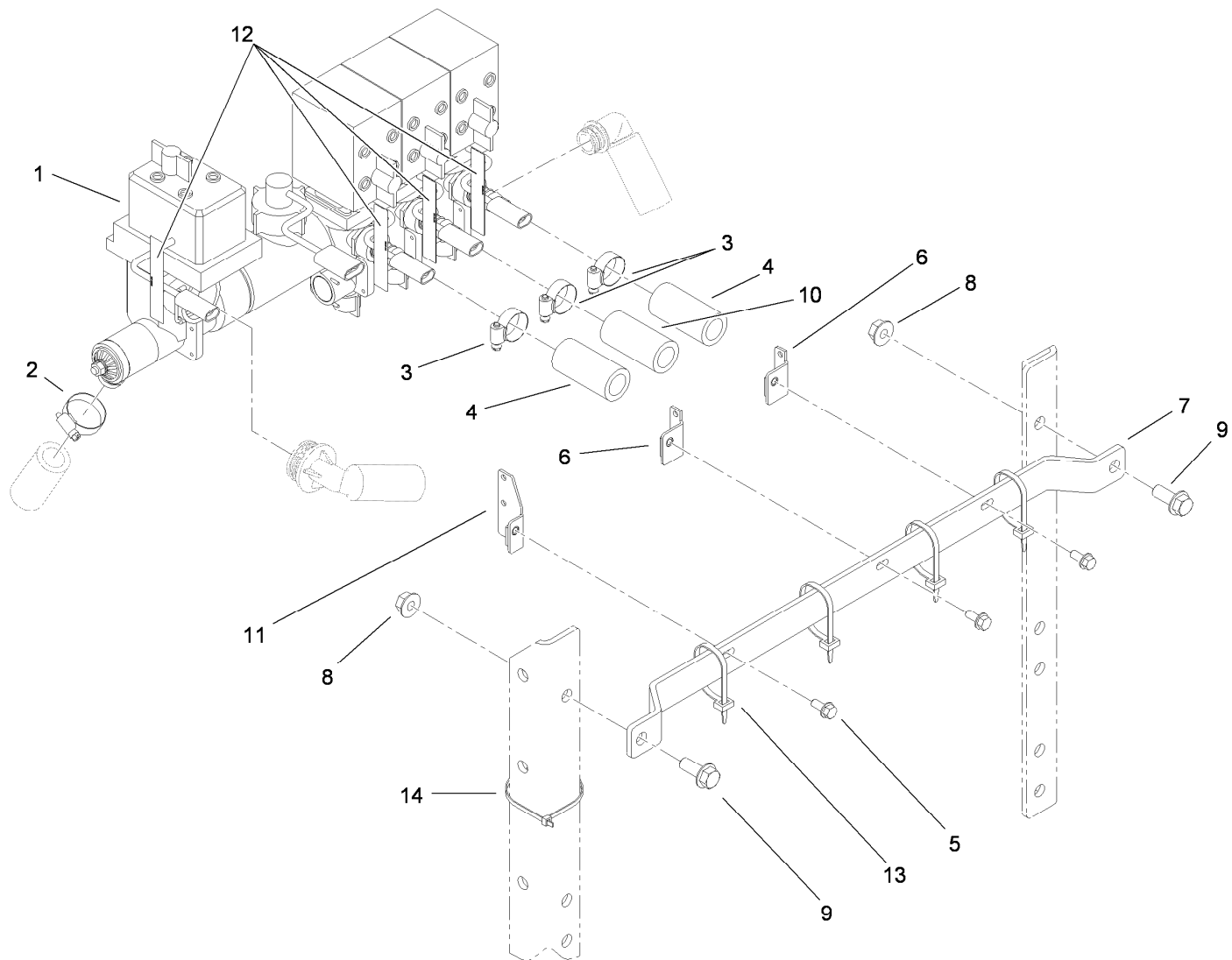
## Lower Sprayer Component Assembly

<i>Ref.</i>	<i>Part Number</i>	<i>Qty.</i>	<i>Description</i>	<i>Ref.</i>	<i>Part Number</i>	<i>Qty.</i>	<i>Description</i>
1	100-6820	1	Valve-Safety, 225 Psi	12:1	100-6712	1	O-Ring
2	100-6652	1	Gasket	13	100-6713	4	Nut-Bulkhead
3	99-0761	1	Ringnut	14	106-4945	1	Elbow
4	99-0766	4	Nut	14:1	100-6712	1	O-Ring
5	100-6705	2	Nozzle-Agitation	15	106-4943	1	Adapter ASM
6	99-0768	1	Elbow-60 DEG	15:1	100-6712	1	O-Ring
7	100-6653	1	O-Ring	16	100-6722	1	Nipple
9	100-6708	14	Fork	17	100-6723	1	Tee
10	106-4896	4	Fitting-Bulkhead	18	107-2802	1	Connector
10:1	100-6710	1	Gasket-Bulkhead	18:1	100-6712	2	O-Ring
11	100-6706	2	Nozzle-Agitation	19	104-9041	2	Tee
12	106-4944	2	Fitting-90 DEG				



## Safety Valve Assembly No. 100-6820

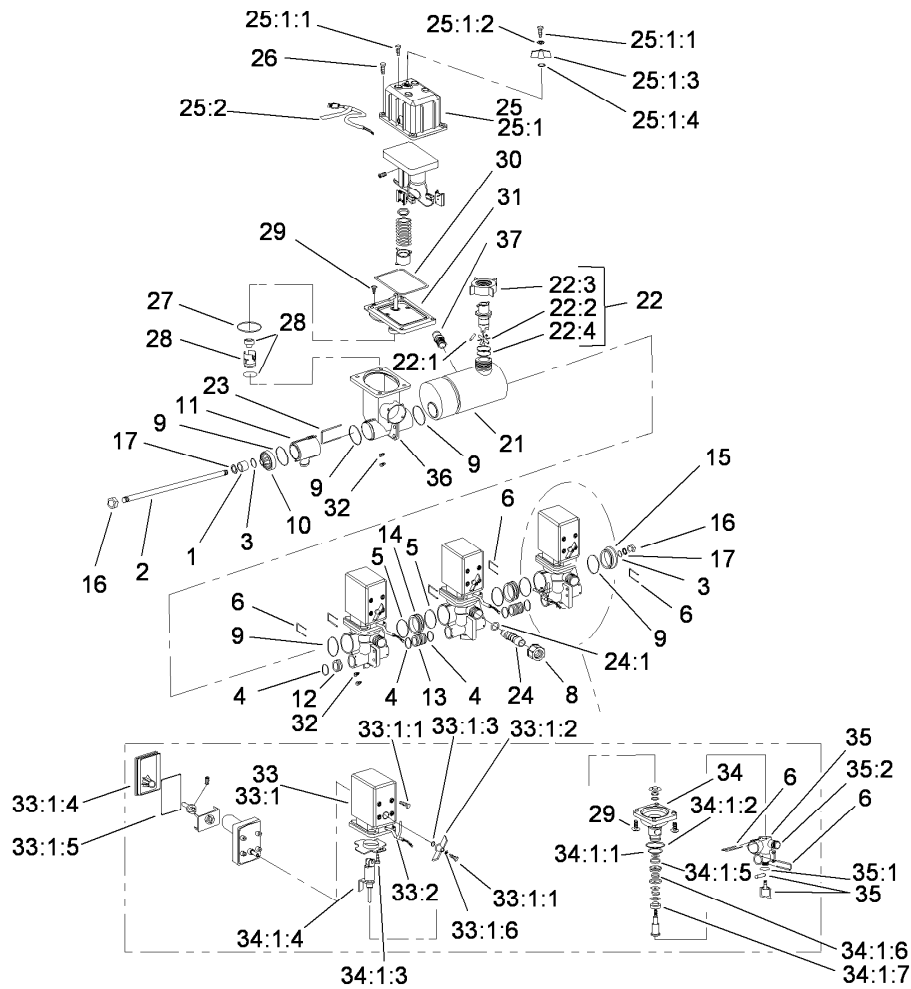
<i>Ref.</i>	<i>Part Number</i>	<i>Qty.</i>	<i>Description</i>
1	100-8678	1	Nut
2	100-6724	1	Valve-Relief, Seat
3	100-6725	1	Spring-Relief, Valve
4	100-6726	1	Cone-Relief, Valve
5	100-6727	1	Housing-Relief, Valve



## Control Valve Assembly

Ref.	Part Number	Qty.	Description
1		1	Valve-Control, Evc ●
2	2412-3	1	Clamp-Hose
3	2412-129	3	Clamp-Hose
4	108-3720	2	Hose-Boom, LH
5	3234-5	3	Screw-HHF
6	100-8432-03	2	Bracket
7	107-2847-03	1	Bracket-Valve
8	32128-49	2	Nut-HHF
9	3234-32	2	Screw-HHF
10	95-2229	1	Hose
11	100-8433-03	1	Bracket
12	107-8738	4	Decal-Fuse, 3 Amp
13	3290-378	4	Tie-Cable
14	3290-379	1	Tie-Cable

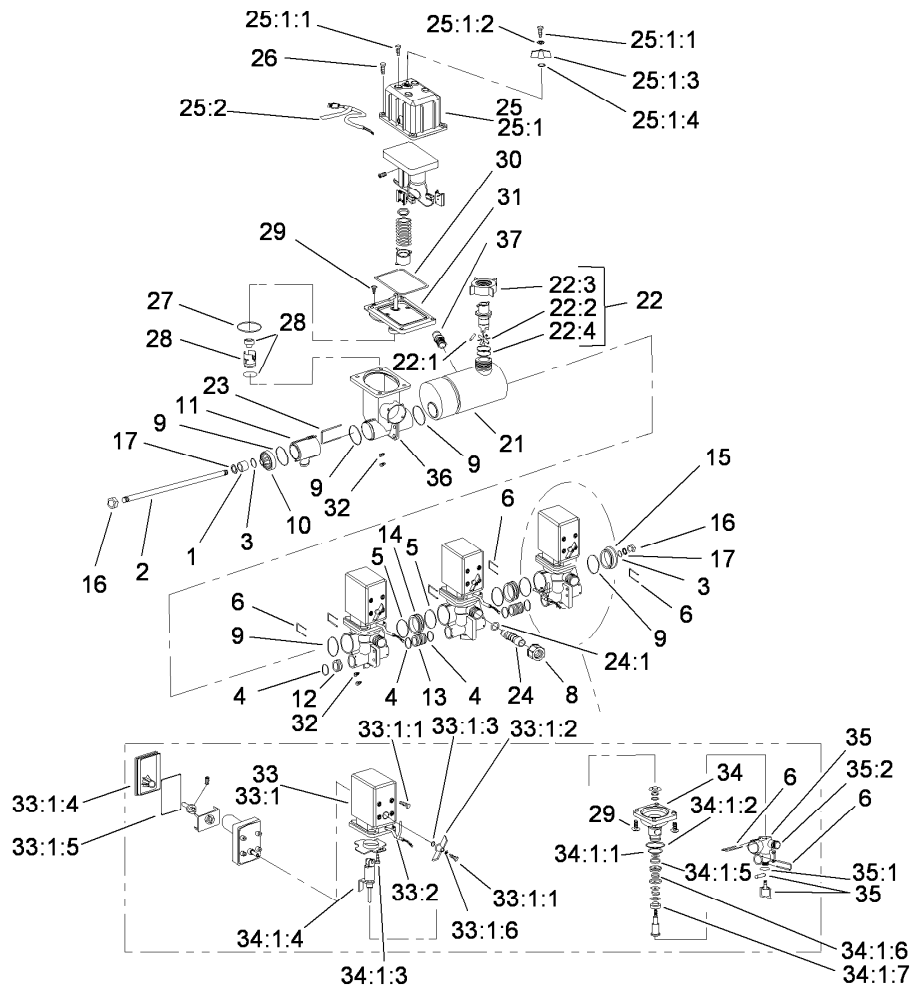
● Not serviced separately



## EVC Control Valve Assembly

Ref.	Part Number	Qty.	Description	Ref.	Part Number	Qty.	Description
1	100-6897	1	Bushing	25:1	108-3341	1	Motor-Control, Rate
2	100-6909	1	Rod-Threaded	25:1:1	100-6876	1	Screw
3	100-6887	2	O-Ring	25:1:2	100-6877	1	Washer-Lock
4	100-6882	5	O-Ring	25:1:3	100-6903	1	Grip-Hand
5	100-6646	5	O-Ring	25:1:4	100-6880	1	O-Ring
6	100-6885	9	Fork-Valve, Boom	25:2	107-8738	1	Decal-Fuse, 3 Amp ●
8	99-0850	3	Nut	26	100-6918	4	Screw-Plastic
9	100-6892	4	O-Ring	27	100-6904	1	O-Ring
10	100-6913	1	Cover	28	110-5140	1	Rate Valve Repair Kit
11	100-6908	1	T-Piece	29	100-6917	16	Screw-Plastic
12	100-6891	1	Cap-End	30	100-6901	1	Gasket-Housing, Valve Motor
13	100-6890	2	Joiner-Bypass, Boom	31	100-6899	1	Section-Spindle, Valve Rate
14	100-6896	2	Joiner-Valve, Boom	32	100-6916	6	Screw-Plastic
15	100-6915	1	Cover-End	33	108-3257	3	Boom Motor Valve ASM
16	100-6894	2	Nut	33:1	108-3340	1	Motor-Valve, Boom
17	100-6634	2	Washer	33:1:1	100-6876	1	Screw
21	100-6920	1	Housing-Meter, Flow	33:1:2	100-6877	1	Washer-Lock
22	100-6900	1	Flow Sensor ASM	33:1:3	100-6880	1	O-Ring
22:1	100-6906	1	Shaft-Rotor	33:1:4	100-6874	1	Cover-Valve, Boom
22:2	100-6919	1	Meter-Flow, Rotor	33:1:5	100-6912	1	Cover-Seal
22:3	100-8678	1	Nut	33:1:6	100-6875	1	Handgrip-Valve, Boom
22:4	100-8653	1	O-Ring	33:2	107-8738	1	Decal-Fuse, 3 Amp
23	100-6907	1	Fork	34	100-6889	3	Section-Spindle, Boom Valve
24	106-5112	3	Hosebarb ASM	34:1	100-6883	1	Seal Kit Section Valve ●
24:1	100-6645	1	O-Ring				
25	108-3351	1	Rate Control Motor ASM				

● Not illustrated

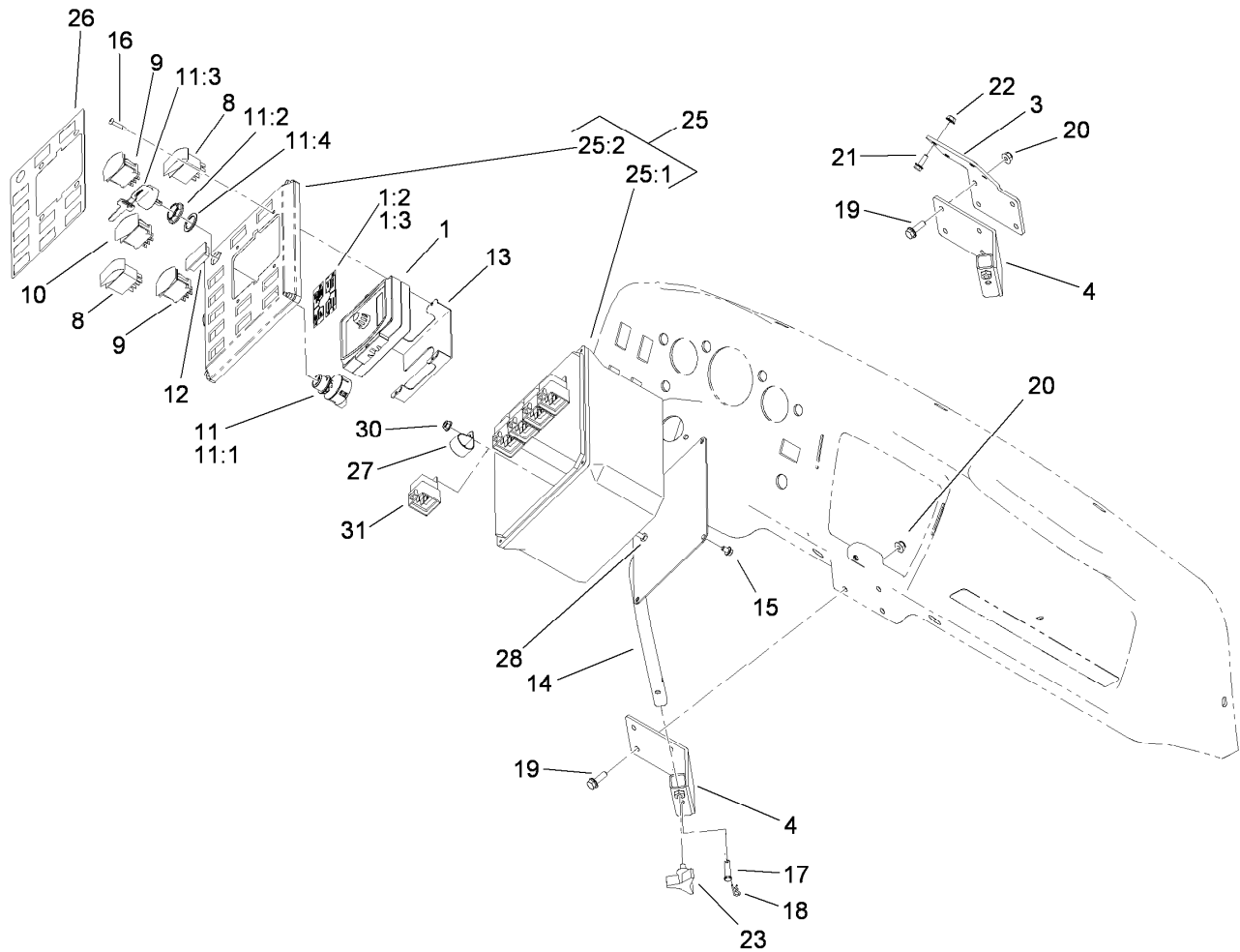


## EVC Control Valve Assembly (continued)

<i>Ref.</i>	<i>Part Number</i>	<i>Qty.</i>	<i>Description</i>	<i>Ref.</i>	<i>Part Number</i>	<i>Qty.</i>	<i>Description</i>
34:1:1	100-8653	1	O-Ring	34:1:7	100-6881	1	Cone-Stem, Boom Valve
34:1:2	100-6882	5	O-Ring	35	100-6888	3	Manifold-Valve, Boom
34:1:3	100-6911	1	Pin-Roller	35:1	100-6887	1	O-Ring
34:1:4	100-6910	1	Bearing-Roller	35:2	106-5151	1	Manifold-Lower
34:1:5	100-6879	1	O-Ring	36	100-6914	1	Valve-Control, Housing Rate
34:1:6	100-6878	1	O-Ring	37	100-8674	1	Coupler-Tube

● Not illustrated

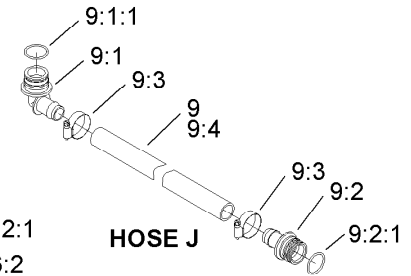
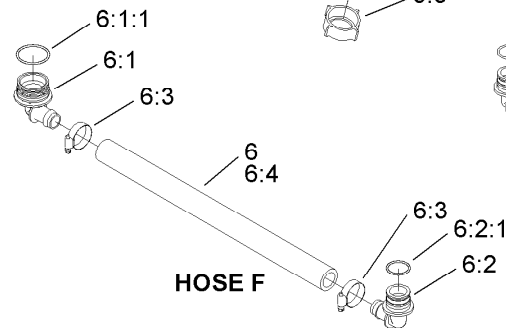
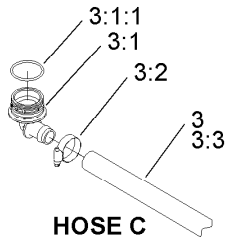
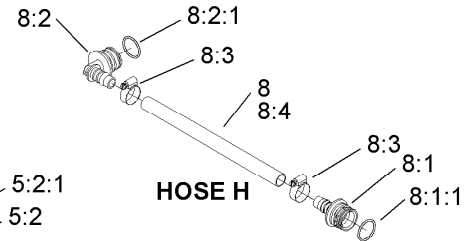
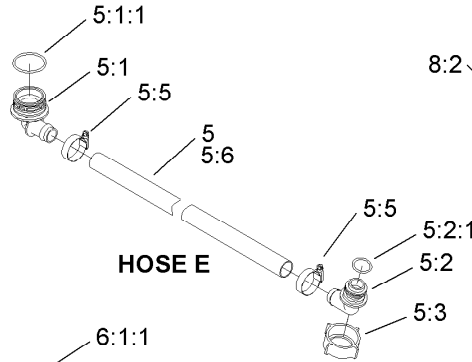
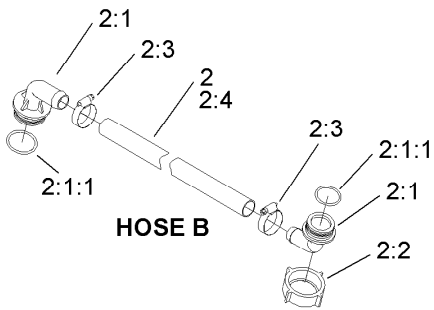
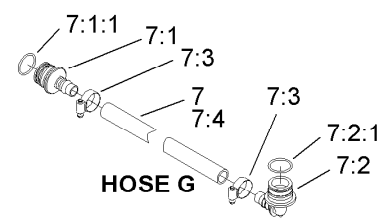
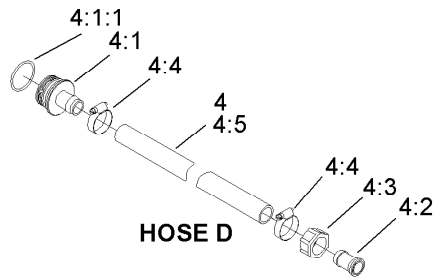
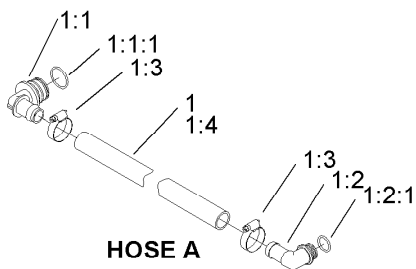




## Control Box Assembly

Ref.	Part Number	Qty.	Description	Ref.	Part Number	Qty.	Description
1	108-3312	1	Monitor-Spray	16	104-1451	4	Screw-TAP, PPH
1:2	108-3307	1	Decal-Monitor	17	283-6	1	Pin-Clevis
1:3	108-3309	1	Decal-Monitor, Ce	18	3290-307	1	Pin-Hair
3	107-2811-03	1	Bracket-Adapter, Control	19	3234-17	4	Screw-HHF
4	106-7992-03	1	Receiver ASM	20	104-8300	4	Nut-Flange, NI
8	100-8490	4	Switch-Dpdt	21	3234-4	4	Screw-HHF
9	100-1535	3	Switch	22	32128-33	4	Nut-HF
10	100-8589	1	Switch-Rocker	23	92-9674	1	Knob
11	110-2580	1	Switch-Key, Supervisor	25		1	Control Enclosure ASM ●
11:1		1	Switch-Key ●	25:1	106-1427	1	Base-Enclosure, Control
11:2	108-8660	1	Nut-Mounting	25:2	110-5223	1	Cover-Enclosure, Control
11:3	110-5221	1	Set-Key, Supervisor	26	107-2825	1	Decal-Switchplate
11:4	108-8659	1	Washer-Backup	27	2412-126	1	R-Clamp
12	99-7420	3	Plug-Hole	28	321-5	1	Screw-HH
13	107-2831	1	Bracket-Monitor	30	32128-33	1	Nut-HF
14	106-7995-03	1	Control Box Mount ASM	31	99-7430	5	Relay
15	3234-26	4	Screw				

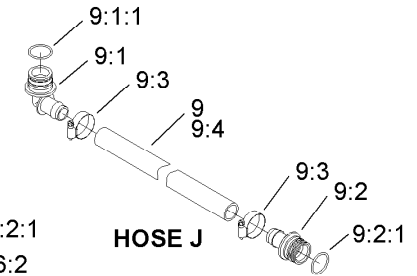
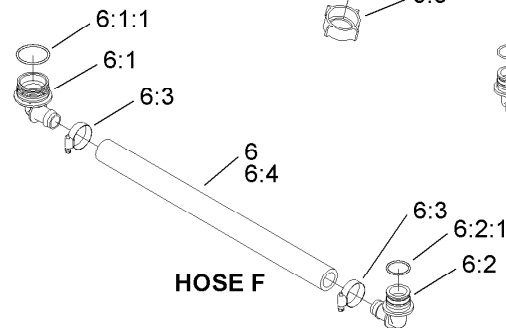
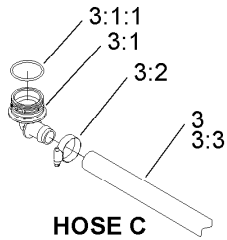
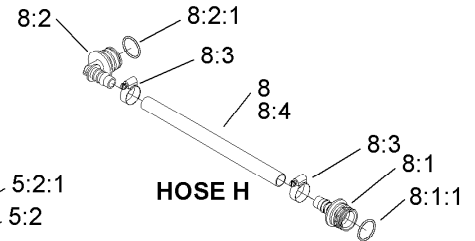
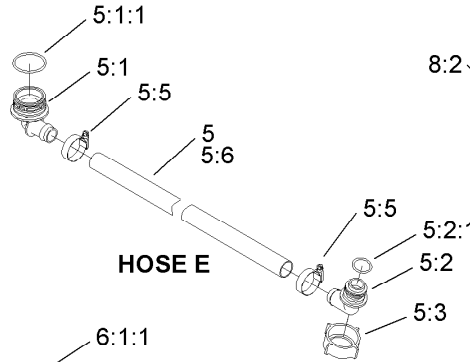
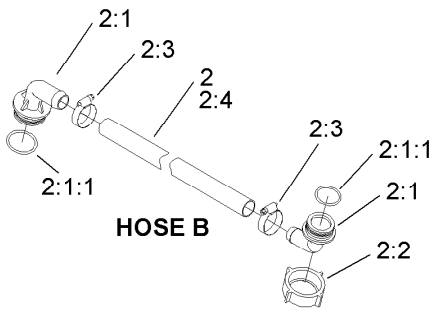
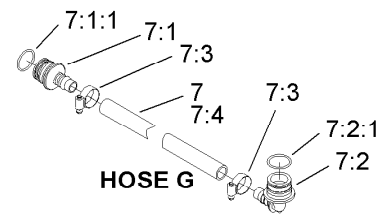
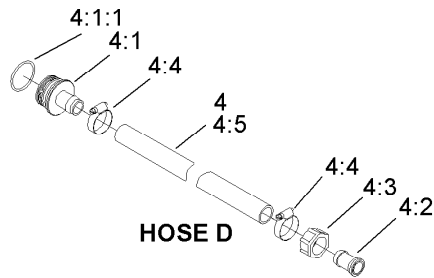
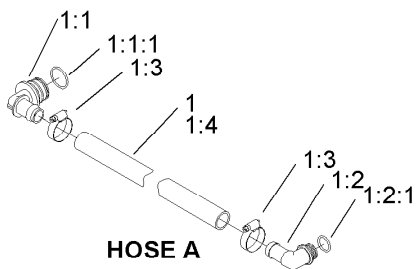
● Not serviced separately



## Hose Assembly

Ref.	Part Number	Qty.	Description	Ref.	Part Number	Qty.	Description
1		1	Boom Bypass Hose ASM ●	5		1	Relief Valve Hose ASM ●
1:1	106-4945	1	Elbow	5:1	106-4933	1	Hosebarb ASM
1:1:1	100-6712	1	O-Ring	5:1:1	100-8637	1	O-Ring
1:2	106-4948	1	Hose Barb ASM	5:2	106-4949	1	Hosebarb
1:2:1	100-6882	1	O-Ring	5:2:1	100-6646	1	O-Ring
1:3	2412-3	2	Clamp-Hose	5:3	100-8678	1	Nut
1:4	104-9037	1	Hose-Bypass, Boom	5:5	2412-3	2	Clamp-Hose
2		1	Agitation Supply Hose ASM ●	5:6	104-8710	1	Hose
2:1	106-4950	2	Hose Barb ASM	6		1	Agitation Valve Hose ASM ●
2:1:1	100-8671	1	O-Ring	6:1	106-4933	1	Hosebarb ASM
2:2	100-8669	1	Nut	6:1:1	100-8637	1	O-Ring
2:3	2412-3	2	Clamp-Hose	6:2	106-4945	1	Elbow
2:4	104-8710	1	Hose	6:2:1	100-6712	1	O-Ring
3		1	Tee Controls Hose ASM ●	6:3	2412-3	2	Clamp-Hose
3:1	106-4933	1	Hosebarb ASM	6:4	106-4975	1	Hose
3:1:1	100-8637	1	O-Ring	7		1	Front Agitation Hose ASM ●
3:2	2412-3	1	Clamp-Hose	7:1	106-4939	1	Hosebarb-Straight
3:3	107-2832	1	Hose	7:1:1	100-6712	1	O-Ring
4		1	Manifold Tee Hose ASM ●	7:2	106-4940	1	Hosebarb-90 DEG
4:1	106-4932	1	Hosebarb-Straight	7:2:1	100-6712	1	O-Ring
4:1:1	100-8637	1	O-Ring	7:3	2412-129	2	Clamp-Hose
4:2	99-0781	1	Hosebarb	7:4	107-2813	1	Hose
4:3	99-0769	1	Nut	8		1	Middle Agitation Hose ASM ●
4:4	2412-3	2	Clamp-Hose	8:1	106-4939	1	Hosebarb-Straight
4:5	107-2807	1	Hose	8:1:1	100-6712	1	O-Ring

● Not serviced separately

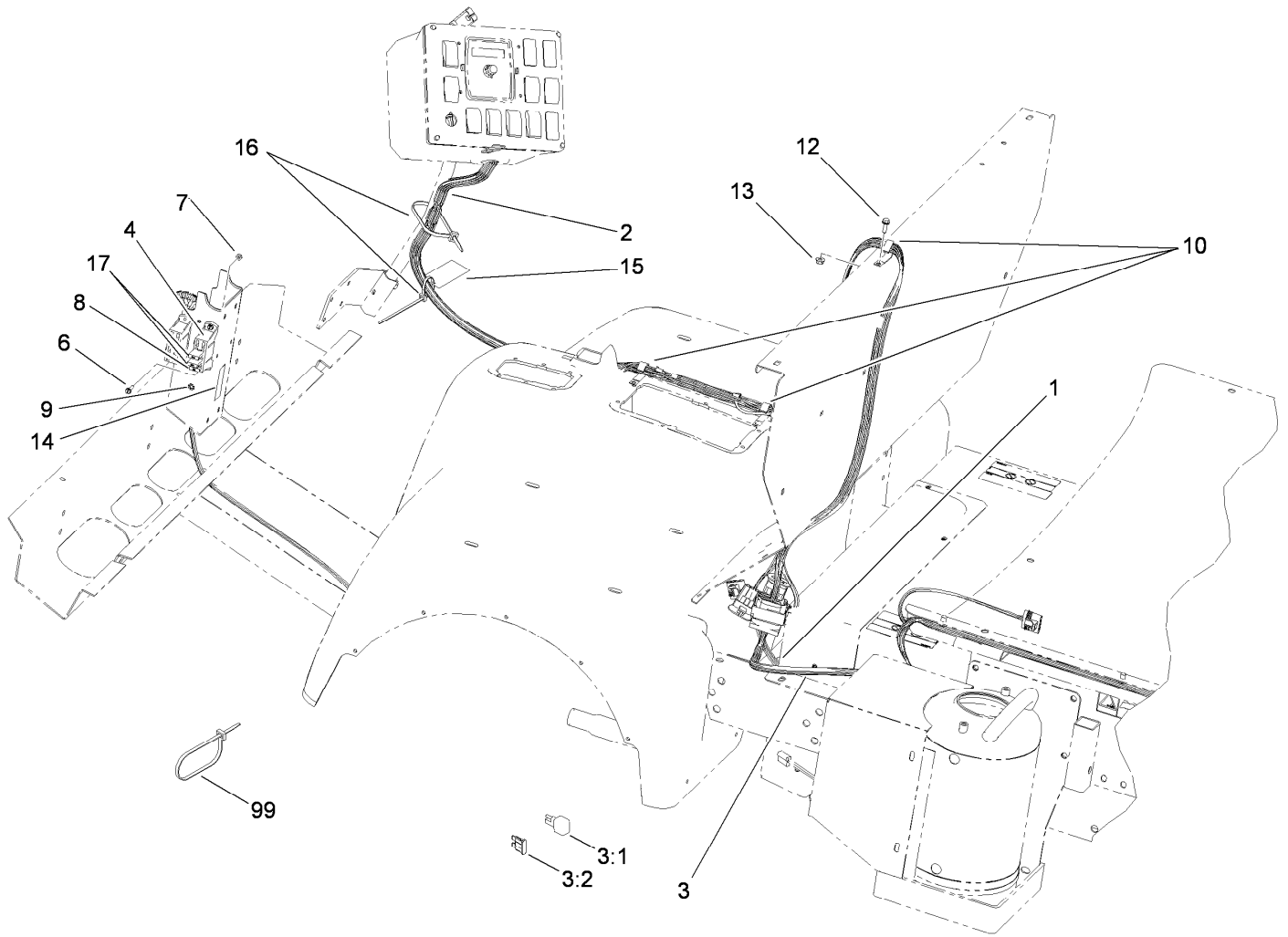


## Hose Assembly (continued)

Ref.	Part Number	Qty.	Description
8:2	106-4940	1	Hosebarb-90 DEG
8:2:1	100-6712	1	O-Ring
8:3	2412-129	2	Clamp-Hose
8:4	106-1360	1	Hose
9		1	Agitation Tee Hose ASM ●
9:1	106-4945	1	Elbow

Ref.	Part Number	Qty.	Description
9:1:1	100-6712	1	O-Ring
9:2	106-4935	1	Hosebarb ASM
9:2:1	100-6712	1	O-Ring
9:3	2412-3	2	Clamp-Hose
9:4	107-2812	1	Hose

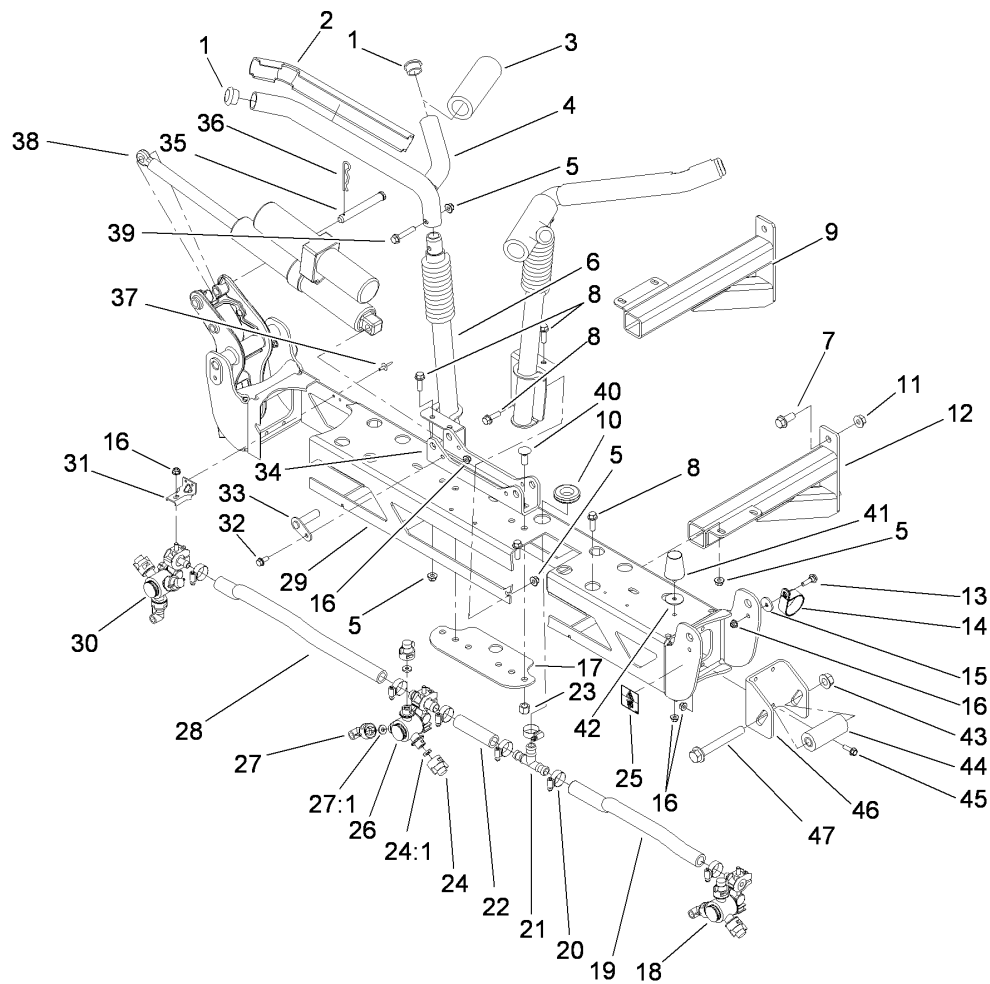
● Not serviced separately



## Electrical Harness Assembly

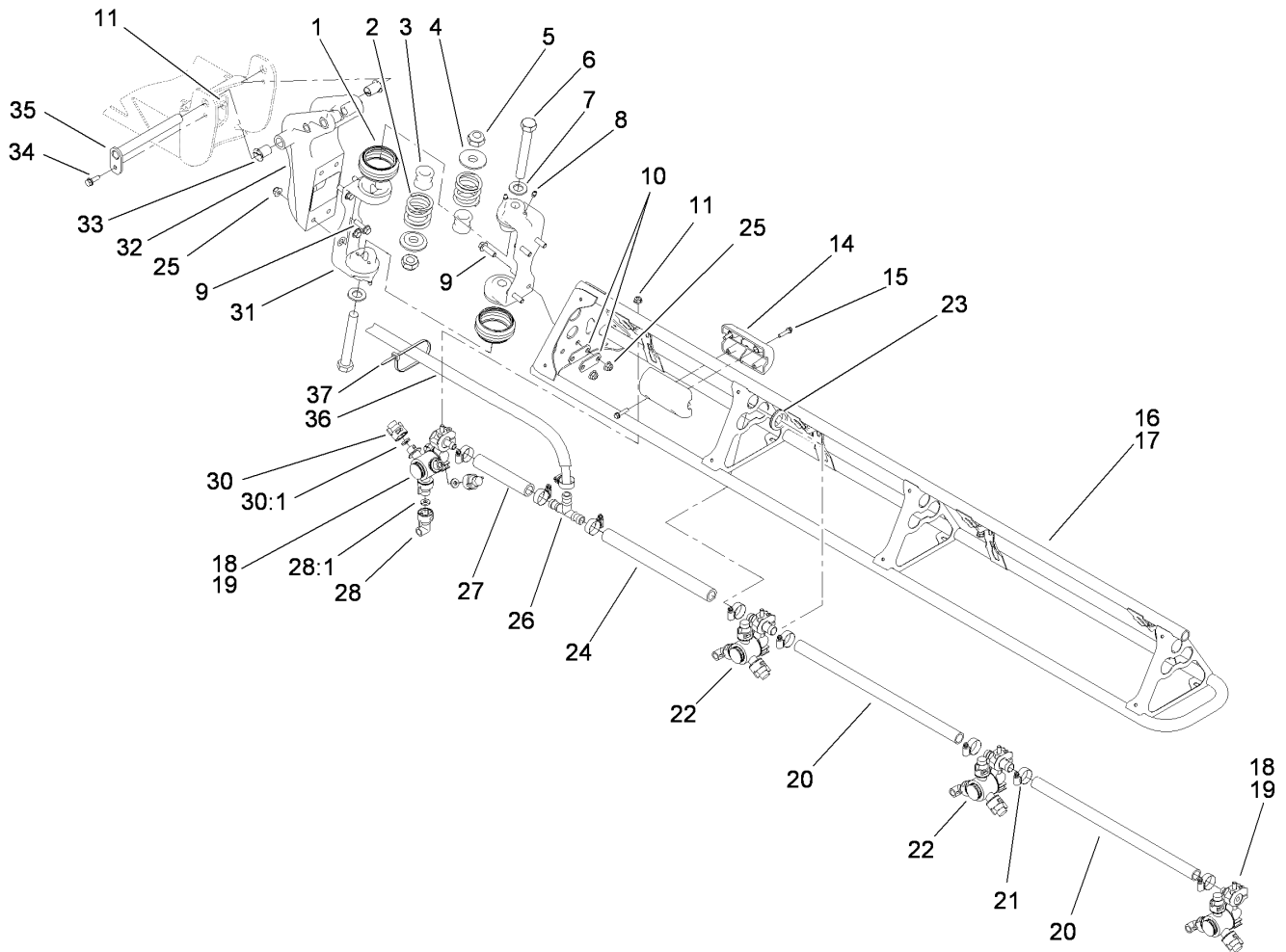
Ref.	Part Number	Qty.	Description
1	106-1417	1	Harness-Wire, Sprayer Power
2	112-3533	1	Harness-Wire, Spray Controller
3	114-3396	1	Harness-Wire, Sprayer Main
3:1	108-9493	2	Diode-Tvs
3:2	107-8745	4	Fuse-Blade, 3 Amp
4	92-2641	1	Block-Fuse
6	32105-13	2	Screw-HWH
7	3296-2	2	Nut-Lock, NI

Ref.	Part Number	Qty.	Description
8	218-578	1	Fuse-10 Amp
9	3255-7	1	Washer-Lock/EXT
10	106-1429	3	Clamp-J
12	3234-4	1	Screw-HHF
13	32128-33	1	Nut-HF
14	106-1425	1	Decal-Fuse Block
15	104-8900	1	Tag-Monitor
16	3290-378	2	Tie-Cable
17	108-3736	2	Breaker-Circuit, 30A
99	3290-378	8	Tie-Cable



## Center Boom Assembly

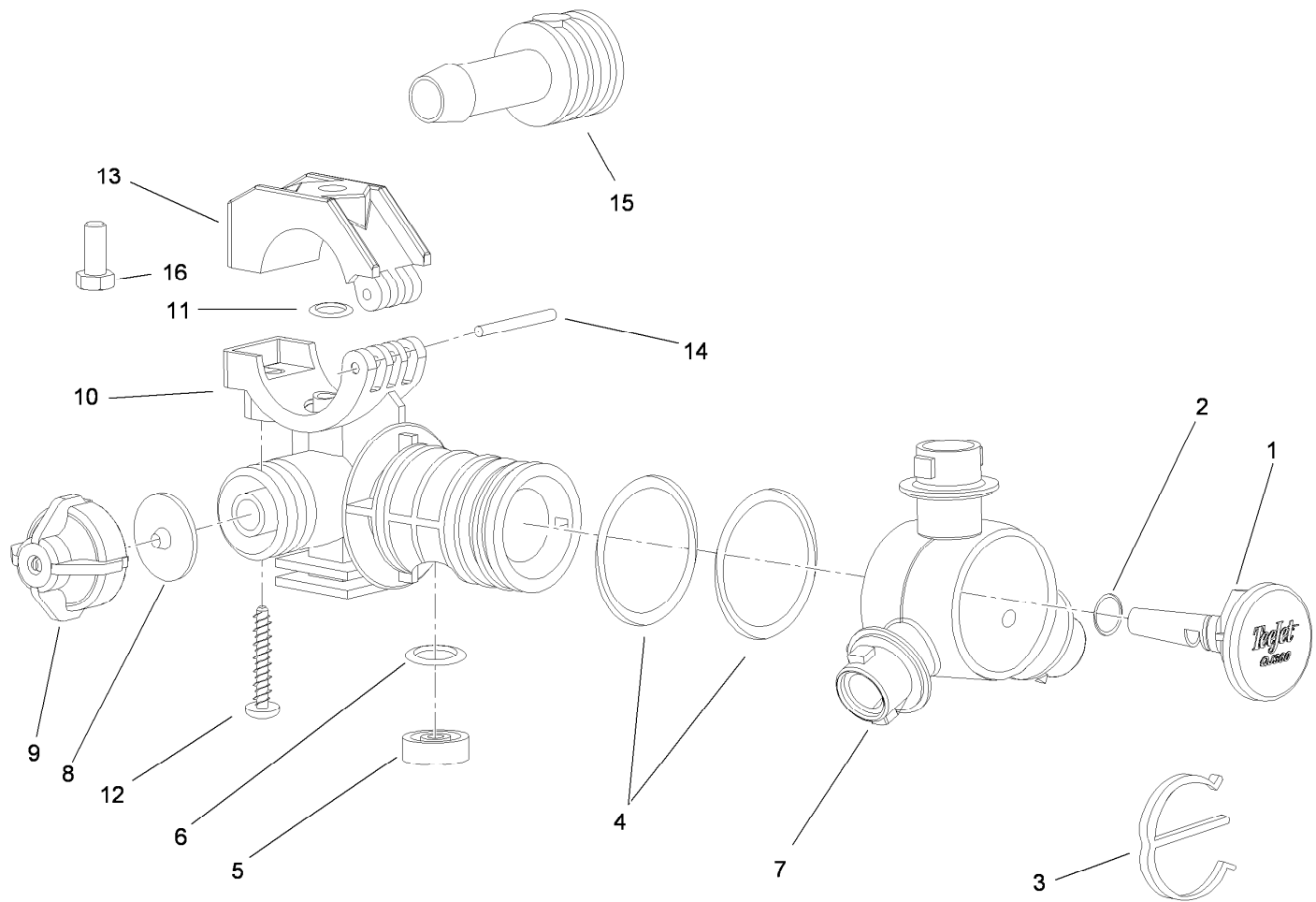
<i>Ref.</i>	<i>Part Number</i>	<i>Qty.</i>	<i>Description</i>	<i>Ref.</i>	<i>Part Number</i>	<i>Qty.</i>	<i>Description</i>
1	108-3489	4	Cap-Tube	25	114-9576	2	Decal-Pinchpoint
2	108-3495	2	Cover-Slide	26	108-3727	1	Body-Turret, Double
3	108-3457	2	Spacer	27	95-9186	3	Cap
4	108-3476-03	2	Upper Cradle ASM	27:1	40998	1	Seat-Gasket
5	104-8301	12	Nut-Flange, NI	28	108-3735	1	Hose-Boom, Center (LH)
6	108-3472-03	2	Lower Cradle ASM	29	114-9579-03	1	Frame ASM
7	110-5057	4	Capscrew-HHF	30	108-3725	1	Body-Turret, Single (LH)
8	110-5050	10	Screw-HHF	31	107-8775	3	Bracket-Mount, Nozzle
9	108-3408-03	1	Frame-Mount, Boom (LH)	32	110-5053	2	Screw-Flange
10	108-3723	1	Grommet	33	112-7884	2	Pivot Pin ASM
11	108-3745	4	Nut-HF, Whiz	34	114-9560-03	1	Strap-Clevis
12	108-3409-03	1	Frame-Mount, Boom (RH)	35	108-3436	2	Pin-Clevis
13	108-3744	2	Screw-Shoulder	36	3290-468	2	Pin-Cotter
14	114-9566	2	Clamp-R	37	3269-18	6	Rivet-Pop
15	108-3743	2	Washer	38	108-3438	2	Actuator
16	104-8300	17	Nut-Flange, NI	39	108-3742	2	Screw-HHF
17	108-3469-03	1	Plate-Washer	40	110-5067	2	Screw-CARR
18	108-3726	1	Body-Turret, Single (RH)	41	110-5070	2	Bumper-Neoprene
19	108-3718	1	Hose-Boom, Center (RH)	42	3256-68	2	Washer-Flat
20	2412-129	7	Clamp-Hose	43	32128-54	2	Nut-HF
21	108-3439	1	Tee	44	112-7881	2	Bumper
22	108-3717	1	Hose-Boom	45	108-3748	8	Screw-HHF
23	3296-23	2	Nut-Lock, NI	46	112-7872-03	2	Bracket-Hard Stop
24	95-9187	6	Cap-Blank	47	105-1763	2	Screw-HHF
24:1	40998	1	Seat-Gasket				



## Left and Right Hand Boom Assembly

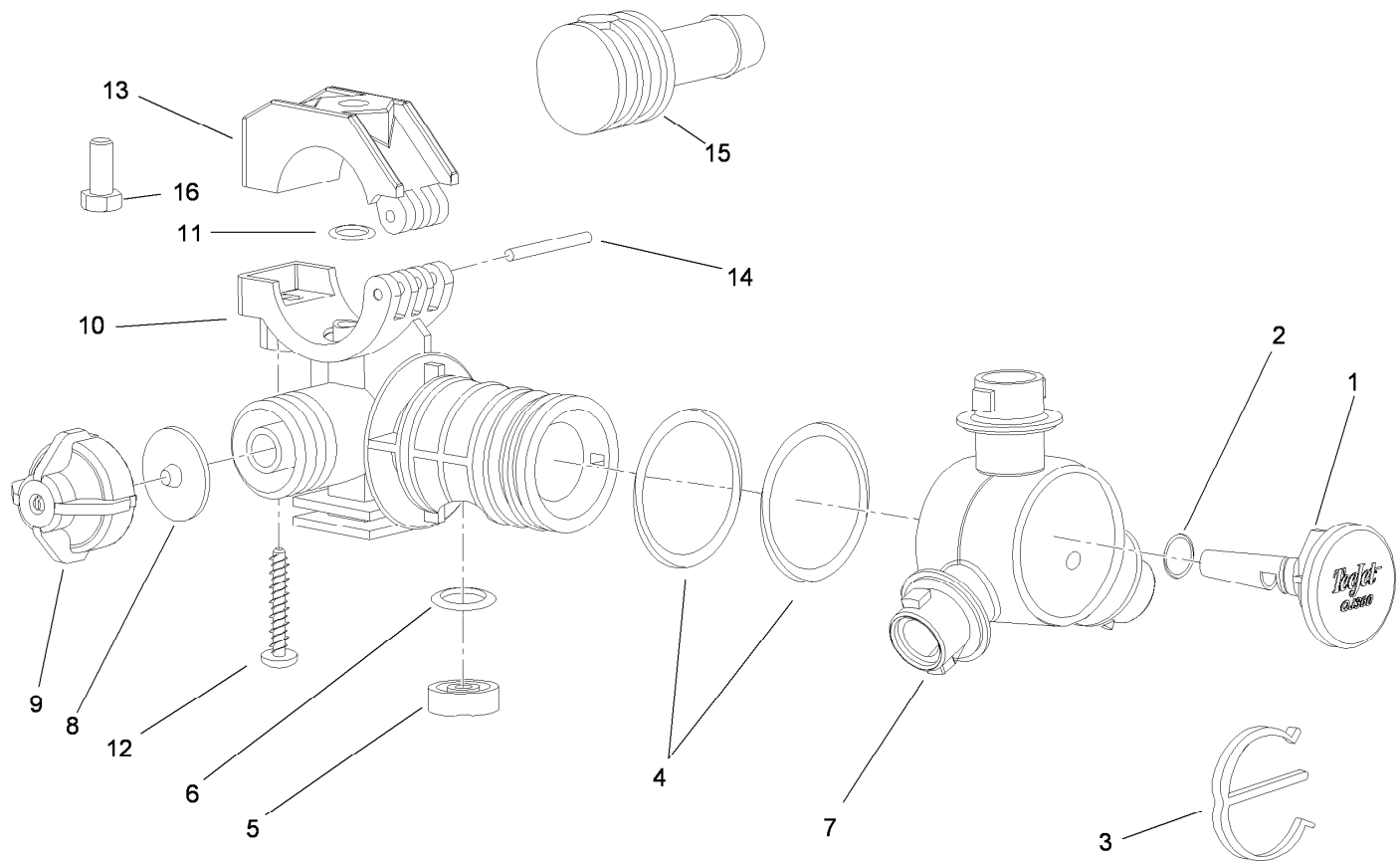
Ref.	Part Number	Qty.	Description
1	108-3459	4	Boot-Hinge
2	108-3440	4	Spring-Breakaway, Boom
3	108-3730	4	Tube-Hinge
4	108-3444	4	Retainer-Spring
5	3296-15	4	Nut-Lock, NI
6	108-3738	4	Screw-HH
7	110-5054	4	Washer-Flat
8	302-5	8	Fitting-Grease
9	110-5050	16	Screw-HHF
10	108-3605	8	Plate-Backing
11	104-8300	10	Nut-Flange, NI
14	108-3429	4	Block-Slide
15	108-3746	8	Screw-Plastite
16	108-3524-03	1	RH Boom ASM
17	108-3525-03	1	LH Boom ASM
18	108-3726	2	Body-Turret, Single (RH)
19	108-3725	2	Body-Turret, Single (LH)
20	40506	4	Hose-Jumper

Ref.	Part Number	Qty.	Description
21	2412-129	18	Clamp-Hose
22	108-3727	4	Body-Turret, Double
23	240-3	4	Grommet-Rubber
24	108-3721	2	Hose-Boom
25	104-8301	16	Nut-Flange, NI
26	108-3439	2	Tee
27	108-3728	2	Hose-Boom
28	95-9186	8	Cap
28:1	40998	1	Seat-Gasket
30	95-9187	16	Cap-Blank
30:1	40998	1	Seat-Gasket
31	108-3471-03	4	Hinge
32	108-3600-03	2	Bracket-Pivot
33	100-8541	4	Bushing-A Arm
34	108-3748	2	Screw-HHF
35	108-3419	2	Pivot Pin ASM
36	107-8650	2	Conduit-Convolved
37	3290-378	4	Tie-Cable



## RH Single Body Turret Assembly No. 108-3726

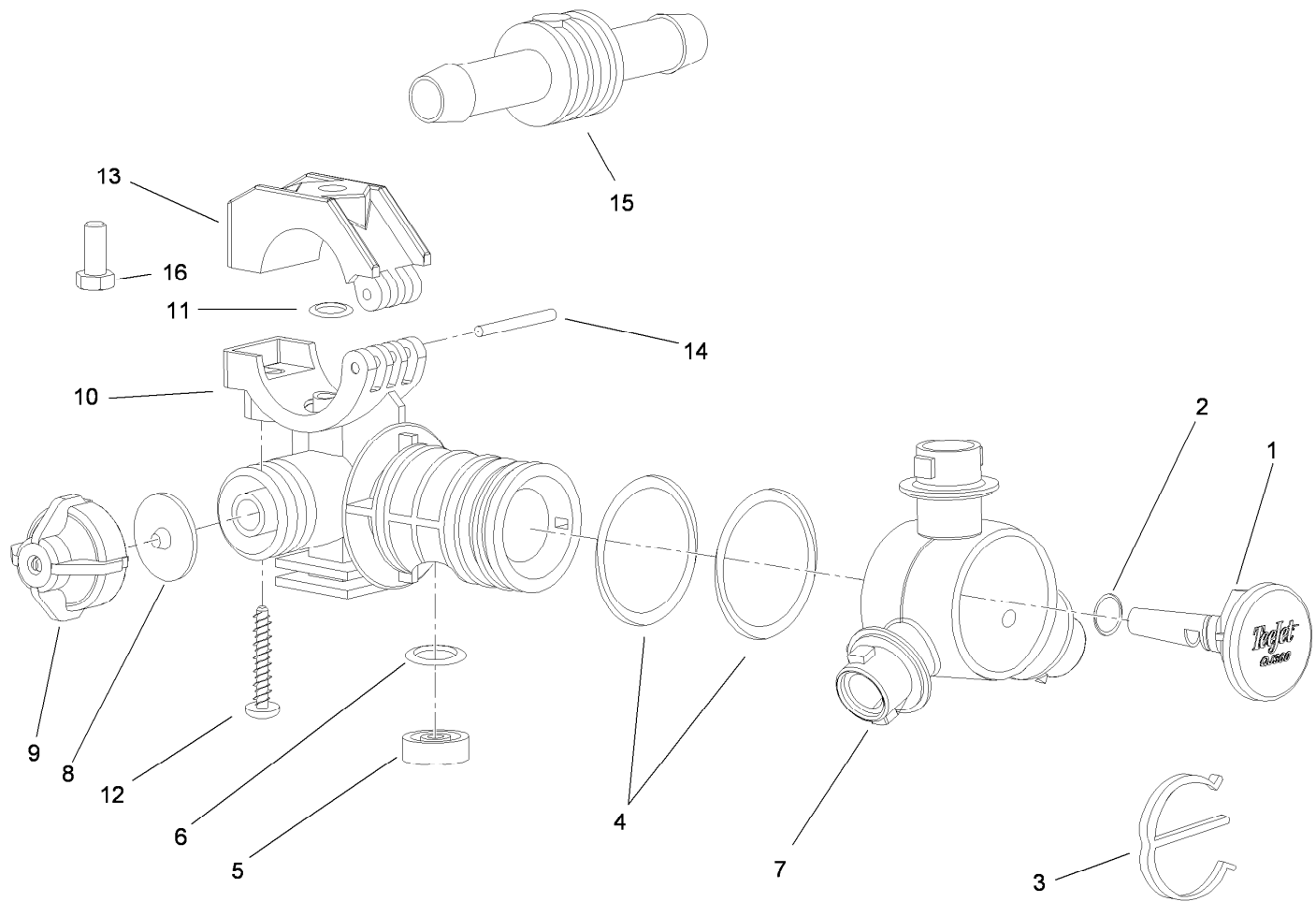
<i>Ref.</i>	<i>Part Number</i>	<i>Qty.</i>	<i>Description</i>	<i>Ref.</i>	<i>Part Number</i>	<i>Qty.</i>	<i>Description</i>
1	95-9200	1	Plug	9	95-9193	1	Cap-Diaphragm
2	95-9198	1	O-Ring	10	95-9192	1	Body-Split Eyelet
3	95-9197	1	E-Clip	11	95-9191	1	O-Ring
4	95-9199	2	O-Ring	12	99-0811	1	Screw-Clamp
5	108-3264	1	Seal-Viton	13	99-0812	1	Clamp-Upper
6	108-3265	1	O-Ring-Viton	14	99-0814	1	Pin-Pivot
7	95-9196	1	Turret	15	95-9201	1	Shank-Hose
8	41003	1	Diaphragm	16	322-3	1	Screw-HH



## LH Single Turret Body Assembly No. 108-3725

Ref.	Part Number	Qty.	Description	Ref.	Part Number	Qty.	Description
1	95-9200	1	Plug	9	95-9193	1	Cap-Diaphragm
2	95-9198	1	O-Ring	10	95-9192	1	Body-Split Eyelet
3	95-9197	1	E-Clip	11	95-9191	1	O-Ring
4	95-9199	2	O-Ring	12	99-0811	1	Screw-Clamp
5	108-3264	1	Seal-Viton	13	99-0812	1	Clamp-Upper
6	108-3265	1	O-Ring-Viton	14	99-0814	1	Pin-Pivot
7	95-9196	1	Turret	15	95-9201	1	Shank-Hose
8	41003	1	Diaphragm	16	322-3	1	Screw-HH





## Double Turret Body Assembly No. 108-3727

Ref.	Part Number	Qty.	Description	Ref.	Part Number	Qty.	Description
1	95-9200	1	Plug	9	95-9193	1	Cap-Diaphragm
2	95-9198	1	O-Ring	10	95-9192	1	Body-Split Eyelet
3	95-9197	1	E-Clip	11	95-9191	1	O-Ring
4	95-9199	2	O-Ring	12	99-0811	1	Screw-Clamp
5	108-3264	1	Seal-Viton	13	99-0812	1	Clamp-Upper
6	108-3265	1	O-Ring-Viton	14	99-0814	1	Pin-Pivot
7	95-9196	1	Turret	15	95-9202	1	Shank-Hose
8	41003	1	Diaphragm	16	322-3	1	Screw-HH

# Attachments and Accessories

## For 41235 Workman 200 Spray System, Heavy-Duty Workman Vehicles

<b>Product Name</b>	<b>Model/Part</b>
Sprayer Valves O-Ring Kit .....	106-4846
Turret Seal Repair Kit .....	108-3263
Single Nozzle Kit.....	41024
Hose Reel Kit.....	41097
Spray Gun Kit .....	41133
Pro Foam Concentrate (4 X 1 Gallon).....	41157
Sonic Boom Kit .....	41217
Foam Marker Kit .....	41236
Pro-Foam.....	41607

**Notes:**



**Count on it.**