



Workman[®] 200 Spray System Heavy-Duty Workman[®] Vehicles

Model No. 41235 - 270000001 and up.

Parts Catalog

Ordering Replacement Parts

To order replacement parts, please supply the part number, the quantity, and the description of each part desired.

Understanding Reference Numbers

Each Identified part in an illustration has a reference number. The reference number for a part also appears in the parts list, along with other information about the part.

This catalog uses two special reference number formats, one to indicate parts in a service assembly and another to indicate the quantity of a given part in an illustration.

Service Assembly Reference Numbers

Parts in service assemblies have reference numbers in the form a:b. The a represents the reference number of the entire service assembly and the b represents a sequential number unique to each part within the service assembly.

For example, a wheel assembly might be identified by reference number 6, the tire by 6:1, the valve by 6:2, and the wheel by 6:3. When you order the assembly identified by reference number 6, you receive all parts identified by reference numbers 6:1, 6:2, and 6:3. However, you may also order any part individually. Reference numbers of this type appear in illustrations and in part lists.

Reference Numbers Indicating Quantity

In an illustration, if a reference number indicates more than one part, the reference number has the form nX y. The n represents the quantity of the part, the X is the multiplication symbol, and the y represents the reference number.

For example, in an illustration, the reference number 2X 37 means that two of the parts identified by reference number 37 are indicated.

Contents

| Description | Page | Description | Page |
|--|----------|---|----------|
| Skid and Frame Assembly | 3 | Upper Tank Drain Bulkhead Assembly | 16 |
| Fresh Water Tank Assembly | 4 | Top Mounted Suction Assembly No. 107-2800 | 17 |
| Fresh Water Tank Assembly No. 100-8438 | 5 | Lower Sprayer Component Assembly | 18 |
| Tank and Cover Assembly | 6 | Safety Valve Assembly No. 100-6820 | 19 |
| 200 Gallon Tank Assembly No. 106-1366 | 7 | Control Valve Assembly | 20 |
| Lid Seal Assembly | 8 | EVC Control Valve Assembly | 21 |
| Lid Assembly | 9 | Control Box Assembly | 23 |
| Pump and Drive Assembly | 10 | Hose Assembly | 24 |
| Pump Assembly No. 106-5121 | 11 | Electrical Harness Assembly | 26 |
| Drive Shaft Assembly No. 107-2810 | 12 | Center Boom Assembly | 27 |
| Upper Sprayer Component Assembly | 13 | Left and Right Hand Boom Assembly | 28 |
| Suction and Drain Assembly | 14 | Attachments and Accessories List | 29 |
| Tank Drain Assembly | 15 | | |

Part Description Abbreviations

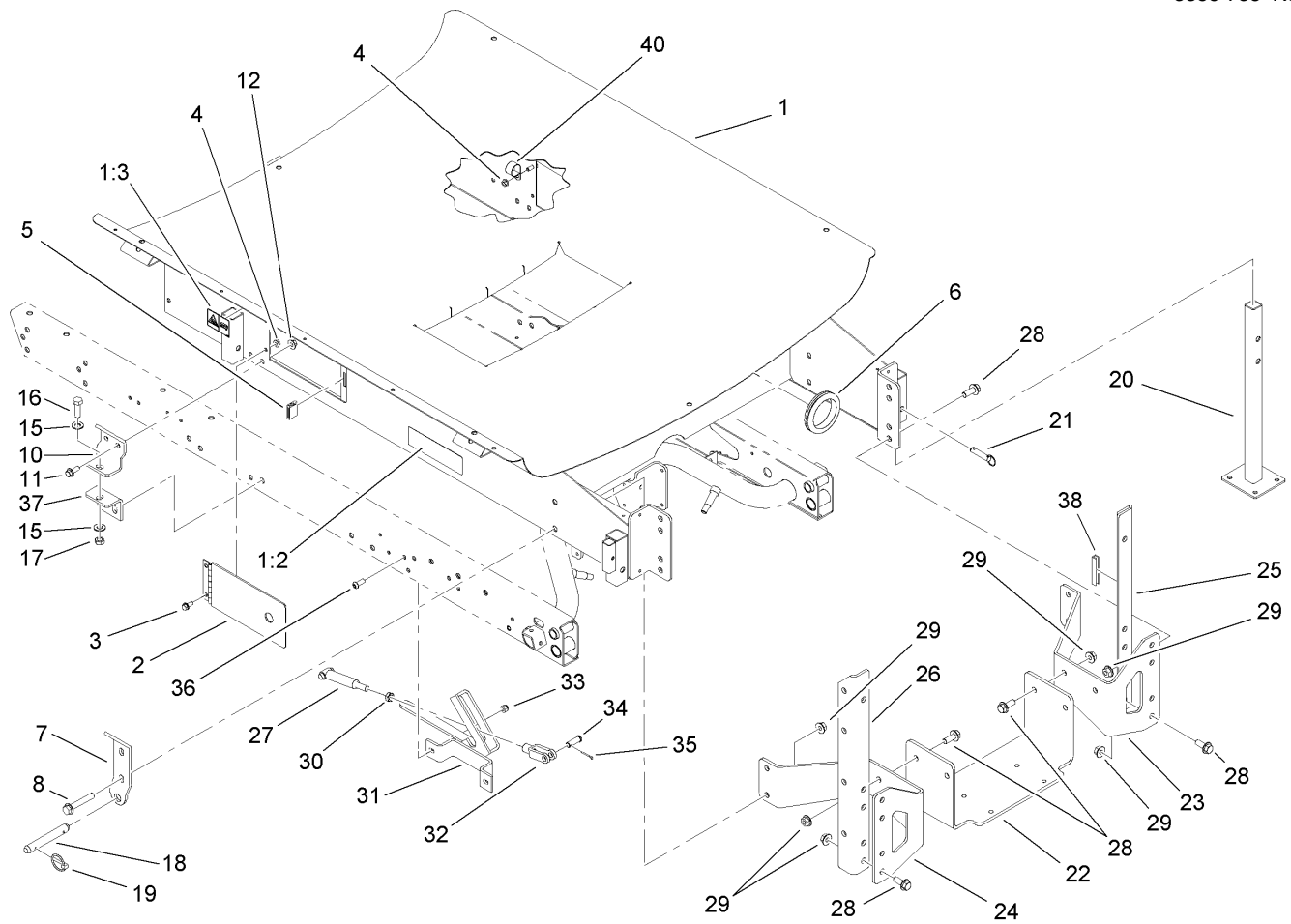
Part descriptions in this catalog may include the following abbreviations.

| | |
|--|--|
| AR. as required | HYD. hydraulic |
| ASM. assembly | LH. left hand |
| BBC. blade brake clutch | NI. nylon insert |
| CARR. carriage | NPTF. national pipe thread fine |
| DEG. degrees | PFH. phillips flat head |
| EXT. external | PPH. phillips pan head |
| FH. flat head | PPHTF. phillips pan head thread forming |
| GA. gauge | PRH. phillips round head |
| HD. heavy-duty | PTH. phillips truss head |
| HF. hex flange | PTO. power-take-off |
| HH. hex head | RH. right hand |
| HHF. hex head flange | ROPS. roll-over protection system |
| HHFTF. hex head flange thread forming | SFH. slotted fillister head |
| HJ. hex jam | SHH. slotted hex head |
| HLH. hex lag head | SHWH. slotted hex washer head |
| HOC. height-of-cut | SPH. slotted pan head |
| HSBH. hex socket button head | SQH. square head |
| HSFH. hex socket flat head | SRH. slotted round head |
| HSH. hex socket head | STD. standard |
| HWH. hex washer head | TAP. self tapping |
| HWHTF. hex washer head thread forming | TTH. torx truss head |

Footnotes

❶ Not illustrated

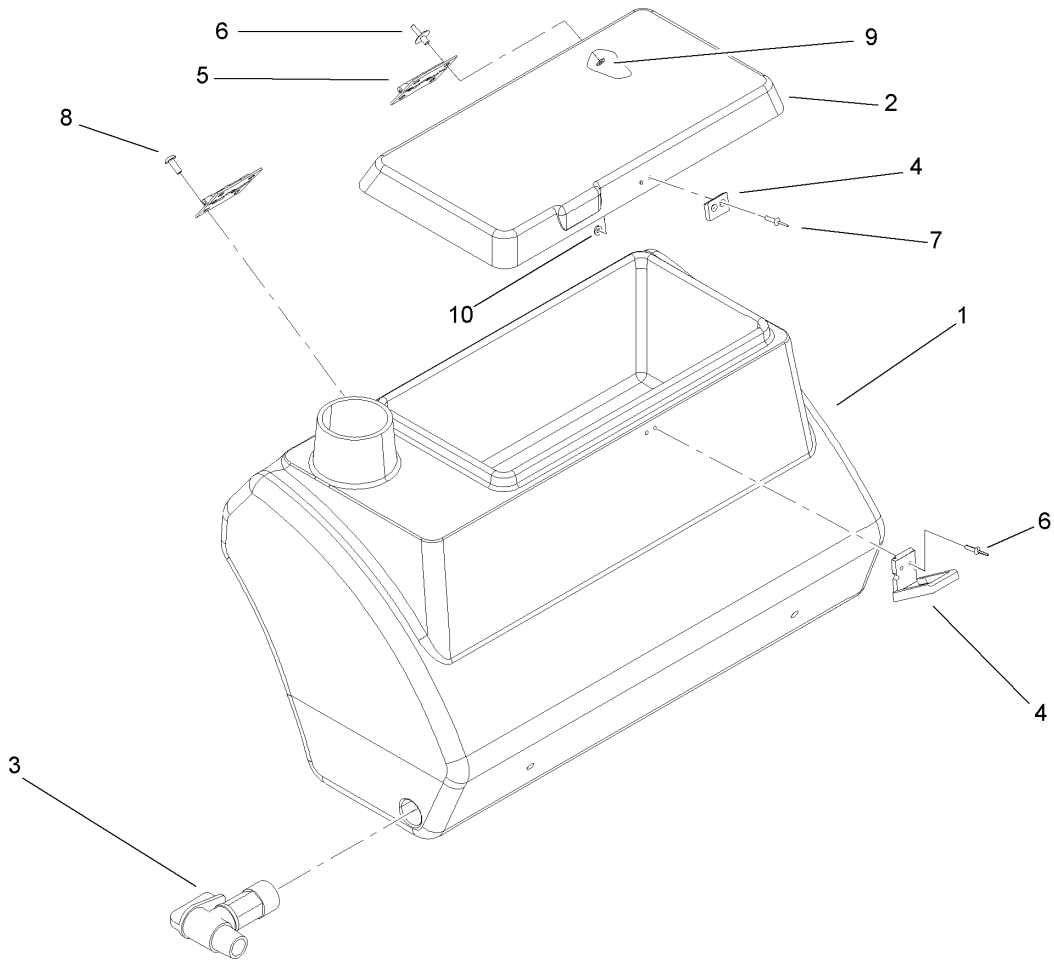
❷ Not serviced separately



Skid and Frame Assembly

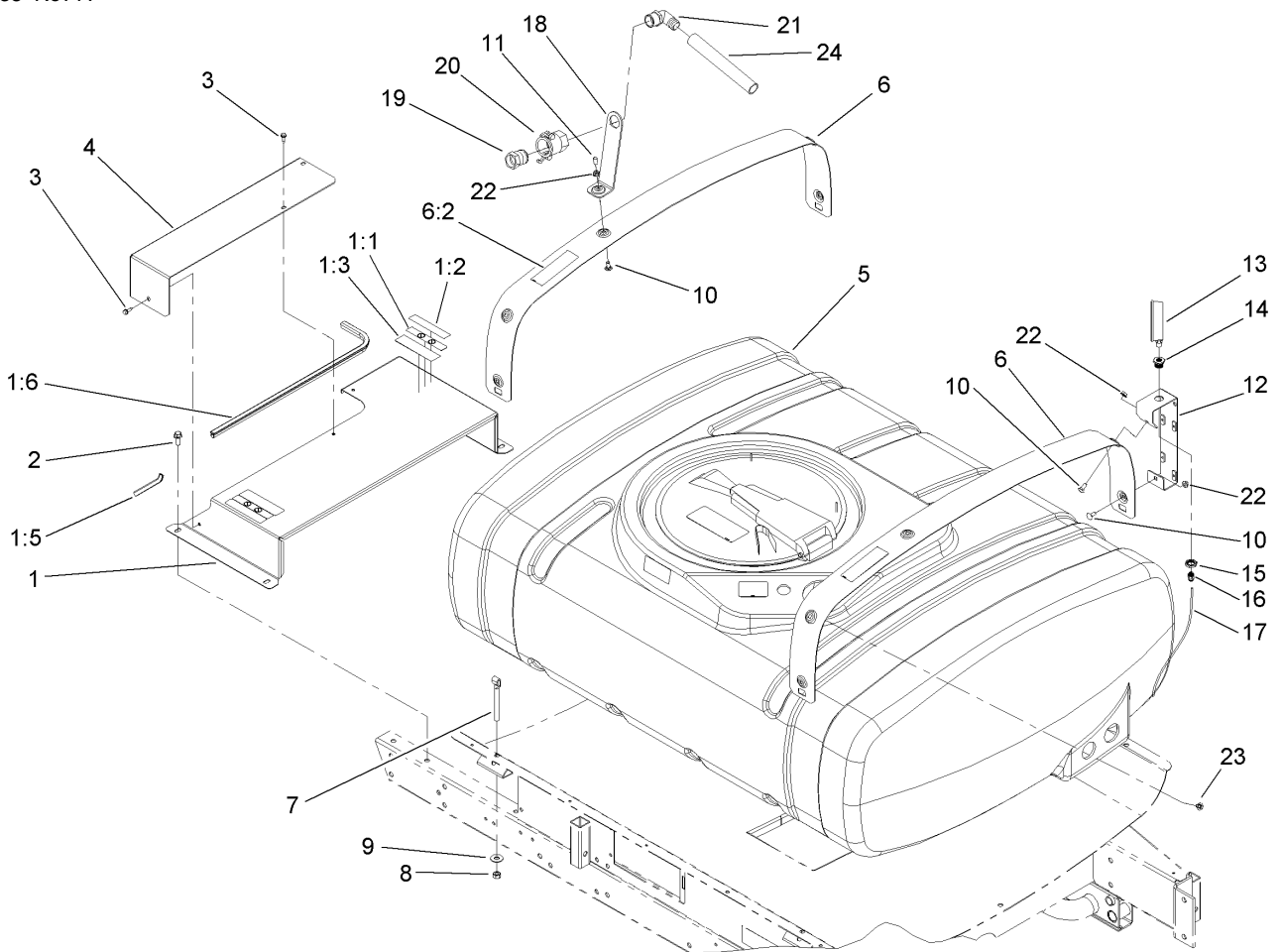
| Ref | Part No. | Qty. | Description |
|-----|-------------|------|----------------------|
| 1 | 106-1367 | 1 | Skid ASM |
| 1:2 | 106-1365 | 1 | Decal-Danger |
| 1:3 | 106-1434 | 2 | Decal-Caution |
| 2 | 106-1290-03 | 2 | Door ASM |
| 3 | 3234-5 | 4 | Screw-HHF |
| 4 | 32128-20 | 4 | Nut-HF |
| 5 | 92-3700 | 2 | Magnet-Door |
| 6 | 237-102 | 3 | Grommet |
| 7 | 107-2858 | 2 | Pivot-Lug |
| 8 | 3234-40 | 4 | Screw-HF |
| 10 | 107-2859 | 2 | Bracket-Mount, Front |
| 11 | 3234-42 | 4 | Screw-HHF |
| 12 | 32128-43 | 4 | Nut-Flange |
| 15 | 3256-26 | 4 | Washer-Flat |
| 16 | 325-6 | 2 | Screw-HH |
| 17 | 32153-5 | 2 | Nut-Lock, Side |
| 18 | 92-1233 | 2 | Pin-Clevis |
| 19 | 92-1298 | 4 | Pin-Lynch |
| 20 | 105-9482-03 | 4 | Jack Stand ASM |
| 21 | 100-4523 | 4 | Pin-Hitch |
| 22 | 106-1345-03 | 1 | Base-Pump |
| 23 | 108-3496-03 | 1 | Bracket-Pump, RH |
| 24 | 108-3497-03 | 1 | Bracket-Pump, LH |
| 25 | 108-3703-03 | 1 | Angle-Boom Mount, RH |

| Ref | Part No. | Qty. | Description |
|-----|-------------|------|---------------------------|
| 26 | 108-3704-03 | 1 | Angle-Boom Mount, LH |
| 27 | 106-1413 | 1 | Prop Rod ASM |
| 28 | 3234-32 | 10 | Screw-HHF |
| 29 | 32128-49 | 14 | Nut-HHF |
| 30 | 3220-5 | 1 | Nut-Jam |
| 31 | 106-2491-03 | 1 | Strut Support Bracket ASM |
| 32 | 100-7338 | 1 | Clevis |
| 33 | 3296-39 | 2 | Nut-Lock, NI |
| 34 | 104-3634 | 1 | Pin-Clevis |
| 35 | 3272-11 | 1 | Pin-Cotter |
| 36 | 3274-94 | 2 | Screw-HSBH |
| 37 | 92-2667-03 | 2 | Bracket-Attachment, Mount |
| 38 | 70-2041 | 1 | Trim |
| 40 | 2412-126 | 1 | R-Clamp |



Fresh Water Tank Assembly No. 100-8438

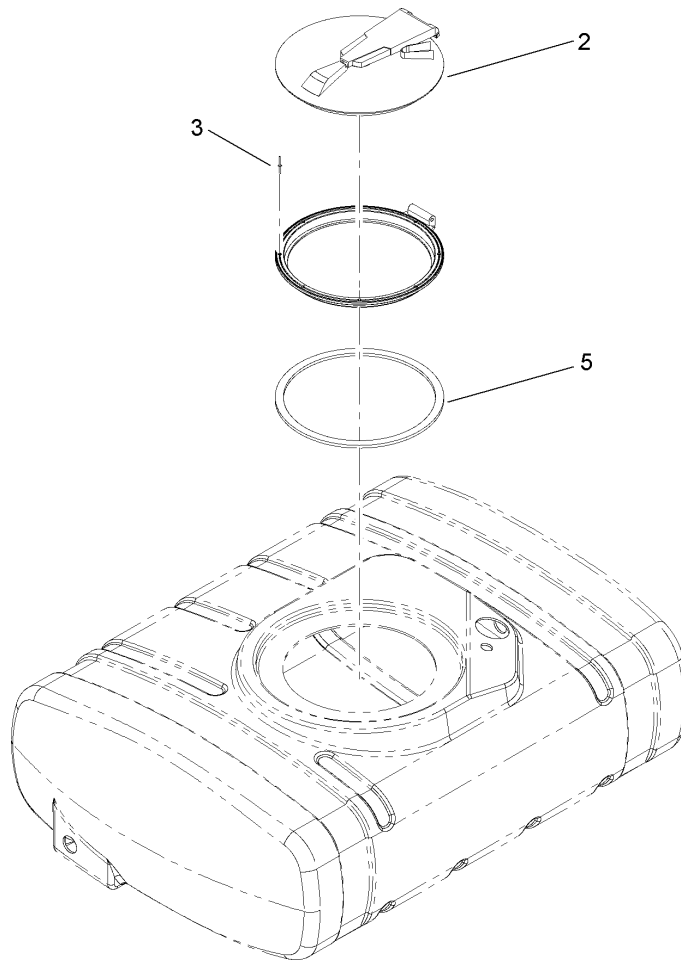
| Ref | Part No. | Qty. | Description |
|-----|----------|------|-------------------|
| 1 | | 1 | Tank-Water, Fresh |
| 2 | 100-8397 | 1 | Cover-Tank |
| 3 | 100-7011 | 1 | Spigot-90 DEG |
| 4 | 100-7009 | 1 | Latch-Draw |
| 5 | 100-7010 | 2 | Hinge |
| 6 | 100-7062 | 4 | Rivet |
| 7 | 100-7063 | 4 | Rivet |
| 8 | 100-7064 | 4 | Screw |
| 9 | 100-7065 | 4 | Washer |
| 10 | 100-7066 | 2 | Washer |



Tank and Cover Assembly

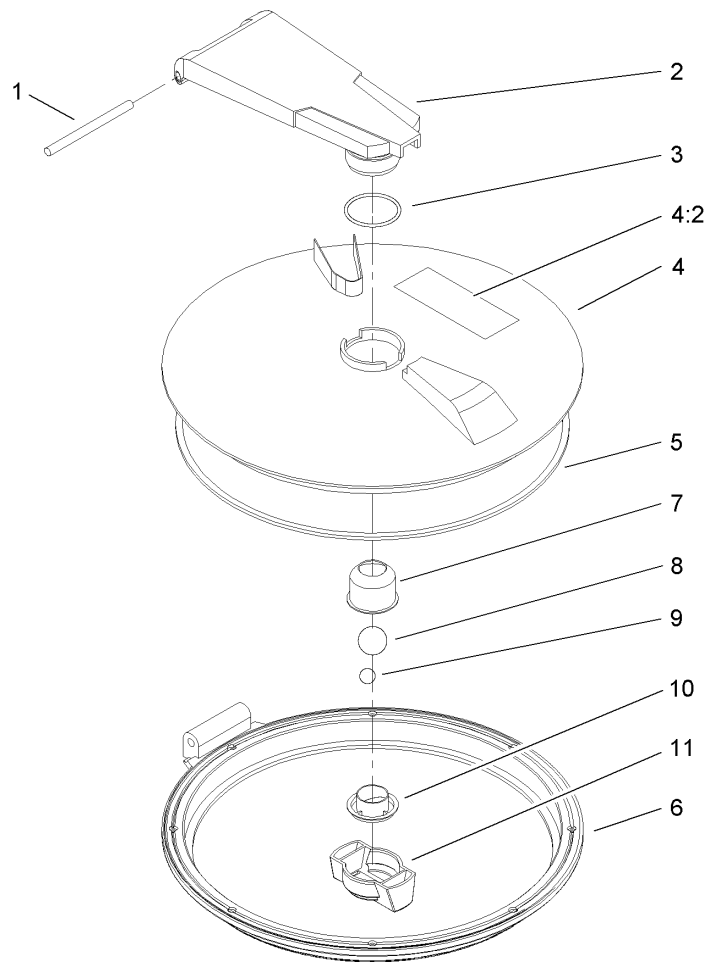
| Ref | Part No. | Qty. | Description |
|-----|-------------|------|-------------------------------|
| 1 | 106-2275 | 1 | Radiator Cover ASM |
| 1:1 | 93-6687 | 2 | Decal-No Step |
| 1:2 | 93-6689 | 2 | Decal-No Riders |
| 1:3 | 93-7814 | 2 | Decal-Danger |
| 1:5 | 92-3627 | 1 | Trim |
| 1:6 | 42657 | 1 | Trim-Panel, Front |
| 2 | 3234-42 | 4 | Screw-HHF |
| 3 | 32104-95 | 3 | Screw-HWH |
| 4 | 93-6427-03 | 1 | Panel-Radiator |
| 5 | 106-1366 | 1 | 200 Gallon Tank ASM |
| 6 | 106-1368 | 2 | Band-Tank |
| 6:2 | 106-5016 | 1 | Decal-Caution, Electric Shock |
| 7 | 92-3668 | 4 | Bolt-J |
| 8 | 3217-8 | 4 | Nut-Hex |
| 9 | 3256-5 | 4 | Washer-Flat |
| 10 | 3230-1 | 3 | Bolt-CARR |
| 11 | 42452 | 1 | Cap-Protective |
| 12 | 106-7997-03 | 1 | Tee Mounting Bracket ASM |
| 13 | 110-5078 | 1 | Gauge-Pressure |
| 14 | 100-8665 | 1 | Reducer-Gauge, Pressure |
| 15 | 100-8666 | 1 | Nut-Reducer |
| 16 | 100-8667 | 1 | Coupler-Reducer |
| 17 | 107-2834 | 1 | Tubing-Pressure |
| 18 | 100-6778-03 | 1 | Bracket-Siphon, Anti |

| Ref | Part No. | Qty. | Description |
|-----|----------|------|-------------------|
| 19 | 41316 | 1 | Adapter-Quick |
| 20 | 100-6779 | 1 | Coupling-Female |
| 21 | 41140 | 1 | Elbow |
| 22 | 32128-20 | 3 | Nut-HF |
| 23 | 3230-19 | 1 | Screw-CARR |
| 24 | 104-9075 | 1 | Hose-Siphon, Anti |



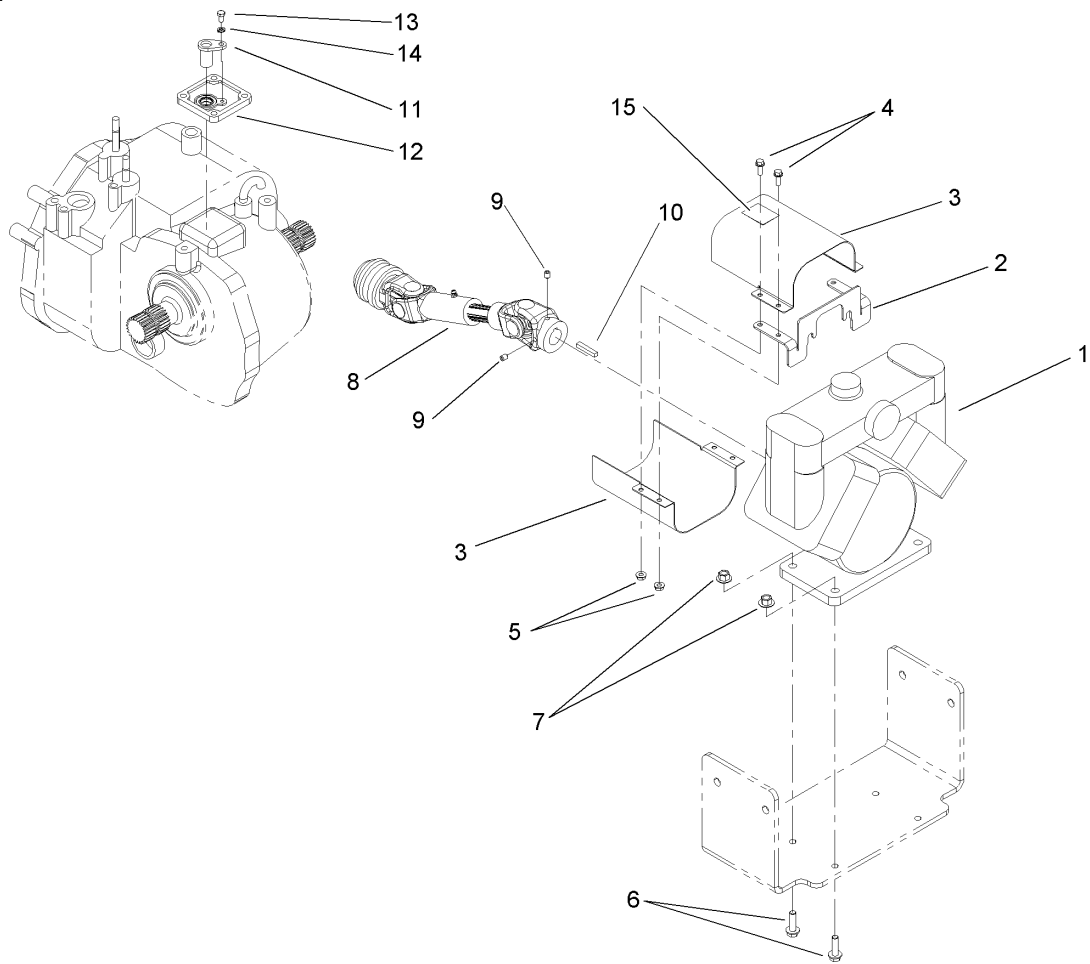
Lid Seal Assembly

| Ref | Part No. | Qty. | Description |
|-----|----------|------|-------------------------|
| 2 | | 1 | Screw Type Tank Lid ASM |
| 3 | 93-0833 | 8 | Rivet |
| 5 | 106-4991 | 1 | Seal-Lid |



Lid Assembly

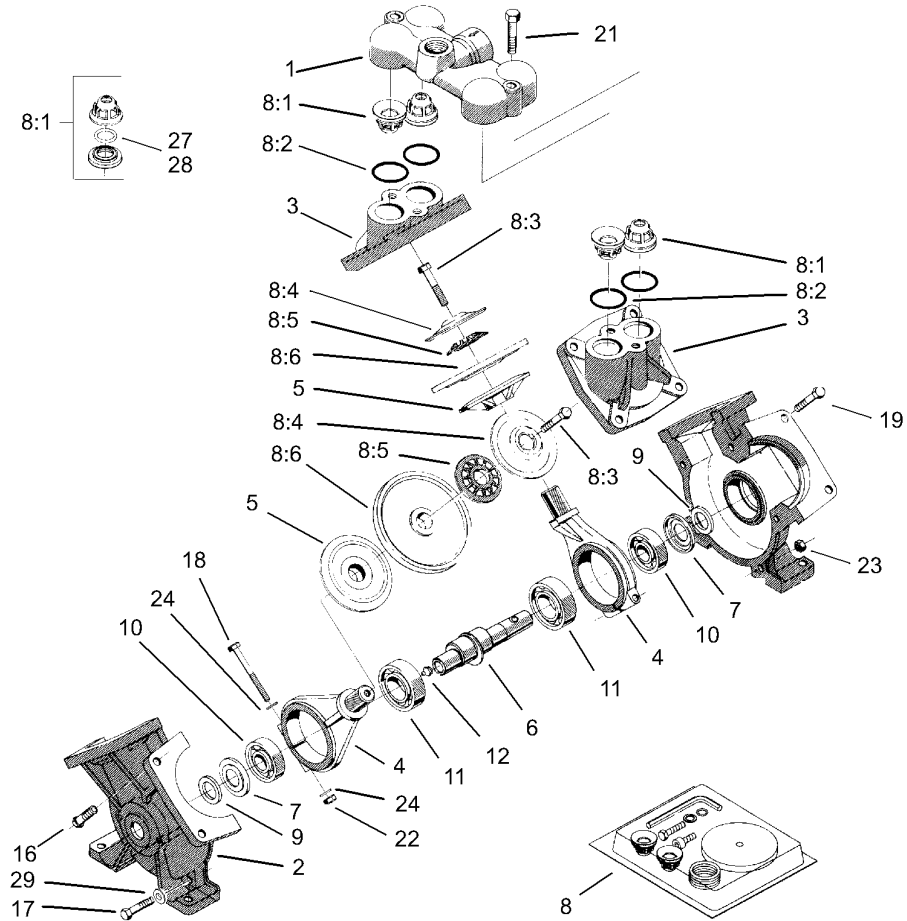
| Ref | Part No. | Qty. | Description | | | | |
|-----|----------|------|-------------------------|--|--|--|--|
| 1 | 106-5000 | 1 | Pin-Pivot | | | | |
| 2 | 106-5001 | 1 | Arm | | | | |
| 3 | 106-5002 | 1 | O-Ring | | | | |
| 4 | 106-1369 | 1 | Lid | | | | |
| 4:2 | 93-0688 | 1 | Decal-Warning, Chemical | | | | |
| 5 | 106-5004 | 1 | Seal-Lid | | | | |
| 6 | 106-5005 | 1 | Ring | | | | |
| 7 | 106-5006 | 1 | Cup-Vent | | | | |
| 8 | 106-5007 | 1 | Ball-Floating | | | | |
| 9 | 106-5008 | 1 | Ball-Weight | | | | |
| 10 | 106-5009 | 1 | Holder-Ball | | | | |
| 11 | 106-5010 | 1 | Nut-Wing | | | | |



Pump and Drive Assembly

| Ref | Part No. | Qty. | Description |
|-----|-------------|------|--------------------|
| 1 | 106-5121 | 1 | Pump |
| 2 | 104-8970-03 | 1 | Bracket-Shroud |
| 3 | 104-8971-03 | 2 | Shroud-Drive, Pump |
| 4 | 3234-4 | 4 | Screw-HHF |
| 5 | 32128-33 | 4 | Nut-HF |
| 6 | 3234-24 | 4 | Screw-HHF |
| 7 | 32128-43 | 4 | Nut-Flange |
| 8 | 107-2810 | 1 | Shaft-Drive, PTO |
| 9 | 3246-18 | 2 | Setscrew |
| 10 | 67-7490 | 1 | Key-Square |
| 11 | 85-4350 | 1 | Sensor-Geartooth |
| 12 | 92-3736 | 1 | Cover ASM |
| 13 | 33113-012 | 1 | Screw-HH |
| 14 | 48-8020 | 1 | Washer-Spring |
| 15 | 106-1354 | 1 | Decal |

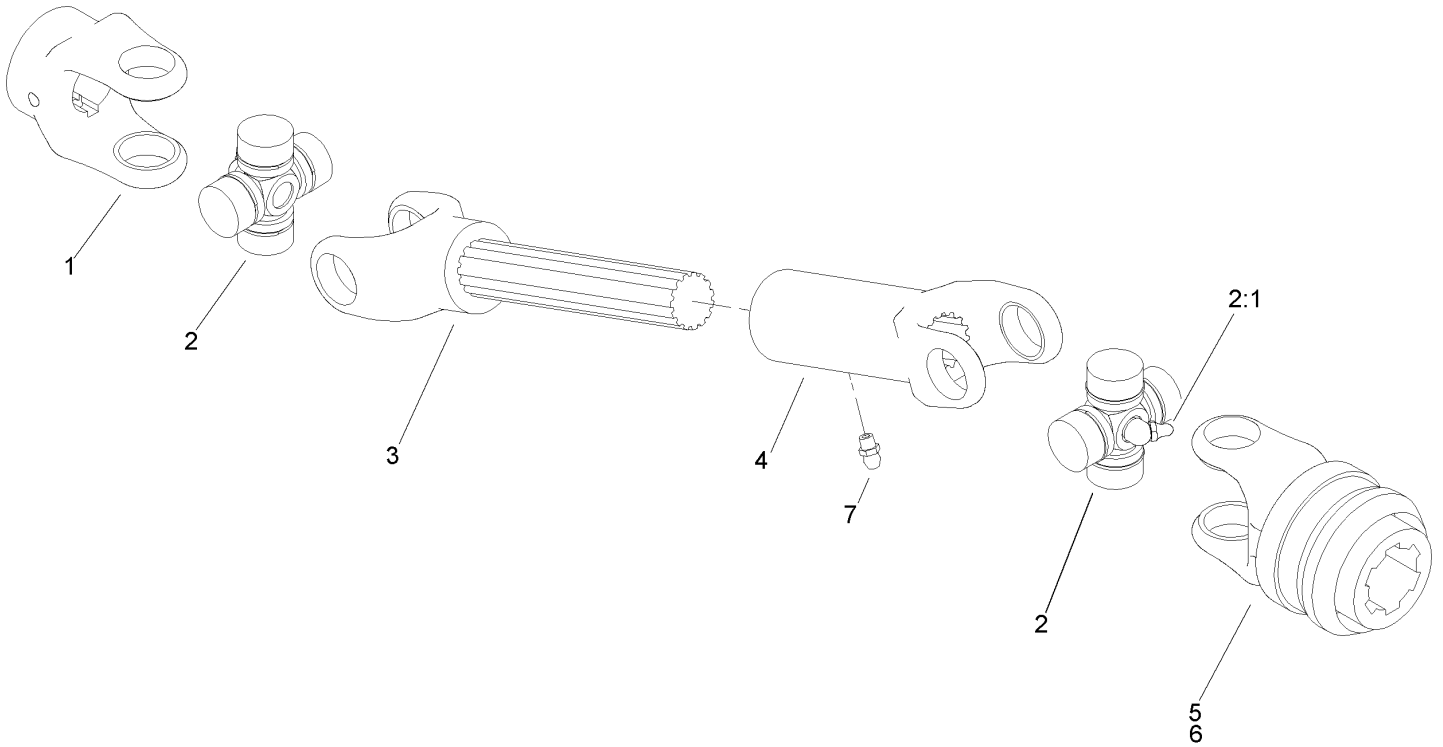
| | | | |
|--|--|--|--|
| | | | |
|--|--|--|--|



Pump Assembly No. 106-5121

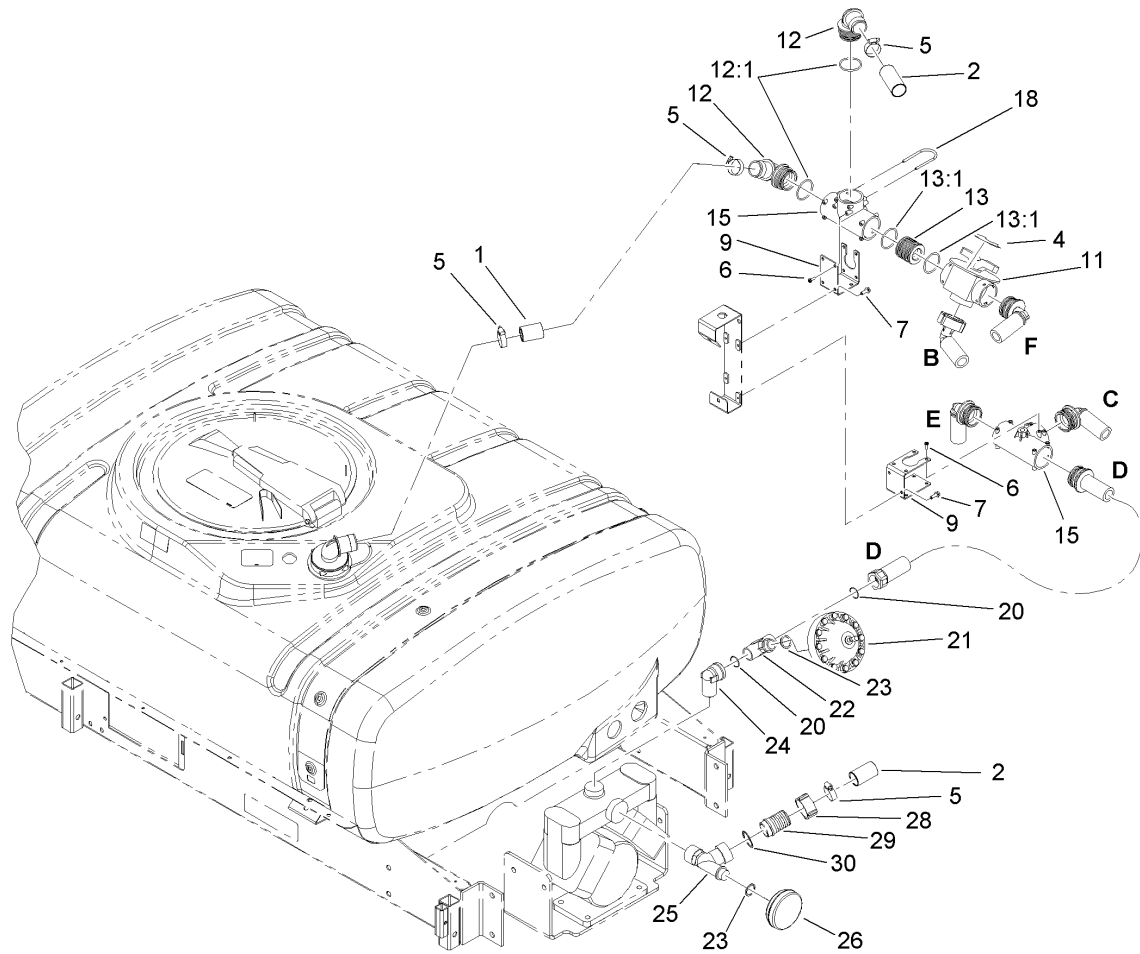
| Ref | Part No. | Qty. | Description |
|-----|----------|------|----------------------|
| 1 | 106-5139 | 1 | Cover-Valve |
| 2 | 106-5140 | 2 | Housing-Pump |
| 3 | 106-5141 | 2 | Cover-Diaphragm |
| 4 | 106-5142 | 2 | Rod-Connecting |
| 5 | 100-8314 | 2 | Disc-Back, Diaphragm |
| 6 | 104-9052 | 1 | Crankshaft-Keyed |
| 7 | 100-8325 | 2 | Plate-Dust |
| 8 | 106-5150 | 1 | Repair Kit |
| 8:1 | 100-8307 | 4 | Valve |
| 8:2 | 100-6652 | 4 | Gasket |
| 8:3 | 106-5147 | 2 | Bolt |
| 8:4 | 100-8311 | 2 | Washer |
| 8:5 | 100-8312 | 2 | Washer-Nylon |
| 8:6 | 100-8313 | 2 | Diaphragm |
| 9 | 99-0868 | 2 | Felt-Seal |
| 10 | 100-8327 | 2 | Bearing-Ball |
| 11 | 100-8329 | 2 | Bearing-Ball |
| 12 | 99-0873 | 1 | Fitting-Grease |
| 16 | 106-5143 | 3 | Bolt |
| 17 | 106-5144 | 2 | Bolt |
| 18 | 106-5145 | 2 | Bolt |
| 19 | 106-5146 | 8 | Bolt |
| 21 | 106-5148 | 2 | Bolt |
| 22 | 100-8326 | 2 | Nut-Hex |

| Ref | Part No. | Qty. | Description |
|-----|----------|------|-------------|
| 23 | 106-5149 | 5 | Nut |
| 24 | 100-8316 | 4 | Washer-Lock |
| 27 | 100-8336 | 4 | O-Ring |
| 28 | 106-5138 | 4 | O-Ring |
| 29 | 106-5137 | 2 | Washer |



Drive Shaft Assembly No. 107-2810

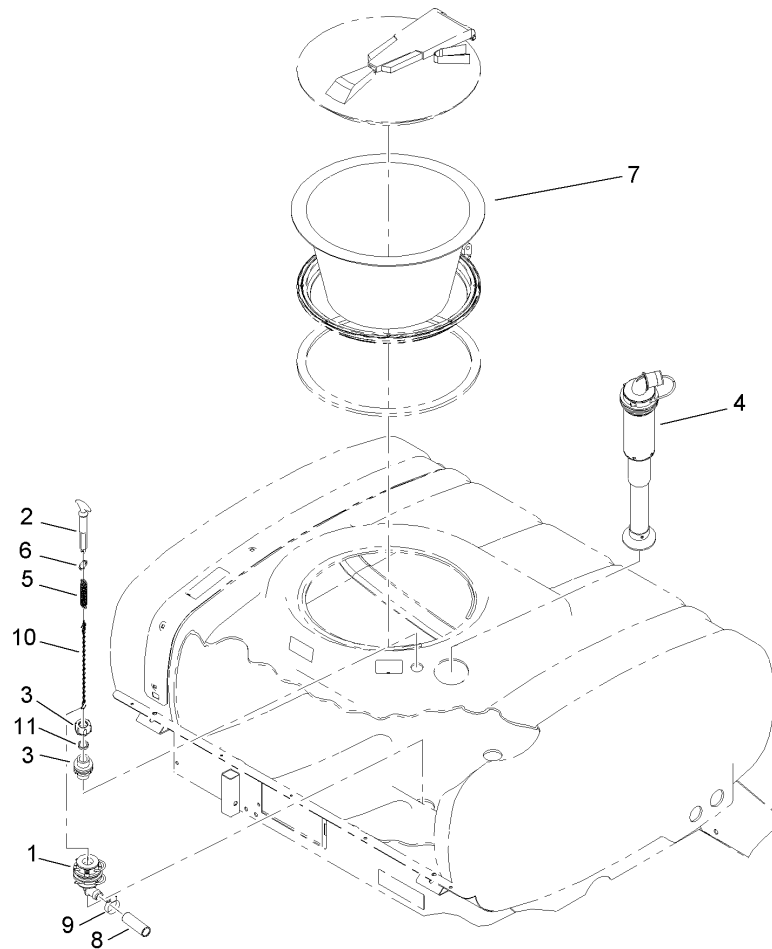
| Ref | Part No. | Qty. | Description |
|-----|----------|------|---------------------------------|
| 1 | 107-2823 | 1 | Yoke-Shaft |
| 2 | 54-9180 | 2 | U-Joint Kit |
| 2:1 | 62-3820 | 1 | Fitting-Grease |
| 3 | 107-2824 | 1 | Shaft-Yoke, Slip |
| 4 | 94-7379 | 1 | Tube-Yoke, Slip |
| 5 | 99-4476 | 1 | Spring-Lok Yoke ASM |
| 6 | 99-4477 | 1 | Yoke Spring Lock Repair Kit ASM |
| 7 | 302-5 | 1 | Fitting-Grease |



Upper Sprayer Component Assembly

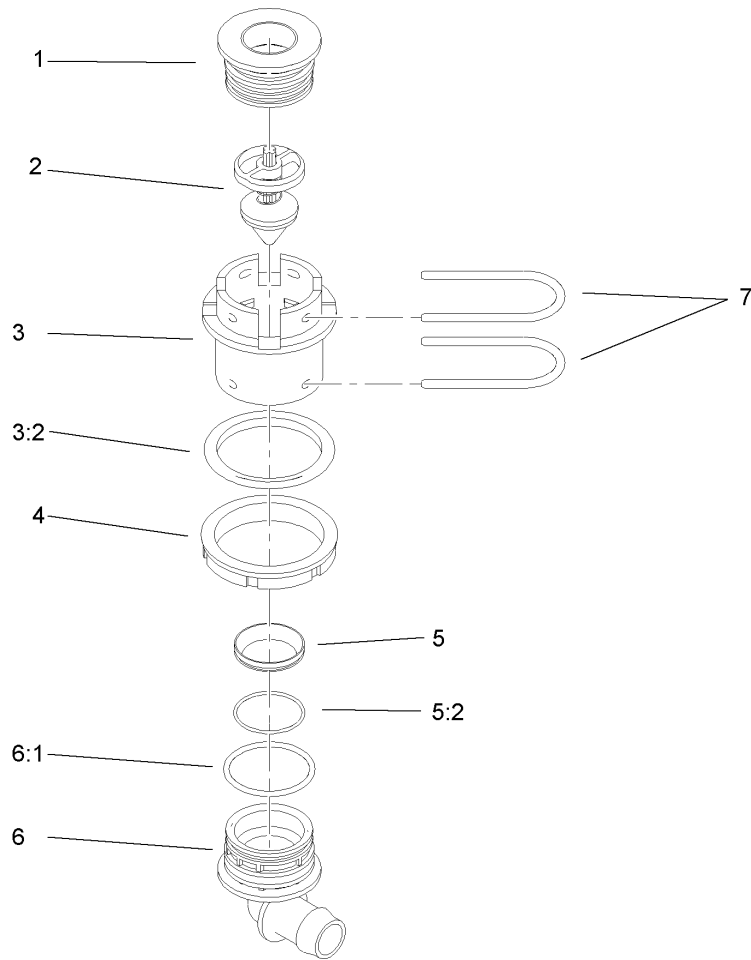
| Ref | Part No. | Qty. | Description |
|------|----------|------|---------------------|
| 1 | 107-2804 | 1 | Hose-Suction |
| 2 | 107-2805 | 1 | Hose-Suction |
| 4 | 107-8621 | 1 | Decal-Agitation |
| 5 | 41327 | 4 | Clamp-Hose |
| 6 | 32144-32 | 8 | Screw |
| 7 | 3234-4 | 4 | Screw-HHF |
| 9 | 100-8478 | 2 | Bracket-Tee |
| 11 | 100-8673 | 1 | Agitation Valve ASM |
| 12 | 106-4946 | 2 | Hosebarb-90 DEG |
| 12:1 | 100-8637 | 1 | O-Ring |
| 13 | 106-4947 | 1 | Connector |
| 13:1 | 100-8637 | 2 | O-Ring |
| 15 | 100-6704 | 2 | Tee |
| 18 | 100-8635 | 8 | Fork |
| 20 | 100-6655 | 1 | Gasket |
| 21 | 100-6662 | 1 | Damper-Pressure |
| 22 | 100-8699 | 1 | Tee |
| 23 | 100-6656 | 2 | O-Ring |
| 24 | 100-8698 | 1 | Elbow |
| 25 | 100-8681 | 1 | Tee |
| 26 | 100-6660 | 1 | Suction Damper ASM |
| 28 | 100-8678 | 1 | Nut |
| 29 | 100-8679 | 1 | Hosebarb |
| 30 | 100-8680 | 1 | Seal |

| Ref | Part No. | Qty. | Description |
|-----|----------|------|-------------|
| ●31 | 3334-945 | 3 | Tie-Cable |



Suction and Drain Assembly

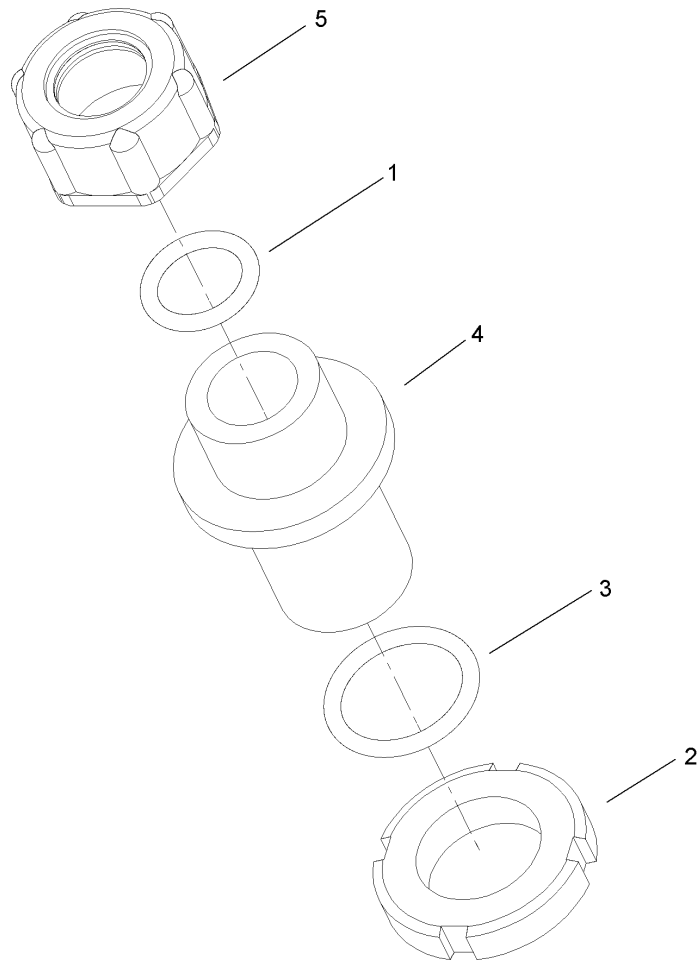
| Ref | Part No. | Qty. | Description |
|-----|----------|------|-------------------------------|
| ②1 | | 1 | Drain ASM |
| 2 | 106-1347 | 1 | Handle-Drain |
| ②3 | | 1 | Upper Tank Drain Bulkhead ASM |
| 4 | 107-2800 | 1 | Top Mounted Suction ASM |
| 5 | 106-1415 | 1 | Spring-Extension |
| 6 | 106-1416 | 1 | Ring-Retaining, Spiral (EXT) |
| 7 | 104-9051 | 1 | Basket-Strainer |
| 8 | 106-1351 | 1 | Hose-Drain |
| 9 | 2412-34 | 1 | Clamp-Hose |
| 10 | 106-1356 | 1 | Chain ASM |
| 11 | 106-1414 | 1 | Seal |



Tank Drain Assembly

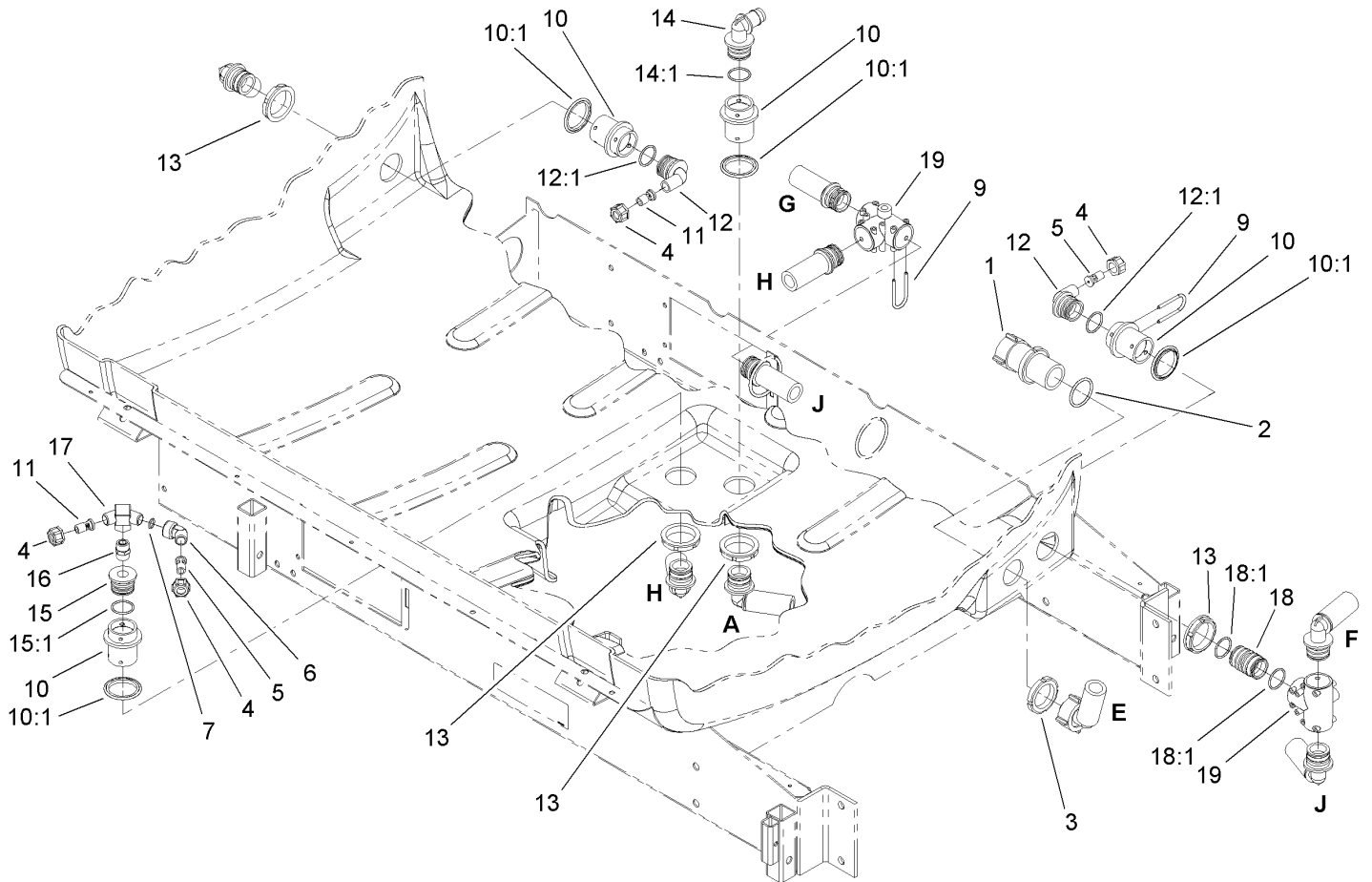
| Ref | Part No. | Qty. | Description |
|-----|----------|------|--------------------|
| 1 | 107-2868 | 1 | Adapter |
| 2 | 108-7016 | 1 | Drain Valve ASM |
| 3 | 107-2862 | 1 | Drain Bulkhead ASM |
| 3:2 | 107-2864 | 1 | Gasket-Bulkhead |
| 4 | 100-7051 | 1 | Nut-Bulkhead |
| 5 | 107-2867 | 1 | Seat Drain ASM |
| 5:2 | 107-2866 | 1 | O-Ring |
| 6 | 106-4933 | 1 | Hosebarb ASM |
| 6:1 | 100-8637 | 1 | O-Ring |
| 7 | 100-8635 | 2 | Fork |

| | | | |
|--|--|--|--|
| | | | |
|--|--|--|--|



Upper Tank Drain Bulkhead Assembly

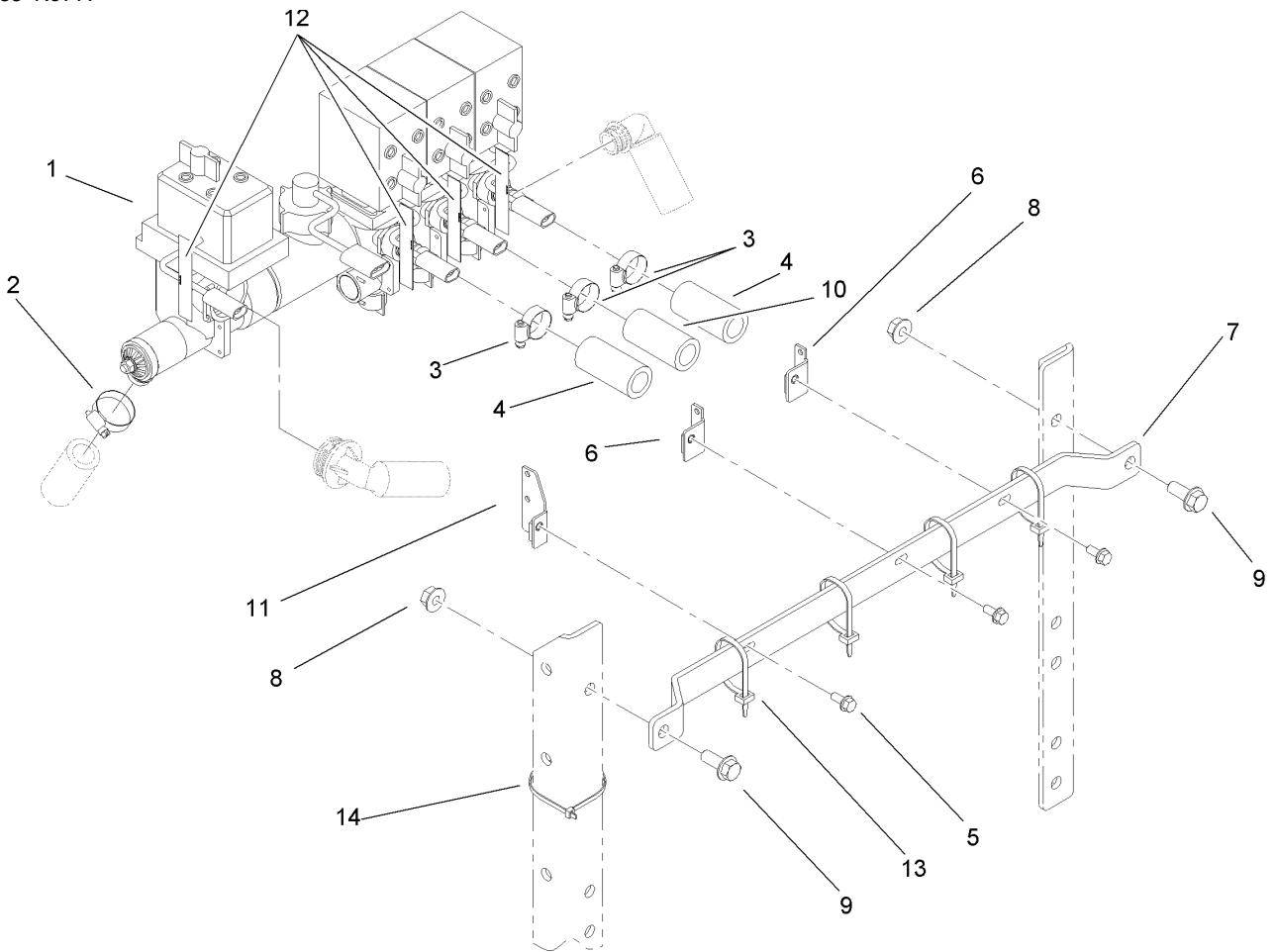
| Ref | Part No. | Qty. | Description |
|-----|----------|------|-------------|
| 1 | 100-6643 | 1 | O-Ring |
| 2 | 99-0758 | 1 | Nut |
| 3 | 100-6658 | 1 | Gasket |
| 4 | 106-1240 | 1 | Bulkhead |
| 5 | 106-1241 | 1 | Nut-Special |



Lower Sprayer Component Assembly

| Ref | Part No. | Qty. | Description |
|------|----------|------|-----------------------|
| 1 | 100-6820 | 1 | Valve-Safety, 225 Psi |
| 2 | 100-6652 | 1 | Gasket |
| 3 | 99-0761 | 1 | Ringnut |
| 4 | 99-0766 | 4 | Nut |
| 5 | 100-6705 | 2 | Nozzle-Agitation |
| 6 | 99-0768 | 1 | Elbow-60 DEG |
| 7 | 100-6653 | 1 | O-Ring |
| 9 | 100-6708 | 14 | Fork |
| 10 | 106-4896 | 4 | Fitting-Bulkhead |
| 10:1 | 100-6710 | 1 | Gasket-Bulkhead |
| 11 | 100-6706 | 2 | Nozzle-Agitation |
| 12 | 106-4944 | 2 | Fitting-90 DEG |
| 12:1 | 100-6712 | 1 | O-Ring |
| 13 | 100-6713 | 4 | Nut-Bulkhead |
| 14 | 106-4945 | 1 | Elbow |
| 14:1 | 100-6712 | 1 | O-Ring |
| 15 | 106-4943 | 1 | Adapter ASM |
| 15:1 | 100-6712 | 1 | O-Ring |
| 16 | 100-6722 | 1 | Nipple |
| 17 | 100-6723 | 1 | Tee |
| 18 | 107-2802 | 1 | Connector |
| 18:1 | 100-6712 | 2 | O-Ring |
| 19 | 104-9041 | 2 | Tee |

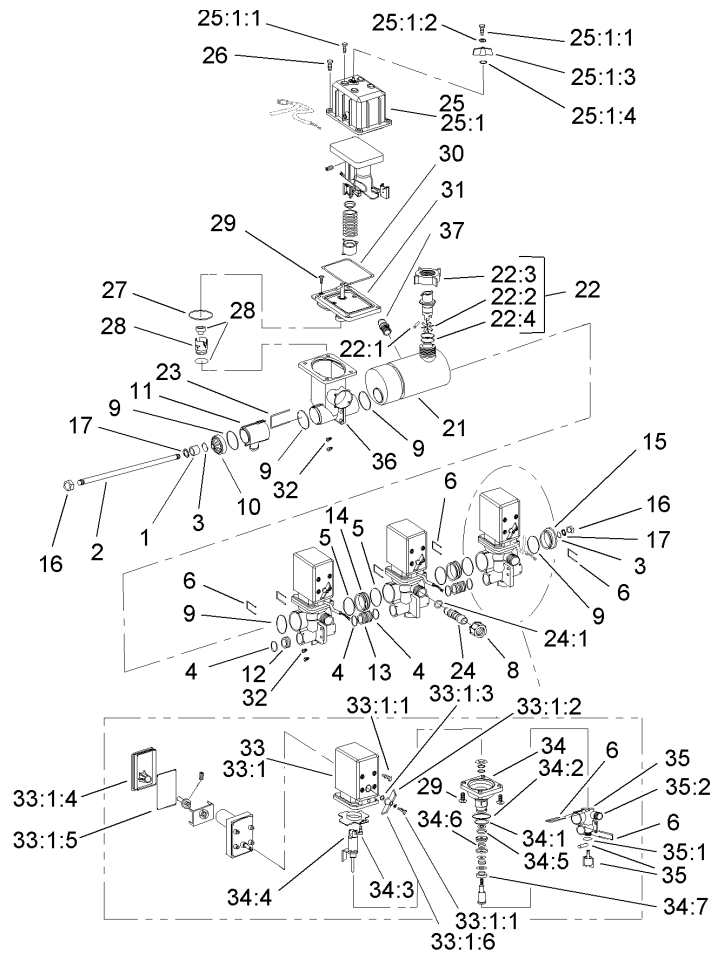
| | | | |
|--|--|--|--|
| | | | |
| | | | |
| | | | |
| | | | |



Control Valve Assembly

| Ref | Part No. | Qty. | Description |
|-----|-------------|------|--------------------|
| 1 | | 1 | Valve-Control, Evc |
| 2 | 2412-3 | 1 | Clamp-Hose |
| 3 | 2412-129 | 3 | Clamp-Hose |
| 4 | 108-3720 | 2 | Hose-Boom, LH |
| 5 | 3234-5 | 3 | Screw-HHF |
| 6 | 100-8432-03 | 2 | Bracket |
| 7 | 107-2847-03 | 1 | Bracket-Valve |
| 8 | 32128-49 | 2 | Nut-HHF |
| 9 | 3234-32 | 2 | Screw-HHF |
| 10 | 95-2229 | 1 | Hose |
| 11 | 100-8433-03 | 1 | Bracket |
| 12 | 107-8738 | 4 | Decal-Fuse, 3 Amp |
| 13 | 3290-378 | 4 | Tie-Cable |
| 14 | 3290-379 | 1 | Tie-Cable |

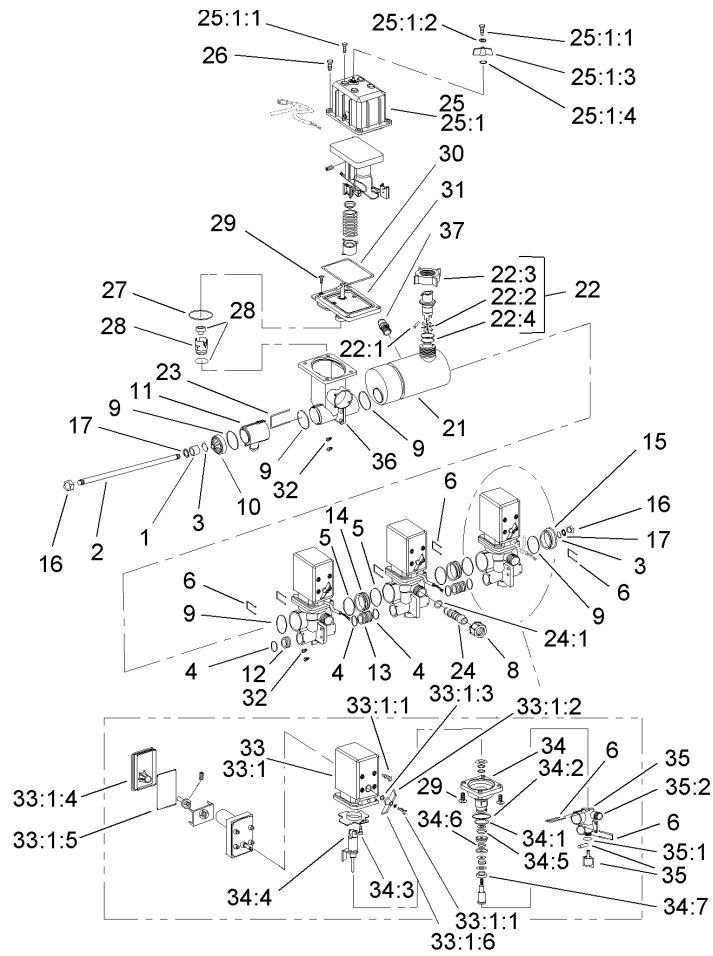
| | | | |
|--|--|--|--|
| | | | |
| | | | |
| | | | |
| | | | |
| | | | |
| | | | |
| | | | |
| | | | |
| | | | |
| | | | |



EVC Control Valve Assembly

| Ref | Part No. | Qty. | Description |
|------|----------|------|---------------------|
| 1 | 100-6897 | 1 | Bushing |
| 2 | 100-6909 | 1 | Rod-Threaded |
| 3 | 100-6887 | 2 | O-Ring |
| 4 | 100-6882 | 5 | O-Ring |
| 5 | 100-6646 | 5 | O-Ring |
| 6 | 100-6885 | 9 | Fork-Valve, Boom |
| 8 | 99-0850 | 3 | Nut |
| 9 | 100-6892 | 4 | O-Ring |
| 10 | 100-6913 | 1 | Cover |
| 11 | 100-6908 | 1 | T-Piece |
| 12 | 100-6891 | 1 | Cap-End |
| 13 | 100-6890 | 2 | Joiner-Bypass, Boom |
| 14 | 100-6896 | 2 | Joiner-Valve, Boom |
| 15 | 100-6915 | 1 | Cover-End |
| 16 | 100-6894 | 2 | Nut |
| 17 | 100-6634 | 2 | Washer |
| 21 | 100-6920 | 1 | Housing-Meter, Flow |
| 22 | 100-6900 | 1 | Flow Sensor ASM |
| 22:1 | 100-6906 | 1 | Shaft-Rotor |
| 22:2 | 100-6919 | 1 | Meter-Flow, Rotor |
| 22:3 | 100-8678 | 1 | Nut |
| 22:4 | 100-8653 | 1 | O-Ring |
| 23 | 100-6907 | 1 | Fork |
| 24 | 106-5112 | 3 | Hosebarb ASM |

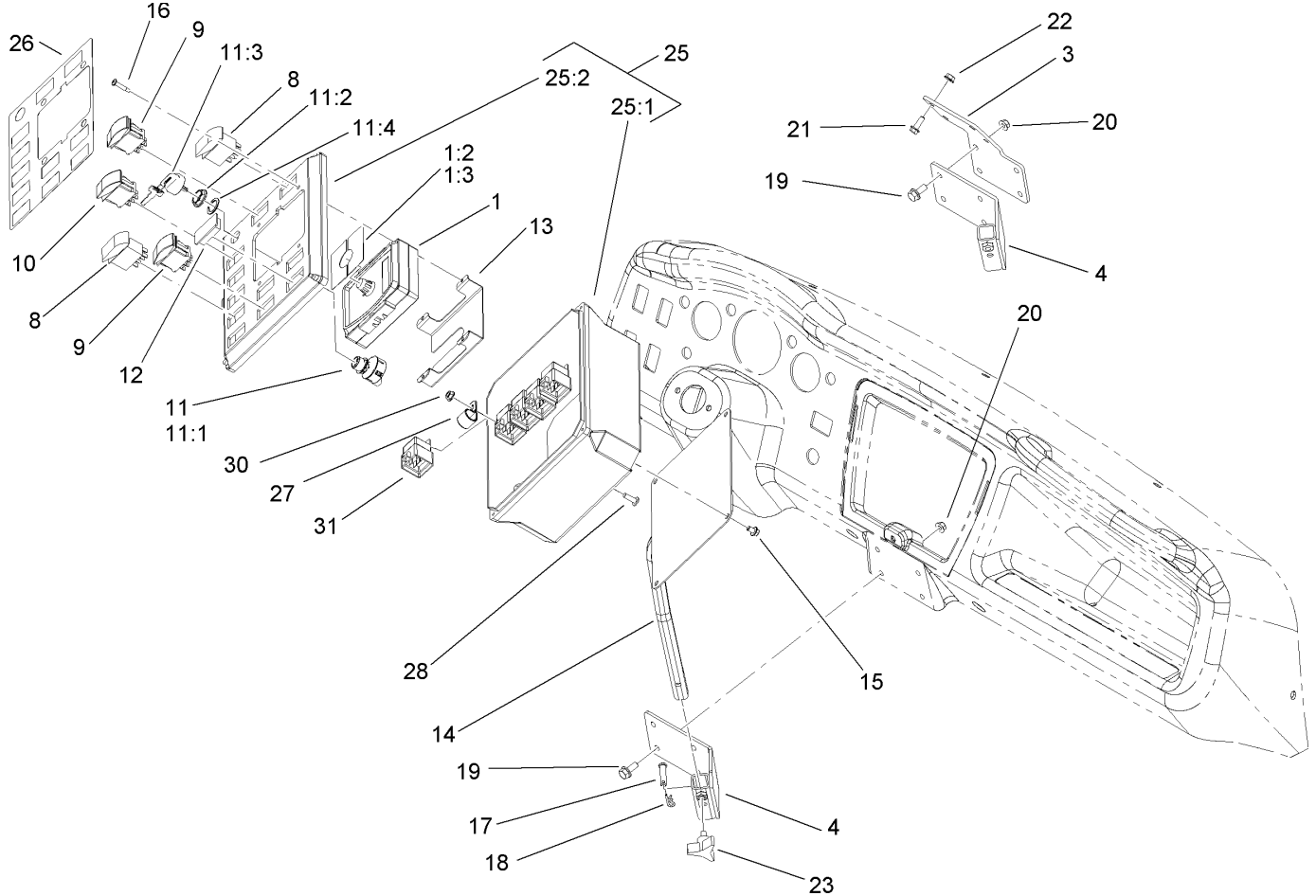
| Ref | Part No. | Qty. | Description |
|--------|----------|------|-----------------------------|
| 24:1 | 100-6645 | 1 | O-Ring |
| 25 | 108-3351 | 1 | Rate Control Motor ASM |
| 25:1 | 108-3341 | 1 | Motor-Control, Rate |
| 25:1:1 | 100-6876 | 1 | Screw |
| 25:1:2 | 100-6877 | 1 | Washer-Lock |
| 25:1:3 | 100-6903 | 1 | Grip-Hand |
| 25:1:4 | 100-6880 | 1 | O-Ring |
| ●25:2 | 107-8738 | 1 | Decal-Fuse, 3 Amp |
| 26 | 100-6918 | 4 | Screw-Plastic |
| 27 | 100-6904 | 1 | O-Ring |
| 28 | 110-5140 | 1 | Rate Valve Repair Kit |
| 29 | 100-6917 | 16 | Screw-Plastic |
| 30 | 100-6901 | 1 | Gasket-Housing, Valve Motor |
| 31 | 100-6899 | 1 | Section-Spindle, Valve Rate |
| 32 | 100-6916 | 6 | Screw-Plastic |
| 33 | 108-3257 | 3 | Boom Motor Valve ASM |
| 33:1 | 108-3340 | 1 | Motor-Valve, Boom |
| 33:1:1 | 100-6876 | 1 | Screw |
| 33:1:2 | 100-6877 | 1 | Washer-Lock |
| 33:1:3 | 100-6880 | 1 | O-Ring |
| 33:1:4 | 100-6874 | 1 | Cover-Valve, Boom |
| 33:1:5 | 100-6912 | 1 | Cover-Seal |
| 33:1:6 | 100-6875 | 1 | Handgrip-Valve, Boom |
| ●33:2 | 107-8738 | 1 | Decal-Fuse, 3 Amp |



EVC Control Valve Assembly (continued)

| Ref | Part No. | Qty. | Description |
|------|----------|------|-----------------------------|
| 34 | 100-6889 | 3 | Section-Spindle, Boom Valve |
| 34:1 | 100-8653 | 1 | O-Ring |
| 34:2 | 100-6882 | 5 | O-Ring |
| 34:3 | 100-6911 | 1 | Pin-Roller |
| 34:4 | 100-6910 | 1 | Bearing-Roller |
| 34:5 | 100-6879 | 1 | O-Ring |
| 34:6 | 100-6878 | 1 | O-Ring |
| 34:7 | 100-6881 | 1 | Cone-Stem, Boom Valve |
| 35 | 100-6888 | 3 | Manifold-Valve, Boom |
| 35:1 | 100-6887 | 1 | O-Ring |
| 35:2 | 106-5151 | 1 | Manifold-Lower |
| 36 | 100-6914 | 1 | Valve-Control, Housing Rate |
| 37 | 100-8674 | 1 | Coupler-Tube |

| | | | |
|--|--|--|--|
| | | | |
|--|--|--|--|

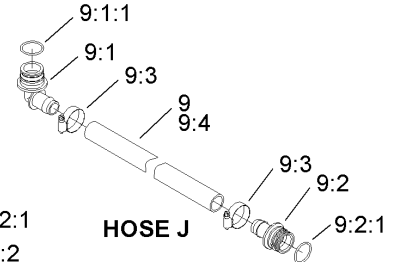
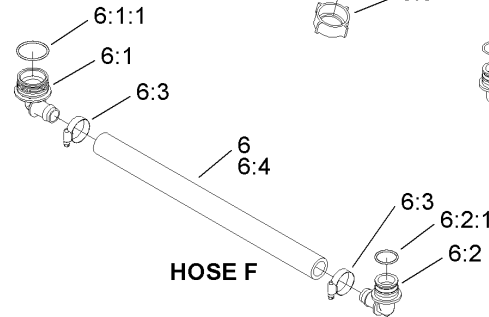
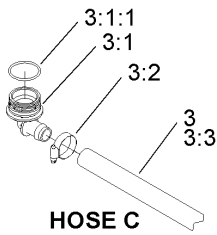
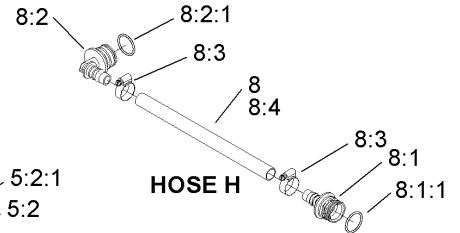
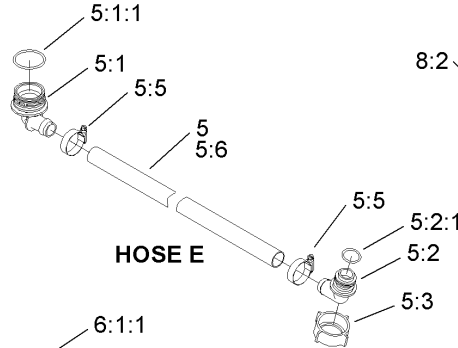
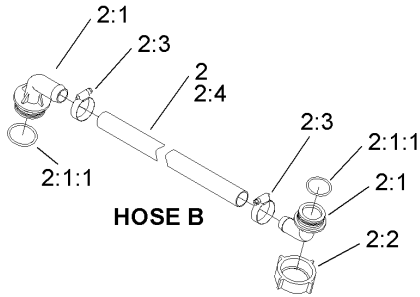
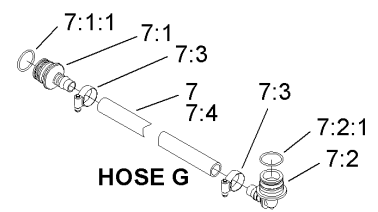
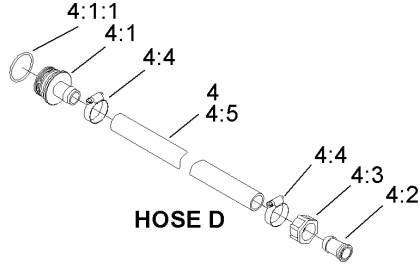
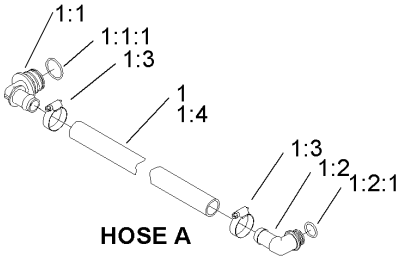


Control Box Assembly

| Ref | Part No. | Qty. | Description |
|-------|-------------|------|--------------------------|
| 1 | 108-3312 | 1 | Monitor-Spray |
| 1:2 | 108-3307 | 1 | Decal-Monitor |
| 1:3 | 108-3309 | 1 | Decal-Monitor, Ce |
| 3 | 107-2811-03 | 1 | Bracket-Adapter, Control |
| 4 | 106-7992-03 | 1 | Receiver ASM |
| 8 | 100-8490 | 4 | Switch-Dpdt |
| 9 | 100-1535 | 3 | Switch |
| 10 | 100-8589 | 1 | Switch-Rocker |
| 11 | 110-2580 | 1 | Switch-Key, Supervisor |
| ②11:1 | | 1 | Switch-Key |
| 11:2 | 108-8660 | 1 | Nut-Mounting |
| 11:3 | 110-5221 | 1 | Set-Key, Supervisor |
| 11:4 | 108-8659 | 1 | Washer-Backup |
| 12 | 99-7420 | 3 | Plug-Hole |
| 13 | 107-2831 | 1 | Bracket-Monitor |
| 14 | 106-7995-03 | 1 | Control Box Mount ASM |
| 15 | 3234-26 | 4 | Screw |
| 16 | 104-1451 | 4 | Screw-TAP, PPH |
| 17 | 283-6 | 1 | Pin-Clevis |
| 18 | 3290-307 | 1 | Pin-Hair |
| 19 | 3234-17 | 4 | Screw-HHF |
| 20 | 104-8300 | 4 | Nut-Flange, NI |
| 21 | 3234-4 | 4 | Screw-HHF |
| 22 | 32128-33 | 4 | Nut-HF |

| Ref | Part No. | Qty. | Description |
|------|----------|------|--------------------------|
| 23 | 92-9674 | 1 | Knob |
| ②25 | | 1 | Control Enclosure ASM |
| 25:1 | 106-1427 | 1 | Base-Enclosure, Control |
| 25:2 | 110-5223 | 1 | Cover-Enclosure, Control |
| 26 | 107-2825 | 1 | Decal-Switchplate |
| 27 | 2412-126 | 1 | R-Clamp |
| 28 | 321-5 | 1 | Screw-HH |
| 30 | 32128-33 | 1 | Nut-HF |
| 31 | 99-7430 | 5 | Relay |

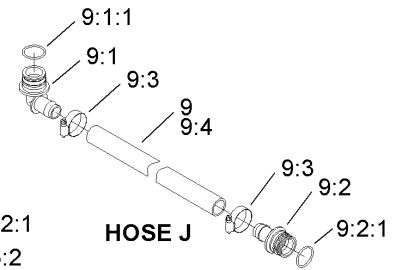
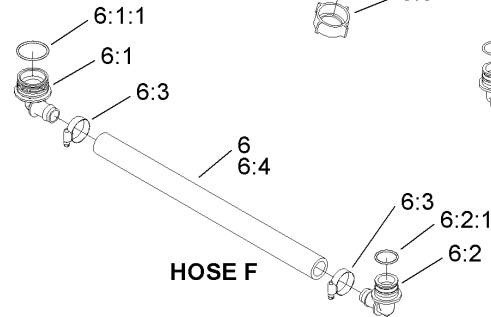
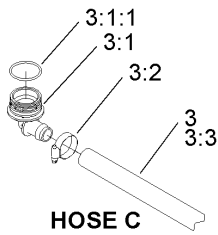
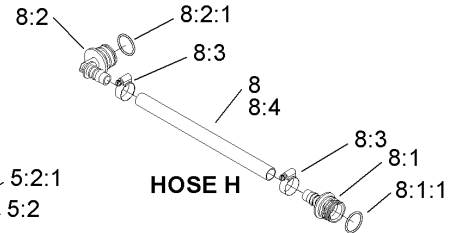
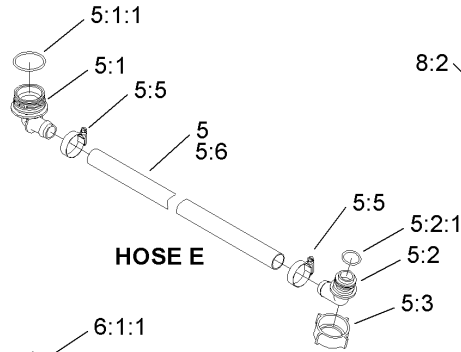
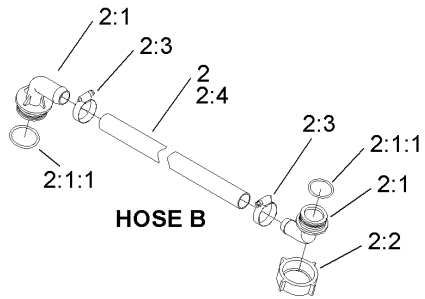
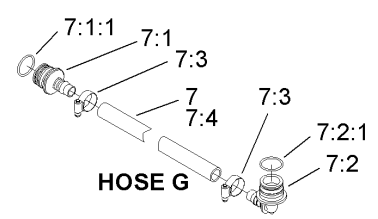
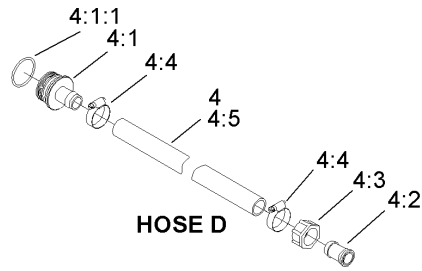
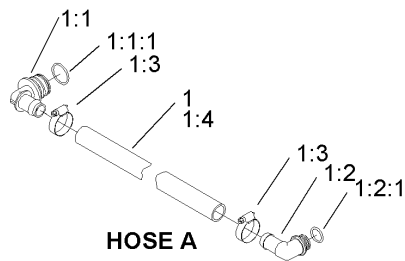
3356-738 Rev A



Hose Assembly

| Ref | Part No. | Qty. | Description |
|-------|----------|------|---------------------------|
| ②1 | | 1 | Boom Bypass Hose ASM |
| 1:1 | 106-4945 | 1 | Elbow |
| 1:1:1 | 100-6712 | 1 | O-Ring |
| 1:2 | 106-4948 | 1 | Hose Barb ASM |
| 1:2:1 | 100-6882 | 1 | O-Ring |
| 1:3 | 2412-3 | 2 | Clamp-Hose |
| 1:4 | 104-9037 | 1 | Hose-Bypass, Boom |
| ②2 | | 1 | Agitation Supply Hose ASM |
| 2:1 | 106-4950 | 2 | Hose Barb ASM |
| 2:1:1 | 100-8671 | 1 | O-Ring |
| 2:2 | 100-8669 | 1 | Nut |
| 2:3 | 2412-3 | 2 | Clamp-Hose |
| 2:4 | 104-8710 | 1 | Hose |
| ②3 | | 1 | Tee Controls Hose ASM |
| 3:1 | 106-4933 | 1 | Hosebarb ASM |
| 3:1:1 | 100-8637 | 1 | O-Ring |
| 3:2 | 2412-3 | 1 | Clamp-Hose |
| 3:3 | 107-2832 | 1 | Hose |
| ②4 | | 1 | Manifold Tee Hose ASM |
| 4:1 | 106-4932 | 1 | Hosebarb-Straight |
| 4:1:1 | 100-8637 | 1 | O-Ring |
| 4:2 | 99-0781 | 1 | Hosebarb |
| 4:3 | 99-0769 | 1 | Nut |
| 4:4 | 2412-3 | 2 | Clamp-Hose |

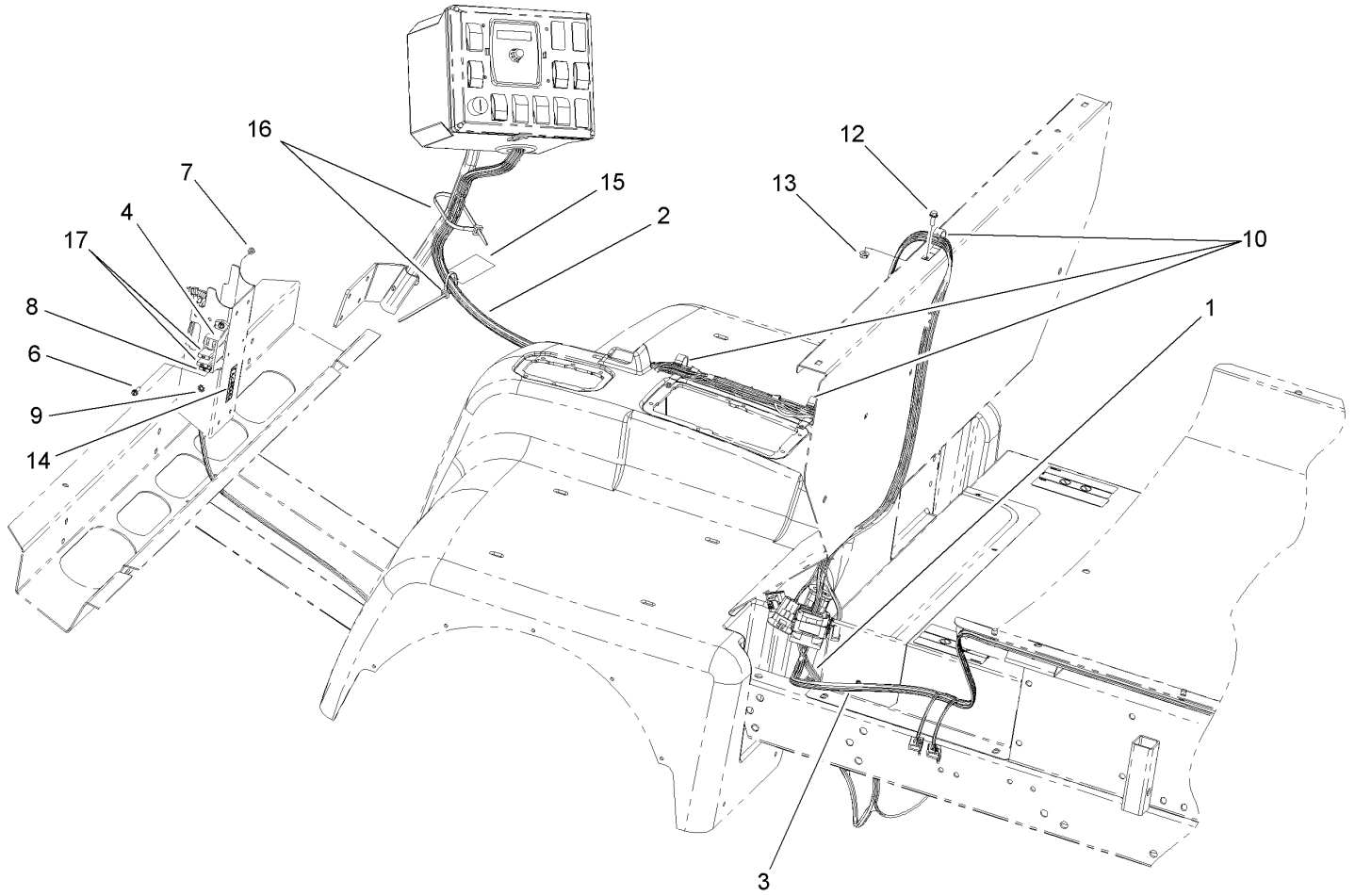
| Ref | Part No. | Qty. | Description |
|-------|----------|------|---------------------------|
| 4:5 | 107-2807 | 1 | Hose |
| ②5 | | 1 | Relief Valve Hose ASM |
| 5:1 | 106-4933 | 1 | Hosebarb ASM |
| 5:1:1 | 100-8637 | 1 | O-Ring |
| 5:2 | 106-4949 | 1 | Hosebarb |
| 5:2:1 | 100-6646 | 1 | O-Ring |
| 5:3 | 100-8678 | 1 | Nut |
| 5:5 | 2412-3 | 2 | Clamp-Hose |
| 5:6 | 104-8710 | 1 | Hose |
| ②6 | | 1 | Agitation Valve Hose ASM |
| 6:1 | 106-4933 | 1 | Hosebarb ASM |
| 6:1:1 | 100-8637 | 1 | O-Ring |
| 6:2 | 106-4945 | 1 | Elbow |
| 6:2:1 | 100-6712 | 1 | O-Ring |
| 6:3 | 2412-3 | 2 | Clamp-Hose |
| 6:4 | 106-4975 | 1 | Hose |
| ②7 | | 1 | Front Agitation Hose ASM |
| 7:1 | 106-4939 | 1 | Hosebarb-Straight |
| 7:1:1 | 100-6712 | 1 | O-Ring |
| 7:2 | 106-4940 | 1 | Hosebarb-90 DEG |
| 7:2:1 | 100-6712 | 1 | O-Ring |
| 7:3 | 2412-129 | 2 | Clamp-Hose |
| 7:4 | 107-2813 | 1 | Hose |
| ②8 | | 1 | Middle Agitation Hose ASM |



Hose Assembly (continued)

| Ref | Part No. | Qty. | Description |
|-------|----------|------|------------------------|
| 8:1 | 106-4939 | 1 | Hosebarb-Straight |
| 8:1:1 | 100-6712 | 1 | O-Ring |
| 8:2 | 106-4940 | 1 | Hosebarb-90 DEG |
| 8:2:1 | 100-6712 | 1 | O-Ring |
| 8:3 | 2412-129 | 2 | Clamp-Hose |
| 8:4 | 106-1360 | 1 | Hose |
| 29 | | 1 | Agitation Tee Hose ASM |
| 9:1 | 106-4945 | 1 | Elbow |
| 9:1:1 | 100-6712 | 1 | O-Ring |
| 9:2 | 106-4935 | 1 | Hosebarb ASM |
| 9:2:1 | 100-6712 | 1 | O-Ring |
| 9:3 | 2412-3 | 2 | Clamp-Hose |
| 9:4 | 107-2812 | 1 | Hose |

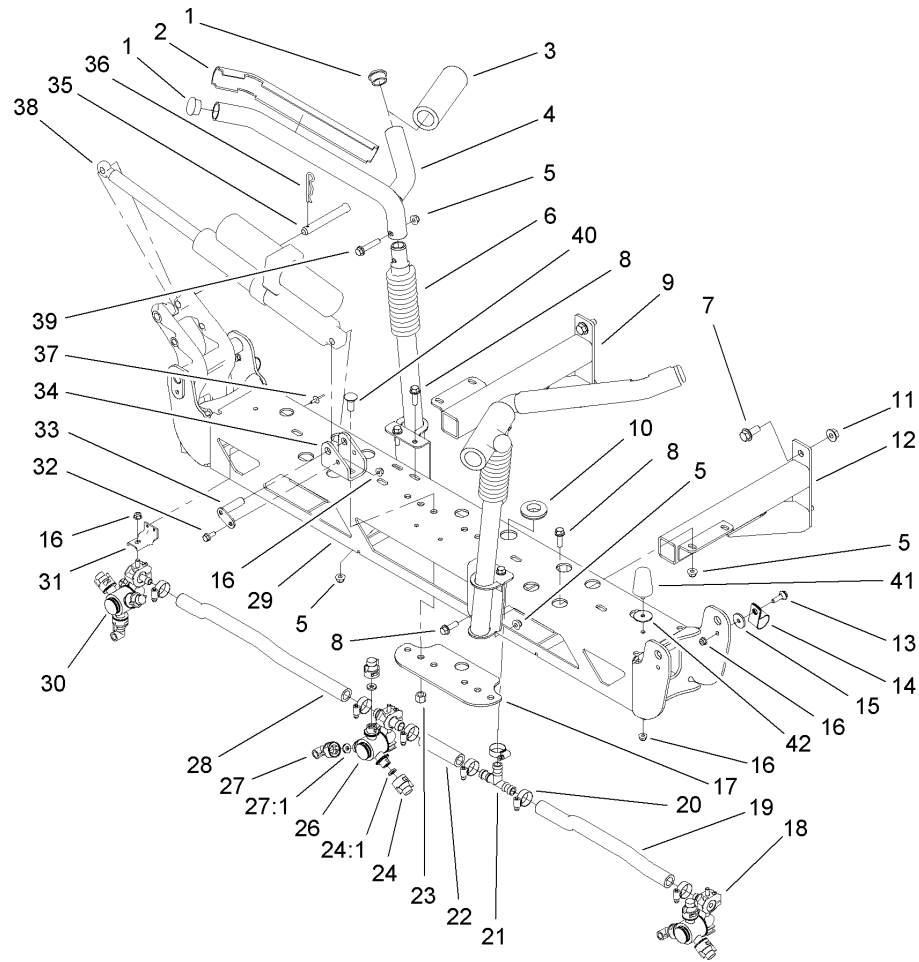
| | | | |
|--|--|--|--|
| | | | |
|--|--|--|--|



Electrical Harness Assembly

| Ref | Part No. | Qty. | Description |
|------|----------|------|--------------------------------|
| 1 | 106-1417 | 1 | Harness-Wire, Sprayer Power |
| 2 | 112-3533 | 1 | Harness-Wire, Spray Controller |
| 3 | 106-1419 | 1 | Harness-Wire, Sprayer Main |
| ①3:1 | 108-9493 | 2 | Diode-Tvs |
| ①3:2 | 107-8745 | 4 | Fuse-Blade, 3 Amp |
| 4 | 92-2641 | 1 | Block-Fuse |
| 6 | 32105-13 | 2 | Screw-SHH |
| 7 | 3296-2 | 2 | Nut-Lock |
| 8 | 218-578 | 1 | Fuse-10 Amp |
| 9 | 3255-7 | 1 | Washer-Lock / EXT |
| 10 | 106-1429 | 3 | Clamp-J |
| 12 | 3234-4 | 1 | Screw-HHF |
| 13 | 32128-33 | 1 | Nut-HF |
| 14 | 106-1425 | 1 | Decal-Fuse Block |
| 15 | 104-8900 | 1 | Tag-Monitor |
| 16 | 3290-378 | 2 | Tie-Cable |
| 17 | 108-3736 | 2 | Breaker-Circuit, 30A |

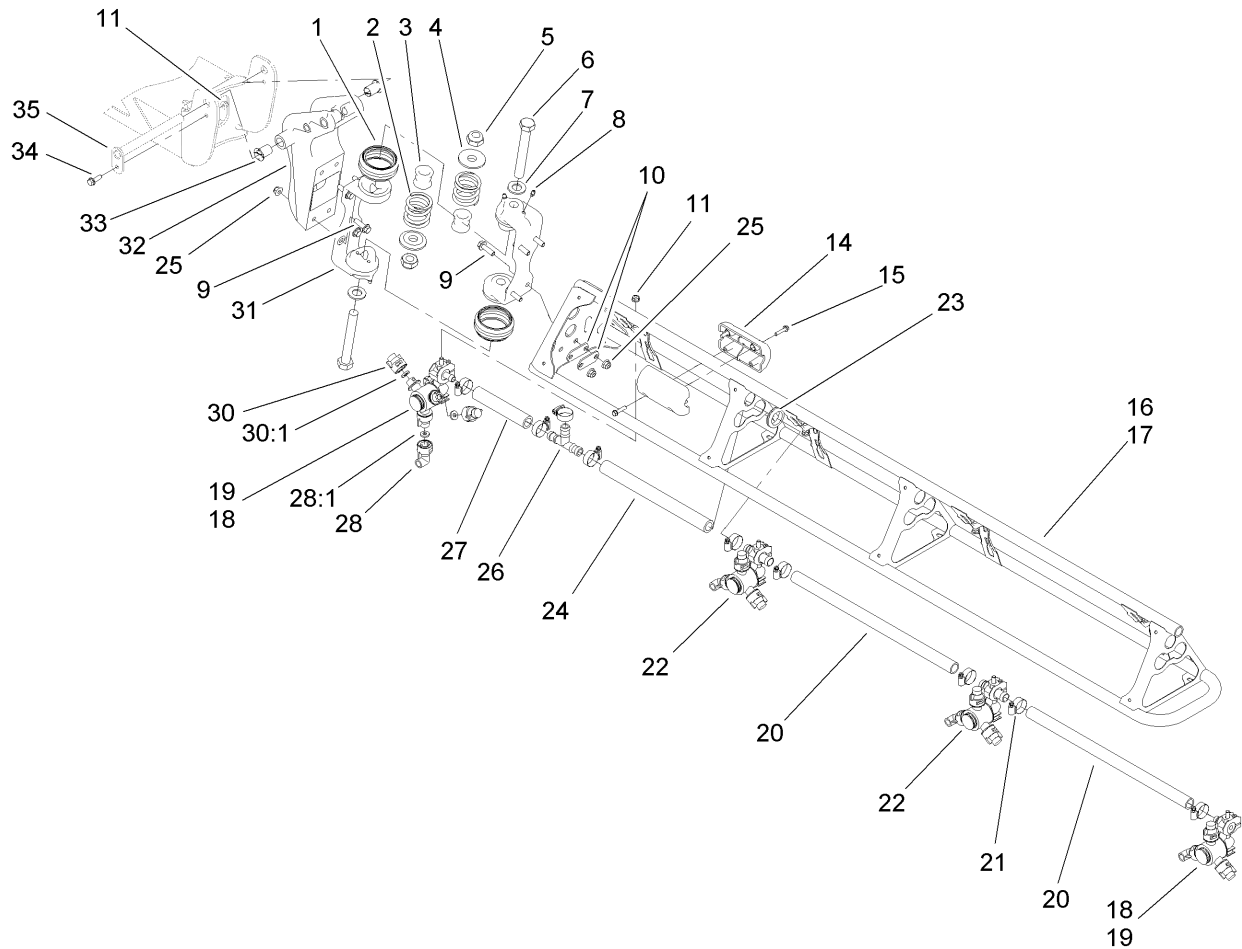
| | | | | | | |
|--|--|--|--|--|--|--|
| | | | | | | |
| | | | | | | |
| | | | | | | |
| | | | | | | |
| | | | | | | |
| | | | | | | |
| | | | | | | |
| | | | | | | |
| | | | | | | |
| | | | | | | |
| | | | | | | |



Center Boom Assembly

| Ref | Part No. | Qty. | Description |
|-----|-------------|------|--------------------------|
| 1 | 108-3489 | 4 | Cap-Tube |
| 2 | 108-3495 | 2 | Cover-Slide |
| 3 | 108-3457 | 2 | Spacer |
| 4 | 108-3476-03 | 2 | Upper Cradle ASM |
| 5 | 104-8301 | 12 | Nut-Flange, NI |
| 6 | 108-3472-03 | 2 | Lower Cradle ASM |
| 7 | 110-5057 | 4 | Capscrew-HHF |
| 8 | 110-5050 | 10 | Screw-HHF |
| 9 | 108-3408-03 | 1 | Frame-Mount, Boom (LH) |
| 10 | 108-3723 | 1 | Grommet |
| 11 | 108-3745 | 4 | Nut-HF, Whiz |
| 12 | 108-3409-03 | 1 | Frame-Mount, Boom (RH) |
| 13 | 108-3744 | 2 | Screw-Shoulder |
| 14 | 2412-82 | 2 | Clamp |
| 15 | 108-3743 | 2 | Washer |
| 16 | 104-8300 | 9 | Nut-Flange, NI |
| 17 | 108-3469-03 | 1 | Plate-Washer |
| 18 | 108-3726 | 1 | Body-Turret, Single (RH) |
| 19 | 108-3718 | 1 | Hose-Boom, Center (RH) |
| 20 | 2412-129 | 7 | Clamp-Hose |
| 21 | 108-3439 | 1 | Tee |
| 22 | 108-3717 | 1 | Hose-Boom |
| 23 | 3296-23 | 4 | Nut-Lock, NI |
| 24 | 95-9187 | 6 | Cap-Blank |

| Ref | Part No. | Qty. | Description |
|------|-------------|------|--------------------------|
| 24:1 | 40998 | 1 | Seat-Gasket |
| 26 | 108-3727 | 1 | Body-Turret, Double |
| 27 | 95-9186 | 3 | Cap |
| 27:1 | 40998 | 1 | Seat-Gasket |
| 28 | 108-3735 | 1 | Hose-Boom, Center (LH) |
| 29 | 108-3410-03 | 1 | Frame ASM |
| 30 | 108-3725 | 1 | Body-Turret, Single (LH) |
| 31 | 107-8775 | 3 | Bracket-Mount, Nozzle |
| 32 | 110-5053 | 2 | Screw-Flange |
| 33 | 108-3420 | 2 | Pivot Pin ASM |
| 34 | 108-3401-03 | 2 | Strap-Clevis |
| 35 | 108-3436 | 2 | Pin-Clevis |
| 36 | 3290-468 | 2 | Pin-Cotter |
| 37 | 3269-18 | 6 | Rivet-Pop |
| 38 | 108-3438 | 2 | Actuator |
| 39 | 108-3742 | 2 | Screw-HHF |
| 40 | 110-5067 | 4 | Screw-CARR |
| 41 | 110-5070 | 2 | Bumper-Neoprene |
| 42 | 3256-68 | 2 | Washer-Flat |



Left and Right Hand Boom Assembly

| Ref | Part No. | Qty. | Description |
|-----|-------------|------|--------------------------|
| 1 | 108-3459 | 4 | Boot-Hinge |
| 2 | 108-3440 | 4 | Spring-Breakaway, Boom |
| 3 | 108-3730 | 4 | Tube-Hinge |
| 4 | 108-3444 | 4 | Retainer-Spring |
| 5 | 3296-15 | 4 | Nut-Lock, NI |
| 6 | 108-3738 | 4 | Screw-HH |
| 7 | 110-5054 | 4 | Washer-Flat |
| 8 | 302-5 | 8 | Fitting-Grease |
| 9 | 110-5050 | 16 | Screw-HHF |
| 10 | 108-3605 | 8 | Plate-Backing |
| 11 | 104-8300 | 10 | Nut-Flange, NI |
| 14 | 108-3429 | 4 | Block-Slide |
| 15 | 108-3746 | 8 | Screw-Plastite |
| 16 | 108-3524-03 | 1 | RH Boom ASM |
| 17 | 108-3525-03 | 1 | LH Boom ASM |
| 18 | 108-3726 | 2 | Body-Turret, Single (RH) |
| 19 | 108-3725 | 2 | Body-Turret, Single (LH) |
| 20 | 40506 | 4 | Hose-Jumper |
| 21 | 2412-129 | 18 | Clamp-Hose |
| 22 | 108-3727 | 4 | Body-Turret, Double |
| 23 | 240-3 | 4 | Grommet-Rubber |
| 24 | 108-3721 | 2 | Hose-Boom |
| 25 | 104-8301 | 16 | Nut-Flange, NI |
| 26 | 108-3439 | 2 | Tee |

| Ref | Part No. | Qty. | Description |
|------|-------------|------|---------------|
| 27 | 108-3728 | 2 | Hose-Boom |
| 28 | 95-9186 | 8 | Cap |
| 28:1 | 40998 | 1 | Seat-Gasket |
| 30 | 95-9187 | 16 | Cap-Blank |
| 30:1 | 40998 | 1 | Seat-Gasket |
| 31 | 108-3471-03 | 4 | Hinge |
| 32 | 108-3600-03 | 2 | Bracket-Pivot |
| 33 | 100-8541 | 4 | Bushing-A Arm |
| 34 | 108-3748 | 2 | Screw-HHF |
| 35 | 108-3419 | 2 | Pivot Pin ASM |

Attachments and Accessories

For 41235 - Workman 200 Spray System, Heavy-Duty Workman Vehicles

| Product Name | Model/Part |
|---|------------|
| Single Nozzle Kit | 41024 |
| Sonic Boom | 41089 |
| Hose Reel Kit | 41097 |
| Spray Gun Kit | 41133 |
| Pro Foam Concentrate (4 X 1 Gallon) | 41157 |
| Foam Marker Kit | 41228 |
| Enclosed Boom | 41355 |
| Enclosed Boom Mount | 41363 |
| Pro-Foam | 41607 |

NOTES

NOTES

