



Workman[®] 200 Spray System

Model No. 41229 - 250000001 and up.

Parts Catalog

Ordering Replacement Parts

To order replacement parts, please supply the part number, the quantity, and the description of each part desired.

Understanding Reference Numbers

Each identified part in an illustration has a reference number. The reference number for a part also appears in the parts list, along with other information about the part.

This catalog uses two special reference number formats, one to indicate parts in a service assembly and another to indicate the quantity of a given part in an illustration.

Service Assembly Reference Numbers

Parts in service assemblies have reference numbers in the form a:b. The a represents the reference number of the entire service assembly and the b represents a sequential number unique to each part within the service assembly.

For example, a wheel assembly might be identified by reference number 6, the tire by 6:1, the valve by 6:2, and the wheel by 6:3. When you order the assembly identified by reference number 6, you receive all parts identified by reference numbers 6:1, 6:2, and 6:3. However, you may also order any part individually. Reference numbers of this type appear in illustrations and in part lists.

Reference Numbers Indicating Quantity

In an illustration, if a reference number indicates more than one part, the reference number has the form nX y. The n represents the quantity of the part, the X is the multiplication symbol, and the y represents the reference number.

For example, in an illustration, the reference number 2X 37 means that two of the parts identified by reference number 37 are indicated.

Contents

Description	Page	Description	Page
Skid and Frame Assembly 3	Tank Drain Assembly 15
Fresh Water Tank Assembly 4	Upper Tank Drain Bulkhead Assembly 16
Fresh Water Tank Assembly No. 100-8438 5	Top Mounted Suction Assembly No. 107-2800 17
Tank and Cover Assembly 6	Lower Sprayer Component Assembly 18
200 Gallon Tank Assembly No. 106-1366 7	Safety Valve Assembly No. 100-6820 19
Lid Seal Assembly 8	Valve Control Assembly 20
Lid Assembly 9	EVC Control Valve Assembly 21
Pump and Drive Assembly 10	Control Box Assembly 23
Pump Assembly No. 106-5121 11	Hose Assembly 24
Drive Shaft Assembly No. 107-2810 12	Electrical Harness Assembly 26
Upper Sprayer Component Assembly 13	Center Boom Assembly 27
Suction and Drain Assembly 14	Boom Extension Assembly 28
		Attachments and Accessories List 29

Part Description Abbreviations

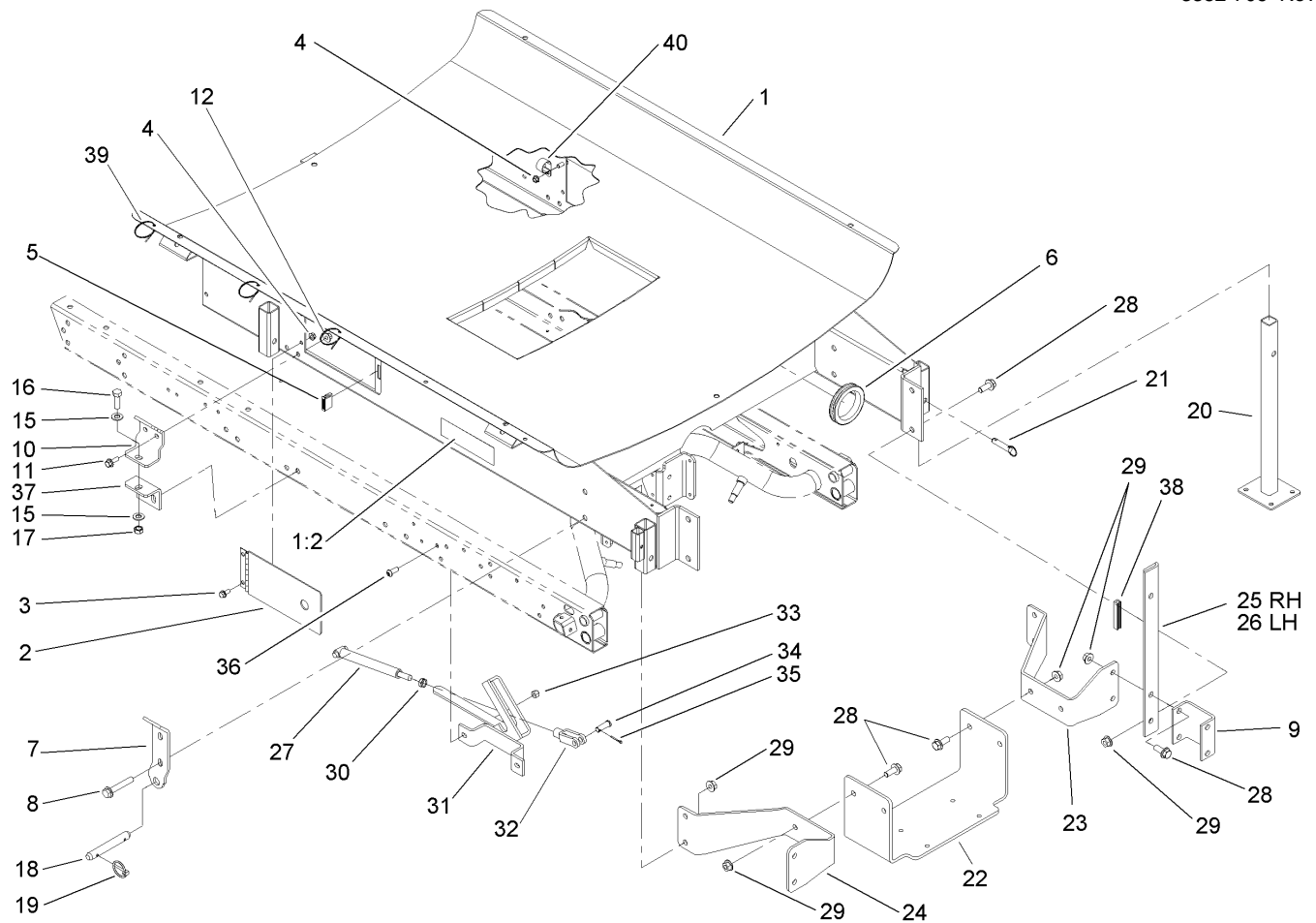
Part descriptions in this catalog may include the following abbreviations.

AR. as required	HWHTF. hex washer head thread forming
ASM. assembly	HYD. hydraulic
BBC. Blade Brake Clutch	INC. incorporated
CARR. carriage	LH. left hand
DEG. degrees	NI. nylon insert
EXT. external	NPTF. national pipe thread fine
FH. flat head	PPH. phillips pan head
GA. gauge	PPHTF. phillips pan head thread forming
HF. hex flange	PRH. phillips round head
HH. hex head	PTH. phillips truss head
HHF. hex head flange	PTO. power take off
HHFTF. hex head flange thread forming	RH. right hand
HJ. hex jam	ROPS. roll over protection system
HLH. hex lag head	SFH. slotted fillister head
HOC. height-of-cut	SHH. slotted hex head
HSBH. hex socket button head	SHWH. slotted hex washer head
HSFH. hex socket flat head	SPH. slotted pan head
HSH. hex socket head	SQH. square head
HWH. hex washer head	

Footnotes

❶ Not illustrated

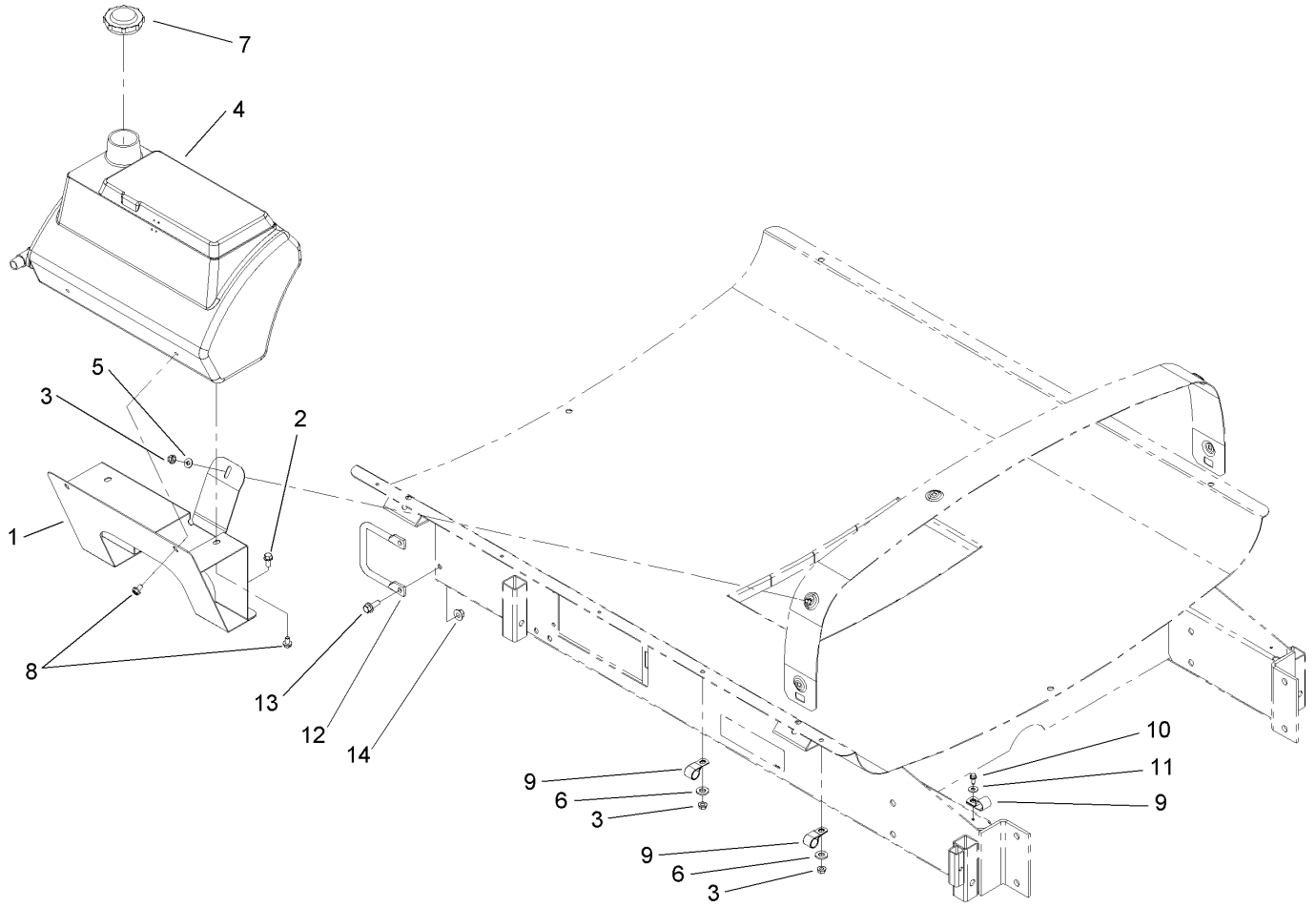
❷ Not serviced separately



Skid and Frame Assembly

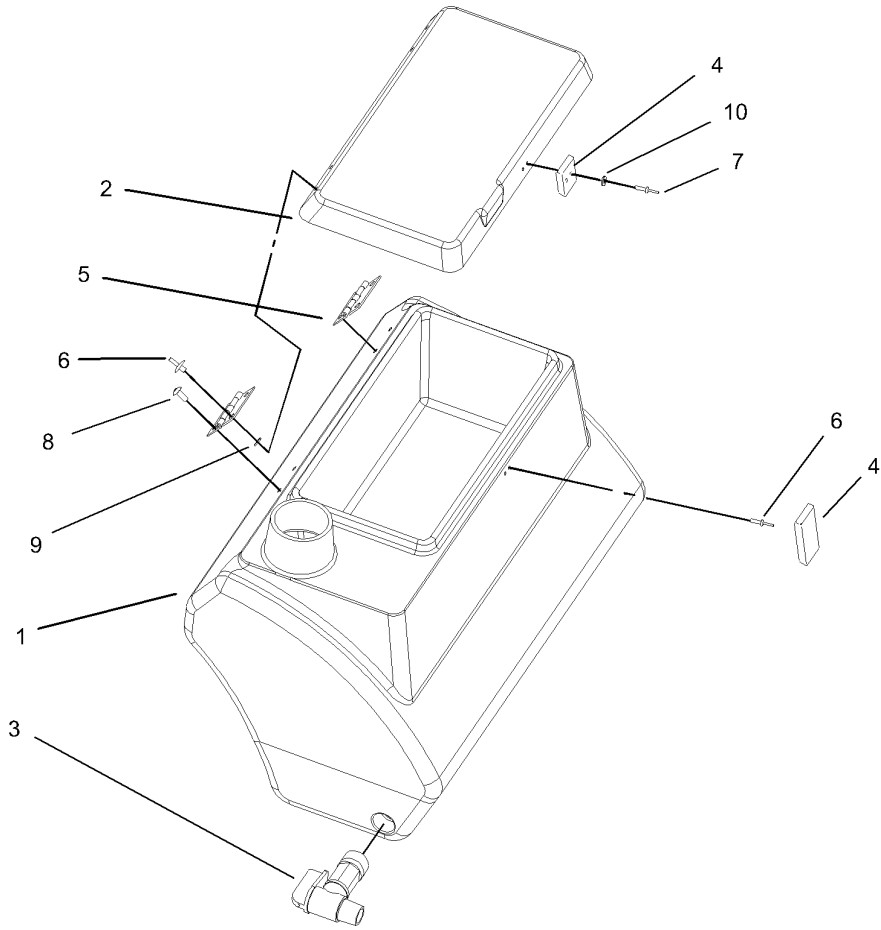
Ref	Part No.	Qty.	Description
1	106-1367	1	Skid ASM
1:2	106-1365	1	Decal-Danger
2	106-1290-03	2	Door ASM
3	3234-5	4	Screw-HHF
4	32128-20	4	Nut-HF
5	92-3700	2	Magnet-Door
6	237-102	3	Grommet
7	107-2858	2	Pivot-Lug
8	3234-40	4	Screw-HF
9	92-8533-03	2	Bracket-Mounting, Boom
10	107-2859	2	Bracket-Mount, Front
11	3234-42	4	Screw-HHF
12	32128-43	4	Nut-Flange
15	3256-26	4	Washer-Flat
16	325-6	2	Screw-HH
17	32153-5	2	Nut-Lock, Side
18	92-1233	2	Pin-Clevis
19	92-1298	4	Pin-Lynch
20	105-9482-03	4	Jack Stand ASM
21	100-4523	4	Pin-Hitch
22	106-1345-03	1	Base-Pump
23	107-2829-03	1	Bracket-Pump, RH
24	107-2828-03	1	Bracket-Pump, LH
25	106-7987-03	1	Angle-Boom Mount, RH

Ref	Part No.	Qty.	Description
26	106-7986-03	1	Angle-Boom Mount, LH
27	106-2503	1	Prop Rod ASM
28	3234-32	12	Screw-HHF
29	32128-49	16	Nut-HHF
30	3220-5	1	Nut-Jam
31	106-2491-03	1	Strut Support Bracket ASM
32	100-7338	1	Clevis
33	3296-39	2	Nut-Lock, NI
34	104-3634	1	Pin-Clevis
35	3272-11	1	Pin-Cotter
36	3274-94	2	Screw-HSBH
37	92-2667-03	2	Bracket-Attachment, Mount
38	70-2041	1	Trim
39	3290-378	3	Tie-Cable
40	2412-126	1	R-Clamp



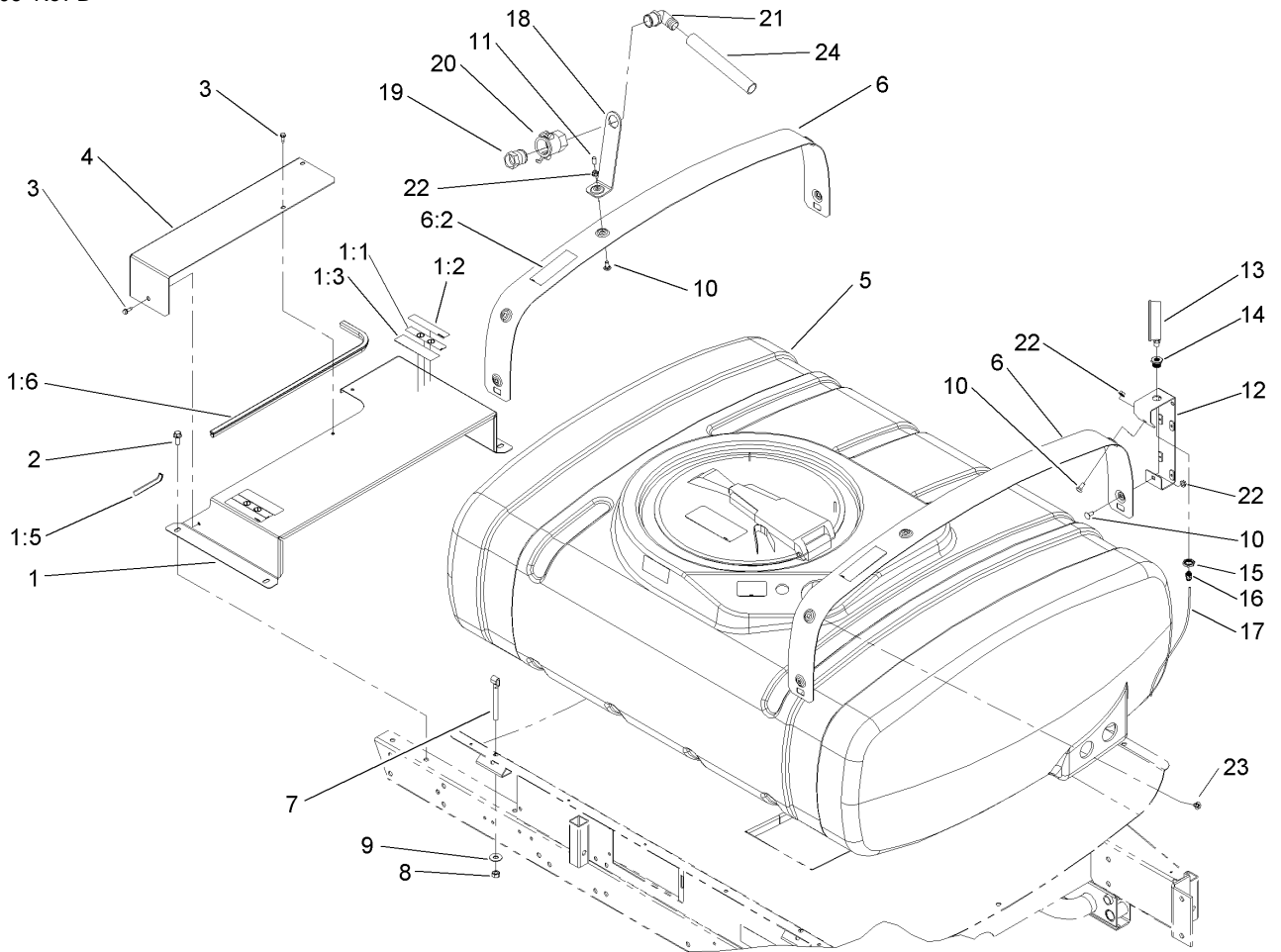
Fresh Water Tank Assembly

Ref	Part No.	Qty.	Description
1	107-2819-03	1	Fresh Water Tank Bracket ASM
2	322-5	2	Screw-HH
3	3296-29	3	Nut-Lock, NI
4	100-8438	1	Fresh Water Tank ASM
5	3256-56	1	Washer-Flat
6	3256-23	2	Washer-Flat
7	100-7008	1	Cap-Tank, Fresh Water
8	3234-28	4	Screw-HHF
9	2412-4	3	Clamp
10	32144-10	1	Screw-HWH
11	3256-2	1	Washer-Flat
12	106-1357	2	Handle
13	3234-42	4	Screw-HHF
14	32128-43	4	Nut-Flange



Fresh Water Tank Assembly No. 100-8438

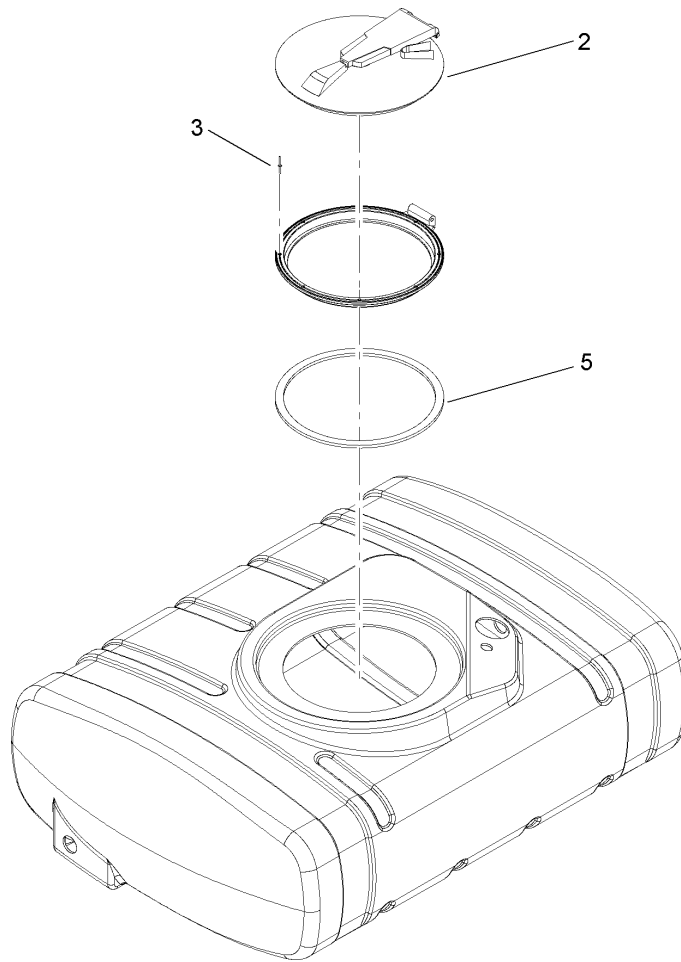
Ref	Part No.	Qty.	Description
① 1		1	Tank-Water, Fresh
2	100-8397	1	Cover-Tank
3	100-7011	1	Spigot-90 DEG
4	100-7009	1	Latch-Draw
5	100-7010	2	Hinge
6	100-7062	4	Rivet
7	100-7063	4	Rivet
8	100-7064	4	Screw
9	100-7065	4	Washer
10	100-7066	2	Washer



Tank and Cover Assembly

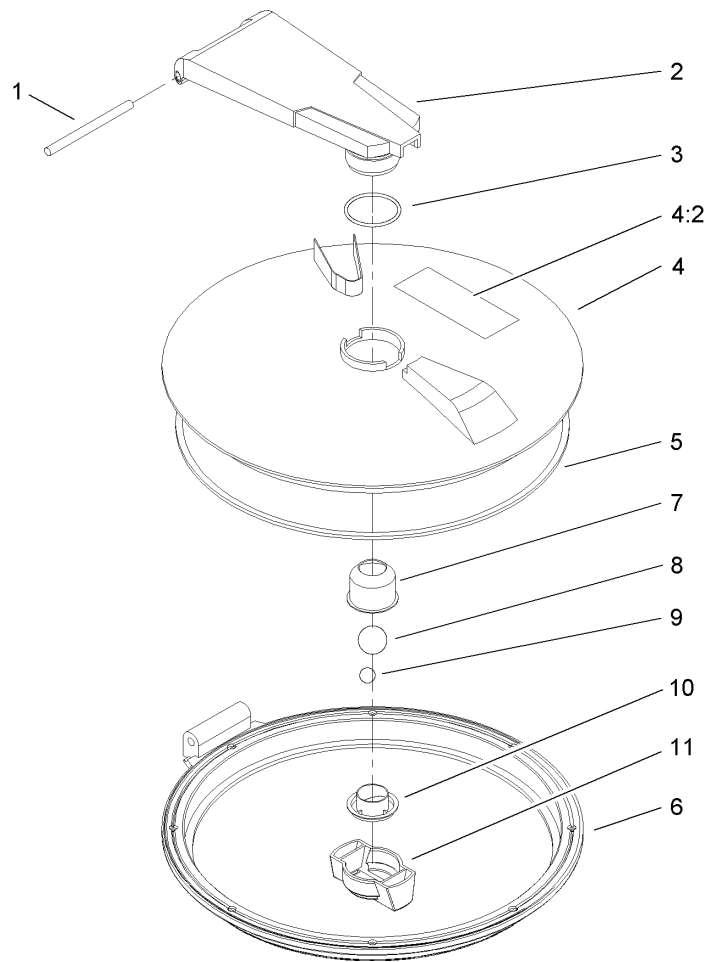
Ref	Part No.	Qty.	Description
1	106-2275	1	Radiator Cover ASM
1:1	93-6687	2	Decal-No Step
1:2	93-6689	2	Decal-No Riders
1:3	93-7814	2	Decal-Danger
1:5	92-3627	1	Trim
1:6	42657	1	Trim-Panel, Front
2	3234-42	4	Screw-HHF
3	32104-95	3	Screw-HWH
4	93-6427-03	1	Panel-Radiator
5	106-1366	1	200 Gallon Tank ASM
6	106-1368	2	Band-Tank
6:2	106-5016	1	Decal-Caution, Electric Shock
7	92-3668	4	Bolt-J
8	3217-8	4	Nut-Hex
9	3256-5	4	Washer-Flat
10	3230-1	3	Bolt-CARR
11	42452	1	Cap-Protective
12	106-7997-03	1	Tee Mounting Bracket ASM
13	104-8949	1	Gauge-Pressure
14	100-8665	1	Reducer-Gauge, Pressure
15	100-8666	1	Nut-Reducer
16	100-8667	1	Coupler-Reducer
17	107-2834	1	Tubing-Pressure
18	100-6778-03	1	Bracket-Anti-Siphon

Ref	Part No.	Qty.	Description
19	41316	1	Adapter-Quick
20	100-6779	1	Coupling-Female
21	41140	1	Elbow
22	32128-20	3	Nut-HF
23	3230-19	1	Screw-CARR
24	104-9075	1	Hose-Siphon, Anti



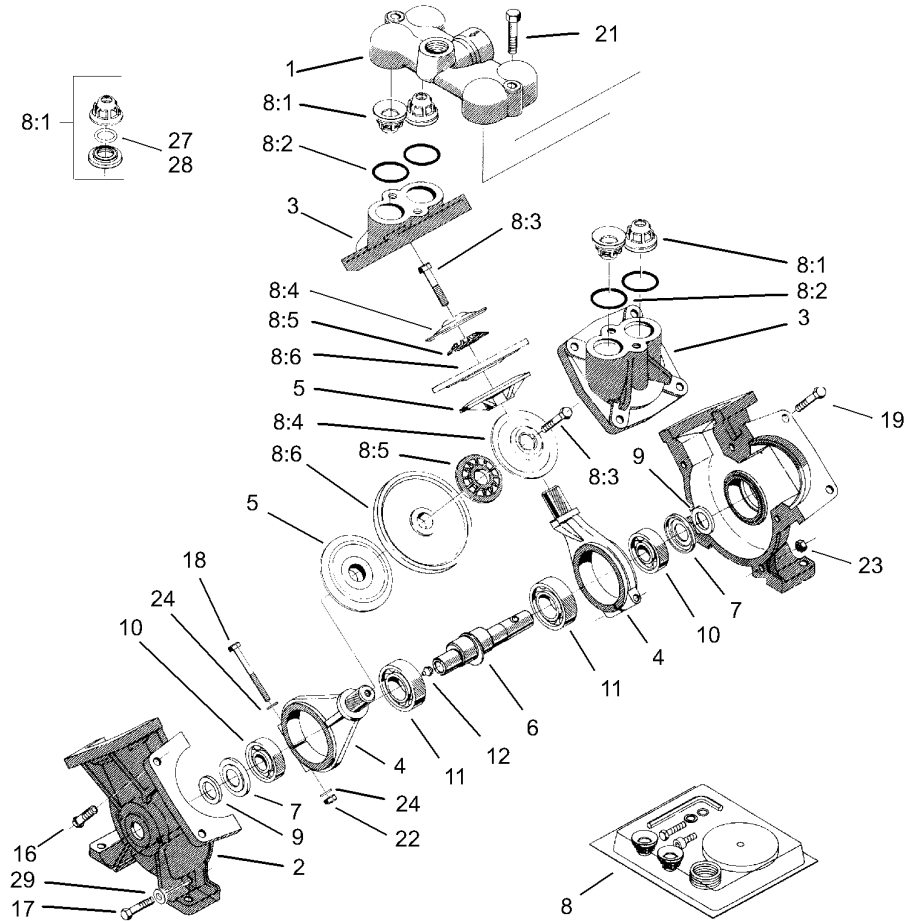
Lid Seal Assembly

Ref	Part No.	Qty.	Description
2		1	Screw Type Tank Lid ASM
3	93-0833	8	Rivet
5	106-4991	1	Seal-Lid



Lid Assembly

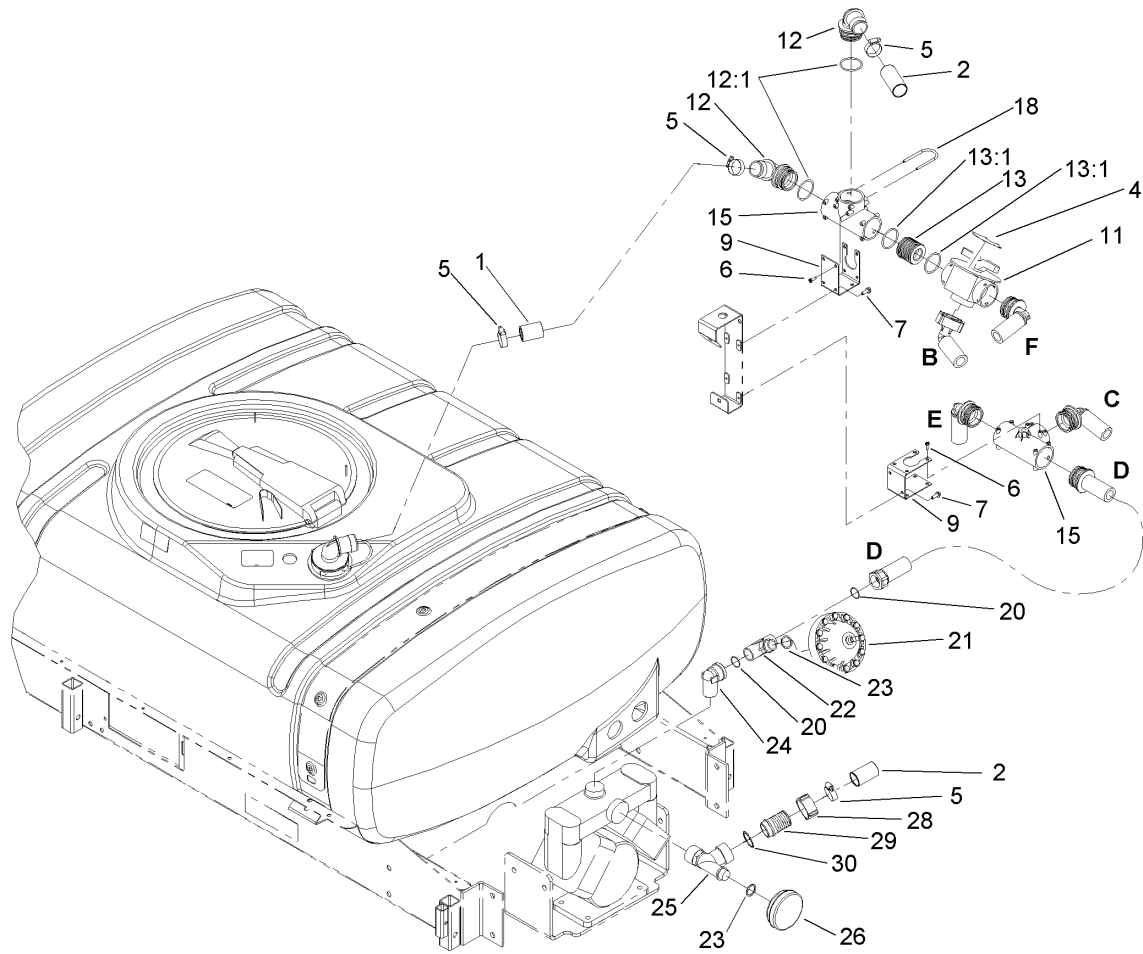
Ref	Part No.	Qty.	Description				
1	106-5000	1	Pin-Pivot				
2	106-5001	1	Arm				
3	106-5002	1	O-Ring				
4	106-1369	1	Lid				
4:2	93-0688	1	Decal-Warning, Chemical				
5	106-5004	1	Seal-Lid				
6	106-5005	1	Ring				
7	106-5006	1	Cup-Vent				
8	106-5007	1	Ball-Floating				
9	106-5008	1	Ball-Weight				
10	106-5009	1	Holder-Ball				
11	106-5010	1	Nut-Wing				



Pump Assembly No. 106-5121

Ref	Part No.	Qty.	Description
1	106-5139	1	Cover-Valve
2	106-5140	2	Housing-Pump
3	106-5141	2	Cover-Diaphragm
4	106-5142	2	Rod-Connecting
5	100-8314	2	Disc-Back, Diaphragm
6	104-9052	1	Crankshaft-Keyed
7	100-8325	2	Plate-Dust
8	106-5150	1	Repair Kit
8:1	100-8307	4	Valve
8:2	100-6652	4	Gasket
8:3	106-5147	2	Bolt
8:4	100-8311	2	Washer
8:5	100-8312	2	Washer-Nylon
8:6	100-8313	2	Diaphragm
9	99-0868	2	Felt-Seal
10	100-8327	2	Bearing-Ball
11	100-8329	2	Bearing-Ball
12	99-0873	1	Fitting-Grease
16	106-5143	3	Bolt
17	106-5144	2	Bolt
18	106-5145	2	Bolt
19	106-5146	8	Bolt
21	106-5148	2	Bolt
22	100-8326	2	Nut-Hex

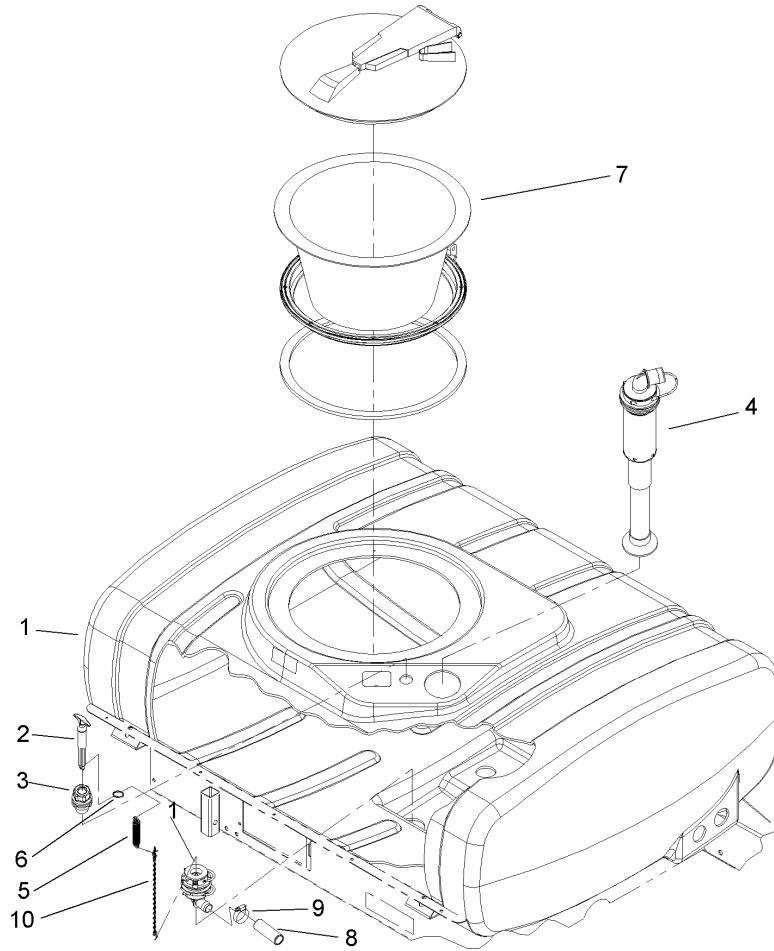
Ref	Part No.	Qty.	Description
23	106-5149	5	Nut
24	100-8316	4	Washer-Lock
27	100-8336	4	O-Ring
28	106-5138	4	O-Ring
29	106-5137	2	Washer



Upper Sprayer Component Assembly

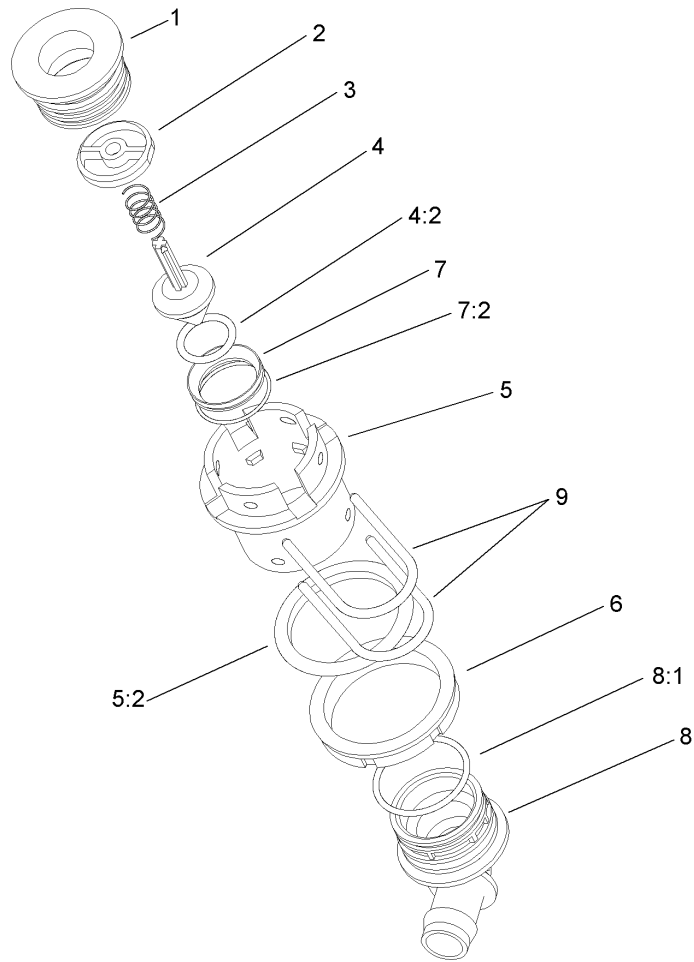
Ref	Part No.	Qty.	Description
1	107-2804	1	Hose-Suction
2	107-2805	1	Hose-Suction
4	107-8621	1	Decal-Agitation
5	41327	4	Clamp-Hose
6	32144-32	8	Screw
7	3234-4	4	Screw-HHF
9	100-8478	2	Bracket-Tee
11	100-8673	1	Agitation Valve ASM
12	106-4946	2	Hosebarb-90 DEG
12:1	100-8637	1	O-Ring
13	106-4947	1	Connector
13:1	100-8637	2	O-Ring
15	100-6704	2	Tee
18	100-8635	8	Fork
20	100-6655	1	Gasket
21	100-6662	1	Damper-Pressure
22	100-8699	1	Tee
23	100-6656	2	O-Ring
24	100-8698	1	Elbow
25	100-8681	1	Tee
26	100-6660	1	Suction Damper ASM
28	100-8678	1	Nut
29	100-8679	1	Hosebarb
30	100-8680	1	Seal

Ref	Part No.	Qty.	Description
●31	3334-945	3	Tie-Cable



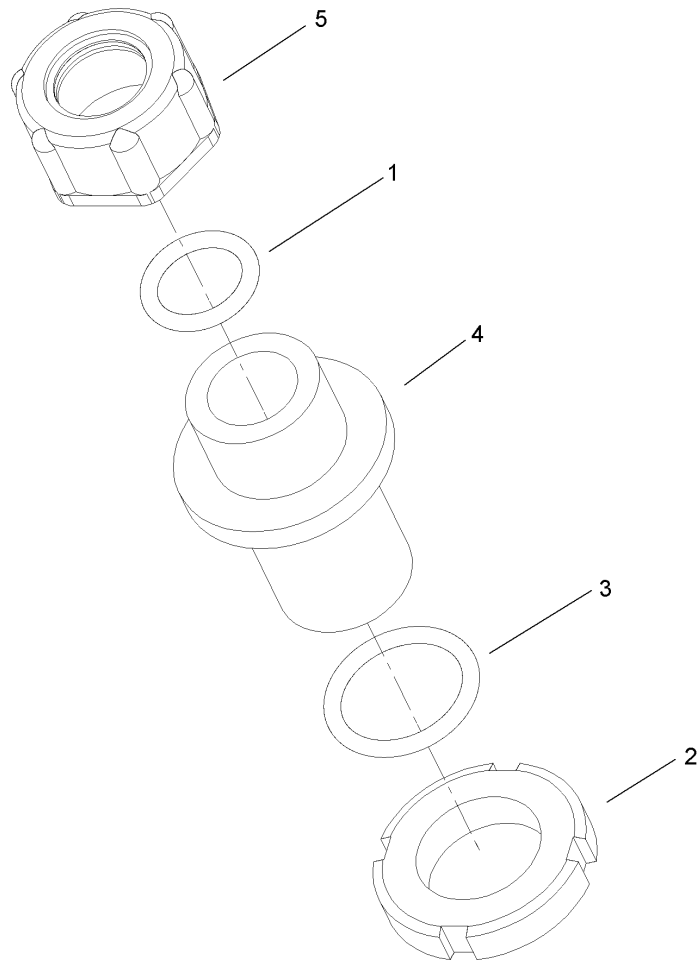
Suction and Drain Assembly

Ref	Part No.	Qty.	Description
②1		1	Tank Drain ASM
2	106-1347	1	Handle-Drain
②3		1	Upper Tank Drain Bulkhead ASM
4	107-2800	1	Top Mounted Suction ASM
5	106-1391	1	Spring-Extension
6	106-1392	1	Ring-Retaining, Spiral (EXT)
7	104-9051	1	Basket-Strainer
8	106-1351	1	Hose-Drain
9	2412-34	1	Clamp-Hose
10	106-1356	1	Chain ASM



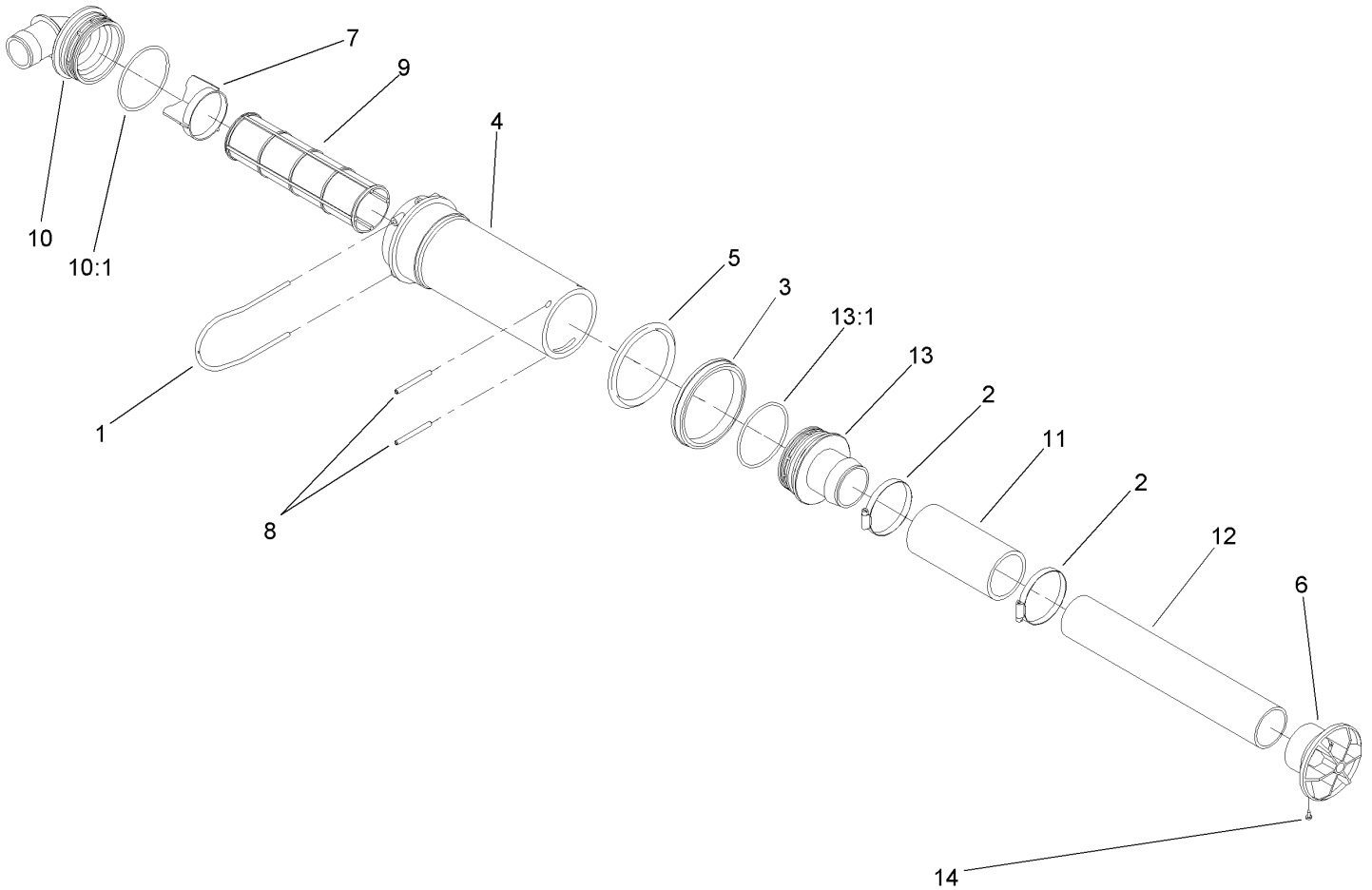
Tank Drain Assembly

Ref	Part No.	Qty.	Description	
1	107-2868	1	Adapter	
2	107-2869	1	Holder-Plunger	
3	107-2871	1	Spring	
4	107-2870	1	Drain Plunger ASM	
4:2	107-2872	1	O-Ring	
5	107-2862	1	Drain Bulkhead ASM	
5:2	107-2864	1	Gasket-Bulkhead	
6	100-7051	1	Nut-Bulkhead	
7	107-2867	1	Seat Drain ASM	
7:2	107-2866	1	O-Ring	
8	106-4933	1	Hosebarb ASM	
8:1	100-8637	1	O-Ring	
9	100-8635	2	Fork	



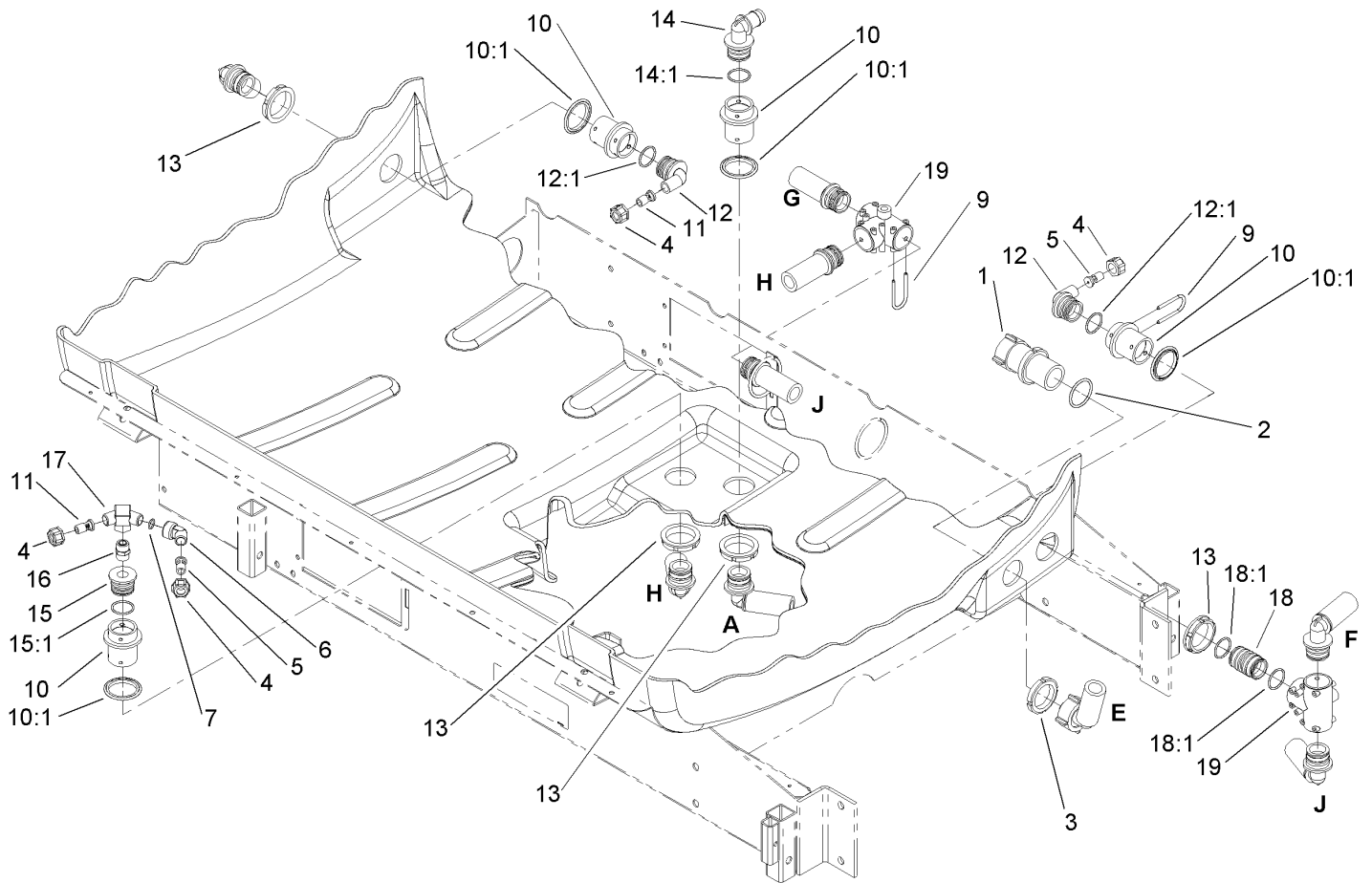
Upper Tank Drain Bulkhead Assembly

Ref	Part No.	Qty.	Description
1	100-6643	1	O-Ring
2	99-0758	1	Nut
3	100-6658	1	Gasket
4	106-1240	1	Bulkhead
5	106-1241	1	Nut-Special



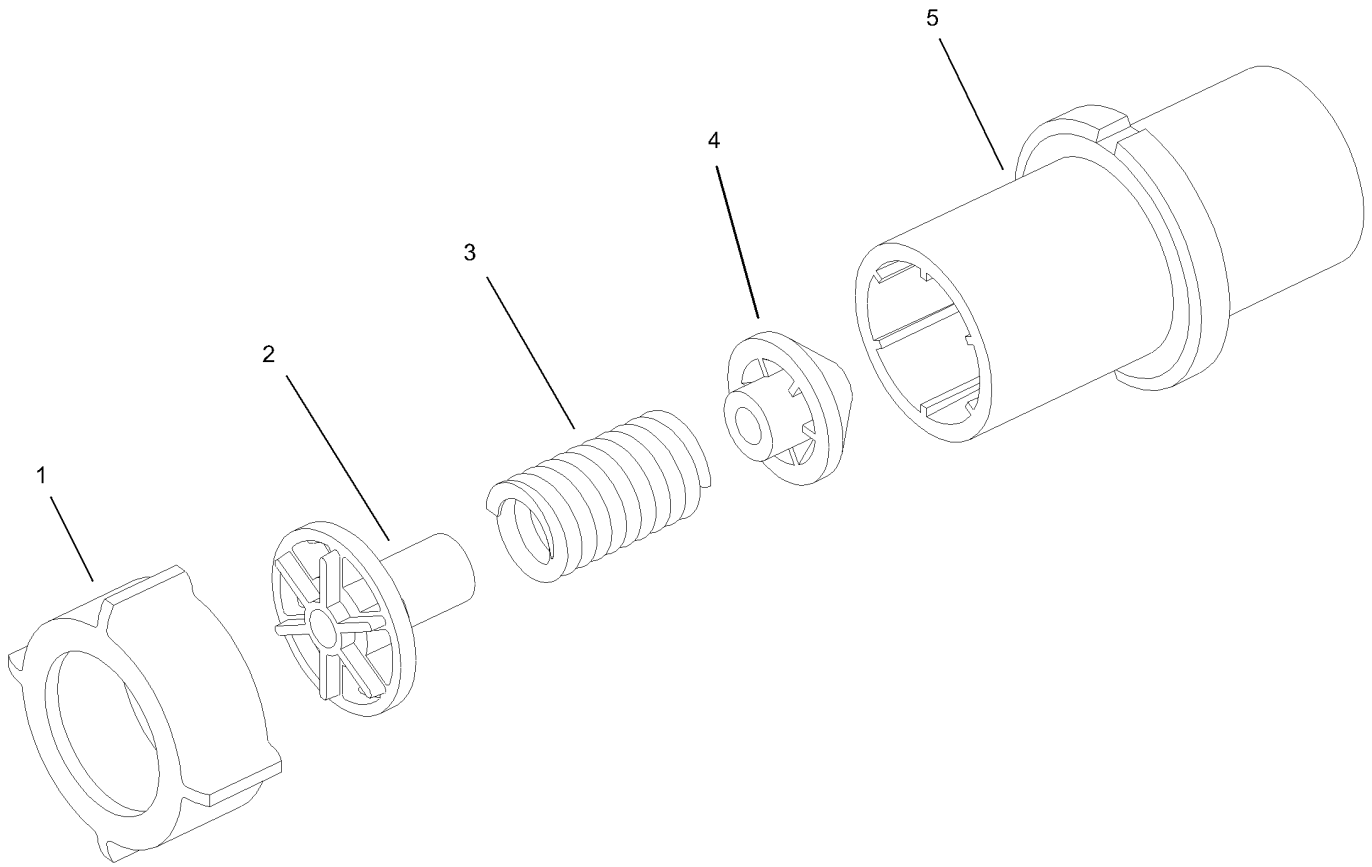
Top Mounted Suction Assembly No. 107-2800

Ref	Part No.	Qty.	Description				
1	100-8636	1	Fork-Special				
2	26392	2	Clamp-Hose				
3	100-8647	1	Nut-Bulkhead				
4	100-8643	1	Housing-Filter				
5	100-8646	1	Gasket-Bulkhead				
6	100-6714	1	Foot-Suction Tube				
7	100-8641	1	Vane-Screen				
8	100-8644	2	Pin-Expansion				
9	100-8642	1	Screen-Suction, Mesh 50				
10	106-4952	1	Hosebarb-90 DEG				
10:1	100-6989	1	O-Ring				
11	100-8649	1	Hose-Suction				
12	107-2801	1	Tube-Suction				
13	106-4942	1	Hosebarb-Straight				
13:1	100-8640	1	O-Ring				
14	108-3270	1	Screw-TAP				



Lower Sprayer Component Assembly

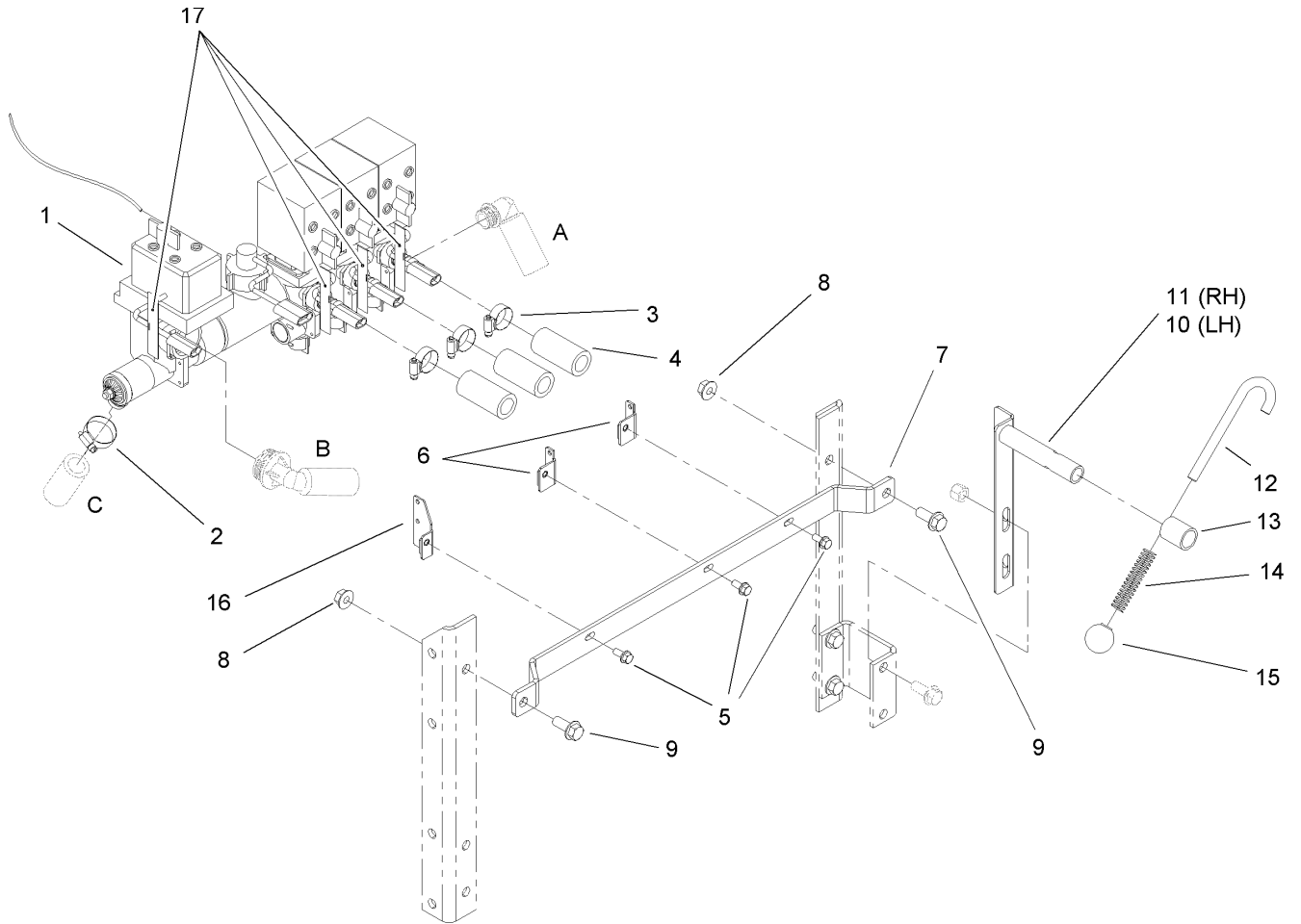
Ref	Part No.	Qty.	Description
1	100-6820	1	Valve-Safety, 225 Psi
2	100-6652	1	Gasket
3	99-0761	1	Ringnut
4	99-0766	4	Nut
5	100-6705	2	Nozzle-Agitation
6	99-0768	1	Elbow-60 DEG
7	100-6653	1	O-Ring
9	100-6708	14	Fork
10	106-4896	4	Fitting-Bulkhead
10:1	100-6710	1	Gasket-Bulkhead
11	100-6706	2	Nozzle-Agitation
12	106-4944	2	Fitting-90 DEG
12:1	100-6712	1	O-Ring
13	100-6713	4	Nut-Bulkhead
14	106-4945	1	Elbow
14:1	100-6712	1	O-Ring
15	106-4943	1	Adapter ASM
15:1	100-6712	1	O-Ring
16	100-6722	1	Nipple
17	100-6723	1	Tee
18	107-2802	1	Connector (S53)
18:1	100-6712	2	O-Ring
19	104-9041	2	Tee



Safety Valve Assembly No. 100-6820

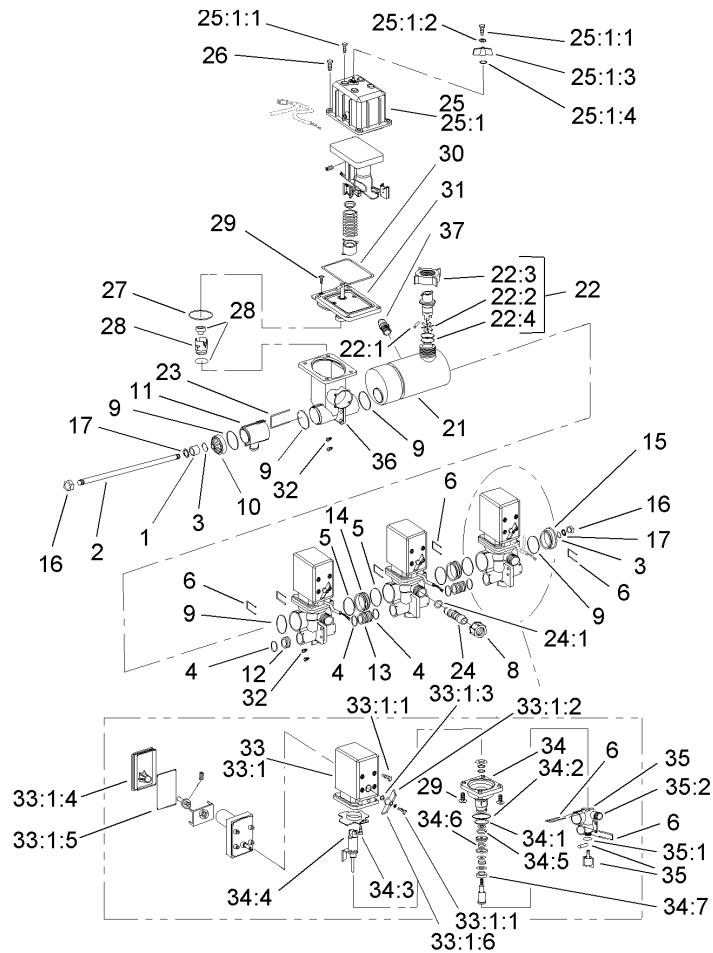
Ref	Part No.	Qty.	Description
1	100-8678	1	Nut
2	100-6724	1	Valve-Relief, Seat
3	100-6725	1	Spring-Relief, Valve
4	100-6726	1	Cone-Relief, Valve
5	100-6727	1	Housing-Relief, Valve

--	--	--	--



Valve Control Assembly

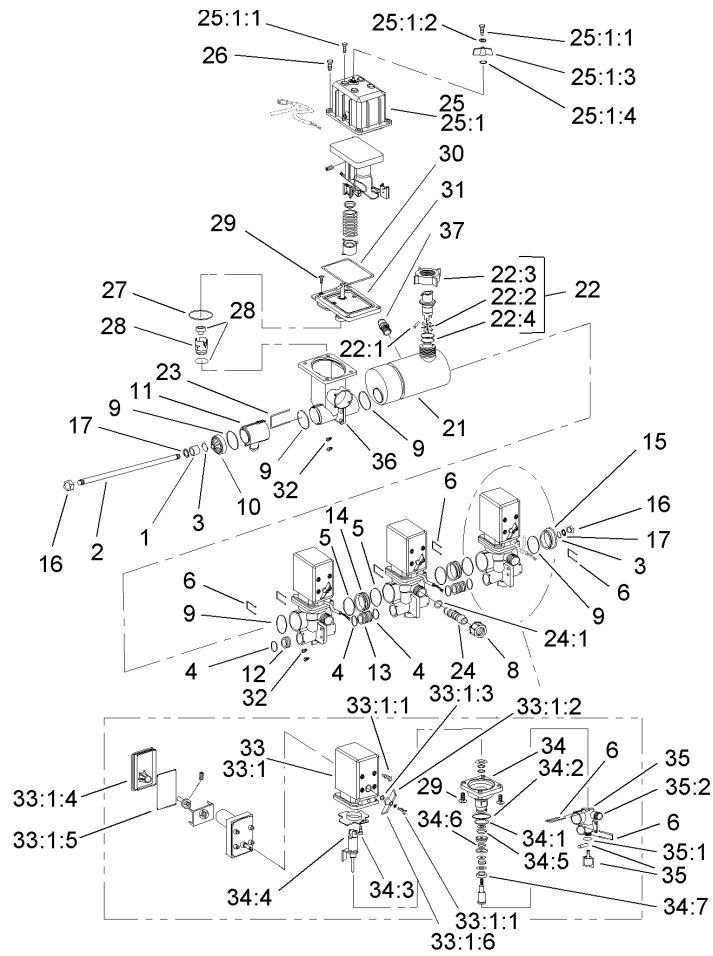
Ref	Part No.	Qty.	Description
1		1	Control-Evc Valve
2	2412-3	1	Clamp-Hose
3	2412-129	3	Clamp-Hose
4	41340	3	Hose-Boom
5	3234-5	3	Screw-HHF
6	100-8432-03	2	Bracket
7	107-2847-03	1	Bracket-Valve
8	32128-49	2	Nut-HHF
9	3234-32	2	Screw-HHF
10	107-2838-03	1	Holder-Tube, LH
11	107-2839-03	1	Holder-Boom, RH
12	92-8562	2	Hook-Restraint, Boom
13	107-2853	2	Hose-Hold In
14	92-8563	2	Spring
15	92-8564	2	Knob
16	100-8433-03	1	Bracket
17	107-8738	4	Decal-Fuse, 3 Amp



EVC Control Valve Assembly

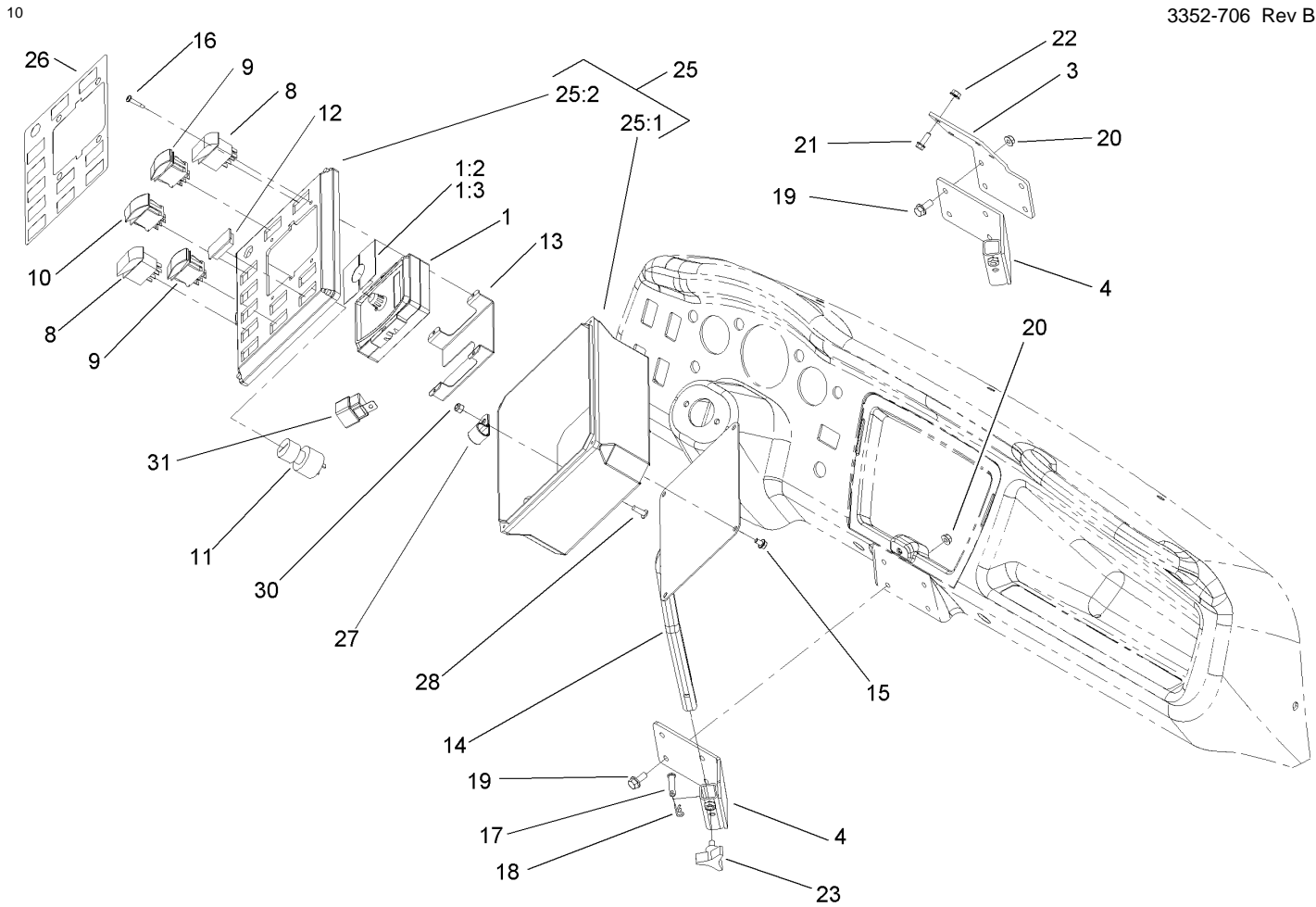
Ref	Part No.	Qty.	Description
1	100-6897	1	Bushing
2	100-6909	1	Rod-Threaded
3	100-6887	2	O-Ring
4	100-6882	5	O-Ring
5	100-6646	5	O-Ring
6	100-6885	9	Fork-Valve, Boom
8	99-0850	3	Nut
9	100-6892	4	O-Ring
10	100-6913	1	Cover
11	100-6908	1	T-Piece
12	100-6891	1	Cap-End
13	100-6890	2	Joiner-Bypass, Boom
14	100-6896	2	Joiner-Valve, Boom
15	100-6915	1	Cover-End
16	100-6894	2	Nut
17	100-6634	2	Washer
21	100-6920	1	Housing-Meter, Flow
22	100-6900	1	Flow Sensor ASM
22:1	100-6906	1	Shaft-Rotor
22:2	100-6919	1	Meter-Flow, Rotor
22:3	100-8678	1	Nut
22:4	100-8653	1	O-Ring
23	100-6907	1	Fork
24	106-5112	3	Hosebarb ASM

Ref	Part No.	Qty.	Description
24:1	100-6645	1	O-Ring
25	108-3351	1	Rate Control Motor ASM
25:1	108-3341	1	Rate Control Motor ASM
25:1:1	100-6876	1	Screw
25:1:2	100-6877	1	Washer-Lock
25:1:3	100-6903	1	Grip-Hand
25:1:4	100-6880	1	O-Ring
25:2	107-8738	1	Decal-Fuse, 3 Amp
26	100-6918	4	Screw-Plastic
27	100-6904	1	O-Ring
28	100-6905	1	Rate Valve Repair Kit
29	100-6917	16	Screw-Plastic
30	100-6901	1	Gasket-Housing, Valve Motor
31	100-6899	1	Section-Spindle, Valve Rate
32	100-6916	6	Screw-Plastic
33	108-3257	3	Motor-Valve ASM, Boom
33:1	108-3340	1	Motor-Valve, Boom
33:1:1	100-6876	1	Screw
33:1:2	100-6877	1	Washer-Lock
33:1:3	100-6880	1	O-Ring
33:1:4	100-6874	1	Cover-Valve, Boom
33:1:5	100-6912	1	Cover-Seal
33:1:6	100-6875	1	Handgrip-Valve, Boom
33:2	107-8738	1	Decal-Fuse, 3 Amp



EVC Control Valve Assembly (continued)

Ref	Part No.	Qty.	Description
34	100-6889	3	Section-Spindle, Boom Valve
34:1	100-8653	1	O-Ring
34:2	100-6882	5	O-Ring
34:3	100-6911	1	Pin-Roller
34:4	100-6910	1	Bearing-Roller
34:5	100-6879	1	O-Ring
34:6	100-6878	1	O-Ring
34:7	100-6881	1	Cone-Stem, Boom Valve
35	100-6888	3	Manifold-Valve, Boom
35:1	100-6887	1	O-Ring
35:2	106-5151	1	Manifold-Lower
36	100-6914	1	Valve-Control, Housing Rate
37	100-8674	1	Coupler-Tube

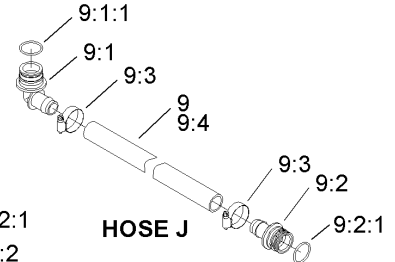
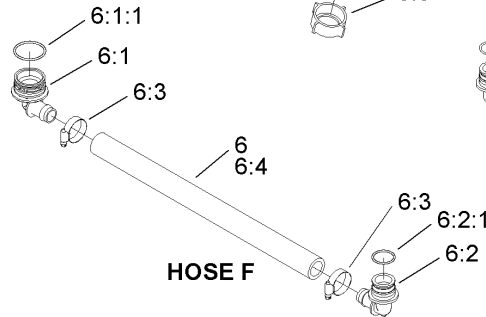
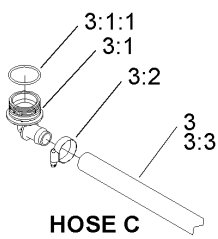
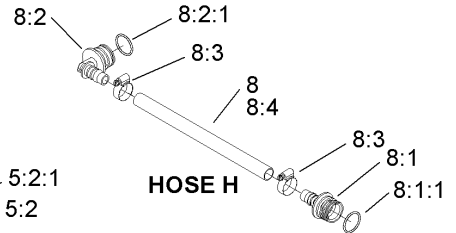
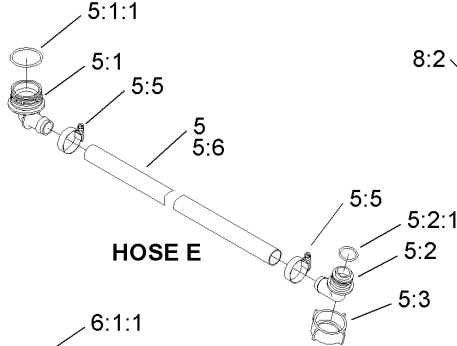
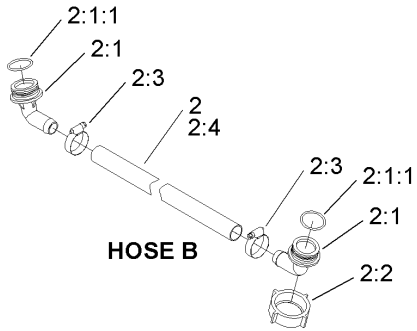
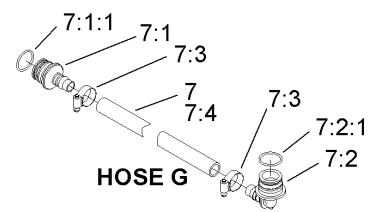
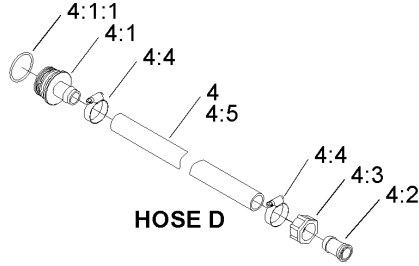
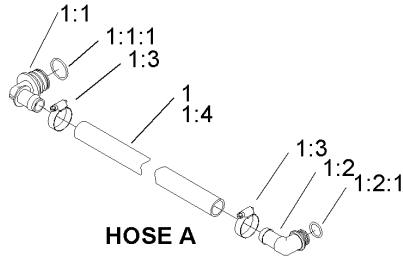


Control Box Assembly

Ref	Part No.	Qty.	Description
1	108-3312	1	Monitor-Spray
1:2	108-3307	1	Decal-Monitor
1:3	108-3309	1	Decal-Monitor, Ce
3	107-2811-03	1	Bracket-Adapter, Control
4	106-7992-03	1	Receiver ASM
8	100-8490	4	Switch-Dpdt
9	100-1535	3	Switch
10	100-8589	1	Switch-Rocker
11	94-5245	1	Switch-Key
12	99-7420	3	Plug-Hole
13	107-2831	1	Bracket-Monitor
14	106-7995-03	1	Control Box Mount ASM
15	3234-26	4	Screw
16	104-1451	4	Screw-TAP, PPH
17	283-6	1	Pin-Clevis
18	3290-307	1	Pin-Hair
19	3234-17	4	Screw-HHF
20	104-8300	4	Nut-Flange, NI
21	3234-4	4	Screw-HHF
22	32128-33	4	Nut-HF
23	92-9674	1	Knob
25		1	Control Enclosure ASM
25:1	106-1378	1	Base-Enclosure, Control
25:2	106-1349	1	Cover-Enclosure, Control

Ref	Part No.	Qty.	Description
26	107-2825	1	Decal-Switchplate
27	2412-4	1	Clamp
28	321-5	1	Screw-HH
30	32128-33	1	Nut-HF
31	99-7430	1	Relay

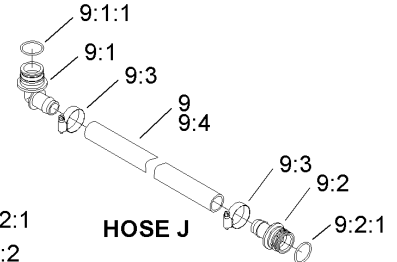
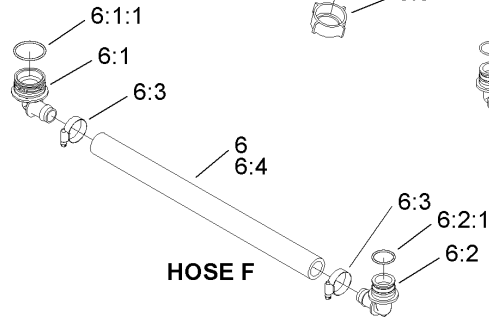
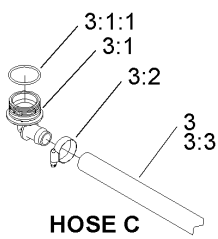
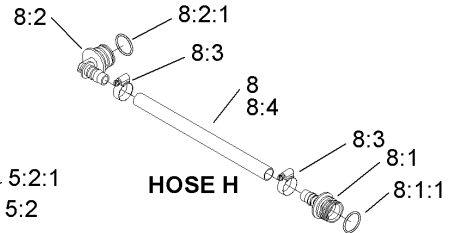
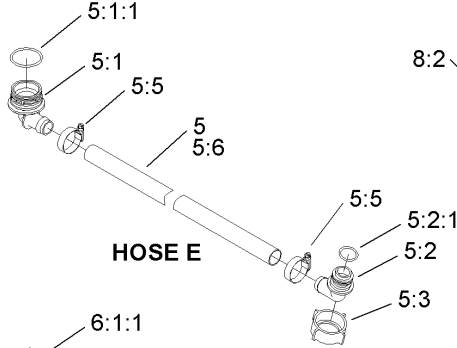
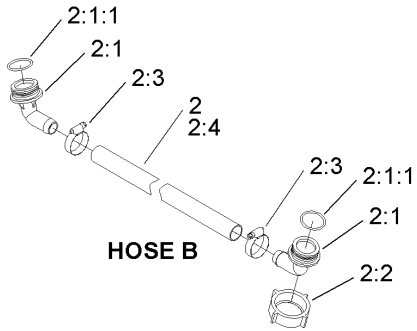
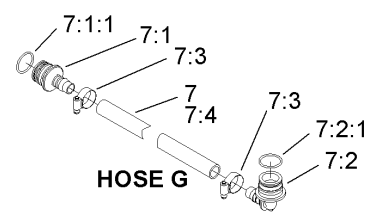
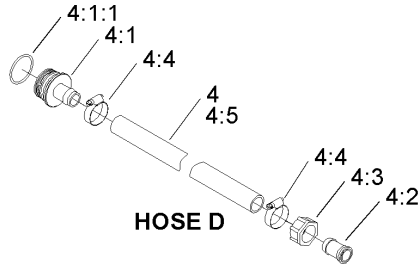
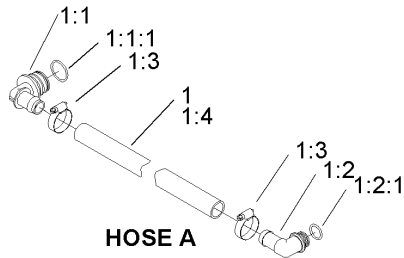
3352-706 Rev B



Hose Assembly

Ref	Part No.	Qty.	Description
②1		1	Boom Bypass Hose ASM
1:1	106-4945	1	Elbow
1:1:1	100-6712	1	O-Ring
1:2	106-4948	1	Hose Barb ASM
1:2:1	100-6882	1	O-Ring
1:3	2412-3	2	Clamp-Hose
1:4	104-9037	1	Hose-Boom Bypass
②2		1	Agitation Supply Hose ASM
2:1	106-4950	2	Hose Barb ASM
2:1:1	100-8671	1	O-Ring
2:2	100-8669	1	Nut
2:3	2412-3	2	Clamp-Hose
2:4	104-8710	1	Hose
②3		1	Tee Controls Hose ASM
3:1	106-4933	1	Hosebarb ASM
3:1:1	100-8637	1	O-Ring
3:2	2412-3	1	Clamp-Hose
3:3	107-2832	1	Hose
②4		1	Manifold Tee Hose ASM
4:1	106-4932	1	Hosebarb-Straight
4:1:1	100-8637	1	O-Ring
4:2	99-0781	1	Hosebarb
4:3	99-0769	1	Nut
4:4	2412-3	2	Clamp-Hose

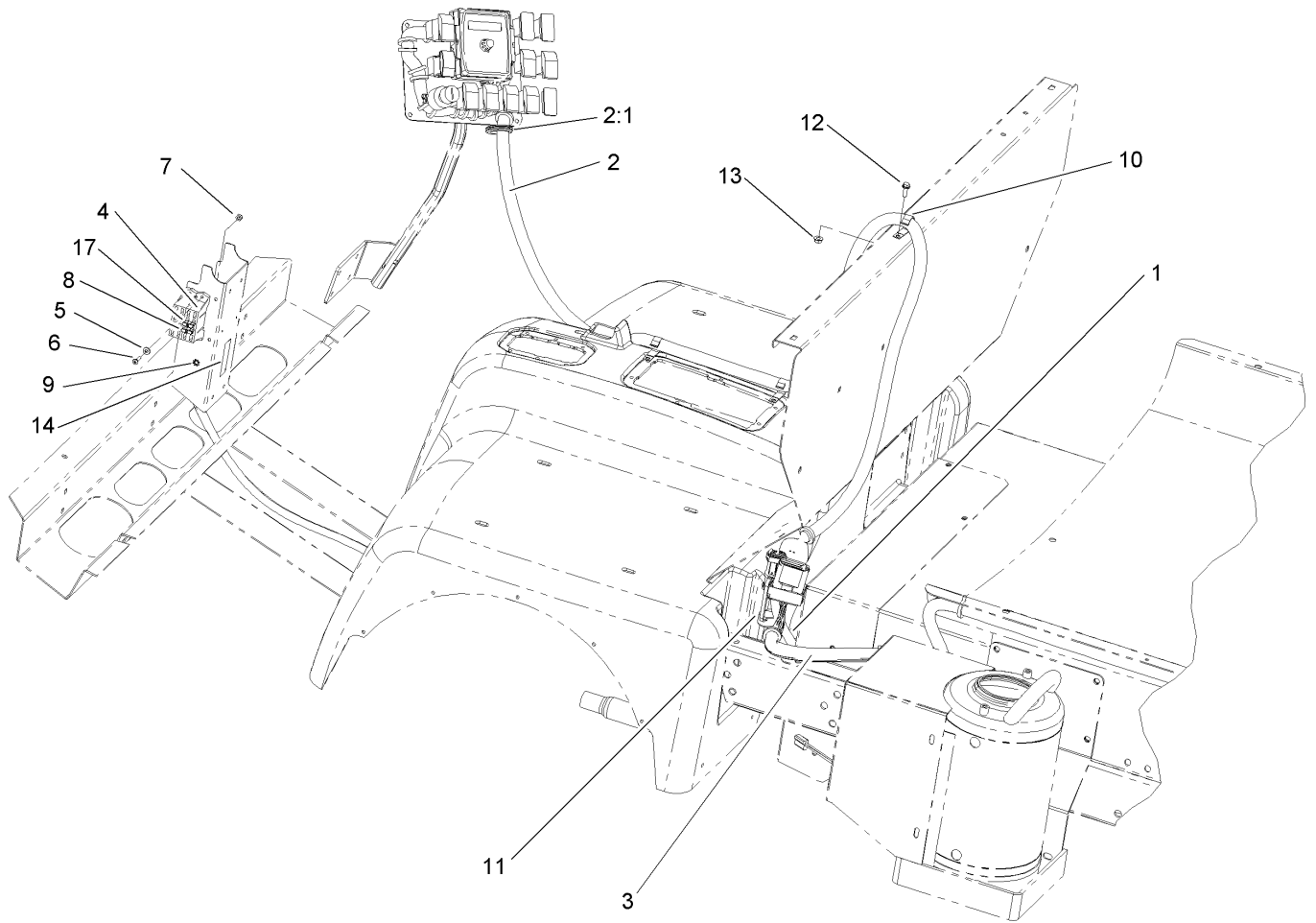
Ref	Part No.	Qty.	Description
4:5	107-2807	1	Hose
②5		1	Relief Valve Hose ASM
5:1	106-4933	1	Hosebarb ASM
5:1:1	100-8637	1	O-Ring
5:2	106-4949	1	Hosebarb-110 DEG
5:2:1	100-6646	1	O-Ring
5:3	100-8678	1	Nut
5:5	2412-3	2	Clamp-Hose
5:6	104-8710	1	Hose
②6		1	Agitation Valve Hose ASM
6:1	106-4933	1	Hosebarb ASM
6:1:1	100-8637	1	O-Ring
6:2	106-4945	1	Elbow
6:2:1	100-6712	1	O-Ring
6:3	2412-3	2	Clamp-Hose
6:4	106-4975	1	Hose
②7		1	Front Agitation Hose ASM
7:1	106-4939	1	Hosebarb-Straight
7:1:1	100-6712	1	O-Ring
7:2	106-4940	1	Hosebarb-90 DEG
7:2:1	100-6712	1	O-Ring
7:3	2412-129	2	Clamp-Hose
7:4	107-2813	1	Hose
②8		1	Middle Agitation Hose ASM



Hose Assembly (continued)

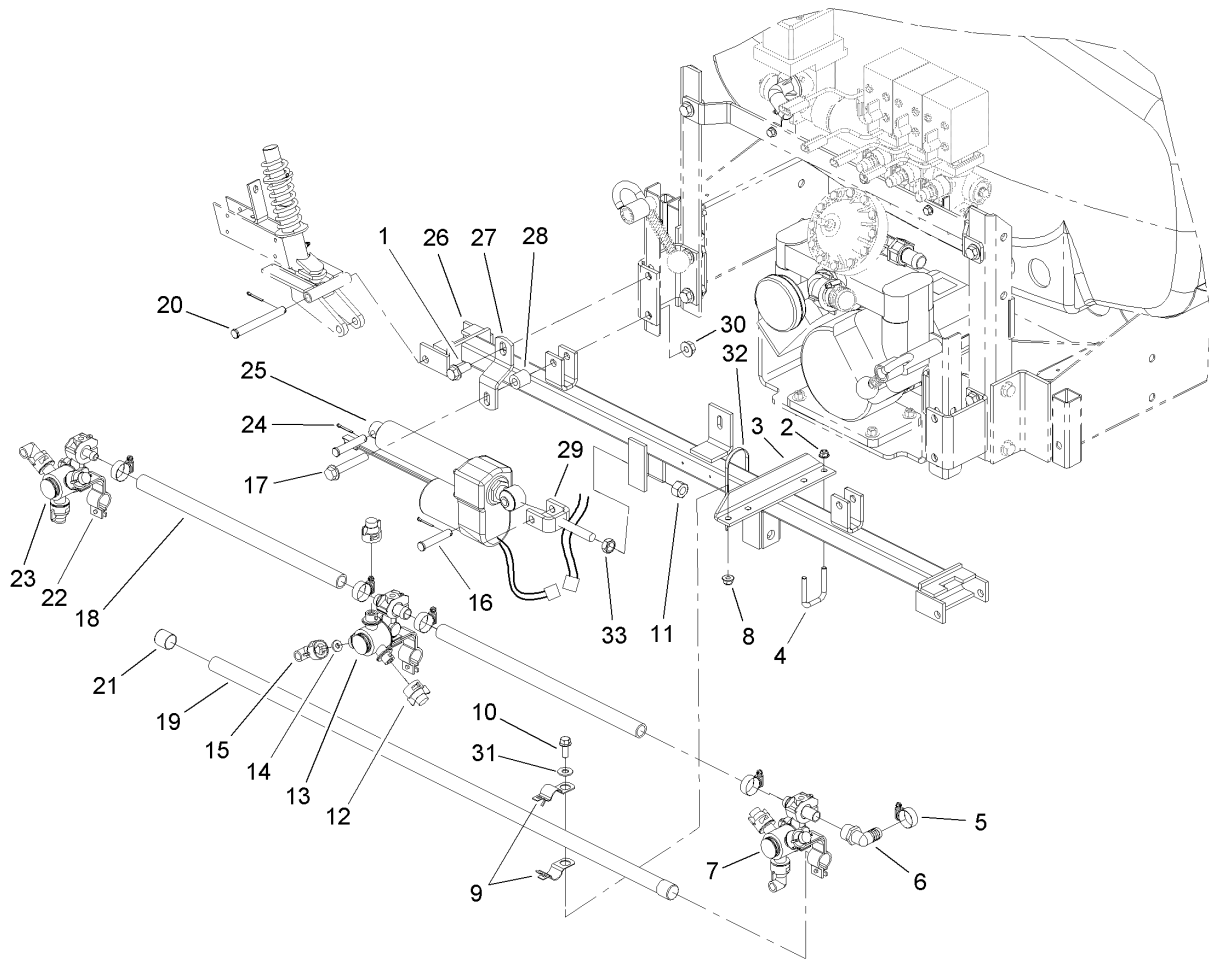
Ref	Part No.	Qty.	Description
8:1	106-4939	1	Hosebarb-Straight
8:1:1	100-6712	1	O-Ring
8:2	106-4940	1	Hosebarb-90 DEG
8:2:1	100-6712	1	O-Ring
8:3	2412-129	2	Clamp-Hose
8:4	106-1360	1	Hose
29		1	Agitation Tee Hose ASM
9:1	106-4945	1	Elbow
9:1:1	100-6712	1	O-Ring
9:2	106-4935	1	Hosebarb ASM
9:2:1	100-6712	1	O-Ring
9:3	2412-3	2	Clamp-Hose
9:4	107-2812	1	Hose

--	--	--	--



Electrical Harness Assembly

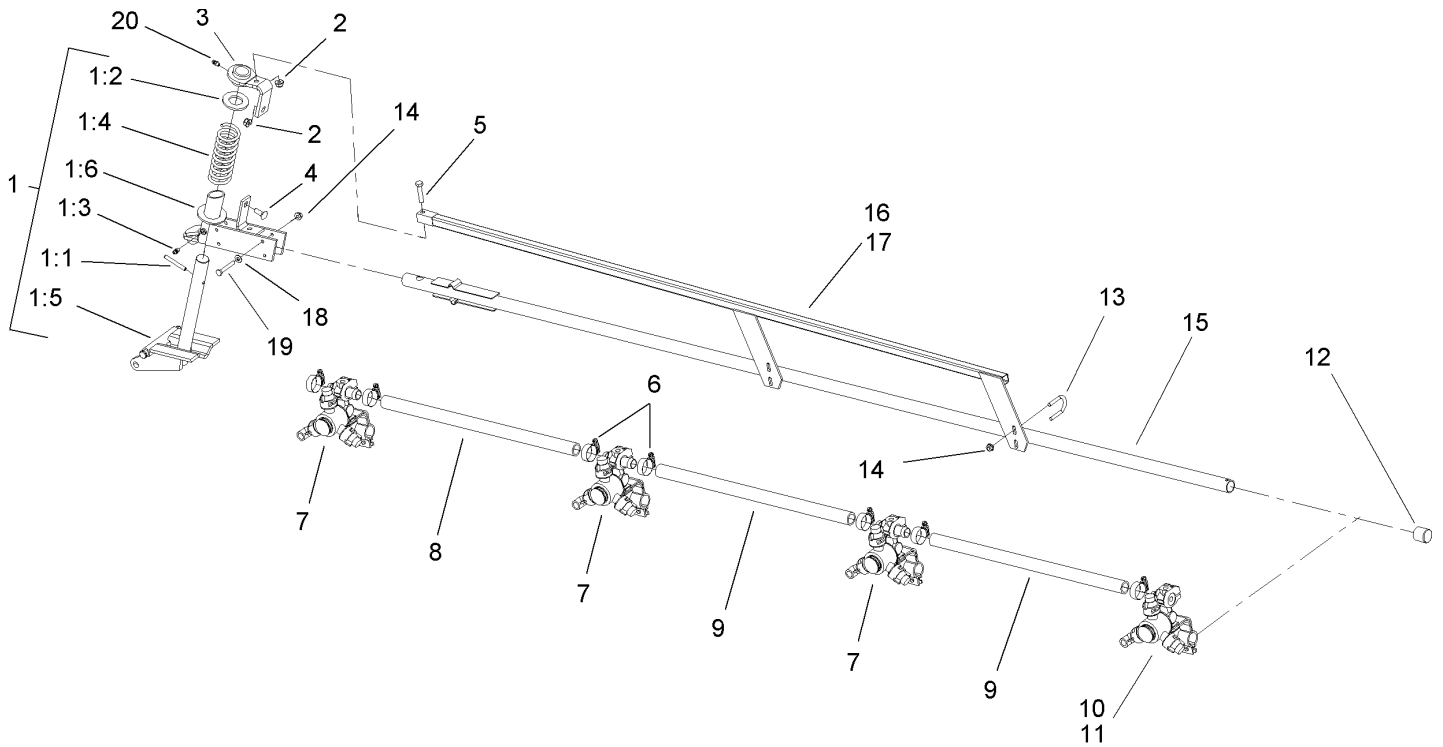
Ref	Part No.	Qty.	Description				
1	107-2840	1	Harness-Power				
2	107-2841	1	Harness-System, Spray				
2:1	32180-033	1	Grommet				
3	106-1404	1	Harness-Wire, Spray Valve				
①3:1	107-8745	4	Fuse-Blade, 3 Amp				
4	92-2641	1	Block-Fuse				
5	3256-14	2	Washer-Flat				
6	3250-13	2	Screw-PPH				
7	3296-2	2	Nut-Lock				
8	218-578	1	Fuse-10 Amp				
9	3255-7	1	Washer-Lock / EXT				
10	106-1362	3	J-Clamp				
11	100-8815	1	Cap-Dust, Nipple				
12	3234-4	1	Screw-HHF				
13	32128-33	1	Nut-HF				
14	106-1374	1	Decal-Block, Fuse				
17	109103	1	Fuse-30 Amp				
①99	3290-378	8	Tie-Cable				



Center Boom Assembly

Ref	Part No.	Qty.	Description
1	3234-32	2	Screw-HHF
2	104-8300	4	Nut-Flange, NI
3	106-5085-03	2	Plate-Boom, Center
4	301950	2	U-Bolt-Square
5	2412-129	5	Clamp-Hose
6	95-9314	1	Elbow
7	104-8790	1	Body-Turret, Double
8	104-8301	2	Nut-Flange, NI
9	40494	2	Clamp ASM
10	3234-11	2	Screw-HHF
11	3217-11	2	Nut-Hex
12	95-9187	22	Cap-Blank
13	104-8789	1	Body-Turret, Double
14	40998	11	Seat-Gasket
15	95-9186	11	Cap
16	100-6541	4	Pin-Clevis
17	3234-40	2	Screw-HF
18	40506	2	Hose-Jumper
19	40493-03	1	Pipe-Boom, Center
20	283-83	2	Pin-Clevis
21	92-8420	2	Cap-Boom
22	95-9185	11	Clamp
23	104-8787	1	Body-Turret, Single (LH)
24	3272-11	6	Pin-Cotter

Ref	Part No.	Qty.	Description
25	108-3251	2	Actuator-Danaher
26	42227-03	1	Main Frame Tube ASM
27	104-8761-03	2	Strap-Support, Boom
28	42257	2	Spacer-Tubular
29	108-3250	2	Adjustable Clevis ASM
30	32128-49	4	Nut-HHF
31	3256-4	2	Washer-Flat
32	3290-378	4	Tie-Cable
33	3218-6	2	Nut-Jam



Boom Extension Assembly

Ref	Part No.	Qty.	Description
1	42840	2	Breakaway ASM
1:1	32121-78	1	Pin-Roll
1:2	3256-62	1	Washer-Flat
1:3	302-5	1	Fitting-Grease
1:4	42196-03	1	Spring
1:5	42243-03	1	Hinge ASM
1:6	42706-03	1	Breakaway Pivot ASM
2	104-8300	4	Nut-Flange, NI
3	42707-03	2	Support Bracket ASM
4	3230-16	2	Screw-CARR
5	322-7	2	Screw-HH
6	2412-129	14	Clamp-Hose
7	104-8789	6	Body-Turret, Double
8	95-2229	2	Hose
9	40506	4	Hose-Jumper
10	104-8788	1	Body-Turret, Single (RH)
11	104-8787	1	Body-Turret, Single (LH)
12	92-8420	2	Cap-Boom
13	92-0010	4	U-Bolt
14	32128-32	16	Nut-HHF
15	106-5076-03	2	Boom Extension ASM
16	42710-03	1	RH Boom Support ASM
17	42711-03	1	LH Boom Support ASM
18	3256-22	8	Washer-Flat

Ref	Part No.	Qty.	Description
19	321-10	8	Screw-HH
20	302-5	2	Fitting-Grease

Attachments and Accessories

For 41229 - Workman 200 Spray System, Heavy-Duty Workman Vehicles

Product Name	Model/Part
Single Nozzle Kit	41024
Sonic Boom	41089
Hose Reel Kit	41097
Spray Gun Kit	41133
Pro Foam Concentrate (4 X 1 Gallon)	41157
Foam Marker Kit	41228
Enclosed Boom	41355
Enclosed Boom Mount, Workman 200 Spray System	41363
Pro-Foam	41607

NOTES

NOTES

