



**Count on it.**

**Parts Catalog**

**Reelmaster® 5610 Traction Unit**

Model No. 03691—Serial No. 310000104 and Up



# Ordering Replacement Parts

To order replacement parts, please supply the part number, the quantity, and the description of each part desired.

## Understanding Reference Numbers

Each identified part in an illustration has a reference number. The reference number for a part also appears in the parts list, along with other information about the part.

This catalog uses two special reference number formats, one to indicate parts in a service assembly and another to indicate the quantity of a given part in an illustration.

## Service Assembly Reference Numbers

Parts in service assemblies have reference numbers in the form a:b. The a represents the reference number of the entire service assembly and the b represents a sequential number unique to each part within the service assembly.

For example, a wheel assembly might be identified by reference number 6, the tire by 6:1, the valve by 6:2, and the wheel by 6:3. When you order the assembly identified by reference number 6, you receive all parts identified by reference numbers 6:1, 6:2, and 6:3. However, you may also order any part individually. Reference numbers of this type appear in illustration and in parts lists.

## Reference Numbers Indicating Quantity

In an illustration, if a reference number indicates more than one part, the reference number has the form nX y. The n represents the quantity of the part, the X is the multiplication symbol, and the y represents the reference number.

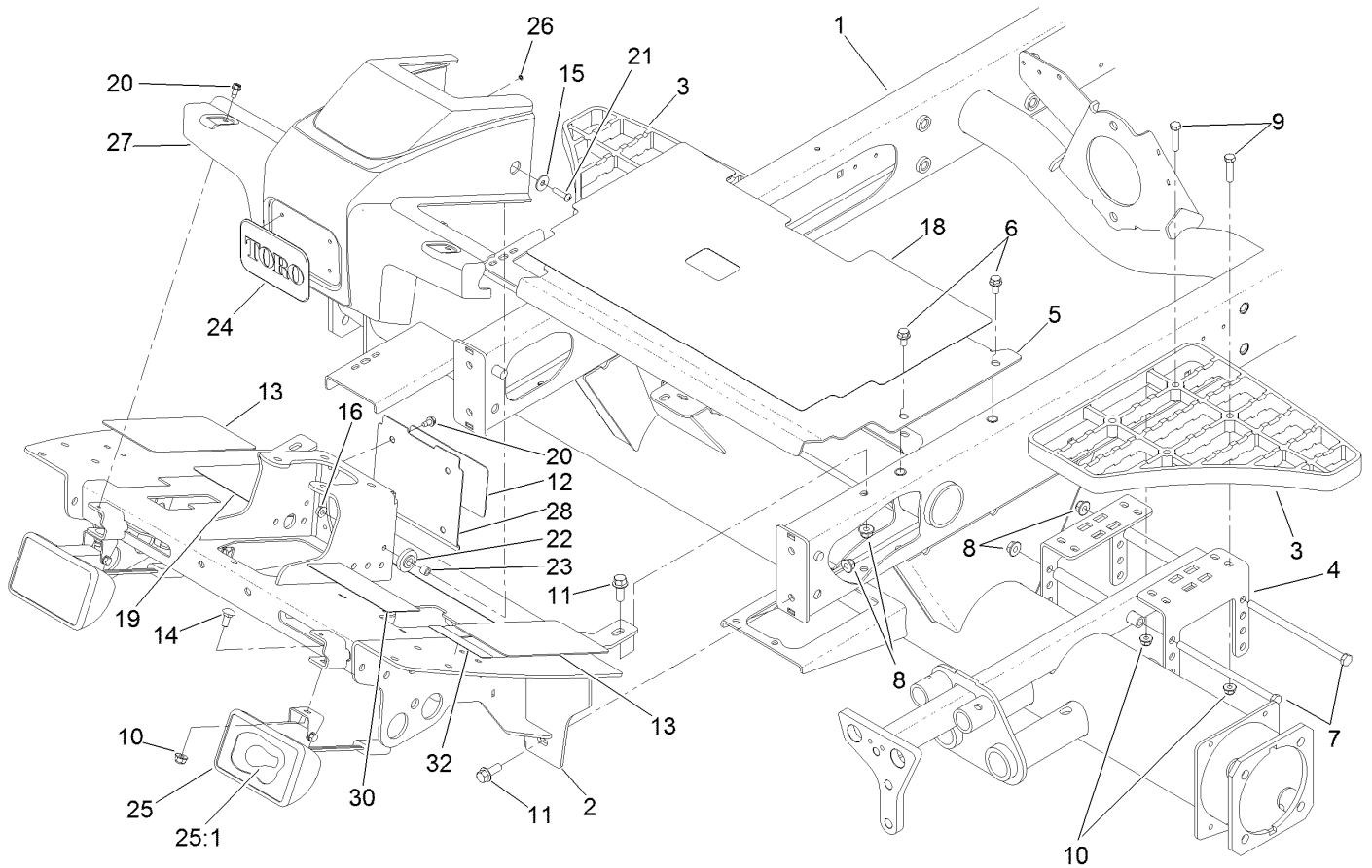
For example, in an illustration, the reference number 2X 37 means that two of the parts identified by reference number 37 are indicated.

# Contents

Front Frame Assembly .....	5
Steering Valve Hydraulic Plumbing Assembly .....	6
Steering Tilt Column Assembly No. 106-3622 .....	7
Steering Valve Assembly No. 115-7926 .....	8
Traction Pedal Assembly .....	9
Brake Pedal Assembly .....	10
Seat and Armrest Assembly .....	11
Seat Base and Suspension Assembly .....	12
Mechanical Seat Suspension Assembly No. 110-8851 .....	13
Console and Control Arm Assembly .....	14
Joystick Bracket Assembly No. 106-4167 .....	16
Hydraulic Tank Assembly .....	17
Fuel Tank Assembly .....	18
Front Wheel, Brake and Hydraulic Motor Assembly .....	19
Hydraulic Motor Assembly No. 114-8857 .....	21
Hydraulic Motor Assembly No. 114-8858 .....	22
LH Brake Assembly No. 110-8872 .....	23
RH Brake Assembly No. 110-8871 .....	24
Driveshaft and Variable Pump Hydraulic Fitting Assembly .....	25
Driveshaft Assembly No. 108-1641 .....	26
Variable Pump Assembly No. 117-0222 .....	27
Gear Pump Hydraulic Plumbing Assembly .....	29
Gear Pump Assembly No. 105-7576 .....	30
Engine Mounting and Electrical Assembly .....	31
Engine Intake and Exhaust Assembly .....	32
Air Cleaner Assembly No. 110-8917 .....	33
Fuel System Delivery Assembly .....	34
Radiator and Hydraulic Cooler Assembly .....	35
Hydraulic Lift Block and Plumbing Assembly .....	37
Hydraulic Manifold Block Assembly No. 105-7577 .....	38
Reel Control Block Hydraulic Plumbing Assembly .....	39
Hydraulic Manifold Block Assembly No. 108-1625 .....	41
Rear Reel Drive System Plumbing and Front Hose Assembly .....	42
Hydraulic Motor Assembly No. 110-1717 .....	44
Front Lift Cylinder and Plumbing Assembly .....	45
Hydraulic Cylinder Assembly No. 110-9034 .....	46
Hydraulic Cylinder Assembly No. 110-9033 .....	47
Front Lift Arm Assembly .....	48
Rear Lift Cylinder and Plumbing Assembly .....	49
Rear Lift Arm Assembly .....	50
Rear Axle Assembly .....	51
Tie Rod Assembly No. 110-5334-03 .....	53
Hydraulic Cylinder Assembly No. 110-9035 .....	54
Battery and Bumper Assembly .....	55
Hood and Body Panel Assembly .....	56
Crankcase Assembly .....	57
Oil Pan Assembly .....	58
Cylinder Head Assembly .....	59
Gear Case Assembly .....	60
Cylinder Head Cover Assembly .....	61
Dipstick and Guide Assembly .....	62
Main Bearing Case Assembly .....	63
Cam Shaft and Idle Gear Shaft Assembly .....	64
Piston and Crankshaft Assembly .....	65

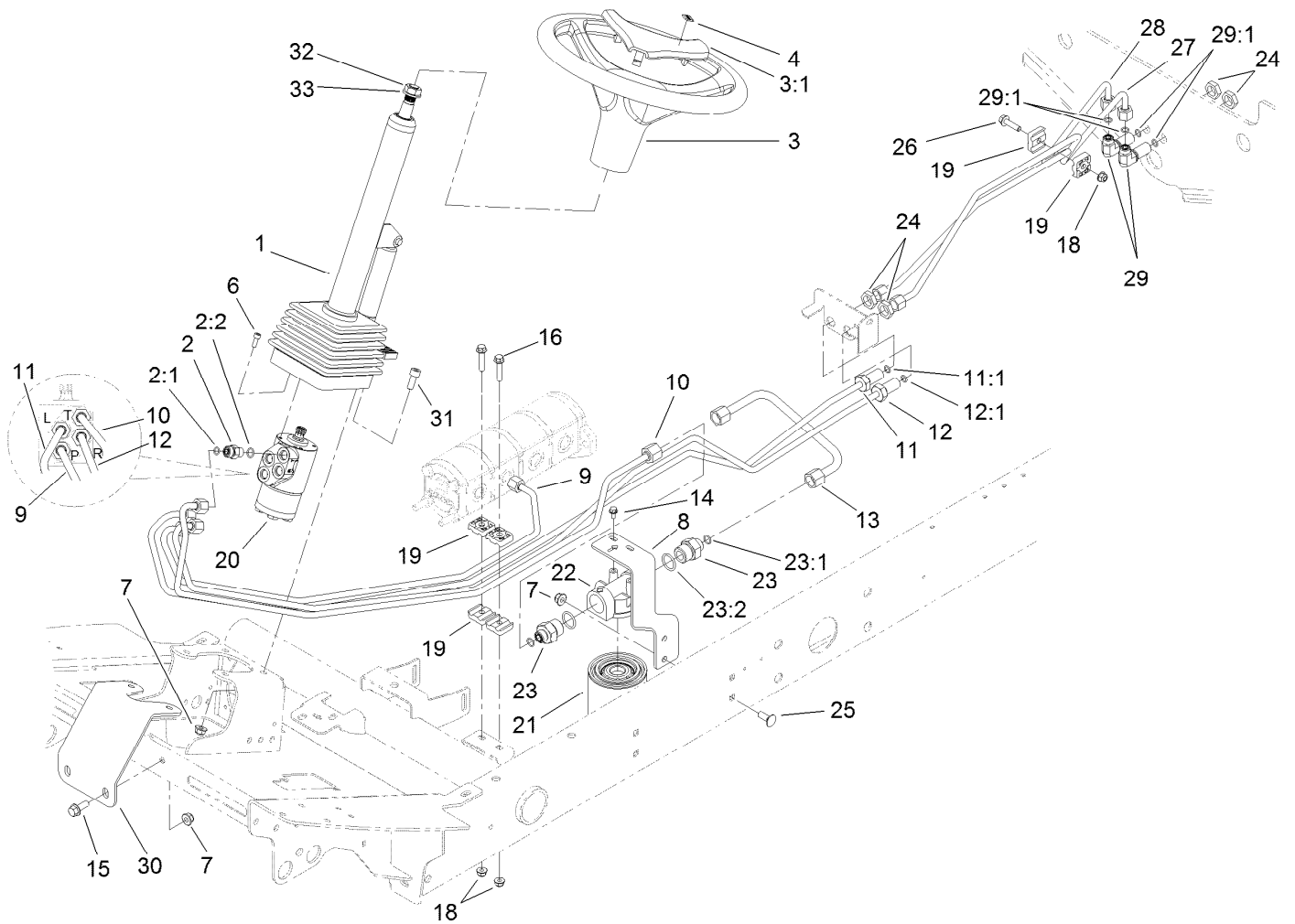
# Contents (continued)

Flywheel Assembly .....	66
Fuel Camshaft and Governor Shaft Assembly .....	67
Idle Apparatus Assembly .....	68
Injection Pump Assembly .....	69
Speed Control Plate Assembly .....	70
Nozzle Holder and Glow Plug Assembly .....	71
Nozzle Holder Component Assembly .....	72
Governor Assembly .....	73
Boost Compensator Assembly .....	74
Alternator and Pulley Assembly .....	75
Alternator Components Assembly .....	76
Starter Assembly .....	77
Water Flange and Thermostat Assembly .....	78
Water Pump Assembly .....	79
Overflow Bottle Assembly .....	80
Valve and Rocker Arm Assembly .....	81
Inlet and Exhaust Manifold Assembly .....	82
Turbo Charger Assembly .....	83
Oil Pipe (Turbo Charger) Assembly .....	84
Oil Cooler Assembly .....	85
Attachments and Accessories .....	86



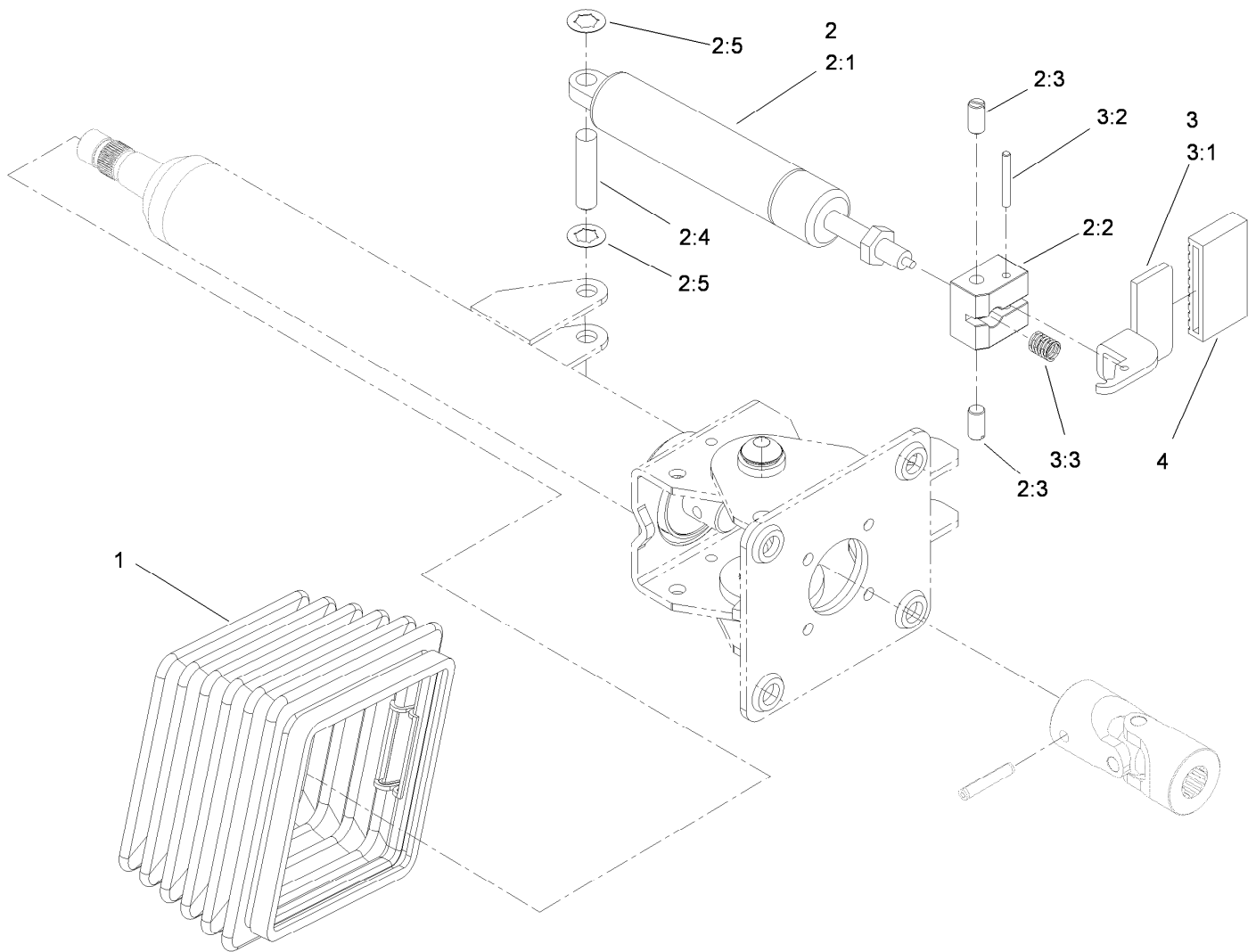
## Front Frame Assembly

<i>Ref.</i>	<i>Part Number</i>	<i>Qty.</i>	<i>Description</i>	<i>Ref.</i>	<i>Part Number</i>	<i>Qty.</i>	<i>Description</i>
1	117-5179	1	Frame ASM	18	115-8065	1	Tread-Service Panel
2	117-0161-01	1	Platform	19	108-1845	1	Tread-Board, Floor
3	110-9041	2	Step-Aluminum	20	32104-17	6	Screw-HWH
4	117-5161-01	4	Bracket-Step	21	106-9518	2	Screw-PRH
5	115-8064-01	1	Plate-Floor	22	240-11	2	Bushing-Flange
6	3234-17	4	Screw-HHF	23	66-8010	2	Spacer
7	323-36	4	Screw-HH	24	93-6028	1	Plate-Logo
8	104-8301	8	Nut-HF, NI	25	94-9024	2	Lamp ASM
9	322-17	8	Screw-HH	25:1	95-0909	1	Lamp-12 Volt
10	104-8300	10	Nut-HF, NI	26	3254-9	4	Washer-Lock, Internal
11	3234-11	4	Screw-HHF	27	110-0944	1	Shroud-Platform
12	110-0986	1	Decal-Plate, Cover	28	110-0947-03	1	Plate-Cover
13	110-0988	2	Tread-Floor, Side	30	110-8924	1	Decal-Danger
14	3230-1	2	Bolt-CARR	30	110-8986	1	Decal-Danger
15	87-6630	2	Washer-Plain	32	117-2718	1	Decal-Arrester, Spark
16	32128-33	2	Nut-HF				



## Steering Valve Hydraulic Plumbing Assembly

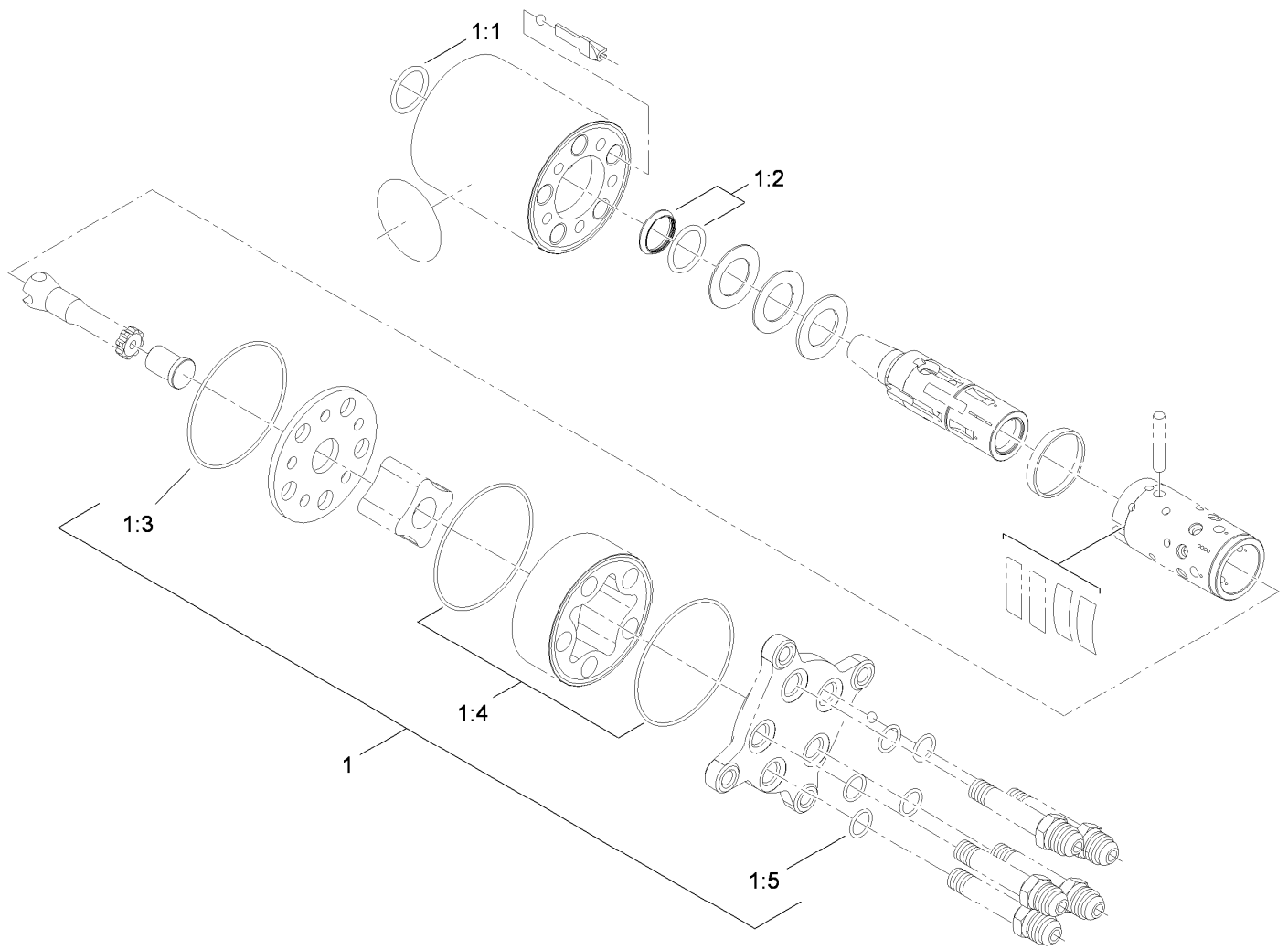
Ref.	Part Number	Qty.	Description	Ref.	Part Number	Qty.	Description
1	106-3622	1	Steering Tilt Column ASM	18	104-8300	3	Nut-HF, NI
2	340-2	4	Fitting-Straight	19	56-7973	6	Clamp-Tube
2:1	237-22	1	O-Ring	20	106-3621	1	Steering Valve ASM
2:2	237-42	1	O-Ring	21	86-3010	1	Filter-Oil
3	98-1471	1	Wheel-Steering	22	117-5820	1	Head-Filter
3:1	98-1468	1	Cover-Wheel, Steering	23	100-4240	2	Fitting-STR
4	98-1459	1	Decal	23:1	237-30	1	O-Ring
6	105-2409	4	Screw-HSH	23:2	237-81	1	O-Ring
7	104-8301	6	Nut-HF, NI	24	340-70	4	Nut-Lock
8	110-0906-01	1	Support-Filter, Oil	25	3231-27	2	Screw-CARR
9	108-1710	1	Tube ASM	26	3234-36	1	Screw-HHF
10	108-1711	1	Tube-HYD	27	110-9019	1	Tube-HYD
11	108-1712	1	Tube ASM	28	110-9020	1	Tube-HYD
11:1	237-22	1	O-Ring	29	340-154	2	Union-Bulkhead
12	108-1713	1	Tube ASM	29:1	237-22	2	O-Ring
12:1	237-22	1	O-Ring	30	110-8876-01	1	Brace-Column
13	108-1714	1	Tube ASM	31	3274-1	4	Screw-HSH
14	3234-33	2	Screw-HHF	32	3296-33	1	Nut-Lock, NI
15	3234-11	2	Screw-HHF	33	3256-27	1	Washer-Flat
16	3234-36	2	Screw-HHF				



## Steering Tilt Column Assembly No. 106-3622

Ref.	Part Number	Qty.	Description
1	110-6462	1	Bellows-Rubber
2	110-6463	1	Cylinder Service Kit
2:1		1	Cylinder-Gas ●
2:2		1	Block-Pedal ●
2:3		2	Bolt ●
2:4		1	Pin ●
2:5		2	Washer-Lock ●
3	110-6464	1	Pedal Service Kit
3:1		1	Pedal ●
3:2		1	Pin ●
3:3		1	Spring ●
4	110-6465	1	Cover-Pedal

● Not serviced separately

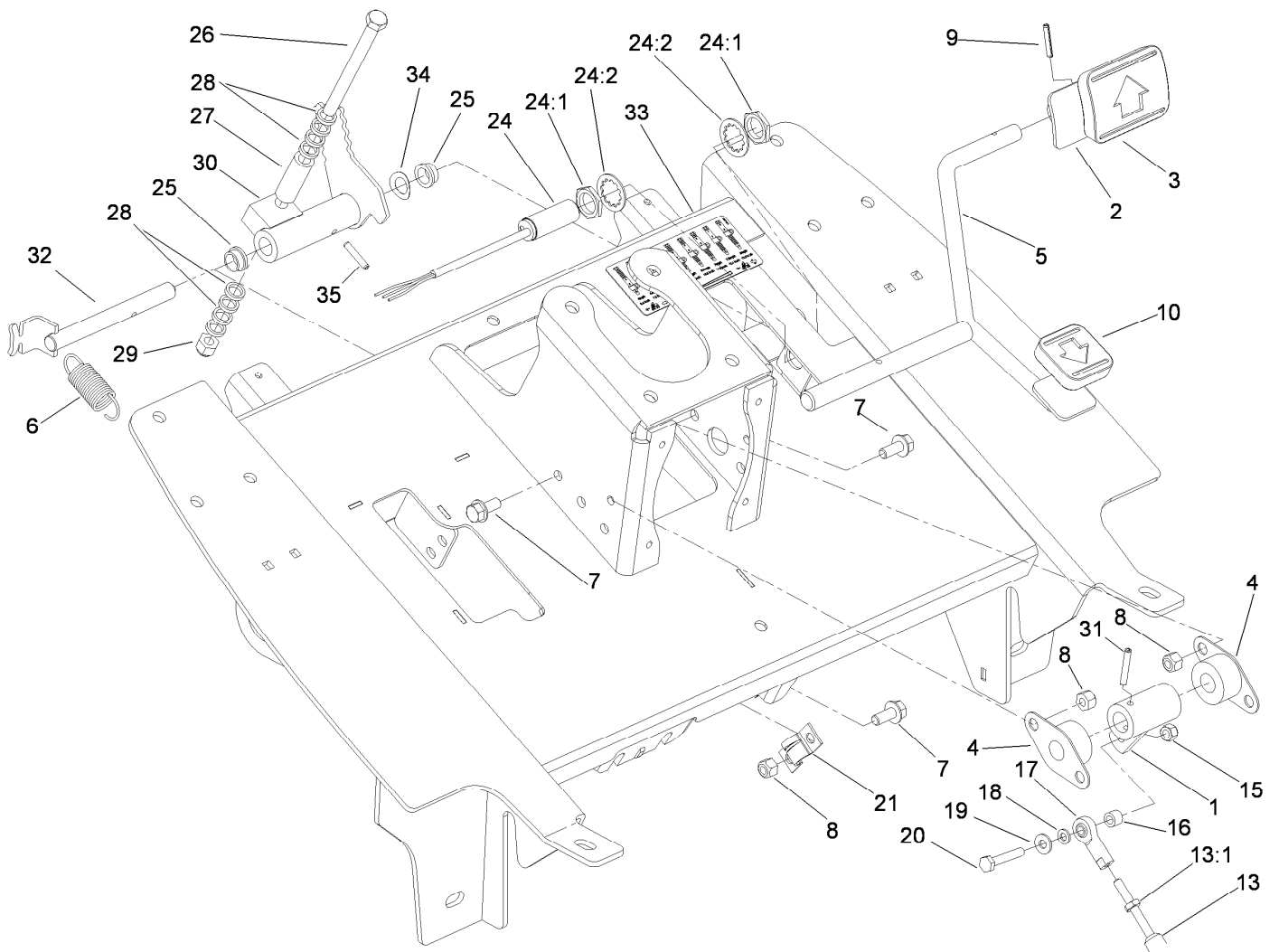


## Steering Valve Assembly No. 115-7926

<i>Ref.</i>	<i>Part Number</i>	<i>Qty.</i>	<i>Description</i>
1	106-6716	1	Seal Kit
1:1		1	Ring-Seal, Dust ●
1:2		1	Seal-Shaft ●
1:3		1	Ring-Retaining ●
1:4		2	Ring-Retaining ●
1:5		5	Ring-Retaining ●

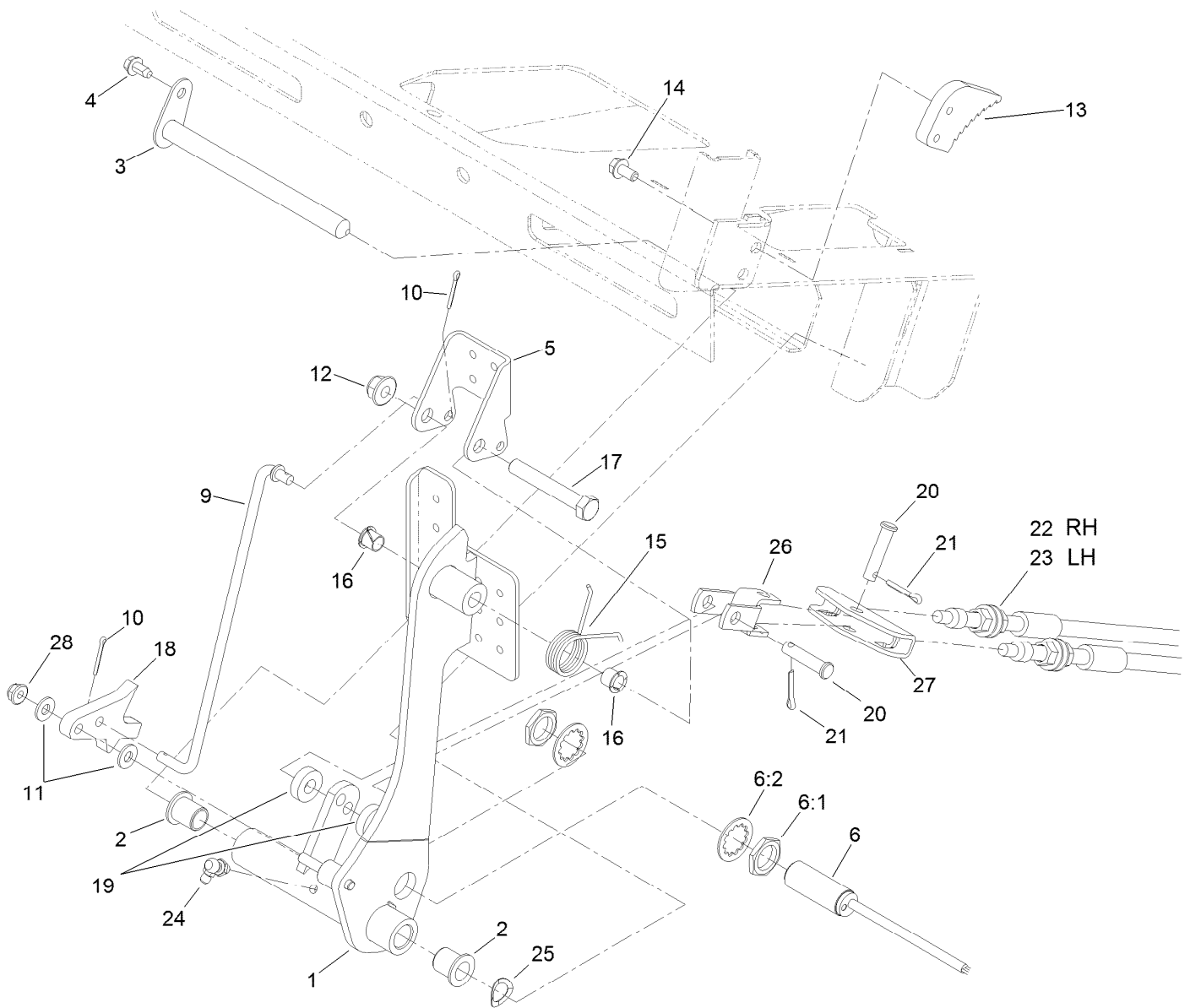
● Not serviced separately





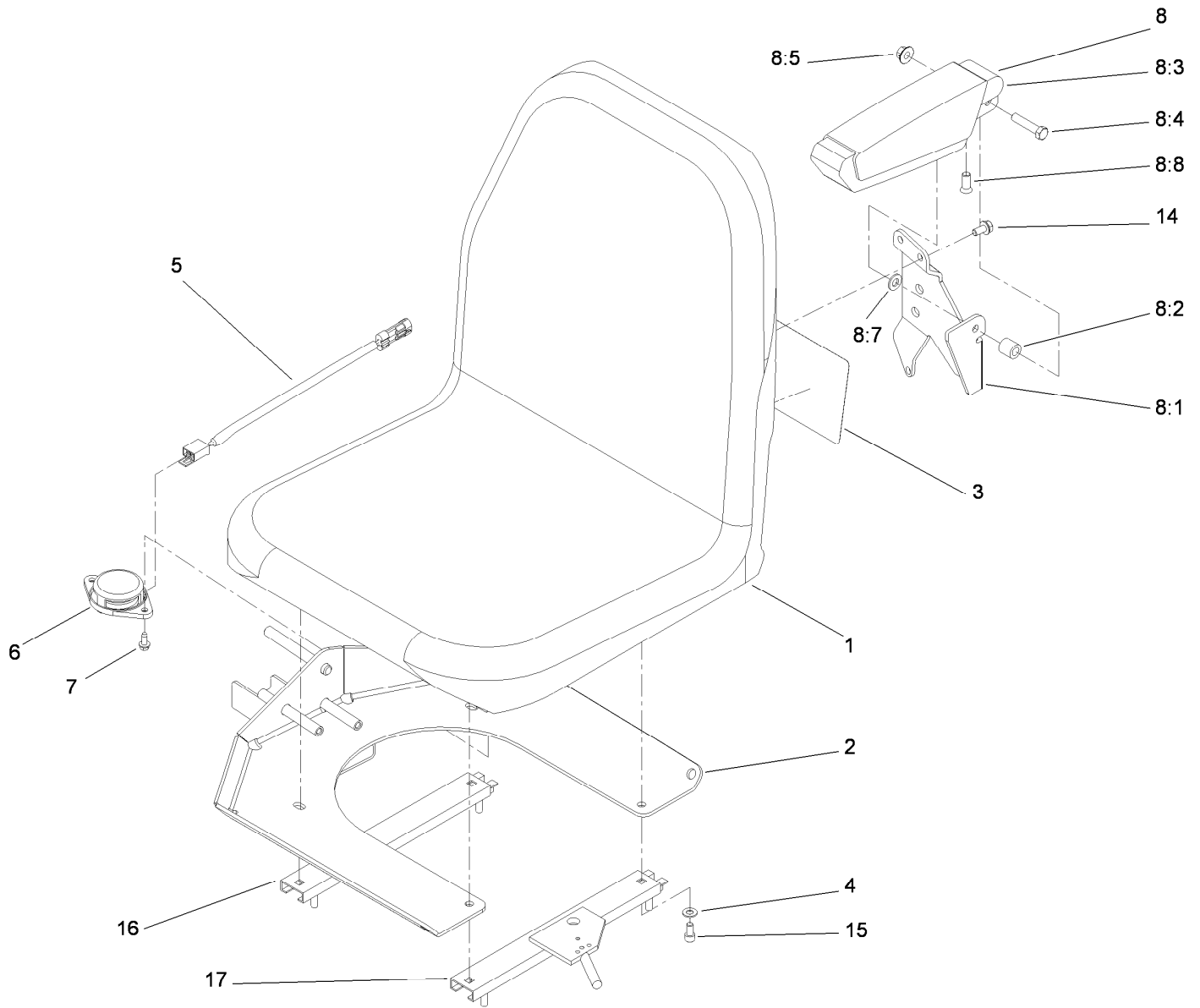
## Traction Pedal Assembly

Ref.	Part Number	Qty.	Description	Ref.	Part Number	Qty.	Description
1	106-3719	1	Hub-Pedal, Traction	20	321-9	1	Screw-HH
2	49-6440-03	1	Pedal-Forward	21	93-2092	1	Clamp-Cable
3	74-9100	1	Pad-Pedal, Forward	24	115-0282	1	Proximity Sensor ASM
4	256-236	2	Bearing-Mount, Flange	24:1	117-3207	2	Nut-Hex
5	106-3840	1	Pedal-Traction	24:2	117-3208	2	Washer-Lock, Internal Tooth
6	92-7305	1	Spring-Extension	25	256-156	2	Bushing-Flange
7	3234-5	6	Screw-HHF	26	323-17	1	Screw-HH
8	3296-29	6	Nut-Lock, NI	27	95-6448	1	Spacer
9	32121-45	1	Pin-Spring	28	62-4420	8	Washer
10	74-9110	1	Pad-Pedal, Reverse	29	3296-39	1	Nut-Lock, NI
13	107-2084	1	Traction Cable ASM	30	117-0216	1	Stop-Mow
13:1	3220-1	2	Nut-Jam	31	32121-6	1	Pin-Roll, Slotted
15	3296-42	1	Nut-Lock, NI	32	106-3731	1	Rod-Pivot
16	66-8010	1	Spacer	33	110-8921	1	Decal-Speed, Mow
17	2411-41	1	Rod End-Ball Joint	34	110-8982	1	Washer-Spring
18	33093-00	1	Washer-Flat	35	32121-16	1	Pin-Spring
19	3256-22	1	Washer-Flat				



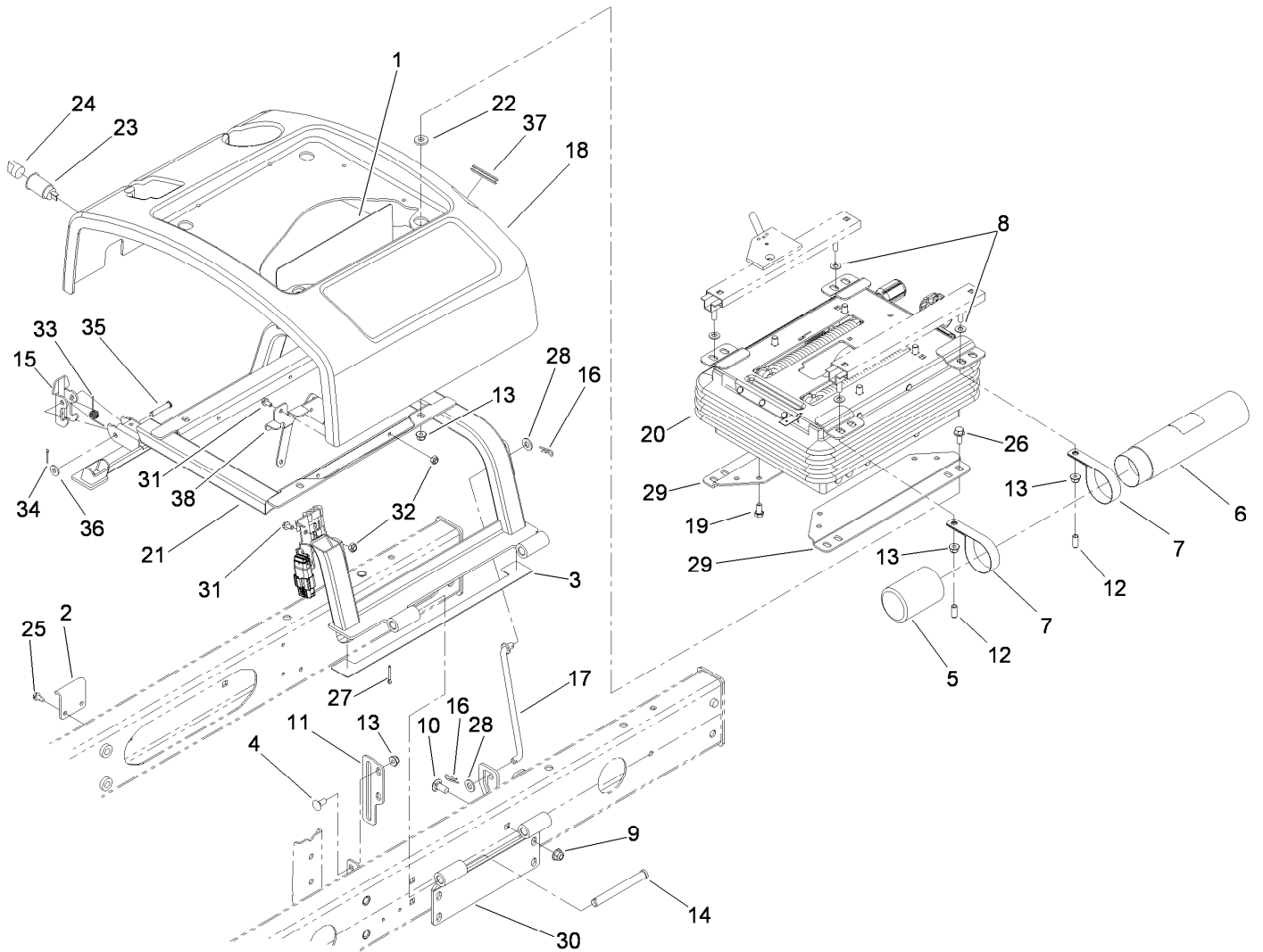
## Brake Pedal Assembly

Ref.	Part Number	Qty.	Description	Ref.	Part Number	Qty.	Description
1	115-0120-03	1	Pedal-Brake	15	99-7140	1	Spring-Torsion
2	256-155	2	Bushing-Flange	16	52-2891	2	Bushing-Flanged, Nylon
3	104-7179	1	Pivot-Pedal	17	323-12	1	Screw-HH
4	12-3270	1	Screw	18	117-0238	1	Detent
5	99-7963-03	1	Pedal-Park	19	5-0652	2	Spacer
6	115-5300	1	Proximity Switch ASM	20	283-14	2	Pin-Clevis
6:1	117-3207	2	Nut-Hex	21	3272-10	2	Pin-Cotter
6:2	117-3208	2	Washer-Lock, Internal Tooth	22	117-0106	1	Cable-Brake, RH
9	115-0129	1	Rod-Pawl, Brake	23	117-0107	1	Cable-Brake, LH
10	3272-6	2	Pin-Cotter	24	302-60	1	Fitting-Grease
11	3256-22	2	Washer-Flat	25	110-8982	1	Washer-Spring
12	104-8301	1	Nut-HF, NI	26	115-8060	1	Clevis-Double
13	99-7214	1	Pawl-Brake	27	115-8059	1	Yoke-Cable
14	3234-13	2	Screw-HHF	28	104-7201	1	Nut-HF, NI



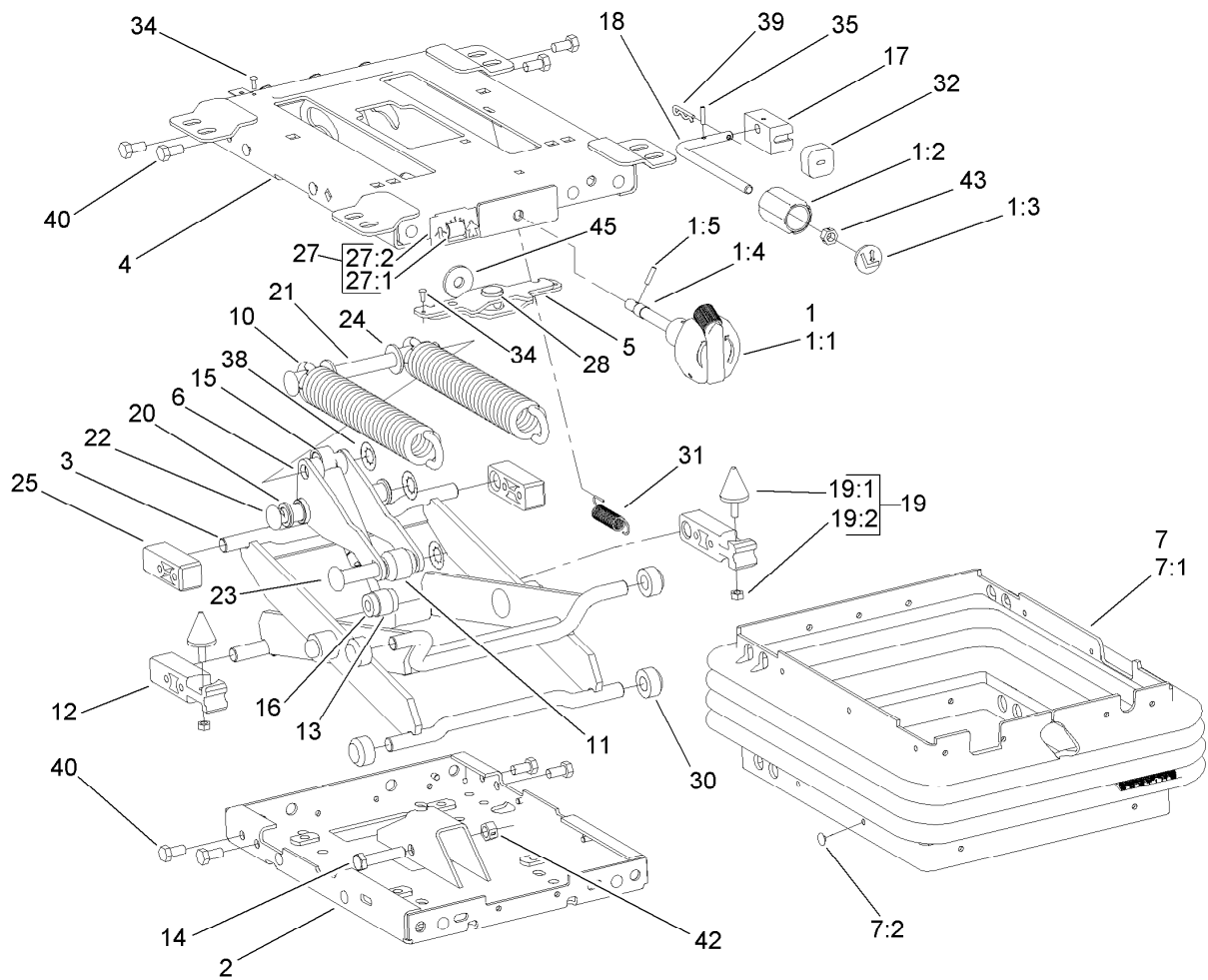
## Seat and Armrest Assembly

<i>Ref.</i>	<i>Part Number</i>	<i>Qty.</i>	<i>Description</i>	<i>Ref.</i>	<i>Part Number</i>	<i>Qty.</i>	<i>Description</i>
1	104-4620	1	Seat	8:3	69-1180	1	Armrest
2	108-7591-03	1	Mount-Seat / Control	8:4	323-9	1	Screw-HH
3	117-0168	1	Decal-Service	8:5	32128-19	1	Nut-HF Lock, Large Flg
4	3256-23	4	Washer-Plain	8:7	3256-24	1	Washer-Flat
5	108-8657	1	Harness-Wire, Seat	8:8	92-7318	1	Screw
6	92-6282	1	Switch-Seat	14	3234-14	3	Screw-HHF
7	9266714	2	Screw-HWH	15	3274-12	4	Screw-HSH
8	92-7307	1	LH Armrest ASM	16	92-8990	1	Adjuster-Seat, Non-Locking
8:1	69-0760	1	Bracket-Arm, LH	17	92-8991	1	Adjuster (W/Latch)
8:2	92-7301	1	Spacer				



## Seat Base and Suspension Assembly

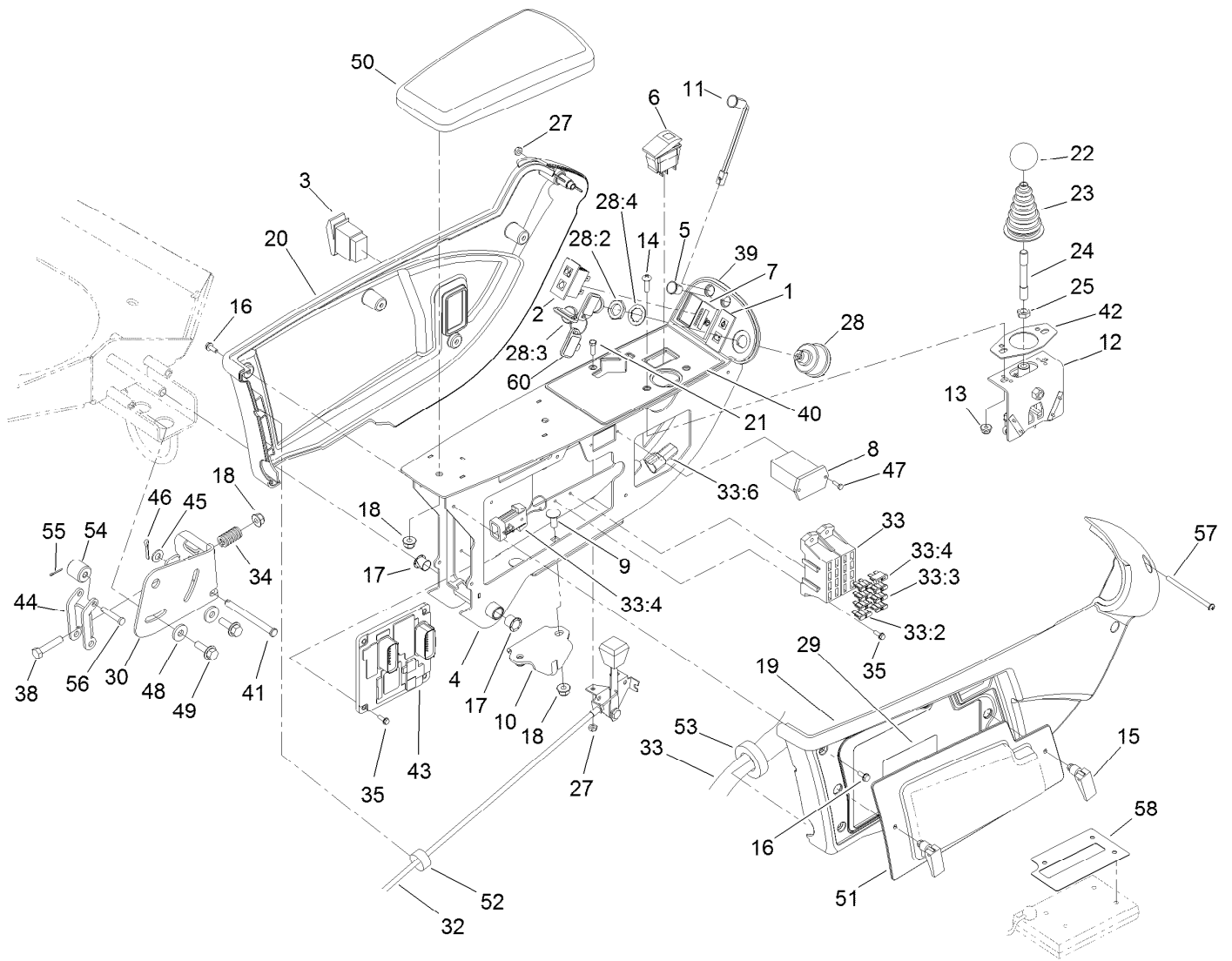
Ref.	Part Number	Qty.	Description	Ref.	Part Number	Qty.	Description
1	114-8891	1	Decal-Reel Speed, 7In	21	108-7577-03	1	Seat Base
2	110-8972	1	Hook-Latch	22	71-9310	4	Spacer
3	110-5255	2	Bumper-Base, Seat	23	99-7411	1	Point-Power
4	3230-1	2	Bolt-CARR	24	99-7416	1	Cap
5	104-7048	1	Cap-Housing	25	32104-17	2	Screw-HWH
6	104-7050	1	Tube-Manual	26	3234-17	4	Screw-HHF
7	2412-133	2	Clamp-R	27	3272-11	2	Pin-Cotter
8	3256-23	4	Washer-Plain	28	3256-24	4	Washer-Flat
9	104-8301	4	Nut-HF, NI	29	108-6590-03	2	Bracket-Seat, Lower
10	3231-27	4	Screw-CARR	30	108-7582-03	1	Plate-Pivot
11	108-7584-01	1	Plate-Guide, Rod	31	3234-13	2	Screw-HHF
12	94-2782	4	Cap-Wire, Lite	32	3296-16	2	Nut-Lock, NI
13	104-8300	10	Nut-HF, NI	33	104-4821	1	Spring-Torsion
14	283-83	2	Pin-Clevis	34	3272-6	1	Pin-Cotter
15	110-8971	1	Latch	35	94-3829	1	Pin-Clevis
16	3290-307	4	Pin-Cotter	36	3256-2	1	Washer-Flat
17	98-0917	2	Rod-Prop	37	240-12	1	Grommet-Rubber
18	108-1757	1	Cover-Seatbase	38	110-9027-03	1	Bracket-Harness
19	48-7680	4	Screw-HH				
20	110-8851	1	Mechanical Suspension ASM				



## Mechanical Seat Suspension Assembly No. 110-8851

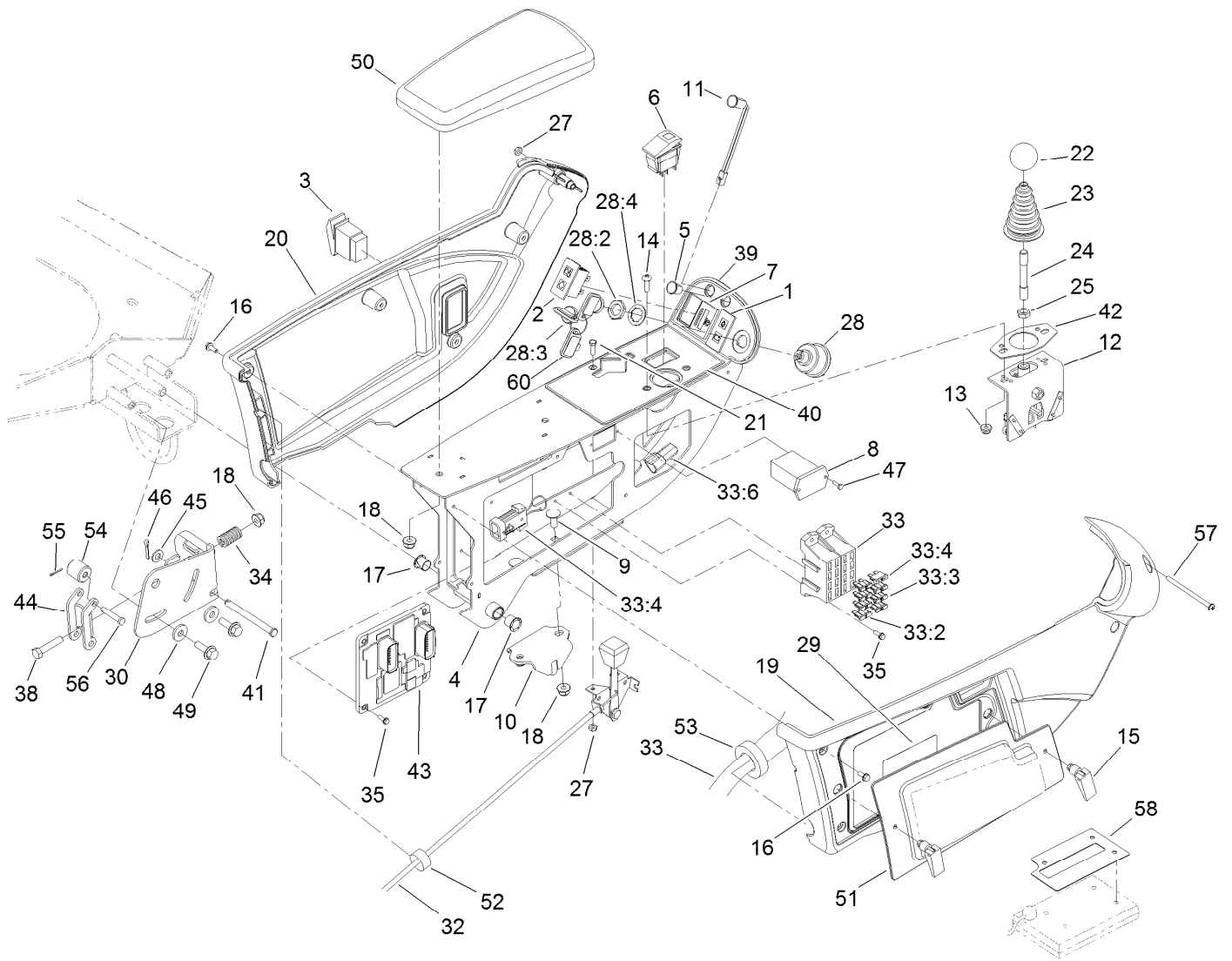
Ref.	Part Number	Qty.	Description	Ref.	Part Number	Qty.	Description
1	108-4583	1	Knob Service Kit	19	108-4585	2	Bumper Service Kit
1:1		1	Knob-Weight, Adjust ●	19:1		2	Bumper-Stop ●
1:2		1	Knob-Adjust, Height ●	19:2		2	Nut ●
1:3		1	Cap-Knob, Height Adjust ●	20	108-9622	2	Tube
1:4		1	Spacer-Adjust, Weight ●	21		1	Shaft-Spring ●
1:5		1	Pin-Roll ●	22		1	Pin-Pivot ●
2		1	Housing-Lower ●	23		1	Pin-Roller ●
3		1	Scissors-Compact ●	24		2	Bushing-Spring ●
4		1	Housing-Upper ●	25		2	Block-Shaft ●
5		1	Adjuster-Weight ●	27	108-4584	1	Weight Indicator Service Kit
6		1	Drive Arm ●	27:1		1	Tape-Weight Adjust ●
7	112-0164	1	Boot Kit	27:2		1	Guide-Weight Adjust ●
7:1		1	Boot-Suspension ●	28		1	Nut-Adjust, Weight ●
7:2	108-9641	21	Clip-Plug	30	108-9632	4	Roller
10		2	Spring-Extension ●	31	108-9633	1	Spring-Extension
11		1	Guide-Roller ●	32	108-9634	1	Bumper
12		2	Block-Scissors Pivot, Side Mount ●	34	3269-16	2	Rivet
13	108-9614	1	Damper	35		1	Pin-Roll ●
14		1	Bolt-Shock, Lower ●	38		3	Retainer ●
15		2	Bushing-Shock, Upper ●	39	3272-9	1	Pin-Cotter
16		2	Bushing-Shock, Lower ●	40		8	Screw-HWHTF ●
17		1	Block-Bumper, Up Stop ●	42	32152-2	1	Nut-Lock, Cone
18		1	Rod-Adjust, Height ●	43	32152-1	1	Nut-Lock, Cone
				45	3256-24	1	Washer-Flat

● Not serviced separately



## Console and Control Arm Assembly

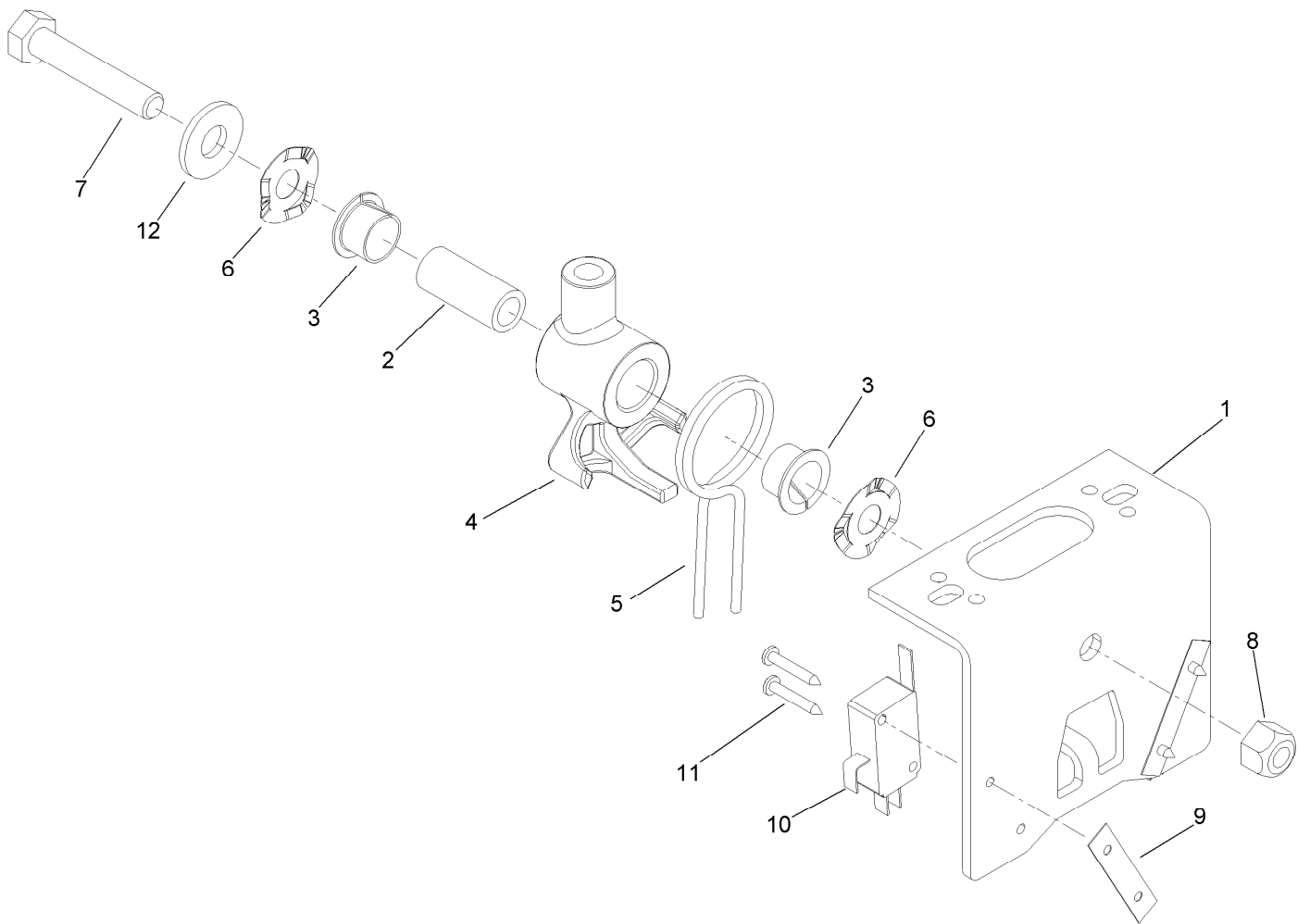
Ref.	Part Number	Qty.	Description	Ref.	Part Number	Qty.	Description
1	100-8070	1	Lamp-Warning	22	233-42	1	Knob
2	100-8071	1	Lamp-Warning	23	93-5961	1	Boot-Lever
3	95-8999	1	Switch	24	105-8288	1	Rod-Joystick
4	114-0449-03	1	Arm-Control	25	3218-3	1	Nut-Jam
5	2410-64	1	Plug-Button	27	3296-12	2	Nut-Lock, NI
6	105-4232	1	Switch	28	106-5269	1	Ignition Switch ASM
7	110-0941	1	Gauge-Temperature	28:2	108-8660	1	Nut-Mounting
8	75-6820	1	Hourmeter	28:3	106-5270	1	Ignition Key Set
9	3230-23	2	Bolt-CARR	28:4	108-8659	1	Washer-Backup
10	110-5340	1	Latch	29	110-0989	1	Decal-Fuse
11	95-7652	1	Light-Indicator	30	110-5313-03	1	Bracket-Retainer
12	106-4167	1	Joystick Bracket ASM	32	114-8886	1	Control-Throttle
13	104-7201	2	Nut-HF, NI	33	117-0284	1	Harness-Wire, Seat
14	3258-166	2	Screw-PRH	33:2	94-6710	1	Fuse-2 Amp
15	74-5950	2	Latch-Swell	33:3	218-578	6	Fuse-Blade, 10 Amp
16	32144-112	10	Screw-HWH	33:4	109355	1	Fuse-Blade, 15 Amp
17	256-257	2	Bushing-Nyliner	33:6	32180-043	1	Resistor-120 Ohm
18	104-8300	4	Nut-HF, NI	34	110-5331	1	Spring-Compression
19	108-7605	1	Cover-RH	35	32144-87	9	Screw-HWHTF
20	108-7604	1	Cover-LH	38	322-7	1	Screw-HH
21	3290-134	2	Screw	39	117-2385	1	Decal-Console, Upper



## Console and Control Arm Assembly (continued)

Ref.	Part Number	Qty.	Description
40	117-0170	1	Decal-Controls
41	283-88	1	Pin-Clevis
42	112-9181	1	Plate-Boot
43	110-0650	1	Module-Control, Electronic
44	110-5314	1	Latch
45	3256-23	1	Washer-Plain
46	3272-10	1	Pin-Cotter
47	32144-18	2	Screw-HWH
48	4-2390	2	Washer-Flat
49	3234-29	2	Screw-HHF

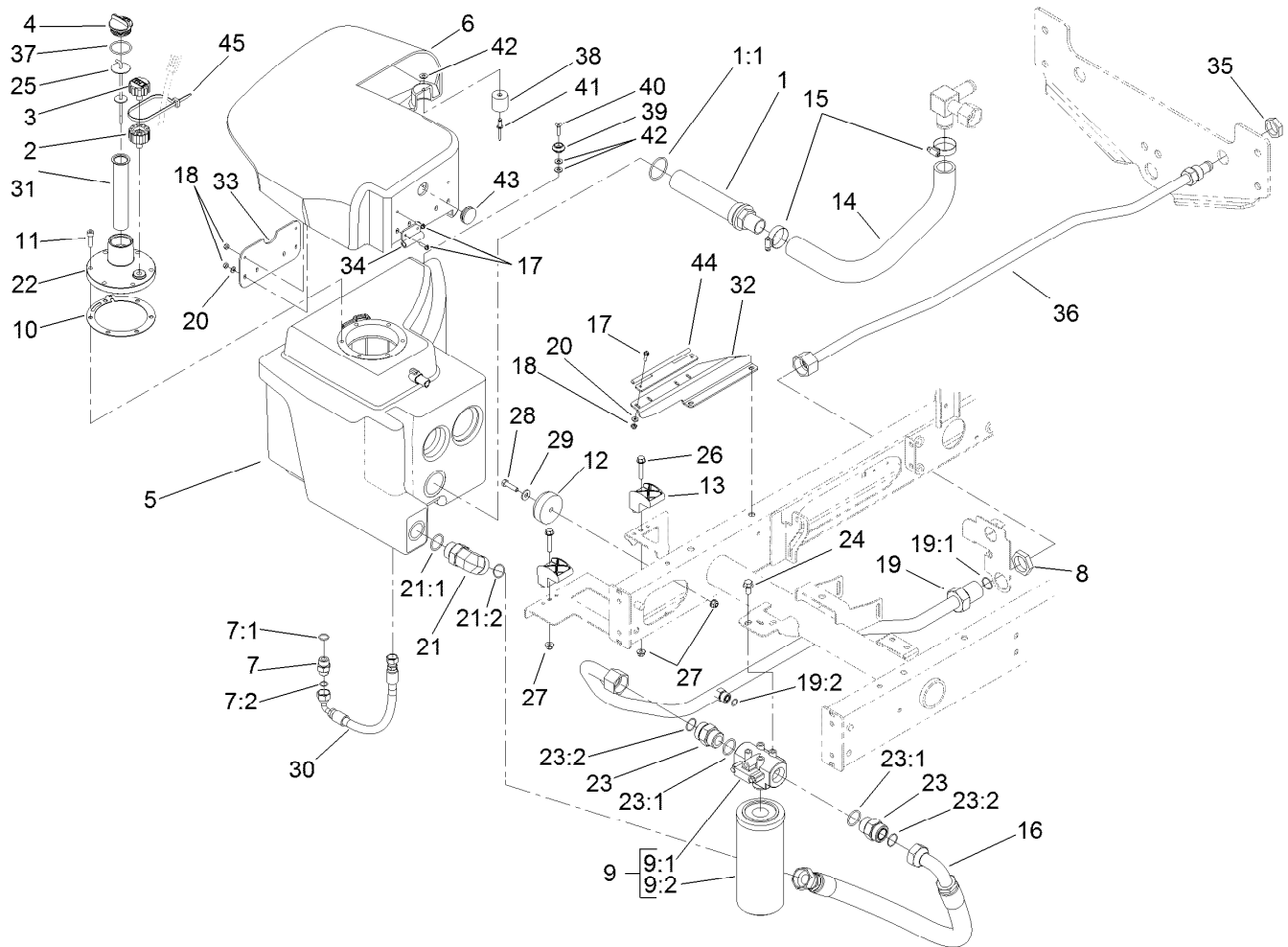
Ref.	Part Number	Qty.	Description
50	108-7602	1	Rest-Arm
51	114-0446	1	Panel-Access
52	110-8911	1	Seal-Foam
53	110-8912	1	Seal-Foam
54	110-8856	1	Spacer
55	3272-1	1	Pin-Cotter
56	283-73	1	Pin-Clevis
57	3250-22	1	Screw-PPH
58	110-0666	1	Overlay-Diagnostics
60	99-8970	1	Key-Latch, Hood



## Joystick Bracket Assembly No. 106-4167

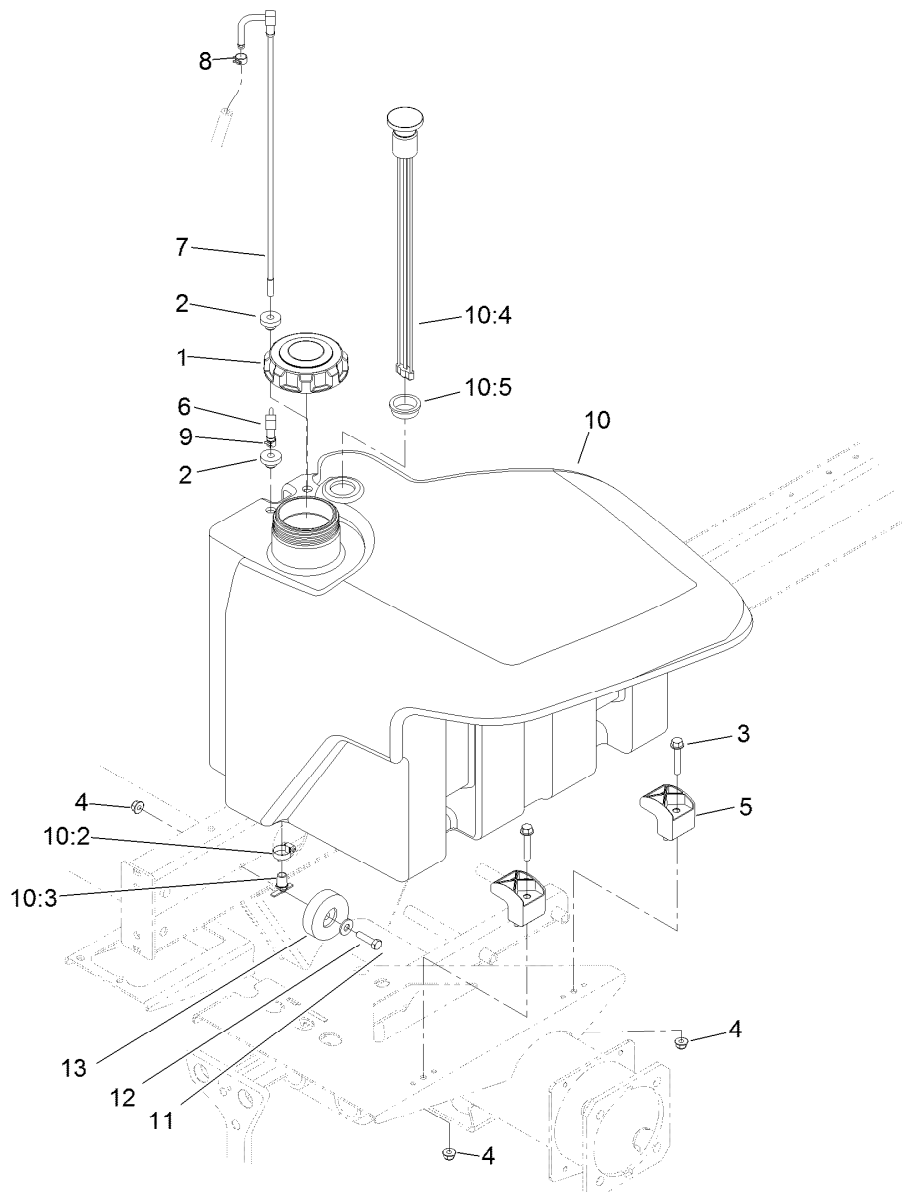
<i>Ref.</i>	<i>Part Number</i>	<i>Qty.</i>	<i>Description</i>
1	115-5357-03	1	Bracket-Joystick
2	106-4192	1	Spacer
3	93-5547	2	Bushing-Nylon
4	105-7507	1	Hub-Pivot, Joystick
5	105-8289	1	Spring-Torsion
6	106-4193	2	Washer-Finger, Spring
7	322-9	1	Screw-HH
8	3296-29	1	Nut-Lock, NI
9	3290-354	2	Nut-Speed
10	108-6496	2	Switch (W/Boot)
11	95-3003	4	Screw-PPHTF
12	3256-3	1	Washer-Flat





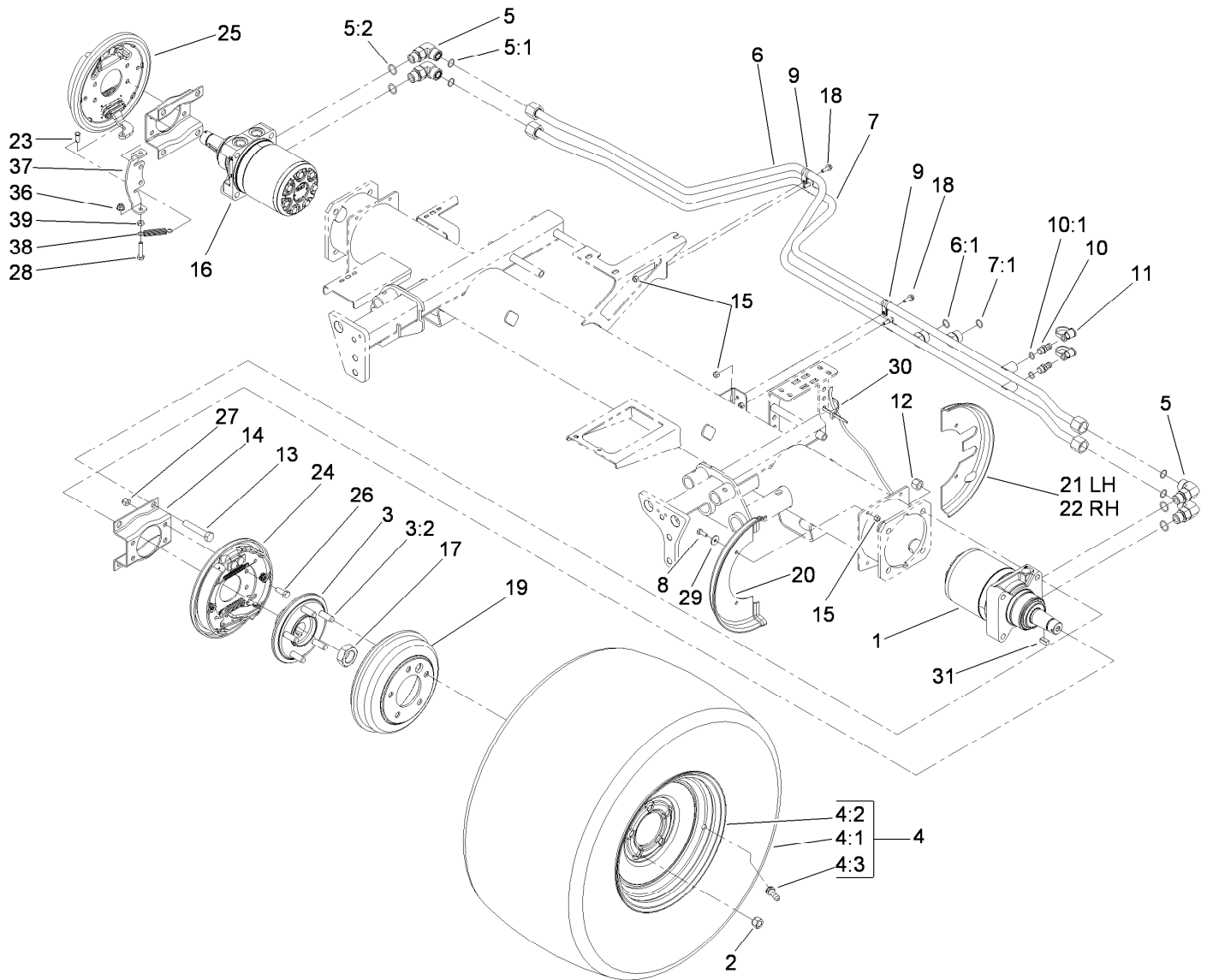
## Hydraulic Tank Assembly

Ref.	Part Number	Qty.	Description	Ref.	Part Number	Qty.	Description
1	105-0131	1	Strainer-Tank, Oil	21:1	237-146	1	O-Ring
1:1	340-136	1	O-Ring	21:2	340-65	1	O-Ring
2	92-8020	1	Adapter-Breather	22	108-7641	1	Cap-Tank, HYD
3	68-6150	1	Breather	23	104-3797	2	Fitting-Straight
4	93-7498	1	Plug-Plastic	23:1	237-146	1	O-Ring
5	107-4513	1	Tank-Oil	23:2	340-65	1	O-Ring
6	107-4545	1	Cover-Tank	24	3234-1	2	Screw-HHF
7	340-3	1	Fitting-Straight	25	94-9411	1	Dipstick
7:1	237-22	1	O-Ring	26	94-5780	2	Screw-HWH
7:2	237-79	1	O-Ring	27	104-8300	3	Nut-HF, NI
8	340-128	1	Nut-Bulkhead	28	322-6	1	Screw-HH
9	98-3923	1	Oil Filter ASM	29	3256-3	1	Washer-Flat
9:1	104-0080	1	Filter Head ASM	30	66-8490	1	Hose-HYD
9:2	94-2621	1	Element-Filter	31	61-2790	1	Filter-Screen
10	94-2660	1	Gasket-Flange	32	108-1606-03	1	Bracket-Hinge
11	33114-030	6	Screw-HH	33	108-1607-03	1	Plate-Hinge
12	108-1605	1	Bumper-Recess	34	110-8925	2	Hinge ASM
13	107-4543	2	Clamp	35	340-126	1	Nut-Bulkhead
14	108-1685	1	Hose-Formed	36	108-1691	1	Tube ASM
15	2412-111	2	Clamp-Hose, W/Liner	37	237-101	1	O-Ring
16	108-1689	1	Hose-HYD	38	99-7830	1	Receptical-Rubber
17	32105-13	8	Screw-HWH	39	99-7833	1	Post-Holding
18	3296-2	8	Nut-Lock, NI	40	32108-5	1	Screw-FH
19	108-1699	1	Tube ASM	41	3290-412	1	Rivet-Blind
19:1	340-65	1	O-Ring	42	3256-22	3	Washer-Flat
19:2	237-30	1	O-Ring	43	110-5333	1	Grommet-Plug
20	3256-14	6	Washer-Flat	44	110-8928	1	Pin ASM
21	340-129	1	Fitting-Elbow, 90 DEG	45	3290-378	1	Tie-Cable



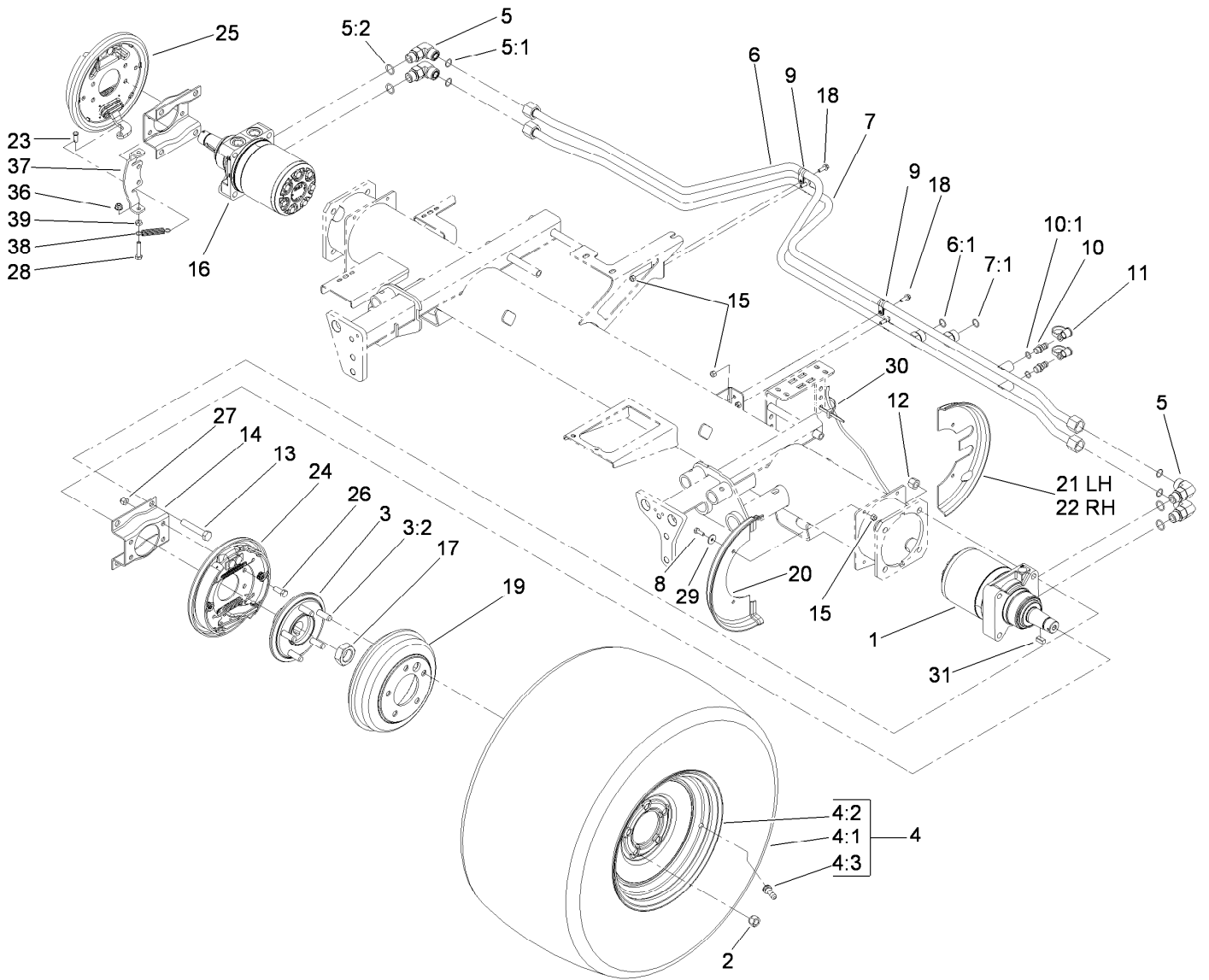
## Fuel Tank Assembly

<b>Ref.</b>	<b>Part Number</b>	<b>Qty.</b>	<b>Description</b>	<b>Ref.</b>	<b>Part Number</b>	<b>Qty.</b>	<b>Description</b>
1	114-5062	1	Cap-Biodiesel	10	117-0114	1	Fuel Tank ASM
2	46-6560	2	Bushing	10:2	2412-36	1	Clamp-Hose
3	94-5780	2	Screw-HWH	10:3	304-46	1	Draincock
4	104-8300	3	Nut-HF, NI	10:4	108-1640	1	Gauge-Fuel
5	107-4543	2	Clamp	10:5	95-8972	1	Grommet
6	108-1643	1	Fitting-Return	11	322-6	1	Screw-HH
7	110-9031	1	Fitting-Suction	12	3256-3	1	Washer-Flat
8	92-2379	1	Clamp-Hose	13	108-1605	1	Bumper-Recess
9	2412-146	1	Clamp-Hose				



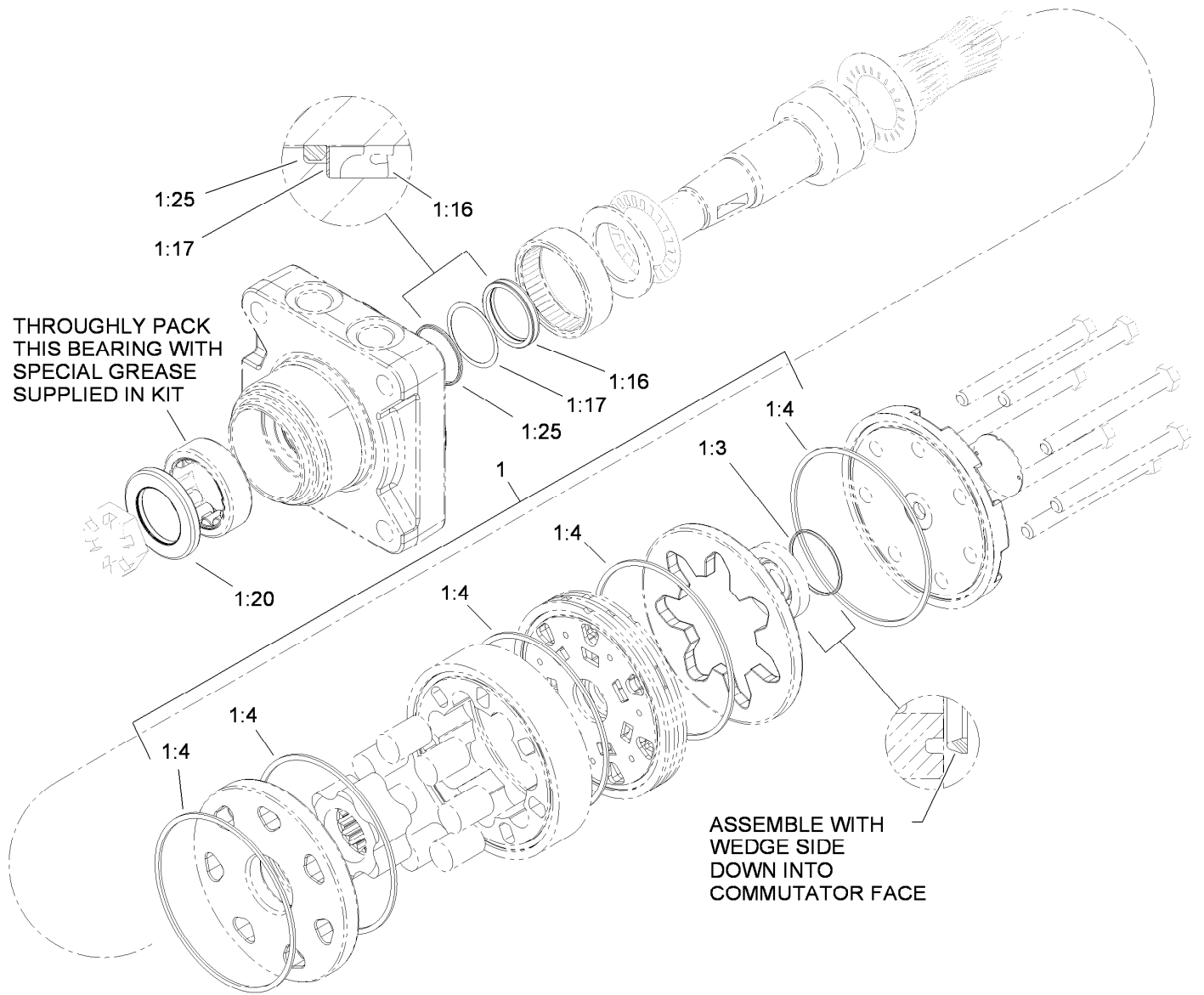
## Front Wheel, Brake and Hydraulic Motor Assembly

Ref.	Part Number	Qty.	Description	Ref.	Part Number	Qty.	Description
1	114-8857	1	HYD Motor ASM	13	325-11	8	Screw-HH
2	242-50	10	Nut-Lug	14	110-5343-03	2	Bracket-Brake
3	114-8876	2	Hub ASM	15	3296-42	12	Nut-Lock, NI
3:2	10-6830	5	Stud-Type, Drive	16	114-8858	1	HYD Motor ASM
4	117-5194	2	Tire ASM	17	107-9319	2	Nut-Hex
4:1	117-5196	1	Tire	18	3234-4	4	Screw-HHF
4:2	117-5197	1	Wheel	19	114-8864	2	Drum-Brake
4:3	232-27	1	Stem-Valve	20	110-0950	2	Shield-Wheel, Front
5	340-17	4	Fitting-Elbow, 90 DEG	21	110-0951	1	Shield-Wheel, Rear (LH)
5:1	237-65	1	O-Ring	22	110-8878	1	Shield-Wheel, Rear (RH)
5:2	237-80	1	O-Ring	23	283-62	2	Pin-Clevis
6	108-7632	1	Tube ASM	24	110-8872	1	LH Brake ASM
6:1	237-65	1	O-Ring	25	110-8871	1	RH Brake ASM
7	108-7633	1	Tube ASM	26	323-6	8	Screw-HH
7:1	237-65	1	O-Ring	27	3296-39	8	Nut-Lock, NI
8	321-4	8	Screw-HH	28	322-7	2	Screw-HH
9	2412-134	4	Clamp-R	29	3256-67	8	Washer
10	59-7410	2	Fitting-Diagnostic	30	3290-378	2	Tie-Cable
10:1	237-42	1	O-Ring	31	117-5198	2	Key-Square
11	354-79	2	Cap-Dust	36	104-8300	2	Nut-HF, NI
12	3296-23	8	Nut-Lock, NI	37	117-0203-03	2	Bracket-Brake Spring



## Front Wheel, Brake and Hydraulic Motor Assembly (continued)

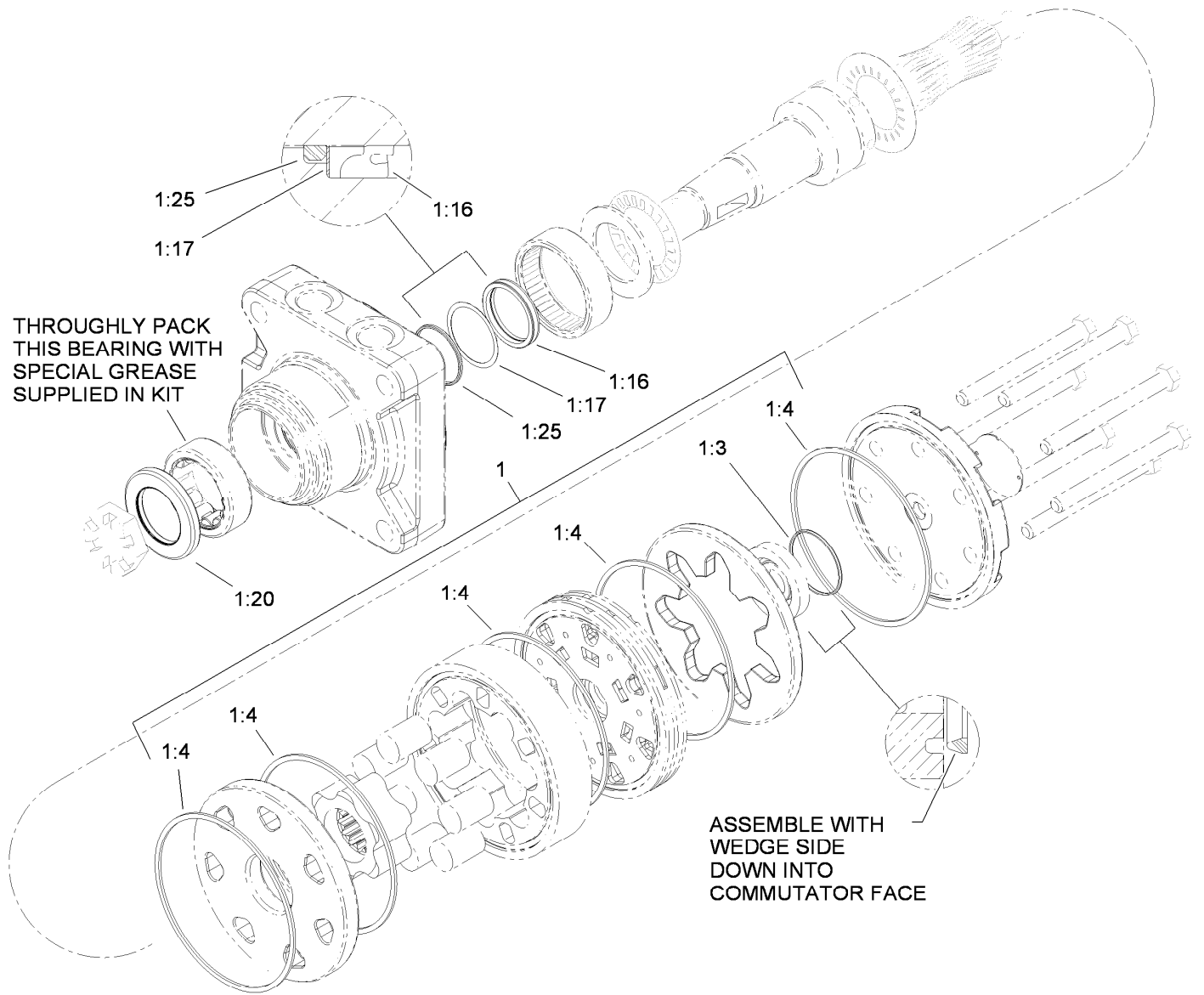
Ref.	Part Number	Qty.	Description
38	87-4020	2	Spring-Extension
39	3218-2	2	Nut-Hex Jam



## Hydraulic Motor Assembly No. 114-8857

Ref.	Part Number	Qty.	Description
1	110-8896	1	Seal Kit
1:3		1	Seal-Commutator, Vespel ●
1:4		6	Seal-Body, Buna ●
1:16		1	Seal-Shaft ●
1:17		1	Washer-Back Up ●
1:20		1	Seal-Dirt/Water ●
1:25		1	Ring-Back Up ●

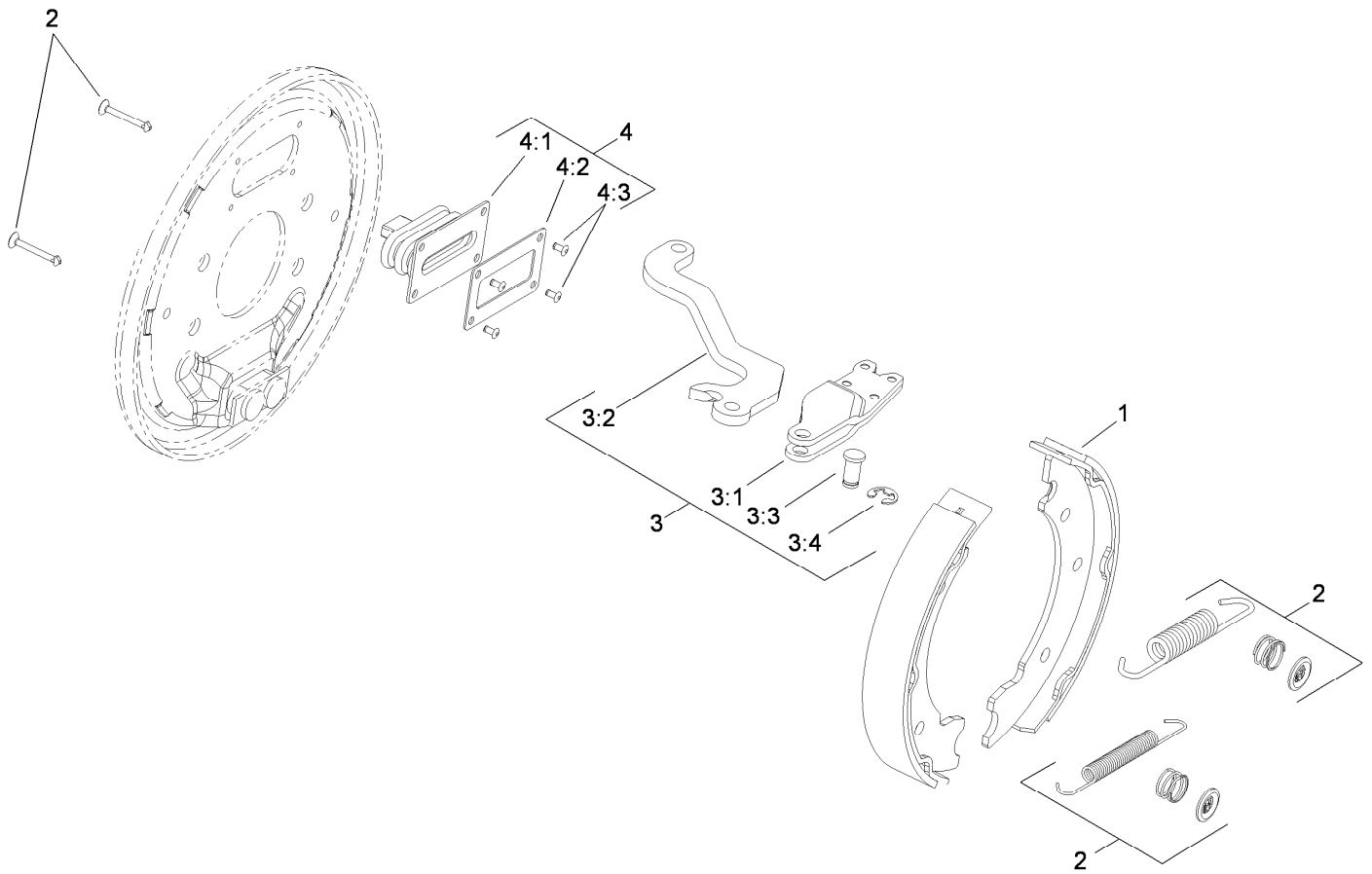
● Not serviced separately



## Hydraulic Motor Assembly No. 114-8858

Ref.	Part Number	Qty.	Description
1	110-8896	1	Seal Kit
1:3		1	Seal-Commutator, Vespel ●
1:4		6	Seal-Body, Buna ●
1:16		1	Seal-Shaft ●
1:17		1	Washer-Back Up ●
1:20		1	Seal-Dirt/Water ●
1:25		1	Ring-Back Up ●

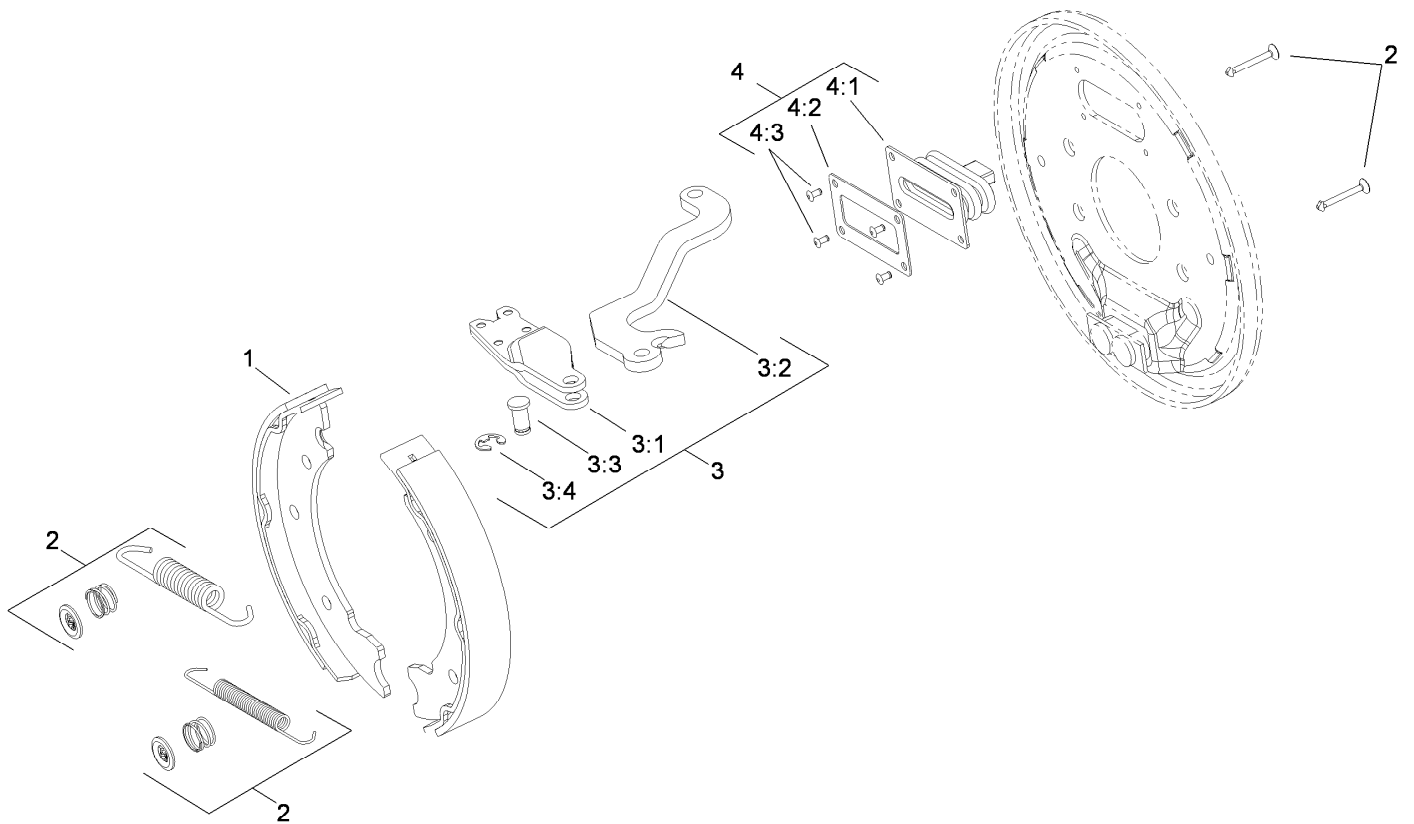
● Not serviced separately



## LH Brake Assembly No. 110-8872

Ref.	Part Number	Qty.	Description
1	108-6981	1	Brake Shoe Kit
2	108-6983	1	Brake Hardware Kit
3	110-8910	1	LH Actuator Kit
3:1		1	Housing ●
3:2		1	Lever-LH ●
3:3		1	Pin-Pivot ●
3:4		1	E-Ring ●
4	110-8885	1	Dust Boot Kit
4:1		1	Boot ●
4:2		1	Plate-Back Up ●
4:3		2	Rivet ●

● Not serviced separately

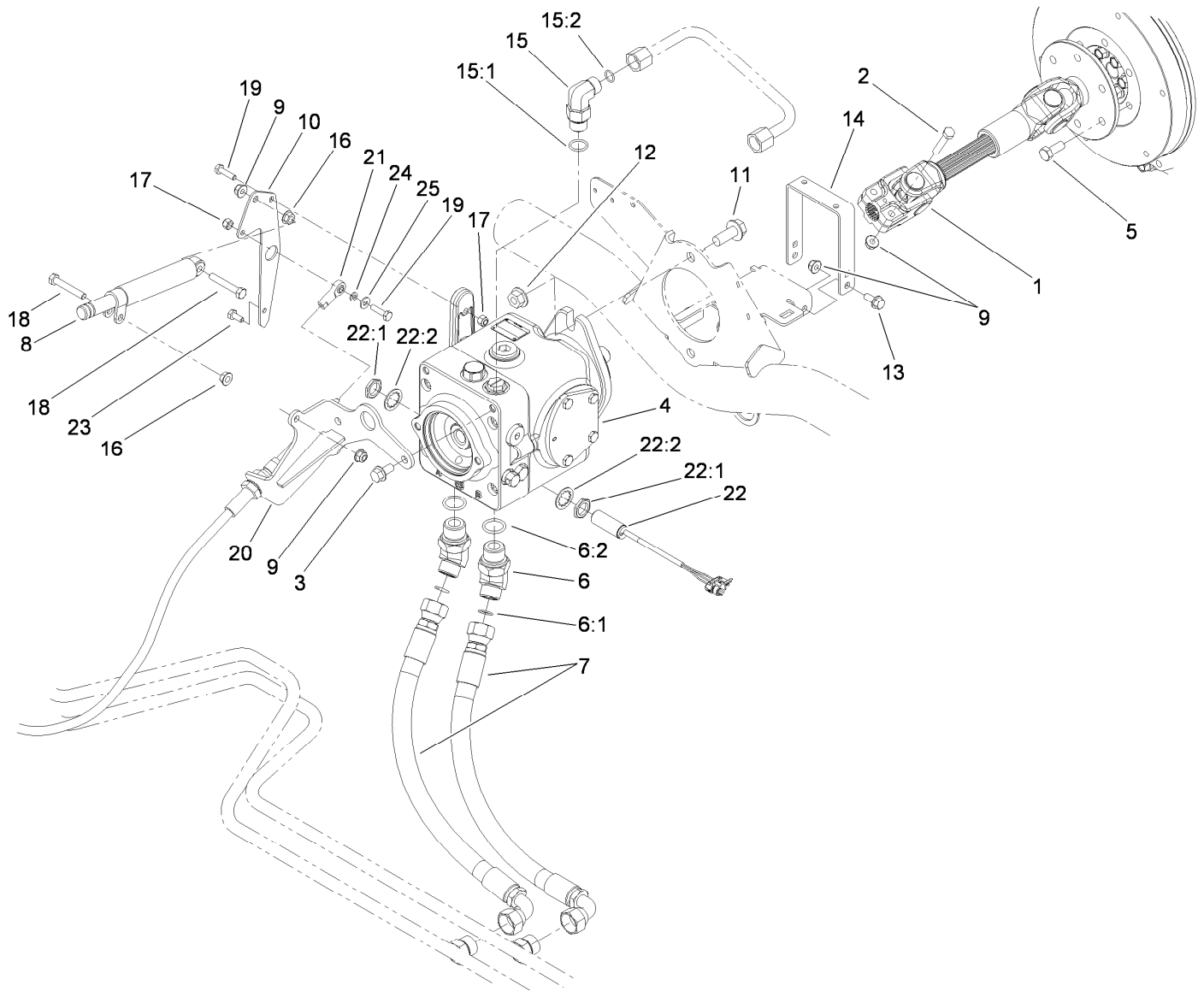


## RH Brake Assembly No. 110-8871

Ref.	Part Number	Qty.	Description
1	108-6981	1	Brake Shoe Kit
2	108-6983	1	Brake Hardware Kit
3	110-8884	1	RH Actuator Kit
3:1		1	Housing ●
3:2		1	Lever-RH ●
3:3		1	Pin-Pivot ●
3:4		1	E-Ring ●
4	110-8885	1	Dust Boot Kit
4:1		1	Boot ●
4:2		1	Plate-Back Up ●
4:3		2	Rivet ●

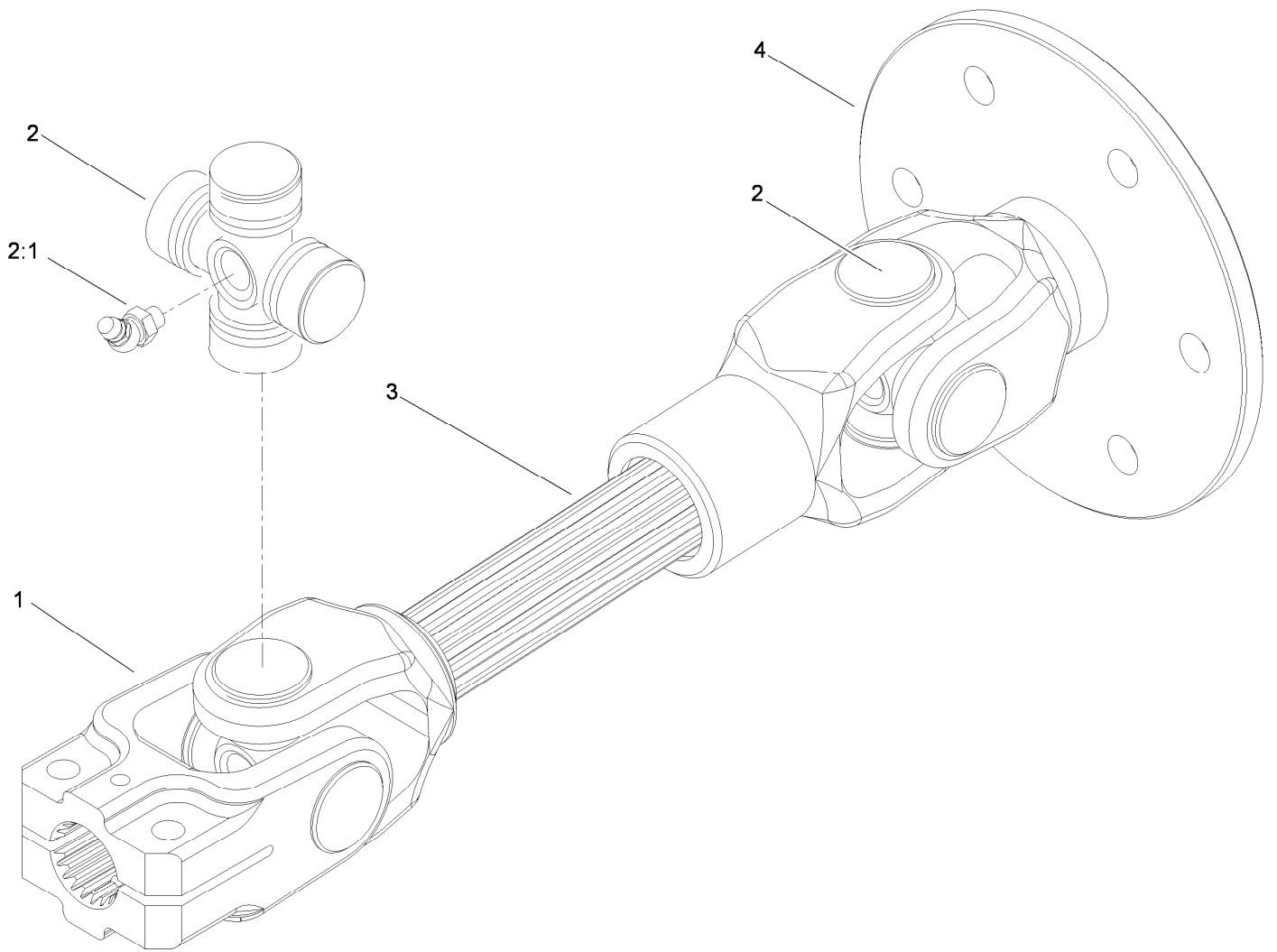
● Not serviced separately





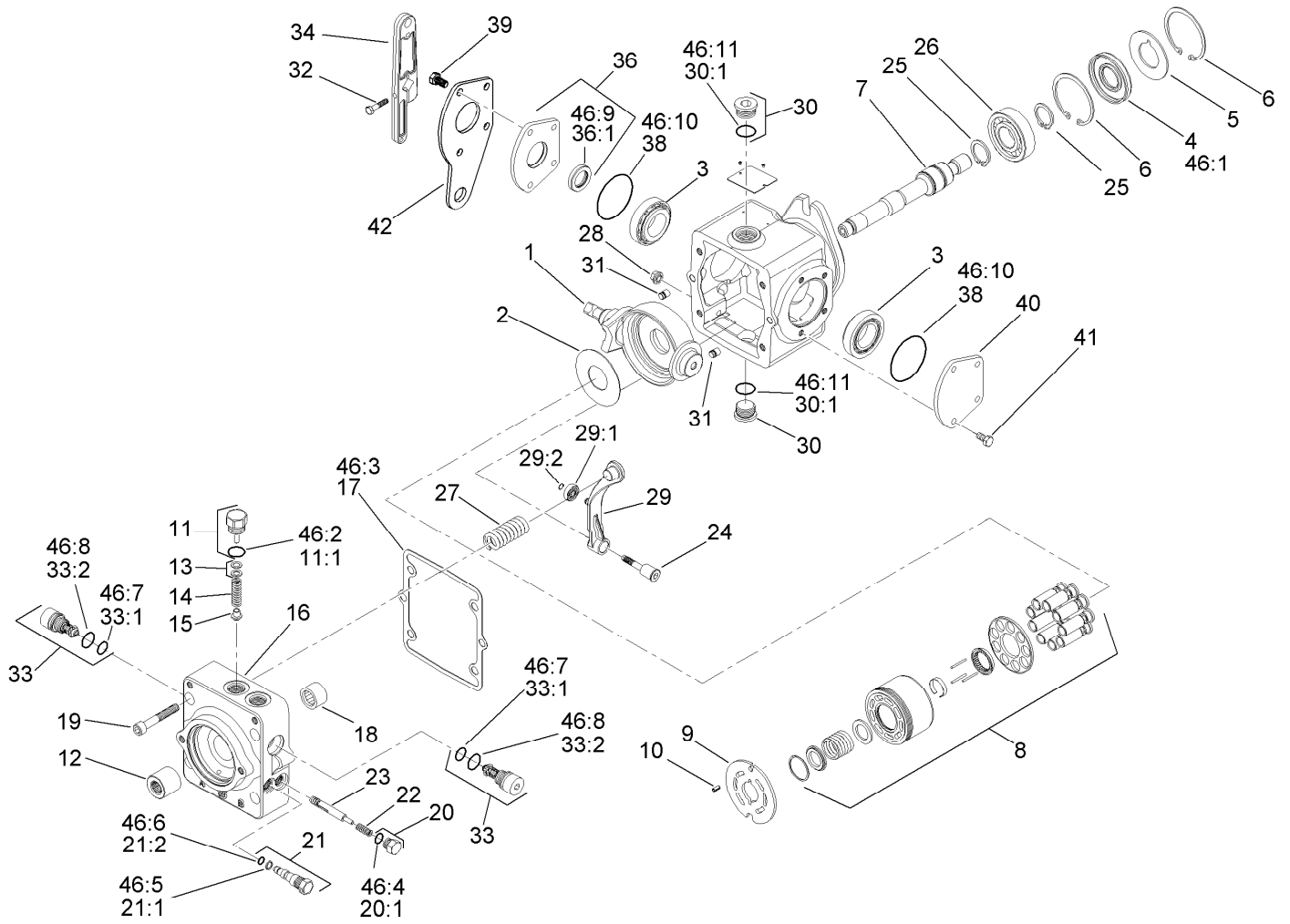
## Driveshaft and Variable Pump Hydraulic Fitting Assembly

Ref.	Part Number	Qty.	Description	Ref.	Part Number	Qty.	Description
1	108-1641	1	Driveshaft ASM	15	340-105	1	Fitting-Elbow, 90 DEG
2	322-9	2	Screw-HH	15:1	237-80	1	O-Ring
3	3234-1	2	Screw-HHF	15:2	237-30	1	O-Ring
4	117-0222	1	Pump-Variable	16	32128-20	2	Nut-HF
5	43-0090	6	Screw-HH	17	3296-42	2	Nut-Lock, NI
6	340-156	2	Fitting-Elbow 45	18	322-10	2	Screw-HH
6:1	237-65	1	O-Ring	19	321-6	2	Screw-HH
6:2	237-81	1	O-Ring	20	110-5323-03	1	Bracket
7	108-1679	2	Hose-HYD	21	2411-41	1	Rod End-Ball Joint
8	76-8870	1	Damper-Lever	22	115-5300	1	Proximity Switch ASM
9	104-8300	6	Nut-HF, NI	22:1	117-3207	2	Nut-Hex
10	117-0217-03	1	Bracket-Lever, Traction	22:2	117-3208	2	Washer-Lock, Internal Tooth
11	3234-38	2	Screw-HHF	23	321-3	1	Screw-HH
12	32128-49	2	Nut-HHF	24	33093-00	1	Washer-Flat
13	3234-5	2	Screw-HHF	25	3256-22	1	Washer-Flat
14	108-1799-03	1	Hoop-Guard				



## Driveshaft Assembly No. 108-1641

<i>Ref.</i>	<i>Part Number</i>	<i>Qty.</i>	<i>Description</i>
1	54-9040	1	Yoke-End
2	54-9180	2	U-Joint Kit
2:1	62-3820	1	Fitting-Grease
3	108-4574	1	Joint And Shaft ASM
4	108-4575	1	Joint And Yoke ASM

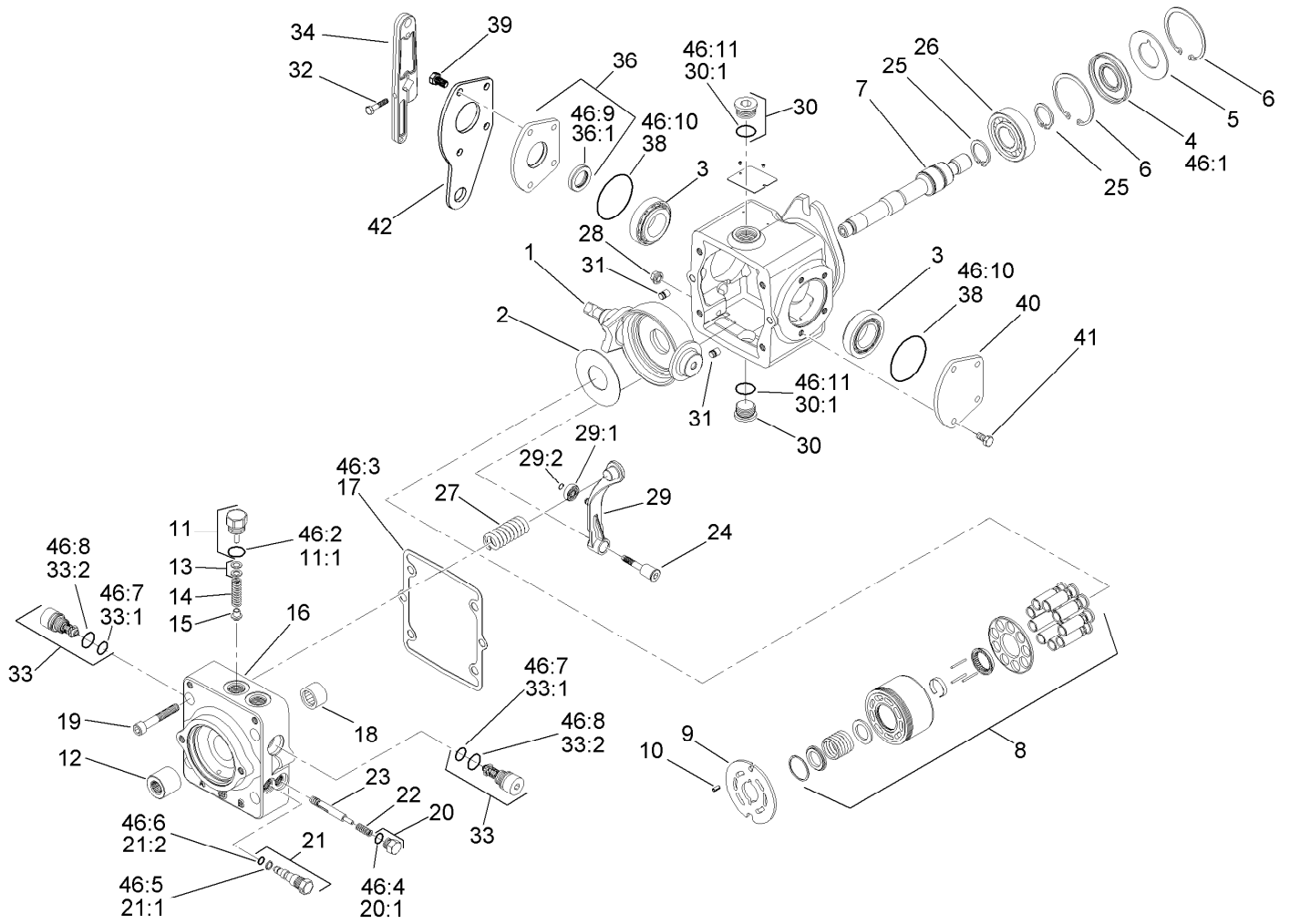


## Variable Pump Assembly No. 117-0222

Ref.	Part Number	Qty.	Description	Ref.	Part Number	Qty.	Description
1	115-8092	1	Swashplate	18	75-0500	1	Bearing-Needle
2	75-0400	1	Plate-Thrust	19	110-6489	4	Screw
3	110-6483	2	Bearing Kit	20	94-9415	2	Plug ASM
4	110-6471	1	Seal-Lip	20:1		1	Ring-Retaining ■
5	95-4400	1	Washer-Backup	21	107-4364	1	Bypass Valve ASM
6	69-3200	2	Ring-Retaining	21:1	25-2630	1	Ring-Back Up
7	110-6484	1	Shaft-Auxiliary	21:2	110-6498	1	O-Ring
8	110-6472	1	Cylinder Block Kit ASM	22	110-6491	2	Spring
9	110-6473	1	Plate-Valve (Clockwise)	23	110-6492	1	Spool-Loop, Flush
10	110-6485	1	Pin-Slotted	24	110-6493	1	Pivot-Return, Neutral
11	110-6486	1	Plug-Relief, Charge	25	69-3170	2	Ring-Retaining
11:1	28-3570	1	O-Ring	26	75-0460	1	Bearing-Ball
12	110-6480	1	Coupling	27	115-8085	1	Spring-Neutral Return
13	92-1353	1	Shim Kit	28	110-6496	1	Nut-Seal
14	110-6474	1	Spring	29	110-6497	1	Neutral Return Arm ASM
15	110-6475	1	Poppet	29:1	110-6494	1	Bearing-Cam
16	115-8087	1	Cap-End	29:2	110-3056	1	Ring-Retaining
17	110-6476	1	Gasket-Cap, End	30	69-3130	2	Plug

● Not illustrated

■ Not serviced separately

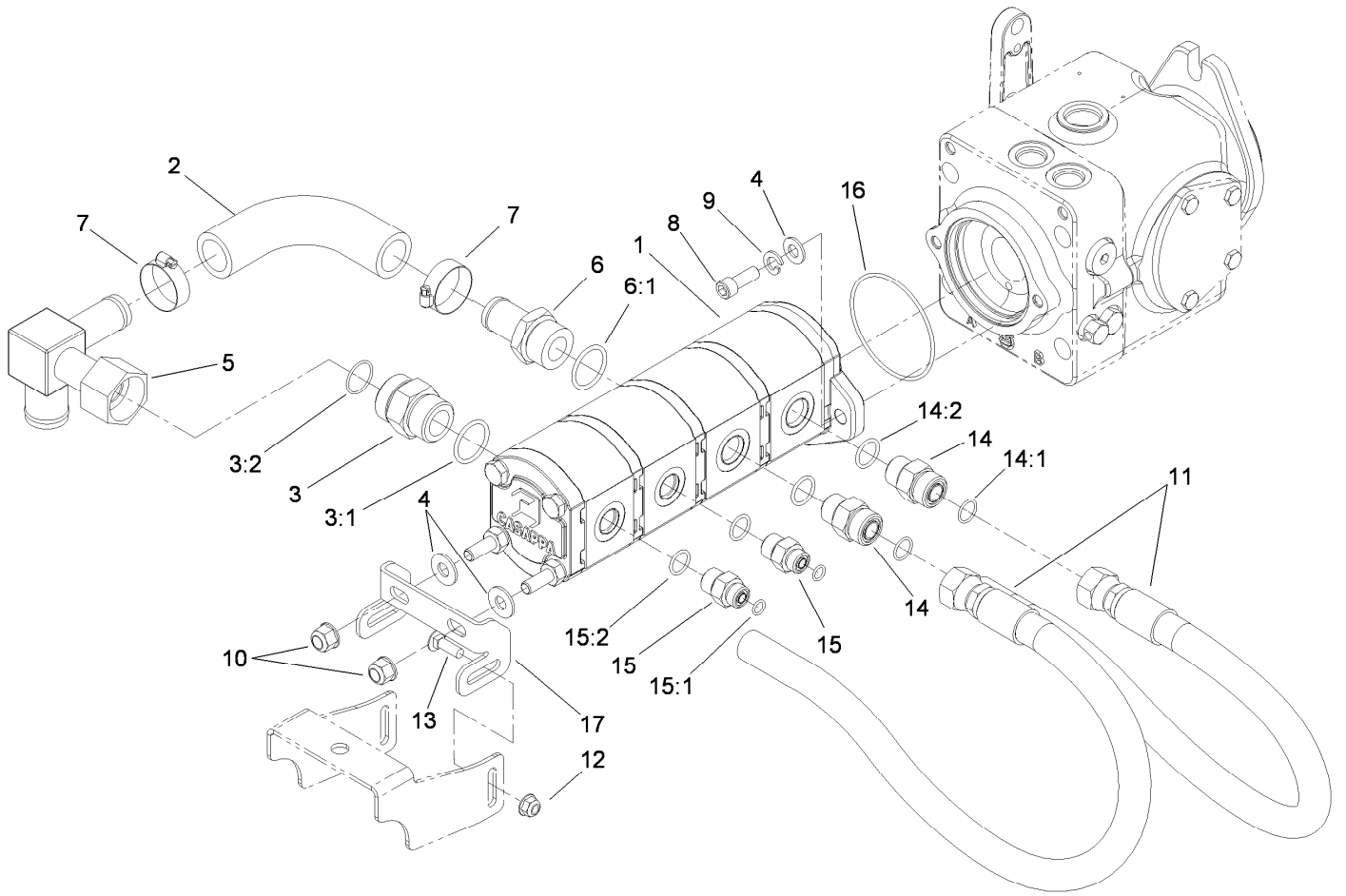


## Variable Pump Assembly No. 117-0222 (continued)

Ref.	Part Number	Qty.	Description	Ref.	Part Number	Qty.	Description
30:1		1	Ring-Retaining ■	42	117-0218	1	Plate-Pump
31	112-0158	2	Pin	46	110-6481	1	Seal Kit ●
32	112-0157	1	Screw	46:1	110-6471	1	Seal-Lip
33	110-6477	2	Valve-Relief	46:2	28-3570	1	O-Ring
33:1	75-0240	1	O-Ring	46:3	110-6476	1	Gasket-Cap, End
33:2	84-0560	1	O-Ring	46:4		1	Ring-Retaining ■
34	112-0156	1	Arm-Control	46:5	25-2630	1	Ring-Back Up
36	110-6499	1	Trunnion Cover ASM	46:6	110-6498	1	O-Ring
36:1	110-6478	1	Seal-Lip	46:7	75-0240	2	O-Ring
38	84-0430	2	O-Ring	46:8	84-0560	2	O-Ring
39	112-0150	4	Screw	46:9	110-6478	1	Seal-Lip
40	84-0440	1	Cover-Trunnion	46:10	84-0430	2	O-Ring
41	112-0151	4	Screw	46:11		2	Ring-Retaining ■

● Not illustrated

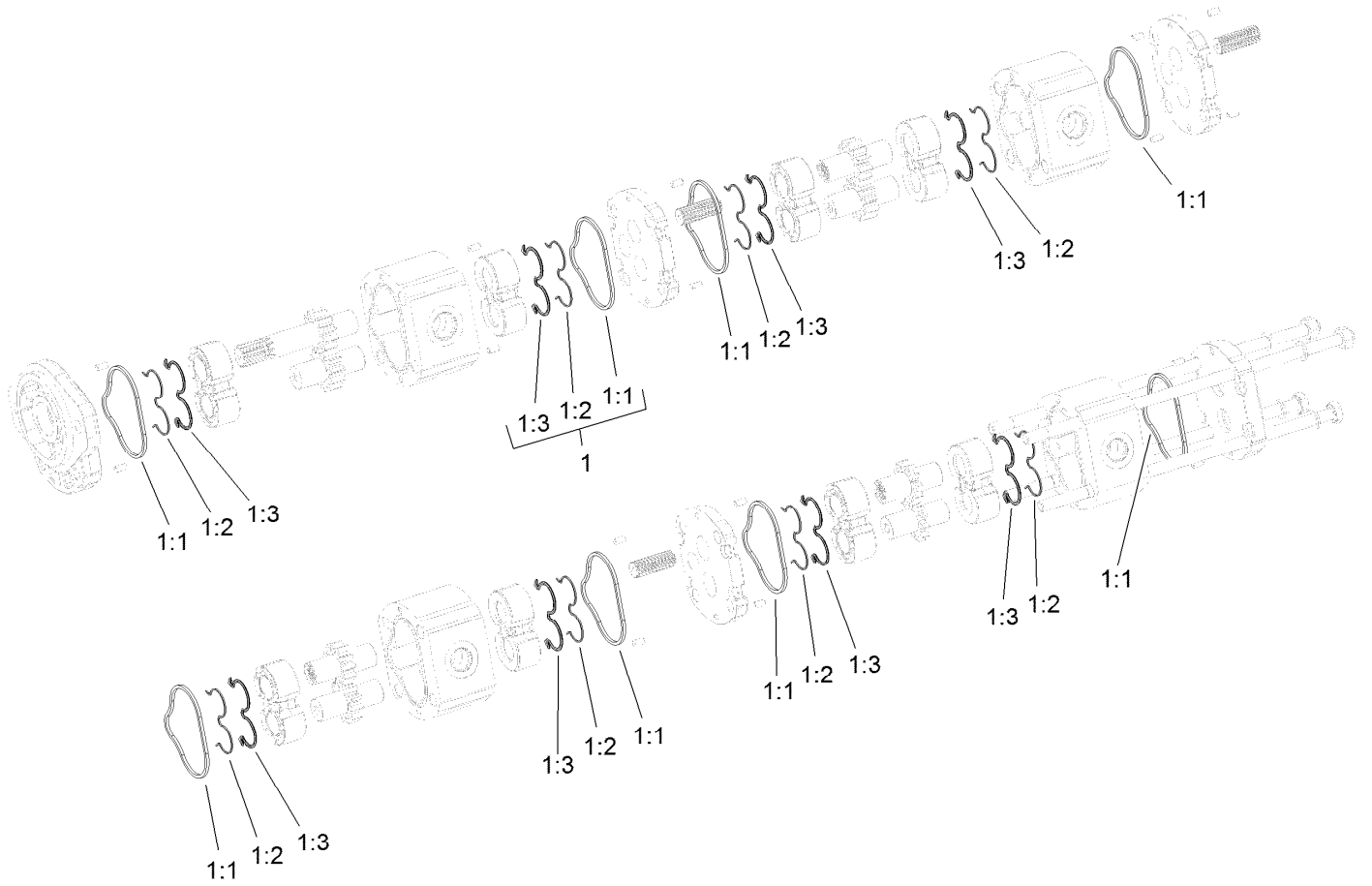
■ Not serviced separately



## Gear Pump Hydraulic Plumbing Assembly

<i>Ref.</i>	<i>Part Number</i>	<i>Qty.</i>	<i>Description</i>
1	107-4547	1	Gear Pump ASM
2	108-1683	1	Hose-Formed
3	104-3797	1	Fitting-Straight
3:1	237-146	1	O-Ring
3:2	340-65	1	O-Ring
4	3256-24	4	Washer-Flat
5	108-1672	1	Manifold-Tube
6	354-78	1	Fitting-STR
6:1	237-146	1	O-Ring
7	2412-34	2	Clamp-Hose
8	3274-1	2	Screw-HSH
9	3253-5	2	Washer-Lock

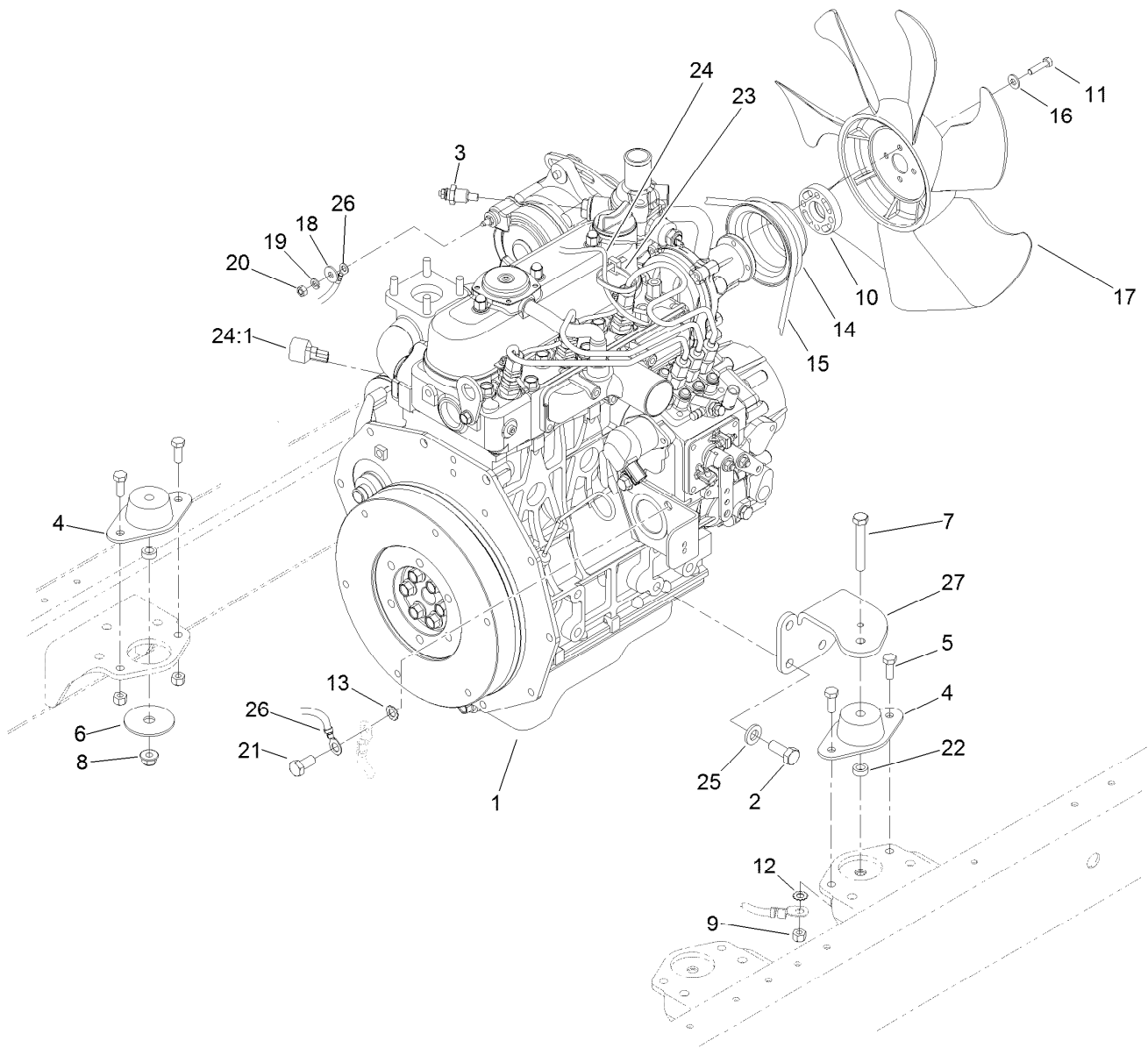
<i>Ref.</i>	<i>Part Number</i>	<i>Qty.</i>	<i>Description</i>
10	103-9511	2	Nut-Lock, NI
11	108-1686	2	Hose-HYD
12	104-8300	2	Nut-HF, NI
13	3230-1	2	Bolt-CARR
14	340-7	2	Fitting-Straight
14:1	237-65	1	O-Ring
14:2	237-80	1	O-Ring
15	340-3	2	Fitting-Straight
15:1	237-22	1	O-Ring
15:2	237-79	1	O-Ring
16	237-161	1	O-Ring
17	108-1801-01	1	Bracket-Support, Pump



## Gear Pump Assembly No. 105-7576

Ref.	Part Number	Qty.	Description
1	108-4595	1	Seal Kit
1:1		8	Seal ●
1:2		8	Seal ●
1:3		8	Ring-Back Up ●

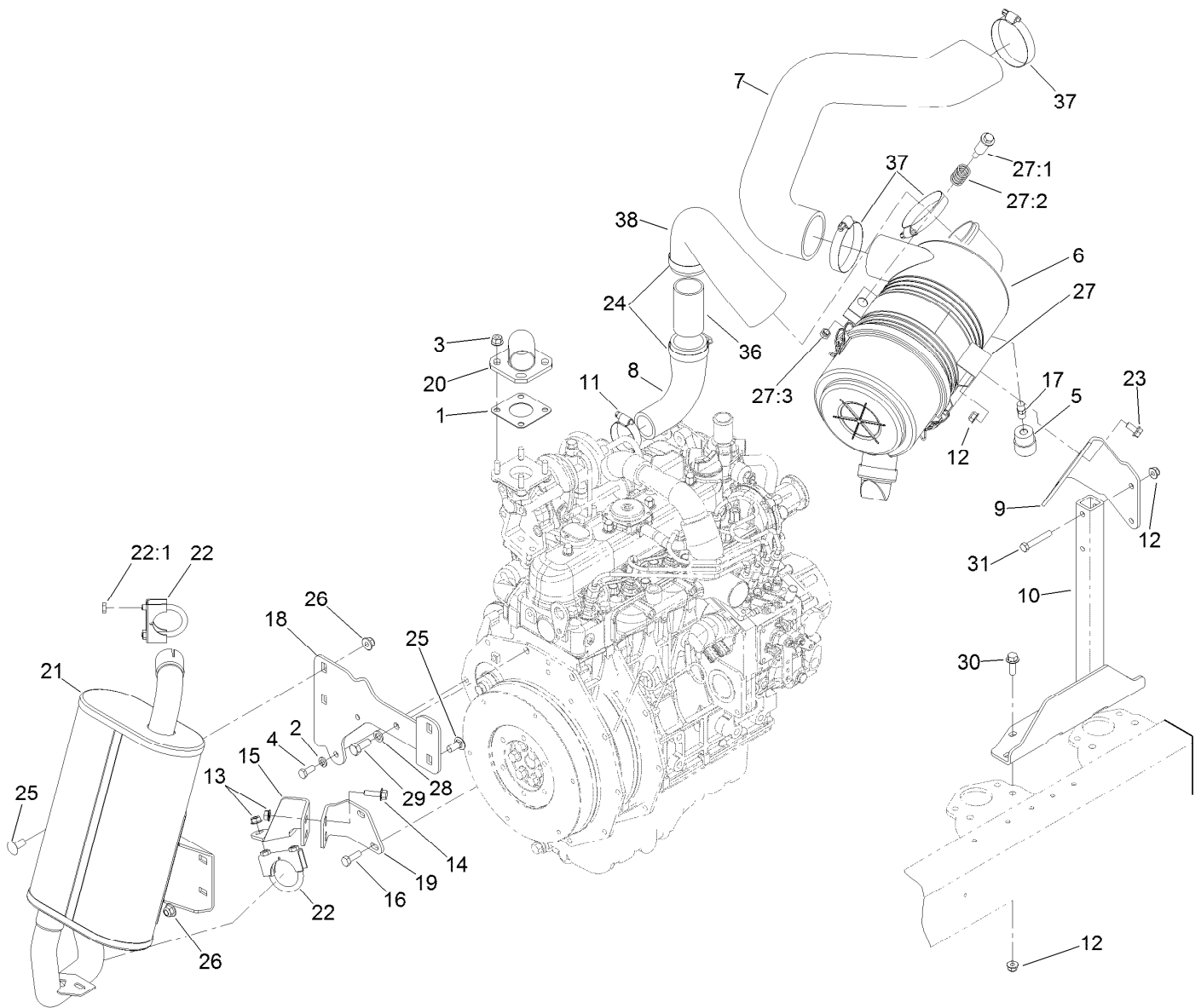
● Not serviced separately



## Engine Mounting and Electrical Assembly

Ref.	Part Number	Qty.	Description
1	115-8076	1	Engine-Kubota
2	43-0090	12	Screw-HH
3	98-9346	1	Sender-Temperature
4	107-3640	4	Mount-Engine
5	322-4	8	Screw-HH
6	87-5100	4	Washer-Snubbing
7	323-12	4	Screw-HH
8	104-8301	4	Nut-HF, NI
9	104-8300	9	Nut-HF, NI
10	105-0000	1	Spacer-Fan
11	33113-030	4	Screw-HH
12	3255-8	1	Washer-Lock
13	3255-9	1	Washer-Lock
14	110-0972	1	Pulley

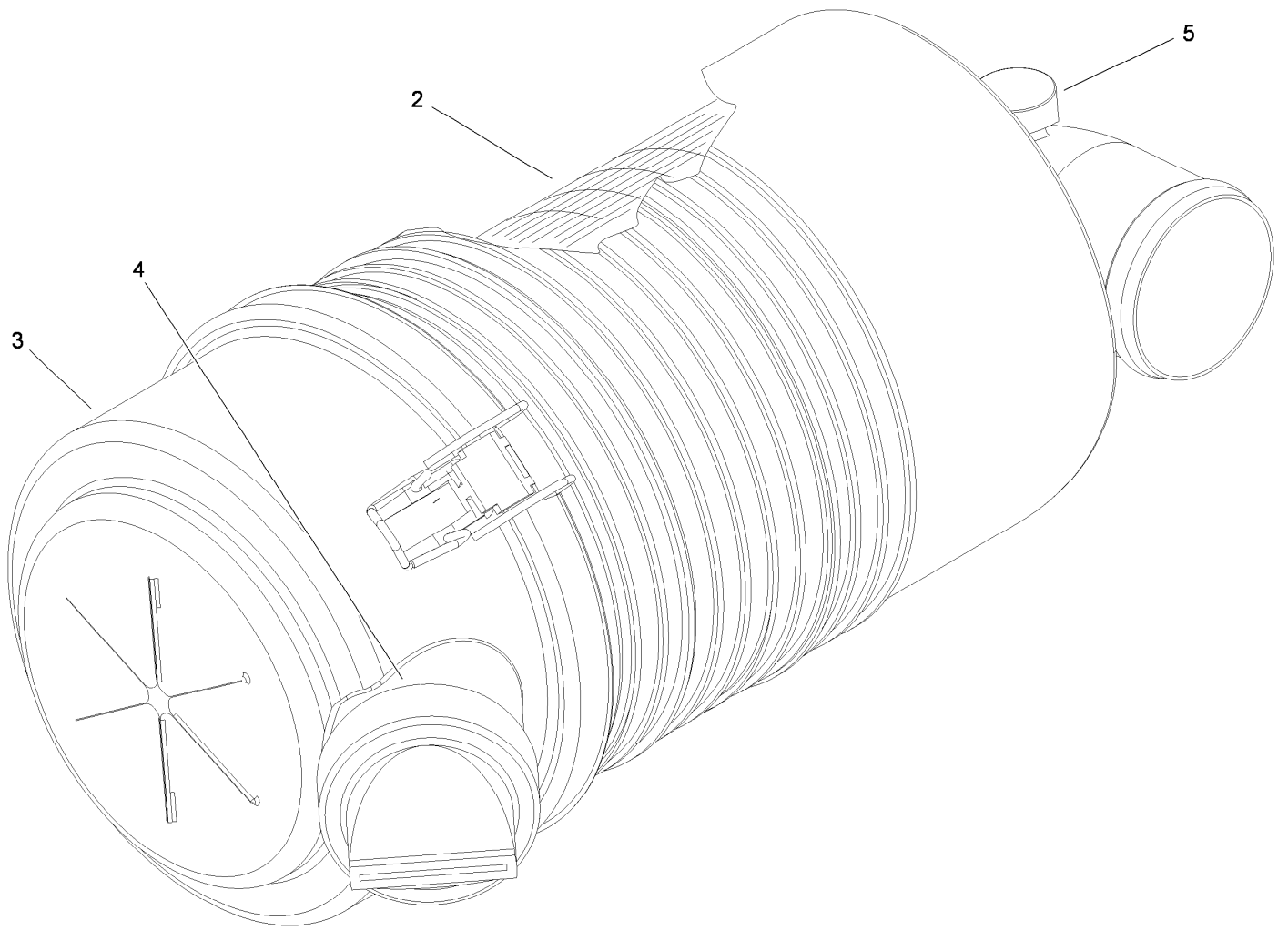
Ref.	Part Number	Qty.	Description
15	98-9676	1	V-Belt
16	3256-22	4	Washer-Flat
17	110-8852	1	Fan-Cooling
18	3256-78	1	Washer-Flat
19	43-5930	1	Washer-Lock, Spring
20	48-7890	1	Nut-Hex
21	322-6	1	Screw-HH
22	62-6660	4	Spacer
23	3290-378	1	Tie-Cable
24	106-3615	1	Harness-Wire, Engine
24:1	100-4918	1	Diode
25	48-9590	12	Washer-Lock
26	99-3441	1	Harness-Wire, Fusible Link
27	115-8066-03	4	Mount-Engine



## Engine Intake and Exhaust Assembly

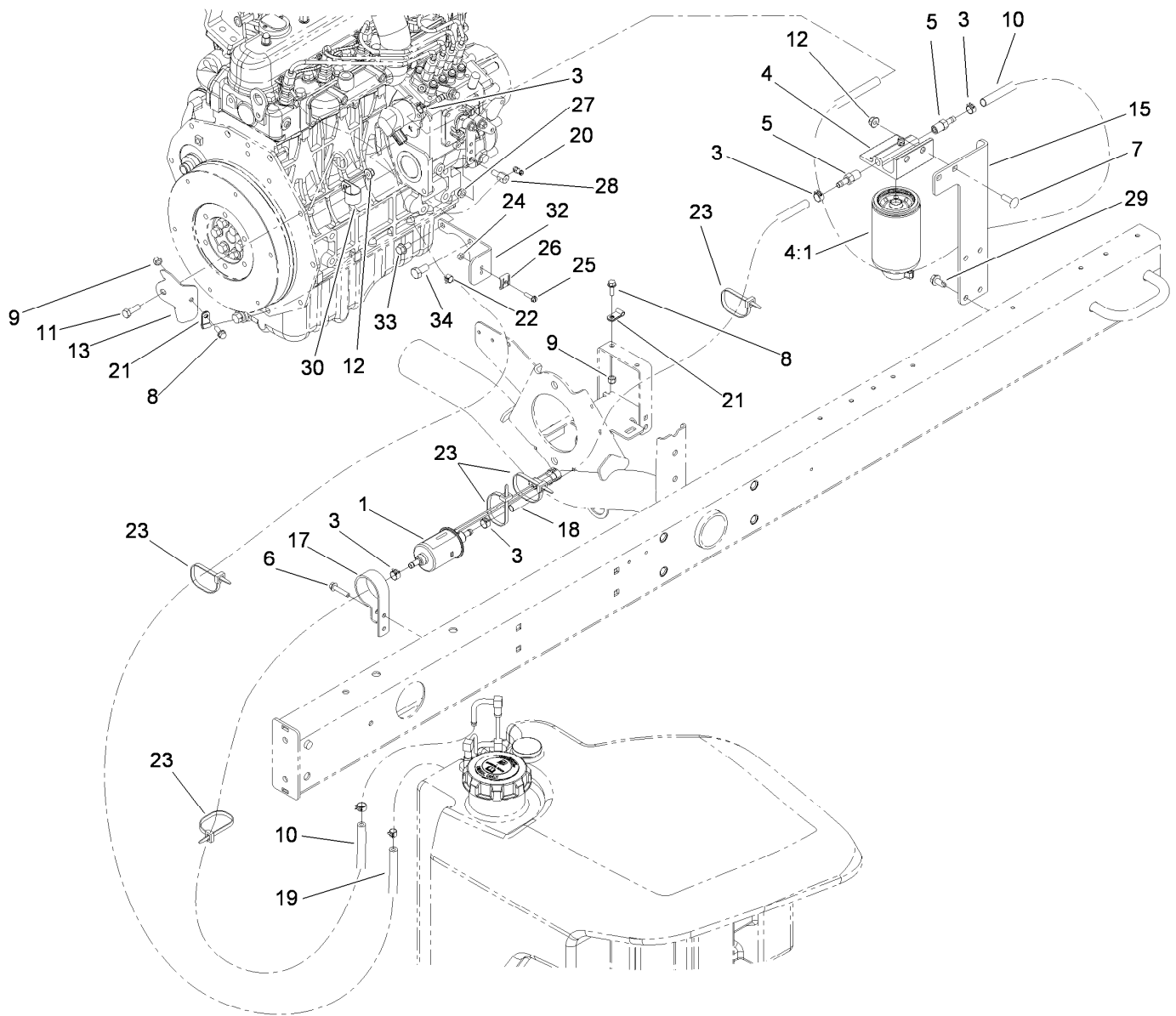
Ref.	Part Number	Qty.	Description	Ref.	Part Number	Qty.	Description
1	99-8343	1	Gasket-Muffler	20	108-1783	1	Header ASM
2	3253-4	2	Washer-Lock	21	108-7643	1	Muffler
3	104-2612	4	Nut-HF	22	2112-9	2	Clamp
4	33114-020	2	Screw-HH	22:1	32128-20	2	Nut-HF
5	93-9164	1	Indicator-Mini	23	3234-14	2	Screw-HHF
6	110-8917	1	Air Cleaner ASM	24	2412-130	2	Clamp-Hose
7	110-8944	1	Hose-Formed	25	3231-27	4	Screw-CARR
8	104-5207	1	Hose-Turbo	26	104-8301	4	Nut-HF, NI
9	110-8981-03	1	Bracket-Mounting	27	93-7486	1	Clamp ASM
10	110-8977-03	1	Stand-Air Cleaner	27:1	94-3653	1	Bolt
11	2412-3	1	Clamp-Hose	27:2	94-3654	1	Spring
12	104-8300	8	Nut-HF, NI	27:3	48-9510	1	Nut
13	109-5715	4	Nut-HHF, Smooth	28	48-9590	1	Washer-Lock
14	3234-29	2	Screw-HHF	29	43-0090	1	Screw-HH
15	117-0286	1	Bracket-Tailpipe	30	3234-29	4	Screw-HHF
16	33104-025	2	Screw-HHF	31	322-10	2	Screw-HH
17	94-1416	1	Adapter-Indicator	36	104-5214	1	Spacer-Tubular
18	108-1785-03	1	Bracket-Support, Muffler	37	2412-125	3	Clamp-Hose
19	117-0288	1	Bracket-Tailpipe	38	110-9021	1	Hose-Formed





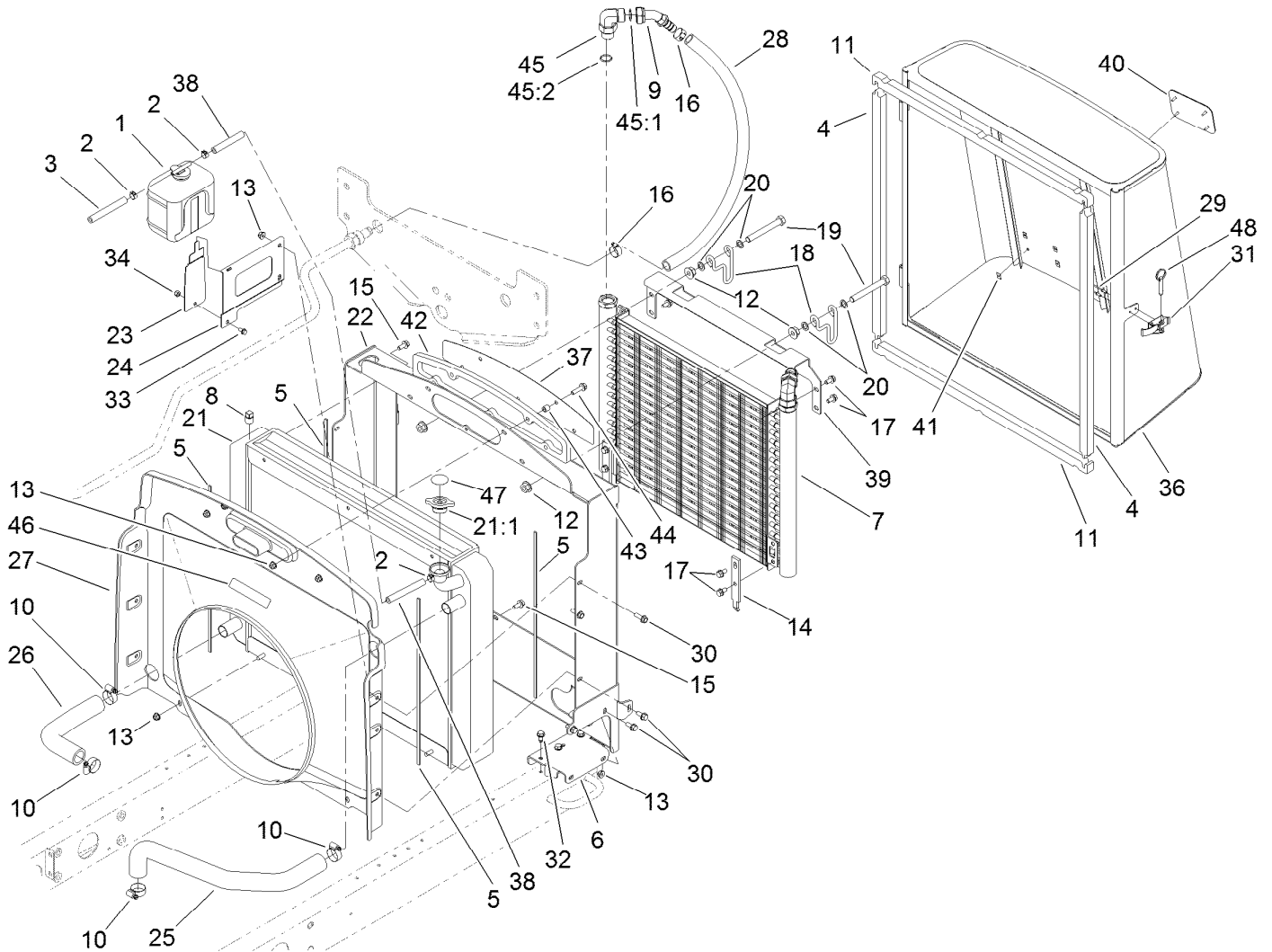
## Air Cleaner Assembly No. 110-8917

<i>Ref.</i>	<i>Part Number</i>	<i>Qty.</i>	<i>Description</i>
2	108-3812	1	Filter-Air
3	93-5986	1	Cover ASM
4	87-9400	1	Valve-Vacuator
5	285-17	1	Plug-Pipe



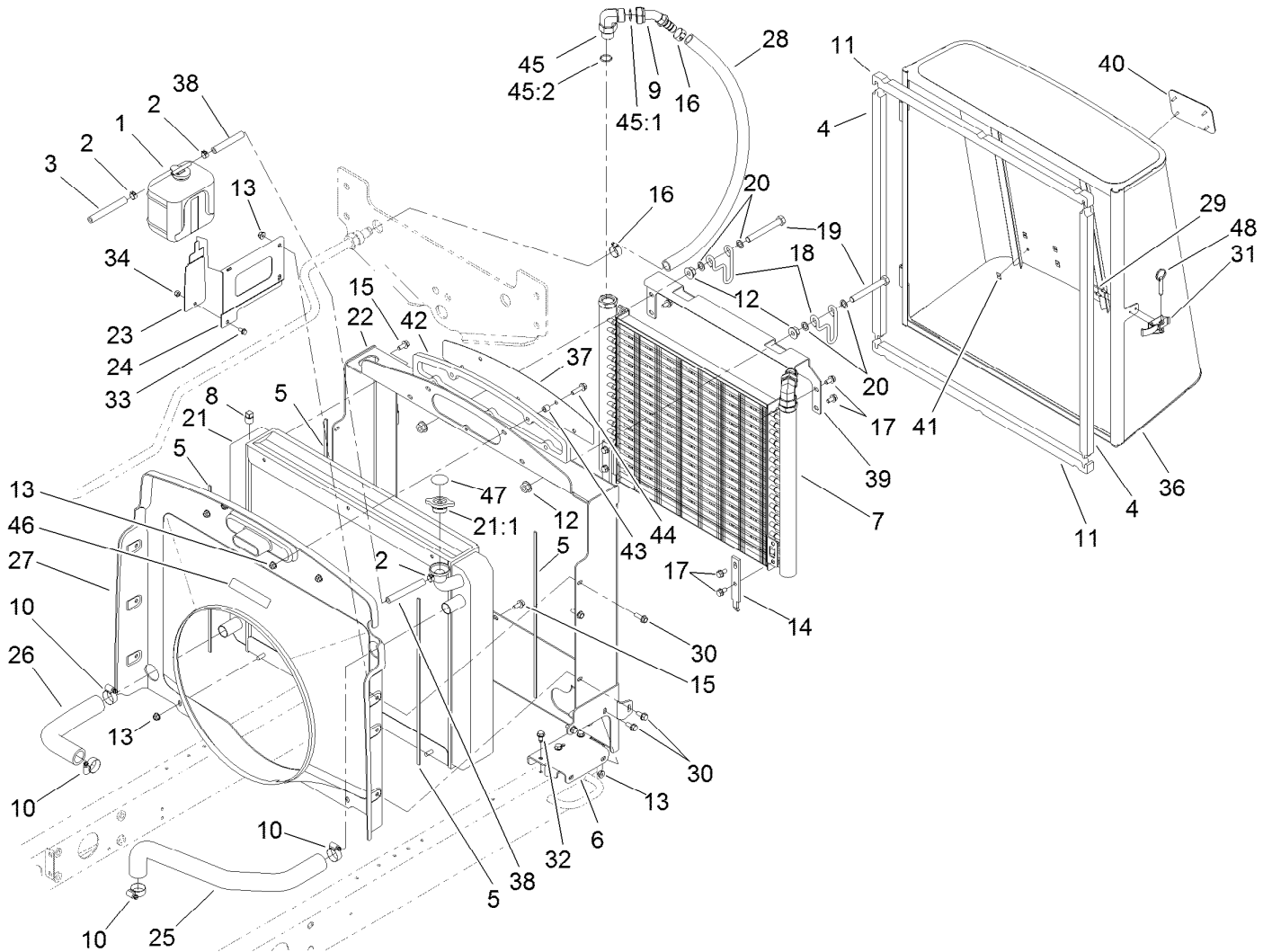
## Fuel System Delivery Assembly

Ref.	Part Number	Qty.	Description	Ref.	Part Number	Qty.	Description
1	110-8806	1	Pump-Fuel	19	117-0298	1	Hose-Fuel
3	92-2379	5	Clamp-Hose	20	112-9919	1	Stop-Cable, Throttle
4	110-9044	1	Separator-Filter	21	2412-149	2	Clamp-R
4:1	110-9049	1	Filter-Spin On, Fuel/Water	22	2412-146	1	Clamp-Hose
5	353-783	2	Fitting-STR	23	3290-378	5	Tie-Cable
6	32144-110	1	Screw-HWH	24	3296-2	1	Nut-Lock, NI
7	3230-22	2	Screw-CARR	25	32105-13	1	Screw-HWH
8	3234-4	2	Screw-HHF	26	81-1690	1	Clamp-Cable
9	3296-42	2	Nut-Lock, NI	27	3296-20	1	Nut-Lock, NI
10	109-0309	2	Hose-Fuel	28	98-9311	1	Swivel-Throttle
11	322-5	1	Screw-HH	29	32104-32	4	Screw-HWH
12	104-8300	3	Nut-HF, NI	30	2412-41	1	Clamp-R
13	110-9007-03	1	Support-Cable, Throttle	32	110-9009-03	1	Bracket-Cable, Throttle
15	110-8968-01	1	Mount-Separator, Water	33	33114-016	1	Screw-HH
17	110-8817	1	Bracket-Pump, Fuel	34	63-7790	1	Screw-Cap
18	110-3259	1	Hose-Fuel				



## Radiator and Hydraulic Cooler Assembly

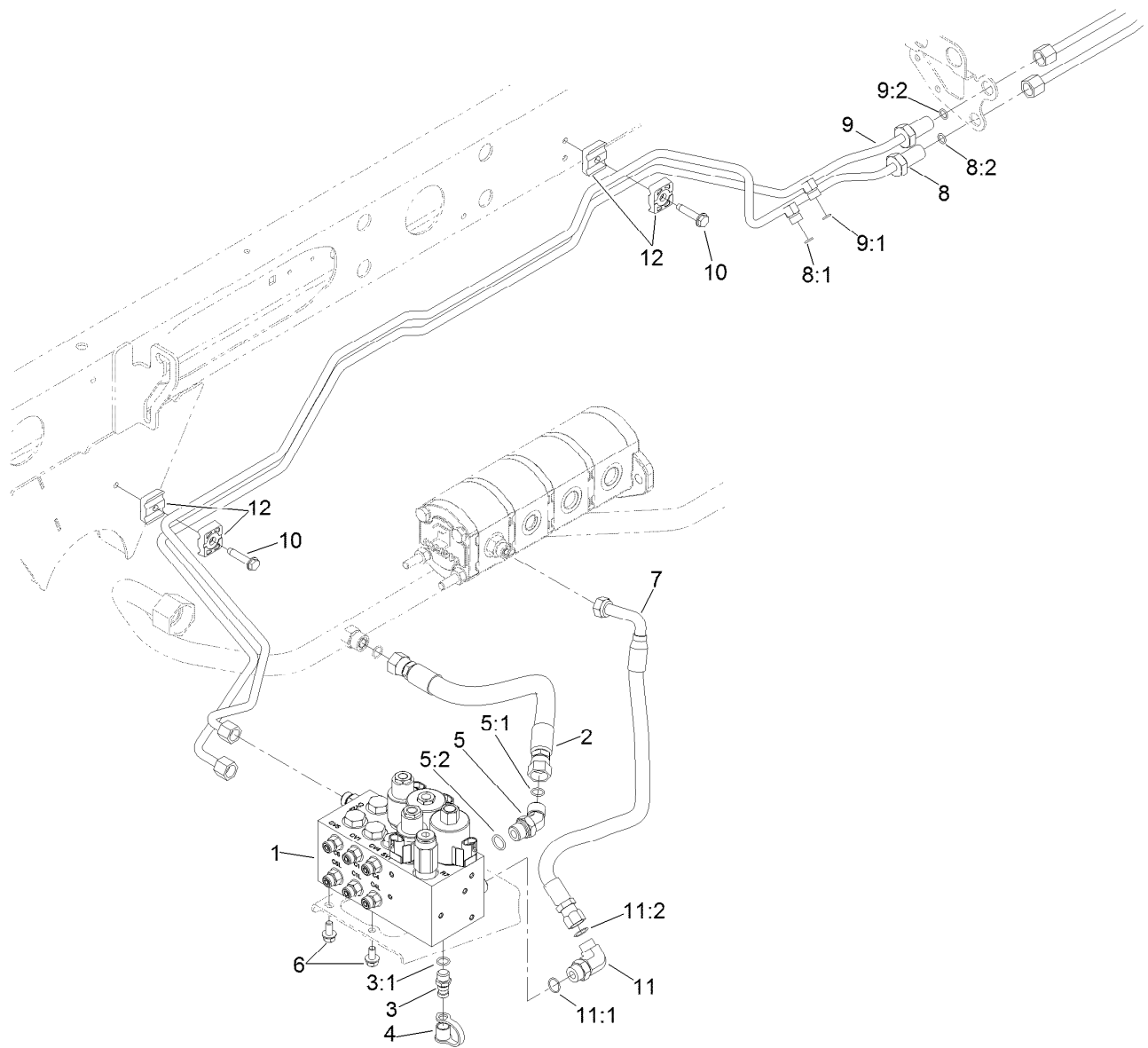
Ref.	Part Number	Qty.	Description	Ref.	Part Number	Qty.	Description
1	104-9318	1	Bottle-Overflow	21:1	93-5957	1	Cap-Radiator
2	92-2379	3	Clamp-Hose	22	110-5251-03	1	Frame-Radiator
3	110-3257	1	Hose-Fuel	23	108-1665-03	1	Bracket-Reservoir
4	110-5275	2	Seal-Foam	24	108-1666-03	1	Bracket-Reservoir
5	110-8953	4	Seal-Foam	25	110-8942	1	Hose-Formed
6	110-5310-01	2	Bracket-Mounting	26	110-8943	1	Hose-Formed
7	110-0485	1	Cooler-Oil	27	110-5311	1	Shroud-Fan
8	281-13	1	Plug-Pipe	28	110-8955	2	Hose
9	104-7851	2	Fitting-HYD, 45 DEG	29	3269-15	2	Rivet-Pop
10	2412-34	4	Clamp-Hose	30	3234-5	4	Screw-HHF
11	110-5276	2	Seal-Foam	31	115-1554	1	Latch-Draw
12	32128-49	4	Nut-HHF	32	32104-32	6	Screw-HWH
13	104-8300	9	Nut-HF, NI	33	3234-13	1	Screw-HHF
14	104-5460-03	2	Plate-Mount, Oil Cooler	34	3296-42	1	Nut-Lock, NI
15	3234-30	6	Screw-HHF	36	110-5269-03	1	Screen
16	2412-129	4	Clamp-Hose	37	108-1843-03	1	Screen-Intake, Air
17	3234-14	8	Screw-HHF	38	110-4104	1	Hose-Fuel
18	104-5429	2	Clamp-Form, Wire	39	104-5428	1	Bracket-Oil Cooler, Top
19	325-17	2	Screw-HH	40	93-6028	1	Plate-Logo
20	41-8440	4	Washer	41	94-2638	4	Nut-Flat
21	110-0003	1	Radiator ASM	42	110-5324	1	Seal-Foam



## Radiator and Hydraulic Cooler Assembly (continued)

<i>Ref.</i>	<i>Part Number</i>	<i>Qty.</i>	<i>Description</i>
43	1-603903	5	Spacer
44	3234-36	5	Screw-HHF
45	340-142	2	Fitting-Elbow, 90 DEG
45:1	237-58	1	O-Ring

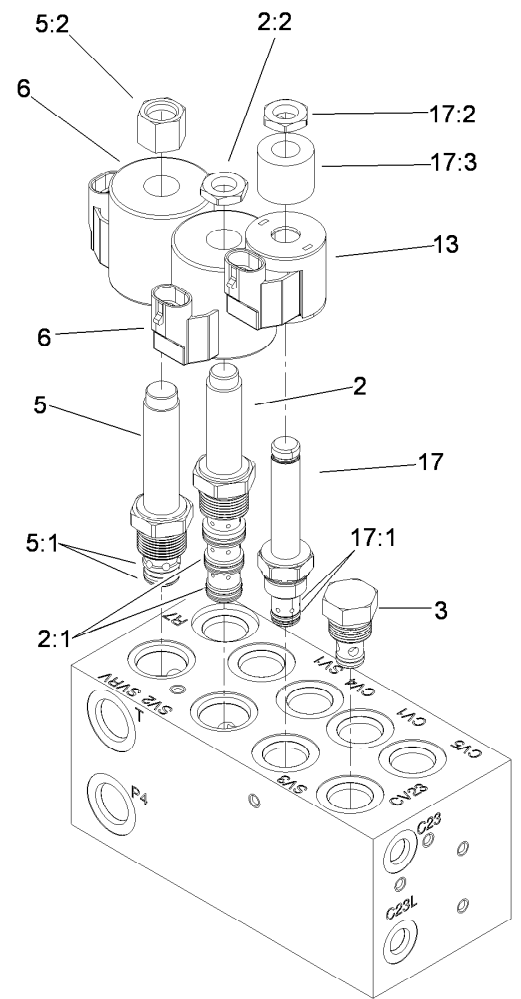
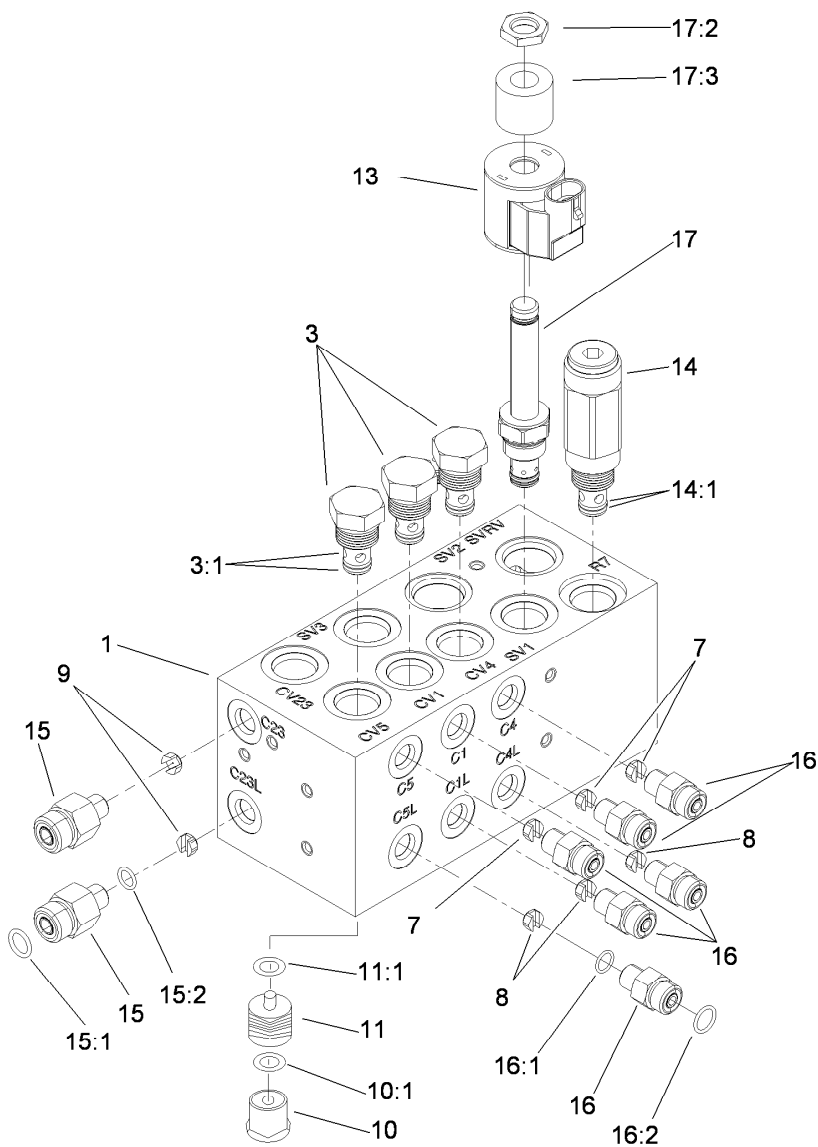
<i>Ref.</i>	<i>Part Number</i>	<i>Qty.</i>	<i>Description</i>
45:2	237-81	1	O-Ring
46	93-7272	1	Decal-Warning
47	106-6755	1	Decal-Cap, Radiator
48	115-1556	1	Pin-Ball, Detent



## Hydraulic Lift Block and Plumbing Assembly

Ref.	Part Number	Qty.	Description
1	105-7577	1	HYD Lift Block Manifold ASM
2	117-0180	1	Hose-HYD
3	59-7410	1	Fitting-Diagnostic
3:1	237-42	1	O-Ring
4	354-79	1	Cap-Dust
5	340-101	1	Fitting-HYD, 45 DEG
5:1	237-30	1	O-Ring
5:2	237-79	1	O-Ring
6	3234-14	2	Screw-HHF
7	92-5694	1	Hose-Hydraulic

Ref.	Part Number	Qty.	Description
8	108-1720	1	Tube ASM
8:1	237-21	1	O-Ring
8:2	237-22	1	O-Ring
9	108-1721	1	Tube ASM
9:1	237-21	1	O-Ring
9:2	237-22	1	O-Ring
10	32144-57	2	Screw
11	340-18	1	Fitting-HYD, 90 DEG
11:1	237-79	1	O-Ring
11:2	237-22	1	O-Ring
12	56-7973	4	Clamp-Tube

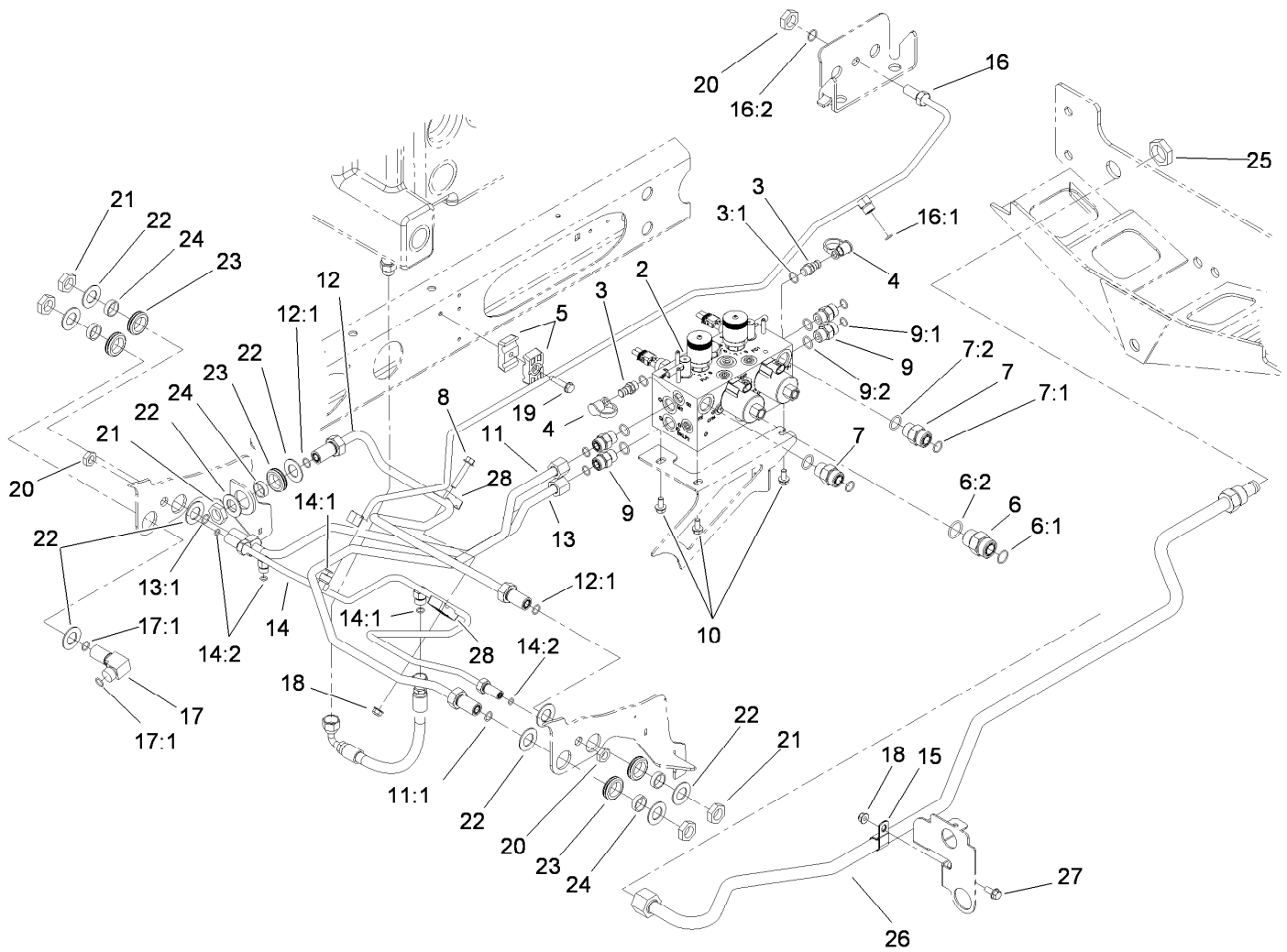


## Hydraulic Manifold Block Assembly No. 105-7577

Ref.	Part Number	Qty.	Description
1		1	Block-Manifold ●
2	110-8906	1	Valve-Solenoid
2:1	110-8908	1	Spool Valve Seal Kit
2:2	110-2634	1	Nut-Coil
3	110-9006	4	Valve-Check
3:1	105-9156	1	Seal Kit
5	110-8905	1	Valve-Relief, Solenoid
5:1	110-6316	1	Seal Kit
5:2	130-8180	1	Nut-Coil (9/16-24 Unef-2B)
6	110-6344	2	Coil-12V, DC
7	110-8904	3	Orifice-Control, Flow (0.028)
8	110-8903	3	Orifice-Control, Flow (0.055)
9	110-8902	2	Orifice-Control, Flow (0.046)
10	354-70	4	Plug-Hex, Hollow
10:1	237-80	1	O-Ring

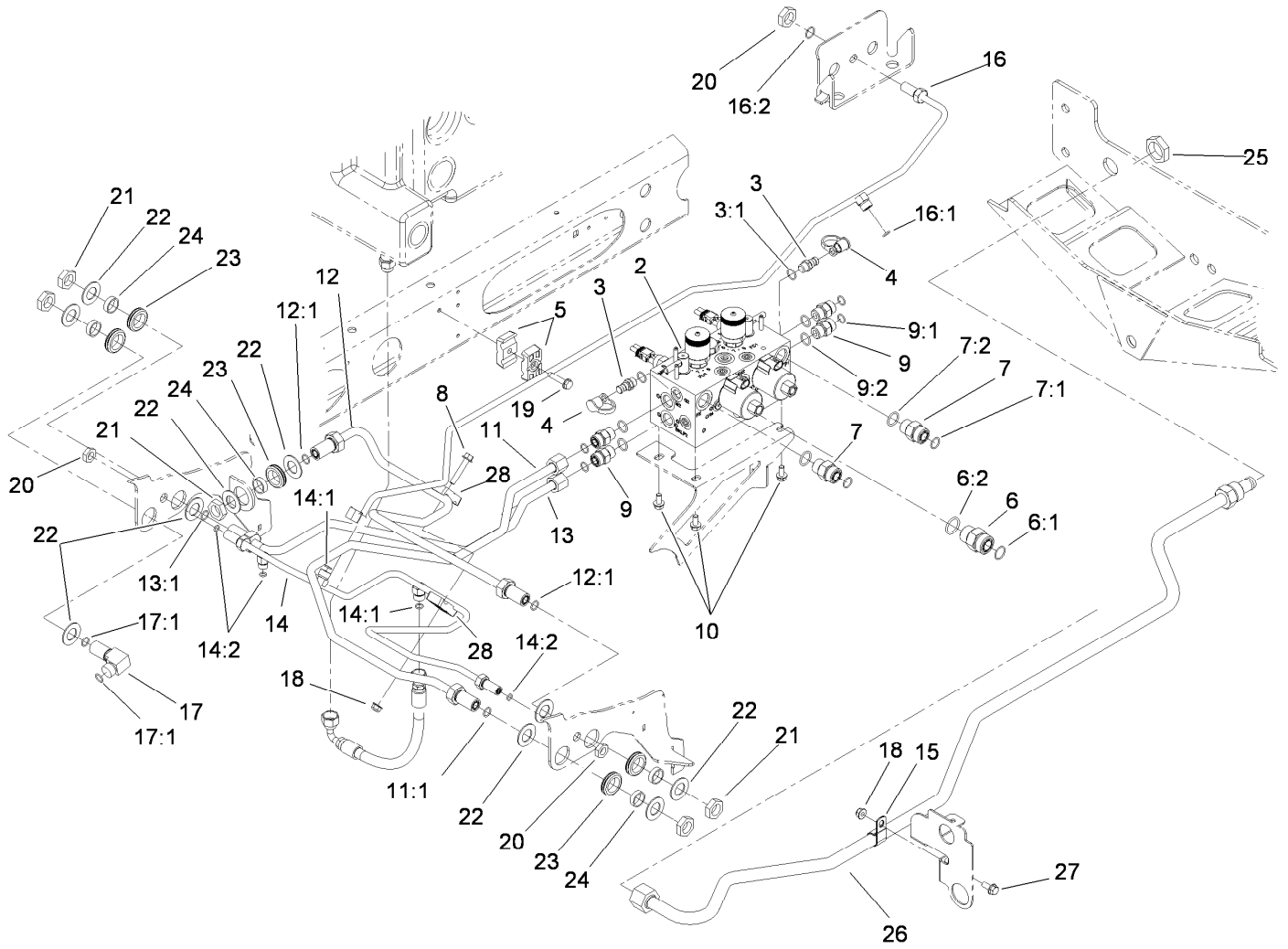
Ref.	Part Number	Qty.	Description
11	110-8901	4	Piston-Pilot
11:1	110-8900	1	O-Ring
13	110-0497	2	Coil-Solenoid
14	110-8899	1	Valve-Relief
14:1	105-9156	1	Seal Kit
15	340-88	2	Fitting-Straight
15:1	237-22	1	O-Ring
15:2	237-78	1	O-Ring
16	340-92	6	Fitting-Straight
16:1	237-78	1	O-Ring
16:2	237-21	1	O-Ring
17	110-8898	2	Valve-Solenoid
17:1	107-7527	1	Seal Kit
17:2	110-2634	1	Nut-Coil
17:3	110-8909	1	Spacer-Coil

● Not serviced separately



## Reel Control Block Hydraulic Plumbing Assembly

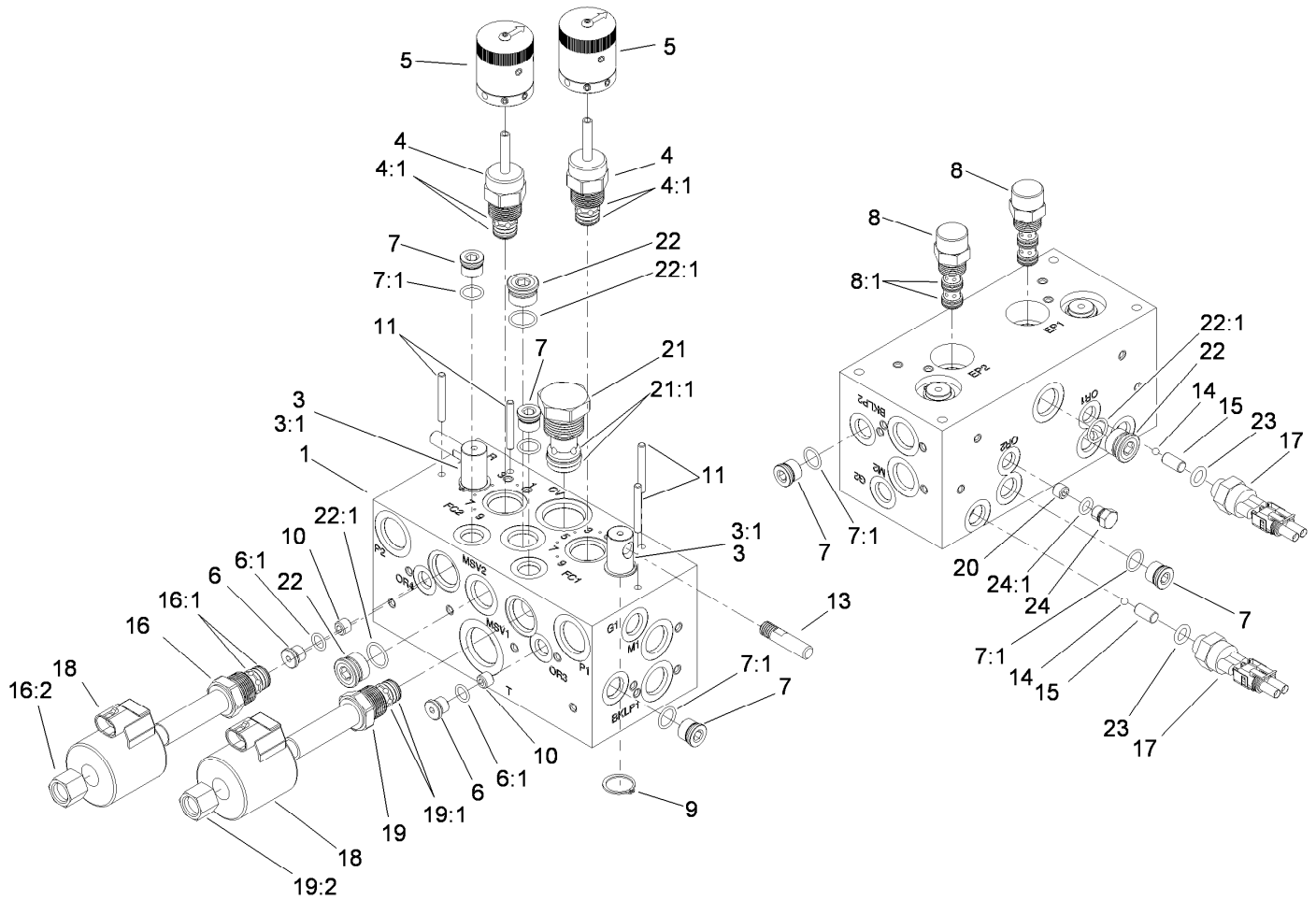
Ref.	Part Number	Qty.	Description	Ref.	Part Number	Qty.	Description
2	108-1625	1	HYD Mow Block Manifold ASM	13	117-0139	1	Tube ASM
3	59-7410	2	Fitting-Diagnostic	13:1	237-65	1	O-Ring
3:1	237-42	1	O-Ring	14	110-5286	1	Tube ASM
4	354-79	2	Cap-Dust	14:1	237-22	2	O-Ring
5	56-7972	2	Clamp-Tube	14:2	237-21	3	O-Ring
6	340-9	1	Fitting-STR	15	2412-4	1	Clamp-R
6:1	237-58	1	O-Ring	16	114-8888	1	Tube ASM
6:2	237-81	1	O-Ring	16:1	237-22	1	O-Ring
7	340-7	2	Fitting-Straight	16:2	237-21	1	O-Ring
7:1	237-65	1	O-Ring	17	340-72	1	Fitting-Bulkhead, 90 DEG
7:2	237-80	1	O-Ring	17:1	237-65	2	O-Ring
8	94-5780	1	Screw-HWH	18	104-8300	2	Nut-HF, NI
9	340-155	4	Fitting-Straight	19	32144-57	1	Screw
9:1	237-79	1	O-Ring	20	340-78	3	Nut-Lock
9:2	237-151	1	O-Ring	21	340-74	5	Nut-Lock, Bulkhead
10	3234-14	3	Screw-HHF	22	69-9010	10	Washer
11	117-0138	1	Tube ASM	23	240-3	5	Grommet-Rubber
11:1	237-65	1	O-Ring	24	69-9000	5	Spacer
12	117-0137	1	Tube ASM	25	340-126	1	Nut-Bulkhead
12:1	237-65	2	O-Ring	26	108-1700	1	Tube ASM



## Reel Control Block Hydraulic Plumbing Assembly (continued)

<i>Ref.</i>	<i>Part Number</i>	<i>Qty.</i>	<i>Description</i>
27	3234-5	1	Screw-HHF
28	56-7970	2	Clamp-Tube



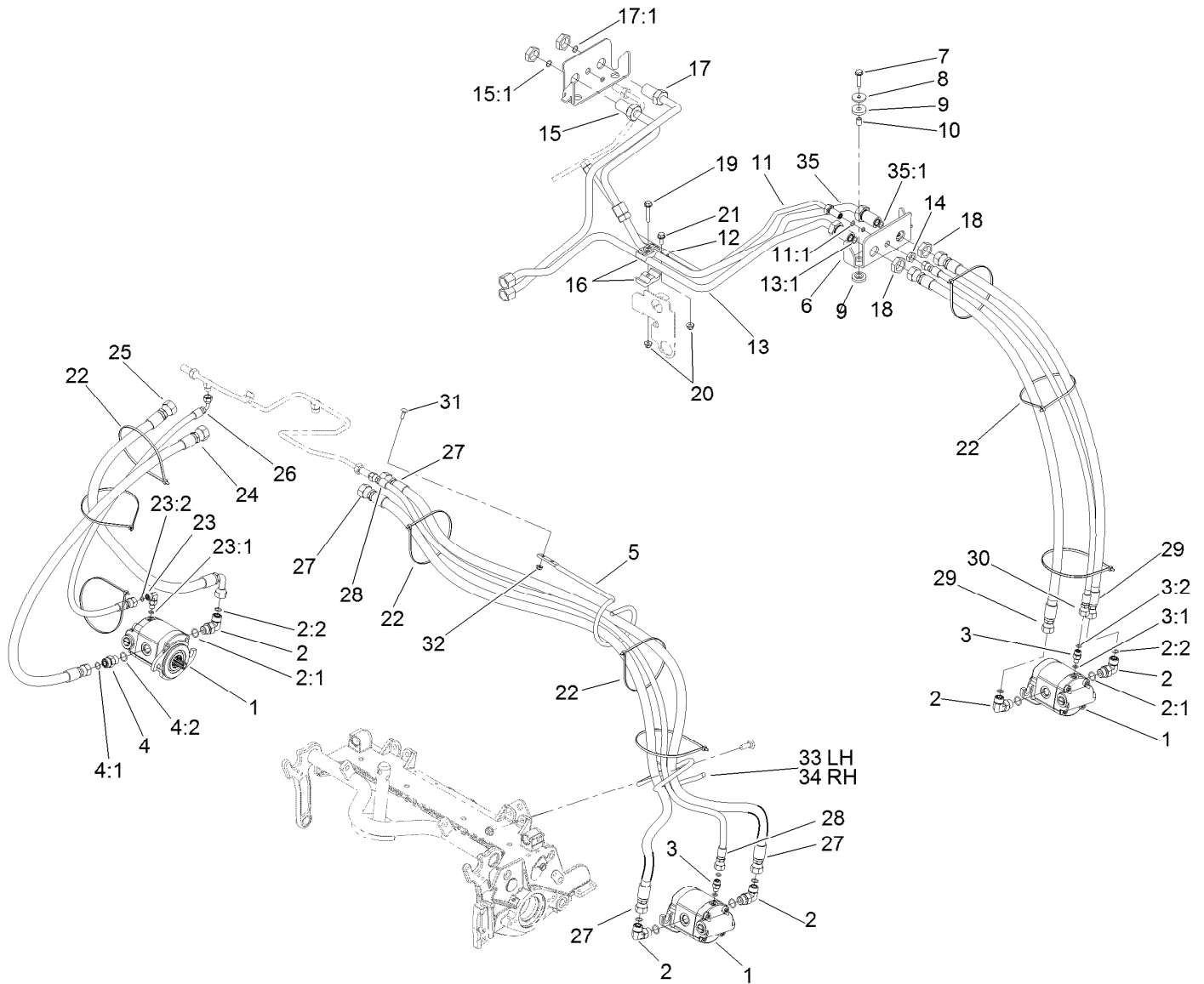


## Hydraulic Manifold Block Assembly No. 108-1625

Ref.	Part Number	Qty.	Description	Ref.	Part Number	Qty.	Description
1		1	Block-Manifold ■	15	110-8761	2	Pin-Dowel
3	117-0108	2	Spool-Rotary	16	110-8888	1	Valve-Relief, Solenoid
3:1	117-0109	1	Seal Kit	16:1	110-6316	1	Seal Kit
4	110-8769	2	Valve-Control, Manual Flow	16:2	110-2635	1	Nut-Coil
4:1	110-2633	1	Seal Kit ●	17	72-4310	2	Switch-Ball
5	110-8767	2	Rotary Handle ASM	18	110-6344	2	Coil-12V, DC
6	353-990	4	Plug ASM	19	110-6345	1	Valve-Relief, Solenoid
6:1	237-78	1	O-Ring	19:1	110-6316	1	Seal Kit
7	106-1026	6	Plug-HYD	19:2	110-2635	1	Nut-Coil
7:1	237-42	1	O-Ring	20	110-8887	2	Plug-Orifice (0.055)
8	110-8890	2	Element-Logic	21	110-8886	1	Valve-Check
8:1	110-8773	1	Seal Kit ●	21:1	110-0470	1	Seal Kit
9	112-6532	4	Ring-Retaining	22	106-1027	3	Plug
10	110-8987	2	Plug-Orifice (0.015 Rw)	22:1	237-79	1	O-Ring
11	112-6531	4	Pin-Spring	23	110-8757	2	O-Ring
13	110-8758	2	Handle-Spool	24	117-0115	2	Plug
14	110-8762	2	Ball-Chrome	24:1	237-78	1	O-Ring

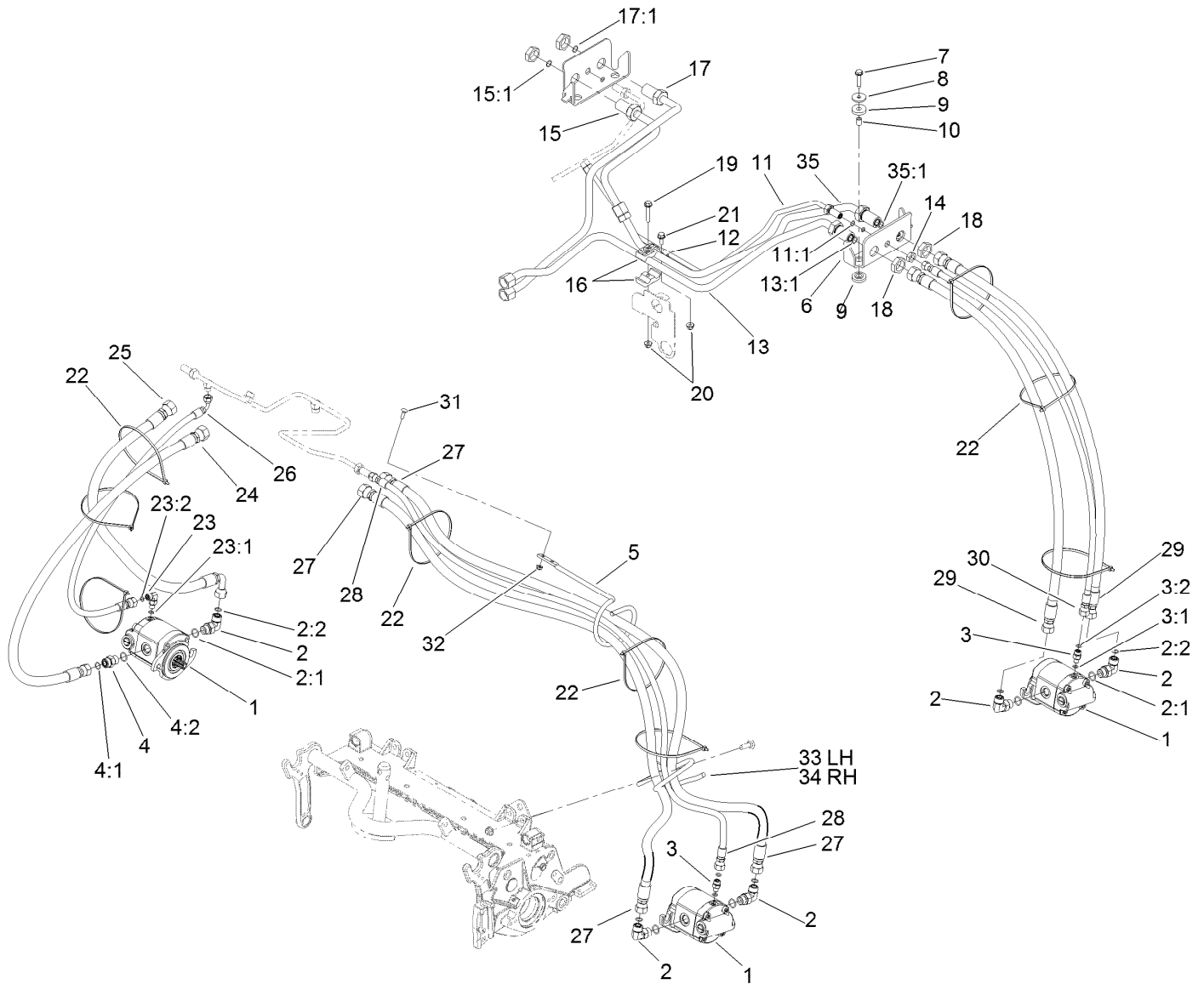
● Not illustrated

■ Not serviced separately



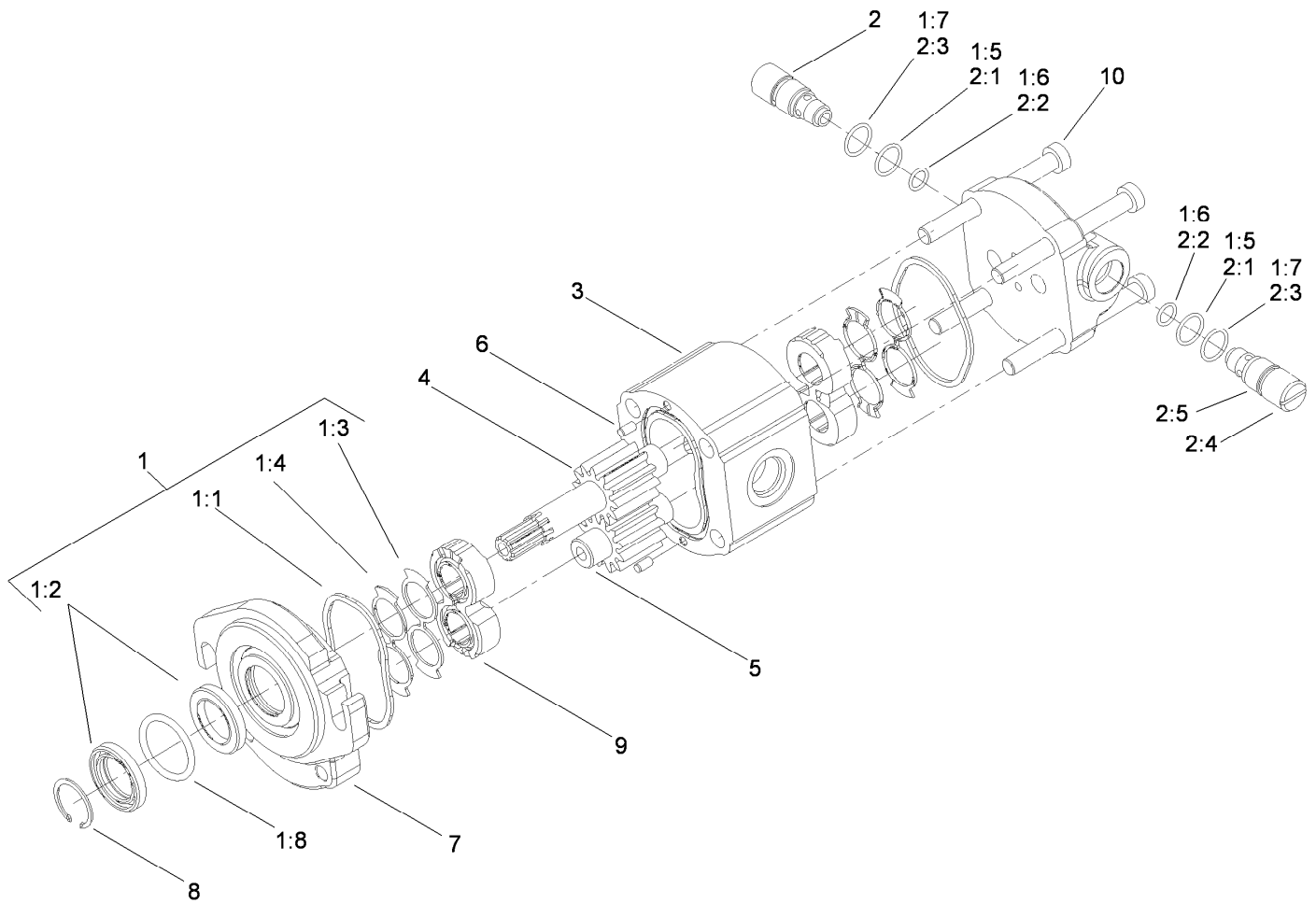
## Rear Reel Drive System Plumbing and Front Hose Assembly

Ref.	Part Number	Qty.	Description	Ref.	Part Number	Qty.	Description
1	110-1717	5	HYD Motor ASM	13	117-0142	1	Tube ASM
2	340-98	9	Fitting-Elbow, 90 DEG	13:1	237-65	1	O-Ring
2:1	237-79	1	O-Ring	14	340-78	1	Nut-Lock
2:2	237-30	1	O-Ring	15	117-0140	1	Tube ASM
3	340-92	4	Fitting-Straight	15:1	237-65	1	O-Ring
3:1	237-78	1	O-Ring	16	56-7971	2	Clamp-Tube
3:2	237-21	1	O-Ring	17	117-0141	1	Tube ASM
4	340-4	1	Fitting-Straight	17:1	237-65	1	O-Ring
4:1	237-30	1	O-Ring	18	340-74	4	Nut-Lock, Bulkhead
4:2	237-79	1	O-Ring	19	94-5780	1	Screw-HWH
5	108-7585	2	Guide-Hose	20	104-8300	2	Nut-HF, NI
6	117-0174-03	2	Bracket-Bulkhead	21	3234-5	1	Screw-HHF
7	32144-57	4	Screw	22	3334-945	15	Tie-Cable
8	105-3048	4	Washer-Flat	23	340-132	1	Fitting-Elbow, 90 DEG
9	240-11	8	Bushing-Flange	23:1	237-78	1	O-Ring
10	99-8611	4	Spacer	23:2	237-21	1	O-Ring
11	114-8887	1	Tube ASM	24	114-0633	1	Hose-HYD
11:1	237-21	1	O-Ring	25	117-5190	1	Hose-HYD
12	2412-113	1	Clamp-R	26	106-3671	1	Hose-HYD



## Rear Reel Drive System Plumbing and Front Hose Assembly (continued)

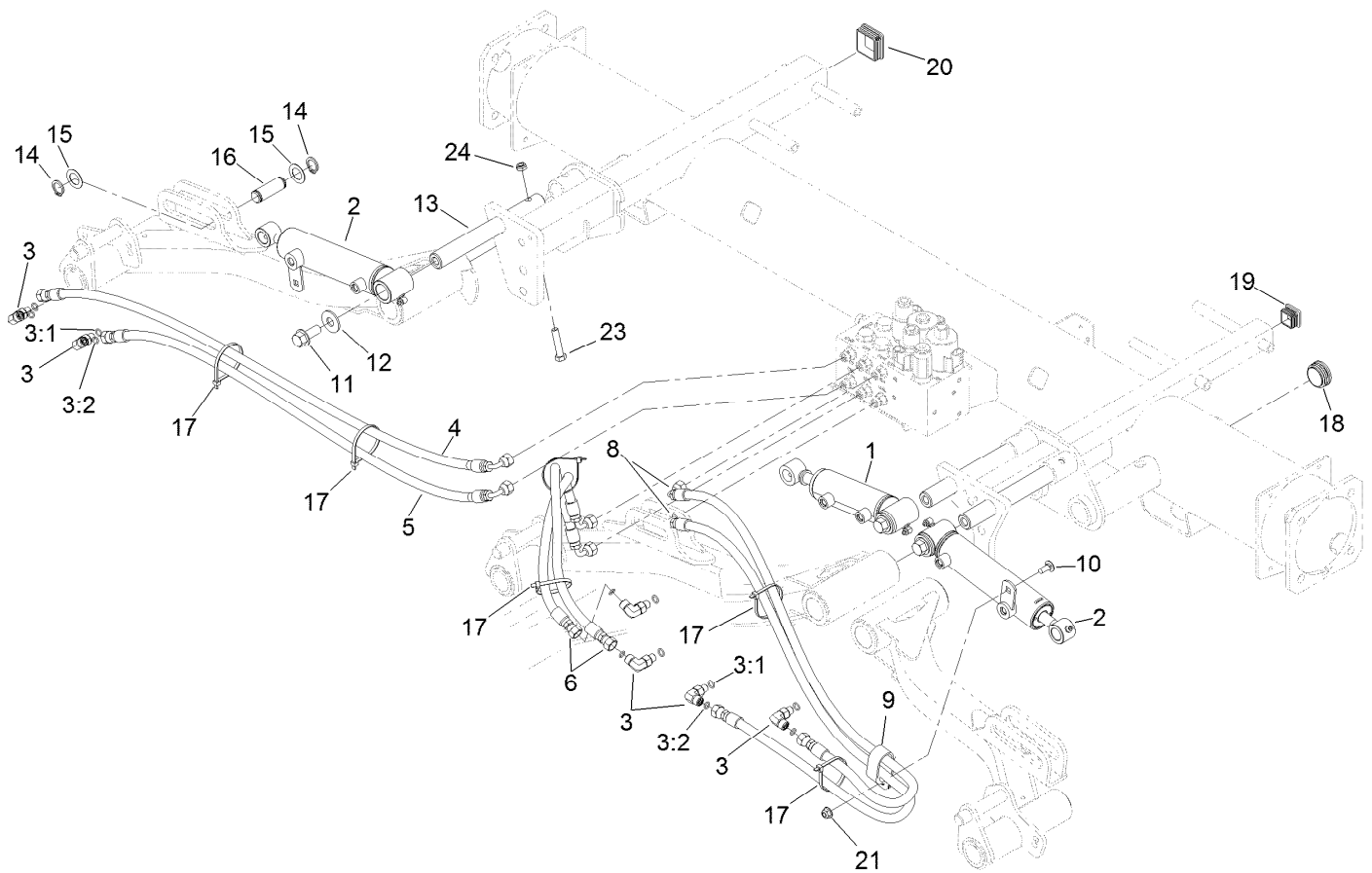
<i>Ref.</i>	<i>Part Number</i>	<i>Qty.</i>	<i>Description</i>	<i>Ref.</i>	<i>Part Number</i>	<i>Qty.</i>	<i>Description</i>
27	117-5188	4	Hose-HYD	32	104-7201	4	Nut-HF, NI
28	106-3680	2	Hose-HYD	33	115-8054	1	Guide-Hose, LH
29	114-0633	4	Hose-HYD	34	115-8056	1	Guide-Hose, RH
30	98-4590	2	Hose-HYD	35	117-0177	1	Tube ASM
31	3229-1	4	Screw-CARR	35:1	237-65	2	O-Ring



## Hydraulic Motor Assembly No. 110-1717

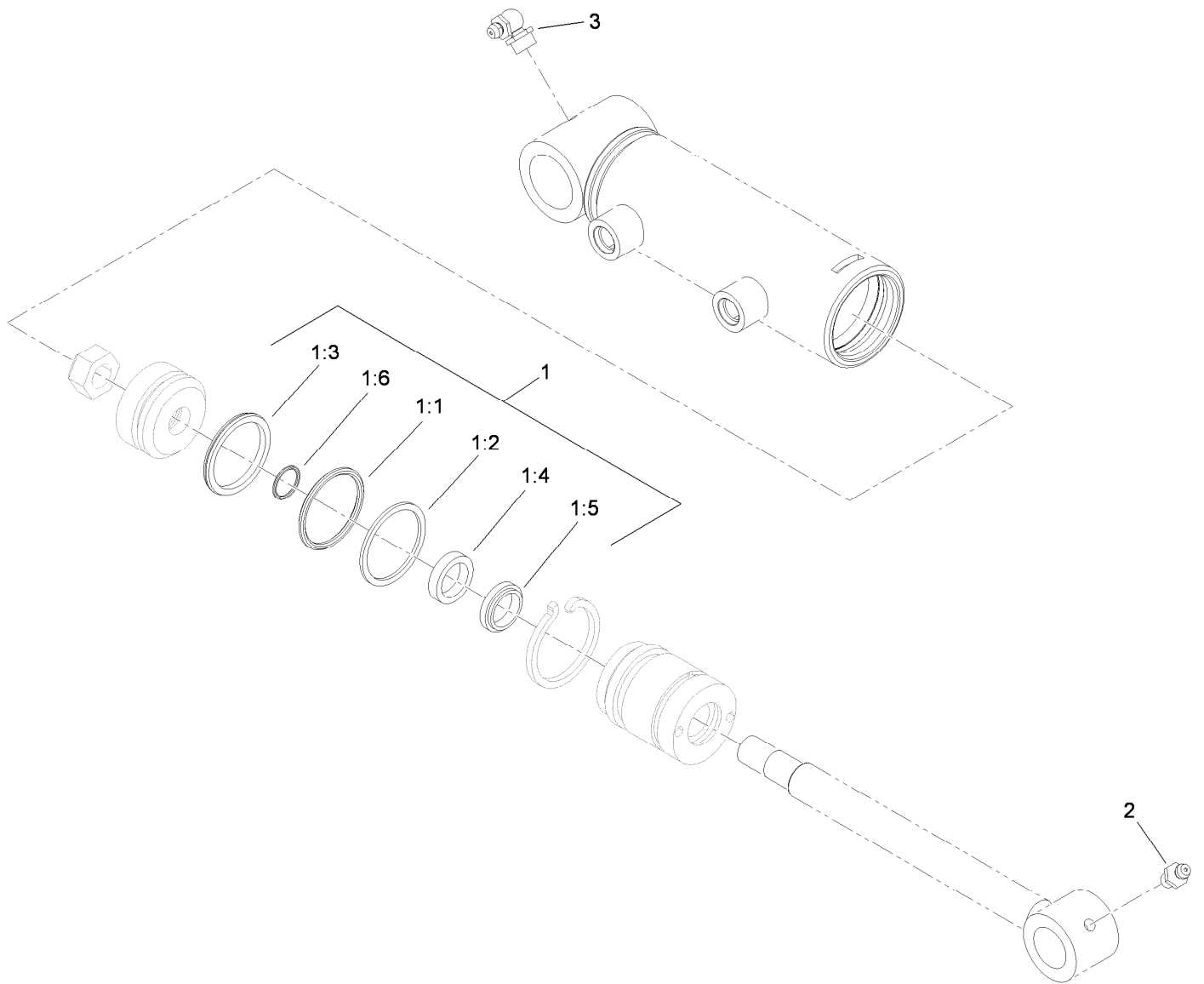
Ref.	Part Number	Qty.	Description	Ref.	Part Number	Qty.	Description
1	110-0040	1	Seal Kit	2:3		1	Ring-Backup ●
1:1		2	Ring ●	2:4		1	Cap-Relief ●
1:2		2	Seal-Shaft ●	2:5		1	Valve-Relief ●
1:3		2	Seal ●	3		1	Body ●
1:4		2	Seal-Anti Extrusion ●	4		1	Gear-Drive ●
1:5		2	Seal-Valve, Relief ●	5		1	Gear-Driven ●
1:6		2	Seal-Valve, Relief ●	6		2	Pin-Dowel ●
1:7		2	Ring-Backup ●	7		1	Cover-Front ●
1:8		1	Ring-Spacer ●	8		1	Ring-Retaining ●
2	110-0041	2	Relief Cartridge Kit	9		2	Block-Bearing ●
2:1		1	Seal ●	10		4	Screw ●
2:2		1	Seal ●				

● Not serviced separately



## Front Lift Cylinder and Plumbing Assembly

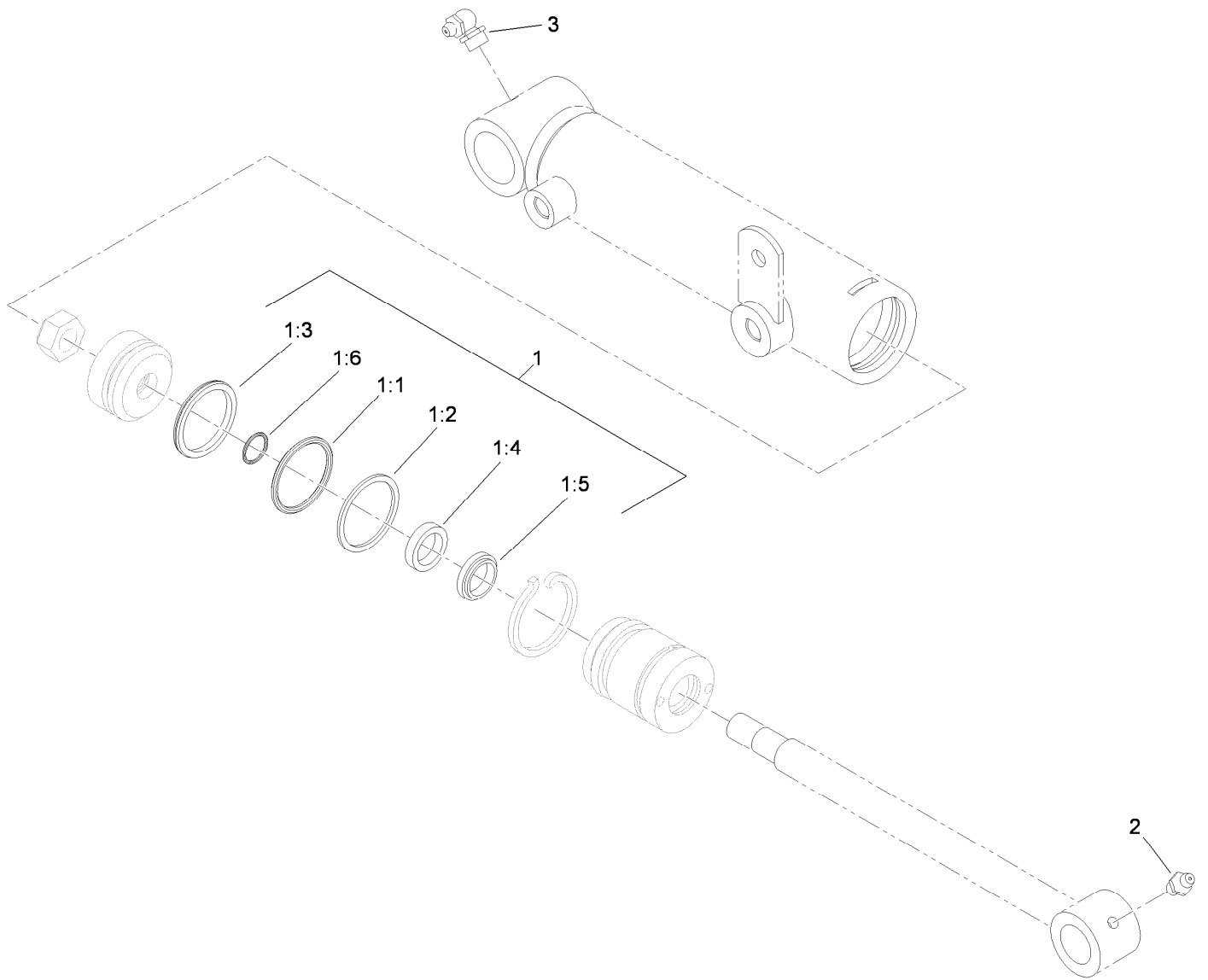
<i>Ref.</i>	<i>Part Number</i>	<i>Qty.</i>	<i>Description</i>	<i>Ref.</i>	<i>Part Number</i>	<i>Qty.</i>	<i>Description</i>
1	110-9034	1	Cylinder-HYD	12	3256-6	3	Washer-Flat
2	110-9033	2	Cylinder-HYD	13	117-0148	3	Pin-Cylinder
3	340-132	6	Fitting-Elbow, 90 DEG	14	32120-93	6	Ring-Retaining
3:1	237-78	1	O-Ring	15	3-6498	6	Washer-Thrust
3:2	237-21	1	O-Ring	16	104-0046	3	Pin-Slide, Cylinder
4	106-3692	1	Hose-HYD	17	3290-379	6	Tie-Cable
5	106-3693	1	Hose-HYD	18	110-9012	3	Caplug
6	93-6887	2	Hose-HYD	19	110-9013	1	Caplug
8	85-4940	2	Hose-HYD	20	95-9495	1	Cap
9	2412-137	1	Clamp-R, Double	21	104-8300	1	Nut-HF, NI
10	3230-23	1	Bolt-CARR	23	323-9	3	Screw-HH
11	3234-38	3	Screw-HHF	24	3296-59	3	Nut-Lock, NI



## Hydraulic Cylinder Assembly No. 110-9034

<i>Ref.</i>	<i>Part Number</i>	<i>Qty.</i>	<i>Description</i>
1	114-8873	1	Seal Kit
1:1		1	Ring-Retaining ●
1:2		1	Ring-Backup ●
1:3		1	Seal-Bp ●
1:4		1	Seal-Bs ●
1:5		1	Seal-Dust ●
1:6		1	Ring-Retaining ●
2	302-5	1	Fitting-Grease
3	302-33	1	Fitting-Grease

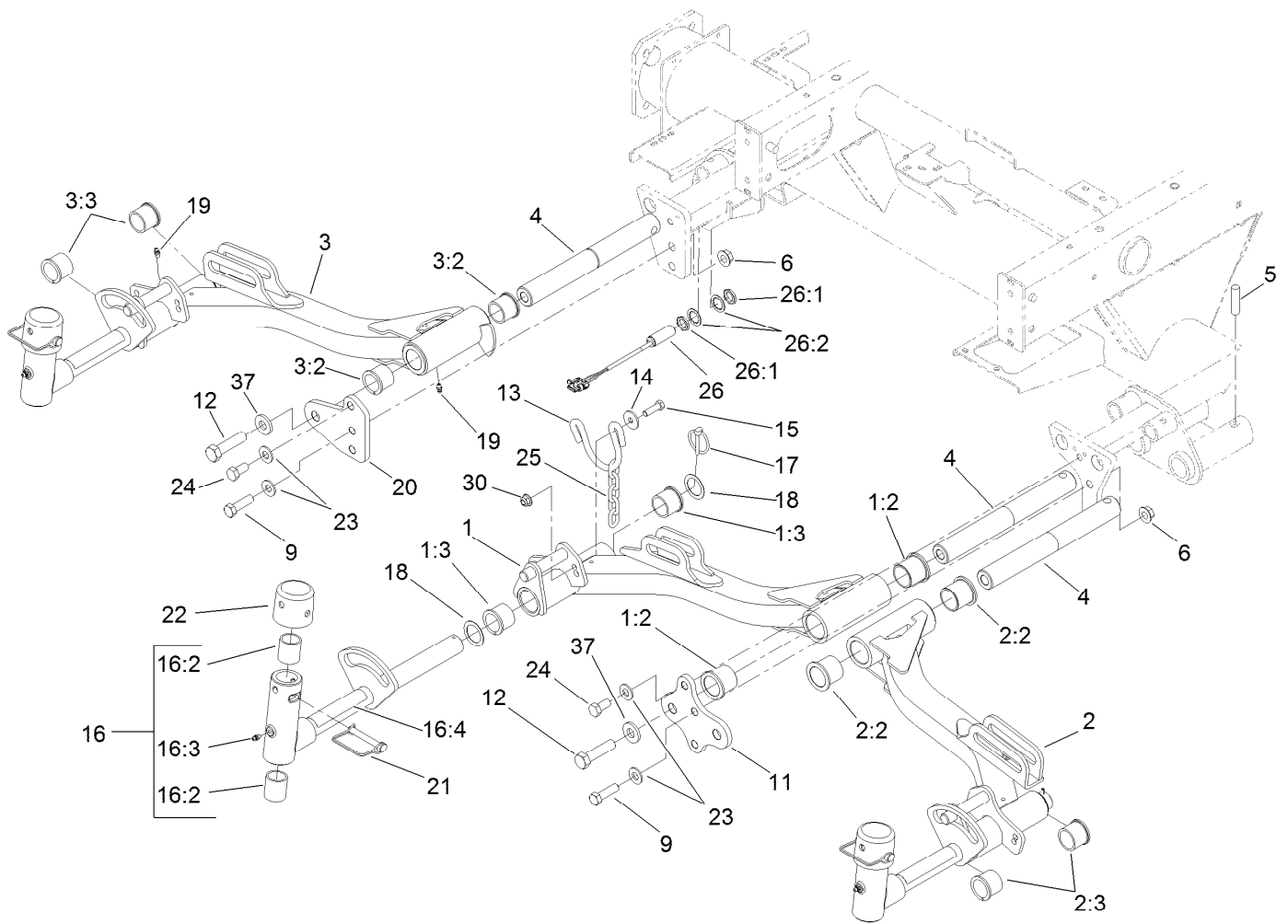
● Not serviced separately



## Hydraulic Cylinder Assembly No. 110-9033

Ref.	Part Number	Qty.	Description
1	114-8873	1	Seal Kit
1:1		1	Ring-Retaining ●
1:2		1	Ring-Backup ●
1:3		1	Seal-Bp ●
1:4		1	Seal-Bs ●
1:5		1	Seal-Dust ●
1:6		1	Ring-Retaining ●
2	302-5	1	Fitting-Grease
3	302-33	1	Fitting-Grease

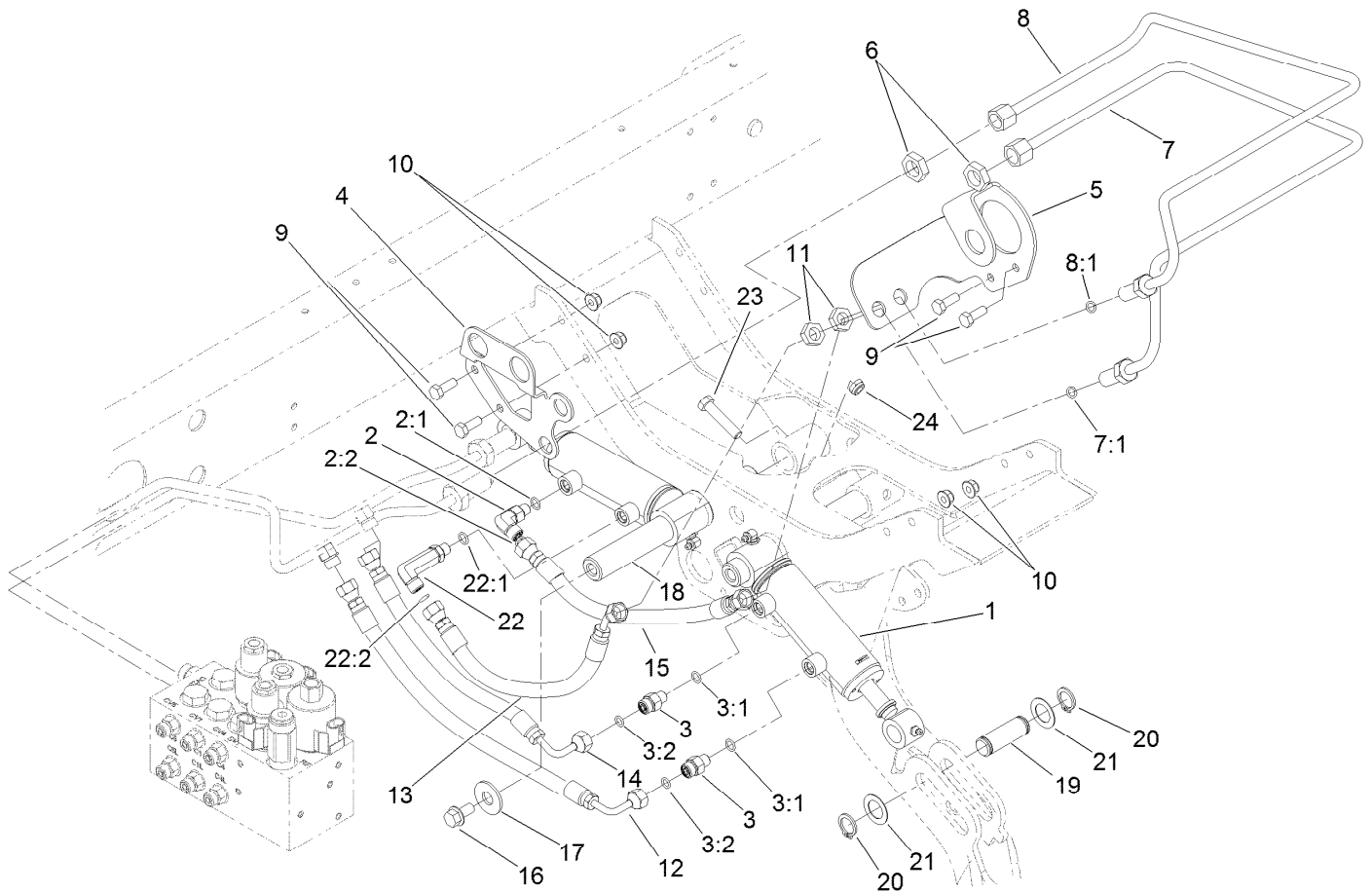
● Not serviced separately



## Front Lift Arm Assembly

Ref.	Part Number	Qty.	Description	Ref.	Part Number	Qty.	Description
1	110-0991	1	No. 1 Lift Arm ASM	16	107-2052	3	Pivot Yoke ASM
1:2	69-6470	2	Bushing-Caster	16:2	256-254	2	Bushing
1:3	104-0015	2	Bushing-Flange	16:3	302-5	1	Fitting-Grease
2	114-8874	1	No. 4 Lift Arm ASM	16:4	110-9642	1	Decal-Warning
2:2	69-6470	2	Bushing-Caster	17	92-1298	3	Pin-Lynch
2:3	104-0015	2	Bushing-Flange	18	76-2980	6	Washer-Thrust
3	110-0995	1	No. 5 Lift Arm ASM	19	302-5	6	Fitting-Grease
3:2	69-6470	2	Bushing-Caster	20	117-5153-01	1	Plate-Bridge 5
3:3	104-0015	2	Bushing-Flange	21	107-7400	3	Pin-Lynch
4	117-0208	3	Shaft-Pivot, Liftarm	22	107-4027	3	Cap
5	32121-122	3	Pin-Roll	23	87-7270	6	Washer-Thrust
6	99-5107	4	Nut-Lock	24	325-5	2	Screw-HH
9	325-7	4	Screw-HH	25	84-2451	3	Chain-Straight, 5 Link
11	117-5154-01	1	Plate-Bridge 1 And 4	26	115-5300	1	Proximity Switch ASM
12	327-7	3	Screw-HH	26:1	117-3207	2	Nut-Hex
13	110-0922	3	Hoop-Chain	26:2	117-3208	2	Washer-Lock, Internal Tooth
14	63-8410	6	Washer	30	104-8301	6	Nut-HF, NI
15	323-7	6	Screw-HH	37	99-7667	3	Washer-Flat

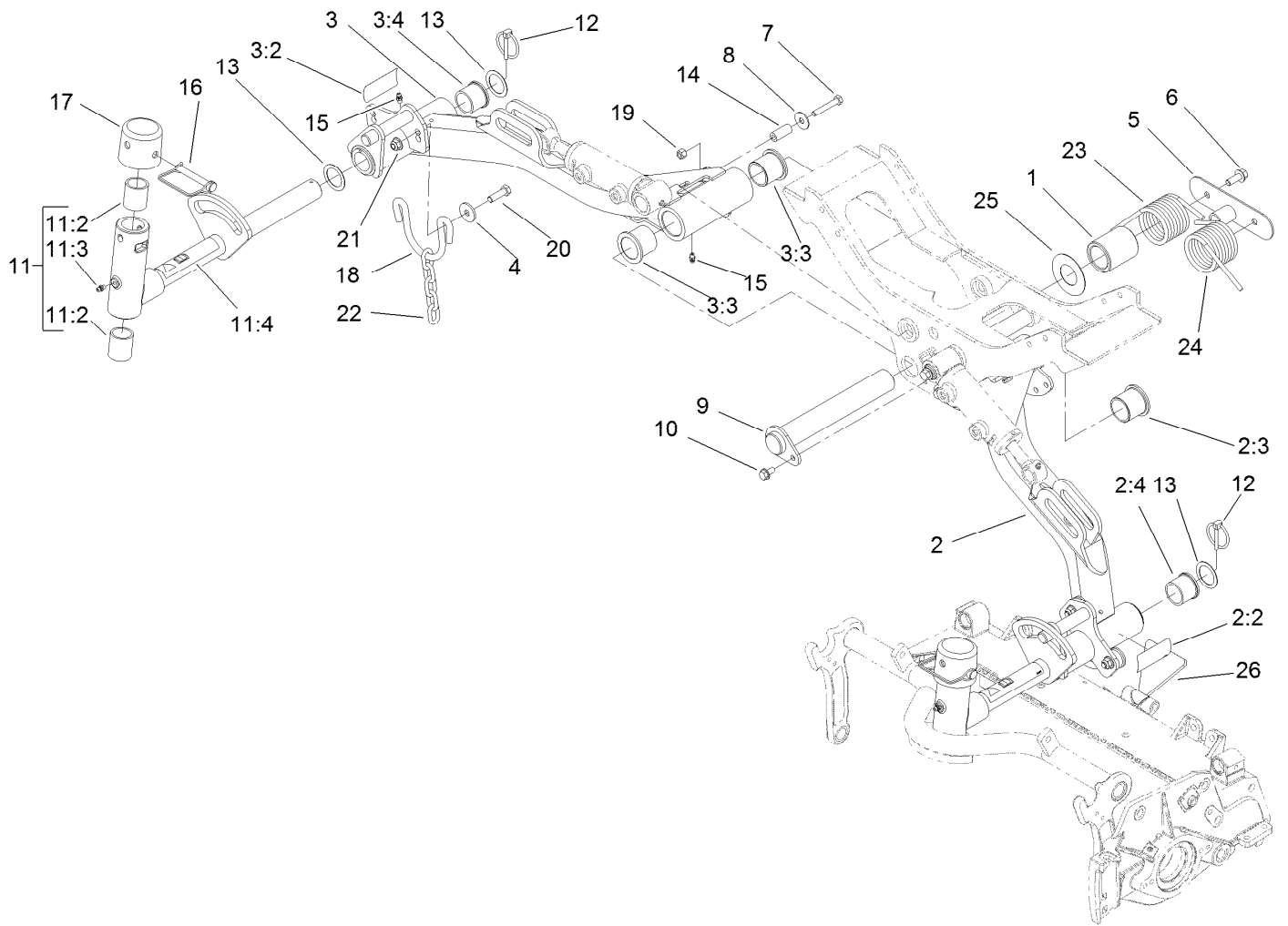




## Rear Lift Cylinder and Plumbing Assembly

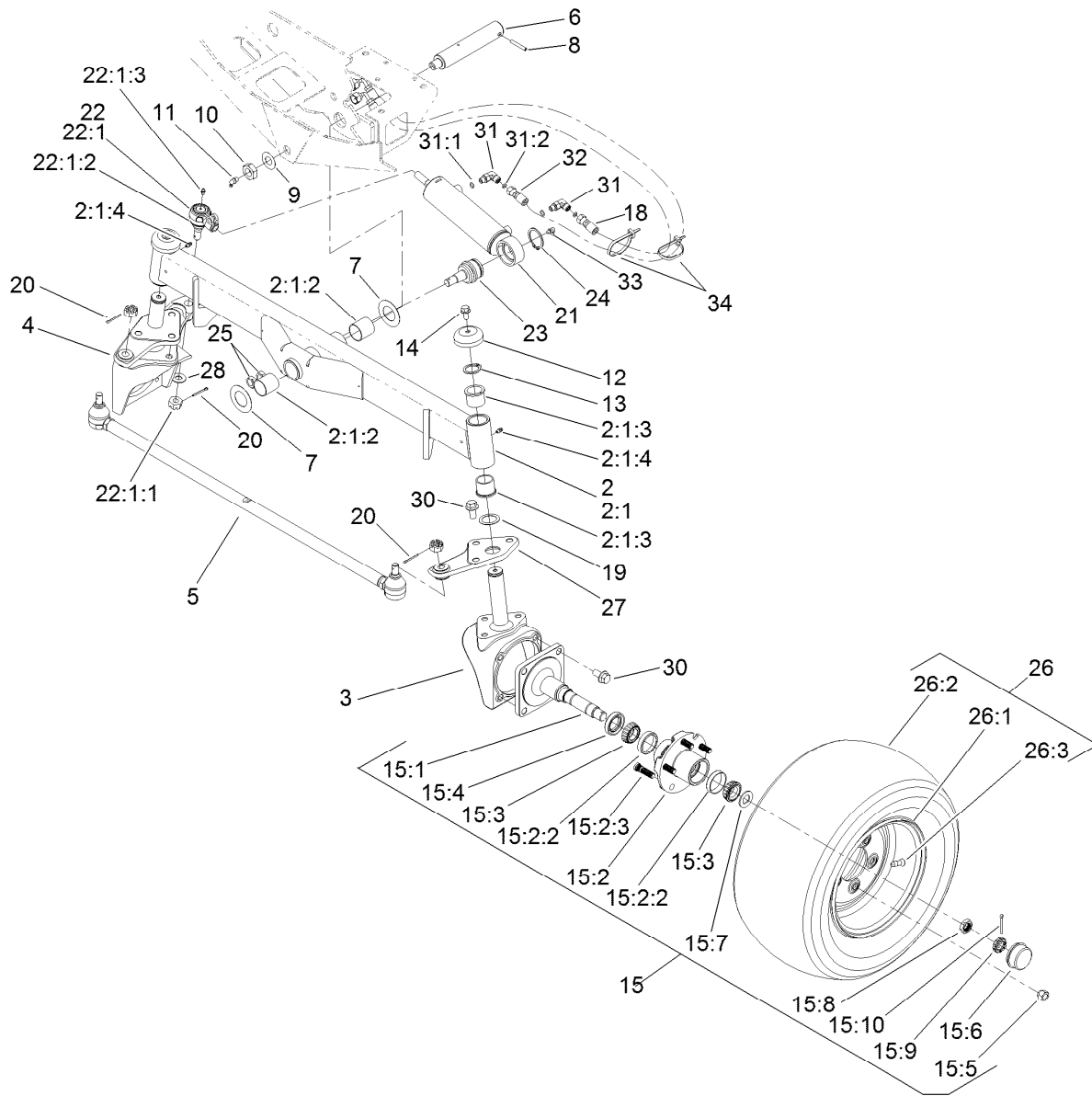
Ref.	Part Number	Qty.	Description
1	110-9034	2	Cylinder-HYD
2	340-132	1	Fitting-Elbow, 90 DEG
2:1	237-78	1	O-Ring
2:2	237-21	1	O-Ring
3	340-92	2	Fitting-Straight
3:1	237-78	1	O-Ring
3:2	237-21	1	O-Ring
4	110-0918-01	1	Bracket-Bulkhead, RH
5	110-0917-01	1	Bracket-Bulkhead, LH
6	340-70	2	Nut-Lock
7	110-9017	1	Tube-HYD
7:1	237-21	1	O-Ring
8	110-9018	1	Tube-HYD
8:1	237-21	1	O-Ring
9	322-4	4	Screw-HH
10	104-8300	4	Nut-HF, NI

Ref.	Part Number	Qty.	Description
11	340-78	2	Nut-Lock
12	110-0930	1	Hose-HYD
13	110-8966	1	Hose-HYD
14	110-0929	1	Hose-HYD
15	110-0931	1	Hose-HYD
16	3234-38	2	Screw-HHF
17	3256-6	2	Washer-Flat
18	117-0148	2	Pin-Cylinder
19	104-0046	2	Pin-Slide, Cylinder
20	32120-93	4	Ring-Retaining
21	3-6498	4	Washer-Thrust
22	100-7695	1	Fitting-Elbow 90
22:1	237-78	1	O-Ring
22:2	237-21	1	O-Ring
23	323-9	2	Screw-HH
24	3296-59	2	Nut-Lock, NI



## Rear Lift Arm Assembly

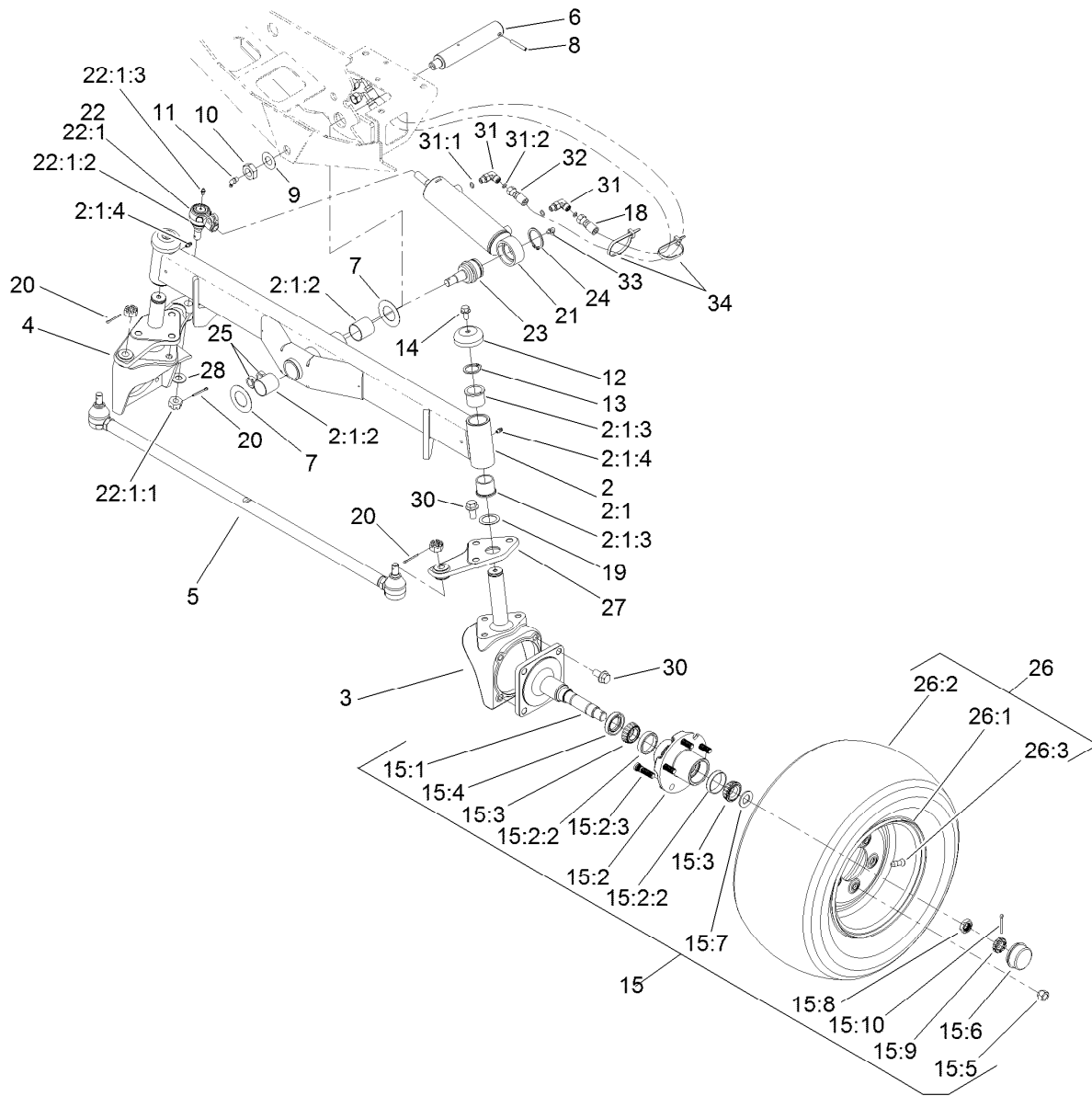
Ref.	Part Number	Qty.	Description	Ref.	Part Number	Qty.	Description
1	110-5339	2	Spacer	11:3	302-5	1	Fitting-Grease
2	110-0992	1	No. 2 Lift Arm ASM	11:4	110-9642	1	Decal-Warning
2:2	93-6696	1	Decal-Warning	12	92-1298	2	Pin-Lynch
2:3	69-6470	2	Bushing-Caster	13	76-2980	4	Washer-Thrust
2:4	104-0015	2	Bushing-Flange	14	103-0384	2	Spacer
3	110-0993	1	No. 3 Lift Arm ASM	15	302-5	4	Fitting-Grease
3:2	93-6696	1	Decal-Warning	16	107-7400	2	Pin-Lynch
3:3	69-6470	2	Bushing-Caster	17	107-4027	2	Cap
3:4	104-0015	2	Bushing-Flange	18	110-0922	2	Hoop-Chain
4	63-8410	4	Washer	19	3296-29	2	Nut-Lock, NI
5	110-8874-03	1	Catch	20	323-7	4	Screw-HH
6	3234-11	2	Screw-HHF	21	104-8301	4	Nut-HF, NI
7	322-10	2	Screw-HH	22	84-2451	2	Chain-Straight, 5 Link
8	3256-35	2	Washer-Flat	23	99-5608-03	1	Spring-Torsion, RH
9	107-2062	2	Pin	24	99-5609-03	1	Spring-Torsion, LH
10	32144-14	2	Screw-HWHTF	25	110-5345	2	Washer
11	107-2052	2	Pivot Yoke ASM	26	110-4088-03	1	Kickstand
11:2	256-254	2	Bushing				



## Rear Axle Assembly

Ref.	Part Number	Qty.	Description	Ref.	Part Number	Qty.	Description
2	107-4546-03	1	Axle ASM	15:1	117-8958	1	Spindle
2:1		1	Axle ●	15:2	117-8963	1	Hub ASM
2:1:2	99-6964	2	Bushing-Axle	15:2:2	254-72	2	Bearing-Cup, Tapered
2:1:3	104-0015	4	Bushing-Flange	15:2:3	114-3918	5	Stud-Wheel
2:1:4	302-5	2	Fitting-Grease	15:3	254-94	2	Bearing-Cone, Tapered
3	107-4517-03	2	Housing-Motor	15:4	112-1690	1	Seal-Oil
4	110-5295-03	1	Link-Drag, RH	15:5	242-50	5	Nut-Lug
5	110-5334-03	1	Tie Rod ASM	15:6	241-119	1	Cap-Dust
6	98-8173	1	Pin-Pivot, Axle	15:7	117-8259	1	Washer-Spindle
7	99-8432	2	Washer-Thrust	15:8	117-8260	1	Nut
8	32121-32	1	Pin-Roll	15:9	93-0307	1	Nut-Lock, Retainer
9	71-4540	1	Washer-Thrust	15:10	3272-18	1	Pin-Cotter
10	32146-20	1	Nut-Hex	18	110-0928	1	Hose-HYD
11	302-33	1	Fitting-Grease	19	76-2980	2	Washer-Thrust
12	69-8890	2	Cap-Spindle	20	3272-12	3	Pin-Cotter
13	32151-77	2	Ring-Retaining, External	21	110-9035	1	HYD Cylinder ASM
14	3234-1	2	Screw-HHF	22	106-6895-03	1	Ball Joint ASM
15	117-8961	2	Hub And Spindle ASM	22:1		1	Joint-Ball ●

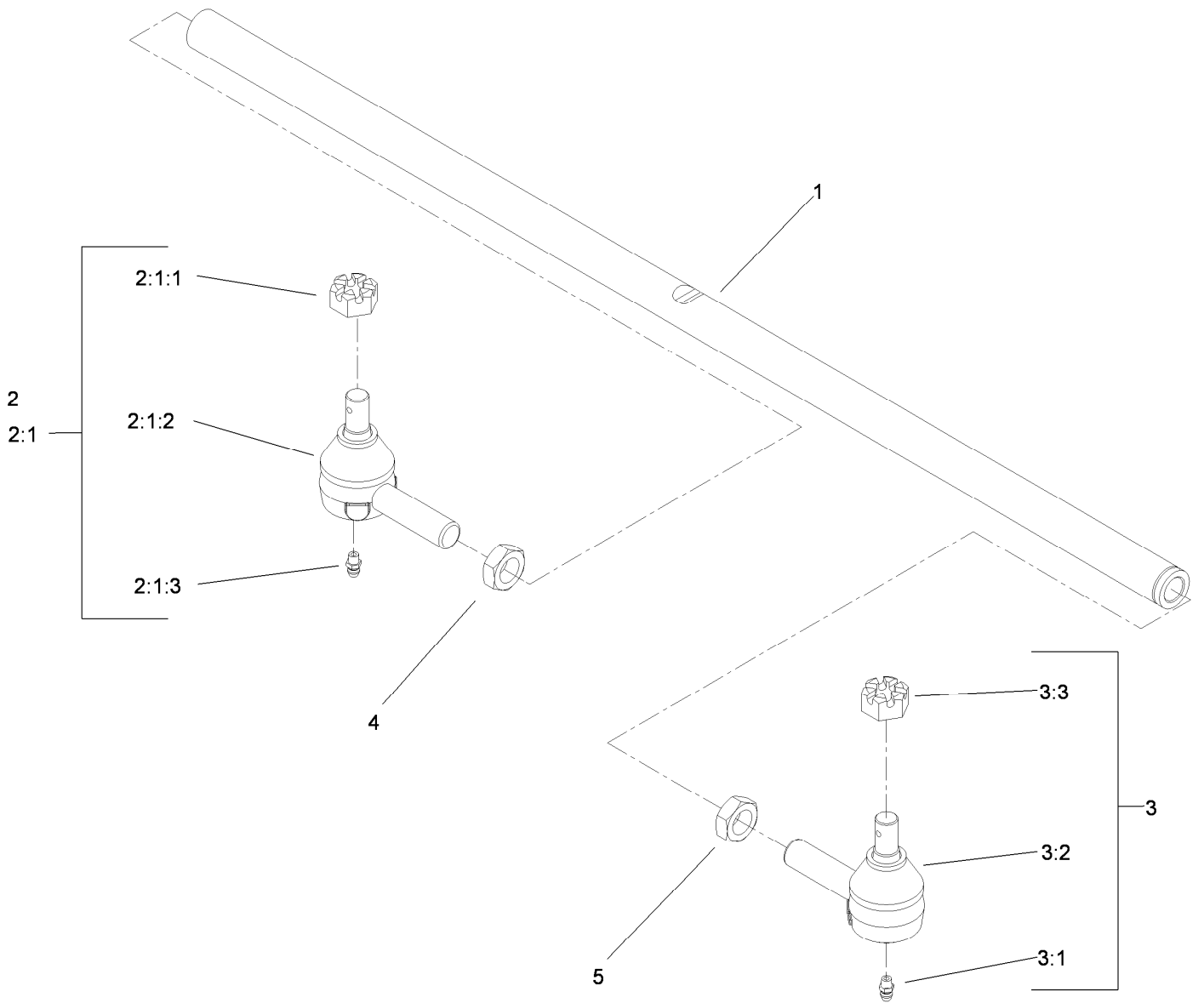
● Not serviced separately



## Rear Axle Assembly (continued)

<i>Ref.</i>	<i>Part Number</i>	<i>Qty.</i>	<i>Description</i>	<i>Ref.</i>	<i>Part Number</i>	<i>Qty.</i>	<i>Description</i>
22:1:1	32136-13	1	Nut-SHH	27	110-5297-03	1	Link-Drag, LH
22:1:2	106-6896	1	Seal	28	69-8980	1	Washer
22:1:3	302-5	1	Fitting-Grease	30	3234-6	14	Screw-HHF
23	106-6774	1	Joint-Ball	31	340-132	2	Fitting-Elbow, 90 DEG
24	32151-104	1	Ring-Retaining, External	31:1	237-78	1	O-Ring
25	3220-6	2	Nut-Jam	31:2	237-21	1	O-Ring
26	108-1602	2	Wheel And Tire ASM	32	110-0973	1	Hose-HYD
26:1	108-1600	1	Rim	33	302-40	1	Fitting-Grease, 90 DEG
26:2	104-0451	1	Tire-Turf, Trac	34	3290-378	2	Tie-Cable
26:3	232-27	1	Stem-Valve				

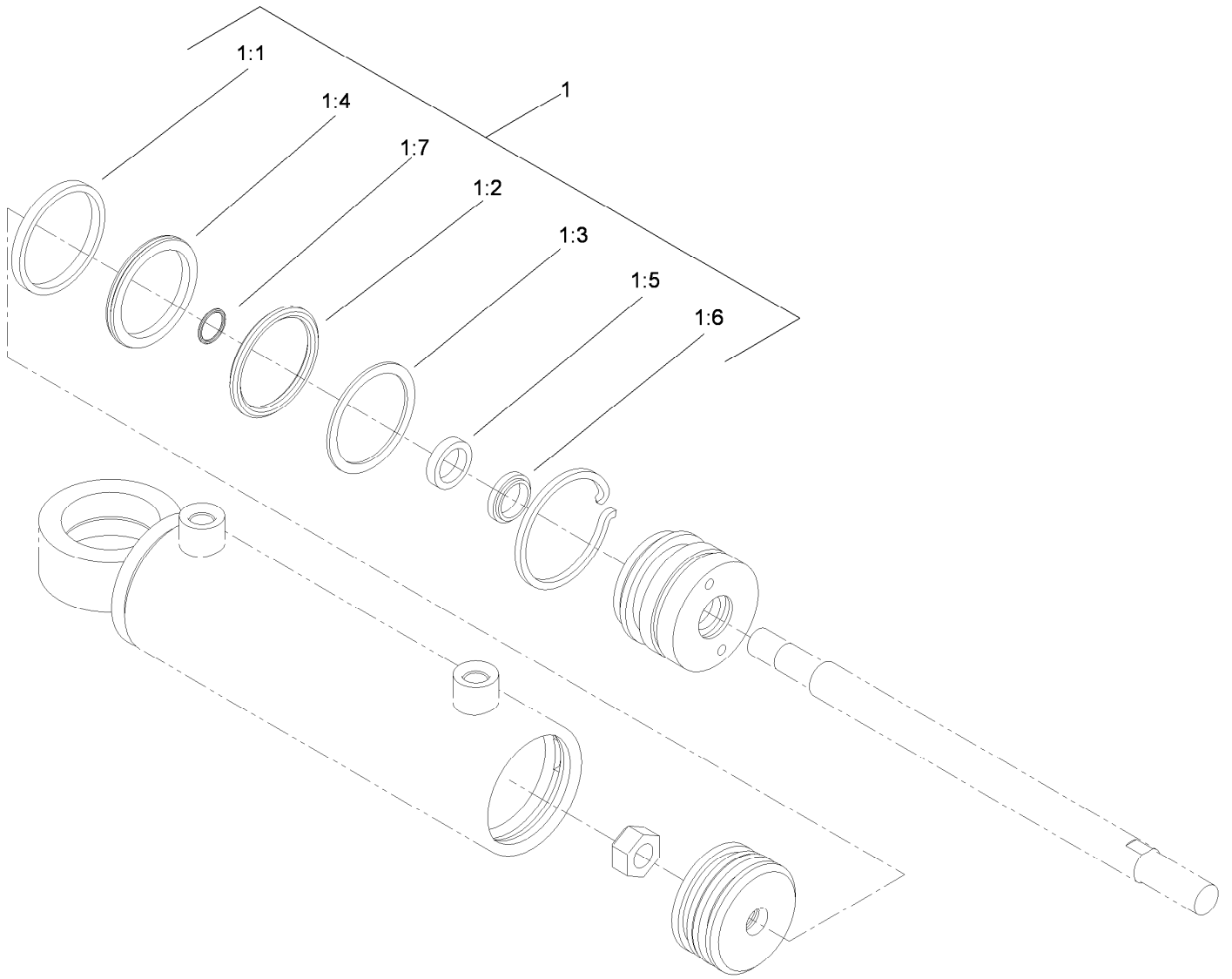
● Not serviced separately



## Tie Rod Assembly No. 110-5334-03

Ref.	Part Number	Qty.	Description
1	110-5335	1	Rod-Tie
2	71-4740-03	1	RH Tie Rod End ASM
2:1		1	End-Rod, Tie (RH) ●
2:1:1	105-7941	1	Nut-Hex, Slotted
2:1:2	105-7835	1	Seal
2:1:3	302-5	1	Fitting-Grease
3	2411-46	1	End-Rod, Tie (LH)
3:1	302-5	1	Fitting-Grease
3:2	105-7835	1	Seal
3:3	105-7941	1	Nut-Hex, Slotted
4	84-5300	1	Nut-Jam
5	110-5337	1	Nut-Jam

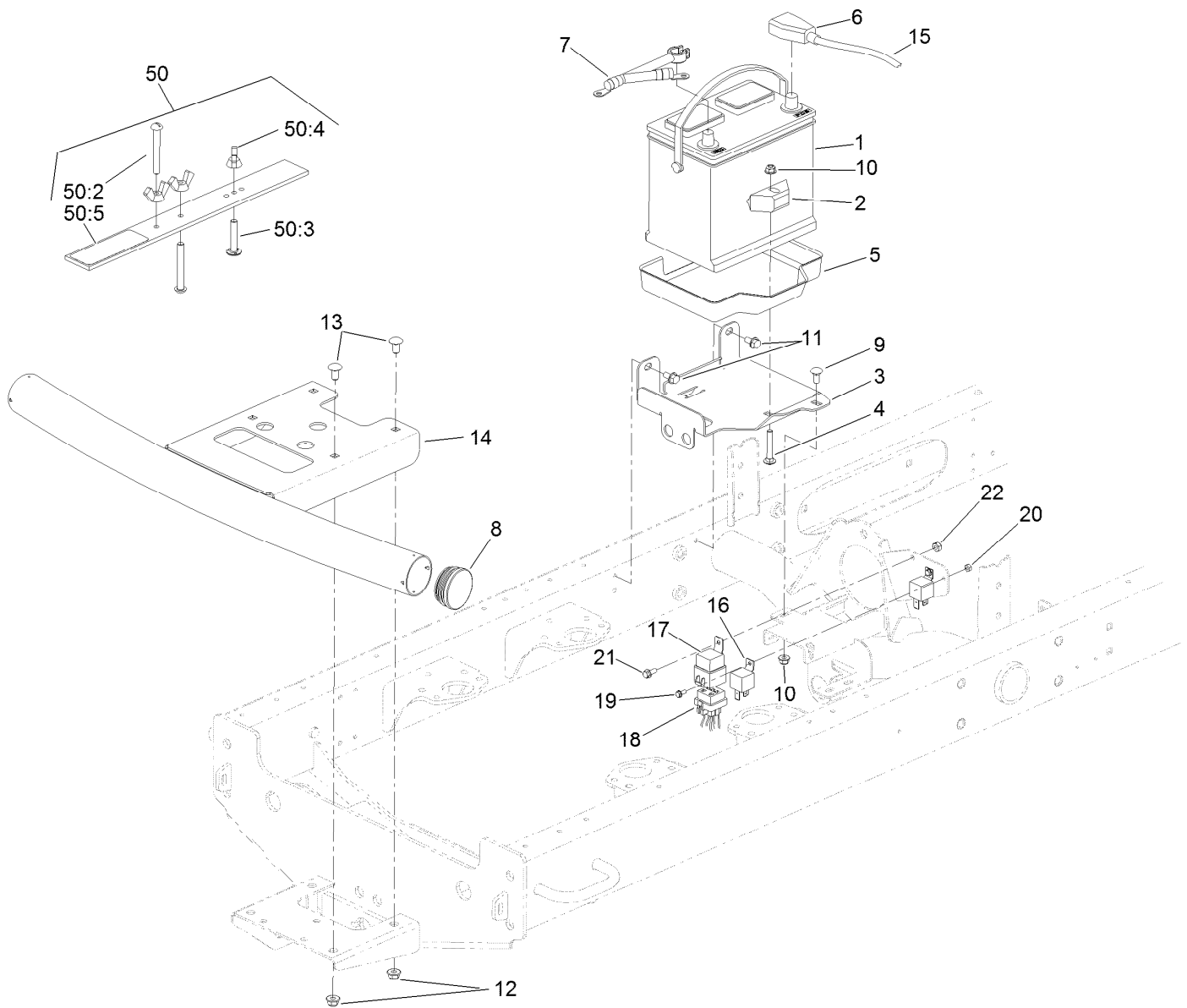
● Not serviced separately



## Hydraulic Cylinder Assembly No. 110-9035

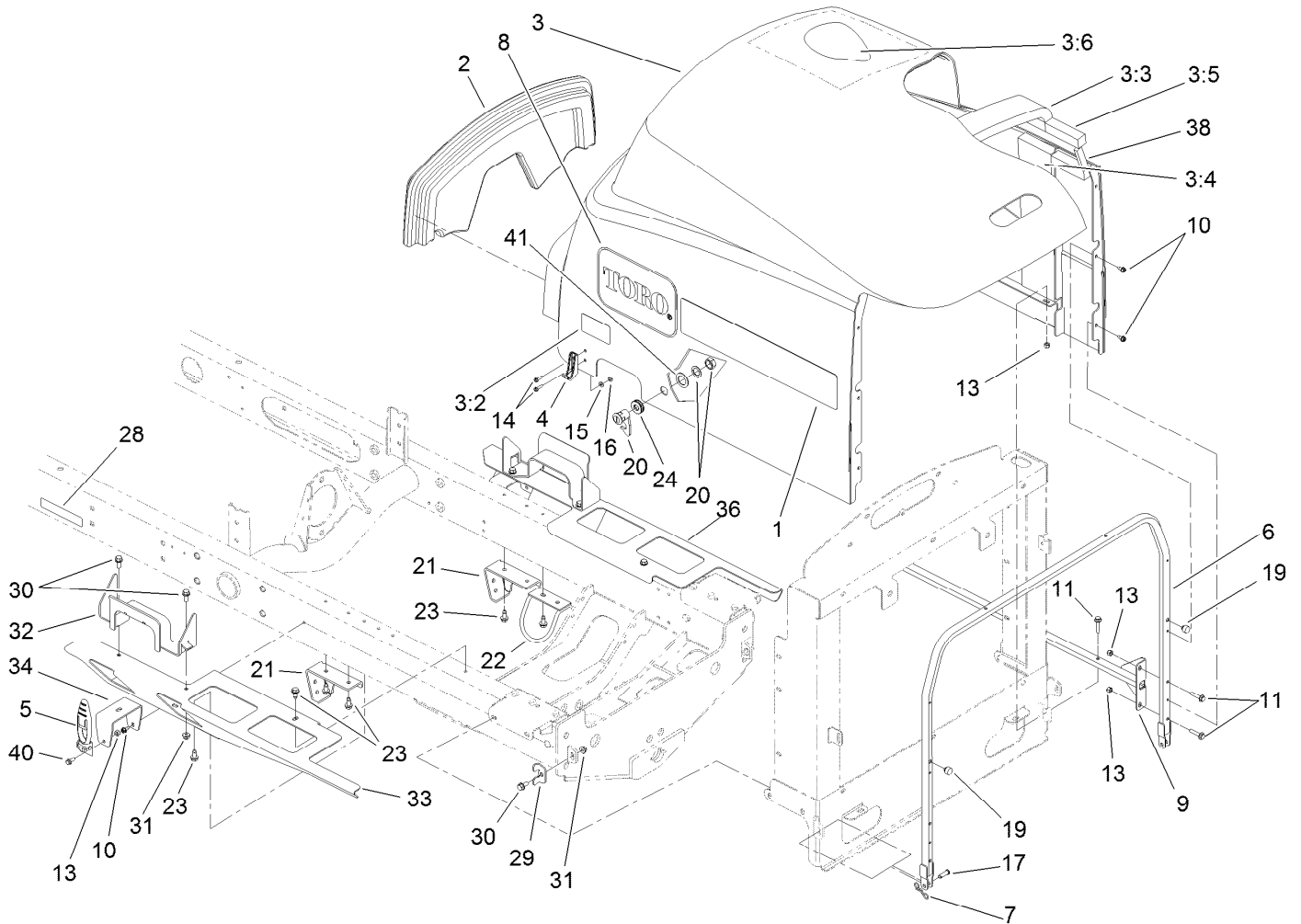
<i>Ref.</i>	<i>Part Number</i>	<i>Qty.</i>	<i>Description</i>
1	114-8875	1	Seal Kit
1:1		1	Wear Ring ●
1:2		1	Ring-Retaining ●
1:3		1	Backup ●
1:4		1	Bp Seal ●
1:5		1	Bs Seal ●
1:6		1	Dust Seal ●
1:7		1	Ring-Retaining ●

● Not serviced separately



## Battery and Bumper Assembly

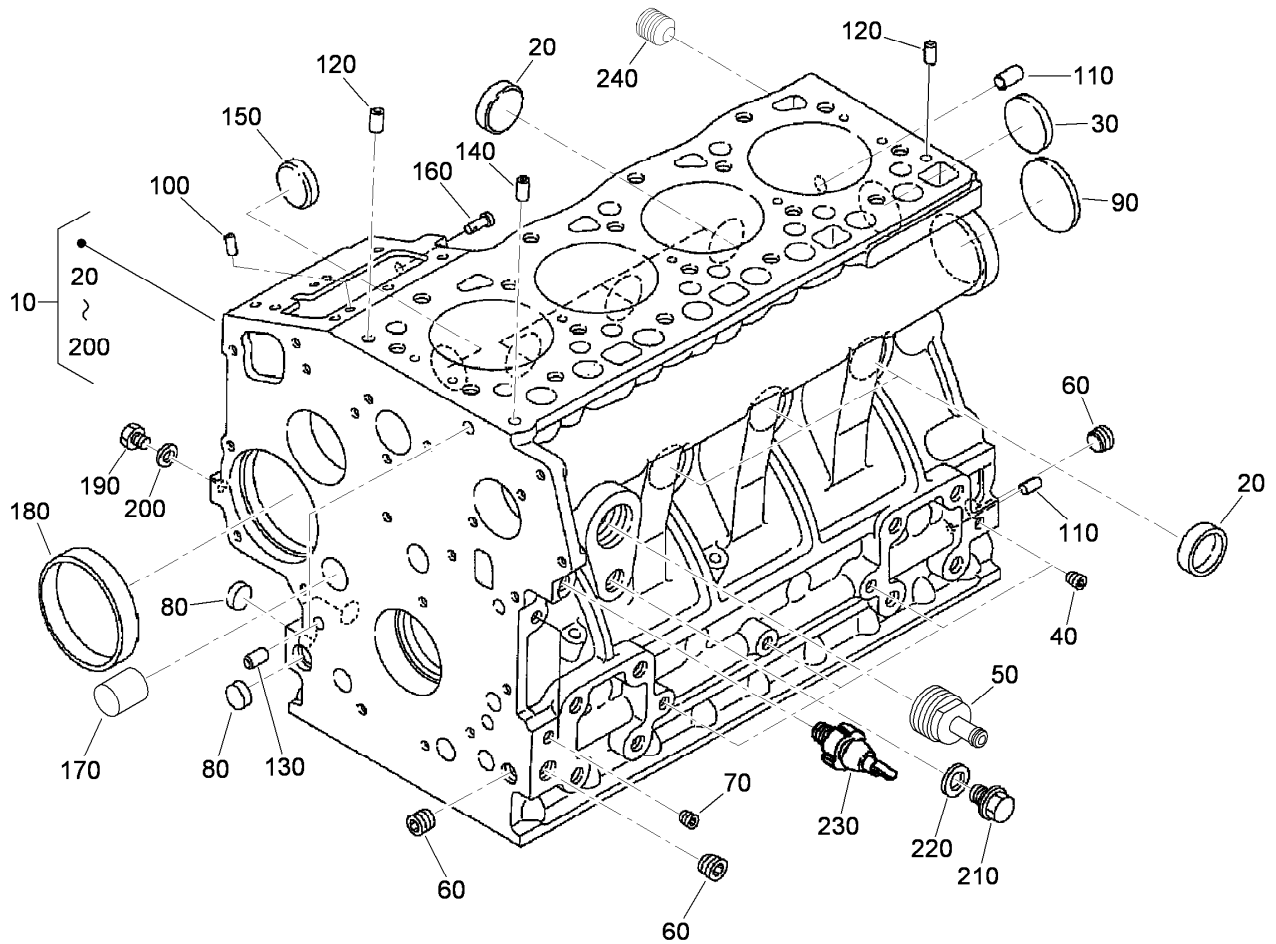
<i>Ref.</i>	<i>Part Number</i>	<i>Qty.</i>	<i>Description</i>	<i>Ref.</i>	<i>Part Number</i>	<i>Qty.</i>	<i>Description</i>
1	104-9979	1	Battery	15	108-9455	1	Harness-Wire, Fusible Link
2	66-2490	1	Retainer-Battery	16	99-7435	2	Relay
3	110-0907-01	1	Bracket-Battery	17	99-7430	1	Relay-Mini
4	3230-6	1	Bolt-CARR	18	115-8079	1	Harness-Wire, Main
5	99-3513	1	Tray-Battery	19	3290-321	2	Screw-HWH
6	108-1802	1	Cable-Battery, Positive	20	3296-2	2	Nut-Lock, NI
7	110-8813	1	Cable-Battery, Negative	21	3234-33	1	Screw-HHF
8	2410-42	2	Cap-End	22	3296-42	1	Nut-Lock, NI
9	3230-1	1	Bolt-CARR	50	108-6715	1	Gauge Bar ASM
10	104-8300	2	Nut-HF, NI	50:2	32122-54	2	Screw-Head, Truss
11	32104-32	2	Screw-HWH	50:3	108-6714	1	Stud-Weld
12	104-8301	4	Nut-HF, NI	50:4	32103-3	3	Nut-Wing
13	3231-21	4	Screw-CARR	50:5	108-6712	1	Decal-Gauge, Bar
14	110-8951-03	1	Bumper				



## Hood and Body Panel Assembly

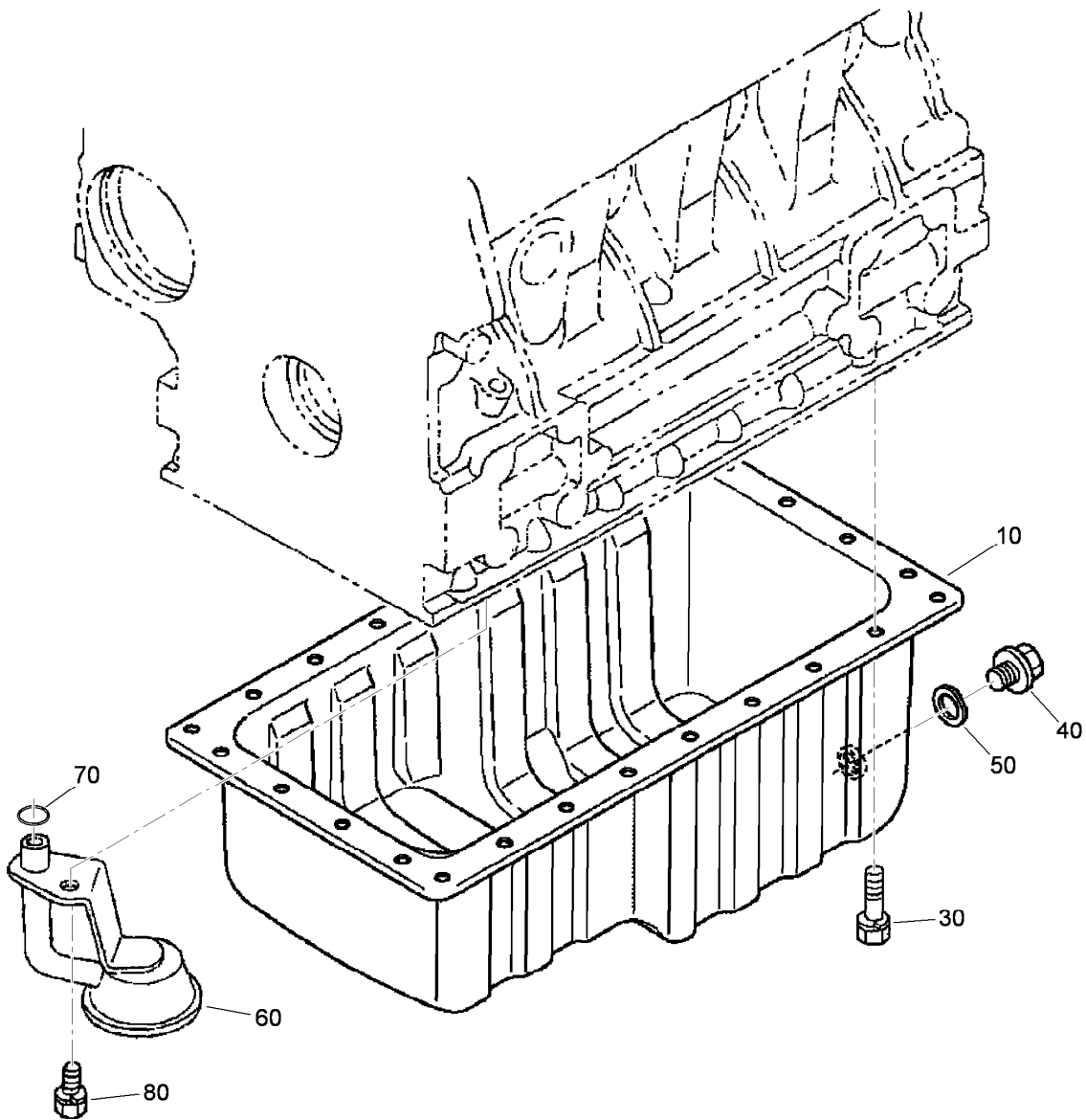
Ref.	Part Number	Qty.	Description	Ref.	Part Number	Qty.	Description
1	110-0965	2	Decal	16	3296-12	4	Nut-Lock, NI
2	108-7587	1	Saddle-Hood	17	283-61	2	Pin-Yoke
3	110-8995	1	Hood ASM	19	107-8042	2	Bumper-Rubber
3:2	106-6754	1	Decal-Danger	20	98-5398	1	Latch
3:3	110-8948	1	Foam-Hood	21	110-0979-03	2	Bracket-Deflector
3:4	110-8947	2	Foam-Hood	22	110-8999	1	Guard-Muffler
3:5	110-8949	4	Seal-Foam	23	32104-32	12	Screw-HWH
3:6	110-9002	1	Foil Tape Kit	24	104-1453	1	Grommet
4	103-2897	2	Latch-Catch	28	93-6689	2	Decal-No Riders
5	103-2898	2	Latch-Rubber	29	110-8946	2	Clamp-Frame, Radiator
6	110-5277-03	1	Frame-Hood	30	3234-5	6	Screw-HHF
7	105-7512	2	Pin-Tie, Bow	31	104-8300	6	Nut-HF, NI
8	66-6140	2	Decal	32	110-5259-03	2	Bracket-Hood, Guide
9	108-1790-03	2	Tube	33	110-5253-01	1	Adapter-Hood, LH
10	32104-17	8	Screw-HWH	34	110-5256-01	2	Bracket-Latch, Hood
11	3234-21	10	Screw-HHF	36	110-5254-01	1	Adapter-Hood, RH
13	104-7201	10	Nut-HF, NI	38	110-8950	2	Seal-Foam
14	32105-13	4	Screw-HWH	40	3234-33	2	Screw-HHF
15	3256-14	4	Washer-Flat	41	99-4958	1	Spacer





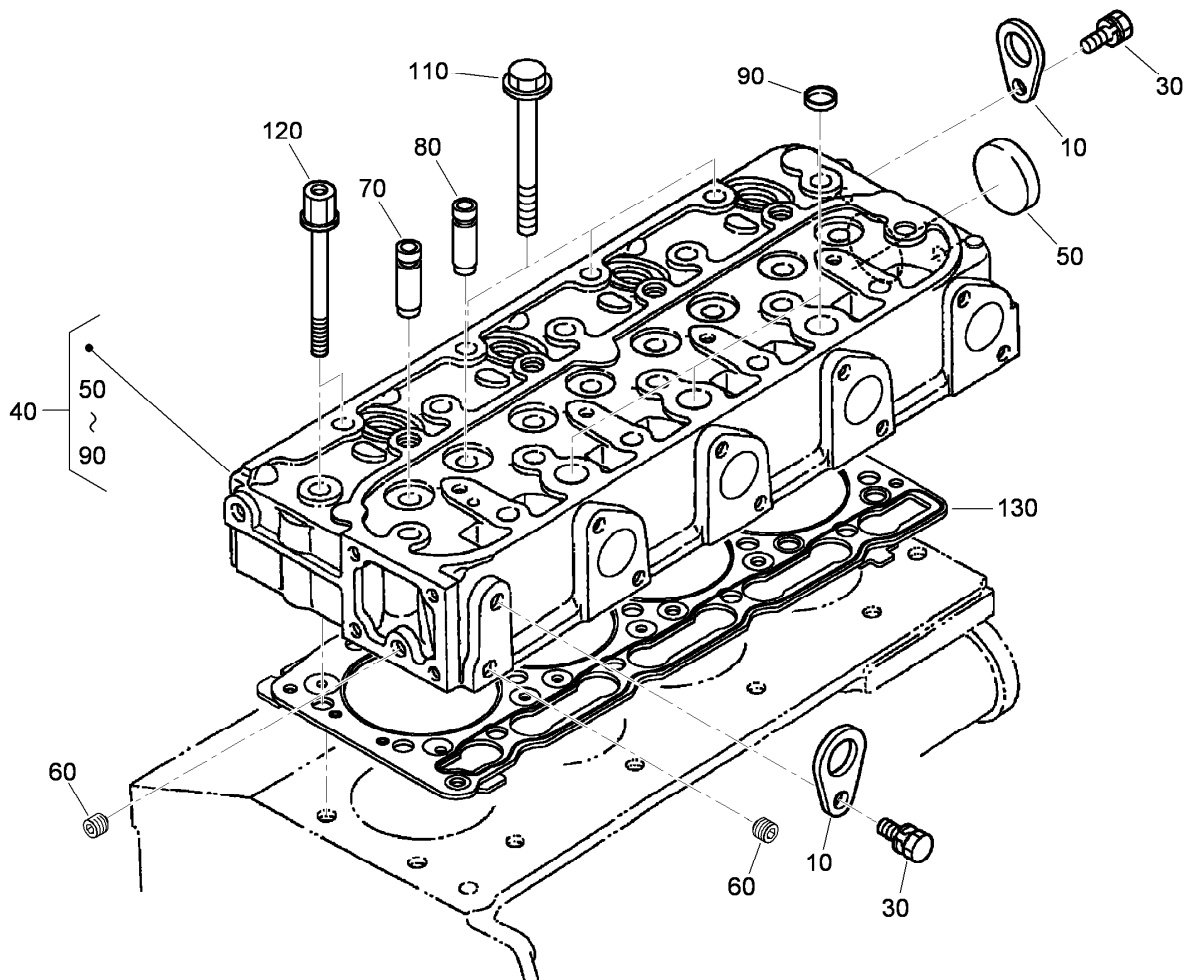
## Crankcase Assembly

<i>Ref.</i>	<i>Part Number</i>	<i>Qty.</i>	<i>Description</i>
10	115-4115	1	Crankcase ASM
20	98-9398	6	Cap-Sealing
30	98-7539	1	Cap-Sealing
40	98-7540	4	Plug
50	99-8347	1	Joint-Pipe, Drain
60	98-9597	3	Plug
70	98-7487	2	Plug
80	98-9379	3	Plug-Expansion
90	98-9668	1	Plug-Expansion
100	98-9375	1	Pin-Straight
110	98-9377	1	Pin-Straight
120	98-9376	2	Pin-Straight
130	98-9387	2	Pin-Pipe
140	98-9539	1	Pin-Pipe
150	98-9599	1	Plug
160	105-3796	1	Pin-Spring, Start
170	98-9675	1	Plug
180	98-9656	1	Bushing-Governor, Gear
190	98-7507	1	Plug
200	98-7428	1	Gasket
210	99-3447	1	Plug
220	106-7056	1	Gasket
230	98-9416	1	Switch-Oil
240	98-9444	1	Plug



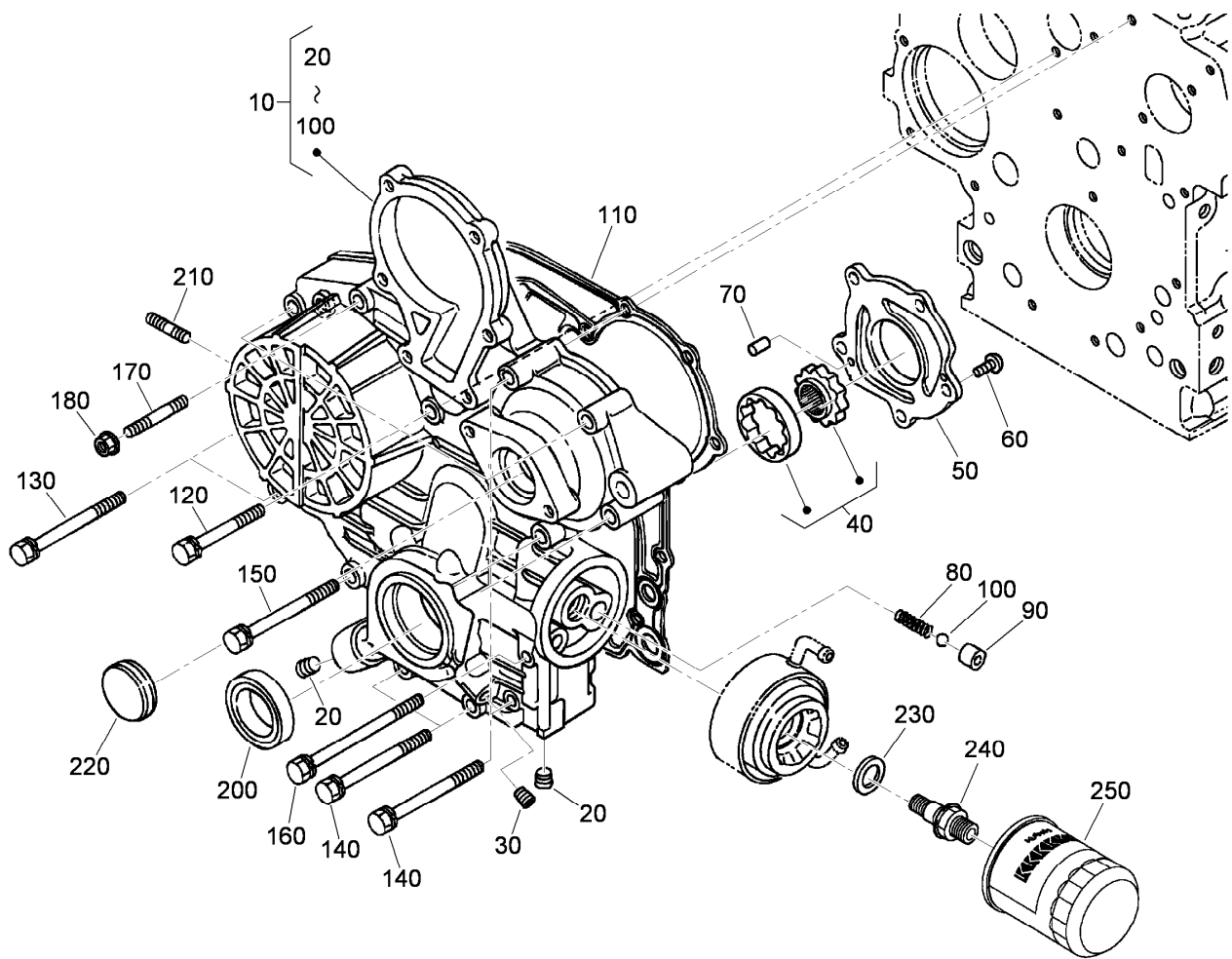
## Oil Pan Assembly

<i>Ref.</i>	<i>Part Number</i>	<i>Qty.</i>	<i>Description</i>
10	112-0186	1	Oil Pan ASM
30	98-9351	26	Bolt
40	114-8151	1	Plug-Drain
50	98-7524	1	Gasket
60	112-7003	1	Head-Filter, Oil
70	105-3776	1	O-Ring
80	98-7526	1	Bolt



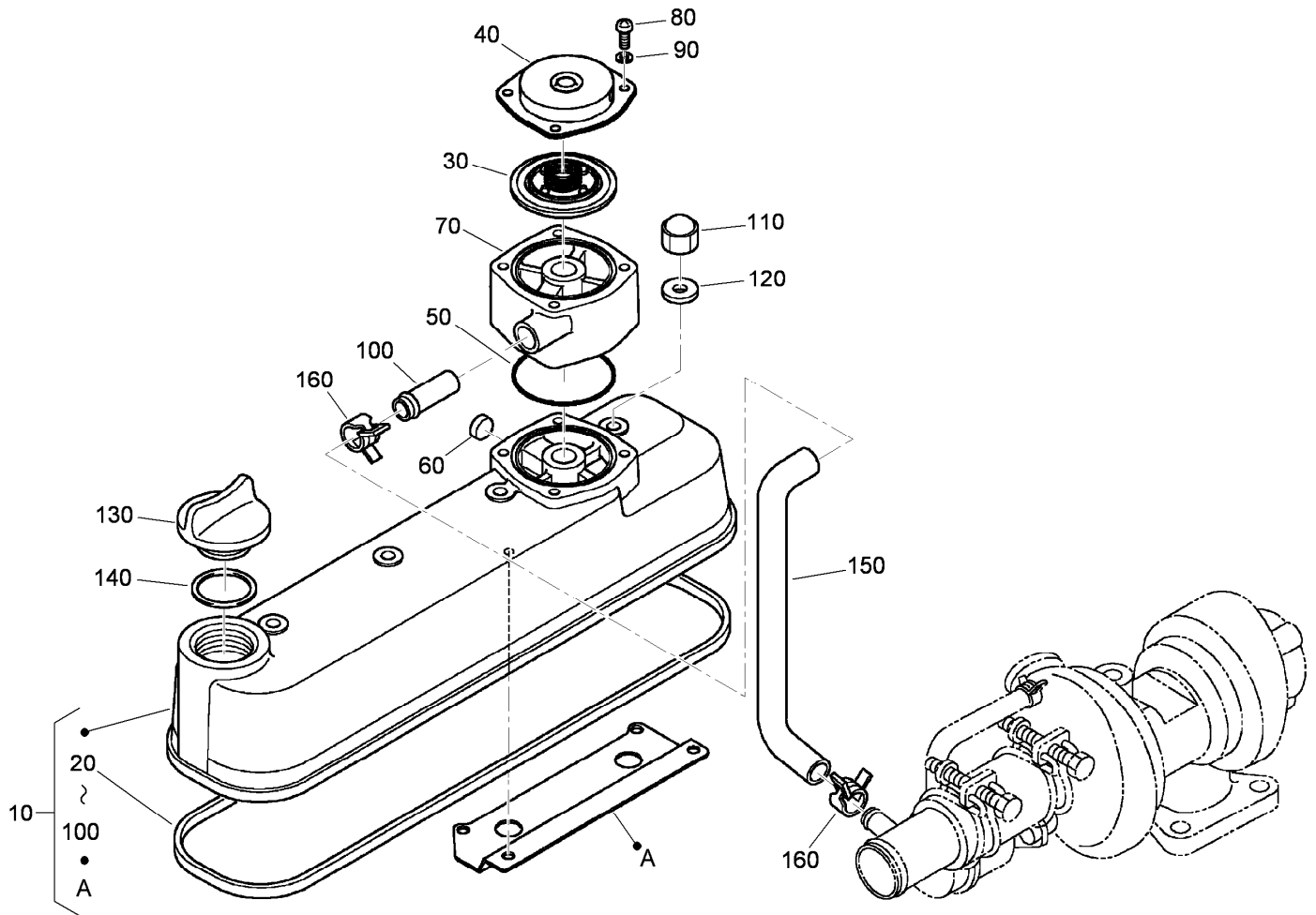
## Cylinder Head Assembly

<i>Ref.</i>	<i>Part Number</i>	<i>Qty.</i>	<i>Description</i>
10	98-7531	2	Hook-Engine
30	100-9195	2	Bolt
40	117-7560	1	Head-Cylinder
50	105-3705	1	Cap-Sealing
60	98-7540	2	Plug
70	107-9066	4	Guide-Valve, Inlet
80	107-9067	4	Guide-Valve, Exhaust
90	98-9389	3	Cap-Sealing
110	98-9479	16	Bolt-Head, Cylinder
120	98-9647	2	Bolt-Head, Cylinder
130	108-2855	1	Gasket-Head, Cylinder



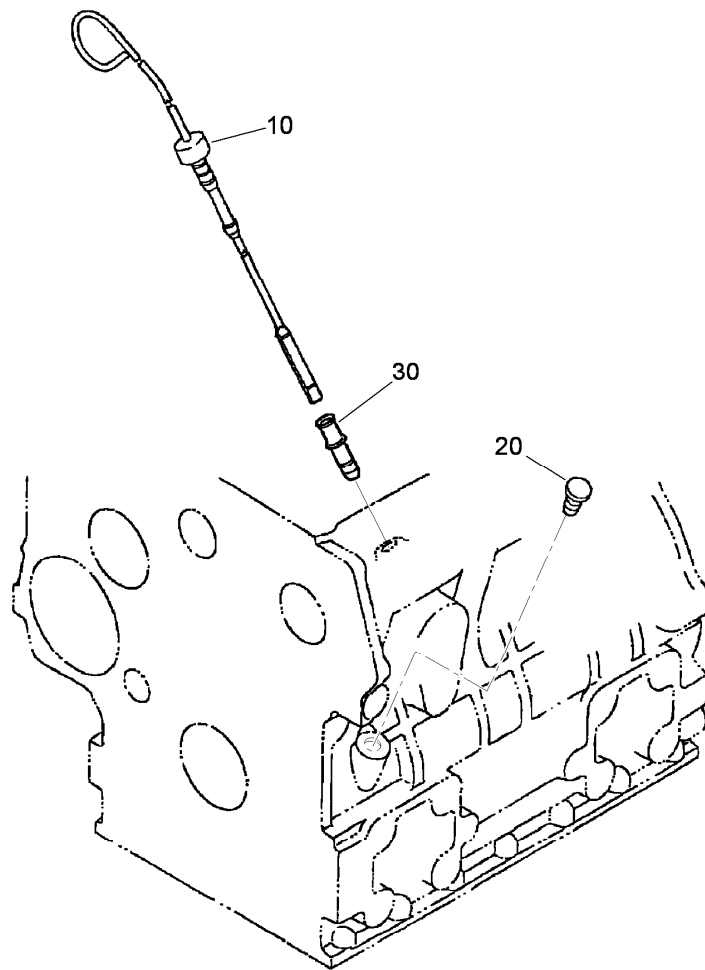
## Gear Case Assembly

<i>Ref.</i>	<i>Part Number</i>	<i>Qty.</i>	<i>Description</i>
10	115-4111	1	Gear Case ASM
20	98-9598	5	Plug
30	98-7487	1	Plug
40	98-9540	1	Oil Pump Rotor ASM
50	107-9069	1	Cover-Pump, Oil
60	107-9071	1	Screw
70	107-9072	1	Pin-Straight
80	98-9544	1	Spring
90	98-9543	1	Seat-Valve
100	98-9380	1	Ball
110	98-9633	1	Gasket-Case, Gear
120	98-7496	3	Bolt
130	105-3797	4	Bolt
140	98-9356	2	Bolt
150	107-9074	1	Bolt
160	98-9586	1	Bolt
170	105-3709	1	Stud
180	100-2203	1	Nut-Flange
200	98-9482	1	Seal-Oil
210	105-3710	2	Stud
220	98-9641	1	Cover-Case, Gear
230	98-9727	1	Collar
240	104-5159	1	Holder ASM
250	108-3841	1	Filter-Oil



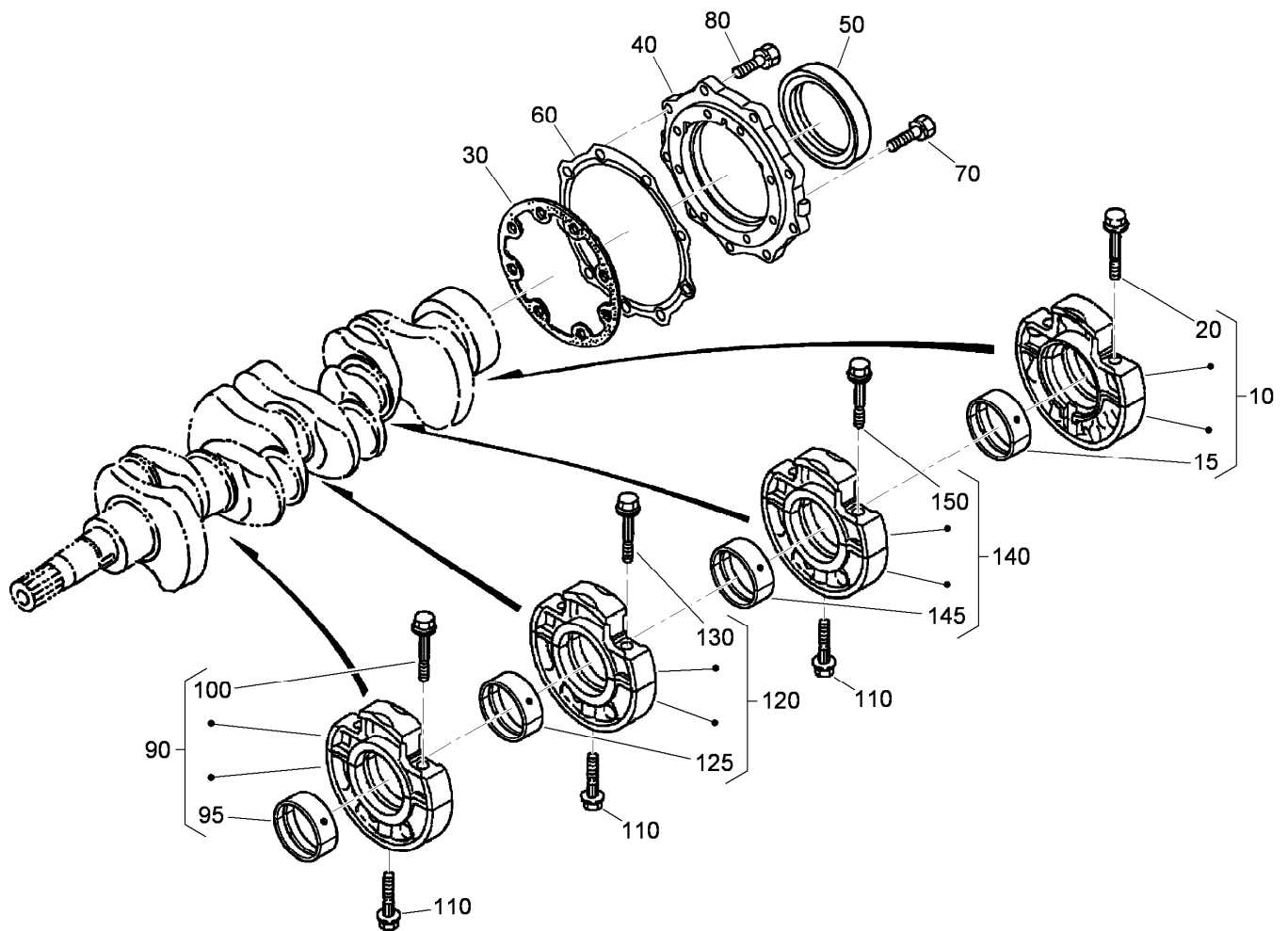
## Cylinder Head Cover Assembly

<i>Ref.</i>	<i>Part Number</i>	<i>Qty.</i>	<i>Description</i>
10	115-3041	1	Cylinder Head Cover ASM
20	105-3712	1	Gasket-Cover, Head
30	110-3715	1	Valve-Breather
40	110-3714	1	Cover-Breather
50	110-3846	1	O Ring-Breather
60	115-3042	1	Cap-Sealing
70	115-3043	1	Spacer-Breather
80	115-3044	4	Screw-Pan Head
90	100-2204	4	Washer-Spring
100	98-7766	1	Pipe-Return, Water
110	98-9455	4	Nut-Cap
120	98-9454	4	Gasket
130	107-9075	1	Plug-Filler, Oil
140	99-3446	1	O-Ring
150	115-4119	1	Tube-Breather, Turbo
160	108-2859	2	Clamp-Hose



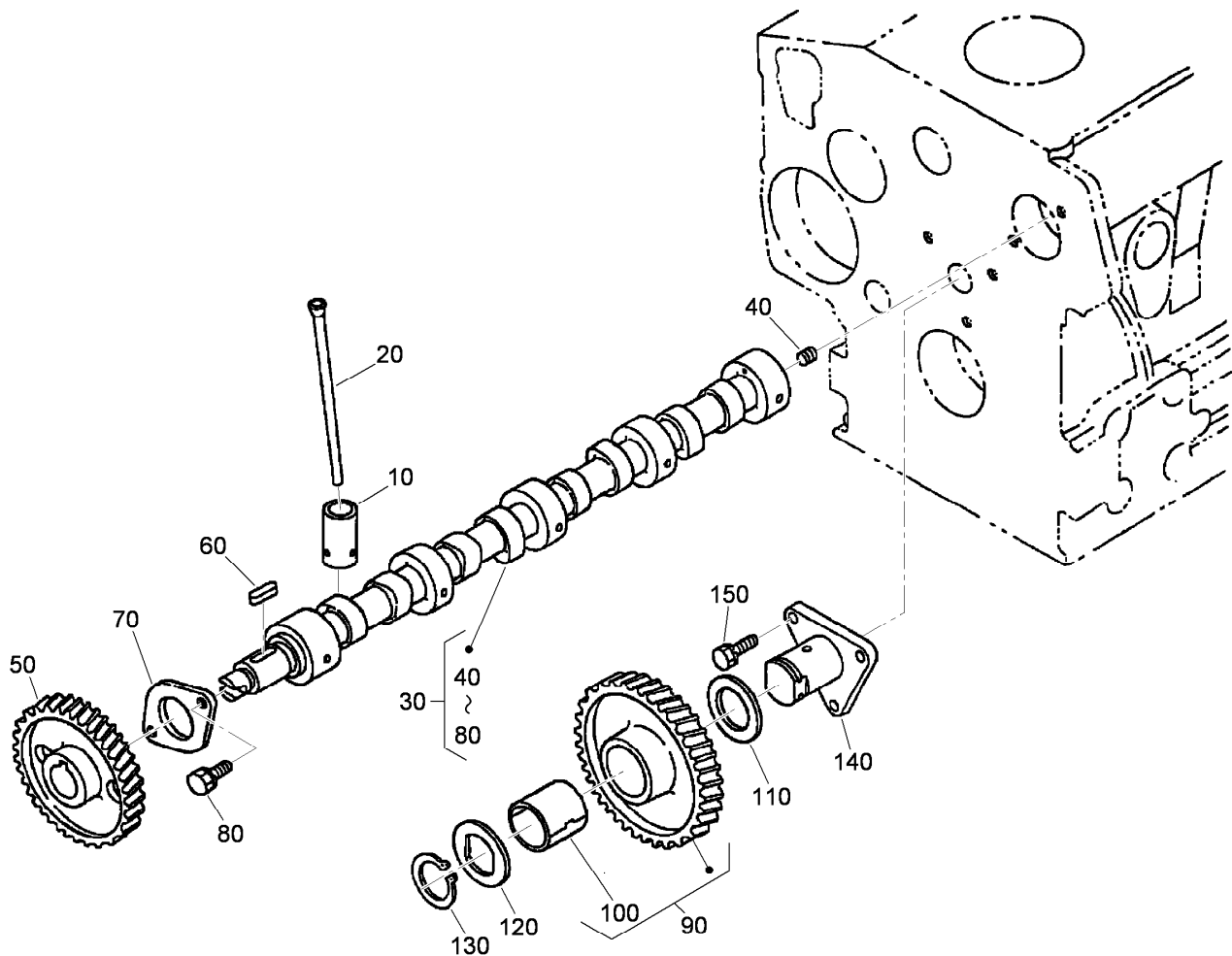
## Dipstick and Guide Assembly

<i>Ref.</i>	<i>Part Number</i>	<i>Qty.</i>	<i>Description</i>
10	105-3714	1	Gauge-Oil
20	110-3720	1	Plug-Gauge, Oil
30	105-4580	1	Guide-Gauge, Oil



## Main Bearing Case Assembly

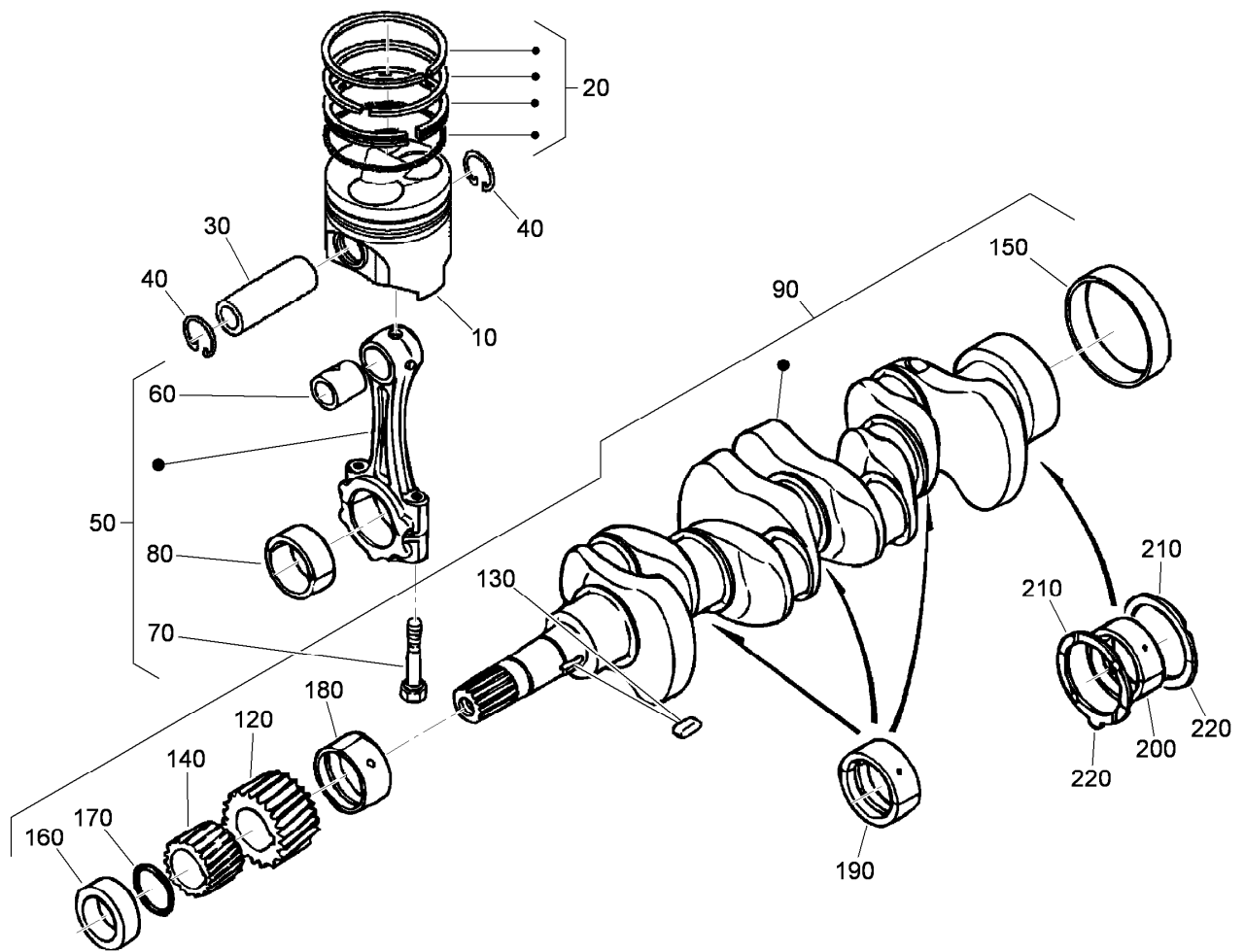
<i>Ref.</i>	<i>Part Number</i>	<i>Qty.</i>	<i>Description</i>
10	112-7026	1	Wheel Bearing Case ASM
15	112-7045	1	Metal-Crankshaft
20	98-9484	2	Bolt-Case, Bearing
30	98-9634	1	Gasket-Case, Bearing
40	112-7046	1	Cover-Case, Bearing
50	112-0180	1	Seal-Oil
60	112-7037	1	Gasket-Cover, Case
70	98-9352	8	Bolt
80	98-7568	9	Bolt
90	112-7028	1	Bearing ASM
95	112-7011	1	Bearing-Main (STD)
100	98-9484	2	Bolt-Case, Bearing
110	98-9485	3	Bolt-Case, Bearing
120	112-7027	1	Bearing ASM
125	112-7011	1	Bearing-Main (STD)
130	98-9484	2	Bolt-Case, Bearing
140	115-4120	1	Bearing Case ASM
145	112-7011	1	Bearing-Main (STD)
150	98-9484	2	Bolt-Case, Bearing



## Cam Shaft and Idle Gear Shaft Assembly

<i>Ref.</i>	<i>Part Number</i>	<i>Qty.</i>	<i>Description</i>
10	112-0185	8	Tappet
20	98-9509	8	Rod-Push
30	112-8402	1	Camshaft ASM
40	98-7449	1	Screw-Set
50	98-9512	1	Gear-Cam
60	98-9378	1	Key-Feather
70	98-9510	1	Stopper-Camshaft
80	98-7692	2	Bolt
90	117-7584	1	Idler Gear ASM
100	117-7585	1	Bushing-Gear, Idle
110	98-9535	1	Collar-Gear, Idle
120	98-9536	1	Collar-Gear, Idle
130	98-9534	1	Circlip-Gear, Idle
140	98-9533	1	Shaft-Gear, Idle
150	98-7692	3	Bolt

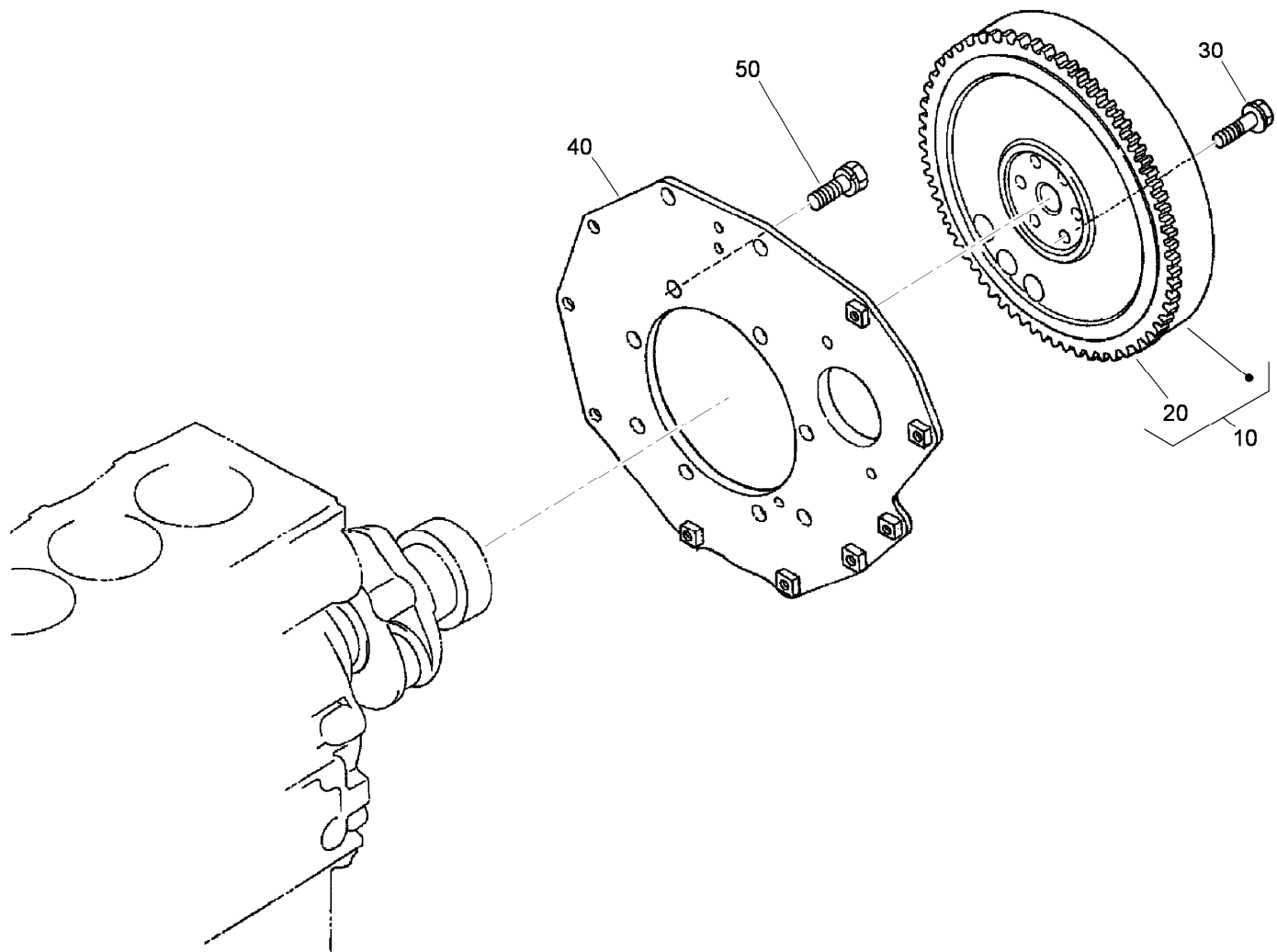




## Piston and Crankshaft Assembly

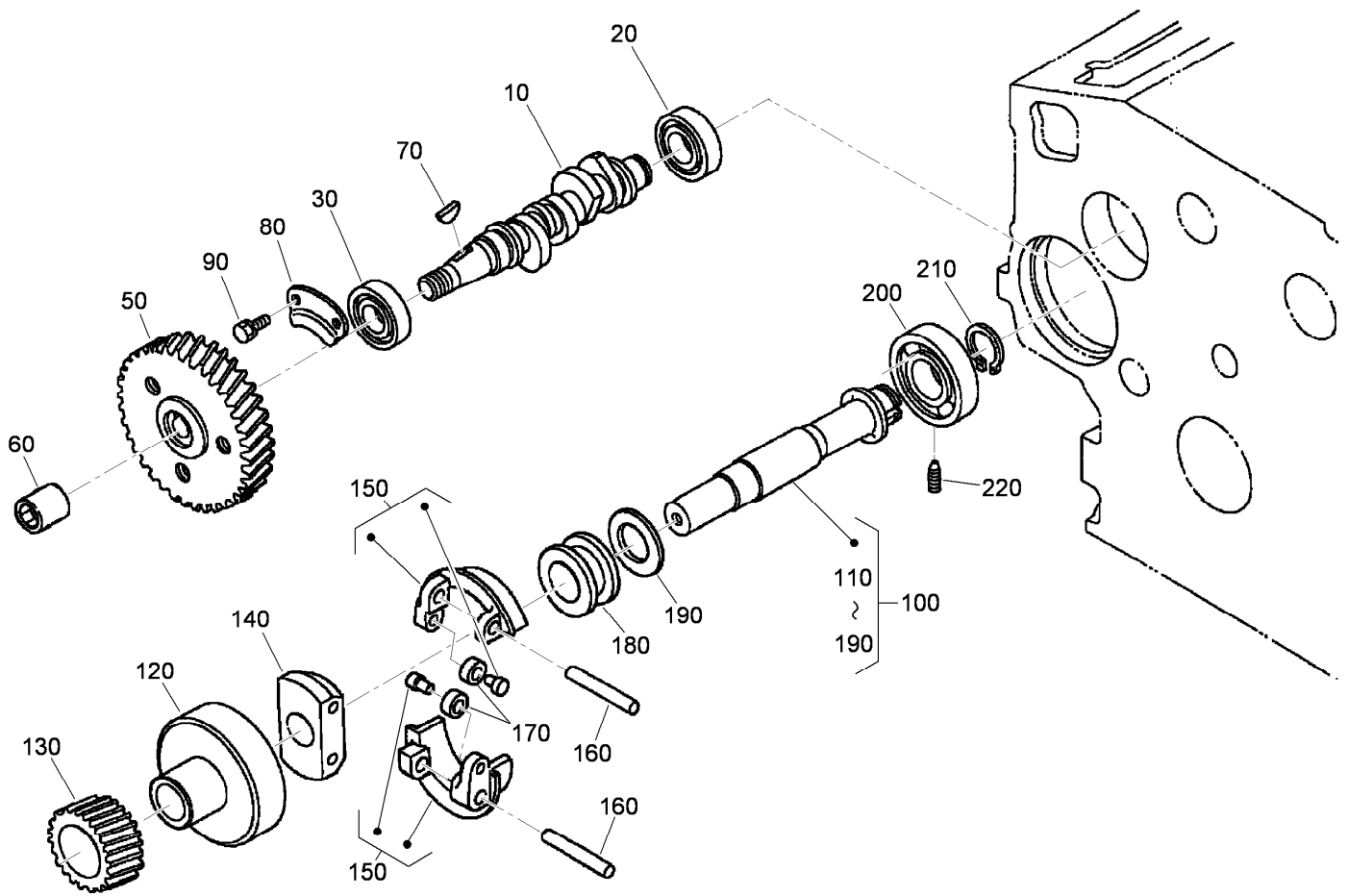
<i>Ref.</i>	<i>Part Number</i>	<i>Qty.</i>	<i>Description</i>
10	98-9550	4	Piston (STD)
10	108-1417	4	Piston (+0.5MM)
20	98-9551	4	Piston Ring ASM (STD)
20	108-1404	4	Piston Ring ASM (+0.5MM)
30	98-9513	4	Pin-Piston
40	98-9514	8	Circlip-Pin, Piston
50	117-7586	4	Connecting Rod ASM
60	115-3014	4	Bushing-Pin, Piston
70	98-9517	8	Bolt-Rod, Connecting
80	98-9553	4	Bearing-Rod (STD)
80	117-7587	4	Metal-Crankpin (-0.2MM)
80	117-7588	4	Metal-Crankpin (-0.4MM)
90	105-3718	1	Crankshaft ASM
120	117-7561	1	Gear-Crankshaft
130	98-9666	1	Key
140	98-9542	1	Gear-Drive, Oil Pump
150	98-9522	1	Sleeve-Crankshaft

<i>Ref.</i>	<i>Part Number</i>	<i>Qty.</i>	<i>Description</i>
160	98-9521	1	Collar-Crankshaft
170	105-3783	1	O-Ring
180	112-7005	1	Bearing-Main (STD)
180	112-7009	1	Metal-Crankpin (-0.2MM)
180	112-7010	1	Metal-Crankpin (-0.4MM)
190	112-7011	3	Bearing-Main (STD)
190	112-7012	3	Metal-Crankpin (-0.2MM)
190	112-7013	3	Metal-Crankpin (-0.4MM)
200	112-7045	1	Metal-Crankshaft
200	112-7039	1	Metal-Crankshaft (0.2Mm)
200	112-7040	1	Metal-Crankshaft (-0.4Mm)
210	98-9413	2	Bearing-Thrust (STD)
210	98-9414	2	Bearing-Thrust (0.2MM)
210	98-9415	2	Bearing-Thrust (0.4MM)
220	98-9688	2	Bearing-Thrust (STD)
220	98-9689	2	Bearing-Thrust (0.2MM)
220	98-9690	2	Bearing-Thrust (0.4MM)



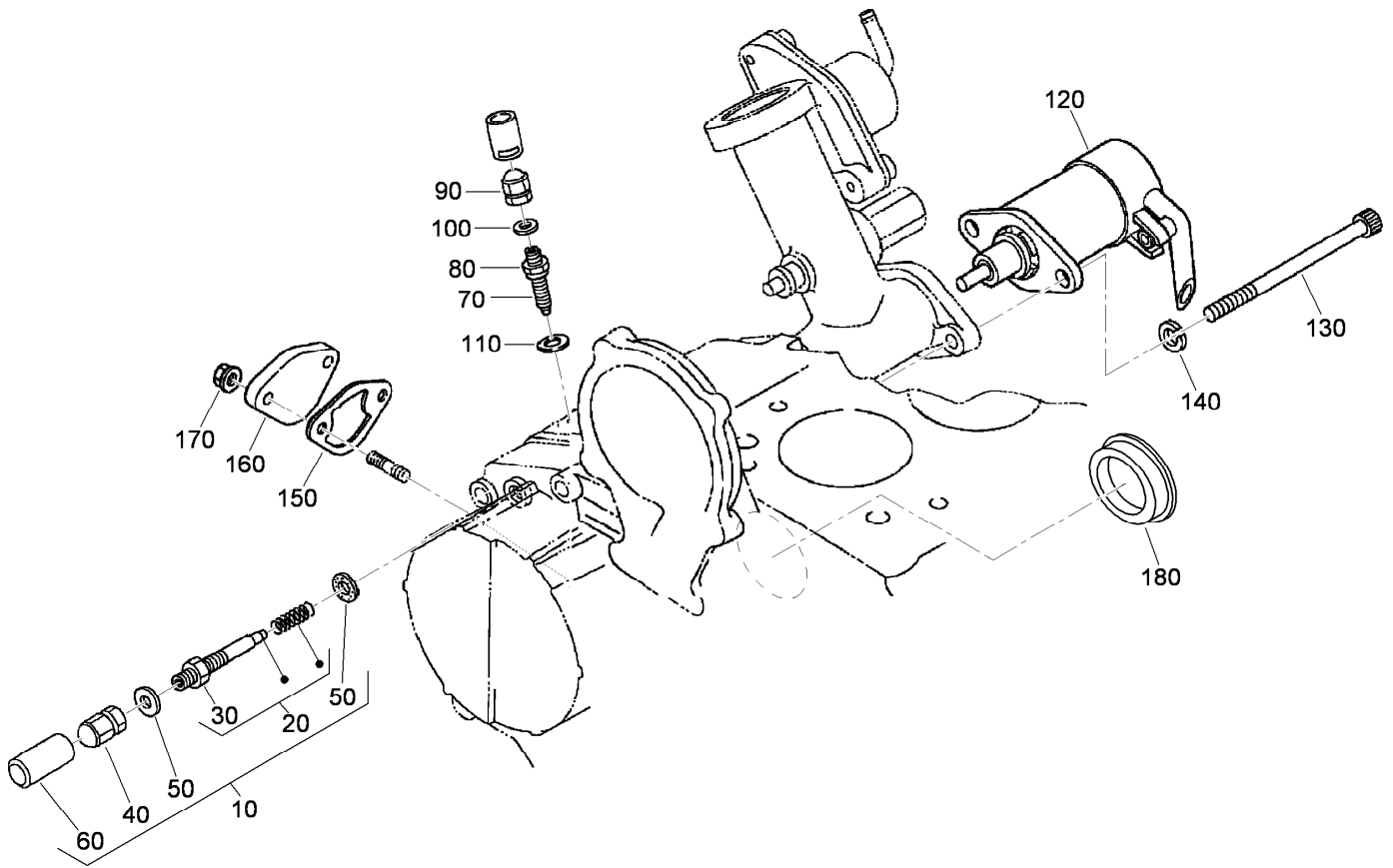
## Flywheel Assembly

<i>Ref.</i>	<i>Part Number</i>	<i>Qty.</i>	<i>Description</i>
10	105-3721	1	Flywheel ASM
20	115-3015	1	Gear-Ring
30	98-9537	6	Bolt-Flywheel
40	98-9486	1	Plate-End, Rear
50	98-9392	8	Bolt



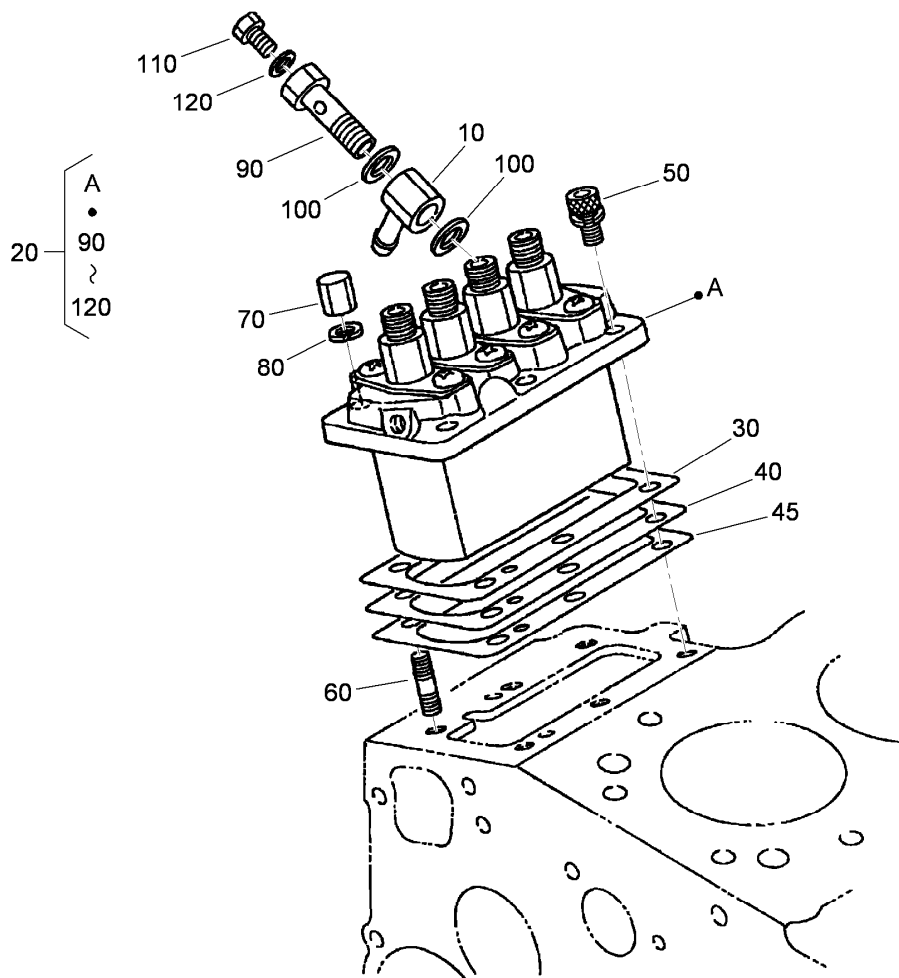
## Fuel Camshaft and Governor Shaft Assembly

<i>Ref.</i>	<i>Part Number</i>	<i>Qty.</i>	<i>Description</i>
10	105-3723	1	Camshaft-Fuel
20	107-9077	1	Bearing-Ball
30	107-9078	1	Bearing-Ball
50	98-9669	1	Gear-Pump, Injection
60	98-9590	1	Nut-Cap
70	98-9595	1	Key-Woodruff
80	98-9511	1	Stopper-Fuel, Camshaft
90	98-7692	2	Bolt
100	105-3724	1	Governor Shaft ASM
110	105-3725	1	Shaft-Governor
120	98-9562	1	Holder-Gear, Governor
130	98-9673	1	Gear-Governor
140	98-9561	1	Holder-Weight, Governor
150	98-9559	2	Governor Weight ASM
160	98-9560	2	Shaft-Weight, Governor
170	98-9692	2	Roller
180	98-9563	1	Sleeve-Governor
190	98-9564	1	Washer-Thrust
200	107-9079	1	Bearing-Ball
210	98-9657	1	Circlip-Shaft, Governor
220	98-9565	1	Screw-Set



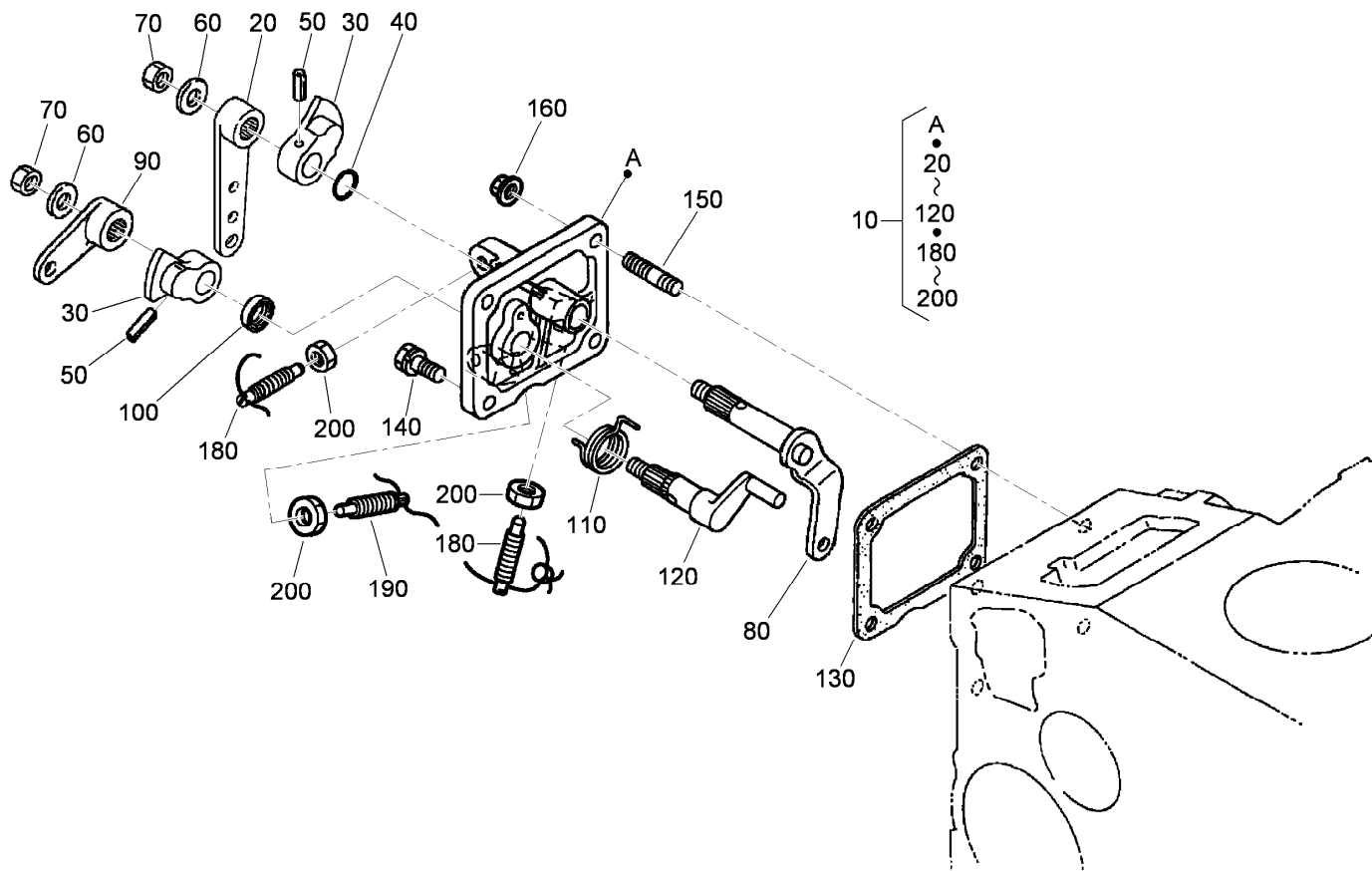
## Idle Apparatus Assembly

<i>Ref.</i>	<i>Part Number</i>	<i>Qty.</i>	<i>Description</i>
10	98-9678	1	Idle Apparatus ASM
20	112-7014	1	Adjusting Bolt ASM
30	98-9439	1	Nut
40	112-0181	1	Nut
50	98-7654	2	Gasket
60	98-7656	1	Cap
70	112-7015	1	Bolt-Adjusting
80	100-2175	1	Nut-Lock
90	112-0181	1	Nut
100	98-7654	1	Gasket
110	107-9081	1	Gasket
120	104-5155	1	Solenoid-Stop
130	117-7563	2	Bolt-Hex Soc HD
140	98-7699	2	Washer-Spring
150	117-7562	1	Gasket-Pump, Fuel
160	99-3514	1	Cover
170	100-2203	2	Nut-Flange
180	112-7016	1	Cover-Pump



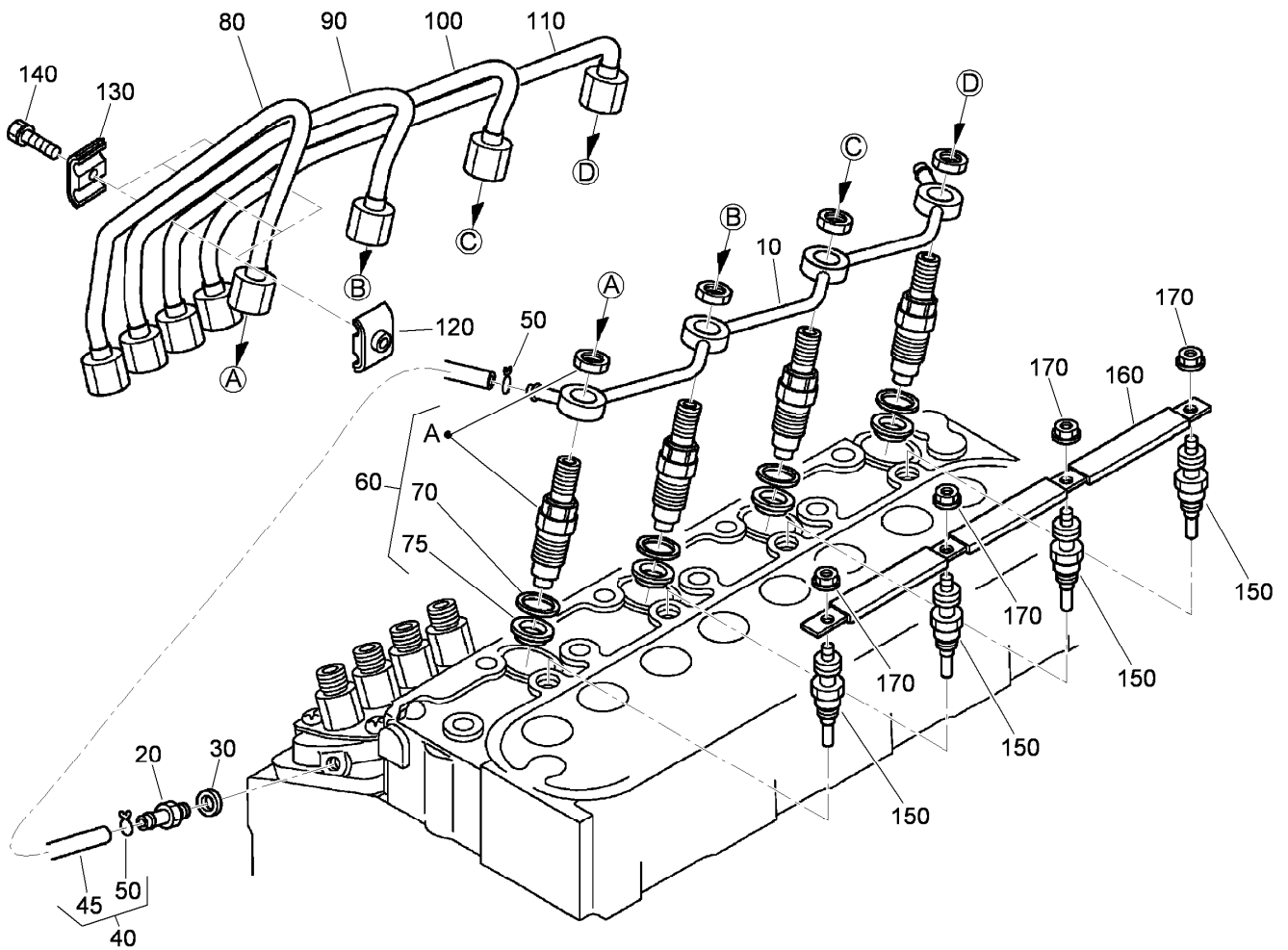
## Injection Pump Assembly

<i>Ref.</i>	<i>Part Number</i>	<i>Qty.</i>	<i>Description</i>
10	98-9596	1	Joint-Eye
20	105-3727	1	Injection Pump ASM
30	115-3017	1	Shim-Pump, Injection (.175MM)
30	105-3728	1	Shim-Pump, Injection (.20MM)
40	105-3729	1	Shim-Pump, Injection (.25MM)
40	105-3730	1	Shim-Pump, Injection (.30MM)
45	115-3016	1	Shim-Pump, Injection (.350MM)
50	117-7564	3	Bolt-Hex Soc HD
60	98-9438	3	Stud
70	98-9440	3	Nut-Cap
80	98-7699	6	Washer-Spring
90	98-9464	1	Bolt-Joint
100	98-9445	2	Gasket
110	98-9430	1	Screw
120	98-9446	1	Gasket



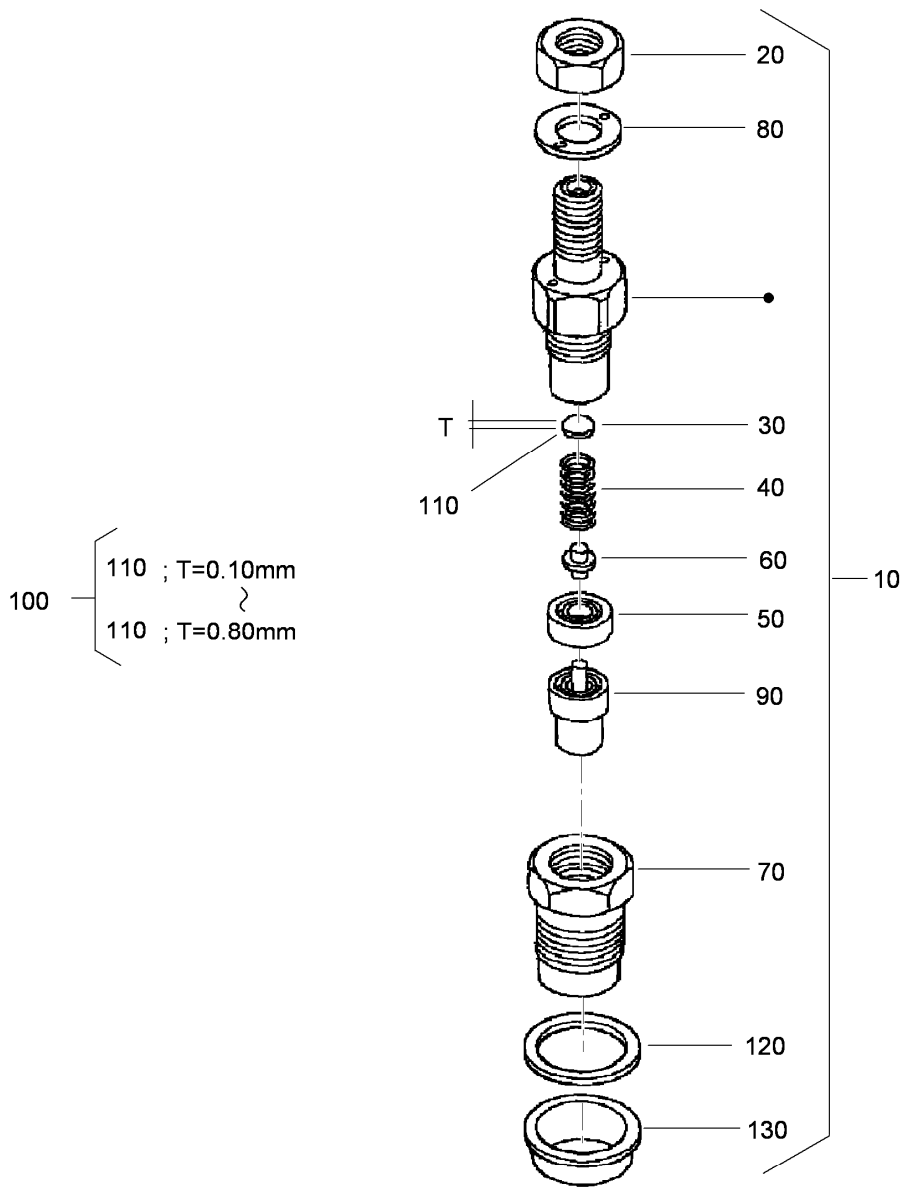
## Speed Control Plate Assembly

<i>Ref.</i>	<i>Part Number</i>	<i>Qty.</i>	<i>Description</i>
10	105-3735	1	Control Plate ASM
20	98-9662	1	Lever-Control, Speed
30	98-9572	2	Lever-Control, Speed
40	105-3788	1	O-Ring
50	98-7602	2	Pin-Spring
60	98-9594	2	Washer-Plain
70	98-9589	2	Nut
80	98-9658	1	Governor Lever ASM
90	98-9663	1	Lever-Stop, Engine
100	98-7601	1	Seal-Oil
110	98-9472	1	Spring-Return
120	98-9664	1	Shaft-Lever, Stop
130	98-9637	1	Gasket
140	98-7692	2	Bolt
150	105-3710	2	Stud
160	100-2203	2	Nut-Flange
180	117-7565	2	Bolt-Adjusting
190	117-7566	1	Bolt-Adjusting
200	98-7572	3	Nut



## Nozzle Holder and Glow Plug Assembly

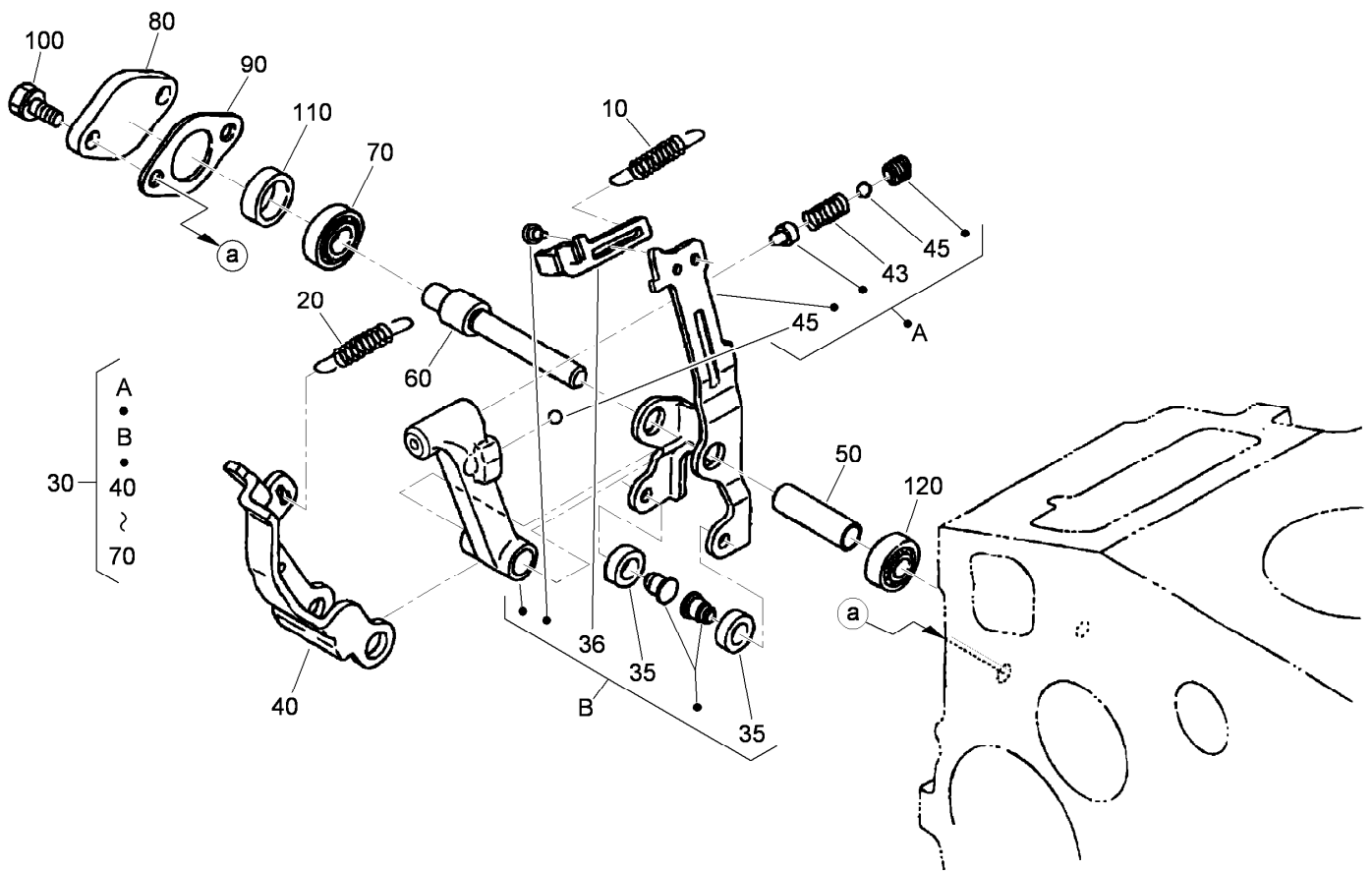
Ref.	Part Number	Qty.	Description
10	105-3737	1	Over Flow Pipe ASM
20	98-9431	1	Screw-Bleeder, Air
30	98-7654	1	Gasket
40	98-9420	1	Overflow Pipe ASM
45	112-0182	1	Pipe-Overflow
50	98-7671	2	Clip-Pipe
60	115-3018	4	Nozzle Holder Kit
70	98-7676	4	Gasket
75	98-7677	4	Seal-Heat
80	98-9622	1	Pipe-Injection
90	98-9654	1	Pipe-Injection
100	98-9655	1	Pipe-Injection
110	105-3738	1	Pipe-Injection
120	98-7682	3	Clamp-Pipe
130	98-7683	3	Clamp-Pipe
140	98-7684	3	Screw (W/Washer)
150	98-9623	4	Plug-Glow
160	105-3739	1	Cord-Plug, Glow
170	99-8377	4	Nut-Flange



## Nozzle Holder Component Assembly

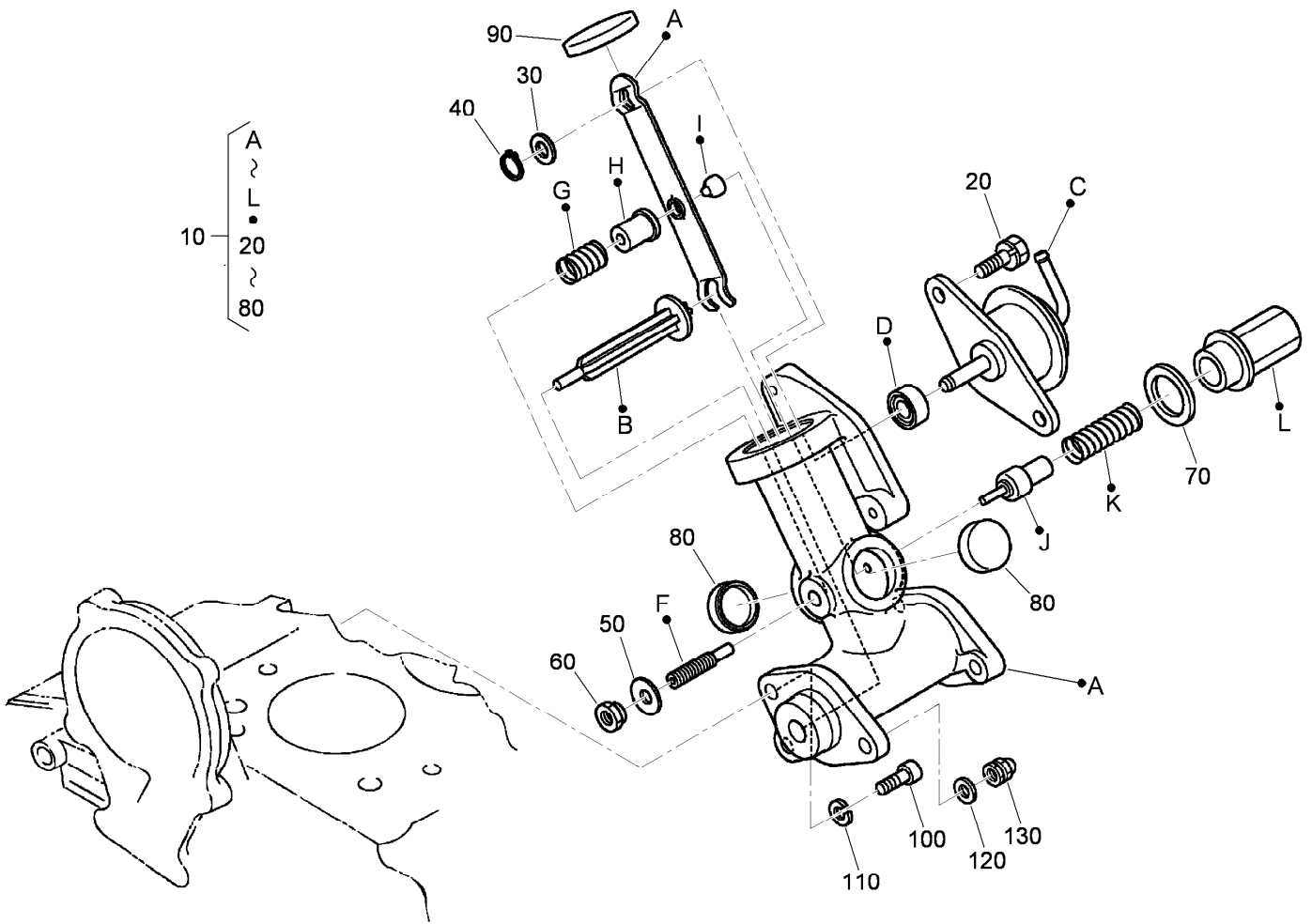
Ref.	Part Number	Qty.	Description	Ref.	Part Number	Qty.	Description
10	115-3018	4	Nozzle Holder Kit	110	99-8311	4	Washer-Adjust (0.20MM)
20	99-8301	4	Nut	110	99-8312	4	Washer-Adjust (0.30MM)
30	99-8302	4	Washer-Adjusting	110	99-8313	4	Washer-Adjust (0.40MM)
40	99-8303	4	Spring-Nozzle	110	99-8314	4	Washer-Adjust (0.50MM)
50	99-8304	4	Spacer-Distance	110	99-8315	4	Washer-Adjust (0.52MM)
60	99-8305	4	Rod-Push	110	99-8316	4	Washer-Adjust (0.54MM)
70	99-8306	4	Nut-Nozzle	110	99-8317	4	Washer-Adjust (0.56MM)
80	99-8307	4	Washer-Plain	110	99-8318	4	Washer-Adjust (0.58MM)
90	115-3020	4	Piece-Nozzle	110	99-8319	4	Washer-Adjust (0.80MM)
100	99-8309	4	Adjusting Washer ASM	120	98-7676	4	Gasket
110	99-8310	4	Washer-Adjust (0.10MM)	130	98-7677	4	Seal-Heat





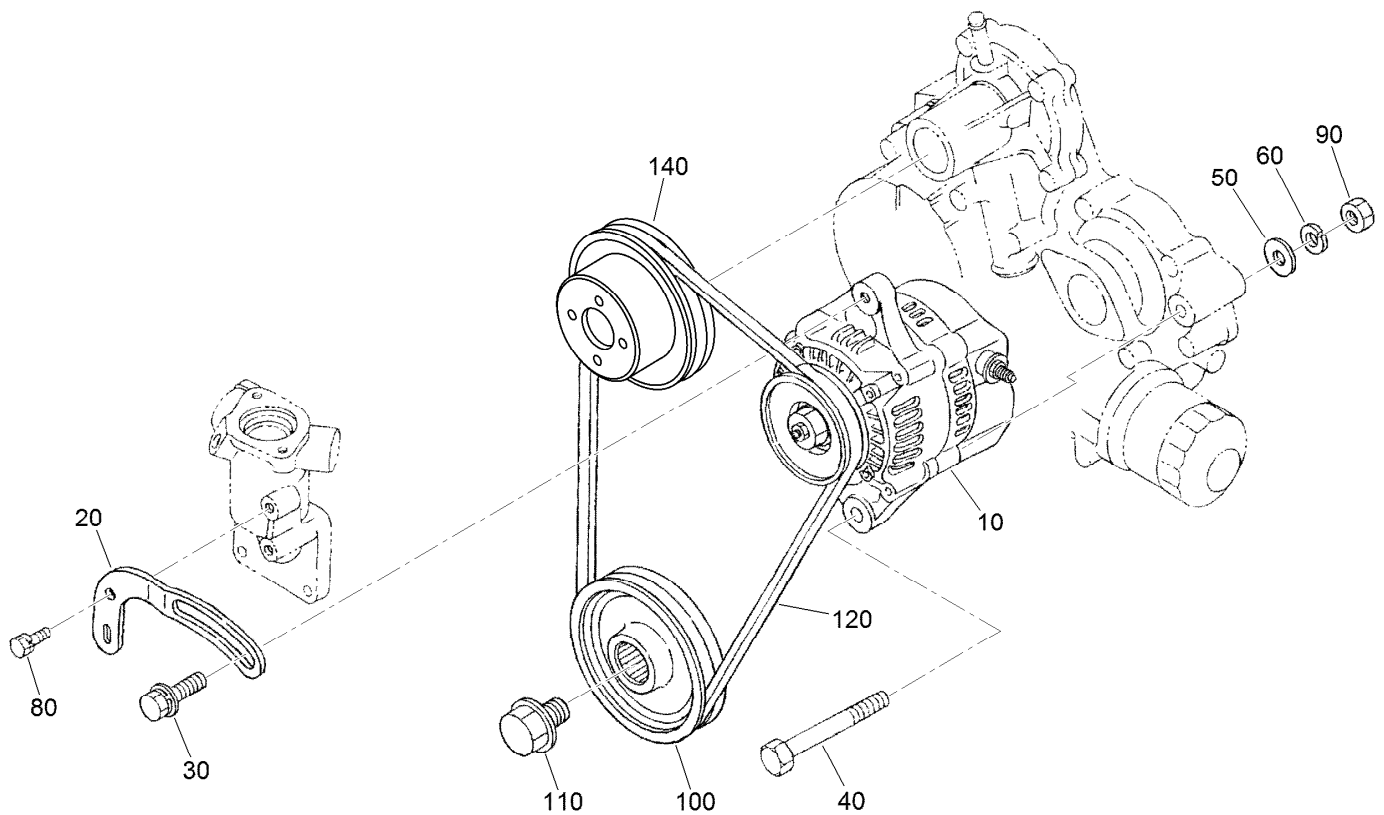
## Governor Assembly

<i>Ref.</i>	<i>Part Number</i>	<i>Qty.</i>	<i>Description</i>
10	105-3741	1	Spring-Start
20	98-9681	1	Spring-Governor
30	117-7567	1	Fork Lever ASM
35	98-9692	2	Roller
36	107-9083	1	Lever-Thrust
40	107-9084	1	Lever-Fork
43	108-2867	1	Spring
45	98-7580	2	Ball
50	107-9085	1	Shaft-Lever, Fork
60	107-9086	1	Shaft-Lever, Fork
70	98-9570	1	Bearing-Miniaturize
80	115-4122	1	Cover-Shaft, Fork Lever
90	98-9682	1	Gasket
100	98-9350	2	Bolt
110	98-9567	1	Collar
120	98-9571	1	Bearing-Miniaturize



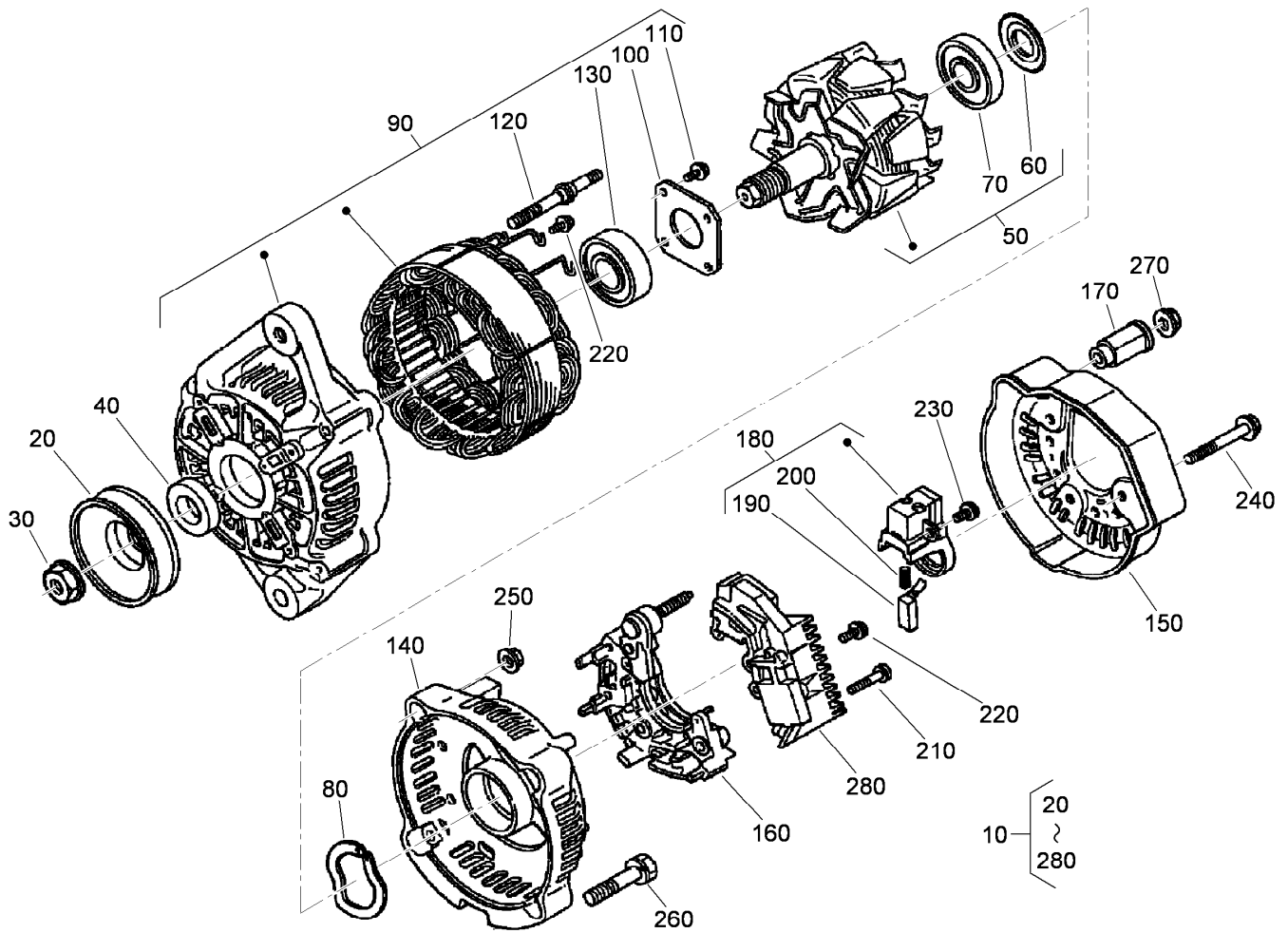
## Boost Compensator Assembly

<i>Ref.</i>	<i>Part Number</i>	<i>Qty.</i>	<i>Description</i>
10	117-7568	1	Boost Compensator ASM
20	98-7692	1	Bolt
30	100-1781	1	Washer-Plain
40	117-7569	1	Clip-External
50	107-9081	1	Gasket
60	100-2175	1	Nut-Lock
70	117-7570	1	Gasket
80	117-7571	2	Plug-Weight, Shaft
90	98-9641	1	Cover-Case, Gear
100	110-3763	1	Bolt-HSH
110	98-7699	1	Washer-Spring
120	98-7654	1	Gasket
130	99-8387	1	Nut-Cap



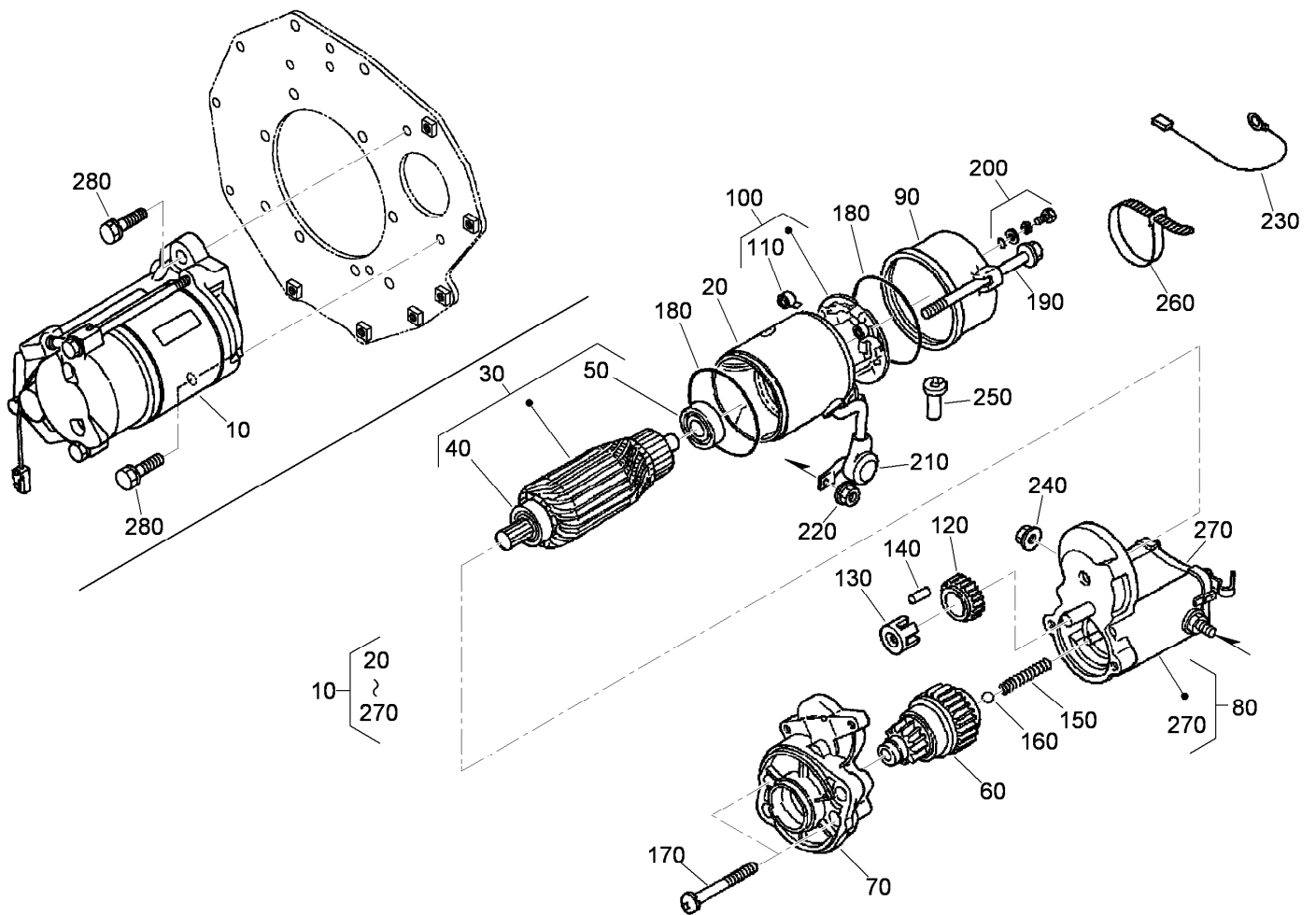
## Alternator and Pulley Assembly

<i>Ref.</i>	<i>Part Number</i>	<i>Qty.</i>	<i>Description</i>
10	98-9474	1	Alternator ASM
20	112-7047	1	Stay-Dynamo
30	108-7088	1	Bolt
40	98-9360	1	Bolt
50	98-7696	1	Washer-Plain
60	98-7738	1	Washer-Spring
80	98-7692	1	Bolt
90	98-7737	1	Nut
100	105-3745	1	Pulley-Drive, Fan
110	98-9585	1	Bolt
120	98-9676	1	V-Belt
140	110-0972	1	Pulley



## Alternator Components Assembly

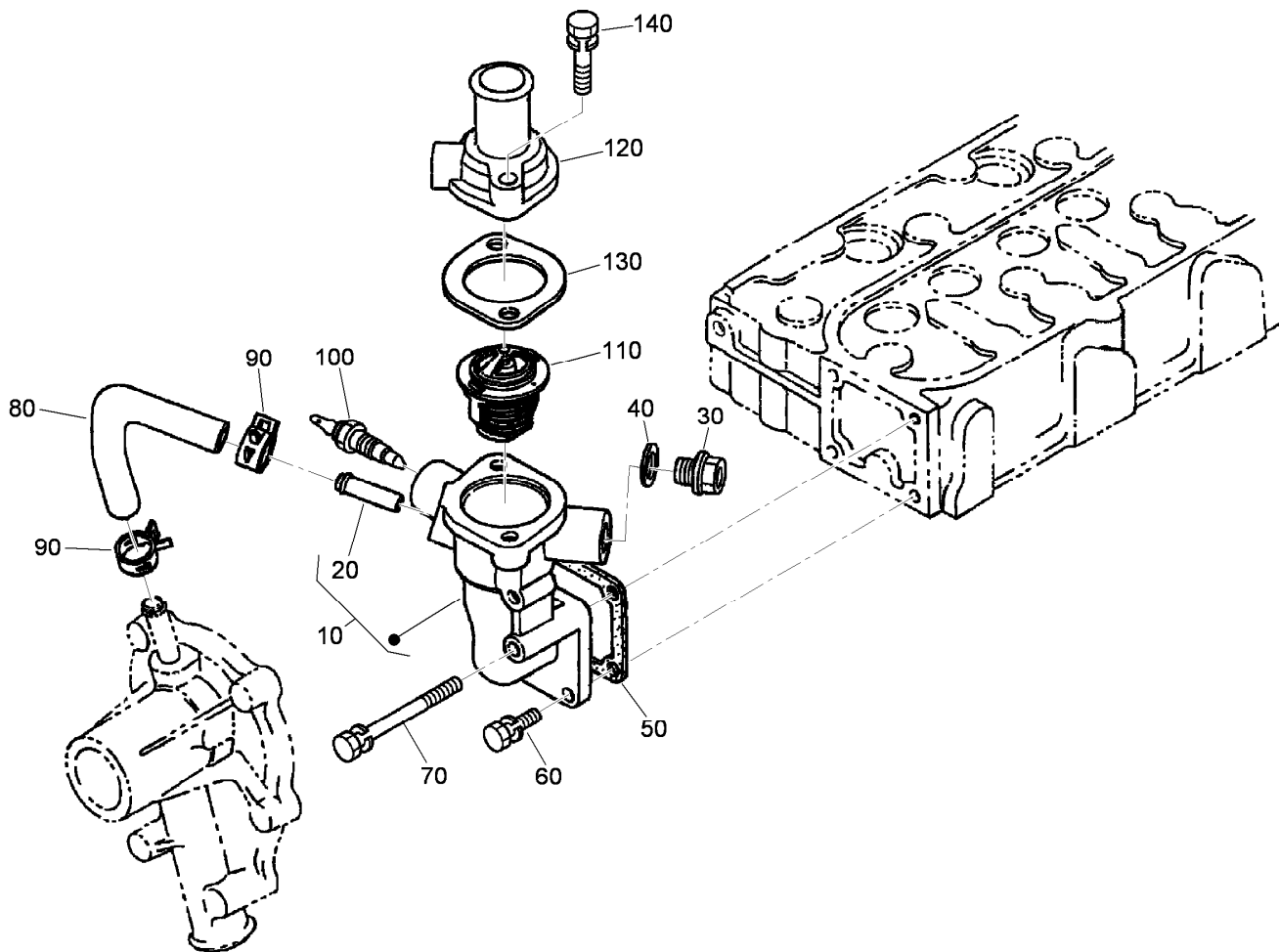
<i>Ref.</i>	<i>Part Number</i>	<i>Qty.</i>	<i>Description</i>	<i>Ref.</i>	<i>Part Number</i>	<i>Qty.</i>	<i>Description</i>
10	98-9474	1	Alternator ASM	150	107-0140	1	Cover-End
20	98-9453	1	Pulley-Dynamo	160	117-7591	1	Rectifier ASM
30	98-7708	1	Nut	170	98-7722	1	Bushing-Insulation
40	98-7709	1	Collar	180	107-0141	1	Brush Holder ASM
50	107-0136	1	Rotor ASM	190	98-7724	2	Brush
60	98-7711	1	Cover-Bearing	200	98-7725	2	Spring-Brush
70	107-0138	1	Bearing-Ball	210	98-7726	2	Screw-Head, Round
80	98-7713	1	Washer-Thrust	220	98-7727	6	Screw-Head, Round
90	107-0139	1	Drive End Frame ASM	230	98-7728	1	Screw-Head, Round
100	98-7715	1	Plate-Retainer	240	98-7729	3	Bolt
110	98-7716	4	Screw-Head, Round	250	98-7730	2	Nut
120	98-7717	2	Bolt-Through	260	98-7731	2	Bolt
130	107-0137	1	Bearing-Ball	270	98-7732	1	Nut
140	107-9087	1	Frame-End	280	110-3799	1	Regulator ASM



## Starter Assembly

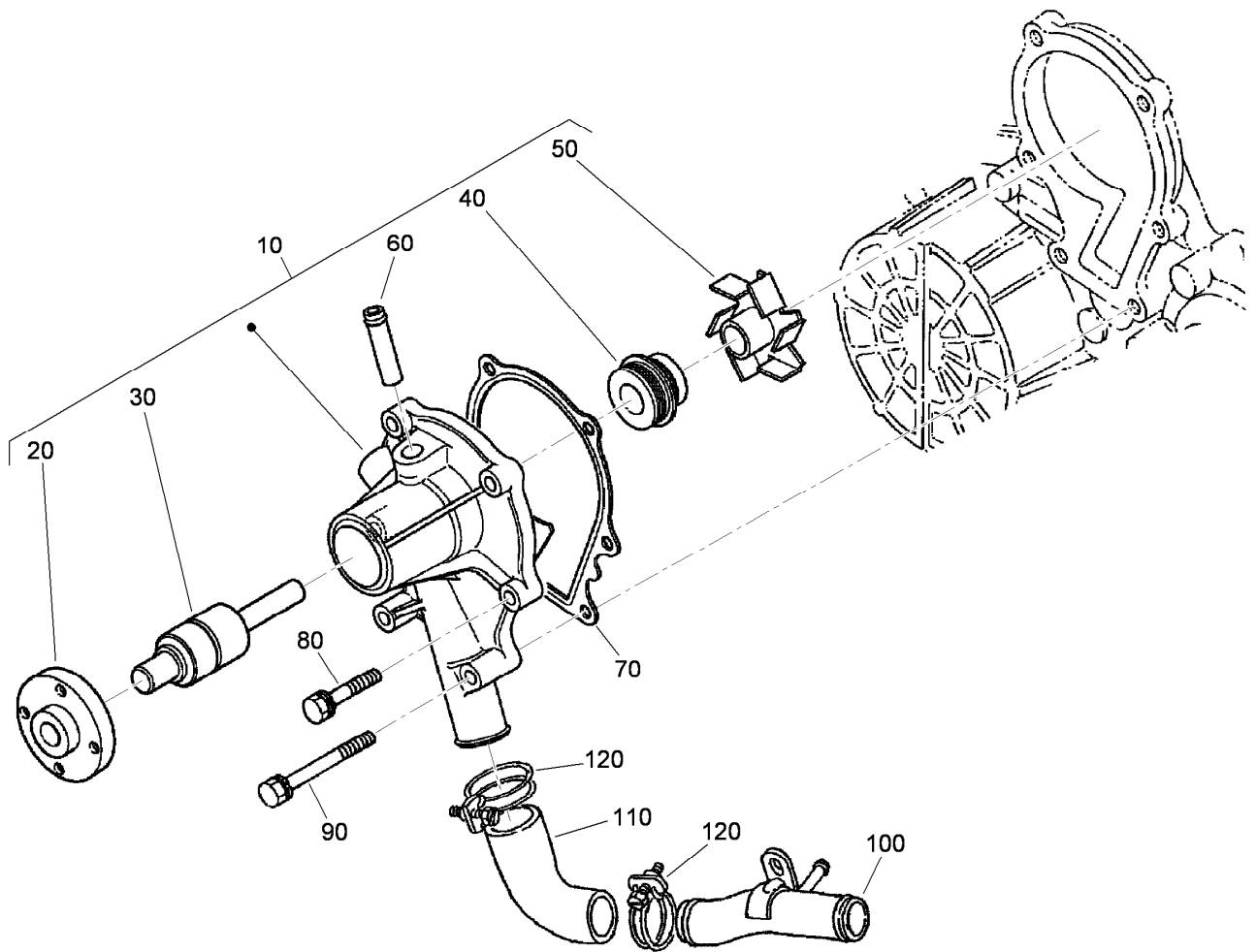
Ref.	Part Number	Qty.	Description
10	98-9705	1	Starter ASM
20	104-8608	1	Yoke ASM
30	98-7742	1	Armature ASM
40	98-7744	1	Bearing
50	98-7743	1	Bearing
60	99-8373	1	Clutch-Running, Over
70	99-8374	1	Frame-End, Drive
80	105-3746	1	Magnetic Switch ASM
90	98-7748	1	Frame-End
100	98-7749	1	Brush Holder ASM
110	98-7750	4	Spring-Brush
120	98-7751	1	Gear
130	98-7752	1	Retainer
140	98-7753	5	Roller

Ref.	Part Number	Qty.	Description
150	98-7754	1	Spring
160	98-7755	1	Ball
170	98-7756	2	Bolt
180	98-7757	2	O-Ring
190	100-9240	2	Bolt
200	98-7758	2	Bolt ASM
210	99-8375	1	Cover
220	99-8371	1	Nut-Hex
230	98-9711	1	Cord-Solenoid, Stop
240	99-8376	1	Nut-Hex
250	98-7759	1	Pipe-Drain
260	98-9712	1	Band-Cover
270	105-2886	1	Cover ASM
280	98-7697	2	Bolt



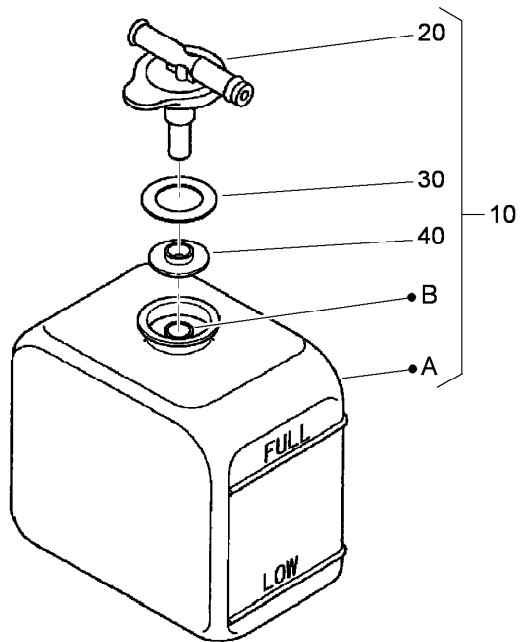
## Water Flange and Thermostat Assembly

<i>Ref.</i>	<i>Part Number</i>	<i>Qty.</i>	<i>Description</i>
10	98-9713	1	Water Flange ASM
20	98-9580	1	Pipe-Return, Water
30	105-3747	1	Plug
40	99-3583	1	Gasket
50	98-9638	1	Gasket-Flange, Water
60	98-7692	3	Bolt
70	98-9356	1	Bolt
80	98-9578	1	Pipe-Return, Water
90	98-9579	2	Band-Pipe
100	112-0183	1	Switch-Thermometer
110	98-7778	1	Thermostat ASM
120	98-9471	1	Cover-Thermostat
130	105-3748	1	Gasket-Thermostat
140	98-7777	2	Bolt



## Water Pump Assembly

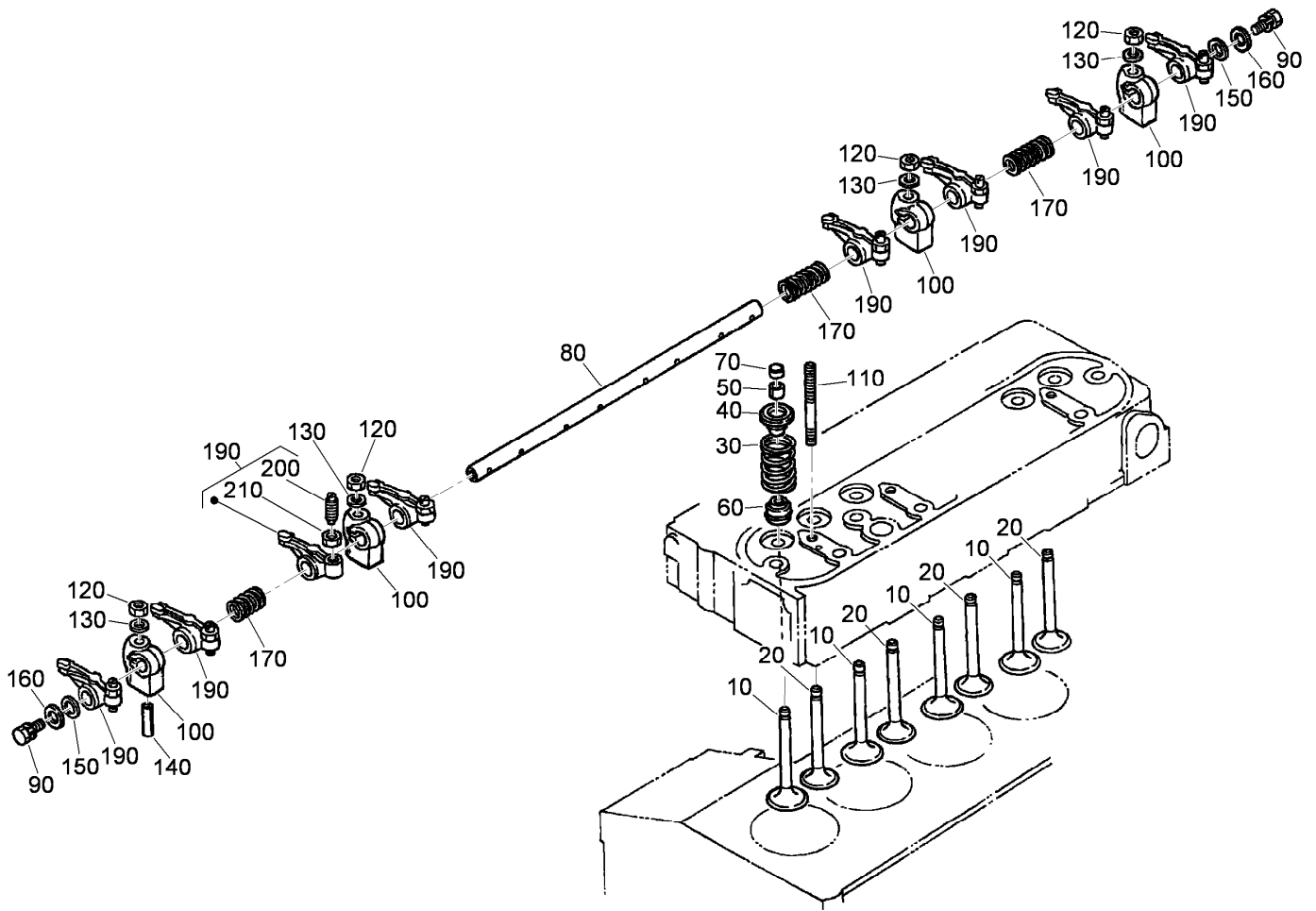
<i>Ref.</i>	<i>Part Number</i>	<i>Qty.</i>	<i>Description</i>
10	107-9089	1	Water Pump ASM
20	99-3516	1	Flange-Pump, Water
30	99-3517	1	Bearing-Pump, Water
40	105-3750	1	Mechanical Seal ASM
50	112-7017	1	Impeller-Pump, Water
60	100-1932	1	Pipe-Return, Water
70	99-3454	1	Gasket-Pump, Water
80	98-9353	4	Bolt
90	107-9090	2	Bolt
100	99-8379	1	Pipe-Water
110	107-9091	1	Pipe-Water
120	98-9717	2	Clamp



## Overflow Bottle Assembly

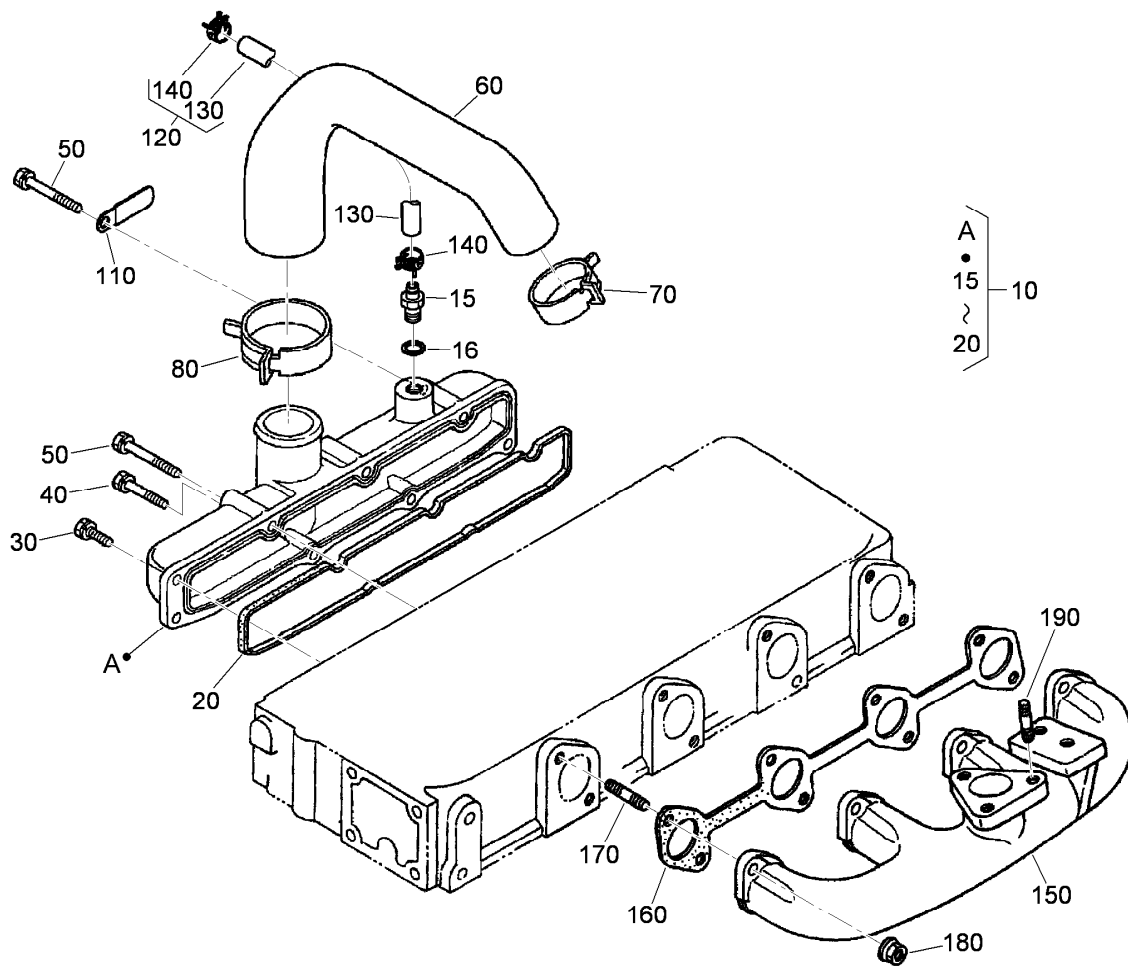
<i>Ref.</i>	<i>Part Number</i>	<i>Qty.</i>	<i>Description</i>
10	104-9318	1	Bottle-Overflow
20	115-4132	1	Cap
30	105-3755	1	Gasket
40	105-3756	1	Plate





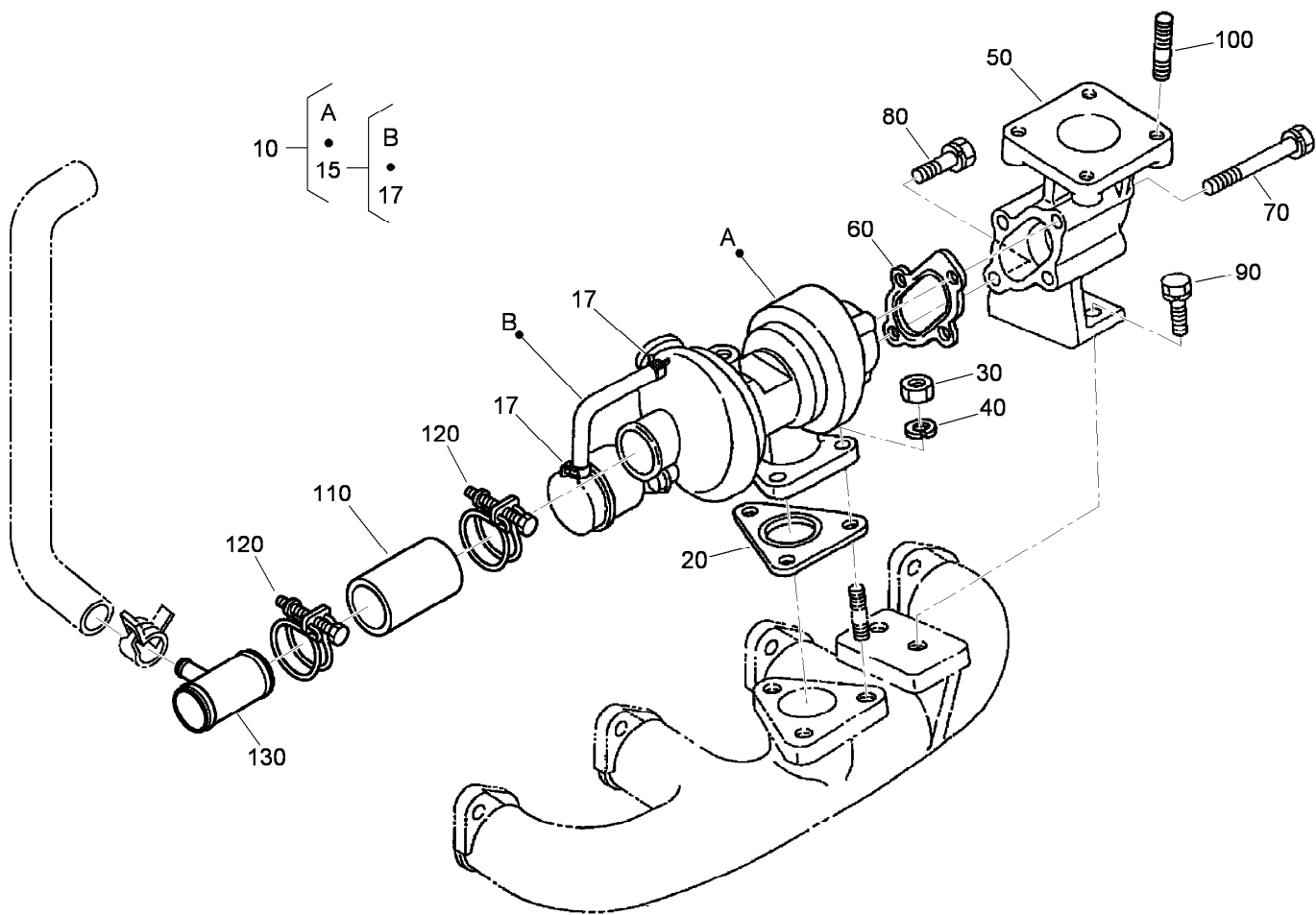
## Valve and Rocker Arm Assembly

<i>Ref.</i>	<i>Part Number</i>	<i>Qty.</i>	<i>Description</i>
10	112-7018	4	Valve-Inlet
20	112-7019	4	Valve-Exhaust
30	98-9626	8	Spring-Valve
40	107-9092	8	Retainer-Spring
50	117-7572	8	Collet-Spring, Valve
60	99-8385	8	Seal-Stem, Valve
70	98-9497	8	Cap-Valve
80	105-3757	1	Shaft-Arm, Rocker
90	100-9265	2	Bolt
100	98-9505	4	Bracket-Arm, Rocker
110	98-9506	4	Stud
120	98-9393	4	Nut
130	98-9385	4	Washer-Flat
140	105-3758	2	Pin-Spring
150	98-9507	2	Washer-Shaft, Rocker Arm
160	110-3832	2	Washer-Plain
170	98-9504	3	Spring-Arm, Rocker
190	112-7020	8	Rocker Arm ASM
200	98-9502	8	Screw-Adjusting
210	98-9503	8	Nut



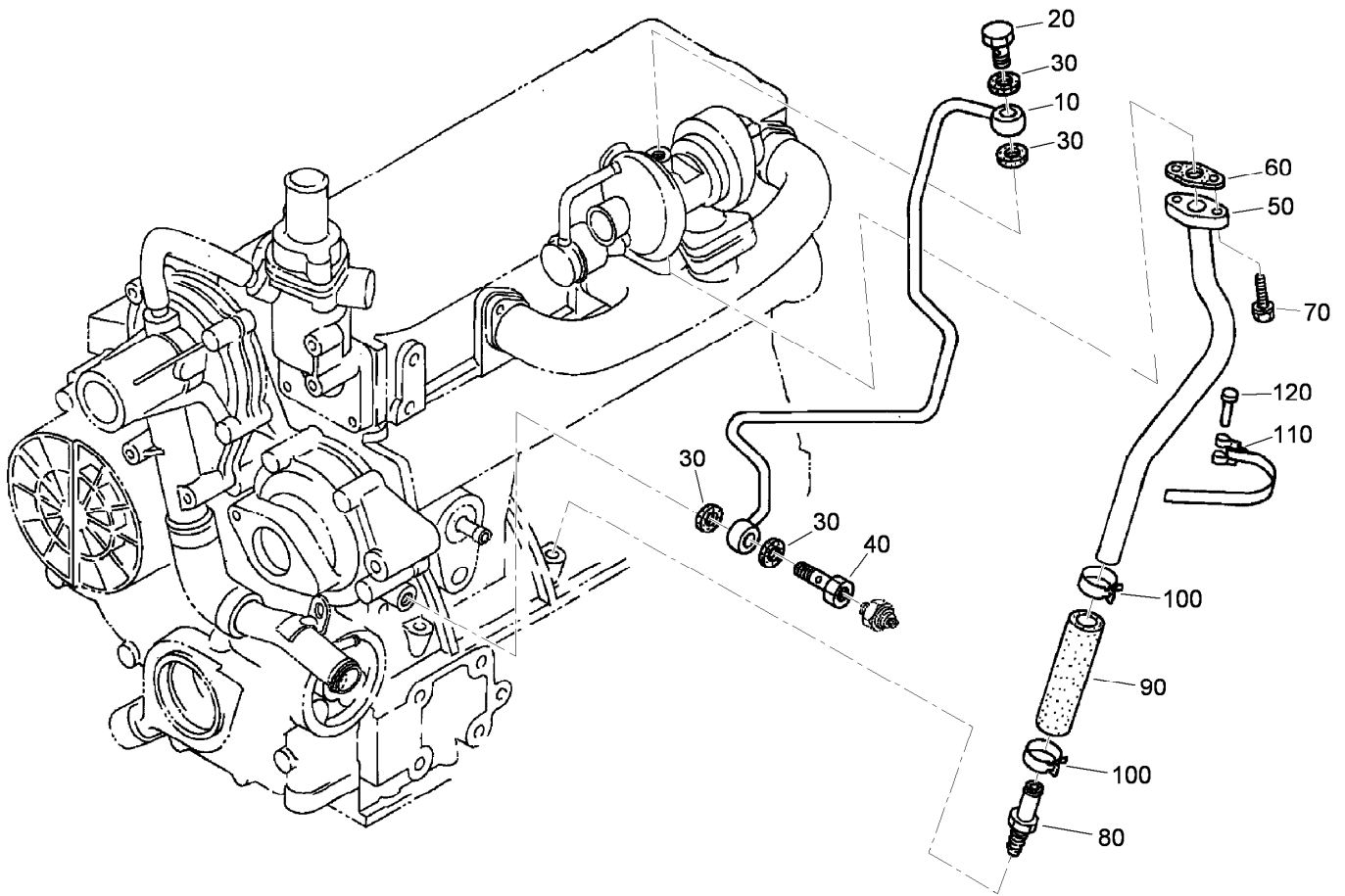
## Inlet and Exhaust Manifold Assembly

Ref.	Part Number	Qty.	Description
10	117-7573	1	Intake Manifold ASM
15	98-9431	1	Screw-Bleeder, Air
16	98-7654	1	Gasket
20	105-3760	1	Gasket-Manifold, Intake
30	98-7605	3	Bolt
40	98-9353	2	Bolt
50	105-3797	3	Bolt
60	115-4123	1	Hose-Inlet
70	115-3048	1	Clamp-Hose
80	115-3049	1	Clamp-Hose
110	117-7574	1	Clamp-Cord
120	117-7575	1	Boost Pipe ASM
130	117-7576	1	Tube-Fuel
140	117-7577	1	Band-Pipe
150	108-4425	1	Manifold-Exhaust
160	105-3765	1	Gasket-Manifold, Exhaust
170	98-9588	8	Stud
180	98-9665	8	Nut
190	99-8342	3	Stud



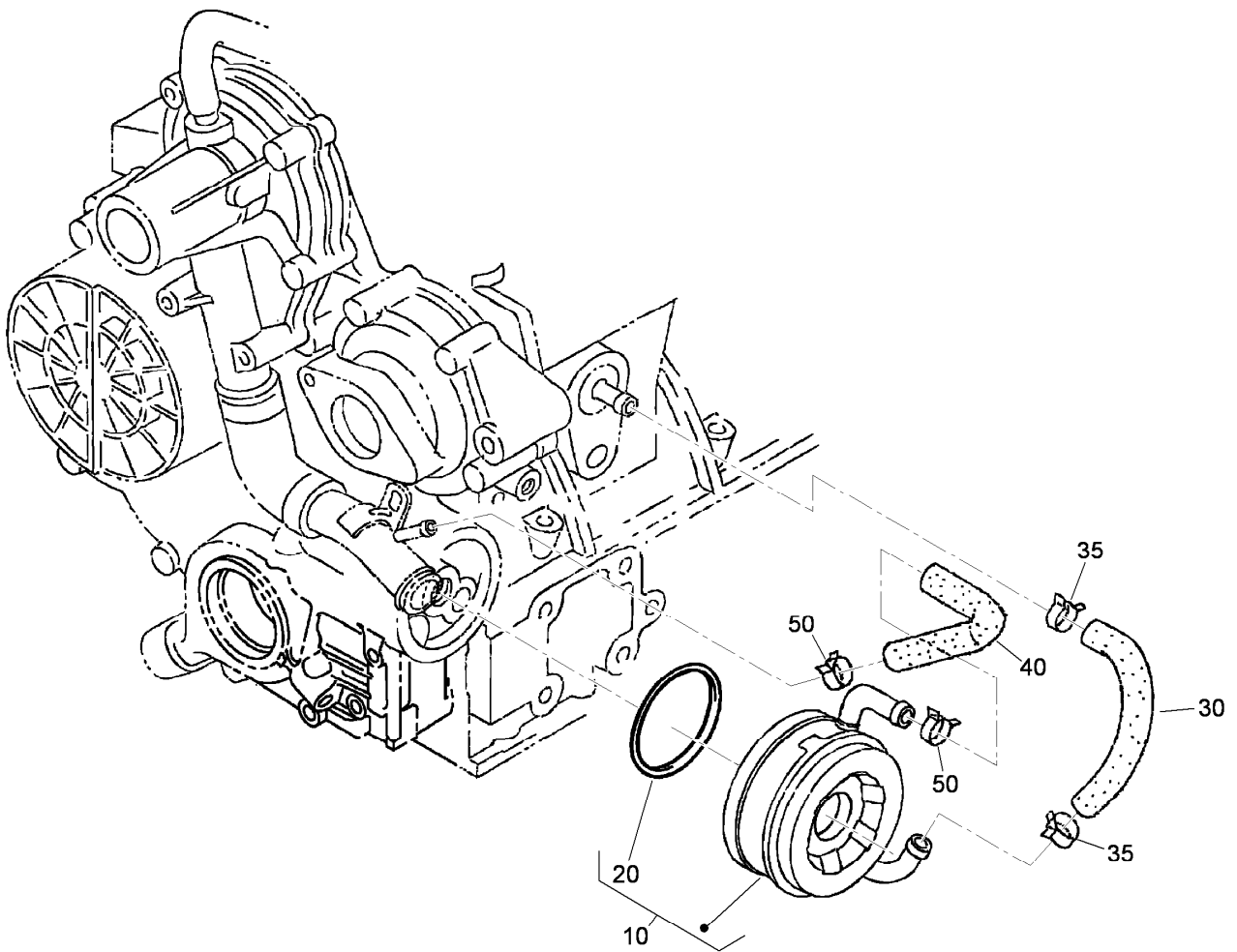
## Turbo Charger Assembly

<i>Ref.</i>	<i>Part Number</i>	<i>Qty.</i>	<i>Description</i>
10	117-7590	1	Turbocharger ASM
15	108-1413	1	Hose ASM
17	108-1414	2	Clamp-Hose
20	105-3767	1	Gasket
30	98-7534	3	Nut
40	105-2893	3	Washer-Spring
50	99-8335	1	Flange-Muffler
60	105-3768	1	Gasket
70	115-4100	3	Bolt
80	105-2895	1	Bolt
90	98-7610	2	Bolt
100	98-7769	4	Stud
110	115-4101	1	Tube-Inlet, Turbo
120	115-4102	2	Band
130	115-4103	1	Pipe-Inlet, Breather



## Oil Pipe (Turbo Charger) Assembly

<i>Ref.</i>	<i>Part Number</i>	<i>Qty.</i>	<i>Description</i>
10	108-4424	1	Oil Pipe ASM
20	115-4126	1	Bolt-Joint, Eye
30	99-8346	4	Gasket
40	98-9417	1	Bolt-Joint, Eye
50	117-7589	1	Oil Pipe ASM
60	108-4422	1	Gasket
70	98-9351	2	Bolt
80	105-3771	1	Oil Pipe ASM
90	98-9721	1	Pipe-Oil
100	98-9714	2	Clamp-Hose
110	98-9601	1	Clamp-Pipe
120	98-9591	1	Pin-Band



## Oil Cooler Assembly

<i>Ref.</i>	<i>Part Number</i>	<i>Qty.</i>	<i>Description</i>
10	104-5158	1	Oil Cooler ASM
20	112-7030	1	O-Ring
30	98-9724	1	Pipe-Cooler, Oil
35	98-9579	2	Band-Pipe
40	98-9578	1	Pipe-Return, Water
50	98-9579	2	Band-Pipe

# Attachments and Accessories

## For 03691 Reelmaster 5610 Traction Unit

<b>Product Name</b>	<b>Model/Part</b>
Turf Defender Electronic Leak Detector Kit .....	03521
Air Ride Seat Suspension Kit .....	03667
Four-Wheel Drive Kit .....	03671
8-Blade DPA Cutting Unit with 7in Reel.....	03681
11-Blade DPA Cutting Unit with 7in Reel.....	03682
7 Inch Verticutter .....	03684
Turf Evaluator .....	04399
Premium Bio-Degradable Hydraulic Fluid (5 Gallon Pail).....	100-7674
Wheel Weight Kit .....	104-1478
Premium All Season Hydraulic Fluid (55 Gallon Drum).....	108-1177
Premium All Season Hydraulic Fluid (5 Gallon Pail).....	108-1178
Premium Engine Oil, 10w30 (55 Gallon Drum) .....	108-1179
Premium Engine Oil, 10w30 (5 Gallon Pail) .....	108-1180
Premium Bio-Degradable Hydraulic Fluid (55 Gallon Drum).....	108-1189
Premium All Purpose Grease (Tube) .....	108-1190
Air Cleaner Safety Element.....	108-3813
Gauge Bar Assembly.....	108-6715
ROPS Extension Kit.....	110-8030
Operator Fan Kit - US Sales Only, 3in ROPS Post.....	110-8804
Two-Post ROPS Kit .....	110-8860
Weight Plate .....	110-8985-03
Premium Synthetic Bio-Degradable Hydraulic Fluid (5 Gallon Pail) .....	119-2157
Premium Synthetic Bio-Degradable Hydraulic Fluid (55 Gallon Drum).....	119-2158
Cutting Unit Hydraulic Hose Kit.....	119-6955
Brush and Handle Kit.....	29-9100
400-Hour Filter Maintenance Kit .....	30055
Hardtop Sunshade.....	30359
Diagnostic Display Box.....	85-4750
Plastic Plug.....	93-7498

**Notes:**



**Count on it.**