



Count on it.

Parts Catalog

Reelmaster® 5610 Traction Unit

Model No. 03690—Serial No. 280000801 and Up



Ordering Replacement Parts

To order replacement parts, please supply the part number, the quantity, and the description of each part desired.

Understanding Reference Numbers

Each identified part in an illustration has a reference number. The reference number for a part also appears in the parts list, along with other information about the part.

This catalog uses two special reference number formats, one to indicate parts in a service assembly and another to indicate the quantity of a given part in an illustration.

Service Assembly Reference Numbers

Parts in service assemblies have reference numbers in the form a:b. The a represents the reference number of the entire service assembly and the b represents a sequential number unique to each part within the service assembly.

For example, a wheel assembly might be identified by reference number 6, the tire by 6:1, the valve by 6:2, and the wheel by 6:3. When you order the assembly identified by reference number 6, you receive all parts identified by reference numbers 6:1, 6:2, and 6:3. However, you may also order any part individually. Reference numbers of this type appear in illustration and in parts lists.

Reference Numbers Indicating Quantity

In an illustration, if a reference number indicates more than one part, the reference number has the form nX y. The n represents the quantity of the part, the X is the multiplication symbol, and the y represents the reference number.

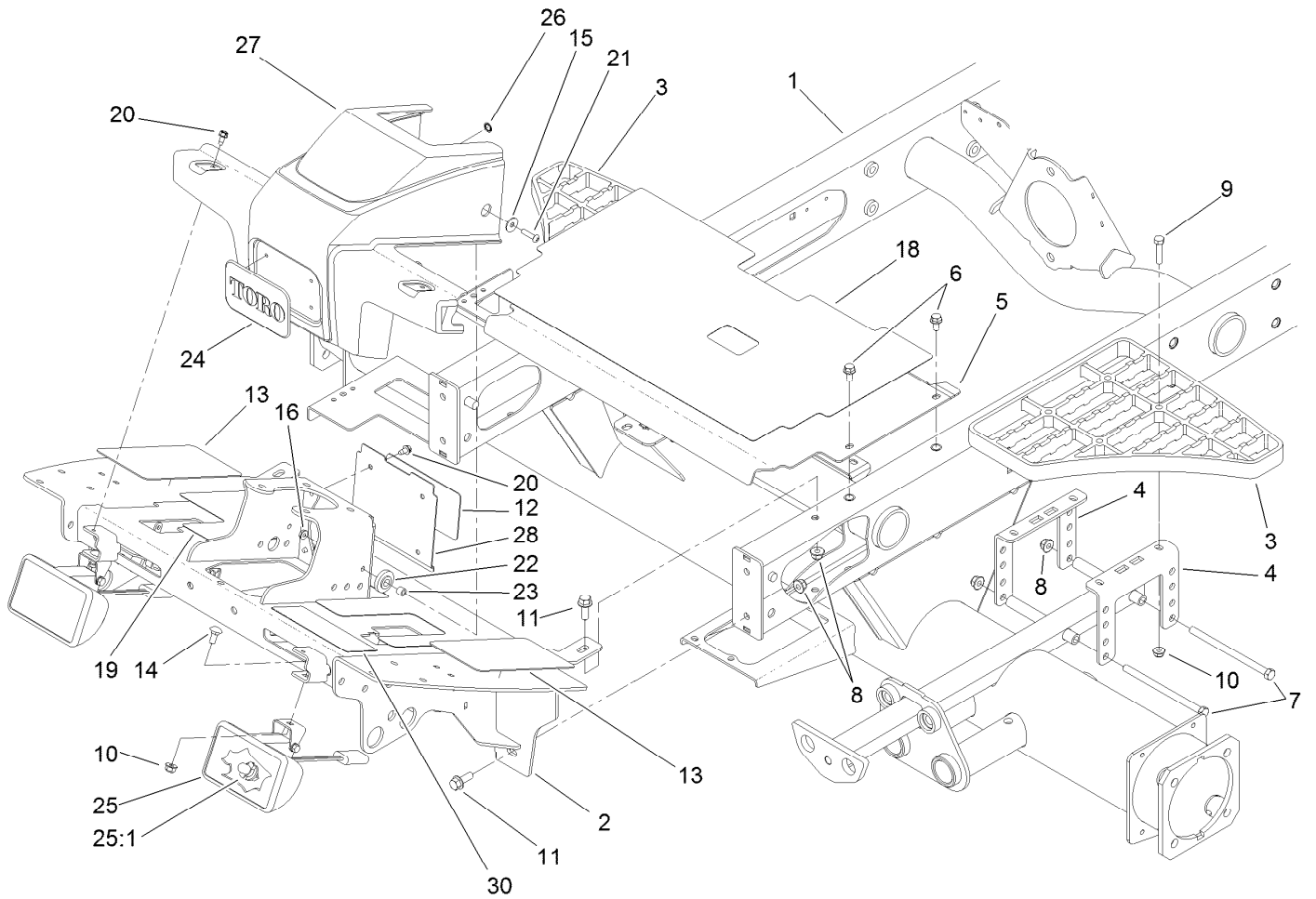
For example, in an illustration, the reference number 2X 37 means that two of the parts identified by reference number 37 are indicated.

Contents

Front Frame Assembly	5
Steering Valve Hydraulic Plumbing Assembly	6
Steering Tilt Column Assembly No. 106-3622	7
Steering Valve Assembly No. 106-3621	8
Traction Pedal Assembly	9
Brake Pedal Assembly	10
Seat and Armrest Assembly	11
Seat Base and Suspension Assembly	12
Mechanical Seat Suspension Assembly No. 110-8851	13
Console and Control Arm Assembly	14
Joystick Bracket Assembly No. 106-4167	16
Hydraulic Tank Assembly	17
Fuel Tank Assembly	19
Front Wheel, Brake and Hydraulic Motor Assembly	20
Hydraulic Motor Assembly No. 114-8857	21
Hydraulic Motor Assembly No. 114-8858	22
LH Brake Assembly No. 110-8872	23
RH Brake Assembly No. 110-8871	24
Driveshaft and Variable Pump Hydraulic Fitting Assembly	25
Driveshaft Assembly No. 108-1641	26
Variable Pump Assembly No. 114-0410	27
Gear Pump Hydraulic Plumbing Assembly	29
Gear Pump Assembly No. 107-4547	30
Engine Mounting and Electrical Assembly	31
Engine Intake and Exhaust Assembly	32
Air Cleaner Assembly No. 110-8917	33
Fuel System Delivery Assembly	34
Radiator and Hydraulic Cooler Assembly	35
Hydraulic Lift Block and Plumbing Assembly	37
Hydraulic Manifold Block Assembly No. 105-7577	38
Reel Control Block Hydraulic Plumbing Assembly	39
Hydraulic Manifold Block Assembly No. 108-1625	41
Rear Reel Drive System Plumbing and Front Hose Assembly	42
Hydraulic Motor Assembly No. 110-1717	43
Front Lift Cylinder and Plumbing Assembly	44
Hydraulic Cylinder Assembly No. 110-9034	45
Hydraulic Cylinder Assembly No. 110-9033	46
Front Lift Arm Assembly	47
Rear Lift Cylinder and Plumbing Assembly	48
Rear Lift Arm Assembly	49
Rear Axle Assembly	50
Tie Rod Assembly No. 110-5334-03	52
Hydraulic Cylinder Assembly No. 110-9035	53
Battery and Bumper Assembly	54
Hood and Body Panel Assembly	55
Crankcase Assembly	56
Oil Pan Assembly	57
Cylinder Head Assembly	58
Gear Case Assembly	59
Cylinder Head Cover Assembly	60
Dipstick and Guide Assembly	61
Main Bearing Case Assembly	62
Cam Shaft and Idle Gear Shaft Assembly	63
Piston and Crankshaft Assembly	64

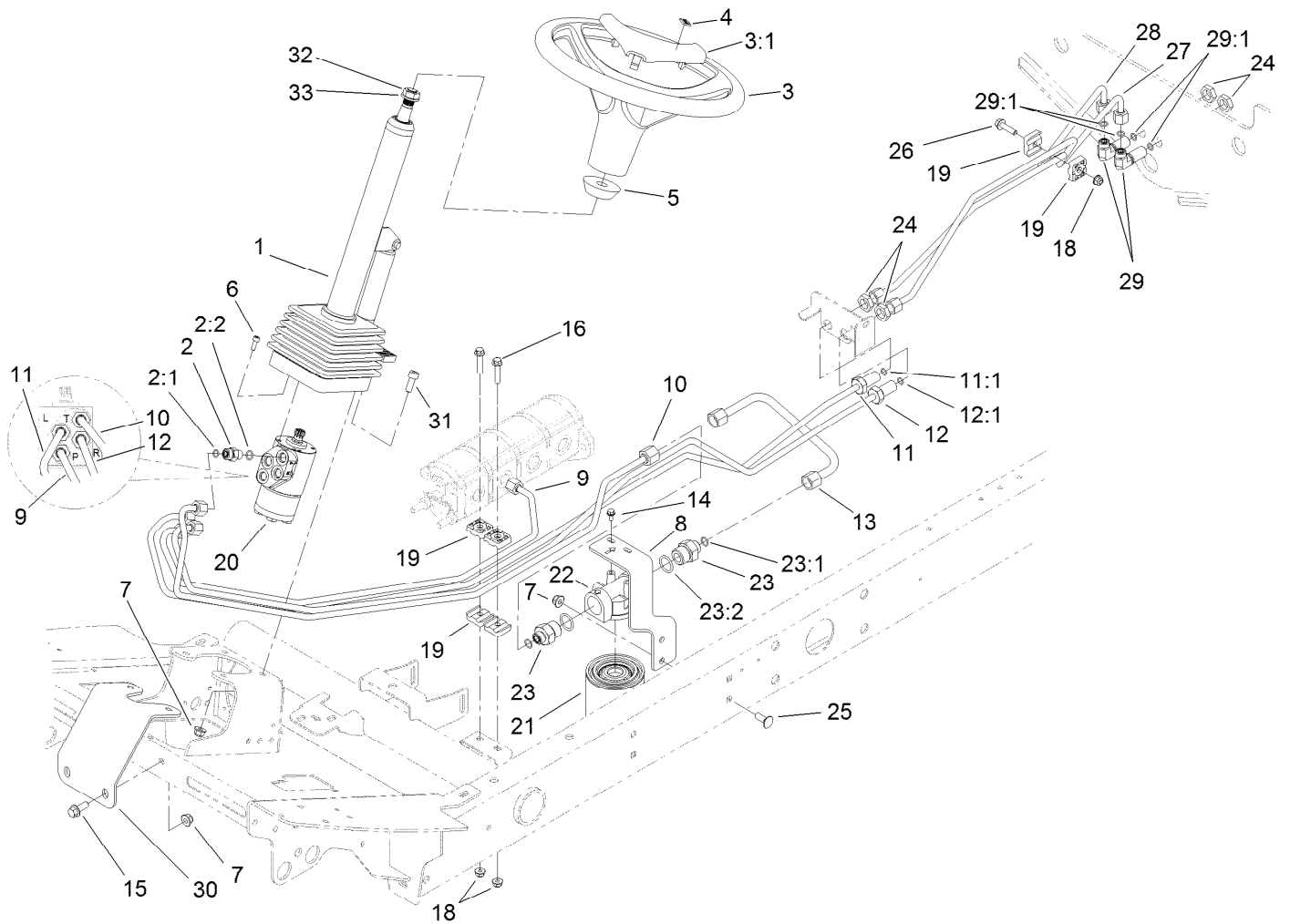
Contents (continued)

Flywheel Assembly	65
Fuel Camshaft and Governor Shaft Assembly	66
Idle Apparatus Assembly	67
Injection Pump Assembly	68
Speed Control Plate Assembly	69
Nozzle Holder and Glow Plug Assembly	70
Nozzle Holder Component Assembly	71
Governor Assembly	72
Alternator and Pulley Assembly	73
Alternator Components	74
Starter Assembly	75
Water Flange and Thermostat Assembly	76
Water Pump Assembly	77
Overflow Bottle Assembly	78
Valve and Rocker Arm Assembly	79
Inlet and Exhaust Manifold Assembly	80
Turbo Charger Assembly	81
Oil Pipe (Turbo Charger) Assembly	82
Oil Cooler Assembly	83
Attachments and Accessories	84



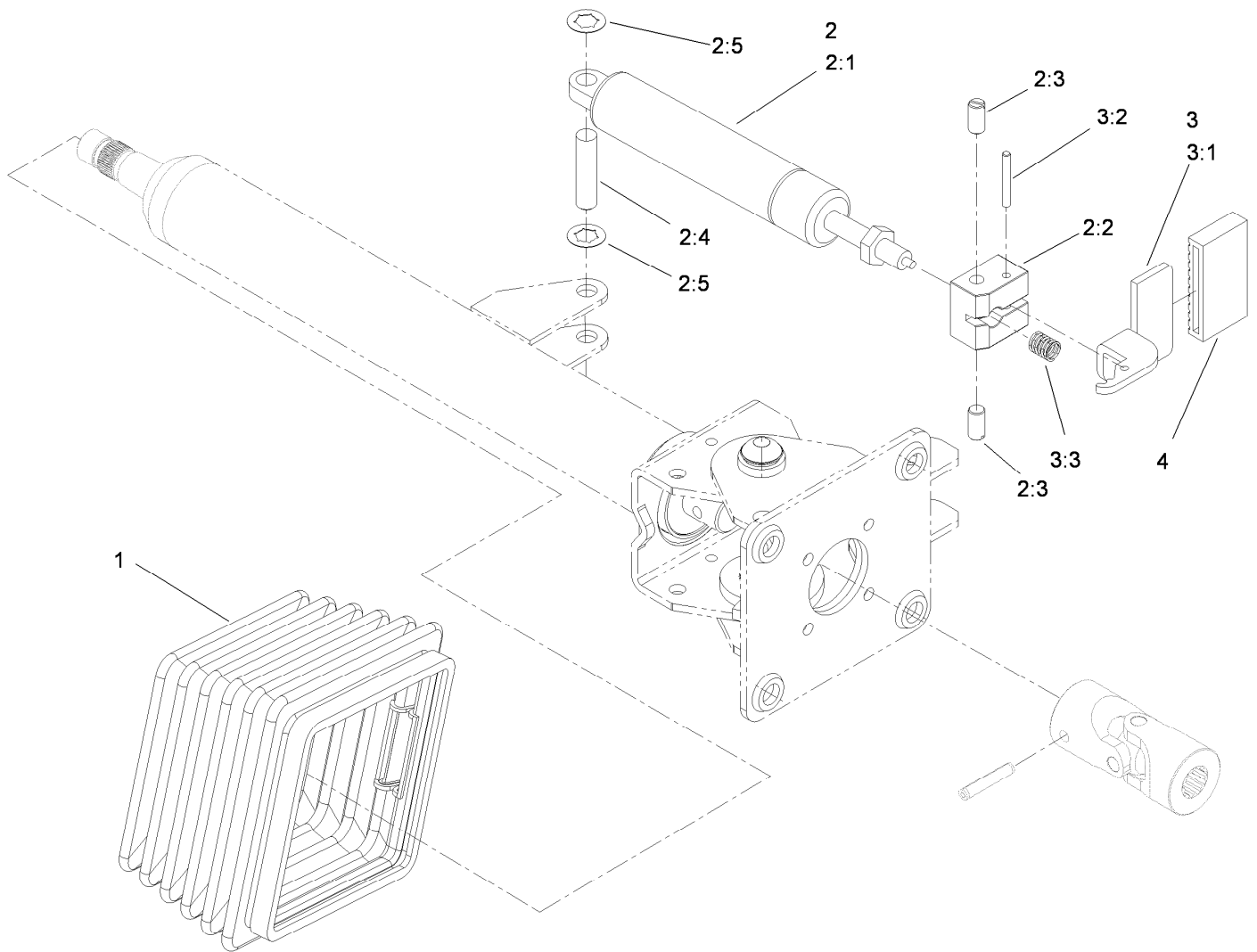
Front Frame Assembly

<i>Ref.</i>	<i>Part Number</i>	<i>Qty.</i>	<i>Description</i>	<i>Ref.</i>	<i>Part Number</i>	<i>Qty.</i>	<i>Description</i>
1	110-5312	1	Frame ASM	16	32128-33	2	Nut-HF
2	107-4501-01	1	Platform ASM	18	108-1844	1	Tread-Panel, Service
3	110-9041	2	Step-Aluminum	19	108-1845	1	Tread-Board, Floor
4	108-1671-01	4	Bracket-Step	20	32104-17	6	Screw-HWH
5	108-1806-01	1	Plate-Floor	21	106-9518	2	Screw-PRH
6	3234-17	4	Screw-HHF	22	240-11	2	Bushing-Flange
7	323-58	4	Bolt-TAP, HH	23	66-8010	2	Spacer
8	104-8301	8	Nut-HF, NI	24	93-6028	1	Plate-Logo
9	322-17	8	Screw-HH	25	94-9024	2	Lamp ASM
10	104-8300	10	Nut-HF, NI	25:1	95-0909	1	Lamp-12 Volt
11	3234-11	4	Screw-HHF	26	3254-9	4	Washer-Lock, Internal
12	110-0986	1	Decal-Plate, Cover	27	110-0944	1	Shroud-Platform
13	110-0988	2	Tread-Floor, Side	28	110-0947-03	1	Plate-Cover
14	3230-1	2	Bolt-CARR	30	110-8986	1	Decal-Danger
15	87-6630	2	Washer-Plain	30	110-8924	1	Decal-Danger



Steering Valve Hydraulic Plumbing Assembly

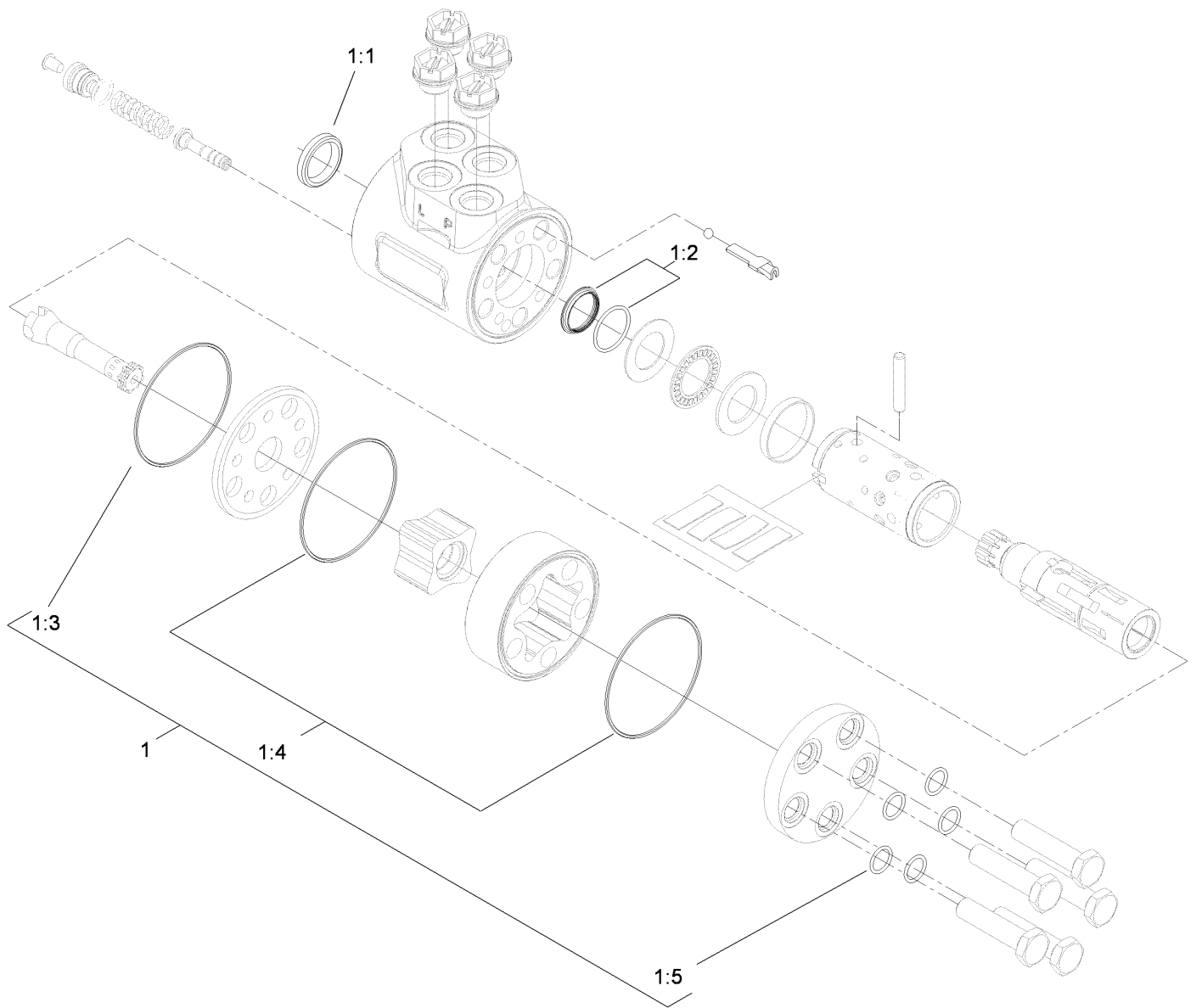
Ref.	Part Number	Qty.	Description	Ref.	Part Number	Qty.	Description
1	106-3622	1	Steering Tilt Column ASM	16	3234-36	2	Screw-HHF
2	340-2	4	Fitting-Straight	18	104-8300	3	Nut-HF, NI
2:1	237-22	1	O-Ring	19	56-7973	6	Clamp-Tube
2:2	237-42	1	O-Ring	20	106-3621	1	Steering Valve ASM
3	98-1471	1	Wheel-Steering	21	86-3010	1	Filter-Oil
3:1	98-1468	1	Cover-Wheel, Steering	22	92-5821	1	Head-Filter
4	98-1459	1	Decal	23	100-4240	2	Fitting-STR
5	93-5429	1	Collar-Foam	23:1	237-30	1	O-Ring
6	105-2409	4	Screw-HSH	23:2	237-81	1	O-Ring
7	104-8301	6	Nut-HF, NI	24	340-70	4	Nut-Lock
8	110-0906-01	1	Support-Filter, Oil	25	3231-27	2	Screw-CARR
9	108-1710	1	Tube ASM	26	3234-36	1	Screw-HHF
10	108-1711	1	Tube-HYD	27	108-7629	1	Tube ASM
11	108-1712	1	Tube ASM	28	108-7630	1	Tube ASM
11:1	237-22	1	O-Ring	29	340-154	2	Union-Bulkhead
12	108-1713	1	Tube ASM	29:1	237-22	2	O-Ring
12:1	237-22	1	O-Ring	30	110-8876-01	1	Brace-Column
13	108-1714	1	Tube ASM	31	3274-1	4	Screw-HSH
14	3234-33	2	Screw-HHF	32	3296-33	1	Nut-Lock, NI
15	3234-11	2	Screw-HHF	33	3256-27	1	Washer-Flat



Steering Tilt Column Assembly No. 106-3622

Ref.	Part Number	Qty.	Description
1	110-6462	1	Bellows-Rubber
2	110-6463	1	Cylinder Service Kit
2:1		1	Cylinder-Gas ●
2:2		1	Block-Pedal ●
2:3		2	Bolt ●
2:4		1	Pin ●
2:5		2	Washer-Lock ●
3	110-6464	1	Pedal Service Kit
3:1		1	Pedal ●
3:2		1	Pin ●
3:3		1	Spring ●
4	110-6465	1	Cover-Pedal

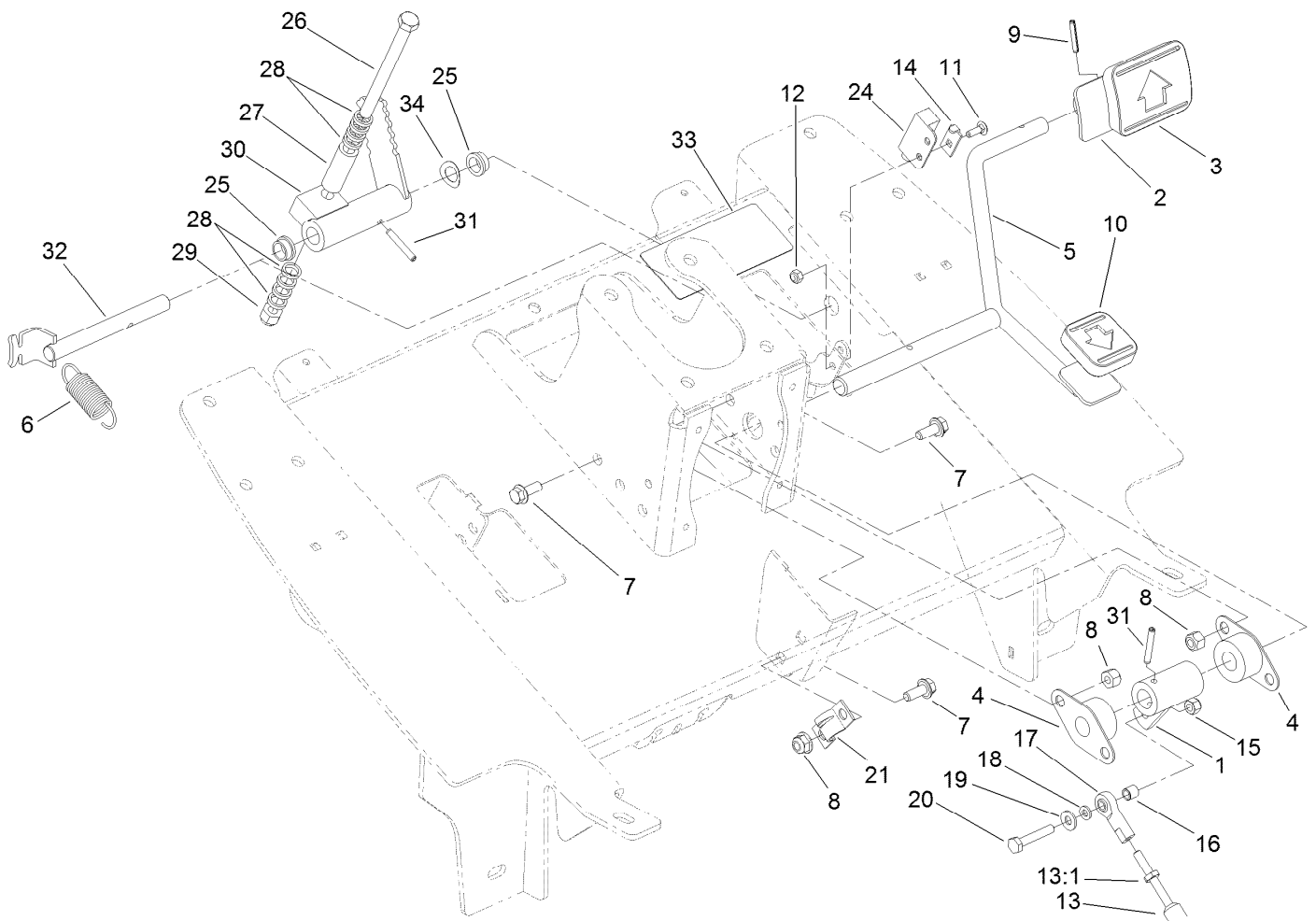
● Not serviced separately



Steering Valve Assembly No. 106-3621

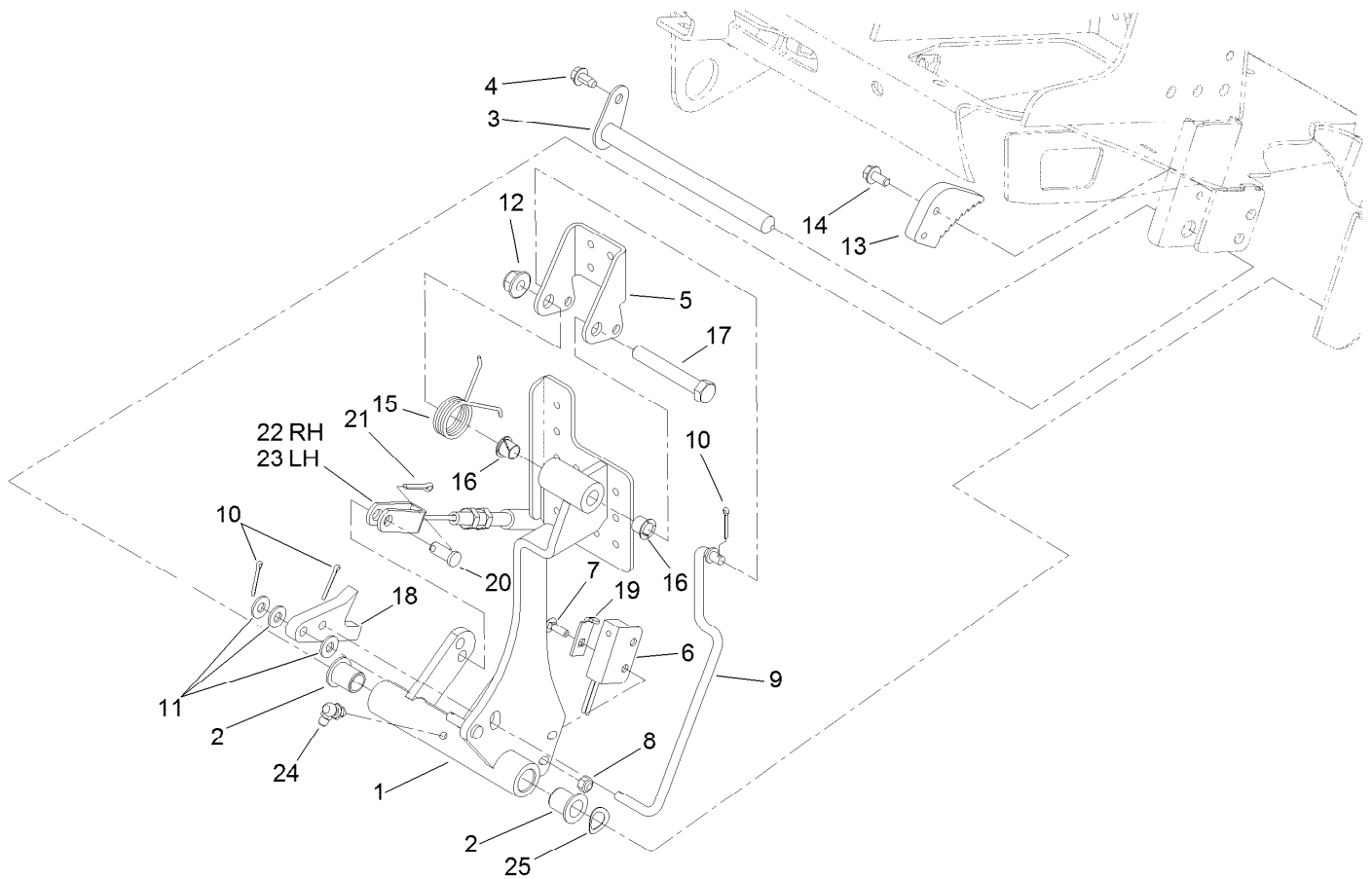
<i>Ref.</i>	<i>Part Number</i>	<i>Qty.</i>	<i>Description</i>
1	106-6716	1	Seal Kit
1:1		1	Ring-Seal, Dust ●
1:2		1	Seal-Shaft ●
1:3		1	O-Ring ●
1:4		2	O-Ring ●
1:5		5	O-Ring ●

● Not serviced separately



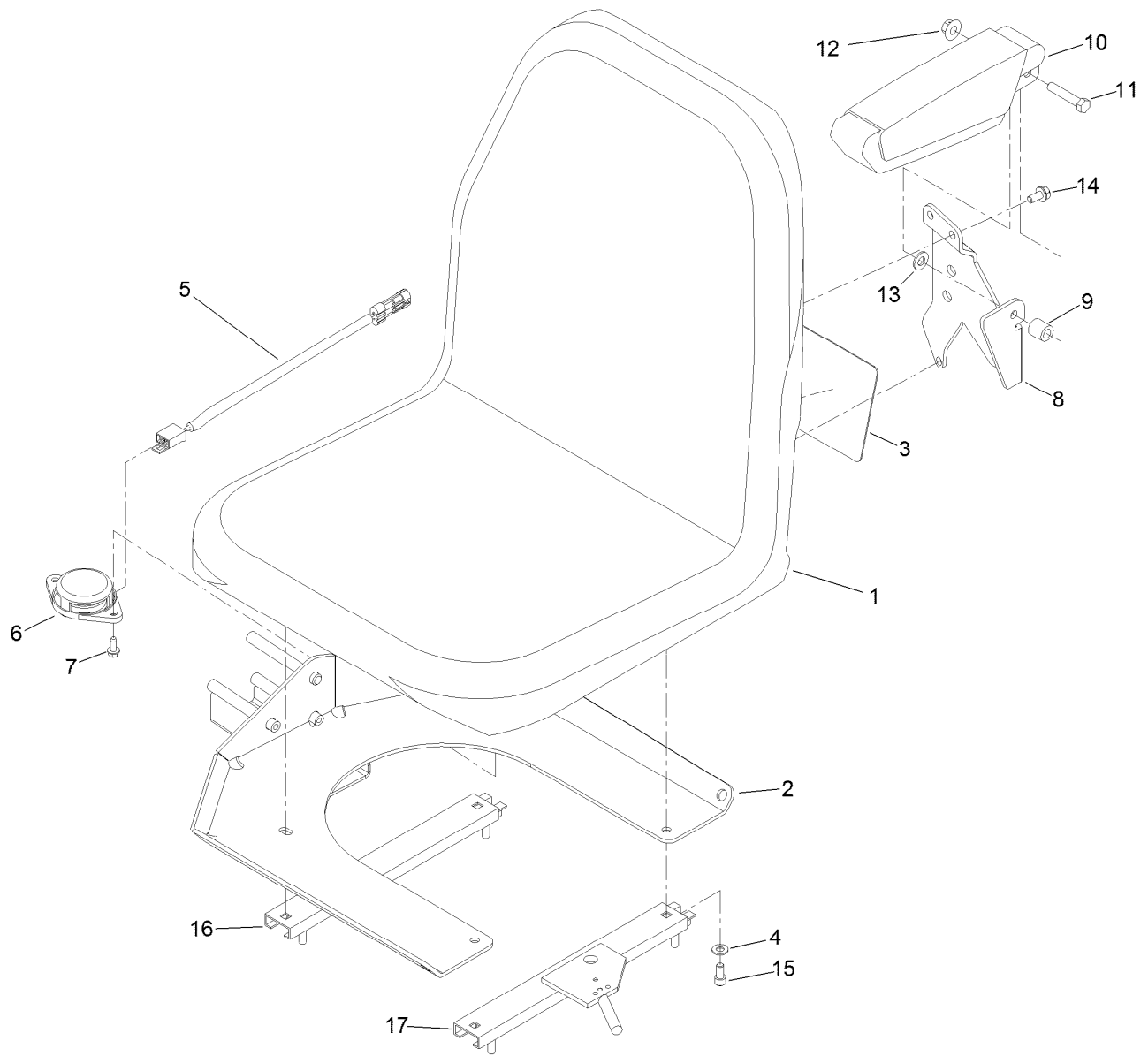
Traction Pedal Assembly

Ref.	Part Number	Qty.	Description	Ref.	Part Number	Qty.	Description
1	106-3719	1	Hub-Pedal, Traction	17	2411-41	1	Rod End-Ball Joint
2	49-6440-03	1	Pedal-Forward	18	33093-00	1	Washer-Flat
3	74-9100	1	Pad-Pedal, Forward	19	3256-22	1	Washer-Flat
4	256-236	2	Bearing-Mount, Flange	20	321-9	1	Screw-HH
5	106-3840	1	Pedal-Traction	21	93-2092	1	Clamp-Cable
6	92-7305	1	Spring-Extension	24	104-1414	1	Sensor-Proximity, Ferrous (NC)
7	3234-5	6	Screw-HHF	25	256-156	2	Bushing-Flange
8	3296-29	6	Nut-Lock, NI	26	323-17	1	Screw-HH
9	32121-45	1	Pin-Spring	27	95-6448	1	Spacer
10	74-9110	1	Pad-Pedal, Reverse	28	62-4420	8	Washer
11	3229-34	1	Screw-CARR	29	3296-39	1	Nut-Lock, NI
12	3296-2	1	Nut-Lock, NI	30	115-8078	1	Mow Stop
13	107-2084	1	Traction Cable ASM	31	32121-6	2	Pin-Roll, Slotted
13:1	3220-1	2	Nut-Jam	32	106-3731	1	Rod-Pivot
14	100-4872	1	Plate-Switch, Neutral	33	110-8921	1	Decal-Speed, Mow
15	3296-42	1	Nut-Lock, NI	34	110-8982	1	Washer-Spring
16	99-3545	1	Spacer				



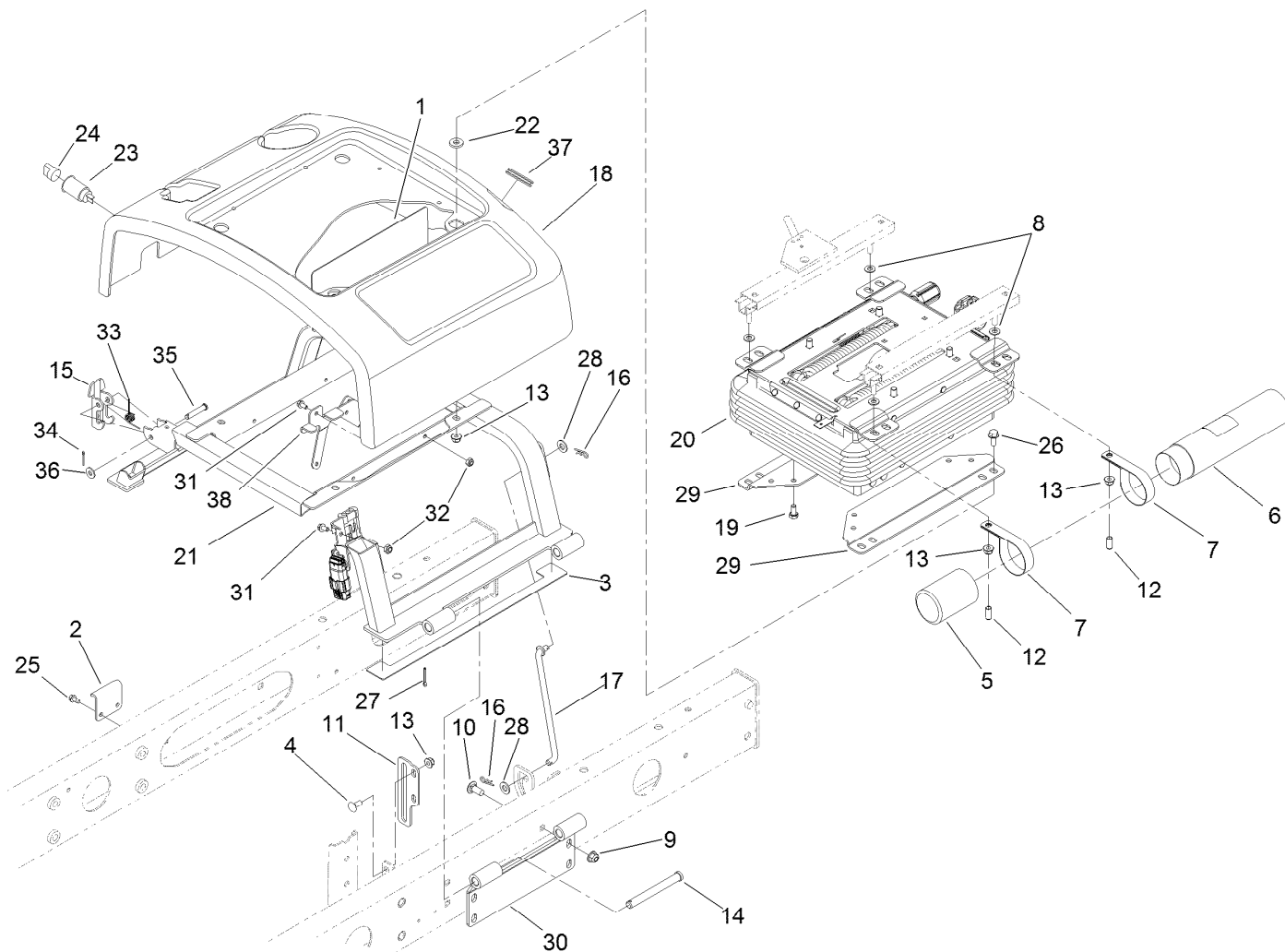
Brake Pedal Assembly

<i>Ref.</i>	<i>Part Number</i>	<i>Qty.</i>	<i>Description</i>	<i>Ref.</i>	<i>Part Number</i>	<i>Qty.</i>	<i>Description</i>
1	106-3712-03	1	Pedal-Brake	14	3234-13	2	Screw-HHF
2	256-155	2	Bushing-Flange	15	99-7140	1	Spring-Torsion
3	104-7179	1	Pivot-Pedal	16	52-2891	2	Bushing-Flanged, Nylon
4	12-3270	1	Screw	17	323-12	1	Screw-HH
5	99-7963-03	1	Pedal-Park	18	106-3713	1	Detent
6	100-1270	1	Switch-Proximity	19	100-4872	1	Plate-Switch, Neutral
7	3229-34	1	Screw-CARR	20	283-62	2	Pin-Clevis
8	3296-2	1	Nut-Lock, NI	21	3272-10	2	Pin-Cotter
9	110-0914	1	Rod-Pawl, Brake	22	110-9036	1	Cable-Brake, RH
10	3272-6	3	Pin-Cotter	23	110-9037	1	Cable-Brake, LH
11	3256-22	3	Washer-Flat	24	302-60	1	Fitting-Grease
12	104-8301	1	Nut-HF, NI	25	110-8982	1	Washer-Spring
13	99-7214	1	Pawl-Brake				



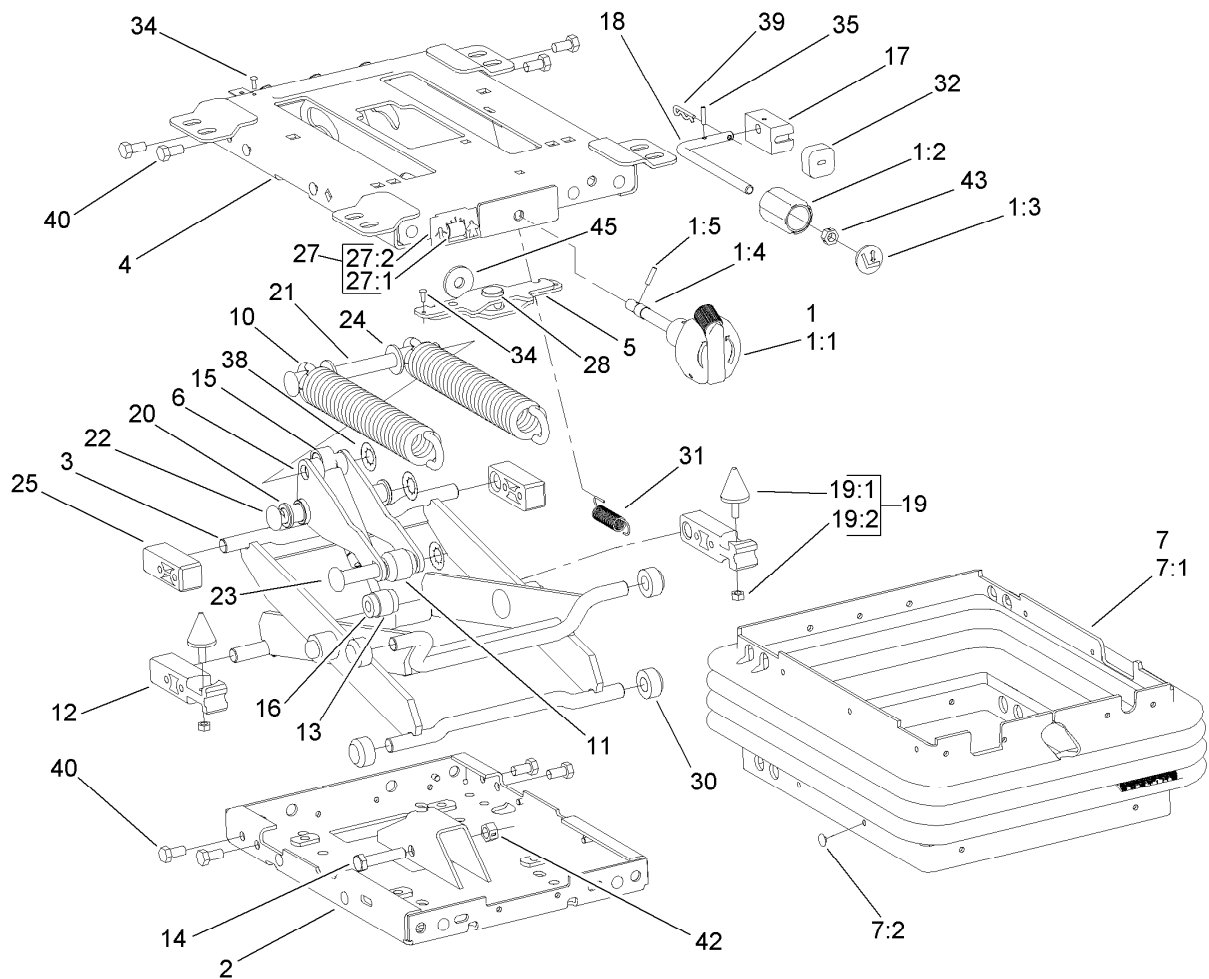
Seat and Armrest Assembly

<i>Ref.</i>	<i>Part Number</i>	<i>Qty.</i>	<i>Description</i>	<i>Ref.</i>	<i>Part Number</i>	<i>Qty.</i>	<i>Description</i>
1	104-4620	1	Seat	10	69-1180	1	Armrest
2	108-7591-03	1	Mount-Seat / Control	11	323-9	1	Screw-HH
3	114-0429	1	Decal-Service Instructions	12	32128-19	1	Nut-HF Lock, Large Flg
4	3256-23	4	Washer-Plain	13	3256-24	1	Washer-Flat
5	108-8657	1	Harness-Wire, Seat	14	3234-14	3	Screw-HHF
6	92-6282	1	Switch-Seat	15	3274-12	4	Screw-HSH
7	32144-10	2	Screw-HWH	16	92-8990	1	Adjuster-Seat, Non-Locking
8	69-0760	1	Bracket-Arm, LH	17	92-8991	1	Adjuster (W/Latch)
9	92-7301	1	Spacer				



Seat Base and Suspension Assembly

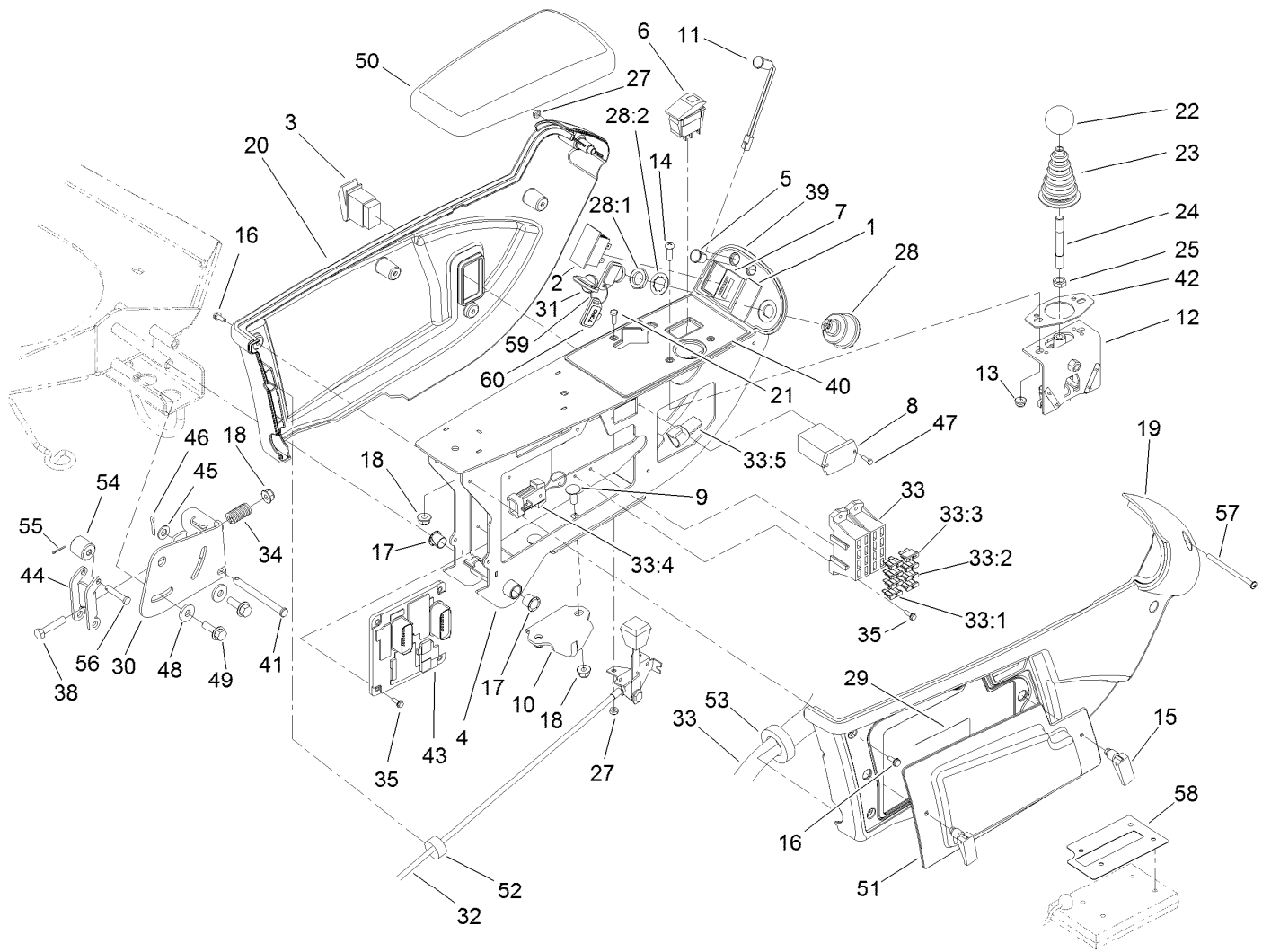
Ref.	Part Number	Qty.	Description	Ref.	Part Number	Qty.	Description
1	114-8891	1	Decal-Reel Speed, 7In	21	108-7577-03	1	Seat Base
2	110-8972	1	Hook-Latch	22	71-9310	4	Spacer
3	110-5255	2	Bumper-Base, Seat	23	99-7411	1	Point-Power
4	3230-1	2	Bolt-CARR	24	99-7416	1	Cap
5	104-7048	1	Cap-Housing	25	32104-17	2	Screw-HWH
6	104-7050	1	Tube-Manual	26	3234-17	4	Screw-HHF
7	2412-133	2	Clamp-R	27	3272-11	2	Pin-Cotter
8	3256-23	4	Washer-Plain	28	3256-24	4	Washer-Flat
9	104-8301	4	Nut-HF, NI	29	108-6590-03	2	Bracket-Seat, Lower
10	3231-27	4	Screw-CARR	30	108-7582-03	1	Plate-Pivot
11	108-7584-01	1	Plate-Guide, Rod	31	3234-13	2	Screw-HHF
12	94-2782	4	Cap-Wire, Lite	32	3296-16	2	Nut-Lock, NI
13	104-8300	10	Nut-HF, NI	33	104-4821	1	Spring-Torsion
14	283-83	2	Pin-Clevis	34	3272-6	1	Pin-Cotter
15	110-8971	1	Latch	35	94-3829	1	Pin-Clevis
16	3290-307	4	Pin-Cotter	36	3256-2	1	Washer-Flat
17	98-0917	2	Rod-Prop	37	240-12	1	Grommet-Rubber
18	108-1757	1	Cover-Seatbase	38	110-9027	1	Bracket-Harness
19	48-7680	4	Screw-HH				
20	110-8851	1	Mechanical Suspension ASM				



Mechanical Seat Suspension Assembly No. 110-8851

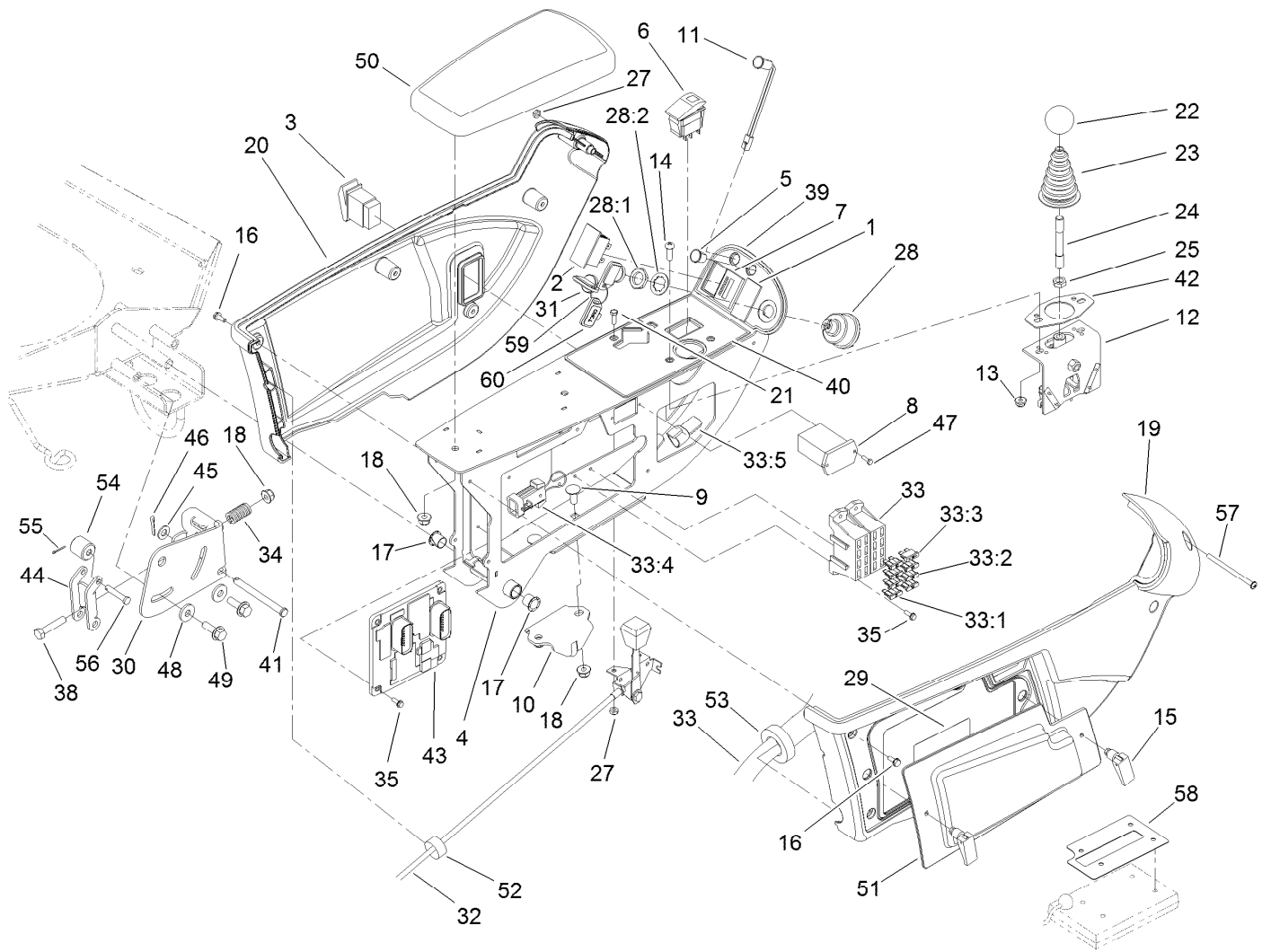
Ref.	Part Number	Qty.	Description	Ref.	Part Number	Qty.	Description
1	108-4583	1	Knob Service Kit	19	108-4585	2	Bumper Service Kit
1:1		1	Knob-Weight, Adjust ●	19:1		2	Bumper-Stop ●
1:2		1	Knob-Adjust, Height ●	19:2		2	Nut ●
1:3		1	Cap-Knob, Height Adjust ●	20	108-9622	2	Tube
1:4		1	Spacer-Adjust, Weight ●	21		1	Shaft-Spring ●
1:5		1	Pin-Roll ●	22		1	Pin-Pivot ●
2		1	Housing-Lower ●	23		1	Pin-Roller ●
3		1	Scissors-Compact ●	24		2	Bushing-Spring ●
4		1	Housing-Upper ●	25		2	Block-Shaft ●
5		1	Adjuster-Weight ●	27	108-4584	1	Weight Indicator Service Kit
6		1	Drive Arm ●	27:1		1	Tape-Weight Adjust ●
7	112-0164	1	Boot Kit	27:2		1	Guide-Weight Adjust ●
7:1		1	Boot-Suspension ●	28		1	Nut-Adjust, Weight ●
7:2	108-9641	21	Clip-Plug	30	108-9632	4	Roller
10		2	Spring-Extension ●	31	108-9633	1	Spring-Extension
11		1	Guide-Roller ●	32	108-9634	1	Bumper
12		2	Block-Scissors Pivot, Side Mount ●	34	3269-16	2	Rivet
13	108-9614	1	Damper	35		1	Pin-Roll ●
14		1	Bolt-Shock, Lower ●	38		3	Retainer ●
15		2	Bushing-Shock, Upper ●	39	3272-9	1	Pin-Cotter
16		2	Bushing-Shock, Lower ●	40		8	Screw-HWHTF ●
17		1	Block-Bumper, Up Stop ●	42	32152-2	1	Nut-Lock, Cone
18		1	Rod-Adjust, Height ●	43	32152-1	1	Nut-Lock, Cone
				45	3256-24	1	Washer-Flat

● Not serviced separately



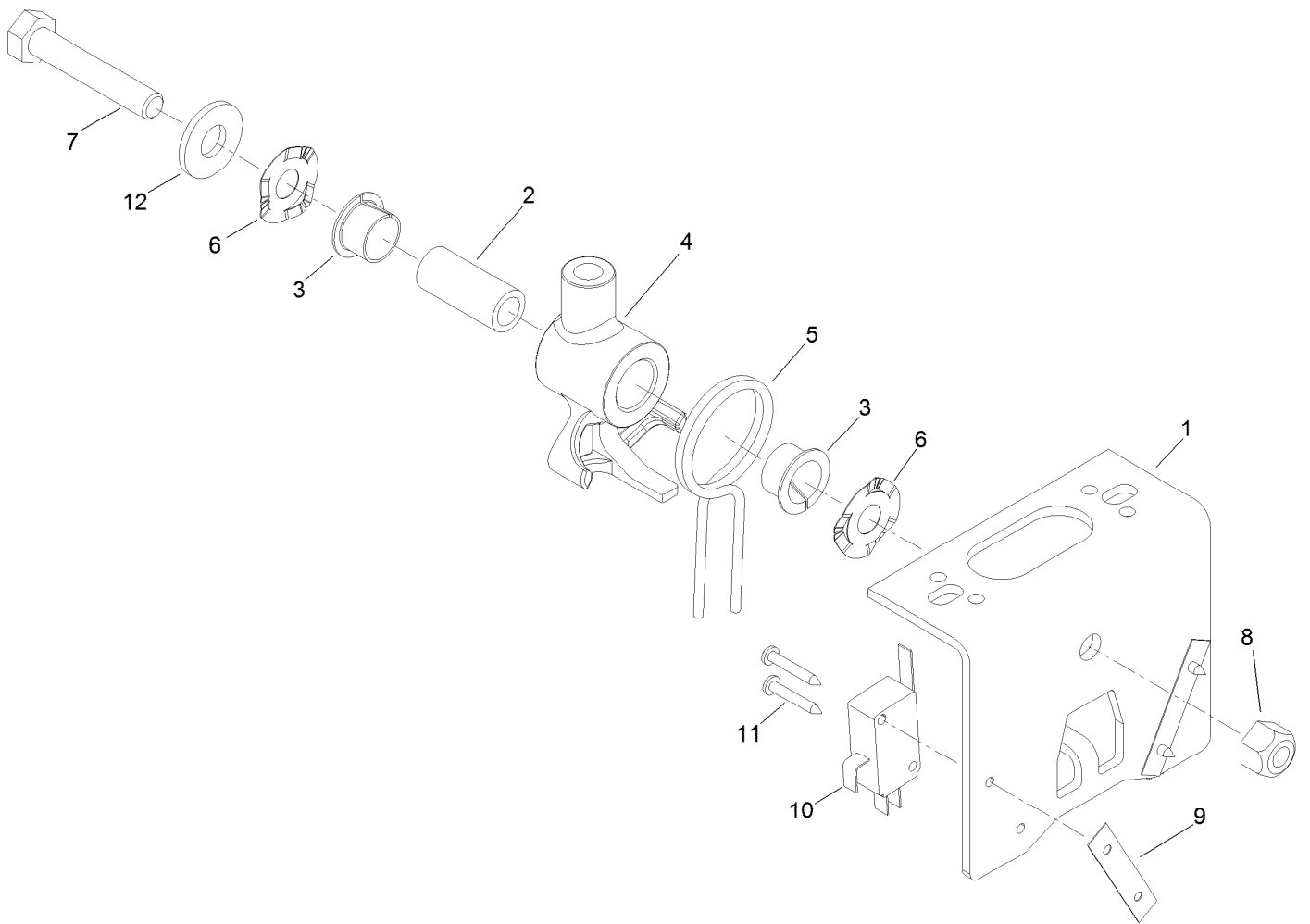
Console and Control Arm Assembly

Ref.	Part Number	Qty.	Description	Ref.	Part Number	Qty.	Description
1	100-8070	1	Lamp-Warning	22	233-42	1	Knob
2	100-8071	1	Lamp-Warning	23	93-5961	1	Boot-Lever
3	95-8999	1	Switch	24	105-8288	1	Rod-Joystick
4	108-7599-03	1	Control Arm ASM	25	3218-3	1	Nut-Jam
5	2410-64	1	Plug-Button	27	3296-12	2	Nut-Lock, NI
6	105-4232	1	Switch	28	104-2541	1	Ignition Switch ASM
7	110-0941	1	Gauge-Temperature	28:1	218-461	1	Nut-HH
8	75-6820	1	Hourmeter	28:2	3254-5	1	Washer-Lock
9	3230-23	2	Bolt-CARR	29	110-0989	1	Decal-Fuse
10	110-5340	1	Latch	30	110-5313-03	1	Bracket-Retainer
11	95-7652	1	Light-Indicator	31	63-8360	2	Key-Ignition
12	106-4167	1	Joystick Bracket ASM	32	114-8886	1	Control-Throttle
13	104-7201	2	Nut-HF, NI	33	115-1917	1	Harness-Wire, Seat
14	3258-166	2	Screw-PRH	33:1	94-6710	1	Fuse-2 Amp
15	74-5950	2	Latch-Swell	33:2	218-578	6	Fuse-Blade, 10 Amp
16	32144-112	10	Screw-HWH	33:3	109355	1	Fuse-Blade, 15 Amp
17	256-257	2	Bushing-Nyliner	33:4	85-4650	1	Connector
18	104-8300	4	Nut-HF, NI	33:5	32180-043	1	Resistor-120 Ohm
19	108-7605	1	Cover-RH	34	110-5331	1	Spring-Compression
20	108-7604	1	Cover-LH	35	32144-87	9	Screw-HWHTF
21	3290-134	2	Screw	38	322-7	1	Screw-HH



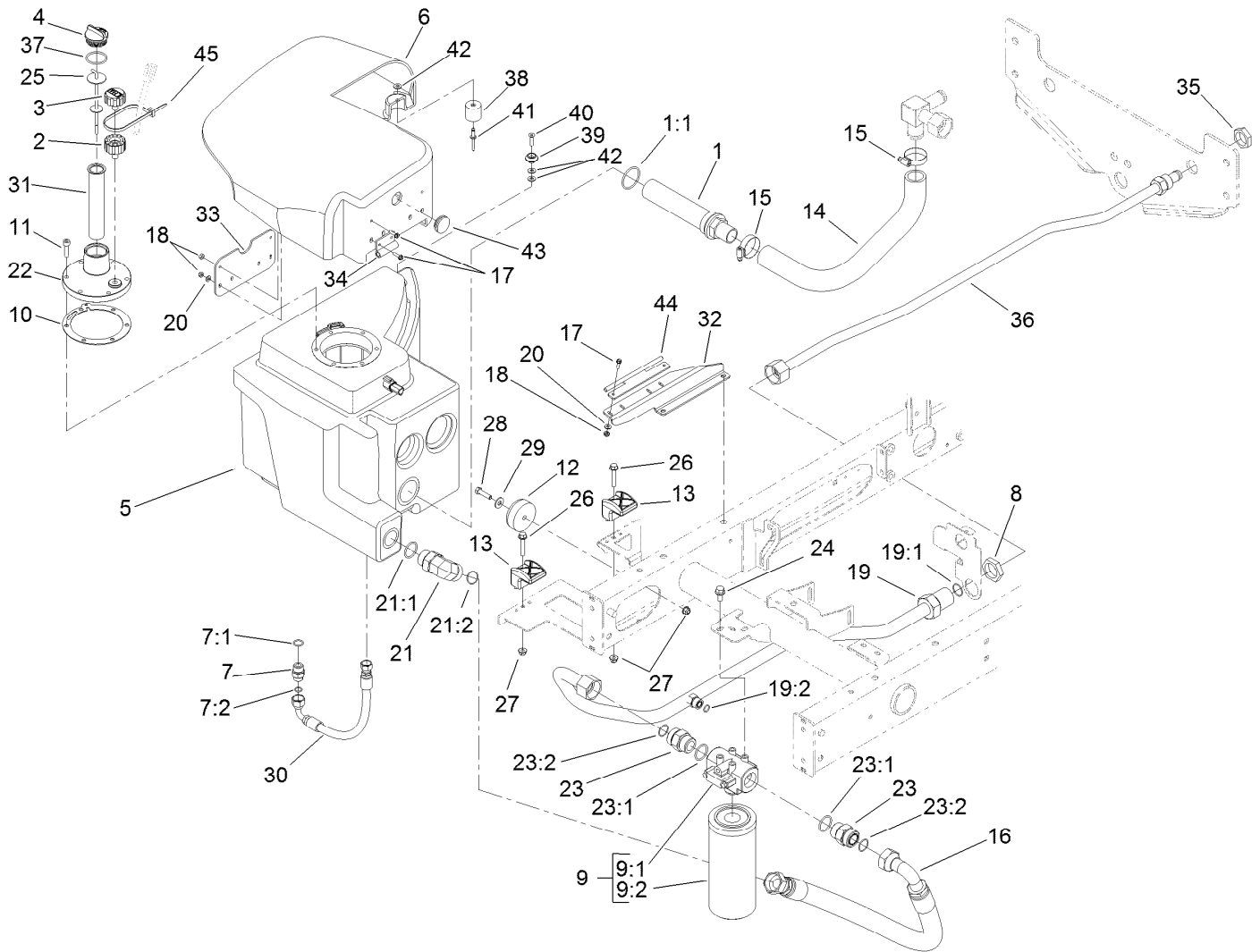
Console and Control Arm Assembly (continued)

<i>Ref.</i>	<i>Part Number</i>	<i>Qty.</i>	<i>Description</i>	<i>Ref.</i>	<i>Part Number</i>	<i>Qty.</i>	<i>Description</i>
39	110-0984	1	Decal-Console	50	108-7602	1	Rest-Arm
40	110-0998	1	Decal-Panel, Control	51	108-7616	1	Panel-Access
41	283-88	1	Pin-Clevis	52	110-8911	1	Seal-Foam
42	112-9181	1	Plate-Boot	53	110-8912	1	Seal-Foam
43	110-0650	1	Module-Control, Electronic	54	110-8856	1	Spacer
44	110-5314	1	Latch	55	3272-1	1	Pin-Cotter
45	3256-23	1	Washer-Plain	56	283-73	1	Pin-Clevis
46	3272-10	1	Pin-Cotter	57	3250-22	1	Screw-PPH
47	32144-18	2	Screw-HWH	58	110-0666	1	Overlay-Diagnostics
48	4-2390	2	Washer-Flat	59	98-9321	1	Ring-Key
49	3234-29	2	Screw-HHF	60	99-8970	1	Key-Latch, Hood



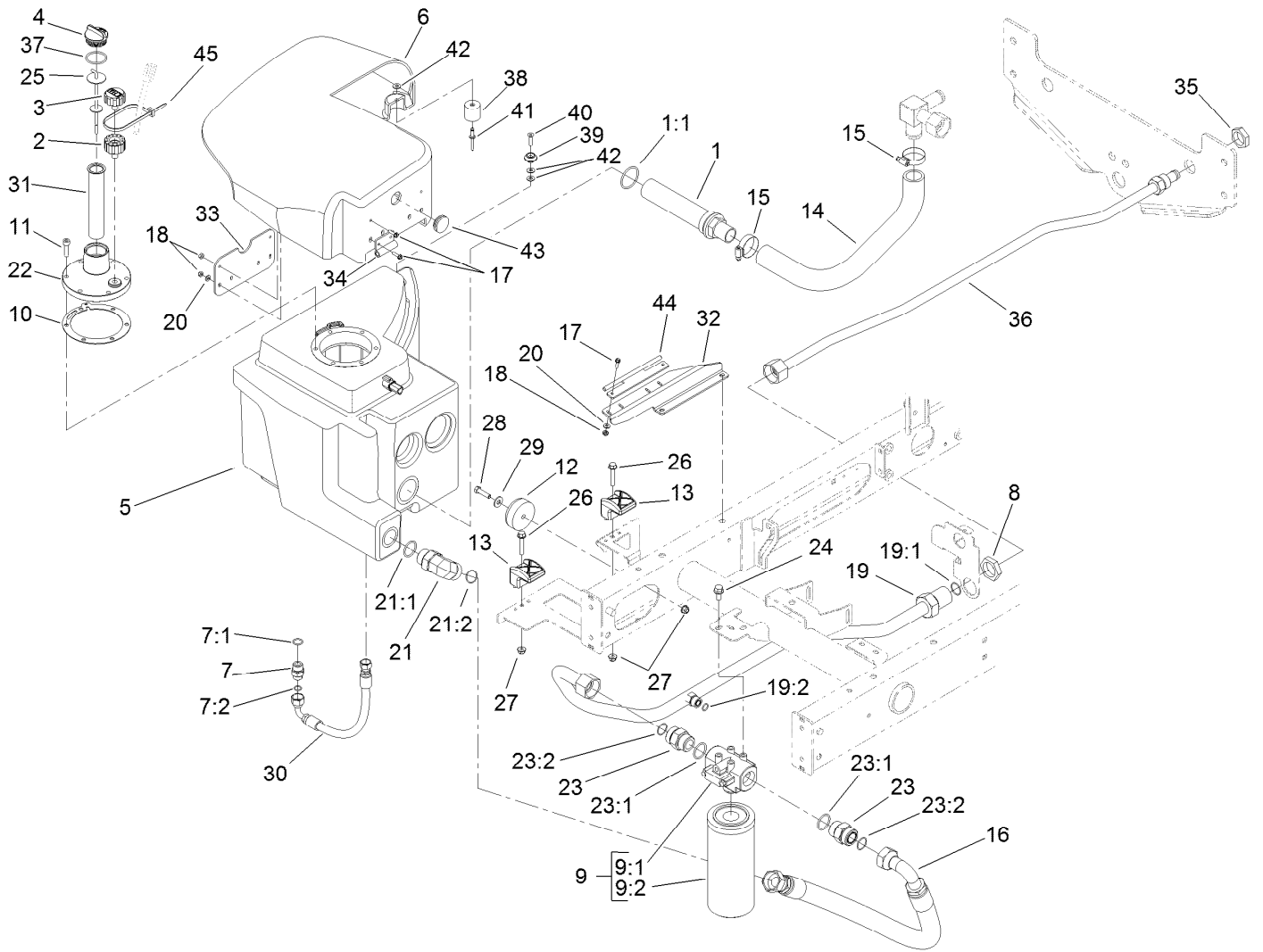
Joystick Bracket Assembly No. 106-4167

<i>Ref.</i>	<i>Part Number</i>	<i>Qty.</i>	<i>Description</i>
1	106-4168-03	1	Bracket-Joystick
2	106-4192	1	Spacer
3	93-5547	2	Bushing-Nylon
4	105-7507	1	Hub-Pivot, Joystick
5	105-8289	1	Spring-Torsion
6	106-4193	2	Washer-Finger, Spring
7	322-9	1	Screw-HH
8	3296-29	1	Nut-Lock, NI
9	3290-354	2	Nut-Speed
10	108-6496	2	Switch (W/Boot)
11	95-3003	4	Screw-PPHTF
12	3256-3	1	Washer-Flat



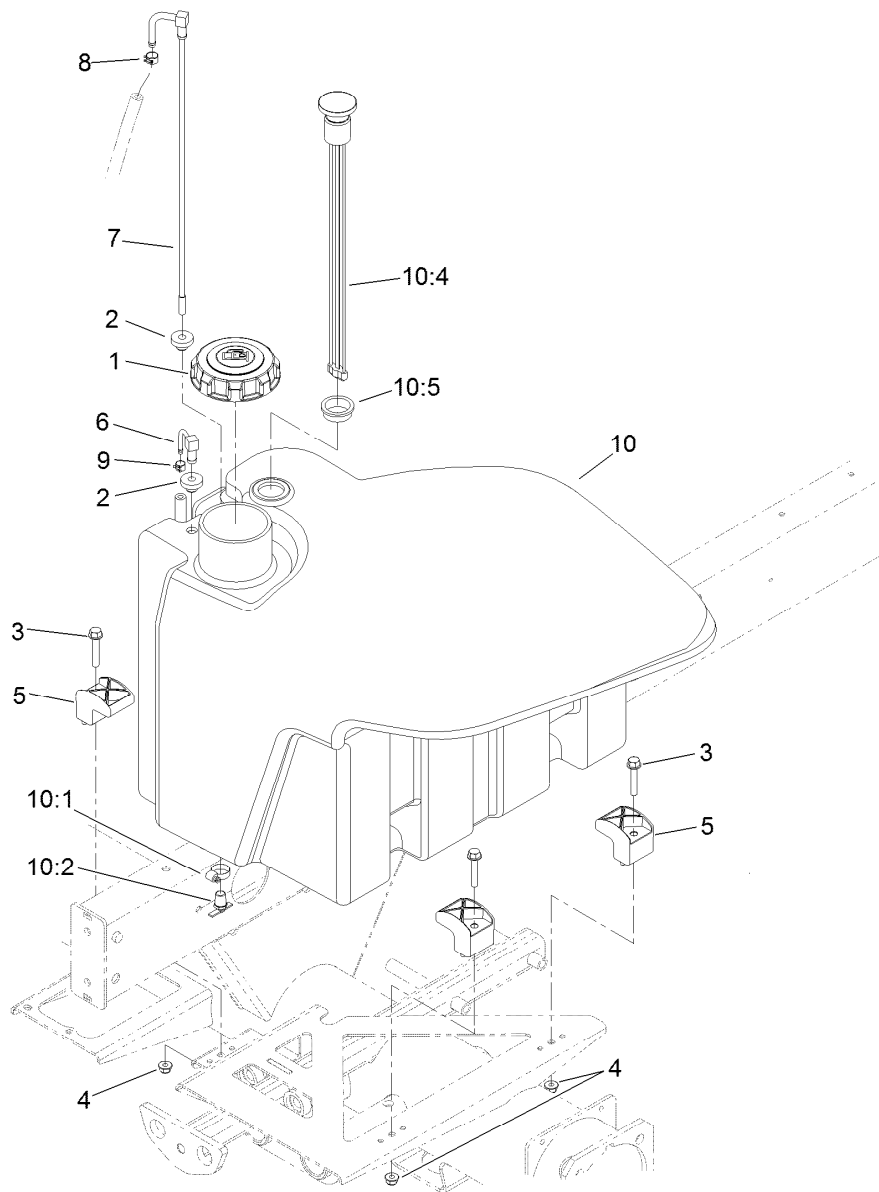
Hydraulic Tank Assembly

Ref.	Part Number	Qty.	Description	Ref.	Part Number	Qty.	Description
1	105-0131	1	Strainer-Tank, Oil	17	32105-13	8	Screw-HWH
1:1	340-136	1	O-Ring	18	3296-2	8	Nut-Lock, NI
2	92-8020	1	Adapter-Breather	19	108-1699	1	Tube ASM
3	68-6150	1	Breather	19:1	340-65	1	O-Ring
4	93-7498	1	Plug-Plastic	19:2	237-30	1	O-Ring
5	107-4513	1	Tank-Oil	20	3256-14	6	Washer-Flat
6	107-4545	1	Cover-Tank	21	340-129	1	Fitting-Elbow, 90 DEG
7	340-3	1	Fitting-Straight	21:1	237-146	1	O-Ring
7:1	237-22	1	O-Ring	21:2	340-65	1	O-Ring
7:2	237-79	1	O-Ring	22	108-7641	1	Cap-Tank, HYD
8	340-128	1	Nut-Bulkhead	23	104-3797	2	Fitting-Straight
9	98-3923	1	Oil Filter ASM	23:1	237-146	1	O-Ring
9:1	104-0080	1	Filter Head ASM	23:2	340-65	1	O-Ring
9:2	94-2621	1	Element-Filter	24	3234-1	2	Screw-HHF
10	94-2660	1	Gasket-Flange	25	94-9411	1	Dipstick
11	94-3559	6	Screw-HSH	26	94-5780	2	Screw-HWH
12	108-1605	1	Bumper-Recess	27	104-8300	3	Nut-HF, NI
13	107-4543	2	Clamp	28	322-6	1	Screw-HH
14	108-1685	1	Hose-Formed	29	3256-3	1	Washer-Flat
15	2412-111	2	Clamp-Hose, W/Liner	30	66-8490	1	Hose-HYD
16	108-1689	1	Hose-HYD	31	61-2790	1	Filter-Screen



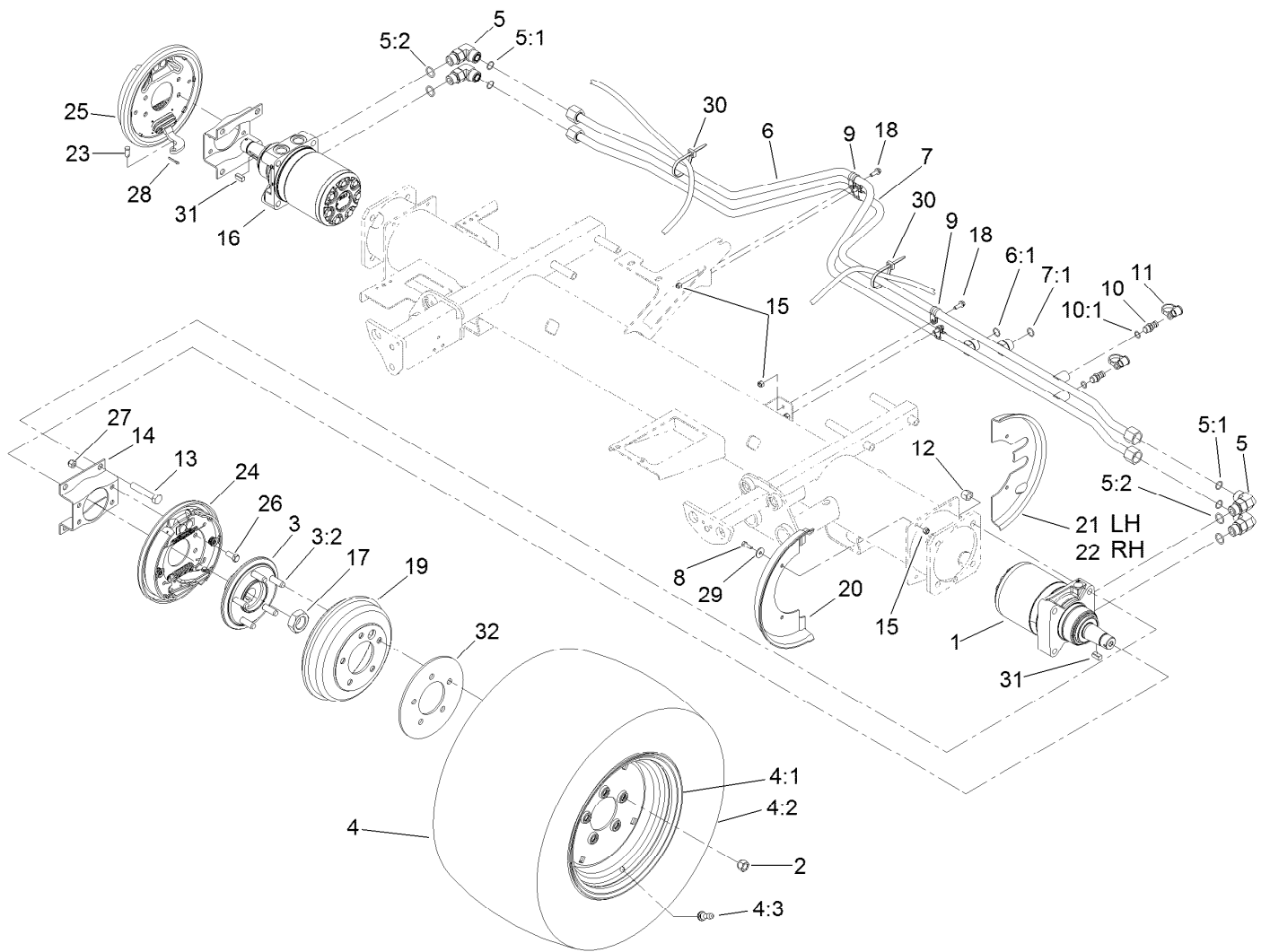
Hydraulic Tank Assembly (continued)

<i>Ref.</i>	<i>Part Number</i>	<i>Qty.</i>	<i>Description</i>	<i>Ref.</i>	<i>Part Number</i>	<i>Qty.</i>	<i>Description</i>
32	108-1606-03	1	Bracket-Hinge	39	99-7833	1	Post-Holding
33	108-1607-03	1	Plate-Hinge	40	32108-5	1	Screw-FH
34	110-8925	2	Hinge ASM	41	3290-412	1	Rivet-Blind
35	340-126	1	Nut-Bulkhead	42	3256-22	3	Washer-Flat
36	108-1691	1	Tube ASM	43	110-5333	1	Grommet-Plug
37	237-101	1	O-Ring	44	110-8928	1	Pin ASM
38	99-7830	1	Receptical-Rubber	45	3290-378	1	Tie-Cable



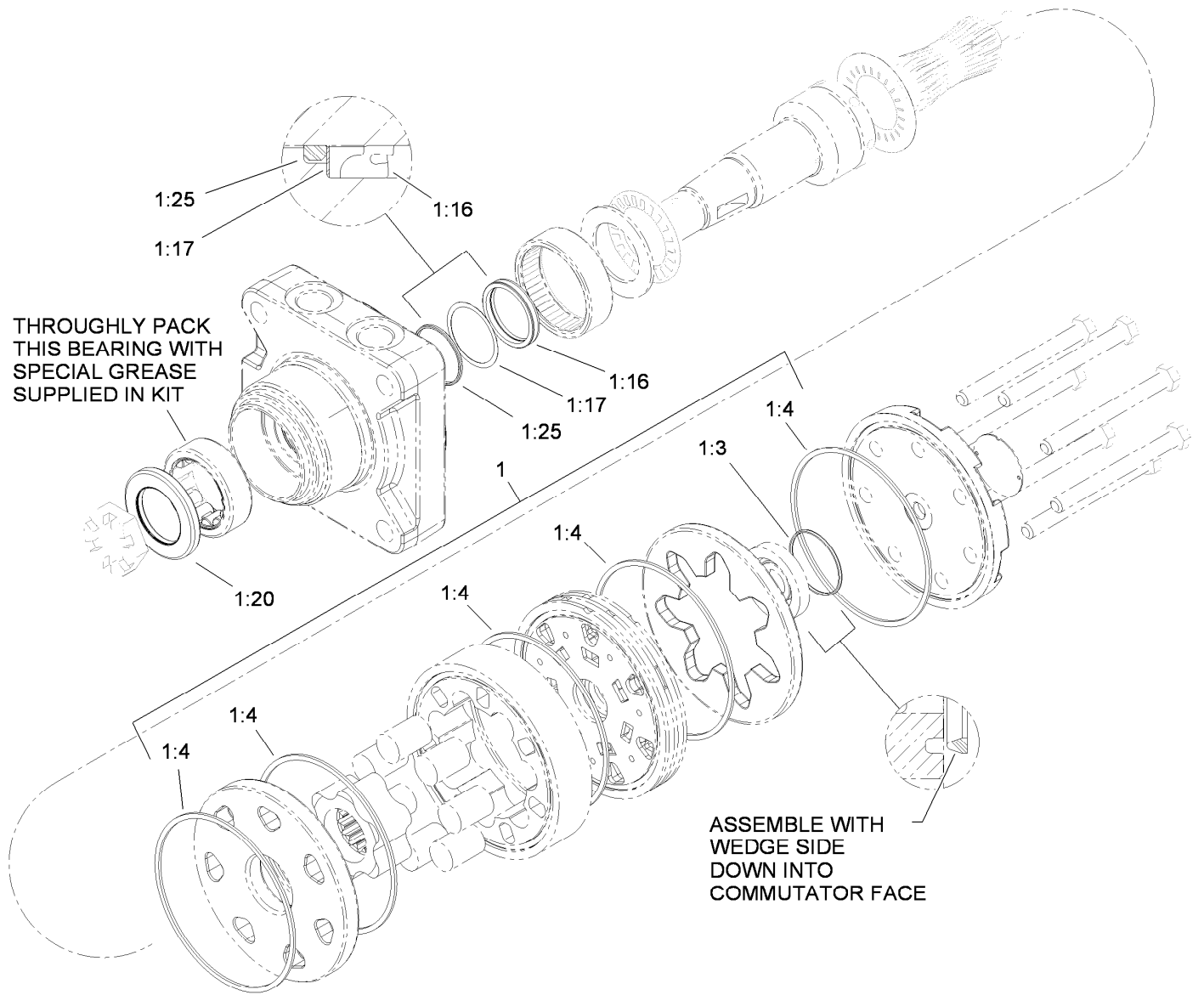
Fuel Tank Assembly

Ref.	Part Number	Qty.	Description
1	114-5062	1	Cap-Biodiesel
2	46-6560	2	Bushing
3	94-5780	3	Screw-HWH
4	104-8300	3	Nut-HF, NI
5	107-4543	3	Clamp
6	108-1643	1	Fitting-Return
7	110-9031	1	Fitting-Suction
8	92-2379	1	Clamp-Hose
9	2412-146	1	Clamp-Hose
10	108-1842	1	Fuel Tank ASM
10:1	2412-36	1	Clamp-Hose
10:2	304-46	1	Draincock
10:4	108-1640	1	Gauge-Fuel
10:5	95-8972	1	Grommet



Front Wheel, Brake and Hydraulic Motor Assembly

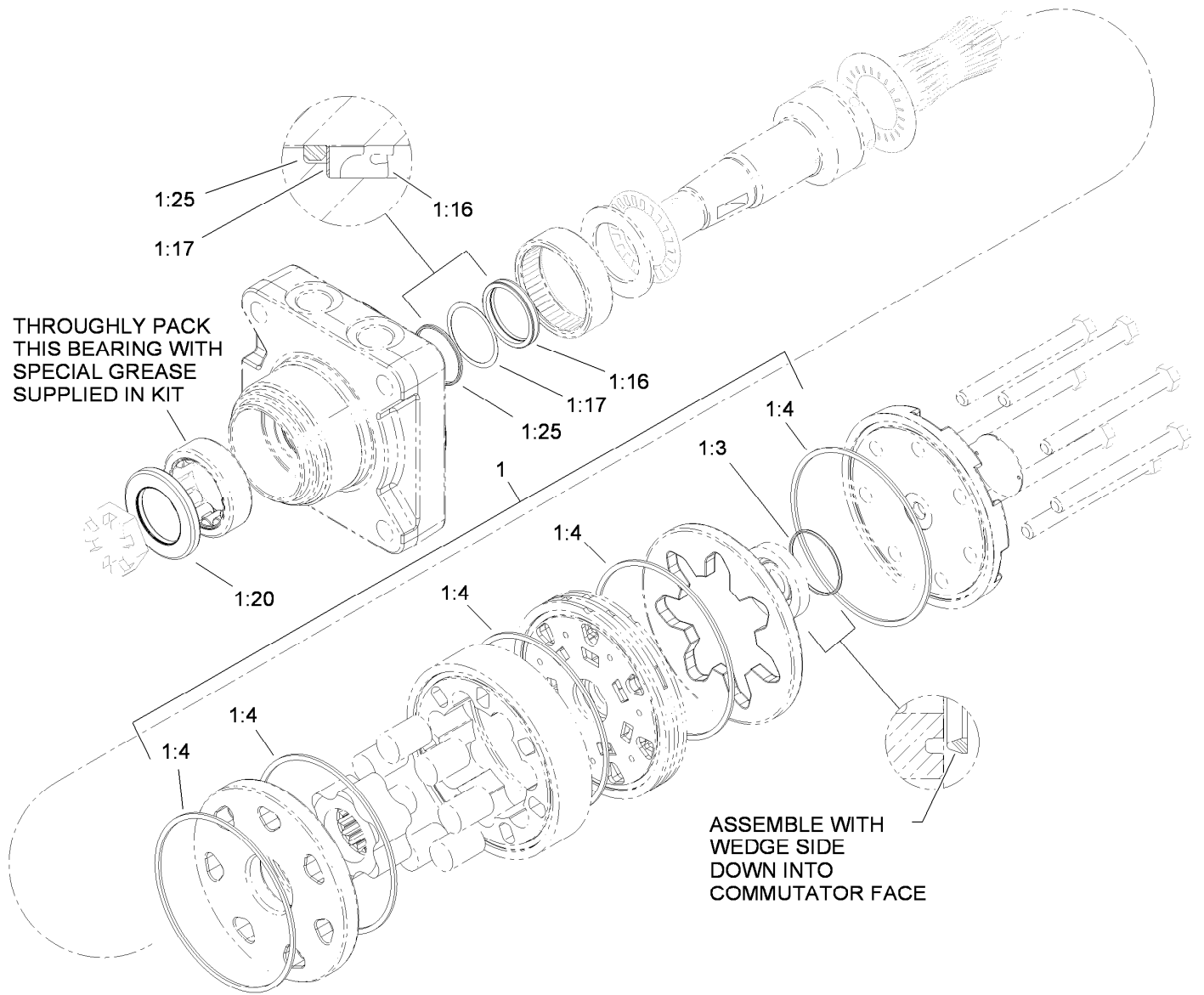
Ref.	Part Number	Qty.	Description	Ref.	Part Number	Qty.	Description
1	114-8857	1	HYD Motor ASM	13	325-11	8	Screw-HH
2	242-50	10	Nut-Lug	14	110-5343-03	2	Bracket-Brake
3	114-8876	2	Hub ASM	15	3296-42	12	Nut-Lock, NI
3:2	10-6830	5	Stud-Type, Drive	16	114-8858	1	HYD Motor ASM
4	108-1603	2	Wheel And Tire ASM	17	107-9319	2	Nut-Hex
4:1	106-3842	1	Rim	18	3234-4	4	Screw-HHF
4:2	93-6152	1	Tire	19	114-8864	2	Drum-Brake
4:3	232-27	1	Stem-Valve	20	110-0950	2	Shield-Wheel, Front
5	340-17	4	Fitting-Elbow, 90 DEG	21	110-0951	1	Shield-Wheel, Rear (LH)
5:1	237-65	1	O-Ring	22	110-8878	1	Shield-Wheel, Rear (RH)
5:2	237-80	1	O-Ring	23	283-62	2	Pin-Clevis
6	108-7632	1	Tube ASM	24	110-8872	1	LH Brake ASM
6:1	237-65	1	O-Ring	25	110-8871	1	RH Brake ASM
7	108-7633	1	Tube ASM	26	323-5	8	Screw-HH
7:1	237-65	1	O-Ring	27	3296-39	8	Nut-Lock, NI
8	321-4	8	Screw-HH	28	3272-10	2	Pin-Cotter
9	2412-134	4	Clamp-R	29	3256-67	8	Washer
10	59-7410	2	Fitting-Diagnostic	30	3290-378	2	Tie-Cable
10:1	237-42	1	O-Ring	31	114-8863	2	Key-Square
11	354-79	2	Cap-Dust	32	114-8892-03	2	Plate-Rim
12	3296-23	8	Nut-Lock, NI				



Hydraulic Motor Assembly No. 114-8857

Ref.	Part Number	Qty.	Description
1	110-8896	1	Seal Kit
1:3		1	Seal-Commutator, Vespel ●
1:4		6	Seal-Body, Buna ●
1:16		1	Seal-Shaft ●
1:17		1	Washer-Back Up ●
1:20		1	Seal-Dirt/Water ●
1:25		1	Ring-Back Up ●

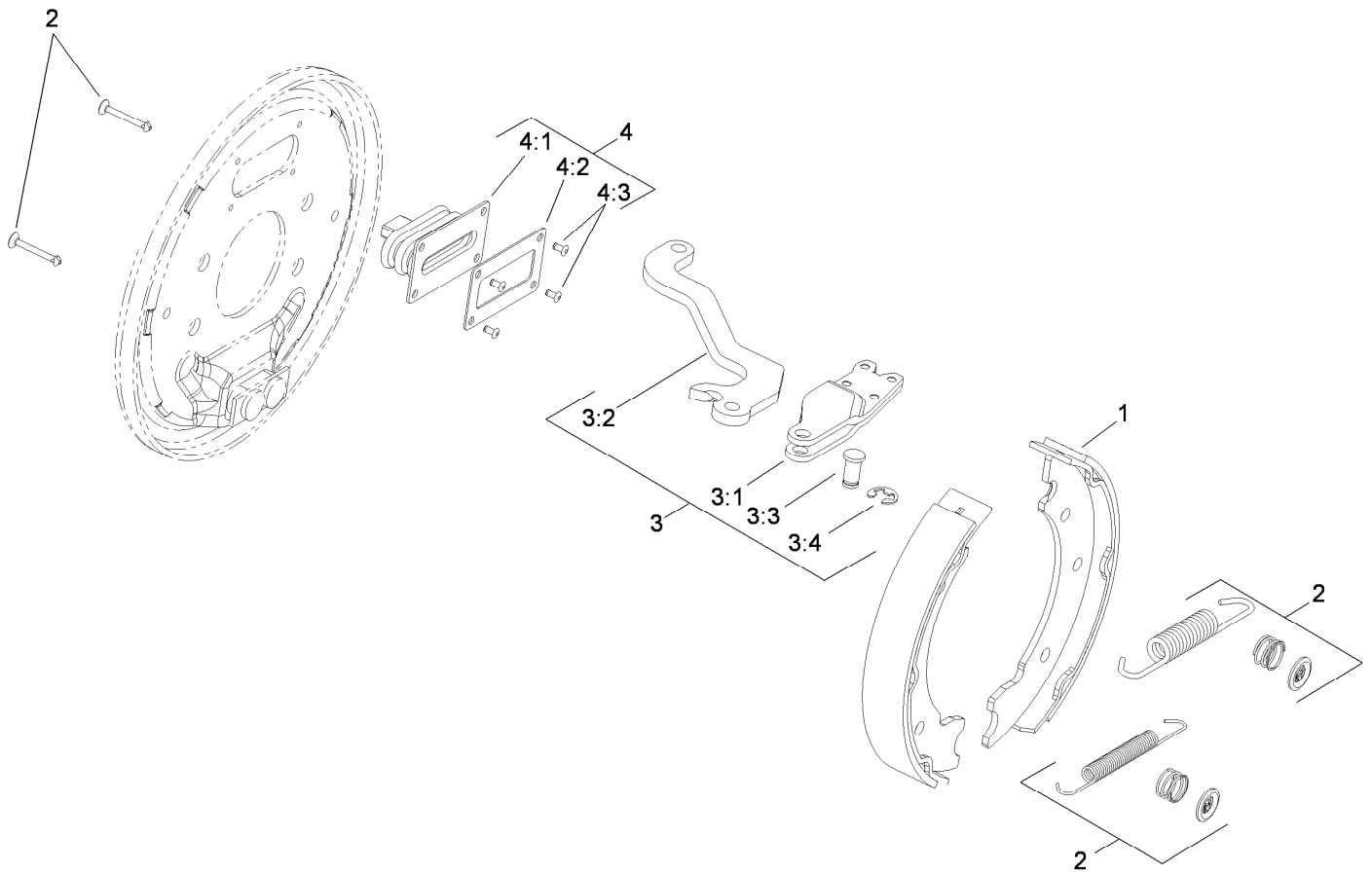
● Not serviced separately



Hydraulic Motor Assembly No. 114-8858

Ref.	Part Number	Qty.	Description
1	110-8896	1	Seal Kit
1:3		1	Seal-Commutator, Vespel ●
1:4		6	Seal-Body, Buna ●
1:16		1	Seal-Shaft ●
1:17		1	Washer-Back Up ●
1:20		1	Seal-Dirt/Water ●
1:25		1	Ring-Back Up ●

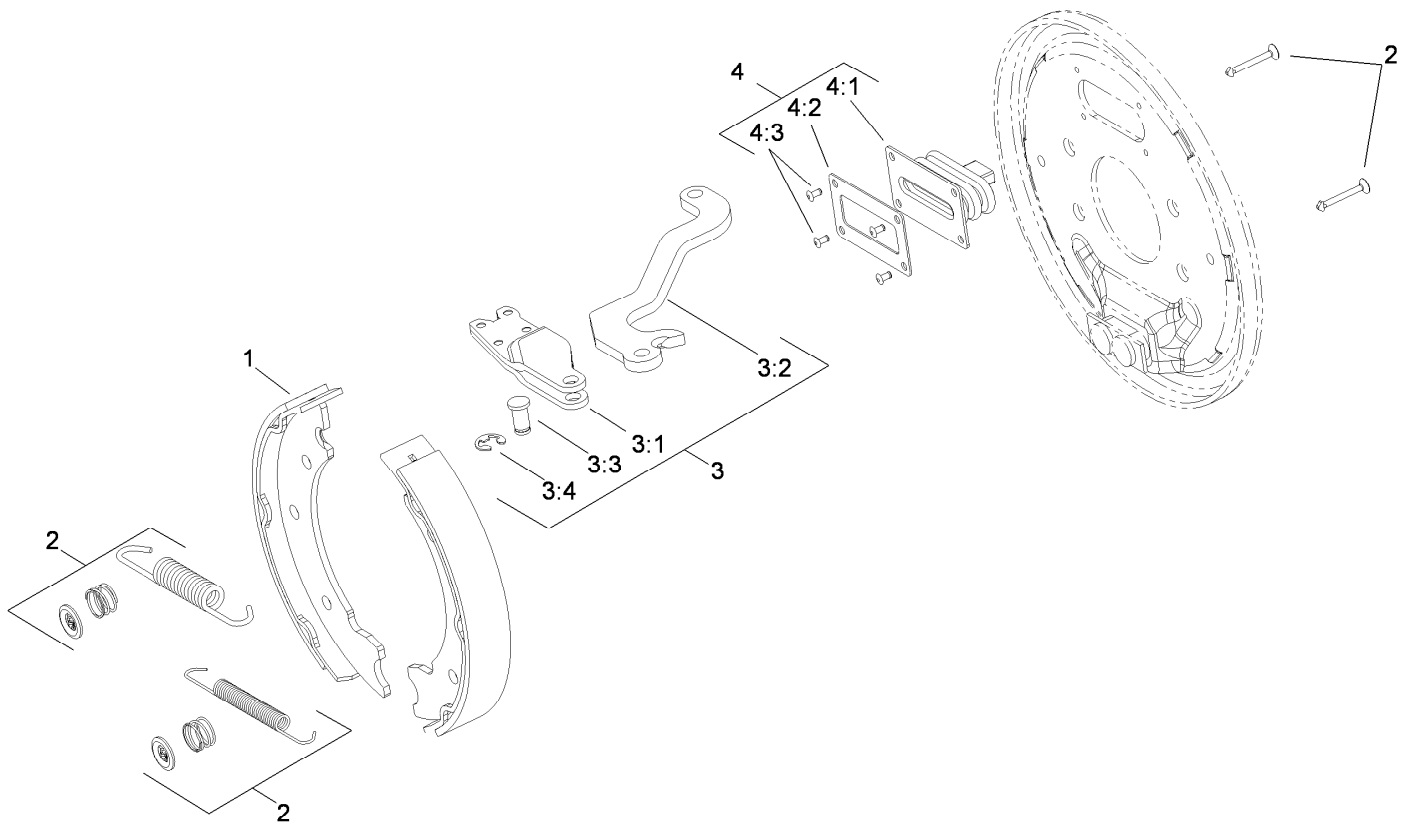
● Not serviced separately



LH Brake Assembly No. 110-8872

Ref.	Part Number	Qty.	Description
1	108-6981	1	Brake Shoe Kit
2	108-6983	1	Brake Hardware Kit
3	110-8910	1	LH Actuator Kit
3:1		1	Housing ●
3:2		1	Lever-LH ●
3:3		1	Pin-Pivot ●
3:4		1	E-Ring ●
4	110-8885	1	Dust Boot Kit
4:1		1	Boot ●
4:2		1	Plate-Back Up ●
4:3		2	Rivet ●

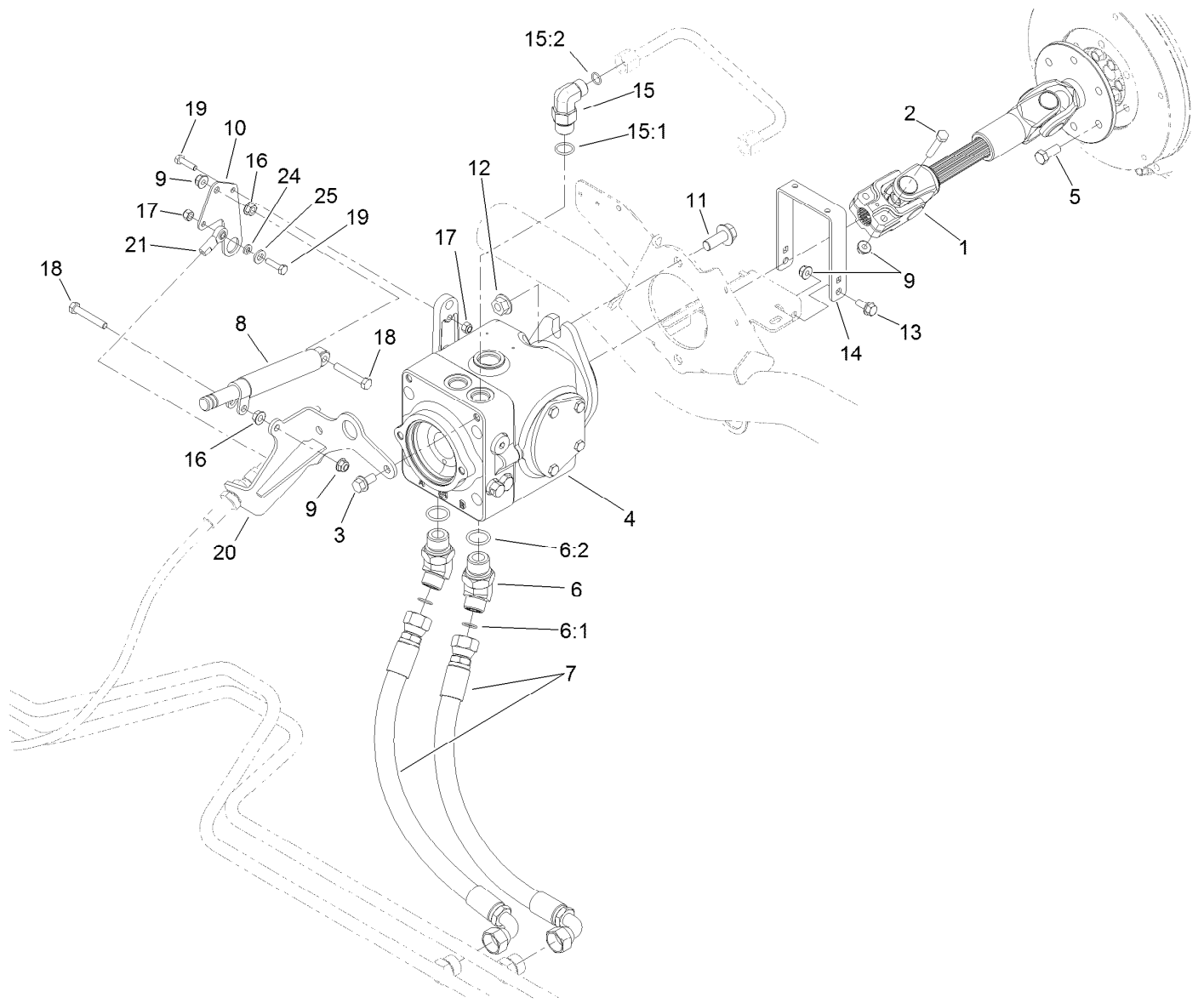
● Not serviced separately



RH Brake Assembly No. 110-8871

Ref.	Part Number	Qty.	Description
1	108-6981	1	Brake Shoe Kit
2	108-6983	1	Brake Hardware Kit
3	110-8884	1	RH Actuator Kit
3:1		1	Housing ●
3:2		1	Lever-RH ●
3:3		1	Pin-Pivot ●
3:4		1	E-Ring ●
4	110-8885	1	Dust Boot Kit
4:1		1	Boot ●
4:2		1	Plate-Back Up ●
4:3		2	Rivet ●

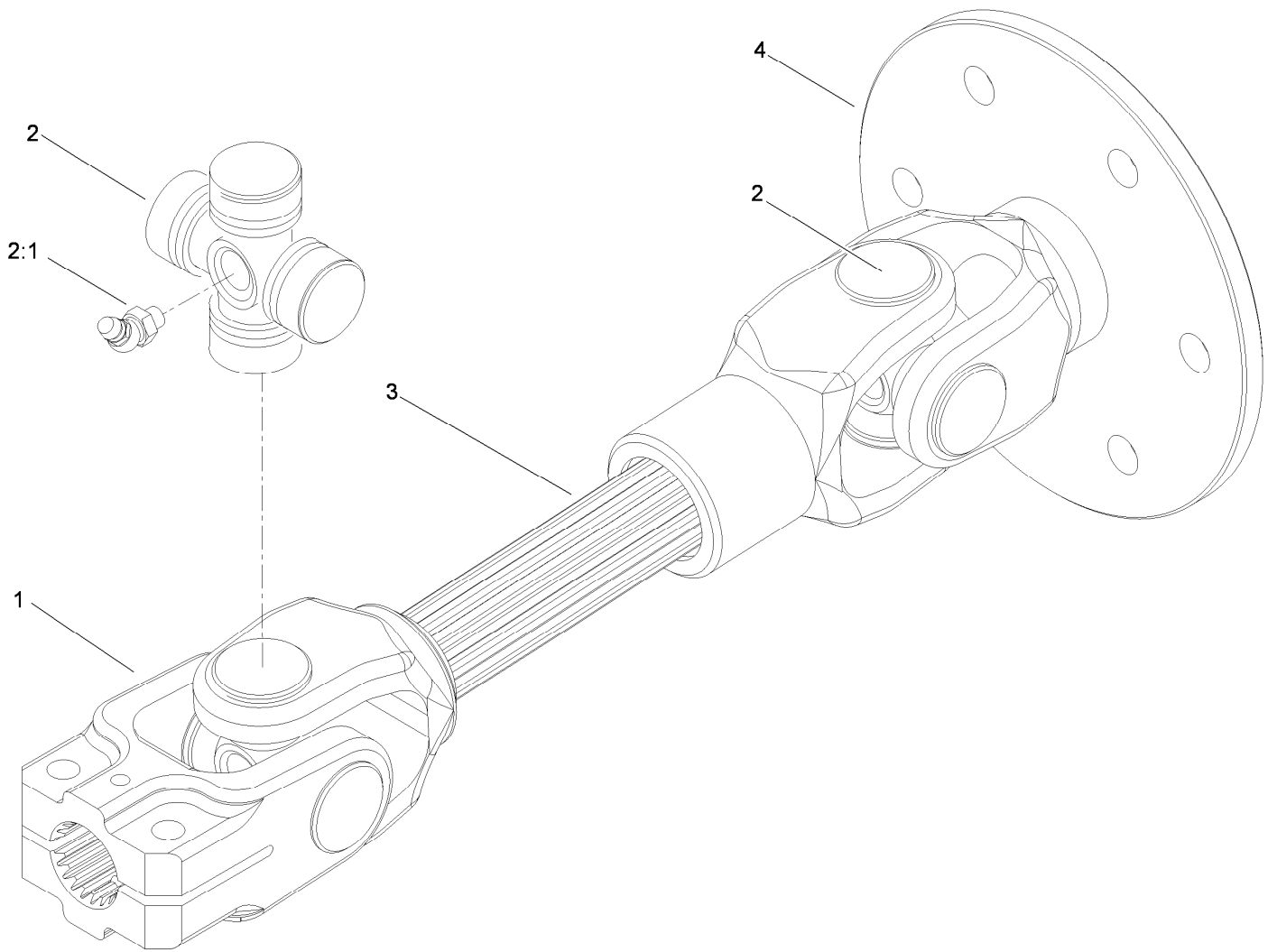
● Not serviced separately



Driveshaft and Variable Pump Hydraulic Fitting Assembly

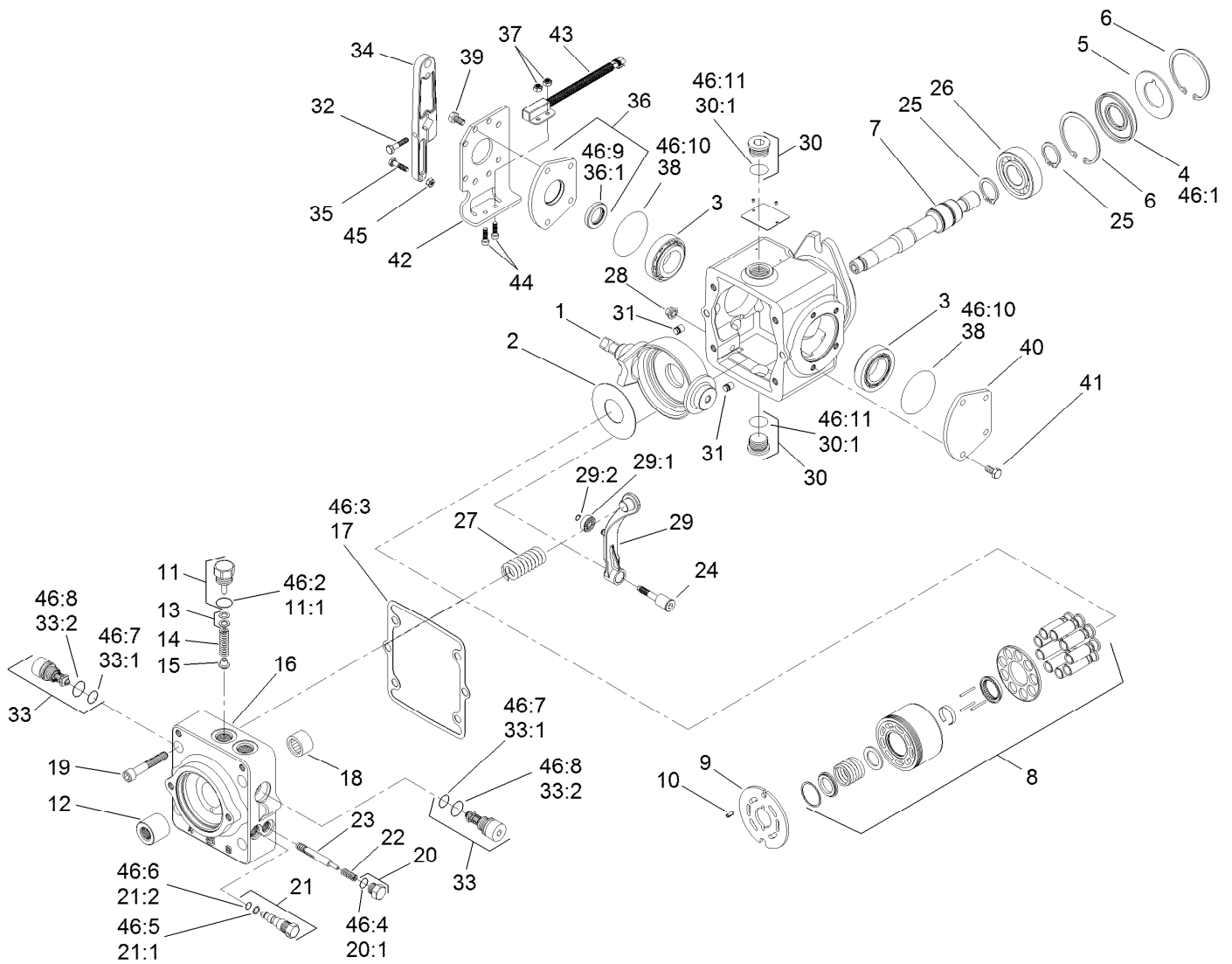
Ref.	Part Number	Qty.	Description
1	108-1641	1	Driveshaft ASM
2	322-9	2	Screw-HH
3	3234-1	2	Screw-HHF
4	114-0410	1	Pump-Variable
5	43-0090	6	Screw-HH
6	340-156	2	Fitting-Elbow 45
6:1	237-65	1	O-Ring
6:2	237-81	1	O-Ring
7	108-1679	2	Hose-HYD
8	76-8870	1	Damper-Lever
9	104-8300	6	Nut-HF, NI
10	108-7639-03	1	Plate
11	3234-32	2	Screw-HHF
12	32128-49	2	Nut-HHF

Ref.	Part Number	Qty.	Description
13	3234-5	2	Screw-HHF
14	108-1799-03	1	Hoop-Guard
15	340-105	1	Fitting-Elbow, 90 DEG
15:1	237-80	1	O-Ring
15:2	237-30	1	O-Ring
16	32128-20	2	Nut-HF
17	3296-42	2	Nut-Lock, NI
18	322-10	2	Screw-HH
19	321-6	2	Screw-HH
20	110-5323-03	1	Bracket
21	2411-41	1	Rod End-Ball Joint
24	33093-00	1	Washer-Flat
25	3256-22	1	Washer-Flat



Driveshaft Assembly No. 108-1641

<i>Ref.</i>	<i>Part Number</i>	<i>Qty.</i>	<i>Description</i>
1	54-9040	1	Yoke-End
2	54-9180	2	U-Joint Kit
2:1	62-3820	1	Fitting-Grease
3	108-4574	1	Joint And Shaft ASM
4	108-4575	1	Joint And Yoke ASM

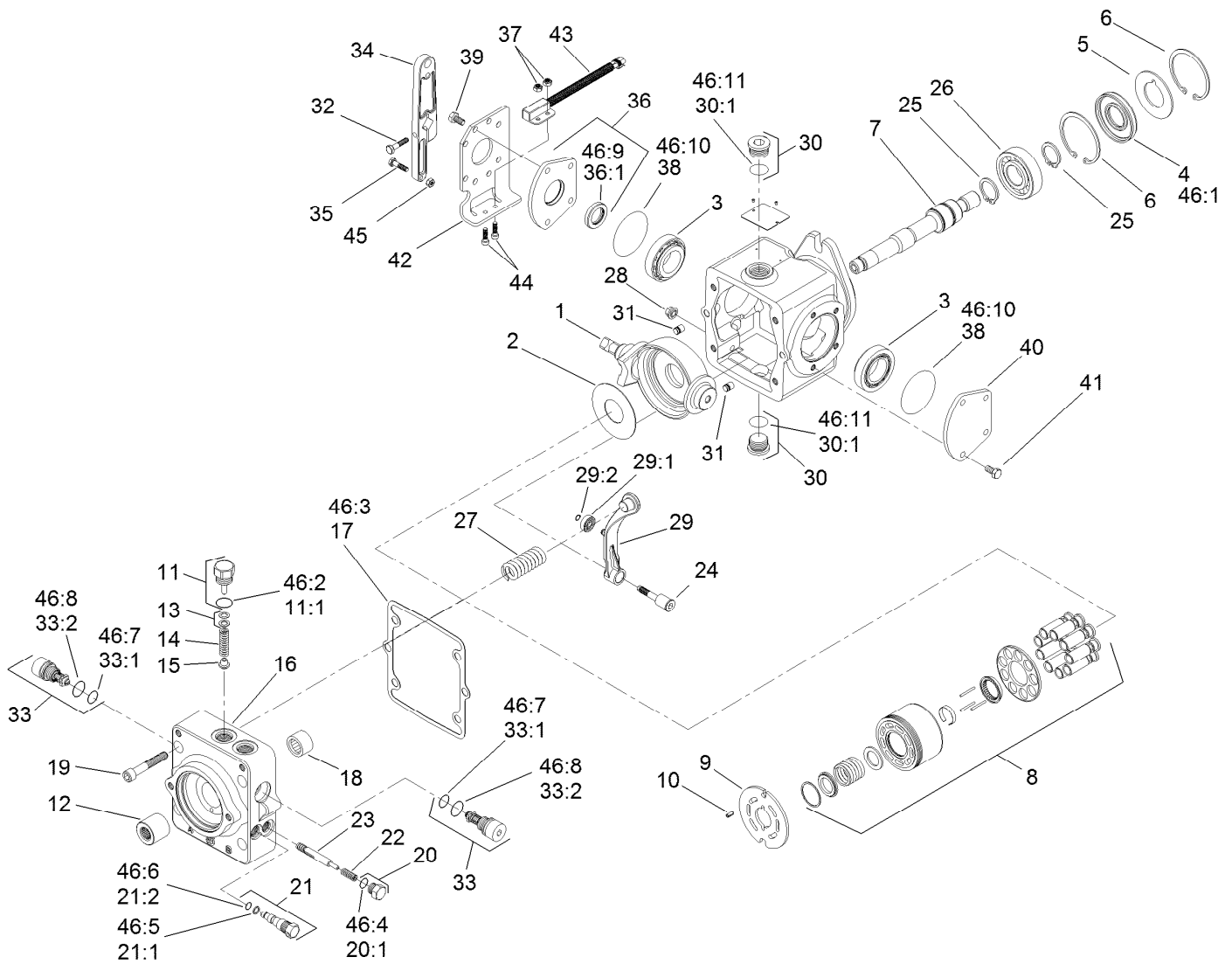


Variable Pump Assembly No. 114-0410

Ref.	Part Number	Qty.	Description	Ref.	Part Number	Qty.	Description
1	115-8092	1	Swashplate	18	75-0500	1	Bearing-Needle
2	75-0400	1	Plate-Thrust	19	110-6489	4	Screw
3	110-6483	2	Bearing Kit	20	94-9415	2	Plug ASM
4	110-6471	1	Seal-Lip	20:1		1	O-Ring ■
5	95-4400	1	Washer-Backup	21	107-4364	1	Bypass Valve ASM
6	69-3200	2	Ring-Retaining	21:1	25-2630	1	Ring-Back Up
7	110-6484	1	Shaft-Auxiliary	21:2	110-6498	1	O-Ring
8	110-6472	1	Cylinder Block Kit ASM	22	110-6491	2	Spring
9	110-6473	1	Plate-Valve (Clockwise)	23	110-6492	1	Spool-Loop, Flush
10	110-6485	1	Pin-Slotted	24	110-6493	1	Pivot-Return, Neutral
11	110-6486	1	Plug-Relief, Charge	25	69-3170	2	Ring-Retaining
11:1	28-3570	1	O-Ring	26	75-0460	1	Bearing-Ball
12	110-6480	1	Coupling	27	115-8085	1	Spring-Neutral Return
13	92-1353	1	Shim Kit	28	110-6496	1	Nut-Seal
14	110-6474	1	Spring	29	110-6497	1	Neutral Return Arm ASM
15	110-6475	1	Poppet	29:1	110-6494	1	Bearing-Cam
16	115-8087	1	Cap-End	29:2	110-3056	1	Ring-Retaining
17	110-6476	1	Gasket-Cap, End	30	69-3130	2	Plug

● Not illustrated

■ Not serviced separately

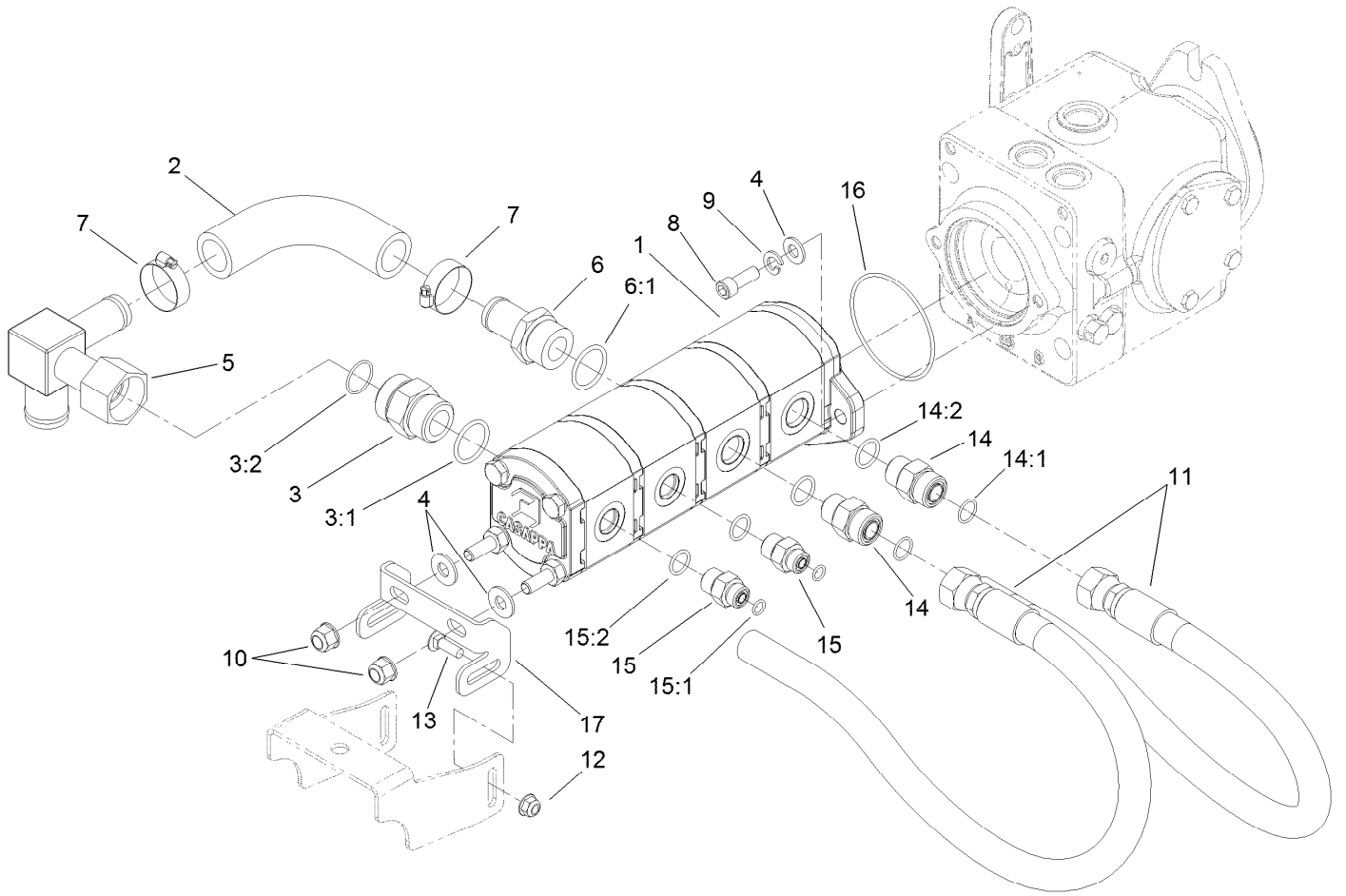


Variable Pump Assembly No. 114-0410 (continued)

Ref.	Part Number	Qty.	Description	Ref.	Part Number	Qty.	Description
30:1		1	O-Ring ■	43	100-1270	1	Switch-Proximity
31	112-0158	2	Pin	44	112-0153	2	Screw
32	112-0157	1	Screw	45	112-0154	1	Nut-Lock
33	110-6477	2	Valve-Relief	46	110-6481	1	Seal Kit ●
33:1	75-0240	1	O-Ring	46:1	110-6471	1	Seal-Lip
33:2	84-0560	1	O-Ring	46:2	28-3570	1	O-Ring
34	112-0156	1	Arm-Control	46:3	110-6476	1	Gasket-Cap, End
35	112-0155	1	Screw	46:4		1	O-Ring ■
36	110-6499	1	Trunnion Cover ASM	46:5	25-2630	1	Ring-Back Up
36:1	110-6478	1	Seal-Lip	46:6	110-6498	1	O-Ring
37	94-3936	2	Nut-Lock, Hex	46:7	75-0240	2	O-Ring
38	84-0430	2	O-Ring	46:8	84-0560	2	O-Ring
39	112-0150	4	Screw	46:9	110-6478	1	Seal-Lip
40	84-0440	1	Cover-Trunnion	46:10	84-0430	2	O-Ring
41	112-0151	4	Screw	46:11		2	O-Ring ■
42	112-0152	1	Bracket-Switch, Neutral Start				

● Not illustrated

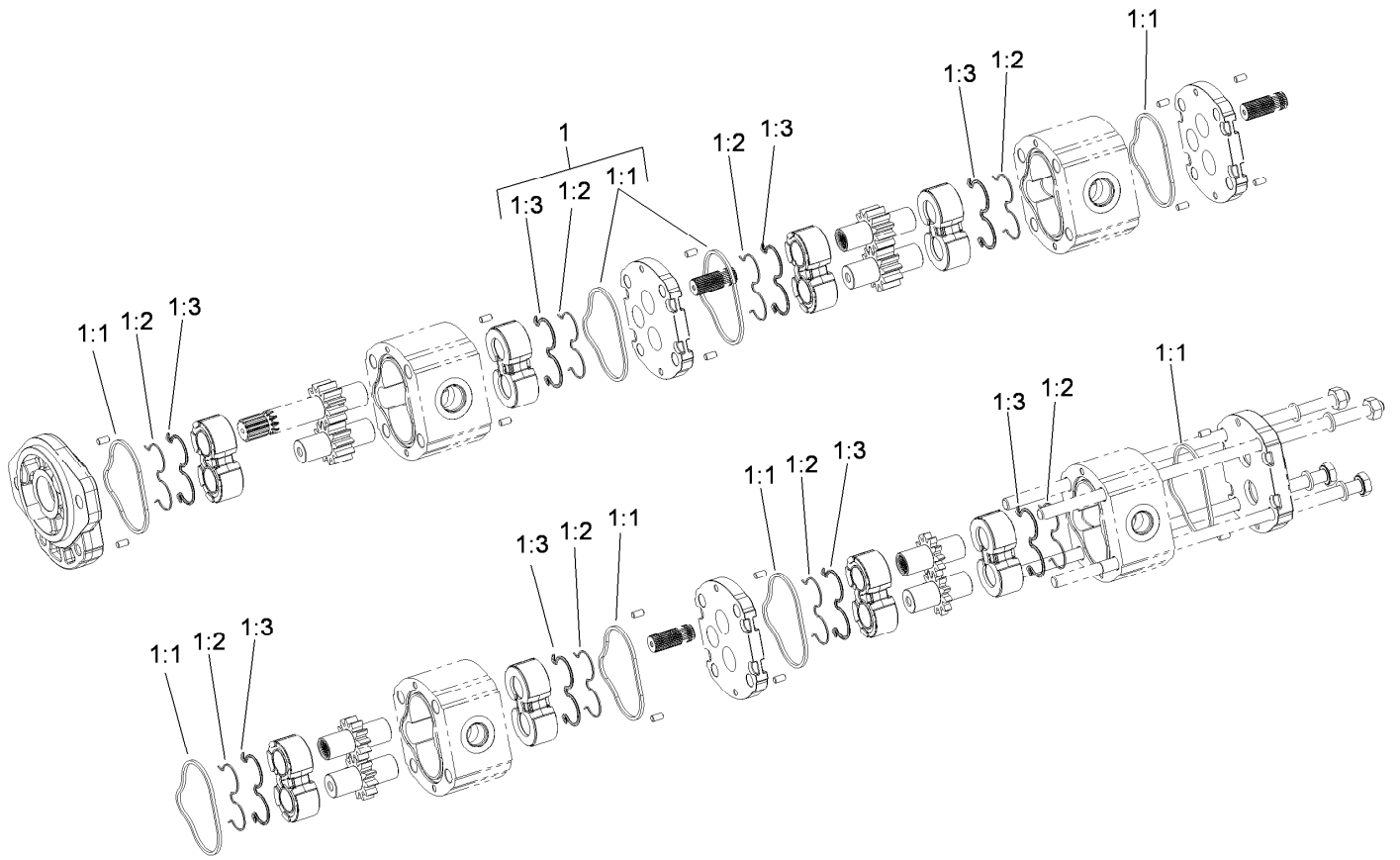
■ Not serviced separately



Gear Pump Hydraulic Plumbing Assembly

<i>Ref.</i>	<i>Part Number</i>	<i>Qty.</i>	<i>Description</i>
1	107-4547	1	Gear Pump ASM
2	108-1683	1	Hose-Formed
3	104-3797	1	Fitting-Straight
3:1	237-146	1	O-Ring
3:2	340-65	1	O-Ring
4	3256-24	4	Washer-Flat
5	108-1672	1	Manifold-Tube
6	354-78	1	Fitting-STR
6:1	237-146	1	O-Ring
7	2412-34	2	Clamp-Hose
8	3274-1	2	Screw-HSH
9	3253-5	2	Washer-Lock

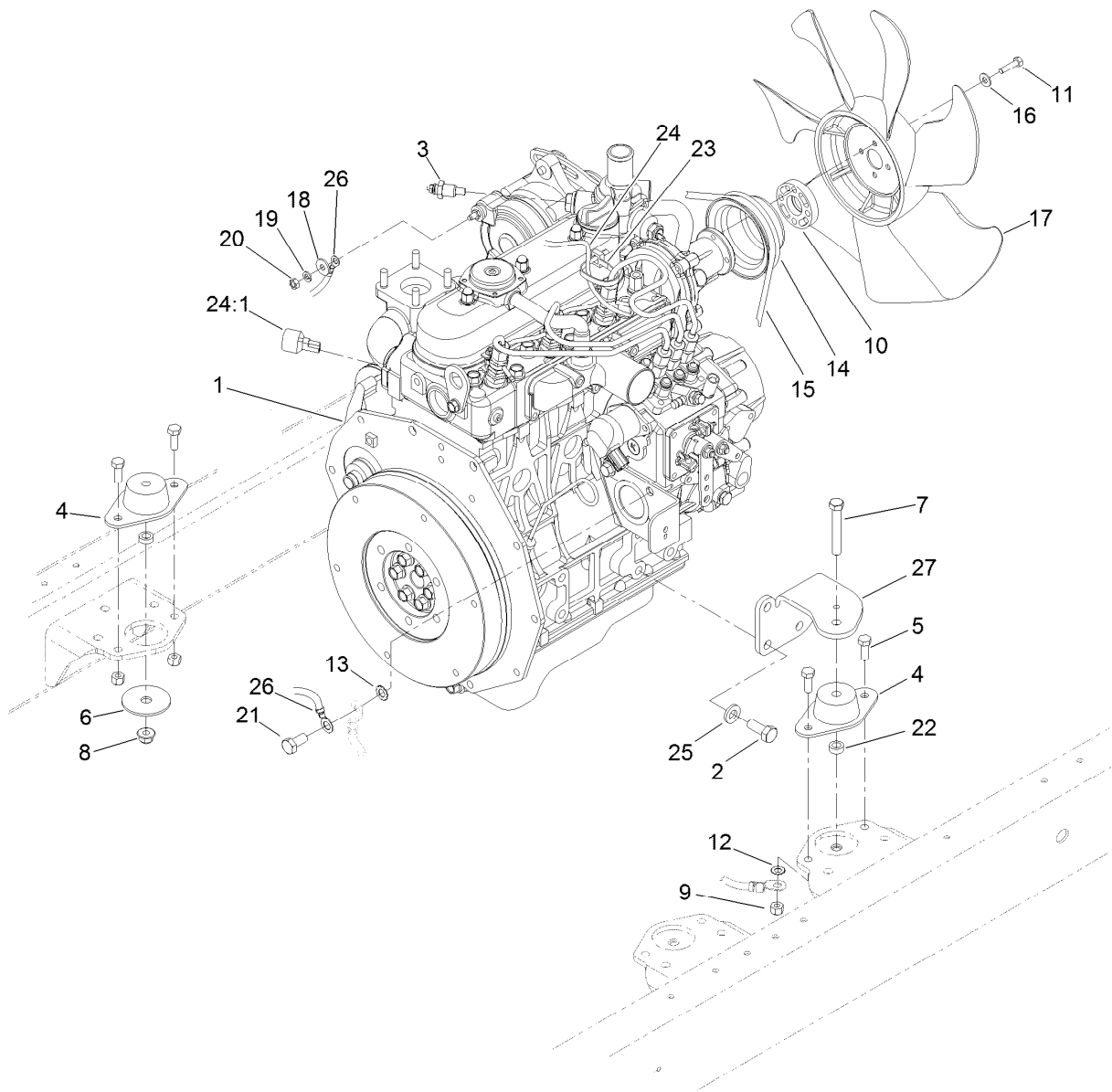
<i>Ref.</i>	<i>Part Number</i>	<i>Qty.</i>	<i>Description</i>
10	103-9511	2	Nut-Lock, NI
11	108-1686	2	Hose-HYD
12	104-8300	2	Nut-HF, NI
13	3230-1	2	Bolt-CARR
14	340-7	2	Fitting-Straight
14:1	237-65	1	O-Ring
14:2	237-80	1	O-Ring
15	340-3	2	Fitting-Straight
15:1	237-22	1	O-Ring
15:2	237-79	1	O-Ring
16	237-161	1	O-Ring
17	108-1801-01	1	Bracket-Support, Pump



Gear Pump Assembly No. 107-4547

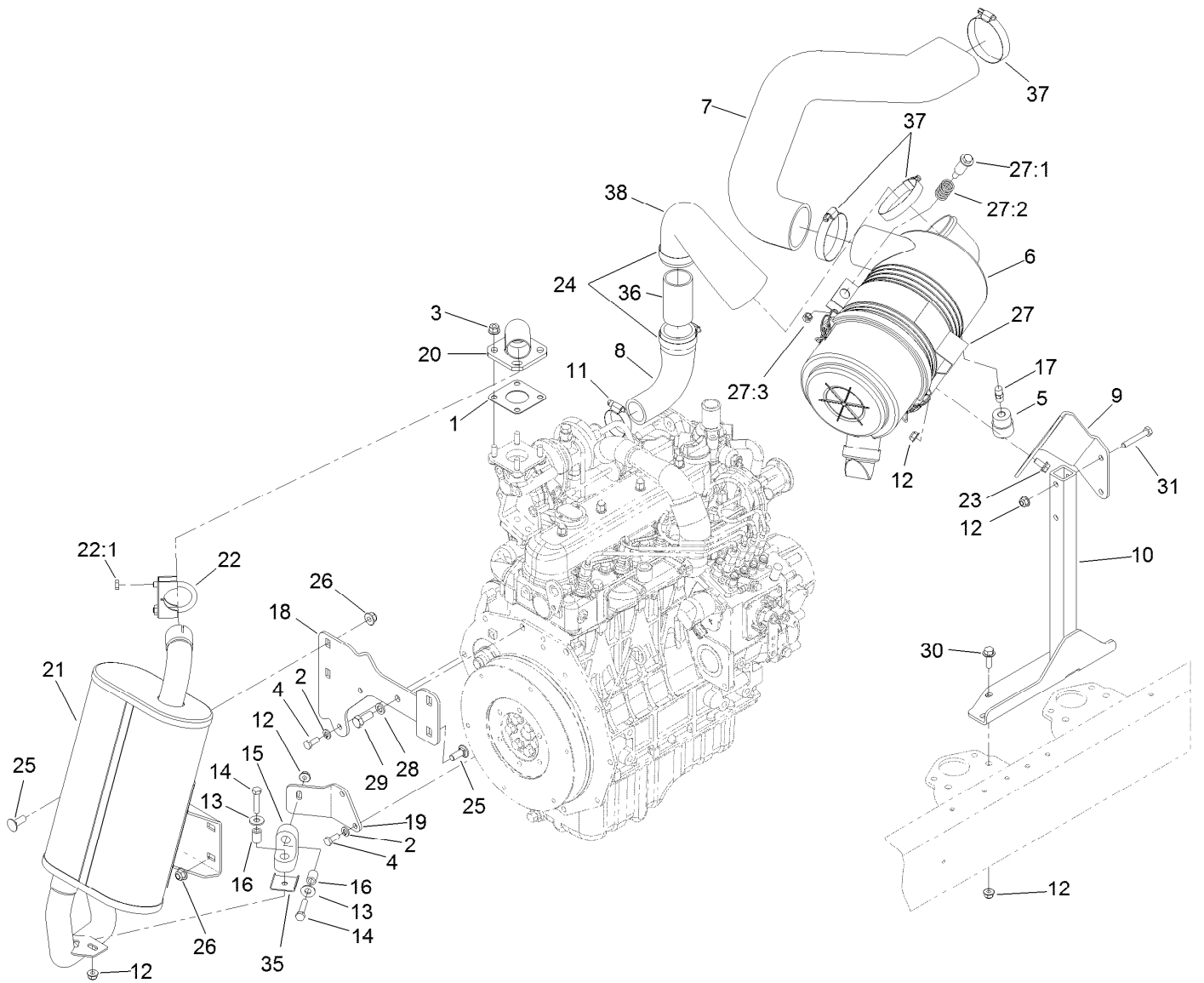
Ref.	Part Number	Qty.	Description
1	108-4595	1	Seal Kit
1:1		8	Seal ●
1:2		8	Seal ●
1:3		8	Ring-Back Up ●

● Not serviced separately



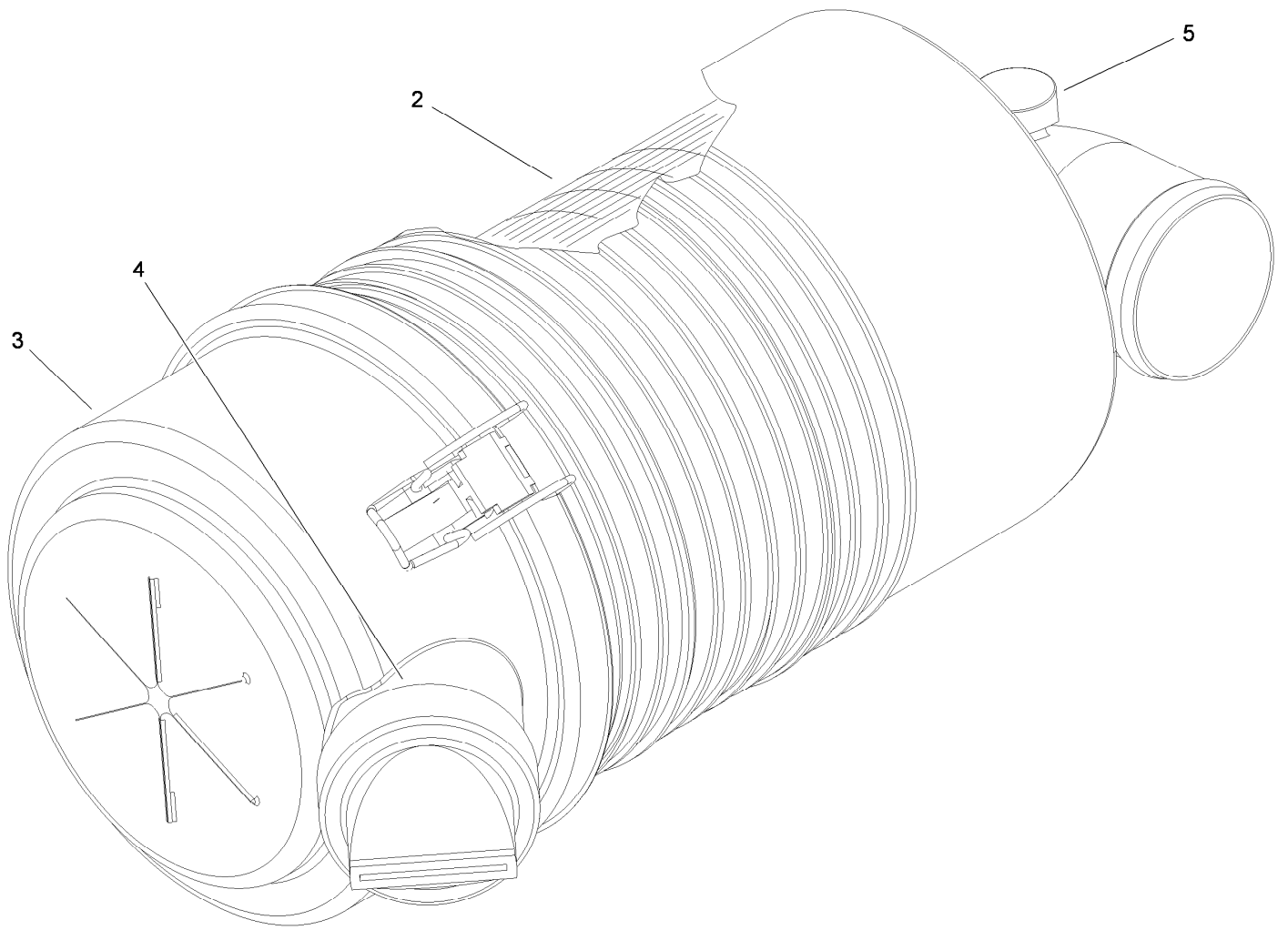
Engine Mounting and Electrical Assembly

<i>Ref.</i>	<i>Part Number</i>	<i>Qty.</i>	<i>Description</i>	<i>Ref.</i>	<i>Part Number</i>	<i>Qty.</i>	<i>Description</i>
1	110-9045	1	Engine-Kubota	15	98-9676	1	V-Belt
2	43-0090	12	Screw-HH	16	3256-22	4	Washer-Flat
3	98-9346	1	Sender-Temperature	17	110-8852	1	Fan-Cooling
4	83-1030	4	Mount-Engine	18	3256-78	1	Washer-Flat
5	322-4	8	Screw-HH	19	43-5930	1	Washer-Lock, Spring
6	87-5100	4	Washer-Snubbing	20	48-7890	1	Nut-Hex
7	323-12	4	Screw-HH	21	63-7790	1	Screw-Cap
8	104-8301	4	Nut-HF, NI	22	83-1050	4	Spacer
9	3296-29	8	Nut-Lock, NI	23	3290-378	1	Tie-Cable
10	105-0000	1	Spacer-Fan	24	106-3615	1	Harness-Wire, Engine
11	33113-030	4	Screw-HH	24:1	100-4918	1	Diode
12	3255-8	1	Washer-Lock	25	48-9590	12	Washer-Lock
13	3255-9	1	Washer-Lock	26	99-3441	1	Harness-Wire, Fusible Link
14	110-0972	1	Pulley	27	115-8066-03	4	Mount-Engine



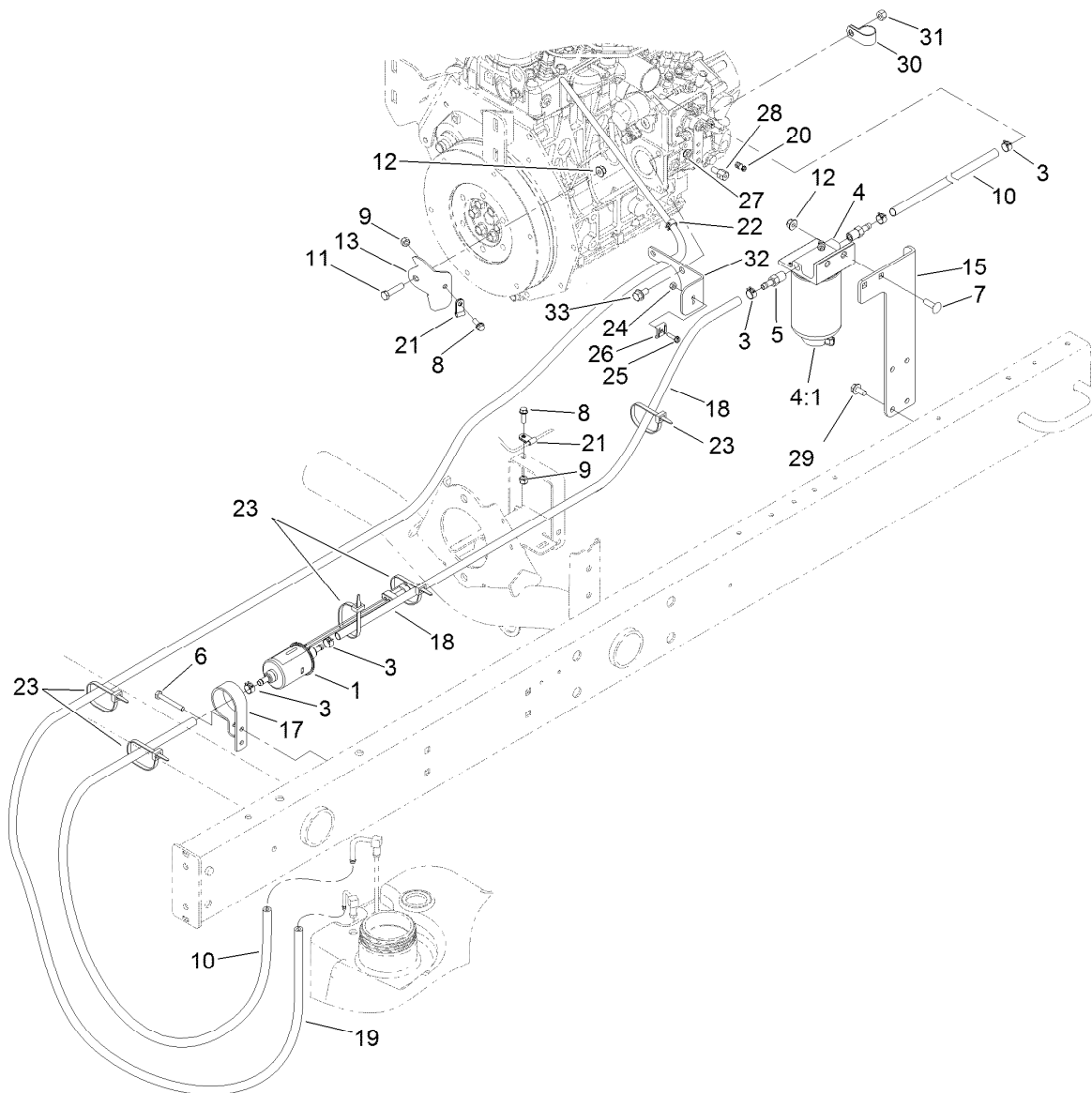
Engine Intake and Exhaust Assembly

Ref.	Part Number	Qty.	Description	Ref.	Part Number	Qty.	Description
1	99-8343	1	Gasket-Muffler	21	108-7643	1	Muffler
2	3253-4	4	Washer-Lock	22	2112-9	1	Clamp
3	104-2612	4	Nut-HF	22:1	32128-20	2	Nut-HF
4	33114-020	4	Screw-HH	23	3234-14	2	Screw-HHF
5	93-9164	1	Indicator-Mini	24	2412-130	2	Clamp-Hose
6	110-8917	1	Air Cleaner ASM	25	3231-27	4	Screw-CARR
7	110-8944	1	Hose-Formed	26	104-8301	4	Nut-HF, NI
8	104-5207	1	Hose-Turbo	27	93-7486	1	Clamp ASM
9	110-8981-03	1	Bracket-Mounting	27:1	94-3653	1	Bolt
10	110-8977-03	1	Stand-Air Cleaner	27:2	94-3654	1	Spring
11	2412-3	1	Clamp-Hose	27:3	48-9510	1	Nut
12	104-8300	10	Nut-HF, NI	28	48-9590	1	Washer-Lock
13	3256-3	2	Washer-Flat	29	43-0090	1	Screw-HH
14	322-9	2	Screw-HH	30	3234-29	4	Screw-HHF
15	95-5622	1	Hanger-Rubber	31	322-10	2	Screw-HH
16	93-5023	2	Spacer	35	110-8976	1	Plate-Support, Isolator
17	94-1416	1	Adapter-Indicator	36	104-5214	1	Spacer-Tubular
18	108-1785-03	1	Bracket-Support, Muffler	37	2412-125	3	Clamp-Hose
19	110-8974-03	1	Bracket-Pipe, Tail	38	110-9021	1	Hose-Formed
20	108-1783	1	Header ASM				



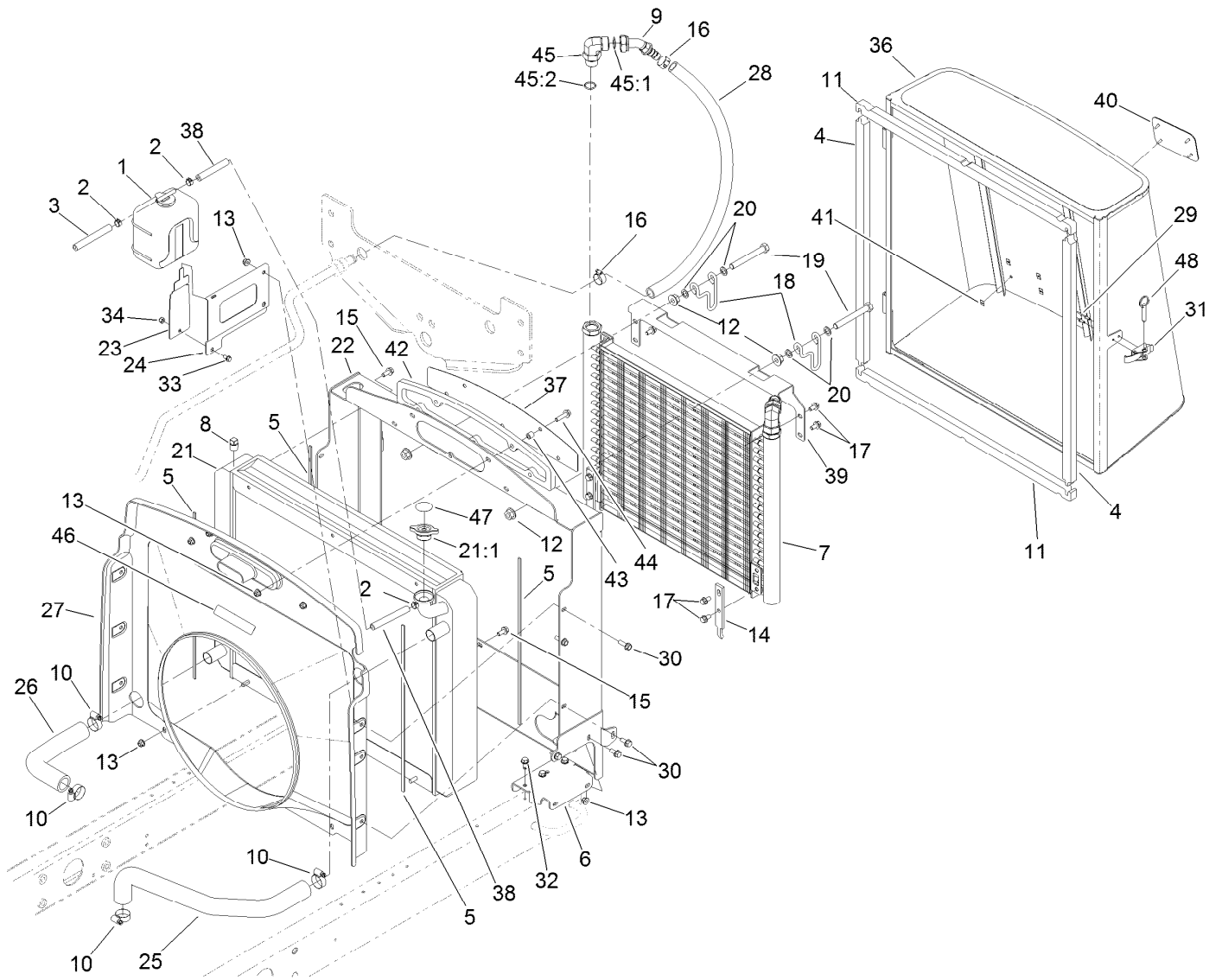
Air Cleaner Assembly No. 110-8917

<i>Ref.</i>	<i>Part Number</i>	<i>Qty.</i>	<i>Description</i>
2	108-3812	1	Filter-Air
3	93-5986	1	Cover ASM
4	87-9400	1	Valve-Vacuator
5	285-17	1	Plug-Pipe



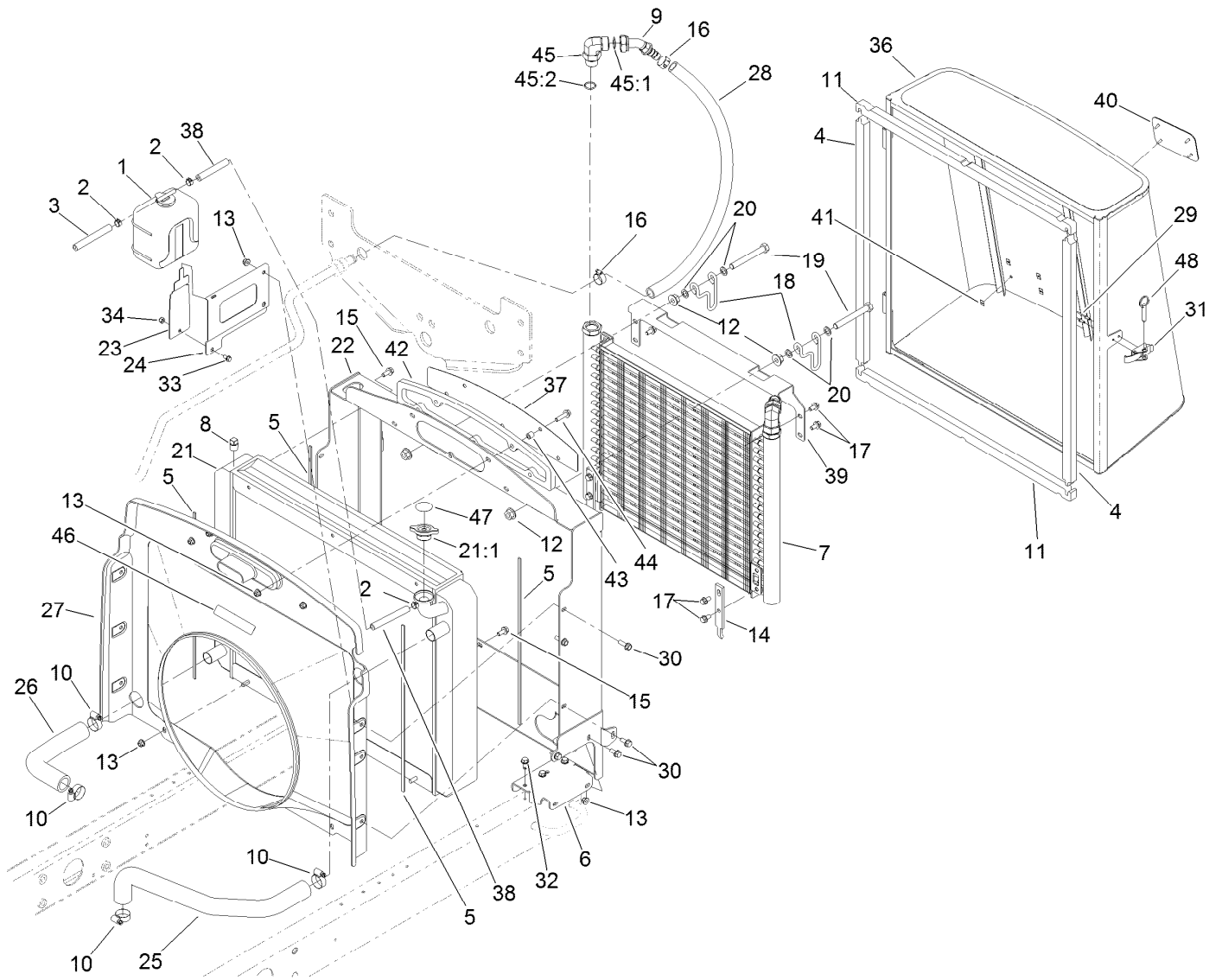
Fuel System Delivery Assembly

<i>Ref.</i>	<i>Part Number</i>	<i>Qty.</i>	<i>Description</i>	<i>Ref.</i>	<i>Part Number</i>	<i>Qty.</i>	<i>Description</i>
1	110-8806	1	Pump-Fuel	19	110-9011	1	Hose-Fuel
3	92-2379	5	Clamp-Hose	20	112-9919	1	Stop-Cable, Throttle
4	110-9044	1	Separator-Filter	21	2412-149	2	Clamp-R
4:1	110-9049	1	Filter-Spin On, Fuel/Water	22	2412-146	1	Clamp-Hose
5	353-783	2	Fitting-STR	23	3290-378	5	Tie-Cable
6	32144-110	1	Screw-HWH	24	3296-2	1	Nut-Lock, NI
7	3230-22	2	Screw-CARR	25	32105-13	1	Screw-HWH
8	3234-4	2	Screw-HHF	26	81-1690	1	Clamp-Cable
9	3296-42	2	Nut-Lock, NI	27	3296-20	1	Nut-Lock, NI
10	110-3257	2	Hose-Fuel	28	98-9311	1	Swivel-Throttle
11	322-17	1	Screw-HH	29	32144-14	4	Screw-HWHTF
12	104-8300	3	Nut-HF, NI	30	2412-41	1	Clamp-R
13	110-9007-03	1	Support-Cable, Throttle	31	3296-29	1	Nut-Lock, NI
15	110-8968-01	1	Mount-Separator, Water	32	110-9009-03	1	Bracket-Cable, Throttle
17	110-8817	1	Bracket-Pump, Fuel	33	33104-016	2	Screw-HHF
18	110-3259	1	Hose-Fuel				



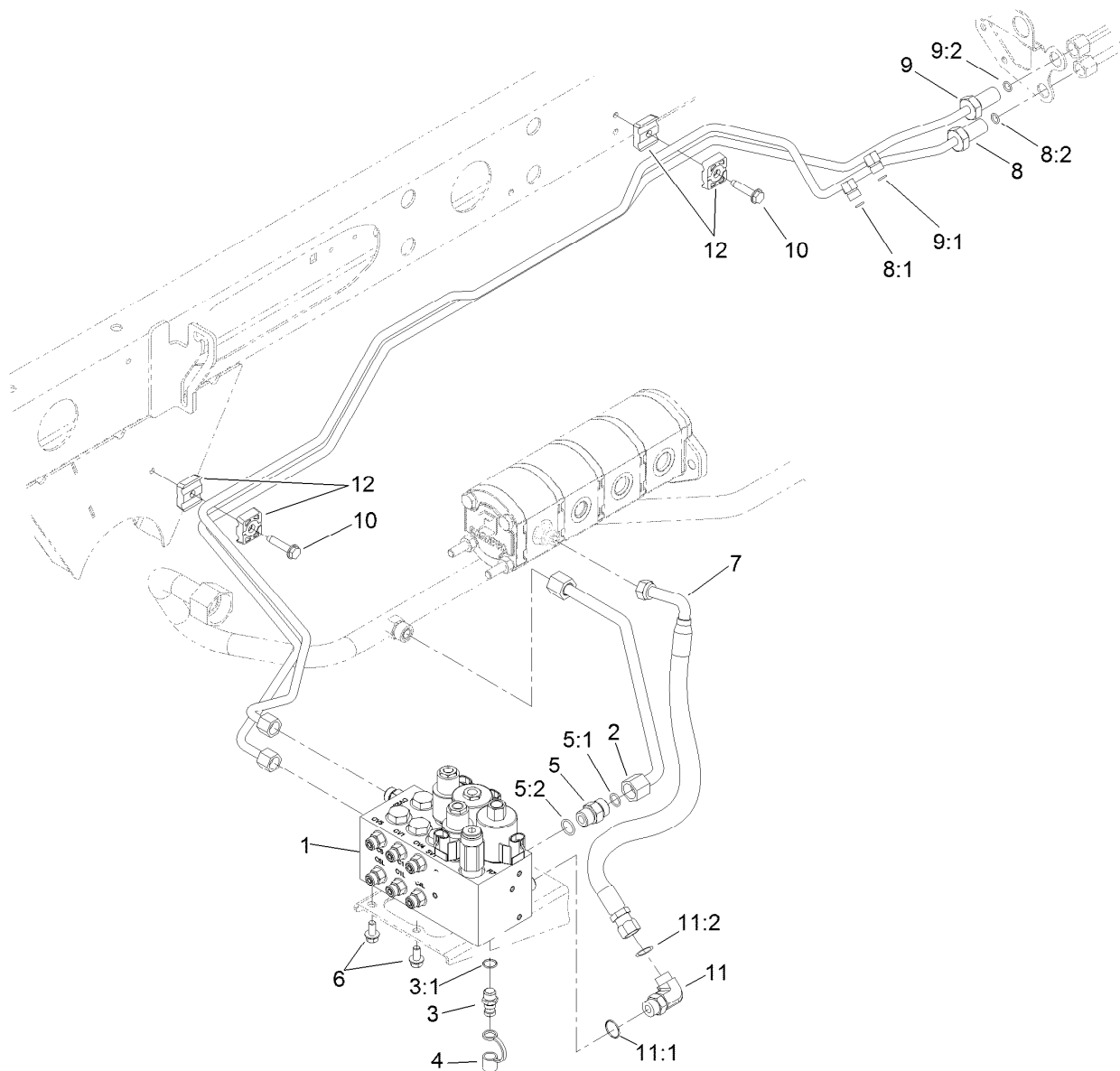
Radiator and Hydraulic Cooler Assembly

<i>Ref.</i>	<i>Part Number</i>	<i>Qty.</i>	<i>Description</i>	<i>Ref.</i>	<i>Part Number</i>	<i>Qty.</i>	<i>Description</i>
1	104-9318	1	Bottle-Overflow	21:1	93-5957	1	Cap-Radiator
2	92-2379	3	Clamp-Hose	22	110-5251-03	1	Frame-Radiator
3	110-3257	1	Hose-Fuel	23	108-1665-03	1	Bracket-Reservior
4	110-5275	2	Seal-Foam	24	108-1666-03	1	Bracket-Reservoir
5	110-8953	4	Seal-Foam	25	110-8942	1	Hose-Formed
6	110-5310-01	2	Bracket-Mounting	26	110-8943	1	Hose-Formed
7	110-0485	1	Cooler-Oil	27	110-5311	1	Shroud-Fan
8	281-13	1	Plug-Pipe	28	110-8955	2	Hose
9	104-7851	2	Fitting-HYD, 45 DEG	29	3269-15	2	Rivet-Pop
10	2412-34	4	Clamp-Hose	30	3234-5	4	Screw-HHF
11	110-5276	2	Seal-Foam	31	115-1554	1	Latch-Draw
12	32128-49	4	Nut-HHF	32	32104-32	6	Screw-HWH
13	104-8300	9	Nut-HF, NI	33	3234-13	1	Screw-HHF
14	104-5460-03	2	Plate-Mount, Oil Cooler	34	3296-42	1	Nut-Lock, NI
15	3234-30	6	Screw-HHF	36	110-5269-03	1	Screen
16	2412-129	4	Clamp-Hose	37	108-1843-03	1	Screen-Intake, Air
17	3234-14	8	Screw-HHF	38	110-4104	1	Hose-Fuel
18	104-5429	2	Clamp-Form, Wire	39	104-5428	1	Bracket-Oil Cooler, Top
19	325-17	2	Screw-HH	40	93-6028	1	Plate-Logo
20	41-8440	4	Washer	41	94-2638	4	Nut-Flat
21	110-0003	1	Radiator ASM	42	110-5324	1	Seal-Foam



Radiator and Hydraulic Cooler Assembly (continued)

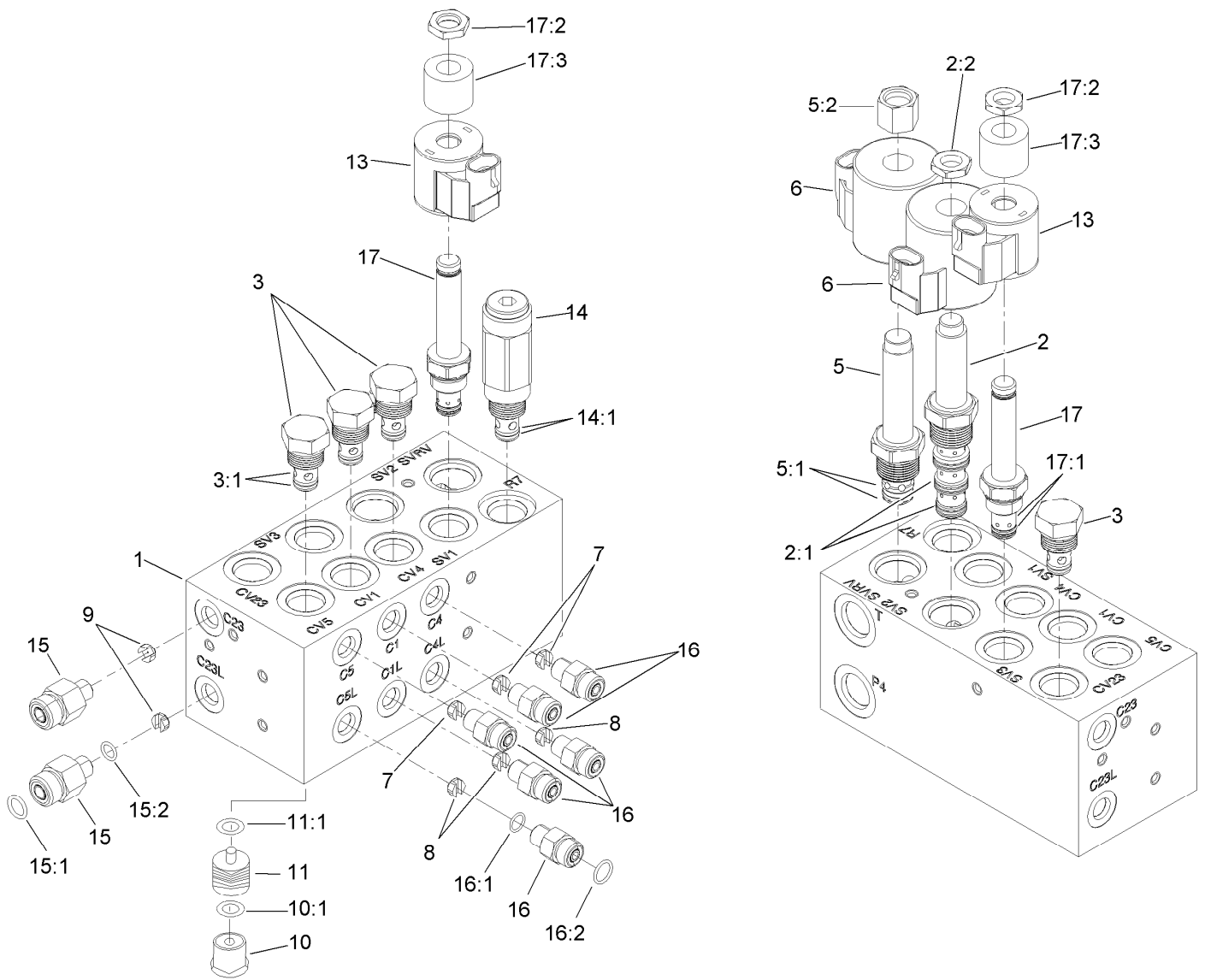
<i>Ref.</i>	<i>Part Number</i>	<i>Qty.</i>	<i>Description</i>	<i>Ref.</i>	<i>Part Number</i>	<i>Qty.</i>	<i>Description</i>
43	1-603903	5	Spacer	45:2	237-81	1	O-Ring
44	3234-36	5	Screw-HHF	46	93-7272	1	Decal-Warning
45	340-142	2	Fitting-Elbow, 90 DEG	47	106-6755	1	Decal-Cap, Radiator
45:1	237-58	1	O-Ring	48	115-1556	1	Pin-Ball, Detent



Hydraulic Lift Block and Plumbing Assembly

Ref.	Part Number	Qty.	Description
1	105-7577	1	HYD Lift Block Manifold ASM
2	108-1698	1	Tube ASM
3	59-7410	1	Fitting-Diagnostic
3:1	237-42	1	O-Ring
4	354-79	1	Cap-Dust
5	340-4	1	Fitting-Straight
5:1	237-30	1	O-Ring
5:2	237-79	1	O-Ring
6	3234-14	2	Screw-HHF
7	107-1135	1	Hose ASM

Ref.	Part Number	Qty.	Description
8	108-1720	1	Tube ASM
8:1	237-21	1	O-Ring
8:2	237-22	1	O-Ring
9	108-1721	1	Tube ASM
9:1	237-21	1	O-Ring
9:2	237-22	1	O-Ring
10	32144-57	2	Screw
11	340-18	1	Fitting-HYD, 90 DEG
11:1	237-79	1	O-Ring
11:2	237-22	1	O-Ring
12	56-7973	4	Clamp-Tube

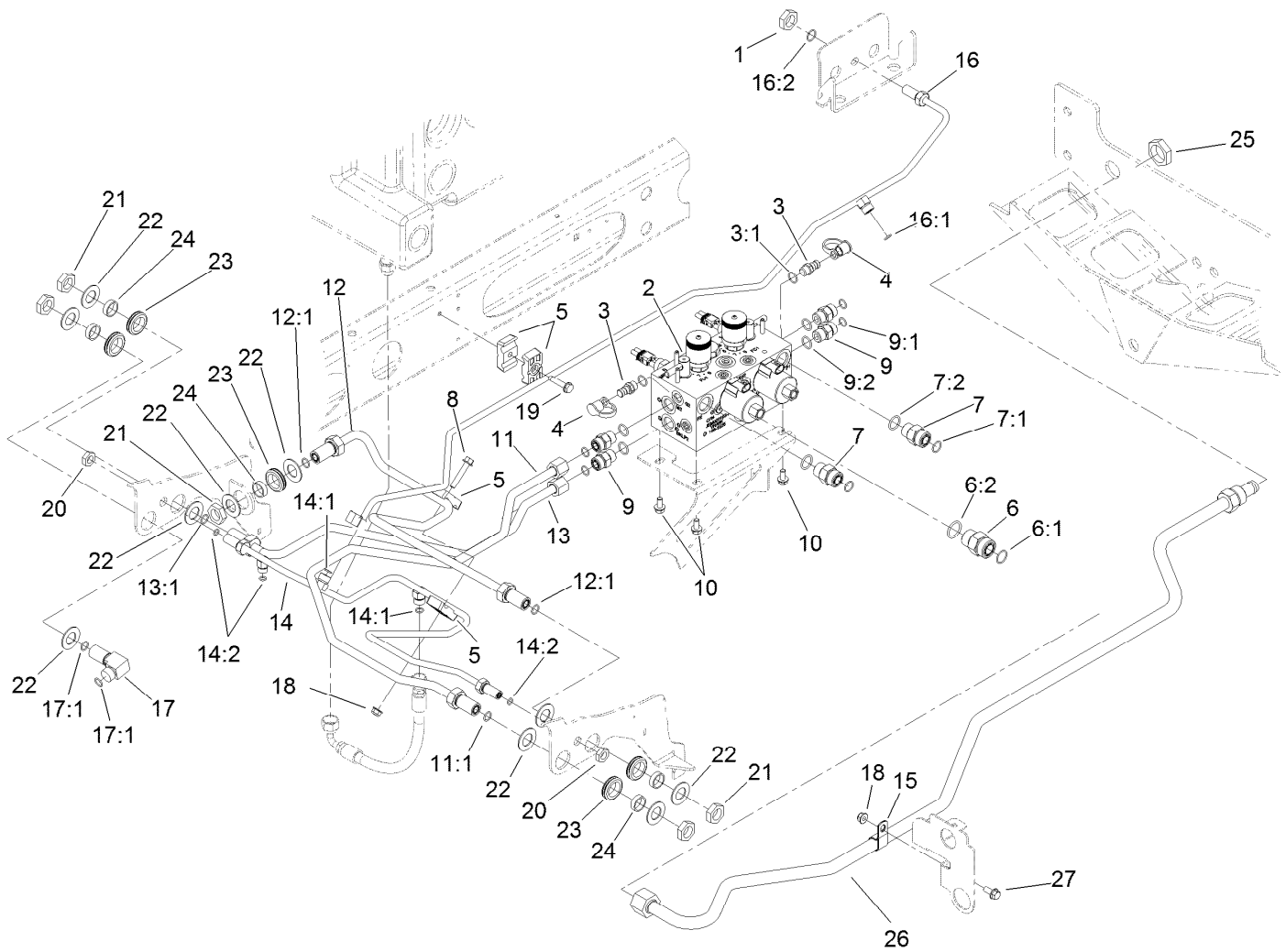


Hydraulic Manifold Block Assembly No. 105-7577

Ref.	Part Number	Qty.	Description
1		1	Block-Manifold ●
2	110-8906	1	Valve-Solenoid
2:1	110-8908	1	Spool Valve Seal Kit
2:2	110-2634	1	Nut-Coil
3	110-9006	4	Valve-Check
3:1	105-9156	1	Seal Kit
5	110-8905	1	Valve-Relief, Solenoid
5:1	110-6316	1	Seal Kit
5:2	130-8180	1	Nut-Coil (9/16-24 Unef-2B)
6	110-6344	2	Coil-12V, DC
7	110-8904	3	Orifice-Control, Flow (0.028)
8	110-8903	3	Orifice-Control, Flow (0.055)
9	110-8902	2	Orifice-Control, Flow (0.046)
10	354-70	4	Plug-Hex, Hollow
10:1	237-80	1	O-Ring

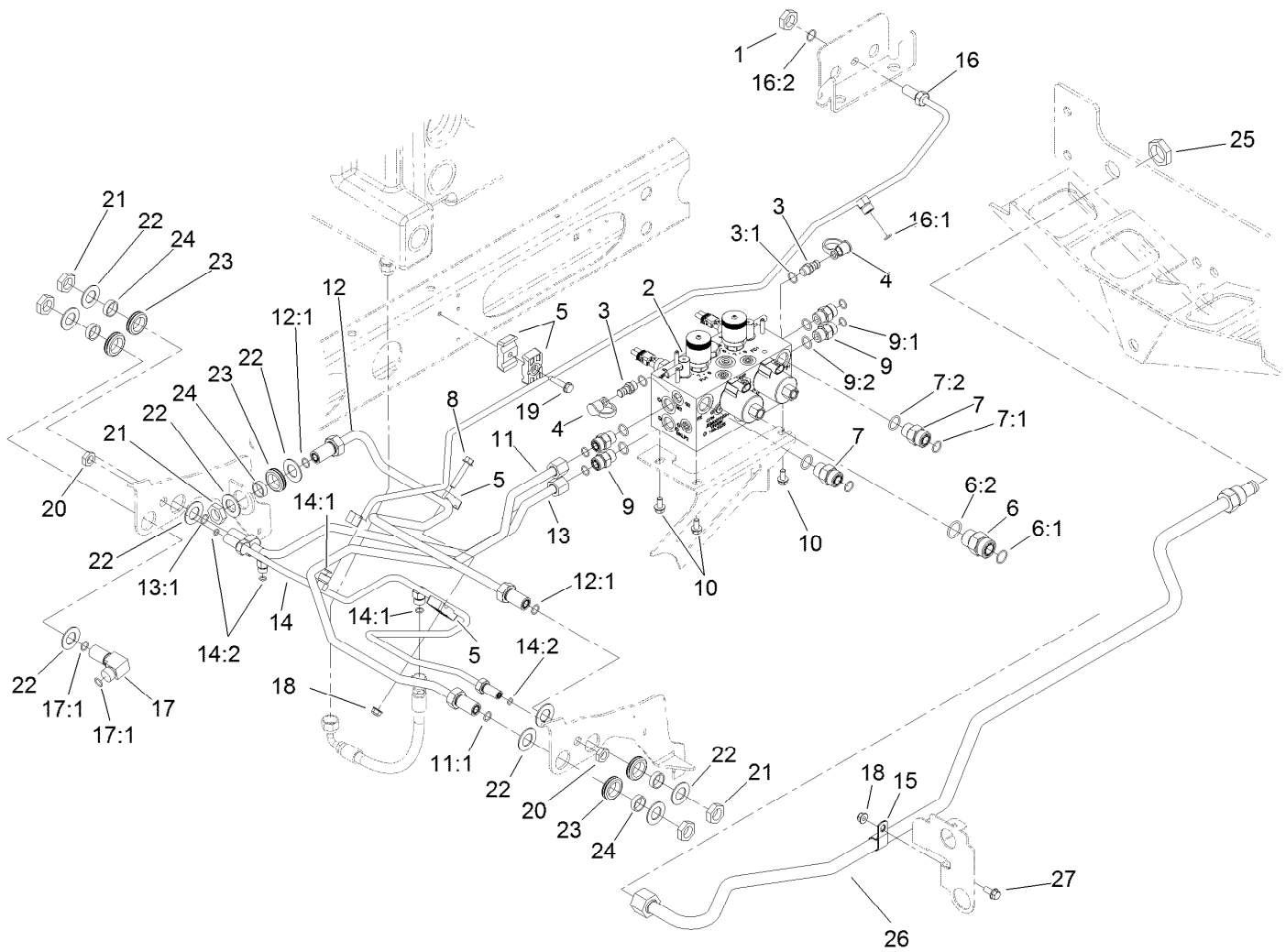
Ref.	Part Number	Qty.	Description
11	110-8901	4	Piston-Pilot
11:1	110-8900	1	O-Ring
13	110-0497	2	Coil-Solenoid
14	110-8899	1	Valve-Relief
14:1	105-9156	1	Seal Kit
15	340-88	2	Fitting-Straight
15:1	237-22	1	O-Ring
15:2	237-78	1	O-Ring
16	340-92	6	Fitting-Straight
16:1	237-78	1	O-Ring
16:2	237-21	1	O-Ring
17	110-8898	2	Valve-Solenoid
17:1	107-7527	1	Seal Kit
17:2	110-2634	1	Nut-Coil
17:3	110-8909	1	Spacer-Coil

● Not serviced separately



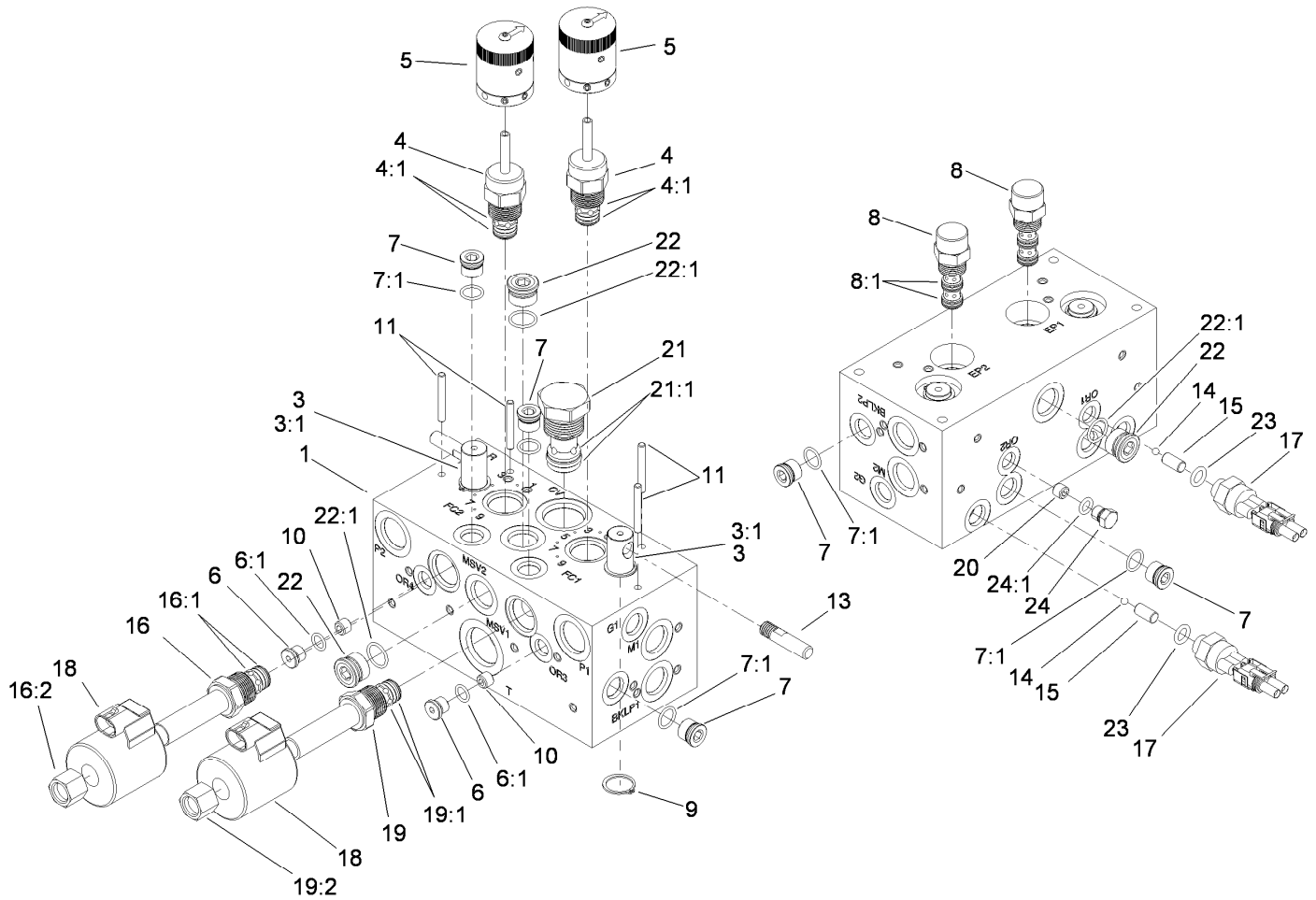
Reel Control Block Hydraulic Plumbing Assembly

Ref.	Part Number	Qty.	Description	Ref.	Part Number	Qty.	Description
1	340-78	1	Nut-Lock	12:1	237-30	2	O-Ring
2	108-1625	1	HYD Mow Block Manifold ASM	13	108-1708	1	Tube ASM
3	59-7410	2	Fitting-Diagnostic	13:1	237-30	1	O-Ring
3:1	237-42	1	O-Ring	14	110-5286	1	Tube ASM
4	354-79	2	Cap-Dust	14:1	237-22	2	O-Ring
5	56-7972	4	Clamp-Tube	14:2	237-21	3	O-Ring
6	340-9	1	Fitting-STR	15	2412-4	1	Clamp-R
6:1	237-58	1	O-Ring	16	114-8888	1	Tube ASM
6:2	237-81	1	O-Ring	16:1	237-22	1	O-Ring
7	340-7	2	Fitting-Straight	16:2	237-21	1	O-Ring
7:1	237-65	1	O-Ring	17	93-9151	1	Fitting-HYD
7:2	237-80	1	O-Ring	17:1	237-30	2	O-Ring
8	94-5780	1	Screw-HWH	18	104-8300	2	Nut-HF, NI
9	340-4	4	Fitting-Straight	19	32144-57	1	Screw
9:1	237-30	1	O-Ring	20	340-78	2	Nut-Lock
9:2	237-79	1	O-Ring	21	340-127	5	Nut-Bulkhead
10	3234-14	3	Screw-HHF	22	69-8930	10	Washer
11	110-5287	1	Tube ASM	23	240-5	5	Grommet
11:1	237-30	1	O-Ring	24	69-8960	5	Spacer
12	110-5288	1	Tube ASM	25	340-126	1	Nut-Bulkhead



Reel Control Block Hydraulic Plumbing Assembly (continued)

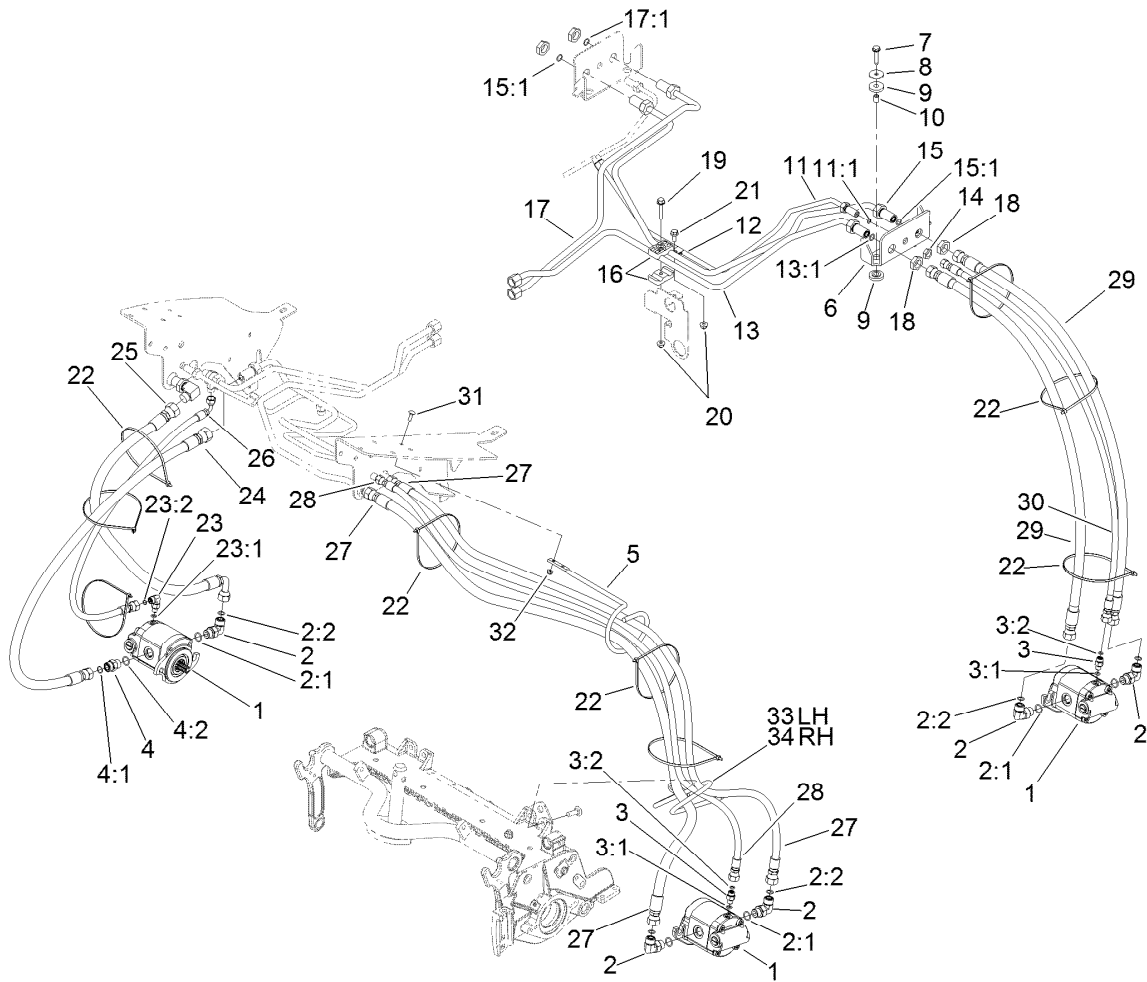
<i>Ref.</i>	<i>Part Number</i>	<i>Qty.</i>	<i>Description</i>
26	108-1700	1	Tube ASM
27	3234-5	1	Screw-HHF



Hydraulic Manifold Block Assembly No. 108-1625

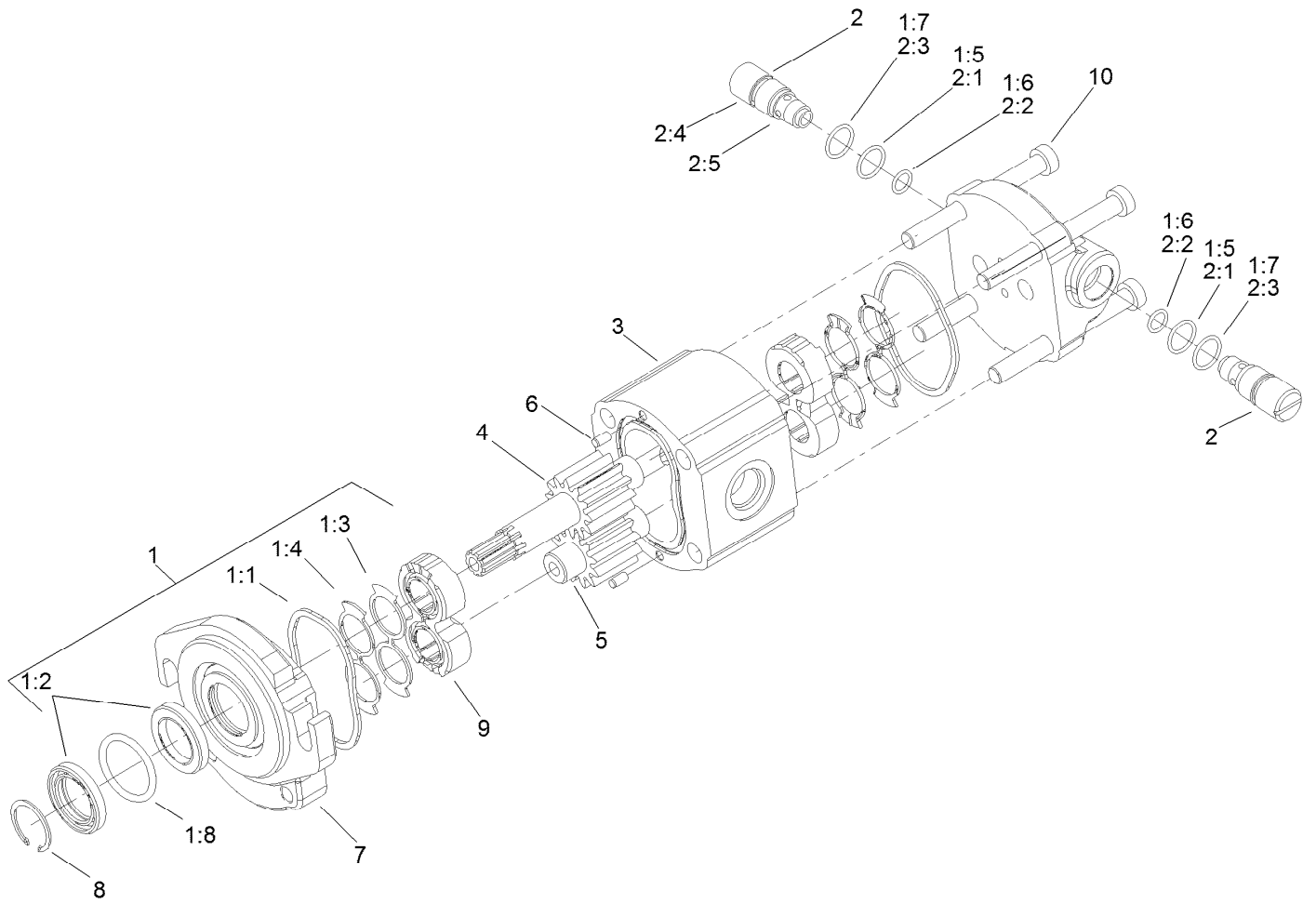
Ref.	Part Number	Qty.	Description	Ref.	Part Number	Qty.	Description
1		1	Block-Manifold ●	15	110-8761	2	Pin-Dowel
3	117-0108	2	Spool-Rotary	16	110-8888	1	Valve-Relief, Solenoid
3:1	117-0109	1	Seal Kit	16:1	110-6316	1	Seal Kit
4	110-8769	2	Valve-Control, Manual Flow	16:2	110-2635	1	Nut-Coil
4:1	110-2633	1	Seal Kit	17	72-4310	2	Switch-Ball
5	110-8767	2	Rotary Handle ASM	18	110-6344	2	Coil-12V, DC
6	353-990	4	Plug ASM	19	110-6345	1	Valve-Relief, Solenoid
6:1	237-78	1	O-Ring	19:1	110-6316	1	Seal Kit
7	106-1026	6	Plug-HYD	19:2	110-2635	1	Nut-Coil
7:1	237-42	1	O-Ring	20	110-8887	2	Plug-Orifice (0.055)
8	110-8890	2	Element-Logic	21	110-8886	1	Valve-Check
8:1	110-8773	1	Seal Kit	21:1	110-0470	1	Seal Kit
9	112-6532	4	Ring-Retaining	22	106-1027	3	Plug
10	110-8987	2	Plug-Orifice (0.015 Rw)	22:1	237-79	1	O-Ring
11	112-6531	4	Pin-Spring	23	110-8757	2	O-Ring
13	110-8758	2	Handle-Spool	24	117-0115	2	Plug
14	110-8762	2	Ball-Chrome	24:1	237-78	1	O-Ring

● Not serviced separately



Rear Reel Drive System Plumbing and Front Hose Assembly

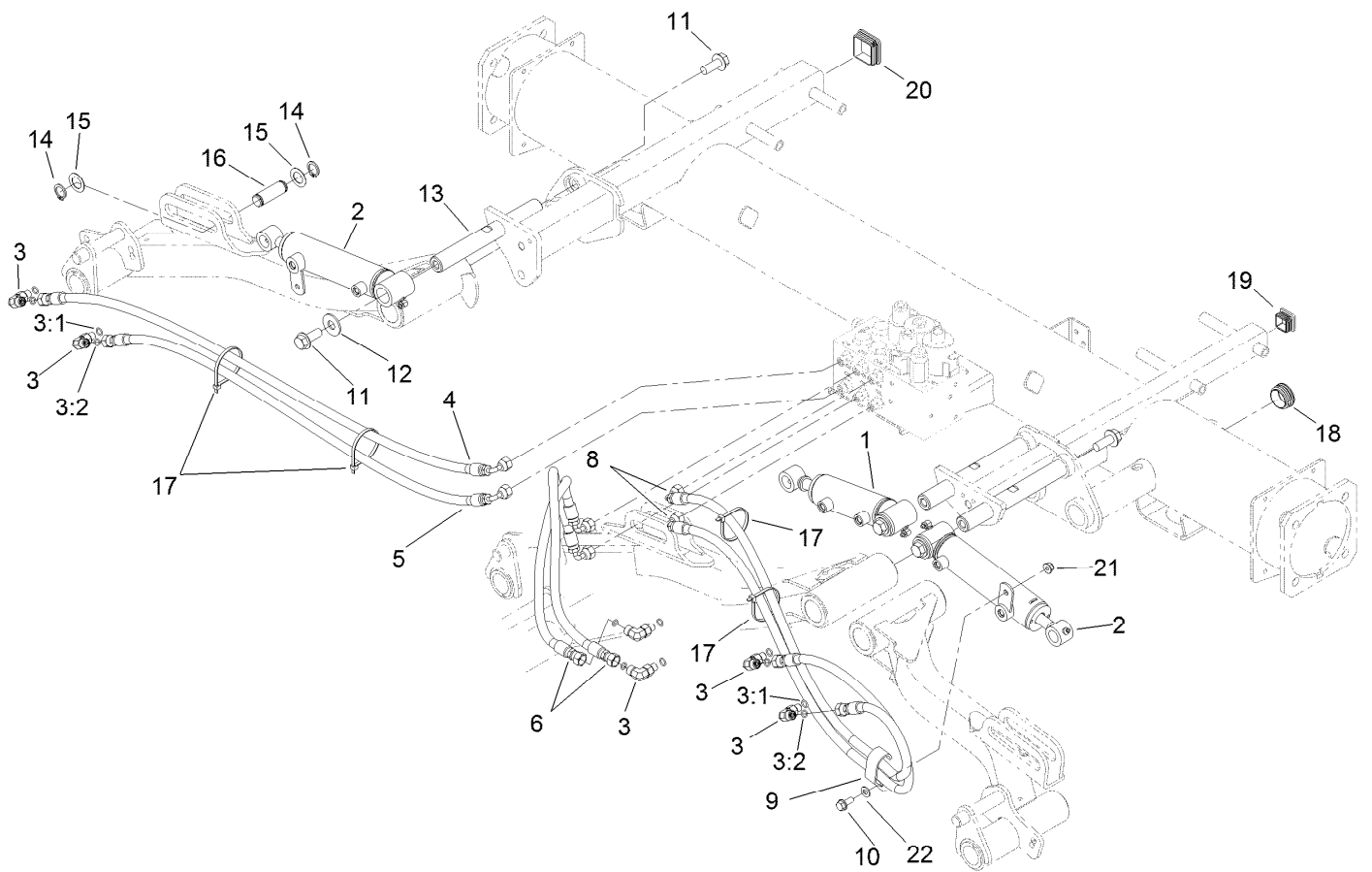
Ref.	Part Number	Qty.	Description	Ref.	Part Number	Qty.	Description
1	110-1717	5	HYD Motor ASM	15:1	237-30	2	O-Ring
2	340-98	9	Fitting-Elbow, 90 DEG	16	56-7976	2	Clamp-Tube
2:1	237-79	1	O-Ring	17	108-1703	1	Tube ASM
2:2	237-30	1	O-Ring	17:1	237-30	1	O-Ring
3	340-92	4	Fitting-Straight	18	340-127	4	Nut-Bulkhead
3:1	237-78	1	O-Ring	19	94-5780	1	Screw-HWH
3:2	237-21	1	O-Ring	20	104-8300	2	Nut-HF, NI
4	340-4	1	Fitting-Straight	21	3234-5	1	Screw-HHF
4:1	237-30	1	O-Ring	22	3334-945	15	Tie-Cable
4:2	237-79	1	O-Ring	23	340-132	1	Fitting-Elbow, 90 DEG
5	108-7585	2	Guide-Hose	23:1	237-78	1	O-Ring
6	108-1814-03	2	Bracket-Bulkhead	23:2	237-21	1	O-Ring
7	32144-57	4	Screw	24	106-3669	1	HYD Hose ASM
8	105-3048	4	Washer-Flat	25	106-3670	1	HYD Hose ASM
9	240-11	8	Bushing-Flange	26	106-3671	1	Hose-HYD
10	99-8611	4	Spacer	27	114-8868	4	HYD Hose ASM
11	114-8887	1	Tube ASM	28	106-3680	2	Hose-HYD
11:1	237-21	1	O-Ring	29	106-3672	4	HYD Hose ASM
12	2412-113	1	Clamp-R	30	98-4590	2	Hose-HYD
13	108-1701	1	Tube ASM	31	3229-1	4	Screw-CARR
13:1	237-30	1	O-Ring	32	104-7201	4	Nut-HF, NI
14	340-78	1	Nut-Lock	33	115-8054	1	Guide-Hose, LH
15	108-1702	1	Tube ASM	34	115-8056	1	Guide-Hose, RH



Hydraulic Motor Assembly No. 110-1717

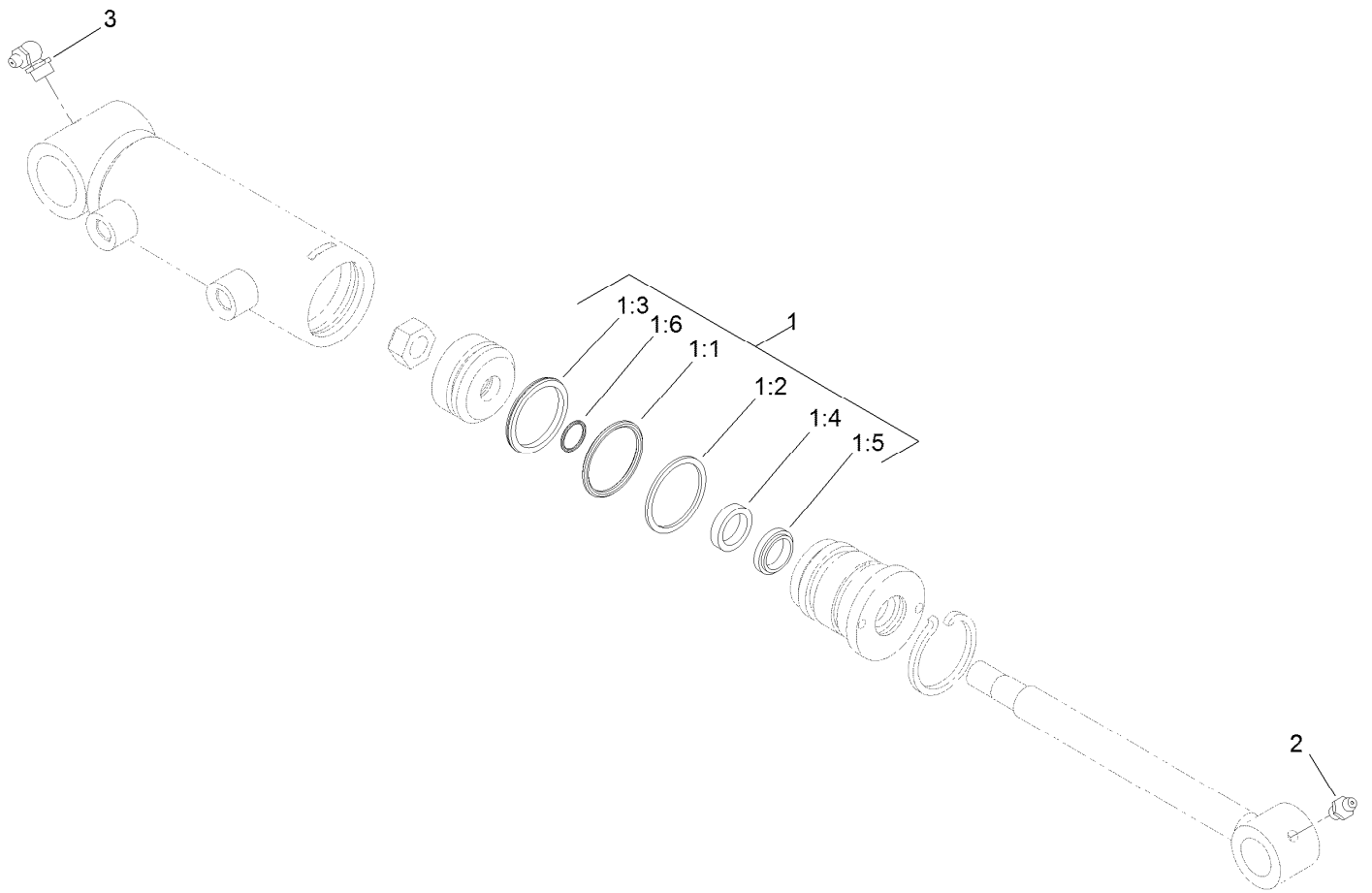
Ref.	Part Number	Qty.	Description	Ref.	Part Number	Qty.	Description
1	110-0040	1	Seal Kit	2:3		1	Ring-Backup ●
1:1		2	Ring ●	2:4		1	Cap-Relief ●
1:2		2	Seal-Shaft ●	2:5		1	Valve-Relief ●
1:3		2	Seal ●	3		1	Body ●
1:4		2	Seal-Anti Extrusion ●	4		1	Gear-Drive ●
1:5		2	Seal-Valve, Relief ●	5		1	Gear-Driven ●
1:6		2	Seal-Valve, Relief ●	6		2	Pin-Dowel ●
1:7		2	Ring-Backup ●	7		1	Cover-Front ●
1:8		1	Ring-Spacer ●	8		1	Ring-Retaining ●
2	110-0041	2	Relief Cartridge Kit	9		2	Block-Bearing ●
2:1		1	Seal ●	10		4	Screw ●
2:2		1	Seal ●				

● Not serviced separately



Front Lift Cylinder and Plumbing Assembly

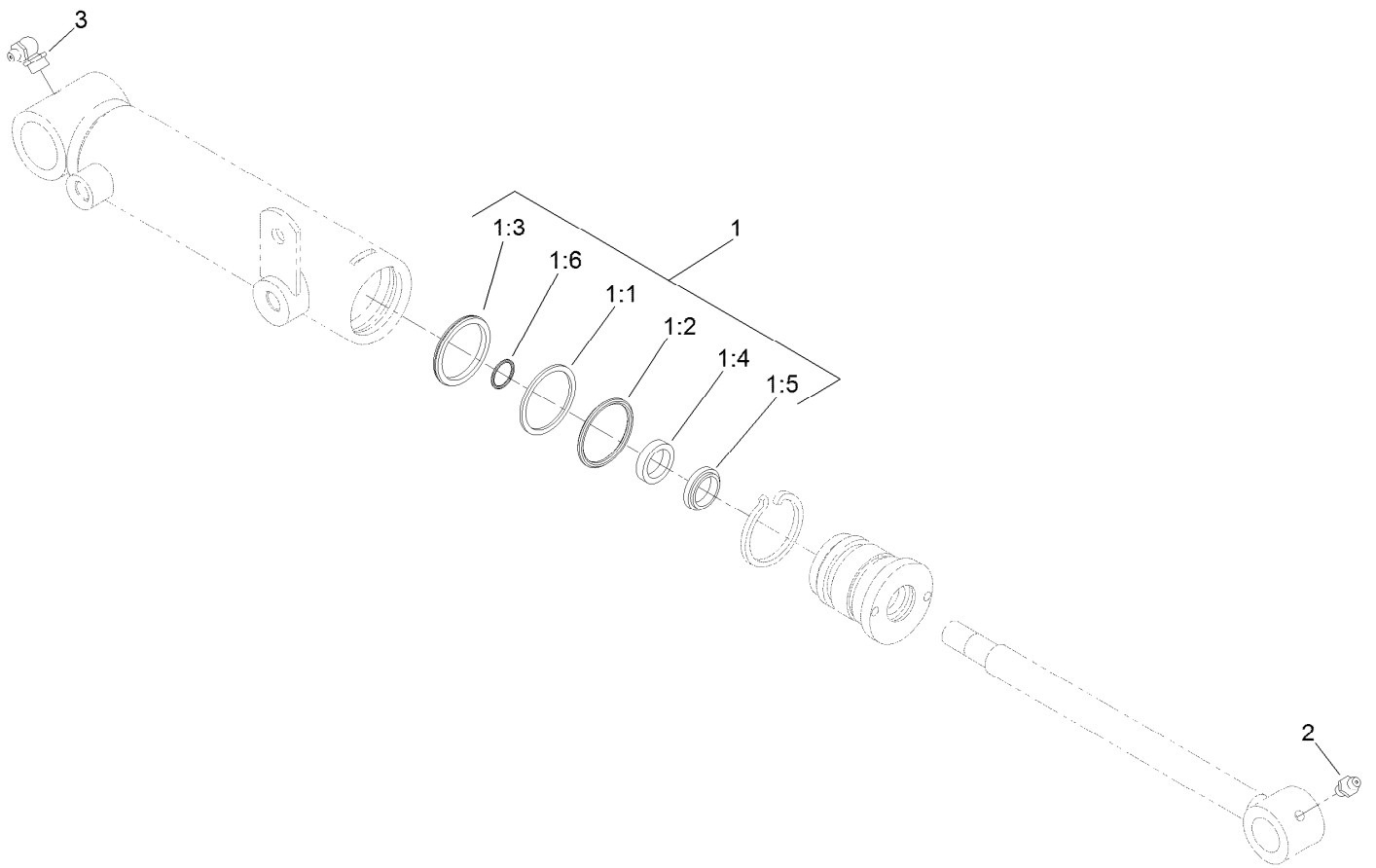
<i>Ref.</i>	<i>Part Number</i>	<i>Qty.</i>	<i>Description</i>	<i>Ref.</i>	<i>Part Number</i>	<i>Qty.</i>	<i>Description</i>
1	110-9034	1	Cylinder-HYD	12	3256-6	3	Washer-Flat
2	110-9033	2	Cylinder-HYD	13	107-2077	3	Pin-Cylinder
3	340-132	6	Fitting-Elbow, 90 DEG	14	32120-93	6	Ring-Retaining
3:1	237-78	1	O-Ring	15	3-6498	6	Washer-Thrust
3:2	237-21	1	O-Ring	16	104-0046	3	Pin-Slide, Cylinder
4	106-3692	1	Hose-HYD	17	3290-379	4	Tie-Cable
5	106-3693	1	Hose-HYD	18	110-9012	3	Caplug
6	93-6887	2	Hose-HYD	19	110-9013	1	Caplug
8	85-4940	2	Hose-HYD	20	95-9495	1	Cap
9	2412-137	1	Clamp-R, Double	21	104-8300	1	Nut-HF, NI
10	3234-47	1	Screw-HHF	22	3256-23	1	Washer-Plain
11	3234-38	6	Screw-HHF				



Hydraulic Cylinder Assembly No. 110-9034

<i>Ref.</i>	<i>Part Number</i>	<i>Qty.</i>	<i>Description</i>
1	114-8873	1	Seal Kit
1:1		1	O-Ring ●
1:2		1	Backup ●
1:3		1	Bp Seal ●
1:4		1	Bs Seal ●
1:5		1	Dust Seal ●
1:6		1	O-Ring ●
2	302-5	1	Fitting-Grease
3	302-60	1	Fitting-Grease

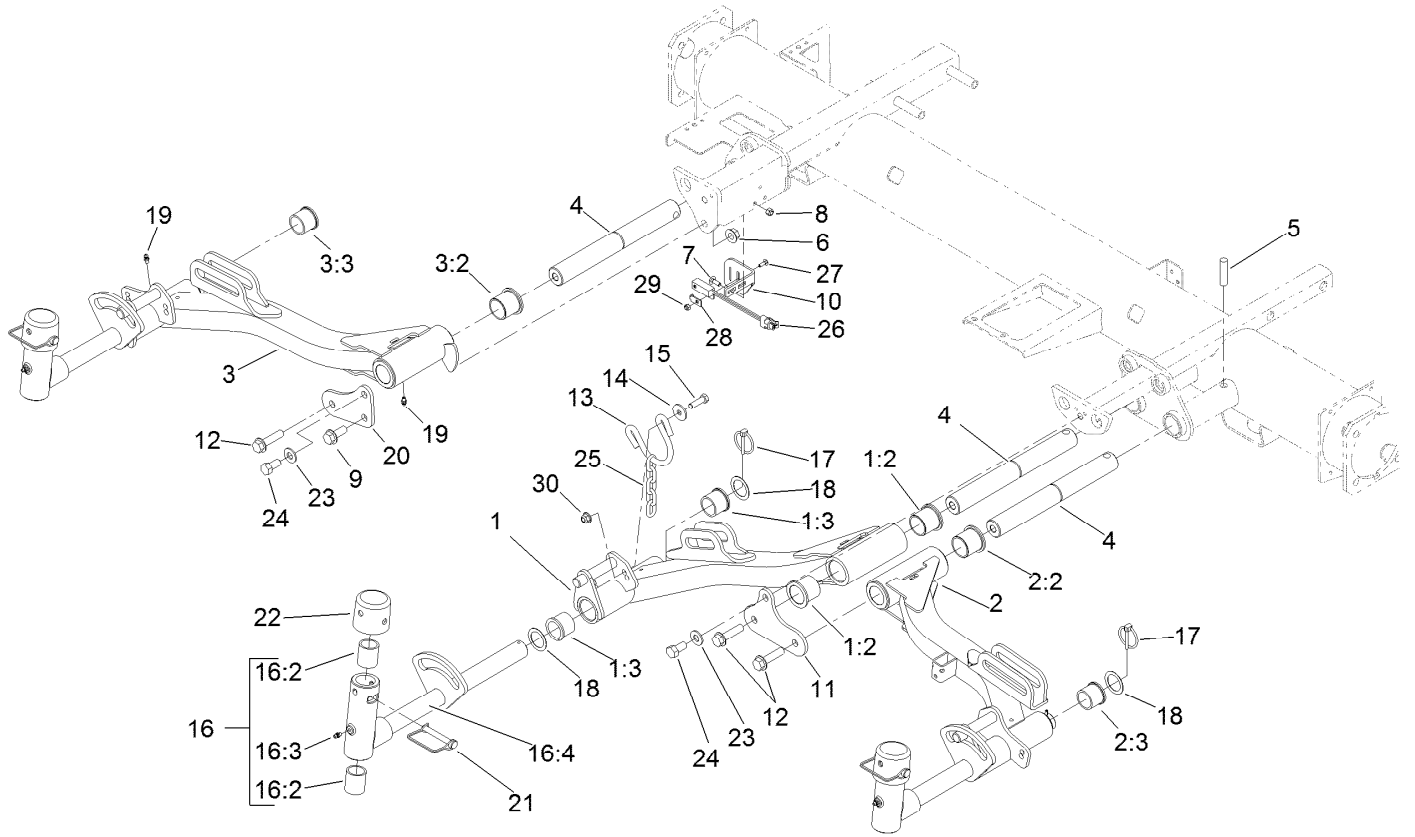
● Not serviced separately



Hydraulic Cylinder Assembly No. 110-9033

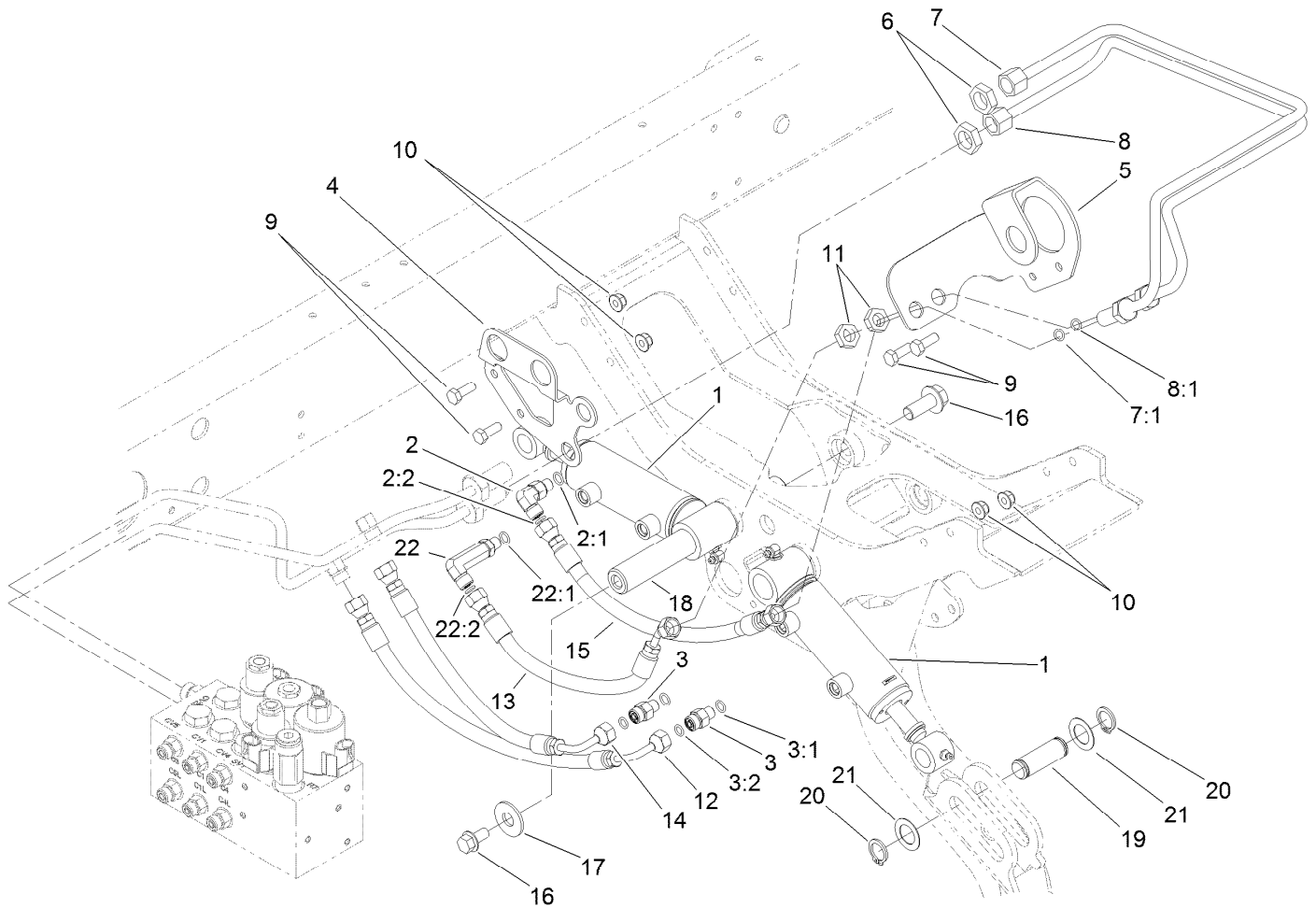
<i>Ref.</i>	<i>Part Number</i>	<i>Qty.</i>	<i>Description</i>
1	114-8873	1	Seal Kit
1:1		1	O-Ring ●
1:2		1	Backup ●
1:3		1	Bp Seal ●
1:4		1	Bs Seal ●
1:5		1	Dust Seal ●
1:6		1	O-Ring ●
2	302-5	1	Fitting-Grease
3	302-60	1	Fitting-Grease

● Not serviced separately



Front Lift Arm Assembly

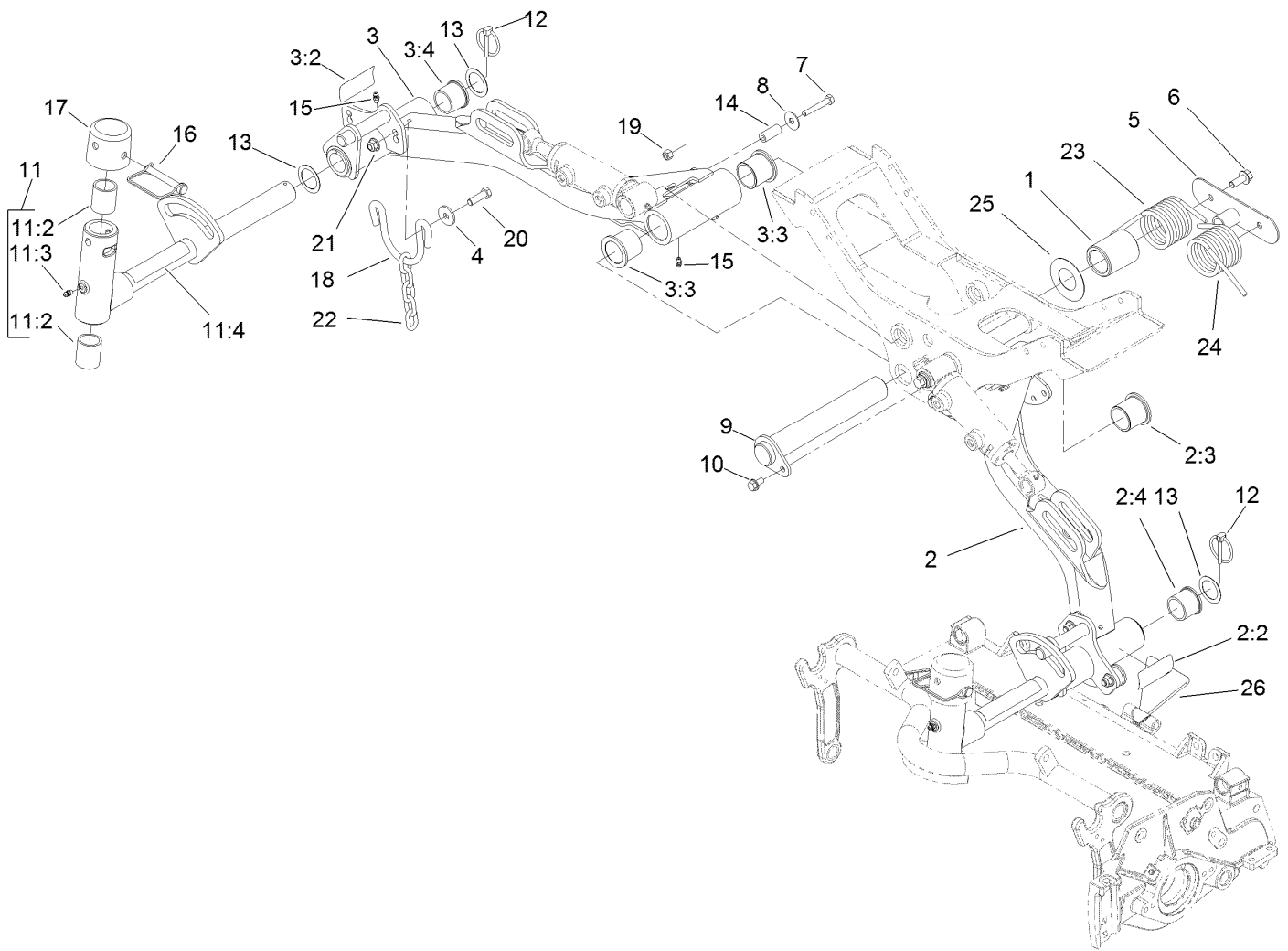
Ref.	Part Number	Qty.	Description	Ref.	Part Number	Qty.	Description
1	110-0991	1	No. 1 Lift Arm ASM	15	323-7	6	Screw-HH
1:2	69-6470	2	Bushing-Caster	16	107-2052	3	Pivot Yoke ASM
1:3	104-0015	2	Bushing-Flange	16:2	256-254	2	Bushing
2	114-8874	1	No. 4 Lift Arm ASM	16:3	302-5	1	Fitting-Grease
2:2	69-6470	2	Bushing-Caster	16:4	110-9642	1	Decal-Warning
2:3	104-0015	2	Bushing-Flange	17	92-1298	3	Pin-Lynch
3	110-0995	1	No. 5 Lift Arm ASM	18	76-2980	6	Washer-Thrust
3:2	69-6470	2	Bushing-Caster	19	302-5	6	Fitting-Grease
3:3	104-0015	2	Bushing-Flange	20	110-0939-01	1	Plate-Bridge, No. 5
4	95-8531	3	Shaft-Pivot, Liftarm	21	107-7400	3	Pin-Lynch
5	32121-122	3	Pin-Roll	22	107-4027	3	Cap
6	32128-23	1	Nut-HF	23	87-7270	5	Washer-Thrust
7	3229-1	2	Screw-CARR	24	3213-1	2	Screw-HH
8	3296-42	2	Nut-Lock, NI	25	84-2451	3	Chain-Straight, 5 Link
9	3234-38	1	Screw-HHF	26	105-0023	1	Switch-Proximity
10	110-0919	1	Bracket-Switch	27	3229-34	1	Screw-CARR
11	110-0938-01	1	Plate-Bridge	28	100-4872	1	Plate-Switch, Neutral
12	325-8	3	Screw-HH	29	3296-2	1	Nut-Lock, NI
13	110-0922	3	Hoop-Chain	30	104-8301	6	Nut-HF, NI
14	63-8410	6	Washer				



Rear Lift Cylinder and Plumbing Assembly

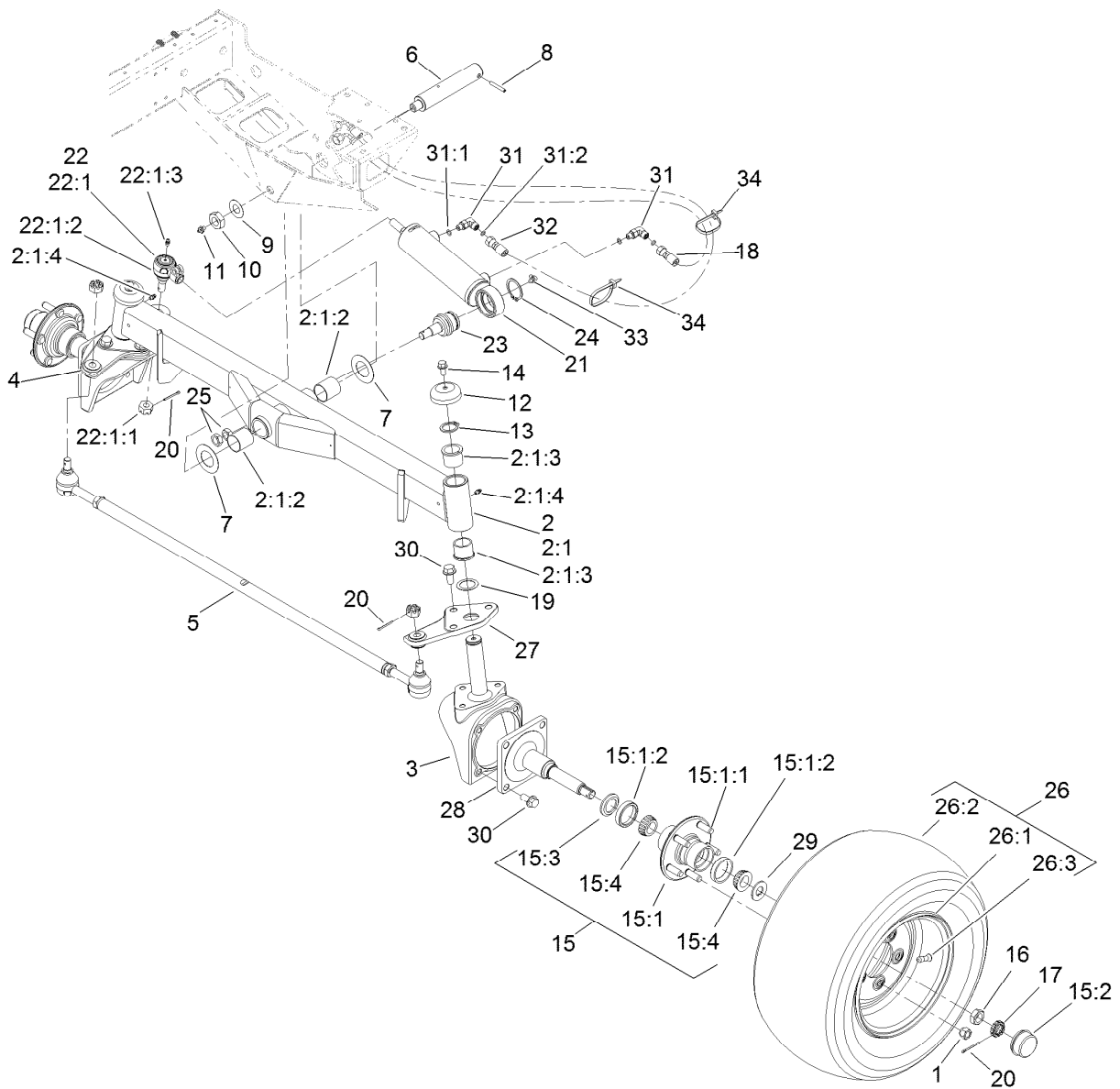
Ref.	Part Number	Qty.	Description
1	110-9034	2	Cylinder-HYD
2	340-132	1	Fitting-Elbow, 90 DEG
2:1	237-78	1	O-Ring
2:2	237-21	1	O-Ring
3	340-92	2	Fitting-Straight
3:1	237-78	1	O-Ring
3:2	237-21	1	O-Ring
4	110-0918-01	1	Bracket-Bulkhead, RH
5	110-0917-01	1	Bracket-Bulkhead, LH
6	340-70	2	Nut-Lock
7	110-0915	1	Tube ASM
7:1	237-21	1	O-Ring
8	110-0916	1	Tube ASM
8:1	237-21	1	O-Ring
9	322-4	4	Screw-HH

Ref.	Part Number	Qty.	Description
10	104-8300	4	Nut-HF, NI
11	340-78	2	Nut-Lock
12	110-0930	1	Hose-HYD
13	110-8966	1	Hose-HYD
14	110-0929	1	Hose-HYD
15	110-0931	1	Hose-HYD
16	3234-38	4	Screw-HHF
17	3256-6	2	Washer-Flat
18	107-2077	2	Pin-Cylinder
19	104-0046	2	Pin-Slide, Cylinder
20	32120-93	4	Ring-Retaining
21	3-6498	4	Washer-Thrust
22	100-7695	1	Fitting-Elbow 90
22:1	237-78	1	O-Ring
22:2	237-21	1	O-Ring



Rear Lift Arm Assembly

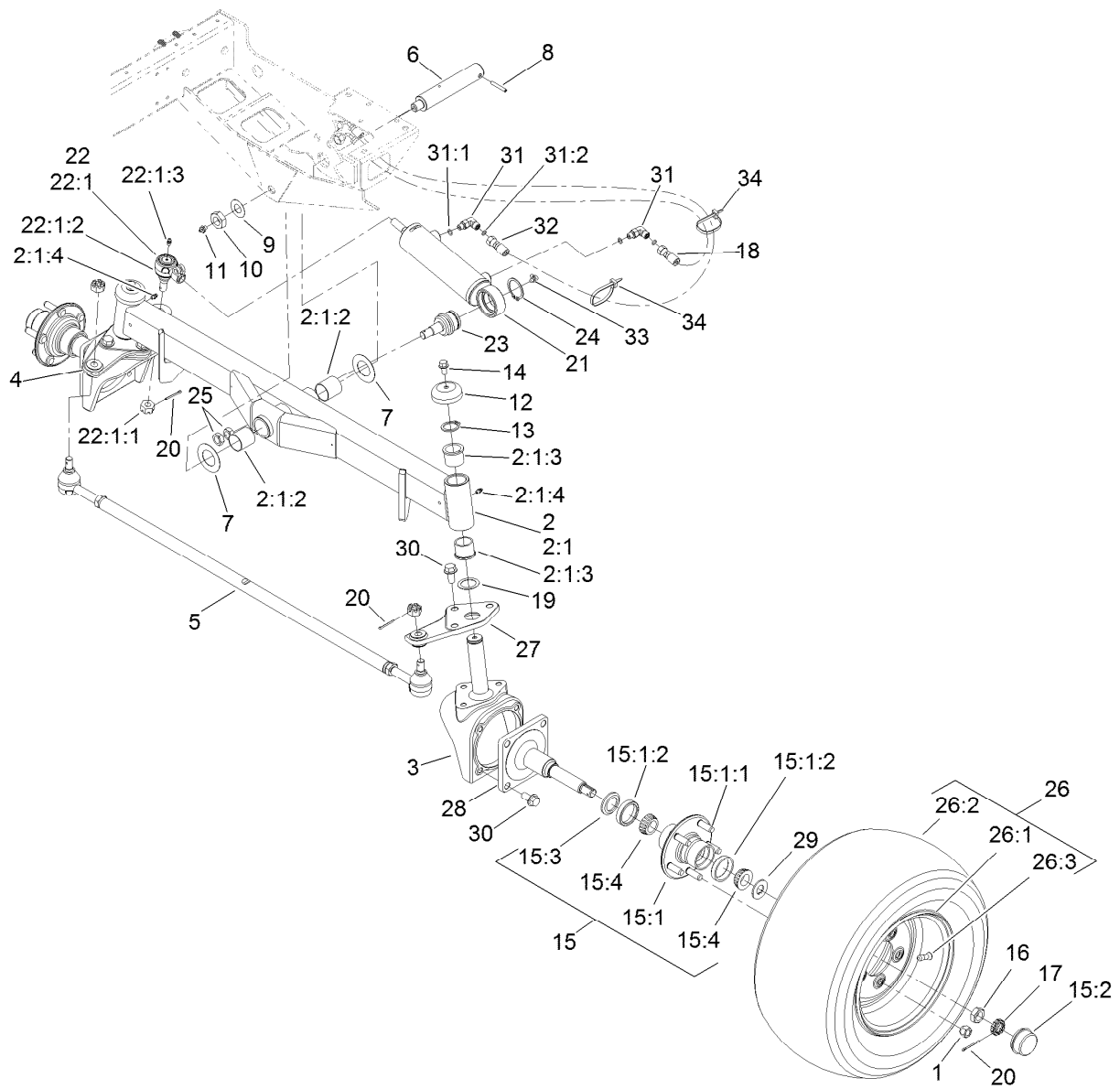
Ref.	Part Number	Qty.	Description	Ref.	Part Number	Qty.	Description
1	110-5339	2	Spacer	11:3	302-5	1	Fitting-Grease
2	110-0992	1	No. 2 Lift Arm ASM	11:4	110-9642	1	Decal-Warning
2:2	93-6696	1	Decal-Warning	12	92-1298	2	Pin-Lynch
2:3	69-6470	2	Bushing-Caster	13	76-2980	4	Washer-Thrust
2:4	104-0015	2	Bushing-Flange	14	103-0384	2	Spacer
3	110-0993	1	No. 3 Lift Arm ASM	15	302-5	4	Fitting-Grease
3:2	93-6696	1	Decal-Warning	16	107-7400	2	Pin-Lynch
3:3	69-6470	2	Bushing-Caster	17	107-4027	2	Cap
3:4	104-0015	2	Bushing-Flange	18	110-0922	2	Hoop-Chain
4	63-8410	4	Washer	19	3296-29	2	Nut-Lock, NI
5	110-8874-03	1	Catch	20	323-7	4	Screw-HH
6	3234-11	2	Screw-HHF	21	104-8301	4	Nut-HF, NI
7	322-10	2	Screw-HH	22	84-2451	2	Chain-Straight, 5 Link
8	3256-35	2	Washer-Flat	23	99-5608-03	1	Spring-Torsion, RH
9	107-2062	2	Pin	24	99-5609-03	1	Spring-Torsion, LH
10	32144-14	2	Screw-HWHTF	25	110-5345	2	Washer
11	107-2052	2	Pivot Yoke ASM	26	110-4088-03	1	Kickstand
11:2	256-254	2	Bushing				



Rear Axle Assembly

Ref.	Part Number	Qty.	Description	Ref.	Part Number	Qty.	Description
1	242-50	10	Nut-Lug	15		2	Hub ASM ●
2	107-4546-03	1	Axle ASM	15:1	21-2820	1	Hub
2:1		1	Axle ●	15:1:1	10-6830	5	Stud-Type, Drive
2:1:2	99-6964	2	Bushing-Axle	15:1:2	254-72	2	Bearing-Cup, Tapered
2:1:3	104-0015	4	Bushing-Flange	15:2	241-119	1	Cap-Dust
2:1:4	302-5	2	Fitting-Grease	15:3	253-129	1	Seal
3	107-4517-03	2	Housing-Motor	15:4	254-94	2	Bearing-Cone, Tapered
4	110-5295-03	1	Link-Drag, RH	16	3220-7	2	Nut-Jam
5	110-5334-03	1	Tie Rod ASM	17	93-0307	2	Nut-Lock, Retainer
6	98-8173	1	Pin-Pivot, Axle	18	110-0928	1	Hose-HYD
7	99-8432	2	Washer-Thrust	19	76-2980	2	Washer-Thrust
8	32121-32	1	Pin-Roll	20	3272-12	5	Pin-Cotter
9	71-4540	1	Washer-Thrust	21	110-9035	1	HYD Cylinder ASM
10	32146-20	1	Nut-Hex	22	106-6895-03	1	Ball Joint ASM
11	302-33	1	Fitting-Grease	22:1		1	Joint-Ball ●
12	69-8890	2	Cap-Spindle	22:1:1	32136-13	1	Nut-SHH
13	32151-77	2	Ring-Retaining, External	22:1:2	106-6896	1	Seal
14	3234-1	2	Screw-HHF	22:1:3	302-5	1	Fitting-Grease

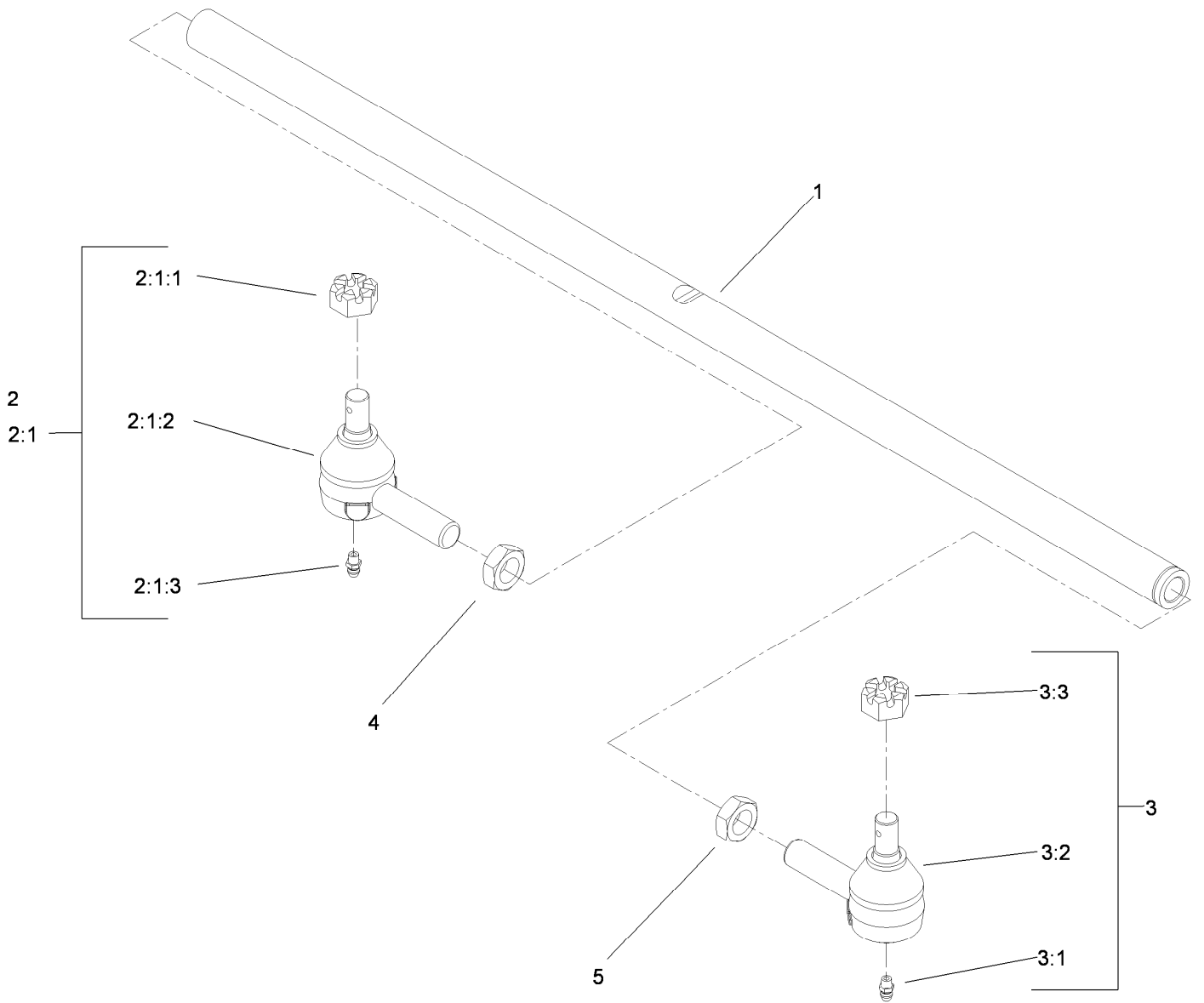
● Not serviced separately



Rear Axle Assembly (continued)

<i>Ref.</i>	<i>Part Number</i>	<i>Qty.</i>	<i>Description</i>	<i>Ref.</i>	<i>Part Number</i>	<i>Qty.</i>	<i>Description</i>
23	106-6774	1	Joint-Ball	29	93-0309	2	Washer-Tab
24	32151-104	1	Ring-Retaining, External	30	3234-6	14	Screw-HHF
25	3220-6	2	Nut-Jam	31	340-132	2	Fitting-Elbow, 90 DEG
26	108-1602	2	Wheel And Tire ASM	31:1	237-78	1	O-Ring
26:1	108-1600	1	Rim	31:2	237-21	1	O-Ring
26:2	104-0451	1	Tire-Turf, Trac	32	110-0973	1	Hose-HYD
26:3	232-27	1	Stem-Valve	33	302-40	1	Fitting-Grease, 90 DEG
27	110-5297-03	1	Link-Drag, LH	34	3290-378	2	Tie-Cable
28	110-5299-03	2	Spindle				

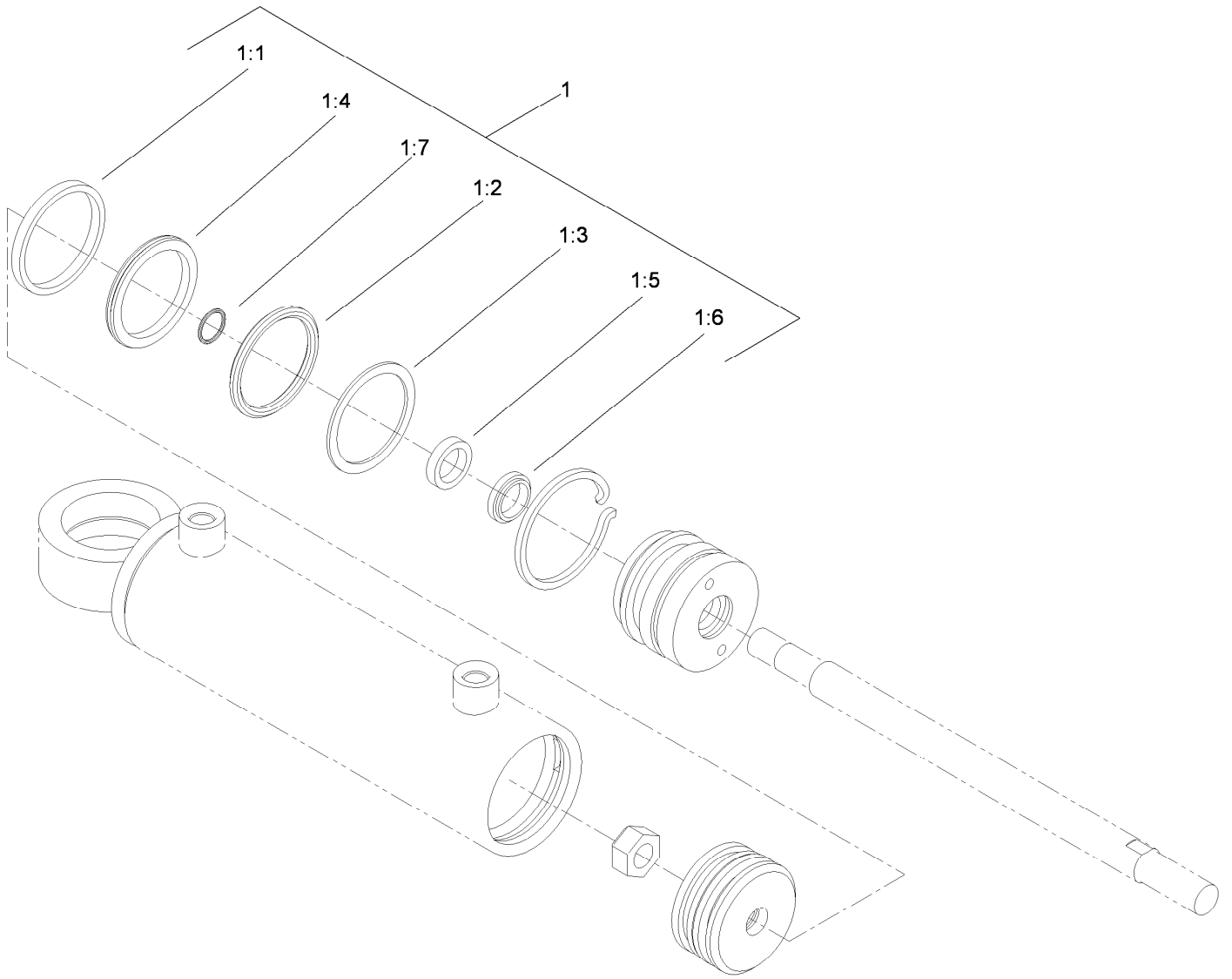
● Not serviced separately



Tie Rod Assembly No. 110-5334-03

Ref.	Part Number	Qty.	Description
1	110-5335	1	Rod-Tie
2	71-4740-03	1	RH Tie Rod End ASM
2:1		1	End-Rod, Tie (RH) ●
2:1:1	105-7941	1	Nut-Hex, Slotted
2:1:2	105-7835	1	Seal
2:1:3	302-5	1	Fitting-Grease
3	2411-46	1	End-Rod, Tie (LH)
3:1	302-5	1	Fitting-Grease
3:2	105-7835	1	Seal
3:3	105-7941	1	Nut-Hex, Slotted
4	84-5300	1	Nut-Jam
5	110-5337	1	Nut-Jam

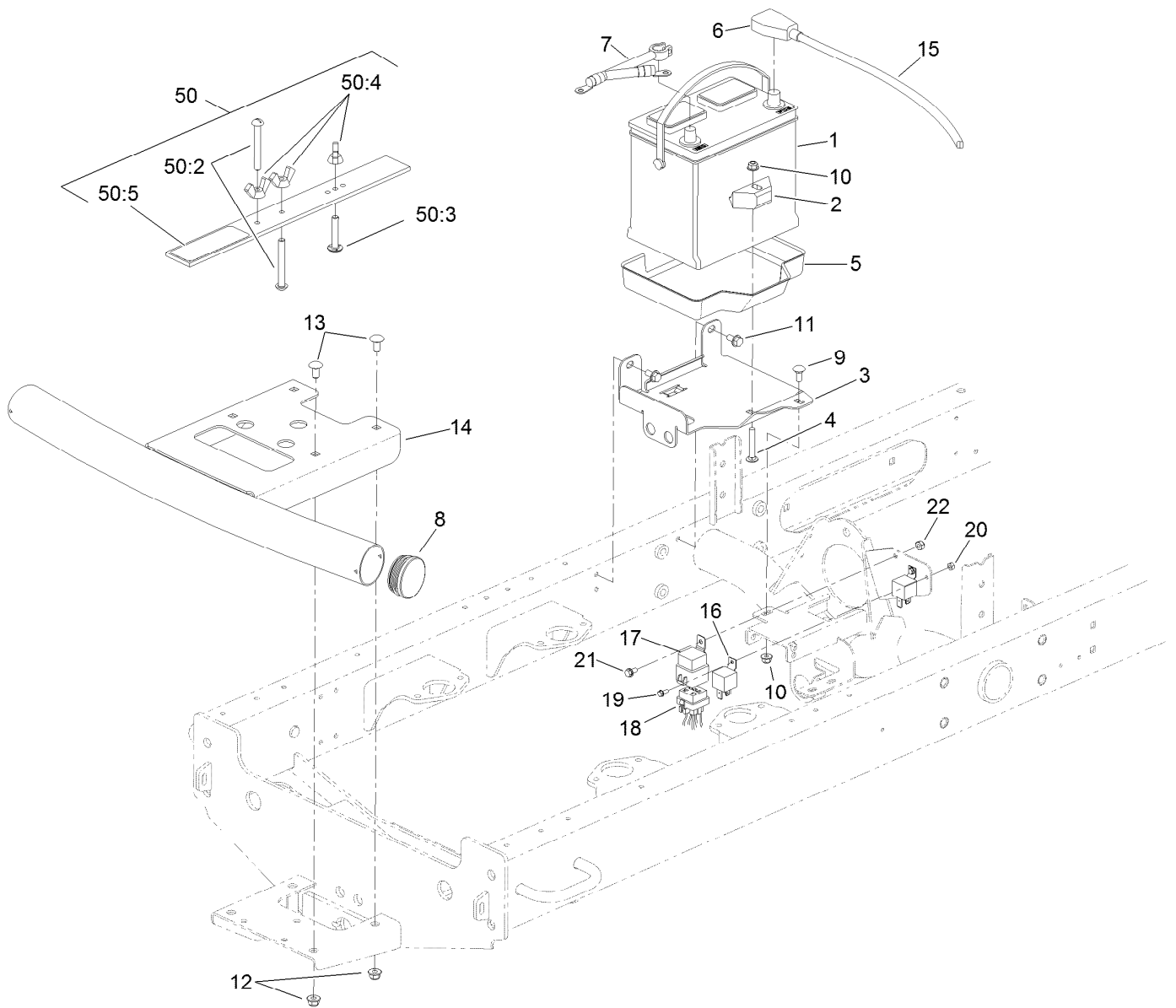
● Not serviced separately



Hydraulic Cylinder Assembly No. 110-9035

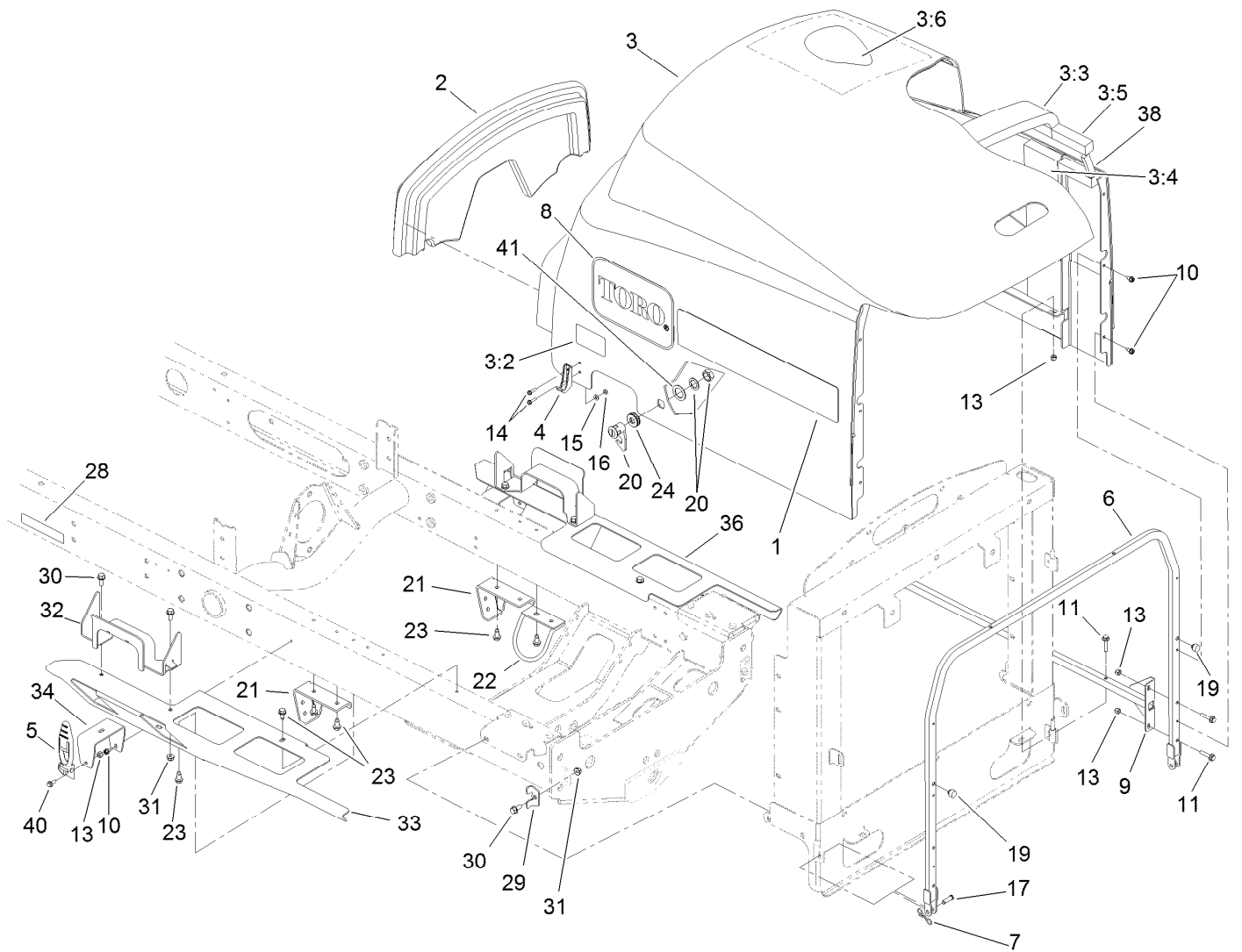
<i>Ref.</i>	<i>Part Number</i>	<i>Qty.</i>	<i>Description</i>
1	114-8875	1	Seal Kit
1:1		1	Wear Ring ●
1:2		1	O-Ring ●
1:3		1	Backup ●
1:4		1	Bp Seal ●
1:5		1	Bs Seal ●
1:6		1	Dust Seal ●
1:7		1	O-Ring ●

● Not serviced separately



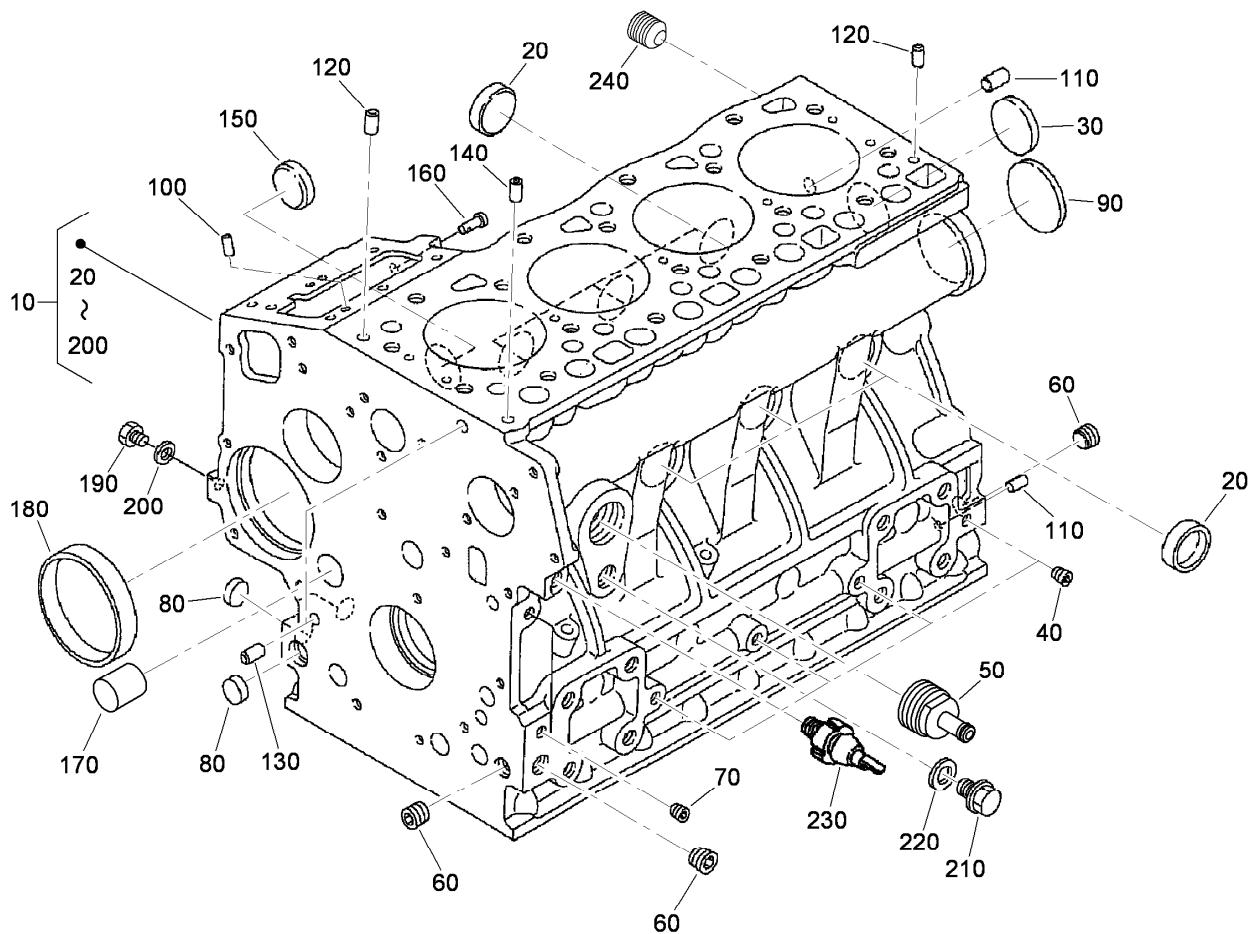
Battery and Bumper Assembly

<i>Ref.</i>	<i>Part Number</i>	<i>Qty.</i>	<i>Description</i>	<i>Ref.</i>	<i>Part Number</i>	<i>Qty.</i>	<i>Description</i>
1	104-9979	1	Battery	15	108-9455	1	Harness-Wire, Fusible Link
2	66-2490	1	Retainer-Battery	16	99-7435	2	Relay
3	110-0907-01	1	Bracket-Battery	17	99-7430	1	Relay-Mini
4	3230-6	1	Bolt-CARR	18	110-9047	1	Harness-Wire, Main
5	99-3513	1	Tray-Battery	19	3290-321	2	Screw-HWH
6	108-1802	1	Cable-Battery, Positive	20	3296-2	2	Nut-Lock, NI
7	110-8813	1	Cable-Battery, Negative	21	3234-13	1	Screw-HHF
8	2410-42	2	Cap-End	22	3296-42	1	Nut-Lock, NI
9	3230-1	1	Bolt-CARR	50	108-6715	1	Gauge Bar ASM
10	104-8300	2	Nut-HF, NI	50:2	32122-54	2	Screw-Head, Truss
11	32104-32	2	Screw-HWH	50:3	108-6714	1	Stud-Weld
12	104-8301	4	Nut-HF, NI	50:4	32103-3	3	Nut-Wing
13	3231-21	4	Screw-CARR	50:5	108-6712	1	Decal-Gauge, Bar
14	110-8951-03	1	Bumper				



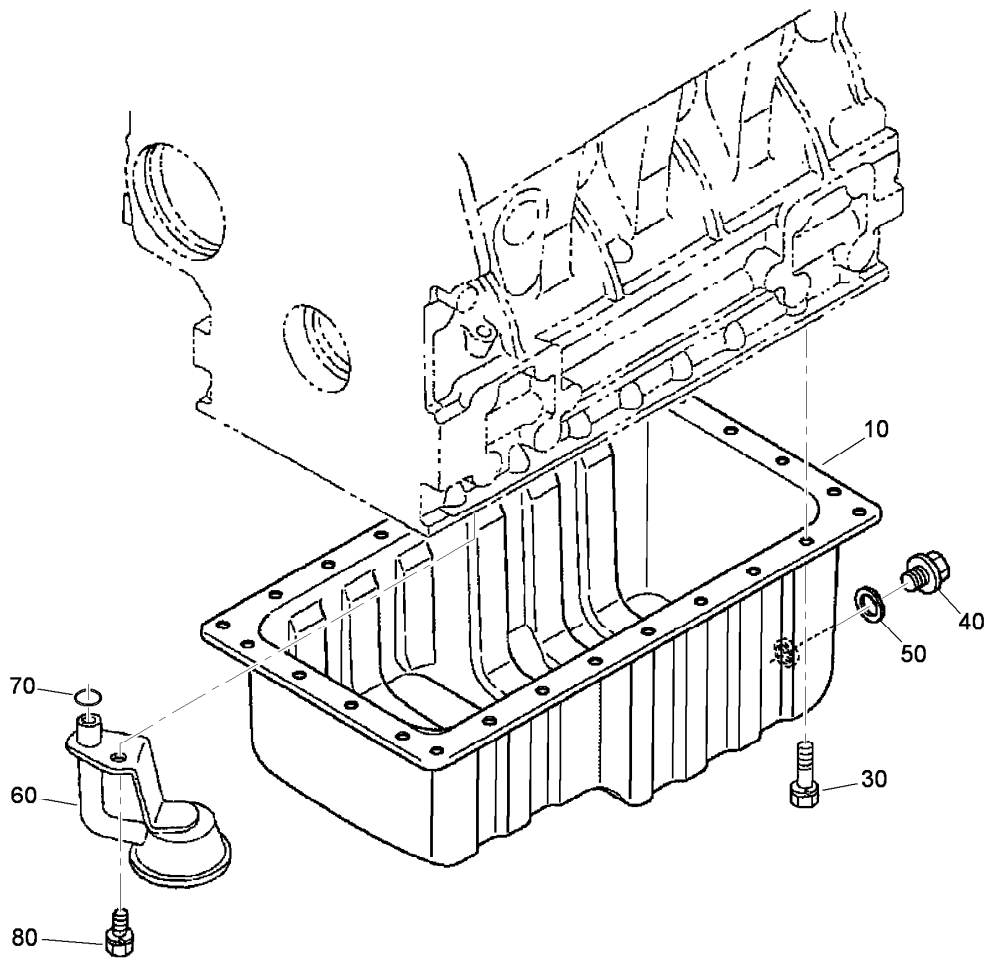
Hood and Body Panel Assembly

Ref.	Part Number	Qty.	Description	Ref.	Part Number	Qty.	Description
1	110-0965	2	Decal	16	3296-12	4	Nut-Lock, NI
2	108-7587	1	Saddle-Hood	17	283-61	2	Pin-Yoke
3	110-8995	1	Hood ASM	19	107-8042	2	Bumper-Rubber
3:2	106-6754	1	Decal-Danger	20	98-5398	1	Latch
3:3	110-8948	1	Foam-Hood	21	110-0979-03	2	Bracket-Deflector
3:4	110-8947	2	Foam-Hood	22	110-8999	1	Guard-Muffler
3:5	110-8949	4	Seal-Foam	23	32104-32	12	Screw-HWH
3:6	110-9002	1	Foil Tape Kit	24	104-1453	1	Grommet
4	103-2897	2	Latch-Catch	28	93-6689	2	Decal-No Riders
5	103-2898	2	Latch-Rubber	29	110-8946	2	Clamp-Frame, Radiator
6	110-5277-03	1	Frame-Hood	30	3234-5	6	Screw-HHF
7	105-7512	2	Pin-Tie, Bow	31	104-8300	6	Nut-HF, NI
8	66-6140	2	Decal	32	110-5259-03	2	Bracket-Hood, Guide
9	108-1790-03	2	Tube	33	110-5253-01	1	Adapter-Hood, LH
10	32104-17	8	Screw-HWH	34	110-5256-01	2	Bracket-Latch, Hood
11	3234-21	10	Screw-HHF	36	110-5254-01	1	Adapter-Hood, RH
13	104-7201	10	Nut-HF, NI	38	110-8950	2	Seal-Foam
14	32105-13	4	Screw-HWH	40	3234-33	2	Screw-HHF
15	3256-14	4	Washer-Flat	41	99-4958	1	Spacer



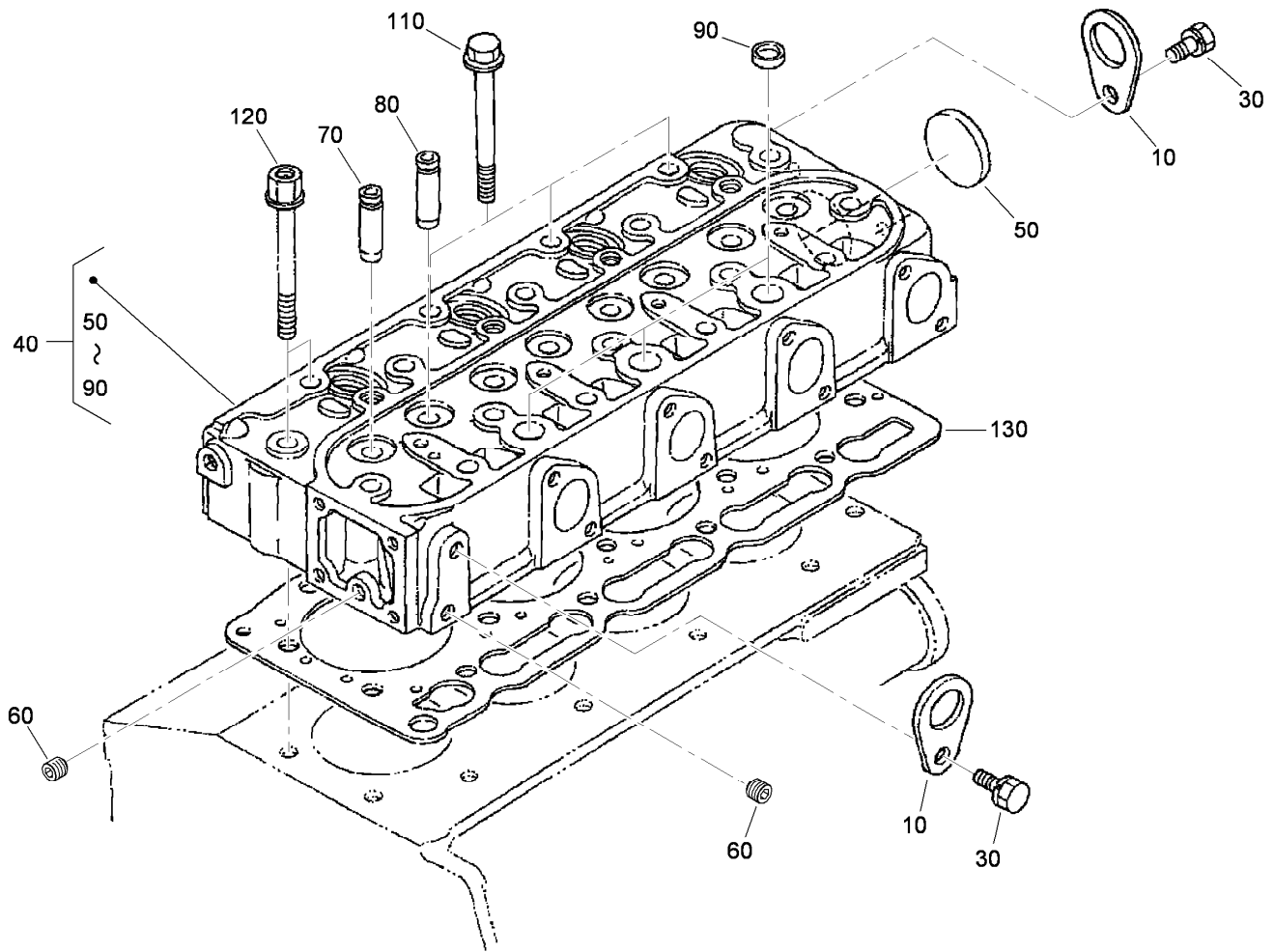
Crankcase Assembly

<i>Ref.</i>	<i>Part Number</i>	<i>Qty.</i>	<i>Description</i>
10	115-4115	1	Crankcase ASM
20	98-9398	6	Cap-Sealing
30	98-7539	1	Cap-Sealing
40	98-7540	4	Plug
50	99-8347	1	Joint-Pipe, Drain
60	98-9597	3	Plug
70	98-7487	2	Plug
80	98-9379	3	Plug-Expansion
90	98-9668	1	Plug-Expansion
100	98-9375	1	Pin-Straight
110	98-9377	1	Pin-Straight
120	98-9376	2	Pin-Straight
130	98-9387	2	Pin-Pipe
140	98-9539	1	Pin-Pipe
150	98-9599	1	Plug
160	105-3796	1	Pin-Spring, Start
170	98-9675	1	Plug
180	98-9656	1	Bushing-Governor, Gear
190	98-7507	1	Plug
200	98-7428	1	Gasket
210	99-3447	1	Plug
220	106-7056	1	Gasket
230	98-9416	1	Switch-Oil
240	98-9444	1	Plug



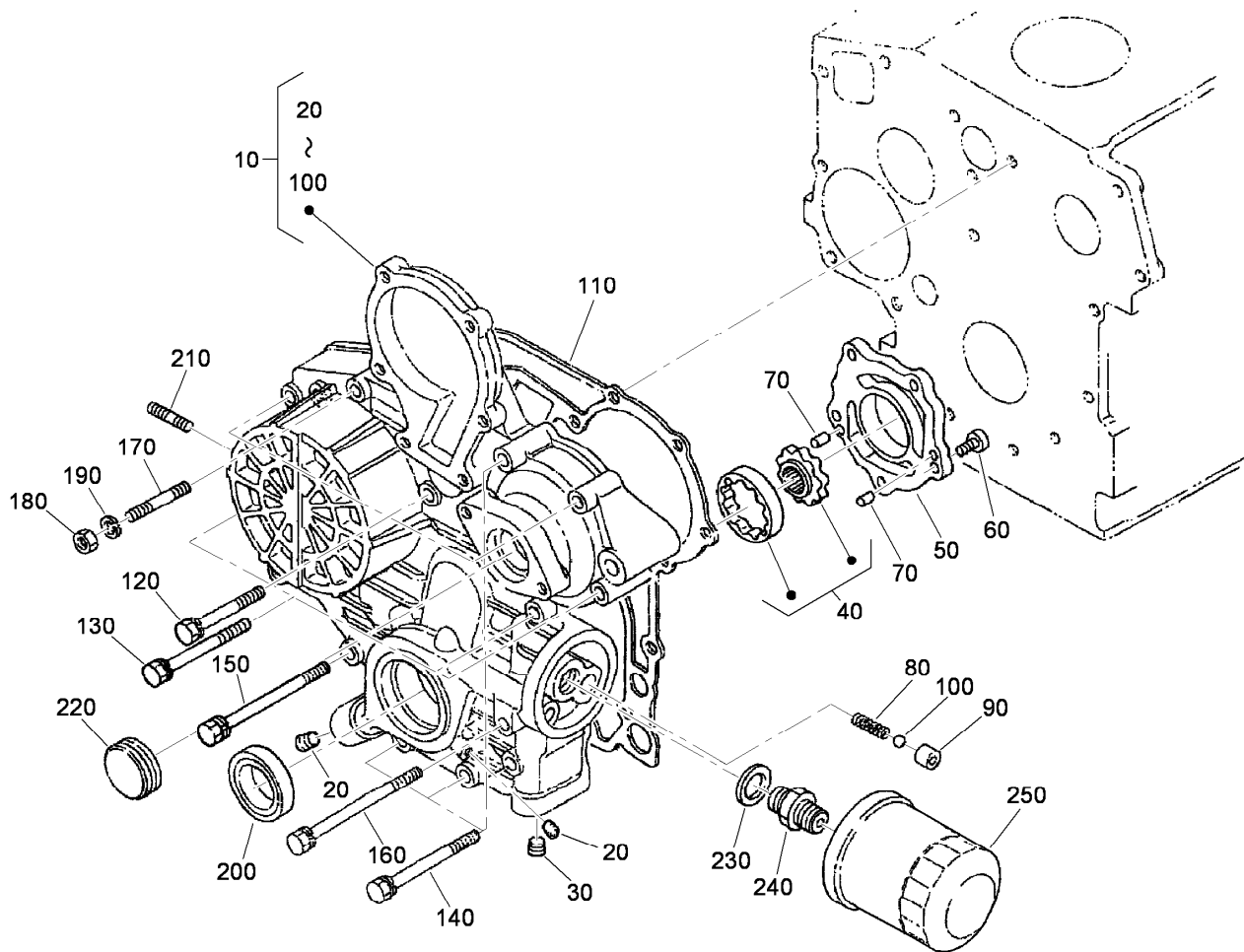
Oil Pan Assembly

<i>Ref.</i>	<i>Part Number</i>	<i>Qty.</i>	<i>Description</i>
10	112-0186	1	Oil Pan ASM
30	98-9351	26	Bolt
40	114-8151	1	Plug-Drain
50	98-7524	1	Gasket
60	112-7003	1	Head-Filter, Oil
70	105-3776	1	O-Ring
80	98-7526	1	Bolt



Cylinder Head Assembly

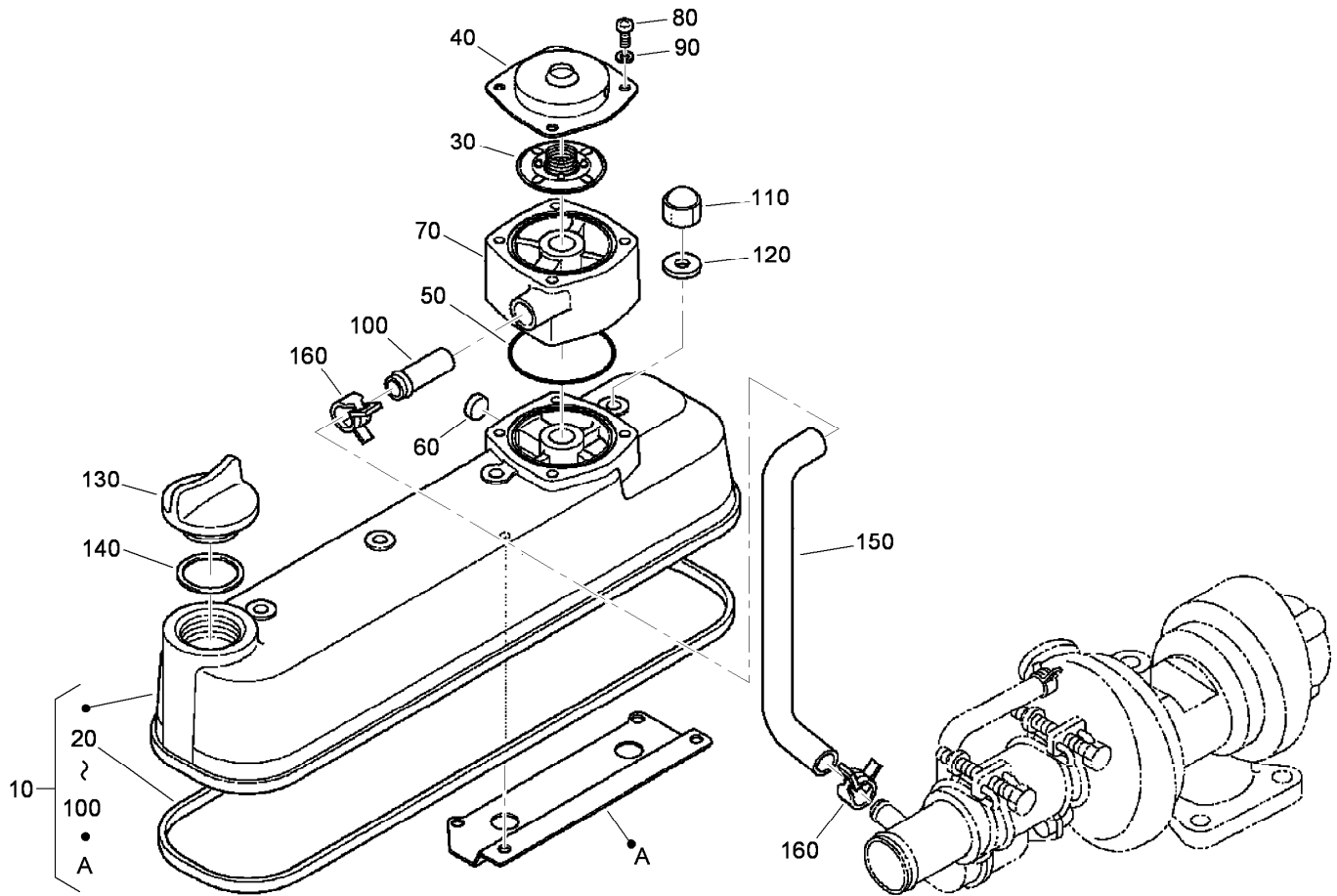
<i>Ref.</i>	<i>Part Number</i>	<i>Qty.</i>	<i>Description</i>
10	98-7531	2	Hook-Engine
30	100-9195	2	Bolt
40	115-4131	1	Cylinder Head ASM
50	105-3705	1	Cap-Sealing
60	98-7540	2	Plug
70	107-9066	4	Guide-Valve, Inlet
80	107-9067	4	Guide-Valve, Exhaust
90	98-9389	3	Cap-Sealing
110	98-9479	16	Bolt-Head, Cylinder
120	98-9647	2	Bolt-Head, Cylinder
130	108-2855	1	Gasket-Head, Cylinder



Gear Case Assembly

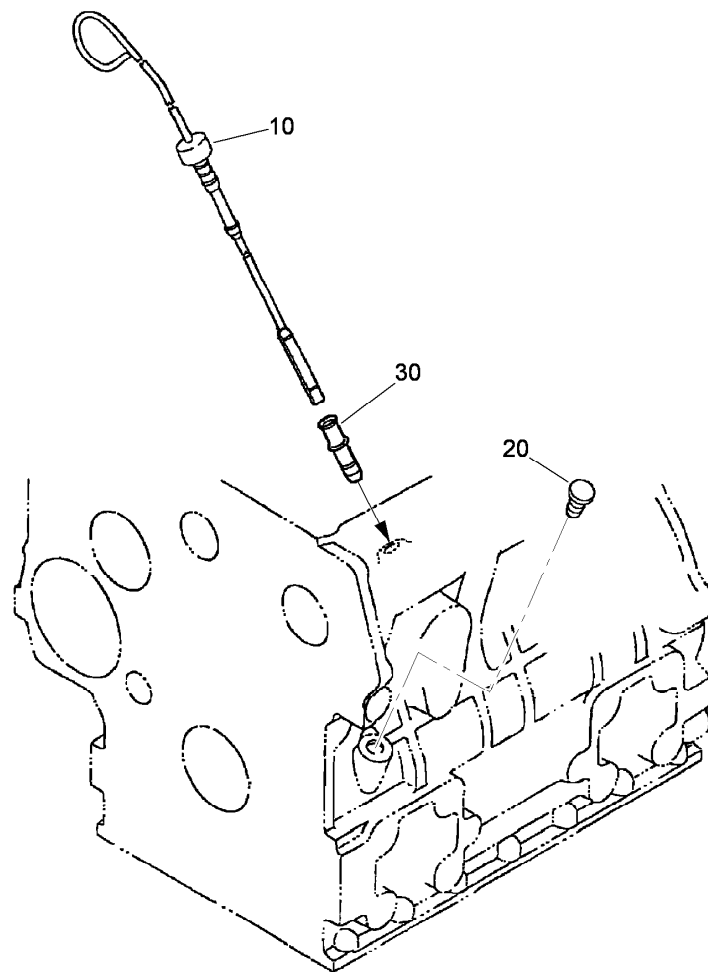
<i>Ref.</i>	<i>Part Number</i>	<i>Qty.</i>	<i>Description</i>
10	115-4111	1	Gear Case ASM
20	98-9598	5	Plug
30	98-7487	1	Plug
40	98-9540	1	Oil Pump Rotor ASM
50	107-9069	1	Cover-Pump, Oil
60	107-9071	1	Screw
70	107-9072	1	Pin-Straight
80	98-9544	1	Spring
90	98-9543	1	Seat-Valve
100	98-9380	1	Ball
110	98-9633	1	Gasket-Case, Gear
120	98-7496	3	Bolt
130	105-3797	4	Bolt

<i>Ref.</i>	<i>Part Number</i>	<i>Qty.</i>	<i>Description</i>
140	98-9356	2	Bolt
150	107-9074	1	Bolt
160	98-9586	1	Bolt
170	105-3709	1	Stud
180	98-7572	1	Nut
190	98-7699	1	Washer-Spring
200	98-9482	1	Seal-Oil
210	105-3710	2	Stud
220	98-9641	1	Cover-Case, Gear
230	98-9727	1	Collar
240	104-5159	1	Holder ASM
250	108-3841	1	Filter-Oil



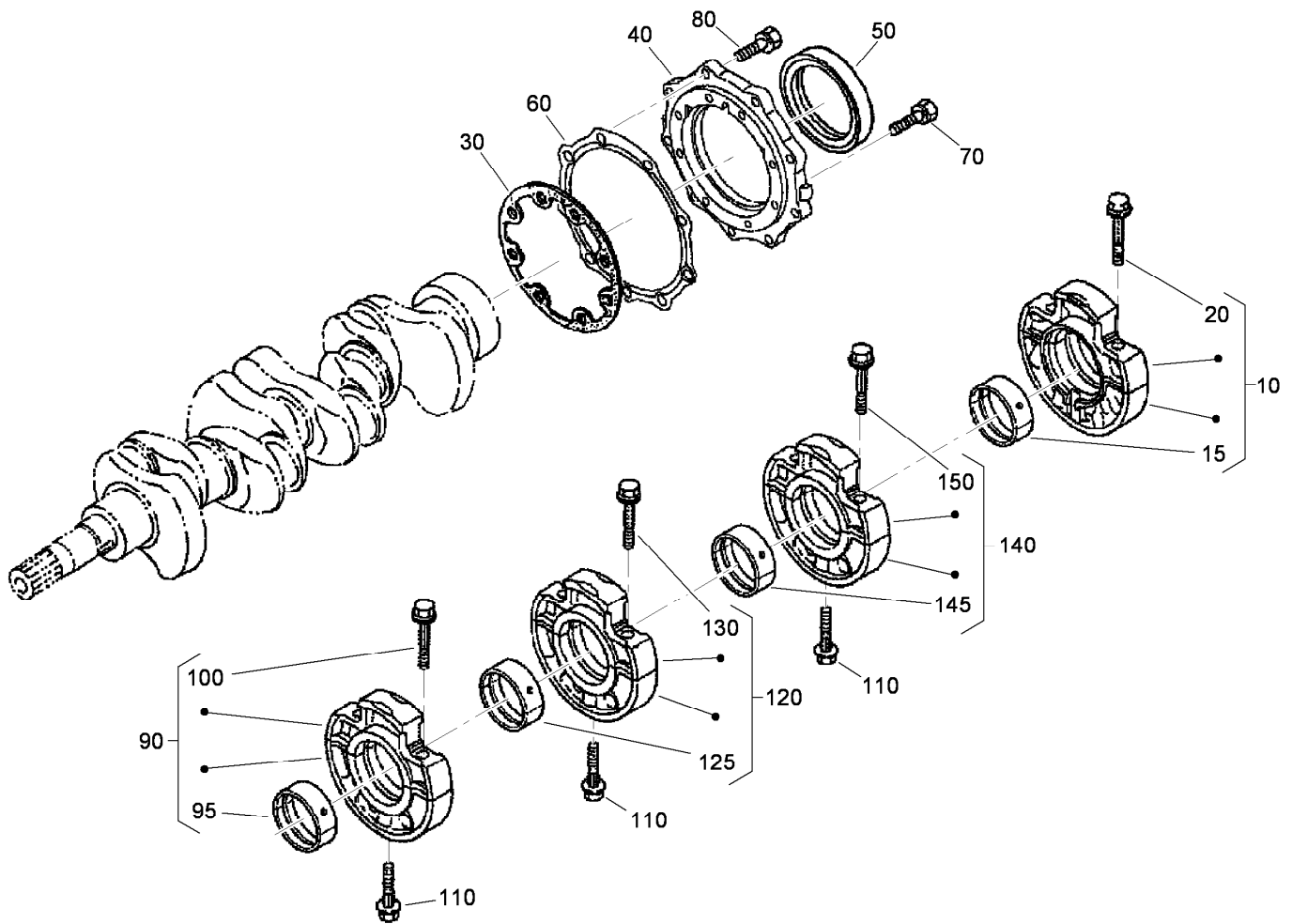
Cylinder Head Cover Assembly

<i>Ref.</i>	<i>Part Number</i>	<i>Qty.</i>	<i>Description</i>
10	115-3041	1	Cylinder Head Cover ASM
20	105-3712	1	Gasket-Cover, Head
30	110-3715	1	Valve-Breather
40	110-3714	1	Cover-Breather
50	110-3846	1	O Ring-Breather
60	115-3042	1	Cap-Sealing
70	115-3043	1	Spacer-Breather
80	115-3044	4	Screw-Pan Head
90	100-2204	4	Washer-Spring
100	98-7766	1	Pipe-Return, Water
110	98-9455	4	Nut-Cap
120	98-9454	4	Gasket
130	107-9075	1	Plug-Filler, Oil
140	99-3446	1	O-Ring
150	115-4119	1	Tube-Breather, Turbo
160	108-2859	2	Clamp-Hose



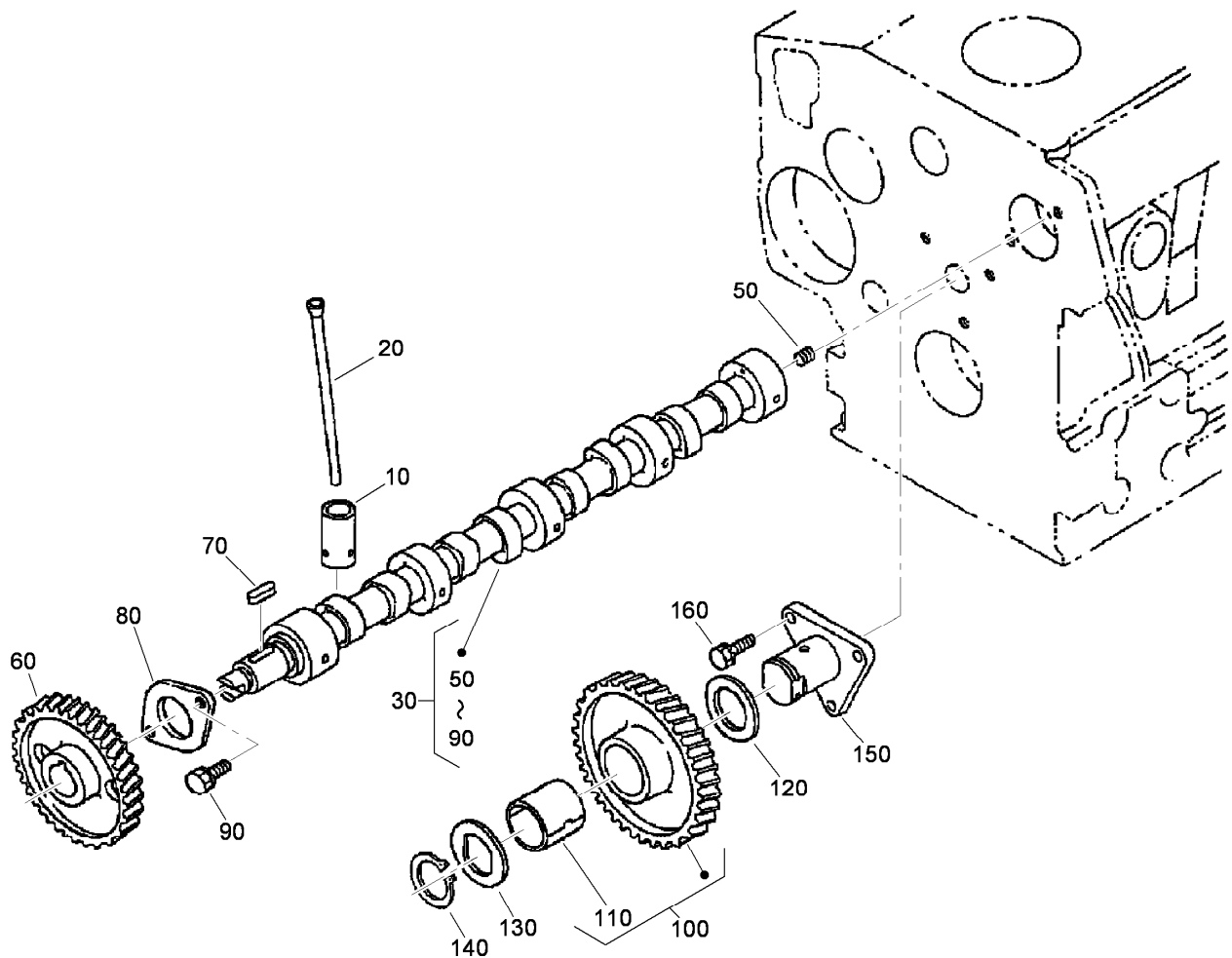
Dipstick and Guide Assembly

<i>Ref.</i>	<i>Part Number</i>	<i>Qty.</i>	<i>Description</i>
10	105-3714	1	Gauge-Oil
20	110-3720	1	Plug-Gauge, Oil
30	105-4580	1	Guide-Gauge, Oil



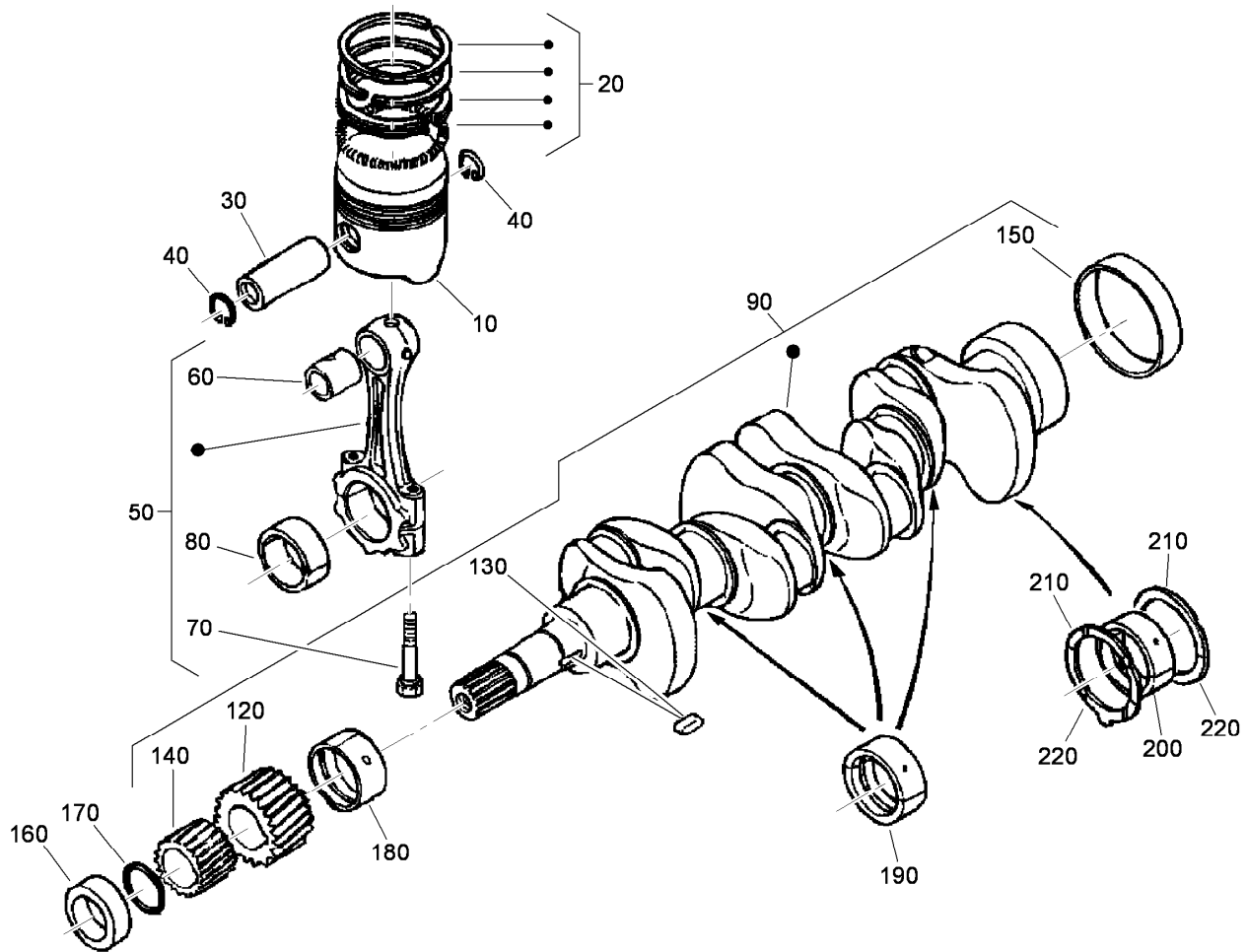
Main Bearing Case Assembly

<i>Ref.</i>	<i>Part Number</i>	<i>Qty.</i>	<i>Description</i>
10	112-7026	1	Wheel Bearing Case ASM
15	112-7045	1	Metal-Crankshaft
20	98-9484	2	Bolt-Case, Bearing
30	98-9634	1	Gasket-Case, Bearing
40	112-7046	1	Cover-Case, Bearing
50	112-0180	1	Seal-Oil
60	112-7037	1	Gasket-Cover, Case
70	98-9352	8	Bolt
80	98-7568	9	Bolt
90	112-7028	1	Bearing ASM
95	112-7011	1	Bearing-Main (STD)
100	98-9484	2	Bolt-Case, Bearing
110	98-9485	3	Bolt-Case, Bearing
120	112-7027	1	Bearing ASM
125	112-7011	1	Bearing-Main (STD)
130	98-9484	2	Bolt-Case, Bearing
140	115-4120	1	Bearing Case ASM
145	112-7011	1	Bearing-Main (STD)
150	98-9484	2	Bolt-Case, Bearing



Cam Shaft and Idle Gear Shaft Assembly

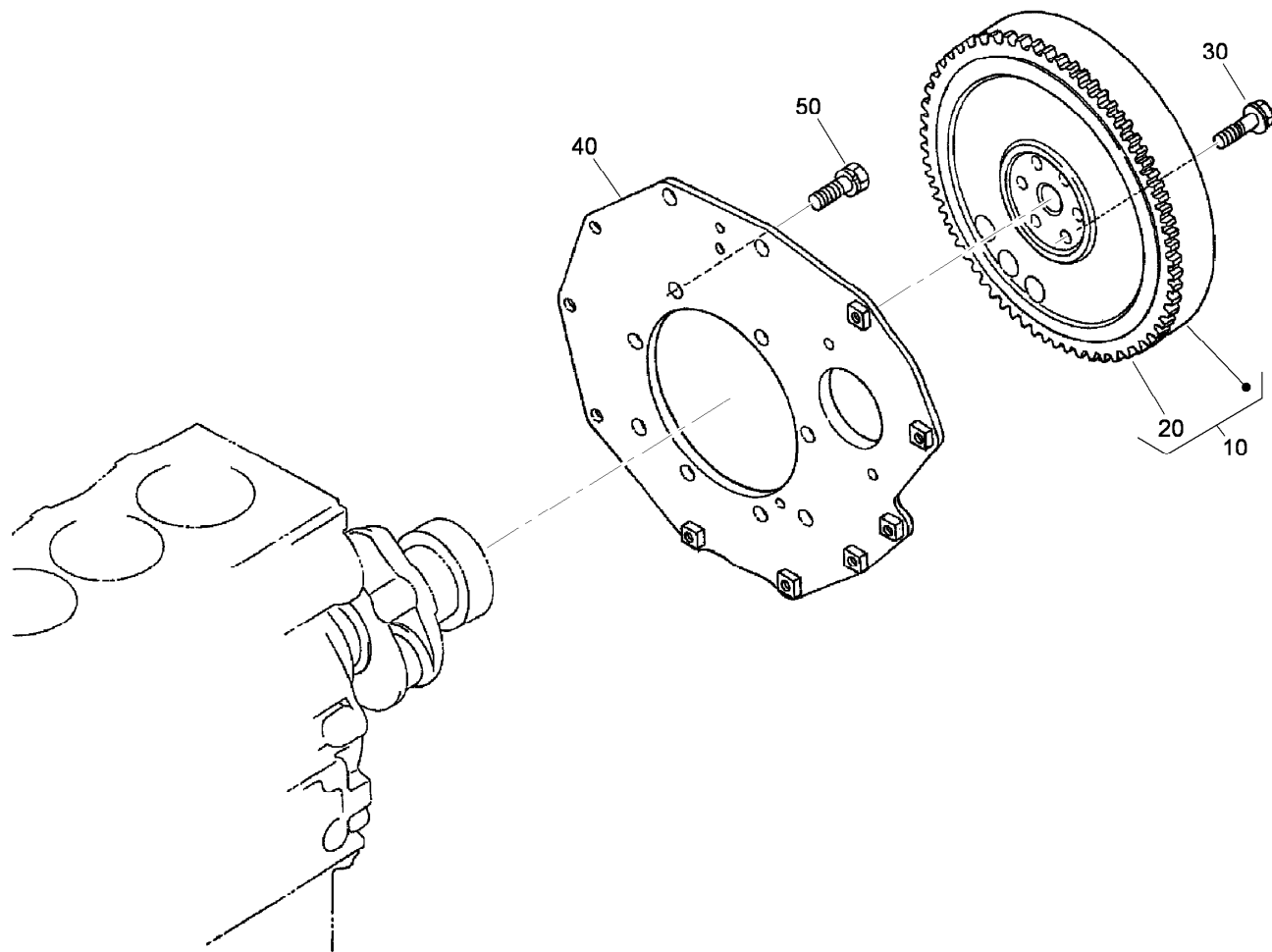
<i>Ref.</i>	<i>Part Number</i>	<i>Qty.</i>	<i>Description</i>
10	112-0185	8	Tappet
20	98-9509	8	Rod-Push
30	112-8402	1	Camshaft ASM
50	98-7449	1	Screw-Set
60	98-9512	1	Gear-Cam
70	98-9378	1	Key-Feather
80	98-9510	1	Stopper-Camshaft
90	98-7692	2	Bolt
100	98-9649	1	Idle Gear ASM
110	98-9650	1	Bushing-Gear, Idle
120	98-9535	1	Collar-Gear, Idle
130	98-9536	1	Collar-Gear, Idle
140	98-9534	1	Circlip-Gear, Idle
150	98-9533	1	Shaft-Gear, Idle
160	98-7692	3	Bolt



Piston and Crankshaft Assembly

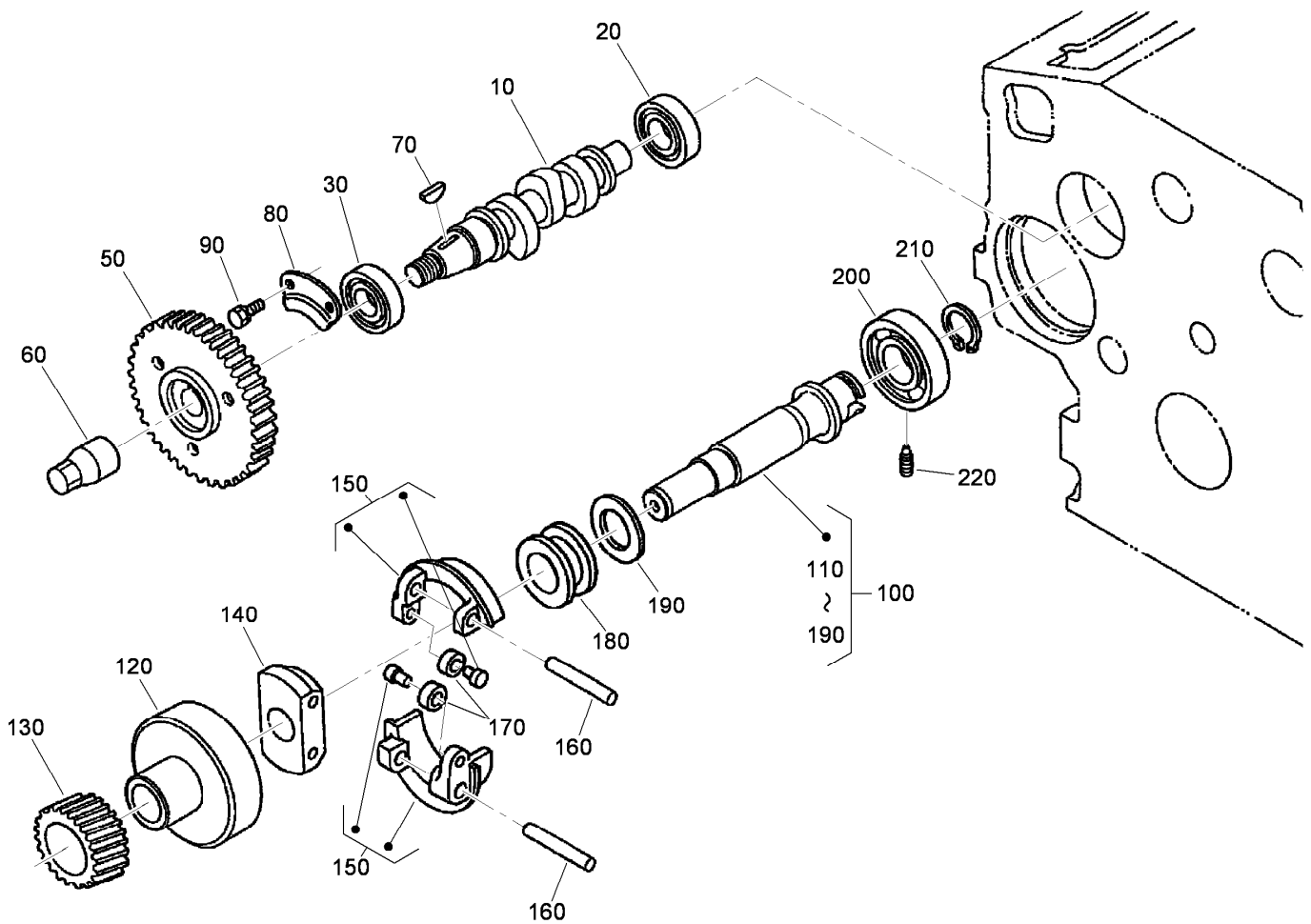
Ref.	Part Number	Qty.	Description
10	98-9550	4	Piston (STD)
10	108-1417	4	Piston (+0.5MM)
20	98-9551	4	Piston Ring ASM (STD)
20	108-1404	4	Piston Ring ASM (+0.5MM)
30	98-9513	4	Pin-Piston
40	98-9514	8	Circlip-Pin, Piston
50	98-9552	4	Connecting Rod ASM
60	115-3014	4	Bushing-Pin, Piston
70	98-9517	8	Bolt-Rod, Connecting
80	98-9553	4	Bearing-Rod (STD)
80	108-1405	4	Metal-Crankpin (-0.2MM)
80	108-1406	4	Metal-Crankpin (-0.4MM)
90	105-3718	1	Crankshaft ASM
120	98-9532	1	Gear-Crankshaft
130	98-9666	1	Key
140	98-9542	1	Gear-Drive, Oil Pump
150	98-9522	1	Sleeve-Crankshaft

Ref.	Part Number	Qty.	Description
160	98-9521	1	Collar-Crankshaft
170	105-3783	1	O-Ring
180	112-7005	1	Bearing-Main (STD)
180	112-7009	1	Metal-Crankpin (-0.2MM)
180	112-7010	1	Metal-Crankpin (-0.4MM)
190	112-7011	3	Bearing-Main (STD)
190	112-7012	3	Metal-Crankpin (-0.2MM)
190	112-7013	3	Metal-Crankpin (-0.4MM)
200	112-7006	1	Bearing-Main (STD)
200	112-7007	1	Metal-Crankshaft (.2MM)
200	112-7040	1	Metal-Crankshaft (-0.4Mm)
210	98-9413	2	Bearing-Thrust (STD)
210	98-9414	2	Bearing-Thrust (0.2MM)
210	98-9415	2	Bearing-Thrust (0.4MM)
220	98-9688	2	Bearing-Thrust (STD)
220	98-9689	2	Bearing-Thrust (0.2MM)
220	98-9690	2	Bearing-Thrust (0.4MM)



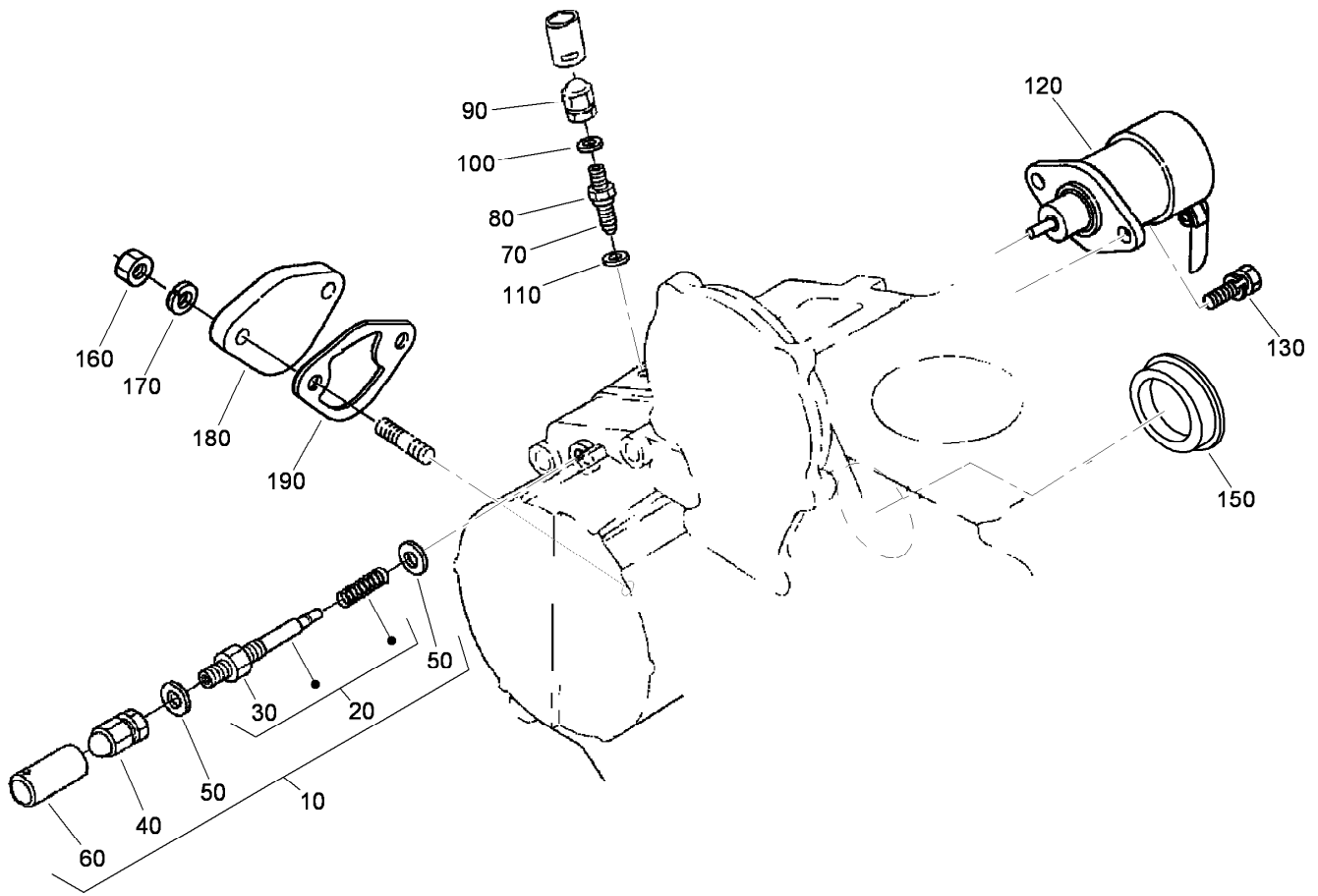
Flywheel Assembly

<i>Ref.</i>	<i>Part Number</i>	<i>Qty.</i>	<i>Description</i>
10	105-3721	1	Flywheel ASM
20	115-3015	1	Gear-Ring
30	98-9537	6	Bolt-Flywheel
40	98-9486	1	Plate-End, Rear
50	98-9392	8	Bolt



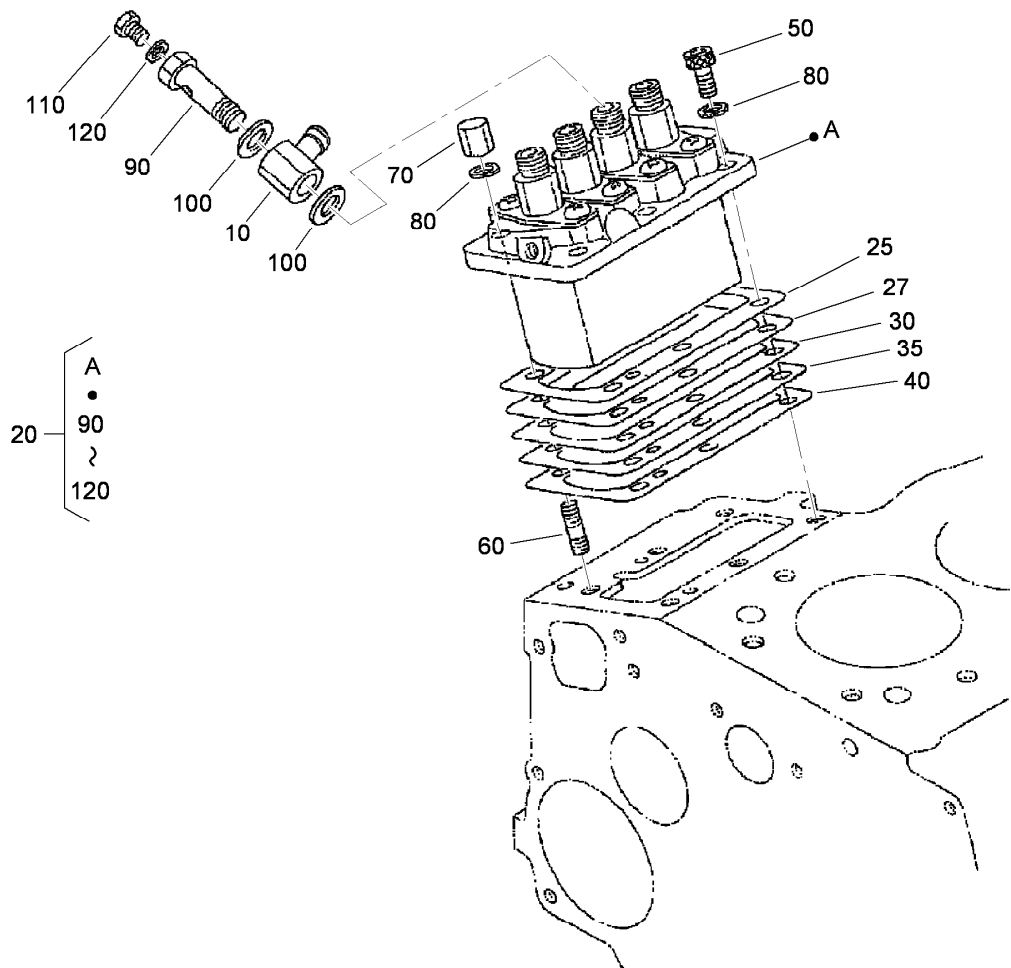
Fuel Camshaft and Governor Shaft Assembly

<i>Ref.</i>	<i>Part Number</i>	<i>Qty.</i>	<i>Description</i>
10	105-3723	1	Camshaft-Fuel
20	107-9077	1	Bearing-Ball
30	107-9078	1	Bearing-Ball
50	98-9669	1	Gear-Pump, Injection
60	98-9590	1	Nut-Cap
70	98-9595	1	Key-Woodruff
80	98-9511	1	Stopper-Fuel, Camshaft
90	98-7692	2	Bolt
100	105-3724	1	Governor Shaft ASM
110	105-3725	1	Shaft-Governor
120	98-9562	1	Holder-Gear, Governor
130	98-9673	1	Gear-Governor
140	98-9561	1	Holder-Weight, Governor
150	98-9559	2	Governor Weight ASM
160	98-9560	2	Shaft-Weight, Governor
170	98-9692	2	Roller
180	98-9563	1	Sleeve-Governor
190	98-9564	1	Washer-Thrust
200	107-9079	1	Bearing-Ball
210	98-9657	1	Circlip-Shaft, Governor
220	98-9565	1	Screw-Set



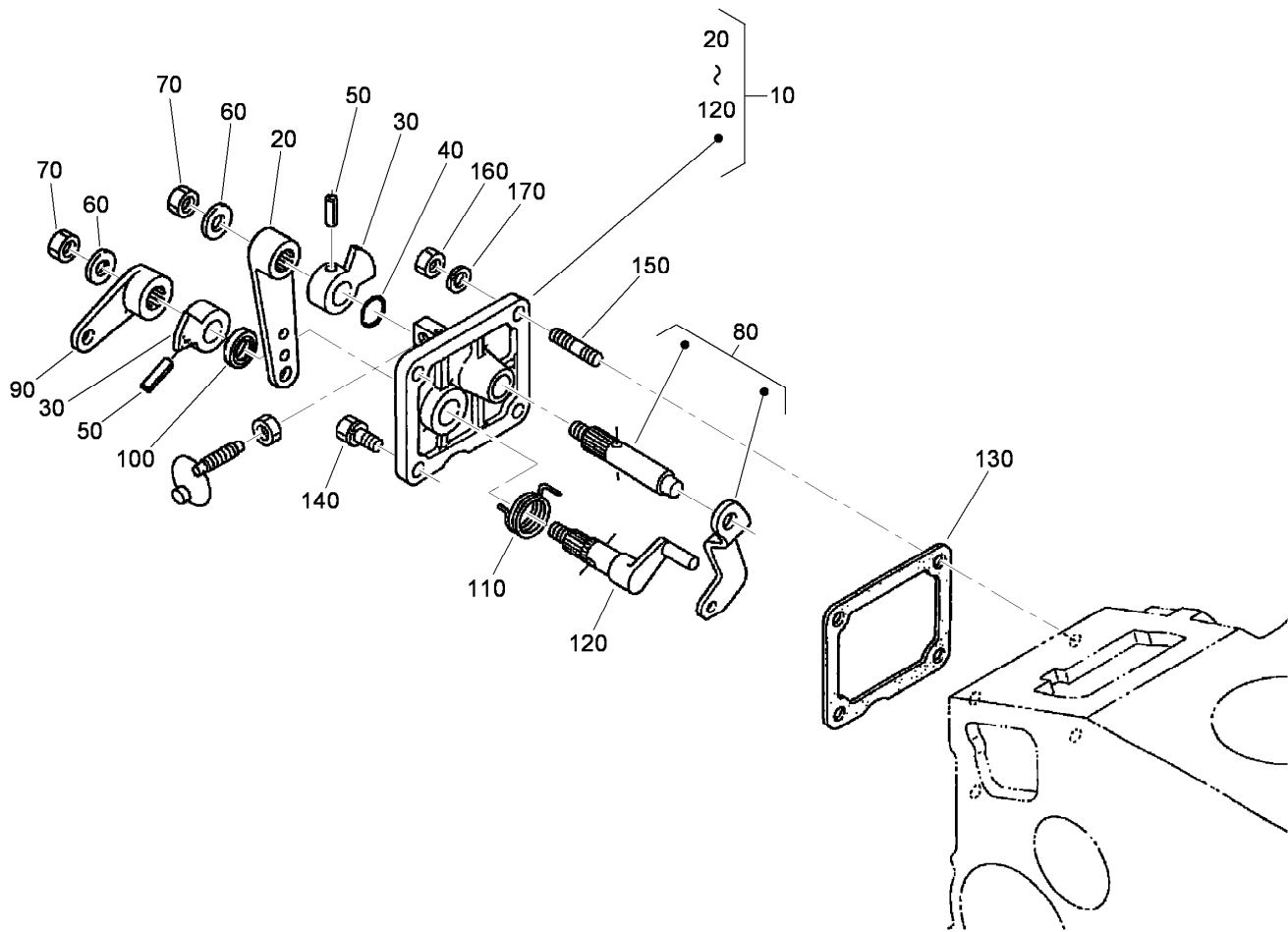
Idle Apparatus Assembly

<i>Ref.</i>	<i>Part Number</i>	<i>Qty.</i>	<i>Description</i>
10	98-9678	1	Idle Apparatus ASM
20	112-7014	1	Adjusting Bolt ASM
30	98-9439	1	Nut
40	112-0181	1	Nut
50	98-7654	2	Gasket
60	98-7656	1	Cap
70	112-7015	1	Bolt-Adjusting
80	100-2175	1	Nut-Lock
90	112-0181	1	Nut
100	98-7654	1	Gasket
110	107-9081	1	Gasket
120	104-5155	1	Solenoid-Stop
130	115-3039	2	Bolt-HSH
150	112-7016	1	Cover-Pump
160	98-7572	2	Nut
170	98-7699	2	Washer-Spring
180	99-3514	1	Cover
190	98-9636	1	Gasket-Pump, Fuel



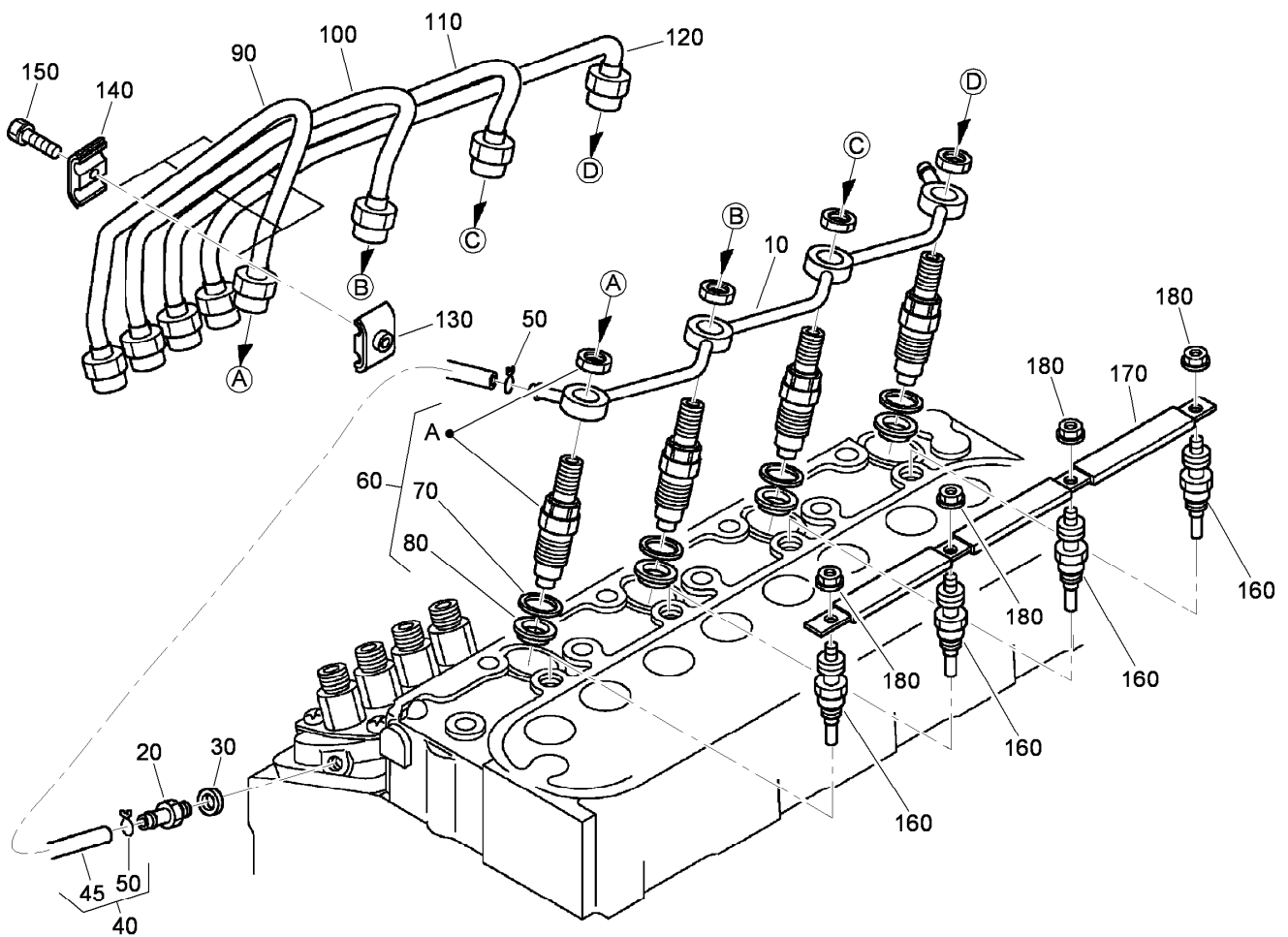
Injection Pump Assembly

<i>Ref.</i>	<i>Part Number</i>	<i>Qty.</i>	<i>Description</i>
10	98-9596	1	Joint-Eye
20	105-3727	1	Injection Pump ASM
25	115-3016	1	Shim-Pump, Injection (.350MM)
27	115-3017	1	Shim-Pump, Injection (.175MM)
30	105-3728	1	Shim-Pump, Injection (.20MM)
35	105-3729	1	Shim-Pump, Injection (.25MM)
40	105-3730	1	Shim-Pump, Injection (.30MM)
50	98-9361	3	Bolt-HSH
60	98-9438	3	Stud
70	98-9440	3	Nut-Cap
80	98-7699	6	Washer-Spring
90	98-9464	1	Bolt-Joint
100	98-9445	2	Gasket
110	98-9430	1	Screw
120	98-9446	1	Gasket



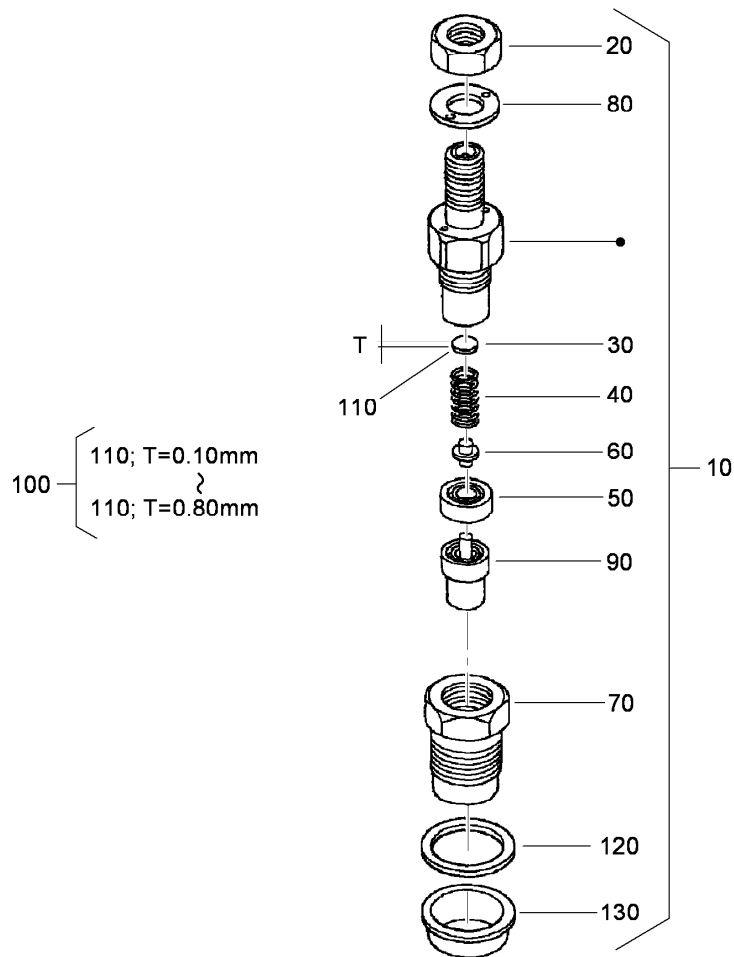
Speed Control Plate Assembly

<i>Ref.</i>	<i>Part Number</i>	<i>Qty.</i>	<i>Description</i>
10	105-3735	1	Control Plate ASM
20	98-9662	1	Lever-Control, Speed
30	98-9572	2	Lever-Control, Speed
40	105-3788	1	O-Ring
50	98-7602	2	Pin-Spring
60	98-9594	2	Washer-Plain
70	98-9589	2	Nut
80	98-9658	1	Governor Lever ASM
90	98-9663	1	Lever-Stop, Engine
100	98-7601	1	Seal-Oil
110	98-9472	1	Spring-Return
120	98-9664	1	Shaft-Lever, Stop
130	98-9637	1	Gasket
140	98-7692	2	Bolt
150	105-3710	2	Stud
160	98-7572	2	Nut
170	98-7699	2	Washer-Spring



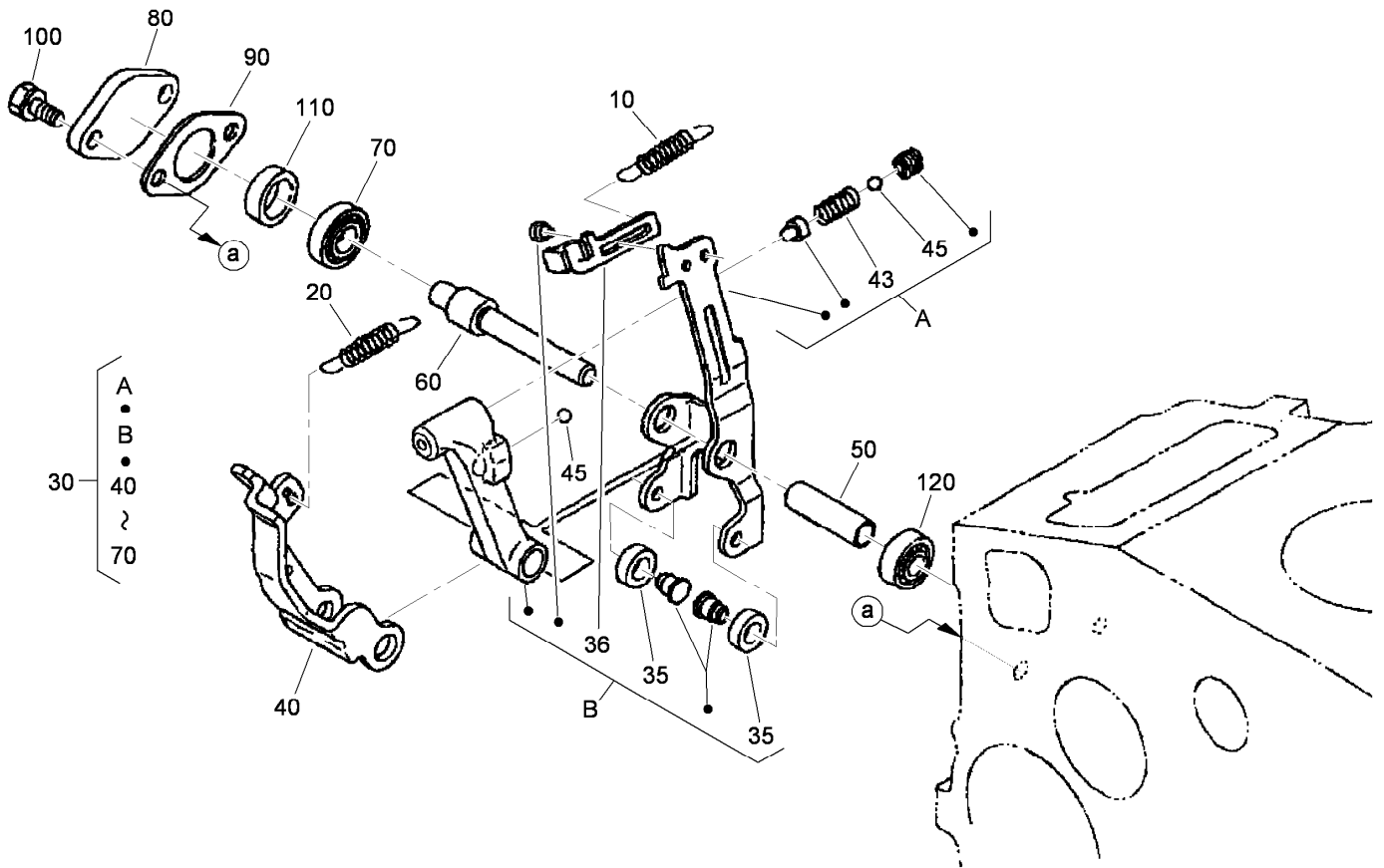
Nozzle Holder and Glow Plug Assembly

Ref.	Part Number	Qty.	Description
10	105-3737	1	Over Flow Pipe ASM
20	98-9431	1	Screw-Bleeder, Air
30	98-7654	1	Gasket
40	98-9420	1	Overflow Pipe ASM
45	112-0182	1	Pipe-Overflow
50	98-7671	2	Clip-Pipe
60	108-2866	4	Nozzle Holder Kit
70	98-7676	4	Gasket
80	98-7677	4	Seal-Heat
90	98-9622	1	Pipe-Injection
100	98-9654	1	Pipe-Injection
110	98-9655	1	Pipe-Injection
120	105-3738	1	Pipe-Injection
130	98-7682	3	Clamp-Pipe
140	98-7683	3	Clamp-Pipe
150	98-7684	3	Screw (W/Washer)
160	98-9623	4	Plug-Glow
170	105-3739	1	Cord-Plug, Glow
180	99-8377	4	Nut-Flange



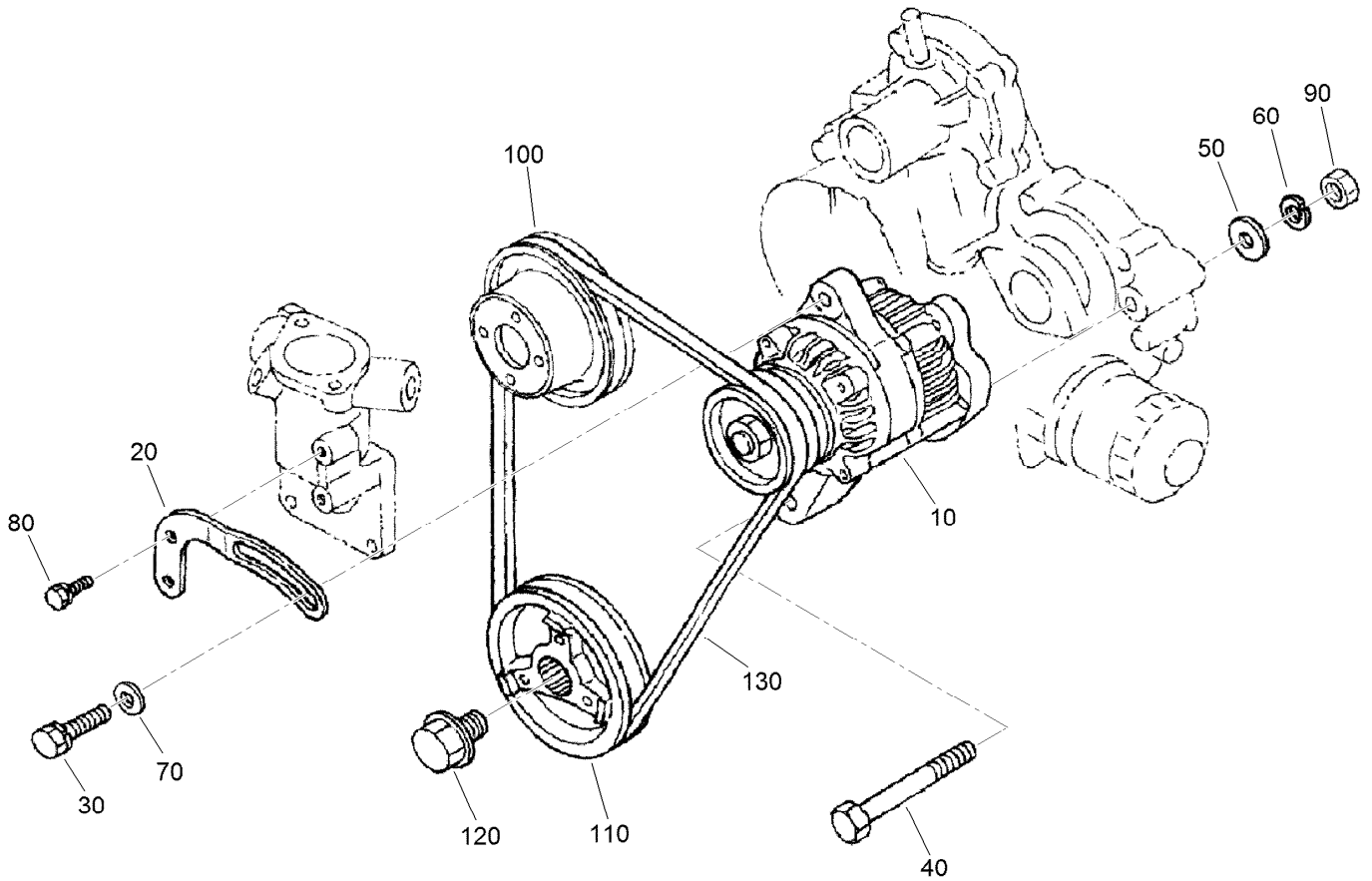
Nozzle Holder Component Assembly

Ref.	Part Number	Qty.	Description
10	108-2866	4	Nozzle Holder Kit
20	99-8301	4	Nut
30	99-8302	4	Washer-Adjusting
40	99-8303	4	Spring-Nozzle
50	99-8304	4	Spacer-Distance
60	99-8305	4	Rod-Push
70	99-8306	4	Nut-Nozzle
80	99-8307	4	Washer-Plain
90	107-7826	4	Piece-Nozzle
100	99-8309	4	Adjusting Washer ASM
110	99-8310	4	Washer-Adjust (0.10MM)
110	99-8311	4	Washer-Adjust (0.20MM)
110	99-8312	4	Washer-Adjust (0.30MM)
110	99-8313	4	Washer-Adjust (0.40MM)
110	99-8314	4	Washer-Adjust (0.50MM)
110	99-8315	4	Washer-Adjust (0.52MM)
110	99-8316	4	Washer-Adjust (0.54MM)
110	99-8317	4	Washer-Adjust (0.56MM)
110	99-8318	4	Washer-Adjust (0.58MM)
110	99-8319	4	Washer-Adjust (0.80MM)
120	98-7676	4	Gasket
130	98-7677	4	Seal-Heat



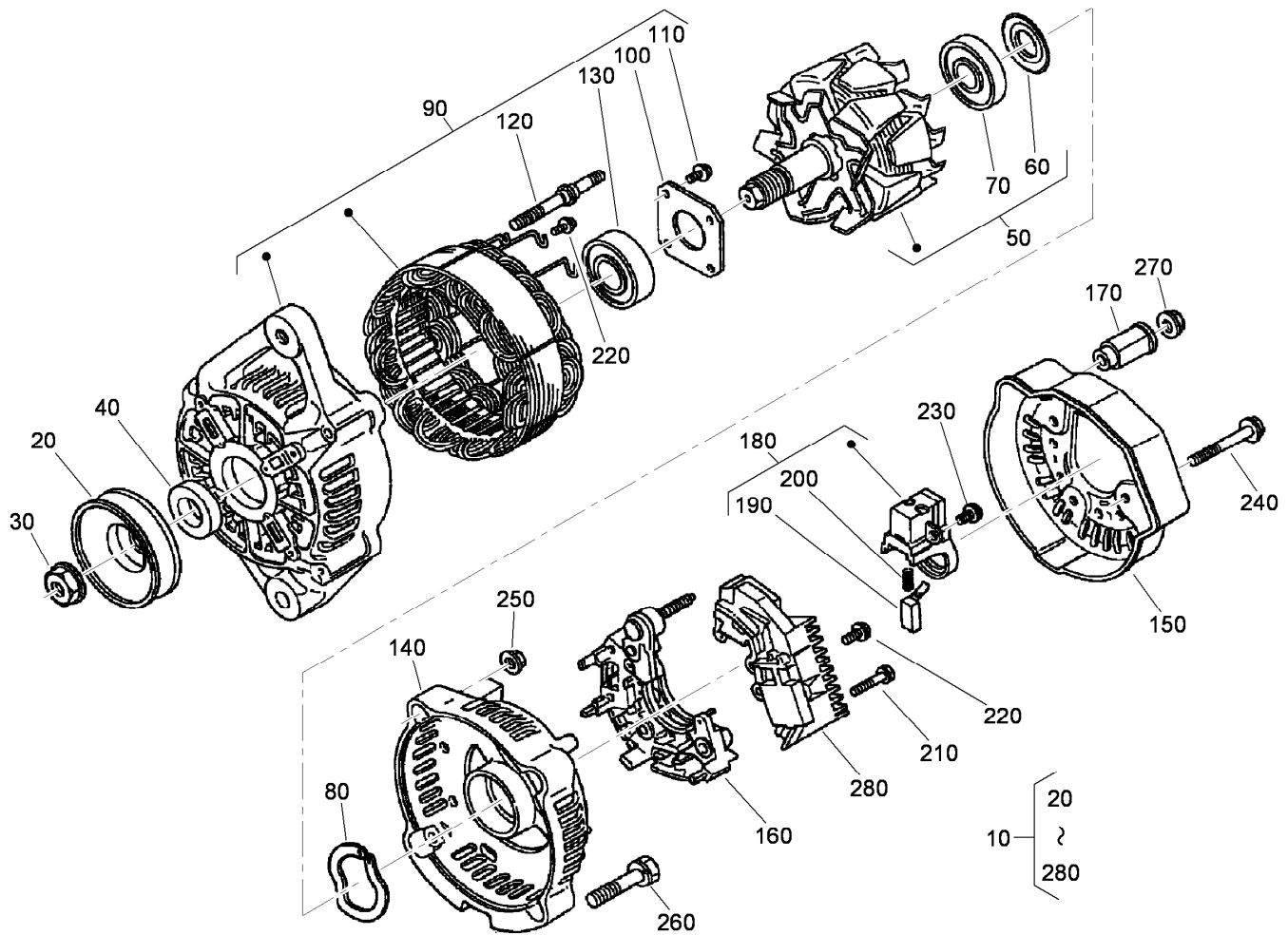
Governor Assembly

Ref.	Part Number	Qty.	Description
10	105-3741	1	Spring-Start
20	98-9681	1	Spring-Governor
30	108-4427	1	Fork Lever ASM
35	98-9692	2	Roller
36	107-9083	1	Lever-Thrust
40	107-9084	1	Lever-Fork
43	108-2867	1	Spring
45	98-7580	2	Ball
50	107-9085	1	Shaft-Lever, Fork
60	107-9086	1	Shaft-Lever, Fork
70	98-9570	1	Bearing-Miniaturize
80	115-4122	1	Cover-Shaft, Fork Lever
90	98-9682	1	Gasket
100	98-9350	2	Bolt
110	98-9567	1	Collar
120	98-9571	1	Bearing-Miniaturize



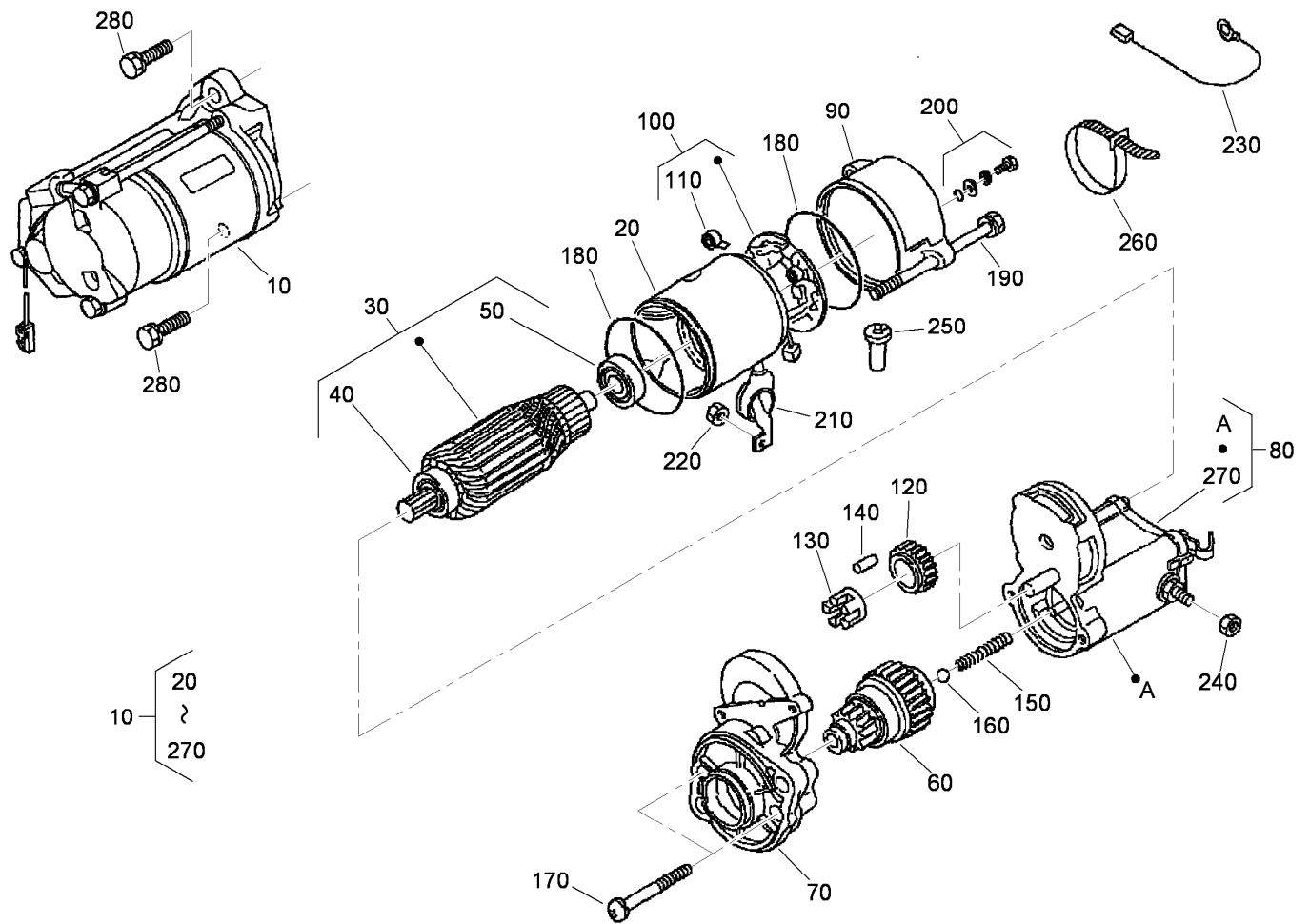
Alternator and Pulley Assembly

<i>Ref.</i>	<i>Part Number</i>	<i>Qty.</i>	<i>Description</i>
10	98-9474	1	Alternator ASM
20	112-7047	1	Stay-Dynamo
30	108-7088	1	Bolt
40	98-9360	1	Bolt
50	98-7696	1	Washer-Plain
60	98-7738	1	Washer-Spring
70	100-9233	1	Washer-Plain
80	98-7692	1	Bolt
90	98-7737	1	Nut
100	110-0972	1	Pulley
110	105-3745	1	Pulley-Drive, Fan
120	98-9585	1	Bolt
130	98-9676	1	V-Belt



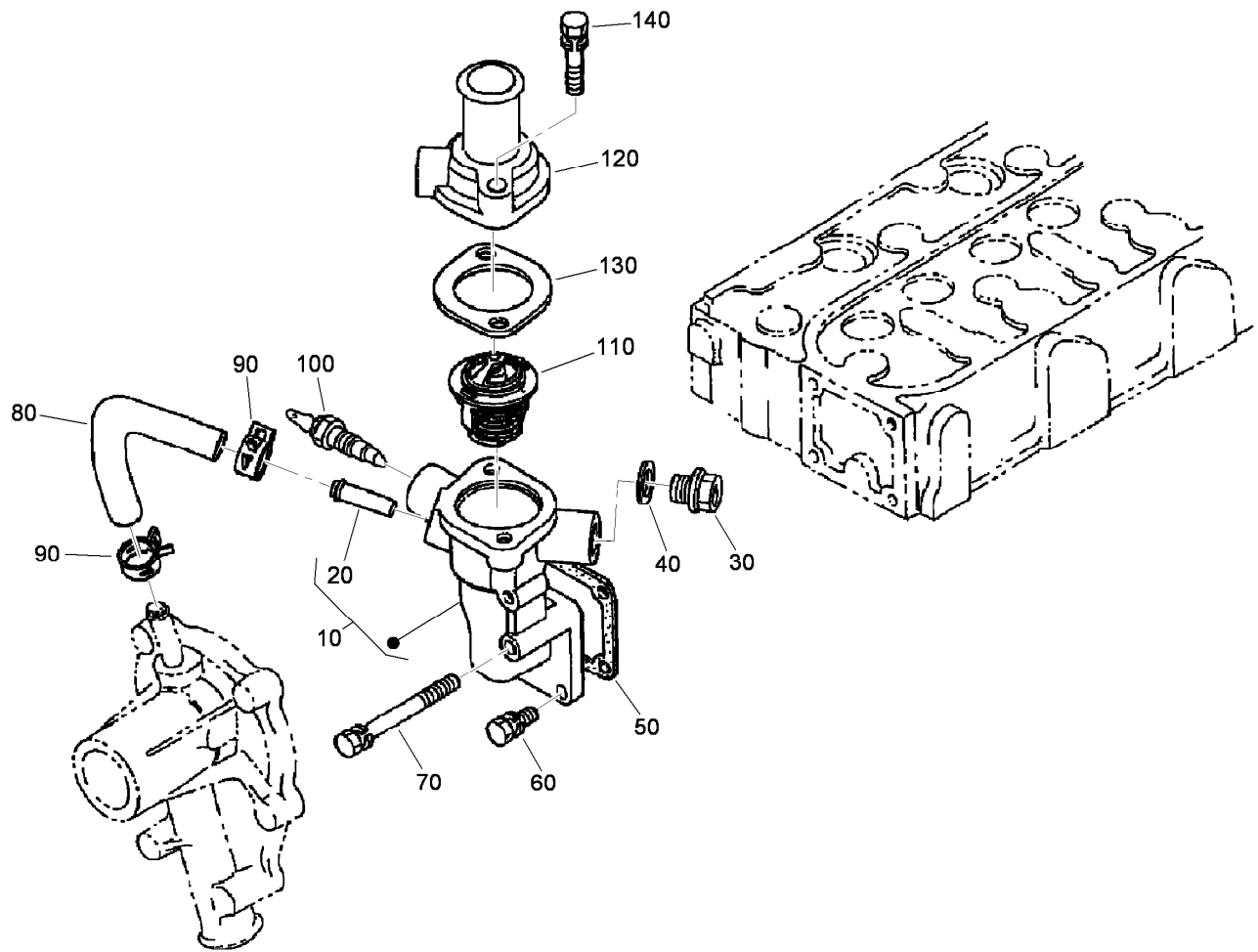
Alternator Components

<i>Ref.</i>	<i>Part Number</i>	<i>Qty.</i>	<i>Description</i>	<i>Ref.</i>	<i>Part Number</i>	<i>Qty.</i>	<i>Description</i>
10	98-9474	1	Alternator ASM	150	107-0140	1	Cover-End
20	98-9453	1	Pulley-Dynamo	160	98-7721	1	Rectifier ASM
30	98-7708	1	Nut	170	98-7722	1	Bushing-Insulation
40	98-7709	1	Collar	180	107-0141	1	Brush Holder ASM
50	107-0136	1	Rotor ASM	190	98-7724	2	Brush
60	98-7711	1	Cover-Bearing	200	98-7725	2	Spring-Brush
70	107-0138	1	Bearing-Ball	210	98-7726	2	Screw-Head, Round
80	98-7713	1	Washer-Thrust	220	98-7727	6	Screw-Head, Round
90	107-0139	1	Drive End Frame ASM	230	98-7728	1	Screw-Head, Round
100	98-7715	1	Plate-Retainer	240	98-7729	3	Bolt
110	98-7716	4	Screw-Head, Round	250	98-7730	2	Nut
120	98-7717	2	Bolt-Through	260	98-7731	2	Bolt
130	107-0137	1	Bearing-Ball	270	98-7732	1	Nut
140	107-9087	1	Frame-End	280	110-3799	1	Regulator ASM



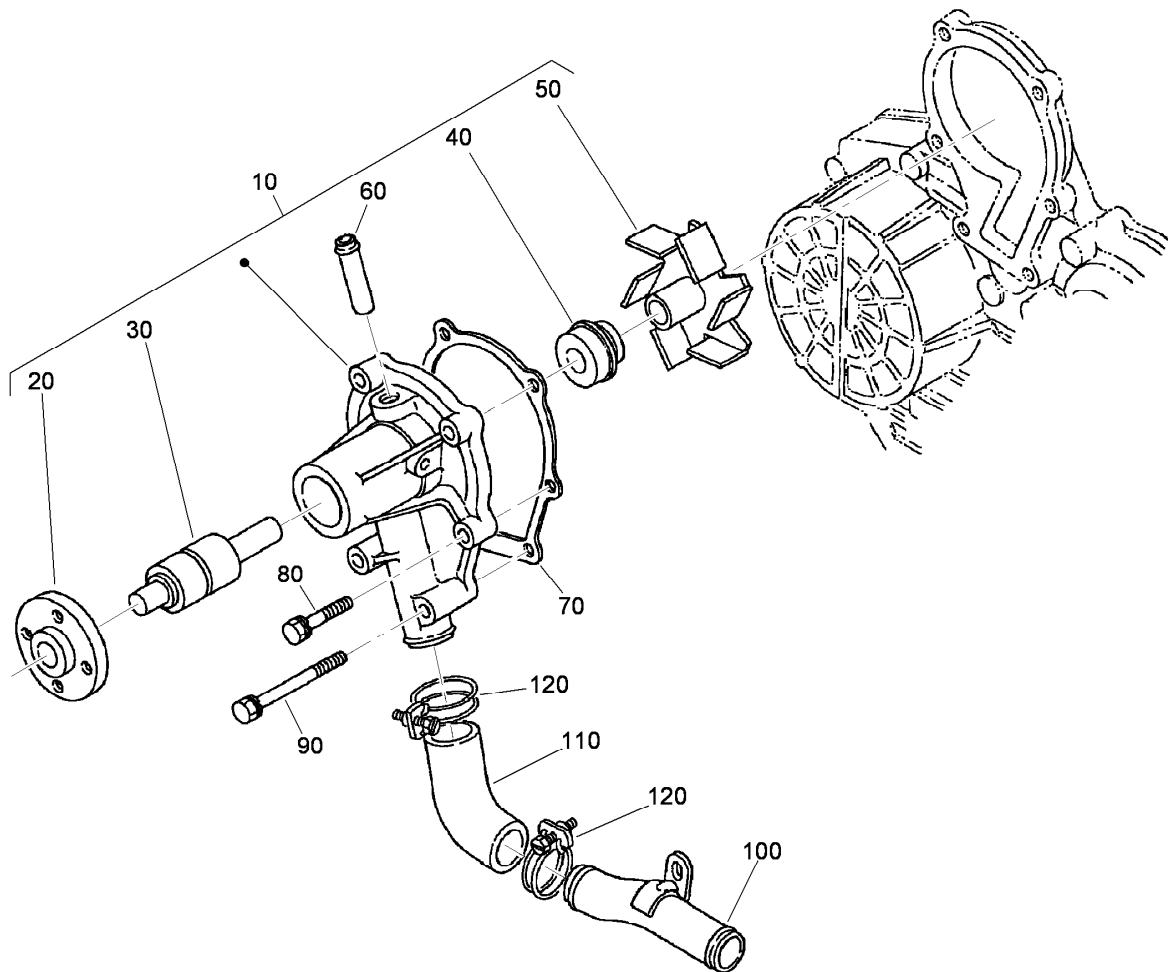
Starter Assembly

Ref.	Part Number	Qty.	Description	Ref.	Part Number	Qty.	Description
10	98-9705	1	Starter ASM	150	98-7754	1	Spring
20	104-8608	1	Yoke ASM	160	98-7755	1	Ball
30	98-7742	1	Armature ASM	170	98-7756	2	Bolt
40	98-7744	1	Bearing	180	98-7757	2	O-Ring
50	98-7743	1	Bearing	190	100-9240	2	Bolt
60	99-8373	1	Clutch-Running, Over	200	98-7758	2	Bolt ASM
70	99-8374	1	Frame-End, Drive	210	99-8375	1	Cover
80	105-3746	1	Magnetic Switch ASM	220	99-8371	1	Nut-Hex
90	98-7748	1	Frame-End	230	98-9711	1	Cord-Solenoid, Stop
100	98-7749	1	Brush Holder ASM	240	99-8376	1	Nut-Hex
110	98-7750	4	Spring-Brush	250	98-7759	1	Pipe-Drain
120	98-7751	1	Gear	260	98-9712	1	Band-Cover
130	98-7752	1	Retainer	270	105-2886	1	Cover ASM
140	98-7753	5	Roller	280	98-7697	2	Bolt



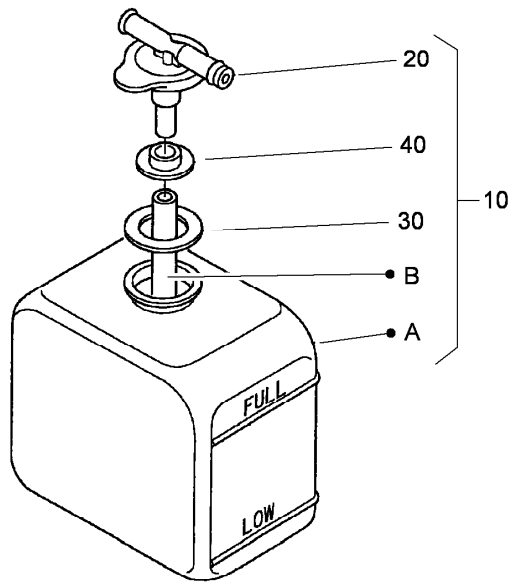
Water Flange and Thermostat Assembly

<i>Ref.</i>	<i>Part Number</i>	<i>Qty.</i>	<i>Description</i>
10	98-9713	1	Water Flange ASM
20	98-9580	1	Pipe-Return, Water
30	105-3747	1	Plug
40	99-3583	1	Gasket
50	98-9638	1	Gasket-Flange, Water
60	98-7692	3	Bolt
70	98-9356	1	Bolt
80	98-9578	1	Pipe-Return, Water
90	98-9579	2	Band-Pipe
100	112-0183	1	Switch-Thermometer
110	98-7778	1	Thermostat ASM
120	98-9471	1	Cover-Thermostat
130	105-3748	1	Gasket-Thermostat
140	98-7777	2	Bolt



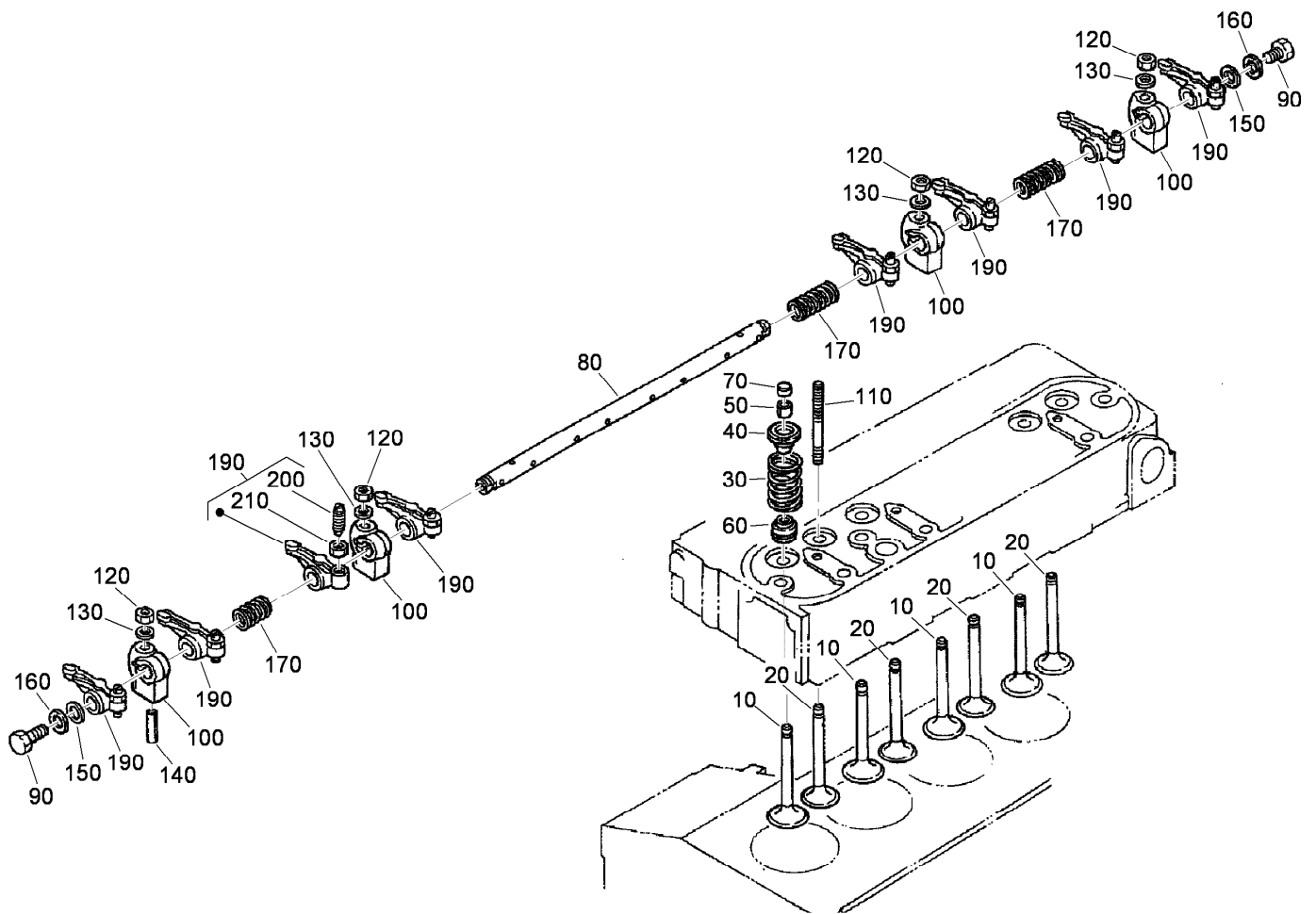
Water Pump Assembly

Ref.	Part Number	Qty.	Description
10	107-9089	1	Water Pump ASM
20	99-3516	1	Flange-Pump, Water
30	99-3517	1	Bearing-Pump, Water
40	105-3750	1	Mechanical Seal ASM
50	112-7017	1	Impeller-Pump, Water
60	105-3751	1	*obs* Pipe-Return, Water
70	99-3454	1	Gasket-Pump, Water
80	98-9353	4	Bolt
90	107-9090	2	Bolt
100	99-8379	1	Pipe-Water
110	107-9091	1	Pipe-Water
120	98-9717	2	Clamp



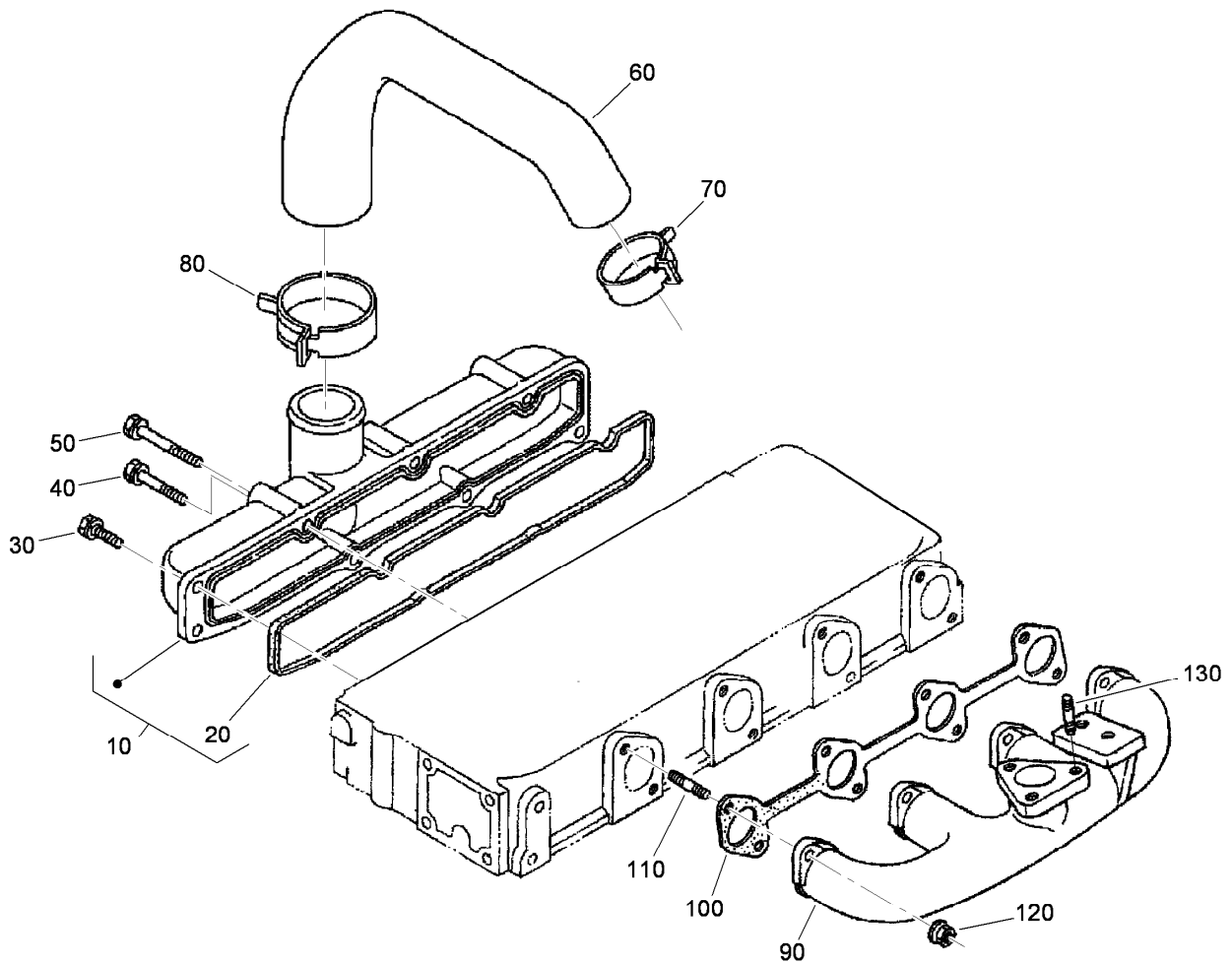
Overflow Bottle Assembly

<i>Ref.</i>	<i>Part Number</i>	<i>Qty.</i>	<i>Description</i>
10	104-9318	1	Bottle-Overflow
20	115-4132	1	Cap
30	105-3755	1	Gasket
40	105-3756	1	Plate



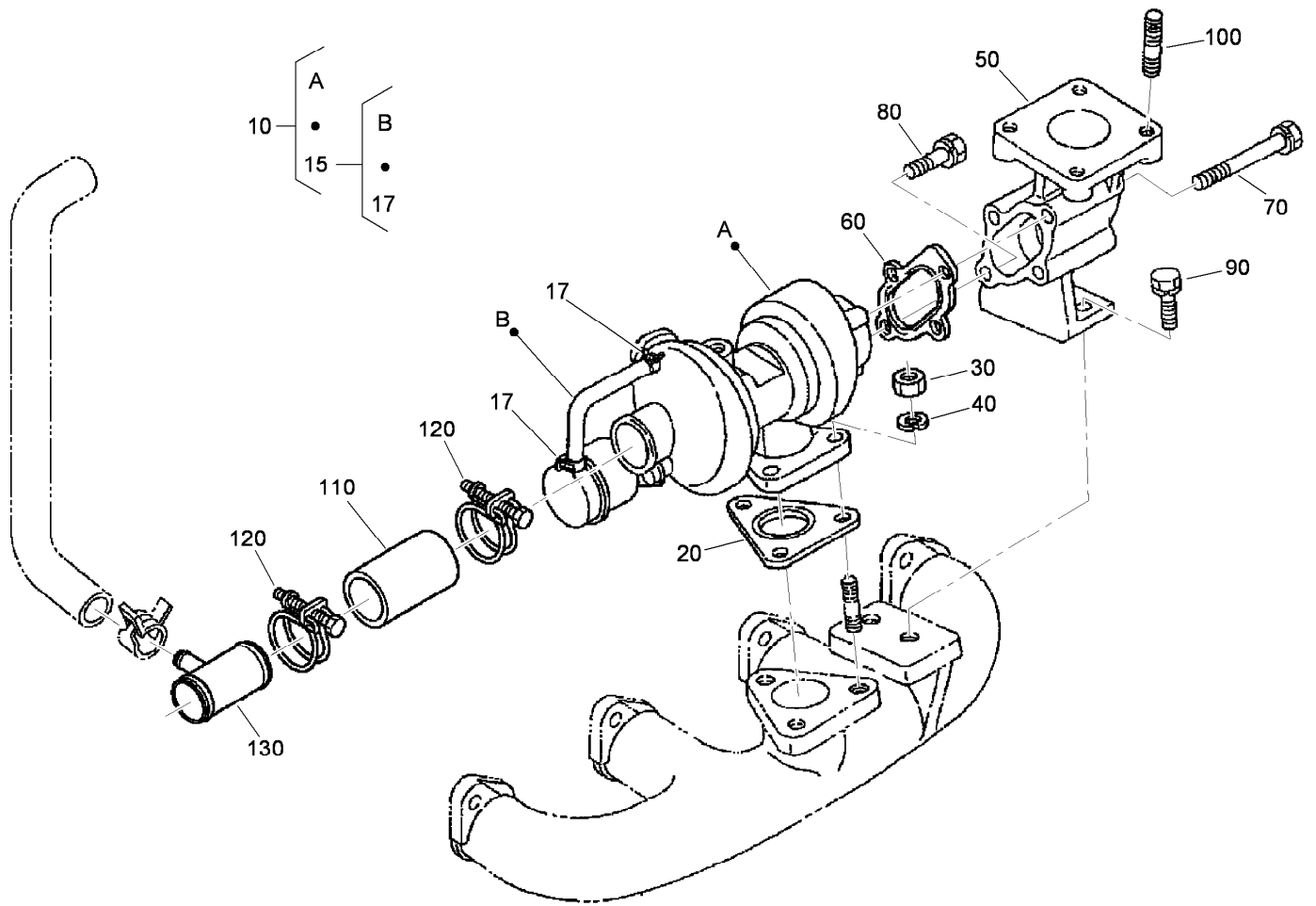
Valve and Rocker Arm Assembly

<i>Ref.</i>	<i>Part Number</i>	<i>Qty.</i>	<i>Description</i>
10	112-7018	4	Valve-Inlet
20	112-7019	4	Valve-Exhaust
30	98-9626	8	Spring-Valve
40	107-9092	8	Retainer-Spring
50	98-9390	8	Collet-Spring, Valve
60	99-8385	8	Seal-Stem, Valve
70	98-9497	8	Cap-Valve
80	105-3757	1	Shaft-Arm, Rocker
90	100-9265	2	Bolt
100	98-9505	4	Bracket-Arm, Rocker
110	98-9506	4	Stud
120	98-9393	4	Nut
130	98-9385	4	Washer-Flat
140	105-3758	2	Pin-Spring
150	98-9507	2	Washer-Shaft, Rocker Arm
160	110-3832	2	Washer-Plain
170	98-9504	3	Spring-Arm, Rocker
190	112-7020	8	Rocker Arm ASM
200	98-9502	8	Screw-Adjusting
210	98-9503	8	Nut



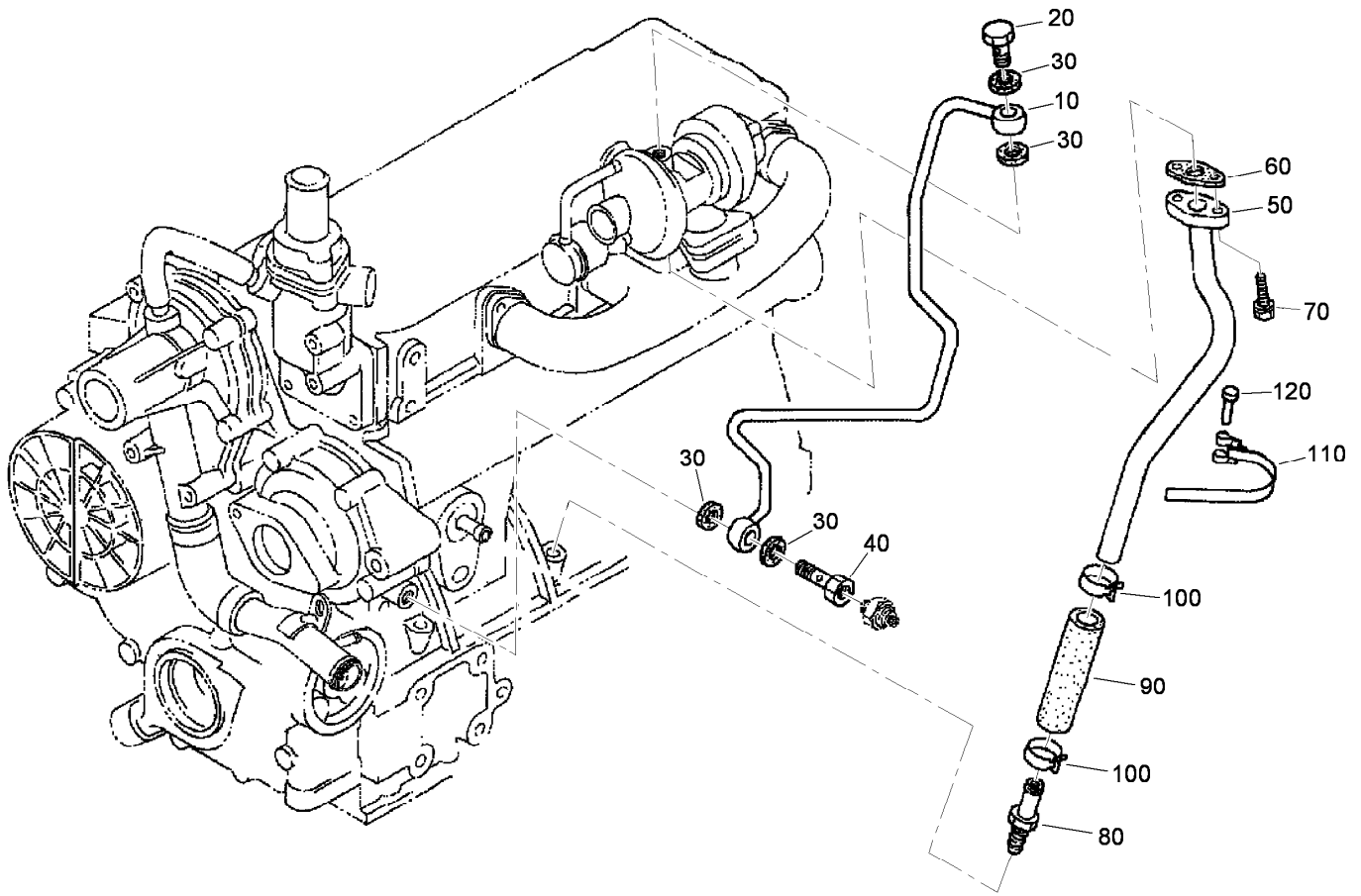
Inlet and Exhaust Manifold Assembly

<i>Ref.</i>	<i>Part Number</i>	<i>Qty.</i>	<i>Description</i>
10	105-3759	1	Inlet Manifold ASM
20	105-3760	1	Gasket-Manifold, Intake
30	98-7605	3	Bolt
40	98-9353	2	Bolt
50	105-3797	3	Bolt
60	115-4123	1	Hose-Inlet
70	115-3048	1	Clamp-Hose
80	115-3049	1	Clamp-Hose
90	108-4425	1	Manifold-Exhaust
100	105-3765	1	Gasket-Manifold, Exhaust
110	98-9588	8	Stud
120	98-9665	8	Nut
130	99-8342	3	Stud



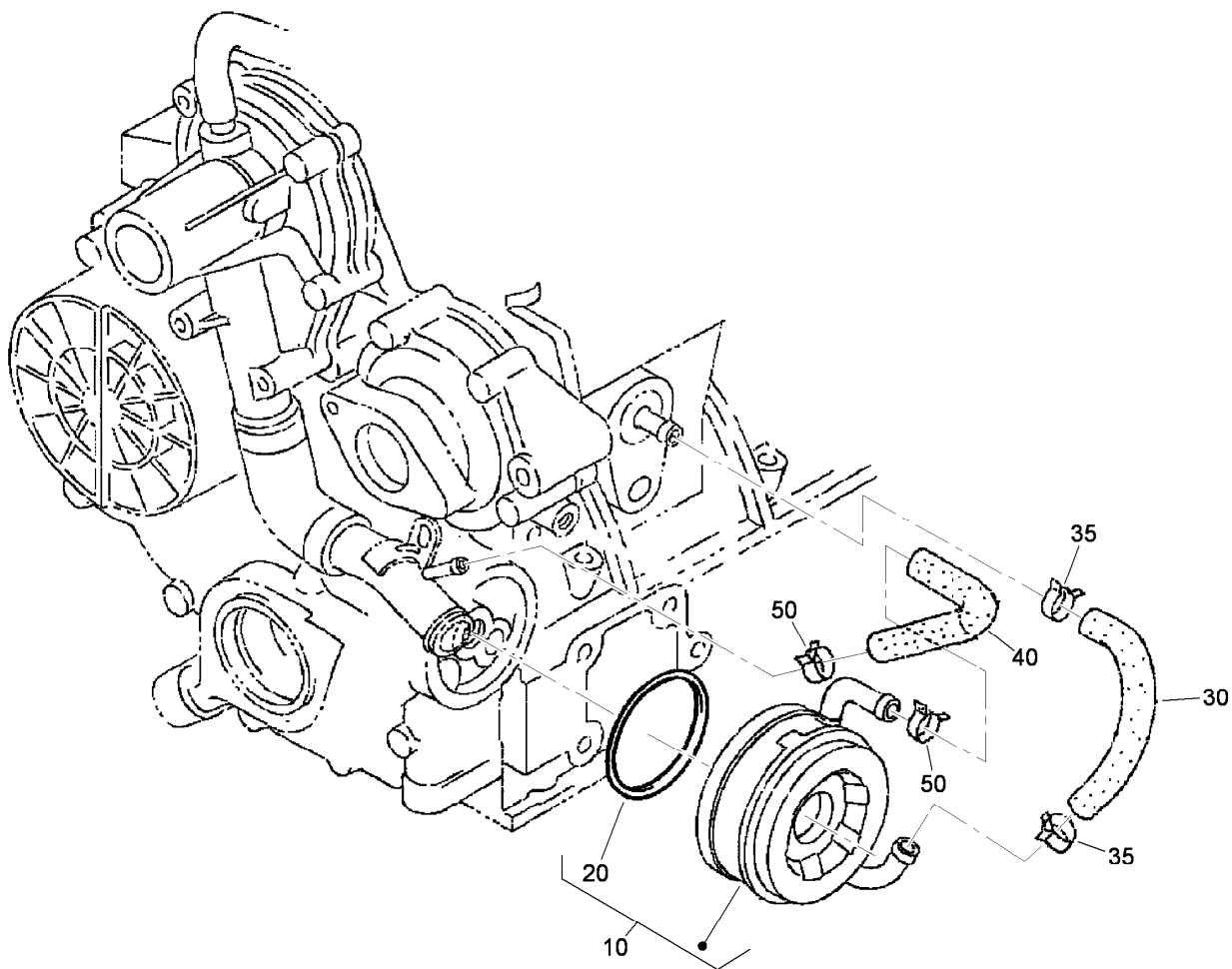
Turbo Charger Assembly

<i>Ref.</i>	<i>Part Number</i>	<i>Qty.</i>	<i>Description</i>
10	108-1412	1	Turbo Charger ASM
15	108-1413	1	Hose ASM
17	108-1414	2	Clamp-Hose
20	105-3767	1	Gasket
30	98-7534	3	Nut
40	105-2893	3	Washer-Spring
50	99-8335	1	Flange-Muffler
60	105-3768	1	Gasket
70	115-4100	3	Bolt
80	105-2895	1	Bolt
90	98-7610	2	Bolt
100	98-7769	4	Stud
110	115-4101	1	Tube-Inlet, Turbo
120	115-4102	2	Band
130	115-4103	1	Pipe-Inlet, Breather



Oil Pipe (Turbo Charger) Assembly

<i>Ref.</i>	<i>Part Number</i>	<i>Qty.</i>	<i>Description</i>
10	108-4424	1	Oil Pipe ASM
20	115-4126	1	Bolt-Joint, Eye
30	99-8346	4	Gasket
40	98-9417	1	Bolt-Joint, Eye
50	108-4423	1	Oil Pipe ASM
60	108-4422	1	Gasket
70	98-7605	2	Bolt
80	105-3771	1	Oil Pipe ASM
90	98-9721	1	Pipe-Oil
100	98-9714	2	Clamp-Hose
110	98-9601	1	Clamp-Pipe
120	98-9591	1	Pin-Band



Oil Cooler Assembly

<i>Ref.</i>	<i>Part Number</i>	<i>Qty.</i>	<i>Description</i>
10	104-5158	1	Oil Cooler ASM
20	112-7030	1	O-Ring
30	98-9724	1	Pipe-Cooler, Oil
35	98-9579	2	Band-Pipe
40	98-9578	1	Pipe-Return, Water
50	98-9579	2	Band-Pipe

Attachments and Accessories

For 03690 Reelmaster 5610 Traction Unit

Product Name	Model/Part
Turf Defender Electronic Leak Detector Kit	03521
Air Ride Seat Suspension Kit	03667
Four-Wheel Drive Kit	03671
8-Blade DPA Cutting Unit with 7in Reel.....	03681
11-Blade DPA Cutting Unit with 7in Reel.....	03682
7 Inch Verticutter	03684
Turf Evaluator	04399
Premium Bio-Degradable Hydraulic Fluid (5 Gallon Pail).....	100-7674
Premium All Season Hydraulic Fluid (55 Gallon Drum)	108-1177
Premium All Season Hydraulic Fluid (5 Gallon Pail).....	108-1178
Premium Engine Oil, 10w30 (55 Gallon Drum)	108-1179
Premium Engine Oil, 10w30 (5 Gallon Pail)	108-1180
Premium Bio-Degradable Hydraulic Fluid (55 Gallon Drum)	108-1189
Premium All Purpose Grease (Tube)	108-1190
Air Cleaner Safety Element.....	108-3813
Gauge Bar Assembly.....	108-6715
Operator Fan Kit - US Sales Only, 3in ROPS Post.....	110-8804
Two-Post ROPS Kit	110-8860
Weight Plate	110-8985-03
Brush and Handle Kit.....	29-9100
Hardtop Sunshade.....	30359
Diagnostic Display Box.....	85-4750
Plastic Plug.....	93-7498

Notes:

Notes:

Notes:



Count on it.