



Count on it.

Parts Catalog

Reelmaster® 5610 Traction Unit

Model No. 03690—Serial No. 270001501 and Up



Ordering Replacement Parts

To order replacement parts, please supply the part number, the quantity, and the description of each part desired.

Understanding Reference Numbers

Each identified part in an illustration has a reference number. The reference number for a part also appears in the parts list, along with other information about the part.

This catalog uses two special reference number formats, one to indicate parts in a service assembly and another to indicate the quantity of a given part in an illustration.

Service Assembly Reference Numbers

Parts in service assemblies have reference numbers in the form a:b. The a represents the reference number of the entire service assembly and the b represents a sequential number unique to each part within the service assembly.

For example, a wheel assembly might be identified by reference number 6, the tire by 6:1, the valve by 6:2, and the wheel by 6:3. When you order the assembly identified by reference number 6, you receive all parts identified by reference numbers 6:1, 6:2, and 6:3. However, you may also order any part individually. Reference numbers of this type appear in illustration and in parts lists.

Reference Numbers Indicating Quantity

In an illustration, if a reference number indicates more than one part, the reference number has the form nX y. The n represents the quantity of the part, the X is the multiplication symbol, and the y represents the reference number.

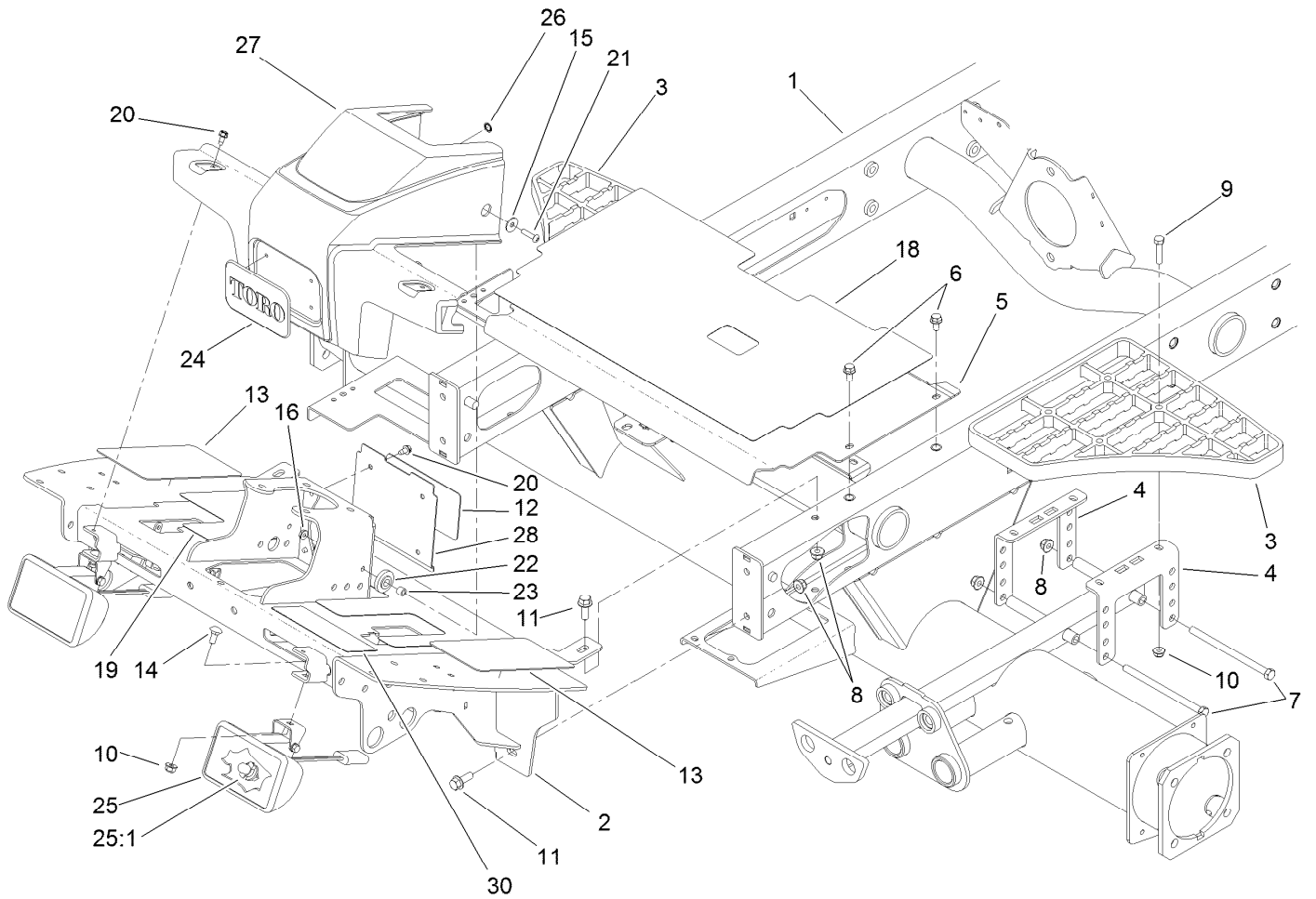
For example, in an illustration, the reference number 2X 37 means that two of the parts identified by reference number 37 are indicated.

Contents

Front Frame Assembly	5
Steering Valve Hydraulic Plumbing Assembly	6
Steering Tilt Column Assembly No. 106-3622	7
Steering Valve Assembly No. 106-3621	8
Traction Pedal Assembly	9
Brake Pedal Assembly	10
Seat and Armrest Assembly	11
Seat Base and Suspension Assembly	12
Mechanical Seat Suspension Assembly No. 110-8851	13
Console and Control Arm Assembly	14
Joystick Bracket Assembly No. 106-4167	16
Hydraulic Tank Assembly	17
Fuel Tank Assembly	19
Front Wheel, Brake and Hydraulic Motor Assembly	20
Hydraulic Motor Assembly No. 114-8857	21
Hydraulic Motor Assembly No. 114-8858	22
LH Brake Assembly No. 110-8872	23
RH Brake Assembly No. 110-8871	24
Driveshaft and Variable Pump Hydraulic Fitting Assembly	25
Driveshaft Assembly No. 108-1641	26
Variable Pump Assembly No. 107-4470	27
Gear Pump Hydraulic Plumbing Assembly	29
Gear Pump Assembly No. 107-4547	30
Engine Mounting and Electrical Assembly	31
Engine Intake and Exhaust Assembly	32
Air Cleaner Assembly No. 110-8917	33
Fuel System Delivery Assembly	34
Water and Fuel Filter Assembly No. 98-9305	35
Radiator and Hydraulic Cooler Assembly	36
Hydraulic Lift Block and Plumbing Assembly	38
Hydraulic Manifold Block Assembly No. 105-7577	39
Reel Control Block Hydraulic Plumbing Assembly	40
Hydraulic Manifold Block Assembly No. 108-1625	41
Rear Reel Drive System Plumbing and Front Hose Assembly	42
Hydraulic Motor Assembly No. 110-1717	43
Front Lift Cylinder and Plumbing Assembly	44
Hydraulic Cylinder Assembly No. 107-2034	45
Hydraulic Cylinder Assembly No. 107-2033	46
Front Lift Arm Assembly	47
Rear Lift Cylinder and Plumbing Assembly	48
Rear Lift Arm Assembly	49
Rear Axle Assembly	50
Tie Rod Assembly No. 110-5334-03	52
Hydraulic Cylinder Assembly No. 107-4458	53
Battery and Bumper Assembly	54
Hood and Body Panel Assembly	55
Crankcase Assembly	56
Oil Pan Assembly	57
Cylinder Head Assembly	58
Gear Case Assembly	59
Head Cover Assembly	60
Oil Plug and Dipstick Assembly	61
Main Bearing Case Assembly	62
Cam Shaft and Idle Gear Shaft Assembly	63

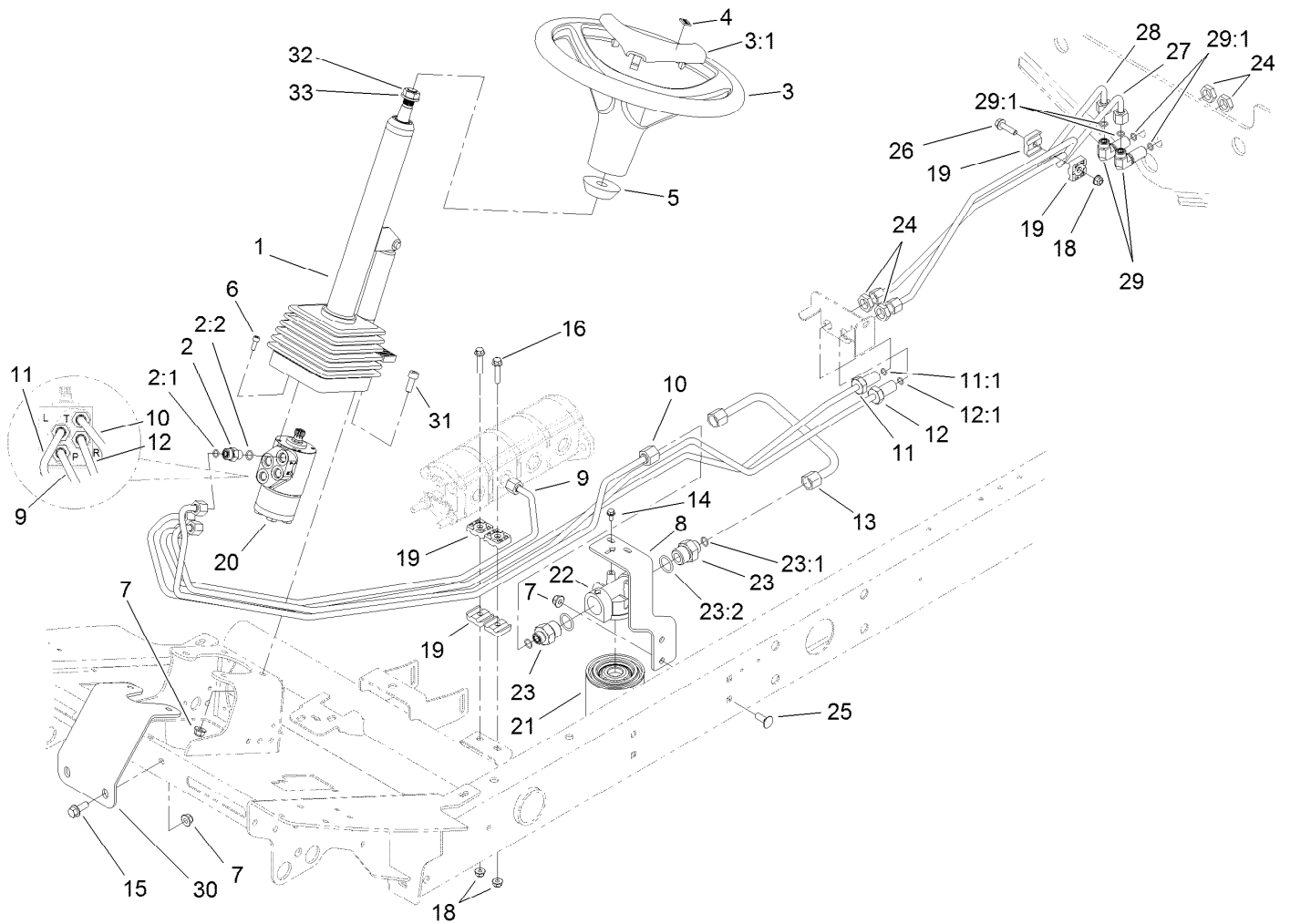
Contents (continued)

Piston and Crankshaft Assembly	64
Flywheel Assembly	65
Fuel Camshaft and Governor Shaft Assembly	66
Idle Apparatus and Stop Solenoid Assembly	67
Injection Pump Assembly	68
Speed Control Plate Assembly	69
Nozzle Holder and Glow Plug Assembly	70
Nozzle Holder Component Assembly	71
Fork Lever (Governor) Assembly	72
Alternator and Pulley Assembly	73
Alternator Assembly No. 98-9474	74
Starter Assembly	75
Water Flange and Thermostat Assembly	76
Water Pump Assembly	77
Reserve Tank Assembly	78
Valve and Rocker Arm Assembly	79
Inlet / Exhaust Manifold Assembly	80
Turbo Charger Assembly	81
Oil Pipe (Turbo Charger) Assembly	82
Oil Cooler Assembly	83
Attachments and Accessories	84



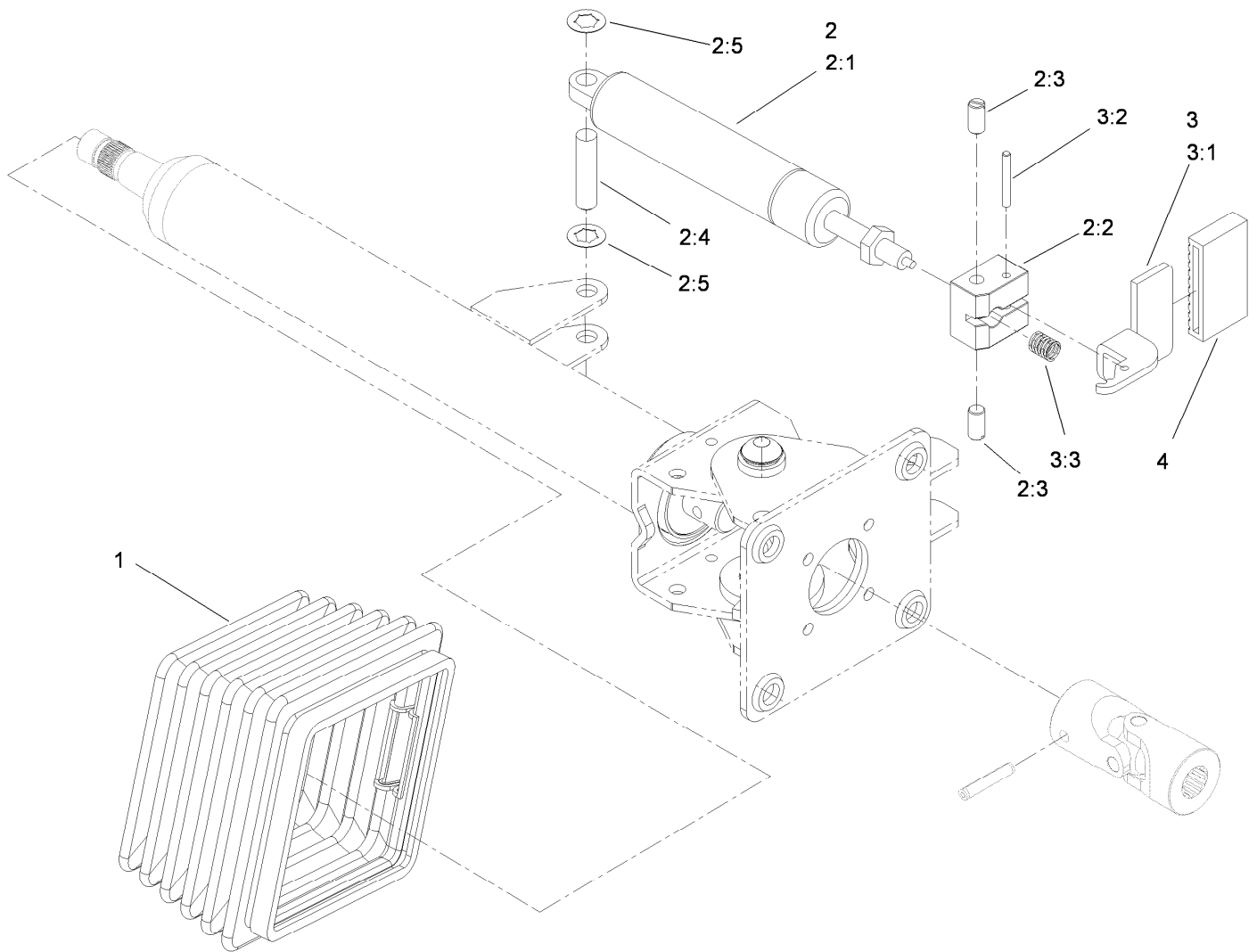
Front Frame Assembly

<i>Ref.</i>	<i>Part Number</i>	<i>Qty.</i>	<i>Description</i>	<i>Ref.</i>	<i>Part Number</i>	<i>Qty.</i>	<i>Description</i>
1	110-5312	1	Frame ASM	16	32128-33	2	Nut-HF
2	107-4501-01	1	Platform ASM	18	108-1844	1	Tread-Panel, Service
3	108-1670	2	Step-Aluminum	19	108-1845	1	Tread-Board, Floor
4	108-1671-01	4	Bracket-Step	20	32104-17	6	Screw-HWH
5	108-1806-01	1	Plate-Floor	21	106-9518	2	Screw-PRH
6	3234-17	4	Screw-HHF	22	240-11	2	Bushing-Flange
7	323-58	4	Bolt-TAP, HH	23	66-8010	2	Spacer
8	104-8301	8	Nut-HF, NI	24	93-6028	1	Plate-Logo
9	322-17	8	Screw-HH	25	94-9024	2	Lamp ASM
10	104-8300	10	Nut-HF, NI	25:1	95-0909	1	Lamp-12 Volt
11	3234-11	4	Screw-HHF	26	3254-9	4	Washer-Lock, Internal
12	110-0986	1	Decal-Plate, Cover	27	110-0944	1	Shroud-Platform
13	110-0988	2	Tread-Floor, Side	28	110-0947-03	1	Plate-Cover
14	3230-1	2	Bolt-CARR	30	110-8924	1	Decal-Danger
15	87-6630	2	Washer-Plain	30	110-8986	1	Decal-Danger



Steering Valve Hydraulic Plumbing Assembly

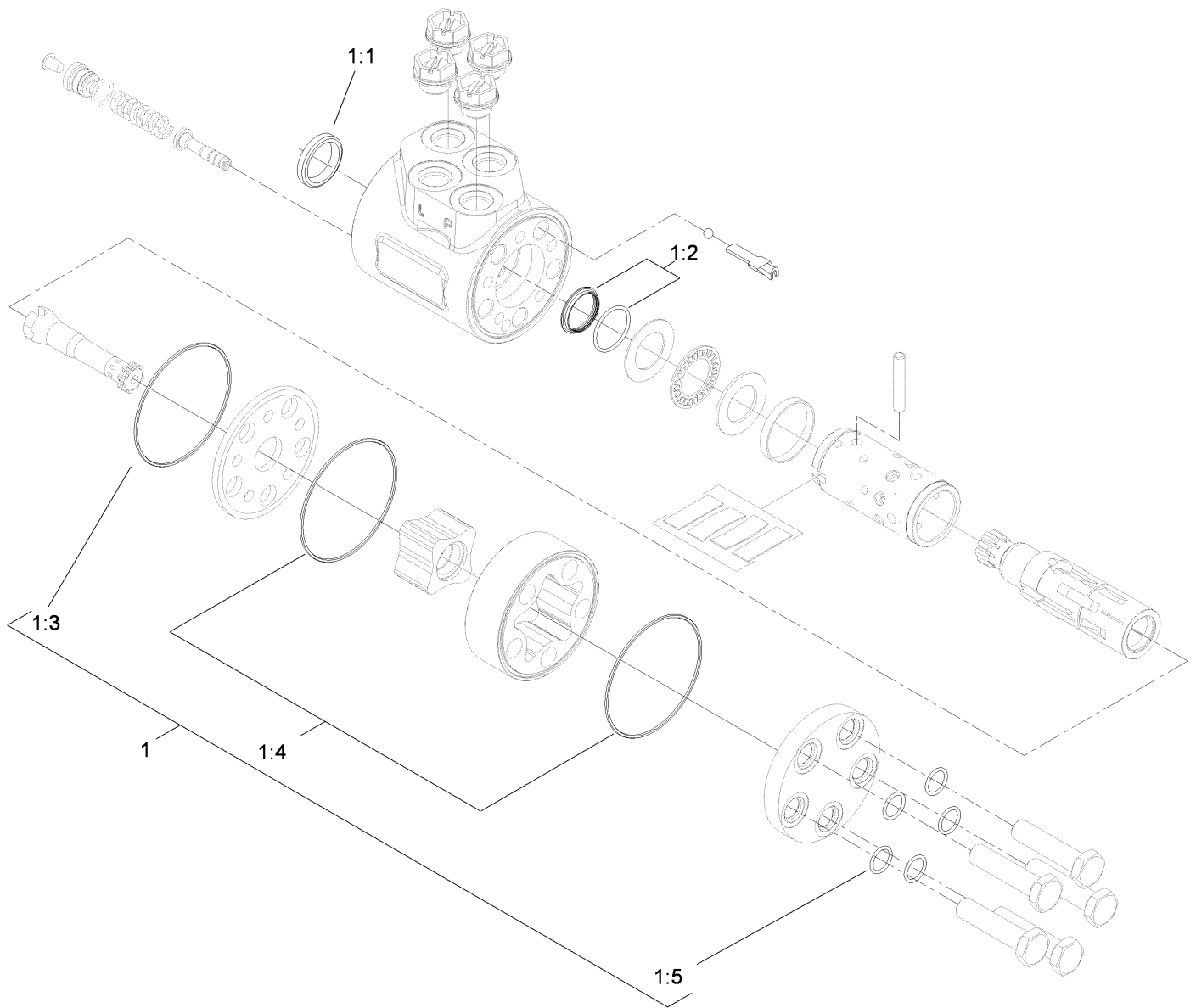
Ref.	Part Number	Qty.	Description	Ref.	Part Number	Qty.	Description
1	106-3622	1	Steering Tilt Column ASM	16	3234-36	2	Screw-HHF
2	340-2	4	Fitting-Straight	18	104-8300	3	Nut-HF, NI
2:1	237-22	1	O-Ring	19	56-7973	6	Clamp-Tube
2:2	237-42	1	O-Ring	20	106-3621	1	Steering Valve ASM
3	98-1471	1	Wheel-Steering	21	86-3010	1	Filter-Oil
3:1	98-1468	1	Cover-Wheel, Steering	22	92-5821	1	Head-Filter
4	98-1459	1	Decal	23	100-4240	2	Fitting-STR
5	93-5429	1	Collar-Foam	23:1	237-30	1	O-Ring
6	105-2409	4	Screw-HSH	23:2	237-81	1	O-Ring
7	104-8301	6	Nut-HF, NI	24	340-70	4	Nut-Lock
8	110-0906-01	1	Support-Filter, Oil	25	3231-27	2	Screw-CARR
9	108-1710	1	Tube ASM	26	3234-36	1	Screw-HHF
10	108-1711	1	Tube-HYD	27	108-7629	1	Tube ASM
11	108-1712	1	Tube ASM	28	108-7630	1	Tube ASM
11:1	237-22	1	O-Ring	29	340-154	2	Union-Bulkhead
12	108-1713	1	Tube ASM	29:1	237-22	2	O-Ring
12:1	237-22	1	O-Ring	30	110-8876-01	1	Brace-Column
13	108-1714	1	Tube ASM	31	3274-1	4	Screw-HSH
14	3234-33	2	Screw-HHF	32	3296-33	1	Nut-Lock, NI
15	3234-11	2	Screw-HHF	33	3256-27	1	Washer-Flat



Steering Tilt Column Assembly No. 106-3622

Ref.	Part Number	Qty.	Description
1	110-6462	1	Bellows-Rubber
2	110-6463	1	Cylinder Service Kit
2:1		1	Cylinder-Gas ●
2:2		1	Block-Pedal ●
2:3		2	Bolt ●
2:4		1	Pin ●
2:5		2	Washer-Lock ●
3	110-6464	1	Pedal Service Kit
3:1		1	Pedal ●
3:2		1	Pin ●
3:3		1	Spring ●
4	110-6465	1	Cover-Pedal

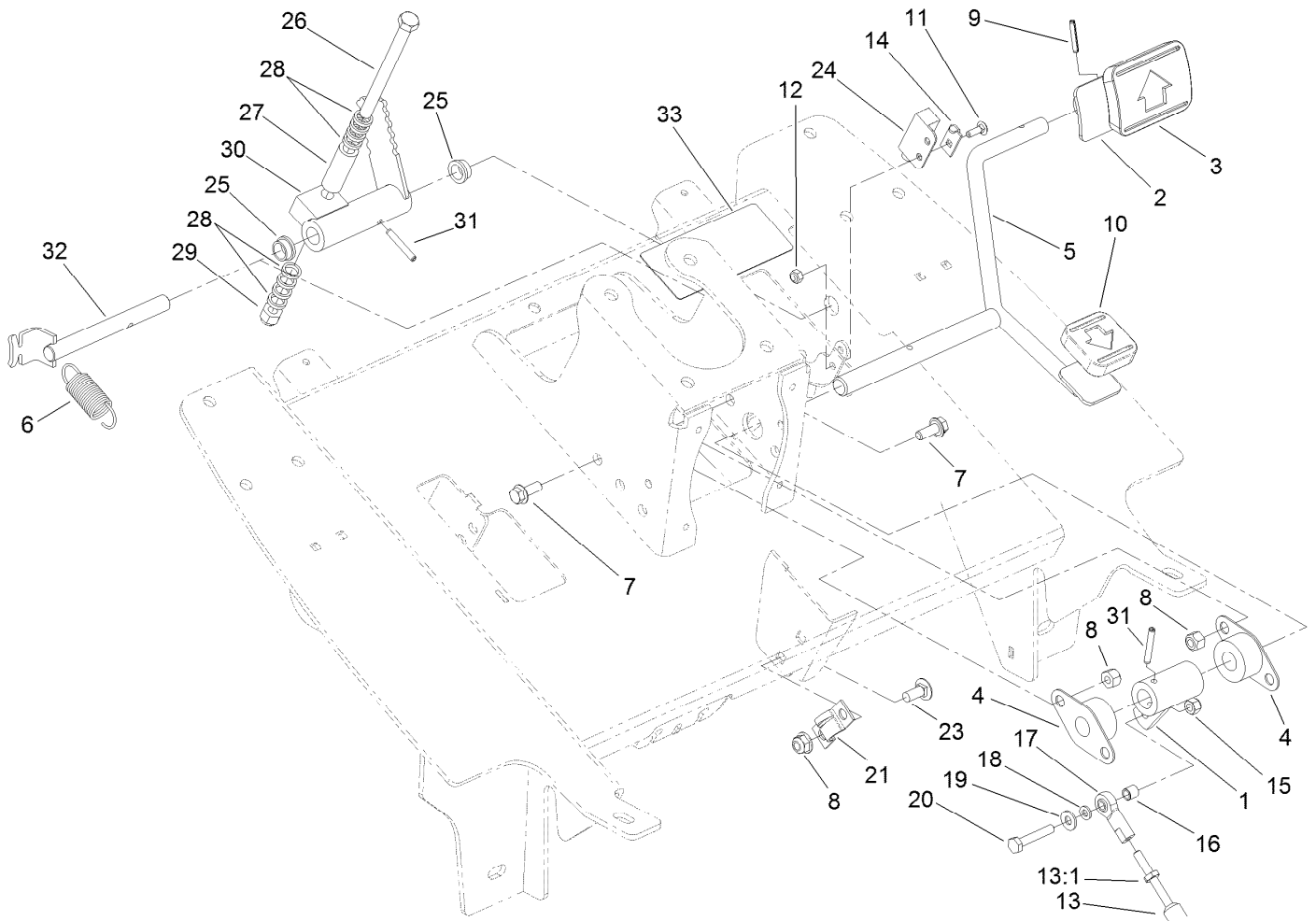
● Not serviced separately



Steering Valve Assembly No. 106-3621

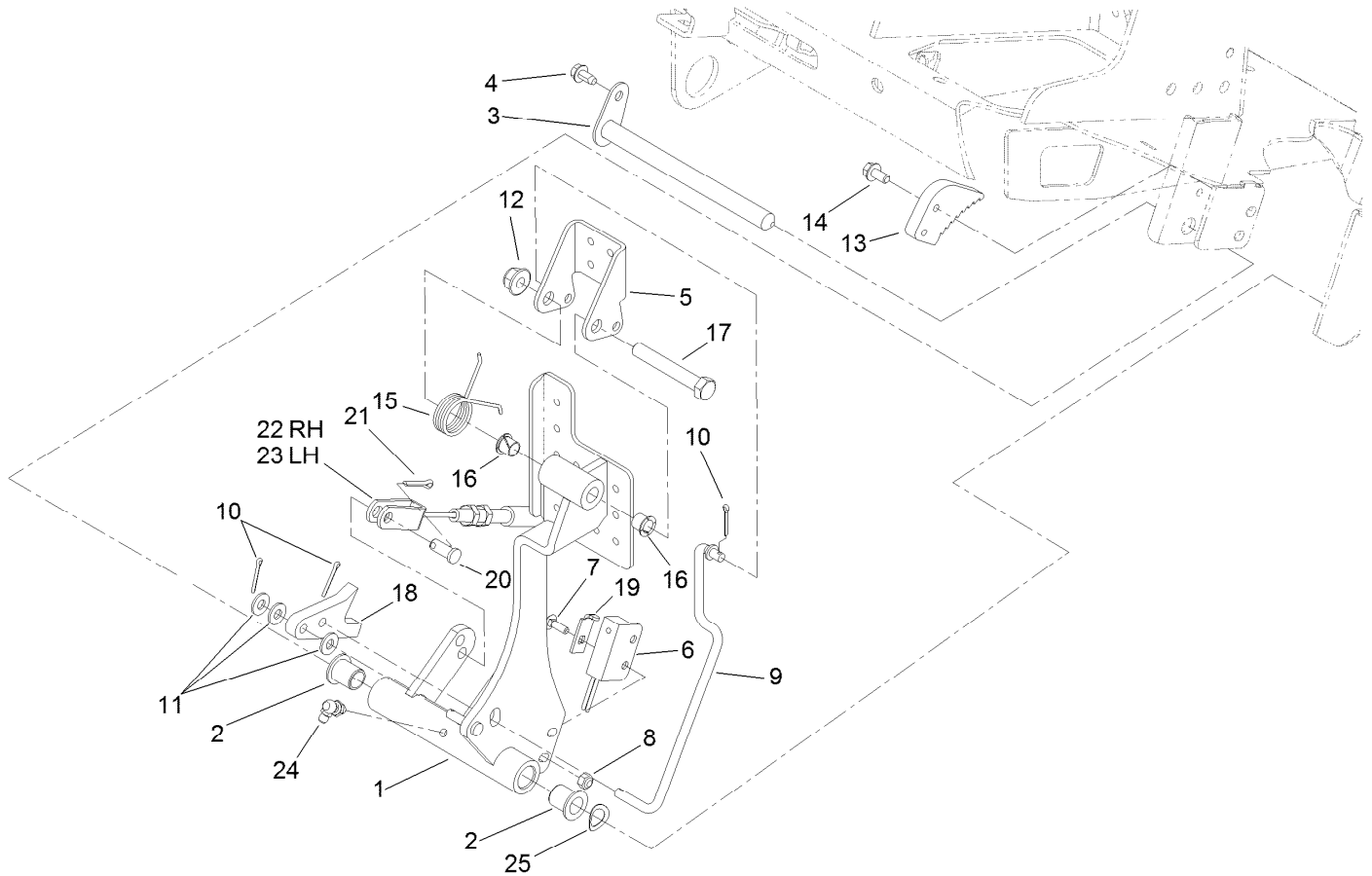
<i>Ref.</i>	<i>Part Number</i>	<i>Qty.</i>	<i>Description</i>
1	106-6716	1	Seal Kit
1:1		1	Ring-Seal, Dust ●
1:2		1	Seal-Shaft ●
1:3		1	O-Ring ●
1:4		2	O-Ring ●
1:5		5	O-Ring ●

● Not serviced separately



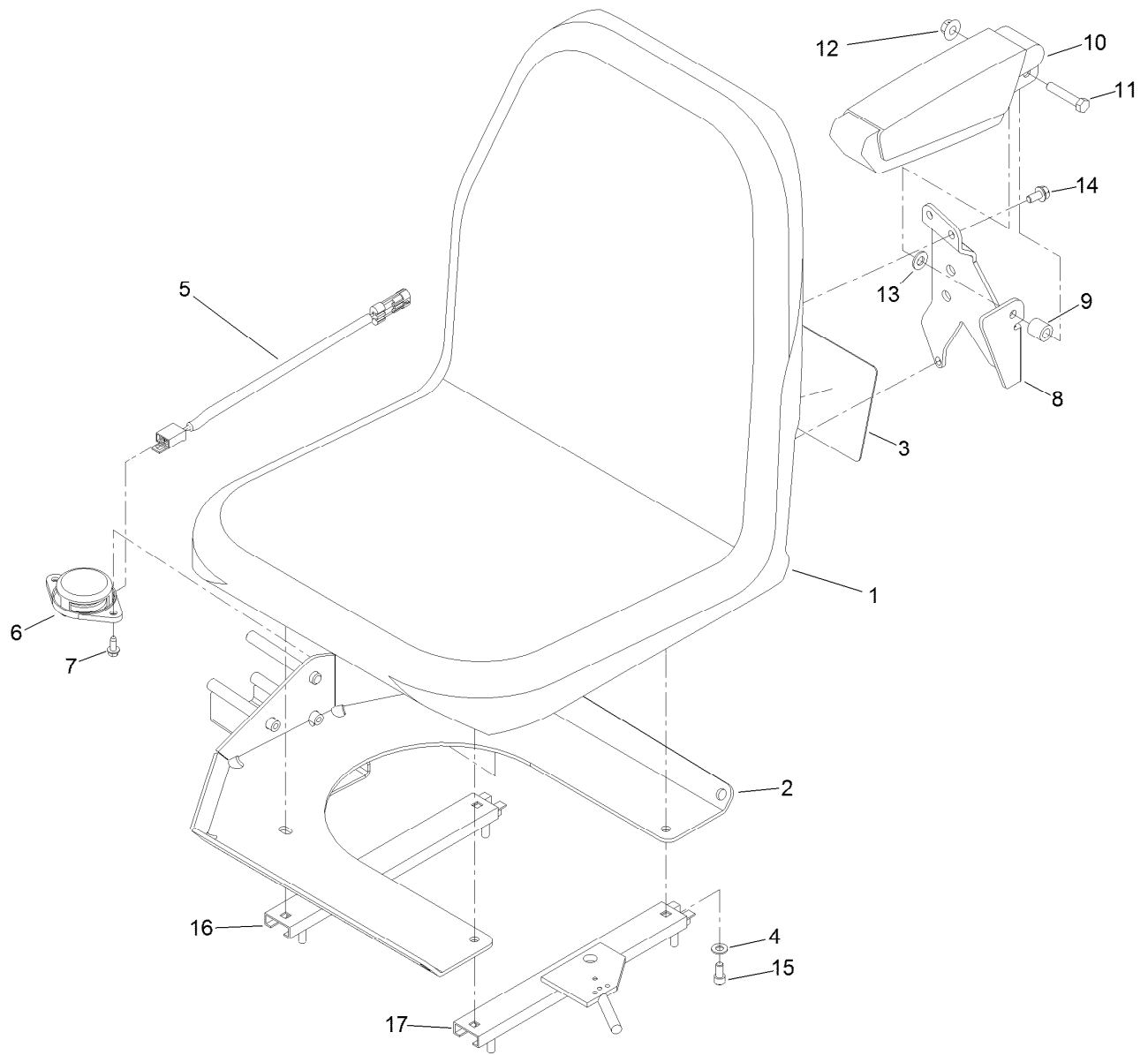
Traction Pedal Assembly

<i>Ref.</i>	<i>Part Number</i>	<i>Qty.</i>	<i>Description</i>	<i>Ref.</i>	<i>Part Number</i>	<i>Qty.</i>	<i>Description</i>
1	106-3719	1	Hub-Pedal, Traction	17	2411-41	1	Rod End-Ball Joint
2	49-6440-03	1	Pedal-Forward	18	33093-00	1	Washer-Flat
3	74-9100	1	Pad-Pedal, Forward	19	3256-22	1	Washer-Flat
4	256-236	2	Bearing-Mount, Flange	20	321-9	1	Screw-HH
5	106-3840	1	Pedal-Traction	21	93-2092	1	Clamp-Cable
6	92-7305	1	Spring-Extension	23	3234-5	2	Screw-HHF
7	3234-5	4	Screw-HHF	24	104-1414	1	Sensor-Proximity, Ferrous (NC)
8	3296-29	6	Nut-Lock, NI	25	256-156	2	Bushing-Flange
9	32121-45	1	Pin-Spring	26	323-17	1	Screw-HH
10	74-9110	1	Pad-Pedal, Reverse	27	95-6448	1	Spacer
11	3229-34	1	Screw-CARR	28	62-4420	8	Washer
12	3296-2	1	Nut-Lock, NI	29	3296-39	1	Nut-Lock, NI
13	107-2084	1	Traction Cable ASM	30	106-3734	1	Stop-Mow
13:1	3220-1	2	Nut-Jam	31	32121-6	2	Pin-Roll, Slotted
14	100-4872	1	Plate-Switch, Neutral	32	106-3731	1	Rod-Pivot
15	3296-42	1	Nut-Lock, NI	33	110-8921	1	Decal-Speed, Mow
16	99-3545	1	Spacer				



Brake Pedal Assembly

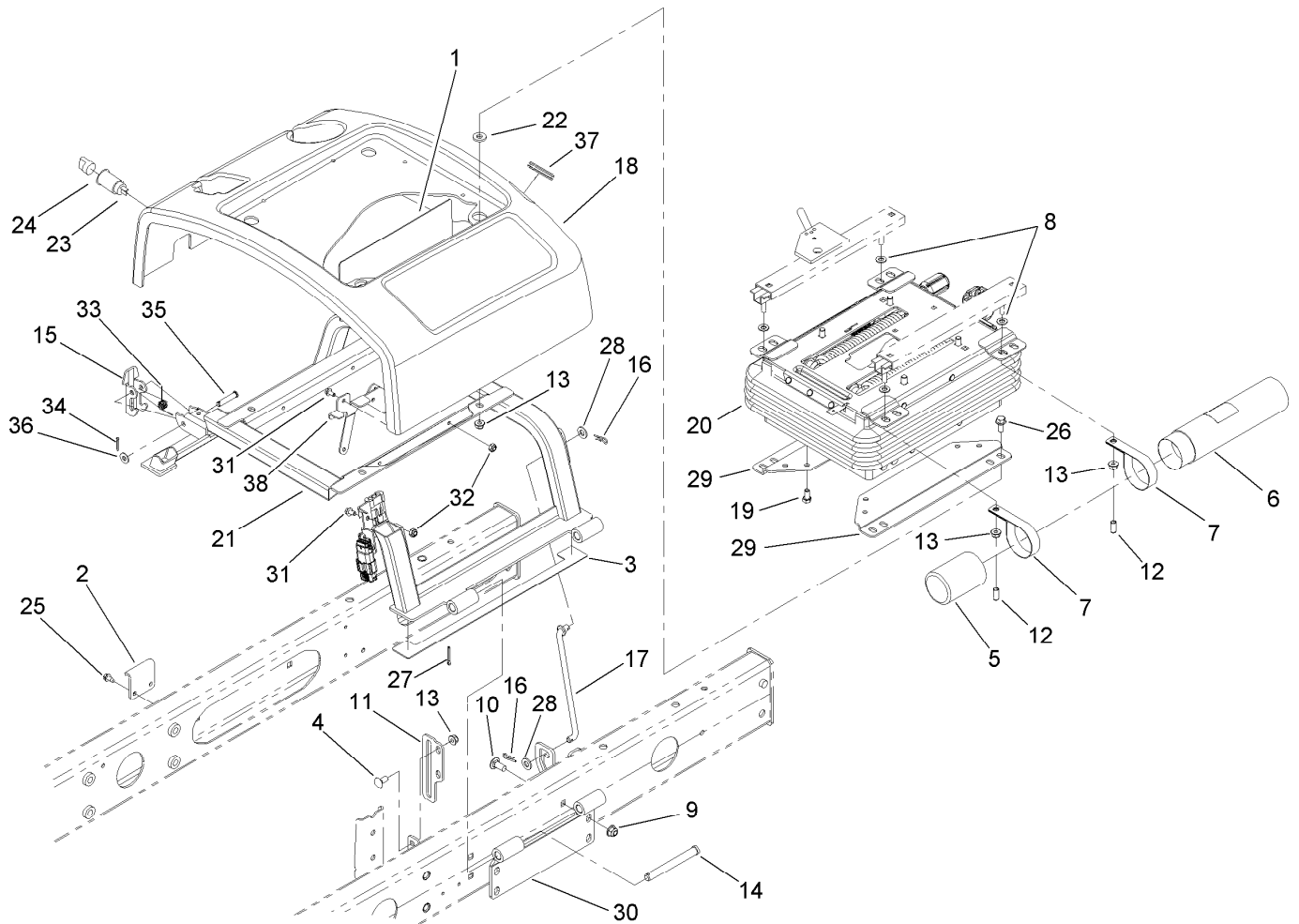
<i>Ref.</i>	<i>Part Number</i>	<i>Qty.</i>	<i>Description</i>	<i>Ref.</i>	<i>Part Number</i>	<i>Qty.</i>	<i>Description</i>
1	106-3712-03	1	Pedal-Brake	14	3234-13	2	Screw-HHF
2	256-155	2	Bushing-Flange	15	99-7140	1	Spring-Torsion
3	104-7179	1	Pivot-Pedal	16	52-2891	2	Bushing-Flanged, Nylon
4	12-3270	1	Screw	17	323-12	1	Screw-HH
5	99-7963-03	1	Pedal-Park	18	106-3713	1	Detent
6	100-1270	1	Switch-Proximity	19	100-4872	1	Plate-Switch, Neutral
7	3229-34	1	Screw-CARR	20	283-62	2	Pin-Clevis
8	3296-2	1	Nut-Lock, NI	21	3272-10	2	Pin-Cotter
9	110-0914	1	Rod-Pawl, Brake	22	110-9036	1	Cable-Brake, RH
10	3272-6	3	Pin-Cotter	23	110-9037	1	Cable-Brake, LH
11	3256-22	3	Washer-Flat	24	302-60	1	Fitting-Grease
12	104-8301	1	Nut-HF, NI	25	110-8982	1	Washer-Spring
13	99-7214	1	Pawl-Brake				



Seat and Armrest Assembly

Ref.	Part Number	Qty.	Description
1	104-4620	1	Seat
2	108-7591-03	1	Mount-Seat / Control
3	110-0990	1	Decal-Service
4	3256-23	4	Washer-Plain
5	108-8657	1	Harness-Wire, Seat
6	92-6282	1	Switch-Seat
7	32144-10	2	Screw-HWH
8	69-0760	1	Bracket-Arm, LH
9	92-7301	1	Spacer

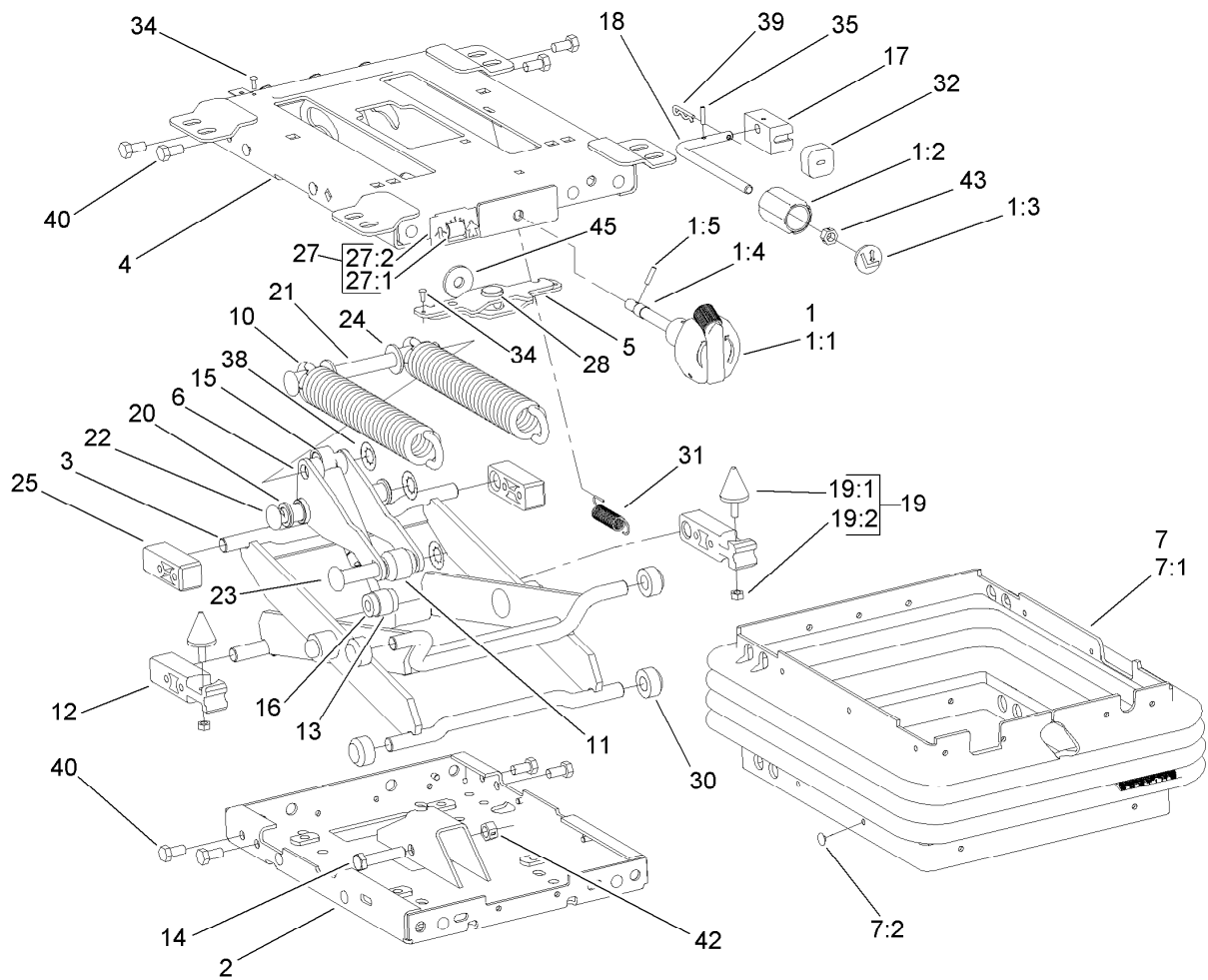
Ref.	Part Number	Qty.	Description
10	69-1180	1	Armrest
11	323-9	1	Screw-HH
12	32128-19	1	Nut-HF Lock, Large Flg
13	3256-24	1	Washer-Flat
14	3234-14	3	Screw-HHF
15	3274-12	4	Screw-HSH
16	92-8990	1	Adjuster-Seat, Non-Locking
17	92-8991	1	Adjuster (W/Latch)



Seat Base and Suspension Assembly

Ref.	Part Number	Qty.	Description
1	110-0996	1	Decal-Solenoid
2	110-8972	1	Hook-Latch
3	110-5255	2	Bumper-Base, Seat
4	3230-1	2	Bolt-CARR
5	104-7048	1	Cap-Housing
6	104-7050	1	Tube-Manual
7	2412-133	2	Clamp-R
8	3256-23	4	Washer-Plain
9	104-8301	4	Nut-HF, NI
10	3231-27	4	Screw-CARR
11	108-7584-01	1	Plate-Guide, Rod
12	94-2782	4	Cap-Wire, Lite
13	104-8300	10	Nut-HF, NI
14	93-5343	2	Pin-Clevis
15	110-8971	1	Latch
16	3290-307	4	Pin-Cotter
17	98-0917	2	Rod-Prop
18	108-1757	1	Cover-Seatbase
19	48-7680	4	Screw-HH
20	110-8851	1	Mechanical Suspension ASM

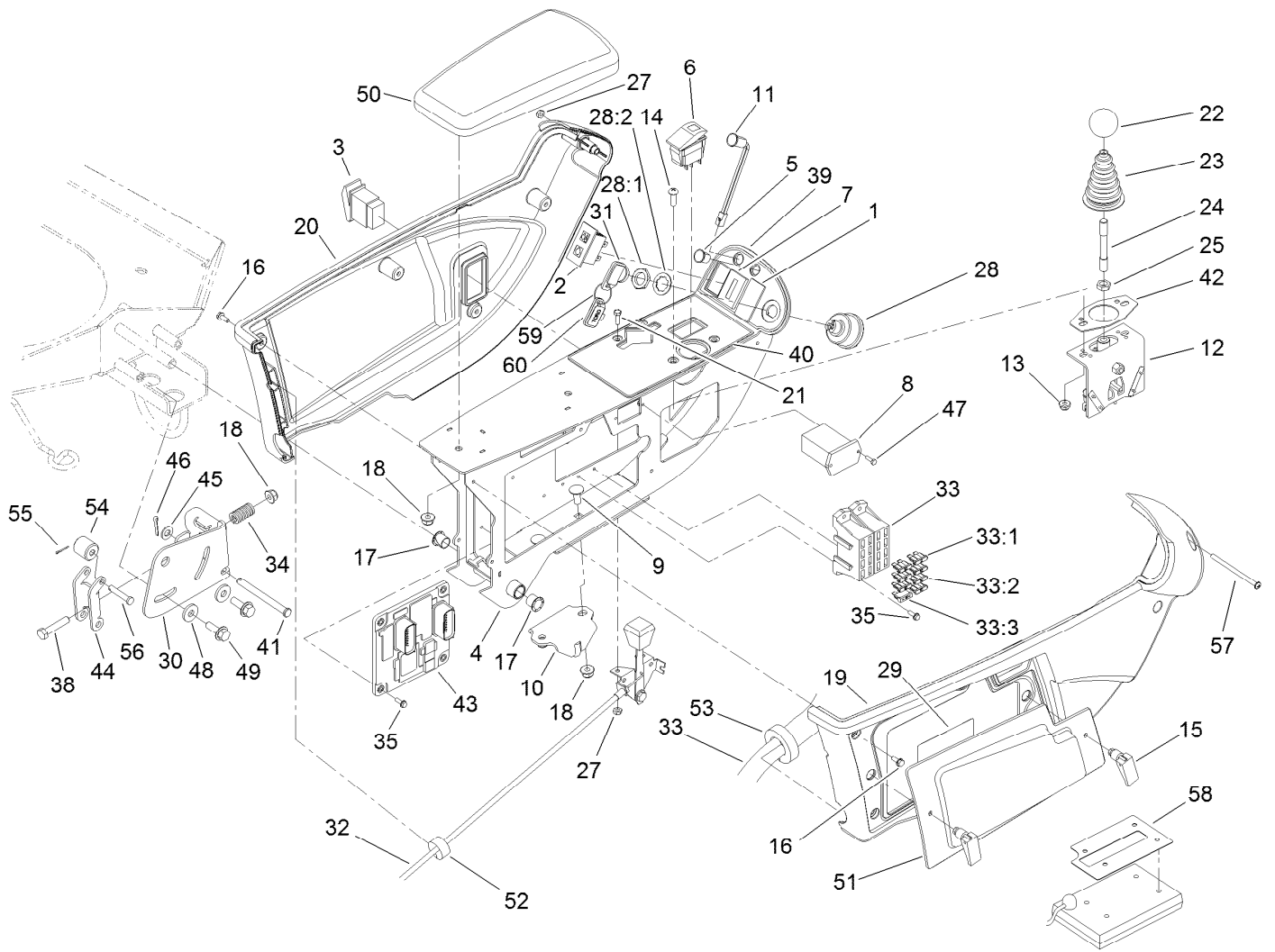
Ref.	Part Number	Qty.	Description
21	108-7577-03	1	Seat Base
22	71-9310	4	Spacer
23	99-7411	1	Point-Power
24	99-7416	1	Cap
25	32104-17	2	Screw-HWH
26	3234-17	4	Screw-HHF
27	3272-11	2	Pin-Cotter
28	3256-24	4	Washer-Flat
29	108-6590-03	2	Bracket-Seat, Lower
30	108-7582-03	1	Plate-Pivot
31	3234-13	2	Screw-HHF
32	3296-16	2	Nut-Lock, NI
33	104-4821	1	Spring-Torsion
34	3272-6	1	Pin-Cotter
35	94-3829	1	Pin-Clevis
36	3256-2	1	Washer-Flat
37	240-12	1	Grommet-Rubber
38	110-9027	1	Bracket-Harness



Mechanical Seat Suspension Assembly No. 110-8851

Ref.	Part Number	Qty.	Description	Ref.	Part Number	Qty.	Description
1	108-4583	1	Knob Service Kit	19	108-4585	2	Bumper Service Kit
1:1		1	Knob-Weight, Adjust ●	19:1		2	Bumper-Stop ●
1:2		1	Knob-Adjust, Height ●	19:2		2	Nut ●
1:3		1	Cap-Knob, Height Adjust ●	20	108-9622	2	Tube
1:4		1	Spacer-Adjust, Weight ●	21		1	Shaft-Spring ●
1:5		1	Pin-Roll ●	22		1	Pin-Pivot ●
2		1	Housing-Lower ●	23		1	Pin-Roller ●
3		1	Scissors-Compact ●	24		2	Bushing-Spring ●
4		1	Housing-Upper ●	25		2	Block-Shaft ●
5		1	Adjuster-Weight ●	27	108-4584	1	Weight Indicator Service Kit
6		1	Drive Arm ●	27:1		1	Tape-Weight Adjust ●
7	112-0164	1	Boot Kit	27:2		1	Guide-Weight Adjust ●
7:1		1	Boot-Suspension ●	28		1	Nut-Adjust, Weight ●
7:2	108-9641	21	Clip-Plug	30	108-9632	4	Roller
10		2	Spring-Extension ●	31	108-9633	1	Spring-Extension
11		1	Guide-Roller ●	32	108-9634	1	Bumper
12		2	Block-Scissors Pivot, Side Mount ●	34	3269-16	2	Rivet
13	108-9614	1	Damper	35		1	Pin-Roll ●
14		1	Bolt-Shock, Lower ●	38		3	Retainer ●
15		2	Bushing-Shock, Upper ●	39	3272-9	1	Pin-Cotter
16		2	Bushing-Shock, Lower ●	40		8	Screw-HWHTF ●
17		1	Block-Bumper, Up Stop ●	42	32152-2	1	Nut-Lock, Cone
18		1	Rod-Adjust, Height ●	43	32152-1	1	Nut-Lock, Cone
				45	3256-24	1	Washer-Flat

● Not serviced separately

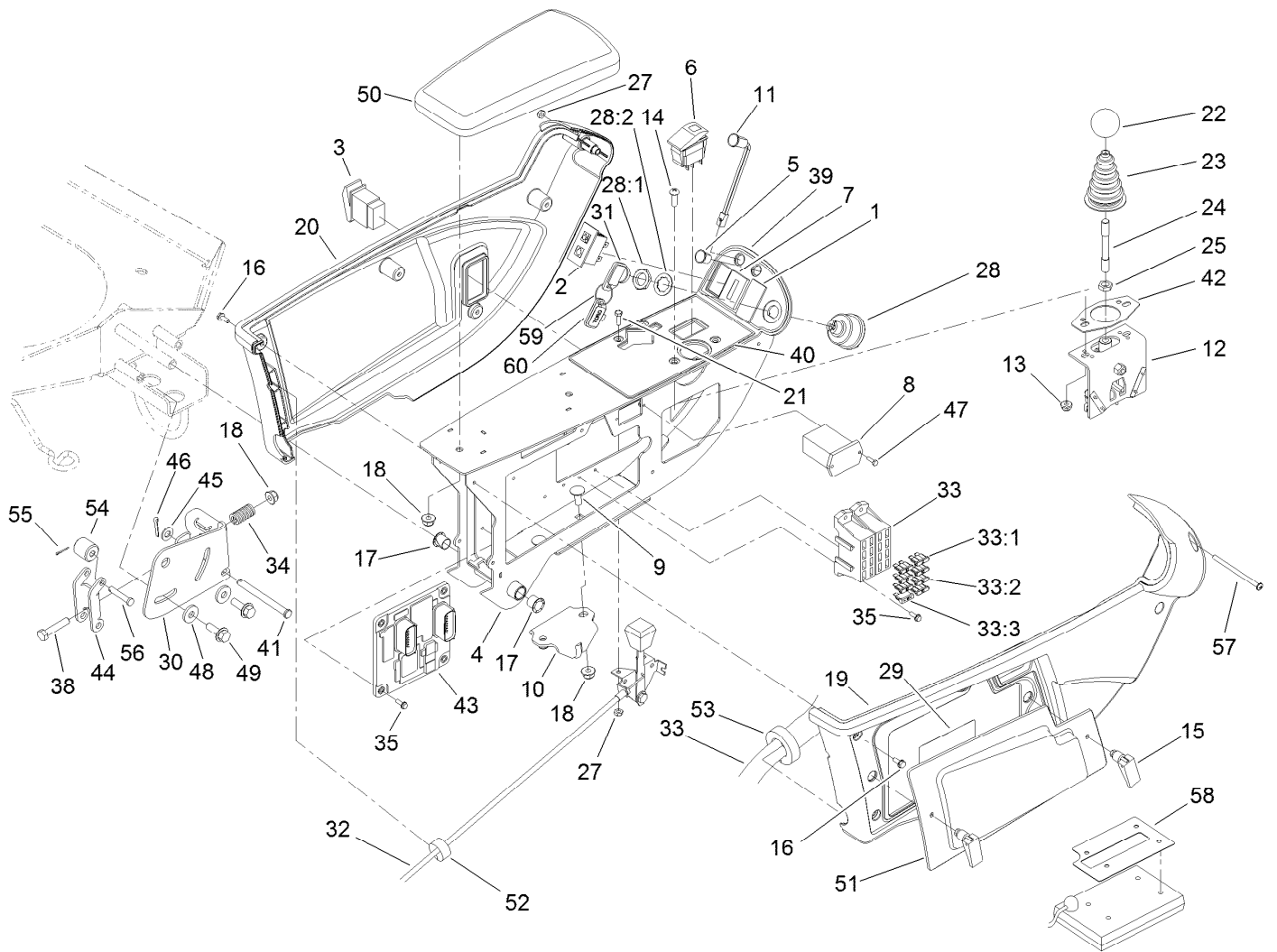


Console and Control Arm Assembly

Ref.	Part Number	Qty.	Description
1	100-8070	1	Lamp-Warning
2	100-8071	1	Lamp-Warning
3	95-8999	1	Switch
4	108-7599-03	1	Control Arm ASM
5	2410-64	1	Plug-Button
6	105-4232	1	Switch
7	110-0941	1	Gauge-Temperature
8	75-6820	1	Hourmeter
9	3230-23	2	Bolt-CARR
10	110-5340	1	Latch
11	95-7652	1	Light-Indicator
12	106-4167	1	Joystick Bracket ASM
13	104-7201	2	Nut-HF, NI
14	3258-166	2	Screw-PRH
15	74-5950	2	Latch-Swell
16	32144-112	10	Screw-HWH
17	256-257	2	Bushing-Nyliner
18	104-8300	4	Nut-HF, NI

Ref.	Part Number	Qty.	Description
19	108-7605	1	Cover-RH
20	108-7604	1	Cover-LH
21	3290-134	2	Screw
22	233-42	1	Knob
23	93-5961	1	Boot-Lever
24	105-8288	1	Rod-Joystick
25	3218-3	1	Nut-Jam
27	3296-12	2	Nut-Lock, NI
28	104-2541	1	Ignition Switch ASM
28:1	218-461	1	Nut-HH
28:2	3254-5	1	Washer-Lock
29	110-0989	1	Decal-Fuse
30	110-5313-03	1	Bracket-Retainer
31	63-8360	2	Key-Ignition
32	110-0913	1	Control-Throttle
33	110-9025	1	Harness-Wire, Seat
33:1	94-6710	1	Fuse-2 Amp
33:2	218-578	6	Fuse-Blade, 10 Amp

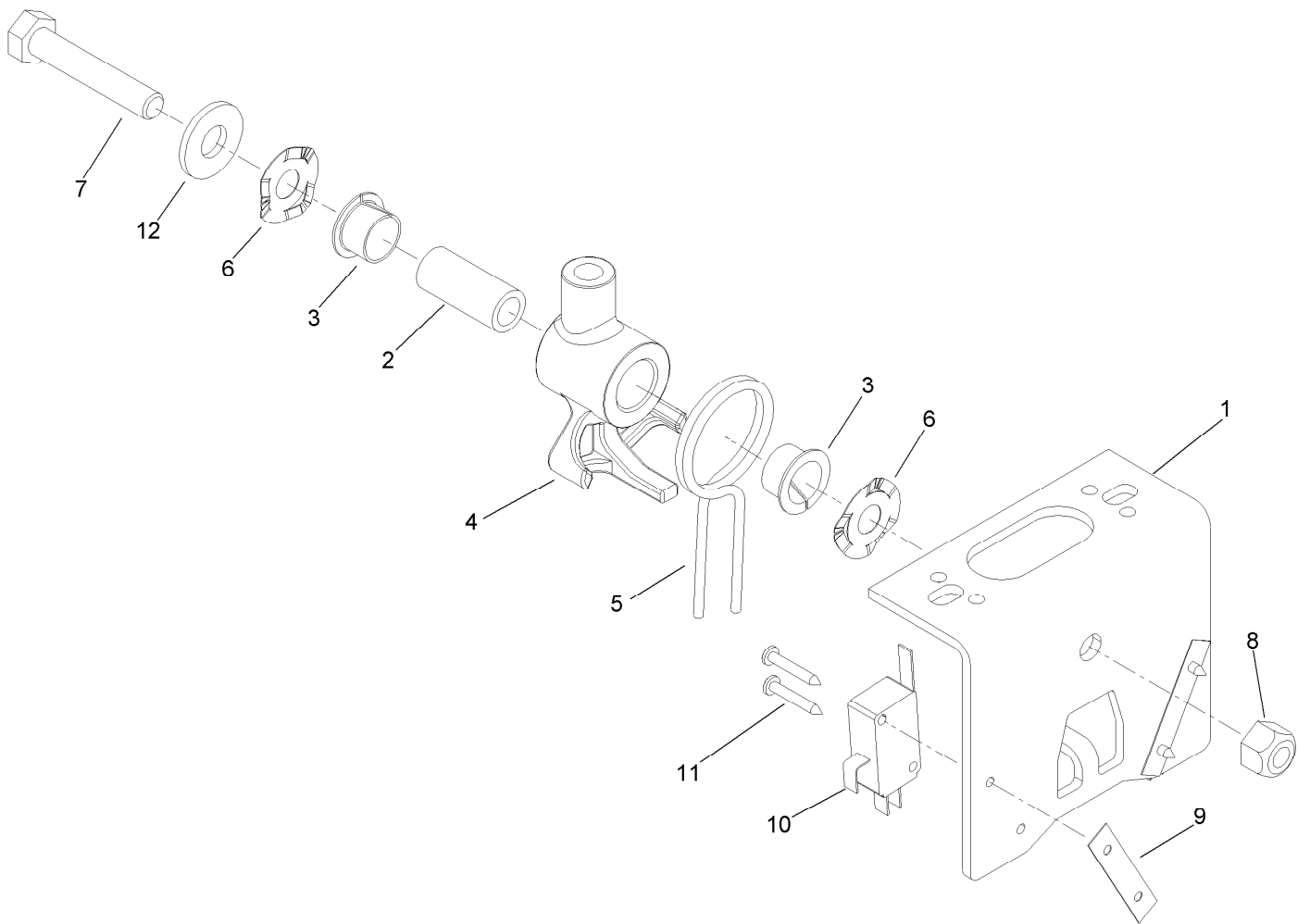
● Not illustrated



Console and Control Arm Assembly (continued)

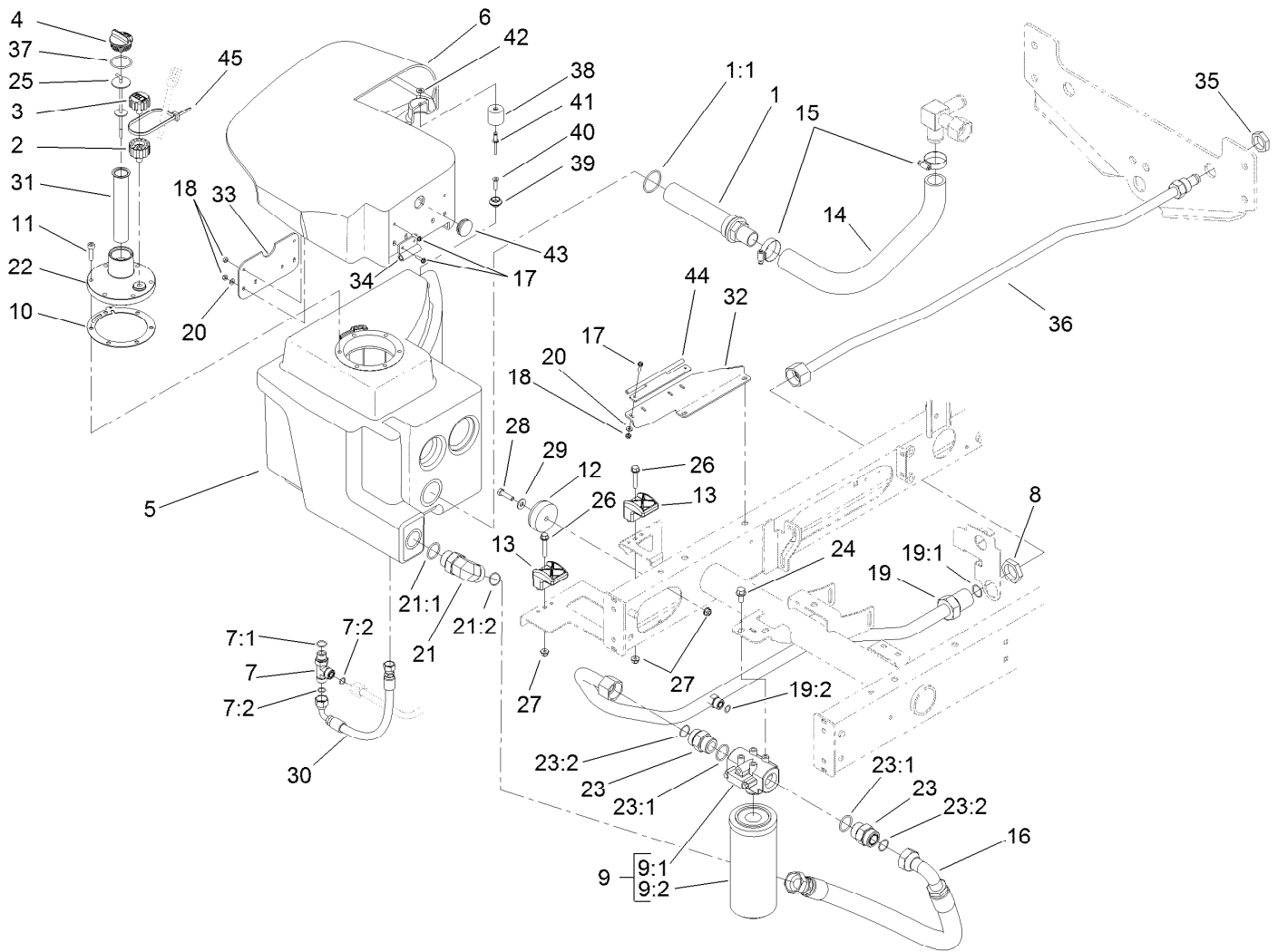
Ref.	Part Number	Qty.	Description	Ref.	Part Number	Qty.	Description
33:3	109355	1	Fuse-Blade, 15 Amp	48	4-2390	2	Washer-Flat
33:4	85-4650	1	Connector ●	49	3234-29	2	Screw-HHF
34	110-5331	1	Spring-Compression	50	108-7602	1	Rest-Arm
35	32144-87	9	Screw-HWHTF	51	108-7616	1	Panel-Access
38	322-7	1	Screw-HH	52	110-8911	1	Seal-Foam
39	110-0984	1	Decal-Console	53	110-8912	1	Seal-Foam
40	110-0998	1	Decal-Panel, Control	54	110-8856	1	Spacer
41	283-88	1	Pin-Clevis	55	3272-1	1	Pin-Cotter
42	112-9181	1	Plate-Boot	56	283-73	1	Pin-Clevis
43	110-0650	1	Module-Control, Electronic	57	95-6354	1	Screw
44	110-5314	1	Latch	58	110-0666	1	Overlay-Diagnostics
45	3256-23	1	Washer-Plain	59	98-9321	1	Ring-Key
46	3272-10	1	Pin-Cotter	60	99-8970	1	Key-Latch, Hood
47	32144-18	2	Screw-HWH				

● Not illustrated



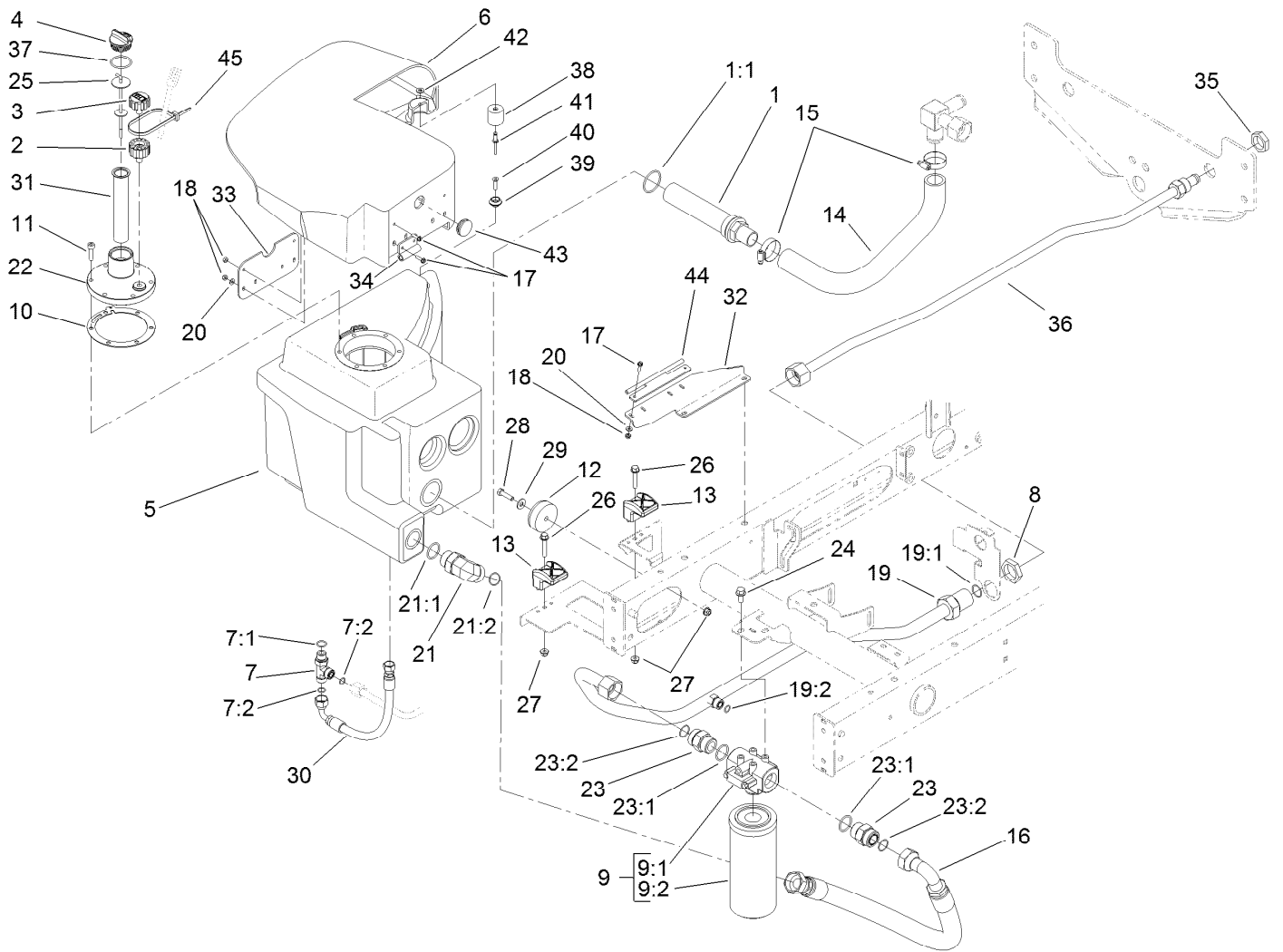
Joystick Bracket Assembly No. 106-4167

<i>Ref.</i>	<i>Part Number</i>	<i>Qty.</i>	<i>Description</i>
1	106-4168-03	1	Bracket-Joystick
2	106-4192	1	Spacer
3	93-5547	2	Bushing-Nylon
4	105-7507	1	Hub-Pivot, Joystick
5	105-8289	1	Spring-Torsion
6	106-4193	2	Washer-Finger, Spring
7	322-9	1	Screw-HH
8	3296-29	1	Nut-Lock, NI
9	3290-354	2	Nut-Speed
10	108-6496	2	Switch (W/Boot)
11	95-3003	4	Screw-PPHTF
12	3256-3	1	Washer-Flat



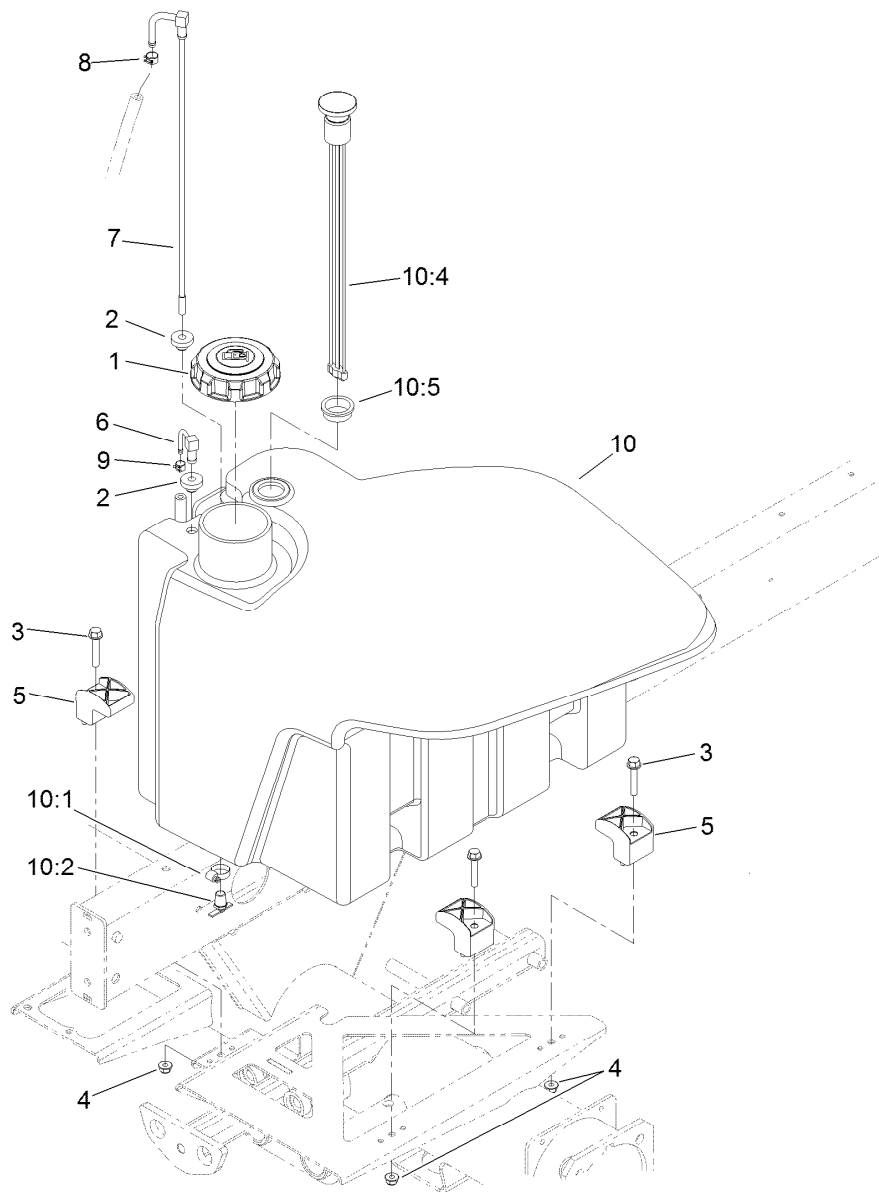
Hydraulic Tank Assembly

Ref.	Part Number	Qty.	Description	Ref.	Part Number	Qty.	Description
1	105-0131	1	Strainer-Tank, Oil	17	32105-13	8	Screw-HWH
1:1	340-136	1	O-Ring	18	3296-2	8	Nut-Lock, NI
2	92-8020	1	Adapter-Breather	19	108-1699	1	Tube ASM
3	68-6150	1	Breather	19:1	340-65	1	O-Ring
4	93-7498	1	Plug-Plastic	19:2	237-30	1	O-Ring
5	107-4513	1	Tank-Oil	20	3256-14	6	Washer-Flat
6	107-4545	1	Cover-Tank	21	340-129	1	Fitting-Elbow, 90 DEG
7	340-109	1	Fitting-Tee	21:1	237-146	1	O-Ring
7:1	237-79	1	O-Ring	21:2	340-65	1	O-Ring
7:2	237-30	2	O-Ring	22	108-7641	1	Cap-Tank, HYD
8	340-128	1	Nut-Bulkhead	23	104-3797	2	Fitting-Straight
9	98-3923	1	Oil Filter ASM	23:1	237-146	1	O-Ring
9:1	104-0080	1	Filter Head ASM	23:2	340-65	1	O-Ring
9:2	94-2621	1	Element-Filter	24	3234-1	2	Screw-HHF
10	94-2660	1	Gasket-Flange	25	94-9411	1	Dipstick
11	94-3559	6	Screw-HSH	26	94-5780	2	Screw-HWH
12	108-1605	1	Bumper-Recess	27	104-8300	3	Nut-HF, NI
13	107-4543	2	Clamp	28	322-6	1	Screw-HH
14	108-1685	1	Hose-Formed	29	3256-3	1	Washer-Flat
15	2412-111	2	Clamp-Hose, W/Liner	30	108-8428	1	HYD Hose ASM
16	108-1689	1	Hose-HYD	31	61-2790	1	Filter-Screen



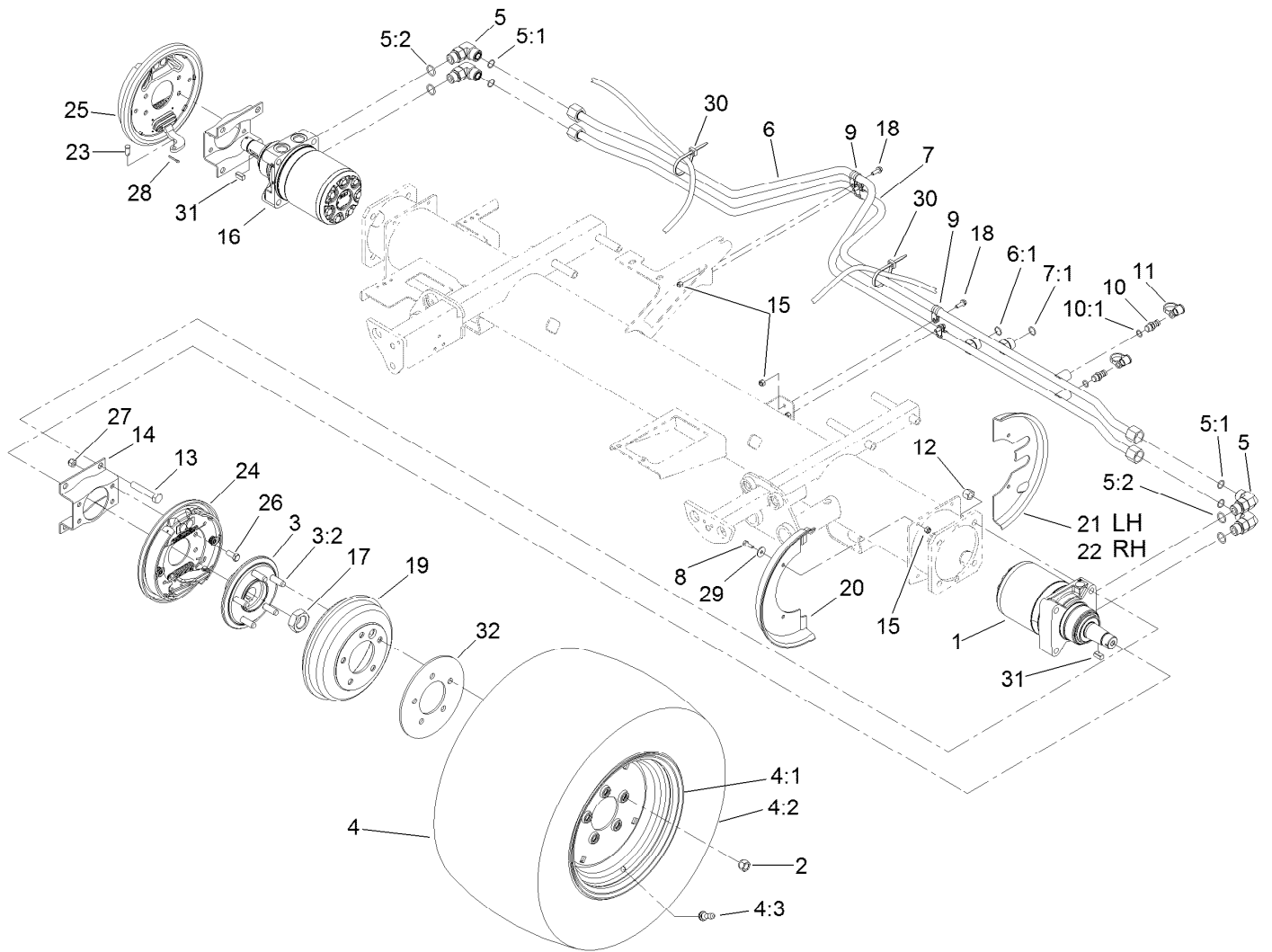
Hydraulic Tank Assembly (continued)

<i>Ref.</i>	<i>Part Number</i>	<i>Qty.</i>	<i>Description</i>	<i>Ref.</i>	<i>Part Number</i>	<i>Qty.</i>	<i>Description</i>
32	108-1606-03	1	Bracket-Hinge	39	99-7833	1	Post-Holding
33	108-1607-03	1	Plate-Hinge	40	32108-5	1	Screw-FH
34	110-8925	2	Hinge ASM	41	3290-412	1	Rivet-Blind
35	340-126	1	Nut-Bulkhead	42	3256-22	1	Washer-Flat
36	108-1691	1	Tube ASM	43	110-5333	1	Grommet-Plug
37	237-101	1	O-Ring	44	110-8928	1	Pin ASM
38	99-7830	1	Receptical-Rubber	45	3290-378	1	Tie-Cable



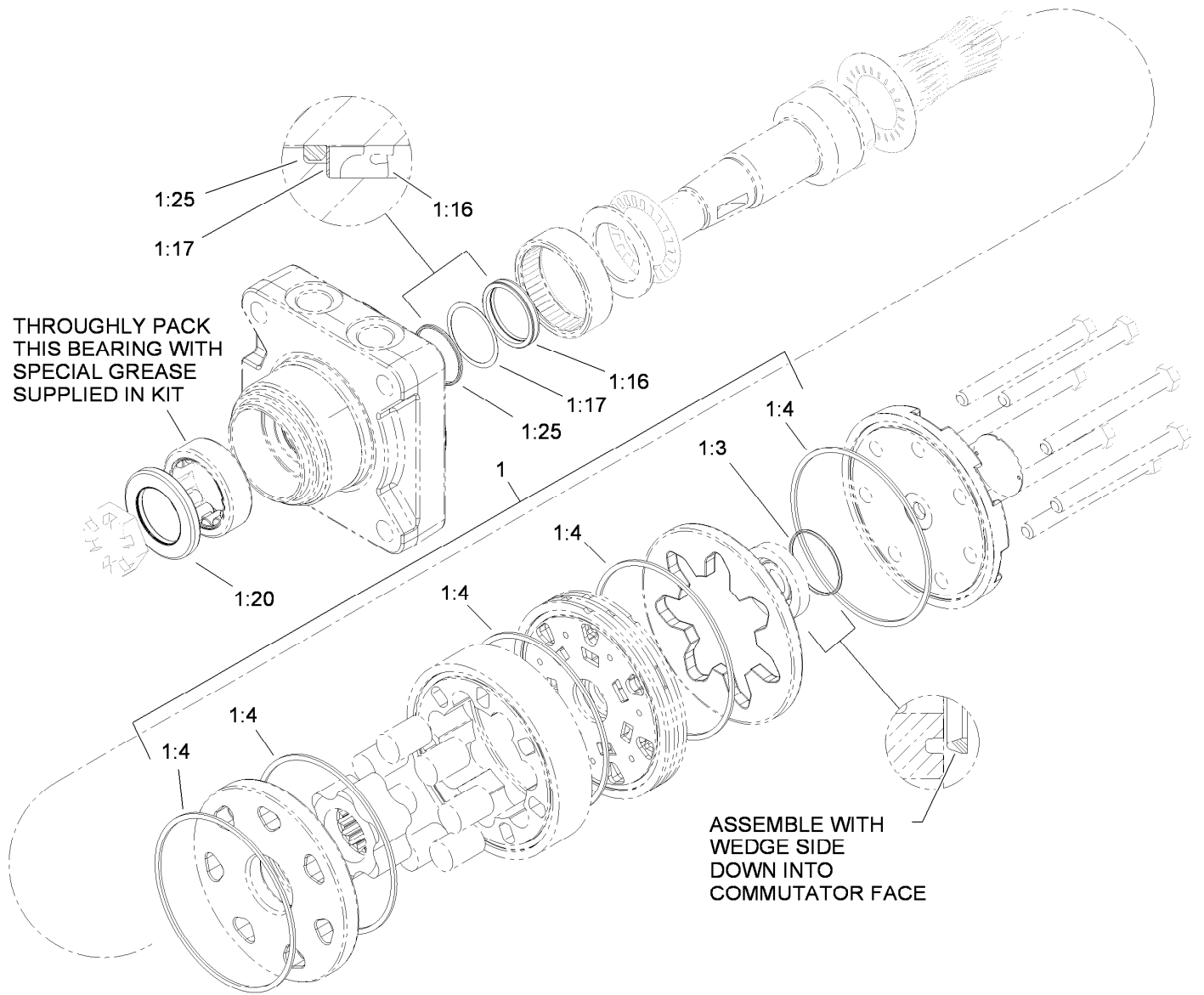
Fuel Tank Assembly

<i>Ref.</i>	<i>Part Number</i>	<i>Qty.</i>	<i>Description</i>
1	110-0897	1	Cap-Fuel, Diesel
2	46-6560	2	Bushing
3	94-5780	3	Screw-HWH
4	104-8300	3	Nut-HF, NI
5	107-4543	3	Clamp
6	108-1643	1	Fitting-Return
7	108-1642	1	Fitting-Suction
8	92-2379	1	Clamp-Hose
9	2412-146	1	Clamp-Hose
10	108-1842	1	Fuel Tank ASM
10:1	2412-36	1	Clamp-Hose
10:2	304-46	1	Draincock
10:4	108-1640	1	Gauge-Fuel
10:5	95-8972	1	Grommet



Front Wheel, Brake and Hydraulic Motor Assembly

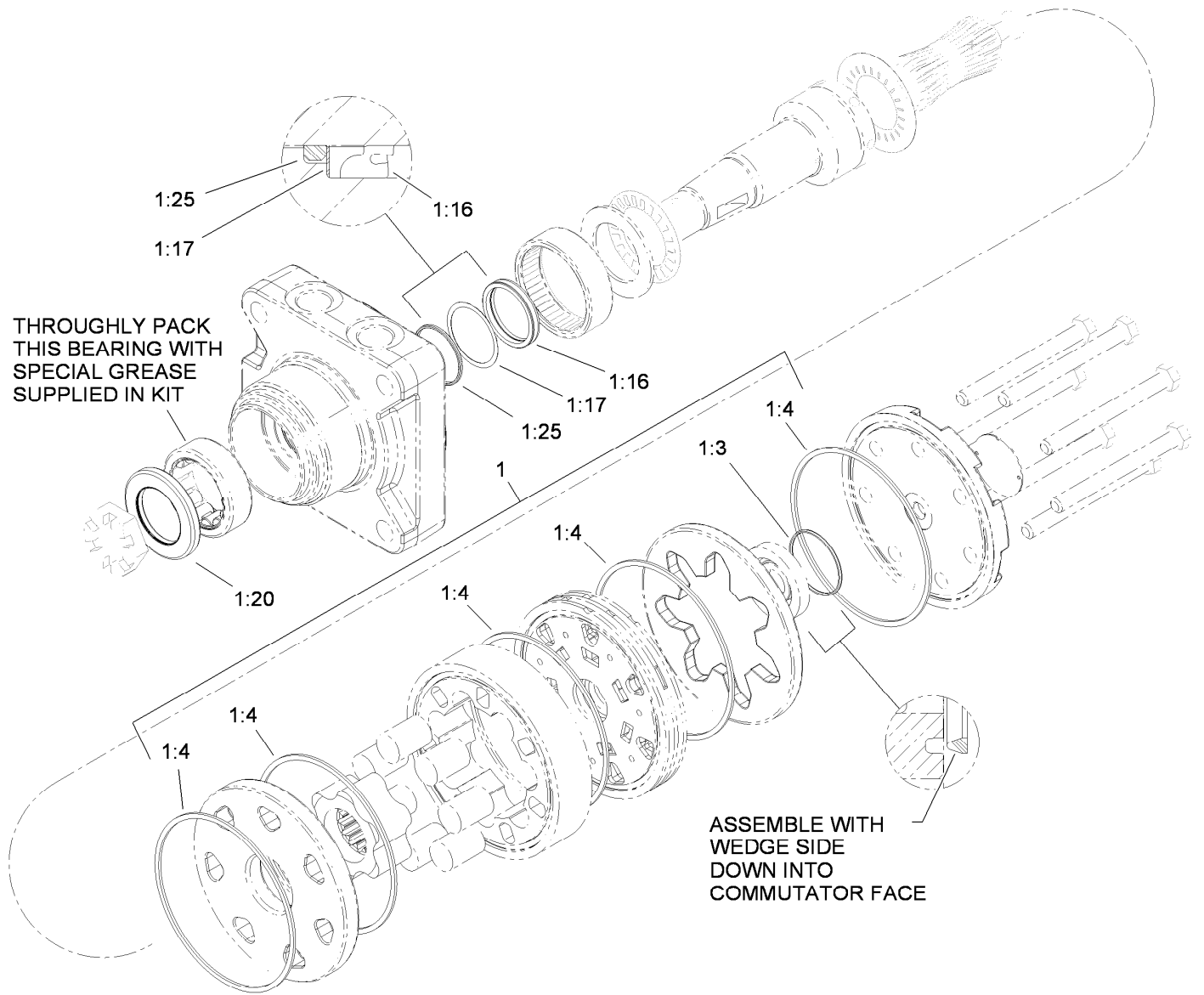
Ref.	Part Number	Qty.	Description	Ref.	Part Number	Qty.	Description
1	114-8857	1	HYD Motor ASM	13	325-11	8	Screw-HH
2	242-50	10	Nut-Lug	14	110-5343-03	2	Bracket-Brake
3	114-8876	2	Hub ASM	15	3296-42	12	Nut-Lock, NI
3:2	10-6830	5	Stud-Type, Drive	16	114-8858	1	HYD Motor ASM
4	108-1603	2	Wheel And Tire ASM	17	107-9319	2	Nut-Hex
4:1	106-3842	1	Rim	18	3234-4	4	Screw-HHF
4:2	93-6152	1	Tire	19	114-8864	2	Drum-Brake
4:3	232-27	1	Stem-Valve	20	110-0950	2	Shield-Wheel, Front
5	340-17	4	Fitting-Elbow, 90 DEG	21	110-0951	1	Shield-Wheel, Rear (LH)
5:1	237-65	1	O-Ring	22	110-8878	1	Shield-Wheel, Rear (RH)
5:2	237-80	1	O-Ring	23	283-62	2	Pin-Clevis
6	108-7632	1	Tube ASM	24	110-8872	1	LH Brake ASM
6:1	237-65	1	O-Ring	25	110-8871	1	RH Brake ASM
7	108-7633	1	Tube ASM	26	323-5	8	Screw-HH
7:1	237-65	1	O-Ring	27	3296-39	8	Nut-Lock, NI
8	321-4	8	Screw-HH	28	3272-10	2	Pin-Cotter
9	2412-134	4	Clamp-R	29	3256-67	8	Washer
10	59-7410	2	Fitting-Diagnostic	30	3290-378	2	Tie-Cable
10:1	237-42	1	O-Ring	31	114-8863	2	Key-Square
11	354-79	2	Cap-Dust	32	114-8892-03	2	Plate-Rim
12	3296-23	8	Nut-Lock, NI				



Hydraulic Motor Assembly No. 114-8857

Ref.	Part Number	Qty.	Description
1	110-8896	1	Seal Kit
1:3		1	Seal-Commutator, Vespel ●
1:4		6	Seal-Body, Buna ●
1:16		1	Seal-Shaft ●
1:17		1	Washer-Back Up ●
1:20		1	Seal-Dirt/Water ●
1:25		1	Ring-Back Up ●

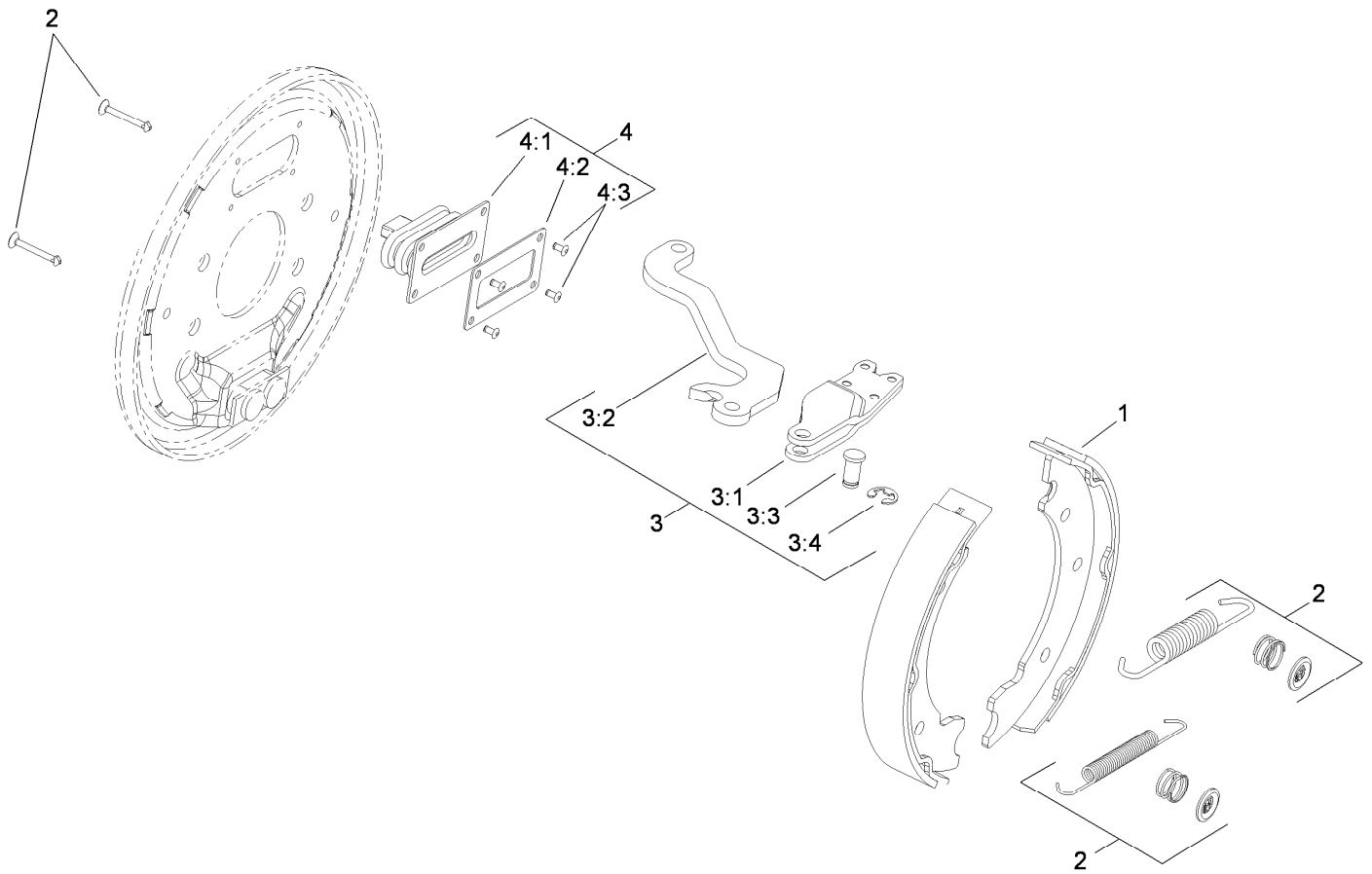
● Not serviced separately



Hydraulic Motor Assembly No. 114-8858

Ref.	Part Number	Qty.	Description
1	110-8896	1	Seal Kit
1:3		1	Seal-Commutator, Vespel ●
1:4		6	Seal-Body, Buna ●
1:16		1	Seal-Shaft ●
1:17		1	Washer-Back Up ●
1:20		1	Seal-Dirt/Water ●
1:25		1	Ring-Back Up ●

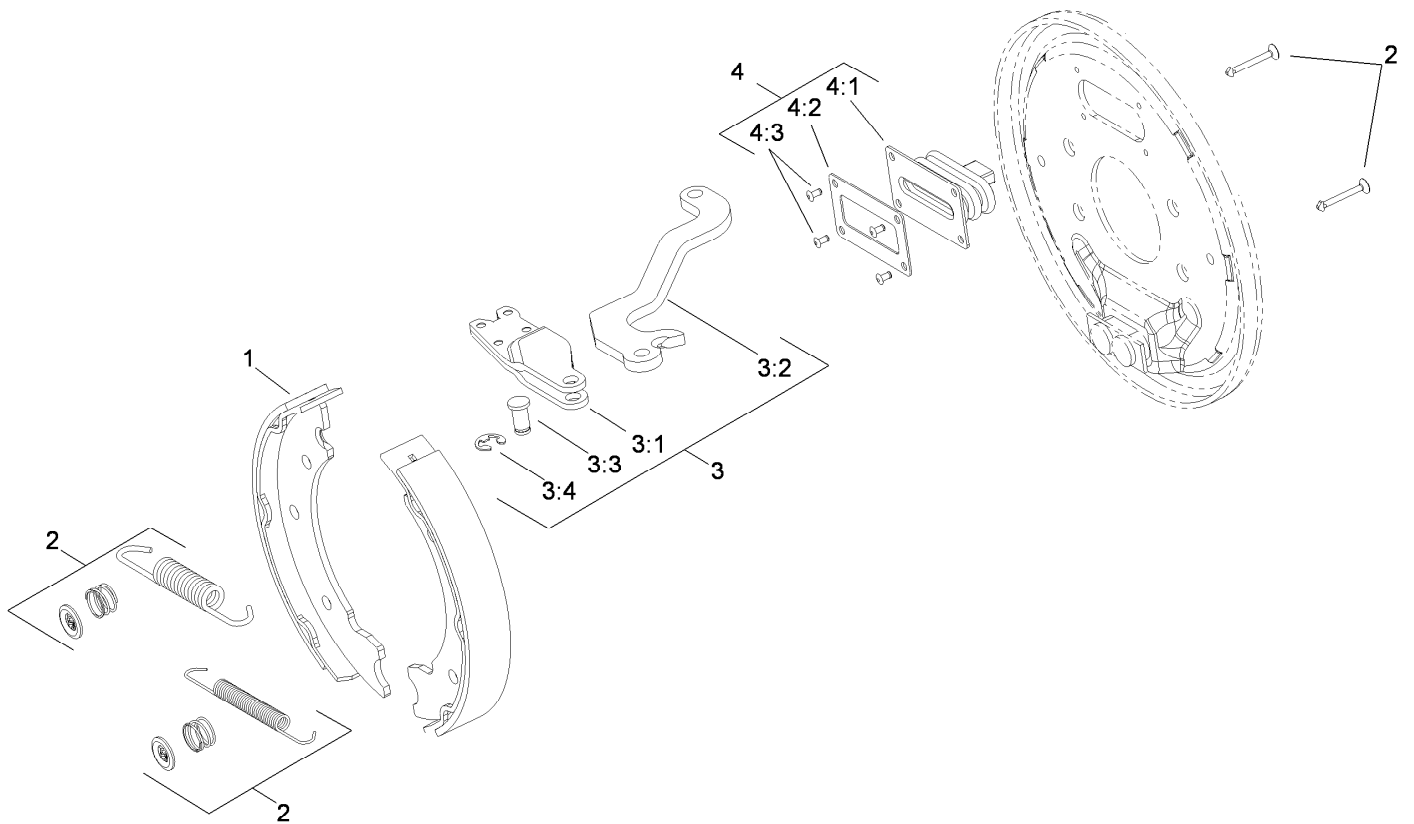
● Not serviced separately



LH Brake Assembly No. 110-8872

Ref.	Part Number	Qty.	Description
1	108-6981	1	Brake Shoe Kit
2	108-6983	1	Brake Hardware Kit
3	110-8910	1	LH Actuator Kit
3:1		1	Housing ●
3:2		1	Lever-LH ●
3:3		1	Pin-Pivot ●
3:4		1	E-Ring ●
4	110-8885	1	Dust Boot Kit
4:1		1	Boot ●
4:2		1	Plate-Back Up ●
4:3		2	Rivet ●

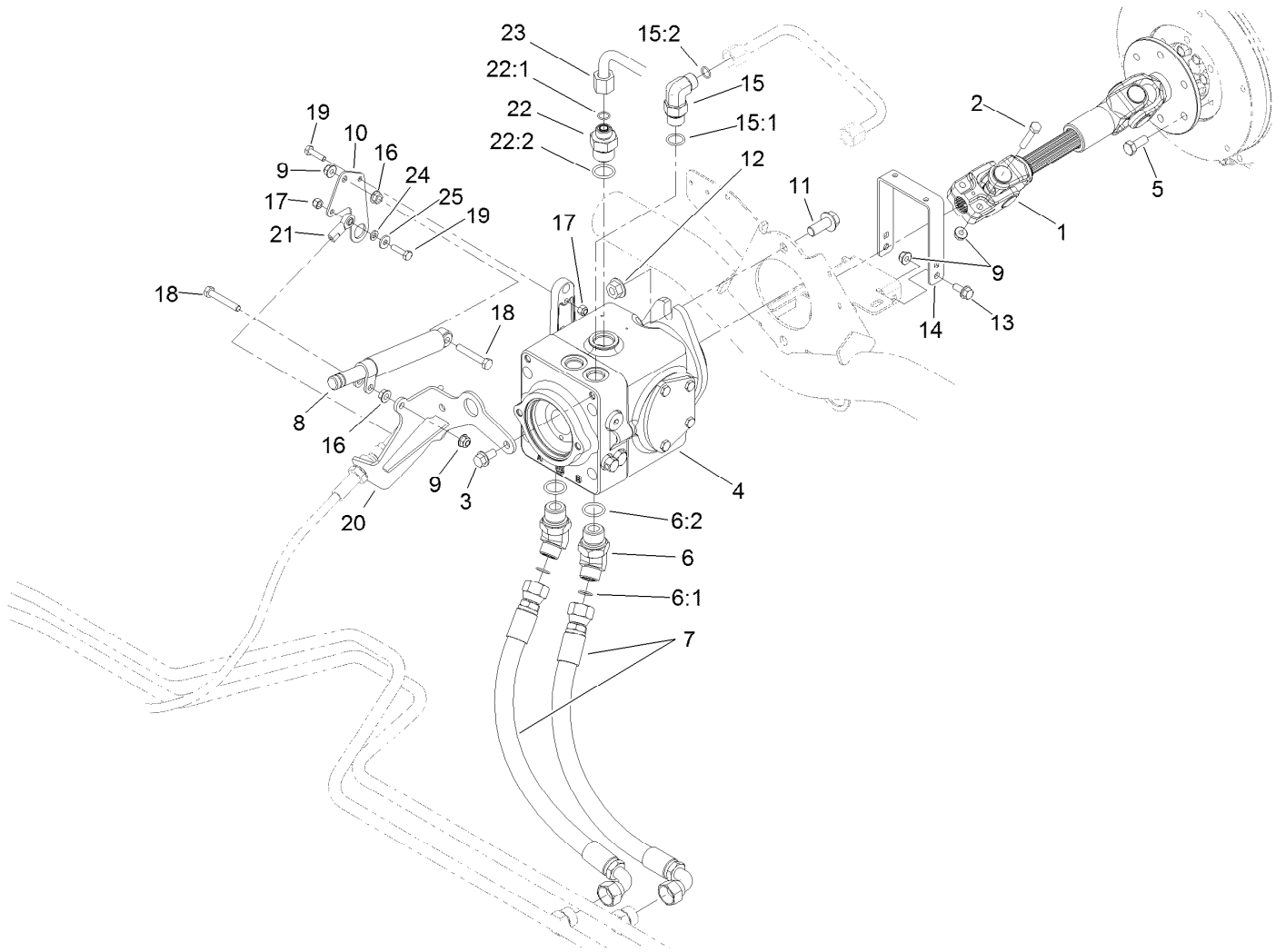
● Not serviced separately



RH Brake Assembly No. 110-8871

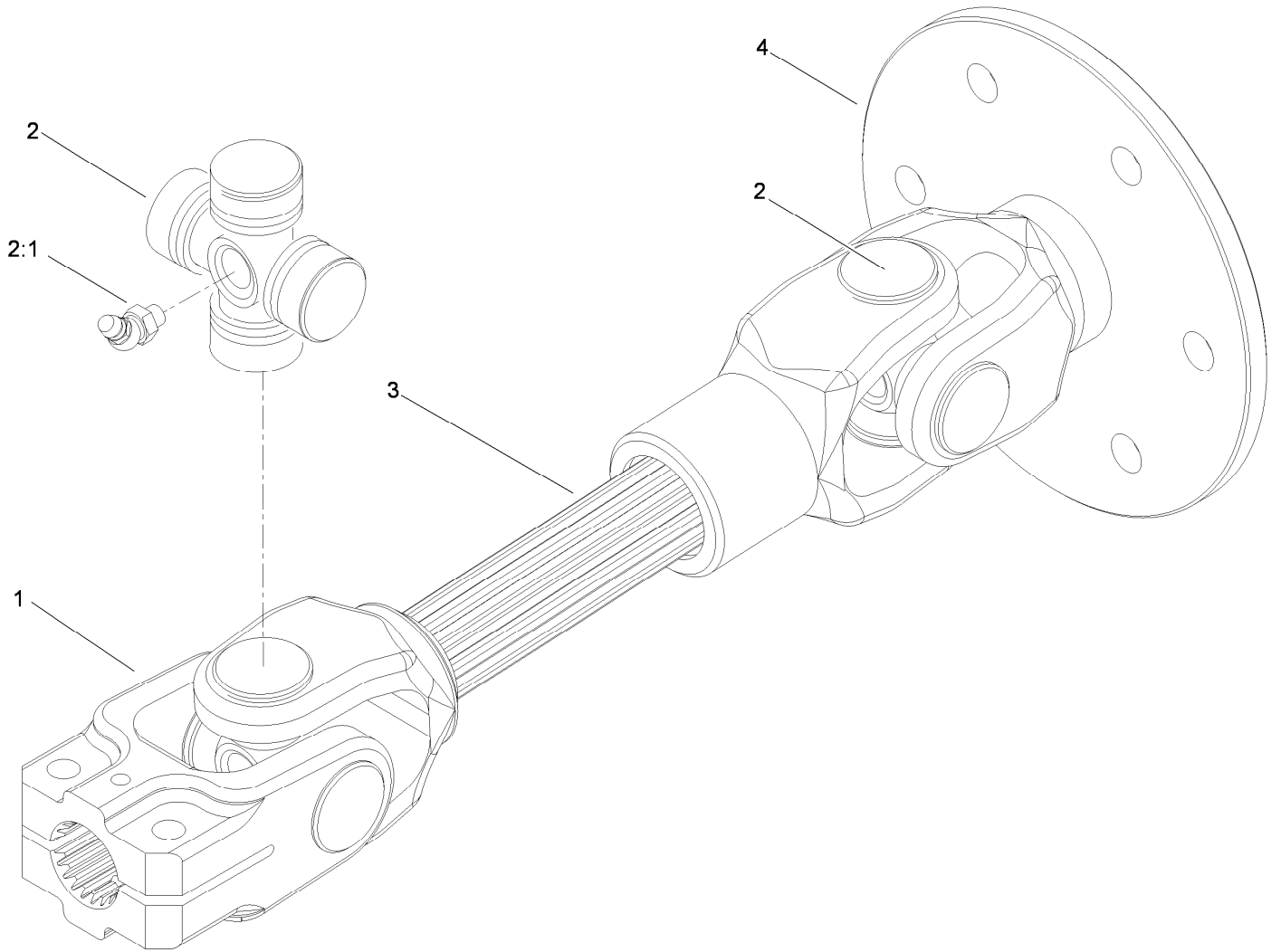
Ref.	Part Number	Qty.	Description
1	108-6981	1	Brake Shoe Kit
2	108-6983	1	Brake Hardware Kit
3	110-8884	1	RH Actuator Kit
3:1		1	Housing ●
3:2		1	Lever-RH ●
3:3		1	Pin-Pivot ●
3:4		1	E-Ring ●
4	110-8885	1	Dust Boot Kit
4:1		1	Boot ●
4:2		1	Plate-Back Up ●
4:3		2	Rivet ●

● Not serviced separately



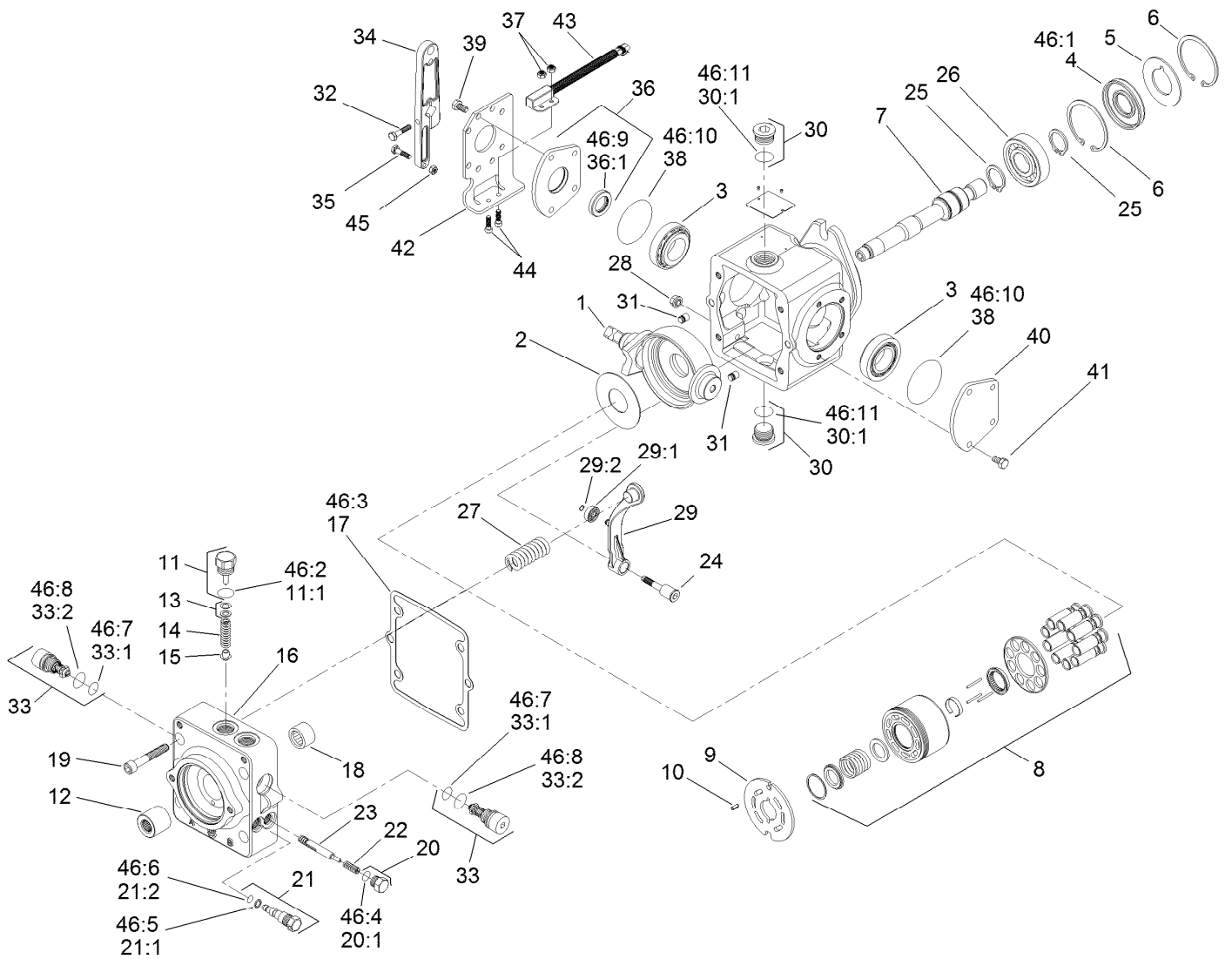
Driveshaft and Variable Pump Hydraulic Fitting Assembly

Ref.	Part Number	Qty.	Description	Ref.	Part Number	Qty.	Description
1	108-1641	1	Driveshaft ASM	15	340-105	1	Fitting-Elbow, 90 DEG
2	322-9	2	Screw-HH	15:1	237-80	1	O-Ring
3	3234-1	2	Screw-HHF	15:2	237-30	1	O-Ring
4	107-4470	1	Variable Pump ASM	16	32128-20	2	Nut-HF
5	43-0090	6	Screw-HH	17	3296-42	2	Nut-Lock, NI
6	340-156	2	Fitting-Elbow 45	18	322-10	2	Screw-HH
6:1	237-65	1	O-Ring	19	321-6	2	Screw-HH
6:2	237-81	1	O-Ring	20	110-5323-03	1	Bracket
7	108-1679	2	Hose-HYD	21	2411-41	1	Rod End-Ball Joint
8	76-8870	1	Damper-Lever	22	100-4240	1	Fitting-STR
9	104-8300	6	Nut-HF, NI	22:1	237-30	1	O-Ring
10	108-7639-03	1	Plate	22:2	237-81	1	O-Ring
11	3234-32	2	Screw-HHF	23	110-8915	1	HYD Tube ASM
12	32128-49	2	Nut-HHF	24	33093-00	1	Washer-Flat
13	3234-5	2	Screw-HHF	25	3256-22	1	Washer-Flat
14	108-1799-03	1	Hoop-Guard				



Driveshaft Assembly No. 108-1641

<i>Ref.</i>	<i>Part Number</i>	<i>Qty.</i>	<i>Description</i>
1	54-9040	1	Yoke-End
2	54-9180	2	U-Joint Kit
2:1	62-3820	1	Fitting-Grease
3	108-4574	1	Joint And Shaft ASM
4	108-4575	1	Joint And Yoke ASM

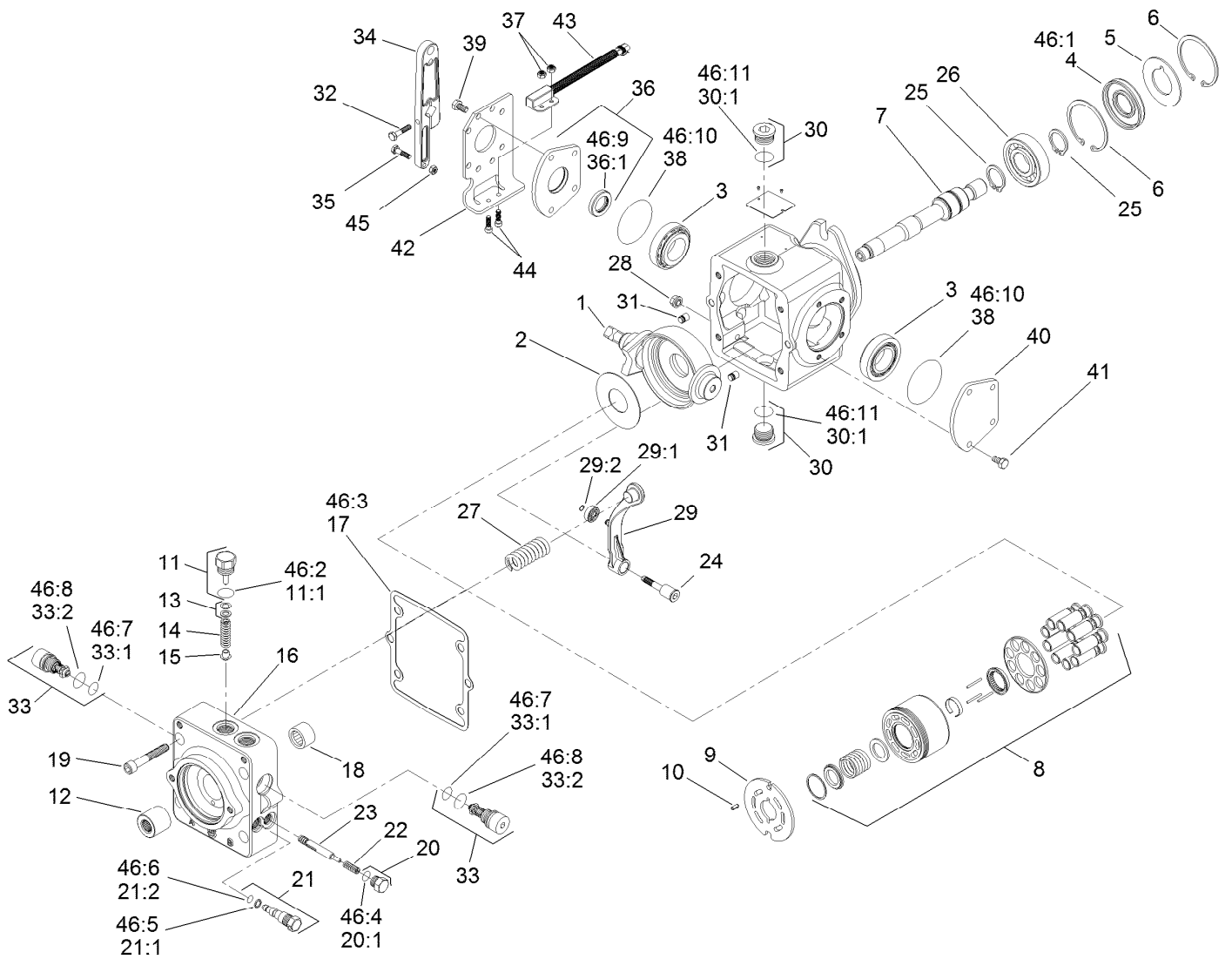


Variable Pump Assembly No. 107-4470

Ref.	Part Number	Qty.	Description	Ref.	Part Number	Qty.	Description
1	110-6482	1	Swashplate	18	75-0500	1	Bearing-Needle
2	75-0400	1	Plate-Thrust	19	110-6489	4	Screw
3	110-6483	2	Bearing Kit	20	94-9415	2	Plug ASM
4	110-6471	1	Seal-Lip	20:1		1	O-Ring ■
5	95-4400	1	Washer-Backup	21	107-4364	1	Bypass Valve ASM
6	69-3200	2	Ring-Retaining	21:1	25-2630	1	Ring-Back Up
7	110-6484	1	Shaft-Auxiliary	21:2	110-6498	1	O-Ring
8	110-6472	1	Cylinder Block Kit ASM	22	110-6491	2	Spring
9	110-6473	1	Plate-Valve (Clockwise)	23	110-6492	1	Spool-Loop, Flush
10	110-6485	1	Pin-Slotted	24	110-6493	1	Pivot-Return, Neutral
11	110-6486	1	Plug-Relief, Charge	25	69-3170	2	Ring-Retaining
11:1	28-3570	1	O-Ring	26	75-0460	1	Bearing-Ball
12	110-6480	1	Coupling	27	110-6495	1	Spring-Return, Neutral
13	92-1353	1	Shim Kit	28	110-6496	1	Nut-Seal
14	110-6474	1	Spring	29	110-6497	1	Neutral Return Arm ASM
15	110-6475	1	Poppet	29:1	110-6494	1	Bearing-Cam
16	110-6487	1	Cap-End	29:2	110-3056	1	Ring-Retaining
17	110-6476	1	Gasket-Cap, End	30	69-3130	2	Plug

● Not illustrated

■ Not serviced separately

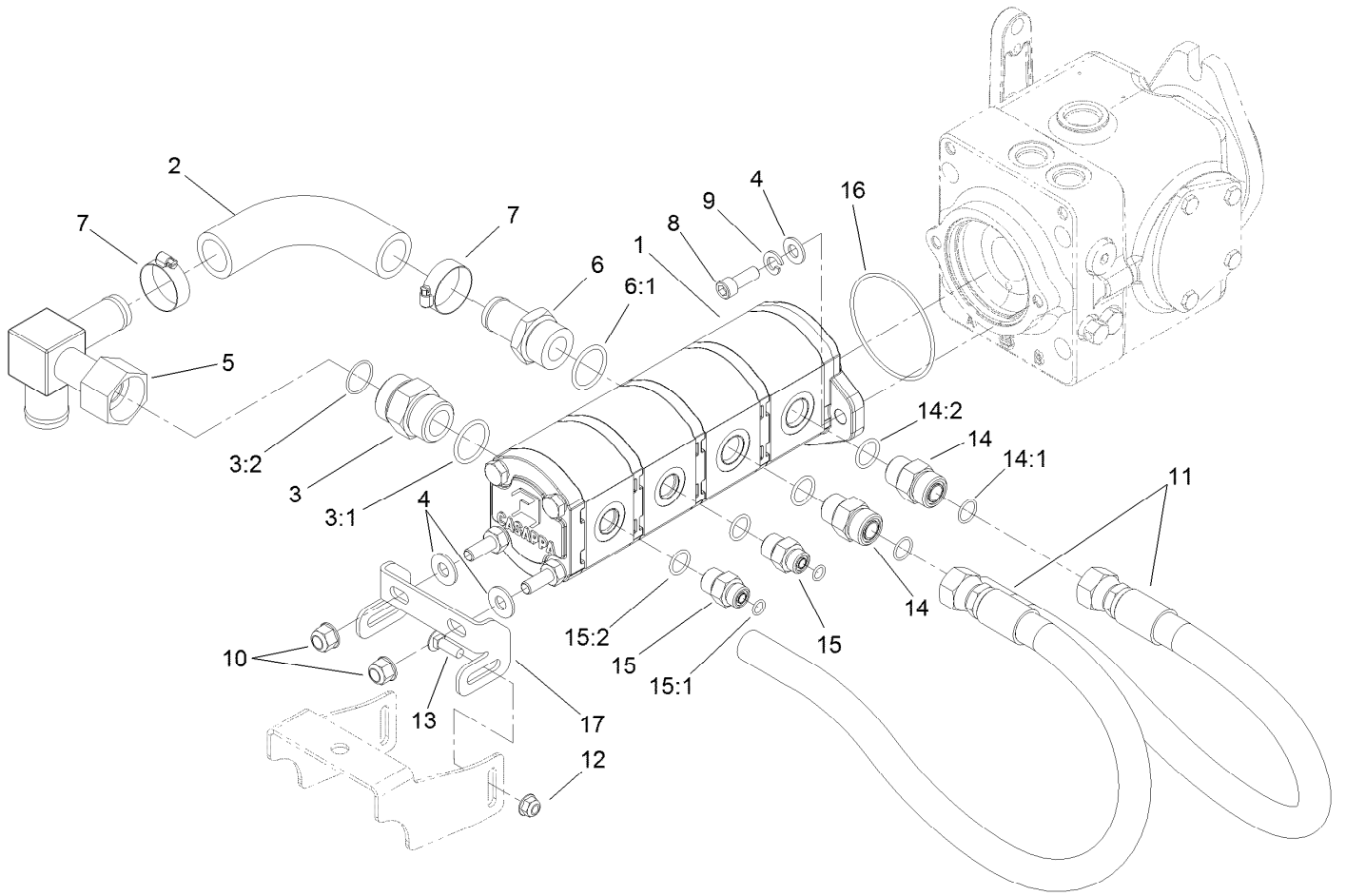


Variable Pump Assembly No. 107-4470 (continued)

Ref.	Part Number	Qty.	Description	Ref.	Part Number	Qty.	Description
30:1		1	O-Ring ■	43	100-1270	1	Switch-Proximity
31	112-0158	2	Pin	44	112-0153	2	Screw
32	112-0157	1	Screw	45	112-0154	1	Nut-Lock
33	110-6477	2	Valve-Relief	46	110-6481	1	Seal Kit ●
33:1	75-0240	1	O-Ring	46:1	110-6471	1	Seal-Lip
33:2	84-0560	1	O-Ring	46:2	28-3570	1	O-Ring
34	112-0156	1	Arm-Control	46:3	110-6476	1	Gasket-Cap, End
35	112-0155	1	Screw	46:4		1	O-Ring ■
36	110-6499	1	Trunnion Cover ASM	46:5	25-2630	1	Ring-Back Up
36:1	110-6478	1	Seal-Lip	46:6	110-6498	1	O-Ring
37	94-3936	2	Nut-Lock, Hex	46:7	75-0240	2	O-Ring
38	84-0430	2	O-Ring	46:8	84-0560	2	O-Ring
39	112-0150	4	Screw	46:9	110-6478	1	Seal-Lip
40	84-0440	1	Cover-Trunnion	46:10	84-0430	2	O-Ring
41	112-0151	4	Screw	46:11		2	O-Ring ■
42	112-0152	1	Bracket-Switch, Neutral Start				

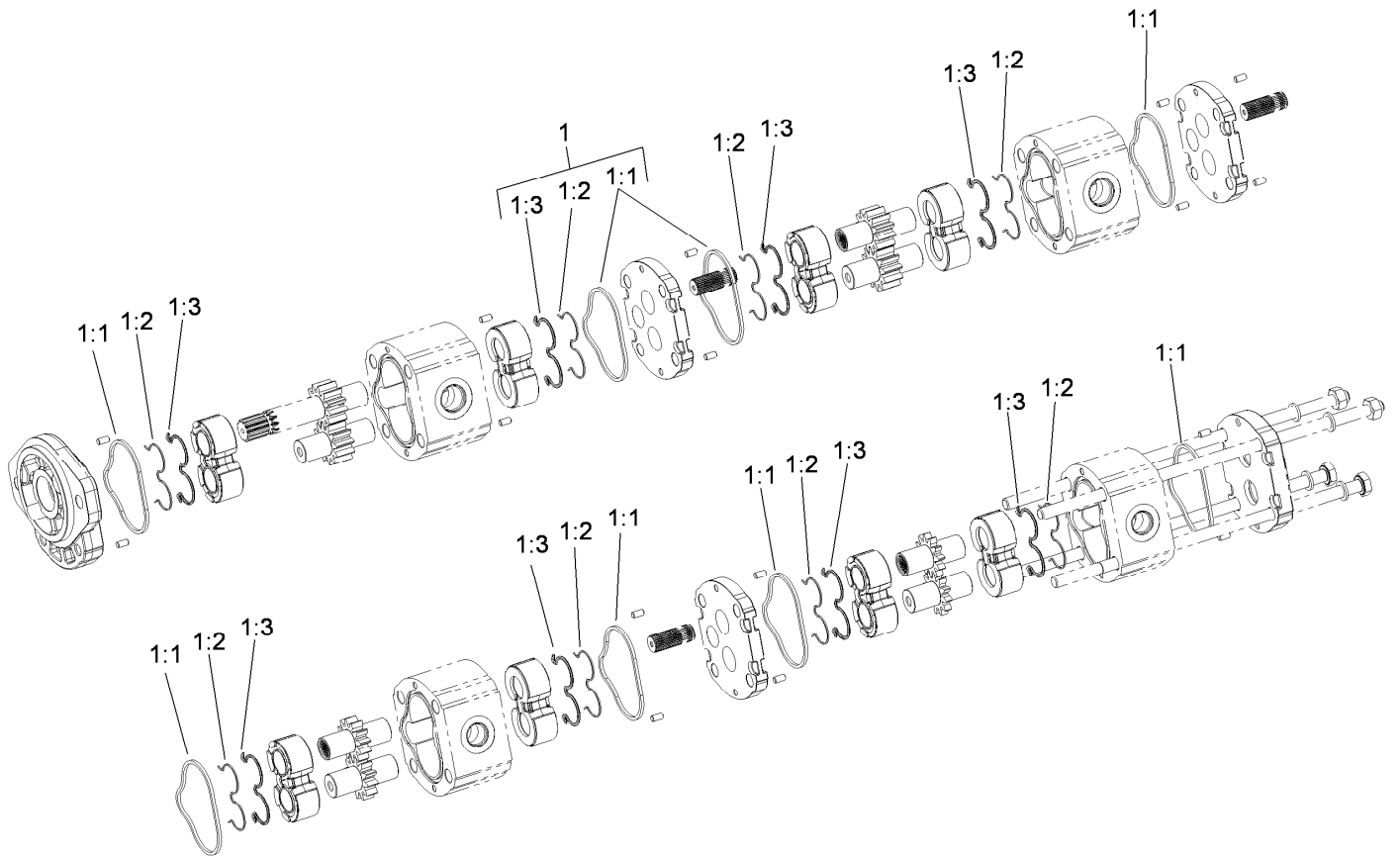
● Not illustrated

■ Not serviced separately



Gear Pump Hydraulic Plumbing Assembly

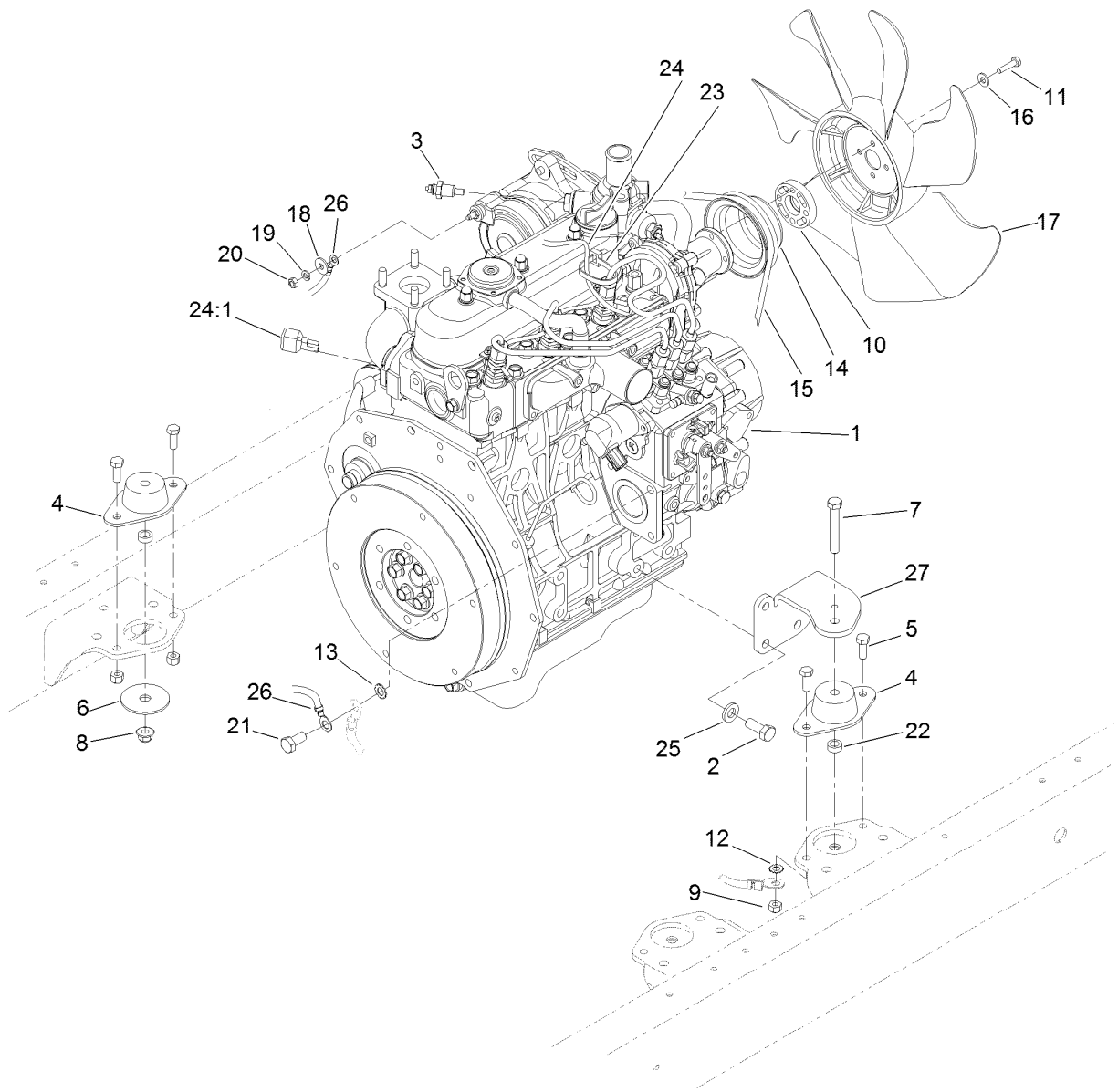
<i>Ref.</i>	<i>Part Number</i>	<i>Qty.</i>	<i>Description</i>	<i>Ref.</i>	<i>Part Number</i>	<i>Qty.</i>	<i>Description</i>
1	107-4547	1	Gear Pump ASM	10	103-9511	2	Nut-Lock, NI
2	108-1683	1	Hose-Formed	11	108-1686	2	Hose-HYD
3	104-3797	1	Fitting-Straight	12	104-8300	2	Nut-HF, NI
3:1	237-146	1	O-Ring	13	3230-1	2	Bolt-CARR
3:2	340-65	1	O-Ring	14	340-7	2	Fitting-Straight
4	3256-24	4	Washer-Flat	14:1	237-65	1	O-Ring
5	108-1672	1	Manifold-Tube	14:2	237-80	1	O-Ring
6	354-78	1	Fitting-STR	15	340-3	2	Fitting-Straight
6:1	237-146	1	O-Ring	15:1	237-22	1	O-Ring
7	2412-34	2	Clamp-Hose	15:2	237-79	1	O-Ring
8	3274-1	2	Screw-HSH	16	237-161	1	O-Ring
9	3253-5	2	Washer-Lock	17	108-1801-01	1	Bracket-Support, Pump



Gear Pump Assembly No. 107-4547

Ref.	Part Number	Qty.	Description
1	108-4595	1	Seal Kit
1:1		8	Seal ●
1:2		8	Seal ●
1:3		8	Ring-Back Up ●

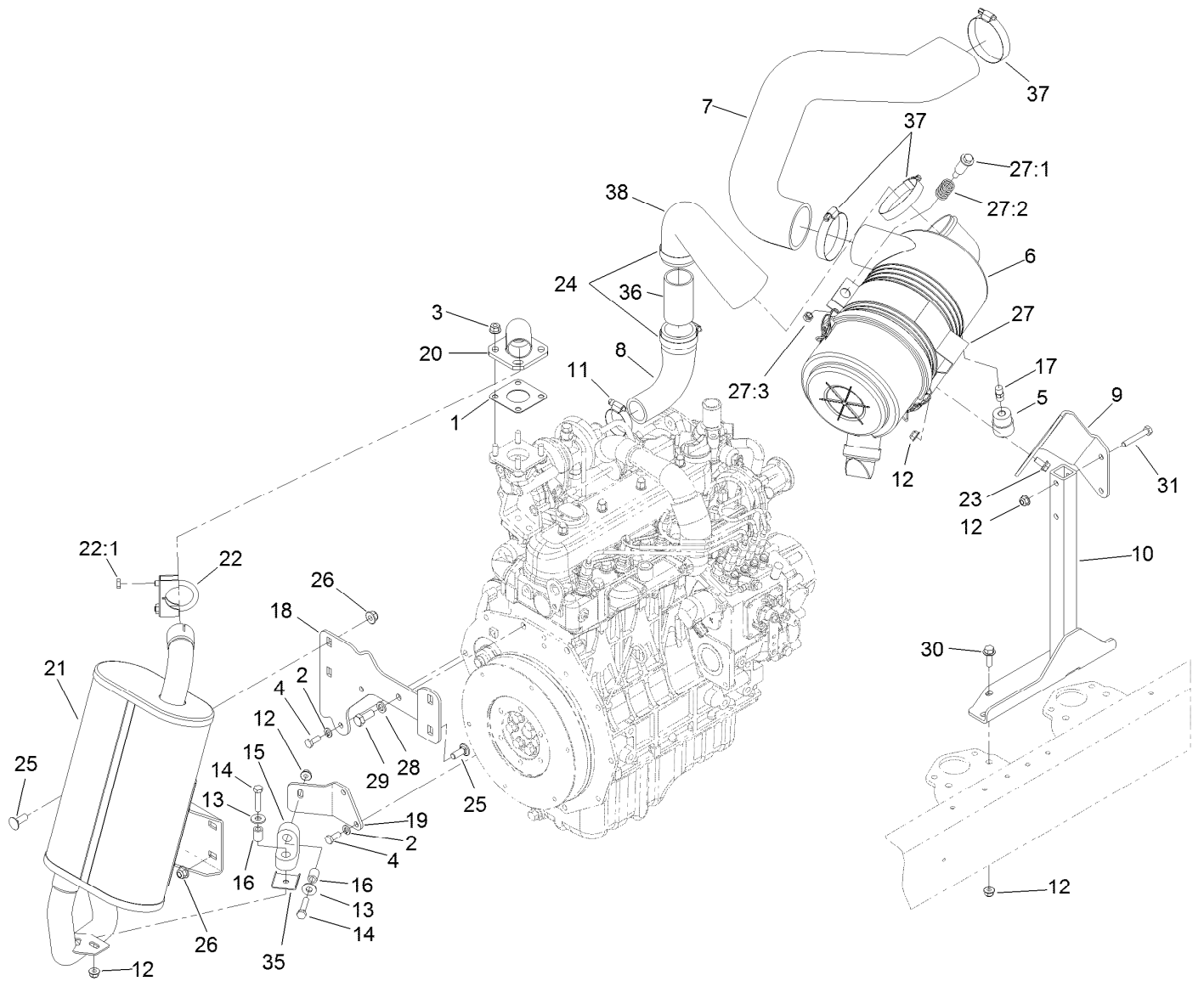
● Not serviced separately



Engine Mounting and Electrical Assembly

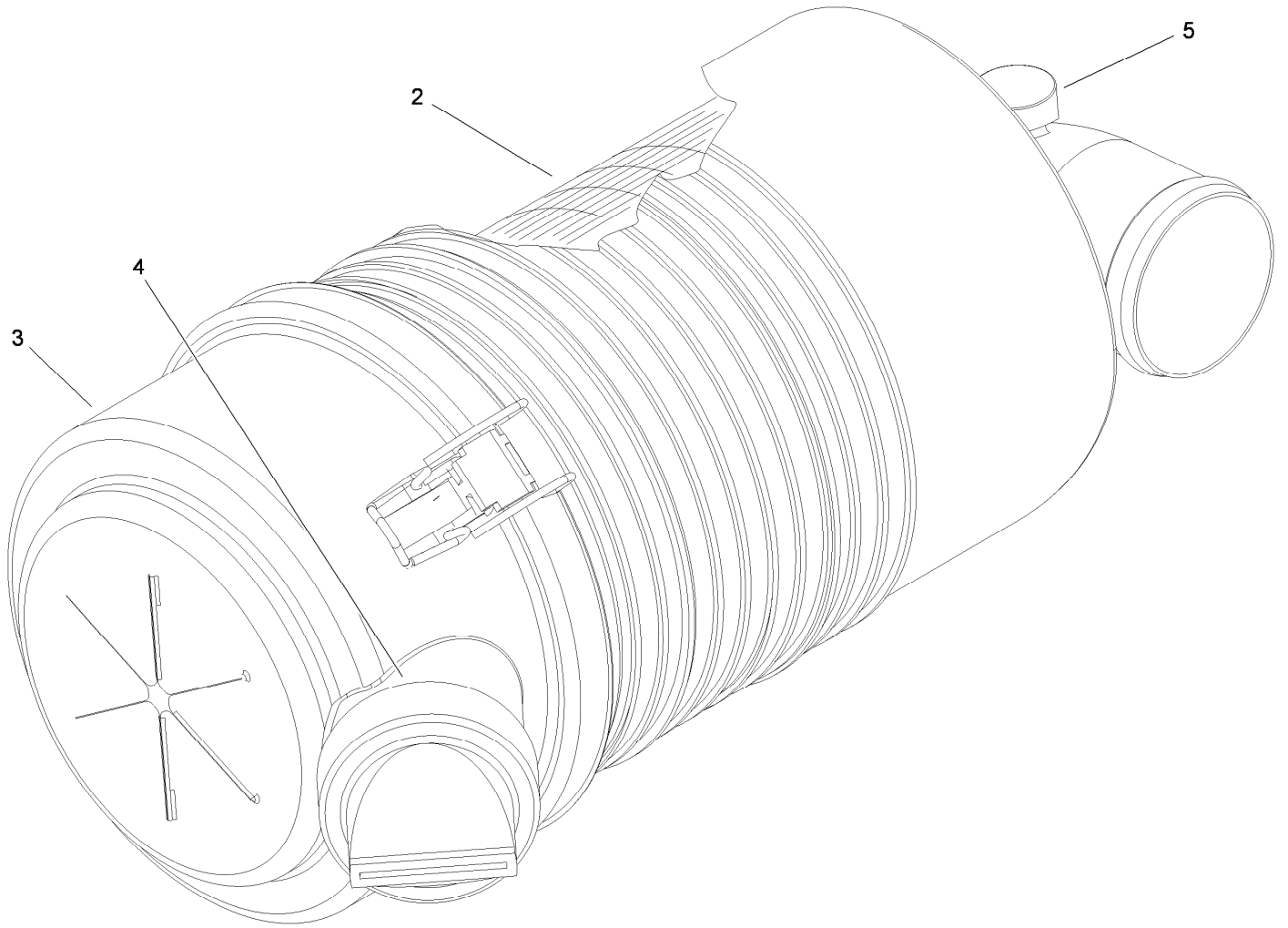
Ref.	Part Number	Qty.	Description
1	108-7555	1	Engine ASM
2	43-0090	12	Screw-HH
3	98-9346	1	Sender-Temperature
4	83-1030	4	Mount-Engine
5	322-4	8	Screw-HH
6	87-5100	4	Washer-Snubbing
7	323-12	4	Screw-HH
8	104-8301	4	Nut-HF, NI
9	3296-29	8	Nut-Lock, NI
10	105-0000	1	Spacer-Fan
11	33113-030	4	Screw-HH
12	3255-8	1	Washer-Lock
13	3255-9	1	Washer-Lock
14	110-0972	1	Pulley

Ref.	Part Number	Qty.	Description
15	98-9676	1	V-Belt
16	3256-22	4	Washer-Flat
17	110-8852	1	Fan-Cooling
18	3256-78	1	Washer-Flat
19	43-5930	1	Washer-Lock, Spring
20	48-7890	1	Nut-Hex
21	63-7790	1	Screw-Cap
22	83-1050	4	Spacer
23	3290-378	1	Tie-Cable
24	106-3615	1	Harness-Wire, Engine
24:1	100-4918	1	Diode
25	48-9590	12	Washer-Lock
26	99-3441	1	Harness-Wire, Fusible Link
27	107-4496-03	4	Bracket-Engine



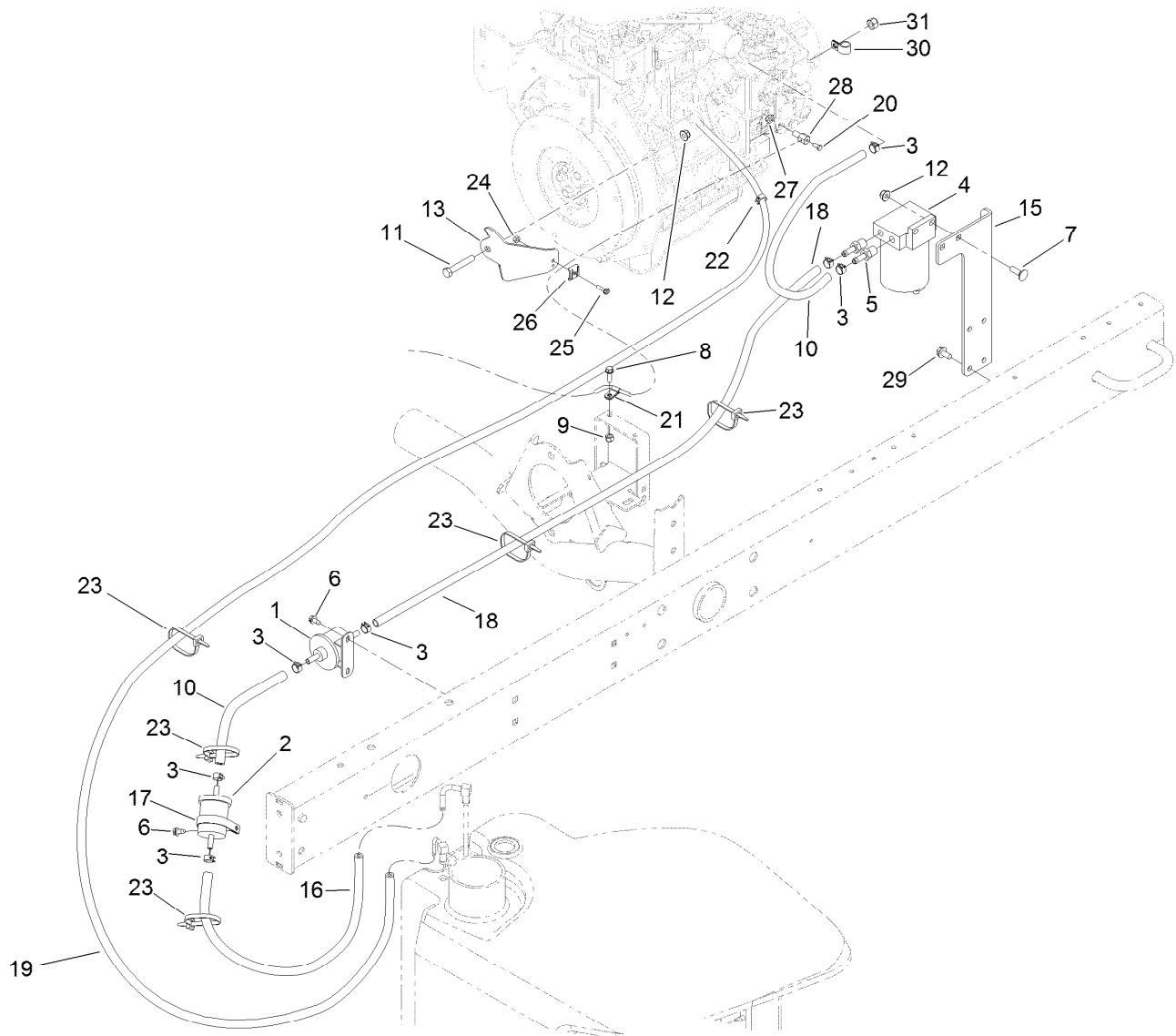
Engine Intake and Exhaust Assembly

Ref.	Part Number	Qty.	Description	Ref.	Part Number	Qty.	Description
1	99-8343	1	Gasket-Muffler	21	108-7643	1	Muffler
2	3253-4	4	Washer-Lock	22	2112-9	1	Clamp
3	104-2612	4	Nut-HF	22:1	32128-20	2	Nut-HF
4	33114-020	4	Screw-HH	23	3234-14	2	Screw-HHF
5	93-9164	1	Indicator-Mini	24	2412-130	2	Clamp-Hose
6	110-8917	1	Air Cleaner ASM	25	3231-27	4	Screw-CARR
7	110-8944	1	Hose-Formed	26	104-8301	4	Nut-HF, NI
8	104-5207	1	Hose-Turbo	27	93-7486	1	Clamp ASM
9	110-8981-03	1	Bracket-Mounting	27:1	94-3653	1	Bolt
10	110-8977-03	1	Stand-Air Cleaner	27:2	94-3654	1	Spring
11	2412-3	1	Clamp-Hose	27:3	48-9510	1	Nut
12	104-8300	10	Nut-HF, NI	28	48-9590	1	Washer-Lock
13	3256-3	2	Washer-Flat	29	43-0090	1	Screw-HH
14	322-9	2	Screw-HH	30	3234-29	4	Screw-HHF
15	95-5622	1	Hanger-Rubber	31	322-10	2	Screw-HH
16	93-5023	2	Spacer	35	110-8976	1	Plate-Support, Isolator
17	94-1416	1	Adapter-Indicator	36	104-5214	1	Spacer-Tubular
18	108-1785-03	1	Bracket-Support, Muffler	37	2412-125	3	Clamp-Hose
19	110-8974-03	1	Bracket-Pipe, Tail	38	110-8958	1	Hose-Formed
20	108-1783	1	Header ASM				



Air Cleaner Assembly No. 110-8917

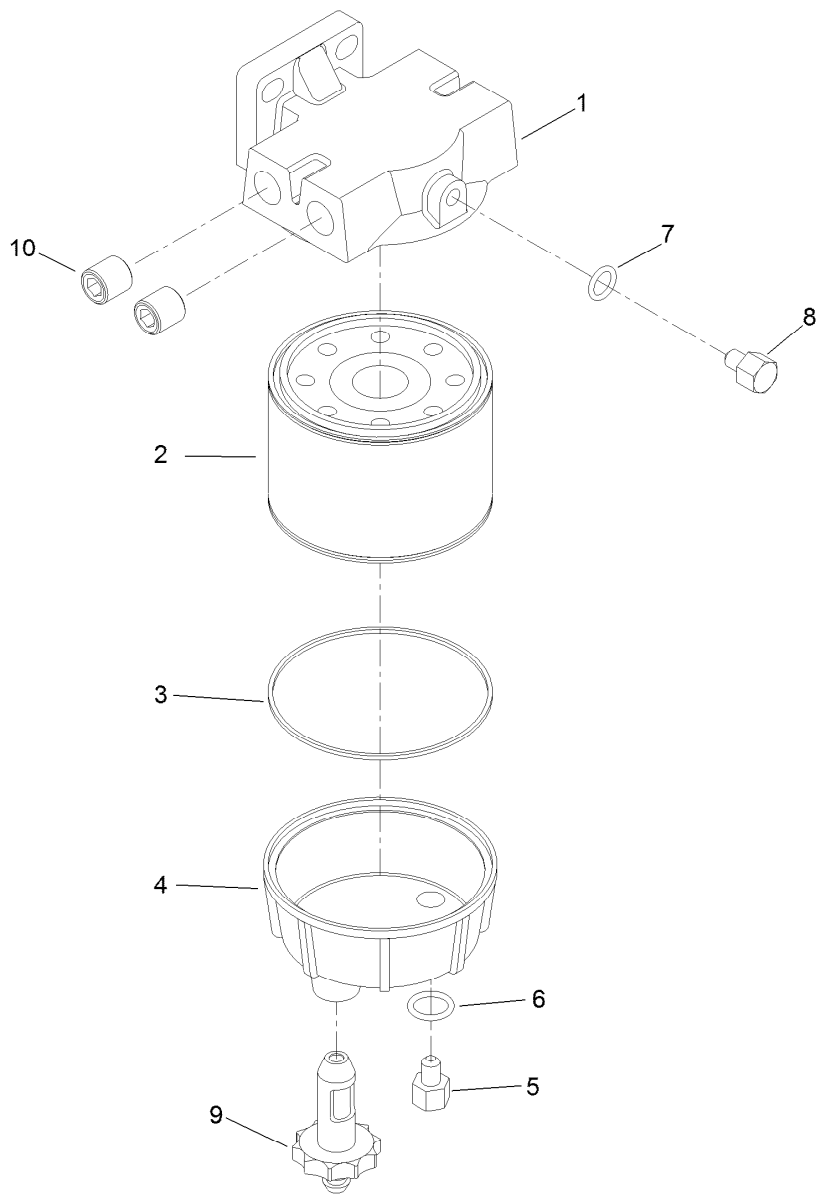
<i>Ref.</i>	<i>Part Number</i>	<i>Qty.</i>	<i>Description</i>
2	108-3812	1	Filter-Air
3	93-5986	1	Cover ASM
4	87-9400	1	Valve-Vacuator
5	285-17	1	Plug-Pipe



Fuel System Delivery Assembly

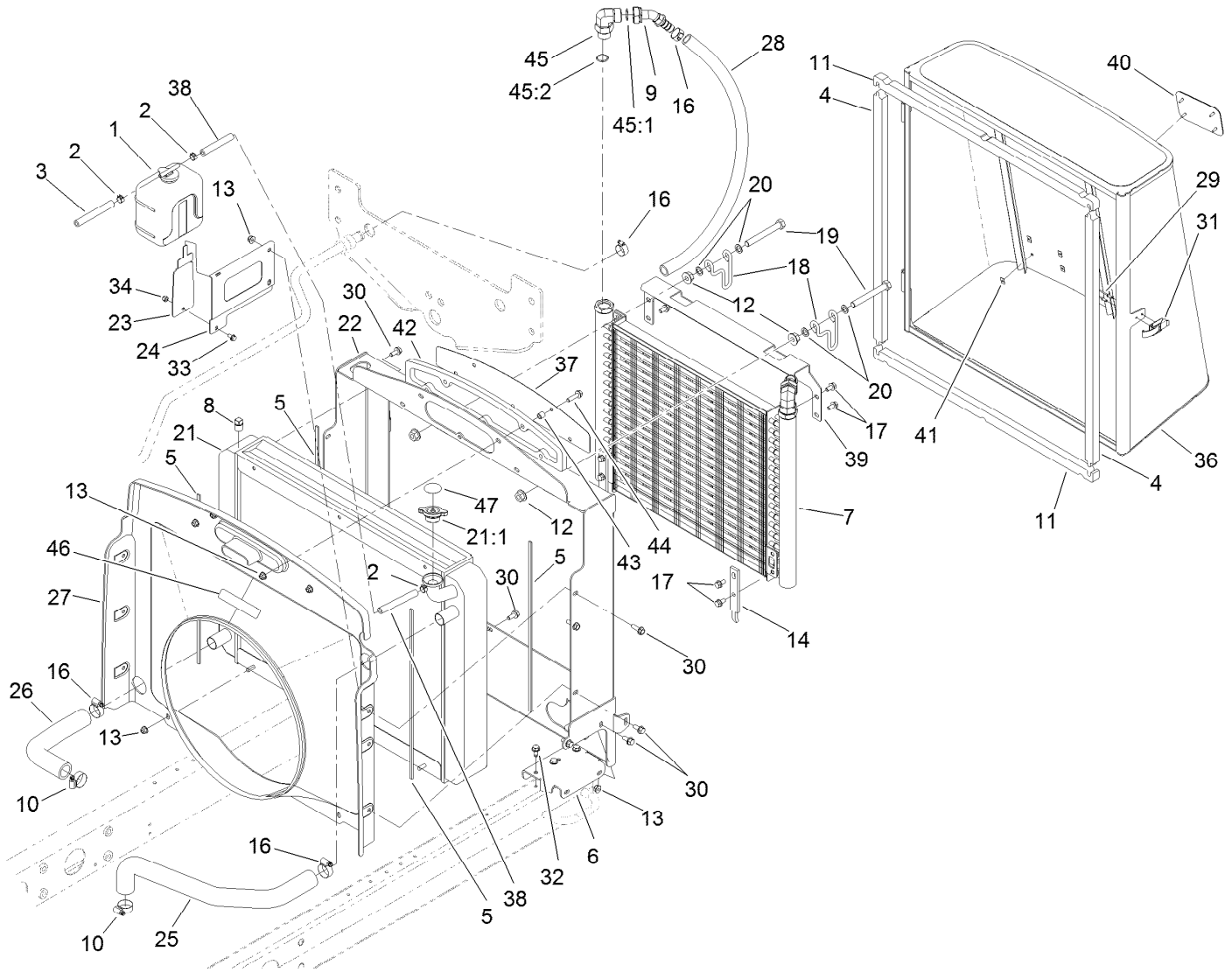
Ref.	Part Number	Qty.	Description
1	104-5215	1	Pump-Fuel, Electric
2	98-7612	1	Filter-Fuel
3	92-2379	7	Clamp-Hose
4	98-9305	1	Water / Fuel Filter ASM
5	353-783	2	Fitting-STR
6	32104-17	3	Screw-HWH
7	3230-22	2	Screw-CARR
8	3234-4	1	Screw-HHF
9	3296-42	1	Nut-Lock, NI
10	110-4107	2	Hose-Fuel
11	322-17	1	Screw-HH
12	104-8300	3	Nut-HF, NI
13	108-7603-03	1	Support-Cable, Throttle
15	110-8968-01	1	Mount-Separator, Water
16	108-3284	1	Hose-Fuel

Ref.	Part Number	Qty.	Description
17	2412-148	1	Clamp-R
18	110-3259	1	Hose-Fuel
19	110-9011	1	Hose-Fuel
20	25-8640	1	Screw-HH
21	2412-149	1	Clamp-R
22	2412-146	1	Clamp-Hose
23	3290-378	5	Tie-Cable
24	3296-2	1	Nut-Lock, NI
25	32105-13	1	Screw-HWH
26	81-1690	1	Clamp-Cable
27	3296-20	1	Nut-Lock, NI
28	98-9311	1	Swivel-Throttle
29	32144-14	4	Screw-HWHTF
30	2412-41	1	Clamp-R
31	3296-29	1	Nut-Lock, NI



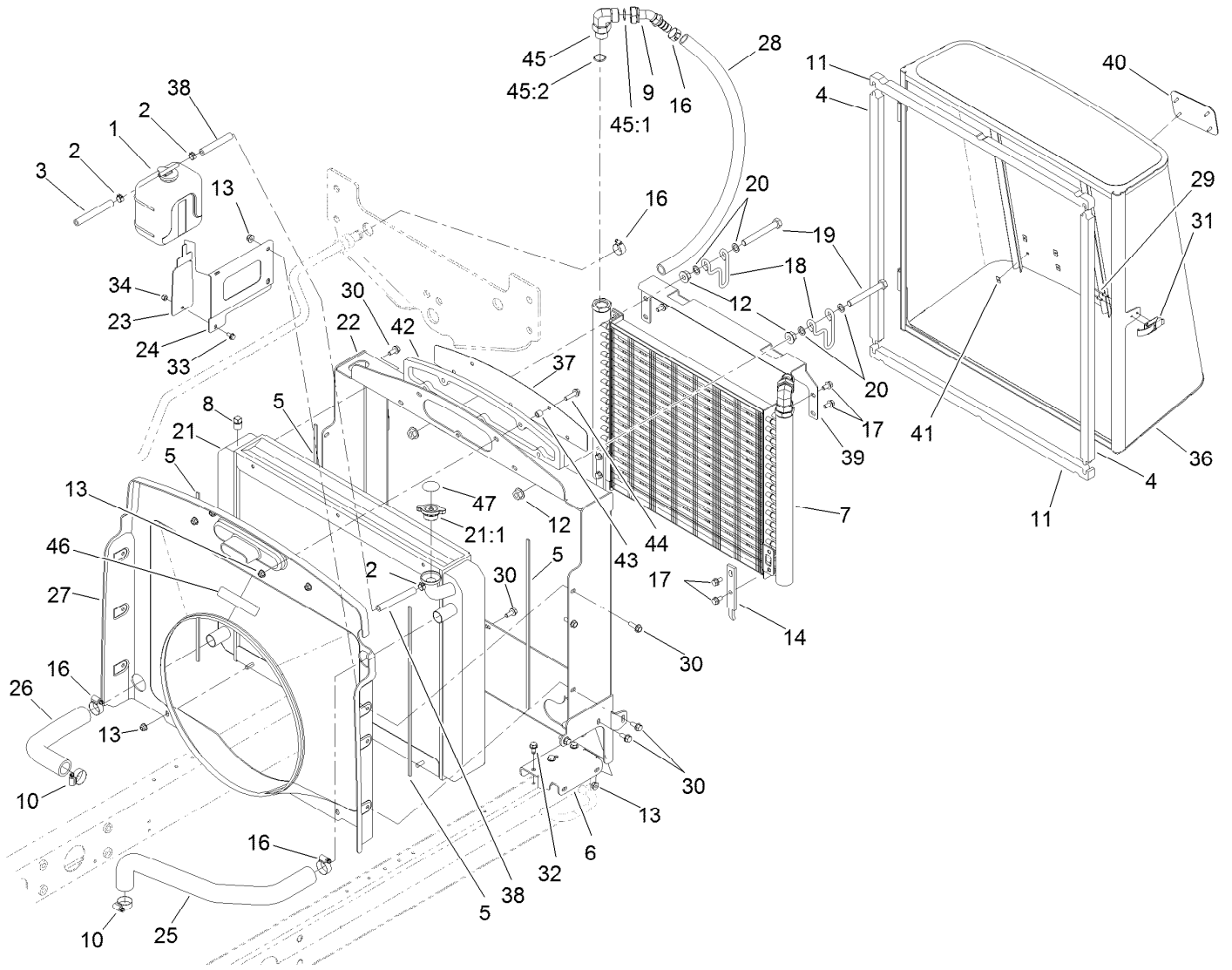
Water and Fuel Filter Assembly No. 98-9305

<i>Ref.</i>	<i>Part Number</i>	<i>Qty.</i>	<i>Description</i>
1	98-9772	1	Head-Filter
2	98-9764	1	Element
3	98-9774	1	O-Ring
4	98-9775	1	Base-Filter
5	98-9773	1	Plug-Base, Filter
6	237-42	1	O-Ring
7	237-78	1	O-Ring
8	98-9776	1	Plug-Head, Filter
9	98-9777	1	Drain Valve ASM
10	285-22	2	Plug-Pipe



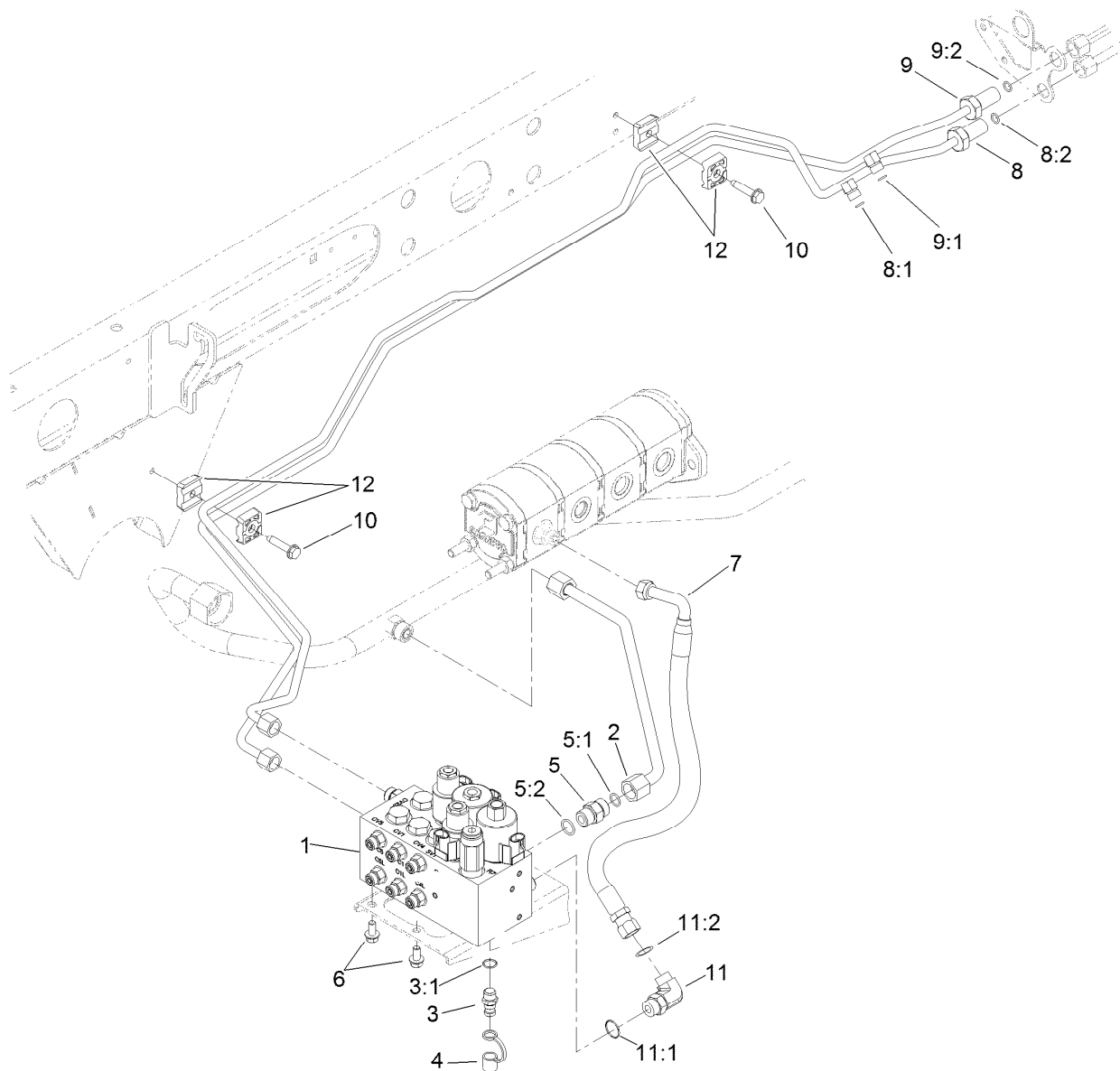
Radiator and Hydraulic Cooler Assembly

<i>Ref.</i>	<i>Part Number</i>	<i>Qty.</i>	<i>Description</i>	<i>Ref.</i>	<i>Part Number</i>	<i>Qty.</i>	<i>Description</i>
1	104-9318	1	Bottle-Overflow	22	110-5251-03	1	Frame-Radiator
2	92-2379	3	Clamp-Hose	23	108-1665-03	1	Bracket-Reservoir
3	110-3257	1	Hose-Fuel	24	108-1666-03	1	Bracket-Reservoir
4	110-5275	2	Seal-Foam	25	110-8942	1	Hose-Formed
5	110-8953	4	Seal-Foam	26	110-8943	1	Hose-Formed
6	110-5310-01	2	Bracket-Mounting	27	110-5311	1	Shroud-Fan
7	110-0485	1	Cooler-Oil	28	110-8955	2	Hose
8	281-13	1	Plug-Pipe	29	3269-15	2	Rivet-Pop
9	104-7851	2	Fitting-HYD, 45 DEG	30	3234-14	4	Screw-HHF
10	2412-34	4	Clamp-Hose	31	105-3912	1	Latch-Draw
11	110-5276	2	Seal-Foam	32	32104-32	6	Screw-HWH
12	32128-49	4	Nut-HHF	33	3234-13	1	Screw-HHF
13	104-8300	9	Nut-HF, NI	34	3296-42	1	Nut-Lock, NI
14	104-5460-03	2	Plate-Mount, Oil Cooler	36	110-5269-03	1	Screen
16	2412-129	4	Clamp-Hose	37	108-1843-03	1	Screen-Intake, Air
17	3234-14	13	Screw-HHF	38	110-4104	1	Hose-Fuel
18	104-5429	2	Screw-Form, Wire	39	104-5428	1	Bracket-Oil Cooler, Top
19	325-17	2	Screw-HH	40	93-6028	1	Plate-Logo
20	41-8440	4	Washer	41	94-2638	4	Nut-Flat
21	110-0003	1	Radiator ASM	42	110-5324	1	Seal-Foam
21:1	93-5957	1	Cap-Radiator	43	1-603903	5	Spacer



Radiator and Hydraulic Cooler Assembly (continued)

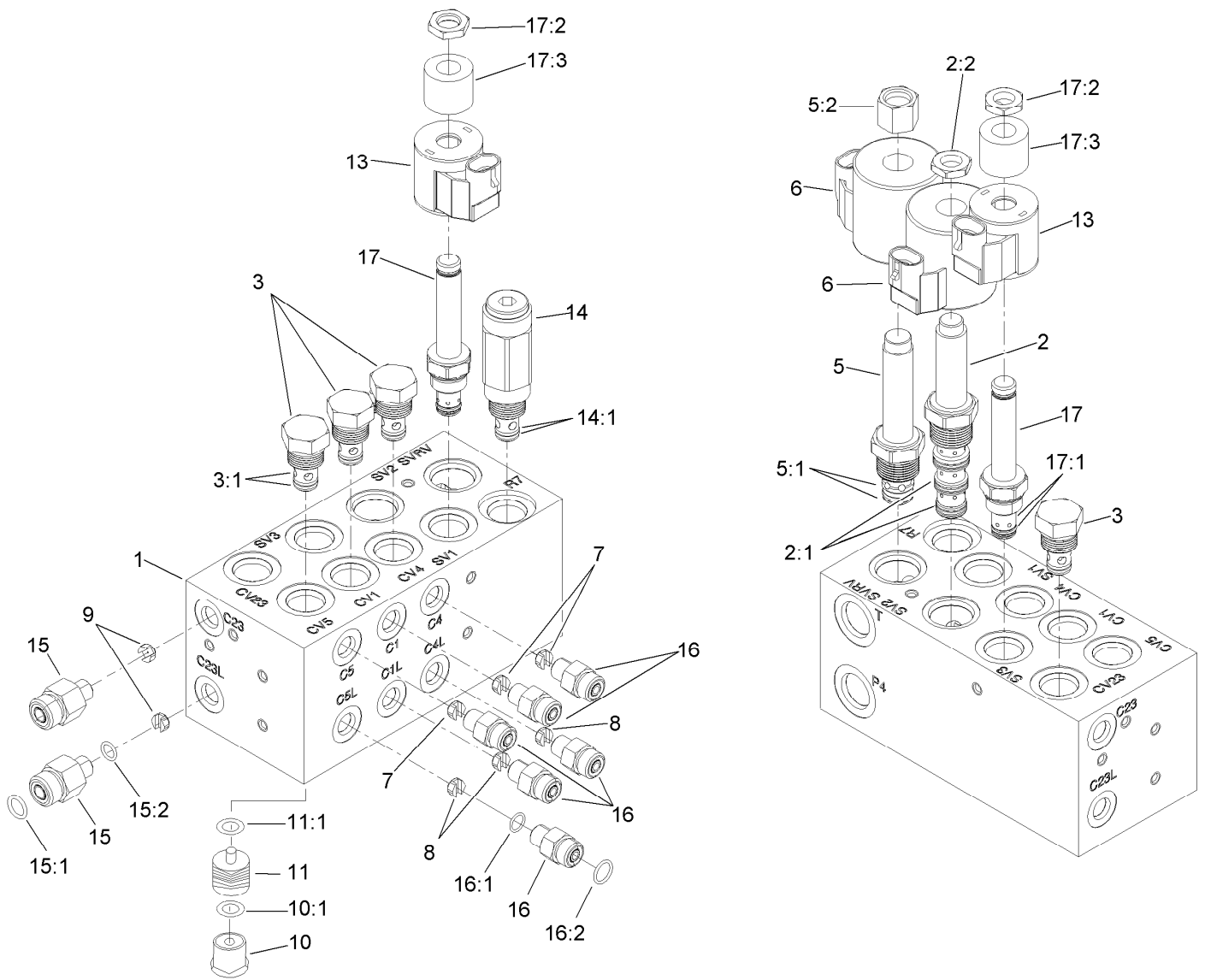
<i>Ref.</i>	<i>Part Number</i>	<i>Qty.</i>	<i>Description</i>	<i>Ref.</i>	<i>Part Number</i>	<i>Qty.</i>	<i>Description</i>
44	3234-36	5	Screw-HHF	45:2	237-81	1	O-Ring
45	340-142	2	Fitting-Elbow, 90 DEG	46	93-7272	1	Decal-Warning
45:1	237-58	1	O-Ring	47	106-6755	1	Decal-Cap, Radiator



Hydraulic Lift Block and Plumbing Assembly

Ref.	Part Number	Qty.	Description
1	105-7577	1	HYD Lift Block Manifold ASM
2	108-1698	1	Tube ASM
3	59-7410	1	Fitting-Diagnostic
3:1	237-42	1	O-Ring
4	354-79	1	Cap-Dust
5	340-4	1	Fitting-Straight
5:1	237-30	1	O-Ring
5:2	237-79	1	O-Ring
6	3234-14	2	Screw-HHF
7	107-1135	1	Hose ASM

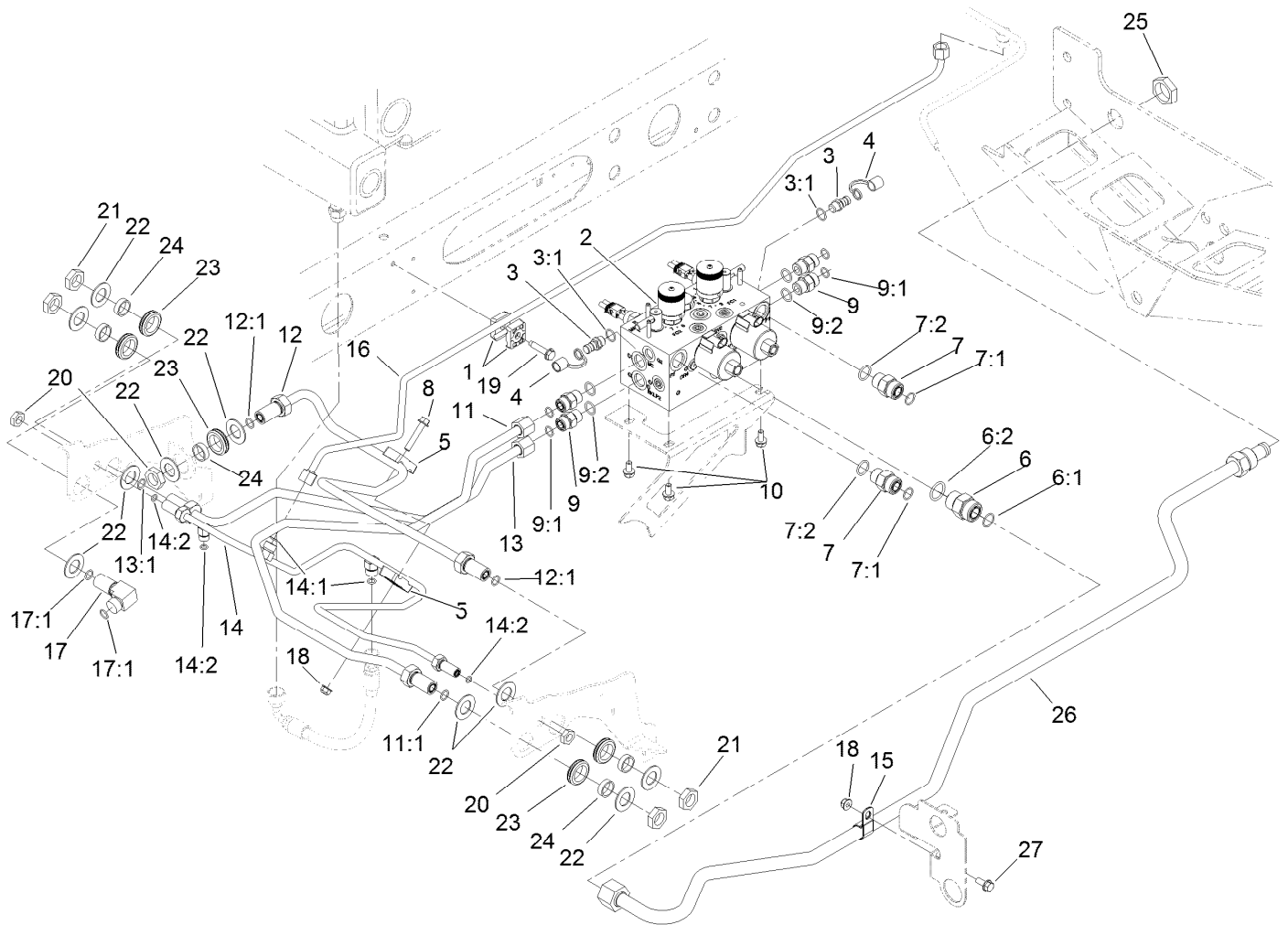
Ref.	Part Number	Qty.	Description
8	108-1720	1	Tube ASM
8:1	237-21	1	O-Ring
8:2	237-22	1	O-Ring
9	108-1721	1	Tube ASM
9:1	237-21	1	O-Ring
9:2	237-22	1	O-Ring
10	32144-57	2	Screw
11	340-18	1	Fitting-HYD, 90 DEG
11:1	237-79	1	O-Ring
11:2	237-22	1	O-Ring
12	56-7973	4	Clamp-Tube



Hydraulic Manifold Block Assembly No. 105-7577

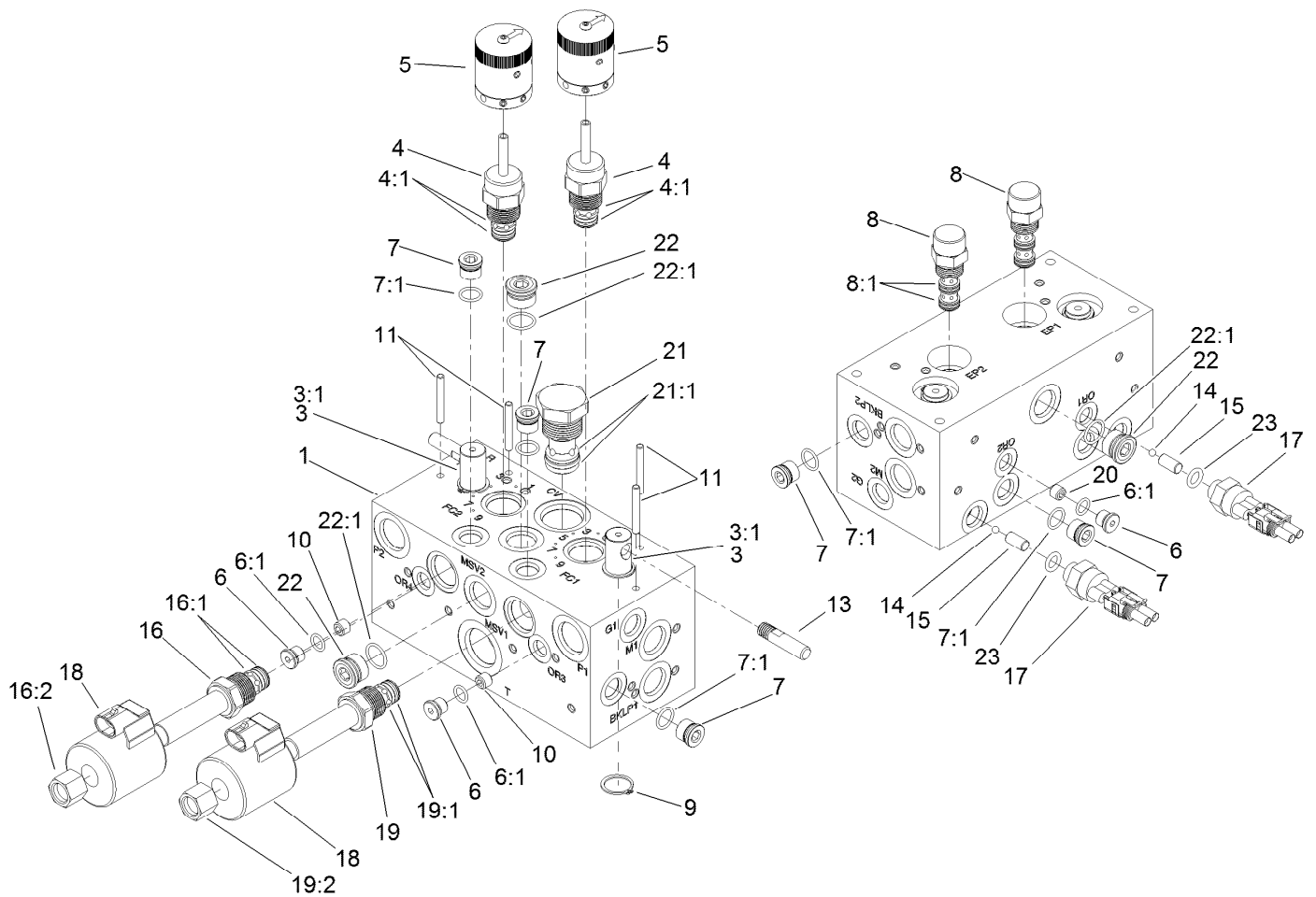
Ref.	Part Number	Qty.	Description	Ref.	Part Number	Qty.	Description
1		1	Block-Manifold ●	11	110-8901	4	Piston-Pilot
2	110-8906	1	Valve-Solenoid	11:1	110-8900	1	O-Ring
2:1	110-8908	1	Spool Valve Seal Kit	13	110-0497	2	Coil-Solenoid
2:2	110-2634	1	Nut-Coil	14	110-8899	1	Valve-Relief
3	110-9006	4	Valve-Check	14:1	105-9156	1	Seal Kit
3:1	105-9156	1	Seal Kit	15	340-88	2	Fitting-Straight
5	110-8905	1	Valve-Relief, Solenoid	15:1	237-22	1	O-Ring
5:1	110-6316	1	Seal Kit	15:2	237-78	1	O-Ring
5:2	130-8180	1	Nut-Coil (9/16-24 Unef-2B)	16	340-92	6	Fitting-Straight
6	110-6344	2	Coil-12V, DC	16:1	237-78	1	O-Ring
7	110-8904	3	Orifice-Control, Flow (0.028)	16:2	237-21	1	O-Ring
8	110-8903	3	Orifice-Control, Flow (0.055)	17	110-8898	2	Valve-Solenoid
9	110-8902	2	Orifice-Control, Flow (0.046)	17:1	107-7527	1	Seal Kit
10	354-70	4	Plug-Hex, Hollow	17:2	110-2634	1	Nut-Coil
10:1	237-80	1	O-Ring	17:3	110-8909	1	Spacer-Coil

● Not serviced separately



Reel Control Block Hydraulic Plumbing Assembly

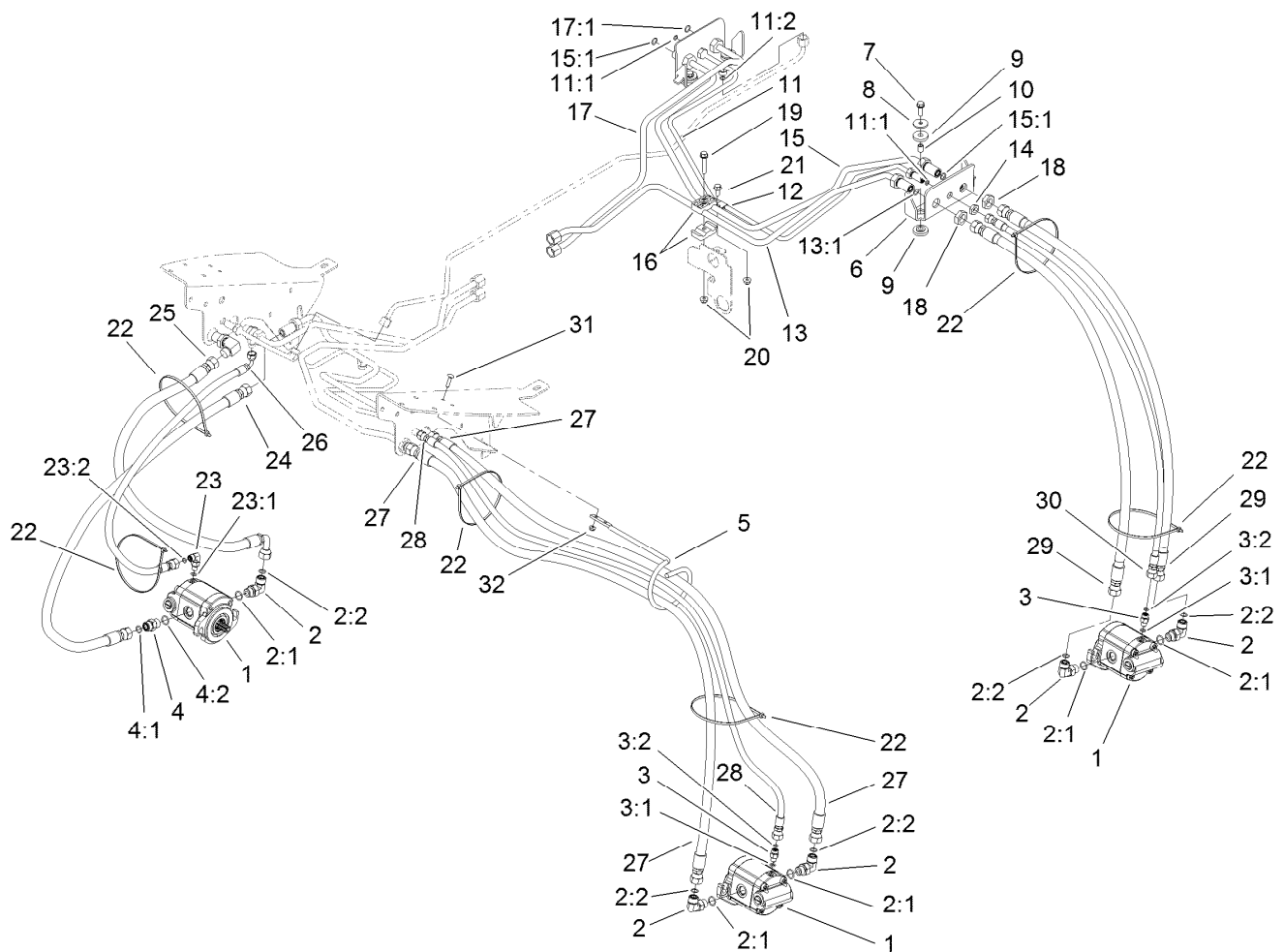
Ref.	Part Number	Qty.	Description	Ref.	Part Number	Qty.	Description
1	56-7973	2	Clamp-Tube	12:1	237-30	2	O-Ring
2	108-1625	1	HYD Mow Block Manifold ASM	13	108-1708	1	Tube ASM
3	59-7410	2	Fitting-Diagnostic	13:1	237-30	1	O-Ring
3:1	237-42	1	O-Ring	14	110-5286	1	Tube ASM
4	354-79	2	Cap-Dust	14:1	237-22	2	O-Ring
5	56-7972	2	Clamp-Tube	14:2	237-21	3	O-Ring
6	340-9	1	Fitting-STR	15	2412-4	1	Clamp-R
6:1	237-58	1	O-Ring	16	108-1705	1	Tube ASM
6:2	237-81	1	O-Ring	17	93-9151	1	Fitting-HYD
7	340-7	2	Fitting-Straight	17:1	237-30	2	O-Ring
7:1	237-65	1	O-Ring	18	104-8300	2	Nut-HF, NI
7:2	237-80	1	O-Ring	19	32144-57	1	Screw
8	94-5780	1	Screw-HWH	20	340-78	2	Nut-Lock
9	340-4	4	Fitting-Straight	21	340-127	5	Nut-Bulkhead
9:1	237-30	1	O-Ring	22	69-8930	10	Washer
9:2	237-79	1	O-Ring	23	240-5	5	Grommet
10	3234-14	3	Screw-HHF	24	69-8960	5	Spacer
11	110-5287	1	Tube ASM	25	340-126	1	Nut-Bulkhead
11:1	237-30	1	O-Ring	26	108-1700	1	Tube ASM
12	110-5288	1	Tube ASM	27	3234-5	1	Screw-HHF



Hydraulic Manifold Block Assembly No. 108-1625

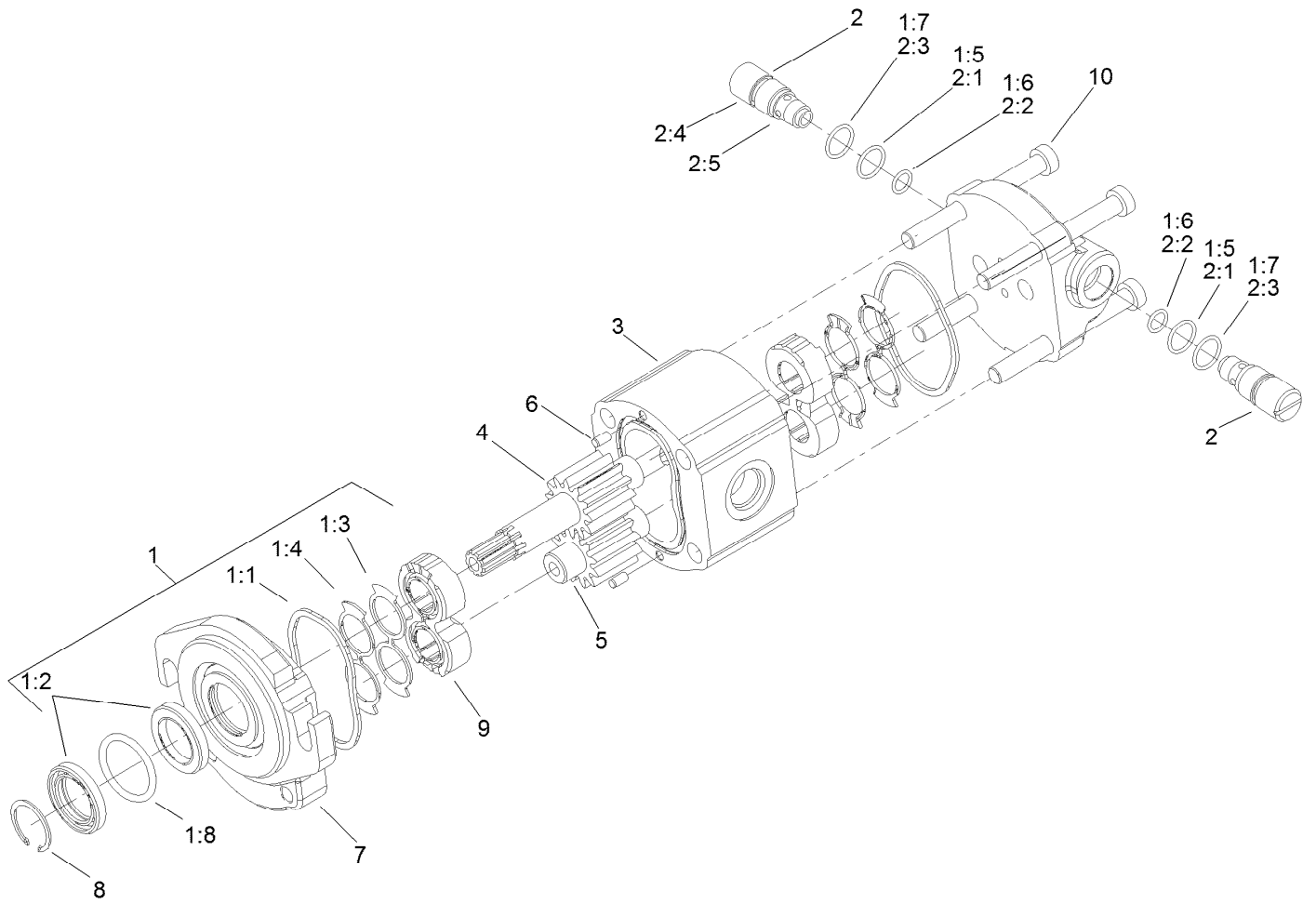
Ref.	Part Number	Qty.	Description	Ref.	Part Number	Qty.	Description
1		1	Block-Manifold ●	14	110-8762	2	Ball-Chrome
3	110-8766	2	Spool-Rotary	15	112-6533	2	Pin-Dowel
3:1	110-8763	1	Seal Kit	16	110-8888	1	Valve-Relief, Solenoid
4	110-8769	2	Valve-Control, Manual Flow	16:1	110-6316	1	Seal Kit
4:1	110-2633	1	Seal Kit	16:2	110-2635	1	Nut-Coil
5	110-8767	2	Rotary Handle ASM	17	72-4310	2	Switch-Ball
6	353-990	4	Plug ASM	18	110-6344	2	Coil-12V, DC
6:1	237-78	1	O-Ring	19	110-6345	1	Valve-Relief, Solenoid
7	106-1026	6	Plug-HYD	19:1	110-6316	1	Seal Kit
7:1	237-42	1	O-Ring	19:2	110-2635	1	Nut-Coil
8	110-8890	2	Element-Logic	20	110-8887	2	Plug-Orifice (0.055)
8:1	110-8773	1	Seal Kit	21	110-8886	1	Valve-Check
9	112-6532	4	Ring-Retaining	21:1	110-0470	1	Seal Kit
10	110-8987	2	Plug-Orifice (0.015 Rw)	22	106-1027	3	Plug
11	112-6531	4	Pin-Spring	22:1	237-79	1	O-Ring
13	110-8758	2	Handle-Spool	23	110-8757	2	O-Ring

● Not serviced separately



Rear Reel Drive System Plumbing and Front Hose Assembly

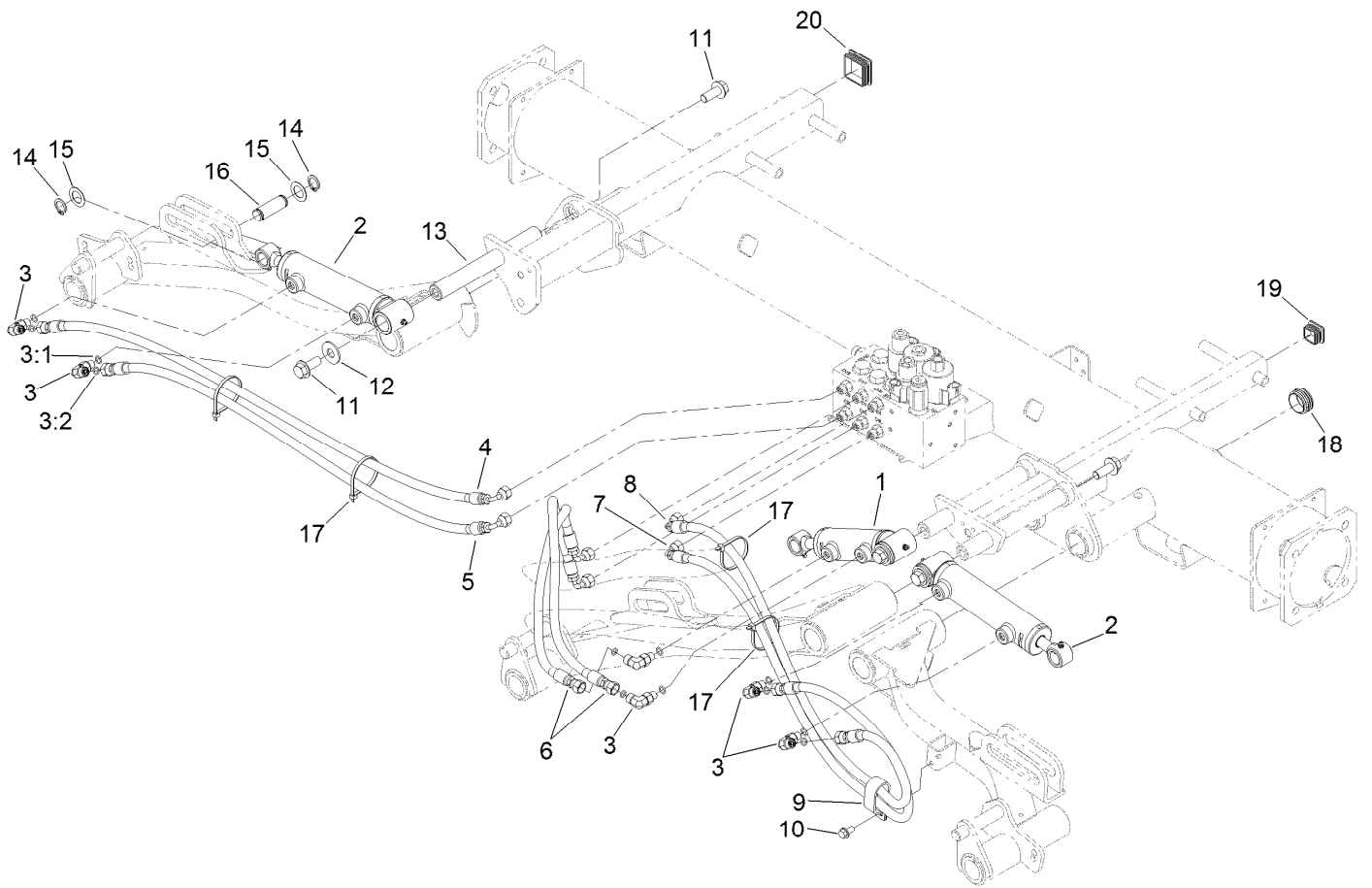
Ref.	Part Number	Qty.	Description	Ref.	Part Number	Qty.	Description
1	110-1717	5	HYD Motor ASM	15	108-1702	1	Tube ASM
2	340-98	9	Fitting-Elbow, 90 DEG	15:1	237-30	2	O-Ring
2:1	237-79	1	O-Ring	16	56-7976	2	Clamp-Tube
2:2	237-30	1	O-Ring	17	108-1703	1	Tube ASM
3	340-92	4	Fitting-Straight	17:1	237-30	1	O-Ring
3:1	237-78	1	O-Ring	18	340-127	4	Nut-Bulkhead
3:2	237-21	1	O-Ring	19	94-5780	1	Screw-HWH
4	340-4	1	Fitting-Straight	20	104-8300	2	Nut-HF, NI
4:1	237-30	1	O-Ring	21	3234-5	1	Screw-HHF
4:2	237-79	1	O-Ring	22	3334-945	15	Tie-Cable
5	108-7585	2	Guide-Hose	23	340-132	1	Fitting-Elbow, 90 DEG
6	108-1814-03	2	Bracket-Bulkhead	23:1	237-78	1	O-Ring
7	32144-57	4	Screw	23:2	237-21	1	O-Ring
8	105-3048	4	Washer-Flat	24	106-3669	1	HYD Hose ASM
9	240-11	8	Bushing-Flange	25	106-3670	1	HYD Hose ASM
10	99-8611	4	Spacer	26	106-3671	1	Hose-HYD
11	108-1704	1	Tube ASM	27	114-8868	4	HYD Hose ASM
11:1	237-22	1	O-Ring	28	106-3680	2	Hose-HYD
11:2	237-21	2	O-Ring	29	106-3672	4	HYD Hose ASM
12	2412-113	1	Clamp-R	30	98-4590	2	Hose-HYD
13	108-1701	1	Tube ASM	31	3229-1	4	Screw-CARR
13:1	237-30	1	O-Ring	32	104-7201	4	Nut-HF, NI
14	340-78	2	Nut-Lock				



Hydraulic Motor Assembly No. 110-1717

Ref.	Part Number	Qty.	Description	Ref.	Part Number	Qty.	Description
1	110-0040	1	Seal Kit	2:3		1	Ring-Backup ●
1:1		2	Ring ●	2:4		1	Cap-Relief ●
1:2		2	Seal-Shaft ●	2:5		1	Valve-Relief ●
1:3		2	Seal ●	3		1	Body ●
1:4		2	Seal-Anti Extrusion ●	4		1	Gear-Drive ●
1:5		2	Seal-Valve, Relief ●	5		1	Gear-Driven ●
1:6		2	Seal-Valve, Relief ●	6		2	Pin-Dowel ●
1:7		2	Ring-Backup ●	7		1	Cover-Front ●
1:8		1	Ring-Spacer ●	8		1	Ring-Retaining ●
2	110-0041	2	Relief Cartridge Kit	9		2	Block-Bearing ●
2:1		1	Seal ●	10		4	Washer ●
2:2		1	Seal ●				

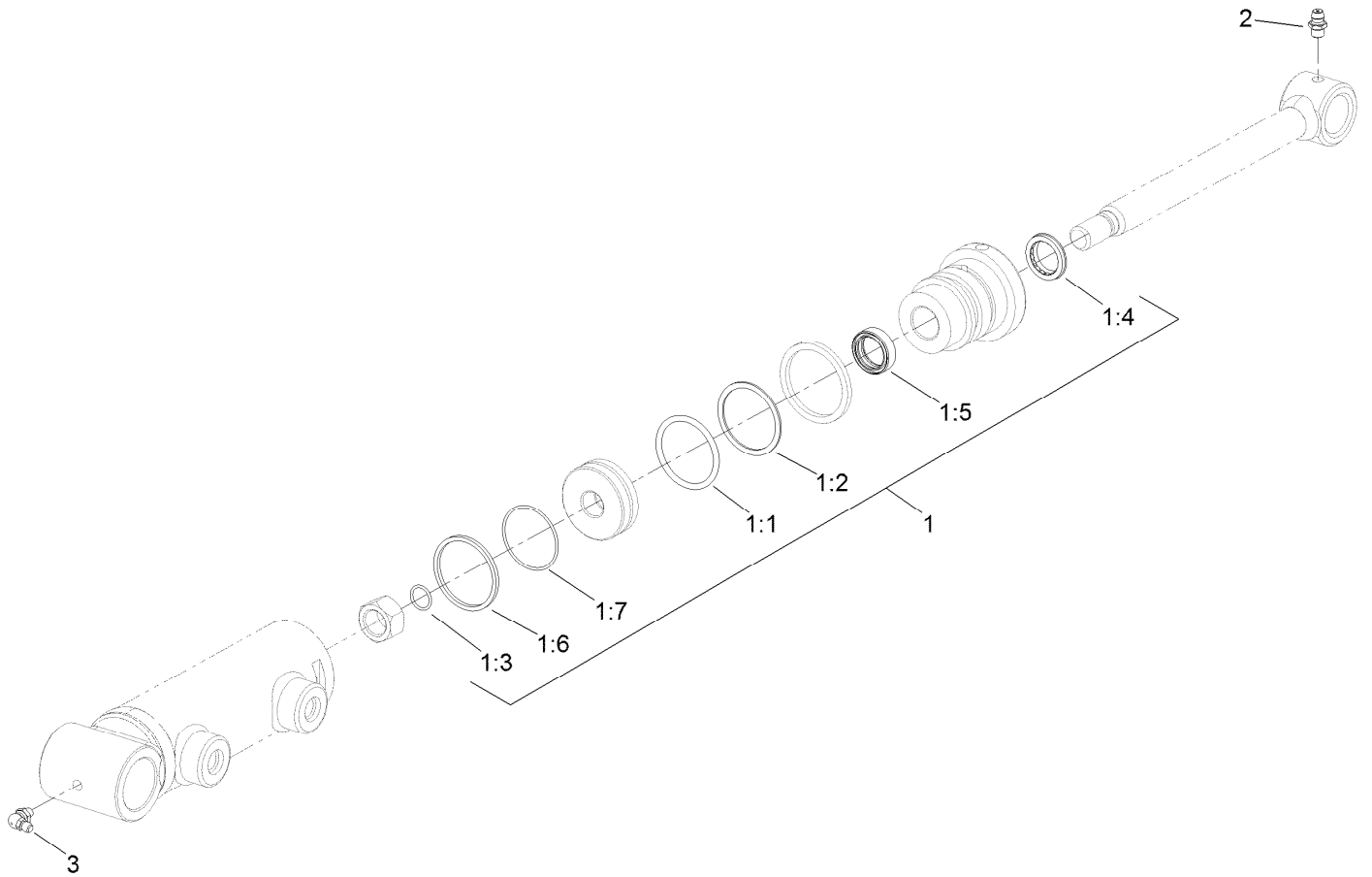
● Not serviced separately



Front Lift Cylinder and Plumbing Assembly

Ref.	Part Number	Qty.	Description
1	107-2034	1	Cylinder-HYD
2	107-2033	2	Cylinder-HYD
3	340-132	6	Fitting-Elbow, 90 DEG
3:1	237-78	1	O-Ring
3:2	237-21	1	O-Ring
4	106-3692	1	Hose-HYD
5	106-3693	1	Hose-HYD
6	93-6887	2	Hose-HYD
7	106-3691	1	Hose-HYD
8	85-4940	1	Hose-HYD
9	2412-137	1	Clamp-R, Double

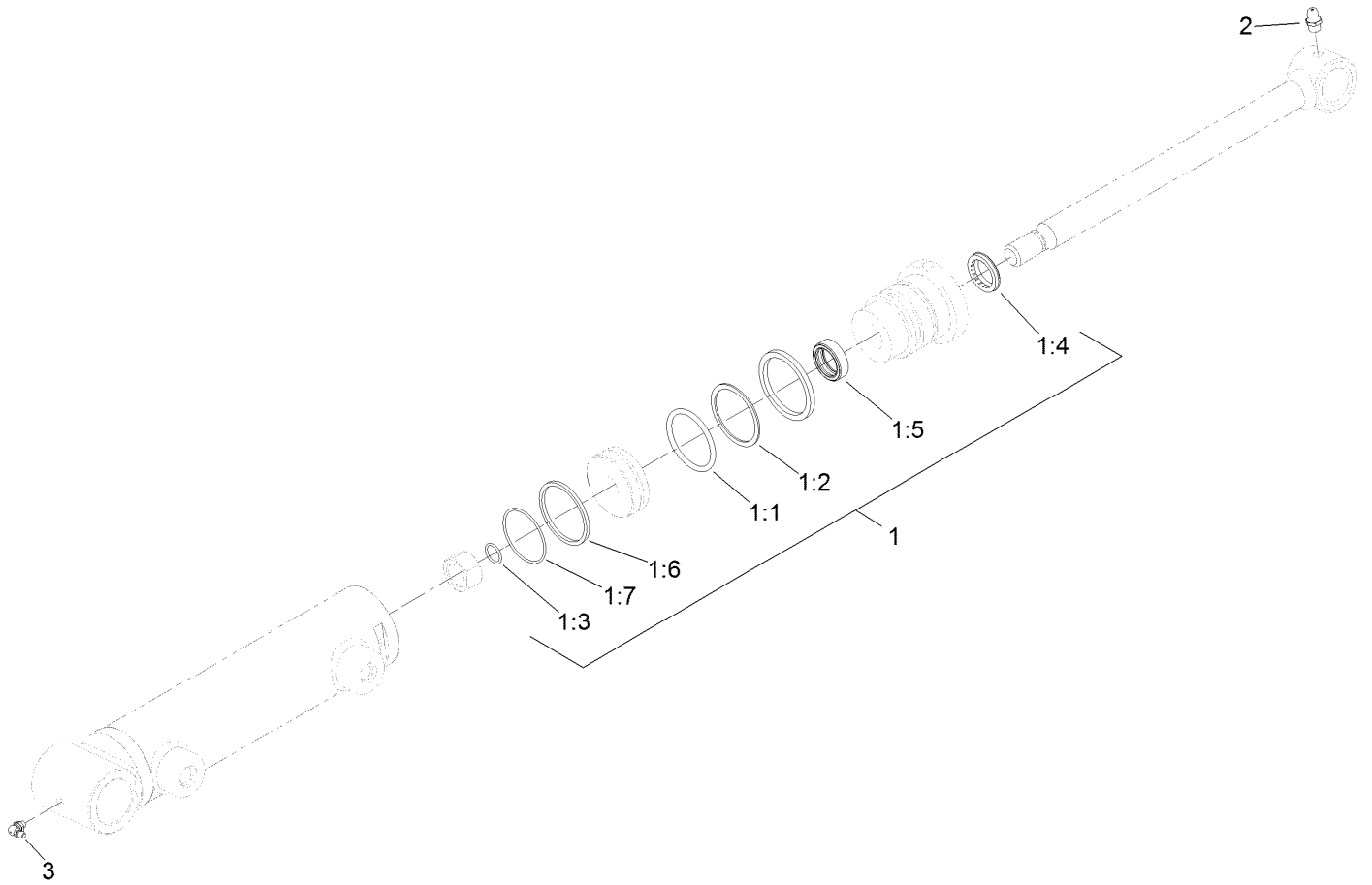
Ref.	Part Number	Qty.	Description
10	32144-14	1	Screw-HWHTF
11	3234-32	6	Screw-HHF
12	3256-6	3	Washer-Flat
13	107-2077	3	Pin-Cylinder
14	32120-93	6	Ring-Retaining
15	3-6498	6	Washer-Thrust
16	104-0046	3	Pin-Slide, Cylinder
17	3290-379	4	Tie-Cable
18	110-9012	3	Caplug
19	110-9013	1	Caplug
20	95-9495	1	Cap



Hydraulic Cylinder Assembly No. 107-2034

<i>Ref.</i>	<i>Part Number</i>	<i>Qty.</i>	<i>Description</i>
1	110-6460	1	Seal Kit
1:1		1	O-Ring ●
1:2		1	Ring-Back Up ●
1:3		1	O-Ring ●
1:4		1	Wiper ●
1:5		1	Seal ●
1:6		1	Capseal ●
1:7		1	O-Ring ●
2	302-5	1	Fitting-Grease
3	302-60	1	Fitting-Grease

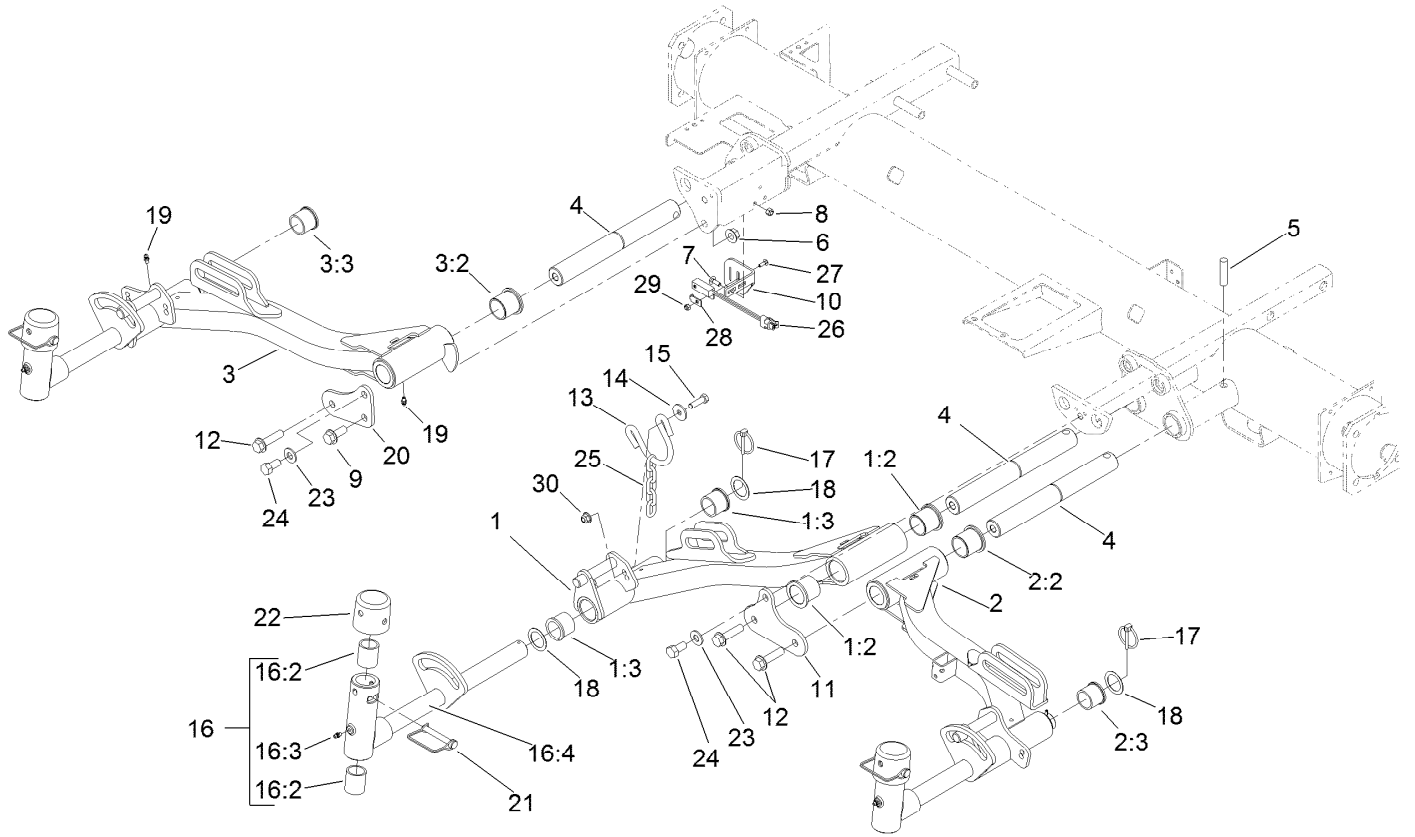
● Not serviced separately



Hydraulic Cylinder Assembly No. 107-2033

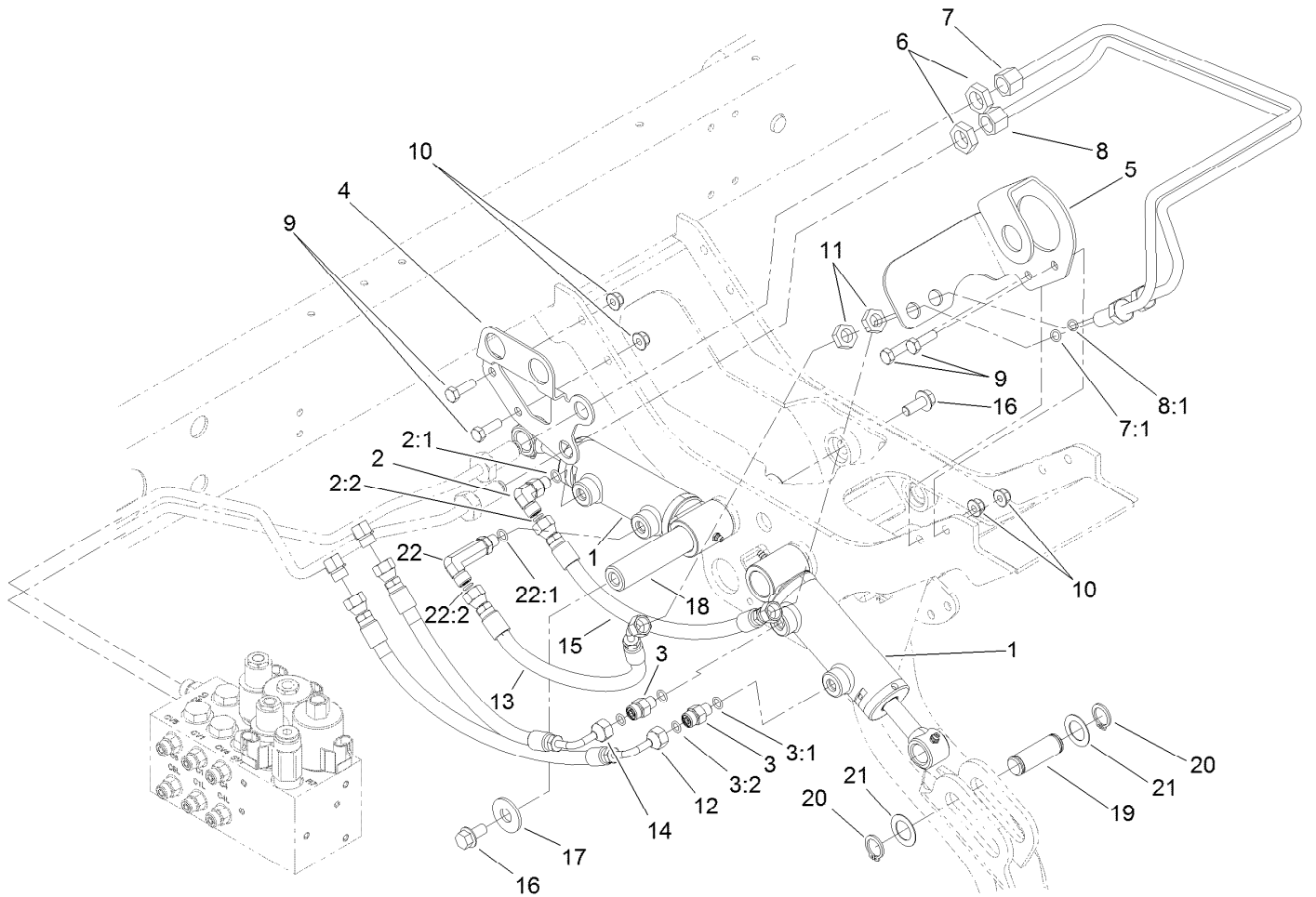
Ref.	Part Number	Qty.	Description
1	110-6460	1	Seal Kit
1:1		1	O-Ring ●
1:2		1	Ring-Back Up ●
1:3		1	O-Ring ●
1:4		1	Wiper ●
1:5		1	Seal ●
1:6		1	Capseal ●
1:7		1	O-Ring ●
2	302-5	1	Fitting-Grease
3	302-60	1	Fitting-Grease

● Not serviced separately



Front Lift Arm Assembly

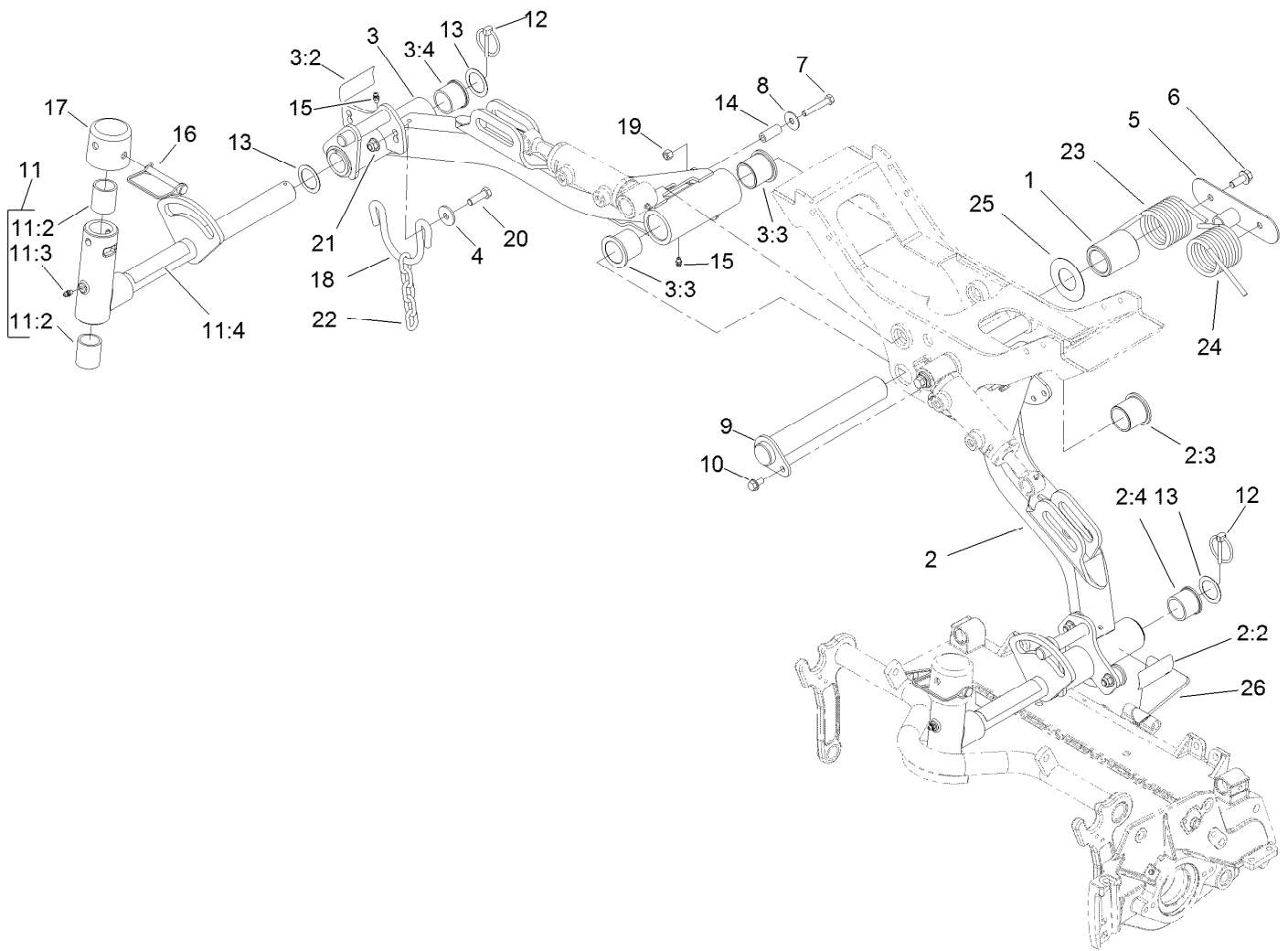
Ref.	Part Number	Qty.	Description	Ref.	Part Number	Qty.	Description
1	110-0991	1	No. 1 Lift Arm ASM	15	323-7	6	Screw-HH
1:2	69-6470	2	Bushing-Caster	16	107-2052	3	Pivot Yoke ASM
1:3	104-0015	2	Bushing-Flange	16:2	256-254	2	Bushing
2	110-0994	1	No. 4 Lift Arm ASM	16:3	302-5	1	Fitting-Grease
2:2	69-6470	2	Bushing-Caster	16:4	110-9642	1	Decal-Warning
2:3	104-0015	2	Bushing-Flange	17	92-1298	3	Pin-Lynch
3	110-0995	1	No. 5 Lift Arm ASM	18	76-2980	6	Washer-Thrust
3:2	69-6470	2	Bushing-Caster	19	302-5	6	Fitting-Grease
3:3	104-0015	2	Bushing-Flange	20	110-0939-01	1	Plate-Bridge, No. 5
4	95-8531	3	Shaft-Pivot, Liftarm	21	107-7400	3	Pin-Lynch
5	32121-122	3	Pin-Roll	22	107-4027	3	Cap
6	32128-23	1	Nut-HF	23	87-7270	5	Washer-Thrust
7	3229-1	2	Screw-CARR	24	3213-1	2	Screw-HH
8	3296-42	2	Nut-Lock, NI	25	84-2451	3	Chain-Straight, 5 Link
9	3234-38	1	Screw-HHF	26	105-0023	1	Switch-Proximity
10	110-0919	1	Bracket-Switch	27	3229-34	1	Screw-CARR
11	110-0938-01	1	Plate-Bridge	28	100-4872	1	Plate-Switch, Neutral
12	325-8	3	Screw-HH	29	3296-2	1	Nut-Lock, NI
13	110-0922	3	Hoop-Chain	30	104-8301	6	Nut-HF, NI
14	63-8410	6	Washer				



Rear Lift Cylinder and Plumbing Assembly

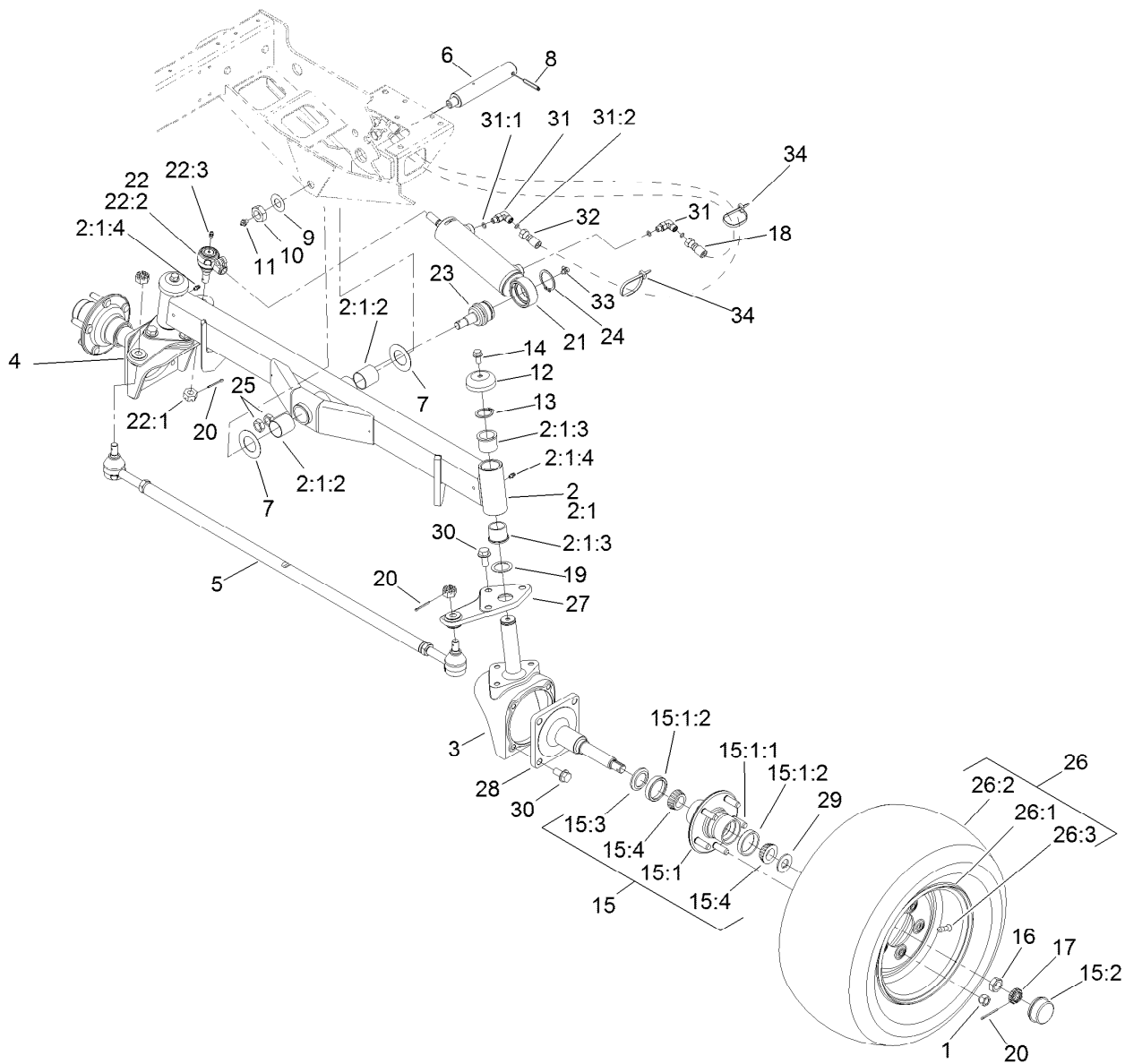
Ref.	Part Number	Qty.	Description
1	107-2034	2	Cylinder-HYD
2	340-132	1	Fitting-Elbow, 90 DEG
2:1	237-78	1	O-Ring
2:2	237-21	1	O-Ring
3	340-92	2	Fitting-Straight
3:1	237-78	1	O-Ring
3:2	237-21	1	O-Ring
4	110-0918-01	1	Bracket-Bulkhead, RH
5	110-0917-01	1	Bracket-Bulkhead, LH
6	340-70	2	Nut-Lock
7	110-0915	1	Tube ASM
7:1	237-21	1	O-Ring
8	110-0916	1	Tube ASM
8:1	237-21	1	O-Ring
9	322-4	4	Screw-HH

Ref.	Part Number	Qty.	Description
10	104-8300	4	Nut-HF, NI
11	340-78	2	Nut-Lock
12	110-0930	1	Hose-HYD
13	110-8966	1	Hose-HYD
14	110-0929	1	Hose-HYD
15	110-0931	1	Hose-HYD
16	3234-32	4	Screw-HHF
17	3256-6	2	Washer-Flat
18	107-2077	2	Pin-Cylinder
19	104-0046	2	Pin-Slide, Cylinder
20	32120-93	4	Ring-Retaining
21	3-6498	4	Washer-Thrust
22	100-7695	1	Fitting-Elbow 90
22:1	237-78	1	O-Ring
22:2	237-21	1	O-Ring



Rear Lift Arm Assembly

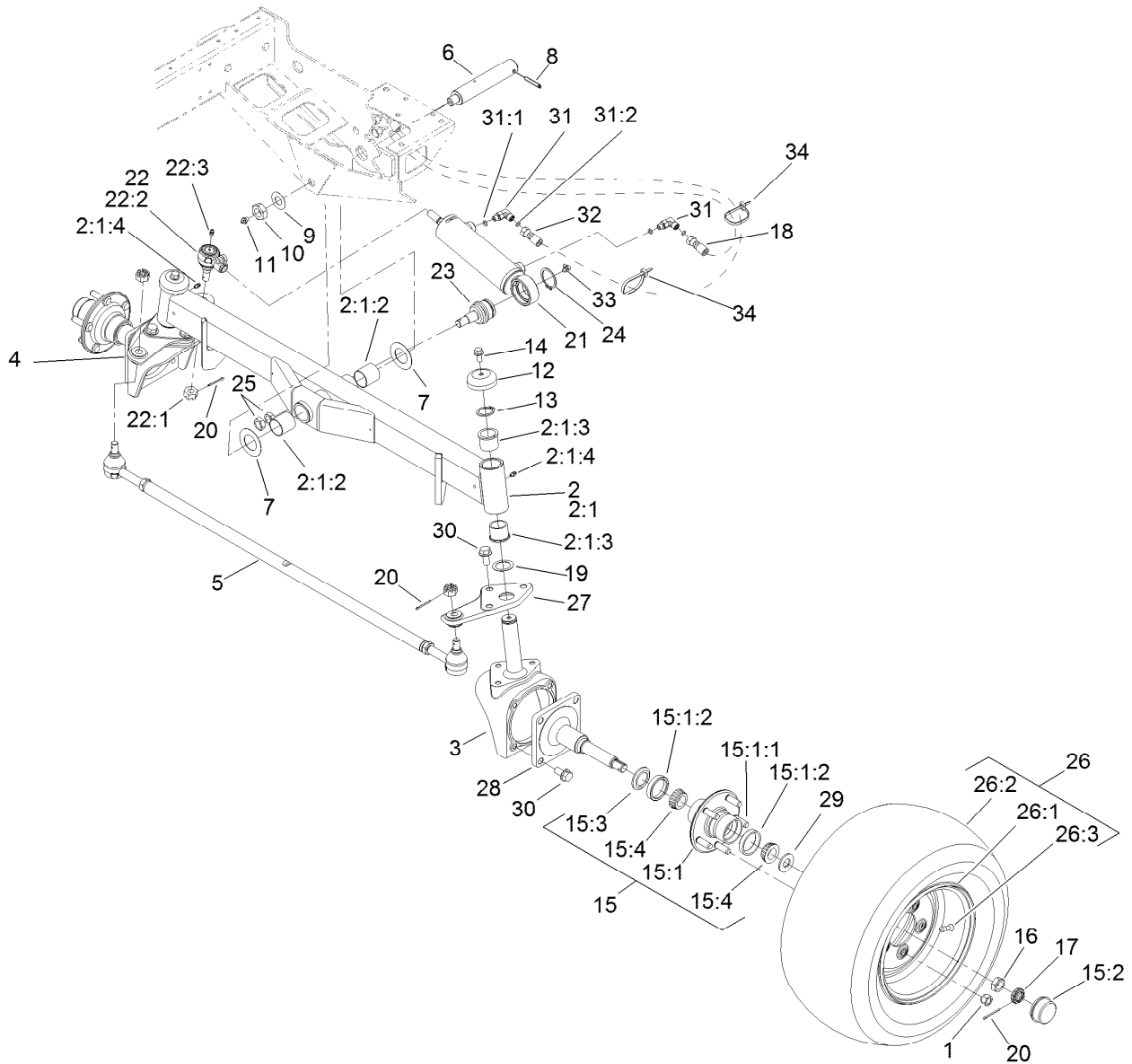
Ref.	Part Number	Qty.	Description	Ref.	Part Number	Qty.	Description
1	110-5339	2	Spacer	11:3	302-5	1	Fitting-Grease
2	110-0992	1	No. 2 Lift Arm ASM	11:4	110-9642	1	Decal-Warning
2:2	93-6696	1	Decal-Warning	12	92-1298	2	Pin-Lynch
2:3	69-6470	2	Bushing-Caster	13	76-2980	4	Washer-Thrust
2:4	104-0015	2	Bushing-Flange	14	103-0384	2	Spacer
3	110-0993	1	No. 3 Lift Arm ASM	15	302-5	4	Fitting-Grease
3:2	93-6696	1	Decal-Warning	16	107-7400	2	Pin-Lynch
3:3	69-6470	2	Bushing-Caster	17	107-4027	2	Cap
3:4	104-0015	2	Bushing-Flange	18	110-0922	2	Hoop-Chain
4	63-8410	4	Washer	19	3296-29	2	Nut-Lock, NI
5	110-8874-03	1	Catch	20	323-7	4	Screw-HH
6	3234-11	2	Screw-HHF	21	104-8301	4	Nut-HF, NI
7	322-10	2	Screw-HH	22	84-2451	2	Chain-Straight, 5 Link
8	3256-35	2	Washer-Flat	23	99-5608-03	1	Spring-Torsion, RH
9	107-2062	2	Pin	24	99-5609-03	1	Spring-Torsion, LH
10	32144-14	2	Screw-HWHTF	25	110-5345	2	Washer
11	107-2052	2	Pivot Yoke ASM	26	110-4088-03	1	Kickstand
11:2	256-254	2	Bushing				



Rear Axle Assembly

Ref.	Part Number	Qty.	Description	Ref.	Part Number	Qty.	Description
1	242-50	10	Nut-Lug	15		2	Hub ASM ●
2	107-4546-03	1	Axle ASM	15:1	21-2820	1	Hub
2:1		1	Axle ●	15:1:1	10-6830	5	Stud-Type, Drive
2:1:2	99-6964	2	Bushing-Axle	15:1:2	254-72	2	Bearing-Cup, Tapered
2:1:3	104-0015	4	Bushing-Flange	15:2	241-119	1	Cap-Dust
2:1:4	302-5	2	Fitting-Grease	15:3	253-129	1	Seal
3	107-4517-03	2	Housing-Motor	15:4	254-94	2	Bearing-Cone, Tapered
4	110-5295-03	1	Link-Drag, RH	16	3220-7	2	Nut-Jam
5	110-5334-03	1	Tie Rod ASM	17	93-0307	2	Nut-Lock, Retainer
6	98-8173	1	Pin-Pivot, Axle	18	110-0928	1	Hose-HYD
7	99-8432	2	Washer-Thrust	19	76-2980	2	Washer-Thrust
8	32121-32	1	Pin-Roll	20	3272-12	5	Pin-Cotter
9	71-4540	1	Washer-Thrust	21	107-4458	1	Cylinder-HYD
10	32146-20	1	Nut-Hex	22	106-6895-03	1	Ball Joint ASM
11	302-33	1	Fitting-Grease	22:1	32136-13	1	Nut-SHH
12	69-8890	2	Cap-Spindle	22:2	106-6896	1	Seal
13	32151-77	2	Ring-Retaining, External	22:3	302-5	1	Fitting-Grease
14	3234-1	2	Screw-HHF	23	106-6774	1	Joint-Ball

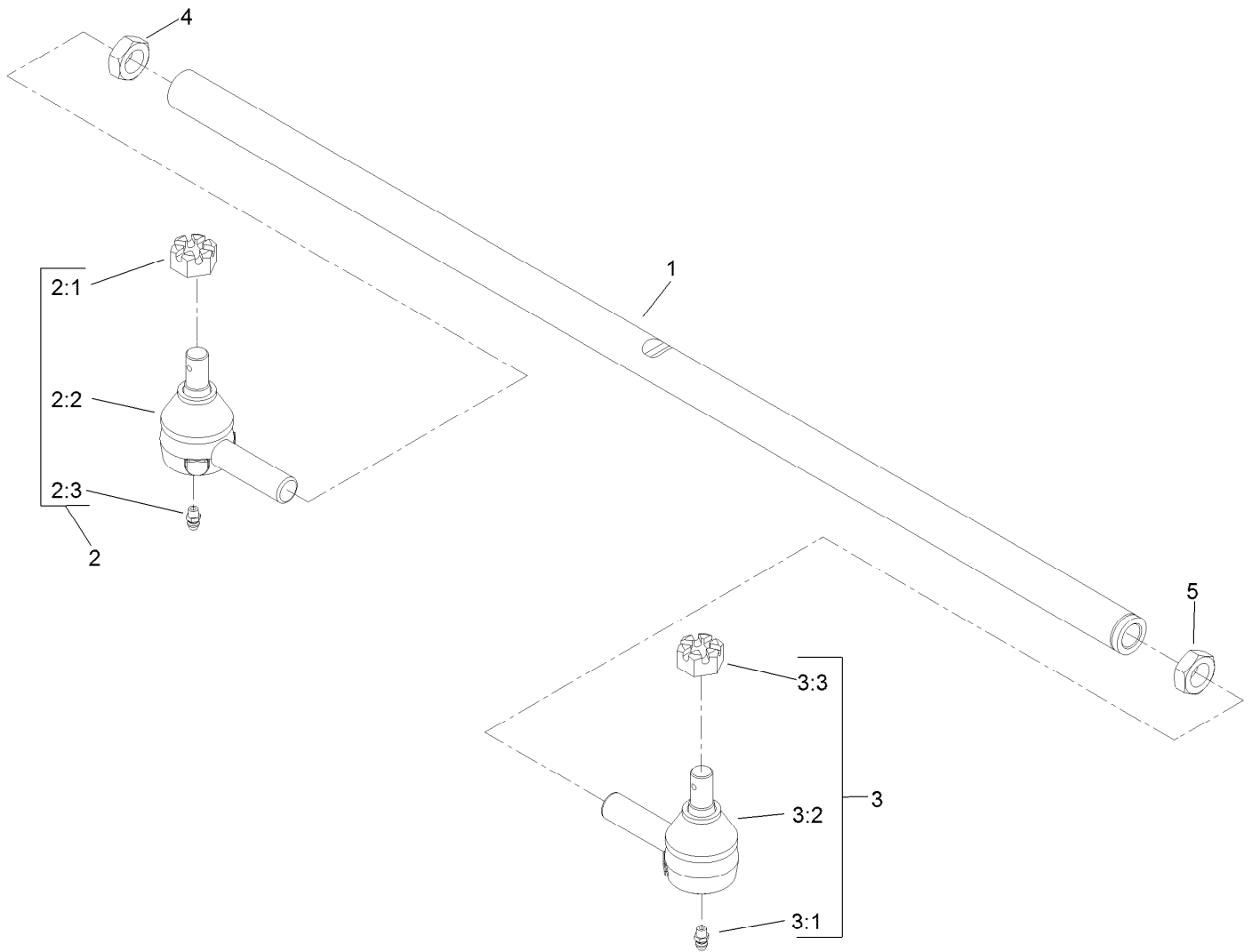
● Not serviced separately



Rear Axle Assembly (continued)

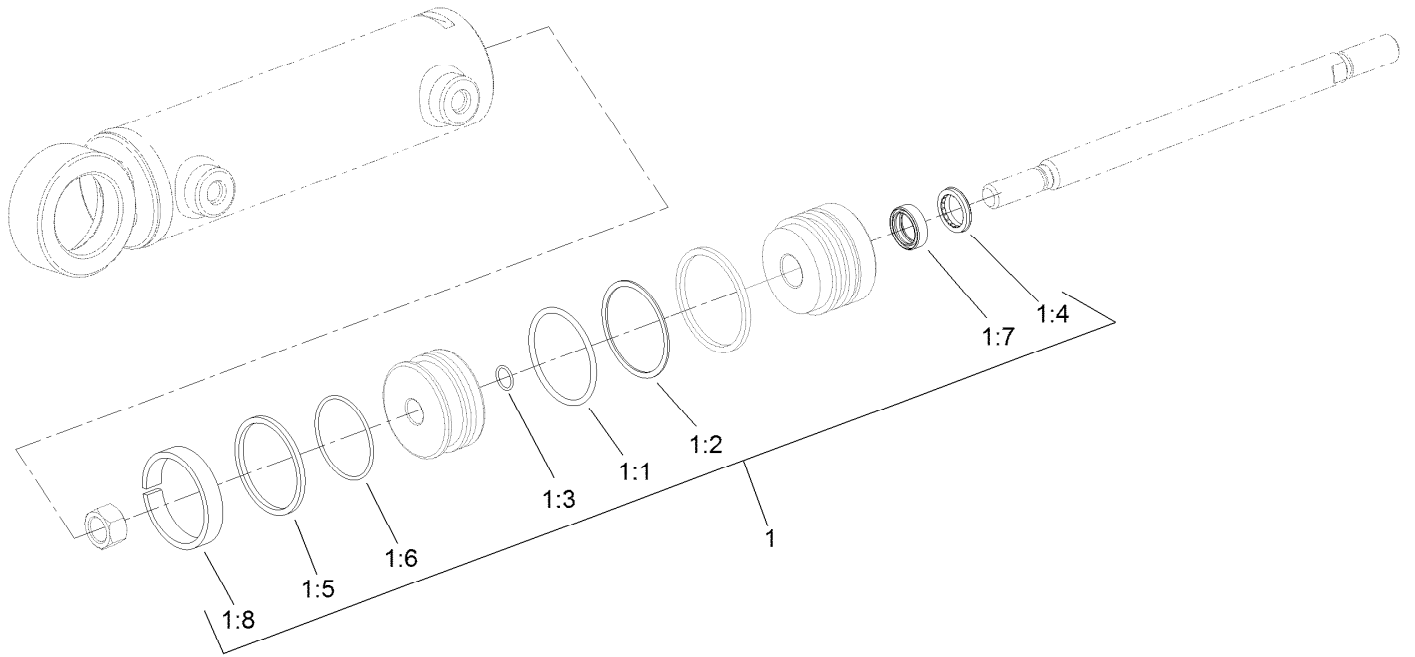
Ref.	Part Number	Qty.	Description	Ref.	Part Number	Qty.	Description
24	32151-104	1	Ring-Retaining, External	29	93-0309	2	Washer-Tab
25	3220-6	2	Nut-Jam	30	3234-6	14	Screw-HHF
26	108-1602	2	Wheel And Tire ASM	31	340-132	2	Fitting-Elbow, 90 DEG
26:1	108-1600	1	Rim	31:1	237-78	1	O-Ring
26:2	104-0451	1	Tire-Turf, Trac	31:2	237-21	1	O-Ring
26:3	232-27	1	Stem-Valve	32	110-0973	1	Hose-HYD
27	110-5297-03	1	Link-Drag, LH	33	302-40	1	Fitting-Grease, 90 DEG
28	110-5299-03	2	Spindle	34	3290-378	2	Tie-Cable

● Not serviced separately



Tie Rod Assembly No. 110-5334-03

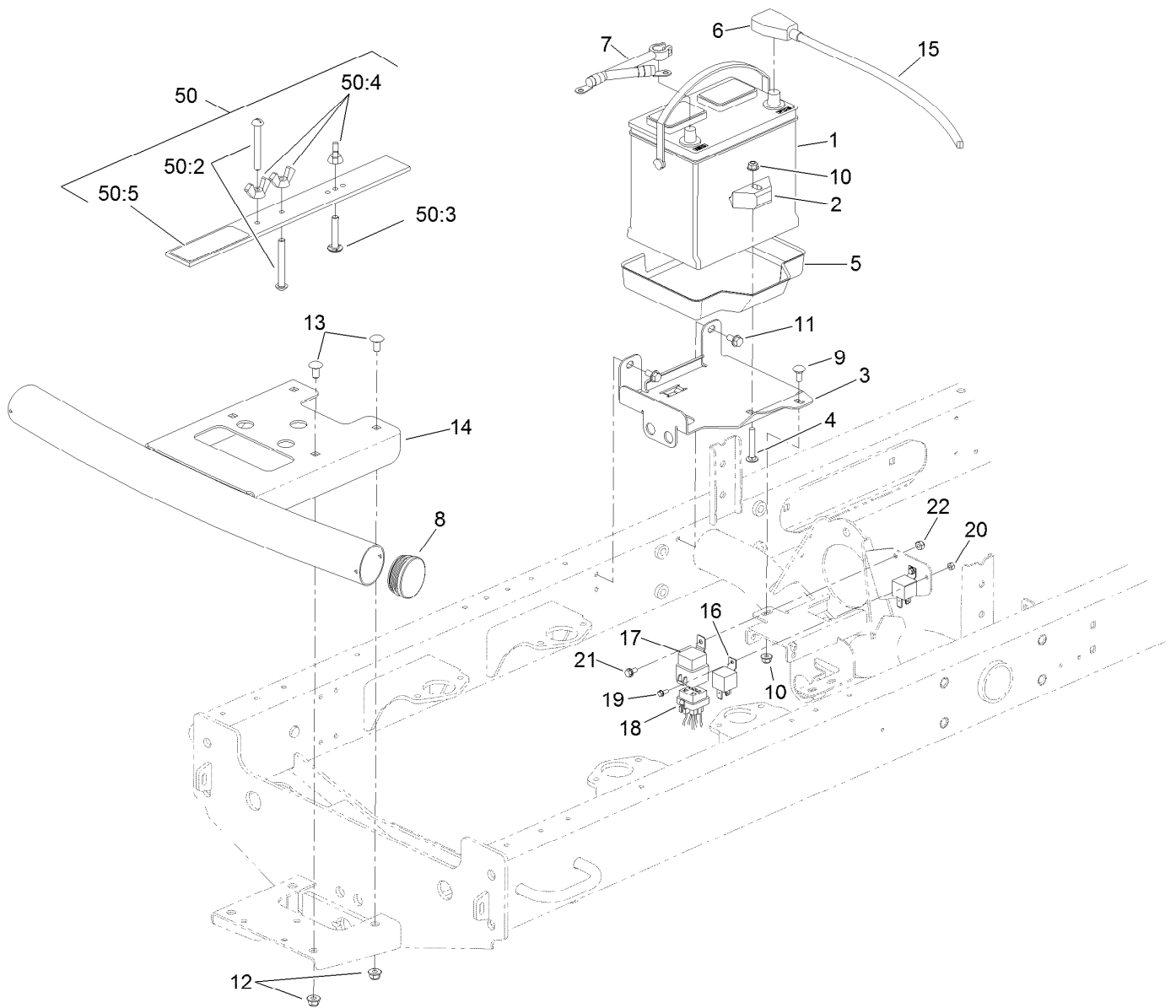
Ref.	Part Number	Qty.	Description
1	110-5335	1	Rod-Tie
2	71-4740-03	1	RH Tie Rod End ASM
2:1	105-7941	1	Nut-Hex, Slotted
2:2	105-7835	1	Seal
2:3	302-5	1	Fitting-Grease
3	2411-46	1	End-Rod, Tie (LH)
3:1	302-5	1	Fitting-Grease
3:2	105-7835	1	Seal
3:3	105-7941	1	Nut-Hex, Slotted
4	84-5300	1	Nut-Jam
5	110-5337	1	Nut-Jam



Hydraulic Cylinder Assembly No. 107-4458

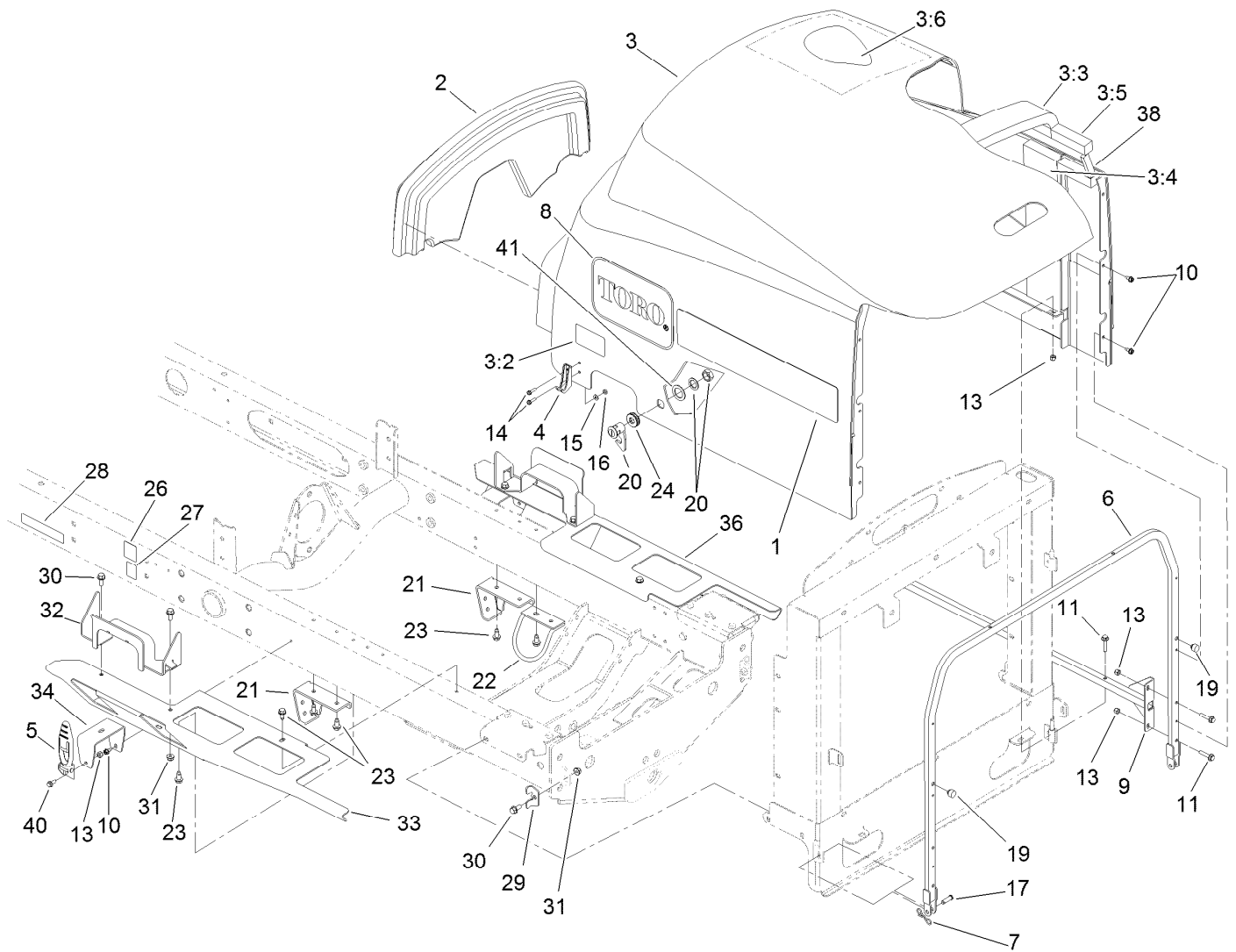
<i>Ref.</i>	<i>Part Number</i>	<i>Qty.</i>	<i>Description</i>
1	110-6461	1	Seal Kit
1:1		1	O-Ring ●
1:2		1	Ring-Back Up ●
1:3		1	O-Ring ●
1:4		1	Wiper ●
1:5		1	Seal ●
1:6		1	O-Ring ●
1:7		1	Seal ●
1:8		1	Ring-Wear ●

● Not serviced separately



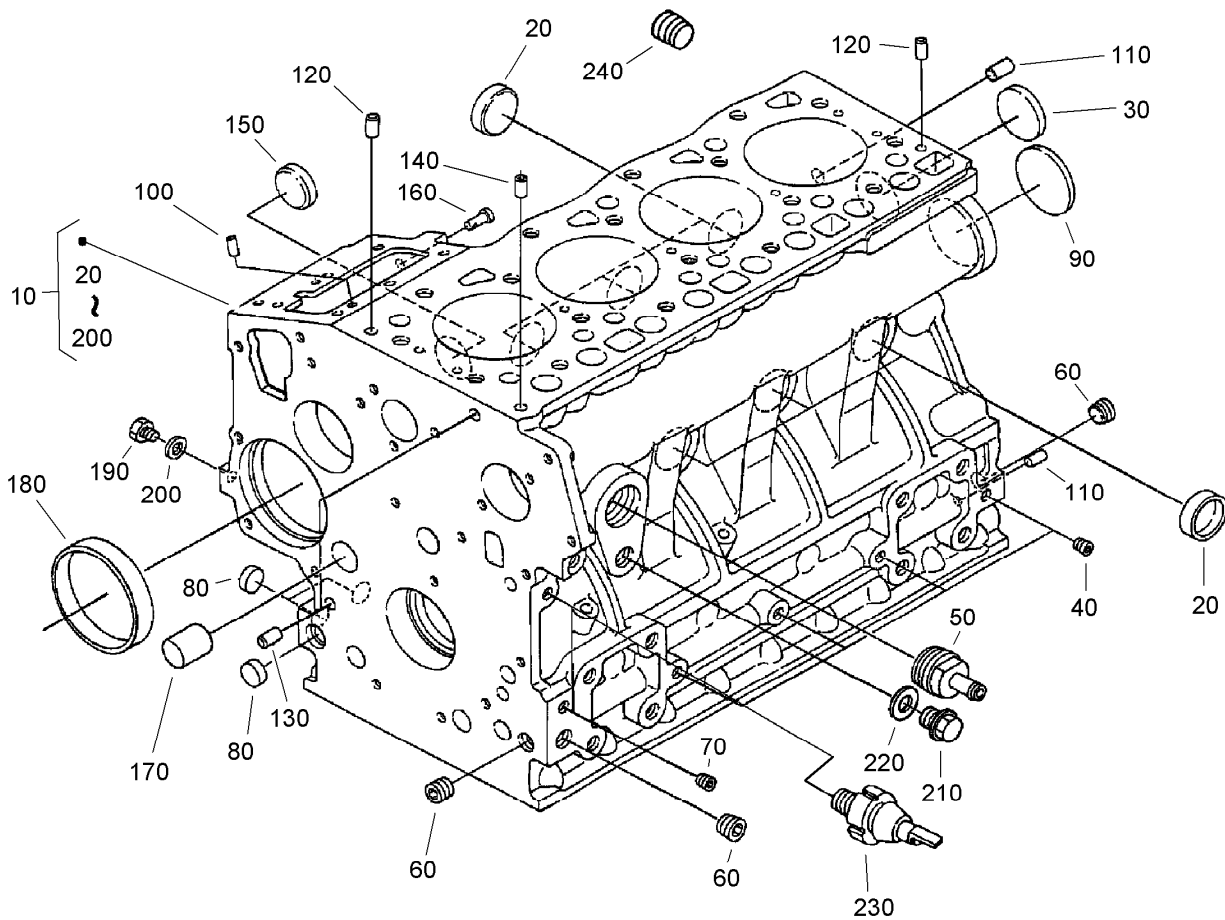
Battery and Bumper Assembly

<i>Ref.</i>	<i>Part Number</i>	<i>Qty.</i>	<i>Description</i>	<i>Ref.</i>	<i>Part Number</i>	<i>Qty.</i>	<i>Description</i>
1	104-9979	1	Battery	15	108-9455	1	Harness-Wire, Fusible Link
2	66-2490	1	Retainer-Battery	16	99-7435	2	Relay
3	110-0907-01	1	Bracket-Battery	17	99-7430	1	Relay-Mini
4	3230-6	1	Bolt-CARR	18	110-9023	1	Harness-Wire, Main
5	99-3513	1	Tray-Battery	19	3290-321	2	Screw-HWH
6	108-1802	1	Cable-Battery, Positive	20	3296-2	2	Nut-Lock, NI
7	110-8813	1	Cable-Battery, Negative	21	3234-13	1	Screw-HHF
8	2410-42	2	Cap-End	22	3296-42	1	Nut-Lock, NI
9	3230-1	1	Bolt-CARR	50	108-6715	1	Gauge Bar ASM
10	104-8300	2	Nut-HF, NI	50:2	32122-54	2	Screw-Head, Truss
11	32104-32	2	Screw-HWH	50:3	108-6714	1	Stud-Weld
12	104-8301	4	Nut-HF, NI	50:4	32103-3	3	Nut-Wing
13	3231-21	4	Screw-CARR	50:5	108-6712	1	Decal-Gauge, Bar
14	110-8951-03	1	Bumper				



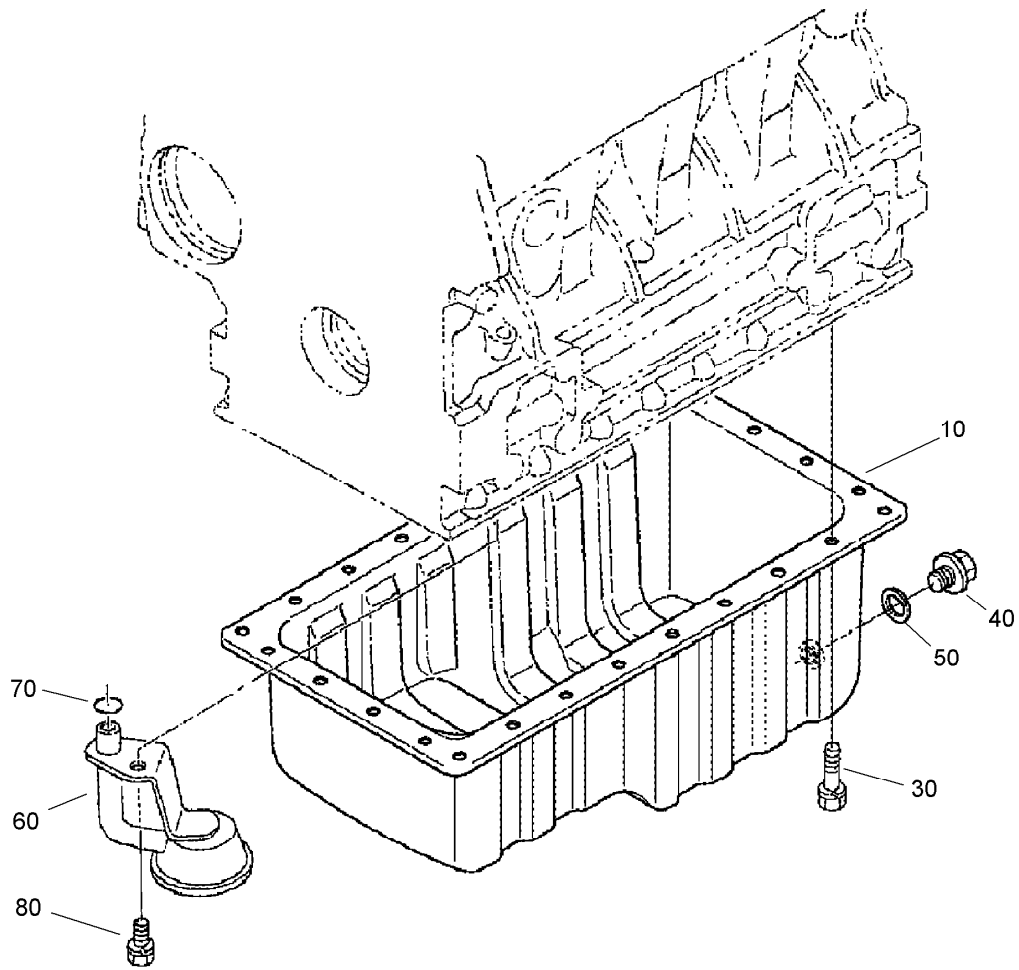
Hood and Body Panel Assembly

Ref.	Part Number	Qty.	Description	Ref.	Part Number	Qty.	Description
1	110-0965	2	Decal	17	283-61	2	Pin-Yoke
2	108-7587	1	Saddle-Hood	19	107-8042	2	Bumper-Rubber
3	110-8995	1	Hood ASM	20	98-5398	1	Latch
3:2	106-6754	1	Decal-Danger	21	110-0979-03	2	Bracket-Deflector
3:3	110-8948	1	Foam-Hood	22	110-8999	1	Guard-Muffler
3:4	110-8947	2	Foam-Hood	23	32104-32	12	Screw-HWH
3:5	110-8949	4	Seal-Foam	24	104-1453	1	Grommet
3:6	110-9002	1	Foil Tape Kit	26	105-4674	1	Decal-Noise
4	103-2897	2	Latch-Catch	27	93-7252	1	Decal
5	103-2898	2	Latch-Rubber	28	93-6689	2	Decal-No Riders
6	110-5277-03	1	Frame-Hood	29	110-8946	2	Clamp-Frame, Radiator
7	105-7512	2	Pin-Tie, Bow	30	3234-5	6	Screw-HHF
8	66-6140	2	Decal	31	104-8300	6	Nut-HF, NI
9	108-1790-03	2	Tube	32	110-5259-03	2	Bracket-Hood, Guide
10	32104-17	8	Screw-HWH	33	110-5253-01	1	Adapter-Hood, LH
11	3234-21	10	Screw-HHF	34	110-5256-01	2	Bracket-Latch, Hood
13	104-7201	10	Nut-HF, NI	36	110-5254	1	Adapter-Hood, RH
14	32105-13	4	Screw-HWH	38	110-8950	2	Seal-Foam
15	3256-14	4	Washer-Flat	40	3234-33	2	Screw-HHF
16	3296-12	4	Nut-Lock, NI	41	99-4958	1	Spacer



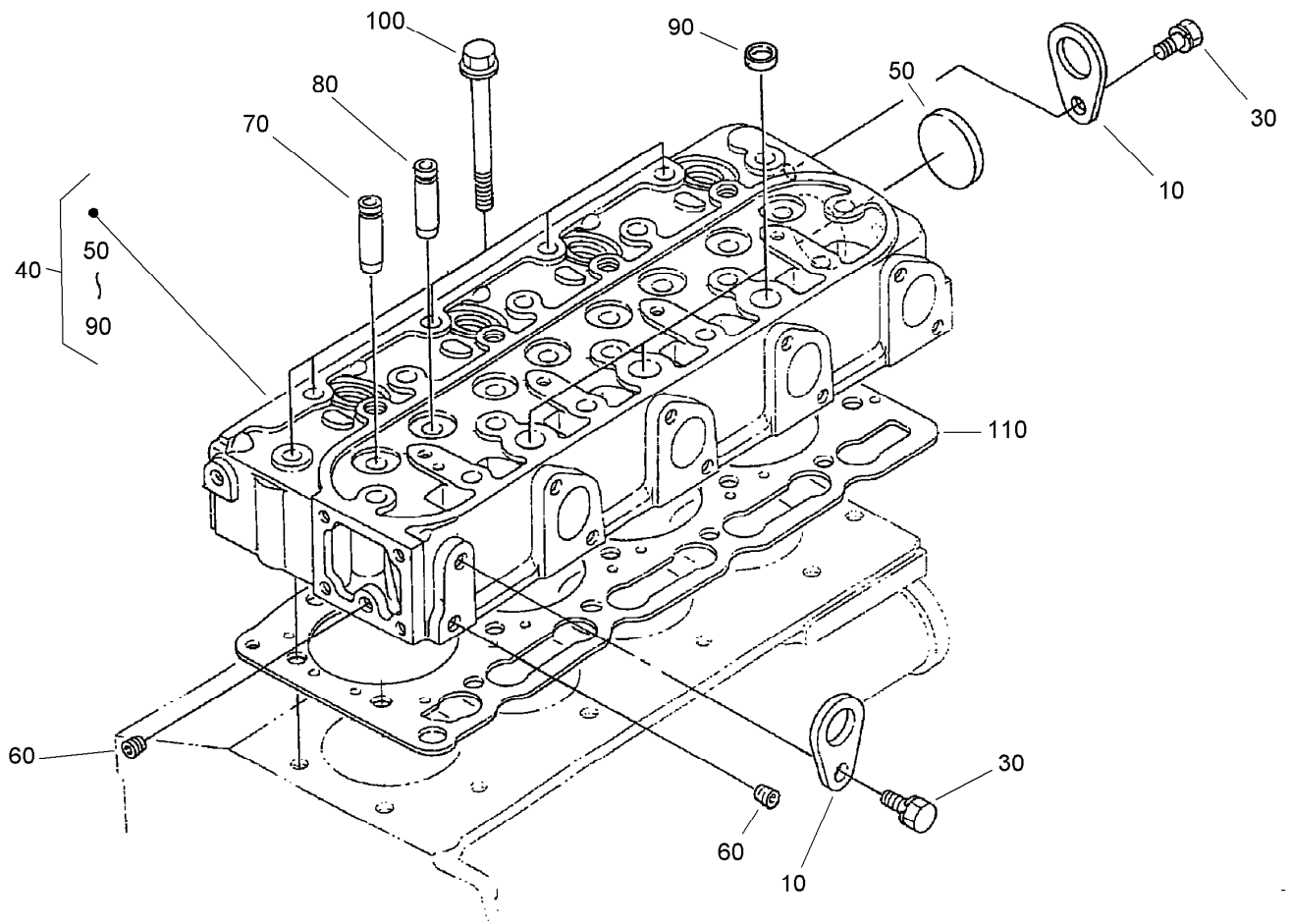
Crankcase Assembly

<i>Ref.</i>	<i>Part Number</i>	<i>Qty.</i>	<i>Description</i>
10	108-4429	1	Crankcase ASM
20	98-9398	6	Cap-Sealing
30	98-7539	1	Cap-Sealing
40	98-7540	4	Plug
50	99-8347	1	Joint-Pipe, Drain
60	98-9597	3	Plug
70	98-7487	2	Plug
80	98-7489	3	Plug
90	98-9668	1	Plug-Expansion
100	98-9375	1	Pin-Straight
110	98-9377	1	Pin-Straight
120	105-3795	2	Pin-Straight
130	98-9387	2	Pin-Pipe
140	98-9539	1	Pin-Pipe
150	98-9599	1	Plug
160	105-3796	1	Pin-Spring, Start
170	98-9675	1	Plug
180	98-9656	1	Bushing-Governor, Gear
190	98-7507	1	Plug
200	98-7428	1	Gasket
210	99-3447	1	Plug
220	106-7056	1	Gasket
230	98-9416	1	Switch-Oil
240	98-9444	1	Plug



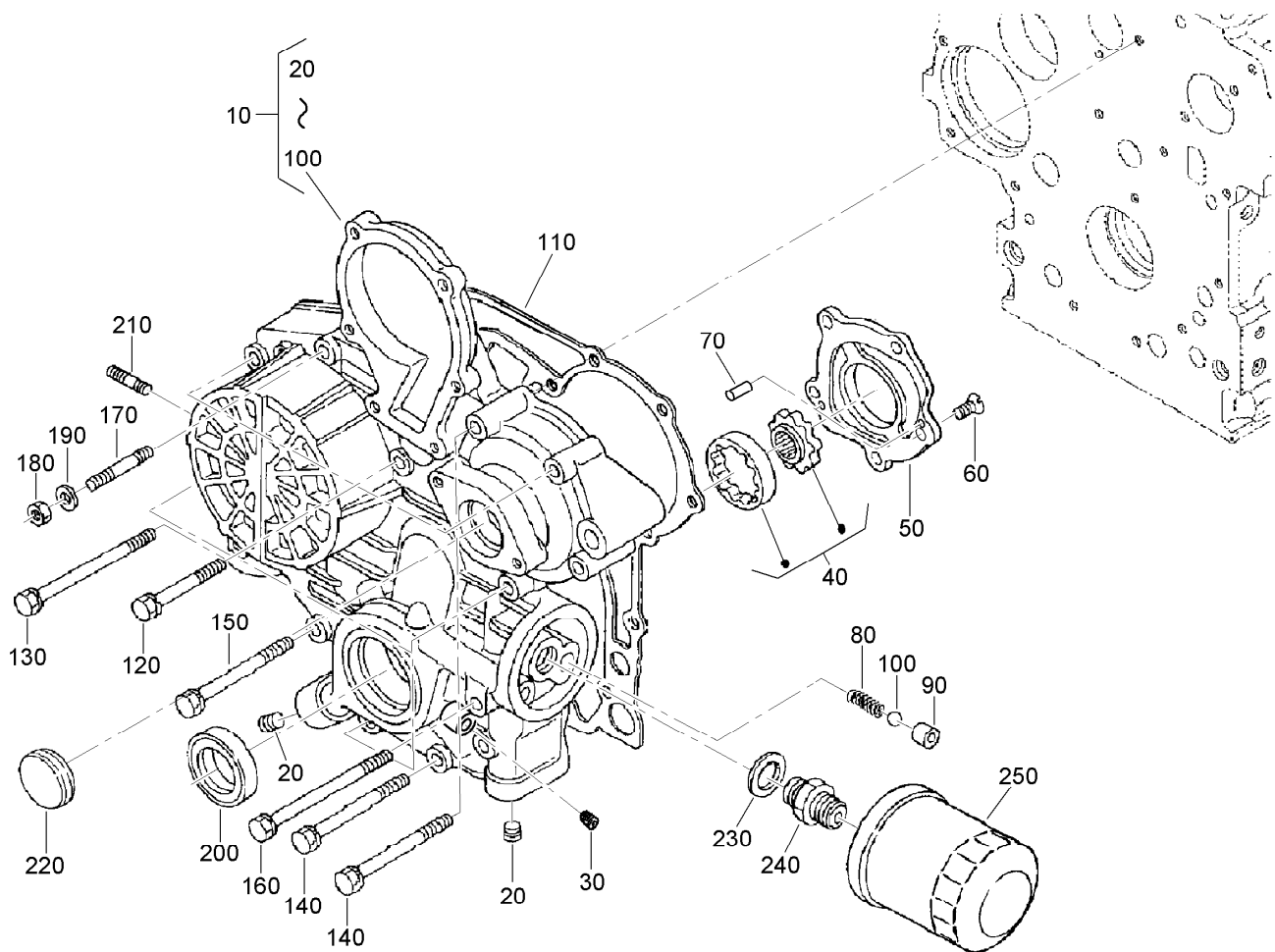
Oil Pan Assembly

<i>Ref.</i>	<i>Part Number</i>	<i>Qty.</i>	<i>Description</i>
10	112-0186	1	Oil Pan ASM
30	107-9065	26	Bolt
40	108-6572	1	Plug-Drain
50	110-3704	1	Gasket
60	105-3704	1	Filter-Oil
70	105-3776	1	O-Ring
80	98-7526	1	Bolt



Cylinder Head Assembly

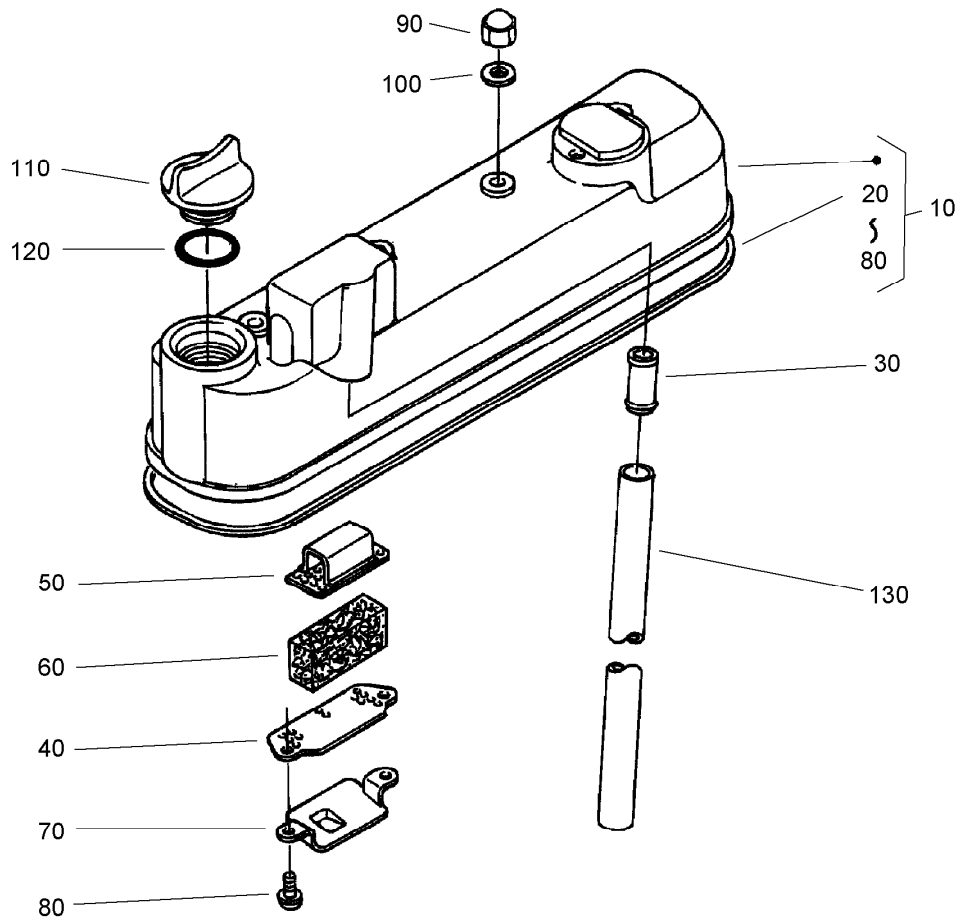
<i>Ref.</i>	<i>Part Number</i>	<i>Qty.</i>	<i>Description</i>
10	98-7531	2	Hook-Engine
30	100-9195	2	Bolt
40	108-4421	1	Cylinder Head ASM
50	98-9395	1	*obs* Cap-Sealing
60	98-7540	2	Plug
70	107-9066	4	Guide-Valve, Inlet
80	107-9067	4	Guide-Valve, Exhaust
90	98-9389	3	Cap-Sealing
100	98-9479	18	Bolt-Head, Cylinder
110	108-2855	1	Gasket-Head, Cylinder



Gear Case Assembly

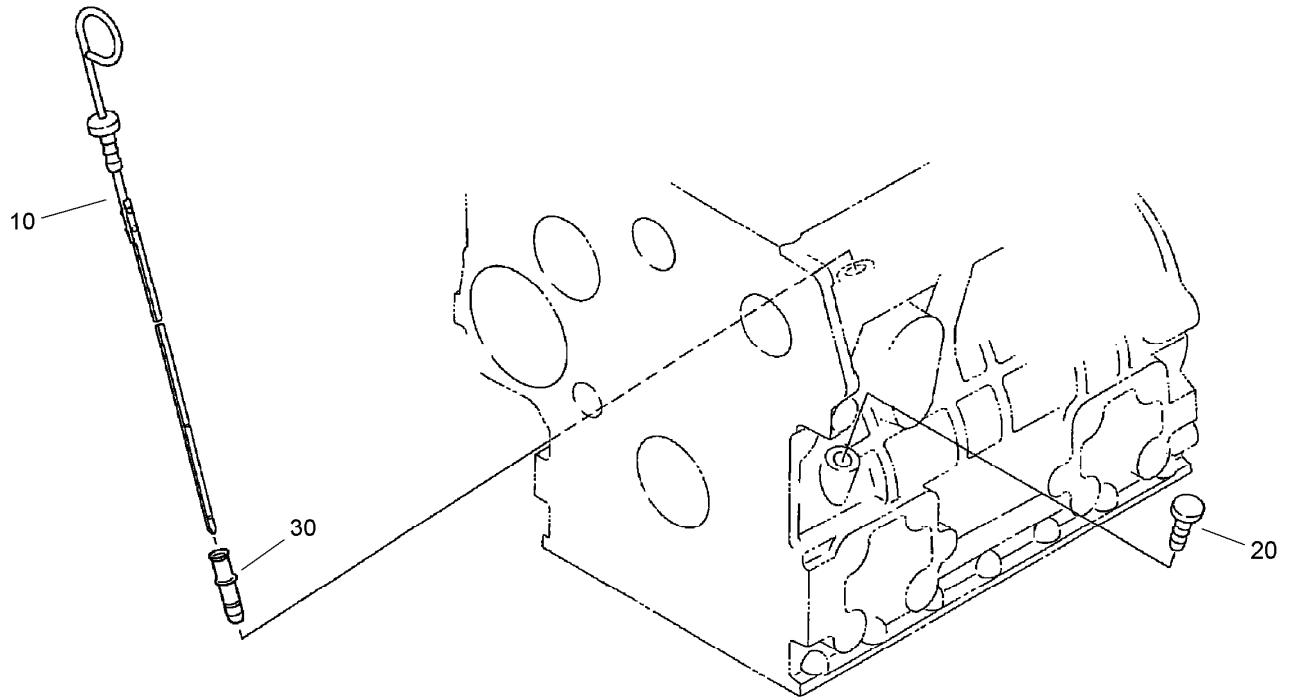
<i>Ref.</i>	<i>Part Number</i>	<i>Qty.</i>	<i>Description</i>
10	105-3707	1	Case-Gear, Complete
20	98-9598	5	Plug
30	98-7487	1	Plug
40	98-9540	1	Oil Pump Rotor ASM
50	105-3708	1	Cover-Pump, Oil
60	107-9071	1	Screw
70	107-9072	1	Pin-Straight
80	98-9544	1	Spring
90	98-9543	1	Seat-Valve
100	98-9380	1	Ball
110	98-9633	1	Gasket-Case, Gear
120	98-7496	3	Bolt
130	105-3797	4	Bolt

<i>Ref.</i>	<i>Part Number</i>	<i>Qty.</i>	<i>Description</i>
140	98-9356	2	Bolt
150	98-9437	1	Bolt
160	98-9437	2	Bolt
170	105-3709	1	Stud
180	98-7572	1	Nut
190	98-7699	1	Washer-Spring
200	98-9482	1	Seal-Oil
210	105-3710	1	Stud
220	98-9641	1	Cover-Case, Gear
230	98-9727	1	Collar
240	104-5159	1	Holder ASM
250	108-3841	1	Filter-Oil



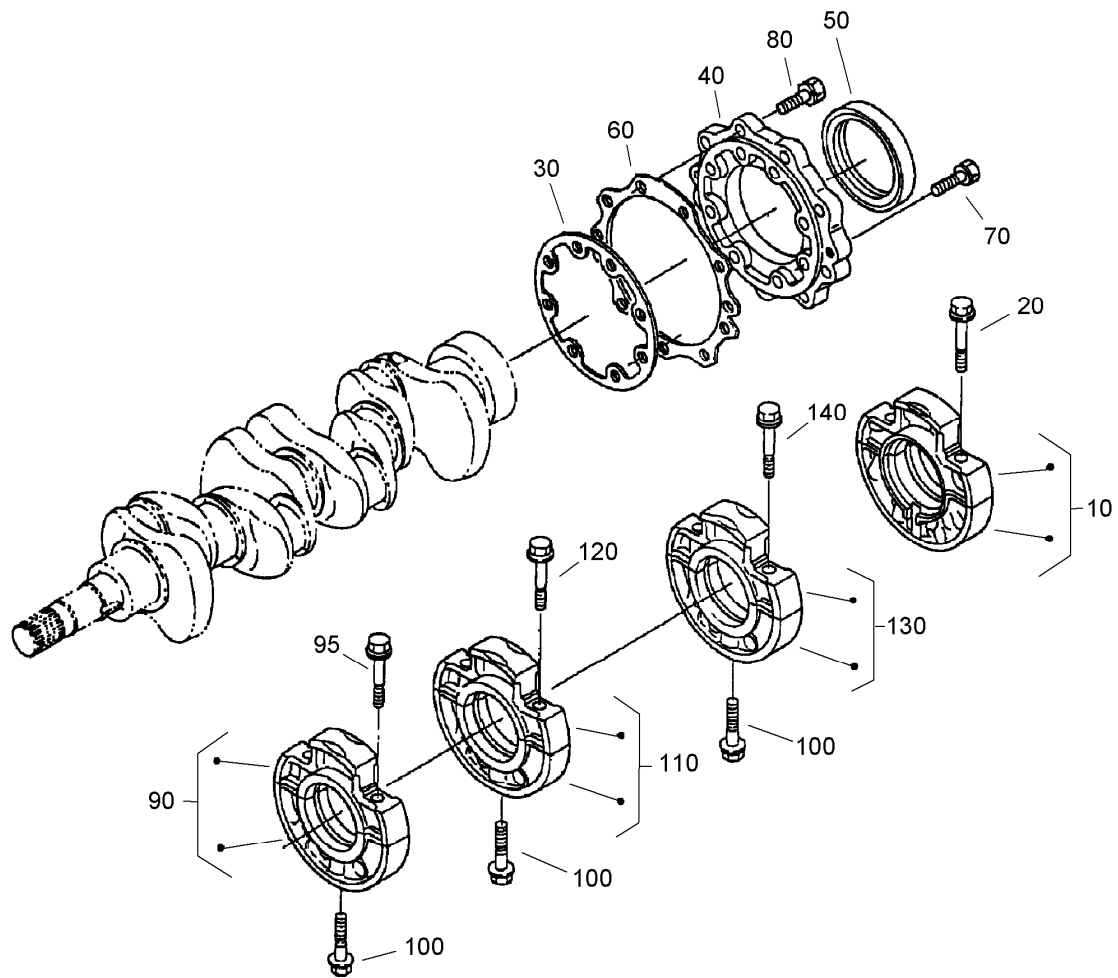
Head Cover Assembly

<i>Ref.</i>	<i>Part Number</i>	<i>Qty.</i>	<i>Description</i>
10	105-3711	1	Cylinder Head Cover ASM
20	105-3712	1	Gasket-Cover, Head
30	98-9492	1	Joint-Pipe, Breather
40	98-9488	1	Plate-Element, Breather
50	98-9489	1	Plate-Element, Breather
60	98-9493	1	Element-Breather
70	98-9490	1	Shield-Oil, Breather
80	98-7421	2	Screw W/Washer
90	98-9455	4	Nut-Cap
100	98-9454	4	Gasket
110	107-9075	1	Plug-Filler, Oil
120	99-3446	1	O-Ring
130	98-9491	1	Pipe-Breather



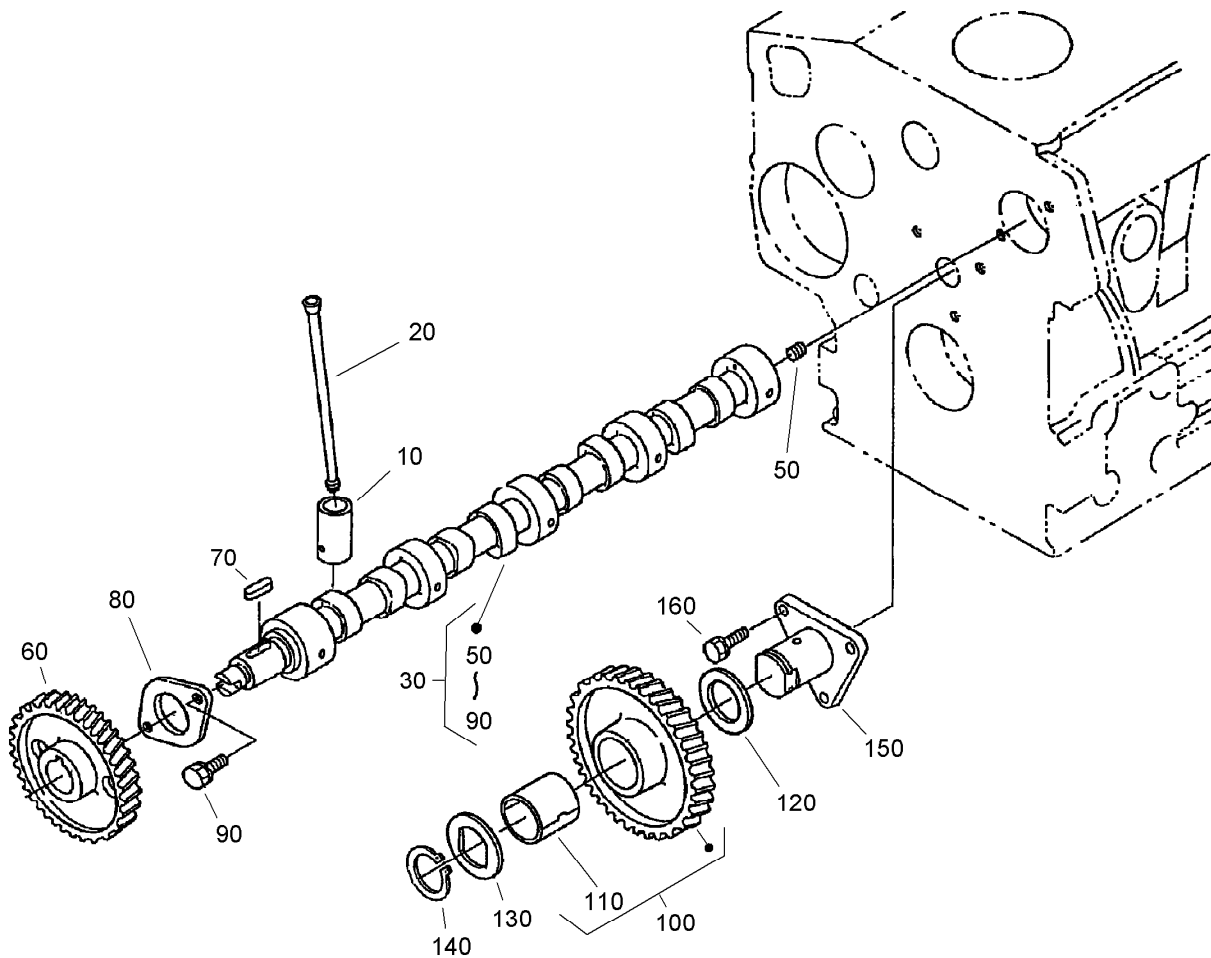
Oil Plug and Dipstick Assembly

<i>Ref.</i>	<i>Part Number</i>	<i>Qty.</i>	<i>Description</i>
10	105-3714	1	Gauge-Oil
20	110-3720	1	Plug-Gauge, Oil
30	105-3713	1	Guide-Gauge, Oil



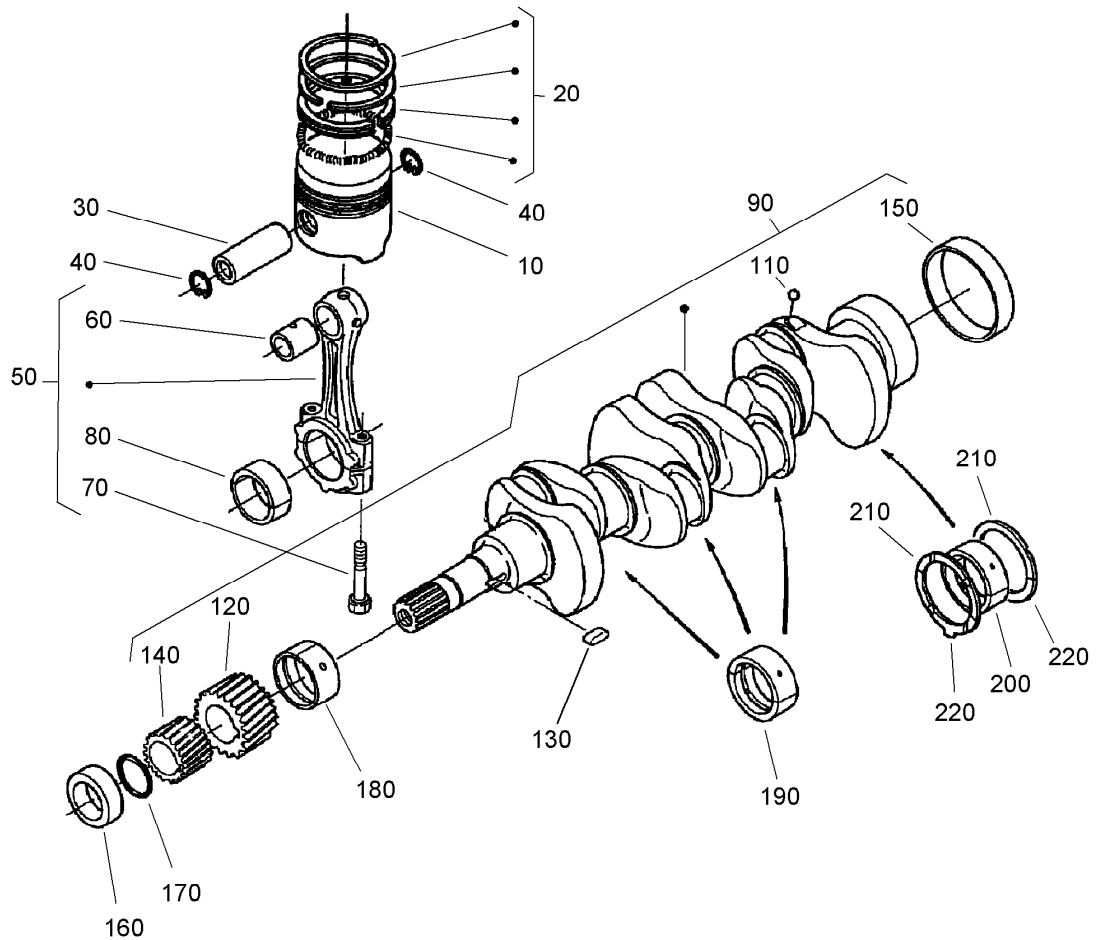
Main Bearing Case Assembly

<i>Ref.</i>	<i>Part Number</i>	<i>Qty.</i>	<i>Description</i>
10	98-9480	1	Main Bearing Case ASM
20	98-9484	2	Bolt-Case, Bearing
30	98-9634	1	Gasket-Case, Bearing
40	98-9487	1	Cover-Case, Bearing
50	112-0180	1	Seal-Oil
60	98-9635	1	Gasket-Cover, Bearing Case
70	98-9352	8	Bolt
80	98-7568	9	Bolt
90	99-8361	1	Case-Bearing, Main
95	98-9484	2	Bolt-Case, Bearing
100	98-9485	3	Bolt-Case, Bearing
110	99-8360	1	Case-Bearing, Main
120	98-9484	2	Bolt-Case, Bearing
130	105-3716	1	Main Bearing Case ASM
140	98-9484	2	Bolt-Case, Bearing



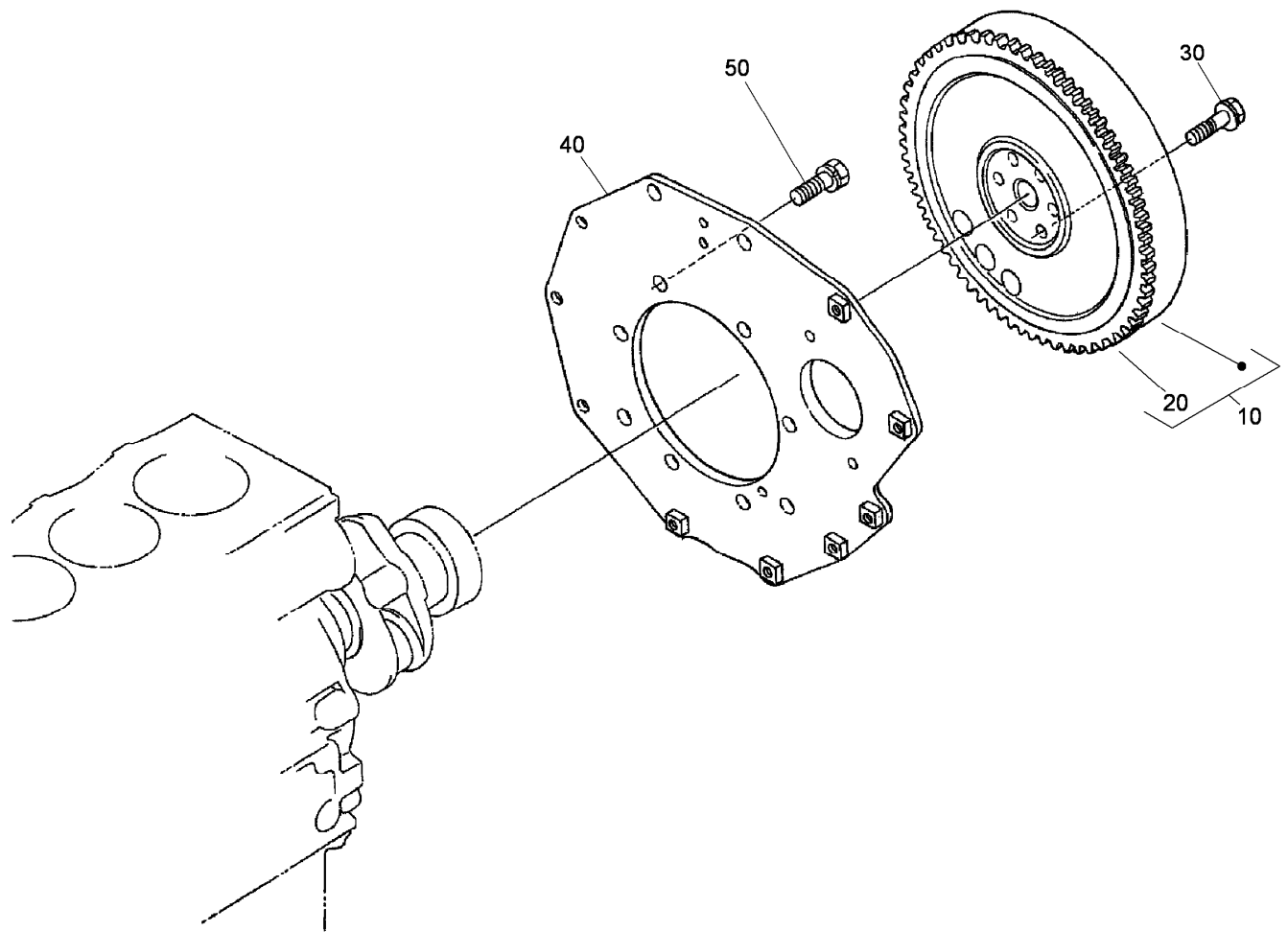
Cam Shaft and Idle Gear Shaft Assembly

<i>Ref.</i>	<i>Part Number</i>	<i>Qty.</i>	<i>Description</i>
10	112-0185	8	Tappet
20	98-9509	8	Rod-Push
30	112-8402	1	Camshaft ASM
50	98-7449	1	Screw-Set
60	98-9512	1	Gear-Cam
70	98-9378	1	Key-Feather
80	98-9510	1	Stopper-Camshaft
90	98-7692	2	Bolt
100	98-9649	1	Idle Gear ASM
110	98-9650	1	Bushing-Gear, Idle
120	98-9535	1	Collar-Gear, Idle
130	98-9536	1	Collar-Gear, Idle
140	98-9534	1	Circlip-Gear, Idle
150	98-9533	1	Shaft-Gear, Idle
160	98-7692	3	Bolt



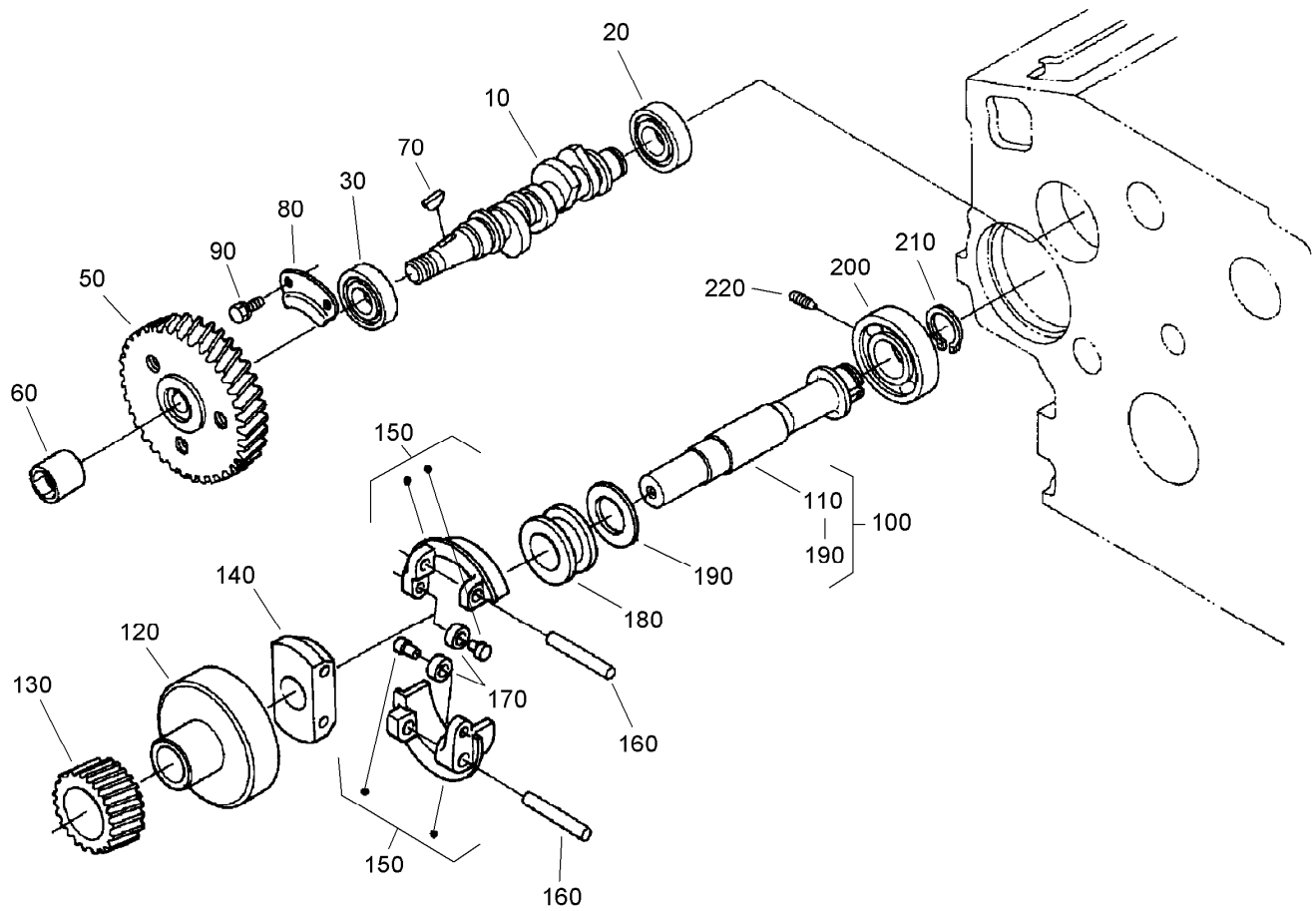
Piston and Crankshaft Assembly

<i>Ref.</i>	<i>Part Number</i>	<i>Qty.</i>	<i>Description</i>	<i>Ref.</i>	<i>Part Number</i>	<i>Qty.</i>	<i>Description</i>
10	98-9550	4	Piston (STD)	160	98-9521	1	Collar-Crankshaft
10	108-1417	4	Piston (+0.5MM)	170	98-9373	1	O-Ring
20	98-9551	4	Piston Ring ASM (STD)	180	112-7005	1	Bearing-Main (STD)
20	108-1404	4	Piston Ring ASM (+0.5MM)	180	112-7009	1	Metal-Crankpin (-0.2MM)
30	98-9513	4	Pin-Piston	180	112-7010	1	Metal-Crankpin (-0.4MM)
40	98-9514	8	Circlip-Pin, Piston	190	112-7011	3	Bearing-Main (STD)
50	98-9552	4	Connecting Rod ASM	190	112-7012	3	Metal-Crankpin (-0.2MM)
60	98-9515	4	Bushing-Pin, Piston	190	112-7013	3	Metal-Crankpin (-0.4MM)
70	98-9517	8	Bolt-Rod, Connecting	200	112-7006	1	Bearing-Main (STD)
80	98-9553	4	Bearing-Rod (STD)	200	112-7007	1	Metal-Crankshaft (.2MM)
80	108-1405	4	Metal-Crankpin (-0.2MM)	200	112-7008	1	Metal-Crankshaft (.4MM)
80	108-1406	4	Metal-Crankpin (-0.4MM)	210	99-6864	2	Metal-Side (STD)
90	105-3718	1	Crankshaft ASM	210	98-9414	2	Bearing-Thrust (0.2MM)
110	98-7473	4	Ball	210	98-9415	2	Bearing-Thrust (0.4MM)
120	98-9532	1	Gear-Crankshaft	220	99-6867	2	Metal-Side (STD)
130	98-9666	1	Key	220	99-6868	2	Metal-Side, O/S (0.2MM)
140	98-9542	1	Gear-Drive, Oil Pump	220	99-6869	2	Metal-Side, O/S (0.4MM)
150	98-9522	1	Sleeve-Crankshaft				



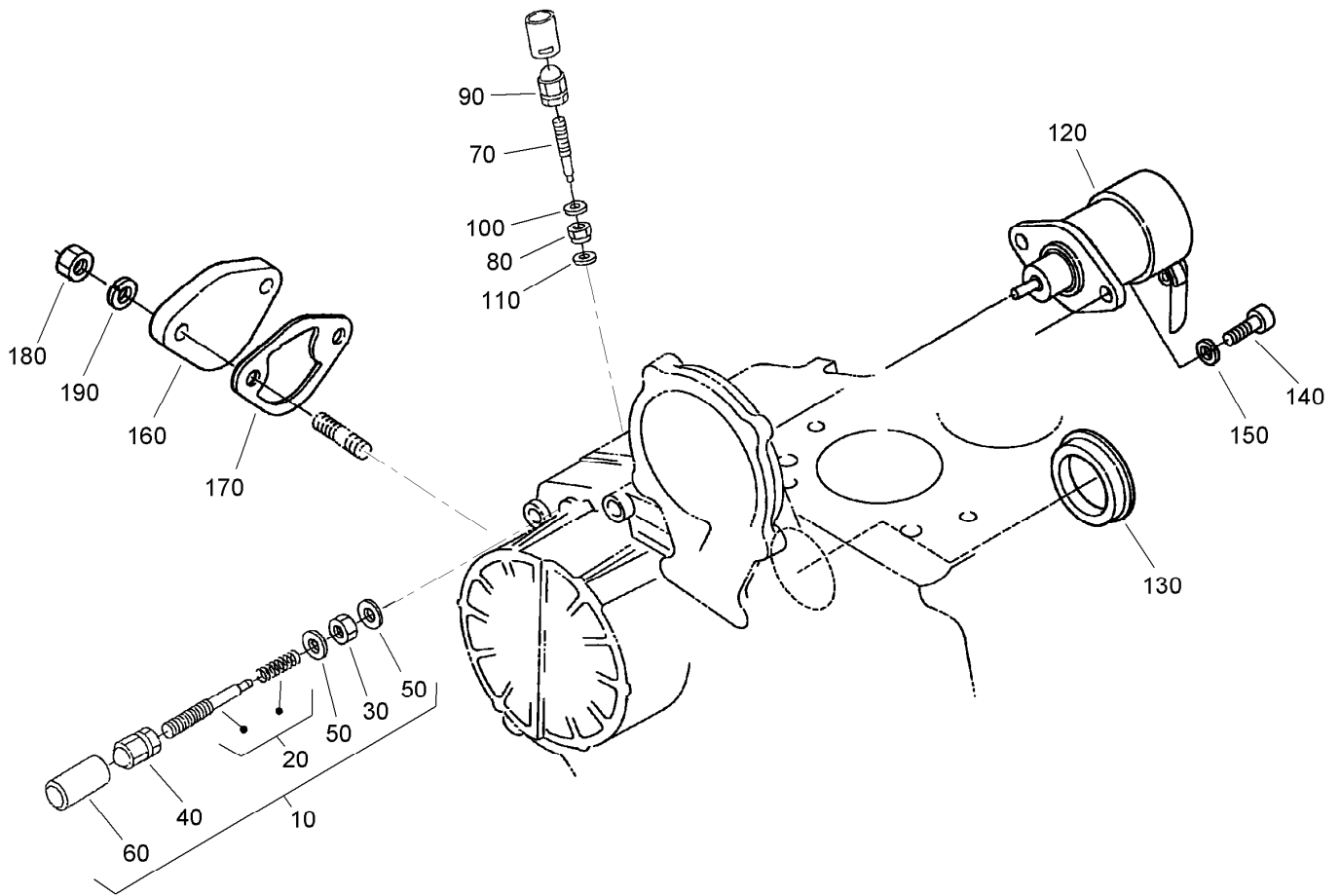
Flywheel Assembly

<i>Ref.</i>	<i>Part Number</i>	<i>Qty.</i>	<i>Description</i>
10	105-3721	1	Flywheel ASM
20	105-3722	1	Gear-Ring
30	98-9537	6	Bolt-Flywheel
40	98-9486	1	Plate-End, Rear
50	98-9392	8	Bolt



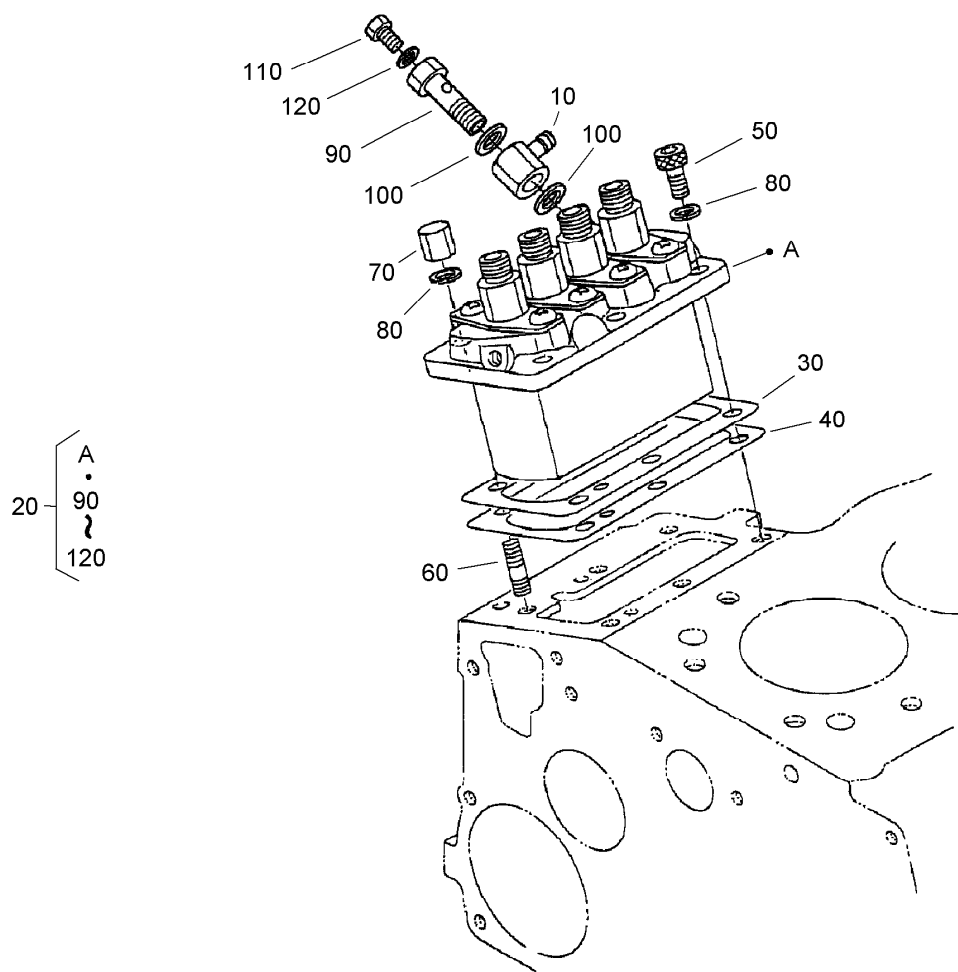
Fuel Camshaft and Governor Shaft Assembly

<i>Ref.</i>	<i>Part Number</i>	<i>Qty.</i>	<i>Description</i>
10	105-3723	1	Camshaft-Fuel
20	107-9077	1	Bearing-Ball
30	107-9078	1	Bearing-Ball
50	98-9669	1	Gear-Pump, Injection
60	98-9590	1	Nut-Cap
70	98-9595	1	Key-Woodruff
80	98-9511	1	Stopper-Fuel, Camshaft
90	98-7692	2	Bolt
100	105-3724	1	Governor Shaft ASM
110	105-3725	1	Shaft-Governor
120	98-9562	1	Holder-Gear, Governor
130	98-9673	1	Gear-Governor
140	98-9561	1	Holder-Weight, Governor
150	98-9559	2	Governor Weight ASM
160	98-9560	2	Shaft-Weight, Governor
170	98-9692	2	Roller
180	98-9563	1	Sleeve-Governor
190	98-9564	1	Washer-Thrust
200	107-9079	1	Bearing-Ball
210	98-9657	1	Circlip-Shaft, Governor
220	98-9565	1	Screw-Set



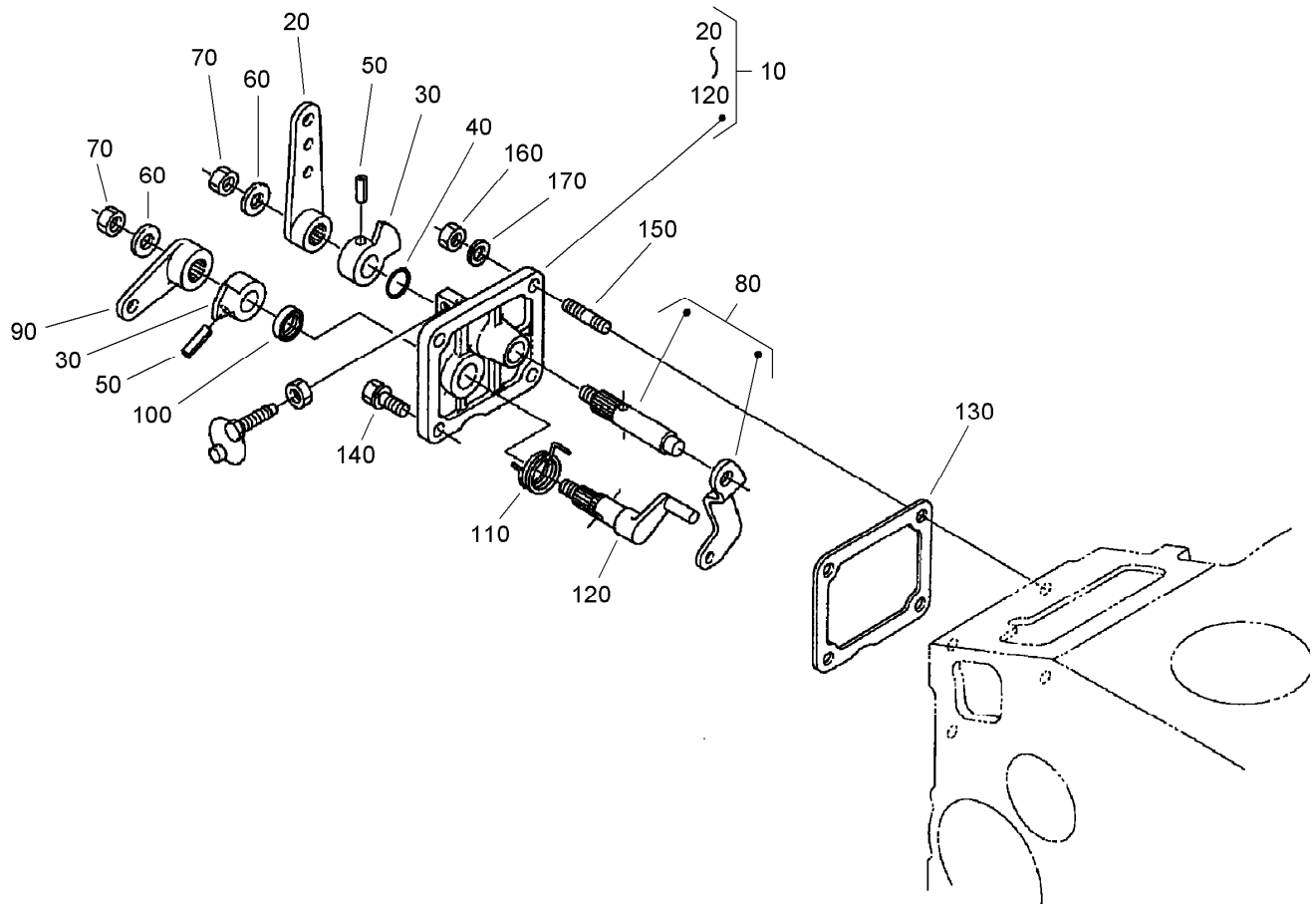
Idle Apparatus and Stop Solenoid Assembly

Ref.	Part Number	Qty.	Description
10	98-9678	1	Idle Apparatus ASM
20	104-4802	1	Adjusting Bolt ASM
30	98-9439	1	Nut
40	99-8387	1	Nut-Cap
50	98-7654	2	Gasket
60	98-7656	1	Cap
70	112-7015	1	Bolt-Adjusting
80	99-3512	1	Nut
90	99-8387	1	Nut-Cap
100	98-7654	1	Gasket
110	107-9081	1	Gasket
120	104-5155	1	Solenoid-Stop
130	98-9640	1	Cover-Pump
140	105-3799	2	Bolt-HSH
150	98-7699	2	Washer-Spring
160	99-3514	1	Cover
170	98-9636	1	Gasket-Pump, Fuel
180	98-7572	2	Nut
190	98-7699	2	Washer-Spring



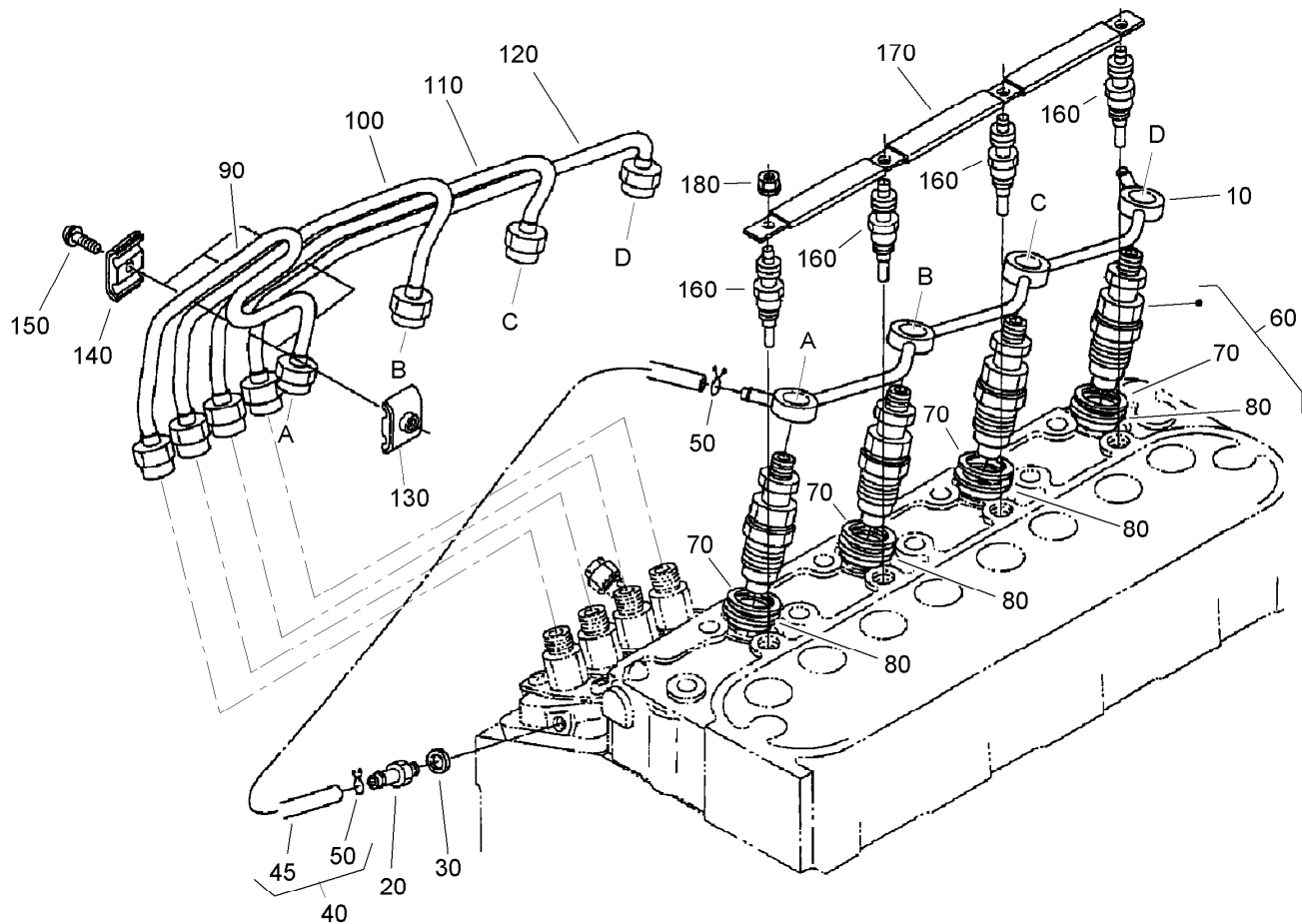
Injection Pump Assembly

<i>Ref.</i>	<i>Part Number</i>	<i>Qty.</i>	<i>Description</i>
10	98-9596	1	Joint-Eye
20	105-3727	1	Injection Pump ASM
30	105-3728	1	Shim-Pump, Injection (.20MM)
30	105-3729	1	Shim-Pump, Injection (.25MM)
40	105-3730	1	Shim-Pump, Injection (.30MM)
50	98-9361	3	Bolt-HSH
60	98-9438	3	Stud
70	98-9440	3	Nut-Cap
80	98-7699	6	Washer-Spring
90	98-9464	1	Bolt-Joint
100	98-9445	2	Gasket
110	98-9430	1	Screw
120	98-9446	1	Gasket



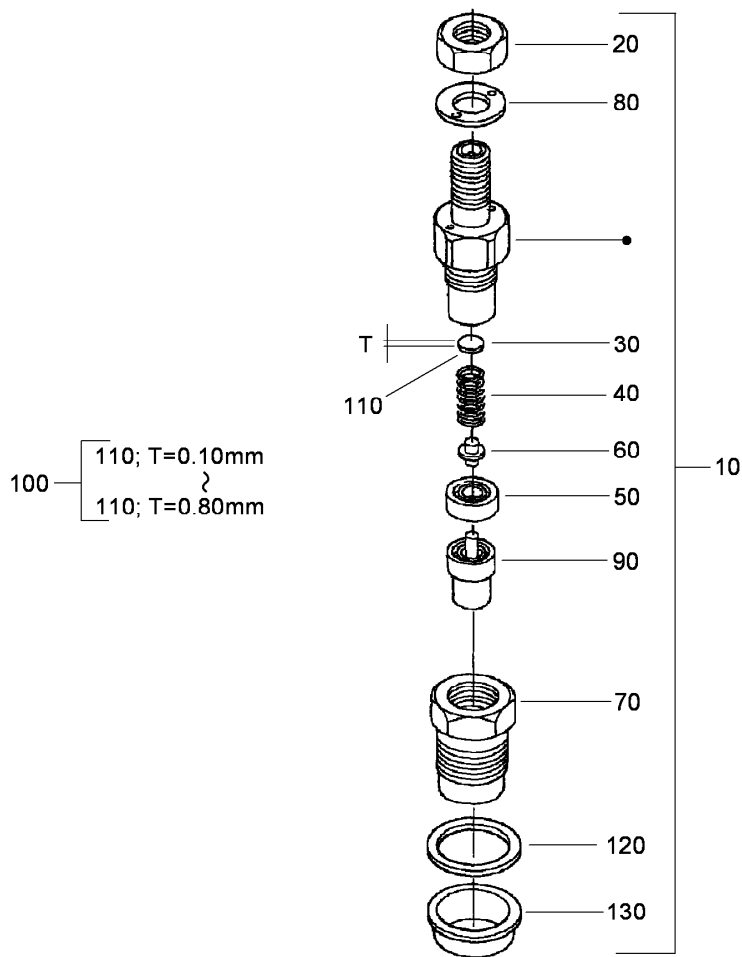
Speed Control Plate Assembly

<i>Ref.</i>	<i>Part Number</i>	<i>Qty.</i>	<i>Description</i>
10	105-3735	1	Control Plate ASM
20	98-9662	1	Lever-Control, Speed
30	98-9572	2	Lever-Control, Speed
40	105-3788	1	O-Ring
50	98-7602	2	Pin-Spring
60	98-9594	2	Washer-Plain
70	98-9589	2	Nut
80	98-9658	1	Governor Lever ASM
90	98-9663	1	Lever-Stop, Engine
100	98-7601	1	Seal-Oil
110	98-9472	1	Spring-Return
120	98-9664	1	Shaft-Lever, Stop
130	98-9637	1	Gasket
140	98-7692	2	Bolt
150	105-3710	2	Stud
160	98-7572	2	Nut
170	98-7699	2	Washer-Spring



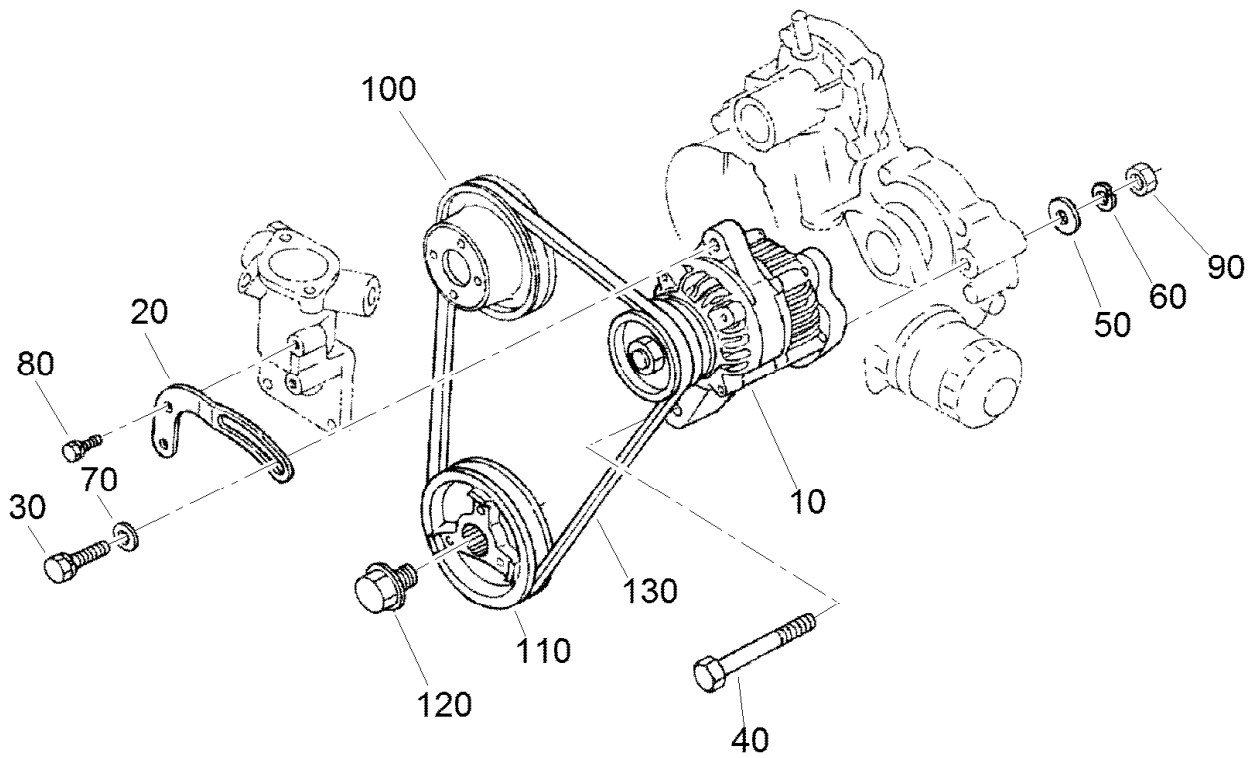
Nozzle Holder and Glow Plug Assembly

Ref.	Part Number	Qty.	Description
10	105-3737	1	Over Flow Pipe ASM
20	98-9431	1	Screw-Bleeder, Air
30	98-7654	1	Gasket
40	98-9420	1	Overflow Pipe ASM
45	112-0182	1	Pipe-Overflow
50	98-7671	2	Clip-Pipe
60	108-2866	4	Nozzle Holder Kit
70	98-7676	4	Gasket
80	98-7677	4	Seal-Heat
90	98-9622	1	Pipe-Injection
100	98-9654	1	Pipe-Injection
110	98-9655	1	Pipe-Injection
120	105-3738	1	Pipe-Injection
130	98-7682	3	Clamp-Pipe
140	98-7683	3	Clamp-Pipe
150	98-9364	3	Screw (With Washer)
160	98-9623	4	Plug-Glow
170	105-3739	1	Cord-Plug, Glow
180	99-8377	4	Nut-Flange



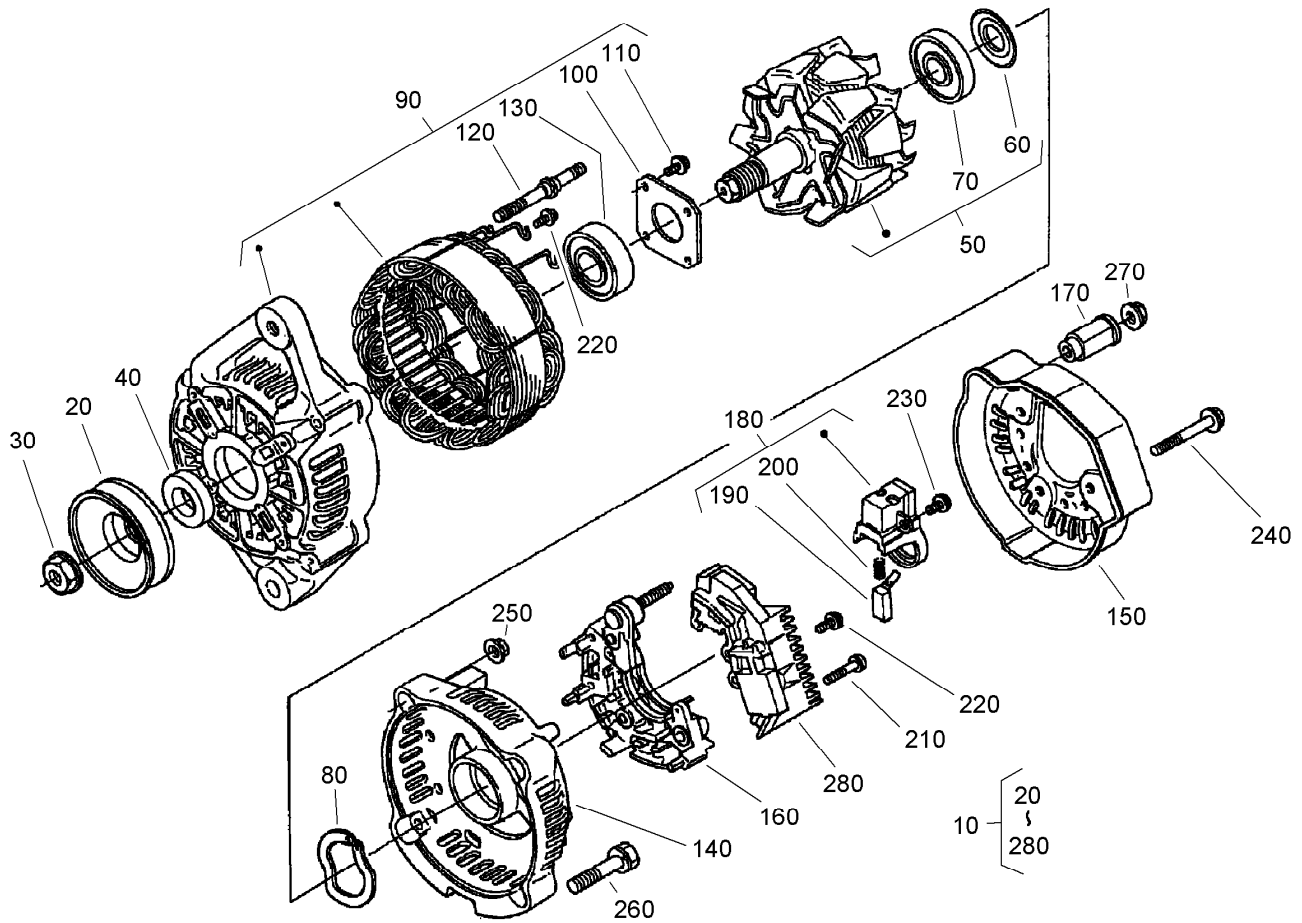
Nozzle Holder Component Assembly

Ref.	Part Number	Qty.	Description
10	108-2866	4	Nozzle Holder Kit
20	99-8301	4	Nut
30	99-8302	4	Washer-Adjusting
40	99-8303	4	Spring-Nozzle
50	99-8304	4	Spacer-Distance
60	99-8305	4	Rod-Push
70	99-8306	4	Nut-Nozzle
80	99-8307	4	Washer-Plain
90	107-7826	4	Piece-Nozzle
100	99-8309	4	Adjusting Washer ASM
110	99-8310	4	Washer-Adjust (0.10MM)
110	99-8311	4	Washer-Adjust (0.20MM)
110	99-8312	4	Washer-Adjust (0.30MM)
110	99-8313	4	Washer-Adjust (0.40MM)
110	99-8314	4	Washer-Adjust (0.50MM)
110	99-8315	4	Washer-Adjust (0.52MM)
110	99-8316	4	Washer-Adjust (0.54MM)
110	99-8317	4	Washer-Adjust (0.56MM)
110	99-8318	4	Washer-Adjust (0.58MM)
110	99-8319	4	Washer-Adjust (0.80MM)
120	98-7676	4	Gasket
130	98-7677	4	Seal-Heat



Alternator and Pulley Assembly

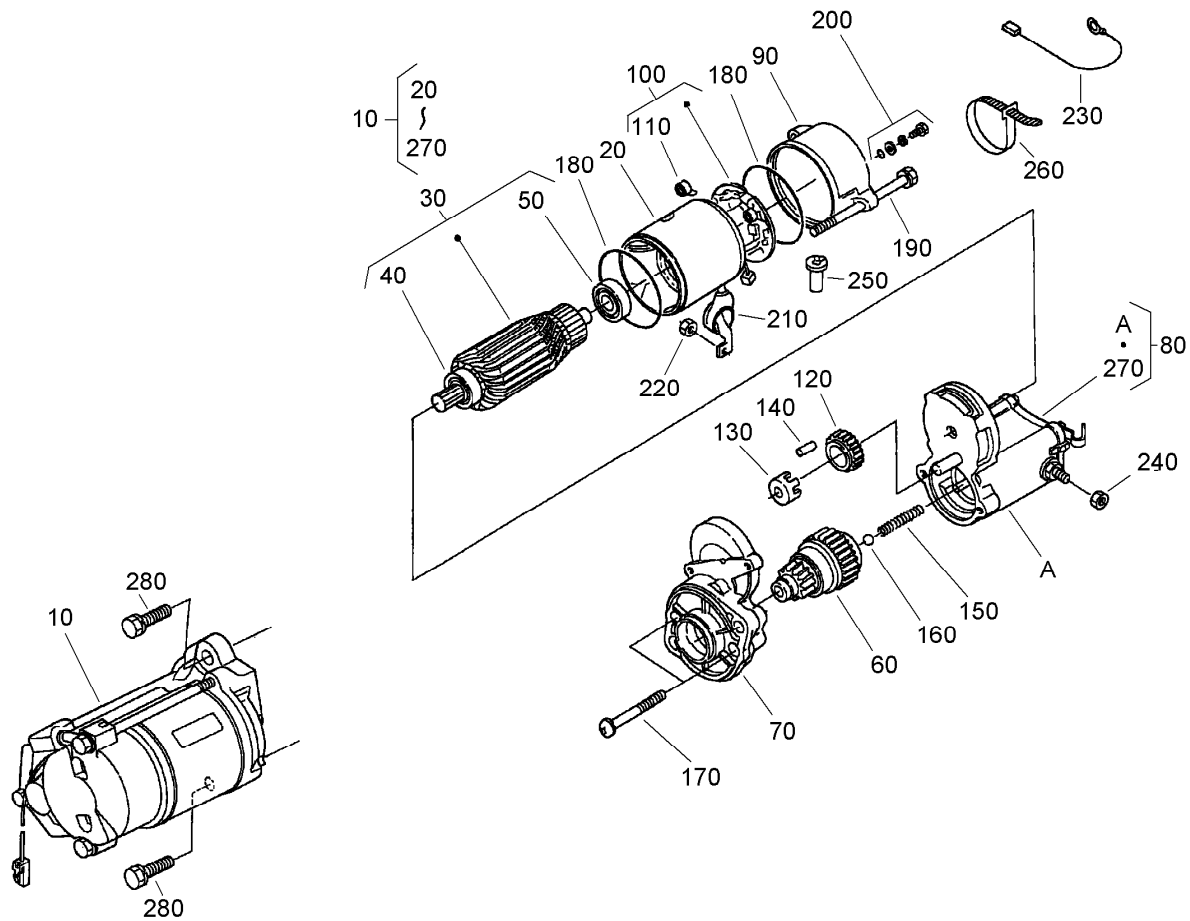
<i>Ref.</i>	<i>Part Number</i>	<i>Qty.</i>	<i>Description</i>
10	98-9474	1	Alternator ASM
20	98-9573	1	Stay-Dynamo
30	108-7088	1	Bolt
40	98-9360	1	Bolt
50	33095-00	1	Washer-Flat
60	98-7738	1	Washer-Spring
70	100-9233	1	Washer-Plain
80	98-7692	1	Bolt
90	99-7526	1	Nut
100	110-0972	1	Pulley
110	105-3745	1	Pulley-Drive, Fan
120	98-9585	1	Bolt
130	98-9676	1	V-Belt



Alternator Assembly No. 98-9474

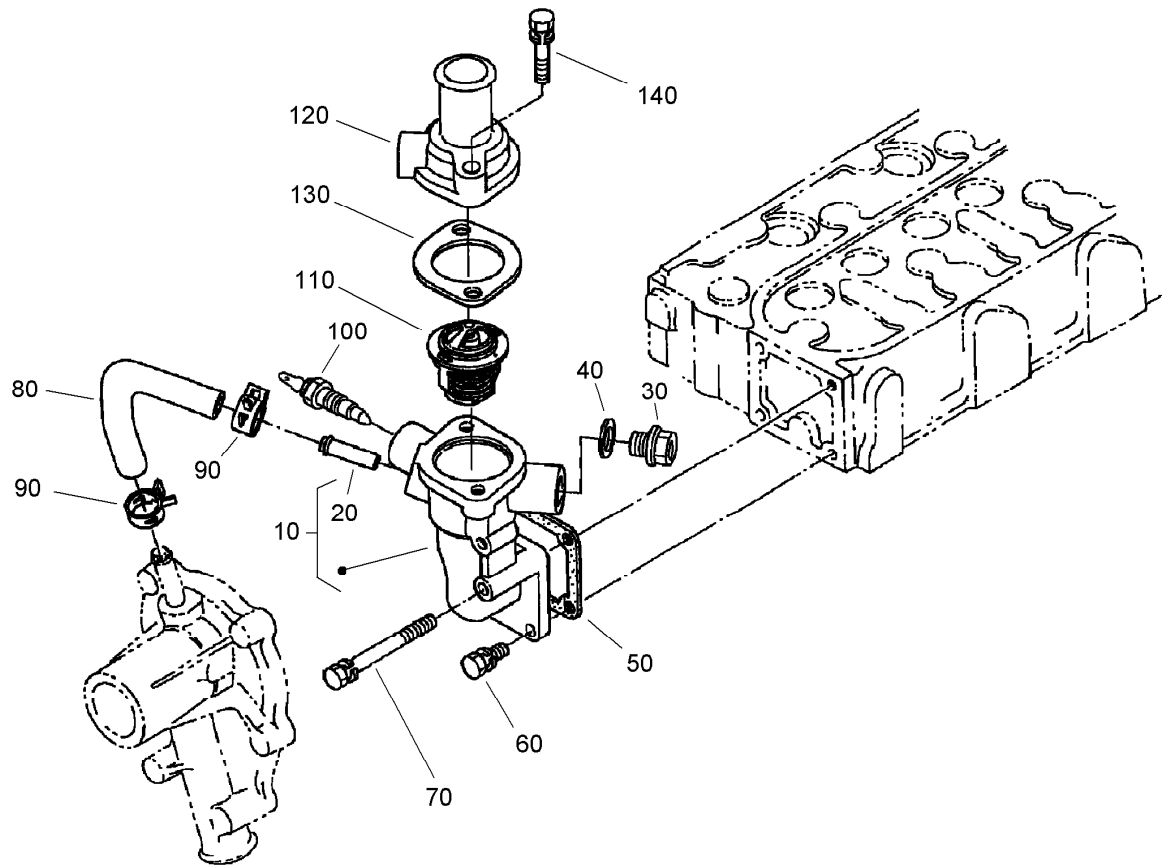
<i>Ref.</i>	<i>Part Number</i>	<i>Qty.</i>	<i>Description</i>
10	98-9474	1	Alternator ASM
20	98-9453	1	Pulley-Dynamo
30	98-7708	1	Nut
40	98-7709	1	Collar
50	107-0136	1	Rotor ASM
60	98-7711	1	Cover-Bearing
70	98-7712	1	Bearing-Ball
80	98-7713	1	Washer-Thrust
90	107-0139	1	Drive End Frame ASM
100	98-7715	1	Plate-Retainer
110	98-7716	4	Screw-Head, Round
120	98-7717	2	Bolt-Through
130	107-0137	1	Bearing-Ball
140	107-9087	1	Frame-End

<i>Ref.</i>	<i>Part Number</i>	<i>Qty.</i>	<i>Description</i>
150	107-0140	1	Cover-End
160	98-7721	1	Rectifier ASM
170	98-7722	1	Bushing-Insulation
180	107-0141	1	Brush Holder ASM
190	98-7724	2	Brush
200	98-7725	2	Spring-Brush
210	98-7726	2	Screw-Head, Round
220	98-7727	6	Screw-Head, Round
230	98-7728	1	Screw-Head, Round
240	98-7729	3	Bolt
250	98-7730	2	Nut
260	98-7731	2	Bolt
270	98-7732	1	Nut
280	107-9088	1	Regulator ASM



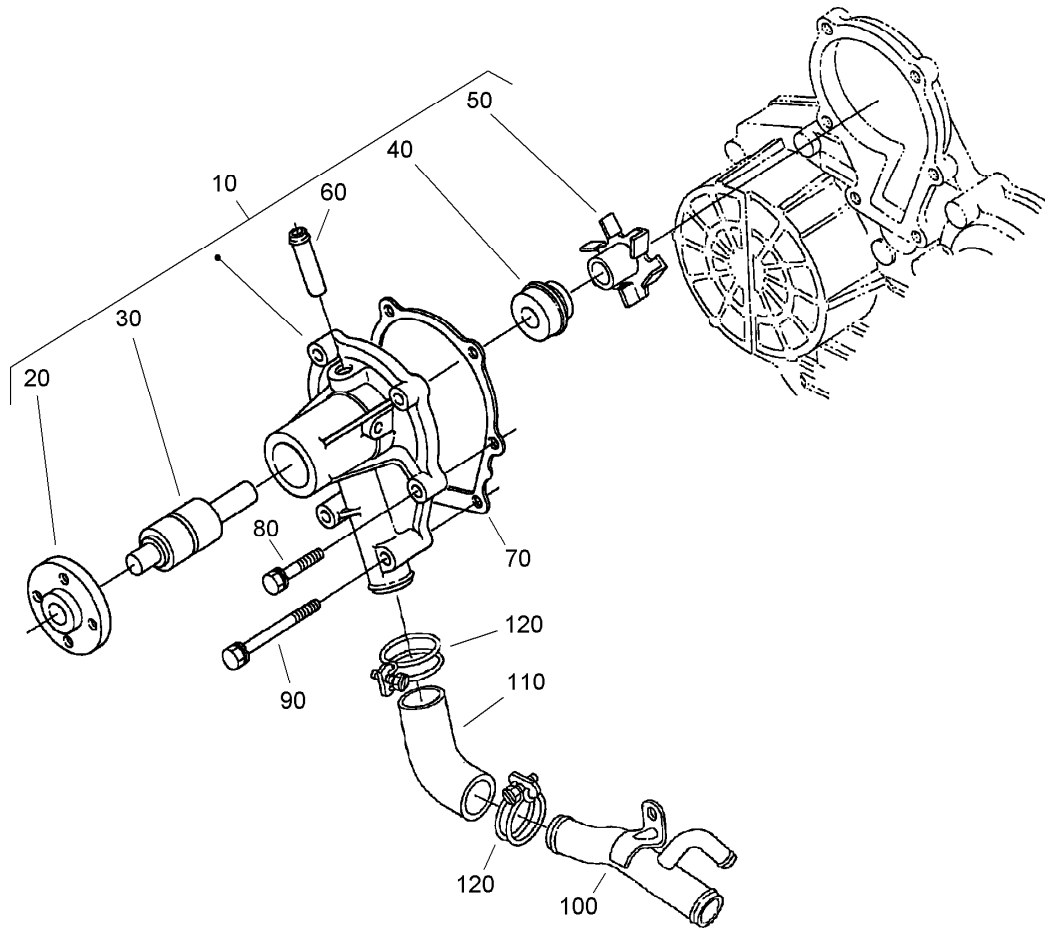
Starter Assembly

<i>Ref.</i>	<i>Part Number</i>	<i>Qty.</i>	<i>Description</i>	<i>Ref.</i>	<i>Part Number</i>	<i>Qty.</i>	<i>Description</i>
10	98-9705	1	Starter ASM	150	98-7754	1	Spring
20	104-8608	1	Yoke ASM	160	98-7755	1	Ball
30	98-7742	1	Armature ASM	170	98-7756	2	Bolt
40	98-7744	1	Bearing	180	98-7757	2	O-Ring
50	98-7743	1	Bearing	190	100-9240	2	Bolt
60	99-8373	1	Clutch-Running, Over	200	98-7758	2	Bolt ASM
70	99-8374	1	Frame-End, Drive	210	99-8375	1	Cover
80	105-3746	1	Magnetic Switch ASM	220	99-8371	1	Nut-Hex
90	98-7748	1	Frame-End	230	98-9711	1	Cord-Solenoid, Stop
100	98-7749	1	Brush Holder ASM	240	99-8376	1	Nut-Hex
110	98-7750	4	Spring-Brush	250	98-7759	1	Pipe-Drain
120	98-7751	1	Gear	260	98-9712	1	Band-Cover
130	98-7752	1	Retainer	270	105-2886	1	Cover ASM
140	98-7753	5	Roller	280	98-7697	2	Bolt



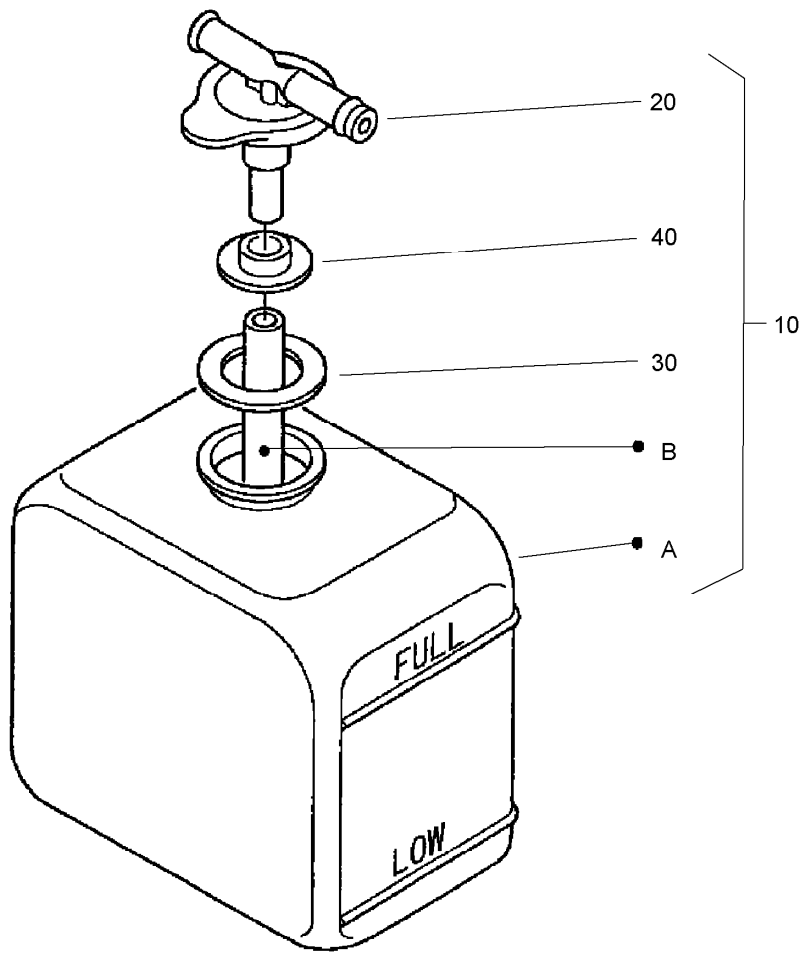
Water Flange and Thermostat Assembly

<i>Ref.</i>	<i>Part Number</i>	<i>Qty.</i>	<i>Description</i>
10	98-9713	1	Water Flange ASM
20	98-9580	1	Pipe-Return, Water
30	105-3747	1	Plug
40	99-3583	1	Gasket
50	98-9638	1	Gasket-Flange, Water
60	98-7692	3	Bolt
70	98-9356	1	Bolt
80	98-9578	1	Pipe-Return, Water
90	98-9579	2	Band-Pipe
100	112-0183	1	Switch-Thermometer
110	98-7778	1	Thermostat ASM
120	98-9471	1	Cover-Thermostat
130	105-3748	1	Gasket-Thermostat
140	98-7777	2	Bolt



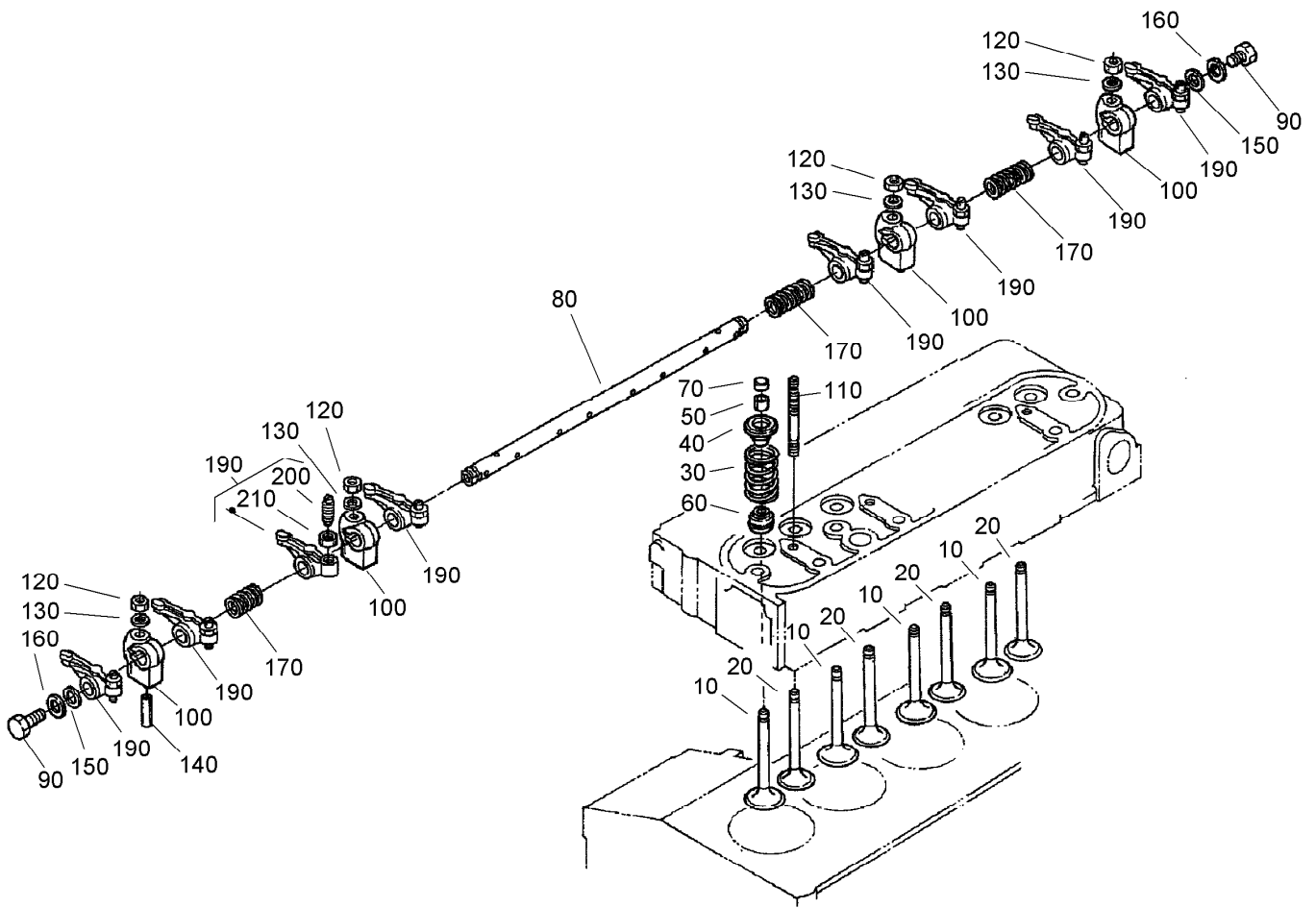
Water Pump Assembly

<i>Ref.</i>	<i>Part Number</i>	<i>Qty.</i>	<i>Description</i>
10	108-4426	1	Water Pump ASM
20	99-3516	1	Flange-Pump, Water
30	99-3517	1	Bearing-Pump, Water
40	105-3750	1	Mechanical Seal ASM
50	112-7017	1	Impeller-Pump, Water
60	98-9577	1	Pipe-Return, Water
70	99-3454	1	Gasket-Pump, Water
80	98-9353	4	Bolt
90	107-9090	2	Bolt
100	99-8379	1	Pipe-Water
110	107-9091	1	Pipe-Water
120	98-9717	2	Clamp



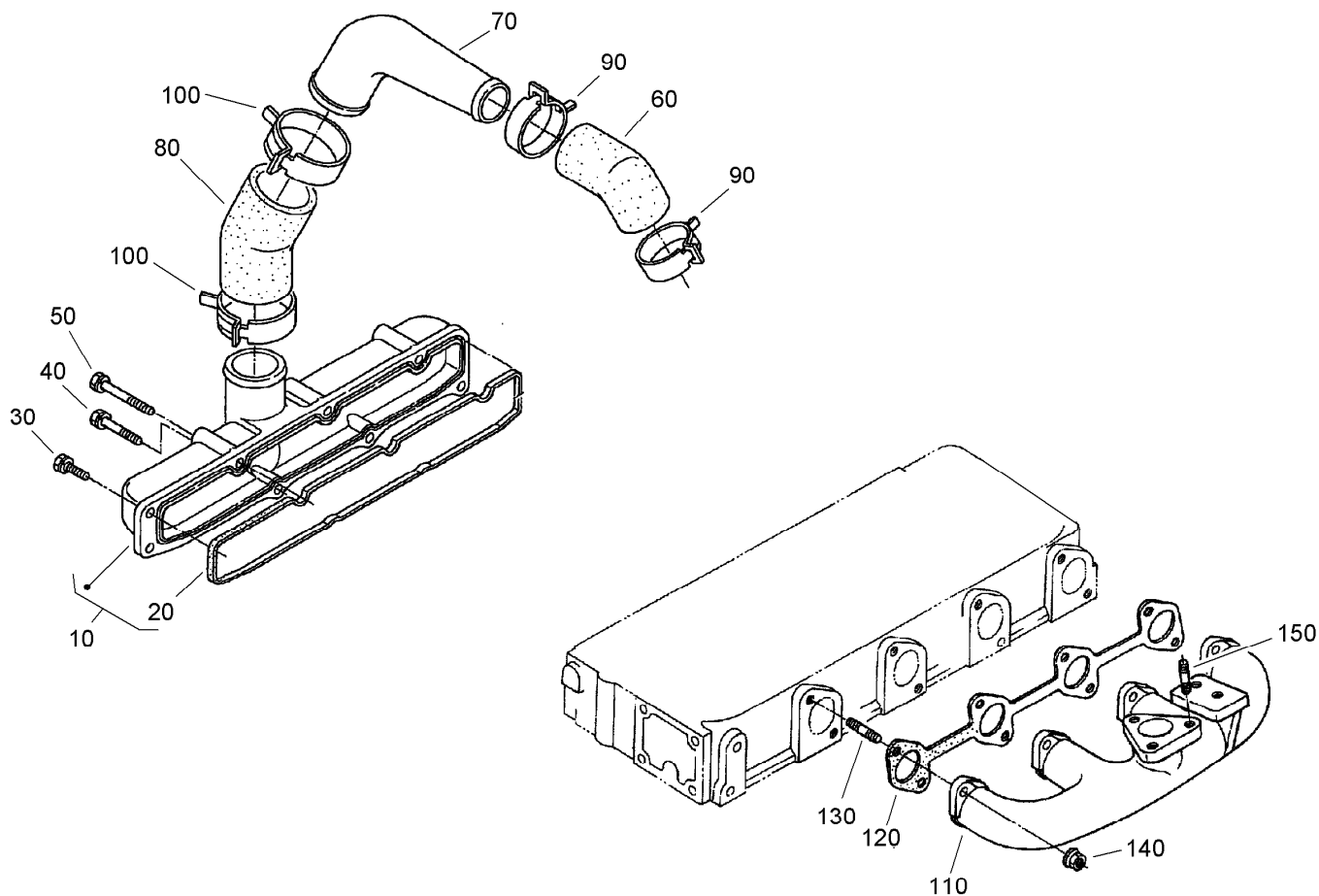
Reserve Tank Assembly

<i>Ref.</i>	<i>Part Number</i>	<i>Qty.</i>	<i>Description</i>
10	104-9318	1	Bottle-Overflow
20	105-3754	1	Cap
30	105-3755	1	Gasket
40	105-3756	1	Plate



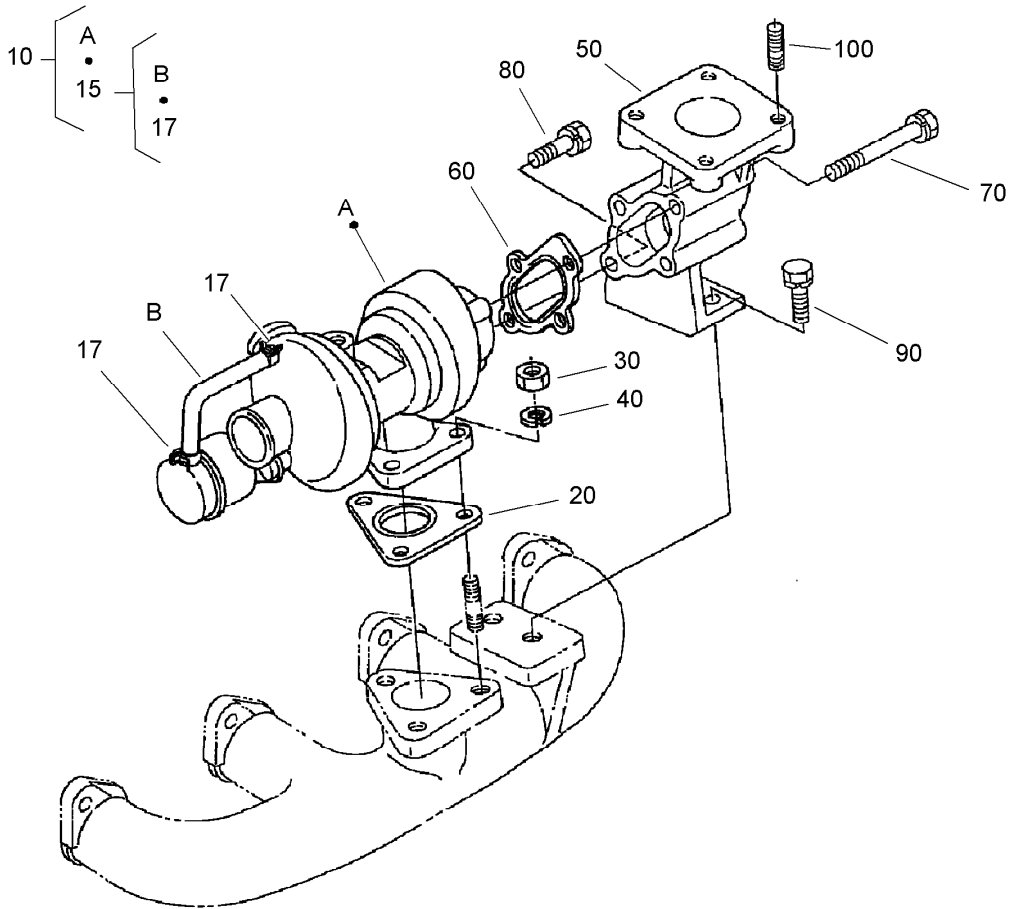
Valve and Rocker Arm Assembly

Ref.	Part Number	Qty.	Description
10	112-7018	4	Valve-Inlet
20	112-7019	4	Valve-Exhaust
30	98-9626	8	Spring-Valve
40	107-9092	8	Retainer-Spring
50	98-9390	8	Collet-Spring, Valve
60	99-8385	8	Seal-Stem, Valve
70	98-9497	8	Cap-Valve
80	105-3757	1	Shaft-Arm, Rocker
90	100-9265	2	Bolt
100	98-9505	4	Bracket-Arm, Rocker
110	98-9506	4	Stud
120	98-9393	4	Nut
130	98-9385	4	Washer-Flat
140	105-3758	2	Pin-Spring
150	98-9507	2	Washer-Shaft, Rocker Arm
160	3256-1	2	Washer-Flat
170	98-9504	3	Spring-Arm, Rocker
190	112-7020	8	Rocker Arm ASM
200	98-9502	8	Screw-Adjusting
210	98-9503	8	Nut



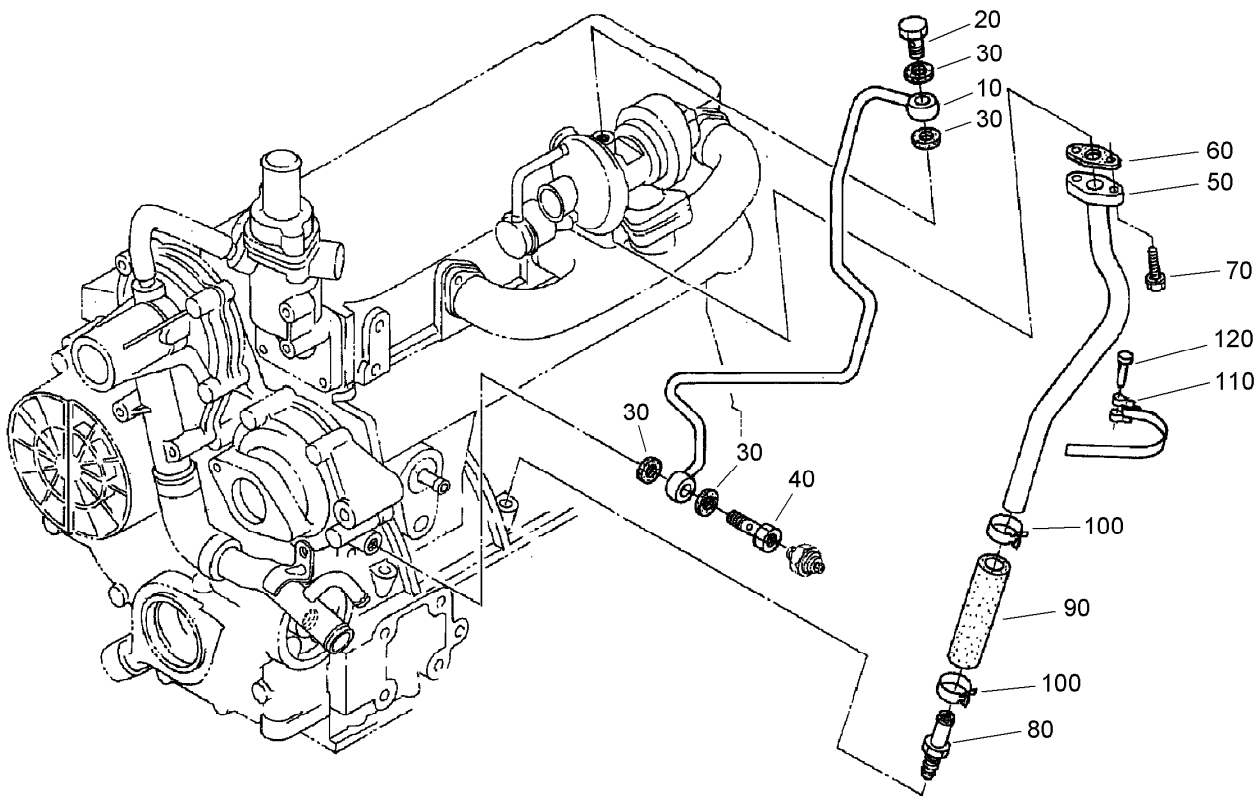
Inlet / Exhaust Manifold Assembly

<i>Ref.</i>	<i>Part Number</i>	<i>Qty.</i>	<i>Description</i>
10	105-3759	1	Inlet Manifold ASM
20	105-3760	1	Gasket-Manifold, Intake
30	98-7605	3	Bolt
40	98-9353	2	Bolt
50	105-3797	3	Bolt
60	105-3761	1	Pipe-Inlet
70	105-3762	1	Pipe-Inlet
80	105-3763	1	Pipe-Inlet
90	99-8324	2	Band-Pipe
100	99-8322	2	Band-Pipe
110	108-4425	1	Manifold-Exhaust
120	105-3765	1	Gasket-Manifold, Exhaust
130	98-9588	8	Stud
140	98-9665	8	Nut
150	99-8342	3	Stud



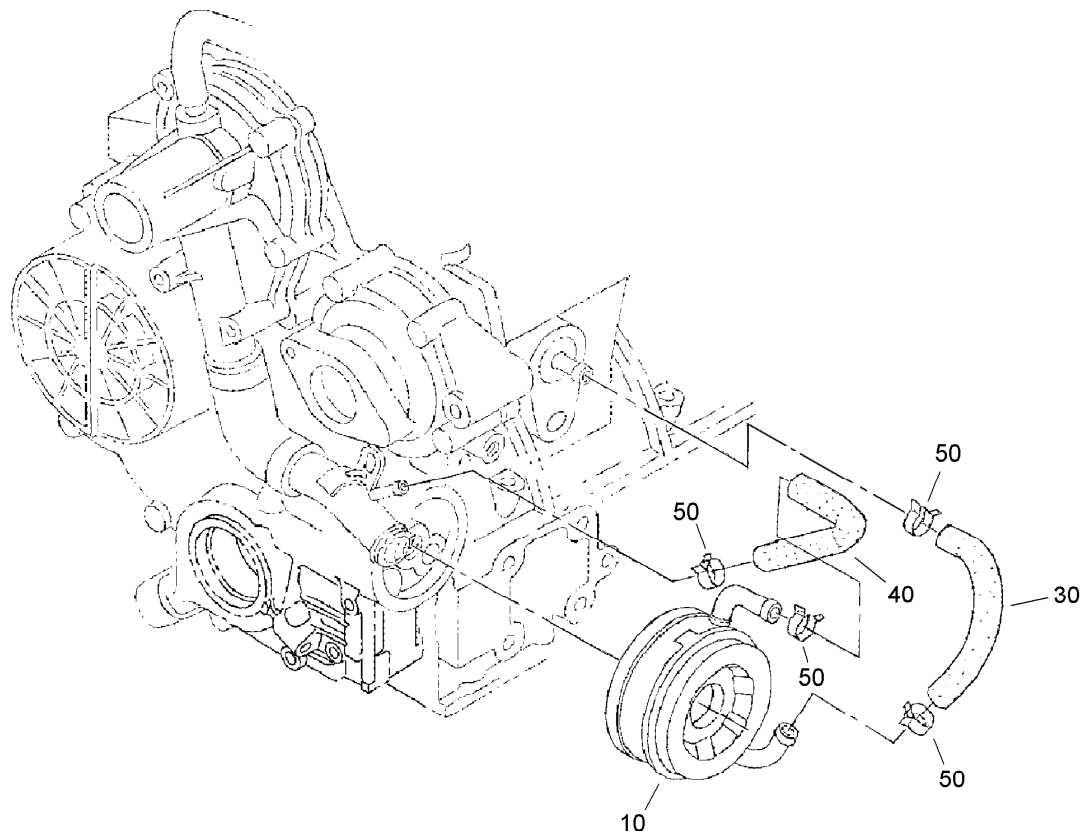
Turbo Charger Assembly

<i>Ref.</i>	<i>Part Number</i>	<i>Qty.</i>	<i>Description</i>
10	108-1412	1	Turbo Charger ASM
15	108-1413	1	Hose ASM
17	108-1414	2	Clamp-Hose
20	105-3767	1	Gasket
30	100-1559	3	Nut-Manifold, Exhaust
40	105-2893	3	Washer-Spring
50	99-8335	1	Flange-Muffler
60	105-3768	1	Gasket
70	105-2894	3	*obs* Bolt
80	105-2895	1	Bolt
90	98-7610	2	Bolt
100	98-7769	4	Stud



Oil Pipe (Turbo Charger) Assembly

<i>Ref.</i>	<i>Part Number</i>	<i>Qty.</i>	<i>Description</i>
10	108-4424	1	Oil Pipe ASM
20	98-9418	1	Bolt-Joint, Eye
30	99-8346	4	Gasket
40	98-9417	1	Bolt-Joint, Eye
50	108-4423	1	Oil Pipe ASM
60	108-4422	1	Gasket
70	98-7605	2	Bolt
80	105-3771	1	Oil Pipe ASM
90	98-9721	1	Pipe-Oil
100	98-9714	2	Clamp-Hose
110	98-9601	1	Clamp-Pipe
120	98-9591	1	Pin-Band



Oil Cooler Assembly

<i>Ref.</i>	<i>Part Number</i>	<i>Qty.</i>	<i>Description</i>
10	104-5158	1	Oil Cooler ASM
30	98-9724	1	Pipe-Cooler, Oil
40	98-9578	1	Pipe-Return, Water
50	98-9579	4	Band-Pipe

Attachments and Accessories

For 03690 Reelmaster 5610 Traction Unit

Product Name	Model/Part
Turf Defender Electronic Leak Detector Kit	03521
Air Ride Seat Suspension Kit	03667
Four-Wheel Drive Kit	03671
8-Blade DPA Cutting Unit with 7in Reel.....	03681
11-Blade DPA Cutting Unit with 7in Reel.....	03682
7 Inch Verticutter	03684
Turf Evaluator	04399
Premium Bio-Degradable Hydraulic Fluid (5 Gallon Pail).....	100-7674
Premium All Season Hydraulic Fluid (55 Gallon Drum)	108-1177
Premium All Season Hydraulic Fluid (5 Gallon Pail).....	108-1178
Premium Engine Oil, 10w30 (55 Gallon Drum)	108-1179
Premium Engine Oil, 10w30 (5 Gallon Pail)	108-1180
Premium Bio-Degradable Hydraulic Fluid (55 Gallon Drum)	108-1189
Premium All Purpose Grease (Tube)	108-1190
Air Cleaner Safety Element.....	108-3813
Gauge Bar Assembly.....	108-6715
Operator Fan Kit - US Sales Only, 3in ROPS Post.....	110-8804
Two-Post ROPS Kit	110-8860
Weight Plate	110-8985-03
Brush and Handle Kit.....	29-9100
Hardtop Sunshade.....	30359
Diagnostic Display Box.....	85-4750
Plastic Plug.....	93-7498

Notes:

Notes:

Notes:



Count on it.