



**Count on it.**

**Parts Catalog**

**8-Blade DPA Cutting Unit with 7in Reel**

**Reelmaster® 5510/5610 Series Traction Unit**

Model No. 03696—Serial No. 313000001 and Up



# Ordering Replacement Parts

To order replacement parts, please supply the part number, the quantity, and the description of each part desired.

## Understanding Reference Numbers

Each identified part in an illustration has a reference number. The reference number for a part also appears in the parts list, along with other information about the part.

This catalog uses two special reference number formats, one to indicate parts in a service assembly and another to indicate the quantity of a given part in an illustration.

## Service Assembly Reference Numbers

Parts in service assemblies have reference numbers in the form a:b. The a represents the reference number of the entire service assembly and the b represents a sequential number unique to each part within the service assembly.

For example, a wheel assembly might be identified by reference number 6, the tire by 6:1, the valve by 6:2, and the wheel by 6:3. When you order the assembly identified by reference number 6, you receive all parts identified by reference numbers 6:1, 6:2, and 6:3. However, you may also order any part individually. Reference numbers of this type appear in illustration and in parts lists.

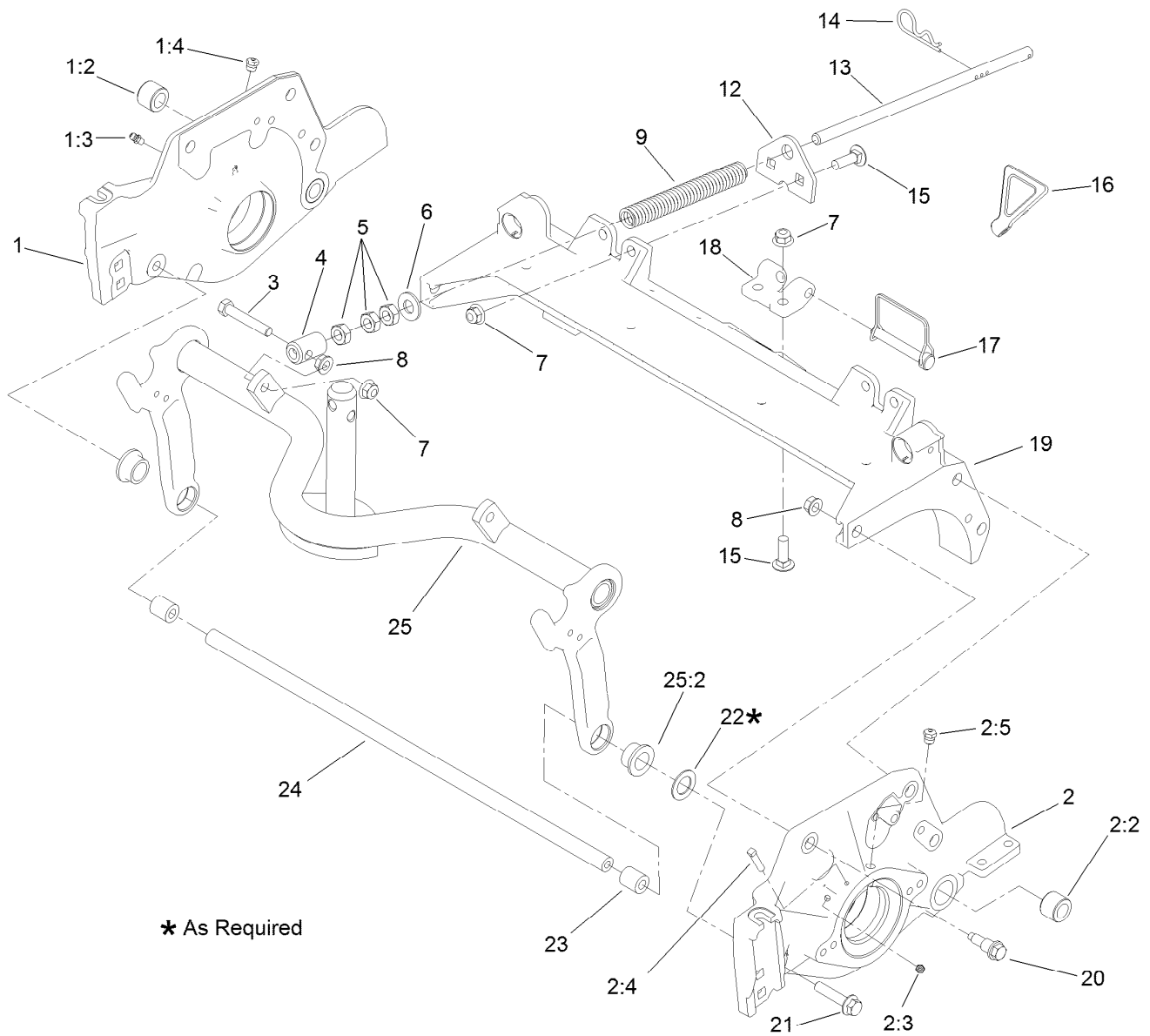
## Reference Numbers Indicating Quantity

In an illustration, if a reference number indicates more than one part, the reference number has the form nX y. The n represents the quantity of the part, the X is the multiplication symbol, and the y represents the reference number.

For example, in an illustration, the reference number 2X 37 means that two of the parts identified by reference number 37 are indicated.

# Contents

Frame Assembly.....	4
Reel and Bedbar Assembly .....	5
Optional Heavy-Duty MVP Kit No. 120-7230.....	7
Roller Assembly .....	8
3 Inch Diameter Long Roller Assembly No. 114-5415 .....	9
Optional 3 Inch Diameter Short Roller Assembly No. 114-5417 .....	10
Plastic Wiehle Roller Assembly No. 114-5400.....	11
Optional Full Front Roller Assembly No. 114-5412.....	12
Optional Plastic Shoulder Roller Assembly No. 114-5421 .....	13
Optional High Height-of-Cut Assembly No. 110-9600 .....	14
Shield Assembly.....	15
Optional Tool Assembly.....	16
Attachments and Accessories .....	17

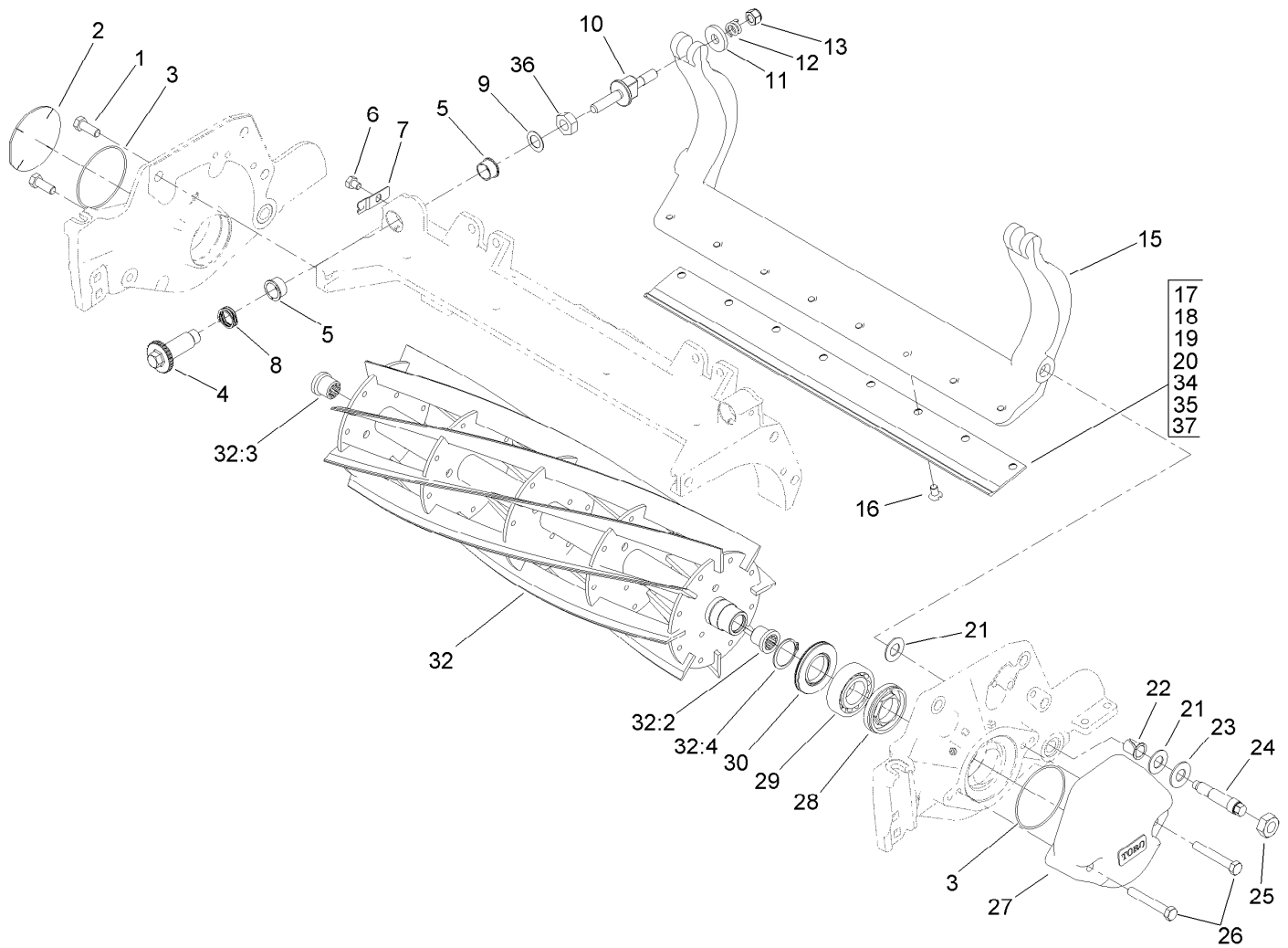


\* As Required

## Frame Assembly

Ref.	Part Number	Qty.	Description	Ref.	Part Number	Qty.	Description
1	108-9083	1	Plate-Side, RH	12	110-4069	1	Bracket
1:2	106-9618	1	Bushing-Rubber	13	115-2007	1	Rod-Spring
1:3	302-5	1	Fitting-Grease	14	92-2762	1	Pin-Hair
1:4	302-39	1	Fitting-Plug	15	3231-25	4	Bolt-CARR
2	108-9082	1	Plate-Side, LH	16	119-8010-03	1	Kickstand ●
2:2	106-9618	1	Bushing-Rubber	17	107-7400	1	Pin-Snapper
2:3	302-5	1	Fitting-Grease	18	110-4058	1	Bracket-Chain
2:4	107-7447	1	Screw-Set, SQH	19	107-3258	1	Frame
2:5	302-39	1	Fitting-Plug	20	107-2979	6	Bolt-Shoulder
3	104-3396	1	Screw-HH	21	3234-19	2	Screw-HHF
4	99-8662	1	Tube-Spring	22	67-9410	1	Washer
5	3218-5	3	Nut-Jam	23	108-4279	2	Spacer-Frame
6	87-7270	1	Washer-Thrust	24	108-4284	1	Tube-Support
7	104-8301	5	Nut-HF, NI	25	107-7433	1	Carrier Frame ASM
8	3290-357	7	Nut-HHF, Whiz	25:2	93-2877	2	Bushing
9	110-4079	1	Spring-Compression				

● Optional Equipment

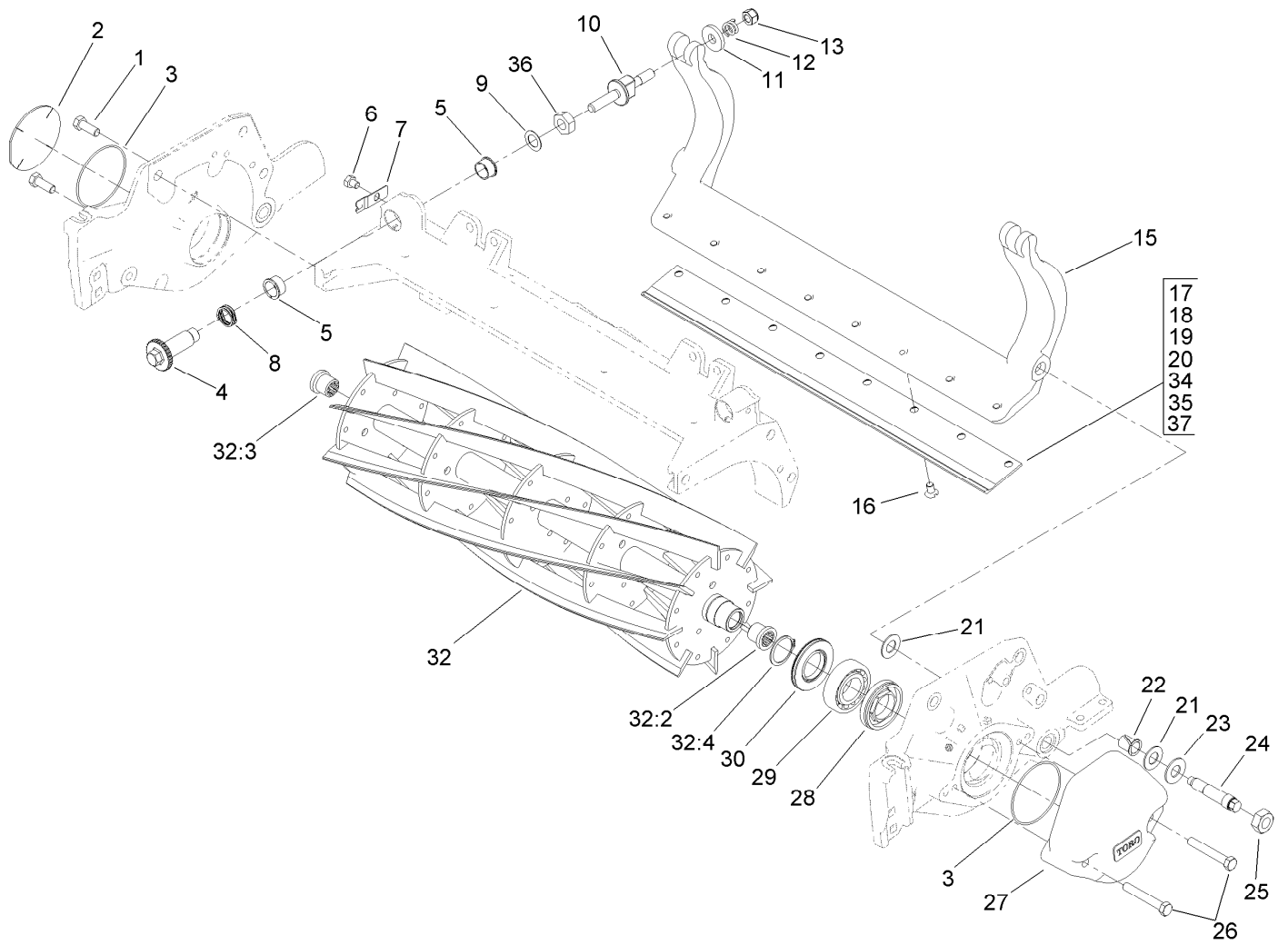


## Reel and Bedbar Assembly

Ref.	Part Number	Qty.	Description	Ref.	Part Number	Qty.	Description
1	323-6	2	Screw-HH	19	110-4084	1	Bedknife-Low HOC (Fairway) ■
2	94-2703	1	Plug	20	110-4074	1	Bedknife-HD (Fairway) ■
3	112-6967	2	O-Ring	21	61-1950	4	Washer-Plastic
4	120-5118	2	Shaft-Adjuster	22	56-9520	2	Bushing-Flanged
5	106-5344	4	Bushing-Flange, Keyed	23	69-8980	2	Washer
6	119-4067	2	Screw-HH	24	106-9623	2	Bolt-Bedbar
7	99-2097	2	Detent	25	3296-33	2	Nut-Lock, NI
8	120-5116	2	Washer-Wave	26	323-12	2	Screw-HH
9	108-0015	2	Washer-Flat	27	108-4269-01	1	Weight
10	115-7039	2	Screw-Adjuster, Bedbar	28	107-2954	1	Nut-Adjuster, Bearing
11	119-4155	2	Washer-Hardened	29	93-2489	2	Bearing
12	120-5120	2	Spring-Compression	30	107-4028	2	Seal-Grease
13	119-4039	2	Nut-Hex, NI	32	107-3264	1	8 Blade Reel
15	107-3273-01	1	Bedbar	32:2	107-3276	1	Insert-Threaded, LH
16	119-4151	8	Screw-Bedknife	32:3	107-3275	1	Insert-Threaded, RH
17	108-9095	1	Bedknife-Edgemax (Fairway)	32:4	92-2601	2	Ring-Retaining
18	108-9096	1	Bedknife-STD (Fairway) ■				

● Not illustrated

■ Optional Equipment

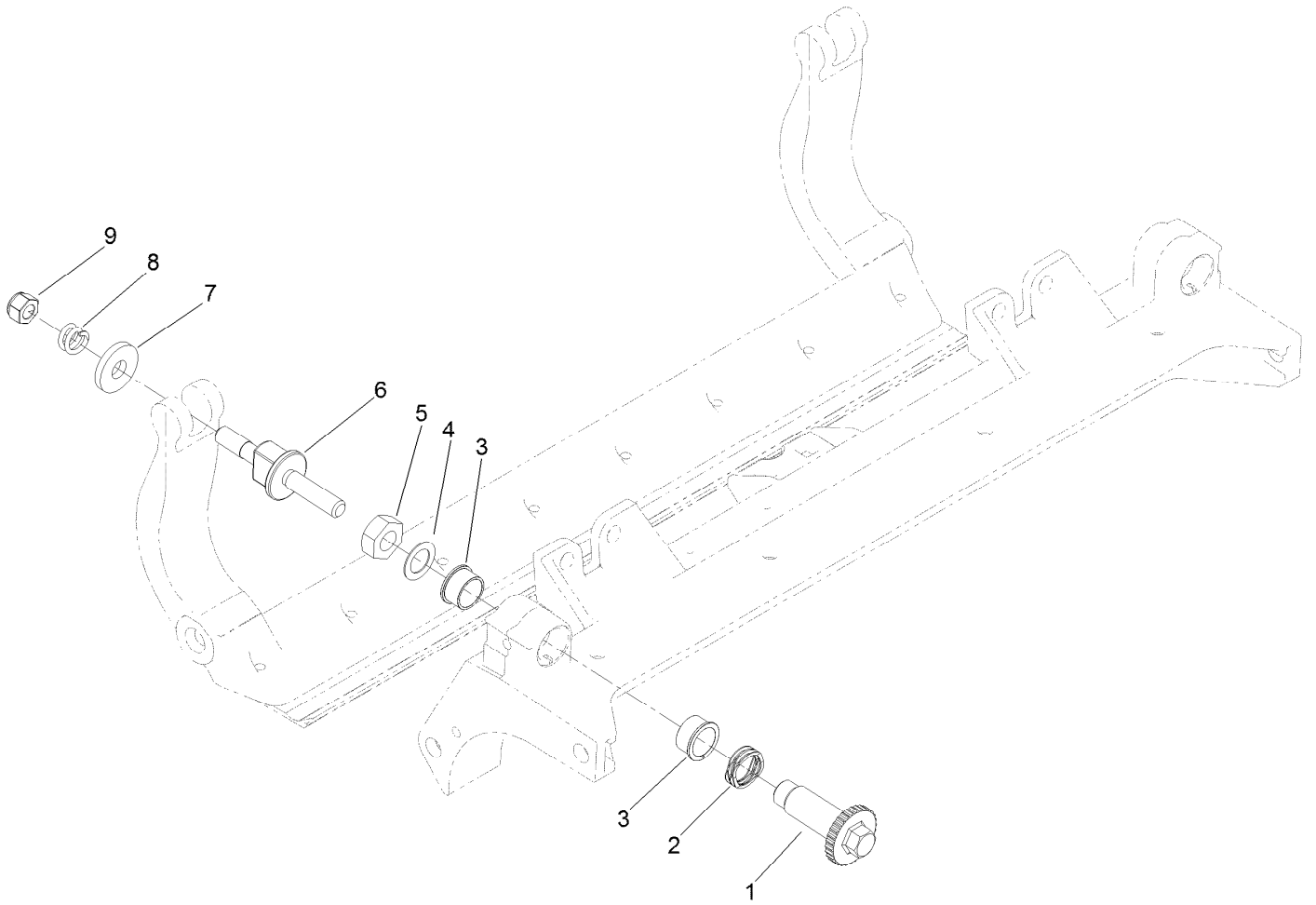


## Reel and Bedbar Assembly (continued)

Ref.	Part Number	Qty.	Description	Ref.	Part Number	Qty.	Description
34	120-1640	1	Bedknife-Low HOC Extended, Fairway ■	36	3296-33	2	Nut-Lock, NI
35	119-4280	1	Bedknife-Edgemax Extended Low HOC, Fairw ■	37	125-2771	1	Bedknife-Premium, Low HOC ■
				40	120-7230	1	HD DPA MVP Kit ● ■

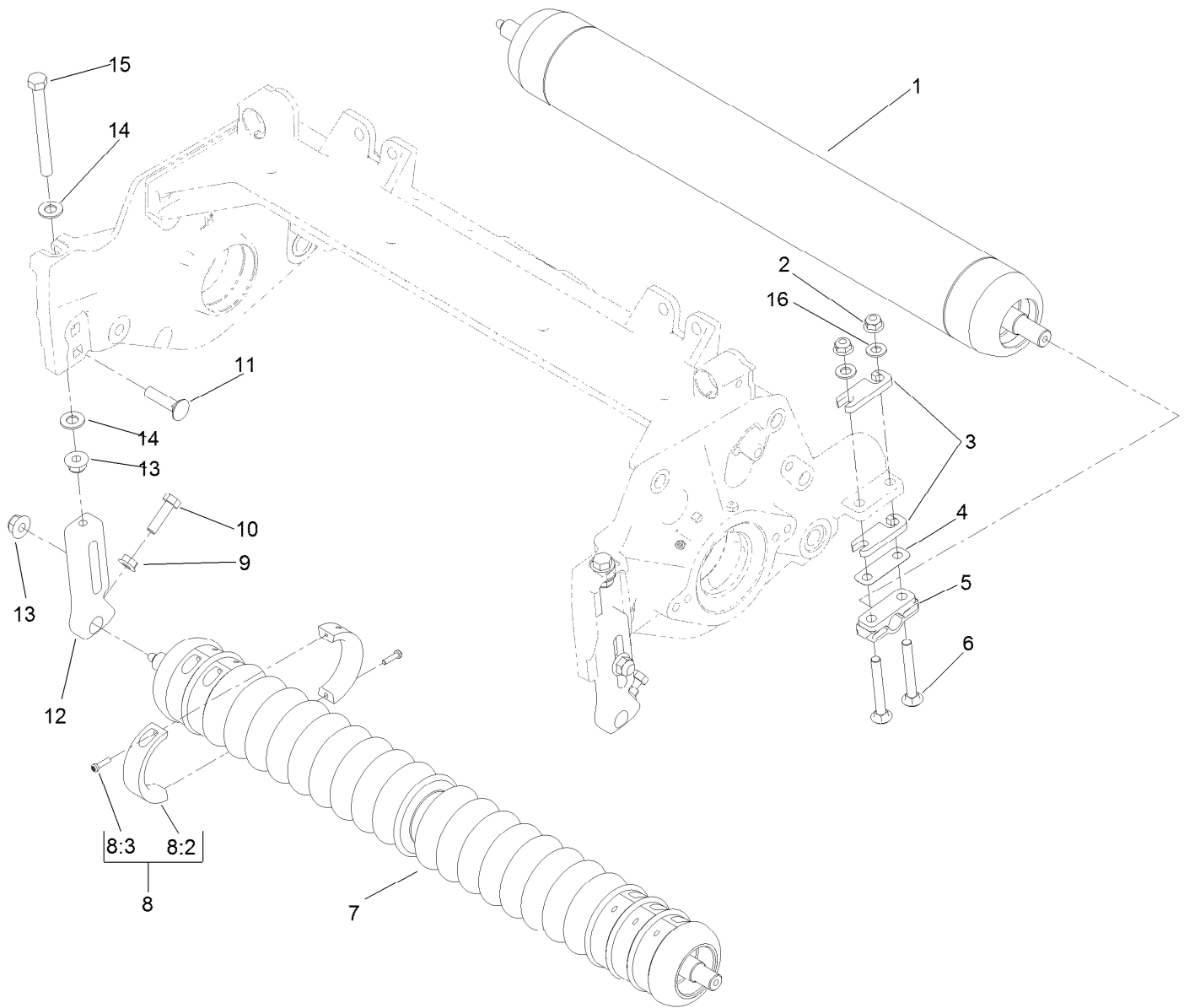
● Not illustrated

■ Optional Equipment



## Optional Heavy-Duty MVP Kit No. 120-7230

<i>Ref.</i>	<i>Part Number</i>	<i>Qty.</i>	<i>Description</i>
1	120-5118	2	Shaft-Adjuster
2	120-5116	2	Washer-Wave
3	106-5344	4	Bushing-Flange, Keyed
4	108-0015	2	Washer-Flat
5	3296-33	2	Nut-Lock, NI
6	115-7039	2	Screw-Adjuster, Bedbar
7	119-4155	2	Washer-Hardened
8	120-5120	2	Spring-Compression
9	119-4039	2	Nut-Hex, NI



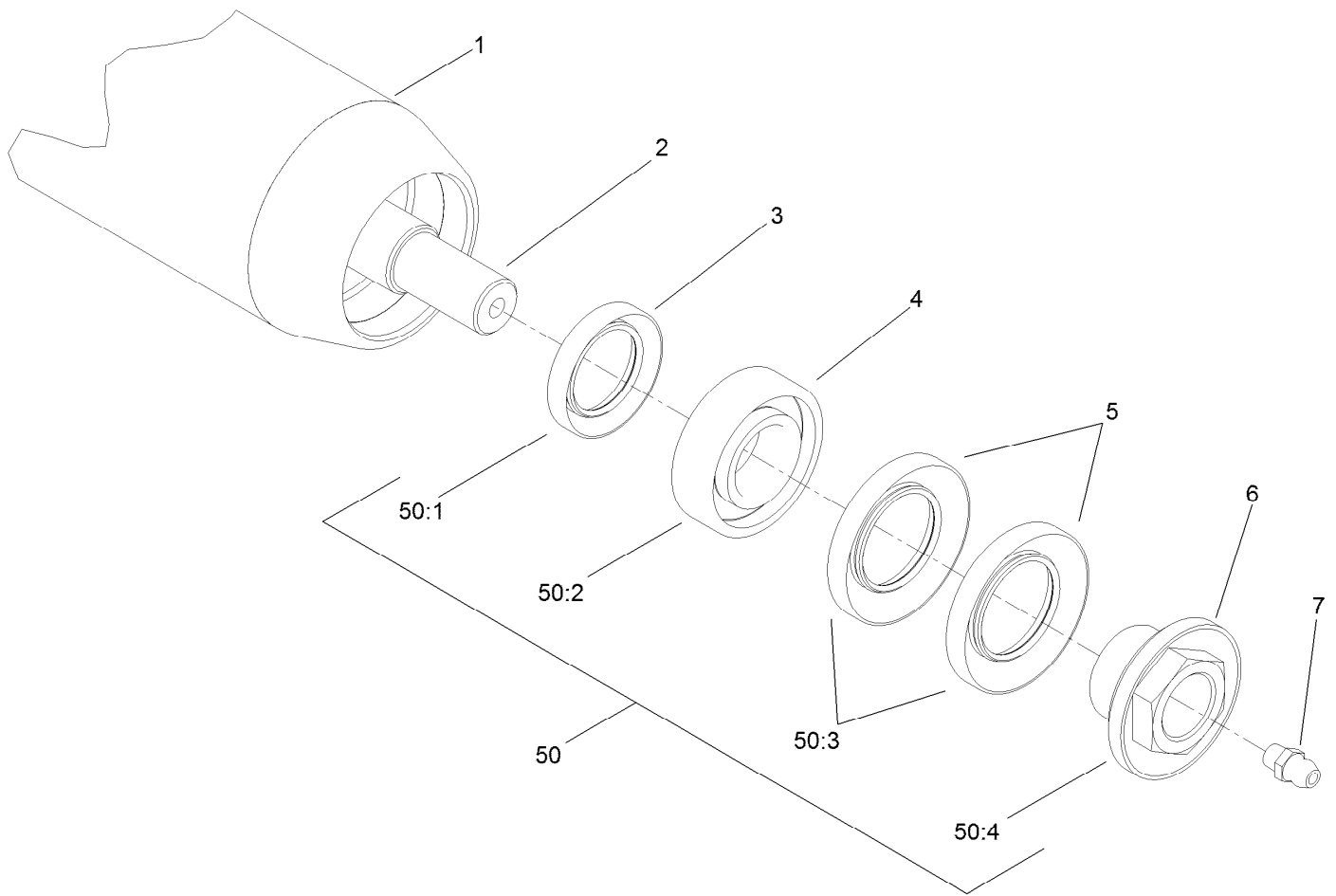
## Roller Assembly

Ref.	Part Number	Qty.	Description	Ref.	Part Number	Qty.	Description
1	114-5415	1	3 Inch DIA Roller ASM (Long)	8	104-8215	6	Collar Kit ■
1	114-5417	1	3 Inch DIA Roller ASM (Short) ● ■	8:2	100-4959	2	Collar
2	104-8300	4	Nut-HF, NI	8:3	104-1835	2	Screw
3	119-0626	4	Shim-Roller	9	32128-20	2	Nut-HF
4	107-4001	2	Shim-Roller (0.01 Inch) ■	10	322-16	2	Screw-HH
5	106-3924	2	Bracket-Roller, Rear	11	3231-4	2	Screw-CARR
6	3230-7	4	Bolt-CARR	12	125-2796	2	Bracket-Front HOC
7	114-5400	1	Plastic Wiehle Roller ASM	13	104-8301	4	Nut-HF, NI
7	114-5412	1	3 Inch DIA Full Front Roller ASM ● ■	14	48-9220	4	Washer-Plain
7	114-5421	1	Plastic Shoulder Roller ASM ● ■	15	107-4026	2	Screw-HH
				16	94-6936	4	Washer-Hardened
				50	110-9600	1	DPA High HOC Kit ● ■

● Not illustrated

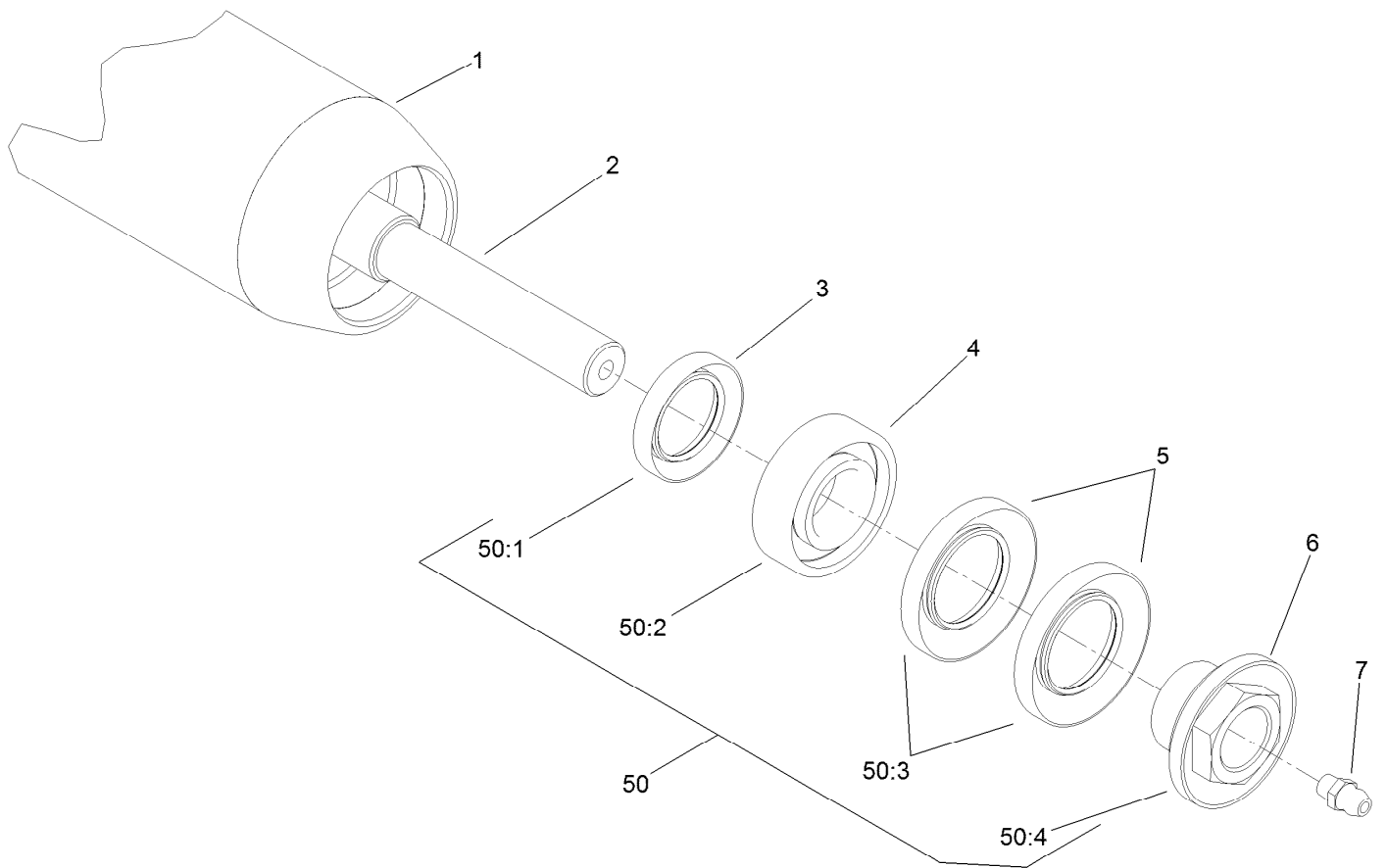
■ Optional Equipment





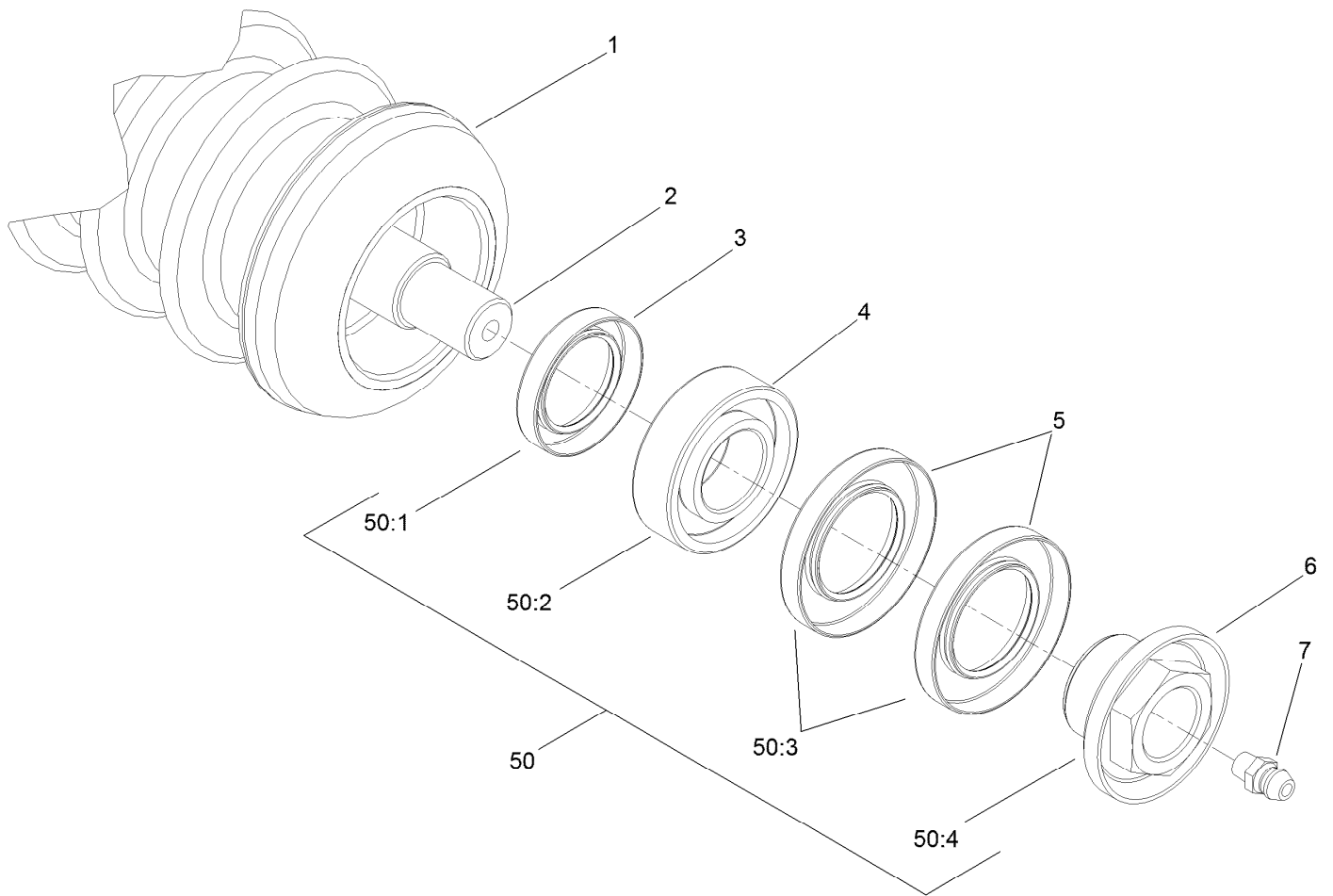
## 3 Inch Diameter Long Roller Assembly No. 114-5415

<i>Ref.</i>	<i>Part Number</i>	<i>Qty.</i>	<i>Description</i>
1	115-8292-03	1	Tube-Roller (Long)
2	114-5407	1	Shaft-Long, Rear Roller
3	114-3717	2	Seal-Oil
4	112-5290	2	Bearing-Steel, Stainless
5	112-7494	4	Seal
6	114-5411	2	Nut-Lock, Bearing
7	302-5	2	Fitting-Grease
50	114-5430	1	Roller Rebuild Kit
50:1	114-3717	2	Seal-Oil
50:2	112-5290	2	Bearing-Steel, Stainless
50:3	112-7494	4	Seal
50:4	114-5411	2	Nut-Lock, Bearing



## Optional 3 Inch Diameter Short Roller Assembly No. 114-5417

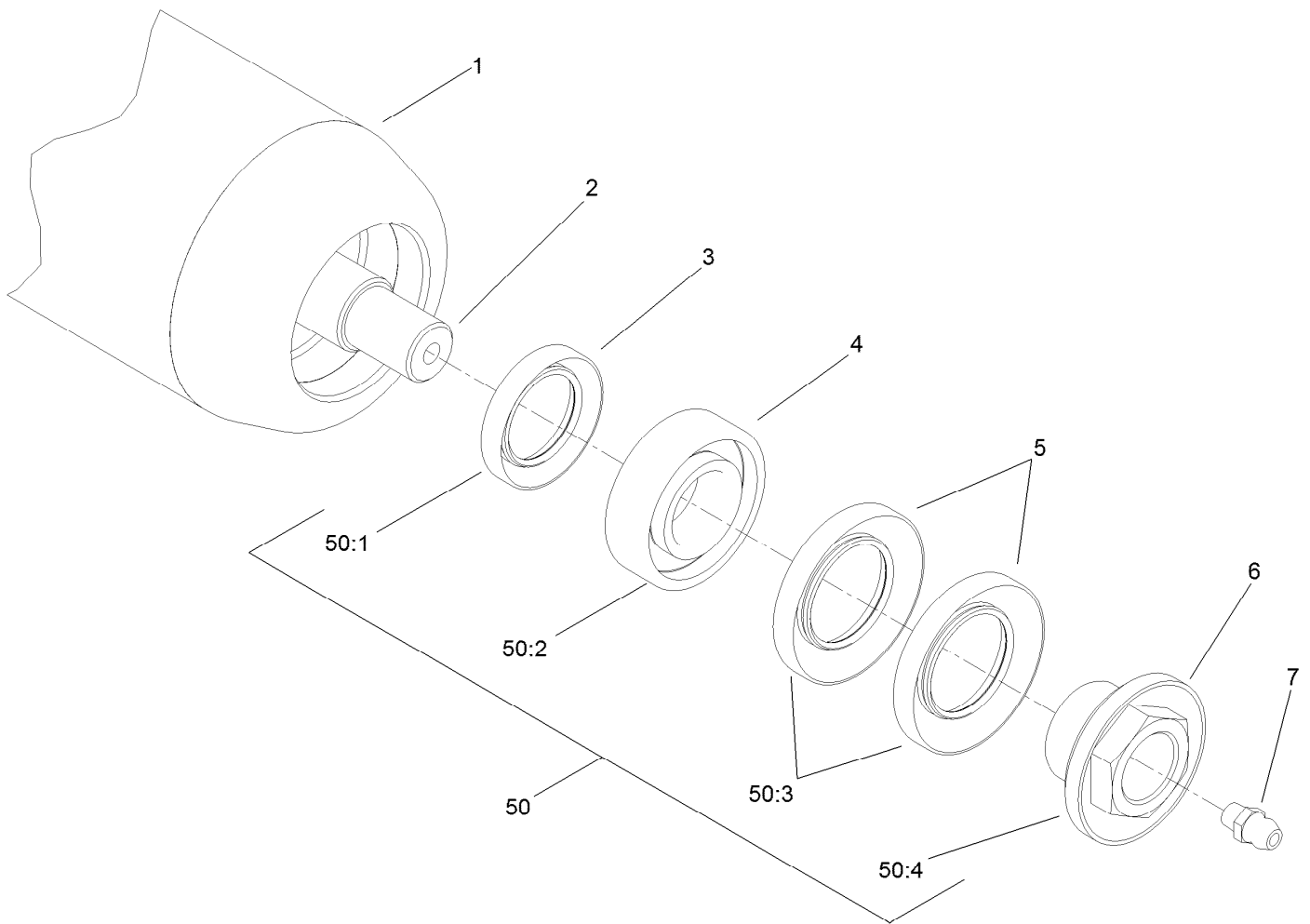
<i>Ref.</i>	<i>Part Number</i>	<i>Qty.</i>	<i>Description</i>
1	115-8296-03	1	Tube-Roller (Short)
2	114-5410	1	Shaft-Short, Rear Roller
3	114-3717	2	Seal-Oil
4	112-5290	2	Bearing-Steel, Stainless
5	112-7494	4	Seal
6	114-5411	2	Nut-Lock, Bearing
7	302-5	2	Fitting-Grease
50	114-5430	1	Roller Rebuild Kit
50:1	114-3717	2	Seal-Oil
50:2	112-5290	2	Bearing-Steel, Stainless
50:3	112-7494	4	Seal
50:4	114-5411	2	Nut-Lock, Bearing



## Plastic Wiehle Roller Assembly No. 114-5400

<i>Ref.</i>	<i>Part Number</i>	<i>Qty.</i>	<i>Description</i>
1	114-5401	1	Roller-Wiehle, Plastic
2	114-5403	1	Shaft-Roller, Front
3	114-3717	2	Seal-Oil
4	112-5290	2	Bearing-Steel, Stainless
5	112-7494	4	Seal
6	114-5411	2	Nut-Lock, Bearing
7	302-5	2	Fitting-Grease
50	114-5430	1	Roller Rebuild Kit ●
50:1	114-3717	2	Seal-Oil
50:2	112-5290	2	Bearing-Steel, Stainless
50:3	112-7494	4	Seal
50:4	114-5411	2	Nut-Lock, Bearing

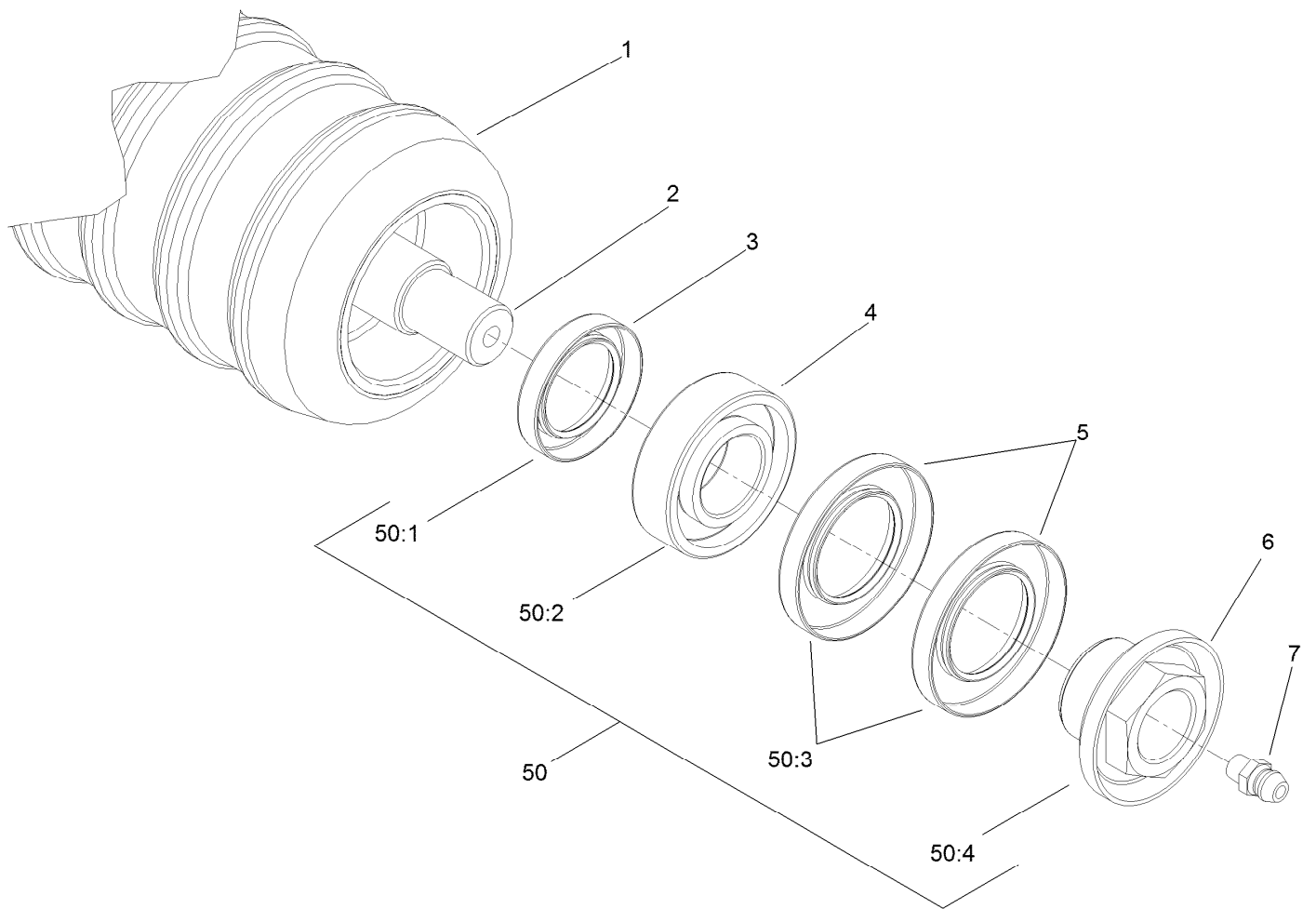
● Optional Equipment



## Optional Full Front Roller Assembly No. 114-5412

<i>Ref.</i>	<i>Part Number</i>	<i>Qty.</i>	<i>Description</i>
1	115-8297-03	1	Tube-Roller, Full
2	114-5403	1	Shaft-Roller, Front
3	114-3717	2	Seal-Oil
4	112-5290	2	Bearing-Steel, Stainless
5	112-7494	4	Seal
6	114-5411	2	Nut-Lock, Bearing
7	302-5	2	Fitting-Grease
50	114-5430	1	Roller Rebuild Kit ●
50:1	114-3717	2	Seal-Oil
50:2	112-5290	2	Bearing-Steel, Stainless
50:3	112-7494	4	Seal
50:4	114-5411	2	Nut-Lock, Bearing

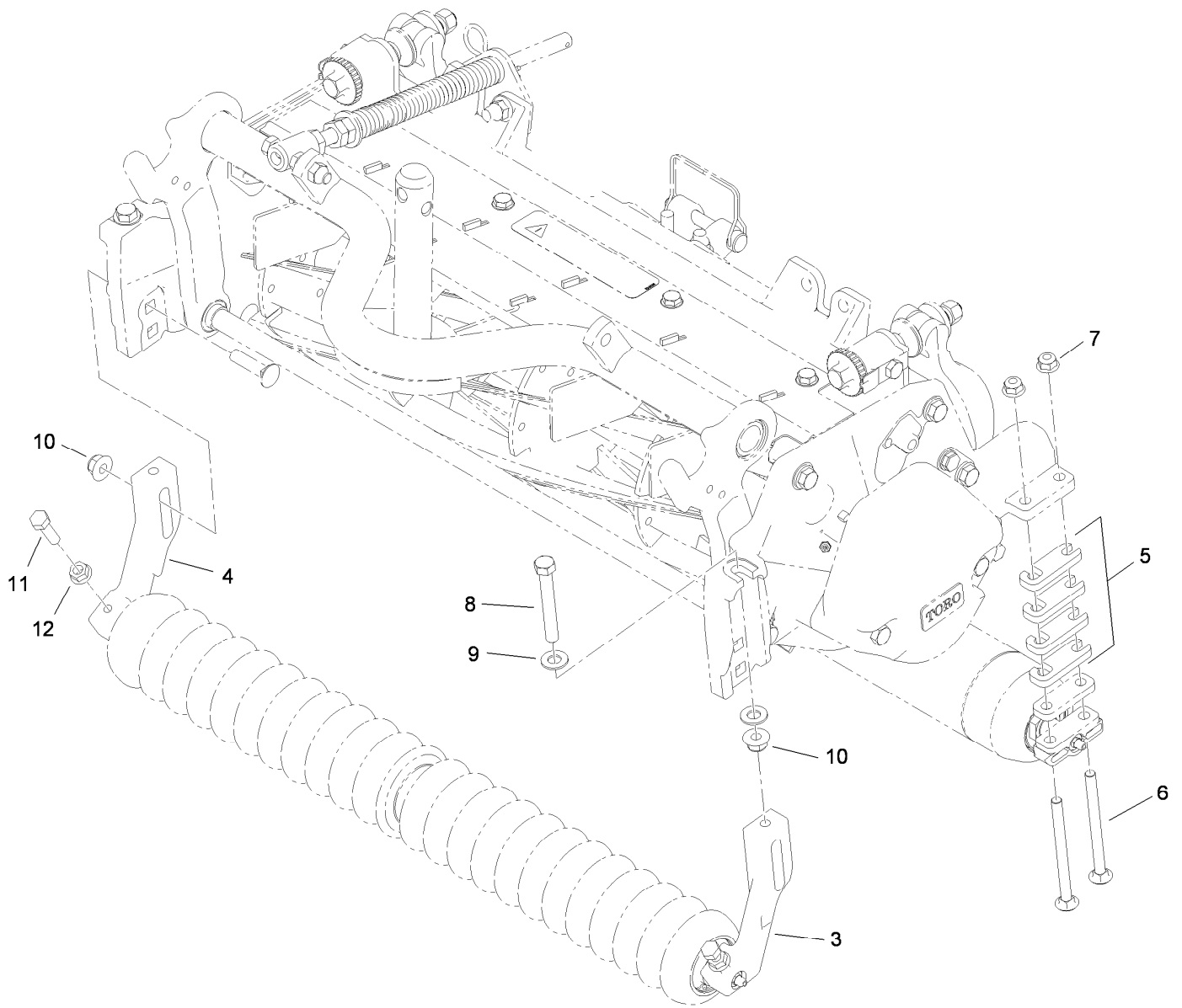
● Optional Equipment



## Optional Plastic Shoulder Roller Assembly No. 114-5421

<i>Ref.</i>	<i>Part Number</i>	<i>Qty.</i>	<i>Description</i>
1	114-5422	1	Roller-Shoulder, Plastic
2	114-5403	1	Shaft-Roller, Front
3	114-3717	2	Seal-Oil
4	112-5290	2	Bearing-Steel, Stainless
5	112-7494	4	Seal
6	114-5411	2	Nut-Lock, Bearing
7	302-5	2	Fitting-Grease
50	114-5430	1	Roller Rebuild Kit ●
50:1	114-3717	2	Seal-Oil
50:2	112-5290	2	Bearing-Steel, Stainless
50:3	112-7494	4	Seal
50:4	114-5411	2	Nut-Lock, Bearing

● Optional Equipment

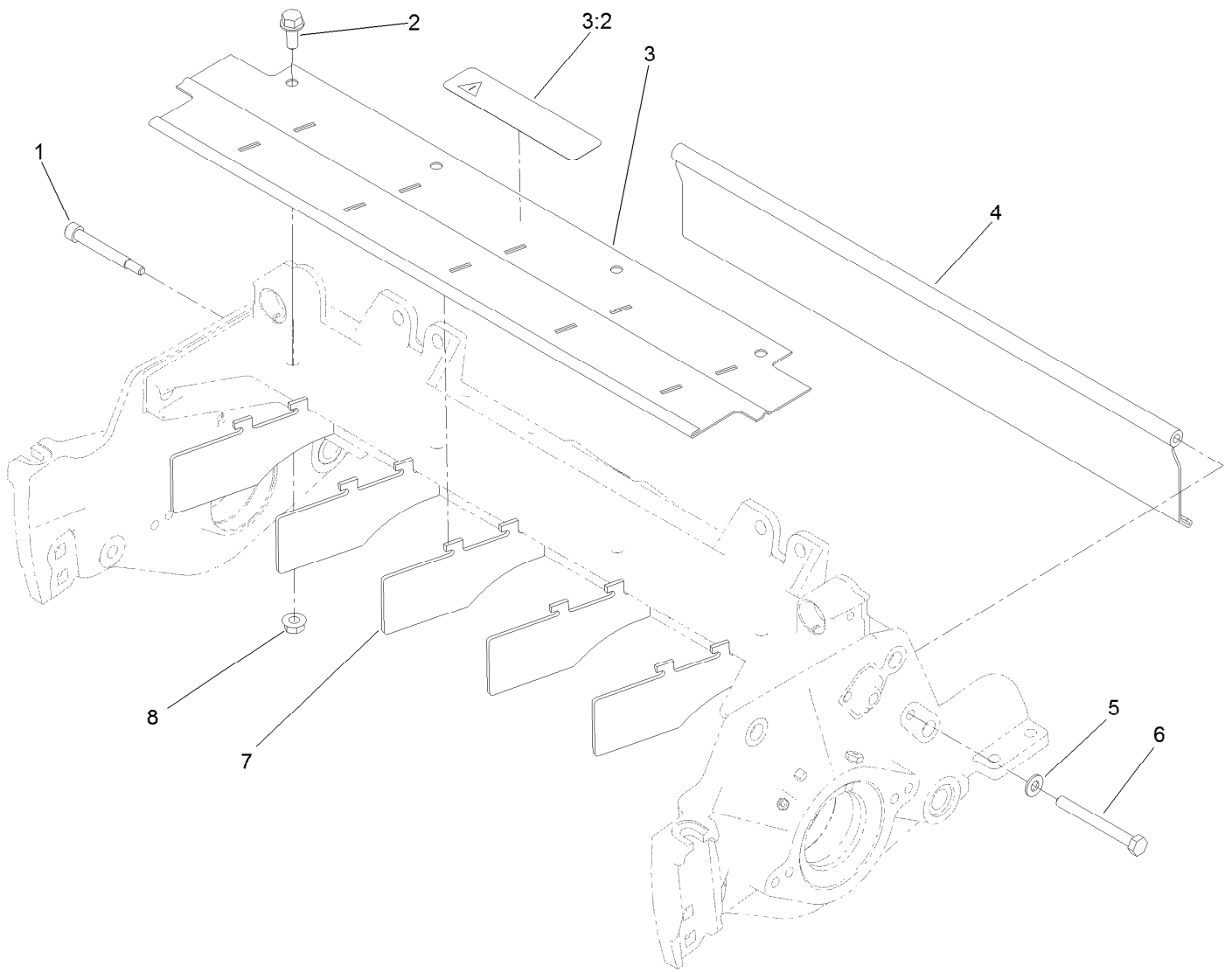


## Optional High Height-of-Cut Assembly No. 110-9600

Ref.	Part Number	Qty.	Description
3	120-0404	1	Bracket-High HOC, LH
4	120-0405	1	Bracket-High HOC, RH
5	119-0626	8	Shim-Roller
6	106-9758	4	Screw-CARR
6	3230-30	4	Screw-CARR ● ■
7	104-8300	4	Nut-HF, NI
8	112-7451	2	Screw-TAP
9	48-9220	4	Washer-Plain
10	104-8301	4	Nut-HF, NI
11	322-16	2	Screw-HH
12	32128-20	2	Nut-HF

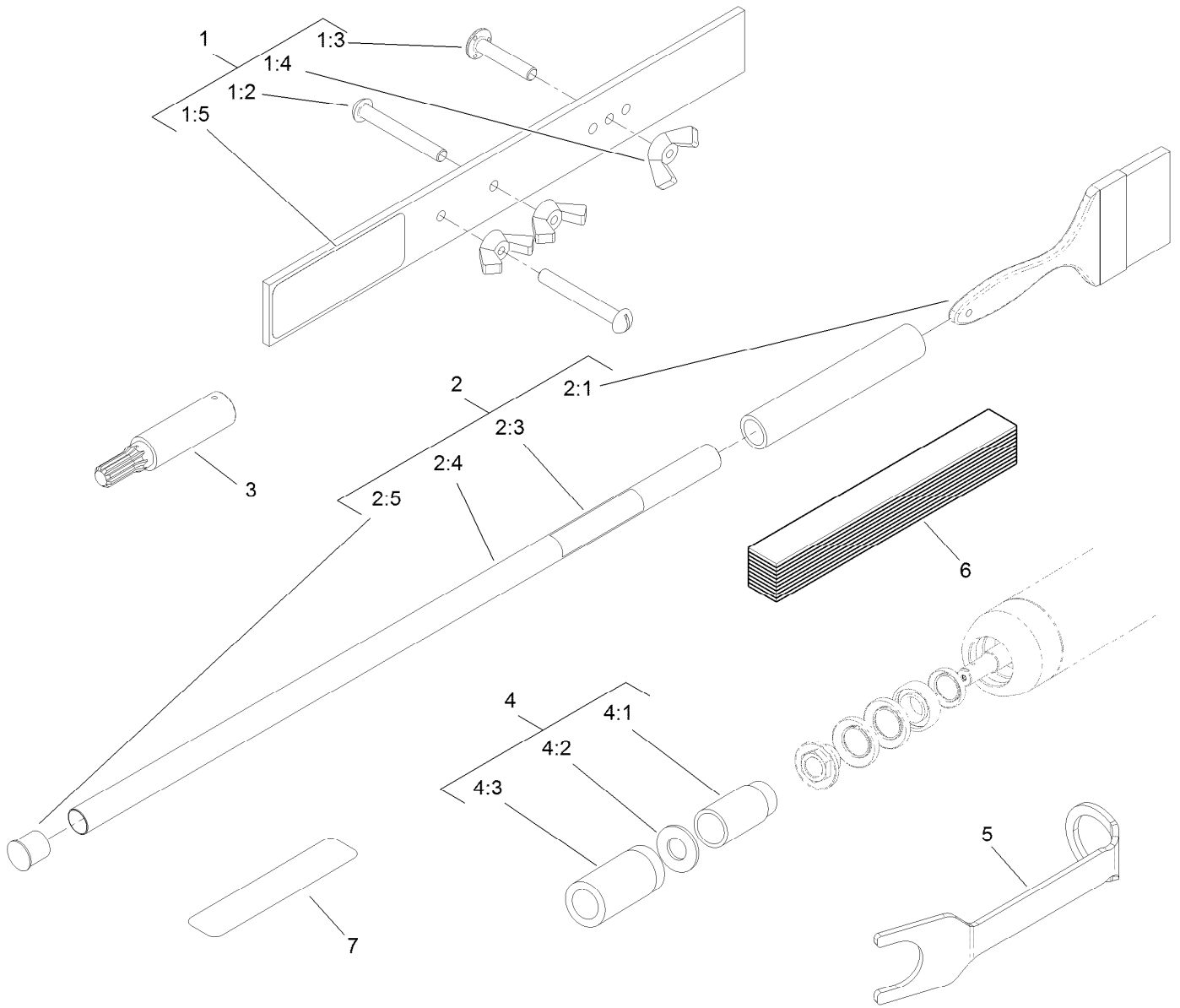
● Not illustrated

■ Optional Equipment



## Shield Assembly

<i>Ref.</i>	<i>Part Number</i>	<i>Qty.</i>	<i>Description</i>
1	107-7773	1	Screw-HSH
2	3234-7	4	Screw-HHF
3	107-2996	1	Front Grass Shield ASM
3:2	93-6688	1	Decal-Danger
4	107-7779-01	1	Shield-Grass, Rear
5	3256-74	1	Washer-Flat
6	322-14	1	Screw-HH
7	110-1706	5	Deflector
8	32128-20	4	Nut-HF



## Optional Tool Assembly

<i>Ref.</i>	<i>Part Number</i>	<i>Qty.</i>	<i>Description</i>	<i>Ref.</i>	<i>Part Number</i>	<i>Qty.</i>	<i>Description</i>
1	108-6715	1	Gauge Bar ASM	3	TOR4074	1	Adapter-Drive, Reel ●
1:2	32122-54	2	Screw-Head, Truss	4	115-0803	1	Roller Rebuild Tool Kit
1:3	108-6714	1	Stud-Weld	4:1	115-0852	1	Tool-Inner Seal
1:4	32103-3	3	Nut-Wing	4:2	107-8133	1	Washer-Flat
1:5	108-6712	1	Decal-Gauge, Bar	4:3	115-0853	1	Tool-Bearing/Outer Seals
2	29-9100	1	Brush And Handle ASM	5	117-0975	1	Tool-Installation, Reel Bearing
2:1	36-4310	1	Brush	6	125-5610	1	Paper-Reel, Toro (10 Pack)
2:3	98-3206	1	Decal	7	125-5611	1	Shim-Toro Reel (0.002 Inch)
2:4	29-9080	1	Handle				
2:5	2410-18	1	Cap-Plastic				

● Obtain directly from K-Line Industries, Inc. (800) 241-0936



# Attachments and Accessories

## For 03696 8-Blade DPA Cutting Unit with 7in Reel Reelmaster 5510/5610 Series Traction Unit

Product Name	Model/Part
7 Inch Verticutter.....	03684
7 Inch Left-Hand Groomer Kit.....	03686
7 Inch Right-Hand Groomer Kit.....	03685
Rear Roller Brush Kit.....	03688
Basket Kit.....	03662
Rear Lift Cylinder Limit Kit.....	110-9604
7 Inch Fairway Reel, 5 Blade (22in).....	127-2077
Rear Roller Scraper Kit.....	107-3280
Wiehle Scraper ASM.....	107-2993-03
Comb/Scraper Kit.....	110-1735
3 Inch Dia Full Front Roller ASM.....	114-5412
3 Inch Full Front Roller Scraper.....	110-9602-03
Plastic Shoulder Roller ASM.....	114-5421
Shoulder Roller Scraper ASM.....	110-9609-03
High Height-of-Cut Kit.....	110-9600
3 Inch Dia Collar Kit.....	104-8215
Cutting Unit Kickstand.....	119-8010-03
Reel Drive Adapter.....	TOR4074
Roller Rebuild Tool Kit.....	115-0803
Fairway Broomer Kit.....	110-4085
Reel Bearing Installation Tool.....	117-0975
Brush-Roller (High Height-Of-Cut).....	110-1740
Gauge Bar Assembly.....	108-6715
Roller Rebuild Kit.....	114-5430
Groomer/RRB Bearing and Seal Kit.....	110-4086
Heavy-Duty DPA MVP Kit.....	120-7230
Rear Roller Adjustment Kit.....	125-0570
Bedknife-Edgemax (Fairway).....	108-9095
Bedknife-STD (Fairway).....	108-9096
Bedknife-Low HOC (Fairway).....	110-4084
Bedknife-Lowcut Extended (Fairway).....	120-1640
Bedknife-HD (Fairway).....	110-4074
Bedknife Edgemax Low cut Extended (Fairway).....	119-4280
Bedknife-Premium, Low HOC.....	125-2771
Bedknife-Edgemax Lowcut.....	127-7132
Toro Reel Paper (10 Pack).....	125-5610
Toro Reel Shim (0.002in).....	125-5611
Angle Indicator.....	131-6828
Angle Indicator Mount.....	131-6829
EdgeSeries 7 Inch Fairway Reel (22 Inch) 8 Blade (Radial Reel).....	133-8211

**Notes:**

**Notes:**



**Count on it.**