



Count on it.

Parts Catalog

8-Blade DPA Cutting Unit with 7in Reel

Reelmaster® 5510/5610 Series Traction Unit

Model No. 03696—Serial No. 290000001 and Up



Ordering Replacement Parts

To order replacement parts, please supply the part number, the quantity, and the description of each part desired.

Understanding Reference Numbers

Each identified part in an illustration has a reference number. The reference number for a part also appears in the parts list, along with other information about the part.

This catalog uses two special reference number formats, one to indicate parts in a service assembly and another to indicate the quantity of a given part in an illustration.

Service Assembly Reference Numbers

Parts in service assemblies have reference numbers in the form a:b. The a represents the reference number of the entire service assembly and the b represents a sequential number unique to each part within the service assembly.

For example, a wheel assembly might be identified by reference number 6, the tire by 6:1, the valve by 6:2, and the wheel by 6:3. When you order the assembly identified by reference number 6, you receive all parts identified by reference numbers 6:1, 6:2, and 6:3. However, you may also order any part individually. Reference numbers of this type appear in illustration and in parts lists.

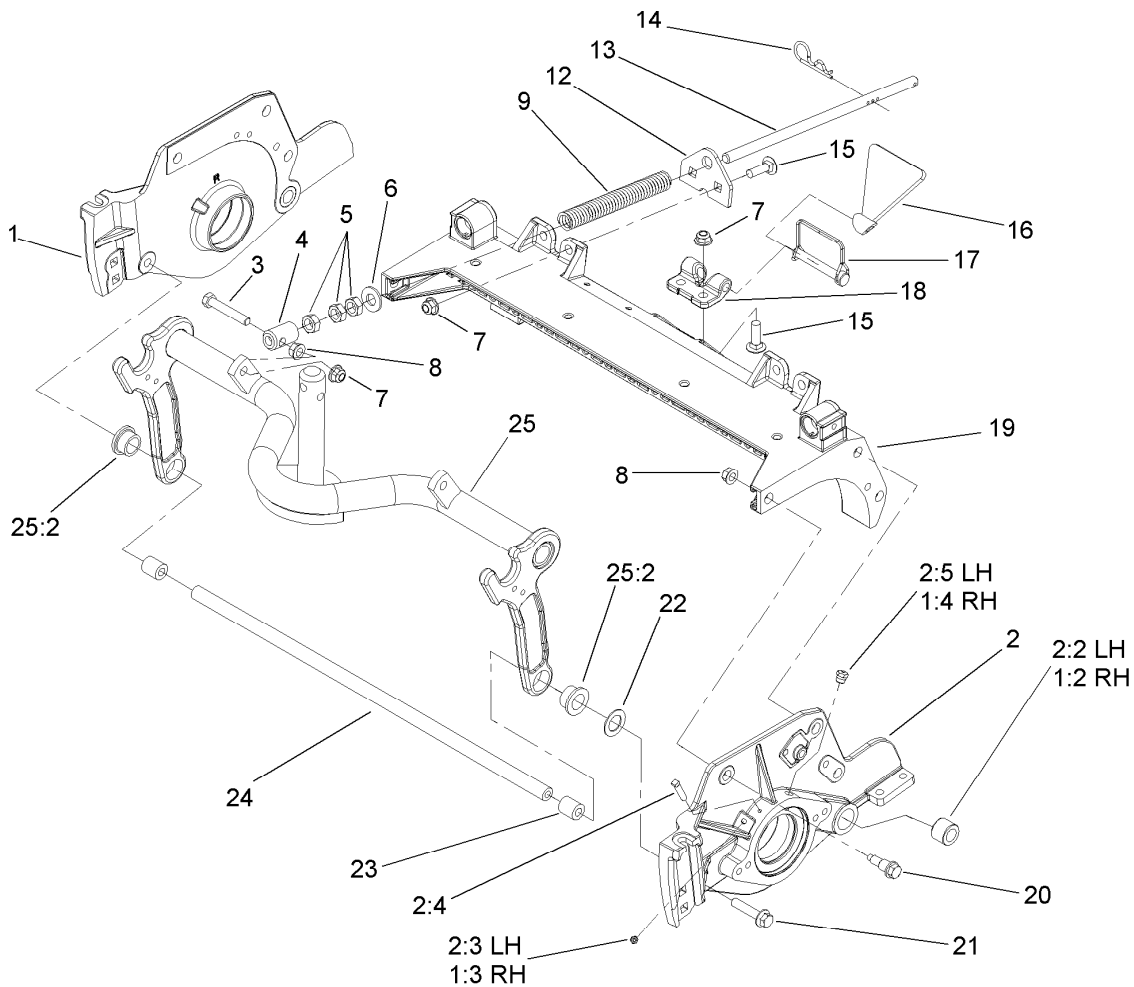
Reference Numbers Indicating Quantity

In an illustration, if a reference number indicates more than one part, the reference number has the form nX y. The n represents the quantity of the part, the X is the multiplication symbol, and the y represents the reference number.

For example, in an illustration, the reference number 2X 37 means that two of the parts identified by reference number 37 are indicated.

Contents

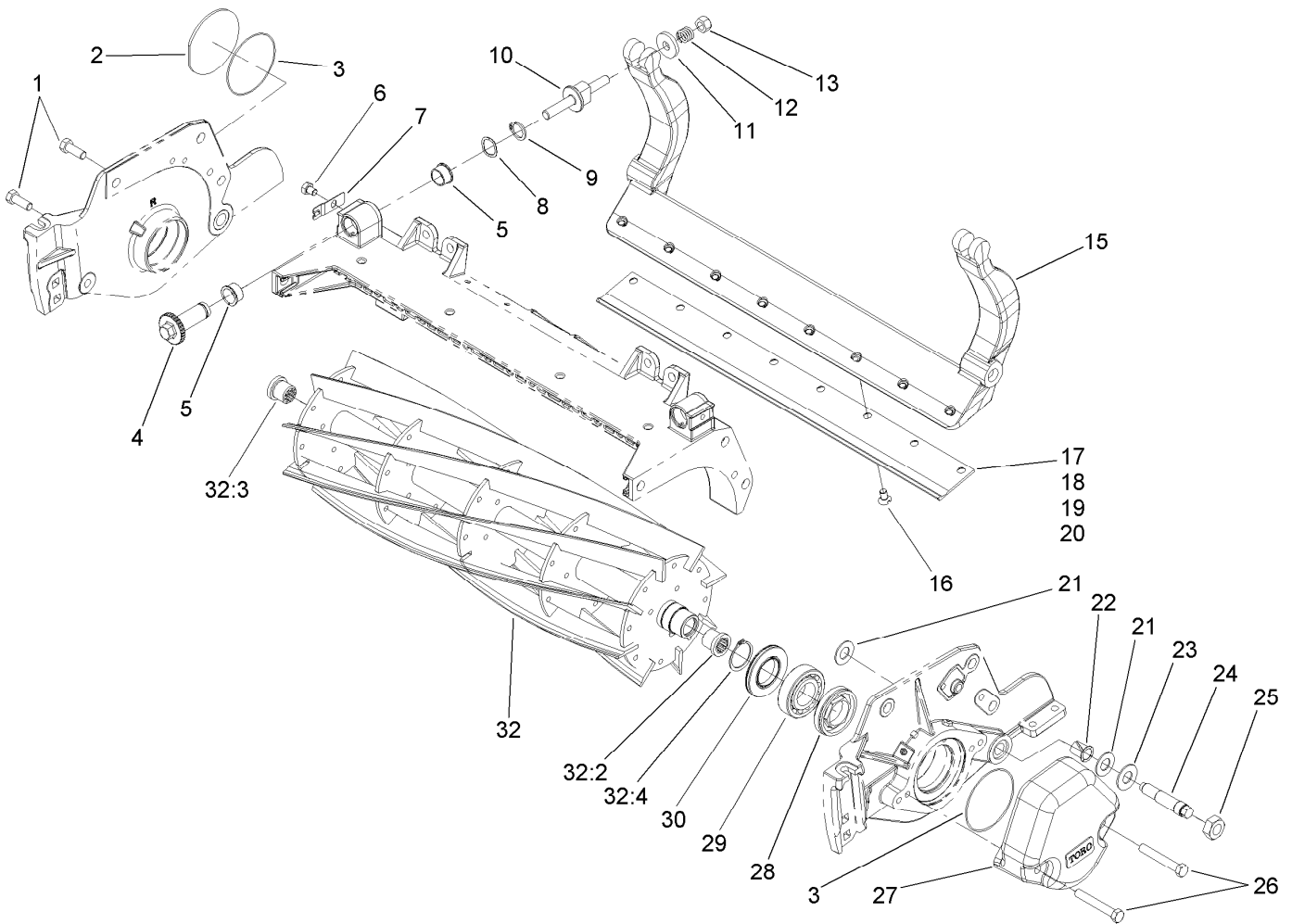
Frame Assembly.....	4
Reel and Bedbar Assembly	5
Roller Assembly	6
Optional 3 Inch Diameter Long Roller Assembly No. 114-5415	7
Optional 3 Inch Diameter Short Roller Assembly No. 114-5417	8
Plastic Wiehle Roller Assembly No. 114-5400.....	9
Optional Plastic Shoulder Roller Assembly No. 114-5421	10
Optional 3 Inch Diameter Full Front Roller Assembly No. 114-5412.....	11
High Height-of-Cut Assembly No. 110-9600	12
Shield Assembly.....	13
Optional Tools Assembly.....	14
Attachments and Accessories	15



Frame Assembly

Ref.	Part Number	Qty.	Description	Ref.	Part Number	Qty.	Description
1	108-9083	1	Plate-Side, RH	12	110-4069	1	Bracket
1:2	106-9618	1	Bushing-Rubber	13	115-2007	1	Rod-Spring
1:3	302-5	1	Fitting-Grease	14	92-2762	1	Pin-Hair
1:4	302-39	1	Fitting-Plug	15	3231-25	4	Bolt-CARR
2	108-9082	1	Plate-Side, LH	16	110-4088-03	1	Kickstand ●
2:2	106-9618	1	Bushing-Rubber	17	107-7400	1	Pin-Snapper
2:3	302-5	1	Fitting-Grease	18	110-4058	1	Bracket-Chain
2:4	107-7447	1	Screw-Set, SQH	19	107-3258	1	Frame
2:5	302-39	1	Fitting-Plug	20	107-2979	6	Bolt-Shoulder
3	104-3396	1	Screw-HH	21	3234-19	2	Screw-HHF
4	99-8662	1	Tube-Spring	22	67-9410	1	Washer
5	3218-5	3	Nut-Jam	23	108-4279	2	Spacer-Frame
6	87-7270	1	Washer-Thrust	24	108-4284	1	Tube-Support
7	104-8301	5	Nut-HF, NI	25	107-7433	1	Carrier Frame ASM
8	3290-357	7	Nut-HHF, Whiz	25:2	93-2877	2	Bushing
9	110-4079	1	Spring-Compression				

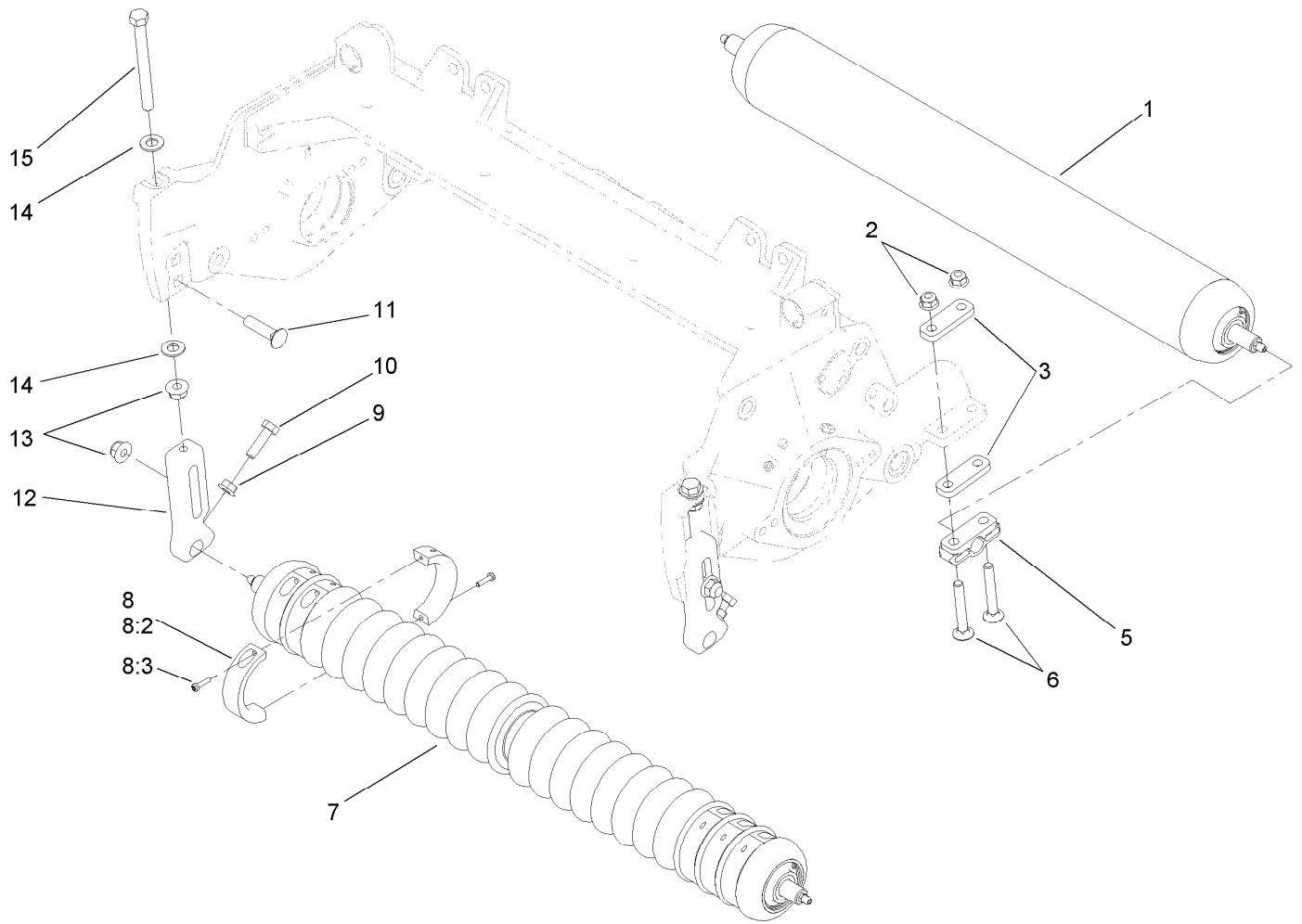
● Optional Equipment



Reel and Bedbar Assembly

Ref.	Part Number	Qty.	Description	Ref.	Part Number	Qty.	Description
1	323-6	2	Screw-HH	19	110-4084	1	Bedknife-Low HOC (Fairway) ●
2	94-2703	1	Plug	20	110-4074	1	Bedknife-HD (Fairway) ●
3	112-6967	2	O-Ring	21	61-1950	4	Washer-Plastic
4	106-5363	2	Shaft-Adjuster	22	56-9520	2	Bushing-Flanged
5	106-5344	4	Bushing-Flange, Keyed	23	69-8980	2	Washer
6	114-9396	2	Capscrew-HH	24	106-9623	2	Bolt-Bedbar
7	99-2097	2	Detent	25	3296-33	2	Nut-Lock, NI
8	106-5335	2	Washer-Wave	26	323-12	2	Screw-HH
9	32120-93	2	Ring-Retaining	27	108-4269-01	1	Weight
10	99-2096	2	Screw-Adjuster, Bedbar	28	107-2954	1	Nut-Adjuster, Bearing
11	99-2098	2	Washer	29	93-2489	2	Bearing
12	99-3755	2	Spring-Compression	30	107-4028	2	Seal-Grease
13	33025-00	2	Nut-Lock, NI	32	107-3264	1	8 Blade Reel
15	107-3273-01	1	Bedbar	32:2	107-3276	1	Insert-Threaded, LH
16	57-4910	8	Screw-Special	32:3	107-3275	1	Insert-Threaded, RH
17	108-9095	1	Bedknife-Edgemax (Fairway)	32:4	92-2601	2	Ring-Retaining
18	108-9096	1	Bedknife-STD (Fairway) ●				

● Optional Equipment

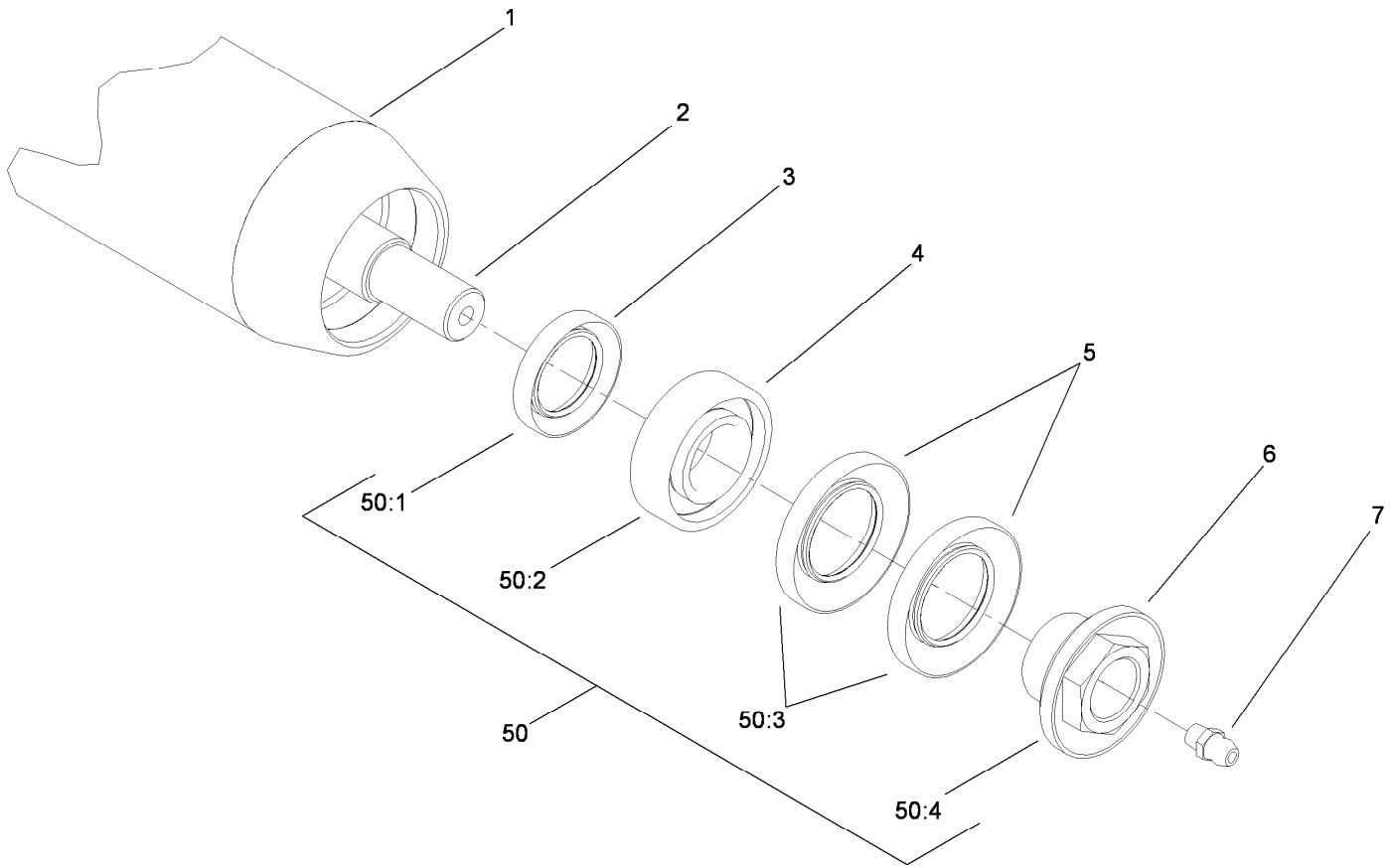


Roller Assembly

Ref.	Part Number	Qty.	Description
1	114-5417	1	3 Inch DIA Roller ASM (Short) ■
1	114-5415	1	3 Inch DIA Roller ASM (Long)
2	104-8300	4	Nut-HF, NI
3	106-3925	4	Shim-Roller (0.25)
4	107-4001	2	Shim-Roller (0.01 Inch) ● ■
5	106-3924	2	Bracket-Roller, Rear
6	3230-7	4	Bolt-CARR
7	114-5412	1	3 Inch DIA Full Front Roller ASM ■
7	114-5421	1	Plastic Shoulder Roller ASM ■
7	114-5400	1	Plastic Wiehle Roller ASM
8	104-8215	6	Collar Kit ■
8:2	100-4959	2	Collar
8:3	104-1835	2	Screw
9	32128-20	2	Nut-HF
10	322-16	2	Screw-HH
11	3231-4	2	Screw-CARR
12	107-2952	2	Bracket-HOC, Front
13	104-8301	4	Nut-HF, NI
14	48-9220	4	Washer-Plain
15	107-4026	2	Screw-HH
50	110-9600	1	DPA High HOC Kit ● ■

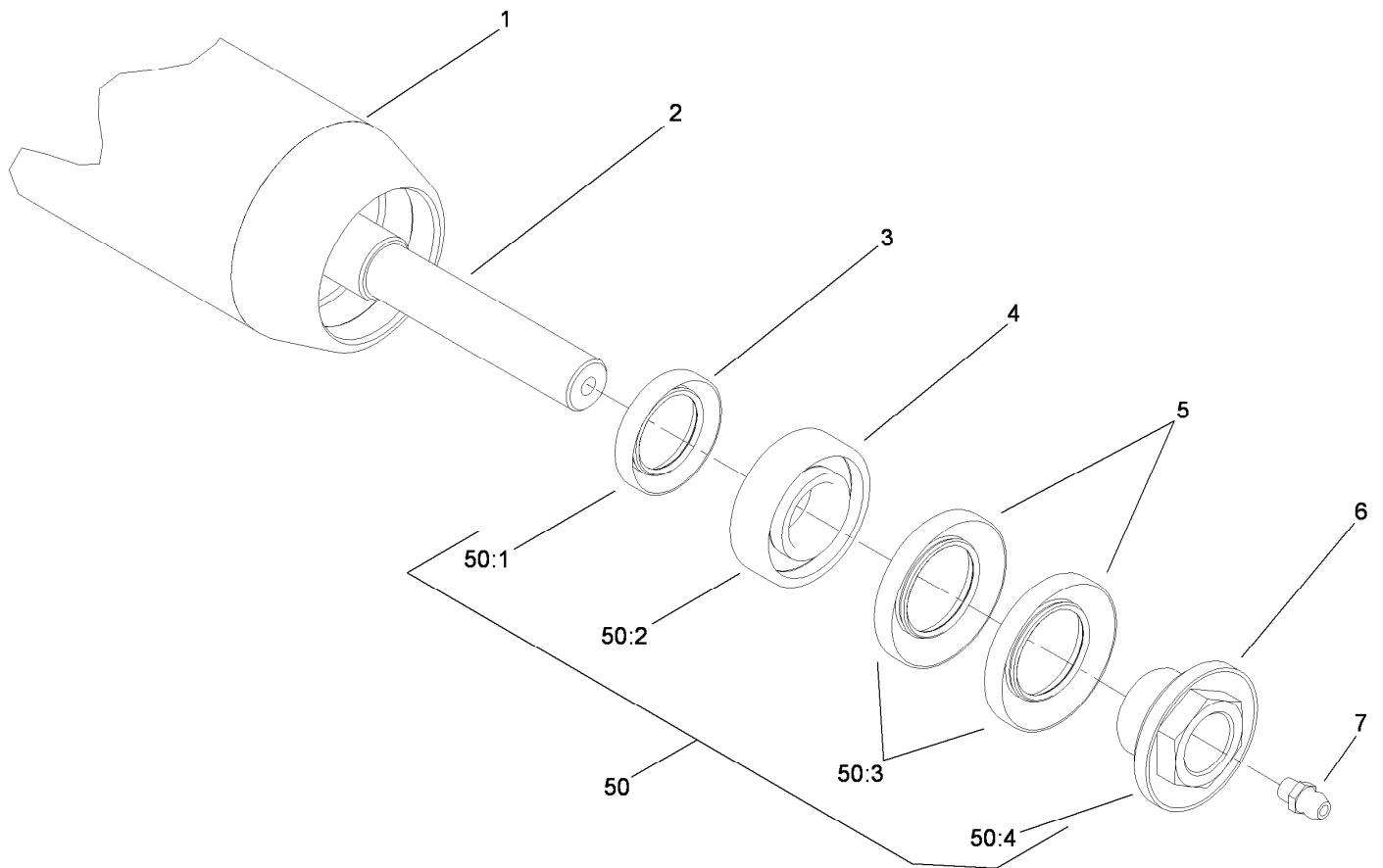
● Not illustrated

■ Optional Equipment



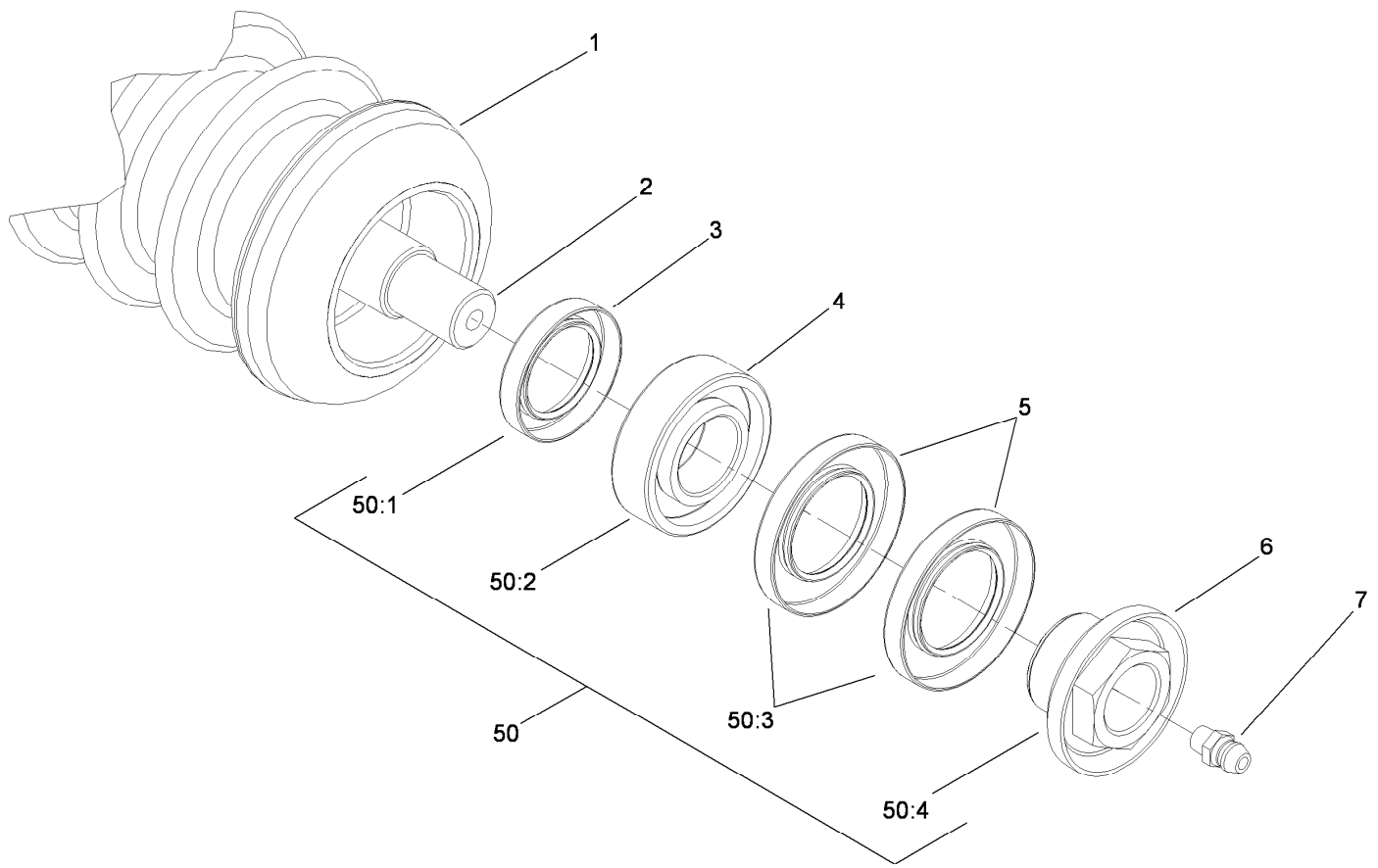
Optional 3 Inch Diameter Long Roller Assembly No. 114-5415

<i>Ref.</i>	<i>Part Number</i>	<i>Qty.</i>	<i>Description</i>
1	115-8292-03	1	Tube-Roller (Long)
2	114-5407	1	Shaft-Long, Rear Roller
3	114-3717	2	Seal-Oil
4	112-5290	2	Bearing-Steel, Stainless
5	112-7494	4	Seal
6	114-5411	2	Nut-Lock, Bearing
7	302-5	2	Fitting-Grease
50	114-5430	1	Roller Rebuild Kit
50:1	114-3717	2	Seal-Oil
50:2	112-5290	2	Bearing-Steel, Stainless
50:3	112-7494	4	Seal
50:4	114-5411	2	Nut-Lock, Bearing



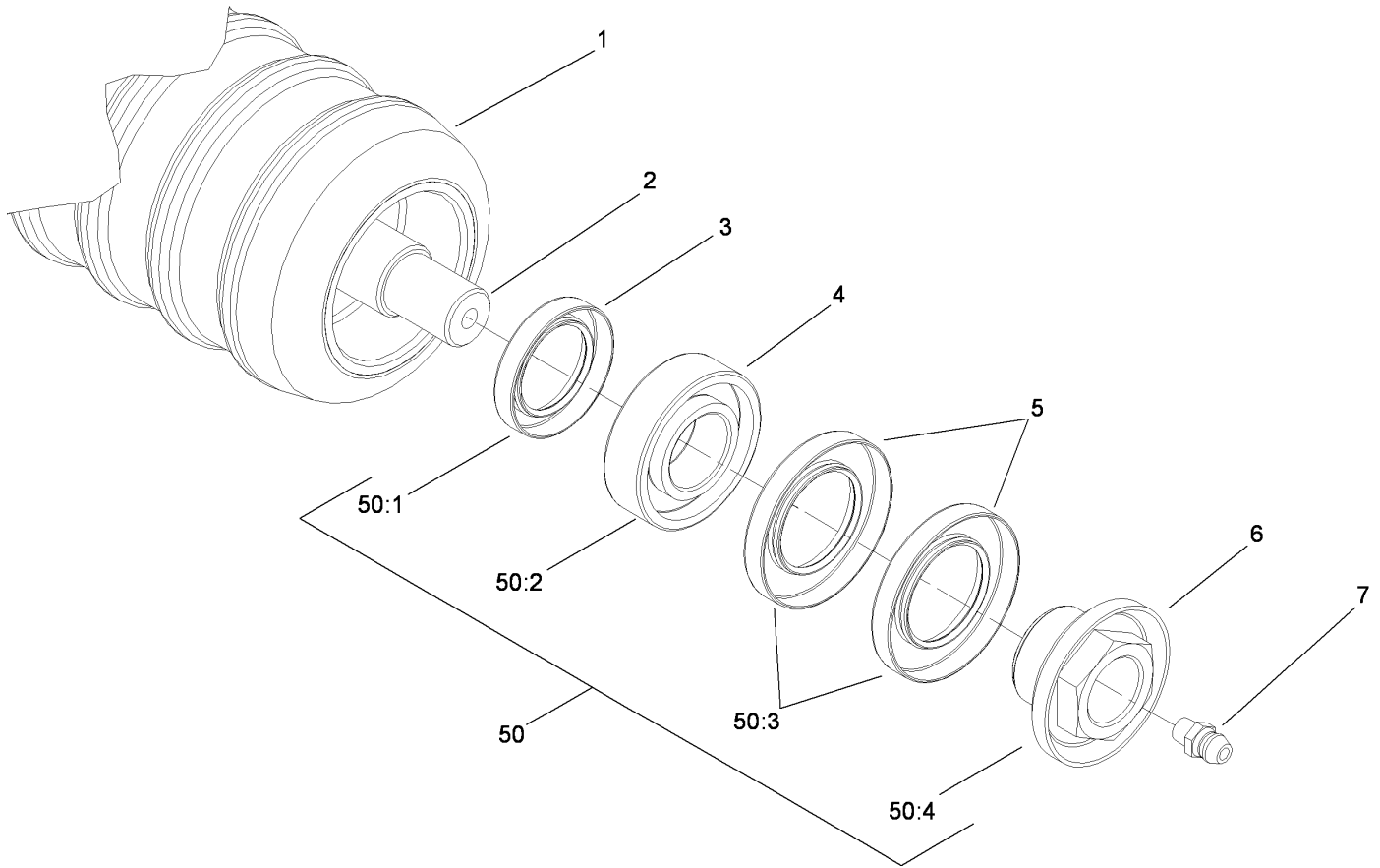
Optional 3 Inch Diameter Short Roller Assembly No. 114-5417

<i>Ref.</i>	<i>Part Number</i>	<i>Qty.</i>	<i>Description</i>
1	115-8296-03	1	Tube-Roller (Short)
2	114-5410	1	Shaft-Short, Rear Roller
3	114-3717	2	Seal-Oil
4	112-5290	2	Bearing-Steel, Stainless
5	112-7494	4	Seal
6	114-5411	2	Nut-Lock, Bearing
7	302-5	2	Fitting-Grease
50	114-5430	1	Roller Rebuild Kit
50:1	114-3717	2	Seal-Oil
50:2	112-5290	2	Bearing-Steel, Stainless
50:3	112-7494	4	Seal
50:4	114-5411	2	Nut-Lock, Bearing



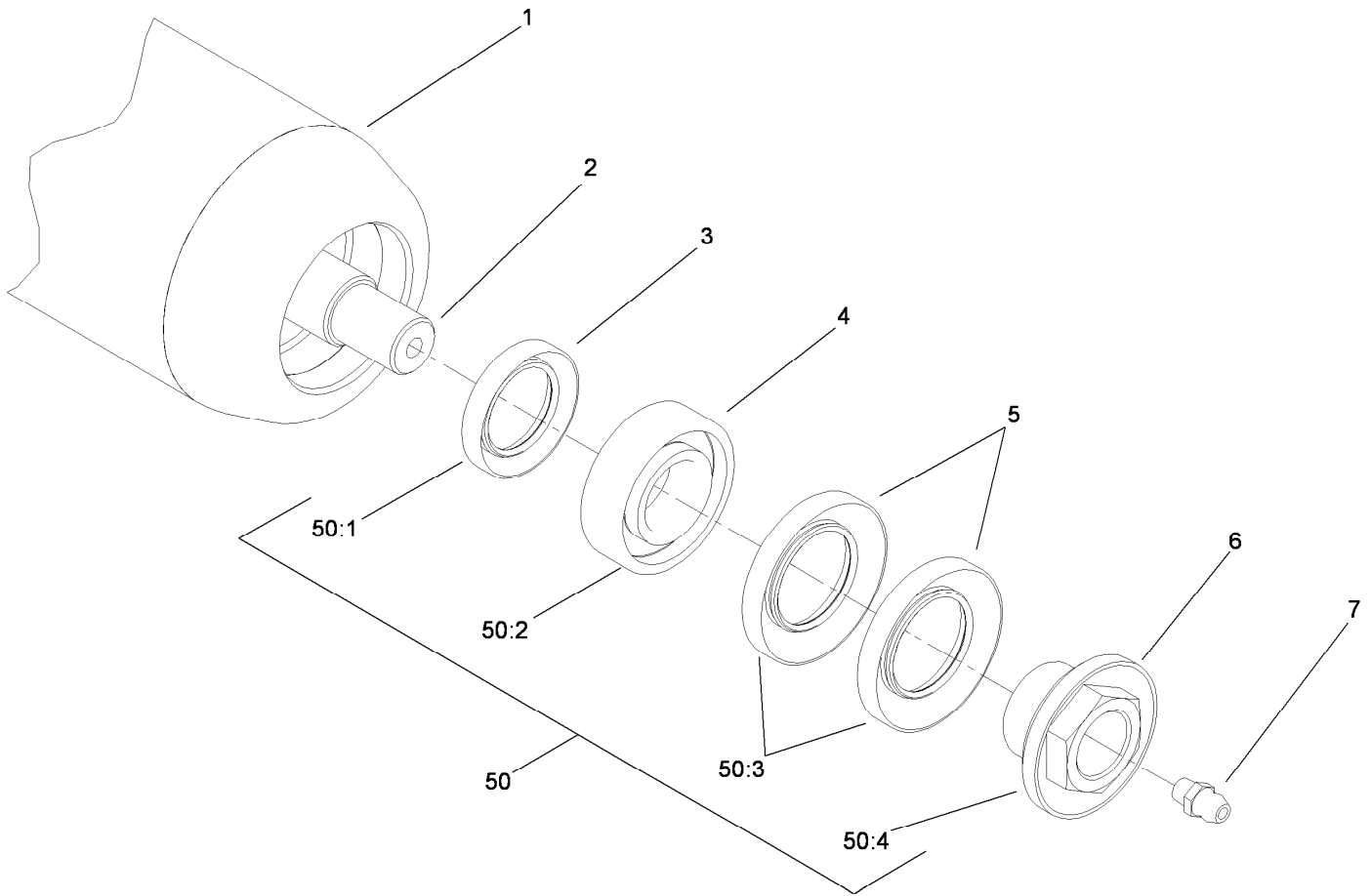
Plastic Wiehle Roller Assembly No. 114-5400

<i>Ref.</i>	<i>Part Number</i>	<i>Qty.</i>	<i>Description</i>
1	114-5401	1	Roller-Wiehle, Plastic
2	114-5403	1	Shaft-Roller, Front
3	114-3717	2	Seal-Oil
4	112-5290	2	Bearing-Steel, Stainless
5	112-7494	4	Seal
6	114-5411	2	Nut-Lock, Bearing
7	302-5	2	Fitting-Grease
50	114-5430	1	Roller Rebuild Kit
50:1	114-3717	2	Seal-Oil
50:2	112-5290	2	Bearing-Steel, Stainless
50:3	112-7494	4	Seal
50:4	114-5411	2	Nut-Lock, Bearing



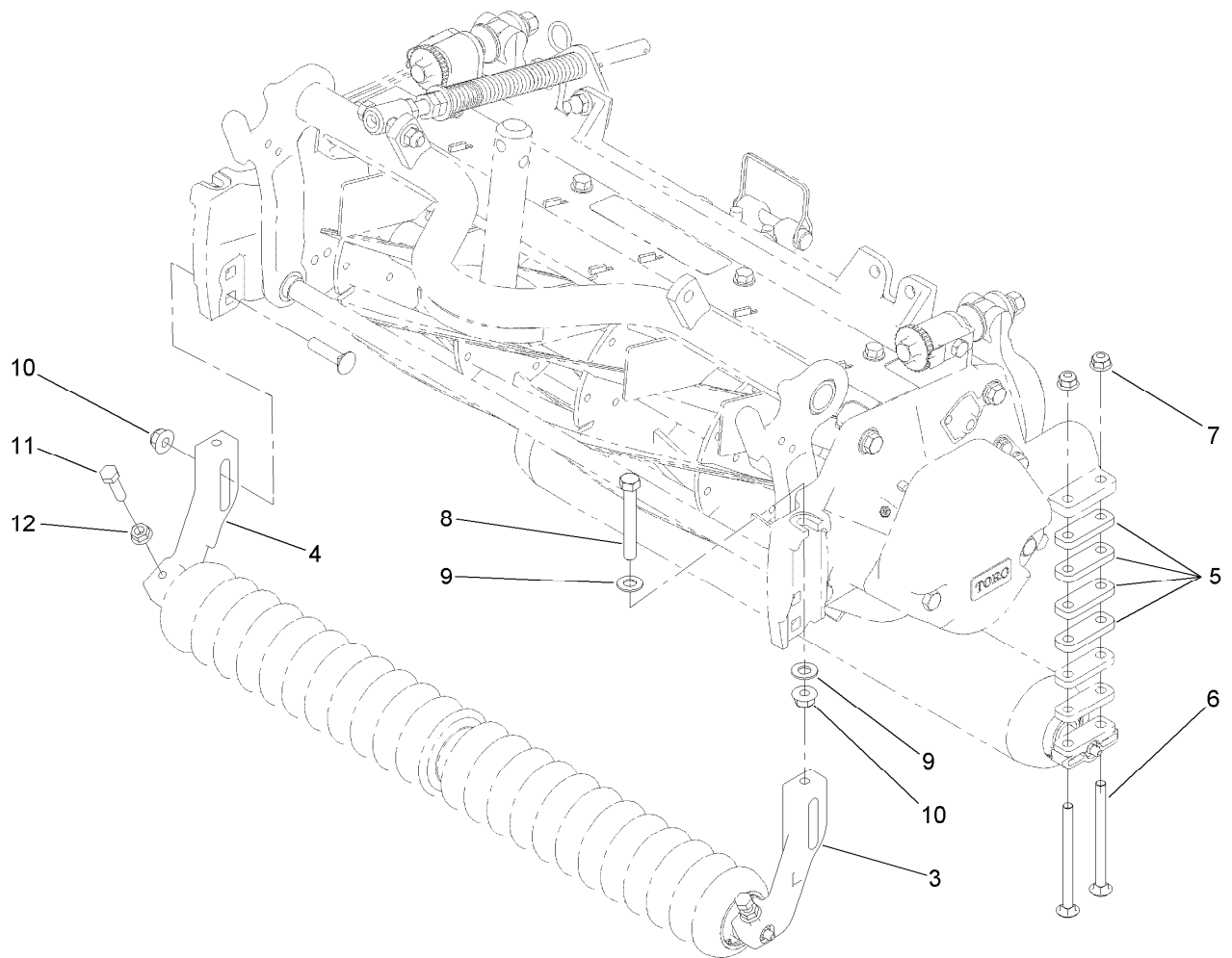
Optional Plastic Shoulder Roller Assembly No. 114-5421

<i>Ref.</i>	<i>Part Number</i>	<i>Qty.</i>	<i>Description</i>
1	114-5422	1	Roller-Shoulder, Plastic
2	114-5403	1	Shaft-Roller, Front
3	114-3717	2	Seal-Oil
4	112-5290	2	Bearing-Steel, Stainless
5	112-7494	4	Seal
6	114-5411	2	Nut-Lock, Bearing
7	302-5	2	Fitting-Grease
50	114-5430	1	Roller Rebuild Kit
50:1	114-3717	2	Seal-Oil
50:2	112-5290	2	Bearing-Steel, Stainless
50:3	112-7494	4	Seal
50:4	114-5411	2	Nut-Lock, Bearing



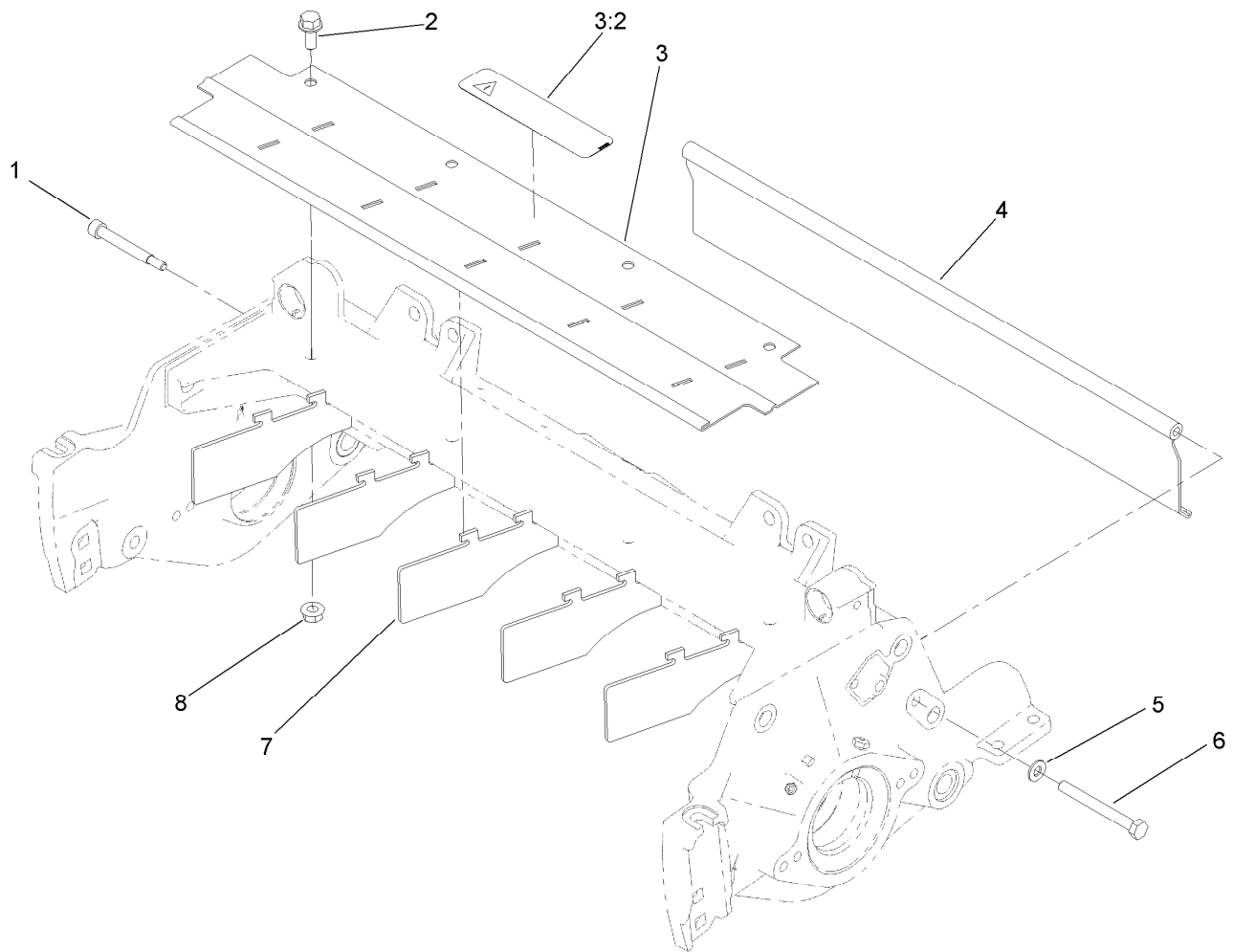
Optional 3 Inch Diameter Full Front Roller Assembly No. 114-5412

<i>Ref.</i>	<i>Part Number</i>	<i>Qty.</i>	<i>Description</i>
1	115-8297-03	1	Tube-Roller, Full
2	114-5403	1	Shaft-Roller, Front
3	114-3717	2	Seal-Oil
4	112-5290	2	Bearing-Steel, Stainless
5	112-7494	4	Seal
6	114-5411	2	Nut-Lock, Bearing
7	302-5	2	Fitting-Grease
50	114-5430	1	Roller Rebuild Kit
50:1	114-3717	2	Seal-Oil
50:2	112-5290	2	Bearing-Steel, Stainless
50:3	112-7494	4	Seal
50:4	114-5411	2	Nut-Lock, Bearing



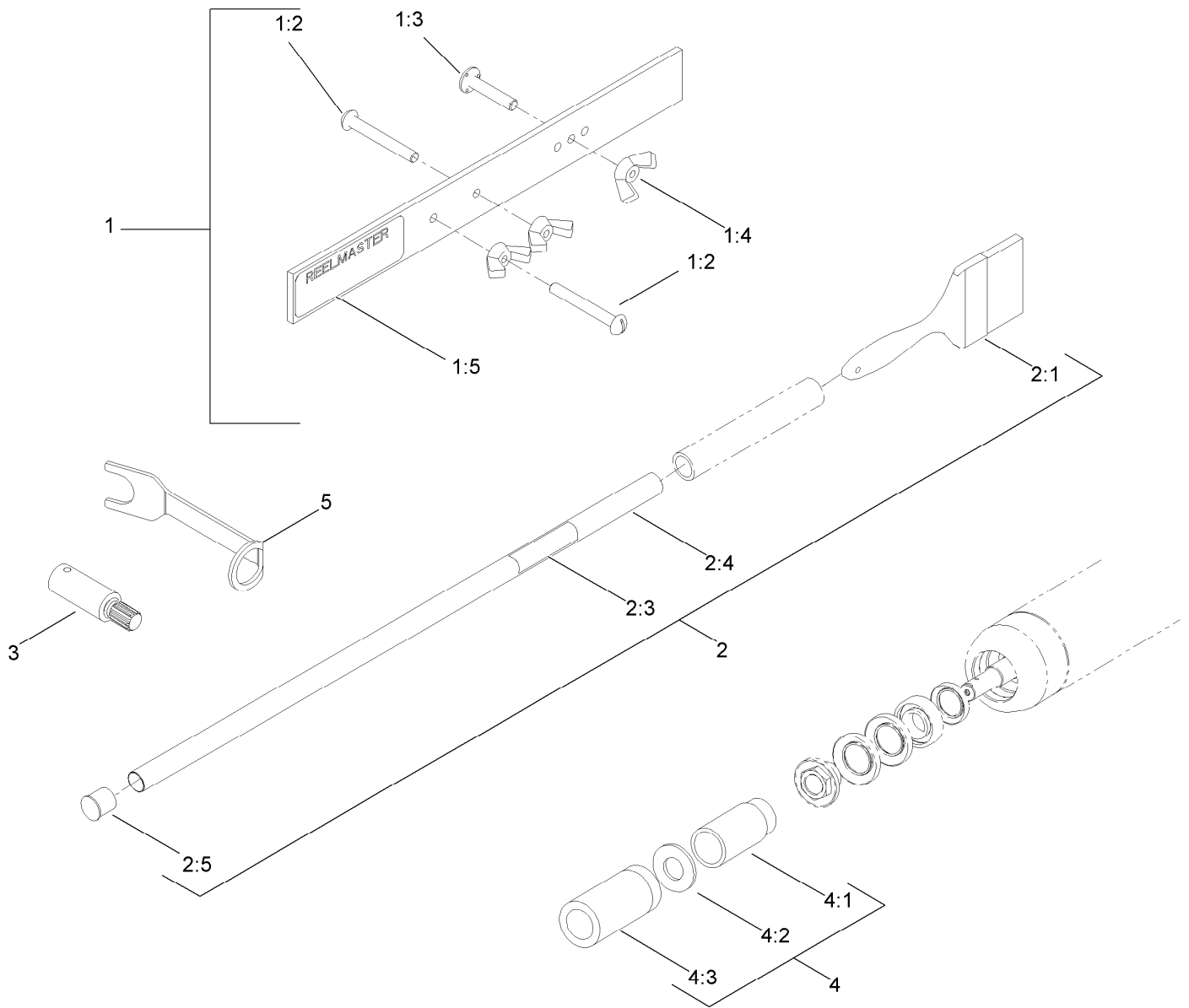
High Height-of-Cut Assembly No. 110-9600

<i>Ref.</i>	<i>Part Number</i>	<i>Qty.</i>	<i>Description</i>
3	108-4213	1	Bracket-HOC, Groomer (LH)
4	108-4214	1	Bracket-HOC, Groomer (RH)
5	106-3925	8	Shim-Roller (0.25)
6	106-9758	4	Screw-CARR
7	104-8300	4	Nut-HF, NI
8	112-7451	2	Screw-TAP
9	48-9220	4	Washer-Plain
10	104-8301	4	Nut-HF, NI
11	322-16	2	Screw-HH
12	32128-20	2	Nut-HF



Shield Assembly

Ref.	Part Number	Qty.	Description
1	107-7773	1	Screw-HSH
2	3234-7	4	Screw-HHF
3	107-2996	1	Front Glass Shield ASM
3:2	93-6688	1	Decal-Danger
4	107-7779-01	1	Shield-Glass, Rear
5	3256-74	1	Washer-Flat
6	322-14	1	Screw-HH
7	110-1706	5	Deflector
8	32128-20	4	Nut-HF



Optional Tools Assembly

Ref.	Part Number	Qty.	Description
1	108-6715	1	Gauge Bar ASM
1:2	32122-54	2	Screw-Head, Truss
1:3	108-6714	1	Stud-Weld
1:4	32103-3	3	Nut-Wing
1:5	108-6712	1	Decal-Gauge, Bar
2	29-9100	1	Brush And Handle ASM
2:1	36-4310	1	Brush
2:3	98-3206	1	Decal
2:4	29-9080	1	Handle

Ref.	Part Number	Qty.	Description
2:5	2410-18	1	Cap-Plastic
3	TOR4074	1	Adapter-Drive, Reel ●
4	115-0803	1	Roller Rebuild Tool Kit
4:1	115-0852	1	Tool-Inner Seal
4:2	107-8133	1	Washer-Flat
4:3	115-0853	1	Tool-Bearing/Outer Seals
5	117-0975	1	Tool-Installation, Reel Bearing

● Obtain directly from K-Line Industries, Inc. (800) 241-0936

Attachments and Accessories

For 03696 8-Blade DPA Cutting Unit with 7in Reel Reelmaster 5510/5610 Series Traction Unit

Product Name	Model/Part
7 Inch Verticutter.....	03684
7 Inch Left-Hand Groomer Kit.....	03686
7 Inch Right-Hand Groomer Kit.....	03685
Rear Roller Brush Kit.....	03688
Basket Kit.....	03662
Rear Lift Cylinder Limit Kit.....	110-9604
7 Inch Fairway Reel, 5 Blade (22in).....	127-2077
Rear Roller Scraper Kit.....	107-3280
Wiehle Scraper ASM.....	107-2993-03
Comb/Scraper Kit.....	110-1735
3 Inch Dia Full Front Roller ASM.....	114-5412
3 Inch Full Front Roller Scraper.....	110-9602-03
Plastic Shoulder Roller ASM.....	114-5421
Shoulder Roller Scraper ASM.....	110-9609-03
High Height-of-Cut Kit.....	110-9600
3 Inch Dia Collar Kit.....	104-8215
Cutting Unit Kickstand.....	119-8010-03
Reel Drive Adapter.....	TOR4074
Roller Rebuild Tool Kit.....	115-0803
Fairway Broomer Kit.....	110-4085
Reel Bearing Installation Tool.....	117-0975
Brush-Roller (High Height-Of-Cut).....	110-1740
Gauge Bar Assembly.....	108-6715
Roller Rebuild Kit.....	114-5430
Groomer/RRB Bearing and Seal Kit.....	110-4086
Heavy-Duty DPA MVP Kit.....	120-7230
Rear Roller Adjustment Kit.....	125-0570
Bedknife-Edgemax (Fairway).....	108-9095
Bedknife-STD (Fairway).....	108-9096
Bedknife-Low HOC (Fairway).....	110-4084
Bedknife-Lowcut Extended (Fairway).....	120-1640
Bedknife-HD (Fairway).....	110-4074
Bedknife Edgemax Low cut Extended (Fairway).....	119-4280
Bedknife-Premium, Low HOC.....	125-2771
Bedknife-Edgemax Lowcut.....	127-7132
Toro Reel Paper (10 Pack).....	125-5610
Toro Reel Shim (0.002in).....	125-5611
Angle Indicator.....	131-6828
Angle Indicator Mount.....	131-6829
EdgeSeries 7 Inch Fairway Reel (22 Inch) 8 Blade (Radial Reel).....	133-8211



Count on it.