



**Count on it.**

**Parts Catalog**

**11-Blade DPA Cutting Unit with  
7in Reel**

**Reelmaster® 5510/5610 Series Traction Unit**

Model No. 03682—Serial No. 280000001 and Up



# Ordering Replacement Parts

To order replacement parts, please supply the part number, the quantity, and the description of each part desired.

## Understanding Reference Numbers

Each identified part in an illustration has a reference number. The reference number for a part also appears in the parts list, along with other information about the part.

This catalog uses two special reference number formats, one to indicate parts in a service assembly and another to indicate the quantity of a given part in an illustration.

## Service Assembly Reference Numbers

Parts in service assemblies have reference numbers in the form a:b. The a represents the reference number of the entire service assembly and the b represents a sequential number unique to each part within the service assembly.

For example, a wheel assembly might be identified by reference number 6, the tire by 6:1, the valve by 6:2, and the wheel by 6:3. When you order the assembly identified by reference number 6, you receive all parts identified by reference numbers 6:1, 6:2, and 6:3. However, you may also order any part individually. Reference numbers of this type appear in illustration and in parts lists.

## Reference Numbers Indicating Quantity

In an illustration, if a reference number indicates more than one part, the reference number has the form nX y. The n represents the quantity of the part, the X is the multiplication symbol, and the y represents the reference number.

For example, in an illustration, the reference number 2X 37 means that two of the parts identified by reference number 37 are indicated.

# List of Abbreviations

**AR:** as required

**ASM:** assembly

**BBC:** blade brake control

**BHTF:** button head thread forming

**CARR:** carriage

**CCW:** counter clockwise

**CW:** clockwise

**DEG:** degrees

**DPA:** Dual Point Adjustment

**ECM:** electronic control module

**EXT:** external

**FH:** flat head

**GA:** gauge

**HD:** heavy-duty

**HF:** hex flange

**HH:** hex head

**HHF:** hex head flange

**HHFTF:** hex head flange thread forming

**HJ:** hex jam

**HLH:** hex lag head

**HOC:** height-of-cut

**HP:** high pressure

**HSBH:** hex socket button head

**HSFH:** hex socket flat head

**HSH:** hex socket head

**HWH:** hex washer head

**HWHTF:** hex washer head thread forming

**HYD:** hydraulic

**LH:** left hand

**LP:** low pressure

**LPG:** Liquefied Petroleum Gas

**NI:** nylon insert

**NPTF:** national pipe thread fine

**PFH:** phillips flat head

**PPH:** phillips pan head

**PPHTF:** phillips pan head thread forming

**PRH:** phillips round head

**PTH:** phillips truss head

**PTO:** power-take-off

**RH:** right hand

**ROPS:** roll-over protection system

**RRB:** rear roller brush

**SFH:** slotted fillister head

**SHH:** slotted hex head

**SHWH:** slotted hex washer head

**SPH:** slotted pan head

**SQH:** square head

**SRH:** slotted round head

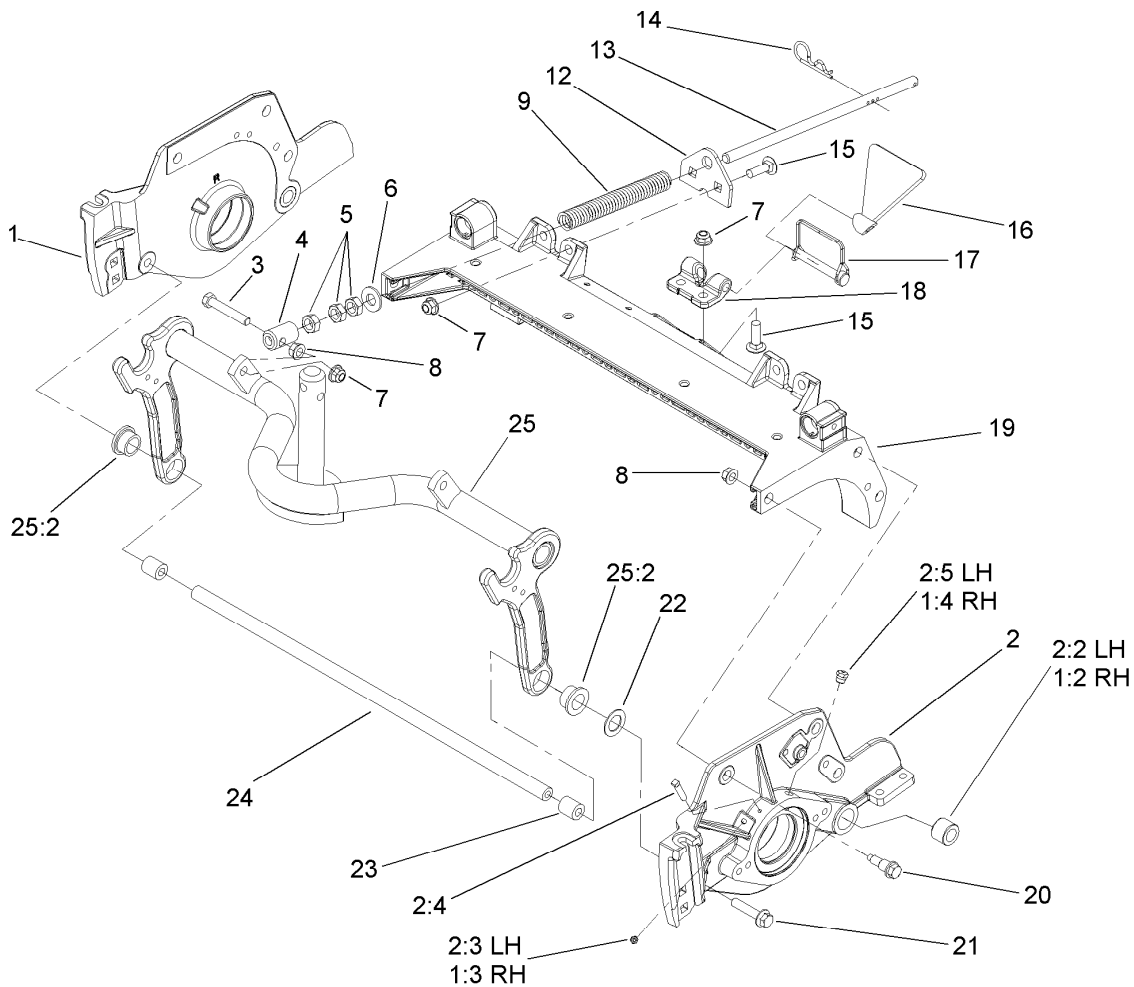
**STD:** standard

**TAP:** self tapping

**TTH:** torx truss head

# Contents

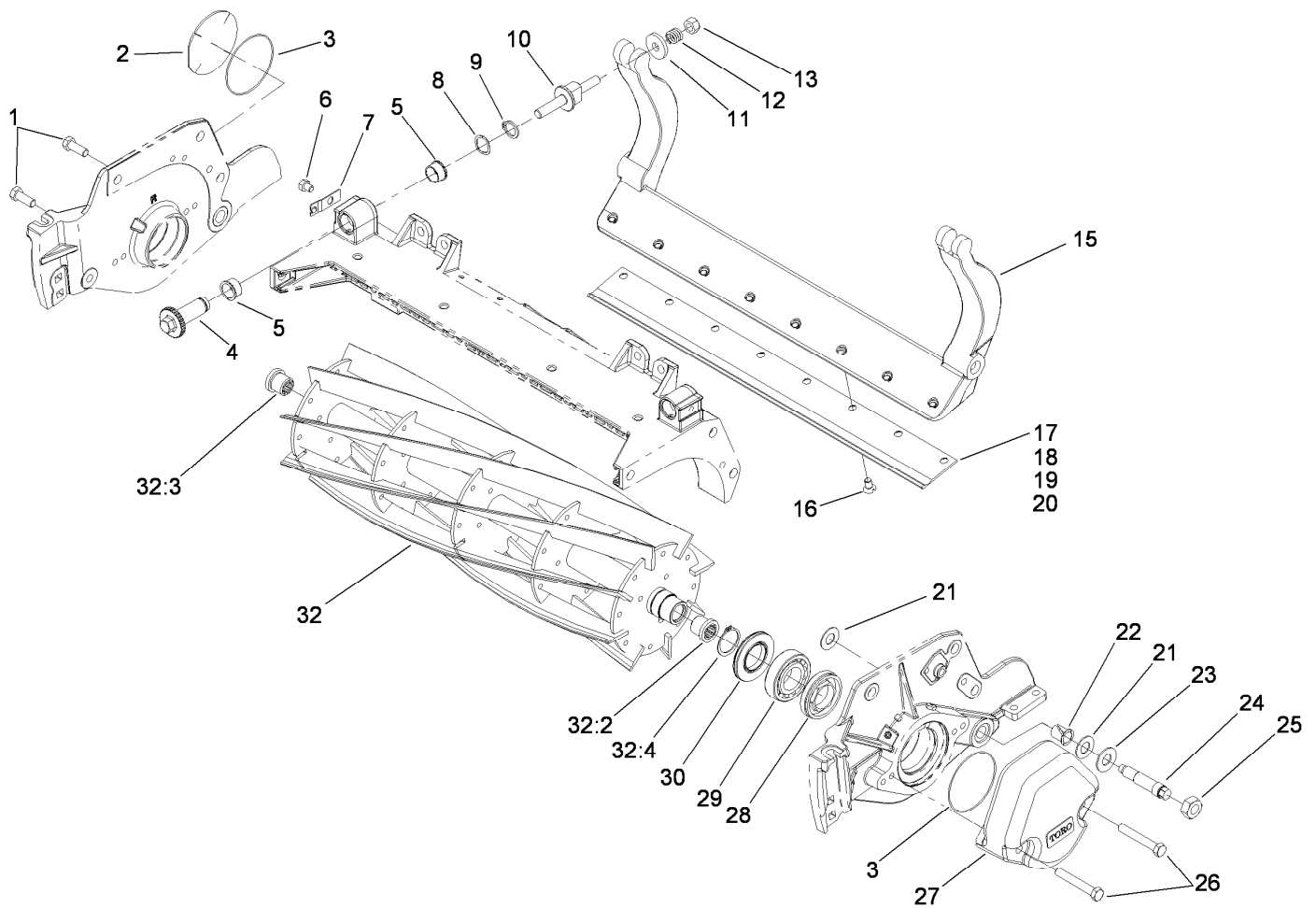
Frame Assembly.....	4
Reel and Bedbar Assembly .....	5
Roller Assembly .....	6
3 Inch Diameter Long Roller Assembly No. 114-5415 .....	7
Optional 3 Inch Diameter Short Roller Assembly No. 114-5417 .....	8
Plastic Wiehle Roller Assembly No. 114-5400.....	9
Optional Plastic Shoulder Roller Assembly No. 114-5421 .....	10
Optional 3 Inch Diameter Full Front Roller Assembly No. 114-5412.....	11
Optional High Height-of-Cut Assembly No. 110-9600 .....	12
Shield Assembly.....	13
Optional Tools Assembly.....	14
Attachments and Accessories .....	15



## Frame Assembly

Ref.	Part Number	Qty.	Description	Ref.	Part Number	Qty.	Description
1	108-9083	1	Plate-Side, RH	12	110-4069	1	Bracket
1:2	106-9618	1	Bushing-Rubber	13	115-2007	1	Rod-Spring
1:3	302-5	1	Fitting-Grease	14	92-2762	1	Pin-Hair
1:4	302-39	1	Fitting-Plug	15	3231-25	4	Bolt-CARR
2	108-9082	1	Plate-Side, LH	16	110-4088-03	1	Kickstand ●
2:2	106-9618	1	Bushing-Rubber	17	107-7400	1	Pin-Snapper ●
2:3	302-5	1	Fitting-Grease	18	110-4058	1	Bracket-Chain
2:4	107-7447	1	Screw-Set, SQH	19	107-3258	1	Frame
2:5	302-39	1	Fitting-Plug	20	107-2979	6	Bolt-Shoulder
3	104-3396	1	Screw-HH	21	3234-19	2	Screw-HHF
4	99-8662	1	Tube-Spring	22	67-9410	1	Washer
5	3218-5	3	Nut-Jam	23	108-4279	2	Spacer-Frame
6	87-7270	1	Washer-Thrust	24	108-4284	1	Tube-Support
7	104-8301	5	Nut-Flange, NI	25	107-7433	1	Carrier Frame ASM
8	3290-357	7	Nut-HHF, Whiz	25:2	93-2877	2	Bushing
9	110-4079	1	Spring-Compression				

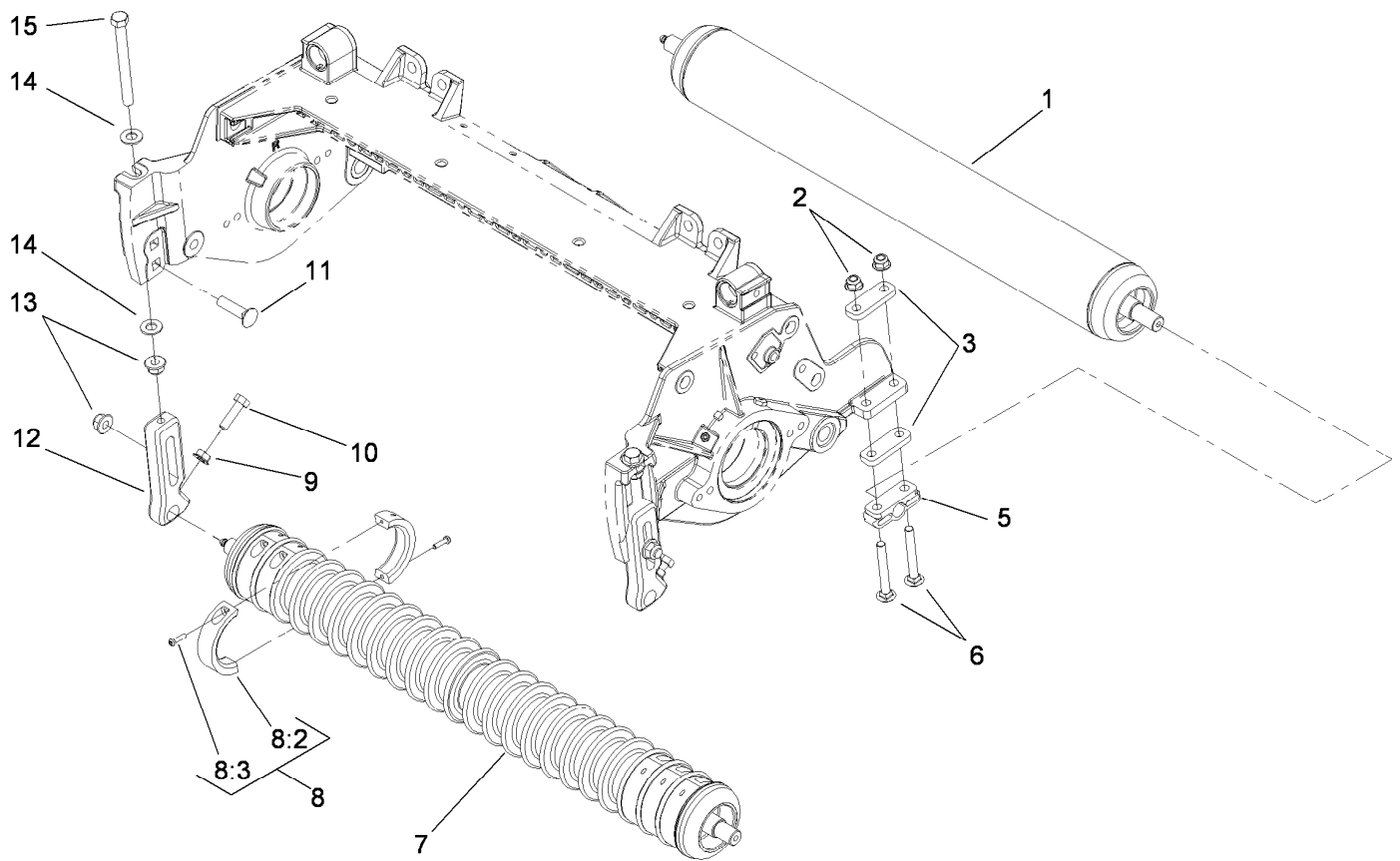
● Optional Equipment



## Reel and Bedbar Assembly

Ref.	Part Number	Qty.	Description	Ref.	Part Number	Qty.	Description
1	323-6	2	Screw-HH	19	110-4084	1	Bedknife-Low HOC (Fairway) ●
2	94-2703	1	Plug	20	110-4074	1	Bedknife-HD (Fairway) ●
3	112-6967	2	O-Ring	21	61-1950	4	Washer-Plastic
4	106-5363	2	Shaft-Adjuster	22	56-9520	2	Bushing-Flanged
5	106-5344	4	Bushing-Flange, Keyed	23	69-8980	2	Washer
6	114-9396	2	Capscrew-HH	24	106-9623	2	Bolt-Bedbar
7	99-2097	2	Detent	25	3296-33	2	Nut-Lock, NI
8	106-5335	2	Washer-Wave	26	323-12	2	Screw-HH
9	32120-93	2	Ring-Retaining	27	108-4269-01	1	Weight
10	99-2096	2	Screw-Adjuster, Bedbar	28	107-2954	1	Nut-Adjuster, Bearing
11	99-2098	2	Washer	29	93-2489	2	Bearing
12	99-3755	2	Spring-Compression	30	107-4028	2	Seal-Grease
13	33025-00	2	Nut-Lock, NI	32	108-9074	1	7 Inch 11 Blade Reel ASM
15	107-3273-01	1	Bedbar	32:2	107-3276	1	Insert-Threaded, LH
16	57-4910	8	Screw-Special	32:3	107-3275	1	Insert-Threaded, RH
17	108-9095	1	Bedknife-Edgemax (Fairway)	32:4	92-2601	2	Ring-Retaining
18	108-9096	1	Bedknife-STD (Fairway) ●				

● Optional Equipment

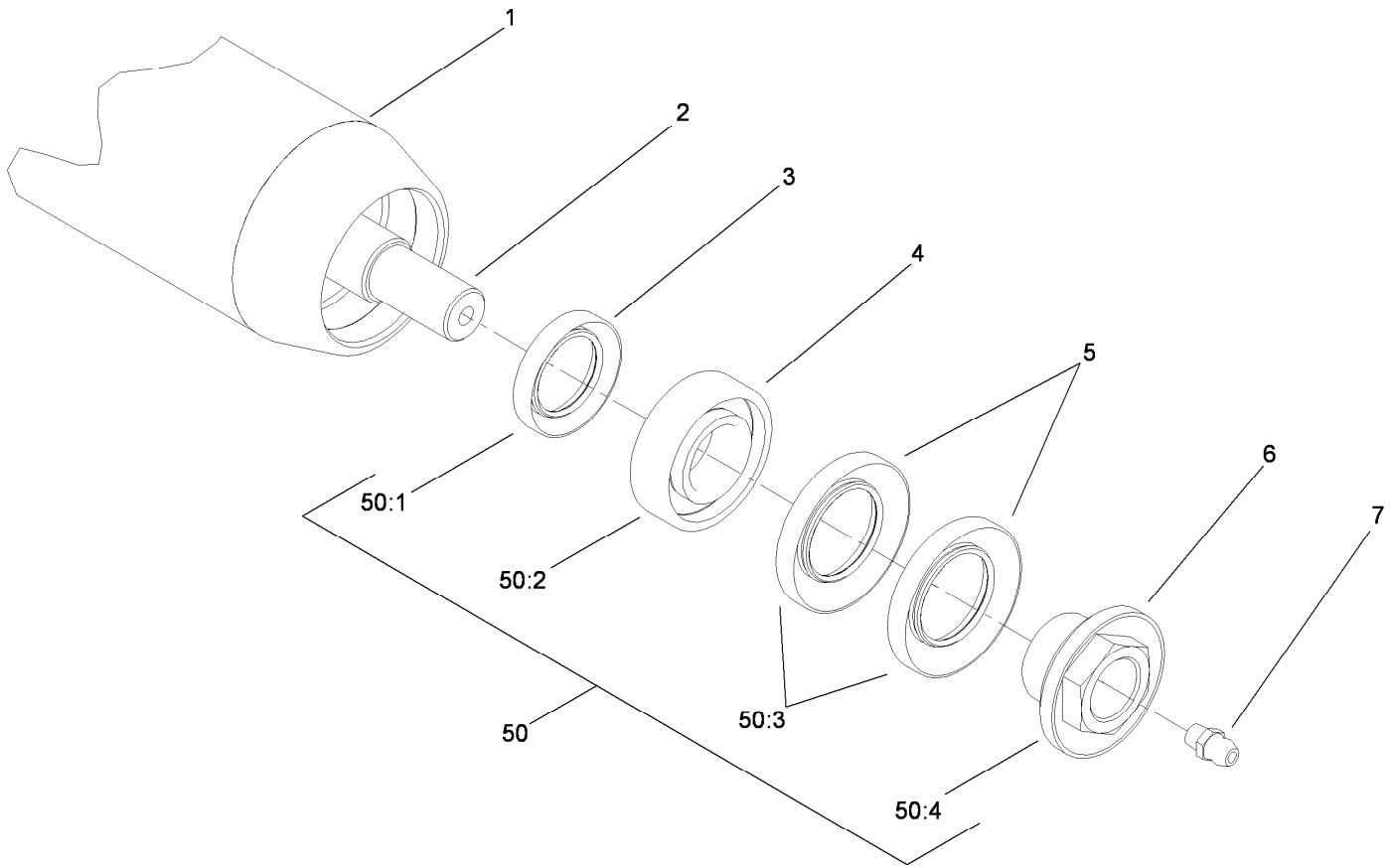


## Roller Assembly

Ref.	Part Number	Qty.	Description
1	114-5415	1	3 Inch Dia Roller ASM (Long)
1	114-5417	1	3 Inch Dia Roller ASM (Short) ■●
2	104-8300	4	Nut-Flange, NI
3	106-3925	4	Shim-Roller (0.25)
4	107-4001	2	Shim-Roller (0.01 Inch) ■
5	106-3924	2	Bracket-Roller, Rear
6	3230-7	4	Bolt-CARR
7	114-5400	1	Plastic Wiehle Roller ASM
7	114-5421	1	Plastic Shoulder Roller ASM ■●
7	114-5412	1	3 Inch Dia Full Front Roller ASM ■●
8	104-8215	6	Collar Kit ■
8:2	100-4959	2	Collar
8:3	104-1835	2	Screw
9	32128-20	2	Nut-HF
10	322-16	2	Screw-HH
11	3231-4	2	Screw-CARR
12	107-2952	2	Bracket-HOC, Front
13	104-8301	4	Nut-Flange, NI
14	48-9220	4	Washer
15	107-4026	2	Screw-HH
50	110-9600	1	DPA High HOC Kit ■●

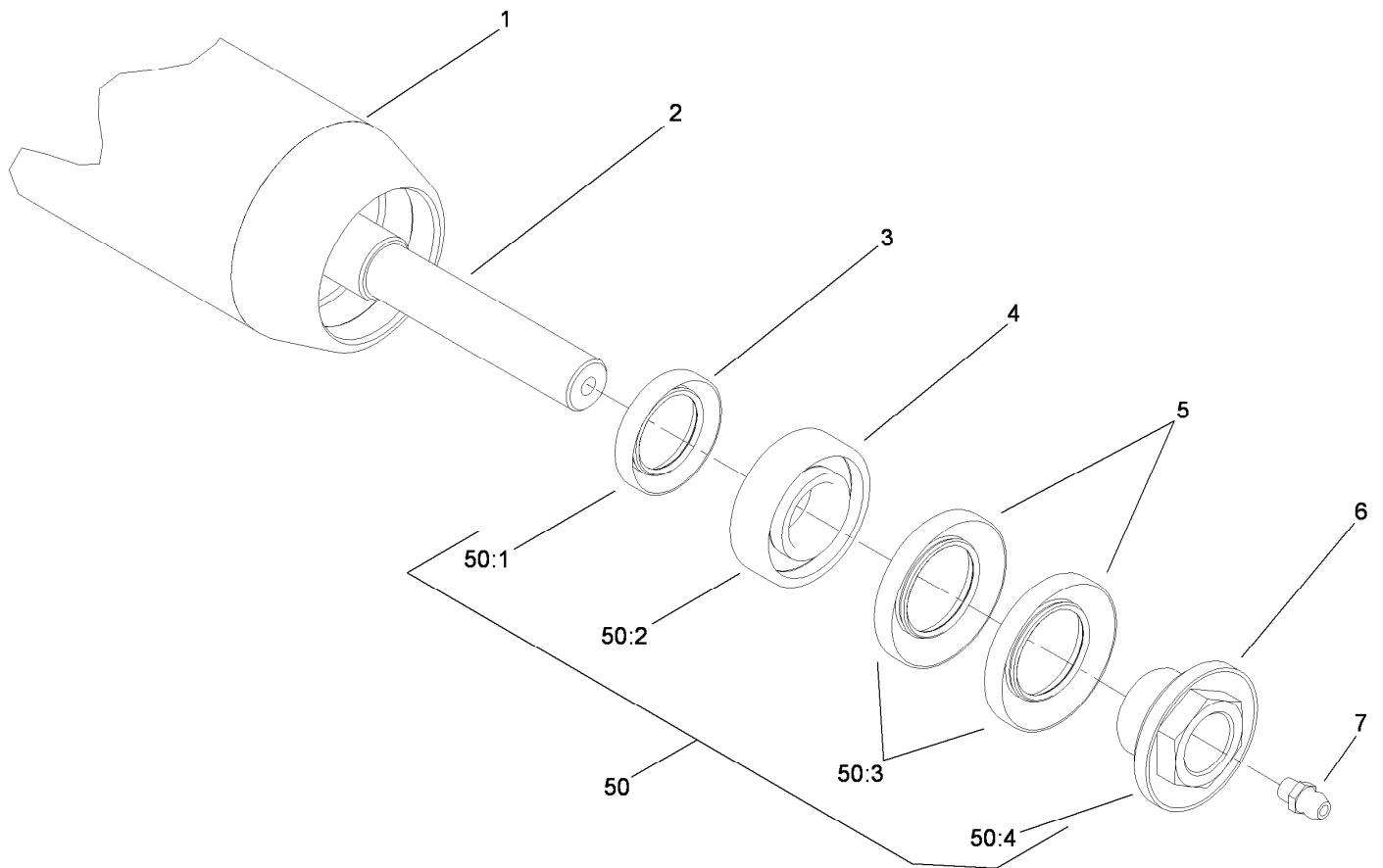
● Not illustrated

■ Optional Equipment



## 3 Inch Diameter Long Roller Assembly No. 114-5415

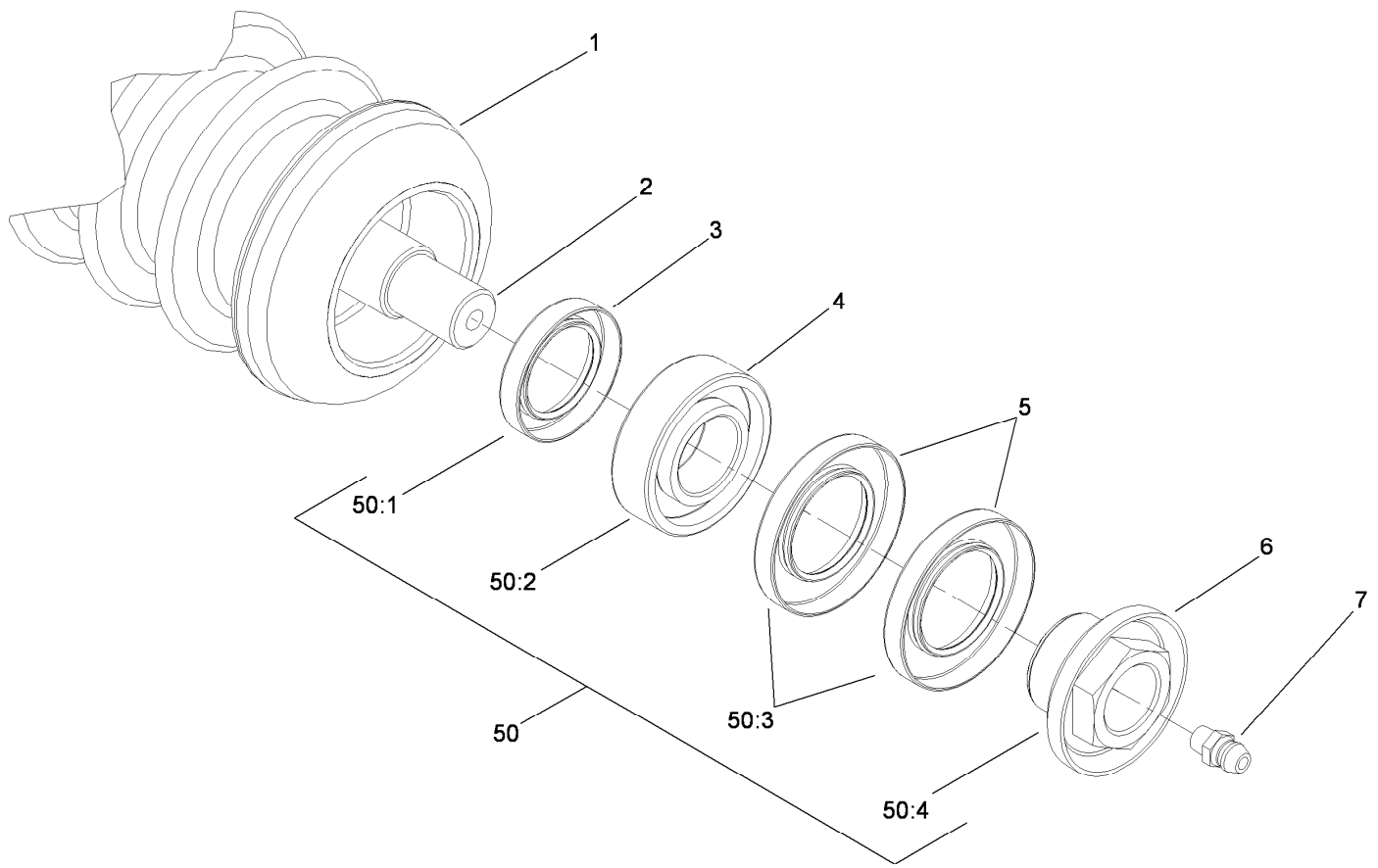
<i>Ref.</i>	<i>Part Number</i>	<i>Qty.</i>	<i>Description</i>
1	114-5416-03	1	3 In Dia Roller Tube ASM (Long)
2	114-5407	1	Shaft-Long, Rear Roller
3	114-3717	2	Seal-Oil
4	112-5290	2	Bearing-Steel, Stainless
5	112-7494	4	Seal
6	114-5411	2	Nut-Lock, Bearing
7	302-5	2	Fitting-Grease
50	114-5430	1	Roller Rebuild Kit
50:1	114-3717	2	Seal-Oil
50:2	112-5290	2	Bearing-Steel, Stainless
50:3	112-7494	4	Seal
50:4	114-5411	2	Nut-Lock, Bearing



## Optional 3 Inch Diameter Short Roller Assembly No. 114-5417

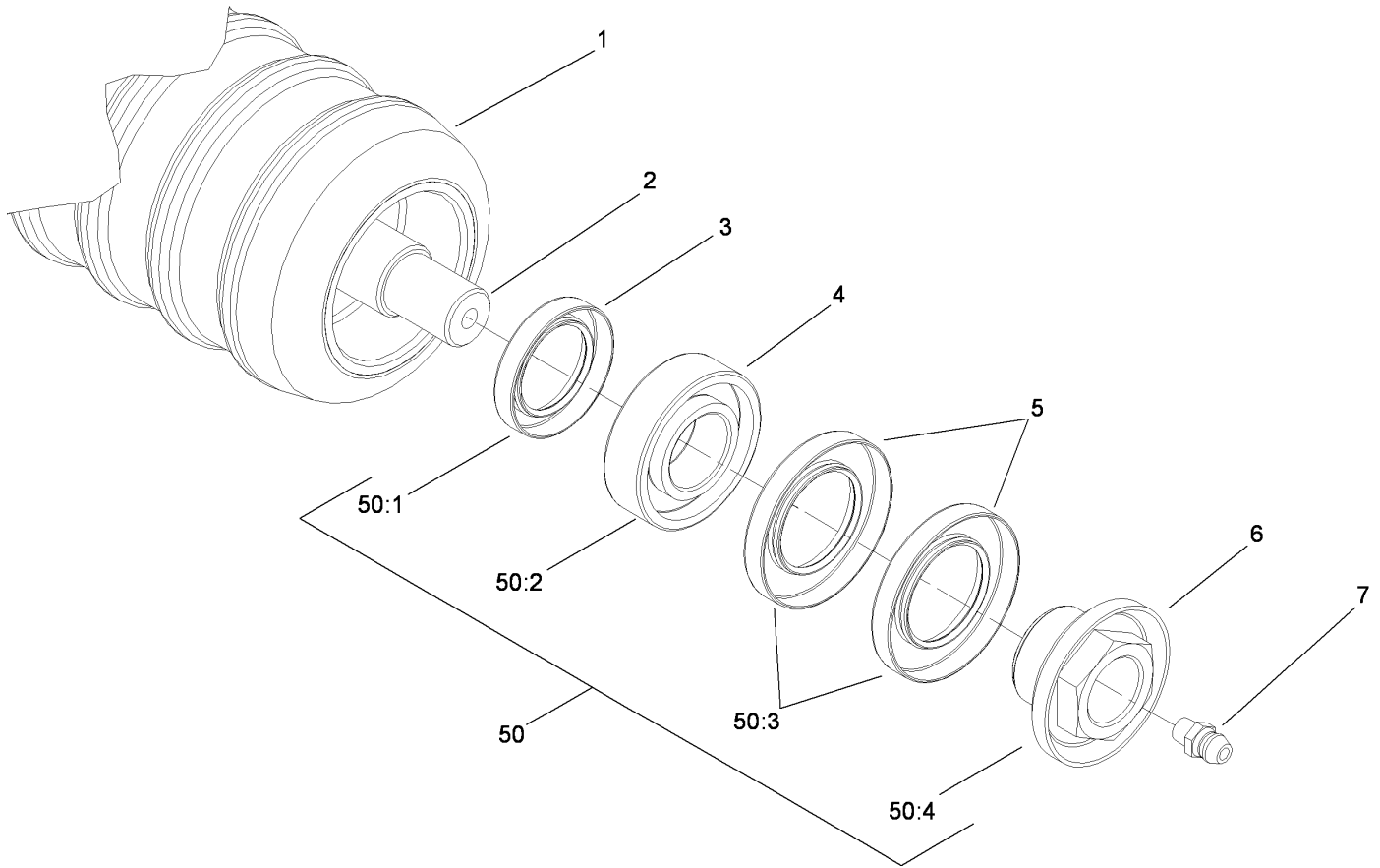
<i>Ref.</i>	<i>Part Number</i>	<i>Qty.</i>	<i>Description</i>
1	114-5418-03	1	3 In Dia Roller Tube ASM (Short)
2	114-5410	1	Shaft-Short, Rear Roller
3	114-3717	2	Seal-Oil
4	112-5290	2	Bearing-Steel, Stainless
5	112-7494	4	Seal
6	114-5411	2	Nut-Lock, Bearing
7	302-5	2	Fitting-Grease
50	114-5430	1	Roller Rebuild Kit
50:1	114-3717	2	Seal-Oil
50:2	112-5290	2	Bearing-Steel, Stainless
50:3	112-7494	4	Seal
50:4	114-5411	2	Nut-Lock, Bearing





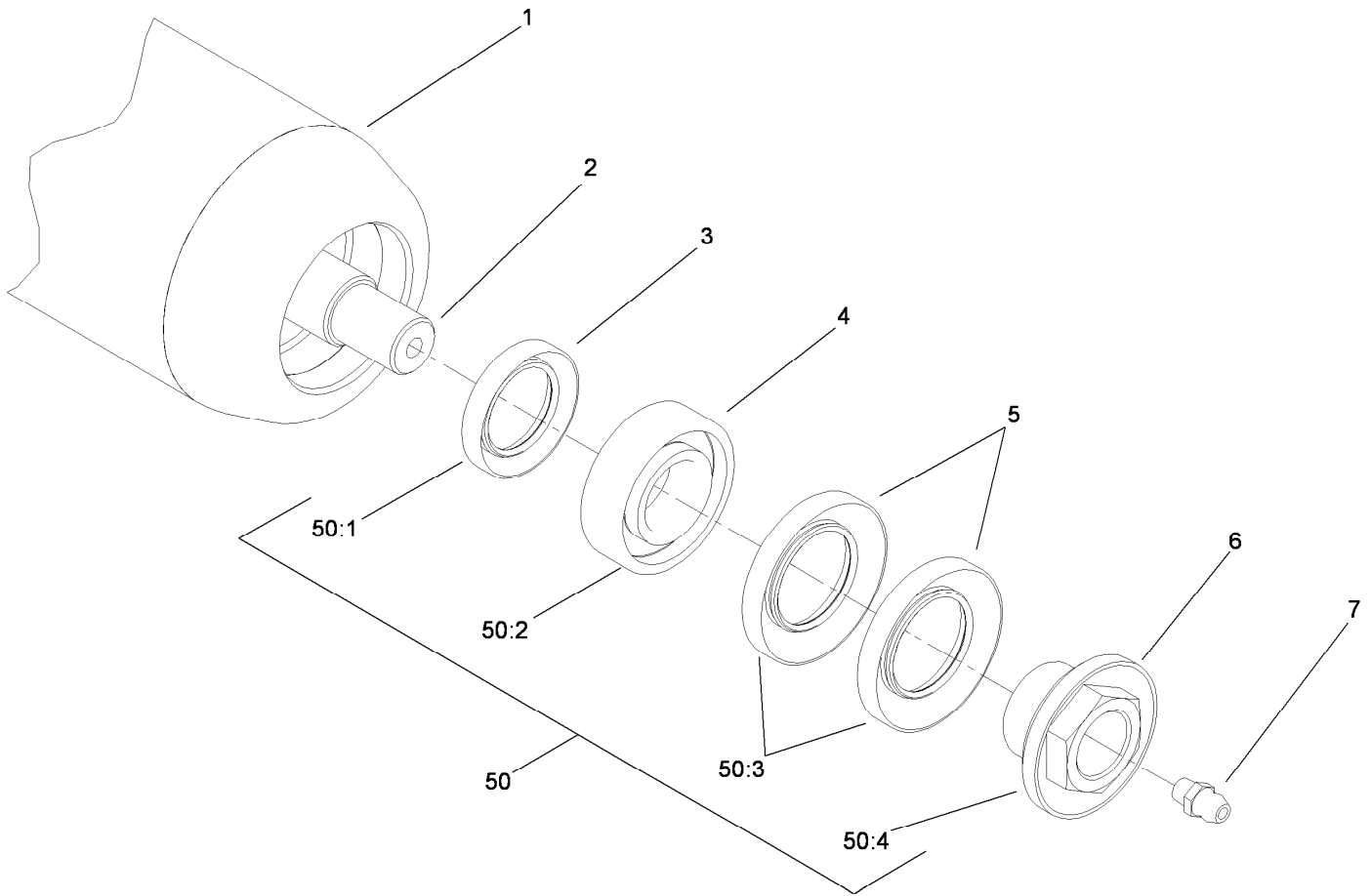
## Plastic Wiehle Roller Assembly No. 114-5400

<i>Ref.</i>	<i>Part Number</i>	<i>Qty.</i>	<i>Description</i>
1	114-5401	1	Roller-Wiehle, Plastic
2	114-5403	1	Shaft-Roller, Front
3	114-3717	2	Seal-Oil
4	112-5290	2	Bearing-Steel, Stainless
5	112-7494	4	Seal
6	114-5411	2	Nut-Lock, Bearing
7	302-5	2	Fitting-Grease
50	114-5430	1	Roller Rebuild Kit
50:1	114-3717	2	Seal-Oil
50:2	112-5290	2	Bearing-Steel, Stainless
50:3	112-7494	4	Seal
50:4	114-5411	2	Nut-Lock, Bearing



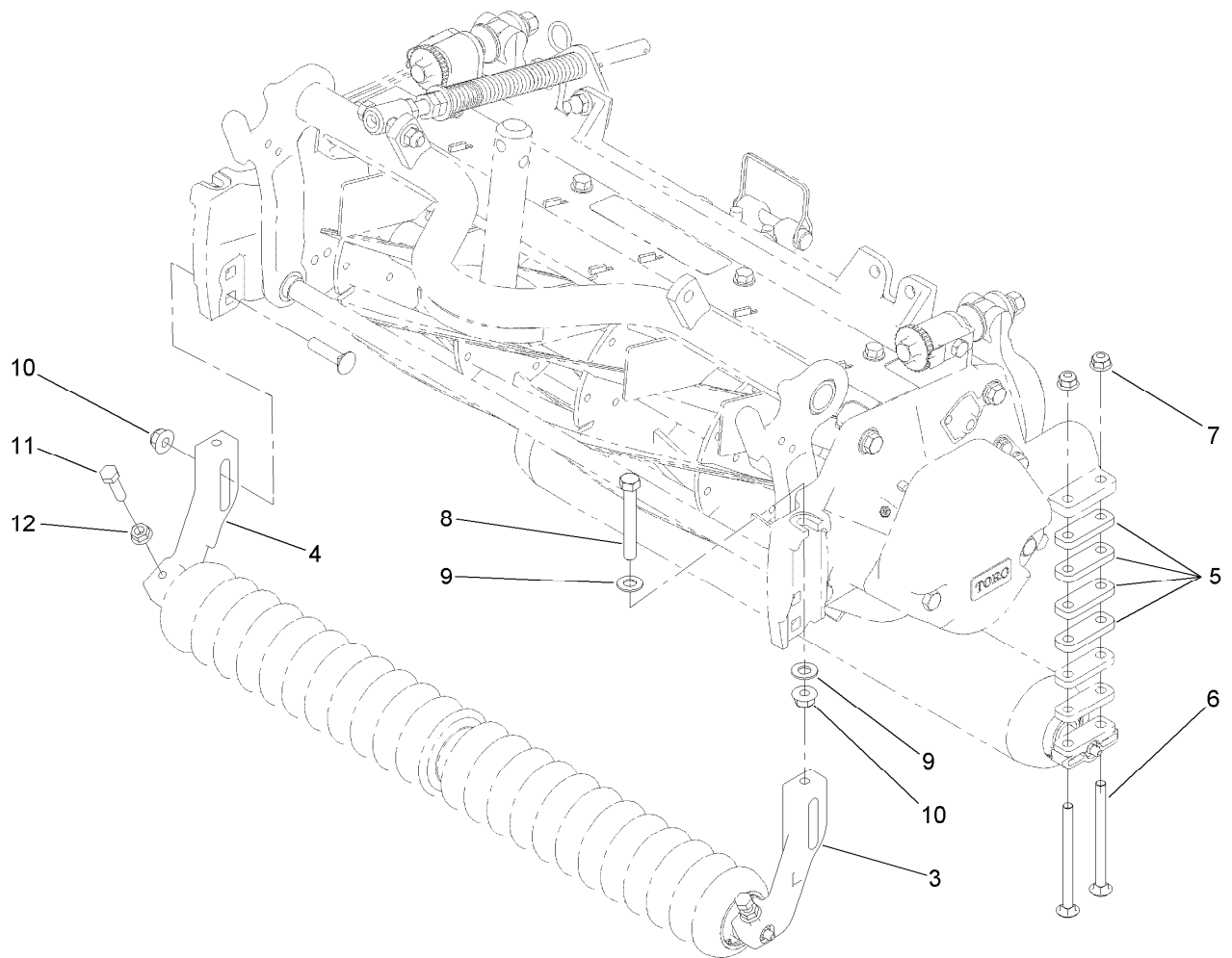
## Optional Plastic Shoulder Roller Assembly No. 114-5421

<i>Ref.</i>	<i>Part Number</i>	<i>Qty.</i>	<i>Description</i>
1	114-5422	1	Roller-Shoulder, Plastic
2	114-5403	1	Shaft-Roller, Front
3	114-3717	2	Seal-Oil
4	112-5290	2	Bearing-Steel, Stainless
5	112-7494	4	Seal
6	114-5411	2	Nut-Lock, Bearing
7	302-5	2	Fitting-Grease
50	114-5430	1	Roller Rebuild Kit
50:1	114-3717	2	Seal-Oil
50:2	112-5290	2	Bearing-Steel, Stainless
50:3	112-7494	4	Seal
50:4	114-5411	2	Nut-Lock, Bearing



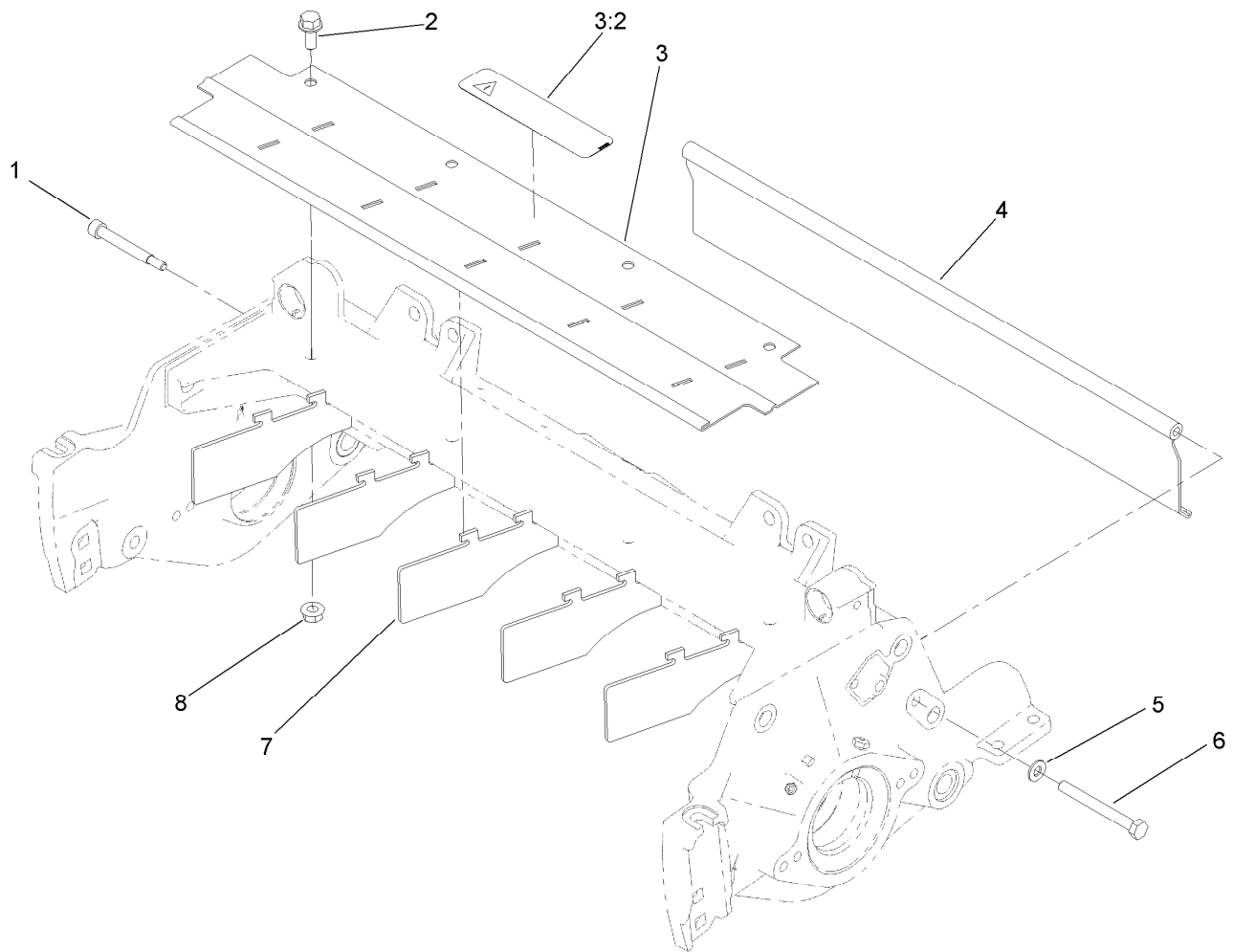
## Optional 3 Inch Diameter Full Front Roller Assembly No. 114-5412

<i>Ref.</i>	<i>Part Number</i>	<i>Qty.</i>	<i>Description</i>
1	114-5413-03	1	3 In Dia Full Roller Tube ASM
2	114-5403	1	Shaft-Roller, Front
3	114-3717	2	Seal-Oil
4	112-5290	2	Bearing-Steel, Stainless
5	112-7494	4	Seal
6	114-5411	2	Nut-Lock, Bearing
7	302-5	2	Fitting-Grease
50	114-5430	1	Roller Rebuild Kit
50:1	114-3717	2	Seal-Oil
50:2	112-5290	2	Bearing-Steel, Stainless
50:3	112-7494	4	Seal
50:4	114-5411	2	Nut-Lock, Bearing



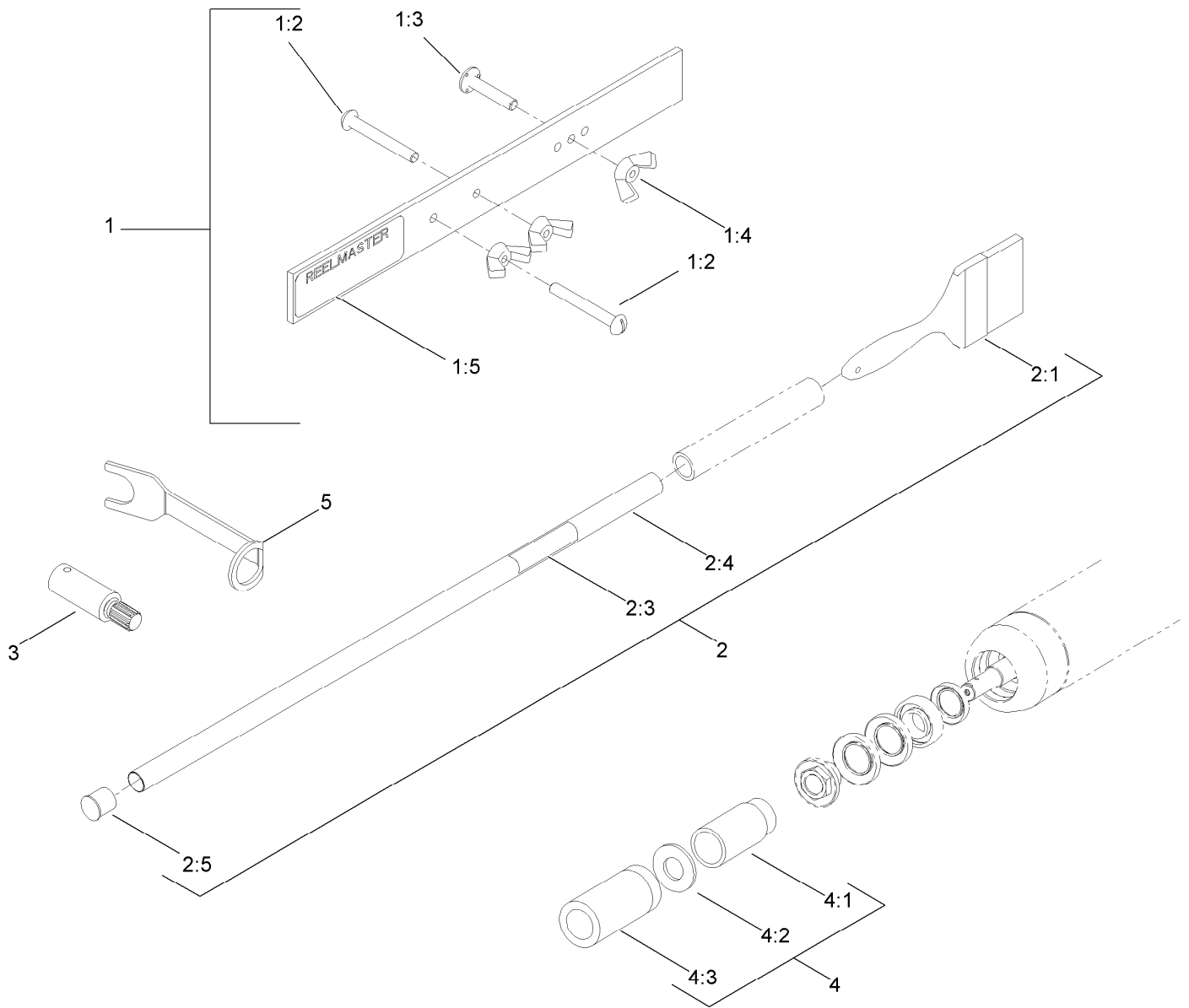
## Optional High Height-of-Cut Assembly No. 110-9600

<i>Ref.</i>	<i>Part Number</i>	<i>Qty.</i>	<i>Description</i>
3	108-4213	1	Bracket-HOC, Groomer (LH)
4	108-4214	1	Bracket-HOC, Groomer (RH)
5	106-3925	8	Shim-Roller (0.25)
6	106-9758	4	Screw-CARR
7	104-8300	4	Nut-Flange, NI
8	112-7451	2	Screw-TAP
9	48-9220	4	Washer
10	104-8301	4	Nut-Flange, NI
11	322-16	2	Screw-HH
12	32128-20	2	Nut-HF



## Shield Assembly

<i>Ref.</i>	<i>Part Number</i>	<i>Qty.</i>	<i>Description</i>
1	107-7773	1	Screw-HSH
2	3234-7	4	Screw-HHF
3	107-2996	1	Front Glass Shield ASM
3:2	93-6688	1	Decal-Danger
4	107-7779-01	1	Shield-Glass, Rear
5	3256-74	1	Washer-Flat
6	322-14	1	Screw-HH
7	110-1706	5	Deflector
8	32128-20	4	Nut-HF



## Optional Tools Assembly

Ref.	Part Number	Qty.	Description
1	108-6715	1	Gauge Bar ASM
1:2	32122-54	2	Screw-Head, Truss
1:3	108-6714	1	Stud-Weld
1:4	32103-3	3	Nut-Wing
1:5	108-6712	1	Decal-Gauge, Bar
2	29-9100	1	Brush And Handle ASM
2:1	36-4310	1	Brush
2:3	98-3206	1	Decal
2:4	29-9080	1	Handle

Ref.	Part Number	Qty.	Description
2:5	2410-18	1	Cap-Plastic
3	TOR4074	1	Adapter-Drive, Reel ●
4	115-0803	1	Roller Rebuild Tool Kit
4:1	115-0852	1	Tool-Inner Seal
4:2	107-8133	1	Washer-Flat
4:3	115-0853	1	Tool-Bearing/Outer Seals
5	117-0975	1	Tool-Installation, Reel Bearing

● Obtain directly from K-Line Industries, Inc. (800) 241-0936

# Attachments and Accessories

## For 03682 11-Blade DPA Cutting Unit with 7in Reel Reelmaster 5510/5610 Series Traction Unit

<b>Product Name</b>	<b>Model/Part</b>
Basket Kit .....	03662
7 Inch Verticutter .....	03684
7 Inch Right-Hand Groomer Kit.....	03685
7 Inch Left-Hand Groomer Kit .....	03686
Rear Roller Brush Kit .....	03688
3 Inch Dia Collar Kit .....	104-8215
Wiehle Scraper ASM .....	107-2993-03
Rear Roller Scraper Kit.....	107-3280
Gauge Bar Assembly.....	108-6715
Bedknife-STD (Fairway) .....	108-9096
Comb/Scraper Kit .....	110-1735
Brush-Roller (High Height-Of-Cut).....	110-1740
Bedknife-HD (Fairway) .....	110-4074
Bedknife-Low HOC (Fairway).....	110-4084
Fairway Broomer Kit .....	110-4085
Groomer/RRB Bearing and Seal Kit.....	110-4086
High Height-of-Cut Kit.....	110-9600
3 Inch Full Front Roller Scraper .....	110-9602-03
Rear Lift Cylinder Limit Kit .....	110-9604
Shoulder Roller Scraper ASM.....	110-9609-03
3 Inch Dia Full Front Roller ASM.....	114-5412
Plastic Shoulder Roller ASM.....	114-5421
Roller Rebuild Kit.....	114-5430
Roller Rebuild Tool Kit.....	115-0803
Reel Bearing Installation Tool .....	117-0975
Bedknife-Lowcut, Extended (Fairway) .....	117-0978
Cutting Unit Kickstand .....	119-8010-03
11 Blade Reel Asm .....	127-0294
7 Inch Fairway Reel, 5 Blade (22in) .....	127-2077
Reel Drive Adapter .....	TOR4074



**Count on it.**