



Count on it.

Parts Catalog

**11-Blade DPA Cutting Unit with 7
Inch Reel**

Reelmaster® 5510/5610 Series Traction Unit

Model No. 03682—Serial No. 260000001 and Up



Ordering Replacement Parts

To order replacement parts, please supply the part number, the quantity, and the description of each part desired.

Understanding Reference Numbers

Each identified part in an illustration has a reference number. The reference number for a part also appears in the parts list, along with other information about the part.

This catalog uses two special reference number formats, one to indicate parts in a service assembly and another to indicate the quantity of a given part in an illustration.

Service Assembly Reference Numbers

Parts in service assemblies have reference numbers in the form a:b. The a represents the reference number of the entire service assembly and the b represents a sequential number unique to each part within the service assembly.

For example, a wheel assembly might be identified by reference number 6, the tire by 6:1, the valve by 6:2, and the wheel by 6:3. When you order the assembly identified by reference number 6, you receive all parts identified by reference numbers 6:1, 6:2, and 6:3. However, you may also order any part individually. Reference numbers of this type appear in illustration and in parts lists.

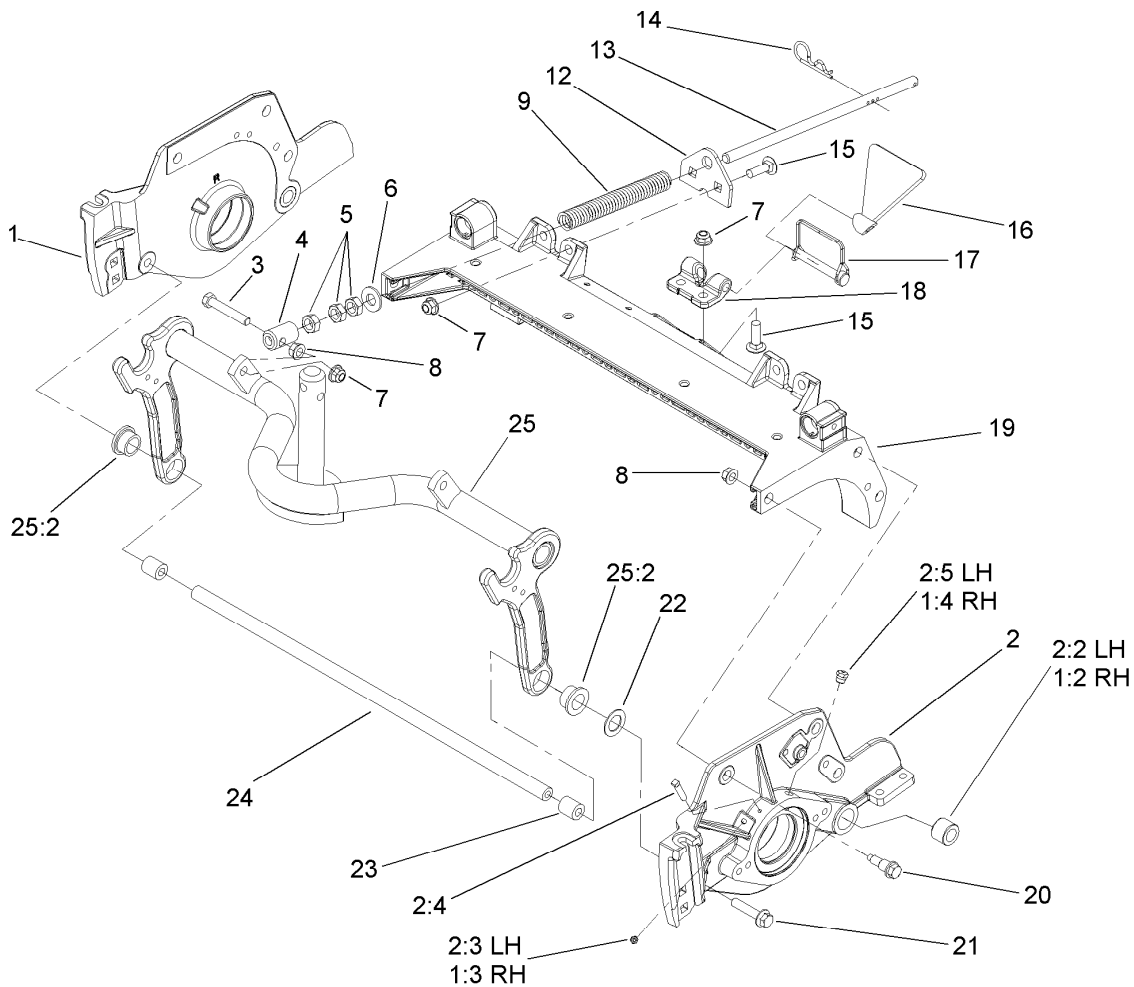
Reference Numbers Indicating Quantity

In an illustration, if a reference number indicates more than one part, the reference number has the form nX y. The n represents the quantity of the part, the X is the multiplication symbol, and the y represents the reference number.

For example, in an illustration, the reference number 2X 37 means that two of the parts identified by reference number 37 are indicated.

Contents

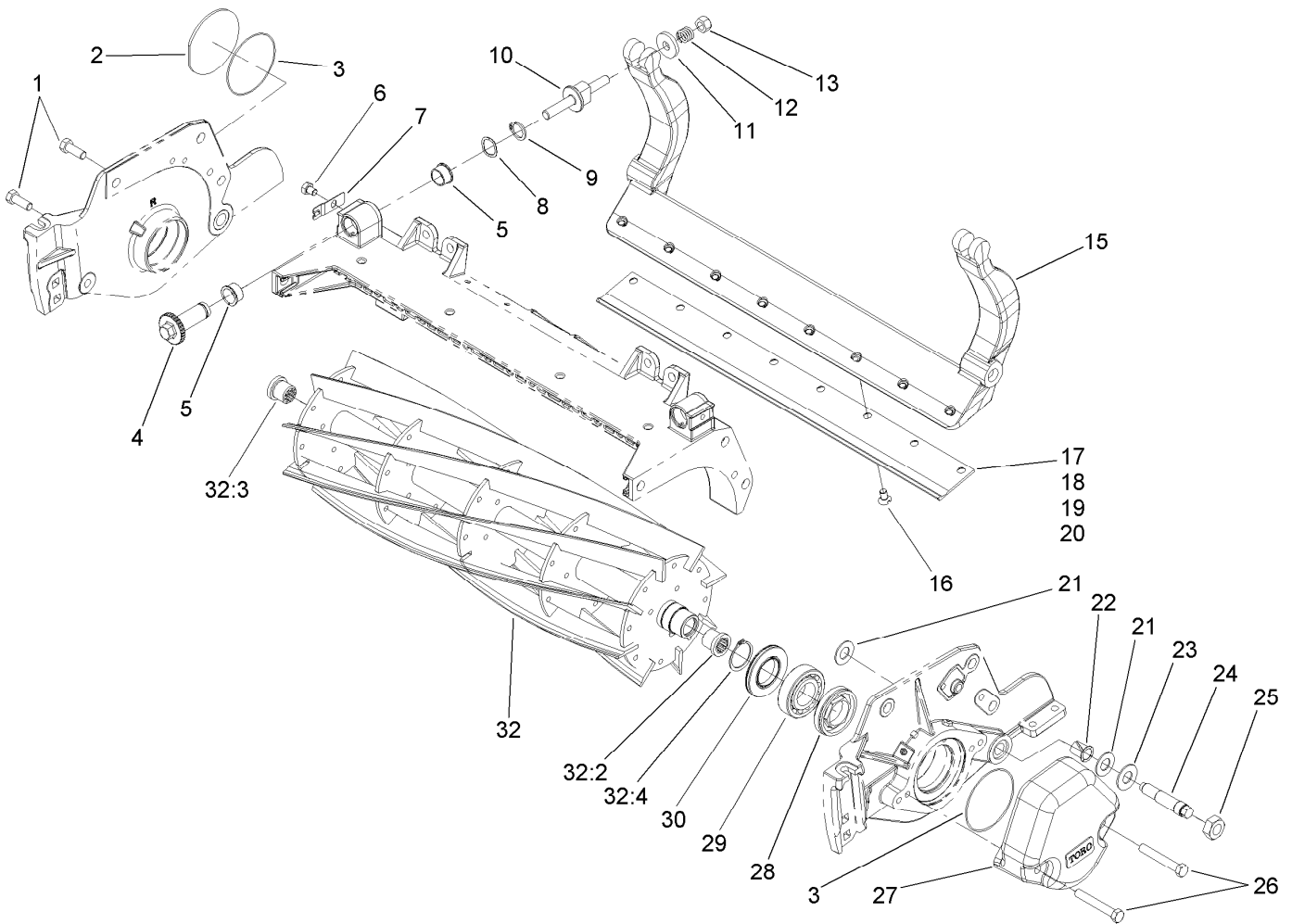
Frame Assembly.....	4
Reel and Bedbar Assembly	5
Roller Assembly	6
Long Roller Assembly No. 107-4024	7
Short Roller Assembly No. 110-4065	8
Plastic Wiehle Roller Assembly No. 110-4050.....	9
Full Front Roller Assembly No. 110-9605.....	10
Plastic Shoulder Roller Assembly No. 110-9608.....	11
Universal Roller Assembly No. 106-9606.....	12
Optional High Height-of-Cut Assembly No. 110-9600	13
Shield Assembly.....	14
Gauge Bar, Brush and Reel Drive Adapter Assembly.....	15
Attachments and Accessories	16



Frame Assembly

Ref.	Part Number	Qty.	Description	Ref.	Part Number	Qty.	Description
1	108-9083	1	Plate-Side, RH	12	110-4069	1	Bracket
1:2	106-9618	1	Bushing-Rubber	13	107-7437	1	Rod-Turf
1:3	302-5	1	Fitting-Grease	14	92-2762	1	Pin-Hair
1:4	302-39	1	Fitting-Plug	15	3231-25	4	Bolt-CARR
2	108-9082	1	Plate-Side, LH	16	110-4088-03	1	Kickstand ●
2:2	106-9618	1	Bushing-Rubber	17	107-7400	1	Pin-Snapper ●
2:3	302-5	1	Fitting-Grease	18	110-4058	1	Bracket-Chain
2:4	107-7447	1	Screw-Set, SQH	19	107-3258	1	Frame
2:5	302-39	1	Fitting-Plug	20	107-2979	6	Bolt-Shoulder
3	104-3396	1	Screw-HH	21	3234-19	2	Screw-HHF
4	99-8662	1	Tube-Spring	22	67-9410	1	Washer
5	3218-5	3	Nut-Jam	23	108-4279	2	Spacer-Frame
6	87-7270	1	Washer-Thrust	24	108-4284	1	Tube-Support
7	104-8301	5	Nut-Flange, NI	25	107-7433	1	Carrier Frame ASM
8	32128-40	7	Nut-Flange	25:2	93-2877	2	Bushing
9	110-4079	1	Spring-Compression				

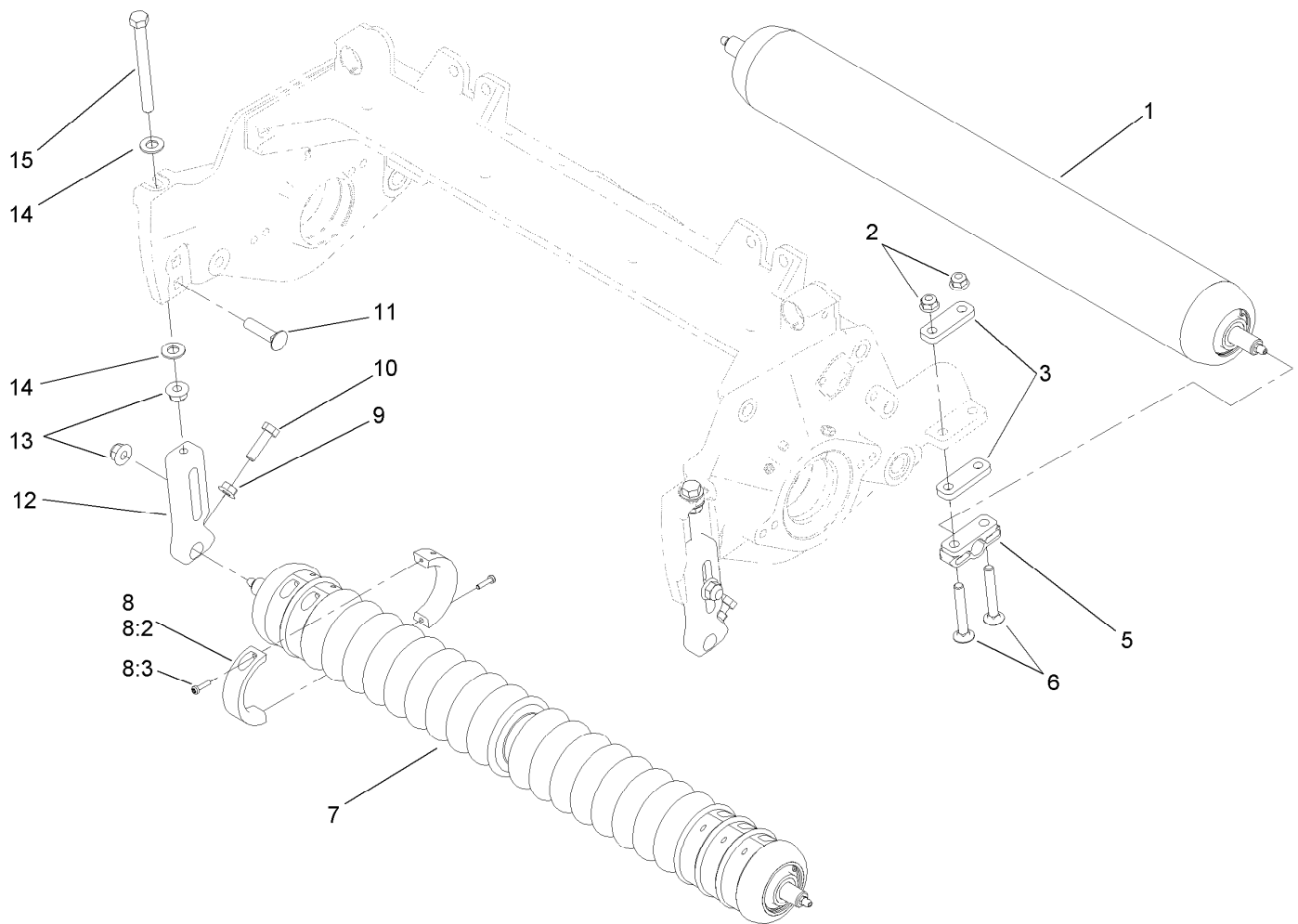
● Optional Equipment



Reel and Bedbar Assembly

Ref.	Part Number	Qty.	Description	Ref.	Part Number	Qty.	Description
1	323-6	2	Screw-HH	18	108-9096	1	Bedknife-STD (Fairway) ●
2	94-2703	1	Plug	19	110-4084	1	Bedknife-Low HOC (Fairway) ●
3	112-6967	2	O-Ring	20	110-4074	1	Bedknife-HD (Fairway) ●
4	106-5363	2	Shaft-Adjuster	21	61-1950	4	Washer-Plastic
5	106-5344	4	Bushing-Flange, Keyed	22	56-9520	2	Bushing-Flanged
6	322-26	2	Screw-HH	23	69-8980	2	Washer
7	99-2097	2	Detent	24	106-9623	2	Bolt-Bedbar
8	106-5335	2	Washer-Wave	25	3296-33	2	Nut-Lock, NI
9	32120-93	2	Ring-Retaining	26	323-12	2	Screw-HH
10	99-2096	2	Screw-Adjuster, Bedbar	27	108-4269-01	1	Weight
11	99-2098	2	Washer	29	93-2489	2	Bearing
12	99-3755	2	Spring-Compression	30	107-4028	2	Seal-Grease
13	33025-00	2	Nut-Lock, NI	32	108-9074	1	7 Inch 11 Blade Reel ASM
15	107-3273-01	1	Bedbar	32:2	107-3276	1	Insert-Threaded, LH
16	57-4910	8	Screw-Special	32:3	107-3275	1	Insert-Threaded, RH
17	108-9095	1	Bedknife-Edgemax (Fairway)	32:4	92-2601	2	Ring-Retaining

● Optional Equipment

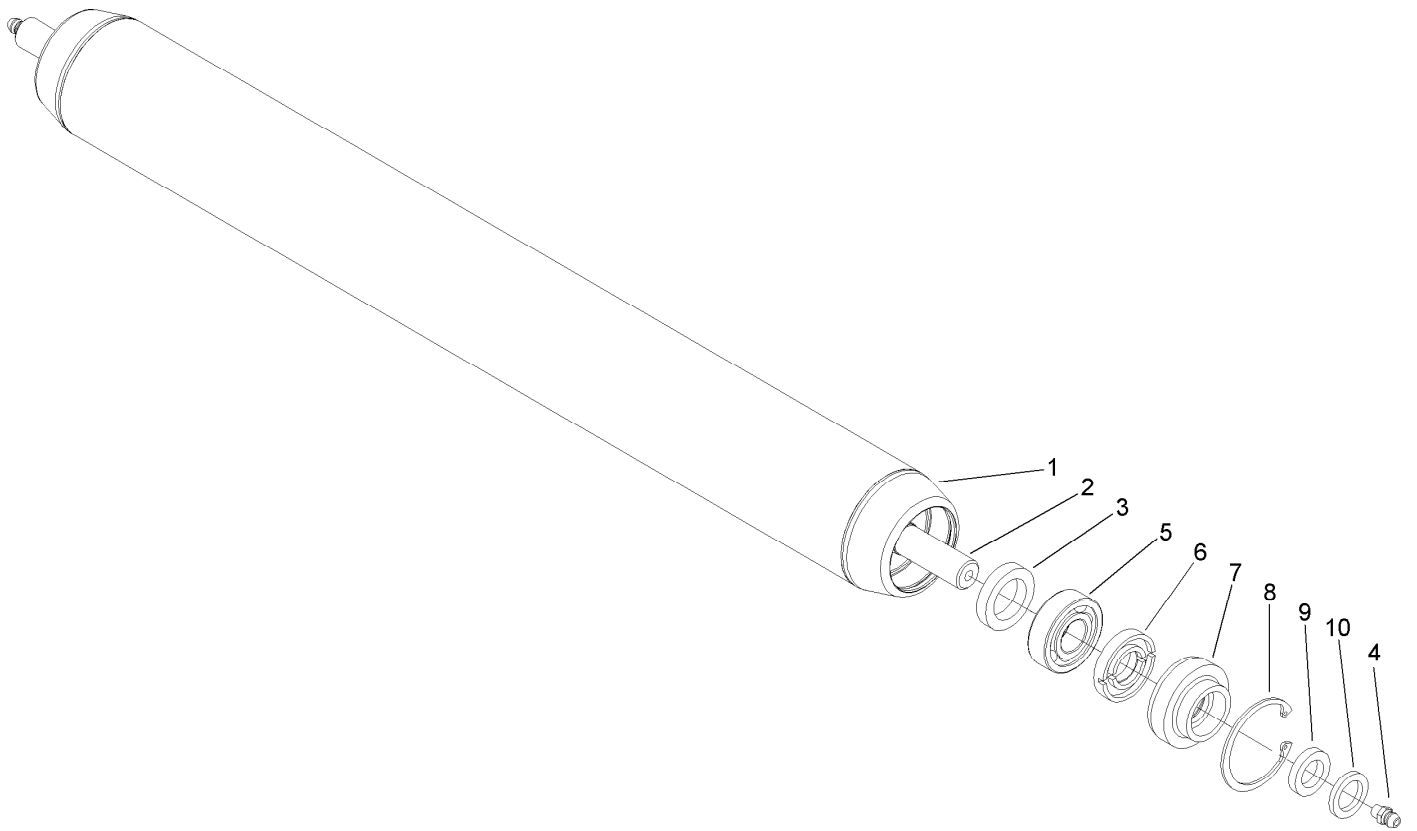


Roller Assembly

Ref.	Part Number	Qty.	Description
1	107-4024	1	Long Roller ASM
1	110-4065	1	Short Roller ASM ■●
2	104-8300	4	Nut-Flange, NI
3	106-3925	4	Shim-Roller (0.25)
4	107-4001	2	Shim-Roller (0.01 Inch) ■●
5	106-3924	2	Bracket-Roller, Rear
6	3230-7	4	Bolt-CARR
7	110-4050	1	Plastic Wiehle Roller ASM
7	110-9605	1	Full Front Roller ASM ■●
7	110-9608	1	Plastic Shoulder Roller ASM ■●
8	104-8215	6	Collar Kit ■
8:2	100-4959	2	Collar
8:3	104-1835	2	Screw
9	32128-20	2	Nut-HF
10	322-16	2	Screw-HH
11	3231-4	2	Screw-CARR
12	107-2952	2	Bracket-HOC, Front
13	104-8301	4	Nut-Flange, NI
14	48-9220	4	Washer
15	107-4026	2	Screw-HH
25	106-9606	1	Roller Kit ■●
50	110-9600	1	DPA High HOC Kit ■●

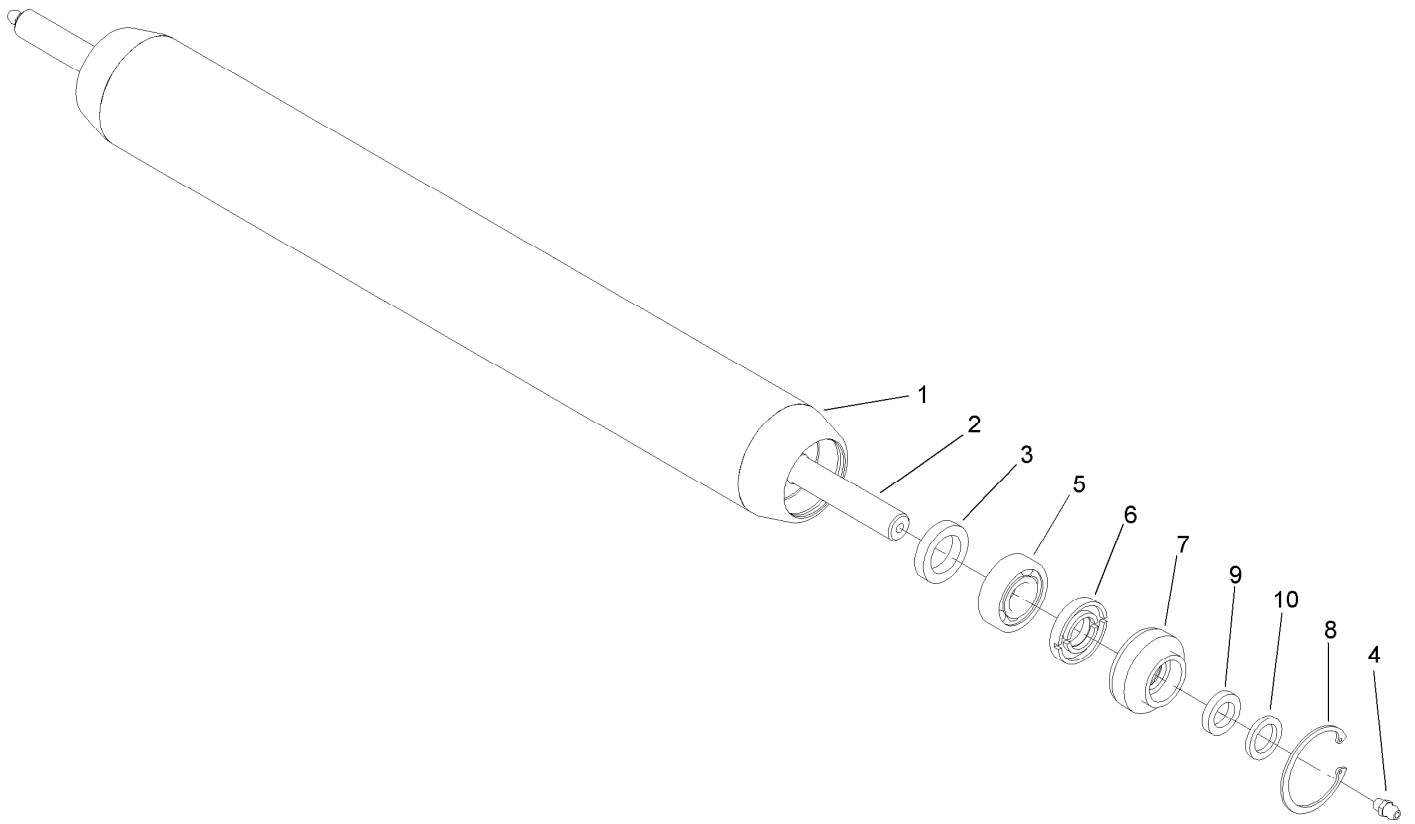
● Not illustrated

■ Optional Equipment



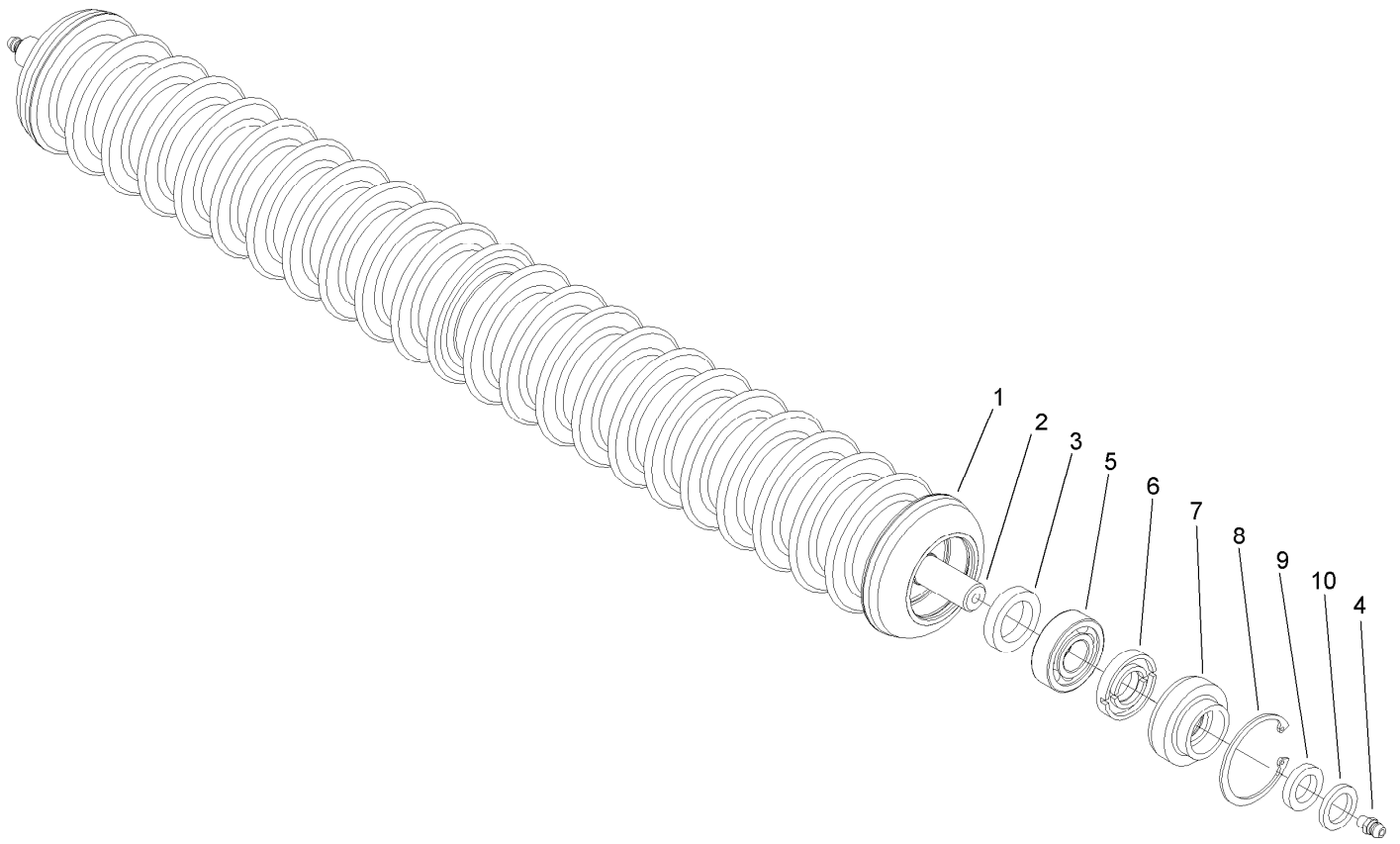
Long Roller Assembly No. 107-4024

<i>Ref.</i>	<i>Part Number</i>	<i>Qty.</i>	<i>Description</i>
1	100-9943-03	1	Roller Tube ASM
2	107-3296	1	Shaft-Roller, Rear
3	93-3007	2	Seal-Oil
4	302-5	2	Fitting-Grease
5	109966	2	Bearing-Ball
6	93-1251	2	Seal-Inner
7	93-1252	2	Seal-Outer
8	32120-62	2	Ring-Retaining
9	253-70	2	Seal-Oil
10	93-2931	2	Washer-Roller



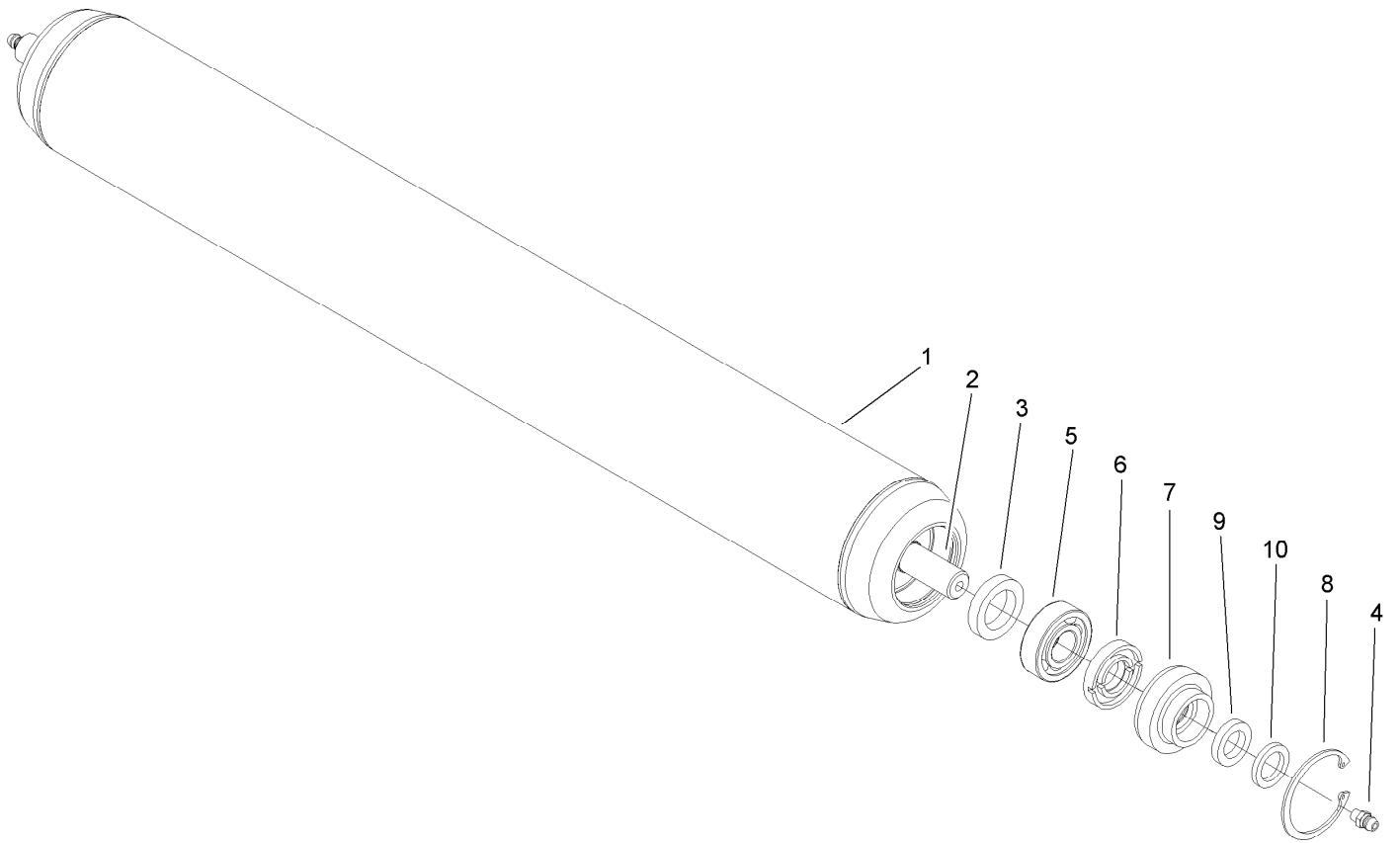
Short Roller Assembly No. 110-4065

<i>Ref.</i>	<i>Part Number</i>	<i>Qty.</i>	<i>Description</i>
1	110-4064-03	1	Roller Tube ASM (3In DIA)
2	110-4060	1	Shaft-Roller, Short
3	93-3007	2	Seal-Oil
4	302-5	2	Fitting-Grease
5	109966	2	Bearing-Ball
6	93-1251	2	Seal-Inner
7	93-1252	2	Seal-Outer
8	32120-62	2	Ring-Retaining
9	253-70	2	Seal-Oil
10	93-2931	2	Washer-Roller



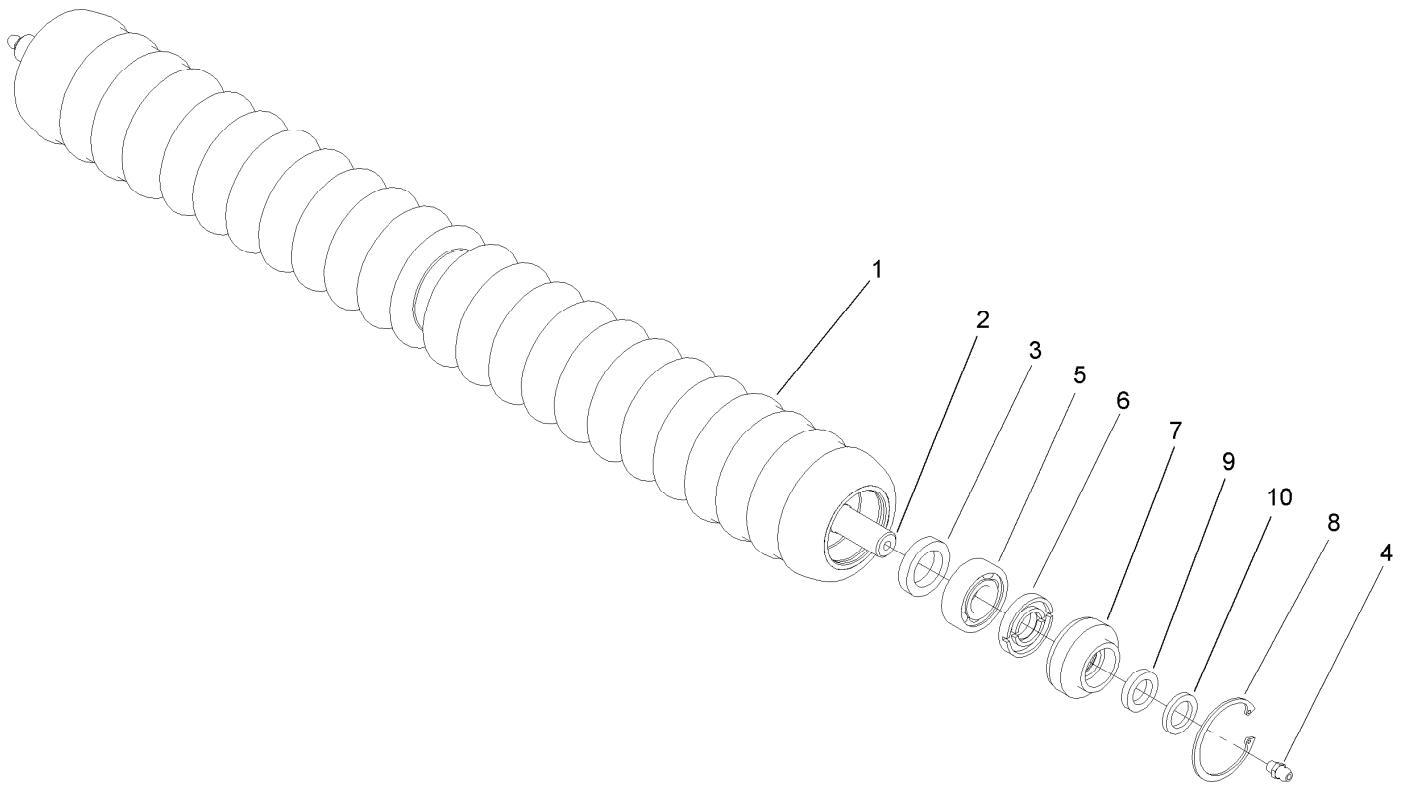
Plastic Wiehle Roller Assembly No. 110-4050

<i>Ref.</i>	<i>Part Number</i>	<i>Qty.</i>	<i>Description</i>
1	110-4051	1	Roller-Wiehle, Plastic
2	110-4053	1	Shaft-Roller
3	93-3007	2	Seal-Oil
4	302-5	2	Fitting-Grease
5	109966	2	Bearing-Ball
6	93-1251	2	Seal-Inner
7	93-1252	2	Seal-Outer
8	32120-62	2	Ring-Retaining
9	253-70	2	Seal-Oil
10	93-2931	2	Washer-Roller



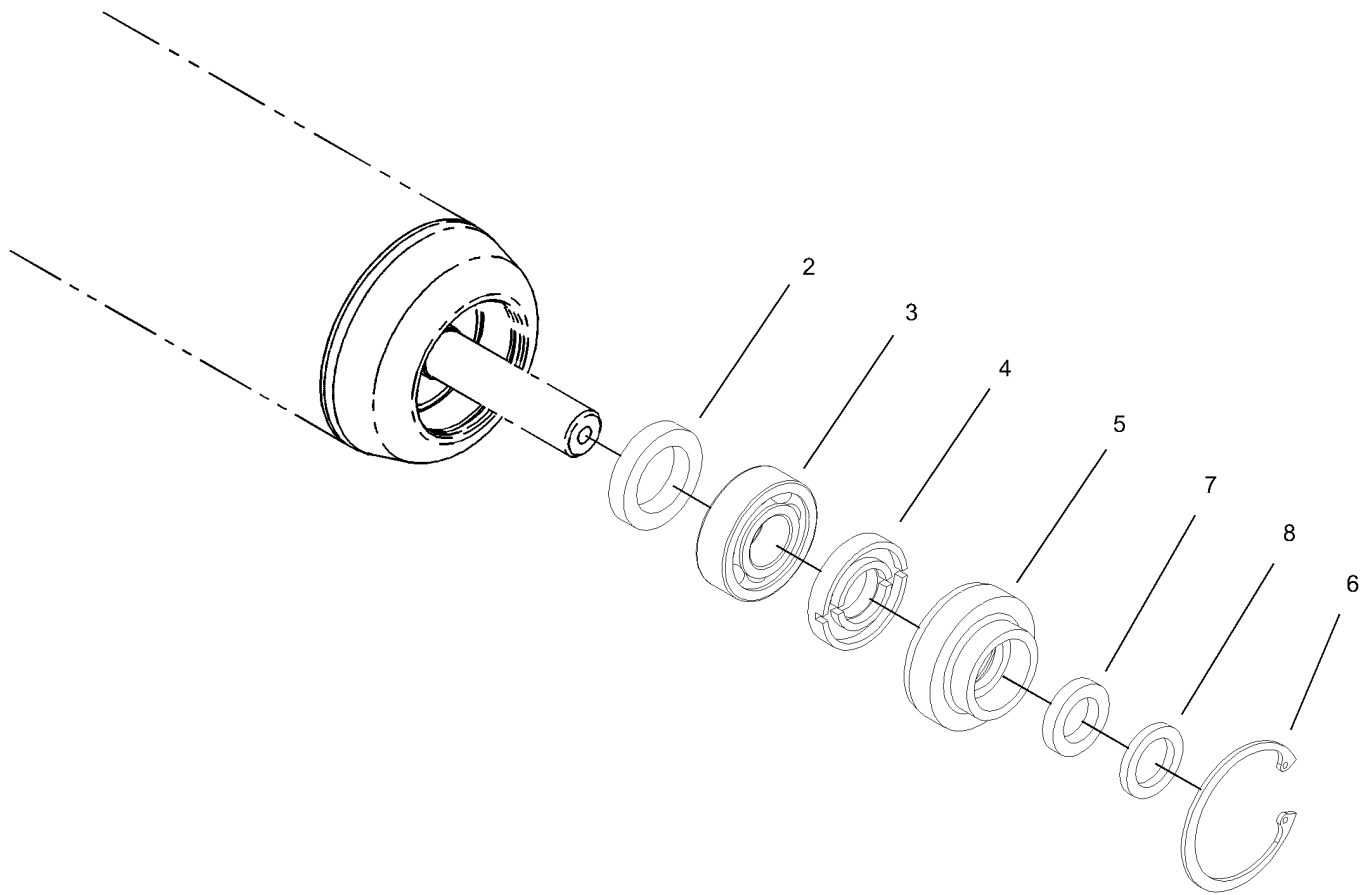
Full Front Roller Assembly No. 110-9605

<i>Ref.</i>	<i>Part Number</i>	<i>Qty.</i>	<i>Description</i>
1	110-9612-03	1	Full Roller Tube ASM (3In DIA)
2	110-4053	1	Shaft-Roller
3	93-3007	2	Seal-Oil
4	302-5	2	Fitting-Grease
5	109966	2	Bearing-Ball
6	93-1251	2	Seal-Inner
7	93-1252	2	Seal-Outer
8	32120-62	2	Ring-Retaining
9	253-70	2	Seal-Oil
10	93-2931	2	Washer-Roller



Plastic Shoulder Roller Assembly No. 110-9608

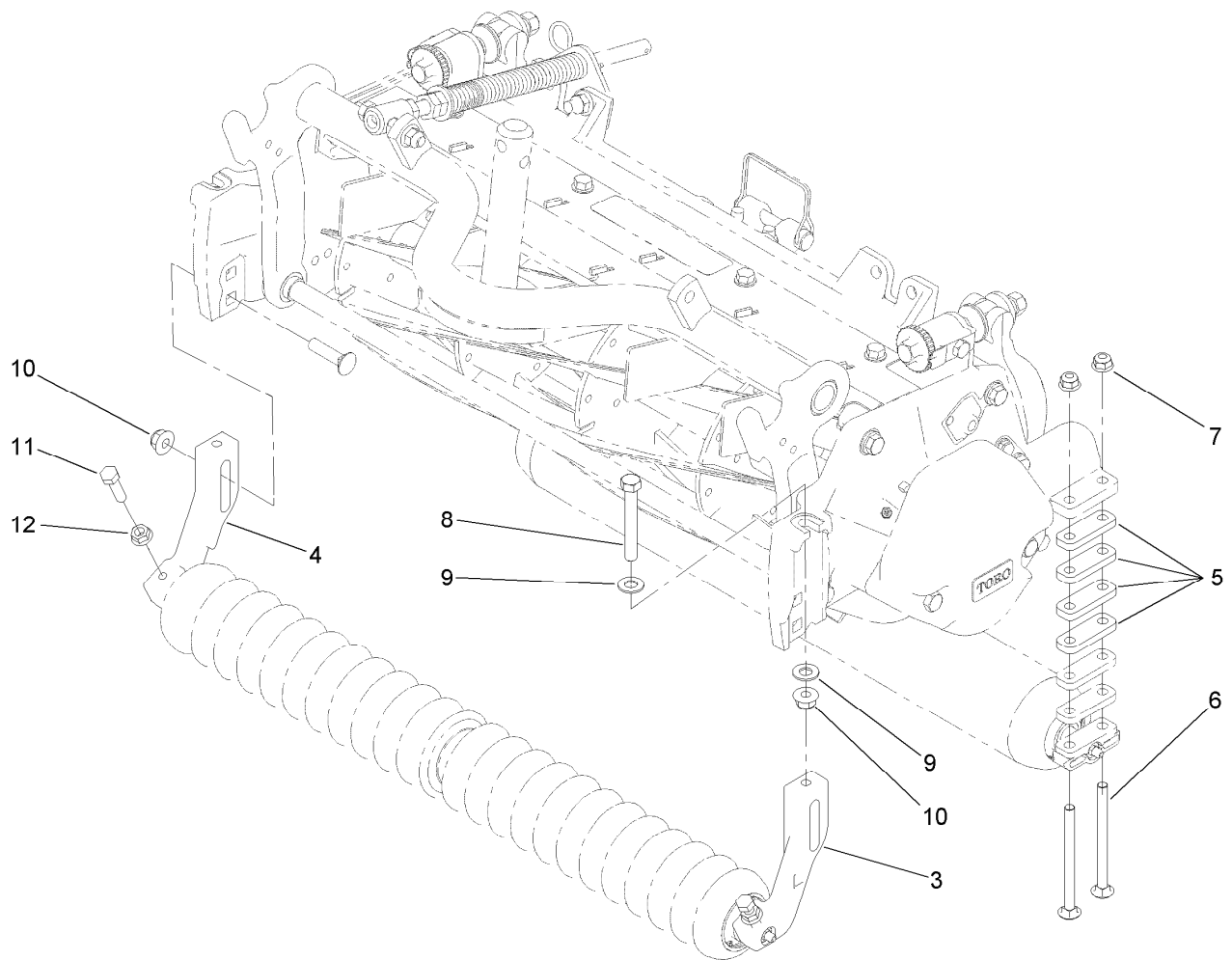
<i>Ref.</i>	<i>Part Number</i>	<i>Qty.</i>	<i>Description</i>
1	110-9611	1	Roller-Shoulder, Plastic
2	110-4053	1	Shaft-Roller
3	93-3007	2	Seal-Oil
4	302-5	2	Fitting-Grease
5	109966	2	Bearing-Ball
6	93-1251	2	Seal-Inner
7	93-1252	2	Seal-Outer
8	32120-62	2	Ring-Retaining
9	253-70	2	Seal-Oil
10	93-2931	2	Washer-Roller



Universal Roller Assembly No. 106-9606

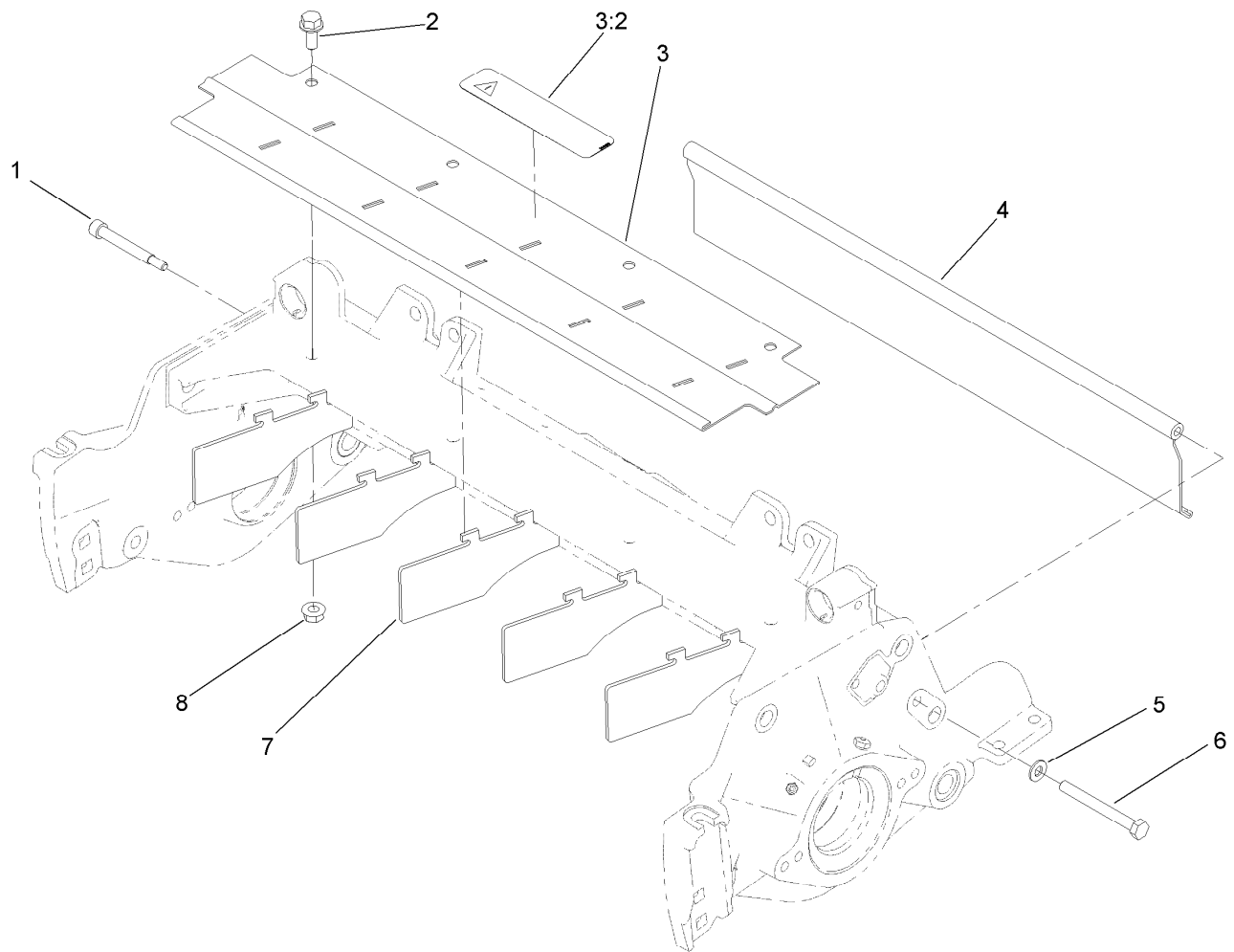
<i>Ref.</i>	<i>Part Number</i>	<i>Qty.</i>	<i>Description</i>
2	93-3007	2	Seal-Oil ●
3	109966	2	Bearing-Ball ●
4	93-1251	2	Seal-Inner ●
5	93-1252	2	Seal-Outer ●
6	32120-62	2	Ring-Retaining ●
7	253-70	2	Seal-Oil ●
8	93-2931	2	Washer-Roller ●

● Optional Equipment



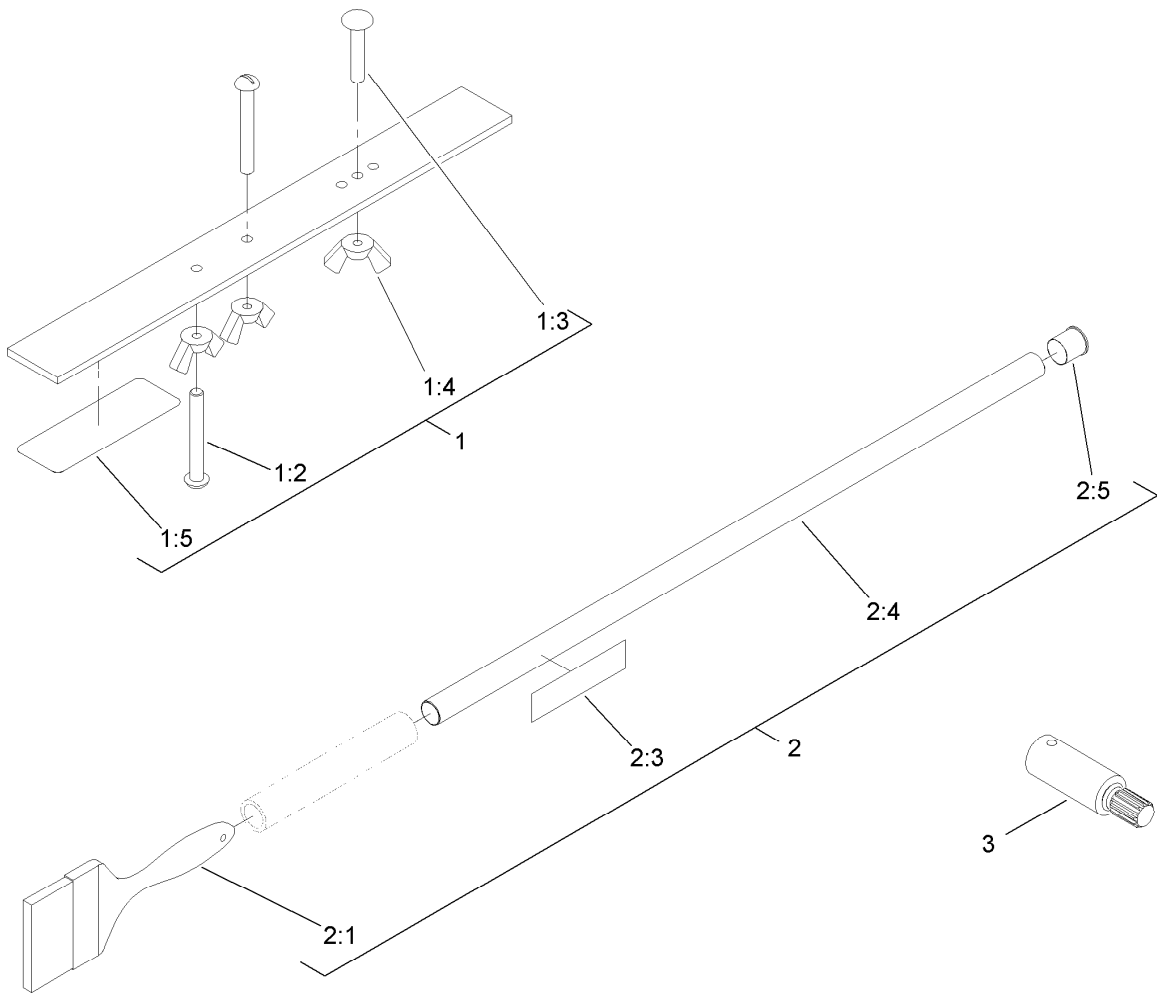
Optional High Height-of-Cut Assembly No. 110-9600

<i>Ref.</i>	<i>Part Number</i>	<i>Qty.</i>	<i>Description</i>
3	108-4213	1	Bracket-HOC, Groomer (LH)
4	108-4214	1	Bracket-HOC, Groomer (RH)
5	106-3925	8	Shim-Roller (0.25)
6	106-9758	4	Screw-CARR
7	104-8300	4	Nut-Flange, NI
8	112-7451	2	Screw-TAP
9	48-9220	4	Washer
10	104-8301	4	Nut-Flange, NI
11	322-16	2	Screw-HH
12	32128-20	2	Nut-HF



Shield Assembly

<i>Ref.</i>	<i>Part Number</i>	<i>Qty.</i>	<i>Description</i>
1	107-7773	1	Screw-HSH
2	3234-5	4	Screw-HHF
3	107-2996	1	Front Glass Shield ASM
3:2	93-6688	1	Decal-Danger
4	107-7779-01	1	Shield-Glass, Rear
5	3256-74	1	Washer-Flat
6	322-14	1	Screw-HH
7	110-1706	5	Deflector
8	32128-20	4	Nut-HF



Gauge Bar, Brush and Reel Drive Adapter Assembly

<i>Ref.</i>	<i>Part Number</i>	<i>Qty.</i>	<i>Description</i>
1	108-6715	1	Gauge Bar ASM
1:2	32122-54	2	Screw-Head, Truss
1:3	108-6714	1	Stud-Weld
1:4	32103-3	3	Nut-Wing
1:5	108-6712	1	Decal-Gauge, Bar
2	29-9100	1	Brush And Handle ASM
2:1	36-4310	1	Brush
2:3	98-3206	1	Decal
2:4	29-9080	1	Handle
2:5	2410-18	1	Cap-Plastic
3	TOR4074	1	Adapter-Drive, Reel ●

● Obtain directly from K-Line Industries, Inc. (800) 241-0936

Attachments and Accessories

For 03682 11-Blade DPA Cutting Unit with 7 Inch Reel Reelmaster 5510/5610 Series Traction Unit

Product Name	Model/Part
7 Inch Verticutter	03684
7 Inch Left-Hand Groomer Kit	03686
7 Inch Right-Hand Groomer Kit.....	03685
Rear Roller Brush Kit	03688
Basket Kit	03662
Rear Lift Cylinder Limit Kit	110-9604
7 Inch Fairway Reel, 5 Blade (22in)	127-2077
Rear Roller Scraper Kit.....	107-3280
Wiehle Scraper ASM	107-2993-03
Comb/Scraper Kit	110-1735
3 Inch Dia Full Front Roller ASM.....	114-5412
3 Inch Full Front Roller Scraper	110-9602-03
Plastic Shoulder Roller ASM.....	114-5421
Shoulder Roller Scraper ASM.....	110-9609-03
High Height-of-Cut Kit.....	110-9600
3 Inch Dia Collar Kit	104-8215
Cutting Unit Kickstand	119-8010-03
Reel Drive Adapter	TOR4074
Roller Rebuild Tool Kit.....	115-0803
Fairway Broomer Kit	110-4085
Reel Bearing Installation Tool	117-0975
Brush-Roller (High Height-Of-Cut).....	110-1740
Gauge Bar Assembly.....	108-6715
Roller Rebuild Kit.....	114-5430
Groomer/RRB Bearing and Seal Kit.....	110-4086
Bedknife-STD (Fairway)	108-9096
Bedknife-Low HOC (Fairway)	110-4084
Bedknife-Lowcut, Extended (Fairway).....	117-0978
Bedknife-HD (Fairway)	110-4074
11 Blade Reel Asm	127-0294

Notes:

Notes:

Notes:



Count on it.