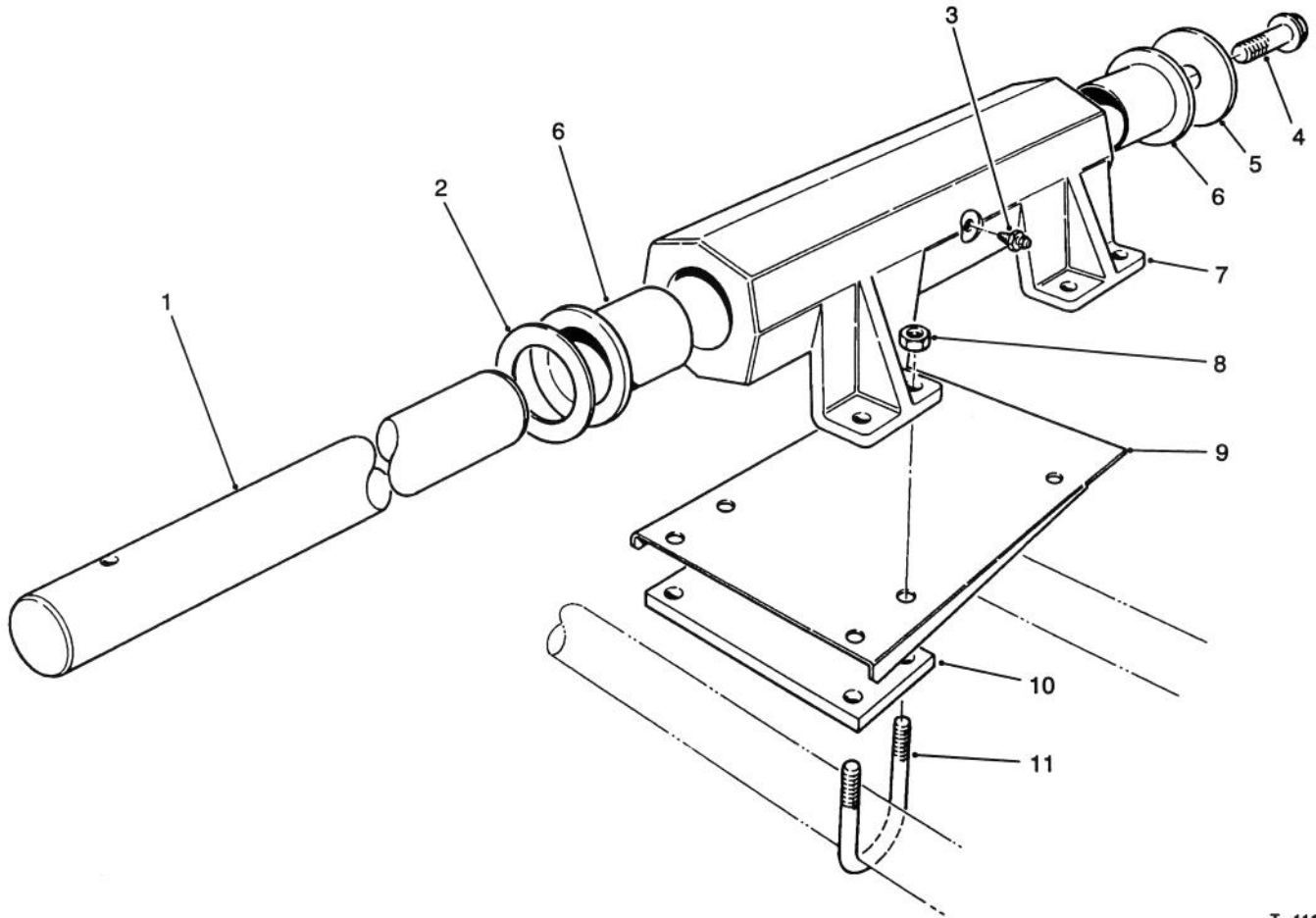




MODEL NO. 03642	<b>PARTS CATALOG</b>
<b>FIXED HEAD KIT</b> For Reelmaster® 335D & 3500D Cutting Units	



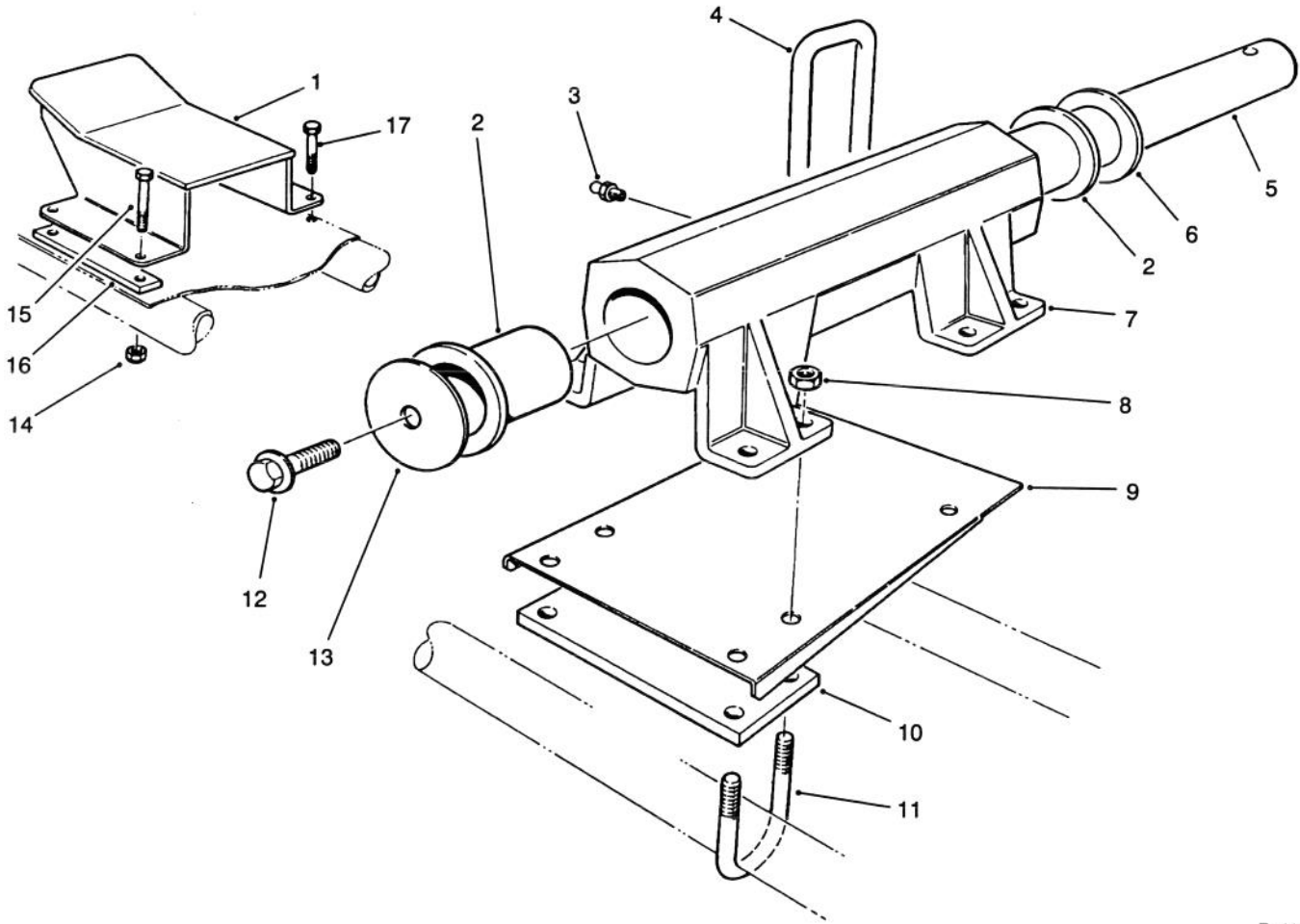
T-1118

### FIXED HEAD INSTALLATION FOR CUTTING UNIT NO. 1 (Center)

Ref. No.	Part No.	Description	No. Used
1	75-7720	Shaft	1
2	29-2770	Washer - Thrust	1
3	302-2	Fitting - Grease	1
4	3234-32	Screw - Hex. Washer Hd.	1
5	75-7730	Washer - Thrust	1
6	68-6480	Bushing - Flange	2

Ref. No.	Part No.	Description	No. Used
7	75-7710	Barrel - Pivot	1
8	3296-29	Nut - Lock	8
9	75-7750	Plate - Fixed Head	1
†10	75-7740	Spacer	1
11	75-7770	Bolt - U	4

†Not required when using Dethatcher Reel Units Model No. 03730.



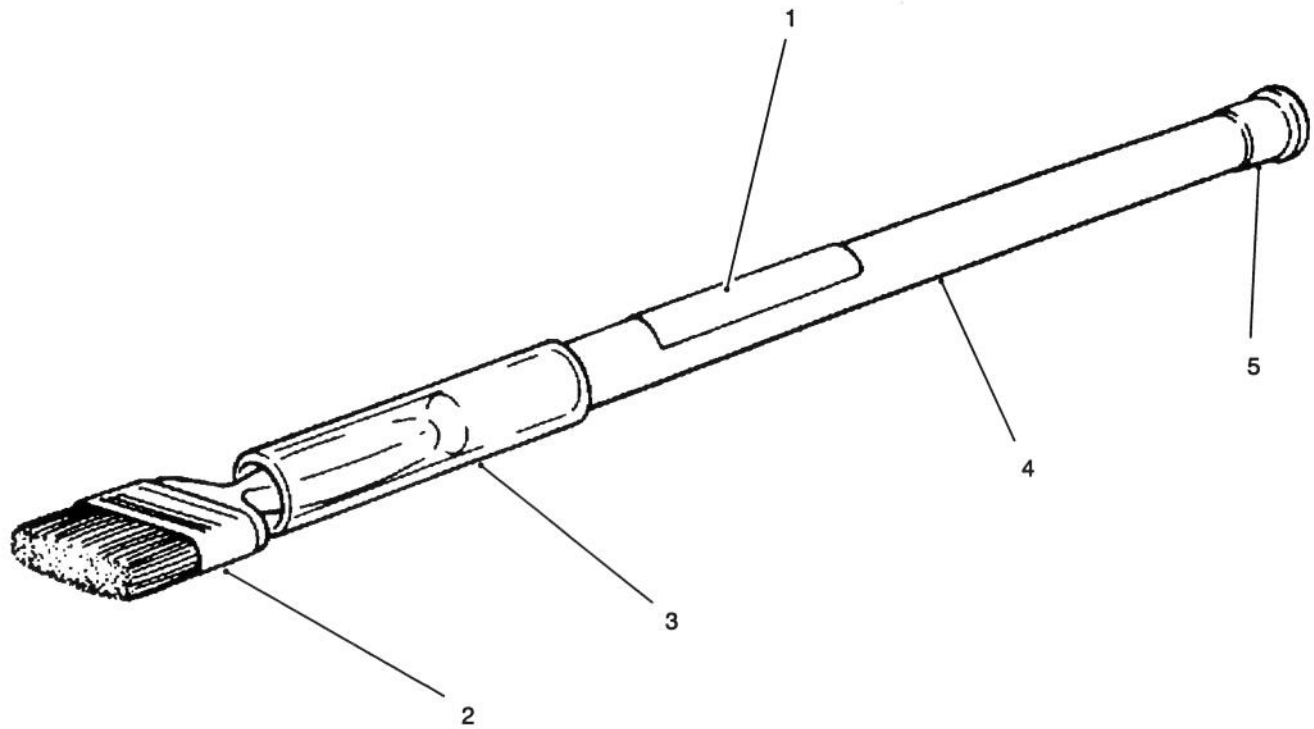
T-1119

## FIXED HEAD INSTALLATION FOR CUTTING UNIT NO. 2 (L. H.) & NO. 3 (R. H.)

Ref. No.	Part No.	Description	No. Used
1	76-8390	Tipper - Reel	1
2	68-6480	Bushing - Flange	2
3	302-2	Fitting - Grease	1
4	76-6280	Bracket - Hose	2
5	75-7720	Shaft	1
6	29-2770	Washer - Thrust	1
7	75-7710	Barrel - Pivot	1
8	3296-29	Nut - Lock	8
9	75-7750	Plate - Fixed Head	1

Ref. No.	Part No.	Description	No. Used
†10	75-7740	Spacer	1
11	75-7770	Bolt - U	4
12	3234-32	Screw - Cap Hex. Hd.	1
13	75-7730	Washer - Thrust	1
14	3296-42	Nut - Lock	4
15	321-15	Screw - Cap Hex. Hd.	2
16	76-9310	Spacer	1
17	321-18	Screw - Cap Hex. Hd.	2

†Not required when using Dethatcher Reel Units Model No. 03730 & 03732.



T-0731

## BACKLAPPING BRUSH ASSEMBLY

Ref. No.	Part No.	Description	No. Used
1	12-9140	Decal	1
2	36-4310	Brush	1
3	29-9090	Hose - Handle	1

Ref. No.	Part No.	Description	No. Used
4	29-9100	Backlapping Brush Assy. (Incl. Ref. #1-5)	1
5	2410-18	Plug	1

\*Not Illustrated

## PRODUCT CHANGES

In an effort to make improvements available to TORO owners as quickly as possible, minor changes are incorporated into Toro's products from time to time that do not become immediately shown in the Parts Catalog. If such a change has been made in your unit, which is not reflected in your manual, see your TORO Distributor or his Authorized TORO Service Dealer for information and part numbers.

## COUNTRIES OTHER THAN THE UNITED STATES OR CANADA

Customers who have purchased TORO products exported from the United States or Canada should contact their Toro Distributor (Dealer) to obtain guarantee policies for your country, province or state. If for any reason you

are dissatisfied with your Distributor's service or have difficulty obtaining guarantee information, contact the TORO importer. If all other remedies fail, you may contact us at The Toro Company.

## MAINTENANCE RECORD

Date								