



**Count on it.**

**Parts Catalog**

**8-Blade EdgeSeries Forward Swept Reel DPA Cutting Unit with 7in Reel**

**Reelmaster® 5010 Series Traction Unit**

Model No. 03639—Serial No. 405375467 and Up



# Ordering Replacement Parts

To order replacement parts, please supply the part number, the quantity, and the description of each part desired.

## Understanding Reference Numbers

Each identified part in an illustration has a reference number. The reference number for a part also appears in the parts list, along with other information about the part.

This catalog uses two special reference number formats, one to indicate parts in a service assembly and another to indicate the quantity of a given part in an illustration.

## Service Assembly Reference Numbers

Parts in service assemblies have reference numbers in the form a:b. The a represents the reference number of the entire service assembly and the b represents a sequential number unique to each part within the service assembly.

For example, a wheel assembly might be identified by reference number 6, the tire by 6:1, the valve by 6:2, and the wheel by 6:3. When you order the assembly identified by reference number 6, you receive all parts identified by reference numbers 6:1, 6:2, and 6:3. However, you may also order any part individually. Reference numbers of this type appear in illustration and in parts lists.

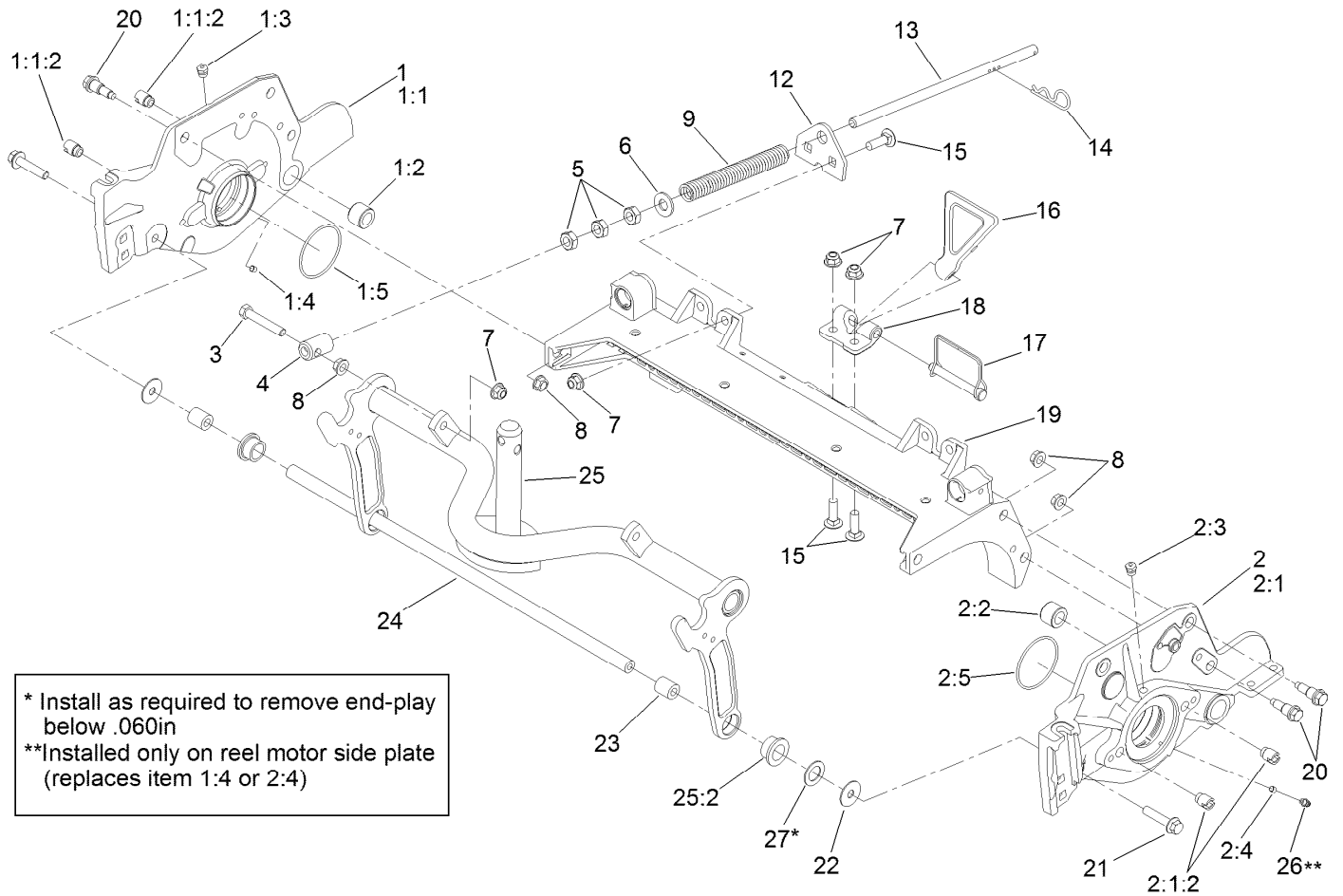
## Reference Numbers Indicating Quantity

In an illustration, if a reference number indicates more than one part, the reference number has the form nX y. The n represents the quantity of the part, the X is the multiplication symbol, and the y represents the reference number.

For example, in an illustration, the reference number 2X 37 means that two of the parts identified by reference number 37 are indicated.

# Contents

|   |    |
|---|----|
| Frame Assembly.....   | 4  |
| Reel and Bedbar Assembly .....  | 5  |
| Optional 7in EdgeSeries+ 22in Fairway, 5 Blade Radial Reel Assembly No. 137-8444.....           | 7  |
| 7in EdgeSeries+ 22in Fairway, 8 Blade, Low Drag, Forward Swept Reel Assembly No. 137-8446 ..... | 8  |
| Optional Heavy-Duty MVP Kit No. 120-7230.....   | 9  |
| Roller Assembly .....   | 10 |
| 3 Inch Diameter Long Roller Assembly No. 114-5415 .....   | 11 |
| Optional 3 Inch Diameter Short Roller Assembly No. 114-5417 .....                               | 12 |
| Plastic Wiehle Roller Assembly No. 114-5400.....  | 13 |
| Optional Full Front Roller Assembly No. 114-5412.....   | 14 |
| Optional Plastic Shoulder Roller Assembly No. 114-5421 .....                                    | 15 |
| Optional High Height-of-Cut Assembly No. 137-0890 .....   | 16 |
| Shield Assembly.....  | 17 |
| Optional Tools Assembly.....  | 18 |
| Attachments and Accessories .....   | 19 |



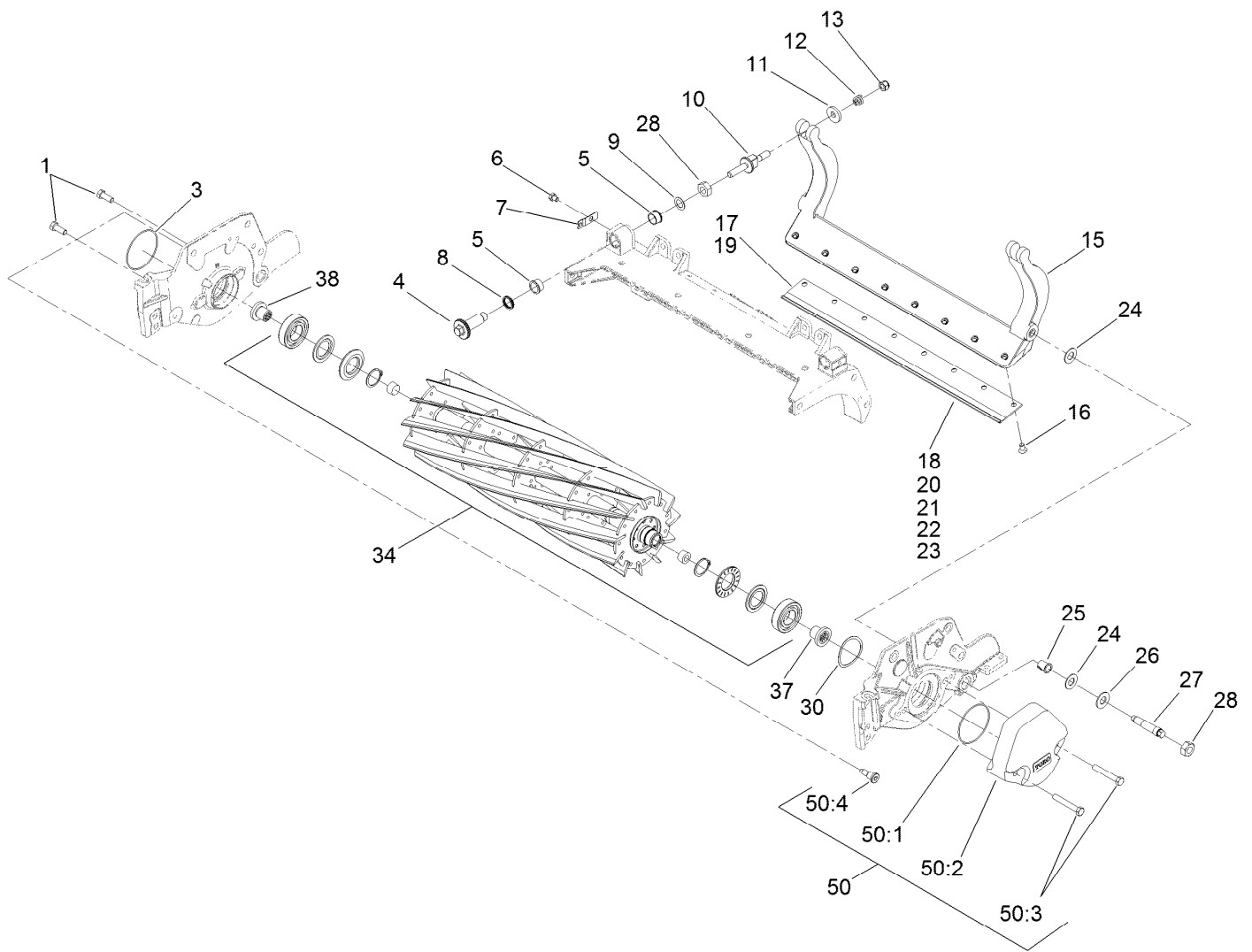
## Frame Assembly

| Ref.  | Part Number | Qty. | Description                 |
|-------|-------------|------|-----------------------------|
| 1     | 137-5967    | 1    | 7In RH LD Side Plate ASM    |
| 1:1   |             | 1    | Side Plate-7In, RH ■        |
| 1:1:2 | 127-7149    | 2    | Insert-Threaded, Side Plate |
| 1:2   | 106-9618    | 1    | Bushing-Rubber              |
| 1:3   | 302-39      | 1    | Fitting-Plug                |
| 1:4   | 3245-35     | 1    | Screw-Set, HSH              |
| 1:5   | 117-8177    | 1    | O-Ring                      |
| 2     | 137-5963    | 1    | 7In LH LD Side Plate ASM    |
| 2:1   |             | 1    | Side Plate-7In, LH ■        |
| 2:1:2 | 127-7149    | 2    | Insert-Threaded, Side Plate |
| 2:2   | 106-9618    | 1    | Bushing-Rubber              |
| 2:3   | 302-39      | 1    | Fitting-Plug                |
| 2:4   | 3245-35     | 1    | Screw-Set, HSH              |
| 2:5   | 117-8177    | 1    | O-Ring                      |
| 3     | 104-3396    | 1    | Screw-HH                    |
| 4     | 99-8662     | 1    | Tube-Spring                 |
| 5     | 3218-5      | 3    | Nut-Jam                     |
| 6     | 87-7270     | 1    | Washer-Thrust               |
| 7     | 104-8301    | 5    | Nut-HF, NI                  |

| Ref. | Part Number | Qty. | Description        |
|------|-------------|------|--------------------|
| 8    | 3290-357    | 7    | Nut-HHF, Whiz      |
| 9    | 110-4079    | 1    | Spring-Compression |
| 12   | 110-4069    | 1    | Bracket            |
| 13   | 115-2007    | 1    | Rod-Spring         |
| 14   | 92-2762     | 1    | Pin-Hair           |
| 15   | 3231-25     | 4    | Bolt-CARR          |
| 16   | 119-8010-03 | 1    | Kickstand ●        |
| 17   | 107-7400    | 1    | Pin-Lynch          |
| 18   | 110-4058    | 1    | Bracket-Chain      |
| 19   | 107-3258    | 1    | Frame              |
| 20   | 107-2979    | 6    | Bolt-Shoulder      |
| 21   | 3234-19     | 2    | Screw-HHF          |
| 22   | 130-8094    | 2    | Washer-Plain       |
| 23   | 108-4279    | 2    | Spacer-Frame       |
| 24   | 108-4284    | 1    | Tube-Support       |
| 25   | 107-7433    | 1    | Carrier Frame ASM  |
| 25:2 | 93-2877     | 2    | Bushing            |
| 26   | 302-5       | 1    | Fitting-Grease     |
| 27   | 67-9410     | 1    | Washer             |

● Optional Equipment

■ Not serviced separately

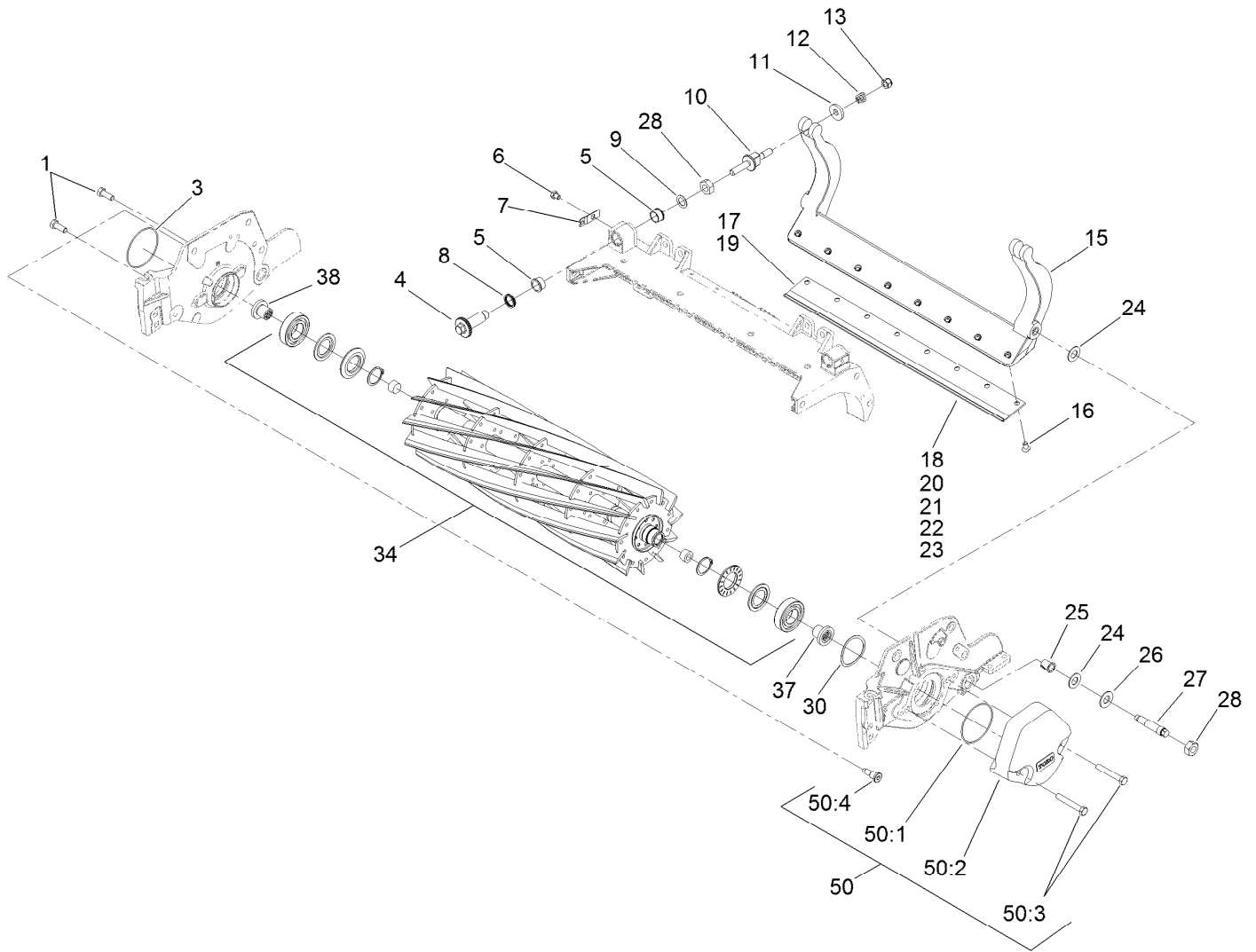


## Reel and Bedbar Assembly

| Ref. | Part Number | Qty. | Description                   | Ref. | Part Number | Qty. | Description                                |
|------|-------------|------|-------------------------------|------|-------------|------|--|
| 1    | 323-6       | 2    | Screw-HH                      | 18   | 108-9096    | 1    | Bedknife-STD (Fairway) ■                   |
| 3    | 112-6967    | 1    | O-Ring                        | 19   | 137-0832    | 1    | Bedknife-Edgemax Lowcut ■                  |
| 4    | 120-5118    | 2    | Shaft-Adjuster                | 20   | 110-4084    | 1    | Bedknife-Low HOC (Fairway) ■               |
| 5    | 106-5344    | 4    | Bushing-Flange, Keyed         | 21   | 119-4280    | 1    | Bedknife-Edgemax Extended Low HOC, Fairw ■ |
| 6    | 119-4067    | 2    | Screw-HH                      | 22   | 120-1640    | 1    | Bedknife-Low HOC Extended, Fairway ■       |
| 7    | 99-2097     | 2    | Detent                        | 23   | 110-4074    | 1    | Bedknife-HD (Fairway) ■                    |
| 8    | 120-5116    | 2    | Washer-Wave                   | 24   | 61-1950     | 4    | Washer-Plastic                             |
| 9    | 108-0015    | 2    | Washer-Flat                   | 25   | 56-9520     | 2    | Bushing-Flanged                            |
| 10   | 115-7039    | 2    | Screw-Adjuster, Bedbar        | 26   | 69-8980     | 2    | Washer                                     |
| 11   | 119-4155    | 2    | Washer-Hardened               | 27   | 106-9623    | 2    | Bolt-Bedbar                                |
| 12   | 120-5120    | 2    | Spring-Compression            | 28   | 3296-33     | 4    | Nut-Lock, NI                               |
| 13   | 119-4039    | 2    | Nut-Hex, NI                   | 30   | 115-5258    | 1    | Spring-Wire, Flat                          |
| 15   | 107-3273-01 | 1    | Bedbar                        | 34   | 137-8444    | 1    | ES Reel+,7In Fwy(22)5 Bld LD(Rr) ■         |
| 15   | 131-3221-03 | 1    | Bedbar-Aggressive, 7 Inch ● ■ |      |             |      |  |
| 16   | 119-4151    | 8    | Screw-Bedknife                |      |             |      |  |
| 17   | 137-0833    | 1    | Bedknife-Edgemax (Fairway)    |      |             |      |  |

● Not illustrated

■ Optional Equipment

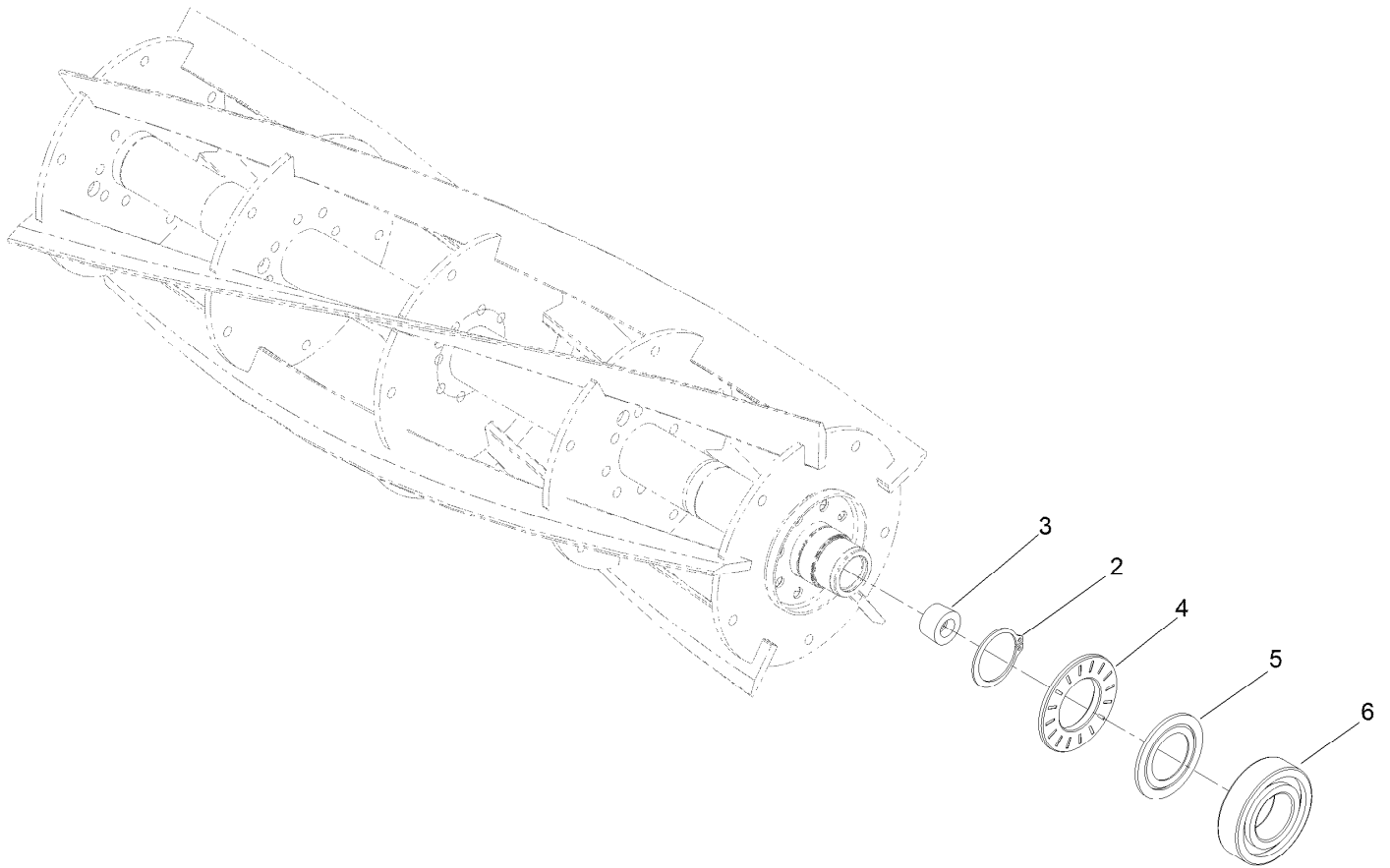


## Reel and Bedbar Assembly (continued)

| Ref. | Part Number | Qty. | Description                       | Ref. | Part Number | Qty. | Description                      |
|------|-------------|------|-----------------------------------|------|-------------|------|----------------------------------|
| 34   | 137-8446    | 1    | ES Reel+,7In Fwy(22)8 Bld LD(Fsr) | 50   | 127-7129    | 1    | Weight Kit ■                     |
| 37   | 127-7111    | 1    | Insert-Threaded, 7 Inch (LH)      | 50:1 | 112-6967    | 5    | O-Ring                           |
| 38   | 127-7109    | 1    | Insert-Threaded, 7 Inch (RH)      | 50:2 | 108-4269-01 | 5    | Weight                           |
| 45   | 120-7230    | 1    | HD DPA MVP Kit ● ■                | 50:3 | 323-12      | 10   | Screw-HH                         |
|      |             |      |                                   | 50:4 | 127-7122    | 5    | Bolt-Shoulder, Flange Hex Socket |

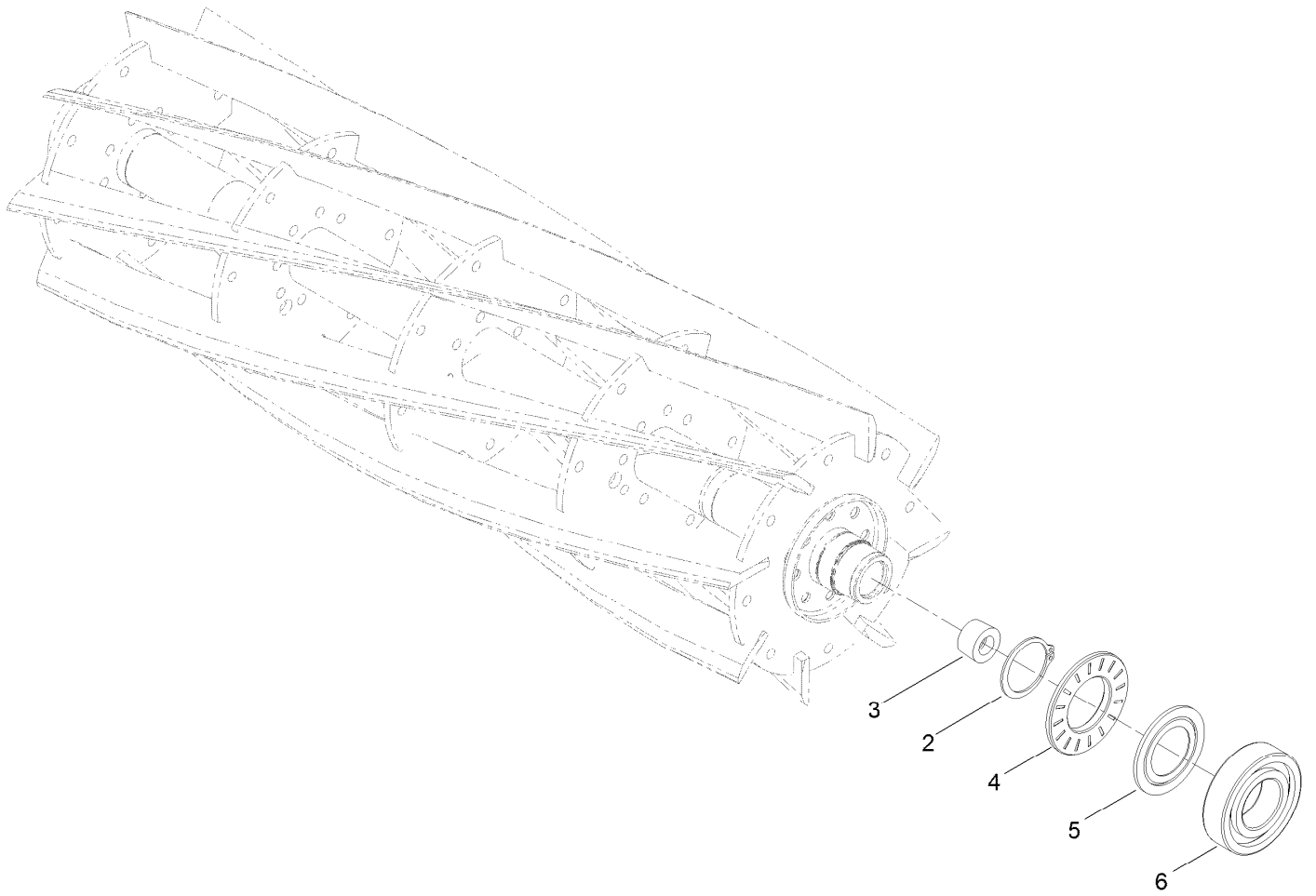
● Not illustrated

■ Optional Equipment



## Optional 7in EdgeSeries+ 22in Fairway, 5 Blade Radial Reel Assembly No. 137-8444

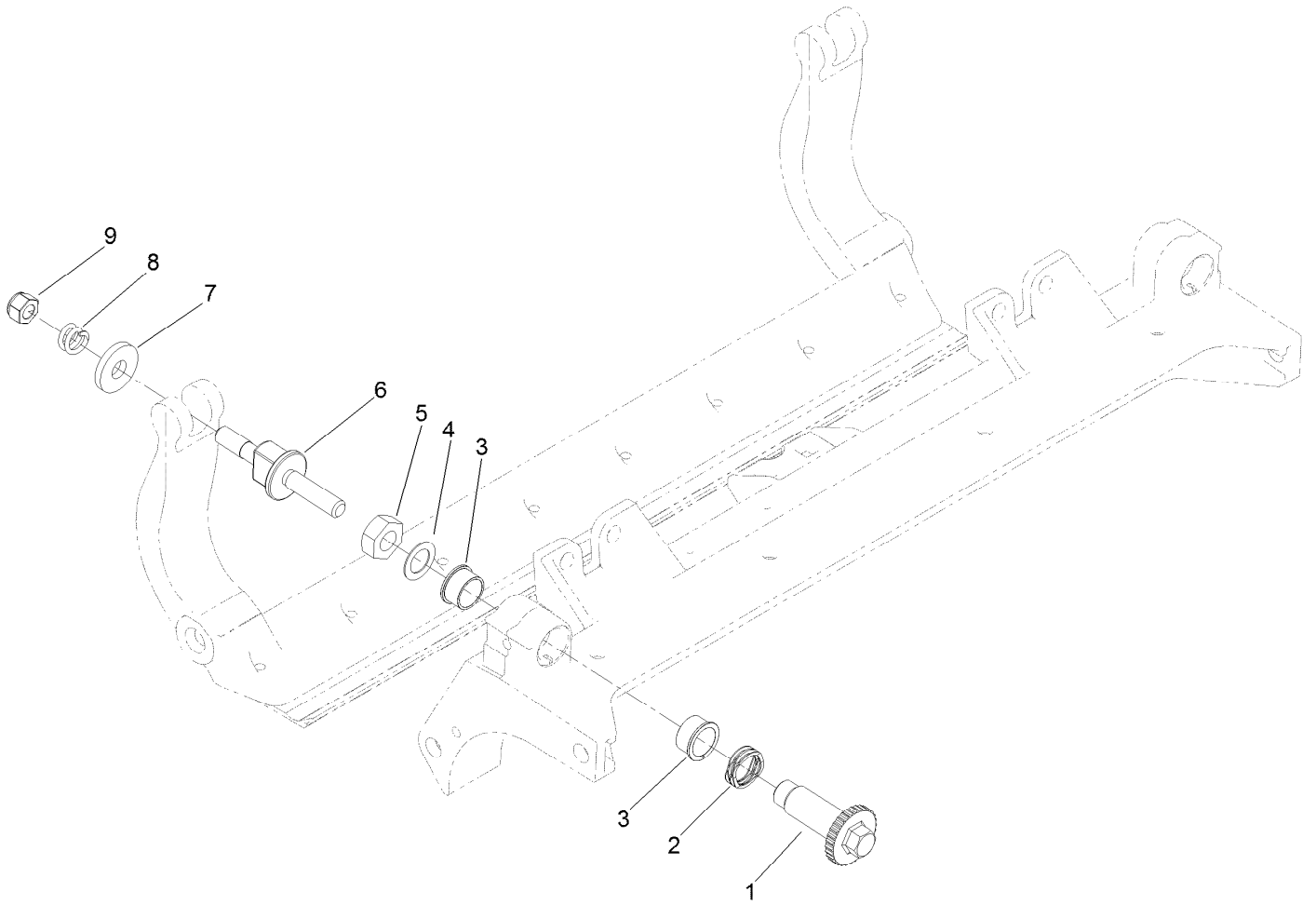
| <i>Ref.</i> | <i>Part Number</i> | <i>Qty.</i> | <i>Description</i> |
|-------------|--------------------|-------------|--------------------|
| 2           | 92-2601            | 2           | Ring-Retaining     |
| 3           | 127-7118           | 2           | Plug-Shaft, Reel   |
| 4           | 127-4284           | 2           | Washer-Special     |
| 5           | 115-3299           | 2           | Seal-Flocked       |
| 6           | 115-3296           | 2           | Bearing-Sealed     |



## 7in EdgeSeries+ 22in Fairway, 8 Blade, Low Drag, Forward Swept Reel Assembly No. 137-8446

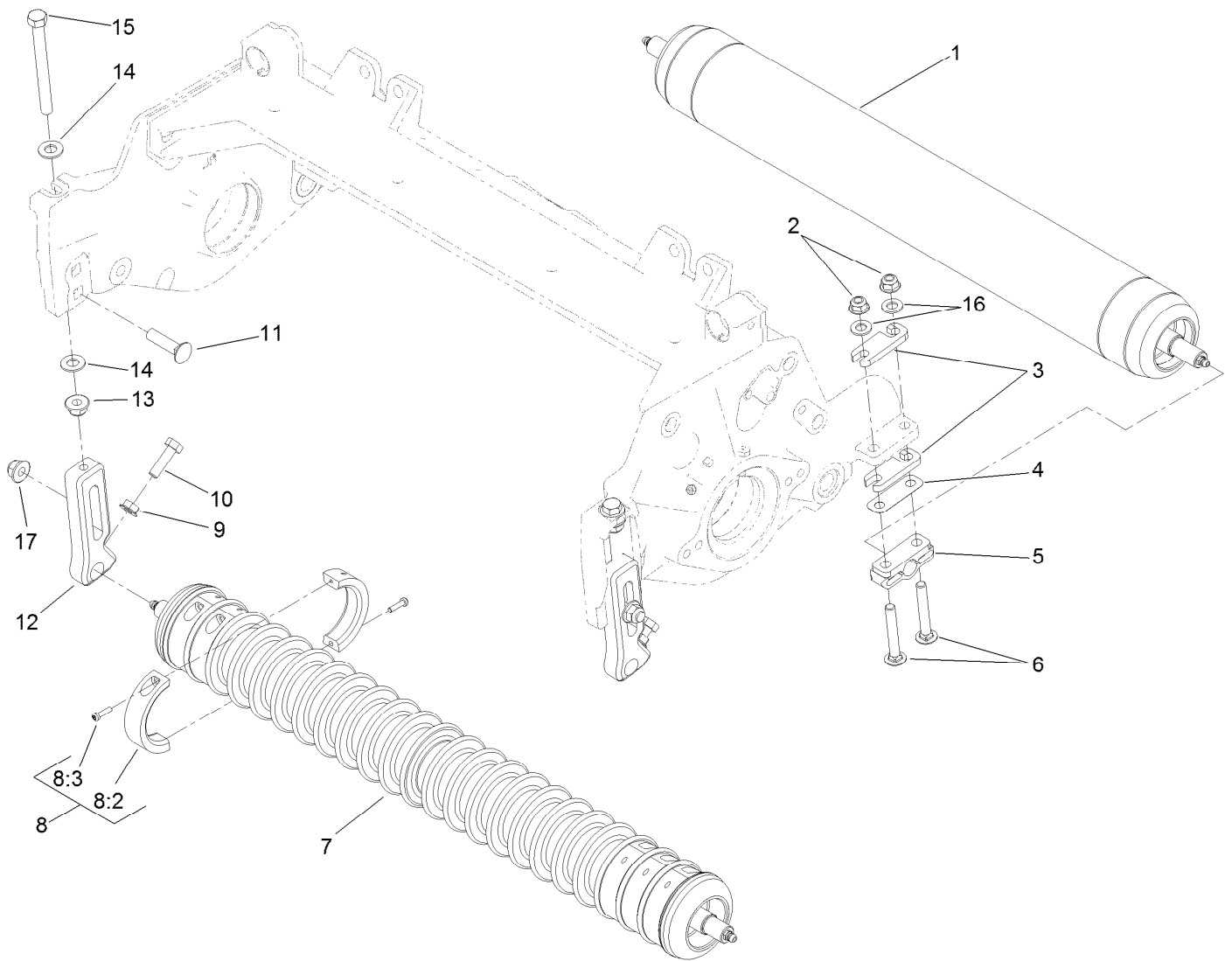
| <i>Ref.</i> | <i>Part Number</i> | <i>Qty.</i> | <i>Description</i> |
|-------------|--------------------|-------------|--------------------|
| 2           | 92-2601            | 2           | Ring-Retaining     |
| 3           | 127-7118           | 2           | Plug-Shaft, Reel   |
| 4           | 127-4284           | 2           | Washer-Special     |
| 5           | 115-3299           | 2           | Seal-Flocked       |
| 6           | 115-3296           | 2           | Bearing-Sealed     |





## Optional Heavy-Duty MVP Kit No. 120-7230

| <i>Ref.</i> | <i>Part Number</i> | <i>Qty.</i> | <i>Description</i>     |
|-------------|--------------------|-------------|------------------------|
| 1           | 120-5118           | 2           | Shaft-Adjuster         |
| 2           | 120-5116           | 2           | Washer-Wave            |
| 3           | 106-5344           | 4           | Bushing-Flange, Keyed  |
| 4           | 108-0015           | 2           | Washer-Flat            |
| 5           | 3296-33            | 2           | Nut-Lock, NI           |
| 6           | 115-7039           | 2           | Screw-Adjuster, Bedbar |
| 7           | 119-4155           | 2           | Washer-Hardened        |
| 8           | 120-5120           | 2           | Spring-Compression     |
| 9           | 119-4039           | 2           | Nut-Hex, NI            |

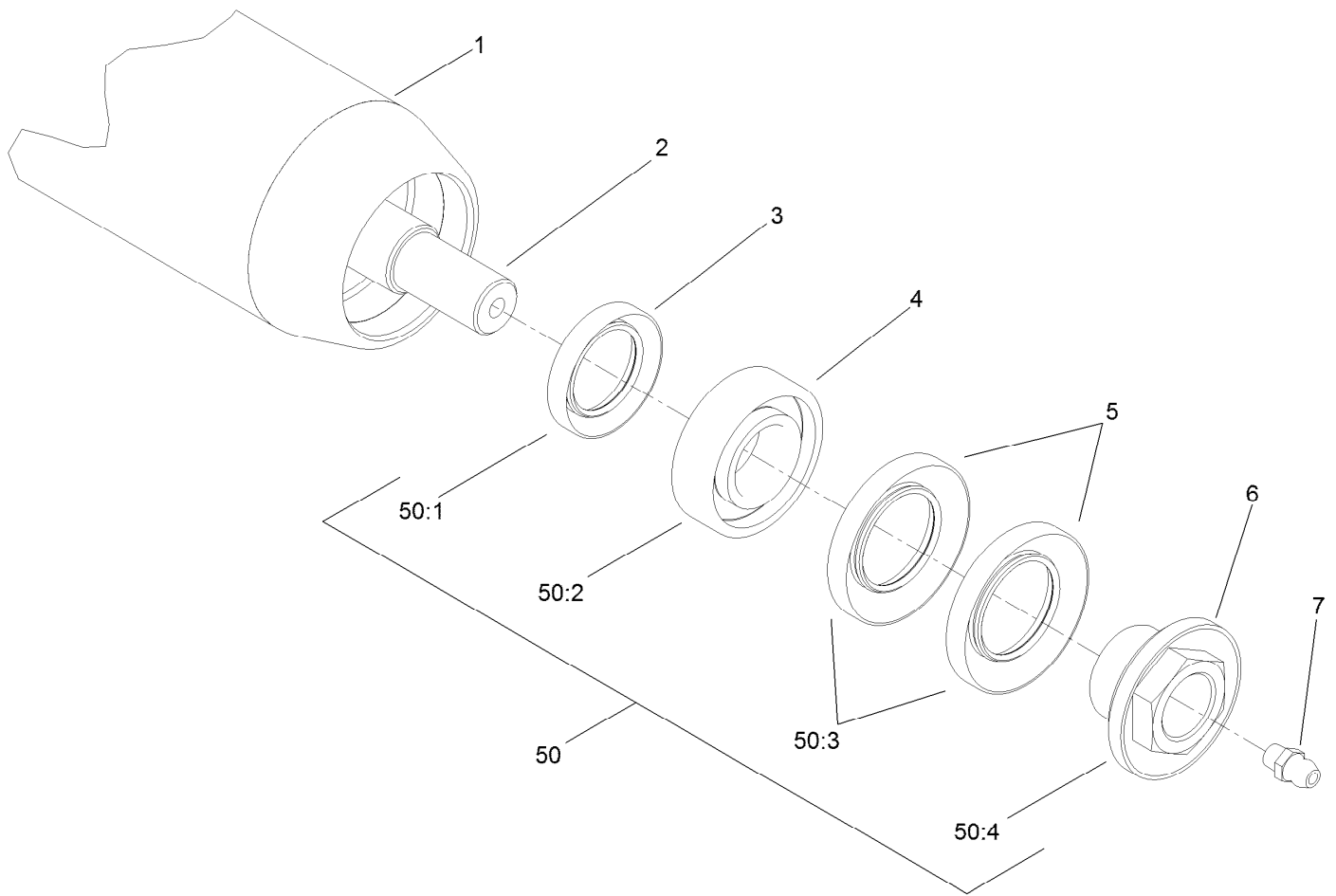


## Roller Assembly

| Ref. | Part Number | Qty. | Description                          | Ref. | Part Number | Qty. | Description                        |
|------|-------------|------|--------------------------------------|------|-------------|------|------------------------------------|
| 1    | 114-5415    | 1    | 3 Inch DIA Roller ASM (Long)         | 8    | 104-8215    | 6    | Collar Kit ■                       |
| 1    | 114-5417    | 1    | 3 Inch DIA Roller ASM (Short) ● ■    | 8:2  | 100-4959    | 2    | Collar                             |
| 2    | 104-8300    | 4    | Nut-HF, NI                           | 8:3  | 104-1835    | 2    | Screw                              |
| 3    | 119-0626    | 8    | Shim-Roller                          | 9    | 32128-20    | 2    | Nut-HF                             |
| 4    | 107-4001    | 2    | Shim-Roller (0.01 Inch) ■            | 10   | 322-16      | 2    | Screw-HH                           |
| 5    | 106-3924    | 2    | Bracket-Roller, Rear                 | 11   | 3231-4      | 2    | Screw-CARR                         |
| 6    | 3230-26     | 4    | Screw-CARR                           | 12   | 125-2796    | 2    | Bracket-Front HOC                  |
| 7    | 114-5400    | 1    | Plastic Wiehle Roller ASM            | 13   | 104-8301    | 2    | Nut-HF, NI                         |
| 7    | 114-5412    | 1    | 3 Inch DIA Full Front Roller ASM ● ■ | 14   | 48-9220     | 4    | Washer-Plain                       |
| 7    | 114-5421    | 1    | Plastic Shoulder Roller ASM ● ■      | 15   | 133-7571    | 2    | Screw-HOC, Fairway                 |
|      |             |      |                                      | 16   | 94-6936     | 4    | Washer-Hardened                    |
|      |             |      |                                      | 17   | 133-7570    | 2    | Nut-Flange, NI                     |
|      |             |      |                                      | 50   | 137-0890    | 1    | Rm DPA High HOC Kit (F18 & Up) ● ■ |

● Not illustrated

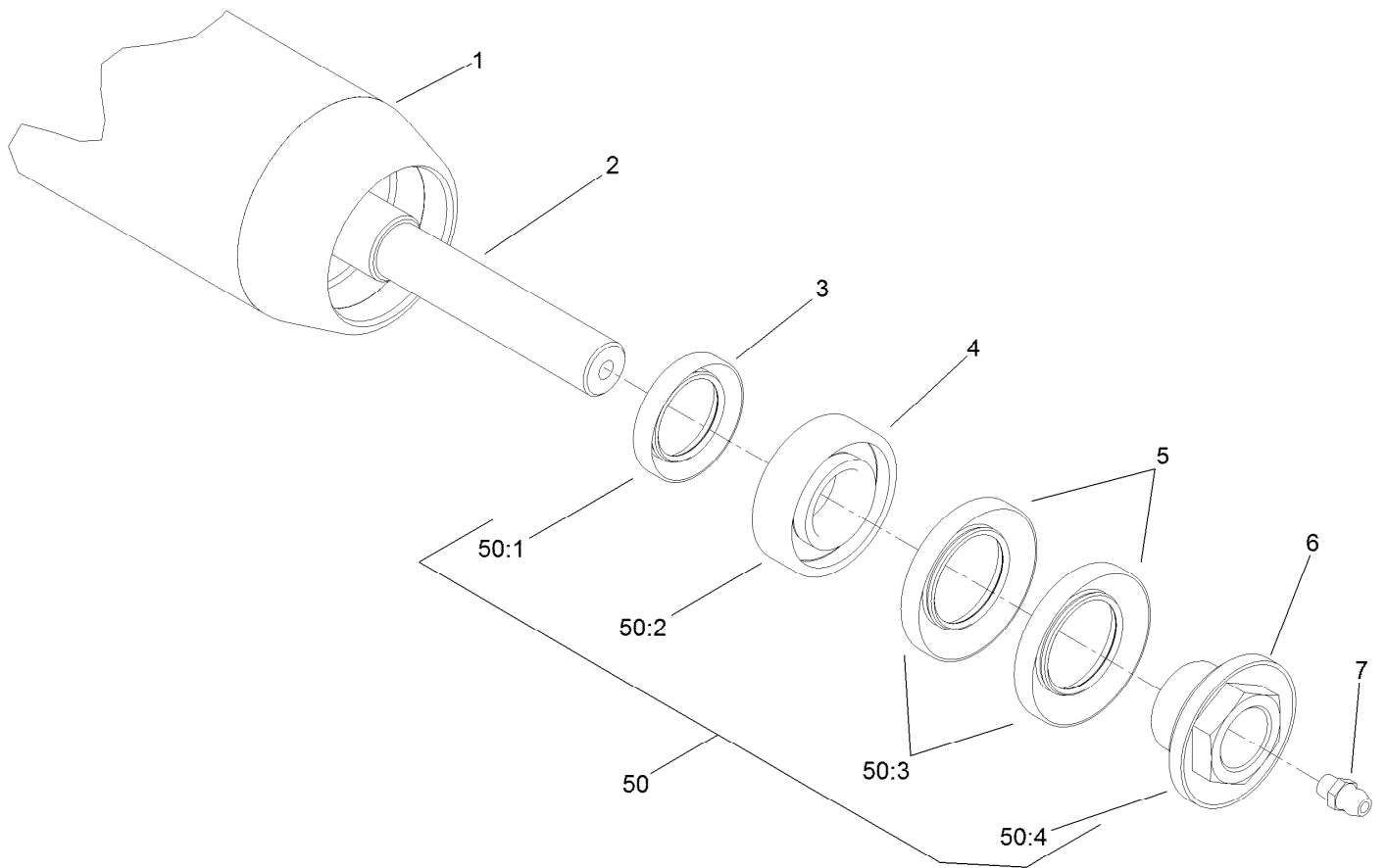
■ Optional Equipment



## 3 Inch Diameter Long Roller Assembly No. 114-5415

| <i>Ref.</i> | <i>Part Number</i> | <i>Qty.</i> | <i>Description</i>       |
|-------------|--------------------|-------------|--------------------------|
| 1           | 115-8292-03        | 1           | Tube-Roller (Long)       |
| 2           | 114-5407           | 1           | Shaft-Long, Rear Roller  |
| 3           | 114-3717           | 2           | Seal-Oil                 |
| 4           | 112-5290           | 2           | Bearing-Steel, Stainless |
| 5           | 112-7494           | 4           | Seal                     |
| 6           | 114-5411           | 2           | Nut-Lock, Bearing        |
| 7           | 302-5              | 2           | Fitting-Grease           |
| 50          | 114-5430           | 1           | Roller Rebuild Kit ●     |
| 50:1        | 114-3717           | 2           | Seal-Oil                 |
| 50:2        | 112-5290           | 2           | Bearing-Steel, Stainless |
| 50:3        | 112-7494           | 4           | Seal                     |
| 50:4        | 114-3745           | 2           | Nut-Lock, Bearing        |

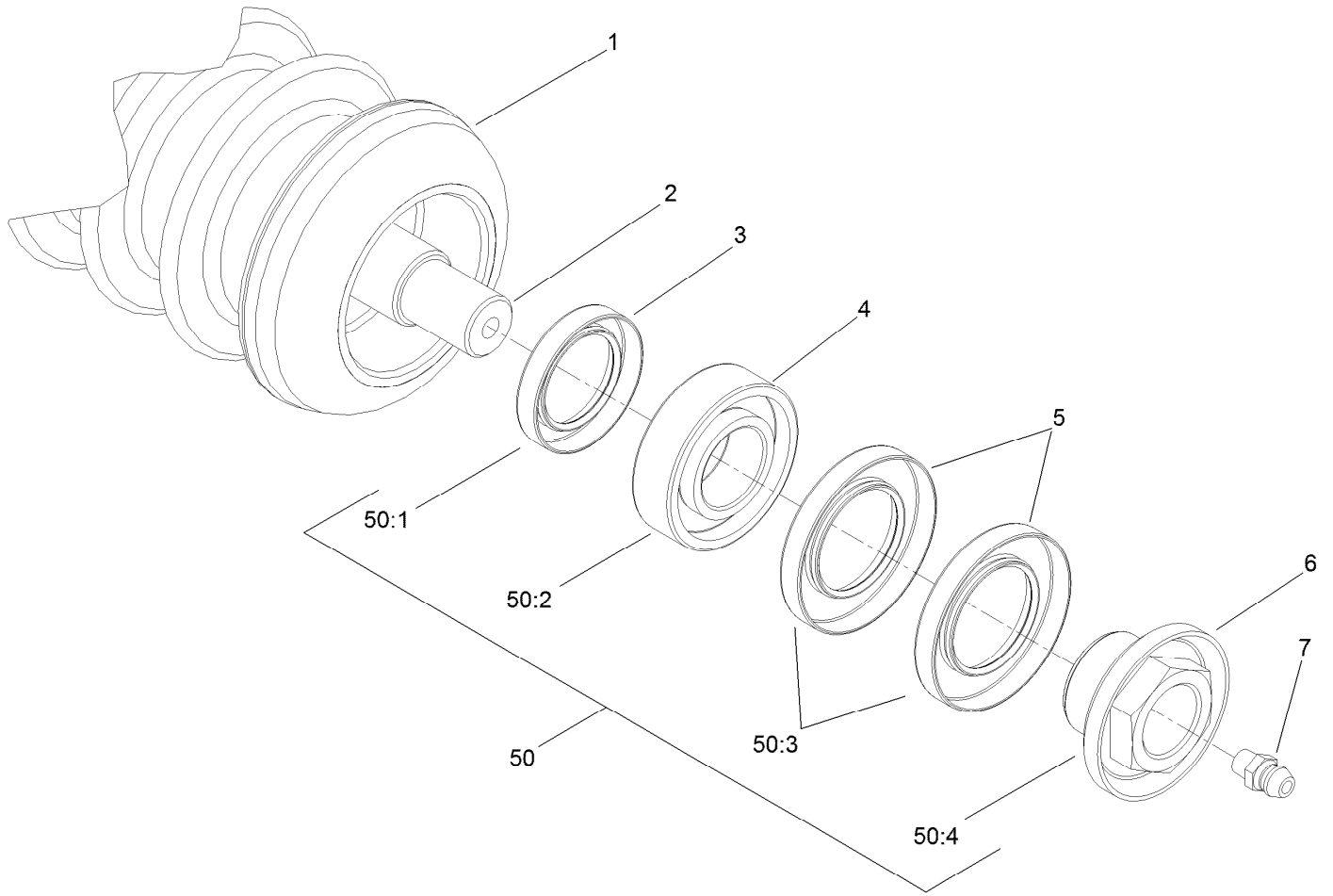
● Optional Equipment



## Optional 3 Inch Diameter Short Roller Assembly No. 114-5417

| <i>Ref.</i> | <i>Part Number</i> | <i>Qty.</i> | <i>Description</i>       |
|-------------|--------------------|-------------|--------------------------|
| 1           | 115-8296-03        | 1           | Tube-Roller (Short)      |
| 2           | 114-5410           | 1           | Shaft-Short, Rear Roller |
| 3           | 114-3717           | 2           | Seal-Oil                 |
| 4           | 112-5290           | 2           | Bearing-Steel, Stainless |
| 5           | 112-7494           | 4           | Seal                     |
| 6           | 114-5411           | 2           | Nut-Lock, Bearing        |
| 7           | 302-5              | 2           | Fitting-Grease           |
| 50          | 114-5430           | 1           | Roller Rebuild Kit ●     |
| 50:1        | 114-3717           | 2           | Seal-Oil                 |
| 50:2        | 112-5290           | 2           | Bearing-Steel, Stainless |
| 50:3        | 112-7494           | 4           | Seal                     |
| 50:4        | 114-3745           | 2           | Nut-Lock, Bearing        |

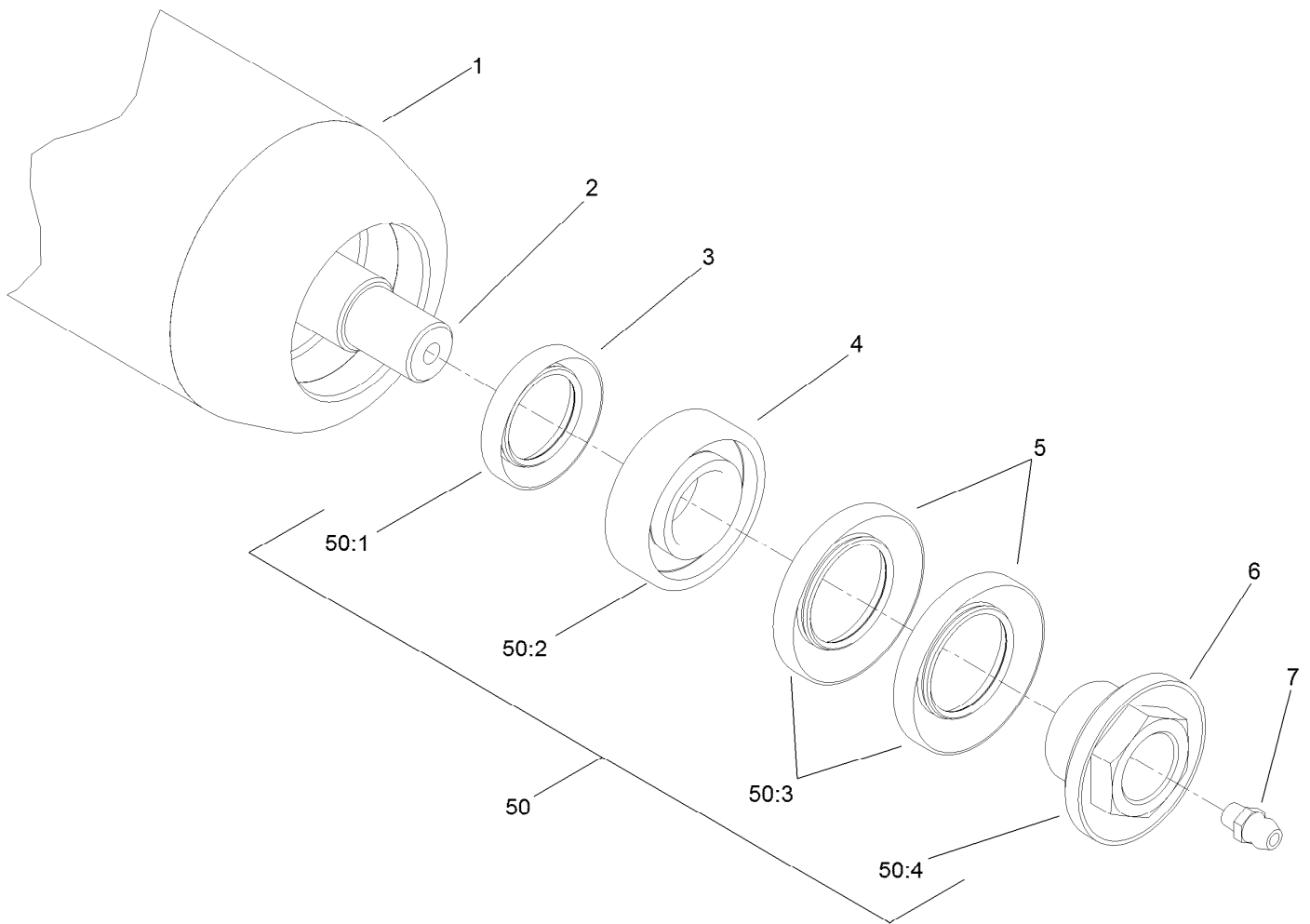
● Optional Equipment



## Plastic Wiehle Roller Assembly No. 114-5400

| <i>Ref.</i> | <i>Part Number</i> | <i>Qty.</i> | <i>Description</i>           |
|-------------|--------------------|-------------|------------------------------|
| 1           | 114-5401           | 1           | Wiehle Roller Plastic (22In) |
| 2           | 114-5403           | 1           | Shaft-Roller, Front          |
| 3           | 114-3717           | 2           | Seal-Oil                     |
| 4           | 112-5290           | 2           | Bearing-Steel, Stainless     |
| 5           | 112-7494           | 4           | Seal                         |
| 6           | 114-5411           | 2           | Nut-Lock, Bearing            |
| 7           | 302-5              | 2           | Fitting-Grease               |
| 50          | 114-5430           | 1           | Roller Rebuild Kit ●         |
| 50:1        | 114-3717           | 2           | Seal-Oil                     |
| 50:2        | 112-5290           | 2           | Bearing-Steel, Stainless     |
| 50:3        | 112-7494           | 4           | Seal                         |
| 50:4        | 114-3745           | 2           | Nut-Lock, Bearing            |

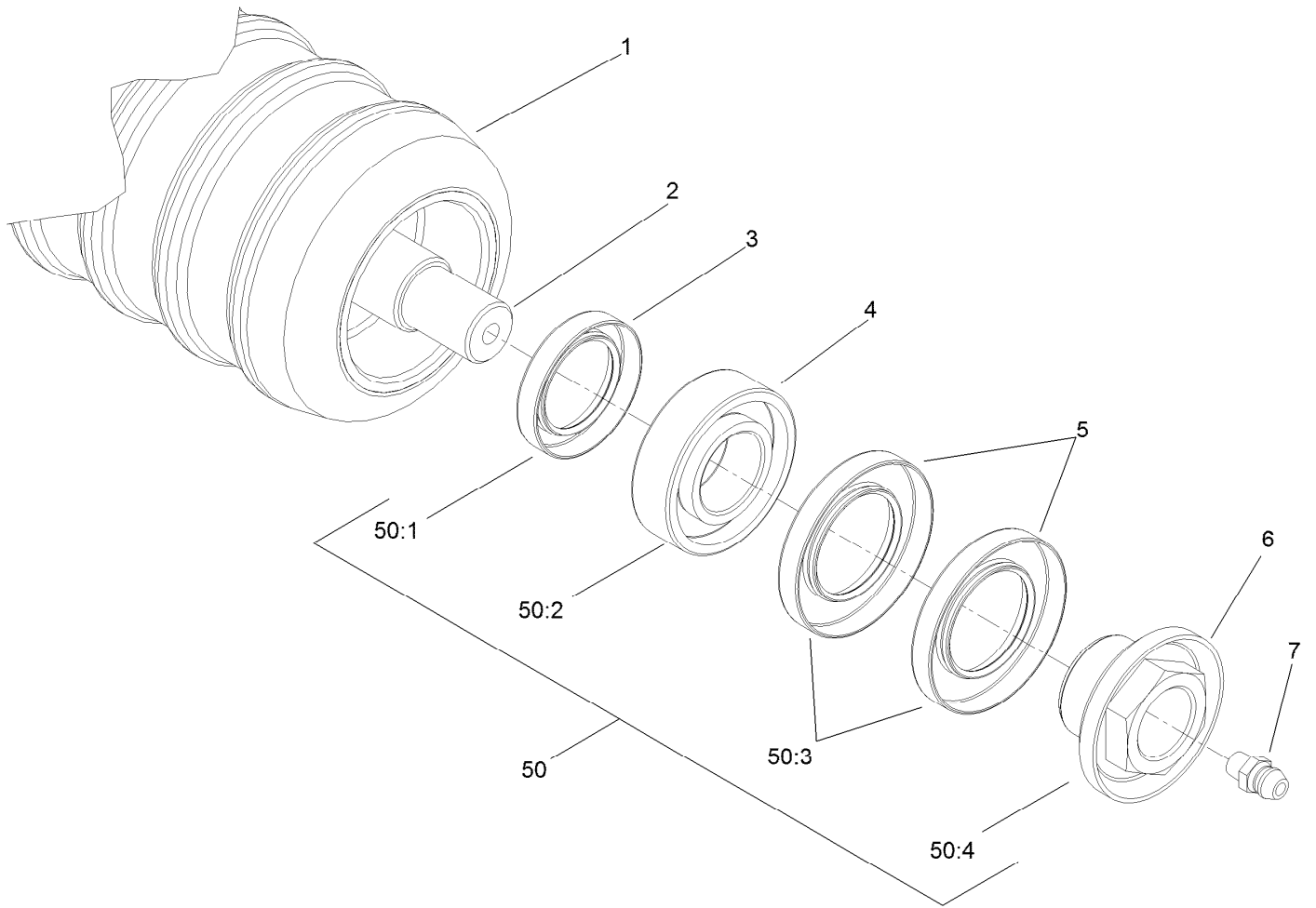
● Optional Equipment



## Optional Full Front Roller Assembly No. 114-5412

| <i>Ref.</i> | <i>Part Number</i> | <i>Qty.</i> | <i>Description</i>       |
|-------------|--------------------|-------------|--------------------------|
| 1           | 115-8297-03        | 1           | Tube-Roller, Full        |
| 2           | 114-5403           | 1           | Shaft-Roller, Front      |
| 3           | 114-3717           | 2           | Seal-Oil                 |
| 4           | 112-5290           | 2           | Bearing-Steel, Stainless |
| 5           | 112-7494           | 4           | Seal                     |
| 6           | 114-5411           | 2           | Nut-Lock, Bearing        |
| 7           | 302-5              | 2           | Fitting-Grease           |
| 50          | 114-5430           | 1           | Roller Rebuild Kit ●     |
| 50:1        | 114-3717           | 2           | Seal-Oil                 |
| 50:2        | 112-5290           | 2           | Bearing-Steel, Stainless |
| 50:3        | 112-7494           | 4           | Seal                     |
| 50:4        | 114-3745           | 2           | Nut-Lock, Bearing        |

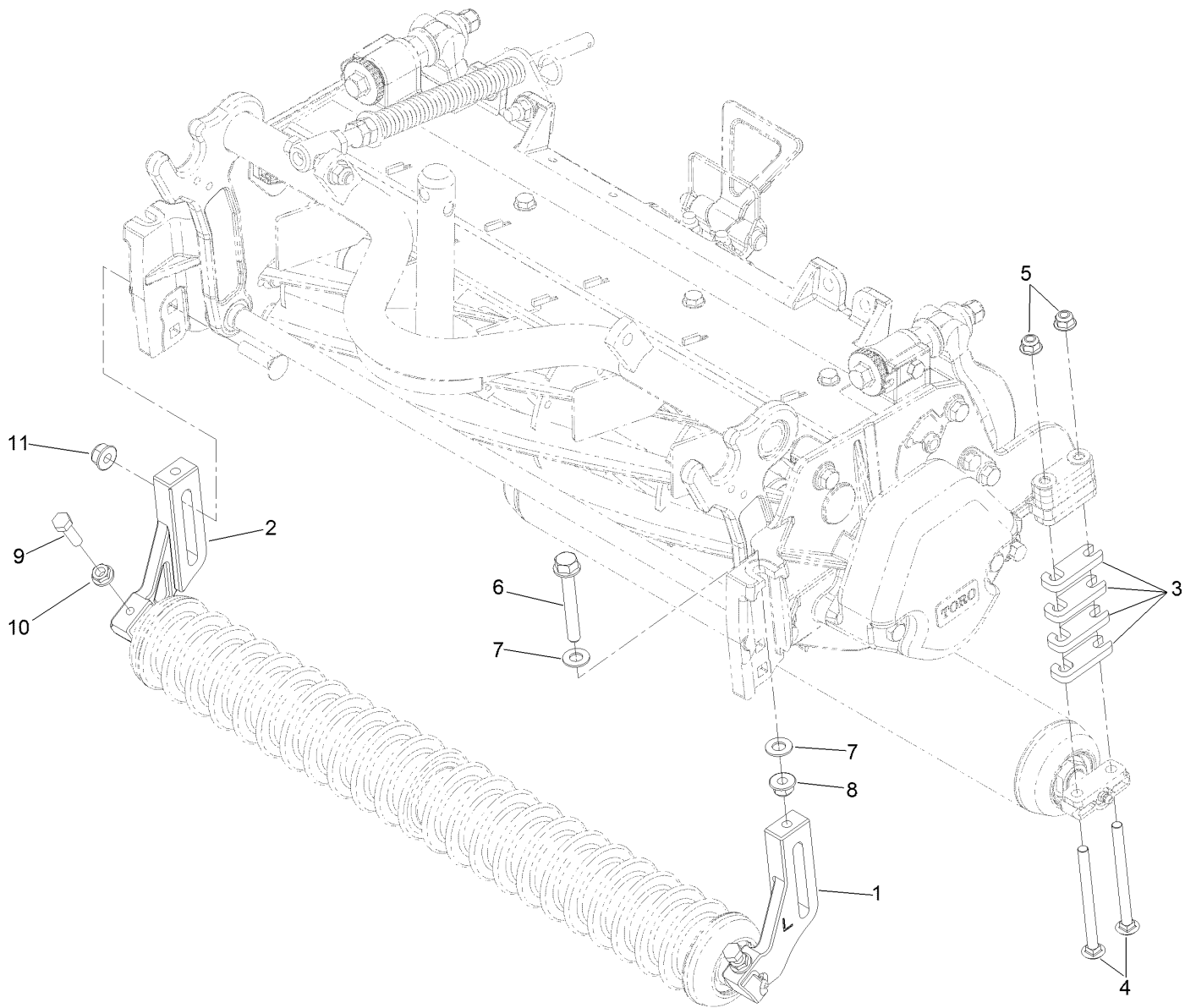
● Optional Equipment



## Optional Plastic Shoulder Roller Assembly No. 114-5421

| <i>Ref.</i> | <i>Part Number</i> | <i>Qty.</i> | <i>Description</i>       |
|-------------|--------------------|-------------|--------------------------|
| 1           | 114-5422           | 1           | Roller-Shoulder, Plastic |
| 2           | 114-5403           | 1           | Shaft-Roller, Front      |
| 3           | 114-3717           | 2           | Seal-Oil                 |
| 4           | 112-5290           | 2           | Bearing-Steel, Stainless |
| 5           | 112-7494           | 4           | Seal                     |
| 6           | 114-5411           | 2           | Nut-Lock, Bearing        |
| 7           | 302-5              | 2           | Fitting-Grease           |
| 50          | 114-5430           | 1           | Roller Rebuild Kit ●     |
| 50:1        | 114-3717           | 2           | Seal-Oil                 |
| 50:2        | 112-5290           | 2           | Bearing-Steel, Stainless |
| 50:3        | 112-7494           | 4           | Seal                     |
| 50:4        | 114-3745           | 2           | Nut-Lock, Bearing        |

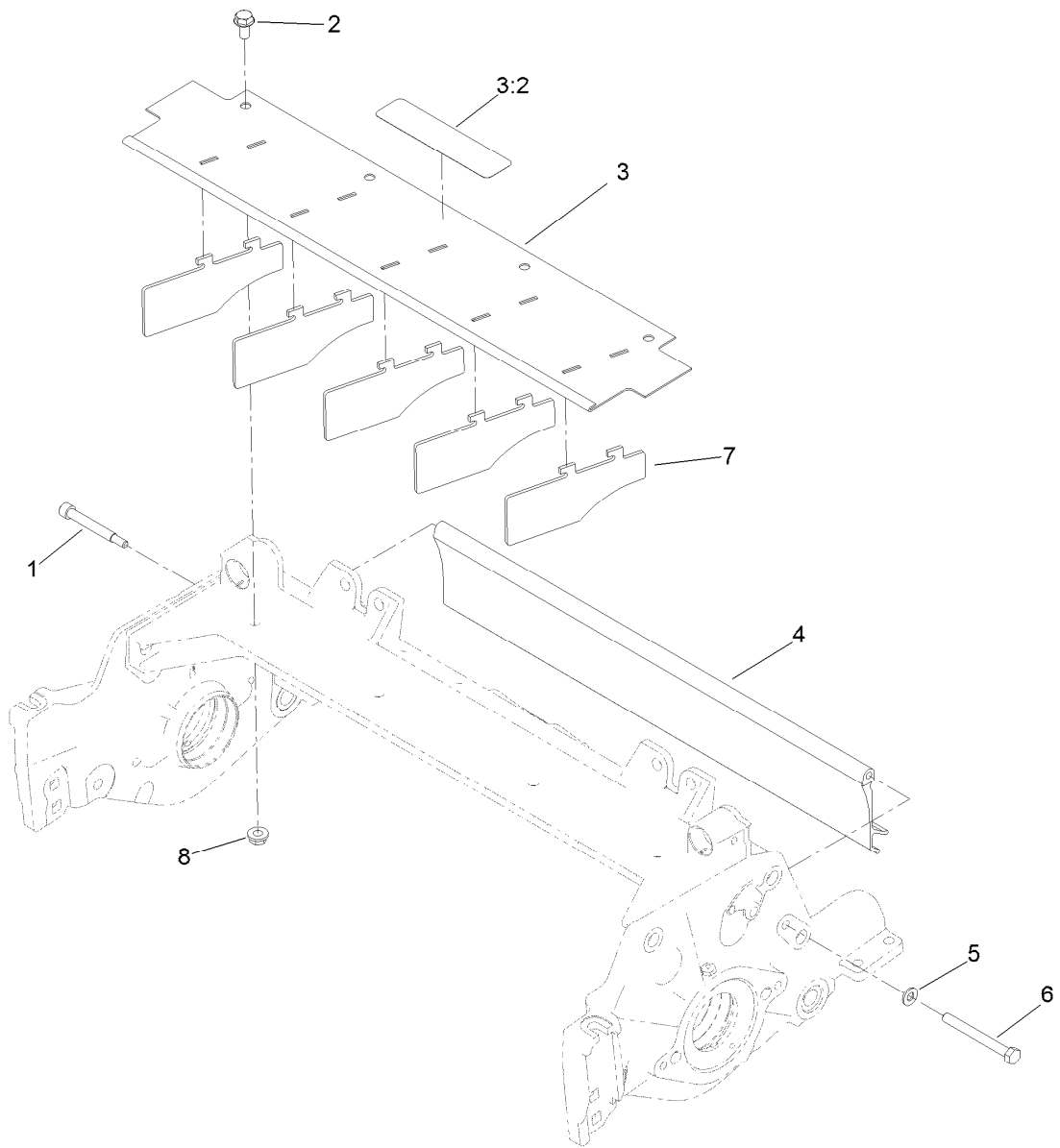
● Optional Equipment



## Optional High Height-of-Cut Assembly No. 137-0890

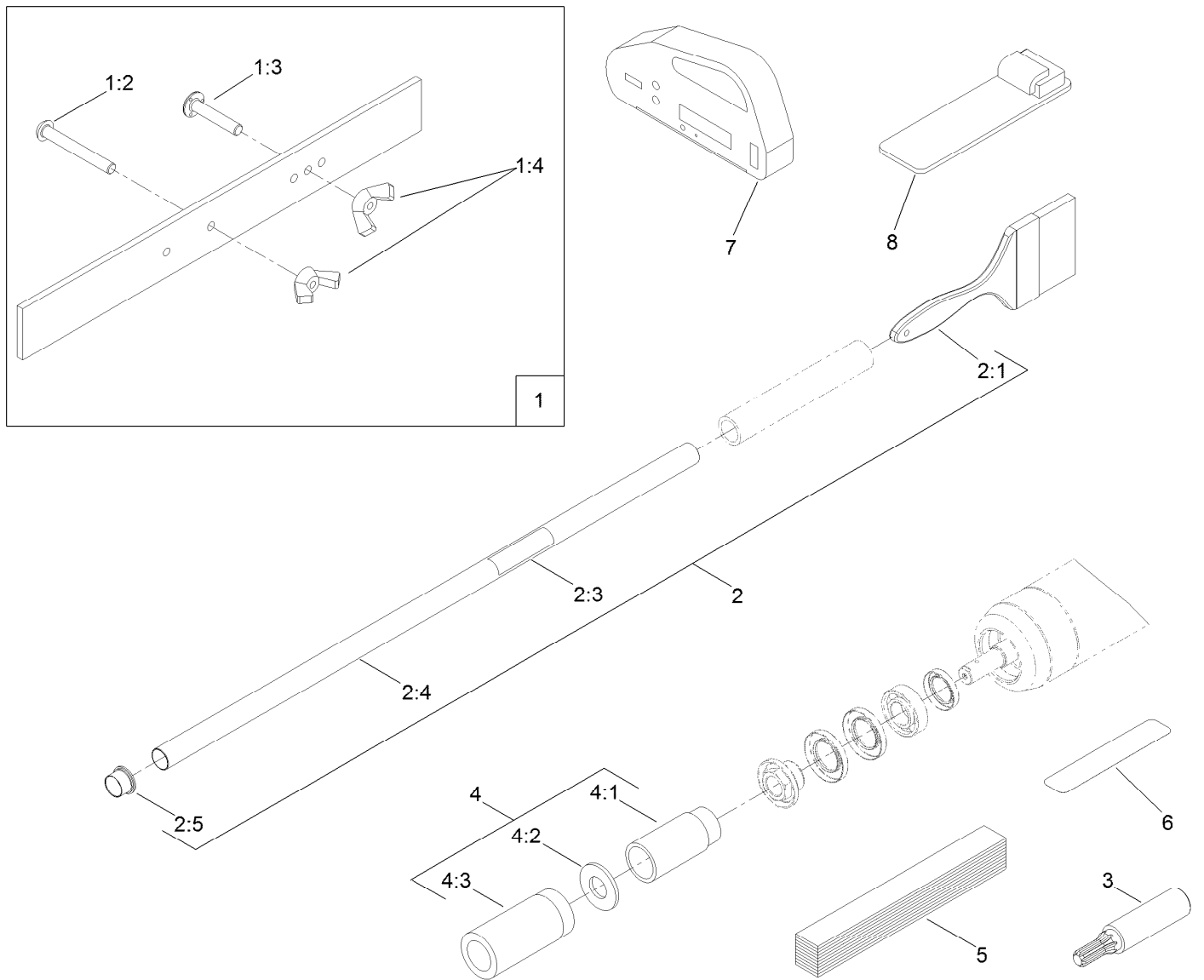
| <i>Ref.</i> | <i>Part Number</i> | <i>Qty.</i> | <i>Description</i>    |
|-------------|--------------------|-------------|-----------------------|
| 1           | 120-0404           | 1           | Bracket-High HOC (LH) |
| 2           | 120-0405           | 1           | Bracket-High HOC (RH) |
| 3           | 119-0626           | 8           | Shim-Roller           |
| 4           | 106-9758           | 4           | Screw-CARR            |
| 4           | 3230-30            | 4           | Screw-CARR            |
| 5           | 104-8300           | 4           | Nut-HF, NI            |
| 6           | 133-7572           | 2           | Screw-HOC             |
| 7           | 48-9220            | 4           | Washer-Plain          |
| 8           | 104-8301           | 4           | Nut-HF, NI            |
| 9           | 322-16             | 2           | Screw-HH              |
| 10          | 32128-20           | 2           | Nut-HF                |
| 11          | 133-7570           | 2           | Nut-Flange, NI        |





## Shield Assembly

| <b>Ref.</b> | <b>Part Number</b> | <b>Qty.</b> | <b>Description</b>     |
|-------------|--------------------|-------------|------------------------|
| 1           | 107-7773           | 1           | Screw-HSH              |
| 2           | 3234-7             | 4           | Screw-HHF              |
| 3           | 107-2996           | 1           | Front Glass Shield ASM |
| 3:2         | 137-9706           | 1           | Decal-Warning          |
| 4           | 125-1978           | 1           | Shield-Glass, Rear     |
| 5           | 3256-74            | 1           | Washer-Flat            |
| 6           | 322-14             | 1           | Screw-HH               |
| 7           | 110-1706           | 5           | Deflector              |
| 8           | 32128-20           | 4           | Nut-HF                 |



## Optional Tools Assembly

| <i>Ref.</i> | <i>Part Number</i> | <i>Qty.</i> | <i>Description</i>   | <i>Ref.</i> | <i>Part Number</i> | <i>Qty.</i> | <i>Description</i>          |
|-------------|--------------------|-------------|----------------------|-------------|--------------------|-------------|-----------------------------|
| 1           | 108-6715           | 1           | Gauge Bar ASM        | 3           | TOR4074            | 1           | Adapter-Drive, Reel ●       |
| 1:2         | 32122-54           | 1           | Screw-Head, Truss    | 4           | 115-0803           | 1           | Roller Rebuild Tool Kit     |
| 1:3         | 108-6714           | 1           | Stud-Weld            | 4:1         | 115-0852           | 1           | Tool-Inner Seal             |
| 1:4         | 32103-3            | 2           | Nut-Wing             | 4:2         | 107-8133           | 1           | Washer-Flat                 |
| 2           | 29-9100            | 1           | Brush And Handle ASM | 4:3         | 115-0853           | 1           | Tool-Bearing/Outer Seals    |
| 2:1         | 36-4310            | 1           | Brush                | 5           | 125-5610           | 1           | Paper-Reel, Toro (10 Pack)  |
| 2:3         | 98-3206            | 1           | Decal                | 6           | 125-5611           | 1           | Shim-Toro Reel (0.002 Inch) |
| 2:4         | 29-9080            | 1           | Handle               | 7           | 131-6828           | 1           | Indicator-Angle             |
| 2:5         | 2410-18            | 1           | Cap-Plastic          | 8           | 131-6829           | 1           | Mount-Indicator, Angle      |

● Obtain directly from K-Line Industries, Inc. (<https://klineind.com>)

# Attachments and Accessories

## For 03639 8-Blade EdgeSeries Forward Swept Reel DPA Cutting Unit with 7in Reel Reelmaster 5010 Series Traction Unit

| <b>Product Name</b>   | <b>Model/Part</b> |
|---|-------------------|
| Verticutter for 7in Reel Cutting Unit.....  | 03619             |
| Rear Roller Brush Kit (7in Reel).....   | 03408             |
| Weight Kit for 8-Blade or 11-Blade DPA Cutting Unit with 7in Reel Traction Unit.....                                | 03405             |
| 22in Fairway Flex Grass Basket Kit.....   | 03415             |
| 22in Fairway Compact Grass Basket Kit.....  | 03416             |
| Groomer Rod Kit.....  | 131-6845          |
| Rear Roller Scraper Kit.....  | 107-3280          |
| Wiehle Scraper ASM.....   | 107-2993-03       |
| Comb/Scraper Kit.....   | 110-1735          |
| 3in Dia Full Front Roller ASM.....  | 114-5412          |
| 3in Full Front Roller Scraper.....  | 110-9602-03       |
| Plastic Shoulder Roller ASM.....  | 114-5421          |
| Shoulder Roller Scraper ASM.....  | 110-9609-03       |
| Brush-Roller (High Height-Of-Cut).....  | 110-1740          |
| 22in Rear Roller HD Brush.....  | 137-0842          |
| High Height-of-Cut Kit, Reelmaster 3000 or 5000 Series DPA Cutting Unit.....  | 137-0890          |
| 3in Dia Collar Kit.....   | 104-8215          |
| Cutting Unit Kickstand.....   | 119-8010-03       |
| Roller Rebuild Tool Kit.....  | 115-0803          |
| Gauge Bar Assembly.....   | 108-6715          |
| Rear Lift Cylinder Limit Kit.....   | 110-9604          |
| Roller Rebuild Kit.....   | 114-5430          |
| 7in Aggressive Bedbar.....  | 131-3221-03       |
| Groomer/RRB Seal Kit.....   | 131-3233          |
| Heavy-Duty DPA MVP Kit.....   | 120-7230          |
| Rear Roller Adjustment Kit.....   | 125-0570          |
| Toro Reel Paper (10 Pack).....  | 125-5610          |
| Toro Reel Shim (0.002in).....   | 125-5611          |
| Reel Drive Adapter.....   | TOR4074           |
| Bedknife-Edgemax (Fairway).....   | 137-0833          |
| Bedknife-STD (Fairway).....   | 108-9096          |
| Bedknife-Edgemax Lowcut.....  | 137-0832          |
| Bedknife-Low HOC (Fairway).....   | 110-4084          |
| Bedknife Edgemax Low cut Extended (Fairway).....  | 119-4280          |
| Bedknife-Lowcut Extended (Fairway).....   | 120-1640          |
| Bedknife-HD (Fairway).....  | 110-4074          |
| EdgeSeries+ Reel 7in Fairway(22in) 5 Blade Low Drag(Radial Reel).....   | 137-8444          |
| Angle Indicator.....  | 131-6828          |
| Angle Indicator Mount.....  | 131-6829          |
| EdgeSeries+ Reel, 7in Fairway(22in) 8 Blade Low Drag(Forward Swept Reel).....                                       | 137-8446          |
| Universal Groomer Drive Kit.....  | 03768             |
| Rear Roller Brush Kit for Units with 7in Reel and Universal Groomer (22in).....                                     | 03659             |
| Weight Kit for Units with 5 Inch Electric Reel or 7 Inch Electric or Hydraulic Reel and Universal Groomer Only..... | 03418             |

## Attachments and Accessories (continued)

|   |          |
|---|----------|
| Weight Kit for Units with 5 Inch Electric Reel or 7 Inch Electric or Hydraulic Reel and Universal Groomer with Rear Roller Brush .....    | 03419    |
| Universal Groomer Drive MVP Kit, Reelmaster 3575, 5010, and 5010-H Series 22-inch Cutting Units with 7 Inch Reel .....                    | 133-0151 |
| Universal Groomer Cartridge, Reelmaster 3555, 3575, 5010, and 5010-H Series 22-inch EdgeSeries Cutting Units with Universal Groomer ..... | 03772    |
| Rear Roller Brush MVP Kit, Reelmaster 5010-H Series 22-inch Cutting Unit with 7-inch Reel and Universal Groomer .....                     | 133-0154 |
| LH 7in Heavy Duty Low Drag Side Plate ASM .....   | 137-5982 |
| Grooming Brush (22In) .....   | 03767    |
| Rear Roller Brush MVP Kit, Reelmaster 5010-H Series Cutting Unit with 7 Inch Reel .....   | 133-0158 |
| RH 7in Heavy Duty Low Drag Side Plate ASM .....   | 137-5983 |
| Broomer Kit (22In) .....  | 132-7125 |

**Notes:**

**Notes:**

**Notes:**



**Count on it.**