



Count on it.

Parts Catalog

**8-Blade Forward Swept Reel DPA
Cutting Unit with 7in Reel**

Reelmaster® 5010-H Series Traction Unit

Model No. 03639—Serial No. 401420001 and Up



Ordering Replacement Parts

To order replacement parts, please supply the part number, the quantity, and the description of each part desired.

Understanding Reference Numbers

Each identified part in an illustration has a reference number. The reference number for a part also appears in the parts list, along with other information about the part.

This catalog uses two special reference number formats, one to indicate parts in a service assembly and another to indicate the quantity of a given part in an illustration.

Service Assembly Reference Numbers

Parts in service assemblies have reference numbers in the form a:b. The a represents the reference number of the entire service assembly and the b represents a sequential number unique to each part within the service assembly.

For example, a wheel assembly might be identified by reference number 6, the tire by 6:1, the valve by 6:2, and the wheel by 6:3. When you order the assembly identified by reference number 6, you receive all parts identified by reference numbers 6:1, 6:2, and 6:3. However, you may also order any part individually. Reference numbers of this type appear in illustration and in parts lists.

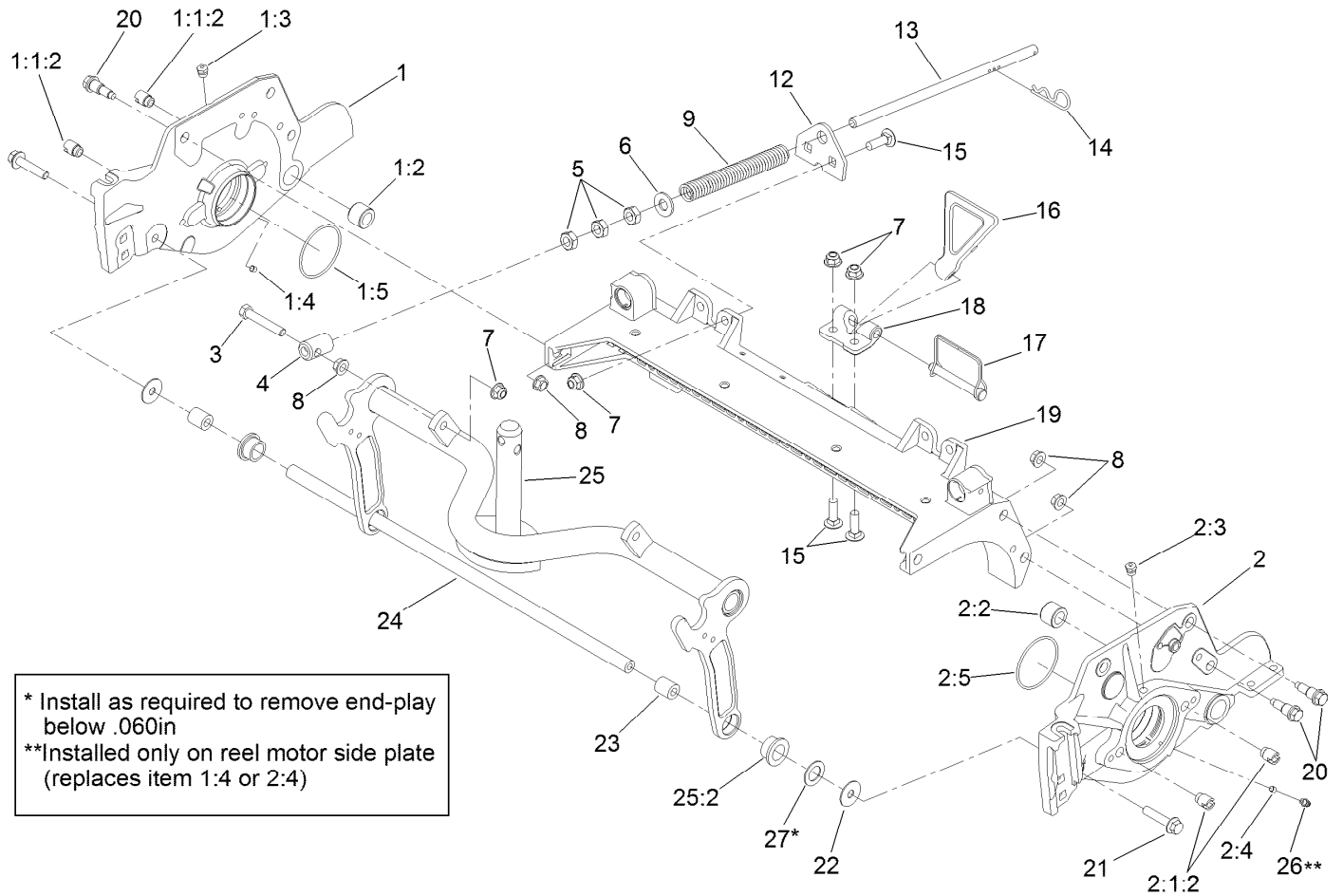
Reference Numbers Indicating Quantity

In an illustration, if a reference number indicates more than one part, the reference number has the form nX y. The n represents the quantity of the part, the X is the multiplication symbol, and the y represents the reference number.

For example, in an illustration, the reference number 2X 37 means that two of the parts identified by reference number 37 are indicated.

Contents

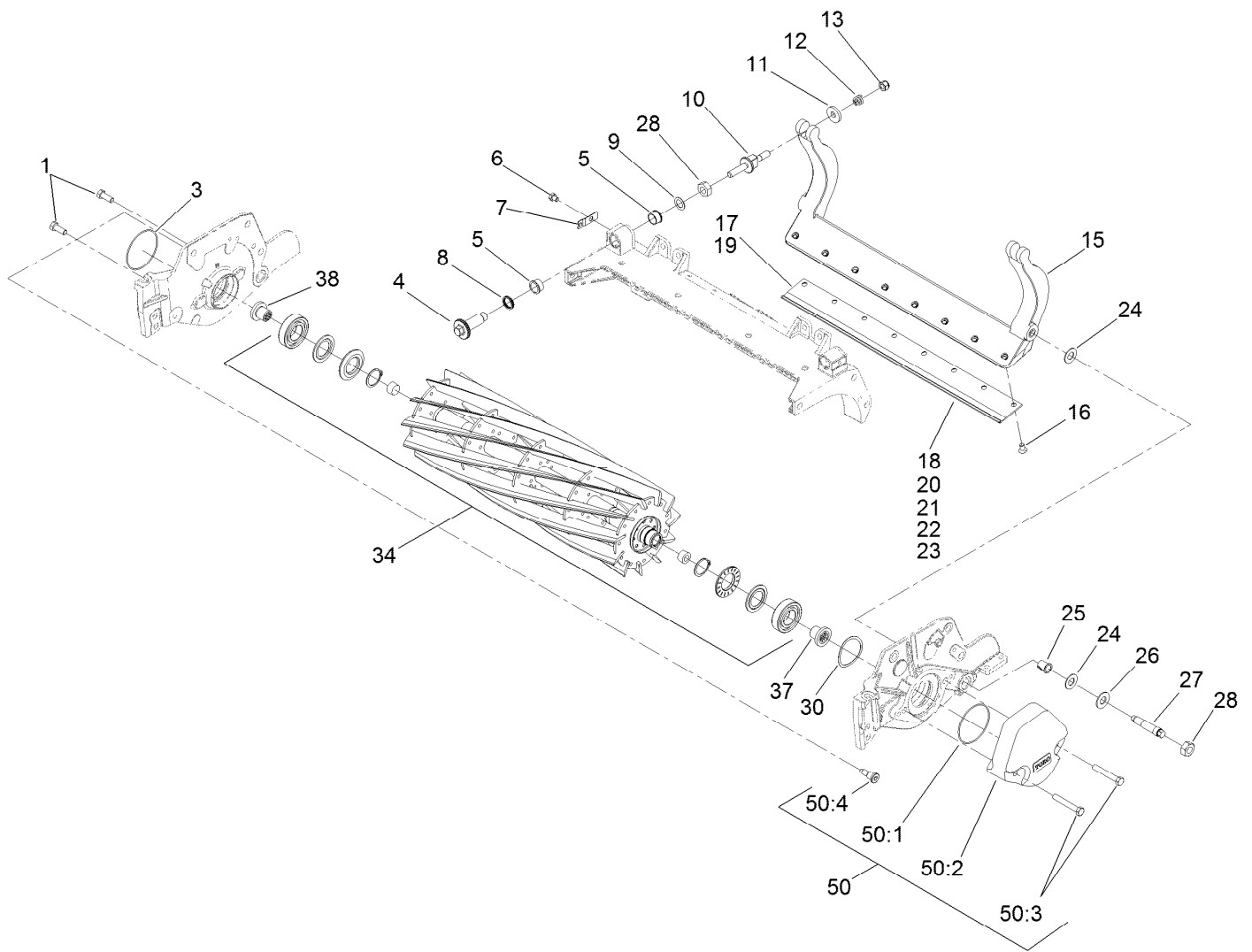
Frame Assembly.....	4
Reel and Bedbar Assembly	5
Optional 7in Edge Series + 22In Fairway, 5 Blade Radial Reel Assembly No. 137-8444.....	7
7in Edge Series + 22in Fairway, 8 Blade, Low Drag, Forward Swept Reel Assembly No. 137-8446	8
Optional Heavy-Duty MVP Kit No. 120-7230.....	9
Roller Assembly	10
3 Inch Diameter Long Roller Assembly No. 114-5415	11
Optional 3 Inch Diameter Short Roller Assembly No. 114-5417	12
Plastic Wiehle Roller Assembly No. 112-1704.....	13
Optional Full Front Roller Assembly No. 114-5412.....	14
Optional Plastic Shoulder Roller Assembly No. 114-5421	15
Optional High Height-of-Cut Assembly No. 137-0890	16
Shield Assembly.....	17
Optional Tools Assembly.....	18
Attachments and Accessories	19



Frame Assembly

Ref.	Part Number	Qty.	Description	Ref.	Part Number	Qty.	Description
1	127-4298	1	7 Inch RH Side Plate ASM	9	110-4079	1	Spring-Compression
1:1:2	127-7149	2	Insert-Threaded, Side Plate	12	110-4069	1	Bracket
1:2	106-9618	1	Bushing-Rubber	13	115-2007	1	Rod-Spring
1:3	302-39	1	Fitting-Plug	14	92-2762	1	Pin-Hair
1:4	3245-35	1	Screw-Set, HSH	15	3231-25	4	Bolt-CARR
1:5	117-8177	1	O-Ring	16	119-8010-03	1	Kickstand ●
2	127-4295	1	7 Inch LH Side Plate ASM	17	107-7400	1	Pin-Lynch
2:1:2	127-7149	2	Insert-Threaded, Side Plate	18	110-4058	1	Bracket-Chain
2:2	106-9618	1	Bushing-Rubber	19	107-3258	1	Frame
2:3	302-39	1	Fitting-Plug	20	107-2979	6	Bolt-Shoulder
2:4	3245-35	1	Screw-Set, HSH	21	3234-19	2	Screw-HHF
2:5	117-8177	1	O-Ring	22	130-8094	2	Washer-Plain
3	104-3396	1	Screw-HH	23	108-4279	2	Spacer-Frame
4	99-8662	1	Tube-Spring	24	108-4284	1	Tube-Support
5	3218-5	3	Nut-Jam	25	107-7433	1	Carrier Frame ASM
6	87-7270	1	Washer-Thrust	25:2	93-2877	2	Bushing
7	104-8301	5	Nut-HF, NI	26	302-5	1	Fitting-Grease
8	3290-357	7	Nut-HHF, Whiz	27	67-9410	1	Washer

● Optional Equipment

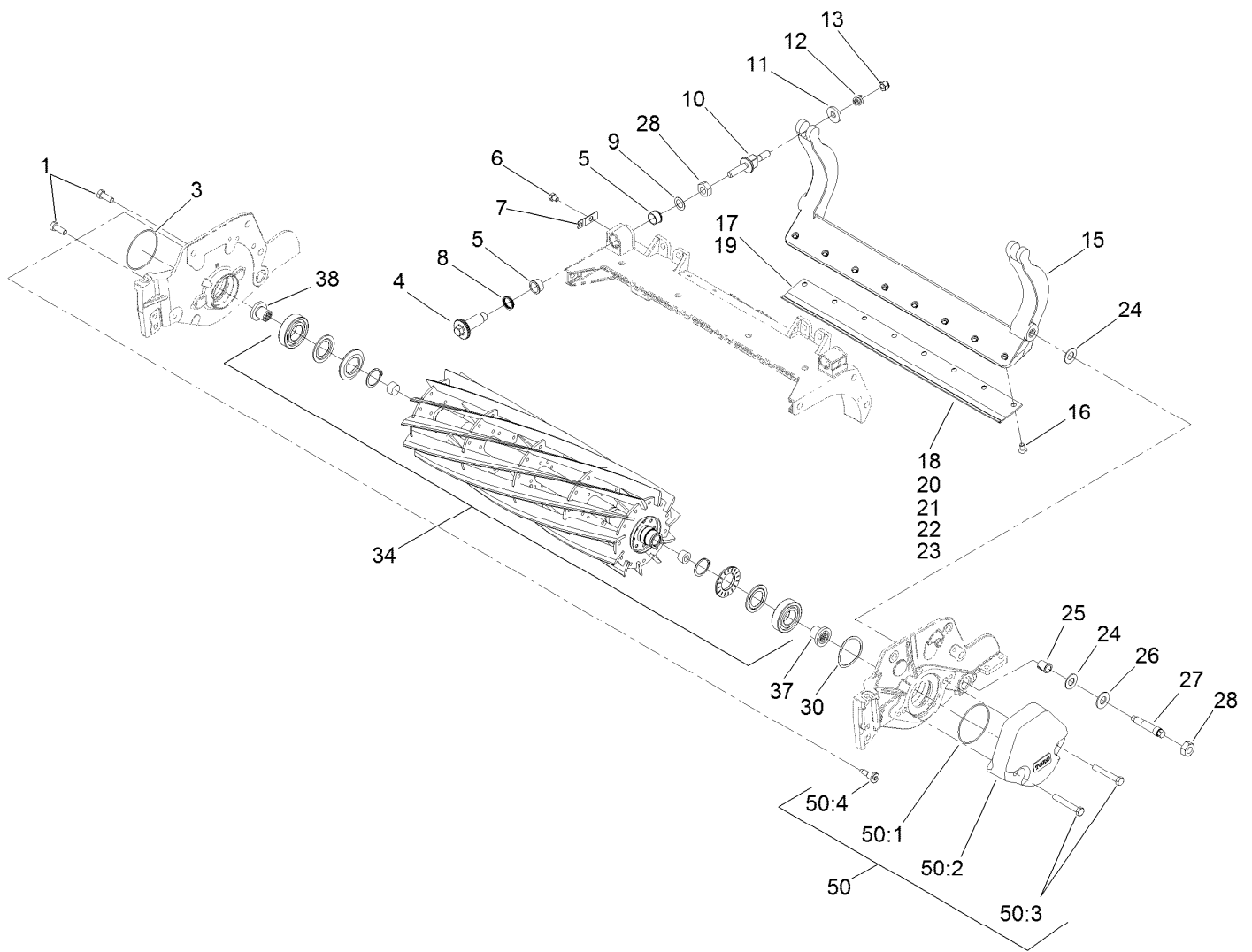


Reel and Bedbar Assembly

Ref.	Part Number	Qty.	Description	Ref.	Part Number	Qty.	Description
1	323-6	2	Screw-HH	18	108-9096	1	Bedknife-STD (Fairway) ■
3	112-6967	1	O-Ring	19	137-0832	1	Bedknife-Edgemax Lowcut ■
4	120-5118	2	Shaft-Adjuster	20	110-4084	1	Bedknife-Low HOC (Fairway) ■
5	106-5344	4	Bushing-Flange, Keyed	21	119-4280	1	Bedknife-Edgemax Extended Low HOC, Fairway ■
6	119-4067	2	Screw-HH	22	120-1640	1	Bedknife-Low HOC Extended, Fairway ■
7	99-2097	2	Detent	23	110-4074	1	Bedknife-HD (Fairway) ■
8	120-5116	2	Washer-Wave	24	61-1950	4	Washer-Plastic
9	108-0015	2	Washer-Flat	25	56-9520	2	Bushing-Flanged
10	115-7039	2	Screw-Adjuster, Bedbar	26	69-8980	2	Washer
11	119-4155	2	Washer-Hardened	27	106-9623	2	Bolt-Bedbar
12	120-5120	2	Spring-Compression	28	3296-33	4	Nut-Lock, NI
13	119-4039	2	Nut-Hex, NI	30	115-5258	1	Spring-Wire, Flat
15	107-3273-01	1	Bedbar				
15	131-3221-03	1	Bedbar-Aggressive, 7 Inch ● ■				
16	119-4151	8	Screw-Bedknife				
17	137-0833	1	Bedknife-Edgemax (Fairway)				

● Not illustrated

■ Optional Equipment

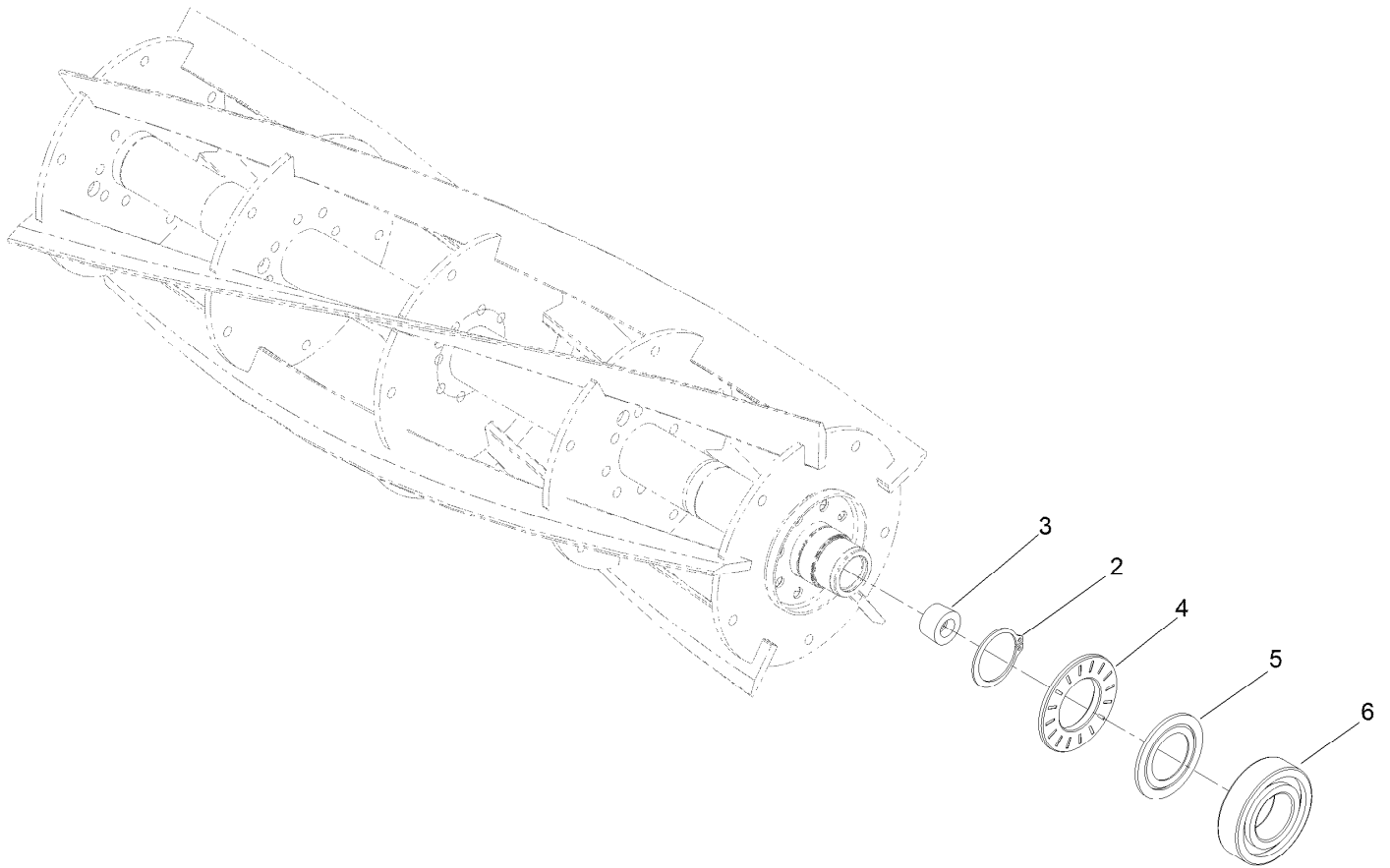


Reel and Bedbar Assembly (continued)

Ref.	Part Number	Qty.	Description	Ref.	Part Number	Qty.	Description
34	137-8444	1	7In Edge Series + 22In Fairway, 5 Blade, Low Drag, Radial Reel ASM ■	45	120-7230	1	HD DPA MVP Kit ● ■
34	137-8446	1	7In Edge Series + 22In Fairway, 8 Blade, Low Drag, Forward Swept Reel ASM	50	127-7129	1	Weight Kit ■
37	127-7111	1	Insert-Threaded, 7 Inch (LH)	50:1	112-6967	5	O-Ring
38	127-7109	1	Insert-Threaded, 7 Inch (RH)	50:2	108-4269-01	5	Weight
				50:3	323-12	10	Screw-HH
				50:4	127-7122	5	Bolt-Shoulder, Flange Hex Socket

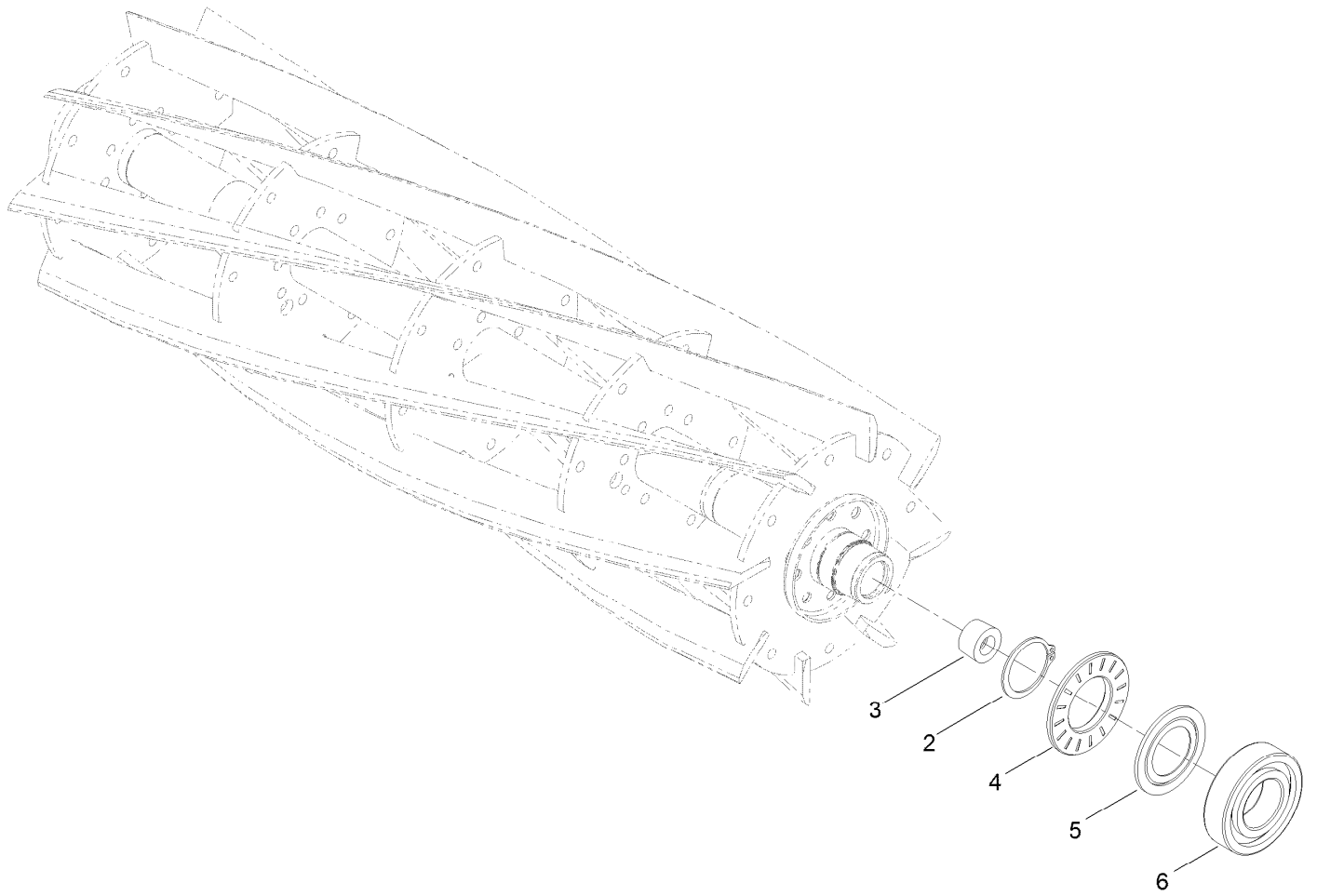
● Not illustrated

■ Optional Equipment



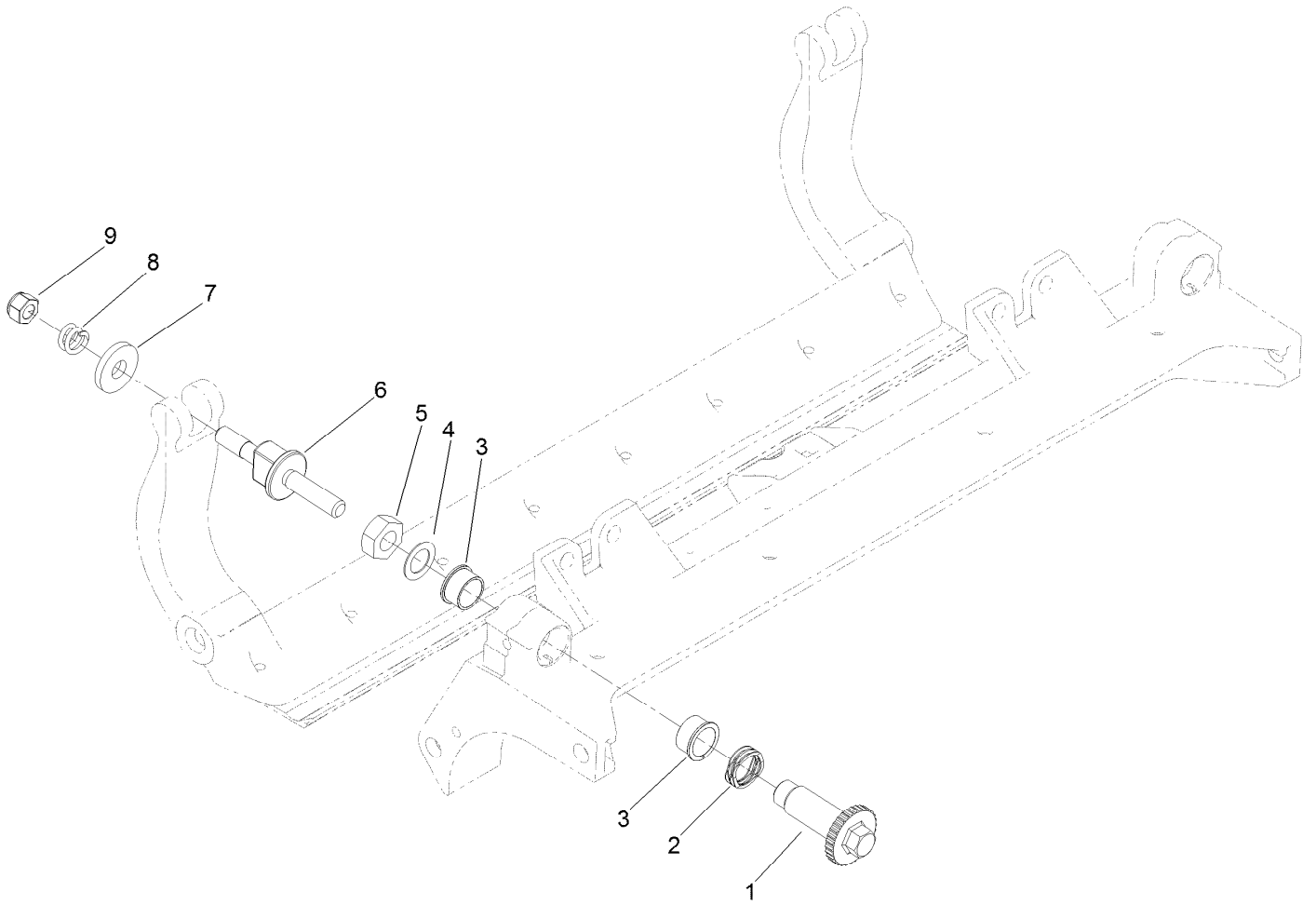
Optional 7in Edge Series + 22In Fairway, 5 Blade Radial Reel Assembly No. 137-8444

<i>Ref.</i>	<i>Part Number</i>	<i>Qty.</i>	<i>Description</i>
2	92-2601	2	Ring-Retaining
3	127-7118	2	Plug-Shaft, Reel
4	127-4284	2	Washer-Special
5	115-3299	2	Seal-Flocked
6	115-3296	2	Bearing-Sealed



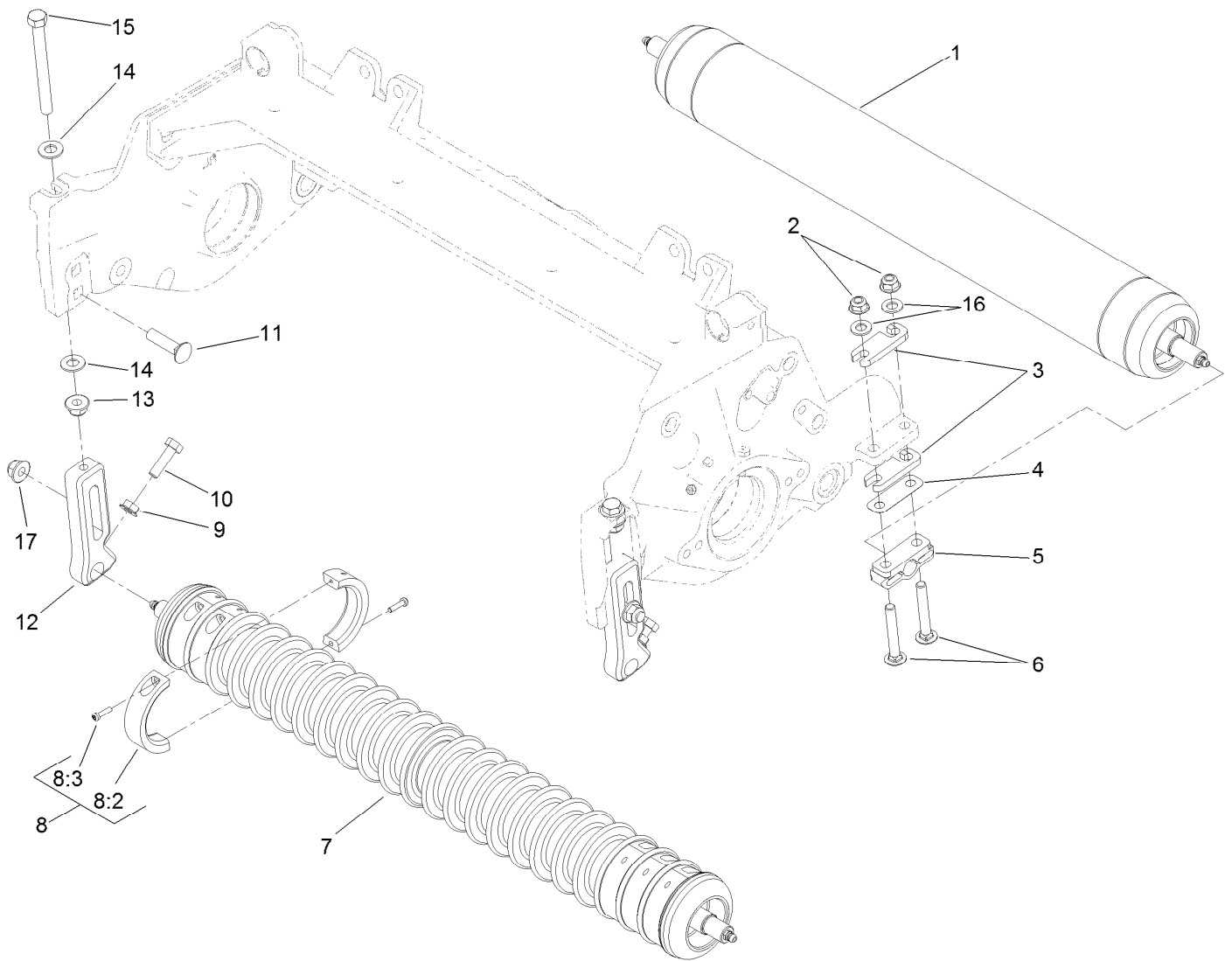
7in Edge Series + 22in Fairway, 8 Blade, Low Drag, Forward Swept Reel Assembly No. 137-8446

<i>Ref.</i>	<i>Part Number</i>	<i>Qty.</i>	<i>Description</i>
2	92-2601	2	Ring-Retaining
3	127-7118	2	Plug-Shaft, Reel
4	127-4284	2	Washer-Special
5	115-3299	2	Seal-Flocked
6	115-3296	2	Bearing-Sealed



Optional Heavy-Duty MVP Kit No. 120-7230

<i>Ref.</i>	<i>Part Number</i>	<i>Qty.</i>	<i>Description</i>
1	120-5118	2	Shaft-Adjuster
2	120-5116	2	Washer-Wave
3	106-5344	4	Bushing-Flange, Keyed
4	108-0015	2	Washer-Flat
5	3296-33	2	Nut-Lock, NI
6	115-7039	2	Screw-Adjuster, Bedbar
7	119-4155	2	Washer-Hardened
8	120-5120	2	Spring-Compression
9	119-4039	2	Nut-Hex, NI

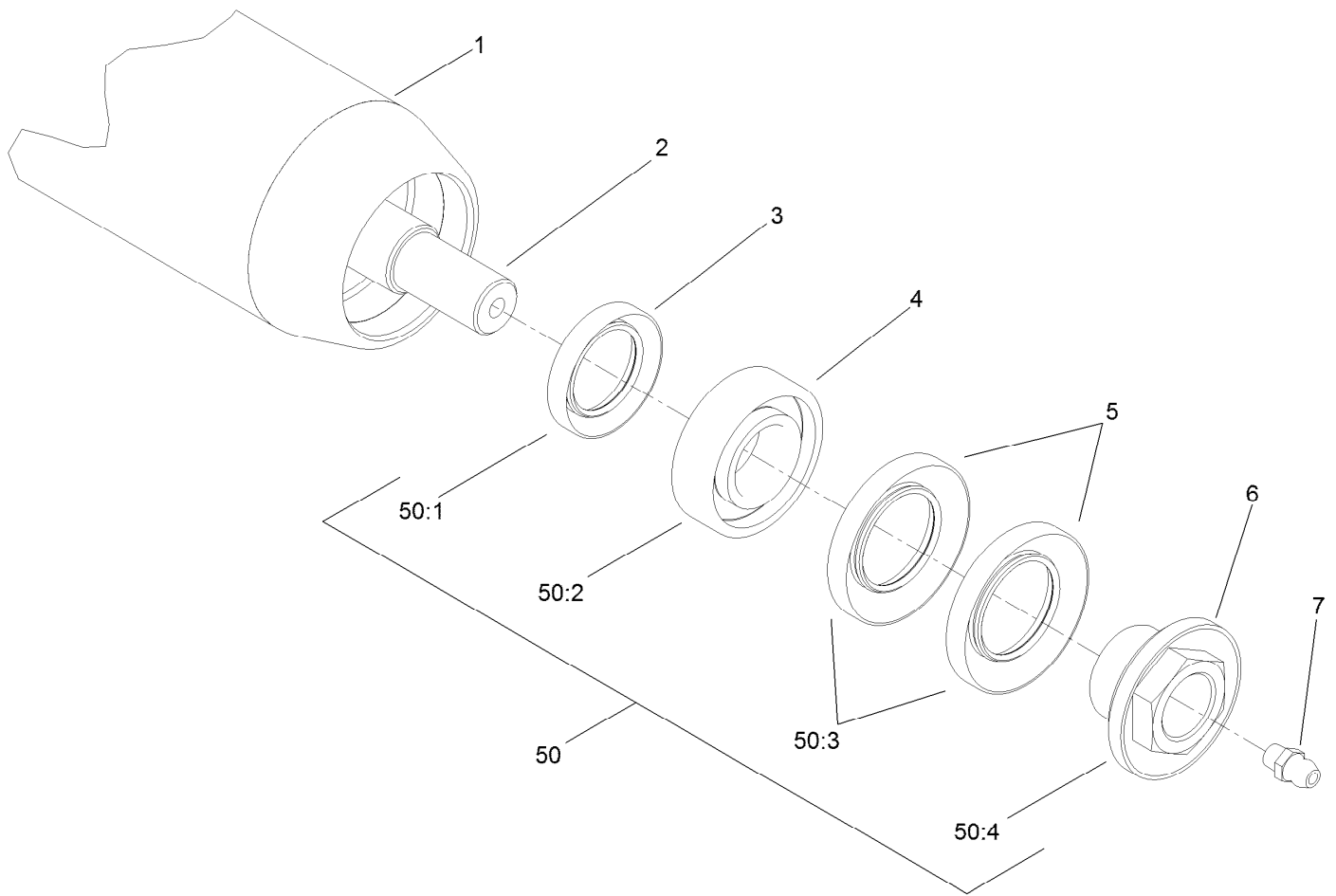


Roller Assembly

Ref.	Part Number	Qty.	Description	Ref.	Part Number	Qty.	Description
1	114-5415	1	3 Inch DIA Roller ASM (Long)	8	104-8215	6	Collar Kit ■
1	114-5417	1	3 Inch DIA Roller ASM (Short) ● ■	8:2	100-4959	2	Collar
2	104-8300	4	Nut-HF, NI	8:3	104-1835	2	Screw
3	119-0626	8	Shim-Roller	9	32128-20	2	Nut-HF
4	107-4001	2	Shim-Roller (0.01 Inch) ■	10	322-16	2	Screw-HH
5	106-3924	2	Bracket-Roller, Rear	11	3231-4	2	Screw-CARR
6	3230-26	4	Screw-CARR	12	125-2796	2	Bracket-Front HOC
7	114-5400	1	Plastic Wiehle Roller ASM	13	104-8301	2	Nut-HF, NI
7	114-5412	1	3 Inch DIA Full Front Roller ASM ● ■	14	48-9220	4	Washer-Plain
7	114-5421	1	Plastic Shoulder Roller ASM ● ■	15	133-7571	2	Screw-HOC Fwy
				16	94-6936	4	Washer-Hardened
				17	133-7570	2	Nut-Flange, NI
				50	137-0890	1	High HOC Kit-Fwy And Trim DPA Cu's ● ■

● Not illustrated

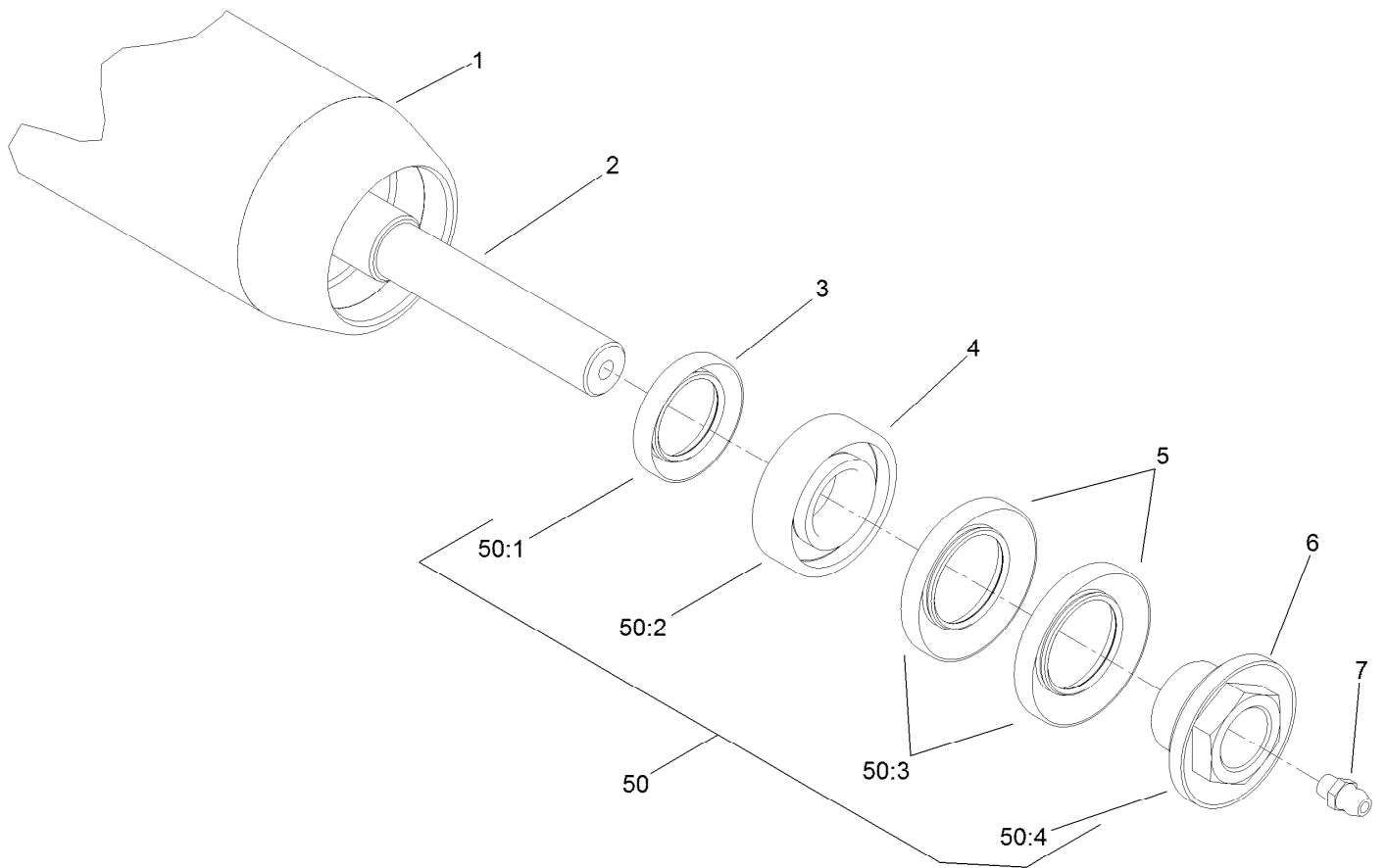
■ Optional Equipment



3 Inch Diameter Long Roller Assembly No. 114-5415

<i>Ref.</i>	<i>Part Number</i>	<i>Qty.</i>	<i>Description</i>
1	115-8292-03	1	Tube-Roller (Long)
2	114-5407	1	Shaft-Long, Rear Roller
3	114-3717	2	Seal-Oil
4	112-5290	2	Bearing-Steel, Stainless
5	112-7494	4	Seal
6	114-5411	2	Nut-Lock, Bearing
7	302-5	2	Fitting-Grease
50	114-5430	1	Roller Rebuild Kit ●
50:1	114-3717	2	Seal-Oil
50:2	112-5290	2	Bearing-Steel, Stainless
50:3	112-7494	4	Seal
50:4	114-3745	2	Nut-Lock, Bearing

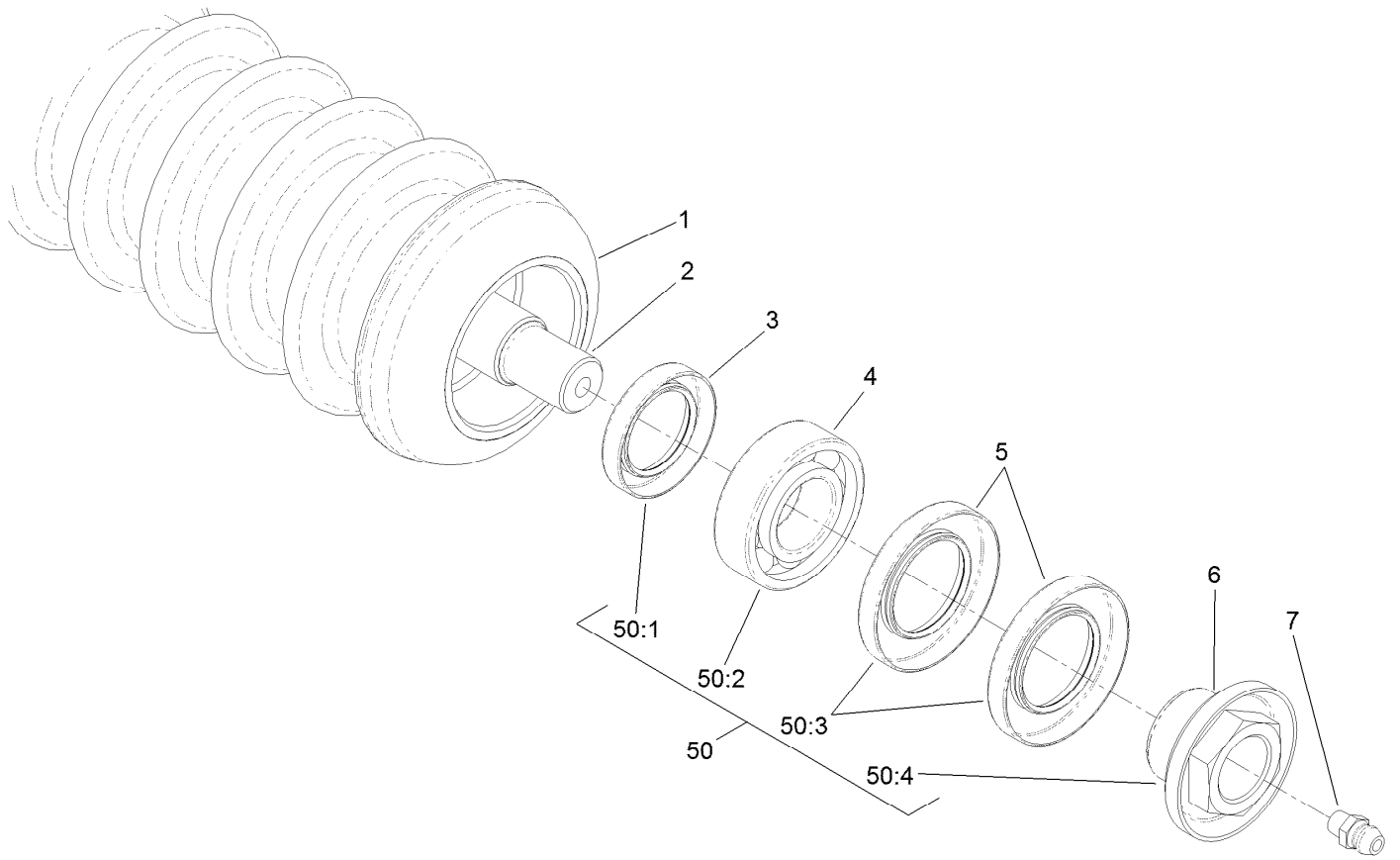
● Optional Equipment



Optional 3 Inch Diameter Short Roller Assembly No. 114-5417

<i>Ref.</i>	<i>Part Number</i>	<i>Qty.</i>	<i>Description</i>
1	115-8296-03	1	Tube-Roller (Short)
2	114-5410	1	Shaft-Short, Rear Roller
3	114-3717	2	Seal-Oil
4	112-5290	2	Bearing-Steel, Stainless
5	112-7494	4	Seal
6	114-5411	2	Nut-Lock, Bearing
7	302-5	2	Fitting-Grease
50	114-5430	1	Roller Rebuild Kit ●
50:1	114-3717	2	Seal-Oil
50:2	112-5290	2	Bearing-Steel, Stainless
50:3	112-7494	4	Seal
50:4	114-3745	2	Nut-Lock, Bearing

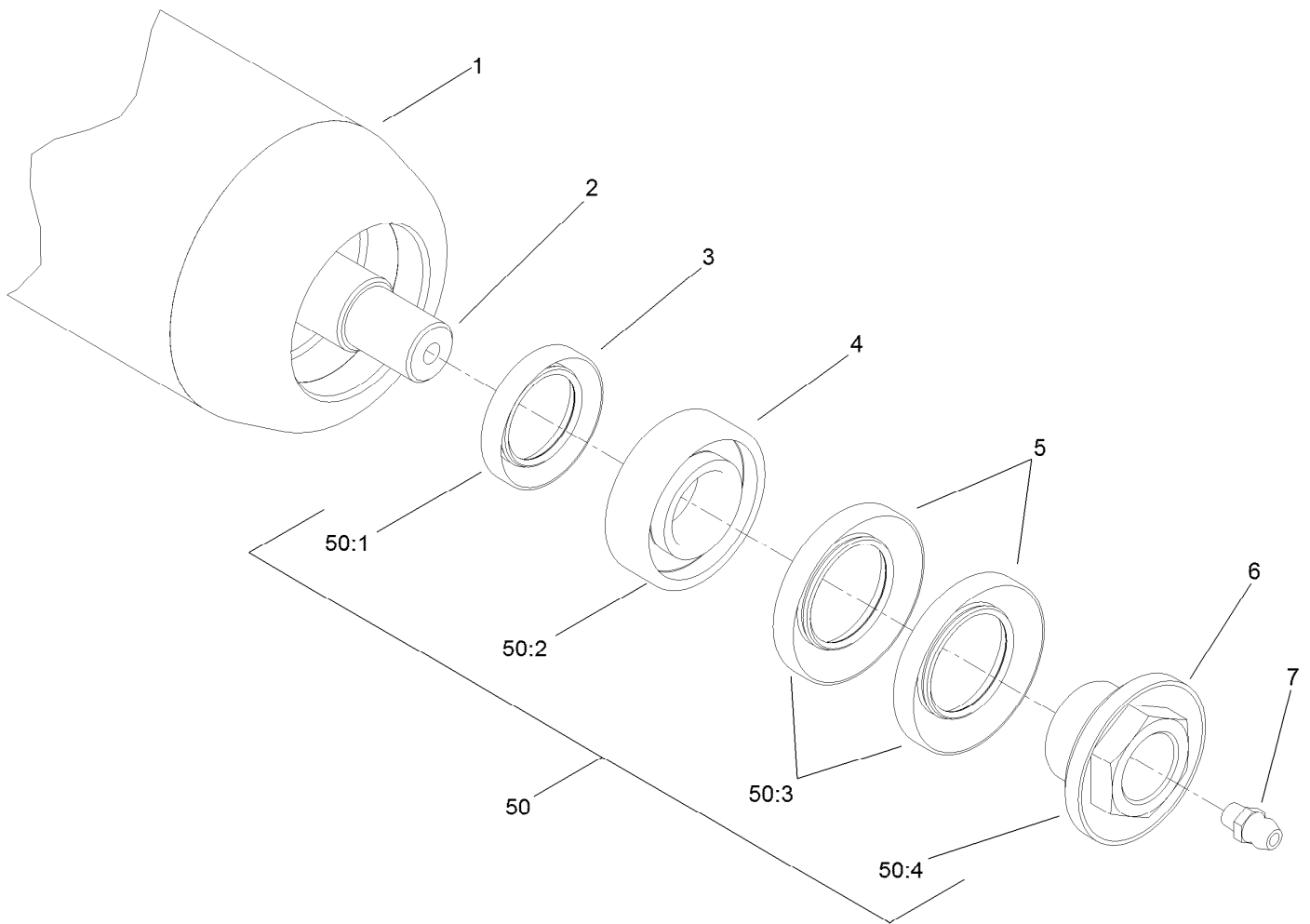
● Optional Equipment



Plastic Wiehle Roller Assembly No. 112-1704

<i>Ref.</i>	<i>Part Number</i>	<i>Qty.</i>	<i>Description</i>
1	114-5401	1	Roller-Wiehle, Plastic
2	114-5403	1	Shaft-Roller, Front
3	114-3717	2	Seal-Oil
4	112-5290	2	Bearing-Steel, Stainless
5	112-7494	4	Seal
6	114-5411	2	Nut-Lock, Bearing
7	302-5	2	Fitting-Grease
50	114-5430	1	Roller Rebuild Kit ●
50:1	114-3717	2	Seal-Oil
50:2	112-5290	2	Bearing-Steel, Stainless
50:3	112-7494	4	Seal
50:4	114-3745	2	Nut-Lock, Bearing

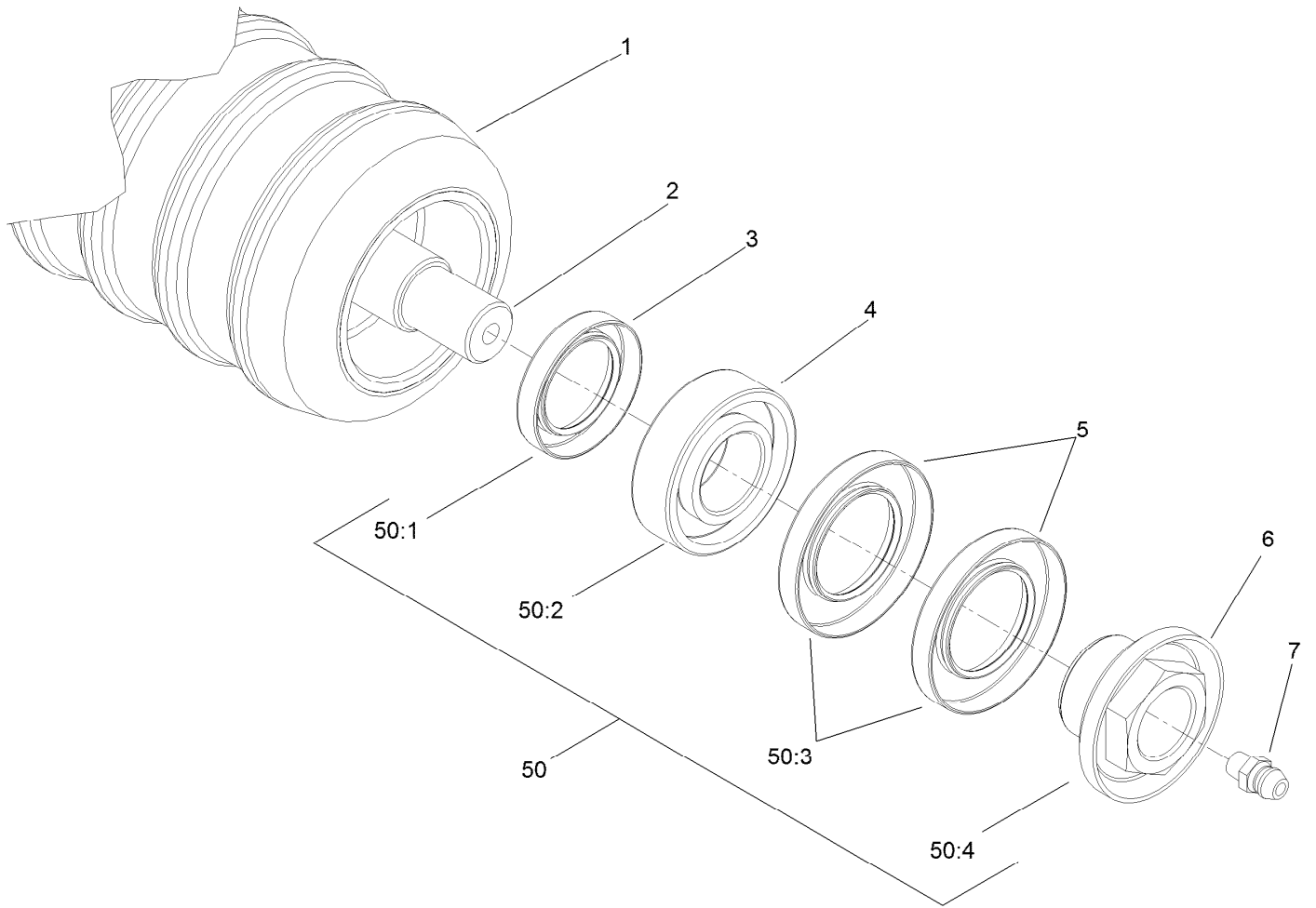
● Optional Equipment



Optional Full Front Roller Assembly No. 114-5412

<i>Ref.</i>	<i>Part Number</i>	<i>Qty.</i>	<i>Description</i>
1	115-8297-03	1	Tube-Roller, Full
2	114-5403	1	Shaft-Roller, Front
3	114-3717	2	Seal-Oil
4	112-5290	2	Bearing-Steel, Stainless
5	112-7494	4	Seal
6	114-5411	2	Nut-Lock, Bearing
7	302-5	2	Fitting-Grease
50	114-5430	1	Roller Rebuild Kit ●
50:1	114-3717	2	Seal-Oil
50:2	112-5290	2	Bearing-Steel, Stainless
50:3	112-7494	4	Seal
50:4	114-3745	2	Nut-Lock, Bearing

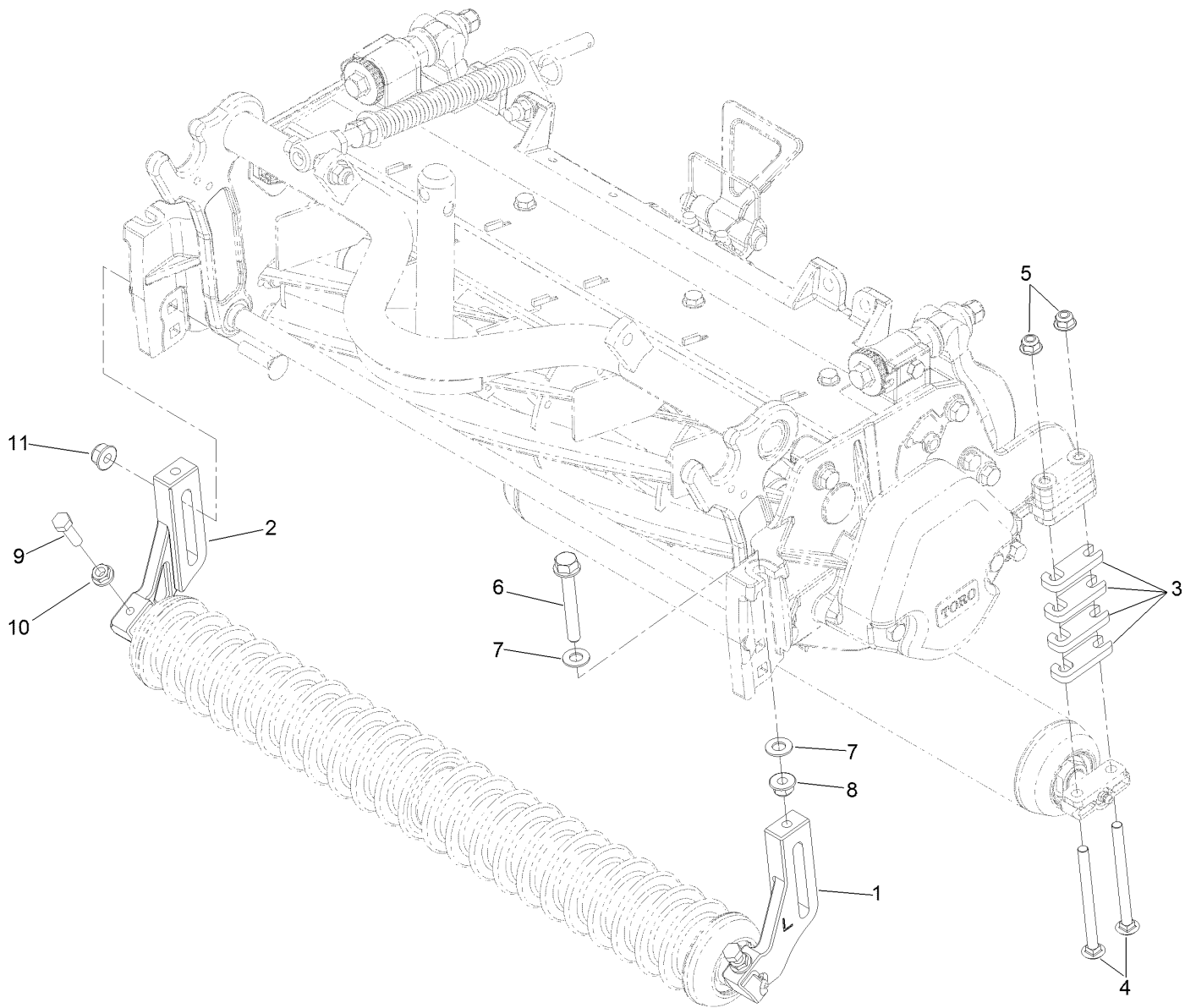
● Optional Equipment



Optional Plastic Shoulder Roller Assembly No. 114-5421

<i>Ref.</i>	<i>Part Number</i>	<i>Qty.</i>	<i>Description</i>
1	114-5422	1	Roller-Shoulder, Plastic
2	114-5403	1	Shaft-Roller, Front
3	114-3717	2	Seal-Oil
4	112-5290	2	Bearing-Steel, Stainless
5	112-7494	4	Seal
6	114-5411	2	Nut-Lock, Bearing
7	302-5	2	Fitting-Grease
50	114-5430	1	Roller Rebuild Kit ●
50:1	114-3717	2	Seal-Oil
50:2	112-5290	2	Bearing-Steel, Stainless
50:3	112-7494	4	Seal
50:4	114-3745	2	Nut-Lock, Bearing

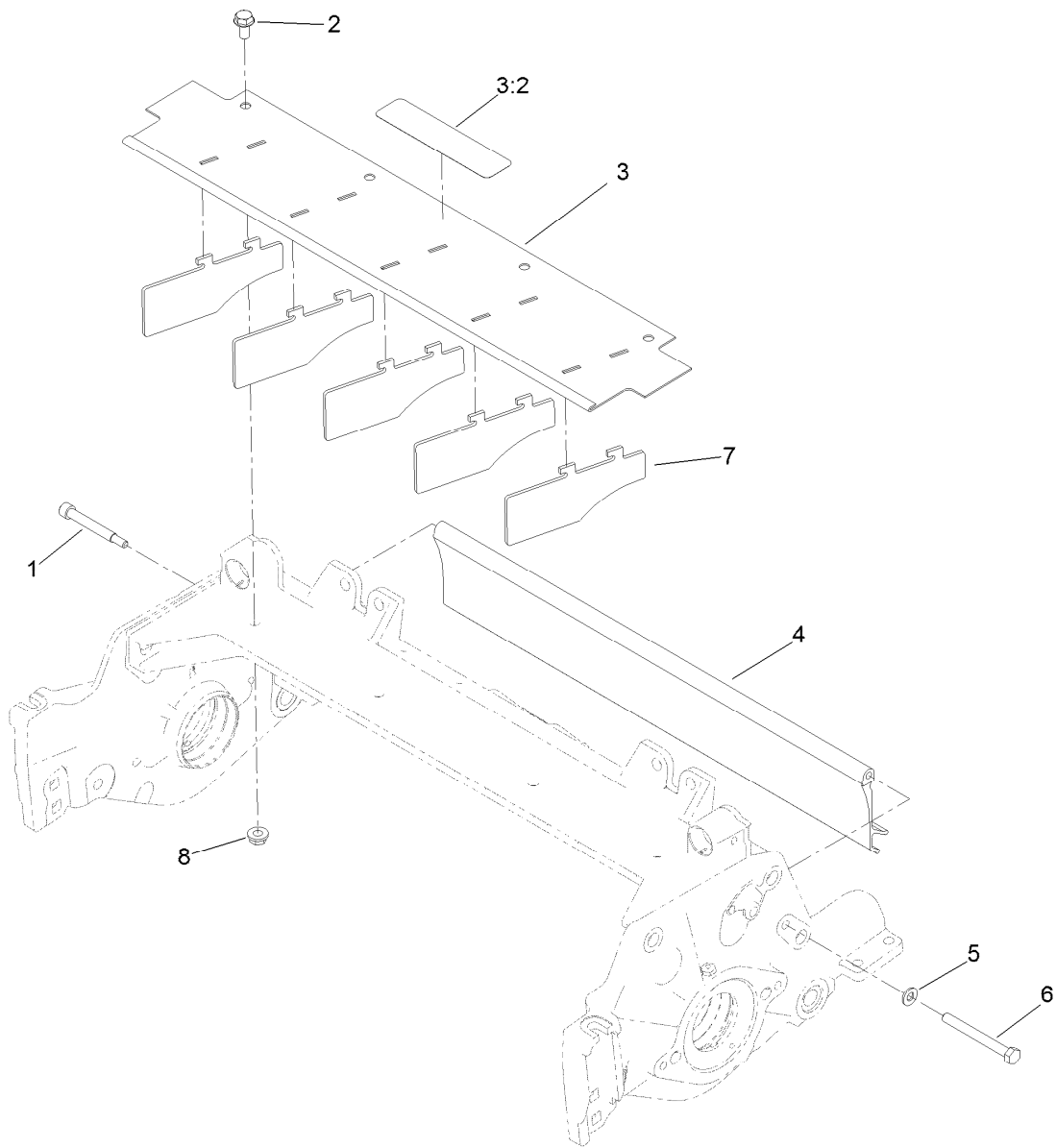
● Optional Equipment



Optional High Height-of-Cut Assembly No. 137-0890

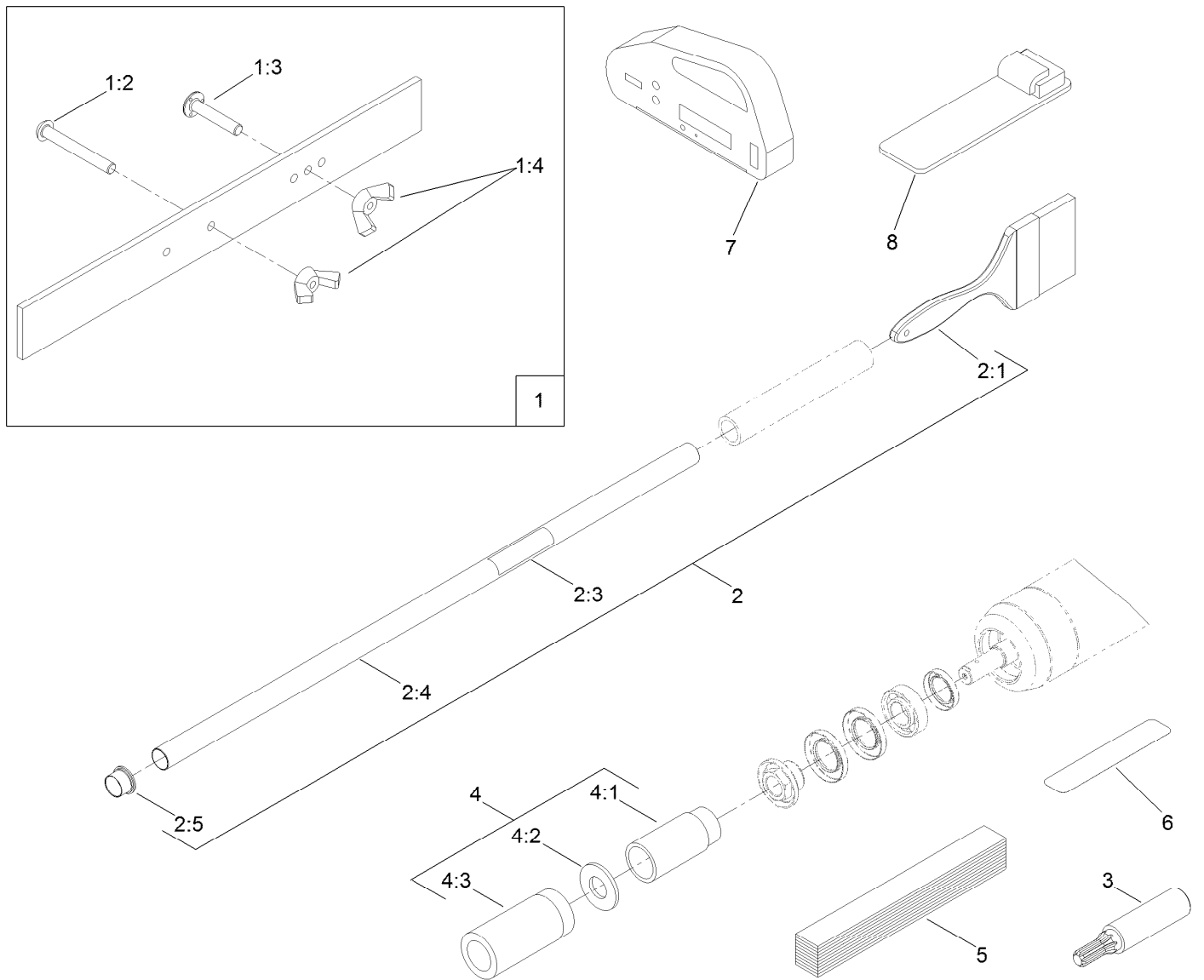
Ref.	Part Number	Qty.	Description
1	120-0404	1	Bracket-High HOC (LH)
2	120-0405	1	Bracket-High HOC (RH)
3	119-0626	8	Shim-Roller
4	106-9758	4	Screw-CARR
4	3230-30	4	Screw-CARR ●
5	104-8300	4	Nut-HF, NI
6	133-7572	2	Screw-HOC
7	48-9220	4	Washer-Plain
8	104-8301	4	Nut-HF, NI
9	322-16	2	Screw-HH
10	32128-20	2	Nut-HF
11	133-7570	2	Nut-Flange, NI

● Optional Equipment



Shield Assembly

Ref.	Part Number	Qty.	Description
1	107-7773	1	Screw-HSH
2	3234-7	4	Screw-HHF
3	107-2996	1	Front Grass Shield ASM
3:2	93-6688	1	Decal-Danger
4	125-1978	1	Shield-Grass, Rear
5	3256-74	1	Washer-Flat
6	322-14	1	Screw-HH
7	110-1706	5	Deflector
8	32128-20	4	Nut-HF



Optional Tools Assembly

<i>Ref.</i>	<i>Part Number</i>	<i>Qty.</i>	<i>Description</i>	<i>Ref.</i>	<i>Part Number</i>	<i>Qty.</i>	<i>Description</i>
1	108-6715	1	Gauge Bar ASM	3	TOR4074	1	Adapter-Drive, Reel ●
1:2	32122-54	1	Screw-Head, Truss	4	115-0803	1	Roller Rebuild Tool Kit
1:3	108-6714	1	Stud-Weld	4:1	115-0852	1	Tool-Inner Seal
1:4	32103-3	2	Nut-Wing	4:2	107-8133	1	Washer-Flat
2	29-9100	1	Brush And Handle ASM	4:3	115-0853	1	Tool-Bearing/Outer Seals
2:1	36-4310	1	Brush	5	125-5610	1	Paper-Reel, Toro (10 Pack)
2:3	98-3206	1	Decal	6	125-5611	1	Shim-Toro Reel (0.002 Inch)
2:4	29-9080	1	Handle	7	131-6828	1	Indicator-Angle
2:5	2410-18	1	Cap-Plastic	8	131-6829	1	Mount-Indicator, Angle

● Obtain directly from K-Line Industries, Inc. (800) 241-0936

Attachments and Accessories

For 03639 8-Blade Forward Swept Reel DPA Cutting Unit with 7in Reel Reelmaster 5010-H Series Traction Unit

Product Name	Model/Part
Verticutter for 7 Inch Reel Cutting Unit	03619
22in Fairway Flex Grass Basket Kit	03415
Universal Groomer Cartridge (22In).....	03765
22in Fairway Compact Grass Basket Kit.....	03416
Weight Kit for 8-Blade or 11-Blade DPA Cutting Unit with 7in Reel Traction Unit	03405
Groomer Rod Kit.....	131-6845
Grooming Brush for Units with Universal Groomer (22In)	03767
Universal Groomer Drive Kit	03768
Rear Roller Brush Kit (7 Inch Reel)	03408
Rear Lift Cylinder Limit Kit	110-9604
Weight Kit (for Universal Groomer only and Electric Reel motors)Universal Groomer	03418
Rear Roller Scraper Kit.....	107-3280
Weight Kit (for Universal Groomer with RRB Kit and Electric Reel Motors)	03419
Wiehle Scraper ASM	107-2993-03
Comb/Scraper Kit	110-1735
3 Inch Dia Full Front Roller ASM.....	114-5412
Broomer Kit (22In)	132-7125
3 Inch Full Front Roller Scraper	110-9602-03
Plastic Shoulder Roller ASM.....	114-5421
Shoulder Roller Scraper ASM.....	110-9609-03
3 Inch Dia Collar Kit	104-8215
Brush-Roller (High Height-Of-Cut).....	110-1740
22in Rear Roller HD Brush	137-0842
High Height-of-Cut Kit, Reelmaster 3000 or 5000 Series DPA Cutting Unit	137-0890
Roller Rebuild Kit.....	114-5430
7 Inch Aggressive Bedbar	131-3221-03
Roller Rebuild Tool Kit.....	115-0803
Cutting Unit Kickstand	119-8010-03
Bedknife-Edgemax (Fairway)	137-0833
Reel Drive Adapter	TOR4074
Gauge Bar Assembly.....	108-6715
Bedknife-STD (Fairway)	108-9096
Bedknife-Edgemax Lowcut.....	137-0832
Bedknife-Low HOC (Fairway)	110-4084
Bedknife Edgemax Low cut Extended (Fairway).....	119-4280
Groomer/RRB Seal Kit.....	131-3233
Bedknife-Lowcut Extended (Fairway)	120-1640
Heavy-Duty DPA MVP Kit.....	120-7230
Bedknife-HD (Fairway)	110-4074
Rear Roller Adjustment Kit.....	125-0570
Toro Reel Paper (10 Pack).....	125-5610
Toro Reel Shim (0.002in)	125-5611
Angle Indicator.....	131-6828
EGDE SERIES Reel+, 7Inch Fairway(22Inch)5 Blade Low Drag(Radial Reel)	137-8444
Angle Indicator Mount.....	131-6829

Attachments and Accessories (continued)

EGDE SERIES Reel+,7Inch Fairway(22Inch) Blade Low Drag(Forward Swept Reel) 137-8446

Rear Roller Brush Kit for Units with 7in Reel and Universal Groomer 03659

Universal Groomer Drive MVP Kit, Reelmaster 3575, 5010, and 5010-H Series 22-inch Cutting Units with 7 Inch Reel 133-0151

Rear Roller Brush MVP Kit, Reelmaster 5010-H Series 22-inch Cutting Unit with 7-inch Reel and Universal Groomer 133-0154

Rear Roller Brush MVP Kit, Reelmaster 5010-H Series Cutting Unit with 7 Inch Reel 133-0158

Notes:

Notes:

Notes:



Count on it.