



Count on it.

Parts Catalog

**8-Blade Radial Reel DPA Cutting
Unit with 7in Reel**

Reelmaster® 5010-H Series Traction Unit

Model No. 03638—Serial No. 315000001 and Up



Ordering Replacement Parts

To order replacement parts, please supply the part number, the quantity, and the description of each part desired.

Understanding Reference Numbers

Each identified part in an illustration has a reference number. The reference number for a part also appears in the parts list, along with other information about the part.

This catalog uses two special reference number formats, one to indicate parts in a service assembly and another to indicate the quantity of a given part in an illustration.

Service Assembly Reference Numbers

Parts in service assemblies have reference numbers in the form a:b. The a represents the reference number of the entire service assembly and the b represents a sequential number unique to each part within the service assembly.

For example, a wheel assembly might be identified by reference number 6, the tire by 6:1, the valve by 6:2, and the wheel by 6:3. When you order the assembly identified by reference number 6, you receive all parts identified by reference numbers 6:1, 6:2, and 6:3. However, you may also order any part individually. Reference numbers of this type appear in illustration and in parts lists.

Reference Numbers Indicating Quantity

In an illustration, if a reference number indicates more than one part, the reference number has the form nX y. The n represents the quantity of the part, the X is the multiplication symbol, and the y represents the reference number.

For example, in an illustration, the reference number 2X 37 means that two of the parts identified by reference number 37 are indicated.

List of Abbreviations

AR: as required

ASM: assembly

BBC: blade brake control

BHTF: button head thread forming

CARR: carriage

CCW: counter clockwise

CW: clockwise

DEG: degrees

DPA: Dual Point Adjustment

ECM: electronic control module

EXT: external

FH: flat head

GA: gauge

HD: heavy-duty

HF: hex flange

HH: hex head

HHF: hex head flange

HHFTF: hex head flange thread forming

HJ: hex jam

HLH: hex lag head

HOC: height-of-cut

HP: high pressure

HSBH: hex socket button head

HSFH: hex socket flat head

HSH: hex socket head

HWH: hex washer head

HWHTF: hex washer head thread forming

HYD: hydraulic

LH: left hand

LP: low pressure

LPG: Liquefied Petroleum Gas

NI: nylon insert

NPTF: national pipe thread fine

PFH: phillips flat head

PPH: phillips pan head

PPHTF: phillips pan head thread forming

PRH: phillips round head

PTH: phillips truss head

PTO: power-take-off

RH: right hand

ROPS: roll-over protection system

RRB: rear roller brush

SFH: slotted fillister head

SHH: slotted hex head

SHWH: slotted hex washer head

SPH: slotted pan head

SQH: square head

SRH: slotted round head

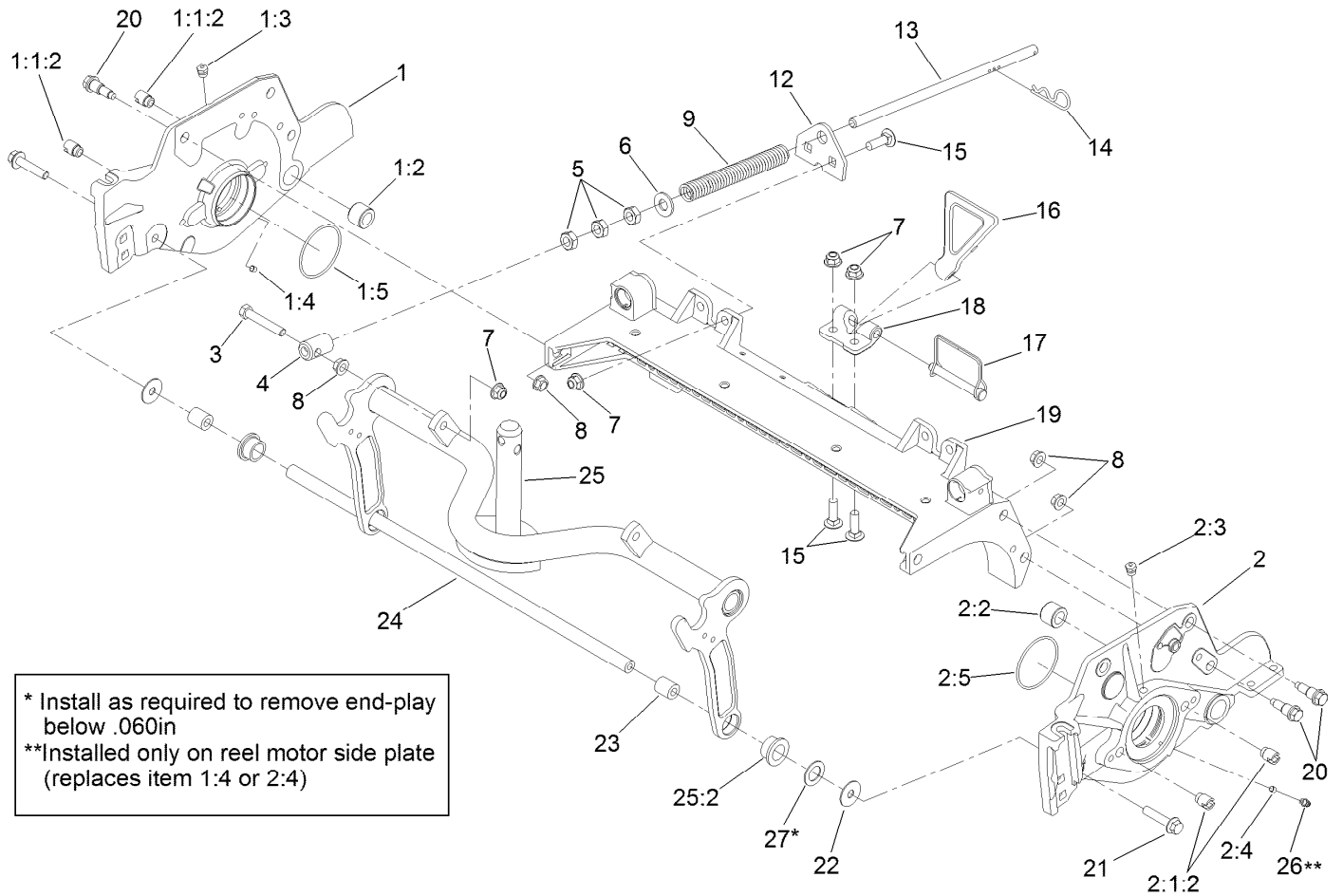
STD: standard

TAP: self tapping

TTH: torx truss head

Contents

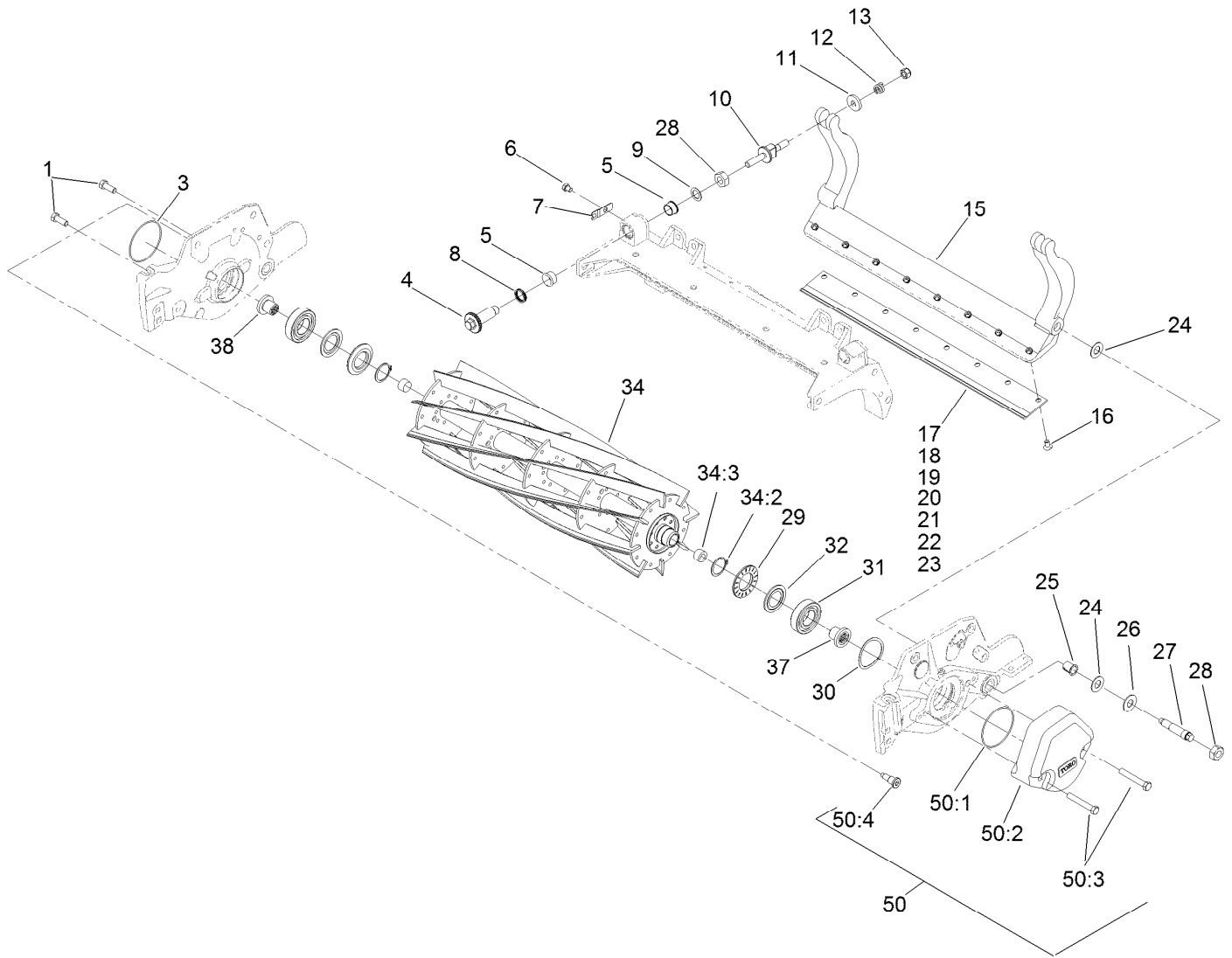
Frame Assembly.....	4
Reel and Bedbar Assembly	5
Optional Heavy-Duty MVP Kit No. 120-7230.....	7
Roller Assembly	8
3 Inch Diameter Long Roller Assembly No. 114-5415	9
Optional 3 Inch Diameter Short Roller Assembly No. 114-5417	10
Plastic Wiehle Roller Assembly No. 114-5400.....	11
Optional Full Front Roller Assembly No. 114-5412.....	12
Optional Plastic Shoulder Roller Assembly No. 114-5421	13
Optional High Height-of-Cut Assembly No. 110-9600	14
Shield Assembly.....	15
Optional Tool Assembly.....	16
Attachments and Accessories	17



Frame Assembly

Ref.	Part Number	Qty.	Description	Ref.	Part Number	Qty.	Description
1	127-4298	1	7 Inch RH Side Plate ASM	9	110-4079	1	Spring-Compression
1:1:2	127-7149	2	Insert-Threaded, Side Plate	12	110-4069	1	Bracket
1:2	106-9618	1	Bushing-Rubber	13	115-2007	1	Rod-Spring
1:3	302-39	1	Fitting-Plug	14	92-2762	1	Pin-Hair
1:4	3245-35	1	Screw-Set, HSH	15	3231-25	4	Bolt-CARR
1:5	117-8177	1	O-Ring	16	119-8010-03	1	Kickstand ●
2	127-4295	1	7 Inch LH Side Plate ASM	17	107-7400	1	Pin-Snapper
2:1:2	127-7149	2	Insert-Threaded, Side Plate	18	110-4058	1	Bracket-Chain
2:2	106-9618	1	Bushing-Rubber	19	107-3258	1	Frame
2:3	302-39	1	Fitting-Plug	20	107-2979	6	Bolt-Shoulder
2:4	3245-35	1	Screw-Set, HSH	21	3234-19	2	Screw-HHF
2:5	117-8177	1	O-Ring	22	130-8094	2	Washer
3	104-3396	1	Screw-HH	23	108-4279	2	Spacer-Frame
4	99-8662	1	Tube-Spring	24	108-4284	1	Tube-Support
5	3218-5	3	Nut-Jam	25	107-7433	1	Carrier Frame ASM
6	87-7270	1	Washer-Thrust	25:2	93-2877	2	Bushing
7	104-8301	5	Nut-Flange, NI	26	302-5	1	Fitting-Grease
8	3290-357	7	Nut-HHF, Whiz	27	67-9410	1	Washer

● Optional Equipment

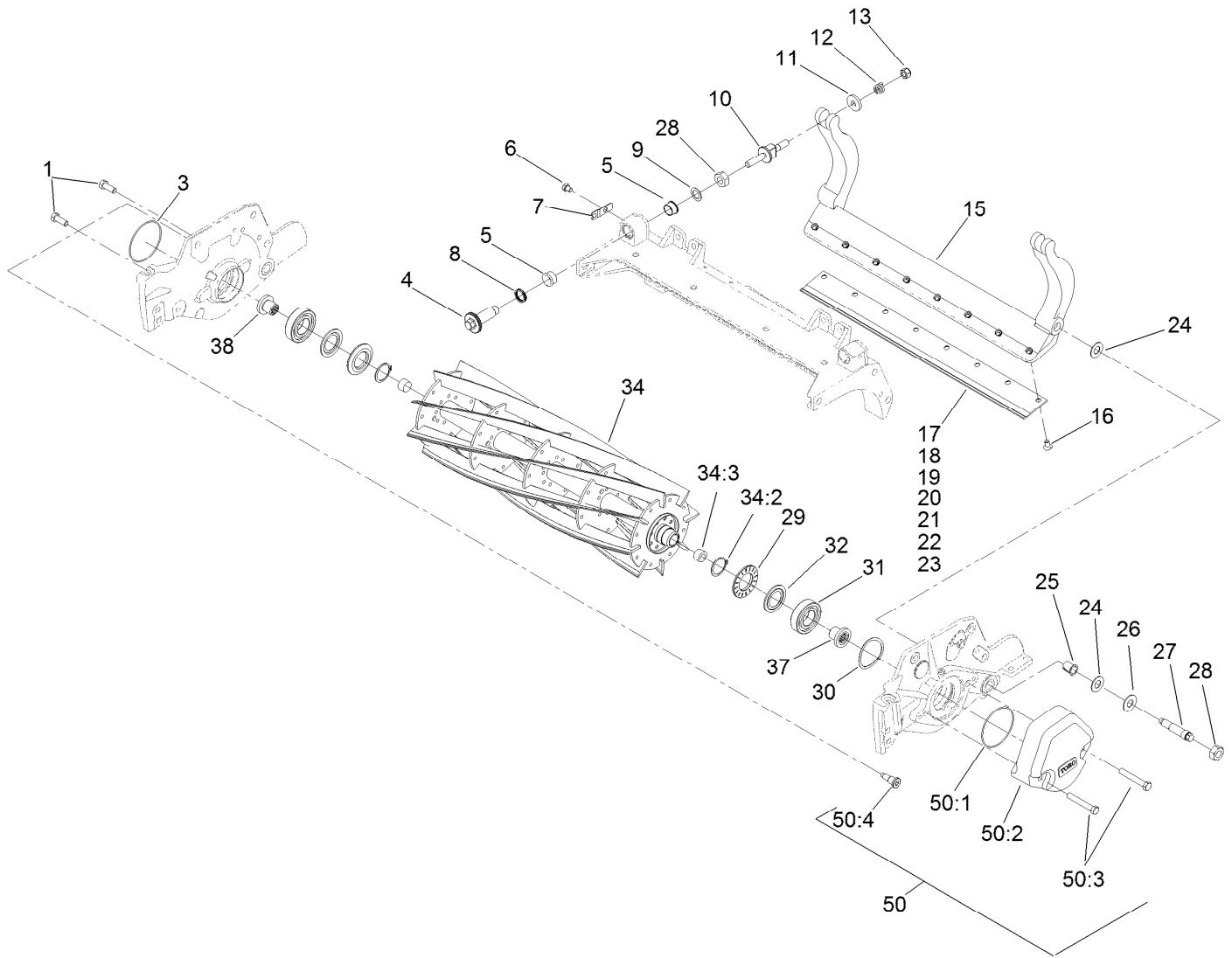


Reel and Bedbar Assembly

Ref.	Part Number	Qty.	Description	Ref.	Part Number	Qty.	Description
1	323-6	2	Screw-HH	18	108-9096	1	Bedknife-STD (Fairway) ■
3	112-6967	1	O-Ring	19	127-7132	1	Bedknife-Edgemax, Lowcut ●
4	120-5118	2	Shaft-Adjuster	20	110-4084	1	Bedknife-Low HOC (Fairway) ■
5	106-5344	4	Bushing-Flange, Keyed	21	119-4280	1	Bedknife-Edgemax Extended Low HOC, Fairw ■
6	119-4067	2	Screw-HH	22	120-1640	1	Bedknife-Low HOC Extended, Fairway ■
7	99-2097	2	Detent	23	110-4074	1	Bedknife-HD (Fairway) ■
8	120-5116	2	Washer-Wave	24	61-1950	4	Washer-Plastic
9	108-0015	2	Washer-Flat	25	56-9520	2	Bushing-Flanged
10	115-7039	2	Screw-Adjuster, Bedbar	26	69-8980	2	Washer
11	119-4155	2	Washer-Hardened	27	106-9623	2	Bolt-Bedbar
12	120-5120	2	Spring-Compression	28	3296-33	4	Nut-Lock, NI
13	119-4039	2	Nut-Hex, NI	29	127-4284	2	Washer-Special
15	107-3273-01	1	Bedbar	30	115-5258	1	Spring-Wire, Flat
15	131-3221-03	1	Bedbar-Aggressive, 7 Inch ● ■	31	115-3296	2	Bearing-Sealed
16	119-4151	8	Screw-Bedknife				
17	108-9095	1	Bedknife-Edgemax (Fairway)				

● Not illustrated

■ Optional Equipment

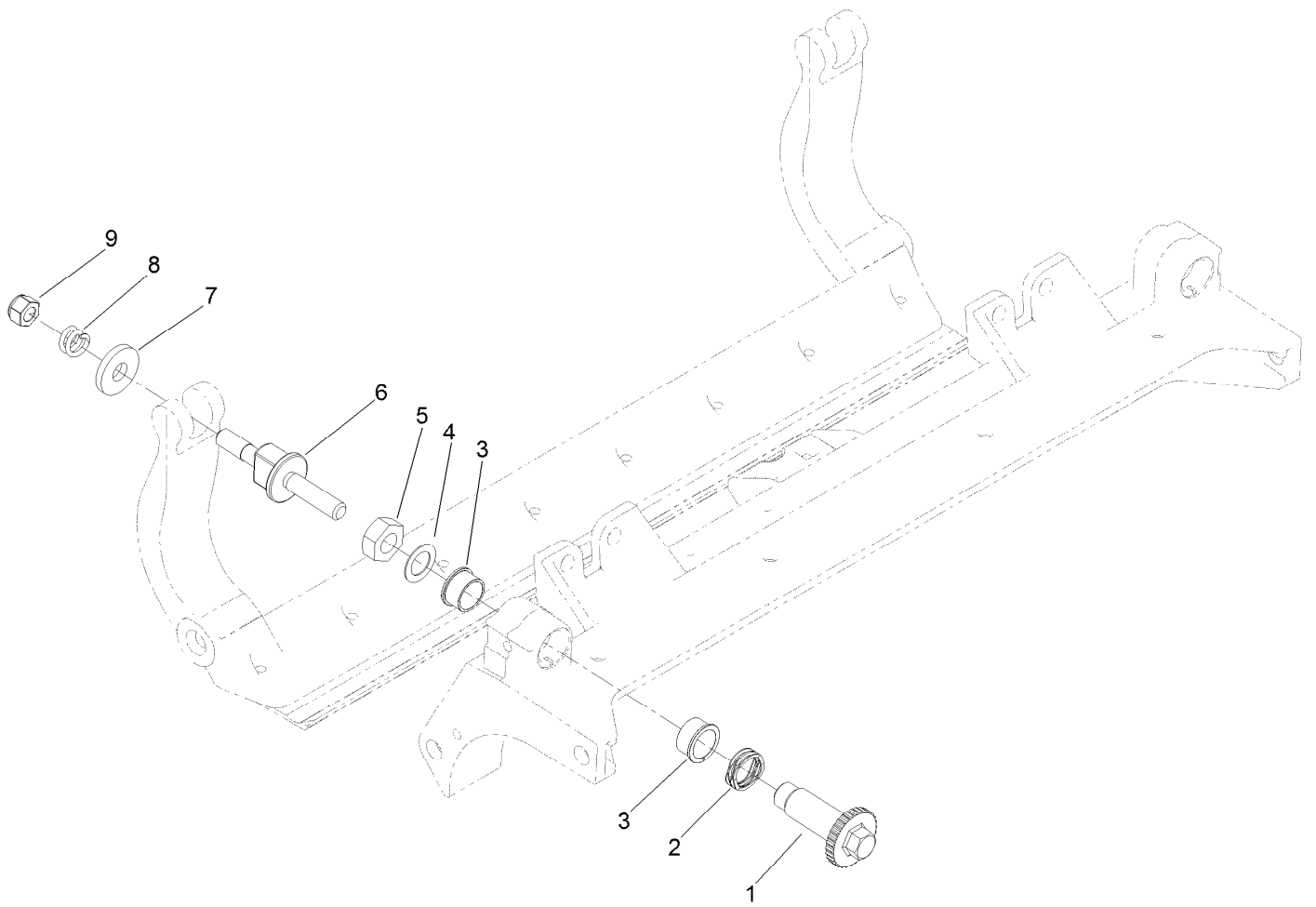


Reel and Bedbar Assembly (continued)

Ref.	Part Number	Qty.	Description	Ref.	Part Number	Qty.	Description
32	115-3299	2	Seal-Flocked	45	120-7230	1	HD DPA Mvp Kit ●■
34	131-6805	1	Reel-7 Inch Fairway (22 Inch), 8 Blade (Radial Reel)	50	127-7129	1	Weight Kit ■
34:2	92-2601	2	Ring-Retaining	50:1	112-6967	5	O-Ring
34:3	127-7118	2	Plug-Shaft, Reel	50:2	108-4269-01	5	Weight
37	127-7111	1	Insert-Threaded, 7 Inch (LH)	50:3	323-12	10	Screw-HH
38	127-7109	1	Insert-Threaded, 7 Inch (RH)	50:4	127-7122	5	Bolt-Shoulder, Flange Hex Socket

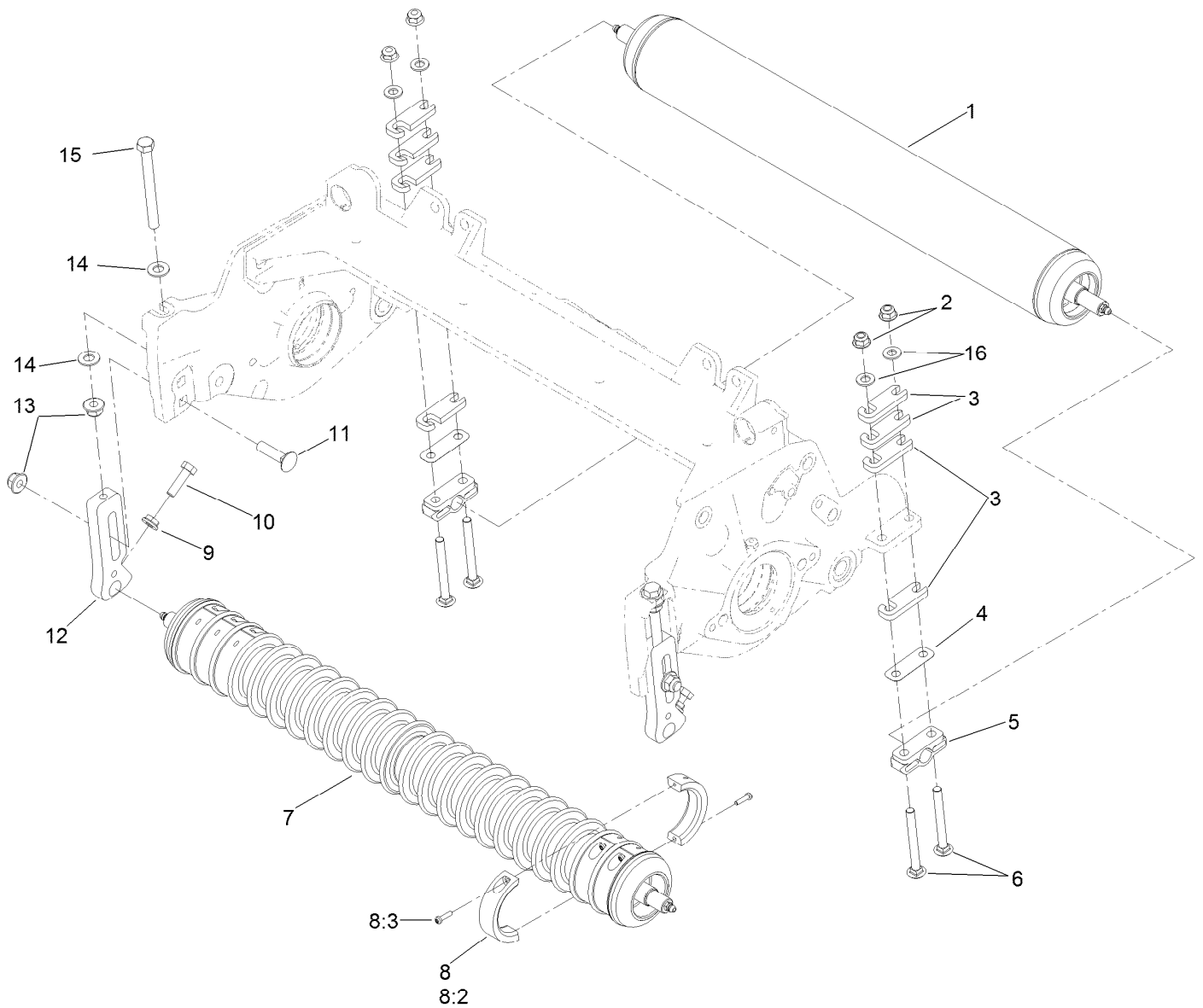
● Not illustrated

■ Optional Equipment



Optional Heavy-Duty MVP Kit No. 120-7230

<i>Ref.</i>	<i>Part Number</i>	<i>Qty.</i>	<i>Description</i>
1	120-5118	2	Shaft-Adjuster
2	120-5116	2	Washer-Wave
3	106-5344	4	Bushing-Flange, Keyed
4	108-0015	2	Washer-Flat
5	3296-33	2	Nut-Lock, NI
6	115-7039	2	Screw-Adjuster, Bedbar
7	119-4155	2	Washer-Hardened
8	120-5120	2	Spring-Compression
9	119-4039	2	Nut-Hex, NI

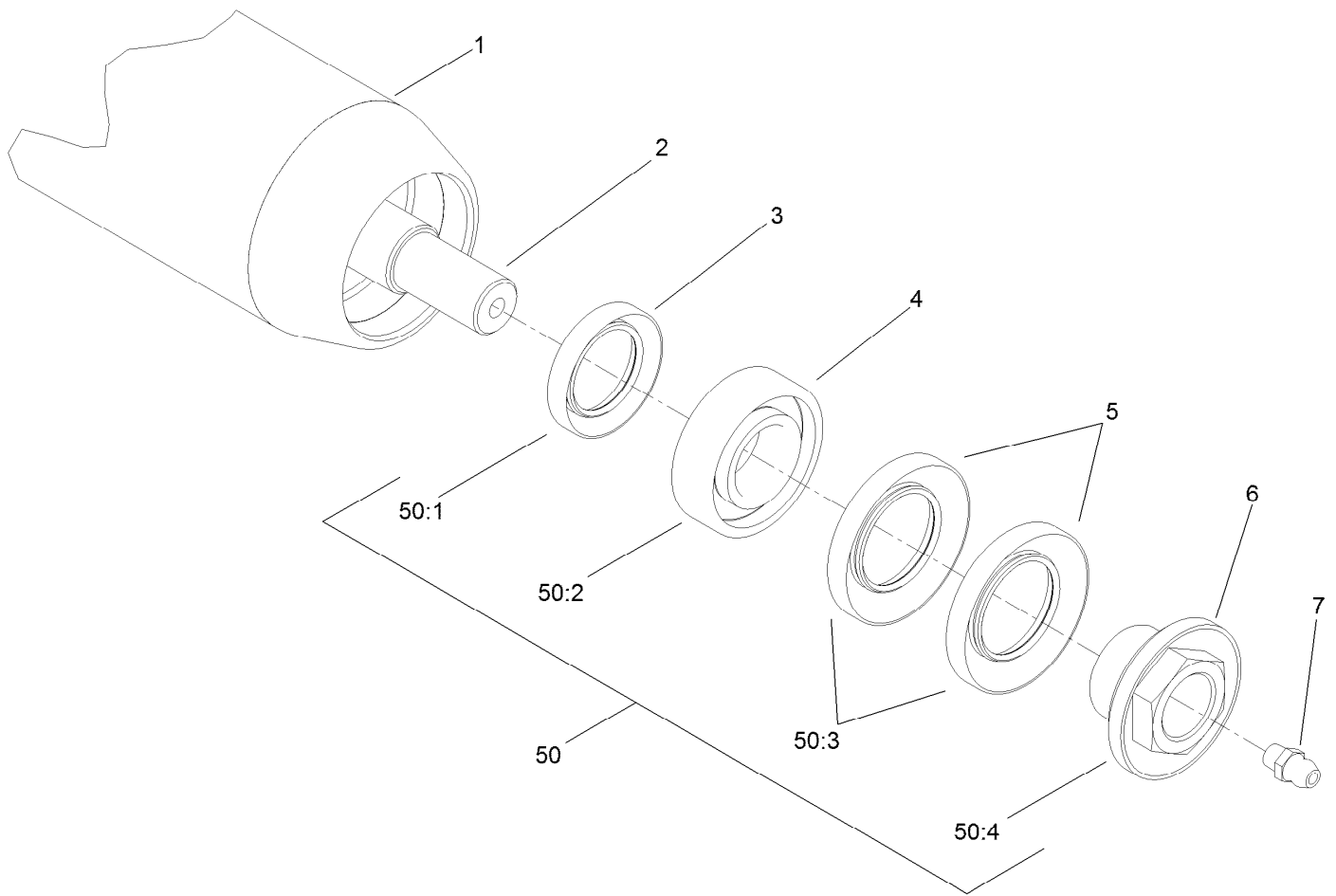


Roller Assembly

Ref.	Part Number	Qty.	Description	Ref.	Part Number	Qty.	Description
1	114-5415	1	3 Inch Dia Roller ASM (Long)	8	104-8215	6	Collar Kit ■
1	114-5417	1	3 Inch Dia Roller ASM (Short) ● ■	8:2	100-4959	2	Collar
2	104-8300	4	Nut-Flange, NI	8:3	104-1835	2	Screw
3	119-0626	8	Shim-Roller	9	32128-20	2	Nut-HF
4	107-4001	2	Shim-Roller (0.01 Inch) ■	10	322-16	2	Screw-HH
5	106-3924	2	Bracket-Roller, Rear	11	3231-4	2	Screw-CARR
6	3230-26	4	Screw-CARR	12	125-2796	2	Bracket-Front HOC
7	114-5400	1	Plastic Wiehle Roller ASM	13	104-8301	4	Nut-Flange, NI
7	114-5412	1	3 Inch Dia Full Front Roller ASM ● ■	14	48-9220	4	Washer
7	114-5421	1	Plastic Shoulder Roller ASM ● ■	15	107-4026	2	Screw-HH
				16	94-6936	4	Washer-Hardened
				50	110-9600	1	DPA High HOC Kit ● ■

● Not illustrated

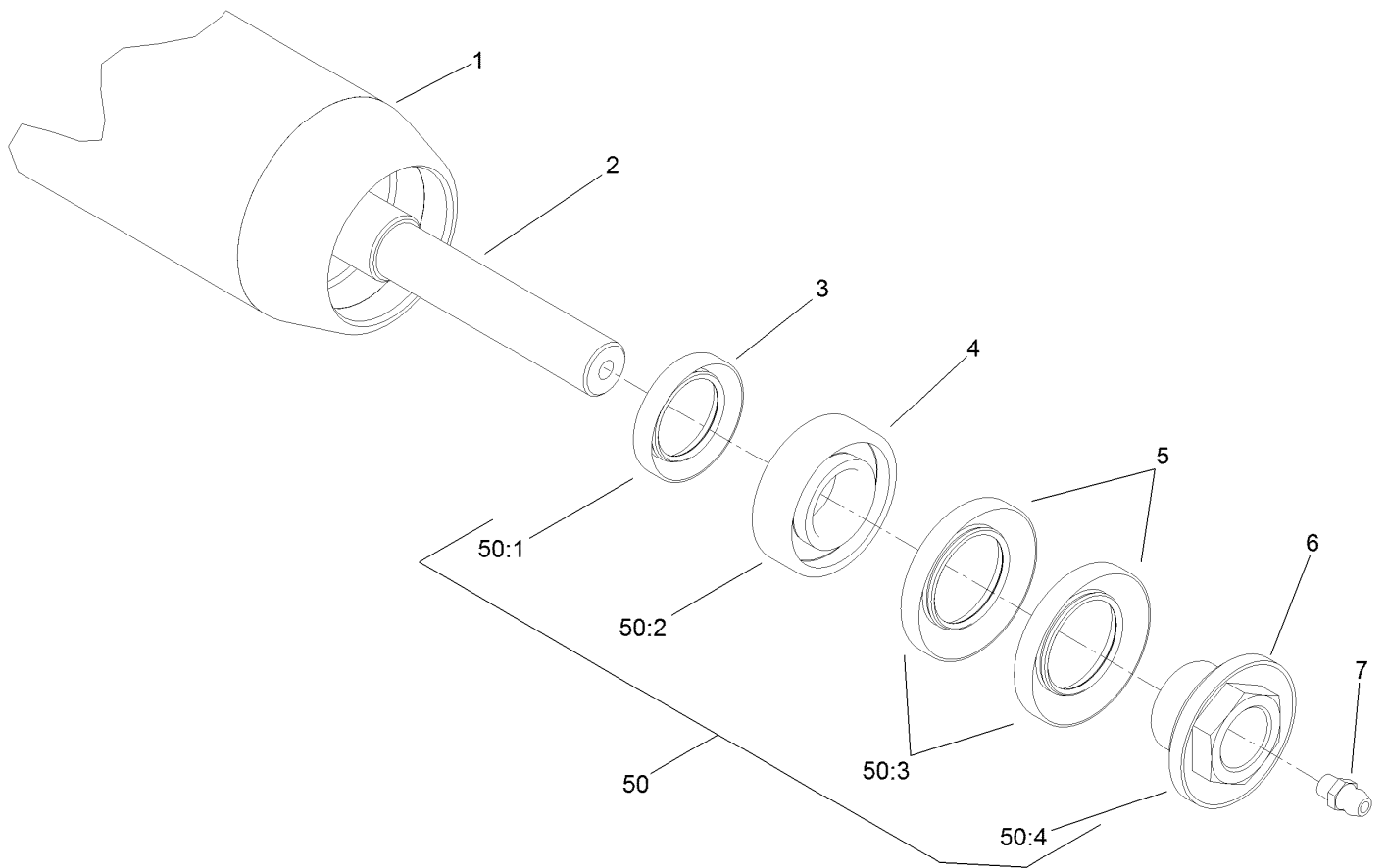
■ Optional Equipment



3 Inch Diameter Long Roller Assembly No. 114-5415

<i>Ref.</i>	<i>Part Number</i>	<i>Qty.</i>	<i>Description</i>
1	115-8292-03	1	Tube-Roller (Long)
2	114-5407	1	Shaft-Long, Rear Roller
3	114-3717	2	Seal-Oil
4	112-5290	2	Bearing-Steel, Stainless
5	112-7494	4	Seal
6	114-5411	2	Nut-Lock, Bearing
7	302-5	2	Fitting-Grease
50	114-5430	1	Roller Rebuild Kit ●
50:1	114-3717	2	Seal-Oil
50:2	112-5290	2	Bearing-Steel, Stainless
50:3	112-7494	4	Seal
50:4	114-5411	2	Nut-Lock, Bearing

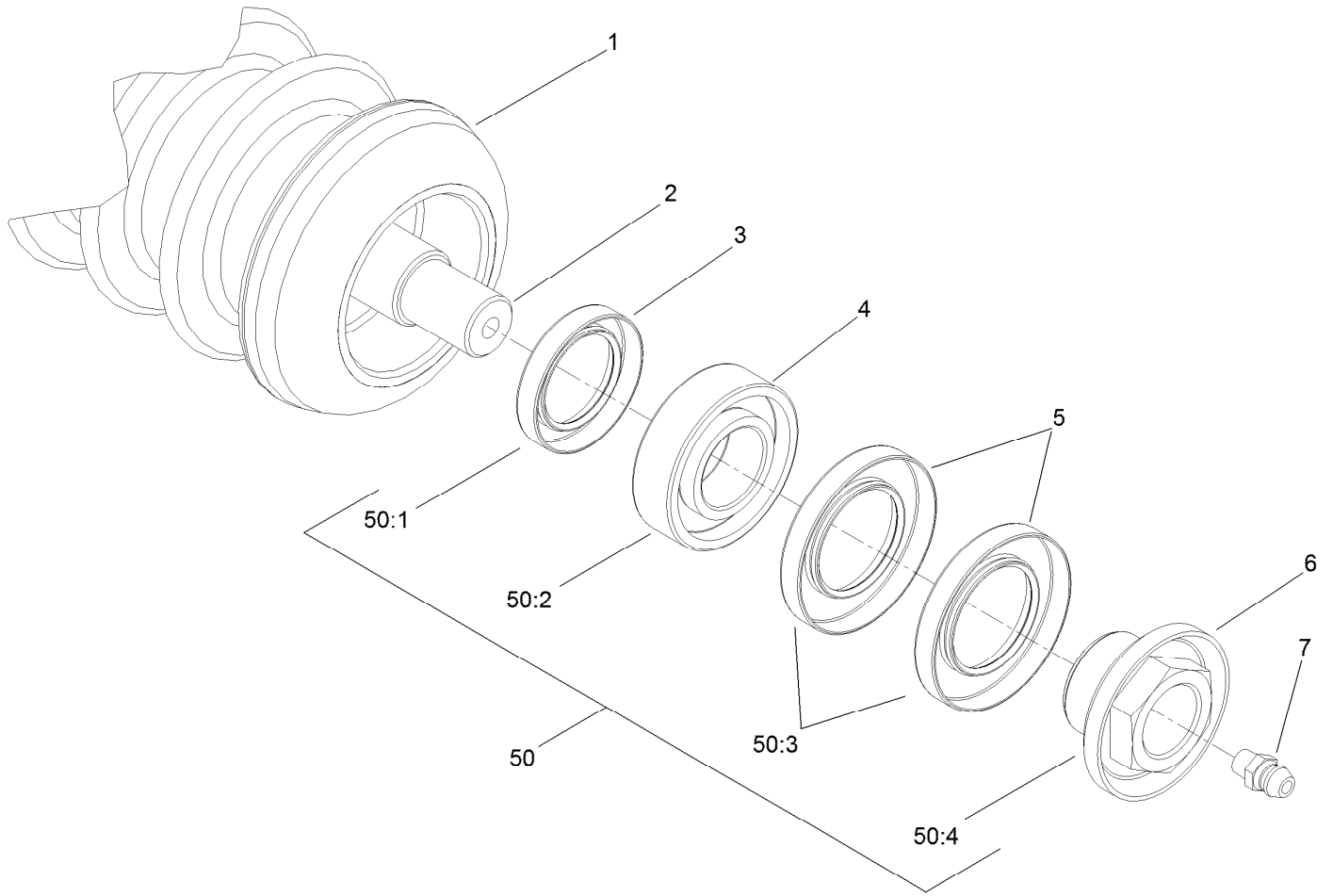
● Optional Equipment



Optional 3 Inch Diameter Short Roller Assembly No. 114-5417

<i>Ref.</i>	<i>Part Number</i>	<i>Qty.</i>	<i>Description</i>
1	115-8296-03	1	Tube-Roller (Short)
2	114-5410	1	Shaft-Short, Rear Roller
3	114-3717	2	Seal-Oil
4	112-5290	2	Bearing-Steel, Stainless
5	112-7494	4	Seal
6	114-5411	2	Nut-Lock, Bearing
7	302-5	2	Fitting-Grease
50	114-5430	1	Roller Rebuild Kit ●
50:1	114-3717	2	Seal-Oil
50:2	112-5290	2	Bearing-Steel, Stainless
50:3	112-7494	4	Seal
50:4	114-5411	2	Nut-Lock, Bearing

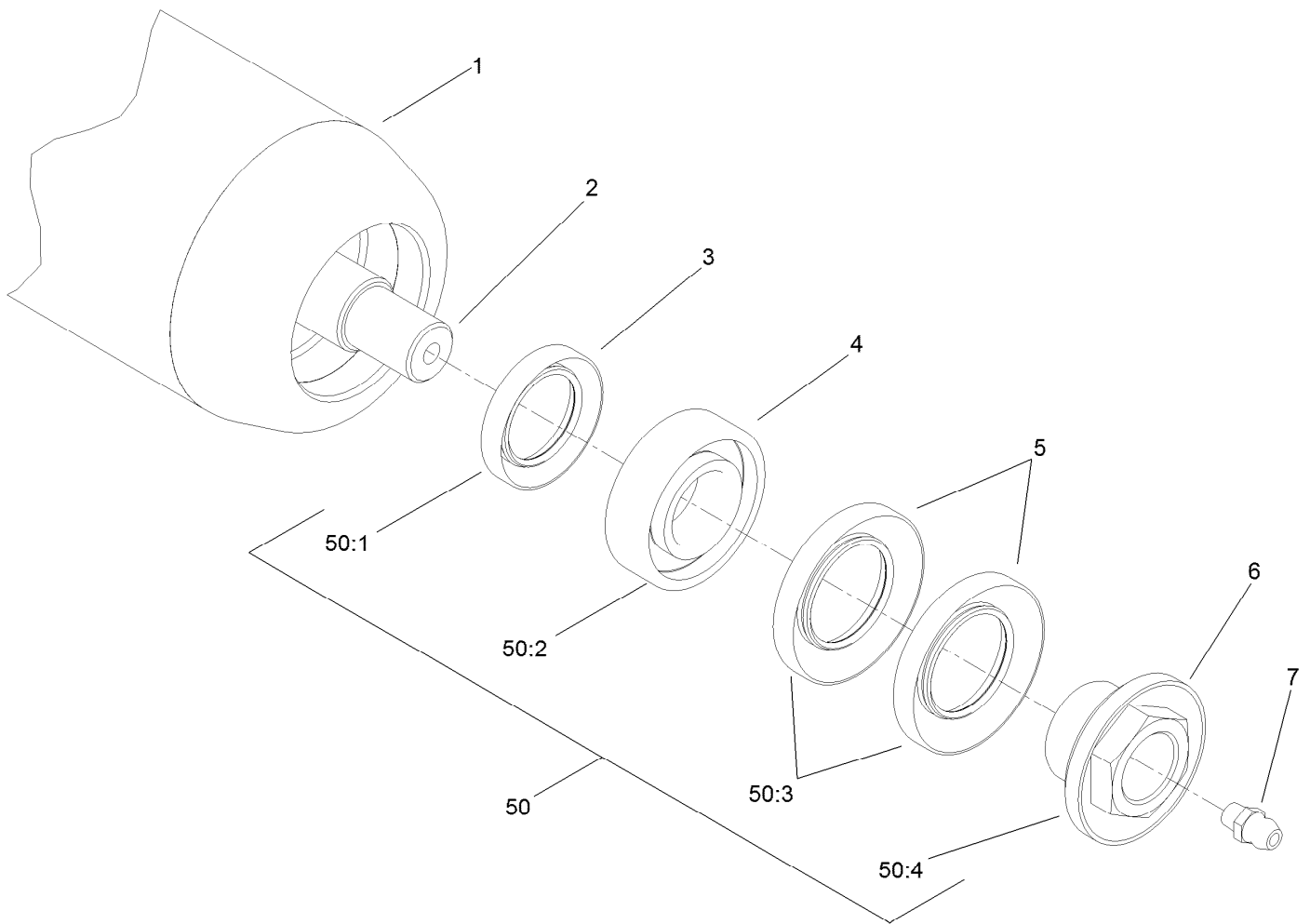
● Optional Equipment



Plastic Wiehle Roller Assembly No. 114-5400

<i>Ref.</i>	<i>Part Number</i>	<i>Qty.</i>	<i>Description</i>
1	114-5401	1	Roller-Wiehle, Plastic
2	114-5403	1	Shaft-Roller, Front
3	114-3717	2	Seal-Oil
4	112-5290	2	Bearing-Steel, Stainless
5	112-7494	4	Seal
6	114-5411	2	Nut-Lock, Bearing
7	302-5	2	Fitting-Grease
50	114-5430	1	Roller Rebuild Kit ●
50:1	114-3717	2	Seal-Oil
50:2	112-5290	2	Bearing-Steel, Stainless
50:3	112-7494	4	Seal
50:4	114-5411	2	Nut-Lock, Bearing

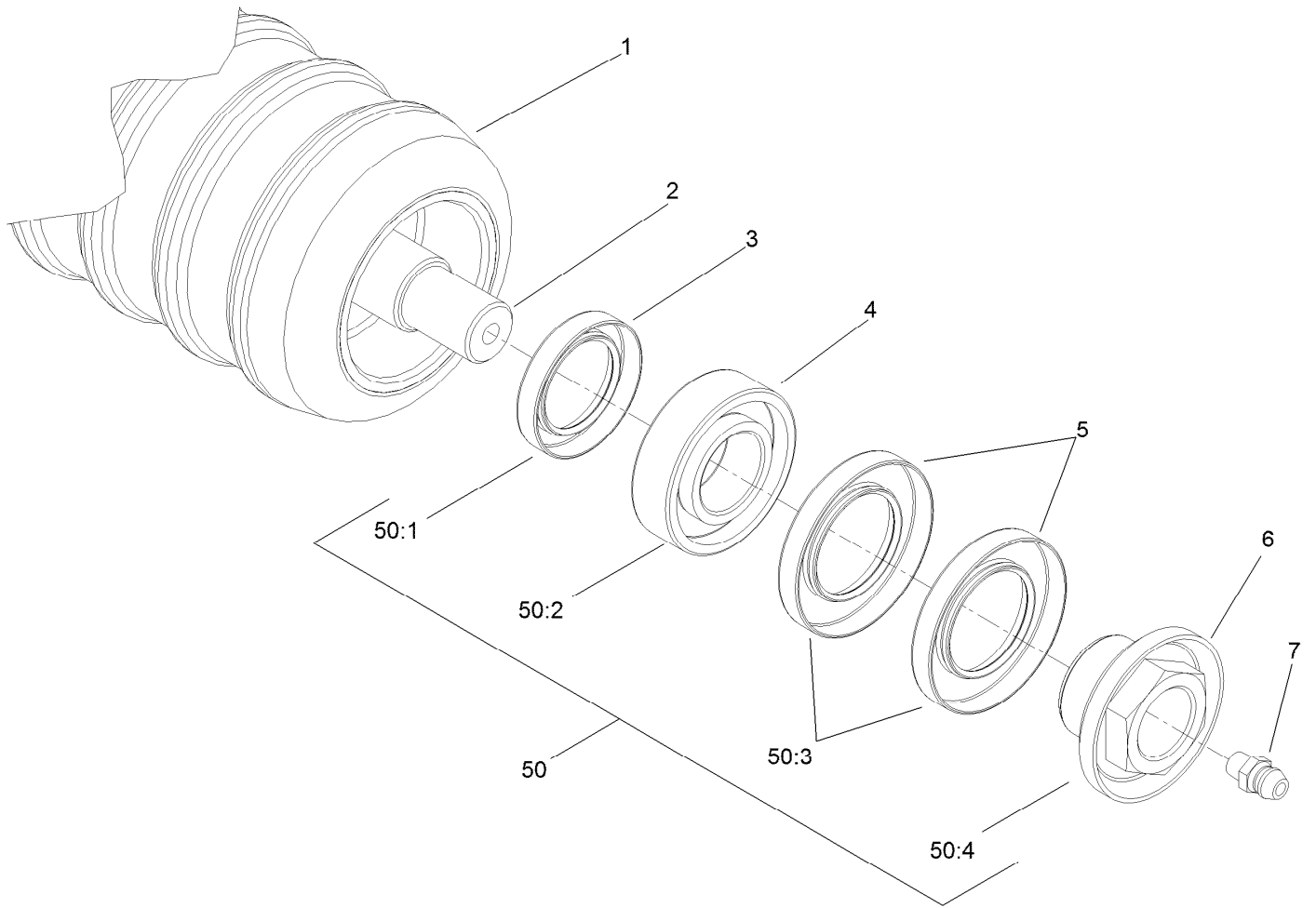
● Optional Equipment



Optional Full Front Roller Assembly No. 114-5412

<i>Ref.</i>	<i>Part Number</i>	<i>Qty.</i>	<i>Description</i>
1	115-8297-03	1	Tube-Roller, Full
2	114-5403	1	Shaft-Roller, Front
3	114-3717	2	Seal-Oil
4	112-5290	2	Bearing-Steel, Stainless
5	112-7494	4	Seal
6	114-5411	2	Nut-Lock, Bearing
7	302-5	2	Fitting-Grease
50	114-5430	1	Roller Rebuild Kit ●
50:1	114-3717	2	Seal-Oil
50:2	112-5290	2	Bearing-Steel, Stainless
50:3	112-7494	4	Seal
50:4	114-5411	2	Nut-Lock, Bearing

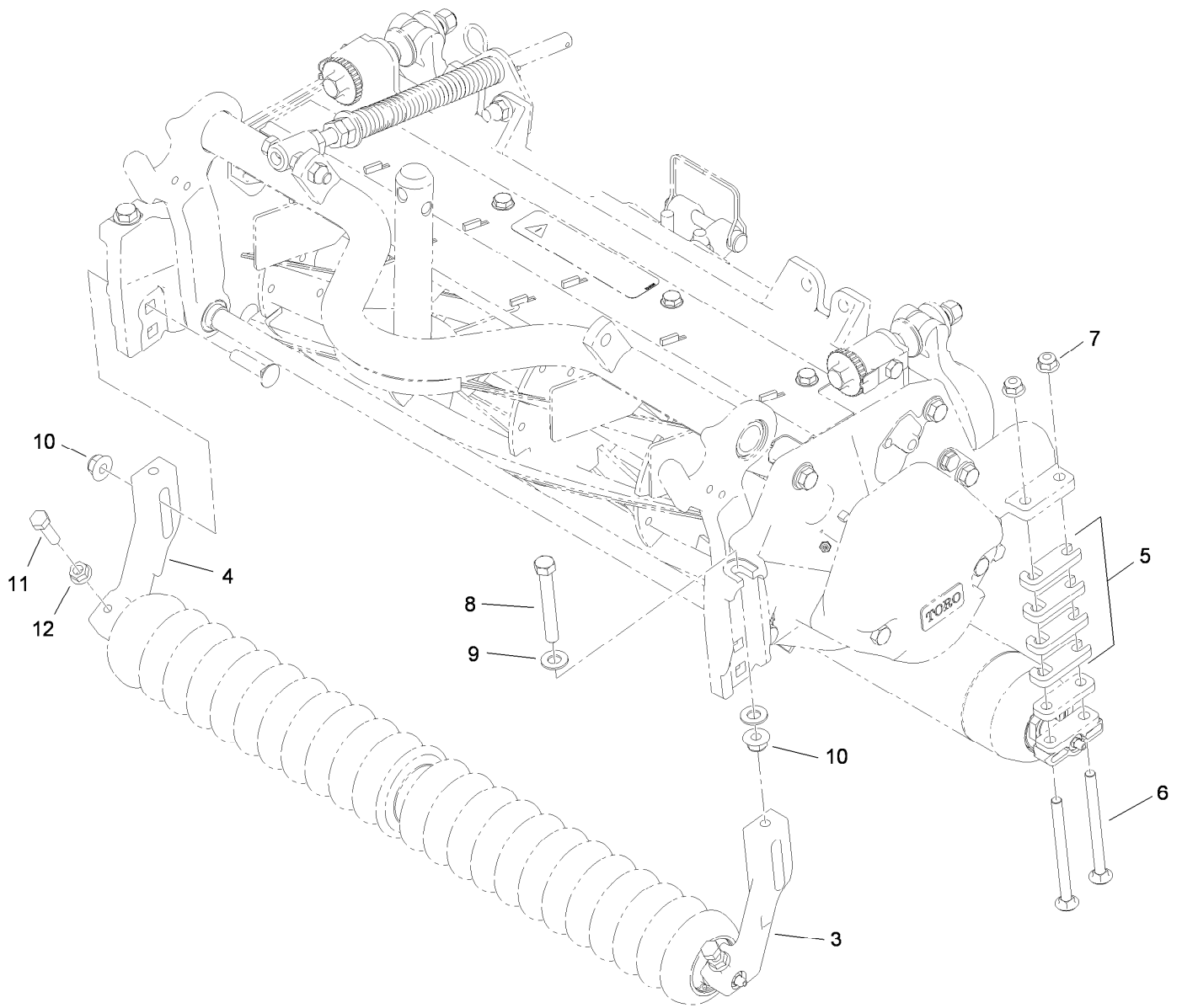
● Optional Equipment



Optional Plastic Shoulder Roller Assembly No. 114-5421

<i>Ref.</i>	<i>Part Number</i>	<i>Qty.</i>	<i>Description</i>
1	114-5422	1	Roller-Shoulder, Plastic
2	114-5403	1	Shaft-Roller, Front
3	114-3717	2	Seal-Oil
4	112-5290	2	Bearing-Steel, Stainless
5	112-7494	4	Seal
6	114-5411	2	Nut-Lock, Bearing
7	302-5	2	Fitting-Grease
50	114-5430	1	Roller Rebuild Kit ●
50:1	114-3717	2	Seal-Oil
50:2	112-5290	2	Bearing-Steel, Stainless
50:3	112-7494	4	Seal
50:4	114-5411	2	Nut-Lock, Bearing

● Optional Equipment

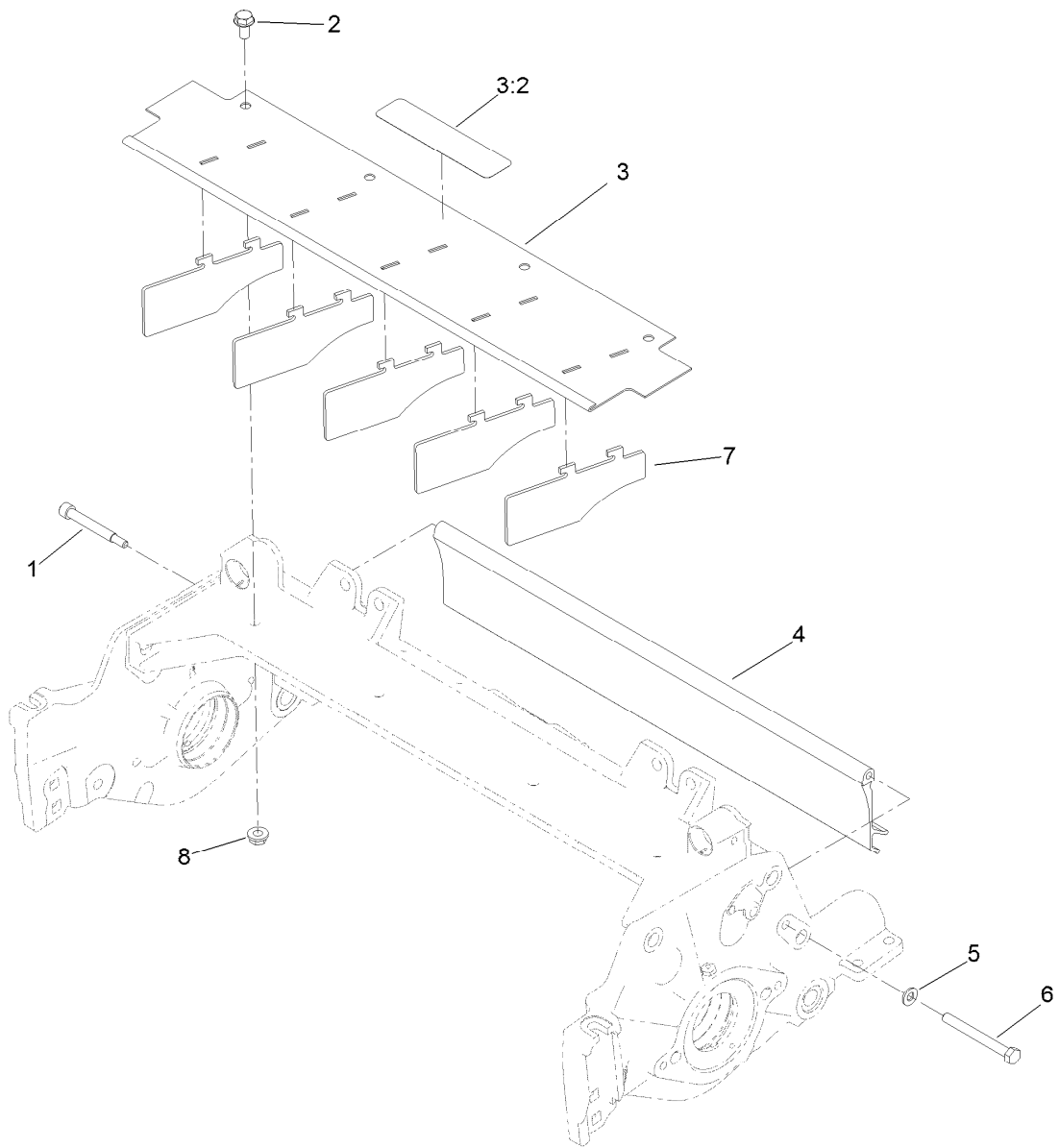


Optional High Height-of-Cut Assembly No. 110-9600

Ref.	Part Number	Qty.	Description
3	120-0404	1	Bracket-High HOC, LH
4	120-0405	1	Bracket-High HOC, RH
5	119-0626	8	Shim-Roller
6	106-9758	4	Screw-CARR
6	3230-30	4	Screw-CARR ● ■
7	104-8300	4	Nut-Flange, NI
8	112-7451	2	Screw-TAP
9	48-9220	4	Washer
10	104-8301	4	Nut-Flange, NI
11	322-16	2	Screw-HH
12	32128-20	2	Nut-HF

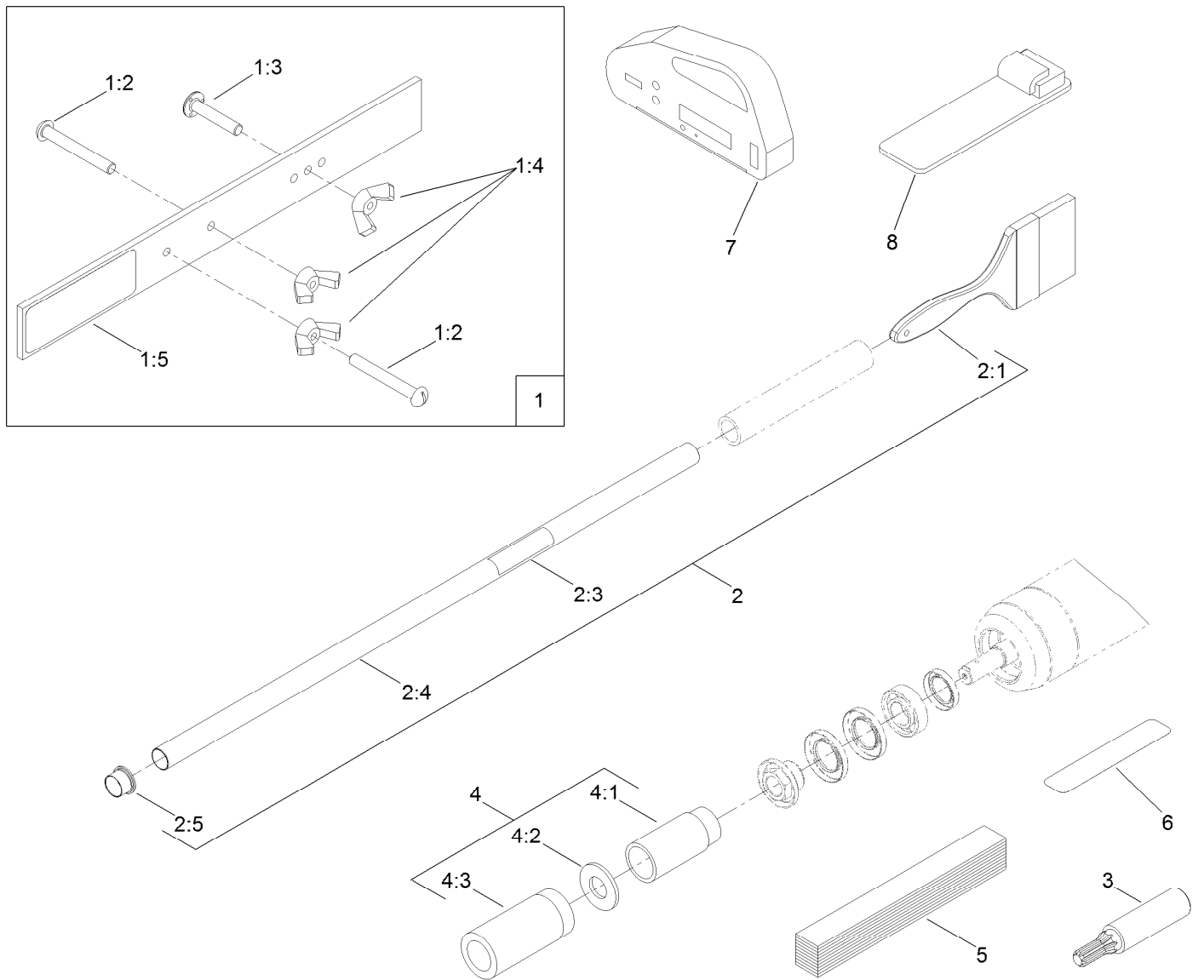
● Not illustrated

■ Optional Equipment



Shield Assembly

Ref.	Part Number	Qty.	Description
1	107-7773	1	Screw-HSH
2	3234-7	4	Screw-HHF
3	107-2996	1	Front Grass Shield ASM
3:2	93-6688	1	Decal-Danger
4	125-1978	1	Shield-Grass, Rear
5	3256-74	1	Washer-Flat
6	322-14	1	Screw-HH
7	110-1706	5	Deflector
8	32128-20	4	Nut-HF



Optional Tool Assembly

Ref.	Part Number	Qty.	Description
1	108-6715	1	Gauge Bar ASM
1:2	32122-54	2	Screw-Head, Truss
1:3	108-6714	1	Stud-Weld
1:4	32103-3	3	Nut-Wing
1:5	108-6712	1	Decal-Gauge, Bar
2	29-9100	1	Brush And Handle ASM
2:1	36-4310	1	Brush
2:3	98-3206	1	Decal
2:4	29-9080	1	Handle
2:5	2410-18	1	Cap-Plastic

Ref.	Part Number	Qty.	Description
3	TOR4074	1	Adapter-Drive, Reel ●
4	115-0803	1	Roller Rebuild Tool Kit
4:1	115-0852	1	Tool-Inner Seal
4:2	107-8133	1	Washer-Flat
4:3	115-0853	1	Tool-Bearing/Outer Seals
5	125-5610	1	Paper-Reel, Toro (10 Pack)
6	125-5611	1	Shim-Toro Reel (0.002 Inch)
7	131-6828	1	Indicator-Angle
8	131-6829	1	Mount-Indicator, Angle

● Obtain directly from K-Line Industries, Inc. (800) 241-0936

Attachments and Accessories

For 03638 8-Blade Radial Reel DPA Cutting Unit with 7in Reel Reelmaster 5010-H Series Traction Unit

Product Name	Model/Part
Verticutter for 7in Reel Cutting Unit.....	03619
22 Inch Fairway Flex Grass Basket Kit.....	03415
22 Inch Fairway Compact Grass Basket Kit.....	03416
Groomer Rod Kit.....	131-6845
Left-Hand Groomer Kit.....	03403
Right-Hand Groomer Kit.....	03404
Rear Roller Brush Kit (7in Reel).....	03408
Rear Roller Brush Kit (7in Cutting Unit Reel and Groomer).....	03409
Weight Kit for 8-Blade or 11-Blade DPA Cutting Unit with 7in Reel Traction Unit.....	03405
Rear Lift Cylinder Limit Kit.....	110-9604
Rear Roller Scraper Kit.....	107-3280
Wiehle Scraper ASM.....	107-2993-03
Comb/Scraper Kit.....	110-1735
3 Inch Dia Full Front Roller ASM.....	114-5412
3 Inch Full Front Roller Scraper.....	110-9602-03
Plastic Shoulder Roller ASM.....	114-5421
Shoulder Roller Scraper ASM.....	110-9609-03
High Height-of-Cut Kit.....	110-9600
3 Inch Dia Collar Kit.....	104-8215
Cutting Unit Kickstand.....	119-8010-03
Reel Drive Adapter.....	TOR4074
Roller Rebuild Tool Kit.....	115-0803
Fairway Broomer Kit.....	127-7120
22 Inch Fairway Grooming Brush Kit.....	03719
Brush-Roller (High Height-Of-Cut).....	110-1740
Gauge Bar Assembly.....	108-6715
Roller Rebuild Kit.....	114-5430
Groomer/rrb Seal Kit.....	131-3233
Heavy-Duty DPA MVP Kit.....	120-7230
Rear Roller Adjustment Kit.....	125-0570
7 Inch Aggressive Bedbar.....	131-3221-03
Toro Reel Paper (10 Pack).....	125-5610
Toro Reel Shim (0.002in).....	125-5611
Bedknife-Edgemax (Fairway).....	108-9095
Bedknife-STD (Fairway).....	108-9096
Bedknife-Edgemax Lowcut.....	127-7132
Bedknife-Low HOC (Fairway).....	110-4084
Bedknife Edgemax Low cut Extended (Fairway).....	119-4280
Bedknife-Lowcut Extended (Fairway).....	120-1640
Bedknife-HD (Fairway).....	110-4074

For 03638 8-Blade Radial Reel DPA Cutting Unit with 7in Reel Reelmaster 5010-H Series Traction Unit

Attachments and Accessories (continued)

Product Name	Model/Part
Verticutter for 7in Reel Cutting Unit.....	03619
22 Inch Fairway Flex Grass Basket Kit.....	03415
22 Inch Fairway Compact Grass Basket Kit.....	03416
Groomer Rod Kit.....	131-6845
Left-Hand Groomer Kit.....	03403
Right-Hand Groomer Kit.....	03404
Rear Roller Brush Kit (7in Reel).....	03408
Rear Roller Brush Kit (7in Cutting Unit Reel and Groomer).....	03409
Weight Kit for 8-Blade or 11-Blade DPA Cutting Unit with 7in Reel Traction Unit.....	03405
Rear Lift Cylinder Limit Kit.....	110-9604
Rear Roller Scraper Kit.....	107-3280
Wiehle Scraper ASM.....	107-2993-03
Comb/Scraper Kit.....	110-1735
3 Inch Dia Full Front Roller ASM.....	114-5412
3 Inch Full Front Roller Scraper.....	110-9602-03
Plastic Shoulder Roller ASM.....	114-5421
Shoulder Roller Scraper ASM.....	110-9609-03
High Height-of-Cut Kit.....	110-9600
3 Inch Dia Collar Kit.....	104-8215
Cutting Unit Kickstand.....	119-8010-03
Reel Drive Adapter.....	TOR4074
Roller Rebuild Tool Kit.....	115-0803
Fairway Broomer Kit.....	127-7120
22 Inch Fairway Grooming Brush Kit.....	03719
Brush-Roller (High Height-Of-Cut).....	110-1740
Gauge Bar Assembly.....	108-6715
Roller Rebuild Kit.....	114-5430
Groomer/rrb Seal Kit.....	131-3233
Heavy-Duty DPA MVP Kit.....	120-7230
Rear Roller Adjustment Kit.....	125-0570
7 Inch Aggressive Bedbar.....	131-3221-03
Toro Reel Paper (10 Pack).....	125-5610
Toro Reel Shim (0.002in).....	125-5611
Bedknife-Edgemax (Fairway).....	108-9095
Bedknife-STD (Fairway).....	108-9096
Bedknife-Edgemax Lowcut.....	127-7132
Bedknife-Low HOC (Fairway).....	110-4084
Bedknife Edgemax Low cut Extended (Fairway).....	119-4280
Bedknife-Lowcut Extended (Fairway).....	120-1640
Bedknife-HD (Fairway).....	110-4074
Angle Indicator.....	131-6828
Angle Indicator Mount.....	131-6829
7 Inch Fairway EdgeSeries Reel 5 Blade, 22 Inch Low drag, Rear Roller.....	133-8205
7 Inch Fairway Reel, 8 Blade, 22 Inch, Rear Roller.....	131-6805
Universal Groomer Drive Kit.....	03768
Universal Groomer Cartridge for Units with Universal Groomer.....	03765
Grooming Brush for Units with Universal Groomer.....	03767

Attachments and Accessories (continued)

Broomer Kit for Units with Universal Groomer.....	132-7125
Rear Roller Brush Kit for Units with 7in Reel and Universal Groomer	03659
Weight Kit for Units with 5in Electric Reel or 7in Electric or Hydraulic Reel and Universal Groomer	03418
Weight Kit for Units with 5in Electric Reel or 7in Electric or Hydraulic Reel and Universal Groomer with Rear Roller Brush	03419



Count on it.