



Count on it.

Parts Catalog

Multi-Pro® 5800 Turf Sprayer

Model No. 41593N—Serial No. 314000001 and Up



Ordering Replacement Parts

To order replacement parts, please supply the part number, the quantity, and the description of each part desired.

Understanding Reference Numbers

Each identified part in an illustration has a reference number. The reference number for a part also appears in the parts list, along with other information about the part.

This catalog uses two special reference number formats, one to indicate parts in a service assembly and another to indicate the quantity of a given part in an illustration.

Service Assembly Reference Numbers

Parts in service assemblies have reference numbers in the form a:b. The a represents the reference number of the entire service assembly and the b represents a sequential number unique to each part within the service assembly.

For example, a wheel assembly might be identified by reference number 6, the tire by 6:1, the valve by 6:2, and the wheel by 6:3. When you order the assembly identified by reference number 6, you receive all parts identified by reference numbers 6:1, 6:2, and 6:3. However, you may also order any part individually. Reference numbers of this type appear in illustration and in parts lists.

Reference Numbers Indicating Quantity

In an illustration, if a reference number indicates more than one part, the reference number has the form nX y. The n represents the quantity of the part, the X is the multiplication symbol, and the y represents the reference number.

For example, in an illustration, the reference number 2X 37 means that two of the parts identified by reference number 37 are indicated.

List of Abbreviations

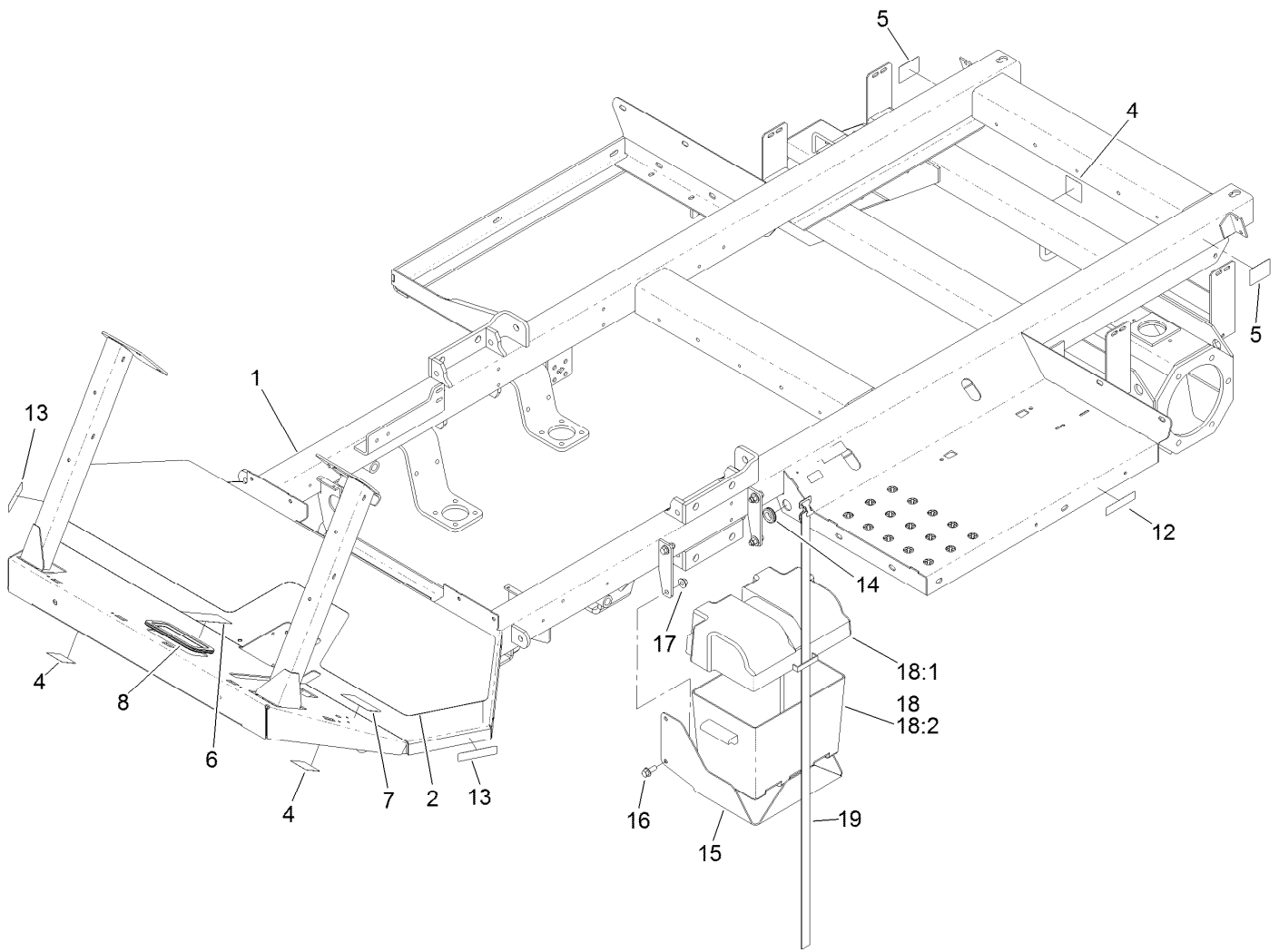
AR: as required	HLH: hex lag head	PTO: power-take-off
ASM: assembly	HOC: height-of-cut	RH: right hand
BBC: blade brake control	HSBH: hex socket button head	ROPS: roll-over protection system
BHTF: button head thread forming	HSFH: hex socket flat head	RRB: rear roller brush
CARR: carriage	HSH: hex socket head	SFH: slotted fillister head
CCW: counter clockwise	HWH: hex washer head	SHH: slotted hex head
CW: clockwise	HWHTF: hex washer head thread forming	SHWH: slotted hex washer head
DEG: degrees	HYD: hydraulic	SPH: slotted pan head
DPA: Dual Point Adjustment	LH: left hand	SQH: square head
ECM: electronic control module	LP: Liquefied Petroleum Gas	SRH: slotted round head
EXT: external	LPG: Liquefied Petroleum Gas	STD: standard
FH: flat head	NI: nylon insert	TAP: self tapping
GA: gauge	NPTF: national pipe thread fine	TTH: torx truss head
HD: heavy-duty	PFH: phillips flat head	
HF: hex flange	PPH: phillips pan head	
HH: hex head	PPHTF: phillips pan head thread forming	
HHF: hex head flange	PRH: phillips round head	
HHFTF: hex head flange thread forming	PTH: phillips truss head	
HJ: hex jam		

Contents

Frame and Battery Box Assembly	5
Front Wheel, Tie Rod and Spindle Assembly	6
Hydraulic Cylinder Assembly No. 93-6510	8
Front Suspension Assembly	9
Seat Box Assembly	10
Roll-Over Protection System and Seat Assembly	12
Console Assembly	13
Brake Pedal Assembly	14
Traction Pedal Assembly	15
Accelerator Assembly	16
Dash Assembly	17
Dash, Fender and Headlight Assembly	18
Engine Mounting Assembly	19
Exhaust System Assembly	20
Air Cleaner and Reservoir Assembly	21
Air Cleaner Assembly No. 106-5277	22
Electrical Assembly	23
Fuel System Assembly	24
Radiator and Shroud Assembly	25
Steering Valve and Storage Box Assembly	26
Steering Valve Assembly No. 117-0707	27
Hydraulic Pump and Filter Assembly	28
Pump Control Valve Assembly No. 117-0708	30
Hydraulic Pump and Filter Assembly	31
Piston Pump Assembly No. 117-0685	33
Control Assembly No. 115-4446	35
Tandem Pump Assembly No. 119-5038	36
Rear Wheel, Fender and Motor Assembly	37
Planetary Assembly No. 105-4500	38
Brake Assembly No. 100-3069	39
Brake Assembly No. 100-3070	40
Hydraulic Motor Assembly No. 93-6488	41
Hydraulic Motor Assembly No. 93-6489	42
Boom Lift Hydraulic System Assembly	43
Saddle and Tank Mount Assembly	44
Tank Assembly No. 117-8005	46
Spray Tank Lid Assembly	47
Spray System Supply Assembly	48
Spray Pump and Valve Assembly	50
Agitation Valve Assembly	52
Valve Assmebly No. 121-5053	53
Manifold Valve W/Bypass Assembly	54
Pump Assembly No. 117-0713	55
Hydraulic Motor Assembly No. 117-0706	56
Center Boom Assembly	57
LH Single Turret Body Assembly No. 108-3725	58
Double Turret Body Assembly No. 108-3727	59
RH Single Body Turret Assembly No. 108-3726	60
Center Boom Lift Assembly	61
Hydraulic Cylinder Assembly No. 117-0701	62
On-Off Boom Lift Valve No. 117-0702	63
Left and Right Hand Wing Boom Assembly	64
Crankcase Assembly	65
Oil Pan Assembly	66

Contents (continued)

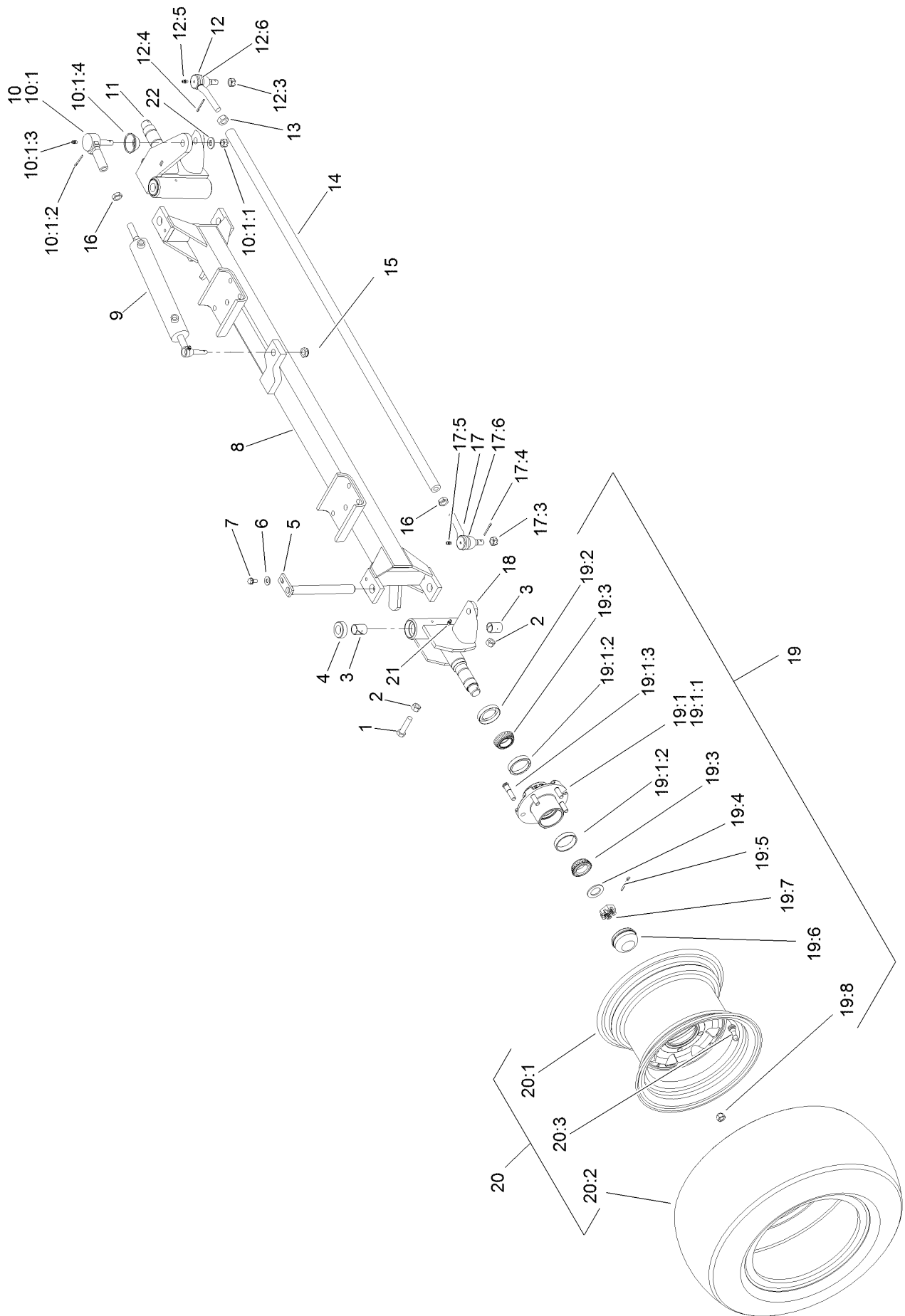
Cylinder Head Assembly	67
Gear Case Assembly	68
Cylinder Head Cover Assembly	69
Dipstick and Guide Assembly	70
Main Bearing Case Assembly	71
Cam Shaft and Idle Gear Assembly	72
Piston and Crankshaft Assembly	73
Flywheel Assembly	74
Fuel Camshaft and Governor Shaft Assembly	75
Idle Apparatus Assembly	76
Injection Pump Assembly	77
Governor Assembly	78
Speed Control Plate Assembly	79
Nozzle Holder and Glow Plug Assembly	80
Nozzle Holder Component Assembly	81
Alternator and Pulley Assembly	82
Alternator Component Assembly	83
Starter Assembly	84
Starter (Component Part) Assembly	85
Water Flange and Thermostat Assembly	86
Water Pump Assembly	87
Valve and Rocker Arm Assembly	88
Inlet and Exhaust Manifold Assembly	89
Muffler Gasket, Glow Controller and Overflow Bottle Assembly	90
Attachments and Accessories	91



Frame and Battery Box Assembly

<i>Ref.</i>	<i>Part Number</i>	<i>Qty.</i>	<i>Description</i>	<i>Ref.</i>	<i>Part Number</i>	<i>Qty.</i>	<i>Description</i>
1	117-8001-03	1	Mainframe ASM	14	240-6	1	Grommet-Rubber
2	104-8863	1	Tread-Floor	15	119-5049-03	1	Bracket-Battery
4	120-0623	3	Decal-Tie Down, Towing	16	3234-11	4	Screw-HHF
5	107-8667	2	Decal-Jacking	17	32128-43	4	Nut-Flange
6	107-8724	1	Decal-Traction	18	93-7595	1	Battery Box ASM
7	100-8619	1	Decal-Switch, Boom	18:1	105-2914	1	Top-Battery Box
8	119-0599	1	Trim-Seal	18:2	105-2915	1	Bottom-Battery Box
12	107-8732	2	Decal-Torque (Ce)	19	3339-175	1	Strapping-Web
13	107-8731	2	Decal-Torque (Ce)				

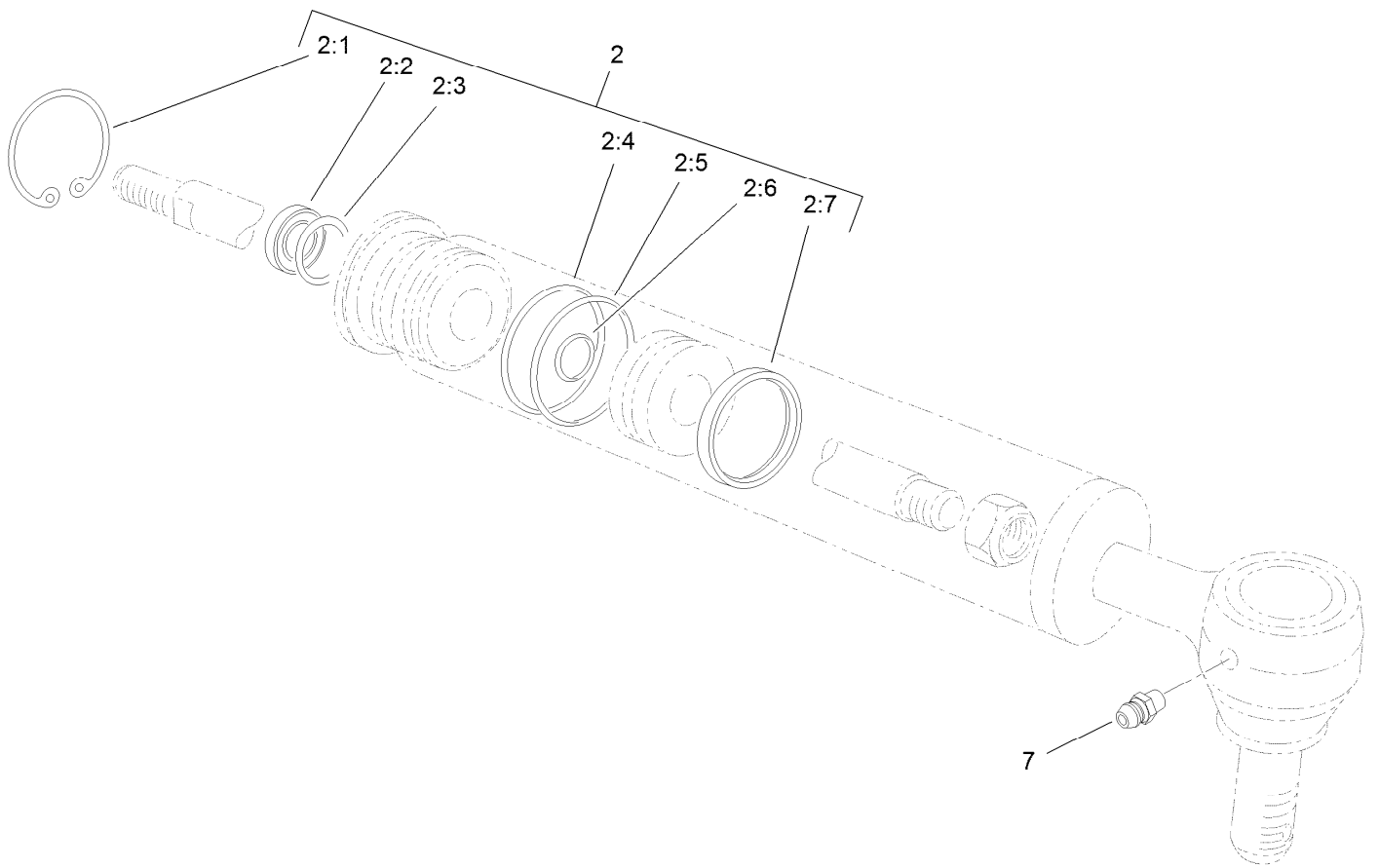
Front Wheel, Tie Rod and Spindle Assembly



Front Wheel, Tie Rod and Spindle Assembly (continued)

<i>Ref.</i>	<i>Part Number</i>	<i>Qty.</i>	<i>Description</i>	<i>Ref.</i>	<i>Part Number</i>	<i>Qty.</i>	<i>Description</i>
1	01-182-0816	2	TAP Bolt-HH	17	87-1480-03	1	End-Tie Rod, RH
2	3217-9	4	Nut-HH	17:3	32136-3	1	Nut-SHH
3	93-6586	4	Bushing	17:4	3272-12	1	Pin-Cotter
4	93-6587	2	Bearing	17:5	302-5	1	Fitting-Grease
5	93-6584	2	King Pin ASM	17:6	107-1587	1	Seal
6	3256-3	2	Washer-Flat	18	117-5897-03	1	Spindle ASM
7	32144-14	2	Screw-HWHTF	19	119-6003	2	Hub ASM
8	121-5087-03	1	Front Axle ASM	19:1	119-6001	1	Hub ASM
9	93-6510	1	Cylinder ASM	19:1:1		1	Hub ●
10	93-6509-03	1	Tie Rod End ASM	19:1:2	254-61	2	Cup-Bearing, Roller
10:1		1	Tie Rod End ●	19:1:3	69-2990	5	Stud-Wheel (Black)
10:1:1	32136-3	1	Nut-SHH	19:2	94-7285	1	Seal
10:1:2	3272-12	1	Pin-Cotter	19:3	254-62	2	Bearing-Roller, Cone
10:1:3	302-5	1	Fitting-Grease	19:4	85-5770	1	Washer-Thrust
10:1:4	106-4901	1	Seal-End, Rod	19:5	3272-18	1	Pin-Cotter
11	117-5899-03	1	LH Spindle Housing ASM	19:6	119-6004	1	Cap-Dust
12	87-1470-03	1	End-Tie Rod, LH	19:7	119-6005	1	Nut-Slotted, Hex
12:3	32136-3	1	Nut-SHH	19:8	242-35	5	Nut-Wheel
12:4	3272-12	1	Pin-Cotter	20	127-1100	2	Wheel And Tire ASM
12:5	302-5	1	Fitting-Grease	20:1	125-5899	1	Wheel
12:6	107-1587	1	Seal	20:2	120-2114	1	Tire
13	3218-21	1	Nut-Jam	20:3	232-27	1	Stem-Valve
14	93-6588	1	Rod-Steering	21	302-5	2	Fitting-Grease
15	3296-57	1	Nut-Lock, NI	22	87-7270	1	Washer-Thrust
16	3220-11	2	Nut-Jam				

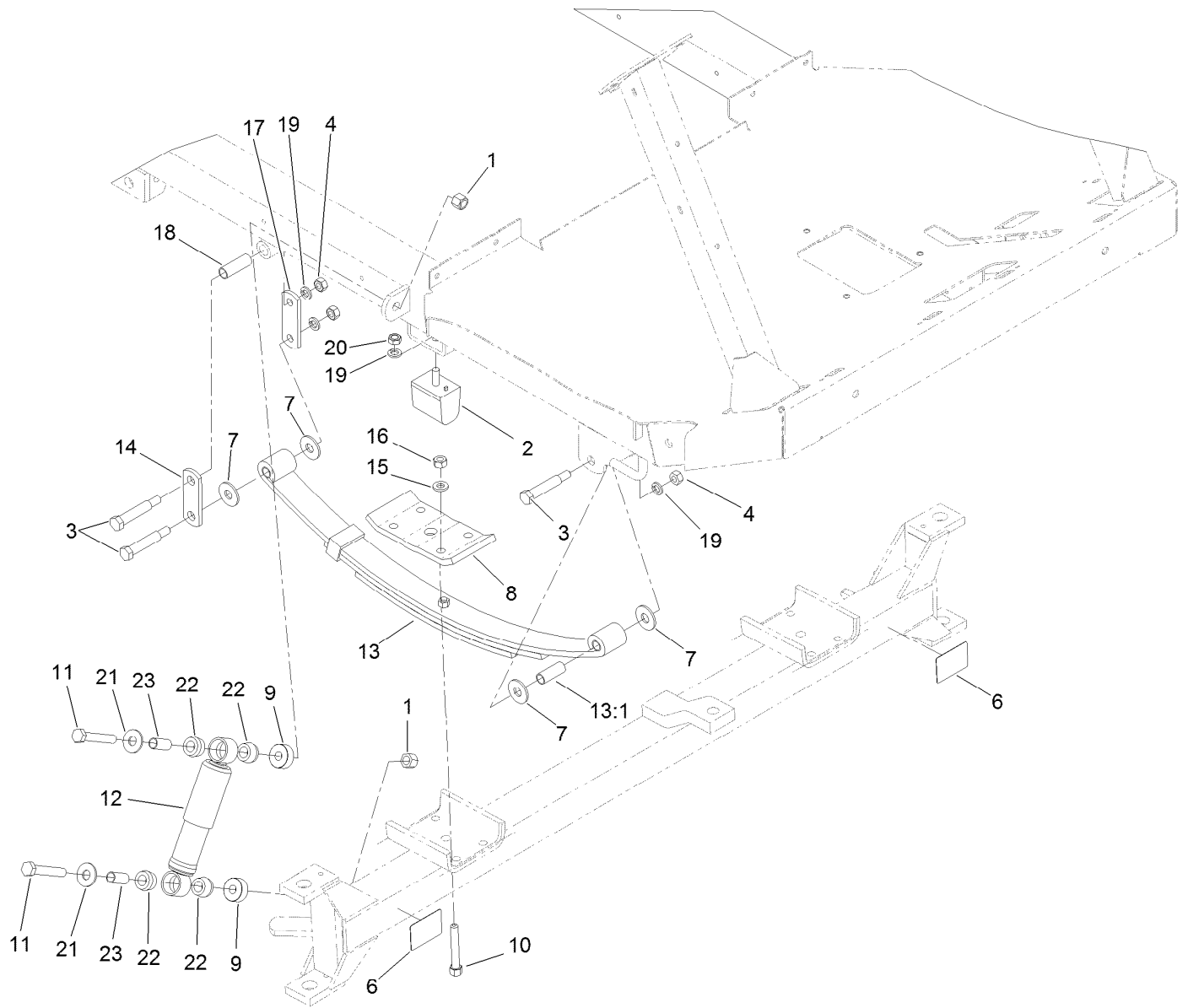
● Not serviced separately



Hydraulic Cylinder Assembly No. 93-6510

<i>Ref.</i>	<i>Part Number</i>	<i>Qty.</i>	<i>Description</i>
2	92-3992	1	Repair Kit
2:1		1	Ring-Retaining ●
2:2		1	Seal-Dust ●
2:3		1	Seal-Rod ●
2:4		1	Ring-Backup ●
2:5		1	O-Ring ●
2:6		1	O-Ring ●
2:7		1	Uniring ●
7	302-5	1	Fitting-Grease

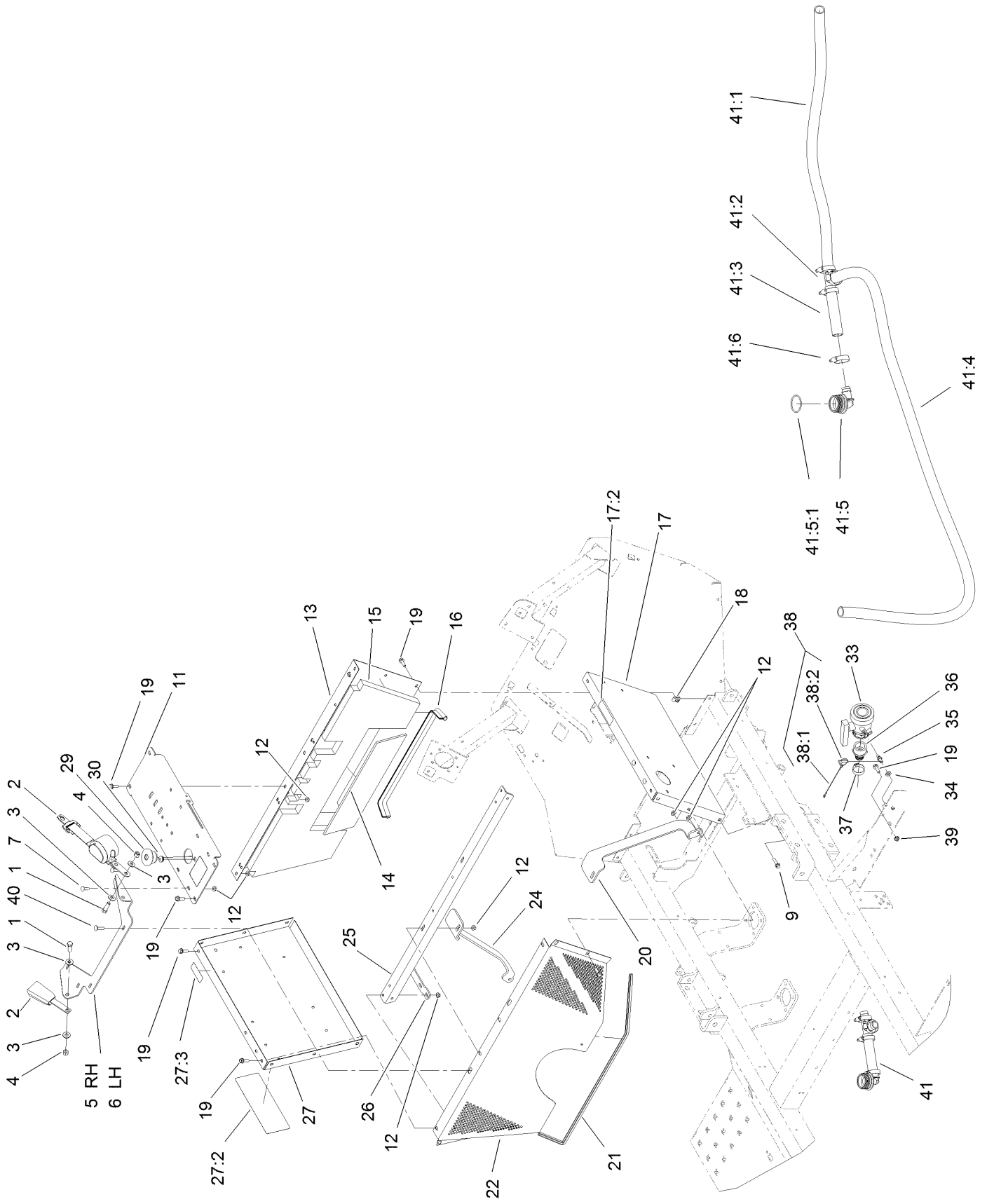
● Not serviced separately



Front Suspension Assembly

Ref.	Part Number	Qty.	Description	Ref.	Part Number	Qty.	Description
1	3296-23	4	Nut-Lock, NI	13:1	119-9437	2	Bushing-Leaf Spring
2	87-3470	2	Bumper-Axle, Rear	14	42574	2	Shackel-Outside
3	110-5072	6	Bolt-Shoulder	15	87-7480	8	Washer
4	3217-8	6	Nut-Hex	16	106-0327	8	Nut-Hex
6	107-8667	2	Decal-Jacking	17	42576	2	Shackel-Inside
7	93-6161	8	Washer	18	42592	2	Bushing-Shackle
8	121-5089-03	2	Plate-Top, Spring	19	3253-6	8	Washer-Lock
9	127-2913	4	Spacer	20	93-6166	2	Nut-Hex
10	26-0672	8	Bolt-Blade	21	3256-6	4	Washer-Flat
11	325-12	4	Screw-HH	22	87-3920	8	Bushing
12	87-3110	2	Absorber-Shock	23	127-2925	4	Sleeve
13	99-0570	2	Spring-Leaf				

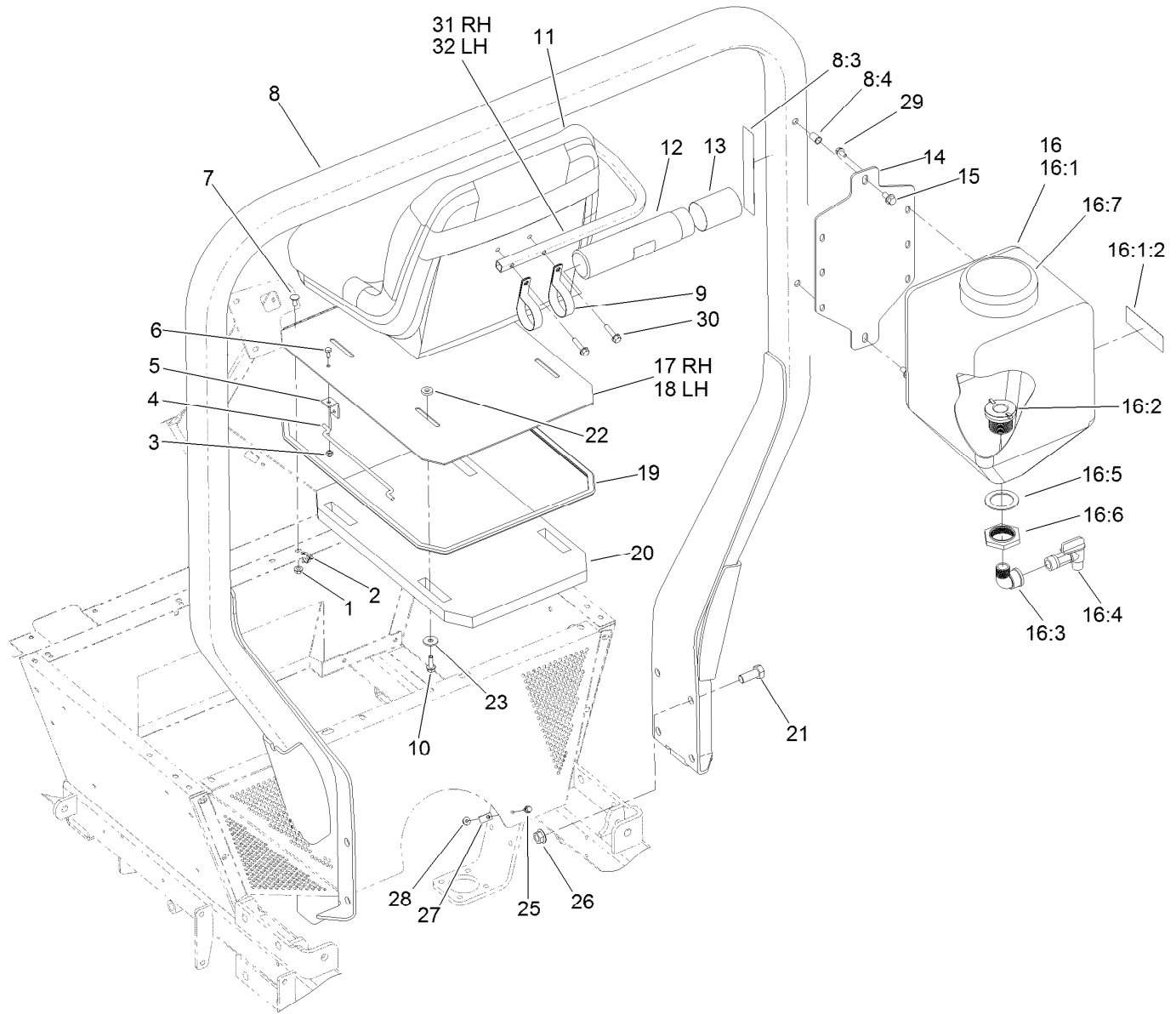
Seat Box Assembly



Seat Box Assembly (continued)

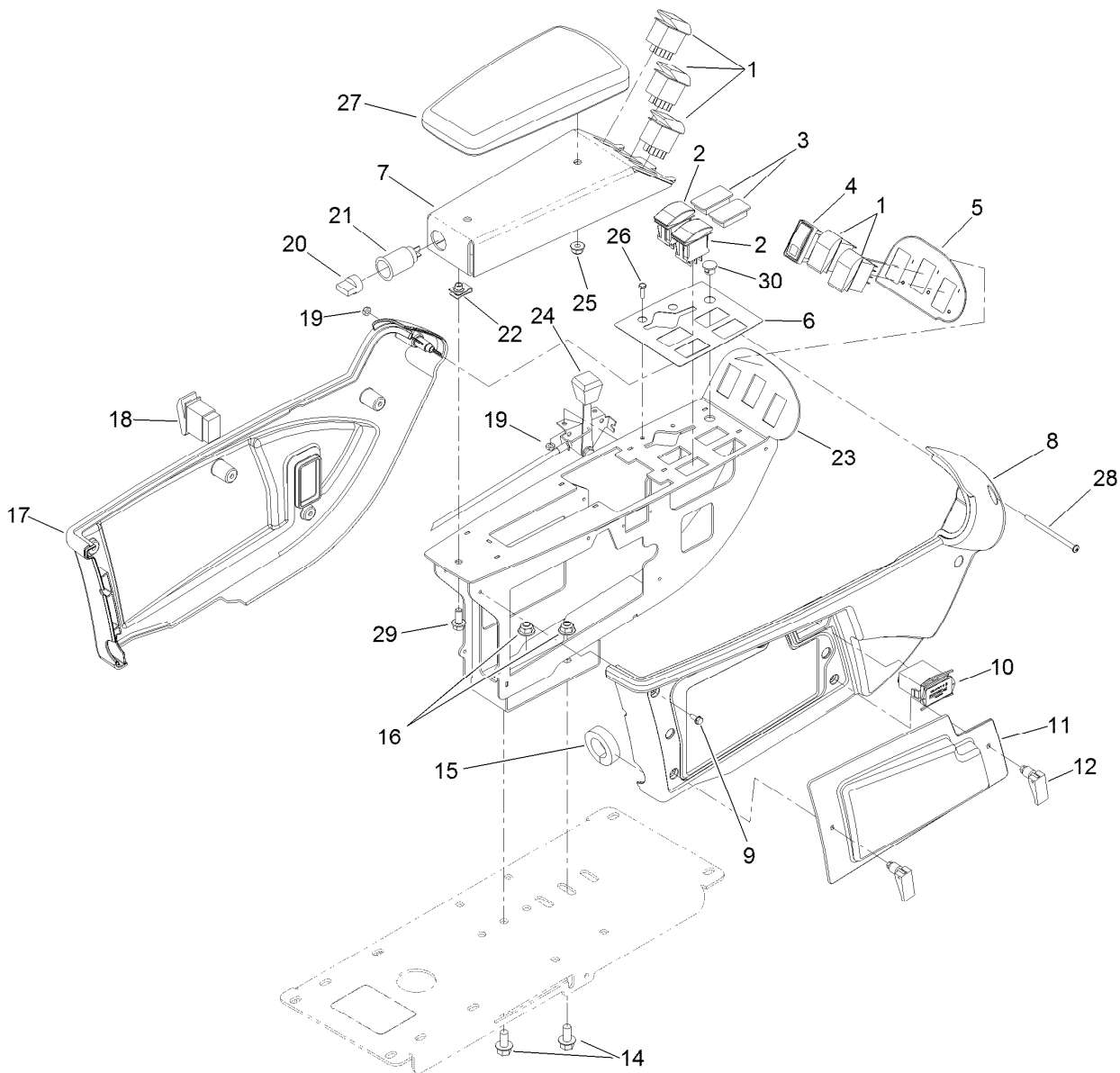
<i>Ref.</i>	<i>Part Number</i>	<i>Qty.</i>	<i>Description</i>	<i>Ref.</i>	<i>Part Number</i>	<i>Qty.</i>	<i>Description</i>
1	324-5	4	Screw-HH	27	121-5091	1	LH Seat Box Panel ASM
2	110-0413	2	Seatbelt-Retractable	27:2	120-0619	1	Decal-Warning
3	3256-4	8	Washer-Flat	27:3	120-0625	1	Decal-Warning, Pinch Point
4	3296-48	4	Nut-Lock, NI	29	32180-033	1	Grommet
5	121-5071-03	1	Bracket-Seat Belt, RH	30	237-141	1	Grommet-Rubber
6	121-5072-03	1	Bracket-Seat Belt, LH	33	108-0069	1	Valve-Ball
7	3230-22	12	Screw-CARR	34	62-1230	2	Washer-Rubber
9	3234-36	2	Screw-HHF	35	112-7900	2	Mount-Peg
11	119-0559-03	1	Base-Console	36	110-5224	1	Fitting-Barbed, Straight
12	32128-20	32	Nut-HF	37	2412-34	1	Clamp-Hose
13	106-5027-01	1	Front Seat Box Panel ASM	38	98-0979	1	Lynch Pin ASM
14	117-5819	1	Noise Barrier-Lower Front	38:1	28-8070	1	Lanyard
15	117-5818	1	Barrier-Noise, Front Panel	38:2	3290-495	1	Pin-Klik
16	95-2178	1	Trim	39	104-8300	2	Nut-Flange, NI
17	121-5090	1	RH Seat Box Panel ASM	40	3230-3	2	Screw-CARR
17:2	120-0625	1	Decal-Warning, Pinch Point	41		1	Drain Hose ASM ●
18	94-2413	4	U-Nut	41:1	120-8566	1	Hose
19	3234-17	21	Screw-HHF	41:2	117-7866	1	Tee-Hosebarb
20	107-8729-03	1	Support-RH	41:3	120-8568	1	Hose
21	106-1998	1	Trim	41:4	120-8567	1	Hose
22	106-5286-03	1	Shroud-Engine	41:5	106-4933	1	Hosebarb ASM
24	107-8730-03	1	Support-LH	41:5:1	100-8637	1	O-Ring
25	119-5025-03	1	Angle-Seat Box	41:6	2412-3	4	Clamp-Hose
26	95-2264	2	Strap				

● Not serviced separately



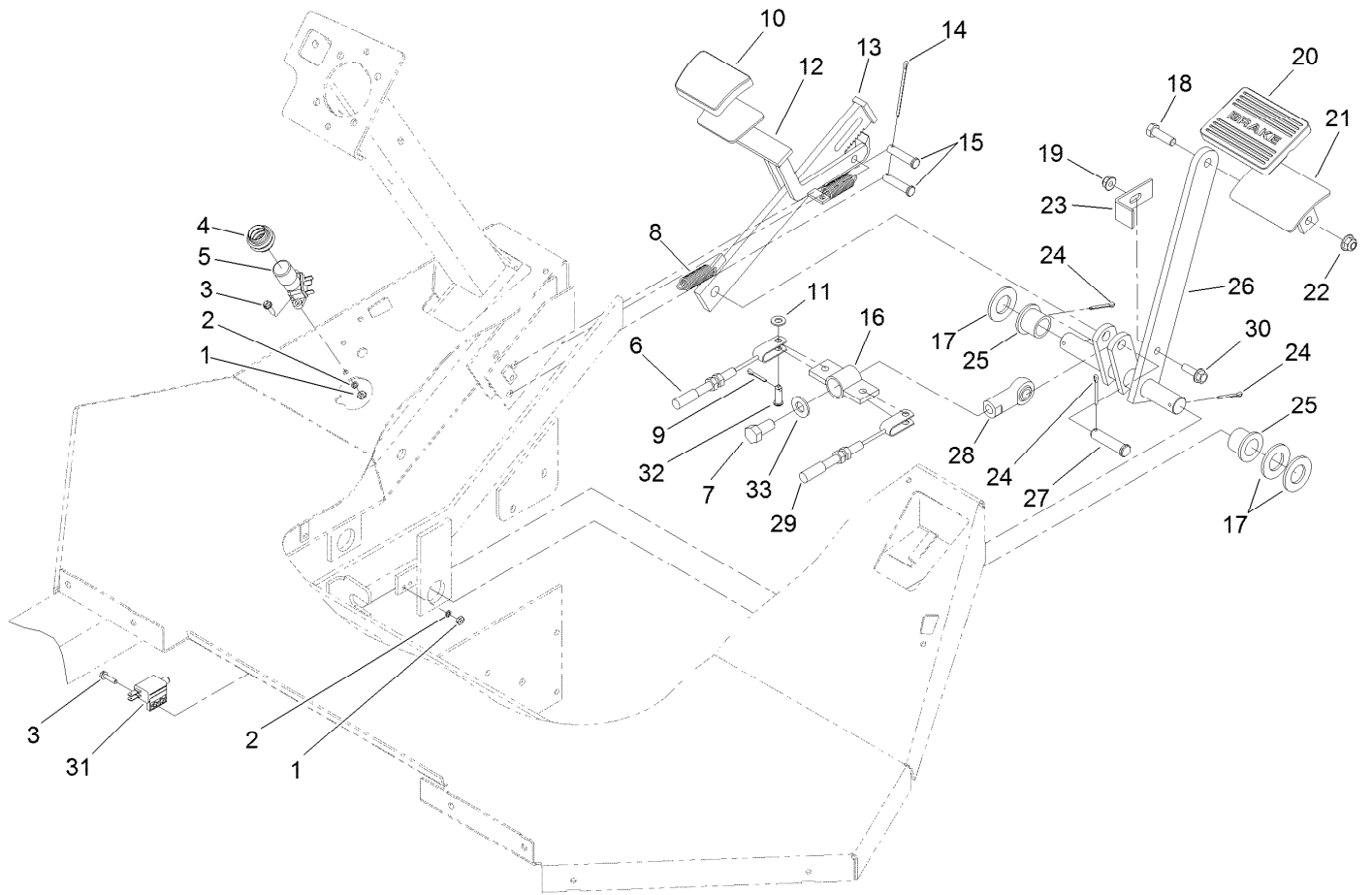
Roll-Over Protection System and Seat Assembly

Ref.	Part Number	Qty.	Description	Ref.	Part Number	Qty.	Description
1	32128-20	4	Nut-HF	16:3	119-0524	1	Elbow
2	3290-379	4	Tie-Cable	16:4	106-4925	1	Spigot-90 DEG
3	3296-42	2	Nut-Lock, NI	16:5	119-0526	1	Bulkhead-Washer
4	94-7204	2	Seat Prop Rod ASM	16:6	119-0525	1	Bulkhead-Nut
5	94-7203	2	Bracket	16:7	99-0613	1	Cap-Tank
6	321-3	2	Screw-HH	17	108-3289-03	1	RH Seat Panel ASM
7	3230-23	4	Screw-CARR	18	108-3288-03	1	LH Seat Panel ASM
8	119-0589	1	ROPS ASM	19	94-7085	2	Trim
8:3	117-4955	1	Decal-Danger, ROPS (Ce)	20	108-3290	2	Barrier-Noise, Seat
8:4	32148-10	2	Insert-Nut	21	327-4	8	Screw-HH
9	2412-133	2	R-Clamp	22	7-0081	6	Washer-Flat
10	33104-025	8	Screw-HHF	23	52-2861	10	Washer
11	112-2923	2	Seat ASM	25	3234-4	1	Screw-HHF
12	104-7050	1	Tube-Manual	26	32128-50	8	Nut-Flange
13	104-7048	1	Cap-Housing	27	2412-72	1	Clip-Closed, Insulated
14	120-0763-03	1	Plate-Fresh Water	28	104-7201	1	Nut-HF
15	3234-1	2	Screw-HHF	29	3234-14	6	Screw-HHF
16	117-7901	1	Fresh Water Tank ASM	30	33104-035	4	Screw-HHF
16:1	127-3983	1	Fresh Water Tank ASM	31	119-0732-03	1	Armrest-RH
16:1:2	120-0616	2	Decal-Fresh Water	32	119-0731-03	1	Armrest-LH
16:2	117-7998	1	Bulkhead				



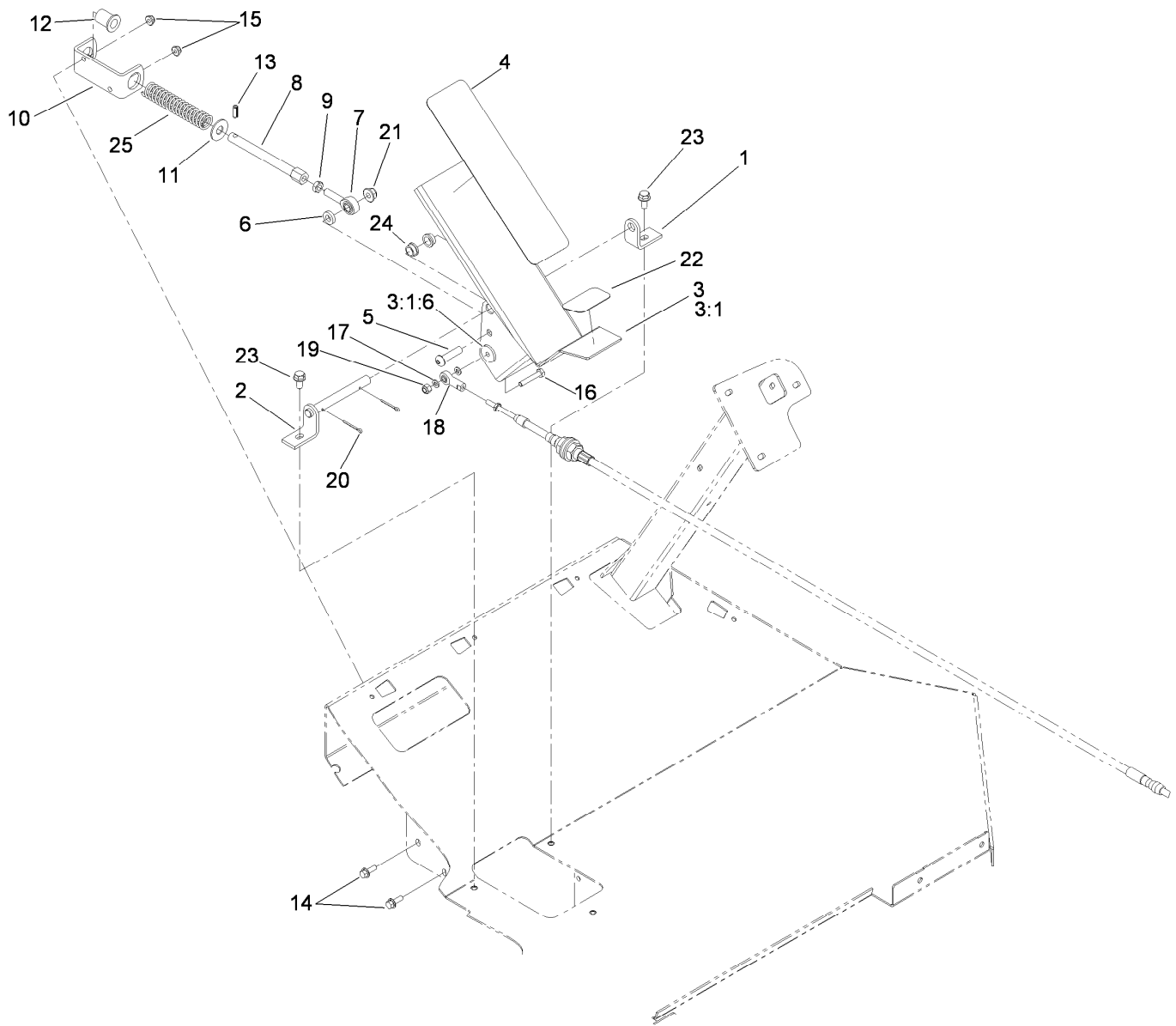
Console Assembly

<i>Ref.</i>	<i>Part Number</i>	<i>Qty.</i>	<i>Description</i>	<i>Ref.</i>	<i>Part Number</i>	<i>Qty.</i>	<i>Description</i>
1	100-8490	5	Switch-Rocker	17	108-7604	1	Cover-LH
2	100-1535	2	Switch	18	95-8999	1	Switch
3	99-7420	2	Plug-Hole	19	3296-2	3	Nut-Lock, NI
4	104-9007	1	Switch-Rocker	20	99-7416	1	Cap
5	119-0568	1	Decal-Console, Upper	21	99-7411	1	Point-Power
6	119-0567	1	Decal-Console, Lower	22	112-3306	1	Nut
7	117-0777-03	1	Panel-Arm	23	117-0770-03	1	Front Console Arm ASM
8	108-7605	1	Cover-RH	24	119-0564	1	Control-Throttle
9	32144-112	10	Screw-HWH	25	104-8300	2	Nut-Flange, NI
10	1-513374	1	Meter-Hour	26	32105-13	2	Screw-HWH
11	108-7616	1	Panel-Access	27	108-7602	1	Rest-Arm
12	74-5950	2	Latch-Swell	28	3250-22	1	Screw-PPH
14	3234-1	2	Screw-HHF	29	3234-47	1	Screw-HHF
15	110-8912	1	Seal-Foam	30	119-5329	1	Plug-Hole
16	104-8301	2	Nut-Flange, NI				



Brake Pedal Assembly

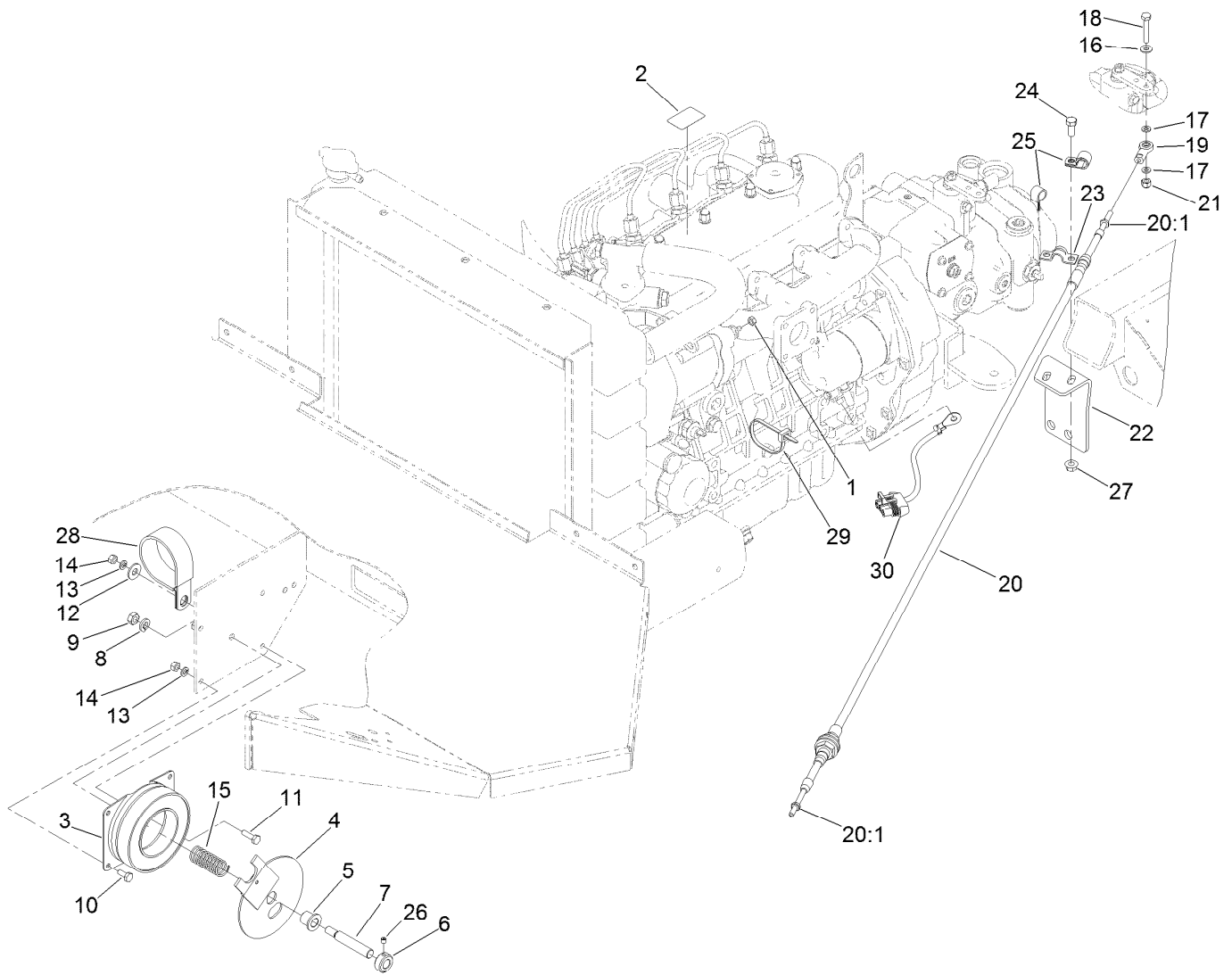
Ref.	Part Number	Qty.	Description	Ref.	Part Number	Qty.	Description
1	3217-26	4	Nut-Hex	18	323-7	1	Screw-HH
2	3253-17	4	Washer-Lock	19	104-8300	1	Nut-Flange, NI
3	32105-13	4	Screw-HWH	20	7-3900	1	Pad-Brake
4	110-5130	1	Bellow-Switch	21	100-8422-03	1	Pedal Bracket ASM
5	110-5189	1	Switch-Floor	22	104-8301	1	Nut-Flange, NI
6	119-9364	1	Cable-Brake, LH	23	93-6592-03	1	Bracket
7	3213-1	1	Screw-HH	24	3272-12	3	Pin-Cotter
8	92-0417	2	Spring-EXT	25	94-7164	2	Bearing
9	3272-10	2	Pin-Cotter	26	93-6589	1	Brake Shaft ASM
10	42719	1	Pad-Pedal	27	42195	1	Pin-Clevis
11	3256-23	2	Washer-Flat	28	522087	1	Rod-End
12	93-6599-03	1	Catch ASM	29	119-9365	1	Cable-Brake, RH
13	93-6598-03	1	Brake Strap ASM	30	3234-17	1	Screw-HHF
14	3272-53	1	Pin-Cotter	31	1-513051	1	Switch-Open, Normally
15	283-15	2	Pin-Clevis	32	283-58	2	Pin-Clevis
16	93-6595	1	Brake Equalizer ASM	33	3256-26	1	Washer-Flat
17	3256-29	3	Washer-Flat				



Traction Pedal Assembly

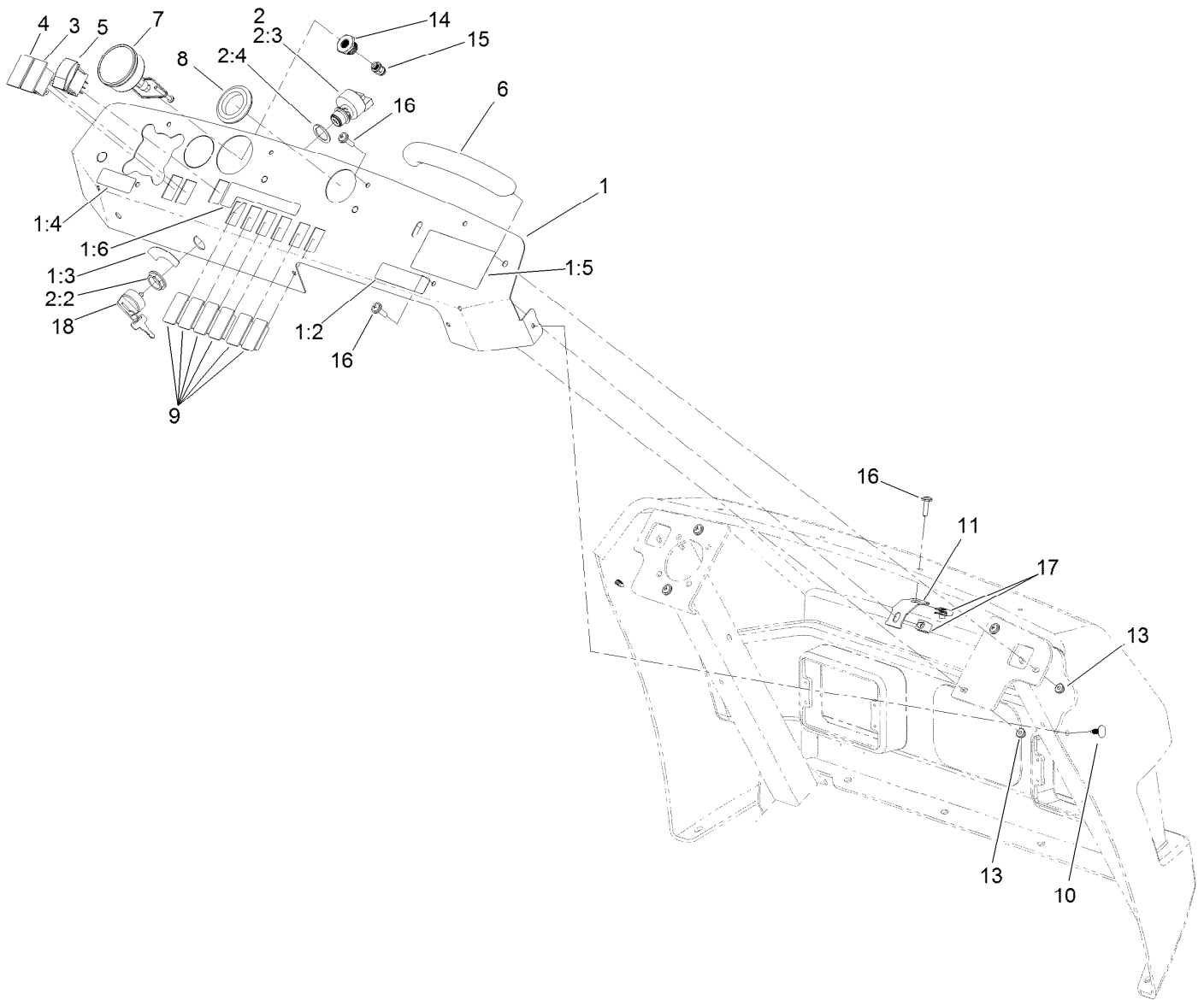
Ref.	Part Number	Qty.	Description	Ref.	Part Number	Qty.	Description
1	92-0450-03	1	Bracket-Pin	13	32121-11	1	Pin-Roll
2	92-0448	1	Pivot Pin ASM	14	3234-4	2	Screw-HHF
3	106-5247-03	1	Traction Pedal ASM	15	104-7201	2	Nut-HF
3:1		1	Traction Pedal ●	16	321-9	1	Screw-HH
3:1:6	106-5248	1	Spacer	17	33093-00	2	Washer-Flat
4	71-0440	1	Abrasive-Pedal	18	2411-41	1	Rod End-Ball Joint
5	95-3857	1	Screw-HSBH	19	3296-42	1	Nut-Lock, NI
6	80-7730	1	Spacer	20	3272-7	2	Pin-Cotter
7	2411-36	1	Bearing-End, Rod	21	104-8301	1	Nut-Flange, NI
8	92-7609	1	Shaft-Spring	22	71-0450	1	Abrasive-Pedal, Rear
9	3220-3	1	Nut-HJ	23	3234-14	2	Screw-HHF
10	92-7608-03	1	Bracket-Spring	24	256-156	2	Bushing-Flange
11	3256-5	1	Washer-Flat	25	84-9100	1	Spring
12	92-7610	1	Retainer-Spring				

● Not serviced separately



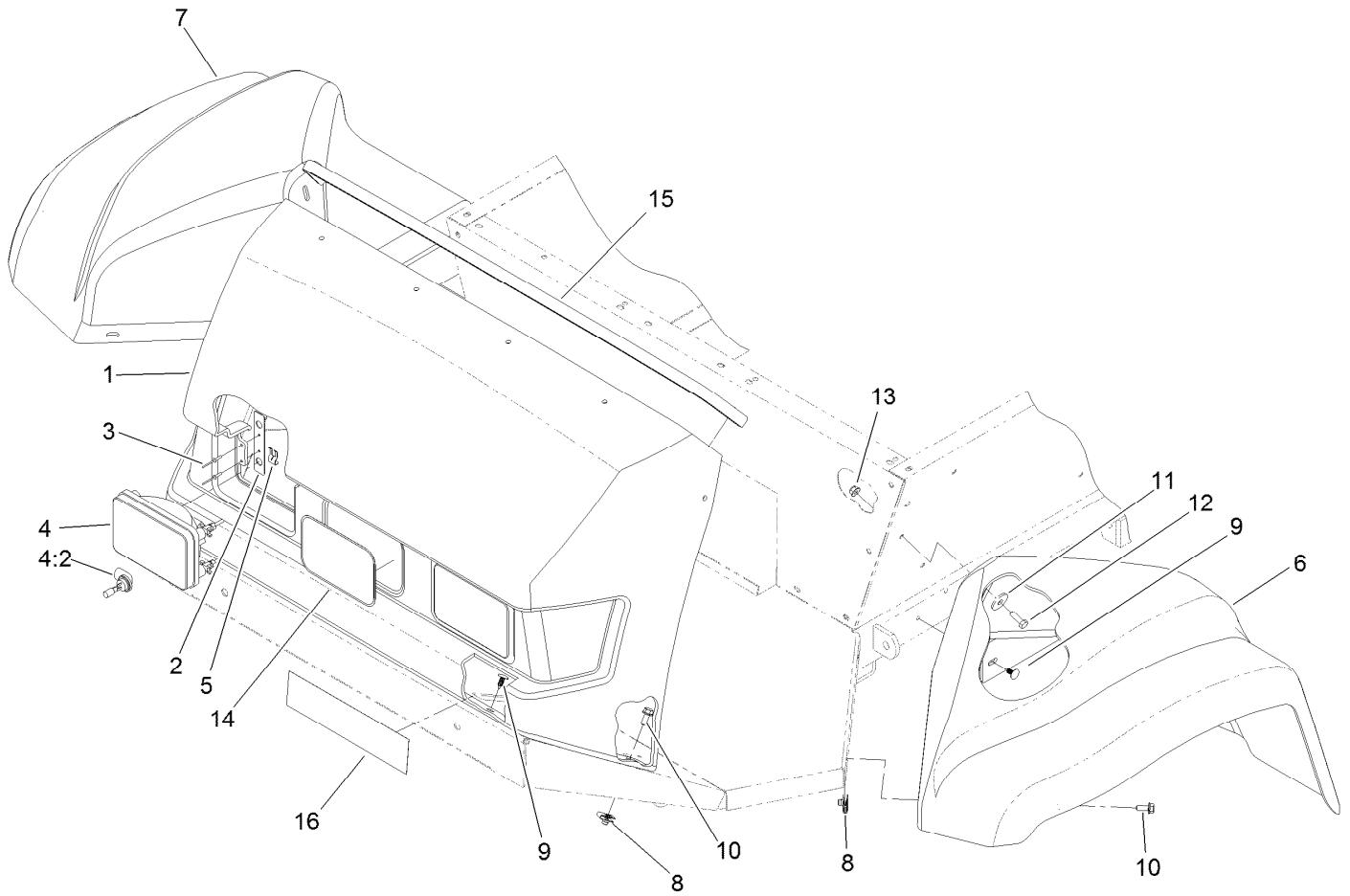
Accelerator Assembly

Ref.	Part Number	Qty.	Description	Ref.	Part Number	Qty.	Description
1	33013-00	1	Nut-Hex	17	33093-00	2	Washer-Flat
2	106-5517	1	Decal-Warning, Hot Surface	18	321-9	1	Screw-HH
3	42-1720	1	Field Core Coil ASM	19	2411-41	1	Rod End-Ball Joint
4	43-6110-03	1	Plate-Clutch	20	106-5233	1	Cable-Traction
5	256-273	1	Bushing-Flange	20:1	3220-1	2	Nut-Jam
6	43-6320	1	Collar	21	3296-42	1	Nut-Lock, NI
7	69-9170	1	Shaft-Cruise	22	119-9359	1	Bracket-Cable, Rear
8	3253-5	1	Washer-Lock	23	93-2092	1	Clamp-Cable
9	3217-7	1	Nut-Hex	24	322-3	2	Screw-HH
10	321-3	3	Screw-HH	25	2412-93	2	Clamp-R
11	321-5	1	Screw-HH	26	3245-32	1	Screw-HSH
12	3256-3	1	Washer-Flat	27	32128-20	2	Nut-HF
13	3253-3	4	Washer-Lock	28	2412-102	1	Clamp-R
14	3217-5	4	Nut-Hex	29	3290-378	1	Tie-Cable
15	43-6200	1	Spring-Compression	30	99-3441	1	Harness-Wire, Fusible Link
16	3256-22	1	Washer-Flat				



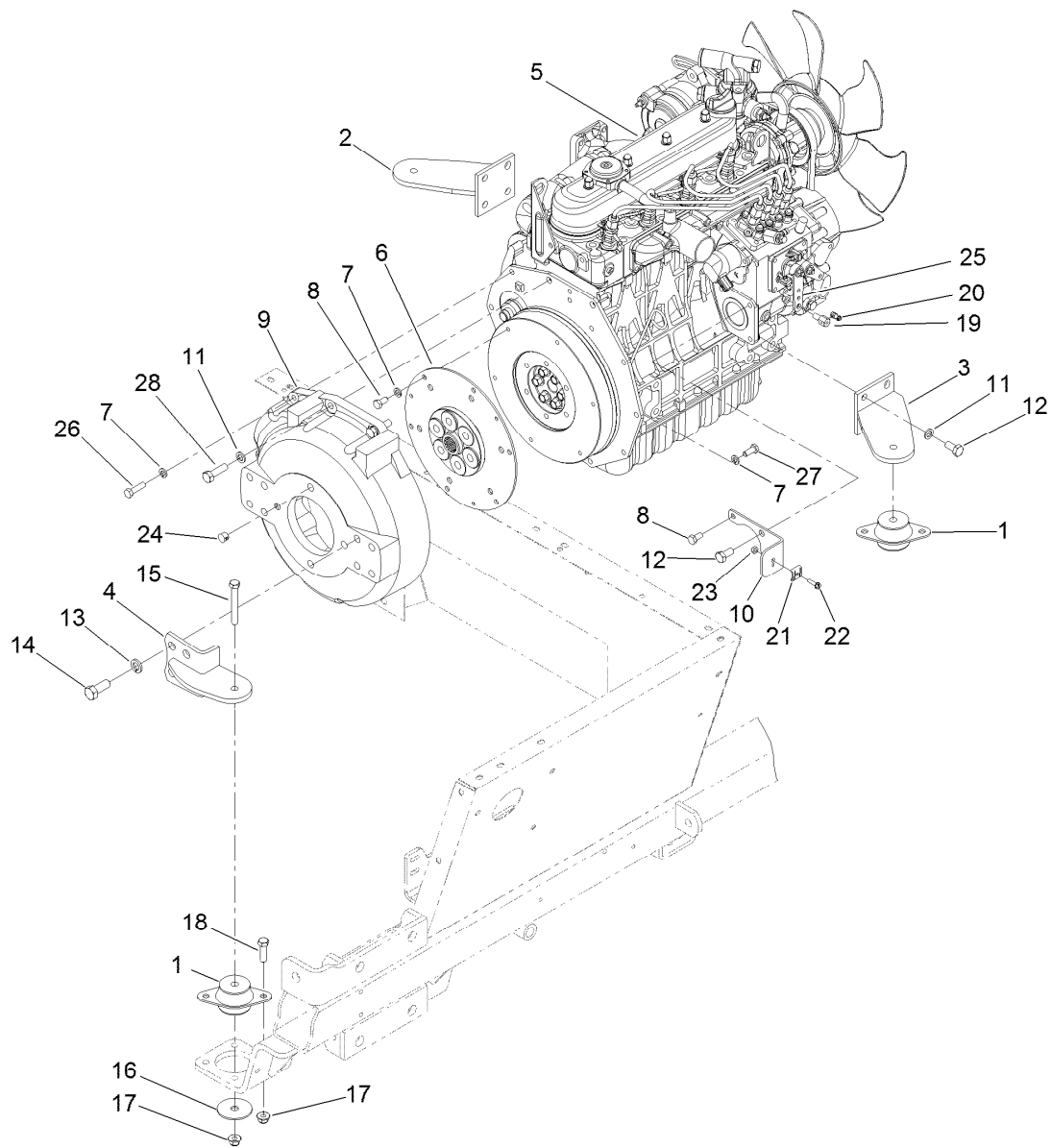
Dash Assembly

<i>Ref.</i>	<i>Part Number</i>	<i>Qty.</i>	<i>Description</i>	<i>Ref.</i>	<i>Part Number</i>	<i>Qty.</i>	<i>Description</i>
1	120-8529	1	Dash Panel ASM	5	100-1535	1	Switch
1:2	117-2718	1	Decal-Arrester, Spark	6	117-4948	1	Handle-Grab
1:3	119-6035	1	Decal-Ignition Switch	7	120-8546	1	Gauge-Pressure
1:4	107-8722	1	Decal-Instructions, Parking Brake	8	40764	1	Grommet
1:5	120-0624	1	Decal-Warning, Passenger	9	99-7420	6	Plug-Hole
1:6	120-0759	1	Decal-Switch	10	117-2382	2	Plug-Plastic
2	106-5269	1	Ignition Switch ASM	11	117-0735	4	Bracket-Hood
2:2	108-8660	1	Nut-Mounting	13	104-7201	4	Nut-HF
2:3	106-5270	1	Ignition Key Set	14	100-8665	1	Reducer-Gauge, Pressure
2:4	108-8659	1	Washer-Backup	15	100-8667	1	Coupler-Reducer
3	100-8071	1	Lamp-Warning	16	110-9361	10	Screw-PPH, Sems
4	100-8070	1	Lamp-Warning	17	107069	8	Clip
				18	106-5270	1	Ignition Key Set



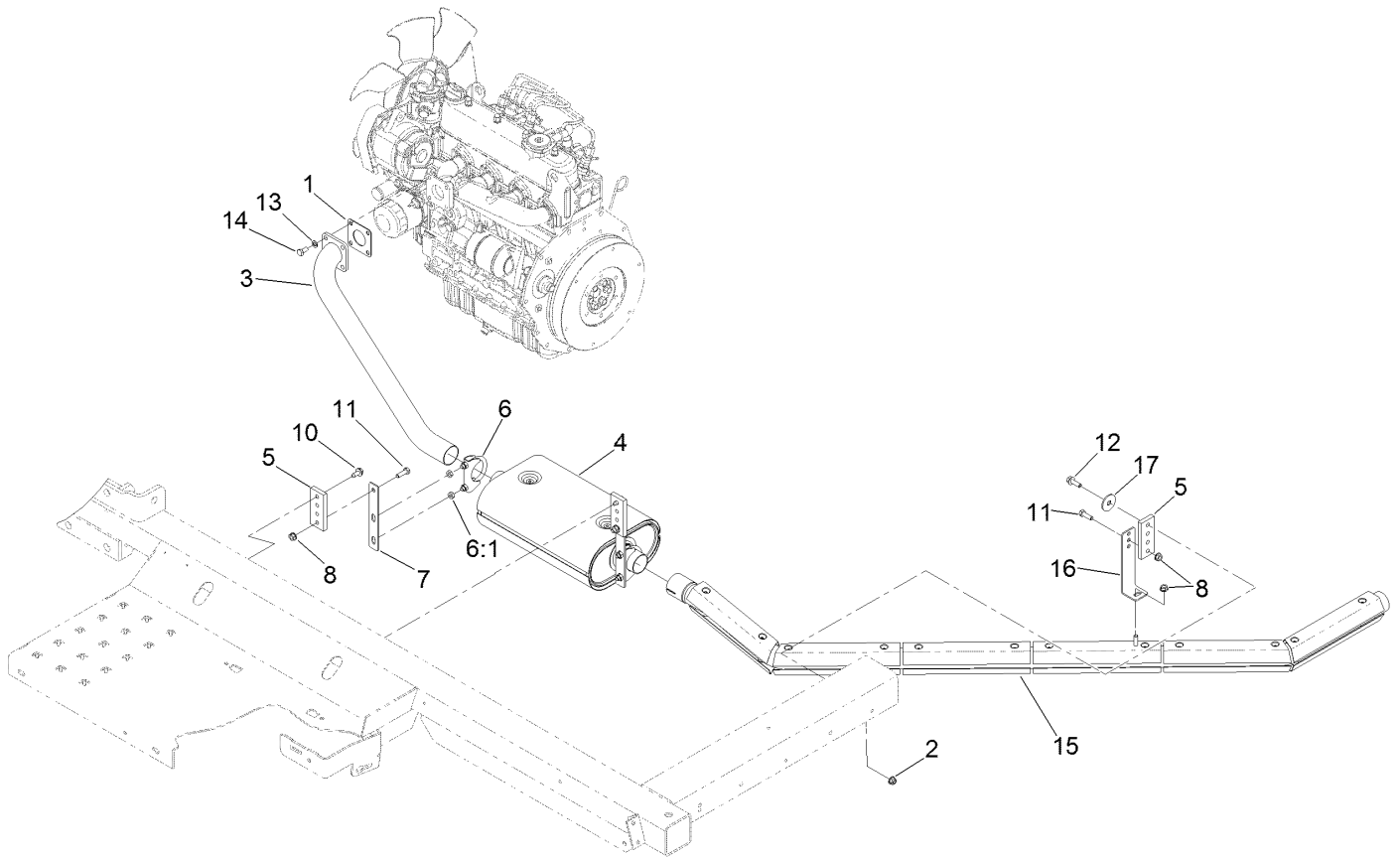
Dash, Fender and Headlight Assembly

<i>Ref.</i>	<i>Part Number</i>	<i>Qty.</i>	<i>Description</i>	<i>Ref.</i>	<i>Part Number</i>	<i>Qty.</i>	<i>Description</i>
1	117-0793	1	Hood	9	117-2382	8	Plug-Plastic
2	117-5832	4	Bracket-Headlight	10	3234-47	6	Screw-HHF
3	3290-274	8	Rivet-Pop	11	63-8410	2	Washer
4	114-8322	2	Headlight ASM	12	322-5	2	Screw-HH
4:2	115-2395	1	Light Bulb ASM	13	104-8300	2	Nut-Flange, NI
5	115-2408	6	Clip-Speed	14	62-5550	1	Decal
6	119-0417	1	Fender-Full, LH	15	119-0504	1	Trim-Hood
7	119-0418	1	Fender-Full, RH	16	119-5041	1	Decal
8	94-2413	6	U-Nut				



Engine Mounting Assembly

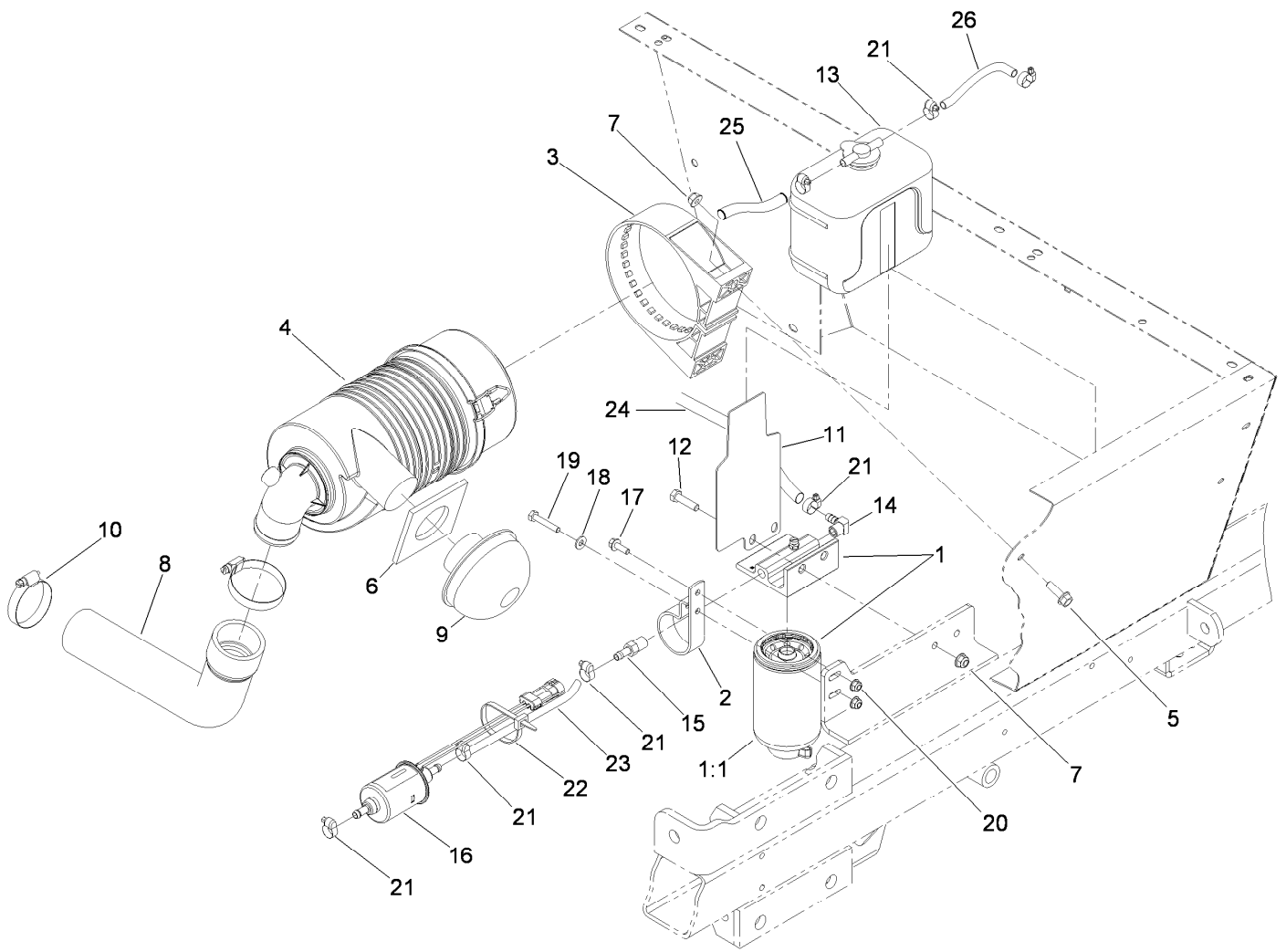
<i>Ref.</i>	<i>Part Number</i>	<i>Qty.</i>	<i>Description</i>	<i>Ref.</i>	<i>Part Number</i>	<i>Qty.</i>	<i>Description</i>
1	53-9680	4	Mount-Engine	15	323-13	4	Screw-HH
2	117-0667-03	1	Bracket-LH	16	87-5100	4	Washer-Snubbing
3	117-0666-03	1	Bracket-RH	17	104-8301	12	Nut-Flange, NI
4	117-0669-03	2	Bracket-Mount, Rear	18	323-7	8	Screw-HH
5	125-2167	1	Engine-Kubota, V1505	19	98-9311	1	Swivel-Throttle
6	92-0285	1	Coupling ASM	20	112-9919	1	Stop-Cable, Throttle
7	3253-4	14	Washer-Lock	21	81-1690	1	Clamp-Cable
8	99-5132	7	Bolt	22	32105-13	1	Screw-HWH
9	105-0100	1	Flywheel Housing ASM	23	3296-2	1	Nut-Lock, NI
10	110-9009-03	1	Bracket-Cable, Throttle	24	119-6039	2	Plug-Plastic
11	48-9590	10	Washer-Lock	25	3296-20	1	Nut-Lock, NI
12	63-7790	9	Screw-Cap	26	33114-030	6	Screw-HH
13	3253-7	8	Washer-Lock	27	33114-020	2	Screw-HH
14	325-5	8	Screw-HH	28	56-2140	2	Screw-HH



Exhaust System Assembly

<i>Ref.</i>	<i>Part Number</i>	<i>Qty.</i>	<i>Description</i>
1	99-8343	1	Gasket-Muffler
2	104-8300	1	Nut-Flange, NI
3	117-7950	1	Manifold-Exhaust
4	120-8536	1	Muffler
5	117-0744	3	Hanger-Muffler
6	2112-6	2	Clamp-Muffler
6:1	3218-2	2	Nut-Jam
7	119-0503	2	Hanger-Muffler
8	32128-25	4	Nut-HF

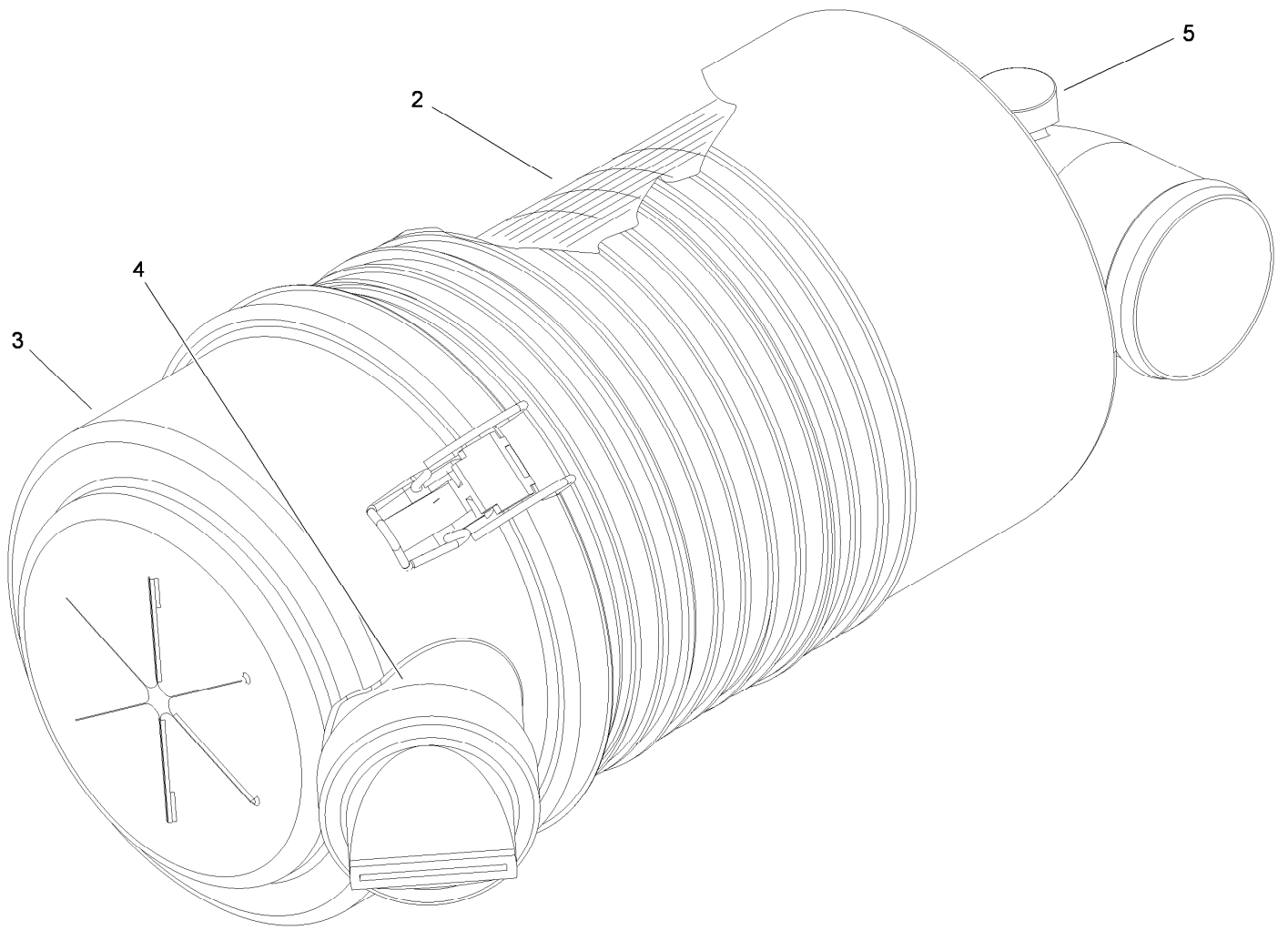
<i>Ref.</i>	<i>Part Number</i>	<i>Qty.</i>	<i>Description</i>
10	32104-32	2	Screw-HWH
11	322-5	3	Screw-HH
12	119-4036	1	Screw-HHF
13	3253-4	4	Washer-Lock
14	33114-016	4	Screw-HH
15	120-8535	1	Pipe-Tail
16	120-8557	1	Bracket-Hanger
17	3256-82	1	Washer-Flat



Air Cleaner and Reservoir Assembly

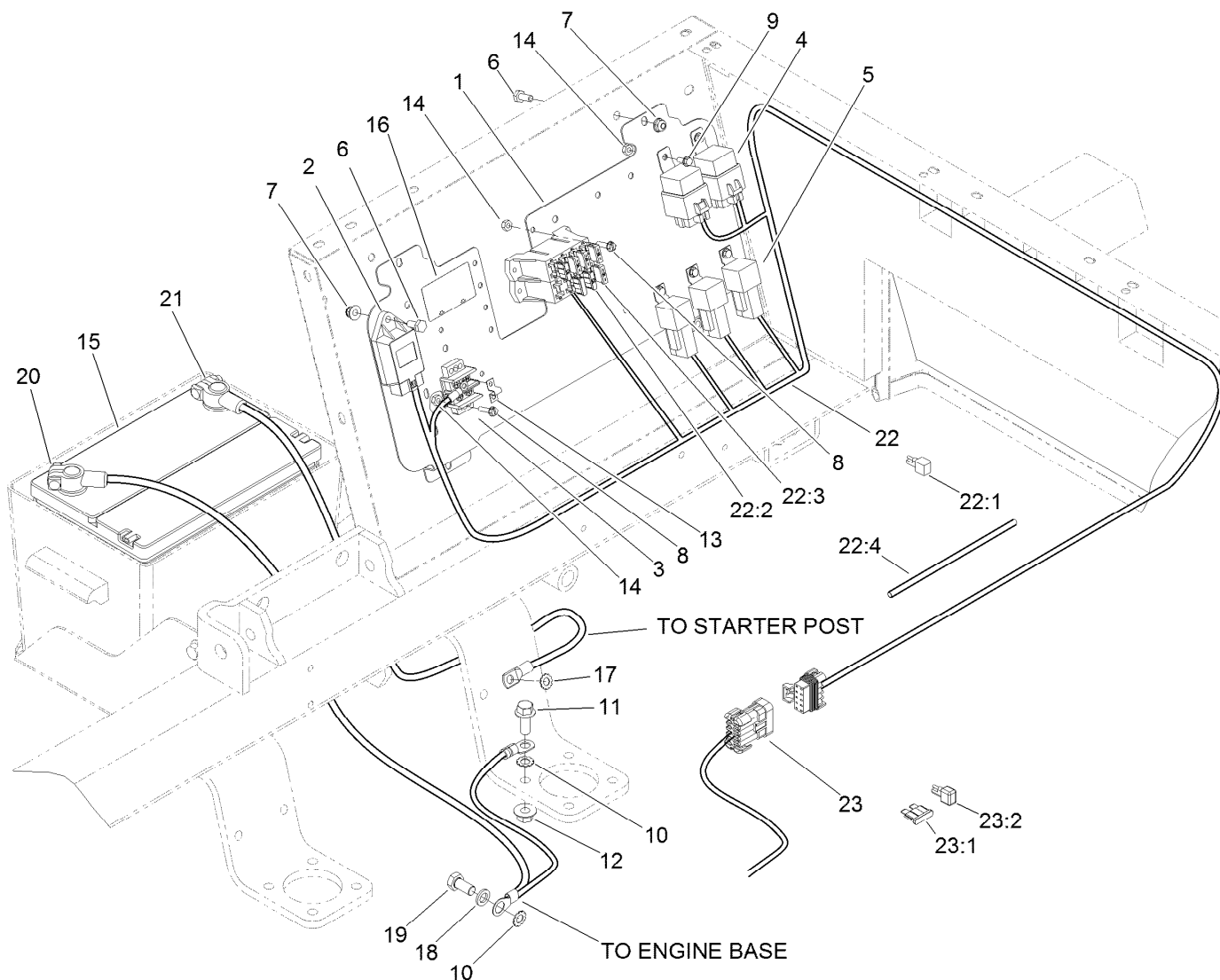
Ref.	Part Number	Qty.	Description
1	110-9044	1	Seperator Filter ASM
1:1	110-9049	1	Filter-Spin On
2	110-8817	1	Bracket-Pump, Fuel
3	98-4525	1	Bracket-Cleaner, Air
4	106-5277	1	Air Cleaner ASM
5	3234-17	2	Screw-HHF
6	94-7280	1	Seal-Foam, Air Cleaner
7	104-8300	4	Nut-Flange, NI
8	106-5241	1	Hose-Cleaner, Air
9	27-7180	1	Cap ASM
10	2412-130	2	Clamp-Hose
11	110-5091-03	1	Bracket-Reservoir
12	322-6	2	Screw-HH
13	104-9318	1	Bottle-Overflow

Ref.	Part Number	Qty.	Description
14	353-781	1	Fitting-Elbow
15	353-783	1	Fitting-Straight
16	110-8806	1	Pump-Fuel
17	3234-4	1	Screw-HHF
18	3256-22	1	Washer-Flat
19	321-9	1	Screw-HH
20	104-7201	2	Nut-HF
21	2412-108	9	Clamp-Worm
22	3290-378	1	Tie-Cable
23	110-0462	1	Hose-Fuel
24	110-4107	1	Hose-Fuel
25	109-0309	1	Hose-Fuel
26	106-1126	1	Hose-Fuel



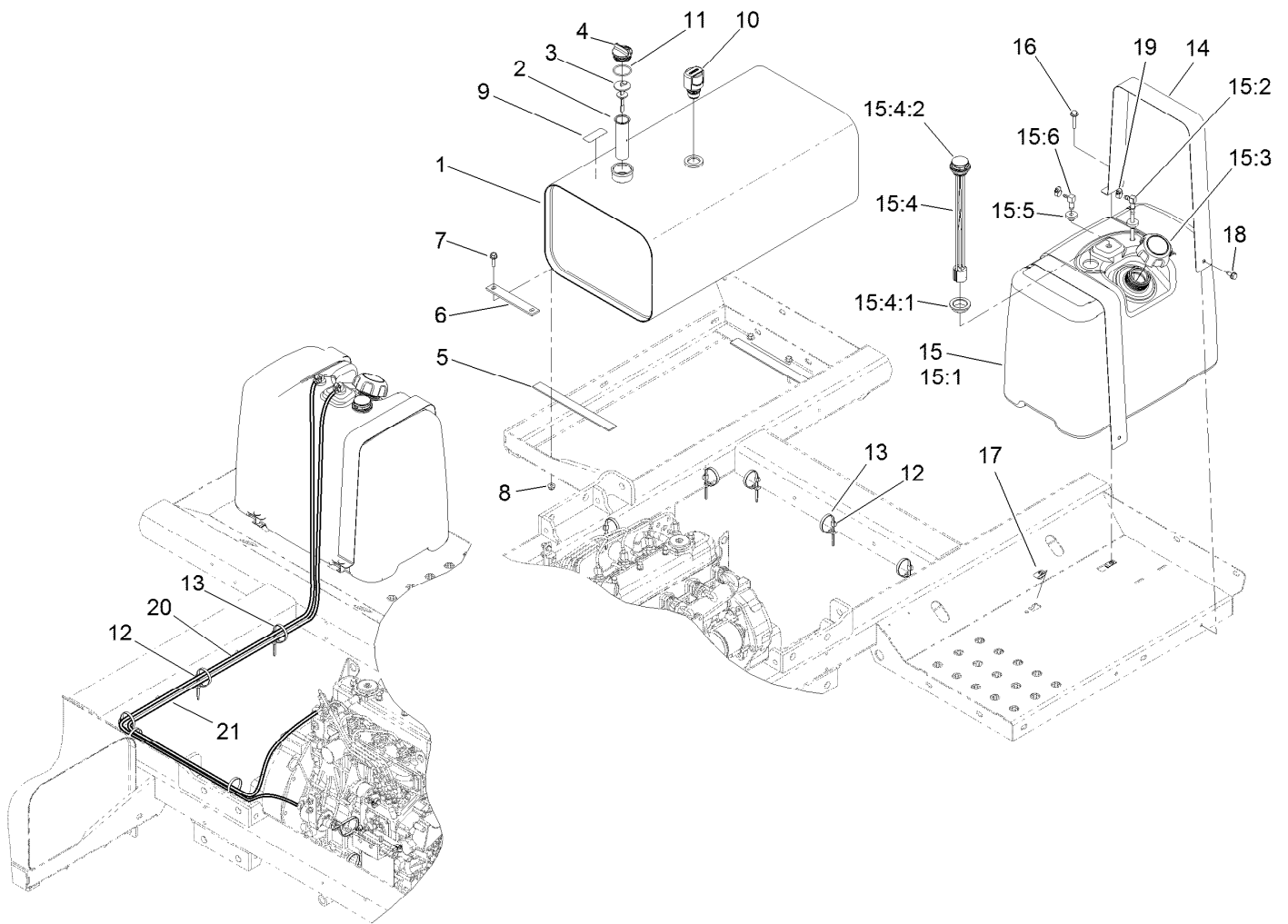
Air Cleaner Assembly No. 106-5277

<i>Ref.</i>	<i>Part Number</i>	<i>Qty.</i>	<i>Description</i>
2	108-3810	1	Filter-Air
3	98-9771	1	Cover ASM
4	87-9400	1	Valve-Vacuator
5	285-17	1	Plug-Pipe



Electrical Assembly

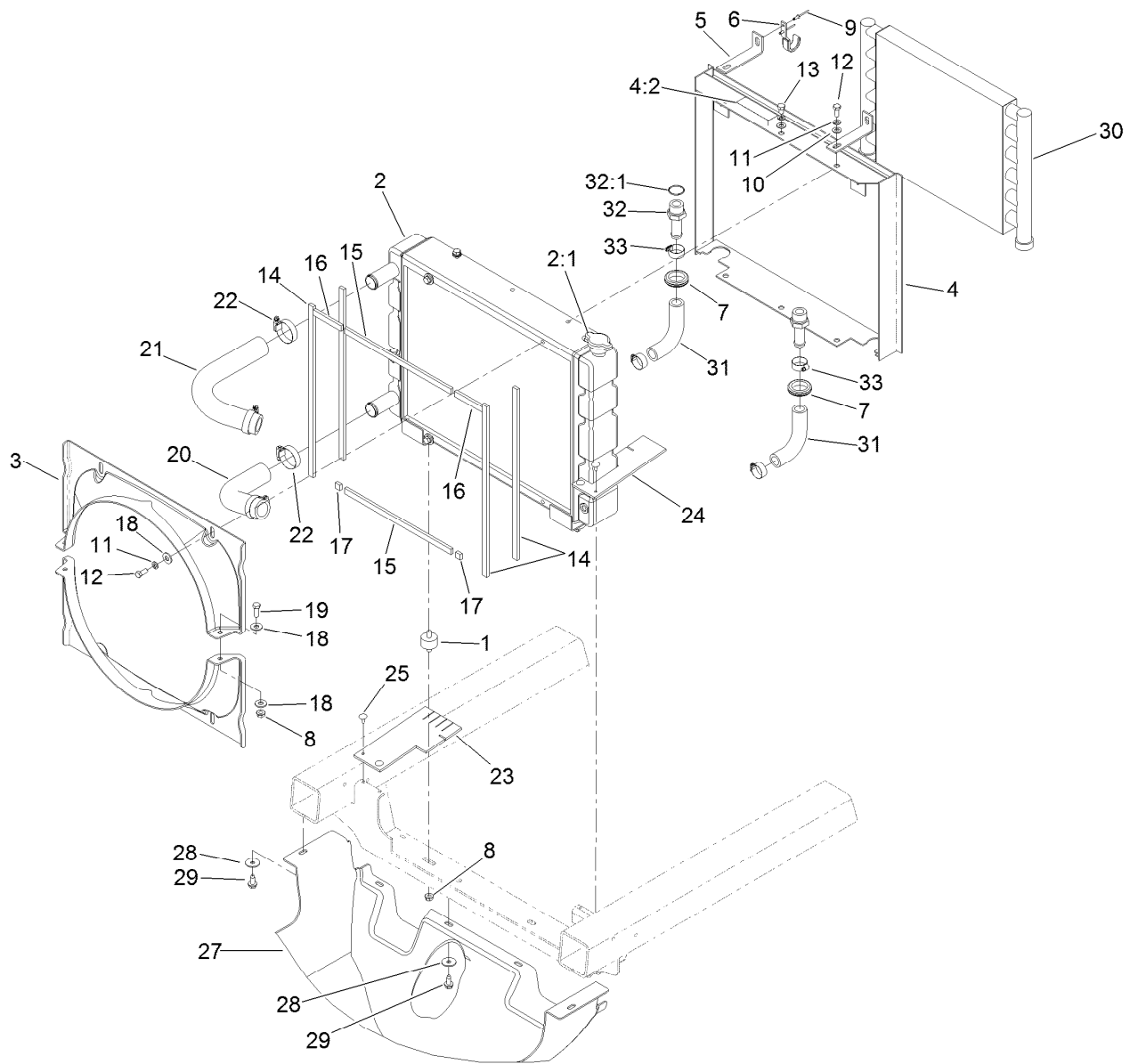
<i>Ref.</i>	<i>Part Number</i>	<i>Qty.</i>	<i>Description</i>	<i>Ref.</i>	<i>Part Number</i>	<i>Qty.</i>	<i>Description</i>
1	121-5067-01	1	Panel-Electrical	16	119-5046	1	Decal-Fuses, Ce
2	98-7611	1	Controller-Glow	17	3255-8	1	Washer-Lock
3	42862	1	Block-Terminal, Ground	18	48-9590	1	Washer-Lock
4	99-7430	2	Relay	19	63-7790	1	Screw-Cap
5	99-7435	3	Relay-Power	20	120-0615	1	Cable-Battery, Negative
6	321-3	5	Screw-HH	21	105-0114	1	Cable-Battery, Positive
7	104-7201	5	Nut-HF	22	119-1794	1	Harness-Front
8	32105-13	6	Screw-HWH	22:1	100-4918	3	Diode-Over Molded
9	3290-321	5	Screw-HWH	22:2	218-578	2	Fuse-Blade, 10 Amp
10	3255-9	2	Washer-Lock	22:3	109355	5	Fuse-Blade, 15 Amp
11	3234-11	1	Screw-HHF	22:4	106-4985	1	Tube-Pressure
12	32128-43	1	Nut-Flange	23	119-1795	1	Harness-Rear
13	42863	1	Strip-Jumper	23:1	110928	6	Fuse-Blade, 5 Amp
14	3296-2	11	Nut-Lock, NI	23:2	100-4918	7	Diode-Over Molded
15	106-5190	1	Battery-Dry				



Fuel System Assembly

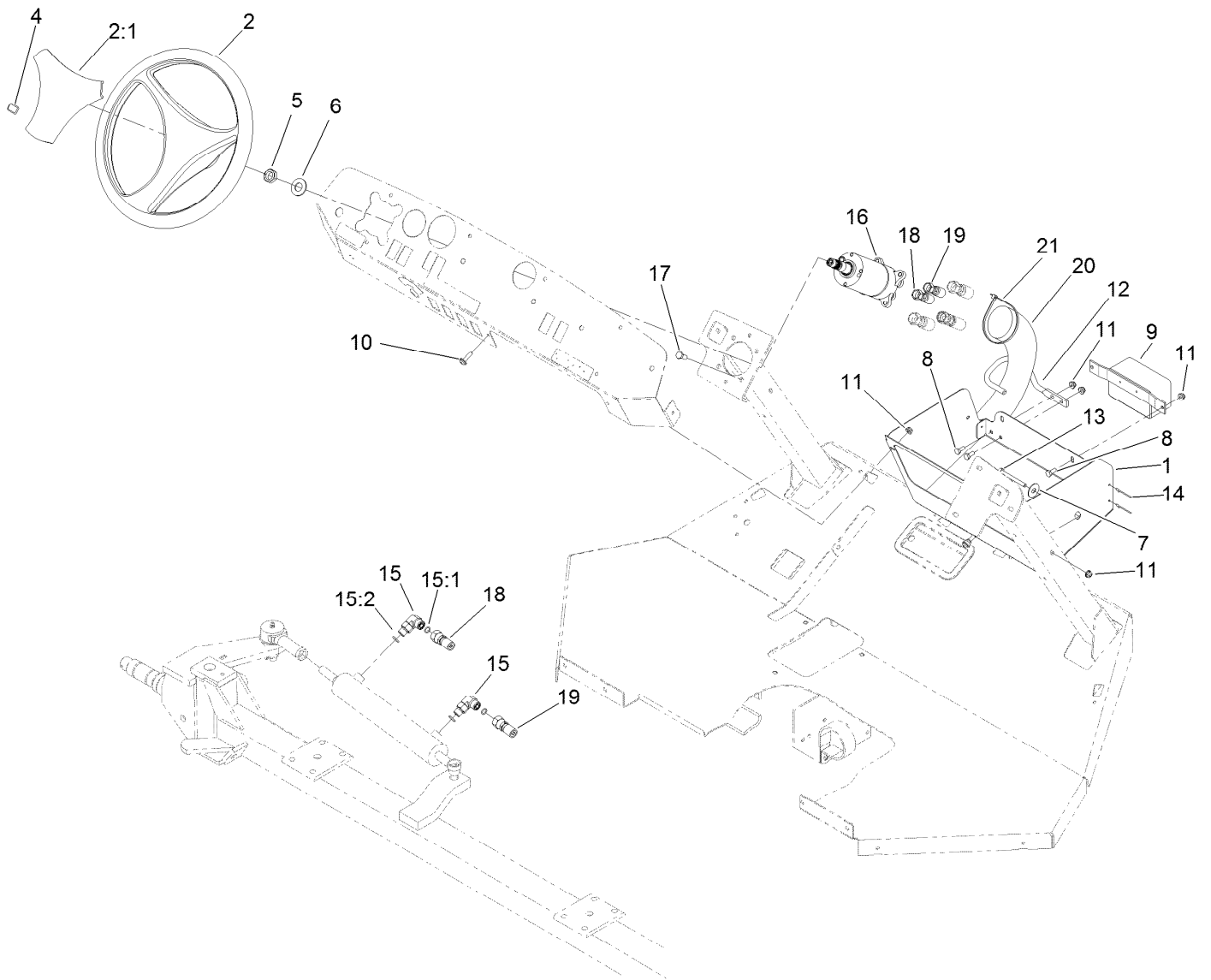
Ref.	Part Number	Qty.	Description	Ref.	Part Number	Qty.	Description
1	117-0719	1	Tank-Hydraulic, Steel	15:1	117-5869	1	Tank-Fuel
2	92-1705	1	Filter-Screen	15:2	117-5866	1	Standpipe
3	105-2812	1	Dipstick	15:3	117-5894	1	Fuel Cap ASM
4	93-7498	1	Plug-Plastic	15:4	119-0507	1	Gauge-Fuel
5	41995	2	Strip-Armflex	15:4:1	119-0508	1	Seal
6	94-7068-03	2	Strap-Hold Down	15:4:2	117-8404	1	Dial-Gauge
7	3234-17	4	Screw-HHF	15:5	46-6560	2	Bushing
8	104-8300	4	Nut-Flange, NI	15:6	104-5228	1	Fitting-Elbow, 90 DEG
9	93-6686	1	Decal-Oil, HYD	16	115-1794	2	Screw-HHF
10	115-9793	1	Breather	17	94-2413	2	U-Nut
11	237-101	1	O-Ring	18	32104-32	2	Screw-HWH
12	32180-030	6	Clip-Tie	19	2412-108	2	Clamp-Worm
13	3290-378	8	Tie-Cable	20	119-0577	1	Hose-Fuel
14	117-5867	2	Strap-Tank, Fuel	21	110-5688	1	Hose-Fuel
15		1	Fuel Tank ASM ●				

● Not serviced separately



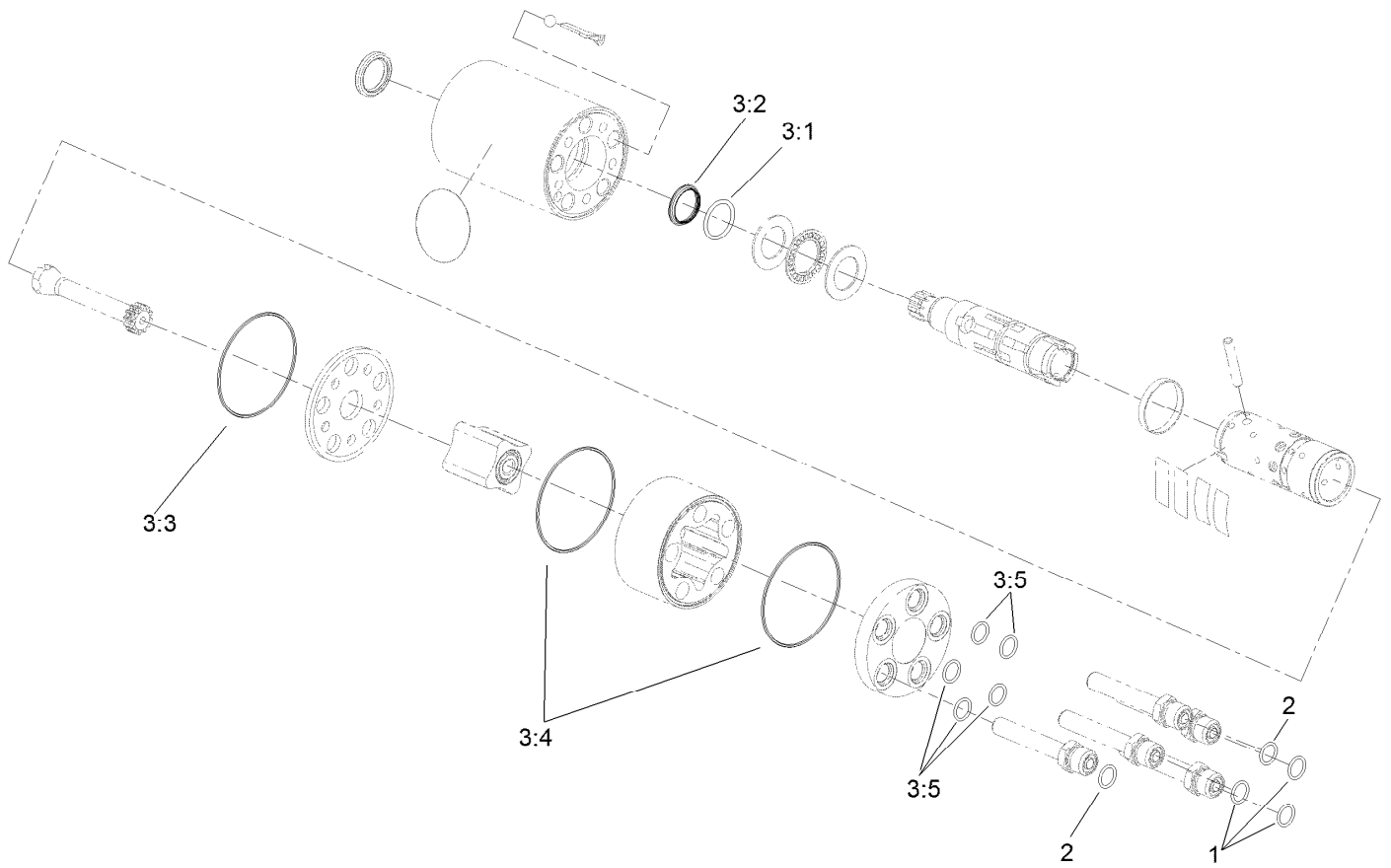
Radiator and Shroud Assembly

Ref.	Part Number	Qty.	Description	Ref.	Part Number	Qty.	Description
1	62-5480	2	Isolator-Seat	17	107-8678	2	Seal-Foam
2	106-5291	1	Radiator	18	3256-56	8	Washer-Flat
2:1	114-9593	1	Cap-Radiator	19	322-4	2	Screw-HH
3	106-5290	2	Shroud-Fan	20	119-4992	1	Hose-Radiator
4	121-5092	1	Radiator Shroud ASM	21	106-5239	1	Hose-Radiator, Upper
4:2	120-0627	1	Decal-Warning	22	2412-111	4	Clamp
5	106-5185	2	Brace-Radiator	23	119-5036	1	Baffle-Heat, LH
6	75-0930	2	Hook-Mount, Cooler	24	119-5037	1	Baffle-Heat, RH
7	240-3	2	Grommet-Rubber	25	3269-18	4	Rivet-Pop
8	32128-20	4	Nut-HF	27	119-9393	1	Shield-Front Heat, Engine
9	3269-15	4	Rivet-Pop	28	3256-82	6	Washer-Flat
10	3256-23	6	Washer-Flat	29	32104-32	6	Screw-HWH
11	3253-4	10	Washer-Lock	30	94-7007	1	Oil Cooler ASM
12	322-3	6	Screw-HH	31	125-5880	2	Hose-Cooler, Oil
13	322-1	4	Screw-HH	32	112-7835	2	Fitting-Straight
14	107-8675	4	Seal-Foam	32:1	237-81	1	O-Ring
15	107-8676	2	Seal-Foam	33	2412-129	4	Clamp-Hose
16	107-8677	2	Seal-Foam				



Steering Valve and Storage Box Assembly

<i>Ref.</i>	<i>Part Number</i>	<i>Qty.</i>	<i>Description</i>	<i>Ref.</i>	<i>Part Number</i>	<i>Qty.</i>	<i>Description</i>
1	119-0431	1	Compartment-Storage, Middrop	12	119-4853	1	Guide-Hose
2	98-1471	1	Wheel-Steering	13	321-15	1	Screw-HH
2:1	98-1468	1	Cover-Wheel, Steering	14	3269-32	3	Rivet-Pop
4	98-1459	1	Decal	15	340-77	2	Fitting-HYD, 90 DEG
5	110-8816	1	Nut-Hex	15:1	237-22	1	O-Ring
6	3256-27	1	Washer-Flat	15:2	237-42	1	O-Ring
7	52-2860	1	Washer	16	117-0707	1	Steering Valve ASM
8	321-3	4	Screw-HH	17	33114-020	4	Screw-HH
9	104-9104	1	Module-Valve, Pwm	18	117-0717	1	Hose ASM
10	110-9361	2	Screw-PPH, Sems	19	117-0688	1	Hose ASM
11	104-7201	7	Nut-HF	20	106-6713	2	Cover-Lines, Steering
				21	3290-379	7	Tie-Cable



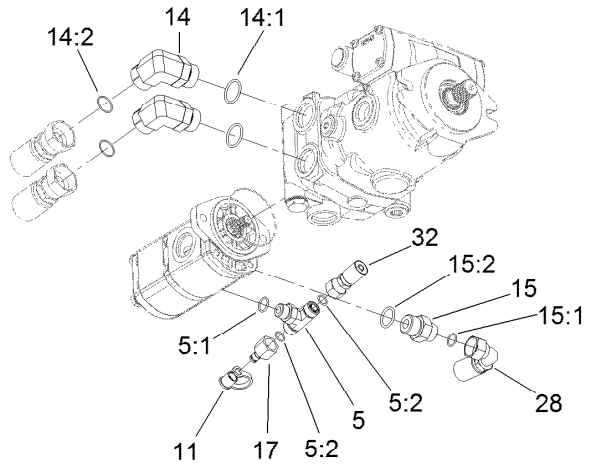
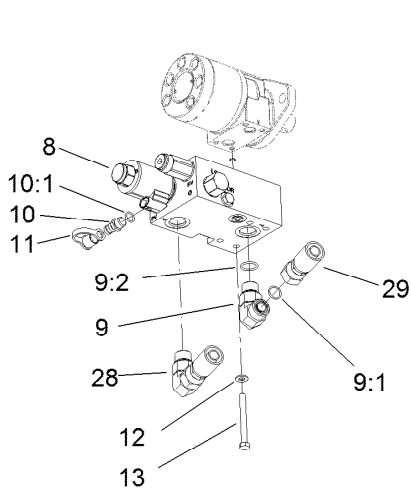
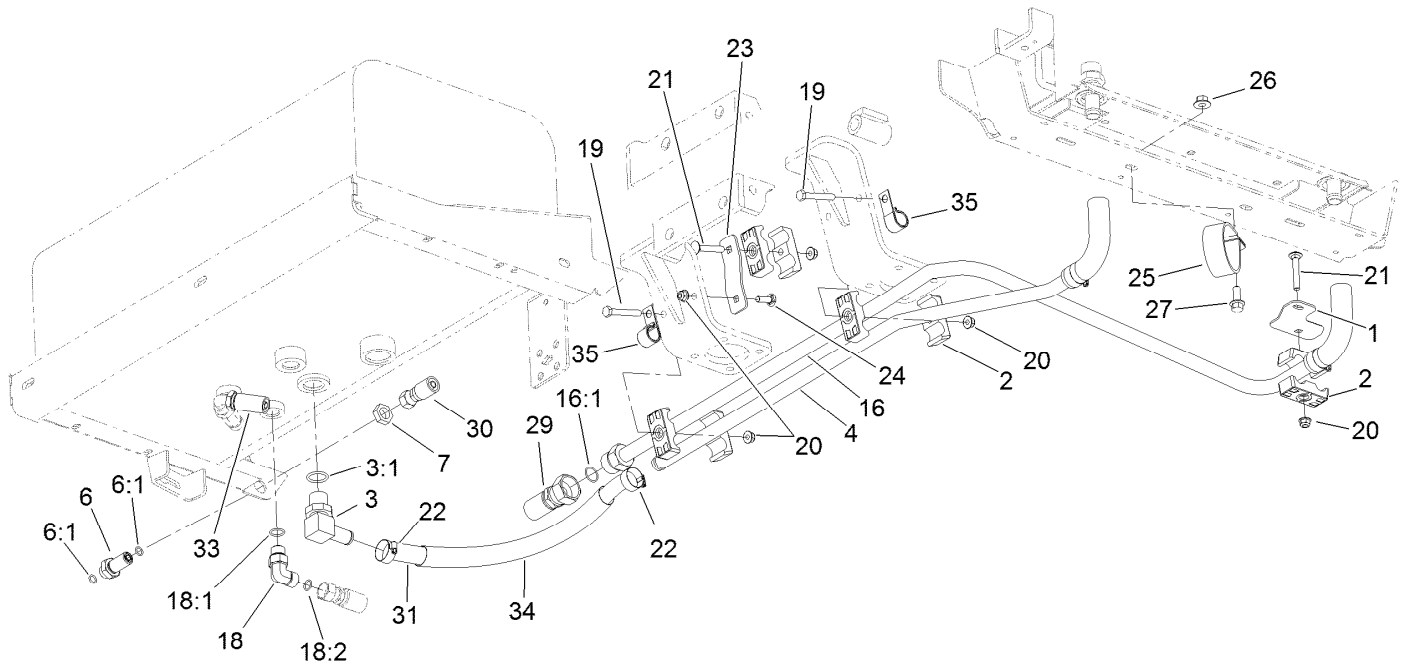
Steering Valve Assembly No. 117-0707

Ref.	Part Number	Qty.	Description
1	237-21	3	O-Ring ●
2	237-22	2	O-Ring ■
3	106-6716	1	Seal Kit ●
3:1		1	Ring-Seal, Dust ■
3:2		1	Seal-Shaft ■
3:3		1	O-Ring ■
3:4		2	O-Ring ■
3:5		5	O-Ring ■

● Not illustrated

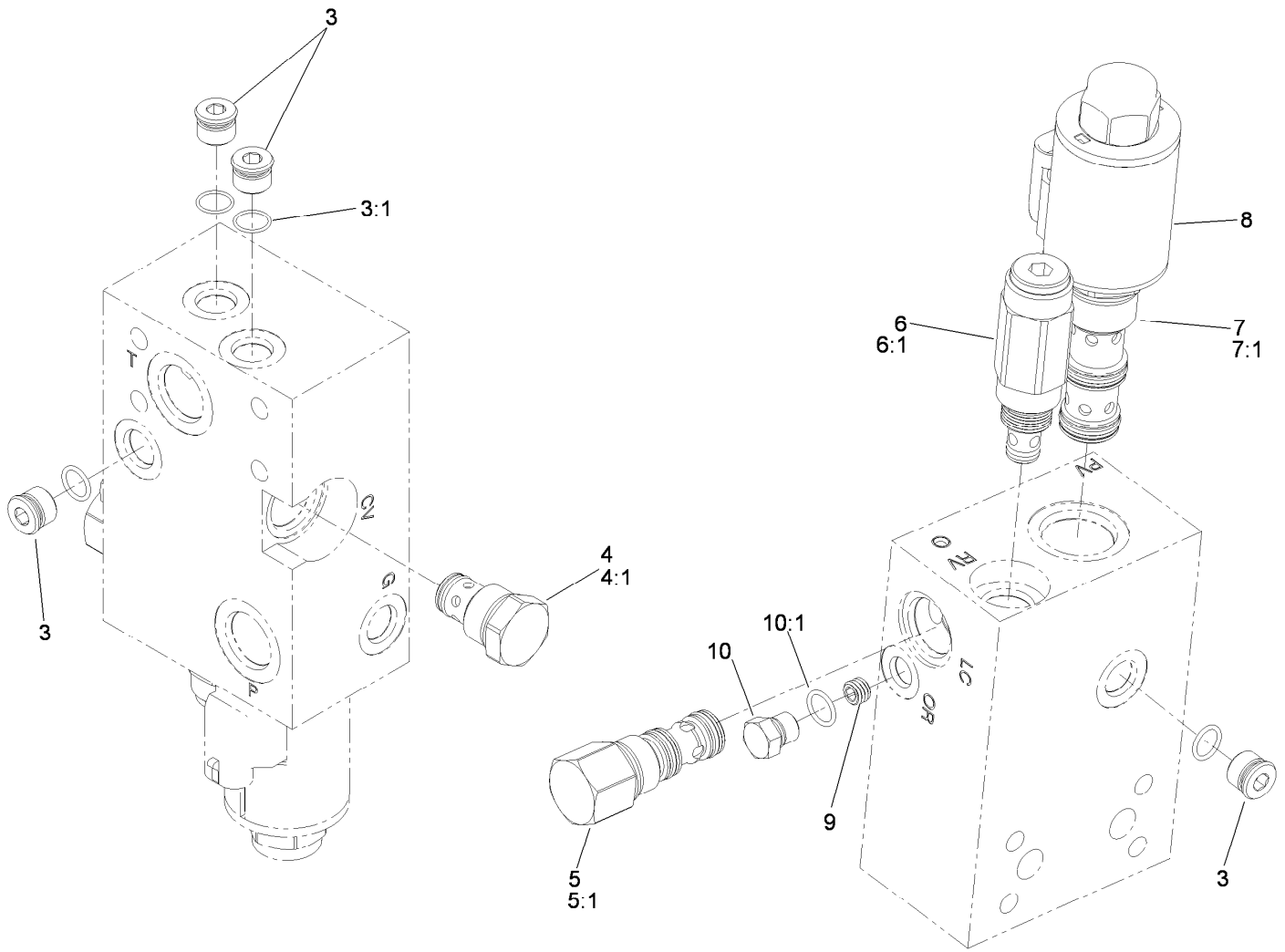
■ Not serviced separately

Hydraulic Pump and Filter Assembly



Hydraulic Pump and Filter Assembly (continued)

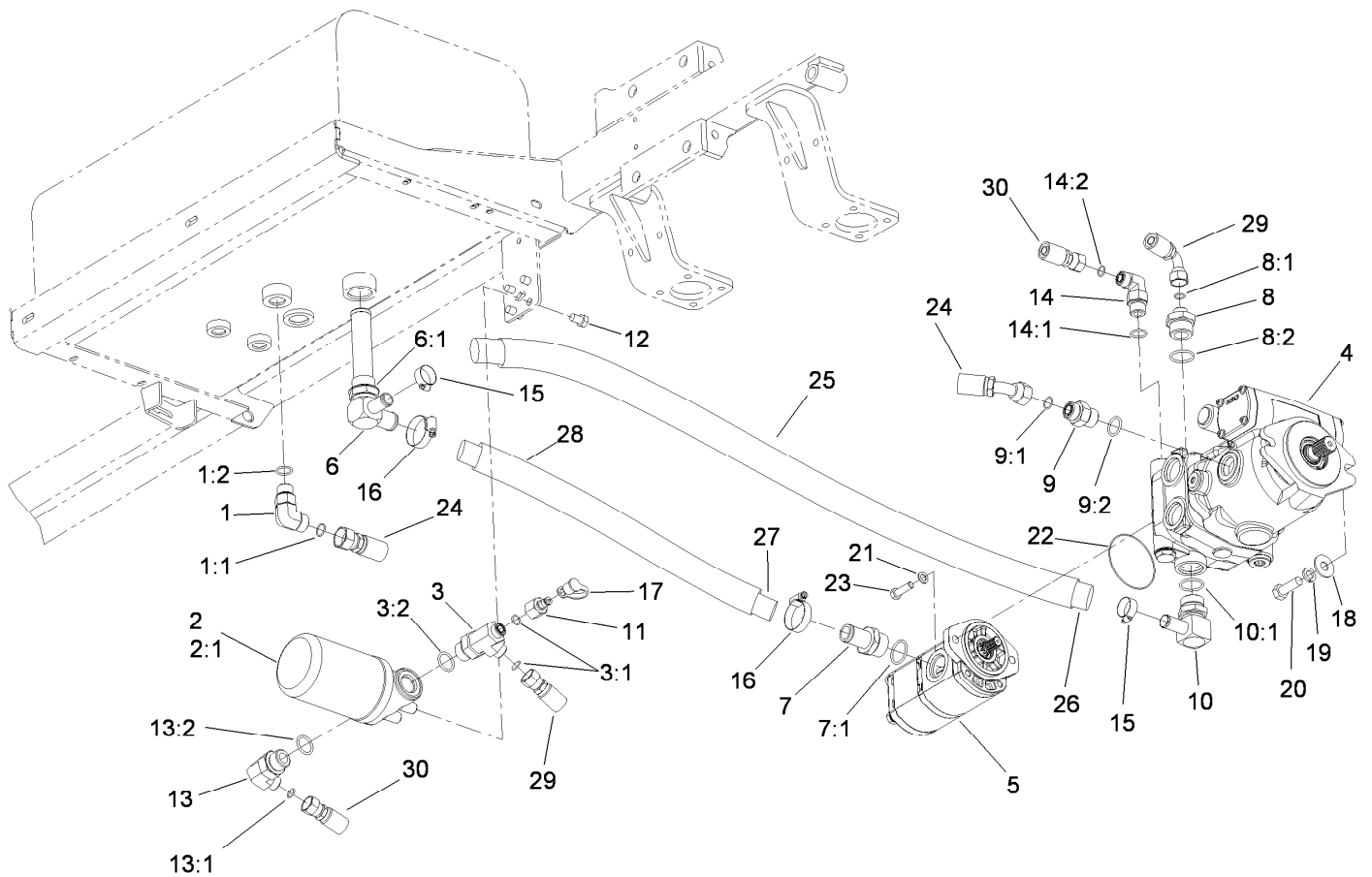
<i>Ref.</i>	<i>Part Number</i>	<i>Qty.</i>	<i>Description</i>	<i>Ref.</i>	<i>Part Number</i>	<i>Qty.</i>	<i>Description</i>
1	117-0723	1	Plate-Mount, Tube Clamp	15:1	237-65	1	O-Ring
2	94-8105	10	Clamp-Tube	15:2	237-81	1	O-Ring
3	353-987	1	Fitting-HYD, 90 DEG (Barbed)	16	125-5854	1	Tube ASM
3:1	237-81	1	O-Ring	16:1	237-58	1	O-Ring
4	117-0693	1	Hydraulic Tube	17	100-5616	1	Fitting
5	340-157	1	Fitting-HYD, Tee	18	340-98	1	Fitting-HYD, 90 DEG
5:1	237-79	1	O-Ring	18:1	237-79	1	O-Ring
5:2	237-30	2	O-Ring	18:2	237-30	1	O-Ring
6	340-71	1	Fitting-Straight, Bulkhead	19	322-11	2	Screw-HH
6:1	237-22	2	O-Ring	20	104-8300	7	Nut-Flange, NI
7	340-70	1	Nut-Lock	21	3230-6	3	Screw-CARR
8	117-0708	1	Pump Control Valve ASM	22	2412-129	2	Clamp-Hose
9	340-17	2	Fitting-HYD, 90 DEG	23	117-0689	2	Plate-Mount, Tube Clamps
9:1	237-65	1	O-Ring	24	3230-22	2	Screw-CARR
9:2	237-80	1	O-Ring	25	2412-102	1	Clamp-R
10	59-7410	1	Fitting-Diagnostic	26	32128-43	1	Nut-Flange
10:1	237-42	1	O-Ring	27	3234-11	1	Screw-HHF
11	354-79	2	Cap-Dust	28	117-0680	1	Hose ASM
12	3256-23	4	Washer-Flat	29	117-0682	1	Hose ASM
13	322-14	4	Screw-HH	30	119-0583	1	Hose ASM
14	340-129	2	Fitting-HYD, 90	31	119-5045	1	Hose-Suction
14:1	237-146	1	O-Ring	32	117-0687	1	Hose ASM
14:2	340-65	1	O-Ring	33	125-5853	1	HYD-Hose
15	340-8	1	Adapter	34	94-3688	1	Sleeve-Protective
				35	94-9580	2	Clamp-J



Pump Control Valve Assembly No. 117-0708

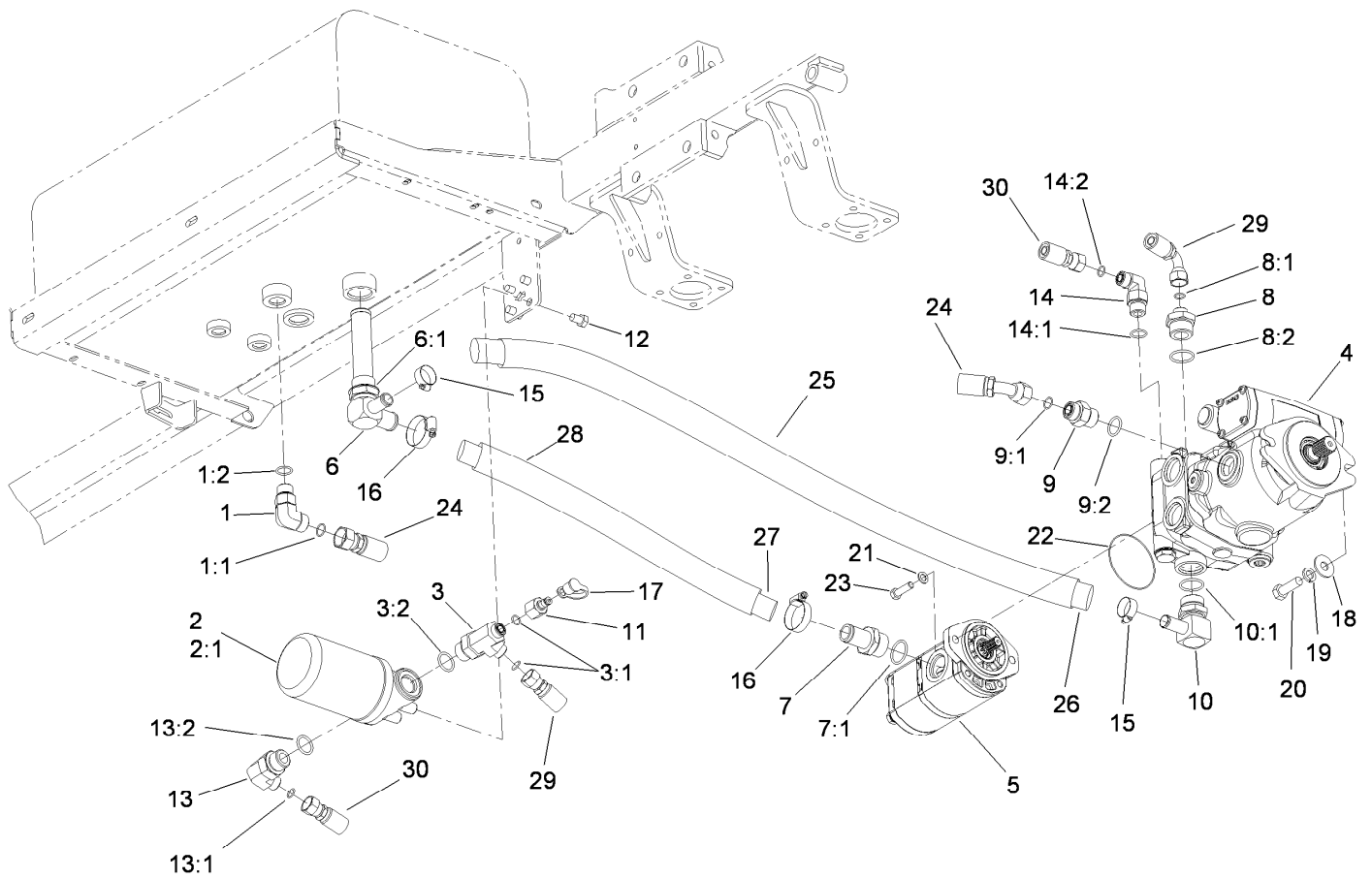
Ref.	Part Number	Qty.	Description
3	353-512	4	Plug
3:1	237-78	1	O-Ring
4	110-8881	1	Valve-Check
4:1	105-9159	1	Seal Kit ●
5	120-1660	1	Compensator-Pressure
5:1	107-7813	1	Seal Kit ●
6	117-8312	1	Valve-Relief
6:1	105-9156	1	Seal Kit
7	120-2590	1	Valve-Flow Control
7:1	114-5515	1	Seal Kit
8	120-2589	1	Coil-12Vdc
9	107-1987	1	Orifice-0.040
10	117-0115	1	Plug-HYD
10:1	237-78	1	O-Ring

● Not illustrated



Hydraulic Pump and Filter Assembly

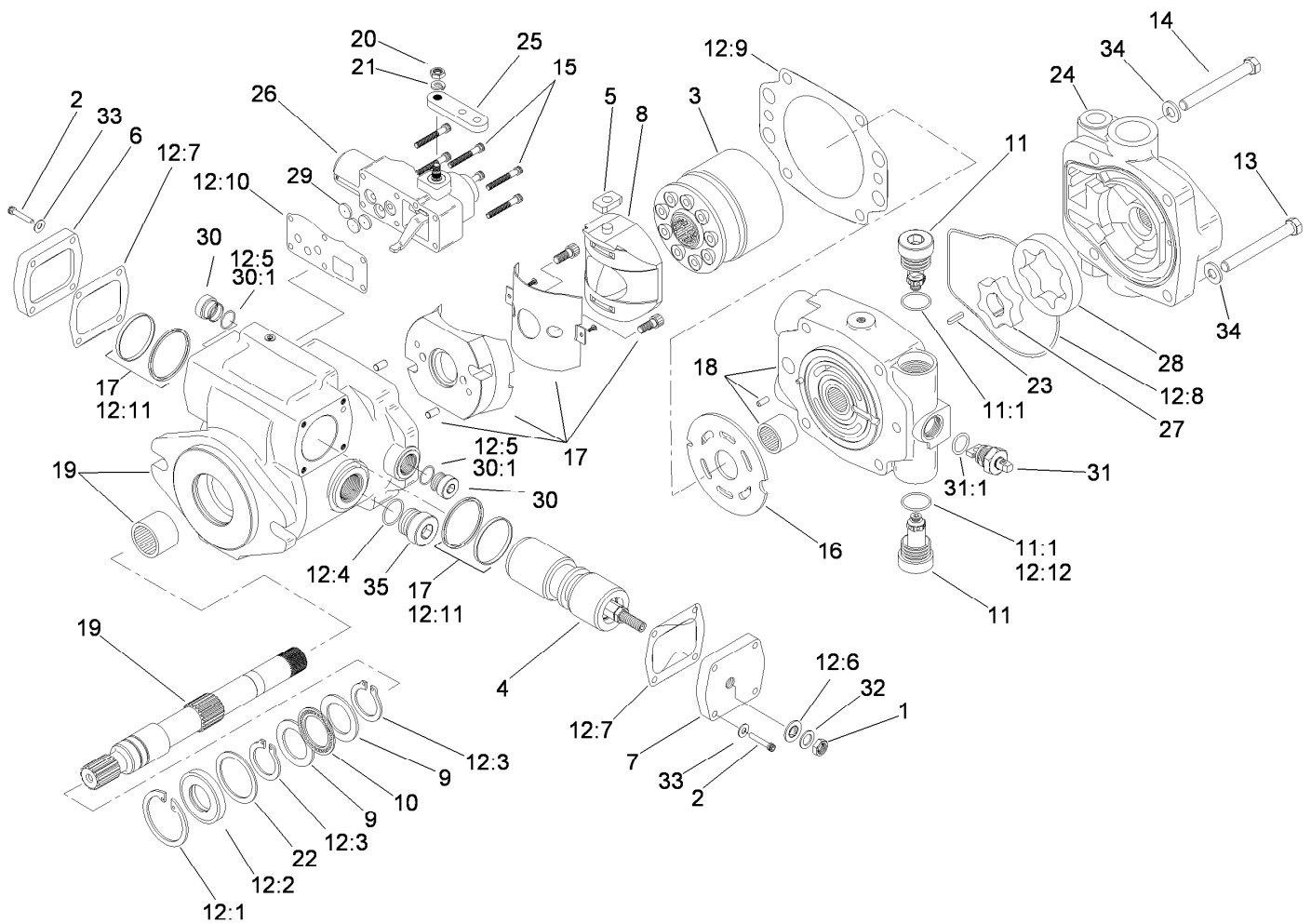
Ref.	Part Number	Qty.	Description	Ref.	Part Number	Qty.	Description
1	340-17	1	Fitting-HYD, 90 DEG	10:1	237-117	1	O-Ring
1:1	237-65	1	O-Ring	11	100-5616	1	Fitting
1:2	237-80	1	O-Ring	12	33115-016	4	Screw-HH
2	93-2242	1	Filter-Oil	13	340-131	1	Fitting-HYD, 90 DEG
2:1	75-1310	1	Filter-HYD	13:1	237-30	1	O-Ring
3	117-0676	1	Fitting-Tee	13:2	237-81	1	O-Ring
3:1	237-30	2	O-Ring	14	340-105	1	Fitting-HYD, 90 DEG
3:2	237-81	1	O-Ring	14:1	237-80	1	O-Ring
4	117-0685	1	Piston Pump ASM	14:2	237-30	1	O-Ring
5	119-5038	1	Tandem Pump ASM	15	2412-129	2	Clamp-Hose
6	117-0684	1	Stainer-Tee	16	2412-111	2	Clamp
6:1	237-146	1	O-Ring	17	354-79	1	Cap-Dust
7	354-78	1	Connector-Hose	18	3256-6	2	Washer-Flat
7:1	237-146	1	O-Ring	19	3253-7	2	Washer-Lock
8	104-9178	1	Fitting-Straight	20	325-6	2	Screw-HH
8:1	237-30	1	O-Ring	21	60-3540	2	Washer
8:2	237-146	1	O-Ring	22	60-3520	1	O-Ring
9	340-8	1	Adapter	23	3274-1	2	Screw-HSH
9:1	237-65	1	O-Ring	24	112-2561	1	HYD Hose ASM
9:2	237-81	1	O-Ring	25	94-3688	1	Sleeve-Protective
10	98-0971	1	Fitting-Elbow, 90	26	119-5045	1	Hose-Suction



Hydraulic Pump and Filter Assembly (continued)

<i>Ref.</i>	<i>Part Number</i>	<i>Qty.</i>	<i>Description</i>
27	117-0681	1	Hose ASM
28	107-3589	1	Sleeve-Hose

<i>Ref.</i>	<i>Part Number</i>	<i>Qty.</i>	<i>Description</i>
29	117-0686	1	Hose-HYD
30	117-0729	1	Hose ASM

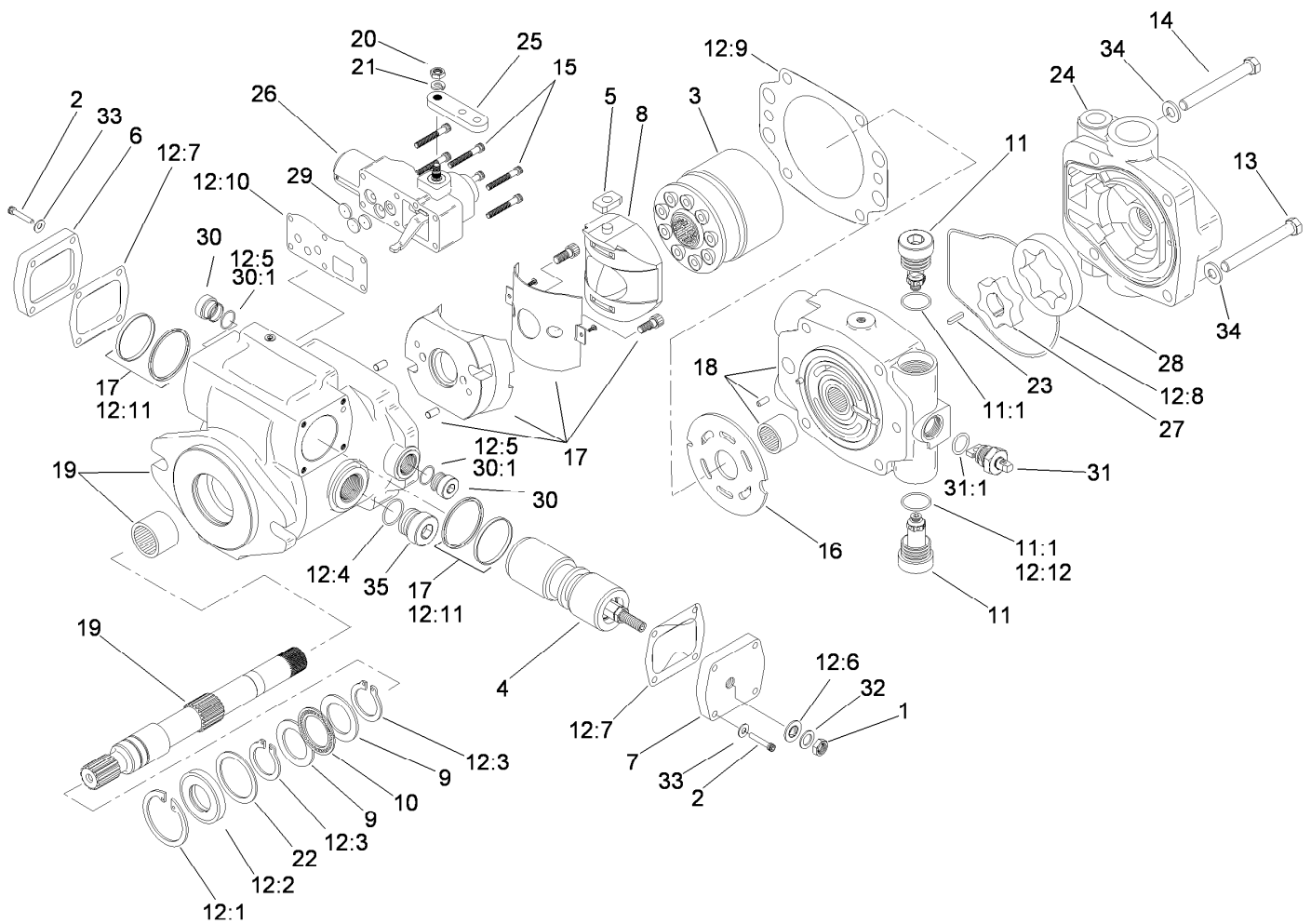


Piston Pump Assembly No. 117-0685

Ref.	Part Number	Qty.	Description	Ref.	Part Number	Qty.	Description
1	3220-3	1	Nut-HJ	12:6	94-3027	1	Washer-Seal
2	93-6337	8	Screw	12:7	93-6339	2	Gasket
3	99-8701	1	Rotating Kit	12:8	105-2905	1	O-Ring ●
4	105-2856	1	Servo Piston ASM	12:9	105-2900	1	Gasket-Housing
5	94-3032	1	Follower-Piston	12:10	105-2901	1	Gasket-Housing, Control
6	94-3033	1	Plate-Cover	12:11		2	Seal ASM ■
7	105-9853	1	Plate-Cover	12:12	74-9380	1	O-Ring ●
8	94-3026	1	Camplate ASM	13	323-15	2	Screw-HH
9	76-6950	2	Race-Thrust	14	323-16	2	Screw-HH
10	76-6960	1	Bearing-Thrust	15	93-6324	6	Screw
11	105-2858	2	Valve-Relief	16	99-8704	1	Plate-Valve
11:1		1	O-Ring ■	17		1	Housing ■
12	107-1561	1	Seal Kit ●	18	105-2904	1	Backplate
12:1	60-6260	1	Ring	19	93-6344	1	Driveshaft
12:2	105-3331	1	Seal-Shaft	20	3217-5	1	Nut-Hex
12:3	76-7000	2	Ring-Retaining	21	3253-3	1	Washer-Lock
12:4		2	O-Ring ■	22	60-6240	1	Washer
12:5	93-6314	2	O-Ring ●	23	93-6375	1	Key

● Not illustrated

■ Not serviced separately

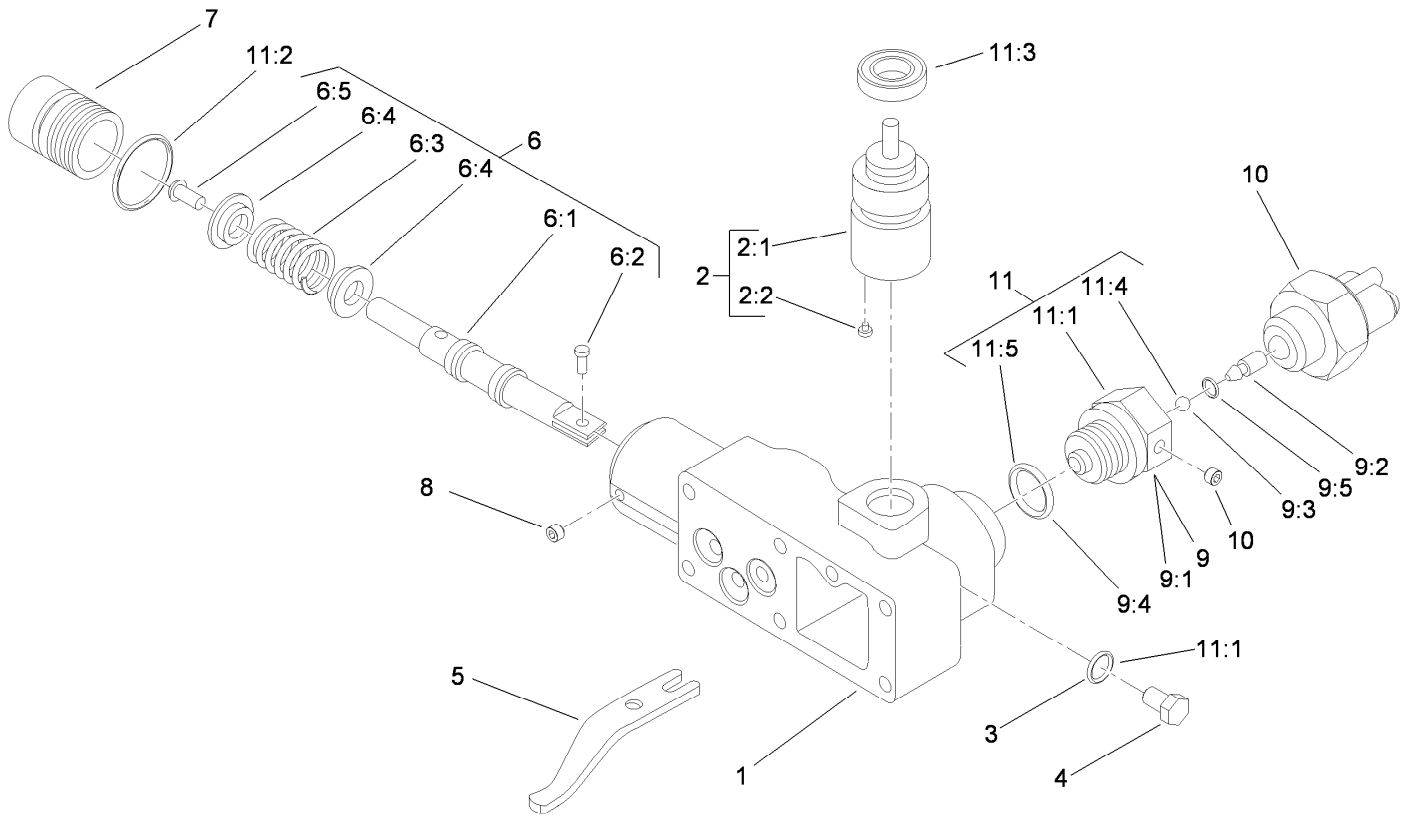


Piston Pump Assembly No. 117-0685 (continued)

Ref.	Part Number	Qty.	Description	Ref.	Part Number	Qty.	Description
24	95-2110	1	Adaptor ASM	30:1		1	O-Ring ■
25	105-2862	1	Arm-Control	31	105-2913	1	Valve-Bypass
26	115-4446	1	Manual Servo Control ASM	31:1		1	O-Ring ■
27	93-6365	1	Geroter-Inner	32	94-3030	1	Washer
28	93-6364	1	Geroter-Outer	33	93-6336	8	Washer
29	94-3041	3	Orifice-Control (.028 Dia)	34	3256-24	4	Washer-Flat
30	74-9280	2	Plug ASM	35		1	Plug ASM ■

● Not illustrated

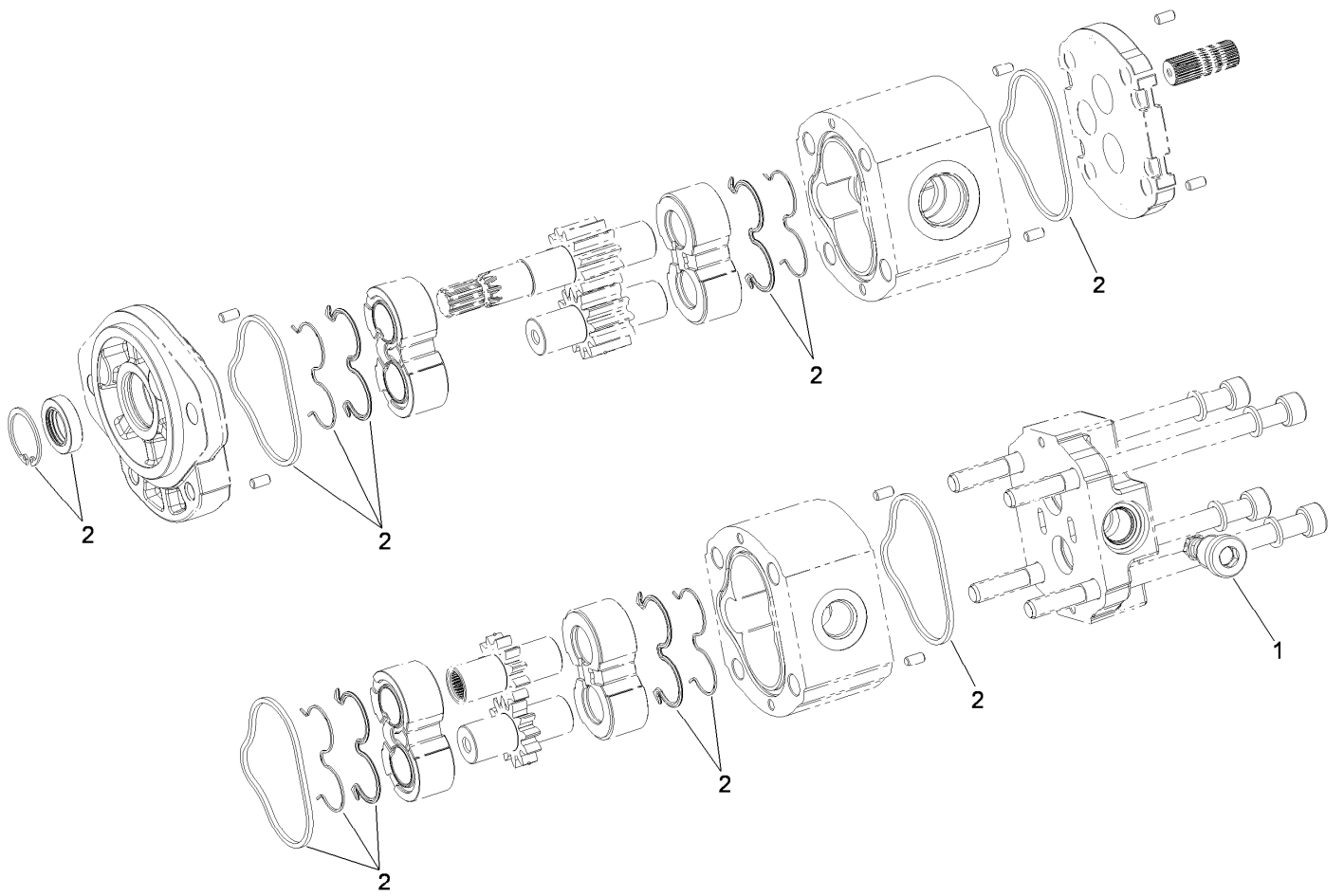
■ Not serviced separately



Control Assembly No. 115-4446

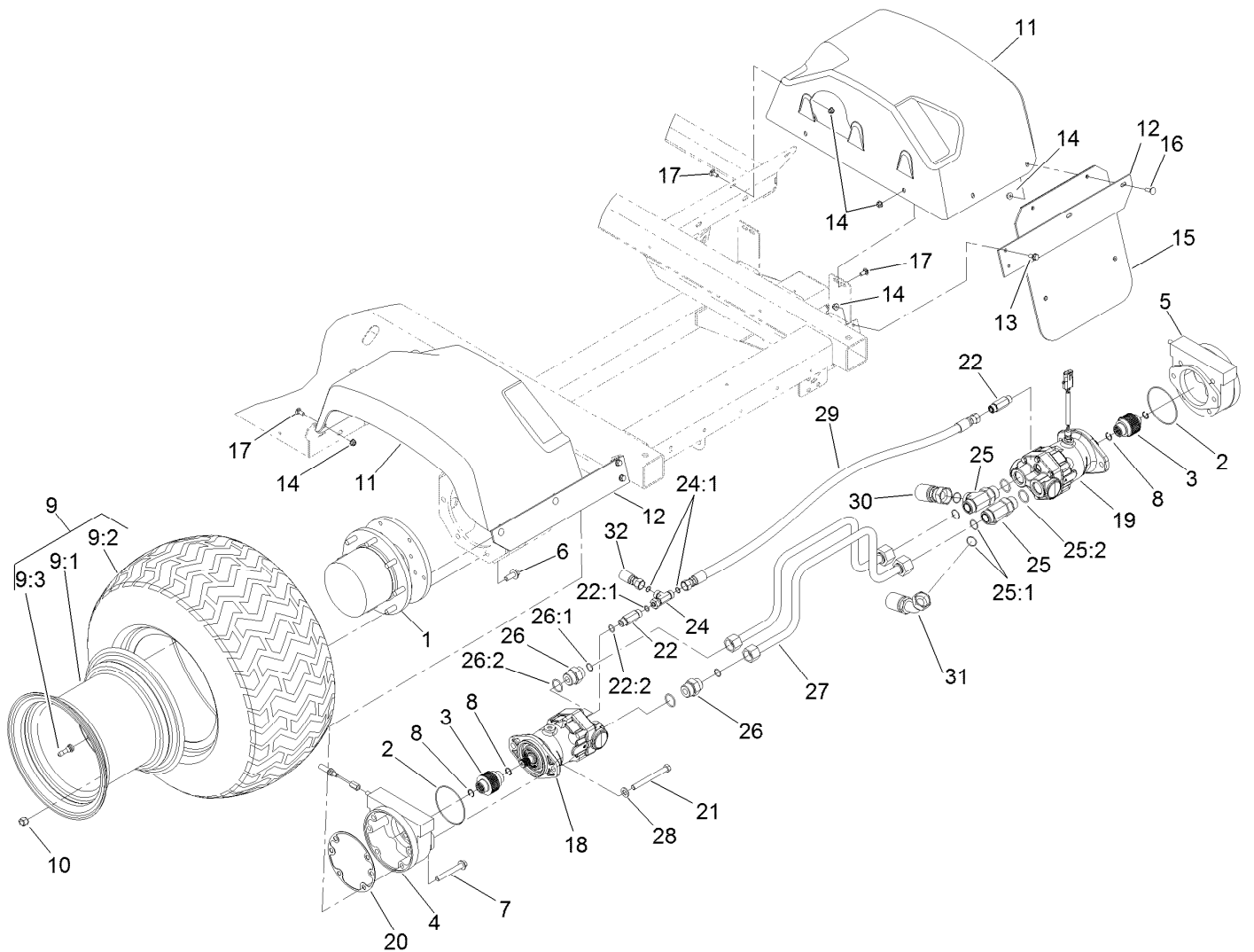
Ref.	Part Number	Qty.	Description	Ref.	Part Number	Qty.	Description
1		1	Housing-Control ●	8		2	Screw-Set ●
2	108-7099	1	Input Control Shaft ASM	9	108-8003	1	Adaptor ASM
2:1		1	Shaft ●	9:1		1	Adaptor-Lockout, Neutral ●
2:2		1	Pin ●	9:2		1	Pin ●
3		1	O-Ring ●	9:3		1	Ball ●
4		1	Plug ●	9:4		1	O-Ring ●
5		1	Link-Feedback ●	9:5		1	O-Ring ●
6	108-7098	1	Valve Spool ASM	10	115-3795	1	Switch-Neutral
6:1		1	Valve-Spool ●	11	94-3044	1	Seal Kit
6:2		1	Pin-Dowel ●	11:1	117-8979	1	Seal-Shaft
6:3		1	Spring ●	11:2	105-2901	1	Gasket-Housing, Control
6:4		2	Retainer ●	11:3		1	O-Ring ●
6:5		1	Screw ●	11:4		1	O-Ring ●
7		1	Plug ●	11:5		1	Seal-Wiper ●

● Not serviced separately



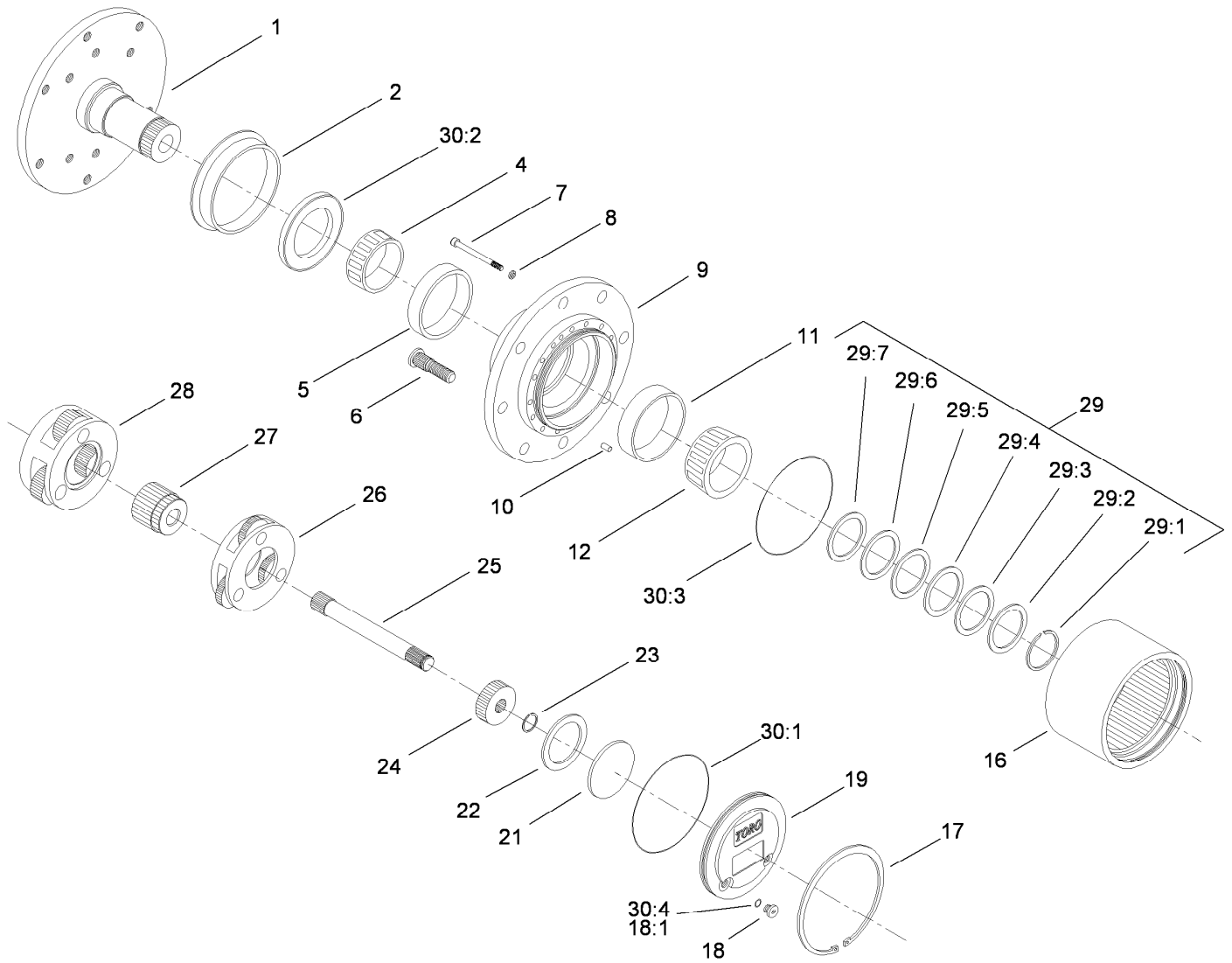
Tandem Pump Assembly No. 119-5038

<i>Ref.</i>	<i>Part Number</i>	<i>Qty.</i>	<i>Description</i>
1	120-5156	1	Valve-Relief
2	120-5155	1	Seal Kit



Rear Wheel, Fender and Motor Assembly

Ref.	Part Number	Qty.	Description	Ref.	Part Number	Qty.	Description
1	105-4500	2	Planetary ASM	19	93-6489	1	Hydraulic Motor ASM
2	237-166	2	O-Ring	20	93-7984	2	Gasket
3	100-3046	2	Shaft-Brake, Splined	21	33116-120	4	Screw-HH
4	100-3069	1	RH Brake ASM	22	119-4854	2	Fitting-HYD, Straight
5	100-3070	1	LH Brake ASM	22:1	237-30	1	O-Ring
6	33106-030	12	Screw-HHF	22:2	237-79	1	O-Ring
7	33106-090	8	Screw-HHF	24	340-104	1	Tee-Fitting
8	93-7972	4	Ring-Retaining, Internal	24:1	237-30	2	O-Ring
9	127-8975	2	Tire And Wheel	25	104-3795	2	Fitting-HYD, Tee
9:1	127-8974	1	Wheel	25:1	340-65	2	O-Ring
9:2	117-5196	1	Tire	25:2	237-146	1	O-Ring
9:3	232-27	1	Stem-Valve	26	340-91	2	Adapter
10	242-50	16	Nut-Lug	26:1	237-58	1	O-Ring
11	93-6498	2	Fender-Rear	26:2	237-146	1	O-Ring
12	93-6528-03	2	Strap-Mount, Fender	27	117-0674	2	Tube-Traction
13	2324-5	4	Screw-HHF	28	33096-00	4	Washer-Flat
14	104-8300	16	Nut-Flange, NI	29	110-5073	1	Hose ASM
15	94-7127	2	Splash Guard ASM	30	120-8563	1	Hose ASM
16	3230-2	4	Bolt-CARR	31	120-8564	1	Hose ASM
17	3230-1	8	Bolt-CARR	32	119-0582	1	Flywheel Assembly
18	93-6488	1	Hydraulic Motor ASM				

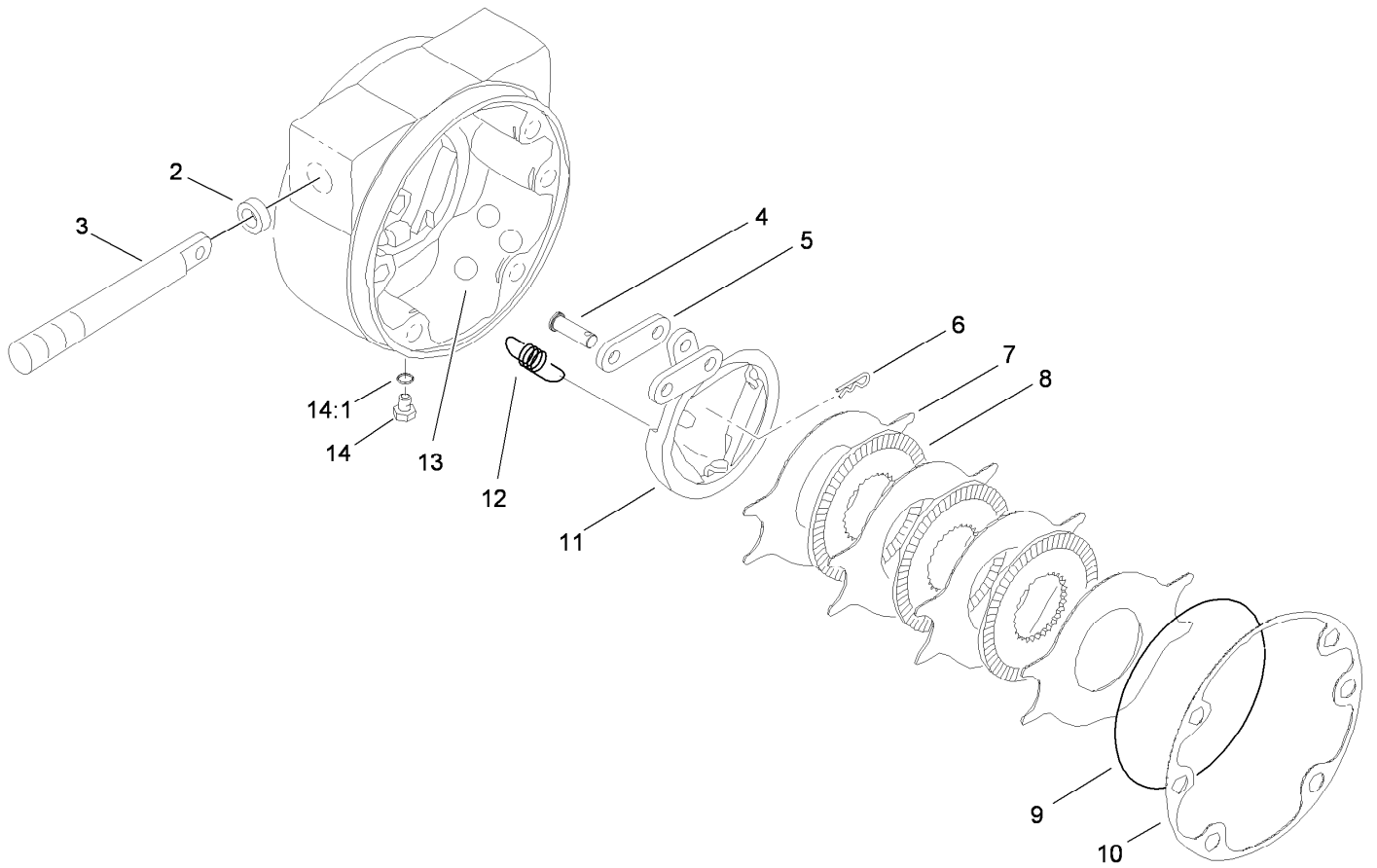


Planetary Assembly No. 105-4500

Ref.	Part Number	Qty.	Description	Ref.	Part Number	Qty.	Description
1		1	Spindle ■	24	105-8114	1	Gear-Primary
2	105-8122	1	Seal-Boot	25	105-8115	1	Shaft-Drive
4	105-8120	1	Bearing-Cone	26	105-8129	1	Primary Carrier ASM
5	105-8119	1	Bearing-Cup	27	105-8139	1	Gear-Secondary
6	105-8124	8	Stud-Wheel	28	105-8130	1	Secondary Carrier ASM
7	105-8125	16	Bolt-Head, Socket	29	105-8136	1	Shim Kit
8	3253-18	16	Washer-Lock	29:1		1	Ring-Snap ■
9		1	Housing ■	29:2		1	Shim-Bearing, 2.9Mm ■
10	105-8121	1	Pin-Dowel	29:3		1	Shim-Bearing, 2.8Mm ■
11	105-8117	1	Bearing-Cup	29:4		1	Shim-Bearing, 2.7Mm ■
12	105-8118	1	Bearing-Cone	29:5		1	Shim-Bearing, 2.6Mm ■
16	105-8113	1	Gear-Ring	29:6		1	Shim-Bearing, 2.5Mm ■
17	105-8132	1	Ring-Retaining	29:7		1	Shim-Bearing, 2.4Mm ■
18	353-990	2	Plug ASM	30	105-8137	1	Seal Kit ●
18:1	237-78	1	O-Ring	30:1		1	O Ring-Flange Cap ■
19	105-8138	1	Cap-End	30:2		1	Seal-Oil ■
21	105-8133	1	Plug-Thrust	30:3		2	O Ring-End Cap ■
22	105-8123	1	Washer-Thrust	30:4	237-78	2	O-Ring
23	105-8131	1	Ring-Retaining				

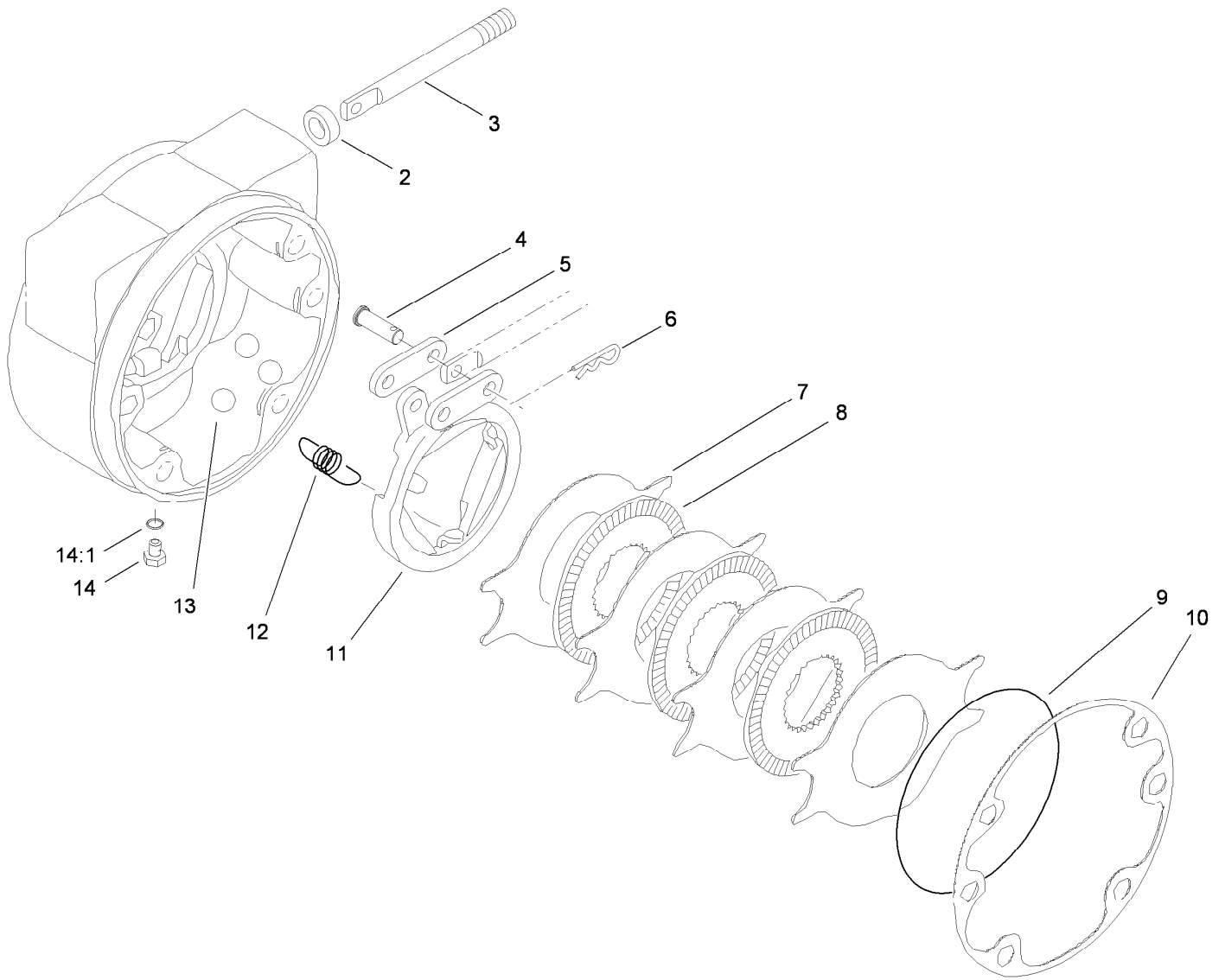
● Not illustrated

■ Not serviced separately



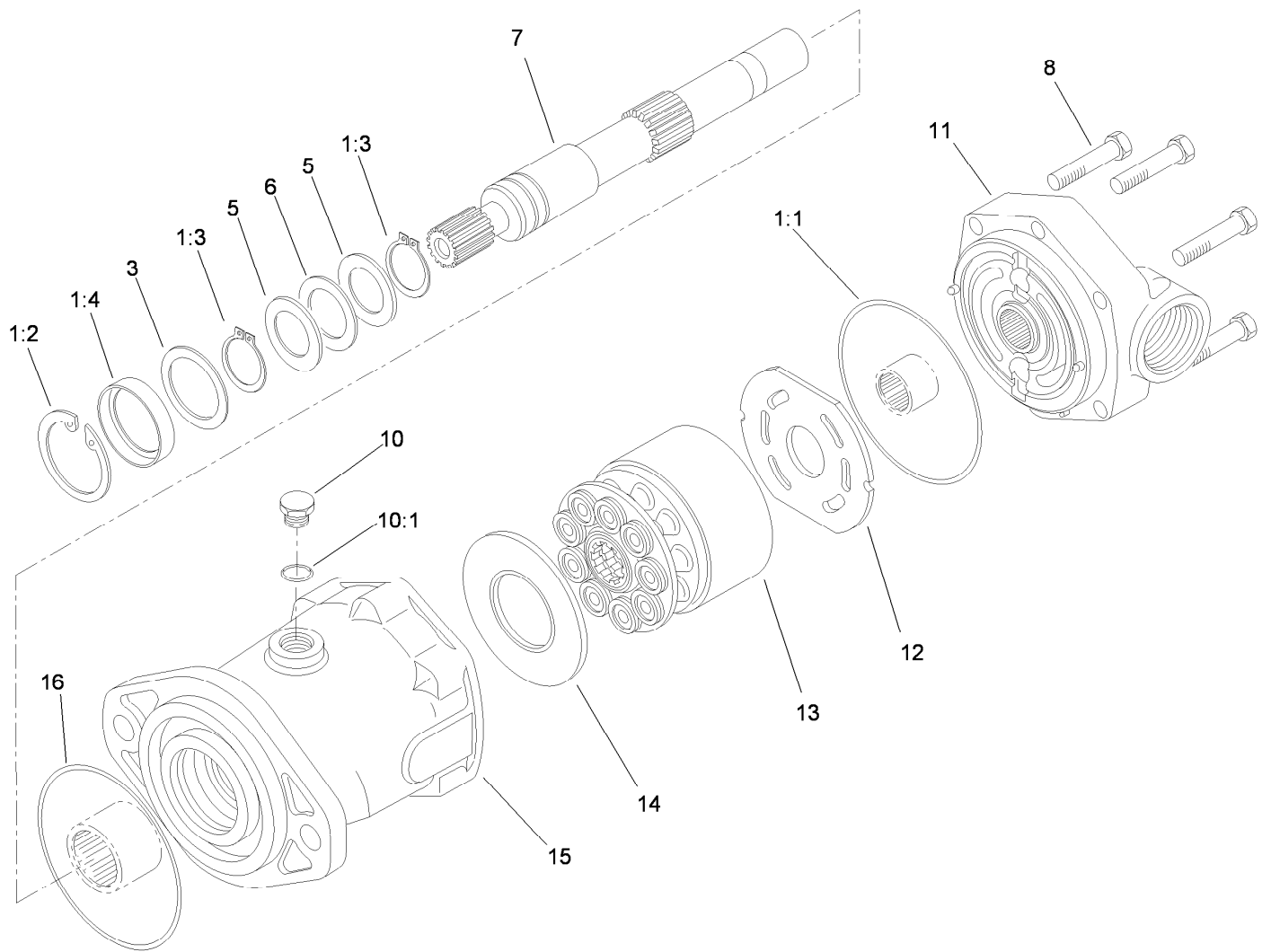
Brake Assembly No. 100-3069

<i>Ref.</i>	<i>Part Number</i>	<i>Qty.</i>	<i>Description</i>
2	93-7977	1	Seal
3	93-7978	1	Rod-Pull
4	93-7983	2	Pin-Clevis
5	93-7980	2	Link
6	93-7979	2	Pin-Hitch
7	93-7986	4	Disc-Stationary
8	104-4278	3	Disc-Rotating
9	93-7976	1	Ring-Retaining
10	93-7984	1	Gasket
11	104-4280	1	Actuator-Rotating
12	93-7987	3	Spring-Extension
13	93-7985	3	Ball
14	353-990	2	Plug ASM
14:1	237-78	1	O-Ring



Brake Assembly No. 100-3070

<i>Ref.</i>	<i>Part Number</i>	<i>Qty.</i>	<i>Description</i>
2	93-7977	1	Seal
3	93-7978	1	Rod-Pull
4	93-7983	2	Pin-Clevis
5	93-7980	2	Link
6	93-7979	2	Pin-Hitch
7	93-7986	4	Disc-Stationary
8	104-4278	3	Disc-Rotating
9	93-7976	1	Ring-Retaining
10	93-7984	1	Gasket
11	104-4279	1	Actuator-Rotating
12	93-7987	3	Spring-Extension
13	93-7985	3	Ball
14	353-990	2	Plug ASM
14:1	237-78	1	O-Ring

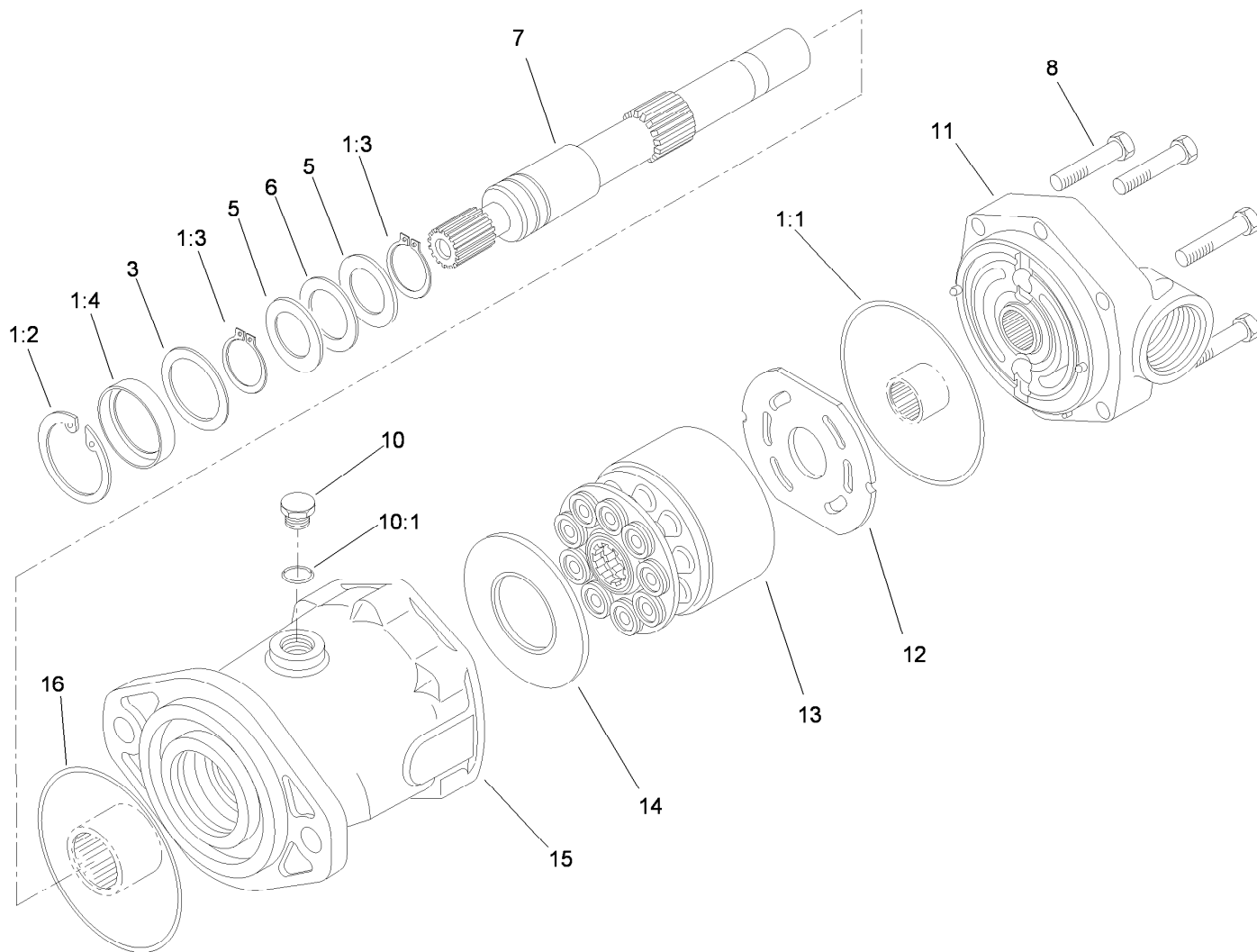


Hydraulic Motor Assembly No. 93-6488

Ref.	Part Number	Qty.	Description	Ref.	Part Number	Qty.	Description
1	106-6876	1	Seal Kit ●	8	94-3002	6	Capscrew
1:1		1	O-Ring ■	10	94-3009	1	Plug
1:2	76-7010	1	Ring-Retaining	10:1		1	O-Ring ■
1:3	76-7000	2	Ring-Retaining	11		1	Backplate ASM ■
1:4		1	Seal-Shaft ■	12	94-3003	1	Plate-Valve
3	60-6240	1	Washer	13	76-6910	1	Rotating Kit
5	76-6950	2	Race-Thrust	14	76-6970	1	Insert-Plate, Cam
6	76-6960	1	Bearing-Thrust	15		1	Housing ■
7	94-3004	1	Shaft-Drive, Splined	16	237-166	1	O-Ring

● Not illustrated

■ Not serviced separately

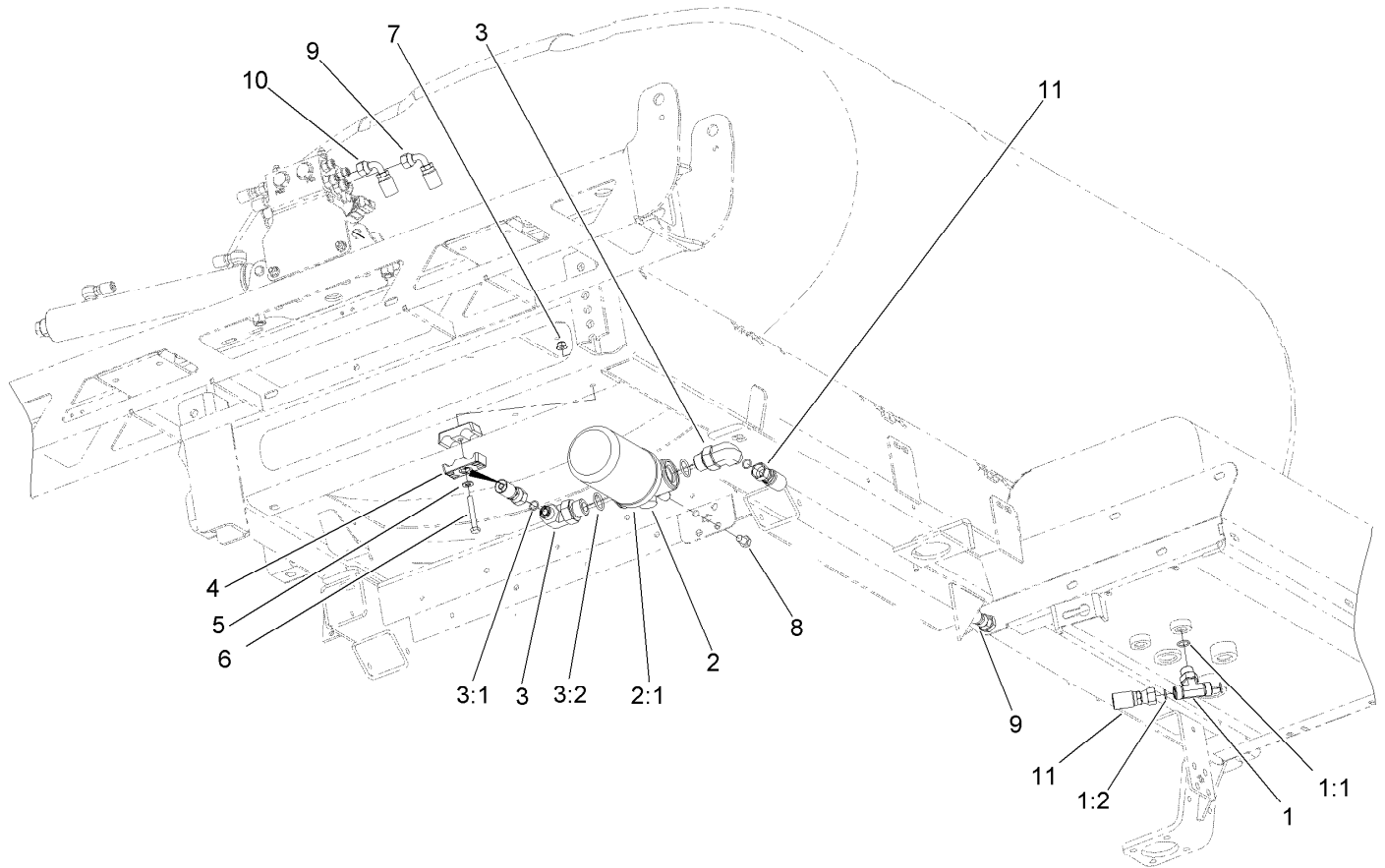


Hydraulic Motor Assembly No. 93-6489

Ref.	Part Number	Qty.	Description	Ref.	Part Number	Qty.	Description
1	106-6876	1	Seal Kit ●	8	94-3002	6	Capscrew
1:1		1	O-Ring ■	10	94-3010	1	Sensor-Speed, Pickup
1:2	76-7010	1	Ring-Retaining	10:1		1	O-Ring ■
1:3	76-7000	2	Ring-Retaining	11		1	Back Plate ASM ■
1:4		1	Seal-Shaft ■	12	94-3003	1	Plate-Valve
3	60-6240	1	Washer	13	76-6910	1	Rotating Kit
5	76-6950	2	Race-Thrust	14	76-6970	1	Insert-Plate, Cam
6	76-6960	1	Bearing-Thrust	15		1	Housing ■
7	94-3004	1	Shaft-Drive, Splined	16	237-166	1	O-Ring

● Not illustrated

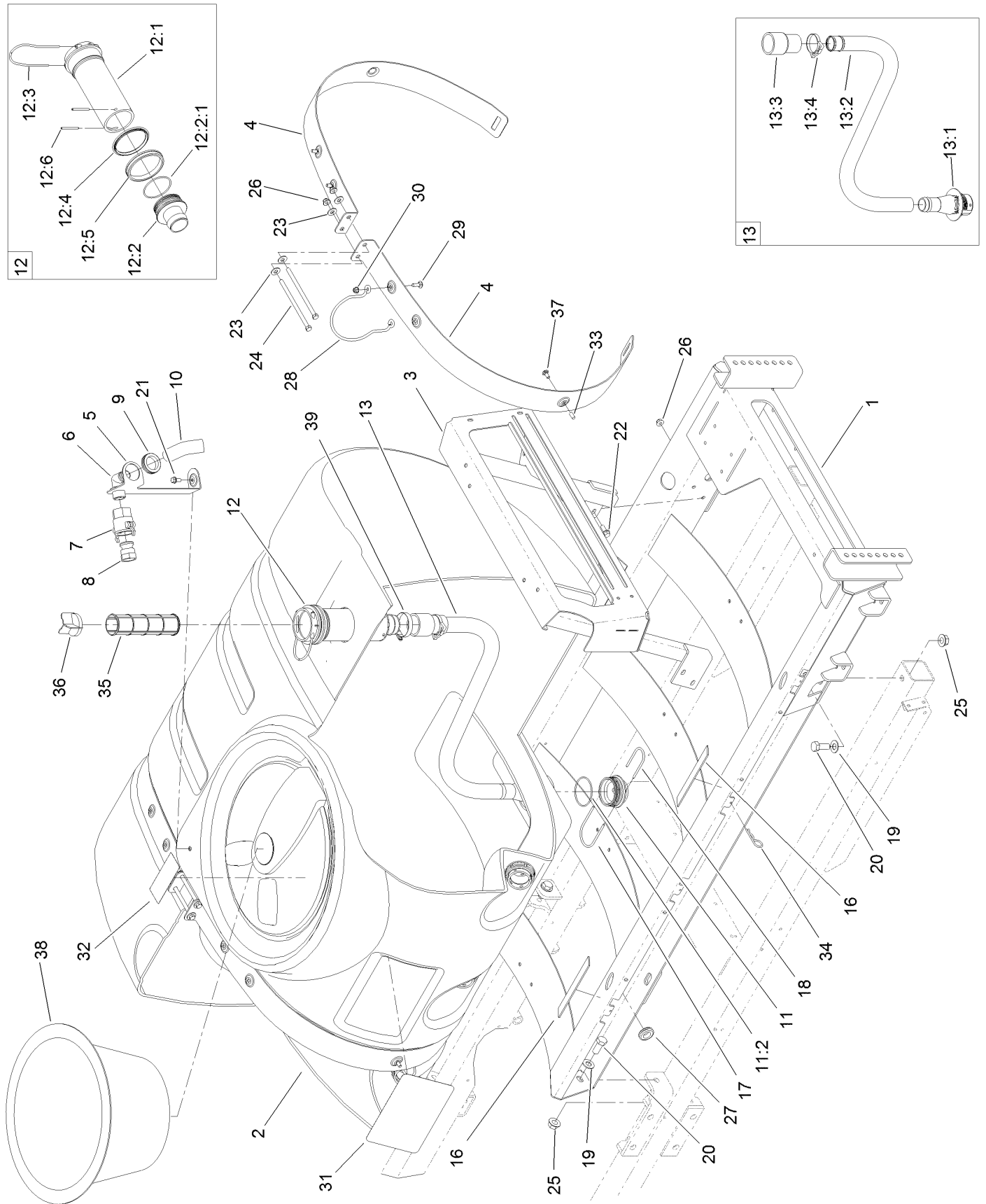
■ Not serviced separately



Boom Lift Hydraulic System Assembly

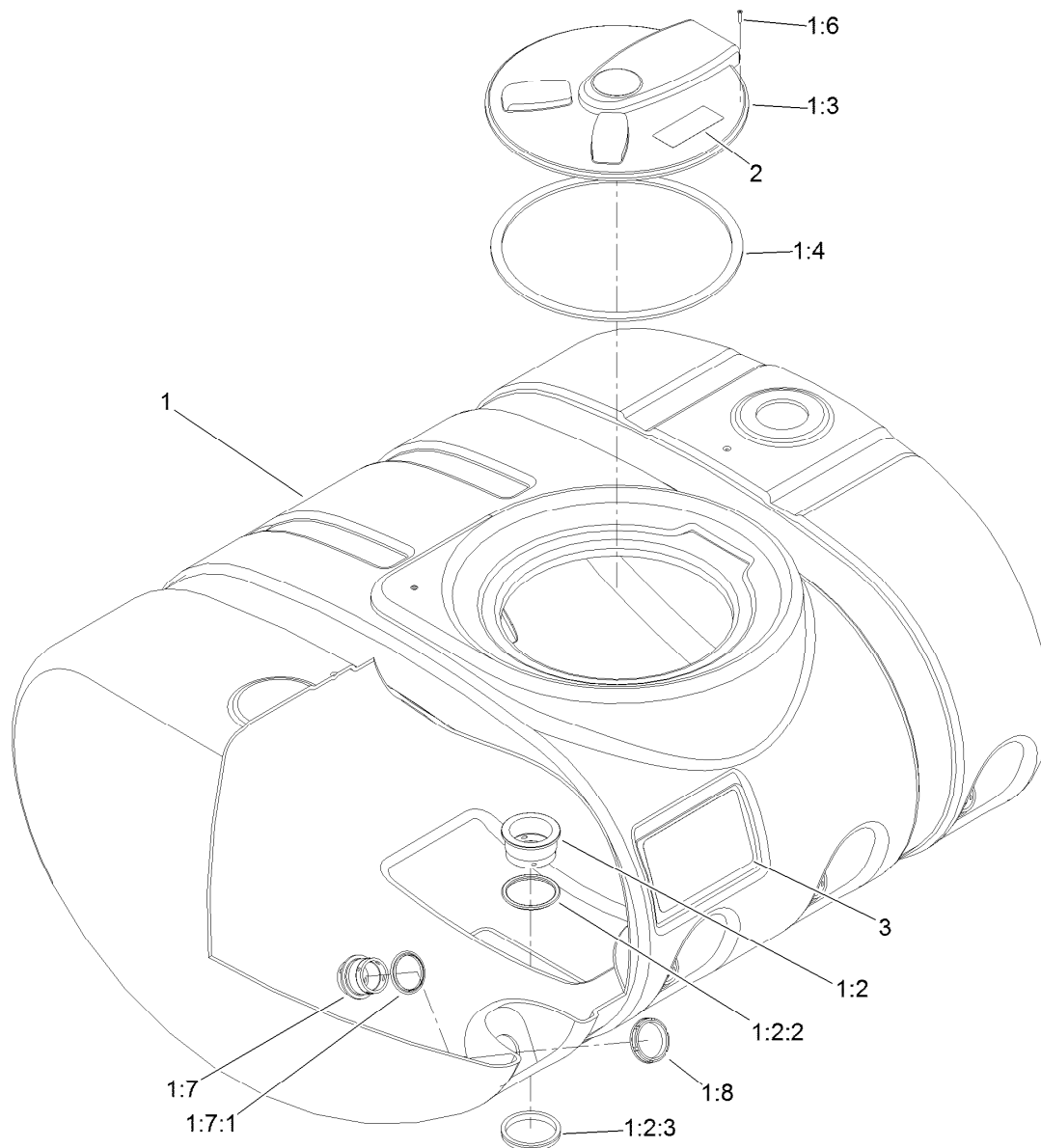
<i>Ref.</i>	<i>Part Number</i>	<i>Qty.</i>	<i>Description</i>	<i>Ref.</i>	<i>Part Number</i>	<i>Qty.</i>	<i>Description</i>
1	340-157	1	Fitting-HYD, Tee	4	94-8105	2	Clamp-Tube
1:1	237-79	1	O-Ring	5	3256-23	1	Washer-Flat
1:2	237-30	2	O-Ring	6	322-11	1	Screw-HH
2	93-2242	1	Filter-Oil	7	104-8300	1	Nut-Flange, NI
2:1	75-1310	1	Filter-HYD	8	33115-016	4	Screw-HH
3	340-131	2	Fitting-HYD, 90 DEG	9	119-0588	1	HYD Hose ASM
3:1	237-30	1	O-Ring	10	119-0587	1	HYD Hose ASM
3:2	237-81	1	O-Ring	11	106-3672	1	HYD Hose ASM

Saddle and Tank Mount Assembly



Saddle and Tank Mount Assembly (continued)

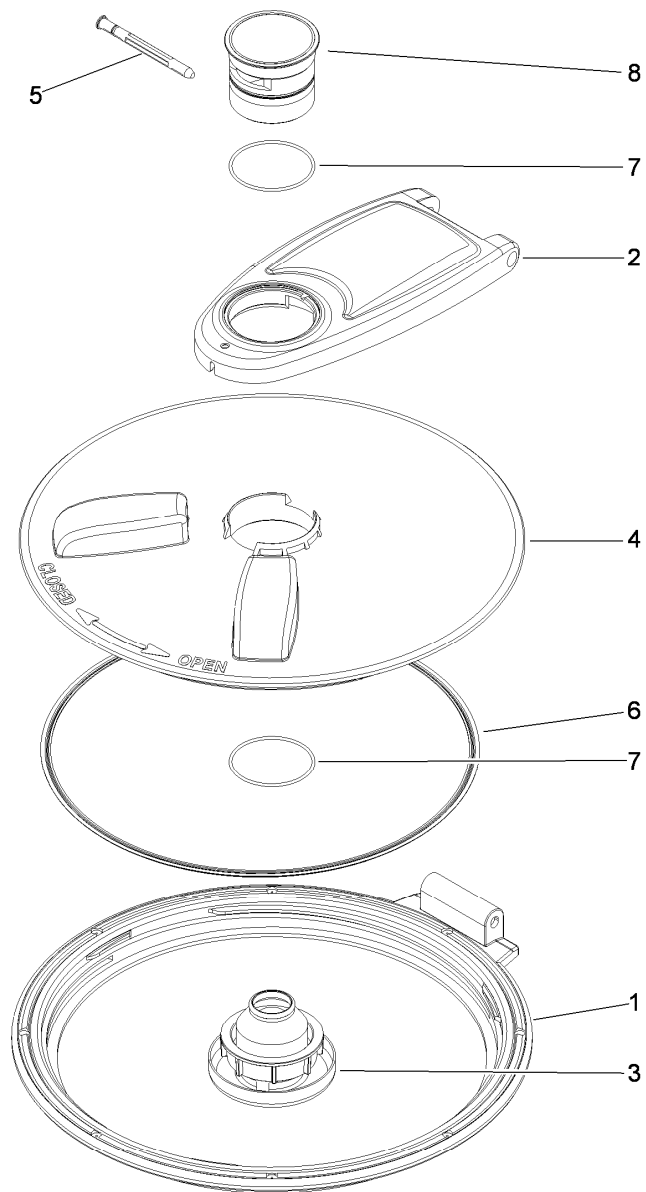
<i>Ref.</i>	<i>Part Number</i>	<i>Qty.</i>	<i>Description</i>	<i>Ref.</i>	<i>Part Number</i>	<i>Qty.</i>	<i>Description</i>
1	117-8010-03	1	Tank Saddle ASM	17	117-7996	1	Fork
2	117-8005	1	Tank ASM	18	100-8635	1	Fork
3	117-7927-03	1	Valve-Support	19	3256-27	4	Washer-Flat
4	117-8029-03	4	Band-Tank	20	327-4	4	Screw-HH
5	110-5082-03	1	Bracket-Anti Siphon	21	3234-5	1	Screw-HHF
6	41140	1	Elbow	22	3234-11	4	Screw-HHF
7	100-6779	1	Coupling-Female	23	3256-4	8	Washer-Flat
8	41316	1	Adapter-Quick	24	120-0649	4	Bolt-TAP HH
9	110-5090	1	Grommet	25	32128-50	4	Nut-Flange
10	110-5088	1	Hose-Fill	26	104-8301	8	Nut-Flange, NI
11	117-7928	1	Adapter ASM	27	1-543286	1	Grommet
11:2	100-6989	1	O-Ring	28	119-5019	1	Stop-Lid
12	130-7096	1	Filter ASM	29	3230-2	2	Bolt-CARR
12:1	100-8643	1	Housing-Filter	30	104-8300	3	Nut-Flange, NI
12:2	106-4942	1	Hosebarb-Straight	31	119-5042	2	Decal-Tank
12:2:1	100-6989	1	O-Ring	32	120-0622	1	Decal-Warning
12:3	100-8636	1	Fork-Special	33	42452	5	Cap-Protective
12:4	100-8646	1	Gasket-Bulkhead	34	3290-343	4	Pin-Hair
12:5	100-8647	1	Nut-Bulkhead	35	100-6991	1	Element-Filter, Green
12:6	100-8644	2	Pin-Expansion	35	100-6992	1	Element-Filter, Red
13	121-5003	1	Suction Tube ASM	35	100-8642	1	Screen-Suction
13:1	121-5008	1	Foot-Suction	36	100-8641	1	Vane-Screen
13:2	121-5030	1	Tube-Suction	37	3230-1	5	Bolt-CARR
13:3	121-5031	1	Connector-Suction	38	119-9419	1	Basket-Filter
13:4	121-5047	1	Clamp-Nylon	39	2412-130	1	Clamp-Hose
16	104-7102	4	Pad-Battery				



Tank Assembly No. 117-8005

Ref.	Part Number	Qty.	Description
1		1	Tank ASM ●
1:2	117-7851	1	Bulkhead ASM
1:2:2	100-8646	1	Gasket-Bulkhead
1:2:3	100-8647	1	Nut-Bulkhead
1:3		1	Spray Tank Lid ASM ●
1:4	119-9378	1	Gasket-Lid, Tank
1:6	107-8635	8	Screw-PFH
1:7	108-3358	4	Fitting-Bulkhead
1:7:1	107-2864	1	Gasket-Bulkhead
1:8	100-7051	4	Nut-Bulkhead
2	120-0622	1	Decal-Warning
3	119-5042	2	Decal-Tank

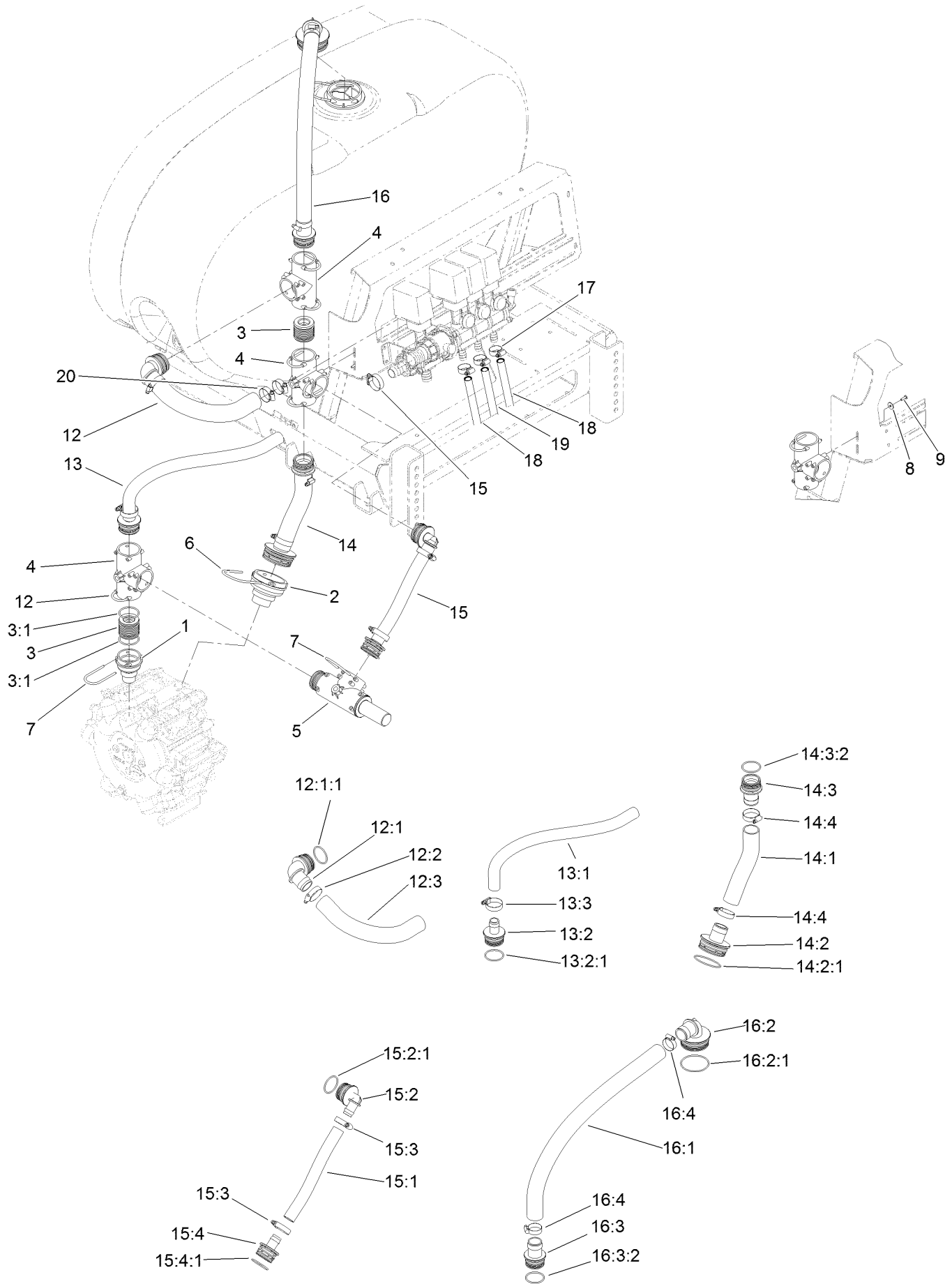
● Not serviced separately



Spray Tank Lid Assembly

<i>Ref.</i>	<i>Part Number</i>	<i>Qty.</i>	<i>Description</i>
1	119-9381	1	Ring-Lid
2	119-9382	1	Arm-Lid
3	119-9383	1	Vent-Lid
4	119-9384	1	Cover-Lid
5	119-9385	1	Pin-Pivot
6	106-5004	1	Seal-Lid
7	119-9386	2	O-Ring
8	119-9387	1	Cap-Lid

Spray System Supply Assembly

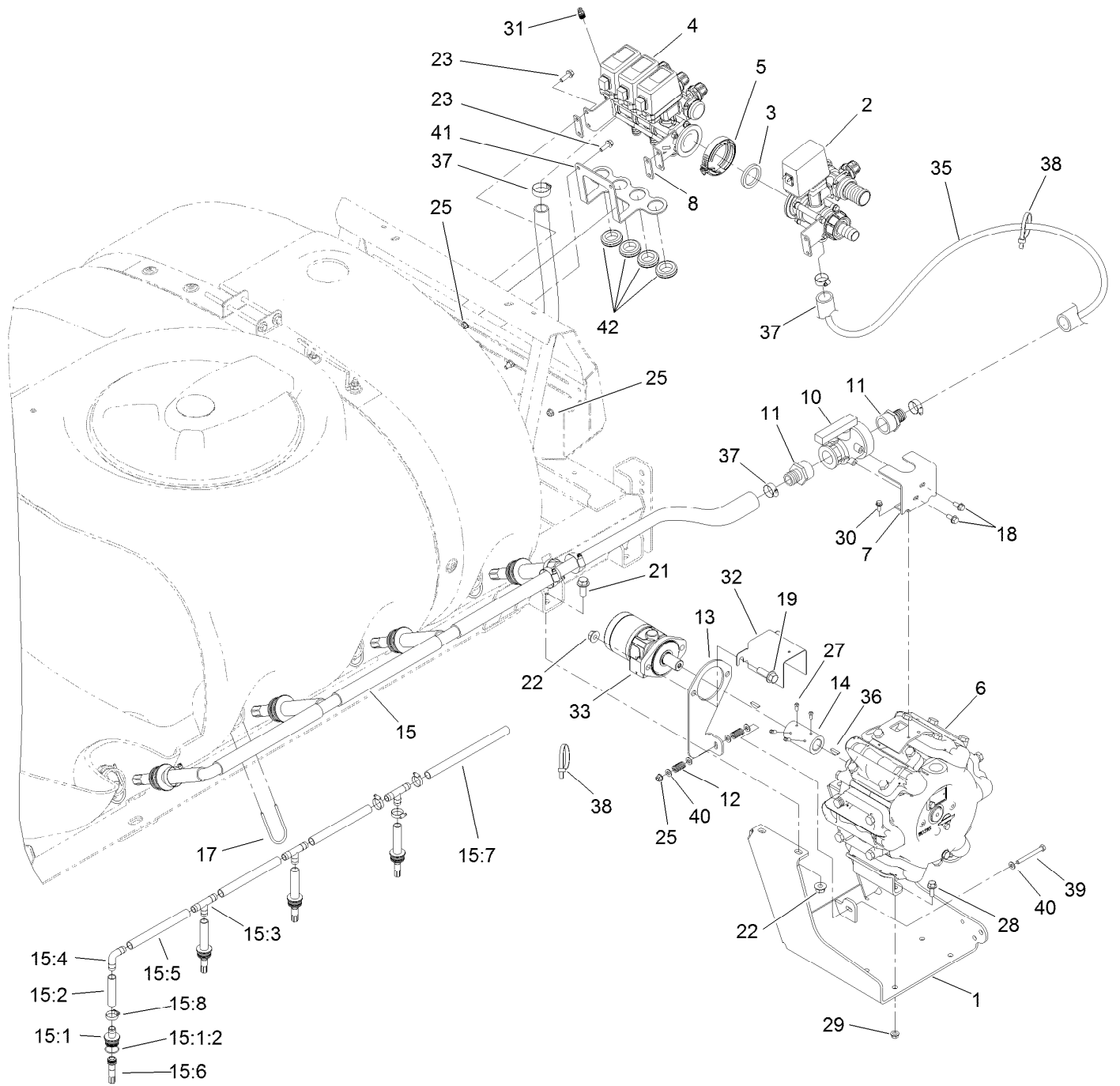


Spray System Supply Assembly (continued)

<i>Ref.</i>	<i>Part Number</i>	<i>Qty.</i>	<i>Description</i>	<i>Ref.</i>	<i>Part Number</i>	<i>Qty.</i>	<i>Description</i>
1	117-7859	1	Fitting-Pump	14:2	117-7965	1	Hosebarb ASM
2	117-7858	1	Fitting-Pump	14:2:1	100-6989	1	O-Ring
3	106-4947	2	Connector	14:3	117-7982	1	Hosebarb ASM
3:1	100-8637	2	O-Ring	14:3:2	100-8637	1	O-Ring
4	100-6704	3	Tee	14:4	41327	2	Clamp-Hose
5	117-7874	1	Relief Valve ASM	15		1	Pressure Relief Hose ASM ●
6	117-7996	1	Fork	15:1	117-7958	1	Hose-Pressure Relief
7	100-8635	11	Fork	15:2	106-4933	2	Hosebarb ASM
8	3256-61	2	Washer-Flat	15:2:1	100-8637	1	O-Ring
9	32144-32	2	Screw	15:3	2412-3	2	Clamp-Hose
12		1	Agitation Bypass Hose ASM	15:4	106-4932	1	Hosebarb-Straight
		●		15:4:1	100-8637	1	O-Ring
12:1	110-5156	1	Suction Elbow ASM	16		1	Upper Suction Hose ASM ●
12:1:1	100-8637	1	O-Ring	16:1	117-7959	1	Hose-Suction, Upper
12:2	41327	1	Clamp-Hose	16:2	106-4952	1	Hosebarb-90 DEG
12:3	119-0520	1	Hose-Agitation, Bypass	16:2:1	100-6989	1	O-Ring
13		1	Supply Hose ASM ●	16:3	117-7982	1	Hosebarb ASM
13:1	119-0445	1	Hose-Main Supply	16:3:2	100-8637	1	O-Ring
13:2	106-4932	1	Hosebarb-Straight	16:4	41327	2	Clamp-Hose
13:2:1	100-8637	1	O-Ring	17	2412-129	3	Clamp-Hose
13:3	2412-3	1	Clamp-Hose	18	108-3491	2	Hose-Boom
14		1	Lower-Suciton, Hose ASM ●	19	40506	1	Hose-Jumper
14:1	117-7960	1	Hose-Suction, Lower	20	41327	2	Clamp-Hose

● Not serviced separately

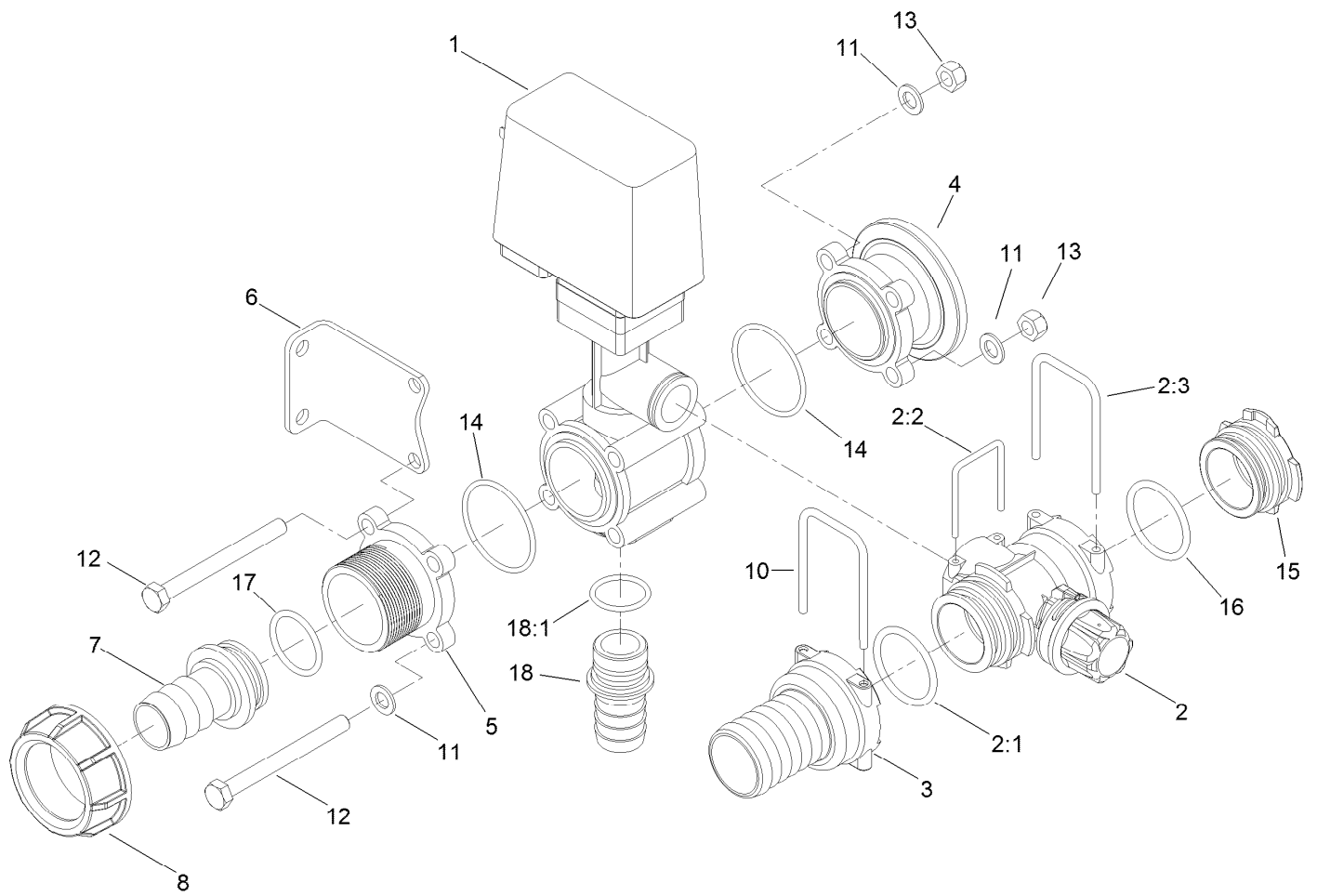
Spray Pump and Valve Assembly



Spray Pump and Valve Assembly (continued)

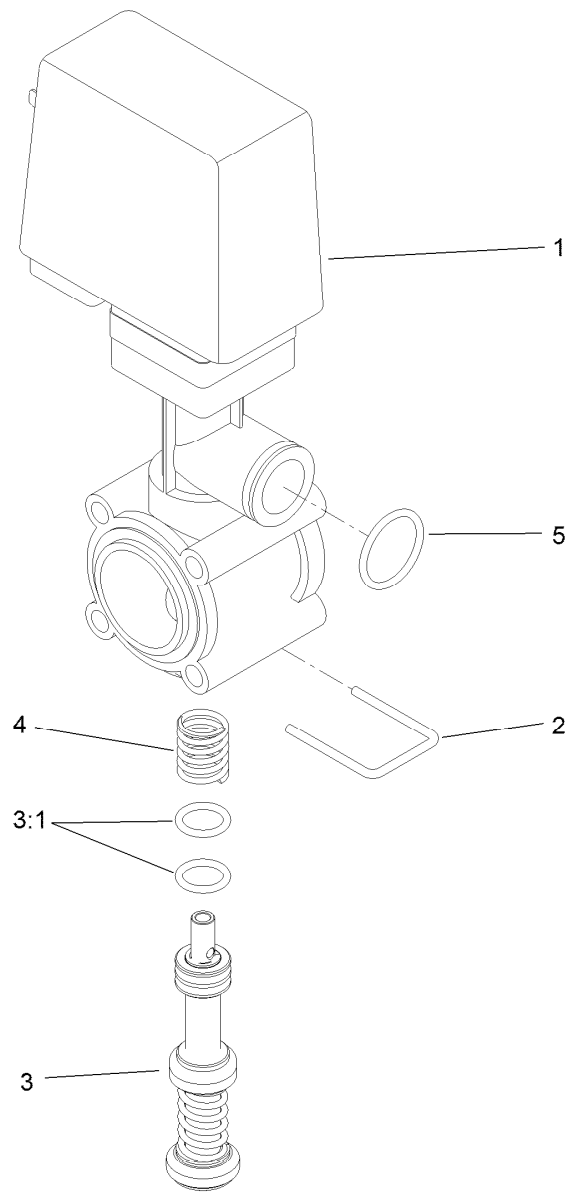
<i>Ref.</i>	<i>Part Number</i>	<i>Qty.</i>	<i>Description</i>	<i>Ref.</i>	<i>Part Number</i>	<i>Qty.</i>	<i>Description</i>
1	117-0655-03	1	Pump Bracket ASM	17	100-8635	4	Fork
2		1	Valve-Agitation ASM ●	18	3234-5	2	Screw-HHF
3	104-9090	1	Gasket	19	100-6116	2	Screw-HHF
4		1	Manifold-Valve W/Bypass ●	21	110-5057	4	Capscrew-HHF
5	104-9089	1	Clamp-Screw, Worm	22	108-3745	6	Nut-HHF, Whiz
6	117-0713	1	Pump ASM	23	3234-17	8	Screw-HHF
7	119-0442-03	1	Bracket-Ball Valve	25	104-8300	8	Nut-Flange, NI
8	125-0822	2	Spacer-Valve Mount	27	3241-7	4	Screw-SQH
10	108-0069	1	Valve-Ball	28	3234-11	4	Screw-HHF
11	110-5224	2	Fitting-Barbed, Straight	29	3290-357	4	Nut-HHF, Whiz
12	110-5331	2	Spring-Compression	30	3234-4	2	Screw-HHF
13	117-8040-03	1	Plate-Motor Mount	31	100-8674	1	Coupler-Tube
14	117-8045	1	Coupler	32	120-0628-03	1	Guard-Pump Shaft
15		1	Agitation Hose ASM ●	33	117-0706	1	HYD Motor ASM
15:1	117-7978	4	Str Hosebarb ASM	35	119-0480	1	Hose-Valve, Agitation
15:1:2	100-8637	1	O-Ring	36	106-1990	1	Key-Woodruff
15:2	119-0441	4	Hose-Agitaiton	37	2412-34	4	Clamp-Hose
15:3	117-7866	3	Tee-Hosebarb	38	3334-945	2	Tie-Cable
15:4	117-7867	1	Elbow-Hosebarb	39	322-14	1	Screw-HH
15:5	117-7862	3	Hose-Main Agitation	40	3256-23	5	Washer-Flat
15:6	117-7853	4	Bushing-Nozzle	41	120-8594-03	1	Hose-Loom, 4 Hole
15:7	119-0443	1	Hose-Agitation	42	108-3723	4	Grommet
15:8	2412-3	15	Clamp-Hose				

● Not serviced separately



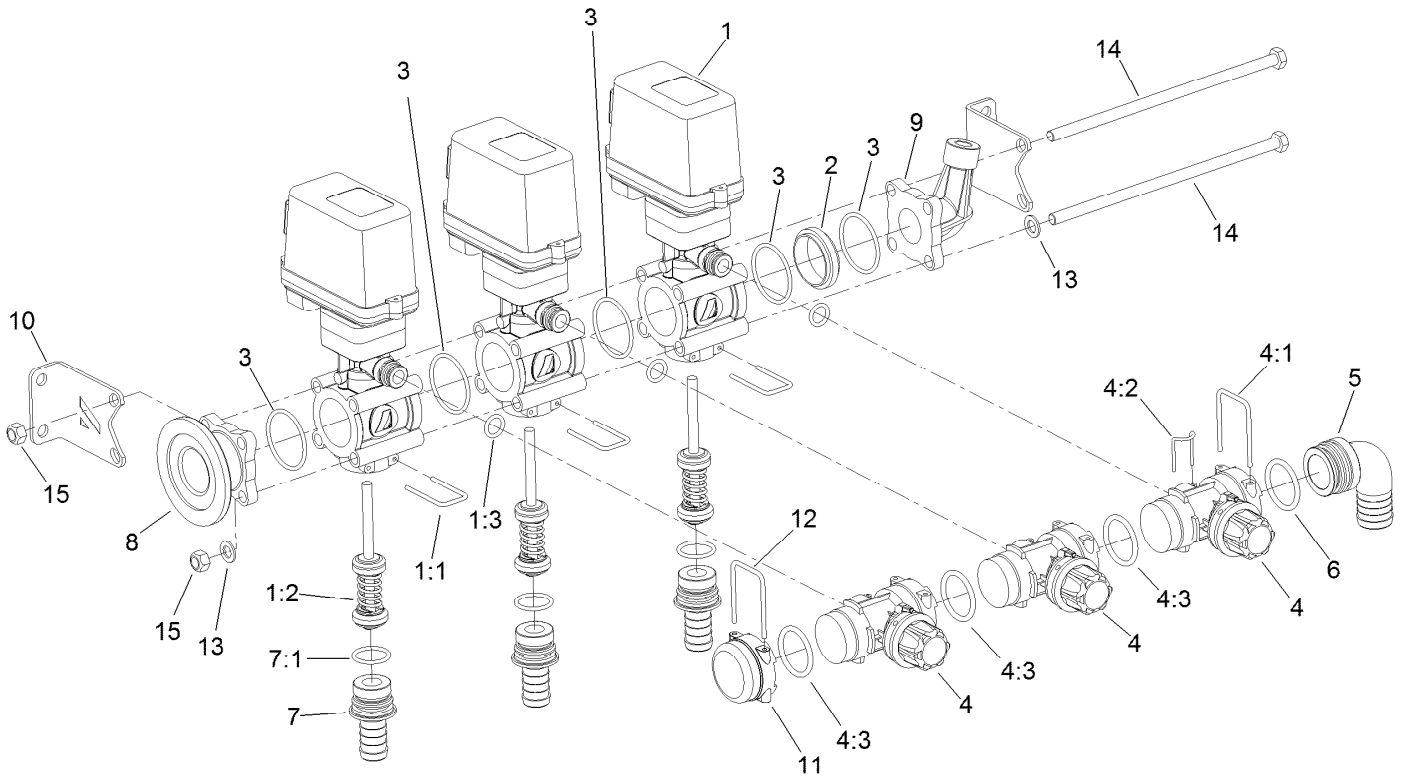
Agitation Valve Assembly

Ref.	Part Number	Qty.	Description
1	121-5053	1	Valve (W/Bypass)
2	120-8595	1	Valve-Bypass
2:1	119-4869	1	O-Ring
2:2	119-4862	1	Fork
2:3	119-4863	1	Fork
3	120-8607	1	Hosebarb -Str
4	117-7966	1	Flange
5	119-0522	1	Adapter
6	117-7975	1	Bracket Mounting Kit
7	119-0499	1	Hosebarb
8	117-7879	1	Nut-Fly
10	119-4863	2	Fork
11	119-4871	6	Washer
12	119-4866	4	Screw-HH
13	33024-00	4	Nut-Lock, NI
14	119-4870	2	O-Ring
15	121-5009	1	Cap-Valve
16	119-4869	2	O-Ring
17	117-7922	1	O-Ring
18	117-7992	1	Hosebarb
18:1	119-4868	1	O-Ring



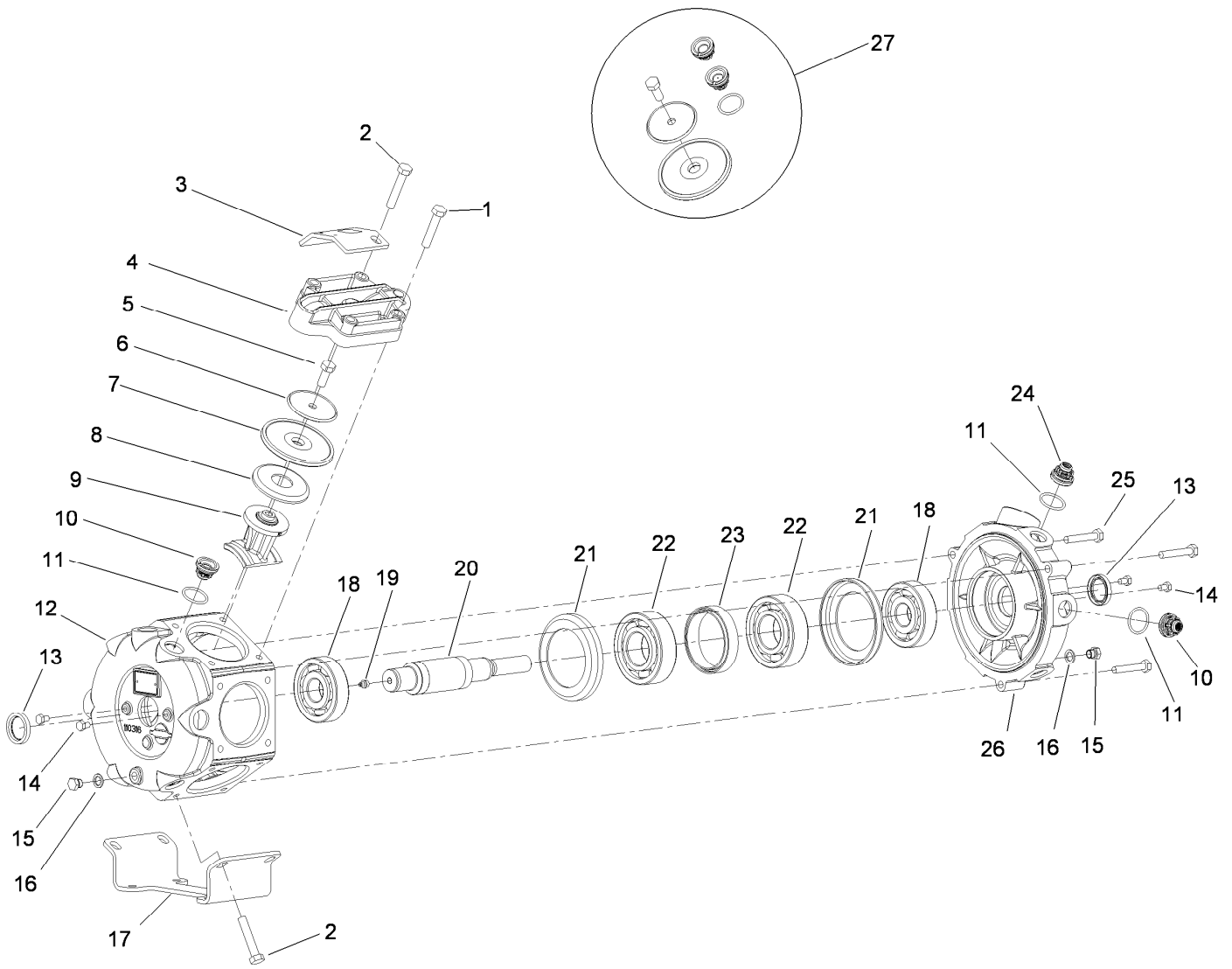
Valve Assmebly No. 121-5053

<i>Ref.</i>	<i>Part Number</i>	<i>Qty.</i>	<i>Description</i>
1	119-9397	1	Motor Valve Cover ASM
2	119-4862	1	Fork
3	121-5054	1	Piston ASM
3:1	121-5057	2	O-Ring, Arag Valve Piston
4	121-5056	1	Spring-Piston, Arag Valve
5	119-4868	1	O-Ring



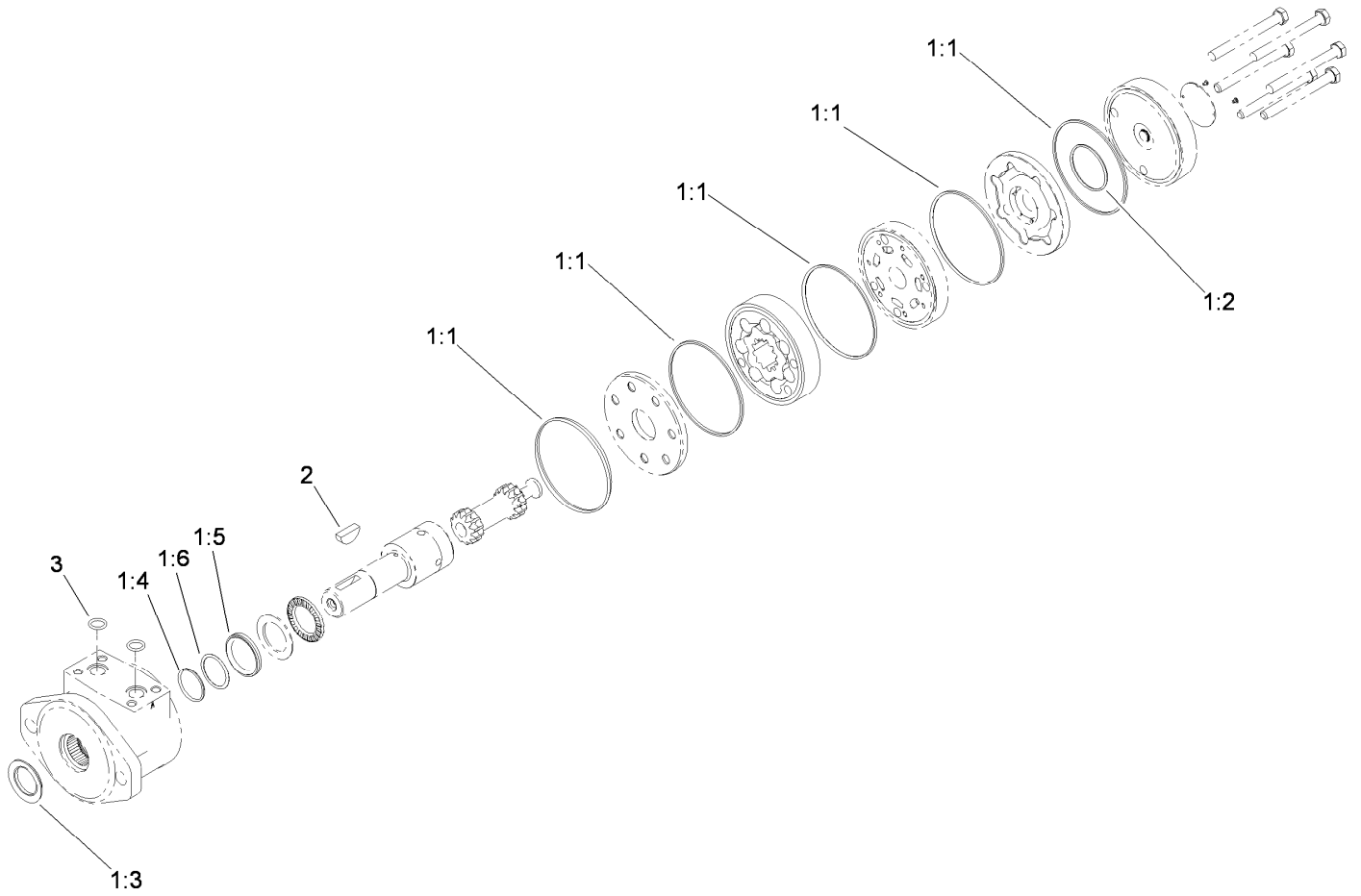
Manifold Valve W/Bypass Assembly

<i>Ref.</i>	<i>Part Number</i>	<i>Qty.</i>	<i>Description</i>	<i>Ref.</i>	<i>Part Number</i>	<i>Qty.</i>	<i>Description</i>
1	121-5101	3	Valve-W/Bypass	6	121-5114	1	O-Ring
1:1	119-4901	1	Fork	7	121-5102	3	Hosebarb
1:2	121-5116	1	Piston-Arag Valve	7:1	119-4975	1	O-Ring
1:3	121-5123	1	O-Ring	8	121-5104	1	Flange-Female
2	119-0453	1	Adapter-Male-Male	9	121-5103	1	Port-Pressure Gauge
3	119-4974	5	O-Ring	10	121-5109	2	Bracket Mounting Kit
4	121-5105	4	Valve-Bypass	11	121-5106	1	Cap-Bypass Valve
4:1	121-5108	1	Fork	12	121-5108	1	Fork
4:2	121-5110	1	Fork	13	119-4871	2	Washer
4:3	121-5114	1	O-Ring	14	119-4867	4	Screw-HH
5	121-5107	1	Elbow-Hosebarb	15	33024-00	4	Nut-Lock, NI



Pump Assembly No. 117-0713

Ref.	Part Number	Qty.	Description	Ref.	Part Number	Qty.	Description
1	120-0773	18	Bolt-Hex	15	120-0785	2	Plug
2	120-0774	6	Bolt-Hex	16	120-0786	2	Seal
3	120-0775	1	Bracket-Pump	17	120-0787	1	Foot-Pump
4	120-0776	6	Cover-Valve	18	120-0788	2	Bearing-Ball
5	120-0777	6	Bolt-Hex	19	99-0873	1	Fitting-Grease
6	120-0778	6	Disc-Diaphragm	20	120-0789	1	Shaft-Crank
7	120-0779	6	Diaphragm	21	120-0790	2	Spacer-Metal
8	120-0780	6	Disc-Backing, Diaphragm	22	120-0791	2	Bearing-Ball
9	120-0781	6	Rod-Connecting	23	120-0792	1	Spacer
10	99-0861	10	Valve-Pump	24	120-0793	2	Valve W/Hole
11	100-6651	12	O-Ring	25	120-0794	3	Bolt-Hex
12	120-0782	1	Casting-Pump	26	120-0795	1	Casting-Pump
13	120-0783	2	Seal-Oil	27	120-0796	1	Pump Kit
14	120-0784	4	Bolt-Hex				

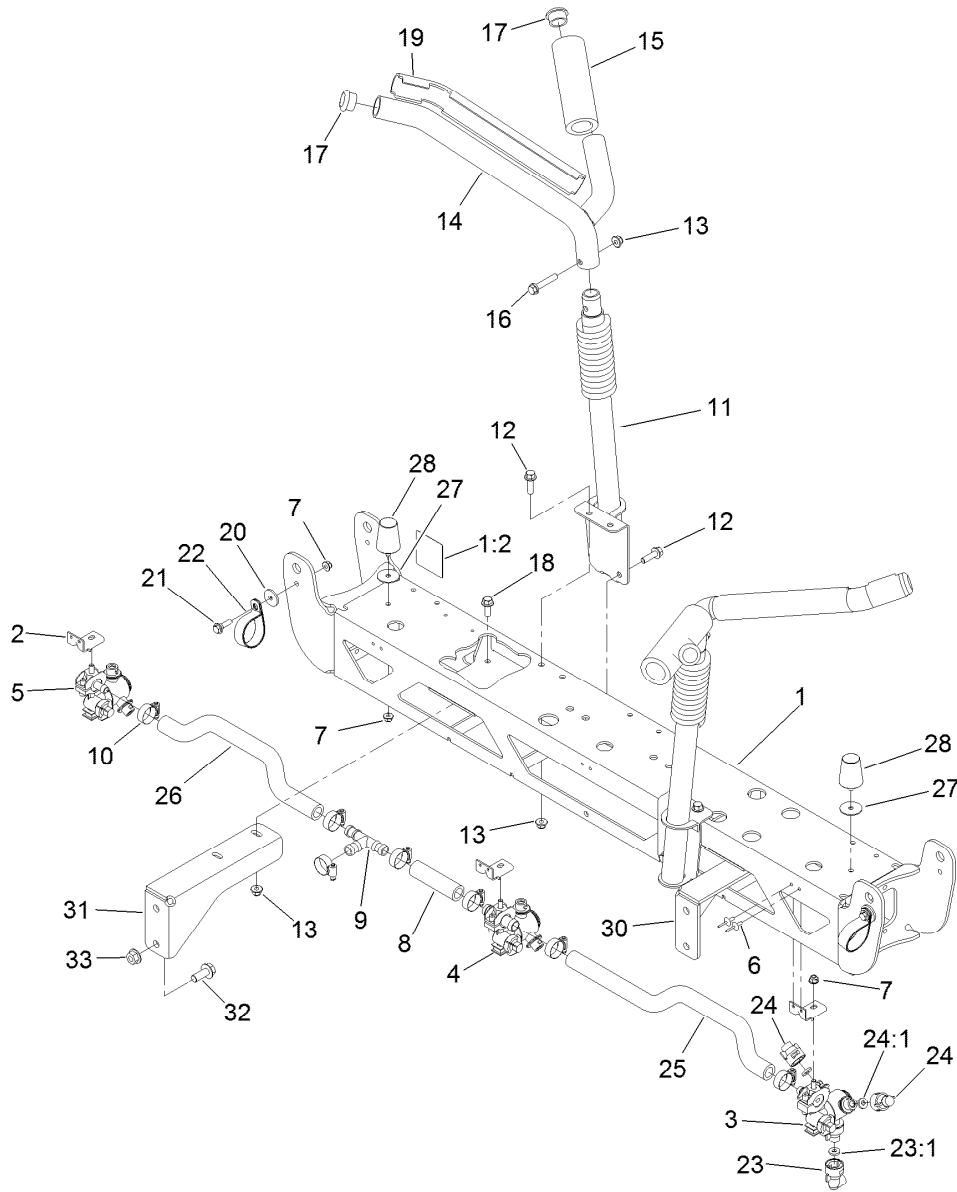


Hydraulic Motor Assembly No. 117-0706

Ref.	Part Number	Qty.	Description
1	119-0433	1	Wheel Motor Seal Kit ●
1:1		5	Seal-Ring ■
1:2		1	Seal-Commutator ■
1:3		1	Seal-Dirt And Water ■
1:4		1	Ring-Backing ■
1:5		1	Seal-Shaft ■
1:6		1	Washer-Backup ■
2	3257-8	1	Key-Woodruff
3	120-0691	2	O-Ring

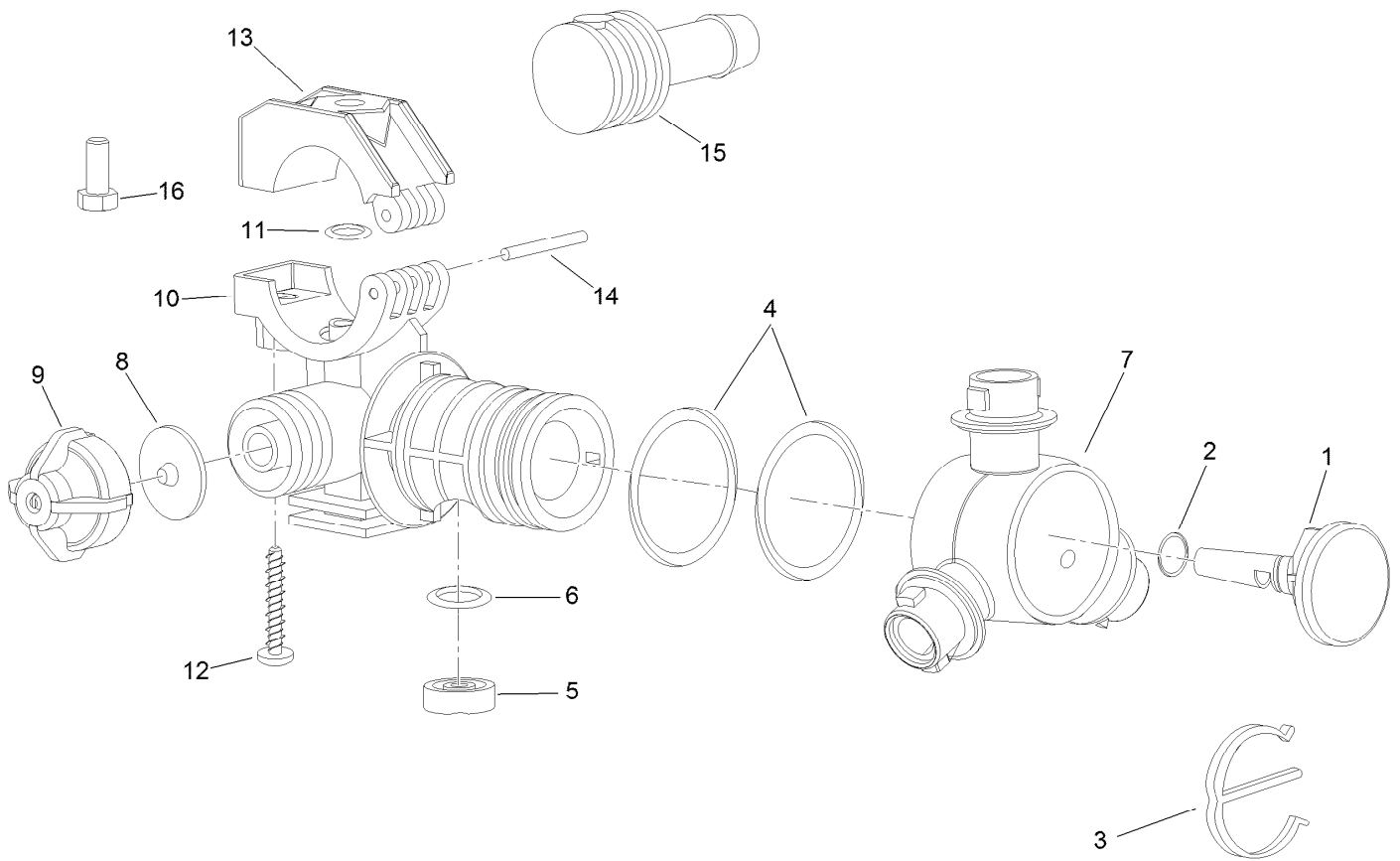
● Not illustrated

■ Not serviced separately



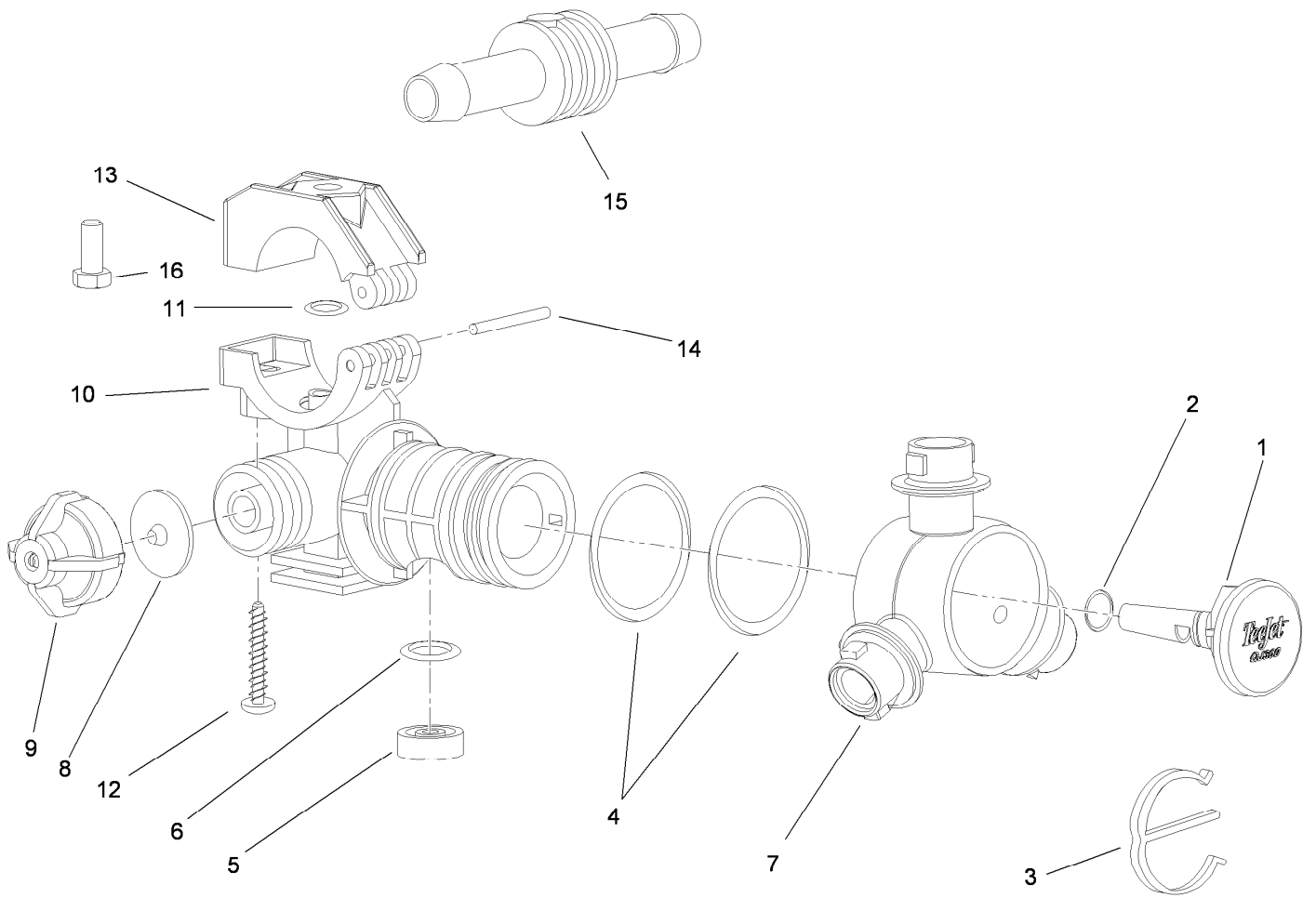
Center Boom Assembly

Ref.	Part Number	Qty.	Description	Ref.	Part Number	Qty.	Description
1	121-5094	1	Frame ASM	17	108-3489	4	Cap-Tube
1:2	120-0617	2	Decal-Warning, Pinch, Crush	18	110-5052	4	Screw-HHF
2	107-8775	3	Bracket-Mount, Nozzle	19	108-3495	2	Cover-Slide
3	108-3725	1	LH Single Body Turret ASM	20	108-3743	2	Washer
4	108-3727	1	Double Turret Body ASM	21	108-3744	2	Screw-Shoulder
5	108-3726	1	RH Single Body Turret ASM	22	114-9566	2	Clamp-R
6	114439	6	Rivet-Pop	23	95-9186	3	Cap
7	104-8300	7	Nut-Flange, NI	23:1	40998	1	Seat-Gasket
8	108-3717	1	Hose-Boom	24	95-9187	6	Cap-Blank
9	108-3439	1	Tee	24:1	40998	1	Seat-Gasket
10	2412-129	7	Clamp-Hose	25	108-3735	1	Hose-Boom, Center (LH)
11	108-3472-03	2	Cradle-Lower	26	108-3718	1	Hose-Boom, Center (RH)
12	110-5050	6	Screw-HHF	27	3256-68	2	Washer-Flat
13	104-8301	12	Nut-Flange, NI	28	110-5070	2	Bumper
14	108-3476-03	2	Cradle-Upper	30	117-0651-03	1	Bracket-Boom Mount, RH
15	108-3457	2	Spacer	31	117-0652-03	1	Bracket-Boom Mount, LH
16	108-3742	2	Screw-HHF	32	110-5057	4	Capscrew-HHF
				33	108-3745	4	Nut-HHF, Whiz



LH Single Turret Body Assembly No. 108-3725

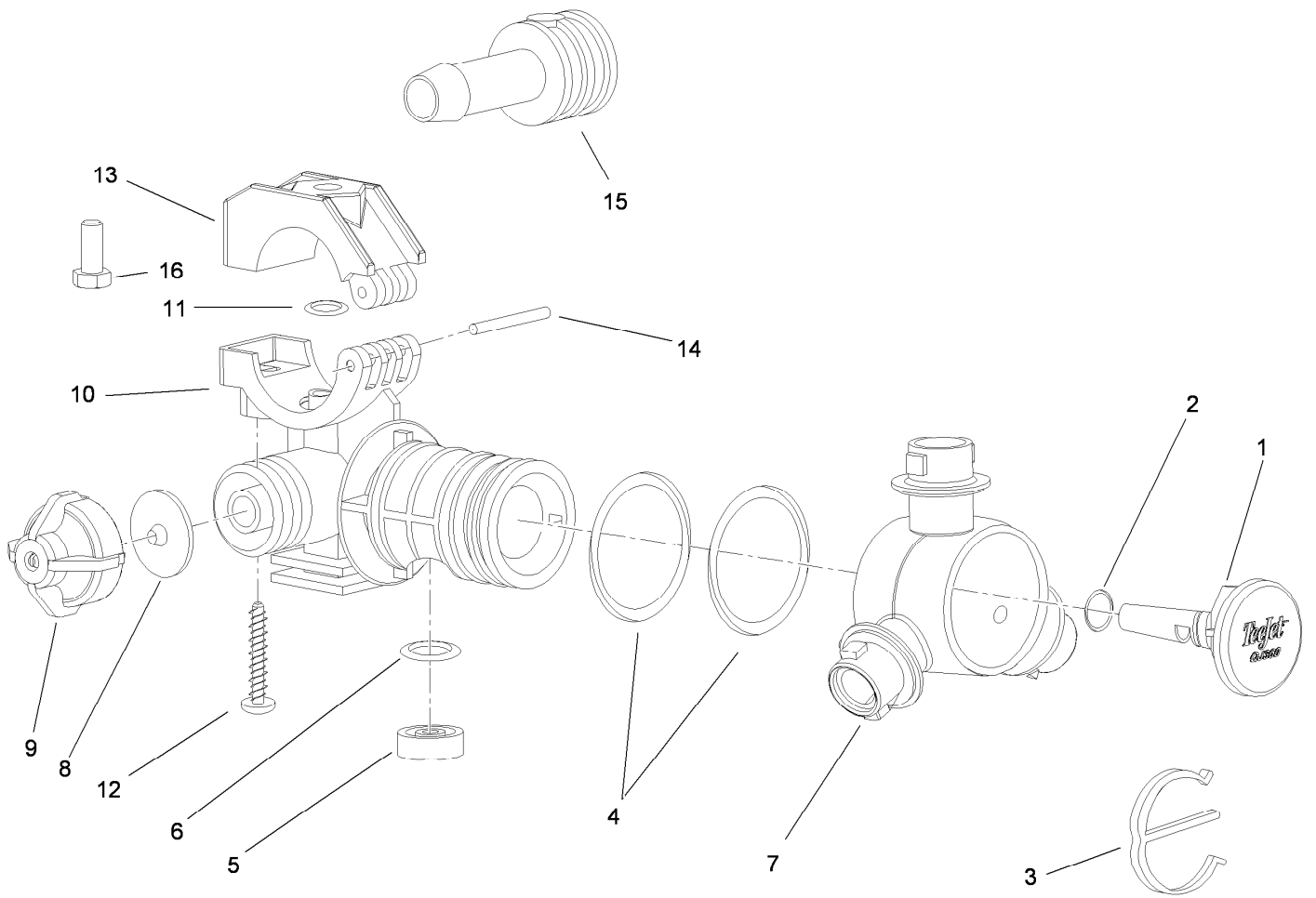
<i>Ref.</i>	<i>Part Number</i>	<i>Qty.</i>	<i>Description</i>	<i>Ref.</i>	<i>Part Number</i>	<i>Qty.</i>	<i>Description</i>
1	95-9200	1	Plug	9	95-9193	1	Cap-Diaphragm
2	95-9198	1	O-Ring	10	95-9192	1	Body-Split Eyelet
3	95-9197	1	E-Clip	11	95-9191	1	O-Ring
4	95-9199	2	O-Ring	12	99-0811	1	Screw-Clamp
5	108-3264	1	Seal-Viton	13	99-0812	1	Clamp-Upper
6	108-3265	1	O-Ring-Viton	14	99-0814	1	Pin-Pivot
7	95-9196	1	Turret	15	95-9201	1	Shank-Hose
8	41003	1	Diaphragm	16	322-3	1	Screw-HH



Double Turret Body Assembly No. 108-3727

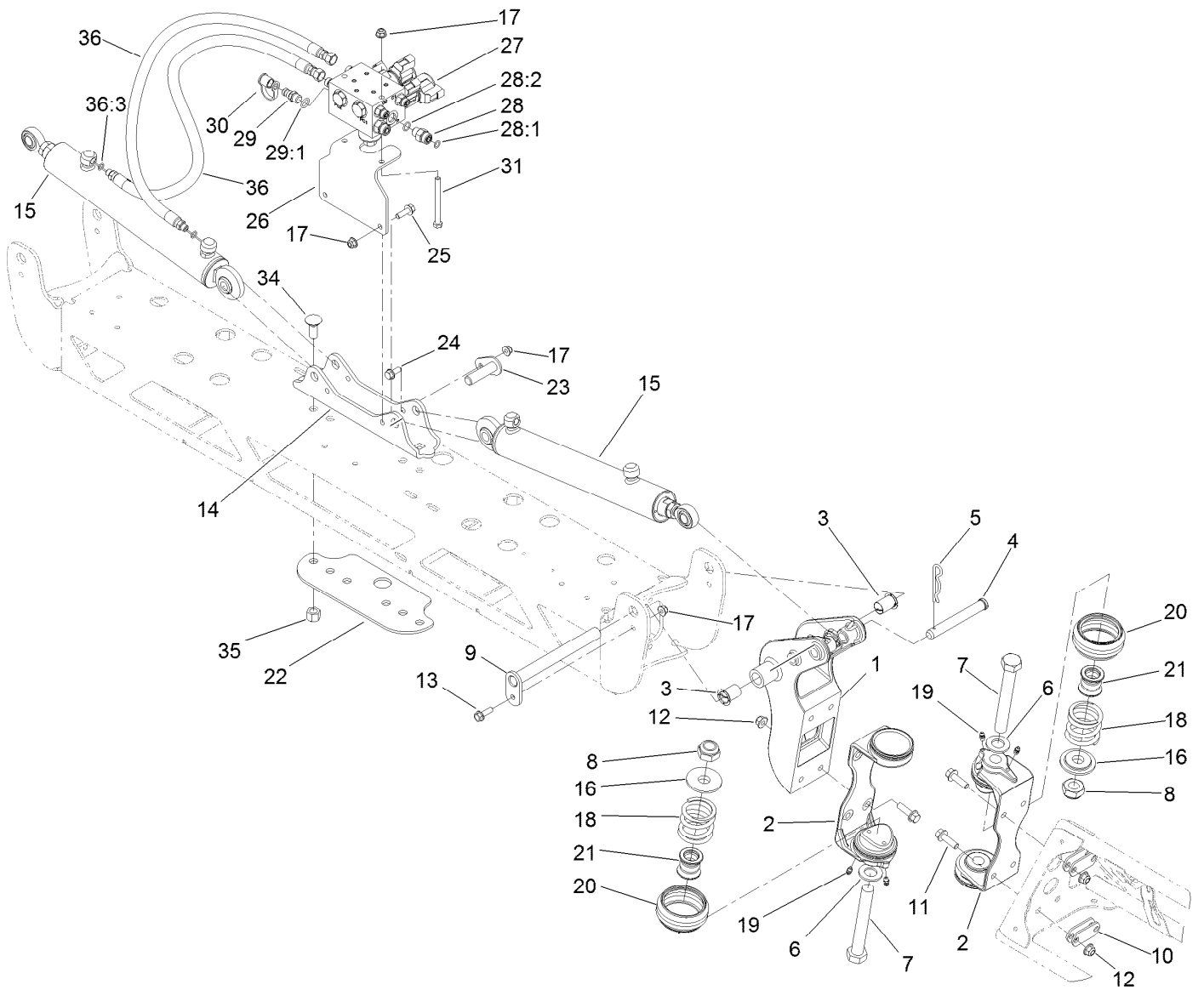
Ref.	Part Number	Qty.	Description
1	95-9200	1	Plug
2	95-9198	1	O-Ring
3	95-9197	1	E-Clip
4	95-9199	2	O-Ring
5	108-3264	1	Seal-Viton
6	108-3265	1	O-Ring-Viton
7	95-9196	1	Turret
8	41003	1	Diaphragm

Ref.	Part Number	Qty.	Description
9	95-9193	1	Cap-Diaphragm
10	95-9192	1	Body-Split Eyelet
11	95-9191	1	O-Ring
12	99-0811	1	Screw-Clamp
13	99-0812	1	Clamp-Upper
14	99-0814	1	Pin-Pivot
15	95-9202	1	Shank-Hose
16	322-3	1	Screw-HH



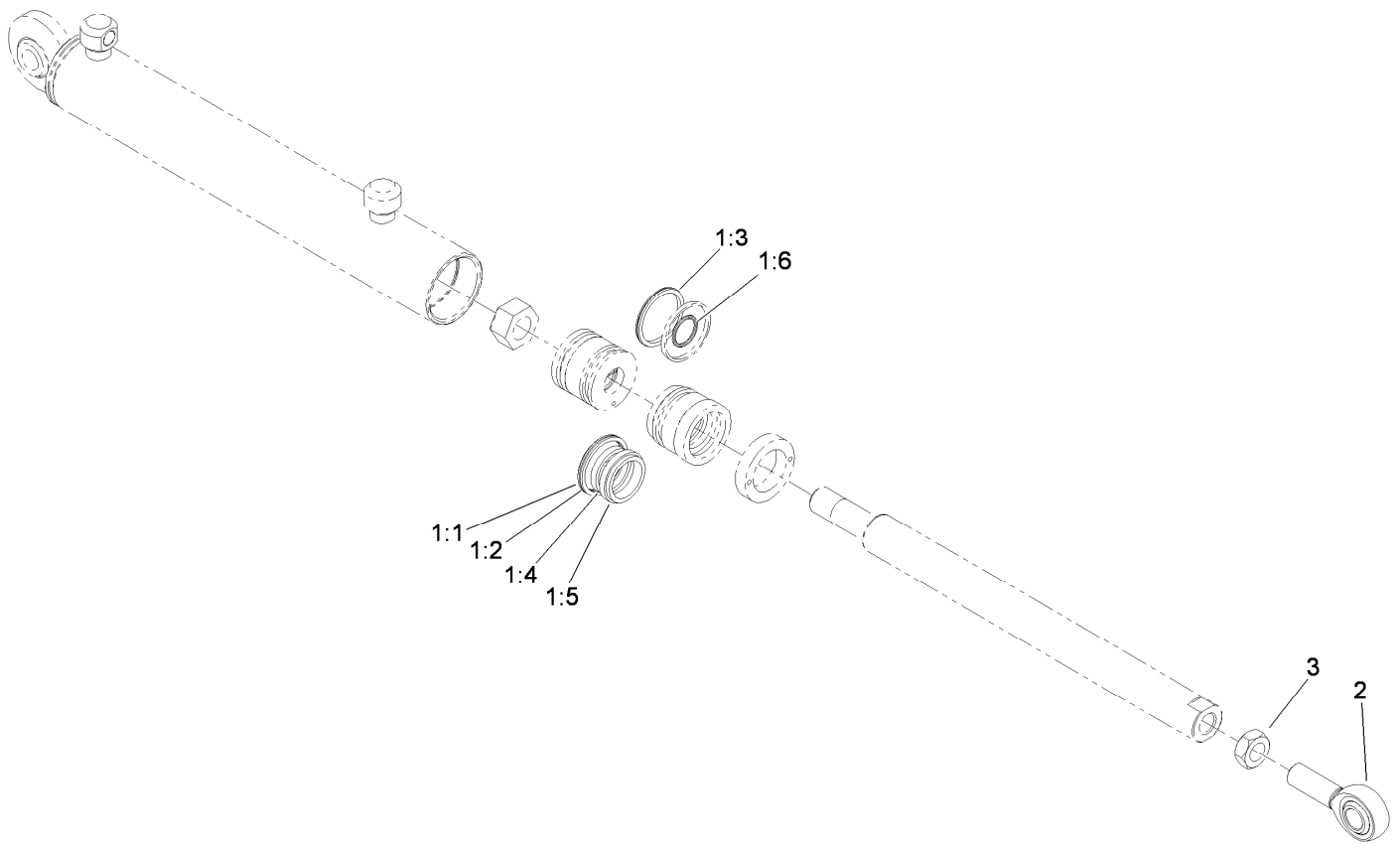
RH Single Body Turret Assembly No. 108-3726

<i>Ref.</i>	<i>Part Number</i>	<i>Qty.</i>	<i>Description</i>	<i>Ref.</i>	<i>Part Number</i>	<i>Qty.</i>	<i>Description</i>
1	95-9200	1	Plug	9	95-9193	1	Cap-Diaphragm
2	95-9198	1	O-Ring	10	95-9192	1	Body-Split Eyelet
3	95-9197	1	E-Clip	11	95-9191	1	O-Ring
4	95-9199	2	O-Ring	12	99-0811	1	Screw-Clamp
5	108-3264	1	Seal-Viton	13	99-0812	1	Clamp-Upper
6	108-3265	1	O-Ring-Viton	14	99-0814	1	Pin-Pivot
7	95-9196	1	Turret	15	95-9201	1	Shank-Hose
8	41003	1	Diaphragm	16	322-3	1	Screw-HH



Center Boom Lift Assembly

Ref.	Part Number	Qty.	Description	Ref.	Part Number	Qty.	Description
1	119-4993-03	2	Bracket-Pivot	20	108-3459	4	Boot-Hinge
2	108-3471-03	4	Hinge	21	120-8541	4	Dampener-Hinge
3	100-8541	4	Bushing-A Arm	22	108-3469-03	1	Plate-Washer
4	108-3436	2	Pin-Clevis	23	112-7884	2	Pin-Pivot
5	3290-468	2	Pin-Cotter	24	110-5053	2	Screw-HHF
6	110-5054	4	Washer-Flat	25	3234-29	2	Screw-HHF
7	108-3738	4	Screw-HH	26	117-0711-03	1	Plate-Mount, Boom Valve
8	3296-15	4	Nut-Lock, NI	27	117-0702	1	On-Off Boom Lift Valve ASM
9	108-3419	2	Pivot Pin ASM	28	340-2	2	Fitting-HYD, Straight
10	108-3605	8	Plate-Backing	28:1	237-22	1	O-Ring
11	110-5050	16	Screw-HHF	28:2	237-42	1	O-Ring
12	104-8301	16	Nut-Flange, NI	29	59-7410	1	Fitting-Diagnostic
13	108-3748	2	Screw-HHF	29:1	237-42	1	O-Ring
14	119-4856-03	1	Plate-Mount, Cylinders	30	354-79	1	Cap-Dust
15	117-0701	2	Hydraulic Cylinder ASM	31	322-22	2	Screw-HH
16	108-3444	4	Retainer-Spring	34	110-5067	2	Screw-CARR
17	104-8300	8	Nut-Flange, NI	35	3296-23	2	Nut-Lock, NI
18	108-3440	4	Spring-Breakaway, Boom	36	119-4859	4	Hose ASM
19	302-5	8	Fitting-Grease	36:3	237-78	1	O-Ring

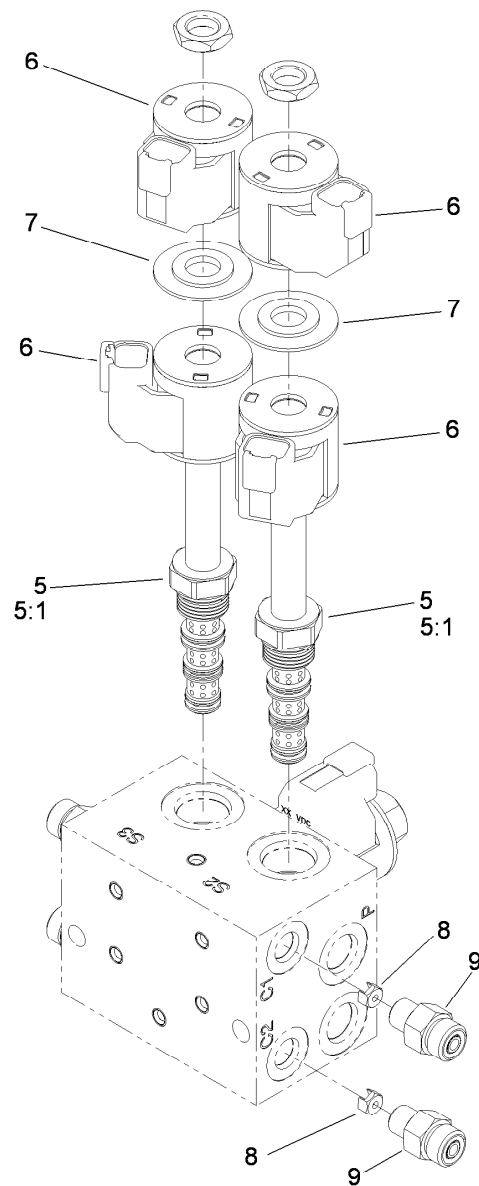
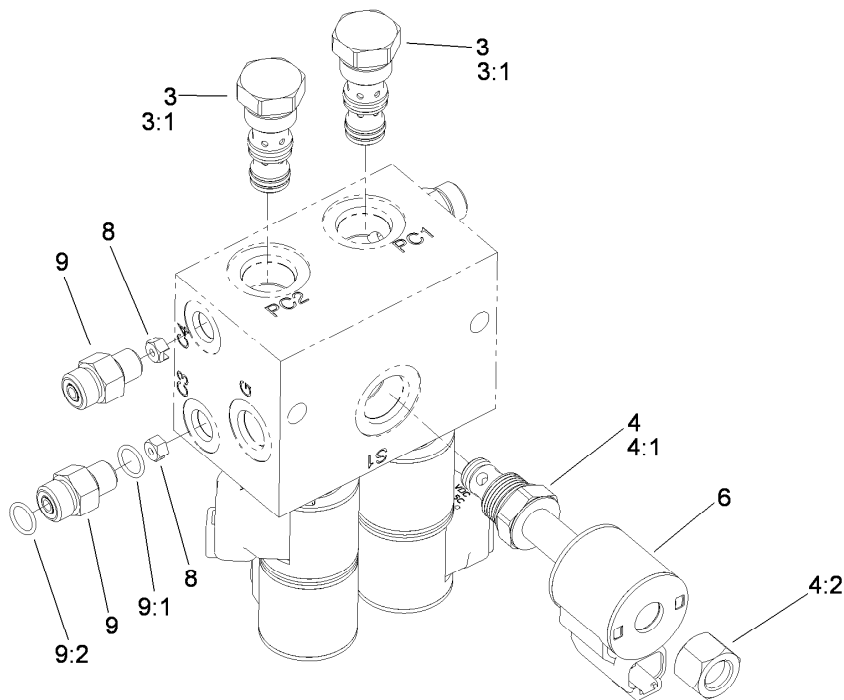


Hydraulic Cylinder Assembly No. 117-0701

<i>Ref.</i>	<i>Part Number</i>	<i>Qty.</i>	<i>Description</i>
1	119-8026	1	Seal Kit ●
1:1		1	O-Ring ■
1:2		1	Ring-Backup ■
1:3		1	Bp Seal ■
1:4		1	Bs Seal ■
1:5		1	Dust Seal ■
1:6		1	O-Ring ■
2	119-8027	1	Rod End
3	3220-6	1	Nut-Jam

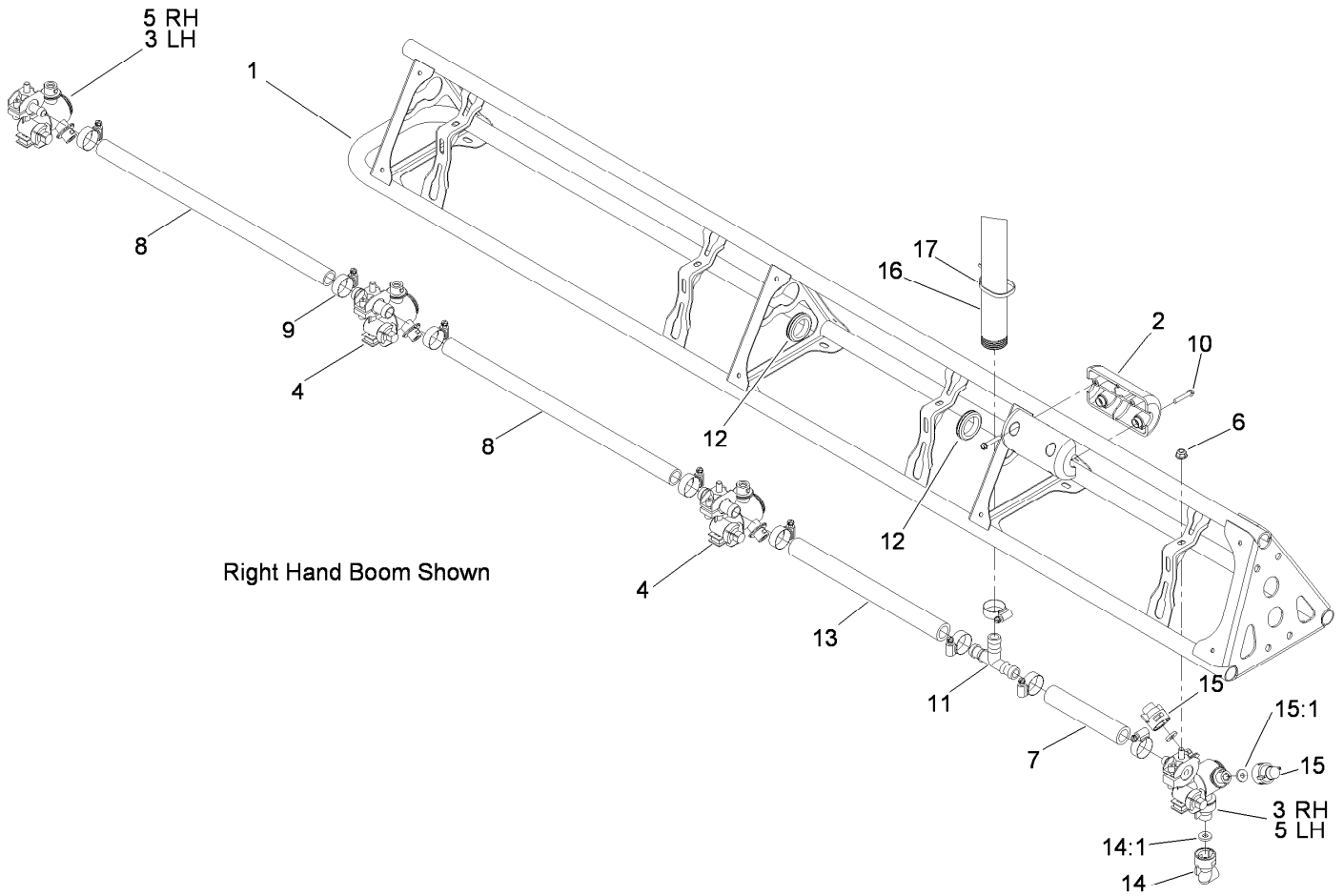
● Not illustrated

■ Not serviced separately



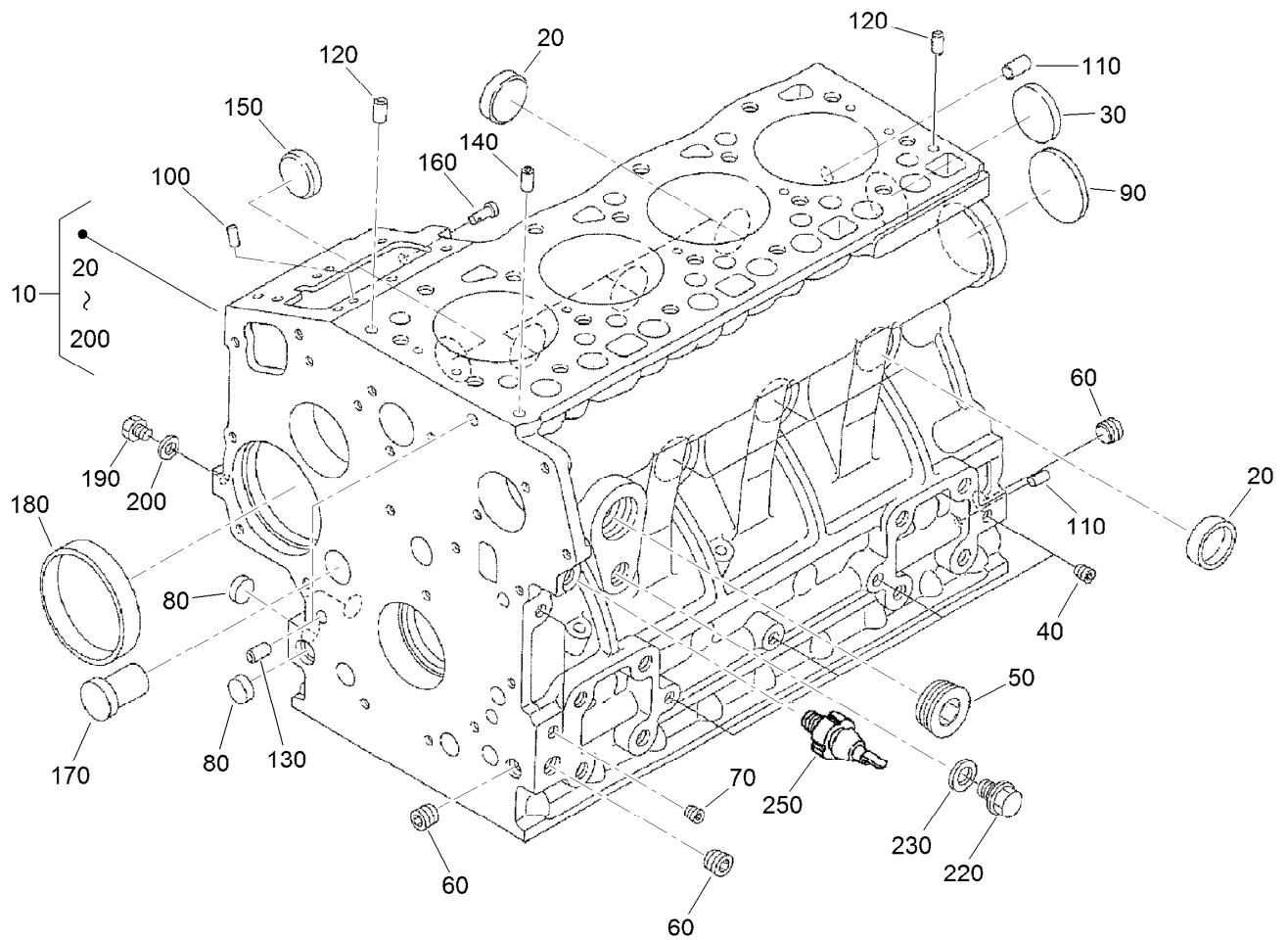
On-Off Boom Lift Valve No. 117-0702

Ref.	Part Number	Qty.	Description
3	120-2588	2	Valve-Check
3:1	120-0886	1	Seal Kit
4	107-7517	1	Valve-Solenoid
4:1	105-9156	1	Seal Kit
4:2	107-7812	1	Nut-Solenoid
5	120-2587	2	Valve-Solenoid
5:1	112-6520	1	Seal Kit
6	119-8036	5	E Coil-12 Vdc
7	120-2586	2	Spacer-Coil
8	120-2585	4	Orifice, .035
9	340-92	4	Fitting-HYD, Straight
9:1	237-78	1	O-Ring
9:2	237-21	1	O-Ring



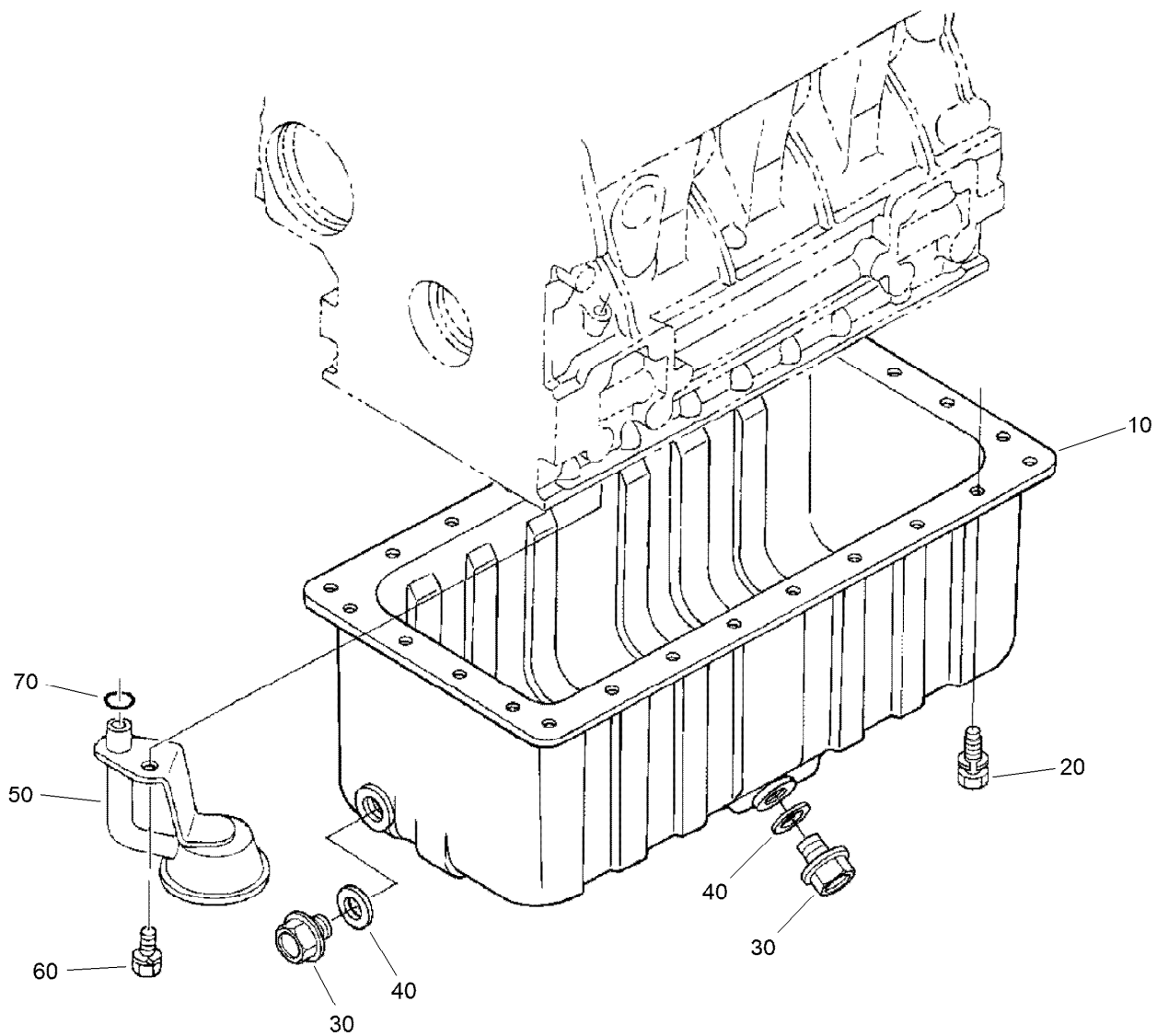
Left and Right Hand Wing Boom Assembly

<i>Ref.</i>	<i>Part Number</i>	<i>Qty.</i>	<i>Description</i>	<i>Ref.</i>	<i>Part Number</i>	<i>Qty.</i>	<i>Description</i>
1	108-3524-03	1	Boom-RH	10	119-9369	8	Screw-Hfh
1	108-3525-03	1	Boom-LH	11	108-3439	2	Tee
2	119-9368	4	Block Slide	12	240-3	4	Grommet-Rubber
3	108-3725	2	LH Single Body Turret ASM	13	108-3721	2	Hose-Boom
4	108-3727	4	Double Turret Body ASM	14	95-9186	8	Cap
5	108-3726	2	RH Single Body Turret ASM	14:1	40998	1	Seat-Gasket
6	104-8300	8	Nut-Flange, NI	15	95-9187	16	Cap-Blank
7	108-3728	2	Hose-Boom	15:1	40998	1	Seat-Gasket
8	40506	4	Hose-Jumper	16	107-8650	2	Conduit-Convolved
9	2412-129	18	Clamp-Hose	17	3290-378	4	Tie-Cable



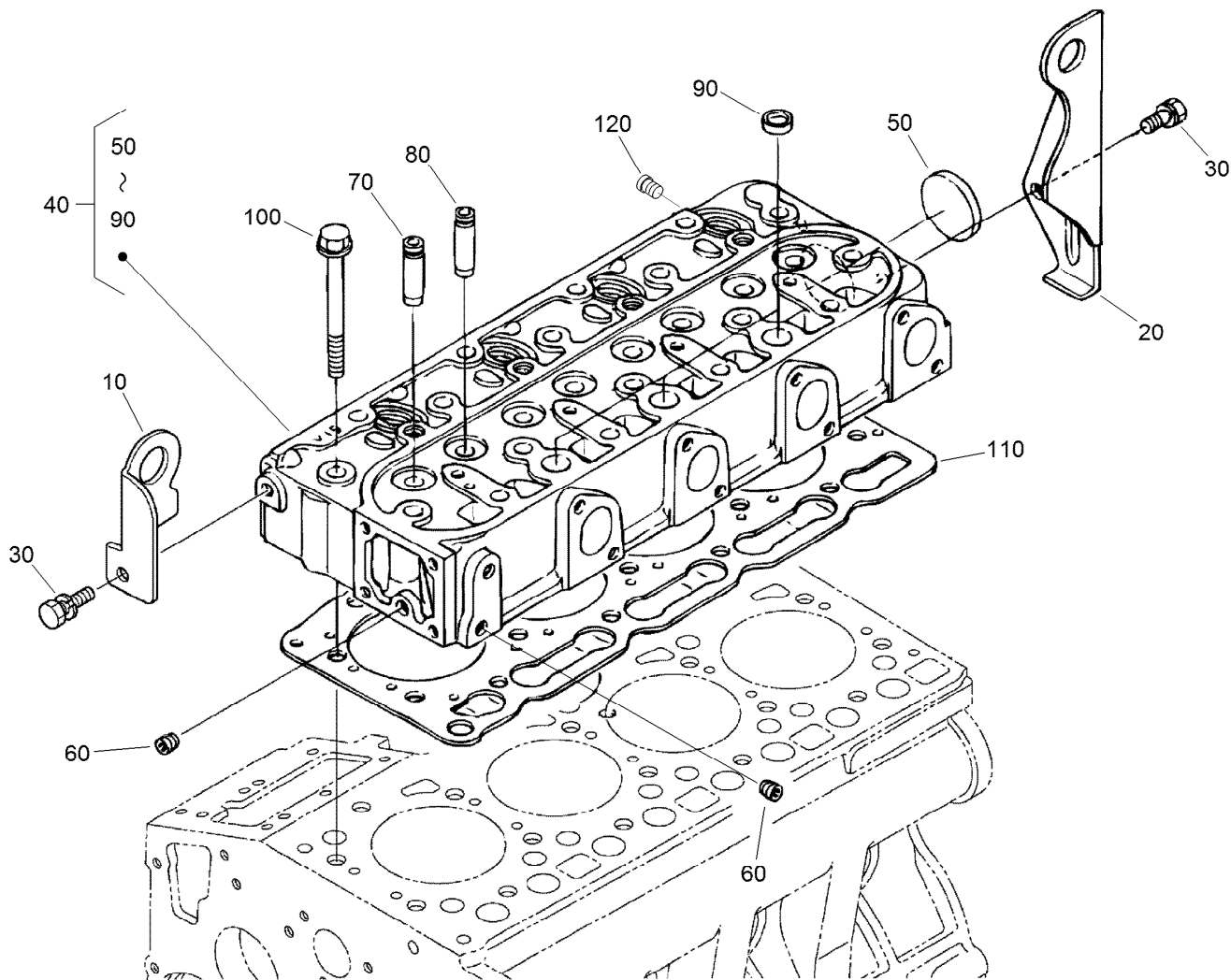
Crankcase Assembly

<i>Ref.</i>	<i>Part Number</i>	<i>Qty.</i>	<i>Description</i>	<i>Ref.</i>	<i>Part Number</i>	<i>Qty.</i>	<i>Description</i>
10	115-4109	1	Crankcase ASM	130	98-9387	2	Pin-Pipe
20	98-9398	6	Cap-Sealing	140	98-9539	1	Pin-Pipe
30	98-7539	1	Cap-Sealing	150	98-9599	1	Plug
40	98-9687	4	Plug	160	105-3796	1	Pin-Spring, Start
50	105-3779	1	Plug	170	98-9675	1	Plug
60	98-9597	3	Plug	180	98-9656	1	Bushing-Governor, Gear
70	98-7487	2	Plug	190	98-7507	1	Plug
80	98-9379	3	Plug-Expansion	200	98-7428	1	Gasket
90	98-9668	1	Plug-Expansion	220	99-3447	1	Plug
100	98-9375	2	Pin-Straight	230	106-7056	1	Gasket
110	98-9377	2	Pin-Straight	250	98-9416	1	Switch-Oil
120	98-9376	2	Pin-Straight				



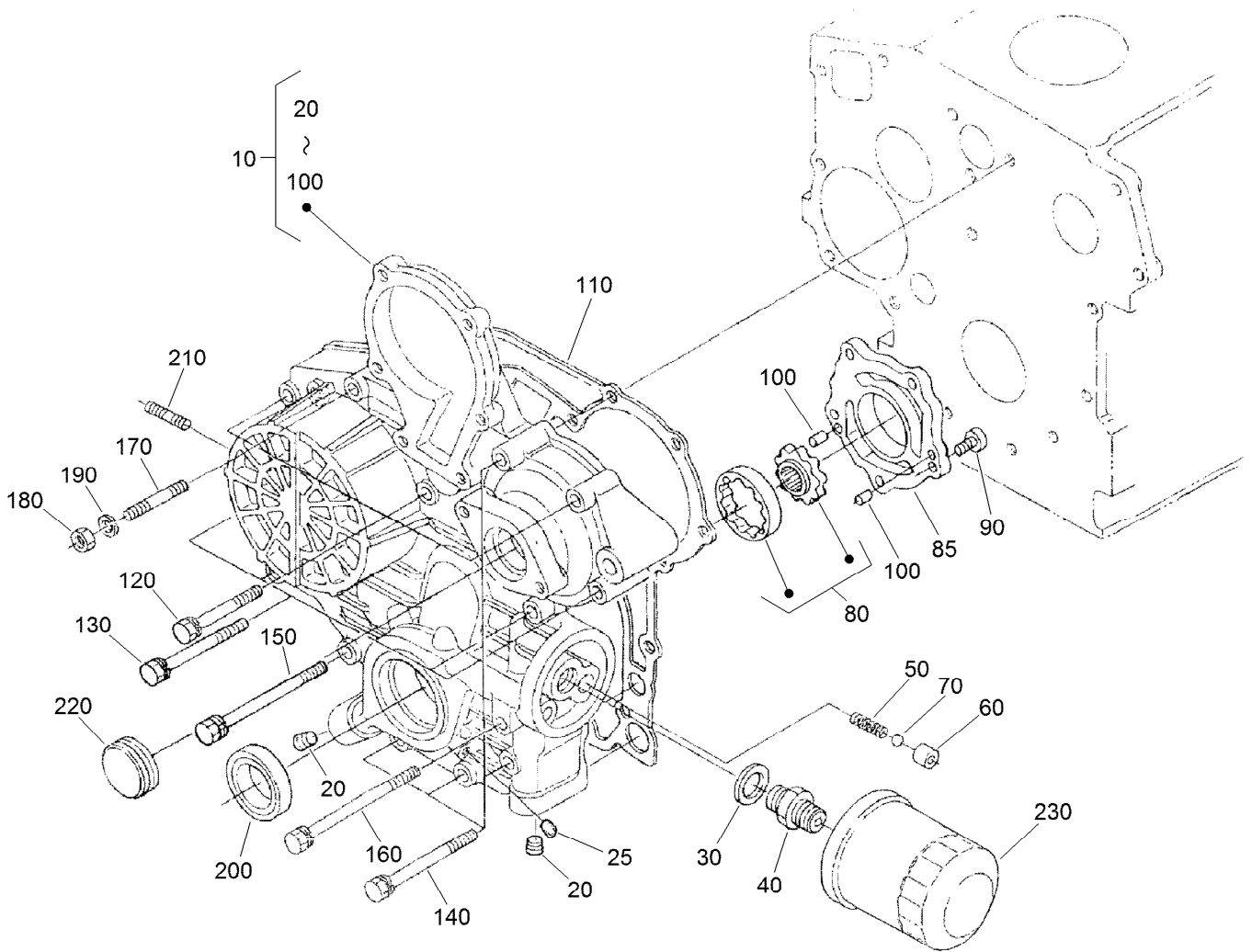
Oil Pan Assembly

<i>Ref.</i>	<i>Part Number</i>	<i>Qty.</i>	<i>Description</i>
10	108-2852	1	Pan-Oil
20	98-9351	26	Bolt
30	114-8151	2	Plug-Drain
40	98-7524	2	Gasket
50	112-7003	1	Head-Filter, Oil
60	98-7526	1	Bolt
70	105-3776	1	O-Ring



Cylinder Head Assembly

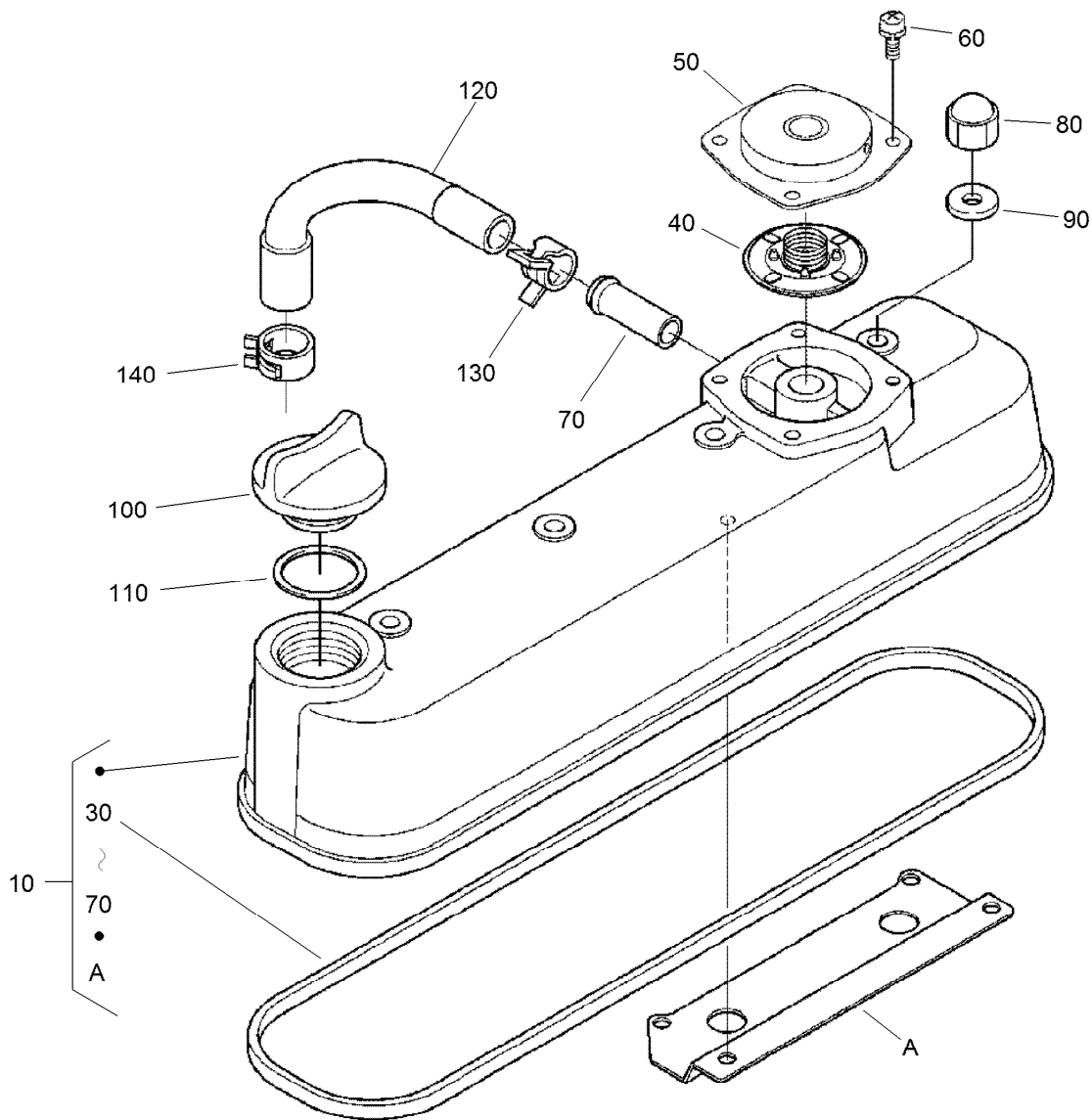
<i>Ref.</i>	<i>Part Number</i>	<i>Qty.</i>	<i>Description</i>
10	98-9477	1	Hook-Engine
20	98-9478	1	Hook-Engine
30	100-9195	2	Bolt
40	115-3012	1	Cylinder Head ASM
50	105-3705	1	Cap-Sealing
60	98-9687	2	Plug
70	107-9066	4	Guide-Valve, Inlet
80	107-9067	4	Guide-Valve, Exhaust
90	98-9389	3	Cap-Sealing
100	98-9479	18	Bolt-Head, Cylinder
110	108-2855	1	Gasket-Head, Cylinder
120	98-9444	1	Plug



Gear Case Assembly

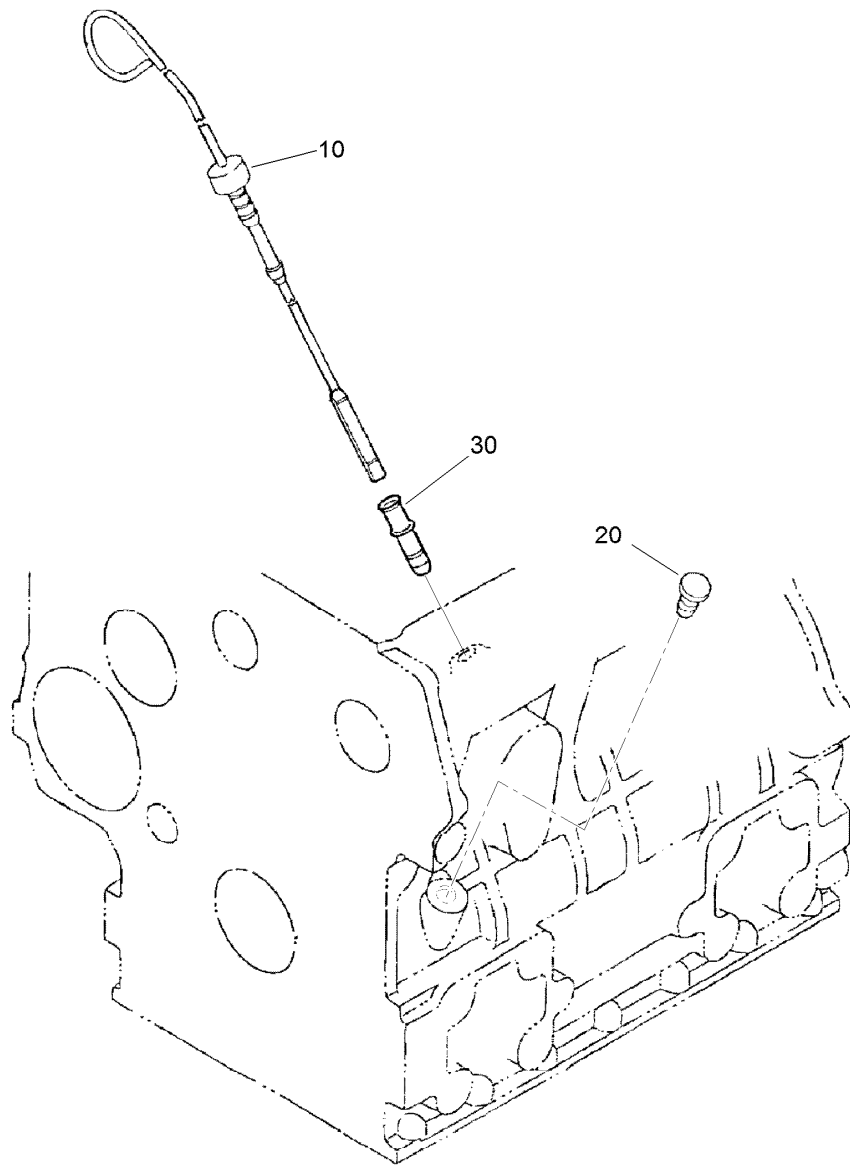
<i>Ref.</i>	<i>Part Number</i>	<i>Qty.</i>	<i>Description</i>
10	115-4105	1	Gear Case ASM
20	98-9598	2	Plug
25	98-7487	1	Plug
30	98-7562	1	Washer-Plain
40	98-9388	1	Joint-Pipe
50	98-9544	1	Spring
60	98-9543	1	Seat-Valve
70	98-9380	1	Ball
80	98-9540	1	Oil Pump Rotor ASM
85	107-9069	1	Cover-Pump, Oil
90	107-9071	5	Screw
100	107-9072	2	Pin-Straight
110	98-9633	1	Gasket-Case, Gear

<i>Ref.</i>	<i>Part Number</i>	<i>Qty.</i>	<i>Description</i>
120	107-9073	3	Bolt
130	105-3797	4	Bolt
140	98-9356	4	Bolt
150	107-9074	1	Bolt
160	98-9586	1	Bolt
170	105-3709	1	Stud
180	98-7572	1	Nut
190	98-7699	1	Washer-Spring
200	98-9482	1	Seal-Oil
210	105-3710	2	Stud
220	98-9641	1	Cover-Case, Gear
230	108-3841	1	Filter-Oil



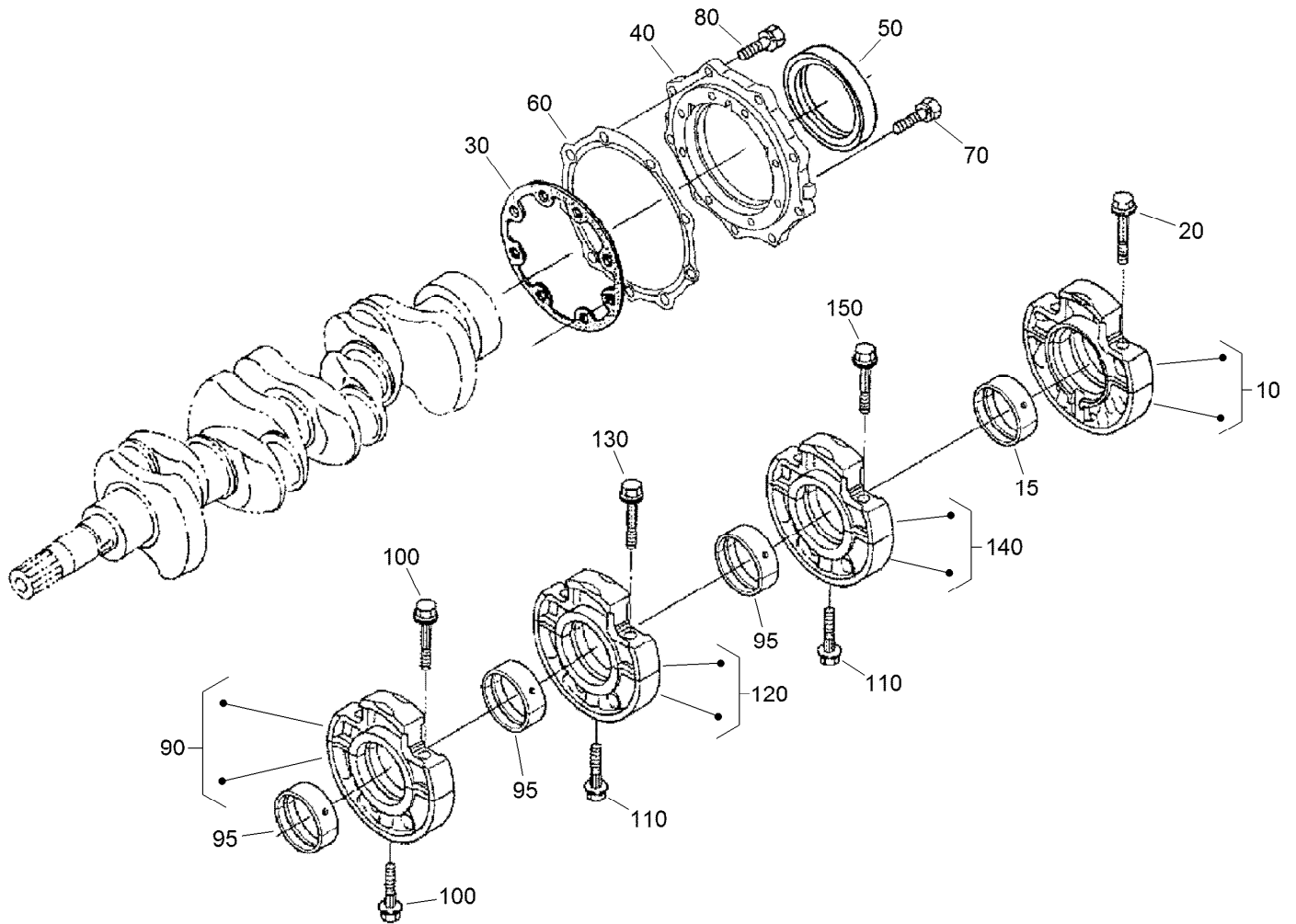
Cylinder Head Cover Assembly

<i>Ref.</i>	<i>Part Number</i>	<i>Qty.</i>	<i>Description</i>
10	115-3038	1	Cylinder Head Cover ASM
30	105-3712	1	Gasket-Cover, Head
40	108-2861	1	Breather Valve ASM
50	108-2862	1	Cover-Breather
60	98-9364	4	Screw (With Washer)
70	98-7766	1	Pipe-Return, Water
80	98-9455	4	Nut-Cap
90	98-9454	4	Gasket
100	107-9075	1	Plug-Filler, Oil
110	99-3446	1	O-Ring
120	108-2858	1	Tube-Breather
130	108-2859	1	Clamp-Hose
140	108-2860	1	Clamp-Hose



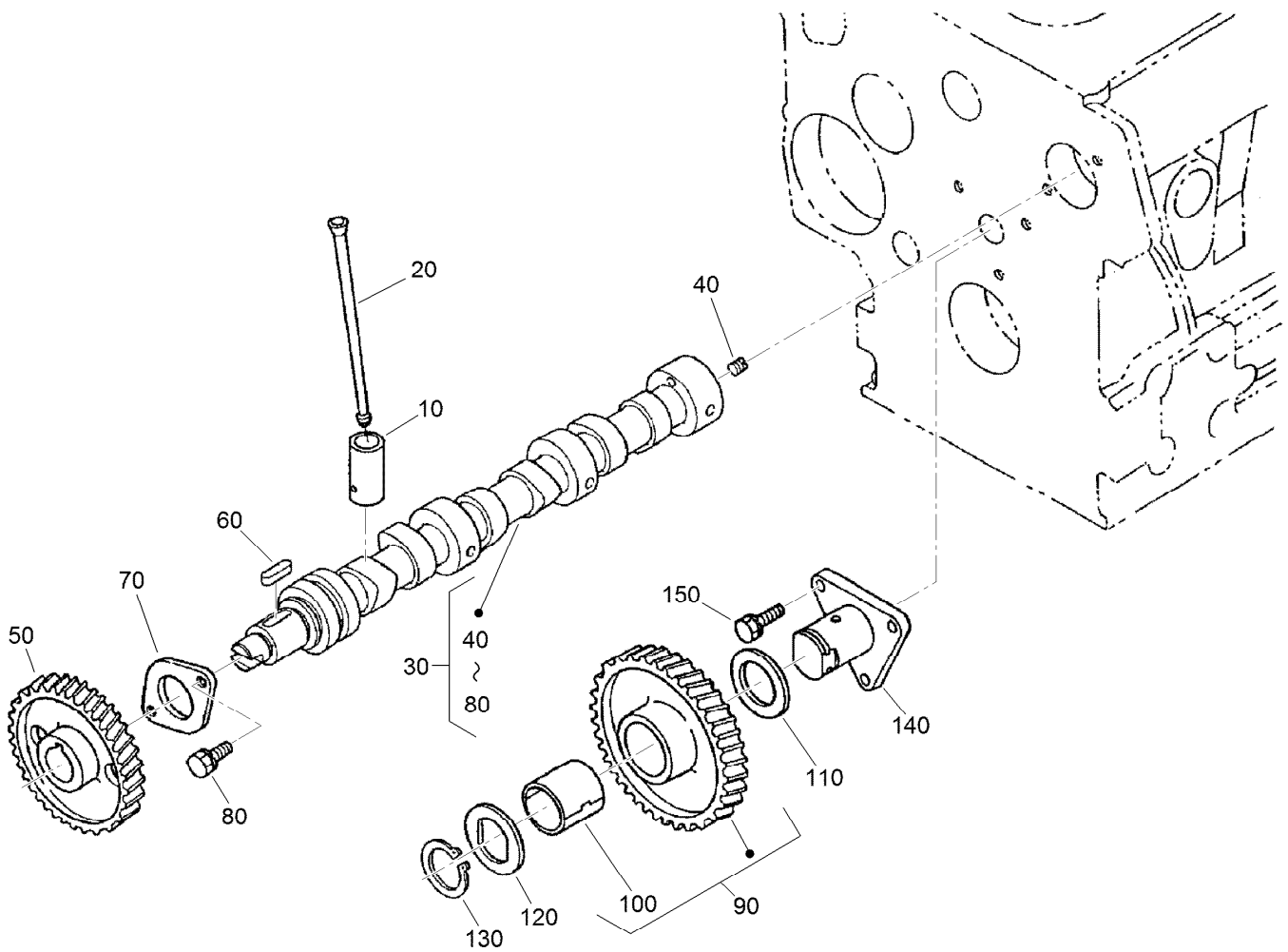
Dipstick and Guide Assembly

<i>Ref.</i>	<i>Part Number</i>	<i>Qty.</i>	<i>Description</i>
10	105-3714	1	Gauge-Oil
20	110-3720	1	Plug-Gauge, Oil
30	105-4580	1	Guide-Gauge, Oil



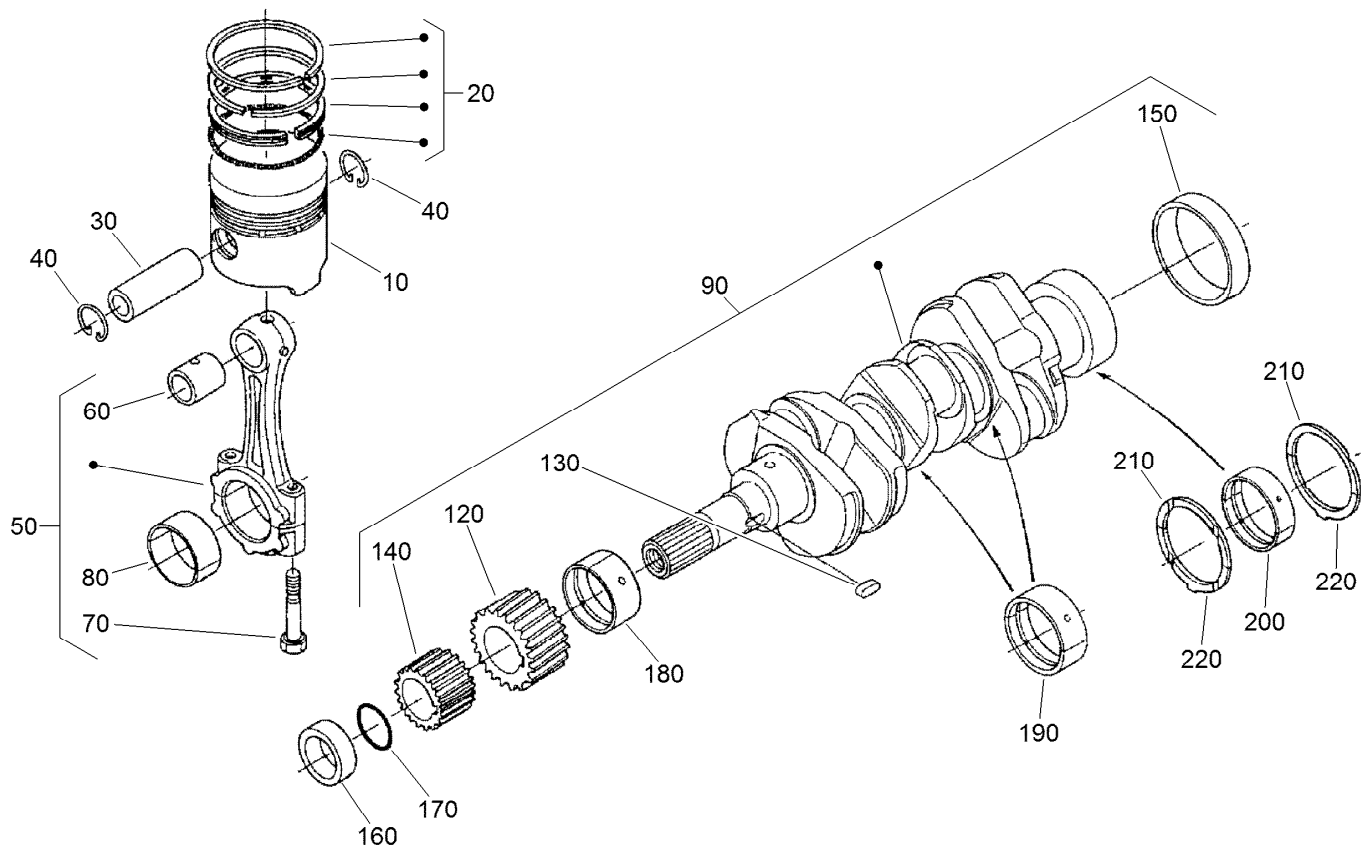
Main Bearing Case Assembly

<i>Ref.</i>	<i>Part Number</i>	<i>Qty.</i>	<i>Description</i>	<i>Ref.</i>	<i>Part Number</i>	<i>Qty.</i>	<i>Description</i>
10	112-7026	1	Wheel Bearing Case ASM	90	115-4106	1	Main Bearing Case ASM
15	112-7045	1	Metal-Crankshaft	95	98-9524	1	Metal-Crankshaft (STD Set)
20	98-9484	2	Bolt-Case, Bearing	100	98-9484	2	Bolt-Case, Bearing
30	98-9634	1	Gasket-Case, Bearing	110	98-9485	3	Bolt-Case, Bearing
40	112-7046	1	Cover-Case, Bearing	120	115-4107	1	Main Bearing Case ASM
50	112-0180	1	Seal-Oil	130	98-9484	2	Bolt-Case, Bearing
60	112-7037	1	Gasket-Cover, Case	140	115-4108	1	Main Bearing Case ASM
70	98-9352	8	Bolt	150	98-9484	2	Bolt-Case, Bearing
80	98-7568	9	Bolt				



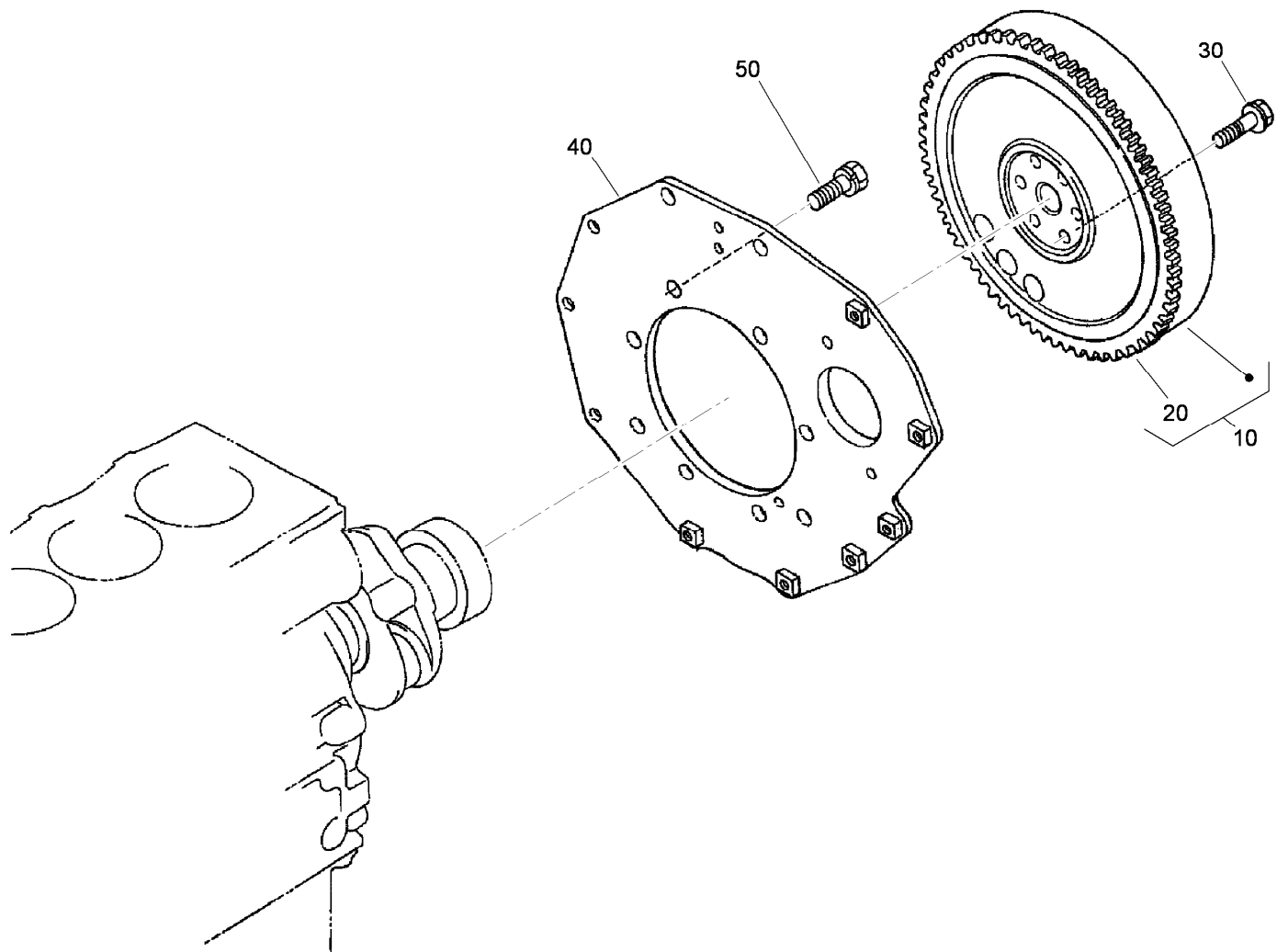
Cam Shaft and Idle Gear Assembly

Ref.	Part Number	Qty.	Description
10	112-0185	8	Tappet
20	98-9509	8	Rod-Push
30	108-2865	1	Camshaft ASM
40	98-7449	1	Screw-Set
50	98-9512	1	Gear-Cam
60	98-9378	1	Key-Feather
70	98-9510	1	Stopper-Camshaft
80	98-7692	2	Bolt
90	98-9649	1	Idle Gear ASM
100	98-9650	1	Bushing-Gear, Idle
110	98-9535	1	Collar-Gear, Idle
120	98-9536	1	Collar-Gear, Idle
130	98-9534	1	Circlip-Gear, Idle
140	98-9533	1	Shaft-Gear, Idle
150	98-7692	3	Bolt



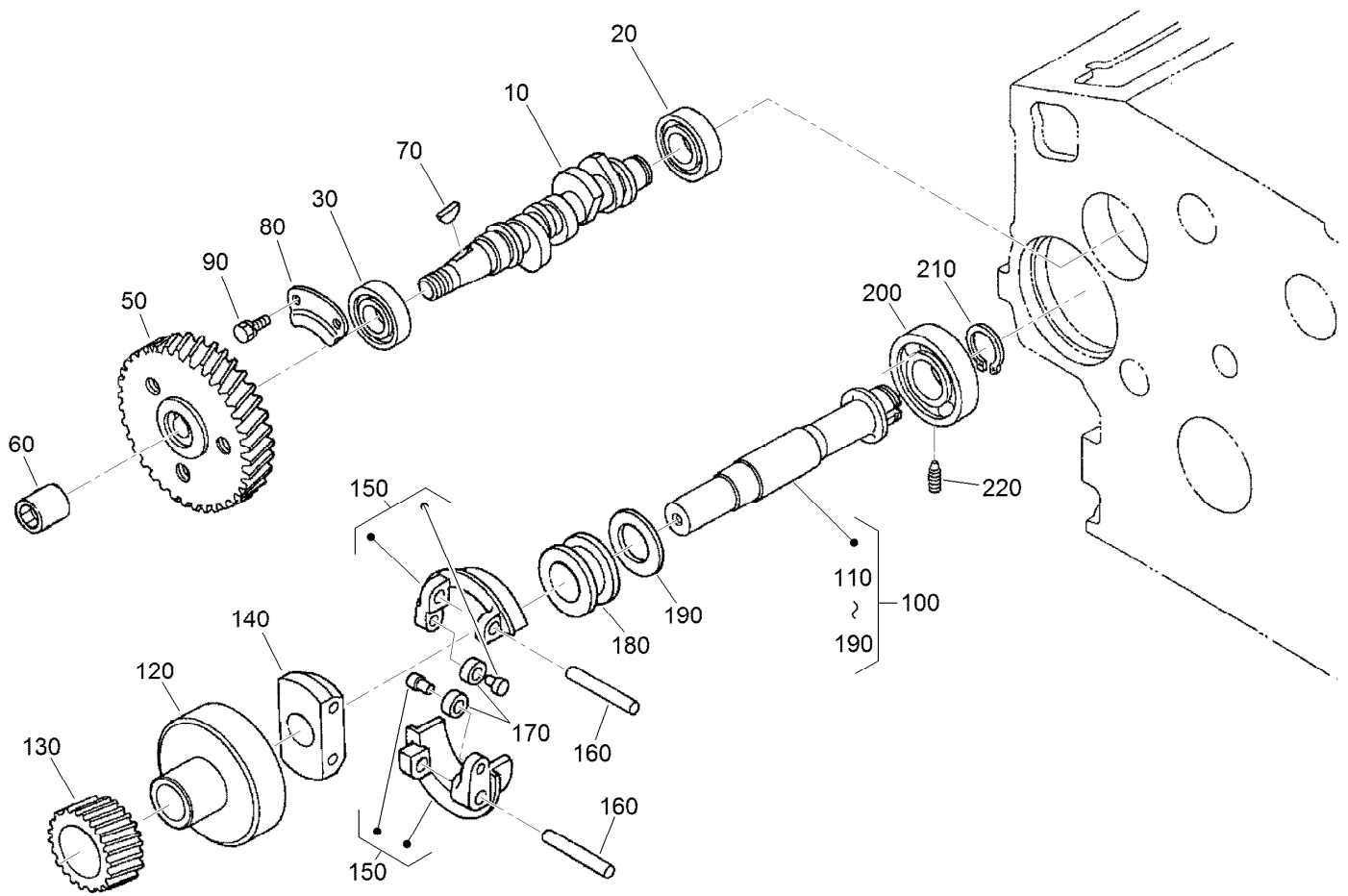
Piston and Crankshaft Assembly

<i>Ref.</i>	<i>Part Number</i>	<i>Qty.</i>	<i>Description</i>	<i>Ref.</i>	<i>Part Number</i>	<i>Qty.</i>	<i>Description</i>
10	112-8404	4	Piston (STD)	160	98-9521	1	Collar-Crankshaft
10	112-8414	4	Piston (+0.5Mm)	170	105-3783	1	O-Ring
20	98-9551	4	Piston Ring ASM (STD)	180	98-9523	1	Metal Crankshaft (STD)
20	108-1404	4	Piston Ring ASM (0.5Mm)	180	98-9528	1	Bearing-Main (0.2Mm)
30	98-9513	4	Pin-Piston	180	98-9529	1	Bearing-Main (0.4Mm)
40	98-9514	8	Circlip-Pin, Piston	190	98-9524	3	Metal-Crankshaft (STD Set)
50	115-3013	4	Connecting Rod ASM	190	98-9530	3	Bearing-Main (0.2Mm)
60	115-3014	4	Bushing-Pin, Piston	190	98-9531	3	Bearing-Main (0.4Mm)
70	98-9517	8	Bolt-Rod, Connecting	200	112-7045	1	Metal-Crankshaft
80	98-9518	4	Metal-Crankpin (STD)	200	112-7039	1	Metal-Crankshaft (0.2Mm)
80	98-9519	4	Bearing-Rod (0.2Mm)	200	112-7040	1	Metal-Crankshaft (-0.4Mm)
80	98-9520	4	Bearing-Rod (0.4Mm)	210	98-9413	2	Bearing-Thrust (STD)
90	105-3718	1	Crankshaft ASM	210	98-9414	2	Bearing-Thrust (0.2Mm)
120	98-9532	1	Gear-Crankshaft	210	98-9415	2	Bearing-Thrust (0.4Mm)
130	98-9666	1	Key	220	98-9688	2	Bearing-Thrust (STD)
140	98-9542	1	Gear-Drive, Oil Pump	220	98-9689	2	Bearing-Thrust (0.2Mm)
150	98-9522	1	Sleeve-Crankshaft	220	98-9690	2	Bearing-Thrust (0.4Mm)



Flywheel Assembly

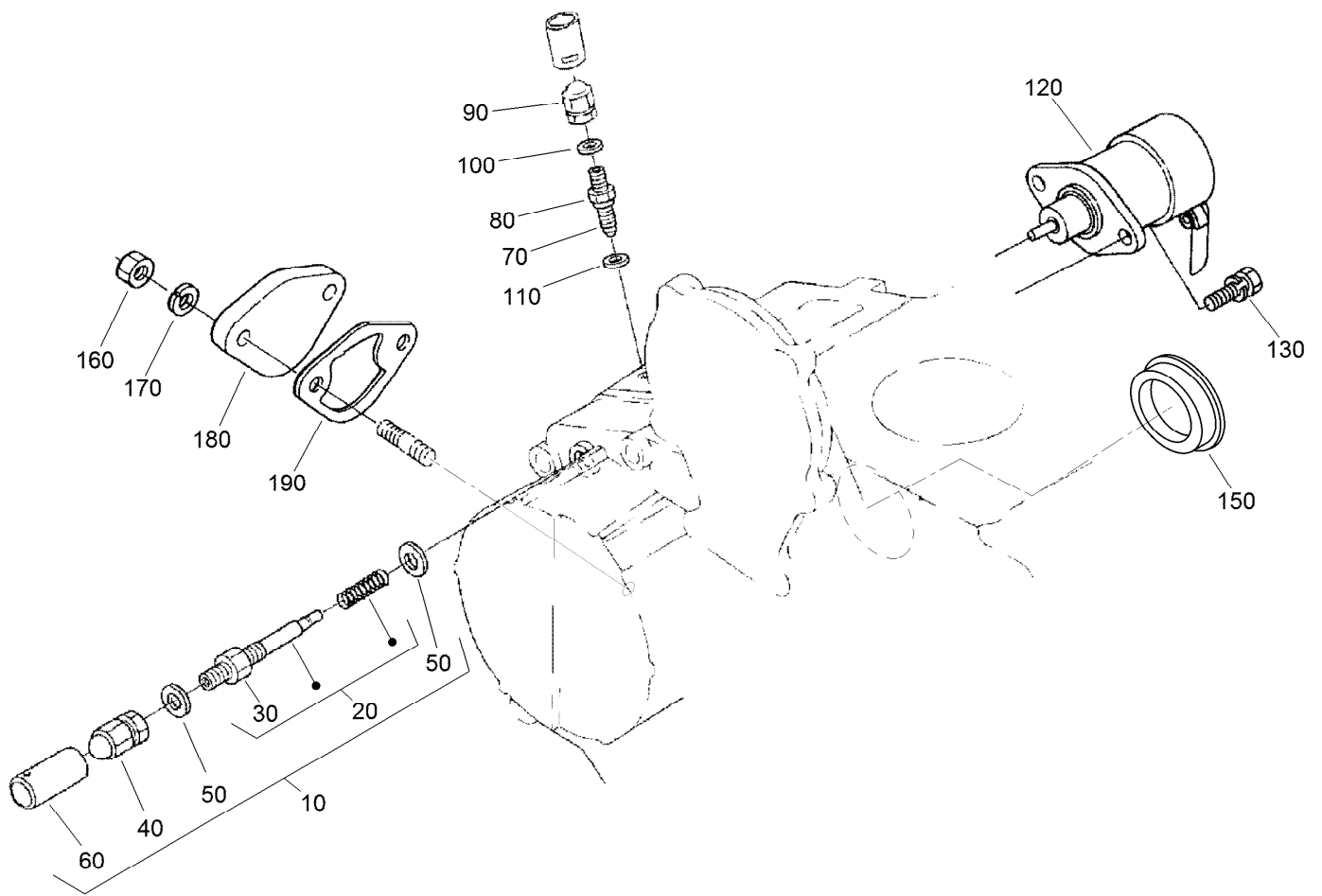
<i>Ref.</i>	<i>Part Number</i>	<i>Qty.</i>	<i>Description</i>
10	105-3721	1	Flywheel ASM
20	115-3015	1	Gear-Ring
30	98-9537	6	Bolt-Flywheel
40	98-9486	1	Plate-End, Rear
50	98-9392	8	Bolt



Fuel Camshaft and Governor Shaft Assembly

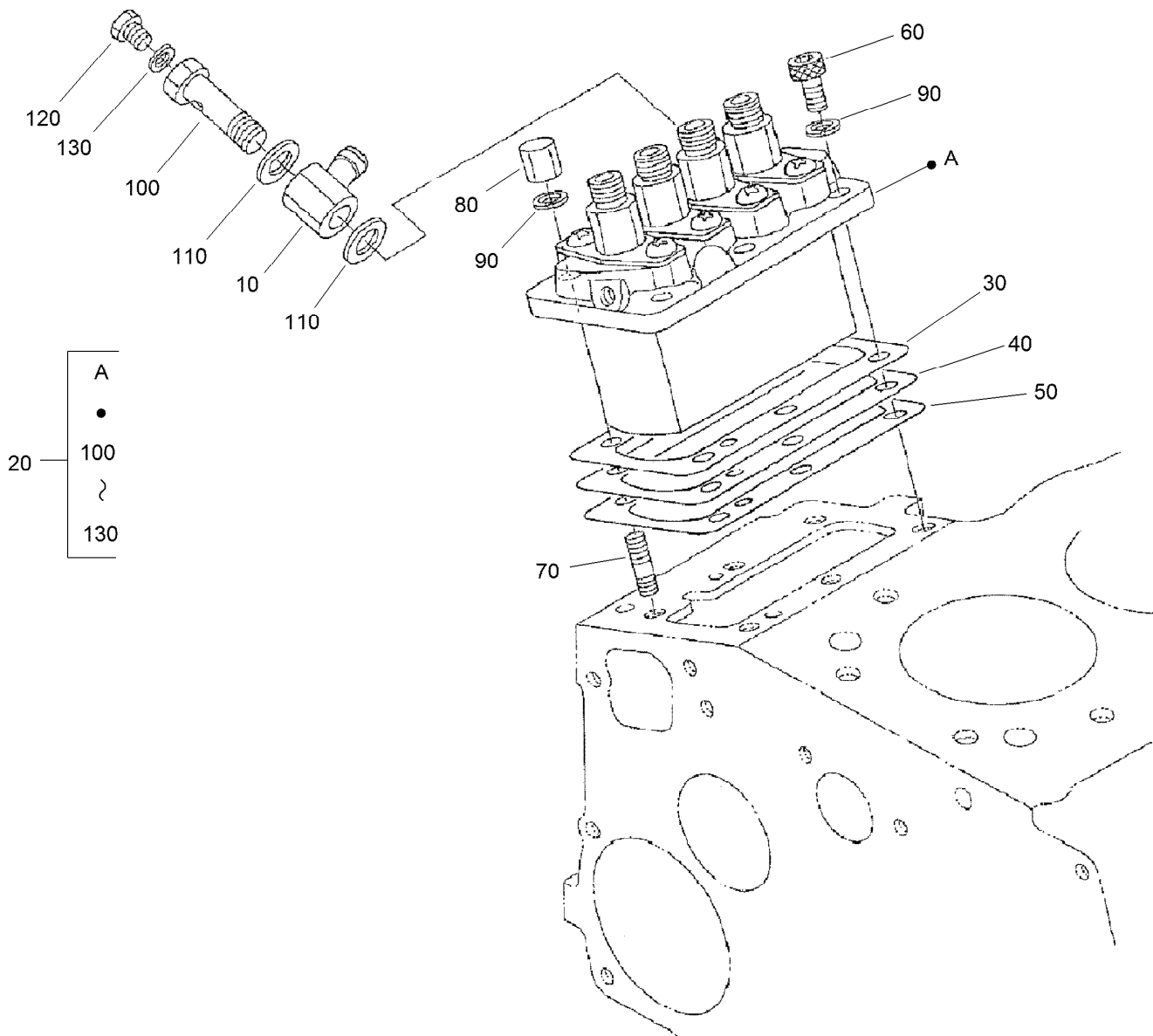
Ref.	Part Number	Qty.	Description
10	105-3723	1	Camshaft-Fuel
20	107-9077	1	Bearing-Ball
30	107-9078	1	Bearing-Ball
50	98-9669	1	Gear-Pump, Injection
60	98-9590	1	Nut-Cap
70	98-9595	1	Key-Woodruff
80	98-9511	1	Stopper-Fuel, Camshaft
90	98-7692	2	Bolt
100	105-3724	1	Governor Shaft ASM
110	105-3725	1	Shaft, Governor
120	98-9562	1	Holder-Gear, Governor

Ref.	Part Number	Qty.	Description
130	98-9673	1	Gear-Governor
140	98-9561	1	Holder-Weight, Governor
150	98-9559	2	Governor Weight ASM
160	98-9560	2	Shaft-Weight, Governor
170	98-9692	2	Roller
180	98-9563	1	Sleeve-Governor
190	98-9564	1	Washer-Thrust
200	107-9079	1	Bearing-Ball
210	98-9657	1	Circlip-Shaft, Governor
220	98-9565	1	Screw-Set



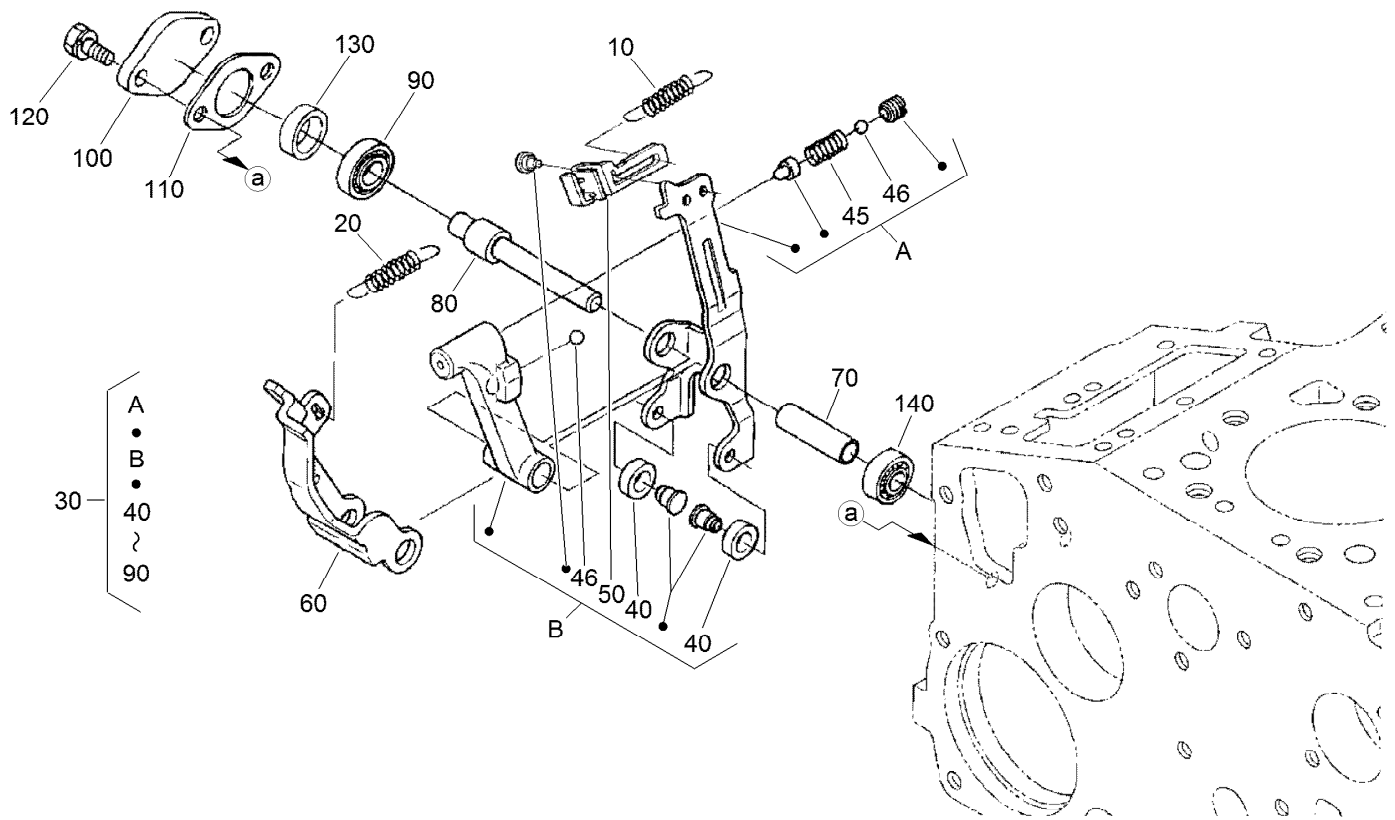
Idle Apparatus Assembly

<i>Ref.</i>	<i>Part Number</i>	<i>Qty.</i>	<i>Description</i>	<i>Ref.</i>	<i>Part Number</i>	<i>Qty.</i>	<i>Description</i>
10	98-9678	1	Idle Apparatus ASM	100	98-7654	1	Gasket
20	112-7014	1	Adjusting Bolt ASM	110	107-9081	1	Gasket
30	98-9439	1	Nut	120	104-5155	1	Solenoid-Stop
40	112-0181	1	Nut	130	115-3039	2	Bolt-HSH
50	98-7654	2	Gasket	150	112-7016	1	Cover-Pump
60	98-7656	1	Cap	160	98-7572	2	Nut
70	112-7015	1	Bolt-Adjusting	170	98-7699	2	Washer-Spring
80	99-3512	1	Nut	180	99-3514	1	Cover
90	112-0181	1	Nut	190	98-9636	1	Gasket-Pump, Fuel



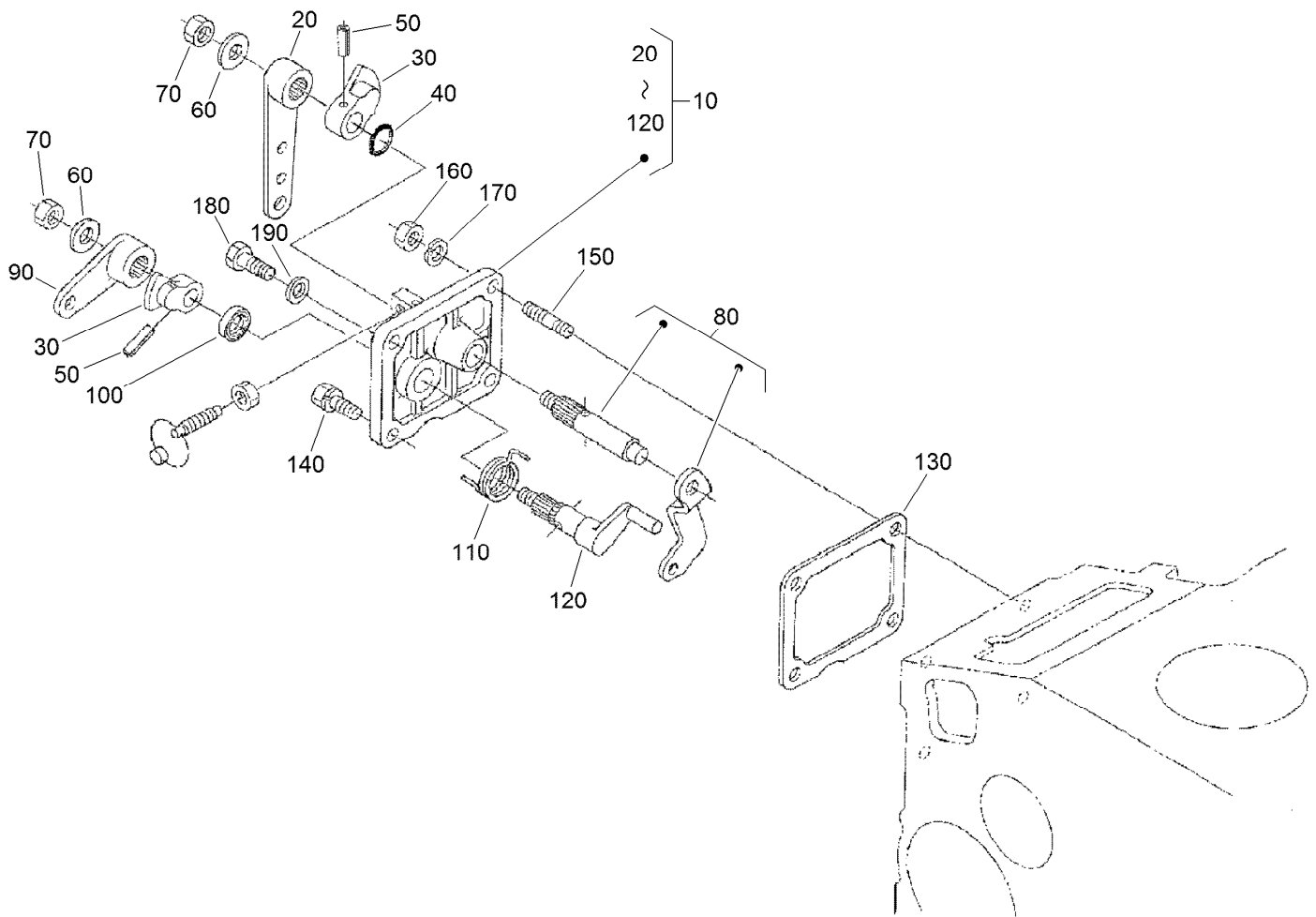
Injection Pump Assembly

<i>Ref.</i>	<i>Part Number</i>	<i>Qty.</i>	<i>Description</i>
10	98-9596	1	Joint-Eye
20	105-3727	1	Injection Pump ASM
30	105-3728	1	Shim-Pump, Injection (.20Mm)
40	105-3729	1	Shim-Pump, Injection (.25Mm)
50	105-3730	1	Shim-Pump, Injection (.30Mm)
60	98-9361	3	Bolt-HSH
70	98-9438	3	Stud
80	98-9440	3	Nut-Cap
90	98-7699	6	Washer-Spring
100	98-9464	1	Bolt-Joint
110	98-9445	2	Gasket
120	98-9430	1	Screw
130	98-9446	1	Gasket



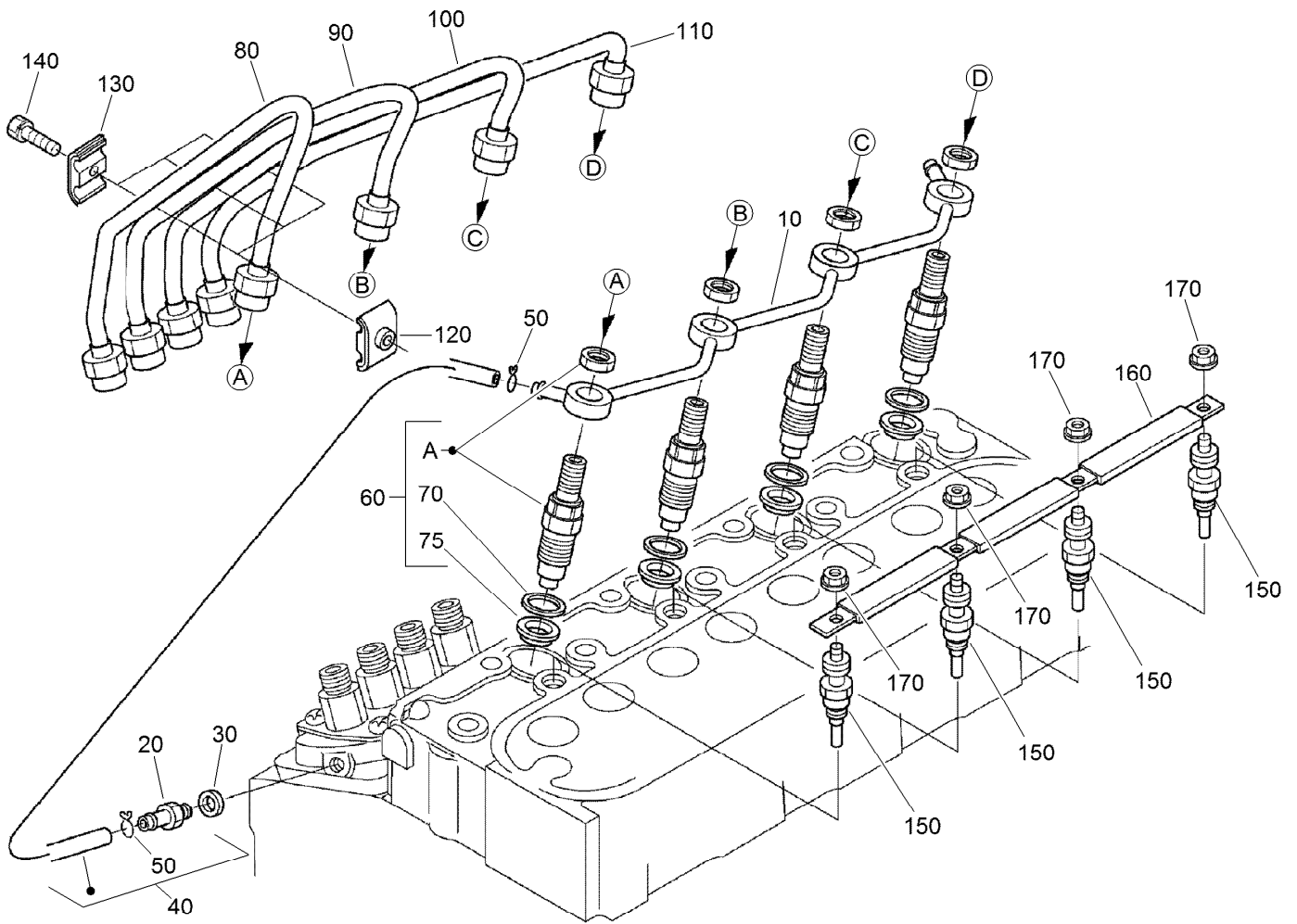
Governor Assembly

<i>Ref.</i>	<i>Part Number</i>	<i>Qty.</i>	<i>Description</i>	<i>Ref.</i>	<i>Part Number</i>	<i>Qty.</i>	<i>Description</i>
10	105-3741	1	Spring-Start	70	107-9085	1	Shaft-Lever, Fork
20	98-9681	1	Spring-Governor	80	107-9086	1	Shaft-Lever, Fork
30	107-9082	1	Fork Lever ASM	90	98-9570	1	Bearing-Miniaturize
40	98-9692	2	Roller	100	98-9569	1	Cover-Shaft, Fork Lever
45	108-2867	1	Spring	110	98-9682	1	Gasket
46	98-7580	2	Ball	120	98-9350	2	Bolt
50	107-9083	1	Lever-Thrust	130	98-9567	1	Collar
60	107-9084	1	Lever-Fork	140	98-9571	1	Bearing-Miniaturize



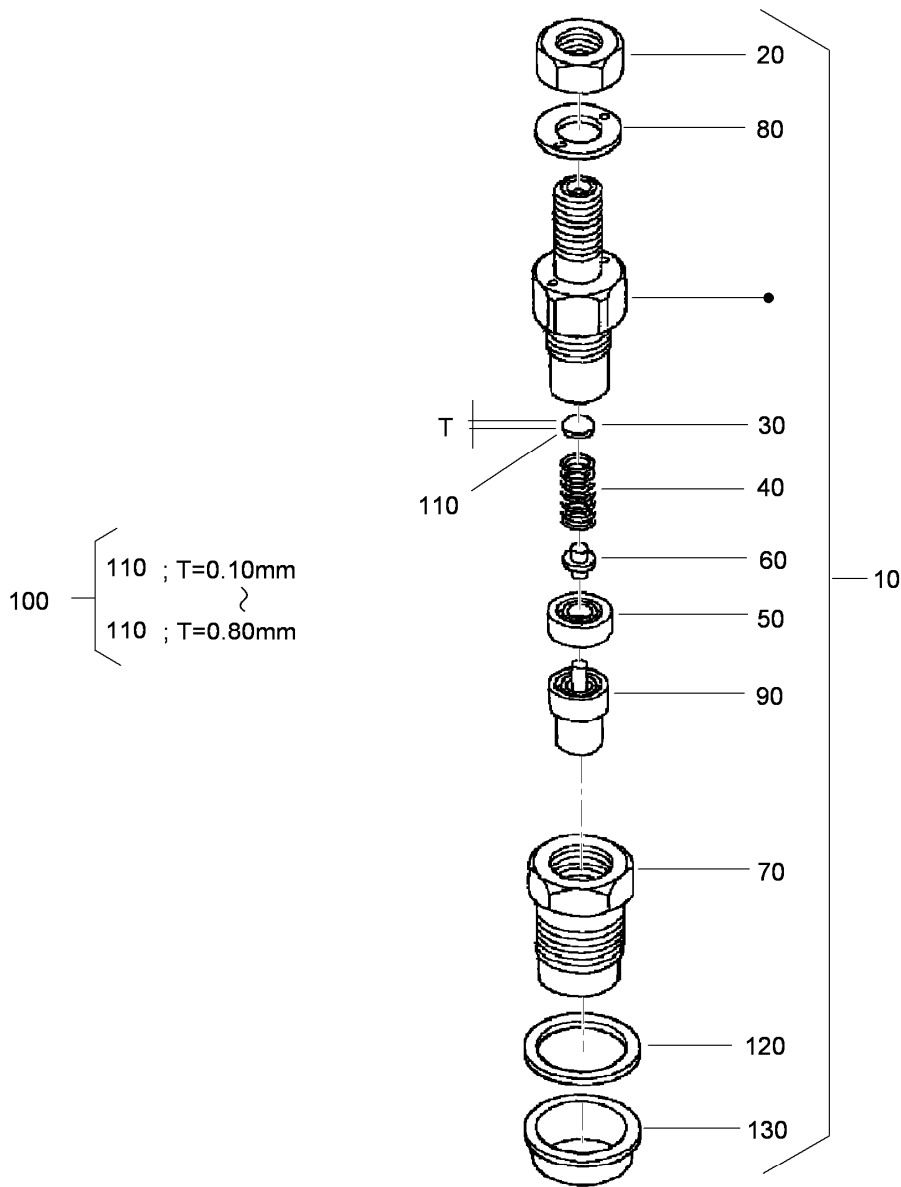
Speed Control Plate Assembly

<i>Ref.</i>	<i>Part Number</i>	<i>Qty.</i>	<i>Description</i>	<i>Ref.</i>	<i>Part Number</i>	<i>Qty.</i>	<i>Description</i>
10	105-3735	1	Control Plate ASM	110	98-9472	1	Spring-Return
20	98-9662	1	Lever-Control, Speed	120	98-9664	1	Shaft-Lever, Stop
30	98-9572	2	Lever-Control, Speed	130	98-9637	1	Gasket
40	105-3788	1	O-Ring	140	98-7692	1	Bolt
50	98-7602	2	Pin-Spring	150	105-3710	2	Stud
60	98-9594	2	Washer-Plain	160	98-7572	2	Nut
70	98-9589	2	Nut	170	98-7699	2	Washer-Spring
80	98-9658	1	Governor Lever ASM	180	99-8348	1	Bolt
90	98-9663	1	Lever-Stop, Engine	190	98-7654	2	Gasket
100	98-7601	1	Seal-Oil				



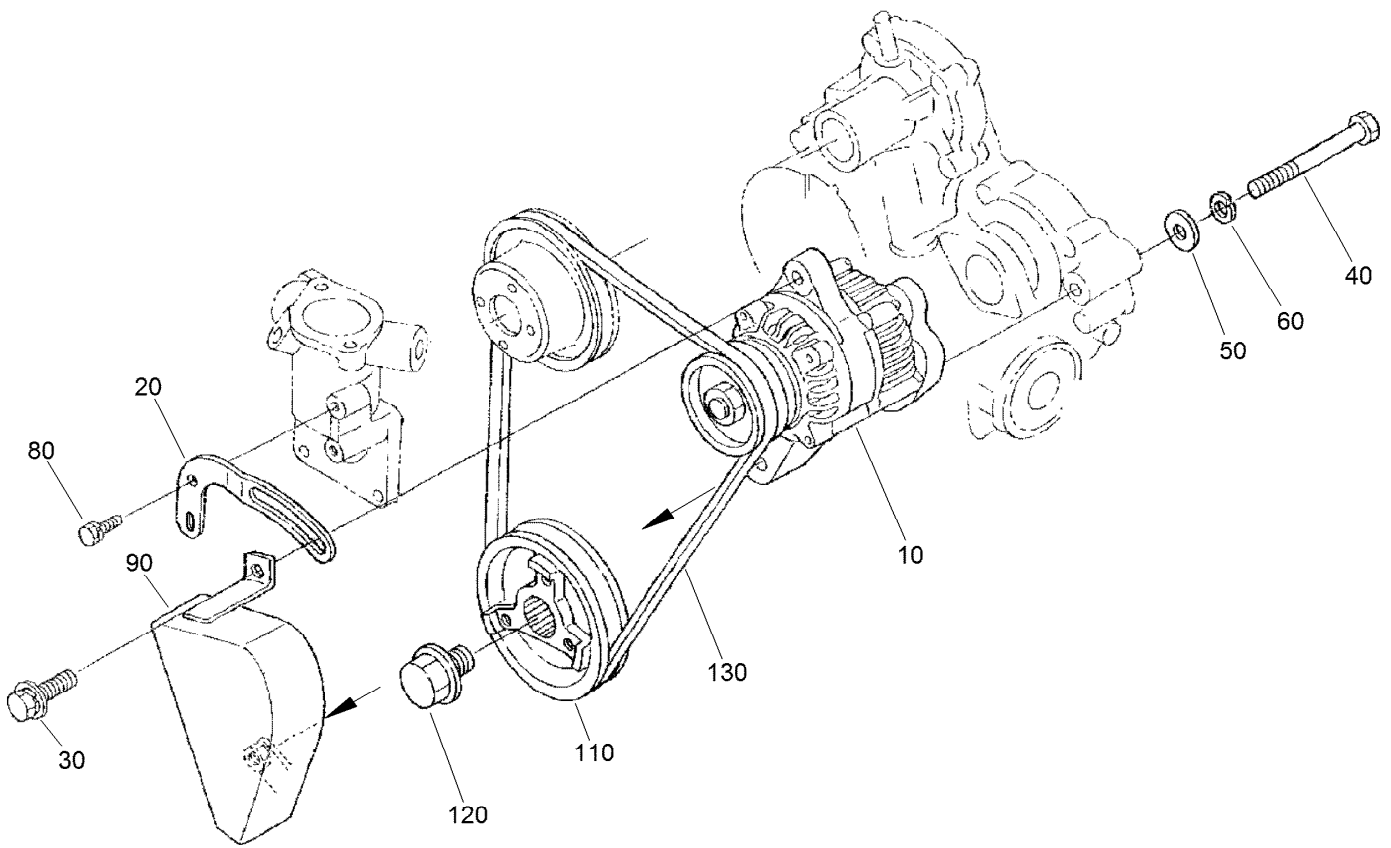
Nozzle Holder and Glow Plug Assembly

Ref.	Part Number	Qty.	Description	Ref.	Part Number	Qty.	Description
10	105-3737	1	Over Flow Pipe ASM	90	98-9654	1	Pipe-Injection
20	98-9431	1	Screw-Bleeder, Air	100	98-9655	1	Pipe-Injection
30	98-7654	1	Gasket	110	105-3738	1	Pipe-Injection
40	98-9420	1	Overflow Pipe ASM	120	98-7682	3	Clamp-Pipe
50	98-7671	2	Clip-Pipe	130	98-7683	3	Clamp-Pipe
60	115-3018	4	Nozzle Holder Kit	140	98-7684	3	Screw (W/Washer)
70	98-7676	4	Gasket	150	115-3019	4	Plug-Glow
75	98-7677	4	Seal-Heat	160	105-3739	1	Cord-Plug, Glow
80	98-9653	1	Pipe-Injection	170	99-8377	4	Nut-Flange



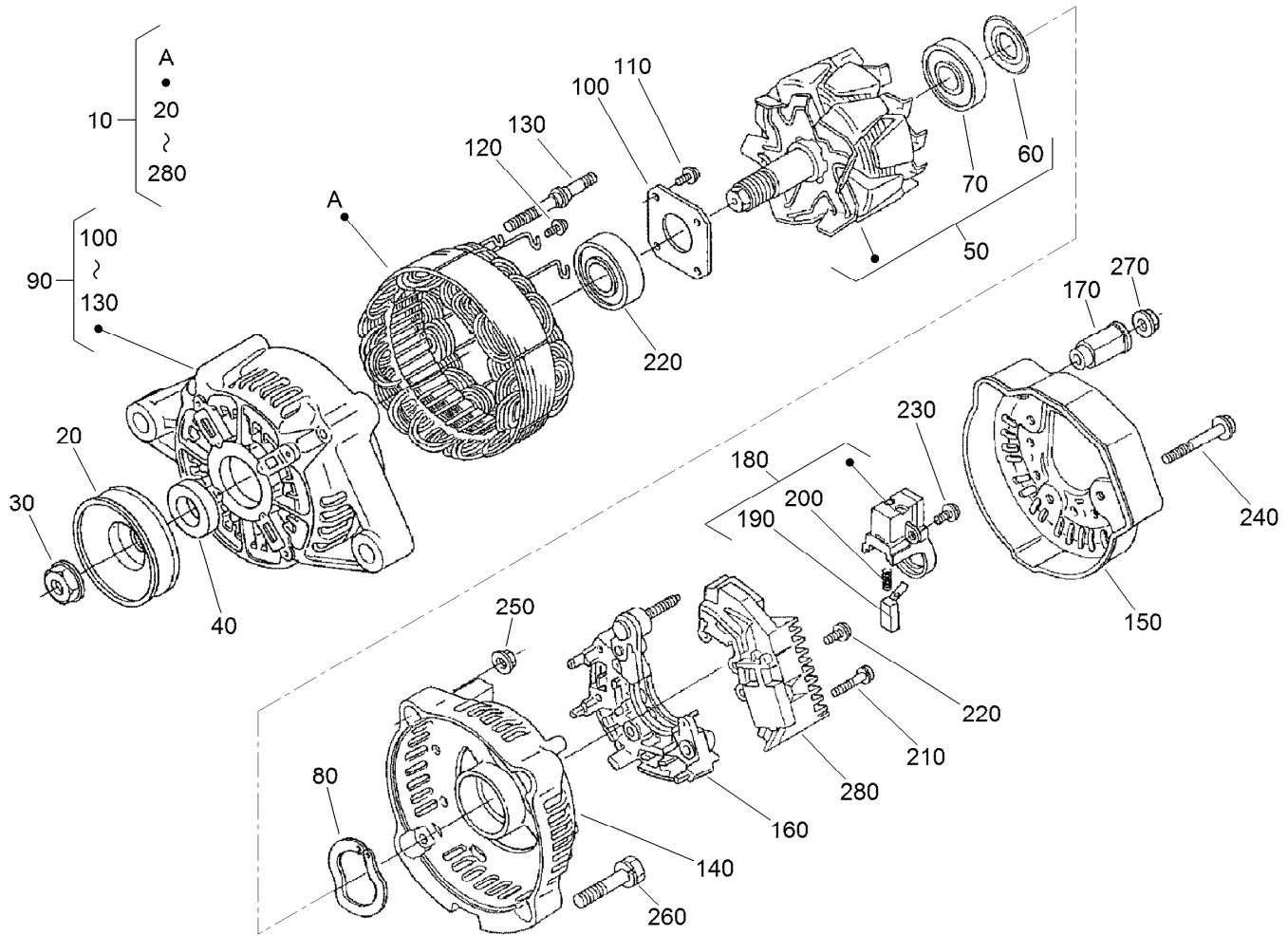
Nozzle Holder Component Assembly

Ref.	Part Number	Qty.	Description	Ref.	Part Number	Qty.	Description
10	115-3018	4	Nozzle Holder Kit	110	99-8311	4	Washer-Adjust (0.20Mm)
20	99-8301	4	Nut	110	99-8312	4	Washer-Adjust (0.30Mm)
30	99-8302	4	Washer-Adjusting	110	99-8313	4	Washer-Adjust (0.40Mm)
40	99-8303	4	Spring-Nozzle	110	99-8314	4	Washer-Adjust (0.50Mm)
50	99-8304	4	Spacer-Distance	110	99-8315	4	Washer-Adjust (0.52Mm)
60	99-8305	4	Rod-Push	110	99-8316	4	Washer-Adjust (0.54Mm)
70	99-8306	4	Nut-Nozzle	110	99-8317	4	Washer-Adjust (0.56Mm)
80	99-8307	4	Washer-Plain	110	99-8318	4	Washer-Adjust (0.58Mm)
90	115-3020	4	Piece-Nozzle	110	99-8319	4	Washer-Adjust (0.80Mm)
100	99-8309	4	Adjusting Washer ASM	120	98-7676	4	Gasket
110	99-8310	4	Washer-Adjust (0.10Mm)	130	98-7677	4	Seal-Heat



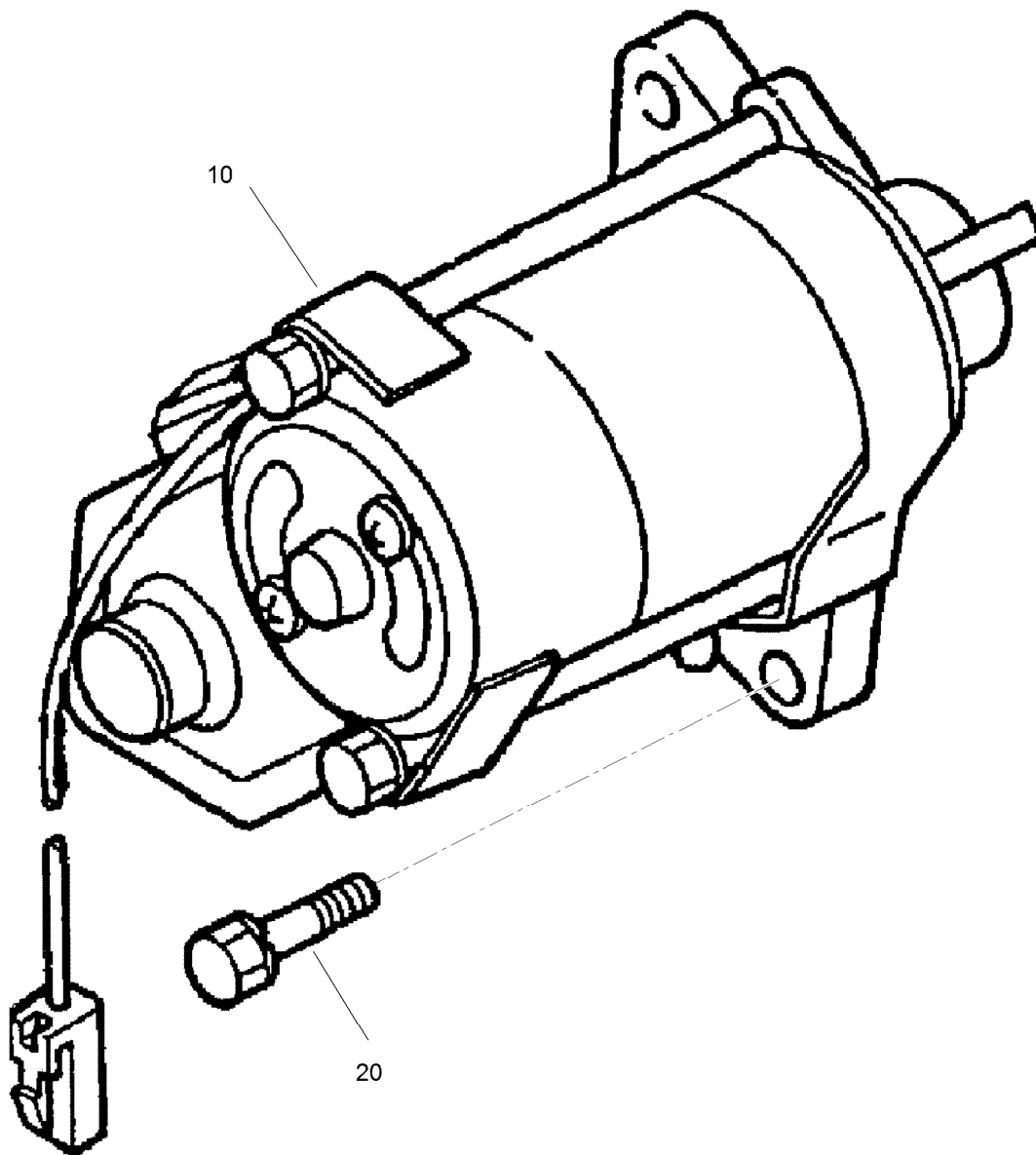
Alternator and Pulley Assembly

<i>Ref.</i>	<i>Part Number</i>	<i>Qty.</i>	<i>Description</i>
10	98-9474	1	Alternator ASM
20	112-7047	1	Stay-Dynamo
30	108-7088	1	Bolt
40	98-9360	1	Bolt
50	98-7696	1	Washer-Plain
60	98-7738	1	Washer-Spring
80	98-7692	1	Bolt
90	108-2868	1	Cover-Belt
110	105-3745	1	Pulley-Drive, Fan
120	98-9585	1	Bolt
130	98-9676	1	V-Belt



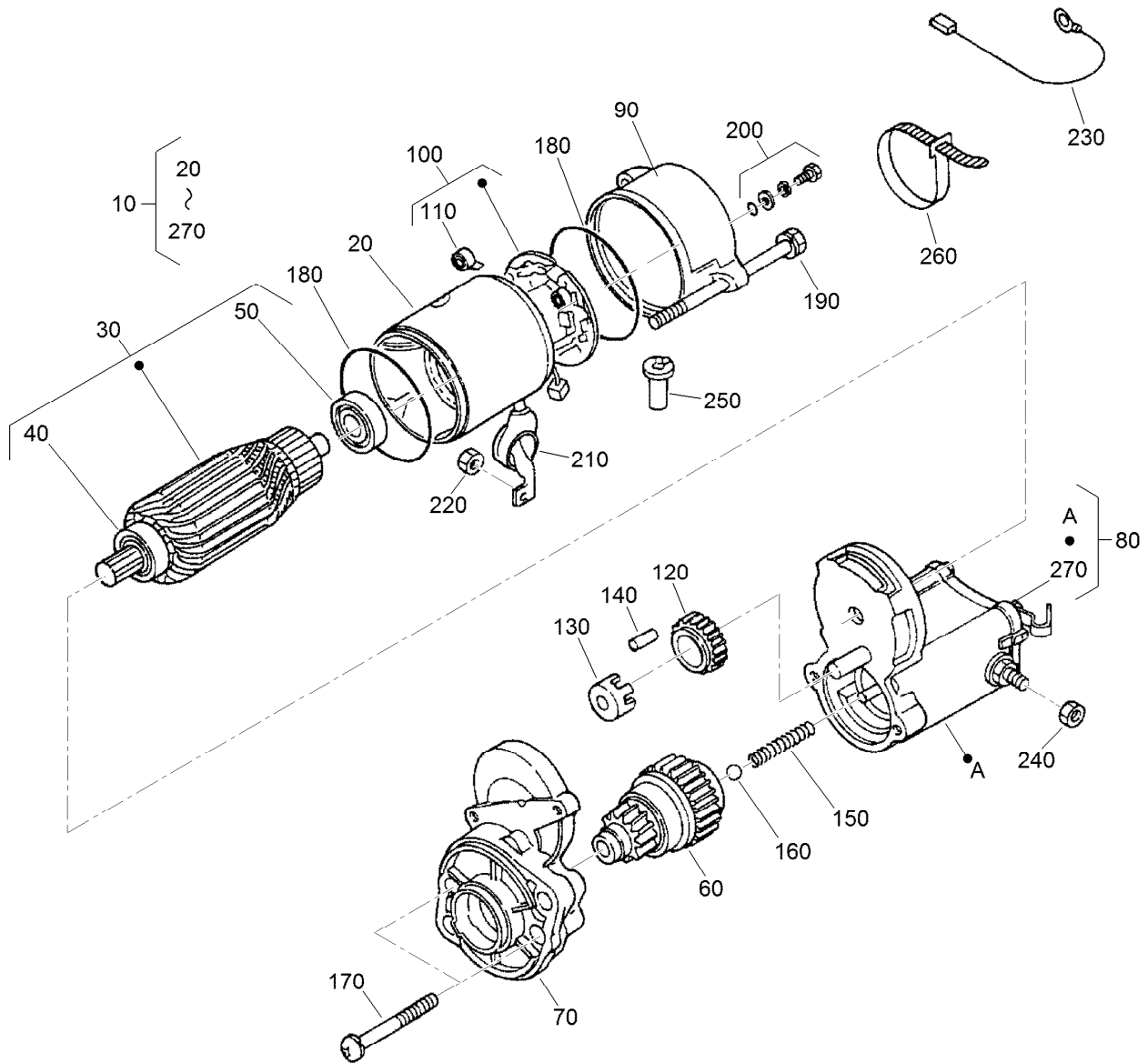
Alternator Component Assembly

Ref.	Part Number	Qty.	Description	Ref.	Part Number	Qty.	Description
10	98-9474	1	Alternator ASM	150	107-0140	1	Cover-End
20	98-9453	1	Pulley-Dynamo	160	98-7721	1	Rectifier ASM
30	98-7708	1	Nut	170	98-7722	1	Bushing-Insulation
40	98-7709	1	Collar	180	107-0141	1	Brush Holder ASM
50	107-0136	1	Rotor ASM	190	98-7724	2	Brush
60	98-7711	1	Cover-Bearing	200	98-7725	2	Spring-Brush
70	107-0138	1	Bearing-Ball	210	98-7726	2	Screw-Head, Round
80	98-7713	1	Washer-Thrust	220	98-7727	6	Screw-Head, Round
90	107-0139	1	Drive End Frame ASM	230	98-7728	1	Screw-Head, Round
100	98-7715	1	Plate-Retainer	240	98-7729	3	Bolt
110	98-7716	4	Screw-Head, Round	250	98-7730	2	Nut
120	98-7717	2	Bolt-Through	260	98-7731	2	Bolt
130	107-0137	1	Bearing-Ball	270	98-7732	1	Nut
140	107-9087	1	Frame-End	280	107-9088	1	Regulator ASM



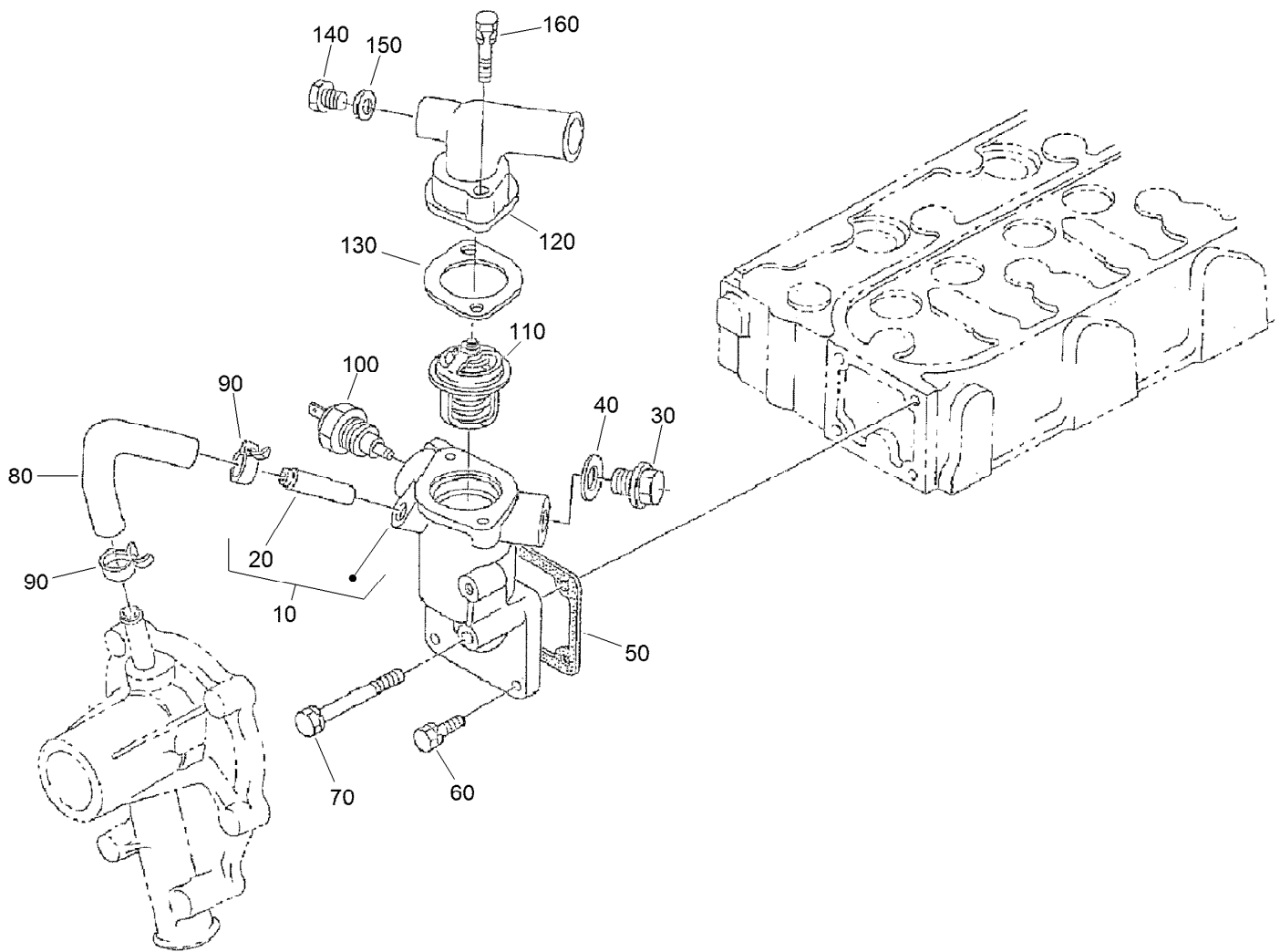
Starter Assembly

<i>Ref.</i>	<i>Part Number</i>	<i>Qty.</i>	<i>Description</i>
10	98-9705	1	Starter ASM
20	98-7697	2	Bolt



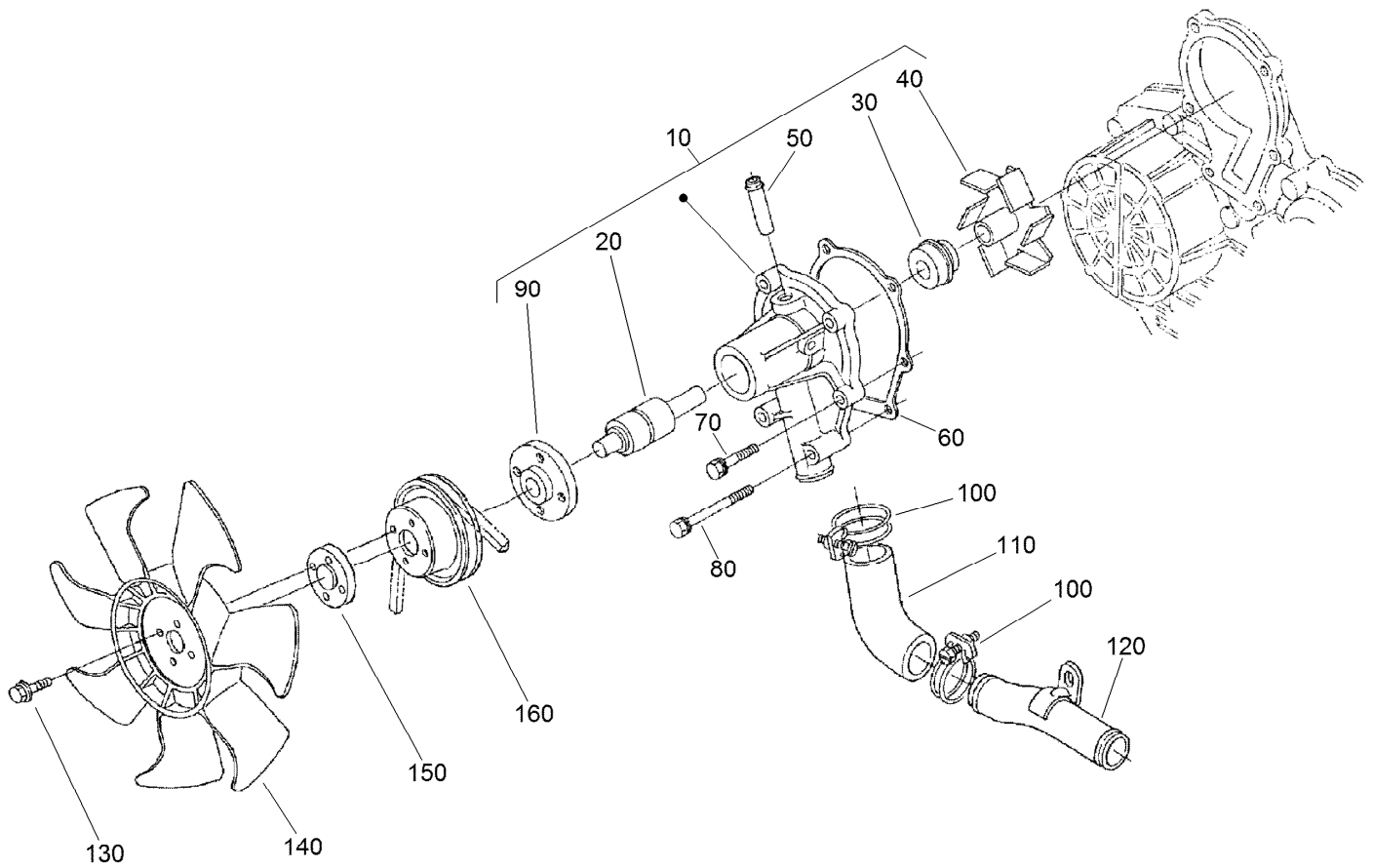
Starter (Component Part) Assembly

Ref.	Part Number	Qty.	Description	Ref.	Part Number	Qty.	Description
10	98-9705	1	Starter ASM	150	98-7754	1	Spring
20	104-8608	1	Yoke ASM	160	98-7755	1	Ball
30	98-7742	1	Armature ASM	170	98-7756	2	Bolt
40	98-7744	1	Bearing	180	98-7757	2	O-Ring
50	98-7743	1	Bearing	190	100-9240	2	Bolt
60	99-8373	1	Clutch-Running, Over	200	98-7758	2	Bolt ASM
70	99-8374	1	Frame-End, Drive	210	99-8375	1	Cover
80	105-3746	1	Magnetic Switch ASM	220	99-8371	1	Nut-Hex
90	98-7748	1	Frame-End	230	98-9711	1	Cord-Solenoid, Stop
100	98-7749	1	Brush Holder ASM	240	99-8376	1	Nut-Hex
110	98-7750	4	Spring-Brush	250	98-7759	1	Pipe-Drain
120	98-7751	1	Gear	260	98-9712	1	Band-Cover
130	98-7752	1	Retainer	270	105-2886	1	Cover ASM
140	98-7753	5	Roller				



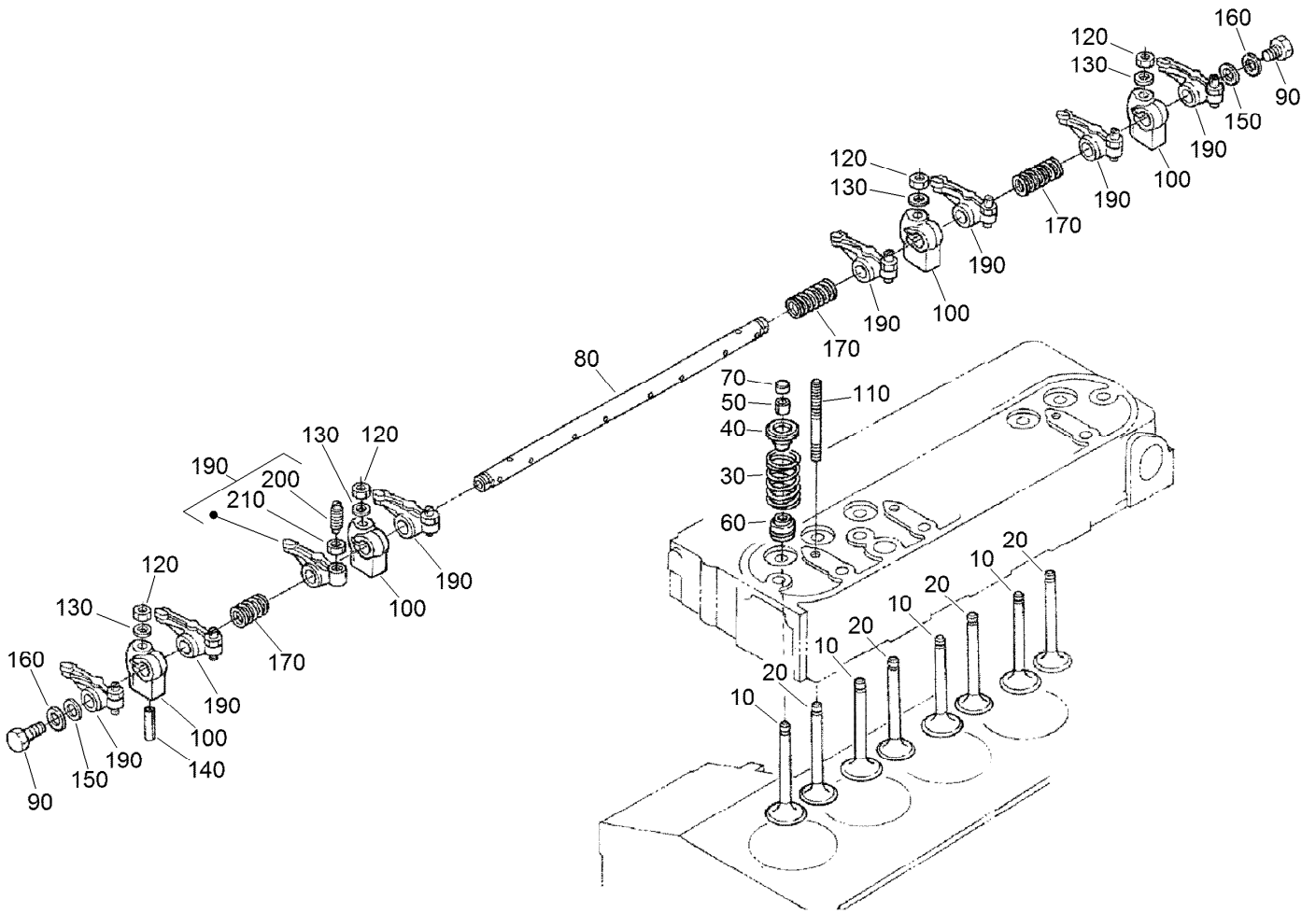
Water Flange and Thermostat Assembly

<i>Ref.</i>	<i>Part Number</i>	<i>Qty.</i>	<i>Description</i>	<i>Ref.</i>	<i>Part Number</i>	<i>Qty.</i>	<i>Description</i>
10	98-9713	1	Water Flange ASM	90	98-9579	2	Band-Pipe
20	98-9580	1	Pipe-Return, Water	100	98-9719	1	Thermoswitch
30	105-3747	1	Plug	110	98-7778	1	Thermostat ASM
40	99-3583	1	Gasket	120	108-2869	1	Cover-Thermostat
50	98-9638	1	Gasket-Flange, Water	130	105-3748	1	Gasket-Thermostat
60	98-7692	3	Bolt	140	108-2870	1	Plug-Drain
70	98-9356	1	Bolt	150	100-9155	1	Gasket
80	98-9578	1	Pipe-Return, Water	160	98-7777	2	Bolt



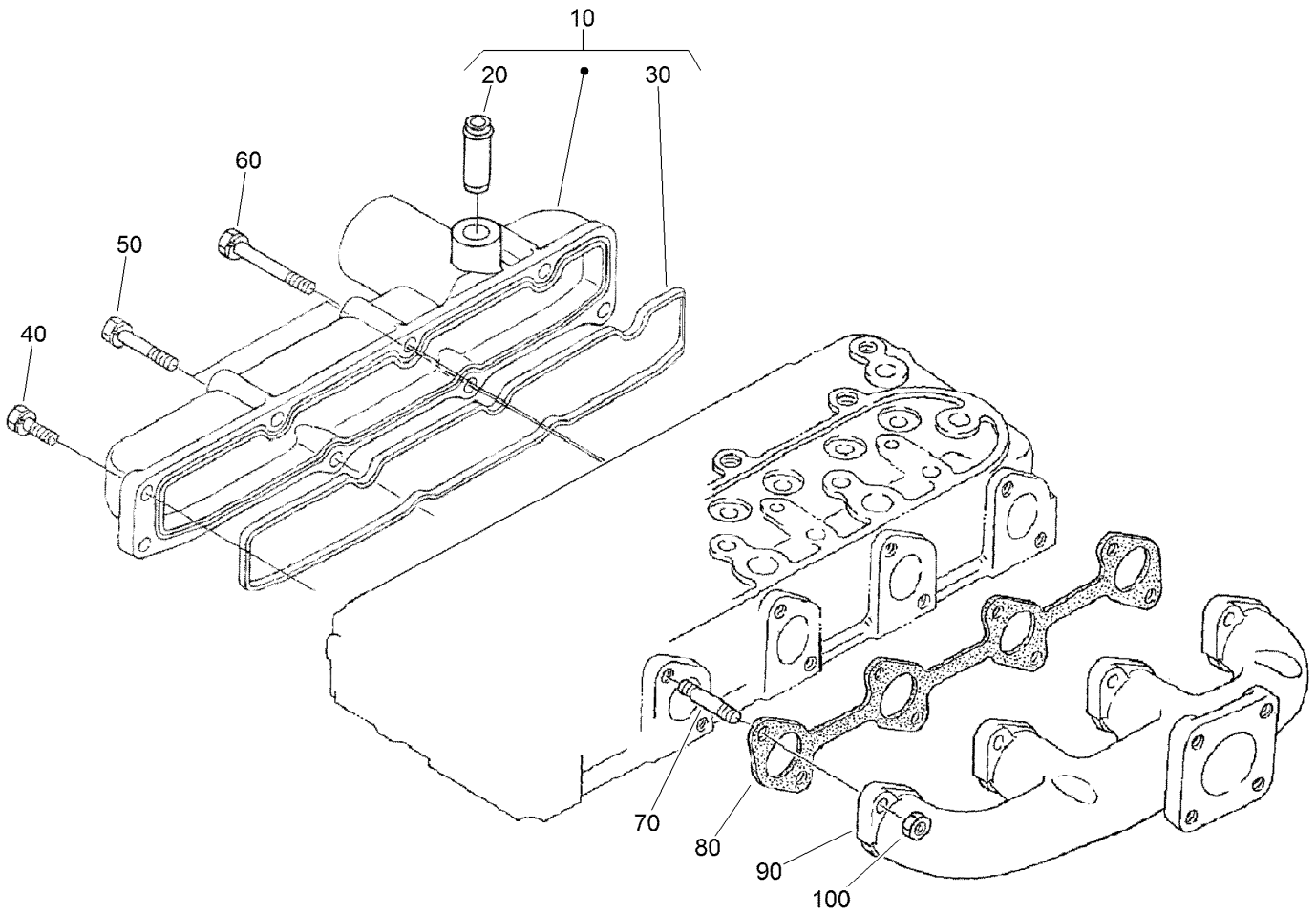
Water Pump Assembly

<i>Ref.</i>	<i>Part Number</i>	<i>Qty.</i>	<i>Description</i>	<i>Ref.</i>	<i>Part Number</i>	<i>Qty.</i>	<i>Description</i>
10	107-9089	1	Water Pump ASM	90	99-3516	1	Flange-Pump, Water
20	99-3517	1	Bearing-Pump, Water	100	98-9717	2	Clamp
30	105-3750	1	Mechanical Seal ASM	110	107-9091	1	Pipe-Water
40	112-7017	1	Impeller-Pump, Water	120	98-9716	1	Pipe-Water
50	100-1932	1	Pipe-Return, Water	130	108-2873	4	Bolt-Flange
60	99-3454	1	Gasket-Pump, Water	140	108-2871	1	Fan
70	98-9353	4	Bolt	150	108-2872	1	Collar-Fan
80	107-9090	2	Bolt	160	98-9584	1	Pulley-Fan



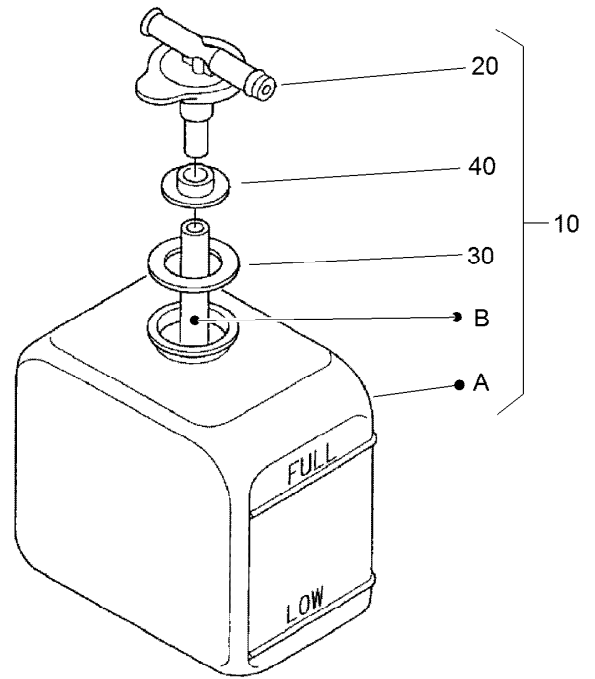
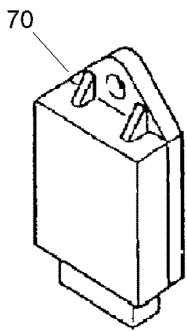
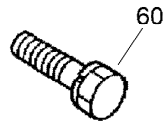
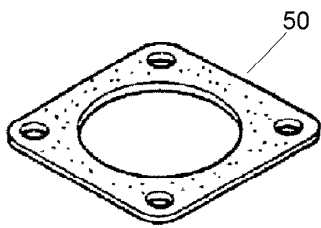
Valve and Rocker Arm Assembly

<i>Ref.</i>	<i>Part Number</i>	<i>Qty.</i>	<i>Description</i>	<i>Ref.</i>	<i>Part Number</i>	<i>Qty.</i>	<i>Description</i>
10	112-7018	4	Valve-Inlet	110	98-9506	4	Stud
20	112-7021	4	Valve-Exhaust	120	98-9393	4	Nut
30	98-9648	8	Spring-Valve	130	98-9385	4	Washer-Flat
40	107-9092	8	Retainer-Spring	140	105-3758	1	Pin-Spring
50	98-9390	8	Collet-Spring, Valve	150	98-9507	2	Washer-Shaft, R-Arm
60	99-8385	8	Seal-Stem, Valve	160	110-3832	2	Washer-Plain
70	98-9497	8	Cap-Valve	170	98-9504	2	Spring-Arm, Rocker
80	105-3757	1	Shaft-Arm, Rocker	190	98-9501	8	Rocker Arm ASM
90	100-9265	2	Bolt	200	98-9502	8	Screw-Adjusting
100	98-9505	4	Bracket-Arm, Rocker	210	98-9503	8	Nut



Inlet and Exhaust Manifold Assembly

<i>Ref.</i>	<i>Part Number</i>	<i>Qty.</i>	<i>Description</i>
10	108-2874	1	Intake Manifold ASM
20	98-9492	1	Joint-Pipe, Breather
30	105-3760	1	Gasket-Manifold, Intake
40	98-7605	3	Bolt
50	98-9353	2	Bolt
60	105-3797	3	Bolt
70	98-9588	8	Stud
80	105-3765	1	Gasket-Manifold, Exhaust
90	114-9573	1	Manifold-Exhaust
100	98-9665	8	Nut



Muffler Gasket, Glow Controller and Overflow Bottle Assembly

<i>Ref.</i>	<i>Part Number</i>	<i>Qty.</i>	<i>Description</i>
10	104-9318	1	Bottle-Overflow
20	105-3754	1	Cap
30	105-3755	1	Gasket
40	105-3756	1	Plate
50	98-9611	1	Gasket
60	98-7610	1	Bolt
70	98-7611	1	Controller-Glow

Attachments and Accessories

For 41593N Multi-Pro 5800 Turf Sprayer

Product Name	Model/Part
Speedometer Kit.....	106-4839
Premium All Season Hydraulic Fluid (55 Gallon Drum).....	108-1177
Premium All Season Hydraulic Fluid (5 Gallon Pail).....	108-1178
Premium Heavy Duty All Season Gear Lube (Pail).....	108-1188
Premium All Purpose Grease (Tube).....	108-1190
Premium Heavy Duty All Season Gear Lube (Quart).....	108-1591
Spark Arrestor.....	115-2919
Small Seat Cover.....	120-5178
Beacon Kit.....	120-8505
License Plate Kit.....	120-8506
Covered Boom Spring Upgrade Kit.....	120-8508
Premium Engine Oil 10w30 (55 Gal).....	121-6392
Premium Engine Oil 10w30 (5 Gallon Pail).....	121-6393
Wheel And Tire Asm.....	127-1100
Foam Marker Finish Kit.....	127-9797
Lance Suction Assembly.....	127-9826
Single Nozzle Kit.....	41023
Pro Foam Concentrate (4 x 1 Gallon).....	41157
Foam Marker Kit.....	41232
Heat Shield Kit.....	41601
Covered Boom Kit.....	41602
Homologation Kit.....	41603
Pro Control Spray System.....	41604
Spray Gun Kit.....	41605
Pro-Foam.....	41607
Eductor Kit.....	41612
Tank Rinse Kit.....	41614
Sonic Boom Kit.....	41615
Manual Spray Mode Kit.....	41616
BBA Kit.....	41617
Electric Hose Reel Kit.....	41618
4-ply Turf-trac Tire.....	87-3290



Count on it.