



**Count on it.**

**Parts Catalog**

**Multi-Pro® 5700-D Turf Sprayer**

Model No. 41582—Serial No. 31000001 and Up

# Ordering Replacement Parts

To order replacement parts, please supply the part number, the quantity, and the description of each part desired.

## Understanding Reference Numbers

Each identified part in an illustration has a reference number. The reference number for a part also appears in the parts list, along with other information about the part.

This catalog uses two special reference number formats, one to indicate parts in a service assembly and another to indicate the quantity of a given part in an illustration.

## Service Assembly Reference Numbers

Parts in service assemblies have reference numbers in the form a:b. The a represents the reference number of the entire service assembly and the b represents a sequential number unique to each part within the service assembly.

For example, a wheel assembly might be identified by reference number 6, the tire by 6:1, the valve by 6:2, and the wheel by 6:3. When you order the assembly identified by reference number 6, you receive all parts identified by reference numbers 6:1, 6:2, and 6:3. However, you may also order any part individually. Reference numbers of this type appear in illustration and in parts lists.

## Reference Numbers Indicating Quantity

In an illustration, if a reference number indicates more than one part, the reference number has the form nX y. The n represents the quantity of the part, the X is the multiplication symbol, and the y represents the reference number.

For example, in an illustration, the reference number 2X 37 means that two of the parts identified by reference number 37 are indicated.

# List of Abbreviations

**AR:** as required

**ASM:** assembly

**BBC:** blade brake control

**BHTF:** button head thread forming

**CARR:** carriage

**CCW:** counter clockwise

**CW:** clockwise

**DEG:** degrees

**DPA:** Dual Point Adjustment

**ECM:** electronic control module

**EXT:** external

**FH:** flat head

**GA:** gauge

**HD:** heavy-duty

**HF:** hex flange

**HH:** hex head

**HHF:** hex head flange

**HHFTF:** hex head flange thread forming

**HJ:** hex jam

**HLH:** hex lag head

**HOC:** height-of-cut

**HSBH:** hex socket button head

**HSFH:** hex socket flat head

**HSH:** hex socket head

**HWH:** hex washer head

**HWHTF:** hex washer head thread forming

**HYD:** hydraulic

**LH:** left hand

**LP:** Liquid Propane

**NI:** nylon insert

**NPTF:** national pipe thread fine

**PFH:** phillips flat head

**PPH:** phillips pan head

**PPHTF:** phillips pan head thread forming

**PRH:** phillips round head

**PTH:** phillips truss head

**PTO:** power-take-off

**RH:** right hand

**ROPS:** roll-over protection system

**RRB:** rear roller brush

**SFH:** slotted fillister head

**SHH:** slotted hex head

**SHWH:** slotted hex washer head

**SPH:** slotted pan head

**SQH:** square head

**SRH:** slotted round head

**STD:** standard

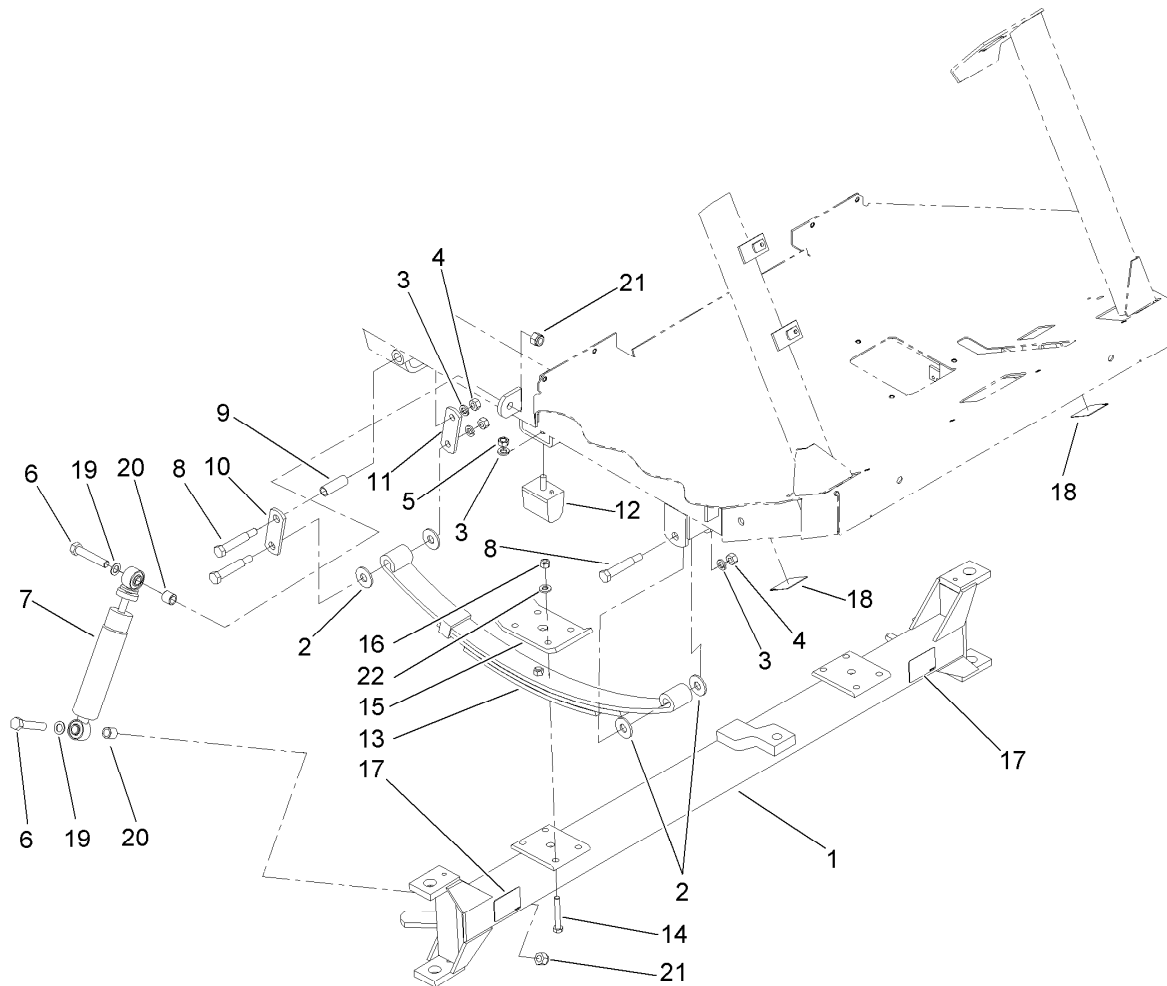
**TAP:** self tapping

**TTH:** torx truss head

# Contents

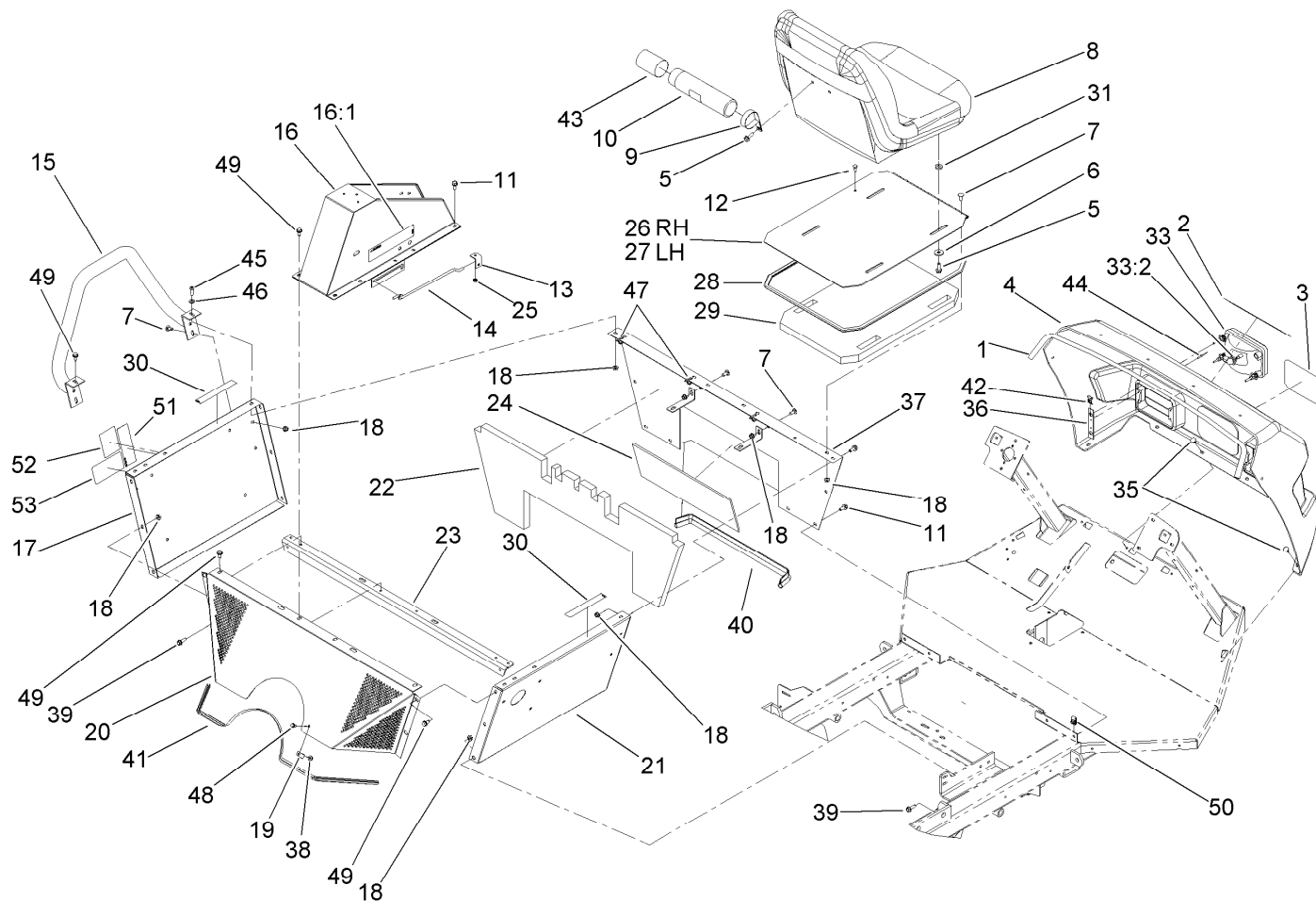
Front Suspension Assembly	5
Seat, Engine Cover and Front Console Assembly	6
Control Console Assembly	8
Rear Wheel Assembly	9
Hydraulic Motor Assembly No. 93-6488	11
Brake Assembly No. 100-3069	12
Planetary Assembly No. 105-4500	13
Brake Assembly No. 100-3070	14
Hydraulic Motor Assembly No. 93-6489	15
Brake and Pedal Assembly	16
Frame, Fender and Battery Assembly	17
Fresh Water and Spray Tank Assembly	18
Lid Assembly	19
Fresh Water Tank Assembly No. 100-8438	20
Exhaust Assembly	21
Dash and Instrument Assembly	22
Hydraulic Pump Assembly	23
Gear Pump Assembly No. 93-6492	25
Front Wheel, Tie Rod and Spindle Assembly	26
Pump Drive Assembly	27
Spray Pump Assembly No. 104-9099	28
Pump Assembly No. 106-5121	29
Steering Assembly	30
Steering Control Assembly No. 114-5076	31
Hydraulic Cylinder Assembly No. 93-6510	32
Engine and Air Cleaner Assembly	33
Air Cleaner Assembly No. 106-5277	35
Drive Linkage Assembly	36
Fuel and Hydraulic Tank Assembly	37
Traction Pedal Assembly	38
Internal Sprayer Component Assembly No. 1	39
Pressure Damper Assembly No. 100-6662	41
Boom Valve Manifold Assembly No. 119-0532	42
Bypass Valve Assembly No. 119-0456	43
Agitation Valve Assembly No. 117-7972	44
Internal Sprayer Component Assembly No. 2	45
Filter Assembly No. 104-9154	46
Safety Valve Assembly No. 100-6820	47
Sprayer Component Assembly	48
Left Hand Boom Mount Assembly	49
Right Hand Boom Mount Assembly	50
Oil Cooler and Radiator Assembly	51
Electrical Panel Assembly	52
Boom Assembly	53
Center Boom Assembly	54
Left and Right Hand Boom Assembly	55
RH Single Body Turret Assembly No. 108-3726	56
LH Single Body Turret Assembly No. 108-3725	57
Double Body Turret Assembly No. 108-3727	58
Crankcase Assembly	59
Oil Pan Assembly	60
Cylinder Head Assembly	61
Gear Case Assembly	62
Cylinder Head Cover Assembly	63

Dipstick and Guide Assembly ..... 64  
Main Bearing Case Assembly ..... 65  
Cam Shaft and Idle Gear Assembly ..... 66  
Piston and Crankshaft Assembly ..... 67  
Flywheel Assembly ..... 68  
Fuel Camshaft and Governor Shaft Assembly ..... 69  
Idle Apparatus Assembly ..... 70  
Injection Pump Assembly ..... 71  
Governor Assembly ..... 72  
Speed Control Plate Assembly ..... 73  
Nozzle Holder and Glow Plug Assembly ..... 74  
Nozzle Holder Component Assembly ..... 75  
Alternator and Pulley Assembly ..... 76  
Alternator Component Assembly ..... 77  
Starter Assembly ..... 78  
Starter (Component Part) Assembly ..... 79  
Water Flange and Thermostat Assembly ..... 80  
Water Pump Assembly ..... 81  
Valve and Rocker Arm Assembly ..... 82  
Inlet and Exhaust Manifold Assembly ..... 83  
Muffler Gasket, Glow Controller and Overflow Bottle Assembly ..... 84  
Attachments and Accessories ..... 85



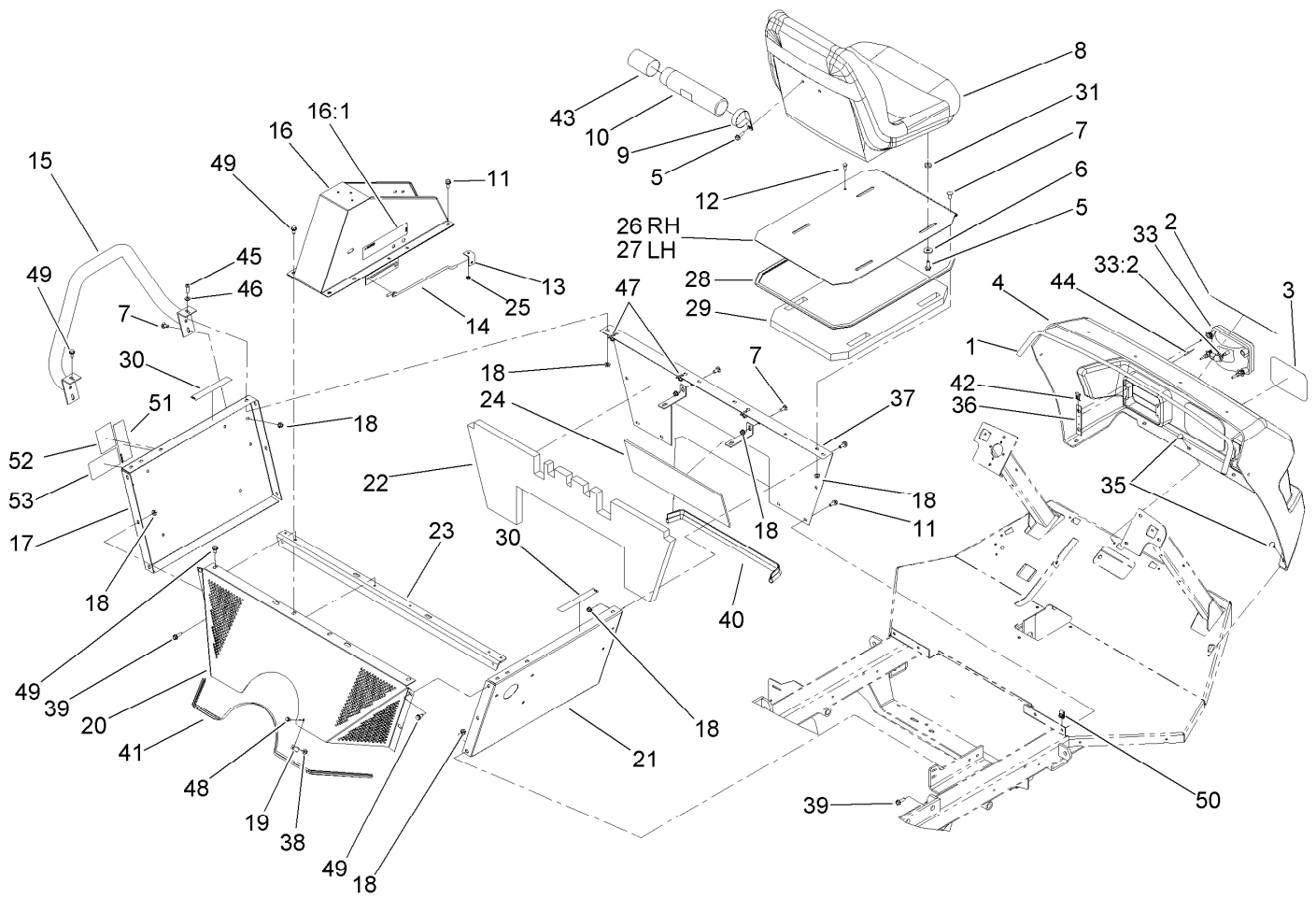
## Front Suspension Assembly

<i>Ref.</i>	<i>Part Number</i>	<i>Qty.</i>	<i>Description</i>
1	93-6568-03	1	Front Axle ASM
2	93-6161	8	Washer
3	3253-6	8	Washer-Lock
4	3217-8	6	Nut-Hex
5	93-6166	2	Nut-Hex
6	3213-8	4	Screw-HH
7	112-7824	2	Shock Absorber ASM
8	110-5072	6	Bolt-Shoulder
9	42592	2	Bushing-Shackle
10	42574	2	Shackle-Outside
11	42576	2	Shackle-Inside
12	87-3470	2	Bumper-Axle, Rear
13	99-0569	2	Spring Leaf
14	323-47	8	Screw-HH
15	112-7822-03	2	Plate-Spring
16	112-0236	8	Nut-Lock
17	107-8667	2	Decal-Jacking
18	107-8666	2	Decal-Tie-Down / Towing
19	100-7336	4	Washer
20	108-8483	4	Spacer-Plain
21	3296-19	4	Nut-Hex
22	100-4852	8	Washer-Hardened



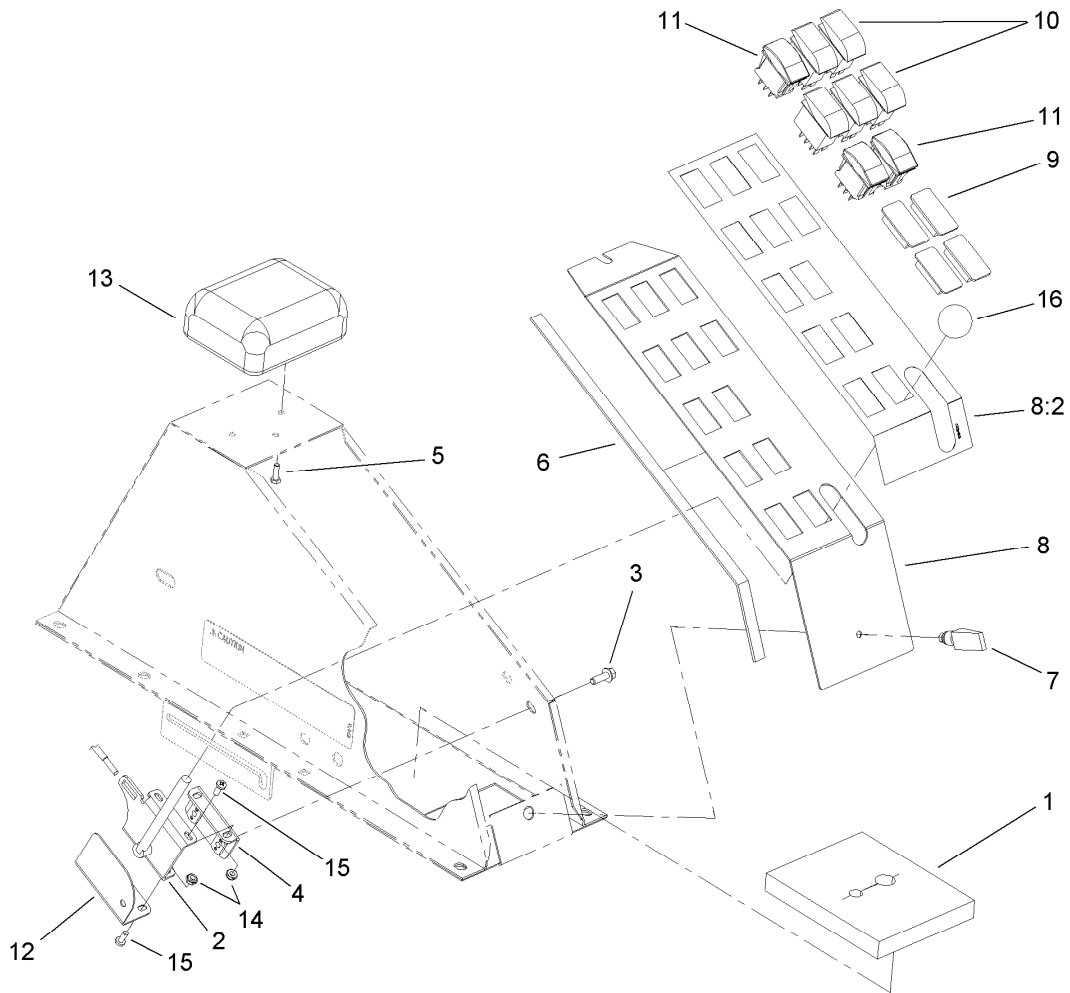
## Seat, Engine Cover and Front Console Assembly

Ref.	Part Number	Qty.	Description	Ref.	Part Number	Qty.	Description
1	119-0504	1	Trim-Hood	21	106-5026-01	1	Panel-Box, Seat (RH)
2	107-8715	1	Decal	22	117-5818	1	Barrier-Noise, Front Panel
3	62-5550	1	Decal	23	117-7940-03	1	Angle-Box, Seat
4	117-0793	1	Hood	24	117-5819	1	Noise Barrier-Lower Front
5	33104-025	10	Screw-HHF	25	3296-42	2	Nut-Lock, NI
6	52-2861	8	Washer	26	108-3289-03	1	RH Seat Panel ASM
7	3230-23	10	Screw-CARR	27	108-3288-03	1	LH Seat Panel ASM
8	112-2923	2	Seat ASM	28	94-7085	2	Trim
9	2412-133	2	R-Clamp	29	108-3290	2	Barrier-Noise, Seat
10	104-7050	1	Tube-Manual	30	94-3353	2	Decal-Point, Pinch
11	3234-5	8	Screw-HHF	31	7-0081	8	Washer-Flat
12	321-3	2	Screw-HH	33	114-8322	2	Headlight
13	94-7203	2	Bracket	33:2	115-2395	1	Light Bulb ASM
14	94-7204	2	Seat Prop Rod ASM	35	117-2382	6	Plug-Plastic
15	94-7046-03	2	Hip Restraint ASM	36	117-5832	4	Bracket-Headlight
16	106-5221	1	Console ASM	37	106-5027-01	1	Front Seat Box Panel ASM
16:1	107-8721	2	Decal-Caution	38	32128-33	1	Nut-HF
17	108-3291-01	1	Panel-Box, Seat (LH)	39	3234-17	4	Screw-HHF
18	32128-20	22	Nut-HF	40	95-2178	1	Trim
19	2412-72	1	Clip-Closed, Insulated	41	106-1998	1	Trim
20	106-5286-03	1	Shroud-Engine	42	115-2408	6	Clip-Speed



## Seat, Engine Cover and Front Console Assembly (continued)

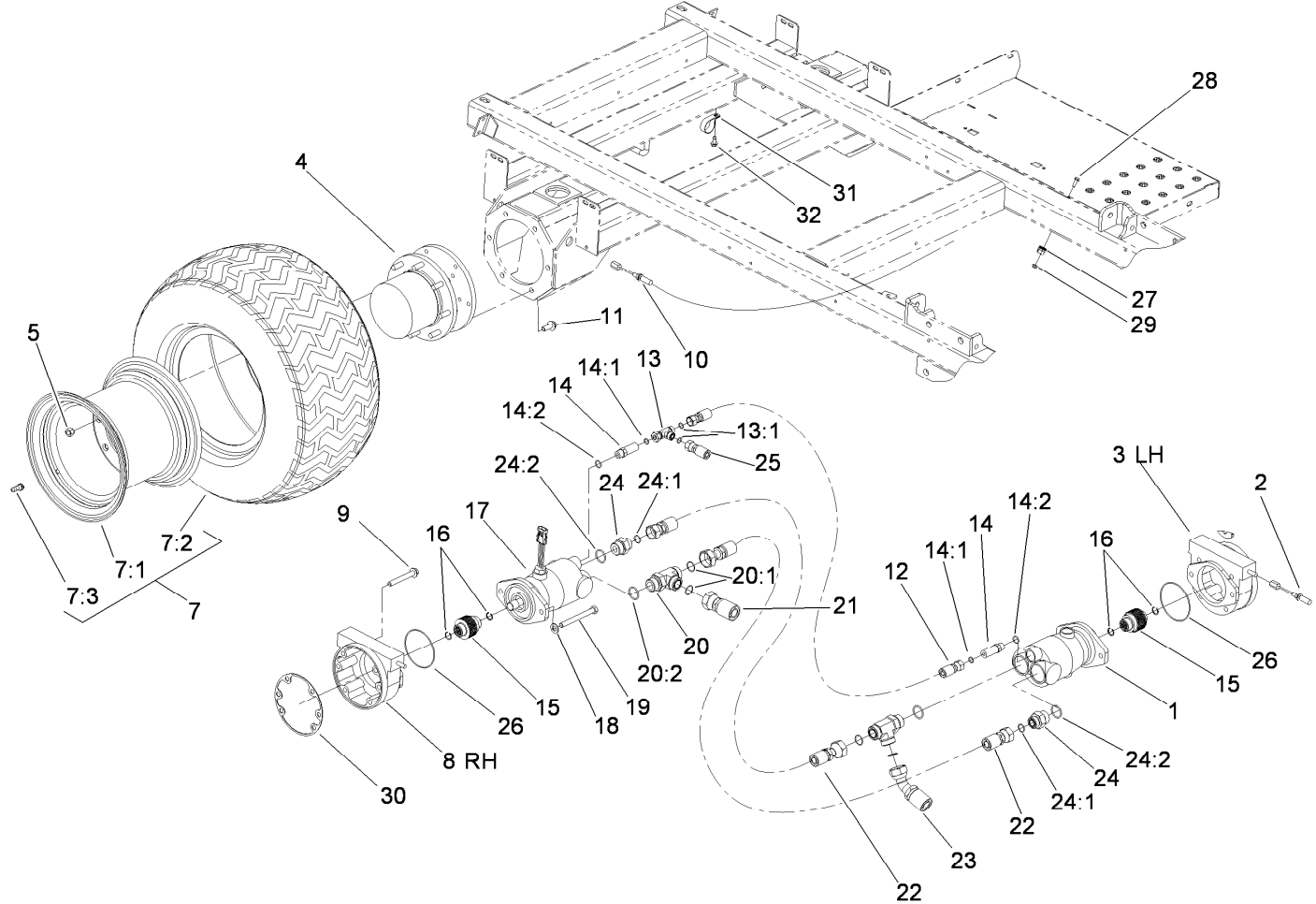
<i>Ref.</i>	<i>Part Number</i>	<i>Qty.</i>	<i>Description</i>	<i>Ref.</i>	<i>Part Number</i>	<i>Qty.</i>	<i>Description</i>
43	104-7048	1	Cap-Housing	49	32144-70	8	Screw-HWHTF
44	3290-274	8	Rivet-Pop	50	94-2413	4	U-Nut
45	3274-104	2	Screw-HSBH	51	107-8724	1	Decal-Traction
46	3256-23	2	Washer-Flat	52	107-8725	1	Decal-Warning, Braking
47	3290-379	4	Tie-Cable	53	107-8723	1	Decal-Warning, Safety
48	3234-13	1	Screw-HHF				



## Control Console Assembly

<i>Ref.</i>	<i>Part Number</i>	<i>Qty.</i>	<i>Description</i>
1	94-7142	1	Panel-Foam
2	106-5199	1	Cable Throttle ASM
3	3234-4	2	Screw-HHF
4	106-5243-03	1	Plate-Mount, Throttle
5	3290-134	2	Screw
6	94-7178	2	Seal-Foam, Console
7	74-5950	1	Latch-Swell
8	106-5218	1	Plate-Panel, Switch
8:2	106-5217	1	Decal-Plate, Switch
9	99-7420	4	Plug-Hole
10	100-8490	5	Switch-Rocker
11	100-1535	3	Switch
12	106-5223	1	Plate-Cover, Throttle
13	94-7087	1	Pad
14	3296-27	4	Nut-Lock, NI
15	3250-31	4	Screw-PPH
16	233-42	1	Knob

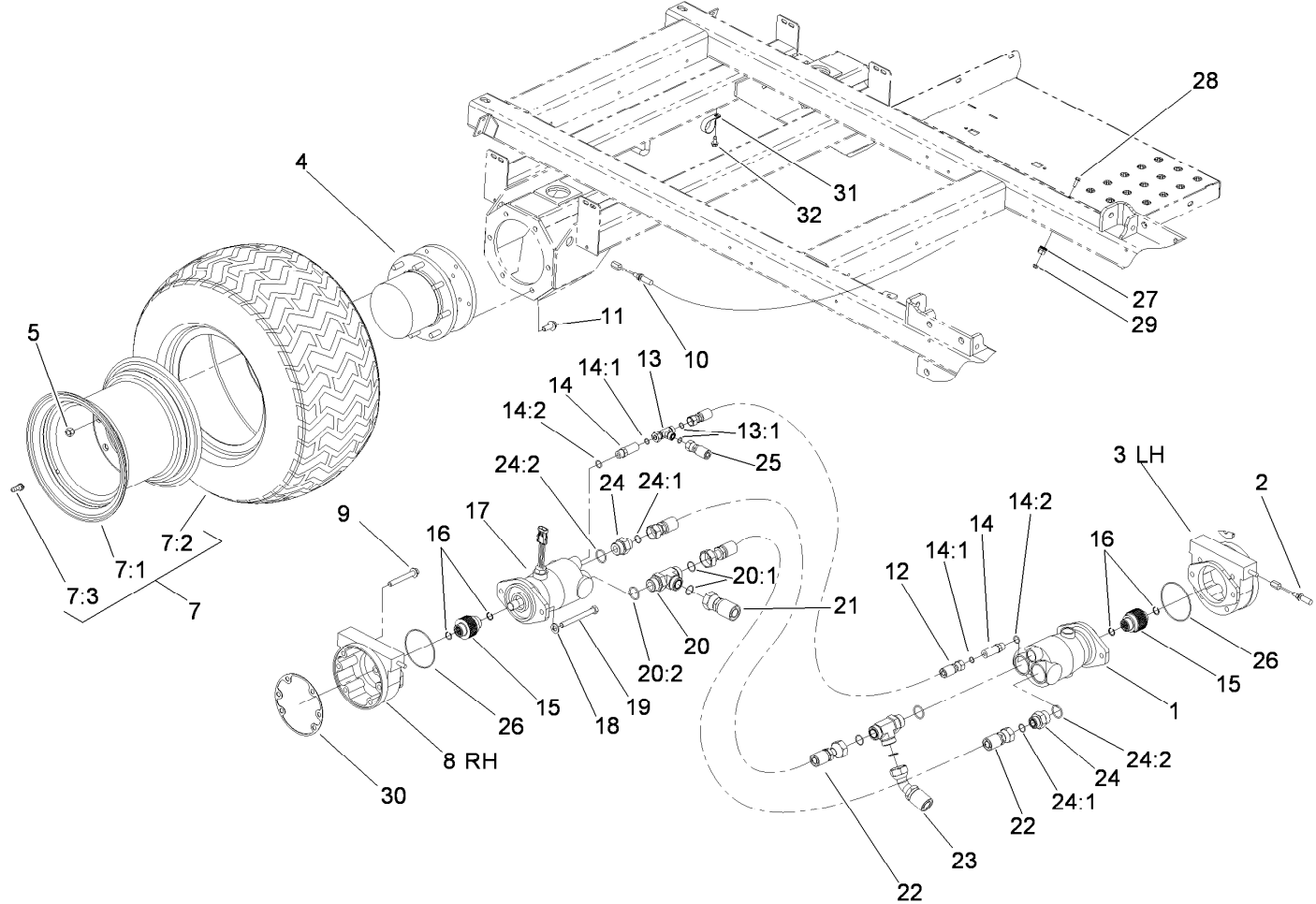




## Rear Wheel Assembly

Ref.	Part Number	Qty.	Description	Ref.	Part Number	Qty.	Description
1	93-6488	1	Hydraulic Motor ASM	15	100-3046	2	Shaft-Brake, Splined
2	107-8656	1	Cable-Brake, LH	16	93-7972	4	Ring-Retaining, Internal
3	100-3069	1	RH Brake ASM	17	93-6489	1	Hydraulic Motor ASM
4	105-4500	2	Planetary ASM	18	33096-00	4	Washer-Flat
5	242-50	16	Nut-Lug	19	33116-120	4	Screw-HH
7		2	Tire And Wheel ASM ●	20	104-3795	2	Fitting-HYD, Tee
7:1	119-6026	1	Wheel	20:1	340-65	2	O-Ring
7:2	117-5196	1	Tire	20:2	237-146	1	O-Ring
7:3	232-27	1	Stem-Valve	21	106-5034	1	Hose ASM
8	100-3070	1	LH Brake ASM	22	104-9187	2	Hose ASM
9	33106-090	8	Screw-HHF	23	104-9196	1	Hose ASM
10	107-8657	1	Cable-Brake, RH	24	340-91	2	Adapter
11	33106-030	12	Screw-HHF	24:1	237-58	1	O-Ring
12	110-5073	1	Hose ASM	24:2	237-146	1	O-Ring
13	340-104	1	Tee-Fitting	25	104-9197	1	Hose ASM
13:1	237-30	2	O-Ring	26	237-166	2	O-Ring
14	94-2628	2	Adapter-HYD	27	2412-93	1	Clamp-R
14:1	237-79	1	O-Ring	28	3234-4	1	Screw-HHF
14:2	237-30	1	O-Ring	29	104-7201	1	Nut-HF

● Not serviced separately

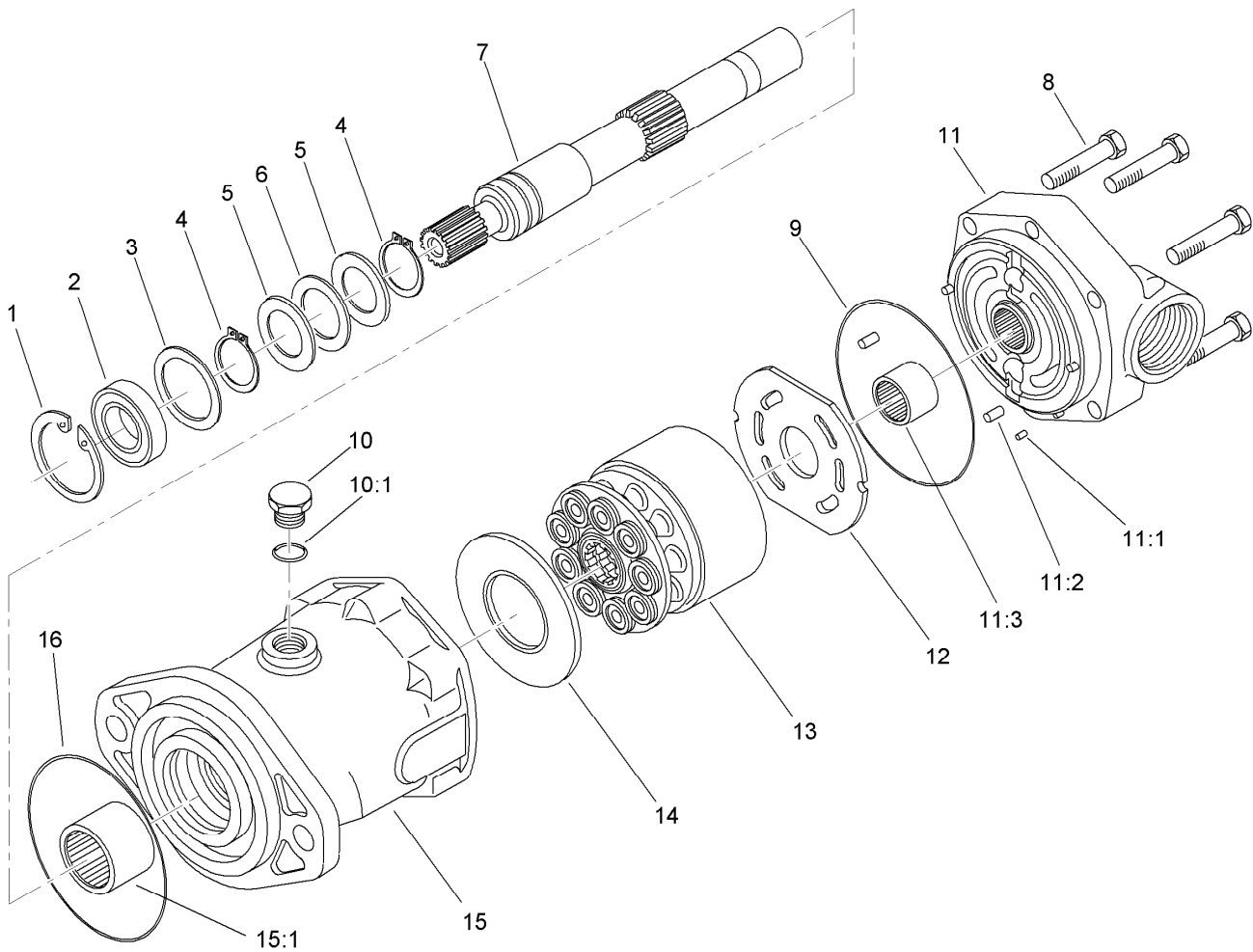


## Rear Wheel Assembly (continued)

Ref.	Part Number	Qty.	Description
30	93-7984	2	Gasket

Ref.	Part Number	Qty.	Description
31	2412-74	1	R-Clamp
32	32104-32	1	Screw-HWH

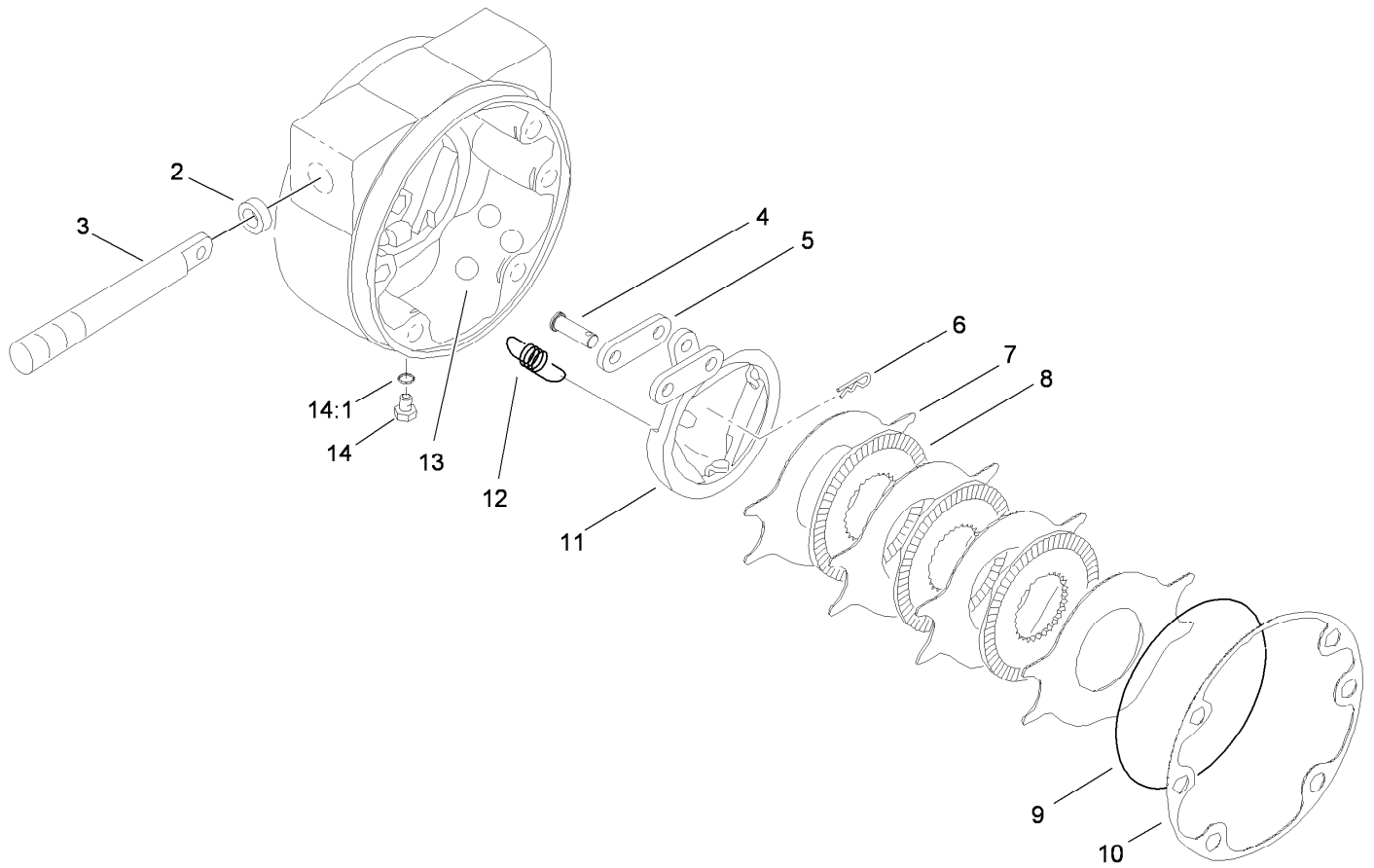
● Not serviced separately



## Hydraulic Motor Assembly No. 93-6488

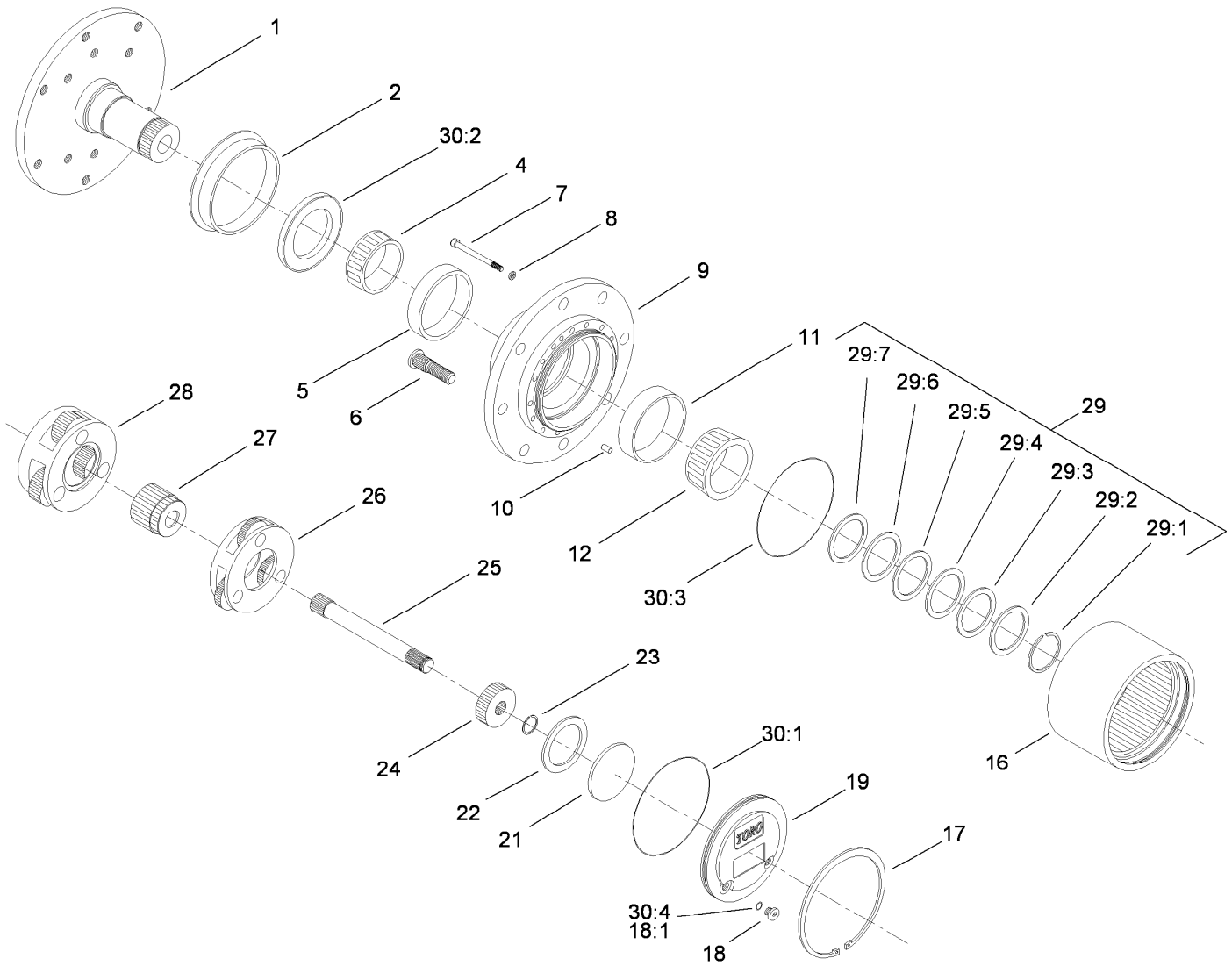
Ref.	Part Number	Qty.	Description
1	76-7010	1	Ring-Retaining
2	105-3331	1	Seal-Shaft
3	60-6240	1	Washer
4	76-7000	2	Ring-Retaining
5	76-6950	2	Race-Thrust
6	76-6960	1	Bearing-Thrust
7	94-3004	1	Shaft-Drive, Splined
8	94-3002	6	Capscrew
9	76-6980	1	O-Ring
10	94-3009	1	Plug
10:1		1	Ring-Retaining ●
11	95-2081	1	Back Plate ASM
11:1		1	Pin-Dowel ●
11:2		3	Pin-Dowel ●
11:3		1	Bearing-Needle ●
12	94-3003	1	Plate-Valve
13	76-6910	1	Rotating Kit
14	76-6970	1	Insert-Plate, Cam
15	95-2082	1	Housing
15:1		1	Bearing-Needle ●
16	237-166	1	O-Ring

● Not serviced separately



## Brake Assembly No. 100-3069

<i>Ref.</i>	<i>Part Number</i>	<i>Qty.</i>	<i>Description</i>
2	93-7977	1	Seal
3	93-7978	1	Rod-Pull
4	93-7983	2	Pin-Clevis
5	93-7980	2	Link
6	93-7979	2	Pin-Hitch
7	93-7986	4	Disc-Stationary
8	104-4278	3	Disc-Rotating
9	93-7976	1	Ring-Retaining
10	93-7984	1	Gasket
11	104-4280	1	Actuator-Rotating
12	93-7987	3	Spring-Extension
13	93-7985	3	Ball
14	353-990	2	Plug
14:1	237-78	1	O-Ring

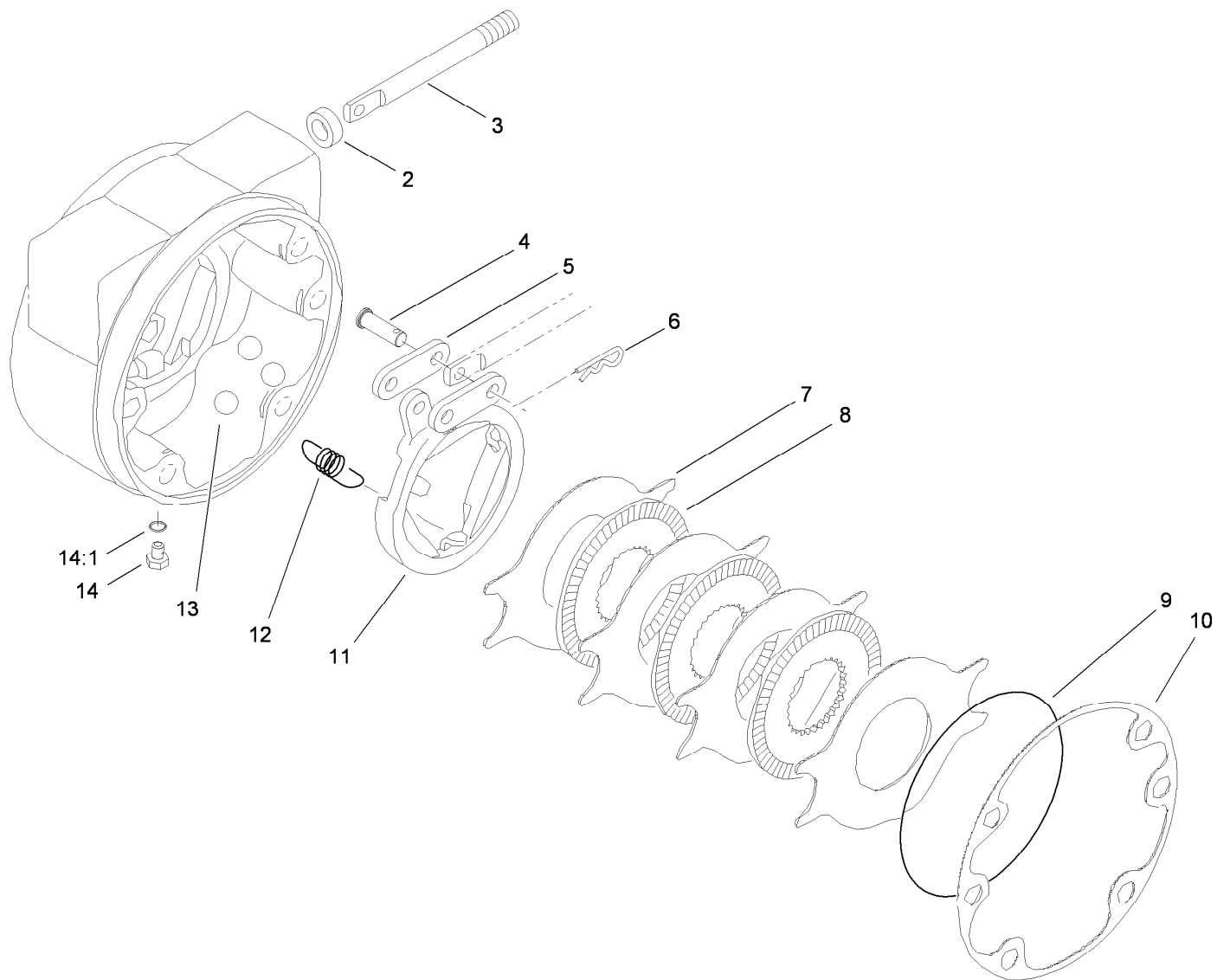


## Planetary Assembly No. 105-4500

Ref.	Part Number	Qty.	Description	Ref.	Part Number	Qty.	Description
1		1	Spindle ■	24	105-8114	1	Gear-Primary
2	105-8122	1	Seal-Boot	25	105-8115	1	Shaft-Drive
4	105-8120	1	Bearing-Cone	26	105-8129	1	Primary Carrier ASM
5	105-8119	1	Bearing-Cup	27	105-8139	1	Gear-Secondary
6	105-8124	8	Stud-Wheel	28	105-8130	1	Secondary Carrier ASM
7	105-8125	16	Bolt-Head, Socket	29	105-8136	1	Shim Kit
8	3253-18	16	Washer-Lock	29:1		1	Ring-Snap ■
9		1	Housing ■	29:2		1	Shim-Bearing, 2.9Mm ■
10	105-8121	1	Pin-Dowel	29:3		1	Shim-Bearing, 2.8Mm ■
11	105-8117	1	Bearing-Cup	29:4		1	Shim-Bearing, 2.7Mm ■
12	105-8118	1	Bearing-Cone	29:5		1	Shim-Bearing, 2.6Mm ■
16	105-8113	1	Gear-Ring	29:6		1	Shim-Bearing, 2.5Mm ■
17	105-8132	1	Ring-Retaining	29:7		1	Shim-Bearing, 2.4Mm ■
18	353-990	2	Plug	30	105-8137	1	Seal Kit ●
18:1	237-78	1	O-Ring	30:1		1	O Ring-Flange Cap ■
19	105-8138	1	Cap-End	30:2		1	Seal-Oil ■
21	105-8133	1	Plug-Thrust	30:3		2	O Ring-End Cap ■
22	105-8123	1	Washer-Thrust	30:4	237-78	2	O-Ring
23	105-8131	1	Ring-Retaining				

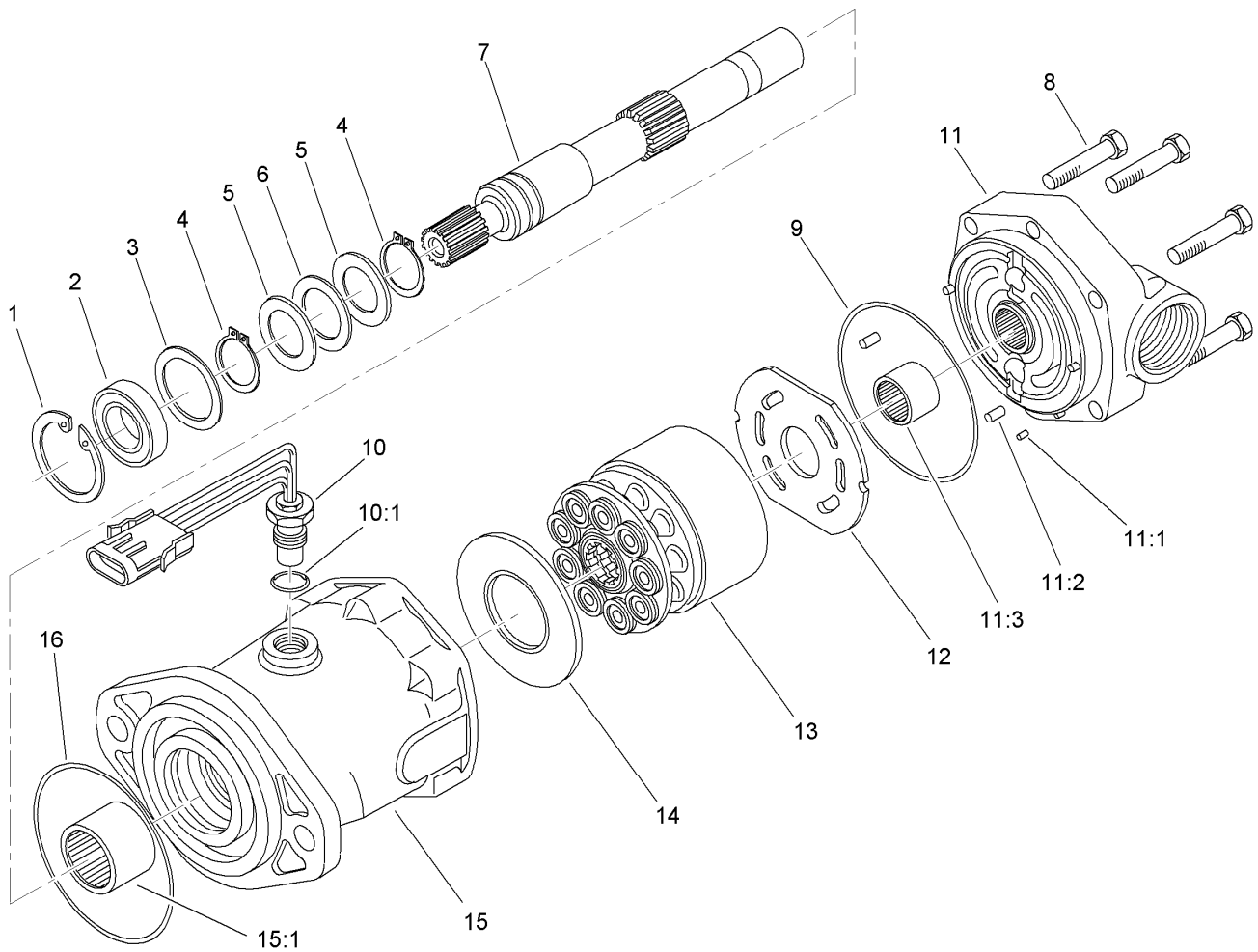
● Not illustrated

■ Not serviced separately



## Brake Assembly No. 100-3070

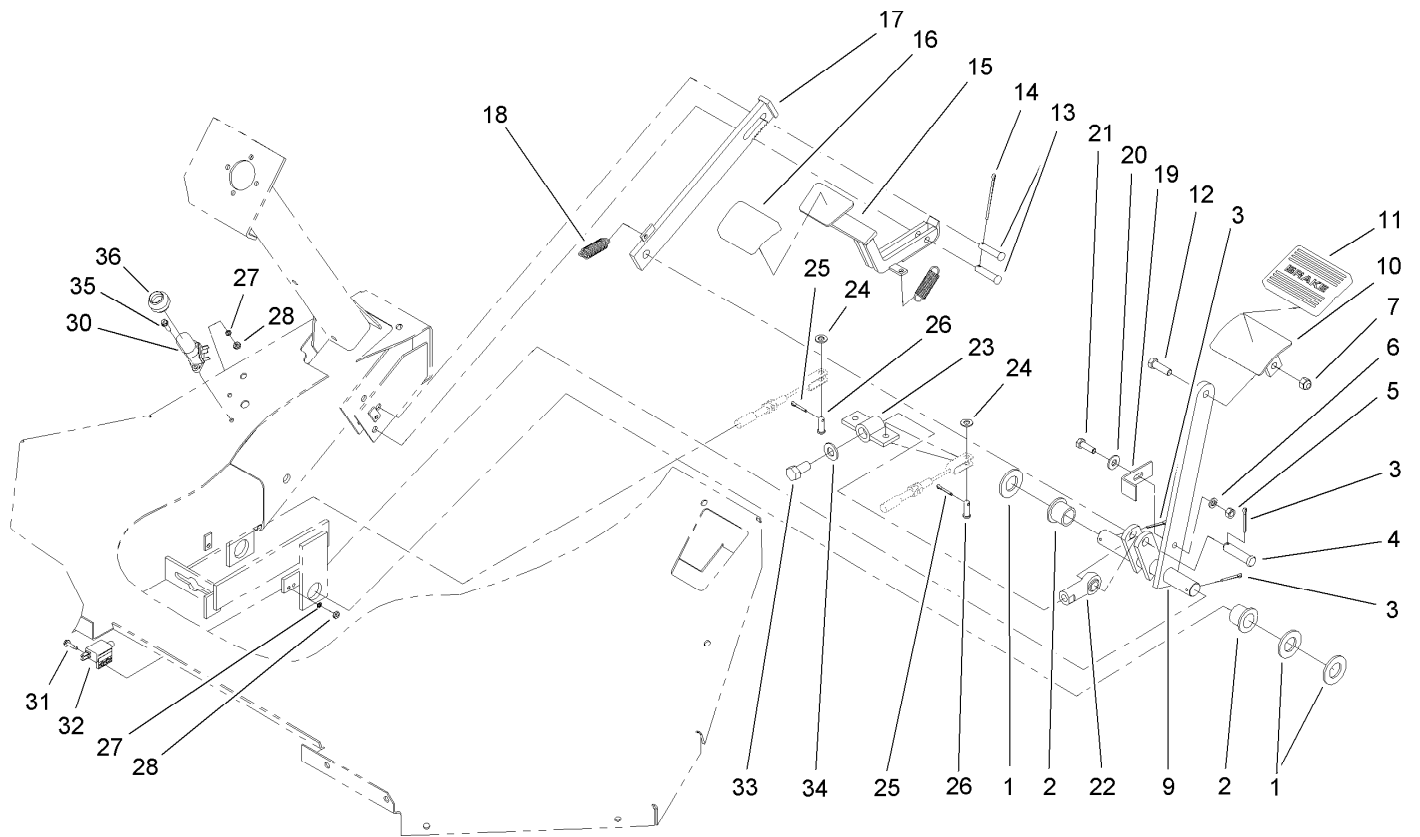
<i>Ref.</i>	<i>Part Number</i>	<i>Qty.</i>	<i>Description</i>
2	93-7977	1	Seal
3	93-7978	1	Rod-Pull
4	93-7983	2	Pin-Clevis
5	93-7980	2	Link
6	93-7979	2	Pin-Hitch
7	93-7986	4	Disc-Stationary
8	104-4278	3	Disc-Rotating
9	93-7976	1	Ring-Retaining
10	93-7984	1	Gasket
11	104-4279	1	Actuator-Rotating
12	93-7987	3	Spring-Extension
13	93-7985	3	Ball
14	353-990	2	Plug
14:1	237-78	1	O-Ring



## Hydraulic Motor Assembly No. 93-6489

Ref.	Part Number	Qty.	Description
1	76-7010	1	Ring-Retaining
2	105-3331	1	Seal-Shaft
3	60-6240	1	Washer
4	76-7000	2	Ring-Retaining
5	76-6950	2	Race-Thrust
6	76-6960	1	Bearing-Thrust
7	94-3004	1	Shaft-Drive, Splined
8	94-3002	6	Capscrew
9	76-6980	1	O-Ring
10	94-3010	1	Sensor-Speed, Pickup
10:1		1	Ring-Retaining ●
11	95-2081	1	Back Plate ASM
11:1		1	Pin-Dowel ●
11:2		3	Pin-Dowel ●
11:3		1	Bearing-Needle ●
12	94-3003	1	Plate-Valve
13	76-6910	1	Rotating Kit
14	76-6970	1	Insert-Plate, Cam
15	95-2083	1	Housing
15:1		1	Bearing-Needle ●
16	237-166	1	O-Ring

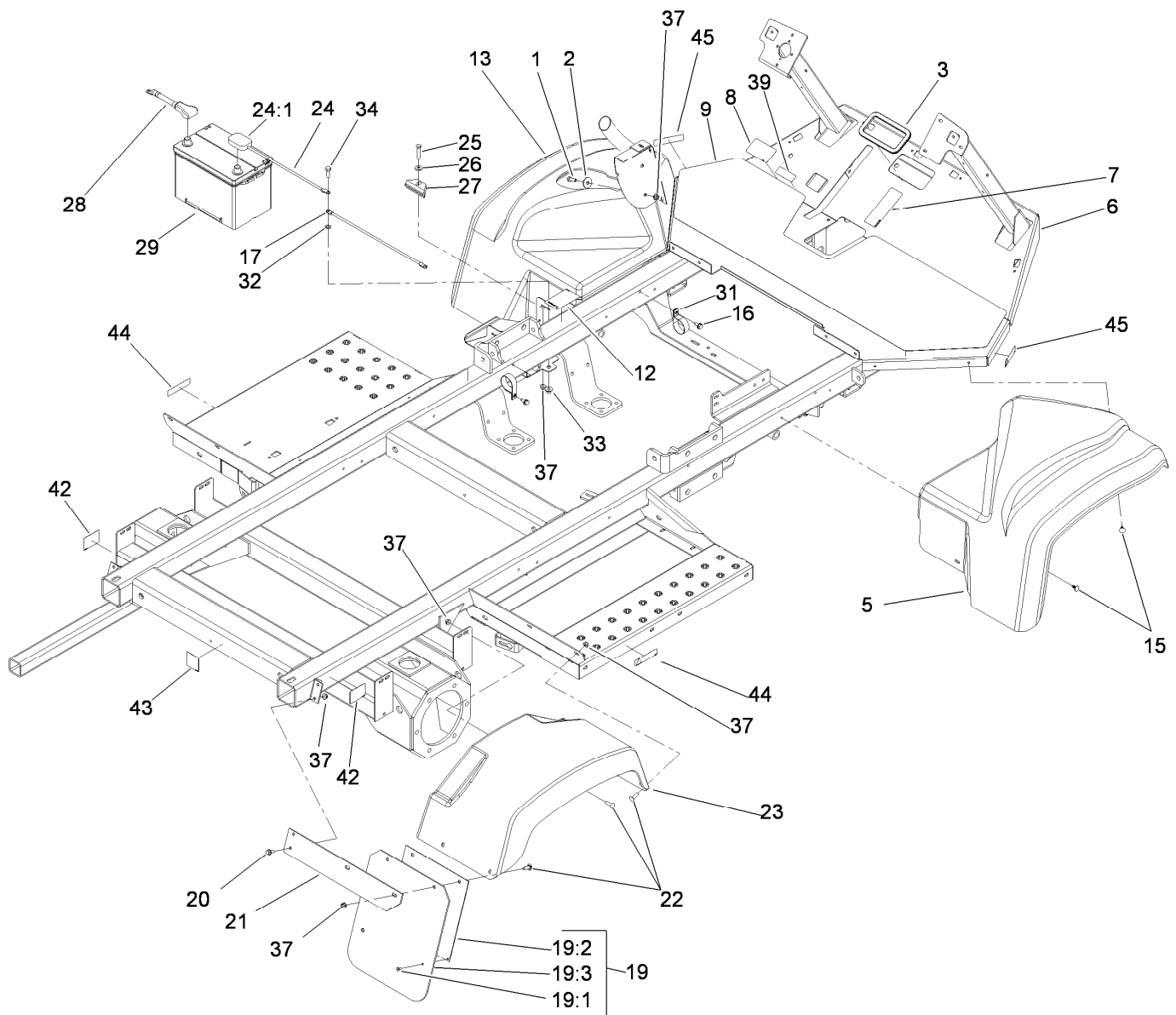
● Not serviced separately



## Brake and Pedal Assembly

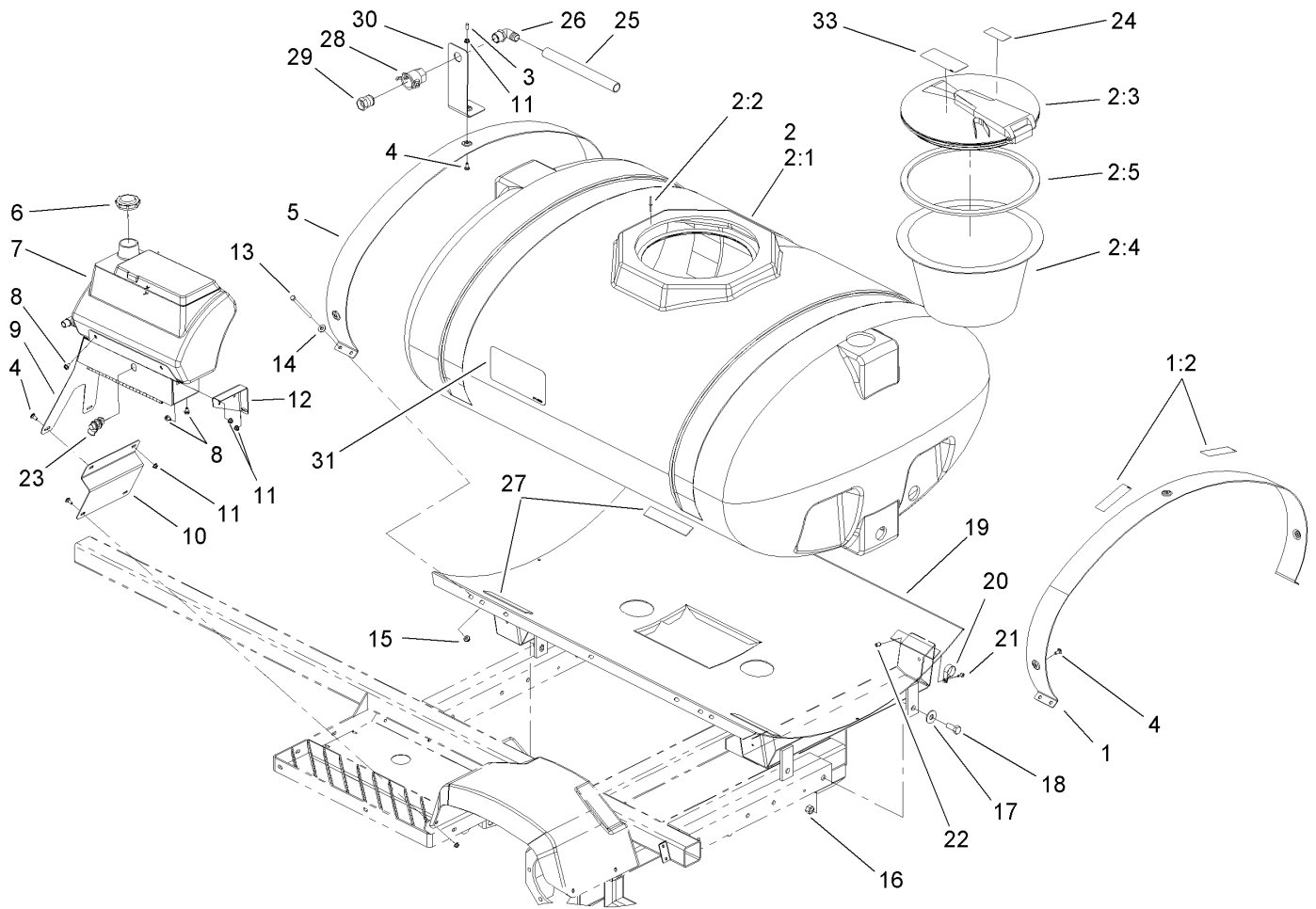
<i>Ref.</i>	<i>Part Number</i>	<i>Qty.</i>	<i>Description</i>	<i>Ref.</i>	<i>Part Number</i>	<i>Qty.</i>	<i>Description</i>
1	3256-29	3	Washer-Flat	19	93-6592-03	1	Bracket
2	94-7164	2	Bearing	20	3256-3	1	Washer-Flat
3	3272-12	3	Pin-Cotter	21	322-5	1	Screw-HH
4	42195	1	Pin-Clevis	22	522087	1	Rod-End
5	3217-6	1	Nut-Hex	23	93-6595	1	Brake Equalizer ASM
6	3253-4	1	Washer-Lock	24	3256-23	2	Washer-Flat
7	3296-39	1	Nut-Lock, NI	25	3272-10	2	Pin-Cotter
9	93-6589	1	Brake Shaft ASM	26	283-58	2	Pin-Clevis
10	100-8422-03	1	Pedal Bracket ASM	27	3253-17	4	Washer-Lock
11	7-3900	1	Pad-Brake	28	3217-26	4	Nut-Hex
12	323-7	1	Screw-HH	30	110-5189	1	Switch-Floor
13	283-15	2	Pin-Clevis	31	32105-13	2	Screw-HWH
14	3272-53	1	Pin-Cotter	32	1-513051	1	Switch-Open, Normally
15	93-6599-03	1	Catch ASM	33	3213-1	1	Screw-HH
16	42719	1	Pad-Pedal	34	3256-26	1	Washer-Flat
17	93-6598-03	1	Brake Strap ASM	35	32105-13	2	Screw-HWH
18	92-0417	2	Spring-EXT	36	110-5130	1	Bellow-Switch





## Frame, Fender and Battery Assembly

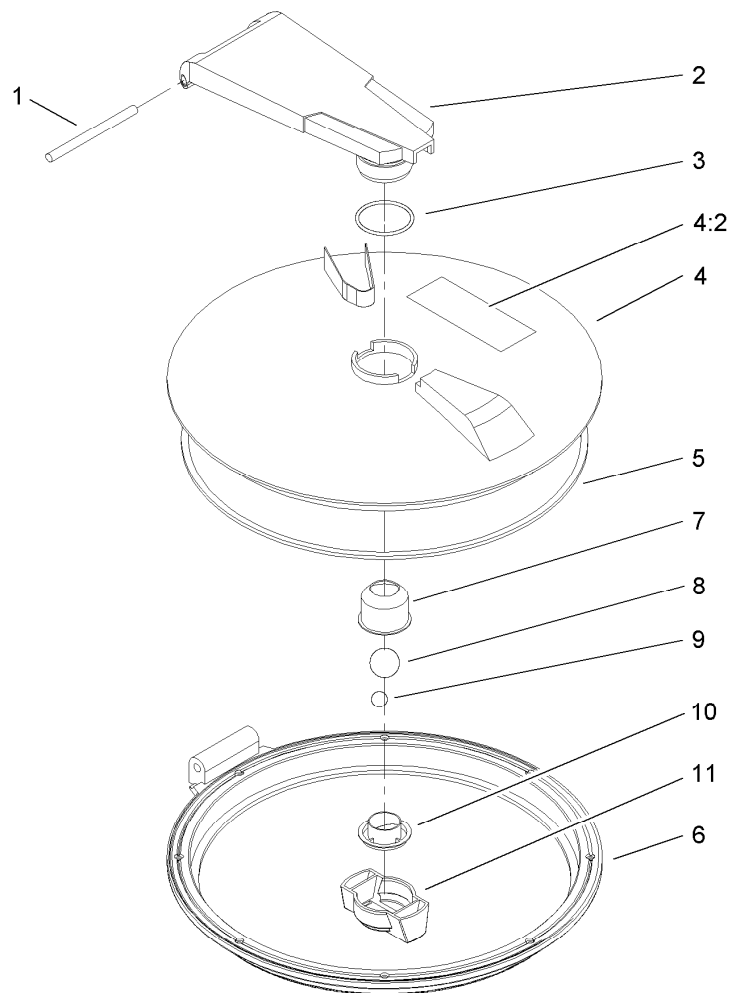
Ref.	Part Number	Qty.	Description	Ref.	Part Number	Qty.	Description
1	322-5	2	Screw-HH	23	93-6498	2	Fender-Rear
2	63-8410	2	Washer	24	99060	1	Cable-Ground
3	119-0599	1	Trim-Seal	24:1	106-4915	1	Cap-Protective, Blue
5	119-0418	1	Fender-Full, RH	25	322-9	1	Screw-HH
6	117-5880-03	1	Frame ASM.	26	3256-3	1	Washer-Flat
7	107-8724	1	Decal-Traction	27	66-2490	1	Retainer-Battery
8	100-8619	1	Decal-Switch, Boom	28	105-0114	1	Cable-Battery, Positive
9	104-8863	1	Tread-Floor	29	106-5190	1	Battery
12	107-8720	1	Decal-Warning, Safety Start	31	2412-96	2	Clamp-R
13	119-0417	1	Fender-Full, LH	32	3255-9	1	Washer-Lock
15	117-2382	9	Plug-Plastic	33	32128-43	1	Nut-Flange
16	32144-70	2	Screw-HWHTF	34	323-6	1	Screw-HH
17	42617	1	Cable-Ground	37	104-8300	19	Nut-Flange, NI
19	94-7127	2	Splash Guard ASM	39	107-8722	1	Decal-Instructions, Parking Brake
19:1	114439	2	Rivet-Pop	42	107-8667	2	Decal-Jacking
19:2	94-7128-03	1	Plate-Guard, Splash	43	107-8666	1	Decal-Tie-Down / Towing
19:3	94-7129	1	Guard-Splash	44	107-8732	2	Decal-Torque (Ce)
20	3234-5	4	Screw-HHF	45	107-8731	2	Decal-Torque (Ce)
21	93-6528-03	2	Strap-Mount, Fender				
22	3230-22	12	Screw-CARR				



## Fresh Water and Spray Tank Assembly

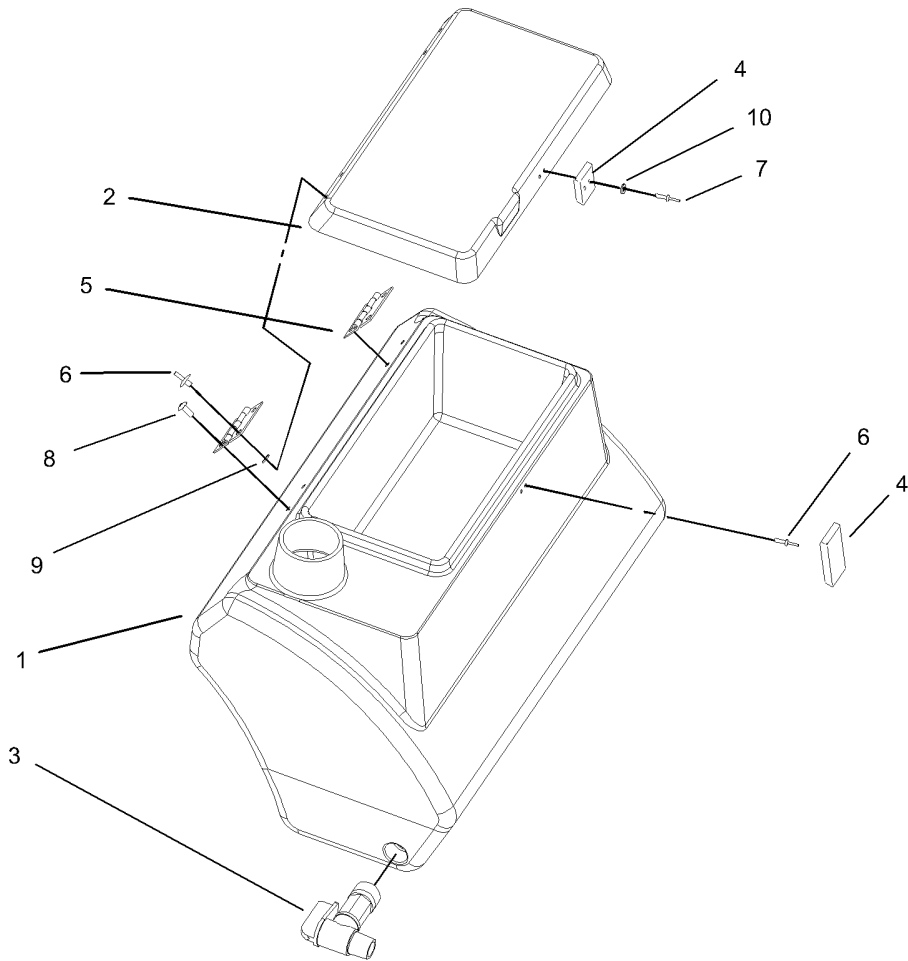
Ref.	Part Number	Qty.	Description	Ref.	Part Number	Qty.	Description
1	106-4966	1	Tank Band ASM	14	3256-4	8	Washer-Flat
1:2	106-5016	2	Decal-Caution, Electric Shock	15	104-8301	8	Nut-Flange, NI
2	112-7854	1	300 Gallon Tanks ASM	16	3217-11	2	Nut-Hex
2:1	112-7833	1	Tank-300 Gallon	17	3256-7	2	Washer-Flat
2:2	93-0833	8	Rivet-Blind	18	327-4	2	Screw-HH
2:3		1	Screw Type Tank Lid ASM ●	19	106-5288-03	1	Tank Saddle ASM
2:4	104-9051	1	Basket-Strainer	20	2412-74	1	R-Clamp
2:5	106-4991	1	Seal-Lid	21	3234-4	1	Screw-HHF
3	42452	1	Cap-Protective	22	32148-6	1	Insert-Nut
4	3230-1	4	Bolt-CARR	23	104-8914	1	Latch-Box, Storage
5	104-9126-03	1	Band-Mounting, Tank	24	106-1355	1	Decal-No Tank Entry
6	100-7008	1	Cap-Tank, Fresh Water	25	104-9075	1	Hose-Siphon, Anti
7	100-8438	1	Fresh Water Tank ASM	26	41140	1	Elbow
8	3234-28	6	Screw-HHF	27	104-7102	4	Pad-Battery
9	104-8912-03	1	Tank Bracket ASM	28	100-6779	1	Coupling-Female
10	104-9125-03	1	Bracket-Glove Box	29	41316	1	Adapter-Quick
11	32128-20	7	Nut-HF	30	104-9122-03	1	Bracket-Siphon, Anti
12	104-9124-03	1	Mount-Tank, Plate	31	104-9166	2	Decal-Tank, 300 Gallon
13	41809	8	Screw-HH	33	93-0688	1	Decal-Warning, Chemical

● Not serviced separately



## Lid Assembly

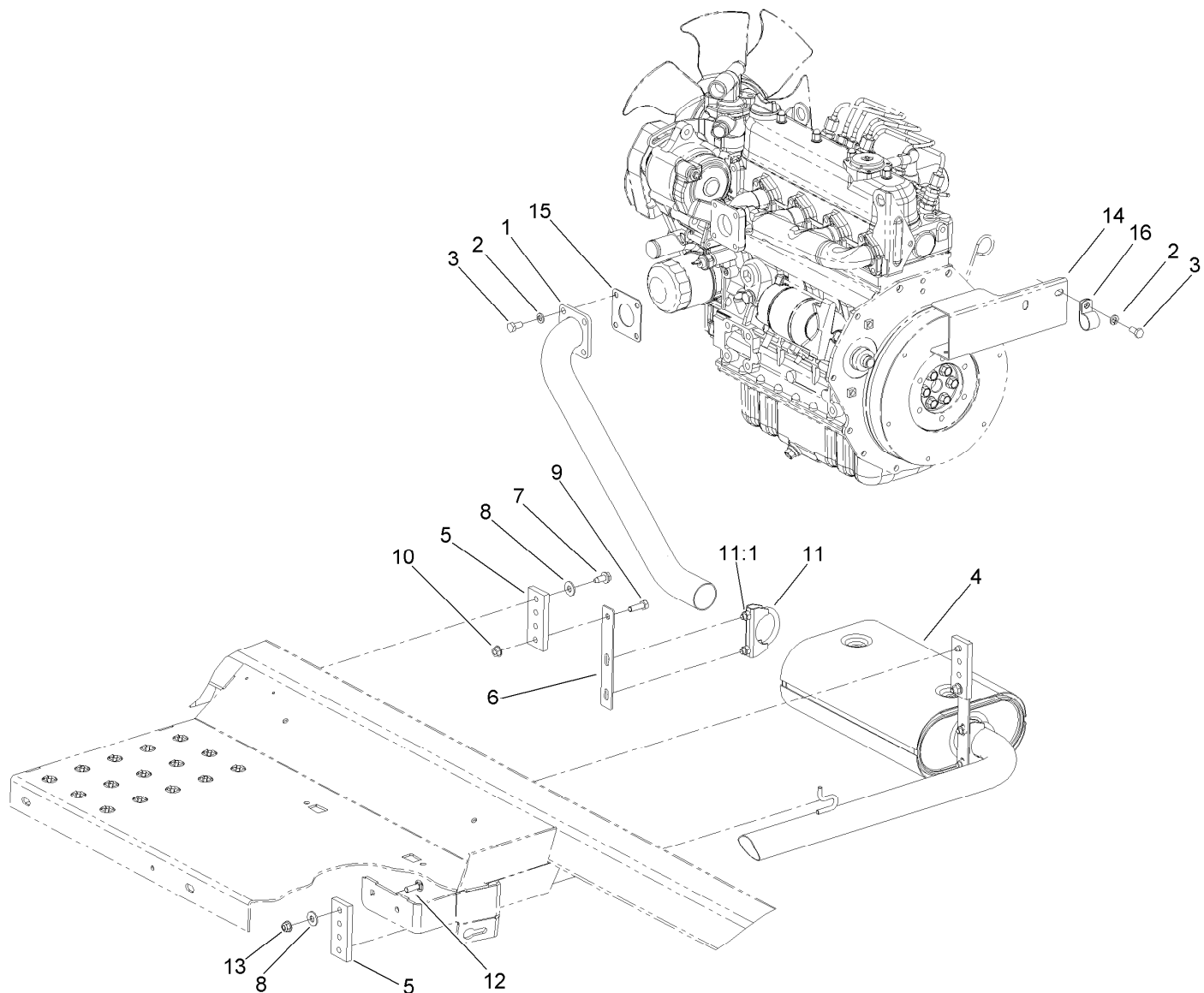
<i>Ref.</i>	<i>Part Number</i>	<i>Qty.</i>	<i>Description</i>
1	106-5000	1	Pin-Pivot
2	106-5001	1	Arm
3	106-5002	1	O-Ring
4	106-1369	1	Lid
4:2	93-0688	1	Decal-Warning, Chemical
5	106-5004	1	Seal-Lid
6	106-5005	1	Ring
7	106-5006	1	Cup-Vent
8	106-5007	1	Ball-Floating
9	106-5008	1	Ball-Weight
10	106-5009	1	Holder-Ball
11	106-5010	1	Nut-Wing



## Fresh Water Tank Assembly No. 100-8438

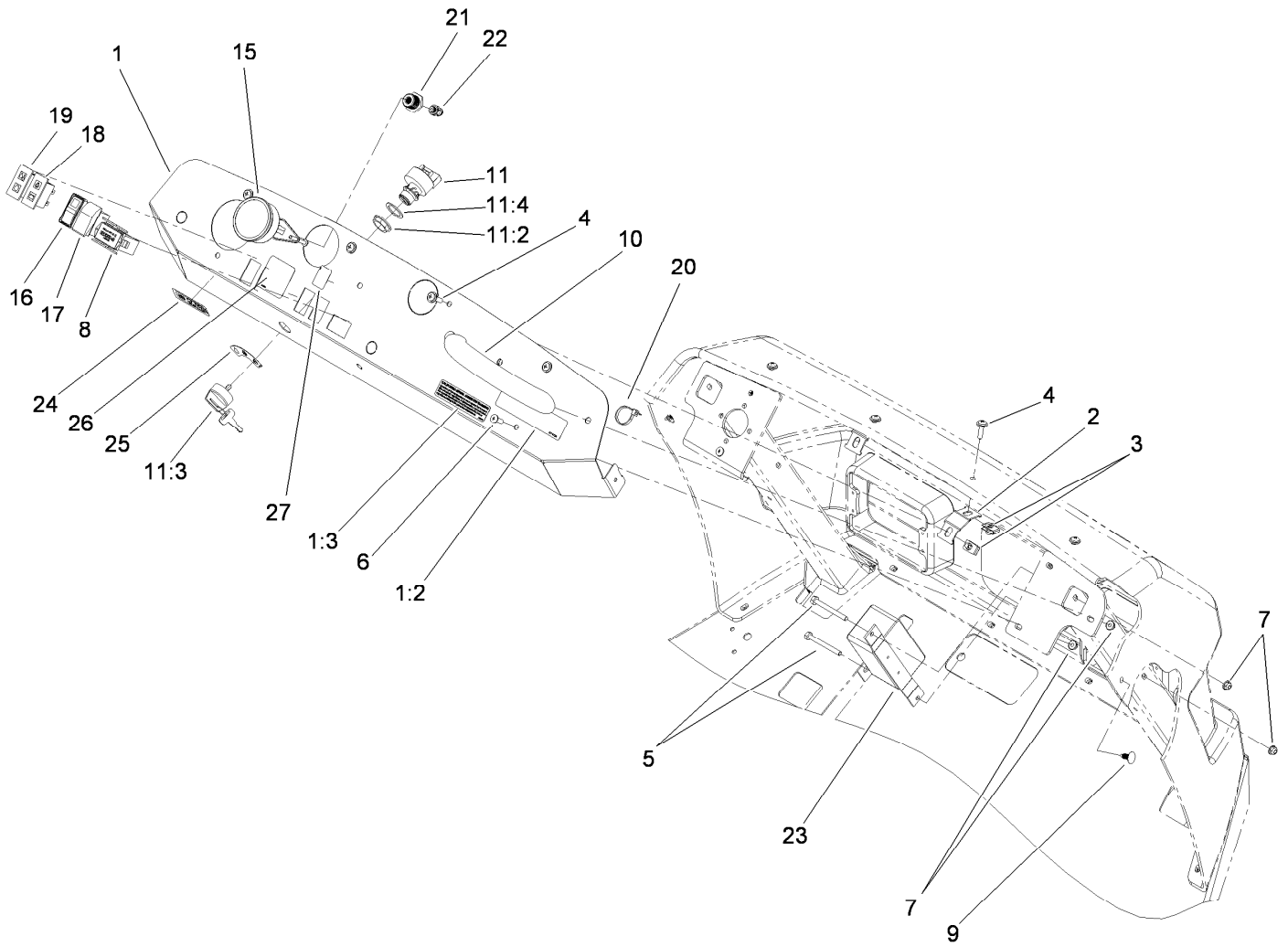
<i>Ref.</i>	<i>Part Number</i>	<i>Qty.</i>	<i>Description</i>
1		1	Tank-Water, Fresh ●
2	100-8397	1	Cover-Tank
3	100-7011	1	Spigot-90 DEG
4	100-7009	1	Latch-Draw
5	100-7010	2	Hinge
6	100-7062	4	Rivet
7	100-7063	4	Rivet
8	100-7064	4	Screw
9	100-7065	4	Washer
10	100-7066	2	Washer

● Not serviced separately



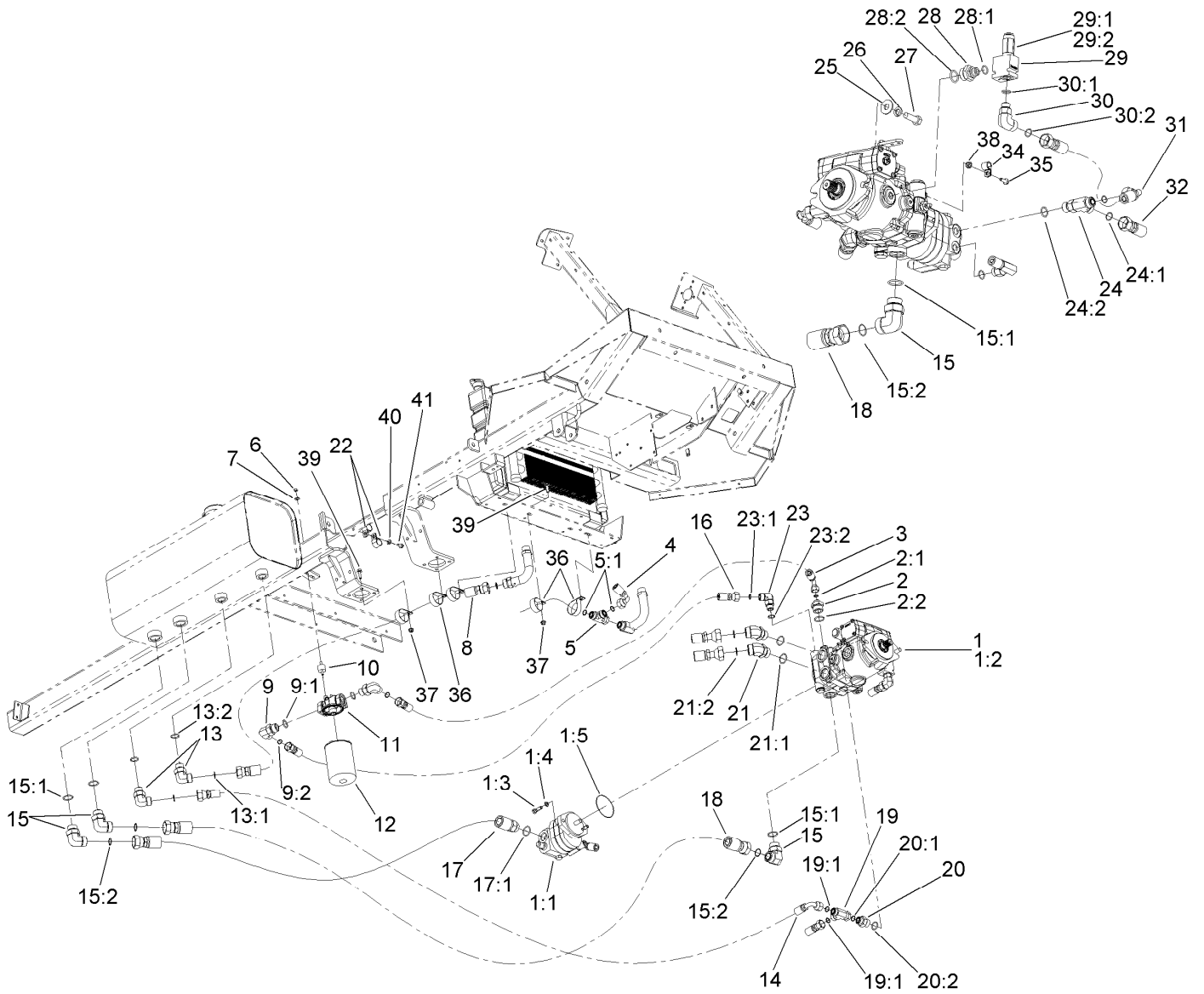
## Exhaust Assembly

<i>Ref.</i>	<i>Part Number</i>	<i>Qty.</i>	<i>Description</i>	<i>Ref.</i>	<i>Part Number</i>	<i>Qty.</i>	<i>Description</i>
1	117-7950	1	Manifold-Exhaust	10	32128-25	2	Nut-HF
2	3253-4	5	Washer-Lock	11	2112-6	2	Clamp-Muffler
3	33114-016	5	Screw-HH	11:1	3218-2	2	Nut-Jam
4	117-7951	1	Muffler ASM	12	3230-22	1	Screw-CARR
5	117-0744	3	Hanger-Muffler	13	104-8300	1	Nut-Flange, NI
6	119-0503	2	Hanger-Muffler	14	107-8655	1	Shield-Heat
7	32144-70	2	Screw-HWHTF	15	99-8343	1	Gasket-Muffler
8	3256-3	3	Washer-Flat	16	2412-41	1	Clamp
9	322-5	2	Screw-HH				



## Dash and Instrument Assembly

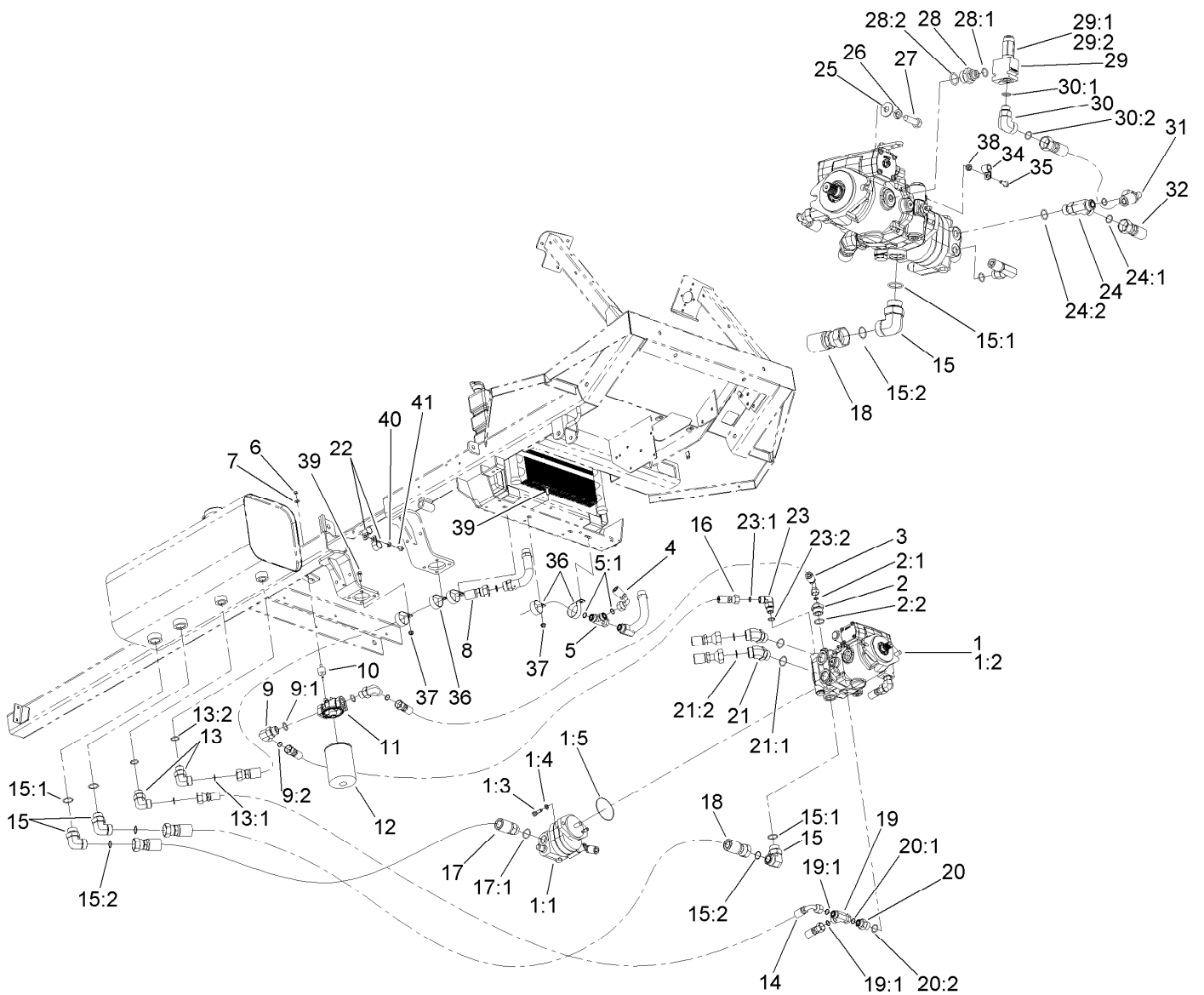
<i>Ref.</i>	<i>Part Number</i>	<i>Qty.</i>	<i>Description</i>	<i>Ref.</i>	<i>Part Number</i>	<i>Qty.</i>	<i>Description</i>
1	119-6037	1	Dash Panel ASM	11:4	108-8659	1	Washer-Backup
1:2	107-8726	1	Decal-Warning	15	110-5079	1	Gauge-Pressure
1:3	117-2718	1	Decal-Arrester, Spark	16	104-9007	1	Switch-Rocker
2	117-0735	4	Bracket-Hood	17	100-8469	1	Switch-Rocker
3	107069	8	Clip	18	100-8070	1	Lamp-Warning
4	110-9361	8	Screw-PPH, Sems	19	100-8071	1	Lamp-Warning
5	321-15	2	Screw-HH	20	3290-379	23	Tie-Cable
6	3250-32	2	Screw-PPH	21	100-8665	1	Gauge-Reducer, Pressure
7	104-7201	6	Nut-HF	22	100-8667	1	Coupler-Reducer
8	1-513374	1	Meter-Hour	23	104-9104	1	Module-Valve, Pwm
9	117-2382	2	Plug-Plastic	24	107-8722	1	Decal-Instructions, Parking Brake
10	117-4948	1	Handle-Grab	25	119-6035	1	Decal-Ignition Switch
11	106-5269	1	Ignition Switch ASM	26	104-9129	1	Decal-Pedal, Traction
11:2	108-8660	1	Nut-Mounting	27	94-7171	1	Decal-Headlight
11:3	106-5270	1	Ignition Key Set				



## Hydraulic Pump Assembly

Ref.	Part Number	Qty.	Description	Ref.	Part Number	Qty.	Description
1		1	Pump ASM ●	10	106-5271	2	Mount-Isolation
1:1	93-6492	1	Gear Pump ASM	11	117-5820	1	Filter Head ASM
1:2	117-0685	1	Piston Pump ASM	12	86-3010	2	Filter-Oil
1:3	323-7	2	Screw-HH	13	340-142	2	Fitting-HYD, 90 DEG
1:4	60-3540	2	Washer	13:1	237-58	1	O-Ring
1:5	60-3520	1	O-Ring	13:2	237-81	1	O-Ring
2	104-9178	1	Fitting-Straight	14	106-5033	1	Hose ASM
2:1	237-30	1	O-Ring	15	340-129	3	Fitting-HYD, 90 DEG
2:2	237-146	1	O-Ring	15:1	237-146	1	O-Ring
3	104-9191	1	Hose ASM	15:2	340-65	1	O-Ring
4	106-5030	1	Hose ASM	16	104-9192	1	Hose ASM
5	340-147	1	Fitting-HYD, Tee	17	106-5031	1	Hose ASM
5:1	237-65	2	O-Ring	17:1	237-146	1	O-Ring
6	3217-5	2	Nut-Hex	18	106-5032	1	Hose ASM
7	3256-22	2	Washer-Flat	19	340-147	1	Fitting-HYD, Tee
8	106-5266	1	Hose ASM	19:1	237-65	2	O-Ring
9	340-139	2	Fitting-HYD, 90 DEG	20	340-8	1	Adapter
9:1	237-81	1	O-Ring	20:1	237-65	1	O-Ring
9:2	237-65	1	O-Ring	20:2	237-81	1	O-Ring

● Not serviced separately

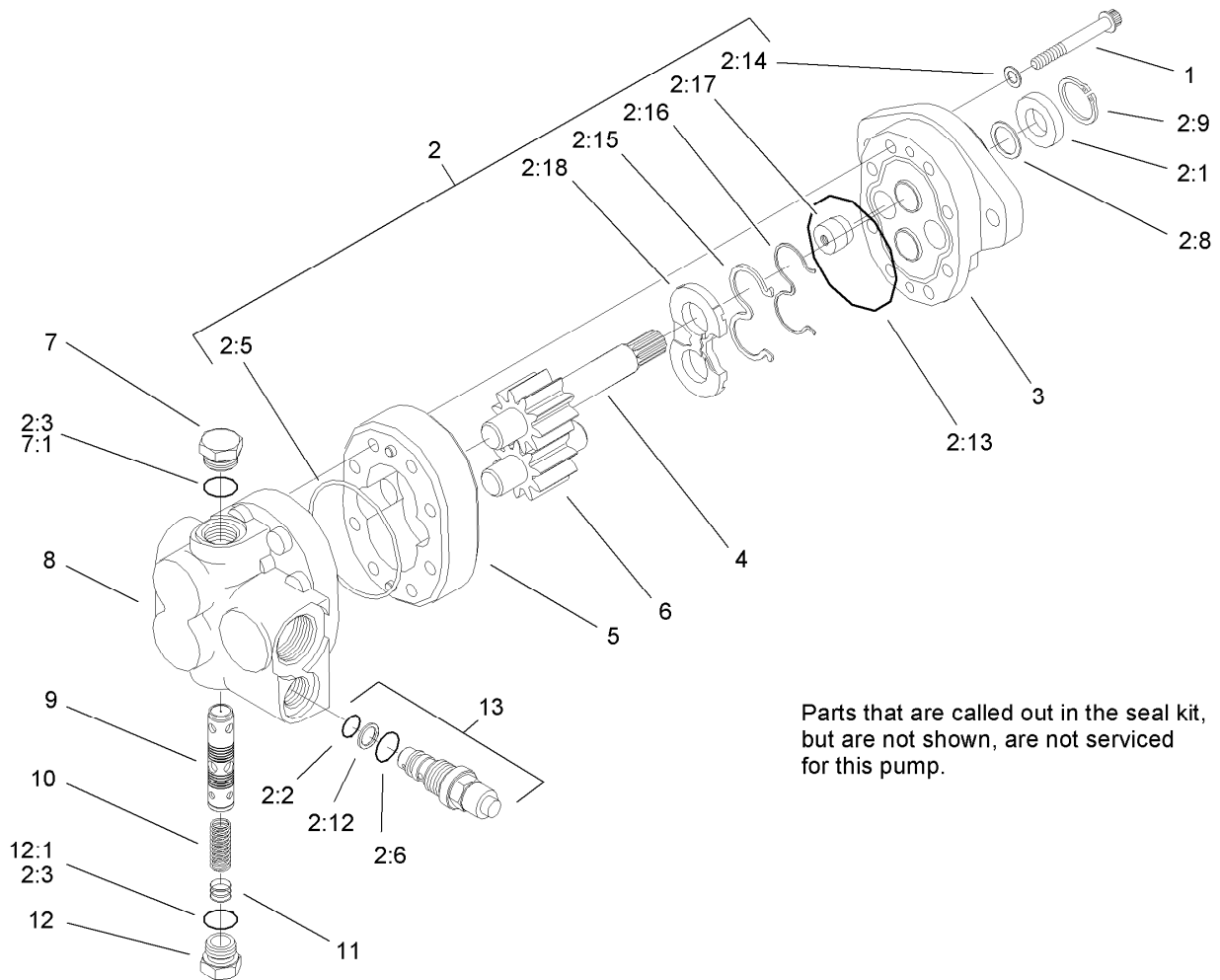


## Hydraulic Pump Assembly (continued)

Ref.	Part Number	Qty.	Description	Ref.	Part Number	Qty.	Description
21	104-3509	2	Fitting-HYD, 45 DEG	29	117-5810	1	Relief Valve Assembly
21:1	237-146	1	O-Ring	29:1	119-6038	1	Relief Valve
21:2	340-65	1	O-Ring	29:2	110-6316	1	Seal Kit
22	2412-39	2	R-Clamp	30	340-153	1	Fitting-Elbow, 90 DEG
23	340-17	1	Fitting-HYD, 90 DEG	30:1	237-79	1	O-Ring
23:1	237-65	1	O-Ring	30:2	237-151	1	O-Ring
23:2	237-80	1	O-Ring	31	75-6130	1	Hose ASM
24	340-22	1	Fitting-HYD, Tee	32	106-5029	1	Hose ASM
24:1	237-65	2	O-Ring	34	2412-93	1	Clamp-R
24:2	237-80	1	O-Ring	35	3234-4	1	Screw-HHF
25	3256-6	2	Washer-Flat	36	2412-96	5	Clamp-R
26	3253-7	2	Washer-Lock	37	104-8300	5	Nut-Flange, NI
27	325-6	2	Screw-HH	38	32128-33	1	Nut-HF
28	104-9168	1	Adapter	39	3234-17	5	Screw-HHF
28:1	237-79	1	O-Ring	40	3256-23	1	Washer-Flat
28:2	237-81	1	O-Ring	41	32144-70	1	Screw-HWHTF

● Not serviced separately





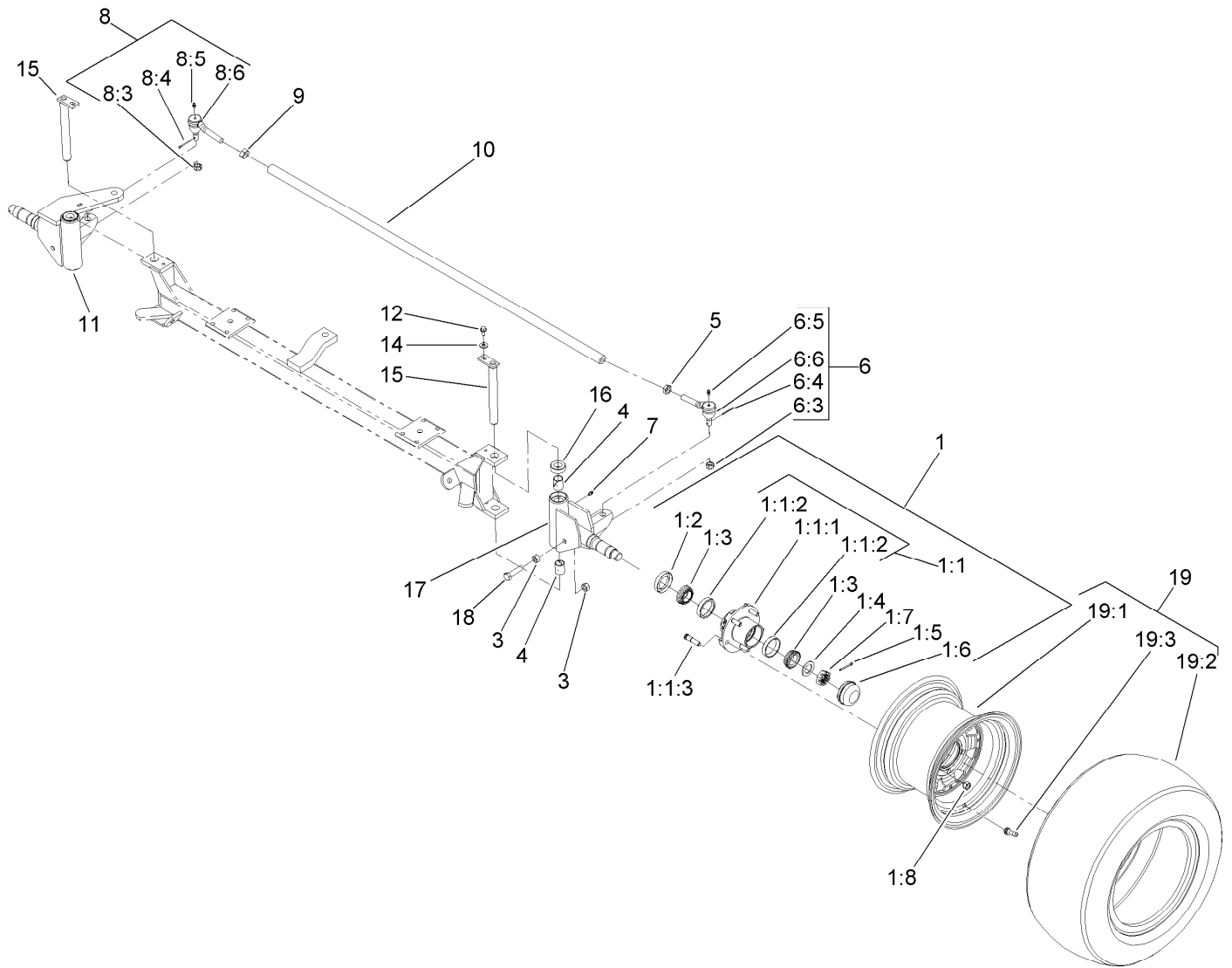
## Gear Pump Assembly No. 93-6492

Ref.	Part Number	Qty.	Description
1	74-9370	8	Capscrew
2	95-2109	1	Seal Kit
2:1		1	Seal-Shaft ■
2:2		1	Ring-Retaining ■
2:3		2	Ring-Retaining ■
2:4		1	Ring-Retaining ■●
2:5		1	Ring-Retaining ■
2:6		1	Ring-Retaining ■
2:7		1	Ring-Retaining ■●
2:8		1	Washer ■
2:9		1	Ring-Retaining ■
2:10		1	Ring-Retaining ■●
2:11		1	Washer-Back Up ■●
2:12		1	Washer-Back Up ■
2:13		2	O-Ring, Molded ■
2:14		6	Washer-Sealing ■
2:15		1	Seal-Balance, Pressure ■

Ref.	Part Number	Qty.	Description
2:16		1	Gasket-Back Up ■
2:17		1	Plug ■
2:18		1	Plate-Wear ■
3	95-4362	1	Plate-Front
4		1	Gear-Drive ■
5		1	Body ■
6		1	Gear-Idler ■
7	60-5860	1	Plug
7:1	60-5720	1	O-Ring
8	93-6377	1	Backplate ASM
9	93-6420	1	Spool
10	88-3770	1	Spring
11	60-5730	1	Disc
12	60-5710	1	Plug
12:1	60-5720	1	O-Ring
13	93-6416	1	Relief Valve ASM
99	107-4328	1	Front Plate Kit ●

● Not illustrated

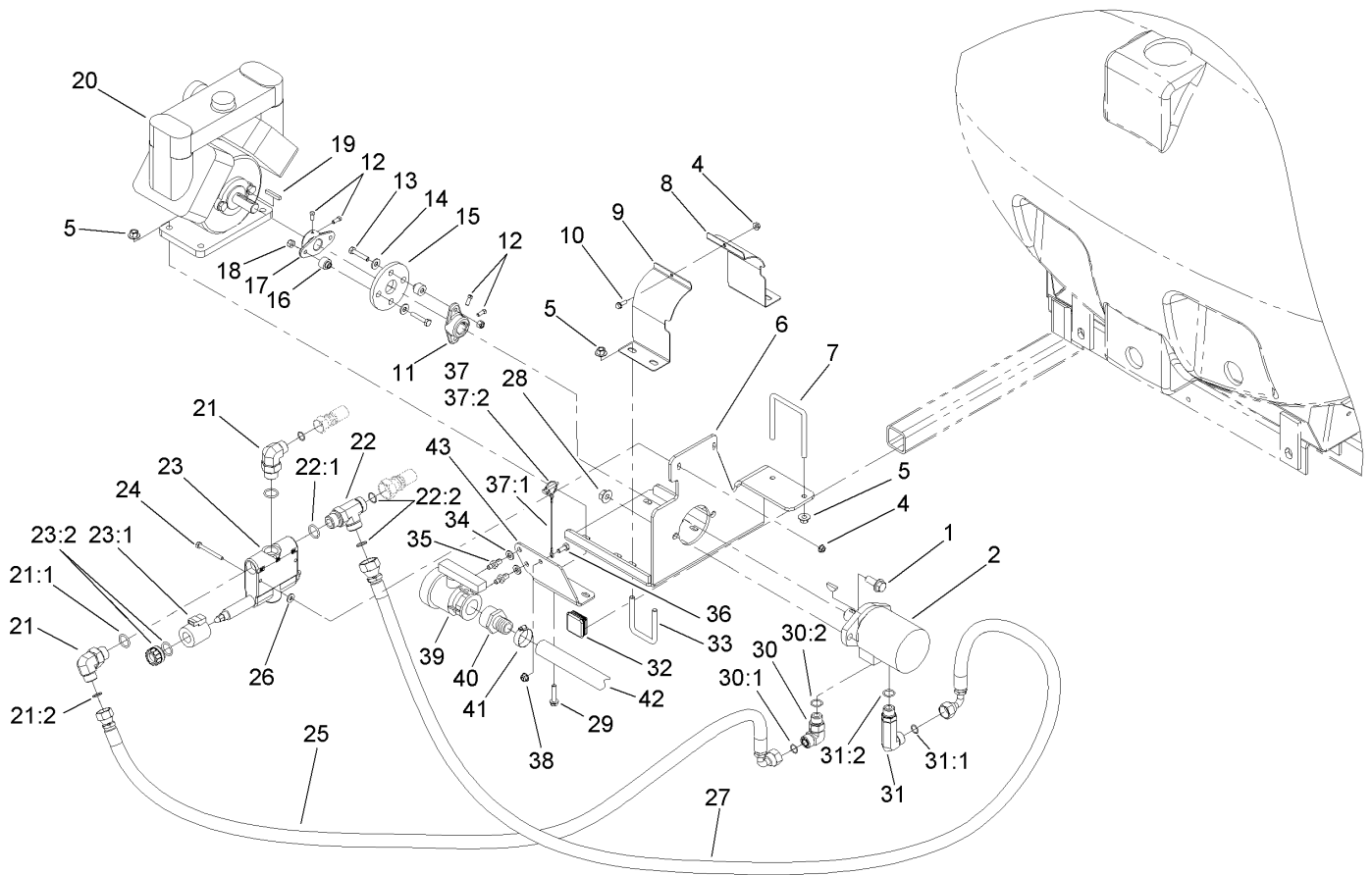
■ Not serviced separately



## Front Wheel, Tie Rod and Spindle Assembly

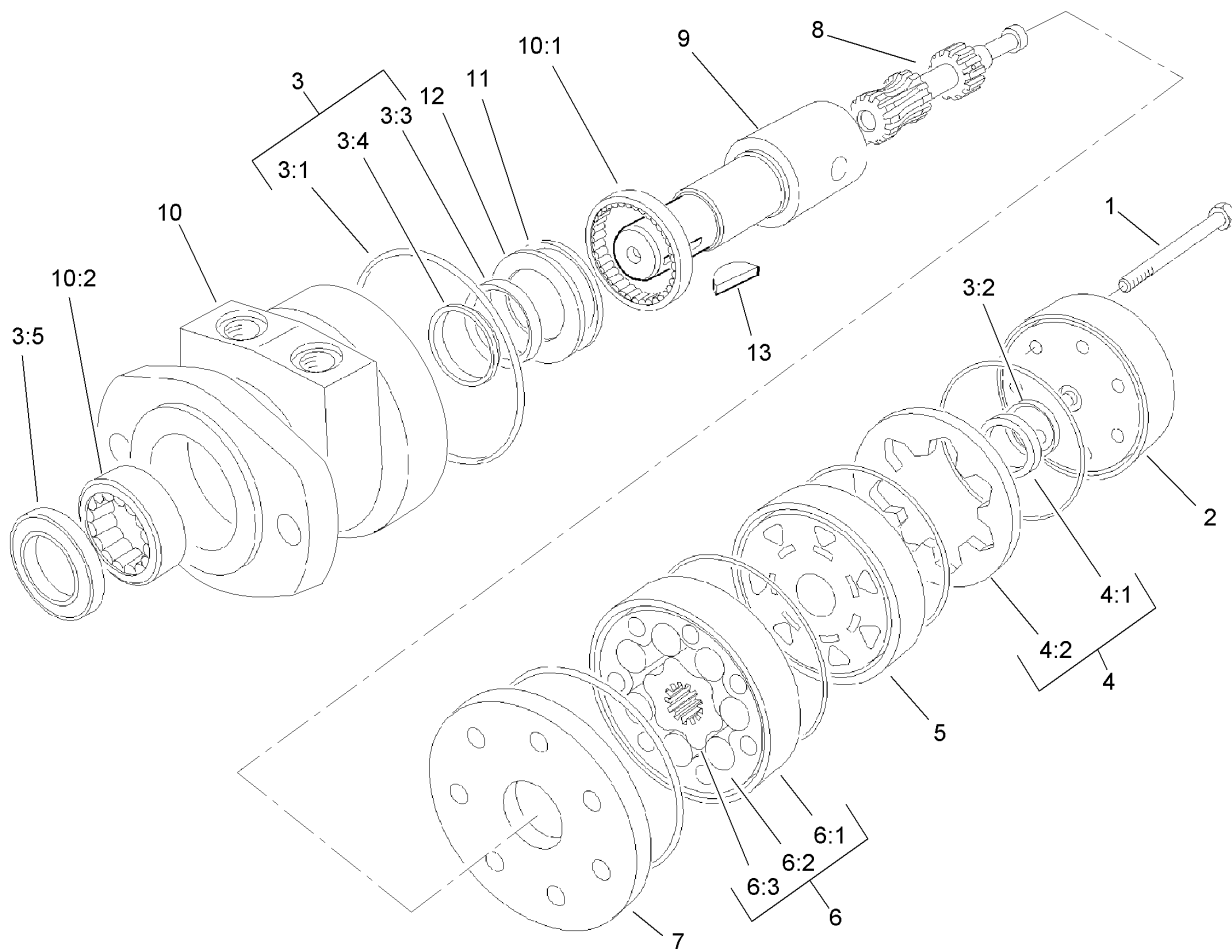
Ref.	Part Number	Qty.	Description	Ref.	Part Number	Qty.	Description
1	119-6003	2	Hub ASM	7	302-5	2	Fitting-Grease
1:1	119-6001	1	Hub ASM	8	87-1470-03	1	End-Tie Rod, LH
1:1:1		1	Hub ●	8:3	32136-3	1	Nut-SHH
1:1:2	254-61	2	Cup-Bearing, Roller	8:4	3272-12	1	Pin-Cotter
1:1:3	69-2990	5	Stud-Wheel	8:5	302-5	1	Fitting-Grease
1:2	94-7285	1	Seal	8:6	107-1587	1	Seal
1:3	254-62	2	Bearing-Roller, Cone	9	3218-21	1	Nut-Jam
1:4	85-5770	1	Washer-Thrust	10	93-6588	1	Rod-Steering
1:5	3272-18	1	Pin-Cotter	11	117-5899-03	1	LH Spindle Housing ASM
1:6	119-6004	1	Cap-Dust	12	32144-14	2	Screw-HWHTF
1:7	119-6005	1	Nut-Slotted, Hex	14	3256-3	2	Washer-Flat
1:8	242-35	5	Nut-Wheel	15	93-6584	2	King Pin ASM
3	3217-9	4	Nut-HH	16	93-6587	2	Bearing
4	93-6586	4	Bushing	17	117-5897-03	1	Spindle ASM
5	3220-11	1	Nut-Jam	18	01-182-0816	2	TAP Bolt-HH
6	87-1480-03	1	End-Tie Rod, RH	19		2	Tire And Wheel ASM ●
6:3	32136-3	1	Nut-SHH	19:1	119-6022	1	Wheel
6:4	3272-12	1	Pin-Cotter	19:2	119-6021	1	Tire
6:5	302-5	1	Fitting-Grease	19:3	232-27	1	Stem-Valve
6:6	107-1587	1	Seal				

● Not serviced separately



## Pump Drive Assembly

Ref.	Part Number	Qty.	Description	Ref.	Part Number	Qty.	Description
1	325-6	2	Screw-HH	23:2	110-5087	1	Nut And O-Ring Kit
2	104-9099	1	Pump-Spray, Motor	24	321-15	2	Screw-HH
4	32128-33	3	Nut-HF	25	104-9181	1	Hose ASM
5	32128-43	14	Nut-Flange	26	3256-2	2	Washer-Flat
6	106-1219-03	1	Pump Bracket ASM	27	104-9179	1	Hose ASM
7	100-7067	1	U-Bolt	28	99-5107	2	Nut-Lock
8	104-9080-03	1	Plate-Guard, Front	29	3234-18	4	Screw-HHF
9	104-9081-03	1	Plate-Guard, Rear	30	340-17	1	Fitting-HYD, 90 DEG
10	3234-4	1	Screw-HHF	30:1	237-65	1	O-Ring
11	110-5236	1	Hub-Engine	30:2	237-80	1	O-Ring
12	3241-5	4	Screw-Set	31	104-9074	1	Fitting-Elbow, 90 DEG
13	322-10	4	Screw-HH	31:1	237-65	1	O-Ring
14	3256-3	4	Washer-Flat	31:2	237-80	1	O-Ring
15	115-5129	2	Coupling-Rubber	32	95-9495	1	Cap
16	71-4410	4	Spacer	33	104-9082	2	U-Bolt
17	110-5227	1	Hub-Pump	34	62-1230	2	Washer-Rubber
18	3296-29	4	Nut-Lock, NI	35	112-7900	2	Mount-Peg
19	67-7490	1	Key-Square	36	322-3	1	Screw-HH
20	106-5121	1	Pump ASM	37	98-0979	1	Lynch Pin ASM
21	340-139	2	Fitting-HYD, 90 DEG	37:1	28-8070	1	Lanyard
21:1	237-81	1	O-Ring	37:2	3290-495	1	Pin-Klik
21:2	237-65	1	O-Ring	38	104-8300	1	Nut-Flange, NI
22	340-148	1	Fitting-Tee	39	108-0069	1	Valve-Ball
22:1	237-81	1	O-Ring	40	110-5224	1	Fitting-Barbed, Straight
22:2	237-58	2	O-Ring	41	2412-34	1	Clamp-Hose
23	110-5097	1	Valve-Pwm	42	112-7831	1	Hose
23:1	110-5085	1	Coil-Valve, Pwm	43	112-7840-03	1	Bracket-Mount, Valve

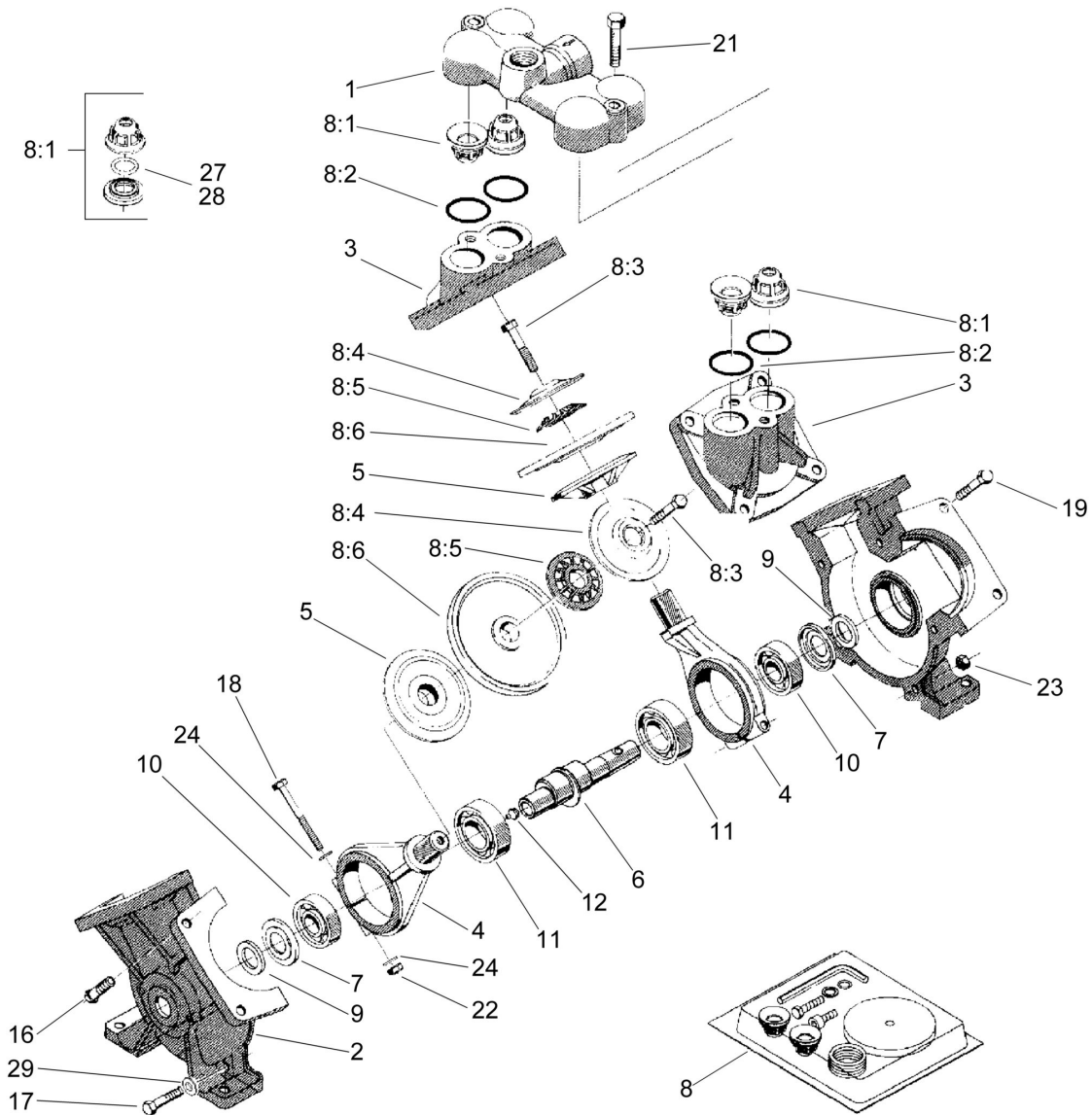


## Spray Pump Assembly No. 104-9099

Ref.	Part Number	Qty.	Description	Ref.	Part Number	Qty.	Description
1	322-33	5	Screw-HH	6	107-1565	1	Rotor Set
2	106-1981	1	Cover-End	6:1		1	Stator ■
3	106-1989	1	Seal Kit	6:2		7	Vane ■
3:1		6	Seal-Ring ■	6:3		1	Rotor ■
3:2		1	Seal-Commutator ■	7	106-1985	1	Plate-Wear
3:3		1	Seal-Dirt And Water ■	8	107-1564	1	Link-Drive
3:4		1	Washer-Backup ■	9	107-1567	1	Shaft-Coupling
3:5		1	Seal-Shaft ■	10	107-1566	1	Housing ASM
3:6		1	Ring-Back Up ■●	10:1		1	Bearing ■
4	106-1982	1	Commutator ASM	10:2		1	Bearing ■
4:1		1	Commutator ■	11		1	Bearing-Thrust ■
4:2		1	Ring-Commutator ■	12		1	Washer-Thrust ■
5	106-1983	1	Manifold	13	106-1990	1	Key-Woodruff

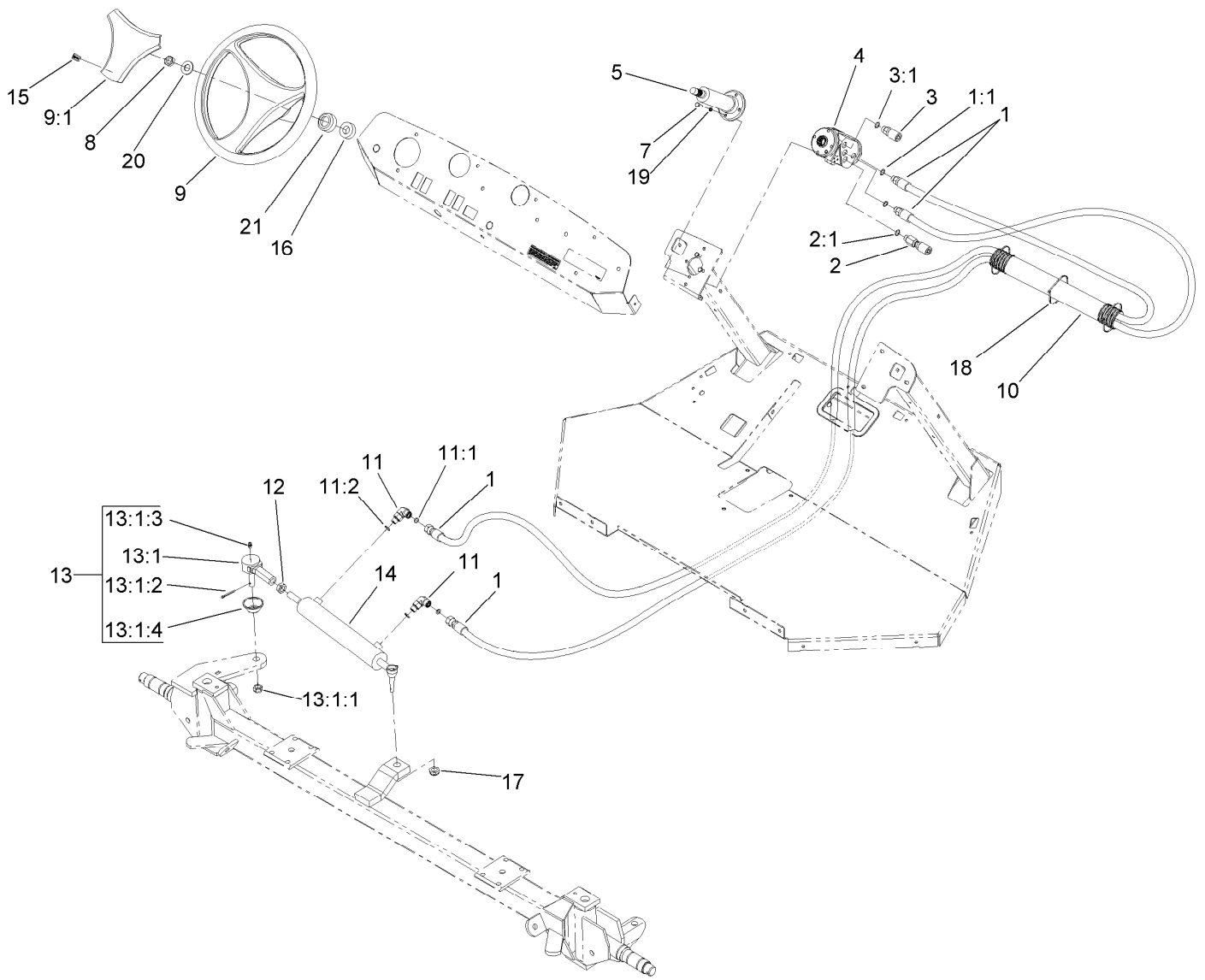
● Not illustrated

■ Not serviced separately



## Pump Assembly No. 106-5121

Ref.	Part Number	Qty.	Description	Ref.	Part Number	Qty.	Description
1	106-5139	1	Cover-Valve	10	100-8327	2	Bearing-Ball
2	106-5140	2	Housing-Pump	11	100-8329	2	Bearing-Ball
3	106-5141	2	Cover-Diaphragm	12	99-0873	1	Fitting-Grease
4	106-5142	2	Rod-Connecting	16	106-5143	3	Bolt
5	100-8314	2	Disc-Back, Diaphragm	17	106-5144	2	Bolt
6	104-9052	1	Crankshaft-Keyed	18	106-5145	2	Bolt
7	100-8325	2	Plate-Dust	19	106-5146	8	Bolt
8	106-5150	1	Repair Kit	21	106-5148	2	Bolt
8:1	100-8307	4	Valve	22	100-8326	2	Nut-Hex
8:2	100-6652	4	Gasket	23	106-5149	5	Nut
8:3	106-5147	2	Bolt	24	100-8316	4	Washer-Lock
8:4	100-8311	2	Washer	27	100-8336	4	O-Ring
8:5	100-8312	2	Washer-Nylon	28	106-5138	4	O-Ring
8:6	100-8313	2	Diaphragm	29	106-5137	2	Washer
9	99-0868	2	Felt-Seal				

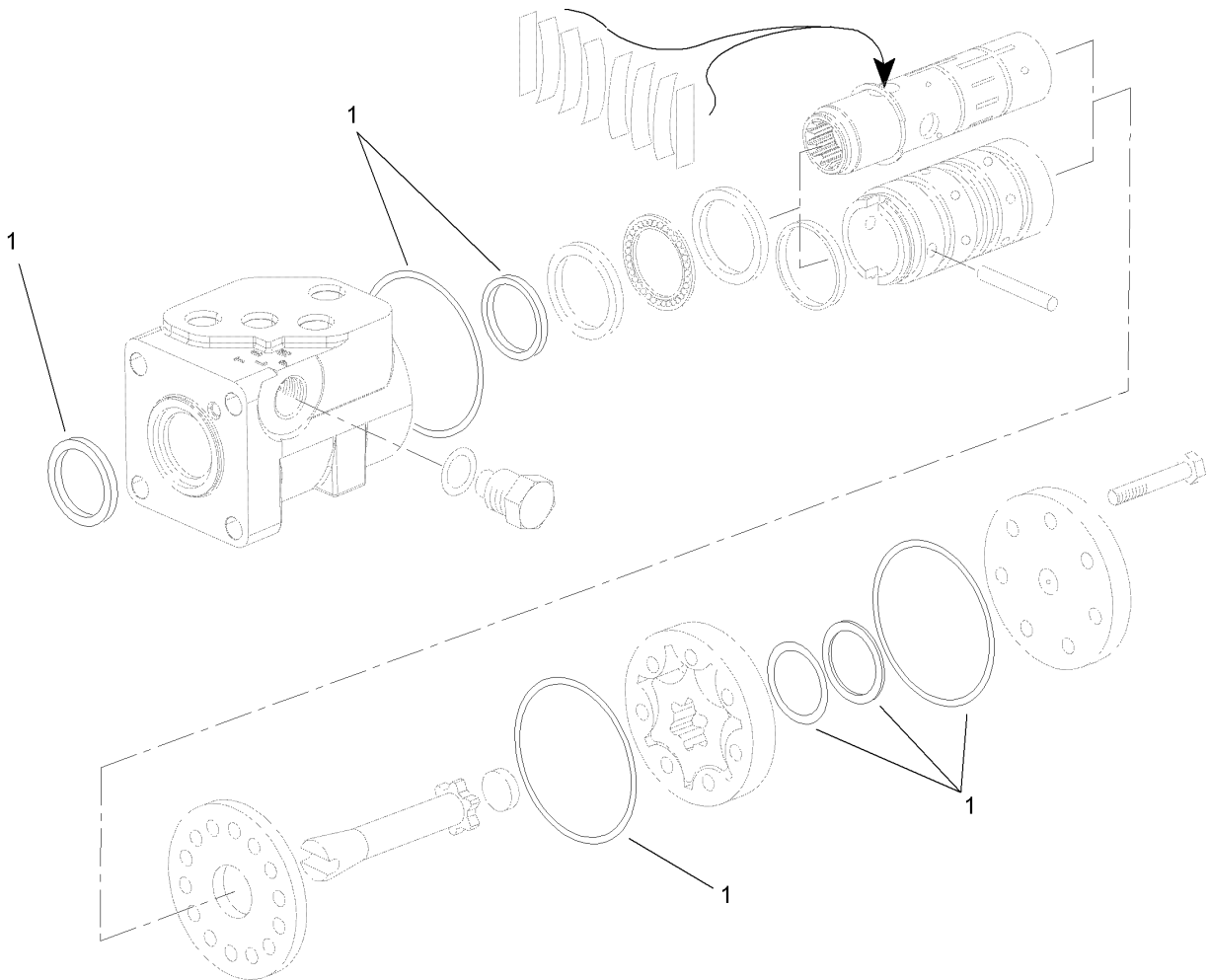


## Steering Assembly

Ref.	Part Number	Qty.	Description	Ref.	Part Number	Qty.	Description
1	104-9188	2	Hose ASM	11:2	237-42	1	O-Ring
1:1	237-42	1	O-Ring	12	3220-11	1	Nut-Jam
2	104-9185	1	Hose ASM	13	93-6509-03	1	Tie Rod End ASM
2:1	237-42	1	O-Ring	13:1		1	Tie Rod End ■
2:2	237-79	1	O-Ring ●	13:1:1	32136-3	1	Nut-SHH
3	104-9186	1	Hose ASM	13:1:2	3272-12	1	Pin-Cotter
3:1	237-42	1	O-Ring	13:1:3	302-5	1	Fitting-Grease
4	114-5076	1	Steering Control Valve ASM	13:1:4	106-4901	1	Seal-End, Rod
5	94-8792	1	Column-Steering	14	93-6510	1	Cylinder ASM
7	33113-016	4	Screw-HH	15	98-1459	1	Decal
8	110-8816	1	Nut-Hex	16	21-9260	1	Cover-Dust
9	98-1471	1	Wheel-Steering	17	3296-57	1	Nut-Lock, NI
9:1	98-1468	1	Cover-Wheel, Steering	18	3290-379	6	Tie-Cable
10	106-6713	1	Cover-Lines, Steering	19	3253-18	4	Washer-Lock
11	340-77	2	Fitting-HYD, 90 DEG	20	3256-27	1	Washer-Flat
11:1	237-22	1	O-Ring	21	93-5439	1	Seal-Steering

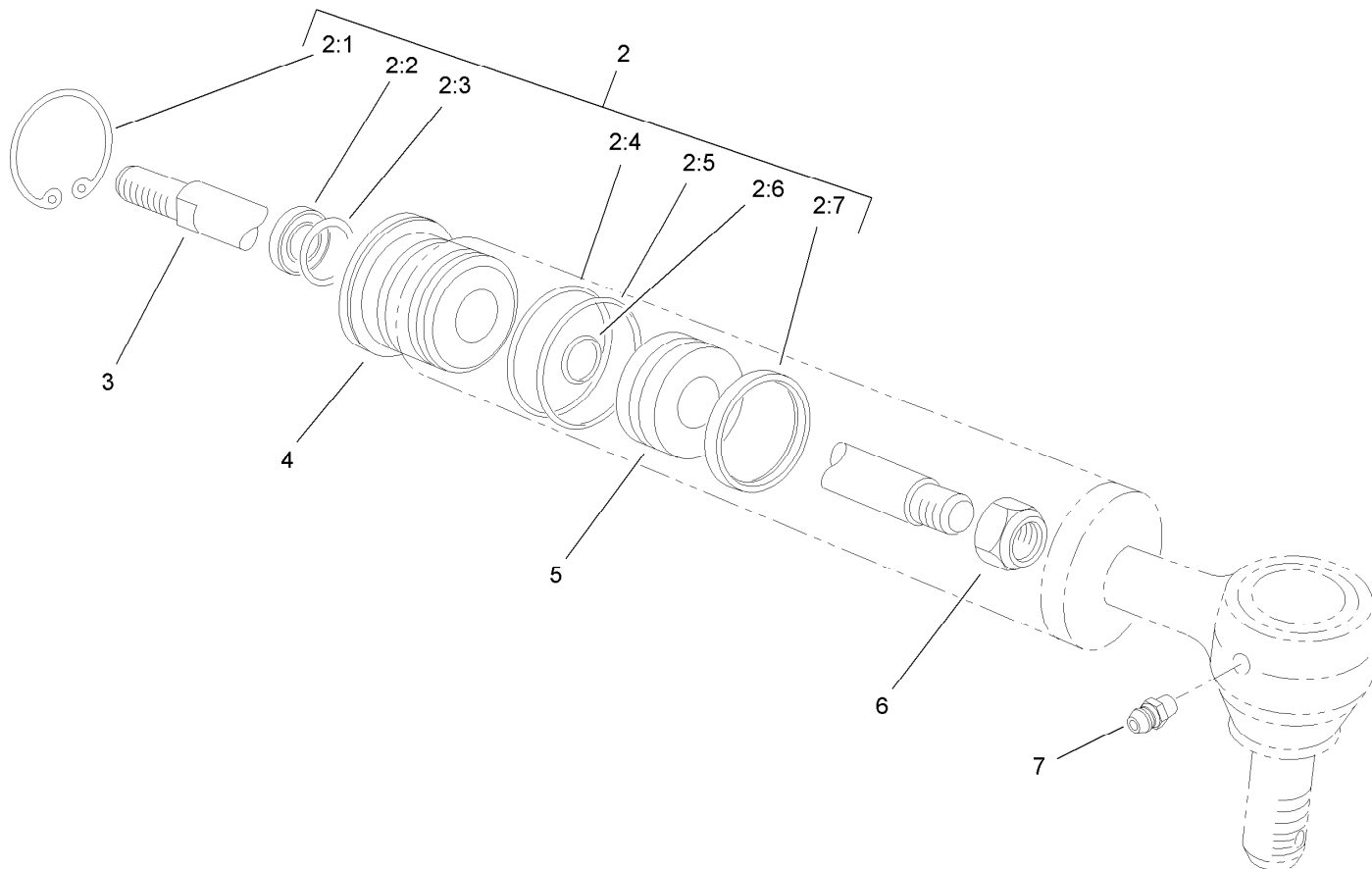
● Not illustrated

■ Not serviced separately



## Steering Control Assembly No. 114-5076

<i>Ref.</i>	<i>Part Number</i>	<i>Qty.</i>	<i>Description</i>
1	108-1519	1	Seal Kit

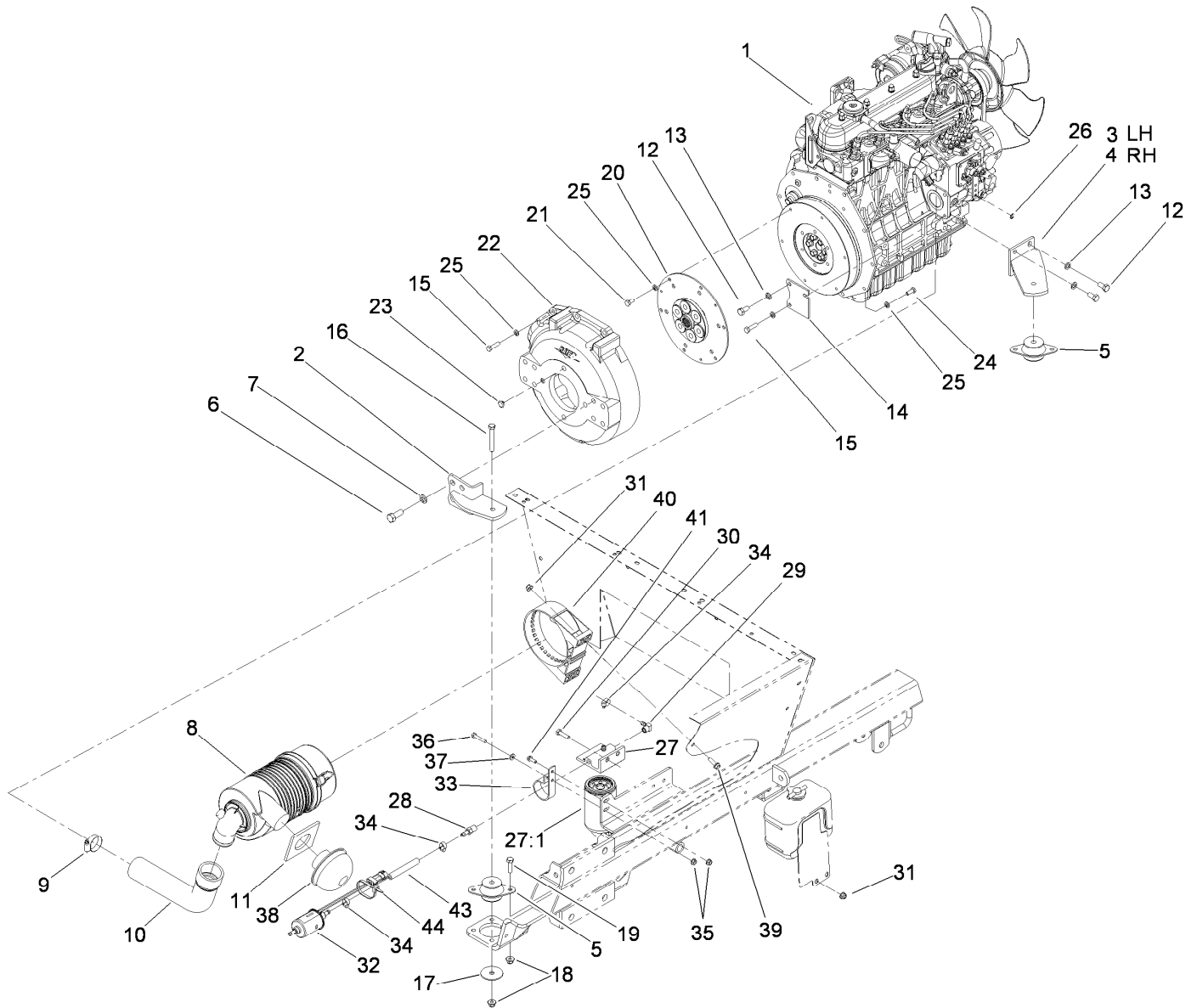


## Hydraulic Cylinder Assembly No. 93-6510

<i>Ref.</i>	<i>Part Number</i>	<i>Qty.</i>	<i>Description</i>
2	92-3992	1	Repair Kit
2:1		1	Ring-Retaining ●
2:2		1	Seal-Dust ●
2:3		1	Seal-Rod ●
2:4		1	Ring-Backup ●
2:5		1	Ring-Retaining ●
2:6		1	Ring-Retaining ●
2:7		1	Uniring ●
3		1	Shaft ●
4		1	Head ●
5		1	Piston ●
6		1	Nut ●
7	302-5	1	Fitting-Grease

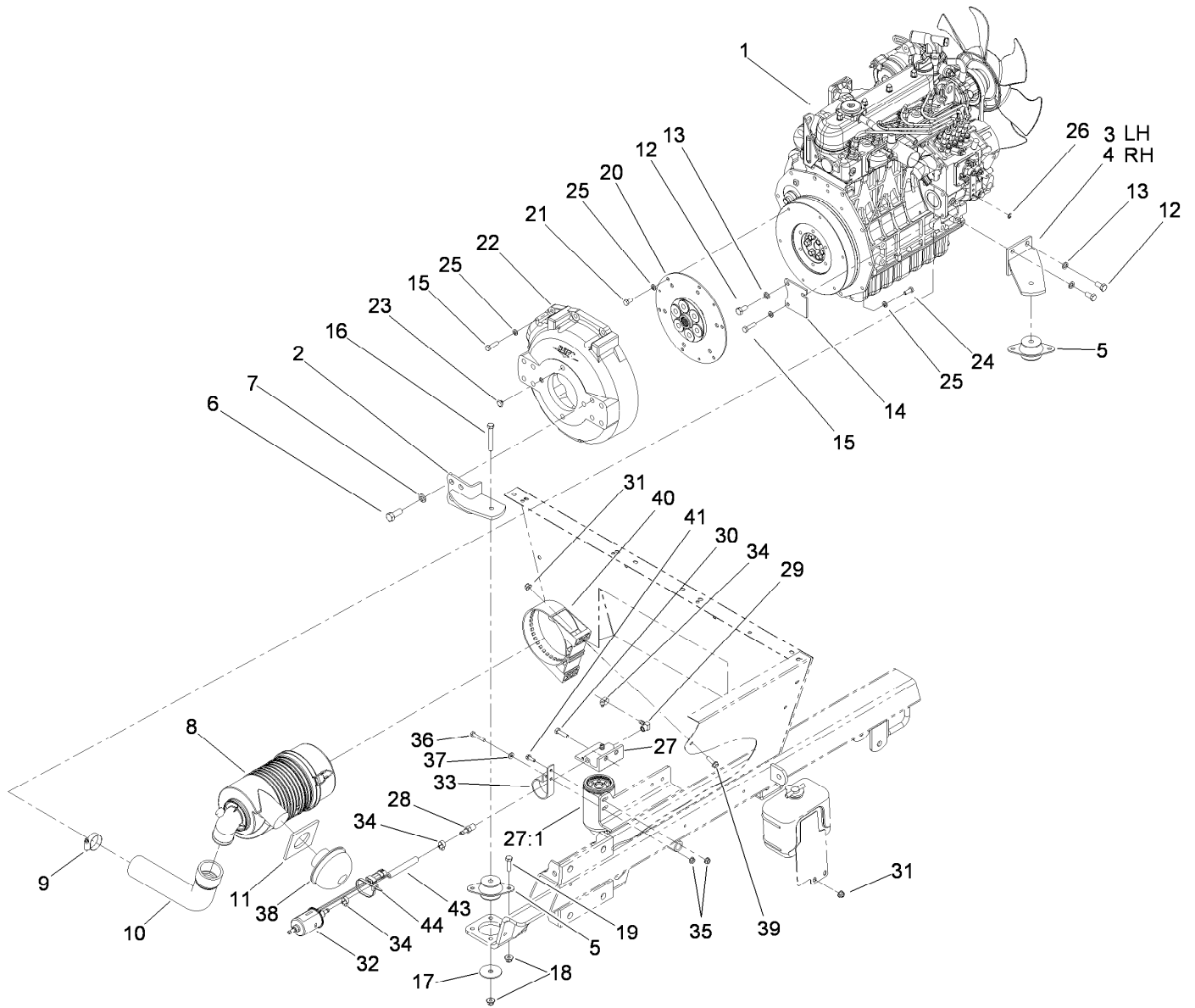
● Not serviced separately





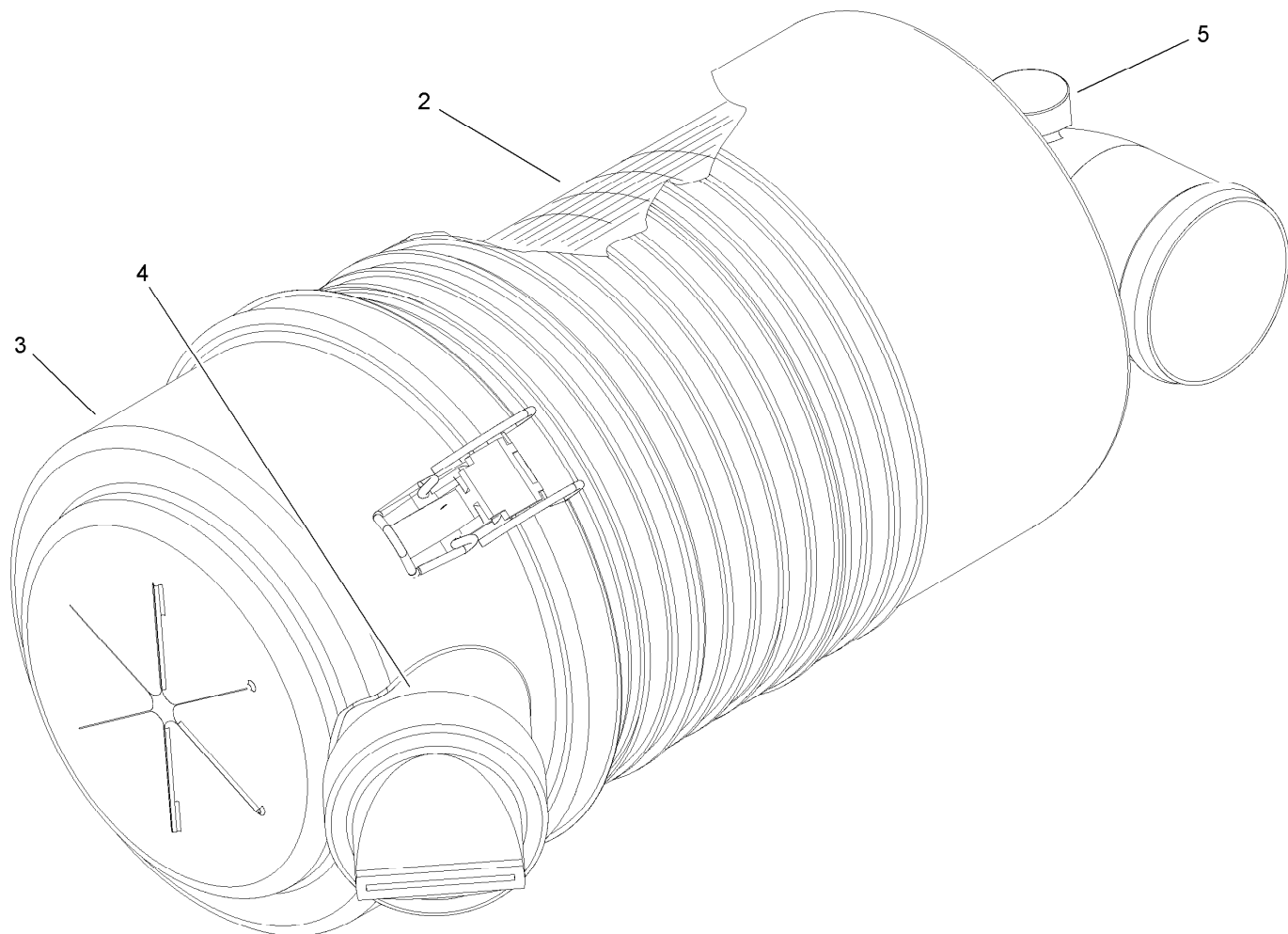
## Engine and Air Cleaner Assembly

Ref.	Part Number	Qty.	Description	Ref.	Part Number	Qty.	Description
1	112-7870	1	Engine-Kubota, Diesel	22	105-0100	1	Flywheel Housing ASM
2	106-5251-03	2	Rear Bracket ASM	23	119-6039	2	Plug-Plastic
3	106-5254-03	1	RH Bracket ASM	24	33114-020	2	Screw-HH
4	106-5257-03	1	LH Bracket ASM	25	3253-4	14	Washer-Lock
5	53-9680	4	Mount-Engine	26	701197	1	E-Ring
6	325-5	8	Screw-HH	27	110-9044	1	Filter-Seperator
7	3253-7	8	Washer-Lock	27:1	110-9049	1	Filter-Spin On
8	106-5277	1	Air Cleaner ASM	28	353-783	1	Fitting-Straight
9	2412-130	2	Clamp-Hose	29	353-781	1	Fitting-Elbow
10	106-5241	1	Hose-Cleaner, Air	30	322-6	2	Screw-HH
11	94-7280	1	Seal-Foam, Air Cleaner	31	104-8300	4	Nut-Flange, NI
12	63-7790	9	Screw-Cap	32	110-8806	1	Pump-Fuel
13	48-9590	10	Washer-Lock	33	110-8817	1	Bracket-Pump, Fuel
14	106-5249-03	1	Plate-Throttle	34	2412-108	4	Clamp-Worm
15	33114-030	7	Screw-HH	35	32128-33	2	Nut-HF
16	323-13	4	Screw-HH	36	321-9	1	Screw-HH
17	87-5100	4	Washer-Snubbing	37	3256-22	1	Washer-Flat
18	104-8301	12	Nut-Flange, NI	38	27-7180	1	Cap ASM
19	323-7	8	Screw-HH	39	3234-17	2	Screw-HHF
20	92-0285	1	Coupling ASM	40	98-4525	1	Bracket-Cleaner, Air
21	33114-016	6	Screw-HH	41	3234-4	1	Screw-HHF



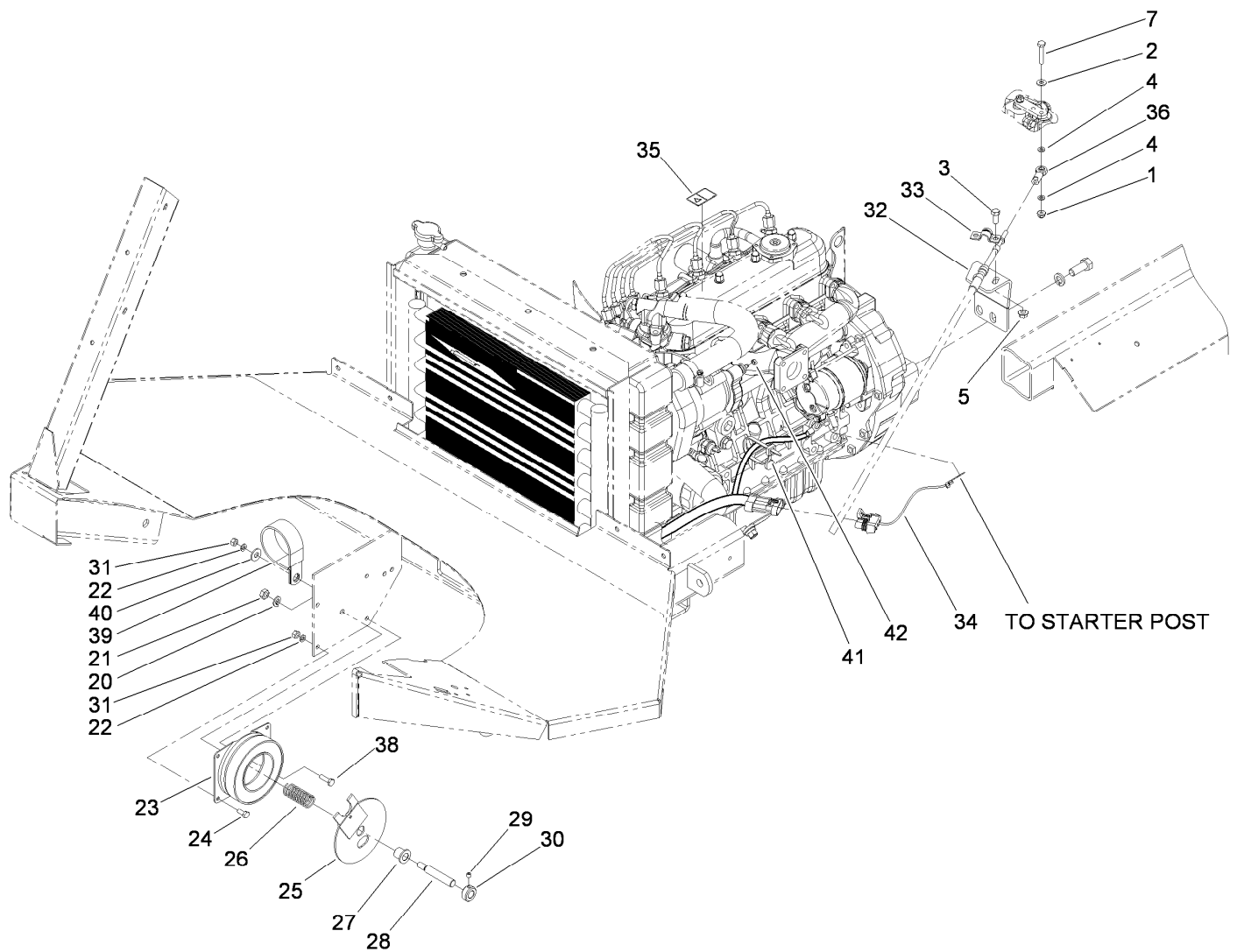
## Engine and Air Cleaner Assembly (continued)

<i>Ref.</i>	<i>Part Number</i>	<i>Qty.</i>	<i>Description</i>
43	110-0462	1	Hose-Fuel
44	3290-378	1	Cable Tie



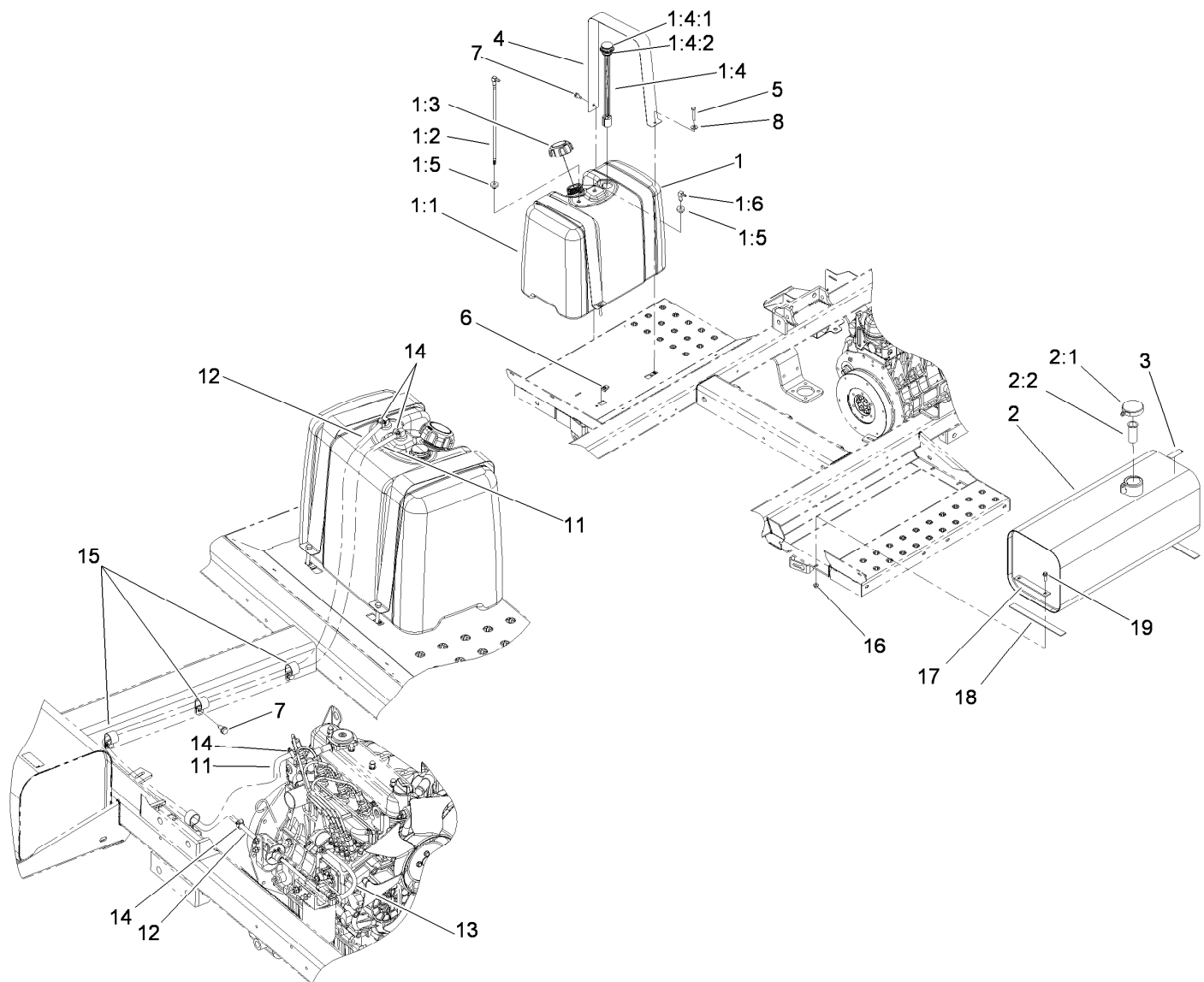
## Air Cleaner Assembly No. 106-5277

<i>Ref.</i>	<i>Part Number</i>	<i>Qty.</i>	<i>Description</i>
2	108-3810	1	Filter-Air
3	98-9771	1	Cover ASM
4	87-9400	1	Valve-Vacuator
5	285-17	1	Plug-Pipe



## Drive Linkage Assembly

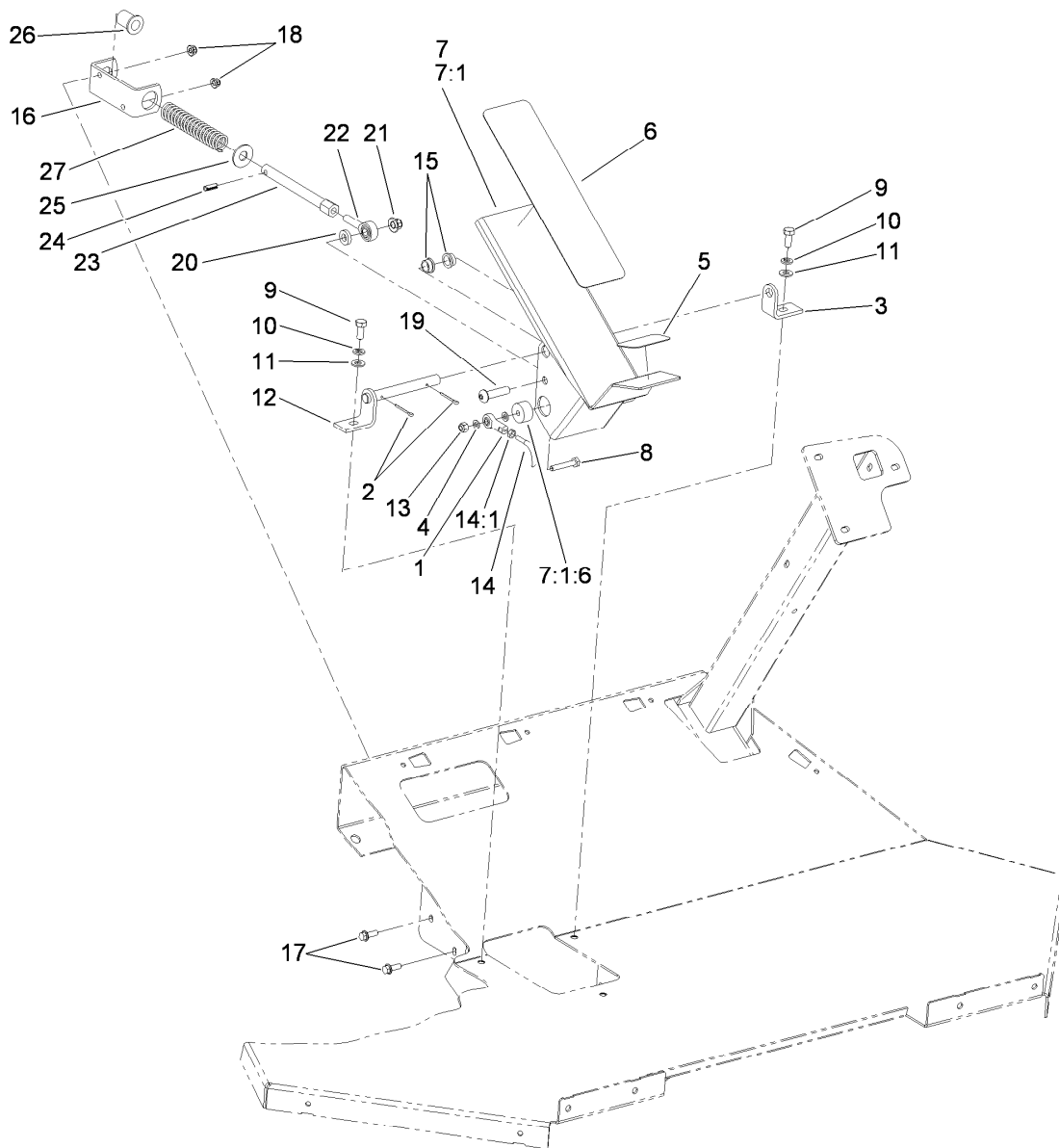
<i>Ref.</i>	<i>Part Number</i>	<i>Qty.</i>	<i>Description</i>	<i>Ref.</i>	<i>Part Number</i>	<i>Qty.</i>	<i>Description</i>
1	104-7201	1	Nut-HF	28	69-9170	1	Shaft-Cruise
2	3256-22	1	Washer-Flat	29	3245-32	1	Screw-HSH
3	322-3	2	Screw-HH	30	43-6320	1	Collar
4	33093-00	2	Washer-Flat	31	3217-5	4	Nut-Hex
5	32128-20	2	Nut-HF	32	106-5242	1	Plate-Mount, Traction Cable
7	321-9	1	Screw-HH	33	93-2092	1	Clamp-Cable
20	3253-5	1	Washer-Lock	34	99-3441	1	Harness-Wire, Fusible Link
21	3217-7	1	Nut-Hex	35	106-5517	1	Decal-Warning, Hot Surface
22	3253-3	4	Washer-Lock	36	2411-41	1	Rod End-Ball Joint
23	42-1720	1	Field Core Coil ASM	38	321-5	1	Screw-HH
24	321-3	3	Screw-HH	39	2412-102	1	Clamp-R
25	43-6110-03	1	Plate-Clutch	40	3256-3	1	Washer-Flat
26	43-6200	1	Spring-Compression	41	3290-378	3	Cable Tie
27	256-273	1	Bushing-Flange	42	33013-00	1	Nut-Hex



## Fuel and Hydraulic Tank Assembly

Ref.	Part Number	Qty.	Description
1	117-5868	1	Fuel Tank ASM
1:1	117-5869	1	Tank-Fuel
1:2	117-5866	1	Standpipe
1:3	117-5894	1	Fuel Cap ASM
1:4	119-0507	1	Gauge-Fuel
1:4:1	119-0508	1	Seal
1:4:2	117-8404	1	Dial-Gauge
1:5	46-6560	2	Bushing
1:6	104-5228	1	Fitting-Elbow, 90 DEG
2	104-9094	1	Tank-HYD
2:1	42193	1	Cap-Tank
2:2	41779	1	Strainer-Tank
3	93-6686	1	Decal-Oil, HYD
4	117-5867-03	2	Strap-Fuel Tank

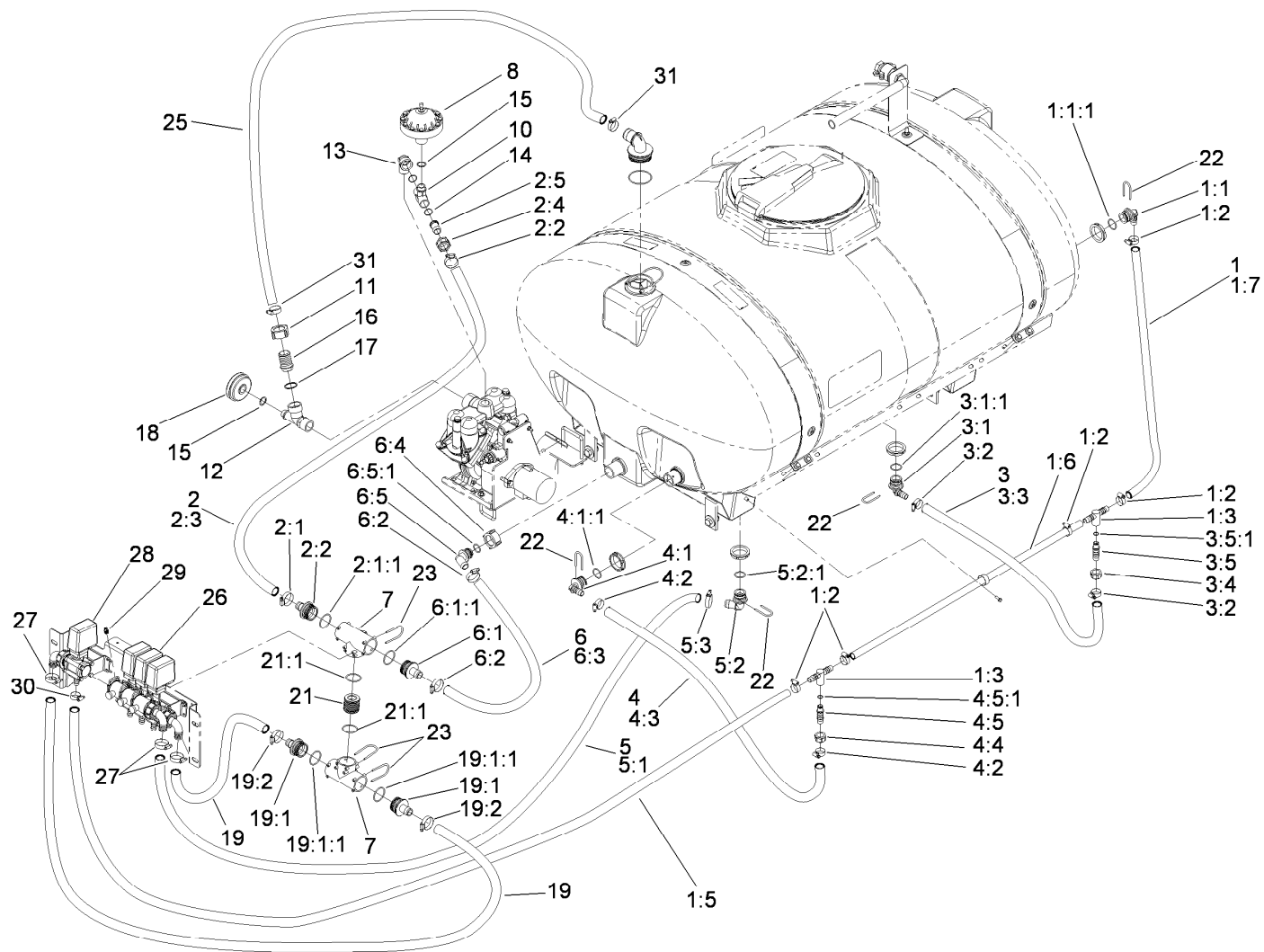
Ref.	Part Number	Qty.	Description
5	322-41	2	Screw-HH
6	94-2413	2	U-Nut
7	32144-70	5	Screw-HWHTF
8	3256-56	2	Washer-Flat
11	110-5688	1	Hose-Fuel
12	119-0577	1	Hose-Fuel
13	110-4107	1	Hose-Fuel
14	2412-108	6	Clamp-Worm
15	2412-39	3	R-Clamp
16	104-8300	4	Nut-Flange, NI
17	94-7068-03	2	Strap-Hold Down
18	41995	2	Strip-Armflex
19	3234-17	4	Screw-HHF



## Traction Pedal Assembly

Ref.	Part Number	Qty.	Description	Ref.	Part Number	Qty.	Description
1	2411-41	1	Rod End-Ball Joint	14	106-5233	1	Cable-Traction
2	3272-7	2	Pin-Cotter	14:1	3220-1	2	Nut-Jam
3	92-0450-03	1	Bracket-Pin	15	256-156	2	Bushing-Flange
4	33093-00	2	Washer-Flat	16	92-7608	1	Spring Bracket
5	71-0450	1	Abrasive-Pedal, Rear	17	3234-4	2	Screw-HHF
6	71-0440	1	Abrasive-Pedal	18	104-7201	2	Nut-HF
7	106-5247-03	1	Traction Pedal ASM	19	95-3857	1	Screw-HSBH
7:1		1	Traction Pedal ●	20	80-7730	1	Spacer
7:1:6	106-5248	1	Spacer	21	104-8301	1	Nut-Flange, NI
8	321-9	1	Screw-HH	22	2411-36	1	Bearing-End, Rod
9	322-3	2	Screw-HH	23	92-7609	1	Shaft-Spring
10	3253-4	2	Washer-Lock	24	32121-11	1	Pin-Roll
11	3256-23	2	Washer-Flat	25	3256-5	1	Washer-Flat
12	92-0448	1	Pivot Pin ASM	26	92-7610	1	Retainer-Spring
13	3296-42	1	Nut-Lock, NI	27	84-9100	1	Spring

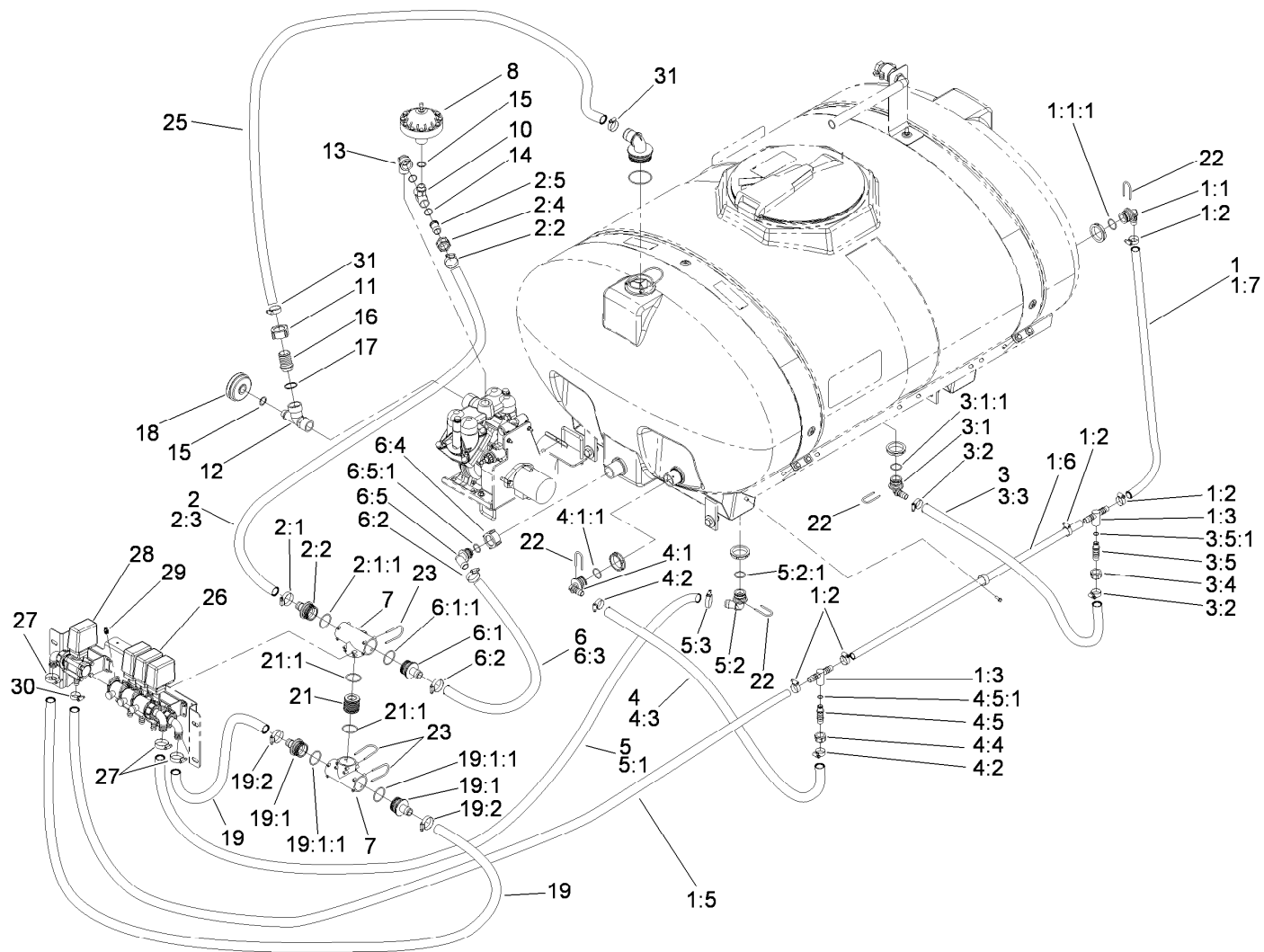
● Not serviced separately



## Internal Sprayer Component Assembly No. 1

Ref.	Part Number	Qty.	Description	Ref.	Part Number	Qty.	Description
1		1	Agitation Hose ASM ●	3:2	2412-129	2	Clamp-Hose
1:1	106-4940	1	Hosebarb-90 DEG	3:3	104-8704	1	Hose
1:1:1	100-6712	1	O-Ring	3:4	99-0850	1	Nut
1:2	2412-129	5	Clamp-Hose	3:5	106-5112	1	Hosebarb ASM
1:3	100-6984	2	Tee	3:5:1	100-6645	1	O-Ring
1:5	106-4971	1	Hose	4		1	Back Agitation Hose ASM ●
1:6	106-4972	1	Hose	4:1	106-4940	1	Hosebarb-90 DEG
1:7	106-4973	1	Hose	4:1:1	100-6712	1	O-Ring
2		1	Supply Hose ASM ●	4:2	2412-129	2	Clamp-Hose
2:1	106-4932	1	Hosebarb-Straight	4:3	106-4974	1	Hose
2:1:1	100-8637	1	O-Ring	4:4	99-0850	1	Nut
2:2	2412-3	2	Clamp-Hose	4:5	106-5112	1	Hosebarb ASM
2:3	106-4975	1	Hose	4:5:1	100-6645	1	O-Ring
2:4	99-0769	1	Nut	5	119-0540	1	Bypass Hose ASM
2:5	99-0781	1	Hosebarb	5:1	119-0537	1	Hose-Bypass
3		1	Middle Agitation Hose ASM ●	5:2	106-4945	1	Elbow
3:1	106-4940	1	Hosebarb-90 DEG	5:2:1	100-6712	1	O-Ring
3:1:1	100-6712	1	O-Ring	5:3	2412-129	1	Clamp-Hose
				6		1	Relief Hose ASM ●

● Not serviced separately

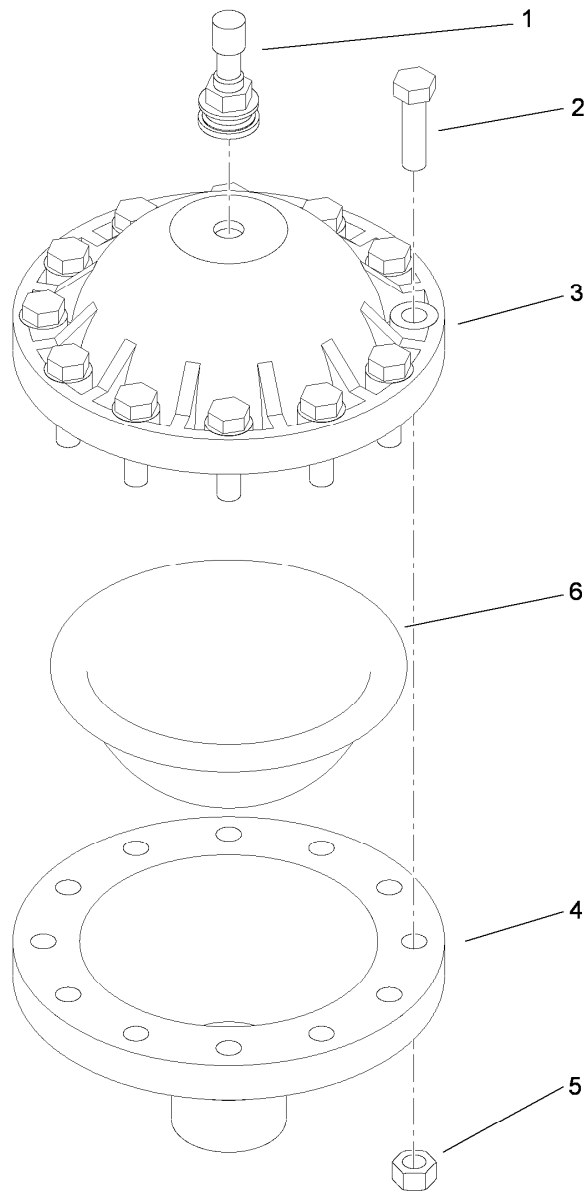


## Internal Sprayer Component Assembly No. 1 (continued)

Ref.	Part Number	Qty.	Description	Ref.	Part Number	Qty.	Description
6:1	106-4932	1	Hosebarb-Straight	18	100-6660	1	Suction Damper ASM
6:1:1	100-8637	1	O-Ring	19	119-0539	2	Boom Supply Hose ASM
6:2	2412-3	2	Clamp-Hose	19:1	106-4932	1	Hosebarb-Straight
6:3	107-2807	1	Hose	19:1:1	100-8637	1	O-Ring
6:4	100-8678	1	Nut	19:2	2412-129	1	Clamp-Hose
6:5	106-4949	1	Hosebarb	21	106-4947	1	Connector
6:5:1	100-6646	1	O-Ring	21:1	100-8637	2	O-Ring
7	100-6704	2	Tee	22	100-6708	4	Fork
8	100-6662	1	Pressure Damper ASM	23	100-8635	6	Fork
10	100-8699	1	Tee	25	108-3686	1	Hose-Suction
11	100-8678	1	Nut	26	119-0532	1	Boom Valve Manifold ASM
12	100-8681	1	Tee	27	2412-3	3	Clamp-Hose
13	100-8698	1	Elbow	28	117-7972	1	Agitation Valve ASM
14	100-6655	1	Gasket	29	100-8674	1	Coupler-Tube
15	100-6656	2	O-Ring	30	2412-129	1	Clamp-Hose
16	100-8679	1	Hosebarb	31	41327	2	Clamp-Hose
17	100-8680	1	Seal				

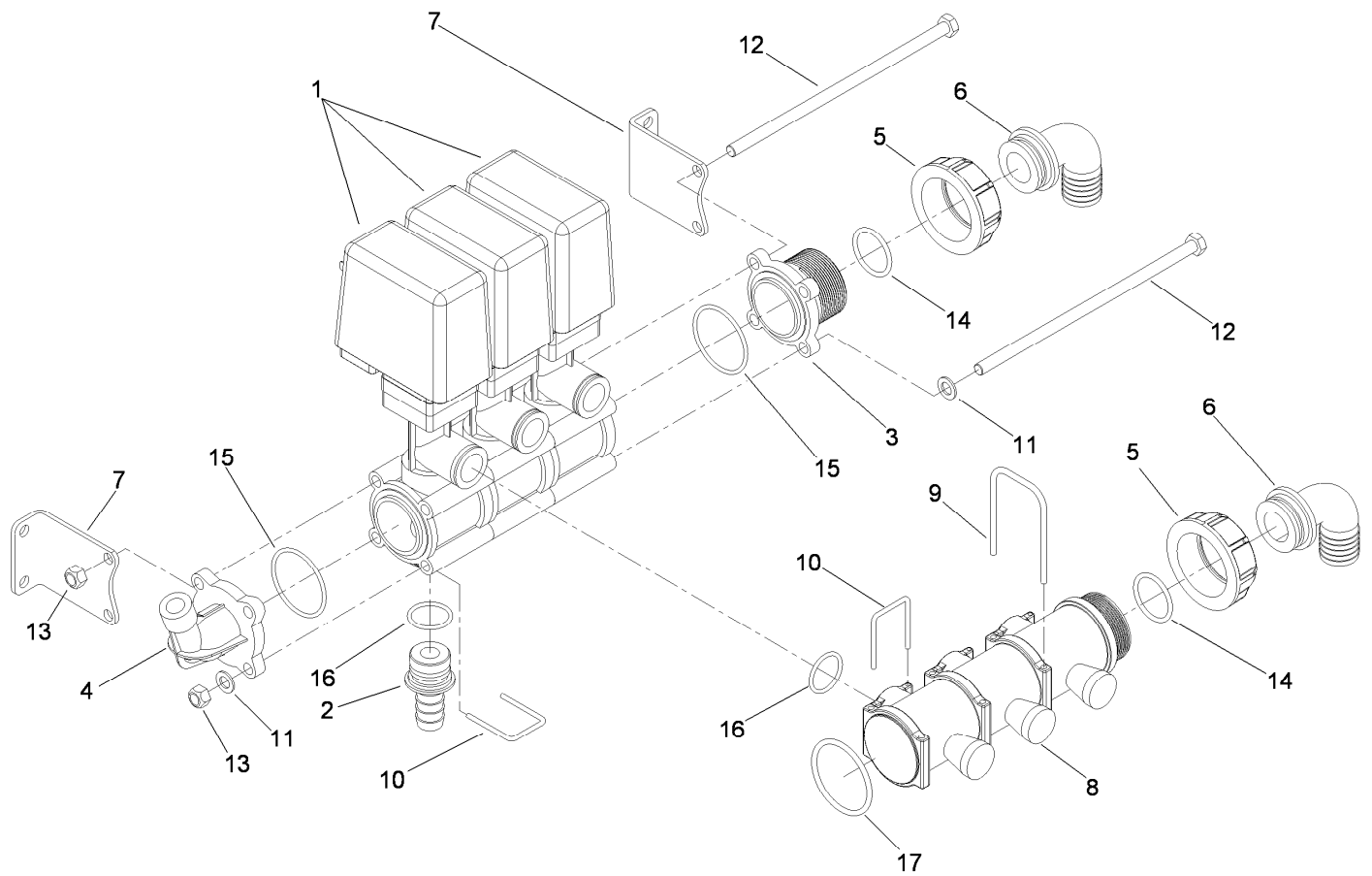
● Not serviced separately





## Pressure Damper Assembly No. 100-6662

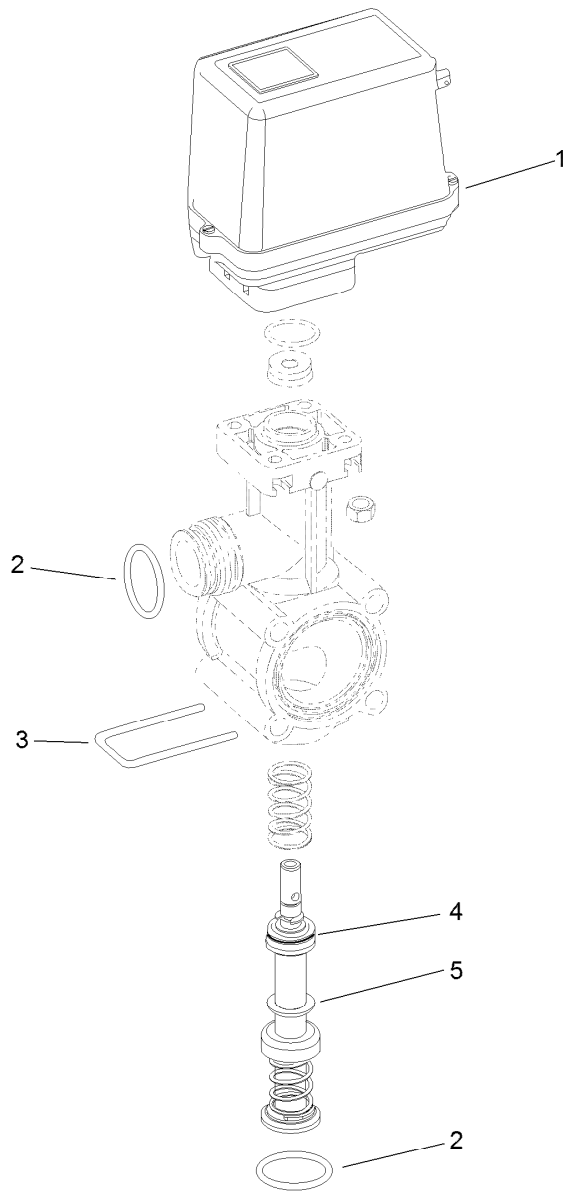
<i>Ref.</i>	<i>Part Number</i>	<i>Qty.</i>	<i>Description</i>
1	99-0895	1	Valve
2	33114-030	12	Screw-HH
3	99-0896	1	Half-Upper, Damper
4	99-0898	1	Half-Lower, Damper
5	33014-00	12	Nut-Hex
6	99-0897	1	Diaphragm



## Boom Valve Manifold Assembly No. 119-0532

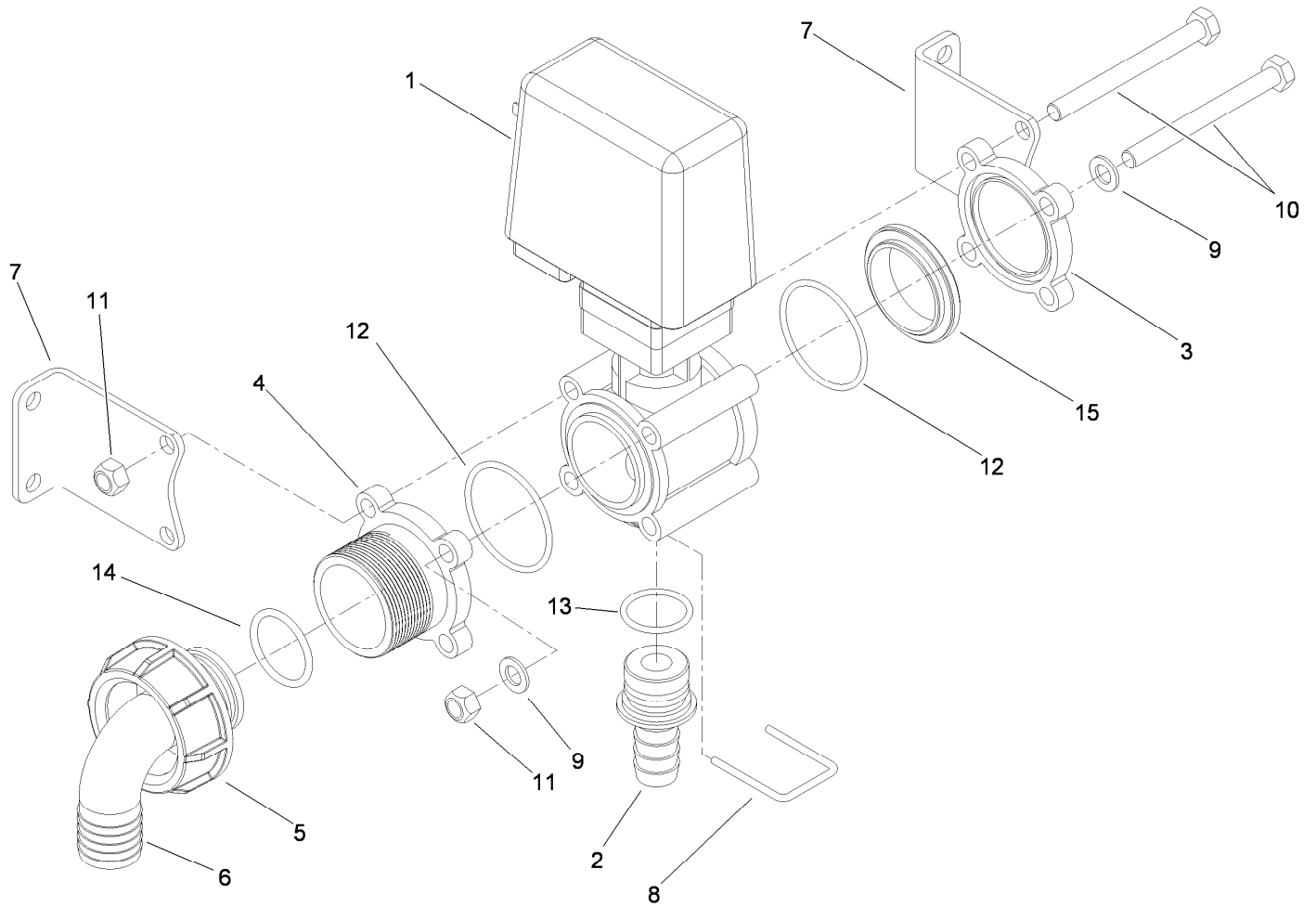
<i>Ref.</i>	<i>Part Number</i>	<i>Qty.</i>	<i>Description</i>
1	119-0456	3	Valve (W/Bypass)
2	119-0464	3	Hosebarb
3	119-0533	1	Adapter-Male
4	119-0462	1	Port-Pressure Gauge
5	117-7879	2	Nut-Fly
6	119-0459	2	Elbow-90 DEG, Flynut
7	119-0449	1	Bracket Mounting Kit
8	119-0457	1	Valve-Balancing
9	119-4863	3	Fork

<i>Ref.</i>	<i>Part Number</i>	<i>Qty.</i>	<i>Description</i>
10	119-4862	6	Fork
11	119-4871	4	Washer
12	119-4867	4	Screw-HH
13	33024-00	4	Nut-Lock
14	117-7922	2	O-Ring
15	119-4870	4	O-Ring
16	119-4868	6	O-Ring
17	119-4869	3	O-Ring



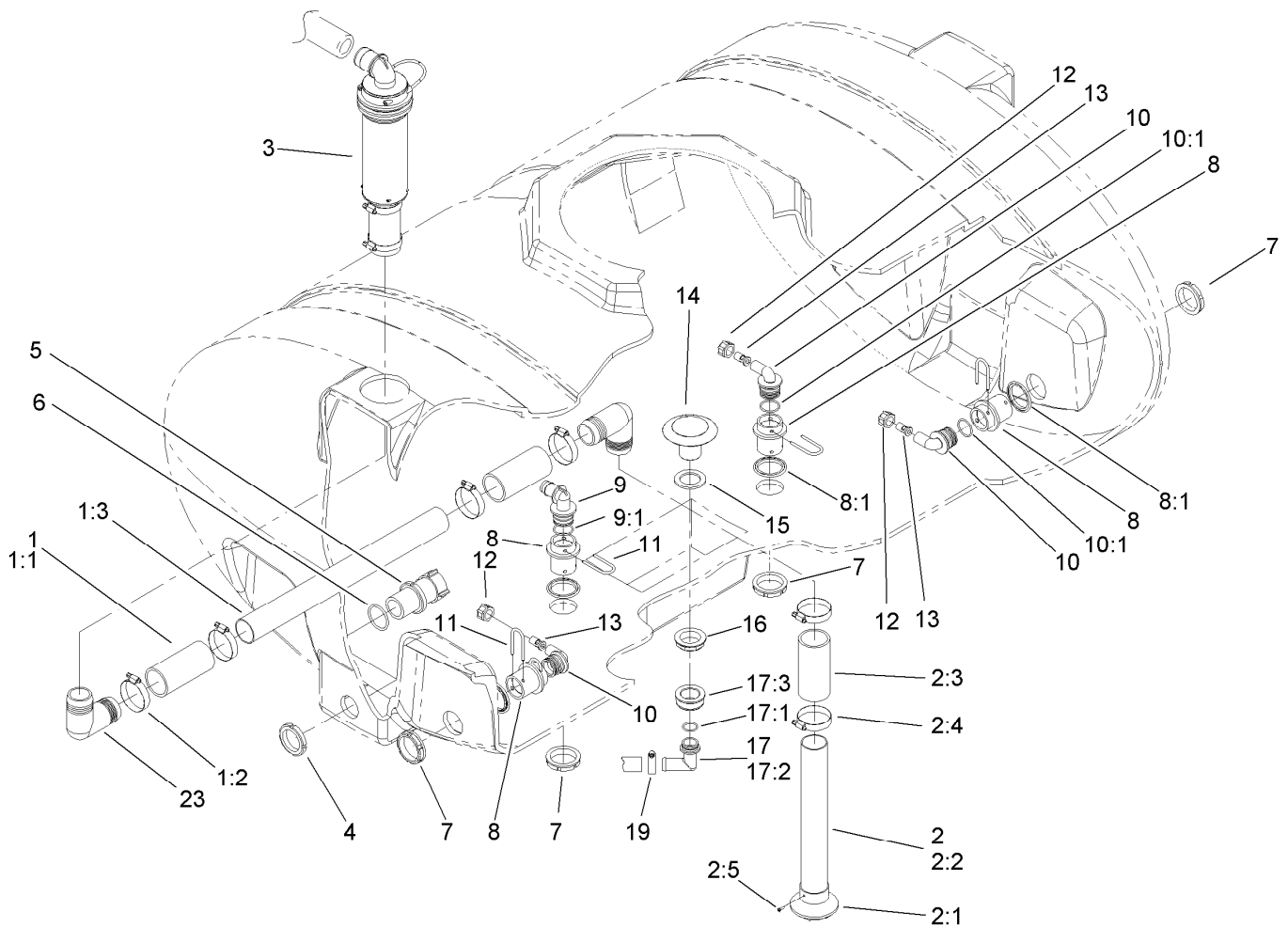
## Bypass Valve Assembly No. 119-0456

<i>Ref.</i>	<i>Part Number</i>	<i>Qty.</i>	<i>Description</i>
1	119-9397	1	Motor Valve Cover ASM
2	119-4868	2	O-Ring
3	119-4862	1	Fork
4	120-7645	1	Seal-Piston, Valve
5	120-7646	1	Piston Valve ASM



## Agitation Valve Assembly No. 117-7972

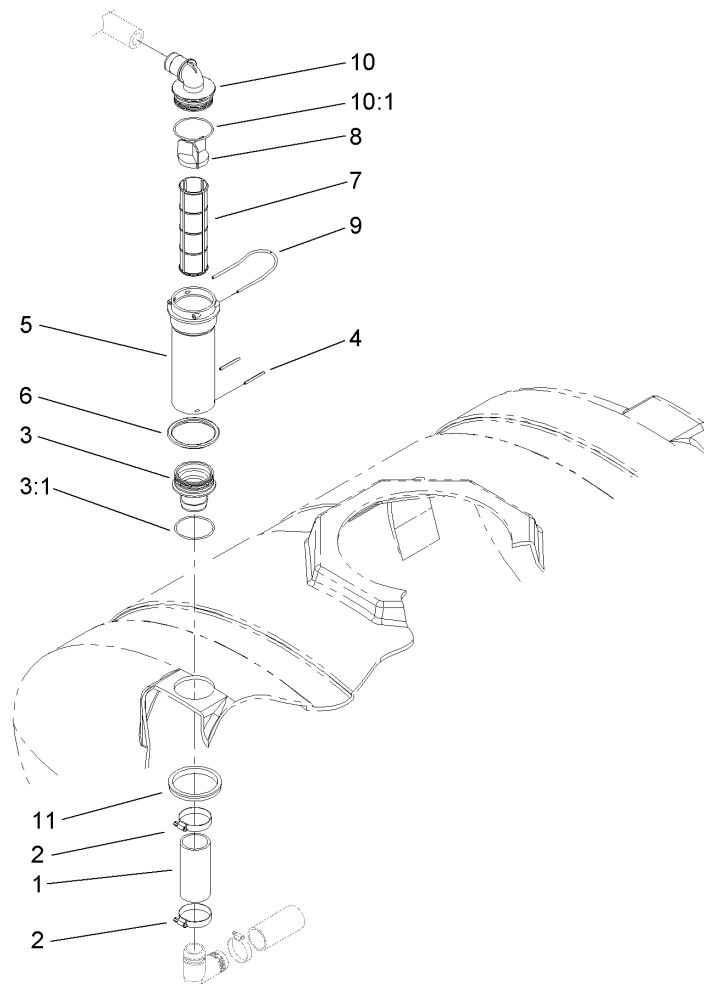
Ref.	Part Number	Qty.	Description
1	117-7969	1	Valve (W/O Bypass)
2	119-0464	1	Hosebarb
3	119-0531	1	Adapter-Cover
4	119-0522	1	Adapter
5	117-7879	1	Nut-Fly
6	119-0459	1	Elbow-90 DEG, Flynut
7	117-7975	1	Bracke Mounting Kit
8	119-4862	1	Fork
9	119-4871	4	Washer
10	119-4866	4	Screw-HH
11	33024-00	4	Nut-Lock
12	119-4870	2	O-Ring
13	119-4868	1	O-Ring
14	117-7922	1	O-Ring
15	119-0463	1	Adapter-Male-Male



## Internal Sprayer Component Assembly No. 2

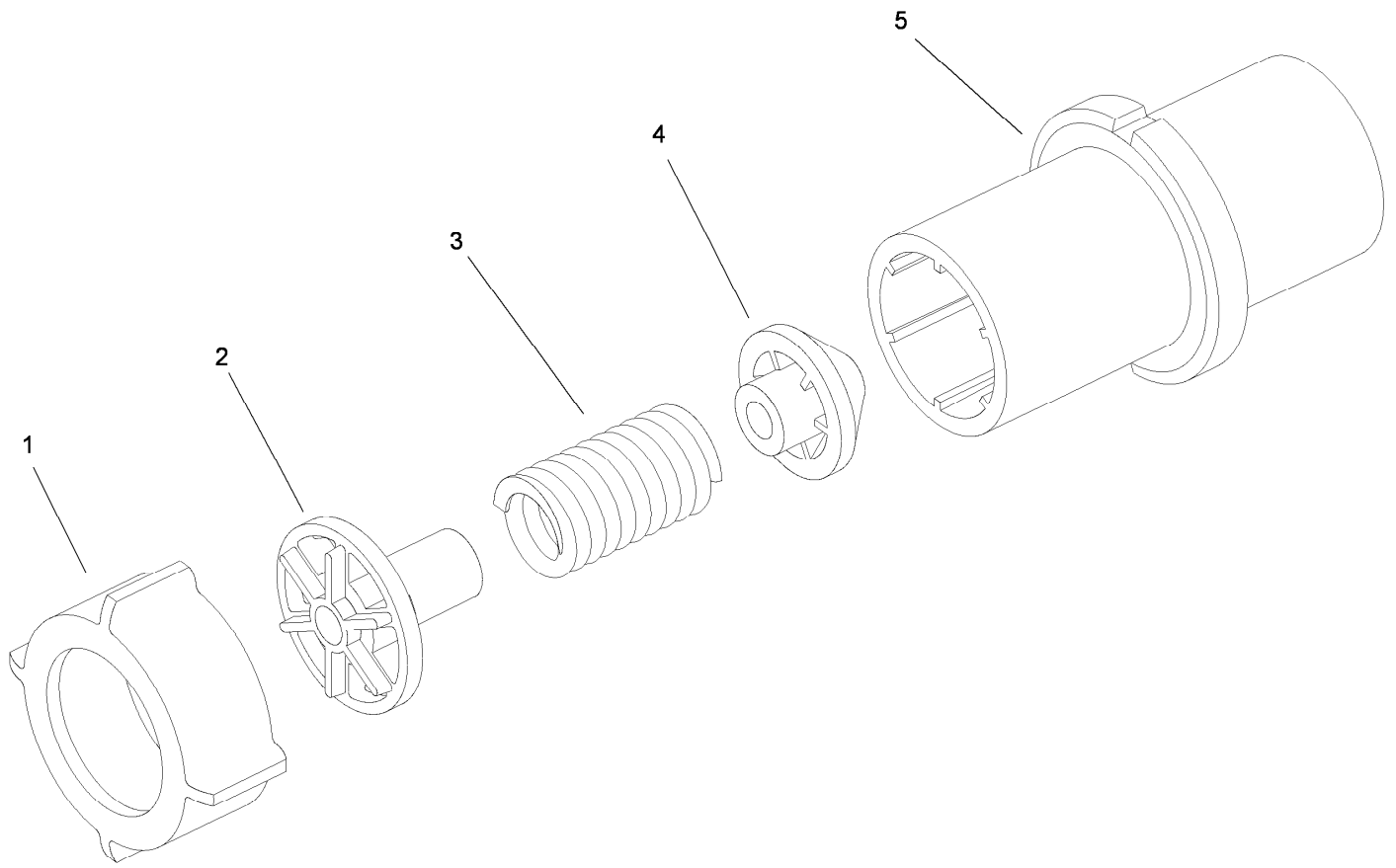
Ref.	Part Number	Qty.	Description
1	104-9150	1	Tube-Suction, Middle
1:1	100-8649	2	Hose-Suction
1:2	26392	4	Clamp-Hose
1:3	106-1215	1	Tube-Suction
2	104-9151	1	Tube-Suction, Lower
2:1	100-6714	1	Foot-Tube, Suction
2:2	106-1216	1	Tube-Suction
2:3	100-8649	1	Hose-Suction
2:4	26392	2	Clamp-Hose
2:5	108-3270	1	Screw-TAP
3	104-9154	1	Filter ASM
4	99-0761	1	Ringnut
5	100-6820	1	Safety Valve ASM (225 Psi)
6	100-6652	1	Gasket
7	100-6713	4	Nut-Bulkhead
8	106-4896	4	Fitting-Bulkhead
8:1	100-6710	1	Gasket-Bulkhead

Ref.	Part Number	Qty.	Description
9	106-4945	1	Elbow
9:1	100-6712	1	O-Ring
10	106-4944	3	Fitting-90 DEG
10:1	100-6712	1	O-Ring
11	100-6708	4	Fork
12	99-0766	3	Nut
13	106-1218	3	Nozzle
14	110-5166	1	Outlet-Drain
15	110-5246	1	Seal-Plastic
16	110-5237	1	Nut-Ring, Plastic
17	112-7904	1	90 DEG Elbow ASM
17:1	110-5217	1	Elbow-90 DEG
17:2	110-5239	1	O-Ring
17:3	110-5247	1	Nut-Fly
19	2412-34	1	Clamp-Hose
23	104-9095	2	Elbow



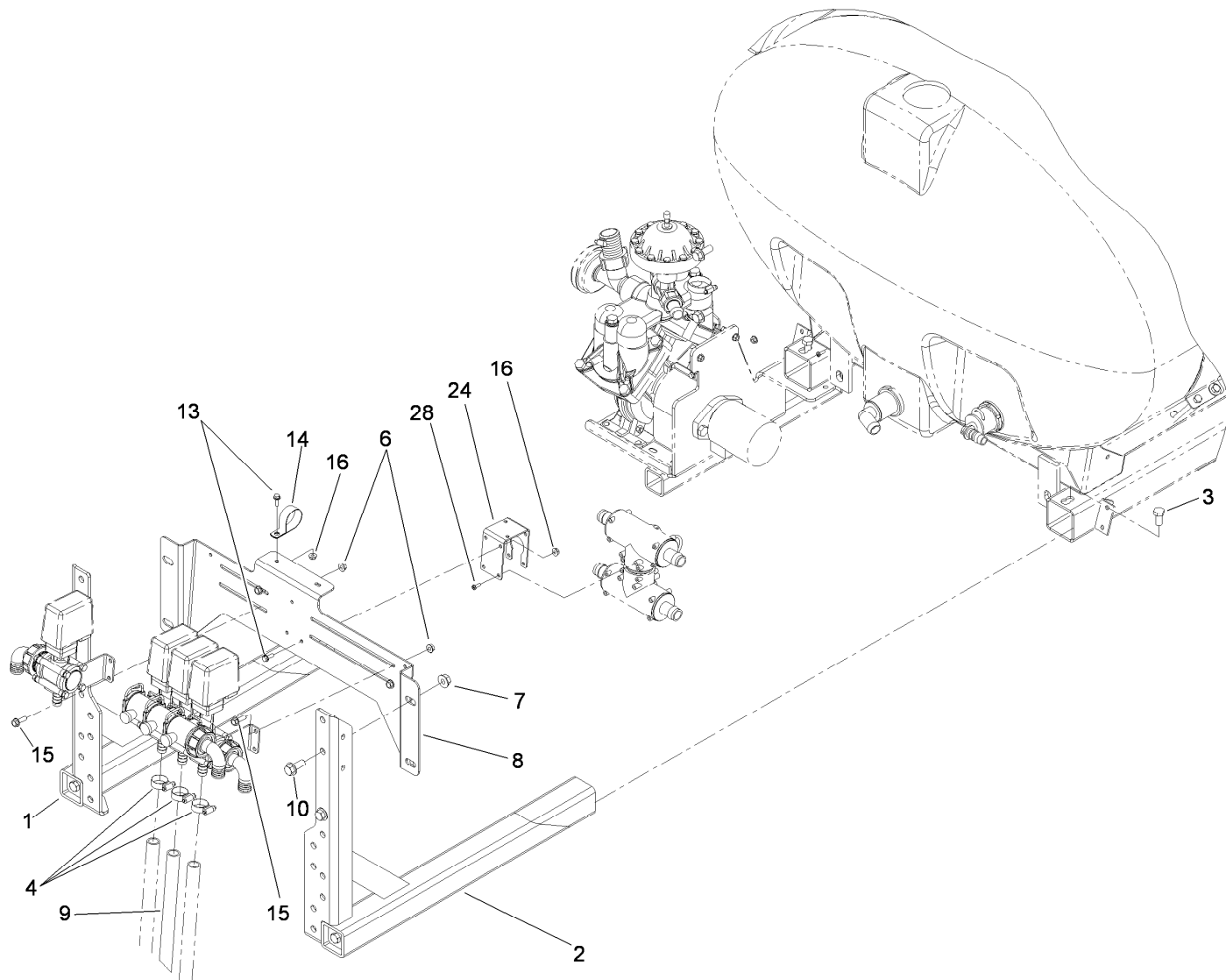
## Filter Assembly No. 104-9154

<i>Ref.</i>	<i>Part Number</i>	<i>Qty.</i>	<i>Description</i>
1	100-8649	1	Hose-Suction
2	26392	2	Clamp-Hose
3	106-4942	1	Hosebarb-Straight
3:1	100-6989	1	O-Ring
4	100-8644	2	Pin-Expansion
5	100-8643	1	Housing-Filter
6	100-8646	1	Gasket-Bulkhead
7	100-8642	1	Screen-Suction
8	100-8641	1	Vane-Screen
9	100-8636	1	Fork-Special
10	106-4952	1	Hosebarb-90 DEG
10:1	100-6989	1	O-Ring
11	100-8647	1	Nut-Bulkhead



## Safety Valve Assembly No. 100-6820

<i>Ref.</i>	<i>Part Number</i>	<i>Qty.</i>	<i>Description</i>
1	100-8678	1	Nut
2	100-6724	1	Valve-Relief, Seat
3	100-6725	1	Spring-Relief, Valve
4	100-6726	1	Cone-Relief, Valve
5	100-6727	1	Housing-Relief, Valve

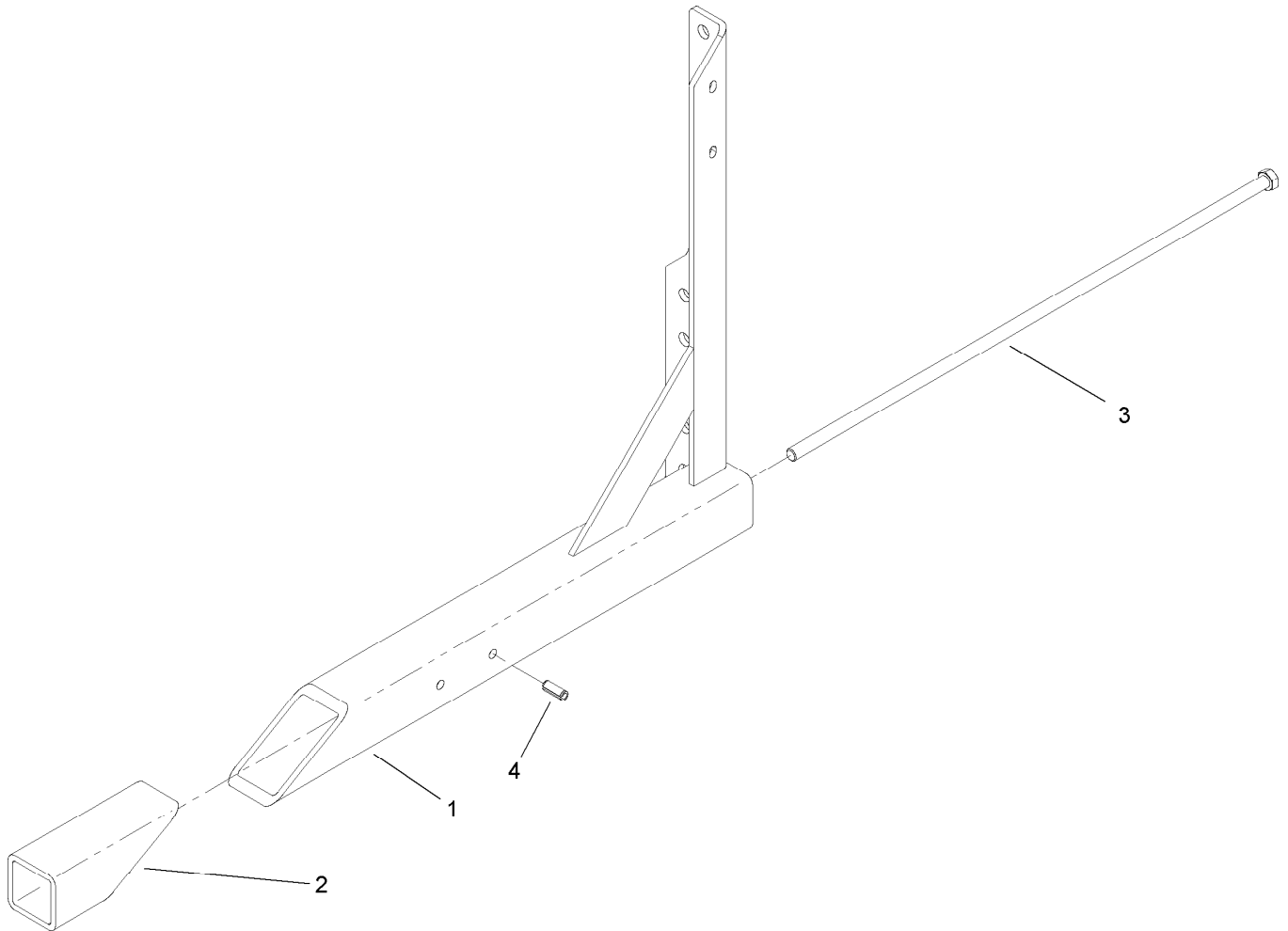


## Sprayer Component Assembly

Ref.	Part Number	Qty.	Description
1		1	LH Boom Mount ASM ●
2		1	RH Boom Mount ASM ●
3	325-4	2	Screw-HH
4	2412-129	3	Clamp-Hose
6	32128-20	8	Nut-HF
7	108-3745	4	Nut-HF, Whiz
8	119-0534-03	1	Mount-Valve
9	117-5806	1	Hose-Jumper
10	110-5057	4	Capscrew-HHF
13	3234-4	3	Screw-HHF
14	2412-147	1	Clamp
15	3234-17	8	Screw-HHF
16	32128-33	3	Nut-HF
24	100-8478	1	Bracket-Tee
28	32144-32	4	Screw

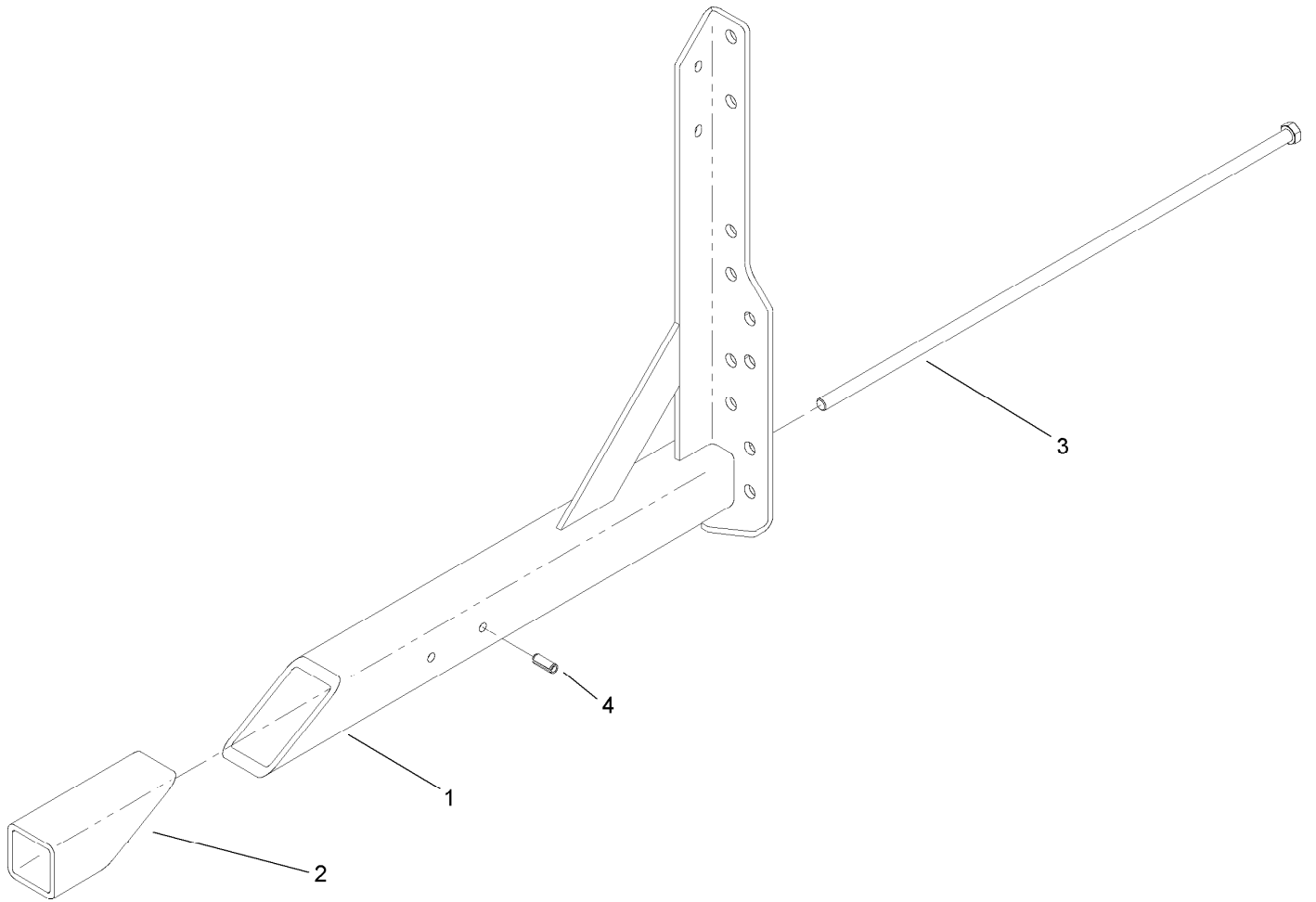
● Not serviced separately





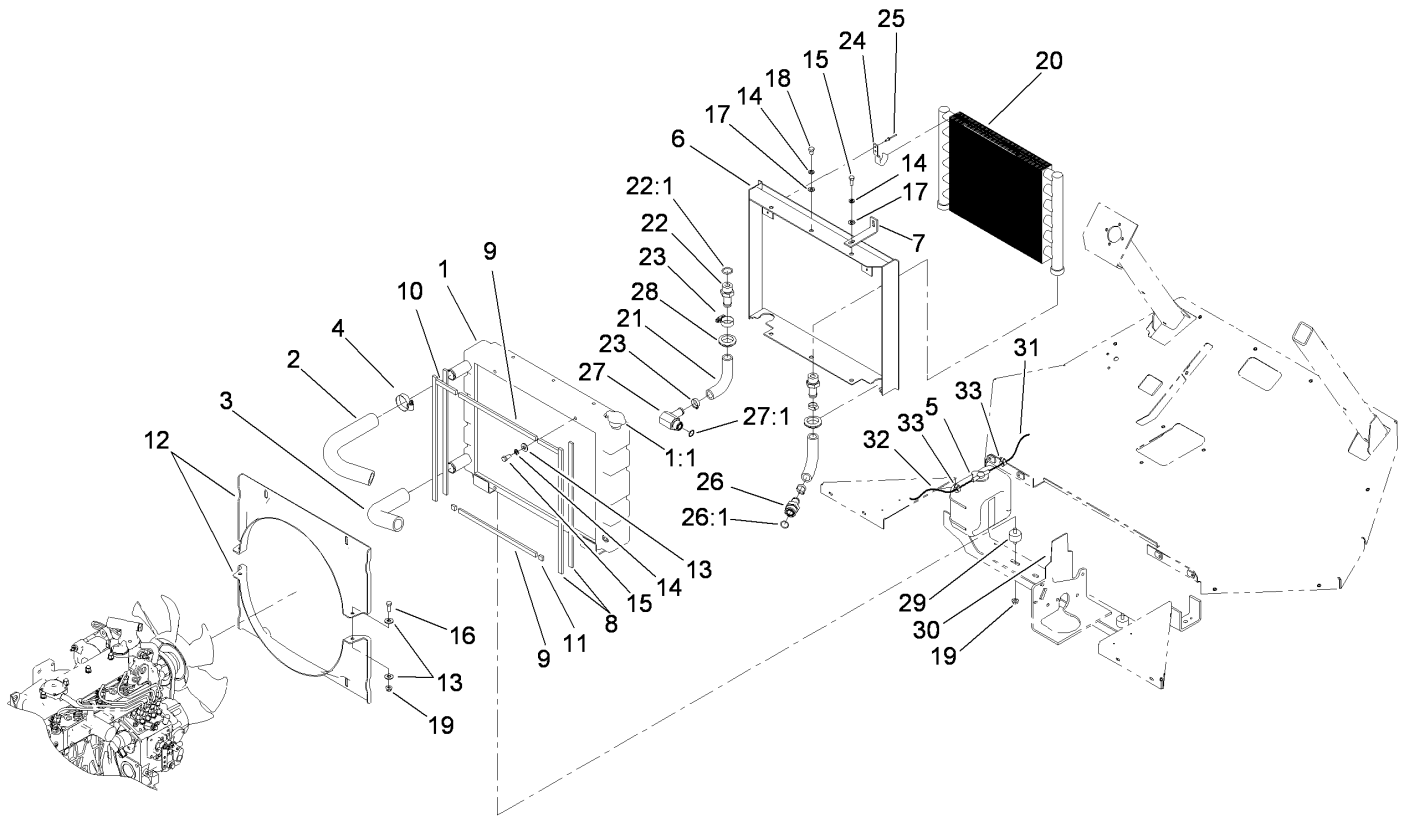
## Left Hand Boom Mount Assembly

<i>Ref.</i>	<i>Part Number</i>	<i>Qty.</i>	<i>Description</i>
1	108-3715-03	1	LH Boom Mount ASM
2	107-8638-03	1	Wedge-Tube
3	107-8620	1	Screw-HH
4	32121-41	1	Pin-Roll (3/8 X 1)



## Right Hand Boom Mount Assembly

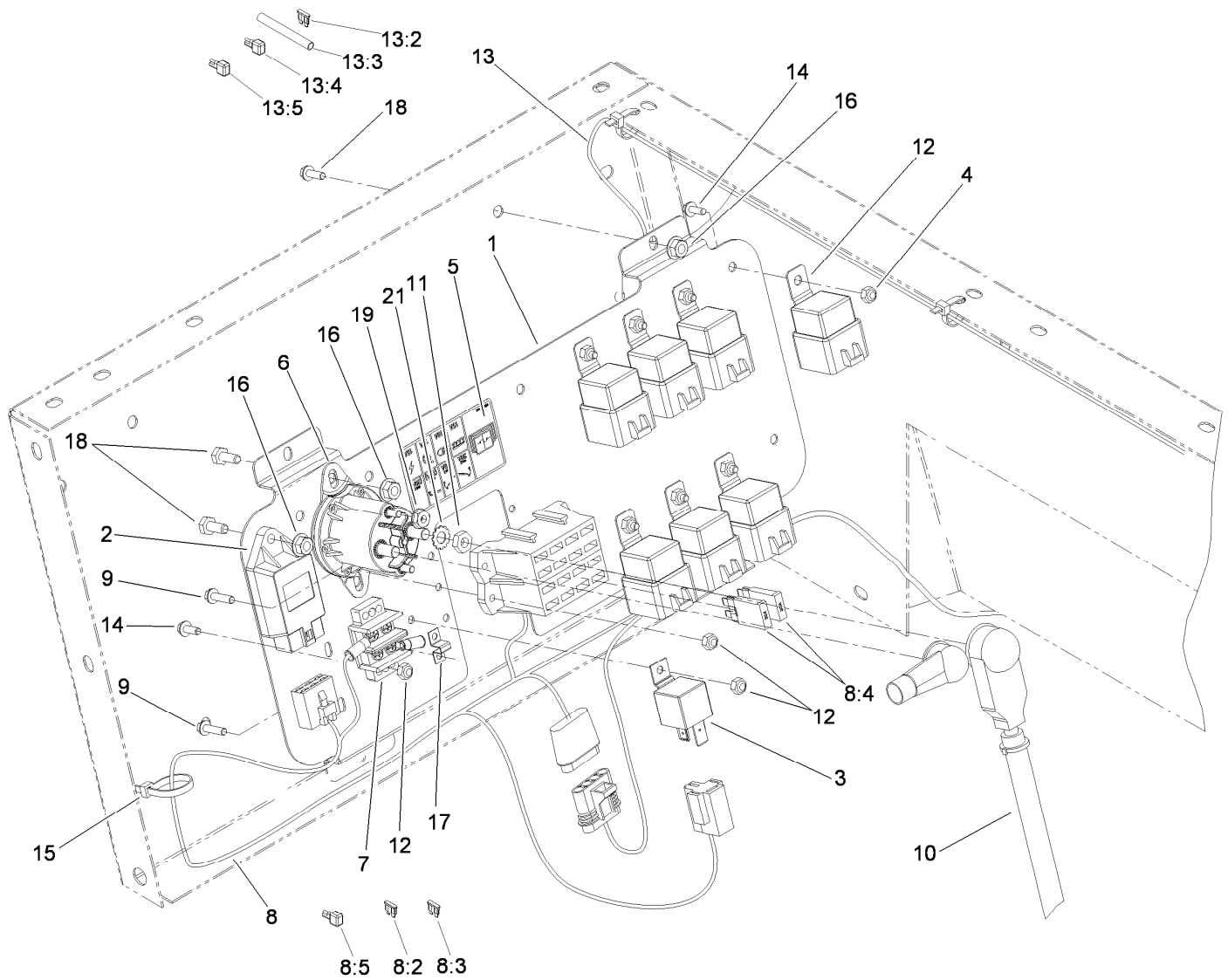
<i>Ref.</i>	<i>Part Number</i>	<i>Qty.</i>	<i>Description</i>
1	108-3714-03	1	RH Boom Mount ASM
2	107-8638-03	1	Wedge-Tube
3	107-8620	1	Screw-HH
4	32121-41	1	Pin-Roll (3/8 X 1)



## Oil Cooler and Radiator Assembly

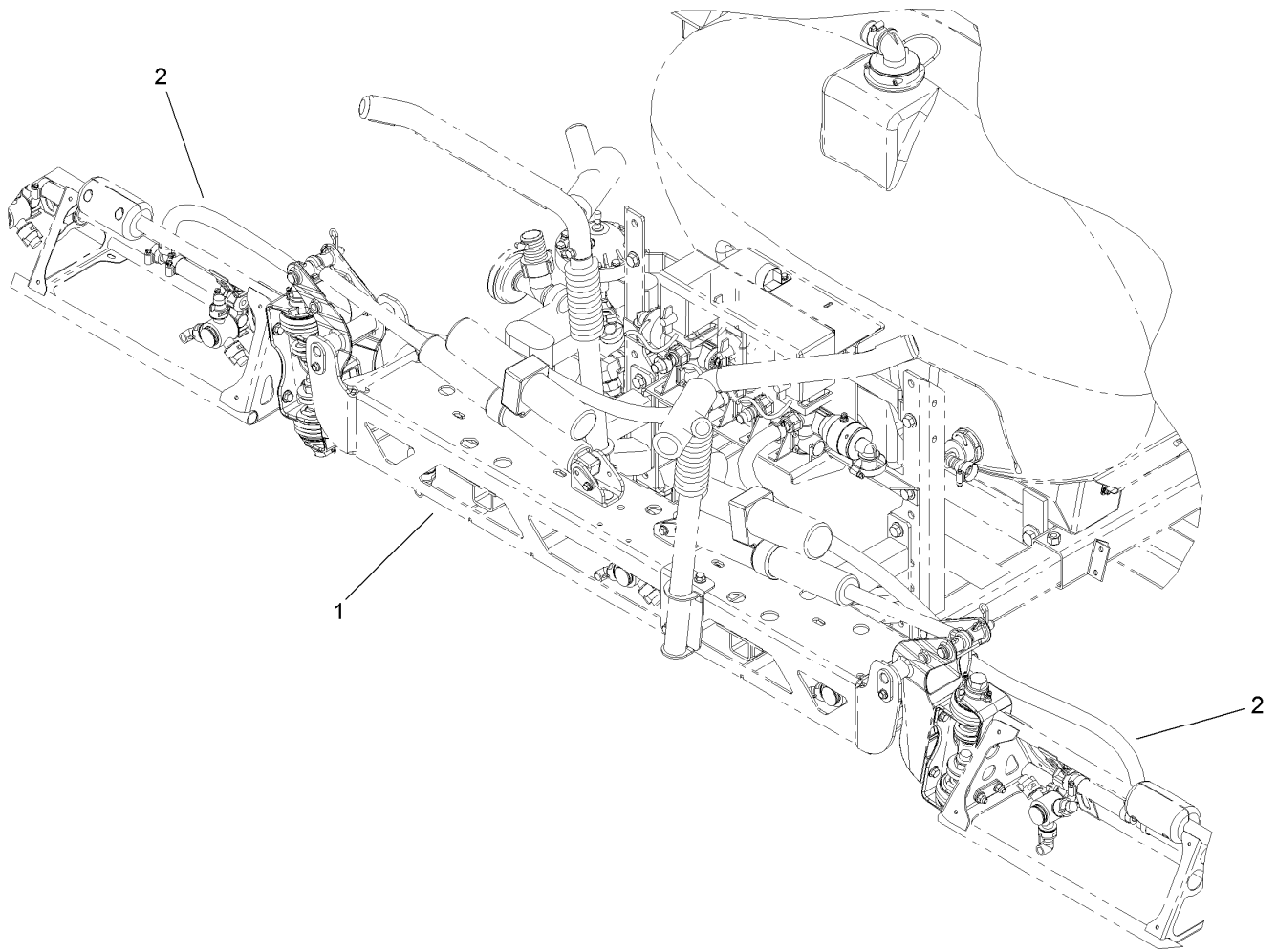
Ref.	Part Number	Qty.	Description
1	106-5291	1	Radiator
1:1	114-9593	1	Cap-Radiator
2	106-5239	1	Hose-Radiator, Upper
3	106-5240	1	Hose-Radiator, Lower
4	2412-111	4	Clamp
5	104-9318	1	Overflow Bottle ASM
6	106-5180-03	1	Radiator Shroud ASM
7	106-5185	2	Brace-Radiator
8	107-8675	4	Seal-Foam
9	107-8676	2	Seal-Foam
10	107-8677	2	Seal-Foam
11	107-8678	2	Seal-Foam
12	106-5290	2	Shroud-Fan
13	3256-56	8	Washer-Flat
14	3253-4	10	Washer-Lock
15	322-3	6	Screw-HH
16	322-4	2	Screw-HH
17	3256-23	6	Washer-Flat
18	322-1	4	Screw-HH

Ref.	Part Number	Qty.	Description
19	32128-20	4	Nut-HF
20	94-7007	1	Oil Cooler ASM
21	106-5293	2	Hose-Cooler, Oil
22	112-7835	2	Fitting-Straight
22:1	237-81	1	O-Ring
23	2412-129	4	Clamp-Hose
24	75-0930	2	Hook-Mount, Cooler
25	3269-15	4	Rivet-Pop
26	107-8652	1	Fitting-Straight
26:1	237-58	1	O-Ring
27	107-8654	1	Fitting-Elbow, 90
27:1	237-65	1	O-Ring
28	240-3	2	Grommet-Rubber
29	62-5480	2	Isolater-Seat
30	110-5091-03	1	Bracket-Reservoir
31	106-1126	1	Hose-Fuel
32	109-0309	1	Hose-Fuel
33	2412-108	3	Clamp-Worm



## Electrical Panel Assembly

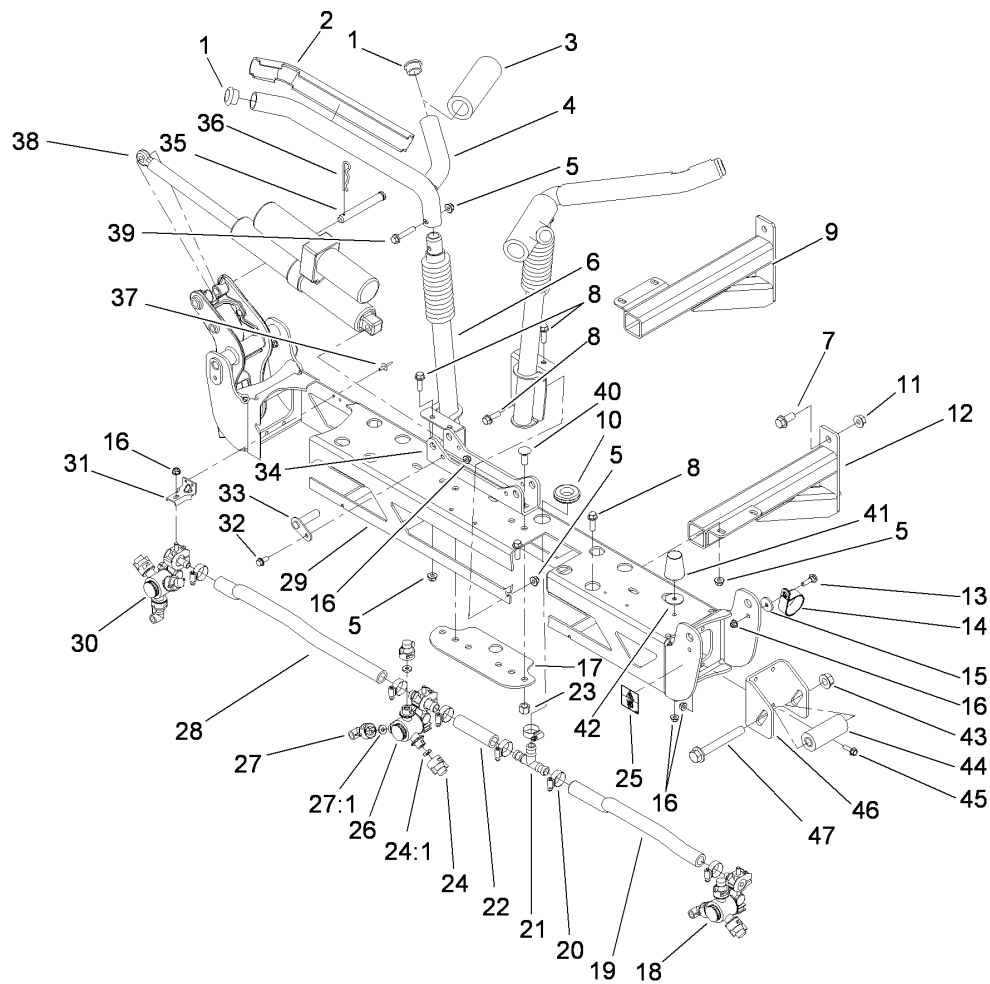
<i>Ref.</i>	<i>Part Number</i>	<i>Qty.</i>	<i>Description</i>	<i>Ref.</i>	<i>Part Number</i>	<i>Qty.</i>	<i>Description</i>
1	108-3286-01	1	Panel-Electrical	11	3220-2	2	Nut-Jam
2	98-7611	1	Controller-Glow	12	3296-2	14	Nut-Lock, NI
3	99-7435	1	Relay-Power	13	119-1777	1	Harness-Wire, Sprayer
4	99-7430	7	Relay	13:2	110928	4	Fuse-Blade, 5 Amp
5	108-3293	1	Decal-Block, Fuse	13:3	106-4985	1	Tube-Pressure
6	114-3315	1	Solenoid-12 Vdc	13:4	108-9493	2	Diode-Tvs
7	42862	1	Block-Terminal, Ground	13:5	100-4918	3	Diode
8	119-1771	1	Harness-Wire	14	3290-321	8	Screw-HWH
8:2	218-578	2	Fuse-Blade, 10 Amp	15	3290-379	1	Tie-Cable
8:3	109355	3	Fuse-Blade, 15 Amp	16	32128-33	5	Nut-HF
8:4	108-3736	2	Breaker-Circuit, 30A	17	42863	1	Strip-Jumper
8:5	100-4918	2	Diode	18	321-3	5	Screw-HH
9	32105-13	6	Screw-HWH	19	32149-8	2	Nut-Keps
10	94-7092	1	Cable-Battery, Positive	21	3255-8	2	Washer-Lock



## Boom Assembly

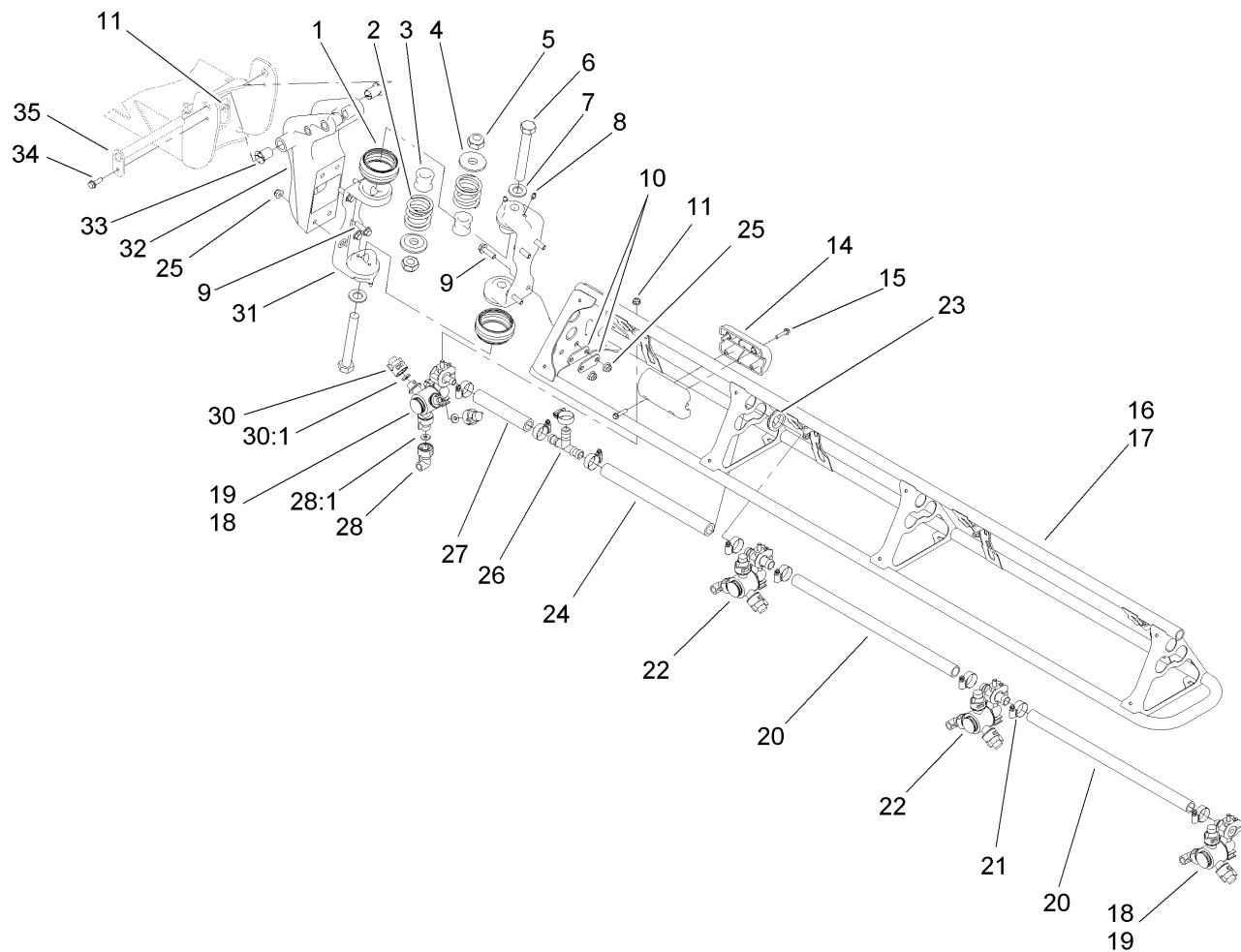
<i>Ref.</i>	<i>Part Number</i>	<i>Qty.</i>	<i>Description</i>
1		1	Boom ASM ●
2	108-3491	2	Hose-Boom

● Not serviced separately



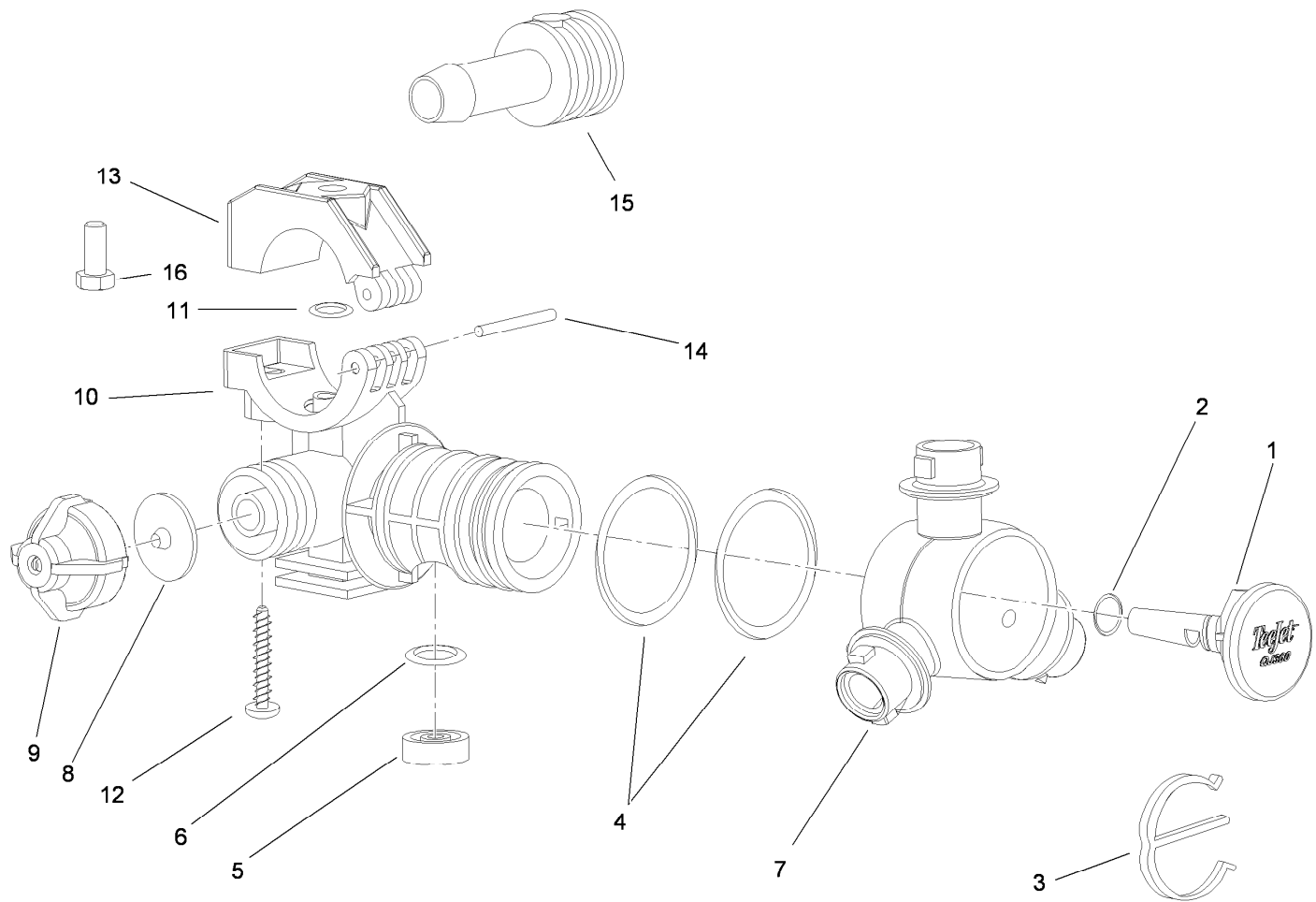
## Center Boom Assembly

<i>Ref.</i>	<i>Part Number</i>	<i>Qty.</i>	<i>Description</i>	<i>Ref.</i>	<i>Part Number</i>	<i>Qty.</i>	<i>Description</i>
1	108-3489	4	Cap-Tube	25	114-9576	2	Decal-Pinchpoint
2	108-3495	2	Cover-Slide	26	108-3727	1	Double Turret Body ASM
3	108-3457	2	Spacer	27	95-9186	3	Cap
4	108-3476-03	2	Upper Cradle ASM	27:1	40998	1	Seat-Gasket
5	104-8301	12	Nut-Flange, NI	28	108-3735	1	Hose-Boom, Center (LH)
6	108-3472-03	2	Lower Cradle ASM	29	114-9579-03	1	Frame ASM
7	110-5057	4	Capscrew-HHF	30	108-3725	1	LH Single Body Turret ASM
8	110-5050	10	Screw-HHF	31	107-8775	3	Bracket-Mount, Nozzle
9	108-3408-03	1	Frame-Mount, Boom (LH)	32	110-5053	2	Screw-Flange
10	108-3723	1	Grommet	33	112-7884	2	Pivot Pin ASM
11	108-3745	4	Nut-HF, Whiz	34	114-9560-03	1	Strap-Clevis
12	108-3409-03	1	Frame-Mount, Boom (RH)	35	108-3436	2	Pin-Clevis
13	108-3744	2	Screw-Shoulder	36	3290-468	2	Pin-Cotter
14	114-9566	2	Clamp-R	37	3269-18	6	Rivet-Pop
15	108-3743	2	Washer	38	108-3438	2	Actuator
16	104-8300	17	Nut-Flange, NI	39	108-3742	2	Screw-HHF
17	108-3469-03	1	Plate-Washer	40	110-5067	2	Screw-CARR
18	108-3726	1	RH Single Body Turret ASM	41	110-5070	2	Bumper-Neoprene
19	108-3718	1	Hose-Boom, Center (RH)	42	3256-68	2	Washer-Flat
20	2412-129	7	Clamp-Hose	43	32128-54	2	Nut-HF
21	108-3439	1	Tee	44	112-7881	2	Bumper
22	108-3717	1	Hose-Boom	45	108-3748	8	Screw-HHF
23	3296-23	2	Nut-Lock, NI	46	112-7872-03	2	Bracket-Hard Stop
24	95-9187	6	Cap-Blank	47	105-1763	2	Screw-HHF
24:1	40998	1	Seat-Gasket				



## Left and Right Hand Boom Assembly

<i>Ref.</i>	<i>Part Number</i>	<i>Qty.</i>	<i>Description</i>	<i>Ref.</i>	<i>Part Number</i>	<i>Qty.</i>	<i>Description</i>
1	108-3459	4	Boot-Hinge	21	2412-129	18	Clamp-Hose
2	108-3440	4	Spring-Breakaway, Boom	22	108-3727	4	Double Turret Body ASM
3	108-3730	4	Tube-Hinge	23	240-3	4	Grommet-Rubber
4	108-3444	4	Retainer-Spring	24	108-3721	2	Hose-Boom
5	3296-15	4	Nut-Lock, NI	25	104-8301	16	Nut-Flange, NI
6	108-3738	4	Screw-HH	26	108-3439	2	Tee
7	110-5054	4	Washer-Flat	27	108-3728	2	Hose-Boom
8	302-5	8	Fitting-Grease	28	95-9186	8	Cap
9	110-5050	16	Screw-HHF	28:1	40998	1	Seat-Gasket
10	108-3605	8	Plate-Backing	30	95-9187	16	Cap-Blank
11	104-8300	10	Nut-Flange, NI	30:1	40998	1	Seat-Gasket
14	108-3429	4	Block-Slide	31	108-3471-03	4	Hinge
15	108-3746	8	Screw-Plastite	32	108-3600-03	2	*obs* Bracket-Pivot
16	108-3524-03	1	RH Boom ASM	33	100-8541	4	Bushing-A Arm
17	108-3525-03	1	LH Boom ASM	34	108-3748	2	Screw-HHF
18	108-3726	2	RH Single Body Turret ASM	35	108-3419	2	Pivot Pin ASM
19	108-3725	2	LH Single Body Turret ASM	36	107-8650	2	Conduit-Convolutd
20	40506	4	Hose-Jumper	37	3290-378	4	Cable Tie

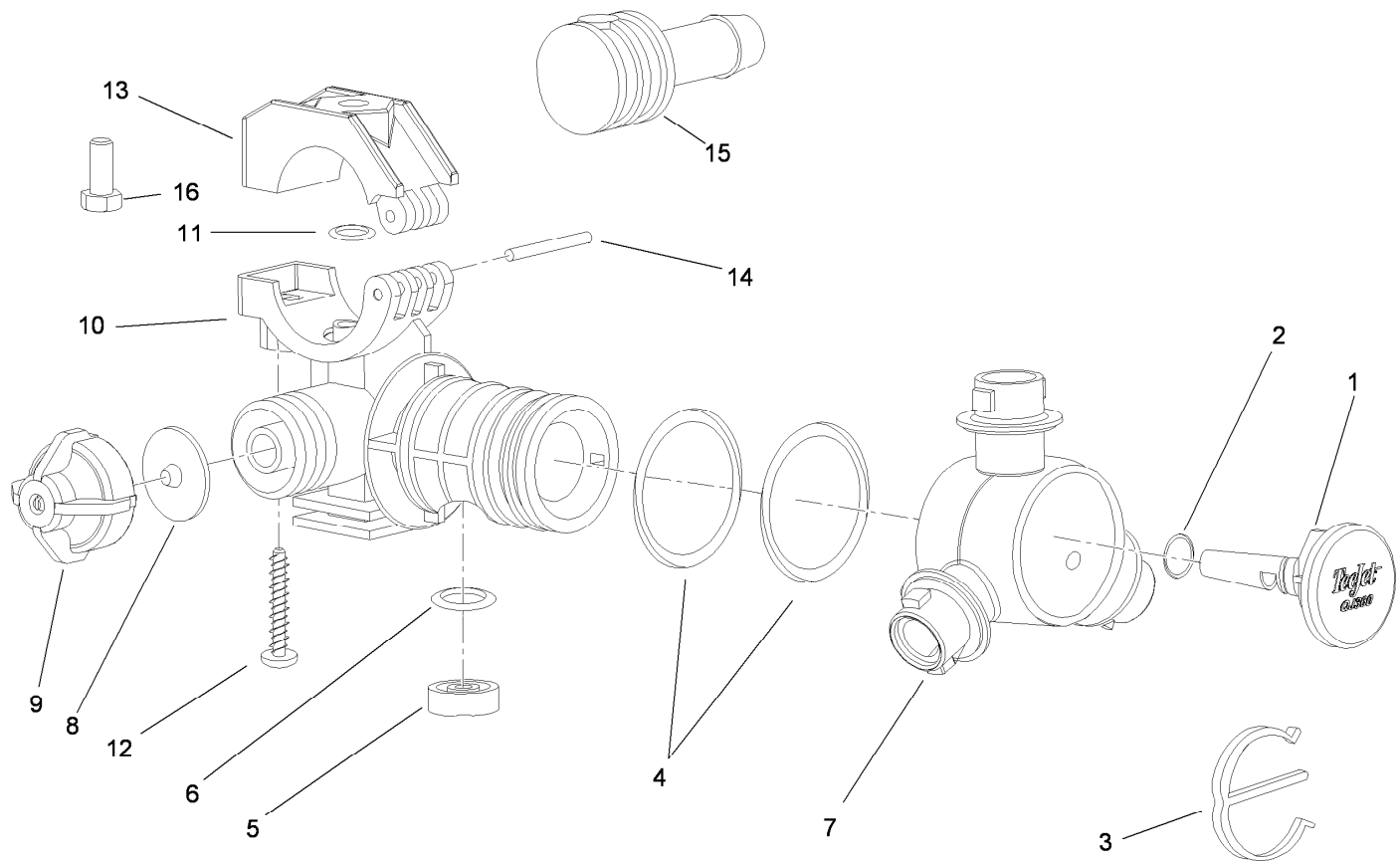


## RH Single Body Turret Assembly No. 108-3726

<i>Ref.</i>	<i>Part Number</i>	<i>Qty.</i>	<i>Description</i>
1	95-9200	1	Plug
2	95-9198	1	O-Ring
3	95-9197	1	E-Clip
4	95-9199	2	O-Ring
5	108-3264	1	Seal-Viton
6	108-3265	1	O-Ring-Viton
7	95-9196	1	Turret
8	41003	1	Diaphragm

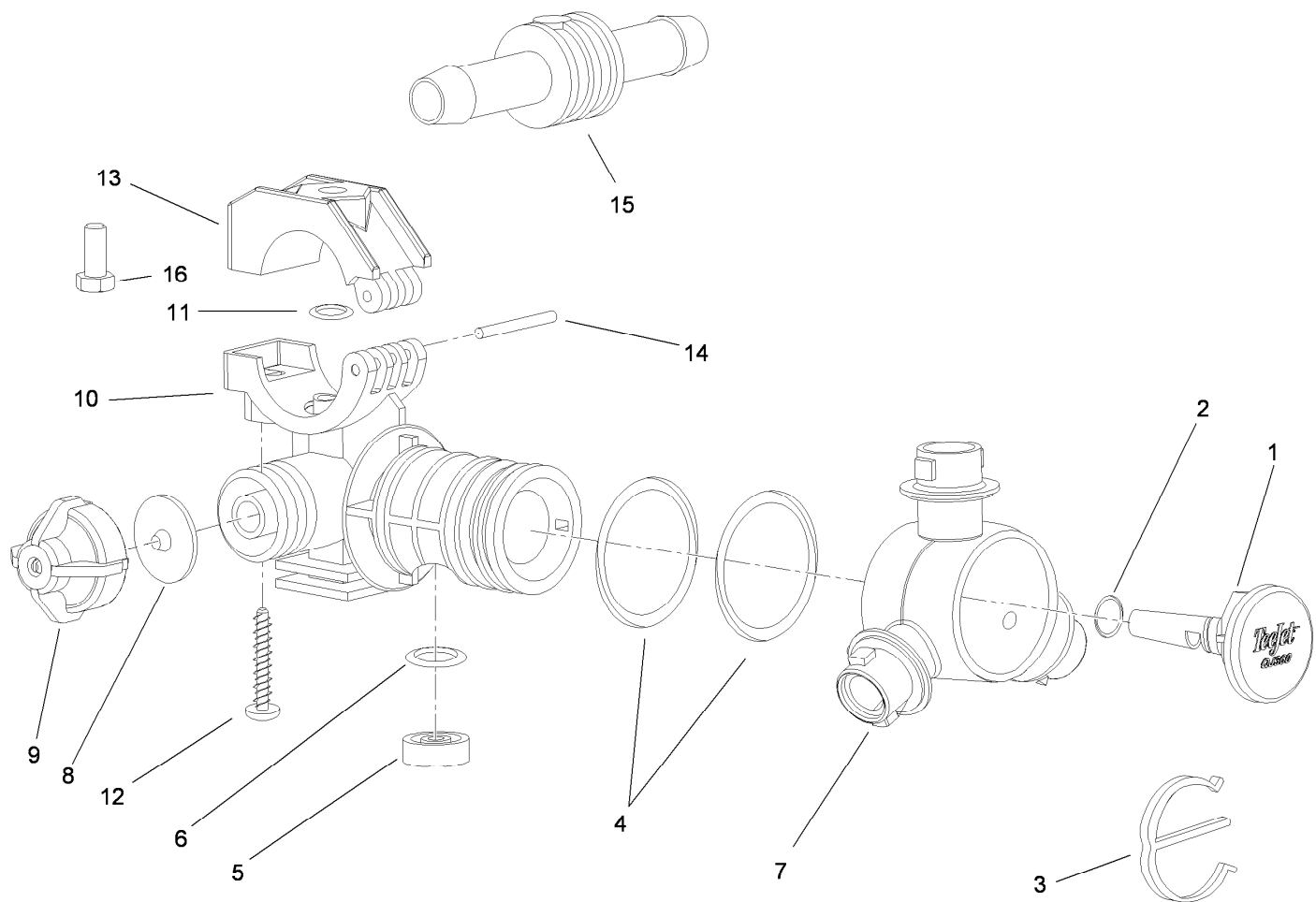
<i>Ref.</i>	<i>Part Number</i>	<i>Qty.</i>	<i>Description</i>
9	95-9193	1	Cap-Diaphragm
10	95-9192	1	Body-Split Eyelet
11	95-9191	1	O-Ring
12	99-0811	1	Screw-Clamp
13	99-0812	1	Clamp-Upper
14	99-0814	1	Pin-Pivot
15	95-9201	1	Shank-Hose
16	322-3	1	Screw-HH





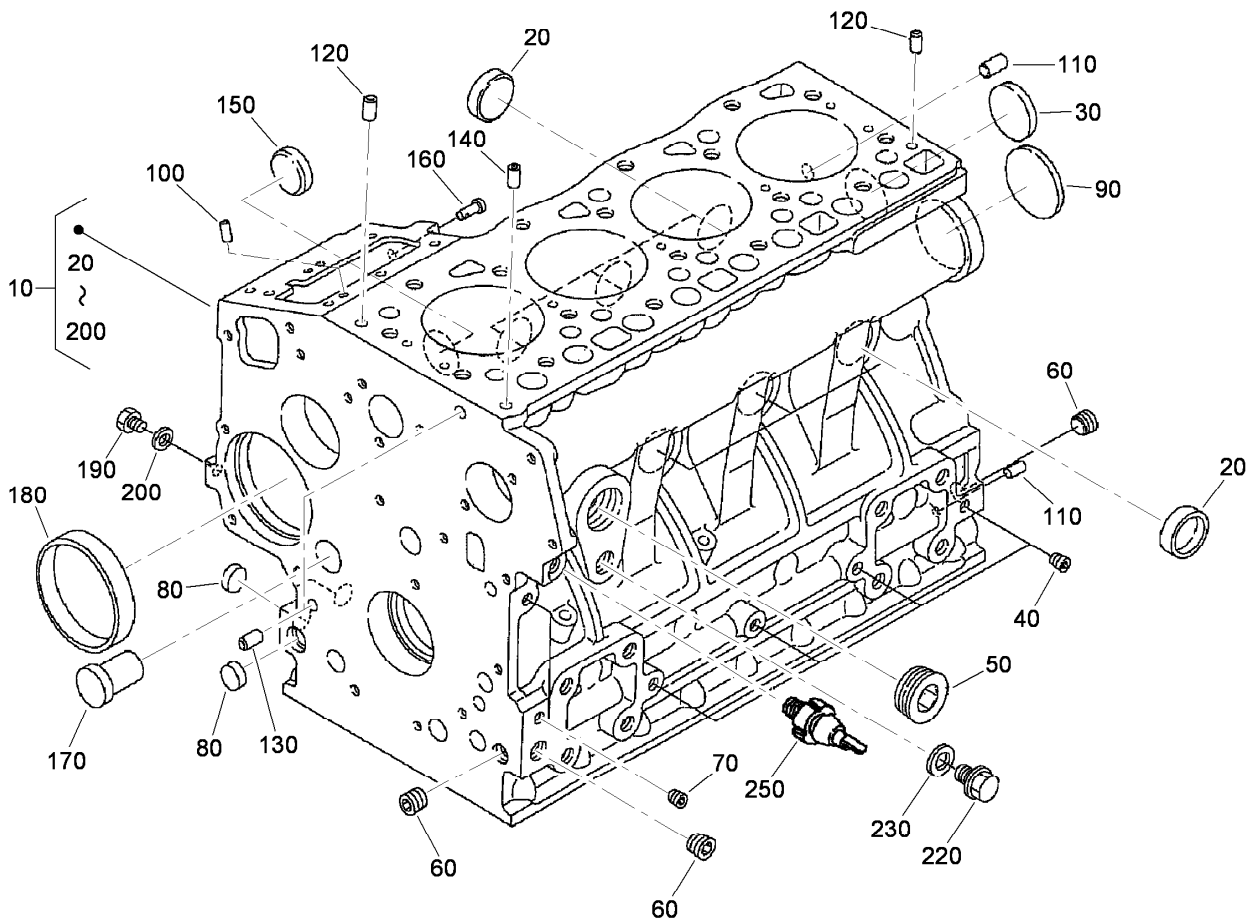
## LH Single Body Turret Assembly No. 108-3725

Ref.	Part Number	Qty.	Description	Ref.	Part Number	Qty.	Description
1	95-9200	1	Plug	9	95-9193	1	Cap-Diaphragm
2	95-9198	1	O-Ring	10	95-9192	1	Body-Split Eyelet
3	95-9197	1	E-Clip	11	95-9191	1	O-Ring
4	95-9199	2	O-Ring	12	99-0811	1	Screw-Clamp
5	108-3264	1	Seal-Viton	13	99-0812	1	Clamp-Upper
6	108-3265	1	O-Ring-Viton	14	99-0814	1	Pin-Pivot
7	95-9196	1	Turret	15	95-9201	1	Shank-Hose
8	41003	1	Diaphragm	16	322-3	1	Screw-HH



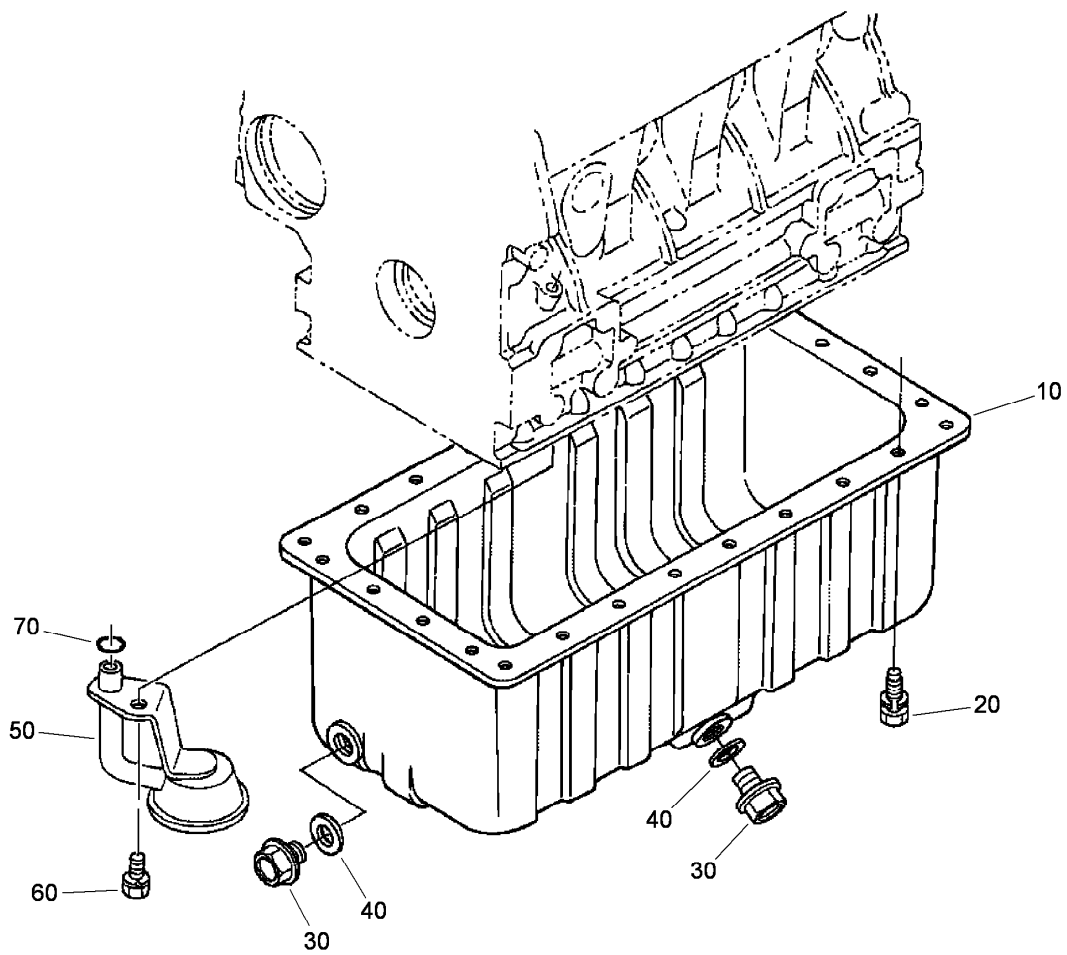
## Double Body Turret Assembly No. 108-3727

Ref.	Part Number	Qty.	Description	Ref.	Part Number	Qty.	Description
1	95-9200	1	Plug	9	95-9193	1	Cap-Diaphragm
2	95-9198	1	O-Ring	10	95-9192	1	Body-Split Eyelet
3	95-9197	1	E-Clip	11	95-9191	1	O-Ring
4	95-9199	2	O-Ring	12	99-0811	1	Screw-Clamp
5	108-3264	1	Seal-Viton	13	99-0812	1	Clamp-Upper
6	108-3265	1	O-Ring-Viton	14	99-0814	1	Pin-Pivot
7	95-9196	1	Turret	15	95-9202	1	Shank-Hose
8	41003	1	Diaphragm	16	322-3	1	Screw-HH



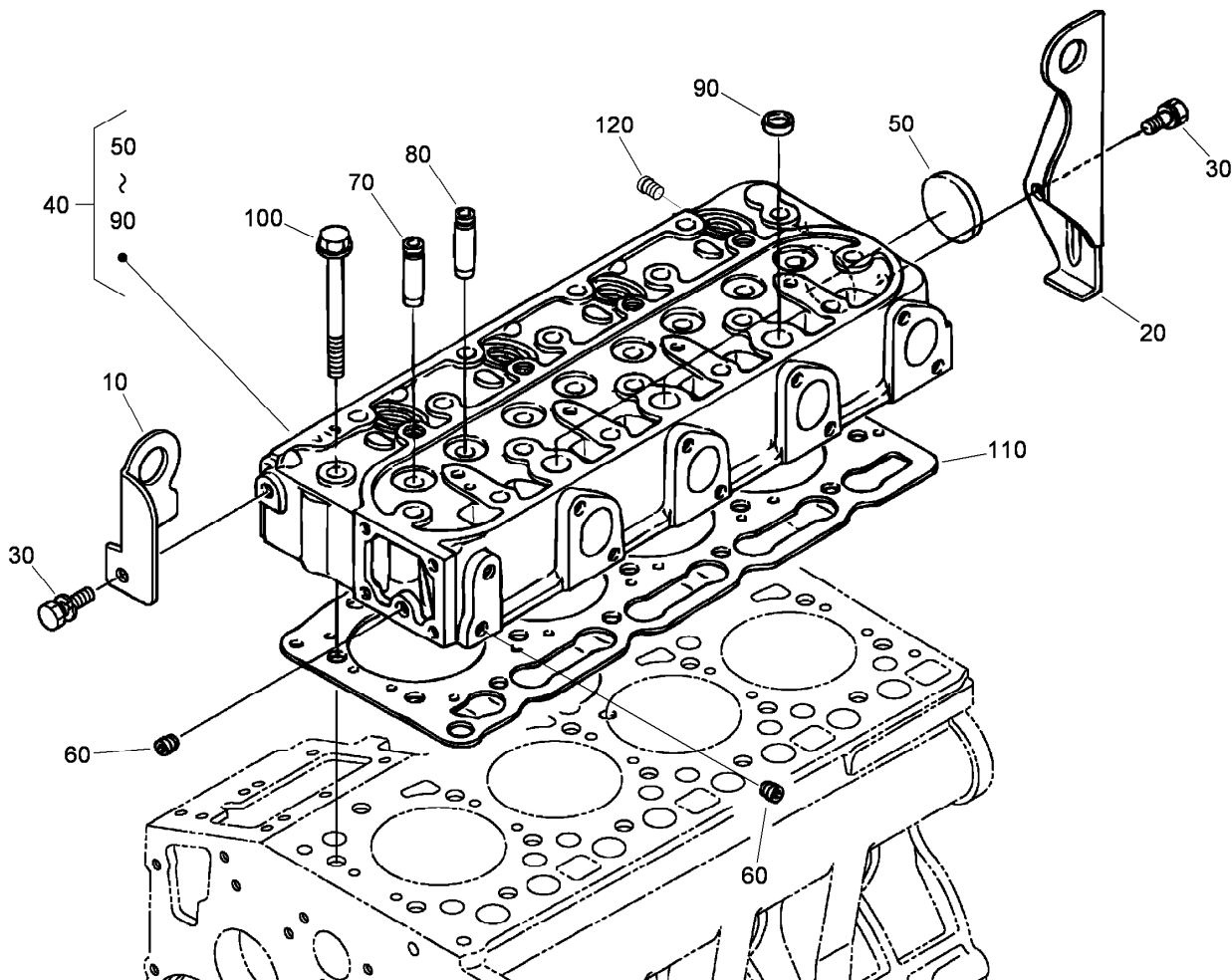
## Crankcase Assembly

<i>Ref.</i>	<i>Part Number</i>	<i>Qty.</i>	<i>Description</i>
10	115-4109	1	Crankcase ASM
20	98-9398	6	Cap-Sealing
30	98-7539	1	Cap-Sealing
40	98-9687	4	Plug
50	105-3779	1	Plug
60	98-9597	3	Plug
70	98-7487	2	Plug
80	98-9379	3	Plug-Expansion
90	98-9668	1	Plug-Expansion
100	98-9375	2	Pin-Straight
110	98-9377	2	Pin-Straight
120	98-9376	2	Pin-Straight
130	98-9387	2	Pin-Pipe
140	98-9539	1	Pin-Pipe
150	98-9599	1	Plug
160	105-3796	1	Pin-Spring, Start
170	98-9675	1	Plug
180	98-9656	1	Bushing-Governor, Gear
190	98-7507	1	Plug
200	98-7428	1	Gasket
220	99-3447	1	Plug
230	106-7056	1	Gasket
250	98-9416	1	Switch-Oil



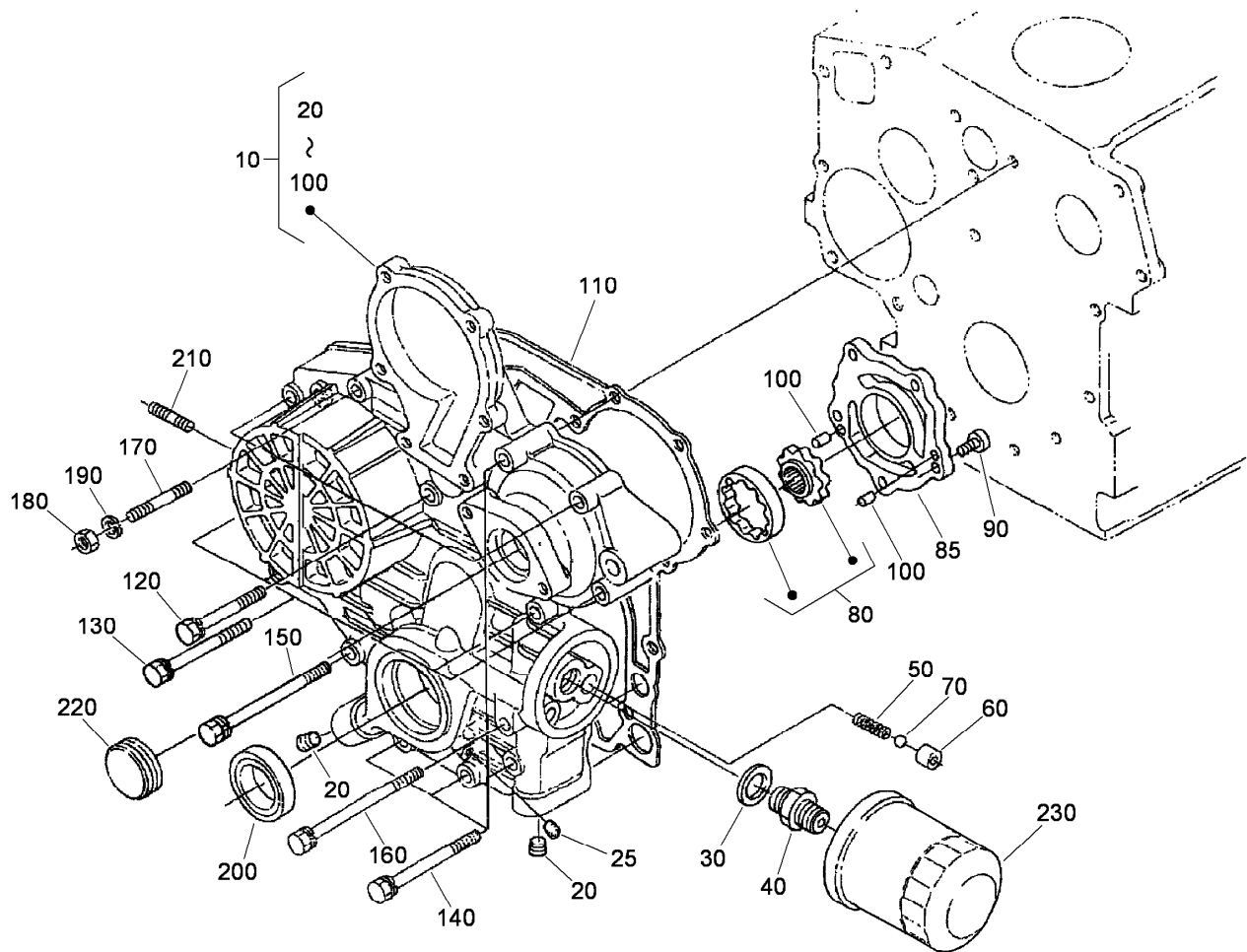
## Oil Pan Assembly

<i>Ref.</i>	<i>Part Number</i>	<i>Qty.</i>	<i>Description</i>
10	108-2852	1	Pan-Oil
20	98-9351	26	Bolt
30	114-8151	2	Plug-Drain
40	98-7524	2	Gasket
50	112-7003	1	Head-Filter, Oil
60	98-7526	1	Bolt
70	105-3776	1	O-Ring



## Cylinder Head Assembly

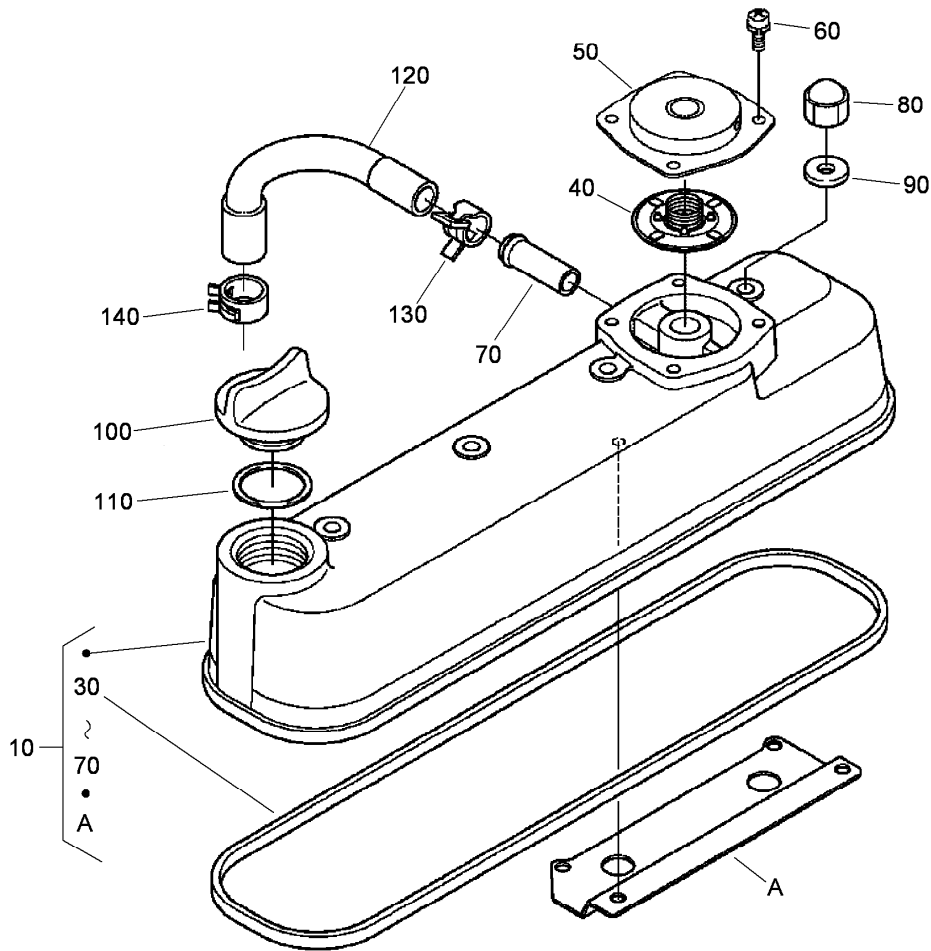
<i>Ref.</i>	<i>Part Number</i>	<i>Qty.</i>	<i>Description</i>
10	98-9477	1	Hook-Engine
20	98-9478	1	Hook-Engine
30	100-9195	2	Bolt
40	115-3012	1	Cylinder Head ASM
50	105-3705	1	Cap-Sealing
60	98-9687	2	Plug
70	107-9066	4	Guide-Valve, Inlet
80	107-9067	4	Guide-Valve, Exhaust
90	98-9389	3	Cap-Sealing
100	98-9479	18	Bolt-Head, Cylinder
110	108-2855	1	Gasket-Head, Cylinder
120	98-9444	1	Plug



## Gear Case Assembly

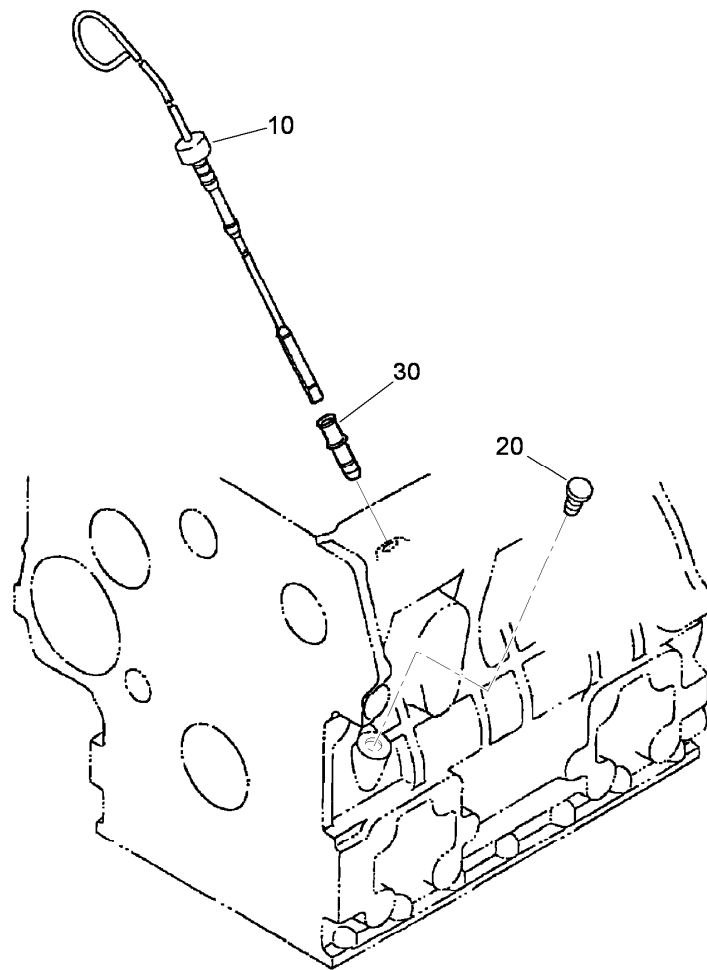
<i>Ref.</i>	<i>Part Number</i>	<i>Qty.</i>	<i>Description</i>
10	115-4105	1	Gear Case ASM
20	98-9598	2	Plug
25	98-7487	1	Plug
30	98-7562	1	Washer-Plain
40	98-9388	1	Joint-Pipe
50	98-9544	1	Spring
60	98-9543	1	Seat-Valve
70	98-9380	1	Ball
80	98-9540	1	Oil Pump Rotor ASM
85	107-9069	1	Cover-Pump, Oil
90	107-9071	5	Screw
100	107-9072	2	Pin-Straight
110	98-9633	1	Gasket-Case, Gear

<i>Ref.</i>	<i>Part Number</i>	<i>Qty.</i>	<i>Description</i>
120	107-9073	3	Bolt
130	105-3797	4	Bolt
140	98-9356	4	Bolt
150	107-9074	1	Bolt
160	98-9586	1	Bolt
170	105-3709	1	Stud
180	98-7572	1	Nut
190	98-7699	1	Washer-Spring
200	98-9482	1	Seal-Oil
210	105-3710	2	Stud
220	98-9641	1	Cover-Case, Gear
230	108-3841	1	Filter-Oil



## Cylinder Head Cover Assembly

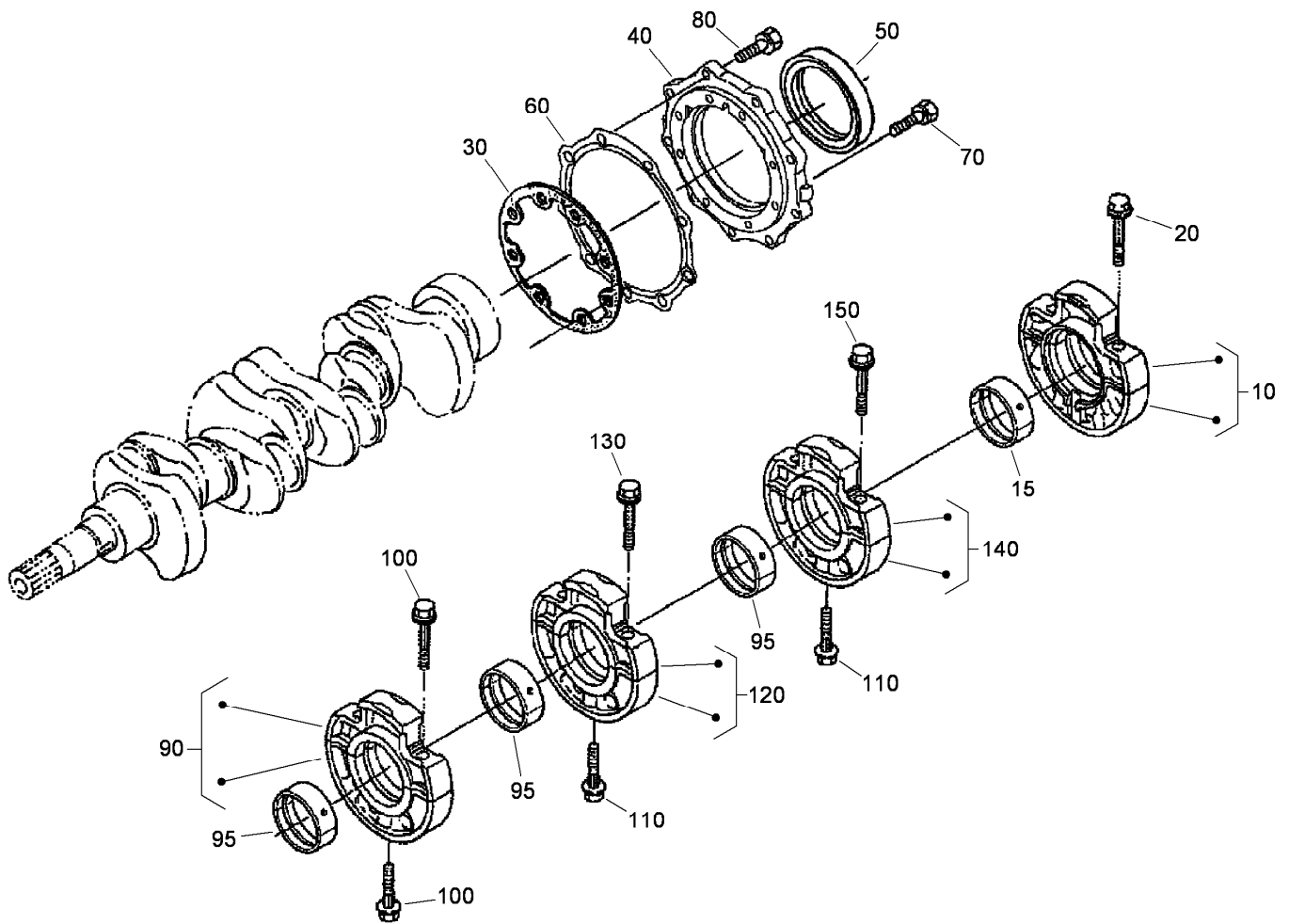
<i>Ref.</i>	<i>Part Number</i>	<i>Qty.</i>	<i>Description</i>
10	115-3038	1	Cylinder Head Cover ASM
30	105-3712	1	Gasket-Cover, Head
40	108-2861	1	Breather Valve ASM
50	108-2862	1	Cover-Breather
60	98-9364	4	Screw (With Washer)
70	98-7766	1	Pipe-Return, Water
80	98-9455	4	Nut-Cap
90	98-9454	4	Gasket
100	107-9075	1	Plug-Filler, Oil
110	99-3446	1	O-Ring
120	108-2858	1	Tube-Breather
130	108-2859	1	Clamp-Hose
140	108-2860	1	Clamp-Hose



## Dipstick and Guide Assembly

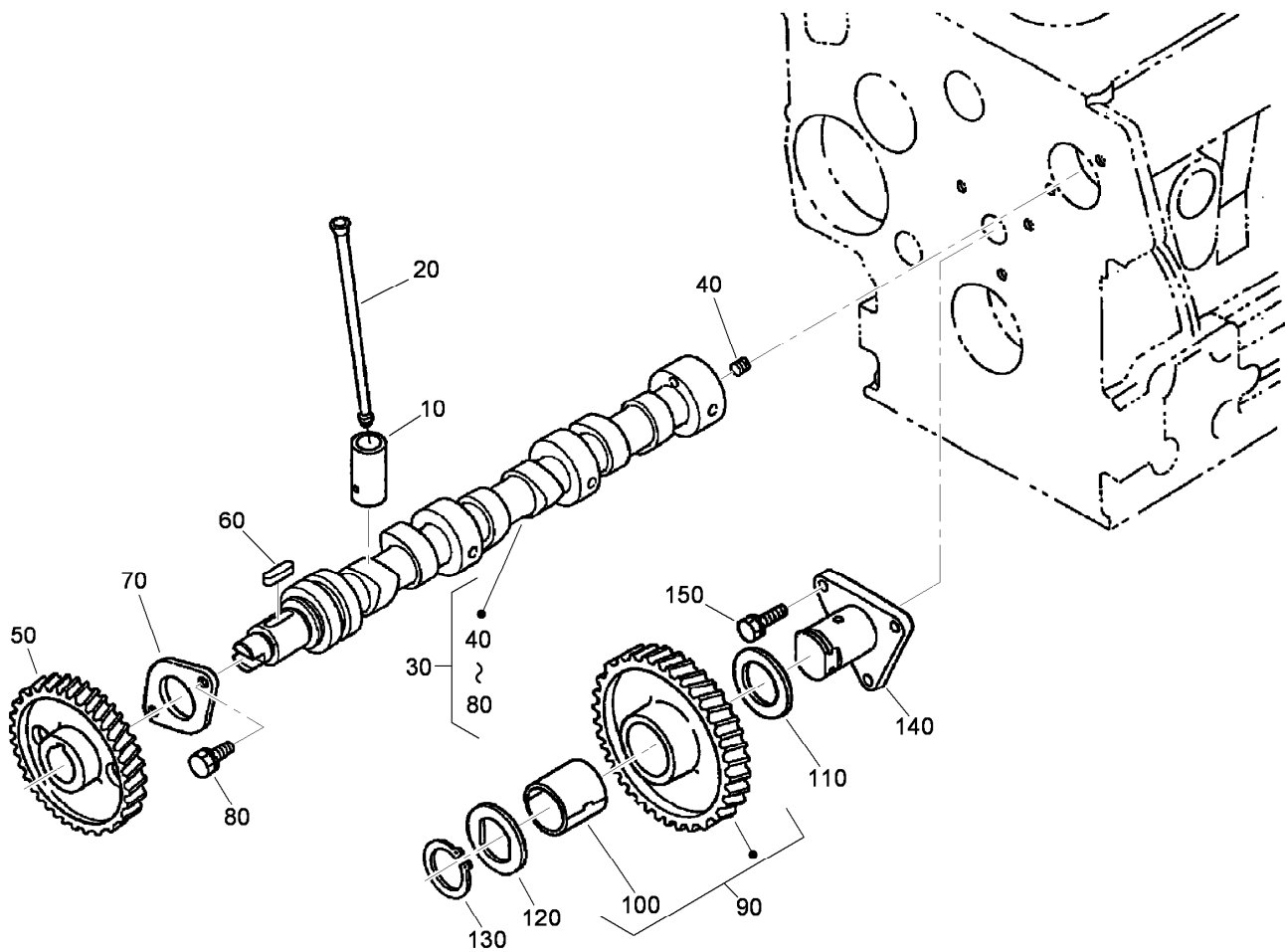
<i>Ref.</i>	<i>Part Number</i>	<i>Qty.</i>	<i>Description</i>
10	105-3714	1	Gauge-Oil
20	110-3720	1	Plug-Gauge, Oil
30	105-4580	1	Guide-Gauge, Oil





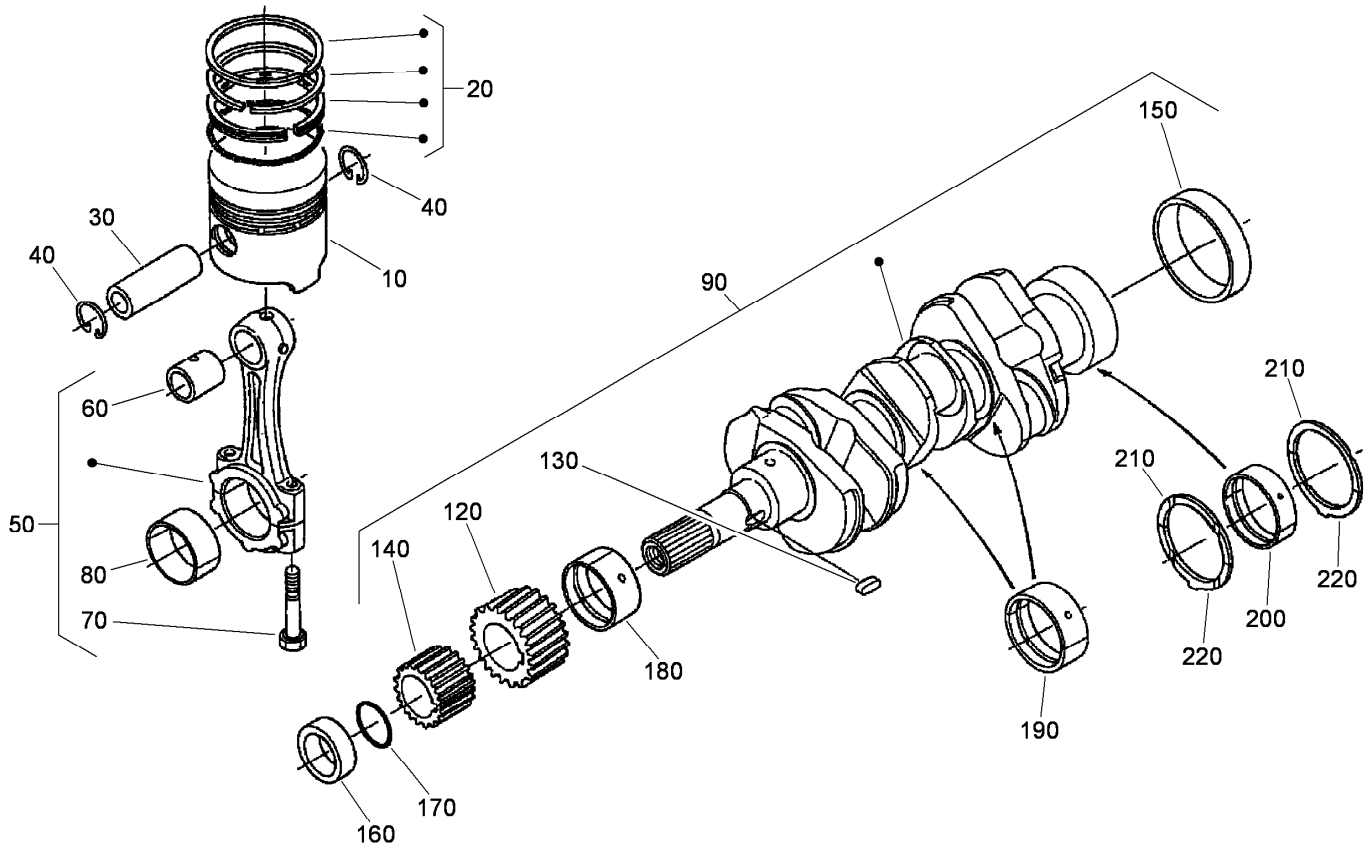
## Main Bearing Case Assembly

<i>Ref.</i>	<i>Part Number</i>	<i>Qty.</i>	<i>Description</i>
10	112-7026	1	Wheel Bearing Case ASM
15	112-7045	1	Metal-Crankshaft
20	98-9484	2	Bolt-Case, Bearing
30	98-9634	1	Gasket-Case, Bearing
40	112-7046	1	Cover-Case, Bearing
50	112-0180	1	Seal-Oil
60	112-7037	1	Gasket-Cover, Case
70	98-9352	8	Bolt
80	98-7568	9	Bolt
90	115-4106	1	Main Bearing Case ASM
95	98-9524	1	Metal-Crankshaft (STD Set)
100	98-9484	2	Bolt-Case, Bearing
110	98-9485	3	Bolt-Case, Bearing
120	115-4107	1	Main Bearing Case ASM
130	98-9484	2	Bolt-Case, Bearing
140	115-4108	1	Main Bearing Case ASM
150	98-9484	2	Bolt-Case, Bearing



## Cam Shaft and Idle Gear Assembly

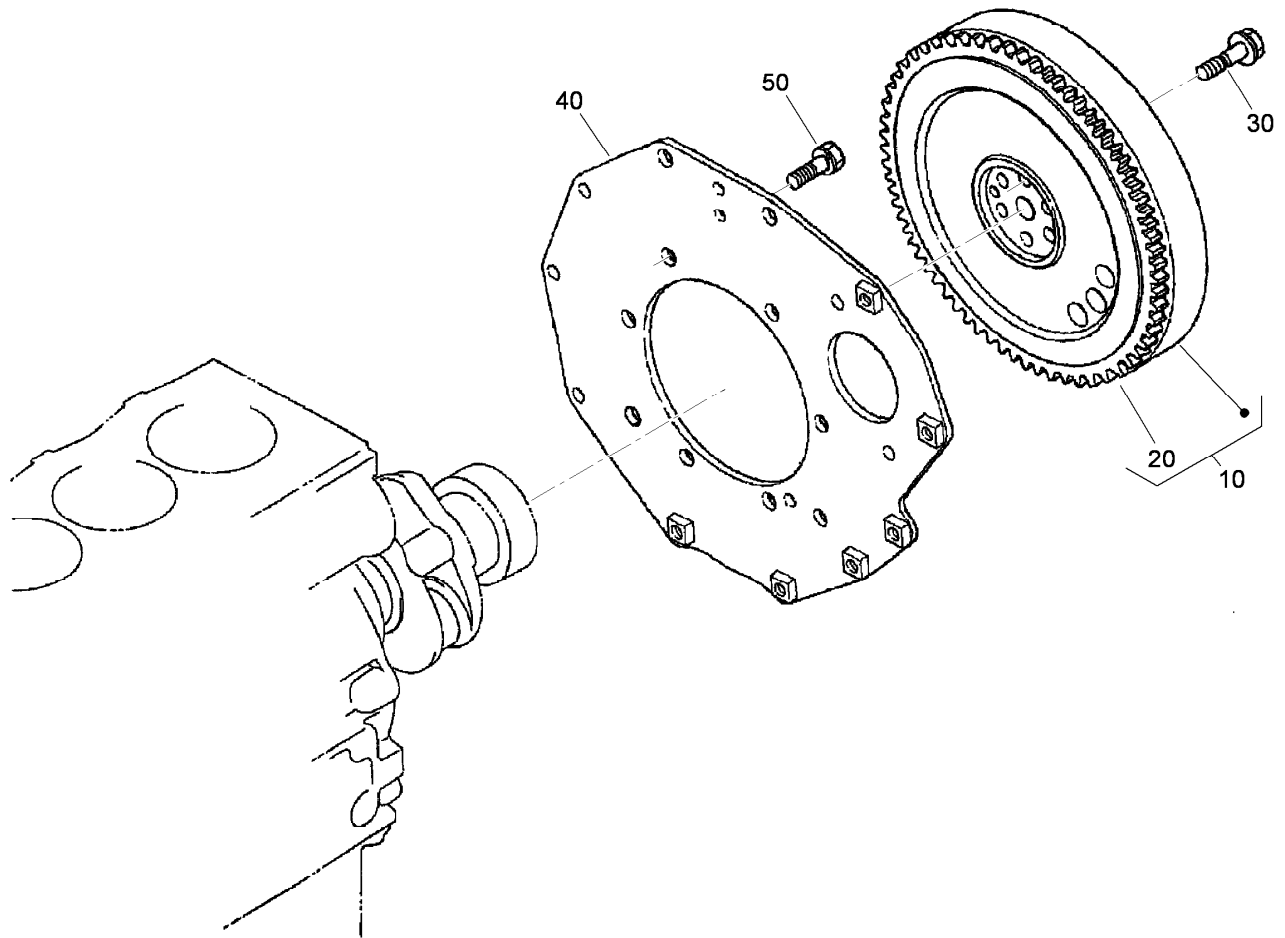
<i>Ref.</i>	<i>Part Number</i>	<i>Qty.</i>	<i>Description</i>
10	112-0185	8	Tappet
20	98-9509	8	Rod-Push
30	108-2865	1	Camshaft ASM
40	98-7449	1	Screw-Set
50	98-9512	1	Gear-Cam
60	98-9378	1	Key-Feather
70	98-9510	1	Stopper-Camshaft
80	98-7692	2	Bolt
90	98-9649	1	Idle Gear ASM
100	98-9650	1	Bushing-Gear, Idle
110	98-9535	1	Collar-Gear, Idle
120	98-9536	1	Collar-Gear, Idle
130	98-9534	1	Circlip-Gear, Idle
140	98-9533	1	Shaft-Gear, Idle
150	98-7692	3	Bolt



## Piston and Crankshaft Assembly

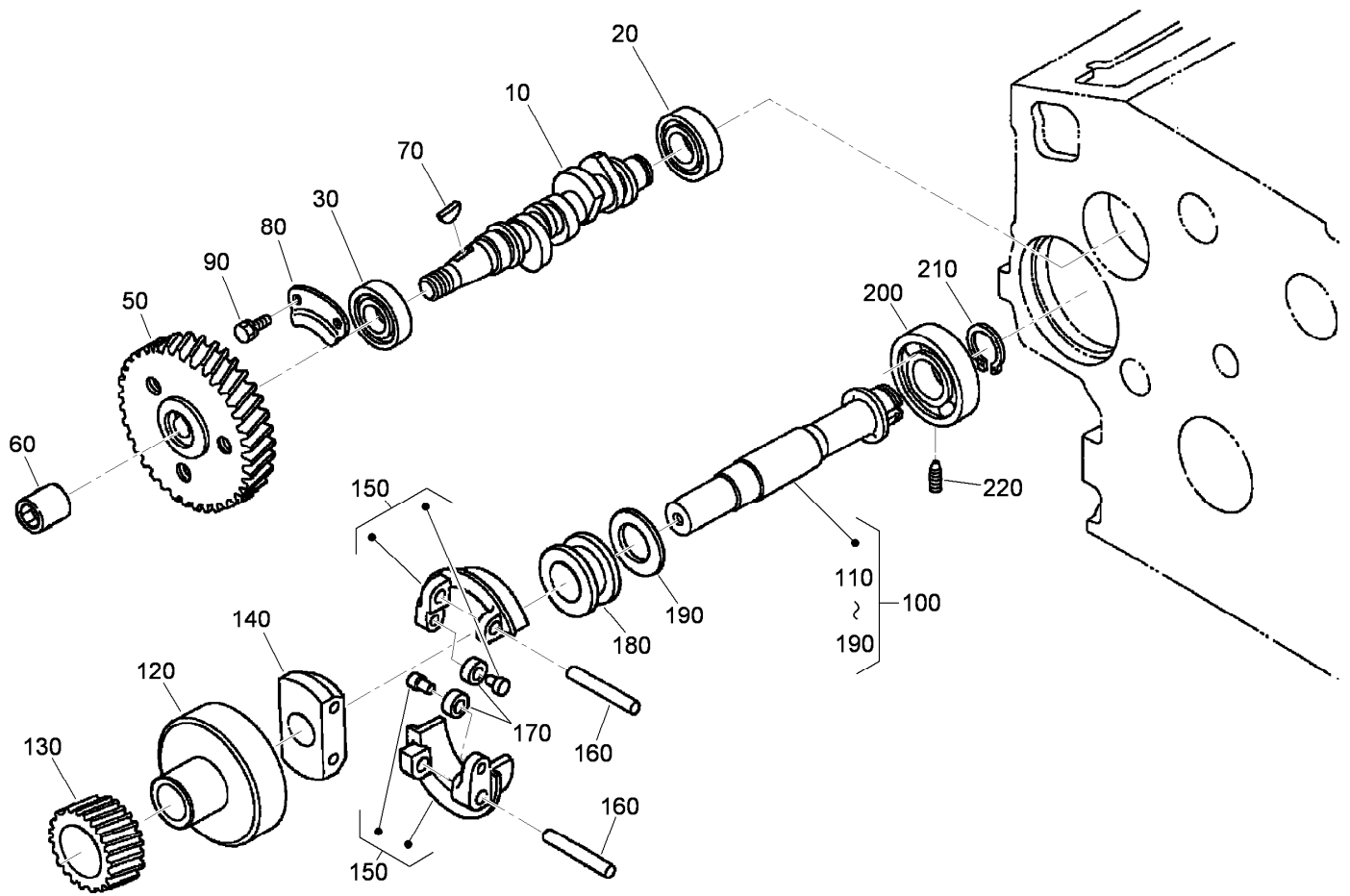
Ref.	Part Number	Qty.	Description
10	112-8404	4	Piston (STD)
10	112-8414	4	Piston (+0.5Mm)
20	98-9551	4	Piston Ring ASM (STD)
20	108-1404	4	Piston Ring ASM (0.5Mm)
30	98-9513	4	Pin-Piston
40	98-9514	8	Circlip-Pin, Piston
50	115-3013	4	Connecting Rod ASM
60	115-3014	4	Bushing-Pin, Piston
70	98-9517	8	Bolt-Rod, Connecting
80	98-9518	4	Metal-Crankpin (STD)
80	98-9519	4	Bearing-Rod (0.2Mm)
80	98-9520	4	Bearing-Rod (0.4Mm)
90	105-3718	1	Crankshaft ASM
120	98-9532	1	Gear-Crankshaft
130	98-9666	1	Key
140	98-9542	1	Gear-Drive, Oil Pump
150	98-9522	1	Sleeve-Crankshaft

Ref.	Part Number	Qty.	Description
160	98-9521	1	Collar-Crankshaft
170	105-3783	1	O-Ring
180	98-9523	1	Metal Crankshaft (STD)
180	98-9528	1	Bearing-Main (0.2Mm)
180	98-9529	1	Bearing-Main (0.4Mm)
190	98-9524	3	Metal-Crankshaft (STD Set)
190	98-9530	3	Bearing-Main (0.2Mm)
190	98-9531	3	Bearing-Main (0.4Mm)
200	112-7045	1	Metal-Crankshaft
200	112-7039	1	Metal-Crankshaft (0.2Mm)
200	112-7040	1	Metal-Crankshaft (-0.4Mm)
210	98-9413	2	Bearing-Thrust (STD)
210	98-9414	2	Bearing-Thrust (0.2Mm)
210	98-9415	2	Bearing-Thrust (0.4Mm)
220	98-9688	2	Bearing-Thrust (STD)
220	98-9689	2	Bearing-Thrust (0.2Mm)
220	98-9690	2	Bearing-Thrust (0.4Mm)



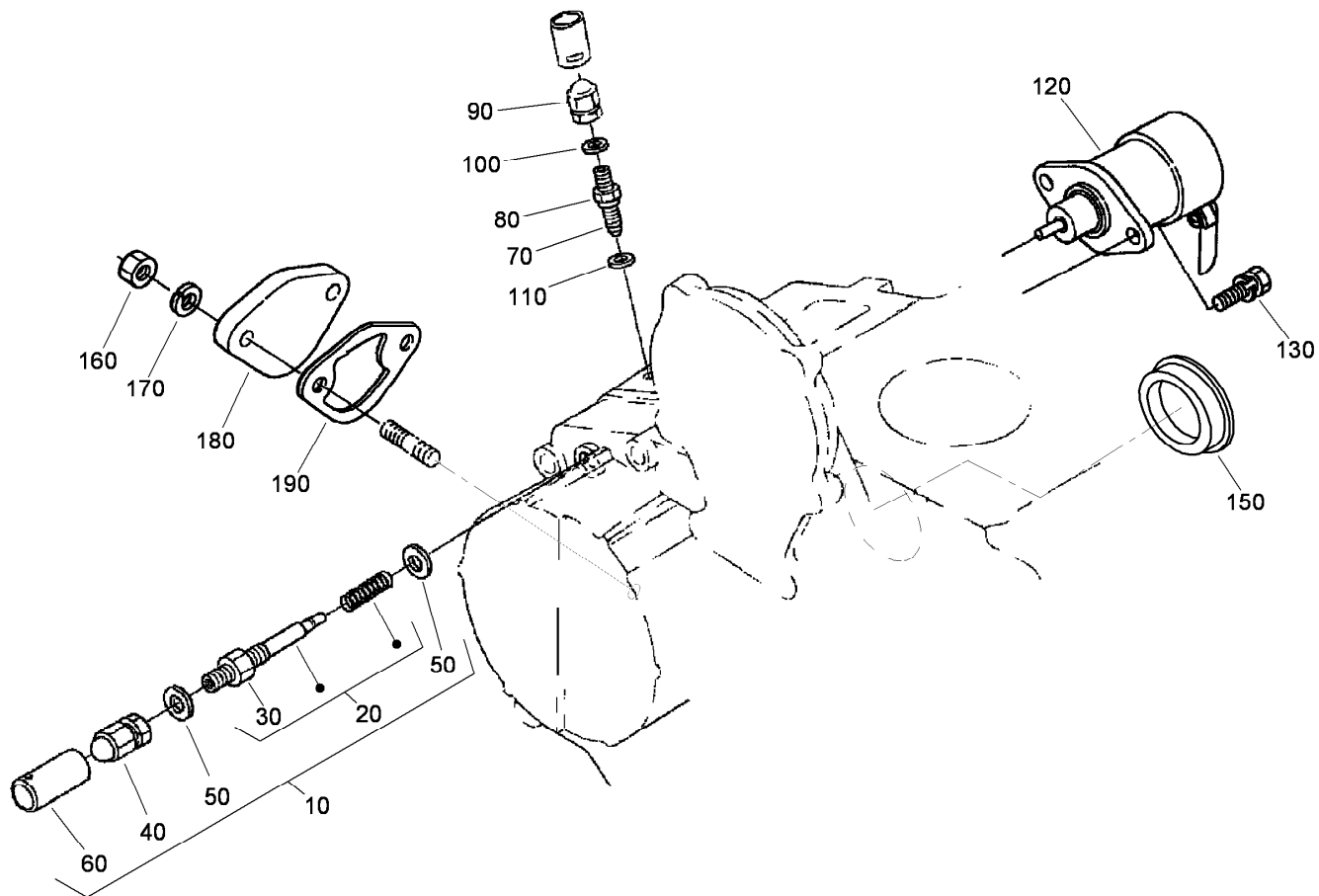
## Flywheel Assembly

<i>Ref.</i>	<i>Part Number</i>	<i>Qty.</i>	<i>Description</i>
10	105-3721	1	Flywheel ASM
20	115-3015	1	Gear-Ring
30	98-9537	6	Bolt-Flywheel
40	98-9486	1	Plate-End, Rear
50	98-9392	8	Bolt



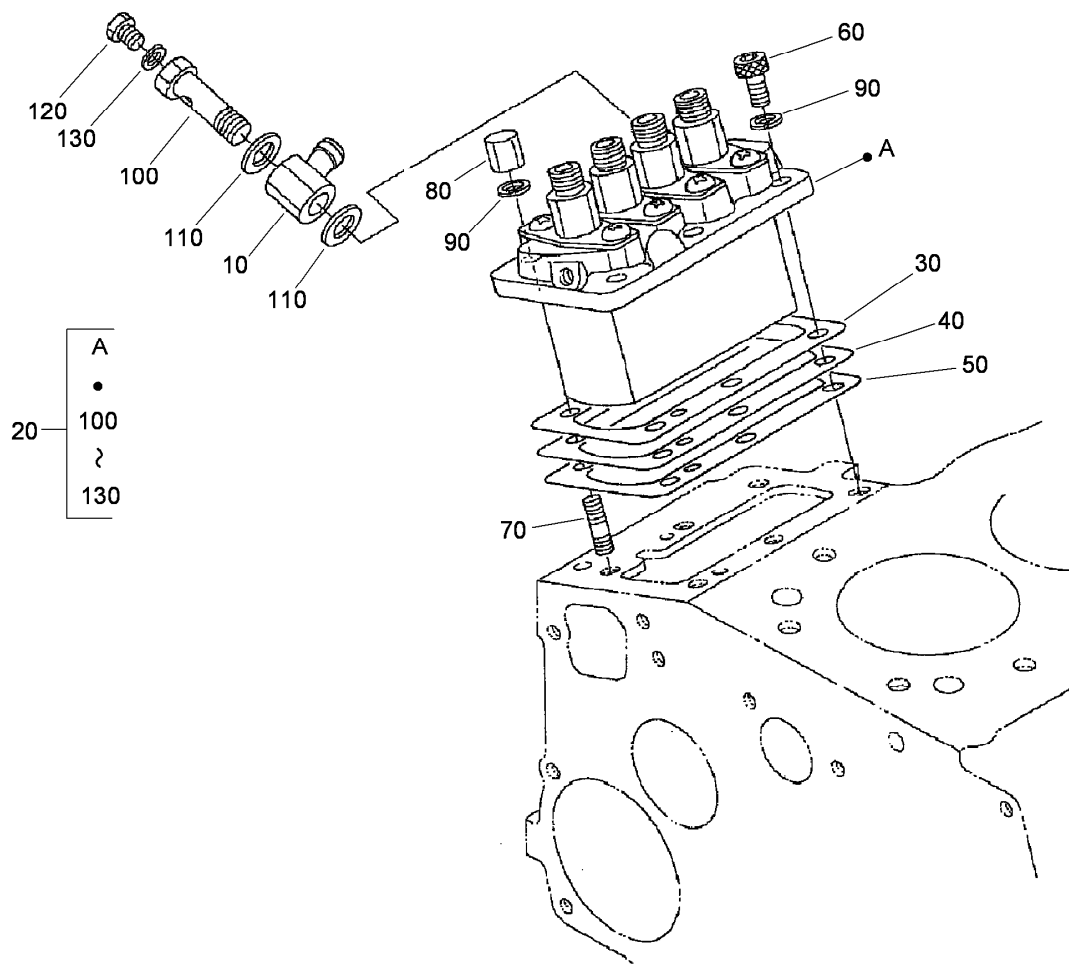
## Fuel Camshaft and Governor Shaft Assembly

<i>Ref.</i>	<i>Part Number</i>	<i>Qty.</i>	<i>Description</i>
10	105-3723	1	Camshaft-Fuel
20	107-9077	1	Bearing-Ball
30	107-9078	1	Bearing-Ball
50	98-9669	1	Gear-Pump, Injection
60	98-9590	1	Nut-Cap
70	98-9595	1	Key-Woodruff
80	98-9511	1	Stopper-Fuel, Camshaft
90	98-7692	2	Bolt
100	105-3724	1	Governor Shaft ASM
110	105-3725	1	Shaft, Governor
120	98-9562	1	Holder-Gear, Governor
130	98-9673	1	Gear-Governor
140	98-9561	1	Holder-Weight, Governor
150	98-9559	2	Governor Weight ASM
160	98-9560	2	Shaft-Weight, Governor
170	98-9692	2	Roller
180	98-9563	1	Sleeve-Governor
190	98-9564	1	Washer-Thrust
200	107-9079	1	Bearing-Ball
210	98-9657	1	Circlip-Shaft, Governor
220	98-9565	1	Screw-Set



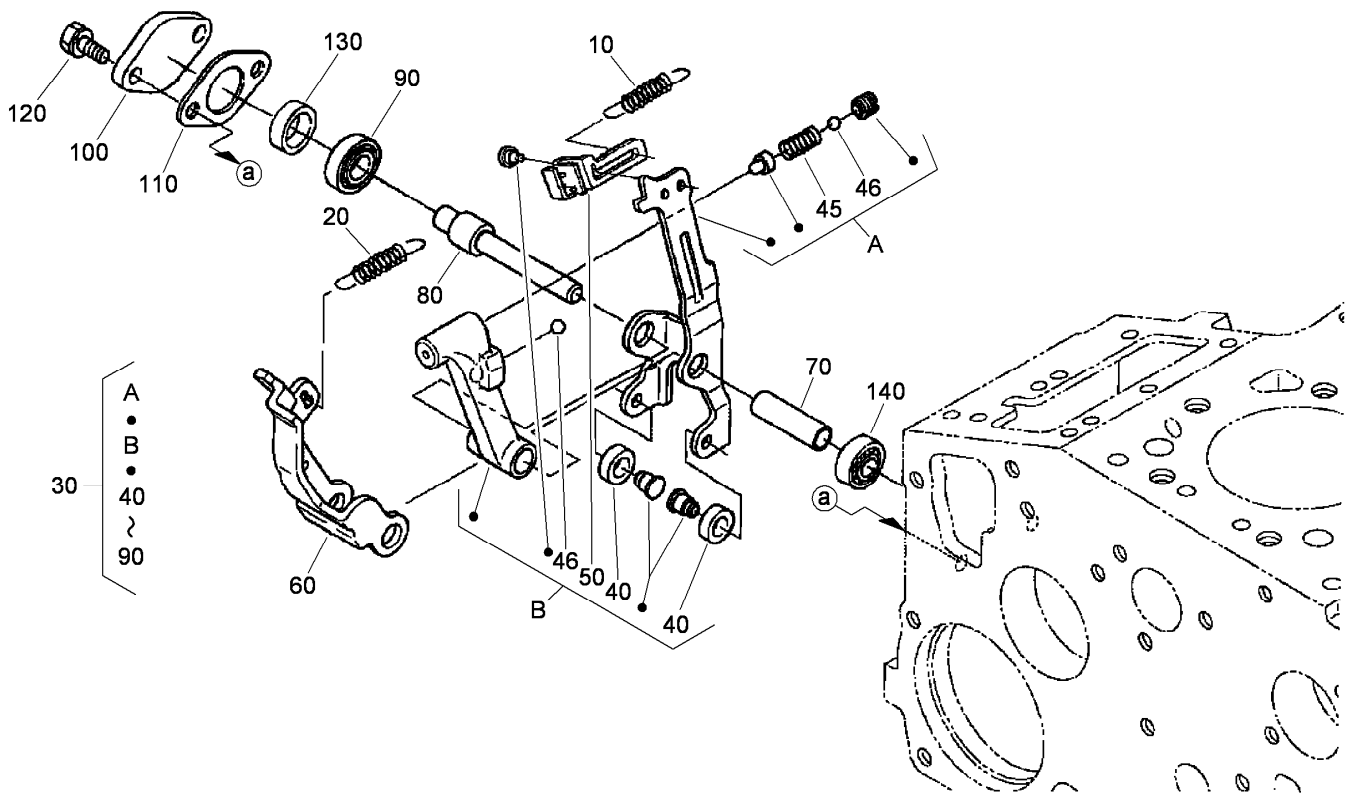
## Idle Apparatus Assembly

<i>Ref.</i>	<i>Part Number</i>	<i>Qty.</i>	<i>Description</i>
10	98-9678	1	Idle Apparatus ASM
20	112-7014	1	Adjusting Bolt ASM
30	98-9439	1	Nut
40	112-0181	1	Nut
50	98-7654	2	Gasket
60	98-7656	1	Cap
70	112-7015	1	Bolt-Adjusting
80	99-3512	1	Nut
90	112-0181	1	Nut
100	98-7654	1	Gasket
110	107-9081	1	Gasket
120	104-5155	1	Solenoid-Stop
130	115-3039	2	Bolt-HSH
150	112-7016	1	Cover-Pump
160	98-7572	2	Nut
170	98-7699	2	Washer-Spring
180	99-3514	1	Cover
190	98-9636	1	Gasket-Pump, Fuel



## Injection Pump Assembly

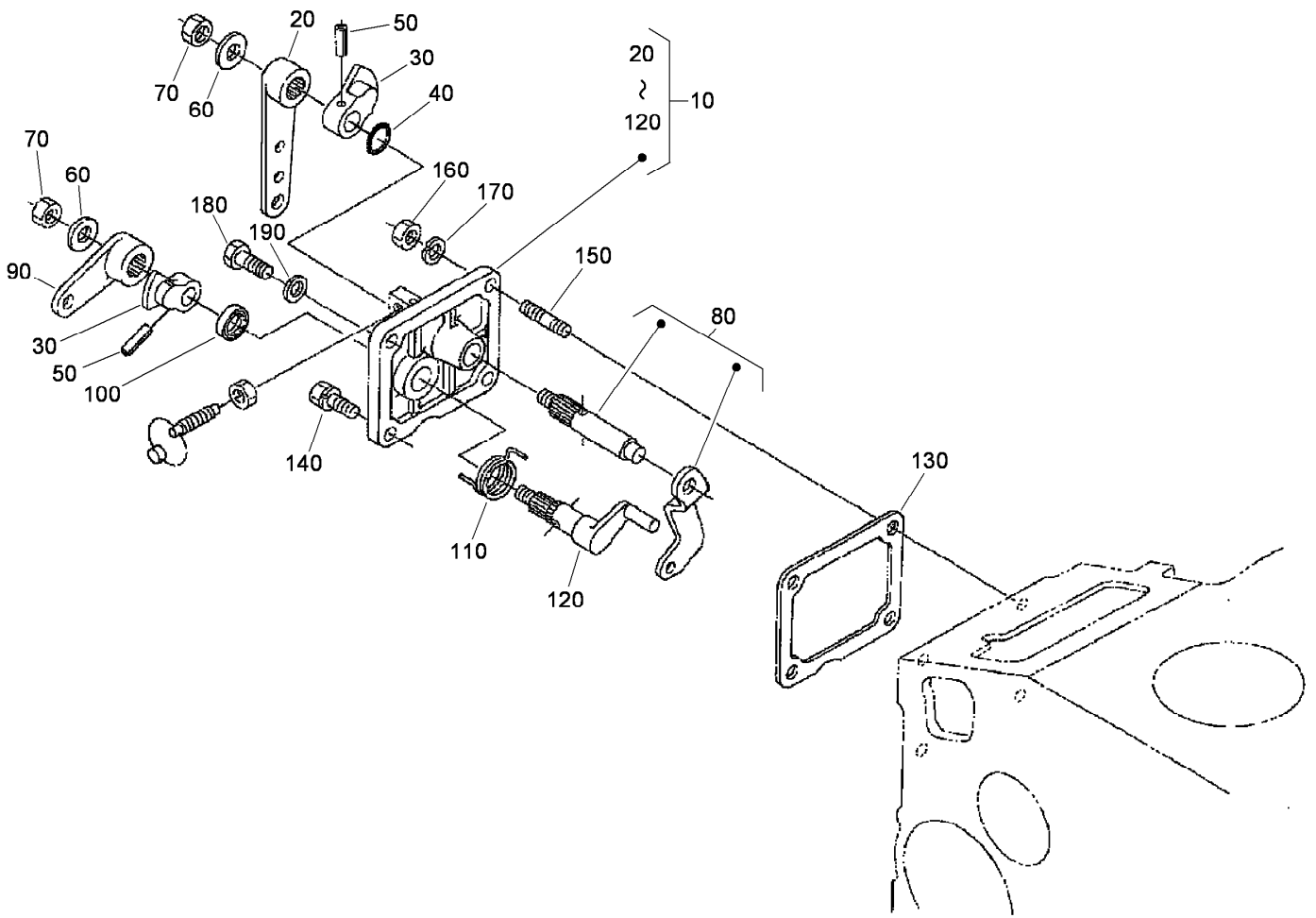
<i>Ref.</i>	<i>Part Number</i>	<i>Qty.</i>	<i>Description</i>
10	98-9596	1	Joint-Eye
20	105-3727	1	Injection Pump ASM
30	105-3728	1	Shim-Pump, Injection (.20Mm)
40	105-3729	1	Shim-Pump, Injection (.25Mm)
50	105-3730	1	Shim-Pump, Injection (.30Mm)
60	98-9361	3	Bolt-HSH
70	98-9438	3	Stud
80	98-9440	3	Nut-Cap
90	98-7699	6	Washer-Spring
100	98-9464	1	Bolt-Joint
110	98-9445	2	Gasket
120	98-9430	1	Screw
130	98-9446	1	Gasket



## Governor Assembly

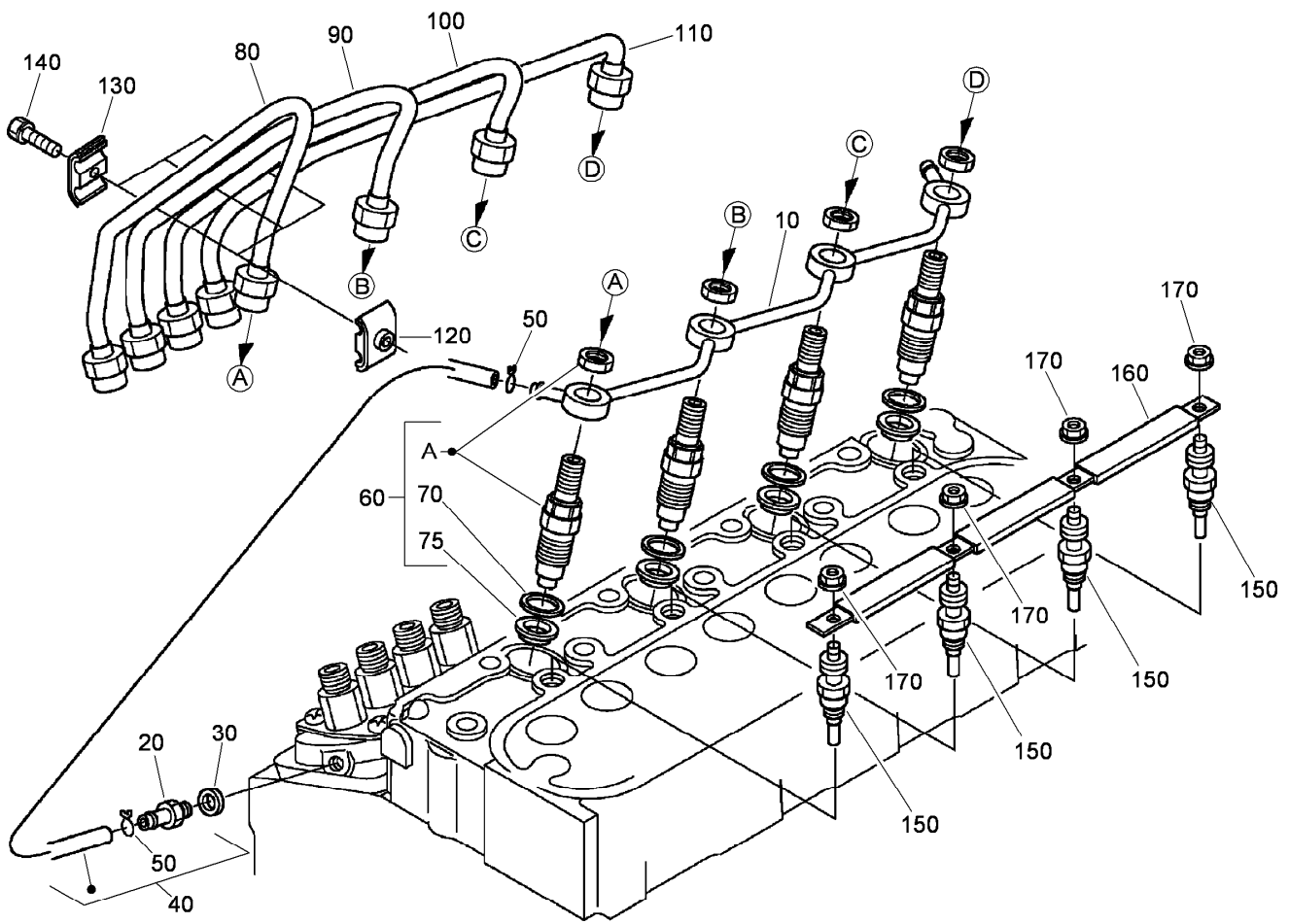
<i>Ref.</i>	<i>Part Number</i>	<i>Qty.</i>	<i>Description</i>
10	105-3741	1	Spring-Start
20	98-9681	1	Spring-Governor
30	107-9082	1	Fork Lever ASM
40	98-9692	2	Roller
45	108-2867	1	Spring
46	98-7580	2	Ball
50	107-9083	1	Lever-Thrust
60	107-9084	1	Lever-Fork
70	107-9085	1	Shaft-Lever, Fork
80	107-9086	1	Shaft-Lever, Fork
90	98-9570	1	Bearing-Miniaturize
100	98-9569	1	Cover-Shaft, Fork Lever
110	98-9682	1	Gasket
120	98-9350	2	Bolt
130	98-9567	1	Collar
140	98-9571	1	Bearing-Miniaturize





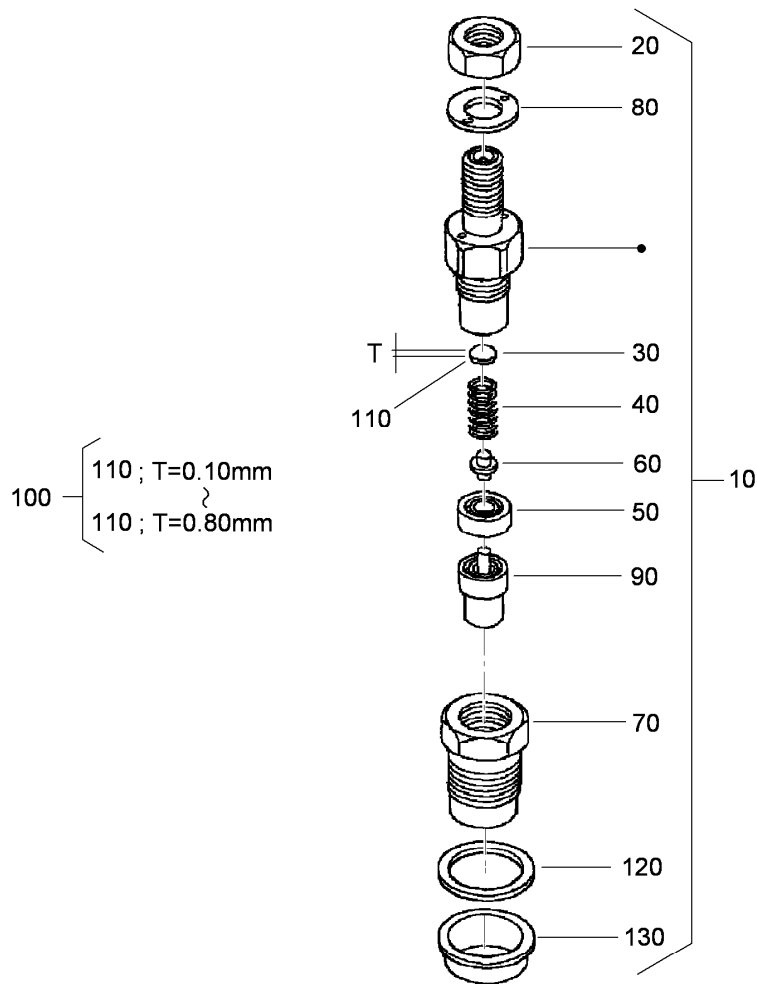
## Speed Control Plate Assembly

<i>Ref.</i>	<i>Part Number</i>	<i>Qty.</i>	<i>Description</i>
10	105-3735	1	Control Plate ASM
20	98-9662	1	Lever-Control, Speed
30	98-9572	2	Lever-Control, Speed
40	105-3788	1	O-Ring
50	98-7602	2	Pin-Spring
60	98-9594	2	Washer-Plain
70	98-9589	2	Nut
80	98-9658	1	Governor Lever ASM
90	98-9663	1	Lever-Stop, Engine
100	98-7601	1	Seal-Oil
110	98-9472	1	Spring-Return
120	98-9664	1	Shaft-Lever, Stop
130	98-9637	1	Gasket
140	98-7692	1	Bolt
150	105-3710	2	Stud
160	98-7572	2	Nut
170	98-7699	2	Washer-Spring
180	99-8348	1	Bolt
190	98-7654	2	Gasket



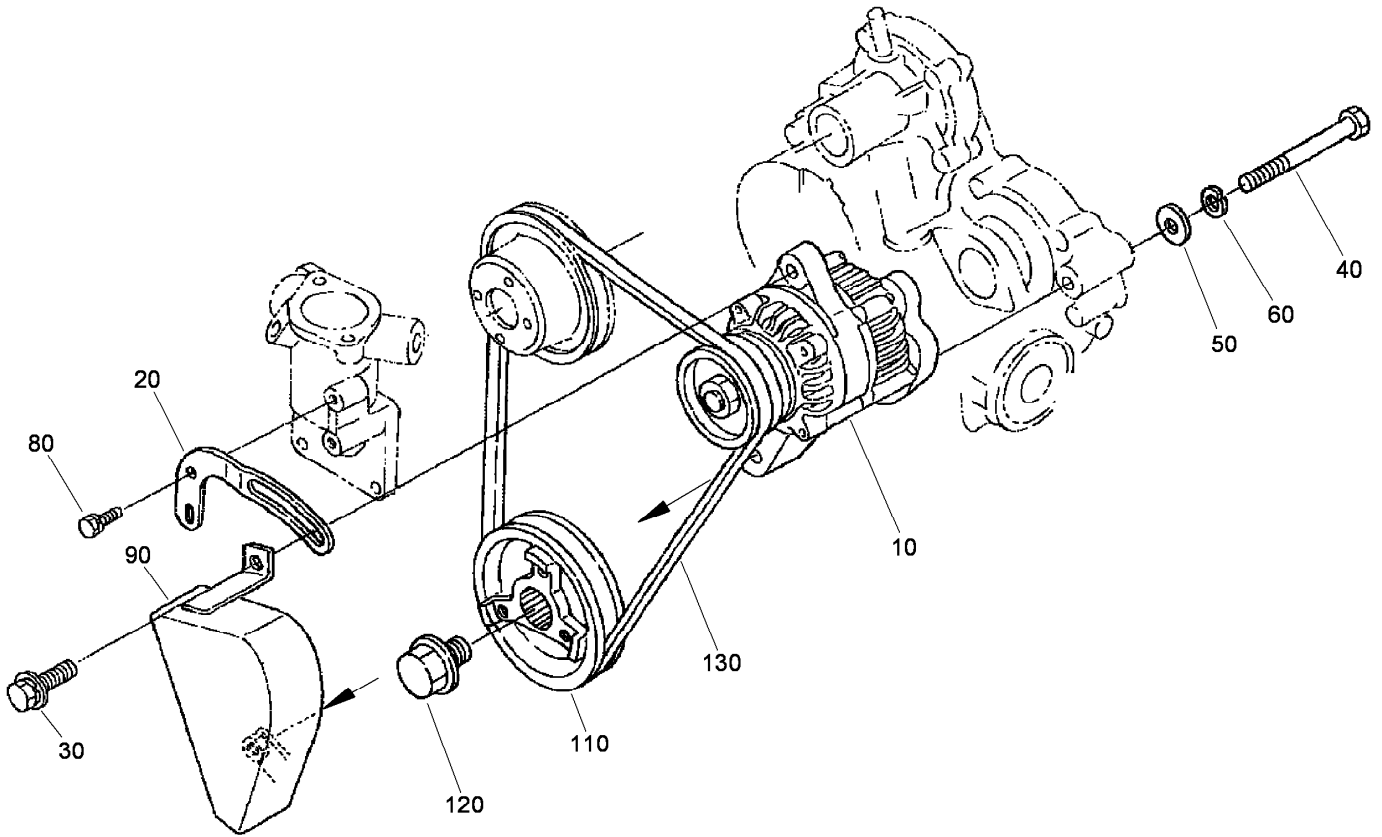
## Nozzle Holder and Glow Plug Assembly

Ref.	Part Number	Qty.	Description
10	105-3737	1	Over Flow Pipe ASM
20	98-9431	1	Screw-Bleeder, Air
30	98-7654	1	Gasket
40	98-9420	1	Overflow Pipe ASM
50	98-7671	2	Clip-Pipe
60	115-3018	4	Nozzle Holder Kit
70	98-7676	4	Gasket
75	98-7677	4	Seal-Heat
80	98-9653	1	Pipe-Injection
90	98-9654	1	Pipe-Injection
100	98-9655	1	Pipe-Injection
110	105-3738	1	Pipe-Injection
120	98-7682	3	Clamp-Pipe
130	98-7683	3	Clamp-Pipe
140	98-7684	3	Screw (W/Washer)
150	115-3019	4	Plug-Glow
160	105-3739	1	Cord-Plug, Glow
170	99-8377	4	Nut-Flange



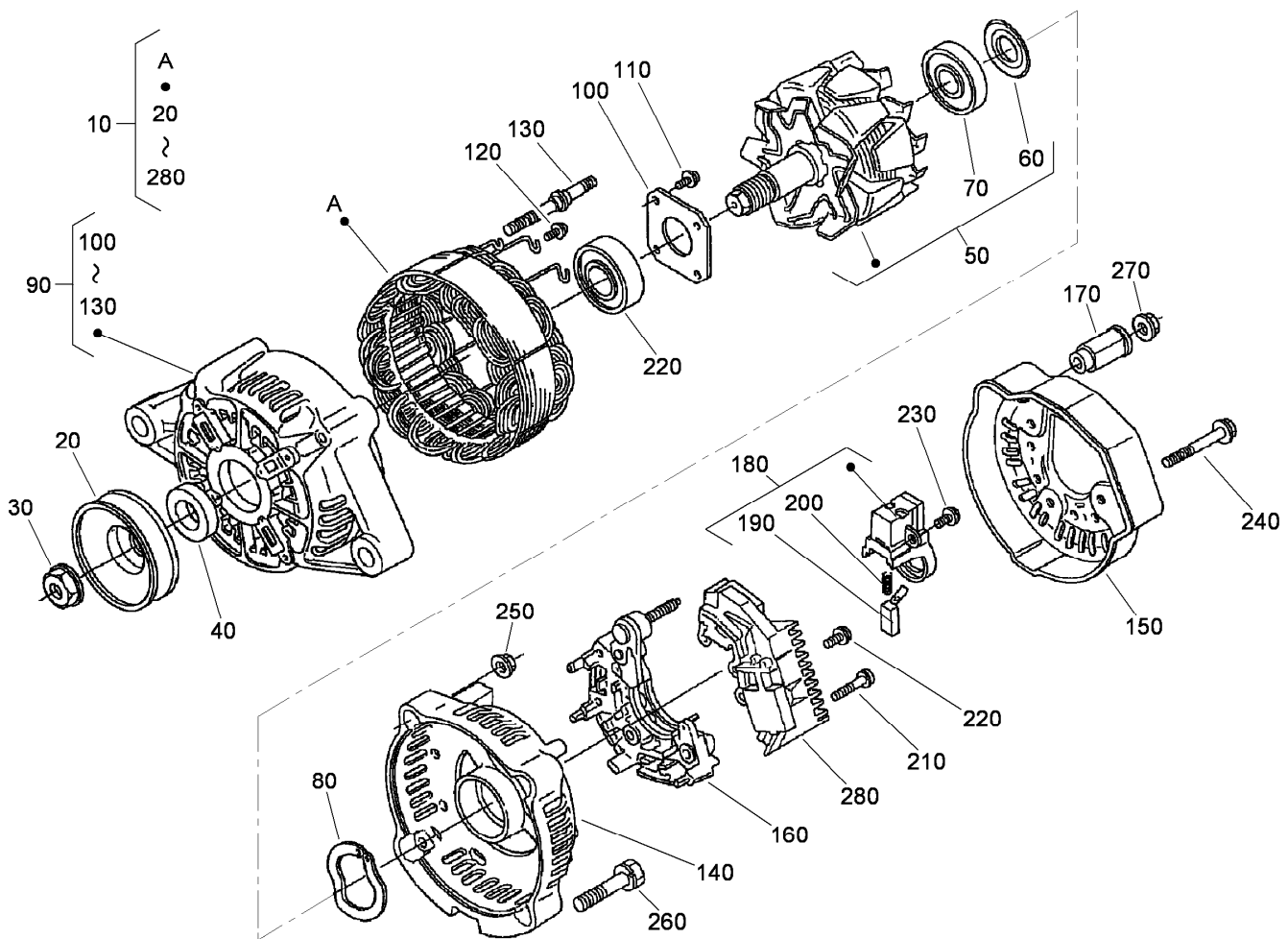
## Nozzle Holder Component Assembly

Ref.	Part Number	Qty.	Description
10	115-3018	4	Nozzle Holder Kit
20	99-8301	4	Nut
30	99-8302	4	Washer-Adjusting
40	99-8303	4	Spring-Nozzle
50	99-8304	4	Spacer-Distance
60	99-8305	4	Rod-Push
70	99-8306	4	Nut-Nozzle
80	99-8307	4	Washer-Plain
90	115-3020	4	Piece-Nozzle
100	99-8309	4	Adjusting Washer ASM
110	99-8310	4	Washer-Adjust (0.10Mm)
110	99-8311	4	Washer-Adjust (0.20Mm)
110	99-8312	4	Washer-Adjust (0.30Mm)
110	99-8313	4	Washer-Adjust (0.40Mm)
110	99-8314	4	Washer-Adjust (0.50Mm)
110	99-8315	4	Washer-Adjust (0.52Mm)
110	99-8316	4	Washer-Adjust (0.54Mm)
110	99-8317	4	Washer-Adjust (0.56Mm)
110	99-8318	4	Washer-Adjust (0.58Mm)
110	99-8319	4	Washer-Adjust (0.80Mm)
120	98-7676	4	Gasket
130	98-7677	4	Seal-Heat



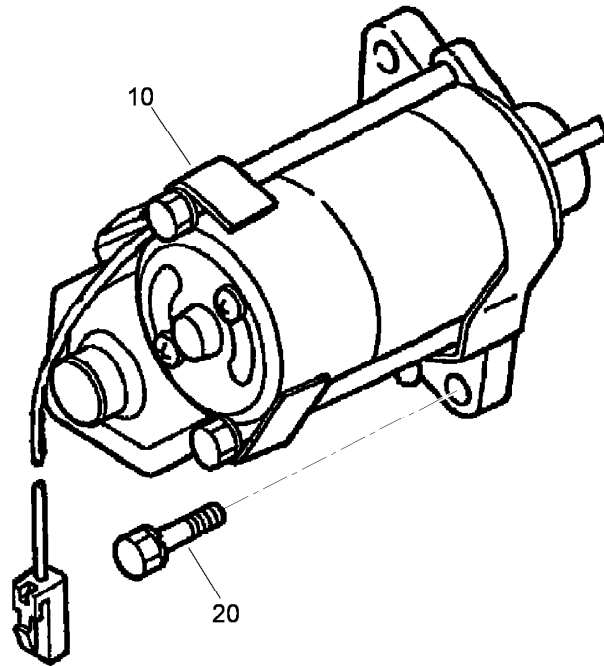
## Alternator and Pulley Assembly

<i>Ref.</i>	<i>Part Number</i>	<i>Qty.</i>	<i>Description</i>
10	98-9474	1	Alternator ASM
20	112-7047	1	Stay-Dynamo
30	108-7088	1	Bolt
40	98-9360	1	Bolt
50	98-7696	1	Washer-Plain
60	98-7738	1	Washer-Spring
80	98-7692	1	Bolt
90	108-2868	1	Cover-Belt
110	105-3745	1	Pulley-Drive, Fan
120	98-9585	1	Bolt
130	98-9676	1	V-Belt



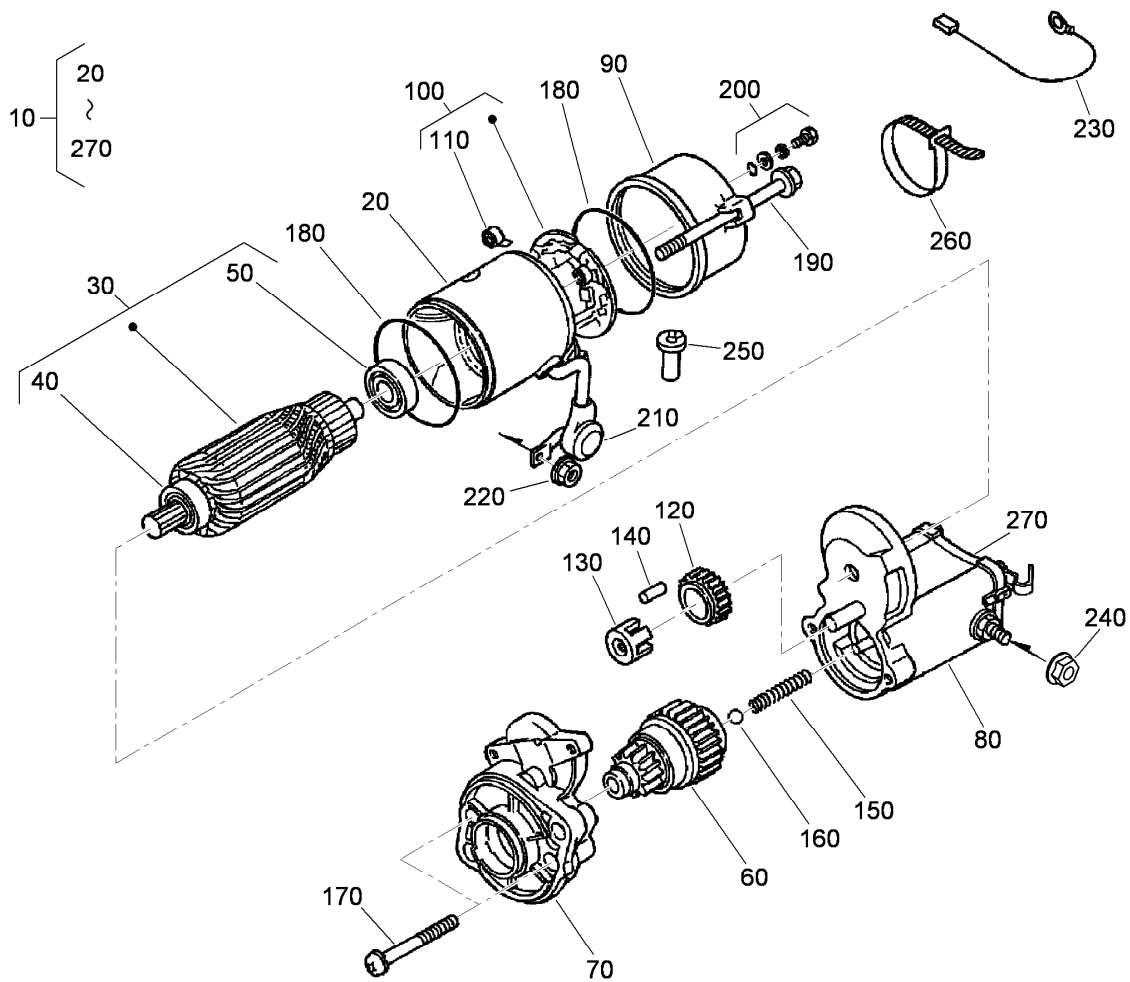
## Alternator Component Assembly

<i>Ref.</i>	<i>Part Number</i>	<i>Qty.</i>	<i>Description</i>	<i>Ref.</i>	<i>Part Number</i>	<i>Qty.</i>	<i>Description</i>
10	98-9474	1	Alternator ASM	150	107-0140	1	Cover-End
20	98-9453	1	Pulley-Dynamo	160	98-7721	1	Rectifier ASM
30	98-7708	1	Nut	170	98-7722	1	Bushing-Insulation
40	98-7709	1	Collar	180	107-0141	1	Brush Holder ASM
50	107-0136	1	Rotor ASM	190	98-7724	2	Brush
60	98-7711	1	Cover-Bearing	200	98-7725	2	Spring-Brush
70	107-0138	1	Bearing-Ball	210	98-7726	2	Screw-Head, Round
80	98-7713	1	Washer-Thrust	220	98-7727	6	Screw-Head, Round
90	107-0139	1	Drive End Frame ASM	230	98-7728	1	Screw-Head, Round
100	98-7715	1	Plate-Retainer	240	98-7729	3	Bolt
110	98-7716	4	Screw-Head, Round	250	98-7730	2	Nut
120	98-7717	2	Bolt-Through	260	98-7731	2	Bolt
130	107-0137	1	Bearing-Ball	270	98-7732	1	Nut
140	107-9087	1	Frame-End	280	107-9088	1	Regulator ASM



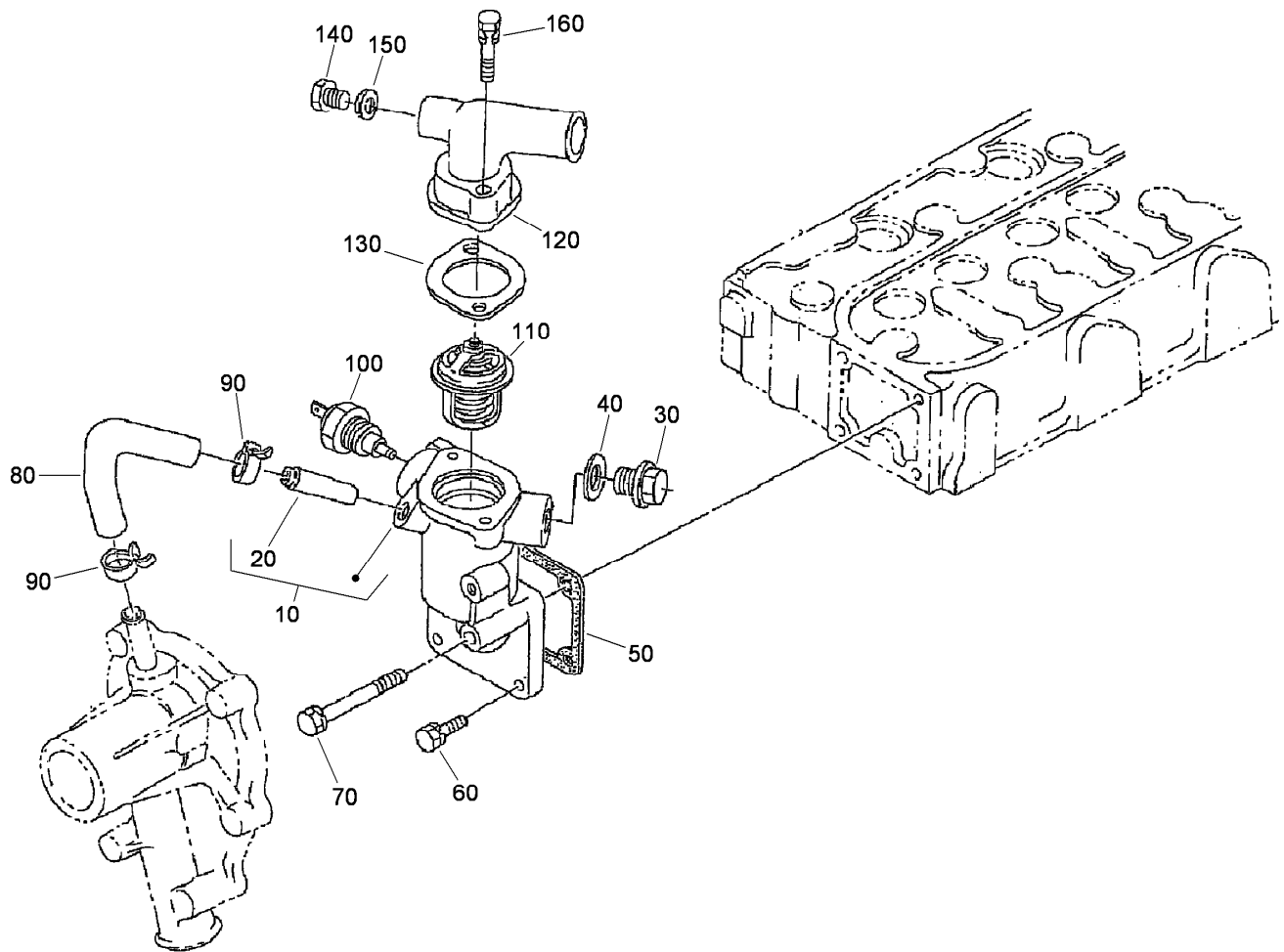
## Starter Assembly

<i>Ref.</i>	<i>Part Number</i>	<i>Qty.</i>	<i>Description</i>
10	98-9705	1	Starter ASM
20	98-7697	2	Bolt



## Starter (Component Part) Assembly

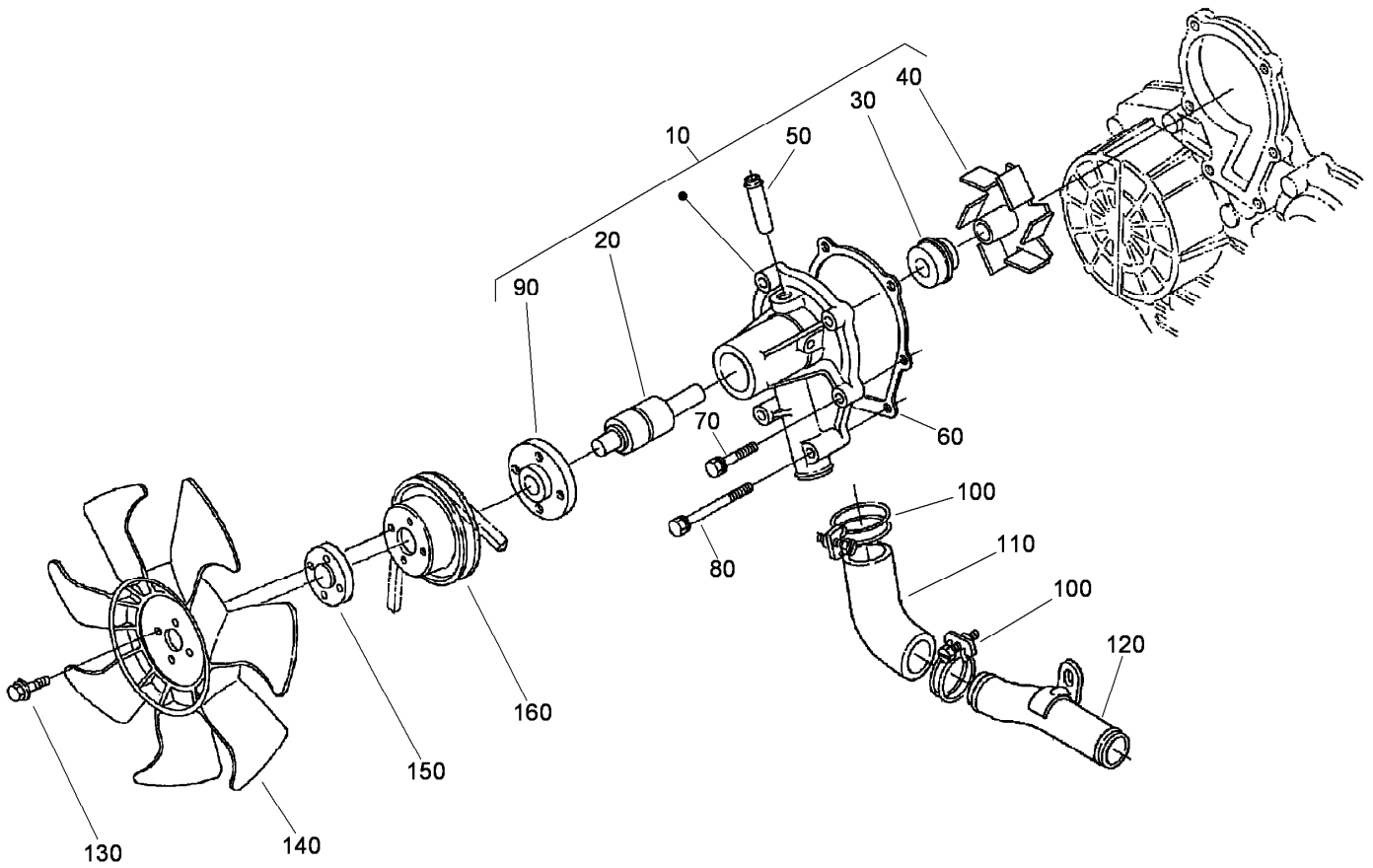
<i>Ref.</i>	<i>Part Number</i>	<i>Qty.</i>	<i>Description</i>	<i>Ref.</i>	<i>Part Number</i>	<i>Qty.</i>	<i>Description</i>
10	98-9705	1	Starter ASM	150	98-7754	1	Spring
20	104-8608	1	Yoke ASM	160	98-7755	1	Ball
30	98-7742	1	Armature ASM	170	98-7756	2	Bolt
40	98-7744	1	Bearing	180	98-7757	2	O-Ring
50	98-7743	1	Bearing	190	100-9240	2	Bolt
60	99-8373	1	Clutch-Running, Over	200	98-7758	2	Bolt ASM
70	99-8374	1	Frame-End, Drive	210	99-8375	1	Cover
80	105-3746	1	Magnetic Switch ASM	220	99-8371	1	Nut-Hex
90	98-7748	1	Frame-End	230	98-9711	1	Cord-Solenoid, Stop
100	98-7749	1	Brush Holder ASM	240	99-8376	1	Nut-Hex
110	98-7750	4	Spring-Brush	250	98-7759	1	Pipe-Drain
120	98-7751	1	Gear	260	98-9712	1	Band-Cover
130	98-7752	1	Retainer	270	105-2886	1	Cover ASM
140	98-7753	5	Roller				



## Water Flange and Thermostat Assembly

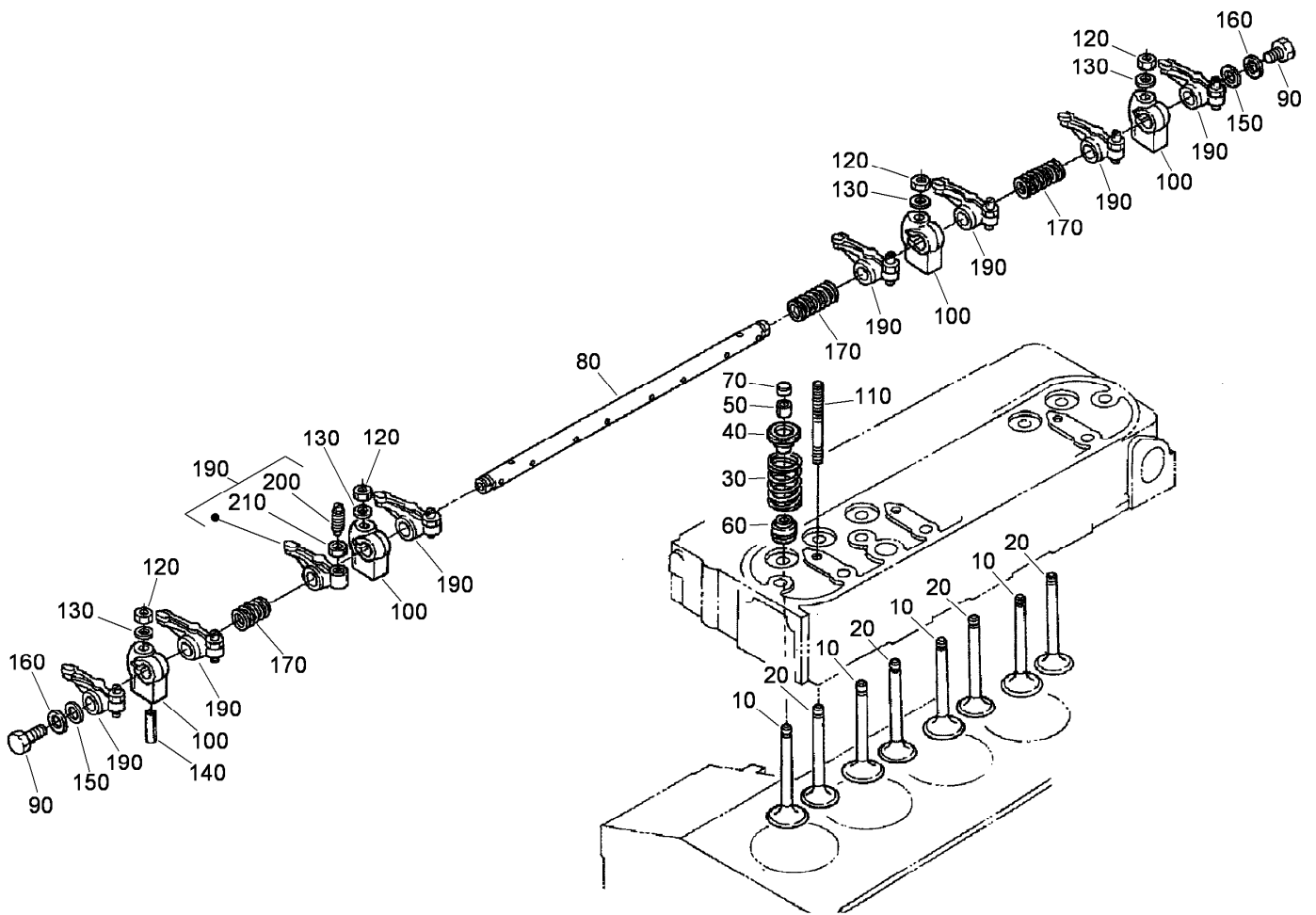
Ref.	Part Number	Qty.	Description
10	98-9713	1	Water Flange ASM
20	98-9580	1	Pipe-Return, Water
30	105-3747	1	Plug
40	99-3583	1	Gasket
50	98-9638	1	Gasket-Flange, Water
60	98-7692	3	Bolt
70	98-9356	1	Bolt
80	98-9578	1	Pipe-Return, Water
90	98-9579	2	Band-Pipe
100	98-9719	1	Thermoswitch
110	98-7778	1	Thermostat ASM
120	108-2869	1	Cover-Thermostat
130	105-3748	1	Gasket-Thermostat
140	108-2870	1	Plug-Drain
150	100-9155	1	Gasket
160	98-7777	2	Bolt





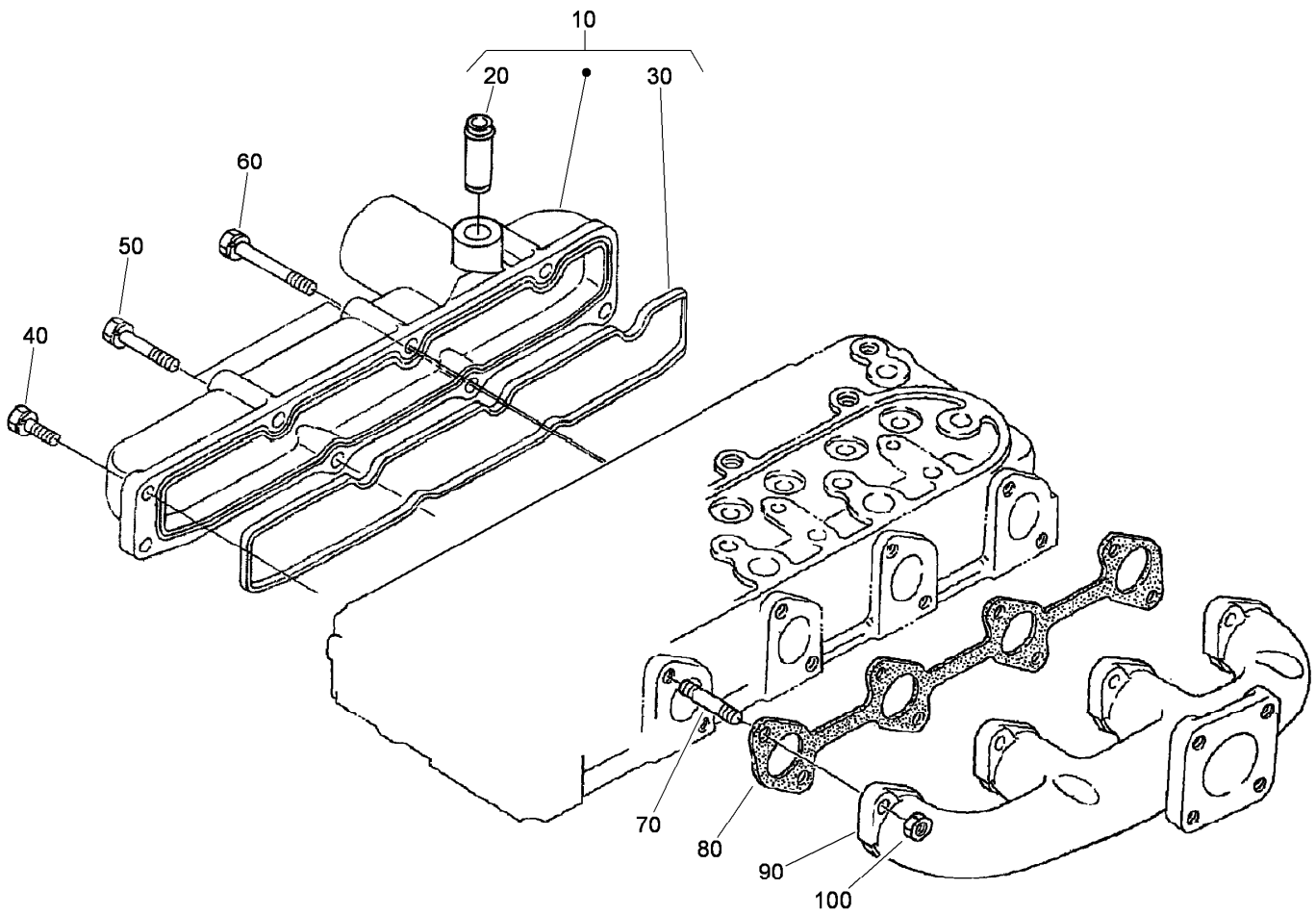
## Water Pump Assembly

<i>Ref.</i>	<i>Part Number</i>	<i>Qty.</i>	<i>Description</i>
10	107-9089	1	Water Pump ASM
20	99-3517	1	Bearing-Pump, Water
30	105-3750	1	Mechanical Seal ASM
40	112-7017	1	Impeller-Pump, Water
50	100-1932	1	Pipe-Return, Water
60	99-3454	1	Gasket-Pump, Water
70	98-9353	4	Bolt
80	107-9090	2	Bolt
90	99-3516	1	Flange-Pump, Water
100	98-9717	2	Clamp
110	107-9091	1	Pipe-Water
120	98-9716	1	Pipe-Water
130	108-2873	4	Bolt-Flange
140	108-2871	1	Fan
150	108-2872	1	Collar-Fan
160	98-9584	1	Pulley-Fan



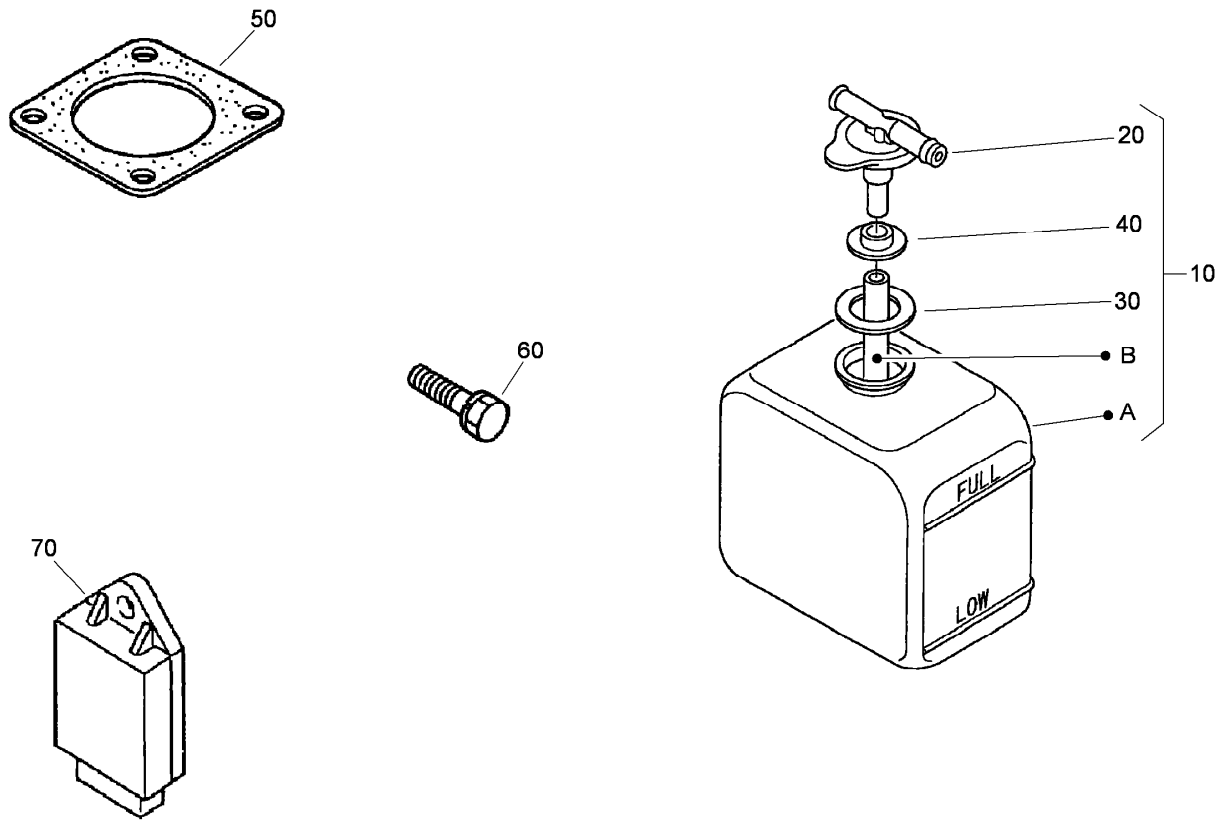
## Valve and Rocker Arm Assembly

Ref.	Part Number	Qty.	Description
10	112-7018	4	Valve-Inlet
20	112-7021	4	Valve-Exhaust
30	98-9648	8	Spring-Valve
40	107-9092	8	Retainer-Spring
50	98-9390	8	Collet-Spring, Valve
60	99-8385	8	Seal-Stem, Valve
70	98-9497	8	Cap-Valve
80	105-3757	1	Shaft-Arm, Rocker
90	100-9265	2	Bolt
100	98-9505	4	Bracket-Arm, Rocker
110	98-9506	4	Stud
120	98-9393	4	Nut
130	98-9385	4	Washer-Flat
140	105-3758	1	Pin-Spring
150	98-9507	2	Washer-Shaft, R-Arm
160	110-3832	2	Washer-Plain
170	98-9504	2	Spring-Arm, Rocker
190	98-9501	8	Rocker Arm ASM
200	98-9502	8	Screw-Adjusting
210	98-9503	8	Nut



## Inlet and Exhaust Manifold Assembly

<i>Ref.</i>	<i>Part Number</i>	<i>Qty.</i>	<i>Description</i>
10	108-2874	1	Intake Manifold ASM
20	98-9492	1	Joint-Pipe, Breather
30	105-3760	1	Gasket-Manifold, Inlet
40	98-7605	3	Bolt
50	98-9353	2	Bolt
60	105-3797	3	Bolt
70	98-9588	8	Stud
80	105-3765	1	Gasket-Ex-Manifold
90	114-9573	1	Manifold-Exhaust
100	98-9665	8	Nut



## Muffler Gasket, Glow Controller and Overflow Bottle Assembly

<i>Ref.</i>	<i>Part Number</i>	<i>Qty.</i>	<i>Description</i>
10	104-9318	1	Overflow Bottle ASM
20	105-3754	1	Cap
30	105-3755	1	Gasket
40	105-3756	1	Plate
50	98-9611	1	Gasket
60	98-7610	1	Bolt
70	98-7611	1	Controller-Glow

# Attachments and Accessories

## For 41582 Multi-Pro 5700-D Turf Sprayer

<b>Product Name</b>	<b>Model/Part</b>
Speedometer Kit.....	106-4839
Heat Shield Blanket Kit.....	106-4843
Sprayer Valves O-Ring Kit.....	106-4846
Premium All Season Hydraulic Fluid (55 Gallon Drum).....	108-1177
Premium All Season Hydraulic Fluid (5 Gallon Pail).....	108-1178
Premium Engine Oil, 10w30 (55 Gallon Drum).....	108-1179
Premium Engine Oil, 10w30 (5 Gallon Pail).....	108-1180
Premium Heavy Duty All Season Gear Lube (Pail).....	108-1188
Premium All Purpose Grease (Tube).....	108-1190
Premium Heavy Duty All Season Gear Lube (Quart).....	108-1591
Turret Seal Repair Kit.....	108-3263
Foam Marker Tank Mount.....	112-7812
Heat Shield Kit.....	117-5840
Single Nozzle Kit.....	41024
Pro Control Spray System.....	41086
Pro Foam Concentrate (4 x 1 Gallon).....	41157
Sonic Boom Kit.....	41217
Foam Marker Kit.....	41236
Roll-Over Protection System.....	41566
Electric Hose Reel Kit.....	41569
Spray Gun Kit.....	41580
Pro-Foam.....	41607

**Notes:**

**Notes:**



**Count on it.**