



Multi-Pro[®] 5700-D Turf Sprayer

Model No. 41582 - 260000501 and up.

Parts Catalog

Ordering Replacement Parts

To order replacement parts, please supply the part number, the quantity, and the description of each part desired.

Understanding Reference Numbers

Each identified part in an illustration has a reference number. The reference number for a part also appears in the parts list, along with other information about the part.

This catalog uses two special reference number formats, one to indicate parts in a service assembly and another to indicate the quantity of a given part in an illustration.

Service Assembly Reference Numbers

Parts in service assemblies have reference numbers in the form a:b. The a represents the reference number of the entire service assembly and the b represents a sequential number unique to each part within the service assembly.

For example, a wheel assembly might be identified by reference number 6, the tire by 6:1, the valve by 6:2, and the wheel by 6:3. When you order the assembly identified by reference number 6, you receive all parts identified by reference numbers 6:1, 6:2, and 6:3. However, you may also order any part individually. Reference numbers of this type appear in illustrations and in part lists.

Reference Numbers Indicating Quantity

In an illustration, if a reference number indicates more than one part, the reference number has the form nX y. The n represents the quantity of the part, the X is the multiplication symbol, and the y represents the reference number.

For example, in an illustration, the reference number 2X 37 means that two of the parts identified by reference number 37 are indicated.

Contents

Description	Page	Description	Page
Front Suspension Assembly 4	Filter Assembly No. 104-9154 46
Seat, Engine Cover and Front Console Assembly 5	Safety Valve Assembly No. 100-6820 47
Control Console Assembly 6	Upper Tank Drain Bulkhead Assembly 48
Rear Wheel Assembly 7	Tank Drain Assembly 49
Hydraulic Motor Assembly No. 93-6488 8	Sprayer Component Assembly 50
Brake Assembly No. 100-3069-03 9	Left Hand Boom Mount Assembly 51
Planetary Assembly No. 105-4500-03 10	Right Hand Boom Mount Assembly 52
Brake Assembly No. 100-3070-03 11	Oil Cooler and Radiator Assembly 53
Hydraulic Motor Assembly No. 93-6489 12	Electrical Panel Assembly 54
Brake and Pedal Assembly 13	Center Boom Assembly 55
Frame, Fender and Battery Assembly 14	Center Boom Assembly 56
Fresh Water and Spray Tank Assembly 16	Left and Right Hand Boom Assembly 57
Lid Assembly 17	Crankcase Assembly 58
Fresh Water Tank Assembly No. 100-8438 18	Oil Pan Assembly 59
Exhaust Assembly 19	Cylinder Head Assembly 60
Dash and Instrument Assembly 20	Gear Case Assembly 61
Dash Panel Assembly No. 106-5019 21	Head Cover Assembly 62
Hydraulic Pump Assembly 22	Dipstick and Guide Assembly 63
Gear Pump Assembly No. 93-6492 24	Main Bearing Case Assembly 64
Piston Pump Assembly No. 93-6491 25	Camshaft and Idle Gear Shaft Assembly 65
Control Assembly No. 93-6306 27	Piston and Crankshaft Assembly 66
Front Wheel Assembly 28	Flywheel Assembly 67
Pump Drive Assembly 29	Fuel Camshaft and Governor Shaft Assembly 68
Spray Pump Assembly No. 104-9099 30	Idle Apparatus Assembly 69
Pump Assembly No. 106-5121 31	Injection Pump Assembly 70
Steering Assembly 32	Governor Assembly 71
Steering Control Assembly No. 114-5076 33	Speed Control Plate Assembly 72
Hydraulic Cylinder Assembly No. 93-6510 34	Nozzle Holder and Glow Plug Assembly 73
Engine and Air Cleaner Assembly 35	Nozzle Holder Component Assembly 74
Air Cleaner Assembly No. 106-5277 36	Alternator and Pulley Assembly 75
Water and Fuel Filter Assembly No. 98-9305 37	Alternator (Component Part) Assembly 76
Drive Linkage Assembly 38	Starter Assembly 77
Fuel and Hydraulic Tank Assembly 39	Starter Assembly No. 98-9705 78
Traction Pedal Assembly 40	Water Flange and Thermostat Assembly 79
Internal Sprayer Component Assembly No. 1 41	Water Pump Assembly 80
Valve Boom Assembly 43	Valve and Rocker Arm Assembly 81
Valve Agitation Assembly 44	Inlet Manifold Assembly 82
Internal Sprayer Component Assembly No. 2 45	Fuel Filter, Fuel Pump, Muffler Gasket and Glow Controller Assembly 83
		Attachments and Accessories List 84

Part Description Abbreviations

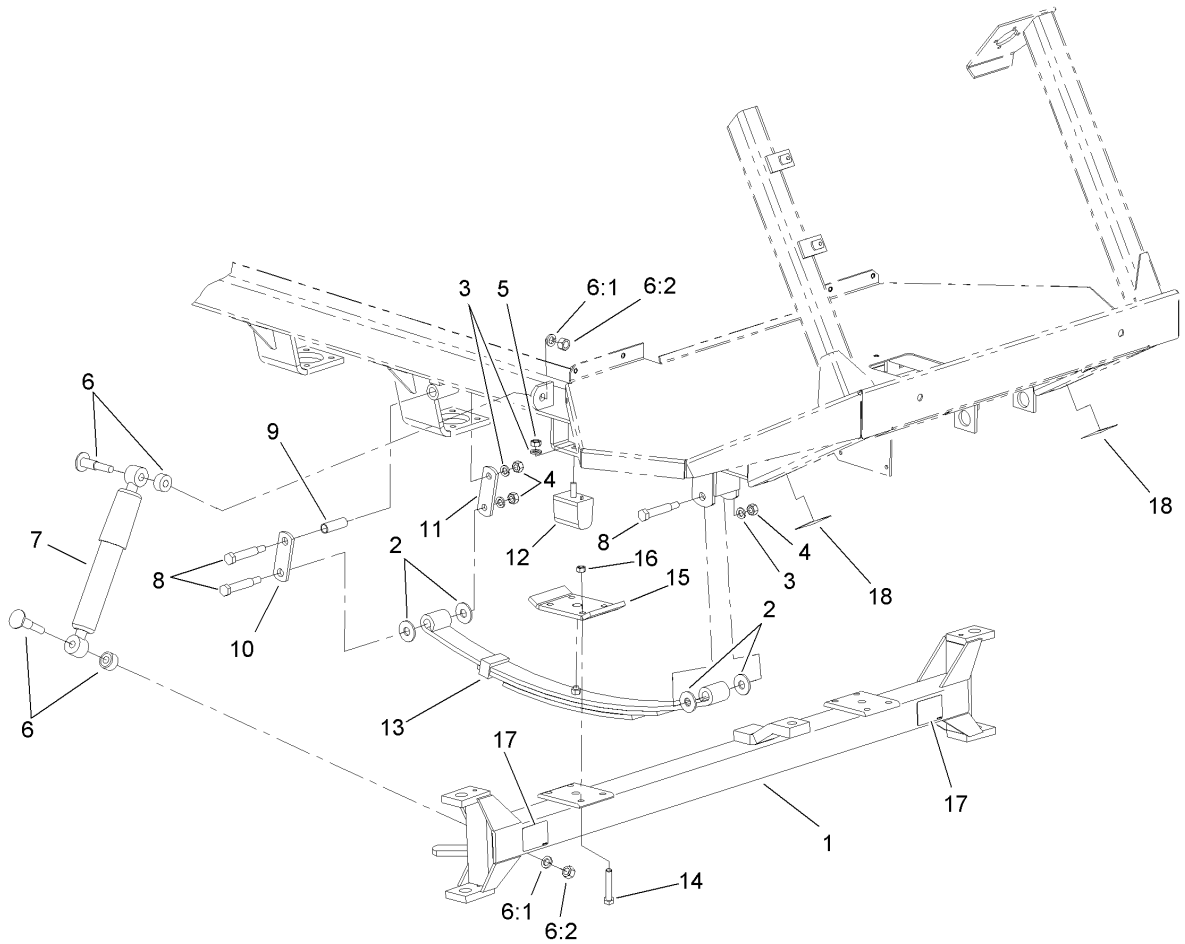
Part descriptions in this catalog may include the following abbreviations.

AR.	as required	HYD.	hydraulic
ASM.	assembly	LH.	left hand
BBC.	blade brake clutch	NI.	nylon insert
CARR.	carriage	NPTF.	national pipe thread fine
DEG.	degrees	PFH.	phillips flat head
EXT.	external	PPH.	phillips pan head
FH.	flat head	PPHTF.	phillips pan head thread forming
GA.	gauge	PRH.	phillips round head
HD.	heavy-duty	PTH.	phillips truss head
HF.	hex flange	PTO.	power-take-off
HH.	hex head	RH.	right hand
HHF.	hex head flange	ROPS.	roll-over protection system
HHFTF.	hex head flange thread forming	SFH.	slotted fillister head
HJ.	hex jam	SHH.	slotted hex head
HLH.	hex lag head	SHWH.	slotted hex washer head
HOC.	height-of-cut	SPH.	slotted pan head
HSBH.	hex socket button head	SQH.	square head
HSFH.	hex socket flat head	SRH.	slotted round head
HSH.	hex socket head	STD.	standard
HWH.	hex washer head	TAP.	self tapping
HWHTF.	hex washer head thread forming	TTH.	torx truss head

Footnotes

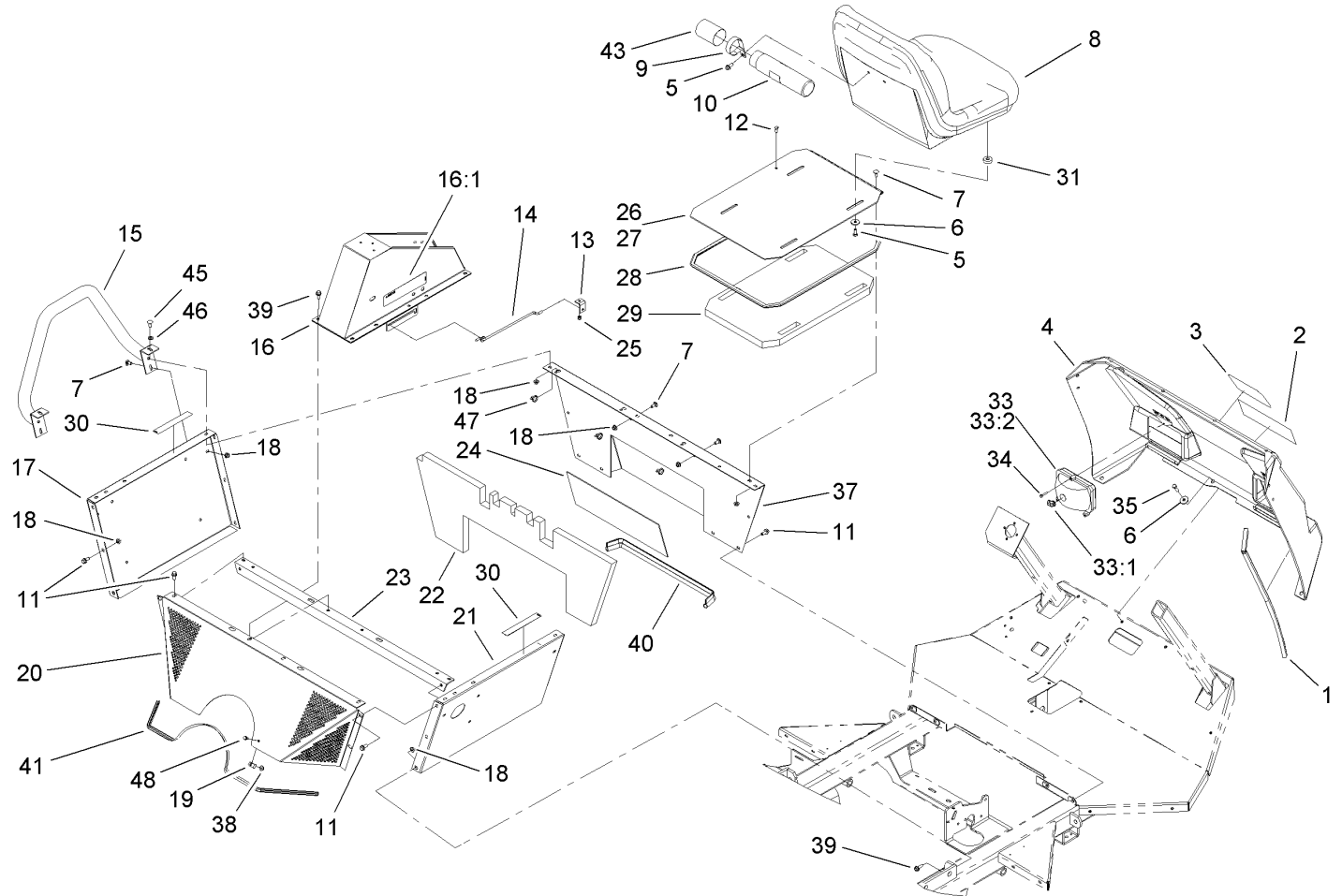
❶ Not illustrated

❷ Not serviced separately



Front Suspension Assembly

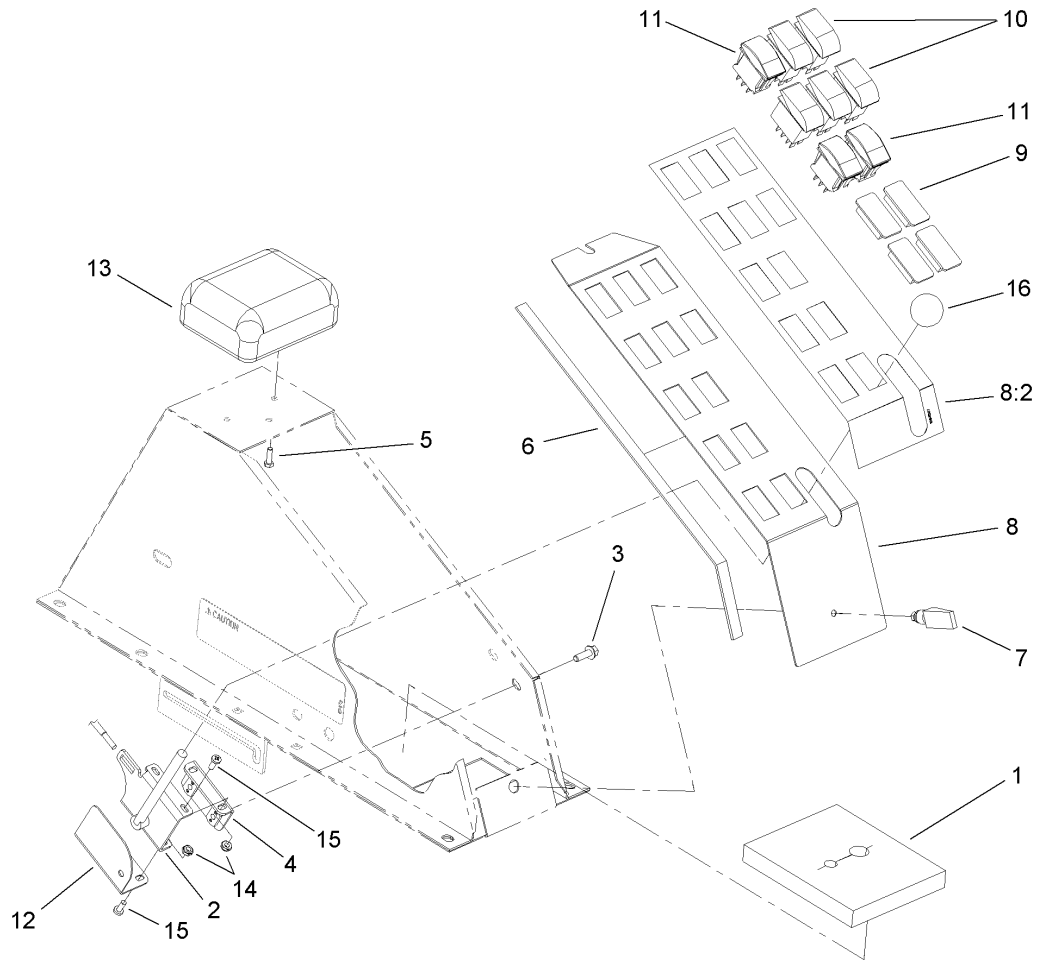
Ref	Part No.	Qty.	Description
1	93-6568-03	1	Front Axle ASM
2	93-6161	8	Washer
3	3253-6	8	Washer-Lock
4	3217-8	6	Nut-Hex
5	93-6166	2	Nut
6	42691	4	Bolt ASM
6:1	3253-7	1	Washer-Lock
6:2	3219-5	1	Nut-Hex
7	42690	2	Shock Absorber ASM
8	110-5072	6	Bolt-Shoulder
9	42592	2	Bushing-Shackle
10	42574	2	Shackel-Outside
11	42576	2	Shackel-Inside
12	87-3470	2	Bumper-Axle, Rear
13	99-0570	2	Spring-Leaf
14	323-45	8	Screw-HH
15	112-7822-03	2	Plate-Spring
16	32153-2	8	Nut-Lock, Side
17	107-8667	2	Decal-Jacking
18	107-8666	2	Decal-Tie-Down / Towing



Seat, Engine Cover and Front Console Assembly

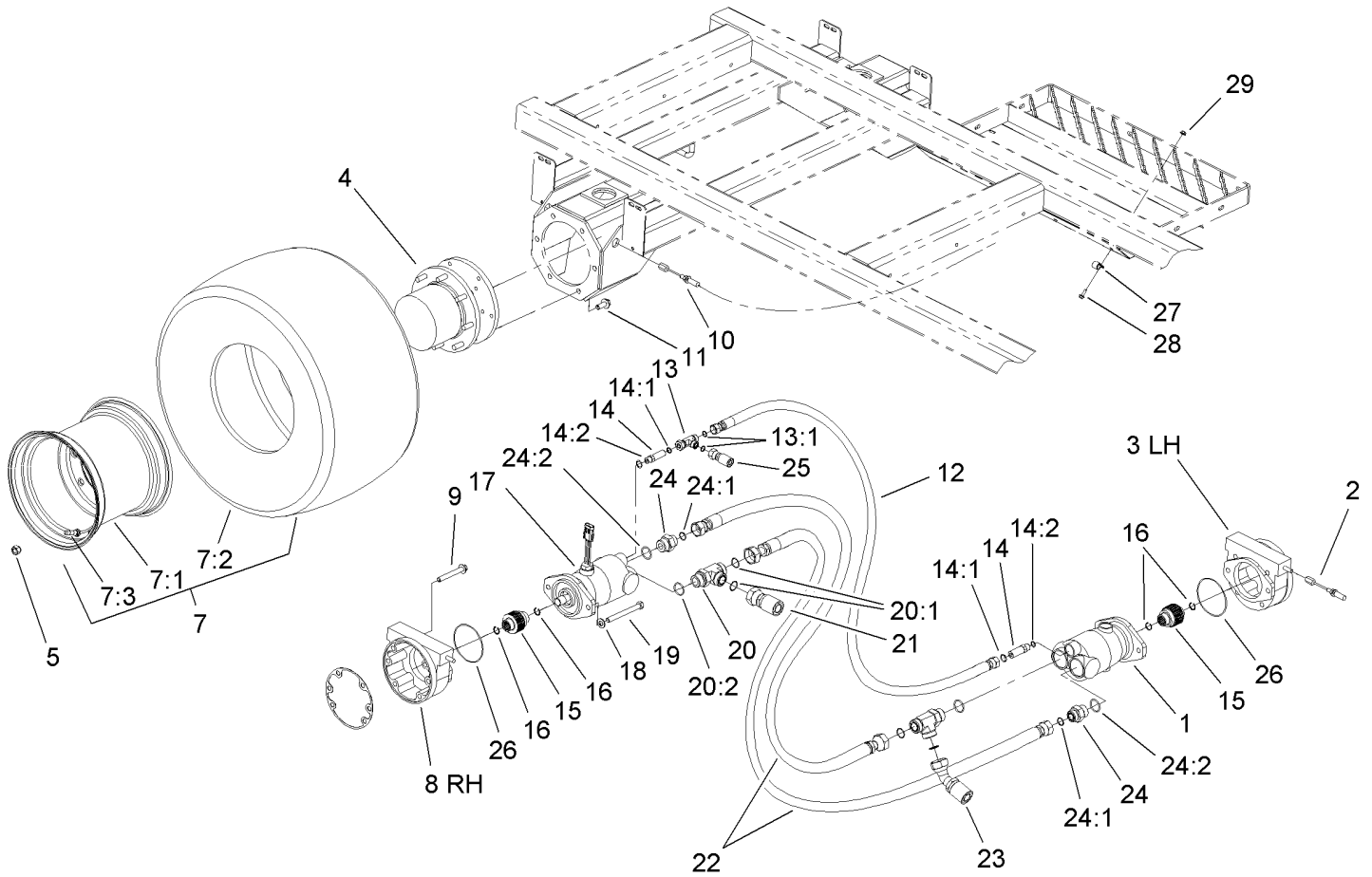
Ref	Part No.	Qty.	Description
1	94-7086	2	Trim
2	107-8715	1	Decal
3	62-5550	1	Decal
4	94-7076	1	Console
5	33104-025	10	Screw-HHF
6	356303	14	Washer
7	3230-1	10	Bolt-CARR
8	106-6672	2	Seat
9	2412-133	2	R-Clamp
10	104-7050	1	Housing-Manual
11	3234-5	12	Screw-HHF
12	321-3	2	Screw-HH
13	94-7203	2	Bracket
14	94-7204	2	Seat Prop Rod ASM
15	94-7046-03	2	Hip Restraint ASM
16	106-5221	1	Console ASM
16:1	107-8721	2	Decal-Caution
17	108-3291-01	1	Panel-Box, Seat (LH)
18	32128-20	24	Nut-HF
19	2412-72	1	Clip-Closed, Insulated
20	106-5286-03	1	Shroud-Engine
21	106-5026-01	1	Panel-Box, Seat (RH)
22	106-5037	1	Barrier-Noise, Front Panel
23	94-7090-03	1	Seat Box Angle ASM

Ref	Part No.	Qty.	Description
24	104-8701	1	Barrier-Noise, Lower Front Panel
25	3296-42	2	Nut-Lock, NI
26	108-3289-03	1	RH Seat Panel ASM
27	108-3288-03	1	LH Seat Panel ASM
28	94-7085	2	Trim
29	108-3290	2	Barrier-Noise, Seat
30	94-3353	2	Decal-Point, Pinch
31	104-8426	8	Spacer
33	87-2120	2	Headlight
33:1	95-0909	1	Lamp-12 Volt
33:2	87-6330	1	Lens-Headlight
34	32144-9	6	Screw-TAP
35	322-5	6	Screw-HH
37	106-5027-01	1	Front Seat Box Panel ASM
38	32128-33	1	Nut-HF
39	3234-17	8	Screw-HHF
40	95-2178	1	Trim
41	106-1998	1	Trim
43	104-7048	1	Cap-Housing
45	3274-104	4	Screw-HSBH
46	3256-23	4	Washer-Flat
47	3290-379	4	Tie-Cable
48	3234-13	1	Screw-HHF



Control Console Assembly

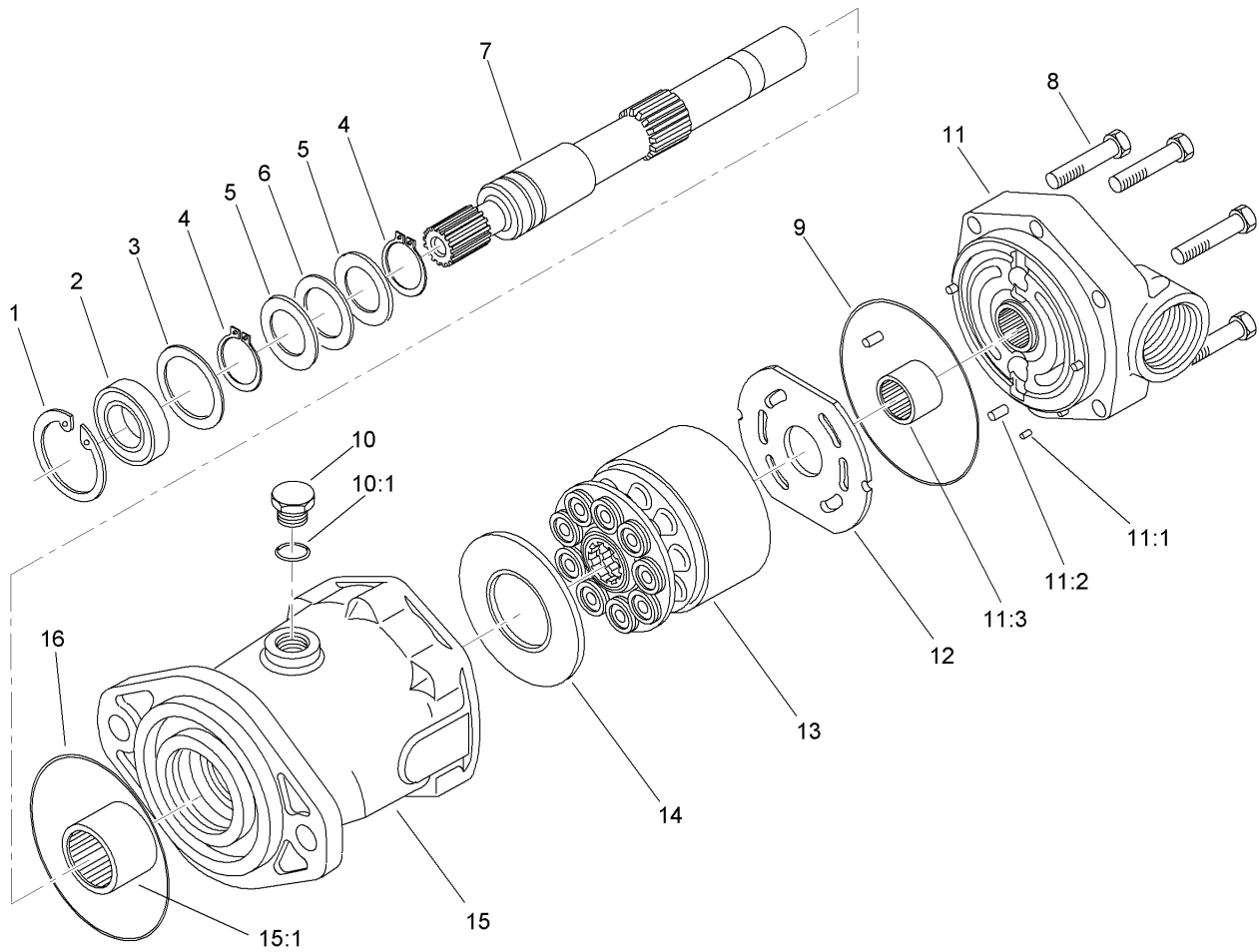
Ref	Part No.	Qty.	Description
1	94-7142	1	Panel-Foam
2	106-5199	1	Cable Throttle ASM
3	3234-4	2	Screw-HHF
4	106-5243-03	1	Plate-Mount, Throttle
5	3290-134	2	Screw
6	94-7178	2	Seal-Foam, Console
7	74-5950	1	Latch-Swell
8	106-5218	1	Plate-Panel, Switch
8:2	106-5217	1	Decal-Plate, Switch
9	99-7420	4	Plug-Hole
10	100-8490	5	Switch-Dpdt
11	100-1535	3	Switch
12	106-5223	1	Plate-Cover, Throttle
13	94-7087	1	Pad
14	3296-27	4	Nut-Lock, NI
15	3250-31	4	Screw-PPH
16	233-42	1	Knob



Rear Wheel Assembly

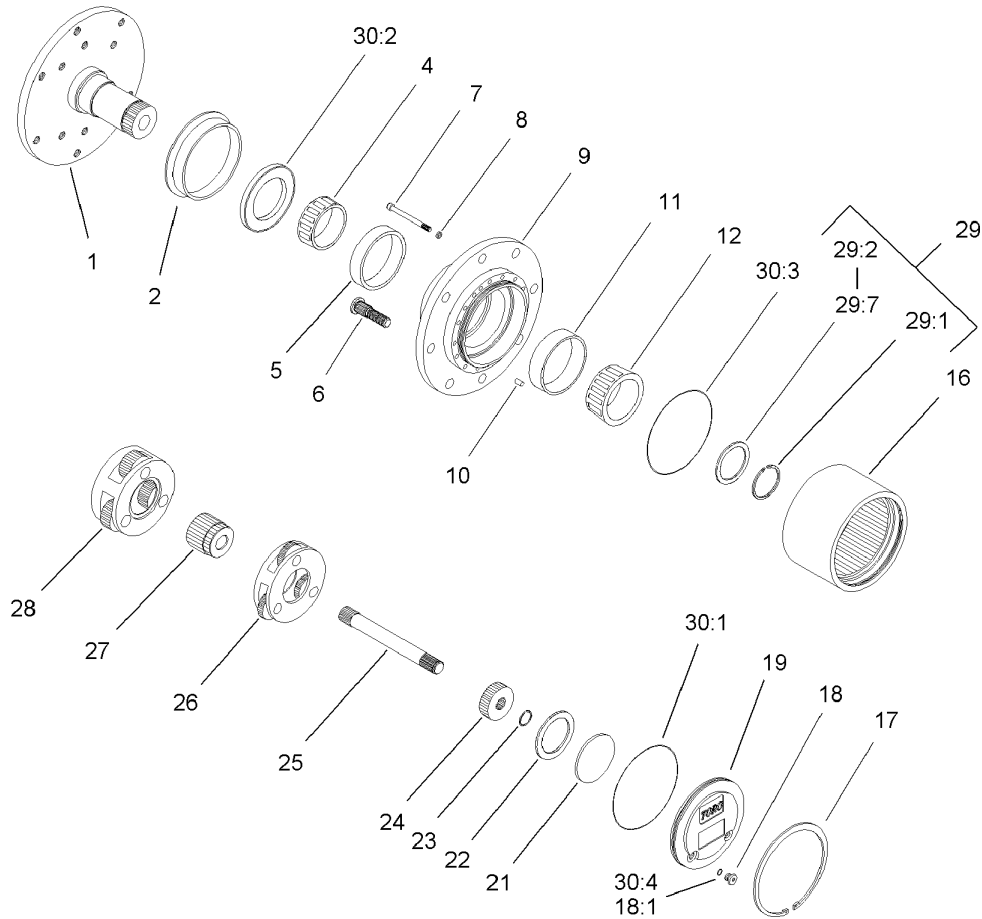
Ref	Part No.	Qty.	Description
1	93-6488	1	Motor-HYD
2	107-8656	1	Cable-Brake, LH
3	100-3069-03	1	Brake ASM
4	105-4500-03	2	Planetary ASM
5	242-50	16	Nut-Lug
7		2	Tire And Wheel ASM
7:1	106-5024	1	Wheel
7:2	93-6152	1	Tire-Ultra-Trac, 2-Ply
7:3	232-27	1	Stem-Valve
8	100-3070-03	1	Brake ASM
9	33106-090	8	Screw-HHF
10	107-8657	1	Cable-Brake, RH
11	33106-030	12	Screw-HHF
12	110-5073	1	Hose ASM
13	340-104	1	Tee-Fitting
13:1	237-30	2	O-Ring
14	94-2628	2	Adapter-HYD
14:1	237-79	1	O-Ring
14:2	237-30	1	O-Ring
15	100-3046	2	Shaft-Brake, Splined
16	93-7972	4	Ring-Retaining, Internal
17	93-6489	1	Motor-HYD
18	33096-00	4	Washer-Flat
19	33116-120	4	Screw-HH

Ref	Part No.	Qty.	Description
20	104-3795	2	Fitting-HYD, Tee
20:1	340-65	2	O-Ring
20:2	237-146	1	O-Ring
21	106-5034	1	Hose ASM
22	104-9187	2	Hose ASM
23	104-9196	1	Hose ASM
24	340-91	2	Adapter
24:1	237-58	1	O-Ring
24:2	237-146	1	O-Ring
25	104-9197	1	Hose ASM
26	237-166	2	O-Ring
27	2412-93	1	Clamp-R
28	3234-4	1	Screw-HHF
29	32128-33	1	Nut-HF



Hydraulic Motor Assembly No. 93-6488

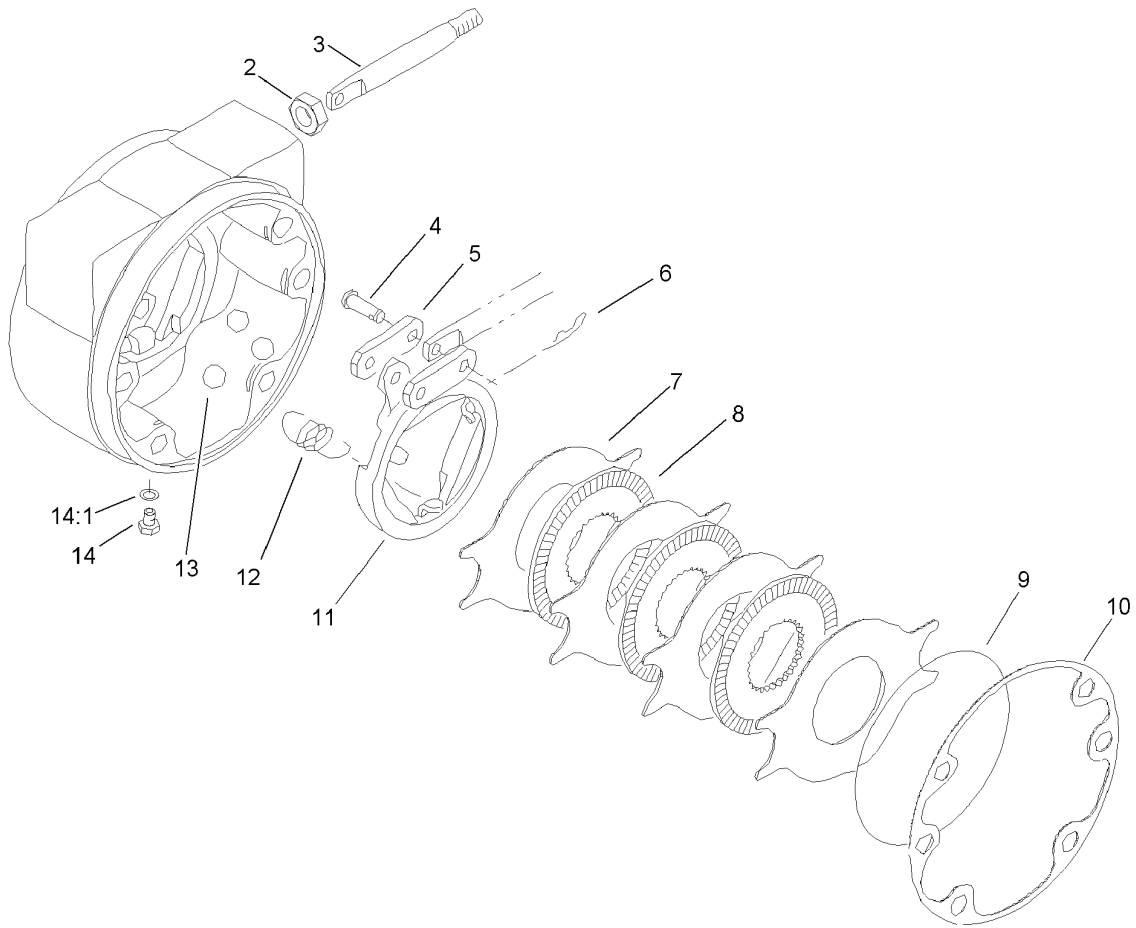
Ref	Part No.	Qty.	Description
1	76-7010	1	Ring-Retaining
2	105-3331	1	Seal-Shaft
3	60-6240	1	Washer
4	76-7000	2	Ring-Retaining
5	76-6950	2	Race-Thrust
6	76-6960	1	Bearing-Thrust
7	94-3004	1	Shaft-Drive, Splined
8	94-3002	6	Capscrew
9	76-6980	1	O-Ring
10	94-3009	1	Plug
10:1		1	O-Ring
11	95-2081	1	Back Plate ASM
11:1		1	Pin-Dowel
11:2		3	Pin-Dowel
11:3		1	Bearing-Needle
12	94-3003	1	Plate-Valve
13	76-6910	1	Rotating Kit
14	76-6970	1	Insert-Plate, Cam
15	95-2082	1	Housing
15:1		1	Bearing-Needle
16	237-166	1	O-Ring



Planetary Assembly No. 105-4500-03

Ref	Part No.	Qty.	Description
①		1	Spindle
2	105-8122	1	Seal-Boot
4	105-8120	1	Bearing-Cone
5	105-8119	1	Bearing-Cup
6	105-8124	8	Stud-Wheel
7	105-8125	16	Bolt-Head, Socket
8	3253-18	16	Washer-Lock
②		1	Housing
10	105-8121	1	Pin-Dowel
11	105-8117	1	Bearing-Cup
12	105-8118	1	Bearing-Cone
16	105-8113	1	Gear-Ring
17	105-8132	1	Ring-Retaining
18	353-990	2	Plug
18:1	237-78	1	O-Ring
19	105-8138	1	Cap-End
21	105-8133	1	Plug-Thrust
22	105-8123	1	Washer-Thrust
23	105-8131	1	Ring-Retaining
24	105-8114	1	Gear-Primary
25	105-8115	1	Shaft-Drive
26	105-8129	1	Primary Carrier ASM
27	105-8139	1	Gear-Secondary
28	105-8130	1	Secondary Carrier ASM

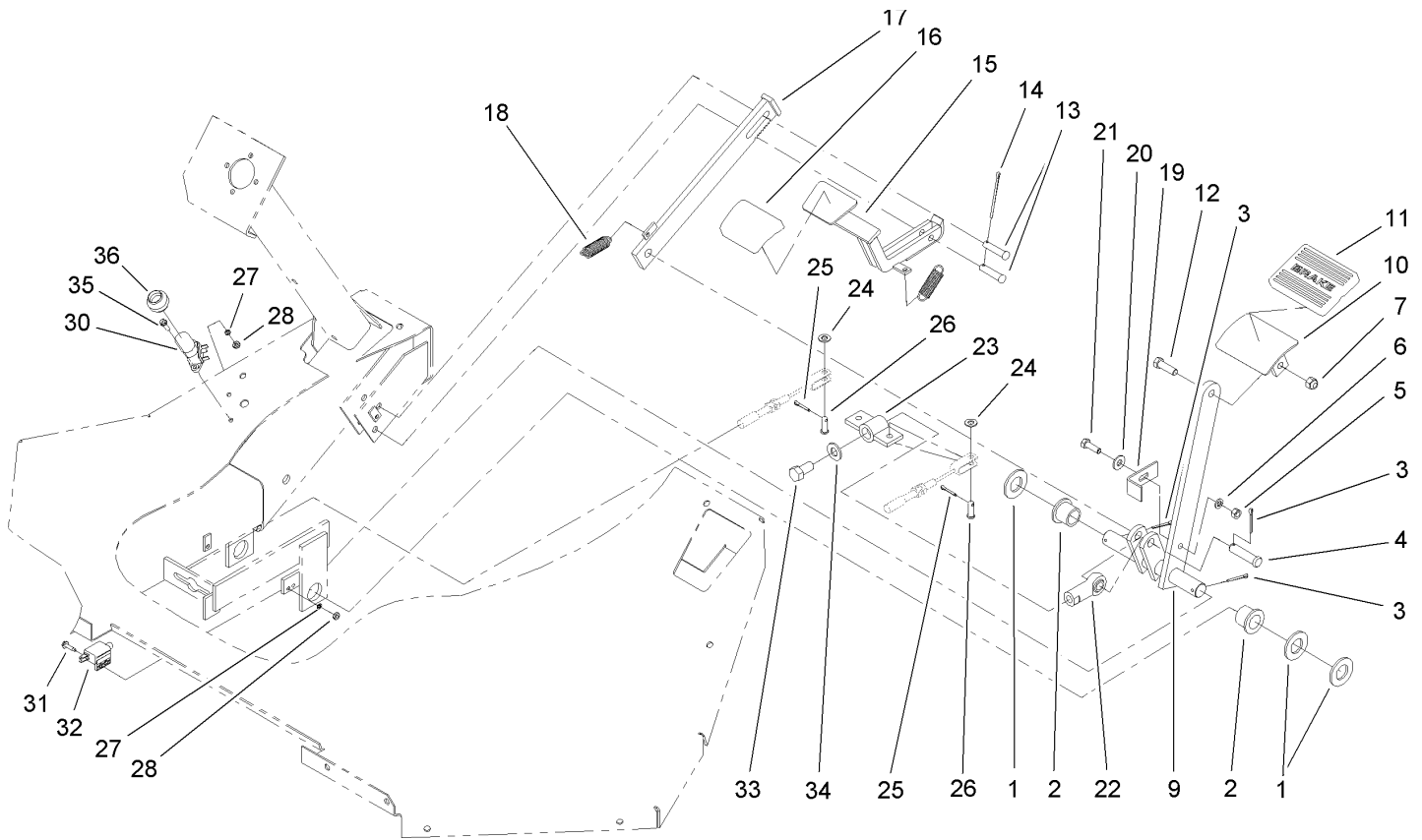
Ref	Part No.	Qty.	Description
29	105-8136	1	Shim Kit
②		1	Ring-Snap
②		1	Shim-Bearing, 2.9Mm
②		1	Shim-Bearing, 2.8Mm
②		1	Shim-Bearing, 2.7Mm
②		1	Shim-Bearing, 2.6Mm
②		1	Shim-Bearing, 2.5Mm
②		1	Shim-Bearing, 2.4Mm
①		1	Seal Kit
②		1	O Ring-Flange Cap
②		1	Seal-Oil
②		2	O Ring-End Cap
30:4	237-78	2	O-Ring



Brake Assembly No. 100-3070-03

Ref	Part No.	Qty.	Description
2	93-7977	1	Seal
3	93-7978	1	Rod-Pull
4	93-7983	2	Pin-Clevis
5	93-7980	2	Link
6	93-7979	2	Pin-Hitch
7	93-7986	4	Disc-Stationary
8	104-4278	3	Disc-Rotating
9	93-7976	1	Ring-Retaining
10	93-7984	1	Gasket
11	104-4279	1	Actuator-Rotating
12	93-7987	3	Spring-Extension
13	93-7985	3	Ball
14	353-990	2	Plug
14:1	237-78	1	O-Ring

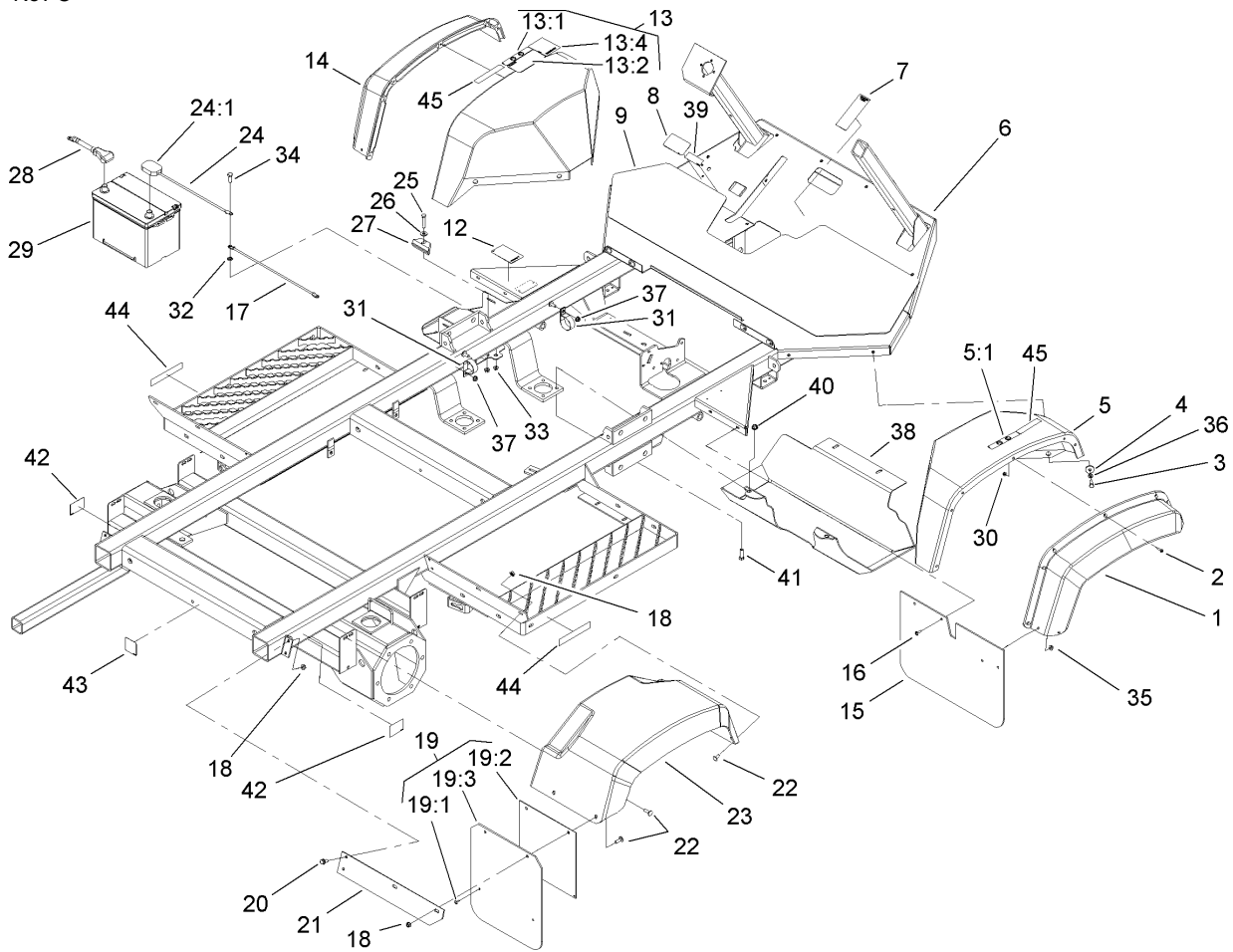
--	--	--	--



Brake and Pedal Assembly

Ref	Part No.	Qty.	Description
1	3256-29	3	Washer-Flat
2	94-7164	2	Bearing
3	3272-12	3	Pin-Cotter
4	42195	1	Pin-Clevis
5	3217-6	1	Nut-Hex
6	3253-4	1	Washer-Lock
7	3296-39	1	Nut-Lock, NI
9	93-6589	1	Brake Shaft ASM
10	100-8422-03	1	Pedal Bracket ASM
11	7-3900	1	Pad-Brake
12	323-7	1	Screw-HH
13	283-15	2	Pin-Clevis
14	3272-53	1	Pin-Cotter
15	93-6599-03	1	Catch ASM
16	42719	1	Pad-Pedal
17	93-6598-03	1	Brake Strap ASM
18	92-0417	2	Spring-EXT
19	93-6592-03	1	Bracket
20	3256-3	1	Washer-Flat
21	322-5	1	Screw-HH
22	522087	1	Rod-End
23	93-6595	1	Brake Equalizer ASM
24	3256-23	2	Washer-Flat
25	3272-10	2	Pin-Cotter

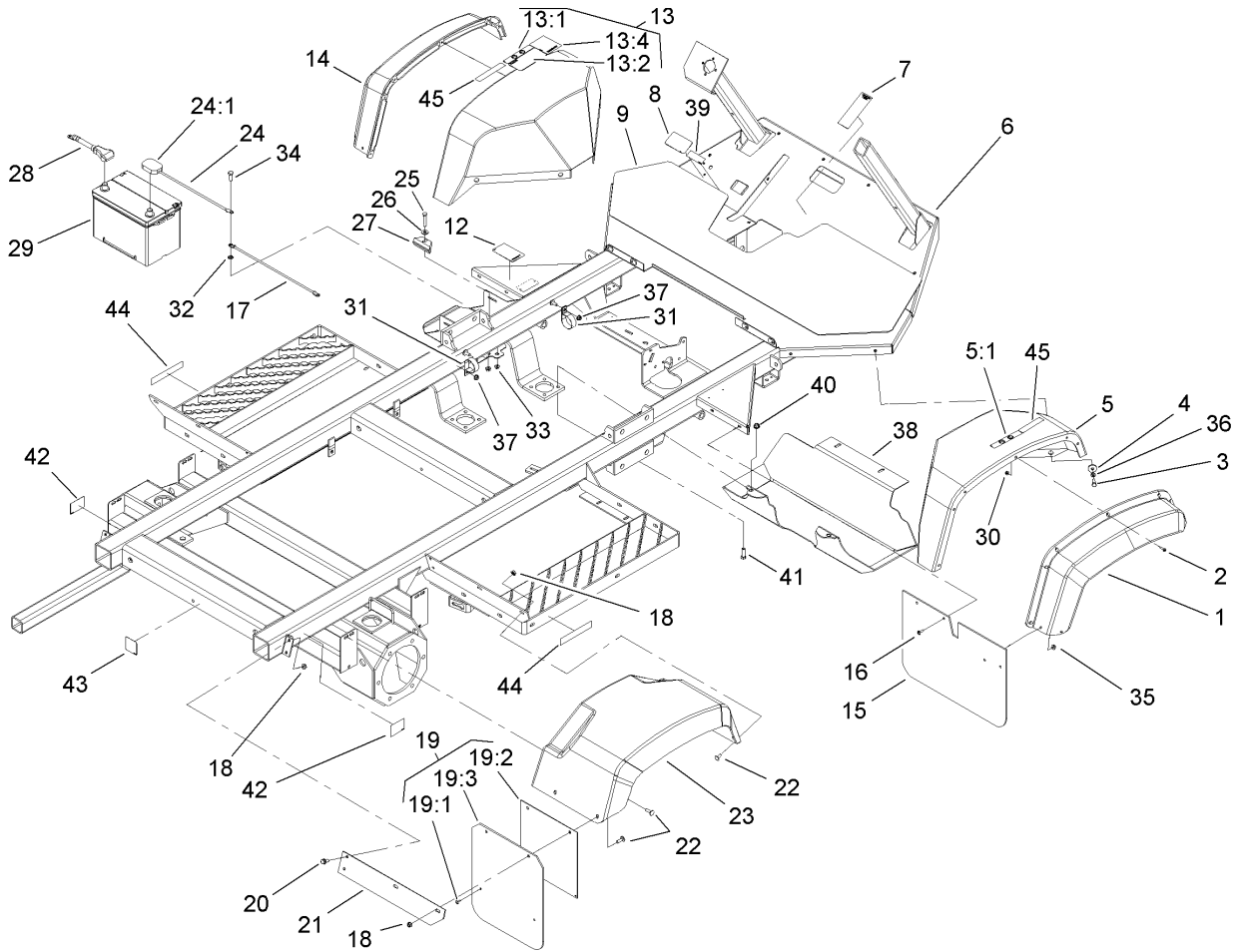
Ref	Part No.	Qty.	Description
26	283-58	2	Pin-Clevis
27	3253-17	4	Washer-Lock
28	3217-26	4	Nut-Hex
30	94-7170	1	Switch-Floor
31	32144-125	2	Screw-SHWH
32	1-513051	1	Switch-Open, Normally
33	3213-1	1	Screw-HH
34	3256-26	1	Washer-Flat
35	32105-13	2	Screw-HWH
36	110-5130	1	Bellow-Switch



Frame, Fender and Battery Assembly

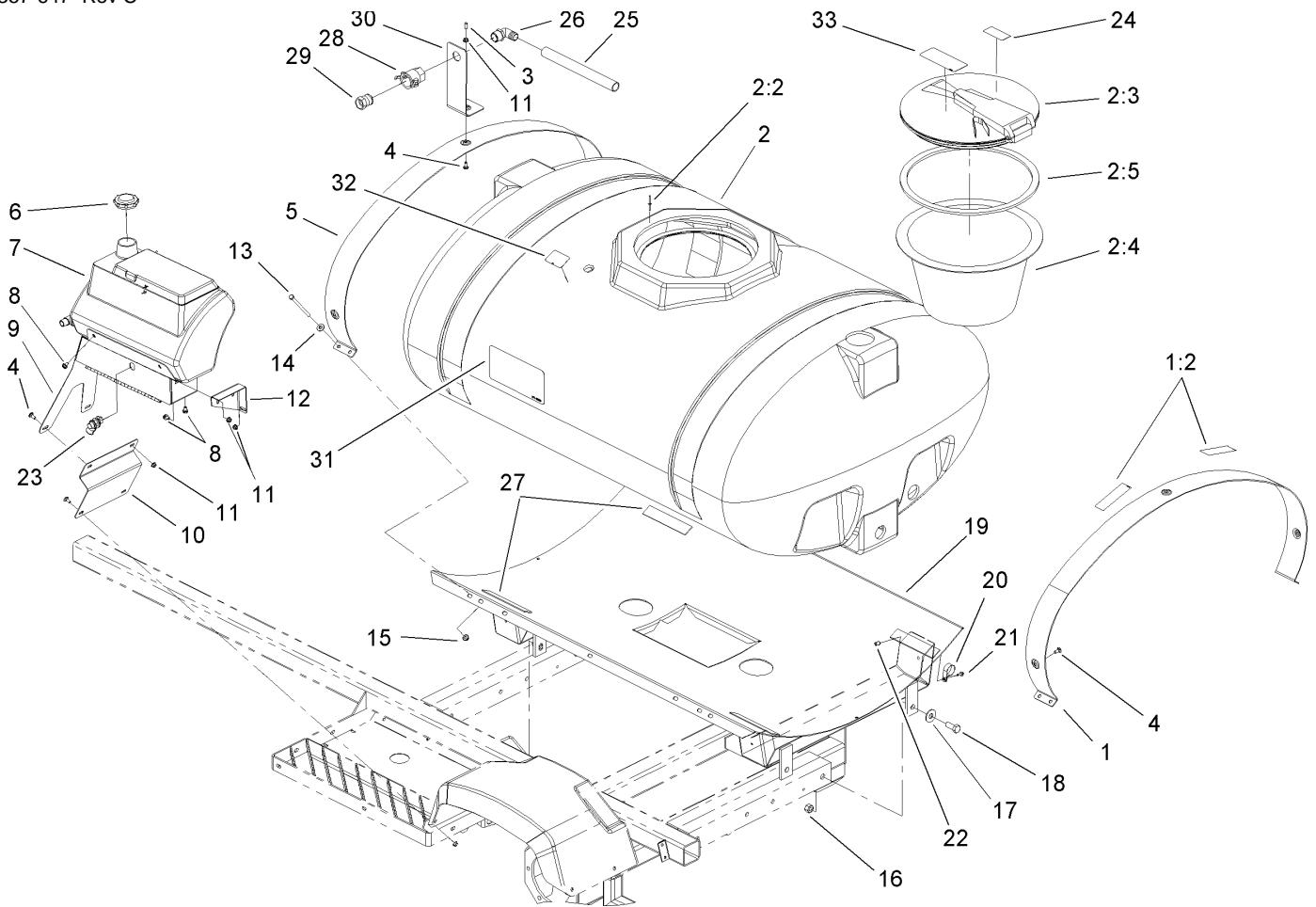
Ref	Part No.	Qty.	Description
1	94-7074	1	Flare-Fender, RH
2	32105-13	12	Screw-HWH
3	322-3	8	Screw-HH
4	356303	8	Washer
5	94-8532	1	RH Fender ASM
5:1	93-6687	1	Decal-No Step
6	106-5262-03	1	Frame ASM
7	107-8724	1	Decal-Traction
8	100-8619	1	Decal-Switch, Boom
9	104-8863	1	Tread-Floor
12	107-8720	1	Decal-Warning, Safety Start
13	94-8531	1	LH Fender ASM
13:1	93-6687	1	Decal-No Step
13:2	107-8723	1	Decal-Warning, Safety
13:4	107-8725	1	Decal-Warning, Braking
14	94-7075	1	Flare-Fender, LH
15	94-7071	2	Guard-Splash
16	92-3911	8	Screw-HSBH
17	42617	1	Cable-Ground
18	32128-20	17	Nut-HF
19	94-7127	2	Splash Guard ASM
19:1	114439	2	Rivet-Pop
19:2	94-7128-03	1	Plate-Guard, Splash
19:3	94-7129	1	Guard-Splash

Ref	Part No.	Qty.	Description
20	3234-5	4	Screw-HHF
21	93-6528-03	2	Strap-Mount, Fender
22	3230-1	12	Bolt-CARR
23	93-6498	2	Fender-Rear
24	99060	1	Cable-Ground
24:1	106-4915	1	Cap-Protective, Blue
25	322-9	1	Screw-HH
26	3256-3	1	Washer-Flat
27	66-2490	1	Retainer-Battery
28	105-0114	1	Cable-Battery, Positive
29	106-5190	1	Battery
30	3290-148	12	Nut-HF
31	2412-96	2	Clamp-R
32	3255-9	1	Washer-Lock
33	32128-43	1	Nut-Flange
34	323-6	1	Screw-HH
35	32128-33	8	Nut-HF
36	3253-4	8	Washer-Lock
37	104-8300	2	Nut-Flange, NI
38	107-8688-03	1	Shield-Heat
39	107-8722	1	Decal-Instructions, Parking Brake
40	32128-43	4	Nut-Flange
41	3234-11	4	Screw-HHF
42	107-8667	2	Decal-Jacking



Frame, Fender and Battery Assembly (continued)

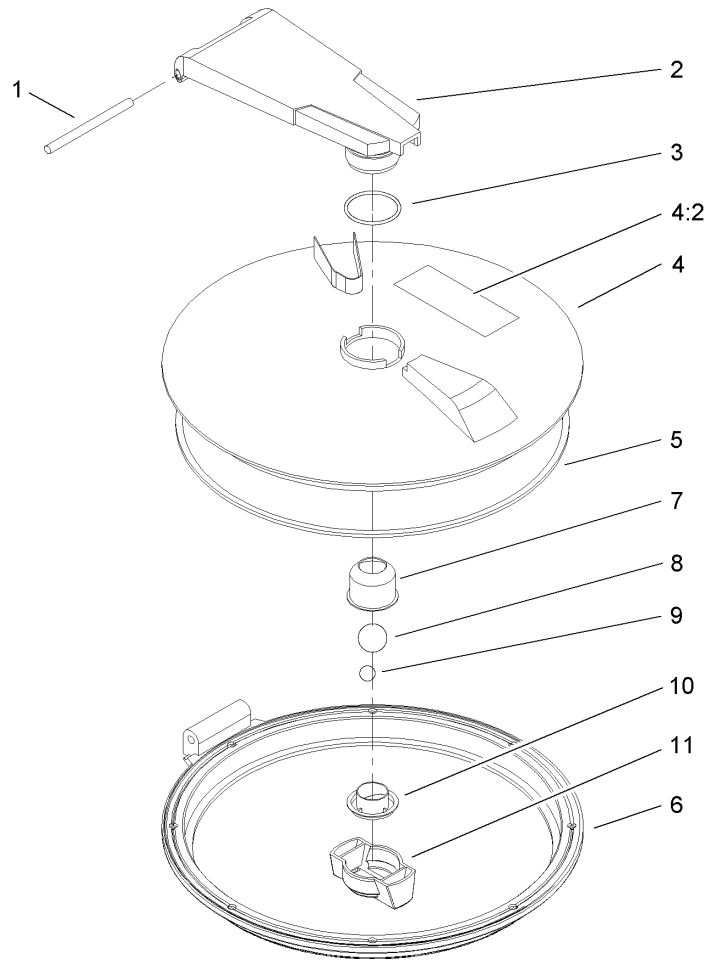
Ref	Part No.	Qty.	Description
43	107-8666	1	Decal-Tie-Down / Towing
44	107-8732	2	Decal-Torque (Ce)
45	107-8731	2	Decal-Torque (Ce)



Fresh Water and Spray Tank Assembly

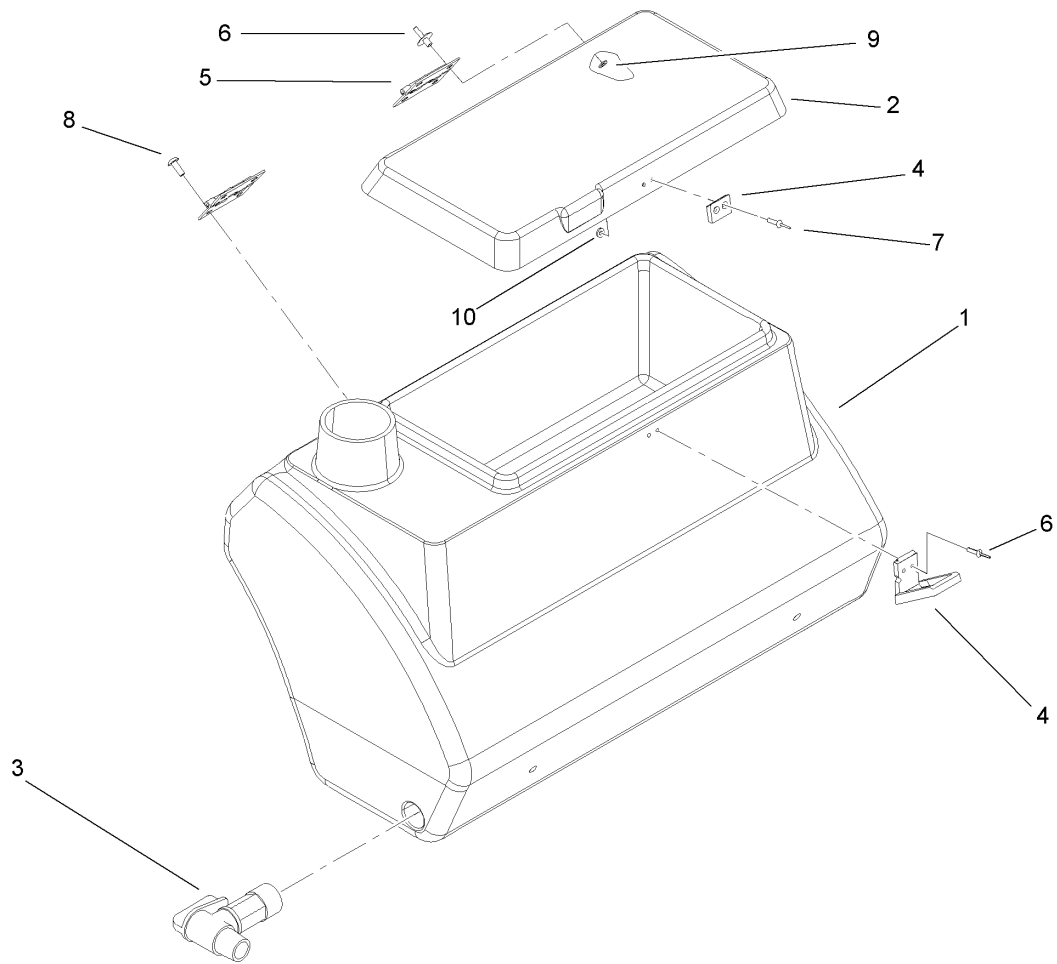
Ref	Part No.	Qty.	Description
1	106-4966	1	Tank Band ASM
1:2	106-5016	2	Decal-Caution, Electric Shock
2	106-5011	1	300 Gallon Tank ASM
2:2	93-0833	8	Rivet
2:3		1	Screw Type Tank Lid ASM
2:4	104-9051	1	Basket-Strainer
2:5	106-4991	1	Seal-Lid
3	42452	1	Cap-Protective
4	3230-2	4	Bolt-CARR
5	104-9126-03	1	Band-Mounting, Tank
6	100-7008	1	Cap-Tank, Fresh Water
7	100-8438	1	Fresh Water Tank ASM
8	3234-28	6	Screw-HHF
9	104-8912-03	1	Tank Bracket ASM
10	104-9125-03	1	Bracket-Glove Box
11	32128-20	7	Nut-HF
12	104-9124-03	1	Mount-Tank, Plate
13	41809	8	Screw-HH
14	3256-4	8	Washer-Flat
15	104-8301	8	Nut-Flange, NI
16	3217-11	2	Nut-Hex
17	3256-7	2	Washer-Flat
18	327-4	2	Screw-HH
19	106-5288-03	1	Tank Saddle ASM

Ref	Part No.	Qty.	Description
20	2412-74	1	R-Clamp
21	3234-4	1	Screw-HHF
22	32148-6	1	Insert-Nut
23	104-8914	1	Latch-Box, Storage
24	106-1355	1	Decal-No Tank Entry
25	104-9075	1	Hose-Siphon, Anti
26	41140	1	Elbow
27	104-7102	4	Pad-Battery
28	100-6779	1	Coupling-Female
29	41316	1	Adapter-Quick
30	104-9122-03	1	Bracket-Siphon, Anti
31	104-9166	2	Decal-Tank, 300 Gallon
32	106-5065	1	Decal-Drain, Tank
33	93-0688	1	Decal-Warning, Chemical



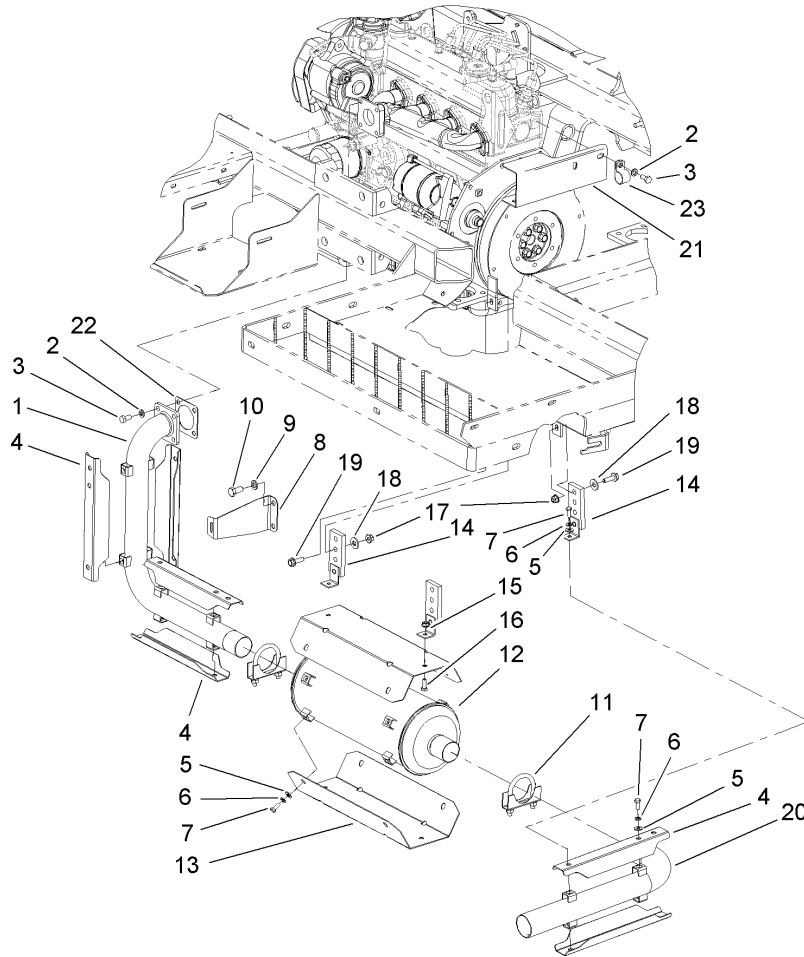
Lid Assembly

Ref	Part No.	Qty.	Description				
1	106-5000	1	Pin-Pivot				
2	106-5001	1	Arm				
3	106-5002	1	O-Ring				
4	106-1369	1	Lid				
4:2	93-0688	1	Decal-Warning, Chemical				
5	106-5004	1	Seal-Lid				
6	106-5005	1	Ring				
7	106-5006	1	Cup-Vent				
8	106-5007	1	Ball-Floating				
9	106-5008	1	Ball-Weight				
10	106-5009	1	Holder-Ball				
11	106-5010	1	Nut-Wing				



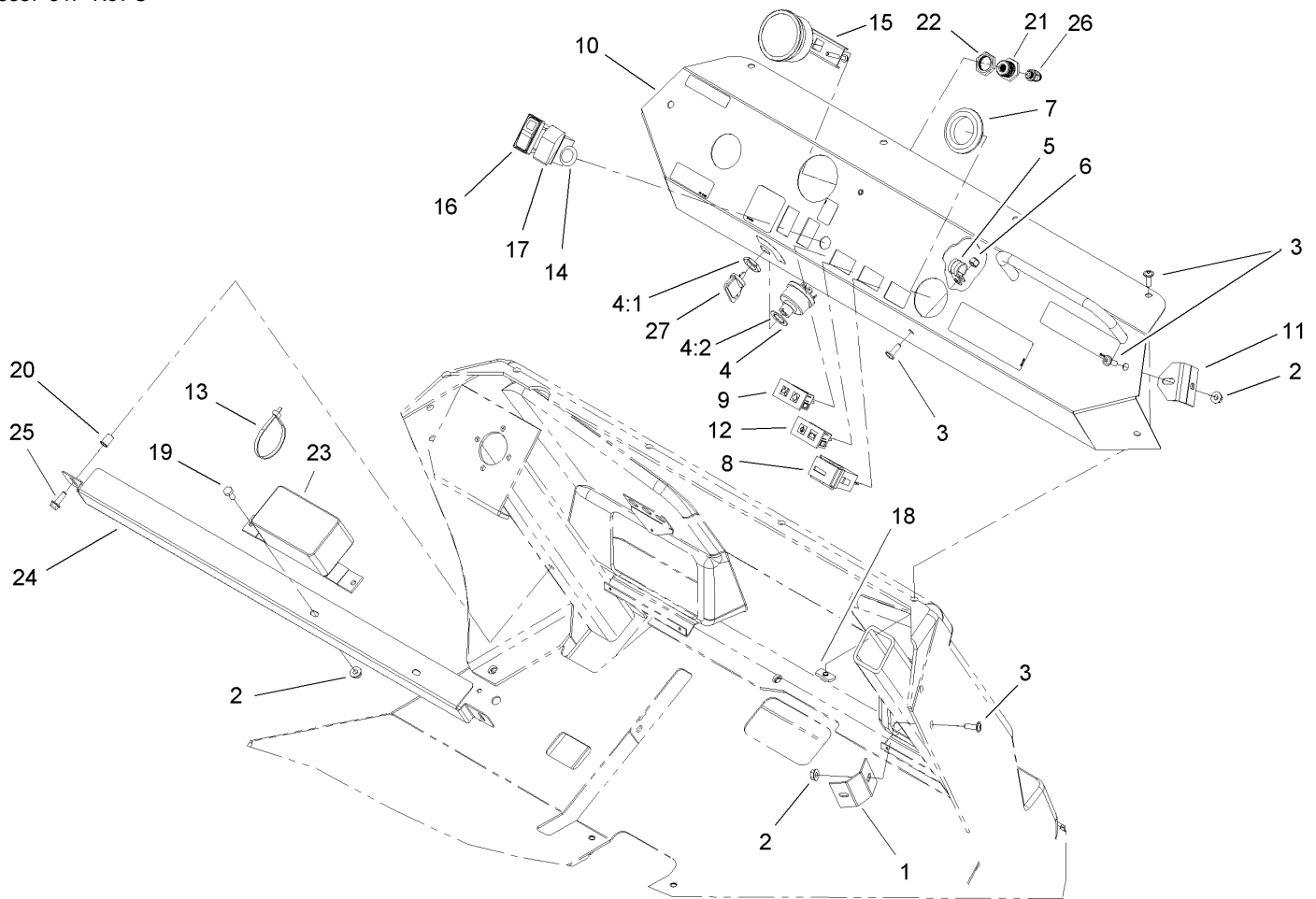
Fresh Water Tank Assembly No. 100-8438

Ref	Part No.	Qty.	Description
① 1		1	Tank-Water, Fresh
2	100-8397	1	Cover-Tank
3	100-7011	1	Spigot-90 DEG
4	100-7009	1	Latch-Draw
5	100-7010	2	Hinge
6	100-7062	4	Rivet
7	100-7063	4	Rivet
8	100-7064	4	Screw
9	100-7065	4	Washer
10	100-7066	2	Washer



Exhaust Assembly

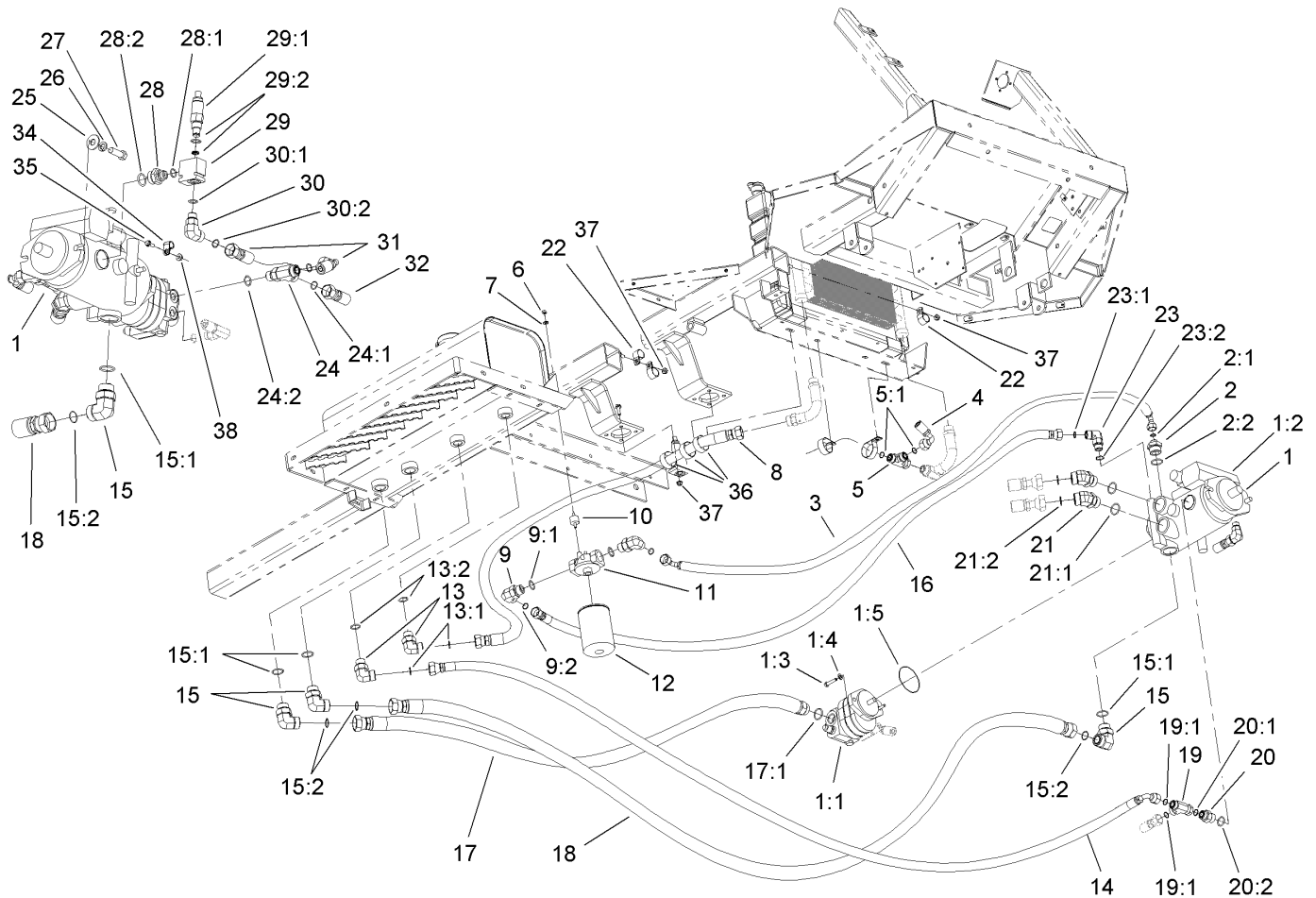
Ref	Part No.	Qty.	Description
1	106-5263	1	Pipe-Exhaust
2	3253-4	6	Washer-Lock
3	33114-016	6	Screw-HH
4	106-5278	6	Shield-Heat, Exhaust
5	3256-22	20	Washer-Flat
6	3253-3	20	Washer-Lock
7	33113-016	20	Screw-HH
8	107-8680	1	Bracket-Pipe, Exhaust
9	48-9590	2	Washer-Lock
10	63-7790	2	Screw-Cap
11	18-2130	2	Clamp
12	106-5276	1	Muffler
13	106-5275	2	Shield-Heat, Muffler
14	106-5282	3	Hanger-Tailpipe
15	32128-33	2	Nut-HF
16	321-4	2	Screw-HH
17	104-8300	3	Nut-Flange, NI
18	3256-56	3	Washer-Flat
19	3234-17	3	Screw-HHF
20	106-5281	1	Tailpipe
21	107-8655	1	Shield-Heat
22	99-8343	1	Gasket-Muffler
23	2412-41	1	Clamp



Dash and Instrument Assembly

Ref	Part No.	Qty.	Description
1	94-7140-03	2	Clip-Dash, Lower
2	32128-33	10	Nut-HF
3	92-3911	13	Screw-HSBH
4	104-2541	1	Switch ASM
4:1	218-461	1	Nut-HH
4:2	3254-5	1	Washer-Tooth
5	2412-134	1	R-Clamp
6	3296-42	1	Nut-Lock, NI
7	40764	1	Grommet
8	1-513374	1	Meter-Hour
9	107-8718	1	Cluster-Light
10	106-5019	1	Dash Panel ASM
11	94-7139-03	2	Clip-Dash, Upper
12	107-8719	1	Cluster-Light
13	3290-379	23	Tie-Cable
14	94-7290	2	Plug-Hole
15	110-5079	1	Gauge-Pressure
16	104-9007	1	Switch-Rocker
17	100-8469	1	Switch-Rocker
18	904156	4	Weldnut
19	321-3	2	Screw-HH
20	32148-6	2	Insert-Nut
21	100-8665	1	Reducer-Gauge, Pressure
22	100-8666	1	Nut-Reducer

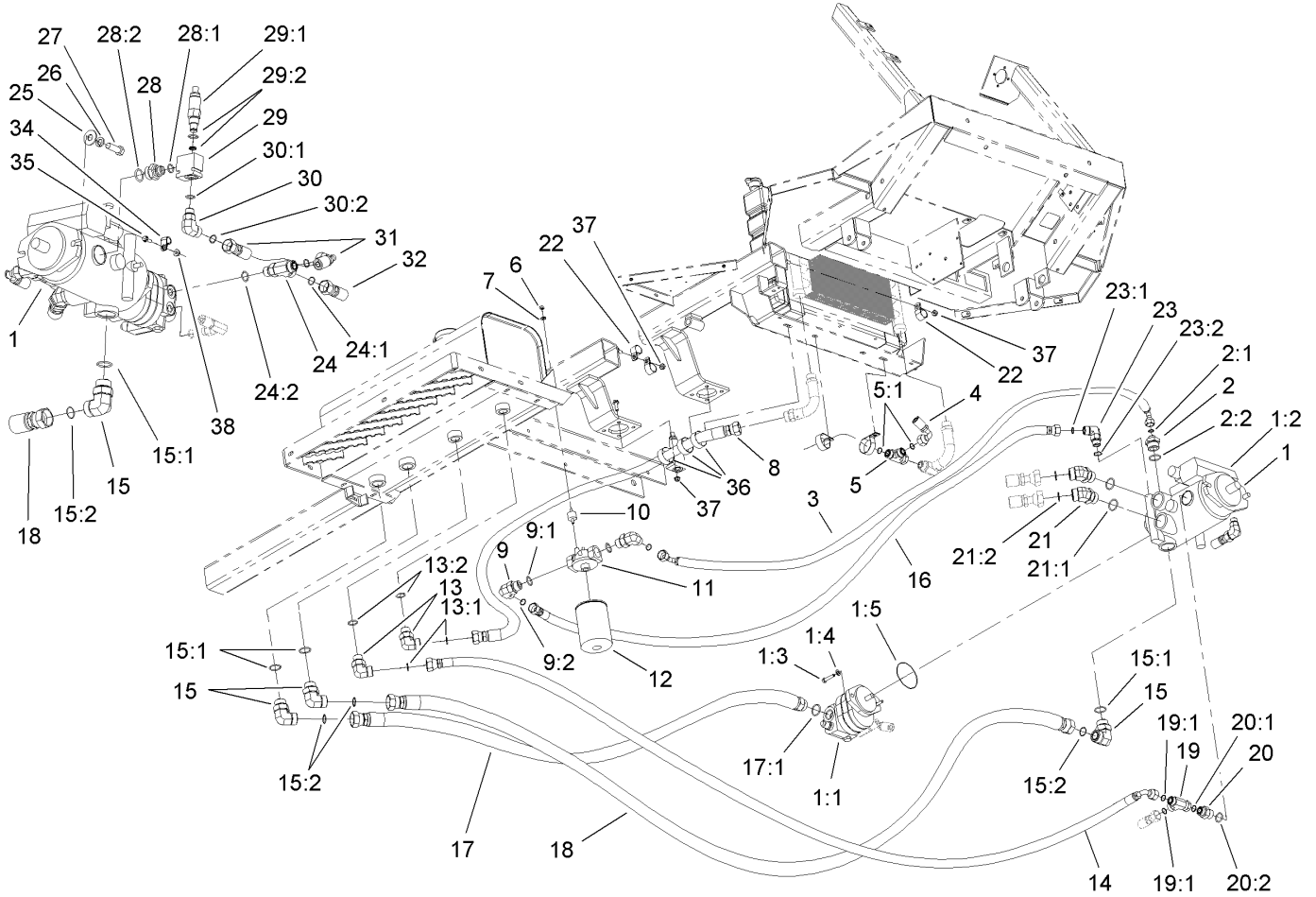
Ref	Part No.	Qty.	Description
23	104-9104	1	Module-Valve, Pwm
24	104-9146-03	1	Plate-Shield, Head Light
25	3234-4	2	Screw-HHF
26	100-8667	1	Coupler-Reducer
27	63-8360	2	Key-Ignition



Hydraulic Pump Assembly

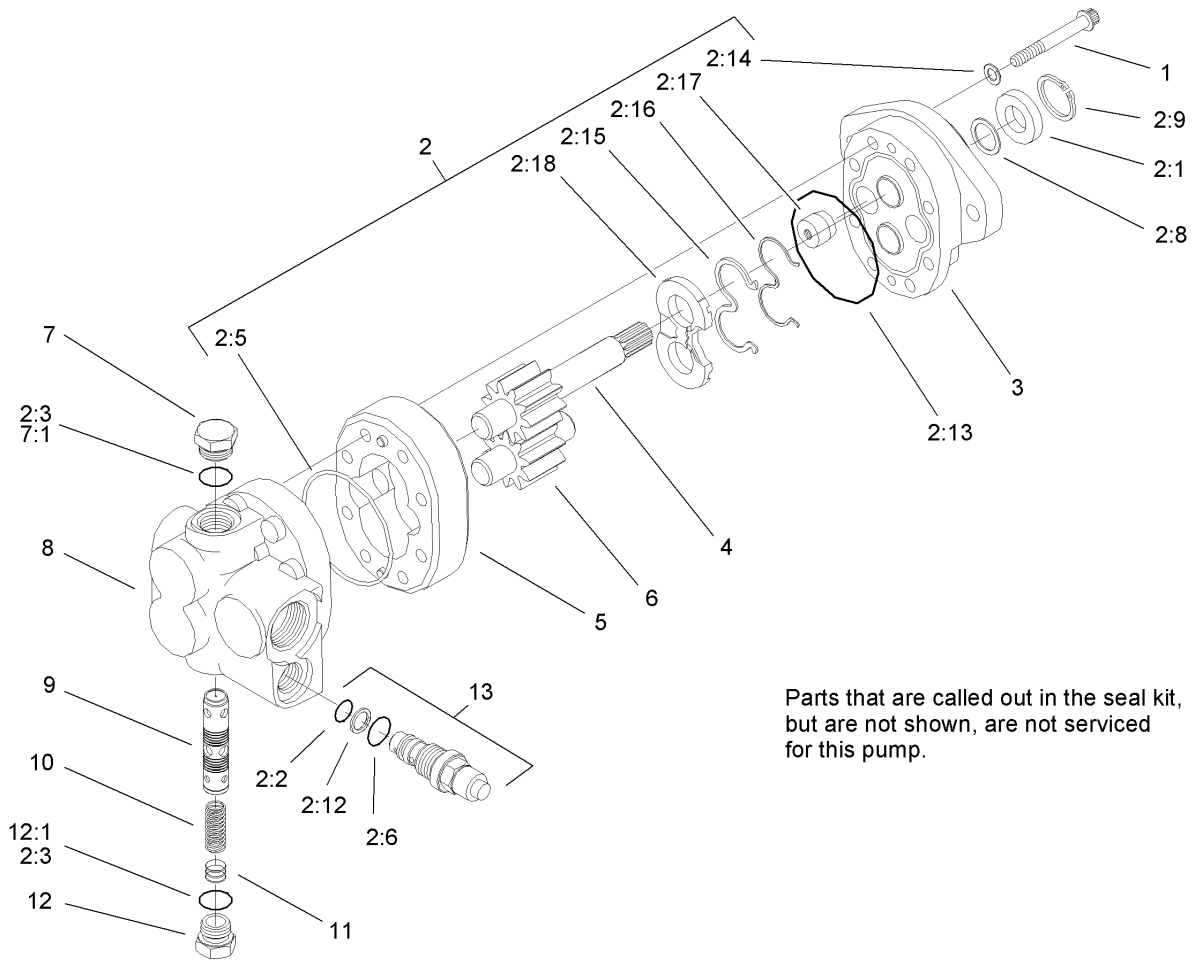
Ref	Part No.	Qty.	Description
1		1	Pump ASM
1:1	93-6492	1	Gear Pump ASM
1:2	93-6491	1	Piston Pump ASM
1:3	323-7	2	Screw-HH
1:4	60-3540	2	Washer
1:5	60-3520	1	O-Ring
2	104-9178	1	Fitting-Straight
2:1	237-30	1	O-Ring
2:2	237-146	1	O-Ring
3	104-9191	1	Hose ASM
4	106-5030	1	Hose ASM
5	340-147	1	Fitting-HYD, Tee
5:1	237-65	2	O-Ring
6	3217-5	2	Nut-Hex
7	3256-22	2	Washer-Flat
8	106-5266	1	Hose ASM
9	340-139	2	Fitting-HYD, 90 DEG
9:1	237-81	1	O-Ring
9:2	237-65	1	O-Ring
10	106-5271	2	Mount-Isolation
11	92-5821	1	Filter Head ASM
12	86-3010	2	Filter-Oil
13	340-142	2	Fitting-HYD, 90 DEG
13:1	237-58	1	O-Ring

Ref	Part No.	Qty.	Description
13:2	237-81	1	O-Ring
14	106-5033	1	Hose ASM
15	340-129	3	Fitting-HYD, 90 DEG
15:1	237-146	1	O-Ring
15:2	340-65	1	O-Ring
16	104-9192	1	Hose ASM
17	106-5031	1	Hose ASM
17:1	237-146	1	O-Ring
18	106-5032	1	Hose ASM
19	340-147	1	Fitting-HYD, Tee
19:1	237-65	2	O-Ring
20	340-8	1	Adapter
20:1	237-65	1	O-Ring
20:2	237-81	1	O-Ring
21	104-3509	2	Fitting-HYD, 45 DEG
21:1	237-146	1	O-Ring
21:2	340-65	1	O-Ring
22	2412-39	3	R-Clamp
23	340-17	1	Fitting-HYD, 90 DEG
23:1	237-65	1	O-Ring
23:2	237-80	1	O-Ring
24	340-22	1	Fitting-HYD, Tee
24:1	237-65	2	O-Ring
24:2	237-80	1	O-Ring



Hydraulic Pump Assembly (continued)

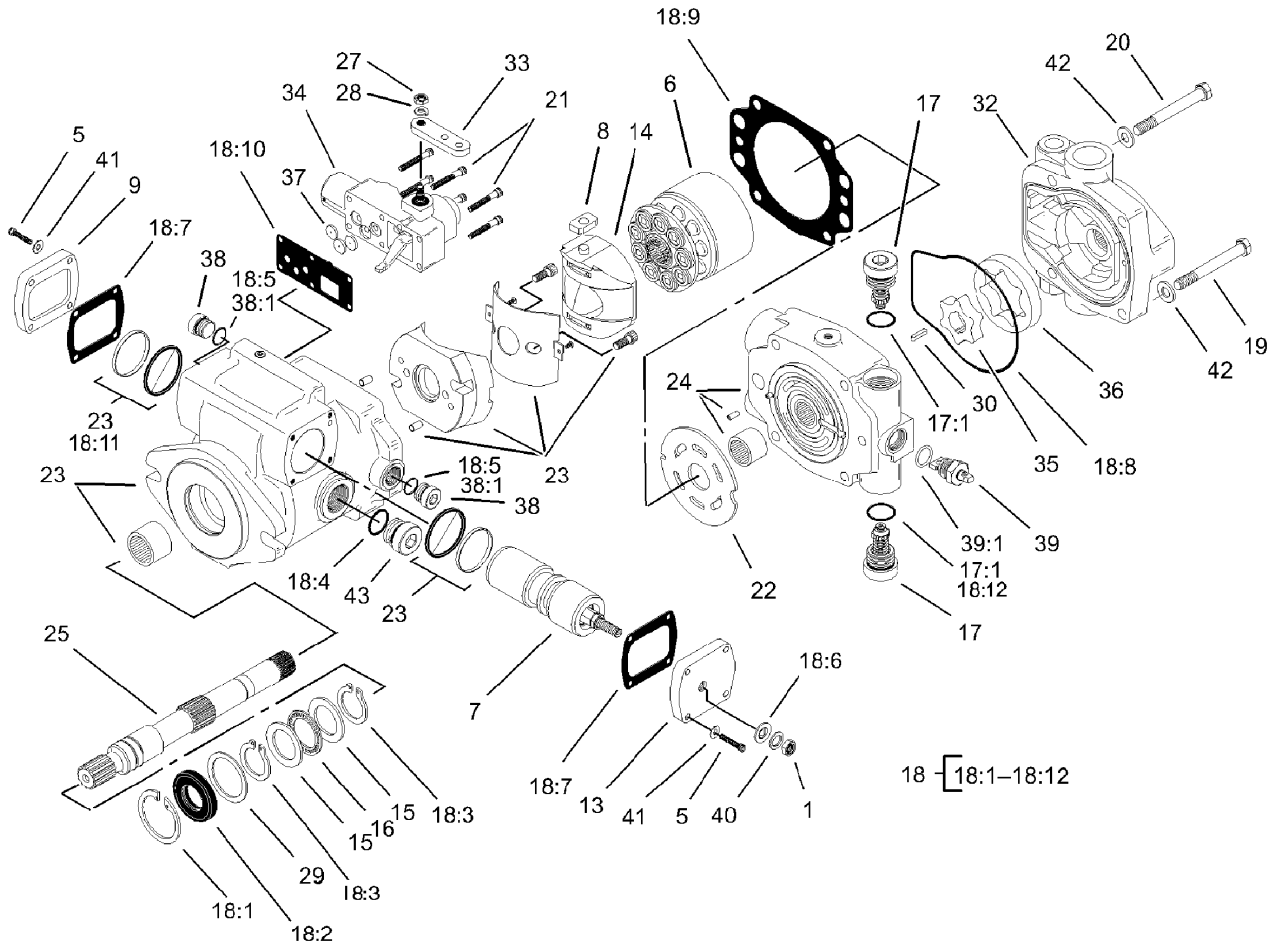
Ref	Part No.	Qty.	Description
25	3256-6	2	Washer-Flat
26	3253-7	2	Washer-Lock
27	325-6	2	Screw-HH
28	104-9168	1	Adapter
28:1	237-79	1	O-Ring
28:2	237-81	1	O-Ring
29	110-5074	1	Valve-Relief
29:1	110-5089	1	Cartridge
29:2	94-8764	1	Seal Kit
30	340-153	1	Fitting-Elbow, 90 DEG
30:1	237-79	1	O-Ring
30:2	237-151	1	O-Ring
31	75-6130	1	Hose ASM
32	106-5029	1	Hose ASM
34	2412-93	1	Clamp-R
35	3234-4	1	Screw-HHF
36	2412-96	5	Clamp-R
37	104-8300	8	Nut-Flange, NI
38	32128-33	1	Nut-HF



Gear Pump Assembly No. 93-6492

Ref	Part No.	Qty.	Description
1	74-9370	8	Capscrew
2	95-2109	1	Seal Kit
2:1		1	Seal-Shaft
2:2		1	Seal-Dust
2:3		1	Seal-Dust
2:4		1	Seal-Dust
2:5		1	Seal-Dust
2:6		1	Seal-Dust
2:7		1	Seal-Dust
2:8		1	Washer
2:9		1	Ring-Retaining
2:10		1	Seal-Dust
2:11		1	Washer-Back Up
2:12		1	Washer-Back Up
2:13		1	O-Ring, Molded
2:14		1	Washer-Sealing
2:15		1	Seal-Pressure Balance
2:16		1	Gasket-Back Up
2:17		1	Plug
2:18		1	Plate-Wear
3	95-4362	1	Plate-Front
4		1	Gear-Drive
5		1	Body
6		1	Gear-Idler

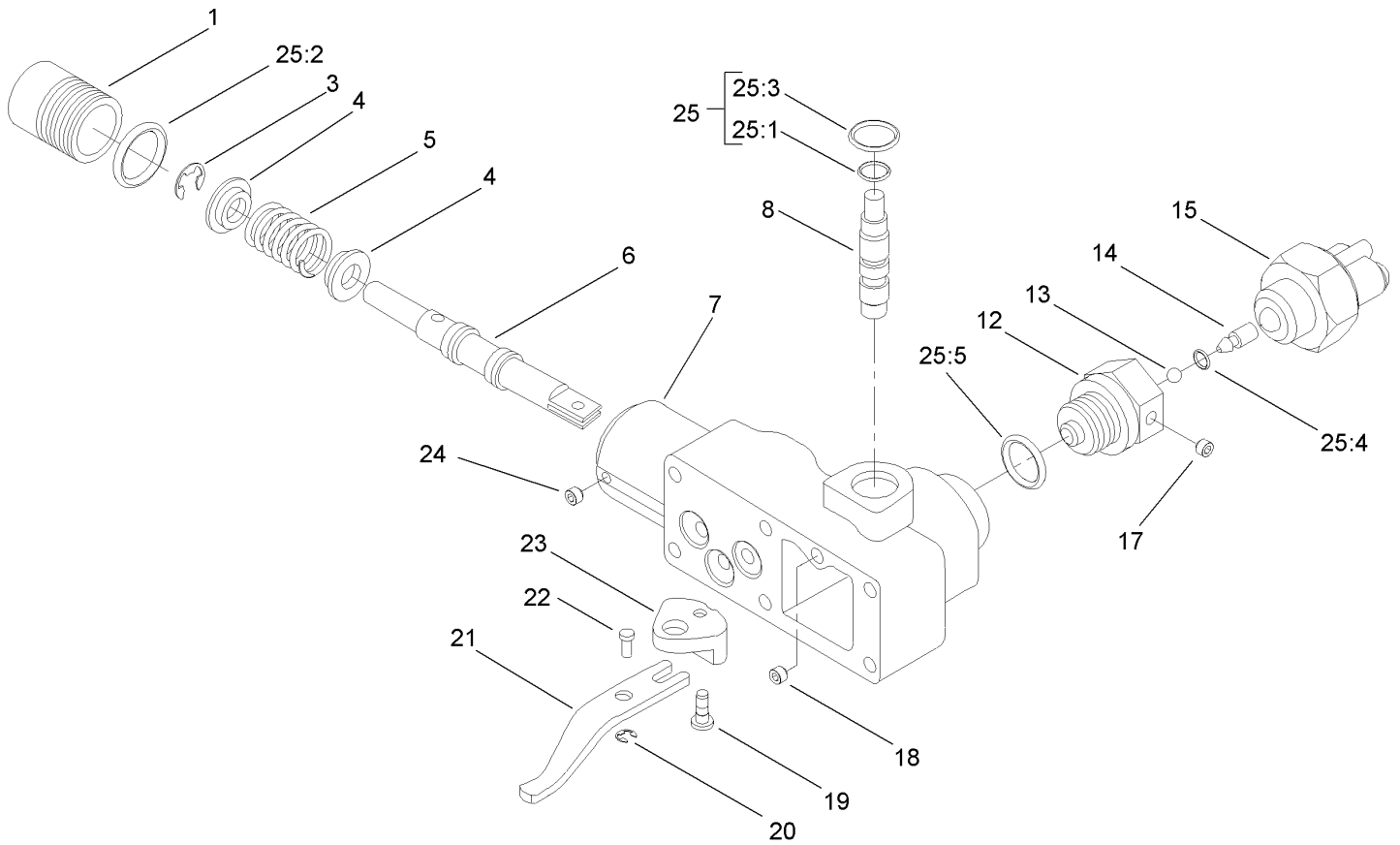
Ref	Part No.	Qty.	Description
7	60-5860	1	Plug
7:1	60-5720	1	O-Ring
8	93-6377	1	Backplate ASM
9	93-6420	1	Spool
10	88-3770	1	Spring
11	60-5730	1	Disc
12	60-5710	1	Plug
12:1	60-5720	1	O-Ring
13	93-6416	1	Relief Valve ASM
99	107-4328	1	Front Plate Kit



Piston Pump Assembly No. 93-6491

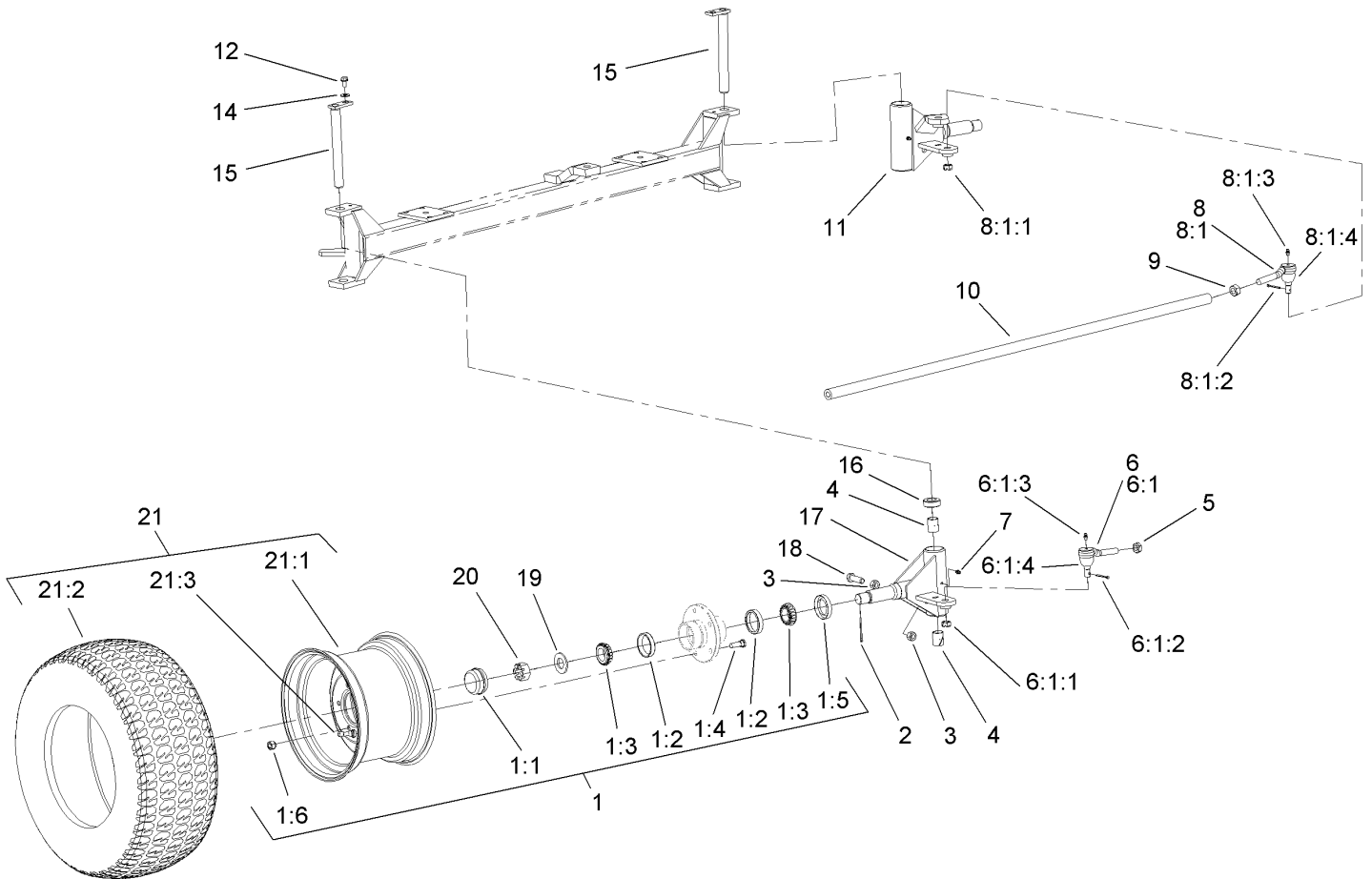
Ref	Part No.	Qty.	Description
1	3220-3	1	Nut-HJ
5	93-6337	8	Screw
6	99-8701	1	Rotating Kit
7	105-2856	1	Servo Piston ASM
8	94-3032	1	Follower-Piston
9	94-3033	1	Plate-Cover
13	105-9853	1	Plate-Cover
14	94-3026	1	Camplate ASM
15	76-6950	2	Race-Thrust
16	76-6960	1	Bearing-Thrust
17	105-2858	2	Valve-Relief
●17:1		1	Seal-Dust
18	107-1561	1	Seal Kit
18:1	60-6260	1	Ring
18:2	105-3331	1	Seal-Shaft
18:3	76-7000	2	Ring-Retaining
●18:4		2	Seal-Dust
●18:5	93-6314	2	O-Ring
18:6	94-3027	1	Washer-Seal
18:7	93-6339	2	Gasket
●18:8	105-2905	1	O-Ring
18:9	105-2900	1	Gasket-Housing
18:10	105-2901	1	Gasket-Housing, Control
●18:11		2	Seal ASM

Ref	Part No.	Qty.	Description
●18:12	74-9380	1	O-Ring
19	323-15	2	Screw-HH
20	323-16	2	Screw-HH
21	93-6324	6	Screw
22	99-8704	1	Plate-Valve
●23		1	Housing
24	105-2904	1	Backplate
25	93-6344	1	Driveshaft
27	3217-5	1	Nut-Hex
28	3253-3	1	Washer-Lock
29	60-6240	1	Washer
30	93-6375	1	Key
32	95-2110	1	Adaptor ASM
33	105-2862	1	Arm-Control
34	93-6306	1	Control ASM
35	93-6365	1	Geroter-Inner
36	93-6364	1	Geroter-Outer
37	94-3041	3	Orifice-Control
38	74-9280	2	Plug ASM
●38:1		1	Seal-Dust
39	105-2913	1	Valve-Bypass
●39:1		1	Seal-Dust
40	94-3030	1	Washer
41	93-6336	8	Washer



Control Assembly No. 93-6306

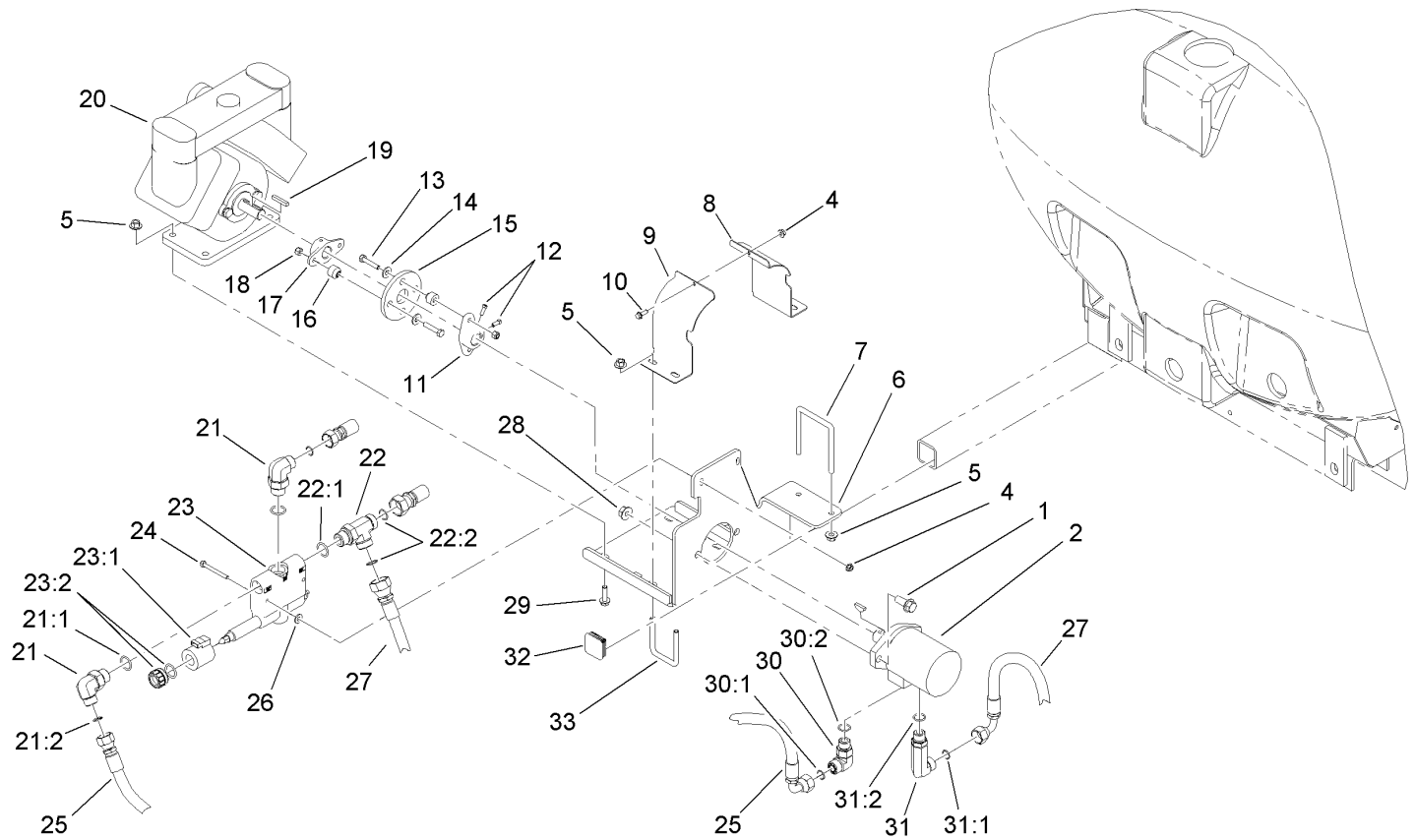
Ref	Part No.	Qty.	Description
①		1	Plug
③		1	Ring-Retaining
④		2	Retainer-Spring
⑤		1	Spring
⑥		1	Valve-Spool
⑦		1	Housing-Control
⑧		1	Shaft-Input
⑫		1	Adaptor
⑬		1	Ball
⑭		1	Pin
15	94-3043	1	Switch-Safety, Neutral
⑰		1	Screw-Set
⑱		1	Screw-Set
⑲		1	Pin
⑳		1	Ring-Retaining
㉑		1	Link
㉒		1	Pin-Dowel
㉓		1	Crank-Bell
㉔		1	Screw-Set
25	94-3044	1	Seal Kit
㉔5:1		1	O-Ring
㉔5:2		1	O-Ring
㉔5:3		1	Seal-Wiper
㉔5:4		1	O-Ring
㉔5:5		1	O-Ring



Front Wheel Assembly

Ref	Part No.	Qty.	Description
1	94-7148	2	Hub ASM
1:1	94-7282	1	Cap-Dust
1:2	254-61	2	Cup-Bearing
1:3	94-7283	2	Bearing-Cone
1:4	95-9383	5	Stud
1:5	94-7285	2	Seal
1:6	242-35	5	Nut-Wheel
2	3272-15	2	Pin-Cotter
3	3217-9	4	Nut-HH
4	93-6586	4	Bushing
5	3220-11	1	Nut-Jam
6	87-1480-03	1	End-Tie Rod, RH
6:1	87-5340	1	Tie Rod Seal Kit
6:1:1	32136-3	1	Nut-SHH
6:1:2	3272-12	1	Pin-Cotter
6:1:3	302-5	1	Fitting-Grease
6:1:4	107-1587	1	Seal
7	302-5	2	Fitting-Grease
8	87-1470-03	1	End-Tie Rod, LH
8:1	87-5340	1	Tie Rod Seal Kit
8:1:1	32136-3	1	Nut-SHH
8:1:2	3272-12	1	Pin-Cotter
8:1:3	302-5	1	Fitting-Grease
8:1:4	107-1587	1	Seal

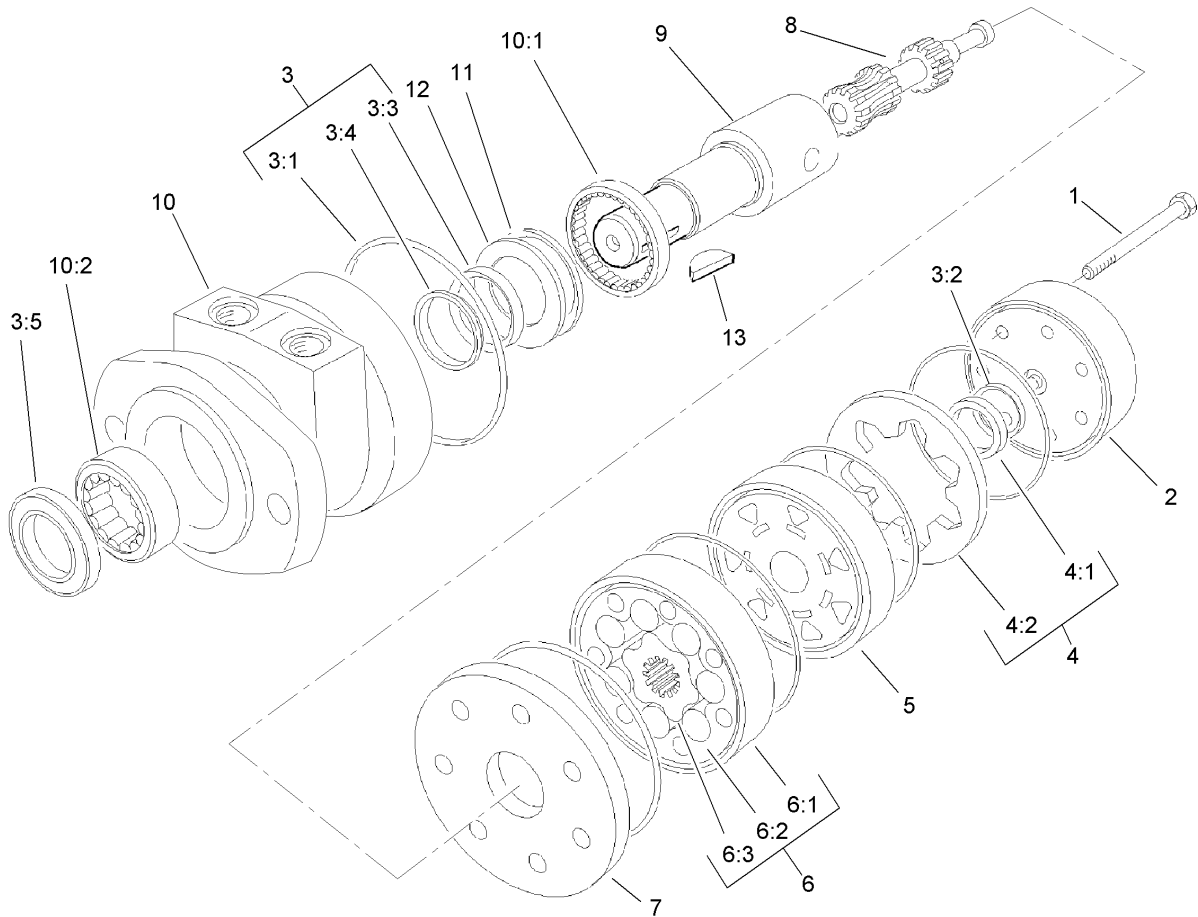
Ref	Part No.	Qty.	Description
9	3218-21	1	Nut-Jam
10	93-6588	1	Rod-Steering
11	93-6577-03	1	LH Spindle ASM
12	32144-14	2	Screw-HWHTF
14	3256-3	2	Washer-Flat
15	93-6584	2	King Pin ASM
16	93-6587	2	Bearing
17	93-6582-03	1	RH Spindle ASM
18	325-7	2	Screw-HH
19	3256-62	2	Washer-Flat
20	32136-11	2	Nut-Hex, Slot
21		2	Tire And Wheel ASM
21:1	41169	1	Wheel
21:2	42330	1	Tire
21:3	232-27	1	Stem-Valve



Pump Drive Assembly

Ref	Part No.	Qty.	Description
1	3234-32	2	Screw-HHF
2	104-9099	1	Pump-Spray, Motor
4	32128-33	3	Nut-HF
5	32128-43	14	Nut-Flange
6	106-1219-03	1	Pump Bracket ASM
7	100-7067	1	U-Bolt
8	104-9080-03	1	Plate-Guard, Front
9	104-9081-03	1	Plate-Guard, Rear
10	3234-4	1	Screw-HHF
11	27-1960	1	Hub-Engine
12	3241-5	4	Screw-Set
13	322-8	4	Screw-HH
14	3256-3	4	Washer-Flat
15	100-8471	1	Coupling-Rubber
16	27-6590	4	Spacer-Coupling, Rubber
17	93-2589	1	Hub-Pump
18	3296-29	4	Nut-Lock, NI
19	67-7490	1	Key-Square
20	106-5121	1	Pump
21	340-139	2	Fitting-HYD, 90 DEG
21:1	237-81	1	O-Ring
21:2	237-65	1	O-Ring
22	340-148	1	Fitting-Tee
22:1	237-81	1	O-Ring

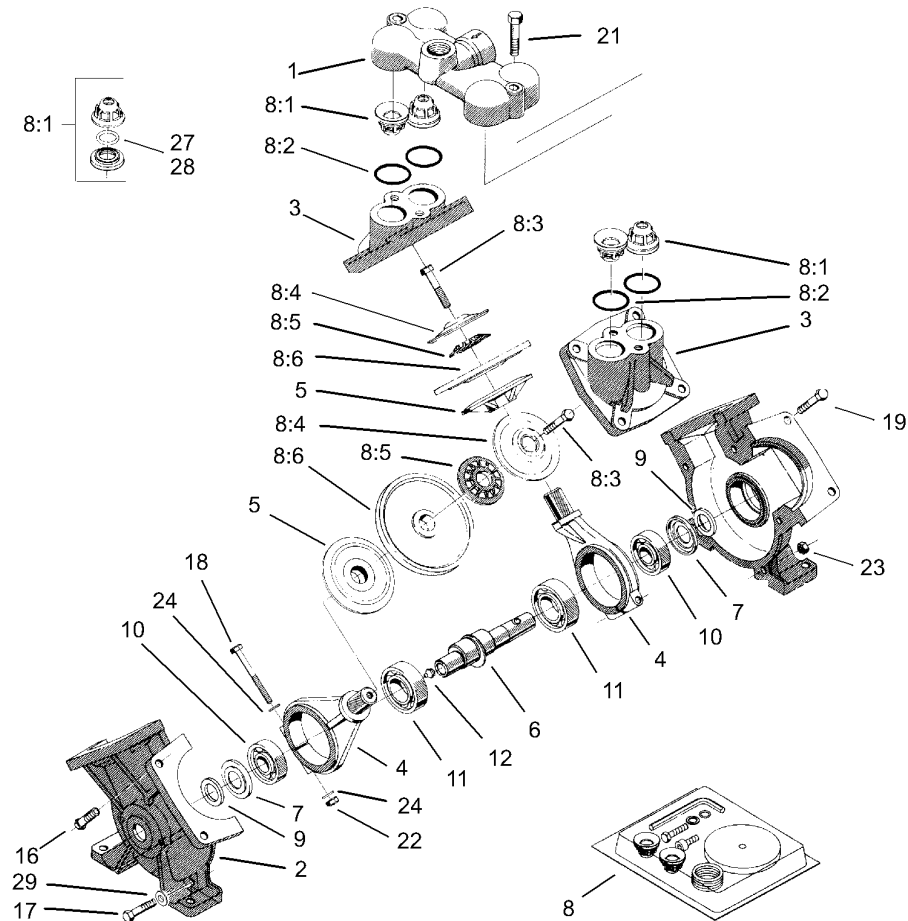
Ref	Part No.	Qty.	Description
22:2	237-58	2	O-Ring
23	110-5097	1	Valve-Pwm
23:1	110-5085	1	Coil-Valve, Pwm
23:2	110-5087	1	Nut And O-Ring Kit
24	321-15	2	Screw-HH
25	104-9181	1	Hose ASM
26	3256-2	2	Washer-Flat
27	104-9179	1	Hose ASM
28	32128-49	2	Nut-HHF
29	3234-24	4	Screw-HHF
30	340-17	1	Fitting-HYD, 90 DEG
30:1	237-65	1	O-Ring
30:2	237-80	1	O-Ring
31	104-9074	1	Fitting-Elbow, 90 DEG
31:1	237-65	1	O-Ring
31:2	237-80	1	O-Ring
32	95-9495	1	Cap
33	104-9082	2	U-Bolt



Spray Pump Assembly No. 104-9099

Ref	Part No.	Qty.	Description
1	322-33	5	Screw-HH
2	106-1981	1	Cover-End
3	106-1989	1	Seal Kit
②3:1		6	Seal-Ring
②3:2		1	Seal-Commutator
②3:3		1	Seal-Inner
②3:4		1	Washer-Backup
②3:5		1	Seal-Dirt And Water
4	106-1982	1	Commutator ASM
②4:1		1	Commutator
②4:2		1	Ring-Commutator
5	106-1983	1	Manifold
6	107-1565	1	Rotor Set
②6:1		1	Stator
②6:2		7	Vane
②6:3		1	Rotor
7	106-1985	1	Plate-Wear
8	107-1564	1	Link-Drive
9	107-1567	1	Shaft-Coupling
10	107-1566	1	Housing ASM
②10:1		1	Bearing
②10:2		1	Bearing
②11		1	Bearing-Thrust
②12		1	Washer-Thrust

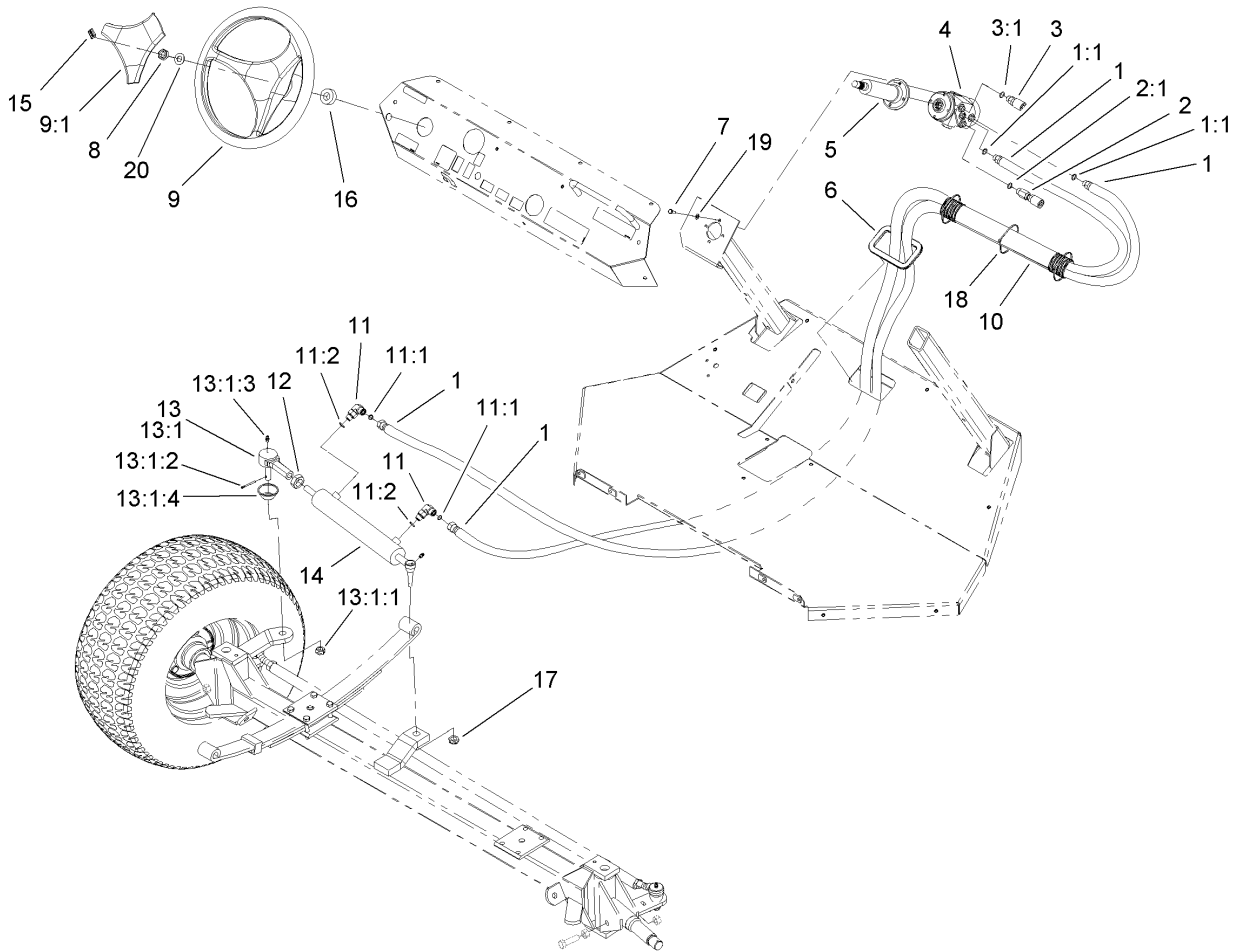
Ref	Part No.	Qty.	Description
13	106-1990	1	Key-Woodruff



Pump Assembly No. 106-5121

Ref	Part No.	Qty.	Description
1	106-5139	1	Cover-Valve
2	106-5140	2	Housing-Pump
3	106-5141	2	Cover-Diaphragm
4	106-5142	2	Rod-Connecting
5	100-8314	2	Disc-Back, Diaphragm
6	104-9052	1	Crankshaft-Keyed
7	100-8325	2	Plate-Dust
8	106-5150	1	Repair Kit
8:1	100-8307	4	Valve
8:2	100-6652	4	Gasket
8:3	106-5147	2	Bolt
8:4	100-8311	2	Washer
8:5	100-8312	2	Washer-Nylon
8:6	100-8313	2	Diaphragm
9	99-0868	2	Felt-Seal
10	100-8327	2	Bearing-Ball
11	100-8329	2	Bearing-Ball
12	99-0873	1	Fitting-Grease
16	106-5143	3	Bolt
17	106-5144	2	Bolt
18	106-5145	2	Bolt
19	106-5146	8	Bolt
21	106-5148	2	Bolt
22	100-8326	2	Nut-Hex

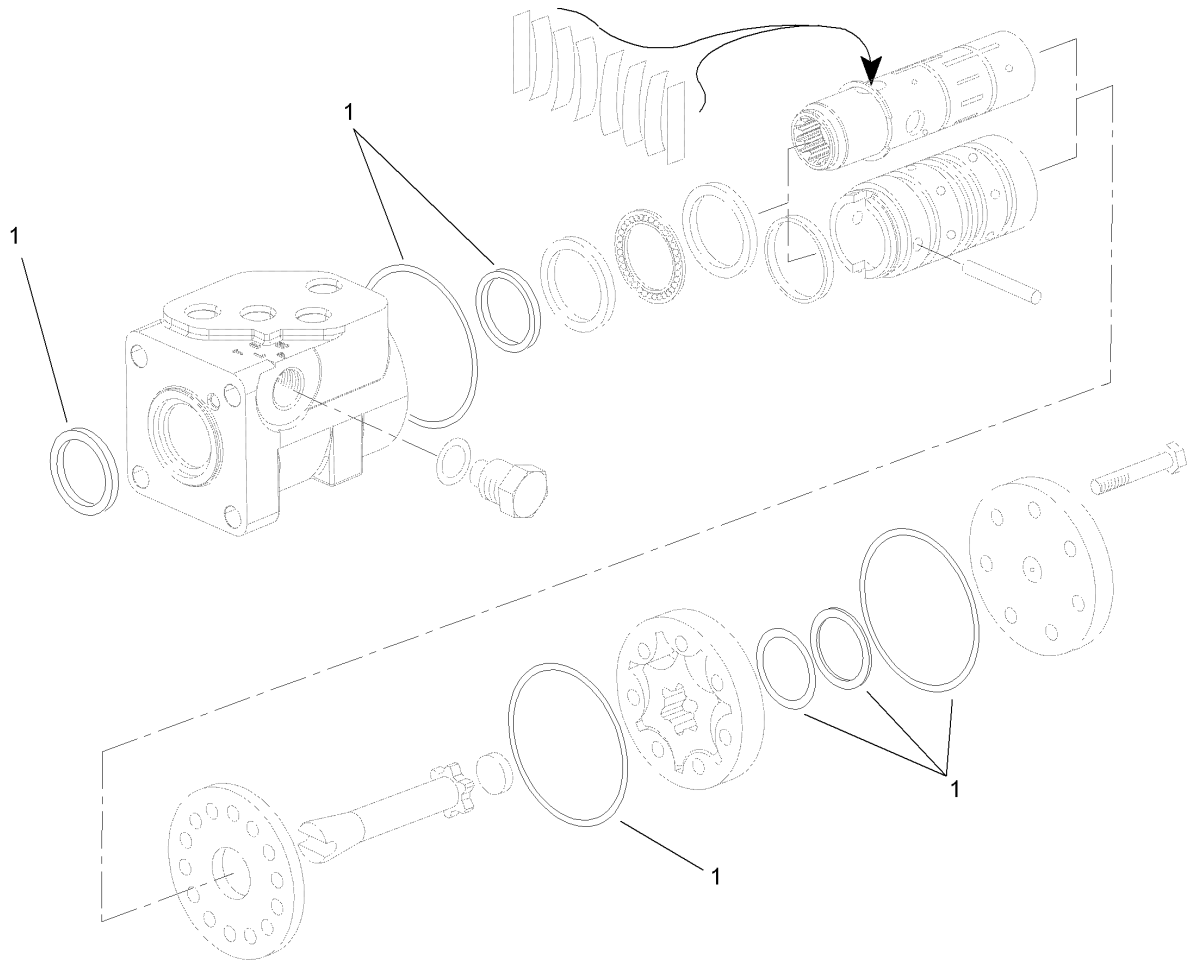
Ref	Part No.	Qty.	Description
23	106-5149	5	Nut
24	100-8316	4	Washer-Lock
27	100-8336	4	O-Ring
28	106-5138	4	O-Ring
29	106-5137	2	Washer



Steering Assembly

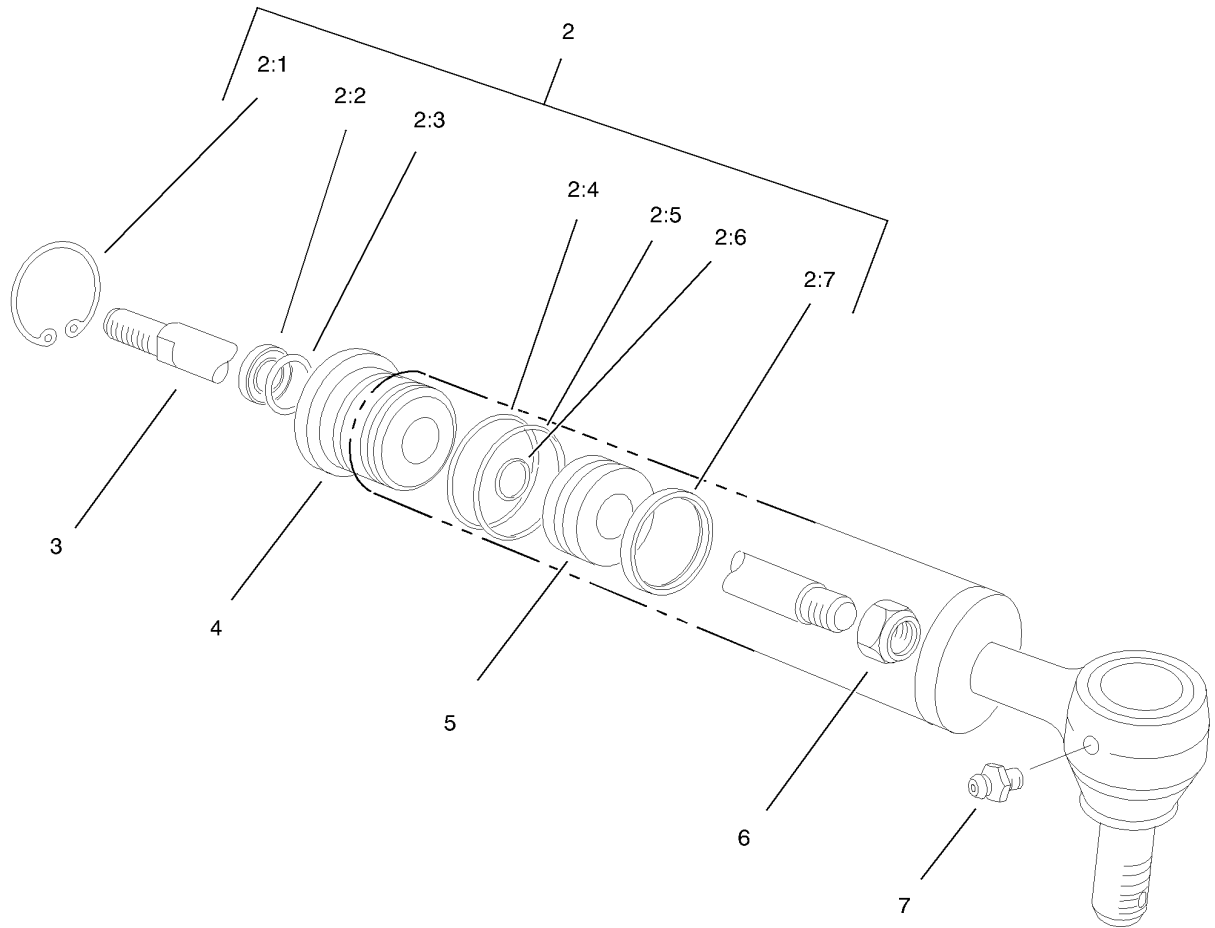
Ref	Part No.	Qty.	Description
1	104-9188	2	Hose ASM
1:1	237-42	1	O-Ring
2	104-9185	1	Hose ASM
2:1	237-42	1	O-Ring
2:2	237-79	1	O-Ring
3	104-9186	1	Hose ASM
3:1	237-42	1	O-Ring
4	114-5076	1	Steering Control ASM
5	94-8792	1	Column-Steering
6	95-2193	1	Trim
7	48-7620	4	Screw-HH
8	110-8816	1	Nut-Hex
9	98-1471	1	Wheel-Steering
9:1	98-1468	1	Cover-Wheel, Steering
10	106-6713	1	Cover-Lines, Steering
11	340-77	2	Fitting-HYD, 90 DEG
11:1	237-22	1	O-Ring
11:2	237-42	1	O-Ring
12	3220-11	1	Nut-Jam
13	93-6509-03	1	Tie Rod End ASM
13:1		1	Tie Rod End ASM
13:1:1	32136-3	1	Nut-SHH
13:1:2	3272-12	1	Pin-Cotter
13:1:3	302-5	1	Fitting-Grease

Ref	Part No.	Qty.	Description
13:1:4	106-4901	1	Seal-End, Rod
14	93-6510	1	Cylinder
15	98-1459	1	Decal
16	21-9260	1	Cover-Dust
17	3296-57	1	Nut-Lock, NI
18	3290-379	6	Tie-Cable
19	3253-18	4	Washer-Lock
20	3256-27	1	Washer-Flat



Steering Control Assembly No. 114-5076

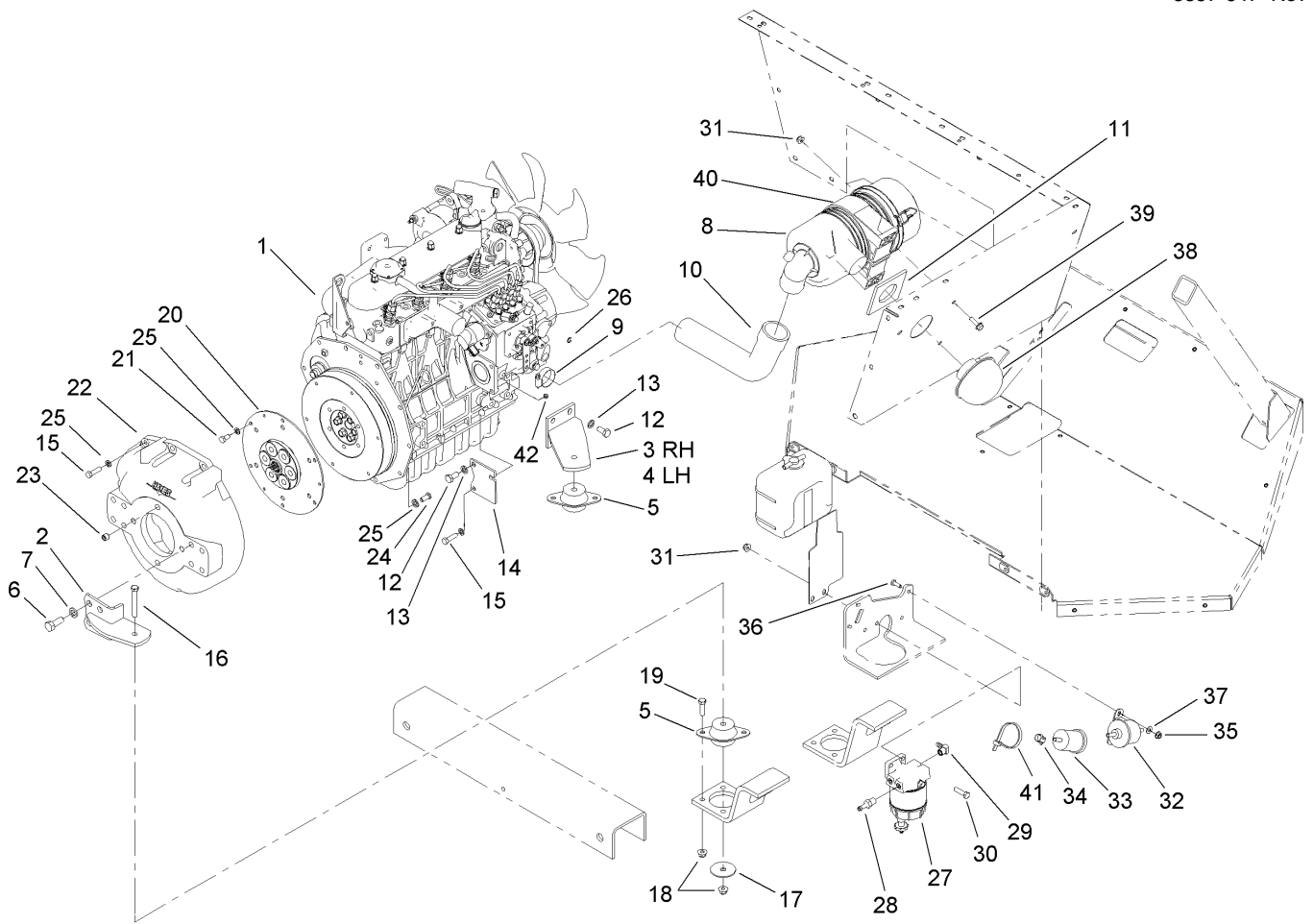
Ref	Part No.	Qty.	Description				
1	108-1519	1	Seal Kit				



Hydraulic Cylinder Assembly No. 93-6510

Ref	Part No.	Qty.	Description
2	92-3992	1	Repair Kit
2:1		1	Ring-Retaining
2:2		1	Seal-Dust
2:3		1	Seal-Rod
2:4		1	Ring-Backup
2:5		1	O-Ring
2:6		1	O-Ring
2:7		1	Uniring
3		1	Shaft
4		1	Head
5		1	Piston
6		1	Nut
7	302-5	1	Fitting-Grease

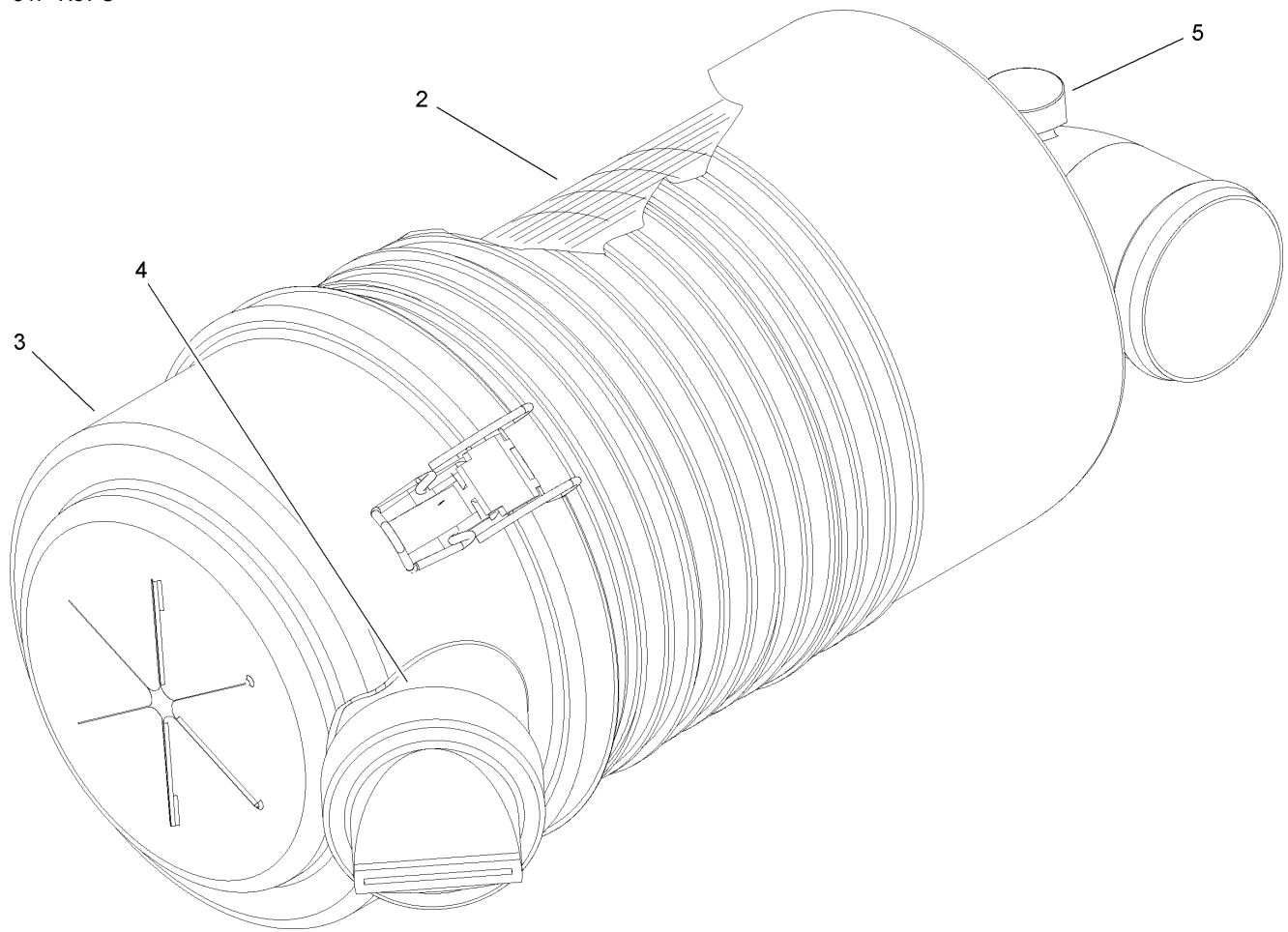
--	--	--	--



Engine and Air Cleaner Assembly

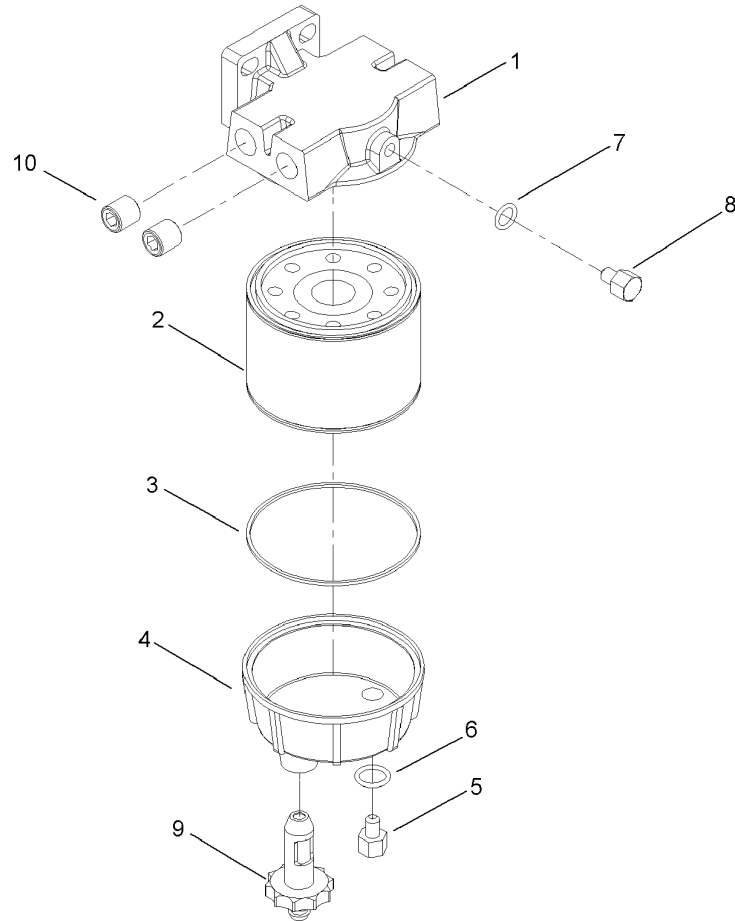
Ref	Part No.	Qty.	Description
1	106-5250	1	Engine-Kubota, Diesel
2	106-5251-03	2	Rear Bracket ASM
3	106-5254-03	1	RH Bracket ASM
4	106-5257-03	1	LH Bracket ASM
5	53-9680	4	Mount-Engine
6	325-5	8	Screw-HH
7	3253-7	8	Washer-Lock
8	106-5277	1	Air Cleaner ASM
9	2412-130	2	Clamp-Hose
10	106-5241	1	Hose-Cleaner, Air
11	94-7280	1	Seal-Foam, Air Cleaner
12	63-7790	9	Screw-Cap
13	48-9590	10	Washer-Lock
14	106-5249-03	1	Plate-Throttle
15	33114-030	7	Screw-HH
16	323-13	4	Screw-HH
17	87-5100	4	Washer-Snubbing
18	104-8301	12	Nut-Flange, NI
19	323-7	8	Screw-HH
20	92-0285	1	Coupling ASM
21	33114-016	6	Screw-HH
22	105-0100	1	Flywheel Housing ASM
23	3248-3	2	Screw-Set, HSH
24	33114-020	2	Screw-HH

Ref	Part No.	Qty.	Description
25	3253-4	14	Washer-Lock
26	701197	1	E-Ring
27	98-9305	1	Water / Fuel Filter ASM
28	353-783	1	Fitting-Straight
29	353-781	1	Fitting-Elbow
30	322-6	2	Screw-HH
31	104-8300	4	Nut-Flange, NI
32	107-0122	1	Pump-Fuel, Electric
33	98-7612	1	Filter-Fuel
34	2412-108	6	Clamp-Worm
35	32128-33	2	Nut-HF
36	321-4	2	Screw-HH
37	3256-22	2	Washer-Flat
38	27-7180	1	Cap ASM
39	3234-17	2	Screw-HHF
40	98-4525	1	Bracket-Cleaner, Air
41	3334-945	1	Tie-Cable
42	33013-00	1	Nut-Hex



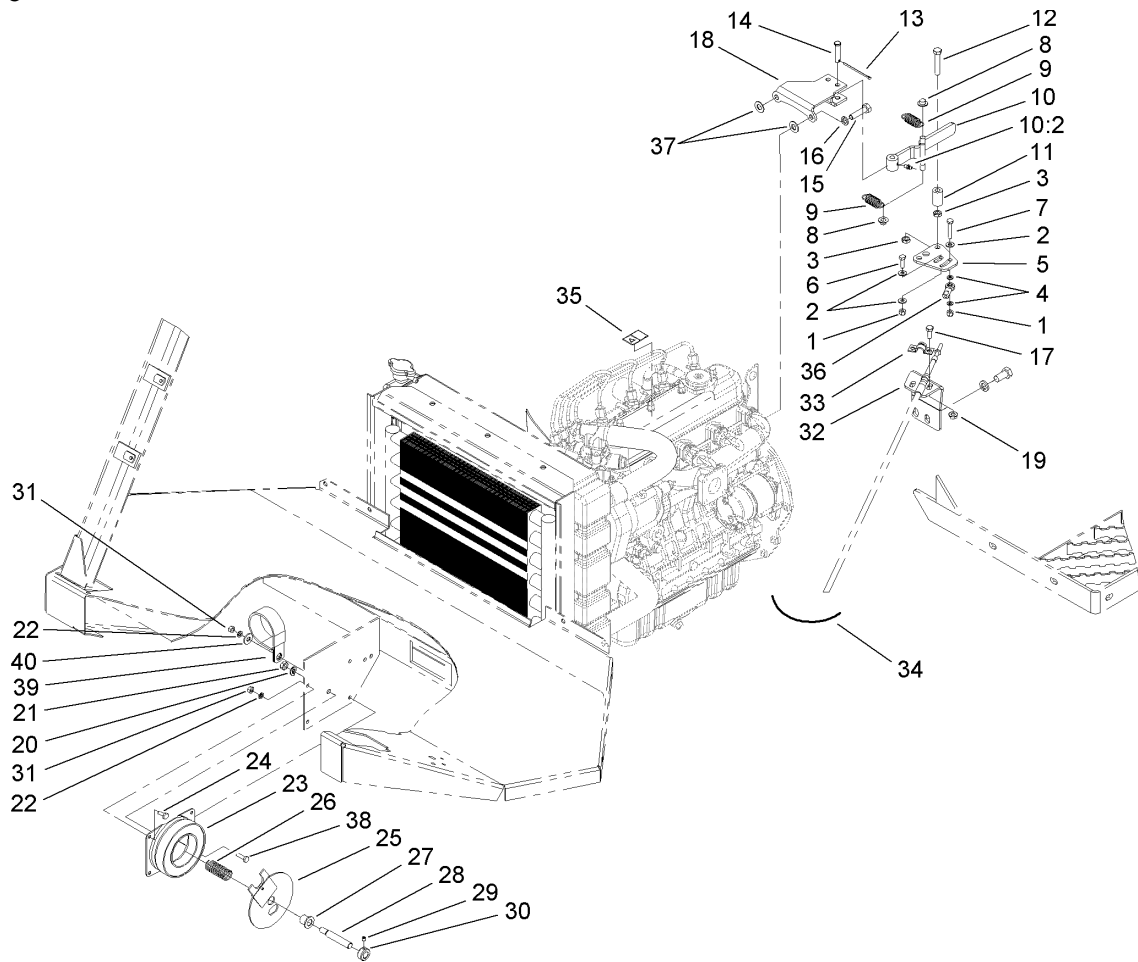
Air Cleaner Assembly No. 106-5277

Ref	Part No.	Qty.	Description				
2	108-3810	1	Filter-Air				
3	98-9771	1	Cover ASM				
4	87-9400	1	Valve-Vacuator				
5	285-17	1	Plug-Pipe				



Water and Fuel Filter Assembly No. 98-9305

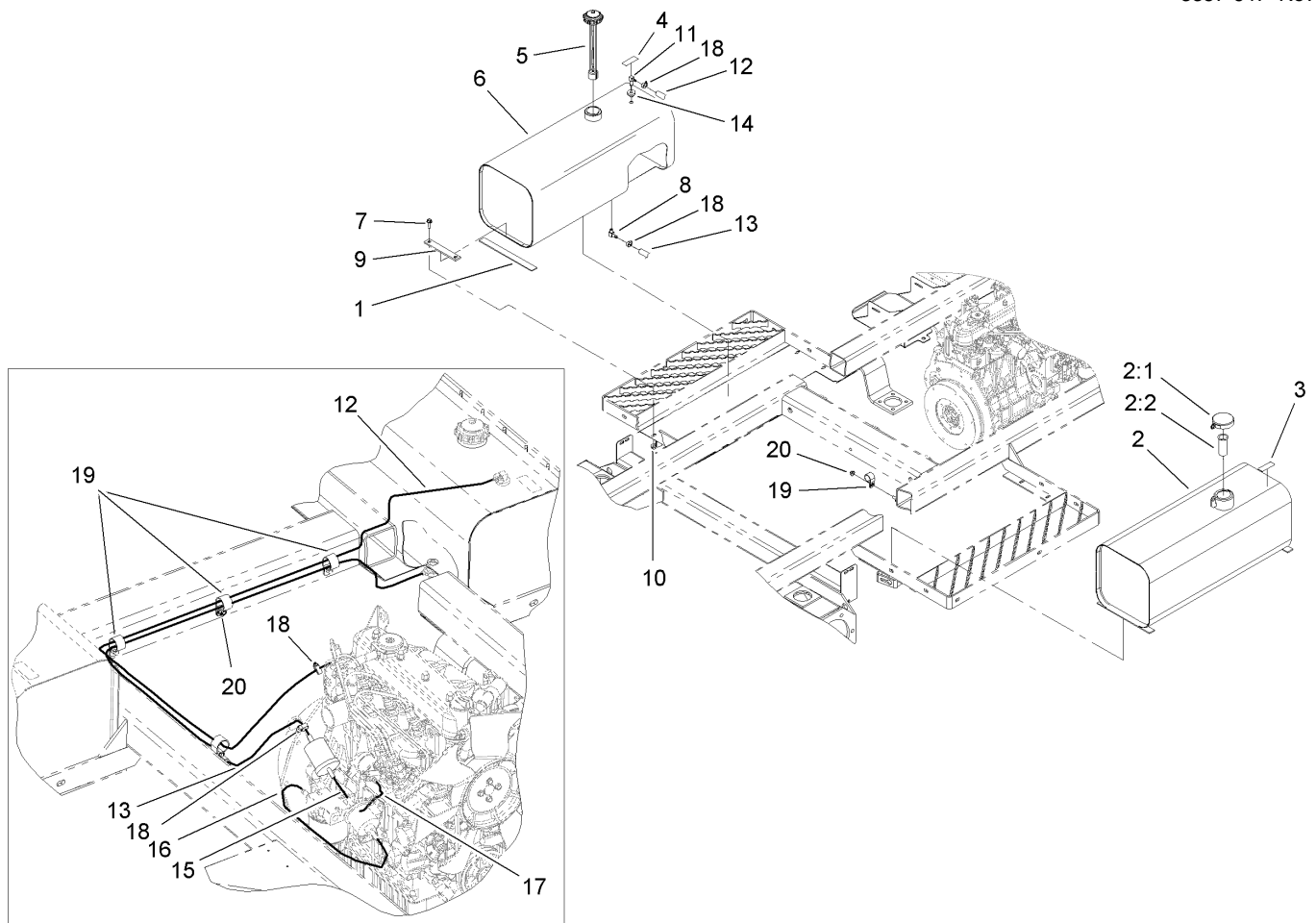
Ref	Part No.	Qty.	Description
1	98-9772	1	Head-Filter
2	98-9764	1	Element
3	98-9774	1	O-Ring
4	98-9775	1	Base-Filter
5	98-9773	1	Plug-Base, Filter
6	237-42	1	O-Ring
7	237-78	1	O-Ring
8	98-9776	1	Plug-Head, Filter
9	98-9777	1	Drain Valve ASM
10	285-22	2	Plug-Pipe



Drive Linkage Assembly

Ref	Part No.	Qty.	Description
1	32146-17	2	Nut-Lock
2	3256-22	3	Washer-Flat
3	3220-3	4	Nut-HJ
4	33093-00	2	Washer-Flat
5	106-5244	1	Plate-Neutral
6	321-5	1	Screw-HH
7	321-9	1	Screw-HH
8	92-0465	4	Cap-Retainer, Spring
9	107-1045	2	Spring-Extension
10	92-0460	2	Arm ASM
10:2	302-5	1	Fitting-Grease
11	92-0455	2	Bearing
12	3211-9	2	Screw-HH
13	3272-53	1	Pin-Cotter
14	283-15	2	Pin-Clevis
15	87-3700	2	Screw-Cap, HH
16	48-9590	2	Washer-Lock
17	322-3	2	Screw-HH
18	106-5198-03	1	Neutral Bracket ASM
19	32128-20	2	Nut-HF
20	3253-5	1	Washer-Lock
21	3217-7	1	Nut-Hex
22	3253-3	4	Washer-Lock
23	42-1720	1	Field Core Coil ASM

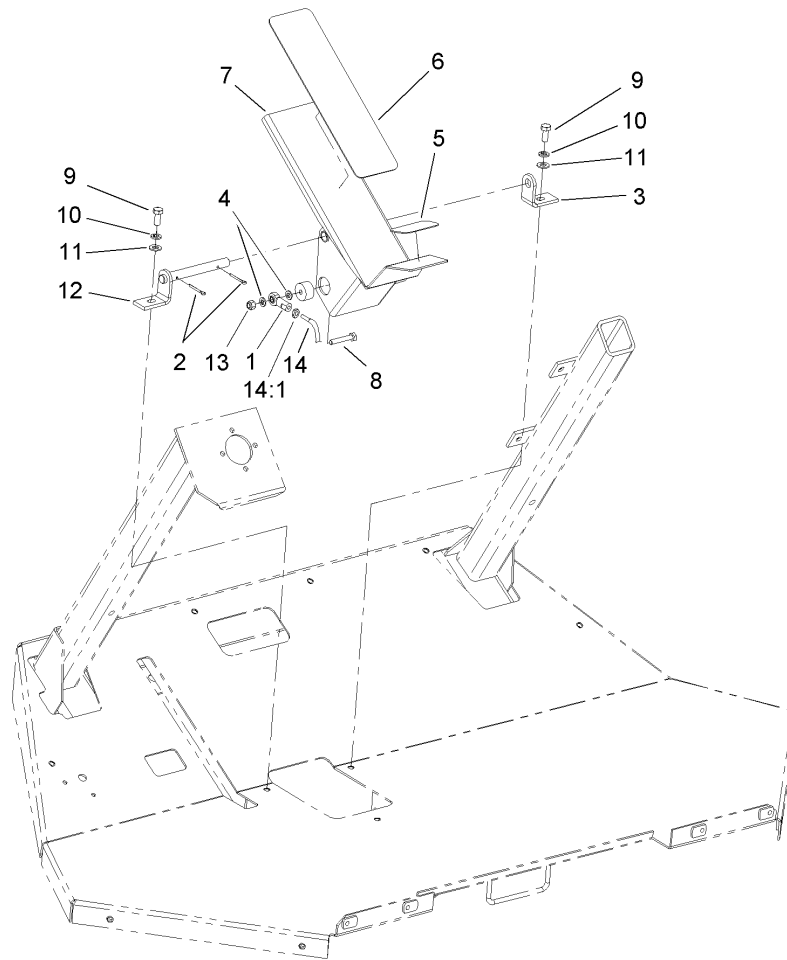
Ref	Part No.	Qty.	Description
24	321-3	3	Screw-HH
25	43-6110-03	1	Plate-Clutch
26	43-6200	1	Spring-Compression
27	256-273	1	Bushing-Flange
28	69-9170	1	Shaft-Cruise
29	3245-32	1	Screw-HSH
30	43-6320	1	Collar
31	3217-5	4	Nut-Hex
32	106-5242	1	Plate-Mount, Traction Cable
33	93-2092	1	Clamp-Cable
34	99-3441	1	Harness-Wire, Fusible Link
35	106-5517	1	Decal-Surface, Hot
36	2411-41	1	Joint-Ball
37	3256-25	2	Washer-Flat
38	321-5	1	Screw-HH
39	2412-102	1	Clamp-R
40	3256-3	1	Washer-Flat



Fuel and Hydraulic Tank Assembly

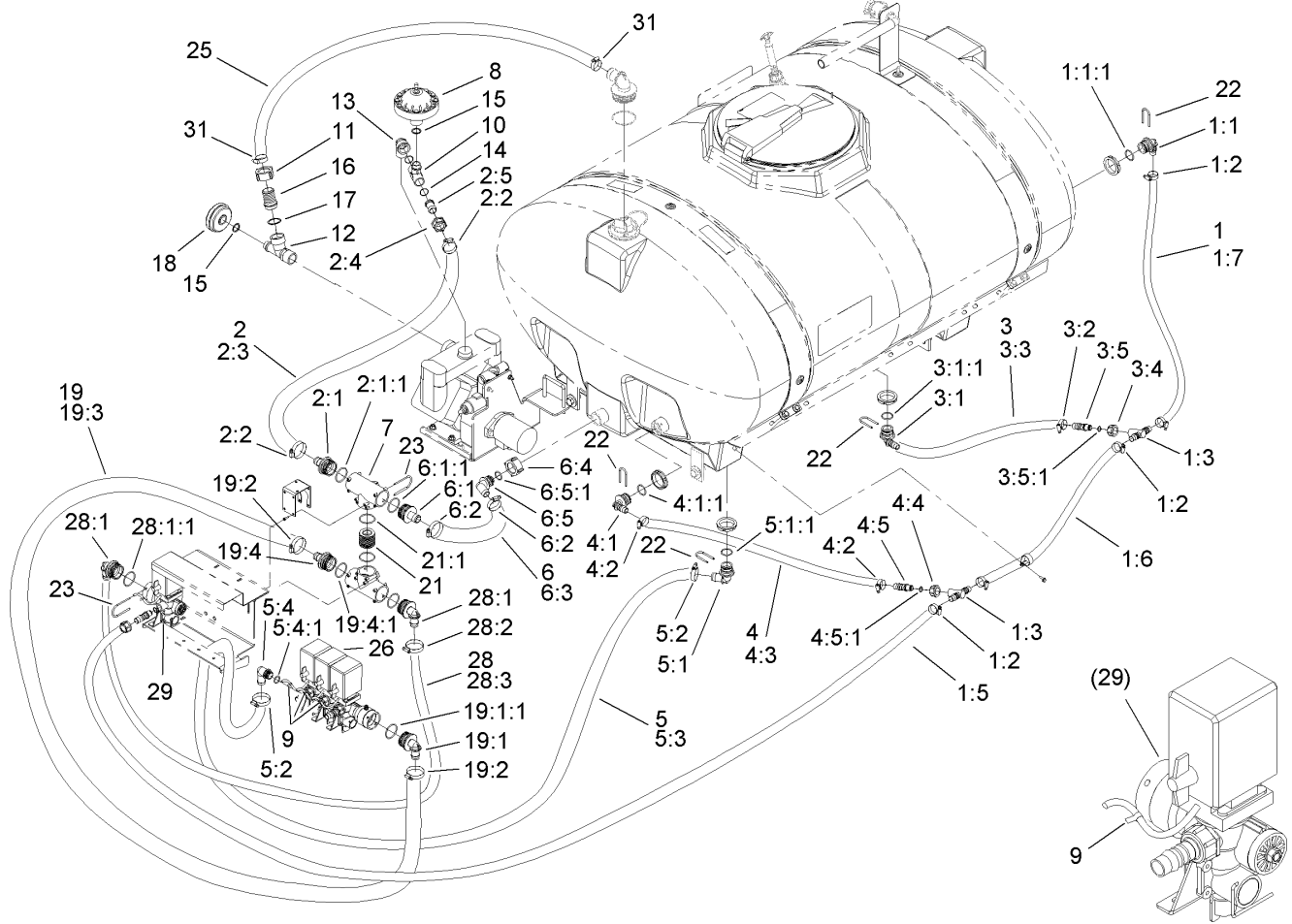
Ref	Part No.	Qty.	Description
1	41995	4	Strip-Armaflex
2	104-9094	1	Tank-HYD
2:1	42193	1	Cap-Tank
2:2	41779	1	Strainer-Tank
3	93-6686	1	Decal-Oil, HYD
4	93-6680	1	Decal-Diesel
5	106-5295	1	Fuel Cap And Gauge ASM
6	106-5264	1	Tank-Fuel
7	3234-17	8	Screw-HHF
8	46-3710	1	Fitting-HYD, 90 DEG
9	94-7068-03	4	Strap-Hold Down
10	32128-44	8	Nut
11	104-5228	1	Fitting-Elbow
12	108-3281	1	Hose-Fuel
13	108-3282	1	Hose-Fuel
14	46-6560	1	Bushing
15	108-3283	1	Hose-Fuel
16	108-3284	1	Hose-Fuel
17	108-3280	1	Hose-Fuel
18	2412-108	4	Clamp-Worm
19	2412-39	4	R-Clamp
20	104-8300	4	Nut-Flange, NI

Ref	Part No.	Qty.	Description



Traction Pedal Assembly

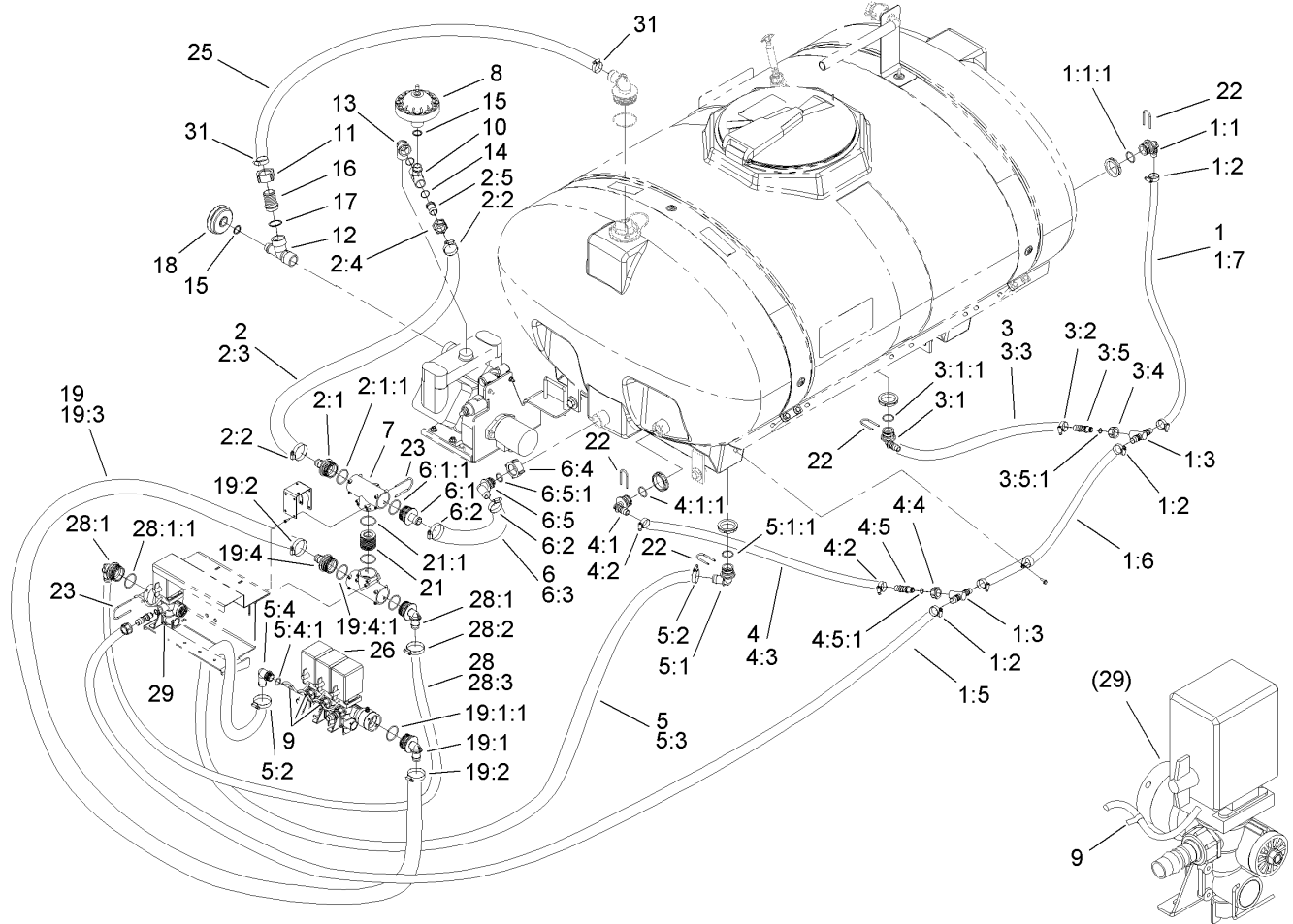
Ref	Part No.	Qty.	Description				
1	2411-41	1	Joint-Ball				
2	3272-7	2	Pin-Cotter				
3	92-0450-03	1	Bracket-Pin				
4	33093-00	2	Washer-Flat				
5	71-0450	1	Abrasive-Pedal, Rear				
6	71-0440	1	Abrasive-Pedal				
7	106-5247-03	1	Traction Pedal ASM				
8	321-9	1	Screw-HH				
9	322-3	2	Screw-HH				
10	3253-4	2	Washer-Lock				
11	3256-23	2	Washer-Flat				
12	92-0448	1	Pivot Pin ASM				
13	3296-42	1	Nut-Lock, NI				
14	106-5233	1	Cable-Traction				
14:1	3220-1	2	Nut-Jam				



Internal Sprayer Component Assembly No. 1

Ref	Part No.	Qty.	Description
①		1	Agitation Hose ASM
1:1	106-4940	1	Hosebarb-90 DEG
1:1:1	100-6712	1	O-Ring
1:2	2412-129	5	Clamp-Hose
1:3	100-6984	2	Tee
1:5	106-4971	1	Hose
1:6	106-4972	1	Hose
1:7	106-4973	1	Hose
②		1	Supply Hose ASM
2:1	106-4932	1	Hosebarb-Straight
2:1:1	100-8637	1	O-Ring
2:2	2412-3	2	Clamp-Hose
2:3	106-4975	1	Hose
2:4	99-0769	1	Nut
2:5	99-0781	1	Hosebarb
③		1	Middle Agitation Hose ASM
3:1	106-4940	1	Hosebarb-90 DEG
3:1:1	100-6712	1	O-Ring
3:2	2412-129	2	Clamp-Hose
3:3	104-8704	1	Hose
3:4	99-0850	1	Nut
3:5	106-5112	1	Hosebarb ASM
3:5:1	100-6645	1	O-Ring
④		1	Back Agitation Hose ASM

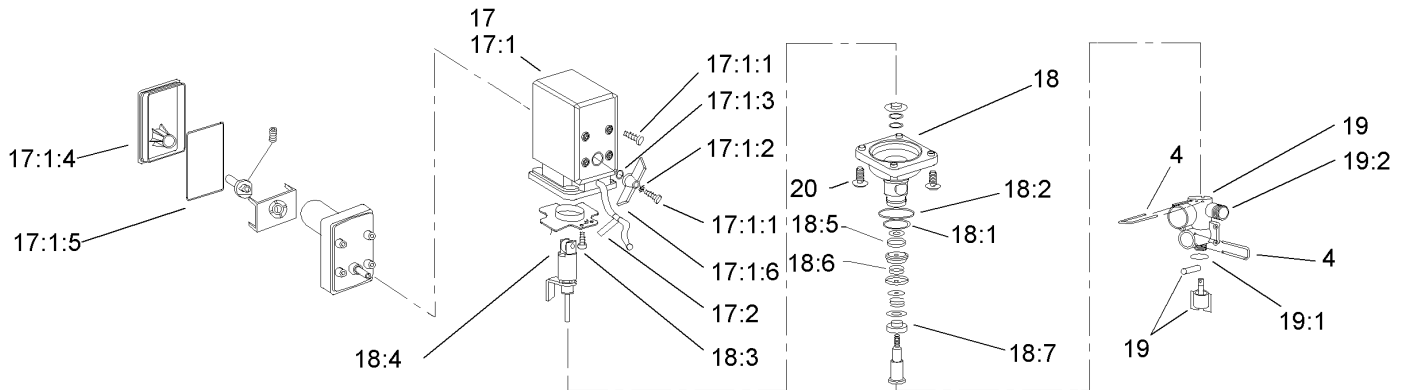
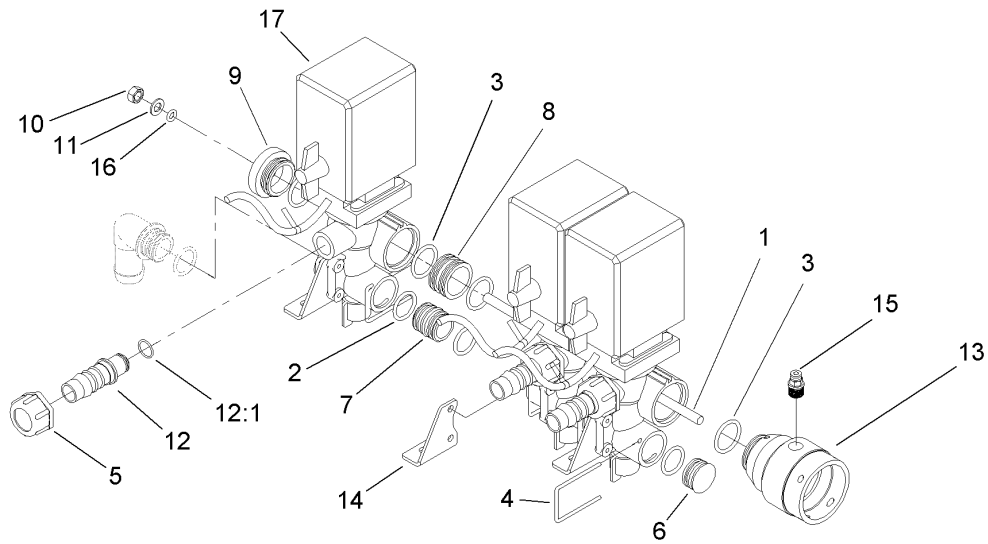
Ref	Part No.	Qty.	Description
4:1	106-4940	1	Hosebarb-90 DEG
4:1:1	100-6712	1	O-Ring
4:2	2412-129	2	Clamp-Hose
4:3	106-4974	1	Hose
4:4	99-0850	1	Nut
4:5	106-5112	1	Hosebarb ASM
4:5:1	100-6645	1	O-Ring
⑤		1	Bypass Hose ASM
5:1	106-4945	1	Elbow
5:1:1	100-6712	1	O-Ring
5:2	2412-3	2	Clamp-Hose
5:3	106-4976	1	Hose
5:4	106-4948	1	Hose Barb ASM
5:4:1	100-6882	1	O-Ring
⑥		1	Relief Hose ASM
6:1	106-4932	1	Hosebarb-Straight
6:1:1	100-8637	1	O-Ring
6:2	2412-3	2	Clamp-Hose
6:3	106-4978	1	Hose
6:4	100-8678	1	Nut
6:5	106-4949	1	Hosebarb
6:5:1	100-6646	1	O-Ring
7	100-6704	2	Tee
8	100-6662	1	Damper-Pressure



Internal Sprayer Component Assembly No. 1 (continued)

Ref	Part No.	Qty.	Description
9	107-8738	4	Decal-Fuse, 3 Amp
10	100-8699	1	Tee
11	100-8678	1	Nut
12	100-8681	1	Tee
13	100-8698	1	Elbow
14	100-6655	1	Gasket
15	100-6656	2	O-Ring
16	100-8679	1	Hosebarb
17	100-8680	1	Seal
18	100-6660	1	Suction Damper ASM
19	106-5035	1	Boom Supply Hose ASM
19:1	106-4933	1	Hosebarb ASM
19:1:1	100-8637	1	O-Ring
19:2	2412-3	2	Clamp-Hose
19:3	106-4976	1	Hose
19:4	106-4932	1	Hosebarb-Straight
19:4:1	100-8637	1	O-Ring
21	106-4947	1	Connector
21:1	100-8637	2	O-Ring
22	100-6708	4	Fork
23	100-8635	8	Fork
25	100-8484	1	Hose-Suction
26		1	Valve Booms
28		1	Agitation Supply Hose ASM

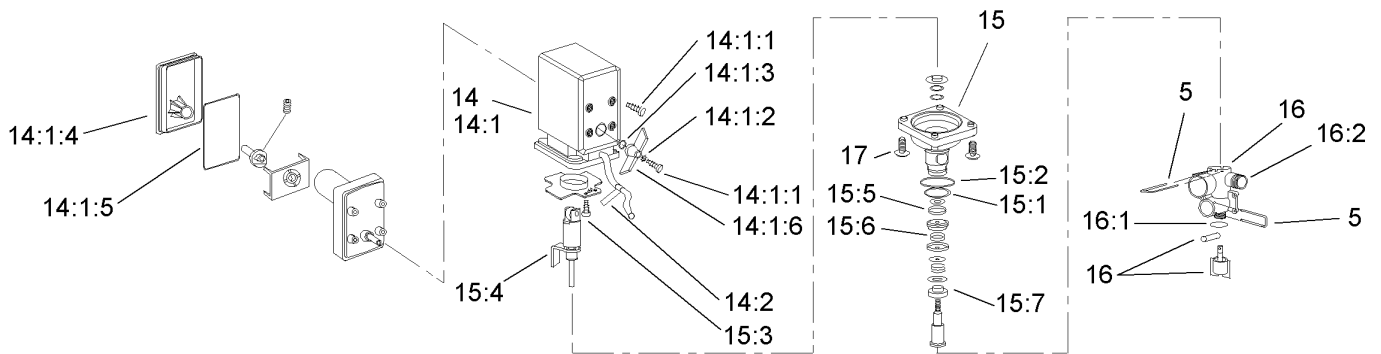
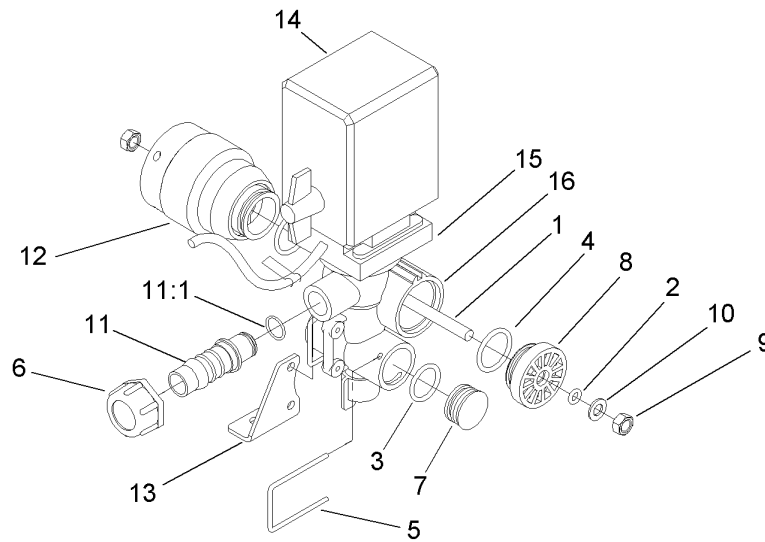
Ref	Part No.	Qty.	Description
28:1	106-4933	2	Hosebarb ASM
28:1:1	100-8637	1	O-Ring
28:2	2412-3	2	Clamp-Hose
28:3	106-4978	1	Hose
29		1	Valve Agitation ASM
31	41327	2	Clamp-Hose



Valve Boom Assembly

Ref	Part No.	Qty.	Description
1	106-1213	1	Rod-Control, Spray
2	100-6882	4	O-Ring
3	100-6646	7	O-Ring
4	100-6885	6	Fork-Valve, Boom
5	99-0850	3	Nut
6	100-6891	1	Cap-End
7	100-6890	2	Joiner-Bypass, Boom
8	100-6896	2	Joiner-Valve, Boom
9	100-6915	1	Cover-End
10	100-6894	1	Nut
11	100-6634	1	Washer
12	106-5112	3	Hosebarb ASM
12:1	100-6645	1	O-Ring
13	106-1214	1	Connector-Control, Spray
14	100-6760	3	Bracket-Valve, Section
15	100-8674	1	Coupler-Tube
16	100-6887	1	O-Ring
17	108-3257	3	Boom Motor Valve ASM
17:1	108-3340	1	Motor-Valve, Boom
17:1:1	100-6876	1	Screw
17:1:2	100-6877	1	Washer-Lock
17:1:3	100-6880	1	O-Ring
17:1:4	100-6874	1	Cover-Valve, Boom
17:1:5	100-6912	1	Cover-Seal

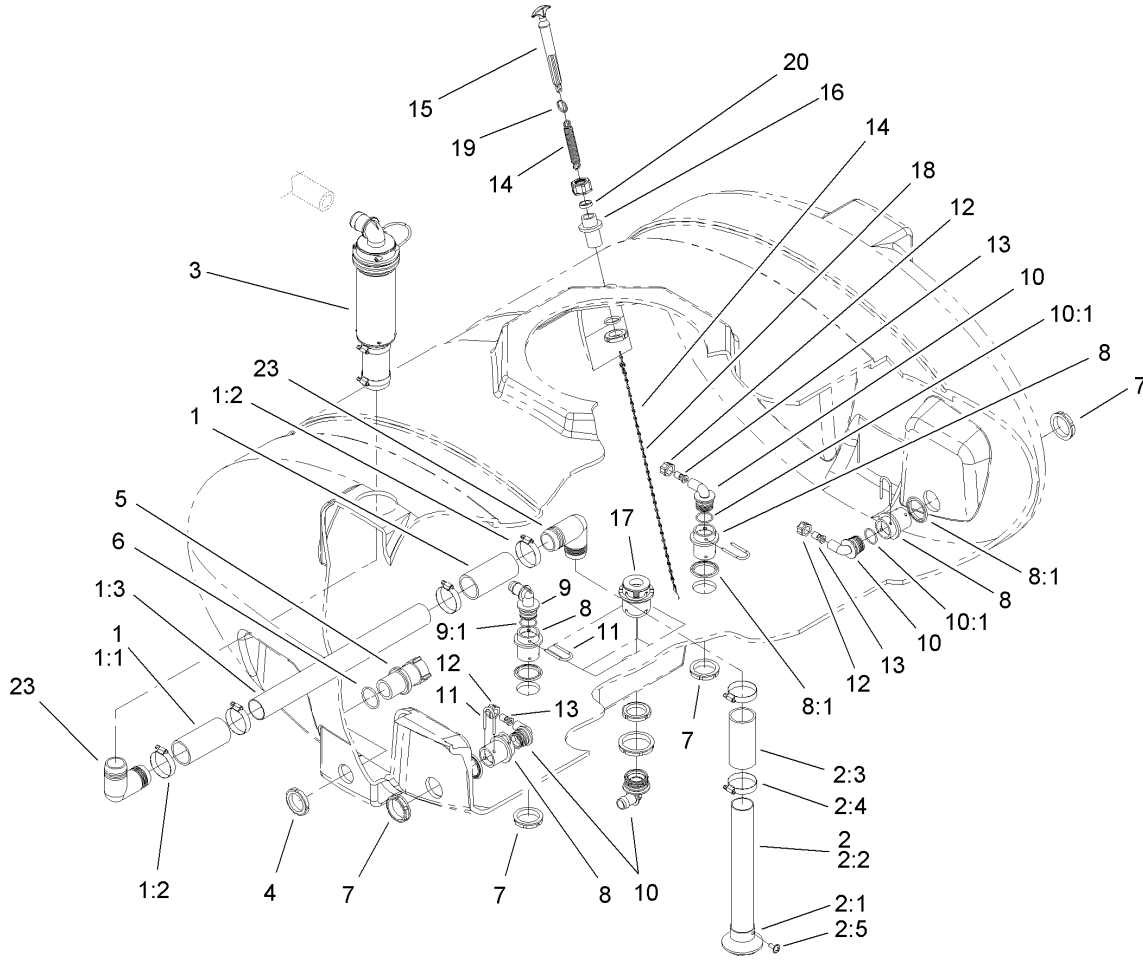
Ref	Part No.	Qty.	Description
17:1:6	100-6875	1	Handgrip-Valve, Boom
17:2	107-8738	1	Decal-Fuse, 3 Amp
18	100-6889	3	Section-Spindle, Boom Valve
18:1	100-8653	1	O-Ring
18:2	100-6882	5	O-Ring
18:3	100-6911	1	Pin-Roller
18:4	100-6910	1	Bearing-Roller
18:5	100-6879	1	O-Ring
18:6	100-6878	1	O-Ring
18:7	100-6881	1	Cone-Stem, Boom Valve
19	100-6888	3	Manifold-Valve, Boom
19:1	100-6887	1	O-Ring
19:2	106-5151	1	Manifold-Lower
20	100-6917	12	Screw-Plastic



Valve Agitation Assembly

Ref	Part No.	Qty.	Description
1	104-8907	1	Rod-Manifold
2	100-6887	1	O-Ring
3	100-6882	2	O-Ring
4	100-6646	2	O-Ring
5	100-6885	2	Fork-Valve, Boom
6	99-0850	1	Nut
7	100-6891	2	Cap-End
8	100-6915	1	Cover-End
9	100-6894	1	Nut
10	100-6634	1	Washer
11	106-5112	1	Hosebarb ASM
11:1	100-6645	1	O-Ring
12	106-1214	1	Connector-Control, Spray
13	100-6760	1	Bracket-Valve, Section
14	108-3257	1	Boom Motor Valve ASM
14:1	108-3340	1	Motor-Valve, Boom
14:1:1	100-6876	1	Screw
14:1:2	100-6877	1	Washer-Lock
14:1:3	100-6880	1	O-Ring
14:1:4	100-6874	1	Cover-Valve, Boom
14:1:5	100-6912	1	Cover-Seal
14:1:6	100-6875	1	Handgrip-Valve, Boom
14:2	107-8738	1	Decal-Fuse, 3 Amp
15	100-6889	1	Section-Spindle, Boom Valve

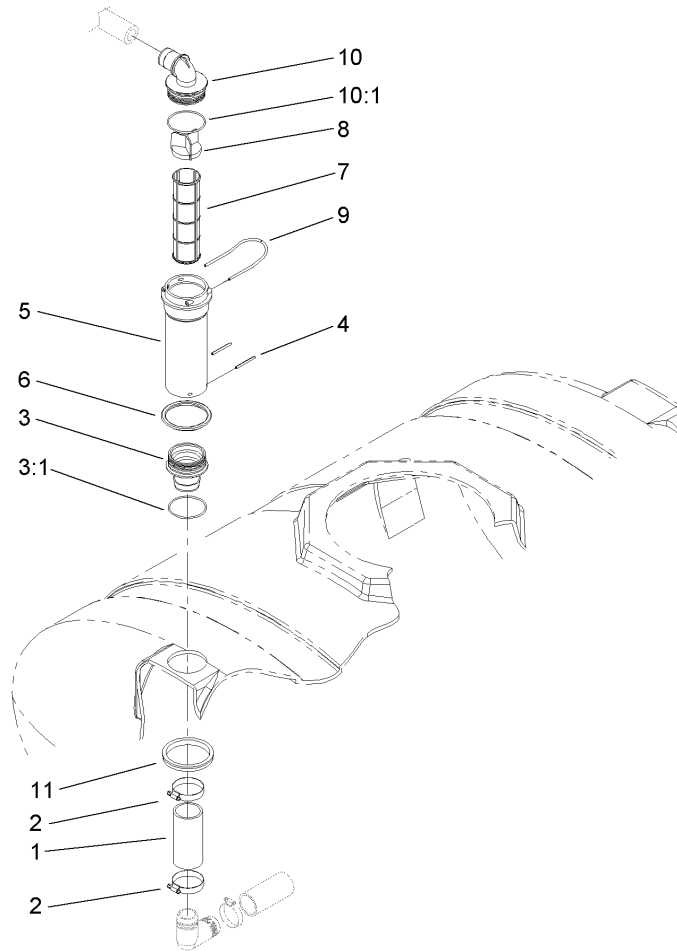
Ref	Part No.	Qty.	Description
15:1	100-8653	1	O-Ring
15:2	100-6882	5	O-Ring
15:3	100-6911	1	Pin-Roller
15:4	100-6910	1	Bearing-Roller
15:5	100-6879	1	O-Ring
15:6	100-6878	1	O-Ring
15:7	100-6881	1	Cone-Stem, Boom Valve
16	100-6888	1	Manifold-Valve, Boom
16:1	100-6887	1	O-Ring
16:2	106-5151	1	Manifold-Lower
17	100-6917	4	Screw-Plastic
18	100-7045	1	Plug



Internal Sprayer Component Assembly No. 2

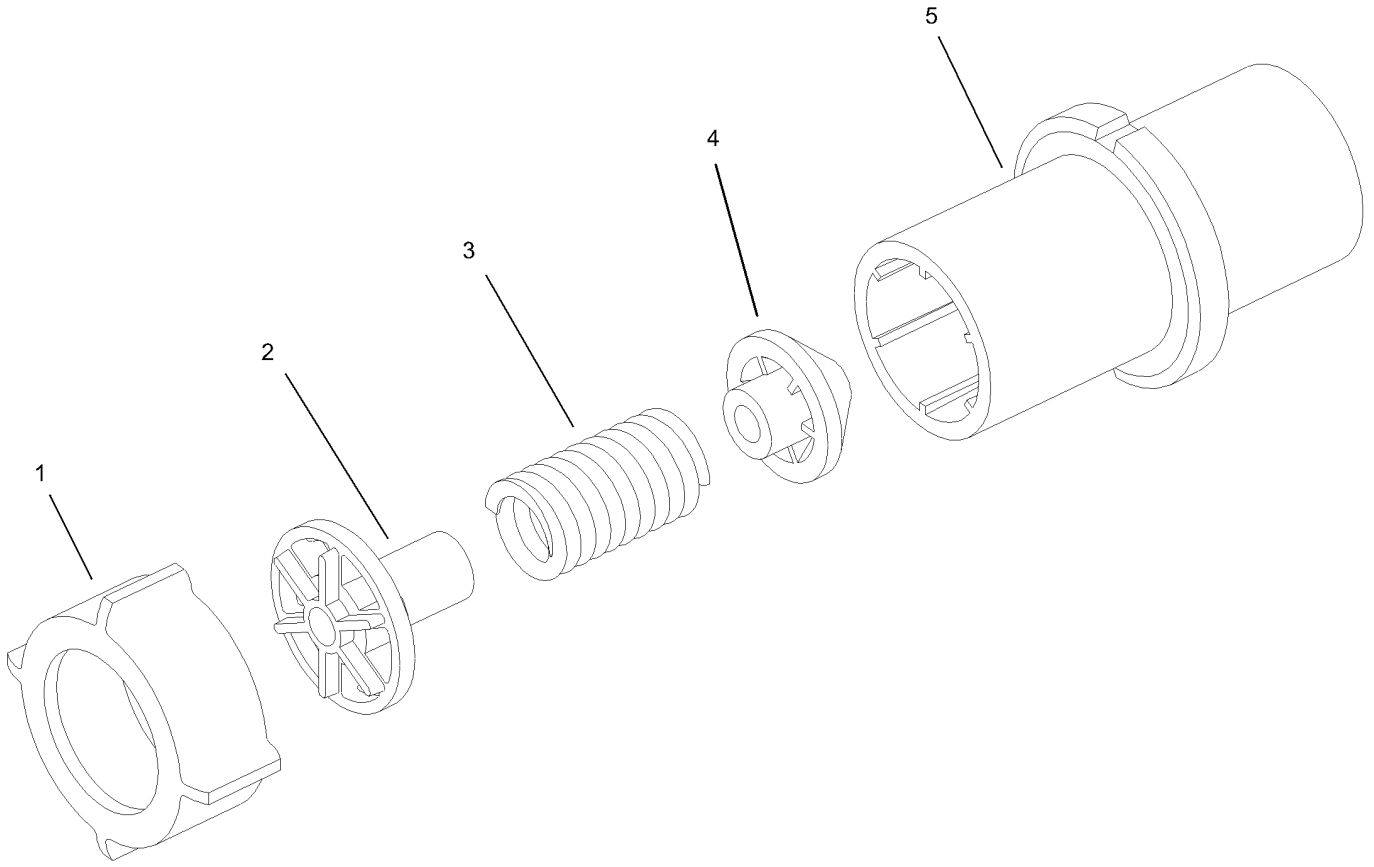
Ref	Part No.	Qty.	Description
1	104-9150	1	Tube-Suction, Middle
1:1	100-8649	2	Hose-Suction
1:2	26392	4	Clamp-Hose
1:3	106-1215	1	Tube-Suction
2	104-9151	1	Tube-Suction, Lower
2:1	100-6714	1	Foot-Tube, Suction
2:2	106-1216	1	Tube-Suction
2:3	100-8649	1	Hose-Suction
2:4	26392	2	Clamp-Hose
2:5	108-3270	1	Screw-TAP
3	104-9154	1	Filter ASM
4	99-0761	1	Ringnut
5	100-6820	1	Valve-Safety, 225 Psi
6	100-6652	1	Gasket
7	100-6713	4	Nut-Bulkhead
8	106-4896	4	Fitting-Bulkhead
8:1	100-6710	1	Gasket-Bulkhead
9	106-4945	1	Elbow
9:1	100-6712	1	O-Ring
10	106-4944	3	Fitting-90 DEG
10:1	100-6712	1	O-Ring
11	100-6708	4	Fork
12	99-0766	3	Nut
13	106-1218	3	Nozzle

Ref	Part No.	Qty.	Description
14	106-1415	1	Spring-Extension
15	106-1347	1	Handle-Drain
●16	106-1416	1	Upper Tank Drain Bulkhead ASM
17	108-7015	1	Drain ASM
18	106-5023	1	Chain ASM
19	106-1416	1	Ring-Retaining, Spiral (EXT)
20	106-1414	1	Seal
23	104-9095	2	Elbow



Filter Assembly No. 104-9154

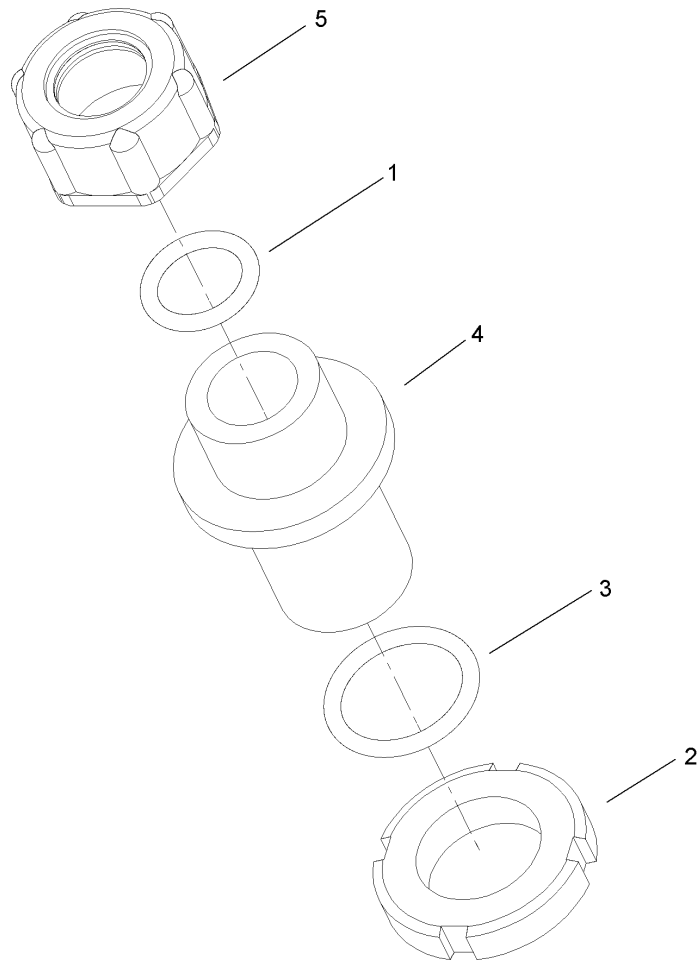
Ref	Part No.	Qty.	Description
1	100-8649	1	Hose-Suction
2	26392	2	Clamp-Hose
3	106-4942	1	Hosebarb-Straight
3:1	100-8640	1	O-Ring
4	100-8644	2	Pin-Expansion
5	100-8643	1	Housing-Filter
6	100-8646	1	Gasket-Bulkhead
7	100-8642	1	Screen-Suction, Mesh 50
8	100-8641	1	Vane-Screen
9	100-8636	1	Fork-Special
10	106-4952	1	Hosebarb-90 DEG
10:1	100-6989	1	O-Ring
11	100-8647	1	Nut-Bulkhead



Safety Valve Assembly No. 100-6820

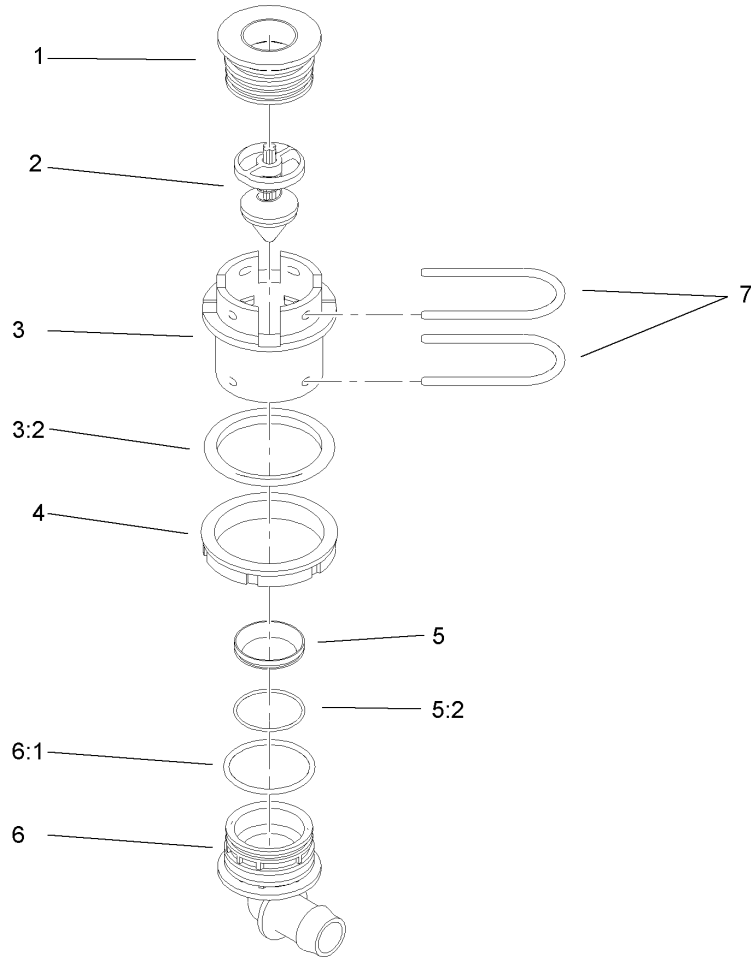
Ref	Part No.	Qty.	Description
1	100-8678	1	Nut
2	100-6724	1	Valve-Relief, Seat
3	100-6725	1	Spring-Relief, Valve
4	100-6726	1	Cone-Relief, Valve
5	100-6727	1	Housing-Relief, Valve

--	--	--	--



Upper Tank Drain Bulkhead Assembly

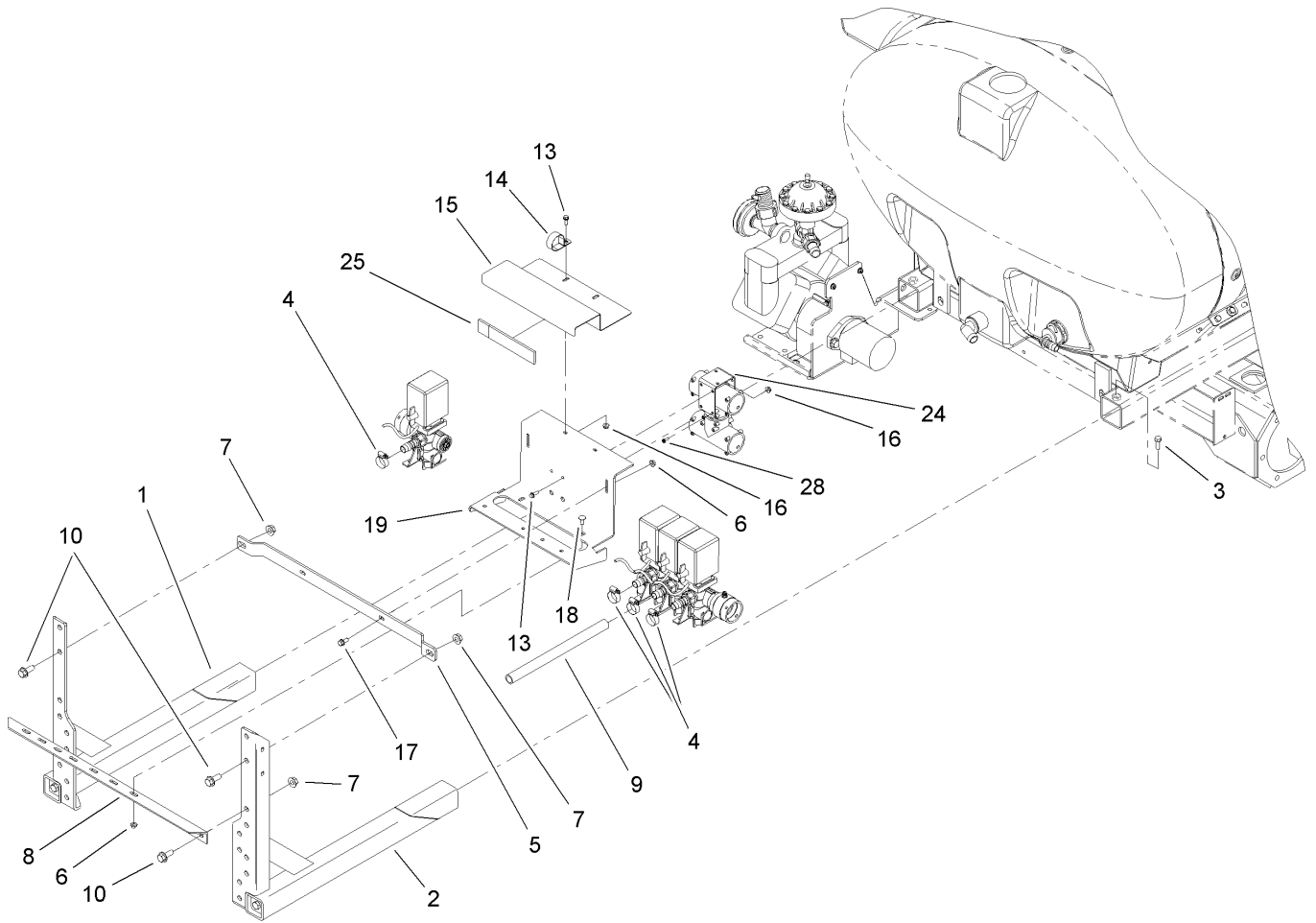
Ref	Part No.	Qty.	Description
1	100-6643	1	O-Ring
2	99-0758	1	Nut
3	100-6658	1	Gasket
4	106-1240	1	Bulkhead
5	106-1241	1	Nut-Special



Tank Drain Assembly

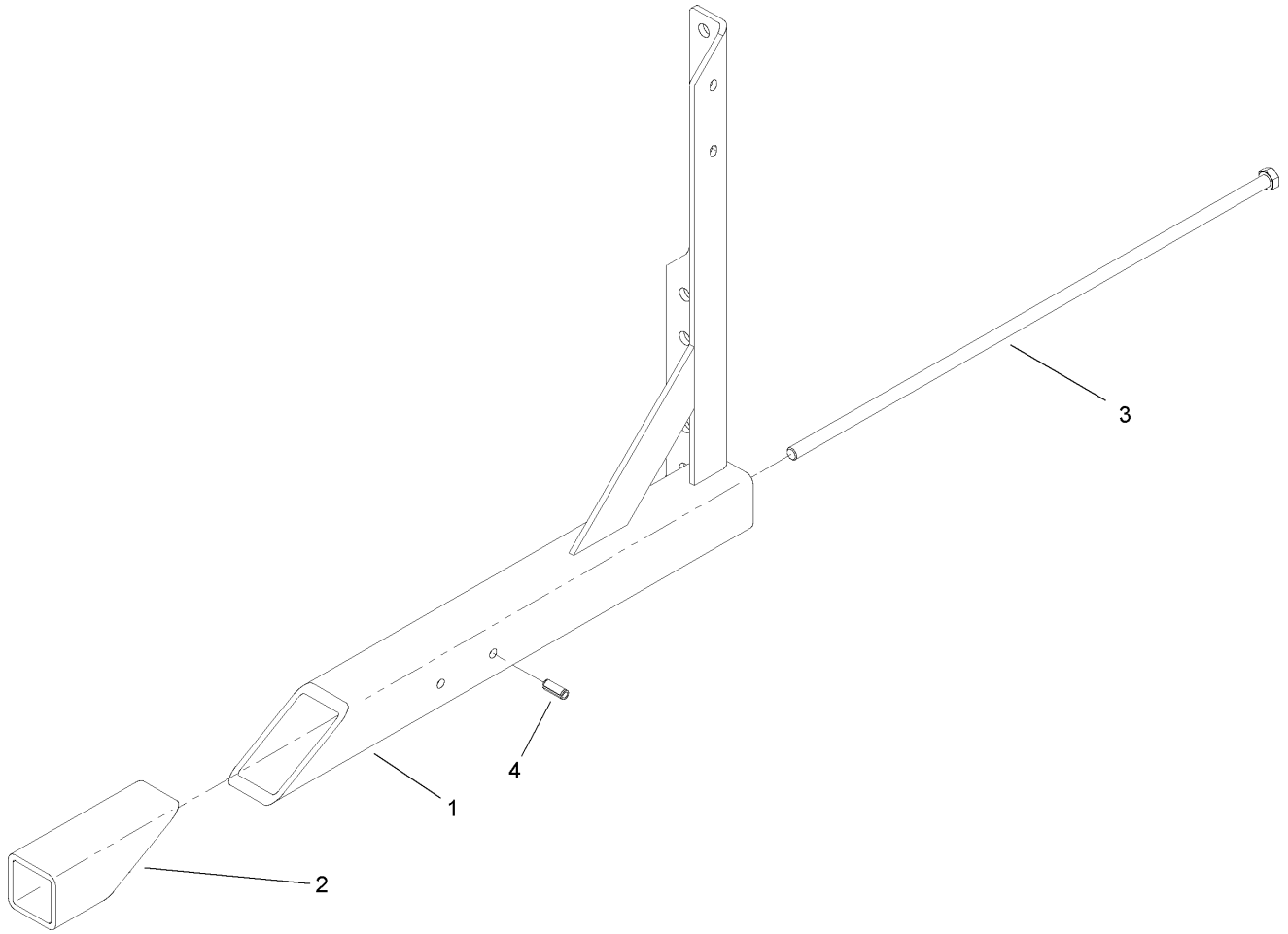
Ref	Part No.	Qty.	Description
1	107-2868	1	Adapter
2	108-7016	1	Drain Valve ASM
3	107-2862	1	Drain Bulkhead ASM
3:2	107-2864	1	Gasket-Bulkhead
4	100-7051	1	Nut-Bulkhead
5	107-2867	1	Seat Drain ASM
5:2	107-2866	1	O-Ring
6	106-4933	1	Hosebarb ASM
6:1	100-8637	1	O-Ring
7	100-8635	2	Fork

--	--	--	--



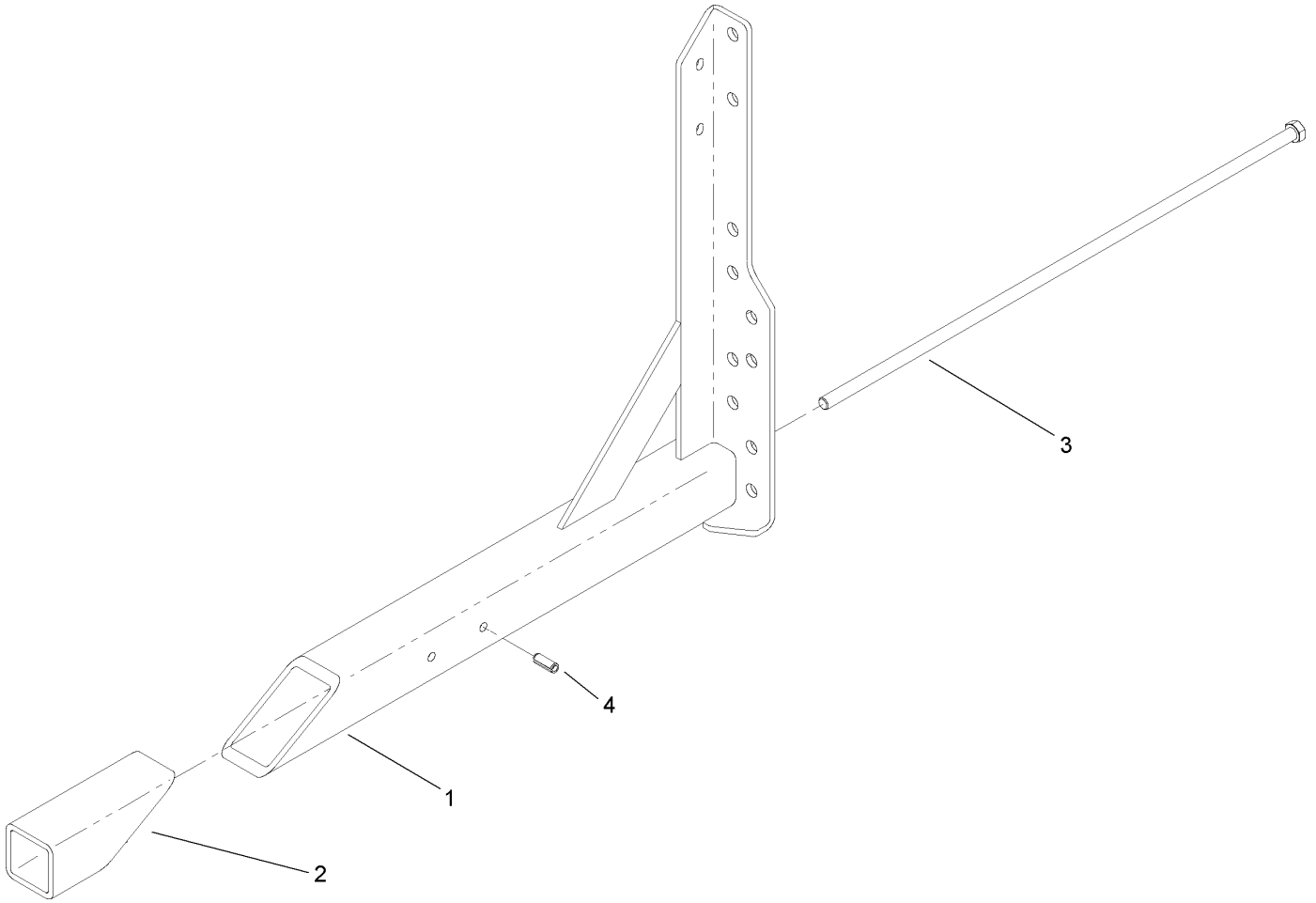
Sprayer Component Assembly

Ref	Part No.	Qty.	Description
①		1	LH Boom Mount ASM
②		1	RH Boom Mount ASM
3	325-4	4	Screw-HH
4	2412-129	4	Clamp-Hose
5	104-9073-03	1	Bar-Mounting, Valve
6	32128-20	8	Nut-HF
7	32128-23	4	Nut-HF
8	42225-03	1	Angle-Support, Cross
9	108-3256	1	Hose-Jumper
10	3234-32	4	Screw-HHF
13	3234-4	4	Screw-HHF
14	2412-147	1	Clamp
15	108-3711-03	1	Bracket-Support, Valve
16	32128-33	4	Nut-HF
17	3234-5	6	Screw-HHF
18	3230-1	2	Bolt-CARR
19	108-3712-03	1	Bracket-Valve, Boom
24	100-8478	1	Bracket-Tee
25	100-8524	1	Strip-Foam
28	32144-32	4	Screw



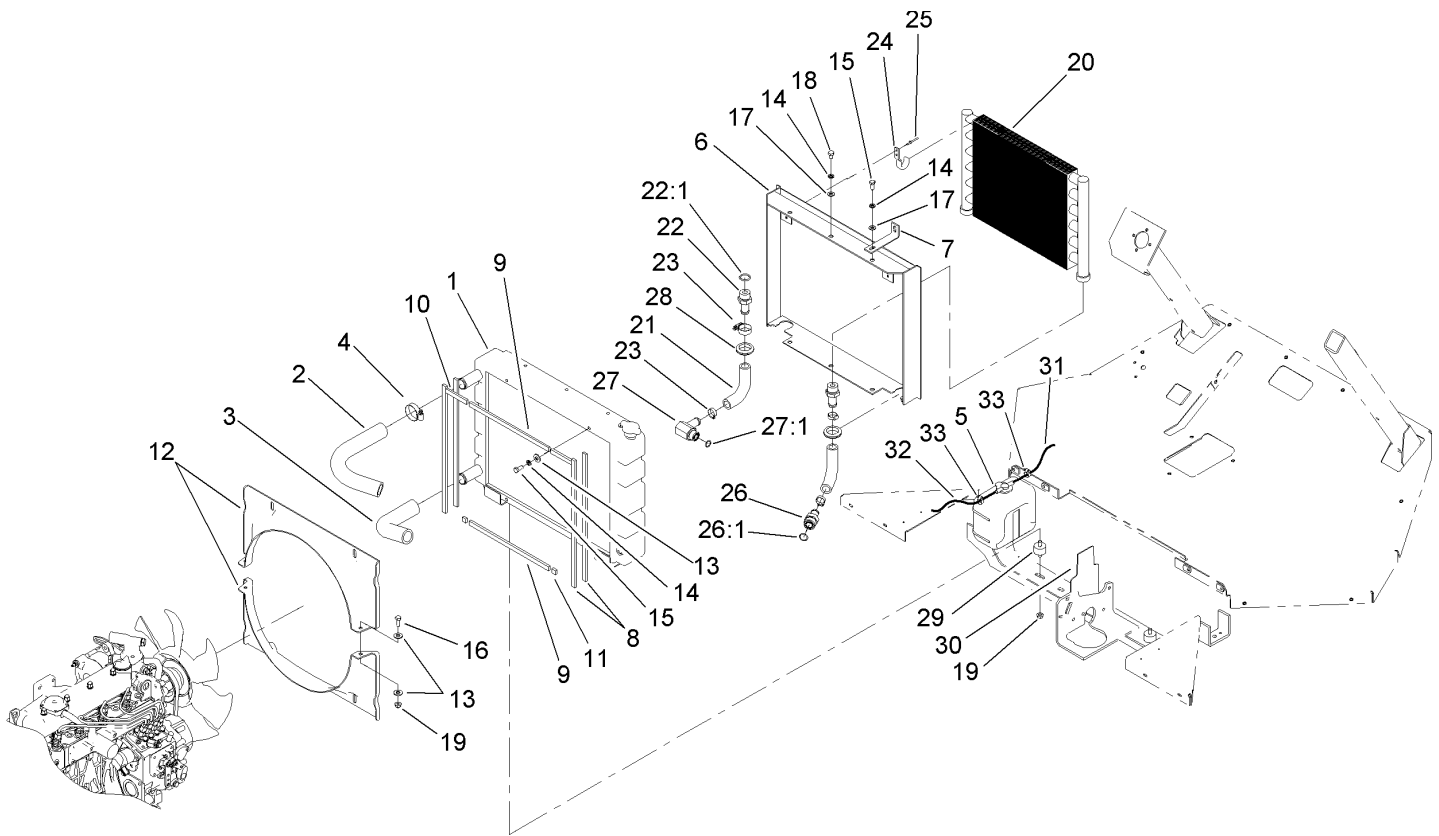
Left Hand Boom Mount Assembly

Ref	Part No.	Qty.	Description
1	108-3715-03	1	LH Boom Mount ASM
2	107-8638-03	1	Wedge-Tube
3	107-8620	1	Screw-HH
4	32121-41	1	Pin-Roll



Right Hand Boom Mount Assembly

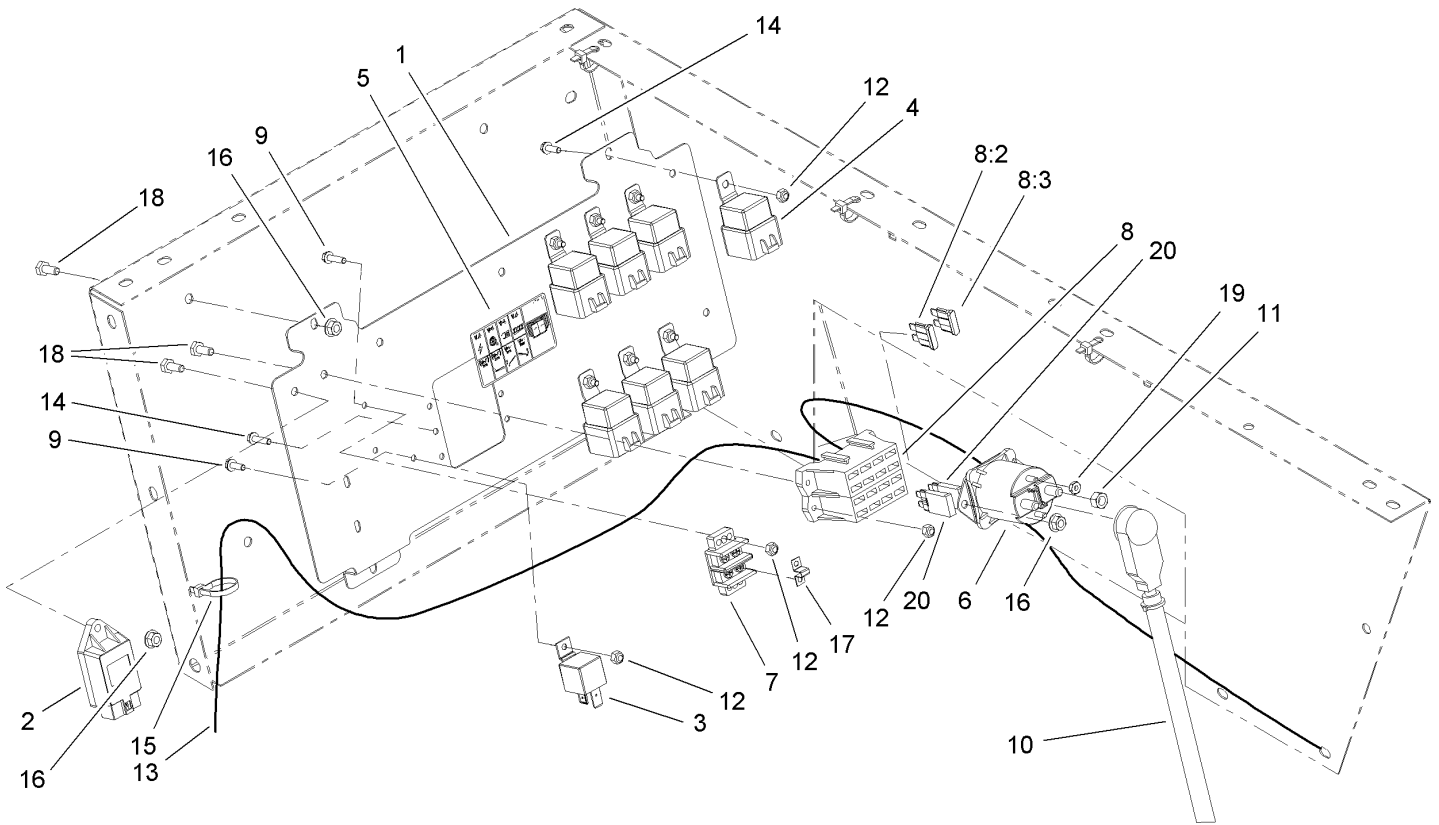
Ref	Part No.	Qty.	Description
1	108-3714-03	1	RH Boom Mount ASM
2	107-8638-03	1	Wedge-Tube
3	107-8620	1	Screw-HH
4	32121-41	1	Pin-Roll



Oil Cooler and Radiator Assembly

Ref	Part No.	Qty.	Description
1	106-5291	1	Radiator
2	106-5239	1	Hose-Radiator, Upper
3	106-5240	1	Hose-Radiator, Lower
4	2412-111	4	Clamp
5	104-9318	1	Bottle-Overflow
6	106-5180-03	1	Radiator Shroud ASM
7	106-5185	2	Brace-Radiator
8	107-8675	4	Seal-Foam
9	107-8676	2	Seal-Foam
10	107-8677	2	Seal-Foam
11	107-8678	2	Seal-Foam
12	106-5290	2	Shroud-Fan
13	3256-56	8	Washer-Flat
14	3253-4	10	Washer-Lock
15	322-3	6	Screw-HH
16	322-4	2	Screw-HH
17	3256-23	6	Washer-Flat
18	322-1	4	Screw-HH
19	32128-20	4	Nut-HF
20	94-7007	1	Oil Cooler ASM
21	106-5293	2	Hose-Cooler, Oil
22	354-73	2	Fitting-Straight
22:1	237-81	1	O-Ring
23	2412-129	4	Clamp-Hose

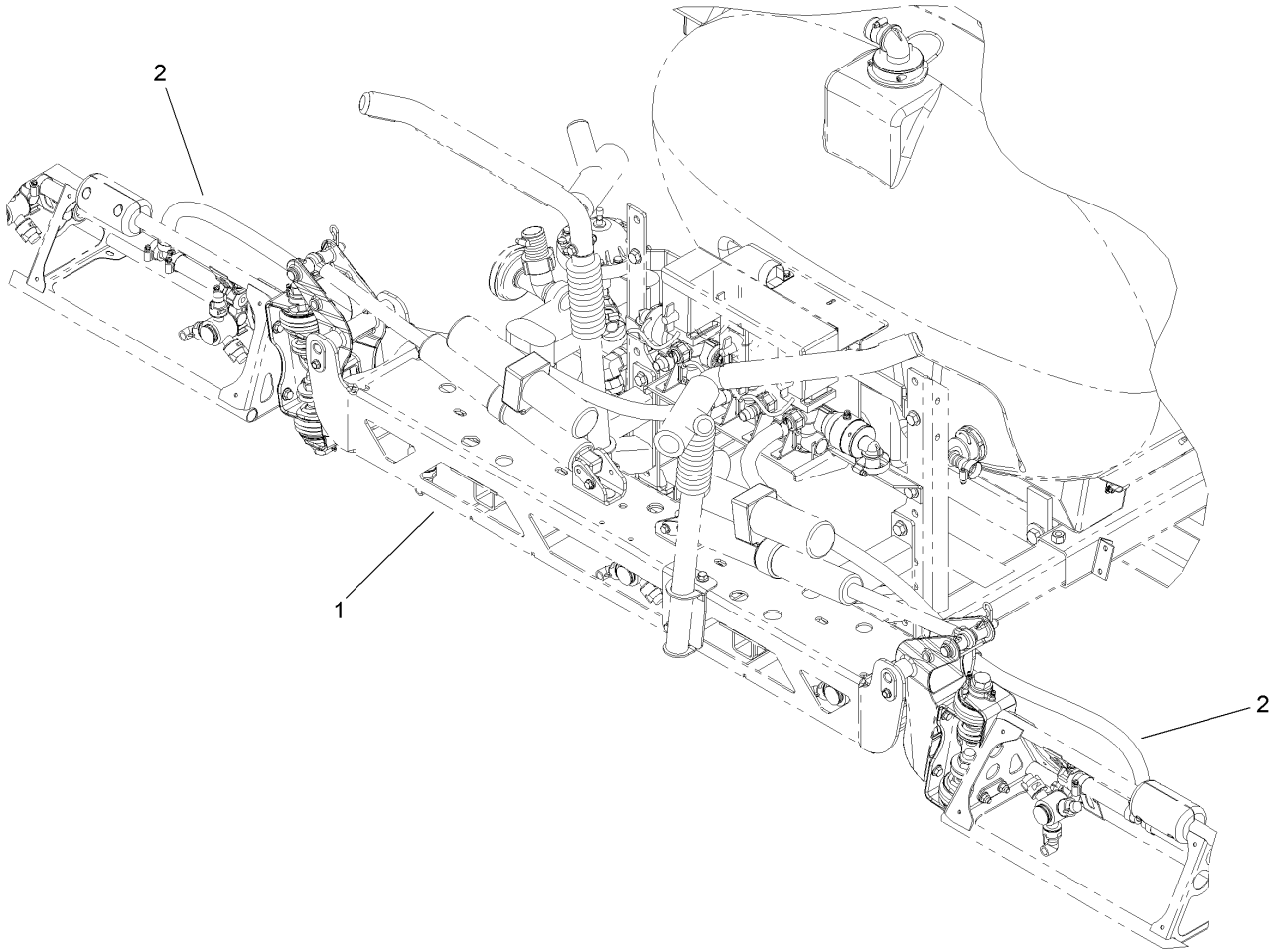
Ref	Part No.	Qty.	Description
24	75-0930	2	Hook-Mount, Cooler
25	3269-15	4	Rivet
26	107-8652	1	Fitting-Straight
26:1	237-58	1	O-Ring
27	107-8654	1	Fitting-Elbow, 90
27:1	237-65	1	O-Ring
28	240-3	2	Grommet-Rubber
29	62-5480	2	Isolater-Seat
30	110-5091-03	1	Bracket-Reservoir
31	106-1126	1	Hose-Fuel
32	109-0309	1	Hose-Fuel
33	2412-108	3	Clamp-Worm



Electrical Panel Assembly

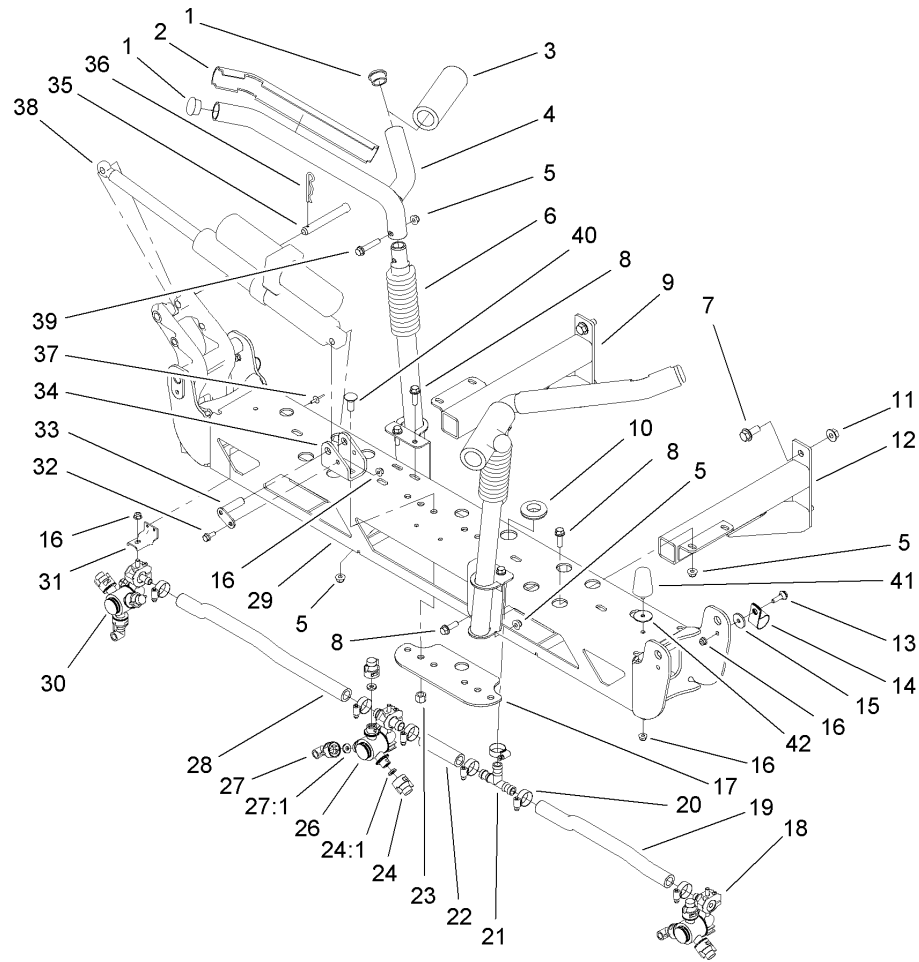
Ref	Part No.	Qty.	Description
1	108-3286-01	1	Panel-Electrical
2	98-7611	1	Controller-Glow
3	99-7435	1	Relay-Power
4	99-7430	7	Relay
5	108-3293	1	Decal-Block, Fuse
6	99-7406	1	Solenoid
7	42862	1	Block-Terminal, Ground
8	107-8736	1	Harness-Wire, Vehicle
8:2	218-578	2	Fuse-10 Amp
8:3	109355	2	Fuse-15 Amp
9	32105-13	6	Screw-HWH
10	94-7092	1	Cable-Battery, Positive
11	3217-6	2	Nut-Hex
12	3296-2	14	Nut-Lock
13	108-9488	1	Harness-Wire, Spray Unit
●13:1	107-8745	1	Fuse-Blade, 3 Amp
●13:2	106-4985	1	Tube-Pressure
●13:3	108-9493	2	Diode-Tvs
●13:4	100-4918	3	Diode
14	32105-2	8	Screw-SHWH
15	3290-379	1	Tie-Cable
16	32128-33	5	Nut-HF
17	42863	1	Strip-Jumper
18	321-3	5	Screw-HH

Ref	Part No.	Qty.	Description
19	3219-14	2	Nut-Hex
20	108-3736	2	Breaker-Circuit, 30A



Center Boom Assembly

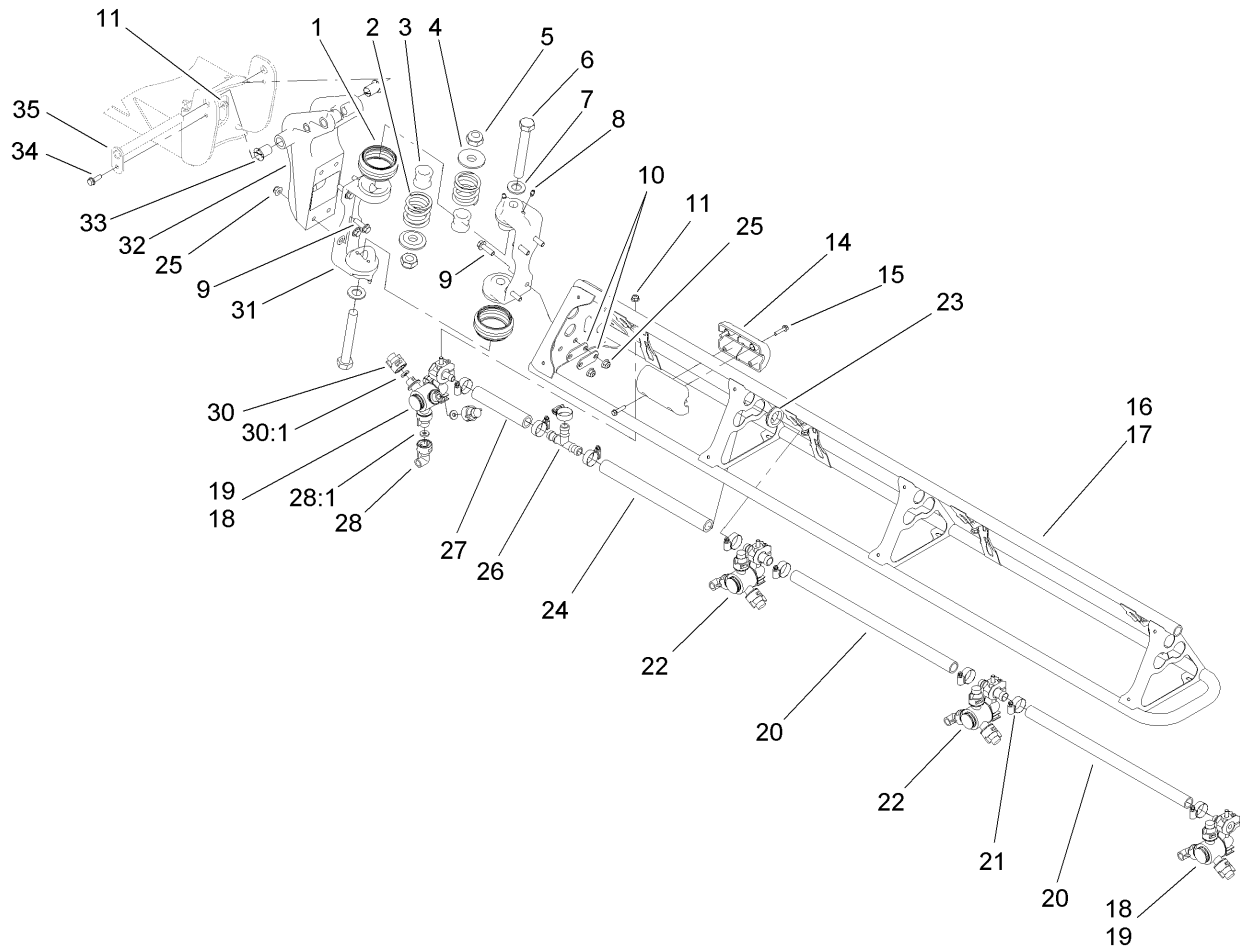
Ref	Part No.	Qty.	Description
1		1	Boom ASM
2	108-3491	2	Hose-Boom



Center Boom Assembly

Ref	Part No.	Qty.	Description
1	108-3489	4	Cap-Tube
2	108-3495	2	Cover-Slide
3	108-3457	2	Spacer
4	108-3476-03	2	Upper Cradle ASM
5	104-8301	12	Nut-Flange, NI
6	108-3472-03	2	Lower Cradle ASM
7	110-5057	4	Capscrew-HHF
8	110-5050	10	Screw-HHF
9	108-3408-03	1	Frame-Mount, Boom (LH)
10	108-3723	1	Grommet
11	108-3745	4	Nut-HF, Whiz
12	108-3409-03	1	Frame-Mount, Boom (RH)
13	108-3744	2	Screw-Shoulder
14	2412-82	2	Clamp
15	108-3743	2	Washer
16	104-8300	9	Nut-Flange, NI
17	108-3469-03	1	Plate-Washer
18	108-3726	1	Body-Turret, Single (RH)
19	108-3718	1	Hose-Boom, Center (RH)
20	2412-129	7	Clamp-Hose
21	108-3439	1	Tee
22	108-3717	1	Hose-Boom
23	3296-23	4	Nut-Lock, NI
24	95-9187	6	Cap-Blank

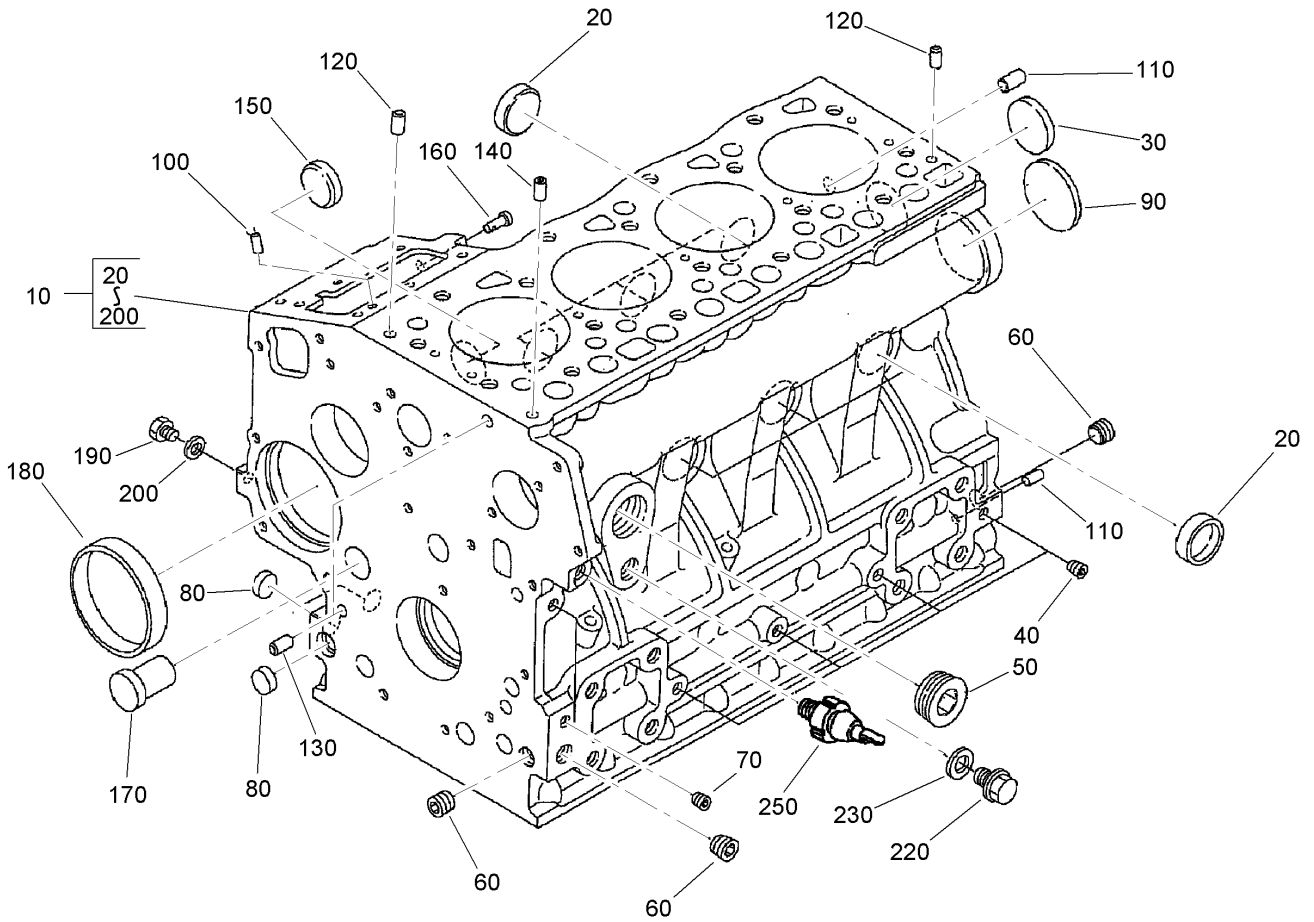
Ref	Part No.	Qty.	Description
24:1	40998	1	Seat-Gasket
26	108-3727	1	Body-Turret, Double
27	95-9186	3	Cap
27:1	40998	1	Seat-Gasket
28	108-3735	1	Hose-Boom, Center (LH)
29	108-3410-03	1	Frame ASM
30	108-3725	1	Body-Turret, Single (LH)
31	107-8775	3	Bracket-Mount, Nozzle
32	110-5053	2	Screw-Flange
33	108-3420	2	Pivot Pin ASM
34	108-3401-03	2	Strap-Clevis
35	108-3436	2	Pin-Clevis
36	3290-468	2	Pin-Cotter
37	3269-18	6	Rivet-Pop
38	108-3438	2	Actuator
39	108-3742	2	Screw-HHF
40	110-5067	4	Screw-CARR
41	110-5070	2	Bumper-Neoprene
42	3256-68	2	Washer-Flat



Left and Right Hand Boom Assembly

Ref	Part No.	Qty.	Description
1	108-3459	4	Boot-Hinge
2	108-3440	4	Spring-Breakaway, Boom
3	108-3730	4	Tube-Hinge
4	108-3444	4	Retainer-Spring
5	3296-15	4	Nut-Lock, NI
6	108-3738	4	Screw-HH
7	110-5054	4	Washer-Flat
8	302-5	8	Fitting-Grease
9	110-5050	16	Screw-HHF
10	108-3605	8	Plate-Backing
11	104-8300	10	Nut-Flange, NI
14	108-3429	4	Block-Slide
15	108-3746	8	Screw-Plastite
16	108-3524-03	1	RH Boom ASM
17	108-3525-03	1	LH Boom ASM
18	108-3726	2	Body-Turret, Single (RH)
19	108-3725	2	Body-Turret, Single (LH)
20	40506	4	Hose-Jumper
21	2412-129	18	Clamp-Hose
22	108-3727	4	Body-Turret, Double
23	240-3	4	Grommet-Rubber
24	108-3721	2	Hose-Boom
25	104-8301	16	Nut-Flange, NI
26	108-3439	2	Tee

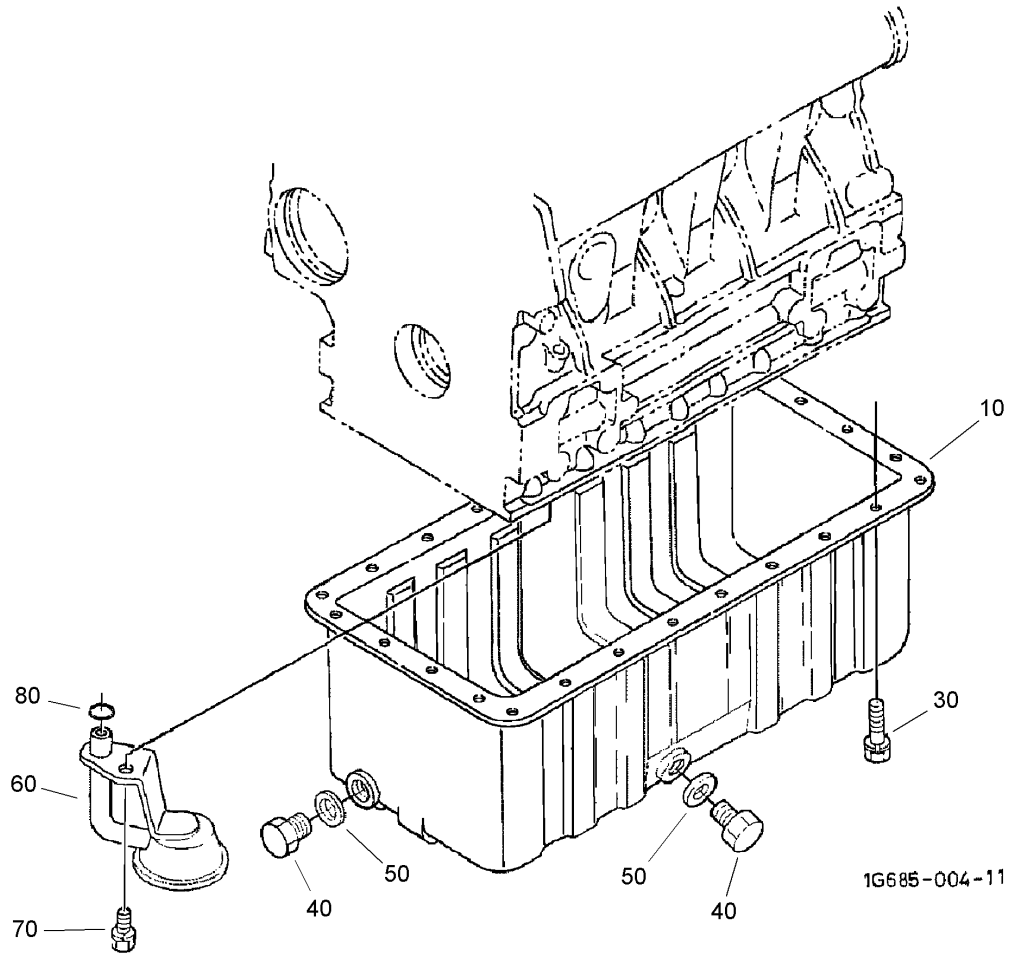
Ref	Part No.	Qty.	Description
27	108-3728	2	Hose-Boom
28	95-9186	8	Cap
28:1	40998	1	Seat-Gasket
30	95-9187	16	Cap-Blank
30:1	40998	1	Seat-Gasket
31	108-3471-03	4	Hinge
32	108-3600-03	2	Bracket-Pivot
33	100-8541	4	Bushing-A Arm
34	108-3748	2	Screw-HHF
35	108-3419	2	Pivot Pin ASM



Crankcase Assembly

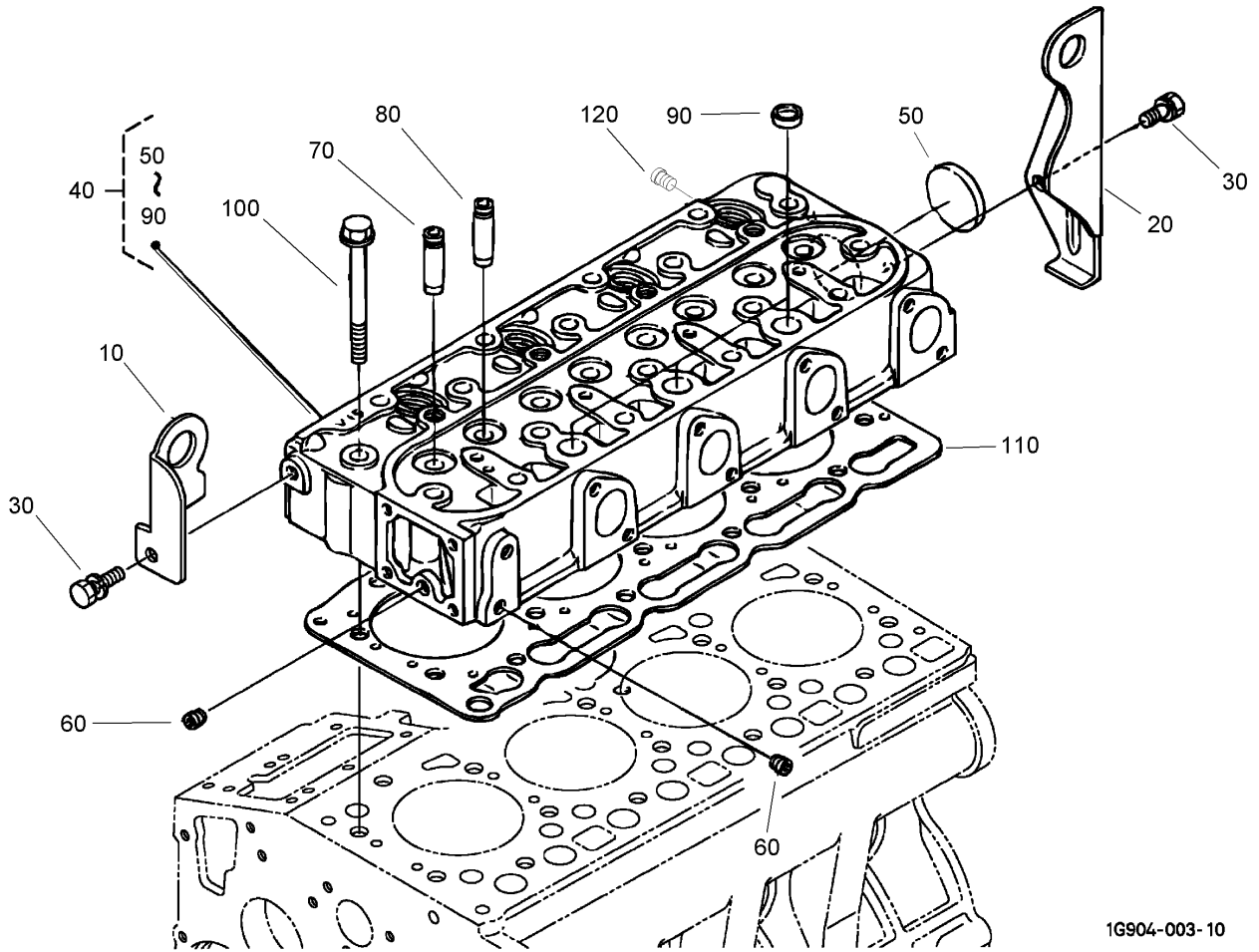
Ref	Part No.	Qty.	Description
10	108-2851	1	Crankcase ASM
20	98-9398	6	Cap-Sealing
30	98-7539	1	Cap-Sealing
40	98-7540	4	Plug
50	105-3779	1	Plug
60	98-9597	3	Plug
70	98-7487	2	Plug
80	98-7489	3	Plug
90	98-9668	1	Plug
100	98-9375	2	Pin-Straight
110	98-9377	2	Pin-Straight
120	105-3795	2	Pin-Straight
130	98-9387	2	Pin-Pipe
140	98-9539	1	Pin-Pipe
150	98-9599	1	Plug
160	105-3796	1	Pin-Start Spring
170	98-9675	1	Plug
180	98-9656	1	Bushing-Governor, Gear
190	98-7507	1	Plug
200	98-7428	1	Gasket
220	99-3447	1	Plug
230	106-7056	1	Gasket
250	98-9416	1	Switch-Oil

--	--	--	--



Oil Pan Assembly

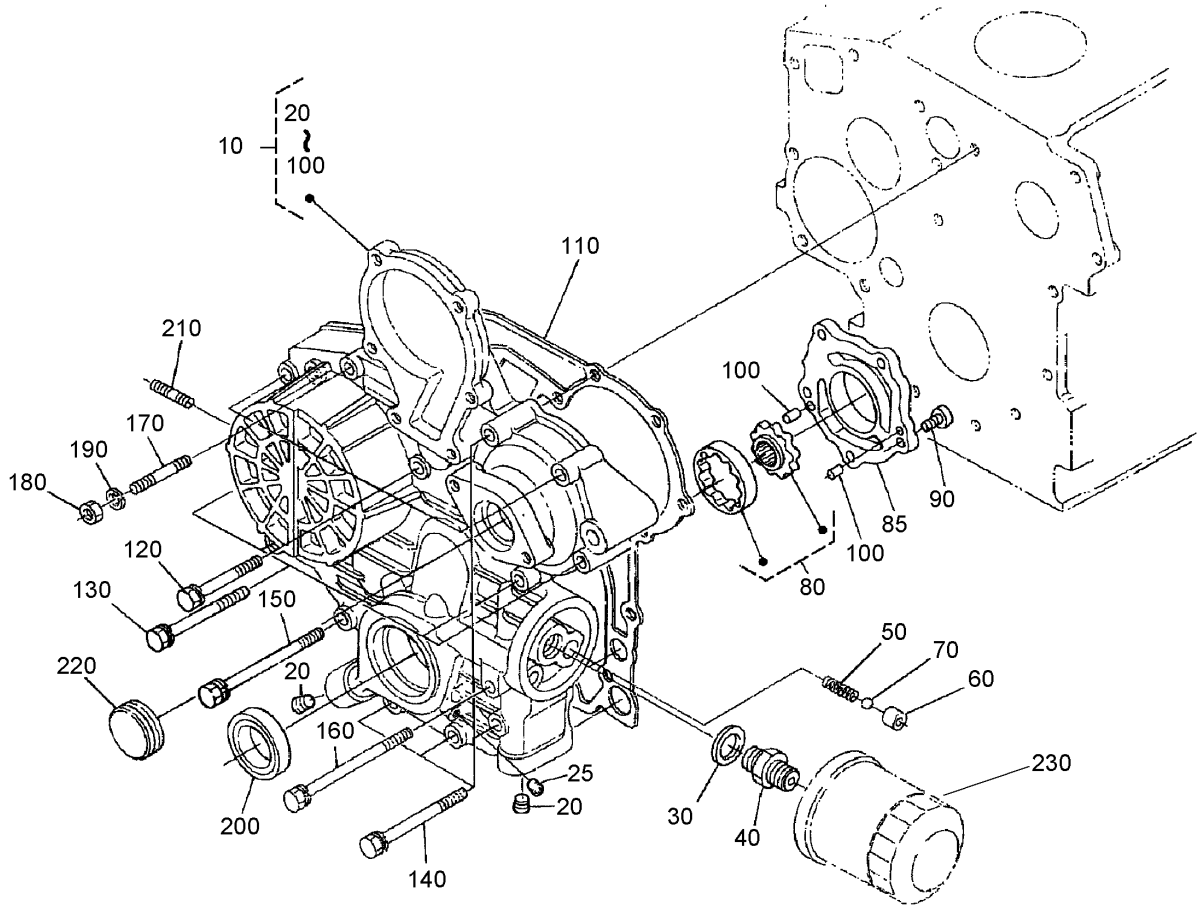
Ref	Part No.	Qty.	Description
10	108-2852	1	Pan-Oil
30	107-9065	26	Bolt
40	98-9386	2	Plug
50	98-7524	2	Gasket
60	108-2853	1	Head-Oil Filter
70	98-7526	1	Bolt
80	105-3776	1	O-Ring



1G904-003-10

Cylinder Head Assembly

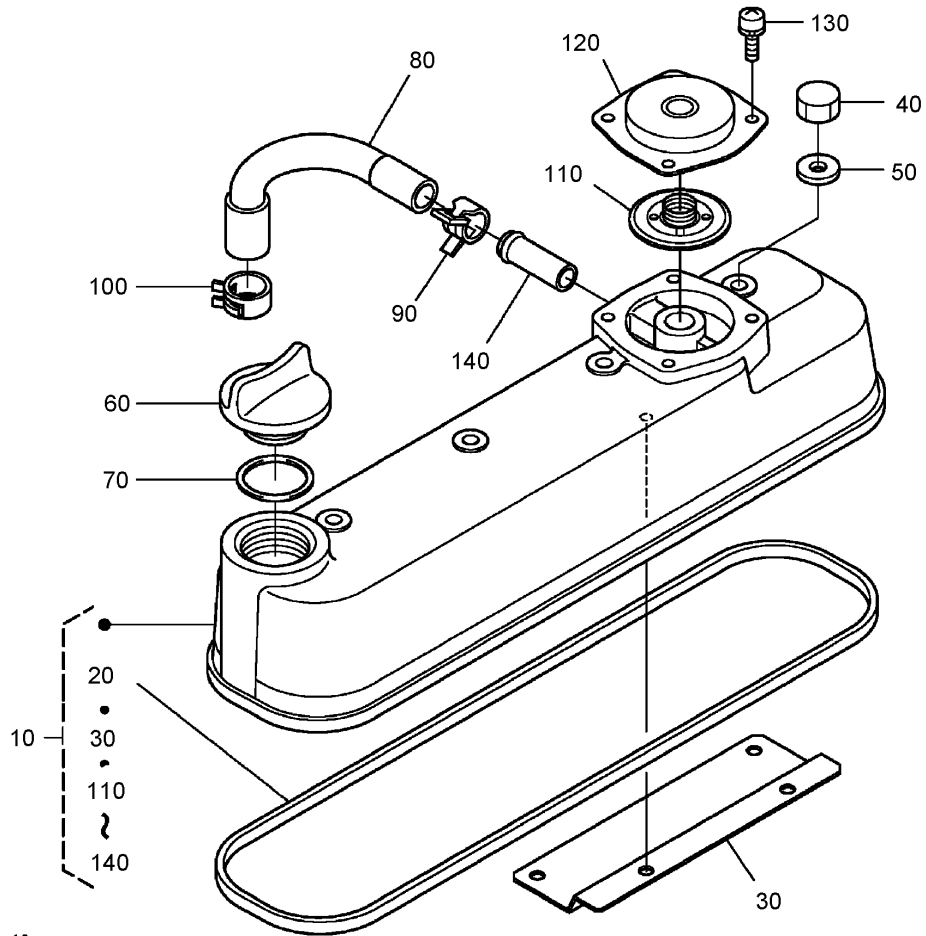
Ref	Part No.	Qty.	Description
10	98-9477	1	Hook-Engine
20	98-9478	1	Hook-Engine
30	100-9195	2	Bolt
40	108-2854	1	Cylinder Head ASM
50	98-9395	1	Cap-Sealing
60	98-7540	2	Plug
70	107-9066	4	Guide-Valve, Inlet
80	107-9067	4	Guide-Valve, Exhaust
90	98-9389	3	Cap-Sealing
100	98-9479	18	Bolt-Head, Cylinder
110	108-2855	1	Gasket-Head, Cylinder
120	98-9444	1	Plug



Gear Case Assembly

Ref	Part No.	Qty.	Description
10	107-9068	1	Gear Case ASM
20	98-9598	2	Plug
25	98-7487	1	Plug
30	98-7562	1	Washer-Plain
40	98-9388	1	Joint-Pipe
50	98-9544	1	Spring
60	98-9543	1	Seat-Valve
70	98-9380	1	Ball
80	98-9540	1	Oil Pump Rotor ASM
85	107-9069	1	Cover-Pump, Oil
90	107-9071	5	Screw
100	107-9072	2	Pin-Straight
110	98-9633	1	Gasket-Case, Gear
120	107-9073	3	Bolt
130	105-3797	4	Bolt
140	98-9356	4	Bolt
150	107-9074	1	Bolt
160	98-9586	1	Bolt
170	105-3709	1	Stud
180	98-7572	1	Nut
190	98-7699	1	Washer-Spring
200	98-9482	1	Seal-Oil
210	105-3710	2	Stud
220	98-9641	1	Cover

Ref	Part No.	Qty.	Description
230	104-5167	1	Filter-Oil

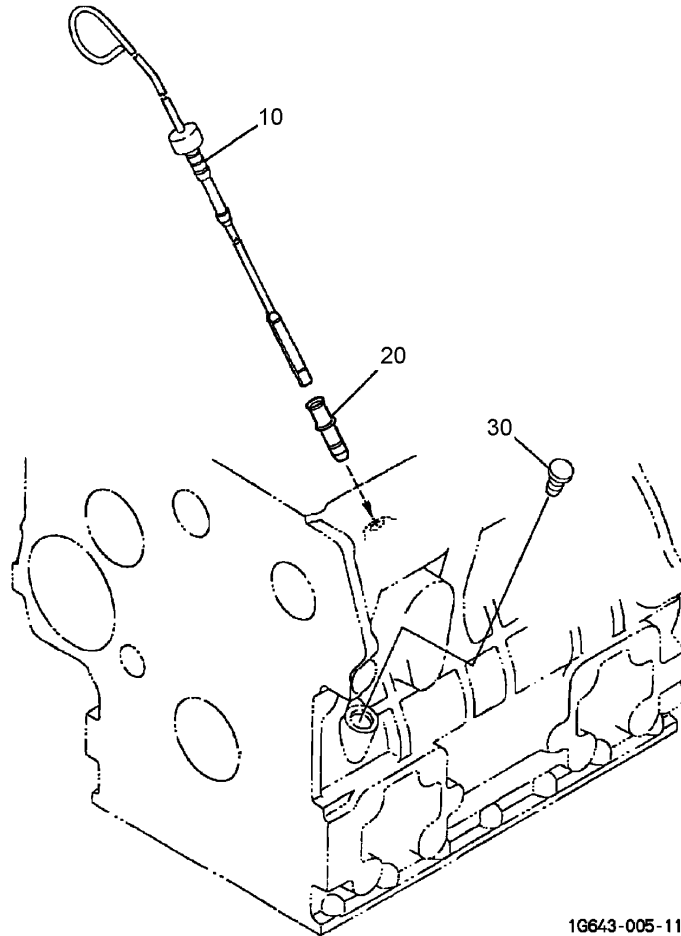


1G996-001-10

Head Cover Assembly

Ref	Part No.	Qty.	Description
10	108-2856	1	Cylinder Head Cover ASM
20	105-3712	1	Gasket-Cover, Head
30	108-2857	1	Shield-Breather
40	98-9455	4	Nut-Cap
50	98-9454	4	Gasket
60	107-9075	1	Plug-Filler, Oil
70	99-3446	1	O-Ring
80	108-2858	1	Tube-Beather
90	108-2859	1	Clamp-Hose
100	108-2860	1	Clamp-Hose
110	108-2861	1	Breather Valve ASM
120	108-2862	1	Cover-Breather
130	108-2863	4	Screw-PPH
140	98-7766	1	Pipe-Return, Water

--	--	--	--

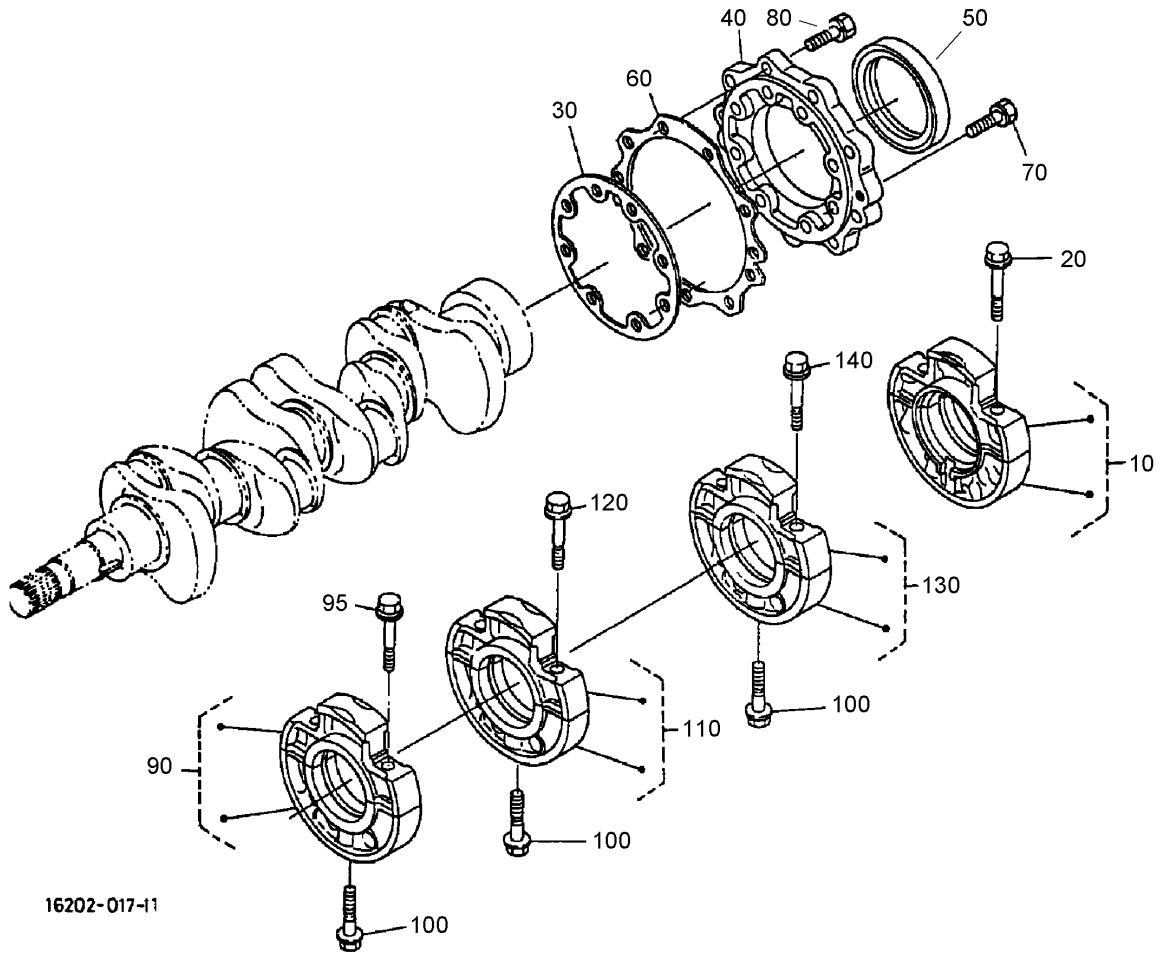


1G643-005-11

Dipstick and Guide Assembly

Ref	Part No.	Qty.	Description
10	105-3714	1	Gauge-Oil
20	105-3713	1	Guide-Gauge, Oil
30	105-3715	1	Plug-Gauge, Oil

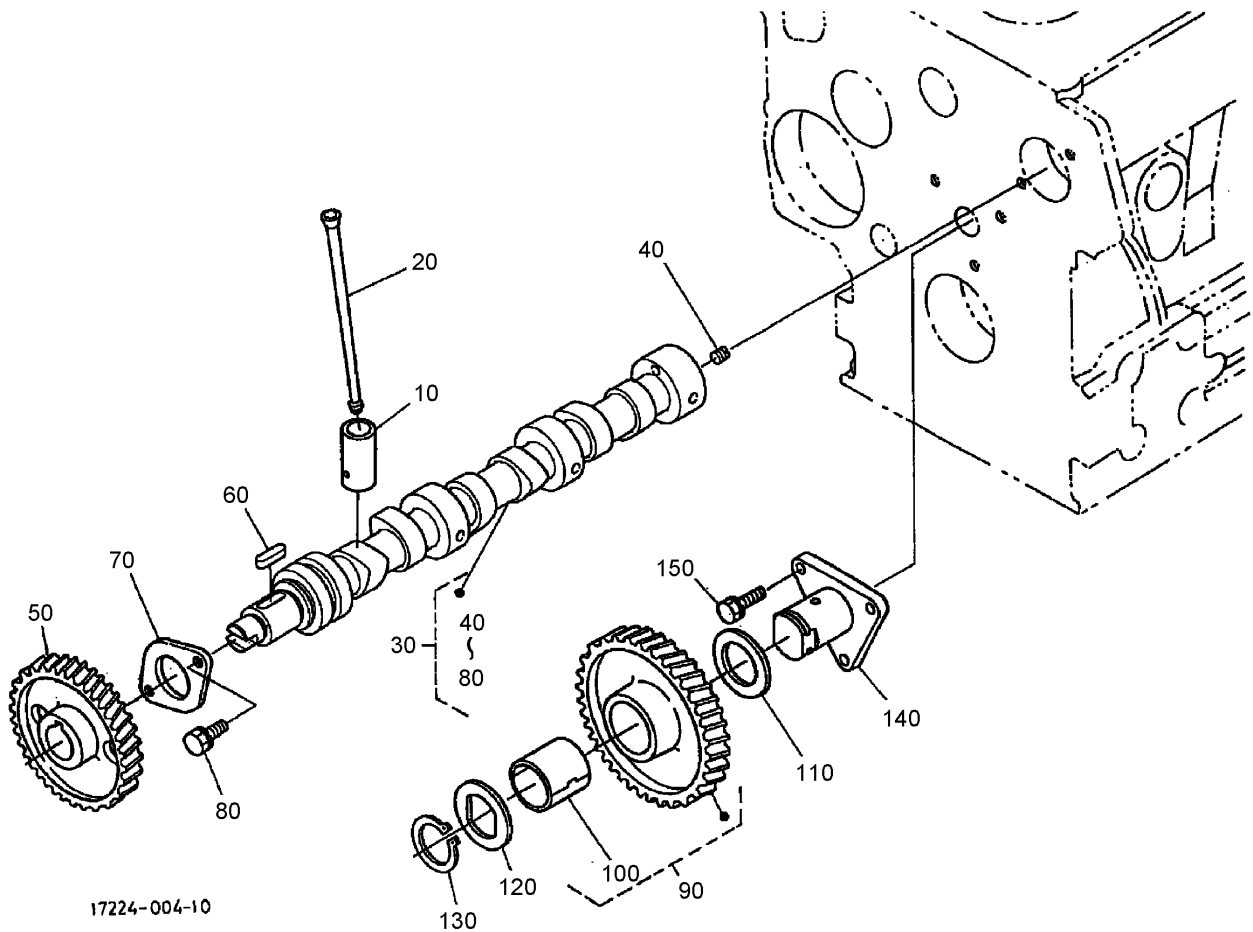
--	--	--	--



16202-017-11

Main Bearing Case Assembly

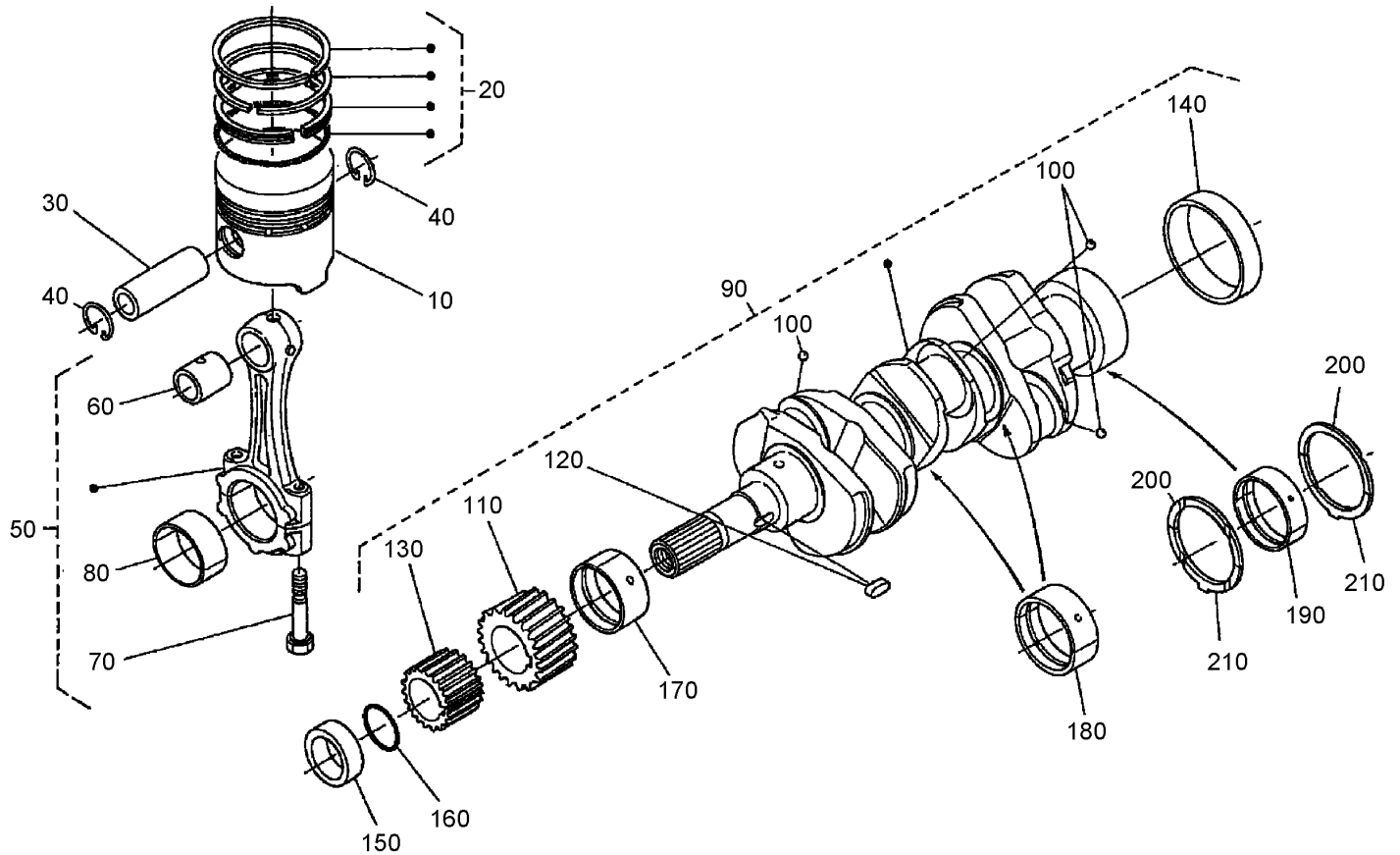
Ref	Part No.	Qty.	Description
10	98-9480	1	Main Bearing Case ASM
20	98-9484	2	Bolt-Case, Bearing
30	98-9634	1	Gasket-Case, Bearing
40	98-9487	1	Cover-Case, Bearing
50	98-9483	1	Seal-Oil
60	98-9635	1	Gasket-Cover, Bearing Case
70	98-9352	8	Bolt
80	98-7568	9	Bolt
90	98-9606	1	Main Bearing Case ASM
95	98-9484	2	Bolt-Case, Bearing
100	98-9485	3	Bolt-Case, Bearing
110	98-9607	1	Main Bearing Case ASM
120	98-9484	2	Bolt-Case, Bearing
130	108-2864	1	Main Bearing Case ASM
140	98-9484	2	Bolt-Case, Bearing



17224-004-10

Camshaft and Idle Gear Shaft Assembly

Ref	Part No.	Qty.	Description
10	98-9616	8	Tappet
20	98-9509	8	Rod-Push
30	108-2865	1	Camshaft ASM
40	98-7449	1	Screw-Set
50	98-9512	1	Gear-Cam
60	98-9378	1	Key-Feather
70	98-9510	1	Stopper-Camshaft
80	98-7692	2	Bolt
90	98-9649	1	Idle Gear ASM
100	98-9650	1	Bushing-Gear, Idle
110	98-9535	1	Collar-Gear, Idle
120	98-9536	1	Collar-Gear, Idle
130	98-9534	1	Clip-Circular, Idle Gear
140	98-9533	1	Shaft-Gear, Idle
150	98-7692	3	Bolt

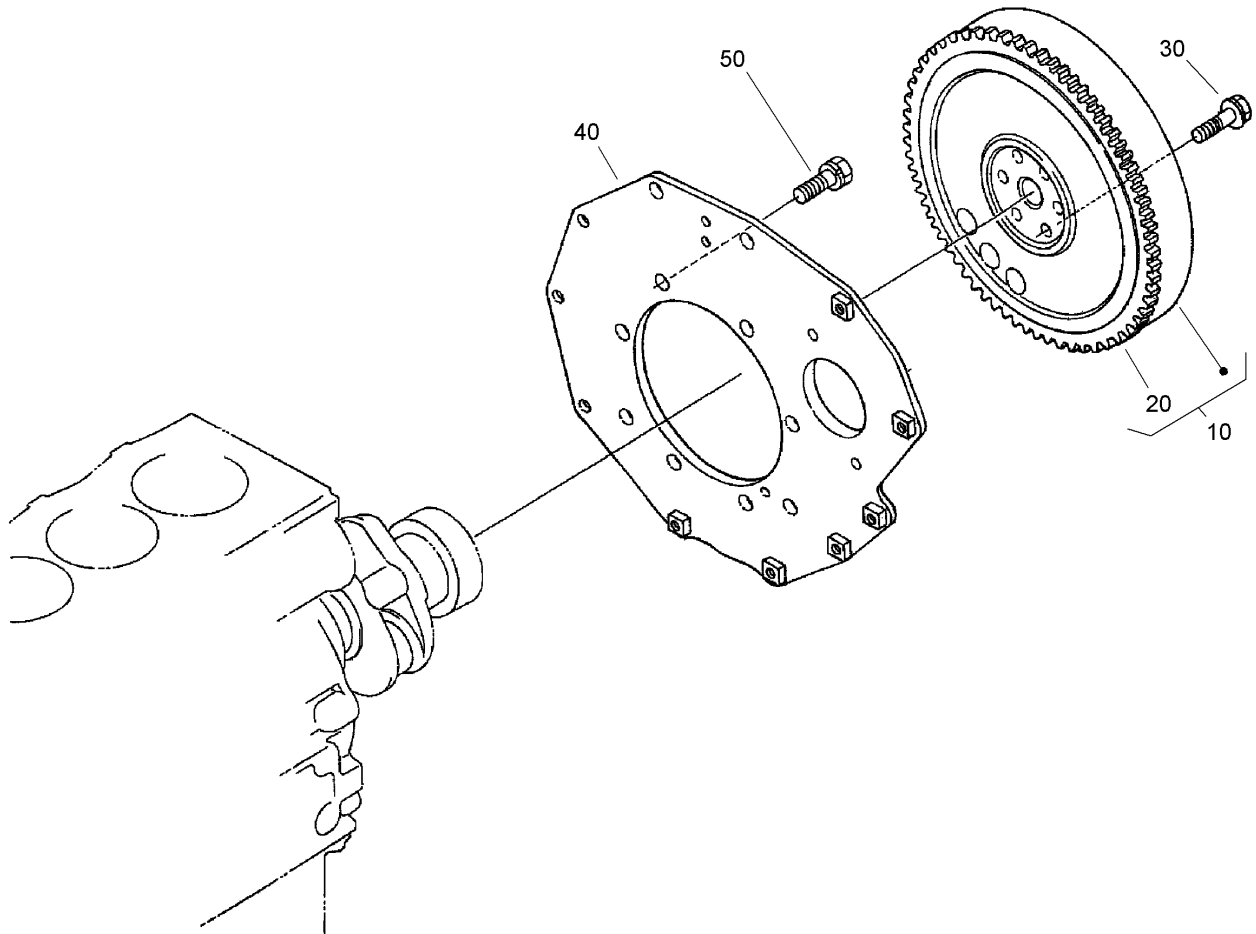


16221-009-10

Piston and Crankshaft Assembly

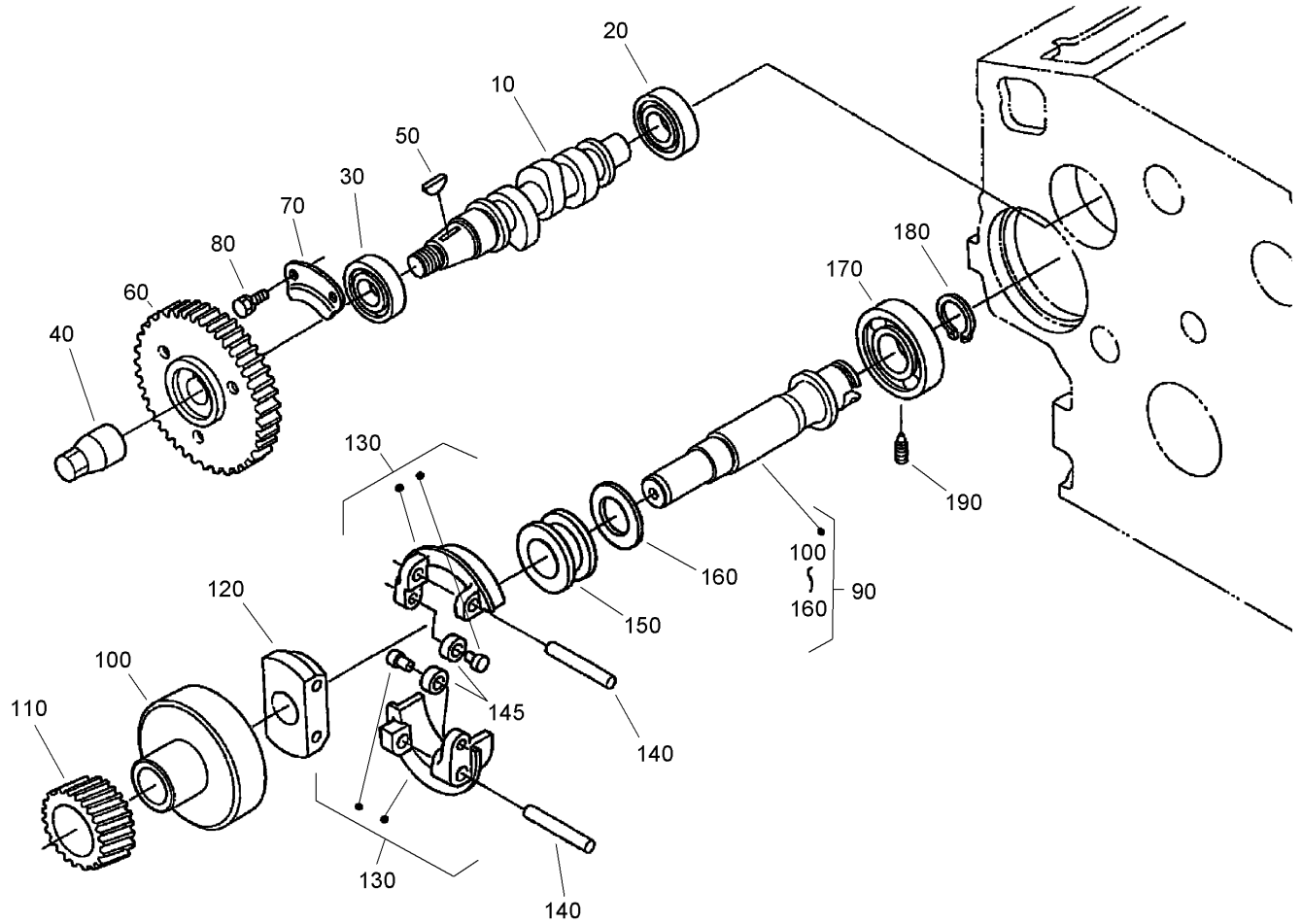
Ref	Part No.	Qty.	Description
10	98-9470	4	Piston (0.5Mm)
10	98-9469	4	Piston (STD)
20	98-9619	4	Piston Ring ASM (0.5Mm)
20	98-9618	4	Piston Ring ASM (STD)
30	98-9513	4	Pin-Piston
40	98-9514	8	Clip-Circular, Piston Pin
50	98-9516	4	Connecting Rod ASM
60	98-9515	4	Bushing-Pin, Piston
70	98-9517	8	Bolt-Rod, Connecting
80	98-9520	4	Bearing-Rod (0.4Mm)
80	98-9519	4	Bearing-Rod (0.2Mm)
80	98-9518	4	Metal-Crankpin (STD)
90	105-3718	1	Crankshaft-Complete
100	98-7473	4	Ball
110	98-9532	1	Gear-Crankshaft
120	98-9666	1	Key
130	98-9542	1	Gear-Drive, Oil Pump
140	98-9522	1	Sleeve-Crankshaft
150	98-9521	1	Collar-Crankshaft
160	105-3783	1	O-Ring
170	98-9523	1	Metal Crankshaft (STD)
170	98-9528	1	Bearing-Main (0.2Mm)
170	98-9529	1	Bearing-Main (0.4Mm)
180	98-9524	3	Metal-Crankshaft (STD Set)

Ref	Part No.	Qty.	Description
180	98-9530	3	Bearing-Main (0.2Mm)
180	98-9531	3	Bearing-Main (0.4Mm)
190	98-9556	1	Bearing-Main (STD)
190	105-3719	1	Metal-Crankshaft (.2Mm)
190	105-3720	1	Metal-Crankshaft (.4Mm)
200	98-9413	2	Bearing-Thrust (STD)
200	98-9414	2	Bearing-Thrust (0.2Mm)
200	98-9415	2	Bearing-Thrust (0.4Mm)
210	98-9688	2	Bearing-Thrust (STD)
210	98-9689	2	Bearing-Thrust (0.2Mm)
210	98-9690	2	Bearing-Thrust (0.4Mm)



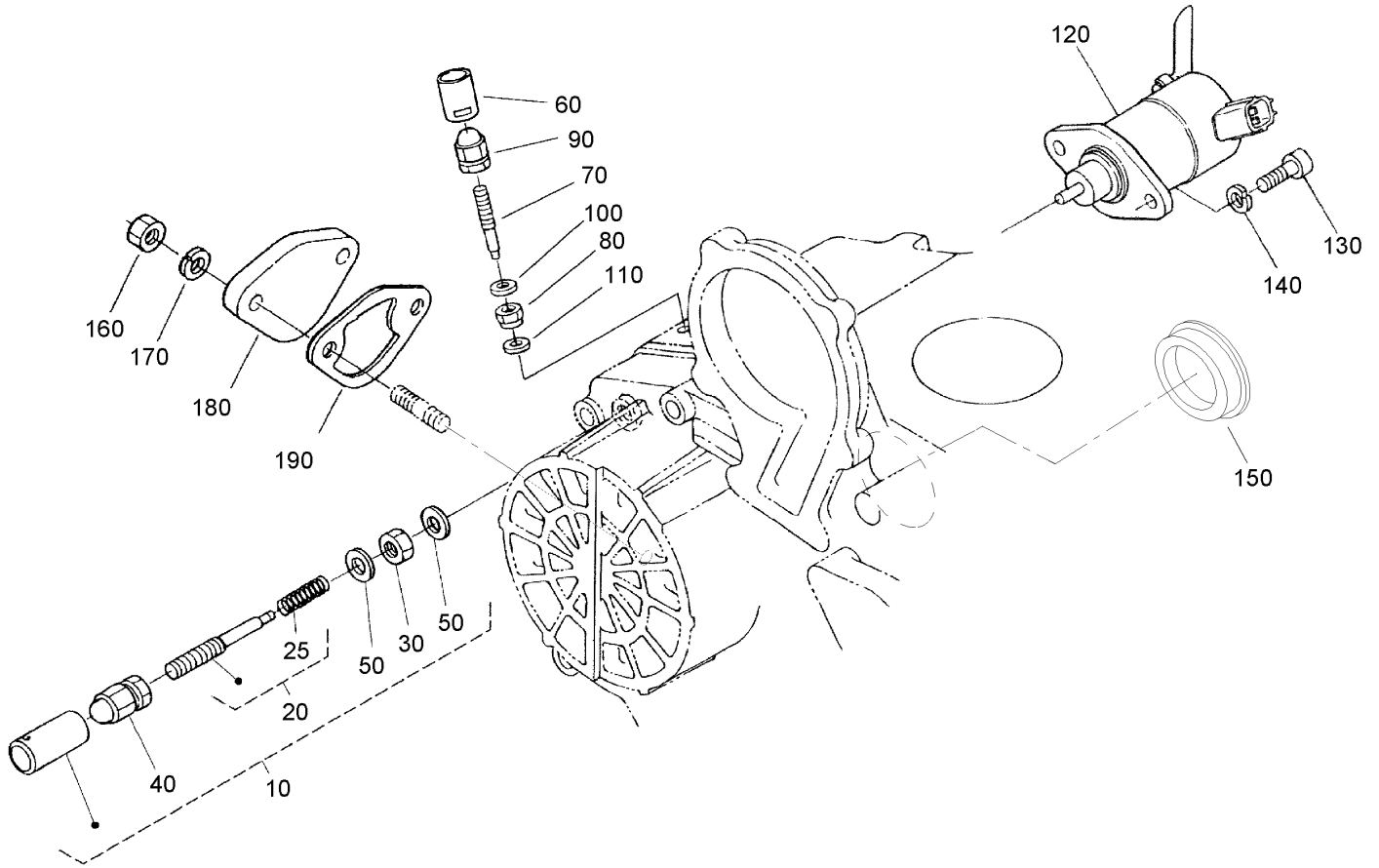
Flywheel Assembly

Ref	Part No.	Qty.	Description
10	105-3721	1	Flywheel-Complete
20	105-3722	1	Gear-Ring
30	98-9537	6	Bolt-Flywheel
40	98-9486	1	Plate-End, Rear
50	98-9392	8	Bolt



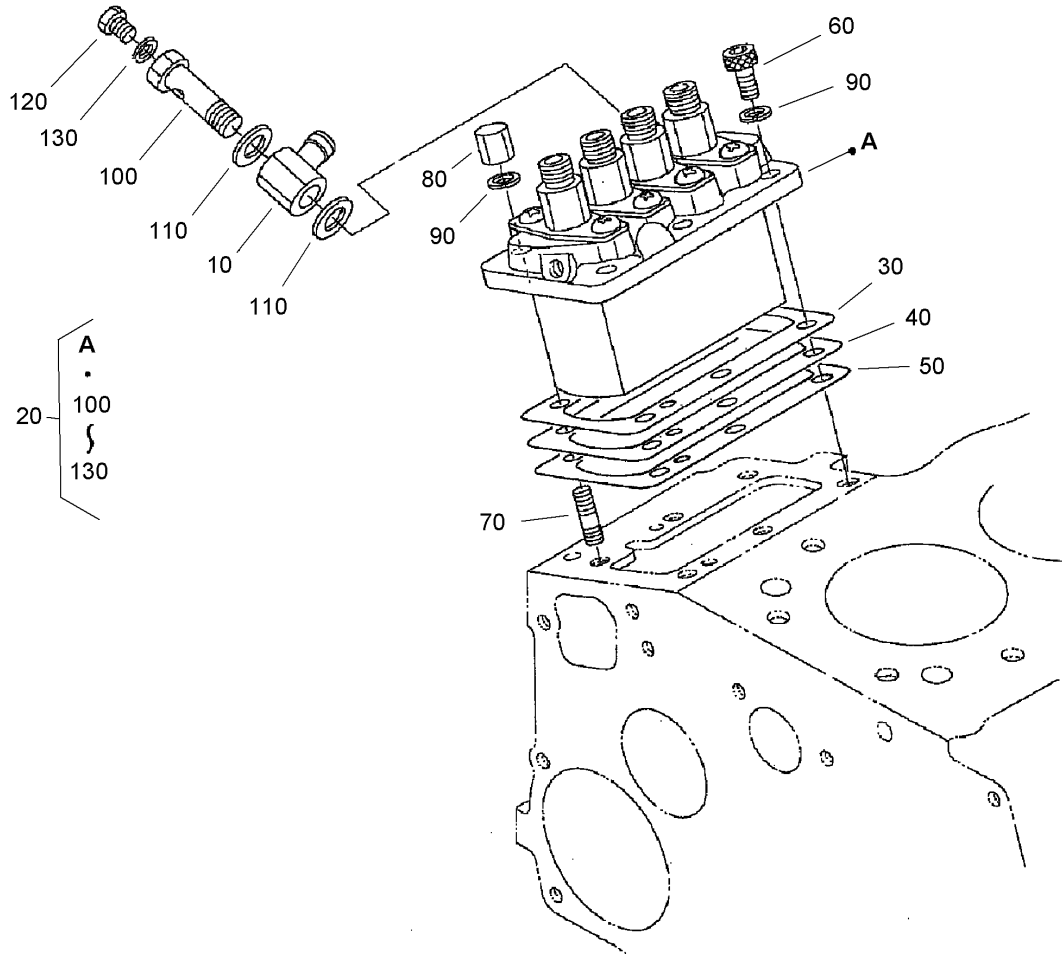
Fuel Camshaft and Governor Shaft Assembly

Ref	Part No.	Qty.	Description
10	105-3723	1	Camshaft-Fuel
20	107-9077	1	Bearing-Ball
30	107-9078	1	Bearing-Ball
40	98-9590	1	Nut-Cap
50	98-9595	1	Key-Woodruff
60	98-9669	1	Gear-Pump, Injection
70	98-9511	1	Stopper-Fuel, Camshaft
80	98-7692	2	Bolt
90	105-3724	1	Governor Shaft ASM
100	98-9562	1	Holder-Gear, Governor
110	98-9673	1	Gear-Governor
120	98-9561	1	Holder-Weight, Governor
130	98-9559	2	Governor Weight ASM
140	98-9560	2	Shaft-Weight, Governor
145	98-9692	2	Roller
150	98-9563	1	Sleeve-Governor
160	98-9564	1	Washer-Thrust
170	107-9079	1	Bearing-Ball
180	98-9657	1	Clip-Circular, Governor Shaft
190	98-9565	1	Screw-Set



Idle Apparatus Assembly

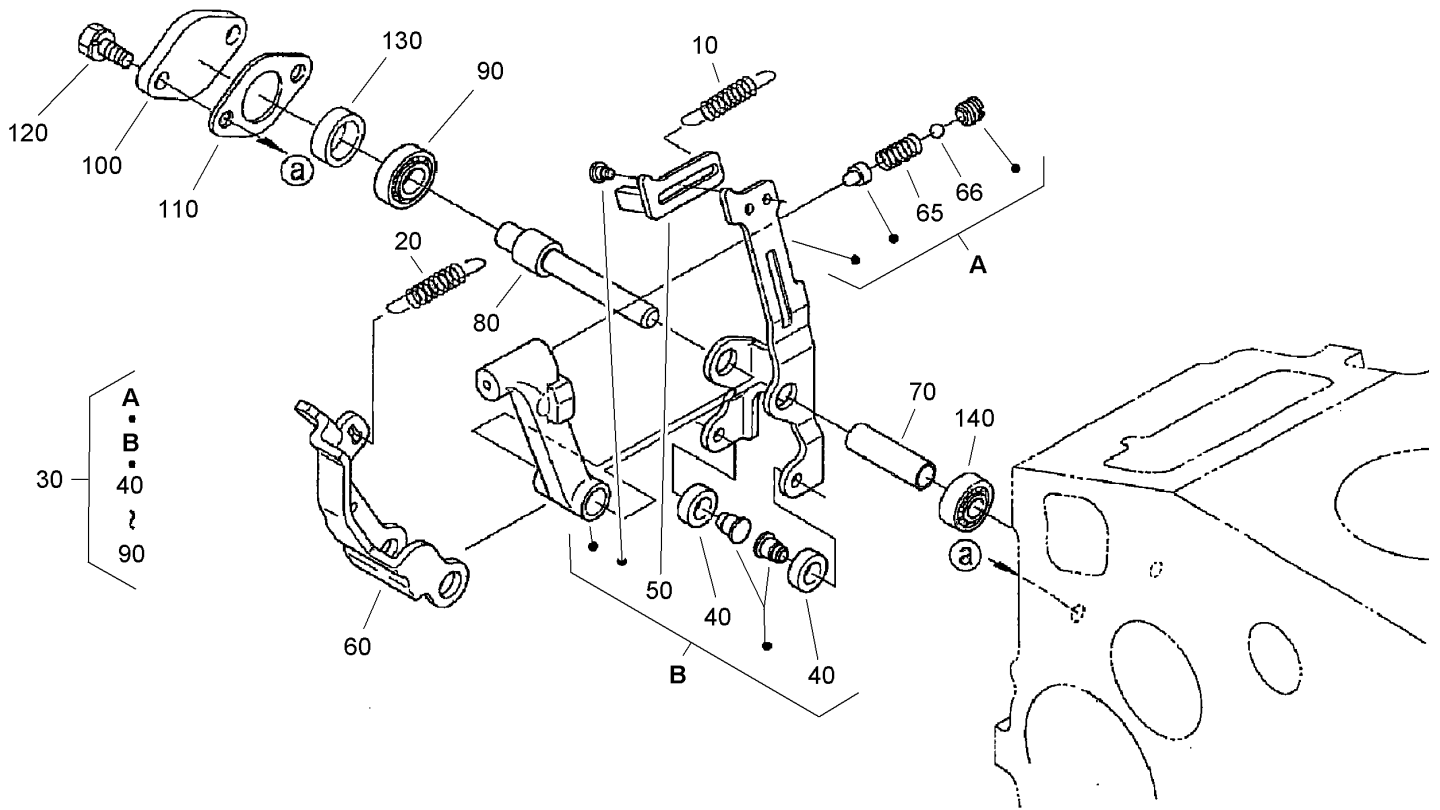
Ref	Part No.	Qty.	Description
10	98-9678	1	Idle Apparatus ASM
20	98-9679	1	Adjusting Bolt ASM
25	107-9080	1	Spring
30	98-9439	1	Nut
40	99-8387	1	Nut-Cap
50	98-7654	2	Gasket
60	98-7656	1	Cap
70	98-9557	1	Bolt-Adjusting
80	99-3512	1	Nut
90	99-8387	1	Nut-Cap
100	98-7654	1	Gasket
110	107-9081	1	Gasket
120	104-5155	1	Solenoid-Stop
130	105-3799	2	Bolt-HSH
140	98-7699	2	Washer-Spring
150	98-9640	1	Cover-Pump
160	98-7572	2	Nut
170	98-7699	2	Washer-Spring
180	99-3514	1	Cover
190	98-9636	1	Gasket-Pump, Fuel



Injection Pump Assembly

Ref	Part No.	Qty.	Description
10	98-9596	1	Joint-Eye
20	105-3727	1	Injection Pump ASM
30	105-3728	1	Shim-Pump, Injection (.20Mm)
40	105-3729	1	Shim-Pump, Injection (.25Mm)
50	105-3730	1	Shim-Pump, Injection (.30Mm)
60	98-9361	3	Bolt-HSH
70	98-9438	3	Stud
80	98-9440	3	Nut-Cap
90	98-7699	6	Washer-Spring
100	98-9464	1	Bolt-Joint
110	98-9445	2	Gasket
120	98-9430	1	Screw
130	98-9446	1	Gasket

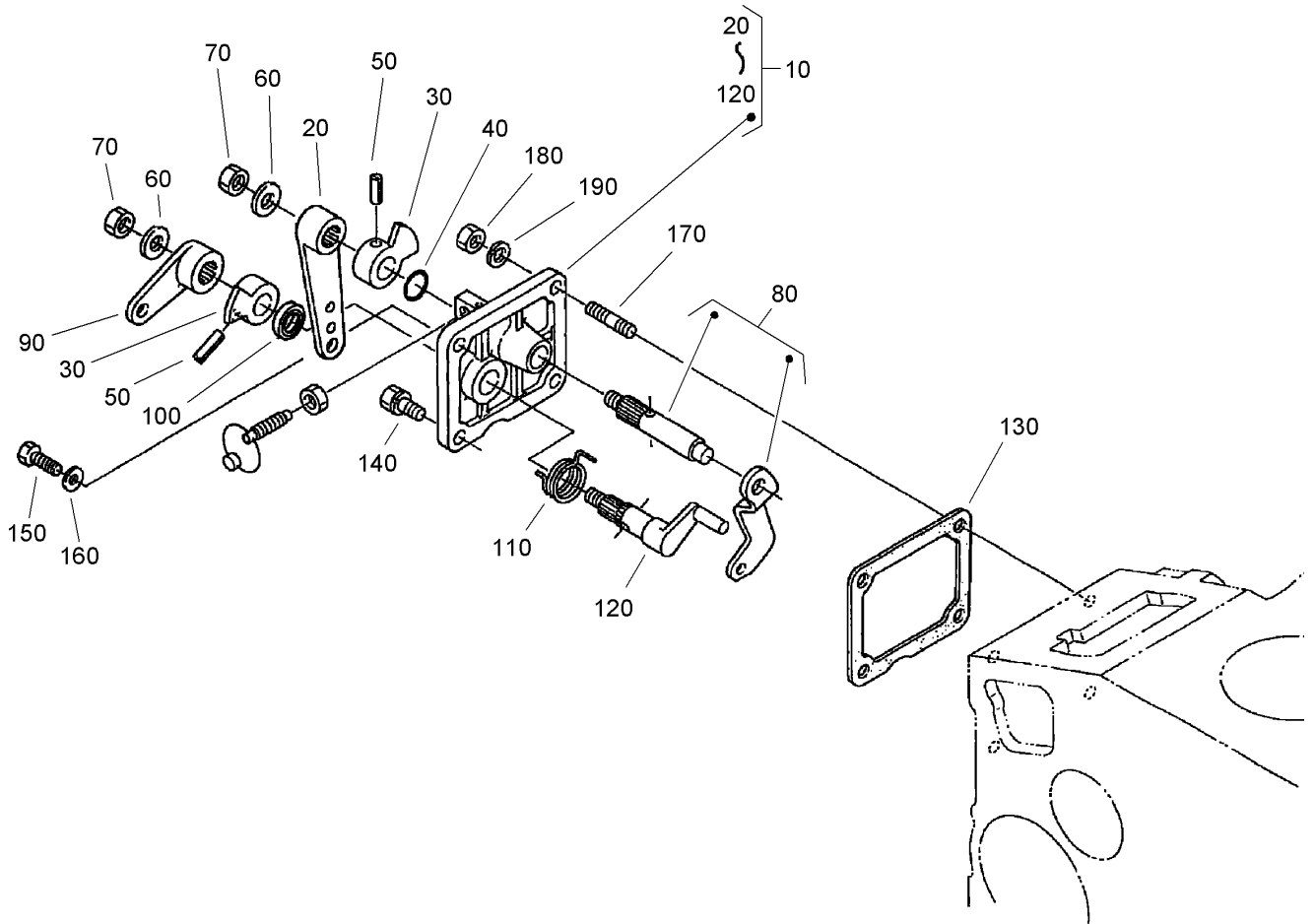
--	--	--	--



Governor Assembly

Ref	Part No.	Qty.	Description
10	105-3741	1	Spring-Start
20	98-9681	1	Spring-Governor
30	107-9082	1	Fork Lever ASM
40	98-9692	2	Roller
50	107-9083	1	Lever-Thrust
60	107-9084	1	Lever-Fork
65	108-2867	1	Spring
66	98-7580	2	Ball
70	107-9085	1	Shaft-Lever, Fork
80	107-9086	1	Shaft-Lever, Fork
90	98-9570	1	Bearing-Miniaturize
100	98-9569	1	Cover-Shaft, Fork Lever
110	98-9682	1	Gasket
120	98-9351	2	Bolt
130	98-9567	1	Collar
140	98-9571	1	Bearing-Miniaturize

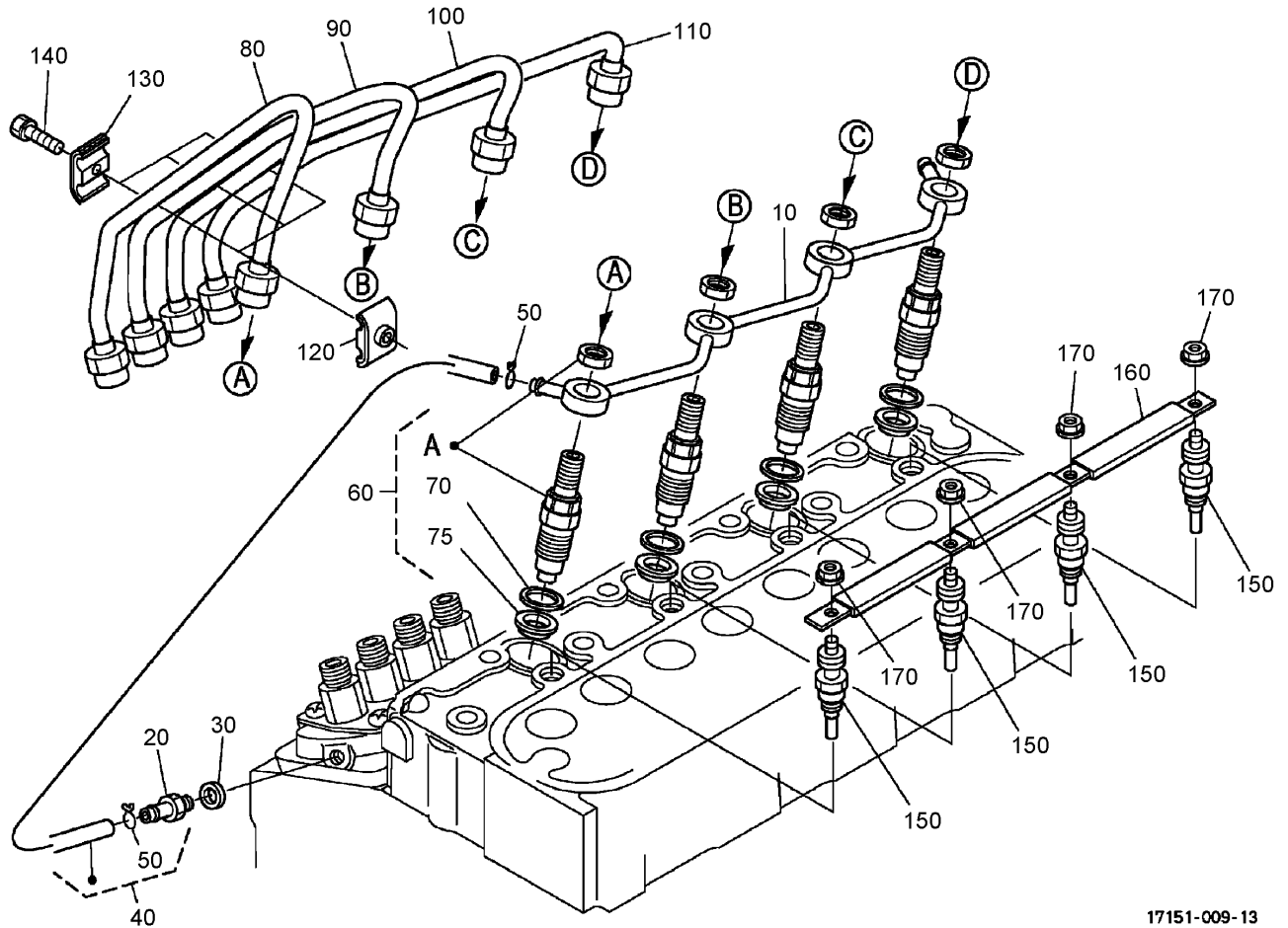
--	--	--	--



Speed Control Plate Assembly

Ref	Part No.	Qty.	Description
10	105-3735	1	Control Plate ASM
20	98-9662	1	Lever-Control, Speed
30	98-9572	2	Lever-Control, Speed
40	105-3788	1	O-Ring
50	98-7602	2	Pin-Spring
60	98-9594	2	Washer-Plain
70	98-9589	2	Nut
80	98-9658	1	Governor Lever ASM
90	98-9663	1	Lever-Stop, Engine
100	98-7601	1	Seal-Oil
110	98-9472	1	Spring-Return
120	98-9664	1	Shaft-Lever, Stop
130	98-9637	1	Gasket
140	98-7692	1	Bolt
150	99-8348	1	Bolt
160	98-7654	2	Gasket
170	105-3710	2	Stud
180	98-7572	2	Nut
190	98-7699	2	Washer-Spring

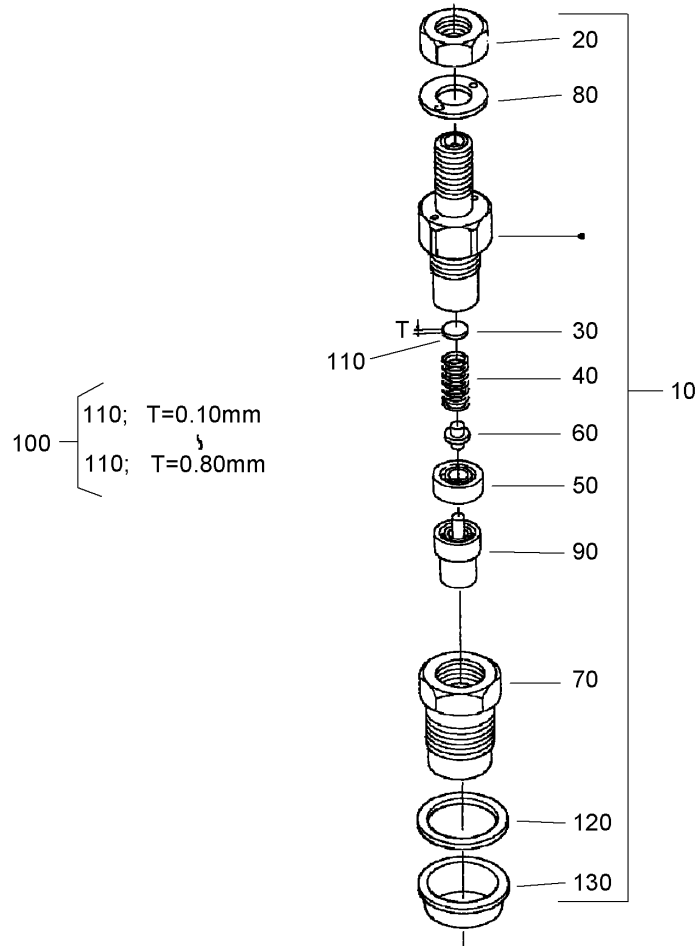
--	--	--	--



17151-009-13

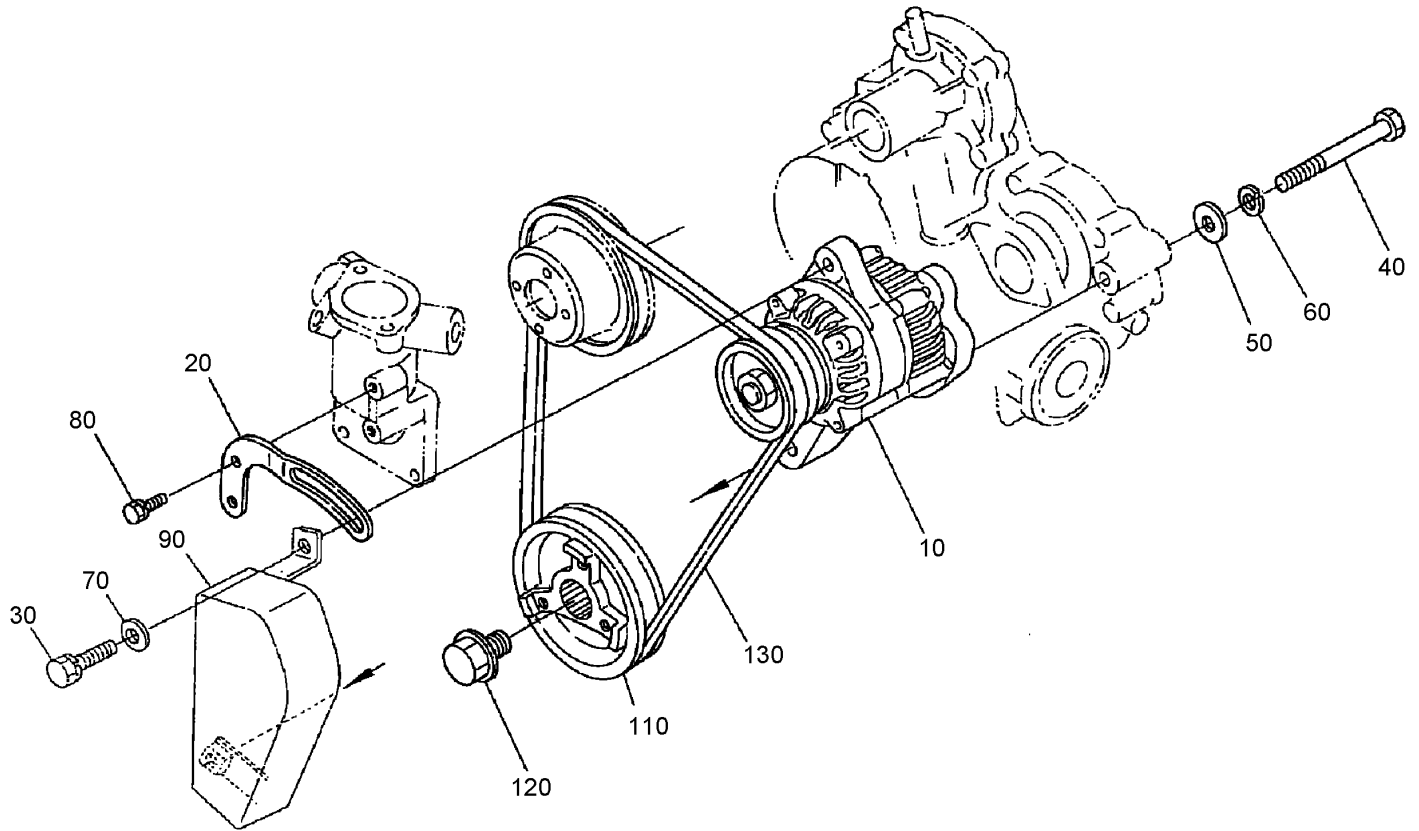
Nozzle Holder and Glow Plug Assembly

Ref	Part No.	Qty.	Description
10	105-3737	1	Over Flow Pipe ASM
20	98-9431	1	Screw-Bleeder
30	98-7654	1	Gasket
40	98-9420	1	Over Flow Pipe ASM
50	98-7671	2	Clip-Pipe
60	108-2866	4	Nozzle Holder Kit
70	98-7676	4	Gasket
75	98-7677	4	Seal
80	98-9653	1	Pipe-Injection
90	98-9654	1	Pipe-Injection
100	98-9655	1	Pipe-Injection
110	105-3738	1	Pipe-Injection
120	98-7682	3	Clamp-Pipe
130	98-7683	3	Clamp-Pipe
140	98-7684	3	Screw (W/Washer)
150	98-9695	4	Plug-Glow
160	105-3739	1	Cord-Plug, Glow
170	99-8377	4	Nut-Flange



Nozzle Holder Component Assembly

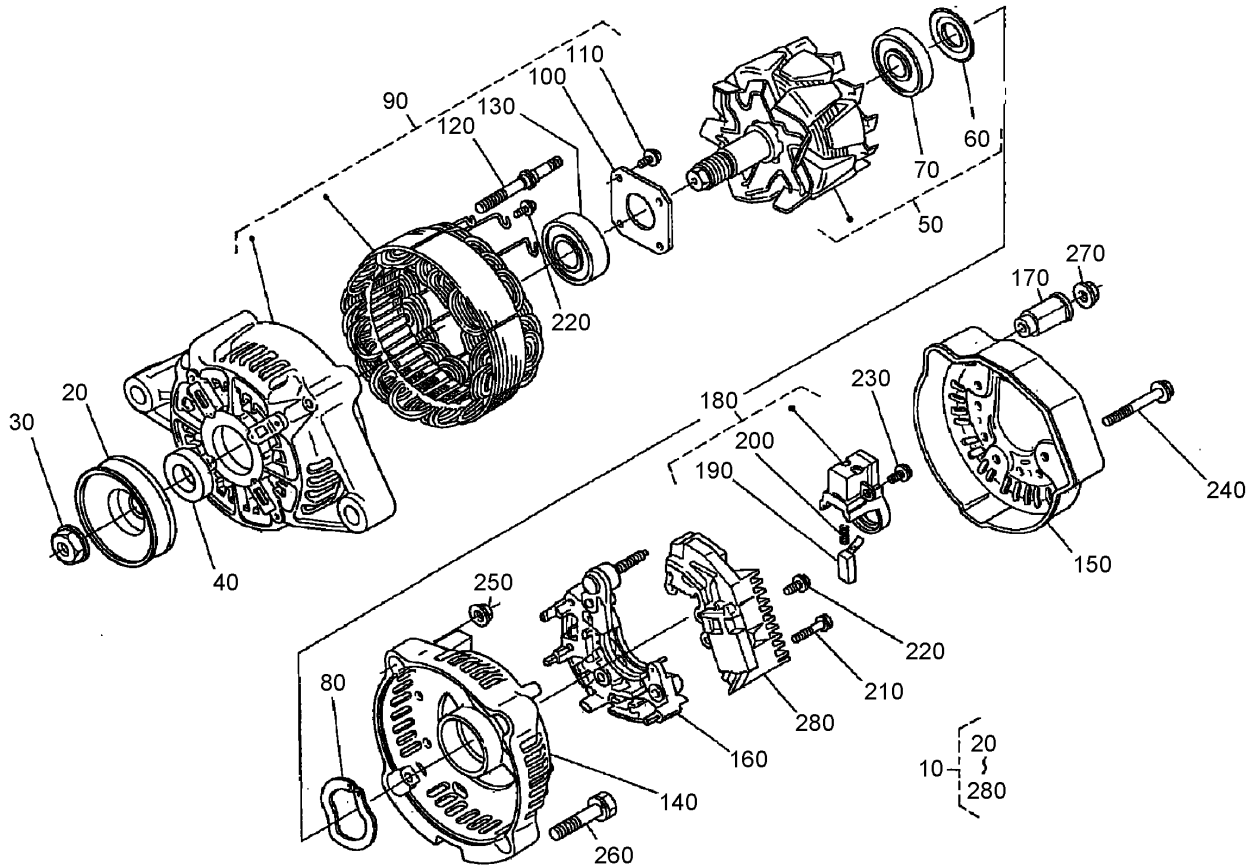
Ref	Part No.	Qty.	Description
10	108-2866	4	Nozzle Holder Kit
20	99-8301	4	Nut
30	99-8302	4	Washer-Adjusting
40	99-8303	4	Spring-Nozzle
50	99-8304	4	Spacer-Distance
60	99-8305	4	Rod-Push
70	99-8306	4	Nut-Nozzle
80	99-8307	4	Washer-Plain
90	107-7826	4	Piece-Nozzle
100	99-8309	4	Adjusting Washer ASM
110	99-8310	4	Washer-Adjust (0.10Mm)
110	99-8311	4	Washer-Adjust (0.20Mm)
110	99-8312	4	Washer-Adjust (0.30Mm)
110	99-8313	4	Washer-Adjust (0.40Mm)
110	99-8314	4	Washer-Adjust (0.50Mm)
110	99-8315	4	Washer-Adjust (0.52Mm)
110	99-8316	4	Washer-Adjust (0.54Mm)
110	99-8317	4	Washer-Adjust (0.56Mm)
110	99-8318	4	Washer-Adjust (0.58Mm)
110	99-8319	4	Washer-Adjust (0.80Mm)
120	98-7676	4	Gasket
130	98-7677	4	Seal



1G299-140-10

Alternator and Pulley Assembly

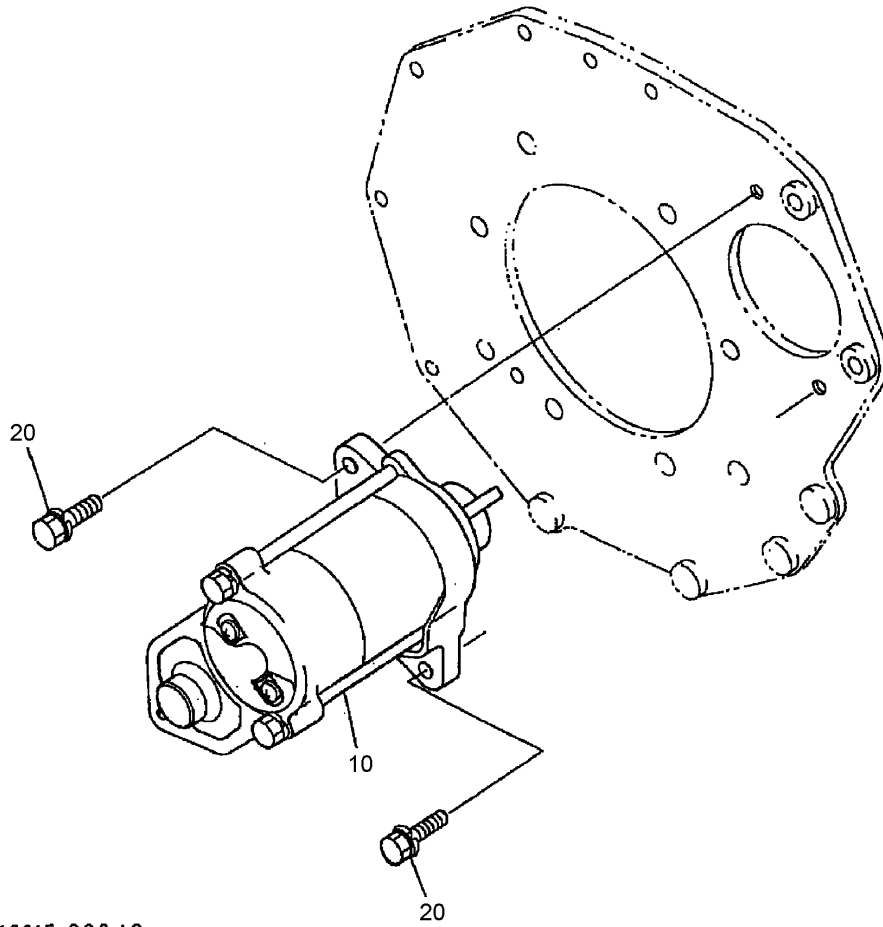
Ref	Part No.	Qty.	Description				
10	98-9474	1	Alternator ASM				
20	98-9573	1	Stay-Dynamo				
30	98-7697	1	Bolt				
40	98-9360	1	Bolt				
50	3256-24	1	Washer-Flat				
60	98-7738	1	Washer-Spring				
70	100-9233	1	Washer-Plain				
80	98-7692	1	Bolt				
90	108-2868	1	Cover-Belt				
110	105-3745	1	Pulley-Drive, Fan				
120	98-9585	1	Bolt				
130	98-9676	1	V-Belt				



Alternator (Component Part) Assembly

Ref	Part No.	Qty.	Description
10	98-9474	1	Alternator ASM
20	98-9453	1	Pulley-Dynamo
30	98-7708	1	Nut
40	98-7709	1	Collar
50	107-0136	1	Rotor
60	98-7711	1	Cover-Bearing
70	107-0138	1	Bearing-Ball
80	98-7713	1	Washer-Thrust
90	107-0139	1	Drive End Frame ASM
100	98-7715	1	Plate-Retainer
110	98-7716	4	Screw-Head, Round
120	98-7717	2	Bolt-Through
130	107-0137	1	Bearing-Ball
140	107-9087	1	Frame-End
150	107-0140	1	Cover-End
160	98-9476	1	Rectifier ASM
170	98-7722	1	Bushing-Insulation
180	107-0141	1	Holder-Brush
190	98-7724	2	Brush
200	98-7725	2	Spring-Brush
210	98-7726	2	Screw-Head, Round
220	98-7727	6	Screw-Head, Round
230	98-7728	1	Screw-Head, Round
240	98-7729	3	Bolt

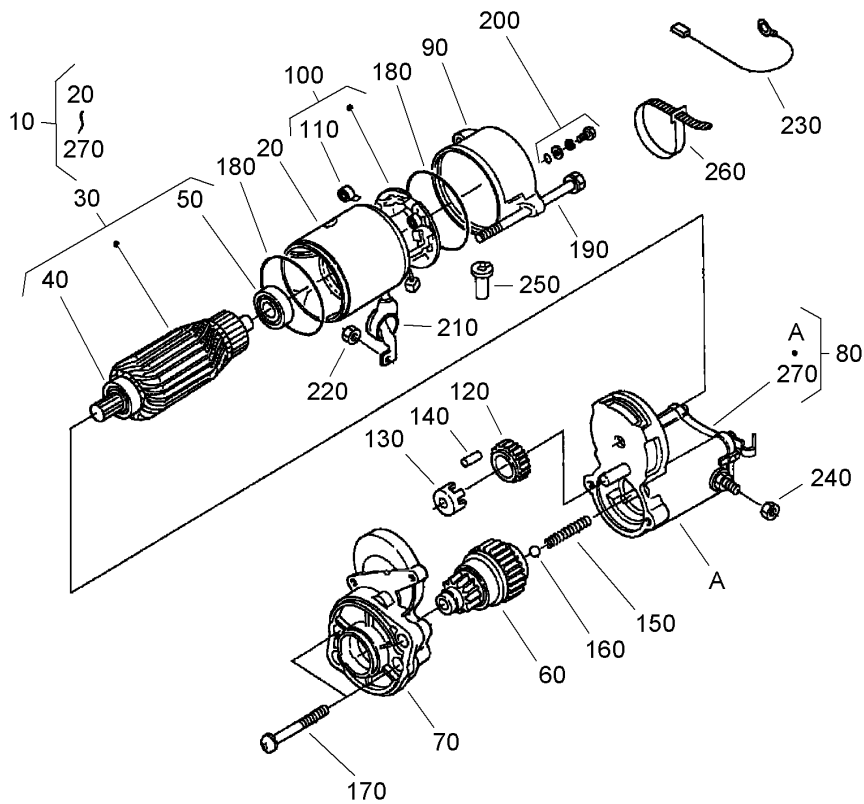
Ref	Part No.	Qty.	Description
250	98-7730	2	Nut
260	98-7731	2	Bolt
270	98-7732	1	Nut
280	107-9088	1	Regulator ASM



16615-008-10

Starter Assembly

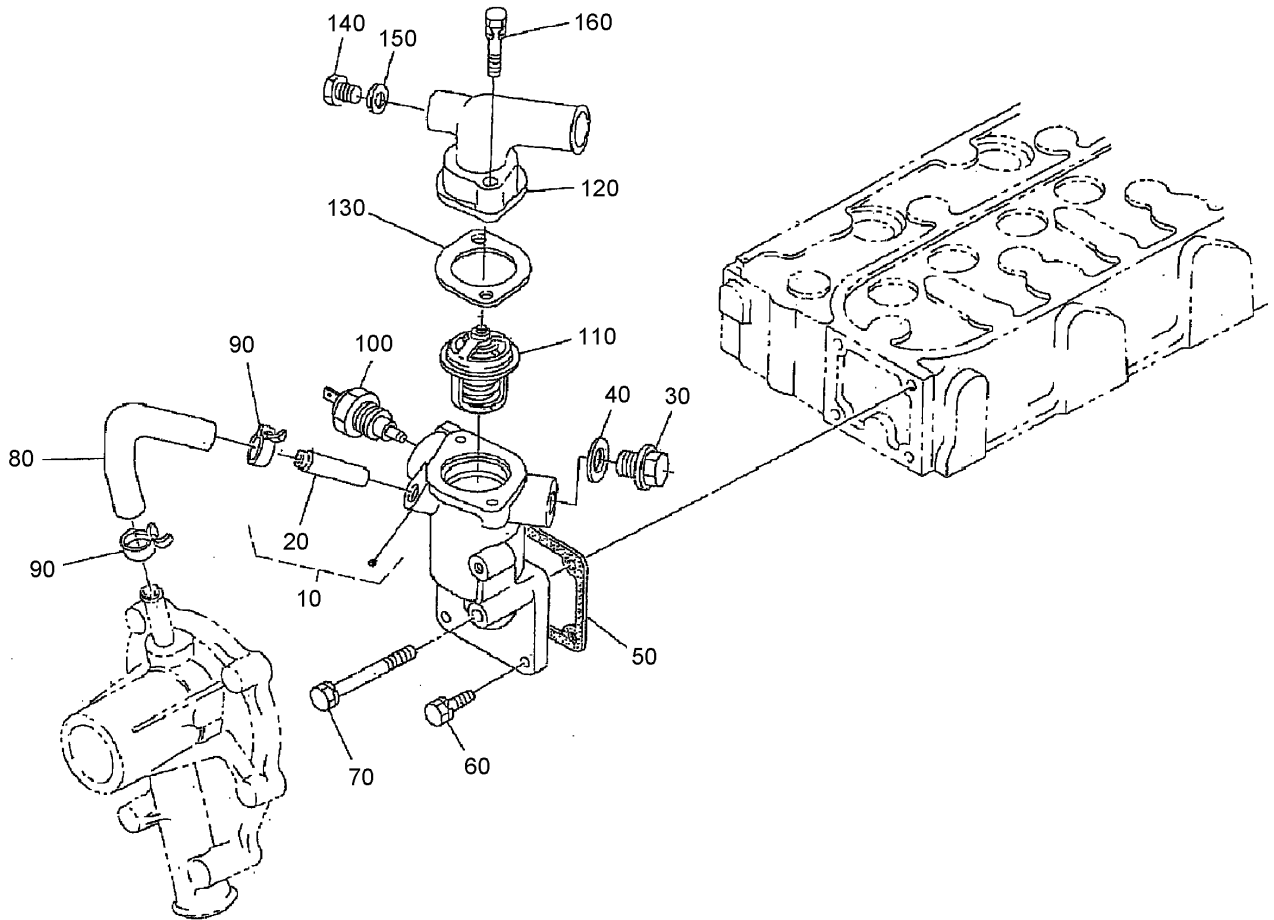
Ref	Part No.	Qty.	Description				
10	98-9705	1	Starter ASM				
20	98-7697	2	Bolt				



Starter Assembly No. 98-9705

Ref	Part No.	Qty.	Description
10	98-9705	1	Starter ASM
20	104-8608	1	Yoke ASM
30	98-7742	1	Armature ASM
40	98-7744	1	Bearing
50	98-7743	1	Bearing
60	99-8373	1	Clutch-Running, Over
70	99-8374	1	Frame-End, Drive
80	105-3746	1	Magnetic Switch ASM
90	98-7748	1	Frame-End
100	98-7749	1	Brush Holder ASM
110	98-7750	4	Spring-Brush
120	98-7751	1	Gear
130	98-7752	1	Retainer
140	98-7753	5	**obs** Roller
150	98-7754	1	Spring
160	98-7755	1	Ball
170	98-7756	2	Bolt
180	98-7757	2	O-Ring
190	100-9240	2	Bolt
200	98-7758	2	Bolt ASM
210	99-8375	1	Cover
220	99-8371	1	Nut-Hex
230	98-9711	1	Cord-Solenoid, Stop
240	99-8376	1	Nut-Hex

Ref	Part No.	Qty.	Description
250	98-7759	1	Pipe-Drain
260	98-9712	1	Band-Cover
270	105-2886	1	Cover ASM

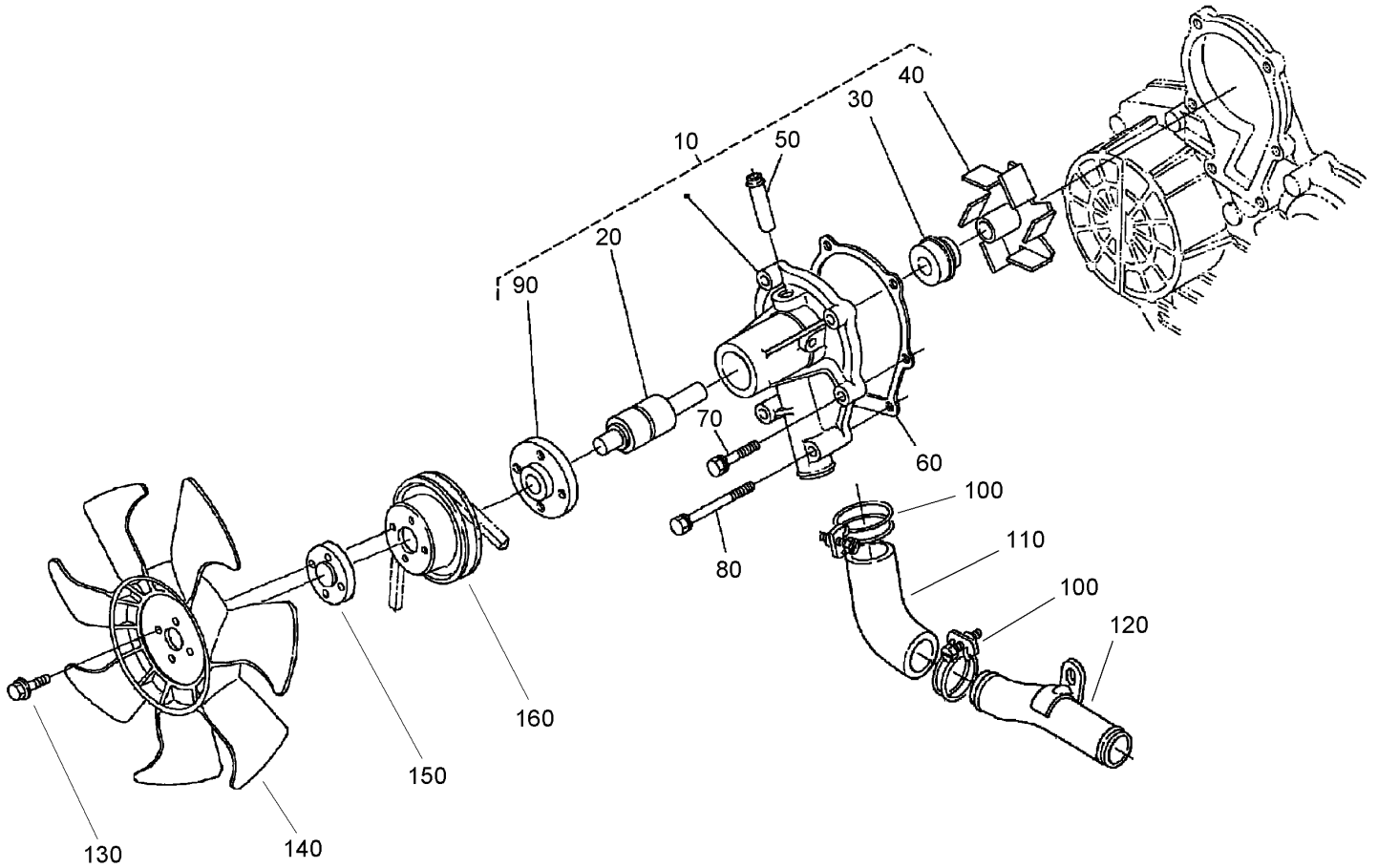


1G994-019-10

Water Flange and Thermostat Assembly

Ref	Part No.	Qty.	Description
10	98-9713	1	Water Flange ASM
20	98-9580	1	Pipe-Return, Water
30	105-3747	1	Plug
40	99-3583	1	Packing
50	98-9638	1	Gasket-Flange, Water
60	98-7692	3	Bolt
70	98-9356	1	Bolt
80	98-9578	1	Pipe-Return, Water
90	98-9579	2	Band-Pipe
100	98-9719	1	Thermoswitch
110	98-7778	1	Thermostat ASM
120	108-2869	1	Cover-Thermostat
130	105-3748	1	Gasket-Thermostat
140	108-2870	1	Plug-Drain
150	100-9155	1	Gasket
160	98-7777	2	Bolt

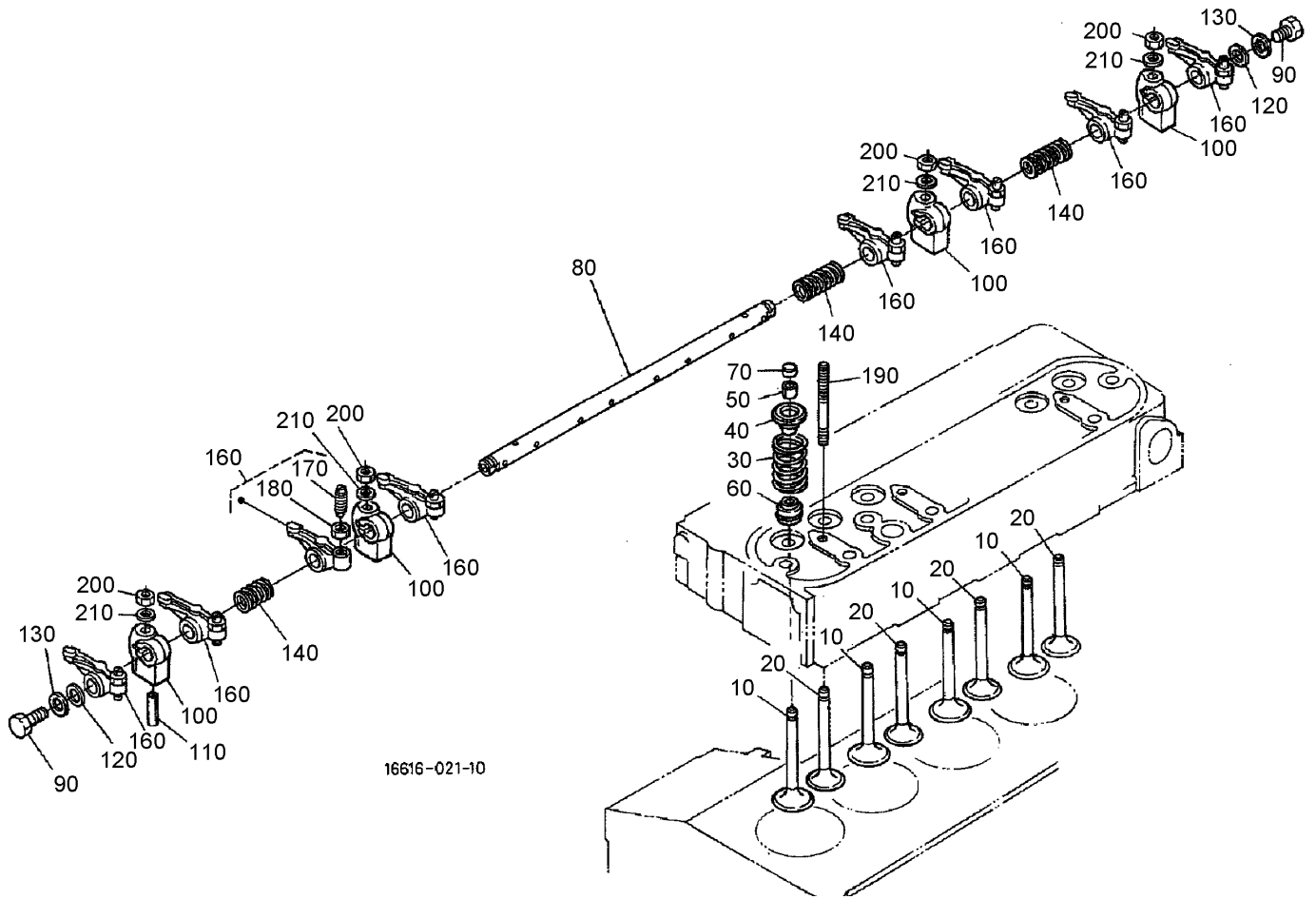
--	--	--	--



Water Pump Assembly

Ref	Part No.	Qty.	Description
10	107-9089	1	Water Pump ASM
20	99-3517	1	Bearing-Pump, Water
30	105-3750	1	Mechanical Seal ASM
40	99-3519	1	Impeller-Pump, Water
50	98-9577	1	Pipe-Return, Water
60	99-3454	1	Gasket-Pump, Water
70	98-9353	4	Bolt
80	107-9090	2	Bolt
90	99-3516	1	Flange-Pump, Water
100	98-9717	2	Clamp
110	107-9091	1	Pipe-Water
120	98-9716	1	Pipe-Water
130	108-2873	4	Bolt-Flange
140	108-2871	1	Fan
150	108-2872	1	Collar-Fan
160	98-9584	1	Pulley-Fan

--	--	--	--

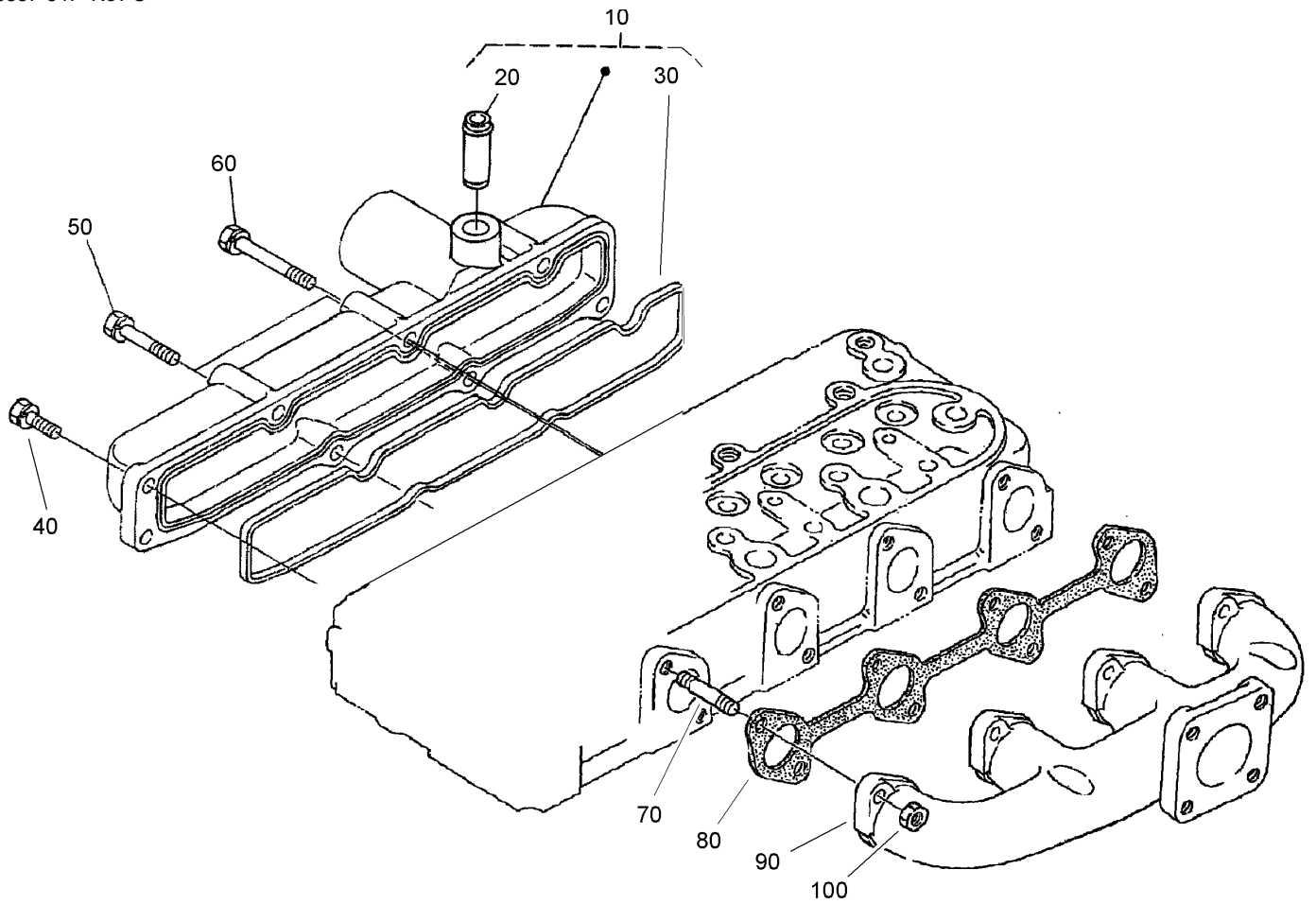


16616-021-10

Valve and Rocker Arm Assembly

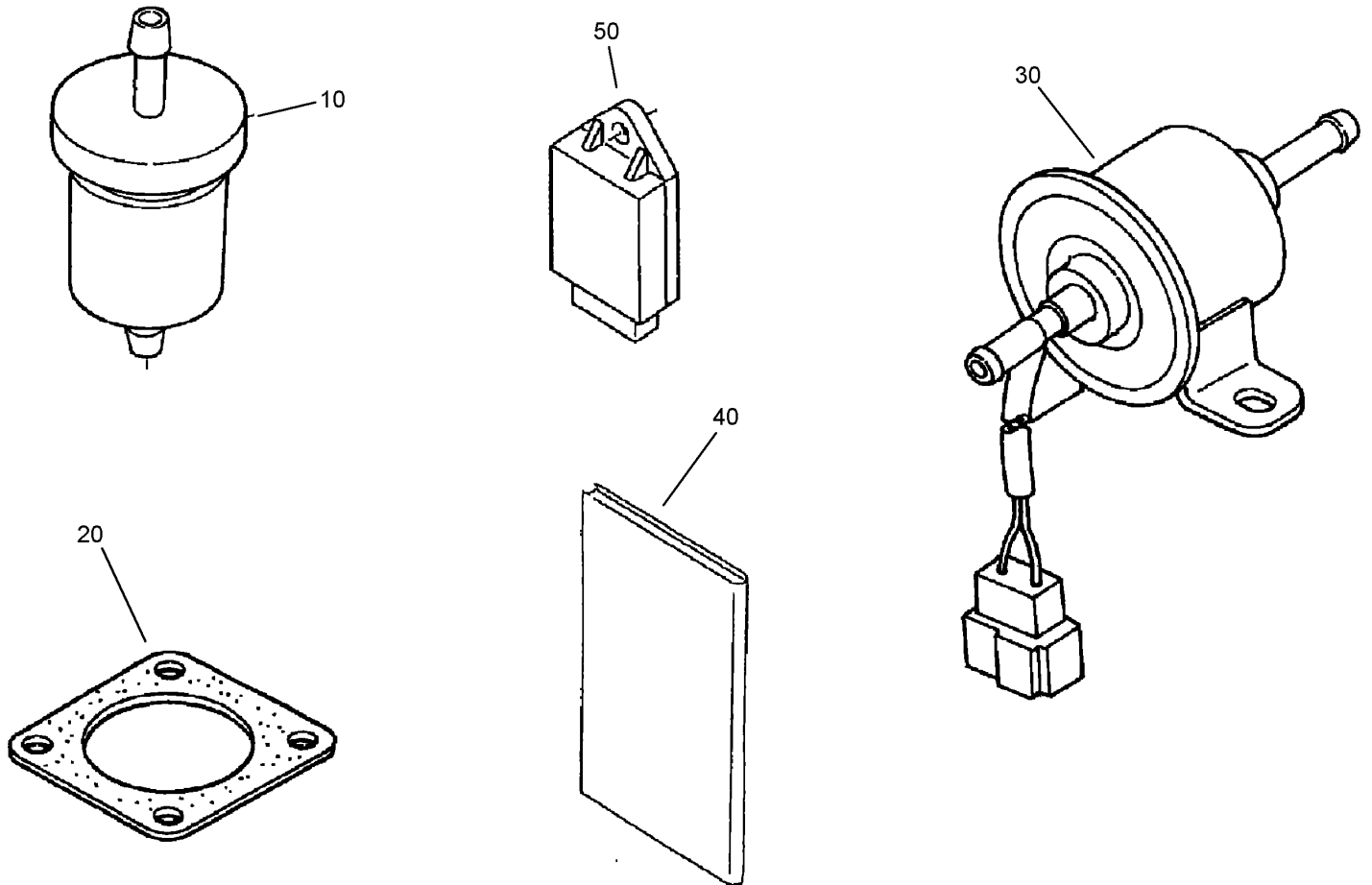
Ref	Part No.	Qty.	Description
10	98-9494	4	Valve-Inlet
20	98-9495	4	Valve-Exhaust
30	98-9648	8	Spring-Valve
40	107-9092	8	Retainer-Spring
50	98-9390	8	Collet-Set, Valve Spring
60	99-8385	8	Seat-Stem, Valve
70	98-9497	8	Cap-Valve
80	105-3790	1	R-Arm Shaft ASM
90	100-9265	2	Bolt
100	98-9505	4	Bracket-Arm, Rocker
110	105-3758	1	Pin-Spring
120	98-9507	2	Washer-Shaft, R-Arm
130	3256-1	2	Washer-Flat
140	98-9504	2	Spring-Arm, Rocker
160	98-9501	8	Rocker Arm ASM
170	98-9502	8	Screw-Adjusting
180	98-9503	8	Nut
190	98-9506	4	Stud
200	98-9393	4	Nut
210	98-9385	4	Washer-Flat

--	--	--	--



Inlet Manifold Assembly

Ref	Part No.	Qty.	Description
10	108-2874	1	Intake Manifold ASM
20	98-9492	1	Joint-Pipe, Breather
30	105-3760	1	Gasket-In-Manifold
40	98-7605	3	Bolt
50	98-9353	2	Bolt
60	105-3797	3	Bolt
70	98-9588	8	Stud
80	105-3765	1	Gasket-Ex-Manifold
90	108-2875	1	Manifold-Exhaust
100	98-9665	8	Nut



Fuel Filter, Fuel Pump, Muffler Gasket and Glow Controller Assembly

Ref	Part No.	Qty.	Description	
10	98-7612	1	Filter-Fuel	
20	99-8343	1	Gasket-Muffler	
30	107-0122	1	Pump-Fuel, Electric	
40	107-8668	1	Manual-Engine	
50	98-7611	1	Controller-Glow	

Attachments and Accessories

For 41582 - Multi-Pro 5700-D Turf Sprayer

Product Name	Model/Part
5-Blade 27 Inch Reel Mower	03210
5-Blade 32 Inch Reel Mower	03212
Basket Kit	03227
27 Inch Wiehle Roller Kit (3 Inch Diameter)	03233
32 Inch Wiehle Roller Kit (3 Inch Diameter)	03234
8-Blade 27 Inch Reel Mower	03237
8-Blade 32 Inch Reel Mower	03238
11-Blade 27 Inch Reel Mower	03239
Three-Wheel Drive Kit	03429
27 Inch Full Roller Kit	03440
Lift Arm Kit, Reelmaster 2300-D	03471
Lift Arm Kit, Reelmaster 2600-D	03472
32 Inch Full Roller Kit	03479
Turf Evaluator	04399
Bedknife-Highcut 27 Inch	104-1380
Bedknife-Highcut 32 Inch	104-1381
High HOC Support Kit	104-1395
27 Inch Wiehle Roller Scraper Kit (3 Inch Diameter)	104-1398
32 Inch Wiehle Roller Scraper Kit (3 Inch Diameter)	104-1399
Bedknife-Lowcut 27 Inch	105-6785
Adjustment Gauge Bar ASM	13-8199
Brush And Handle Kit	29-9100
Arm Rest Kit	30707
27 Inch Full Roller Scraper Kit	60-9560
27 Inch Sectional Roller ASM	62-4970
27 Inch Anti-Scalp Roller ASM	63-5090
Comb Kit	67-9400
Weight Kit	83-9370
Weight	83-9390-01
Fixed Cutting Unit Kit	93-6915
Skid Kit	94-3664
Weight-Rear	94-3698-01
32 Inch Full Roller Scraper Kit	94-5080
32 Inch Anti Scalp Roller ASM	94-5981
32 Inch Sectional Roller ASM	94-5982

NOTES

NOTES

NOTES

