



**Count on it.**

**Parts Catalog**

**Multi-Pro 5700-D Turf Sprayer**

Model No. 41582—Serial No. 260000001 and Up



# Ordering Replacement Parts

To order replacement parts, please supply the part number, the quantity, and the description of each part desired.

## Understanding Reference Numbers

Each identified part in an illustration has a reference number. The reference number for a part also appears in the parts list, along with other information about the part.

This catalog uses two special reference number formats, one to indicate parts in a service assembly and another to indicate the quantity of a given part in an illustration.

## Service Assembly Reference Numbers

Parts in service assemblies have reference numbers in the form a:b. The a represents the reference number of the entire service assembly and the b represents a sequential number unique to each part within the service assembly.

For example, a wheel assembly might be identified by reference number 6, the tire by 6:1, the valve by 6:2, and the wheel by 6:3. When you order the assembly identified by reference number 6, you receive all parts identified by reference numbers 6:1, 6:2, and 6:3. However, you may also order any part individually. Reference numbers of this type appear in illustration and in parts lists.

## Reference Numbers Indicating Quantity

In an illustration, if a reference number indicates more than one part, the reference number has the form nX y. The n represents the quantity of the part, the X is the multiplication symbol, and the y represents the reference number.

For example, in an illustration, the reference number 2X 37 means that two of the parts identified by reference number 37 are indicated.

# List of Abbreviations

**AR:** as required

**ASM:** assembly

**BBC:** blade brake control

**BHTF:** button head thread forming

**CARR:** carriage

**CCW:** counter clockwise

**CW:** clockwise

**DEG:** degrees

**DPA:** Dual Point Adjustment

**ECM:** electronic control module

**EXT:** external

**FH:** flat head

**GA:** gauge

**HD:** heavy-duty

**HF:** hex flange

**HH:** hex head

**HHF:** hex head flange

**HHFTF:** hex head flange thread forming

**HJ:** hex jam

**HLH:** hex lag head

**HOC:** height-of-cut

**HP:** high pressure

**HSBH:** hex socket button head

**HSFH:** hex socket flat head

**HSH:** hex socket head

**HWH:** hex washer head

**HWHTF:** hex washer head thread forming

**HYD:** hydraulic

**LH:** left hand

**LP:** low pressure

**LPG:** Liquefied Petroleum Gas

**NI:** nylon insert

**NPTF:** national pipe thread fine

**PFH:** phillips flat head

**PPH:** phillips pan head

**PPHTF:** phillips pan head thread forming

**PRH:** phillips round head

**PTH:** phillips truss head

**PTO:** power-take-off

**RH:** right hand

**ROPS:** roll-over protection system

**RRB:** rear roller brush

**SFH:** slotted fillister head

**SHH:** slotted hex head

**SHWH:** slotted hex washer head

**SPH:** slotted pan head

**SQH:** square head

**SRH:** slotted round head

**STD:** standard

**TAP:** self tapping

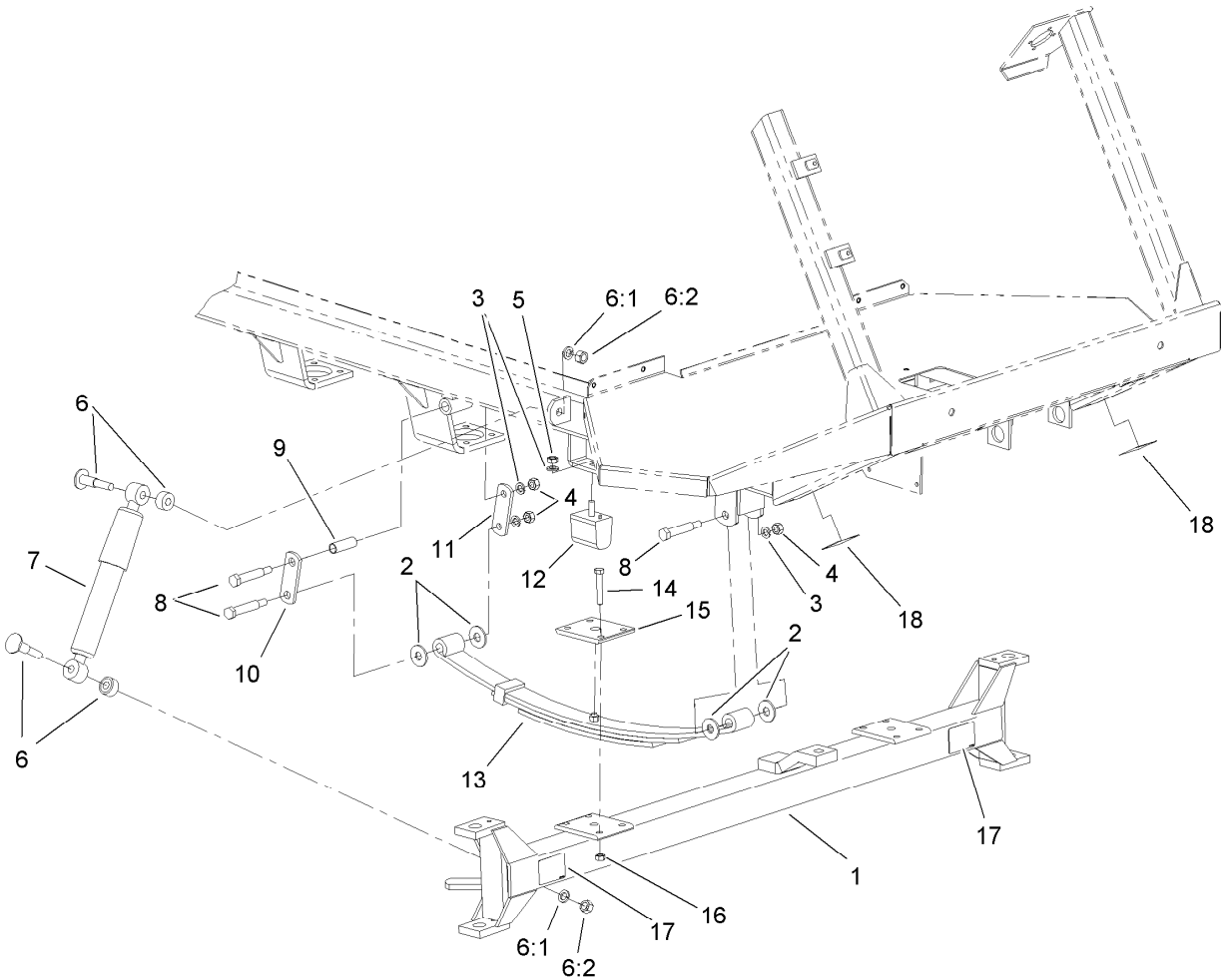
**TTH:** torx truss head

# Contents

Front Suspension Assembly	5
Seat, Engine Cover and Front Console Assembly	6
Control Console Assembly	7
Rear Wheel Assembly	8
Hydraulic Motor Assembly No. 93-6488	9
Brake Assembly No. 100-3069-03	10
Planetary Assembly No. 105-4500-03	11
Brake Assembly No. 100-3070-03	12
Hydraulic Motor Assembly No. 93-6489	13
Brake and Pedal Assembly	14
Frame, Fender and Battery Assembly	15
Fresh Water and Spray Tank Assembly	16
Lid Assembly	17
Fresh Water Tank Assembly No. 100-8438	18
Exhaust Assembly	19
Dash and Instrument Assembly	20
Dash Panel Assembly No. 106-5019	21
Hydraulic Pump Assembly	22
Gear Pump Assembly No. 93-6492	24
Piston Pump Assembly No. 93-6491	25
Control Assembly No. 93-6306	26
Front Wheel Assembly	27
Pump Drive Assembly	28
Spray Pump Assembly No. 104-9099	29
Pump Assembly No. 106-5121	30
Steering Assembly	31
Steering Control Assembly No. 114-5076	32
Hydraulic Cylinder Assembly No. 93-6510	33
Engine and Air Cleaner Assembly	34
Air Cleaner Assembly No. 106-5277	35
Water and Fuel Filter Assembly No. 98-9305	36
Drive Linkage Assembly	37
Fuel and Hydraulic Tank Assembly	38
Traction Pedal Assembly	39
Internal Sprayer Component Assembly No. 1	40
Valve Boom Assembly	42
Valve Agitation Assembly	43
Internal Sprayer Component Assembly No. 2	44
Filter Assembly No. 104-9154	45
Safety Valve Assembly No. 100-6820	46
Upper Tank Drain Bulkhead Assembly	47
Tank Drain Assembly	48
Sprayer Component Assembly	49
Left Hand Boom Mount Assembly	50
Right Hand Boom Mount Assembly	51
Oil Cooler and Radiator Assembly	52
Electrical Panel Assembly	53
Center Boom Assembly	54
Center Boom Assembly	55
Left and Right Hand Boom Assembly	56
Crankcase Assembly	57
Oil Pan Assembly	58
Cylinder Head Assembly	59
Gear Case Assembly	60

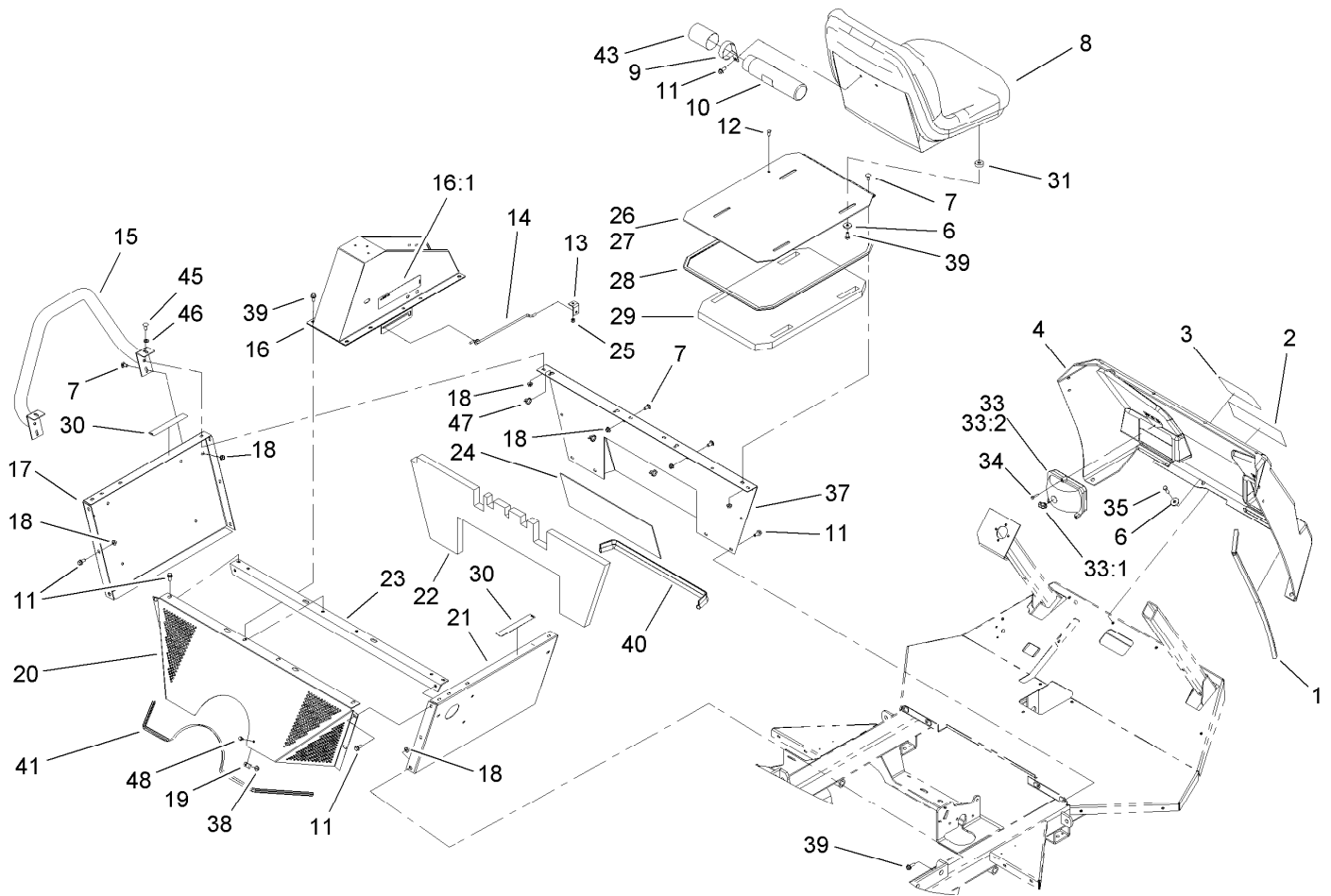
# Contents (continued)

Head Cover Assembly . . . . .	61
Dipstick and Guide Assembly . . . . .	62
Main Bearing Case Assembly . . . . .	63
Camshaft and Idle Gear Shaft Assembly . . . . .	64
Piston and Crankshaft Assembly . . . . .	65
Flywheel Assembly . . . . .	66
Fuel Camshaft and Governor Shaft Assembly . . . . .	67
Idle Apparatus Assembly . . . . .	68
Injection Pump Assembly . . . . .	69
Governor Assembly . . . . .	70
Speed Control Plate Assembly . . . . .	71
Nozzle Holder and Glow Plug Assembly . . . . .	72
Nozzle Holder (Component Parts) Assembly . . . . .	73
Alternator and Pulley Assembly . . . . .	74
Alternator (Component Part) Assembly . . . . .	75
Starter Assembly . . . . .	76
Starter (Component Parts) Assembly . . . . .	77
Water Flange and Thermostat Assembly . . . . .	78
Water Pump Assembly . . . . .	79
Valve and Rocker Arm Assembly . . . . .	80
Inlet Manifold Assembly . . . . .	81
Fuel Filter, Fuel Pump, Muffler Gasket and Glow Controller Assembly . . . . .	82
Attachments and Accessories . . . . .	83



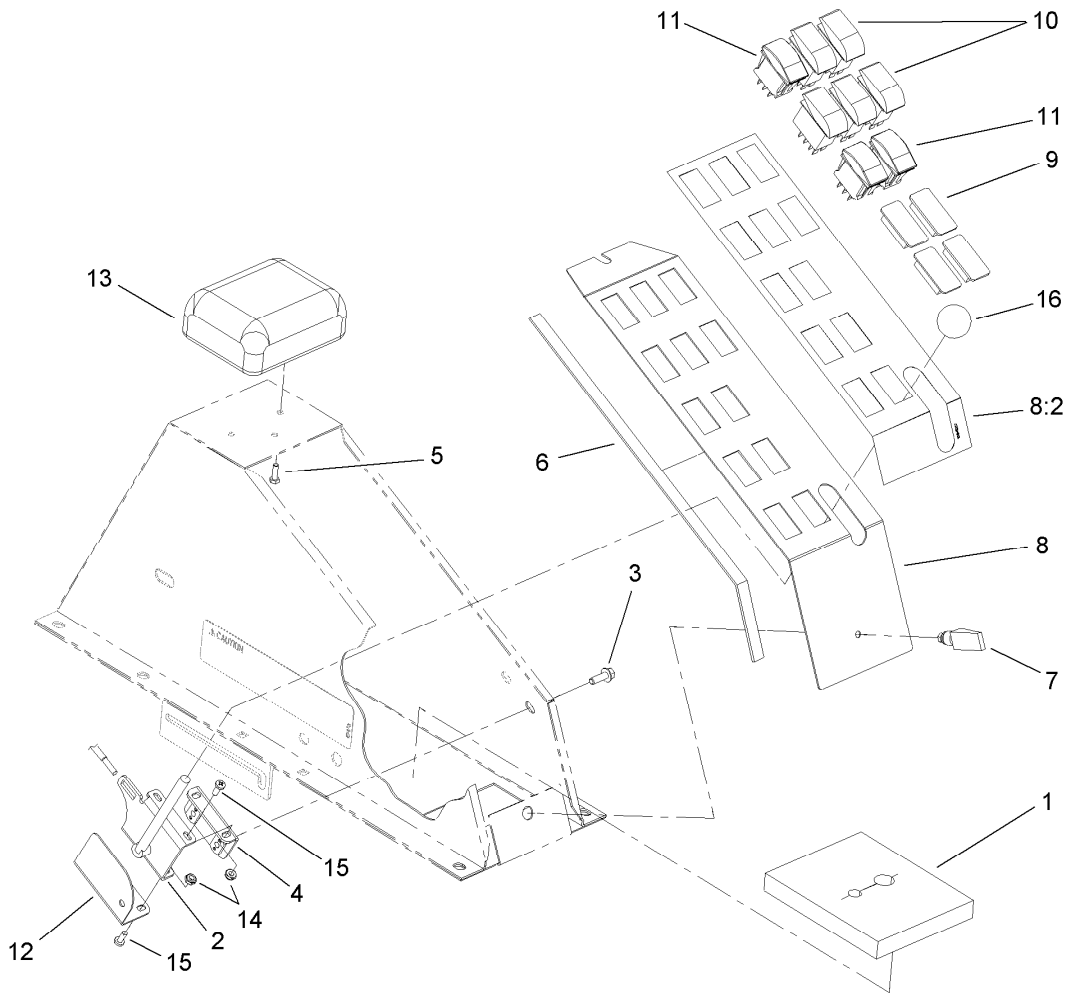
## Front Suspension Assembly

Ref.	Part Number	Qty.	Description
1	93-6568-03	1	Front Axle ASM
2	93-6161	8	Washer
3	3253-6	8	Washer-Lock
4	3217-8	6	Nut-Hex
5	93-6166	2	Nut-Hex
6	42691	4	Bolt ASM
6:1	3253-7	1	Washer-Lock
6:2	3219-5	1	Nut-Hex
7	42690	2	Shock Absorber ASM
8	110-5072	6	Bolt-Shoulder
9	42592	2	Bushing-Shackle
10	42574	2	Shackel-Outside
11	42576	2	Shackel-Inside
12	87-3470	2	Bumper-Axle, Rear
13	99-0570	2	Spring-Leaf
14	323-11	8	Screw-HH
15	42575-03	2	Plate-Spring
16	32153-2	8	Nut-Lock, Side
17	107-8667	2	Decal-Jacking
18	107-8666	2	Decal-Tie-Down / Towing



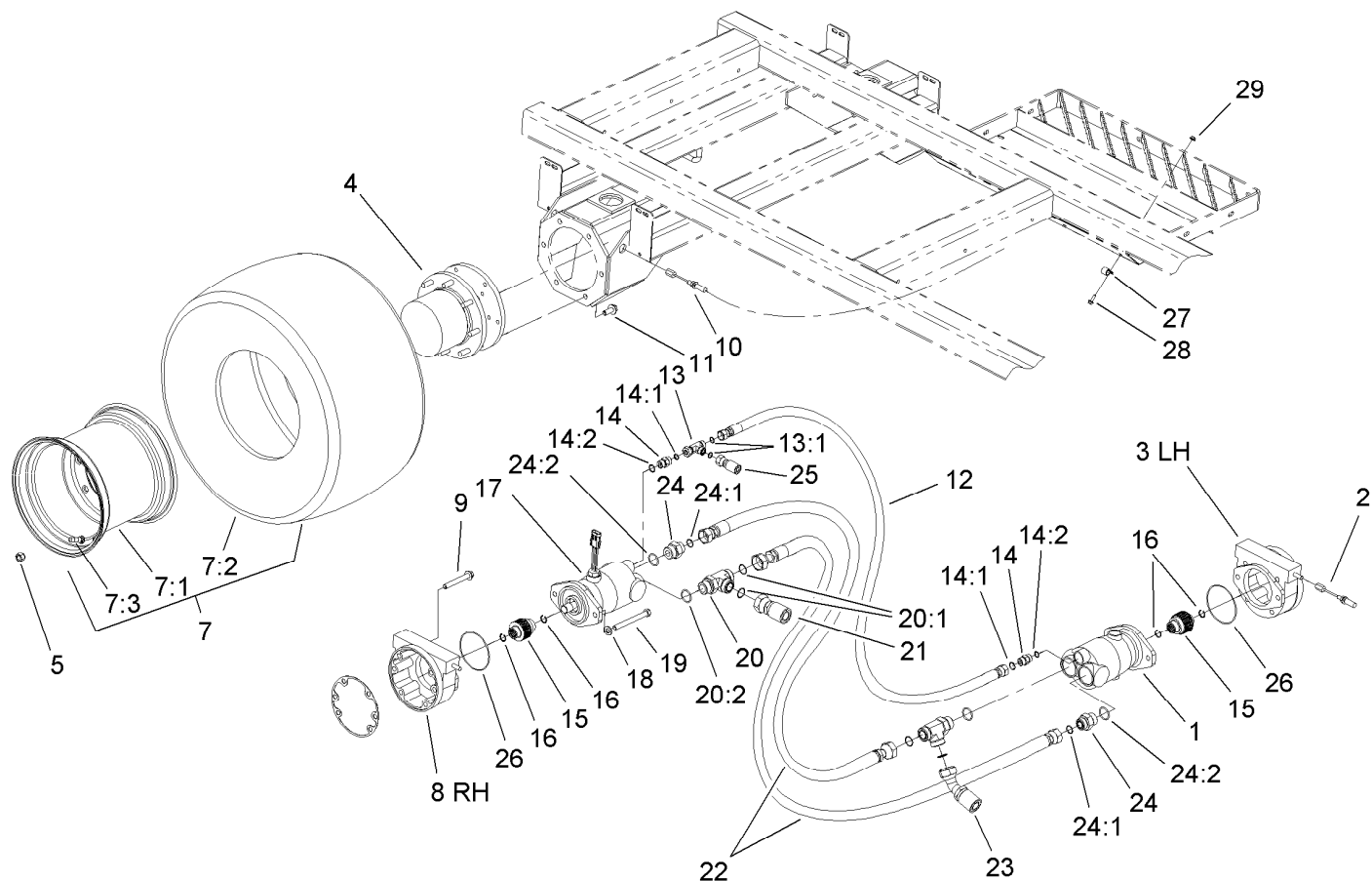
## Seat, Engine Cover and Front Console Assembly

Ref.	Part Number	Qty.	Description	Ref.	Part Number	Qty.	Description
1	94-7086	2	Trim	25	3296-42	2	Nut-Lock, NI
2	107-8715	1	Decal	26	108-3289-03	1	Panel-Seat, RH
3	62-5550	1	Decal	27	108-3288-03	1	Panel-Seat, LH
4	94-7076	1	Console	28	94-7085	2	Trim
6	356303	14	Washer	29	108-3290	2	Barrier-Noise, Seat
7	3230-1	10	Bolt-CARR	30	94-3353	2	Decal-Point, Pinch
8	106-6672	2	Seat	31	104-8426	8	Spacer
9	2412-133	2	R-Clamp	33	87-2120	2	Headlight
10	104-7050	1	Tube-Manual	33:1	95-0909	1	Lamp-12 Volt
11	3234-5	14	Screw-HHF	33:2	87-6330	1	Lens-Headlight
12	321-3	2	Screw-HH	34	32144-9	6	Screw-TAP
13	94-7203	2	Bracket	35	322-5	6	Screw-HH
14	94-7204	2	Rod-Prop, Seat	37	106-5027-01	1	Front Seat Box Panel ASM
15	94-7046-03	2	Hip Restraint ASM	38	32128-33	1	Nut-HF
16	106-5221	1	Console ASM	39	3234-17	16	Screw-HHF
16:1	107-8721	2	Decal-Caution	40	95-2178	1	Trim
17	108-3291-01	1	Panel-Box Seat, LH	41	106-1998	1	Trim
18	32128-20	24	Nut-HF	43	104-7048	1	Cap-Housing
19	2412-72	1	Clip-Closed, Insulated	45	3274-104	4	Screw-HSBH
20	106-5286-03	1	Shroud-Engine	46	3256-23	4	Washer-Flat
21	106-5026-01	1	Panel-Box Seat, RH	47	3290-379	4	Tie-Cable
22	106-5037	1	Barrier-Noise, Front Panel	48	3234-13	1	Screw-HHF
23	94-7090-03	1	Seat Box Angle ASM				
24	104-8701	1	Barrier-Noise, Lower Front Panel				



## Control Console Assembly

<i>Ref.</i>	<i>Part Number</i>	<i>Qty.</i>	<i>Description</i>
1	94-7142	1	Panel-Foam
2	106-5199	1	Cable Throttle ASM
3	3234-4	2	Screw-HHF
4	106-5243-03	1	Plate-Mount, Throttle
5	3290-134	2	Screw
6	94-7178	2	Seal-Foam, Console
7	74-5950	1	Latch-Swell
8	106-5218	1	Plate-Panel, Switch
8:2	106-5217	1	Decal-Plate, Switch
9	99-7420	4	Plug-Hole
10	100-8490	5	Switch-Rocker
11	100-1535	3	Switch
12	106-5223	1	Plate-Cover, Throttle
13	94-7087	1	Pad
14	3296-27	4	Nut-Lock, NI
15	3250-31	4	Screw-PPH
16	233-42	1	Knob

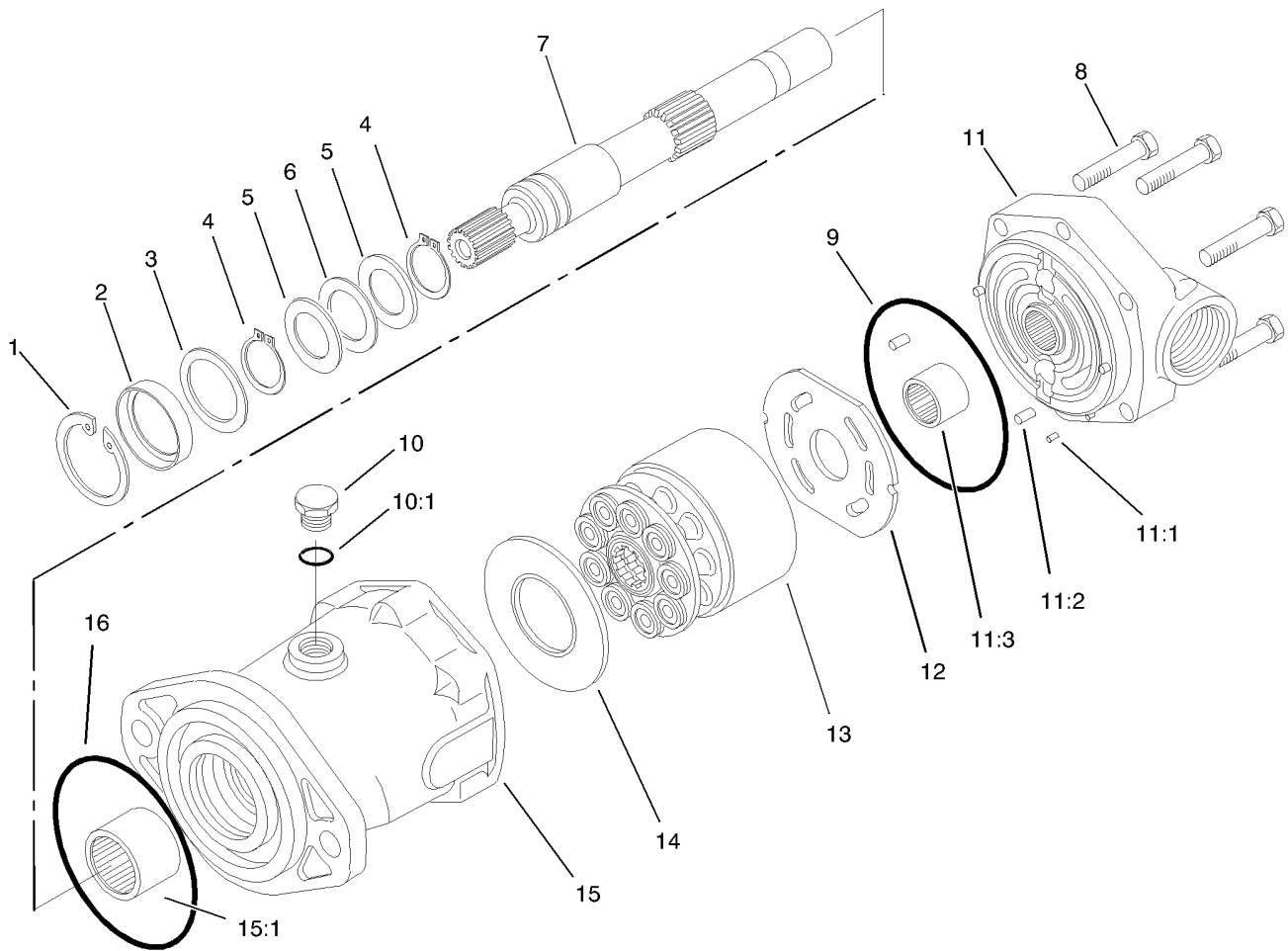


## Rear Wheel Assembly

Ref.	Part Number	Qty.	Description	Ref.	Part Number	Qty.	Description
1	93-6488	1	Hydraulic Motor ASM	15	100-3046	2	Shaft-Brake, Splined
2	107-8656	1	Cable-Brake, LH	16	93-7972	4	Ring-Retaining, Internal
3	100-3069-03	1	Brake ASM	17	93-6489	1	Hydraulic Motor ASM
4	105-4500-03	2	Planetary ASM	18	33096-00	4	Washer-Flat
5	242-50	16	Nut-Lug	19	33116-120	4	Screw-HH
7		2	Tire And Wheel ASM ●	20	104-3795	2	Fitting-HYD, Tee
7:1	106-5024	1	Wheel	20:1	340-65	2	O-Ring
7:2	93-6152	1	Tire	20:2	237-146	1	O-Ring
7:3	232-27	1	Stem-Valve	21	106-5034	1	Hose ASM
8	100-3070-03	1	Brake ASM	22	104-9187	2	Hose ASM
9	33106-090	8	Screw-HHF	23	104-9196	1	Hose ASM
10	107-8657	1	Cable-Brake, RH	24	340-91	2	Adapter
11	33106-030	12	Screw-HHF	24:1	237-58	1	O-Ring
12	110-5073	1	Hose ASM	24:2	237-146	1	O-Ring
13	340-104	1	Fitting-HYD, Tee	25	104-9197	1	Hose ASM
13:1	237-30	2	O-Ring	26	237-166	2	O-Ring
14	340-4	2	Fitting-HYD, Straight	27	2412-93	1	Clamp-R
14:1	237-30	1	O-Ring	28	3234-4	1	Screw-HHF
14:2	237-79	1	O-Ring	29	32128-33	1	Nut-HF

● Not serviced separately

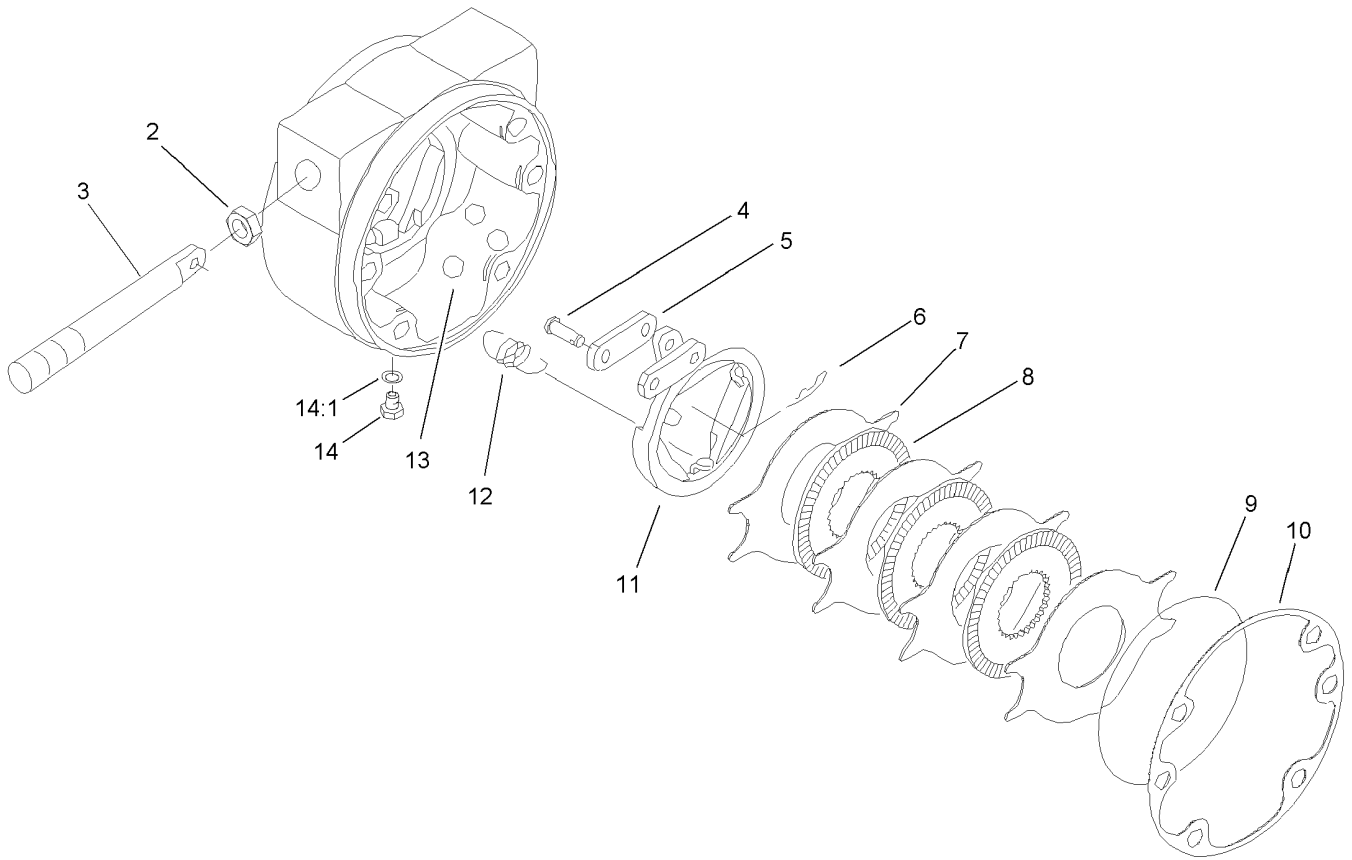




## Hydraulic Motor Assembly No. 93-6488

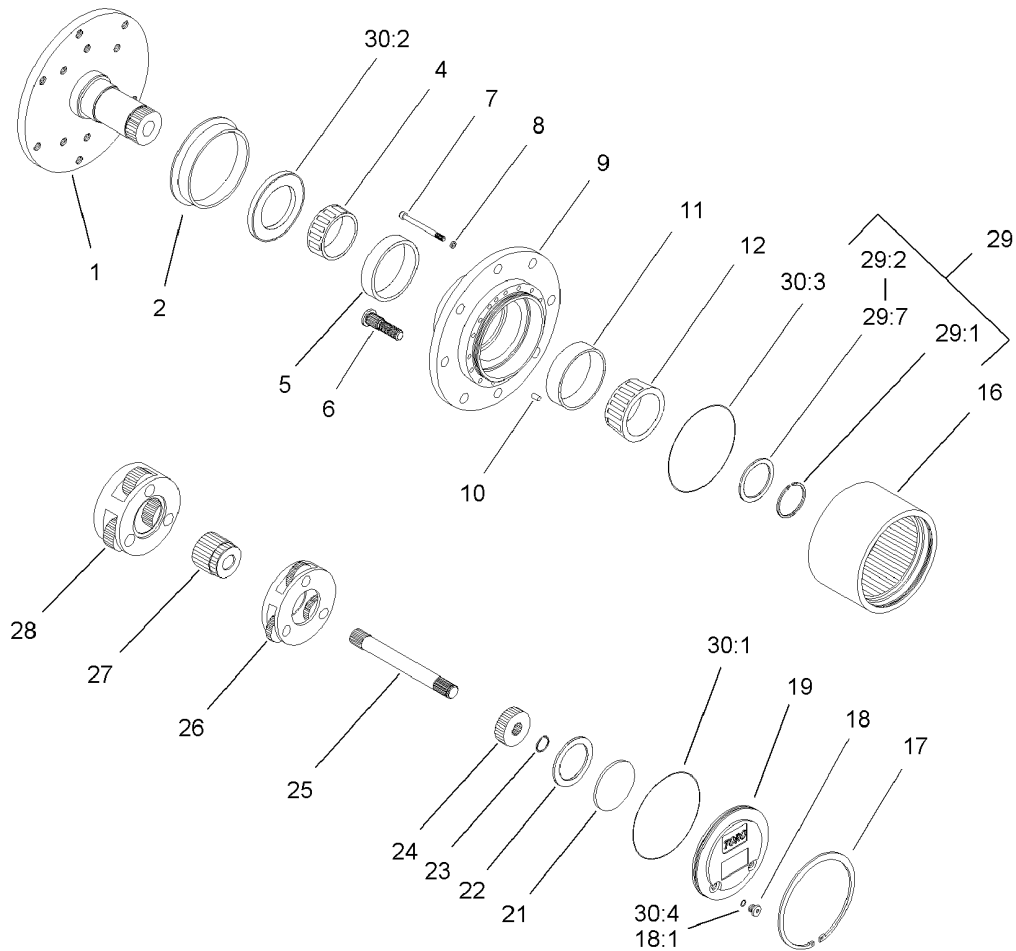
Ref.	Part Number	Qty.	Description
1	76-7010	1	Ring-Retaining
2	105-3331	1	Seal-Shaft
3	60-6240	1	Washer
4	76-7000	2	Ring-Retaining
5	76-6950	2	Race-Thrust
6	76-6960	1	Bearing-Thrust
7	94-3004	1	Shaft-Drive, Splined
8	94-3002	6	Capscrew
9	76-6980	1	O-Ring
10	94-3009	1	Plug
10:1		1	Seal-Dust ●
11	95-2081	1	Back Plate ASM
11:1		1	Pin-Dowel ●
11:2		3	Pin-Dowel ●
11:3		1	Bearing-Needle ●
12	94-3003	1	Plate-Valve
13	76-6910	1	Rotating Kit
14	76-6970	1	Insert-Plate, Cam
15	95-2082	1	Housing
15:1		1	Bearing-Needle ●
16	237-166	1	O-Ring

● Not serviced separately



## Brake Assembly No. 100-3069-03

<i>Ref.</i>	<i>Part Number</i>	<i>Qty.</i>	<i>Description</i>
2	93-7977	1	Seal
3	93-7978	1	Rod-Pull
4	93-7983	2	Pin-Clevis
5	93-7980	2	Link
6	93-7979	2	Pin-Hitch
7	93-7986	4	Disc-Stationary
8	104-4278	3	Disc-Rotating
9	93-7976	1	Ring-Retaining
10	93-7984	1	Gasket
11	104-4280	1	Actuator-Rotating
12	93-7987	3	Spring-Extension
13	93-7985	3	Ball
14	353-990	2	Plug ASM
14:1	237-78	1	O-Ring

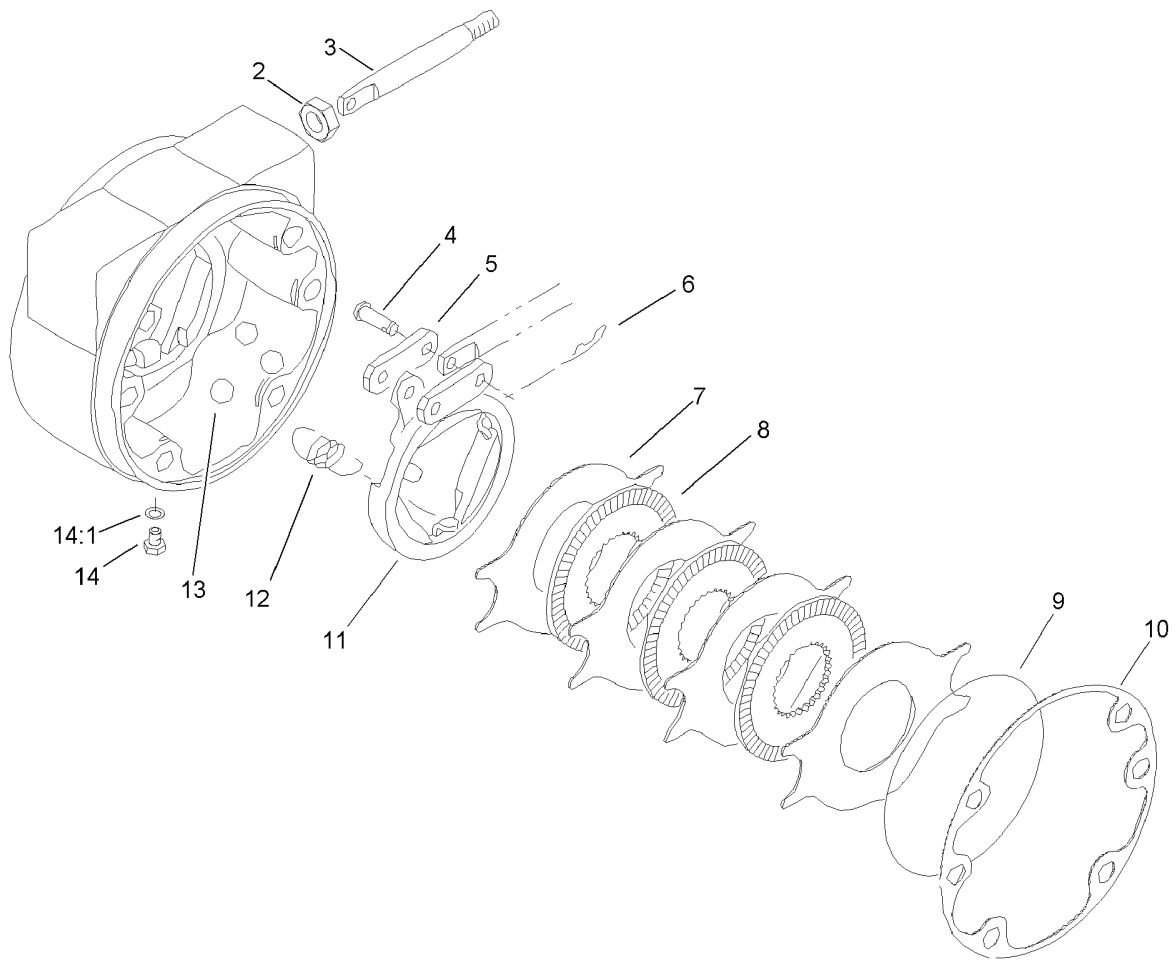


## Planetary Assembly No. 105-4500-03

Ref.	Part Number	Qty.	Description	Ref.	Part Number	Qty.	Description
1		1	Spindle ■	24	105-8114	1	Gear-Primary
2	105-8122	1	Seal-Boot	25	105-8115	1	Shaft-Drive
4	105-8120	1	Bearing-Cone	26	105-8129	1	Primary Carrier ASM
5	105-8119	1	Bearing-Cup	27	105-8139	1	Gear-Secondary
6	105-8124	8	Stud-Wheel	28	105-8130	1	Secondary Carrier ASM
7	105-8125	16	Bolt-Head, Socket	29	105-8136	1	Shim Kit
8	3253-18	16	Washer-Lock	29:1		1	Ring-Snap ■
9		1	Housing ■	29:2		1	Shim-Bearing, 2.9Mm ■
10	105-8121	1	Pin-Dowel	29:3		1	Shim-Bearing, 2.8Mm ■
11	105-8117	1	Bearing-Cup	29:4		1	Shim-Bearing, 2.7Mm ■
12	105-8118	1	Bearing-Cone	29:5		1	Shim-Bearing, 2.6Mm ■
16	105-8113	1	Gear-Ring	29:6		1	Shim-Bearing, 2.5Mm ■
17	105-8132	1	Ring-Retaining	29:7		1	Shim-Bearing, 2.4Mm ■
18	353-990	2	Plug ASM	30	105-8137	1	Seal Kit ●
18:1	237-78	1	O-Ring	30:1		1	O Ring-Flange Cap ■
19	105-8138	1	Cap-End	30:2		1	Seal-Oil ■
21	105-8133	1	Plug-Thrust	30:3		2	O Ring-End Cap ■
22	105-8123	1	Washer-Thrust	30:4	237-78	2	O-Ring
23	105-8131	1	Ring-Retaining				

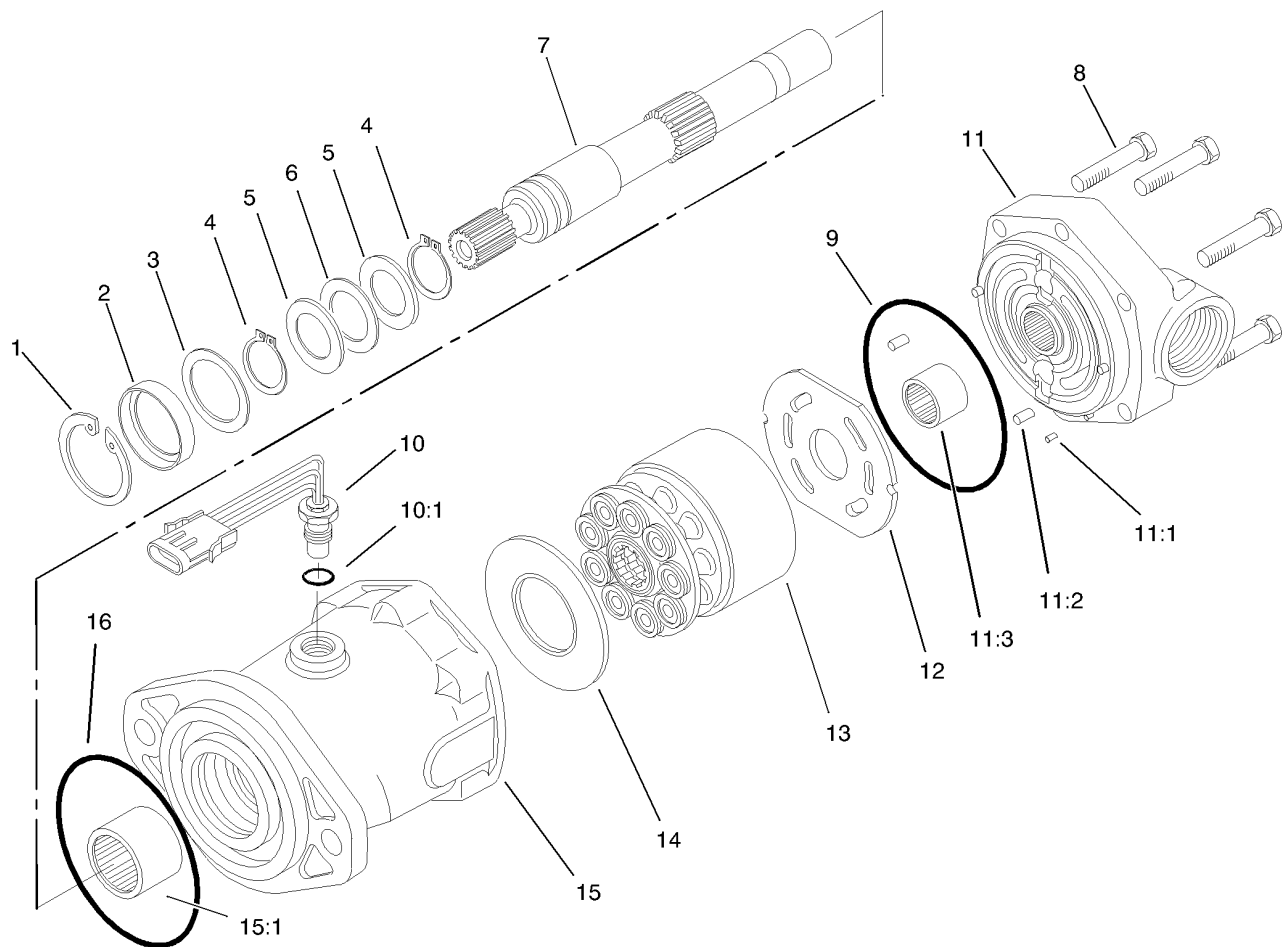
● Not illustrated

■ Not serviced separately



## Brake Assembly No. 100-3070-03

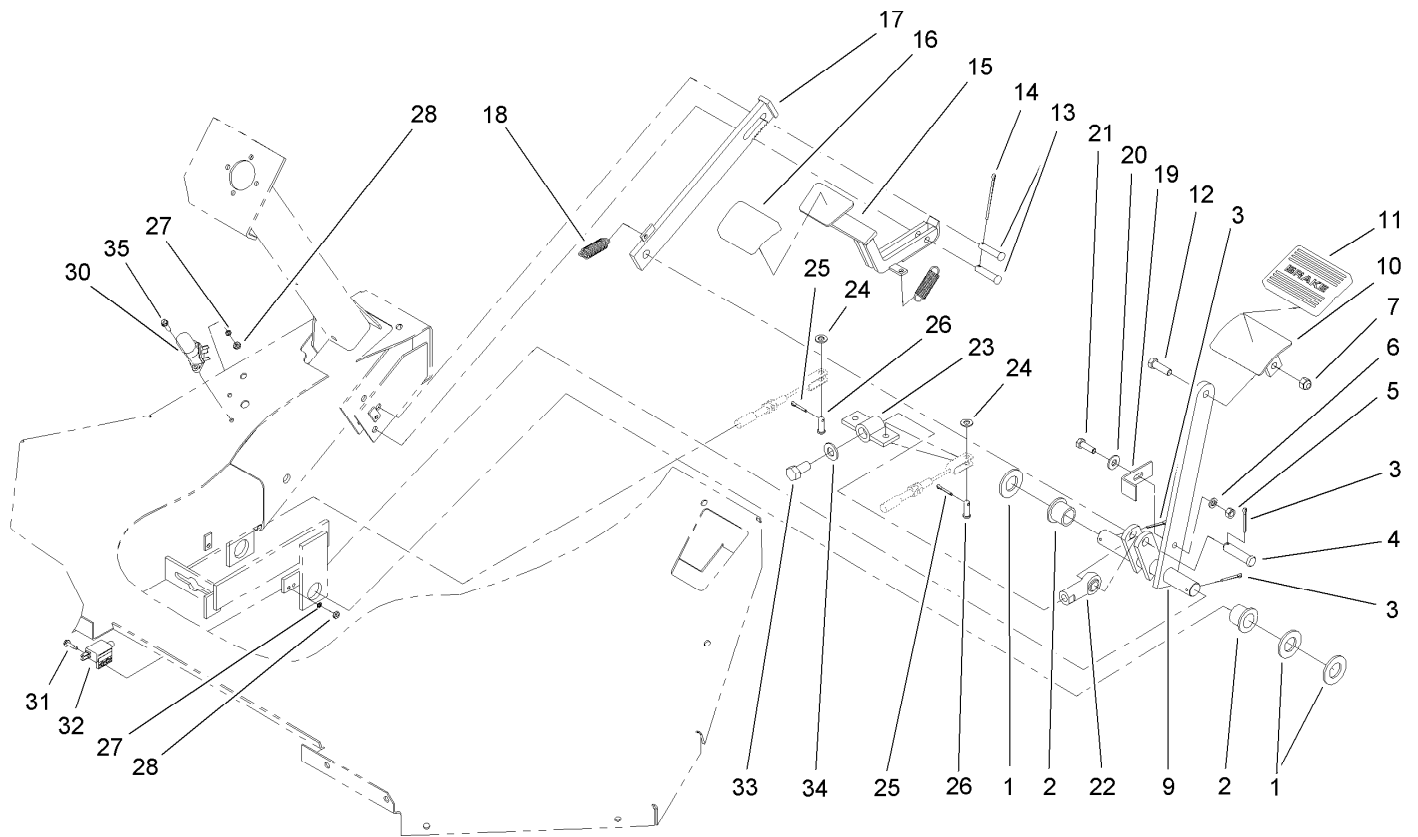
<i>Ref.</i>	<i>Part Number</i>	<i>Qty.</i>	<i>Description</i>
2	93-7977	1	Seal
3	93-7978	1	Rod-Pull
4	93-7983	2	Pin-Clevis
5	93-7980	2	Link
6	93-7979	2	Pin-Hitch
7	93-7986	4	Disc-Stationary
8	104-4278	3	Disc-Rotating
9	93-7976	1	Ring-Retaining
10	93-7984	1	Gasket
11	104-4279	1	Actuator-Rotating
12	93-7987	3	Spring-Extension
13	93-7985	3	Ball
14	353-990	2	Plug ASM
14:1	237-78	1	O-Ring



## Hydraulic Motor Assembly No. 93-6489

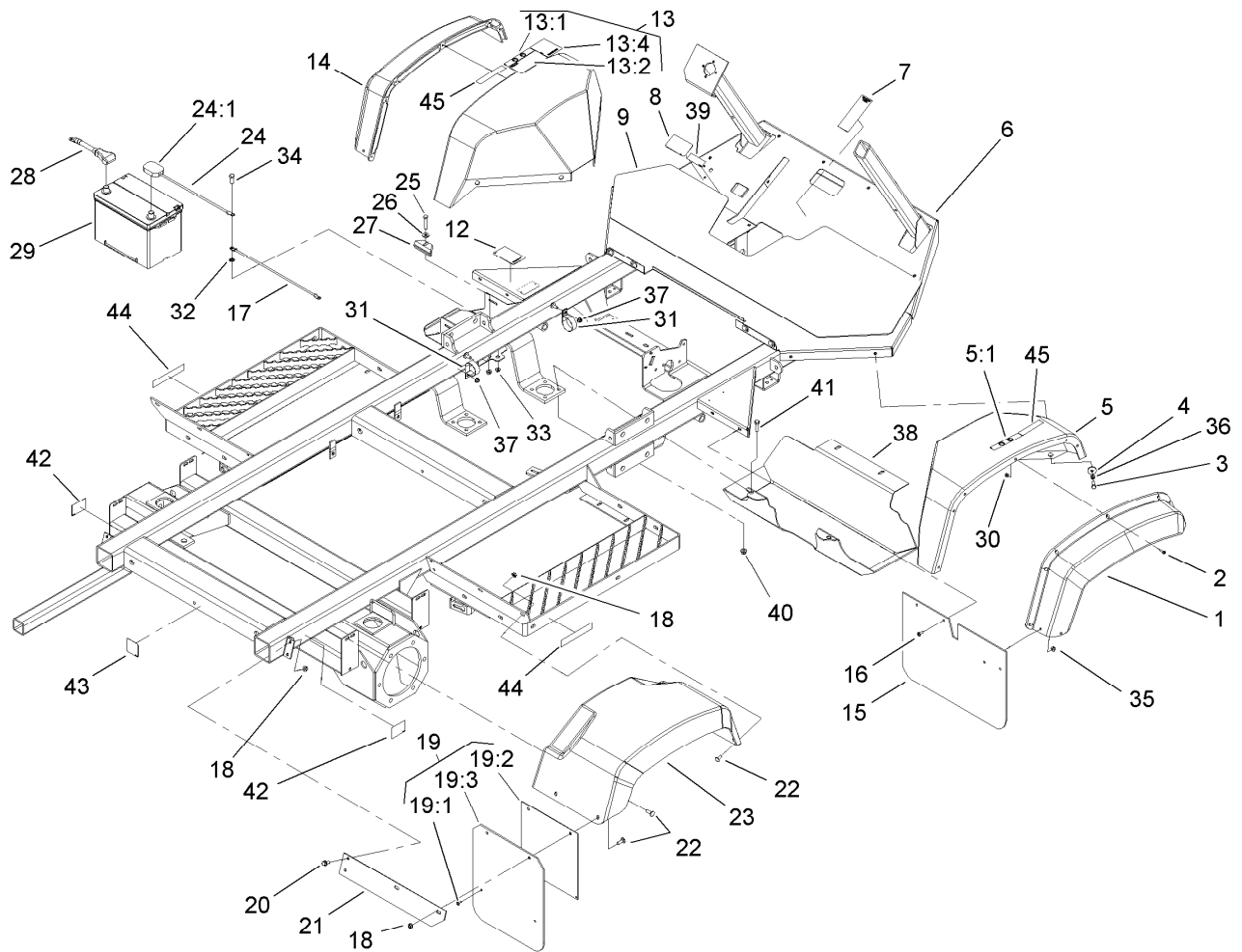
Ref.	Part Number	Qty.	Description
1	76-7010	1	Ring-Retaining
2	105-3331	1	Seal-Shaft
3	60-6240	1	Washer
4	76-7000	2	Ring-Retaining
5	76-6950	2	Race-Thrust
6	76-6960	1	Bearing-Thrust
7	94-3004	1	Shaft-Drive, Splined
8	94-3002	6	Capscrew
9	76-6980	1	O-Ring
10	94-3010	1	Sensor-Speed, Pickup
10:1		1	Seal-Dust ●
11	95-2081	1	Back Plate ASM
11:1		1	Pin-Dowel ●
11:2		3	Pin-Dowel ●
11:3		1	Bearing-Needle ●
12	94-3003	1	Plate-Valve
13	76-6910	1	Rotating Kit
14	76-6970	1	Insert-Plate, Cam
15	95-2083	1	Housing
15:1		1	Bearing-Needle ●
16	237-166	1	O-Ring

● Not serviced separately



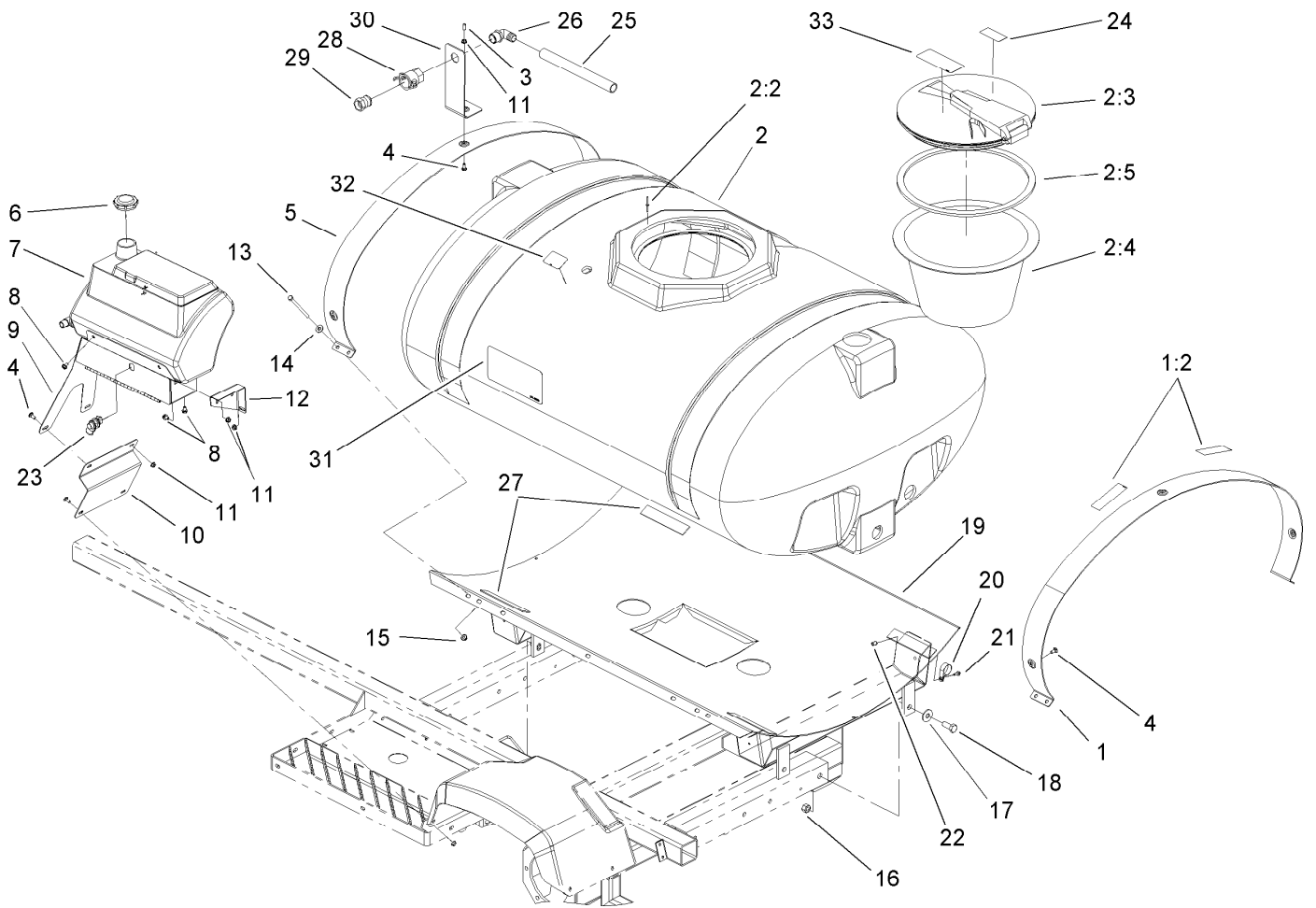
## Brake and Pedal Assembly

Ref.	Part Number	Qty.	Description	Ref.	Part Number	Qty.	Description
1	3256-29	3	Washer-Flat	19	93-6592-03	1	Bracket
2	94-7164	2	Bearing	20	3256-3	1	Washer-Flat
3	3272-12	3	Pin-Cotter	21	322-5	1	Screw-HH
4	42195	1	Pin-Clevis	22	522087	1	Rod-End
5	3217-6	1	Nut-Hex	23	93-6595	1	Brake Equalizer ASM
6	3253-4	1	Washer-Lock	24	3256-23	2	Washer-Flat
7	3296-39	1	Nut-Lock, NI	25	3272-10	2	Pin-Cotter
9	93-6589	1	Brake Shaft ASM	26	283-58	2	Pin-Clevis
10	100-8422-03	1	Pedal Bracket ASM	27	3253-17	4	Washer-Lock
11	7-3900	1	Pad-Brake	28	3217-26	4	Nut-Hex
12	323-7	1	Screw-HH	30	94-7170	1	Switch-Floor
13	283-15	2	Pin-Clevis	31	32144-125	2	Screw-SHWH
14	3272-53	1	Pin-Cotter	32	1-513051	1	Switch-Open, Normally
15	93-6599-03	1	Catch ASM	33	3213-1	1	Screw-HH
16	42719	1	Pad-Pedal	34	3256-26	1	Washer-Flat
17	93-6598-03	1	Brake Strap ASM	35	32105-13	2	Screw-HWH
18	92-0417	2	Spring-EXT				



## Frame, Fender and Battery Assembly

Ref.	Part Number	Qty.	Description	Ref.	Part Number	Qty.	Description
1	94-7074	1	Flare-Fender, RH	22	3230-1	12	Bolt-CARR
2	32105-13	12	Screw-HWH	23	93-6498	2	Fender-Rear
3	322-3	8	Screw-HH	24	99060	1	Cable-Ground
4	356303	8	Washer	24:1	106-4915	1	Cap-Protective, Blue
5	94-8532	1	RH Fender ASM	25	322-9	1	Screw-HH
5:1	93-6687	1	Decal-No Step	26	3256-3	1	Washer-Flat
6	106-5262-03	1	Frame ASM	27	66-2490	1	Retainer-Battery
7	107-8724	1	Decal-Traction	28	105-0114	1	Cable-Battery, Positive
8	100-8619	1	Decal-Switch, Boom	29	106-5190	1	Battery-Dry
9	104-8863	1	Tread-Floor	30	3290-148	12	Nut-HF
12	107-8720	1	Decal-Warning, Safety Start	31	2412-96	2	Clamp-R
13	94-8531	1	LH Fender ASM	32	3255-9	1	Washer-Lock
13:1	93-6687	1	Decal-No Step	33	32128-43	1	Nut-Flange
13:2	107-8723	1	Decal-Warning, Safety	34	323-6	1	Screw-HH
13:4	107-8725	1	Decal-Warning, Braking	35	32128-33	8	Nut-HF
14	94-7075	1	Flare-Fender, LH	36	3253-4	8	Washer-Lock
15	94-7071	2	Guard-Splash	37	104-8300	2	Nut-Flange, NI
16	92-3911	8	Screw-HSBH	38	107-8688-03	1	Shield-Heat
17	42617	1	Cable-Ground	39	107-8722	1	Decal-Instructions, Parking Brake
18	32128-20	17	Nut-HF	40	104-8301	4	Nut-Flange, NI
19	94-7127	2	Splash Guard ASM	41	323-7	4	Screw-HH
19:1	114439	2	Rivet-Pop	42	107-8667	2	Decal-Jacking
19:2	94-7128-03	1	Plate-Guard, Splash	43	107-8666	1	Decal-Tie-Down / Towing
19:3	94-7129	1	Guard-Splash	44	107-8732	2	Decal-Torque (Ce)
20	3234-5	4	Screw-HHF	45	107-8731	2	Decal-Torque (Ce)
21	93-6528-03	2	Strap-Mount, Fender				

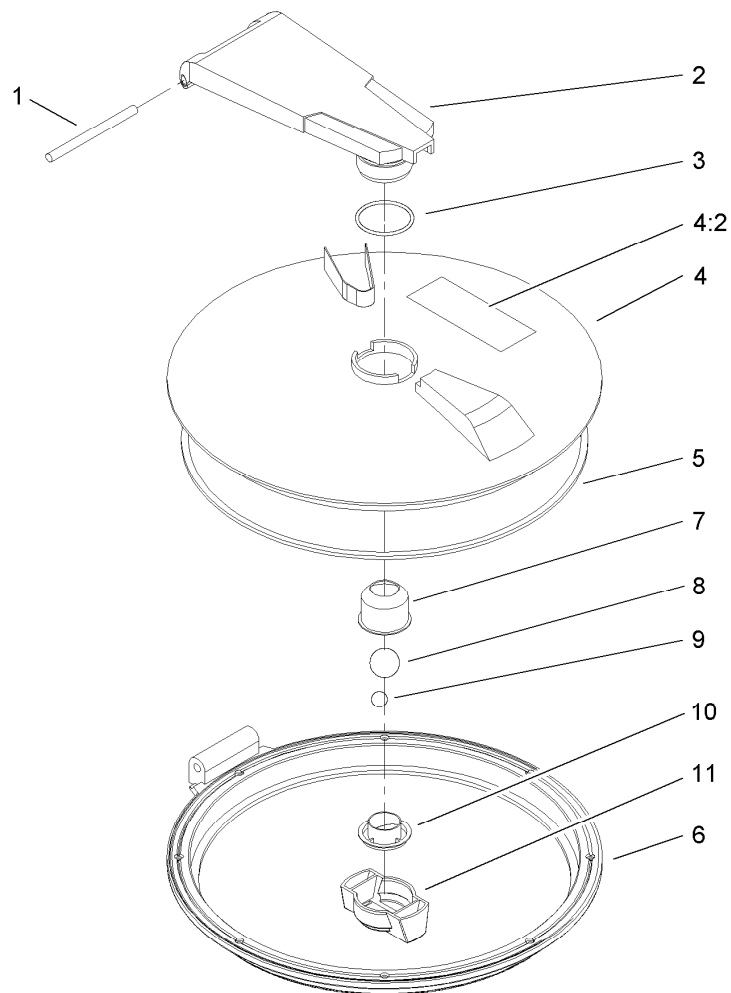


## Fresh Water and Spray Tank Assembly

Ref.	Part Number	Qty.	Description	Ref.	Part Number	Qty.	Description
1	106-4966	1	Tank Band ASM	15	104-8301	8	Nut-Flange, NI
1:2	106-5016	2	Decal-Caution, Electric Shock	16	3217-11	2	Nut-Hex
2	106-5011	1	300 Gallon Tank ASM	17	3256-7	2	Washer-Flat
2:2	93-0833	8	Rivet-Blind	18	327-4	2	Screw-HH
2:3		1	Screw Type Tank Lid ASM ●	19	106-5288-03	1	Tank Saddle ASM
2:4	104-9051	1	Basket-Strainer	20	2412-74	1	R-Clamp
2:5	106-4991	1	Seal-Lid	21	3234-4	1	Screw-HHF
3	42452	1	Cap-Protective	22	32148-6	1	Insert-Nut
4	3230-2	4	Bolt-CARR	23	104-8914	1	Latch-Box, Storage
5	104-9126-03	1	Band-Mounting, Tank	24	106-1355	1	Decal-No Tank Entry
6	100-7008	1	Cap-Tank, Fresh Water	25	104-9075	1	Hose-Siphon, Anti
7	100-8438	1	Fresh Water Tank ASM	26	41140	1	Elbow
8	3234-28	6	Screw-HHF	27	104-7102	4	Pad-Battery
9	104-8912-03	1	Tank Bracket ASM	28	100-6779	1	Coupling-Female
10	104-9125-03	1	Bracket-Glove Box	29	41316	1	Adapter-Quick
11	32128-20	7	Nut-HF	30	104-9122-03	1	Bracket-Siphon, Anti
12	104-9124-03	1	Mount-Tank, Plate	31	104-9166	2	Decal-Tank, 300 Gallon
13	41809	8	Screw-HH	32	106-5065	1	Decal-Drain, Tank
14	3256-4	8	Washer-Flat	33	93-0688	1	Decal-Warning, Chemical

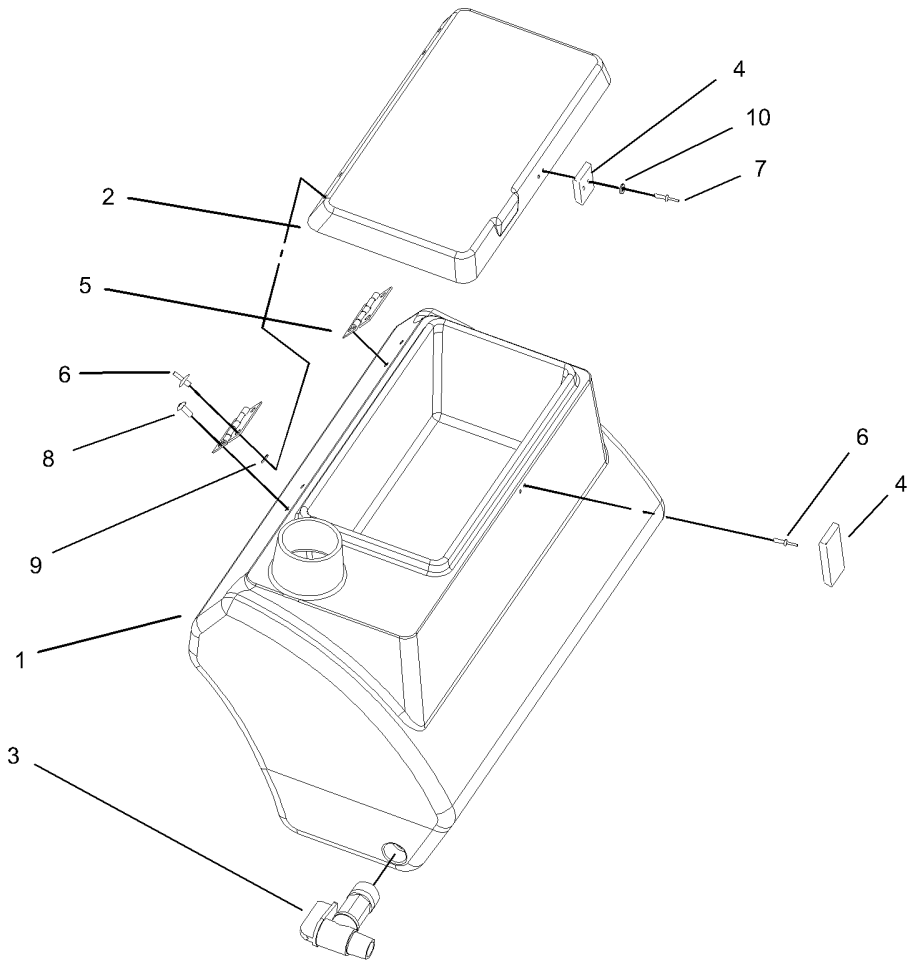
● Not serviced separately





## Lid Assembly

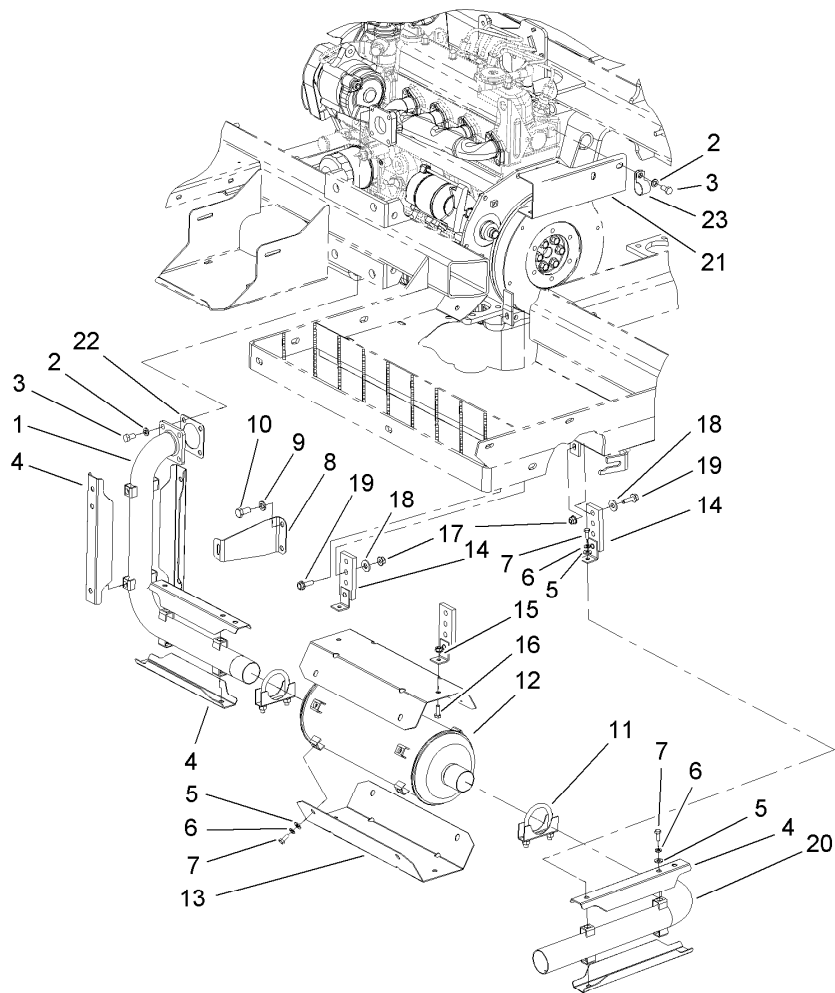
<i>Ref.</i>	<i>Part Number</i>	<i>Qty.</i>	<i>Description</i>
1	106-5000	1	Pin-Pivot
2	106-5001	1	Arm
3	106-5002	1	O-Ring
4	106-1369	1	Lid
4:2	93-0688	1	Decal-Warning, Chemical
5	106-5004	1	Seal-Lid
6	106-5005	1	Ring
7	106-5006	1	Cup-Vent
8	106-5007	1	Ball-Floating
9	106-5008	1	Ball-Weight
10	106-5009	1	Holder-Ball
11	106-5010	1	Nut-Wing



## Fresh Water Tank Assembly No. 100-8438

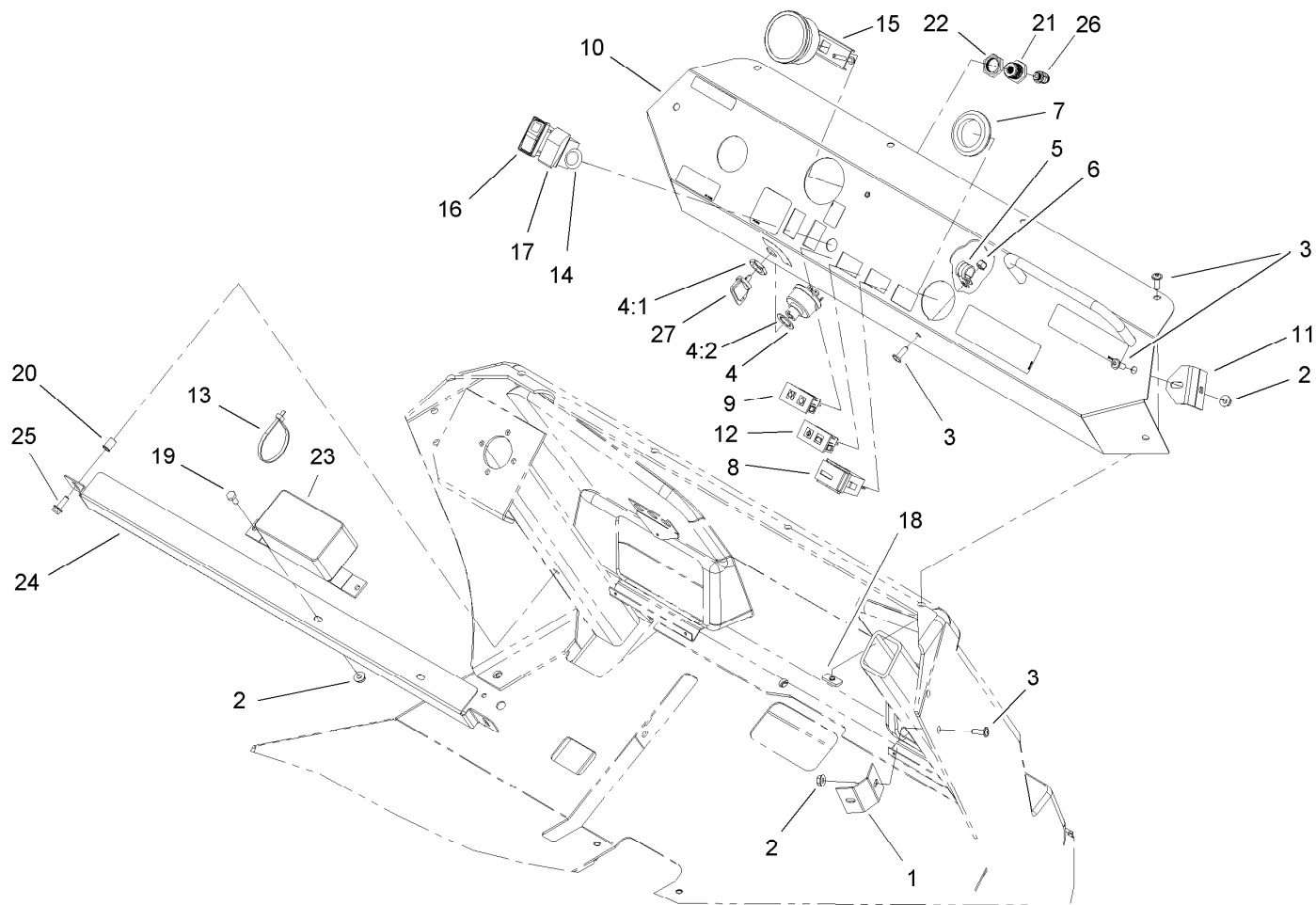
<i>Ref.</i>	<i>Part Number</i>	<i>Qty.</i>	<i>Description</i>
1		1	Tank-Water, Fresh ●
2	100-8397	1	Cover-Tank
3	100-7011	1	Spigot-90 DEG
4	100-7009	1	Latch-Draw
5	100-7010	2	Hinge
6	100-7062	4	Rivet
7	100-7063	4	Rivet
8	100-7064	4	Screw
9	100-7065	4	Washer
10	100-7066	2	Washer

● Not serviced separately



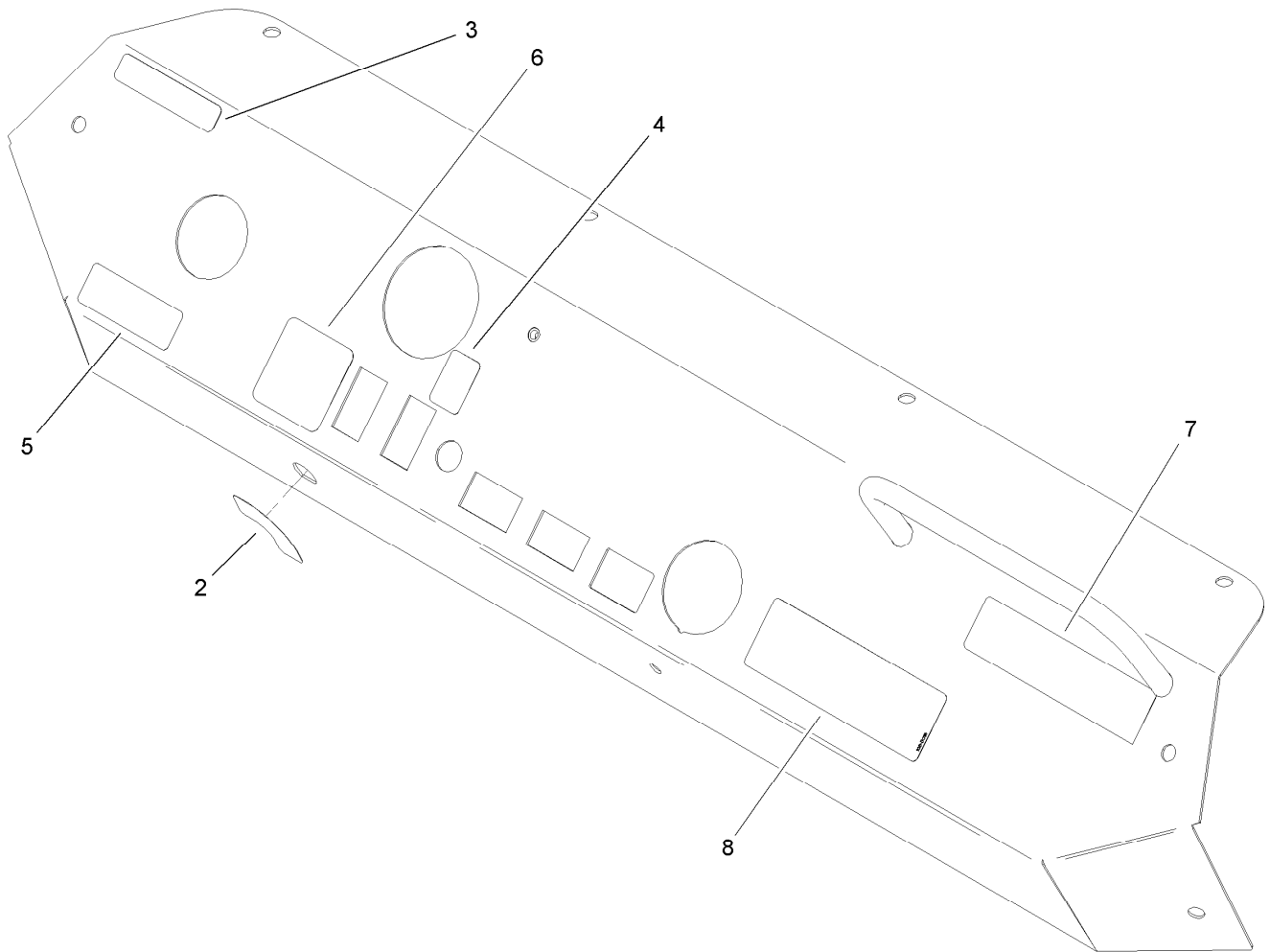
## Exhaust Assembly

Ref.	Part Number	Qty.	Description
1	106-5263	1	Pipe-Exhaust
2	3253-4	6	Washer-Lock
3	33114-016	6	Screw-HH
4	106-5278	6	Shield-Heat, Exhaust
5	3256-22	20	Washer-Flat
6	3253-3	20	Washer-Lock
7	33113-016	20	Screw-HH
8	107-8680	1	Bracket-Pipe, Exhaust
9	48-9590	2	Washer-Lock
10	63-7790	2	Screw-Cap
11	18-2130	2	Clamp
12	106-5276	1	Muffler
13	106-5275	2	Shield-Heat, Muffler
14	106-5282	3	Hanger-Tailpipe
15	32128-33	2	Nut-HF
16	321-4	2	Screw-HH
17	104-8300	3	Nut-Flange, NI
18	3256-56	3	Washer-Flat
19	3234-17	3	Screw-HHF
20	106-5281	1	Tailpipe
21	107-8655	1	Shield-Heat
22	99-8343	1	Gasket-Muffler
23	2412-41	1	Clamp



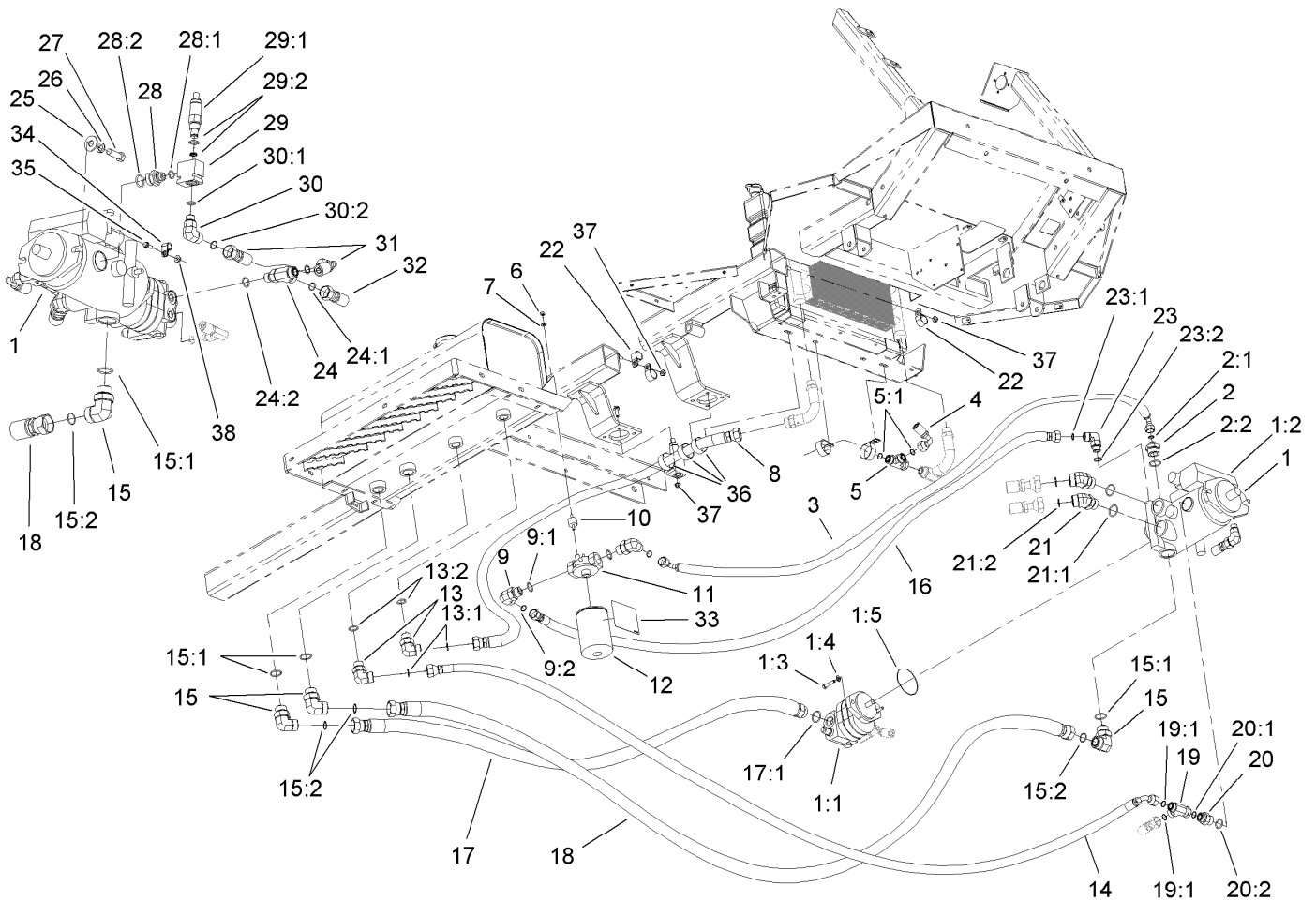
## Dash and Instrument Assembly

<i>Ref.</i>	<i>Part Number</i>	<i>Qty.</i>	<i>Description</i>	<i>Ref.</i>	<i>Part Number</i>	<i>Qty.</i>	<i>Description</i>
1	94-7140-03	2	Clip-Dash, Lower	14	94-7290	2	Plug-Hole
2	32128-33	10	Nut-HF	15	104-9115	1	Gauge-Pressure
3	92-3911	13	Screw-HSBH	16	104-9007	1	Switch-Rocker
4	104-2541	1	Switch ASM	17	100-8469	1	Switch-Rocker
4:1	218-461	1	Nut-HH	18	904156	4	Weldnut
4:2	3254-5	1	Washer-Tooth, Internal	19	321-3	2	Screw-HH
5	2412-134	1	Clamp-R	20	32148-6	2	Insert-Nut
6	3296-42	1	Nut-Lock, NI	21	100-8665	1	Reducer-Gauge, Pressure
7	40764	1	Grommet	22	100-8666	1	Nut-Reducer
8	1-513374	1	Meter-Hour	23	104-9104	1	Module-Valve, Pwm
9	107-8718	1	Cluster-Light	24	104-9146-03	1	Plate-Shield, Head Light
10	106-5019	1	Dash Panel ASM	25	3234-4	2	Screw-HHF
11	94-7139-03	2	Clip-Dash, Upper	26	100-8667	1	Coupler-Reducer
12	107-8719	1	Cluster-Light	27	63-8360	1	Key-Ignition
13	3290-379	23	Tie-Cable				



## Dash Panel Assembly No. 106-5019

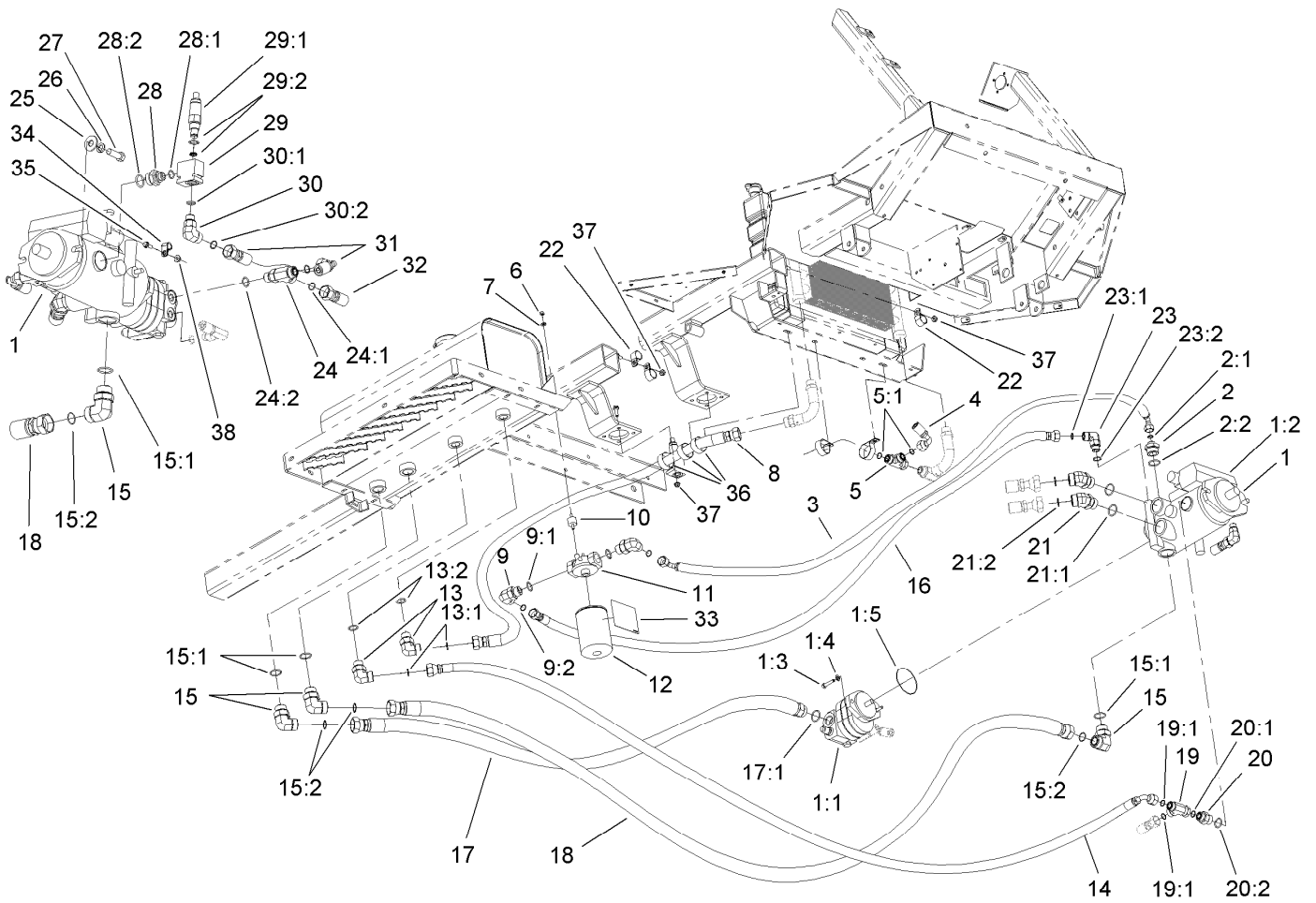
<i>Ref.</i>	<i>Part Number</i>	<i>Qty.</i>	<i>Description</i>
2	105-7506	1	Decal-Switch, Key
3	104-7628	1	Decal-Manual
4	94-7171	1	Decal-Headlight
5	107-8722	1	Decal-Instructions, Parking Brake
6	104-9129	1	Decal-Pedal, Traction
7	107-8726	1	Decal-Warning
8	106-5016	1	Decal-Caution, Electric Shock



## Hydraulic Pump Assembly

Ref.	Part Number	Qty.	Description	Ref.	Part Number	Qty.	Description
1		1	Pump ASM ●	14	106-5033	1	Hose ASM
1:1	93-6492	1	Gear Pump ASM	15	340-129	3	Fitting-HYD, 90
1:2	93-6491	1	Piston Pump ASM	15:1	237-146	1	O-Ring
1:3	323-7	2	Screw-HH	15:2	340-65	1	O-Ring
1:4	60-3540	2	Washer	16	104-9192	1	Hose ASM
1:5	60-3520	1	O-Ring	17	106-5031	1	Hose ASM
2	104-9178	1	Fitting-Straight	17:1	237-146	1	O-Ring
2:1	237-30	1	O-Ring	18	106-5032	1	Hose ASM
2:2	237-146	1	O-Ring	19	340-147	1	Fitting-HYD, Tee
3	104-9191	1	Hose ASM	19:1	237-65	2	O-Ring
4	106-5030	1	Hose ASM	20	340-8	1	Adapter
5	340-147	1	Fitting-HYD, Tee	20:1	237-65	1	O-Ring
5:1	237-65	2	O-Ring	20:2	237-81	1	O-Ring
6	3217-5	2	Nut-Hex	21	104-3509	2	Fitting-HYD, 45 DEG
7	3256-22	2	Washer-Flat	21:1	237-146	1	O-Ring
8	106-5266	1	Hose ASM	21:2	340-65	1	O-Ring
9	340-139	2	Fitting-HYD, 90 DEG	22	2412-39	3	R-Clamp
9:1	237-81	1	O-Ring	23	340-17	1	Fitting-HYD, 90 DEG
9:2	237-65	1	O-Ring	23:1	237-65	1	O-Ring
10	106-5271	2	Mount-Isolation	23:2	237-80	1	O-Ring
11	92-5821	1	Head-Filter	24	340-22	1	Fitting-HYD, Tee
12	86-3010	2	Filter-Oil	24:1	237-65	2	O-Ring
13	340-142	2	Fitting-HYD, 90 DEG	24:2	237-80	1	O-Ring
13:1	237-58	1	O-Ring	25	3256-6	2	Washer-Flat
13:2	237-81	1	O-Ring	26	3253-7	2	Washer-Lock

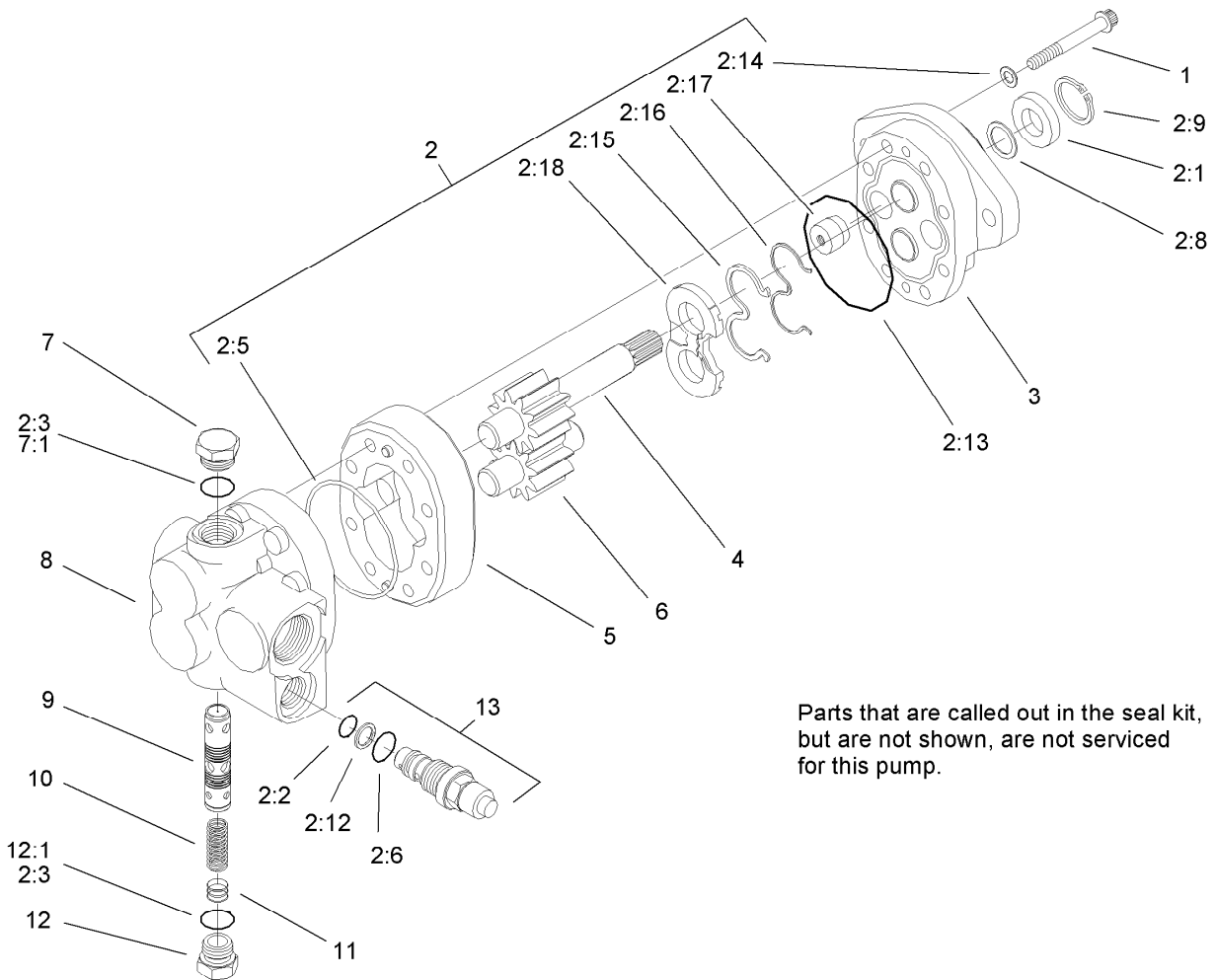
● Not serviced separately



## Hydraulic Pump Assembly (continued)

Ref.	Part Number	Qty.	Description	Ref.	Part Number	Qty.	Description
27	325-6	2	Screw-HH	30:2	237-151	1	O-Ring
28	104-9168	1	Adapter	31	75-6130	1	Hose ASM
28:1	237-79	1	O-Ring	32	106-5029	1	Hose ASM
28:2	237-81	1	O-Ring	33	107-8727	1	Decal-Element
29	110-5074	1	Valve-Relief	34	2412-93	1	Clamp-R
29:1	94-8763	1	Cartridge	35	3234-4	1	Screw-HHF
29:2	94-8764	1	Seal Kit	36	2412-96	5	Clamp-R
30	340-153	1	Fitting-Elbow, 90 DEG	37	104-8300	8	Nut-Flange, NI
30:1	237-79	1	O-Ring	38	32128-33	1	Nut-HF

● Not serviced separately



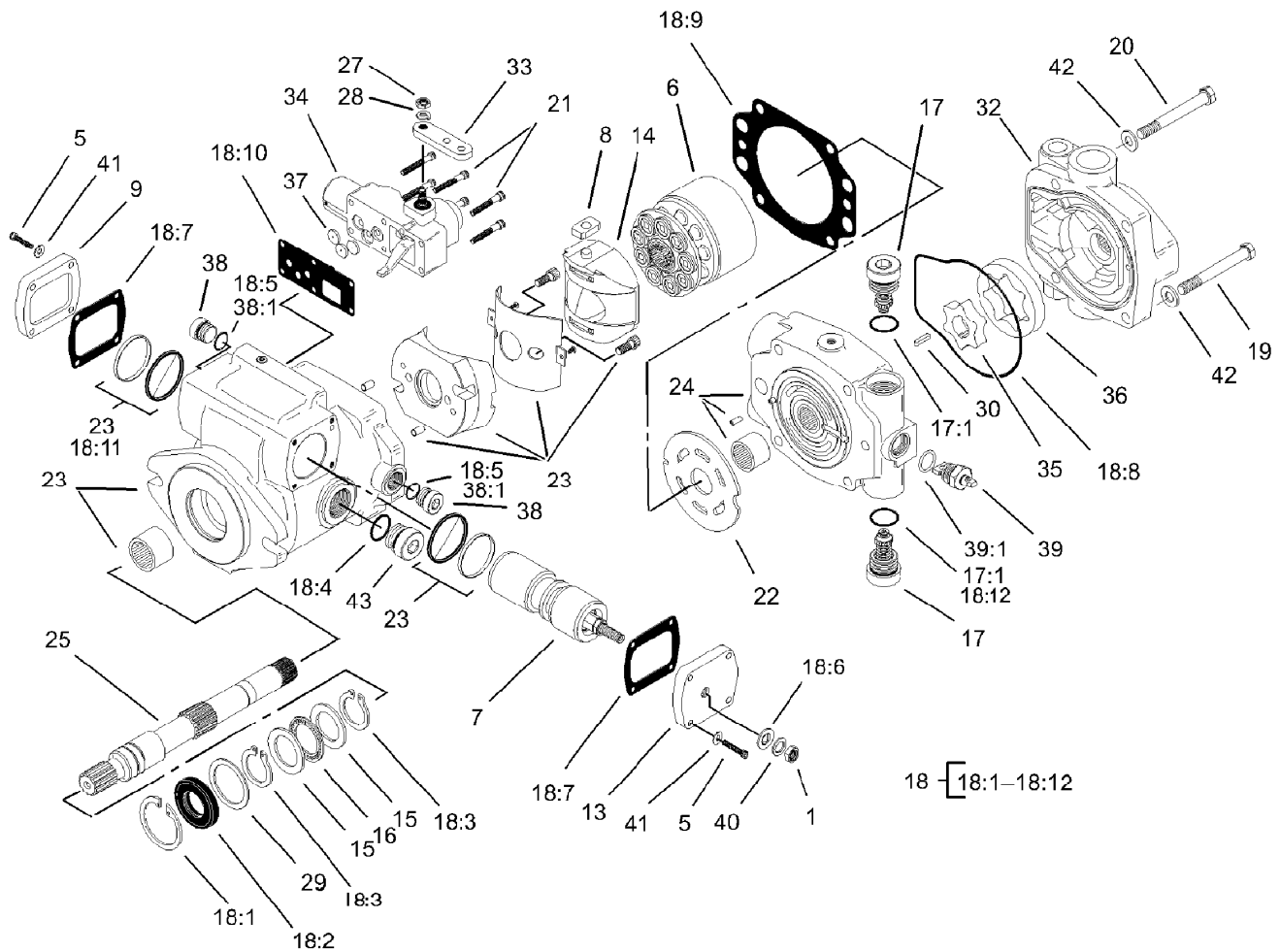
## Gear Pump Assembly No. 93-6492

Ref.	Part Number	Qty.	Description
1	74-9370	8	Capscrew
2	95-2109	1	Seal Kit
2:1		1	Seal-Shaft ●
2:2		1	Seal-Dust ●
2:3		1	Seal-Dust ●
2:4		1	Seal-Dust ●
2:5		1	Seal-Dust ●
2:6		1	Seal-Dust ●
2:7		1	Seal-Dust ●
2:8		1	Washer ●
2:9		1	Ring-Retaining ●
2:10		1	Seal-Dust ●
2:11		1	Washer-Back Up ●
2:12		1	Washer-Back Up ●
2:13		1	O-Ring, Molded ●
2:14		1	Washer-Sealing ●
2:15		1	Seal-Pressure Balance ●

Ref.	Part Number	Qty.	Description
2:16		1	Gasket-Back Up ●
2:17		1	Plug ●
2:18		1	Plate-Wear ●
3	95-4362	1	Plate-Front
4		1	Gear-Drive ●
5		1	Body ●
6		1	Gear-Idler ●
7	60-5860	1	Plug
7:1	60-5720	1	O-Ring
8	93-6377	1	Backplate ASM
9	93-6420	1	Spool
10	88-3770	1	Spring
11	60-5730	1	Disc
12	60-5710	1	Plug
12:1	60-5720	1	O-Ring
13	93-6416	1	Relief Valve ASM
99	107-4328	1	Front Plate Kit

● Not serviced separately



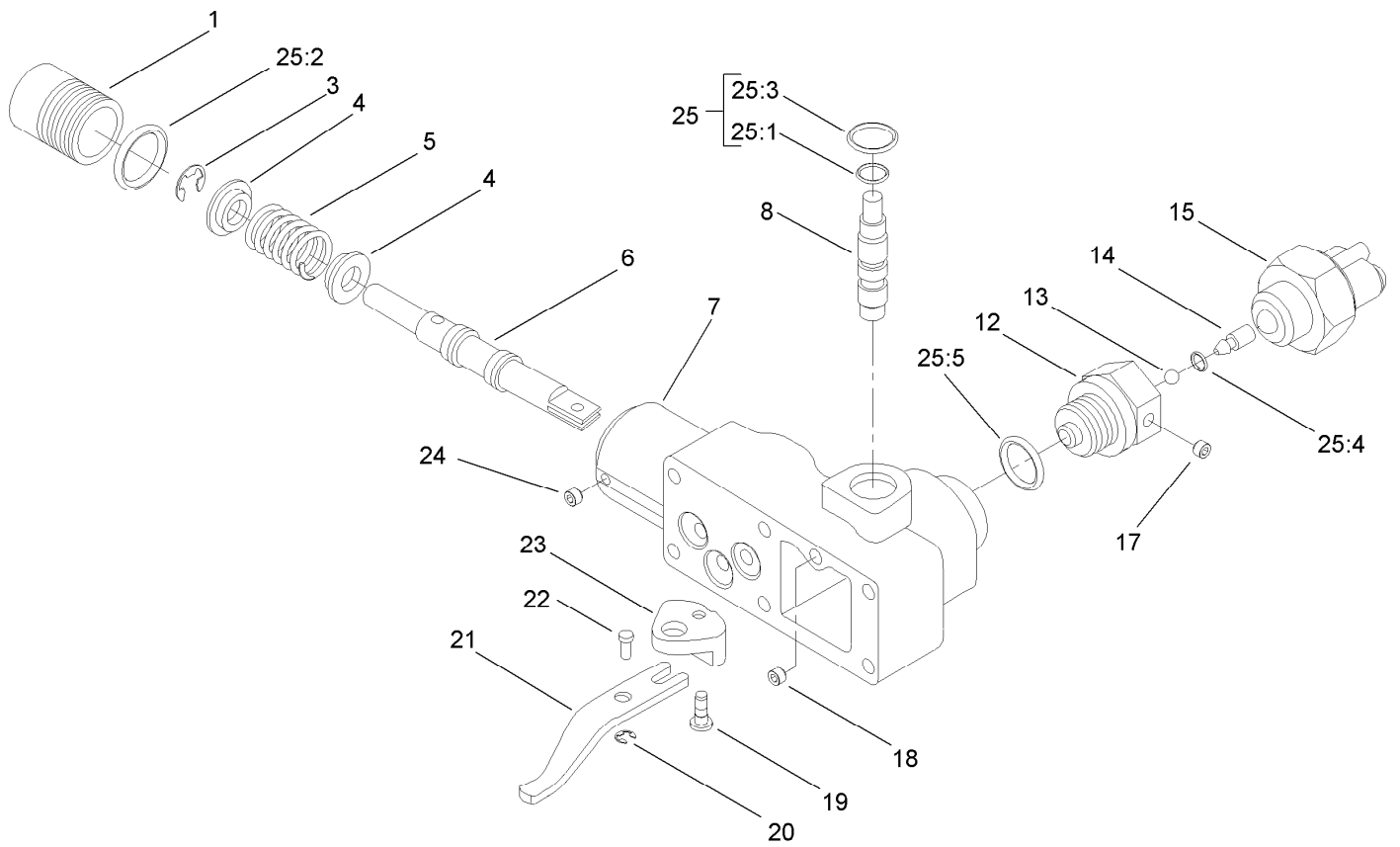


## Piston Pump Assembly No. 93-6491

Ref.	Part Number	Qty.	Description	Ref.	Part Number	Qty.	Description
1	3220-3	1	Nut-HJ	19	323-15	2	Screw-HH
5	93-6337	8	Screw	20	323-16	2	Screw-HH
6	99-8701	1	Rotating Kit	21	93-6324	6	Screw
7	105-2856	1	Servo Piston ASM	22	99-8704	1	Plate-Valve
8	94-3032	1	Follower-Piston	23		1	Housing ■
9	94-3033	1	Plate-Cover	24	105-2904	1	Backplate
13	105-9853	1	Plate-Cover	25	93-6344	1	Driveshaft
14	94-3026	1	Camplate ASM	27	3217-5	1	Nut-Hex
15	76-6950	2	Race-Thrust	28	3253-3	1	Washer-Lock
16	76-6960	1	Bearing-Thrust	29	60-6240	1	Washer
17	105-2858	2	Valve-Relief	30	93-6375	1	Key
17:1		1	Seal-Dust ■	32	95-2110	1	Adaptor ASM
18	107-1561	1	Seal Kit	33	105-2862	1	Arm-Control
18:1	60-6260	1	Ring	34	93-6306	1	Control ASM
18:2	105-3331	1	Seal-Shaft	35	93-6365	1	Geroter-Inner
18:3	76-7000	2	Ring-Retaining	36	93-6364	1	Geroter-Outer
18:4		2	Seal-Dust ■	37	94-3041	3	Orifice-Control (.028 Dia)
18:5	93-6314	2	O-Ring ●	38	74-9280	2	Plug ASM
18:6	94-3027	1	Washer-Seal	38:1		1	Seal-Dust ■
18:7	93-6339	2	Gasket	39	105-2913	1	Valve-Bypass
18:8	105-2905	1	O-Ring ●	39:1		1	Seal-Dust ■
18:9	105-2900	1	Gasket-Housing	40	94-3030	1	Washer
18:10	105-2901	1	Gasket-Housing, Control	41	93-6336	8	Washer
18:11		2	Seal ASM ■	42	3256-24	4	Washer-Flat
18:12	74-9380	1	O-Ring ●	43		1	Plug ASM ■

● Not illustrated

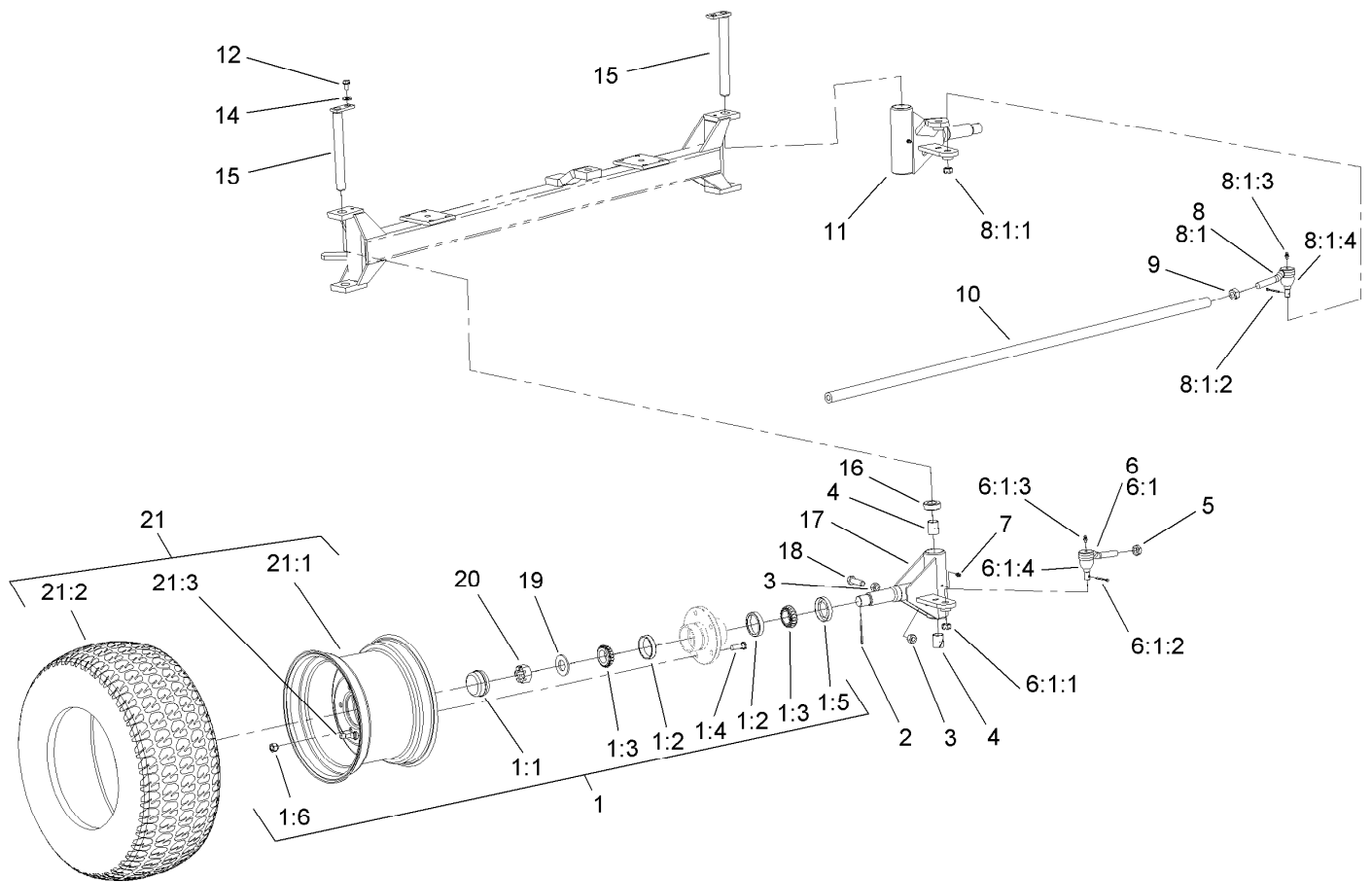
■ Not serviced separately



## Control Assembly No. 93-6306

Ref.	Part Number	Qty.	Description	Ref.	Part Number	Qty.	Description
1		1	Plug ●	19		1	Pin ●
3		1	Ring-Retaining ●	20		1	Ring-Retaining ●
4		2	Retainer-Spring ●	21		1	Link ●
5		1	Spring ●	22		1	Pin-Dowel ●
6		1	Valve-Spool ●	23		1	Crank-Bell ●
7		1	Housing-Control ●	24		1	Screw-Set ●
8		1	Shaft-Input ●	25	94-3044	1	Seal Kit
12		1	Adaptor ●	25:1		1	Seal-Dust ●
13		1	Ball ●	25:2		1	Seal-Dust ●
14		1	Pin ●	25:3		1	Seal-Wiper ●
15	94-3043	1	Switch-Safety, Neutral	25:4		1	Seal-Dust ●
17		1	Screw-Set ●	25:5		1	Seal-Dust ●
18		1	Screw-Set ●				

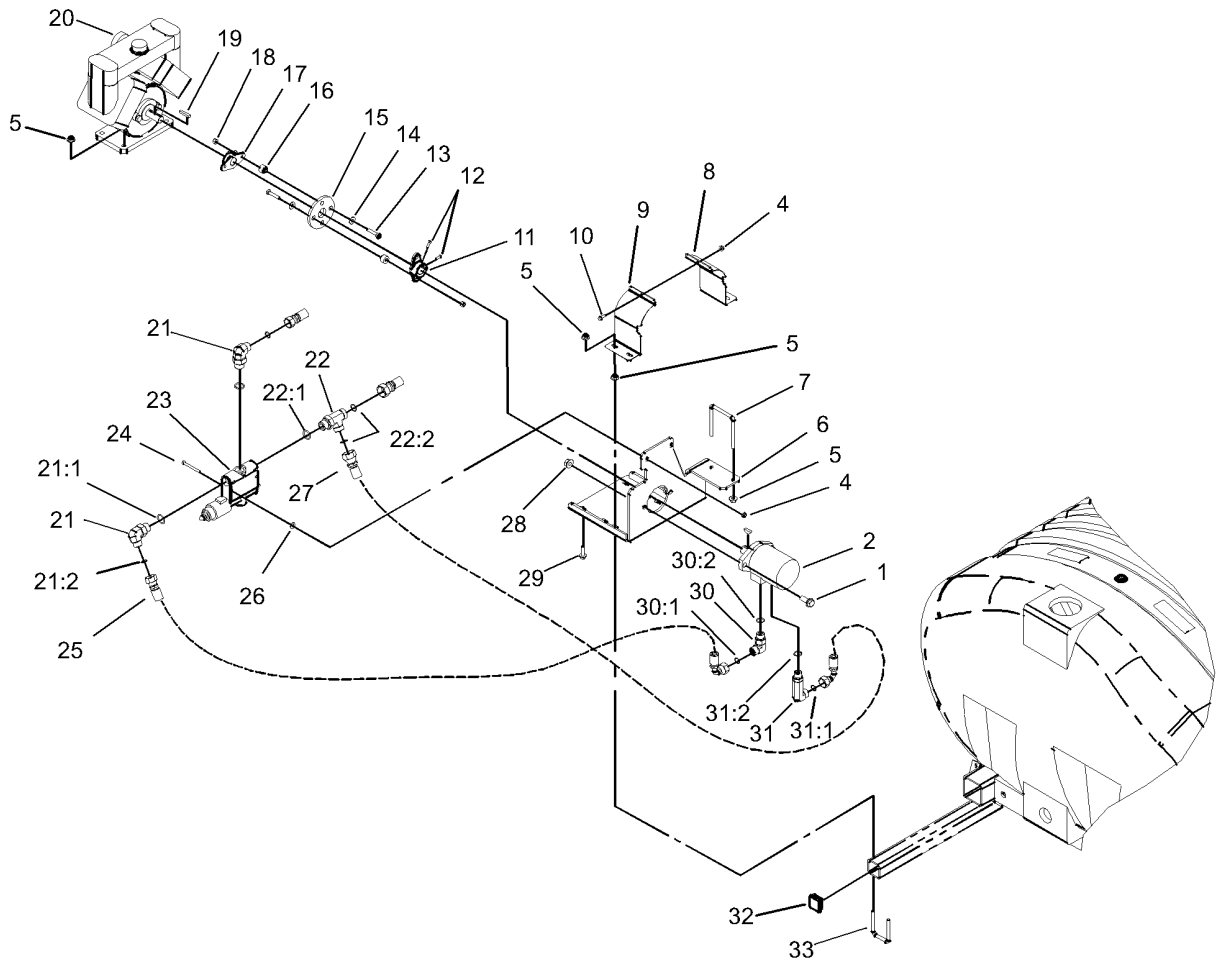
● Not serviced separately



## Front Wheel Assembly

Ref.	Part Number	Qty.	Description	Ref.	Part Number	Qty.	Description
1	94-7148	2	Hub ASM	8:1:1	32136-3	1	Nut-SHH
1:1	94-7282	1	Cap-Dust	8:1:2	3272-12	1	Pin-Cotter
1:2	254-61	2	Cup-Bearing, Roller	8:1:3	302-5	1	Fitting-Grease
1:3	94-7283	2	Bearing-Cone	8:1:4	107-1587	1	Seal
1:4	95-9383	5	Stud	9	3218-21	1	Nut-Jam
1:5	94-7285	2	Seal	10	93-6588	1	Rod-Steering
1:6	242-35	5	Nut-Wheel	11	93-6577-03	1	LH Spindle ASM
2	3272-15	2	Pin-Cotter	12	32144-14	2	Screw-HWHTF
3	3217-9	4	Nut-HH	14	3256-3	2	Washer-Flat
4	93-6586	4	Bushing	15	93-6584	2	King Pin ASM
5	3220-11	1	Nut-Jam	16	93-6587	2	Bearing
6	87-1480-03	1	End-Tie Rod, RH	17	93-6582-03	1	RH Spindle ASM
6:1	87-5340	1	Tie Rod Seal Kit	18	325-7	2	Screw-HH
6:1:1	32136-3	1	Nut-SHH	19	3256-62	2	Washer-Flat
6:1:2	3272-12	1	Pin-Cotter	20	32136-11	2	Nut-Hex, Slot
6:1:3	302-5	1	Fitting-Grease	21		2	Tire And Wheel ASM ●
6:1:4	107-1587	1	Seal	21:1	41169	1	Wheel
7	302-5	2	Fitting-Grease	21:2	42330	1	Tire
8	87-1470-03	1	End-Tie Rod, LH	21:3	232-27	1	Stem-Valve
8:1	87-5340	1	Tie Rod Seal Kit				

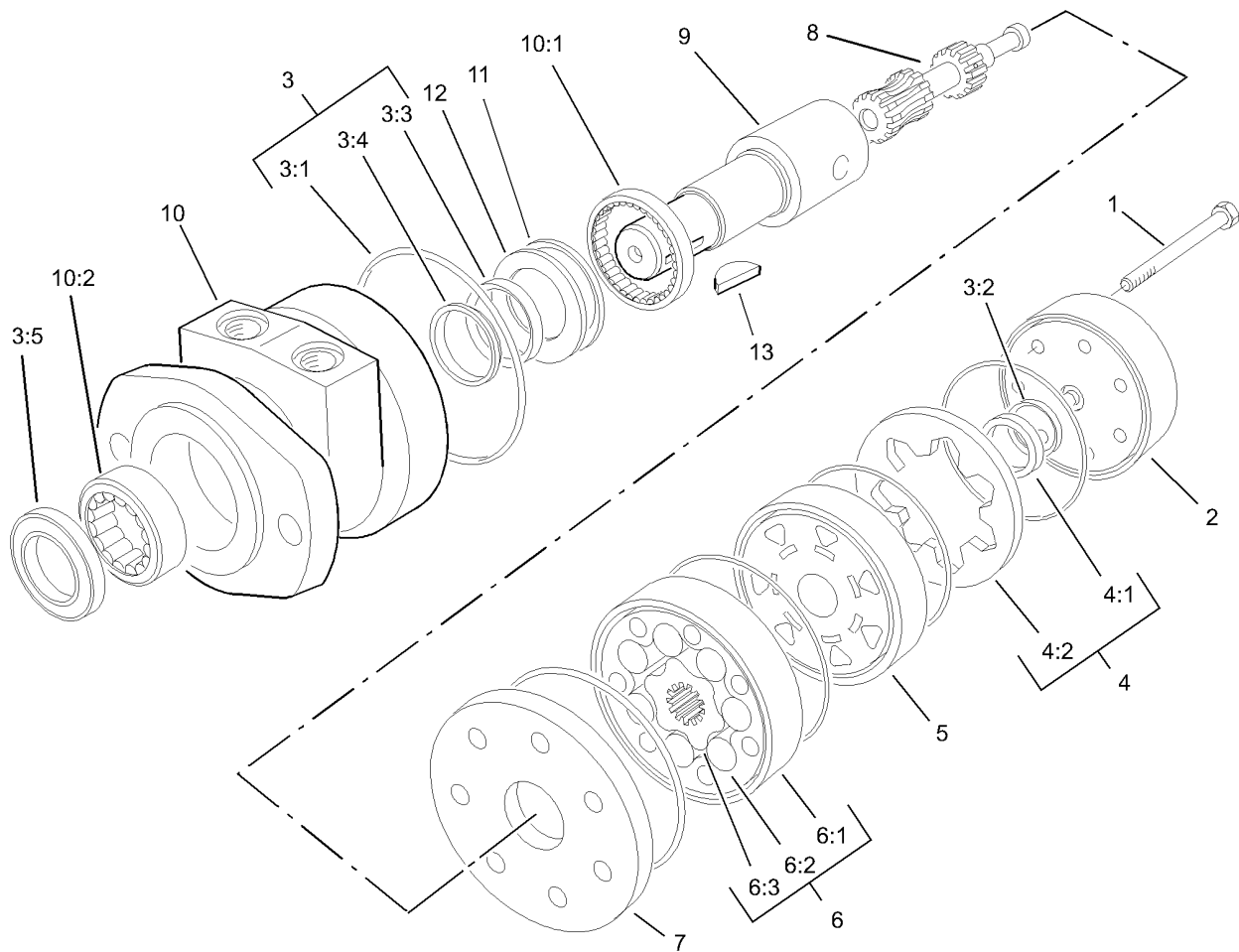
● Not serviced separately



## Pump Drive Assembly

Ref.	Part Number	Qty.	Description
1	3234-32	2	Screw-HHF
2	104-9099	1	Pump-Spray, Motor
4	32128-33	3	Nut-HF
5	32128-43	14	Nut-Flange
6	106-1219-03	1	Pump Bracket ASM
7	100-7067	1	U-Bolt (4 Inch)
8	104-9080-03	1	Plate-Guard, Front
9	104-9081-03	1	Plate-Guard, Rear
10	3234-4	1	Screw-HHF
11	27-1960	1	Hub-Engine
12	3241-5	4	Screw-Set
13	322-8	4	Screw-HH
14	3256-3	4	Washer-Flat
15	100-8471	1	Coupling-Rubber
16	27-6590	4	Spacer-Coupling, Rubber
17	93-2589	1	Hub-Pump
18	3296-29	4	Nut-Lock, NI
19	67-7490	1	Key-Square
20	106-5121	1	Pump ASM
21	340-139	2	Fitting-HYD, 90 DEG

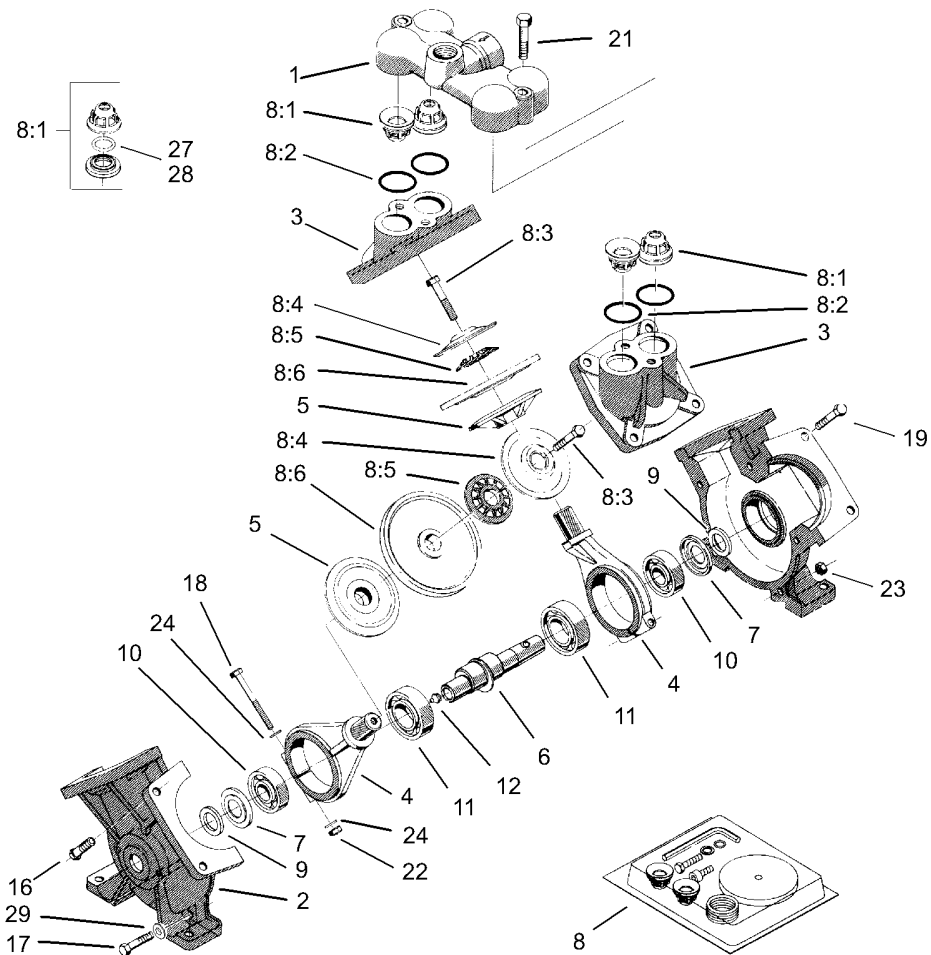
Ref.	Part Number	Qty.	Description
21:1	237-81	1	O-Ring
21:2	237-65	1	O-Ring
22	340-148	1	Fitting-Tee
22:1	237-81	1	O-Ring
22:2	237-58	2	O-Ring
23	104-9110	1	Valve-Pwm
24	321-15	2	Screw-HH
25	104-9181	1	Hose ASM
26	3256-2	2	Washer-Flat
27	104-9179	1	Hose ASM
28	32128-49	2	Nut-HHF
29	3234-24	4	Screw-HHF
30	340-17	1	Fitting-HYD, 90 DEG
30:1	237-65	1	O-Ring
30:2	237-80	1	O-Ring
31	104-9074	1	Fitting-Elbow, 90 DEG
31:1	237-65	1	O-Ring
31:2	237-80	1	O-Ring
32	95-9495	1	Cap
33	104-9082	2	U-Bolt



## Spray Pump Assembly No. 104-9099

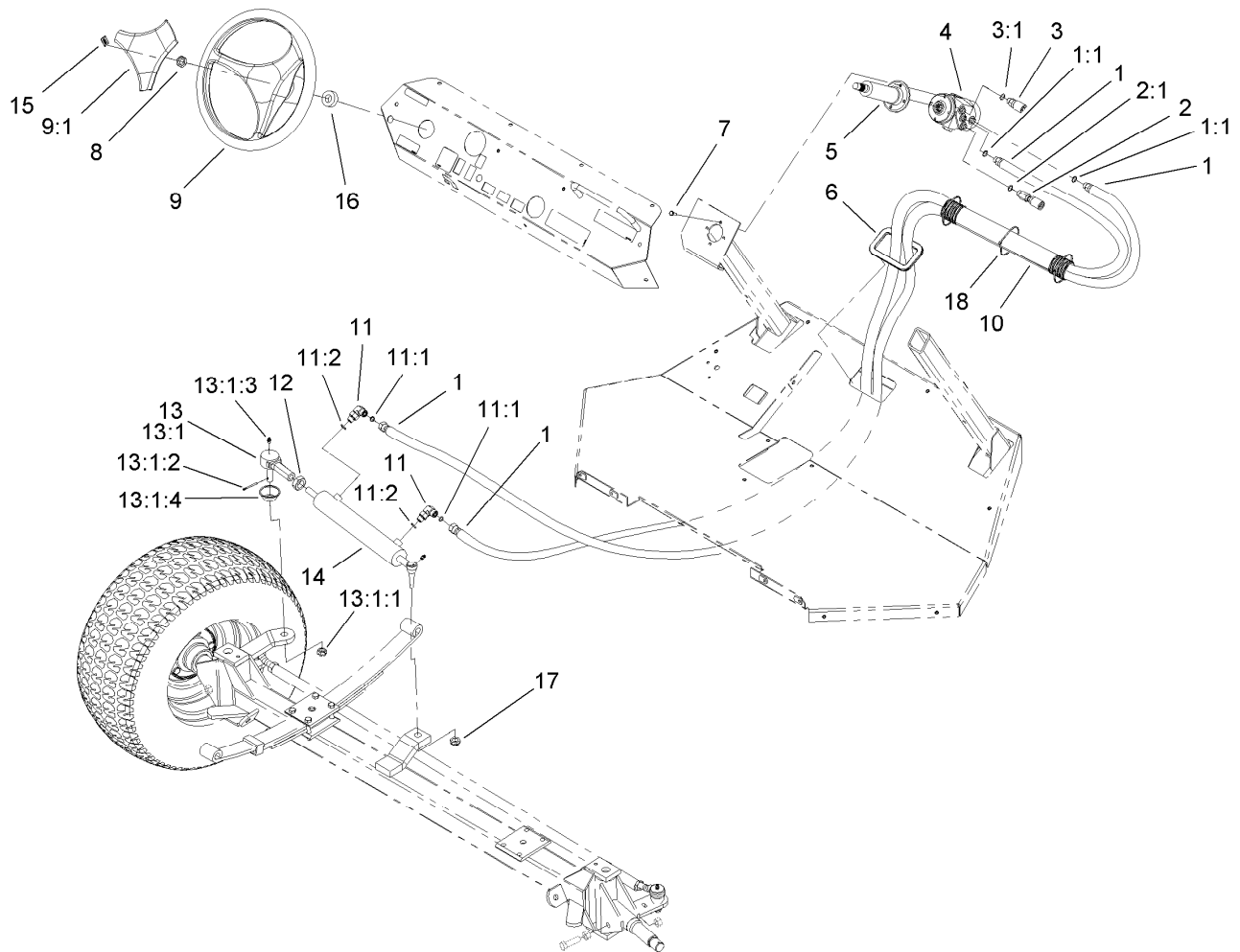
Ref.	Part Number	Qty.	Description	Ref.	Part Number	Qty.	Description
1	322-33	5	Screw-HH	6:1		1	Stator ●
2	106-1981	1	Cover-End	6:2		7	Vane ●
3	106-1989	1	Seal Kit	6:3		1	Rotor ●
3:1		6	Seal-Ring ●	7	106-1985	1	Plate-Wear
3:2		1	Seal-Commutator ●	8	107-1564	1	Link-Drive
3:3		1	Seal-Inner ●	9	107-1567	1	Shaft-Coupling
3:4		1	Washer-Backup ●	10	107-1566	1	Housing ASM
3:5		1	Seal-Dirt And Water ●	10:1		1	Bearing ●
4	106-1982	1	Commutator ASM	10:2		1	Bearing ●
4:1		1	Commutator ●	11		1	Bearing-Thrust ●
4:2		1	Ring-Commutator ●	12		1	Washer-Thrust ●
5	106-1983	1	Manifold	13	106-1990	1	Key-Woodruff
6	107-1565	1	Rotor Set				

● Not serviced separately



## Pump Assembly No. 106-5121

<i>Ref.</i>	<i>Part Number</i>	<i>Qty.</i>	<i>Description</i>	<i>Ref.</i>	<i>Part Number</i>	<i>Qty.</i>	<i>Description</i>
1	106-5139	1	Cover-Valve	10	100-8327	2	Bearing-Ball
2	106-5140	2	Housing-Pump	11	100-8329	2	Bearing-Ball
3	106-5141	2	Cover-Diaphragm	12	99-0873	1	Fitting-Grease
4	106-5142	2	Rod-Connecting	16	106-5143	3	Bolt
5	100-8314	2	Disc-Back, Diaphragm	17	106-5144	2	Bolt
6	104-9052	1	Crankshaft-Keyed	18	106-5145	2	Bolt
7	100-8325	2	Plate-Dust	19	106-5146	8	Bolt
8	106-5150	1	Repair Kit	21	106-5148	2	Bolt
8:1	100-8307	4	Valve	22	100-8326	2	Nut-Hex
8:2	100-6652	4	Gasket	23	106-5149	5	Nut
8:3	106-5147	2	Bolt	24	100-8316	4	Washer-Lock
8:4	100-8311	2	Washer	27	100-8336	4	O-Ring
8:5	100-8312	2	Washer-Nylon	28	106-5138	4	O-Ring
8:6	100-8313	2	Diaphragm	29	106-5137	2	Washer
9	99-0868	2	Felt-Seal				

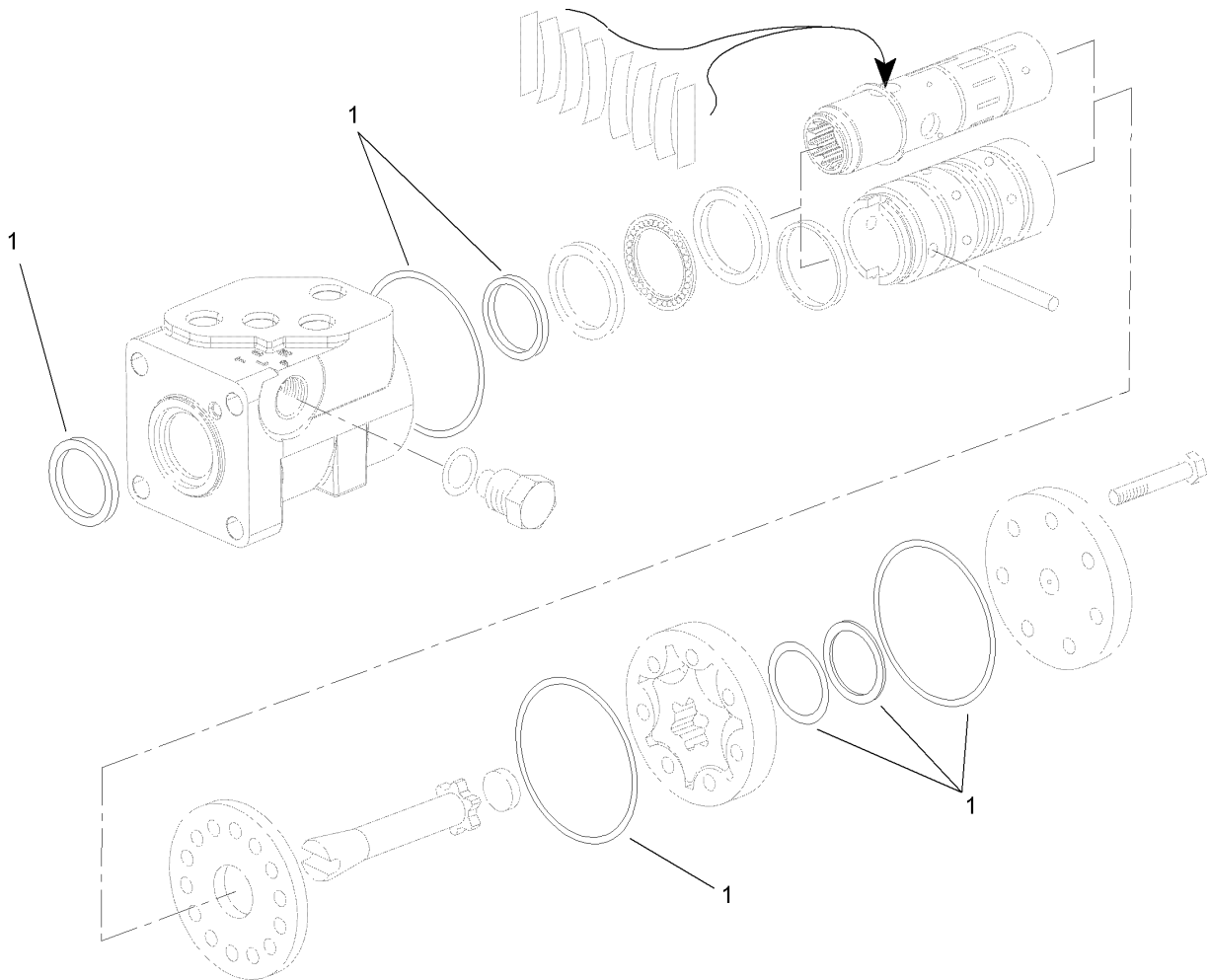


## Steering Assembly

Ref.	Part Number	Qty.	Description	Ref.	Part Number	Qty.	Description
1	104-9188	2	Hose ASM	11	340-77	2	Fitting-HYD, 90 DEG
1:1	237-42	1	O-Ring	11:1	237-22	1	O-Ring
2	104-9185	1	Hose ASM	11:2	237-42	1	O-Ring
2:1	237-42	1	O-Ring	12	3220-11	1	Nut-Jam
2:2	237-79	1	O-Ring ●	13	93-6509-03	1	Tie Rod End ASM
3	104-9186	1	Hose ASM	13:1		1	Tie Rod End ■
3:1	237-42	1	O-Ring	13:1:1	32136-3	1	Nut-SHH
4	114-5076	1	Steering Control Valve ASM	13:1:2	3272-12	1	Pin-Cotter
5	94-8792	1	Column-Steering	13:1:3	302-5	1	Fitting-Grease
6	95-2193	1	Trim	13:1:4	106-4901	1	Seal-End, Rod
7	48-7620	4	Screw-HH	14	93-6510	1	Cylinder ASM
8	92-3513	1	Nut	15	98-1459	1	Decal
9	98-1471	1	Wheel-Steering	16	21-9260	1	Cover-Dust
9:1	98-1468	1	Cover-Wheel, Steering	17	3296-57	1	Nut-Lock, NI
10	106-6713	1	Cover-Lines, Steering	18	3290-379	6	Tie-Cable

● Not illustrated

■ Not serviced separately

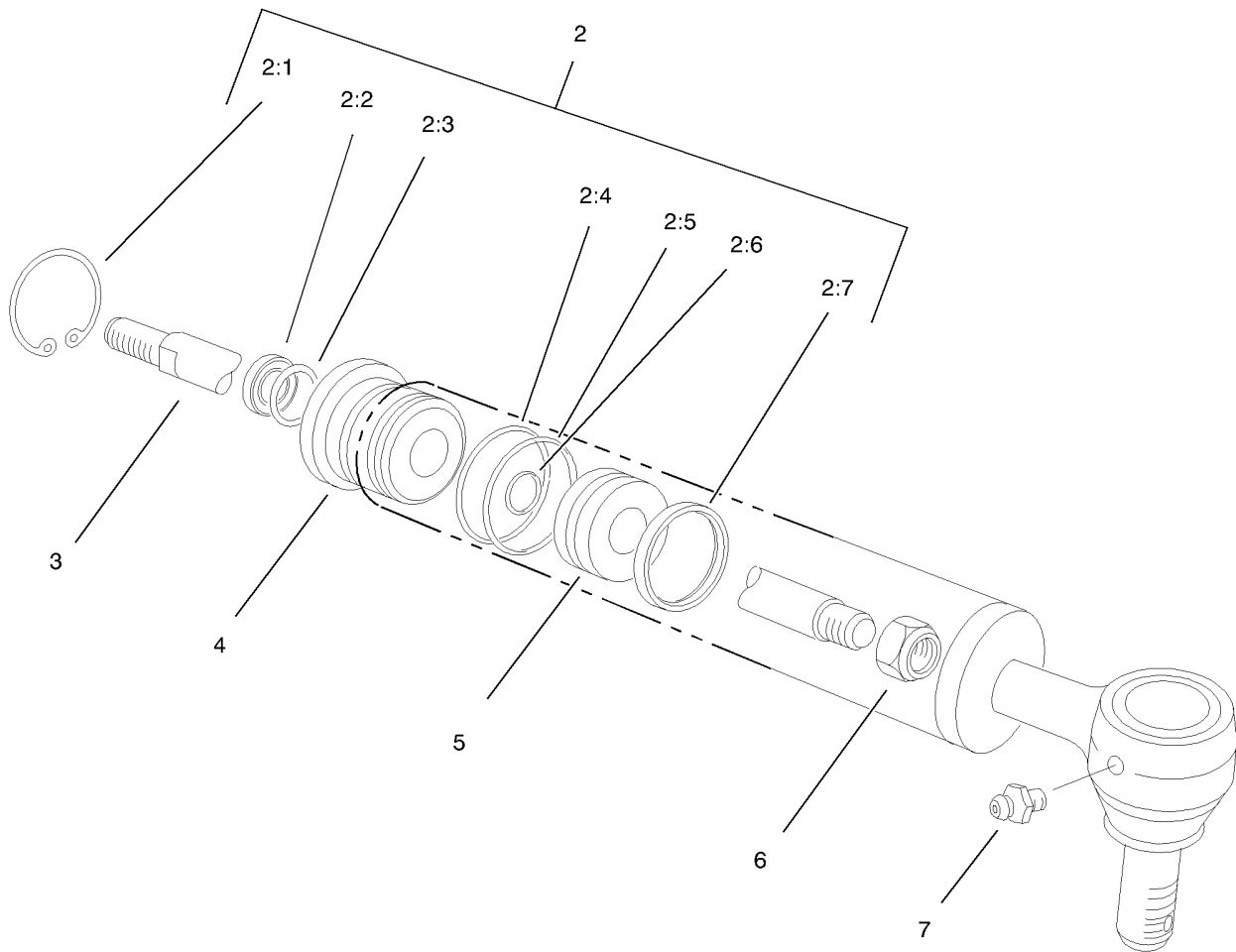


## Steering Control Assembly No. 114-5076

<i>Ref.</i>	<i>Part Number</i>	<i>Qty.</i>	<i>Description</i>
1	108-1519	1	Seal Kit

● Not serviced separately

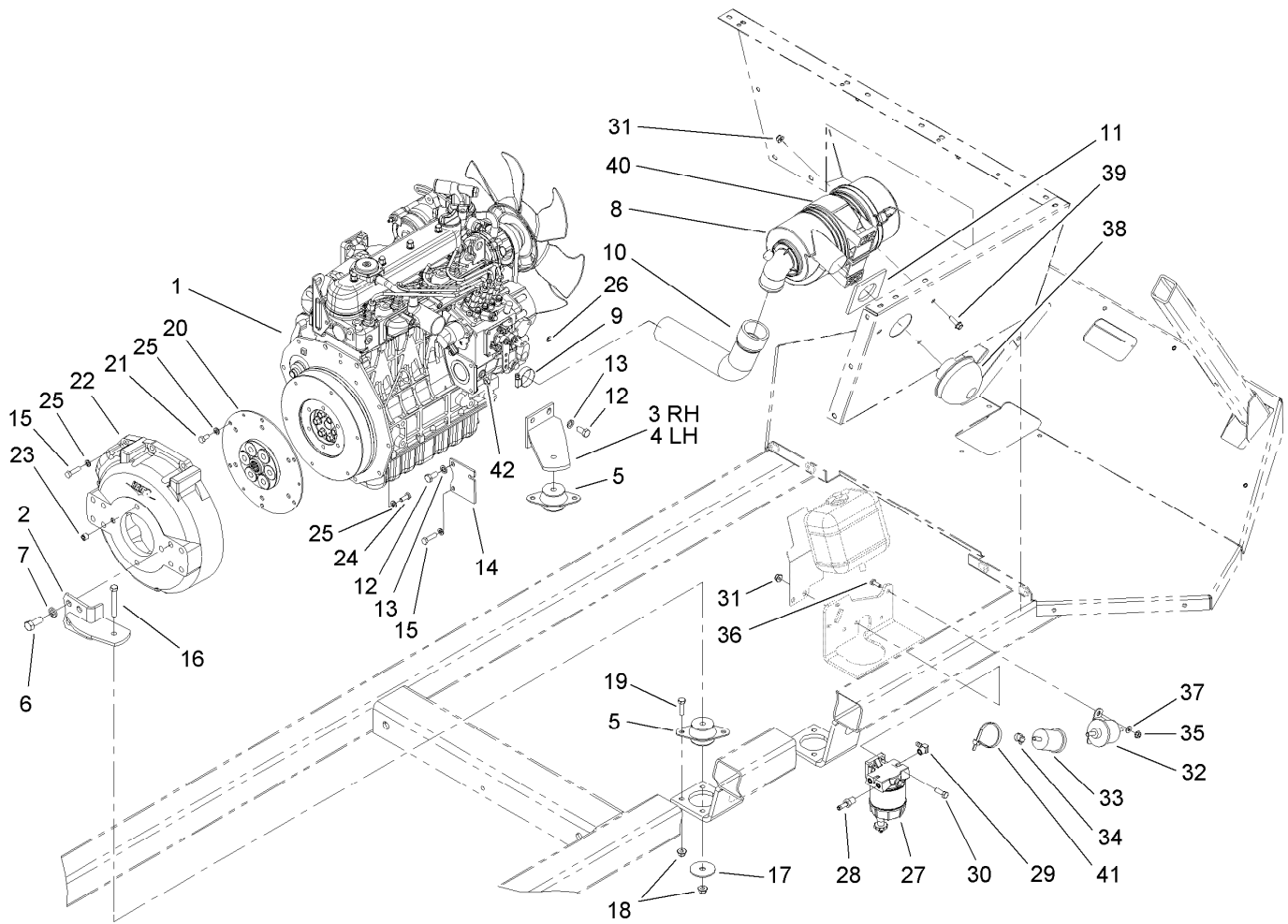




## Hydraulic Cylinder Assembly No. 93-6510

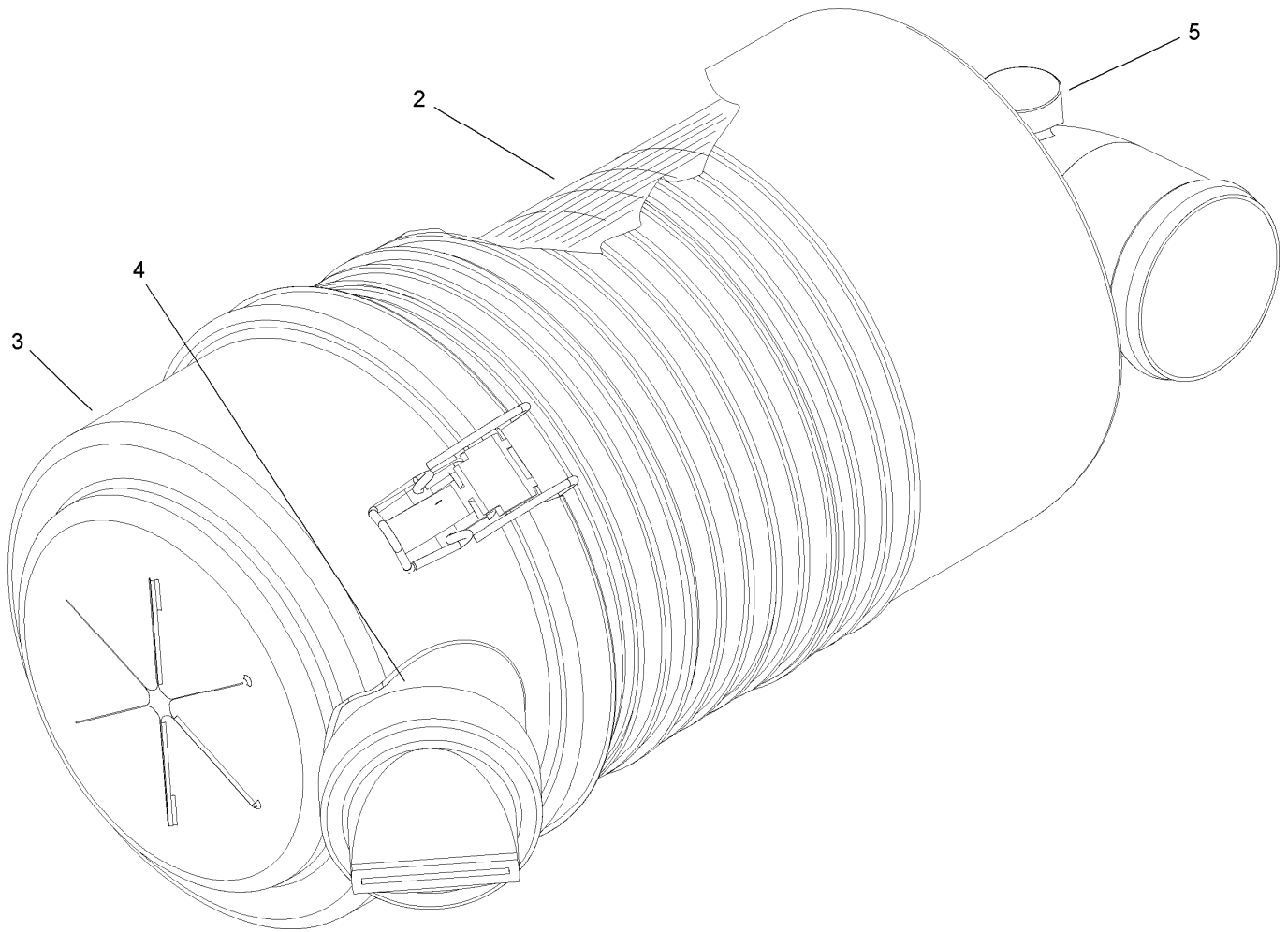
<i>Ref.</i>	<i>Part Number</i>	<i>Qty.</i>	<i>Description</i>
2	92-3992	1	Repair Kit
2:1		1	Ring-Retaining ●
2:2		1	Seal-Dust ●
2:3		1	Seal-Rod ●
2:4		1	Ring-Backup ●
2:5		1	Seal-Dust ●
2:6		1	Seal-Dust ●
2:7		1	Uniring ●
3		1	Shaft ●
4		1	Head ●
5		1	Piston ●
6		1	Nut ●
7	302-5	1	Fitting-Grease

● Not serviced separately



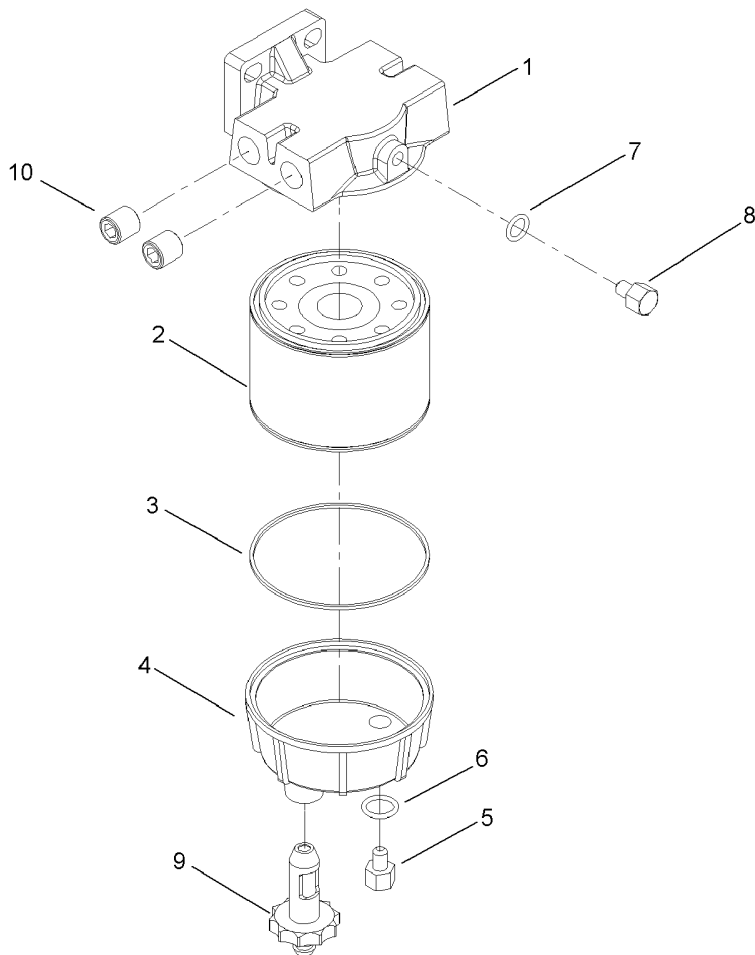
## Engine and Air Cleaner Assembly

Ref.	Part Number	Qty.	Description	Ref.	Part Number	Qty.	Description
1	106-5250	1	Engine-Kubota, Diesel	22	105-0100	1	Flywheel Housing ASM
2	106-5251-03	2	Rear Bracket ASM	23	3248-3	2	Screw-Set, HSH
3	106-5254-03	1	RH Bracket ASM	24	33114-020	2	Screw-HH
4	106-5257-03	1	LH Bracket ASM	25	3253-4	14	Washer-Lock
5	53-9680	4	Mount-Engine	26	701197	1	E-Ring
6	325-5	8	Screw-HH	27	98-9305	1	Water / Fuel Filter ASM
7	3253-7	8	Washer-Lock	28	353-783	1	Fitting-Straight
8	106-5277	1	Air Cleaner ASM	29	353-781	1	Fitting-Elbow
9	2412-130	2	Clamp-Hose	30	322-6	2	Screw-HH
10	106-5241	1	Hose-Cleaner, Air	31	104-8300	4	Nut-Flange, NI
11	94-7280	1	Seal-Foam, Air Cleaner	32	107-0122	1	Pump-Fuel, Electric
12	63-7790	9	Screw-Cap	33	98-7612	1	Filter-Fuel
13	48-9590	10	Washer-Lock	34	2412-108	6	Clamp-Worm
14	106-5249-03	1	Plate-Throttle	35	32128-33	2	Nut-HF
15	33114-030	7	Screw-HH	36	321-4	2	Screw-HH
16	323-13	4	Screw-HH	37	3256-22	2	Washer-Flat
17	87-5100	4	Washer-Snubbing	38	27-7180	1	Cap ASM
18	104-8301	12	Nut-Flange, NI	39	3234-17	2	Screw-HHF
19	323-7	8	Screw-HH	40	98-4525	1	Bracket-Cleaner, Air
20	92-0285	1	Coupling ASM	41	3334-945	1	Tie-Cable
21	33114-016	6	Screw-HH	42	33024-00	1	Nut-Lock, NI



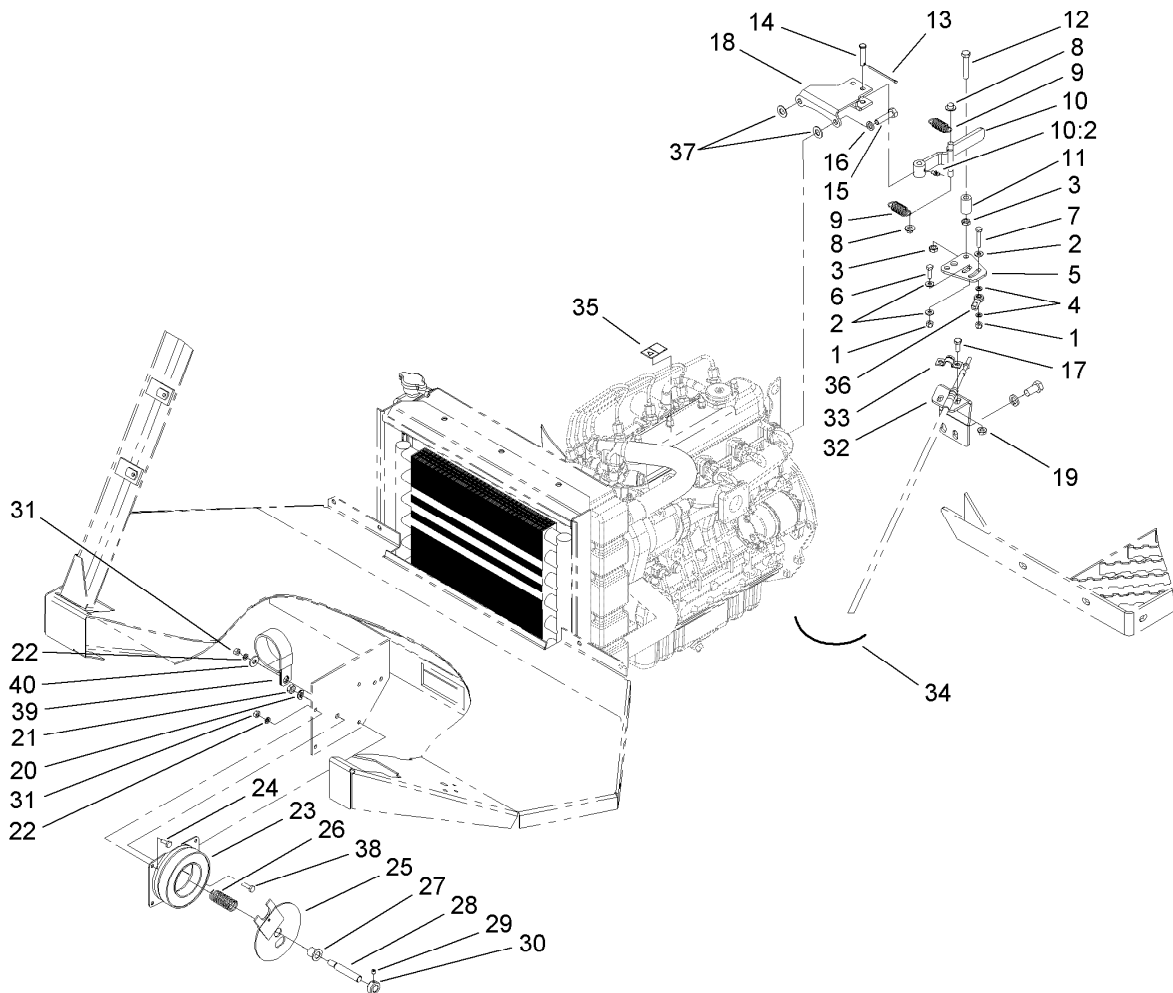
## Air Cleaner Assembly No. 106-5277

<i>Ref.</i>	<i>Part Number</i>	<i>Qty.</i>	<i>Description</i>
2	108-3810	1	Filter-Air
3	98-9771	1	Cover ASM
4	87-9400	1	Valve-Vacuator
5	285-17	1	Plug-Pipe



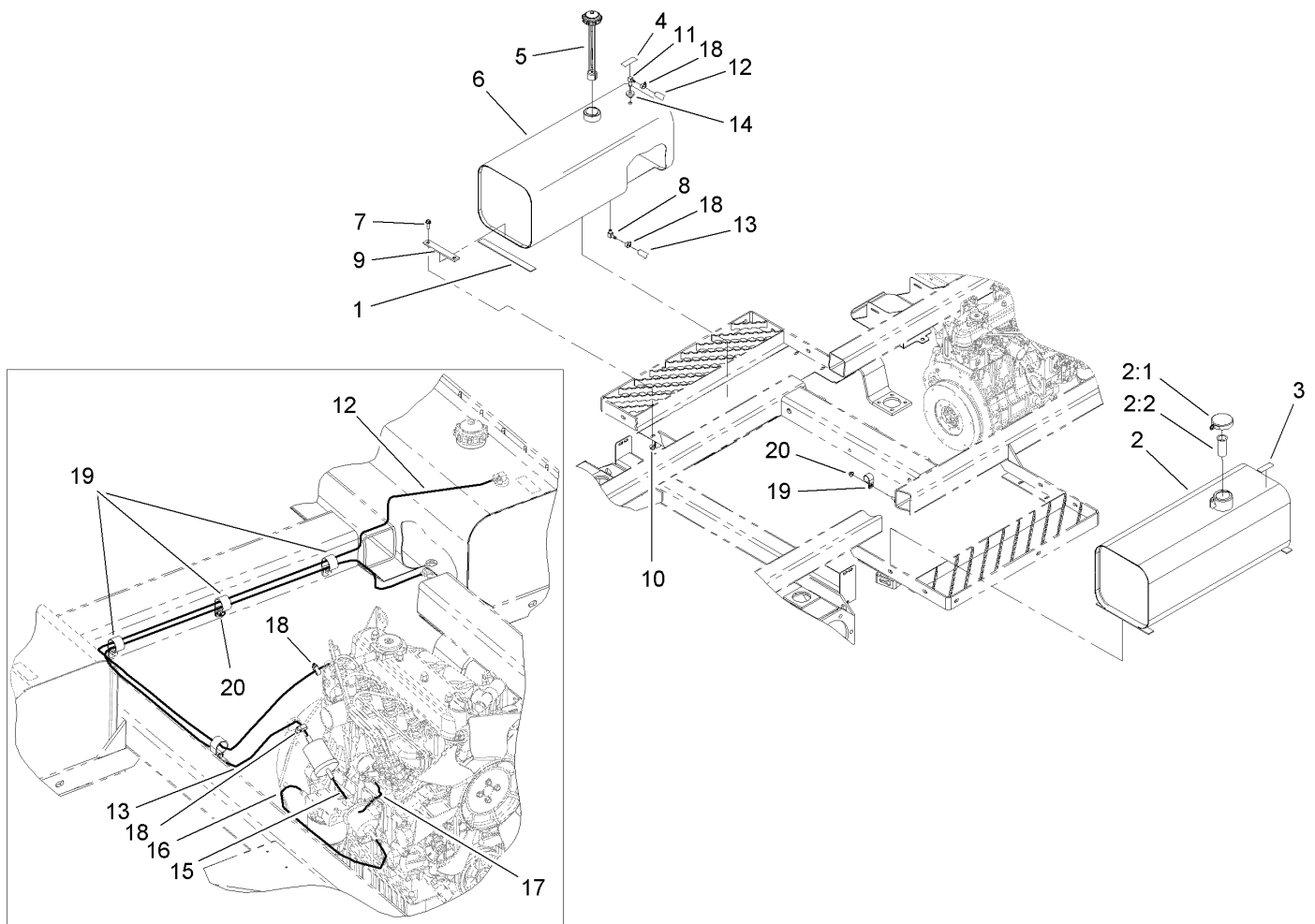
## Water and Fuel Filter Assembly No. 98-9305

<i>Ref.</i>	<i>Part Number</i>	<i>Qty.</i>	<i>Description</i>
1	98-9772	1	Head-Filter
2	98-9764	1	Element
3	98-9774	1	O-Ring
4	98-9775	1	Base-Filter
5	98-9773	1	Plug-Base, Filter
6	237-42	1	O-Ring
7	237-78	1	O-Ring
8	98-9776	1	Plug-Head, Filter
9	98-9777	1	Drain Valve ASM
10	285-22	2	Plug-Pipe



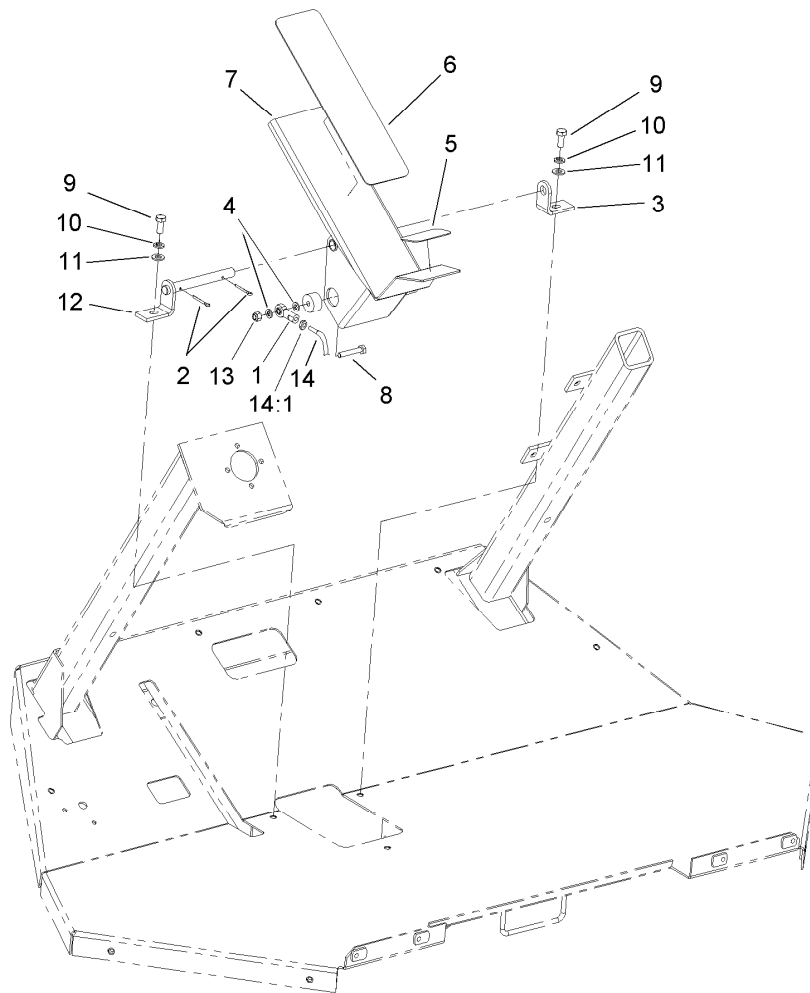
## Drive Linkage Assembly

Ref.	Part Number	Qty.	Description	Ref.	Part Number	Qty.	Description
1	32146-17	2	Nut-Lock	21	3217-7	1	Nut-Hex
2	3256-22	3	Washer-Flat	22	3253-3	4	Washer-Lock
3	3220-3	4	Nut-HJ	23	42-1720	1	Field Core Coil ASM
4	33093-00	2	Washer-Flat	24	321-3	3	Screw-HH
5	106-5244	1	Plate-Neutral	25	43-6110-03	1	Plate-Clutch
6	321-5	1	Screw-HH	26	43-6200	1	Spring-Compression
7	321-9	1	Screw-HH	27	256-273	1	Bushing-Flange
8	92-0465	4	Cap-Retainer, Spring	28	69-9170	1	Shaft-Cruise
9	107-1045	2	Spring-Extension	29	3245-32	1	Screw-HSH
10	92-0460	2	Arm ASM	30	43-6320	1	Collar
10:2	302-5	1	Fitting-Grease	31	3217-5	4	Nut-Hex
11	92-0455	2	Bearing	32	106-5242	1	Plate-Mount, Traction Cable
12	3211-9	2	Screw-HH	33	93-2092	1	Clamp-Cable
13	3272-53	1	Pin-Cotter	34	99-3441	1	Harness-Wire, Fusible Link
14	283-15	2	Pin-Clevis	35	106-5517	1	Decal-Warning, Hot Surface
15	87-3700	2	Screw-Cap, HH	36	2411-41	1	Rod End-Ball Joint
16	48-9590	2	Washer-Lock	37	3256-25	2	Washer-Flat
17	322-3	2	Screw-HH	38	321-5	1	Screw-HH
18	106-5198-03	1	Neutral Bracket ASM	39	2412-102	1	Clamp-R
19	32128-20	2	Nut-HF	40	3256-3	1	Washer-Flat
20	3253-5	1	Washer-Lock				



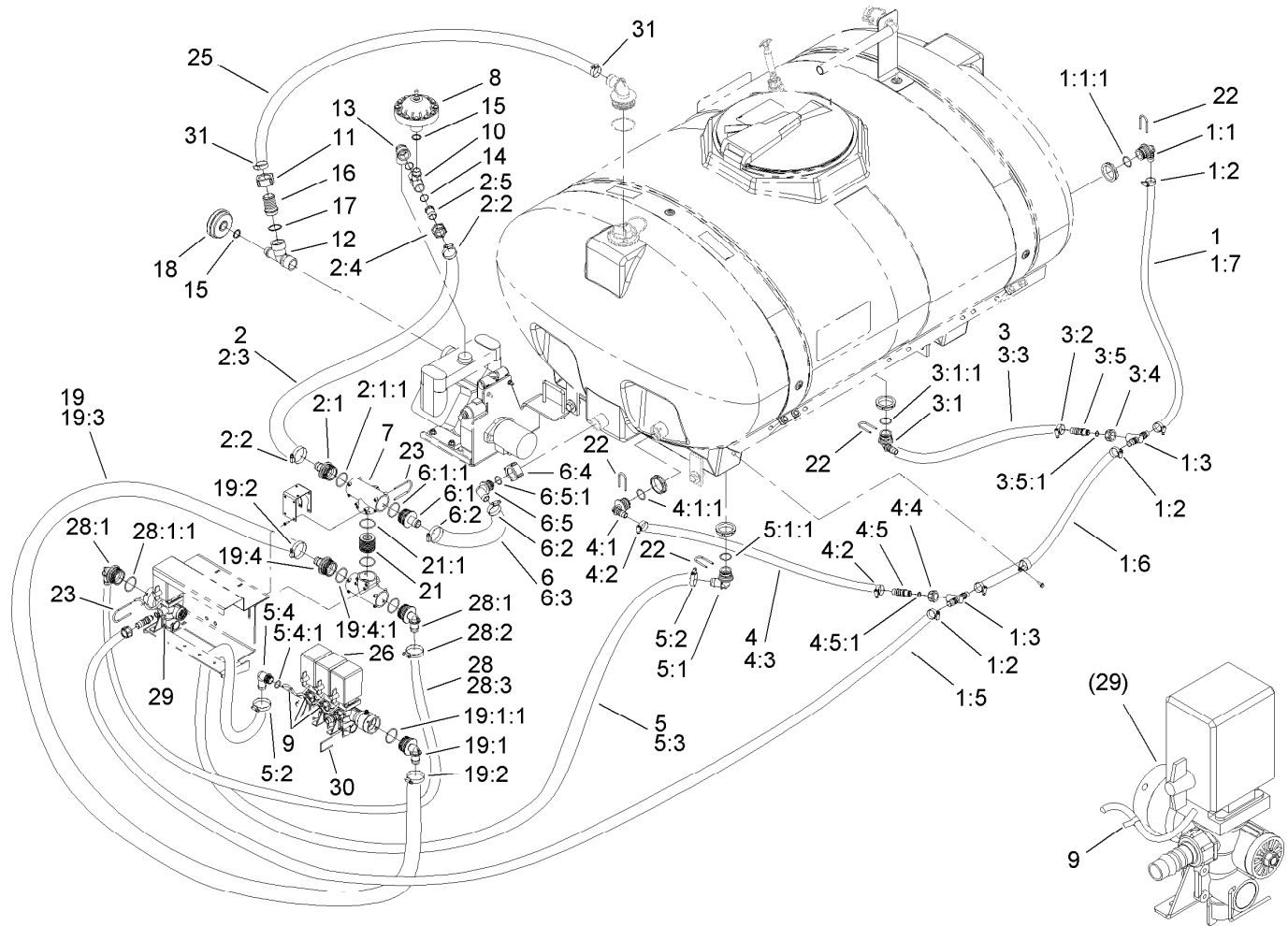
## Fuel and Hydraulic Tank Assembly

<i>Ref.</i>	<i>Part Number</i>	<i>Qty.</i>	<i>Description</i>
1	41995	4	Strip-Armflex
2	104-9094	1	Tank-HYD
2:1	42193	1	Cap-Tank
2:2	41779	1	Strainer-Tank
3	93-6686	1	Decal-Oil, HYD
4	93-6680	1	Decal-Diesel
5	106-5295	1	Fuel Cap And Gauge ASM
6	106-5264	1	Tank-Fuel
7	3234-17	8	Screw-HHF
8	46-3710	1	Fitting-HYD, 90 DEG
9	94-7068-03	4	Strap-Hold Down
10	32128-44	8	Nut
11	104-5228	1	Fitting-Elbow, 90 DEG
12	108-3281	1	Hose-Fuel
13	108-3282	1	Hose-Fuel
14	46-6560	1	Bushing
15	108-3283	1	Hose-Fuel
16	108-3284	1	Hose-Fuel
17	108-3280	1	Hose-Fuel
18	2412-108	4	Clamp-Worm
19	2412-39	4	R-Clamp
20	104-8300	4	Nut-Flange, NI



## Traction Pedal Assembly

<i>Ref.</i>	<i>Part Number</i>	<i>Qty.</i>	<i>Description</i>
1	2411-41	1	Rod End-Ball Joint
2	3272-7	2	Pin-Cotter
3	92-0450-03	1	Bracket-Pin
4	33093-00	2	Washer-Flat
5	71-0450	1	Abrasive-Pedal, Rear
6	71-0440	1	Abrasive-Pedal
7	106-5247-03	1	Traction Pedal ASM
8	321-9	1	Screw-HH
9	322-3	2	Screw-HH
10	3253-4	2	Washer-Lock
11	3256-23	2	Washer-Flat
12	92-0448	1	Pivot Pin ASM
13	3296-42	1	Nut-Lock, NI
14	106-5233	1	Cable-Traction
14:1	3220-1	2	Nut-Jam

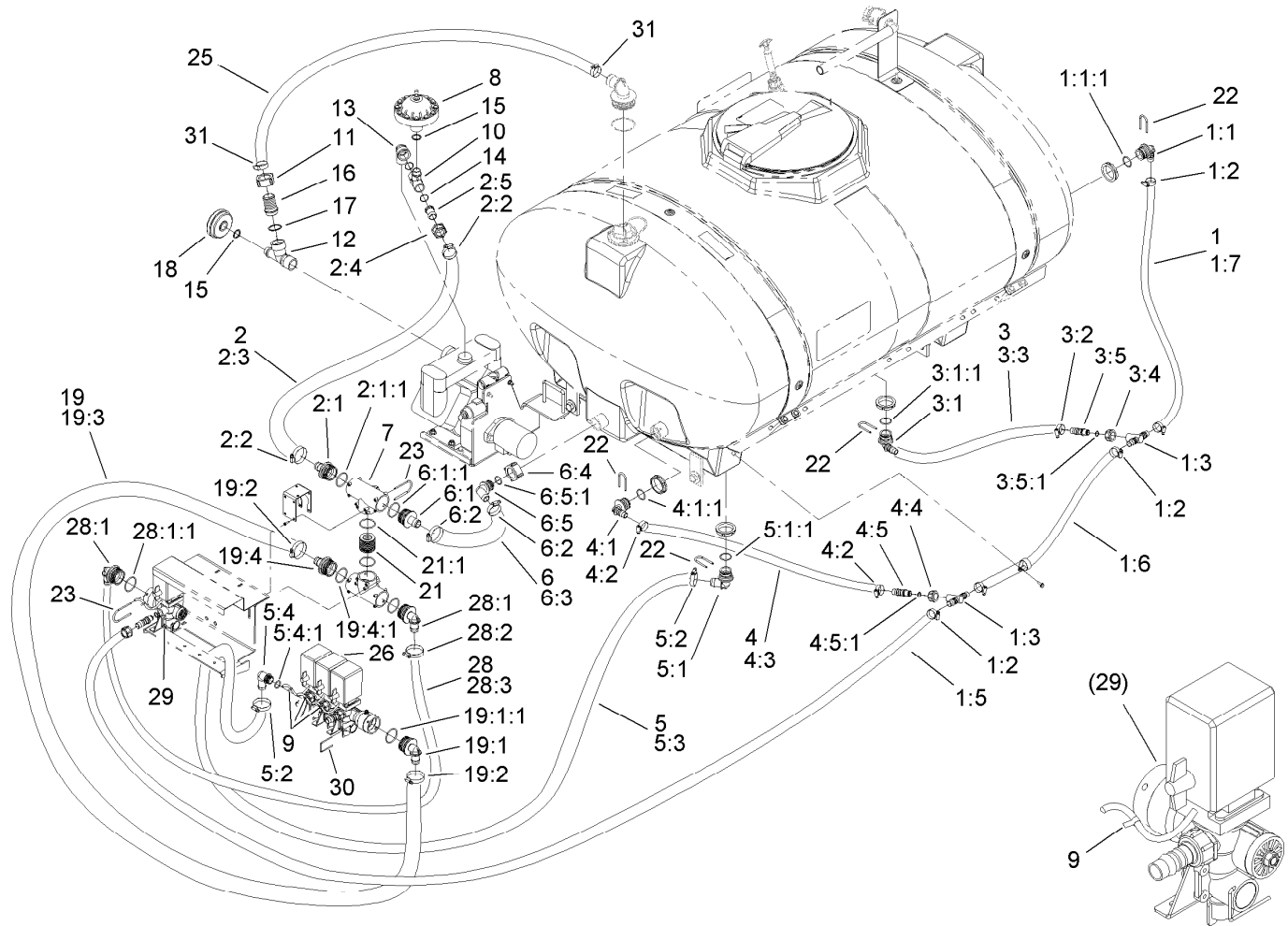


## Internal Sprayer Component Assembly No. 1

Ref.	Part Number	Qty.	Description	Ref.	Part Number	Qty.	Description
1		1	Agitation Hose ASM ●	4:1	106-4940	1	Hosebarb-90 DEG
1:1	106-4940	1	Hosebarb-90 DEG	4:1:1	100-6712	1	O-Ring
1:1:1	100-6712	1	O-Ring	4:2	2412-129	2	Clamp-Hose
1:2	2412-129	5	Clamp-Hose	4:3	106-4974	1	Hose
1:3	100-6984	2	Tee	4:4	99-0850	1	Nut
1:5	106-4971	1	Hose	4:5	106-5112	1	Hosebarb ASM
1:6	106-4972	1	Hose	4:5:1	100-6645	1	O-Ring
1:7	106-4973	1	Hose	5		1	Bypass Hose ASM ●
2		1	Supply Hose ASM ●	5:1	106-4945	1	Elbow
2:1	106-4932	1	Hosebarb-Straight	5:1:1	100-6712	1	O-Ring
2:1:1	100-8637	1	O-Ring	5:2	2412-3	2	Clamp-Hose
2:2	2412-3	2	Clamp-Hose	5:3	106-4976	1	Hose
2:3	106-4975	1	Hose	5:4	106-4948	1	Hose Barb ASM
2:4	99-0769	1	Nut	5:4:1	100-6882	1	O-Ring
2:5	99-0781	1	Hosebarb	6		1	Relief Hose ASM ●
3		1	Middle Agitation Hose ASM ●	6:1	106-4932	1	Hosebarb-Straight
3:1	106-4940	1	Hosebarb-90 DEG	6:1:1	100-8637	1	O-Ring
3:1:1	100-6712	1	O-Ring	6:2	2412-3	2	Clamp-Hose
3:2	2412-129	2	Clamp-Hose	6:3	106-4978	1	Hose
3:3	104-8704	1	Hose	6:4	100-8678	1	Nut
3:4	99-0850	1	Nut	6:5	106-4949	1	Hosebarb
3:5	106-5112	1	Hosebarb ASM	6:5:1	100-6646	1	O-Ring
3:5:1	100-6645	1	O-Ring	7	100-6704	2	Tee
4		1	Back Agitation Hose ASM ●	8	100-6662	1	Pressure Damper ASM
				9	107-8738	4	Decal-Fuse, 3 Amp

● Not serviced separately

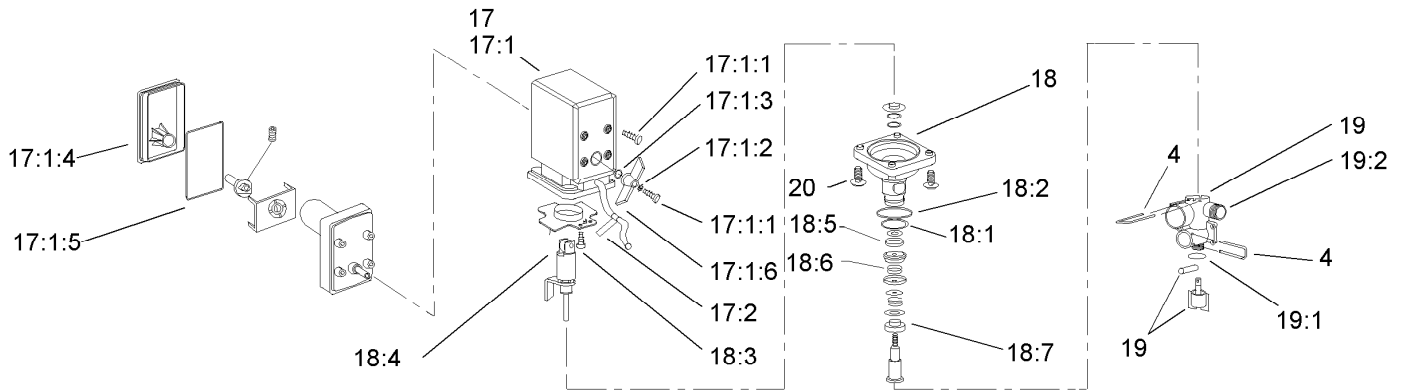
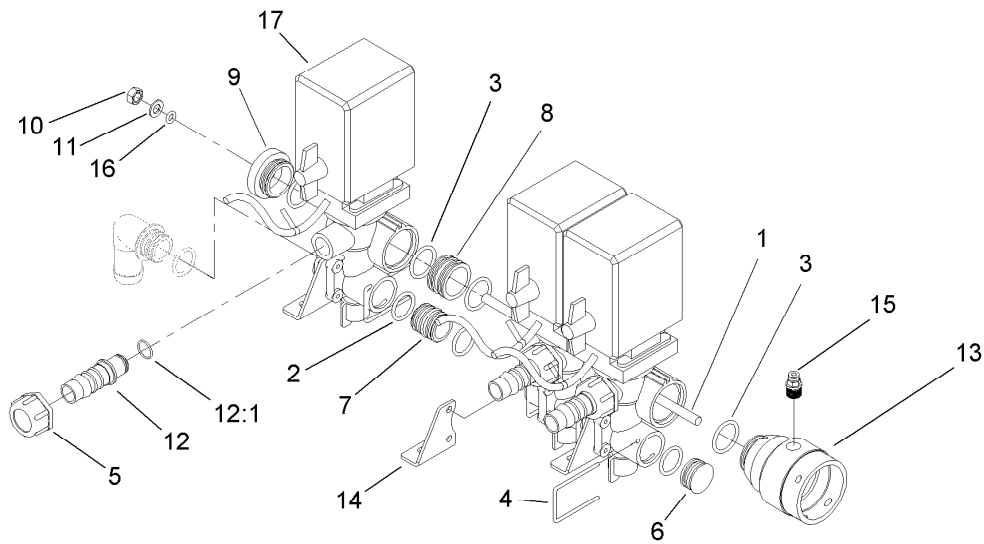




## Internal Sprayer Component Assembly No. 1 (continued)

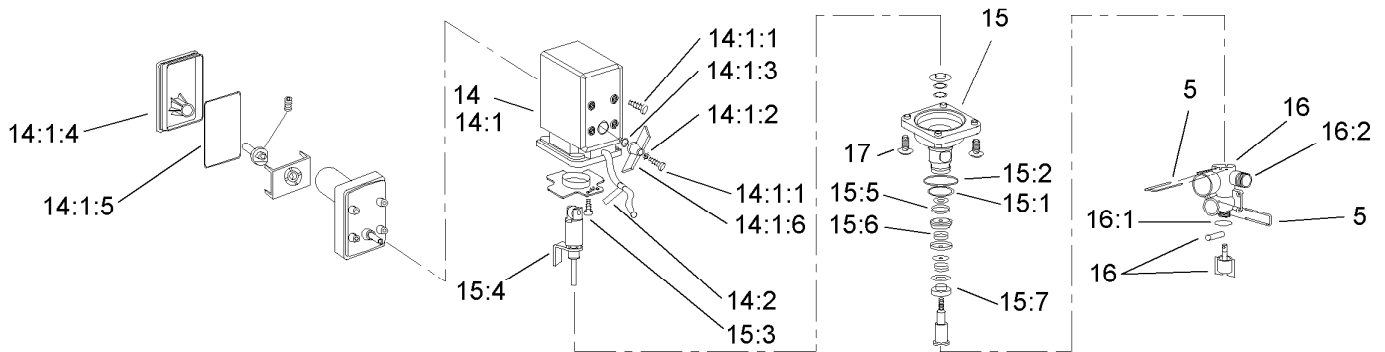
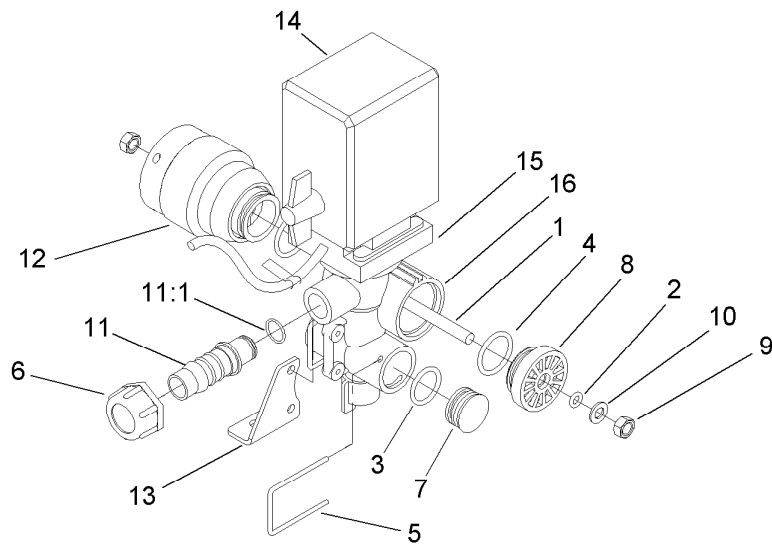
Ref.	Part Number	Qty.	Description	Ref.	Part Number	Qty.	Description
10	100-8699	1	Tee	21	106-4947	1	Connector
11	100-8678	1	Nut	21:1	100-8637	2	O-Ring
12	100-8681	1	Tee	22	100-6708	4	Fork
13	100-8698	1	Elbow	23	100-8635	8	Fork
14	100-6655	1	Gasket	25	100-8484	1	Hose-Suction
15	100-6656	2	O-Ring	26		1	Valve Booms ●
16	100-8679	1	Hosebarb	28		1	Agitation Supply Hose ASM
17	100-8680	1	Seal				
18	100-6660	1	Suction Damper ASM	28:1	106-4933	2	Hosebarb ASM
19	106-5035	1	Boom Supply Hose ASM	28:1:1	100-8637	1	O-Ring
19:1	106-4933	1	Hosebarb ASM	28:2	2412-3	2	Clamp-Hose
19:1:1	100-8637	1	O-Ring	28:3	106-4978	1	Hose
19:2	2412-3	2	Clamp-Hose	29		1	Valve Agiation ASM ●
19:3	106-4976	1	Hose	30	100-6885	1	Fork-Valve, Boom
19:4	106-4932	1	Hosebarb-Straight	31	41327	2	Clamp-Hose
19:4:1	100-8637	1	O-Ring				

● Not serviced separately



## Valve Boom Assembly

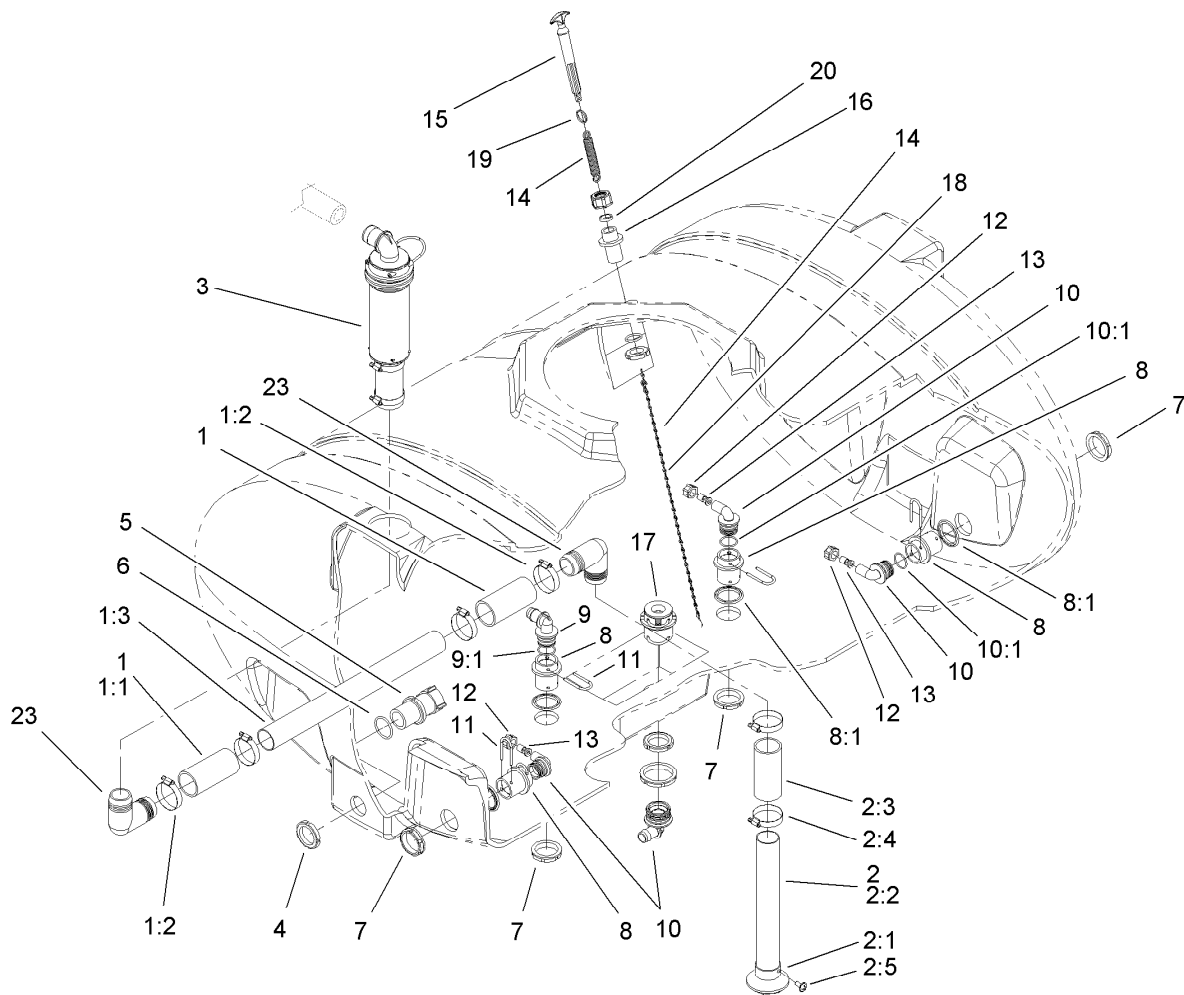
Ref.	Part Number	Qty.	Description	Ref.	Part Number	Qty.	Description
1	106-1213	1	Rod-Control, Spray	17:1:2	100-6877	1	Washer-Lock
2	100-6882	4	O-Ring	17:1:3	100-6880	1	O-Ring
3	100-6646	7	O-Ring	17:1:4	100-6874	1	Cover-Valve, Boom
4	100-6885	6	Fork-Valve, Boom	17:1:5	100-6912	1	Cover-Seal
5	99-0850	3	Nut	17:1:6	100-6875	1	Handgrip-Valve, Boom
6	100-6891	1	Cap-End	17:2	107-8738	1	Decal-Fuse, 3 Amp
7	100-6890	2	Joiner-Bypass, Boom	18	100-6889	3	Section-Spindle, Boom Valve
8	100-6896	2	Joiner-Valve, Boom	18:1	100-8653	1	O-Ring
9	100-6915	1	Cover-End	18:2	100-6882	5	O-Ring
10	100-6894	1	Nut	18:3	100-6911	1	Pin-Roller
11	100-6634	1	Washer	18:4	100-6910	1	Bearing-Roller
12	106-5112	3	Hosebarb ASM	18:5	100-6879	1	O-Ring
12:1	100-6645	1	O-Ring	18:6	100-6878	1	O-Ring
13	106-1214	1	Connector-Control, Spray	18:7	100-6881	1	Cone-Stem, Boom Valve
14	100-6760	3	Bracket-Valve, Section	19	100-6888	3	Manifold-Valve, Boom
15	100-8674	1	Coupler-Tube	19:1	100-6887	1	O-Ring
16	100-6887	1	O-Ring	19:2	106-5151	1	Manifold-Lower
17	108-3257	3	Boom Motor Valve ASM	20	100-6917	12	Screw-Plastic
17:1	108-3340	1	Motor-Valve, Boom				
17:1:1	100-6876	1	Screw				



## Valve Agitation Assembly

Ref.	Part Number	Qty.	Description	Ref.	Part Number	Qty.	Description
1	104-8907	1	Rod-Manifold	14:1:4	100-6874	1	Cover-Valve, Boom
2	100-6887	1	O-Ring	14:1:5	100-6912	1	Cover-Seal
3	100-6882	2	O-Ring	14:1:6	100-6875	1	Handgrip-Valve, Boom
4	100-6646	2	O-Ring	14:2	107-8738	1	Decal-Fuse, 3 Amp
5	100-6885	2	Fork-Valve, Boom	15	100-6889	1	Section-Spindle, Boom Valve
6	99-0850	1	Nut	15:1	100-8653	1	O-Ring
7	100-6891	2	Cap-End	15:2	100-6882	5	O-Ring
8	100-6915	1	Cover-End	15:3	100-6911	1	Pin-Roller
9	100-6894	1	Nut	15:4	100-6910	1	Bearing-Roller
10	100-6634	1	Washer	15:5	100-6879	1	O-Ring
11	106-5112	1	Hosebarb ASM	15:6	100-6878	1	O-Ring
11:1	100-6645	1	O-Ring	15:7	100-6881	1	Cone-Stem, Boom Valve
12	106-1214	1	Connector-Control, Spray	16	100-6888	1	Manifold-Valve, Boom
13	100-6760	1	Bracket-Valve, Section	16:1	100-6887	1	O-Ring
14	108-3257	1	Boom Motor Valve ASM	16:2	106-5151	1	Manifold-Lower
14:1	108-3340	1	Motor-Valve, Boom	17	100-6917	4	Screw-Plastic
14:1:1	100-6876	1	Screw	18	100-7045	1	Plug ●
14:1:2	100-6877	1	Washer-Lock				
14:1:3	100-6880	1	O-Ring				

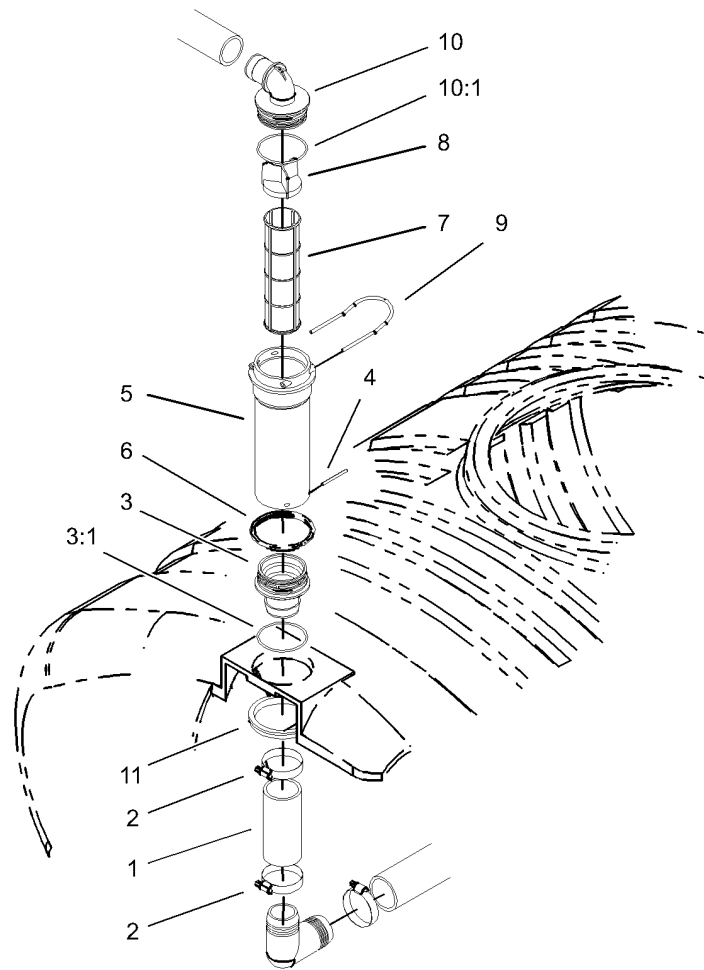
● Not illustrated



## Internal Sprayer Component Assembly No. 2

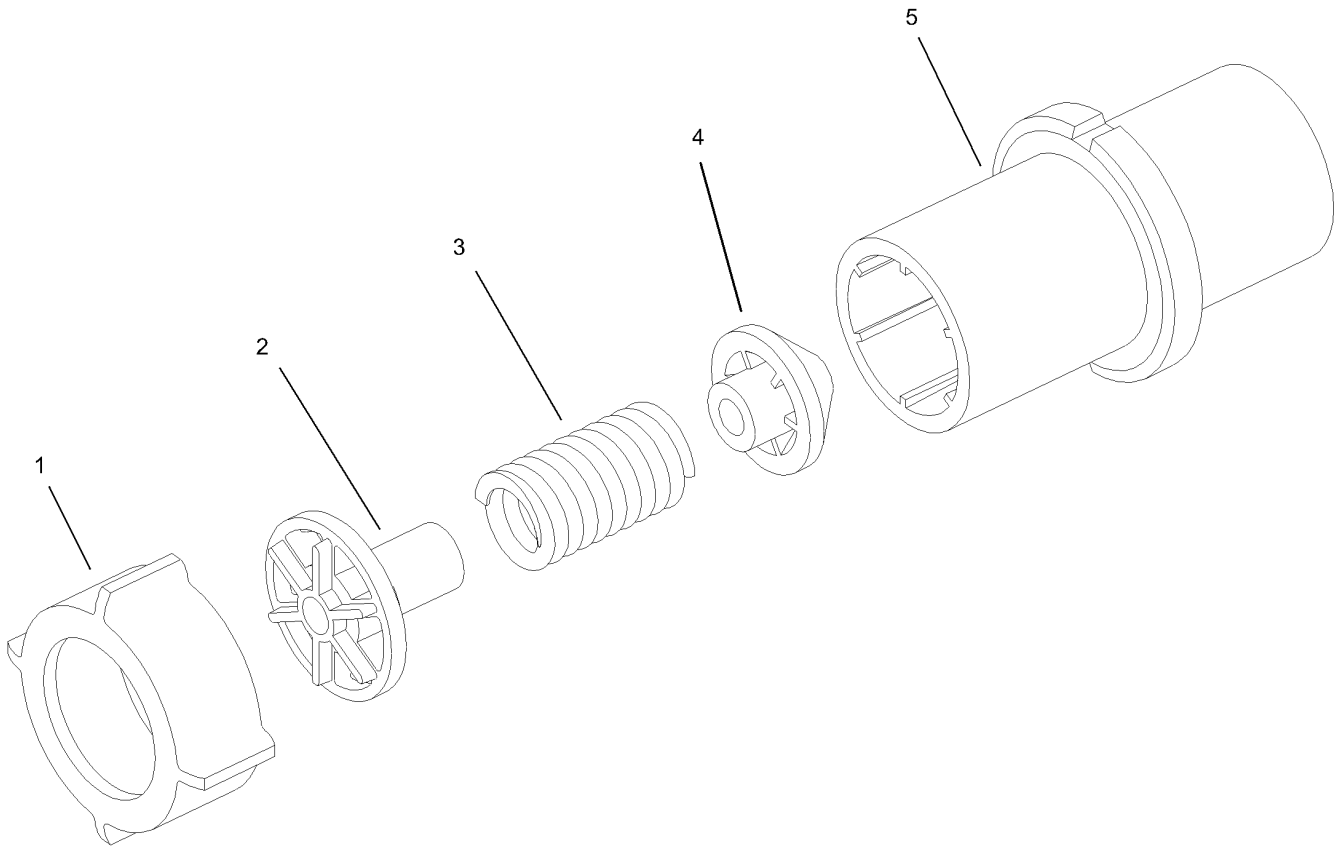
Ref.	Part Number	Qty.	Description	Ref.	Part Number	Qty.	Description
1	104-9150	1	Tube-Suction, Middle	9	106-4945	1	Elbow
1:1	100-8649	2	Hose-Suction	9:1	100-6712	1	O-Ring
1:2	26392	4	Clamp-Hose	10	106-4944	3	Fitting-90 DEG
1:3	106-1215	1	Tube-Suction	10:1	100-6712	1	O-Ring
2	104-9151	1	Tube-Suction, Lower	11	100-6708	4	Fork
2:1	100-6714	1	Foot-Tube, Suction	12	99-0766	3	Nut
2:2	106-1216	1	Tube-Suction	13	106-1218	3	Nozzle
2:3	100-8649	1	Hose-Suction	14	106-1415	1	Spring-Extension
2:4	26392	2	Clamp-Hose	15	106-1347	1	Handle-Drain
2:5	108-3270	1	Screw-TAP	16		1	Upper Tank Drain Bulkhead ASM ●
3	104-9154	1	Filter ASM	17	108-7015	1	Drain ASM
4	99-0761	1	Ringnut	18	106-5023	1	Chain ASM
5	100-6820	1	Safety Valve ASM (225 Psi)	19	106-1416	1	Ring-Retaining, Spiral (EXT)
6	100-6652	1	Gasket	20	106-1414	1	Seal
7	100-6713	4	Nut-Bulkhead	23	104-9095	2	Elbow
8	106-4896	4	Fitting-Bulkhead				
8:1	100-6710	1	Gasket-Bulkhead				

● Not serviced separately



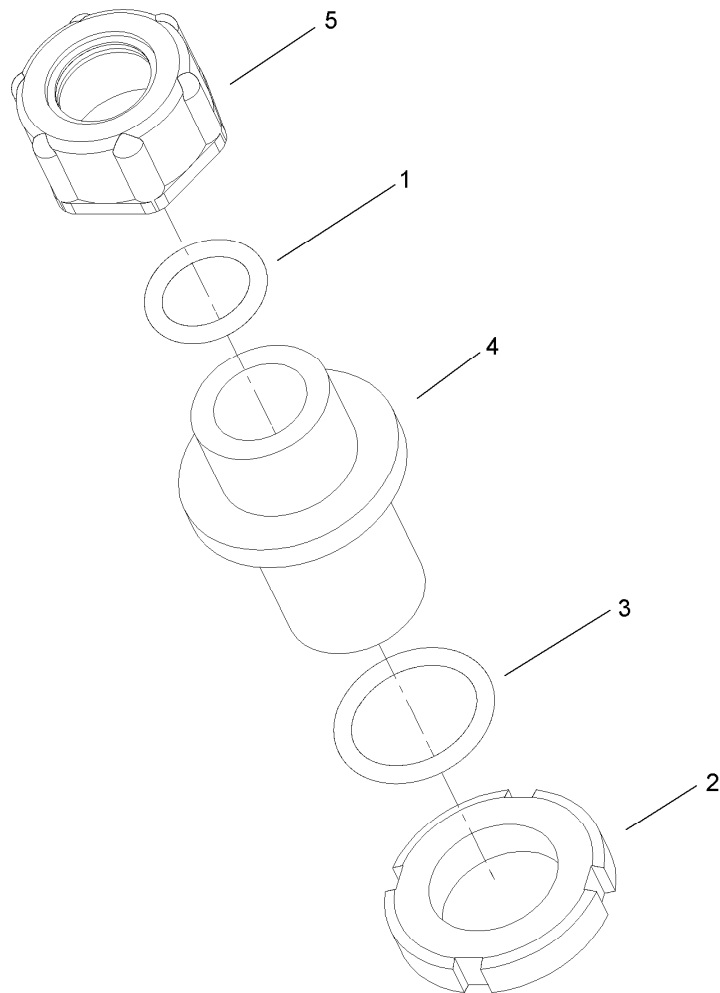
## Filter Assembly No. 104-9154

<i>Ref.</i>	<i>Part Number</i>	<i>Qty.</i>	<i>Description</i>
1	100-8649	1	Hose-Suction
2	26392	2	Clamp-Hose
3	106-4942	1	Hosebarb-Straight
3:1	100-8640	1	O-Ring
4	100-8644	2	Pin-Expansion
5	100-8643	1	Housing-Filter
6	100-8646	1	Gasket-Bulkhead
7	100-8642	1	Screen-Suction
8	100-8641	1	Vane-Screen
9	100-8636	1	Fork-Special
10	106-4952	1	Hosebarb-90 DEG
10:1	100-6989	1	O-Ring
11	100-8647	1	Nut-Bulkhead



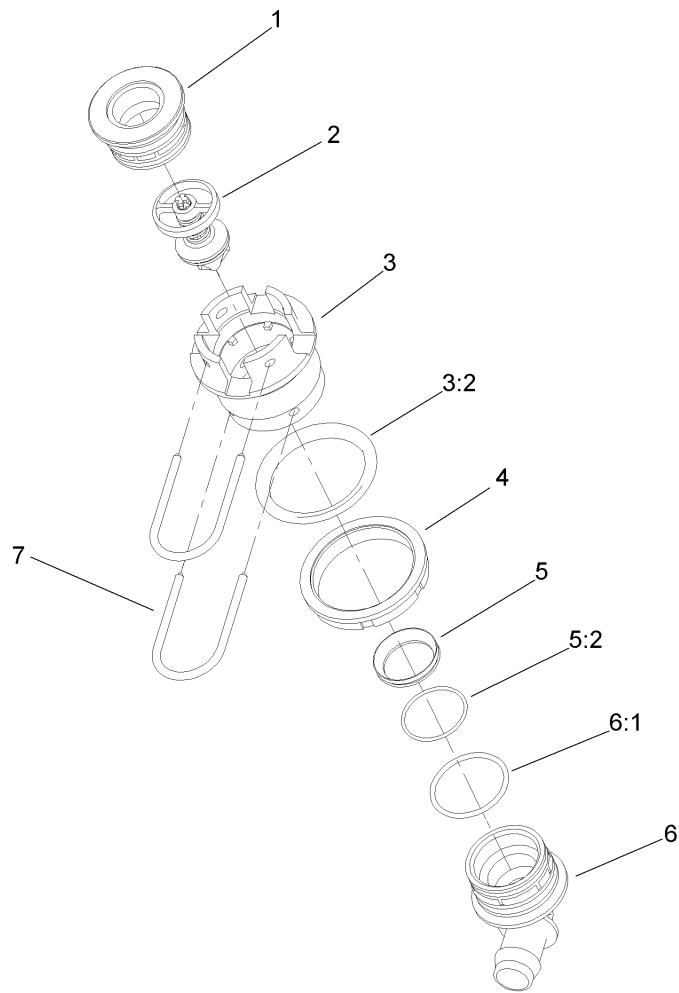
## Safety Valve Assembly No. 100-6820

<i>Ref.</i>	<i>Part Number</i>	<i>Qty.</i>	<i>Description</i>
1	100-8678	1	Nut
2	100-6724	1	Valve-Relief, Seat
3	100-6725	1	Spring-Relief, Valve
4	100-6726	1	Cone-Relief, Valve
5	100-6727	1	Housing-Relief, Valve



## Upper Tank Drain Bulkhead Assembly

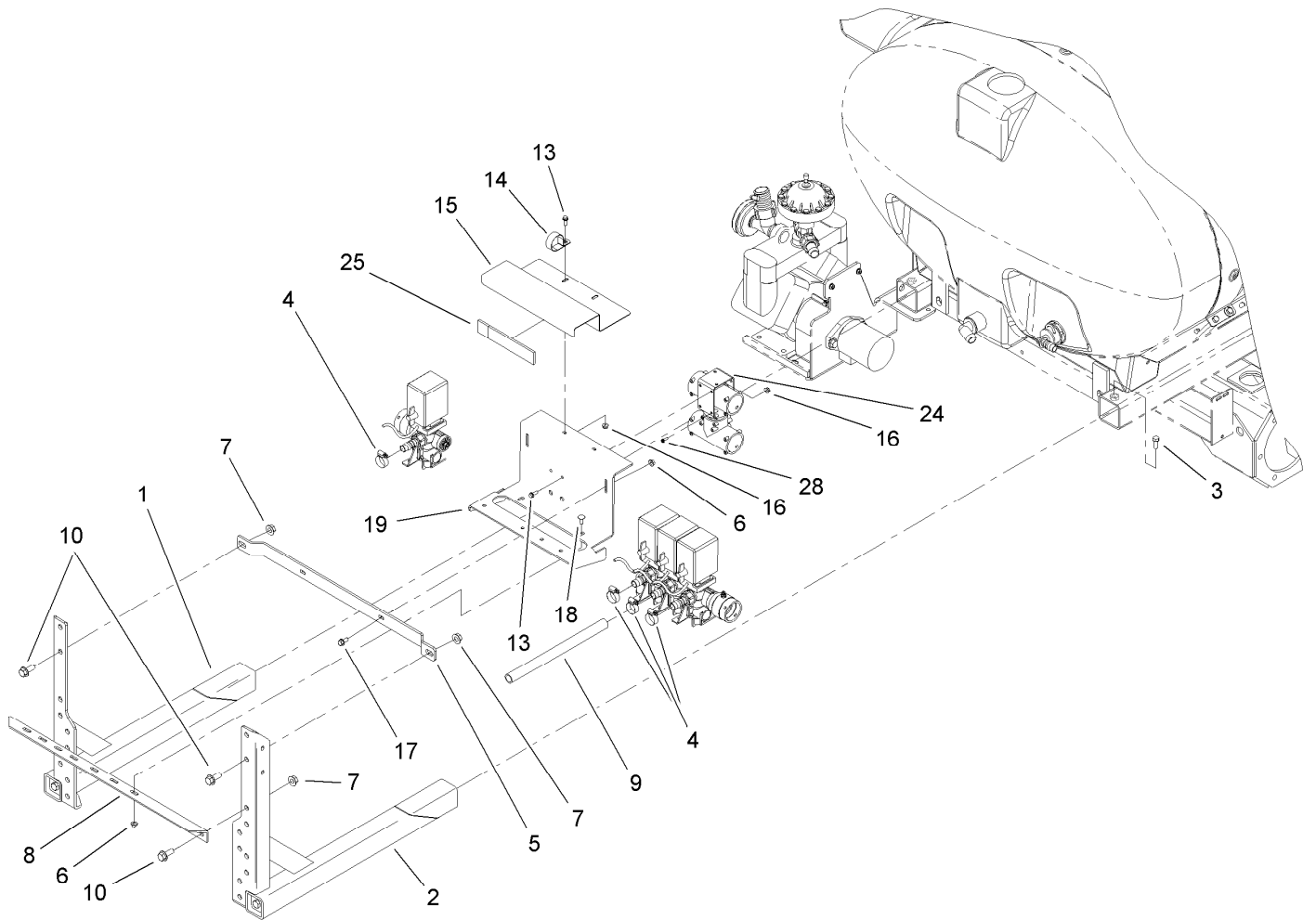
<i>Ref.</i>	<i>Part Number</i>	<i>Qty.</i>	<i>Description</i>
1	100-6643	1	O-Ring
2	99-0758	1	Nut
3	100-6658	1	Gasket
4	106-1240	1	Bulkhead
5	106-1241	1	Nut-Special



## Tank Drain Assembly

<i>Ref.</i>	<i>Part Number</i>	<i>Qty.</i>	<i>Description</i>
1	107-2868	1	Adapter
2	108-7016	1	Drain Valve ASM
3	107-2862	1	Drain Bulkhead ASM
3:2	107-2864	1	Gasket-Bulkhead
4	100-7051	1	Nut-Bulkhead
5	107-2867	1	Seat Drain ASM
5:2	107-2866	1	O-Ring
6	106-4933	1	Hosebarb ASM
6:1	100-8637	1	O-Ring
7	100-8635	2	Fork

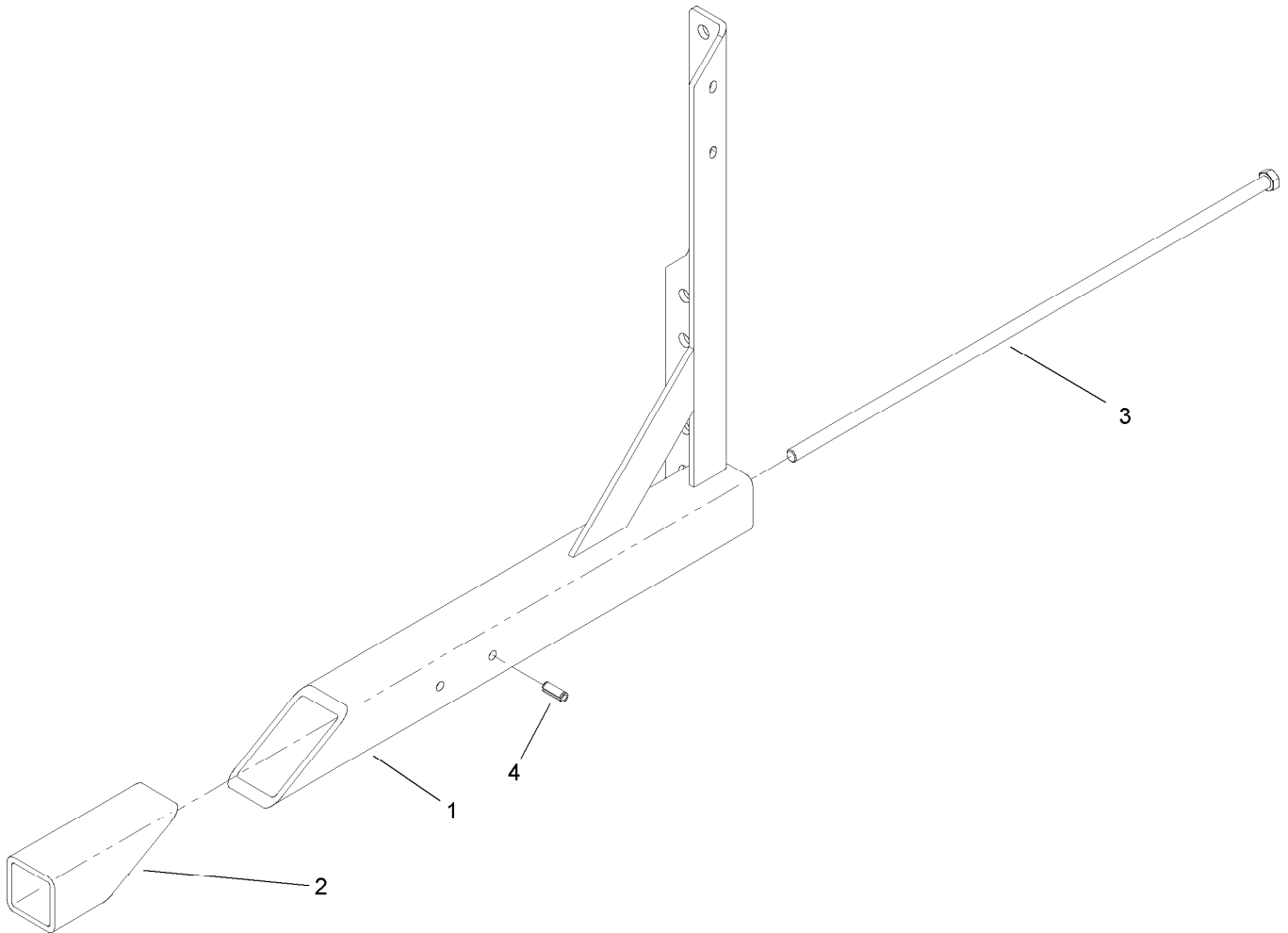




## Sprayer Component Assembly

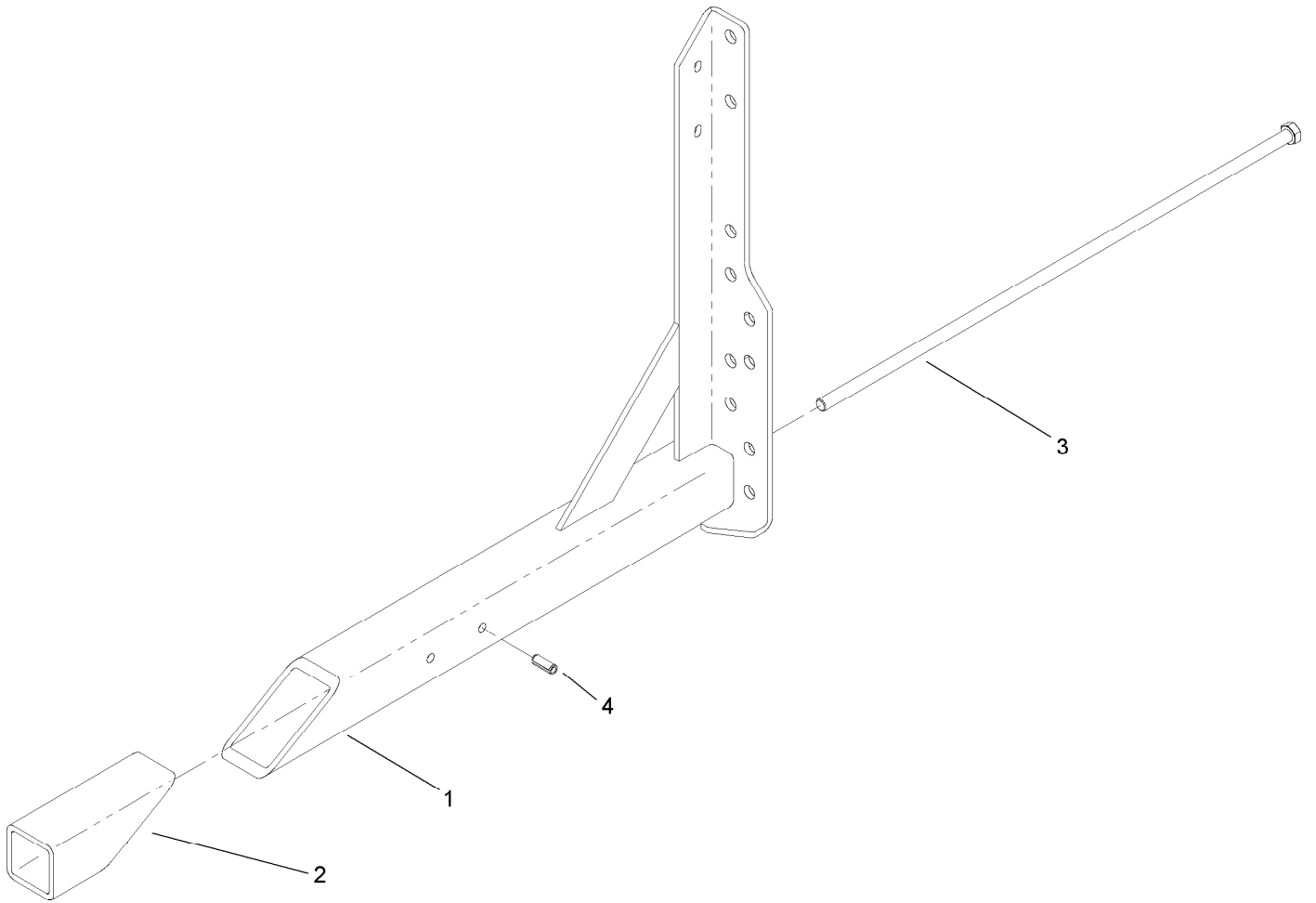
Ref.	Part Number	Qty.	Description
1		1	LH Boom Mount ASM ●
2		1	RH Boom Mount ASM ●
3	325-4	4	Screw-HH
4	2412-129	4	Clamp-Hose
5	104-9073-03	1	Bar-Mounting, Valve
6	32128-20	8	Nut-HF
7	32128-23	4	Nut-HF
8	42225-03	1	Angle-Support, Cross
9	108-3256	1	Hose-Jumper
10	3234-32	4	Screw-HHF
13	3234-4	4	Screw-HHF
14	2412-147	1	Clamp
15	108-3711-03	1	Bracket-Support, Valve
16	32128-33	4	Nut-HF
17	3234-5	6	Screw-HHF
18	3230-1	2	Bolt-CARR
19	108-3712-03	1	Bracket-Valve, Boom
24	100-8478	1	Bracket-Tee
25	100-8524	1	Strip-Foam
28	32144-32	4	Screw

● Not serviced separately



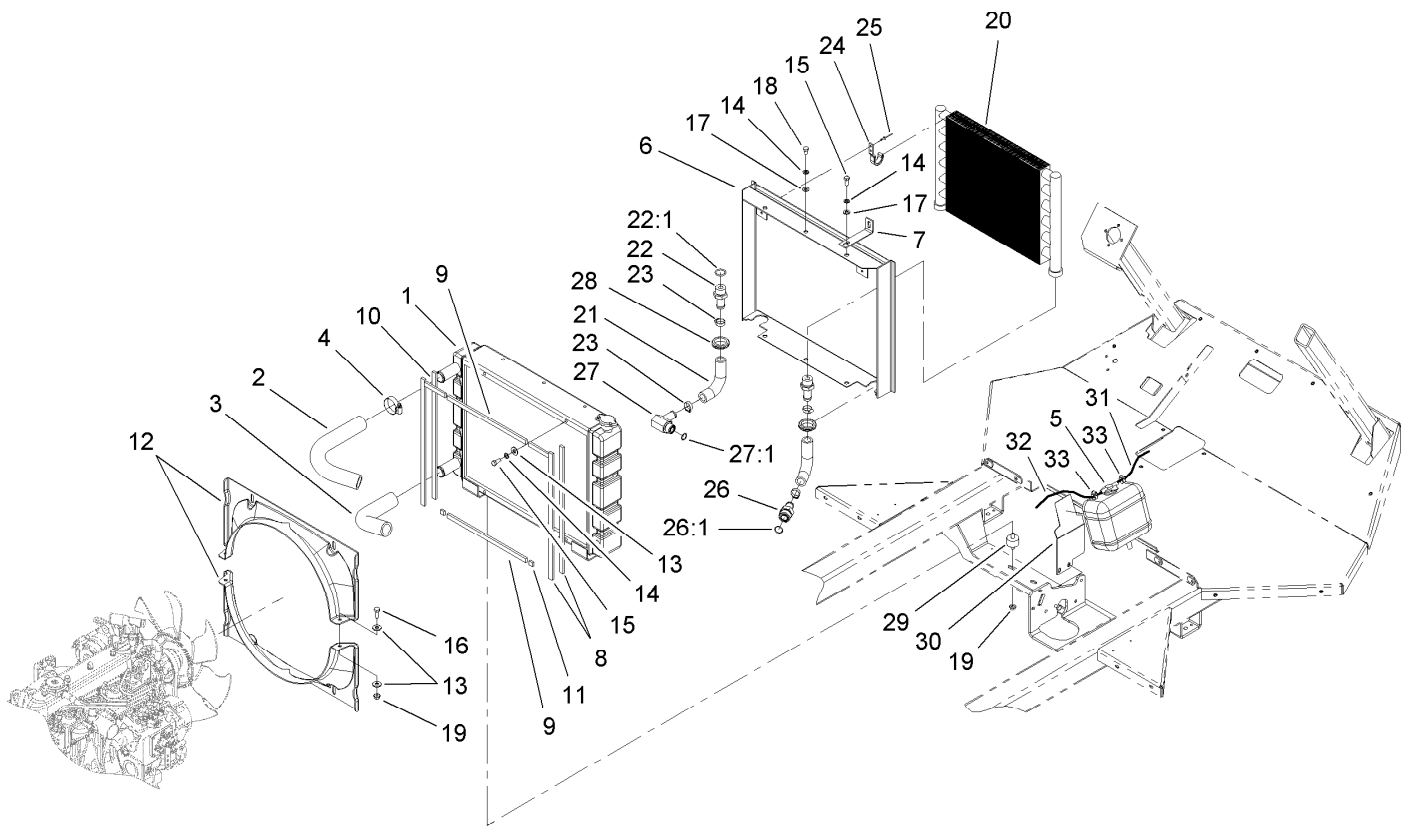
## Left Hand Boom Mount Assembly

<i>Ref.</i>	<i>Part Number</i>	<i>Qty.</i>	<i>Description</i>
1	108-3715-03	1	LH Boom Mount ASM
2	107-8638-03	1	Wedge-Tube
3	107-8620	1	Screw-HH
4	32121-41	1	Pin-Roll



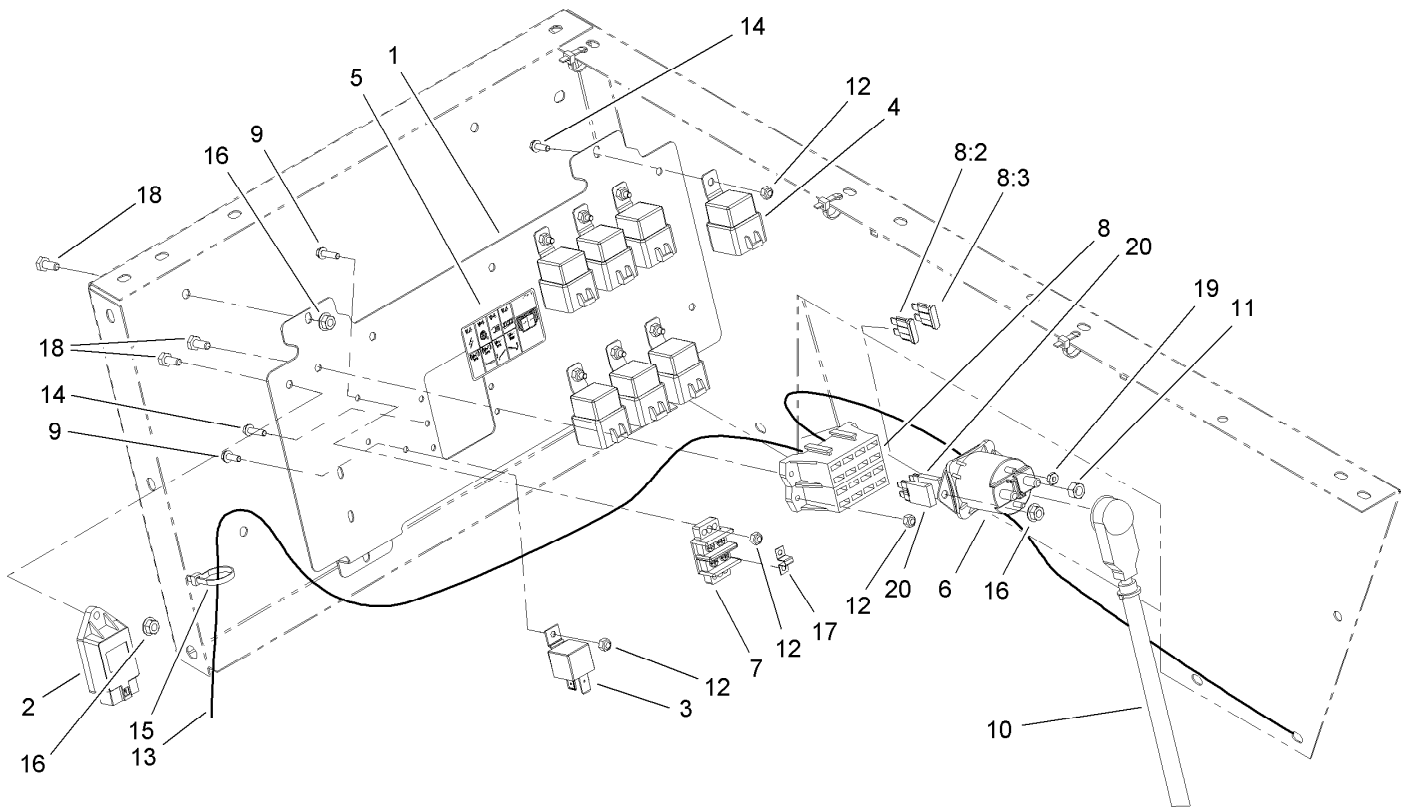
## Right Hand Boom Mount Assembly

<i>Ref.</i>	<i>Part Number</i>	<i>Qty.</i>	<i>Description</i>
1	108-3714-03	1	RH Boom Mount ASM
2	107-8638-03	1	Wedge-Tube
3	107-8620	1	Screw-HH
4	32121-41	1	Pin-Roll



## Oil Cooler and Radiator Assembly

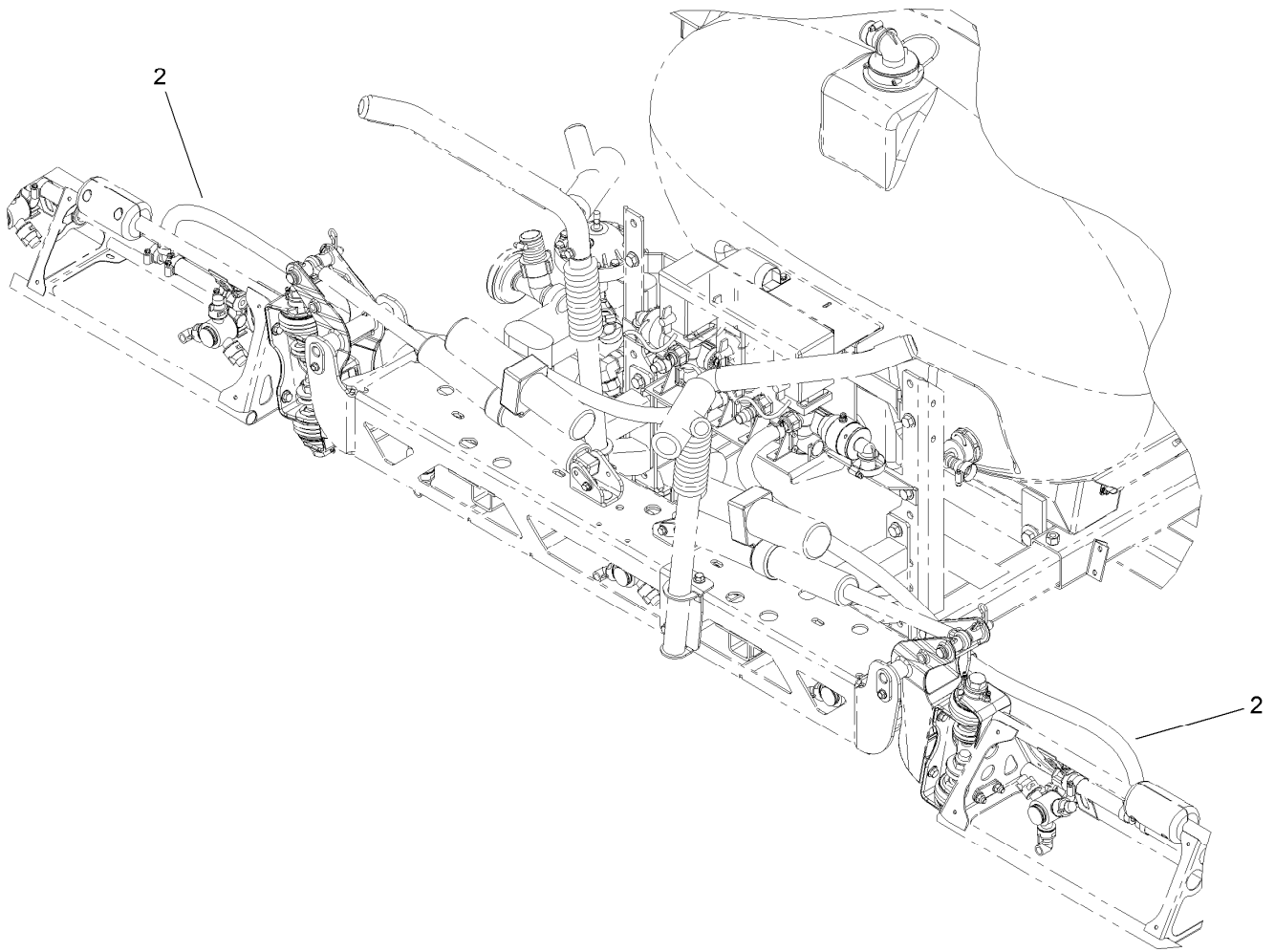
<i>Ref.</i>	<i>Part Number</i>	<i>Qty.</i>	<i>Description</i>	<i>Ref.</i>	<i>Part Number</i>	<i>Qty.</i>	<i>Description</i>
1	106-5291	1	Radiator	19	32128-20	4	Nut-HF
2	106-5239	1	Hose-Radiator, Upper	20	94-7007	1	Oil Cooler ASM
3	106-5240	1	Hose-Radiator, Lower	21	106-5293	2	Hose-Cooler, Oil
4	2412-111	4	Clamp	22	354-73	2	Fitting-Straight
5	104-9318	1	Overflow Bottle ASM	22:1	237-81	1	O-Ring
6	106-5180-03	1	Radiator Shroud ASM	23	2412-141	4	Clamp-Drive, Worm
7	106-5185	2	Brace-Radiator	24	75-0930	2	Hook-Mount, Cooler
8	107-8675	4	Seal-Foam	25	3269-15	4	Rivet-Pop
9	107-8676	2	Seal-Foam	26	107-8652	1	Fitting-Straight
10	107-8677	2	Seal-Foam	26:1	237-58	1	O-Ring
11	107-8678	2	Seal-Foam	27	107-8654	1	Fitting-Elbow, 90
12	106-5290	2	Shroud-Fan	27:1	237-65	1	O-Ring
13	3256-56	8	Washer-Flat	28	240-3	2	Grommet-Rubber
14	3253-4	10	Washer-Lock	29	62-5480	2	Isolater-Seat
15	322-3	6	Screw-HH	30	108-3279-03	1	Bracket-Reservoir
16	322-4	2	Screw-HH	31	93-2042	1	Hose-Fuel
17	3256-23	6	Washer-Flat	32	93-2230	1	Hose-Fuel
18	322-1	4	Screw-HH	33	2412-108	3	Clamp-Worm



## Electrical Panel Assembly

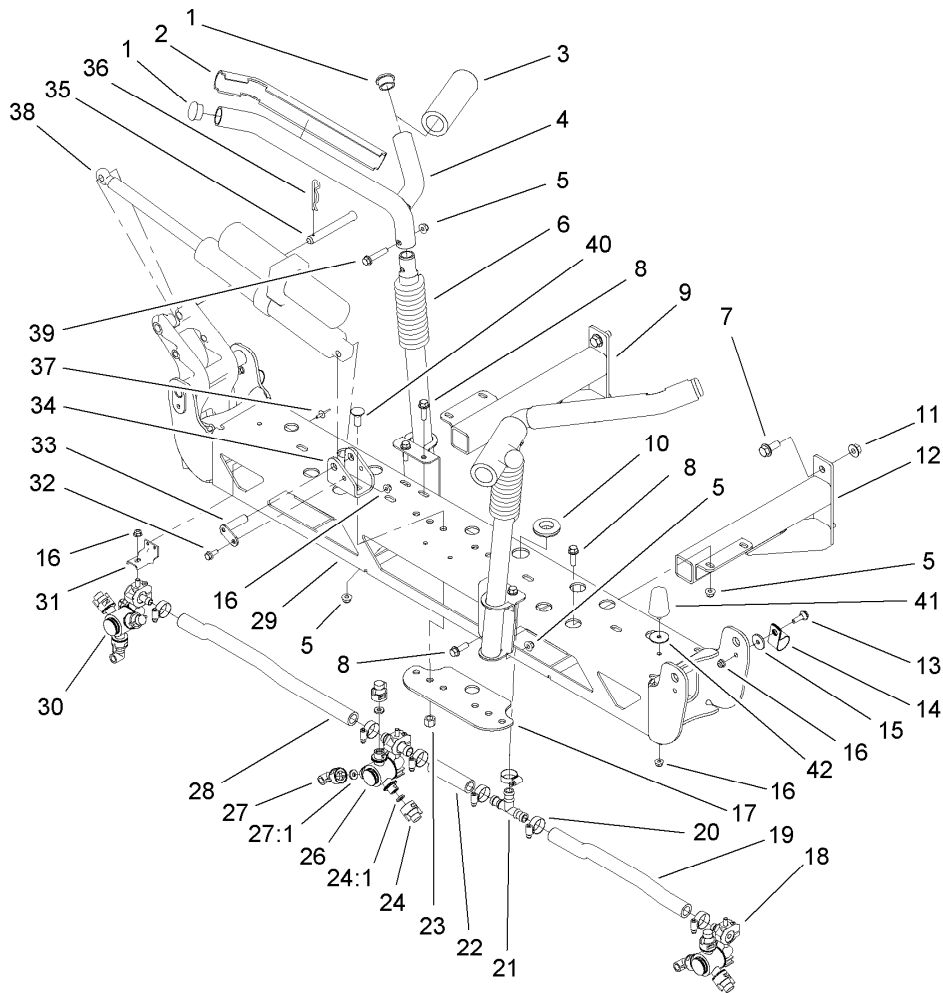
<i>Ref.</i>	<i>Part Number</i>	<i>Qty.</i>	<i>Description</i>	<i>Ref.</i>	<i>Part Number</i>	<i>Qty.</i>	<i>Description</i>
1	108-3286-01	1	Panel-Electrical	12	3296-2	14	Nut-Lock, NI
2	98-7611	1	Controller-Glow	13	108-9488	1	Harness-Wire, Spray Unit
3	99-7435	1	Relay-Power	13:1	107-8745	1	Fuse-Blade, 3 Amp ●
4	99-7430	7	Relay	13:2	106-4985	1	Tube-Pressure ●
5	108-3293	1	Decal-Block, Fuse	13:3	108-9493	2	Diode-Tvs ●
6	99-7406	1	Solenoid	13:4	100-4918	3	Diode-Over Molded ●
7	42862	1	Block-Terminal, Ground	14	32105-2	8	Screw-SHWH
8	107-8736	1	Harness-Wire, Vehicle	15	3290-379	1	Tie-Cable
8:2	218-578	2	Fuse-Blade, 10 Amp	16	32128-33	5	Nut-HF
8:3	109355	2	Fuse-Blade, 15 Amp	17	42863	1	Strip-Jumper
9	32105-13	6	Screw-HWH	18	321-3	5	Screw-HH
10	94-7092	1	Cable-Battery, Positive	19	3219-14	2	Nut-Hex
11	3217-6	2	Nut-Hex	20	108-3736	2	Breaker-Circuit, 30A

● Not illustrated



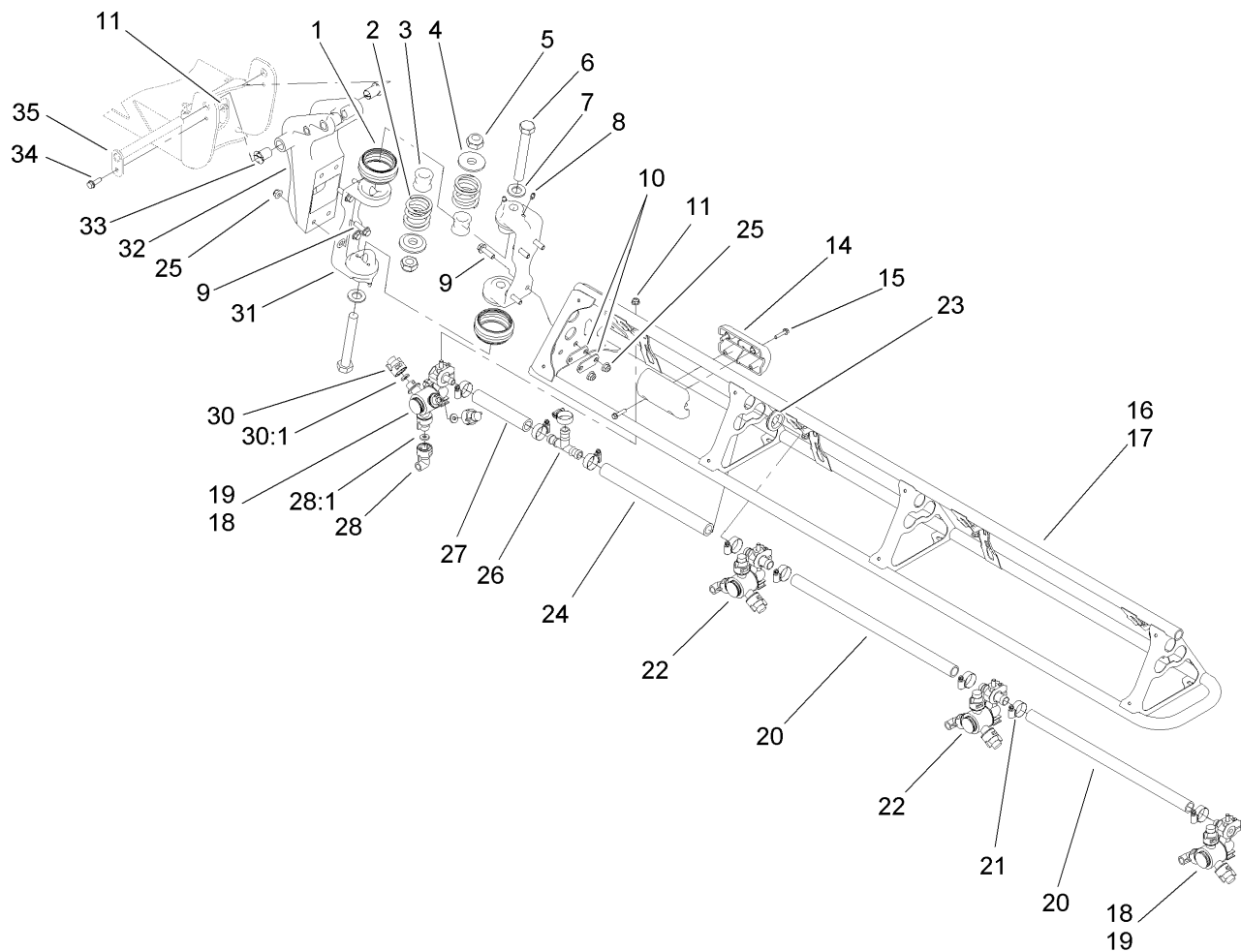
## Center Boom Assembly

<i>Ref.</i>	<i>Part Number</i>	<i>Qty.</i>	<i>Description</i>
2	108-3491	2	Hose-Boom



## Center Boom Assembly

<i>Ref.</i>	<i>Part Number</i>	<i>Qty.</i>	<i>Description</i>	<i>Ref.</i>	<i>Part Number</i>	<i>Qty.</i>	<i>Description</i>
1	108-3489	4	Cap-Tube	23	3296-23	4	Nut-Lock, NI
2	108-3495	2	Cover-Slide	24	95-9187	6	Cap-Blank
3	108-3457	2	Spacer	24:1	40998	1	Seat-Gasket
4	108-3476-03	2	Cradle-Upper	26	108-3727	1	Double Turret Body ASM
5	104-8301	12	Nut-Flange, NI	27	95-9186	3	Cap
6	108-3472-03	2	Cradle-Lower	27:1	40998	1	Seat-Gasket
7	110-5057	4	Capscrew-HHF	28	108-3735	1	Hose-Boom, Center (LH)
8	110-5050	10	Screw-HHF	29	108-3410-03	1	Frame ASM
9	108-3408-03	1	Frame-Mount, Boom (LH)	30	108-3725	1	LH Single Body Turret ASM
10	108-3723	1	Grommet	31	107-8775	3	Bracket-Mount, Nozzle
11	108-3745	4	Nut-HHF, Whiz	32	110-5053	2	Screw-HHF
12	108-3409-03	1	Frame-Mount, Boom (RH)	33	108-3420	2	Pivot Pin ASM
13	108-3744	2	Screw-Shoulder	34	108-3401-03	2	Strap-Clevis
14	2412-82	2	Clamp	35	108-3436	2	Pin-Clevis
15	108-3743	2	Washer	36	3290-468	2	Pin-Cotter
16	104-8300	9	Nut-Flange, NI	37	3269-18	6	Rivet-Pop
17	108-3469-03	1	Plate-Washer	38	108-3438	2	Actuator
18	108-3726	1	RH Single Body Turret ASM	39	108-3742	2	Screw-HHF
19	108-3718	1	Hose-Boom, Center (RH)	40	110-5067	4	Screw-CARR
20	2412-129	7	Clamp-Hose	41	110-5070	2	Bumper
21	108-3439	1	Tee	42	3256-68	2	Washer-Flat
22	108-3717	1	Hose-Boom				

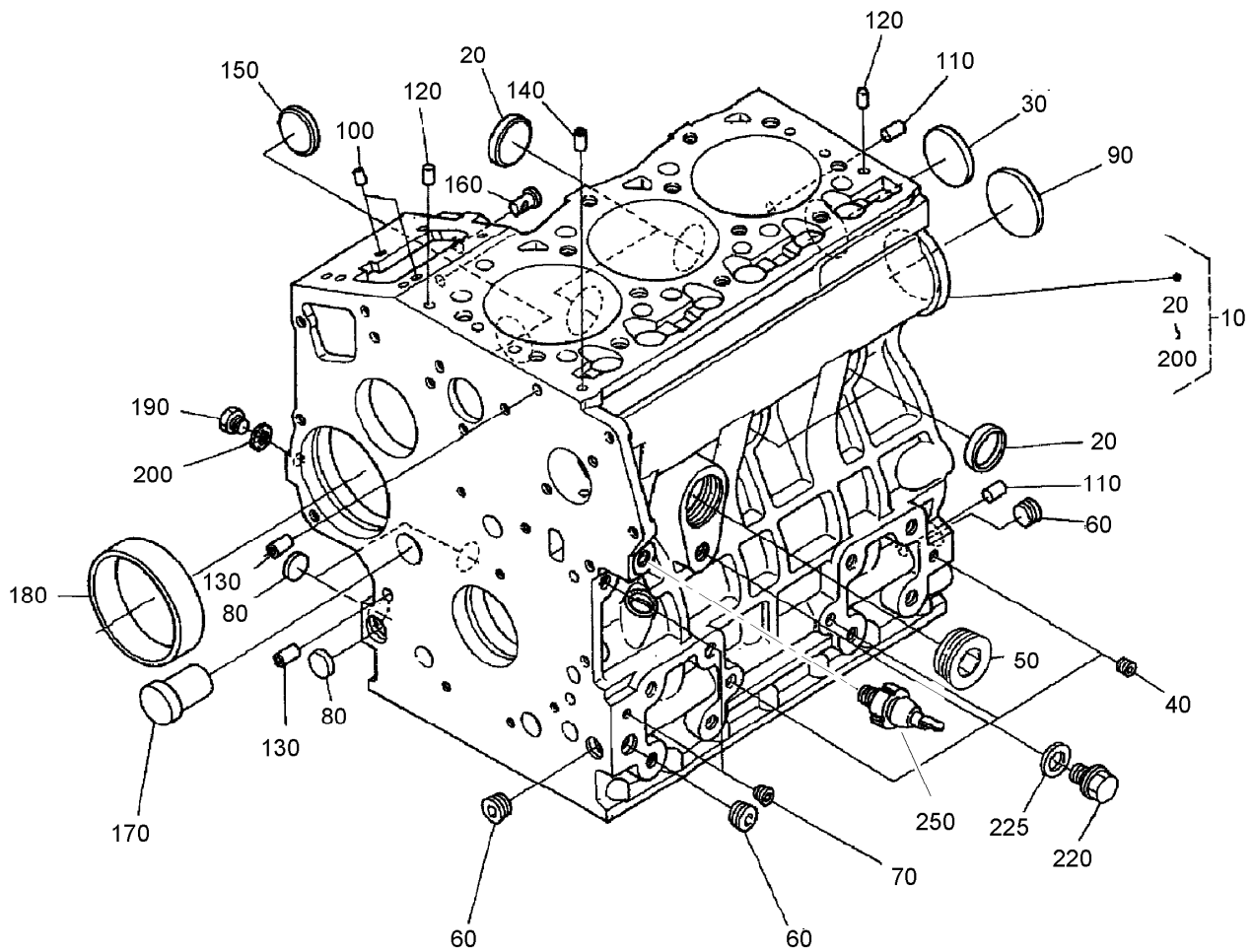


## Left and Right Hand Boom Assembly

Ref.	Part Number	Qty.	Description
1	108-3459	4	Boot-Hinge
2	108-3440	4	Spring-Breakaway, Boom
3	108-3730	4	Tube-Hinge
4	108-3444	4	Retainer-Spring
5	3296-15	4	Nut-Lock, NI
6	108-3738	4	Screw-HH
7	110-5054	4	Washer-Flat
8	302-5	8	Fitting-Grease
9	110-5050	16	Screw-HHF
10	108-3605	8	Plate-Backing
11	104-8300	10	Nut-Flange, NI
14	108-3429	4	Block-Slide
15	108-3746	8	Screw-Plastite
16	108-3524-03	1	Boom-RH
17	108-3525-03	1	Boom-LH
18	108-3726	2	RH Single Body Turret ASM
19	108-3725	2	LH Single Body Turret ASM

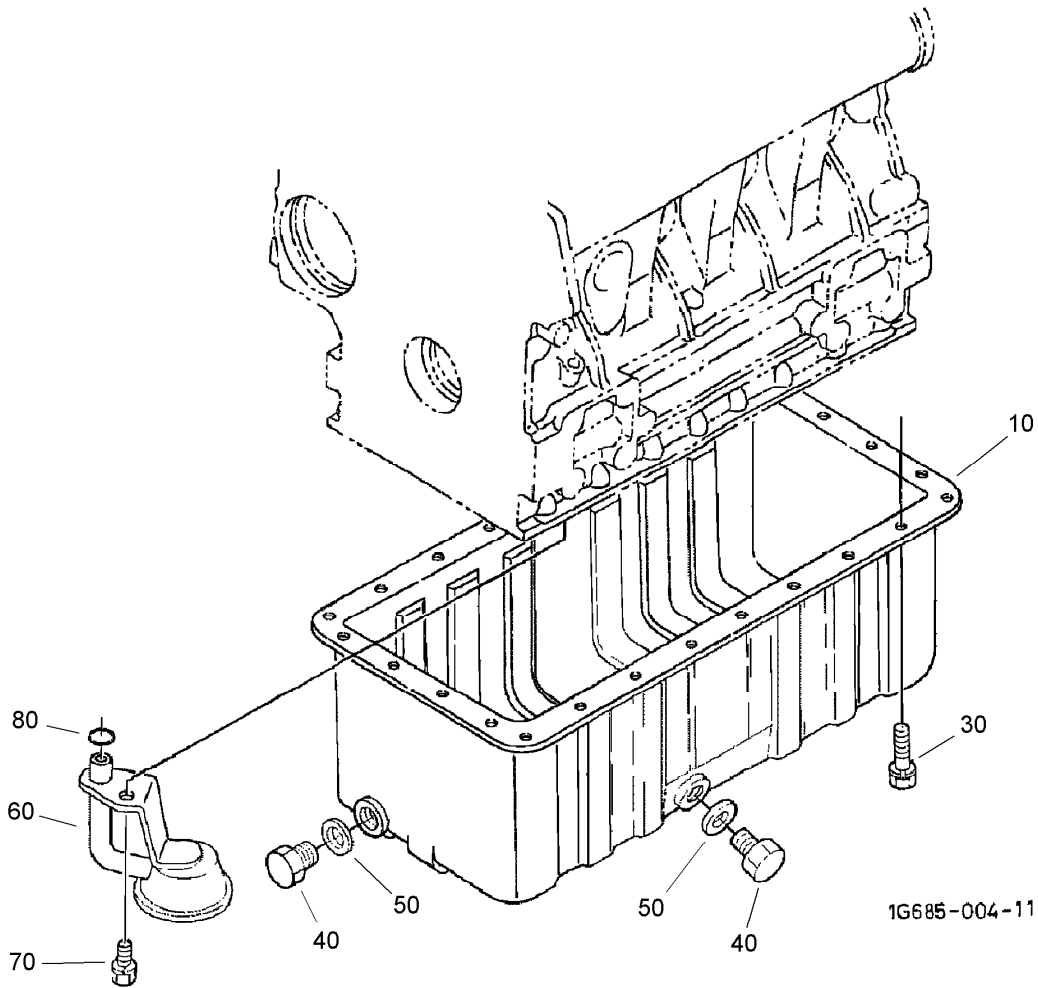
Ref.	Part Number	Qty.	Description
20	40506	4	Hose-Jumper
21	2412-129	18	Clamp-Hose
22	108-3727	4	Double Turret Body ASM
23	240-3	4	Grommet-Rubber
24	108-3721	2	Hose-Boom
25	104-8301	16	Nut-Flange, NI
26	108-3439	2	Tee
27	108-3728	2	Hose-Boom
28	95-9186	8	Cap
28:1	40998	1	Seat-Gasket
30	95-9187	16	Cap-Blank
30:1	40998	1	Seat-Gasket
31	108-3471-03	4	Hinge
32	108-3600-03	2	*obs* Bracket-Pivot
33	100-8541	4	Bushing-A Arm
34	108-3748	2	Screw-HHF
35	108-3419	2	Pivot Pin ASM





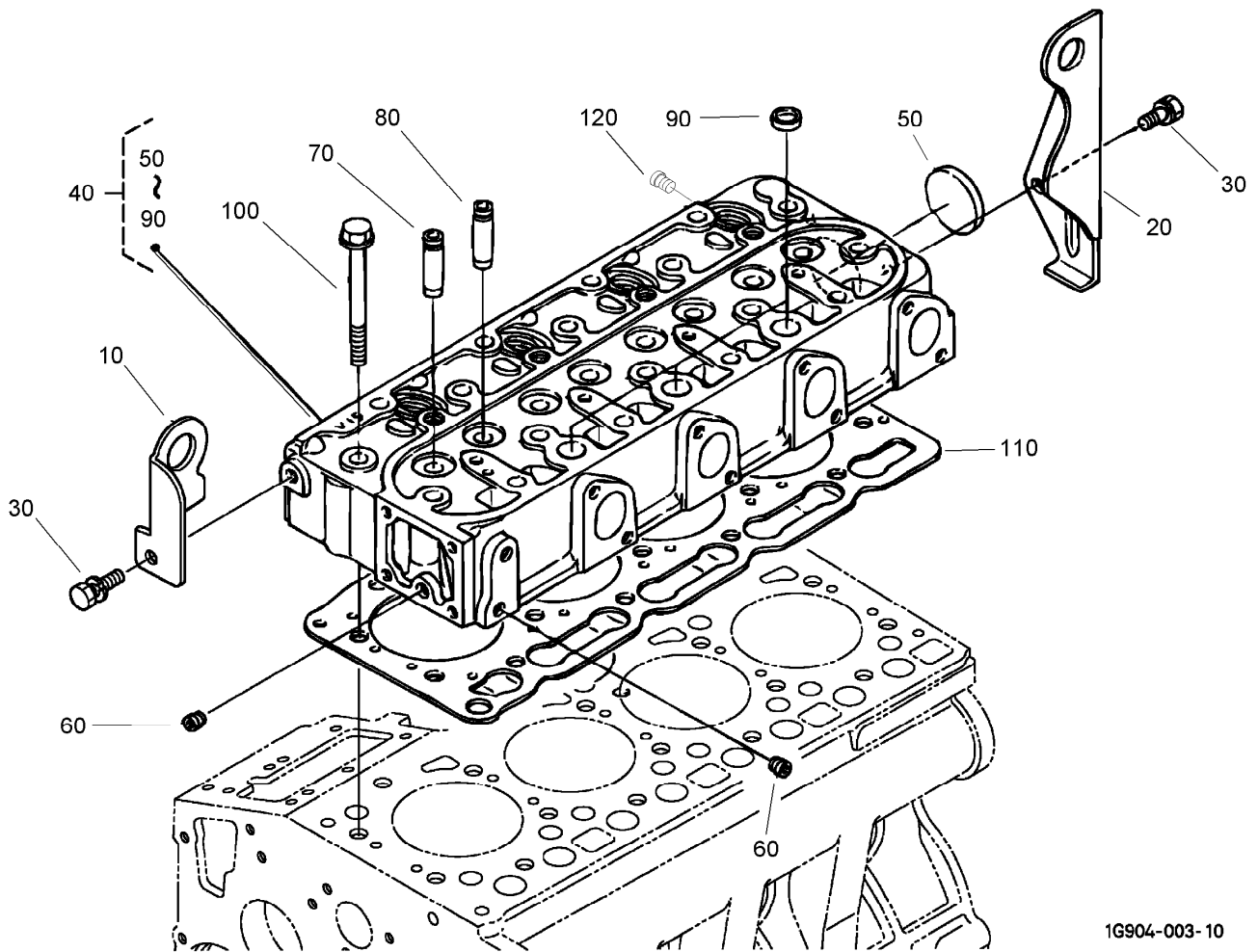
## Crankcase Assembly

<i>Ref.</i>	<i>Part Number</i>	<i>Qty.</i>	<i>Description</i>
10	108-2851	1	Crankcase ASM
20	98-9398	4	Cap-Sealing
30	98-7539	1	Cap-Sealing
40	98-7540	3	Plug
50	105-3779	1	Plug
60	98-9597	3	Plug
70	98-7487	2	Plug
80	98-7489	3	Plug
90	98-9668	1	Plug-Expansion
100	98-9375	2	Pin-Straight
110	98-9377	2	Pin-Straight
120	105-3795	2	Pin-Straight
130	98-9387	2	Pin-Pipe
140	98-9539	1	Pin-Pipe
150	98-9599	1	Plug
160	105-3796	1	Pin-Spring, Start
170	98-9675	1	Plug
180	98-9656	1	Bushing-Governor, Gear
190	98-7507	1	Plug
200	98-7428	1	Gasket
220	99-3447	1	Plug
225	106-7056	1	Gasket
250	98-9416	1	Switch-Oil



## Oil Pan Assembly

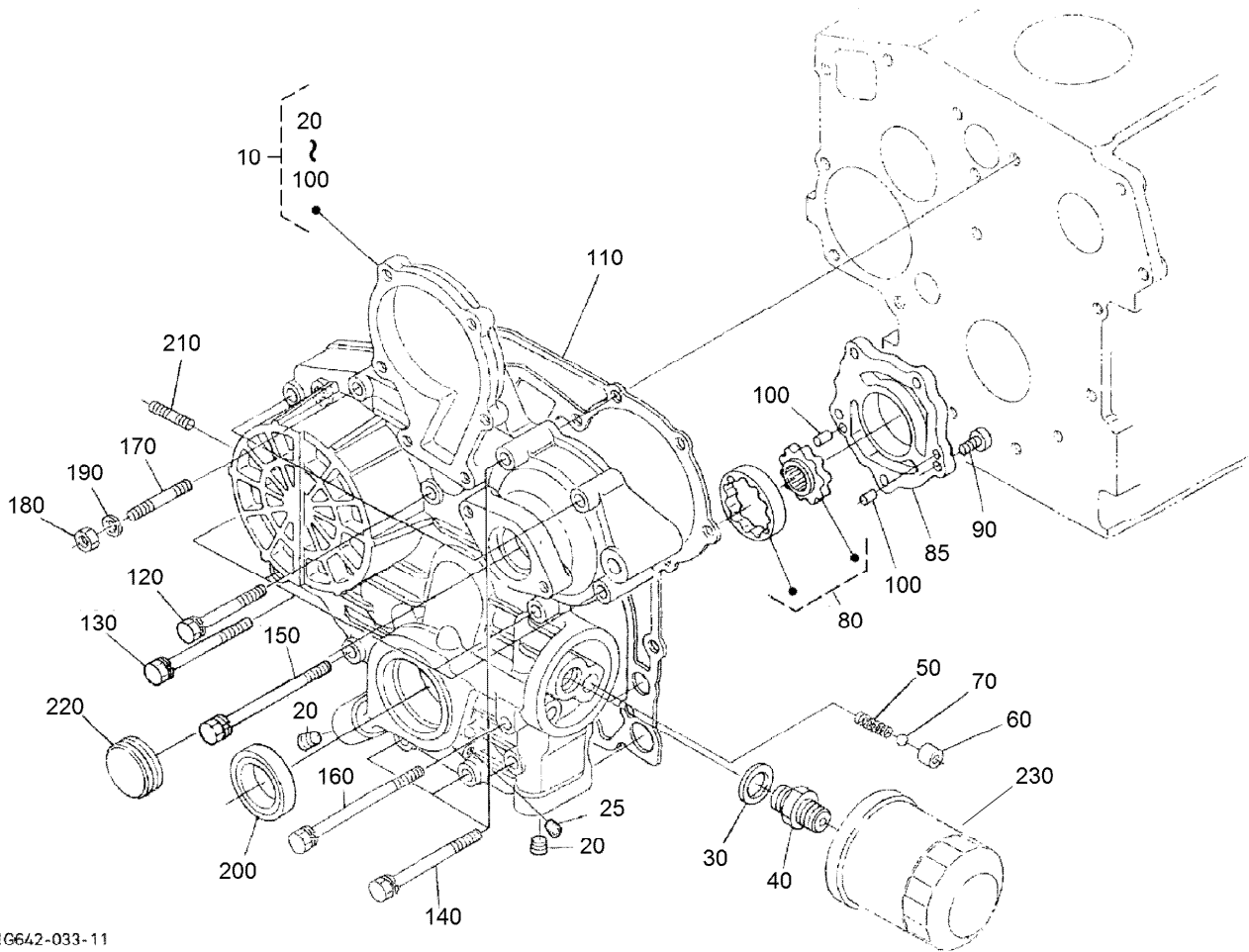
<i>Ref.</i>	<i>Part Number</i>	<i>Qty.</i>	<i>Description</i>
10	108-2852	1	Pan-Oil
30	107-9065	22	Bolt
40	98-9386	1	Plug
50	98-7524	1	Gasket
60	108-2853	1	Head-Oil Filter
70	98-7526	1	Bolt
80	105-3776	1	O-Ring



1G904-003-10

## Cylinder Head Assembly

<i>Ref.</i>	<i>Part Number</i>	<i>Qty.</i>	<i>Description</i>
10	98-9477	1	Hook-Engine
20	98-9478	1	Hook-Engine
30	100-9195	2	Bolt
40	108-2854	1	Cylinder Head ASM
50	98-9395	1	Cap-Sealing
60	98-7540	2	Plug
70	107-9066	3	Guide-Valve, Inlet
80	107-9067	3	Guide-Valve, Exhaust
90	98-9389	2	Cap-Sealing
100	98-9479	1	Bolt-Head, Cylinder
110	108-2855	1	Gasket-Head, Cylinder
120	98-9444	1	Plug

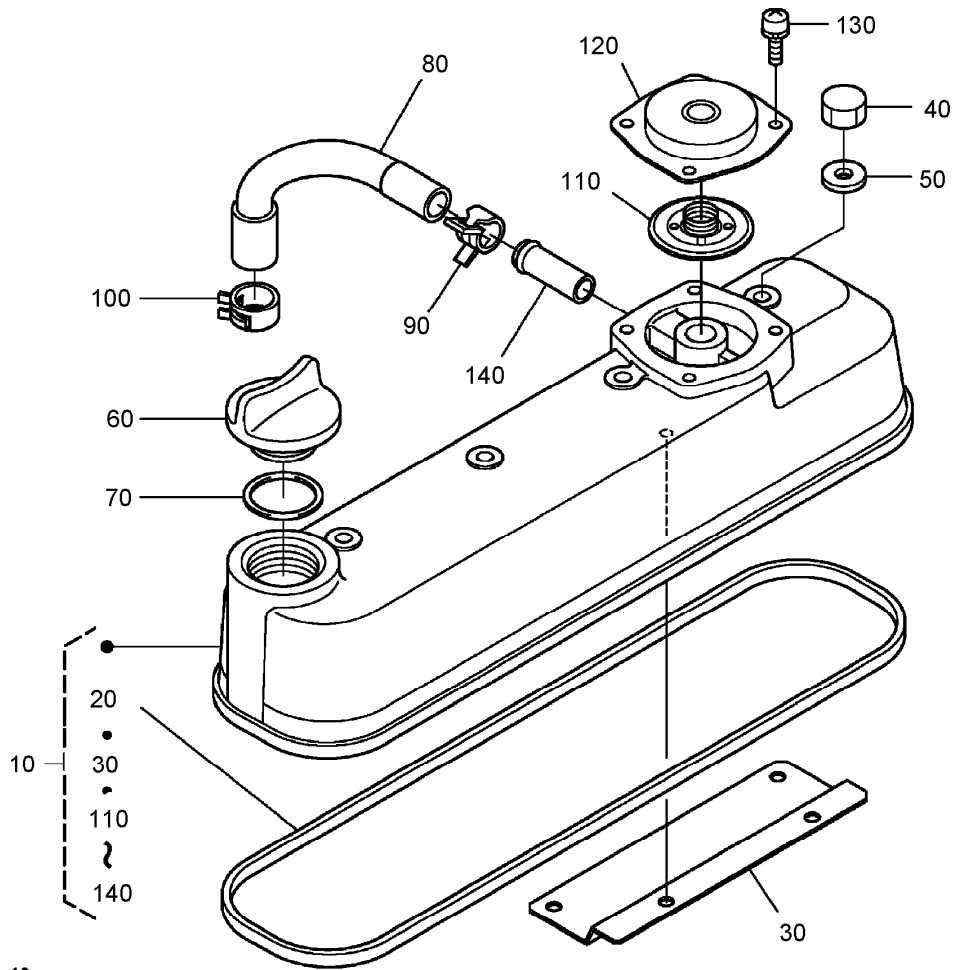


1G642-033-11

## Gear Case Assembly

<i>Ref.</i>	<i>Part Number</i>	<i>Qty.</i>	<i>Description</i>
10	107-9068	1	Gear Case ASM
20	98-9598	2	Plug
25	98-7487	1	Plug
30	98-7562	1	Washer-Plain
40	98-9388	1	Joint-Pipe
50	98-9544	1	Spring
60	98-9543	1	Seat-Valve
70	98-9380	1	Ball
80	98-9540	1	Oil Pump Rotor ASM
85	107-9069	1	Cover-Pump, Oil
90	107-9071	5	Screw
100	107-9072	2	Pin-Straight
110	98-9633	1	Gasket-Case, Gear

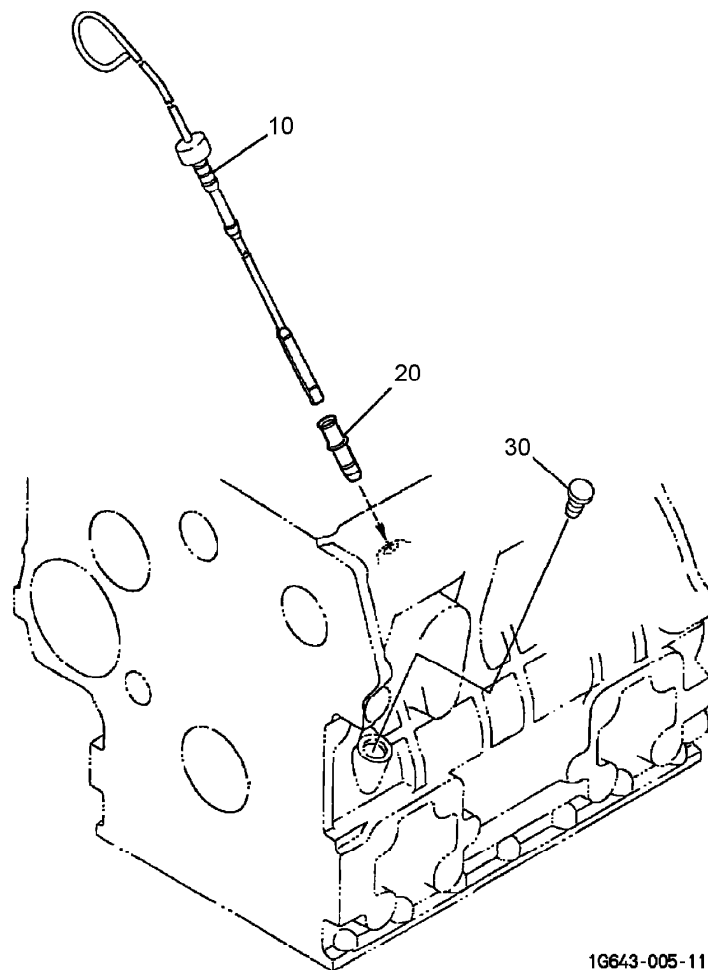
<i>Ref.</i>	<i>Part Number</i>	<i>Qty.</i>	<i>Description</i>
120	107-9073	3	Bolt
130	105-3797	4	Bolt
140	98-9356	4	Bolt
150	107-9074	1	Bolt
160	98-9586	1	Bolt
170	105-3709	1	Stud
180	98-7572	1	Nut
190	98-7699	1	Washer-Spring
200	98-9482	1	Seal-Oil
210	105-3710	2	Stud
220	98-9641	1	Cover-Case, Gear
230	104-5167	1	Filter-Oil



1G996-001-10

## Head Cover Assembly

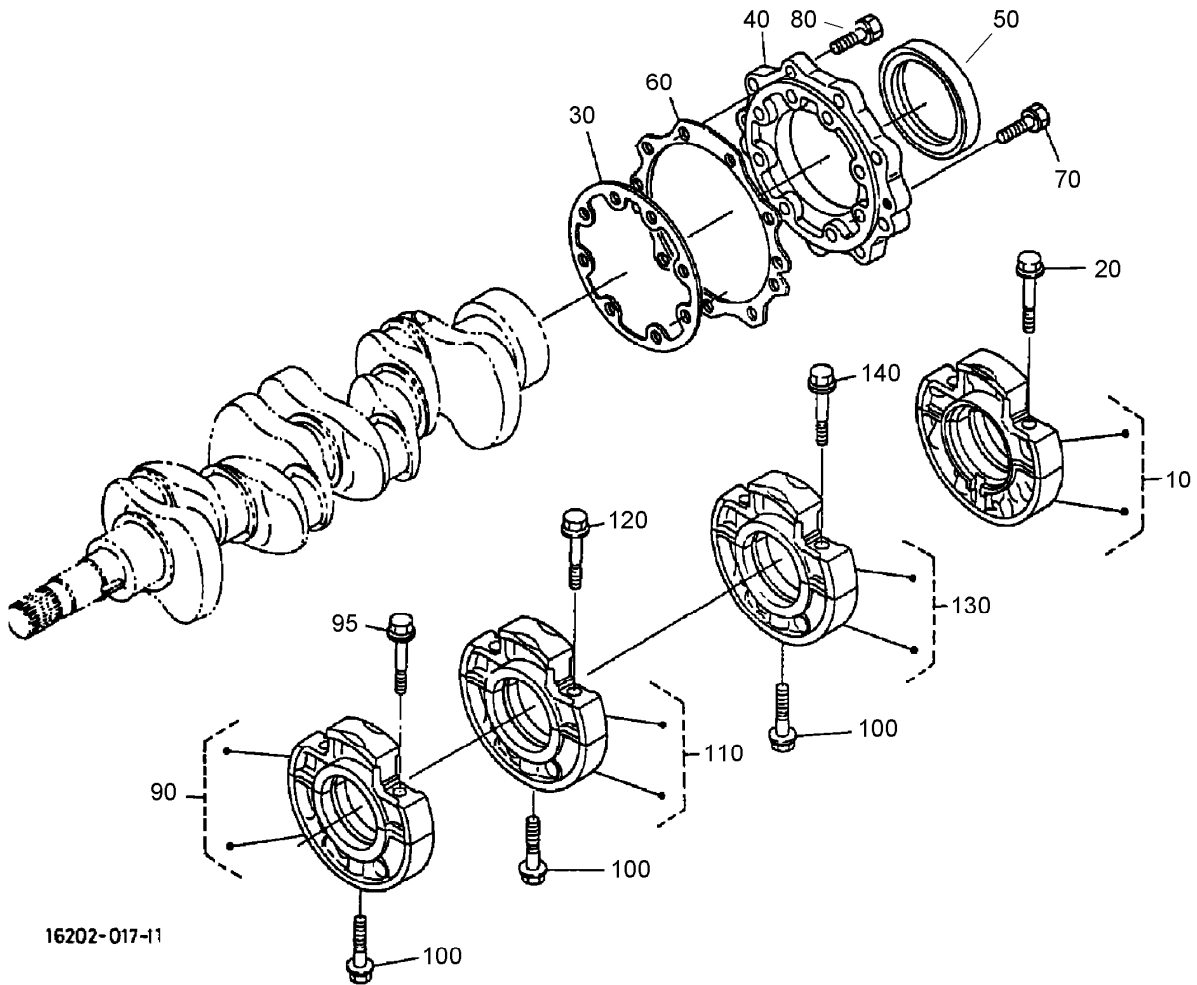
<i>Ref.</i>	<i>Part Number</i>	<i>Qty.</i>	<i>Description</i>
10	108-2856	1	Cylinder Head Cover ASM
20	105-3712	1	Gasket-Cover, Head
30	108-2857	1	Shield-Breather
40	98-9455	4	Nut-Cap
50	98-9454	4	Gasket
60	107-9075	1	Plug-Filler, Oil
70	99-3446	1	O-Ring
80	108-2858	1	Tube-Breather
90	108-2859	1	Clamp-Hose
100	108-2860	1	Clamp-Hose
110	108-2861	1	Breather Valve ASM
120	108-2862	1	Cover-Breather
130	108-2863	4	Screw-PPH
140	98-7766	1	Pipe-Return, Water



1G643-005-11

## Dipstick and Guide Assembly

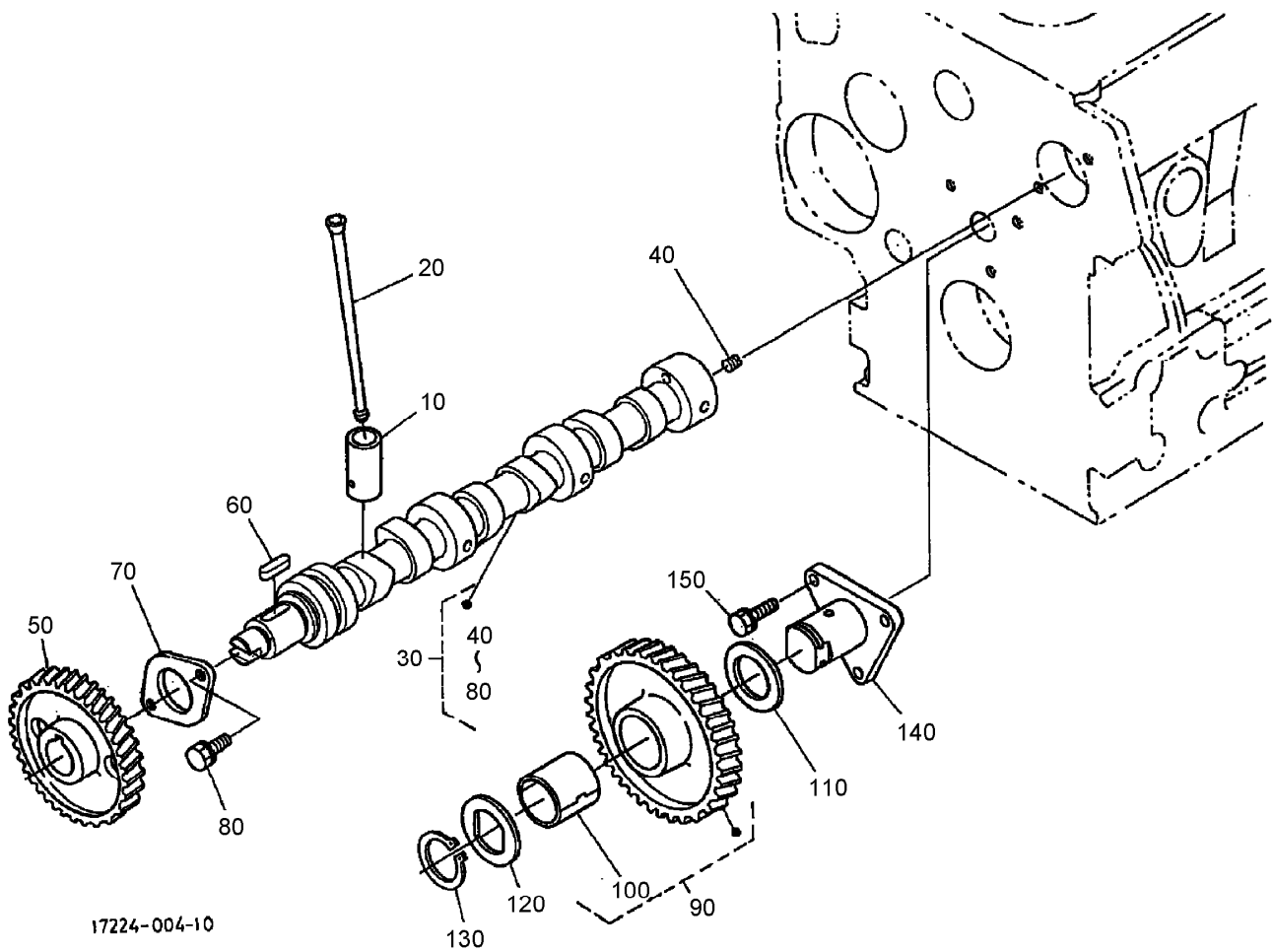
<i>Ref.</i>	<i>Part Number</i>	<i>Qty.</i>	<i>Description</i>
10	105-3714	1	Gauge-Oil
20	105-3713	1	Guide-Gauge, Oil
30	105-3715	1	Plug-Gauge, Oil



16202-017-11

## Main Bearing Case Assembly

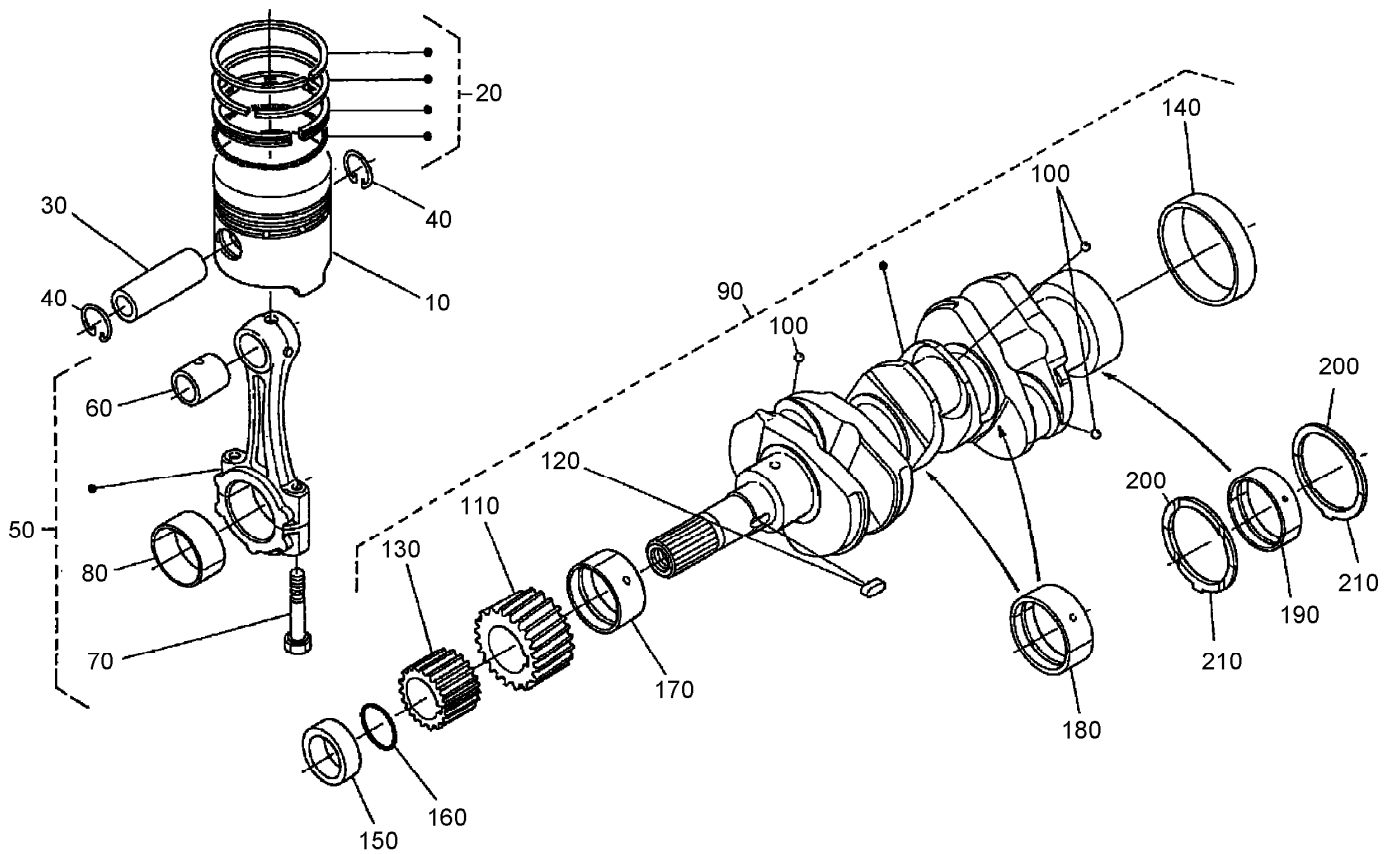
<i>Ref.</i>	<i>Part Number</i>	<i>Qty.</i>	<i>Description</i>
10	98-9480	1	Main Bearing Case ASM
20	98-9484	6	Bolt-Case, Bearing
30	98-9634	1	Gasket-Case, Bearing
40	98-9487	1	Cover-Case, Bearing
50	98-9483	1	Seal-Oil
60	98-9635	1	Gasket-Cover, Bearing Case
70	98-9352	8	Bolt
80	98-7568	9	Bolt
90	98-9606	1	Main Bearing Case ASM
95	98-9484	2	Bolt-Case, Bearing
100	98-9485	3	Bolt-Case, Bearing
110	98-9607	1	Main Bearing Case ASM
120	98-9484	2	Bolt-Case, Bearing
130	108-2864	1	Main Bearing Case ASM
140	98-9484	2	Bolt-Case, Bearing



## Camshaft and Idle Gear Shaft Assembly

<i>Ref.</i>	<i>Part Number</i>	<i>Qty.</i>	<i>Description</i>
10	98-9616	6	Tappet
20	98-9509	6	Rod-Push
30	108-2865	1	Camshaft ASM
40	98-7449	1	Screw-Set
50	98-9512	1	Gear-Cam
60	98-9378	1	Key-Feather
70	98-9510	1	Stopper-Camshaft
80	98-7692	2	Bolt
90	98-9649	1	Idle Gear ASM
100	98-9650	1	Bushing-Gear, Idle
110	98-9535	1	Collar-Gear, Idle
120	98-9536	1	Collar-Gear, Idle
130	98-9534	1	Circlip-Gear, Idle
140	98-9533	1	Shaft-Gear, Idle
150	98-7692	3	Bolt

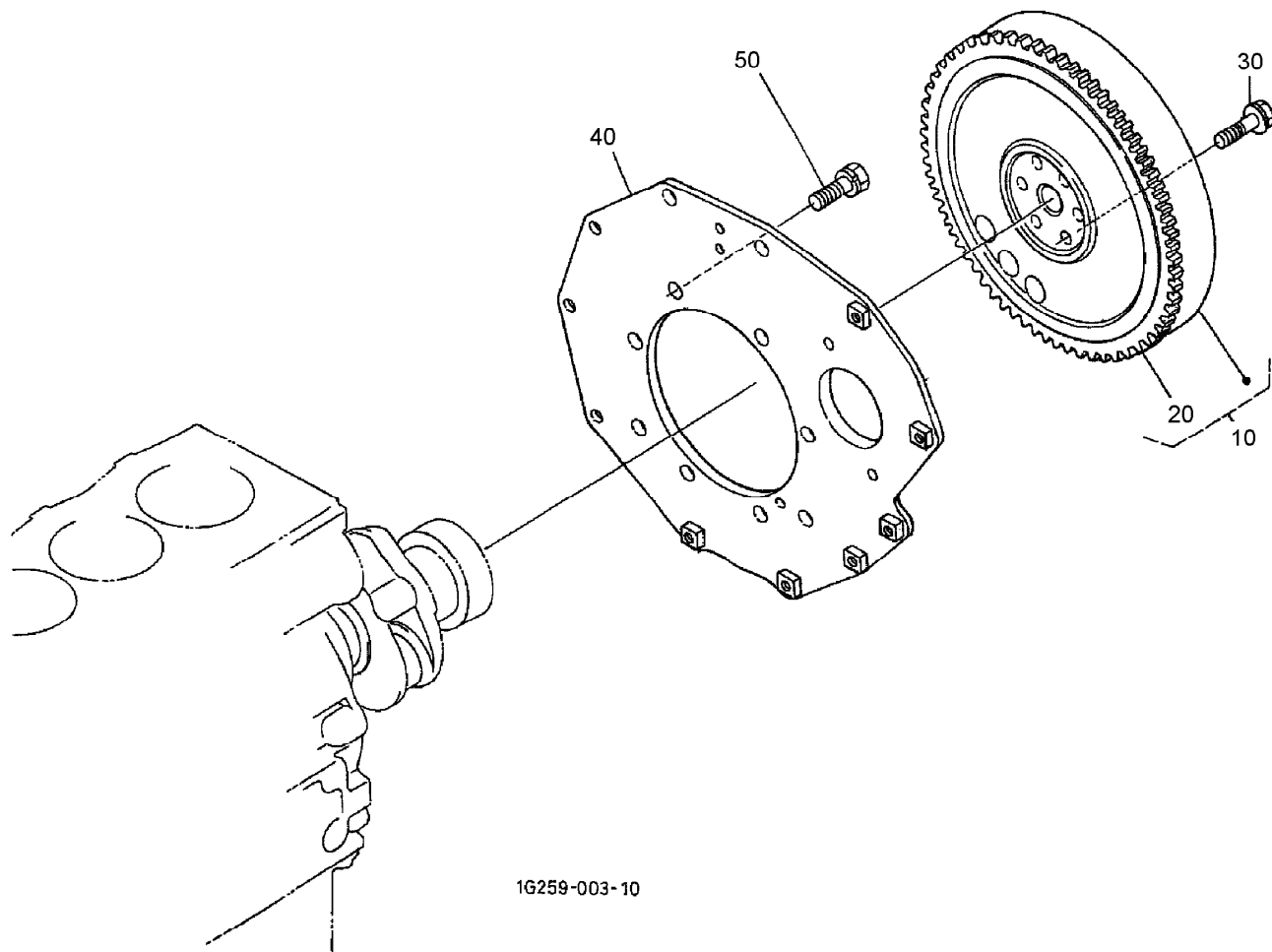




16221-009-10

## Piston and Crankshaft Assembly

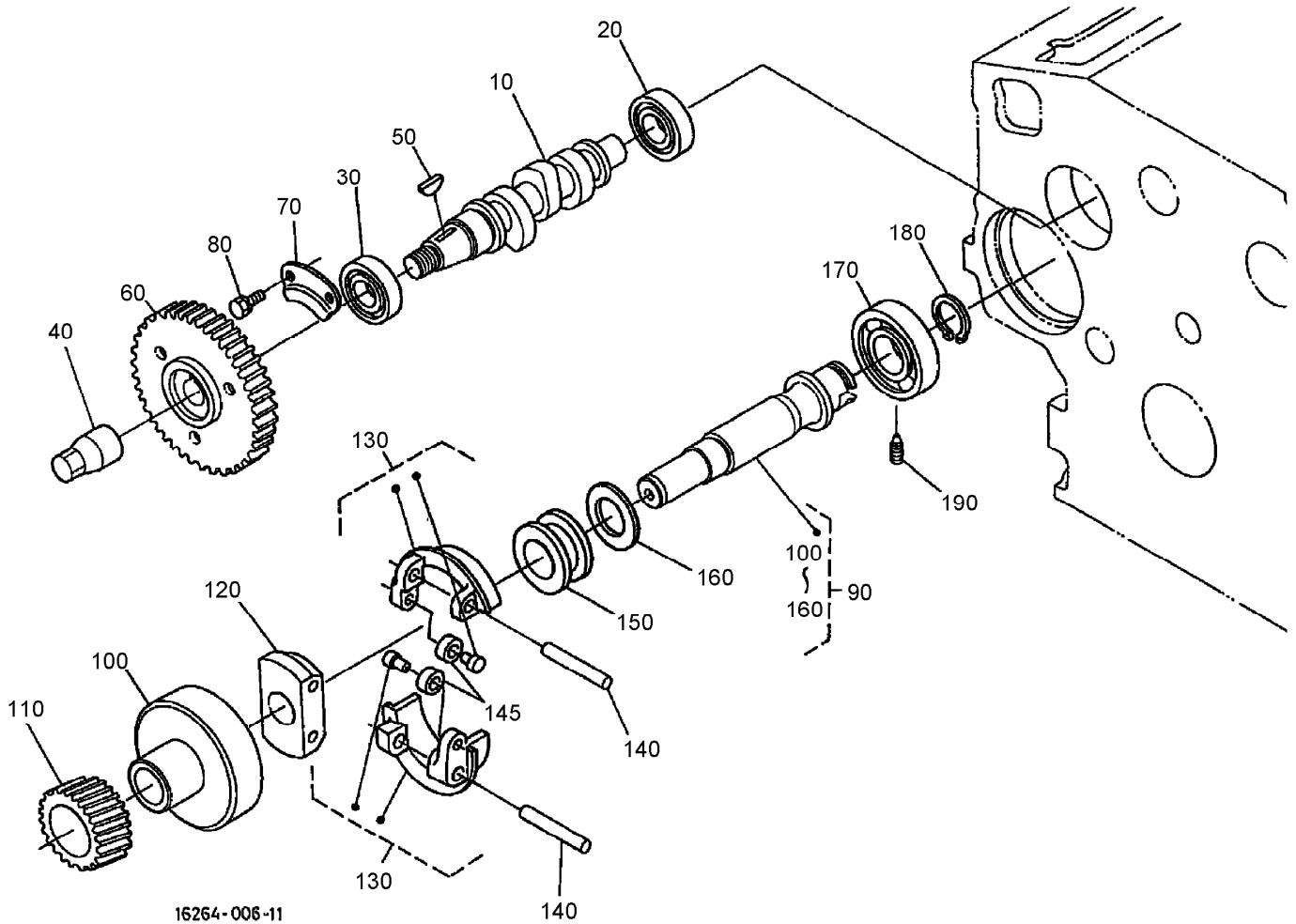
Ref.	Part Number	Qty.	Description	Ref.	Part Number	Qty.	Description
10	98-9470	3	Piston (0.5Mm)	150	98-9520	1	Bearing-Rod (0.4Mm)
10	98-9469	3	*obs* Piston (STD)	160	105-3783	1	O-Ring
20	98-9619	3	Piston Ring ASM (0.5Mm)	170	98-9524	1	Metal-Crankshaft (STD Set)
20	98-9618	3	Piston Ring ASM (STD)	170	98-9528	1	Bearing-Main (-0.2Mm)
30	98-9513	3	Pin-Piston	170	98-9529	1	Bearing-Main (0.4Mm)
40	98-9514	6	Circlip-Pin, Piston	180	98-9524	2	Metal-Crankshaft (STD Set)
50	98-9516	3	Connecting Rod ASM	180	98-9530	2	Bearing-Main (0.2Mm)
60	98-9515	3	Bushing-Pin, Piston	180	98-9531	2	Bearing-Main (0.4Mm)
70	98-9517	6	Bolt-Rod, Connecting	190	98-9556	1	Bearing-Main (STD)
80	98-9520	3	Bearing-Rod (0.4Mm)	190	105-3719	1	Metal-Crankshaft (.2Mm)
80	98-9519	3	Bearing-Rod (0.2Mm)	190	105-3720	1	Metal-Crankshaft (.4Mm)
80	98-9518	3	Metal-Crankpin (STD)	200	98-9413	2	Bearing-Thrust (STD)
90	105-3718	1	Crankshaft ASM	200	98-9414	2	Bearing-Thrust (0.2Mm)
100	98-7473	3	Ball	200	98-9415	2	Bearing-Thrust (0.4Mm)
110	98-9532	1	Gear-Crankshaft	210	98-9688	2	Bearing-Thrust (STD)
120	98-9666	1	Key	210	98-9689	2	Bearing-Thrust (0.2Mm)
130	98-9542	1	Gear-Drive, Oil Pump	210	98-9690	2	Bearing-Thrust (0.4Mm)
140	98-9522	1	Sleeve-Crankshaft				



1G259-003-10

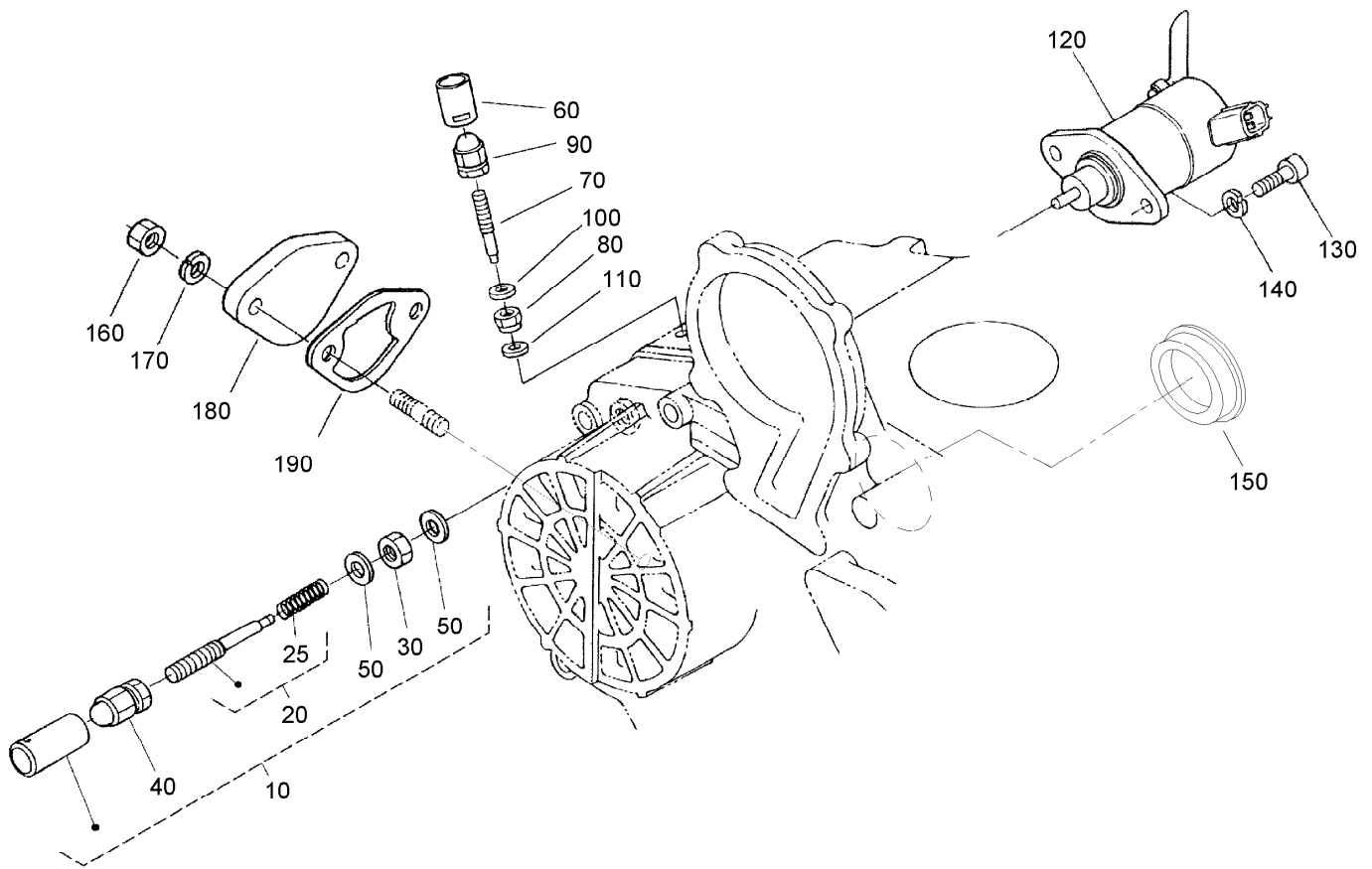
## Flywheel Assembly

<i>Ref.</i>	<i>Part Number</i>	<i>Qty.</i>	<i>Description</i>
10	105-3761	1	Pipe-Inlet
20	105-3722	1	Gear-Ring
30	98-9537	6	Bolt-Flywheel
40	98-9486	1	Plate-End, Rear
50	98-9392	8	Bolt



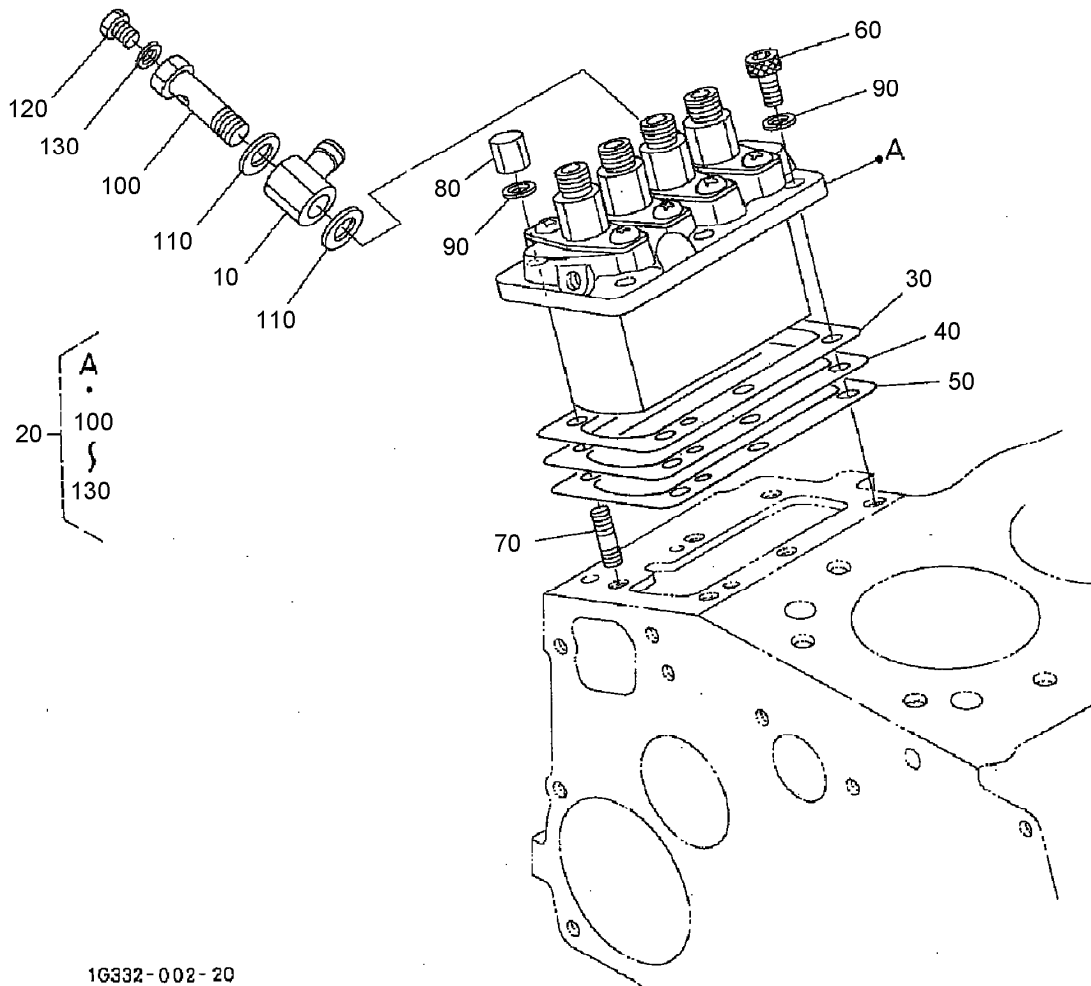
## Fuel Camshaft and Governor Shaft Assembly

Ref.	Part Number	Qty.	Description
10	105-3723	1	Camshaft-Fuel
20	107-9077	1	Bearing-Ball
30	107-9078	1	Bearing-Ball
40	98-9590	1	Nut-Cap
50	98-9595	1	Key-Woodruff
60	98-9669	1	Gear-Pump, Injection
70	98-9511	1	Stopper-Fuel, Camshaft
80	98-7692	2	Bolt
90	105-3724	1	Governor Shaft ASM
100	98-9562	1	Holder-Gear, Governor
110	98-9673	1	Gear-Governor
120	98-9561	1	Holder-Weight, Governor
130	98-9559	2	Governor Weight ASM
140	98-9560	2	Shaft-Weight, Governor
145	98-9692	2	Roller
150	98-9563	1	Sleeve-Governor
160	98-9564	1	Washer-Thrust
170	107-9079	1	Bearing-Ball
180	98-9657	1	Circlip-Shaft, Governor
190	98-9565	1	Screw-Set



## Idle Apparatus Assembly

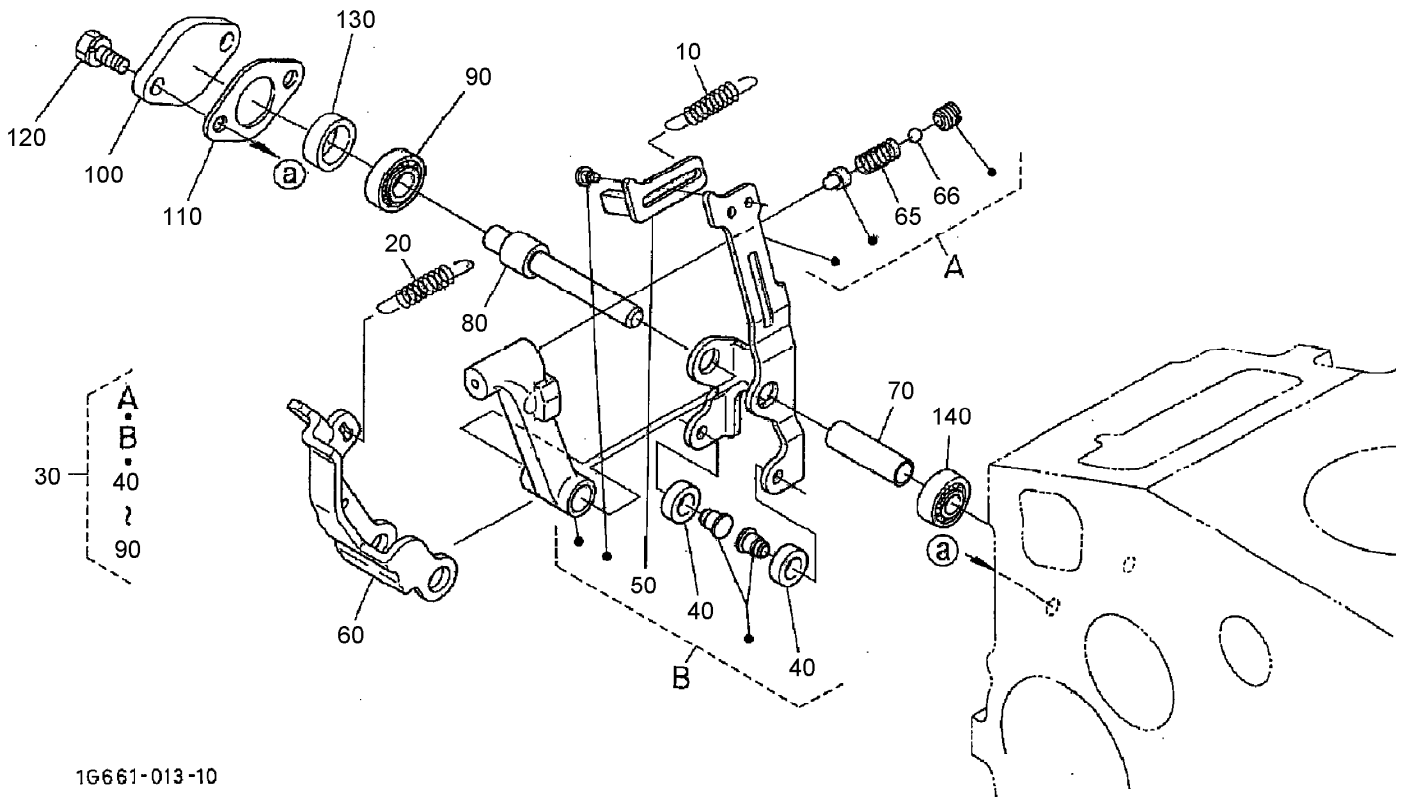
<b>Ref.</b>	<b>Part Number</b>	<b>Qty.</b>	<b>Description</b>
10	98-9678	1	Idle Apparatus ASM
20	98-9679	1	Adjusting Bolt ASM
25	107-9080	1	Spring
30	98-9439	1	Nut
40	99-8387	1	Nut-Cap
50	98-7654	2	Gasket
60	98-7656	1	Cap
70	98-9557	1	Bolt-Adjusting
80	99-3512	1	Nut
90	99-8387	1	Nut-Cap
100	98-7654	1	Gasket
110	107-9081	1	Gasket
120	104-5155	1	Solenoid-Stop
130	105-3799	2	Bolt-HSH
140	98-7699	2	Washer-Spring
150	98-9640	1	Cover-Pump
160	98-7572	2	Nut
170	98-7699	2	Washer-Spring
180	99-3514	1	Cover
190	98-9636	1	Gasket-Pump, Fuel



1G332-002-20

## Injection Pump Assembly

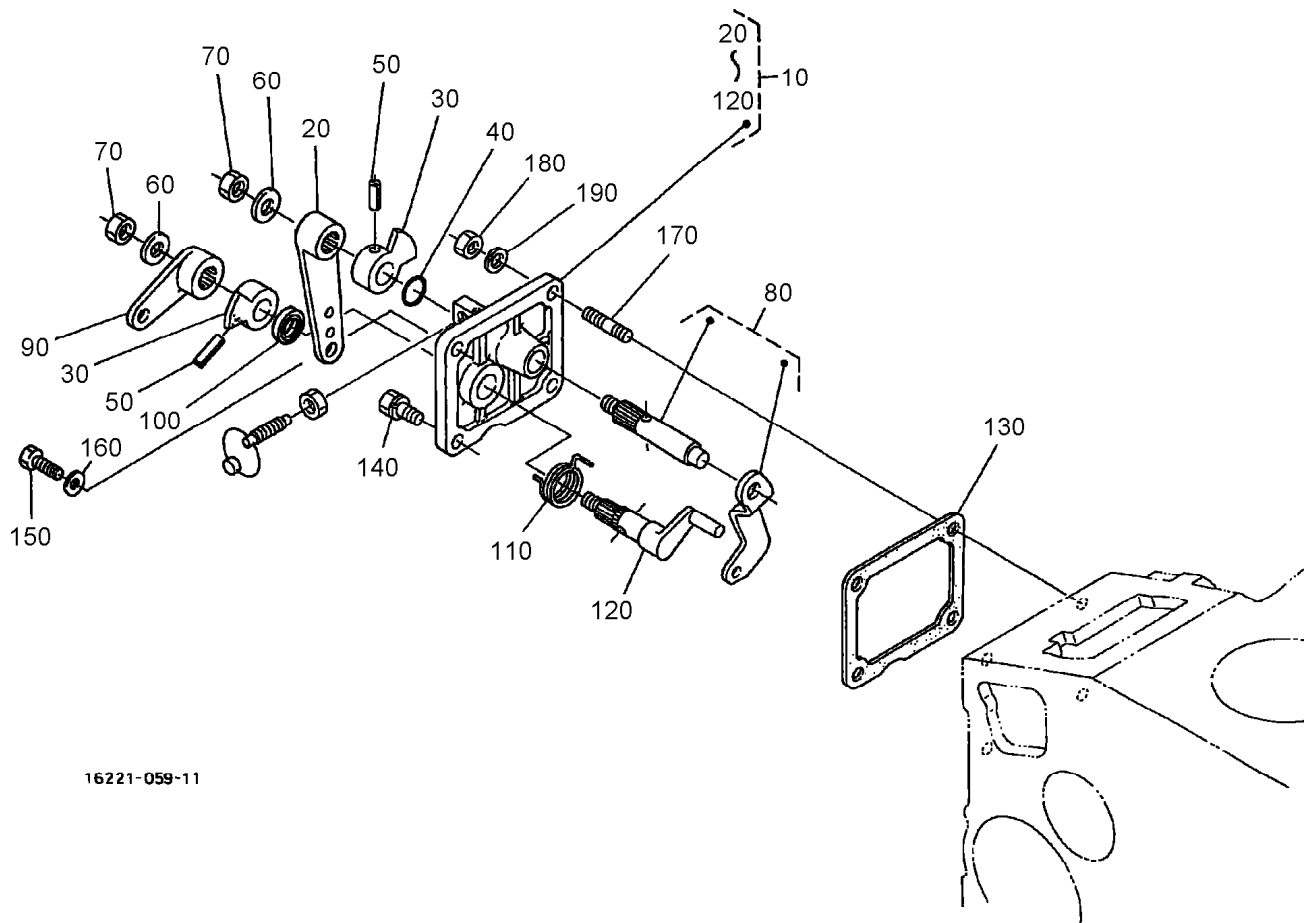
<i>Ref.</i>	<i>Part Number</i>	<i>Qty.</i>	<i>Description</i>
10	98-9596	1	Joint-Eye
20	105-3727	1	Injection Pump ASM
30	105-3728	1	Shim-Pump, Injection (.20Mm)
40	105-3729	1	Shim-Pump, Injection (.25Mm)
50	105-3730	1	Shim-Pump, Injection (.30Mm)
60	98-9361	3	Bolt-HSH
70	98-9438	3	Stud
80	98-9440	3	Nut-Cap
90	98-7699	6	Washer-Spring
100	98-9464	1	Bolt-Joint
110	98-9445	2	Gasket
120	98-9430	1	Screw
130	98-9446	1	Gasket



1G661-013-10

## Governor Assembly

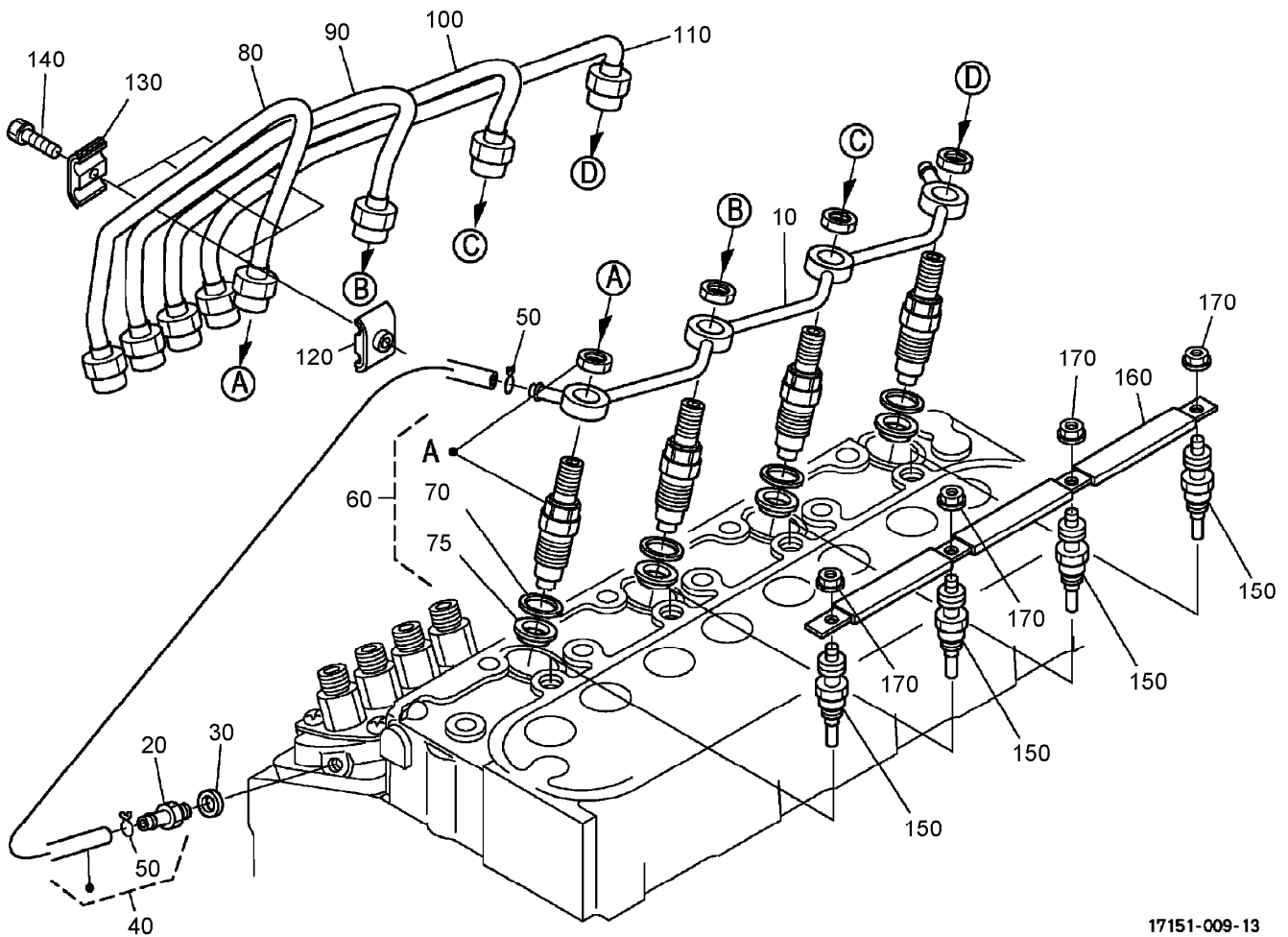
Ref.	Part Number	Qty.	Description
10	105-3741	1	Spring-Start
20	98-9681	1	Spring-Governor
30	107-9082	1	Fork Lever ASM
40	98-9692	2	Roller
50	107-9083	1	Lever-Thrust
60	107-9084	1	Lever-Fork
65	108-2867	1	Spring
66	98-7580	2	Ball
70	107-9085	1	Shaft-Lever, Fork
80	107-9086	1	Shaft-Lever, Fork
90	98-9570	1	Bearing-Miniaturize
100	98-9569	1	Cover-Shaft, Fork Lever
110	98-9682	1	Gasket
120	98-9351	2	Bolt
130	98-9567	1	Collar
140	98-9571	1	Bearing-Miniaturize



16221-059-11

## Speed Control Plate Assembly

<i>Ref.</i>	<i>Part Number</i>	<i>Qty.</i>	<i>Description</i>
10	105-3735	1	Control Plate ASM
20	98-9662	1	Lever-Control, Speed
30	98-9572	2	Lever-Control, Speed
40	105-3788	1	O-Ring
50	98-7602	2	Pin-Spring
60	98-9594	2	Washer-Plain
70	98-9589	2	Nut
80	98-9658	1	Governor Lever ASM
90	98-9663	1	Lever-Stop, Engine
100	98-7601	1	Seal-Oil
110	98-9472	1	Spring-Return
120	98-9664	1	Shaft-Lever, Stop
130	98-9637	1	Gasket
140	98-7692	1	Bolt
150	99-8348	1	Bolt
160	98-7654	2	Gasket
170	105-3710	2	Stud
180	98-7572	2	Nut
190	98-7699	2	Washer-Spring

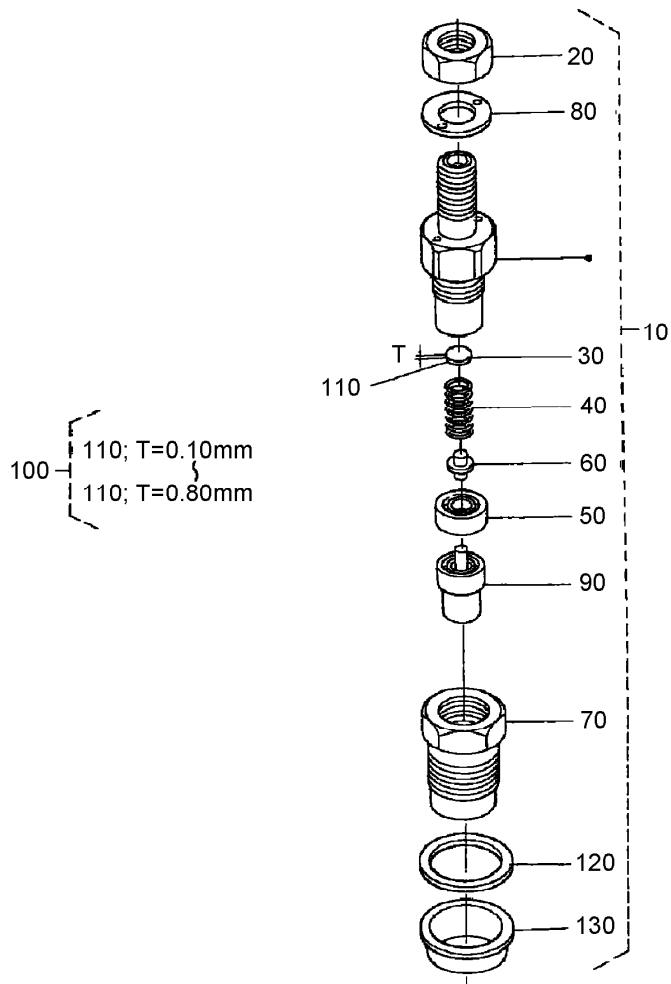


17151-009-13

## Nozzle Holder and Glow Plug Assembly

Ref.	Part Number	Qty.	Description
10	105-3737	1	Over Flow Pipe ASM
20	98-9431	1	Screw-Bleeder, Air
30	98-7654	1	Gasket
40	98-9420	1	Overflow Pipe ASM
50	98-7671	2	Clip-Pipe
60	108-2866	4	Nozzle Holder Kit
70	98-7676	4	Gasket
75	98-7677	4	Seal-Heat
80	98-9653	1	Pipe-Injection
90	98-9654	1	Pipe-Injection
100	98-9655	1	Pipe-Injection
110	105-3738	1	Pipe-Injection
120	98-7682	3	Clamp-Pipe
130	98-7683	3	Clamp-Pipe
140	98-7684	3	Screw (W/Washer)
150	98-9695	4	Plug-Glow
160	105-3739	1	Cord-Plug, Glow
170	99-8377	4	Nut-Flange

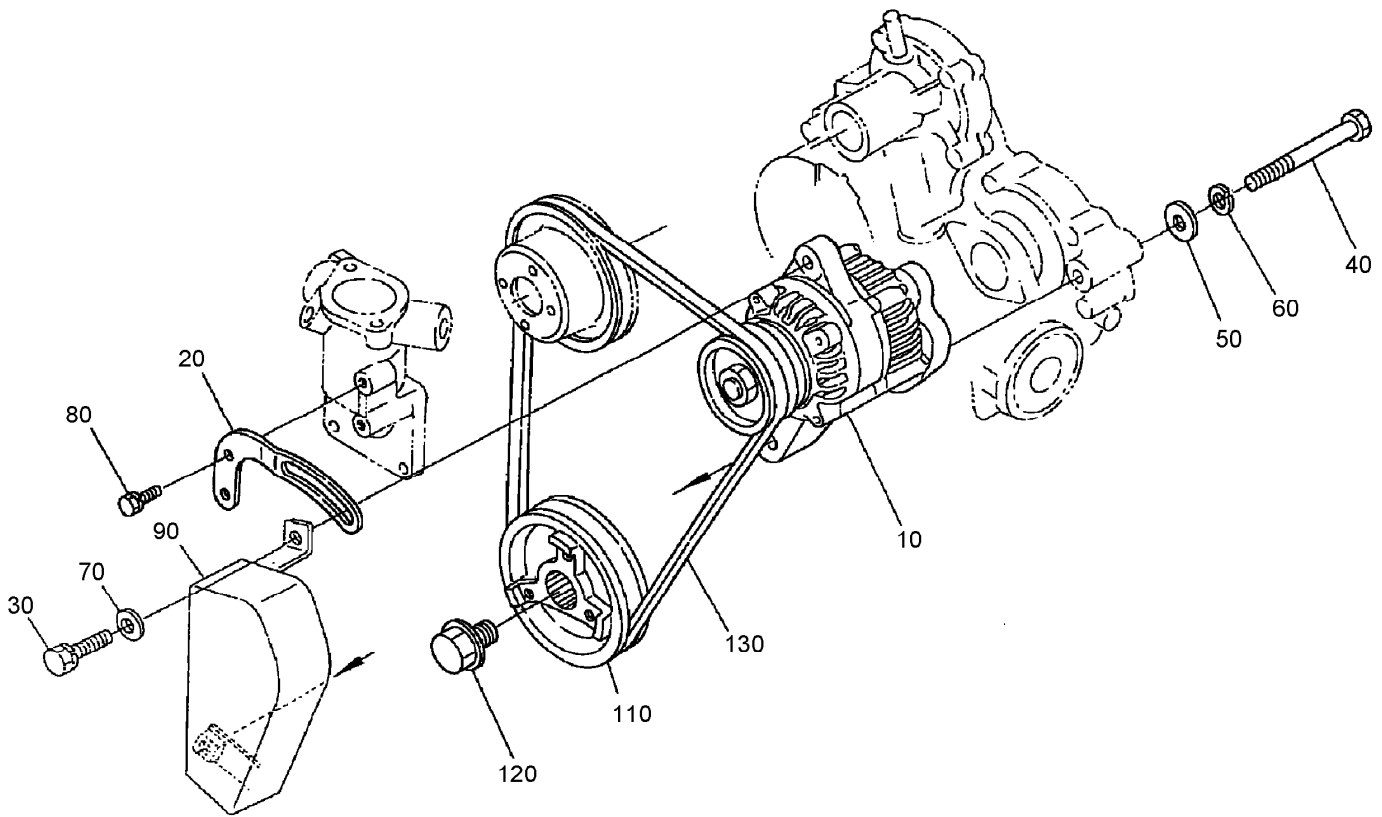




1G347-015-10

## Nozzle Holder (Component Parts) Assembly

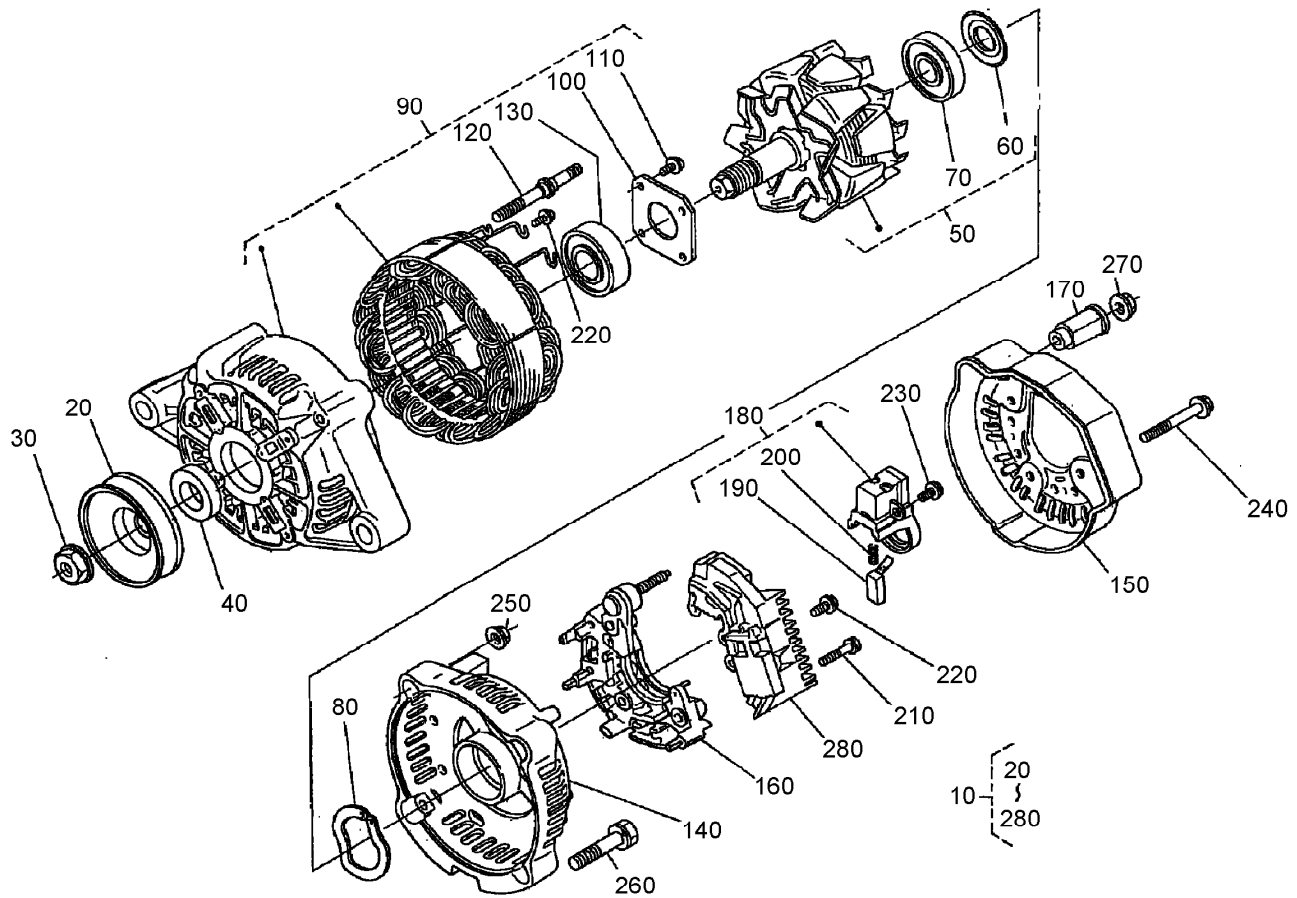
Ref.	Part Number	Qty.	Description
10	108-2866	3	Nozzle Holder Kit
20	99-8301	3	Nut
30	99-8302	3	Washer-Adjusting
40	99-8303	3	Spring-Nozzle
50	99-8304	3	Spacer-Distance
60	99-8305	3	Rod-Push
70	99-8306	3	Nut-Nozzle
80	99-8307	3	Washer-Plain
90	99-8308	3	Piece-Nozzle
100	99-8309	3	Adjusting Washer ASM
110	99-8310	3	Washer-Adjust (0.10Mm)
110	99-8311	3	Washer-Adjust (0.20Mm)
110	99-8312	3	Washer-Adjust (0.30Mm)
110	99-8313	3	Washer-Adjust (0.40Mm)
110	99-8314	3	Washer-Adjust (0.50Mm)
110	99-8315	3	Washer-Adjust (0.52Mm)
110	99-8316	3	Washer-Adjust (0.54Mm)
110	99-8317	3	Washer-Adjust (0.56Mm)
110	99-8318	3	Washer-Adjust (0.58Mm)
110	99-8319	3	Washer-Adjust (0.80Mm)
120	98-7676	3	Gasket
130	98-7677	3	Seal-Heat



1G299-140-10

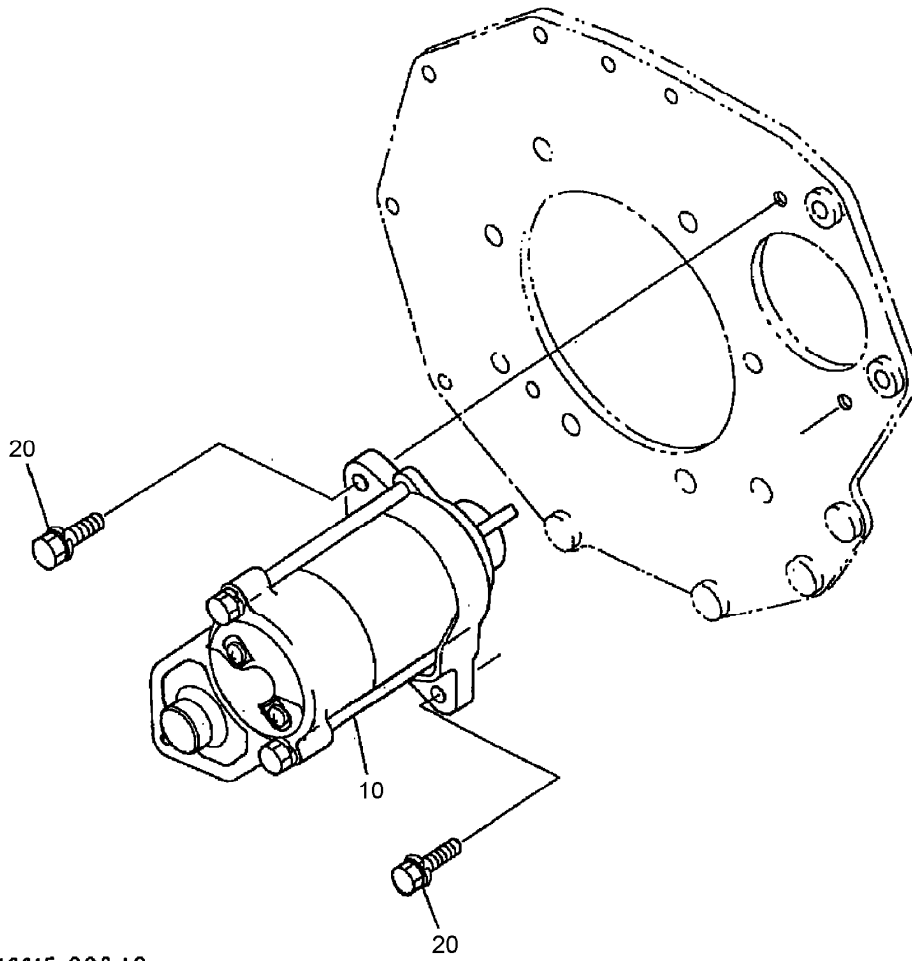
## Alternator and Pulley Assembly

<i>Ref.</i>	<i>Part Number</i>	<i>Qty.</i>	<i>Description</i>
10	98-9474	1	Alternator ASM
20	98-9573	1	Stay-Dynamo
30	98-7697	1	Bolt
40	98-9360	1	Bolt
50	3256-24	1	Washer-Flat
60	98-7738	1	Washer-Spring
70	100-9233	1	Washer-Plain
80	98-7692	1	Bolt
90	108-2868	1	Cover-Belt
110	105-3745	1	Pulley-Drive, Fan
120	98-9585	1	Bolt
130	98-9676	1	V-Belt



## Alternator (Component Part) Assembly

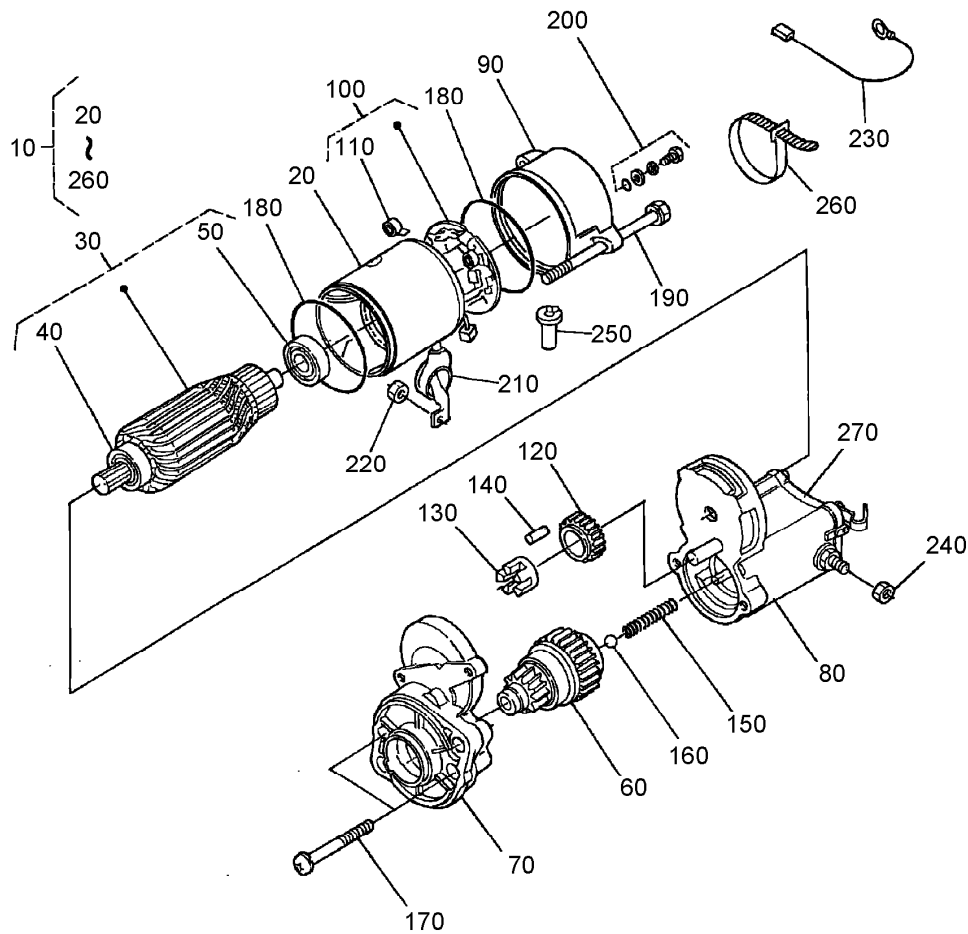
<i>Ref.</i>	<i>Part Number</i>	<i>Qty.</i>	<i>Description</i>	<i>Ref.</i>	<i>Part Number</i>	<i>Qty.</i>	<i>Description</i>
10	98-9474	1	Alternator ASM	150	107-0140	1	Cover-End
20	98-9453	1	Pulley-Dynamo	160	98-9476	1	Rectifier ASM
30	98-7708	1	Nut	170	98-7722	1	Bushing-Insulation
40	98-7709	1	Collar	180	107-0141	1	Brush Holder ASM
50	107-0136	1	Rotor ASM	190	98-7724	2	Brush
60	98-7711	1	Cover-Bearing	200	98-7725	2	Spring-Brush
70	107-0138	1	Bearing-Ball	210	98-7726	2	Screw-Head, Round
80	98-7713	1	Washer-Thrust	220	98-7727	6	Screw-Head, Round
90	107-0139	1	Drive End Frame ASM	230	98-7728	1	Screw-Head, Round
100	98-7715	1	Plate-Retainer	240	98-7729	3	Bolt
110	98-7716	4	Screw-Head, Round	250	98-7730	2	Nut
120	98-7717	2	Bolt-Through	260	98-7731	2	Bolt
130	107-0137	1	Bearing-Ball	270	98-7732	1	Nut
140	107-9087	1	Frame-End	280	107-9088	1	Regulator ASM



16615-008-10

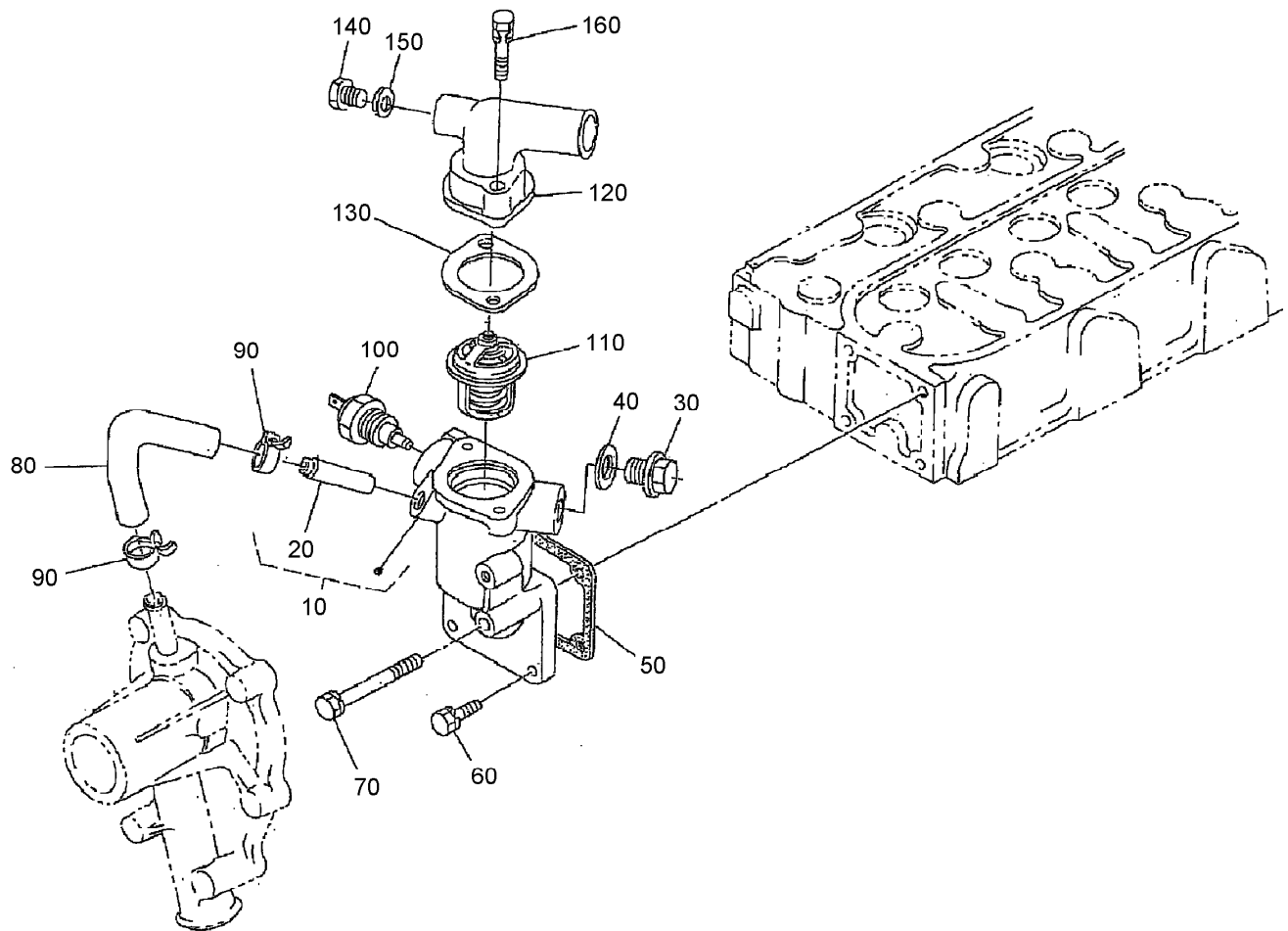
## Starter Assembly

<i>Ref.</i>	<i>Part Number</i>	<i>Qty.</i>	<i>Description</i>
10	98-9705	1	Starter ASM
20	98-7697	2	Bolt



## Starter (Component Parts) Assembly

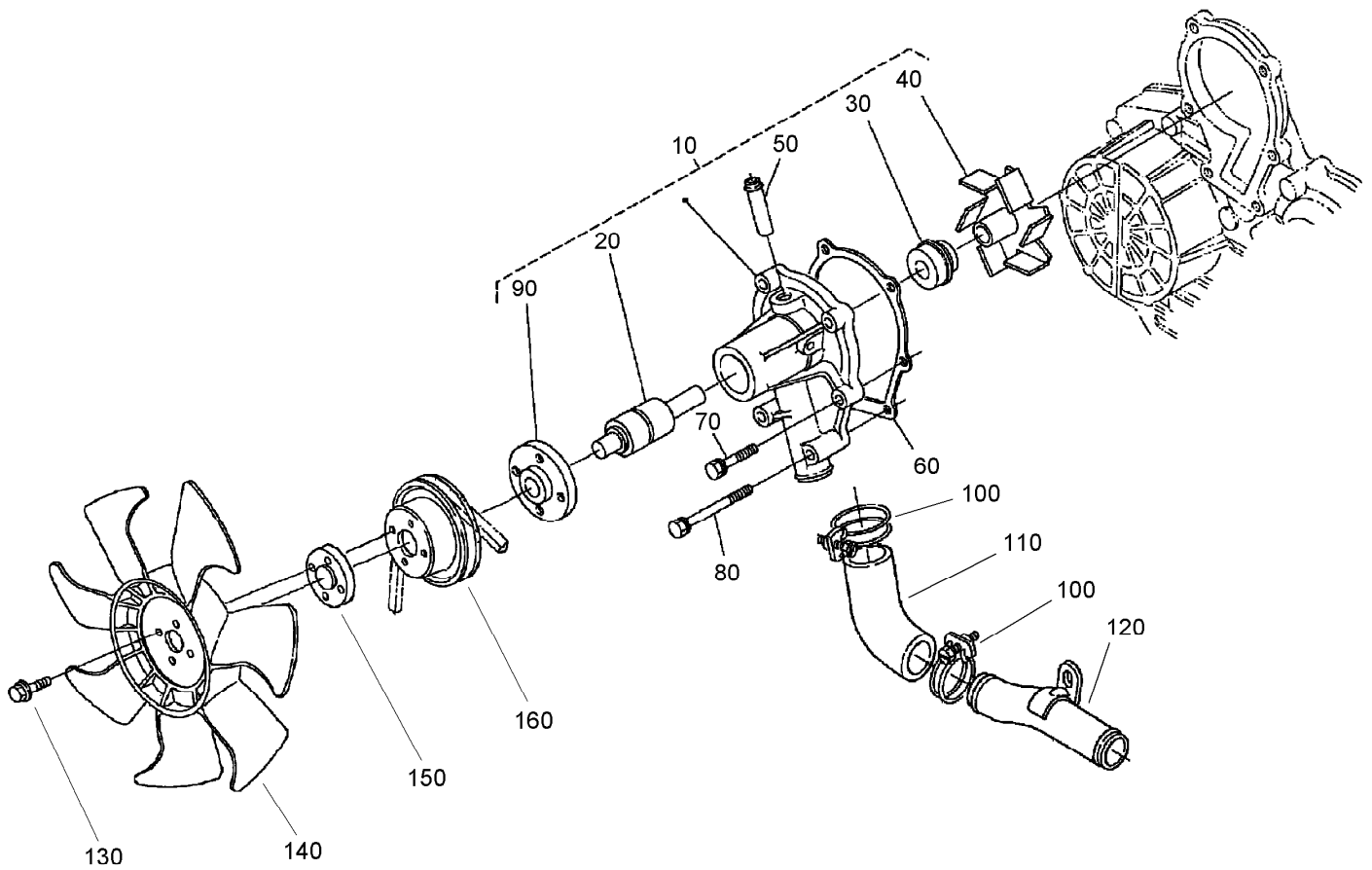
<i>Ref.</i>	<i>Part Number</i>	<i>Qty.</i>	<i>Description</i>	<i>Ref.</i>	<i>Part Number</i>	<i>Qty.</i>	<i>Description</i>
10	98-9705	1	Starter ASM	150	98-7754	1	Spring
20	104-8608	1	Yoke ASM	160	98-7755	1	Ball
30	98-7742	1	Armature ASM	170	98-7756	2	Bolt
40	98-7744	1	Bearing	180	98-7757	2	O-Ring
50	98-7743	1	Bearing	190	100-9240	2	Bolt
60	99-8373	1	Clutch-Running, Over	200	98-7758	2	Bolt ASM
70	99-8374	1	Frame-End, Drive	210	99-8375	1	Cover
80	105-3746	1	Magnetic Switch ASM	220	99-8371	1	Nut-Hex
90	98-7748	1	Frame-End	230	98-9711	1	Cord-Solenoid, Stop
100	98-7749	1	Brush Holder ASM	240	99-8376	1	Nut-Hex
110	98-7750	4	Spring-Brush	250	98-7759	1	Pipe-Drain
120	98-7751	1	Gear	260	98-9712	1	Band-Cover
130	98-7752	1	Retainer	270	105-2886	1	Cover ASM
140	98-7753	5	Roller				



1G994-019-10

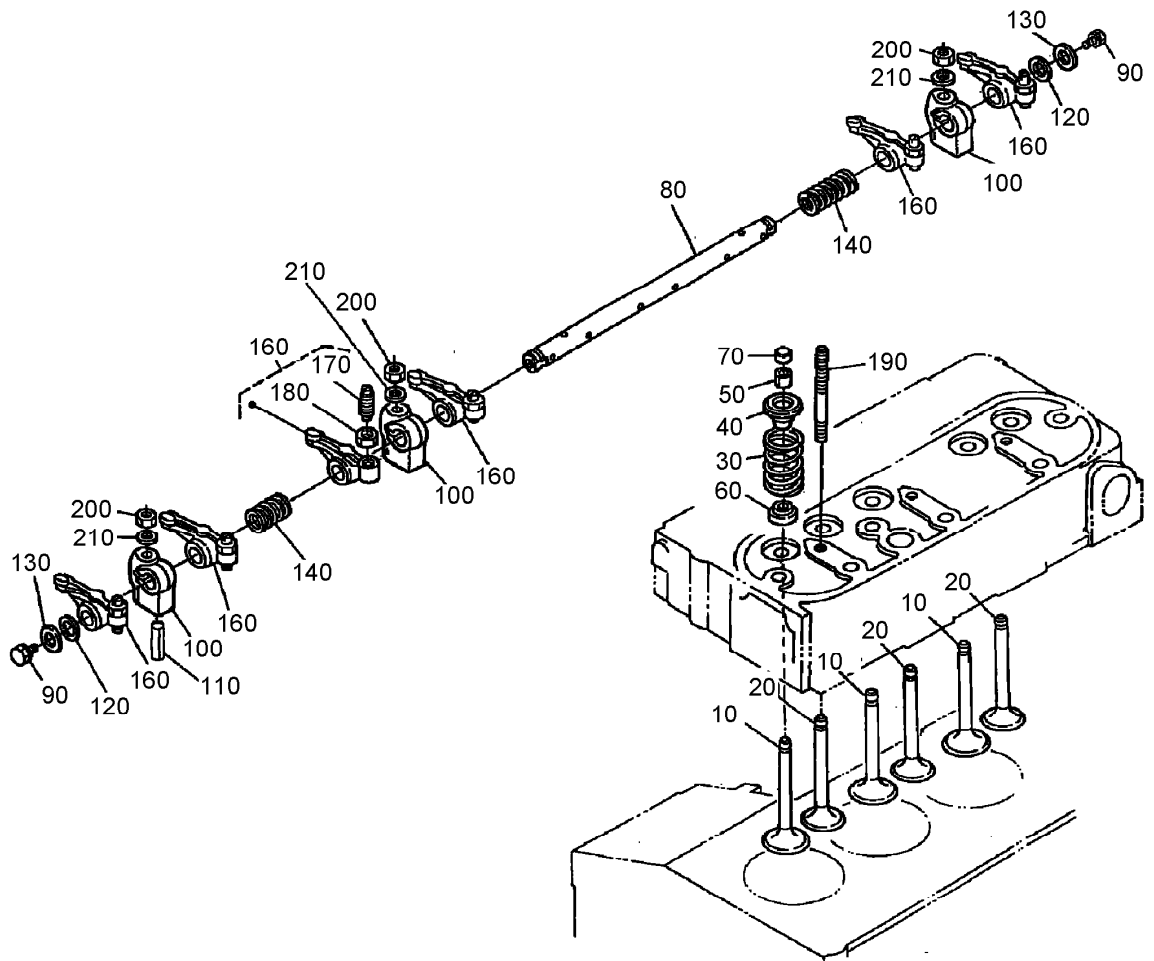
## Water Flange and Thermostat Assembly

<i>Ref.</i>	<i>Part Number</i>	<i>Qty.</i>	<i>Description</i>
10	98-9713	1	Water Flange ASM
20	98-9580	1	Pipe-Return, Water
30	105-3747	1	Plug
40	99-3583	1	Gasket
50	98-9638	1	Gasket-Flange, Water
60	98-7692	3	Bolt
70	98-9356	1	Bolt
80	98-9578	1	Pipe-Return, Water
90	98-9579	2	Band-Pipe
100	98-9719	1	Thermoswitch
110	98-7778	1	Thermostat ASM
120	108-2869	1	Cover-Thermostat
130	105-3748	1	Gasket-Thermostat
140	108-2870	1	Plug-Drain
150	100-9155	1	Gasket
160	98-7777	2	Bolt



## Water Pump Assembly

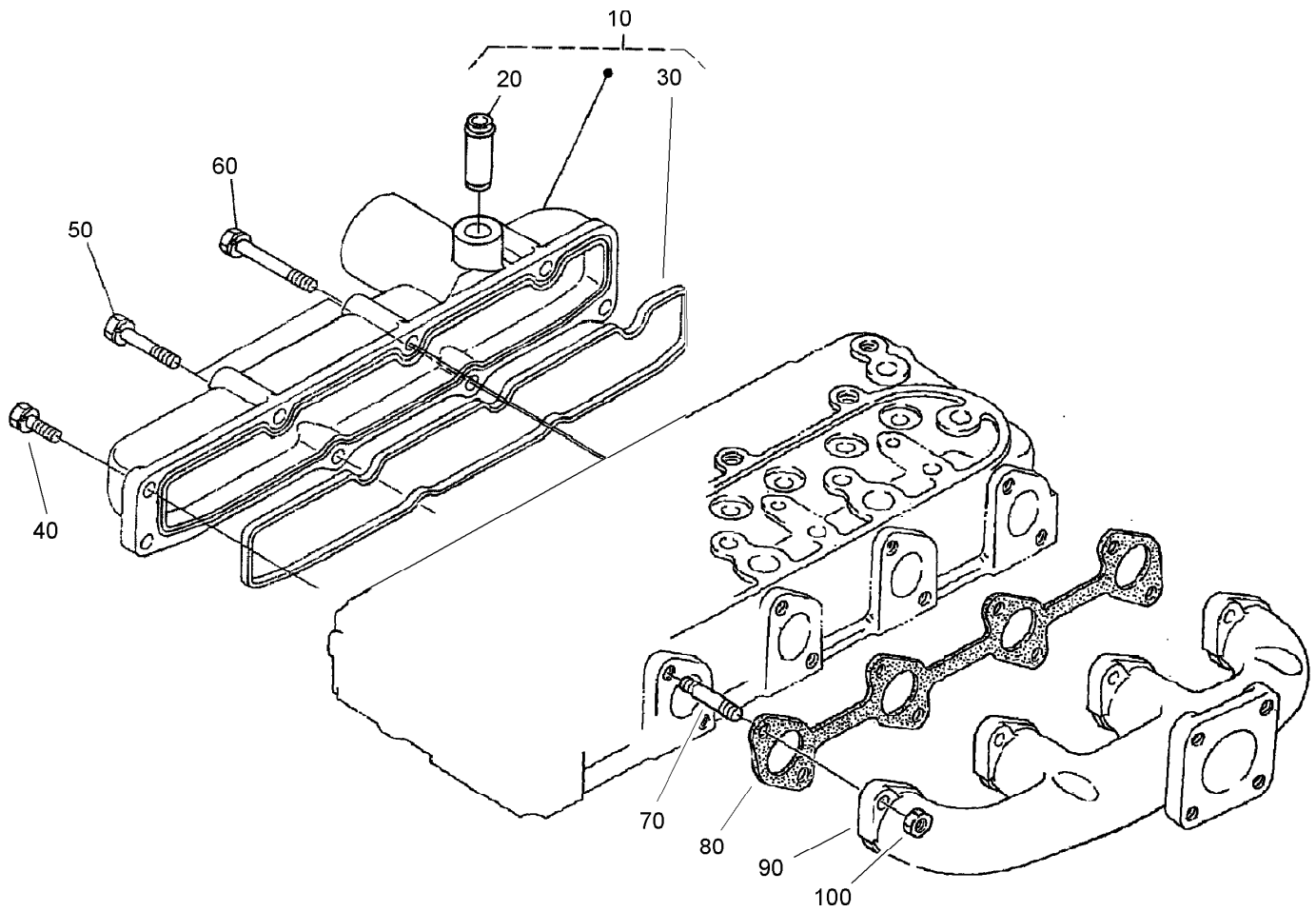
<i>Ref.</i>	<i>Part Number</i>	<i>Qty.</i>	<i>Description</i>
10	107-9089	1	Water Pump ASM
20	99-3517	1	Bearing-Pump, Water
30	105-3750	1	Mechanical Seal ASM
40	99-3519	1	Impeller-Pump, Water
50	98-9577	1	Pipe-Return, Water
60	99-3454	1	Gasket-Pump, Water
70	98-9353	4	Bolt
80	107-9090	2	Bolt
90	99-3516	4	Flange-Pump, Water
100	98-9717	2	Clamp
110	107-9091	1	Pipe-Water
120	98-9716	1	Pipe-Water
130	108-2873	4	Bolt-Flange
140	108-2871	1	Fan
150	108-2872	1	Collar-Fan
160	98-9584	1	Pulley-Fan



## Valve and Rocker Arm Assembly

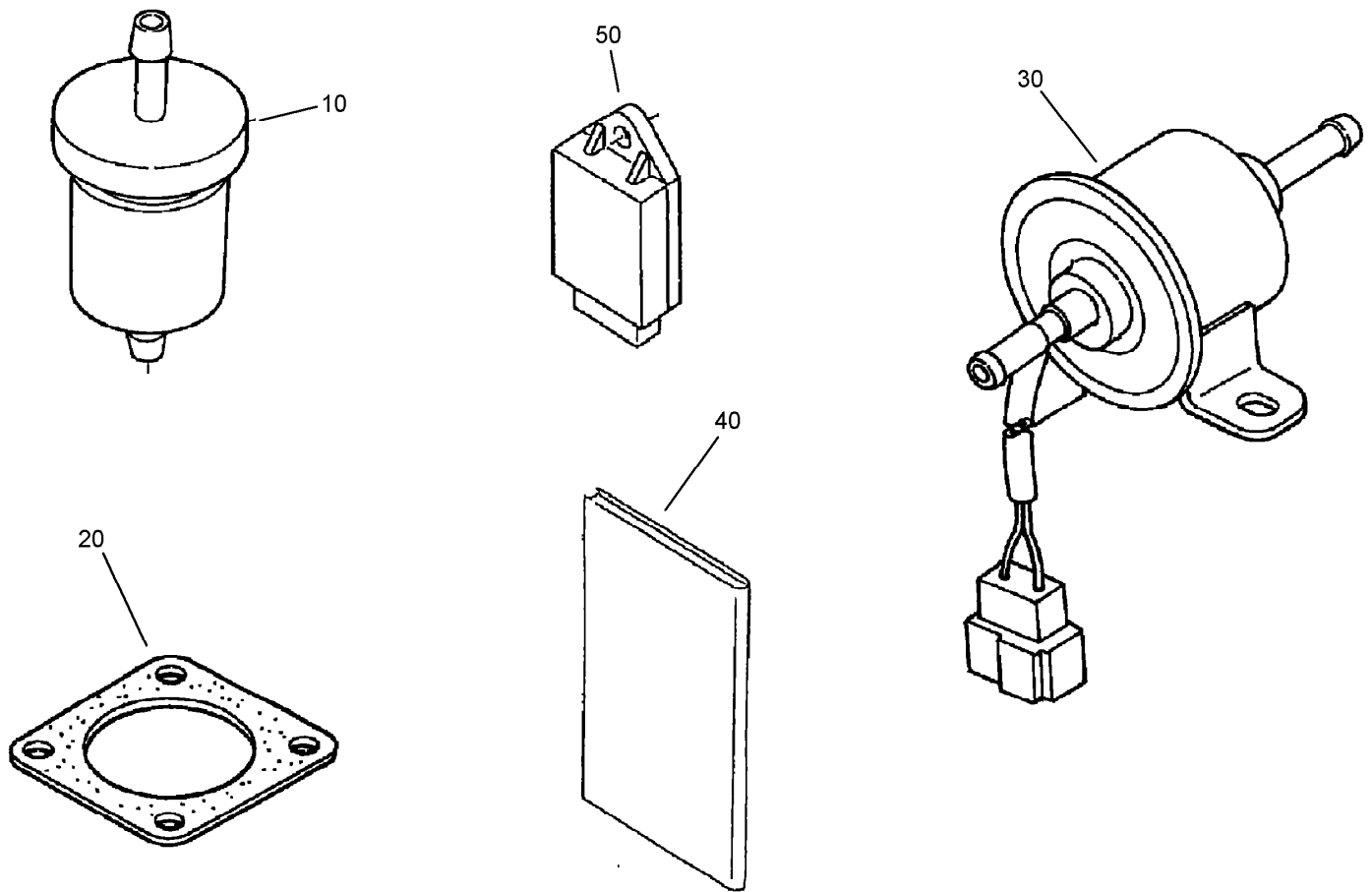
<i>Ref.</i>	<i>Part Number</i>	<i>Qty.</i>	<i>Description</i>
10	98-9494	3	Valve-Inlet
20	98-9495	3	Valve-Exhaust
30	98-9648	6	Spring-Valve
40	107-9092	6	Retainer-Spring
50	98-9390	6	Collet-Spring, Valve
60	99-8385	6	Seal-Stem, Valve
70	98-9497	6	Cap-Valve
80	105-3790	1	R-Arm Shaft ASM
90	100-9265	2	Bolt
100	98-9505	3	Bracket-Arm, Rocker
110	105-3758	1	Pin-Spring
120	98-9507	2	Washer-Shaft, R-Arm
130	3256-1	2	Washer-Flat
140	98-9504	2	Spring-Arm, Rocker
160	98-9501	6	Rocker Arm ASM
170	98-9502	6	Screw-Adjusting
180	98-9503	6	Nut
190	98-9506	3	Stud
200	98-9393	3	Nut
210	98-9385	3	Washer-Flat





## Inlet Manifold Assembly

<i>Ref.</i>	<i>Part Number</i>	<i>Qty.</i>	<i>Description</i>
10	108-2874	1	Intake Manifold ASM
20	98-9492	1	Joint-Pipe, Breather
30	105-3760	1	Gasket-Manifold, Intake
40	98-7605	3	Bolt
50	98-9353	1	Bolt
60	105-3797	2	Bolt
70	98-9588	6	Stud
80	105-3765	1	Gasket-Manifold, Exhaust
90	108-2875	1	Manifold-Exhaust
100	98-9665	6	Nut



## Fuel Filter, Fuel Pump, Muffler Gasket and Glow Controller Assembly

<i>Ref.</i>	<i>Part Number</i>	<i>Qty.</i>	<i>Description</i>
10	98-7612	1	Filter-Fuel
20	99-8343	1	Gasket-Muffler
30	107-0122	1	Pump-Fuel, Electric
40	107-8668	1	Manual-Engine
50	98-7611	1	Controller-Glow

# Attachments and Accessories

## For 41582 Multi-Pro 5700-D Turf Sprayer

<b>Product Name</b>	<b>Model/Part</b>
Speedometer Kit.....	106-4839
Turf Sprayer Kit (CE) .....	106-4841
Heat Shield Blanket Kit.....	106-4843
Sprayer Valves O-Ring Kit .....	106-4846
Turret Seal Repair Kit .....	108-3263
Pro Control Spray System .....	41086
Pro Foam Concentrate (4 x 1 Gallon) .....	41157
Foam Marker Kit .....	41228
Enclosed Boom .....	41355
Enclosed Walking Boom.....	41358
Enclosed Walking Boom Trailer .....	41359
Mounting Kit for Enclosed Boom.....	41360
Roll-Over Protection System .....	41566
Electric Hose Reel Kit .....	41569
Spray Gun Kit .....	41580
Pro-Foam.....	41607



**Count on it.**