



## Multi-Pro<sup>®</sup> 5700-D Turf Sprayer

Model No. 41581 - 24000001 and up.

### Parts Catalog

---

#### Ordering Replacement Parts

To order replacement parts, please supply the part number, the quantity, and the description of each part desired.

#### Understanding Reference Numbers

Each Identified part in an illustration has a reference number. The reference number for a part also appears in the parts list, along with other information about the part.

This catalog uses two special reference number formats, one to indicate parts in a service assembly and another to indicate the quantity of a given part in an illustration.

#### Service Assembly Reference Numbers

Parts in service assemblies have reference numbers in the form a:b. The a represents the reference number of the entire service assembly and the b represents a sequential number unique to each part within the service assembly.

For example, a wheel assembly might be identified by reference number 6, the tire by 6:1, the valve by 6:2, and the wheel by 6:3. When you order the assembly identified by reference number 6, you receive all parts identified by reference numbers 6:1, 6:2, and 6:3. However, you may also order any part individually. Reference numbers of this type appear in illustrations and in part lists.

#### Reference Numbers Indicating Quantity

In an illustration, if a reference number indicates more than one part, the reference number has the form nX y. The n represents the quantity of the part, the X is the multiplication symbol, and the y represents the reference number.

For example, in an illustration, the reference number 2X 37 means that two of the parts identified by reference number 37 are indicated.

# Contents

<b>Description</b>	<b>Page</b>	<b>Description</b>	<b>Page</b>
Front Suspension Assembly	..... 4	Sprayer Internal Component Assembly No. 2	..... 45
Engine Cover, Seat and Front Console Assembly	..... 5	Filter Assembly	..... 46
Control Console Assembly	..... 6	Safety Valve Assembly No. 100-6820	..... 47
Rear Wheel Assembly	..... 7	Upper Tank Drain Bulkhead Assembly	..... 48
Hydraulic Motor Assembly No. 93-6488	..... 8	Tank Drain Assembly	..... 49
Brake Assembly No. 100-3069-03	..... 9	Sprayer Component Assembly	..... 50
Planetary Assembly No. 105-4500-03	..... 10	Oil Cooler and Radiator Assembly	..... 51
Brake Assembly No. 100-3070-03	..... 11	Electrical Panel Assembly	..... 52
Hydraulic Motor Assembly No. 93-6489	..... 12	Center Boom Assembly	..... 53
Brake Pedal Assembly	..... 13	Extension Boom Assembly	..... 54
Frame, Fender and Battery Assembly	..... 14	Crankcase Assembly	..... 55
Fresh Water and Spray Tank Assembly	..... 16	Oil Pan Assembly	..... 56
Lid Assembly	..... 17	Cylinder Head Assembly	..... 57
Fresh Water Tank Assembly No. 100-8438	..... 18	Gear Case Assembly	..... 58
Exhaust Assembly	..... 19	Head Cover Assembly	..... 59
Dash and Instrument Assembly	..... 20	Dipstick and Guide Assembly	..... 60
Dash Panel Assembly No. 106-5019	..... 21	Main Bearing Case Assembly	..... 61
Hydraulic Pump Assembly	..... 22	Camshaft and Idle Gear Shaft Assembly	..... 62
Gear Pump Assembly No. 93-6492	..... 24	Piston and Crankshaft Assembly	..... 63
Piston Pump Assembly No. 93-6491	..... 25	Flywheel Assembly	..... 64
Control Assembly No. 93-6306	..... 27	Fuel Camshaft and Governor Shaft Assembly	..... 65
Front Wheel Assembly	..... 28	Idle Apparatus Assembly	..... 66
Pump Drive Assembly	..... 29	Injection Pump Assembly	..... 67
Spray Pump Assembly No. 104-9099	..... 30	Governor Assembly	..... 68
Pump Assembly No. 106-5121	..... 31	Speed Control Plate Assembly	..... 69
Steering Assembly	..... 32	Nozzle Holder and Glow Plug Assembly	..... 70
Steering Control Assembly No. 92-3502	..... 33	Nozzle Holder (Component Parts) Assembly	..... 71
Hydraulic Cylinder Assembly No. 93-6510	..... 34	Alternator and Pulley Assembly	..... 72
Engine and Air Cleaner Assembly	..... 35	Alternator (Component Parts) Assembly	..... 73
Air Cleaner Assembly No. 106-5277	..... 36	Starter Assembly	..... 74
Water/Fuel Filter Assembly No. 98-9305	..... 37	Starter (Component Parts) Assembly	..... 75
Drive Linkage Assembly	..... 38	Water Flange and Thermostat Assembly	..... 76
Fuel and Hydraulic Tank Assembly	..... 39	Water Pump Assembly	..... 77
Traction Pedal Assembly	..... 40	Valve and Rocker Arm Assembly	..... 78
Sprayer Internal Component Assembly	..... 41	Inlet Manifold Assembly	..... 79
Valve Boom Assembly	..... 43	Fuel Filter, Pump and Miscellaneous Parts Assembly	..... 80
Valve Agitation Assembly	..... 44		

## Part Description Abbreviations

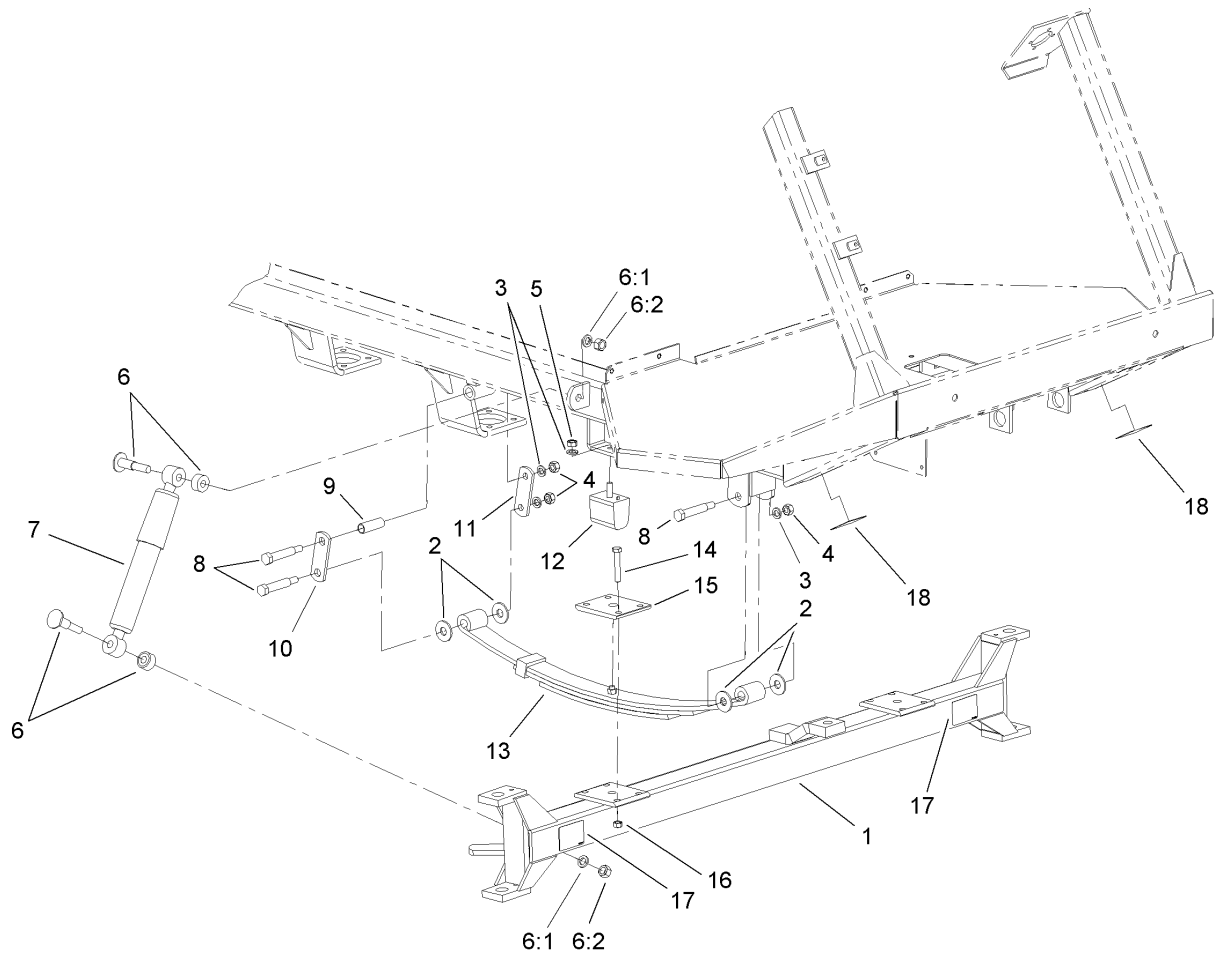
Part descriptions in this catalog may include the following abbreviations.

AR. ....	as required	HYD. ....	hydraulic
ASM. ....	assembly	INC. ....	incorporated
CARR. ....	carriage	LH. ....	left hand
DEG. ....	degrees	NI. ....	nylon insert
FH. ....	flat head	PPH. ....	phillips pan head
GA. ....	gauge	PTH. ....	phillips truss head
HF. ....	hex flange	PTO. ....	power take off
HH. ....	hex head	RH. ....	right hand
HHF. ....	hex head flange	SFH. ....	slotted fillister head
HHFTF. ....	hex head flange thread forming	SHH. ....	slotted hex head
HJ. ....	hex jam	SHWH. ....	slotted hex washer head
HLH. ....	hex lag head	SPH. ....	slotted pan head
HOC. ....	height-of-cut	SQH. ....	square head
HS. ....	hex	SRH. ....	slotted round head
HSBH. ....	hex socket button head	STD. ....	standard
HSFH. ....	hex socket flat head	TAP. ....	self tapping
HSH. ....	hex socket head	TTH. ....	torx truss head
HWH. ....	hex washer head	WH. ....	wing head
HWHTF. ....	hex washer head thread forming		

## Footnotes

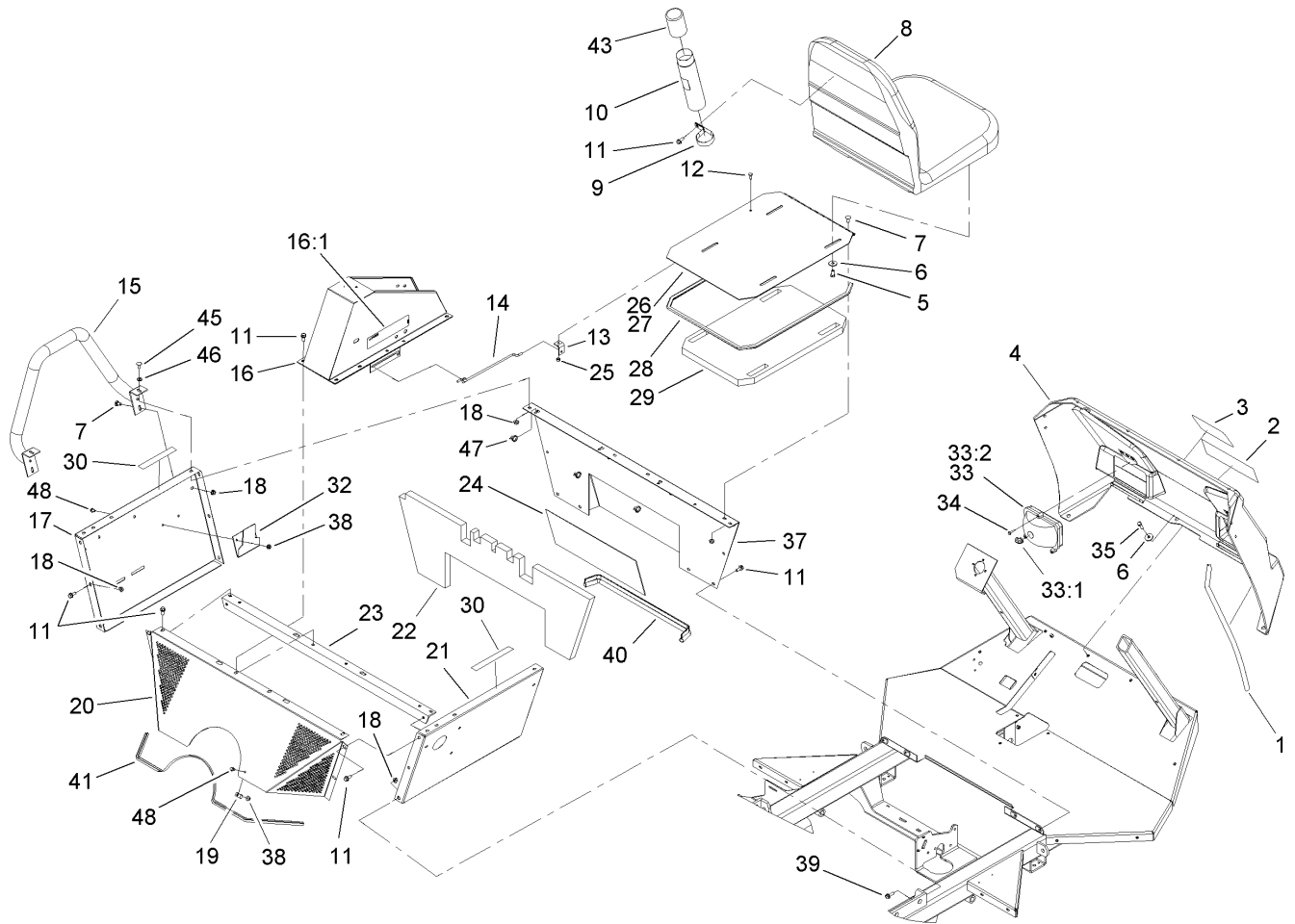
❶ Not illustrated

❷ Not serviced separately



## Front Suspension Assembly

Ref	Part No.	Qty.	Description
1	93-6568-03	1	Front Axle ASM
2	93-6161	8	Washer
3	3253-6	8	Washer-Lock
4	3217-8	6	Nut-Hex
5	93-6166	2	Nut
6	42691	4	Bolt ASM
6:1	3253-7	1	Washer-Lock
6:2	3219-5	1	Nut-Hex
7	42690	2	Shock Absorber ASM
8	42599	6	Bolt-Shoulder
9	42592	2	Bushing-Shackle
10	42574	2	Shackel-Outside
11	42576	2	Shackel-Inside
12	87-3470	2	Bumper-Axle, Rear
13	99-0570	2	Spring-Leaf
14	323-11	8	Screw-HH
15	42575-03	2	Plate-Spring
16	32153-2	8	Nut-Lock
17	107-8667	2	Decal-Jacking
18	107-8666	2	Decal-Tie-Down / Towing

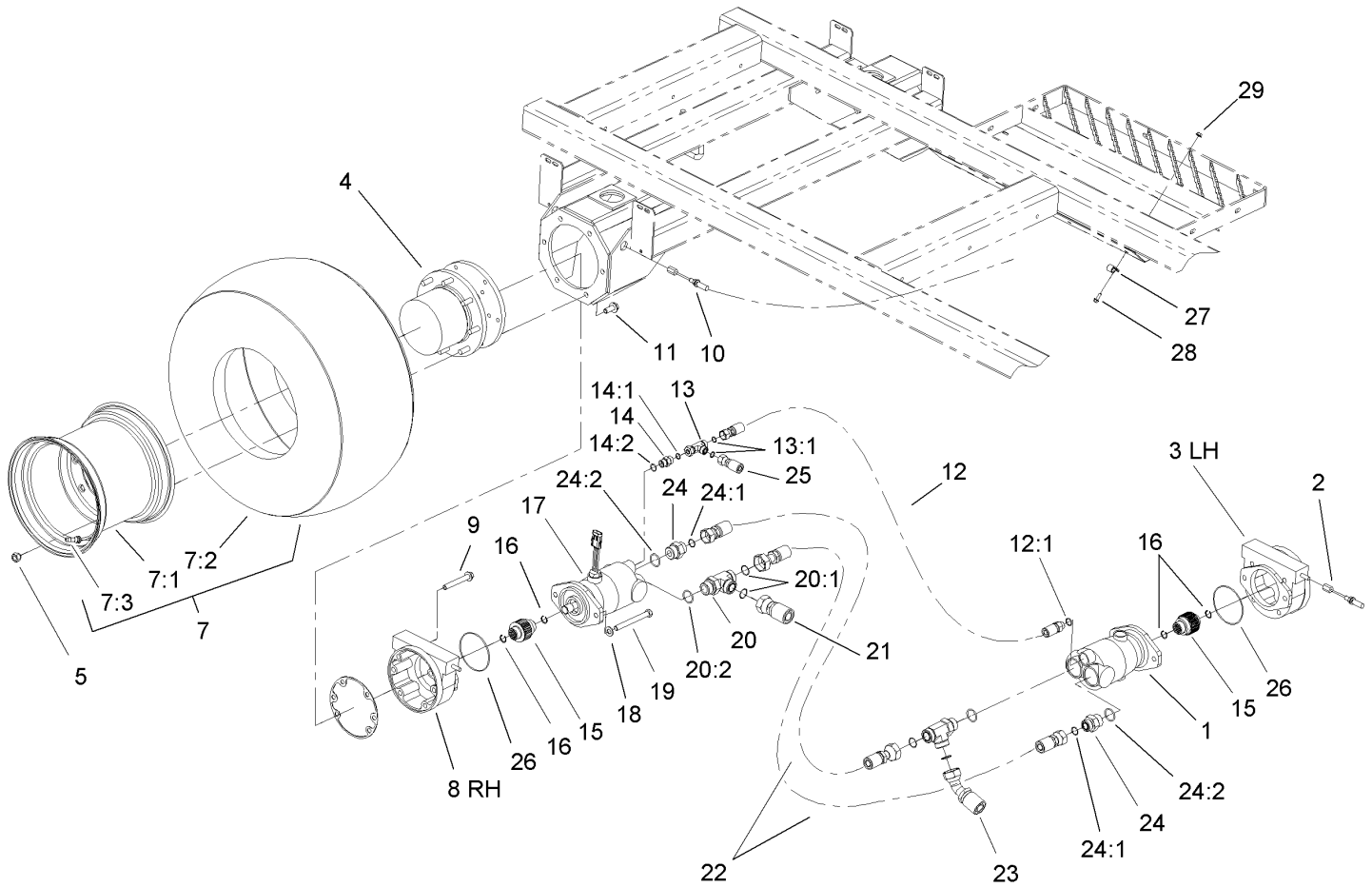



## Engine Cover, Seat and Front Console Assembly

Ref	Part No.	Qty.	Description
1	94-7086	2	Trim
2	107-8715	1	Decal
3	62-5550	1	Decal
4	94-7076	1	Console
5	322-3	8	Screw-HH
6	356303	14	Washer
7	3230-1	8	Bolt-CARR
8	104-4620	2	Seat-Olympic, Toro
9	2412-133	2	R-Clamp
10	104-7050	1	Housing-Manual
11	3234-5	18	Screw
12	321-3	2	Screw-HH
13	94-7203	2	Bracket
14	94-7204	2	Seat Prop Rod ASM
15	94-7046-03	2	Hip Restraint ASM
16	106-5221	1	Console W/decals
16:1	107-8721	2	Decal-Caution
17	106-5015-01	1	Panel-Seat Box, LH
18	32128-20	22	Nut-HF
19	2412-72	1	Clip-Closed, Insulated
20	106-5286-03	1	Shroud - Engine,
21	106-5026-01	1	Panel-Seat Box, RH
22	106-5037	1	Barrier-Noise, Front Panel
23	94-7090-03	1	Seat Box Angle ASM

Ref	Part No.	Qty.	Description
24	104-8701	1	Barrier-Noise, Lower Front Panel
25	3296-42	2	Nut-Lock, NI
26	94-7056-03	1	RH Seat Panel ASM
27	94-7059-03	1	LH Seat Panel ASM
28	94-7085	2	Trim
29	104-8703	2	Barrier-Noise, Seat
30	94-3353	2	Decal-Point, Pinch
32	106-5292-03	1	Bracket - Reservoir, Water,
33	87-2120	2	Headlight
33:1	95-0909	1	Lamp-12 Volt
33:2	87-6330	1	Lens-Headlight
34	32144-9	6	Screw-Self Tapping
35	322-5	6	Screw-HH
37	106-5027-01	1	Panel Asm, Front Seat Box
38	32128-33	3	Nut-HF
39	3234-17	4	Screw-HHF
40	95-2178	1	Trim
41	106-1998	1	Trim
43	104-7048	1	Cap-Housing
45	3274-55	4	Screw-HSBH
46	3256-23	4	Washer-Flat
47	3290-379	4	Strap-Hose
48	3234-13	3	Screw-HHF

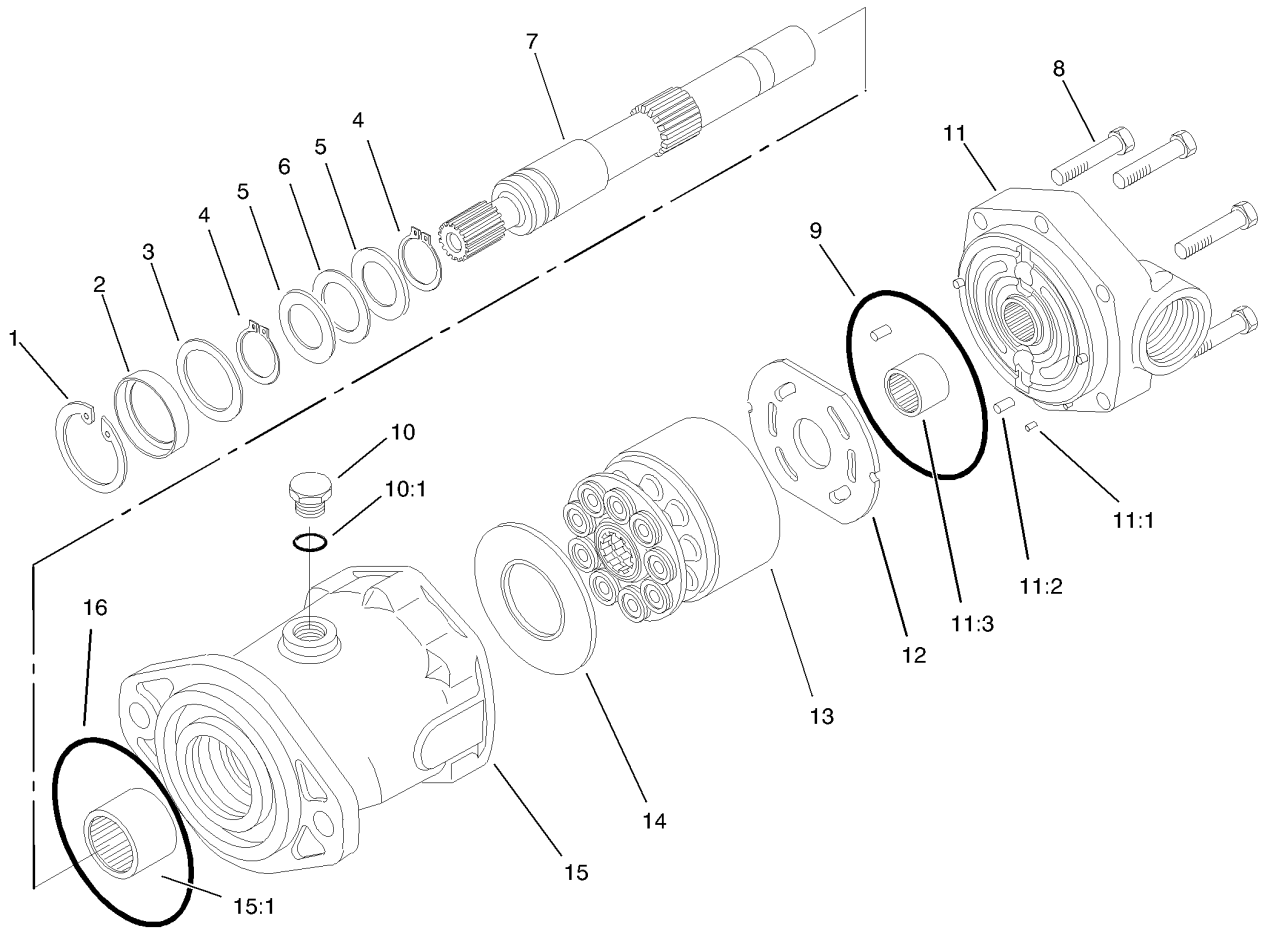




## Rear Wheel Assembly

Ref	Part No.	Qty.	Description
1	93-6488	1	Motor-HYD
2	107-8656	1	Cable-Brake, LH
3	100-3069-03	1	Brake ASM
4	105-4500-03	2	Planetary ASM
5	242-50	16	Nut-Lug
7		2	Tire And Wheel ASM
7:1	106-5024	1	Wheel
7:2	93-6152	1	Tire
7:3	232-27	1	Stem-Valve
8	100-3070-03	1	Brake ASM
9	33106-090	8	Screw-HHF
10	107-8657	1	Cable-Brake, RH
11	33106-030	12	Screw-HHF
12	104-9193	1	Hose ASM
12:1	237-79	1	O-Ring
13	340-104	1	Tee-Fitting
13:1	237-30	2	O-Ring
14	340-4	1	Fitting-Hyd, Straight
14:1	237-30	1	O-Ring
14:2	237-79	1	O-Ring
15	100-3046	2	Shaft-Brake, Splined
16	93-7972	4	Ring-Retaining, Internal
17	93-6489	1	Motor-HYD
18	33096-00	4	Washer-Flat

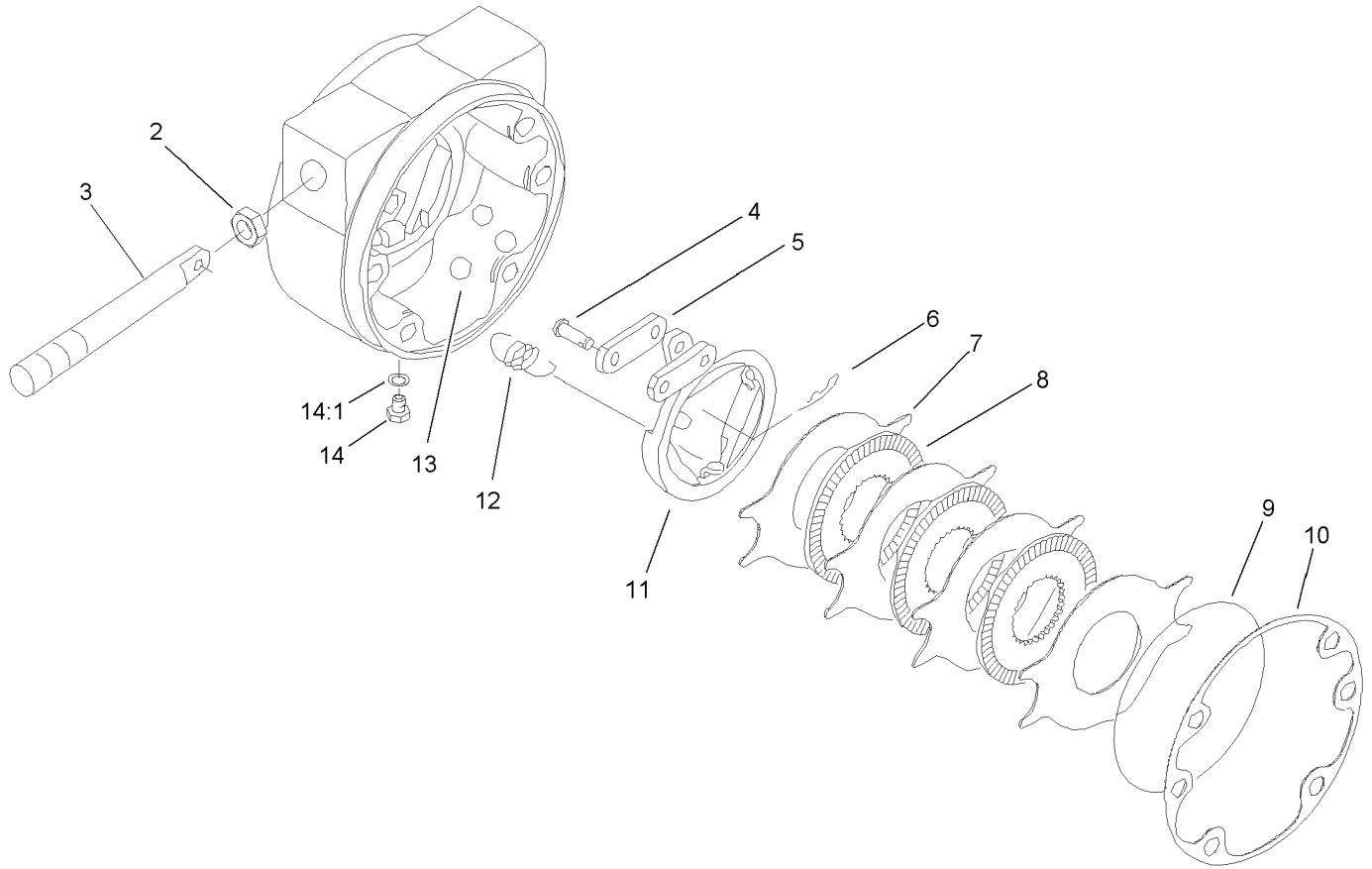
Ref	Part No.	Qty.	Description
19	33116-120	4	Screw-HH
20	104-3795	2	Fitting-Tee, HYD
20:1	340-65	2	O-Ring
20:2	237-146	1	O-Ring
21	106-5034	1	Hose ASM
22	104-9187	2	Hose ASM
23	104-9196	1	Hose ASM
24	340-91	2	Adapter
24:1	237-58	1	O-Ring
24:2	237-146	1	O-Ring
25	104-9197	1	Hose ASM
26	237-166	2	O-Ring
27	2412-93	1	Clamp-R
28	3234-4	1	Screw-HH
29	32128-33	1	Nut-HF



## Hydraulic Motor Assembly No. 93-6488

Ref	Part No.	Qty.	Description
1	76-7010	1	Ring-Retaining
2	105-3331	1	Seal-Shaft
3	60-6240	1	Washer
4	76-7000	2	Ring-Retaining
5	76-6950	2	Race-Thrust
6	76-6960	1	Bearing-Thrust
7	94-3004	1	Shaft-Drive, Splined
8	94-3002	6	Capscrew
9	76-6980	1	O-Ring
10	94-3009	1	Plug
10:1		1	O-Ring
11	95-2081	1	Back Plate ASM
11:1		1	Pin-Dowel
11:2		3	Pin-Dowel
11:3		1	Bearing-Needle
12	94-3003	1	Plate-Valve
13	76-6910	1	Rotating Kit
14	76-6970	1	Insert-Plate, Cam
15	95-2082	1	Housing
15:1		1	Bearing-Needle
16	237-166	1	O-Ring

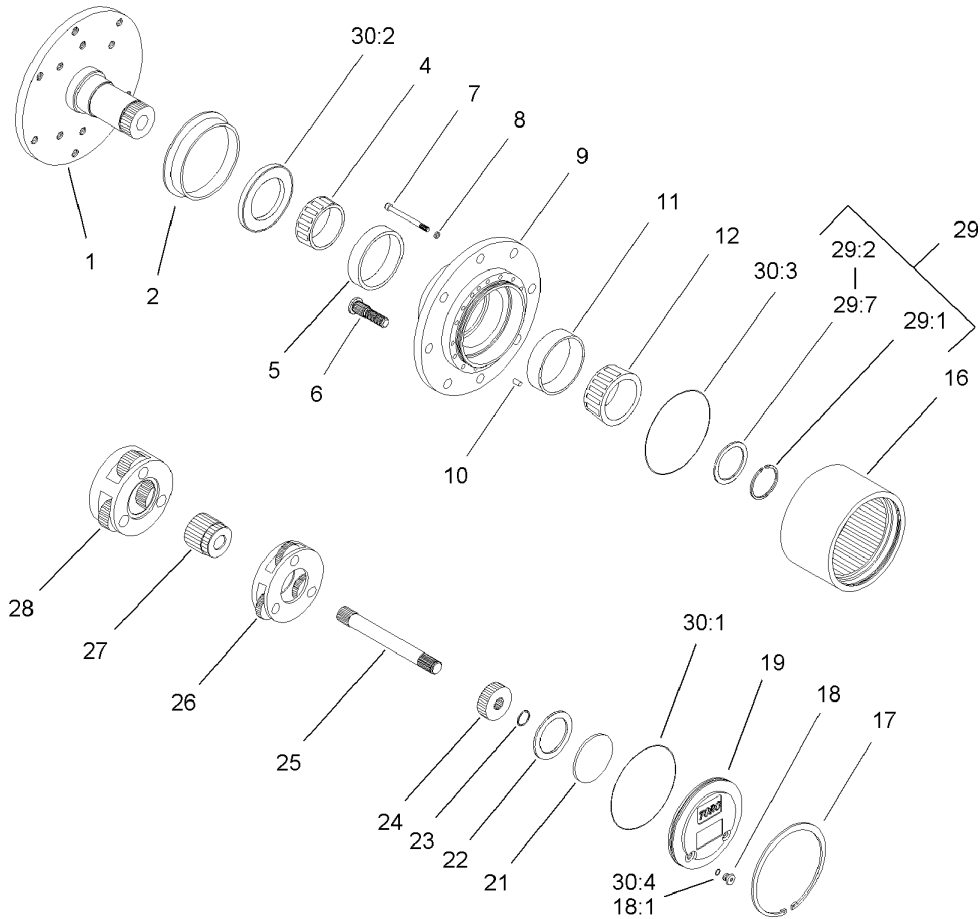


### Brake Assembly No. 100-3069-03

Ref	Part No.	Qty.	Description
2	93-7977	1	Seal
3	93-7978	1	Rod-Pull
4	93-7983	2	Pin-Clevis
5	93-7980	2	Link
6	93-7979	2	Pin-Hitch
7	93-7986	4	Disc-Stationary
8	104-4278	3	Disc-Rotating
9	93-7976	1	Ring-Retaining
10	93-7984	1	Gasket
11	104-4280	1	Actuator-Rotating
12	93-7987	3	Spring-Extension
13	93-7985	3	Ball
14	353-990	2	Plug
14:1	237-78	1	O-Ring

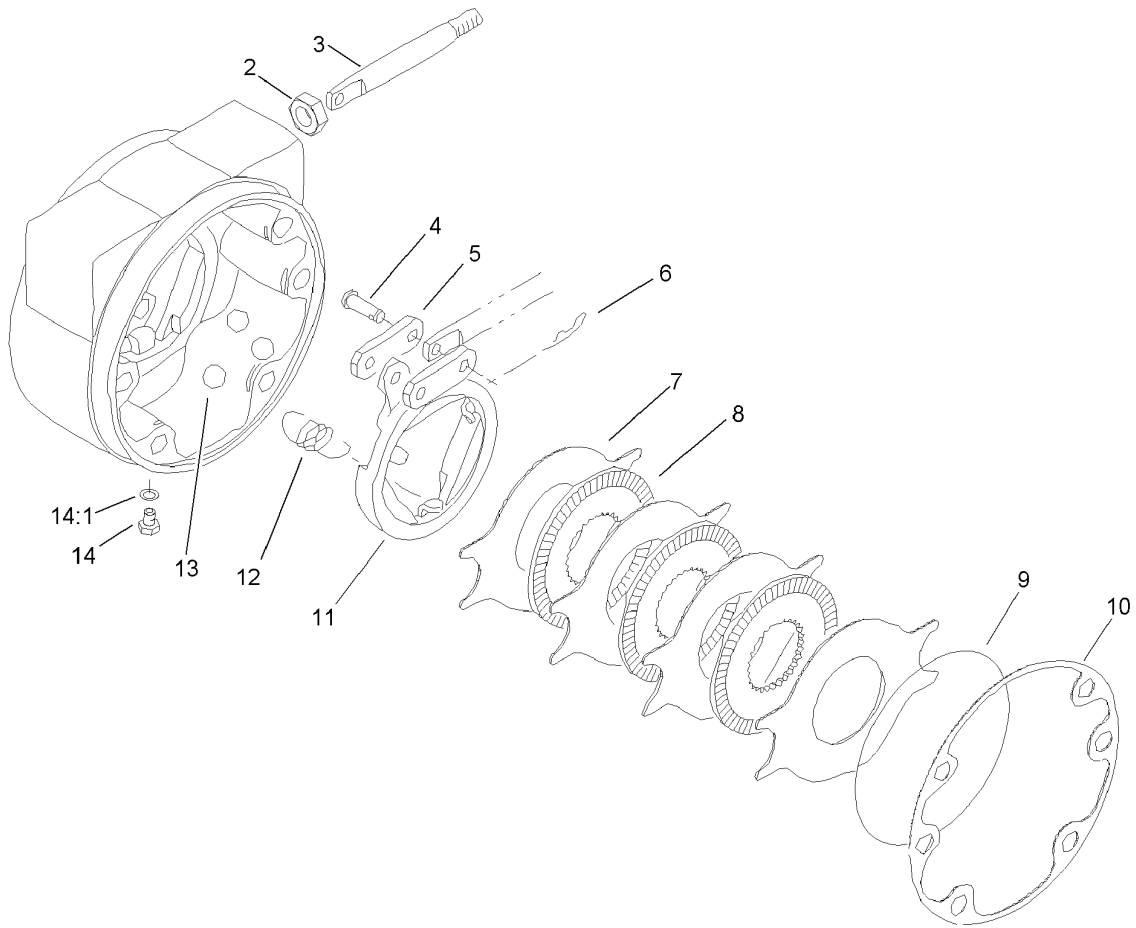
--	--	--	--



## Planetary Assembly No. 105-4500-03

Ref	Part No.	Qty.	Description
②1		1	Spindle
2	105-8122	1	Seal-Boot
4	105-8120	1	Bearing-Cone
5	105-8119	1	Bearing-Cup
6	105-8124	8	Stud-Wheel
7	105-8125	16	Bolt-Head, Socket
8	3253-18	16	Washer-Lock/sp
②9		1	Housing
10	105-8121	1	Pin-Dowel
11	105-8117	1	Bearing-Cup
12	105-8118	1	Bearing-Cone
16	105-8113	1	Gear-Ring
17	105-8132	1	Ring-Retaining
18	353-990	2	Plug
18:1	237-78	1	O-Ring
19	105-8138	1	Cap-End
21	105-8133	1	Plug-Thrust
22	105-8123	1	Washer-Thrust
23	105-8131	1	Ring-Retaining
24	105-8114	1	Gear-Primary
25	105-8115	1	Shaft-Drive
26	105-8129	1	Primary Carrier ASM
27	105-8139	1	Gear-Secondary
28	105-8130	1	Secondary Carrier ASM

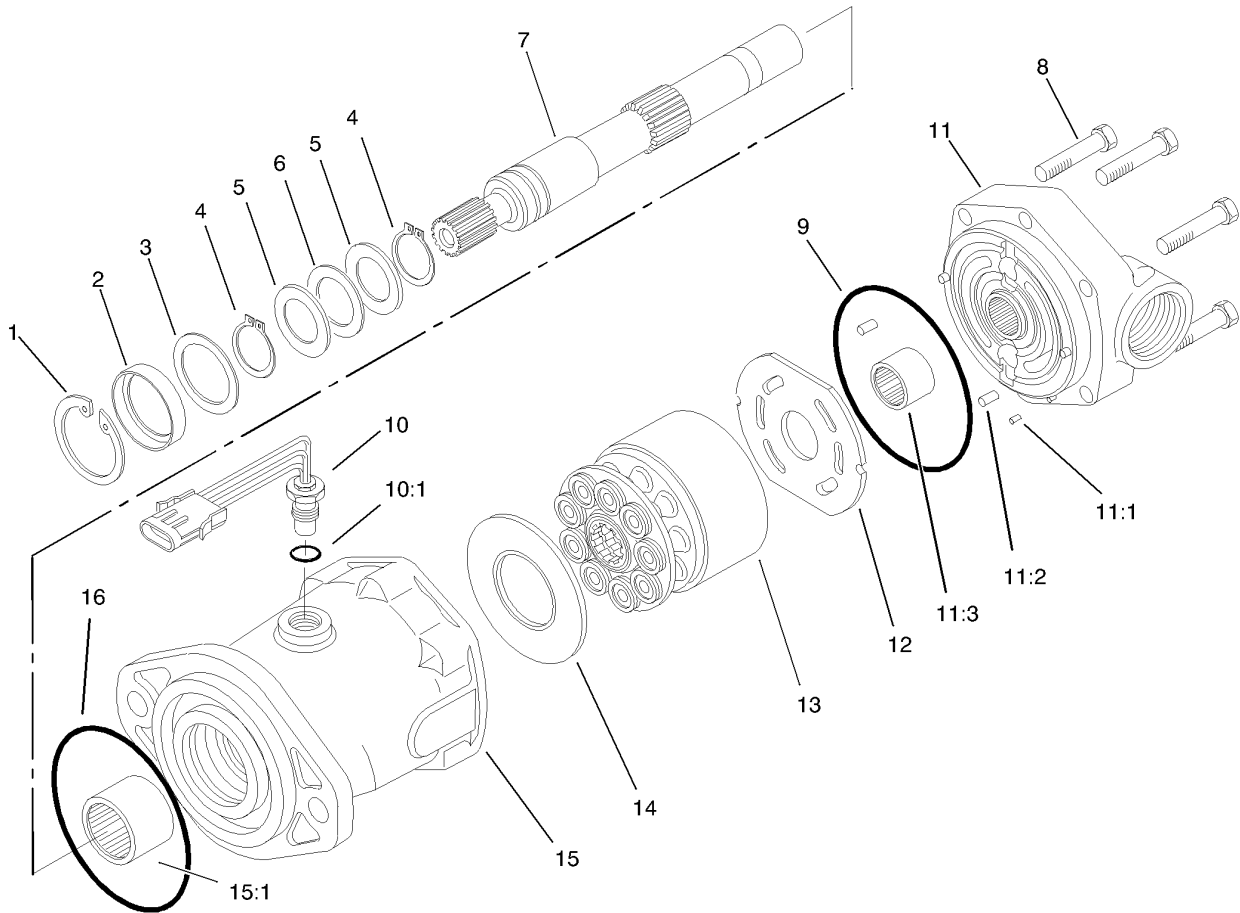
Ref	Part No.	Qty.	Description
29	105-8136	1	Part Kit
②29:1		1	Ring-Snap
②29:2		1	Shim-Bearing, 2.9mm
②29:3		1	Shim-Bearing, 2.8mm
②29:4		1	Shim-Bearing, 2.7mm
②29:5		1	Shim-Bearing, 2.6mm
②29:6		1	Shim-Bearing, 2.5mm
②29:7		1	Shim-Bearing, 2.4mm
①30	105-8137	1	Seal Kit
②30:1		1	O Ring-Flange Cap
②30:2		1	Seal-Oil
②30:3		2	O Ring-End Cap
30:4	237-78	2	O-Ring



### Brake Assembly No. 100-3070-03

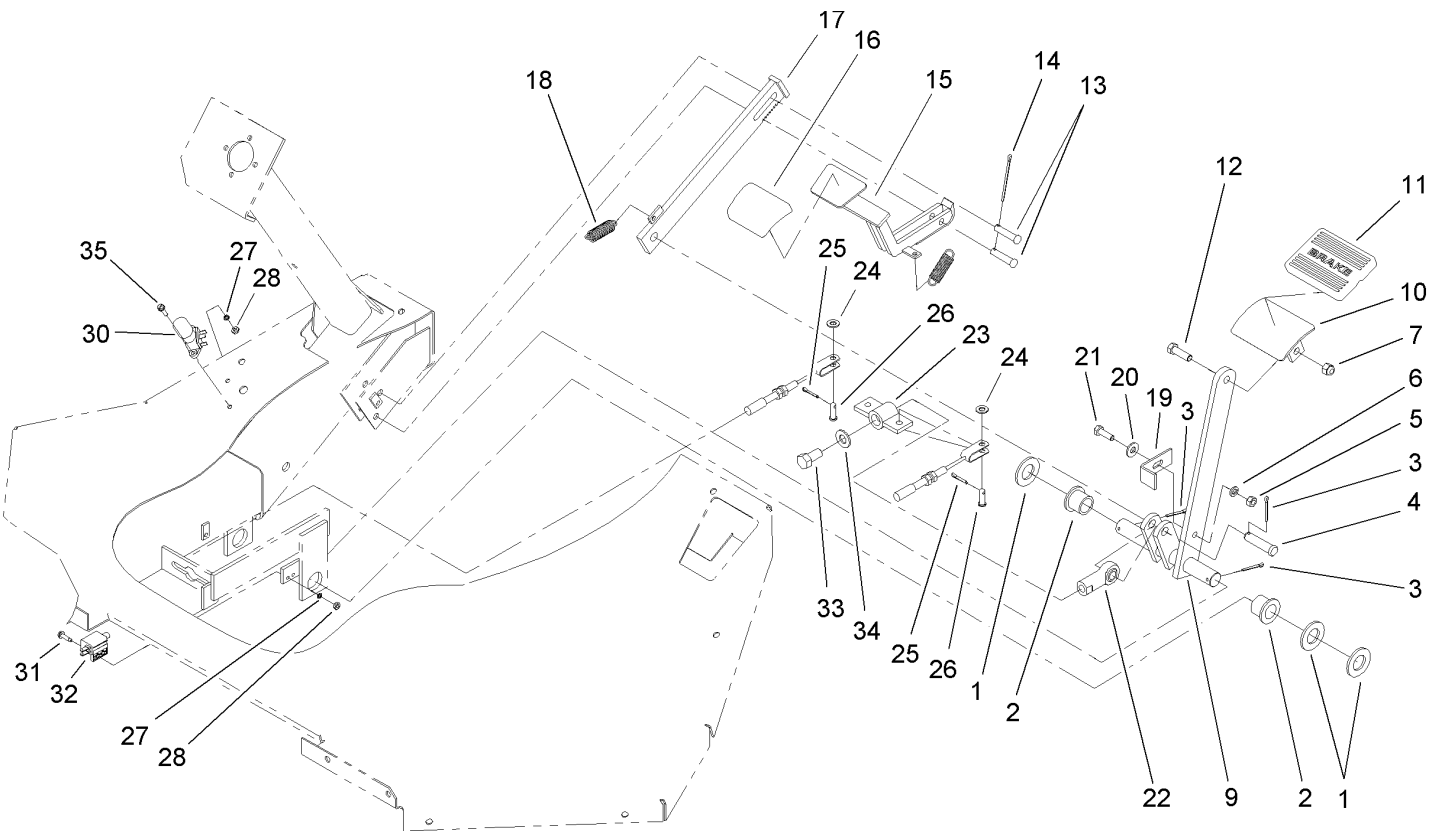
Ref	Part No.	Qty.	Description
2	93-7977	1	Seal
3	93-7978	1	Rod-Pull
4	93-7983	2	Pin-Clevis
5	93-7980	2	Link
6	93-7979	2	Pin-Hitch
7	93-7986	4	Disc-Stationary
8	104-4278	3	Disc-Rotating
9	93-7976	1	Ring-Retaining
10	93-7984	1	Gasket
11	104-4279	1	Actuator-Rotating
12	93-7987	3	Spring-Extension
13	93-7985	3	Ball
14	353-990	2	Plug
14:1	237-78	1	O-Ring

--	--	--	--



## Hydraulic Motor Assembly No. 93-6489

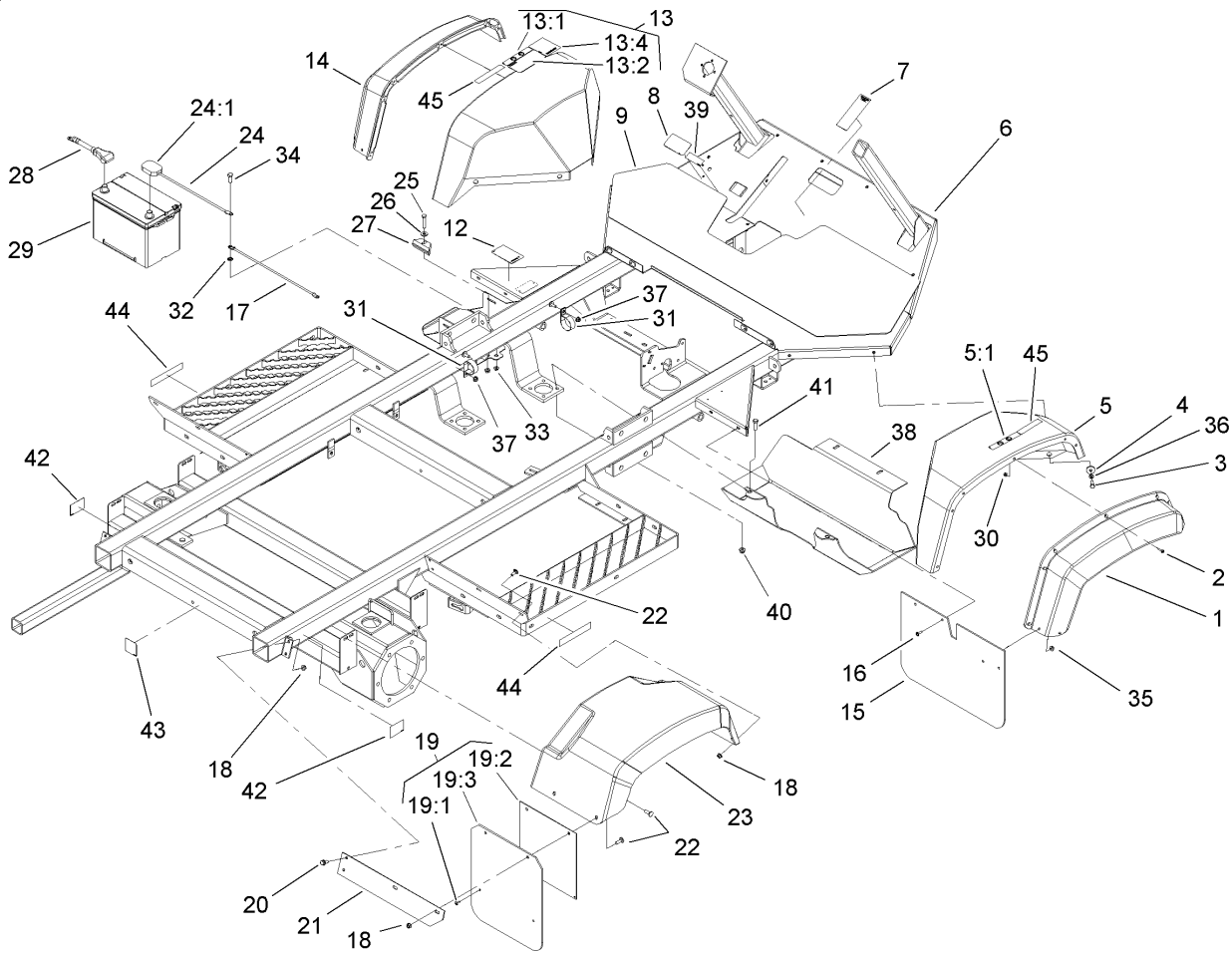
Ref	Part No.	Qty.	Description
1	76-7010	1	Ring-Retaining
2	105-3331	1	Seal-Shaft
3	60-6240	1	Washer
4	76-7000	2	Ring-Retaining
5	76-6950	2	Race-Thrust
6	76-6960	1	Bearing-Thrust
7	94-3004	1	Shaft-Drive, Splined
8	94-3002	6	Capscrew
9	76-6980	1	O-Ring
10	94-3010	1	Sensor-Speed, Pickup
②10:1		1	O-Ring
11	95-2081	1	Back Plate ASM
②11:1		1	Pin-Dowel
②11:2		3	Pin-Dowel
②11:3		1	Bearing-Needle
12	94-3003	1	Plate-Valve
13	76-6910	1	Rotating Kit
14	76-6970	1	Insert-Plate, Cam
15	95-2083	1	Housing
②15:1		1	Bearing-Needle
16	237-166	1	O-Ring

## Brake Pedal Assembly

Ref	Part No.	Qty.	Description
1	3256-29	3	Washer-Flat
2	94-7164	2	Bearing
3	3272-12	3	Pin-Cotter
4	42195	1	Pin-Clevis
5	3217-6	1	Nut-Hex
6	3253-4	1	Washer-Lock
7	3296-39	1	Nut-Lock, NI
9	93-6589	1	Brake Shaft ASM
10	100-8422-03	1	Bracket-Pedal
11	7-3900	1	Pad-Brake
12	323-7	1	Screw-HH
13	283-15	2	Pin-Clevis
14	3272-53	1	Pin-Cotter
15	93-6599-03	1	Catch ASM
16	42719	1	Pad-Pedal
17	93-6598-03	1	Brake Strap ASM
18	92-0417	2	Spring-Ext
19	93-6592	1	Bracket
20	3256-3	1	Washer-Flat
21	322-5	1	Screw-HH
22	522087	1	Rod-End
23	93-6595	1	Brake Equalizer ASM
24	3256-23	2	Washer-Flat
25	3272-10	2	Pin-Cotter

Ref	Part No.	Qty.	Description
26	283-58	2	Pin-Clevis
27	3253-17	4	Washer-Lock/sp
28	3217-26	4	Nut-Hex
30	94-7170	1	Switch-Floor
31	32144-125	2	Screw-SHWH
32	65-7410	1	Switch-Pole, Single
33	3213-1	1	Screw-HH
34	3256-26	1	Washer-Flat
35	32105-13	2	Screw-SHH

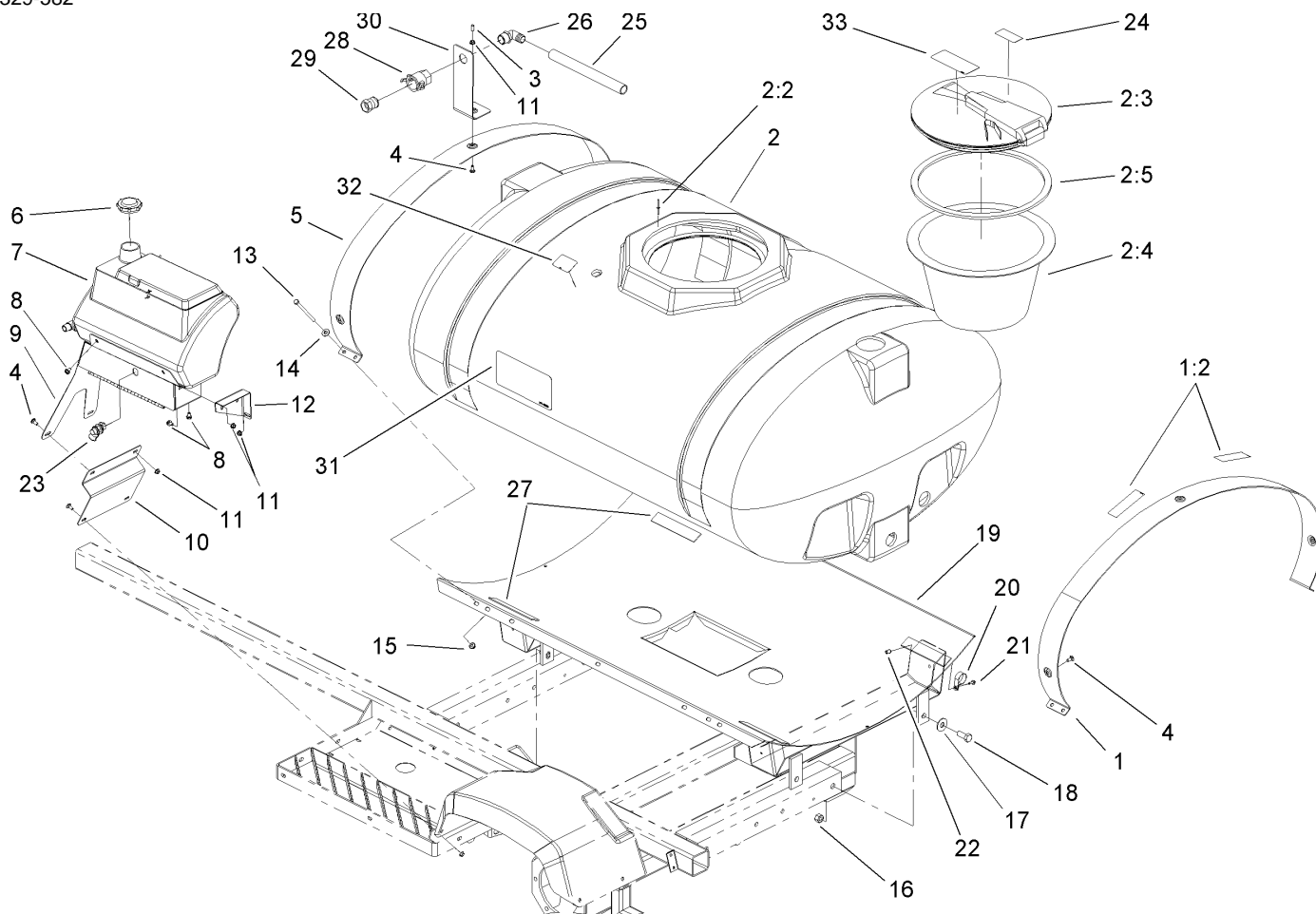


## Frame, Fender and Battery Assembly

Ref	Part No.	Qty.	Description
1	94-7074	1	Flare-Fender, RH
2	32105-13	12	Screw-SHH
3	322-5	8	Screw-HH
4	356303	8	Washer
5	94-8532	1	RH Fender ASM
5:1	93-6687	1	Decal-No Step
6	106-5262-03	1	Frame ASM
7	107-8724	1	Decal-Traction
8	100-8619	1	Decal-Boom Switch
9	104-8863	1	Tread-Floor
12	107-8720	1	Decal-Warning, Safety Start
13	94-8531	1	LH Fender ASM
13:1	93-6687	1	Decal-No Step
13:2	107-8723	1	Decal-Warning, Safety
13:4	107-8725	1	Decal-Warning, Braking
14	94-7075	1	Flare-Fender, LH
15	94-7071	2	Guard-Splash
16	92-3911	8	Screw-HSBH
17	42617	1	Cable-Ground
18	32128-20	17	Nut-HF
19	94-7127	2	Splash Guard ASM
19:1	114439	2	Rivet-Pop
19:2	94-7128-03	1	Plate-Guard, Splash
19:3	94-7129	1	Guard-Splash

Ref	Part No.	Qty.	Description
20	3234-5	4	Screw
21	93-6528-03	2	Strap-Mount, Fender
22	3230-2	12	Bolt-CARR
23	93-6498	2	Fender-Rear
24	99060	1	Cable-Ground
24:1	106-4915	1	Cap-Protective, Blue
25	322-9	1	Screw-HH
26	3256-3	1	Washer-Flat
27	66-2490	1	Retainer-Battery
28	105-0114	1	Cable-Battery, Positive
29	106-5190	1	Battery-12 Volt
30	3290-148	12	Nut-HF
31	2412-96	2	Clamp-R
32	3255-9	1	Washer-Lock, Ext
33	32128-43	1	Nut-Flange
34	323-6	1	Screw-HH
35	32128-33	8	Nut-HF
36	3253-4	8	Washer-Lock
37	104-8300	2	Nut-Flange, NI
38	107-8688-03	1	Shield-Heat
39	107-8722	1	Decal-Instructions, Parking Brake
40	104-8301	4	Nut-Flange, NI
41	323-7	4	Screw-HH
42	107-8667	2	Decal-Jacking



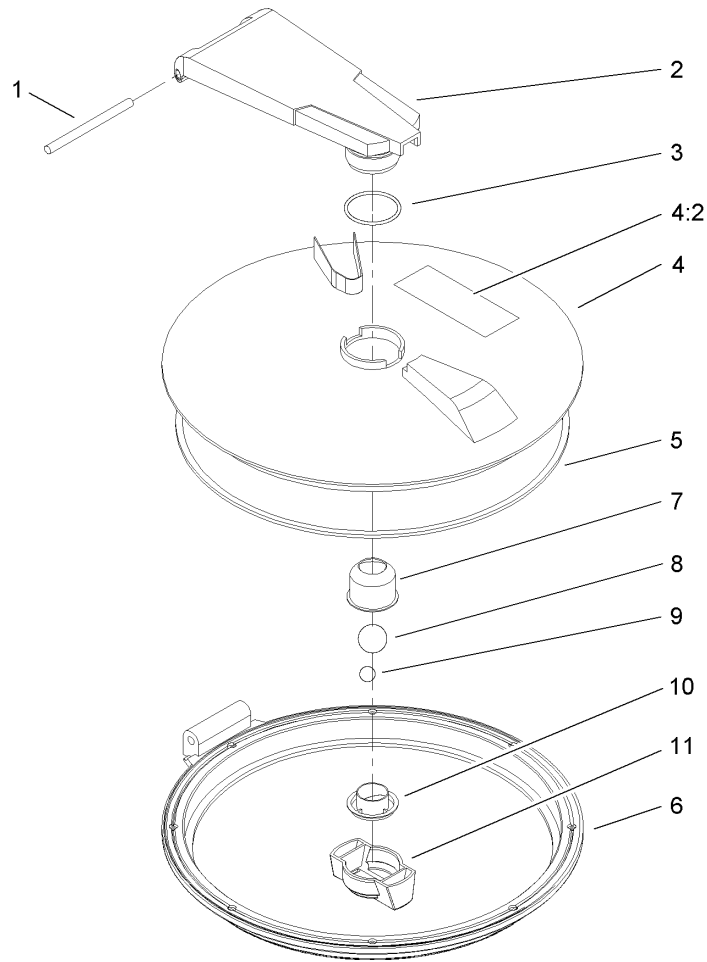


## Fresh Water and Spray Tank Assembly

Ref	Part No.	Qty.	Description
1	106-4966	1	Tank Band ASM
1:2	106-5016	2	Decal-Caution, Electric Shock
2	106-5011	1	300 Gallon Tank ASM
2:2	93-0833	8	Rivet
2:3		1	Screw Type Tank Lid ASM
2:4	104-9051	1	Basket-Strainer
2:5	106-4991	1	Seal-Lid
3	42452	1	Cap-Protective
4	3230-1	4	Bolt-CARR
5	104-9126-03	1	Band-Tank Mounting
6	100-7008	1	Cap-Tank, Fresh Water
7	100-8438	1	Fresh Water Tank ASM
8	3234-28	6	Screw-HHF
9	104-8912-03	1	Tank Bracket ASM
10	104-9125-03	1	Bracket-Glove Box
11	32128-20	7	Nut-HF
12	104-9124-03	1	Mount-Tank, Plate
13	41809	8	Screw-HH
14	3256-4	8	Washer-Flat
15	104-8301	8	Nut-Flange, NI
16	3217-11	2	Nut-Hex
17	3256-7	2	Washer-Flat
18	327-4	2	Screw-HH
19	106-5288-03	1	Tank Saddle ASM

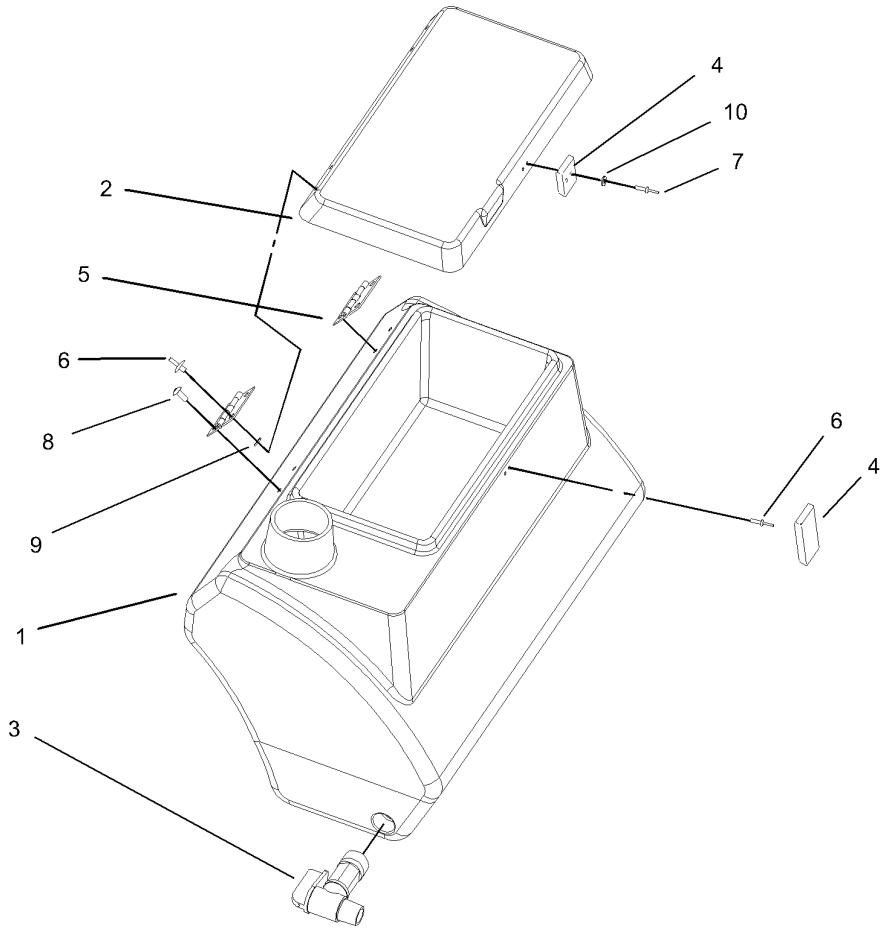
Ref	Part No.	Qty.	Description
20	2412-74	1	R-Clamp
21	3234-4	1	Screw-HH
22	32148-6	1	Insert-Nut
23	104-8914	1	Latch-Storage Box
24	106-1355	1	Decal-No Tank Entry
25	104-9075	1	Hose-Siphon, Anti
26	41140	1	Elbow
27	104-7102	4	Pad-Battery
28	100-6779	1	Coupling-Female
29	41316	1	Adapter-Quick
30	104-9122-03	1	Bracket-Siphon, Anti
31	104-9166	2	Decal-Tank, 300 Gallon
32	106-5065	1	Decal-Drain, Tank
33	93-0688	1	Decal-Warning, Chemical





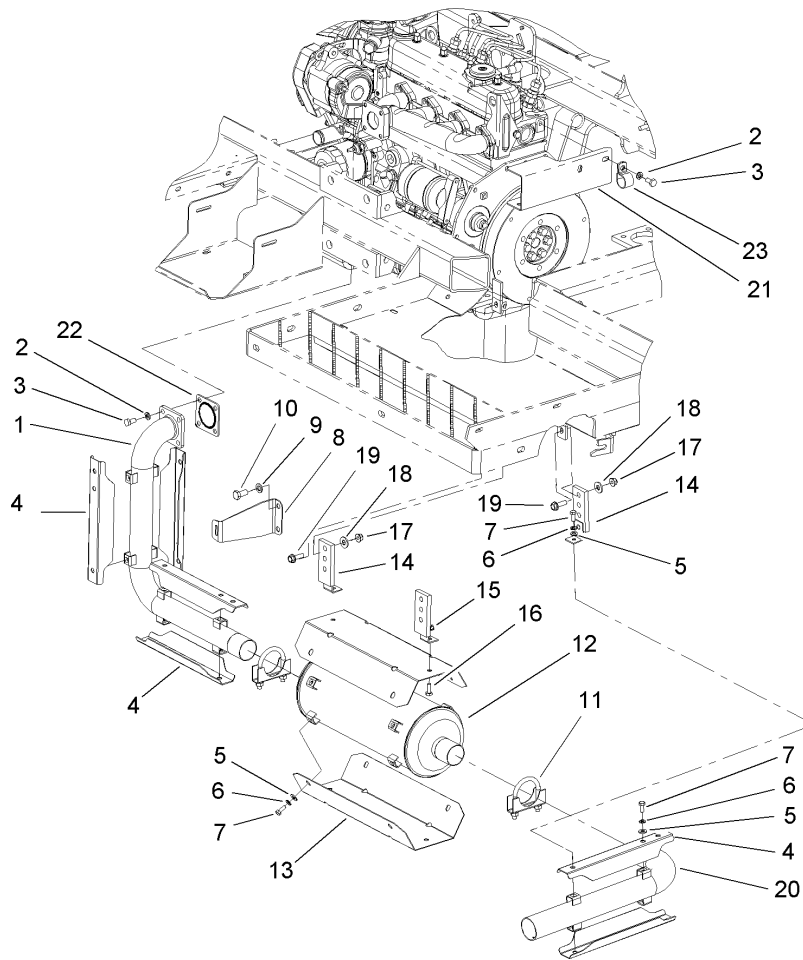
### Lid Assembly

Ref	Part No.	Qty.	Description				
1	106-5000	1	Pin-Pivot				
2	106-5001	1	Arm				
3	106-5002	1	O-Ring				
4	106-1369	1	Lid				
4:2	93-0688	1	Decal-Warning, Chemical				
5	106-5004	1	Seal-Lid				
6	106-5005	1	Ring				
7	106-5006	1	Cup-Vent				
8	106-5007	1	Ball-Floating				
9	106-5008	1	Ball-Weight				
10	106-5009	1	Holder-Ball				
11	106-5010	1	Nut-Wing				



### Fresh Water Tank Assembly No. 100-8438

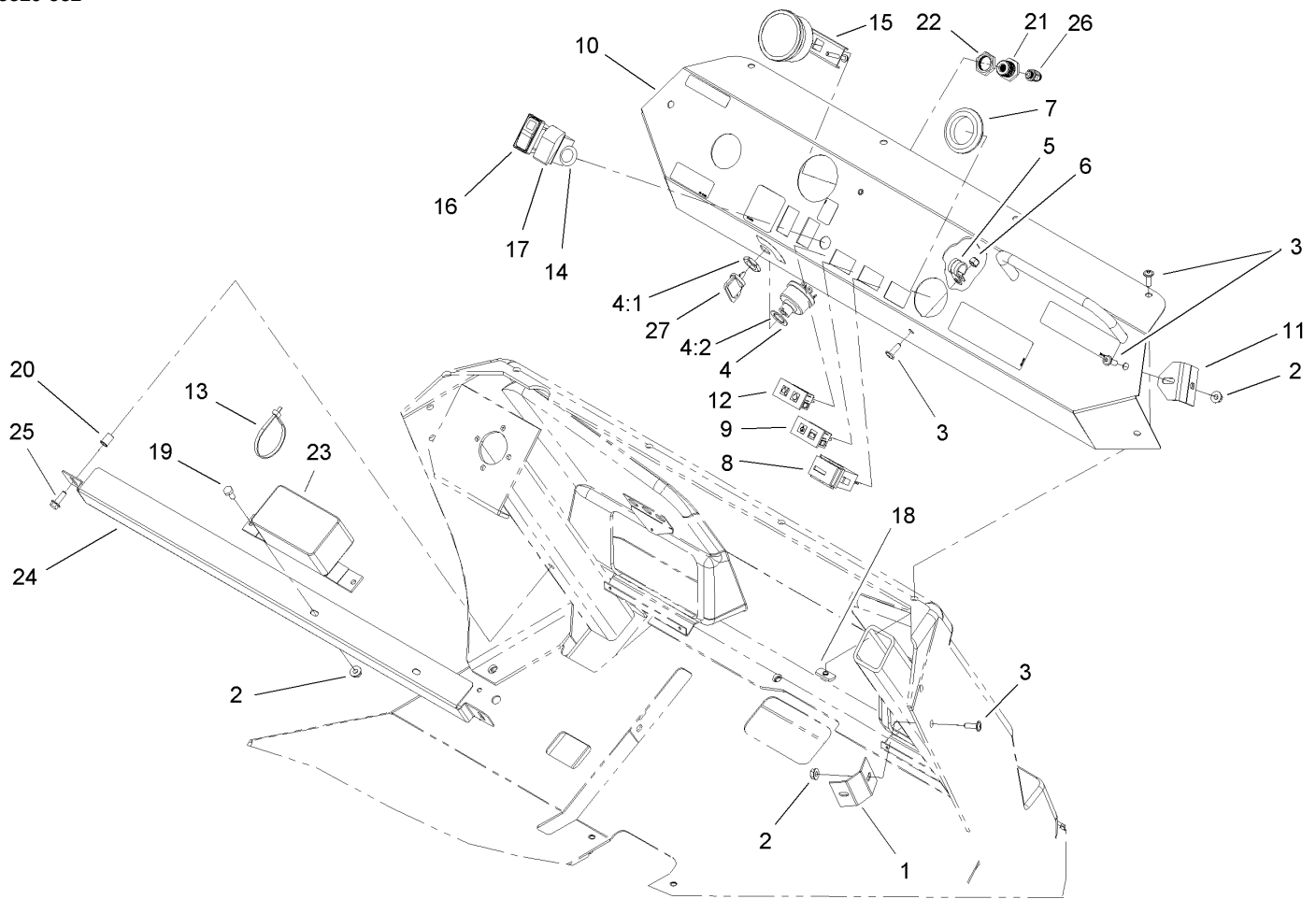
Ref	Part No.	Qty.	Description
① 1		1	Tank-Water, Fresh
2	100-8397	1	Cover-Tank
3	100-7011	1	Spigot-90 DEG
4	100-7009	1	Latch-Draw
5	100-7010	2	Hinge
6	100-7062	4	Rivet
7	100-7063	4	Rivet
8	100-7064	4	Screw
9	100-7065	4	Washer
10	100-7066	2	Washer



## Exhaust Assembly

Ref	Part No.	Qty.	Description
1	106-5263	1	Pipe-Exhaust
2	42-9850	6	Washer-Lock, Spring
3	33114-016	6	Screw-HH
4	106-5278	6	Shield-Heat, Exhaust
5	3256-22	20	Washer-Flat
6	3253-3	20	Washer-Lock
7	33113-016	20	Screw-HH
8	107-8680-03	1	Bracket-Exhaust Pipe
9	42-9600	2	Washer-Lock, Spring
10	63-7790	2	Screw-Cap
11	18-2130	2	Clamp
12	106-5276	1	Muffler
13	106-5275	2	Shield-Heat, Muffler
14	106-5282	3	Hanger-Tailpipe
15	32128-33	2	Nut-HF
16	321-4	2	Screw-HH
17	104-8300	3	Nut-Flange, NI
18	3256-56	3	Washer-Flat
19	3234-17	3	Screw-HHF
20	106-5281	1	Tailpipe
21	107-8655	1	Shield-Heat
22	99-8343	1	Gasket-Muffler
23	2412-39	1	R-Clamp

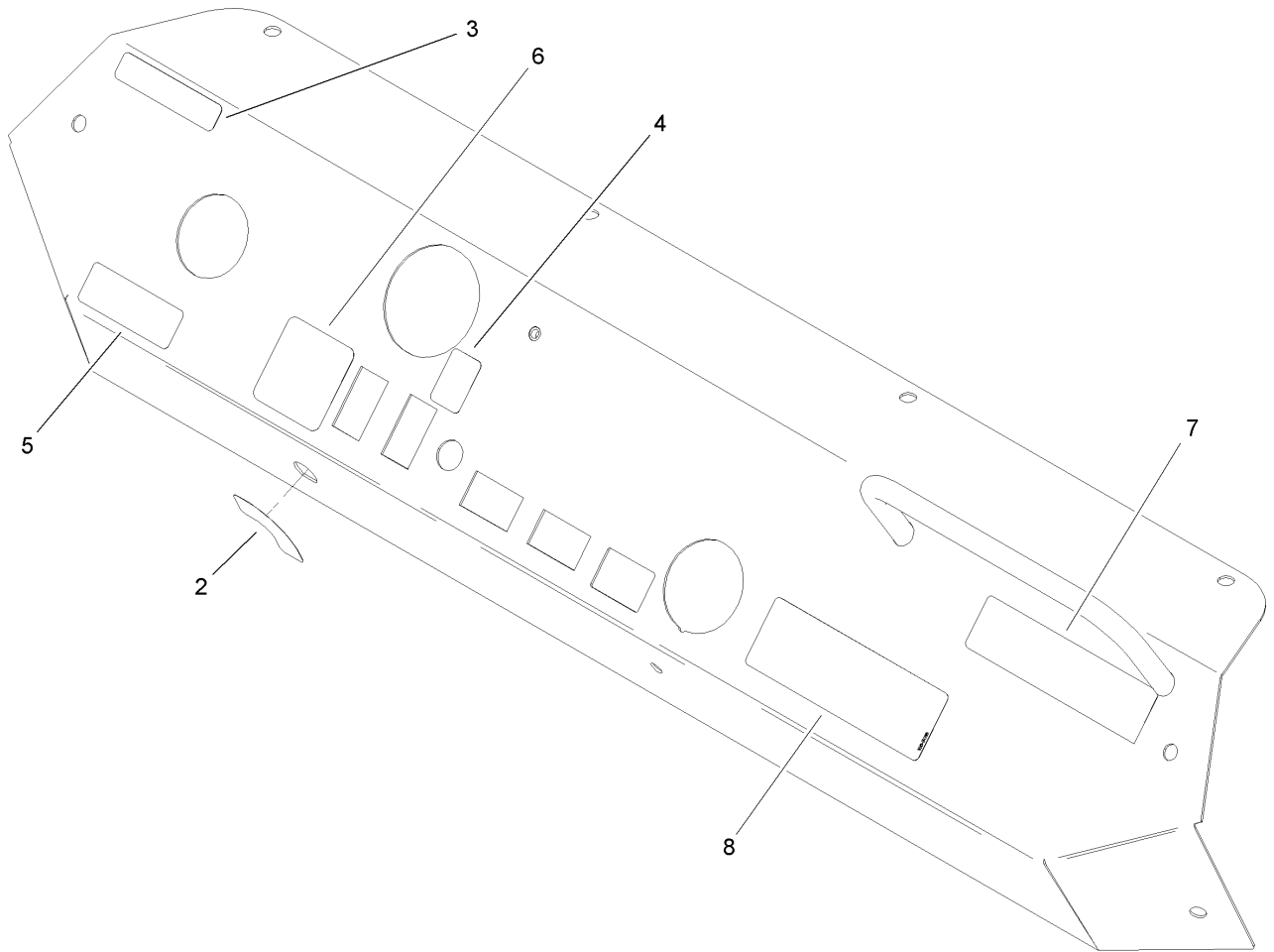
--	--	--	--



## Dash and Instrument Assembly

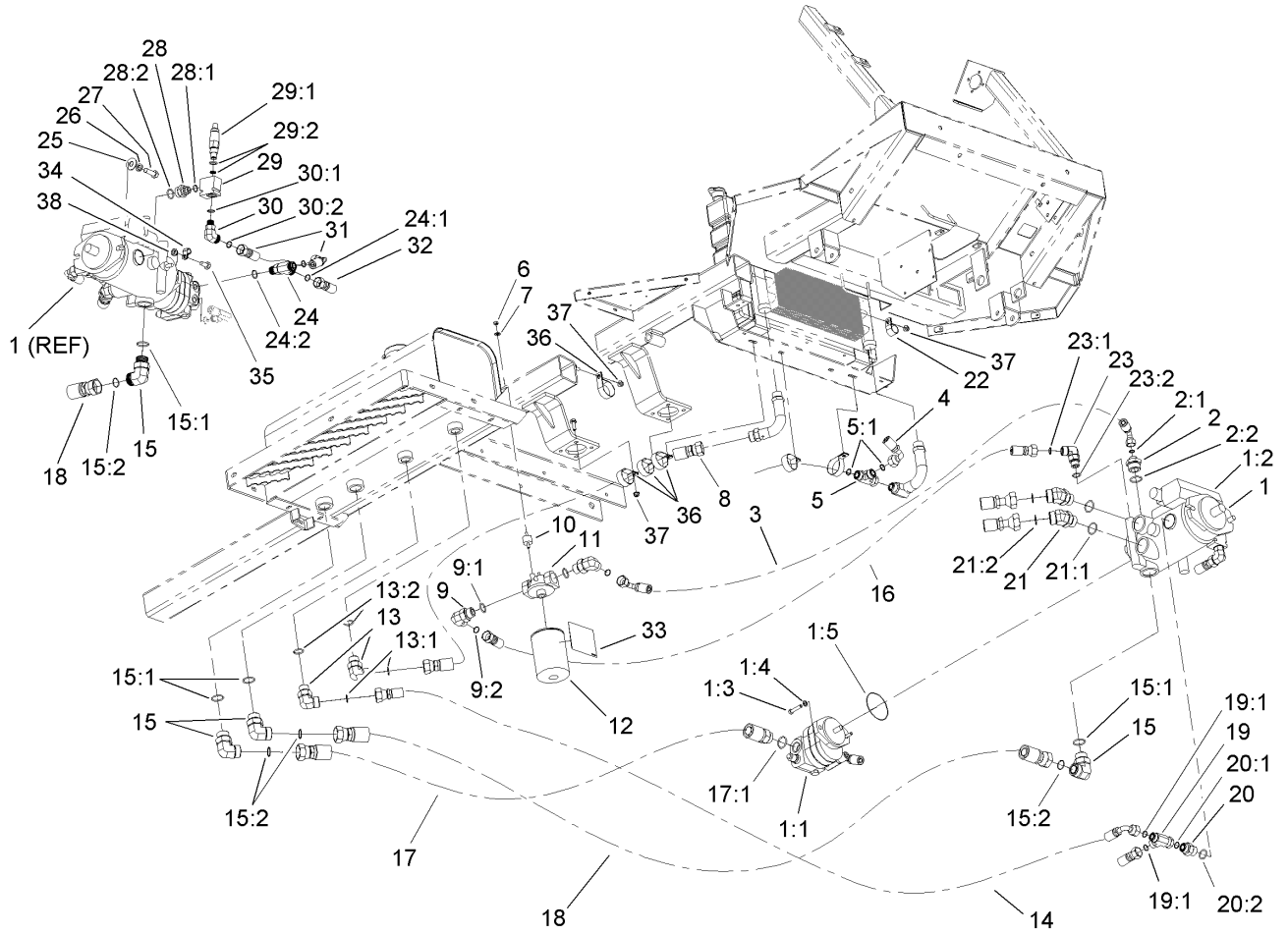
Ref	Part No.	Qty.	Description
1	94-7140-03	2	Clip-Dash, Lower
2	32128-33	10	Nut-HF
3	92-3911	13	Screw-HSBH
4	104-2541	1	Switch-Key
4:1	218-461	1	Nut-HH
4:2	3254-5	1	Washer-Tooth
5	2412-134	1	R-Clamp
6	3296-42	1	Nut-Lock, NI
7	40764	1	Grommet
8	94-4208	1	Hourmeter
9	107-8718	1	Cluster-Light
10	106-5019	1	Dash Panel ASM
11	94-7139-03	2	Clip-Dash, Upper
12	107-8719	1	Cluster-Light
13	3290-379	23	Strap-Hose
14	94-7290	1	Plug-Hole
15	104-9115	1	Gauge-Pressure
16	104-9007	1	Switch-Rocker
17	100-8469	1	Switch-Rocker
18	904156	4	Weldnut
19	321-3	2	Screw-HH
20	32148-6	2	Insert-Nut
21	100-8665	1	Reducer-Gauge, Pressure
22	100-8666	1	Nut-Reducer

Ref	Part No.	Qty.	Description
23	104-9104	1	Module-Valve, Pwm
24	104-9146-03	1	Plate-Shield, Head Light
25	3234-4	2	Screw-HH
26	100-8667	1	Coupler-Reducer
27	63-8360	1	Key-Ignition



### Dash Panel Assembly No. 106-5019

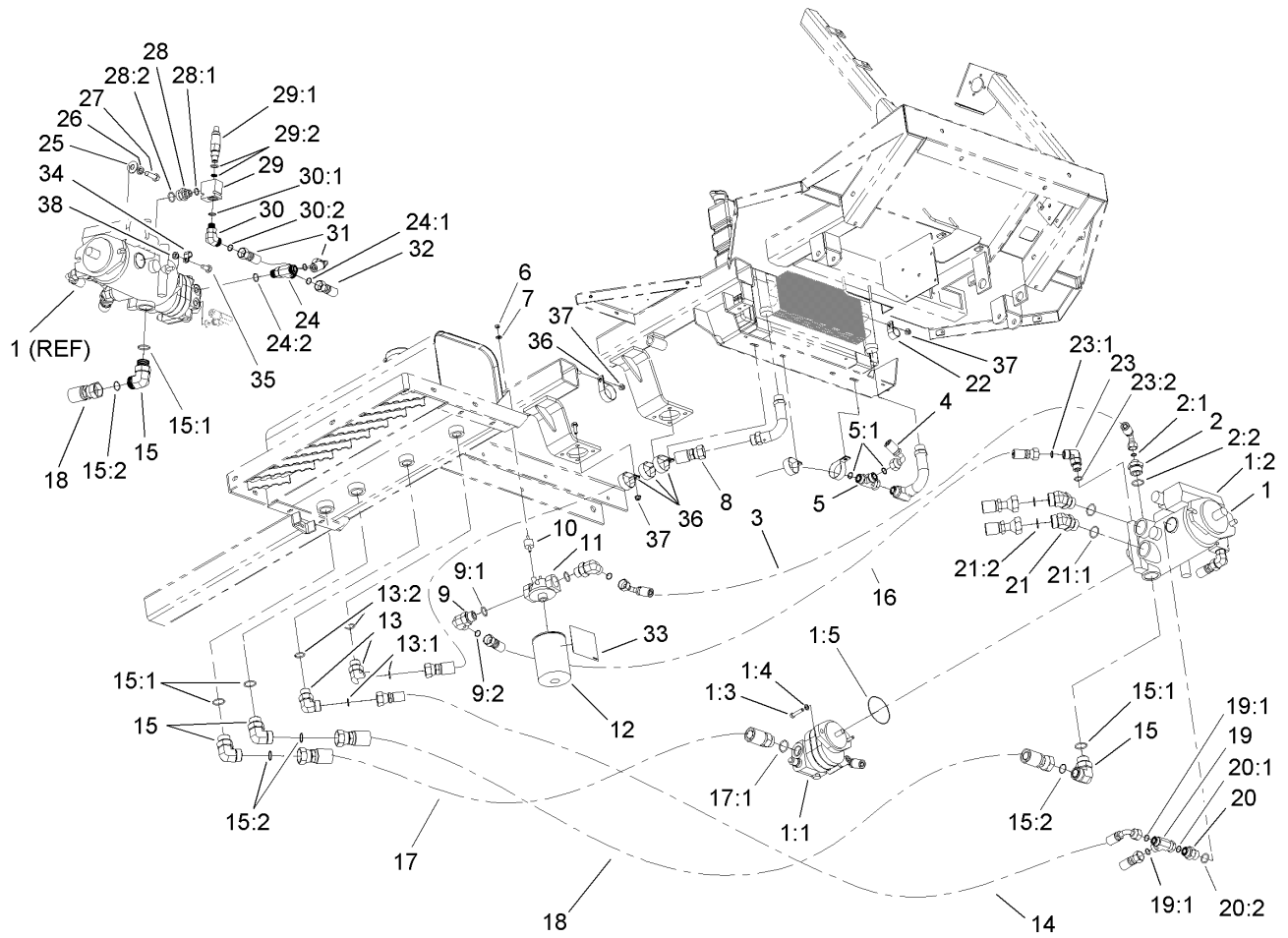
Ref	Part No.	Qty.	Description
2	105-7506	1	Decal-Switch, Key
3	104-7628	1	Decal-Manual
4	94-7171	1	Decal-Headlight
5	107-8722	1	Decal-Instructions, Parking Brake
6	104-9129	1	Decal-Traction Pedal
7	107-8726	1	Decal-Warning
8	106-5016	1	Decal-Caution, Electric Shock

## Hydraulic Pump Assembly

Ref	Part No.	Qty.	Description
1	93-6490	1	Pump ASM
1:1	93-6492	1	Gear Pump ASM
1:2	93-6491	1	Piston Pump ASM
1:3	323-7	2	Screw-HH
1:4	60-3540	2	Washer
1:5	60-3520	1	O-Ring
2	104-9178	1	Fitting-Straight
2:1	237-30	1	O-Ring
2:2	237-146	1	O-Ring
3	104-9191	1	Hose ASM
4	106-5030	1	Hose ASM
5	340-147	1	Fitting-Hyd, Tee
5:1	237-65	2	O-Ring
6	3217-5	2	Nut-Hex
7	3256-22	2	Washer-Flat
8	106-5266	1	Hose ASM
9	340-139	2	Fitting-Hyd, 90 DEG
9:1	237-81	1	O-Ring
9:2	237-65	1	O-Ring
10	106-5271	2	Mount-Isolation
11	92-5821	1	Filter Head ASM
12	86-3010	2	Filter-Oil
13	340-142	2	Fitting-Hyd, 90 DEG
13:1	237-58	1	O-Ring

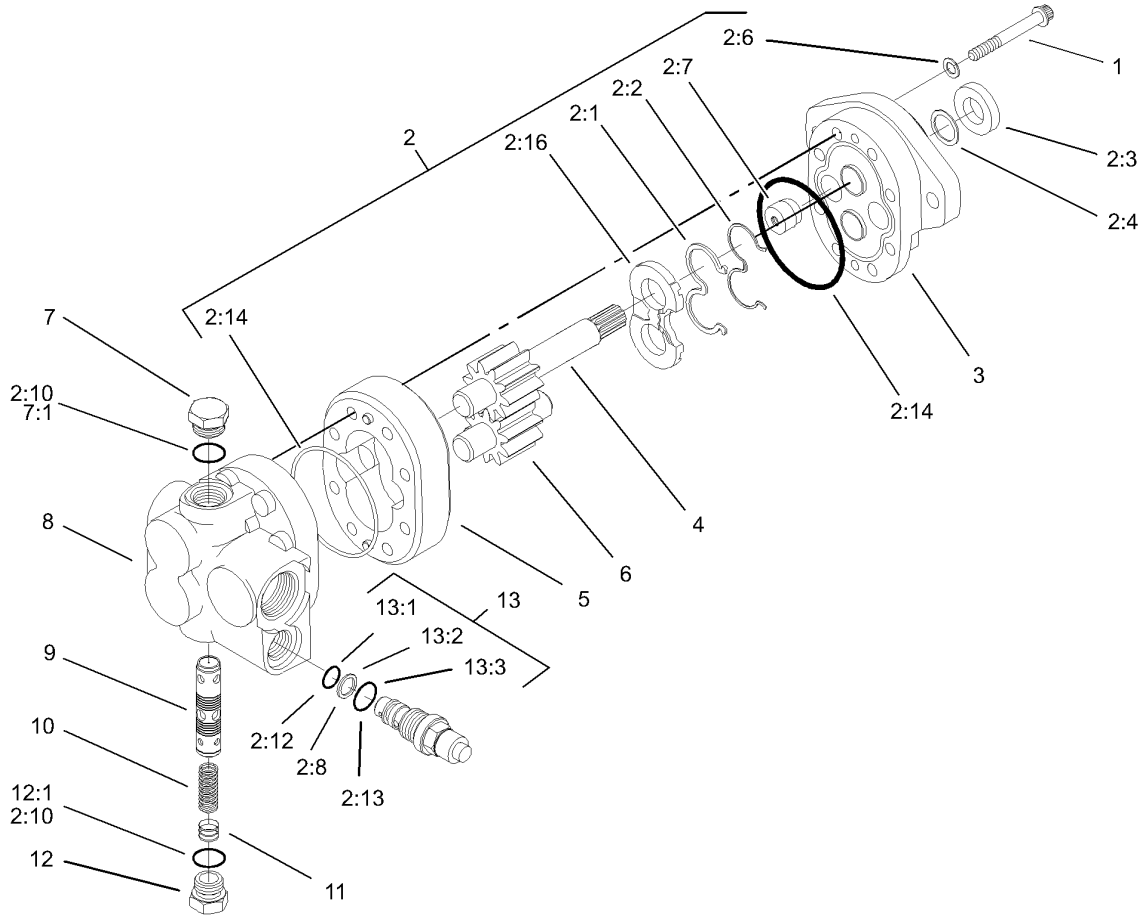
Ref	Part No.	Qty.	Description
13:2	237-81	1	O-Ring
14	106-5033	1	Hose ASM
15	340-129	3	Fitting-Hyd, 90 DEG
15:1	237-146	1	O-Ring
15:2	340-65	1	O-Ring
16	104-9192	1	Hose ASM
17	106-5031	1	Hose ASM
17:1	237-146	1	O-Ring
18	106-5032	1	Hose ASM
19	340-147	1	Fitting-Hyd, Tee
19:1	237-65	2	O-Ring
20	340-8	1	Adapter
20:1	237-65	1	O-Ring
20:2	237-81	1	O-Ring
21	104-3509	2	Fitting-Hyd, 45 DEG
21:1	237-146	1	O-Ring
21:2	340-65	1	O-Ring
22	2412-39	1	R-Clamp
23	340-17	1	Fitting-Hyd, 90 DEG
23:1	237-65	1	O-Ring
23:2	237-80	1	O-Ring
24	340-22	1	Fitting-Hyd, Tee
24:1	237-65	2	O-Ring
24:2	237-80	1	O-Ring



## Hydraulic Pump Assembly (continued)

Ref	Part No.	Qty.	Description
25	3256-6	2	Washer-Flat
26	3253-7	2	Washer-Lock
27	325-6	2	Screw-HH
28	104-9168	1	Adapter
28:1	237-79	1	O-Ring
28:2	237-81	1	O-Ring
29	94-7012	1	Valve-Relief
29:1	94-8763	1	Cartridge
29:2	94-8764	1	Seal Kit
30	340-153	1	Fitting-HYD
30:1	237-79	1	O-Ring
30:2	237-151	1	O-Ring
31	75-6130	1	Hose ASM
32	106-5029	1	Hose ASM
33	107-8727	1	Decal-Element
34	2412-93	1	Clamp-R
35	3234-4	1	Screw-HH
36	2412-96	6	Clamp-R
37	104-8300	8	Nut-Flange, NI
38	32128-33	1	Nut-HF

Ref	Part No.	Qty.	Description

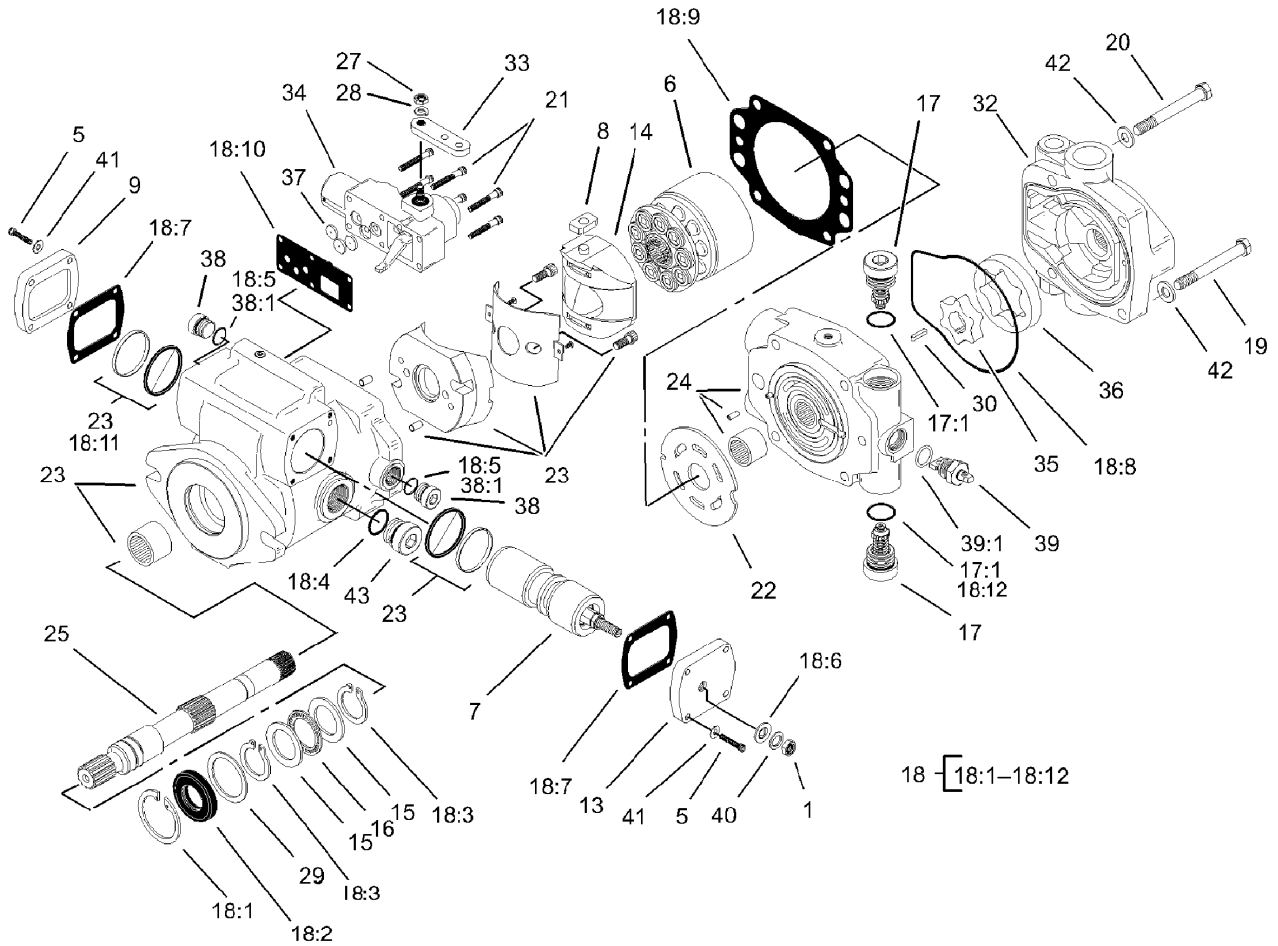


### Gear Pump Assembly No. 93-6492

Ref	Part No.	Qty.	Description
1	74-9370	8	Capscrew
2	99-8594	1	Seal Kit
2:1	95-4367	1	Gasket
2:2	95-4369	1	Seal
2:3	49-2640	1	Seal-Shaft
2:4	60-5890	1	Washer
2:6	94-8160	4	Washer
2:7	94-3011	1	Plug
2:8	92-9256	1	Washer-Backup
2:9		1	O-Ring
2:10	60-5720	2	O-Ring
2:11		1	O-Ring
2:12	92-9255	1	O-Ring
2:13	92-9254	1	O-Ring
2:14	56-6710	2	O-Ring
2:16	95-4368	1	Plate-Wear
3	95-4362	1	Plate-Front
4		1	Gear-Drive
5		1	Body
6		1	Gear-Idler
7	60-5860	1	Plug
7:1	60-5720	1	O-Ring
8	93-6377	1	Backplate ASM
9	93-6420	1	Spool

Ref	Part No.	Qty.	Description
10	88-3770	1	Spring
11	60-5730	1	Disc
12	60-5710	1	Plug
12:1	60-5720	1	O-Ring
13	74-9000	1	Relief Valve ASM
13:1	92-9255	1	O-Ring
13:2	92-9256	1	Washer-Backup
13:3	92-9254	1	O-Ring
99	107-4328	1	Front Plate Service Kit

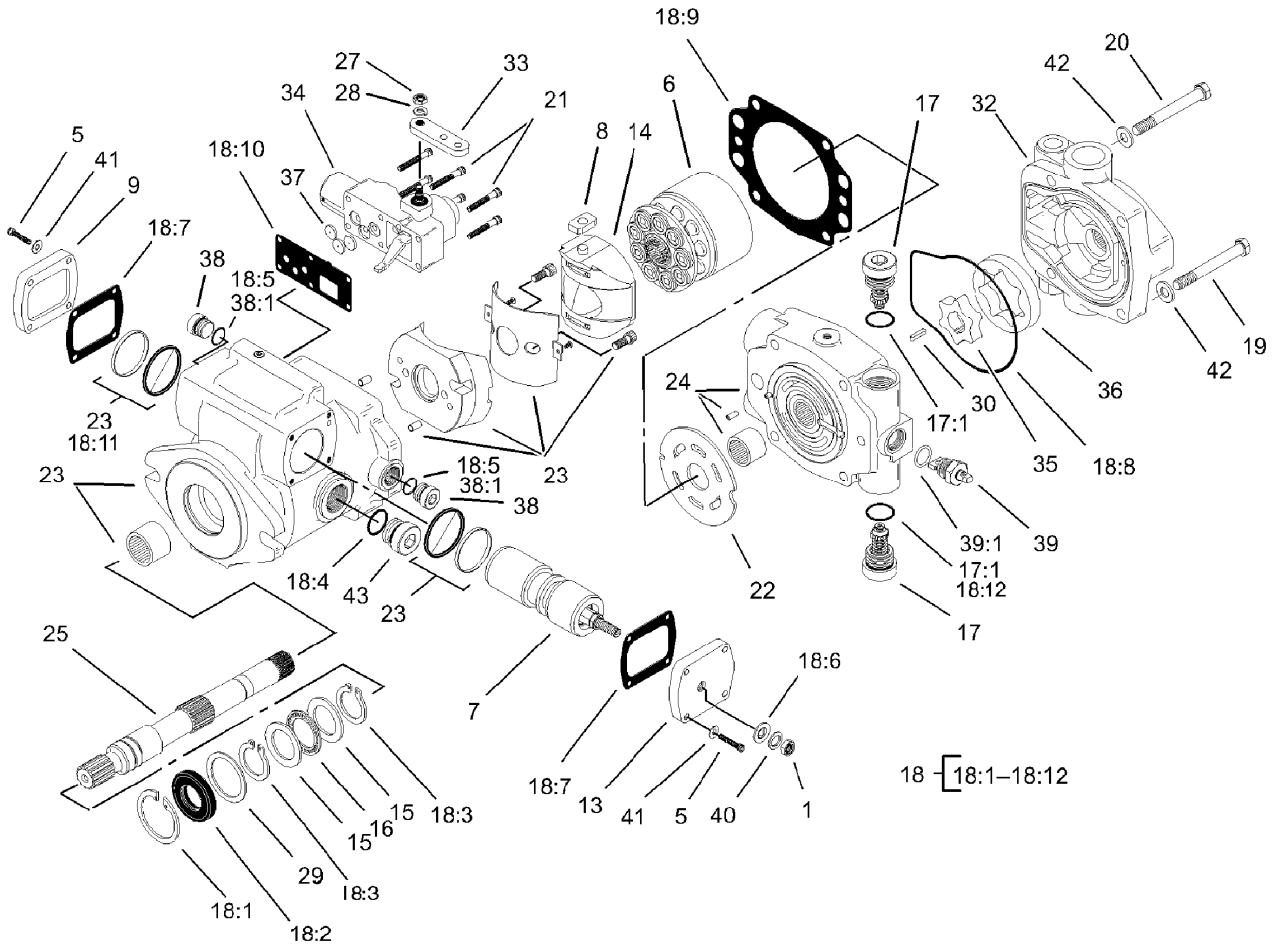




## Piston Pump Assembly No. 93-6491

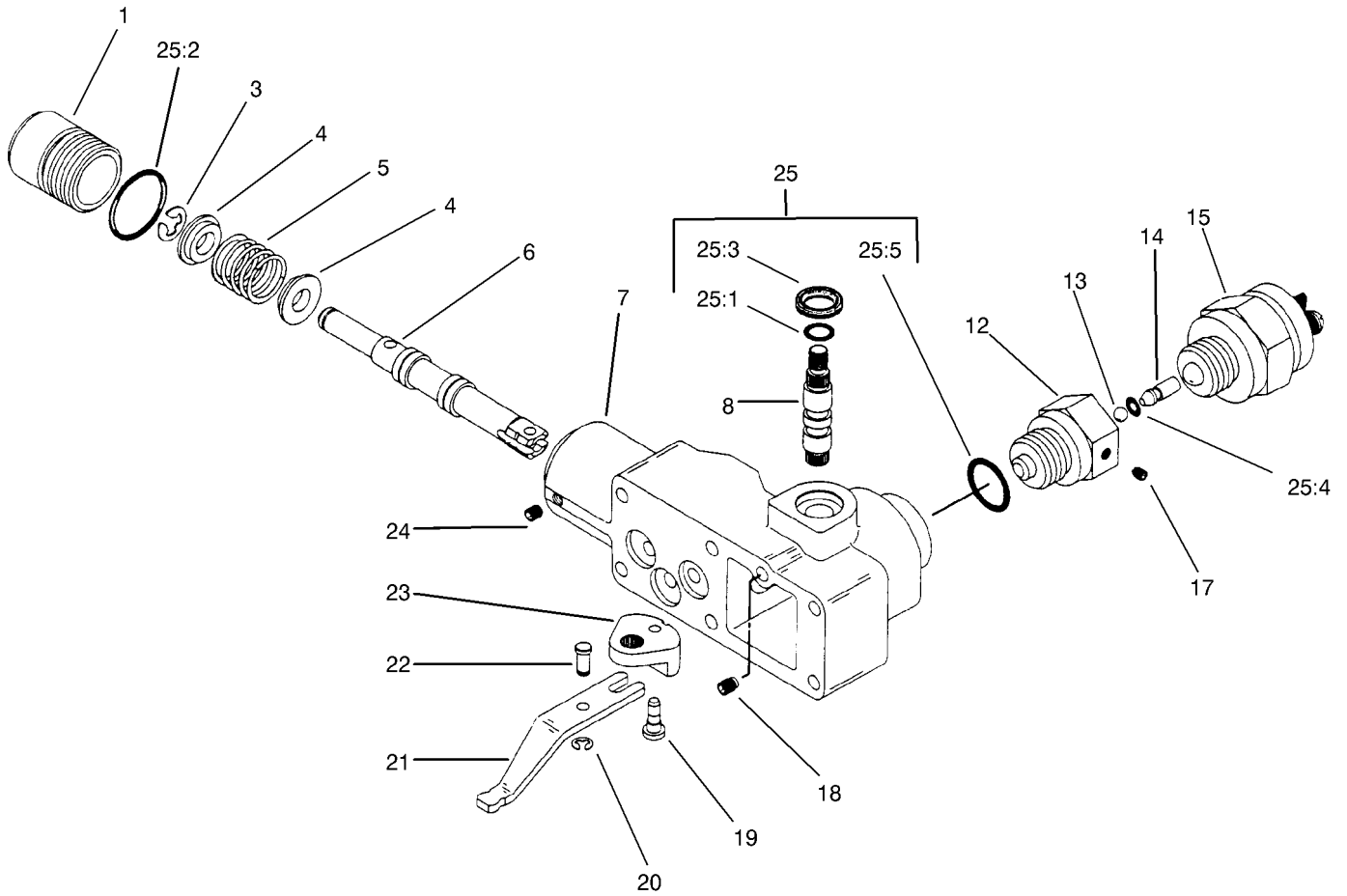
Ref	Part No.	Qty.	Description
1	3220-3	1	Nut-Jam
5	93-6337	8	Screw
6	93-6322	1	Rotating Kit
7	105-2856	1	Servo Piston ASM
8	94-3032	1	Follower-Piston
9	94-3033	1	Plate-Cover
13	105-9853	1	Plate-Cover
14	94-3026	1	Camplate ASM
15	76-6950	2	Race-Thrust
16	76-6960	1	Bearing-Thrust
17	105-2858	2	Valve-Relief
●17:1		1	O-Ring
18	107-1561	1	Seal Kit
18:1	60-6260	1	Ring
18:2	105-3331	1	Seal-Shaft
18:3	76-7000	2	Ring-Retaining
●18:4		2	O-Ring
●18:5	93-6314	2	O Ring
18:6	94-3027	1	Washer-Seal
18:7	93-6339	2	Gasket
●18:8	105-2905	1	O Ring-Molded
18:9	105-2900	1	Gasket-Housing
18:10	105-2901	1	Gasket-Housing, Control
●18:11		2	Seal ASM

Ref	Part No.	Qty.	Description
●18:12	74-9380	1	O-Ring
19	323-15	2	Screw-HH
20	323-16	2	Screw-HH
21	93-6324	6	Screw
22	93-6370	1	Plate-Valve
●23		1	Housing
24	105-2904	1	Backplate
25	93-6344	1	Driveshaft
27	3217-5	1	Nut-Hex
28	3253-3	1	Washer-Lock
29	60-6240	1	Washer
30	93-6375	1	Key
32	95-2110	1	Adaptor ASM
33	105-2862	1	Arm-Control
34	93-6306	1	Control ASM
35	93-6365	1	Geroter-Inner
36	93-6364	1	Geroter-Outer
37	94-3041	3	Orifice-Control
38	74-9280	2	Plug ASM
●38:1		1	O-Ring
39	105-2913	1	Valve-Bypass
●39:1		1	O-Ring
40	94-3030	1	Washer
41	93-6336	8	Washer



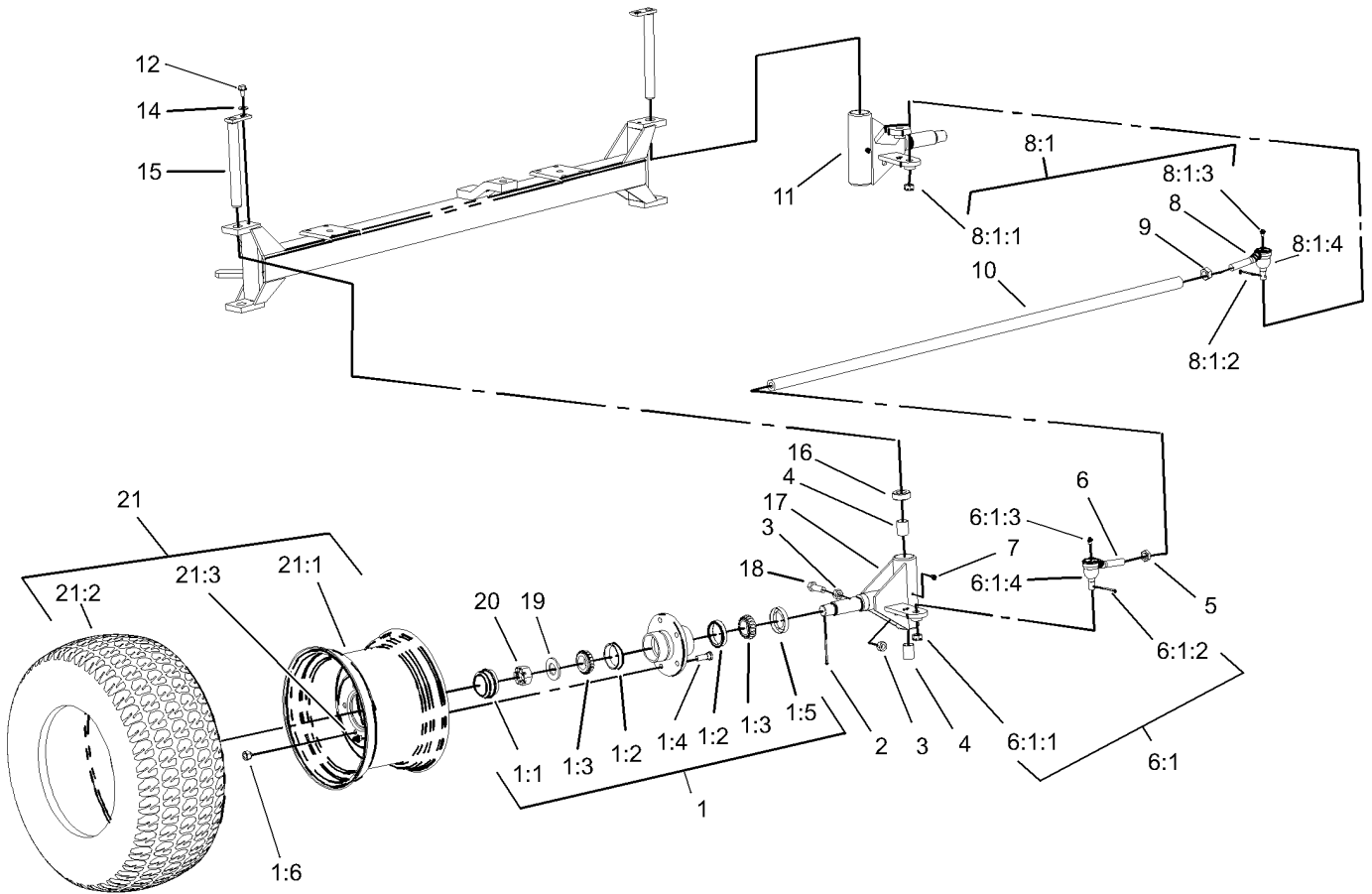
### Piston Pump Assembly No. 93-6491 (continued)

Ref	Part No.	Qty.	Description
42	3256-24	4	Washer-Flat
● 43		1	Plug ASM

### Control Assembly No. 93-6306

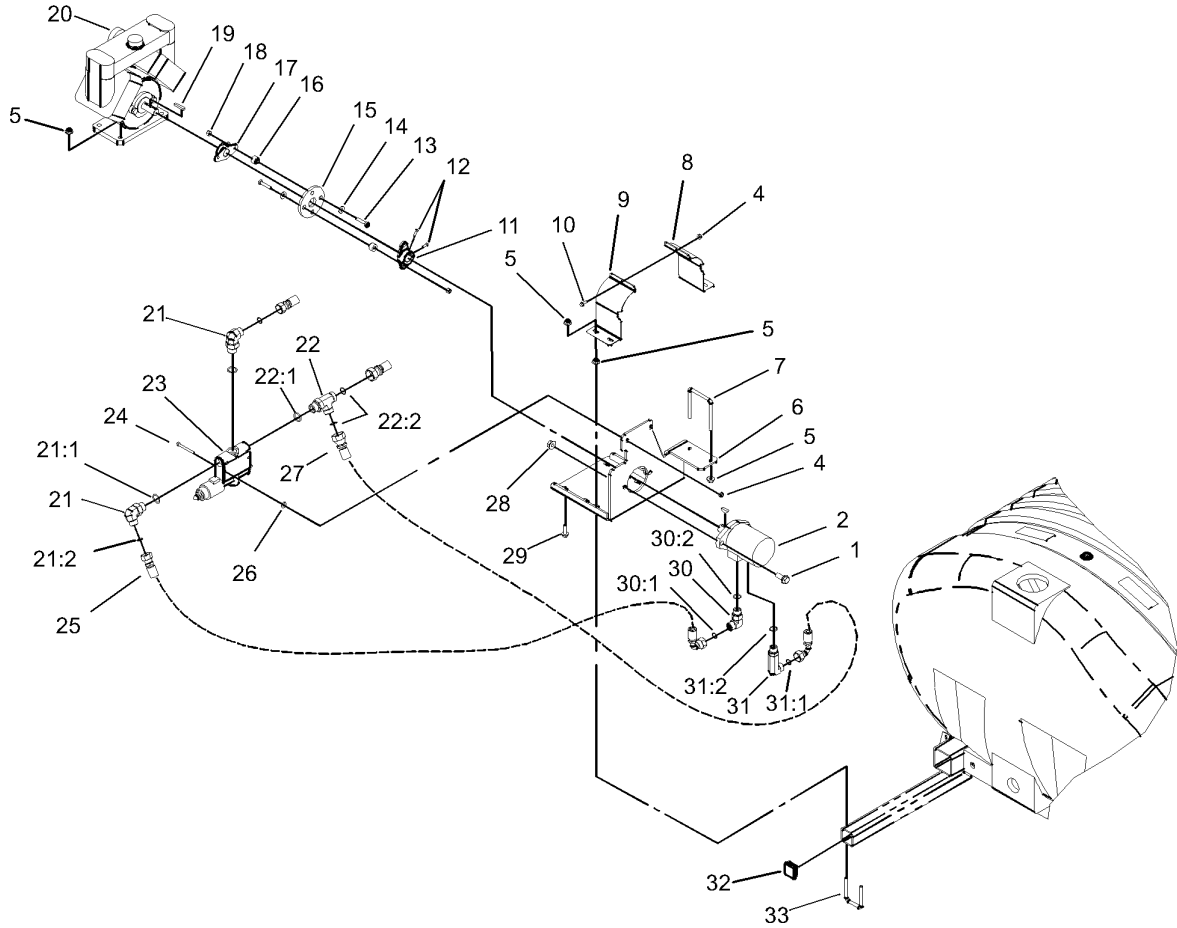
Ref	Part No.	Qty.	Description
1		1	Plug
3		1	Ring-Retaining
4		2	Retainer-Spring
5		1	Spring
6		1	Valve-Spool
7		1	Housing-Control
8		1	Shaft-Input
12		1	Adaptor
13		1	Ball
14		1	Pin
15	94-3043	1	Switch-Safety, Neutral
17		1	Screw-Set
18		1	Screw-Set
19		1	Pin
20		1	Ring-Retaining
21		1	Link
22		1	Pin-Dowel
23		1	Crank-Bell
24		1	Screw-Set
25	94-3044	1	Seal Kit
25:1		1	O-Ring
25:2		1	O-Ring
25:3		1	Seal-Wiper
25:4		1	O-Ring
25:5		1	O-Ring



## Front Wheel Assembly

Ref	Part No.	Qty.	Description
1	94-7148	2	Hub ASM
1:1	94-7282	1	Cap-Dust
1:2	254-61	2	Bearing-Cup
1:3	94-7283	2	Bearing-Cone
1:4	95-9383	5	Stud
1:5	94-7285	2	Seal
1:6	242-35	5	Nut-Wheel
2	3272-15	2	Pin-Cotter
3	3217-9	4	Nut-Hex
4	93-6586	4	Bushing
5	3220-11	1	Nut-Jam
6	87-1480	1	RH Tie Rod End ASM
6:1	87-5340	1	Tie Rod Seal Kit
6:1:1	32136-3	1	Nut
6:1:2	3272-12	1	Pin-Cotter
6:1:3	302-5	1	Fitting-Grease
6:1:4	107-1587	1	Seal
7	302-5	2	Fitting-Grease
8	87-1470	1	LH Tie Rod End ASM
8:1	87-5340	1	Tie Rod Seal Kit
8:1:1	32136-3	1	Nut
8:1:2	3272-12	1	Pin-Cotter
8:1:3	302-5	1	Fitting-Grease
8:1:4	107-1587	1	Seal

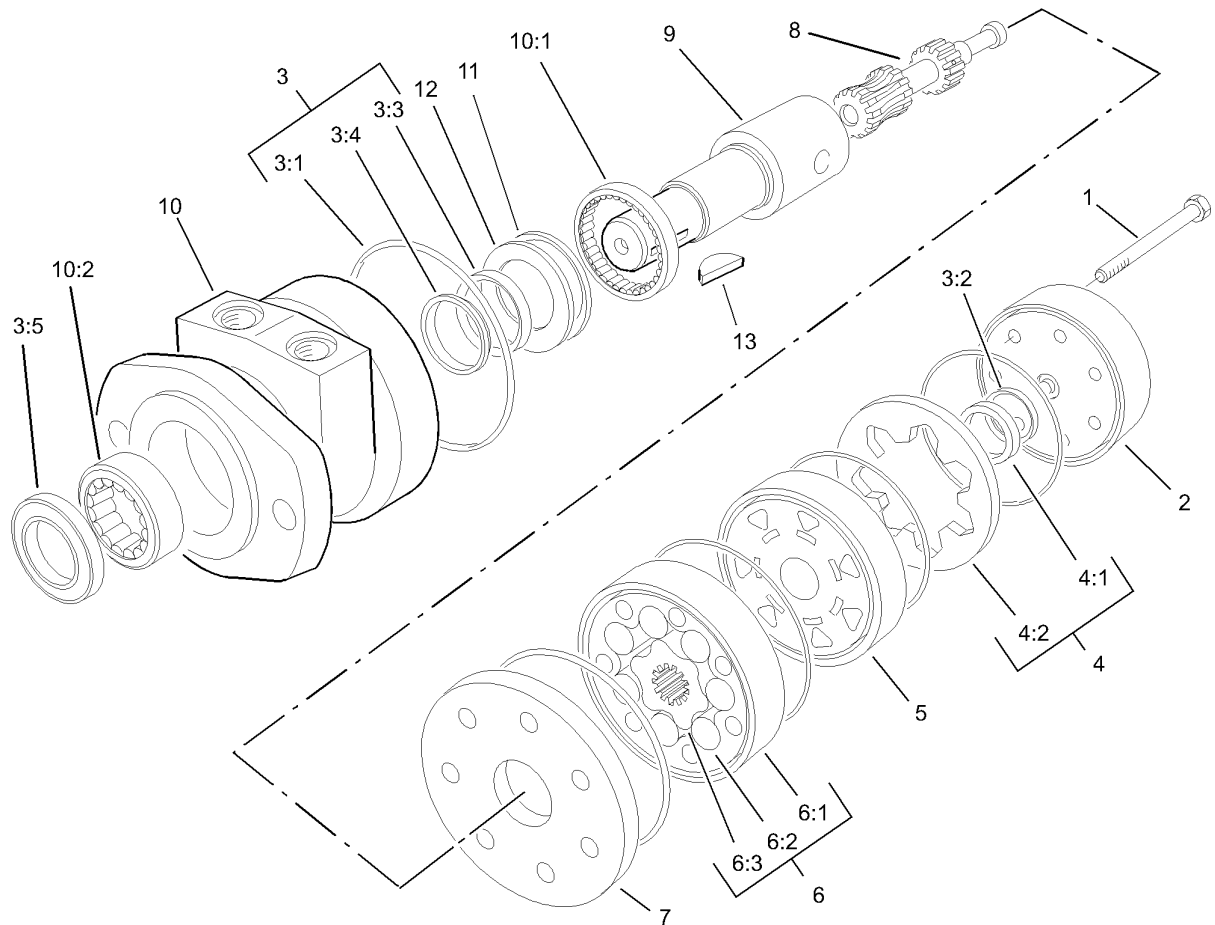
Ref	Part No.	Qty.	Description
9	3218-21	1	Nut-Jam
10	93-6588	1	Rod-Steering
11	93-6577-03	1	LH Spindle ASM
12	32144-14	2	Screw-HWH
14	3256-3	2	Washer-Flat
15	93-6584	2	King Pin ASM
16	93-6587	2	Bearing
17	93-6582-03	1	RH Spindle ASM
18	325-6	2	Screw-HH
19	3256-62	2	Washer-Flat
20	32136-11	2	Nut-Hex, Slot
21		2	Tire And Wheel ASM
21:1	41169	1	Wheel
21:2	42330	1	Tire
21:3	232-27	1	Stem-Valve



## Pump Drive Assembly

Ref	Part No.	Qty.	Description
1	3234-32	2	Screw-HHF
2	104-9099	1	Pump-Spray, Motor
4	32128-33	3	Nut-HF
5	32128-43	14	Nut-Flange
6	106-1219-03	1	Pump Bracket ASM
7	100-7067	1	U-Bolt
8	104-9080-03	1	Plate-Guard, Front
9	104-9081-03	1	Plate-Guard, Rear
10	3234-4	1	Screw-HH
11	27-1960	1	Hub-Engine
12	3241-5	4	Screw-Set
13	322-8	4	Screw-HH
14	3256-3	4	Washer-Flat
15	100-8471	1	Coupling-Rubber
16	27-6590	4	Spacer-Coupling, Rubber
17	93-2589	1	Hub-Pump
18	3296-29	4	Nut-Lock, NI
19	67-7490	1	Key-Square
20	106-5121	1	Pump
21	340-139	2	Fitting-Hyd, 90 DEG
21:1	237-81	1	O-Ring
21:2	237-65	1	O-Ring
22	340-148	1	Fitting-Tee
22:1	237-81	1	O-Ring

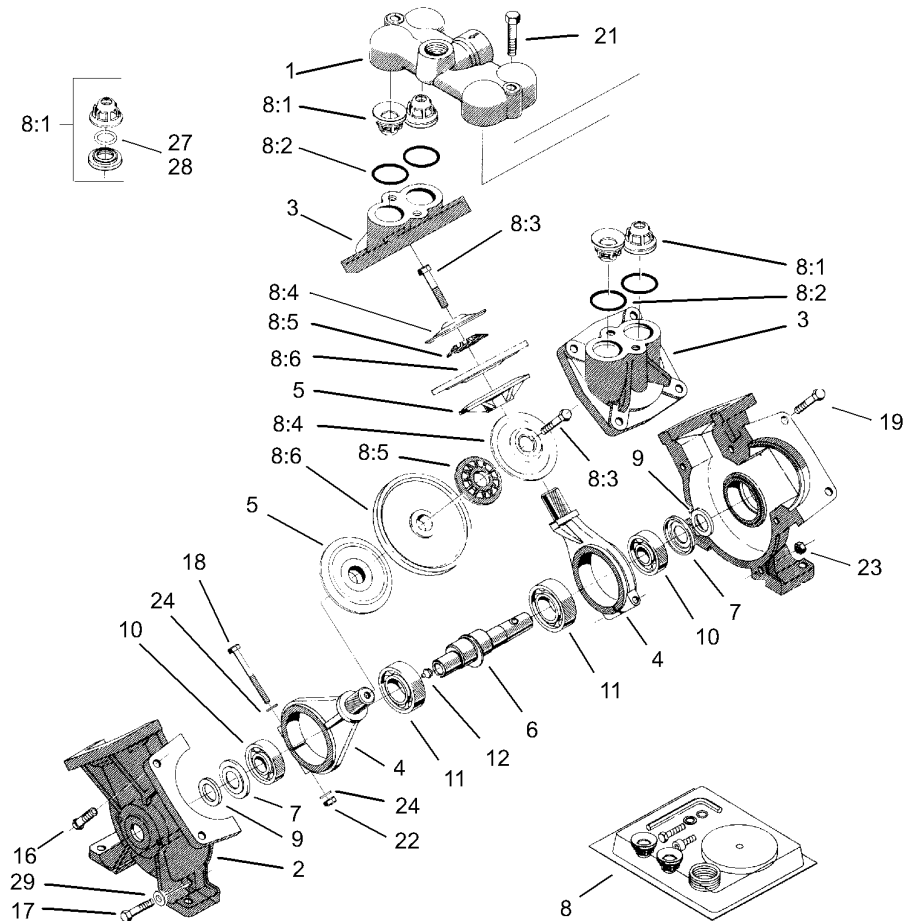
Ref	Part No.	Qty.	Description
22:2	237-58	2	O-Ring
23	104-9110	1	Valve-Pwm
24	321-15	2	Screw-HH
25	104-9181	1	Hose ASM
26	3256-2	2	Washer-Flat
27	104-9179	1	Hose ASM
28	32128-49	2	Nut-HHF
29	3234-24	4	Screw-HHF
30	340-17	1	Fitting-Hyd, 90 DEG
30:1	237-65	1	O-Ring
30:2	237-80	1	O-Ring
31	104-9074	1	Fitting-Elbow, 90 DEG
31:1	237-65	1	O-Ring
31:2	237-80	1	O-Ring
32	95-9495	1	Cap
33	104-9082	2	U-Bolt



## Spray Pump Assembly No. 104-9099

Ref	Part No.	Qty.	Description
1	322-33	5	Screw-HH
2	106-1981	1	Cover-End
3	106-1989	1	Seal Kit
②3:1		6	Seal-Ring
②3:2		1	Seal-Commutator
②3:3		1	Seal-Inner
②3:4		1	Washer-Backup
②3:5		1	Seal-Dirt & Water
4	106-1982	1	Commutator ASM
②4:1		1	Commutator
②4:2		1	Ring-Commutator
5	106-1983	1	Manifold
6	107-1565	1	Rotor Set
②6:1		1	Stator
②6:2		7	Vane
②6:3		1	Rotor
7	106-1985	1	Plate-Wear
8	107-1564	1	Link-Drive
9	107-1567	1	Shaft-Coupling
10	107-1566	1	Housing ASM
②10:1		1	Bearing
②10:2		1	Bearing
②11		1	Bearing-Thrust
②12		1	Washer-Thrust

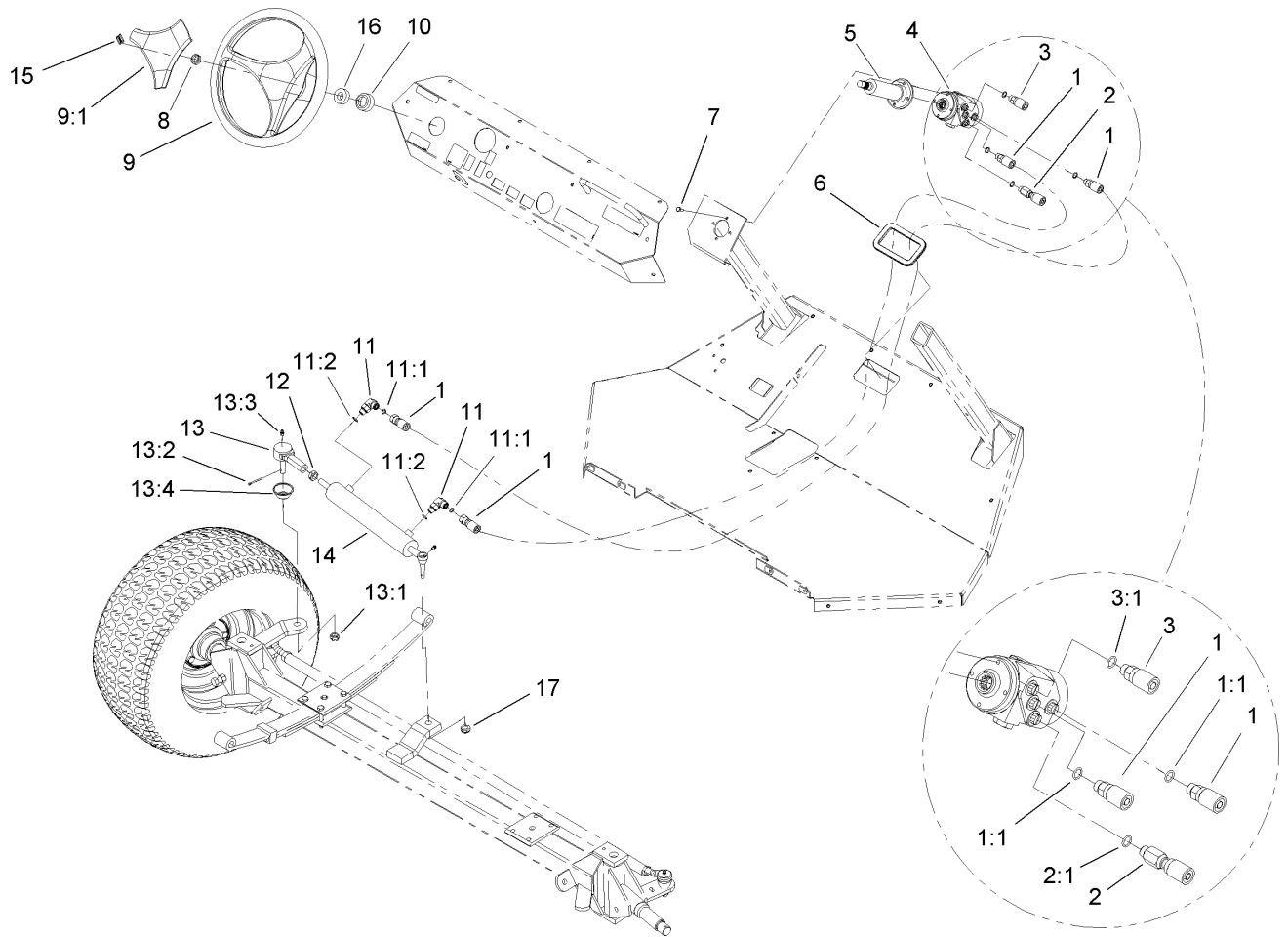
Ref	Part No.	Qty.	Description
13	106-1990	1	Key-Woodruff



### Pump Assembly No. 106-5121

Ref	Part No.	Qty.	Description
1	106-5139	1	Cover-Valve
2	106-5140	2	Housing-Pump
3	106-5141	2	Cover-Diaphragm
4	106-5142	2	Rod-Connecting
5	100-8314	2	Disc-Back, Diaphragm
6	104-9052	1	Crankshaft-Keyed
7	100-8325	2	Plate-Dust
8	106-5150	1	Repair Kit
8:1	100-8307	4	Valve
8:2	100-6652	4	Gasket
8:3	106-5147	2	Bolt
8:4	100-8311	2	Washer
8:5	100-8312	2	Washer-Nylon
8:6	100-8313	2	Diaphragm
9	99-0868	2	Felt-Seal
10	100-8327	2	Bearing-Ball
11	100-8329	2	Bearing-Ball
12	99-0873	1	Fitting-Grease
16	106-5143	3	Bolt
17	106-5144	2	Bolt
18	106-5145	2	Bolt
19	106-5146	8	Bolt
21	106-5148	2	Bolt
22	100-8326	2	Nut-Hex

Ref	Part No.	Qty.	Description
23	106-5149	5	Nut
24	100-8316	4	Washer-Lock
27	100-8336	4	O-Ring
28	106-5138	4	O-Ring
29	106-5137	2	Washer

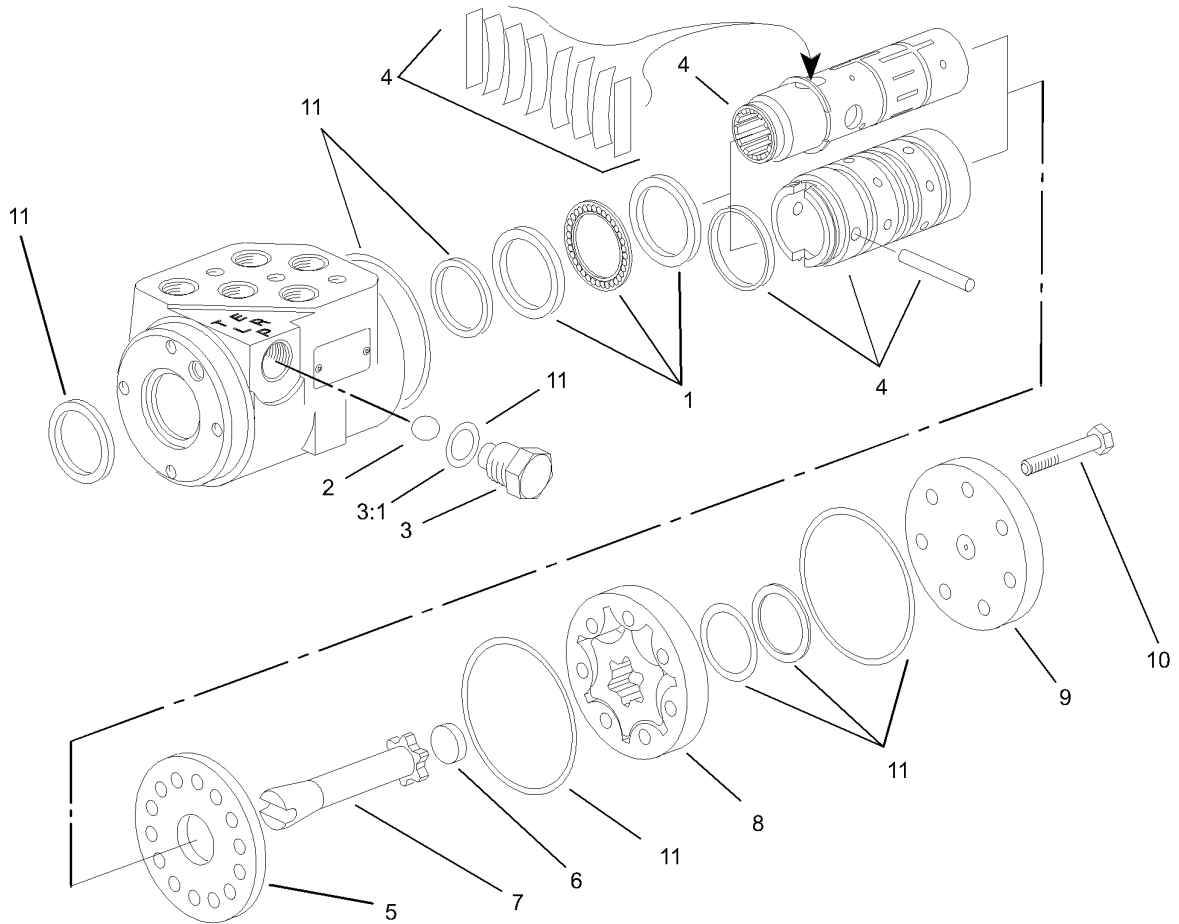


## Steering Assembly

Ref	Part No.	Qty.	Description
1	104-9188	2	Hose ASM
1:1	237-42	1	O-Ring
2	104-9185	1	Hose ASM
2:1	237-42	1	O-Ring
2:2	237-79	1	O-Ring
3	104-9186	1	Hose ASM
3:1	237-42	1	O-Ring
4	92-3502	1	Steering Control ASM
5	94-8792	1	Column-Steering
6	95-2193	1	Trim
7	48-7620	4	Screw-HH
8	92-3513	1	Nut
9	98-1471	1	Wheel-Steering
9:1	98-1468	1	Cover-Wheel, Steering
10	93-5439	1	Seal-Steering
11	340-77	2	Fitting-Hyd, 90 DEG
11:1	237-22	1	O-Ring
11:2	237-42	1	O-Ring
12	3220-11	1	Nut-Jam
13	93-6509	1	Tie Rod End ASM
13:1	32136-3	1	Nut
13:2	3272-12	1	Pin-Cotter
13:3	302-5	1	Fitting-Grease
13:4	106-4901	1	Seal-Rod End

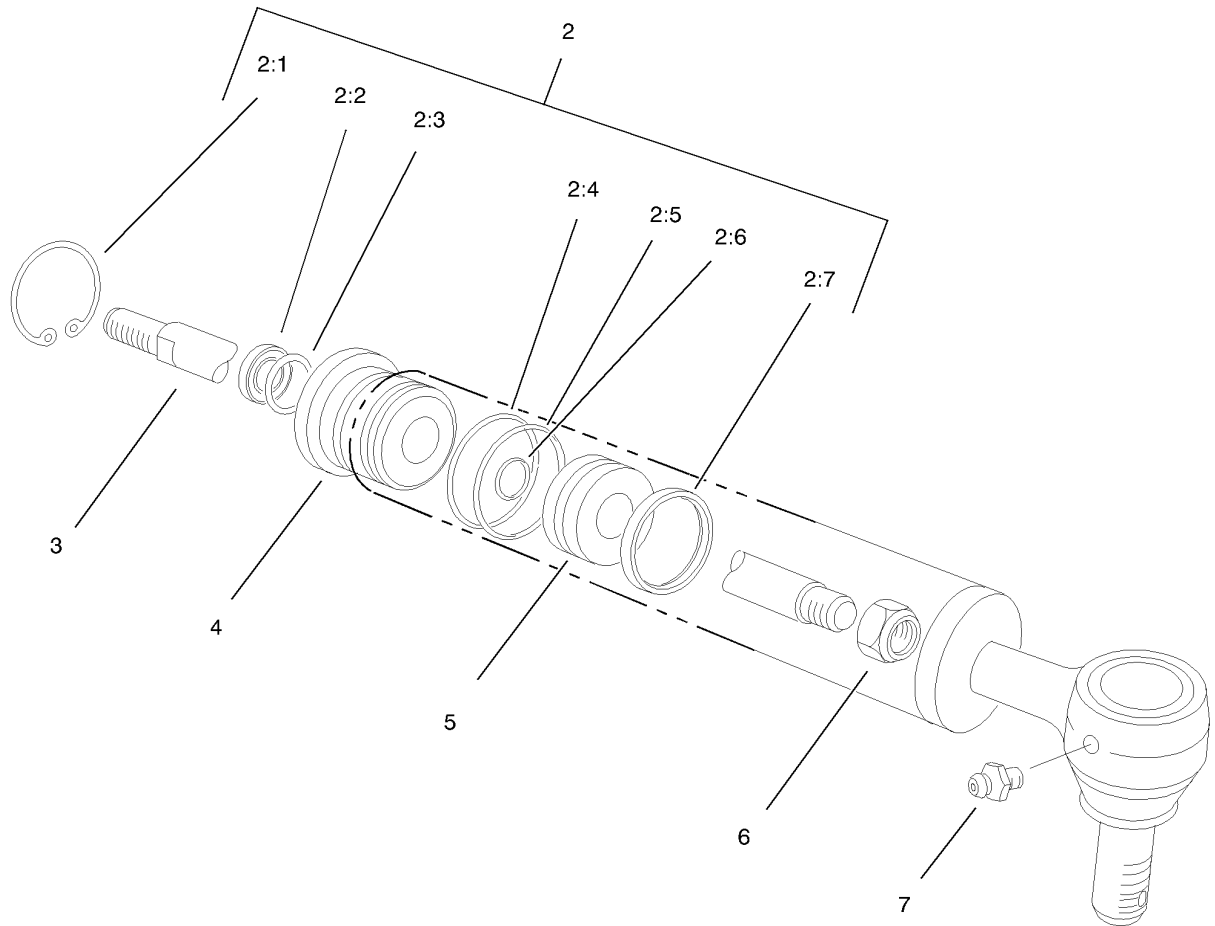
Ref	Part No.	Qty.	Description
14	93-6510	1	Cylinder
15	98-1459	1	Decal
16	21-9260	1	Cover-Dust
17	3296-57	1	Nut-Lock, NI





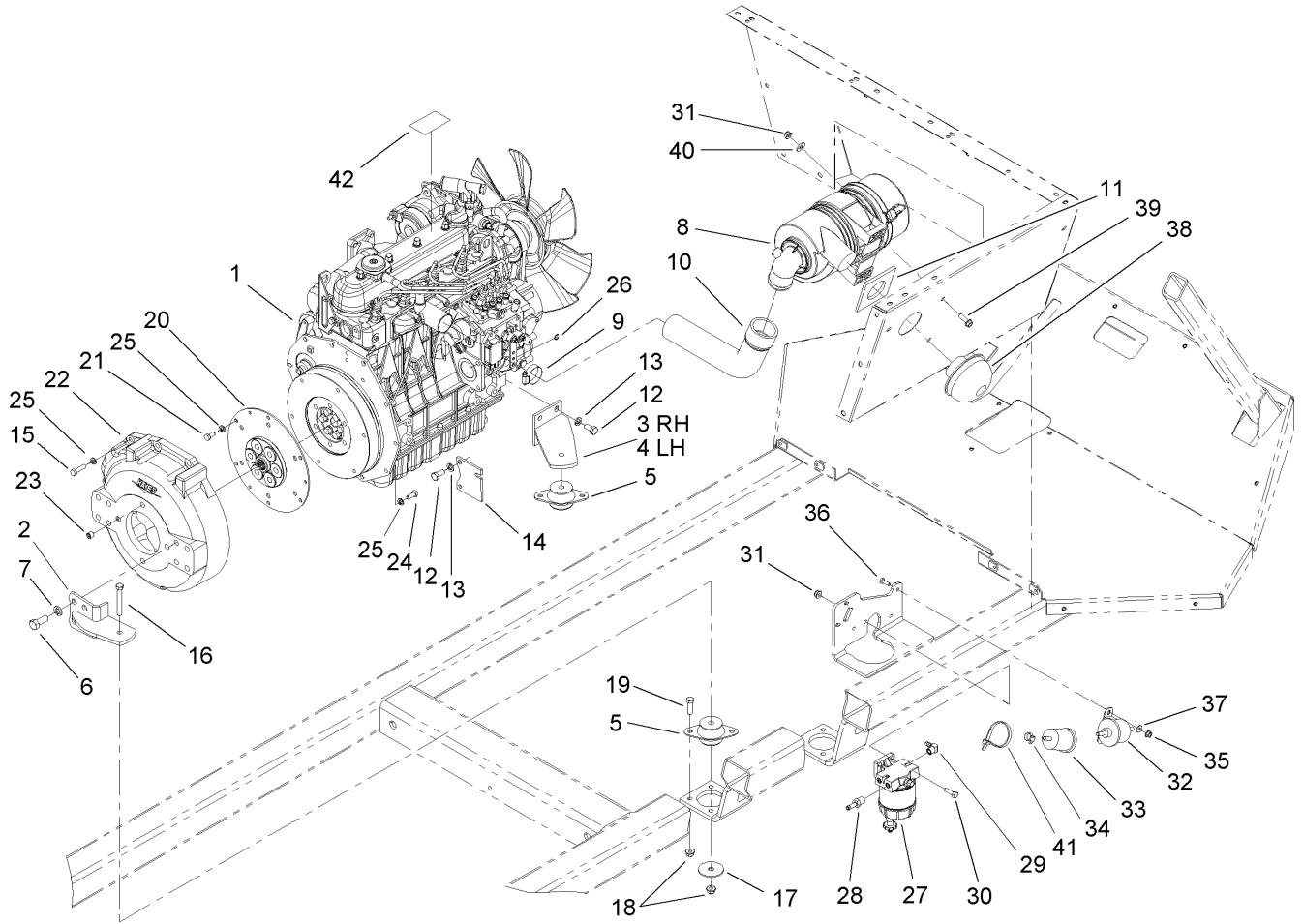
## Steering Control Assembly No. 92-3502

Ref	Part No.	Qty.	Description			
1	94-4096	1	Bearing Kit			
2	92-3842	1	Ball			
3	92-3841	1	Plug ASM			
3:1		1	O-Ring			
4	94-4095	1	Centering Spring Kit			
5	92-3843	1	Plate-Wear			
6	92-3845	1	Spacer			
7	92-3844	1	Drive			
8	92-3846	1	Gerotor			
9	92-3847	1	Cap-End			
10	92-3848	7	Capscrew			
11	92-3849	1	Seal Kit			



## Hydraulic Cylinder Assembly No. 93-6510

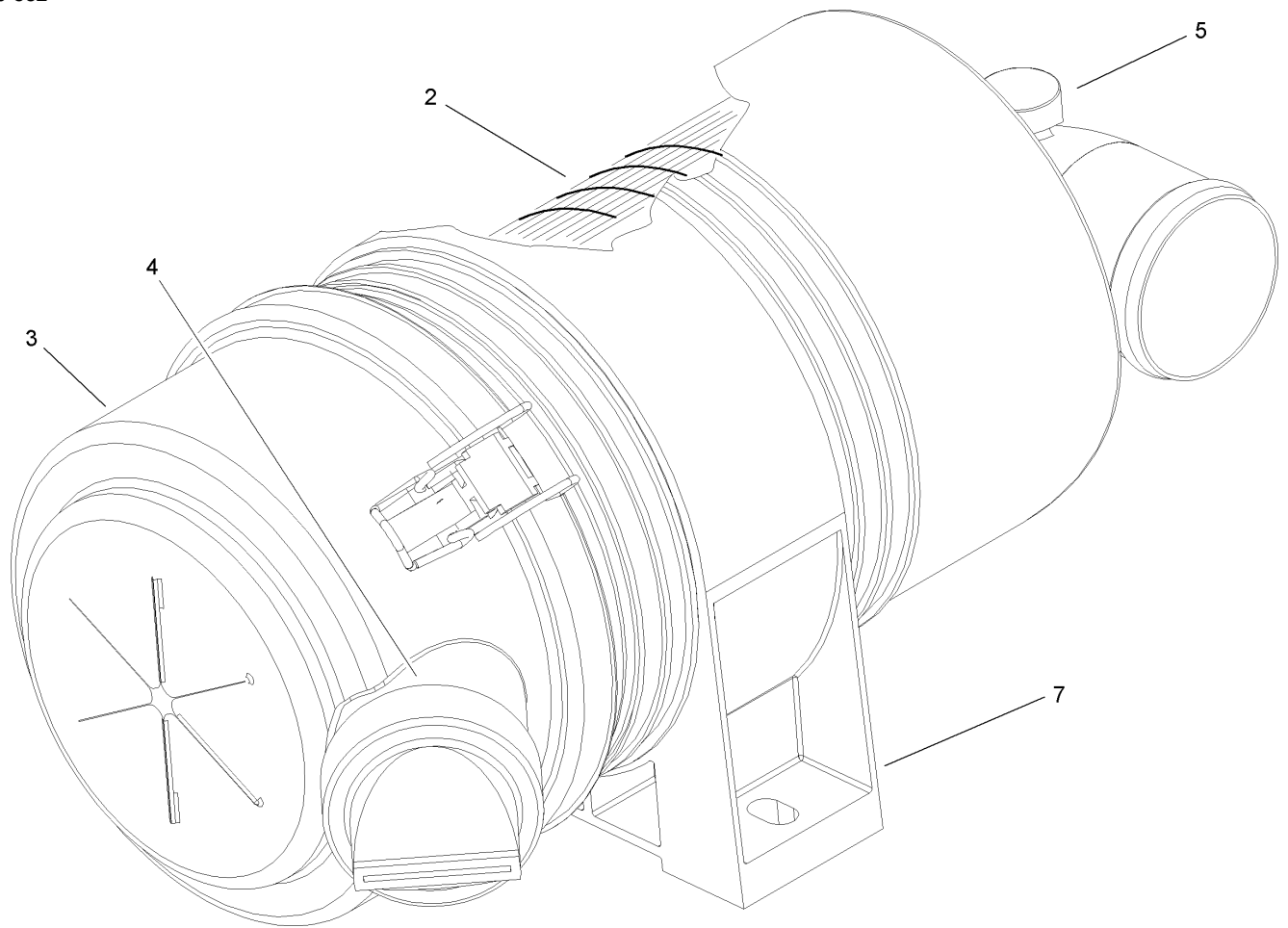
Ref	Part No.	Qty.	Description
2	92-3992	1	Repair Kit
2:1		1	Ring-Retaining
2:2		1	Seal-Dust
2:3		1	Seal-Rod
2:4		1	Ring-Backup
2:5		1	O-Ring
2:6		1	O-Ring
2:7		1	Uniring
3		1	Shaft
4		1	Head
5		1	Piston
6		1	Nut
7	302-5	1	Fitting-Grease

## Engine and Air Cleaner Assembly

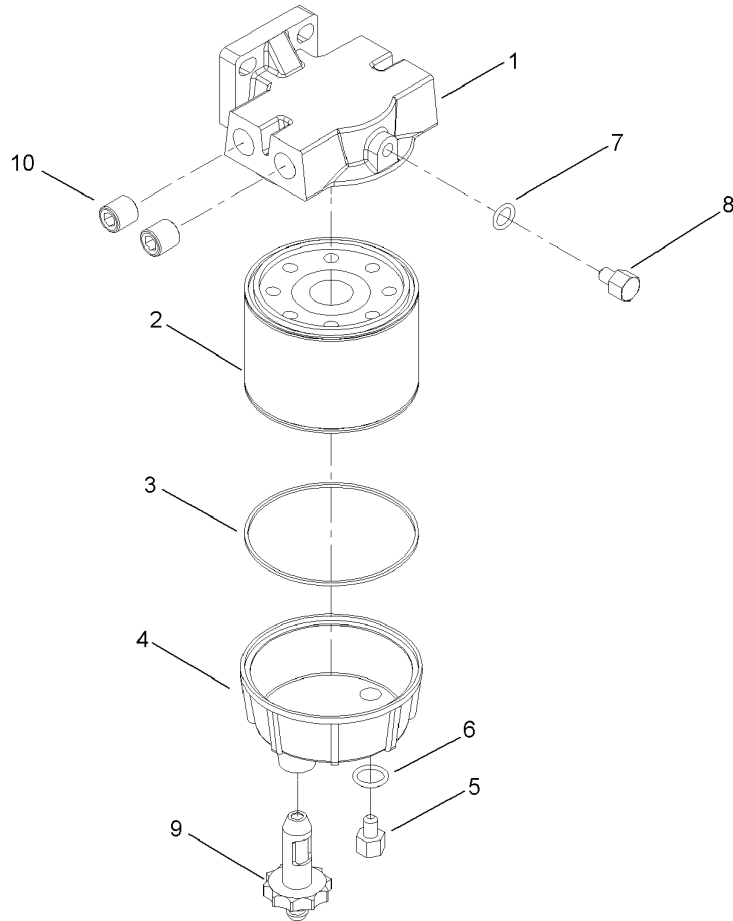
Ref	Part No.	Qty.	Description
1	106-5250	1	Engine-Kubota, Diesel
2	106-5251-03	2	Rear Bracket ASM
3	106-5254-03	1	RH Bracket ASM
4	106-5257-03	1	LH Bracket ASM
5	53-9680	4	Mount-Engine
6	325-5	8	Screw-HH
7	3253-7	8	Washer-Lock
8	106-5277	1	Air Cleaner ASM
9	2412-130	2	Clamp-Hose
10	106-5241	1	Hose-Air Cleaner
11	94-7280	1	Seal-Foam, Air Cleaner
12	63-7790	9	Screw-Cap
13	42-9600	10	Washer-Lock, Spring
14	106-5249-03	1	Plate-Throttle
15	33114-030	7	Screw-HH
16	323-13	4	Screw-HH
17	87-5100	4	Washer-Snubbing
18	104-8301	12	Nut-Flange, NI
19	323-7	8	Screw-HH
20	92-0285	1	Coupling ASM
21	33114-016	6	Screw-HH
22	105-0100	1	Flywheel Housing ASM
23	3248-3	2	Screw-Set, HSH
24	33114-020	2	Screw-HH

Ref	Part No.	Qty.	Description
25	42-9850	15	Washer-Lock, Spring
26	701197	1	E-Ring
27	98-9305	1	Water/fuel Filter ASM
28	353-783	1	Fitting
29	353-781	1	Fitting-Elbow
30	322-5	2	Screw-HH
31	104-8300	4	Nut-Flange, NI
32	107-0122	1	Pump-Fuel, Electric
33	98-7612	1	Filter-Fuel
34	2412-108	6	Clamp
35	32128-33	2	Nut-HF
36	321-4	2	Screw-HH
37	3256-22	2	Washer-Flat
38	27-7180	1	Cap ASM
39	3234-17	2	Screw-HHF
40	3256-56	2	Washer-Flat
41	3334-945	1	Tie-Cable
42	106-5517	1	Decal-Surface, Hot



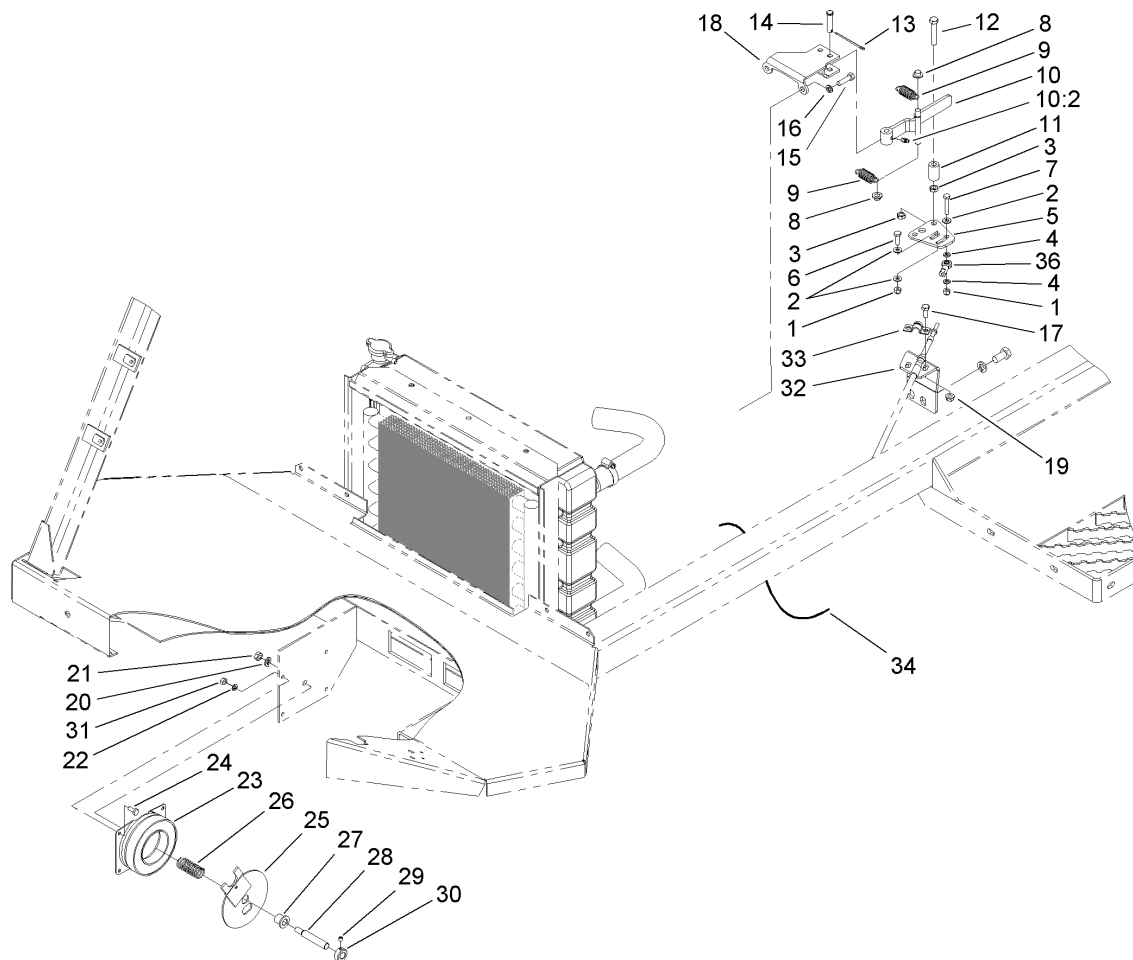
### Air Cleaner Assembly No. 106-5277

Ref	Part No.	Qty.	Description
2	98-9763	1	Element ASM
3	98-9771	1	Cover ASM
4	87-9400	1	Valve-Vacuator
5	285-17	1	Plug-Pipe
7	98-4525	1	Bracket-Cleaner, Air

### Water/Fuel Filter Assembly No. 98-9305

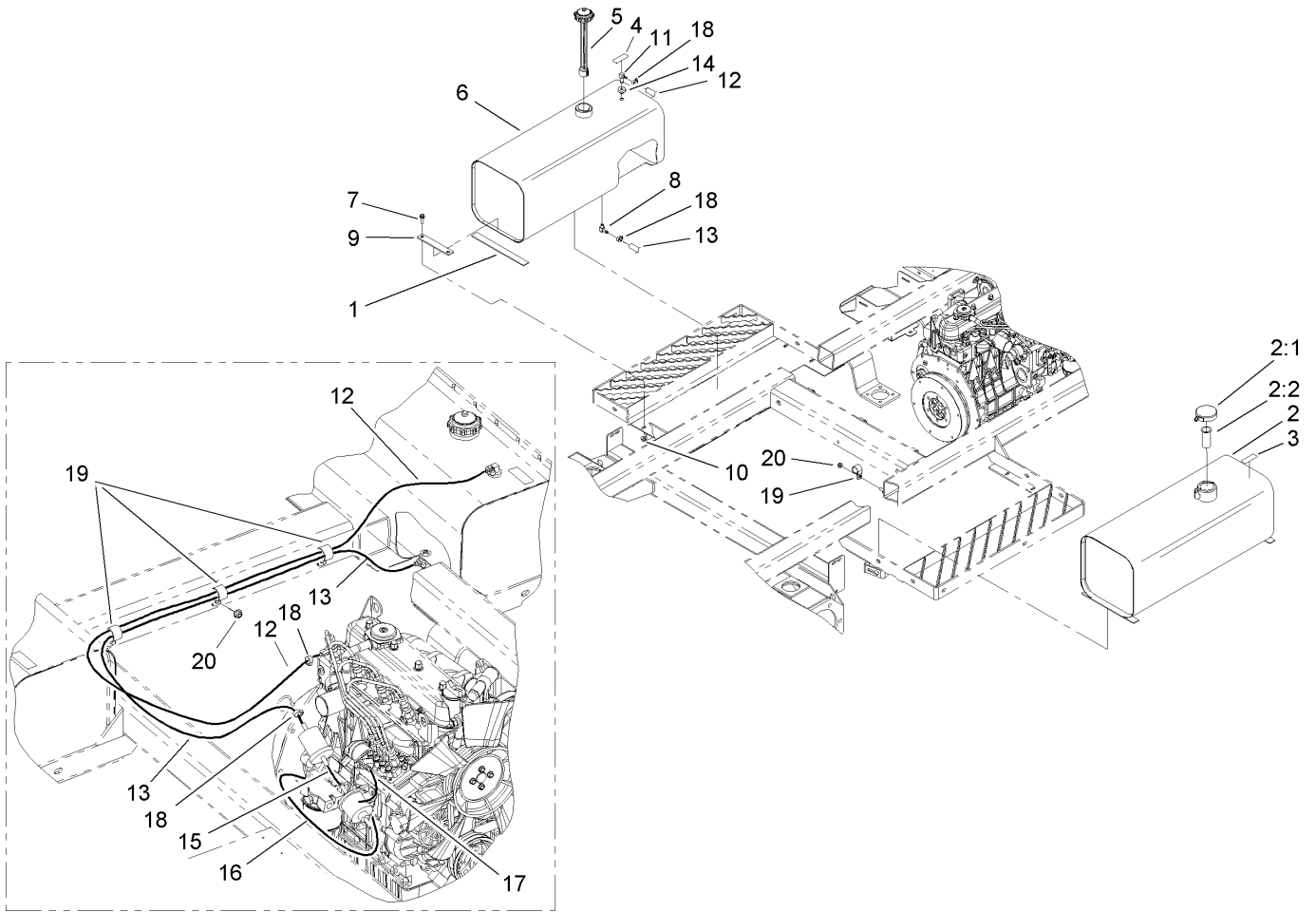
Ref	Part No.	Qty.	Description
1	98-9772	1	Head-Filter
2	98-9764	1	Element
3	98-9774	1	O-Ring-Base, Filter
4	98-9775	1	Base-Filter
5	98-9773	1	Plug-Base, Filter
6	237-42	1	O-Ring
7	237-78	1	O-Ring
8	98-9776	1	Plug-Head, Filter
9	98-9777	1	Drain Valve ASM
10	285-22	2	Plug-Pipe



### Drive Linkage Assembly

Ref	Part No.	Qty.	Description
1	32146-17	2	Nut-Lock
2	3256-22	3	Washer-Flat
3	3220-3	4	Nut-Jam
4	33093-00	2	Washer-Flat
5	106-5244	1	Plate-Neutral
6	321-5	1	Screw-HH
7	321-9	1	Screw-HH
8	92-0465	4	Cap-Spring Retainer
9	107-1045	2	Spring-Extension
10	92-0460	2	Arm ASM
10:2	302-5	1	Fitting-Grease
11	92-0455	2	Bearing
12	3211-9	2	Screw-HH
13	3272-53	1	Pin-Cotter
14	283-15	2	Pin-Clevis
15	87-3700	2	Screw-Cap, HH
16	42-9600	2	Washer-Lock, Spring
17	322-3	2	Screw-HH
18	106-5198-03	1	Bracket Asm. - Neutral
19	32128-20	2	Nut-HF
20	3253-5	1	Washer-Lock
21	3217-7	1	Nut-Hex
22	3253-3	4	Washer-Lock
23	42-1720	1	Field Core Coil ASM

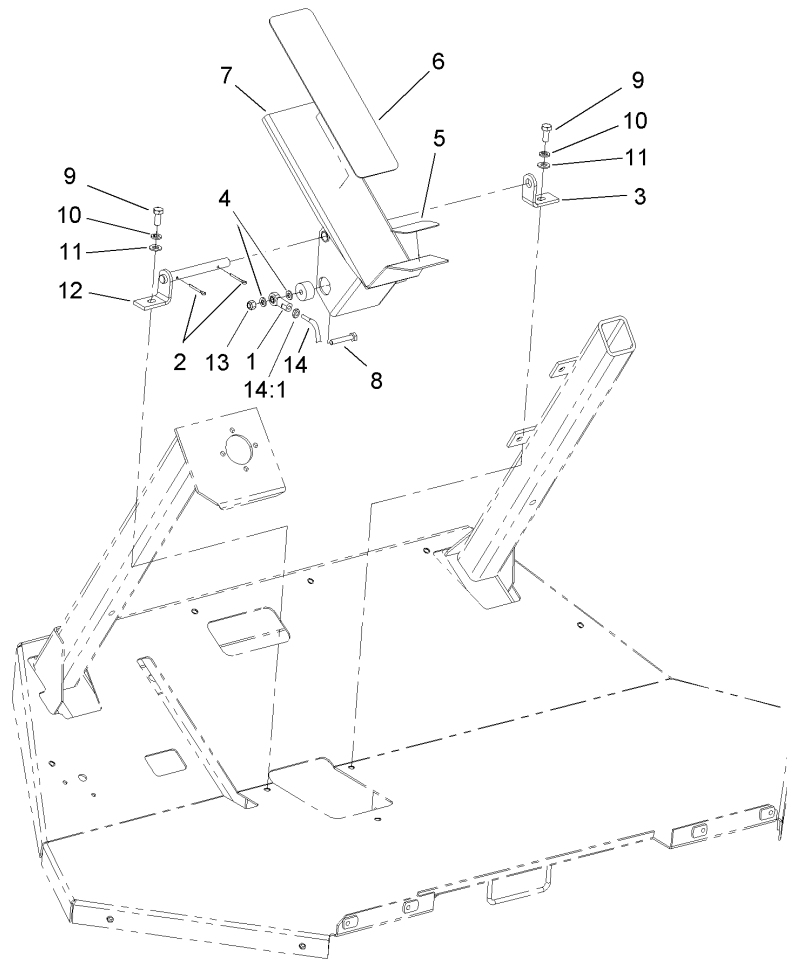
Ref	Part No.	Qty.	Description
24	321-3	4	Screw-HH
25	43-6110-03	1	Plate-Clutch ASM
26	43-6200	1	Spring-Compression
27	256-273	1	Bushing-Flange
28	69-9170	1	Shaft-Cruise
29	3245-32	1	Screw-HS
30	43-6320	1	Collar
31	3217-5	4	Nut-Hex
32	106-5242	1	Plate-Mount, Traction Cable
33	93-2092	1	Clamp-Cable
34	99-3441	1	Harness-Wire, Fusible Link
36	2411-41	1	Joint-Ball



## Fuel and Hydraulic Tank Assembly

Ref	Part No.	Qty.	Description
1	41995	4	Strip-Armaflex
2	104-9094	1	Tank-Hydraulic
2:1	42193	1	Cap-Tank
2:2	41779	1	Strainer-Tank
3	93-6686	1	Decal-Oil, HYD
4	93-6680	1	Decal-Diesel
5	106-5295	1	Fuel Cap/gauge
6	106-5264	1	Fuel Tank
7	3234-17	8	Screw-HHF
8	46-3710	1	Fitting-Hydraulic 90 DEG
9	94-7068-03	4	Strap-Hold Down
10	32128-44	8	Nut
11	104-5228	1	Elbow-90 DEG
12	104-4070	1	Hose-Fuel
13	92-7522	1	Hose-Fuel
14	46-6560	1	Bushing
15	94-1348	1	Hose-Fuel
16	93-3949	1	Hose-Fuel
17	27-5350	1	Hose-Fuel
18	2412-108	4	Clamp
19	2412-39	4	R-Clamp
20	104-8300	4	Nut-Flange, NI

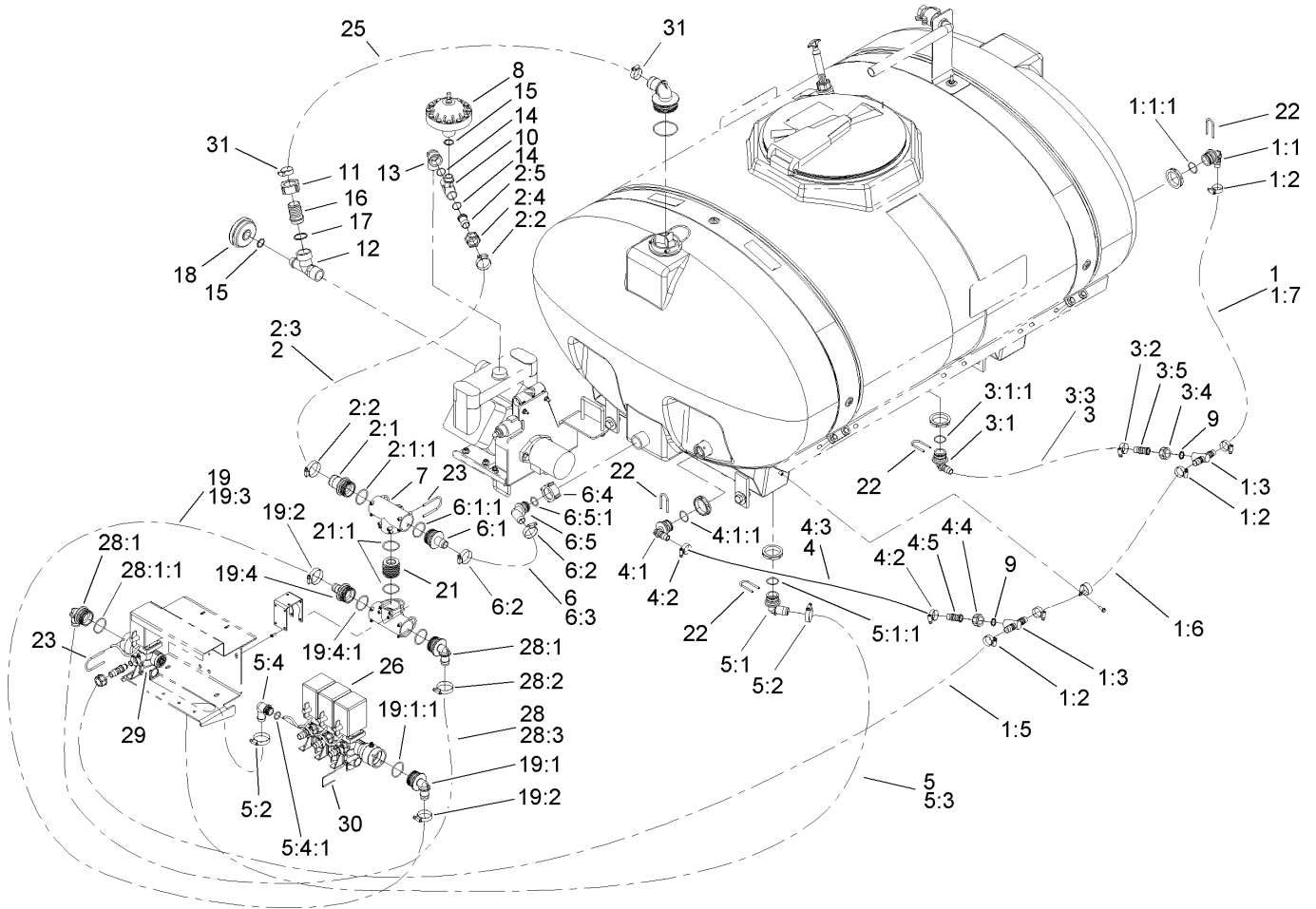
Ref	Part No.	Qty.	Description



### Traction Pedal Assembly

Ref	Part No.	Qty.	Description
1	2411-41	1	Joint-Ball
2	3272-7	2	Pin-Cotter
3	92-0450-03	1	Bracket-Pin
4	33093-00	2	Washer-Flat
5	71-0450	1	Abrasive-Pedal, Rear
6	71-0440	1	Abrasive-Pedal
7	106-5247-03	1	Traction Pedal ASM
8	321-9	1	Screw-HH
9	322-3	2	Screw-HH
10	3253-4	2	Washer-Lock
11	3256-23	2	Washer-Flat
12	92-0448	1	Pivot Pin ASM
13	3296-42	1	Nut-Lock, NI
14	106-5233	1	Cable-Traction
14:1	3220-1	2	Nut-Jam

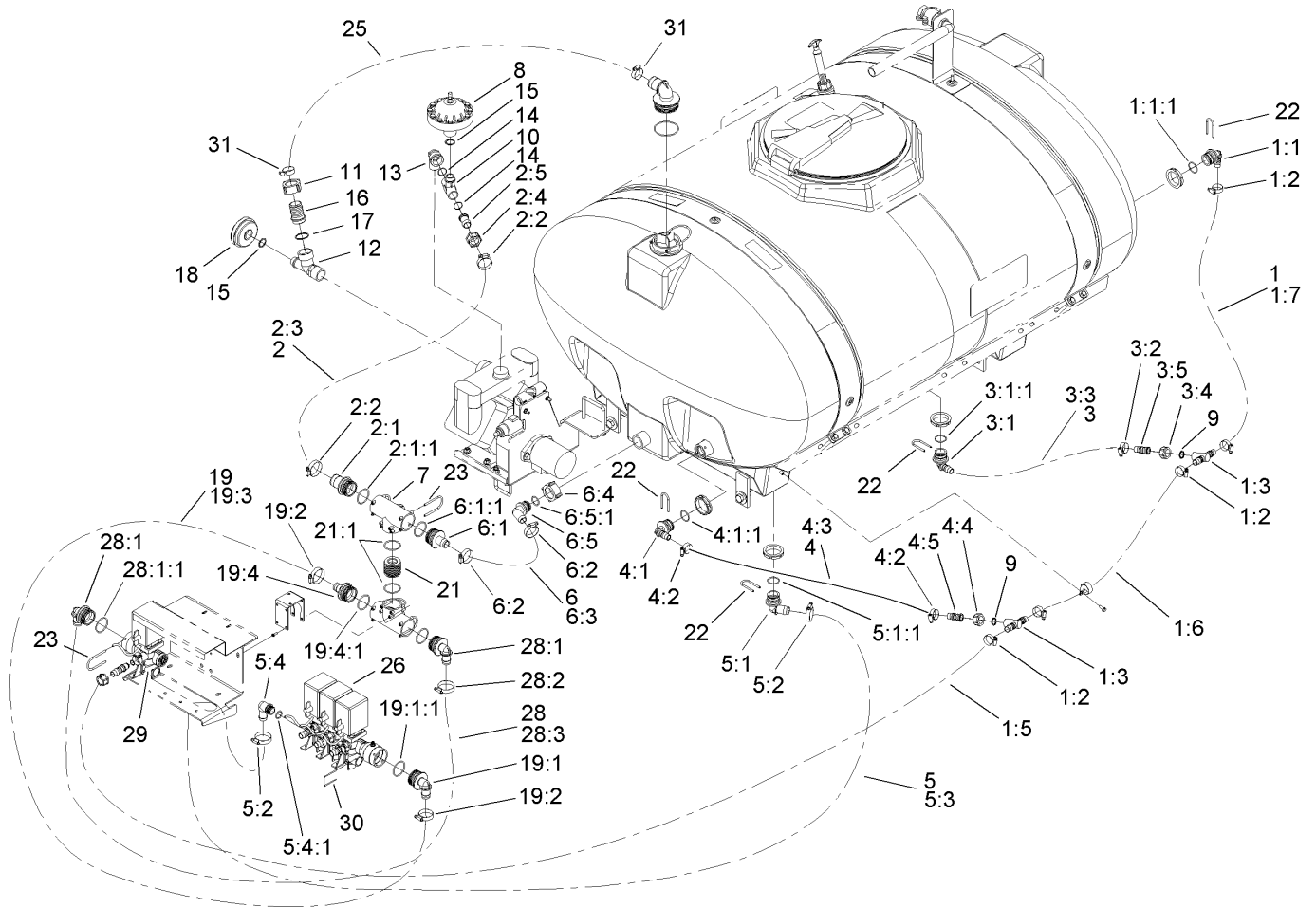




## Sprayer Internal Component Assembly

Ref	Part No.	Qty.	Description
②1		1	Agitation Hose ASM
1:1	106-4940	1	Hosebarb-90 DEG
1:1:1	100-6712	1	O-Ring
1:2	2412-129	5	Clamp-Hose
1:3	100-6984	2	Tee
1:5	106-4971	1	Hose
1:6	106-4972	1	Hose
1:7	106-4973	1	Hose
②2		1	Supply Hose ASM
2:1	106-4932	1	Hosebarb-Straight
2:1:1	100-8637	1	O-Ring
2:2	2412-3	2	Clamp-Hose
2:3	106-4975	1	Hose
2:4	99-0769	1	Nut
2:5	99-0781	1	Hosebarb
②3		1	Middle Agitation Hose ASM
3:1	106-4940	1	Hosebarb-90 DEG
3:1:1	100-6712	1	O-Ring
3:2	2412-129	2	Clamp-Hose
3:3	104-8704	1	Hose
3:4	99-0850	1	Nut
3:5	100-6717	1	Hosebarb
②4		1	Back Agitation Hose ASM
4:1	106-4940	1	Hosebarb-90 DEG

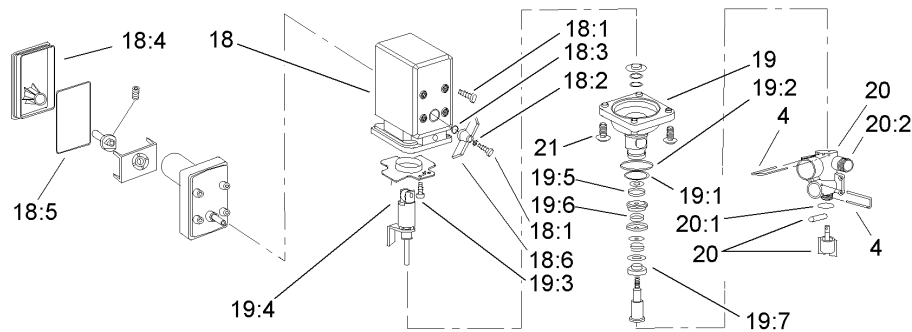
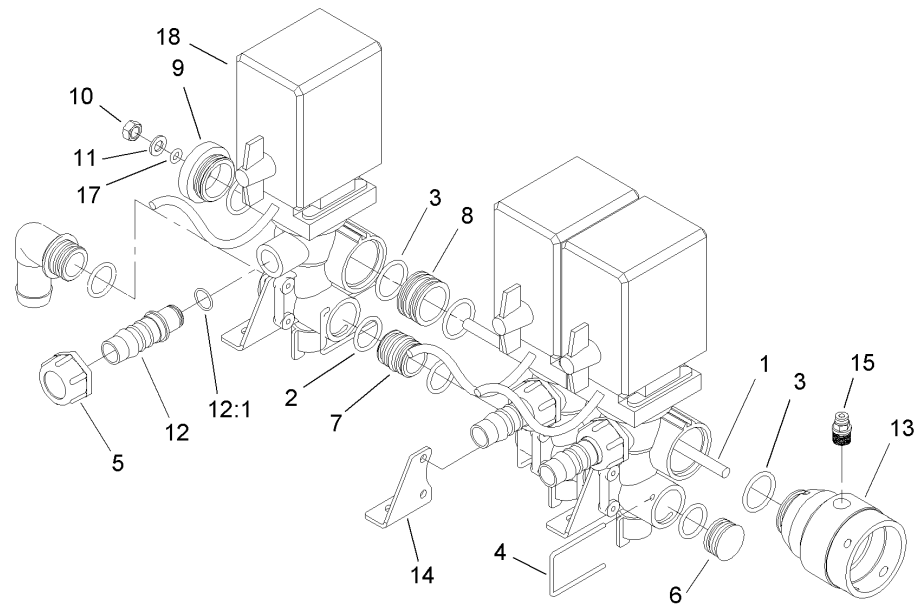
Ref	Part No.	Qty.	Description
4:1:1	100-6712	1	O-Ring
4:2	2412-129	2	Clamp-Hose
4:3	106-4974	1	Hose
4:4	99-0850	1	Nut
4:5	100-6717	1	Hosebarb
②5		1	Bypass Hose ASM
5:1	106-4945	1	Elbow
5:1:1	100-6712	1	O-Ring
5:2	2412-3	2	Clamp-Hose
5:3	106-4976	1	Hose
5:4	106-4948	1	Hose Barb ASM
5:4:1	100-6882	1	O-Ring
②6		1	Relief Hose ASM
6:1	106-4932	1	Hosebarb-Straight
6:1:1	100-8637	1	O-Ring
6:2	2412-3	2	Clamp-Hose
6:3	106-4978	1	Hose
6:4	100-8678	1	Nut
6:5	106-4949	1	Hosebarb-110 DEG
6:5:1	100-6646	1	O-Ring
7	100-6704	2	Tee
8	100-6662	1	Damper-Pressure
9	100-6718	2	O-Ring
10	100-8699	1	Tee



## Sprayer Internal Component Assembly (continued)

Ref	Part No.	Qty.	Description
11	100-8678	1	Nut
12	100-8681	1	Tee
13	100-8698	1	Elbow
14	100-6655	2	Gasket
15	100-6656	2	O-Ring
16	100-8679	1	Hosebarb
17	100-8680	1	Seal
18	100-6660	1	Suction Damper ASM
19	106-5035	1	Boom Supply Hose ASM
19:1	106-4933	1	Hosebarb ASM
19:1:1	100-8637	1	O-Ring
19:2	2412-3	2	Clamp-Hose
19:3	106-4976	1	Hose
19:4	106-4932	1	Hosebarb-Straight
19:4:1	100-8637	1	O-Ring
21	106-4947	1	Connector
21:1	100-8637	2	O-Ring
22	100-6708	4	Fork
23	100-8635	8	Fork
25	100-8484	1	Hose-Suction
26		1	Valve Booms
28		1	Agitation Supply Hose ASM
28:1	106-4933	2	Hosebarb ASM
28:1:1	100-8637	1	O-Ring

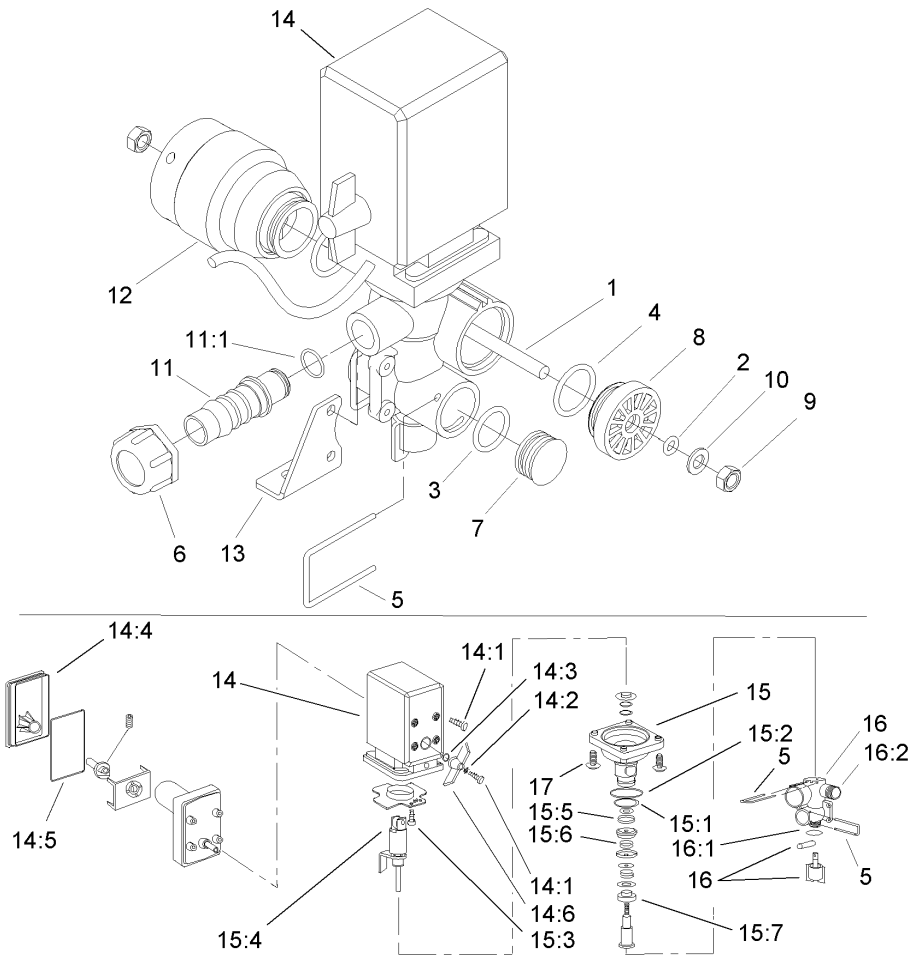
Ref	Part No.	Qty.	Description
28:2	2412-3	2	Clamp-Hose
28:3	106-4978	1	Hose
29		1	Valve Agitation ASM
30	100-6885	8	Fork-Valve, Boom
31	41327	2	Clamp-Hose



## Valve Boom Assembly

Ref	Part No.	Qty.	Description
1	106-1213	1	Rod-Spray Control
2	100-6882	4	O-Ring
3	100-6646	7	O-Ring
4	100-6885	6	Fork-Valve, Boom
5	99-0850	3	Nut
6	100-6891	1	Cap-End
7	100-6890	2	Joiner-Bypass, Boom
8	100-6896	2	Joiner-Valve, Boom
9	100-6915	1	Cover-End
10	100-6894	1	Nut
11	100-6634	1	Washer
12	106-5112	3	Hosebarb ASM
12:1	100-6645	1	O-Ring
13	106-1214	1	Connector-Control, Spray
14	100-6760	3	Bracket-Valve, Section
15	100-8674	1	Coupler-Tube
17	100-6887	1	O-Ring
18	107-2861	3	Boom Valve Motor ASM
18:1	100-6876	3	Screw
18:2	100-6877	3	Washer-Lock
18:3	100-6880	3	O-Ring
18:4	100-6874	3	Cover-Valve, Boom
18:5	100-6912	3	Cover-Seal
18:6	100-6875	3	Handgrip-Valve, Boom

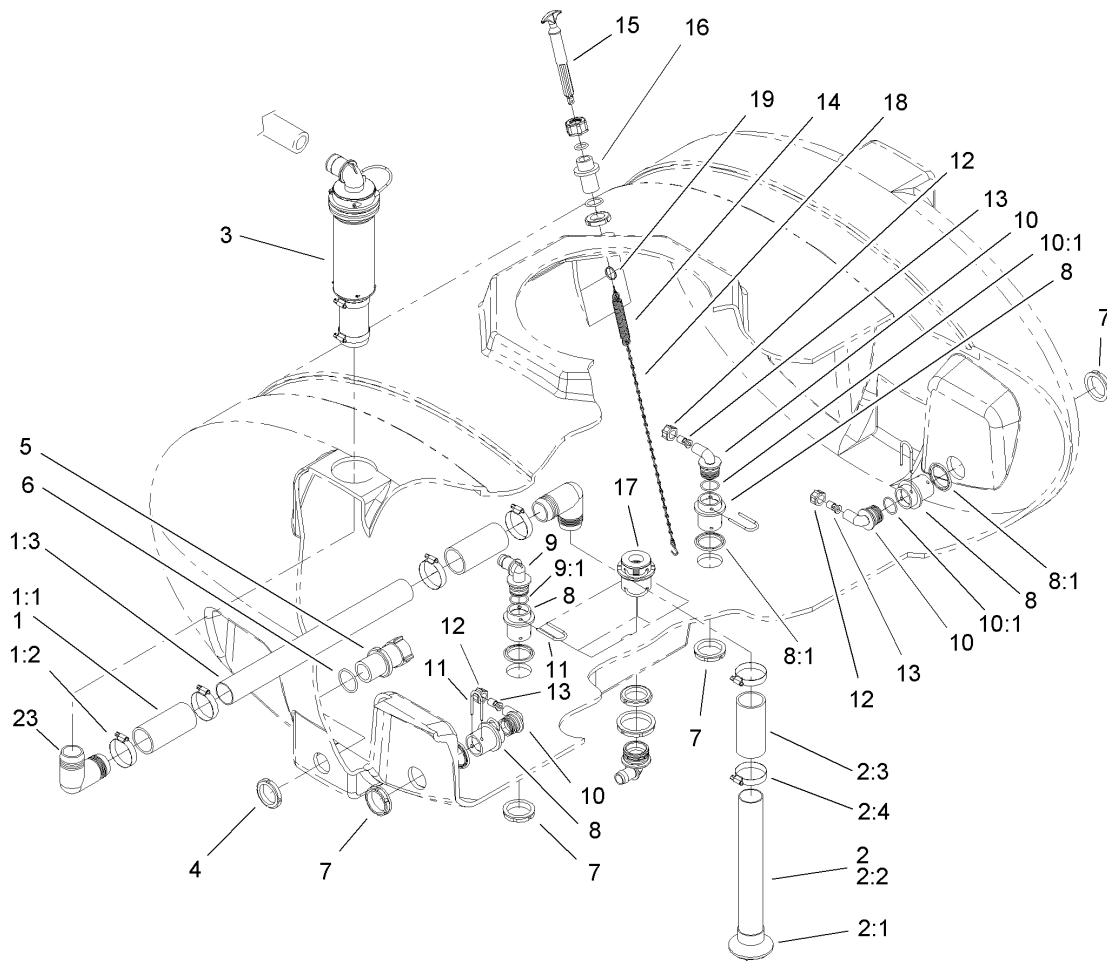
Ref	Part No.	Qty.	Description
19	100-6889	3	Section-Spindle, Boom Valve
19:1	100-8653	1	O-Ring
19:2	100-6882	5	O-Ring
19:3	100-6911	1	Pin-Roller
19:4	100-6910	1	Bearing-Roller
19:5	100-6879	1	O-Ring
19:6	100-6878	1	O-Ring
19:7	100-6881	1	Cone-Stem, Boom Valve
20	100-6888	3	Manifold-Valve, Boom
20:1	100-6887	1	O-Ring
20:2	106-5151	1	Manifold-Lower
21	100-6917	12	Screw-Plastic



## Valve Agitation Assembly

Ref	Part No.	Qty.	Description
1	104-8907	1	Rod-Manifold
2	100-6887	1	O-Ring
3	100-6882	2	O-Ring
4	100-6646	2	O-Ring
5	100-6885	2	Fork-Valve, Boom
6	99-0850	1	Nut
7	100-6891	2	Cap-End
8	100-6915	1	Cover-End
9	100-6894	1	Nut
10	100-6634	1	Washer
11	106-5112	1	Hosebarb ASM
11:1	100-6645	1	O-Ring
12	106-1214	1	Connector-Control, Spray
13	100-6760	1	Bracket-Valve, Section
14	107-2861	1	Boom Valve Motor ASM
14:1	100-6876	3	Screw
14:2	100-6877	3	Washer-Lock
14:3	100-6880	3	O-Ring
14:4	100-6874	3	Cover-Valve, Boom
14:5	100-6912	3	Cover-Seal
14:6	100-6875	3	Handgrip-Valve, Boom
15	100-6889	1	Section-Spindle, Boom Valve
15:1	100-8653	1	O-Ring
15:2	100-6882	5	O-Ring

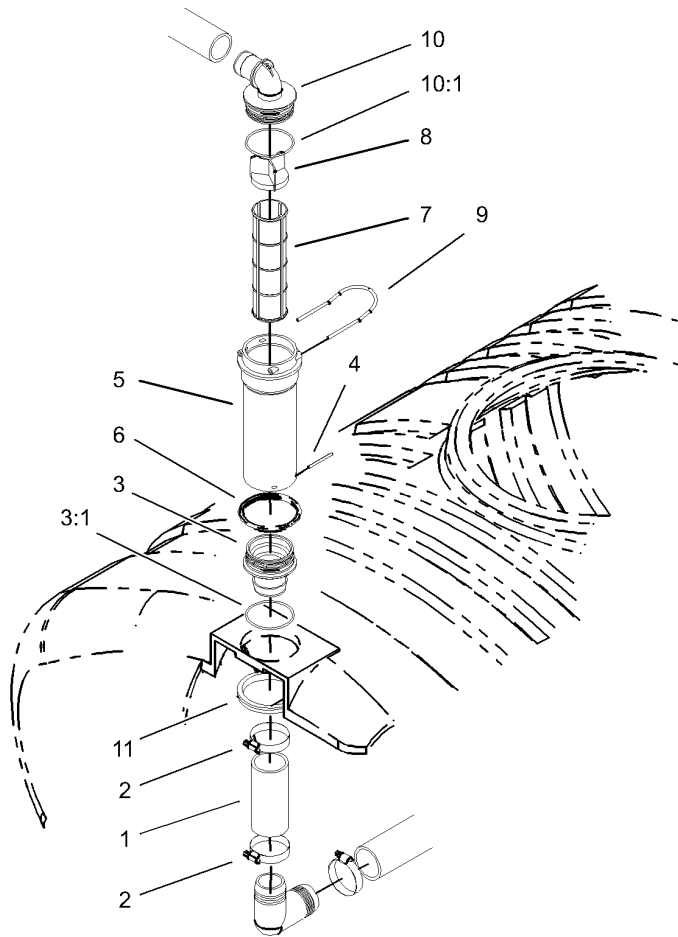
Ref	Part No.	Qty.	Description
15:3	100-6911	1	Pin-Roller
15:4	100-6910	1	Bearing-Roller
15:5	100-6879	1	O-Ring
15:6	100-6878	1	O-Ring
15:7	100-6881	1	Cone-Stem, Boom Valve
16	100-6888	1	Manifold-Valve, Boom
16:1	100-6887	1	O-Ring
16:2	106-5151	1	Manifold-Lower
17	100-6917	4	Screw-Plastic
●99	100-7045	1	Plug



## Sprayer Internal Component Assembly No. 2

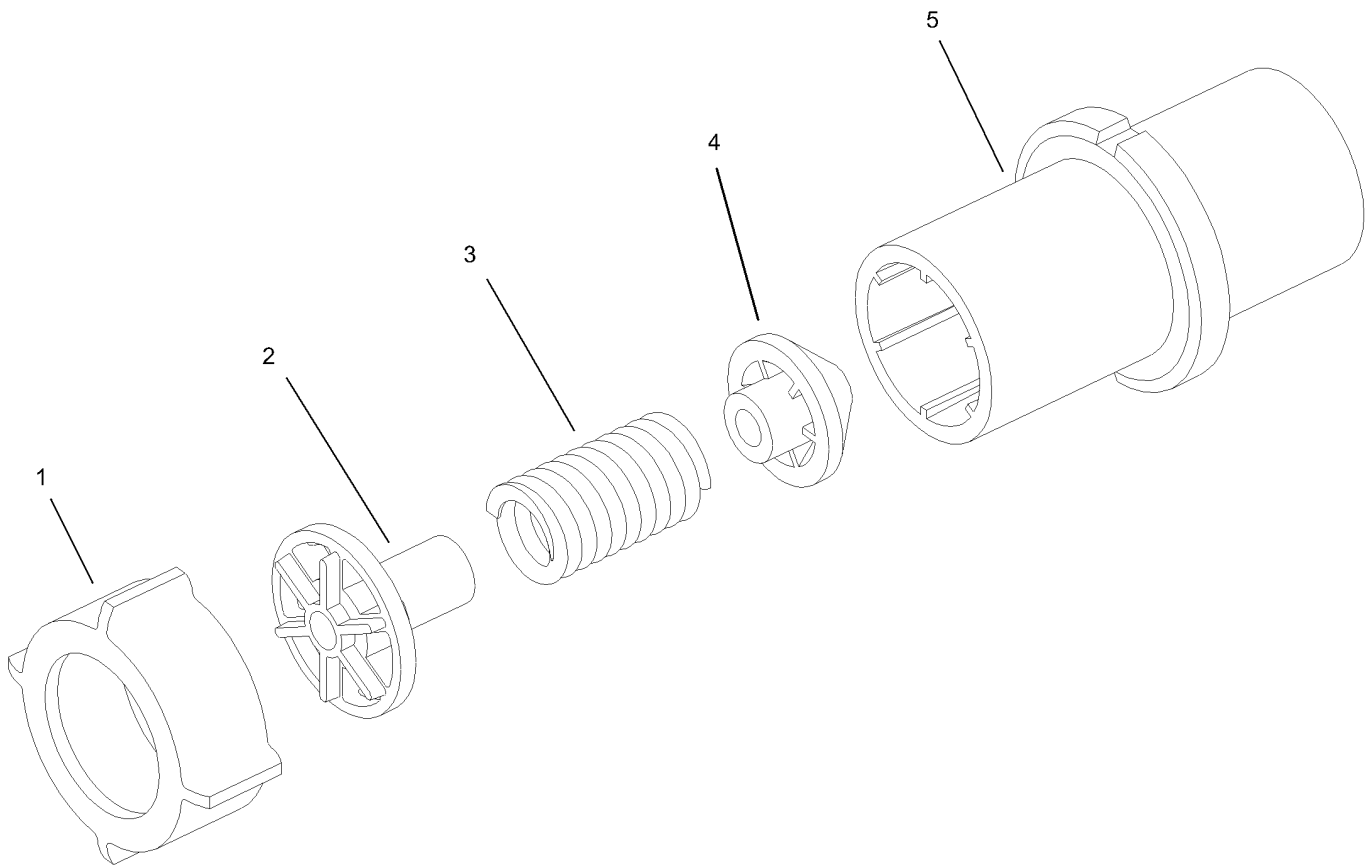
Ref	Part No.	Qty.	Description
1	104-9150	1	Tube-Suction, Middle
1:1	100-8649	2	Hose-Suction
1:2	26392	4	Clamp-Hose
1:3	106-1215	1	Tube-Suction
2	104-9151	1	Tube-Suction, Lower
2:1	100-6714	1	Foot-Suction Tube
2:2	106-1216	1	Tube-Suction
2:3	100-8649	1	Hose-Suction
2:4	26392	2	Clamp-Hose
3	104-9154	1	Filter ASM
4	99-0761	1	Ringnut
5	100-6820	1	Valve-Safety, 225 Psi
6	100-6652	1	Gasket
7	100-6713	4	Nut-Bulkhead
8	106-4896	4	Fitting-Bulkhead
8:1	100-6710	1	Gasket-Bulkhead
9	106-4945	1	Elbow
9:1	100-6712	1	O-Ring
10	106-4944	3	Fitting-90 DEG
10:1	100-6712	1	O-Ring
11	100-6708	4	Fork
12	99-0766	3	Nut
13	106-1218	3	Nozzle
14	106-1391	1	Spring-Extension

Ref	Part No.	Qty.	Description
15	106-1347	1	Handle-Drain
●16	106-1347	1	Upper Tank Drain Bulkhead ASM
17	107-2874	1	Tank Drain ASM
18	106-5023	1	Chain ASM
19	106-1392	1	Ring-Retaining, Spiral, Ext
23	104-9095	2	Elbow



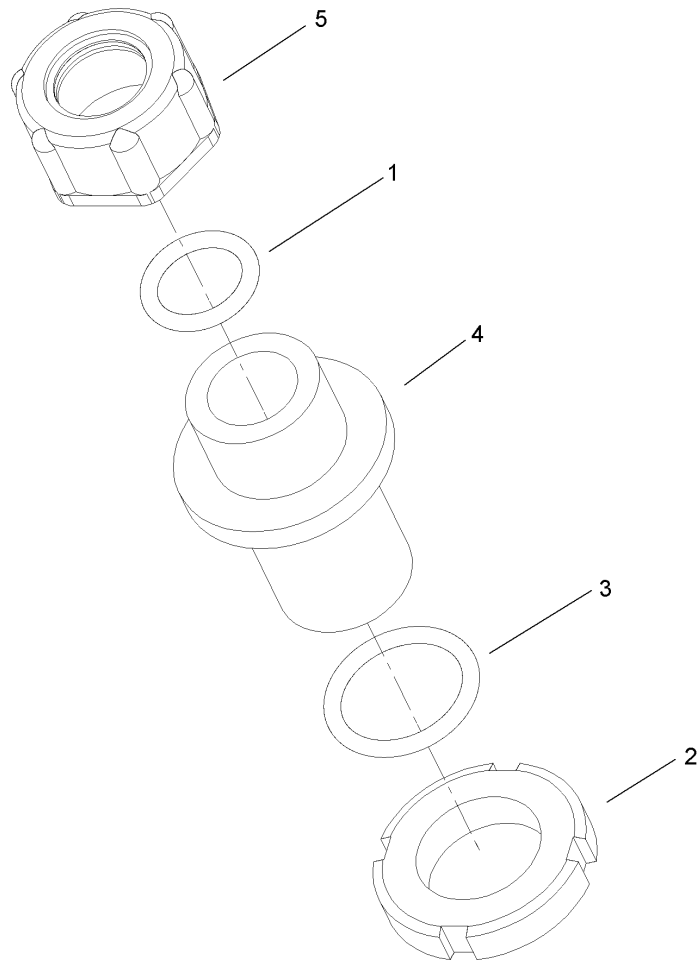
### Filter Assembly

Ref	Part No.	Qty.	Description
1	100-8649	1	Hose-Suction
2	26392	2	Clamp-Hose
3	106-4942	1	Hosebarb-Straight
3:1	100-8640	1	O-Ring
4	100-8644	2	Pin-Expansion
5	100-8643	1	Housing-Filter
6	100-8646	1	Gasket-Bulkhead
7	100-8642	1	Screen-Suction, Mesh 50
8	100-8641	1	Vane-Screen
9	100-8636	1	Fork-Special
10	106-4952	1	Hosebarb-90 DEG
10:1	100-6989	1	O-Ring
11	100-8647	1	Nut-Bulkhead



## Safety Valve Assembly No. 100-6820

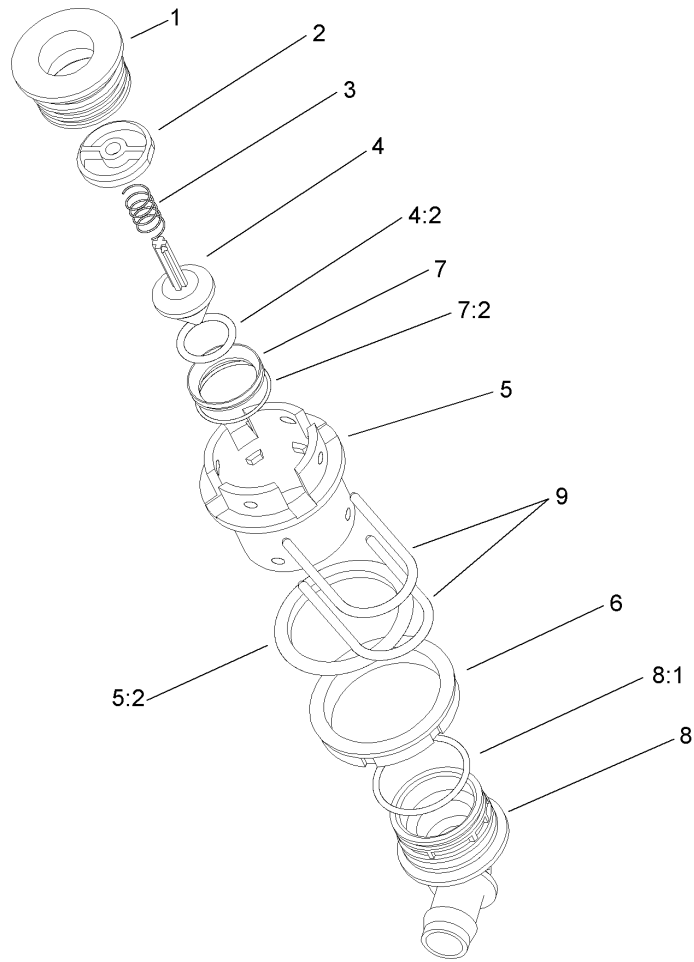
Ref	Part No.	Qty.	Description
1	100-8678	1	Nut
2	100-6724	1	Valve-Relief, Seat
3	100-6725	1	Spring-Relief Valve
4	100-6726	1	Cone-Relief Valve
5	100-6727	1	Housing-Relief Valve



### Upper Tank Drain Bulkhead Assembly

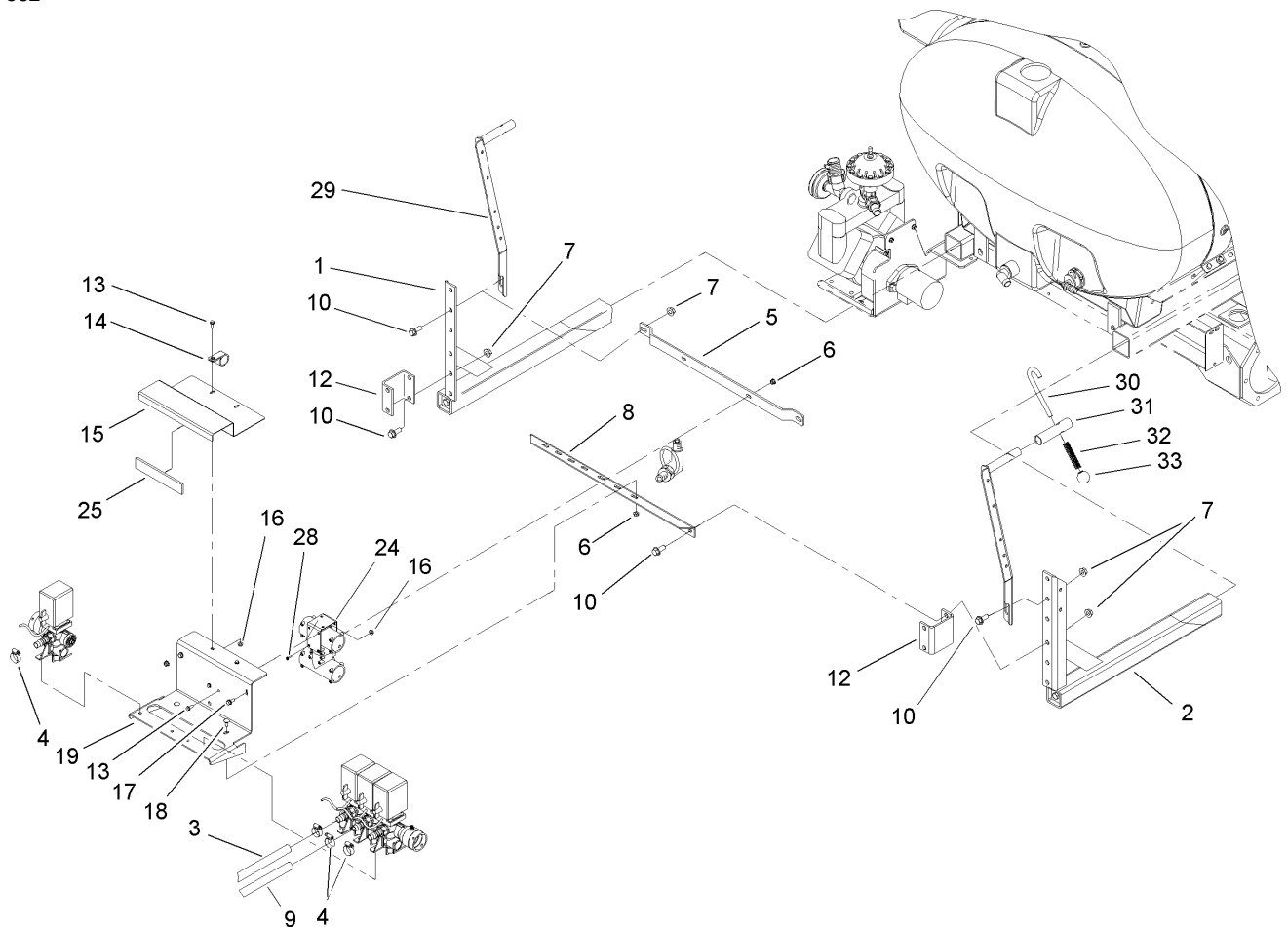
Ref	Part No.	Qty.	Description
1	100-6643	1	O-Ring
2	99-0758	1	Nut
3	100-6658	1	Gasket
4	106-1240	1	Bulkhead
5	106-1241	1	Nut-Special





### Tank Drain Assembly

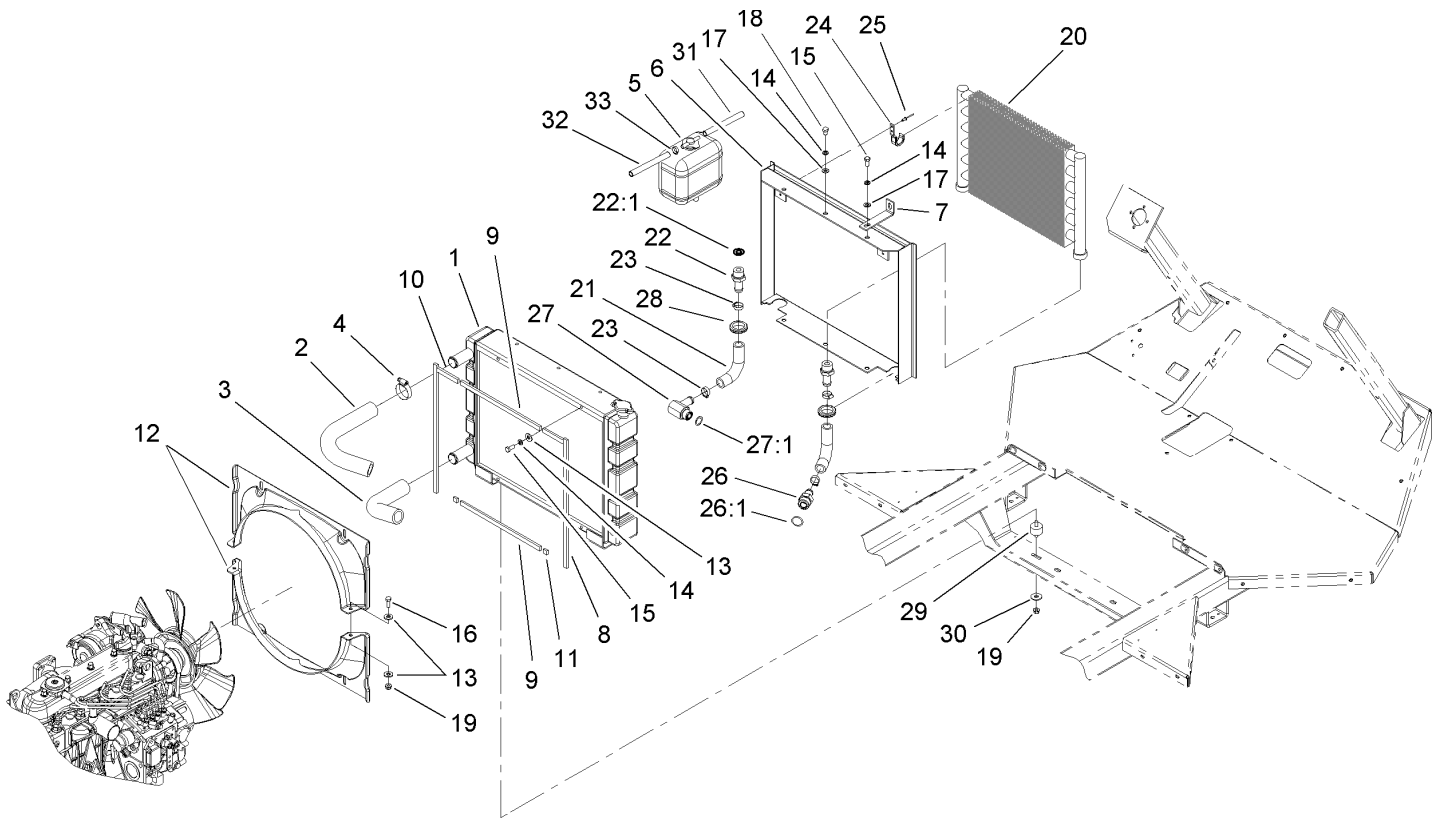
Ref	Part No.	Qty.	Description
1	107-2868	1	Adapter
2	107-2869	1	Holder-Plunger
3	107-2871	1	Spring
4	107-2870	1	Drain Plunger ASM
4:2	107-2872	1	O-Ring
5	107-2862	1	Drain Bulkhead ASM
5:2	107-2864	1	Gasket-Bulkhead
6	100-7051	1	Nut-Bulkhead
7	107-2867	1	Seat Drain ASM
7:2	107-2866	1	O-Ring
8	106-4933	1	Hosebarb ASM
8:1	100-8637	1	O-Ring
9	100-8635	2	Fork



## Sprayer Component Assembly

Ref	Part No.	Qty.	Description
1	107-8618	1	Boom Mount ASM LH
2	107-8619	1	Boom Mount ASM RH
3	41340	2	Hose-Boom
4	2412-129	4	Clamp-Hose
5	104-9073-03	1	Bar-Mounting, Valve
6	32128-20	8	Nut-HF
7	32128-23	10	Nut-HF
8	42225-03	1	Angle-Support, Cross
9	107-8645	1	Hose-Boom, Center
10	3234-32	10	Screw-HHF
12	92-8533-03	2	Bracket-Mounting, Boom
13	3234-4	4	Screw-HH
14	2412-147	1	Clamp
15	104-9072-03	1	Bracket-Support, Valve
16	32128-33	4	Nut-HF
17	3234-5	6	Screw
18	3230-1	2	Bolt-CARR
19	104-9153-03	1	Bracket-Mounting, Boom
24	100-8478	1	Bracket-Tee
25	100-8524	1	Foam-Strip, Gas Tank
28	32144-32	4	Screw
29	107-0778-03	2	Boom Hold In ASM
30	92-8562	2	Hook-Restraint, Boom
31	92-8561	2	Hose-Hold In

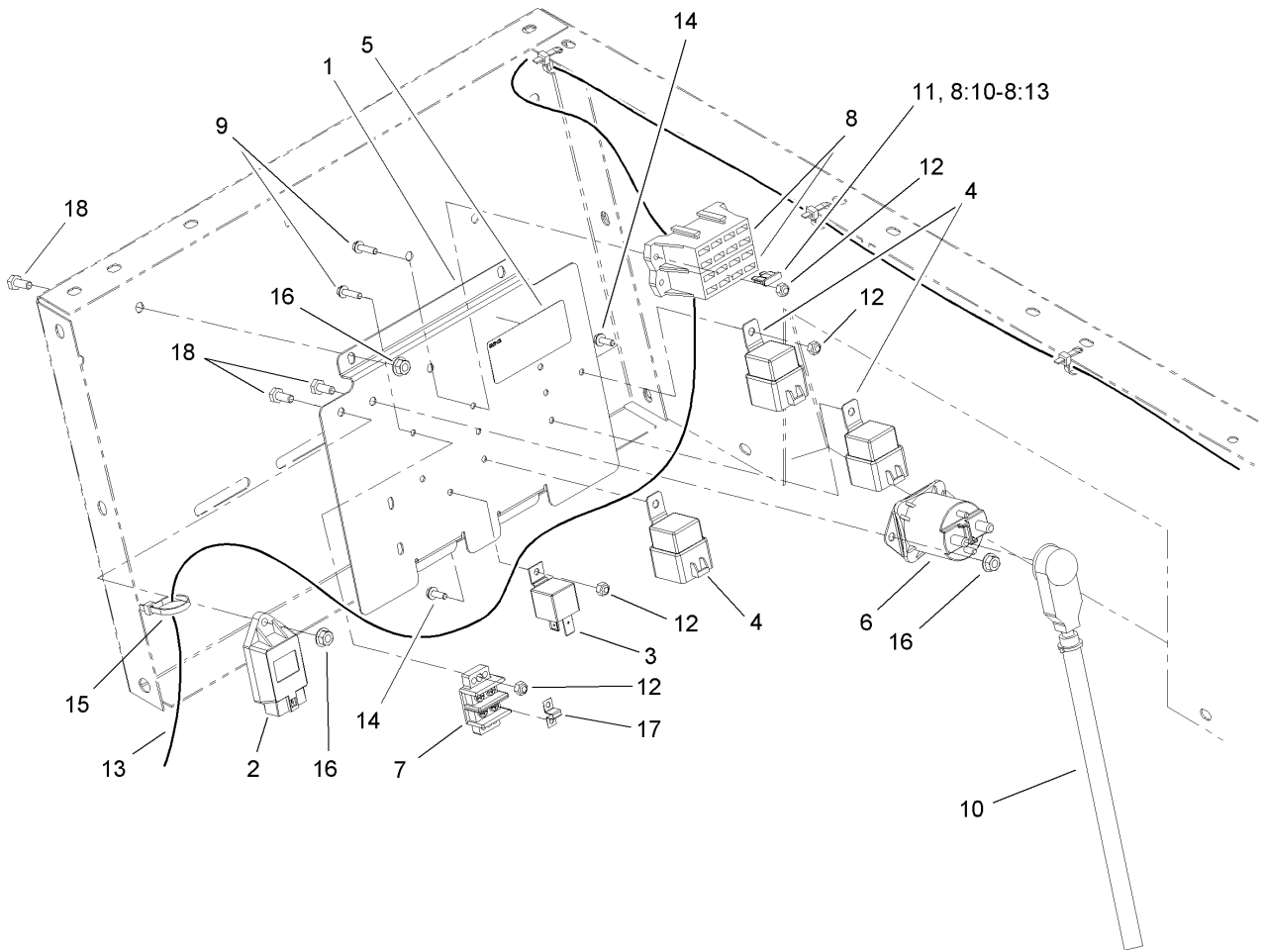
Ref	Part No.	Qty.	Description
32	92-8563	2	Spring
33	92-8564	2	Knob



## Oil Cooler and Radiator Assembly

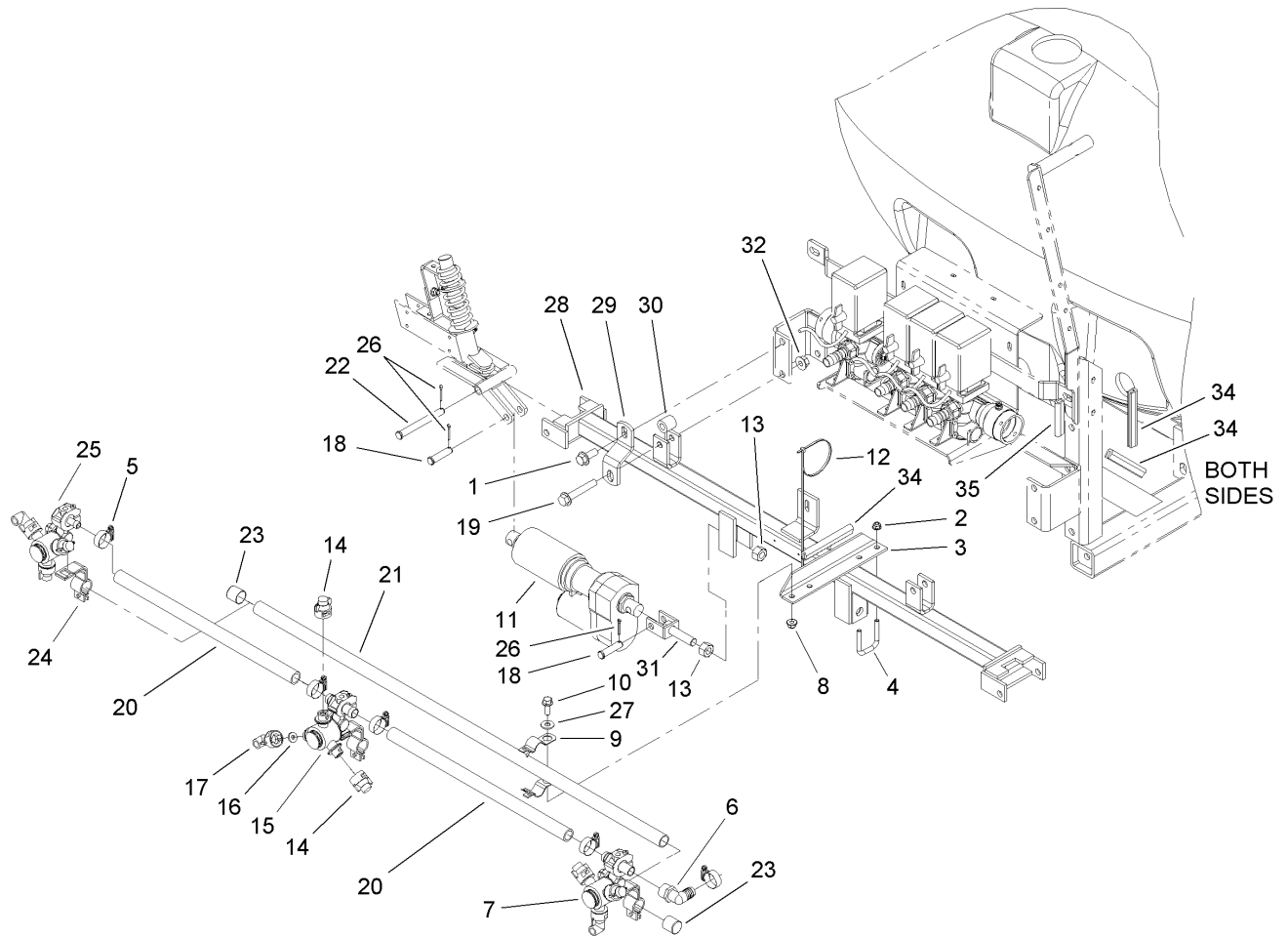
Ref	Part No.	Qty.	Description
1	106-5291	1	Radiator
2	106-5239	1	Hose-Radiator, Upper
3	106-5240	1	Hose-Radiator, Lower
4	2412-111	4	Clamp
5	104-9318	1	Bottle-Overflow
6	106-5180-03	1	Radiator Shroud ASM
7	106-5185	2	Brace-Radiator
8	107-8675	2	Seal-Foam
9	107-8676	2	Seal-Foam
10	107-8677	2	Seal-Foam
11	107-8678	2	Seal-Foam
12	106-5290	2	Shroud-Fan
13	3256-56	8	Washer-Flat
14	3253-4	10	Washer-Lock
15	322-3	6	Screw-HH
16	322-4	2	Screw-HH
17	3256-23	6	Washer-Flat
18	322-1	4	Screw-HH
19	104-8300	4	Nut-Flange, NI
20	94-7007	1	Oil Cooler ASM
21	106-5293	2	Hose-Oil Cooler
22	354-73	2	Fitting
22:1	237-81	1	O-Ring
23	2412-141	4	Clamp-Drive, Worm

Ref	Part No.	Qty.	Description
24	75-0930	2	Hook-Mount, Cooler
25	3269-15	4	Rivet
26	107-8652	1	Fitting-Straight
26:1	237-58	1	O-Ring
27	107-8654	1	Fitting-Elbow-90
27:1	237-65	1	O-Ring
28	240-3	2	Grommet-Rubber
29	62-5480	2	Isomounts
30	52-2861	2	Washer
31	93-5485	1	Hose
32	99-9687	1	Hose
33	2412-108	3	Clamp



## Electrical Panel Assembly

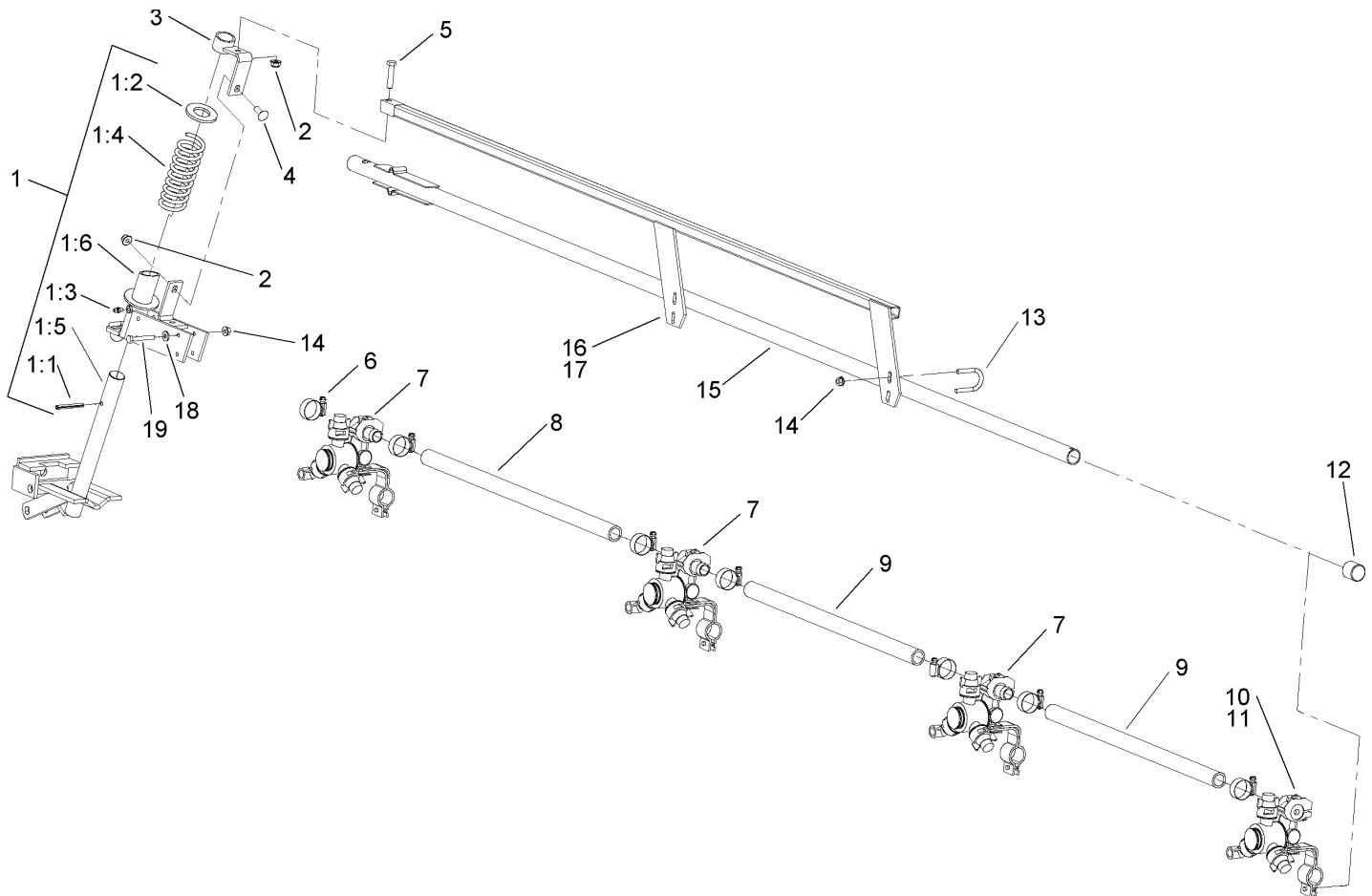
Ref	Part No.	Qty.	Description
1	106-5014-01	1	Panel-Electic
2	98-7611	1	Controller-Glow
3	99-7435	1	Relay-Power
4	99-7430	3	Relay
5	107-8700	1	Decal-Fuse Block
6	99-7406	1	Solenoid
7	42862	1	Block-Terminal, Ground
8	106-4997	1	Harness-Wire, Vehicle
8:10	218-578	2	Fuse-10 Amp
●8:11	109355	2	Fuse-15 Amp
●8:13	100-4918	2	Diode
9	32105-13	6	Screw-SHH
10	94-7092	1	Cable
11	109103	1	Fuse-30 Amp
12	3296-2	10	Nut-Lock
13	107-8713	1	Harness-Wire, Spray Unit
●13:6	107-8714	1	Tube-Pressure
14	32105-2	4	Screw-SHWH
15	3290-379	1	Strap-Hose
16	32128-33	5	Nut-HF
17	42863	1	Strip-Jumper
18	321-3	5	Screw-HH

## Center Boom Assembly

Ref	Part No.	Qty.	Description
1	3234-32	2	Screw-HHF
2	104-8300	4	Nut-Flange, NI
3	106-5085-03	2	Plate-Boom, Center
4	301950	2	U-Bolt-Square
5	2412-129	5	Clamp-Hose
6	95-9314	1	Elbow
7	104-8790	1	Body-Turret, Double
8	104-8301	2	Nut-Flange, NI
9	40494	2	Clamp ASM
10	3234-11	2	Screw-HHF
11	92-3757	2	Actuator-Boom
12	3290-379	4	Strap-Hose
13	3217-11	4	Nut-Hex
14	95-9187	22	Cap-Blank
15	104-8789	1	Body-Turret, Double
16	40998	33	Seat-Gasket
17	95-9186	11	Cap
18	42195	4	Pin-Clevis
19	3234-40	2	Screw-HF
20	40506	2	Hose-Jumper
21	40493-03	1	Pipe-Boom, Center
22	283-83	2	Pin-Clevis
23	92-8420	2	Cap-Boom
24	95-9185	11	Clamp

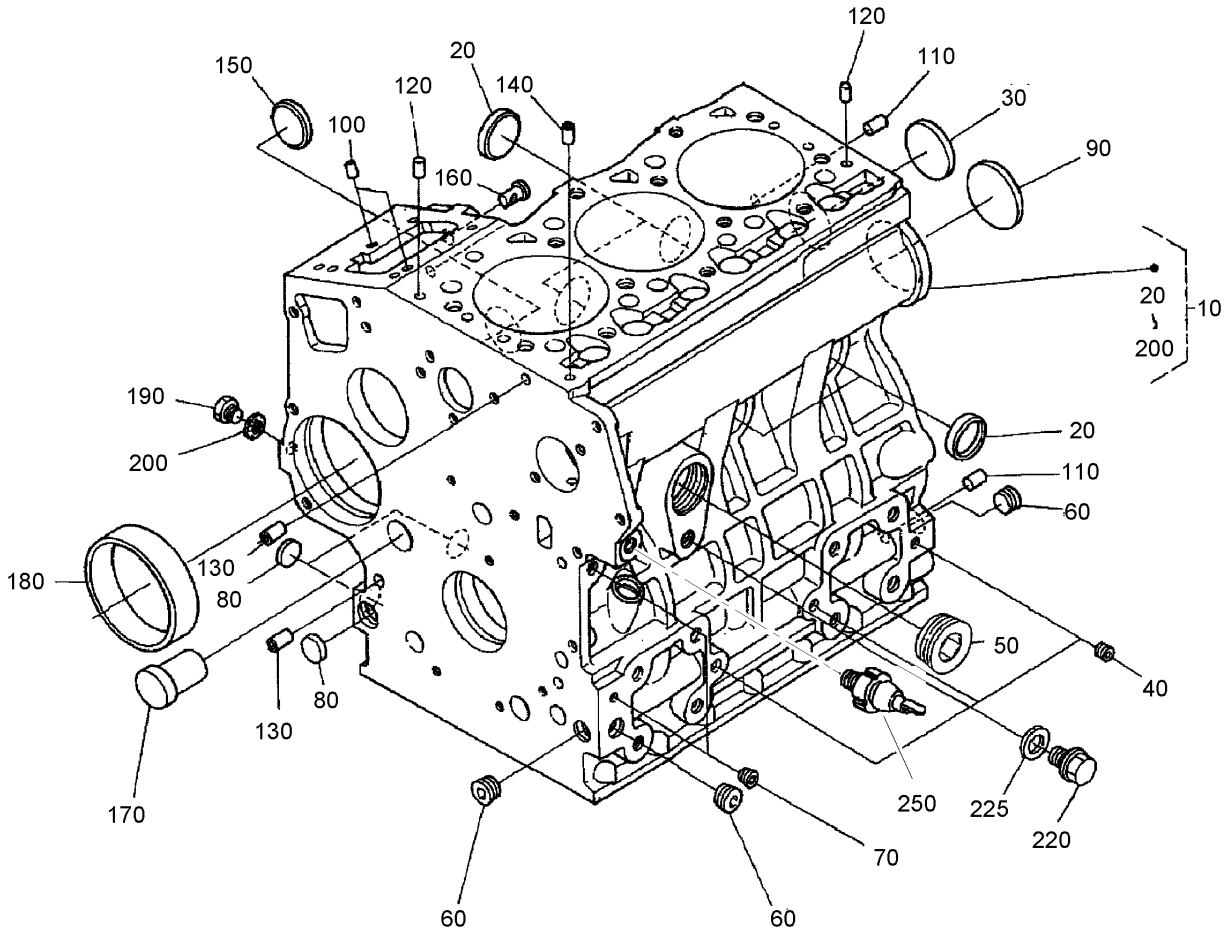
Ref	Part No.	Qty.	Description
25	104-8787	1	Body-Turret, Single (Lh)
25	107-8648	3	Trim-Edge
26	3272-11	6	Pin-Cotter
27	3256-4	2	Washer-Flat
28	42227-03	1	Main Frame Tube ASM
29	104-8761-03	2	Strap-Support, Boom
30	42257	2	Spacer-Tubular
31	42237	2	Adjustable Clevis ASM
32	32128-49	4	Nut-HHF
34	107-8649	4	Trim-Edge
35	107-8648	4	Trim-Edge



## Extension Boom Assembly

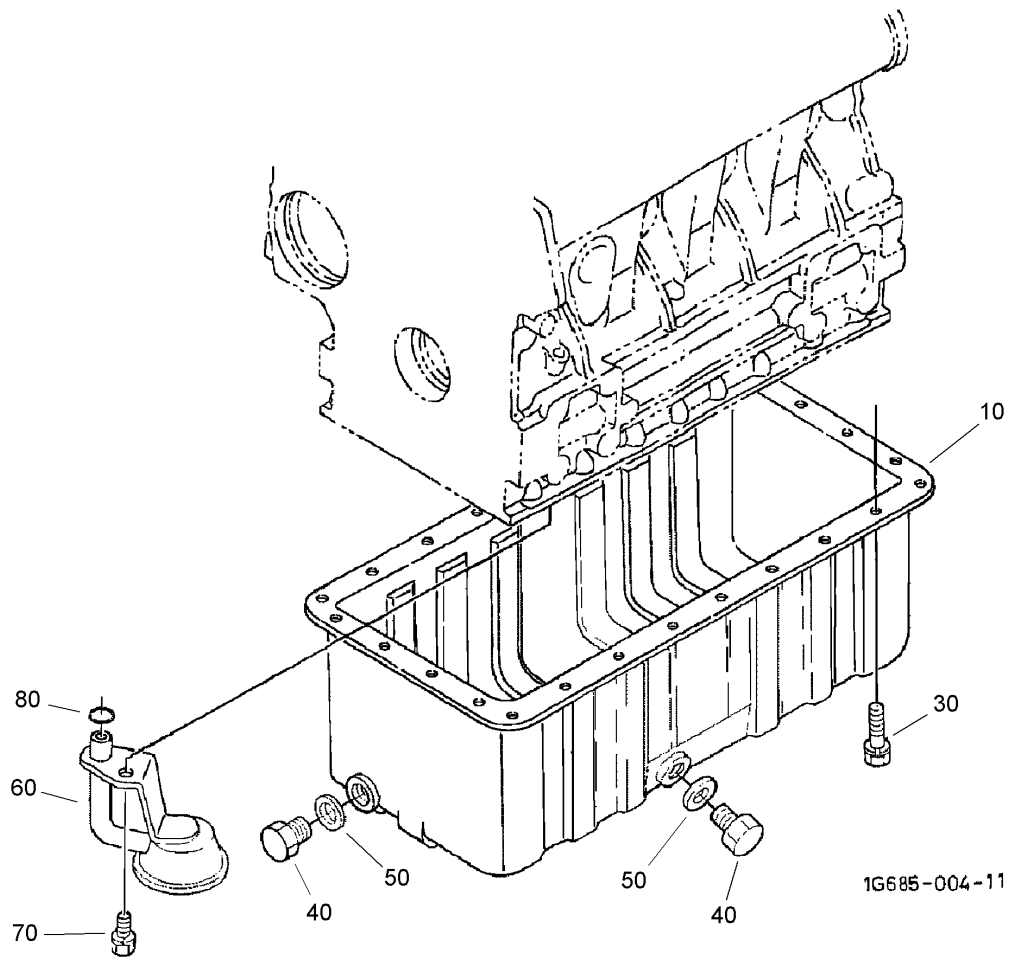
Ref	Part No.	Qty.	Description
1	42840	2	Breakaway ASM
1:1	32121-78	1	Pin-Roll
1:2	3256-62	1	Washer-Flat
1:3	302-5	1	Fitting-Grease
1:4	42196-03	1	Spring
1:5	42243-03	1	Hinge ASM
1:6	42706-03	1	Breakaway Pivot ASM
2	104-8300	4	Nut-Flange, NI
3	42707-03	2	Support Bracket ASM
4	3230-16	2	Screw-CARR
5	322-7	2	Screw-HH
6	2412-129	14	Clamp-Hose
7	104-8789	6	Body-Turret, Double
8	95-2229	2	Hose
9	40506	4	Hose-Jumper
10	104-8788	1	Body-Turret, Single (Rh)
11	104-8787	1	Body-Turret, Single (Lh)
12	92-8420	2	Cap-Boom
13	92-0010	4	U-Bolt
14	32128-32	16	Nut-HHF
15	106-5076-03	2	Boom Extension ASM
16	42710-03	1	RH Boom Support ASM
17	42711-03	1	LH Boom Support ASM
18	3256-22	8	Washer-Flat

Ref	Part No.	Qty.	Description
19	321-10	8	Screw-HH



### Crankcase Assembly

Ref	Part No.	Qty.	Description
10	108-2851	1	Crankcase ASM
20	98-9398	4	Cap-Sealing
30	98-7539	1	Cap-Sealing
40	98-7540	3	Plug
50	105-3779	1	Plug
60	98-9597	3	Plug
70	98-7487	2	Plug
80	98-7489	3	Plug
90	98-9668	1	Plug
100	98-9375	2	Pin-Straight
110	98-9377	2	Pin-Straight
120	105-3795	2	Pin-Straight
130	98-9387	2	Pin-Pipe
140	98-9539	1	Pin-Pipe
150	98-9599	1	Plug
160	105-3796	1	Pin-Start Spring
170	98-9675	1	Plug
180	98-9656	1	Bushing-Governor, Gear
190	98-7507	1	Plug
200	98-7428	1	Gasket
220	99-3447	1	Plug
225	106-7056	1	Gasket
250	98-9416	1	Switch-Oil

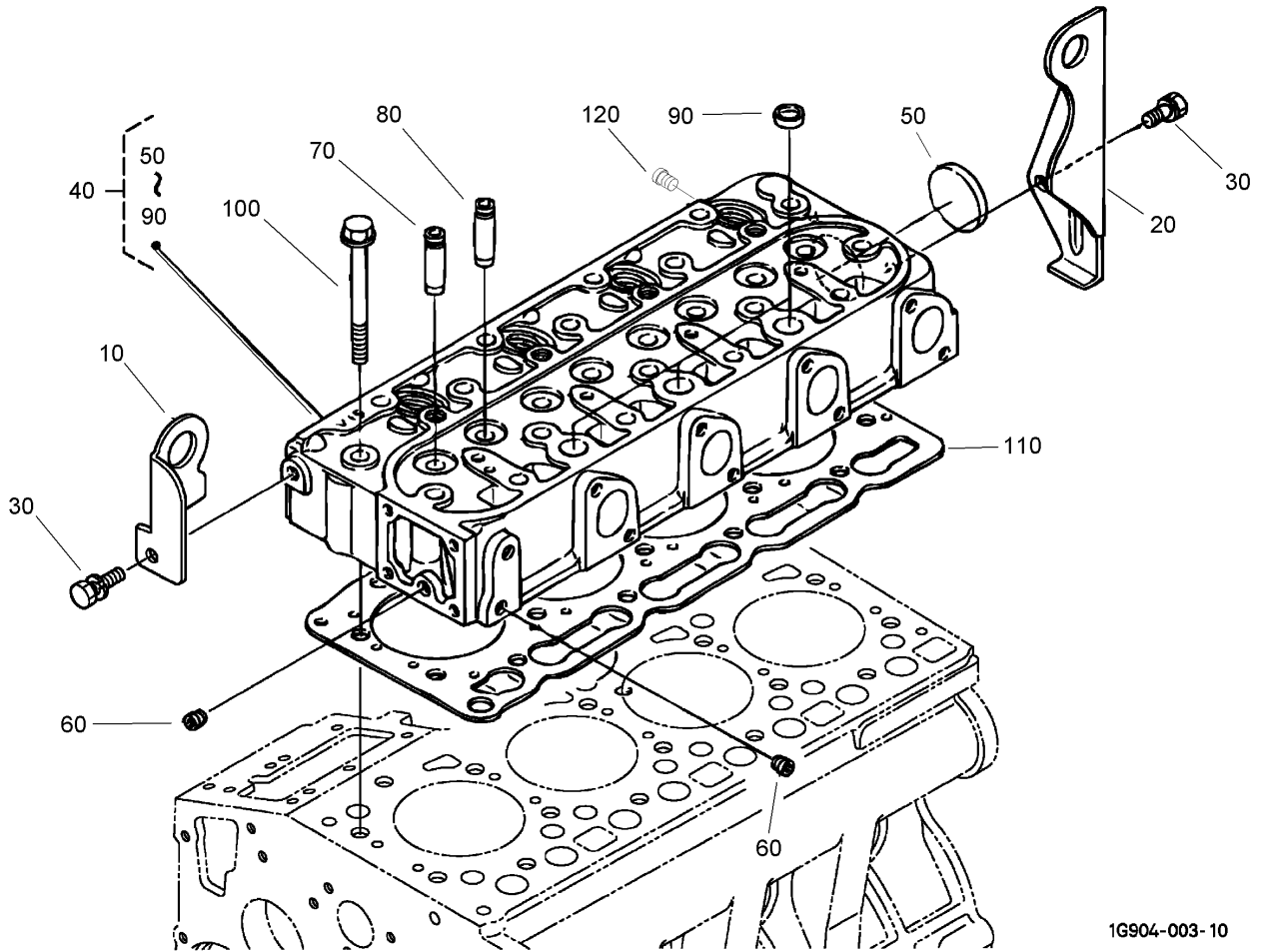


### Oil Pan Assembly

Ref	Part No.	Qty.	Description
10	108-2852	1	Pan-Oil
30	107-9065	22	Bolt
40	98-9386	1	Plug
50	98-7524	1	Gasket
60	108-2853	1	Head-Oil Filter
70	98-7526	1	Bolt
80	105-3776	1	O-Ring

--	--	--	--

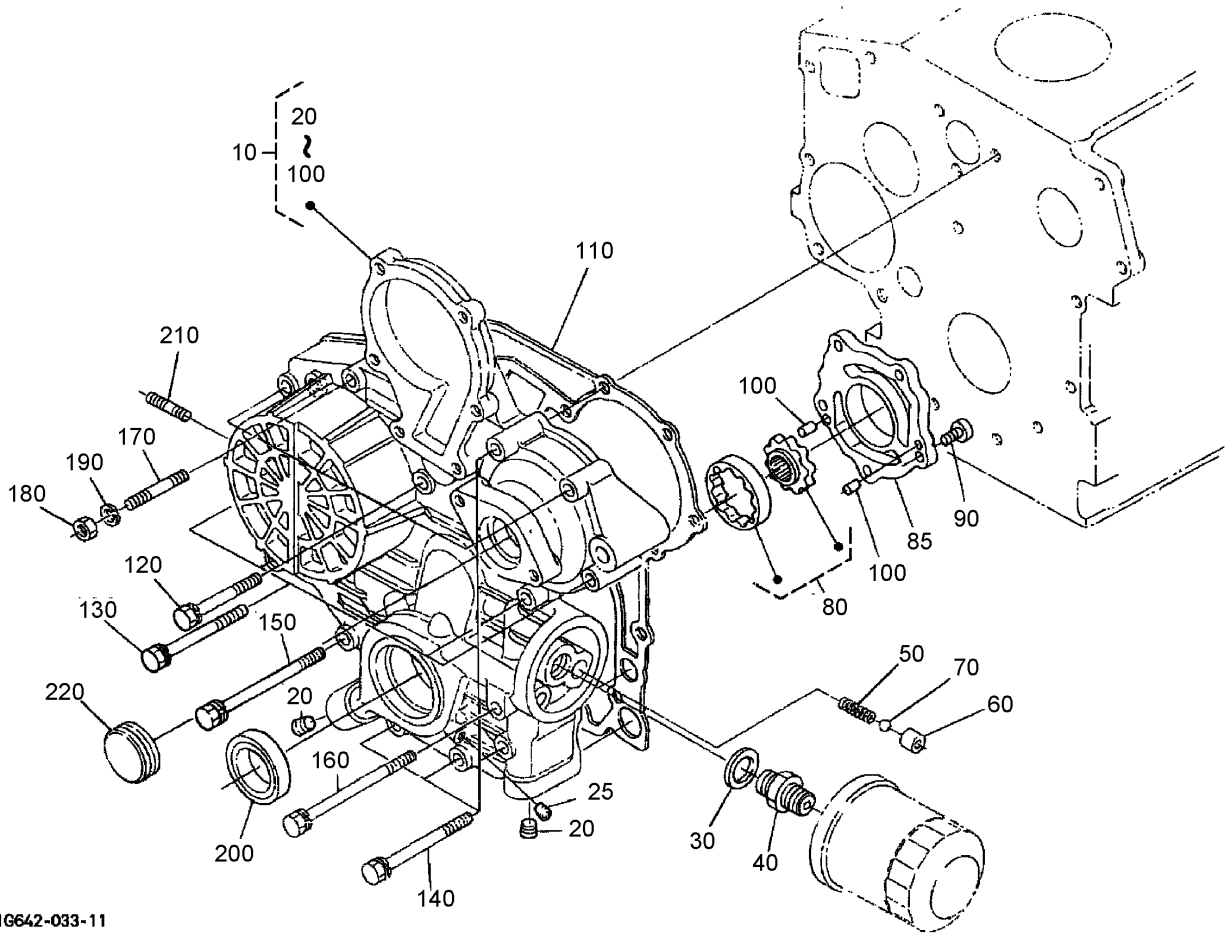




1G904-003-10

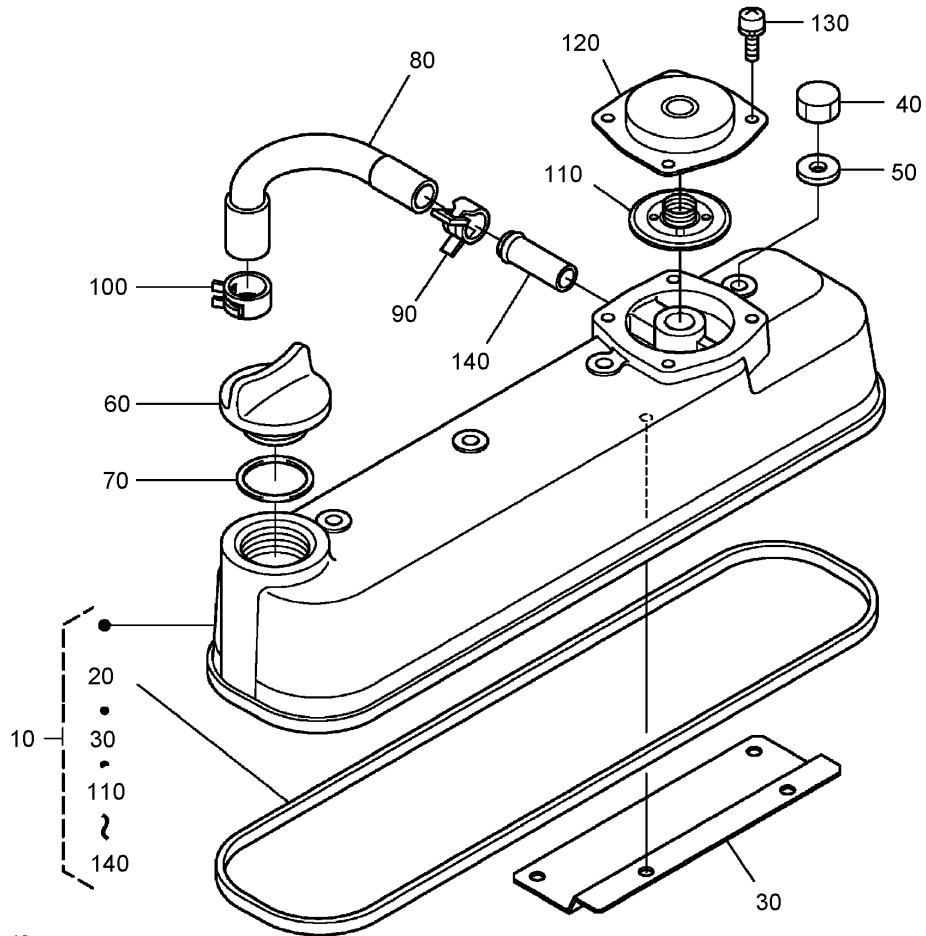
## Cylinder Head Assembly

Ref	Part No.	Qty.	Description
10	98-9477	1	Hook-Engine
20	98-9478	1	Hook-Engine
30	100-9195	2	Bolt
40	108-2854	1	Cylinder Head ASM
50	98-9395	1	Cap-Sealing
60	98-7540	2	Plug
70	107-9066	3	Guide-Valve, Inlet
80	107-9067	3	Guide-Valve, Exhaust
90	98-9389	2	Cap-Sealing
100	98-9479	1	Bolt-Head, Cylinder
110	108-2855	1	Gasket-Head, Cylinder
120	98-9444	1	Plug



### Gear Case Assembly

Ref	Part No.	Qty.	Description
10	107-9068	1	Gear Case ASM
20	98-9598	2	Plug
25	98-7487	1	Plug
30	98-7562	1	Washer-Plain
40	98-9388	1	Joint-Pipe
50	98-9544	1	Spring
60	98-9543	1	Seat-Valve
70	98-9380	1	Ball
80	98-9540	1	Oil Pump Rotor ASM
85	107-9069	1	Cover-Pump, Oil
90	107-9071	5	Screw
100	107-9072	2	Pin-Straight
110	98-9633	1	Gasket-Case, Gear
120	107-9073	3	Bolt
130	105-3797	4	Bolt
140	98-9356	4	Bolt
150	107-9074	1	Bolt
160	98-9586	1	Bolt
170	105-3709	1	Stud
180	98-7572	1	Nut
190	98-7699	1	Washer-Spring
200	98-9482	1	Seal-Oil
210	105-3710	2	Stud
220	98-9641	1	Cover

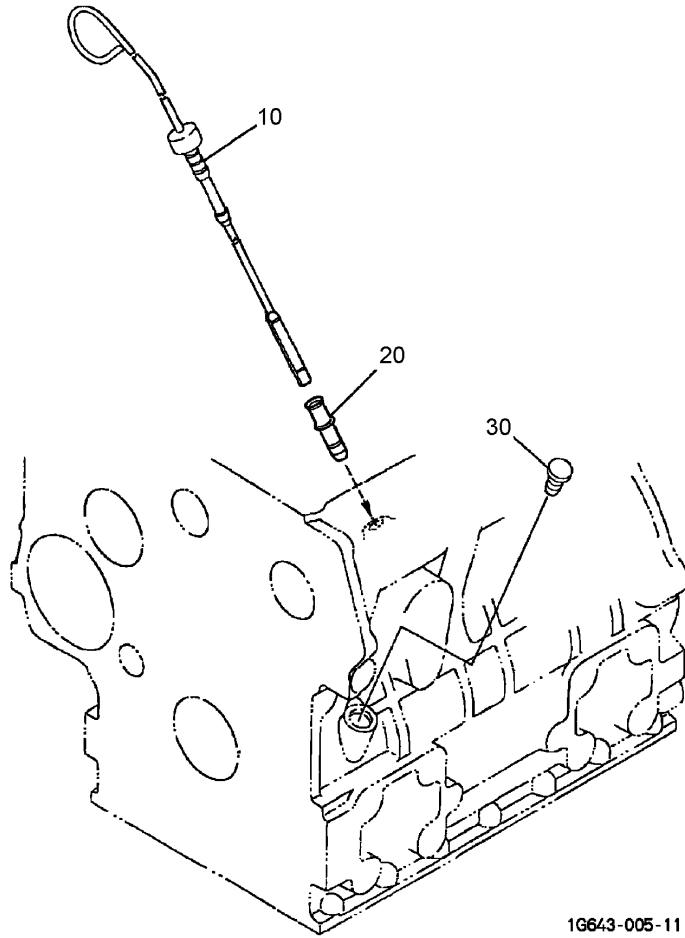



1G996-001-10

## Head Cover Assembly

Ref	Part No.	Qty.	Description
10	108-2856	1	Cylinder Head Cover ASM
20	105-3712	1	Gasket-Cover, Head
30	108-2857	1	Shield-Breather
40	98-9455	4	Nut-Cap
50	98-9454	4	Gasket
60	107-9075	1	Plug-Filler, Oil
70	99-3446	1	O-Ring
80	108-2858	1	Tube-Beather
90	108-2859	1	Clamp-Hose
100	108-2860	1	Clamp-Hose
110	108-2861	1	Breather Valve ASM
120	108-2862	1	Cover-Breather
130	108-2863	4	Screw-Pan Hd
140	98-7766	1	Pipe-Return, Water

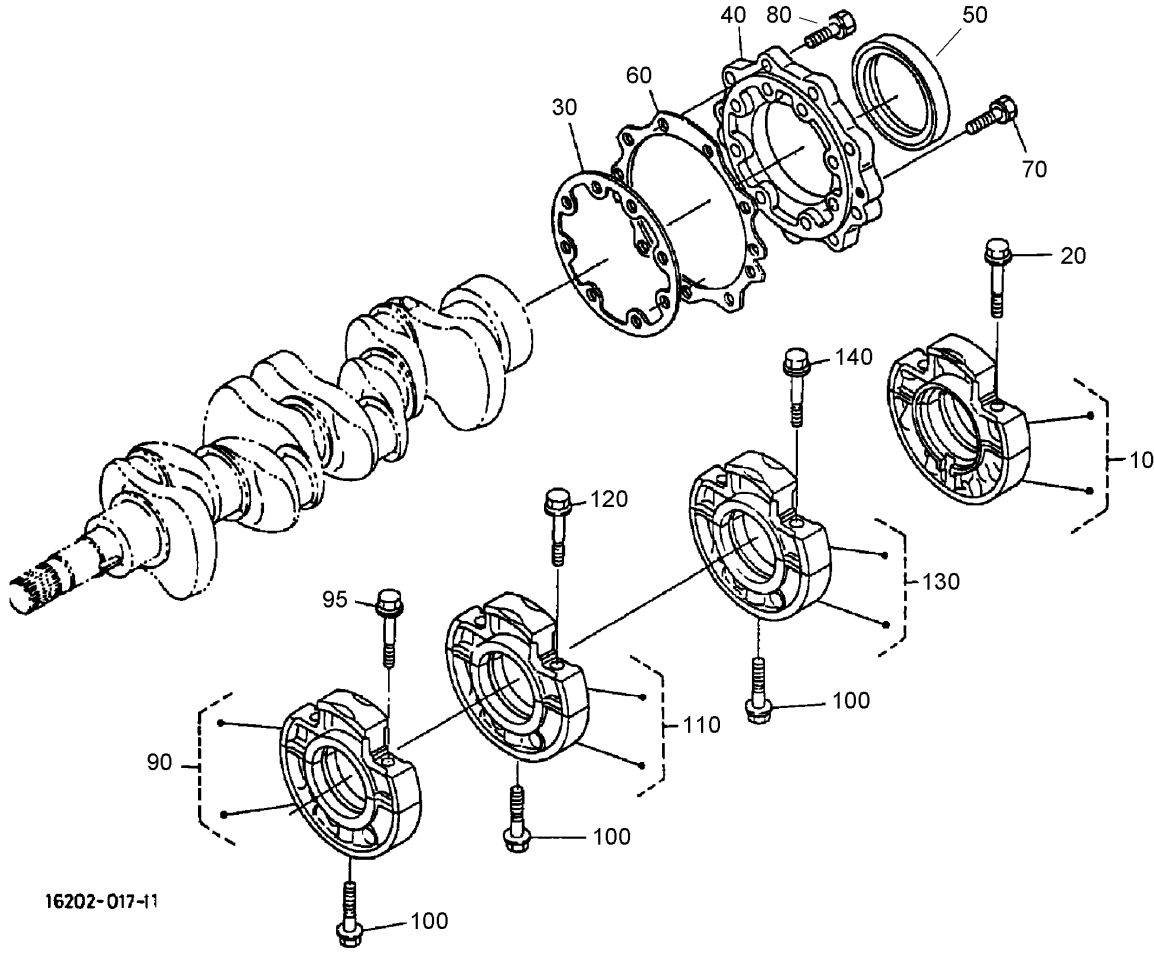
--	--	--	--



### Dipstick and Guide Assembly

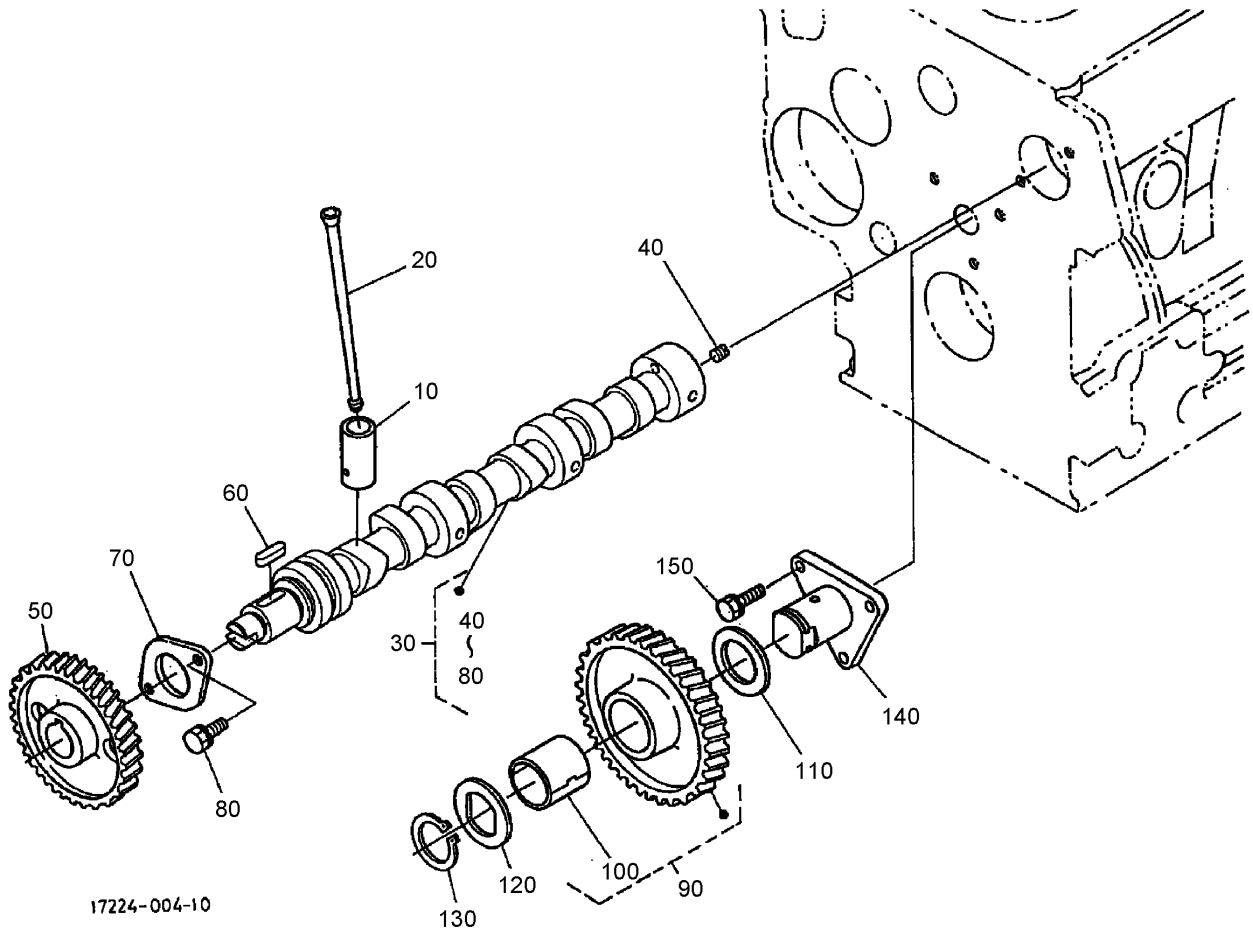
Ref	Part No.	Qty.	Description
10	105-3714	1	Gauge-Oil
20	105-3713	1	Guide-Gauge, Oil
30	105-3715	1	Plug-Gauge, Oil

--	--	--	--	--	--	--



### Main Bearing Case Assembly

Ref	Part No.	Qty.	Description
10	98-9480	1	Main Bearing Case ASM
20	98-9484	6	Bolt-Case, Bearing
30	98-9634	1	Gasket-Case, Bearing
40	98-9487	1	Cover-Case, Bearing
50	98-9483	1	Seal-Oil
60	98-9635	1	Gasket-Cover, Bearing Case
70	98-9352	8	Bolt
80	98-7568	9	Bolt
90	98-9606	1	Main Bearing Case ASM
95	98-9484	2	Bolt-Case, Bearing
100	98-9485	3	Bolt-Case, Bearing
110	98-9607	1	Main Bearing Case ASM
120	98-9484	2	Bolt-Case, Bearing
130	108-2864	1	Main Bearing Case ASM
140	98-9484	2	Bolt-Case, Bearing

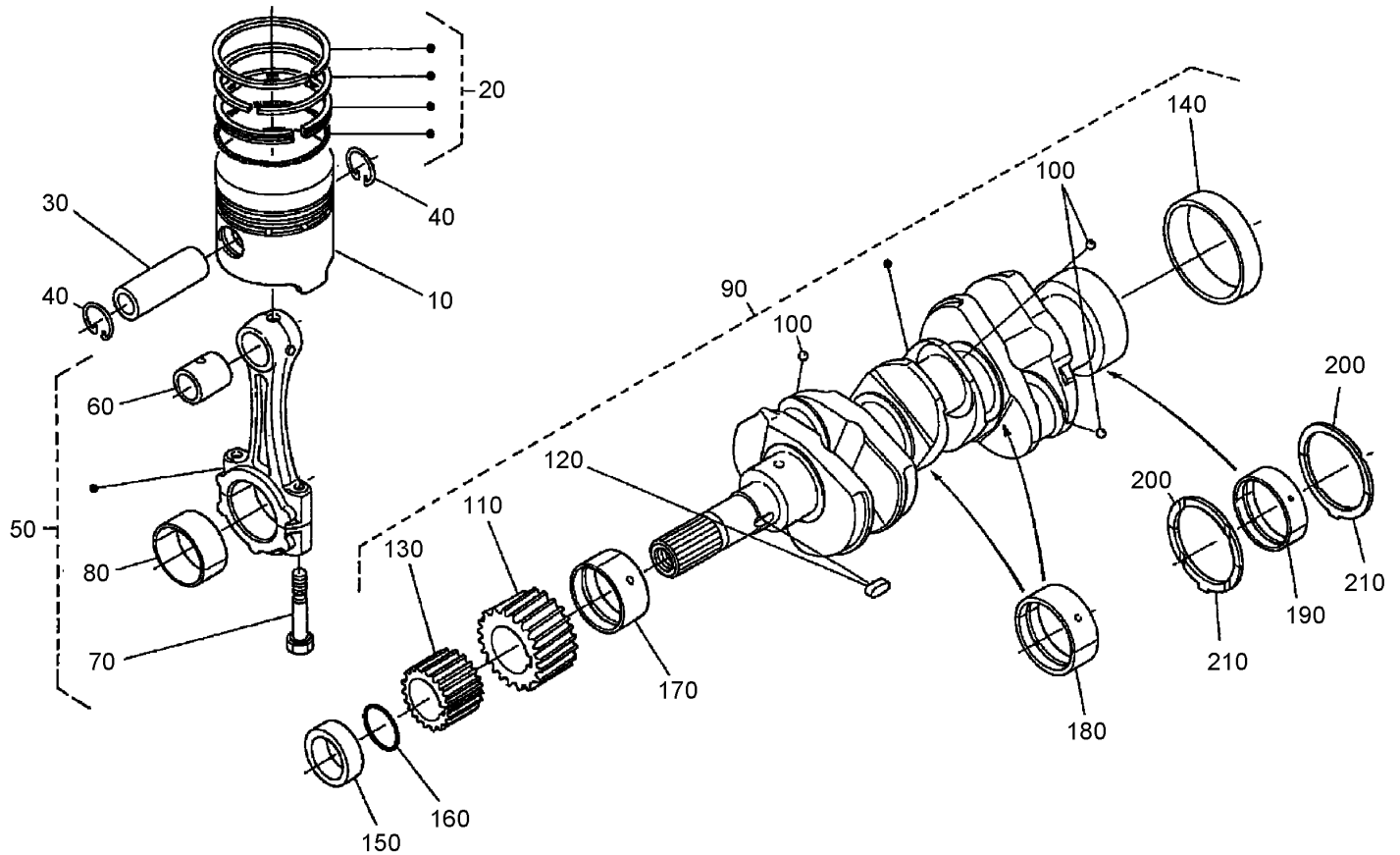



17224-004-10

## Camshaft and Idle Gear Shaft Assembly

Ref	Part No.	Qty.	Description
10	98-9616	6	Tappet
20	98-9509	6	Rod-Push
30	108-2865	1	Camshaft ASM
40	98-7449	1	Screw-Set
50	98-9512	1	Gear-Cam
60	98-9378	1	Key-Feather
70	98-9510	1	Stopper-Camshaft
80	98-7692	2	Bolt
90	98-9649	1	Idle Gear ASM
100	98-9650	1	Bushing-Gear, Idle
110	98-9535	1	Collar-Gear, Idle
120	98-9536	1	Collar-Gear, Idle
130	98-9534	1	Clip-Circular, Idle Gear
140	98-9533	1	Shaft-Gear, Idle
150	98-7692	3	Bolt

--	--	--	--

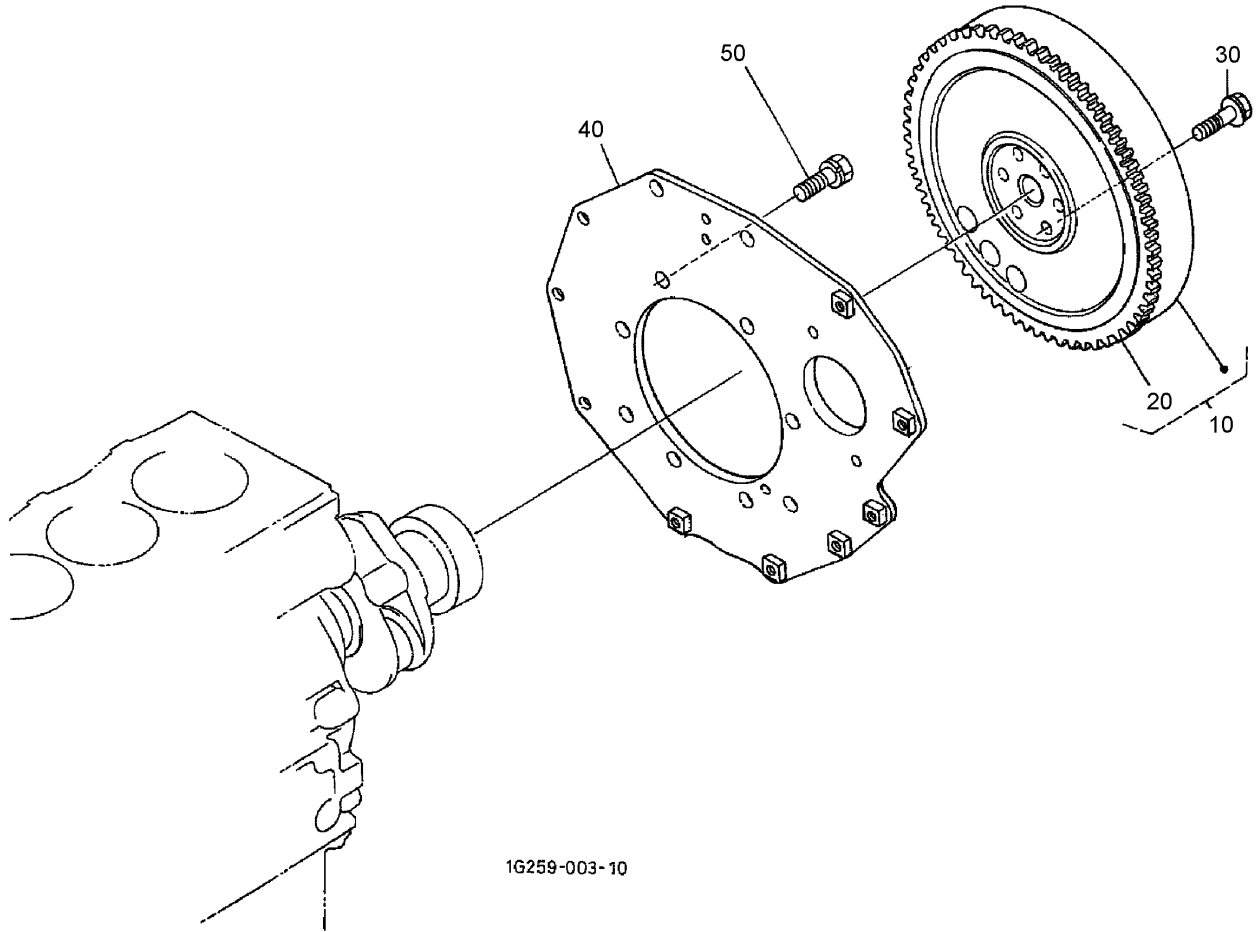


16221-009-10

## Piston and Crankshaft Assembly

Ref	Part No.	Qty.	Description
10	98-9470	3	Piston (0.5mm)
10	98-9469	3	Piston (Std)
20	98-9619	3	Piston Ring ASM (0.5mm)
20	98-9618	3	Piston Ring ASM (Std)
30	98-9513	3	Pin-Piston
40	98-9514	6	Clip-Circular, Piston Pin
50	98-9516	3	Connecting Rod ASM
60	98-9515	3	Bushing-Pin, Piston
70	98-9517	6	Bolt-Rod, Connecting
80	98-9520	3	Bearing-Rod (0.4mm)
80	98-9519	3	Bearing-Rod (0.2mm)
80	98-9518	3	Metal-Crankpin (Std)
90	105-3718	1	Crankshaft-Complete
100	98-7473	3	Ball
110	98-9532	1	Gear-Crankshaft
120	98-9666	1	Key
130	98-9542	1	Gear-Drive, Oil Pump
140	98-9522	1	Sleeve-Crankshaft
150	98-9520	1	Bearing-Rod (0.4mm)
160	105-3783	1	O-Ring
170	98-9524	1	Metal-Crankshaft (Std Set)
170	98-9528	1	Bearing-Main (0.2mm)
170	98-9529	1	Bearing-Main (0.4mm)
180	98-9524	2	Metal-Crankshaft (Std Set)

Ref	Part No.	Qty.	Description
180	98-9530	2	Bearing-Main (0.2mm)
180	98-9531	2	Bearing-Main (0.4mm)
190	98-9556	1	Bearing-Main (Std)
190	105-3719	1	Metal-Crankshaft (.2mm)
190	105-3720	1	Metal-Crankshaft (.4mm)
200	98-9413	2	Bearing-Thrust (Std)
200	98-9414	2	Bearing-Thrust (0.2mm)
200	98-9415	2	Bearing-Thrust (0.4mm)
210	98-9688	2	Bearing-Thrust (Std)
210	98-9689	2	Bearing-Thrust (0.2mm)
210	98-9690	2	Bearing-Thrust (0.4mm)

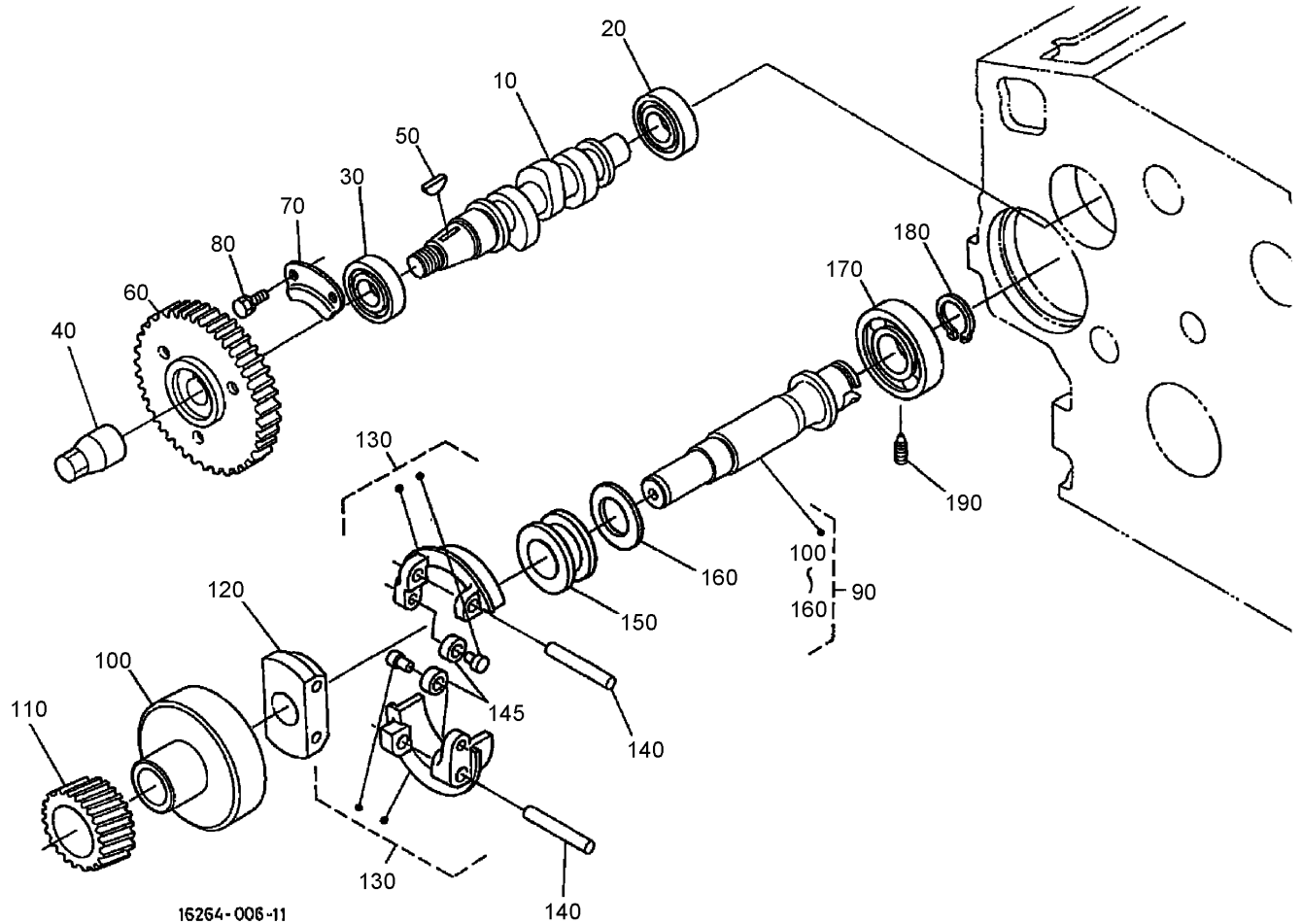


## Flywheel Assembly

Ref	Part No.	Qty.	Description
10	105-3761	1	Pipe-Inlet
20	105-3722	1	Gear-Ring
30	98-9537	6	Bolt-Flywheel
40	98-9486	1	Plate-End, Rear
50	98-9392	8	Bolt

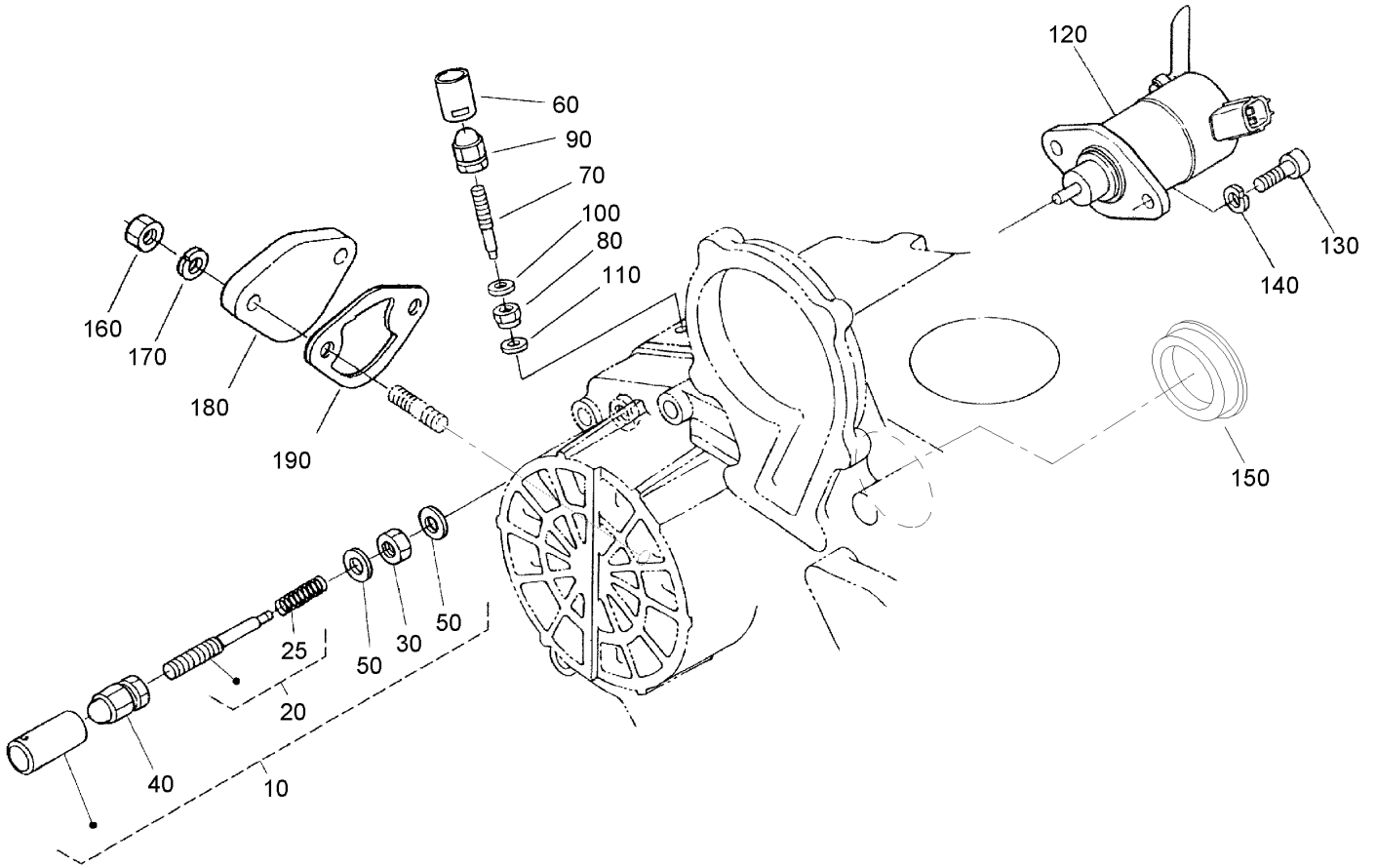
Ref	Part No.	Qty.	Description





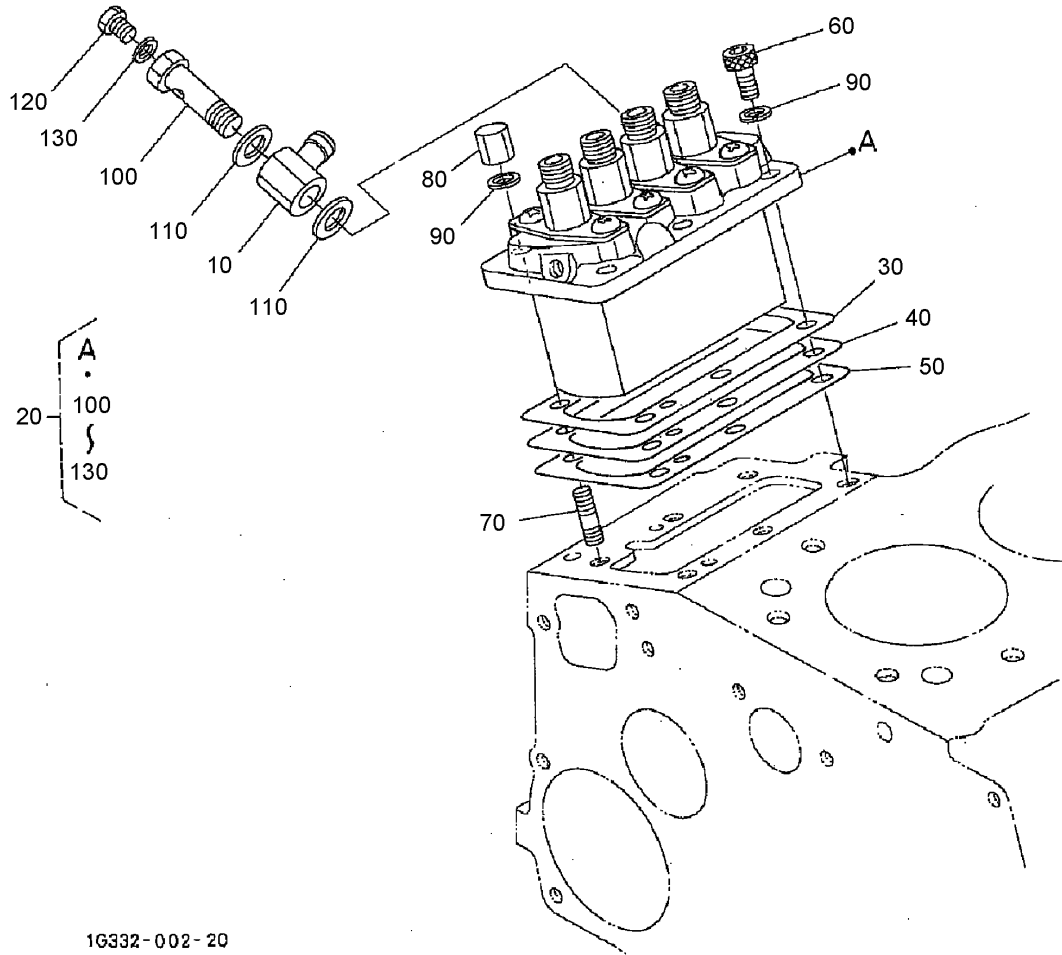
## Fuel Camshaft and Governor Shaft Assembly

Ref	Part No.	Qty.	Description
10	105-3723	1	Camshaft-Fuel
20	107-9077	1	Bearing-Ball
30	107-9078	1	Bearing-Ball
40	98-9590	1	Nut-Cap
50	98-9595	1	Key-Woodruff
60	98-9669	1	Gear-Pump, Injection
70	98-9511	1	Stopper-Fuel, Camshaft
80	98-7692	2	Bolt
90	105-3724	1	Governor Shaft ASM
100	98-9562	1	Holder-Gear, Governor
110	98-9673	1	Gear-Governor
120	98-9561	1	Holder-Weight, Governor
130	98-9559	2	Governor Weight ASM
140	98-9560	2	Shaft-Weight, Governor
145	98-9692	2	Roller
150	98-9563	1	Sleeve-Governor
160	98-9564	1	Washer-Thrust
170	107-9079	1	Bearing-Ball
180	98-9657	1	Clip-Circular, Governor Shaft
190	98-9565	1	Screw-Set

### Idle Apparatus Assembly

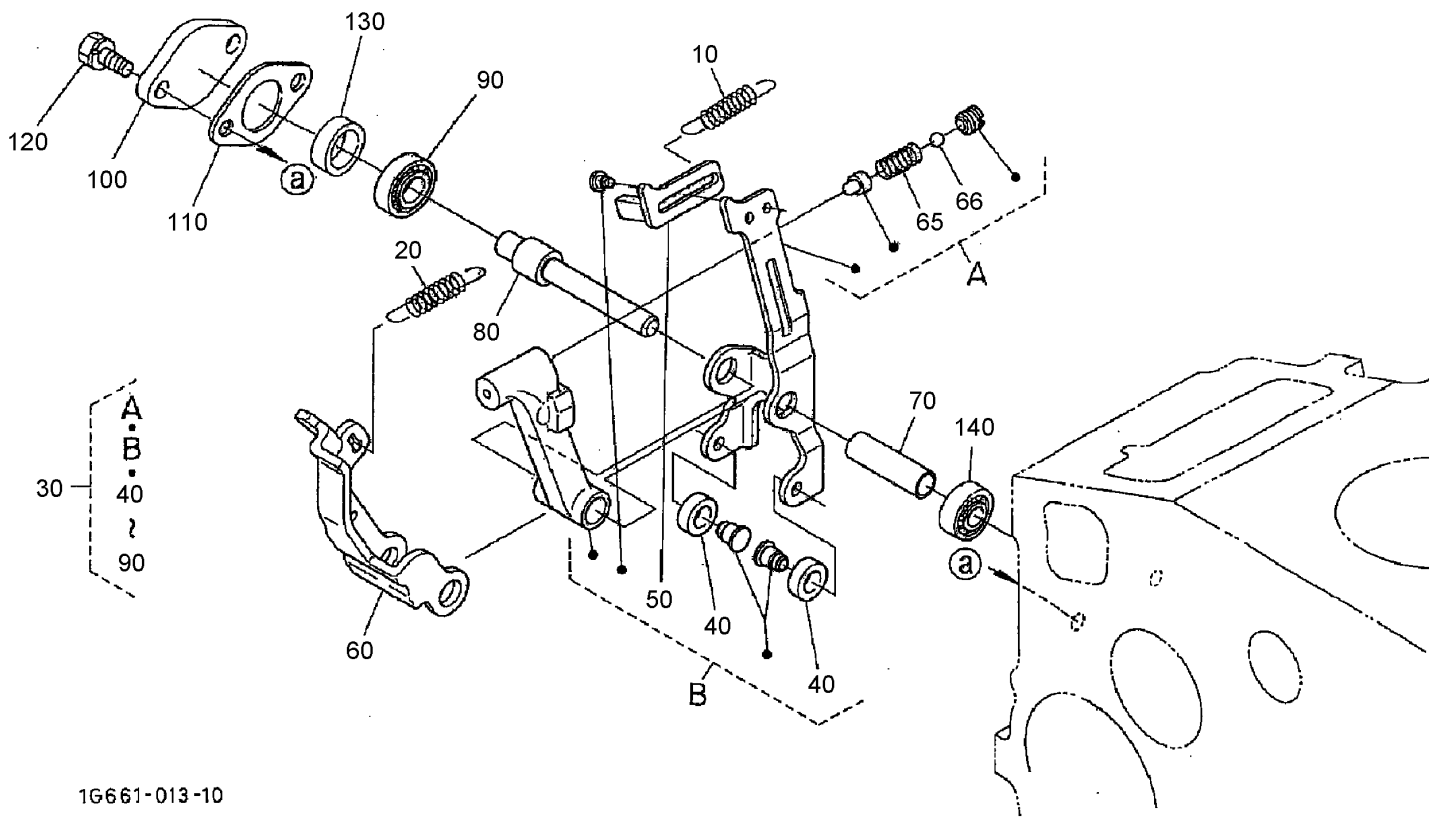
Ref	Part No.	Qty.	Description
10	98-9678	1	Idle Apparatus ASM
20	98-9679	1	Adjusting Bolt ASM
25	107-9080	1	Spring
30	98-9439	1	Nut
40	99-8387	1	Nut-Cap
50	98-7654	2	Gasket
60	98-7656	1	Cap
70	98-9557	1	Bolt-Adjusting
80	99-3512	1	Nut
90	99-8387	1	Nut-Cap
100	98-7654	1	Gasket
110	107-9081	1	Gasket
120	104-5155	1	Solenoid-Stop
130	105-3799	2	Bolt-HSH
140	98-7699	2	Washer-Spring
150	98-9640	1	Cover-Pump
160	98-7572	2	Nut
170	98-7699	2	Washer-Spring
180	99-3514	1	Cover
190	98-9636	1	Gasket-Pump, Fuel

1G332-002-20

## Injection Pump Assembly

Ref	Part No.	Qty.	Description
10	98-9596	1	Joint-Eye
20	105-3727	1	Injection Pump ASM
30	105-3728	1	Shim-Pump, Injection (.20mm)
40	105-3729	1	Shim-Pump, Injection (.25mm)
50	105-3730	1	Shim-Pump, Injection (.30mm)
60	98-9361	3	Bolt-HSH
70	98-9438	3	Stud
80	98-9440	3	Nut-Cap
90	98-7699	6	Washer-Spring
100	98-9464	1	Bolt-Joint
110	98-9445	2	Gasket
120	98-9430	1	Screw
130	98-9446	1	Gasket

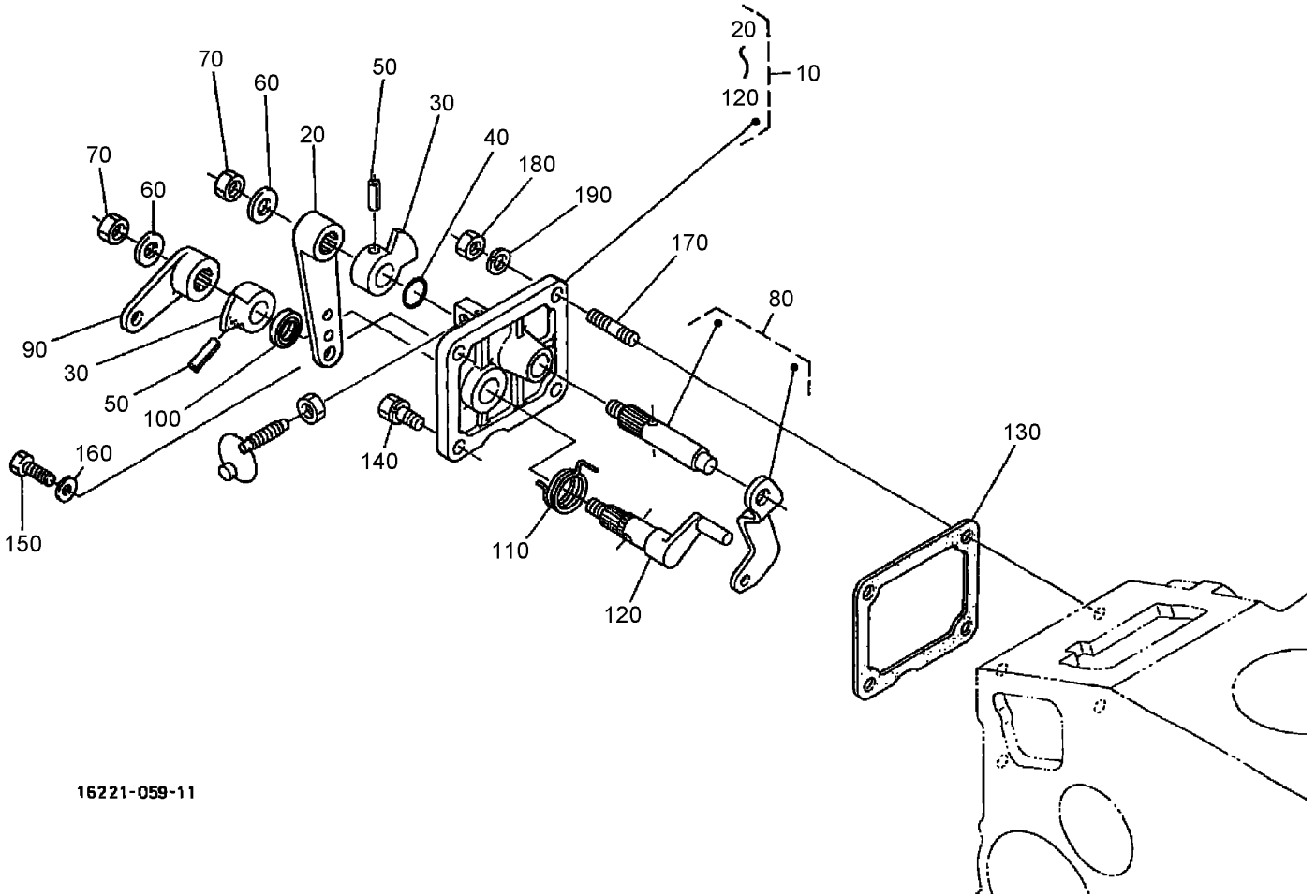


1G661-013-10

### Governor Assembly

Ref	Part No.	Qty.	Description
10	105-3741	1	Spring-Start
20	98-9681	1	Spring-Governor
30	107-9082	1	Fork Lever ASM
40	98-9692	2	Roller
50	107-9083	1	Lever-Thrust
60	107-9084	1	Lever-Fork
65	108-2867	1	Spring
66	98-7580	2	Ball
70	107-9085	1	Shaft-Lever, Fork
80	107-9086	1	Shaft-Lever, Fork
90	98-9570	1	Bearing-Miniaturize
100	98-9569	1	Cover-Shaft, Fork Lever
110	98-9682	1	Gasket
120	98-9351	2	Bolt
130	98-9567	1	Collar
140	98-9571	1	Bearing-Miniaturize

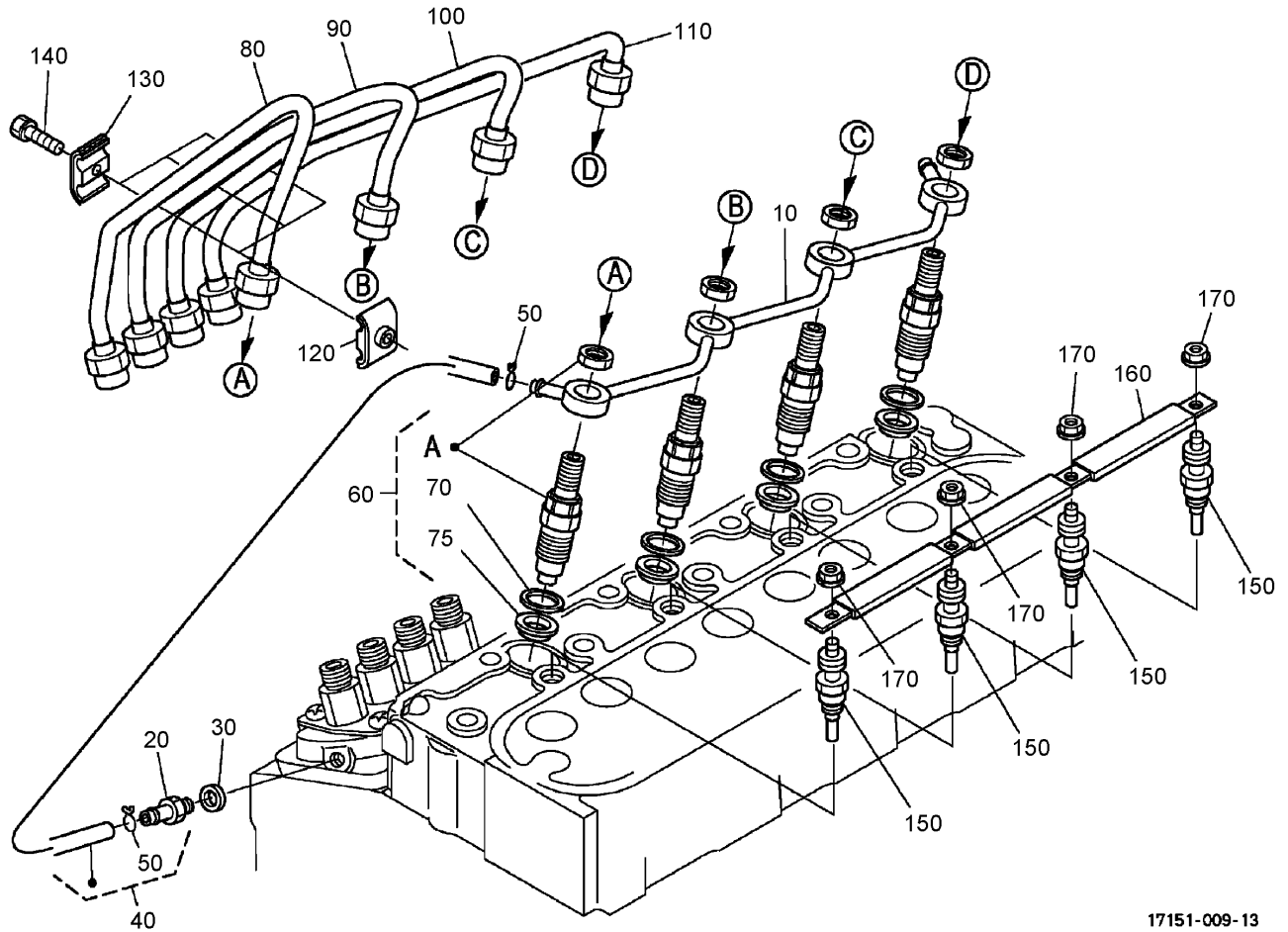
--	--	--	--



16221-059-11

### Speed Control Plate Assembly

Ref	Part No.	Qty.	Description
10	105-3735	1	Control Plate ASM
20	98-9662	1	Lever-Control, Speed
30	98-9572	2	Lever-Control, Speed
40	105-3788	1	O-Ring
50	98-7602	2	Pin-Spring
60	98-9594	2	Washer-Plain
70	98-9589	2	Nut
80	98-9658	1	Governor Lever ASM
90	98-9663	1	Lever-Stop, Engine
100	98-7601	1	Seal-Oil
110	98-9472	1	Spring-Return
120	98-9664	1	Shaft-Lever, Stop
130	98-9637	1	Gasket
140	98-7692	1	Bolt
150	99-8348	1	Bolt
160	98-7654	2	Gasket
170	105-3710	2	Stud
180	98-7572	2	Nut
190	98-7699	2	Washer-Spring

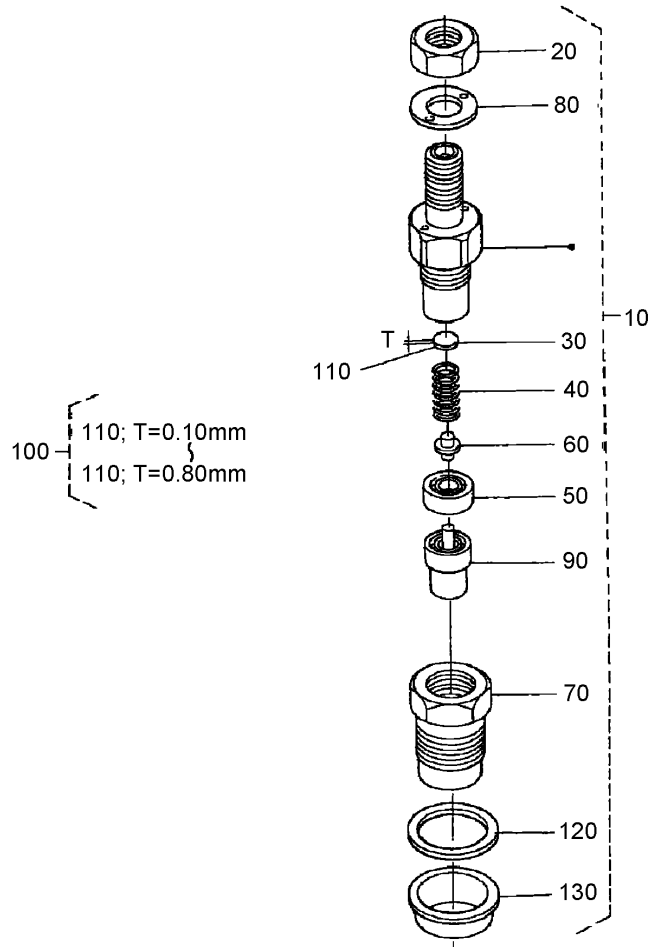



17151-009-13

## Nozzle Holder and Glow Plug Assembly

Ref	Part No.	Qty.	Description
10	105-3737	1	Over Flow Pipe ASM
20	98-9431	1	Screw-Bleeder
30	98-7654	1	Gasket
40	98-9420	1	Over Flow Pipe ASM
50	98-7671	2	Clip-Pipe
60	108-2866	4	Nozzle Holder Kit
70	98-7676	4	Gasket
75	98-7677	4	Seal
80	98-9653	1	Pipe-Injection
90	98-9654	1	Pipe-Injection
100	98-9655	1	Pipe-Injection
110	105-3738	1	Pipe-Injection
120	98-7682	3	Clamp-Pipe
130	98-7683	3	Clamp-Pipe
140	98-7684	3	Screw W/washer ASM
150	98-9695	4	Plug-Glow
160	105-3739	1	Cord-Plug, Glow
170	99-8377	4	Nut-Flange

--	--	--	--

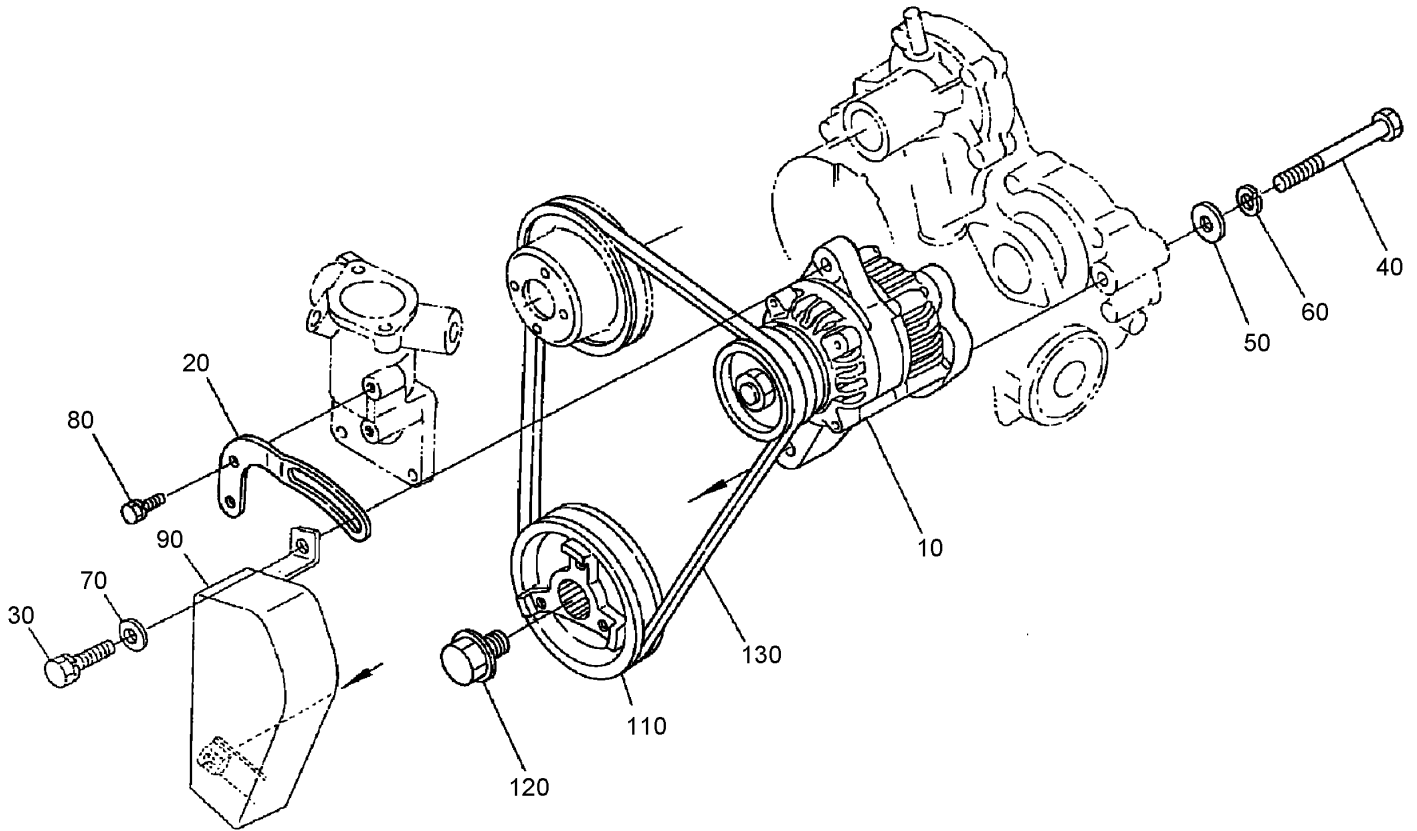


1G347-015-10

### Nozzle Holder (Component Parts) Assembly

Ref	Part No.	Qty.	Description
10	108-2866	3	Nozzle Holder Kit
20	99-8301	3	Nut
30	99-8302	3	Washer-Adjusting
40	99-8303	3	Spring-Nozzle
50	99-8304	3	Spacer-Distance
60	99-8305	3	Rod-Push
70	99-8306	3	Nut-Nozzle
80	99-8307	3	Washer-Plain
90	99-8308	3	Piece-Nozzle
100	99-8309	3	Adjusting Washer ASM
110	99-8310	3	Washer-Adjust (0.10mm)
110	99-8311	3	Washer-Adjust (0.20mm)
110	99-8312	3	Washer-Adjust (0.30mm)
110	99-8313	3	Washer-Adjust (0.40mm)
110	99-8314	3	Washer-Adjust (0.50mm)
110	99-8315	3	Washer-Adjust (0.52mm)
110	99-8316	3	Washer-Adjust (0.54mm)
110	99-8317	3	Washer-Adjust (0.56mm)
110	99-8318	3	Washer-Adjust (0.58mm)
110	99-8319	3	Washer-Adjust (0.80mm)
120	98-7676	3	Gasket
130	98-7677	3	Seal

--	--	--	--

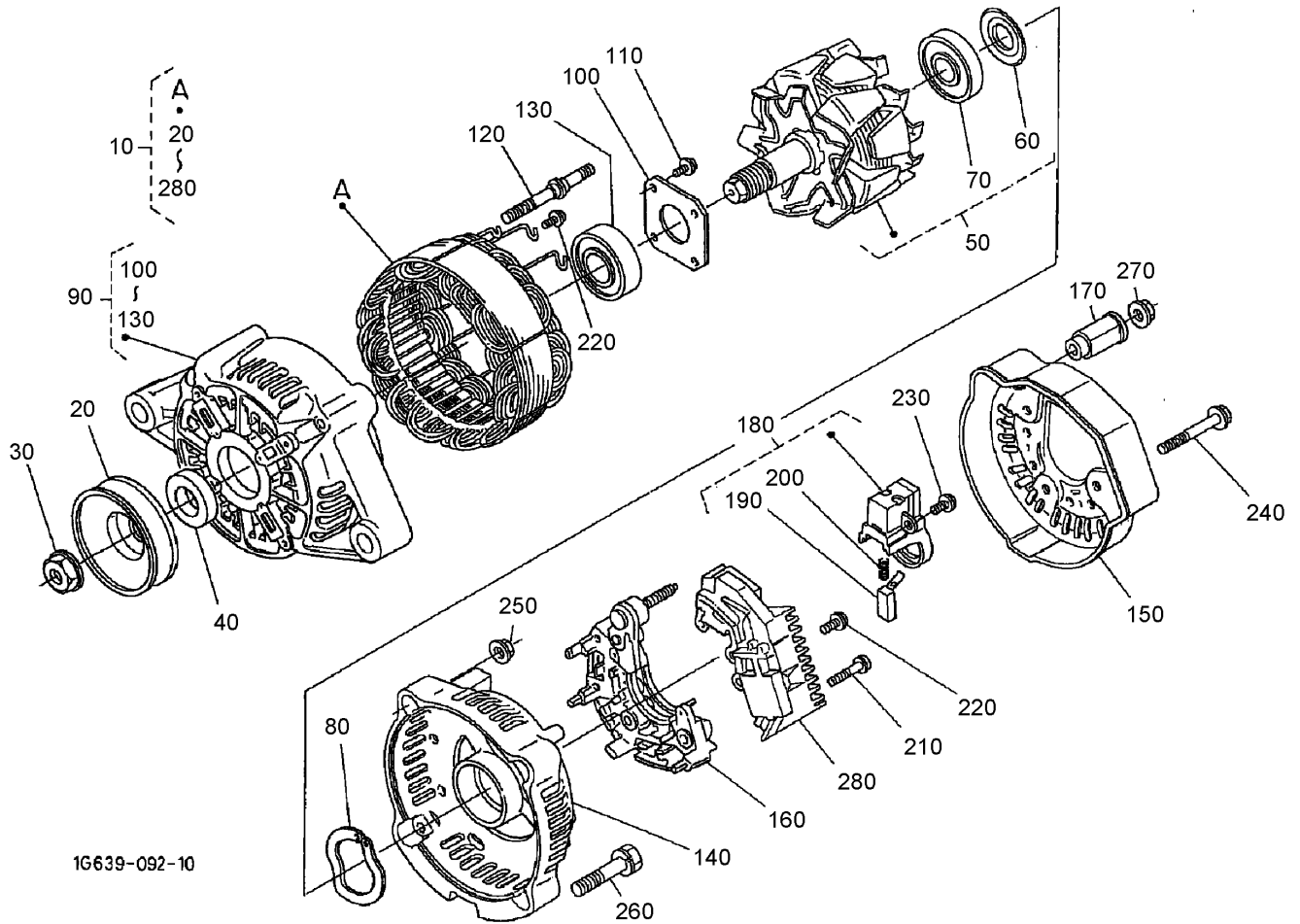


1G299-140-10

## Alternator and Pulley Assembly

Ref	Part No.	Qty.	Description				
10	98-9474	1	Alternator ASM				
20	98-9573	1	Stay-Dynamo				
30	98-7697	1	Bolt				
40	98-9360	1	Bolt				
50	3256-24	1	Washer-Flat				
60	98-7738	1	Washer-Spring				
70	100-9233	1	Washer-Plain				
80	98-7692	1	Bolt				
90	108-2868	1	Cover-Belt				
110	105-3745	1	Pulley-Drive, Fan				
120	98-9585	1	Bolt				
130	98-9676	1	V-Belt				

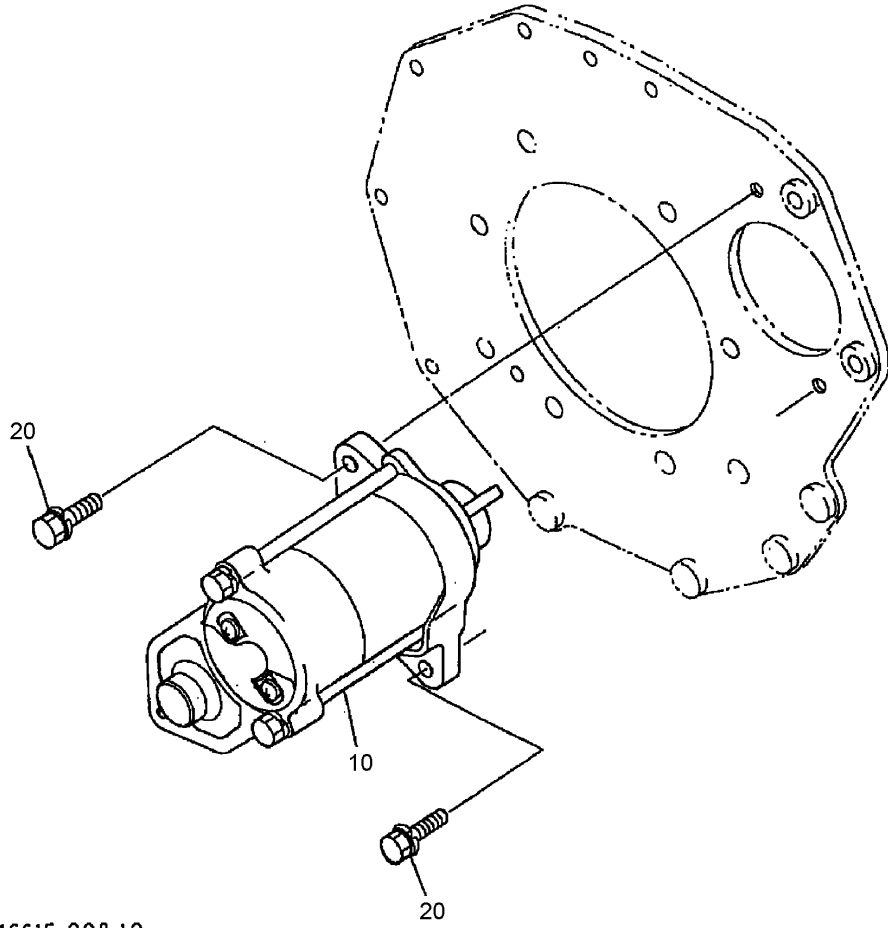




## Alternator (Component Parts) Assembly

Ref	Part No.	Qty.	Description
10	98-9474	1	Alternator ASM
20	98-9453	1	Pulley-Dynamo
30	98-7708	1	Nut
40	98-7709	1	Collar
50	107-0136	1	Rotor
60	98-7711	1	Cover-Bearing
70	107-0138	1	Bearing-Ball
80	98-7713	1	Washer-Thrust
90	107-0139	1	Drive End Frame ASM
100	98-7715	1	Plate-Retainer
110	98-7716	4	Screw-Head, Round
120	98-7717	2	Bolt-Through
130	107-0137	1	Bearing-Ball
140	107-9087	1	Frame-End
150	107-0140	1	Cover-End
160	98-9476	1	Rectifier ASM
170	98-7722	1	Bushing-Insulation
180	107-0141	1	Holder-Brush
190	98-7724	2	Brush
200	98-7725	2	Spring-Brush
210	98-7726	2	Screw-Head, Round
220	98-7727	6	Screw-Head, Round
230	98-7728	1	Screw-Head, Round
240	98-7729	3	Bolt

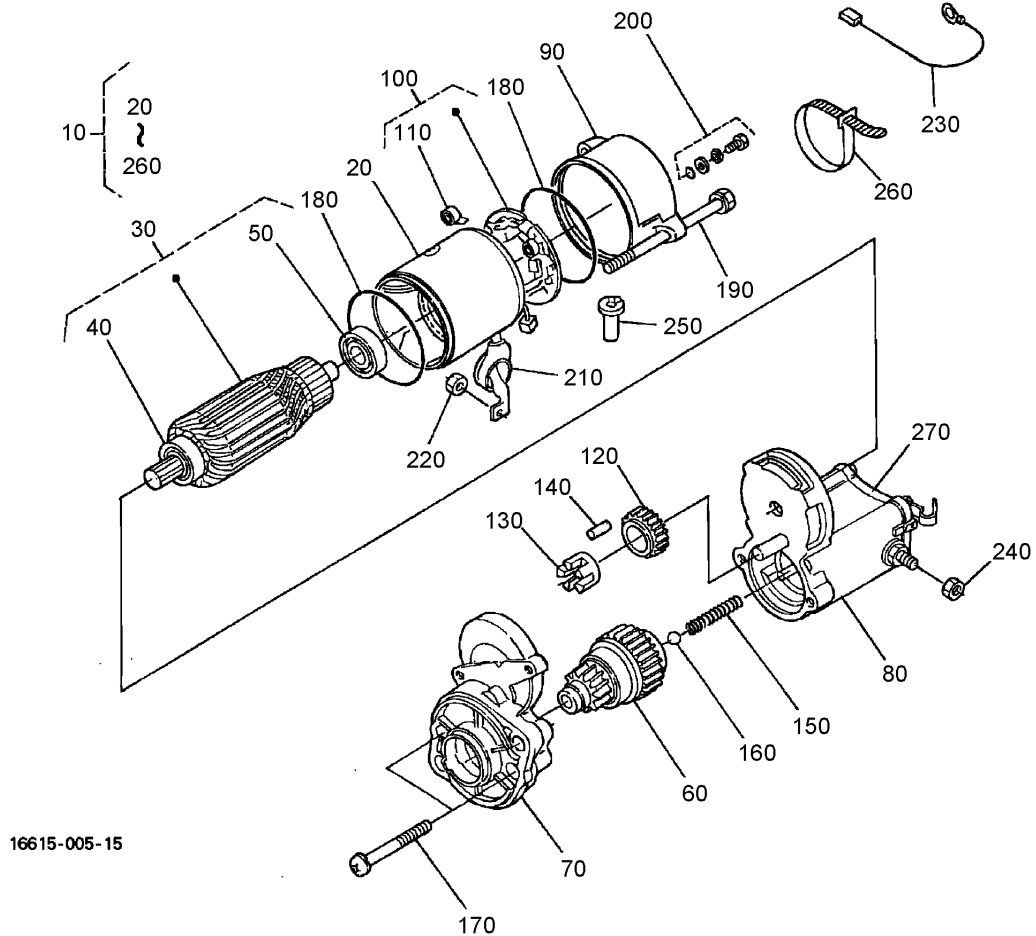
Ref	Part No.	Qty.	Description
250	98-7730	2	Nut
260	98-7731	2	Bolt
270	98-7732	1	Nut
280	107-9088	1	Regulator ASM



16615-008-10

### Starter Assembly

Ref	Part No.	Qty.	Description				
10	98-9705	1	Starter ASM				
20	98-7697	2	Bolt				

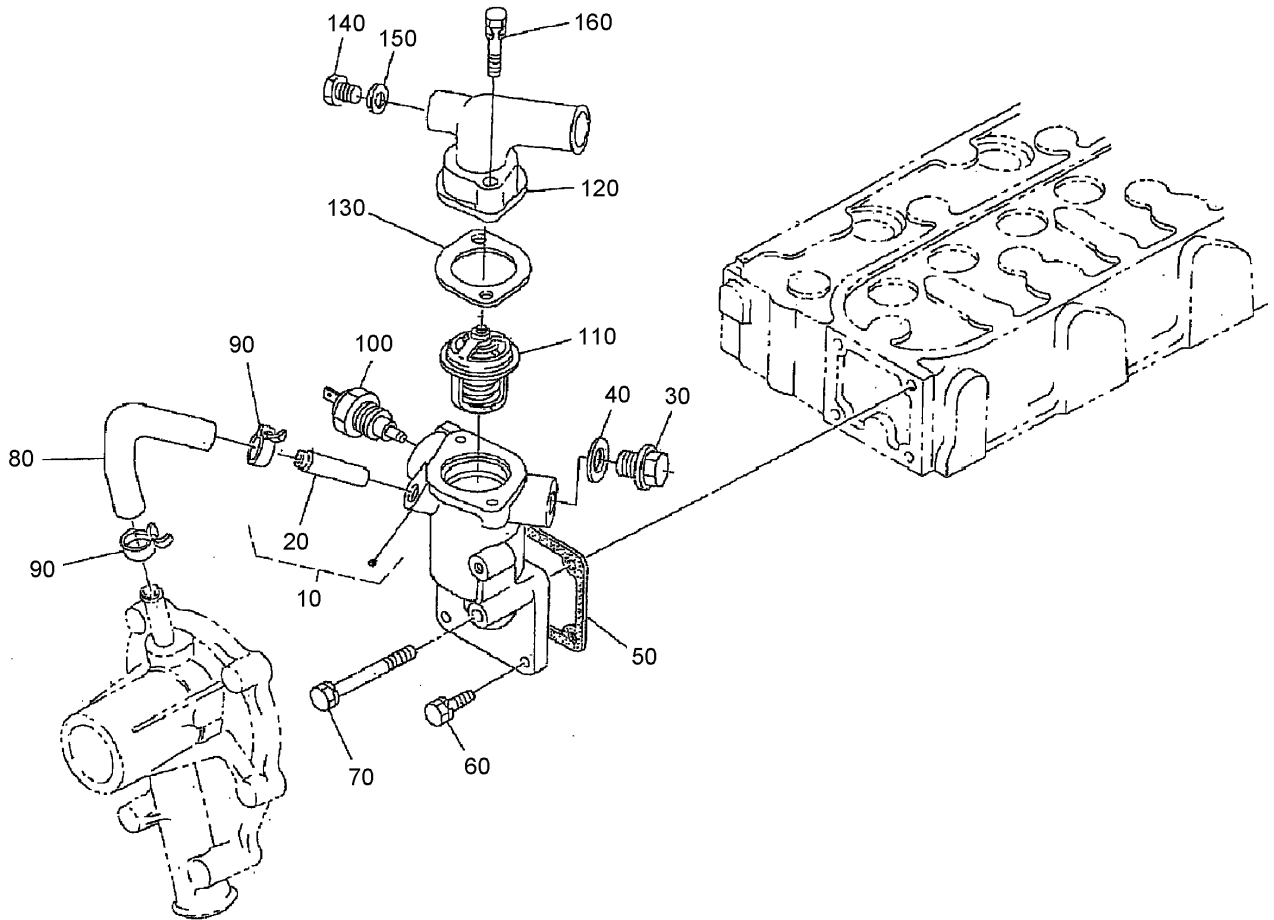


16615-005-15

## Starter (Component Parts) Assembly

Ref	Part No.	Qty.	Description
10	98-9705	1	Starter ASM
20	104-8608	1	Yoke ASM
30	98-7742	1	Armature ASM
40	98-7744	1	Bearing
50	98-7743	1	Bearing
60	99-8373	1	Clutch-Running, Over
70	99-8374	1	Frame-End, Drive
80	105-3746	1	Magnetic Switch ASM
90	98-7748	1	Frame-End
100	98-7749	1	Brush Holder ASM
110	98-7750	4	Spring-Brush
120	98-7751	1	Gear
130	98-7752	1	Retainer
140	98-7753	5	Roller
150	98-7754	1	Spring
160	98-7755	1	Ball
170	98-7756	2	Bolt
180	98-7757	2	O-Ring
190	100-9240	2	Bolt
200	98-7758	2	Bolt ASM
210	99-8375	1	Cover
220	99-8371	1	Nut-Hex
230	98-9711	1	Cord-Solenoid, Stop
240	99-8376	1	Nut-Hex

Ref	Part No.	Qty.	Description
250	98-7759	1	Pipe-Drain
260	98-9712	1	Band-Cover
270	105-2886	1	Cover ASM

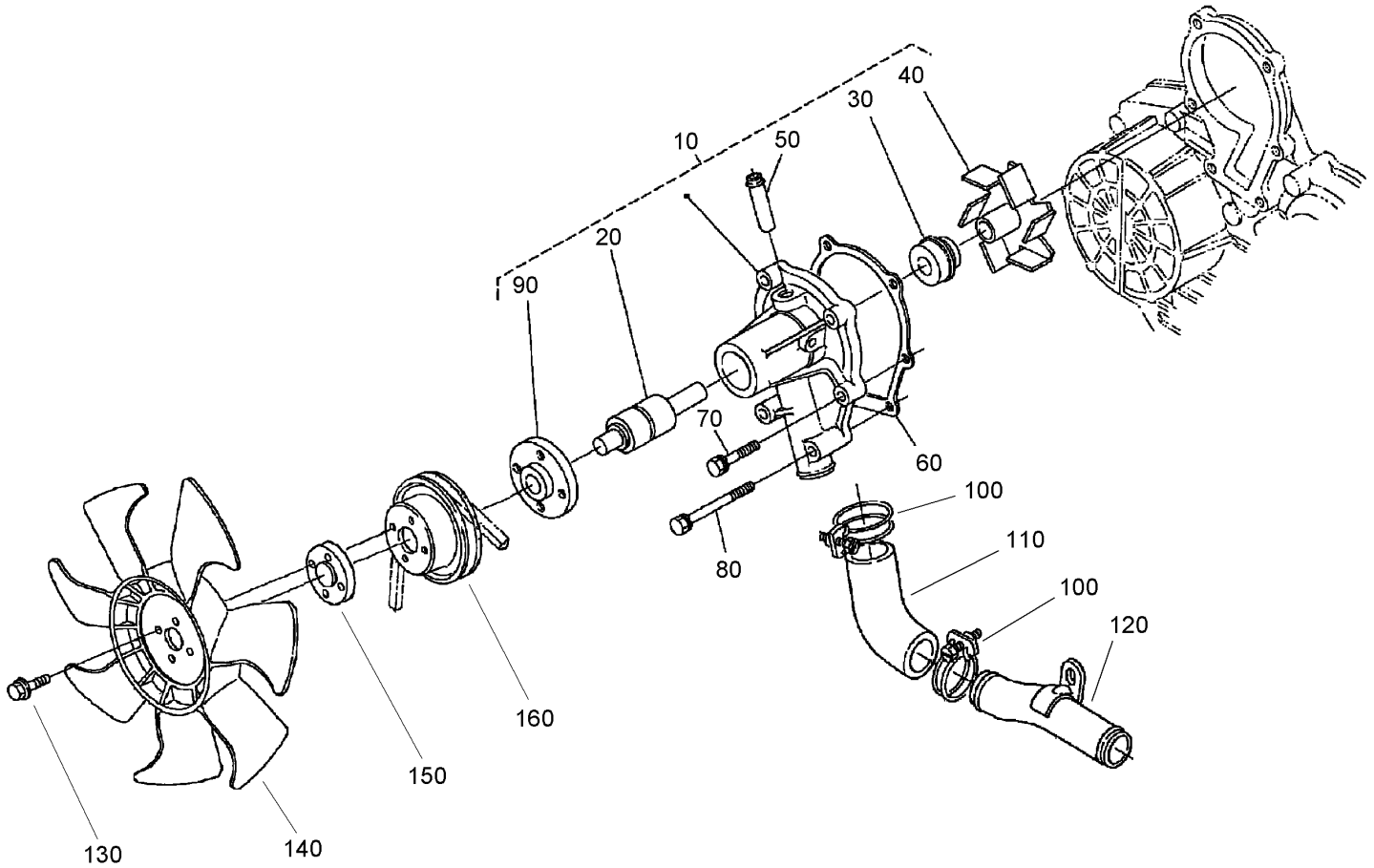


1G994-019-10

## Water Flange and Thermostat Assembly

Ref	Part No.	Qty.	Description
10	98-9713	1	Water Flange ASM
20	98-9580	1	Pipe-Return, Water
30	105-3747	1	Plug
40	99-3583	1	Packing
50	98-9638	1	Gasket-Flange, Water
60	98-7692	3	Bolt
70	98-9356	1	Bolt
80	98-9578	1	Pipe-Return, Water
90	98-9579	2	Band-Pipe
100	98-9719	1	Thermoswitch
110	98-7778	1	Thermostat ASM
120	108-2869	1	Cover-Thermostat
130	105-3748	1	Gasket-Thermostat
140	108-2870	1	Plug-Drain
150	100-9155	1	Gasket
160	98-7777	2	Bolt

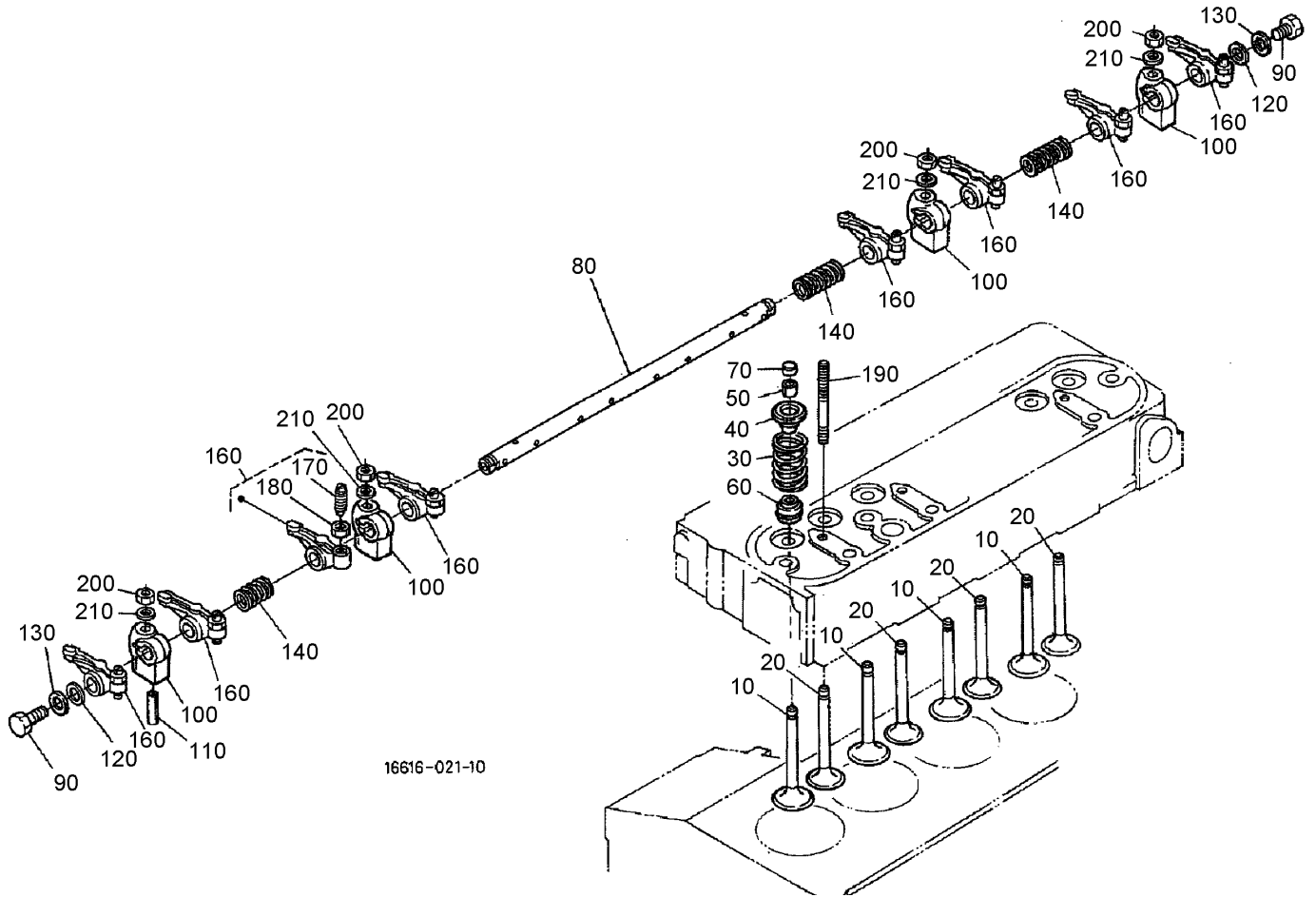
--	--	--	--



## Water Pump Assembly

Ref	Part No.	Qty.	Description
10	107-9089	1	Water Pump ASM
20	99-3517	1	Bearing-Pump, Water
30	105-3750	1	Mechanical Seal ASM
40	99-3519	1	Impeller-Pump, Water
50	98-9577	1	Pipe-Return, Water
60	99-3454	1	Gasket-Pump, Water
70	98-9353	4	Bolt
80	107-9090	2	Bolt
90	99-3516	4	Flange-Pump, Water
100	98-9717	2	Clamp
110	107-9091	1	Pipe-Water
120	98-9716	1	Pipe-Water
130	108-2873	4	Bolt-Flange
140	108-2871	1	Fan
150	108-2872	1	Collar-Fan
160	98-9584	1	Pulley-Fan

--	--	--	--

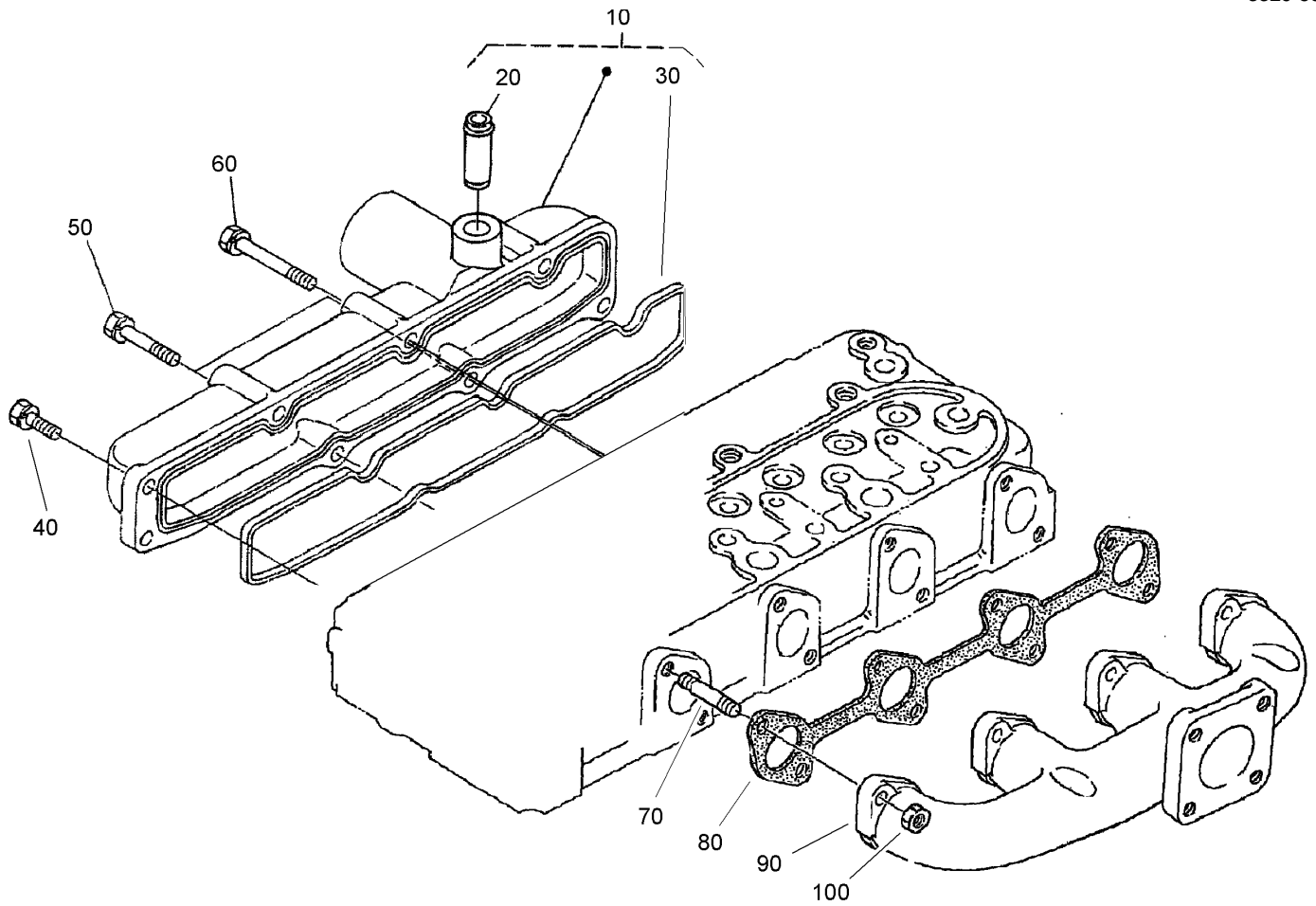


16616-021-10

## Valve and Rocker Arm Assembly

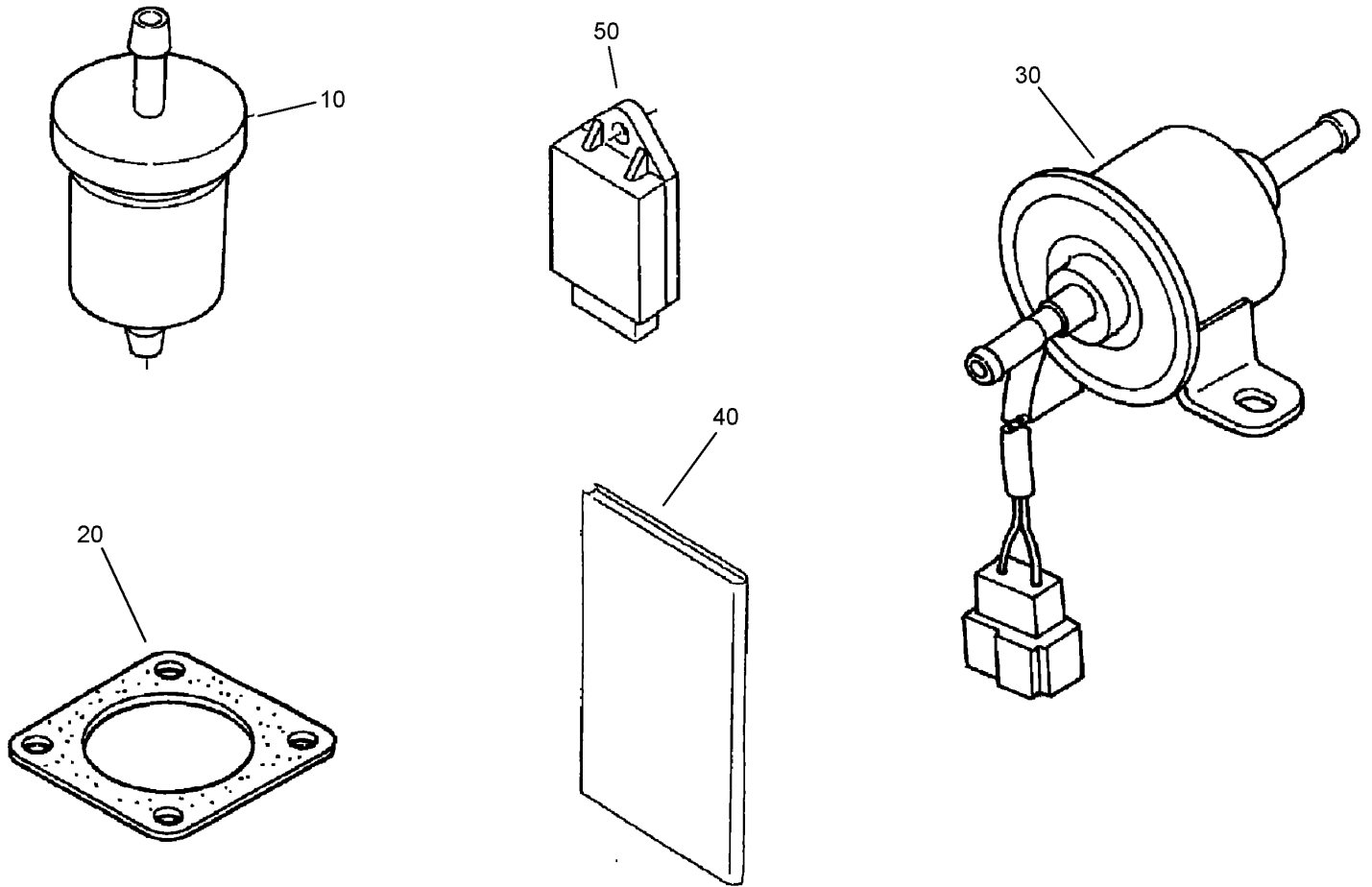
Ref	Part No.	Qty.	Description
10	98-9494	3	Valve-Inlet
20	98-9495	3	Valve-Exhaust
30	98-9648	6	Spring-Valve
40	107-9092	6	Retainer-Spring
50	98-9390	6	Collet-Set, Valve Spring
60	99-8385	6	Seat-Stem, Valve
70	98-9497	6	Cap-Valve
80	105-3790	1	R-Arm Shaft ASM
90	100-9265	2	Bolt
100	98-9505	3	Bracket-Arm, Rocker
110	105-3758	1	Pin-Spring
120	98-9507	2	Washer-Shaft, R-Arm
130	3256-1	2	Washer-Flat
140	98-9504	2	Spring-Arm, Rocker
160	98-9501	6	Rocker Arm ASM
170	98-9502	6	Screw-Adjusting
180	98-9503	6	Nut
190	98-9506	3	Stud
200	98-9393	3	Nut
210	98-9385	3	Washer-Flat

--	--	--	--



### Inlet Manifold Assembly

Ref	Part No.	Qty.	Description
10	108-2874	1	Intake Manifold ASM
20	98-9492	1	Joint-Pipe, Breather
30	105-3760	1	Gasket-In-Manifold
40	98-7605	3	Bolt
50	98-9353	1	Bolt
60	105-3797	2	Bolt
70	98-9588	6	Stud
80	105-3765	1	Gasket-Ex-Manifold
90	108-2875	1	Manifold-Exhaust
100	98-9665	6	Nut

## Fuel Filter, Pump and Miscellaneous Parts Assembly

Ref	Part No.	Qty.	Description
10	98-7612	1	Filter-Fuel
20	98-9611	1	Gasket
30	107-0122	1	Pump-Fuel, Electric
40	99-8954	1	Manual-Kubota
50	98-7611	1	Controller-Glow




## NOTES

## NOTES

## NOTES

