



**Count on it.**

**Parts Catalog**

**Multi-Pro 1200 Turf Sprayer**

Model No. 41199—Serial No. 311000001 and Up



# Ordering Replacement Parts

To order replacement parts, please supply the part number, the quantity, and the description of each part desired.

## Understanding Reference Numbers

Each identified part in an illustration has a reference number. The reference number for a part also appears in the parts list, along with other information about the part.

This catalog uses two special reference number formats, one to indicate parts in a service assembly and another to indicate the quantity of a given part in an illustration.

## Service Assembly Reference Numbers

Parts in service assemblies have reference numbers in the form a:b. The a represents the reference number of the entire service assembly and the b represents a sequential number unique to each part within the service assembly.

For example, a wheel assembly might be identified by reference number 6, the tire by 6:1, the valve by 6:2, and the wheel by 6:3. When you order the assembly identified by reference number 6, you receive all parts identified by reference numbers 6:1, 6:2, and 6:3. However, you may also order any part individually. Reference numbers of this type appear in illustration and in parts lists.

## Reference Numbers Indicating Quantity

In an illustration, if a reference number indicates more than one part, the reference number has the form nX y. The n represents the quantity of the part, the X is the multiplication symbol, and the y represents the reference number.

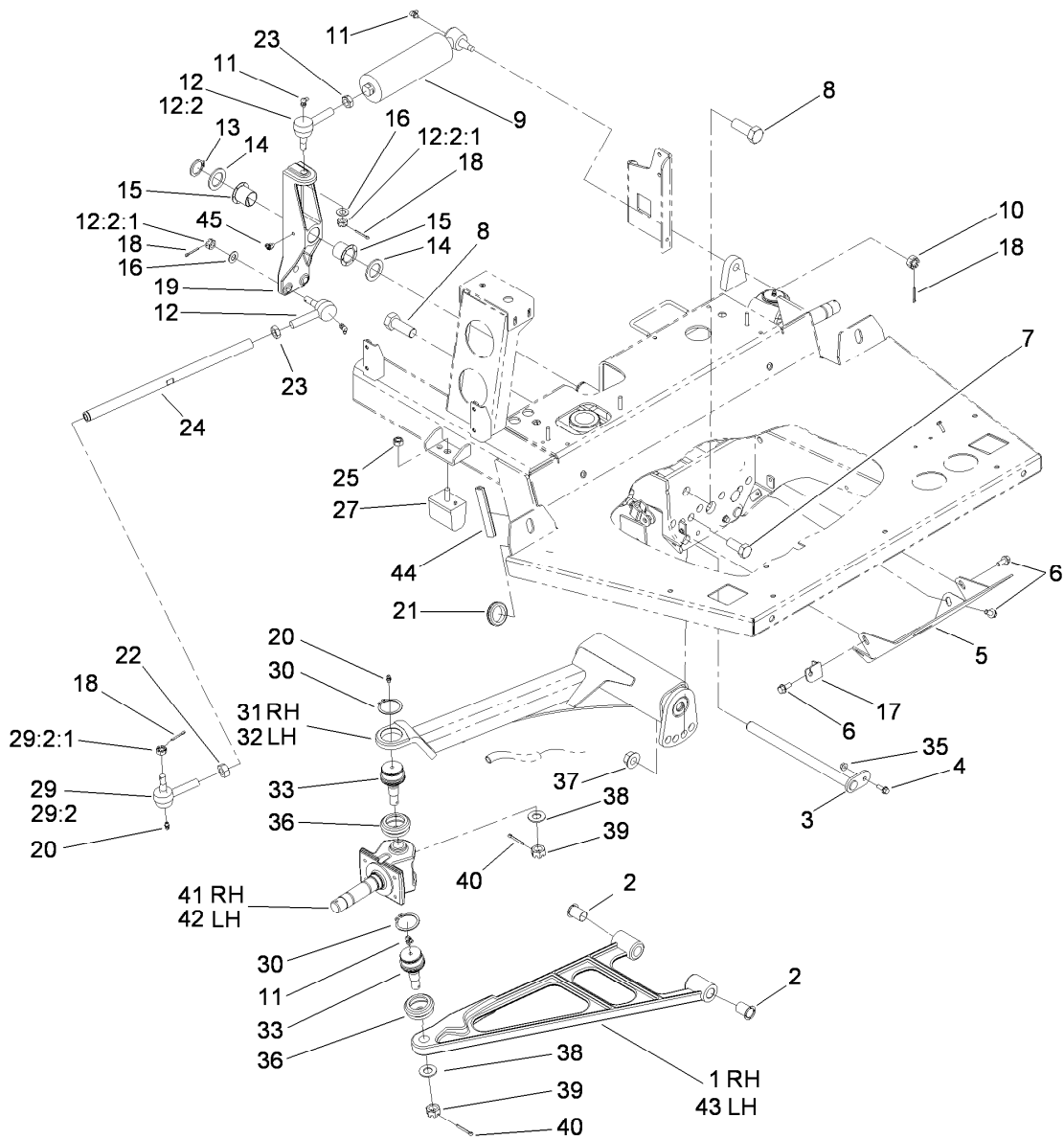
For example, in an illustration, the reference number 2X 37 means that two of the parts identified by reference number 37 are indicated.

# Contents

Front Suspension Assembly	5
Hydraulic Cylinder Assembly No. 100-8278	7
Engine Cover Assembly	8
Seat Base Assembly No. 104-8875	10
Seat Support Assembly	11
Brake and Accelerator Pedal Assembly	12
Master Cylinder Assembly No. 94-3800	13
Rear Fender and Battery Mount Assembly	14
Fresh Water and Fuel Tank Assembly	15
Fuel Tank Assembly No. 117-8455	16
Main Tank Assembly	17
Spray Tank Lid Assembly No. 119-9380	18
Shifter Assembly	19
Parking Brake and Console Assembly	21
Front Wheel Assembly	23
Front Brake Assembly No. 100-8285	24
Transaxle Installation Assembly	25
Case Assembly Transaxle Assembly No. 104-9078	26
Gear Shaft Assembly Transaxle Assembly No. 104-9078	28
Countershaft Assembly Transaxle Assembly No. 104-9078	29
Shift Fork Assembly Transaxle Assembly No. 104-9078	30
Differential Gear Assembly Transaxle Assembly No. 104-9078	31
Drive Shaft Assembly No. 119-6040	32
Rear Wheel and Brake Assembly	33
LH Rear Brake Assembly No. 112-7961	34
RH Rear Brake Assembly No. 112-7962	35
Driveshaft Assembly No. 98-2918	36
Engine and Gearbox Assembly	37
Pump Drive Gearbox Assembly No. 119-6043	39
Secondary Clutch Assembly No. 119-6011	40
Steering Pump Assembly No. 100-8302	41
Primary Clutch Assembly No. 119-6010	42
Pump Assembly	43
Pump Assembly No. 106-5121	44
Hydraulic Brake Line Assembly	45
Tank and Saddle Assembly	46
Throttle Linkage Assembly	47
Exhaust Assembly	48
Electrical Panel Assembly	49
Manual Control Assembly	50
Main On/Off Valve Assembly No. 106-4881	51
Pressure Control Valve Assembly	52
Boom Valve Assembly No. 106-4882	53
Flow Meter Assembly No. 106-4884	54
Hydraulic Hose Routing Assembly	55
Steering Valve Assembly No. 114-5076	56
Sprayer Component Assembly No. 1	57
Pressure Damper Assembly No. 100-6662	58
Sprayer Component Assembly No. 2	59
Top Mounted Suction Assembly	60
Sprayer Component Assembly No. 3	61
Safety Valve Assembly No. 100-6820	62
Hose Assembly No. 1	63
Hose Assembly No. 2	65

# Contents (continued)

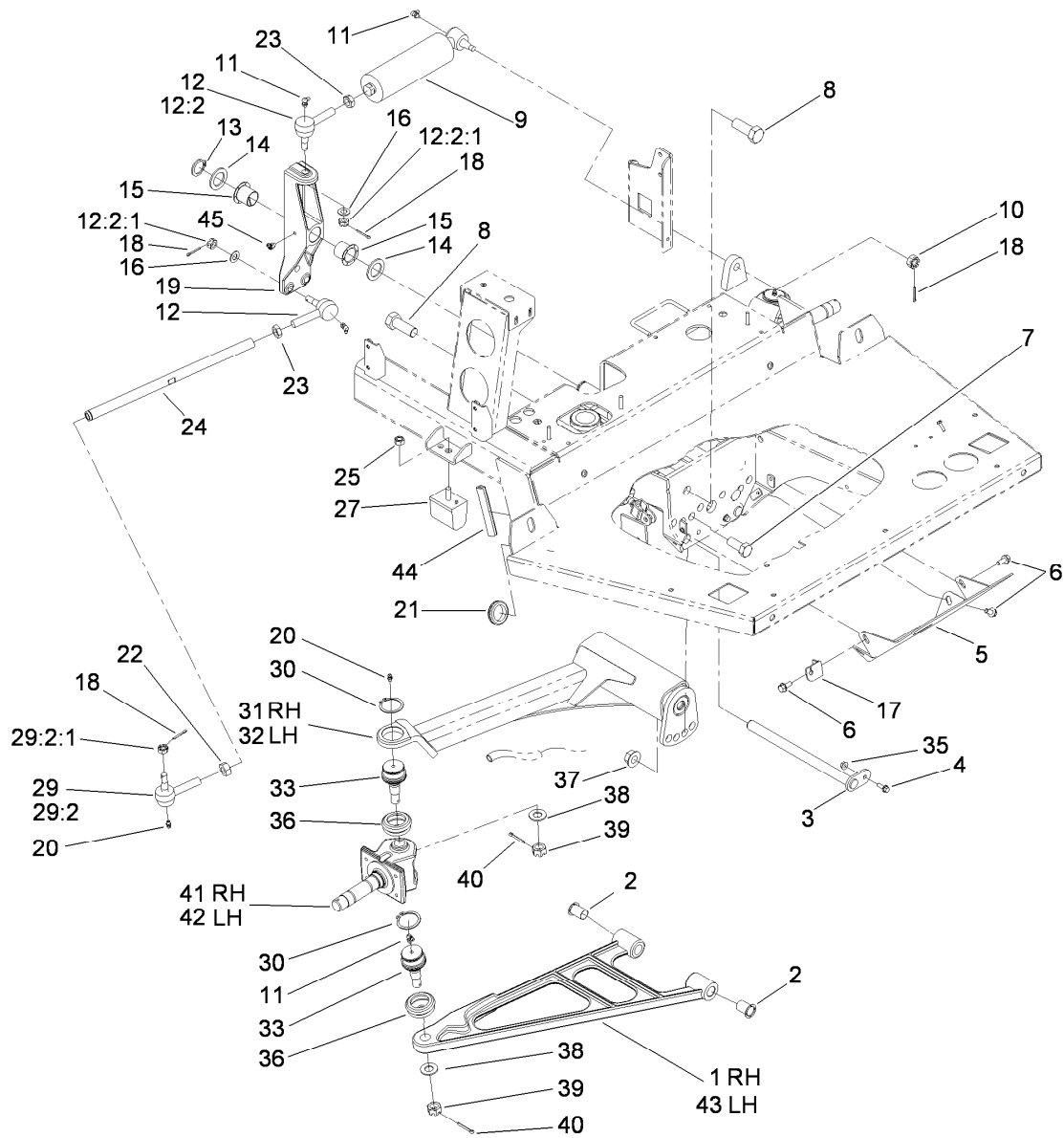
Boom Mount Assembly .....	68
Right Hand Boom Mount Assembly .....	69
Left Hand Boom Mount Assembly .....	70
Center Boom Assembly.....	71
Left and Right Hand Boom Assembly .....	72
RH Single Body Turret Assembly No. 108-3726 .....	73
LH Single Body Turret Assembly No. 108-3725 .....	74
Double Turret Body Assembly No. 108-3727 .....	75
Attachments and Accessories .....	76



## Front Suspension Assembly

Ref.	Part Number	Qty.	Description	Ref.	Part Number	Qty.	Description
1	108-3317-03	1	A-Arm, RH	17	108-3556	1	Bracket-Cable
2	100-8541	4	Bushing-A Arm	18	3272-11	6	Pin-Cotter
3	100-8544	2	Pivot Pin ASM	19	108-3670	1	Pivot-Steering
4	3234-4	2	Screw-HHF	20	302-5	4	Fitting-Grease
5	108-3671-03	1	Plate-Skid	21	240-3	1	Grommet-Rubber
6	3234-5	4	Screw-HHF	22	3218-21	2	Nut-Jam
7	327-4	2	Screw-HH	23	3220-11	3	Nut-Jam
8	328-24	4	Screw-HH	24	100-8534	2	Tie Rod-Steering
9	100-8278	1	HYD Cylinder ASM	25	48-9520	2	Nut
10	32136-13	1	Nut-SHH	27	87-3470	2	Bumper
11	302-60	6	Fitting-Grease	29	112771-03	2	Joint-Ball, LH
12	112772-03	3	Joint-Ball, RH	29:2		1	Joint-Ball, LH ●
12:2		1	Joint-Ball, RH ●	29:2:1	915031	1	Nut
12:2:1	915031	1	Nut	30	32151-104	4	Ring-Retaining, External
13	100-6785	1	Ring-Retaining	31	100-8414	1	RH Axle ASM
14	3-6781	2	Washer-Thrust	32	100-8413	1	LH Axle ASM
15	256-318	2	Bearing-Nyliner	33	87-1430	4	Joint-Ball
16	3256-25	3	Washer-Flat	35	32128-33	2	Nut-HF

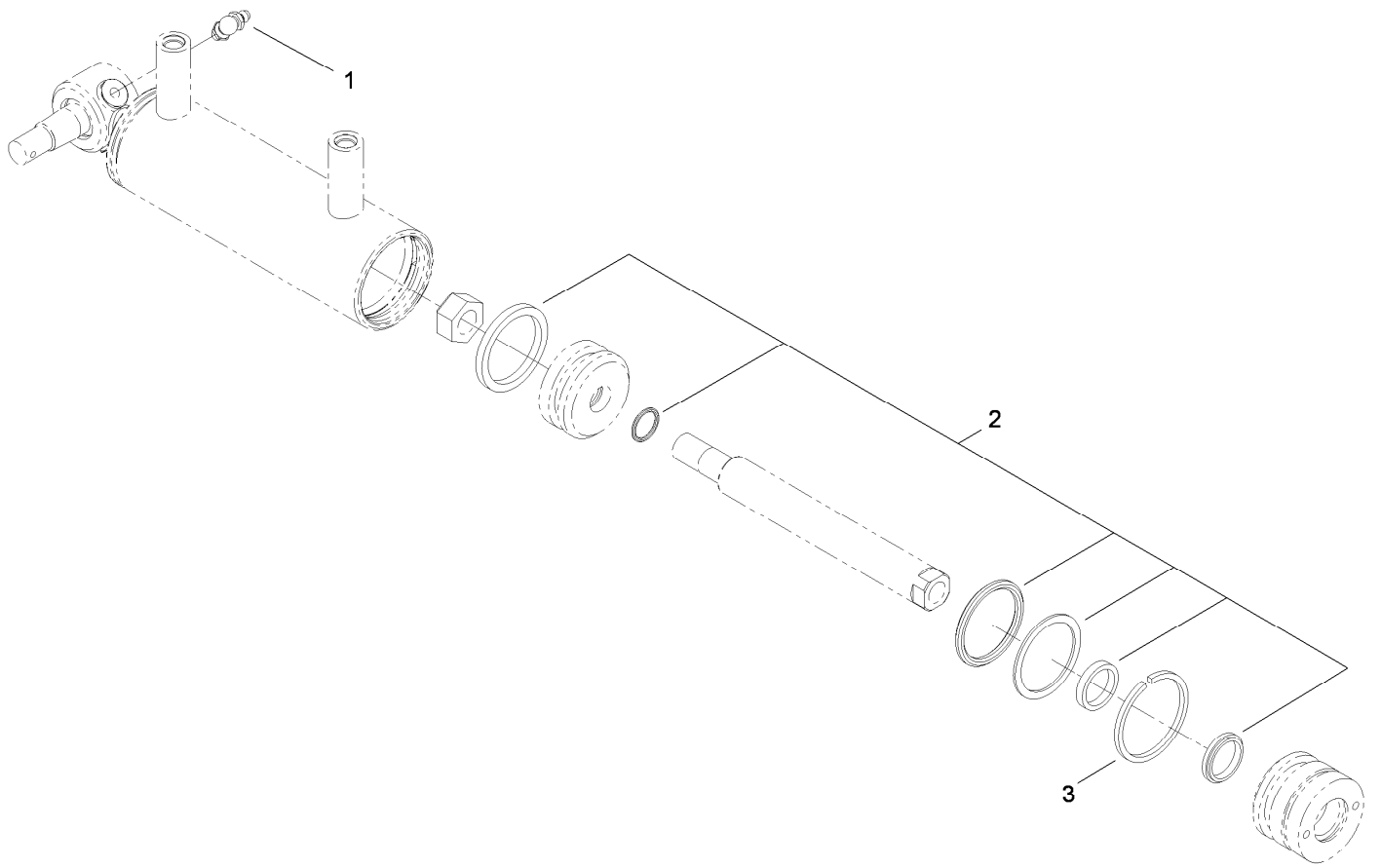
● Not serviced separately



## Front Suspension Assembly (continued)

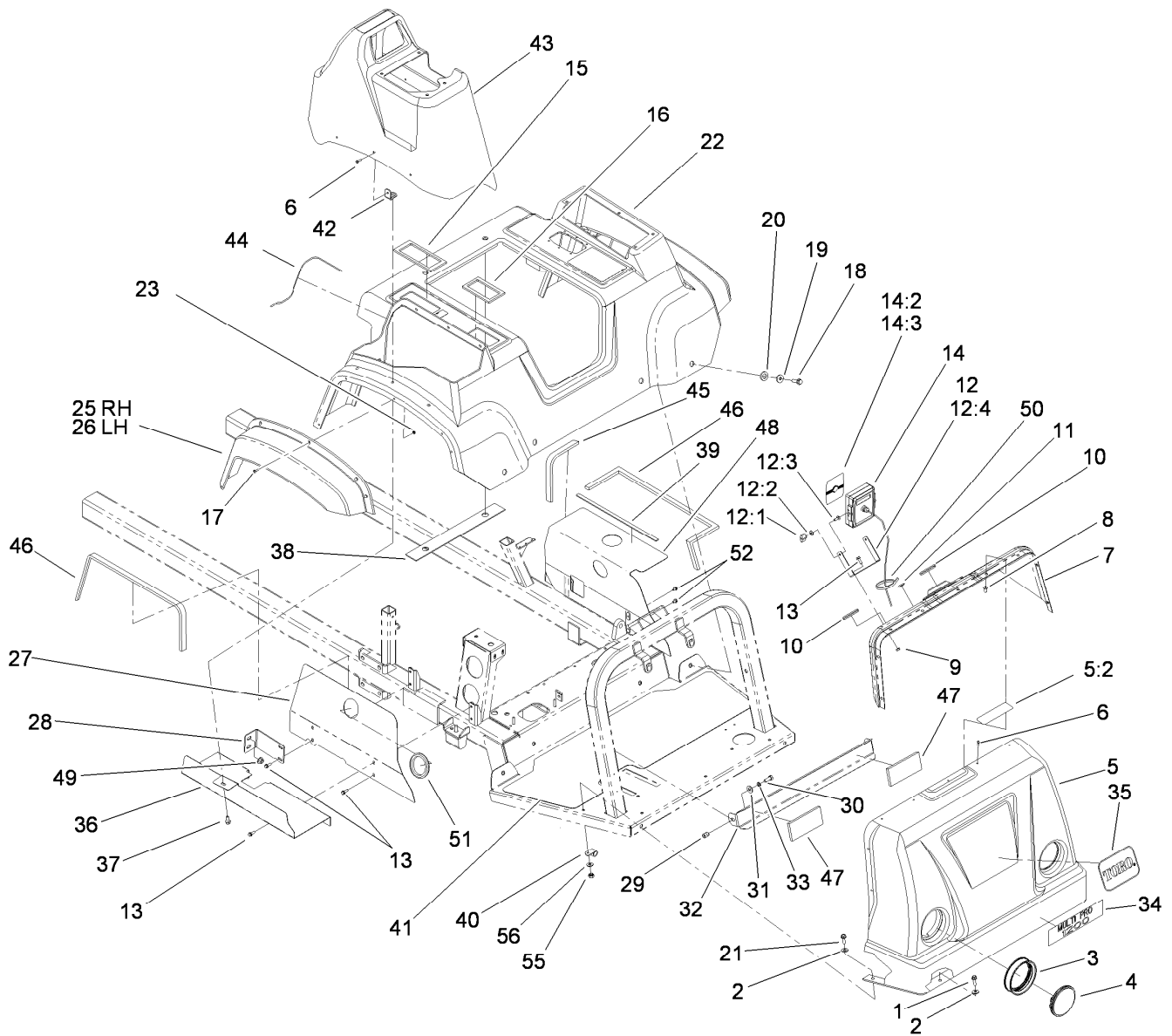
Ref.	Part Number	Qty.	Description	Ref.	Part Number	Qty.	Description
36	87-2420	4	Seal-Joint, Ball	41	108-3353	1	Spindle-RH
37	32128-50	2	Nut-Flange	42	108-3354	1	Spindle-LH
38	3256-27	4	Washer-Flat	43	108-3318-03	1	A-Arm, LH
39	32136-2	4	Nut-SHH	44	108-3653	1	Trim-Edge
40	3272-17	4	Pin-Cotter	45	302-11	1	Fitting-Lube, 45 DEG

● Not serviced separately



## Hydraulic Cylinder Assembly No. 100-8278

<i>Ref.</i>	<i>Part Number</i>	<i>Qty.</i>	<i>Description</i>
1	302-60	1	Fitting-Grease
2	107-1552	1	Seal Kit
3	94-3612	1	Ring-Retaining

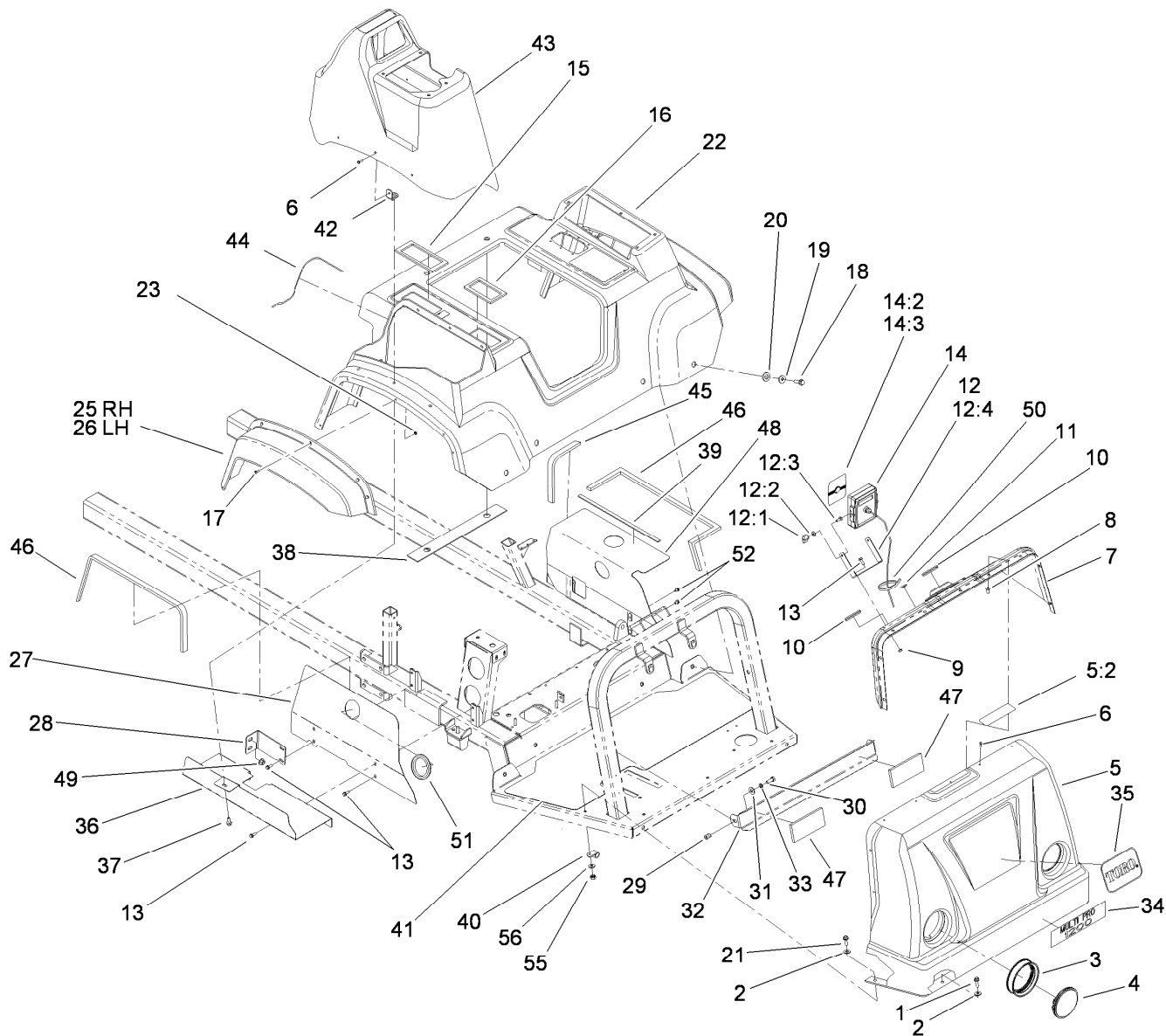


## Engine Cover Assembly

Ref.	Part Number	Qty.	Description	Ref.	Part Number	Qty.	Description
1	3234-17	4	Screw-HHF	13	3234-4	6	Screw-HHF
2	3256-3	5	Washer-Flat	14	108-3311	1	Spray Monitor ASM
3	99-7311	2	Mount-Headlight	14:2	108-3306	1	Decal-Monitor
4	99-7310	2	Headlight	14:3	108-3308	1	Decal-Monitor, CE
5	110-5225	1	Hood ASM	15	100-8436	1	Seal-Foam
5:2	110-5240	1	Decal-Caution, Rider	16	100-8437	1	Seal-Foam
6	3250-25	19	Screw-PPH	17	32105-13	12	Screw-HWH
7	100-6777	1	Dash Panel ASM	18	3234-24	6	Screw-HHF
8	100-8450	21	Nut-Well	19	107-8634	6	Seatbase-Spacer
9	32128-33	2	Nut-HF	20	100-8468	6	Washer-Rubber
10	40764	2	Grommet	21	3234-36	1	Screw-HHF
11	94-7290	1	Plug-Hole	22	104-8875	1	Seat Base ASM
12		1	Monitor Mounting Bracket	23	3290-148	12	Nut-HF
12:1	99-0667	2	Knob	25	94-7074	1	Flare-Fender, RH
12:2	99-0730	2	Washer-Rubber	26	94-7075	1	Flare-Fender, LH
12:3	3229-1	2	Bolt-CARR	27	104-8848-03	1	Panel-Shield, RH
12:4	99-0576	1	Bracket	28	100-8623	2	Bracket-Engine Cover Support, Rear

● Not serviced separately

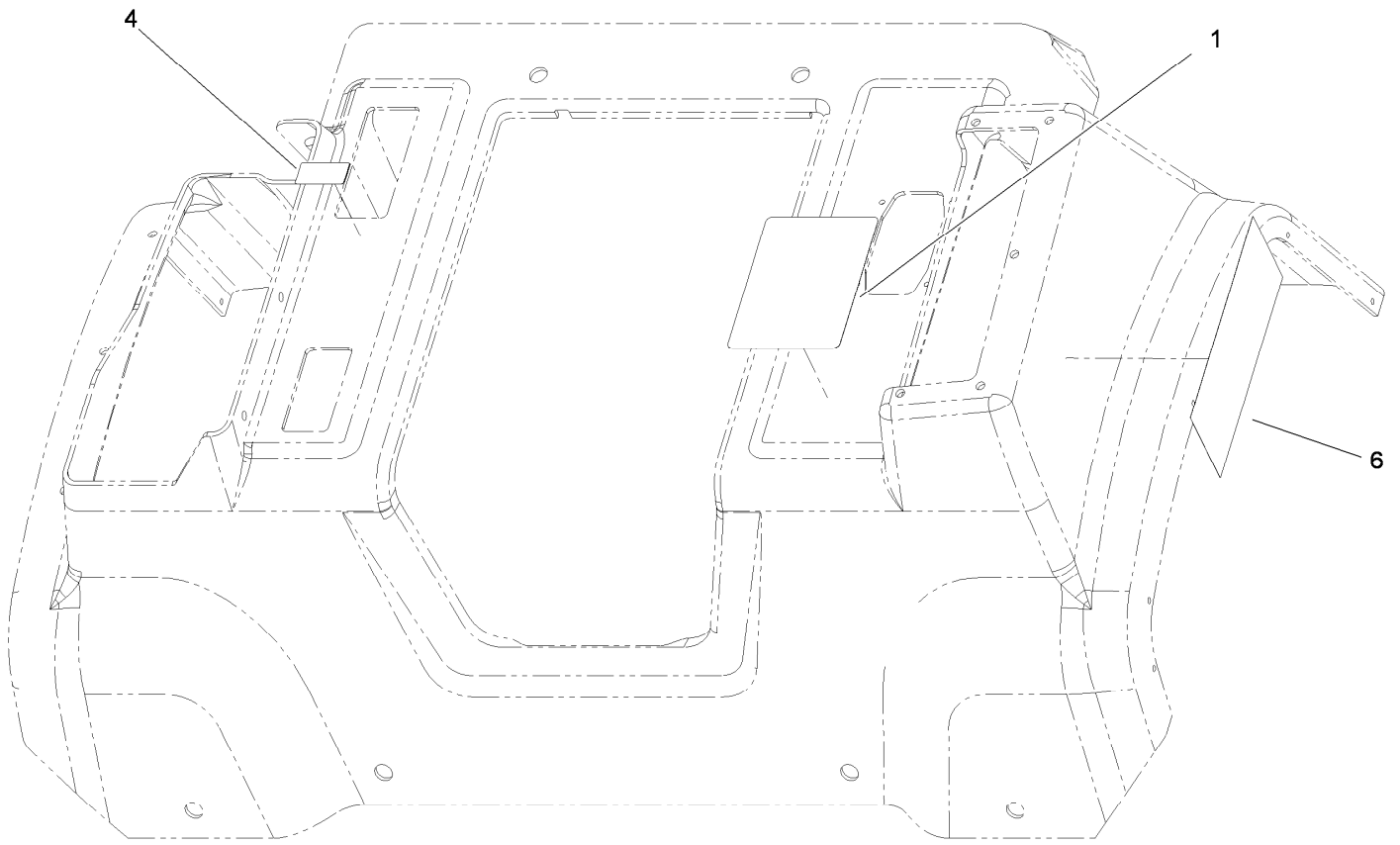




## Engine Cover Assembly (continued)

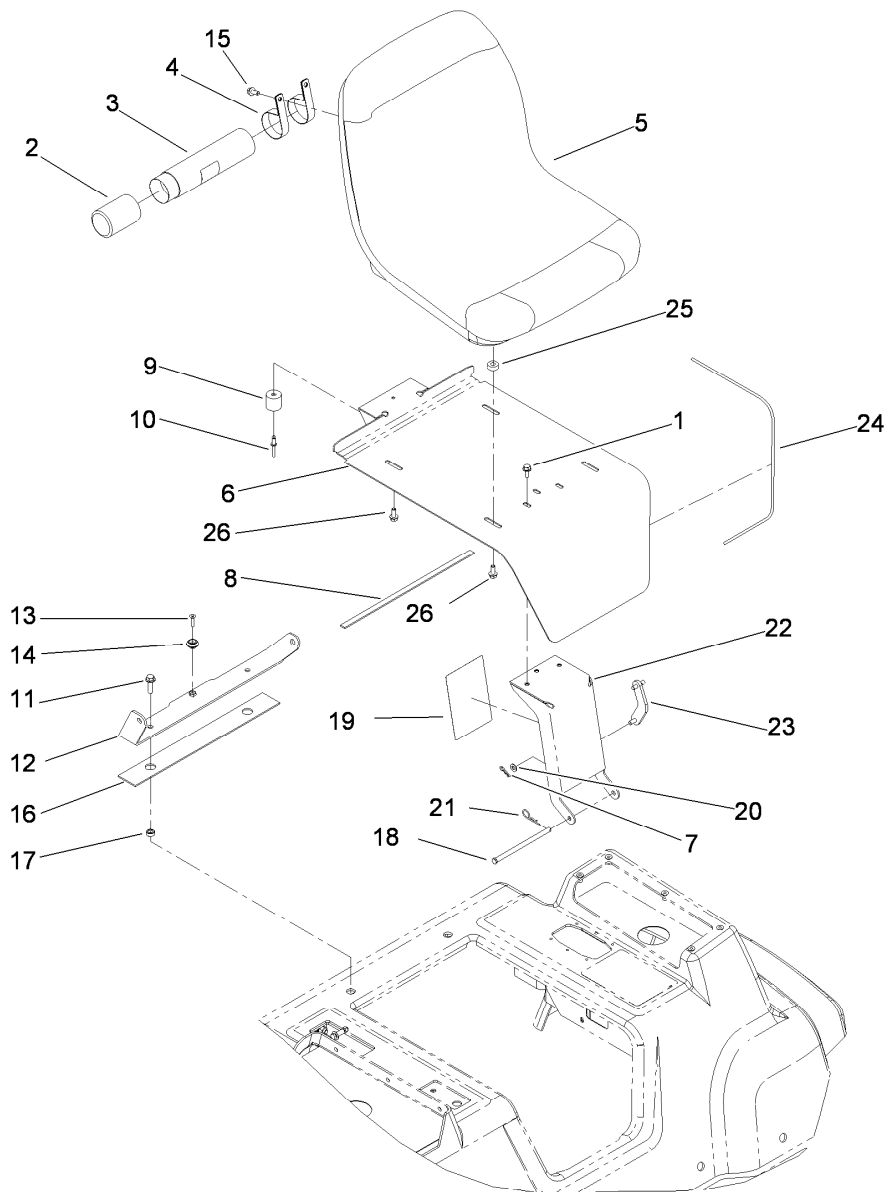
Ref.	Part Number	Qty.	Description	Ref.	Part Number	Qty.	Description
29	32148-9	2	Insert-Nut	42	104-8854-03	3	Console Bracket ASM
30	323-6	2	Screw-HH	43	104-8867	1	Valve Console ASM
31	3256-4	2	Washer-Flat	44	104-8870	1	Trim-Edge
32	100-6731-03	1	Shield-Headlight	45	100-8444	1	Trim-Shield, Front And Rear
33	3253-21	2	Washer-Lock	46	100-8423	2	Trim-Shield, Top
34	106-5129	1	Decal	47	106-4872	2	Pad-Foam, Headlight
35	62-5550	1	Decal	48	100-8448-03	1	Panel-Shield, LH
36	104-8852-03	1	Panel-Fender, Inner	49	32128-43	2	Nut-Flange
37	3234-5	3	Screw-HHF	50	3290-379	4	Tie-Cable
38	100-8463	1	Seal-Foam	51	237-164	3	Grommet
39	100-8499	2	Seal-Foam	52	3234-26	4	Screw-HHF
40	98-2390	1	Clamp-R	55	3296-29	1	Nut-Lock, NI
41	100-8622	1	Tread-Floor	56	3256-74	1	Washer-Flat

● Not serviced separately



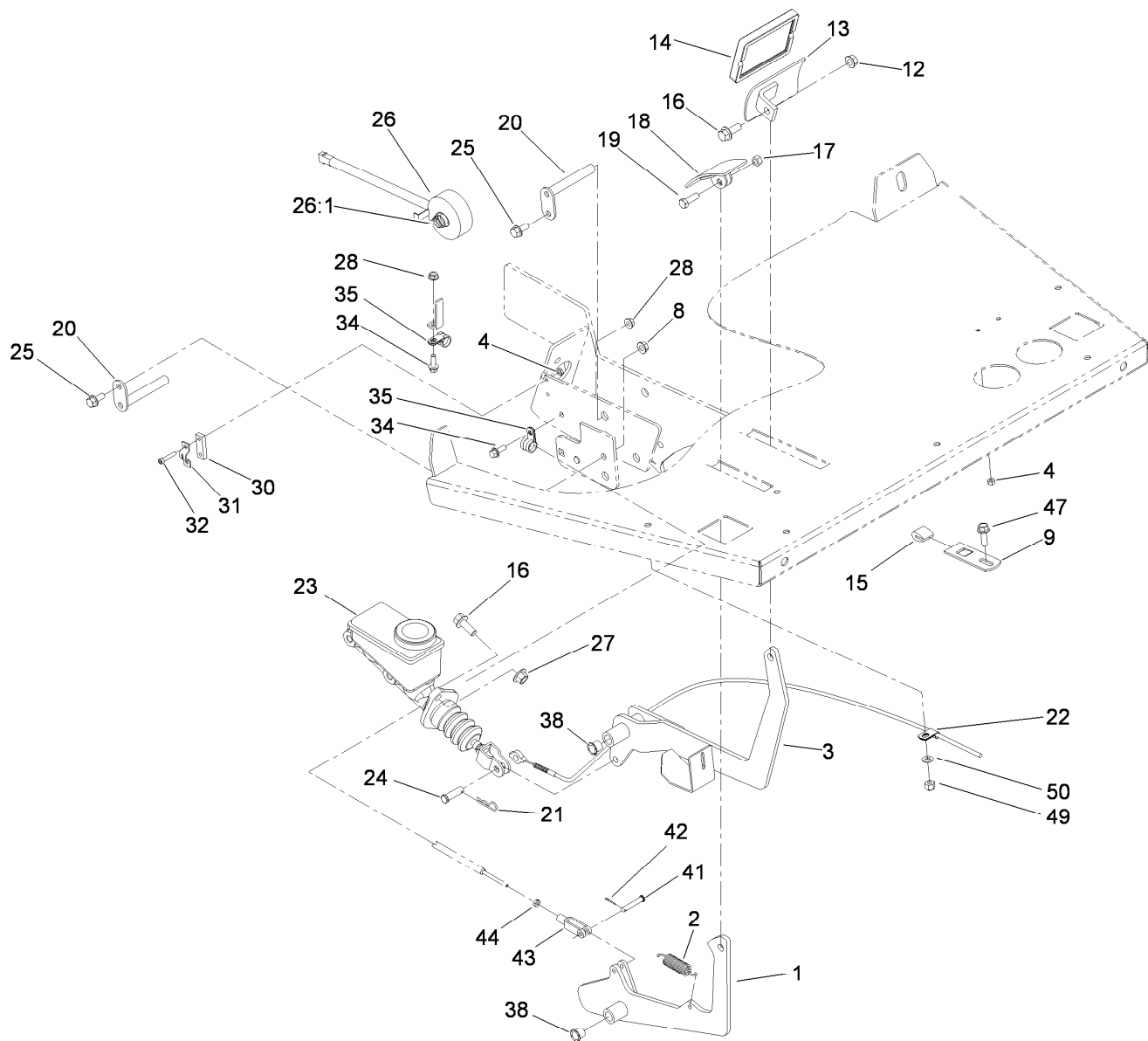
## Seat Base Assembly No. 104-8875

<i>Ref.</i>	<i>Part Number</i>	<i>Qty.</i>	<i>Description</i>
1	100-8454	1	Decal-Range Selector
4	87-6020	1	Decal-Brake, Parking
6	106-5127	1	Decal



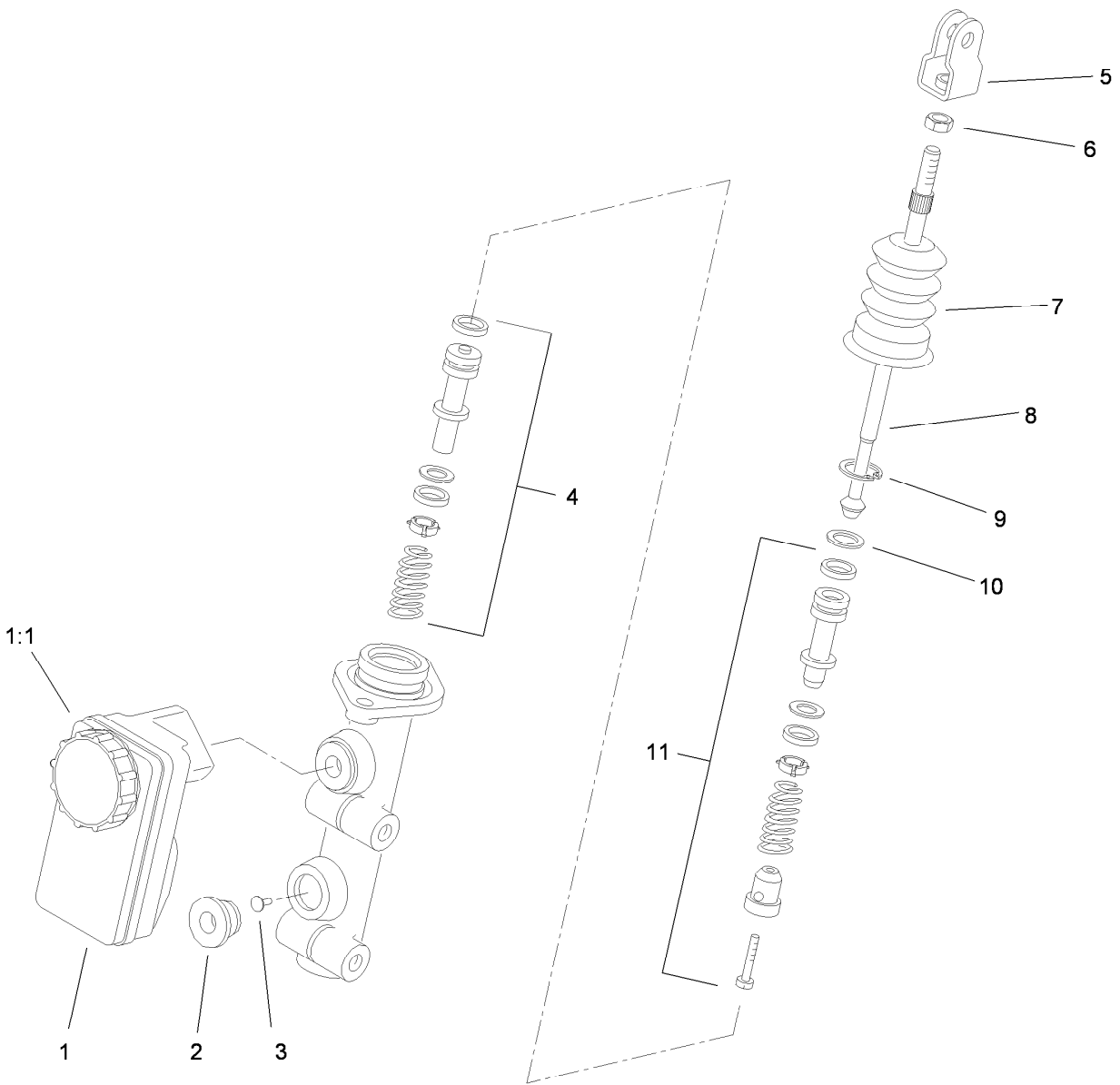
## Seat Support Assembly

<i>Ref.</i>	<i>Part Number</i>	<i>Qty.</i>	<i>Description</i>	<i>Ref.</i>	<i>Part Number</i>	<i>Qty.</i>	<i>Description</i>
1	3234-5	3	Screw-HHF	14	99-7833	1	Post-Holding
2	104-7048	1	Cap-Housing	15	33104-016	2	Screw-HHF
3	104-7050	1	Tube-Manual	16	100-8463	1	Seal-Foam
4	2412-133	2	Clamp-R	17	100-8464	2	Spacer
5	112-2923	1	Seat ASM	18	100-8501	1	Pin-Clevis
6	108-3687-03	1	Bracket-Seat	19	108-3699	1	Decal-Fuse, Block
7	3290-307	1	Pin-Cotter	20	3256-23	1	Washer-Plain
8	100-8499	1	Seal-Foam	21	9335054	1	Pin-Hair
9	99-7830	1	Rubber Receptical ASM	22	106-4958-03	1	Bracket-Hinge
10	3290-412	1	Rivet-Blind	23	106-5171	1	Prop-Seat
11	3234-24	2	Screw-HHF	24	100-8500	1	Trim-Seat
12	107-8614-03	1	Bracket-Seatbelt	25	104-8426	4	Spacer
13	32108-5	1	Screw-FH	26	33104-025	4	Screw-HHF



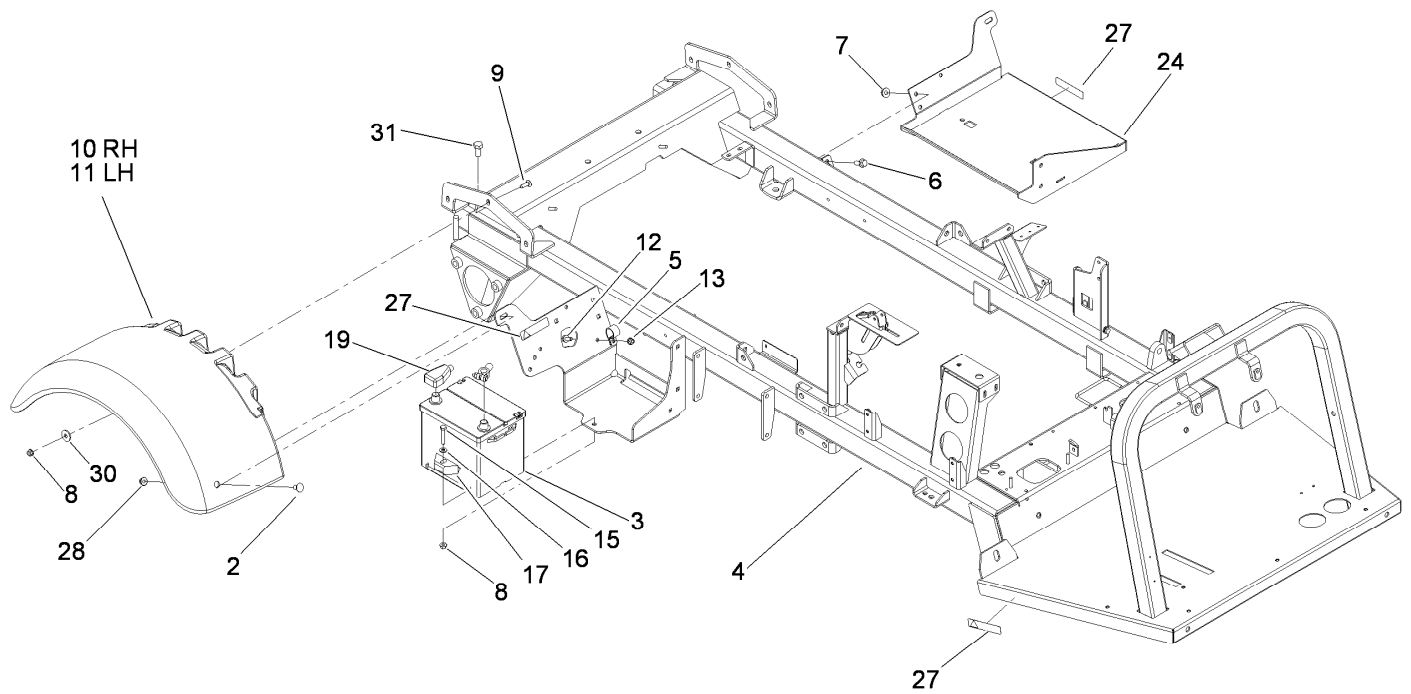
## Brake and Accelerator Pedal Assembly

Ref.	Part Number	Qty.	Description	Ref.	Part Number	Qty.	Description
1	100-8367-03	1	Accelerator-Lever	25	3234-5	2	Screw-HHF
2	67-1450	1	Spring-Idler	26	99-8090	1	Magnet ASM
3	100-8553-03	1	Brake-Lever	26:1	93-6601	1	Spring-Compression
4	3296-2	2	Nut-Lock, NI	27	32128-43	1	Nut-Flange
8	32128-20	2	Nut-HF	28	32128-33	2	Nut-HF
9	104-8791-03	1	Plate-Pedal, Stop	30	100-8561	1	Plate-Spacer
12	32128-21	1	Nut-HF	31	100-8560	1	Bracket-Throttle
13	100-8422-03	1	Bracket-Pedal	32	3274-81	2	Screw-HSH
14	7-3900	1	Pad-Brake	34	3234-4	2	Screw-HHF
15	100-6702	3	Stop-Lever, Pedal	35	2412-134	2	Clamp-R
16	3234-11	3	Screw-HHF	38	256-257	4	Bushing-Nyliner
17	32153-3	1	Nut-Hex, Side Deform	41	283-66	1	Pin-Clevis
18	93-8969-03	1	Pedal	42	3272-1	1	Pin-Cotter
19	322-5	1	Screw-HH	43	282-28	1	Clevis-Adjustable
20	100-8554	2	Pin-Pivot	44	3219-14	1	Nut-Hex
21	3290-250	1	Pin-Cotter	47	3234-17	1	Screw-HHF
22	98-2390	1	Clamp-R	49	3296-29	1	Nut-Lock, NI
23	94-3800	1	Master Cylinder ASM	50	3256-74	1	Washer-Flat
24	283-42	1	Pin-Clevis				



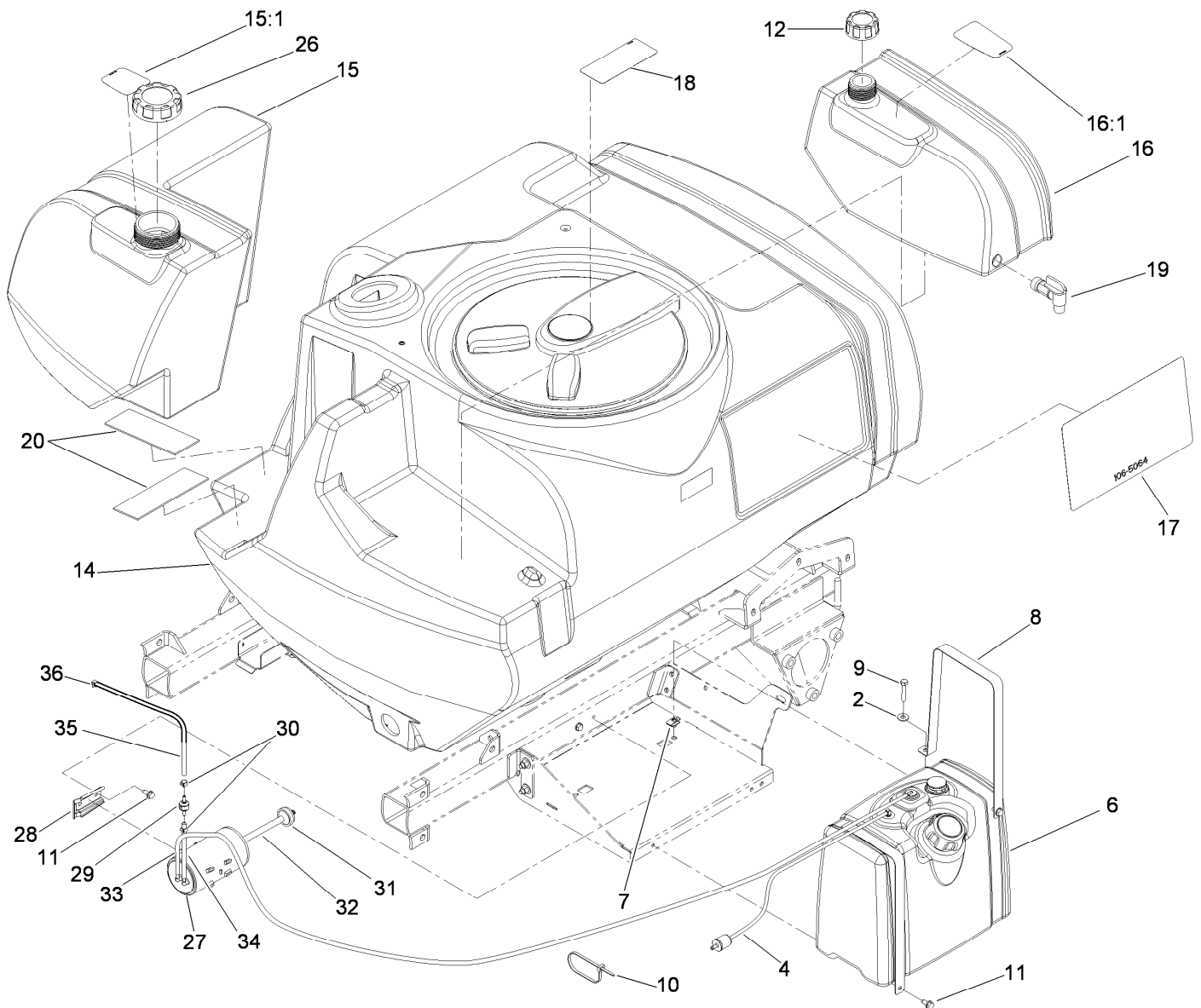
## Master Cylinder Assembly No. 94-3800

Ref.	Part Number	Qty.	Description
1	87-3040	1	Reservoir-Cylinder, Master
1:1	92-4112	1	Cap ASM
2	93-8971	2	Seal-Port, Flange
3	92-4103	1	Pin-Stop
4	92-4102	1	Secondary Piston ASM
5	92-4110	1	Clevis
6	21-0360	1	Nut-Hex
7	94-5209	1	Cover-Dust
8	94-5210	1	Rod-Push
9	92-4109	1	Ring-Snap
10	92-4108	1	Retainer-Washer
11	92-4101	1	Primary Piston ASM



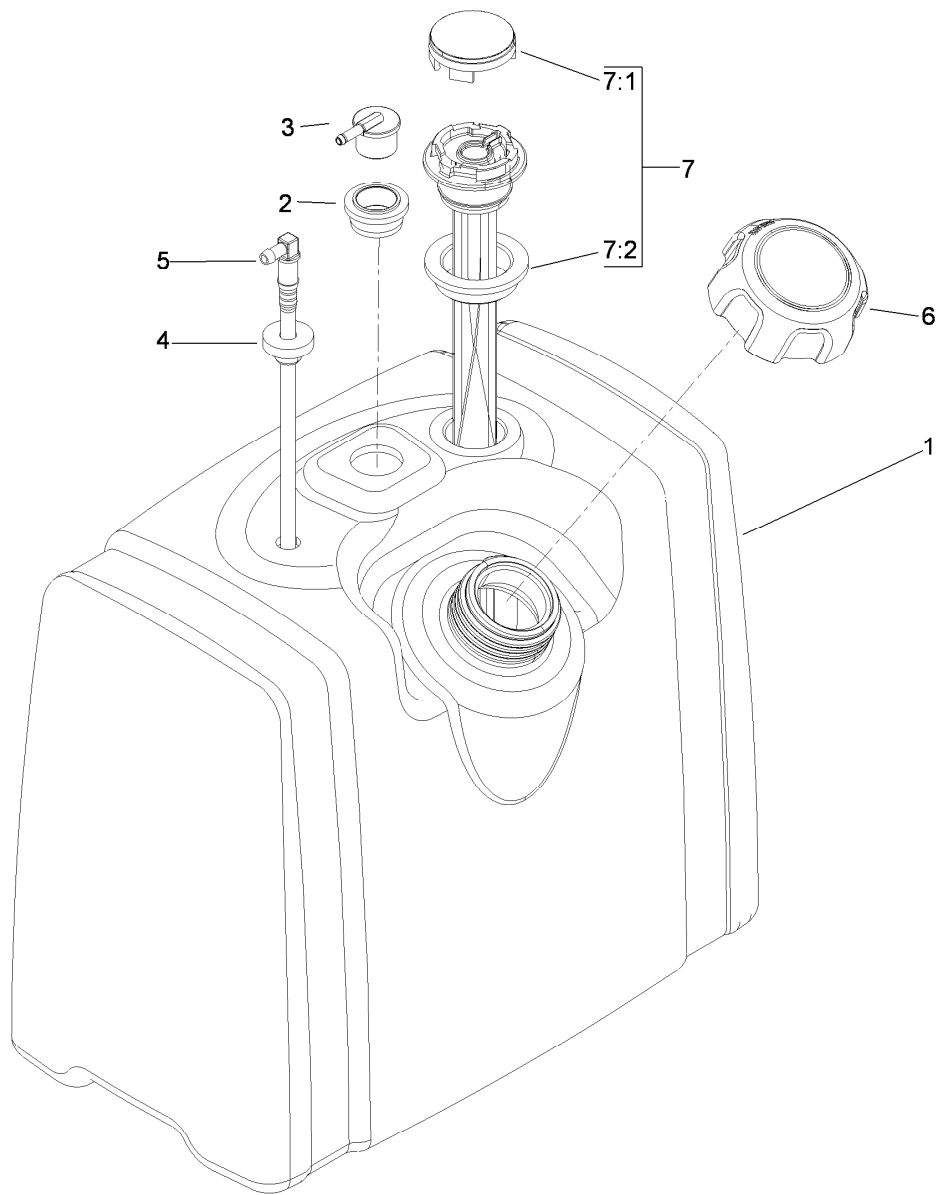
## Rear Fender and Battery Mount Assembly

<i>Ref.</i>	<i>Part Number</i>	<i>Qty.</i>	<i>Description</i>	<i>Ref.</i>	<i>Part Number</i>	<i>Qty.</i>	<i>Description</i>
2	3231-1	2	Screw-CARR	13	104-8300	1	Nut-HF, NI
3	106-5187	1	Battery-Dry	15	322-9	1	Screw-HH
4	119-6045-03	1	Mainframe ASM	16	3256-23	1	Washer-Plain
5	2412-39	1	Clamp-R	17	66-2490	1	Retainer-Battery
6	3234-11	4	Screw-HHF	19	108-9472	1	Cable-Battery, Positive
7	32128-43	4	Nut-Flange	24	119-0435-03	1	Tank Mount ASM
8	32128-20	7	Nut-HF	27	108-3252	4	Decal-Torque, CE
9	3230-2	6	Bolt-CARR	28	104-8301	2	Nut-HF, NI
10	112-6806	1	Fender	30	52-2861	6	Washer
11	112-6805	1	Fender	31	325-4	2	Screw-HH
12	3234-5	1	Screw-HHF				



## Fresh Water and Fuel Tank Assembly

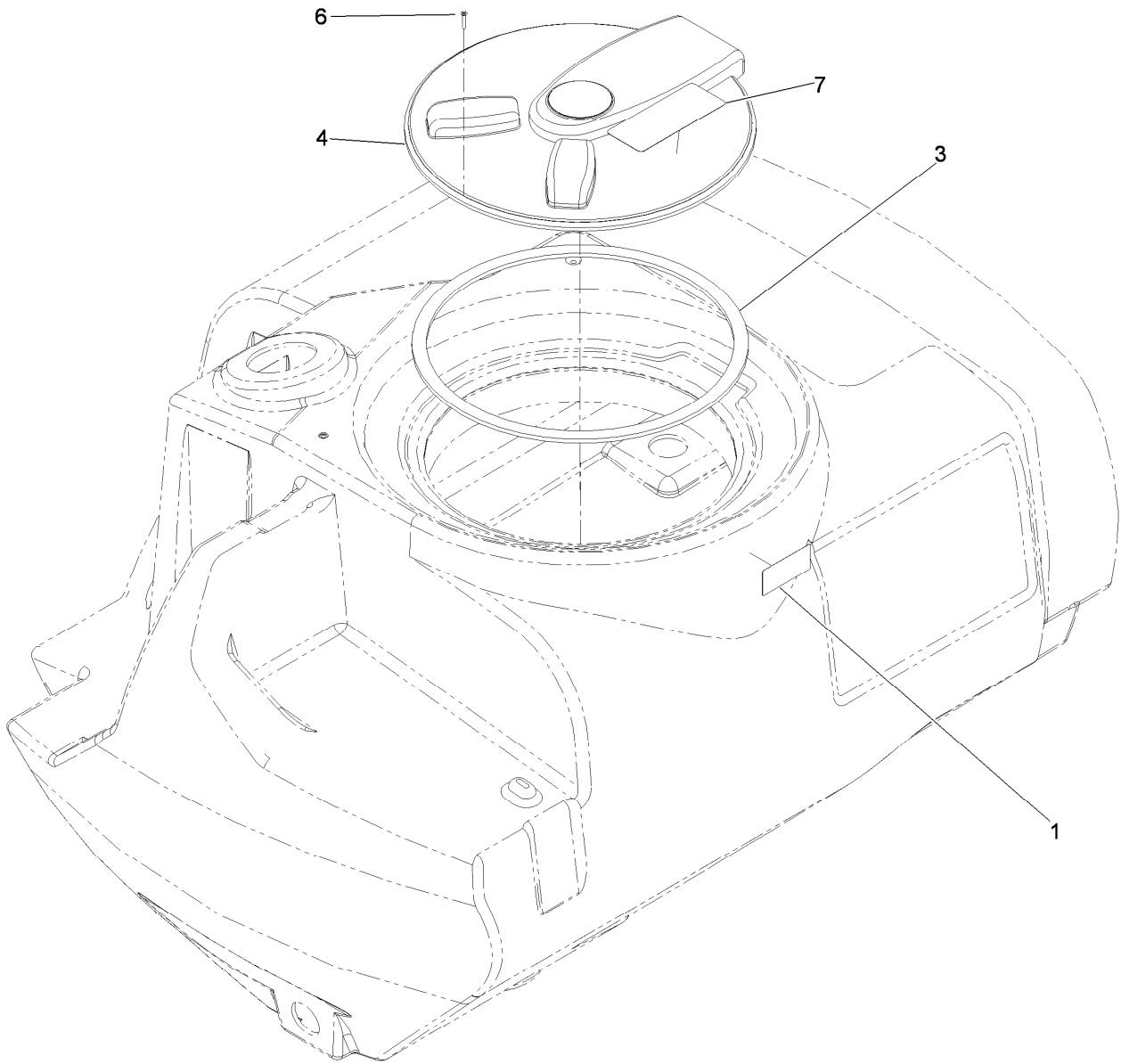
Ref.	Part Number	Qty.	Description	Ref.	Part Number	Qty.	Description
2	3256-56	2	Washer-Flat	18	93-0688	1	Decal-Warning, Chemical
4	115-2368	1	Hose-Fuel	19	106-4925	1	Spigot-90 DEG
6	117-8455	1	Fuel Tank ASM	20	107-8629	2	Pad-Rubber
7	94-2413	2	Nut-U	26	107-8641	1	Cap-Water, Fresh
8	119-0434-03	2	Strap-Tank	27	115-2251	1	Canister-Carbon
9	322-41	2	Screw-HH	28	114-0292	1	Bracket-Canister, Carbon
10	3290-379	4	Tie-Cable	29	115-7868	1	Valve-Check, Vacuum
11	32144-70	4	Screw-HWHTF	30	2412-146	6	Clamp-Hose
12	106-5052	1	Cap-Water, Fresh	31	115-7854	1	Filter-Fuel, Inline
14	119-9403	1	175 Gal Tank ASM	32	110-8751	1	Hose-Fuel
15	106-5046	1	20 Gallon Tank ASM	33	108-3283	1	Hose-Fuel
15:1	107-8640	1	Decal-Tank, Rinse	34	115-4736	1	Hose-Fuel
16	106-5047	1	5 Gallon Tank ASM	35	108-9698	1	Hose-Fuel
16:1	106-5051	1	Decal-Flush, Tank	36	2412-98	2	Clamp-Hose
17	106-5064	2	Decal-Profile, Low				



## Fuel Tank Assembly No. 117-8455

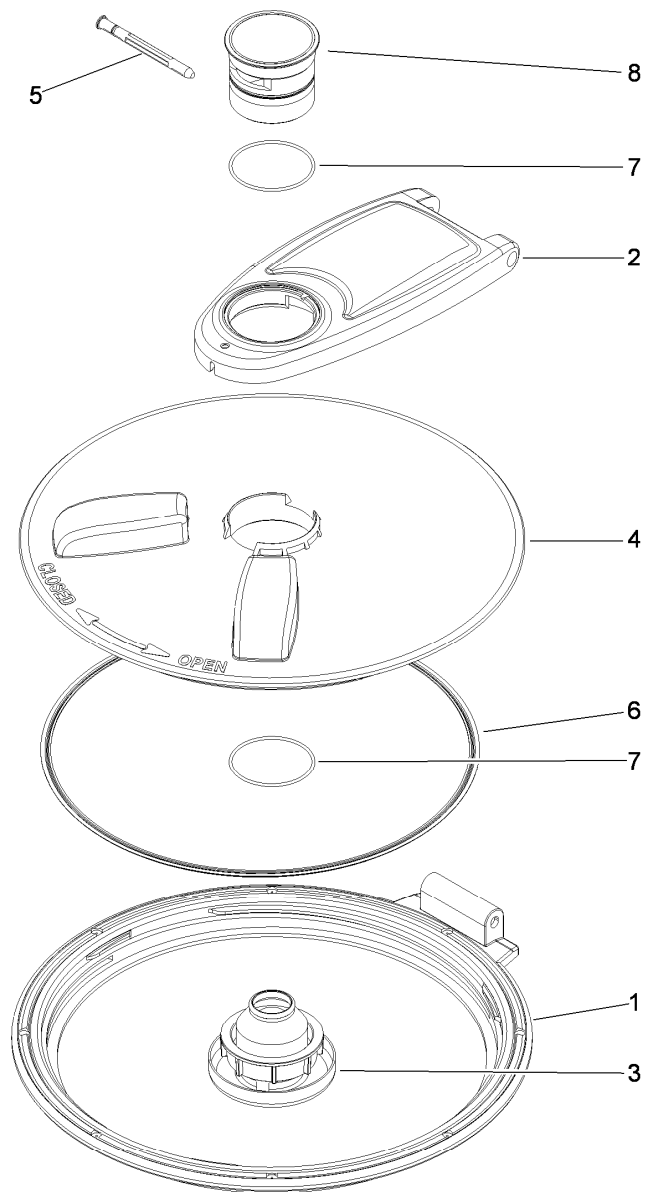
<i>Ref.</i>	<i>Part Number</i>	<i>Qty.</i>	<i>Description</i>
1	117-8453	1	Tank-Fuel
2	114-0284	1	Grommet
3	114-0285	1	Valve-Rollover
4	46-6560	1	Bushing
5	115-9044	1	Pipe-Stand
6	115-7788	1	Cap-Fuel
7	119-0509	1	Gauge ASM
7:1	117-8404	1	Dial-Gauge
7:2	119-0508	1	Seal





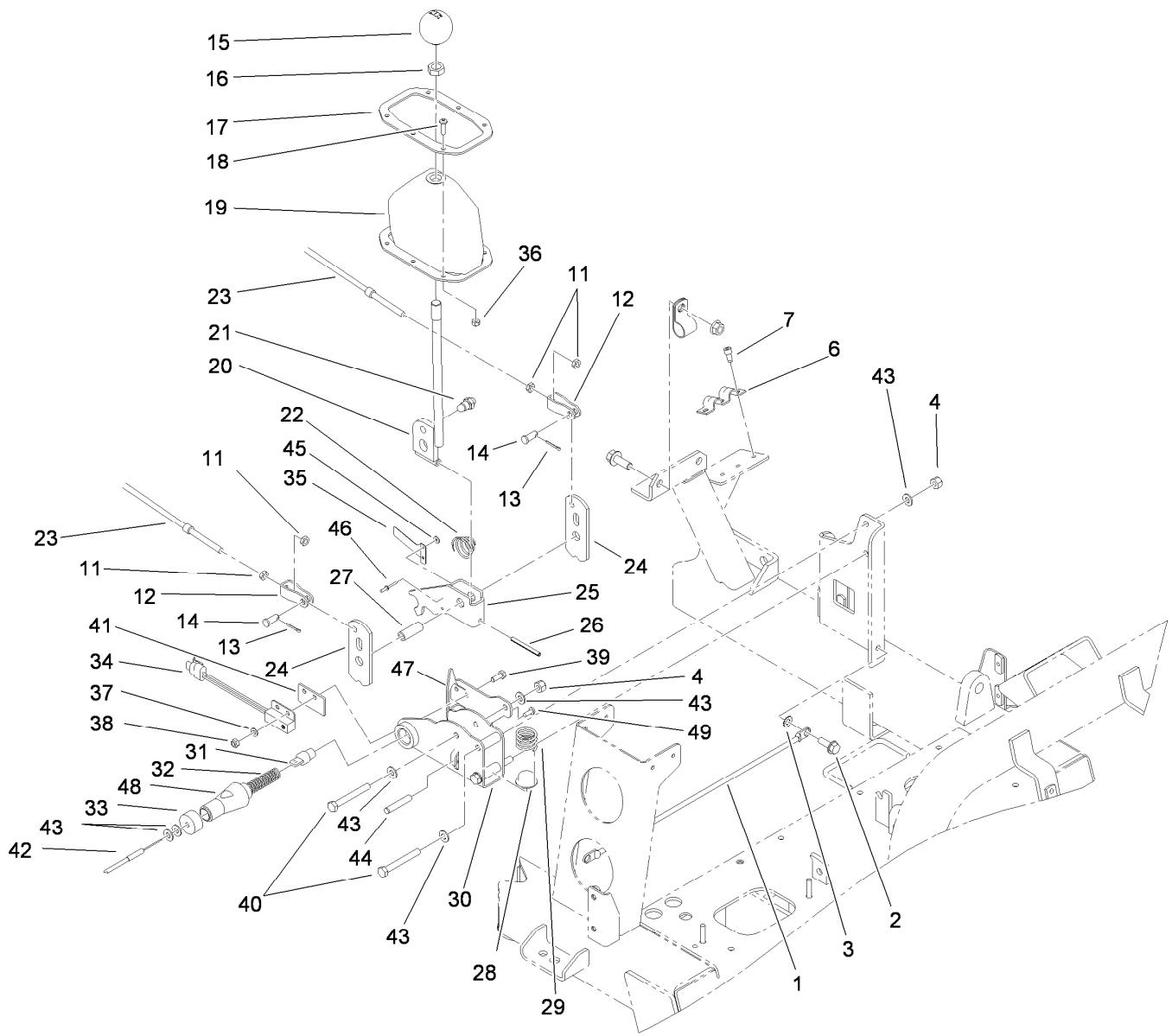
## Main Tank Assembly

<i>Ref.</i>	<i>Part Number</i>	<i>Qty.</i>	<i>Description</i>
1	106-1355	1	Decal-No Tank Entry
3	119-9378	1	Gasket-Lid, Tank
4	119-9380	1	Spray Tank Lid ASM
6	107-8635	8	Screw-PFH
7	93-0688	1	Decal-Warning, Chemical



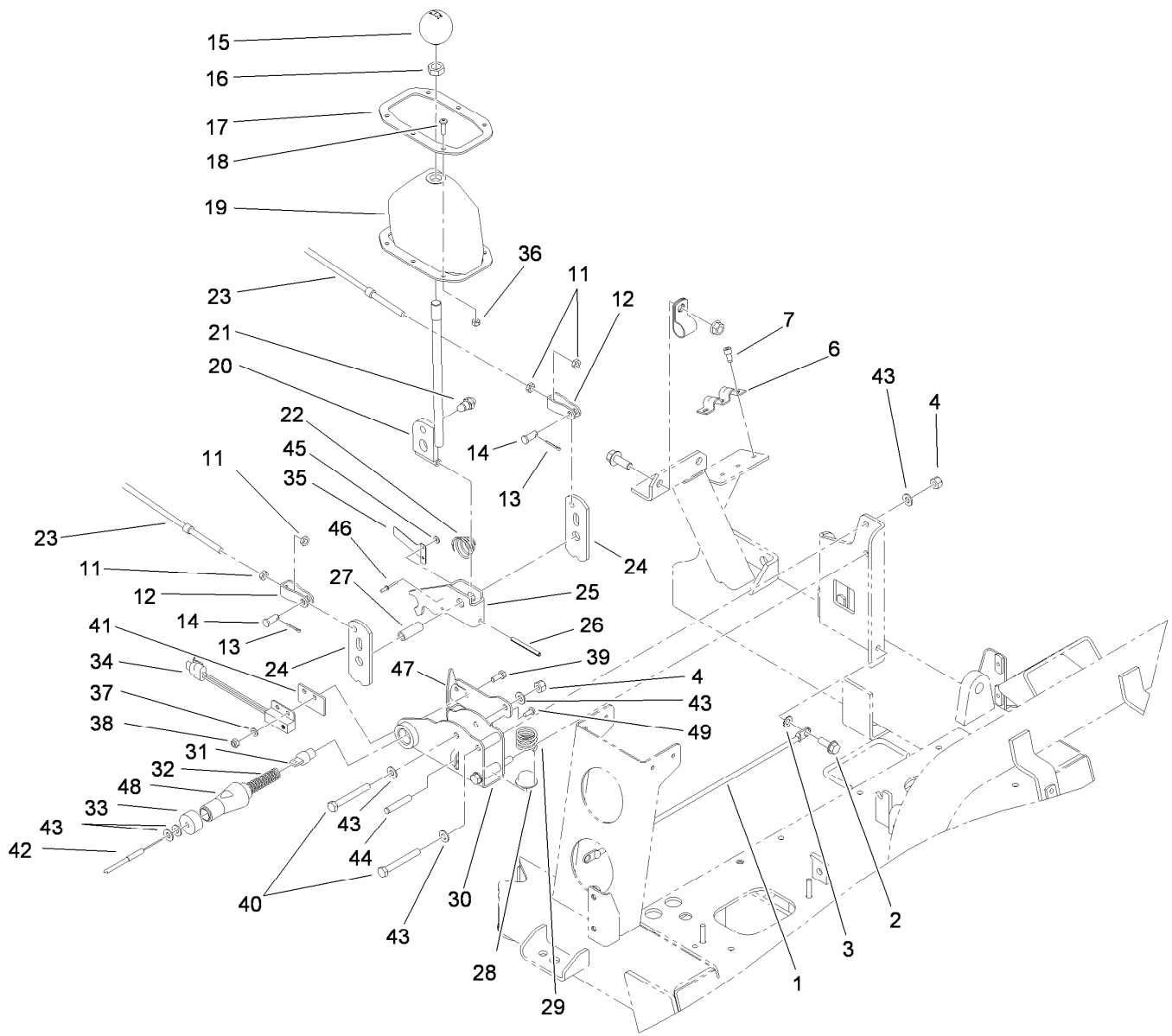
## Spray Tank Lid Assembly No. 119-9380

<i>Ref.</i>	<i>Part Number</i>	<i>Qty.</i>	<i>Description</i>
1	119-9381	1	Ring-Lid
2	119-9382	1	Arm-Lid
3	119-9383	1	Vent-Lid
4	119-9384	1	Cover-Lid
5	119-9385	1	Pin-Pivot
6	106-5004	1	Seal-Lid
7	119-9386	2	O-Ring
8	119-9387	1	Cap-Lid



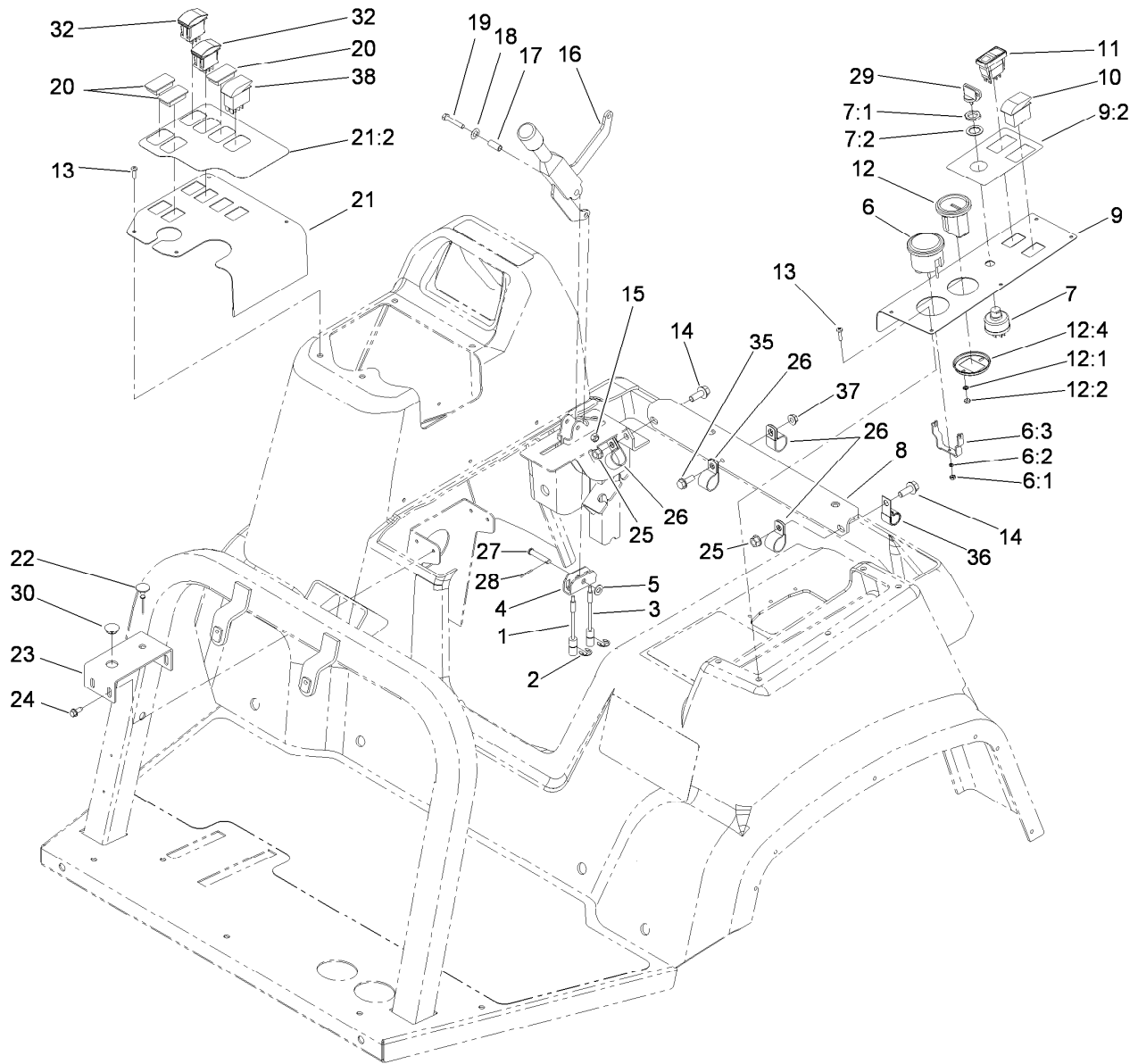
## Shifter Assembly

Ref.	Part Number	Qty.	Description	Ref.	Part Number	Qty.	Description
1	108-3698	1	Cable-Battery, Negative	25	108-3565	1	Bracket-Shifter
2	32144-14	1	Screw-HWHTF	26	32121-48	1	Pin-Spring
3	3255-8	1	Washer-Lock	27	108-3570	3	Tube-Shifter
4	3296-29	3	Nut-Lock, NI	28	87-3530	1	Button-Shifter
6	87-4960	1	Clamp-Cable	29	87-3660	1	Spring-Compression
7	65-5220	3	Screw-HSH, Thread Forming	30	110-5106	1	Clevis
11	3220-1	4	Nut-Jam	31	108-3558	1	Pin-Retracting
12	87-2310	2	Clevis-Cable	32	108-3557	1	Spring
13	3272-6	2	Pin-Cotter	33	108-3564	1	Cap-Spring
14	283-62	2	Pin-Clevis	34	105-0023	1	Switch-Proximity
15	87-6720	1	Knob-Shift	35	110-5125	1	Flag-Sensor, Proximity
16	3218-18	1	Nut-Jam	36	3296-2	6	Nut-Lock, NI
17	87-3760-03	1	Plate-Boot, Shift	37	33093-00	2	Washer-Flat
18	3250-13	6	Screw-PPH	38	33023-00	2	Nut-Lock
19	87-8620	1	Boot-Shift	39	33113-016	2	Screw-HH
20	87-2040	1	Lever-Shift	40	322-12	3	Screw-HH
21	87-3650	1	Pin-Shift	41	110-5102	1	Spacer-Insulator
22	87-2900	1	Spring-Compression	42	108-3553	1	Shift Lock Cable ASM
23	100-8359	2	Cable-Shift	43	3256-74	8	Washer-Flat
24	87-3540	2	Link-Shift	44	3290-507	1	Pin-Dowel
				45	5-1254	2	Washer



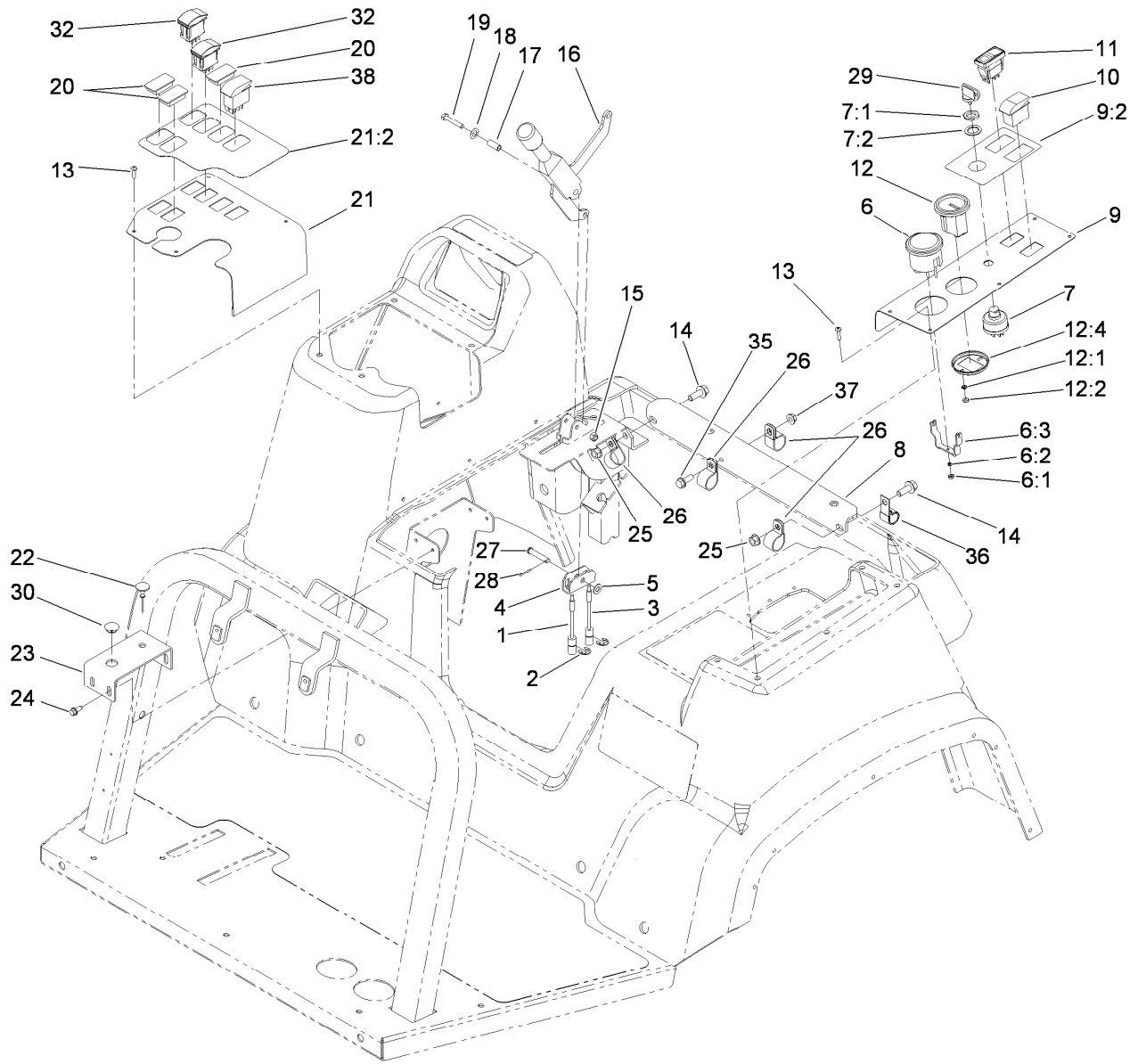
## Shifter Assembly (continued)

<i>Ref.</i>	<i>Part Number</i>	<i>Qty.</i>	<i>Description</i>	<i>Ref.</i>	<i>Part Number</i>	<i>Qty.</i>	<i>Description</i>
46	3290-55	2	Rivet-Pop	48	110-5103	1	Tube-Shifter
47	110-5101	1	Bracket-Mount, Switch	49	3250-12	1	Screw-PPH



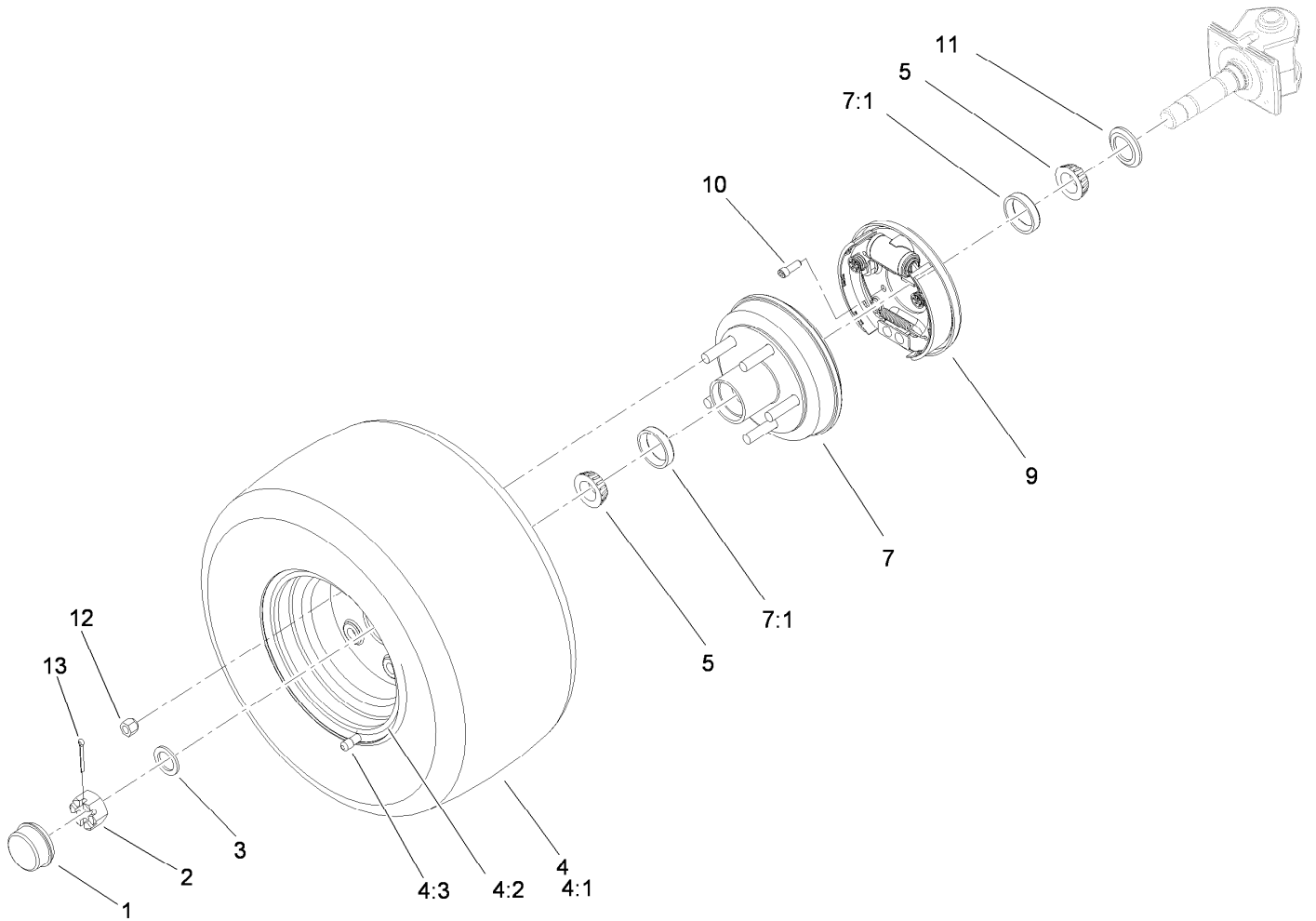
## Parking Brake and Console Assembly

Ref.	Part Number	Qty.	Description	Ref.	Part Number	Qty.	Description
1	87-8240	1	Cable-Brake	13	3250-25	9	Screw-PPH
2	32120-47	2	Ring-Retaining, External	14	3234-11	3	Screw-HHF
3	100-8261	1	Cable-Park Brake, RH	15	3296-42	1	Nut-Lock, NI
4	87-3480	1	Bracket-Equalizer, Cable	16	87-2710	1	Lever-Brake
5	3256-23	1	Washer-Plain	17	87-4710	1	Spacer-Brake, Parking
6	98-2160	1	Voltmeter	18	3290-477	1	Washer-Curved
6:1	3217-27	1	Nut-Hex	19	321-9	1	Screw-HH
6:2	3255-25	1	Washer-Lock	20	99-7420	3	Plug-Hole
6:3	78-0080	1	Clamp-Mounting	21	104-8866	1	Spray Control Panel ASM
7	83-0020	1	Switch-Ignition	21:2	104-8749	1	Decal-Control, Spray
7:1	218-461	1	Nut-HH	22	41697	1	Choke-Control
7:2	3254-5	1	Washer-Tooth, Internal	23	100-8385-03	1	Bracket-Speed, Throttle
8	106-4859-03	1	Bracket-Seatbox	24	32144-10	4	Screw-HWH
9	100-8452	1	Vehicle Control Panel ASM	25	32128-21	2	Nut-HF
9:2	100-8470	1	Decal-Controls	26	2412-39	4	Clamp-R
10	100-8469	1	Switch-Rocker	27	94-3829	1	Pin-Clevis
11	104-9007	1	Switch-Rocker	28	3272-6	1	Pin-Cotter
12	66-2950	1	Gauge-Hourmeter	29	63-8360	2	Key-Ignition
12:1	3255-20	2	Washer-Lock	30	93-0830	1	Plug-Hole
12:2	3217-25	2	Nut-Hex	32	100-1535	2	Switch
12:4	105-0039	1	Bracket-Gauge	35	32144-41	1	Screw-Taptite



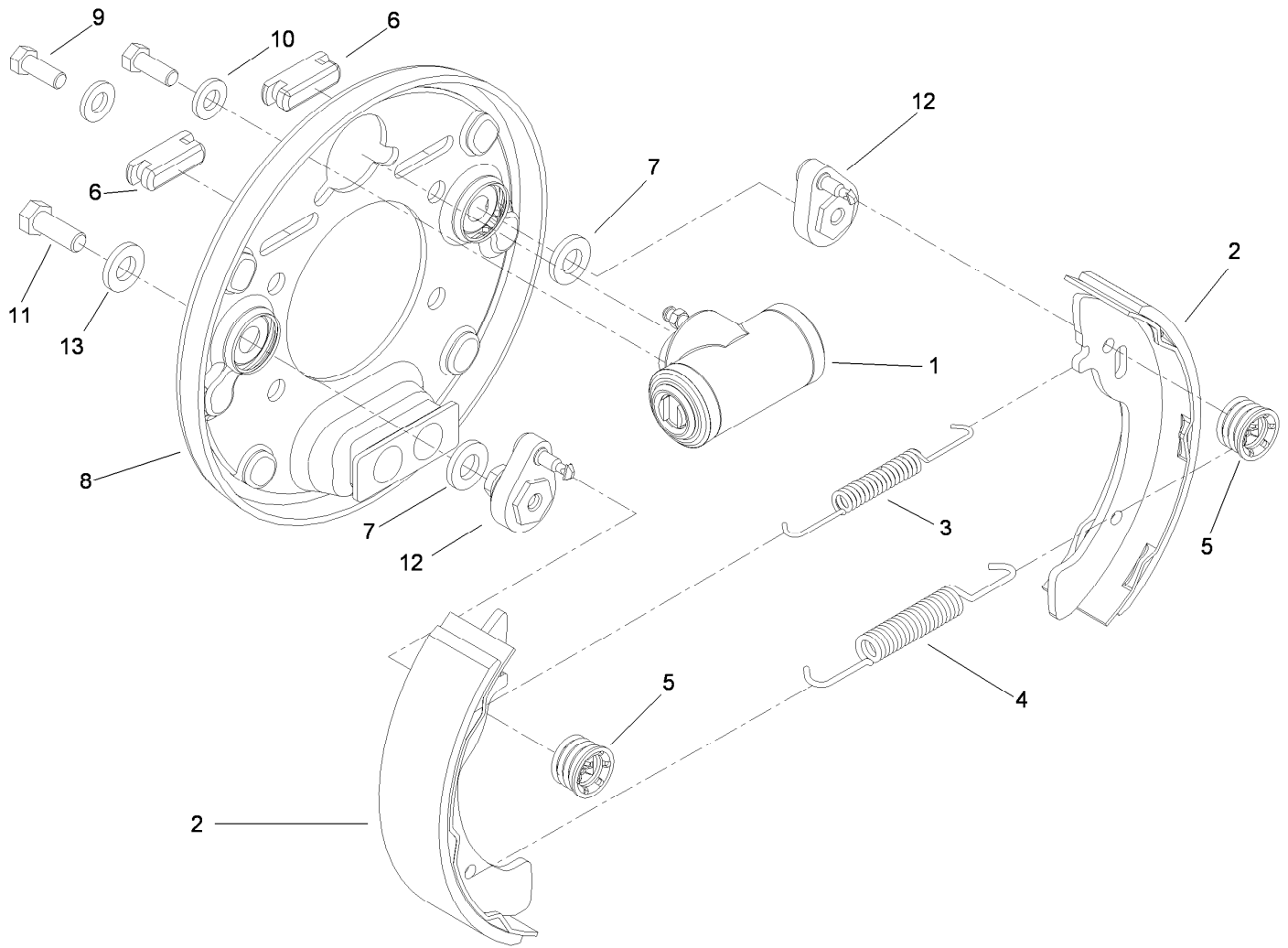
## Parking Brake and Console Assembly (continued)

<i>Ref.</i>	<i>Part Number</i>	<i>Qty.</i>	<i>Description</i>	<i>Ref.</i>	<i>Part Number</i>	<i>Qty.</i>	<i>Description</i>
36	94-9580	1	Clamp-J	37	32128-25	1	Nut-HF
				38	100-8490	1	Switch-Rocker, On-None-On



## Front Wheel Assembly

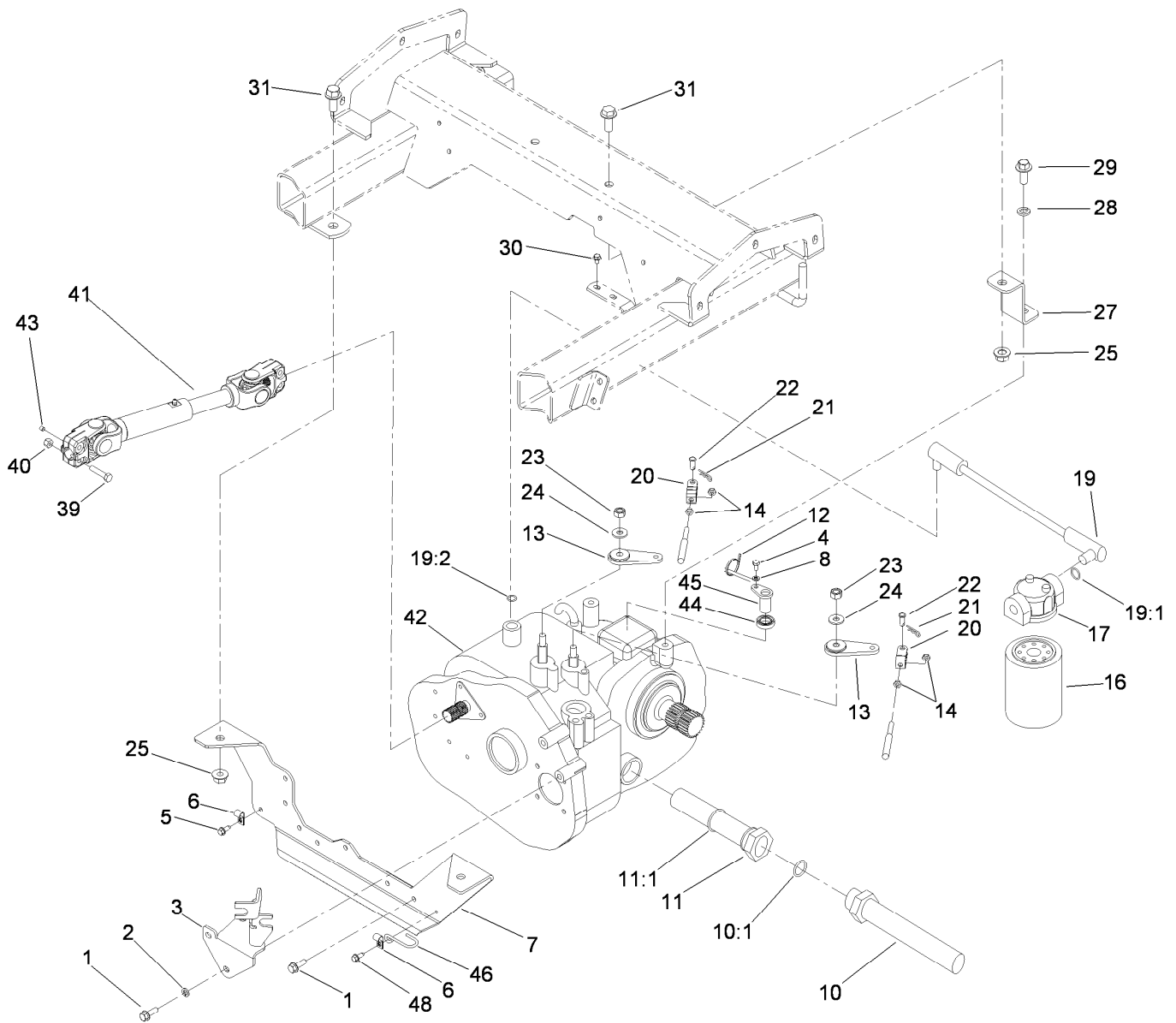
Ref.	Part Number	Qty.	Description
1	241-119	2	Cap-Dust
2	1-809082	2	Nut-SHH
3	27-1850	2	Washer-Pivot
4	110-5135	2	Front Tire And Wheel ASM
4:1	110-5133	1	Tire
4:2	241-121	1	Wheel ASM
4:3	232-27	1	Stem-Valve
5	254-92	4	Cone-Bearing, Outer
7	100-8287	2	Hub/Drum-Front
7:1	254-72	2	Bearing-Cup, Tapered
9	100-8285	2	Front Brake ASM
10	3273-14	8	Screw-HSH
11	253-129	2	Seal
12	321077	10	Nut-Wheel
13	3272-13	2	Pin-Cotter



## Front Brake Assembly No. 100-8285

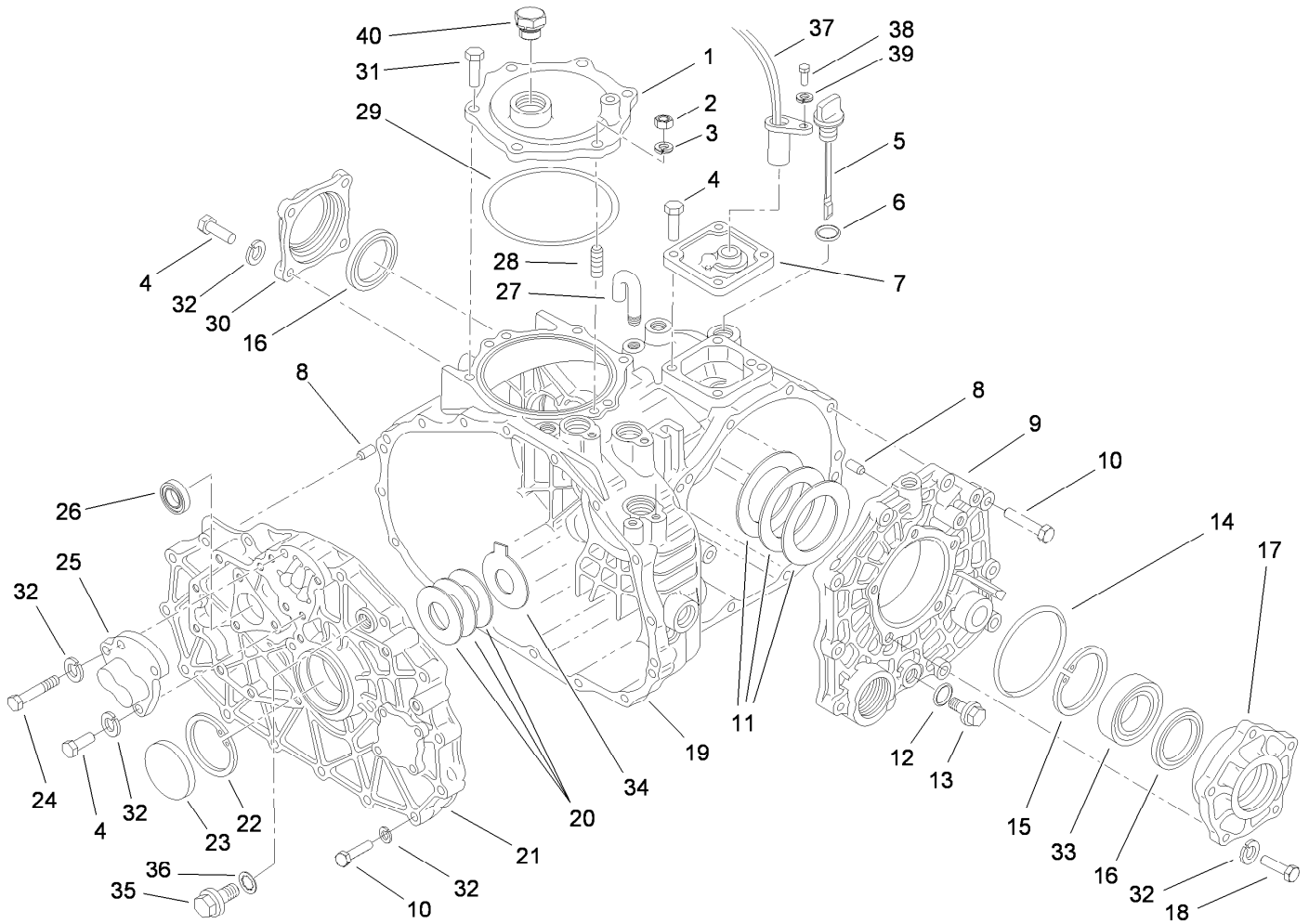
Ref.	Part Number	Qty.	Description
1	100-8580	1	Wheel Cylinder ASM
2	100-8587	1	Shoe Set
3	100-8581	1	Spring-Upper
4	100-8582	1	Spring-Lower
5	100-8583	2	Shoe Hold Down Spring ASM
6	100-8584	2	Cover-Dust
7	100-8585	2	Washer-Bellville
8	100-8586	1	Backing Plate ASM
9	33103-012	2	Screw-HHF
10	3253-3	2	Washer-Lock
11	329-2	2	Screw-HH
12	100-8588	2	Adjuster Lever ASM
13	3256-1	2	Washer-Flat





## Transaxle Installation Assembly

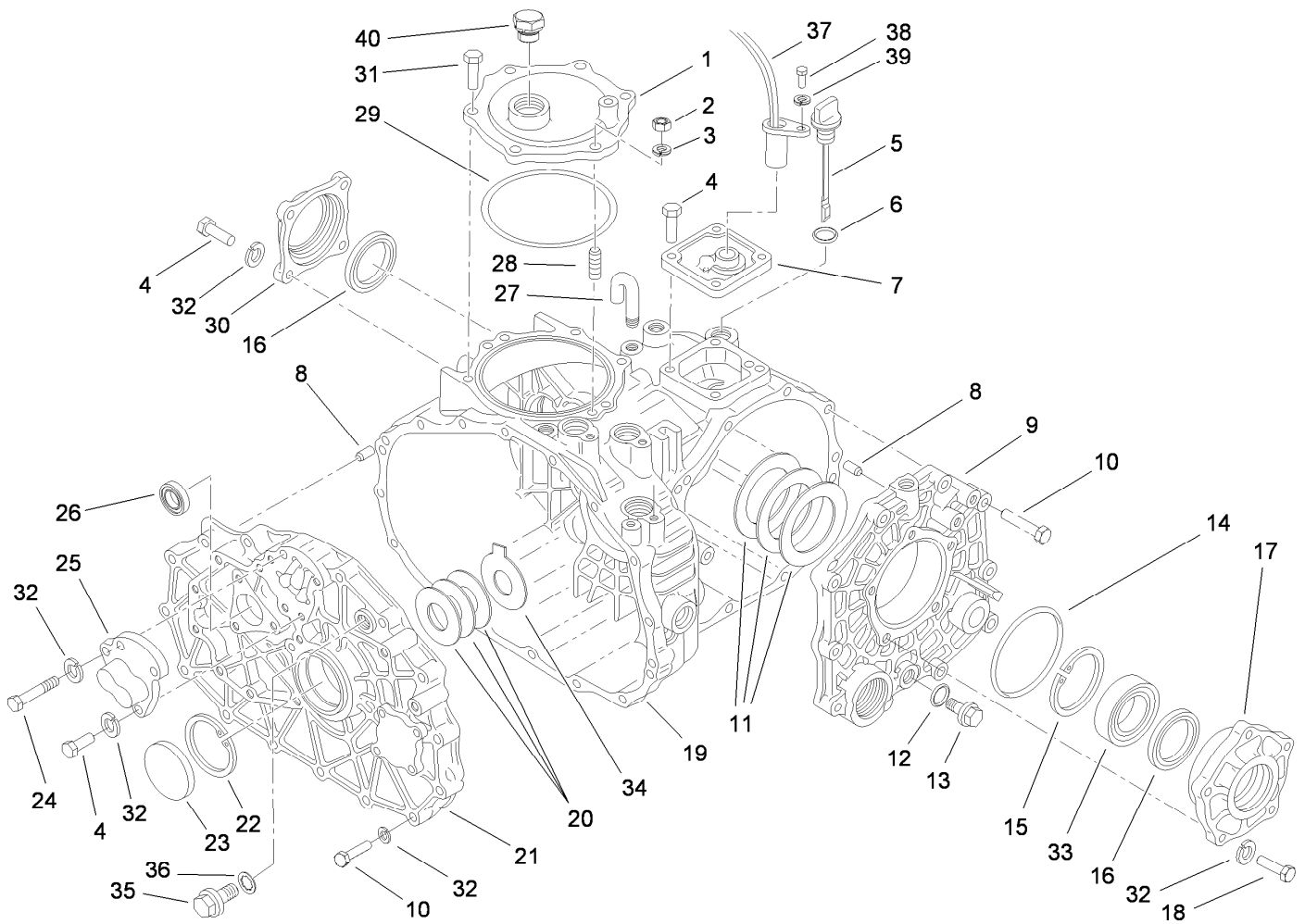
Ref.	Part Number	Qty.	Description	Ref.	Part Number	Qty.	Description
1	33104-025	10	Screw-HHF	20	87-2310	2	Clevis-Cable
2	3253-4	10	Washer-Lock	21	3290-307	2	Pin-Cotter
3	107-8749-03	1	Bracket-Cable	22	283-62	2	Pin-Clevis
4	33113-012	1	Screw-HH	23	48-9520	2	Nut
5	32144-10	1	Screw-HWH	24	80-6990	2	Washer-Hardened
6	2412-93	2	Clamp-R	25	99-5107	4	Nut-Lock
7	100-8531-03	1	Transaxle-Mount	27	100-8220-03	2	Strap-Mount, Transaxle
8	48-8020	1	Washer-Spring	28	3253-7	2	Washer-Lock
10	100-8250	1	Hose-Suction	29	33106-030	2	Screw-HHF
10:1	237-81	1	O-Ring	30	3234-33	2	Screw-HHF
11	87-3990	1	Strainer-Transaxle	31	3234-38	4	Screw-HHF
11:1	237-123	1	O-Ring	39	322-7	4	Screw-HH
12	3290-379	4	Tie-Cable	40	3296-29	4	Nut-Lock, NI
13	87-7960	2	Lever-Shift	41	119-6040	1	Driveshaft ASM
14	3220-1	4	Nut-Jam	42	104-9078	1	Transaxle ASM
16	54-0110	1	Filter-Oil, Transmission	43	3245-32	1	Screw-HSH
17	87-8780	1	Head-Filter	44	92-3735	1	Seal-Oil, Sensor
19	100-8254	1	Hose-Return, Axle	45	85-4350	1	Sensor-Geartooth
19:1	237-79	1	O-Ring	46	119-9363	1	Guide-Hose
19:2	237-42	1	O-Ring	48	32144-70	1	Screw-HWHTF



## Case Assembly Transaxle Assembly No. 104-9078

<i>Ref.</i>	<i>Part Number</i>	<i>Qty.</i>	<i>Description</i>	<i>Ref.</i>	<i>Part Number</i>	<i>Qty.</i>	<i>Description</i>
1	100-8595	1	Cover-PTO	18	48-7730	5	Screw-Cap, HH
2	48-7930	1	Nut	19	92-0651	1	Case-Transmission
3	92-0762	1	Washer-Spring	20	100-4460	1	Shim-Set
4	33114-025	11	Screw-HH	21	100-4461	1	Plate-Center
5	92-0662	1	Cap-Oil	22	92-0759	1	Ring-Snap
6	92-0788	1	O-Ring	23	92-0807	1	Cap-Sealing
7	92-3736	1	Cover ASM	24	48-7560	1	Bolt-HH
8	92-0765	4	Pin-Parallel	25	92-0706	1	Shaft-Fork
9	92-0653	1	Cover-Side	26	92-0791	1	Seal-Oil
10	33114-040	25	Screw-HH	27	92-0743	1	Breather-Air
11	92-0809	1	Set-Shim	28	92-0804	1	Stud
12	92-0787	1	O-Ring	29	92-0790	1	O-Ring
13	92-0773	1	Plug-Drain	30	92-0655	1	Cover-Seal, Axle
14	92-0789	1	O-Ring	31	92-0796	5	Bolt
15	92-0760	1	Ring-Snap	32	3253-4	42	Washer-Lock
16	92-0793	2	Seal-Oil	33	92-0775	2	Bearing
17	92-0654	1	Carrier-Differential	34	100-4465	1	Shim (W/Tab)

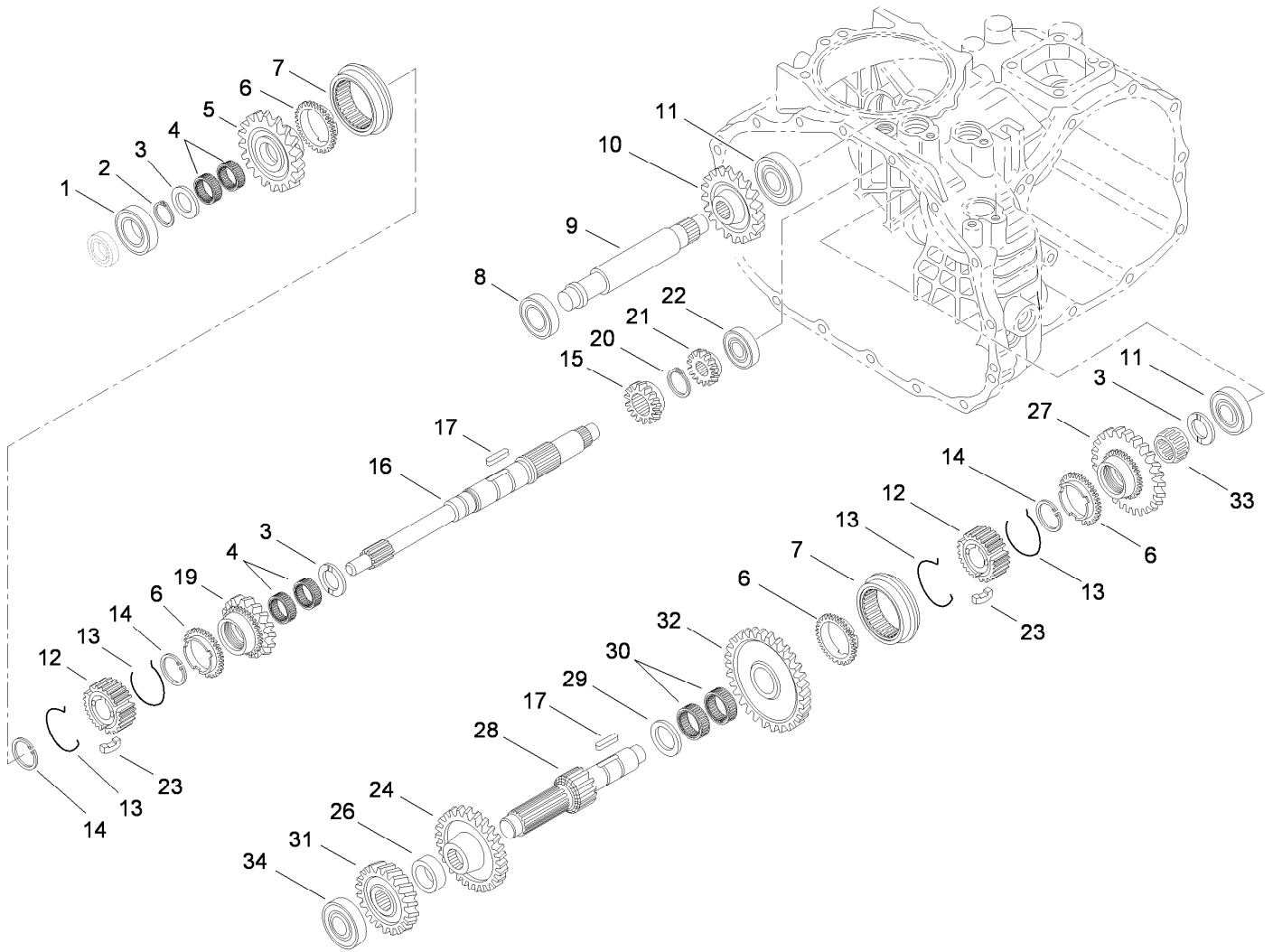
● Not illustrated



## Case Assembly Transaxle Assembly No. 104-9078 (continued)

<i>Ref.</i>	<i>Part Number</i>	<i>Qty.</i>	<i>Description</i>	<i>Ref.</i>	<i>Part Number</i>	<i>Qty.</i>	<i>Description</i>
35	100-6924	1	Plug	39	48-8020	1	Washer-Spring
36	100-6925	1	Packing	40	110-5196	2	Plug-Transaxle
37	85-4350	1	Sensor-Gear tooth	99	100-6928	1	Bolt ●
38	48-7610	1	Screw	99	100-8594	1	Cover-Shaft, Input ●

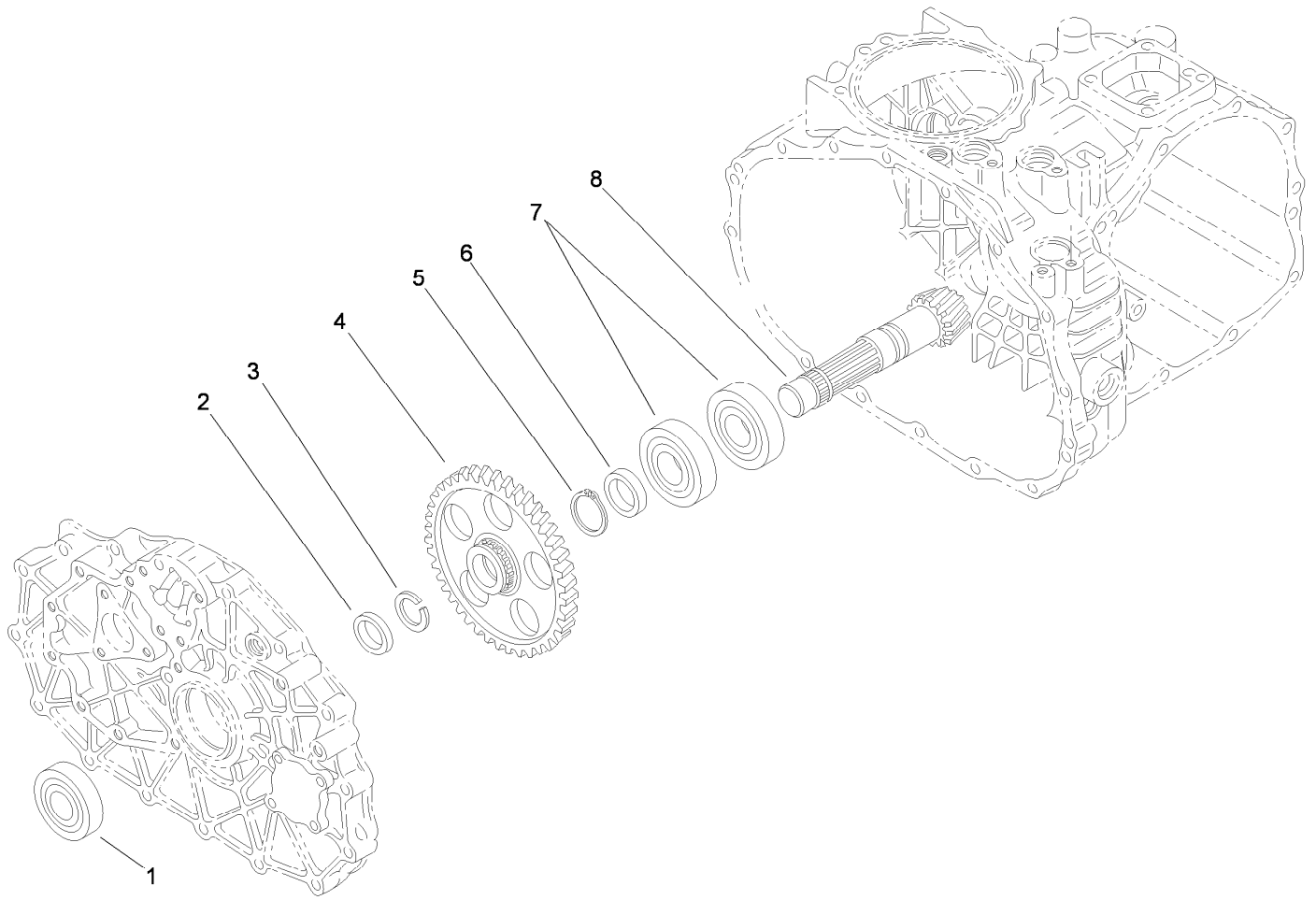
● Not illustrated



## Gear Shaft Assembly Transaxle Assembly No. 104-9078

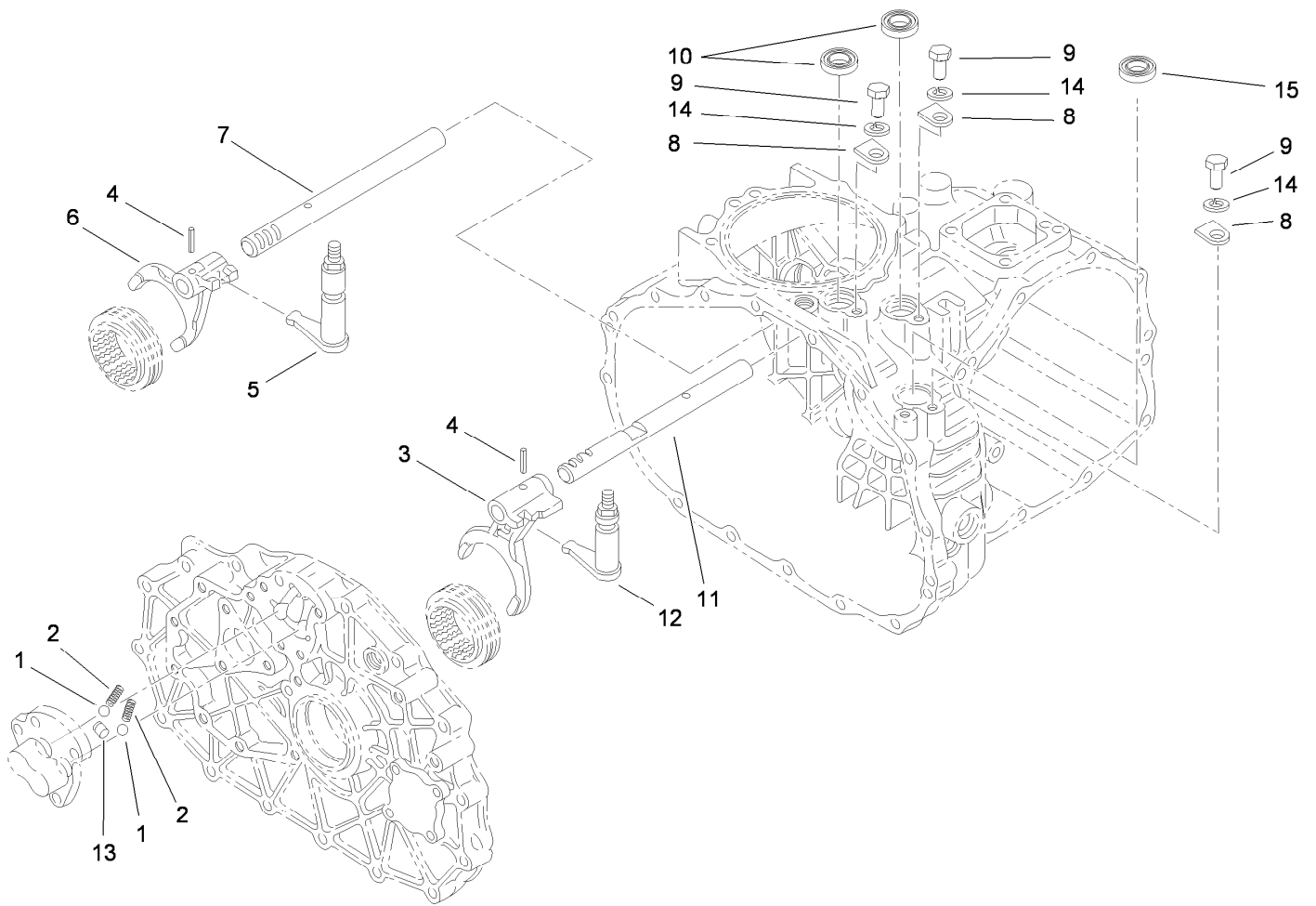
Ref.	Part Number	Qty.	Description
1	251-8	1	Bearing-Ball
2	92-0753	1	Ring-Snap
3	92-0740	3	Washer-Thrust
4	92-0781	4	Bearing-Needle
5	108-3694	1	Gear-Main, 36T
6	92-0667	3	Ring-Synchro
7	92-0668	2	Shifter-Synchro
8	251-346	2	Bearing-Ball
9	100-8602	1	Shaft-Idler, Reverse
10	92-0684	1	Gear-Reverse, 33 Tooth
11	92-0778	2	Bearing
12	92-0664	2	Hub-Synchro
13	92-0666	4	Spring-Synchro
14	92-0763	3	Ring-Snap
15	100-8598	1	Gear-Main, 20 Tooth
16	100-8596	1	Shaft-Main

Ref.	Part Number	Qty.	Description
17	92-0772	2	Key
19	108-3695	1	Gear-Main, 22T
20	92-0754	1	Ring-Snap
21	92-0673	1	Gear-Main, 14 Tooth
22	92-0650	1	Bearing
23	92-0665	6	Key-Synchro
24	92-0676	1	Gear-Reduction, 32 Tooth
26	100-8601	1	Collar
27	92-0819	1	Gear-Reduction, 40 Tooth
28	92-0674	1	Shaft-Reduction
29	92-0682	1	Washer-Thrust
30	92-0681	2	Bearing-Needle
31	100-8599	1	Gear-Red, 25 Tooth
32	108-3697	1	Gear-Reduction, 47T
33	92-0782	1	Bearing-Needle
34	105-7985	1	Bearing



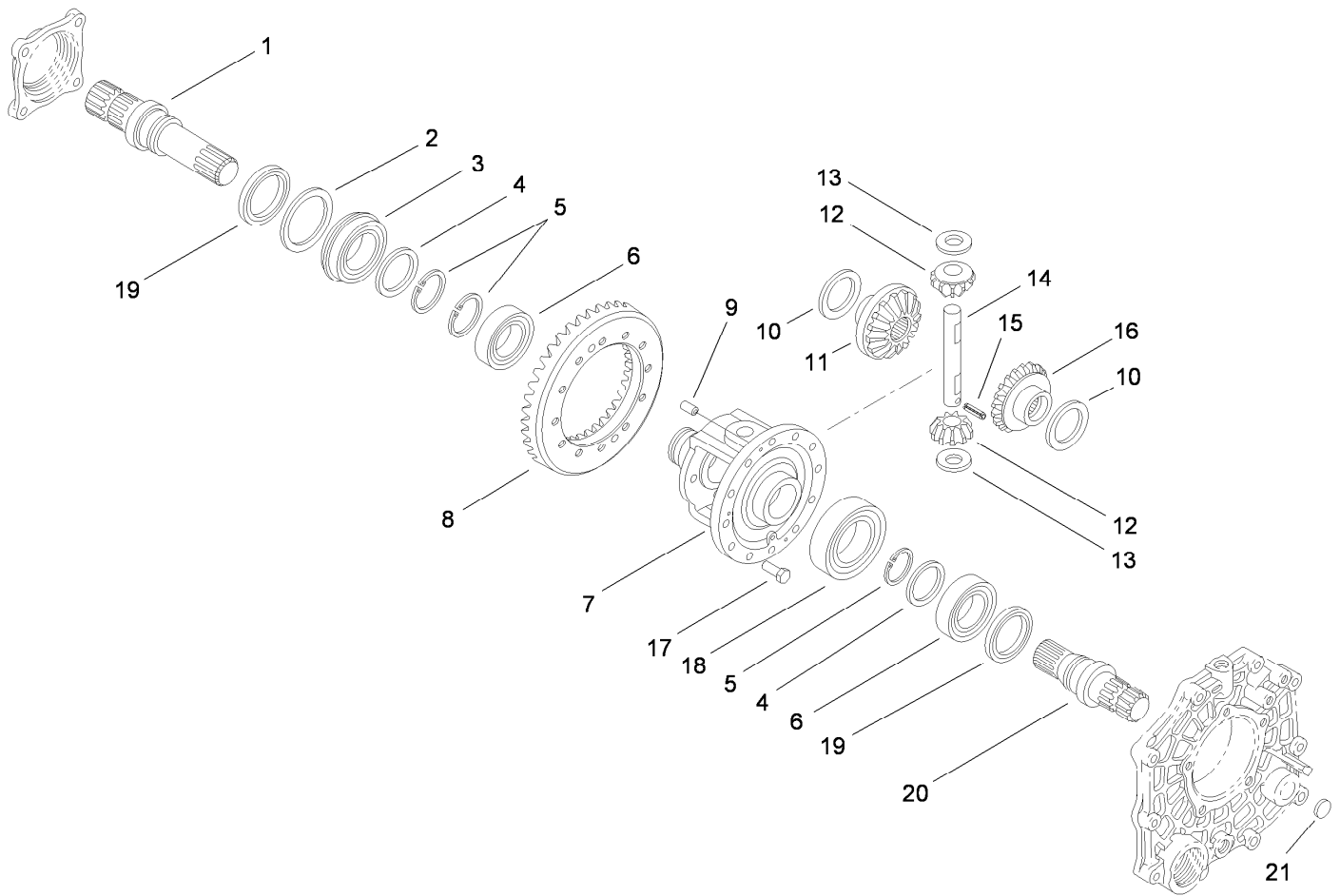
## Countershaft Assembly Transaxle Assembly No. 104-9078

<i>Ref.</i>	<i>Part Number</i>	<i>Qty.</i>	<i>Description</i>
1	92-0712	1	Bearing-Ball
2	92-0716	1	Collar
3	92-0764	1	Ring-Snap
4	100-8603	1	Gear-Count
5	92-0755	1	Ring-Snap
6	92-0713	1	Collar
7	92-0714	2	Bearing
8	92-0710	1	Gear-Ring



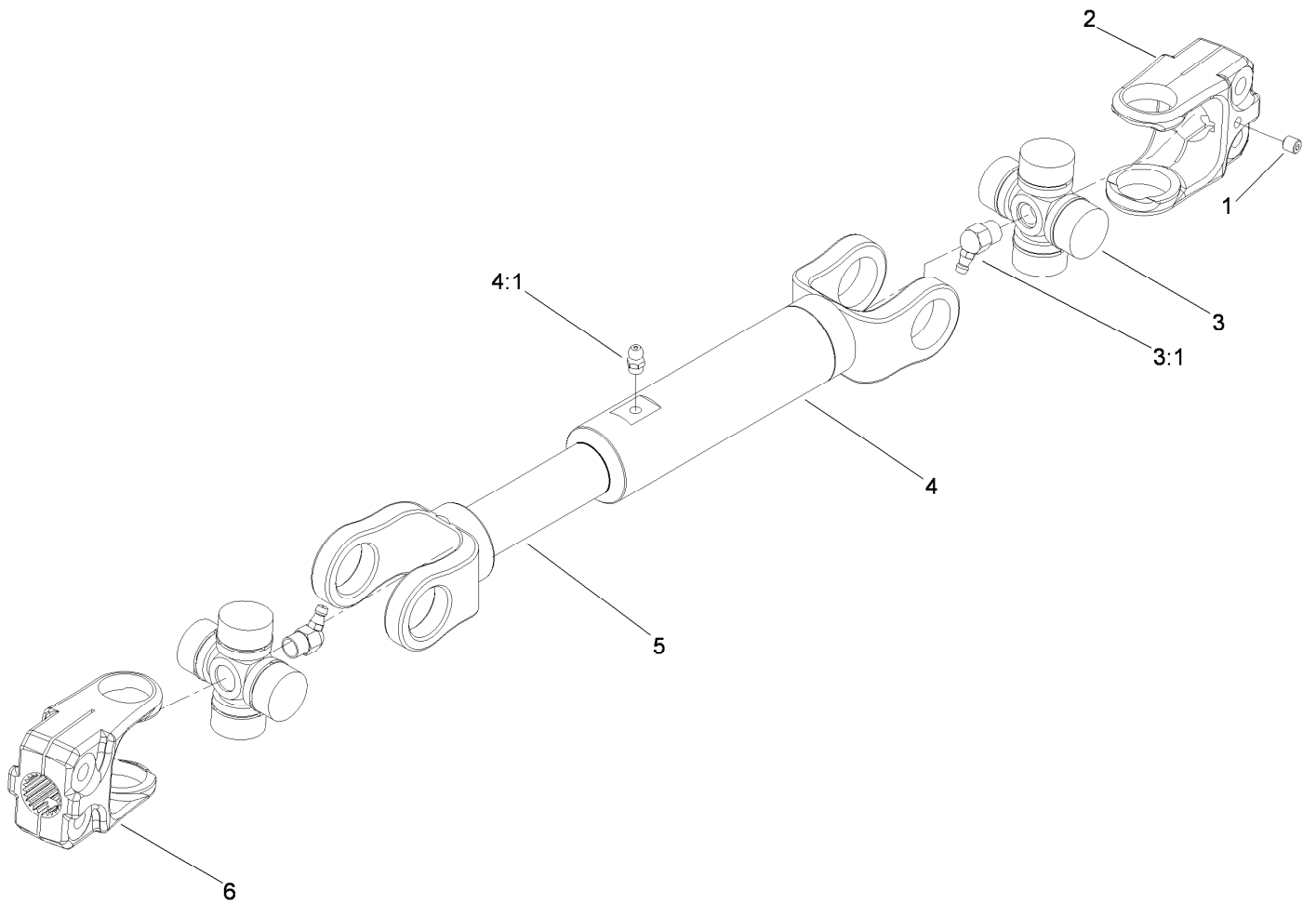
## Shift Fork Assembly Transaxle Assembly No. 104-9078

<i>Ref.</i>	<i>Part Number</i>	<i>Qty.</i>	<i>Description</i>
1	92-0785	3	Ball-Steel
2	92-0731	3	Spring
3	92-0700	1	Fork-Shift
4	92-0769	2	Pin-Roll
5	92-0817	1	Arm-Shift
6	92-0701	1	Fork-Shift
7	92-0699	1	Shaft-Fork
8	92-0732	3	Plate-Keeper
9	33114-016	3	Screw-HH
10	92-0729	3	Seal-Oil
11	92-0698	1	Shaft-Fork
12	92-0816	1	Arm-Shift
13	92-0705	1	Lock-Spindle
14	3253-4	3	Washer-Lock
15	100-6927	1	Cap-Sealing



## Differential Gear Assembly Transaxle Assembly No. 104-9078

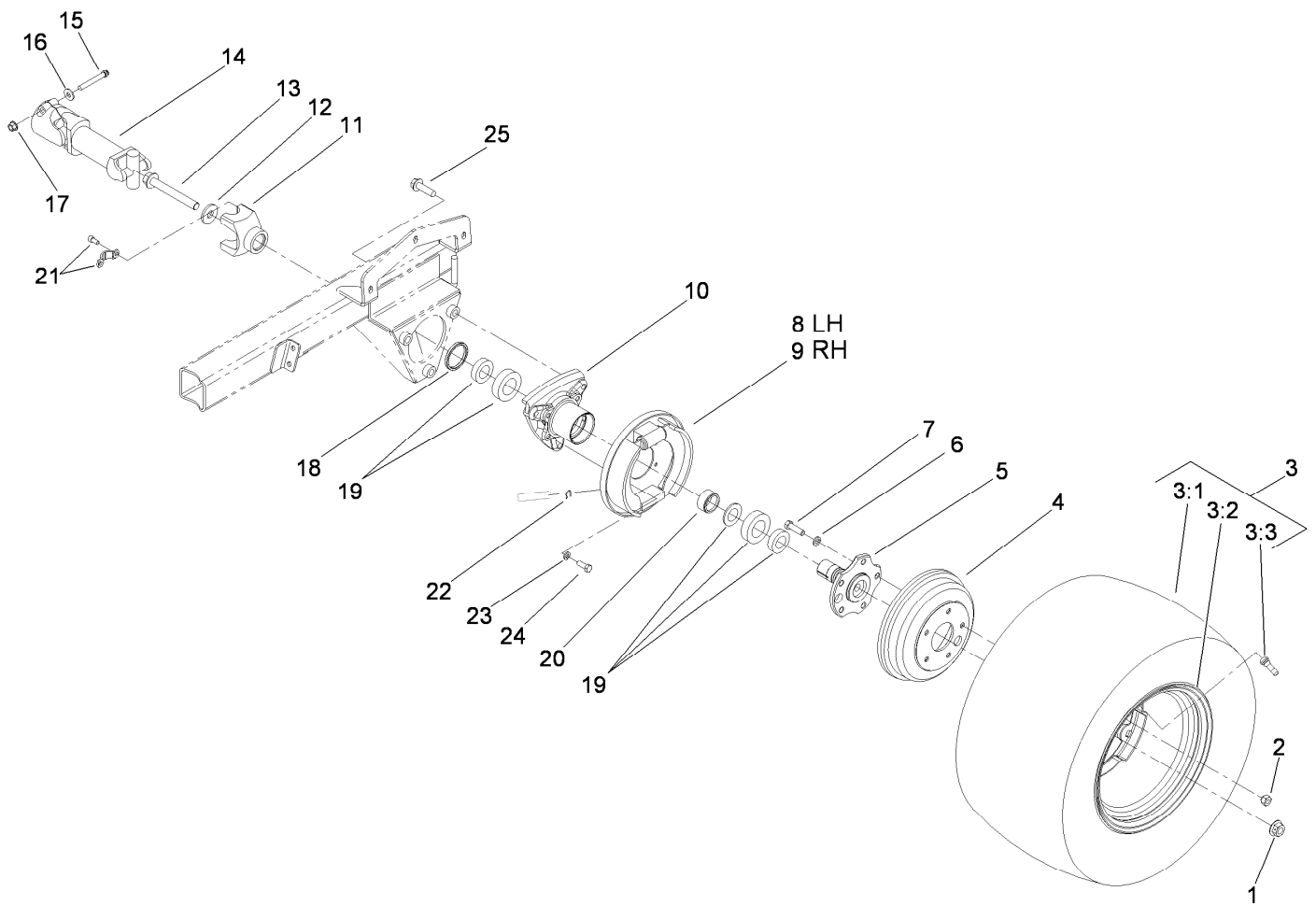
<i>Ref.</i>	<i>Part Number</i>	<i>Qty.</i>	<i>Description</i>	<i>Ref.</i>	<i>Part Number</i>	<i>Qty.</i>	<i>Description</i>
1	92-0726	1	Shaft-Axle, Right	11	92-0746	1	Gear-Side, RH
2	92-0728	1	Washer	12	92-0748	2	Pinion-Differential
3	92-0780	1	Bearing	13	92-0750	2	Washer
4	92-0727	2	Washer	14	92-0749	1	Shaft-Pinion
5	92-0756	3	Ring-Snap	15	92-0768	2	Pin-Roll, Spring
6	92-0775	2	Bearing	16	92-0745	1	Gear-Side, LH
7	92-0720	1	Case-Differential	17	92-0803	12	Bolt
8	92-0710	1	Ring Gear ASM (Incl. Counter Shaft)	18	92-0776	1	Bearing
9	92-0765	2	Pin-Parallel	19	92-0793	2	Seal-Oil
10	92-0747	2	Side-Gear, Left Inner	20	92-0725	1	Shaft-Axle, Left
				21	100-6926	1	Cap-Sealing



## Drive Shaft Assembly No. 119-6040

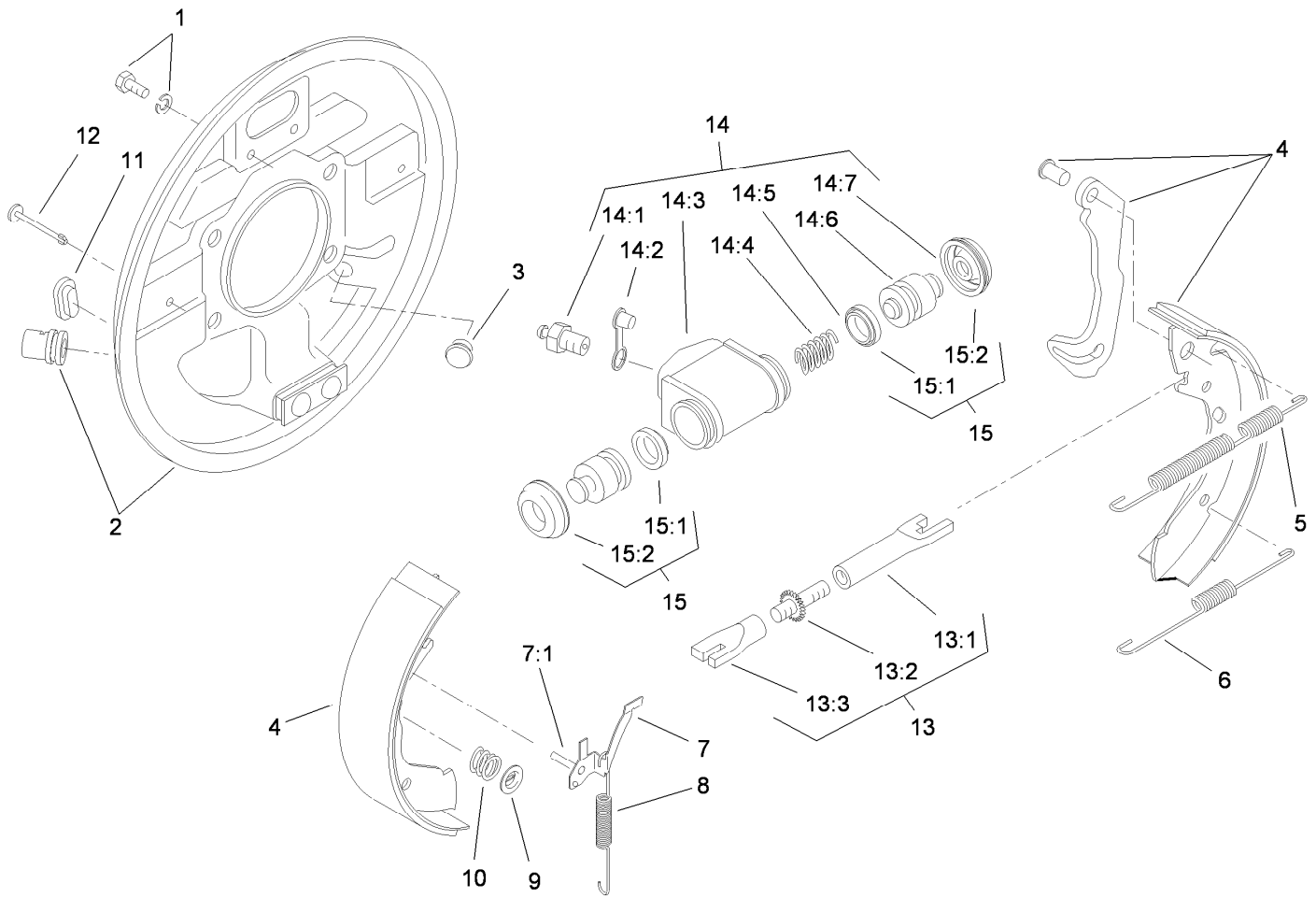
<i>Ref.</i>	<i>Part Number</i>	<i>Qty.</i>	<i>Description</i>
1	3245-32	1	Screw-HSH
2	100-8633	1	Yoke-Keyed
3	54-9180	2	U-Joint Kit
3:1	62-3820	1	Fitting-Grease
4	110-4706	1	Tube-Yoke, Slip
4:1	302-58	1	Fitting-Straight
5	110-4705	1	Shaft-Yoke, Slip
6	100-8632	1	Yoke-Splined





## Rear Wheel and Brake Assembly

<i>Ref.</i>	<i>Part Number</i>	<i>Qty.</i>	<i>Description</i>	<i>Ref.</i>	<i>Part Number</i>	<i>Qty.</i>	<i>Description</i>
1	105-1764	2	Nut-Flange, Side Lock	12	104-9216	2	Washer-Hardened
2	321077	10	Nut-Wheel	13	105-1763	2	Screw-HHF
3	110-5134	2	Rear Tire And Wheel ASM	14	98-2918	2	Driveshaft ASM
3:1	110-5132	1	Tire	15	98-2939	4	Screw-Cap
3:2	87-6750	1	Wheel	16	80-6990	4	Washer-Hardened
3:3	232-27	1	Stem-Valve	17	32128-36	4	Nut-HF
4	93-7128	2	Drum-Brake	18	87-3590	2	Seal-Bearing
5	105-1717-03	2	Axle-Stub	19	87-1970	2	Bearing-Matched Set
6	3253-6	10	Washer-Lock	20	87-4060	2	Spacer-Bearing, Wheel
7	87-2080	10	Bolt-Hex, TAP	21	92-4189	2	Strap Kit
8	112-7961	1	LH Rear Brake ASM	22	87-3310	2	Clip-Cable, Brake
9	112-7962	1	RH Rear Brake ASM	23	3253-21	8	Washer-Lock
10	87-2240	2	Housing-Axle	24	323-6	8	Screw-HH
11	92-4190	2	Yoke	25	3234-22	6	Screw-HHF

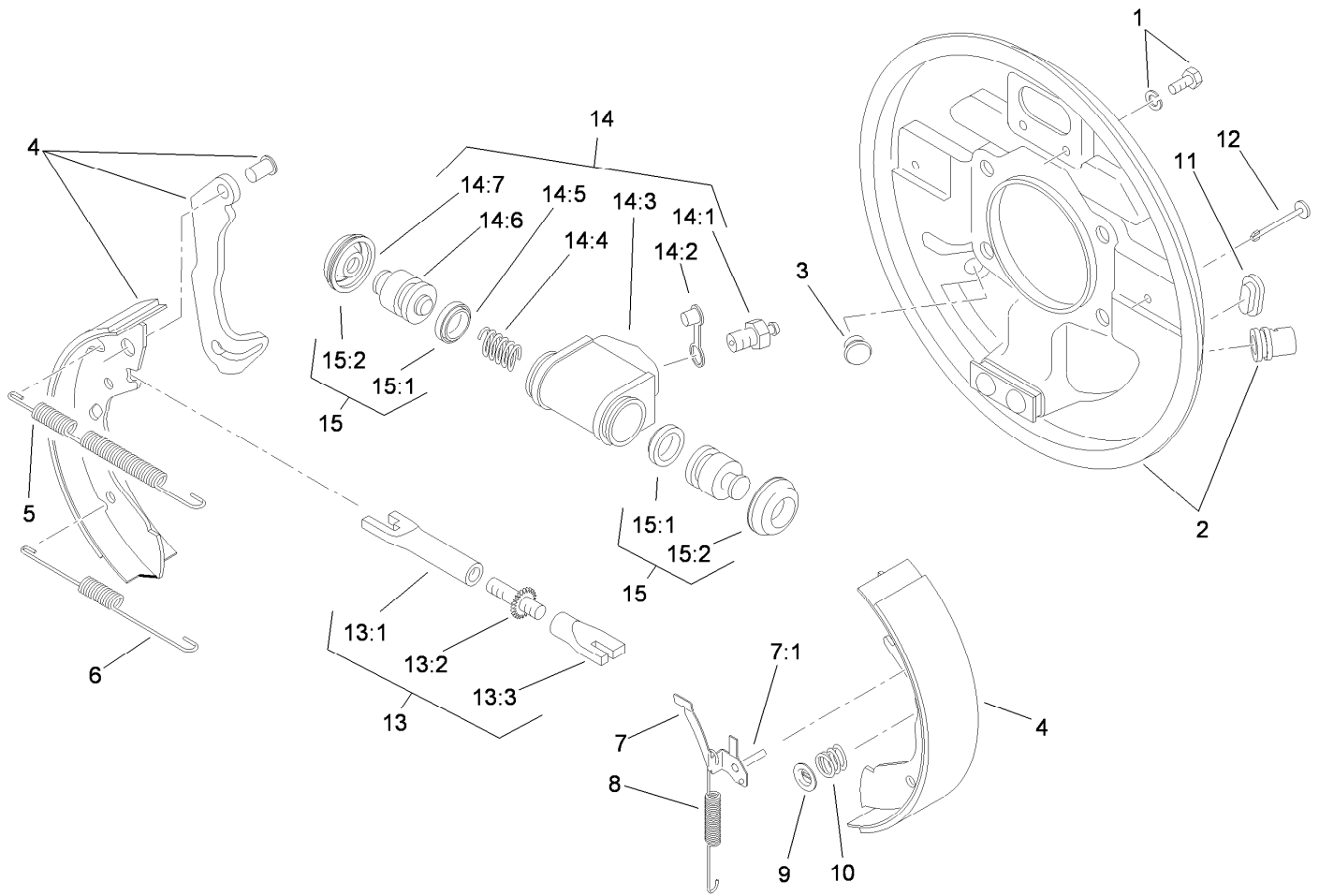


## LH Rear Brake Assembly No. 112-7961

Ref.	Part Number	Qty.	Description	Ref.	Part Number	Qty.	Description
1	92-4135	2	Bolt-Set	13	92-4144	1	LH Adjuster ASM
2	112-7968	1	LH Backplate ASM	13:1		1	Pushrod-Female ■
3	92-4146	1	Plunger ASM	13:2		1	Bolt-Adjuster ■
4	112-7978	1	Lined Shoe Kit	13:3		1	Sleeve-Adjuster ■
5	92-4147	1	Spring-Return, Shoe (Upper, LH)	14	92-4140	1	LH Wheel Cylinder ASM
6	92-4149	1	Spring-Return, Shoe (Lower)	14:1	92-4137	1	Screw-Bleed
7	92-4123	1	LH Pawl Lever ASM	14:2	92-4114	1	Cap-Screw, Bleed
7:1		1	Pin-Pawl ■	14:3		1	Body ■
8	92-4150	1	Spring-Adjuster, LH	14:4		1	Spring ■
9	92-4131	2	Washer-Hold Down, Shoe	14:5		2	Seal-L Type ■
10	92-4152	2	Spring-Hold Down, Shoe	14:6		2	Piston ■
11	92-4134	1	Plug-Inspection	14:7		2	Cover-Dust ■
12	92-4133	2	Pin-Hold Down, Shoe	15	92-4142	1	Seal Kit ●
				15:1		2	Seal-L Type ■
				15:2		2	Cover-Dust ■

● Not illustrated

■ Not serviced separately

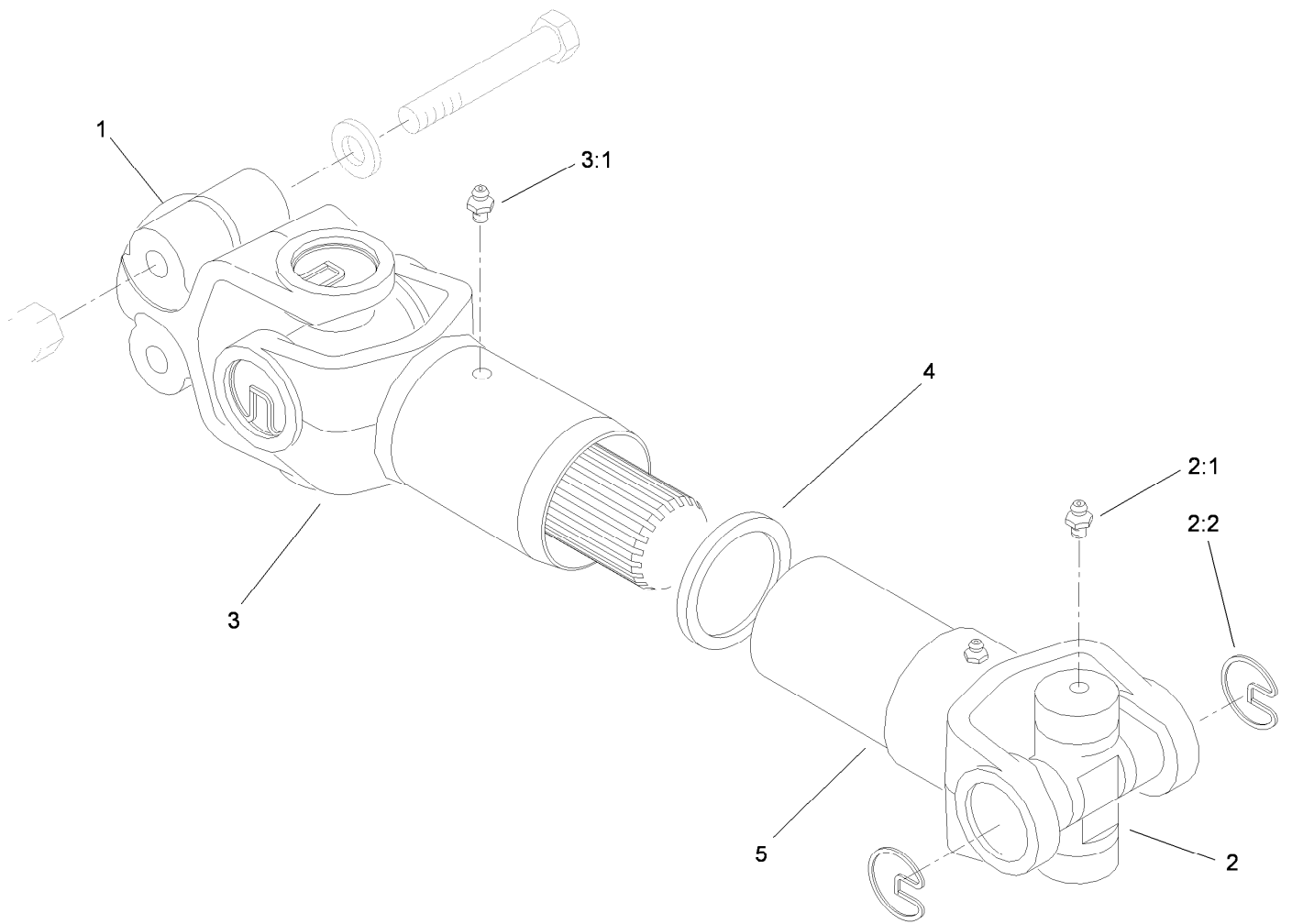


## RH Rear Brake Assembly No. 112-7962

Ref.	Part Number	Qty.	Description	Ref.	Part Number	Qty.	Description
1	92-4135	2	Bolt-Set	13	92-4145	1	RH Adjustor ASM
2	112-7967	1	RH Backplate ASM	13:1		1	Pushrod-Female ■
3	92-4146	1	Plunger ASM	13:2		1	Bolt-Adjuster ■
4	112-7978	1	Lined Shoe Kit	13:3		1	Sleeve-Adjuster ■
5	92-4148	1	Spring-Return, Shoe (Upper, RH)	14	92-4141	1	RH Wheel Cylinder ASM
6	92-4149	1	Spring-Return, Shoe (Lower)	14:1	92-4137	1	Screw-Bleed
7	92-4124	1	RH Pawl Lever ASM	14:2	92-4114	1	Cap-Screw, Bleed
7:1		1	Pin-Pawl ■	14:3		1	Body ■
8	92-4151	1	Spring-Adjuster, RH	14:4		1	Spring ■
9	92-4131	2	Washer-Hold Down, Shoe	14:5		2	Seal-L Type ■
10	92-4152	2	Spring-Hold Down, Shoe	14:6		2	Piston ■
11	92-4134	1	Plug-Inspection	14:7		2	Cover-Dust ■
12	92-4133	2	Pin-Hold Down, Shoe	15	92-4142	1	Seal Kit ●
				15:1		2	Seal-L Type ■
				15:2		2	Cover-Dust ■

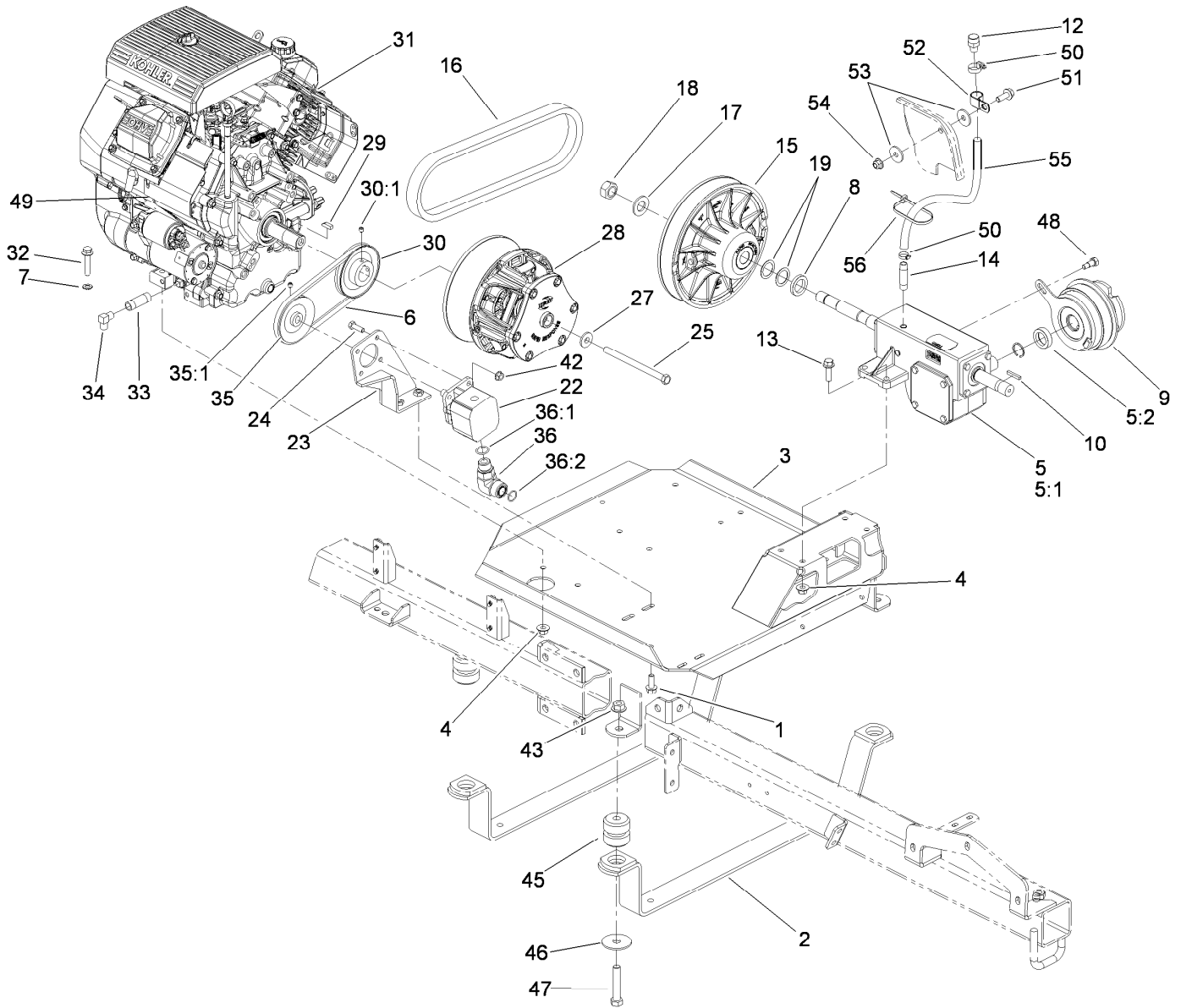
● Not illustrated

■ Not serviced separately



## Driveshaft Assembly No. 98-2918

<i>Ref.</i>	<i>Part Number</i>	<i>Qty.</i>	<i>Description</i>
1	98-2940	1	Yoke
2	92-4187	2	Cross And Bearing Kit
2:1	302-58	4	Fitting-Straight
2:2	92-4188	4	Ring-Snap
3	92-4179	1	Yoke-Tube, Shaft And Seal
3:1	302-5	1	Fitting-Grease
4	92-4180	1	Seal
5	92-4182	1	Yoke-Telescoping

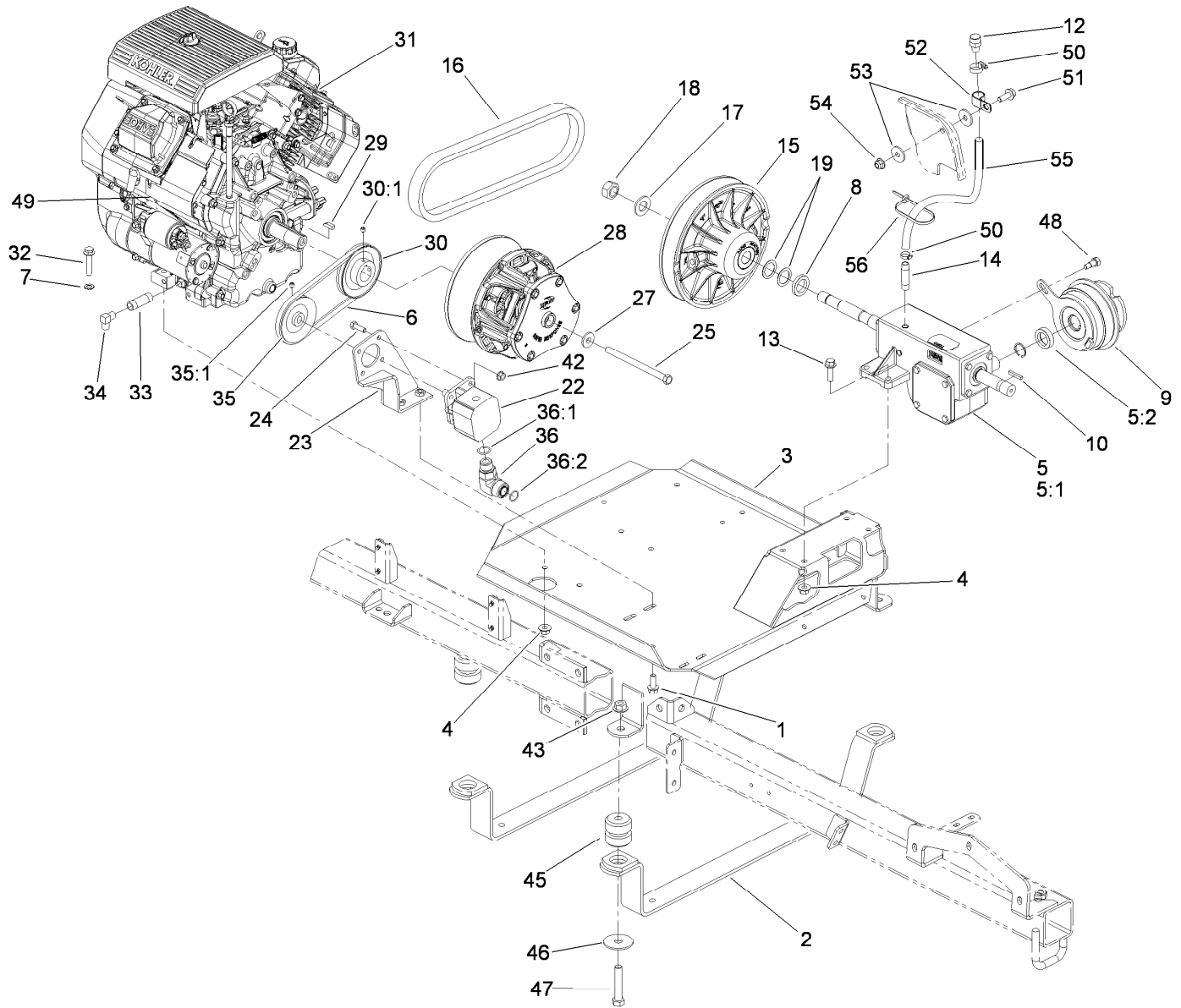


## Engine and Gearbox Assembly

Ref.	Part Number	Qty.	Description	Ref.	Part Number	Qty.	Description
1	3234-11	6	Screw-HHF	17	3256-28	1	Washer-Flat
2	100-8377-03	2	Strap-Support, Engine	18	100-8486	1	Nut-Locking, LH
3	117-5890-03	1	Engine Support ASM	19	74-1810	2	Washer
4	32128-43	12	Nut-Flange	22	100-8302	1	Steering Pump ASM
5	119-6043	1	Pump Drive Gear Box ASM	23	100-8368-03	1	Bracket-Pump, Steering
5:1		1	Gear Box-Pump Drive ■	24	322-4	4	Screw-HH
5:2	108-3301	1	Retainer-Spacer	25	119-6033	1	Screw-HH
6	100-8372	1	Belt-Steering	27	119-6034	1	Washer-Stepped
7	3255-9	1	Washer-Lock	28	119-6010	1	Primary Clutch ASM
8	100-8390	1	Spacer	29	100-8260	1	Key-Shaft
9	100-8290	1	Clutch-Electric, Pump (Drive)	30	117-5870	1	Pulley
10	92-0049	1	Key-Square	30:1	3246-2	2	Screw-Set, HSH
12	100-6931	1	Breather	31		1	Engine-Kohler, Ch640-3046 ■▲
13	3234-24	4	Screw-HHF	31:1	108-3847	1	Filter-Oil ●
14	104-8766	1	Nipple	32	3234-19	4	Screw-HHF
15	119-6011	1	Secondary Clutch ASM	33	92-3647	1	Nipple
16	117-5896	1	Belt-Cvt	34	95023	1	Elbow-90 DEG

● Not illustrated  
▲ Obtain parts from [www.kohlerplus.com](http://www.kohlerplus.com)

■ Not serviced separately

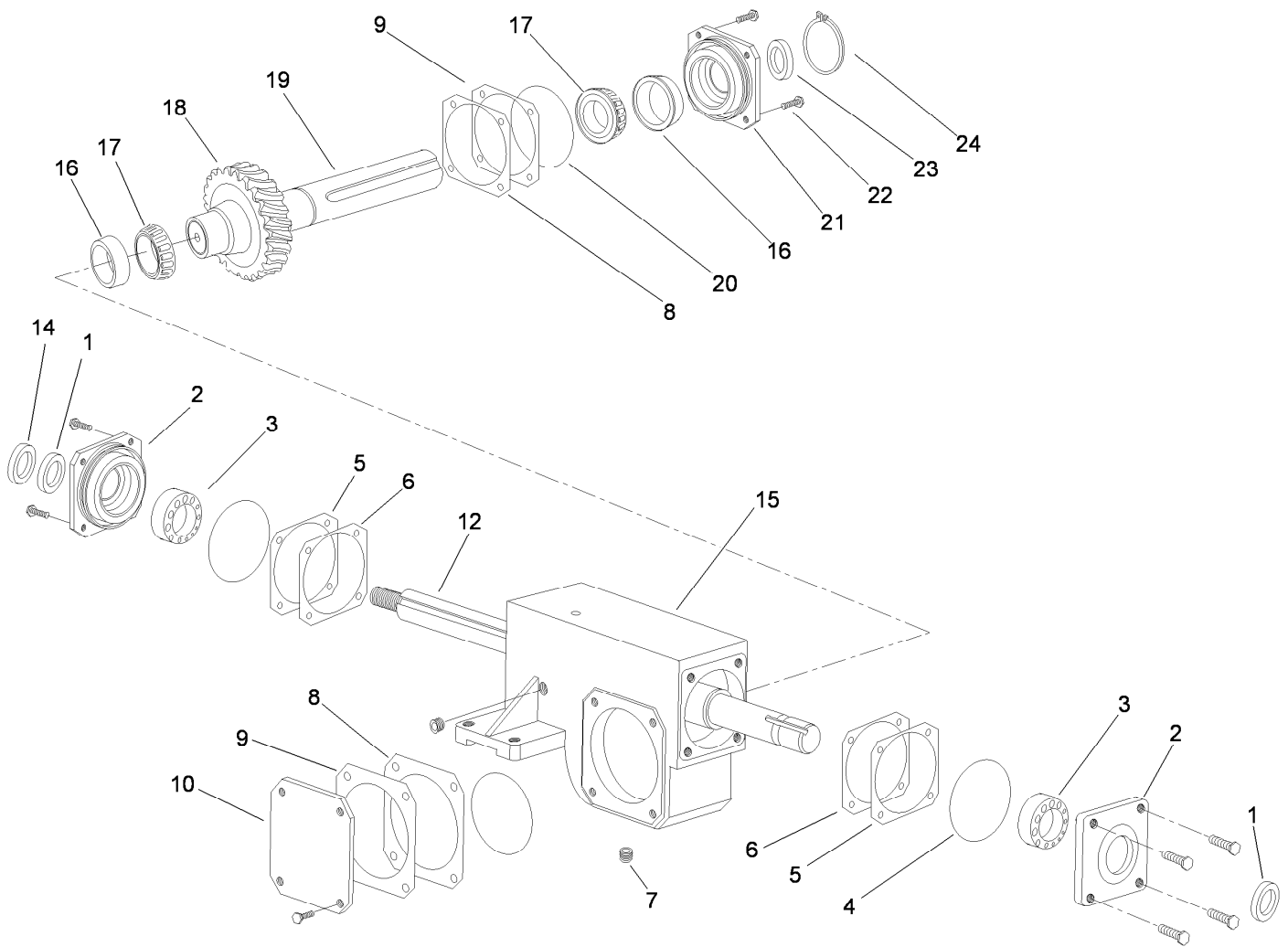


## Engine and Gearbox Assembly (continued)

Ref.	Part Number	Qty.	Description	Ref.	Part Number	Qty.	Description
35	100-8371	1	Pulley-Pump	48	59-5400	1	Bolt-Shoulder
35:1	3246-2	2	Screw-Set, HSH	49	112-7993-03	1	Baffle-Engine
36	340-16	1	Fitting-HYD, 90 DEG	50	2412-36	2	Clamp-Hose
36:1	237-80	1	O-Ring	51	3234-42	1	Screw-HHF
36:2	237-58	1	O-Ring	52	2412-4	1	Clamp-R
42	32128-20	4	Nut-HF	53	63-8410	2	Washer
43	32128-49	4	Nut-HHF	54	104-8301	1	Nut-HF, NI
45	106-7865	4	Mount-Engine	55	99-1356	1	Hose-Vent
46	41985	4	Washer-Special	56	3290-378	1	Tie-Cable
47	325-11	4	Screw-HH				

● Not illustrated  
▲ Obtain parts from [www.kohlerplus.com](http://www.kohlerplus.com)

■ Not serviced separately

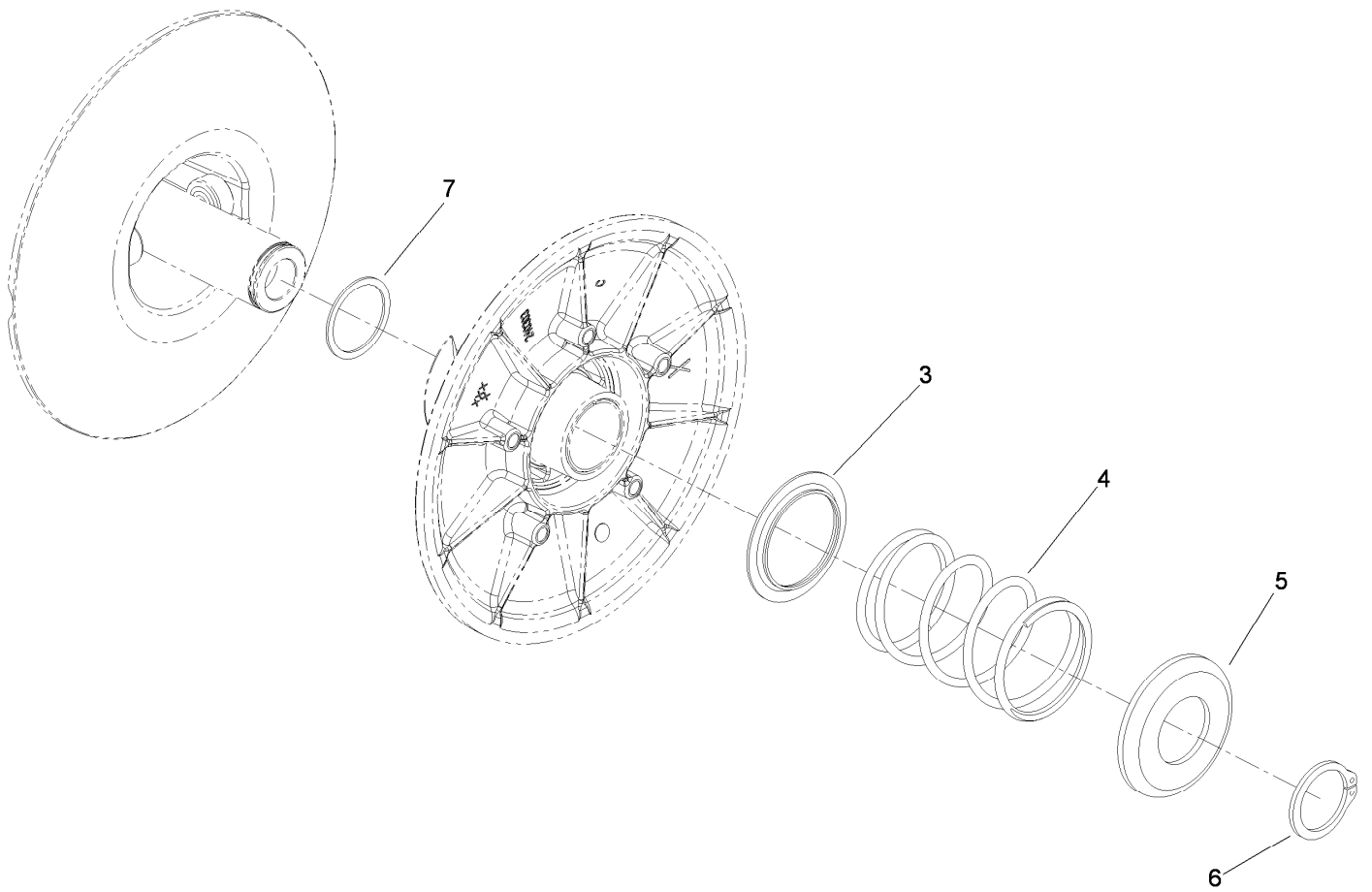


## Pump Drive Gearbox Assembly No. 119-6043

Ref.	Part Number	Qty.	Description
1	100-6929	2	Seal
2	100-6930	2	Cap-Open
3	251-348	2	Bearing-Ball
4	100-6932	2	O-Ring
5	100-6933	2	Shim-Red, .002
6	100-6934	2	Shim-Blue, .005
7	281-10	3	Plug
8	100-6936	2	Shim-Blue, .005
9	100-6937	2	Shim-Red, .002
10	100-6938	1	Cap-Closed
12	117-5885	1	Shaft-Worm

Ref.	Part Number	Qty.	Description
14	100-8390	1	Spacer
15		1	Housing-Gearbox ●
16	254-72	2	Bearing-Cup, Tapered
17	254-94	2	Bearing-Cone, Tapered
18	100-6944	1	Gear-Worm
19	100-6946	1	Shaft-Output
20	237-161	2	O-Ring
21	100-6948	1	Cap-Open
22	321-3	16	Screw-HH
23	104-8764	1	Seal-Viton
24	108-3302	1	Ring-Snap

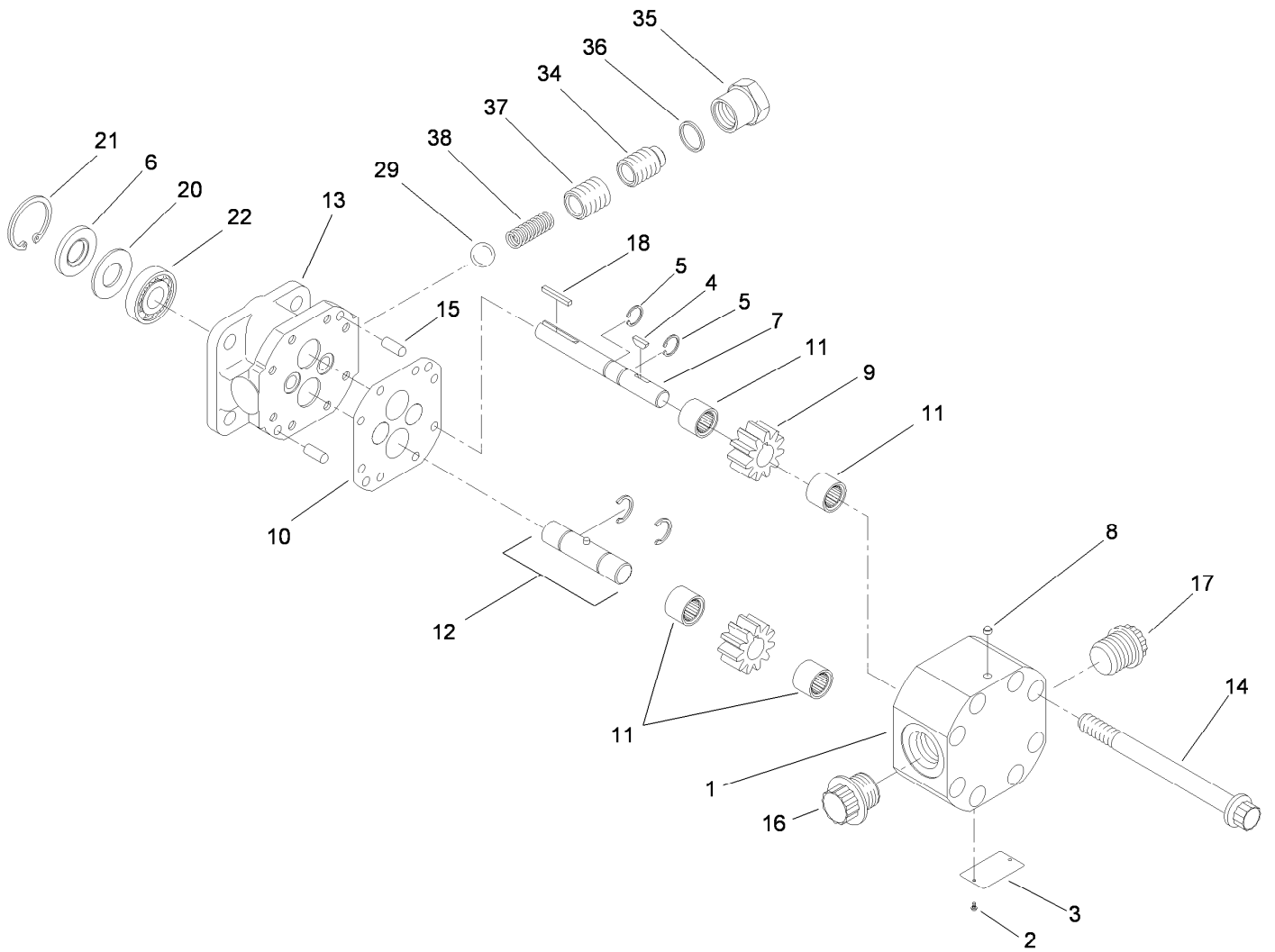
● Not serviced separately



## Secondary Clutch Assembly No. 119-6011

<i>Ref.</i>	<i>Part Number</i>	<i>Qty.</i>	<i>Description</i>
3	119-0809	1	Cup-Spring Retainer, Inner
4	119-9360	1	Spring-Compression, Black/Almond
5	119-0810	1	Cup-Spring Retainer, Outer
6	119-0811	1	Ring-Retaining
7	119-6018	1	Shim-Thrust

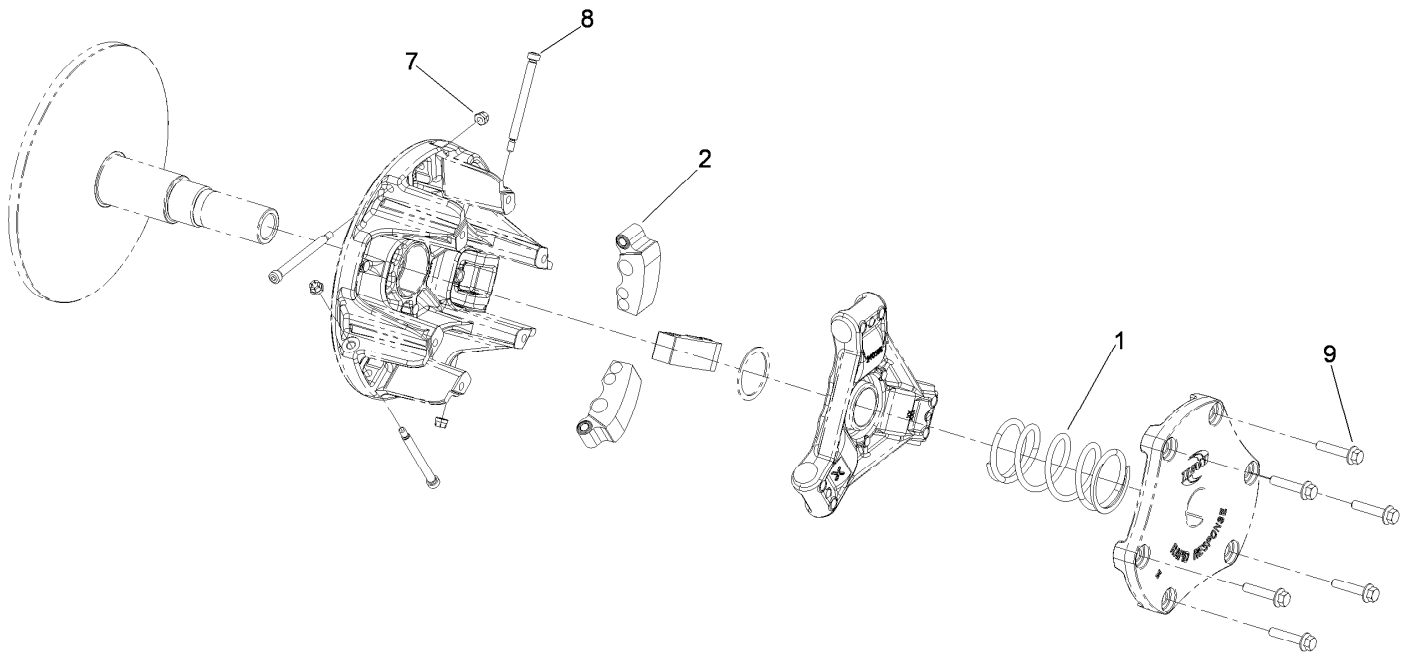




## Steering Pump Assembly No. 100-8302

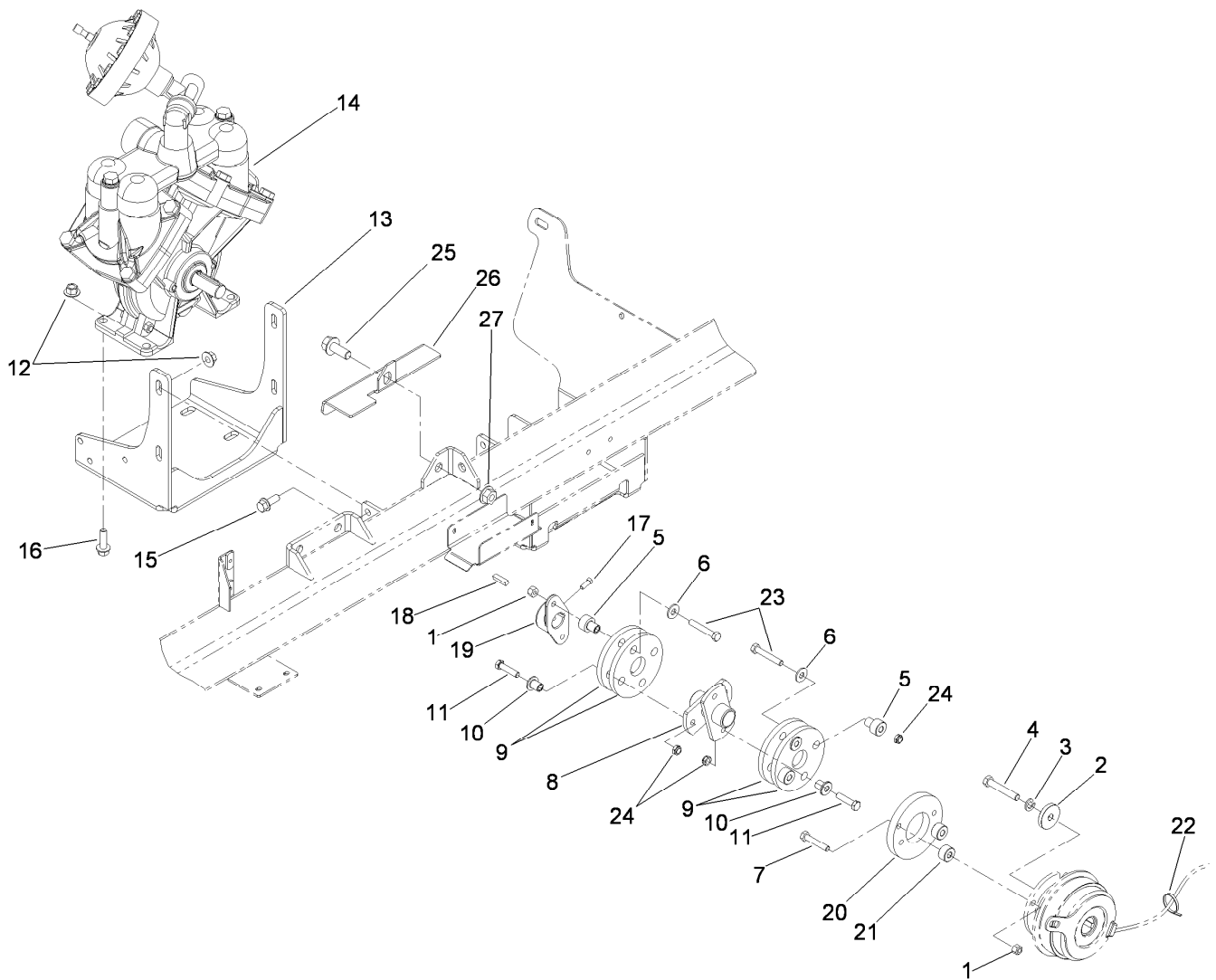
Ref.	Part Number	Qty.	Description	Ref.	Part Number	Qty.	Description
1		1	Housing ●	15	92-2176	2	Pin-Shear
2		2	Screw ●	16		1	Plug ●
3		1	Plate-Name ●	17		1	Plug ●
4	100-8270	1	Key	18	92-3876	1	Key-Shaft
5	92-3961	2	C-Ring	20	92-2186	1	Spacer
6	100-8275	1	Seal	21	92-3873	1	Snap Ring
7	106-6852	1	Shaft-Drive	22	92-2191	1	Bearing-Ball
8	100-8269	1	Plug-Beta	29	100-8273	1	Ball-Steel
9	106-6853	1	Gear	34	100-8272	1	Screw
10	106-6854	1	Gasket Kit	35	92-2184	1	Cap-Hex, Relief Valve
11	106-6855	4	Bearing-Needle	36	92-2180	1	Gasket-Copper
12		1	Shaft-Idler ●	37	92-3870	1	Spring
13		1	Stator ●	38	92-3871	1	Spring
14	100-8268	8	Screw				

● Not serviced separately



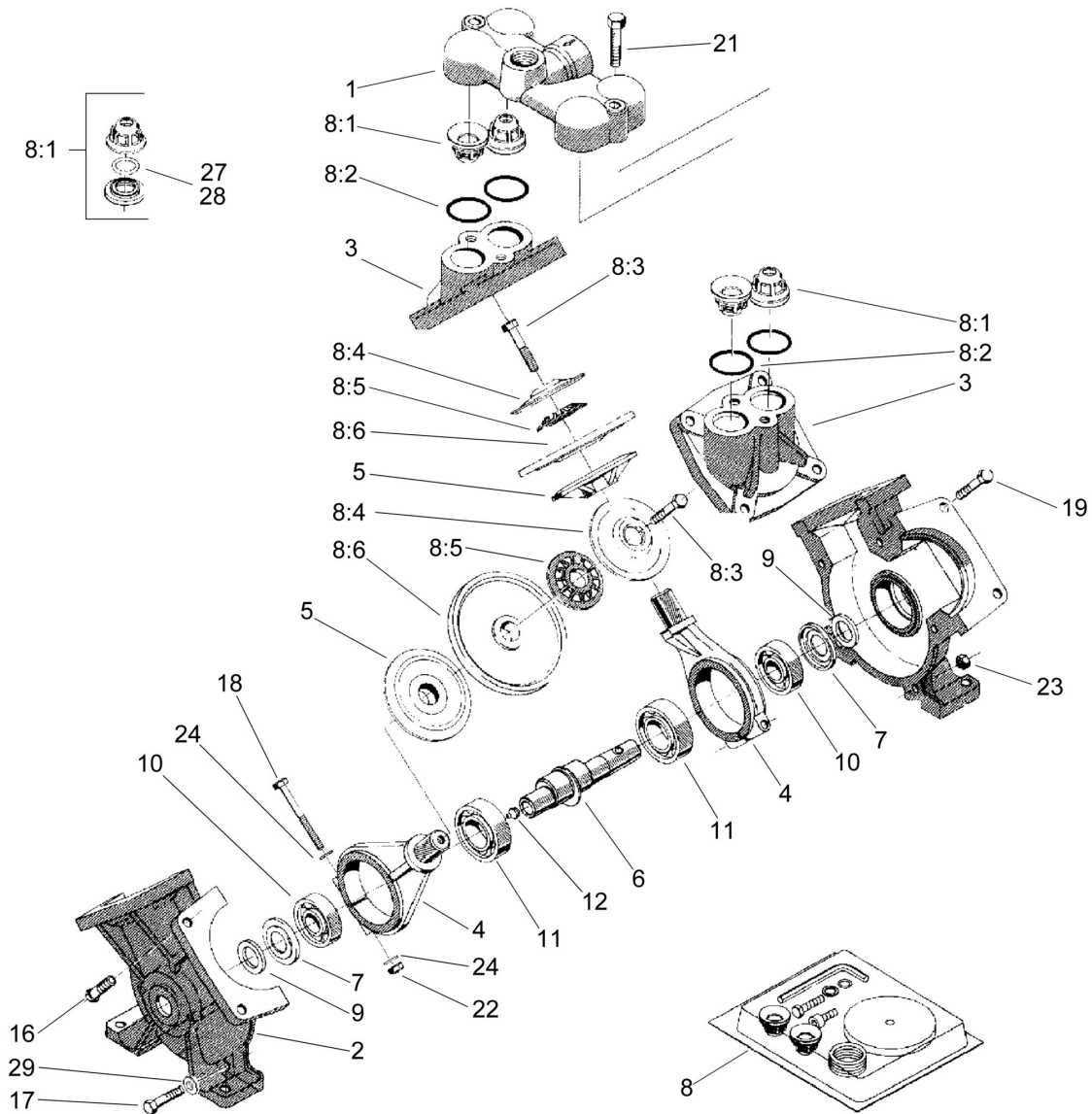
## Primary Clutch Assembly No. 119-6010

<i>Ref.</i>	<i>Part Number</i>	<i>Qty.</i>	<i>Description</i>
1	119-6012	1	Spring-Compression, Black/Orange
2	119-6019	3	Weight-Clutch
7	119-6015	3	Nut-Hex, Lock
8	119-6016	3	Screw-Shoulder
9	119-6017	6	Screw-HF



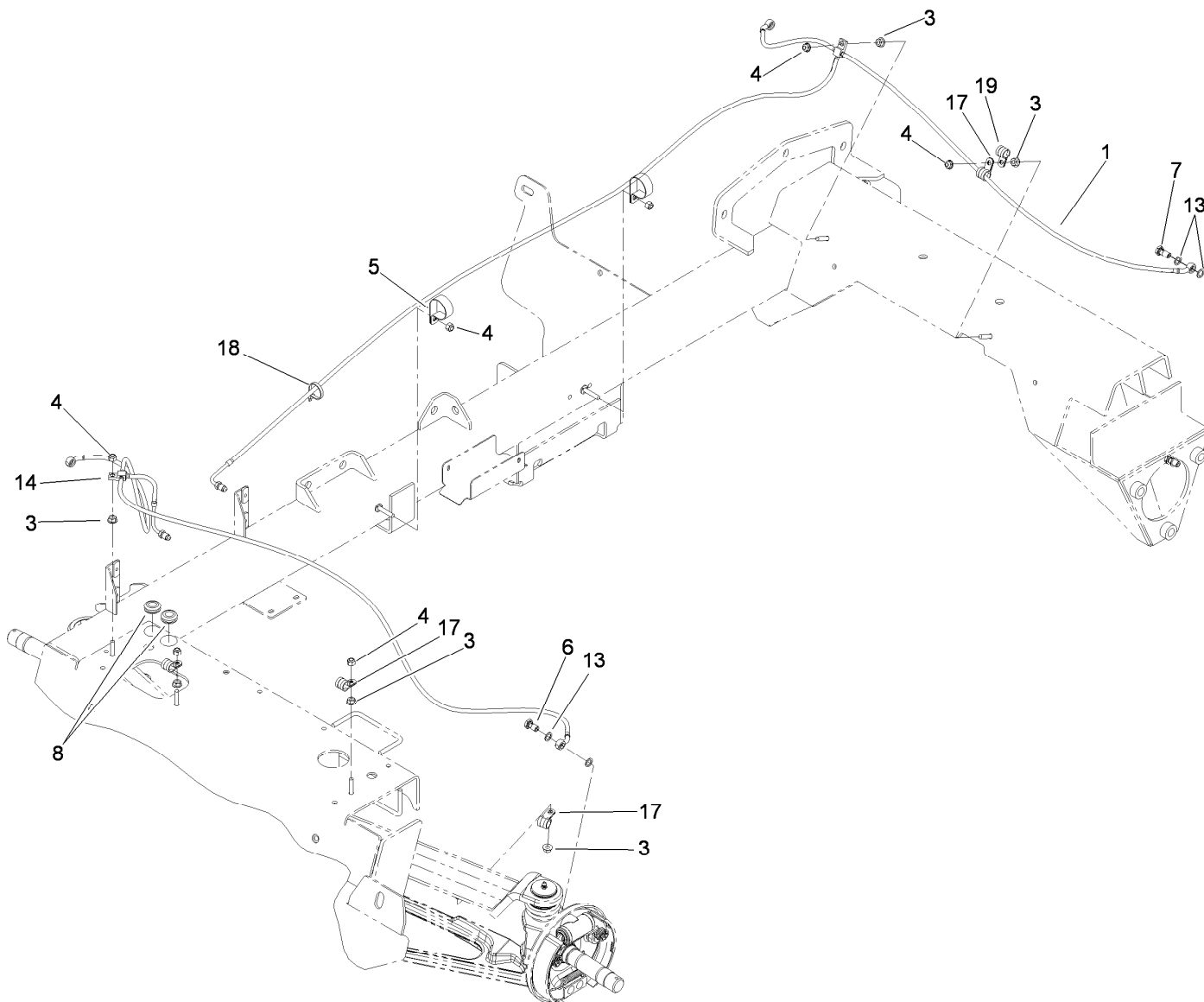
## Pump Assembly

<i>Ref.</i>	<i>Part Number</i>	<i>Qty.</i>	<i>Description</i>	<i>Ref.</i>	<i>Part Number</i>	<i>Qty.</i>	<i>Description</i>
1	3296-29	4	Nut-Lock, NI	15	3234-11	4	Screw-HHF
2	100-8391	1	Retainer-Clutch, Electric	16	3234-24	4	Screw-HHF
3	3253-5	1	Washer-Lock	17	3241-5	2	Screw-Set
4	3211-10	1	Screw-HH	18	5-7280	1	Key
5	71-4410	4	Spacer	19	110-5227	1	Hub-Pump
6	3256-3	4	Washer-Flat	20	100-8435	1	Adapter-Clutch
7	322-9	2	Screw-HH	21	104-8763	2	Spacer
8	107-8750-03	1	Drive-Coupler	22	3290-379	4	Tie-Cable
9	115-4523	4	Coupling-Rubber	23	322-10	4	Screw-HH
10	71-4411	4	Spacer	24	99-6007	6	Nut-Lock, NI
11	322-17	4	Screw-HH	25	3234-32	1	Screw-HHF
12	32128-43	8	Nut-Flange	26	119-4950-03	1	Guard-Pump
13	119-0505-03	1	Bracket -Mount, Pump	27	32128-49	1	Nut-HHF
14	106-5121	1	Pump ASM				



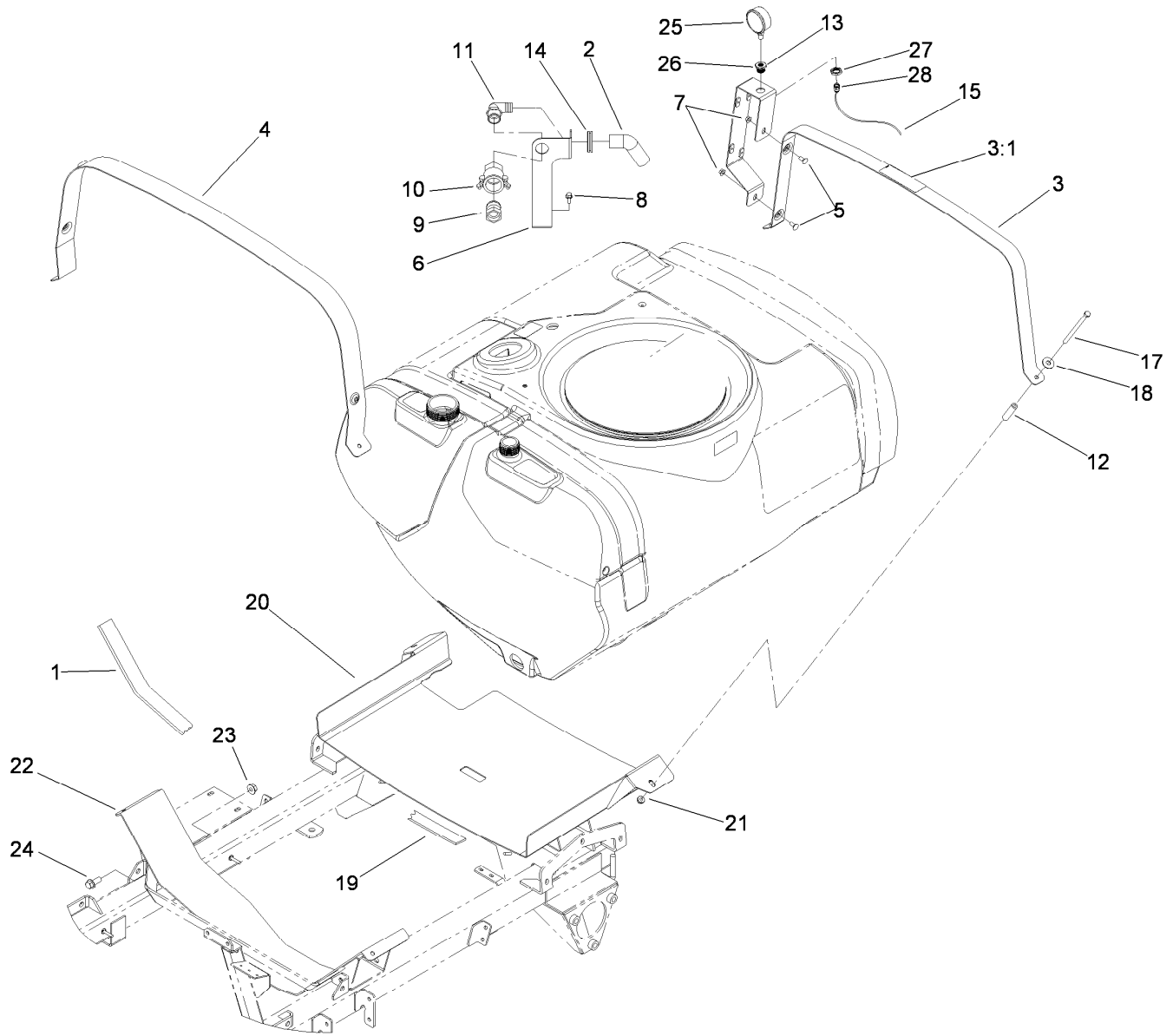
## Pump Assembly No. 106-5121

Ref.	Part Number	Qty.	Description	Ref.	Part Number	Qty.	Description
1	106-5139	1	Cover-Valve	10	100-8327	2	Bearing-Ball
2	106-5140	2	Housing-Pump	11	100-8329	2	Bearing-Ball
3	106-5141	2	Cover-Diaphragm	12	99-0873	1	Fitting-Grease
4	106-5142	2	Rod-Connecting	16	106-5143	3	Bolt
5	100-8314	2	Disc-Back, Diaphragm	17	106-5144	2	Bolt
6	104-9052	1	Crankshaft-Keyed	18	106-5145	2	Bolt
7	100-8325	2	Plate-Dust	19	106-5146	8	Bolt
8	106-5150	1	Repair Kit	21	106-5148	2	Bolt
8:1	100-8307	4	Valve	22	100-8326	2	Nut-Hex
8:2	100-6652	4	Gasket	23	106-5149	5	Nut
8:3	106-5147	2	Bolt	24	100-8316	4	Washer-Lock
8:4	100-8311	2	Washer	27	100-8336	4	O-Ring
8:5	100-8312	2	Washer-Nylon	28	106-5138	4	O-Ring
8:6	100-8313	2	Diaphragm	29	106-5137	2	Washer
9	99-0868	2	Felt-Seal				



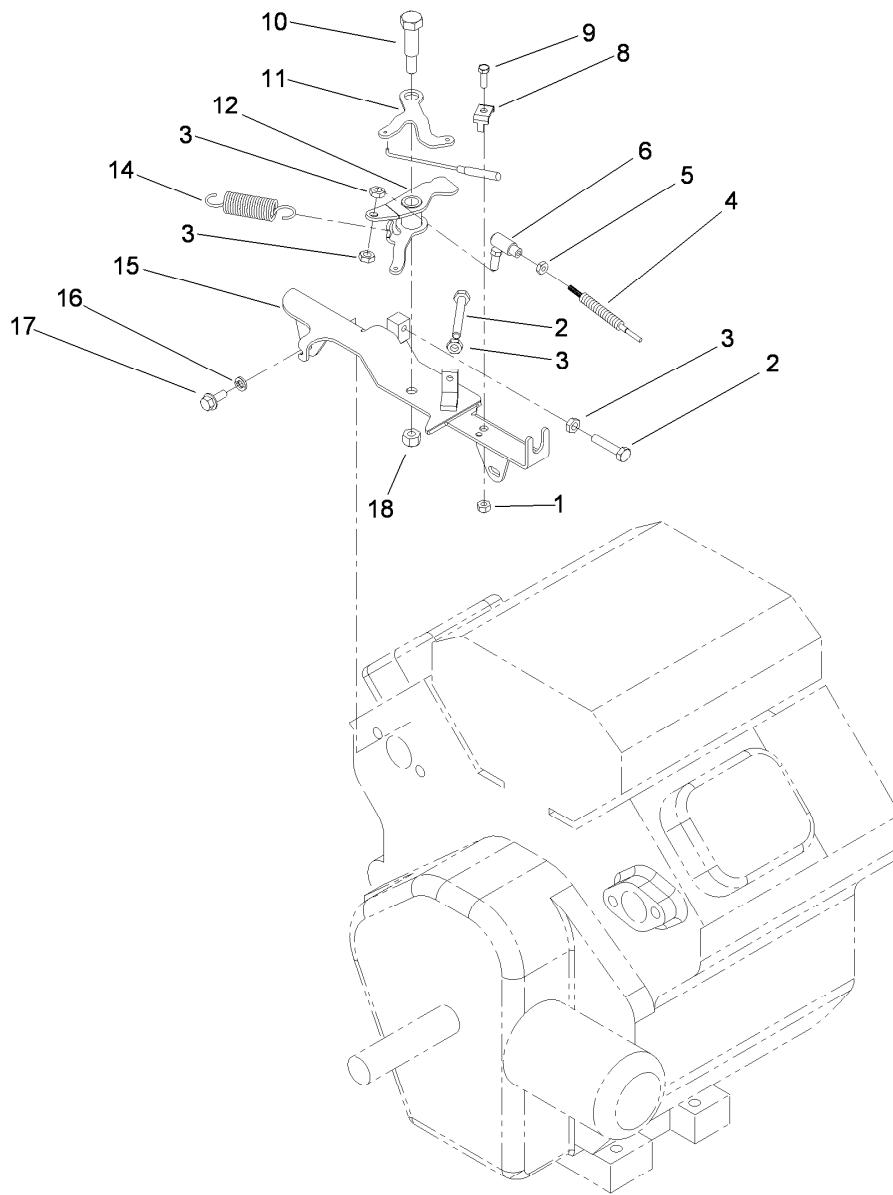
## Hydraulic Brake Line Assembly

Ref.	Part Number	Qty.	Description
1	117-8060	1	Rear Brake Line
3	32128-33	7	Nut-HF
4	104-7201	7	Nut-HF
5	2412-147	2	Clamp-R
6	117-8069	2	Bolt-Banjo, Short
7	117-8070	2	Bolt-Banjo
8	1-543296	2	Grommet
13	115-2341	8	Washer-Banjo
14	117-8059	1	Front Brake Line
17	2412-134	5	Clamp-R
18	3290-379	6	Tie-Cable
19	2412-134	1	Clamp-R



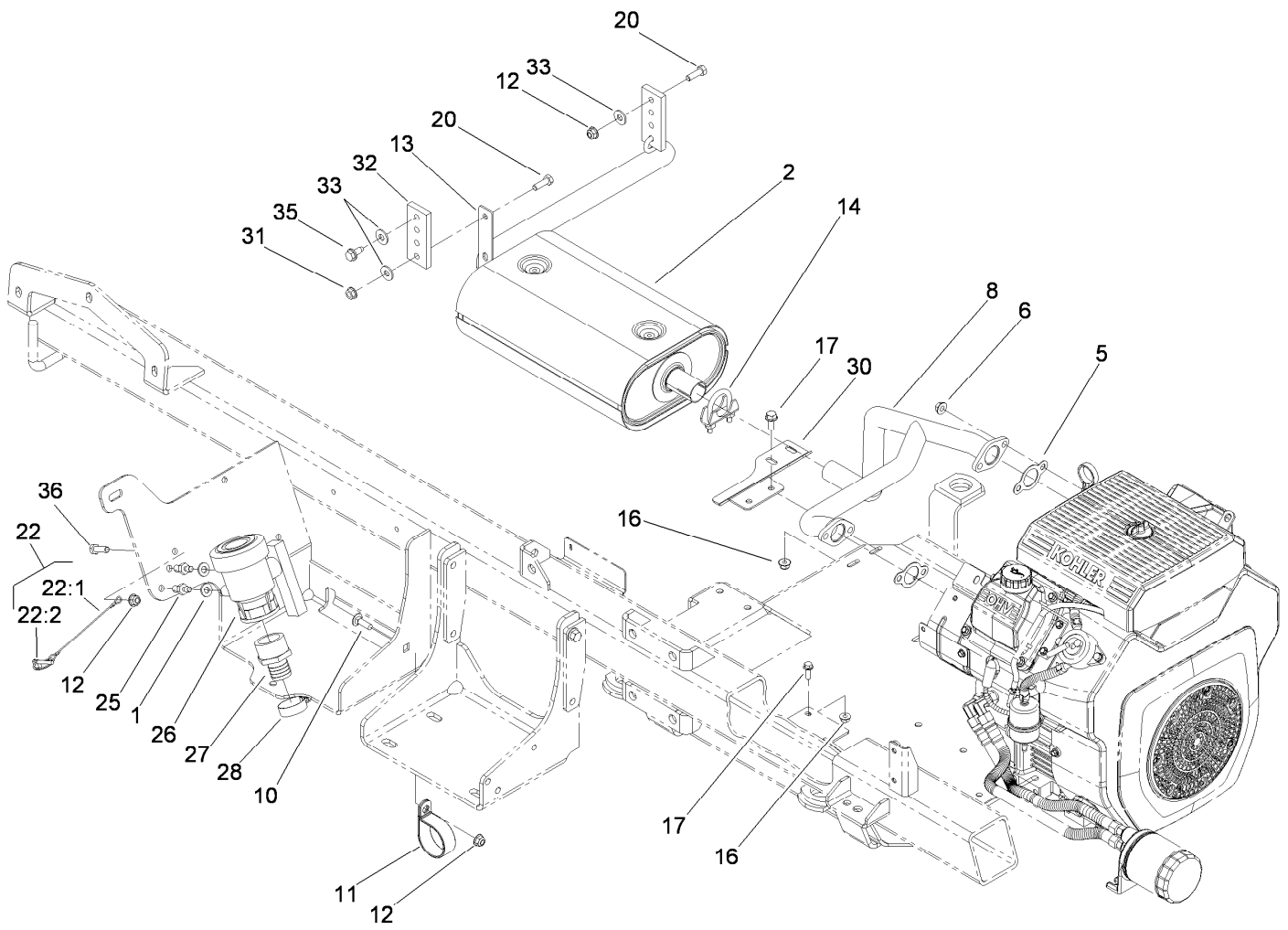
## Tank and Saddle Assembly

<i>Ref.</i>	<i>Part Number</i>	<i>Qty.</i>	<i>Description</i>	<i>Ref.</i>	<i>Part Number</i>	<i>Qty.</i>	<i>Description</i>
1	100-8573	2	Foam-Saddle, Front	14	110-5090	1	Grommet
2	110-5088	1	Hose-Fill	15	104-8782	1	Tube-Gauge, Pressure
3	106-5048	1	Tank Band ASM	17	323-58	4	Bolt-TAP, HH
3:1	106-5016	1	Decal-Caution, Electric Shock	18	94-2701	4	Washer-Hardened
4	106-5063-03	1	Band-Tank, Front	19	100-8574	3	Foam-Saddle, Right Rear
5	3230-1	2	Bolt-CARR	20	108-3356-03	1	Rear Saddle ASM
6	110-5082-03	1	Bracket-Anti Siphon	21	104-8301	4	Nut-HF, NI
7	32128-20	2	Nut-HF	22	100-8565-03	1	Front Saddle ASM
8	3234-5	1	Screw-HHF	23	32128-49	4	Nut-HHF
9	41316	1	Adapter-Quick	24	3234-32	4	Screw-HHF
10	100-6779	1	Coupling-Female	25	110-5080	1	Gauge-Pressure
11	41140	1	Elbow	26	100-8665	1	Reducer-Gauge, Pressure
12	99-7375	1	Hose-Breather	27	100-8666	1	Nut-Reducer
13	112-7946-03	1	Tee-Bracket, Mounting	28	100-8667	1	Coupler-Reducer



## Throttle Linkage Assembly

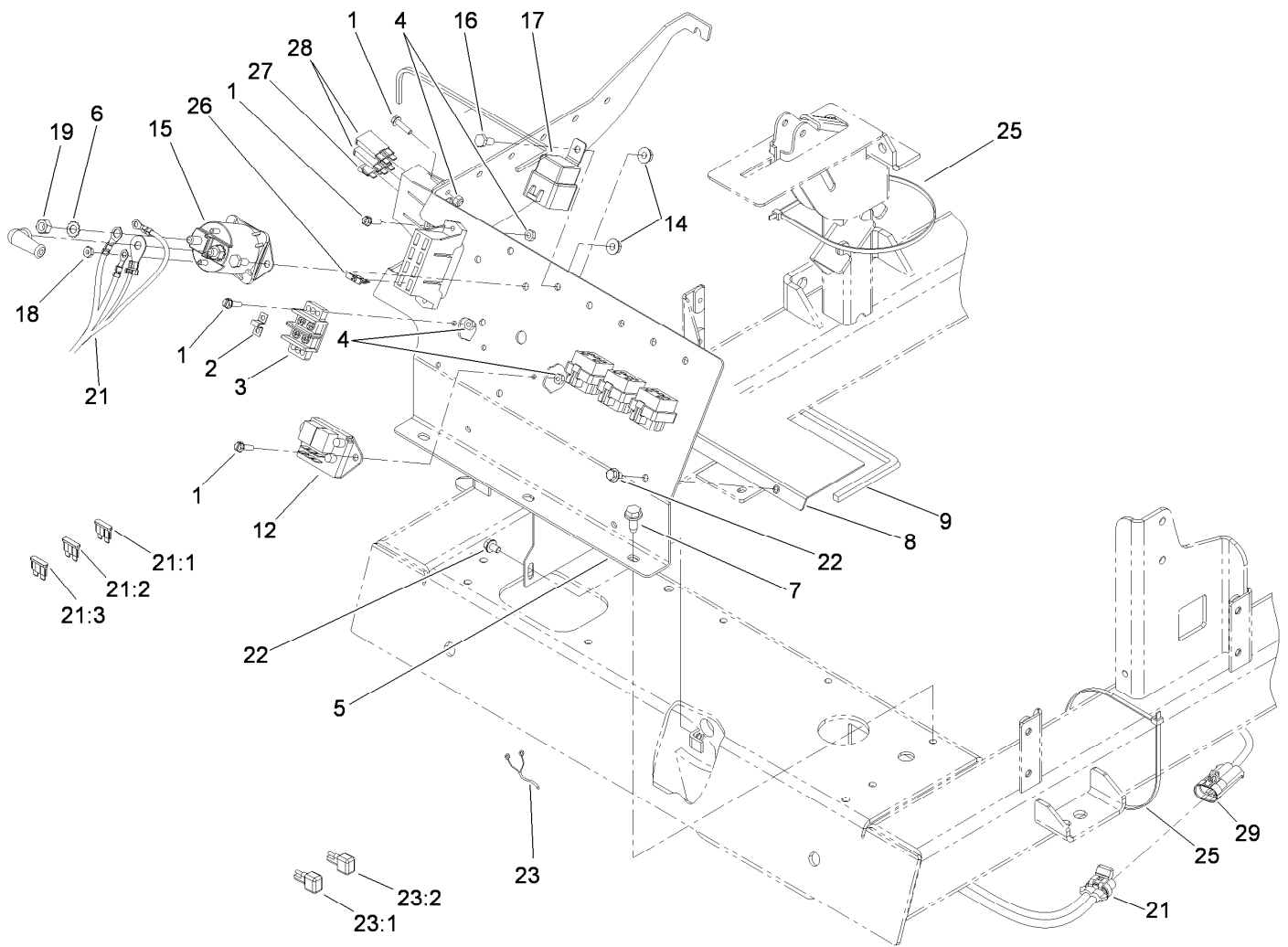
<i>Ref.</i>	<i>Part Number</i>	<i>Qty.</i>	<i>Description</i>	<i>Ref.</i>	<i>Part Number</i>	<i>Qty.</i>	<i>Description</i>
1	3296-2	1	Nut-Lock, NI	10	7-0030	1	Screw-Shoulder, HH
2	108-3660	2	Screw-TAP	11	87-7790	1	Lever-Choke
3	3220-1	4	Nut-Jam	12	100-8558	1	Lever-Throttle
4	100-8383	1	Cable-Accelerator	14	67-1450	1	Spring-Idler
5	3219-14	1	Nut-Hex	15	100-8557	1	Lever-Throttle
6	100-8559	1	Ball Joint ASM	16	48-8020	4	Washer-Spring
8	92-0477	1	Clamp-Cable	17	33103-016	4	Screw-HHF
9	3290-134	1	Screw	18	3296-29	1	Nut-Lock, NI



## Exhaust Assembly

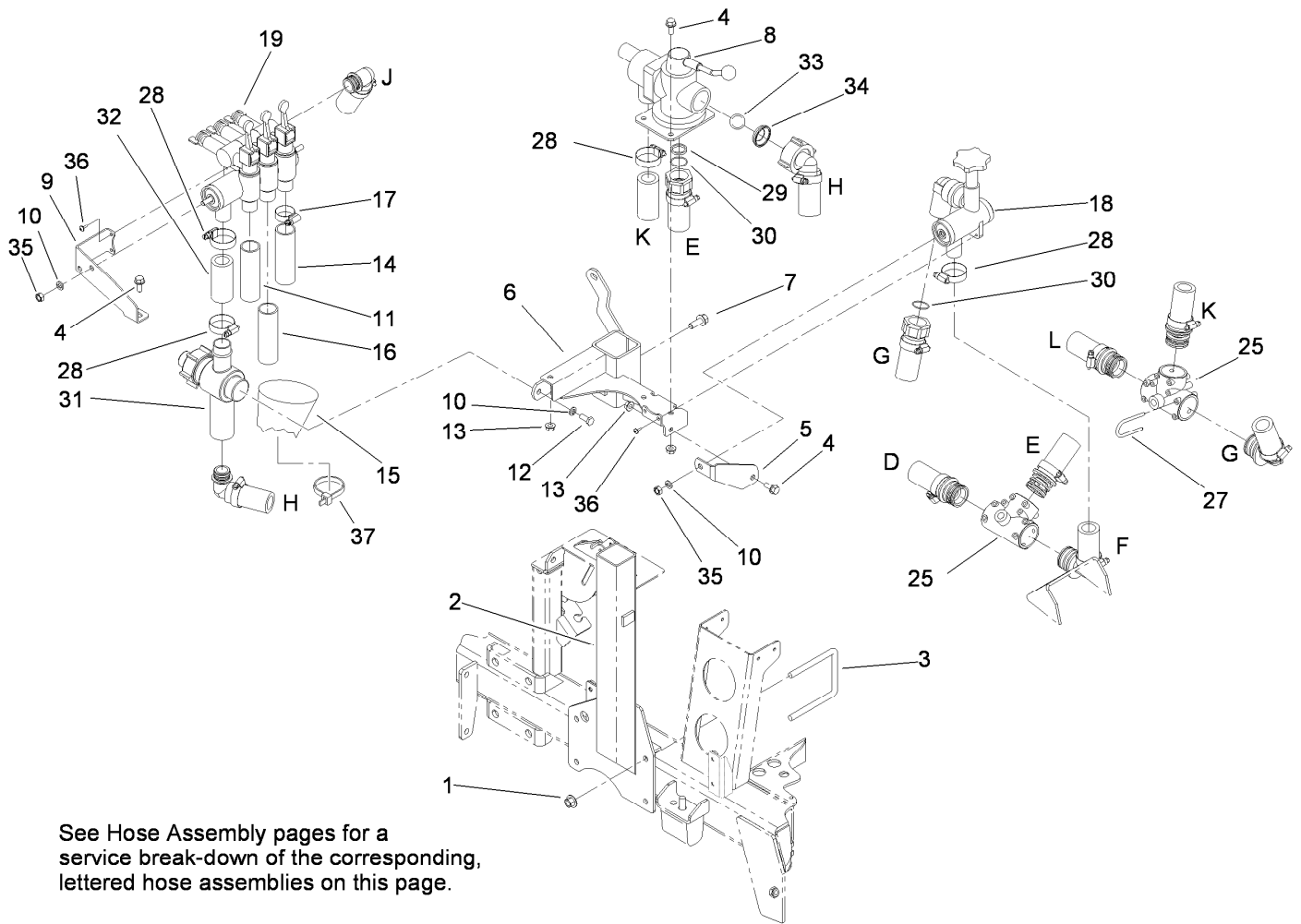
<i>Ref.</i>	<i>Part Number</i>	<i>Qty.</i>	<i>Description</i>	<i>Ref.</i>	<i>Part Number</i>	<i>Qty.</i>	<i>Description</i>
1	62-1230	2	Washer-Rubber	22	98-0979	1	Lynch Pin ASM
2	117-5887	1	Muffler	22:1	28-8070	1	Lanyard
5	110-6697	2	Gasket-Exhaust	22:2	3290-495	1	Pin-Klik
6	92-6780	4	Nut-HF	25	112-7900	2	Mount-Peg
8	117-5876	1	Manifold-Exhaust	26	108-0069	1	Valve-Ball
10	3230-2	1	Bolt-CARR	27	110-5224	1	Fitting-Barbed, Straight
11	114-9566	1	Clamp-R	28	2412-34	1	Clamp-Hose
12	104-8300	3	Nut-HF, NI	30	117-5883	1	Bracket-Support, Exhaust
13	119-6007	1	Hanger-Muffler	31	32128-25	1	Nut-HF
14	95-0586	2	Clamp ASM	32	117-0744	2	Hanger-Muffler
16	32128-33	4	Nut-HF	33	3256-3	3	Washer-Flat
17	3234-4	5	Screw-HHF	35	32144-70	1	Screw-HWHTF
20	322-5	2	Screw-HH	36	322-4	1	Screw-HH





## Electrical Panel Assembly

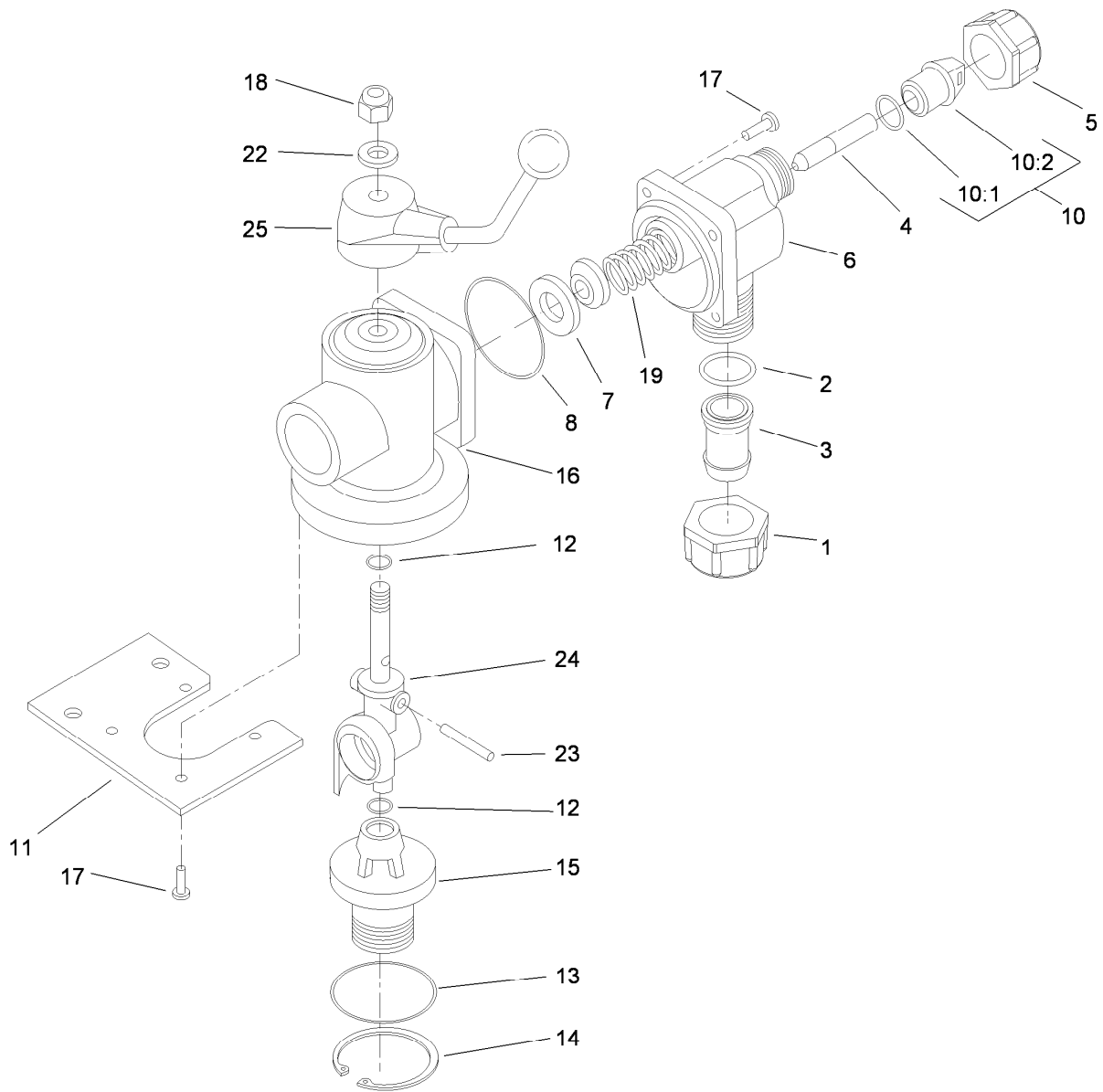
<i>Ref.</i>	<i>Part Number</i>	<i>Qty.</i>	<i>Description</i>	<i>Ref.</i>	<i>Part Number</i>	<i>Qty.</i>	<i>Description</i>
1	32105-13	8	Screw-HWH	19	3220-2	2	Nut-Jam
2	42863	1	Strip-Jumper	21	108-9461	1	Harness-Wire, Main
3	42862	1	Block-Terminal, Ground	21:1	110928	1	Fuse-Blade, 5 Amp
4	3296-2	8	Nut-Lock, NI	21:2	218-578	1	Fuse-Blade, 10 Amp
5	108-3676-03	1	Panel-Electrical	21:3	109103	1	Fuse-Blade, 30 Amp
6	3255-8	2	Washer-Lock	22	3234-26	3	Screw-HHF
7	32144-70	3	Screw-HWHTF	23	114-3390	1	Harness-Wire
8	100-7025-03	1	Shield-Heat, Front	23:1	100-4918	2	Diode
9	100-7027	1	Trim	23:2	108-9493	2	Diode-Tvs
12	99-3703	1	Module-Cruise	25	3290-379	5	Tie-Cable
14	32128-33	8	Nut-HF	26	109101	1	Fuse-Blade, 20 Amp
15	114-3315	1	Solenoid	27	109355	1	Fuse-Blade, 15 Amp
16	321-3	8	Screw-HH	28	108-3736	2	Breaker-Circuit, 30A
17	99-7430	7	Relay	29	108-9470	1	Harness-Wire, Fusible Link
18	32149-8	2	Nut-Keps				



See Hose Assembly pages for a service break-down of the corresponding, lettered hose assemblies on this page.

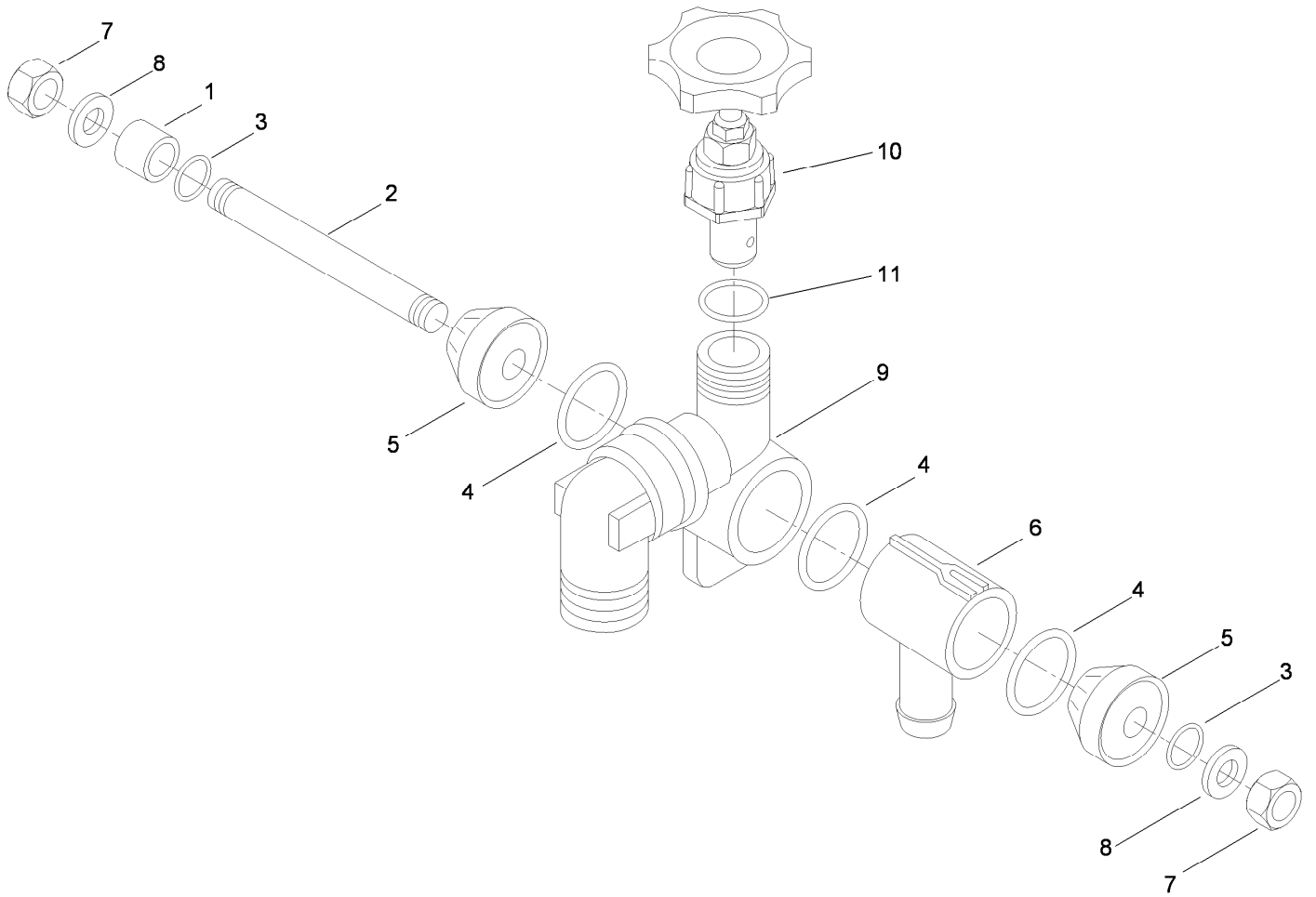
## Manual Control Assembly

Ref.	Part Number	Qty.	Description	Ref.	Part Number	Qty.	Description
1	32128-43	4	Nut-Flange	17	2412-129	3	Clamp-Hose
2	104-8828-03	1	Valve-Post	18	106-4883	1	Pressure Control Valve ASM
3	100-7067	2	U-Bolt (4 Inch)	19	106-4882	1	Boom Valve ASM
4	3234-5	4	Screw-HHF	25	104-9041	2	Tee
5	104-8838-03	1	Bracket-Valve, Rate	27	100-6708	6	Fork
6	104-8833-03	1	Mount-Valve	28	2412-34	4	Clamp-Hose
7	3234-11	1	Screw-HHF	29	106-4897	1	Support-O Ring
8	106-4881	1	Main On/Off Valve ASM	30	100-6655	2	Gasket
9	104-8839-03	1	Bracket-Valve, Section	31	106-4884	1	Flow Meter ASM
10	3253-4	4	Washer-Lock	32	104-8905	1	Hose-Pressure
11	108-3740	1	Hose-Boom, RH	33	100-7000	1	Ball-Plastic
12	33114-020	1	Screw-HH	34	100-6999	1	Bushing
13	32128-20	4	Nut-HF	35	100-6894	4	Nut
14	108-3741	1	Hose-Boom, LH	36	100-6916	4	Screw-Plastic
15	106-6713	2	Cover-Lines, Steering	37	3290-379	4	Tie-Cable
16	108-3739	1	Center Boom Hose				



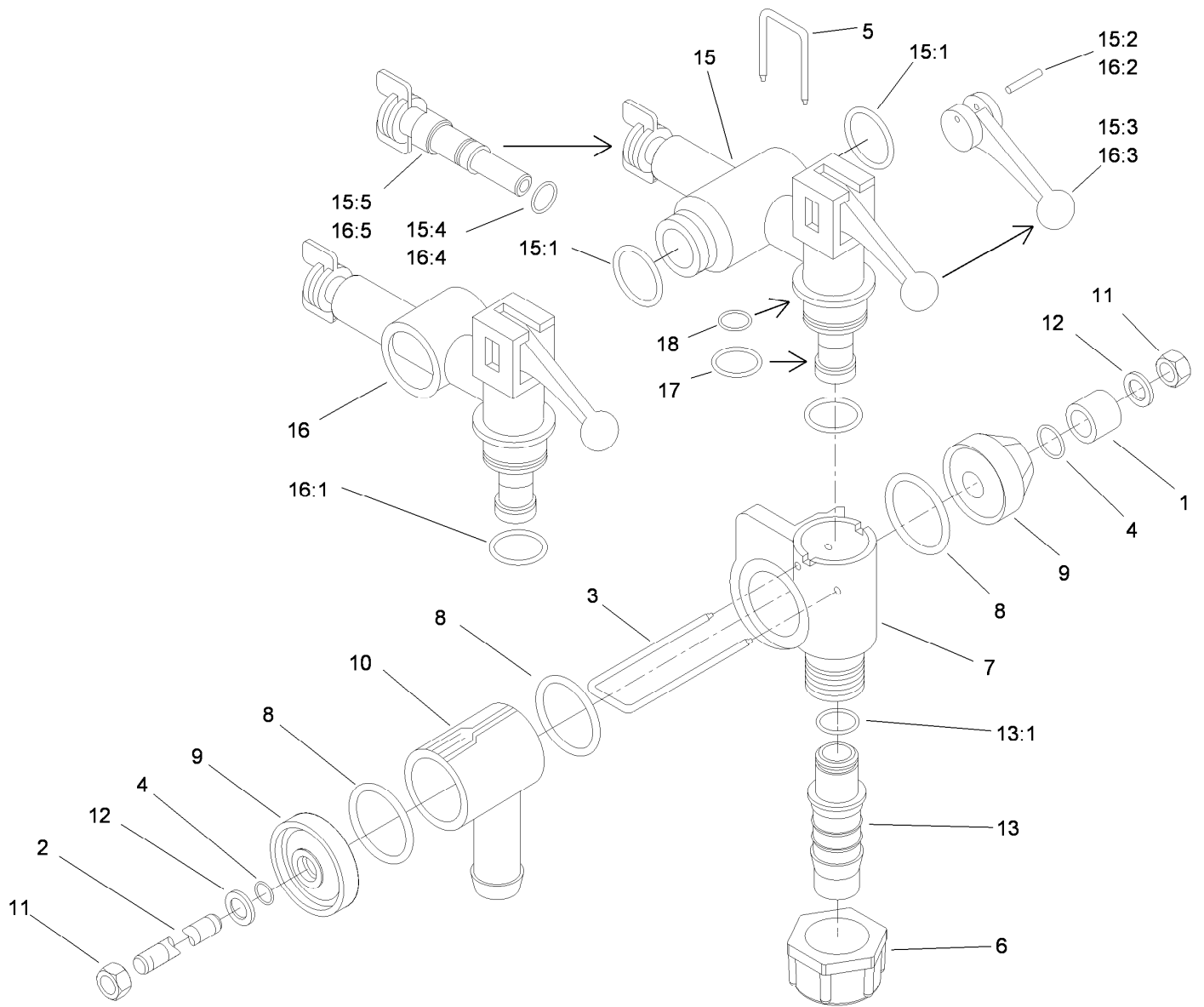
## Main On/Off Valve Assembly No. 106-4881

<i>Ref.</i>	<i>Part Number</i>	<i>Qty.</i>	<i>Description</i>	<i>Ref.</i>	<i>Part Number</i>	<i>Qty.</i>	<i>Description</i>
1	99-0769	1	Nut	13	100-6993	1	O-Ring
2	100-6655	1	Gasket	14	100-6994	1	Ring-Snap, Inner
3	99-0781	1	Hosebarb	15	100-6951	1	Adapter-Valve, On/Off
4	100-6942	1	Pin	16	100-6949	1	Housing-Valve, On/Off (Manual)
5	99-0850	1	Nut	17	100-6916	8	Screw-Plastic
6	100-6943	1	Housing-Valve, Pressure	18	48-9520	1	Nut
7	100-6945	1	Seat	19	100-7003	1	Relief Valve ASM
8	100-6947	1	O-Ring	22	99-0863	1	Washer
10	99-0844	1	Plug-Tube, Nozzle	23	100-8656	1	Pin-Expansion
10:1	100-6645	1	O-Ring	24	100-6950	1	Stem-Valve, On/Off (Manual)
10:2	100-6941	1	Fitting	25	100-7001	1	Handle
11	100-6997	1	Fitting				
12	100-6641	2	O-Ring				



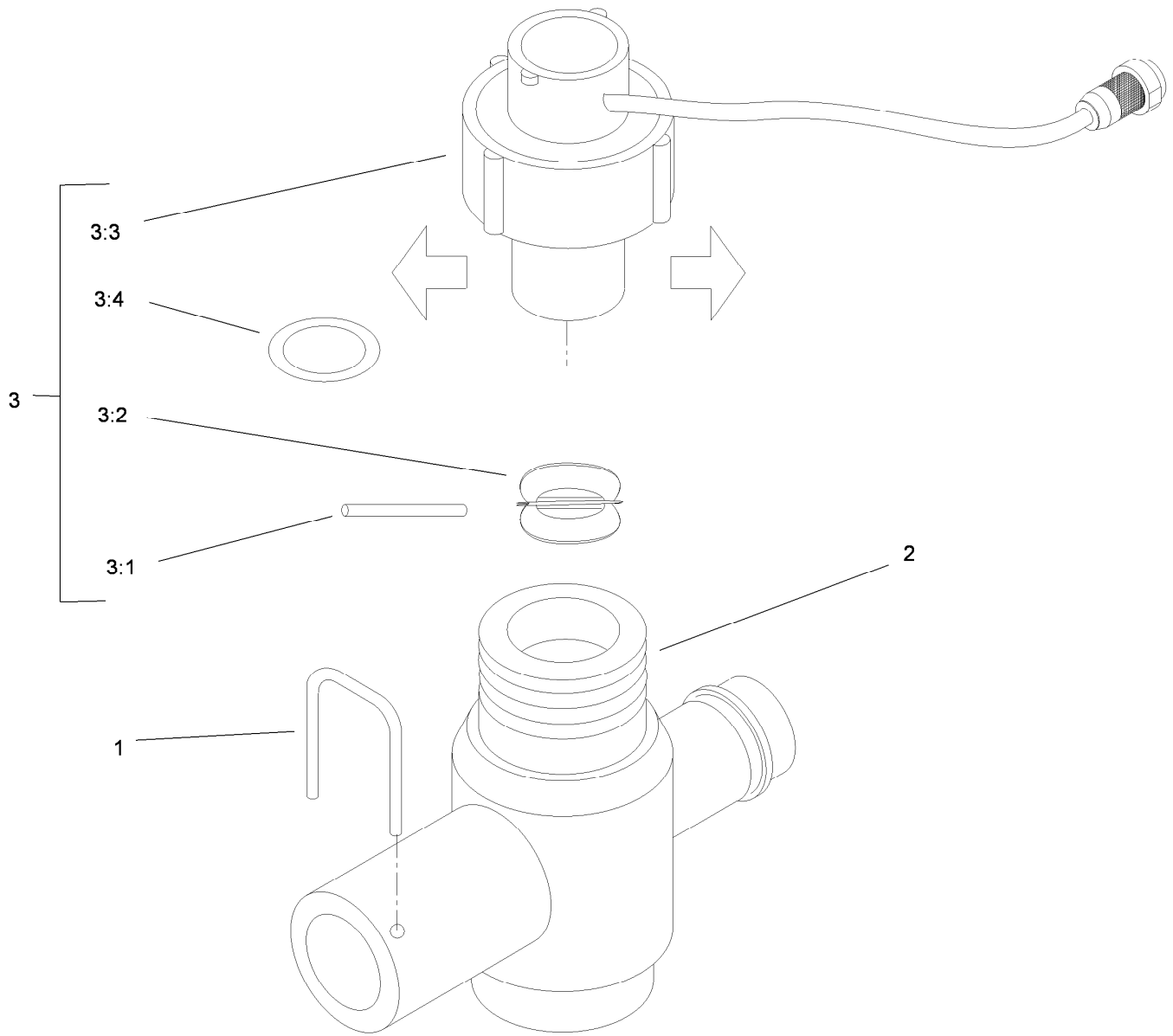
## Pressure Control Valve Assembly

<i>Ref.</i>	<i>Part Number</i>	<i>Qty.</i>	<i>Description</i>
1	100-6897	1	Bushing
2	104-8917	1	Rod-Valve, Pressure Control
3	100-6887	2	O-Ring
4	100-6892	3	O-Ring
5	100-6913	2	Cover
6	100-6908	1	T-Piece
7	100-6894	2	Nut
8	100-6634	2	Washer
9	104-8919	1	Housing-Control, Pressure
10	100-6762	1	Regulator-Pressure, Manual
11	100-6644	1	O-Ring



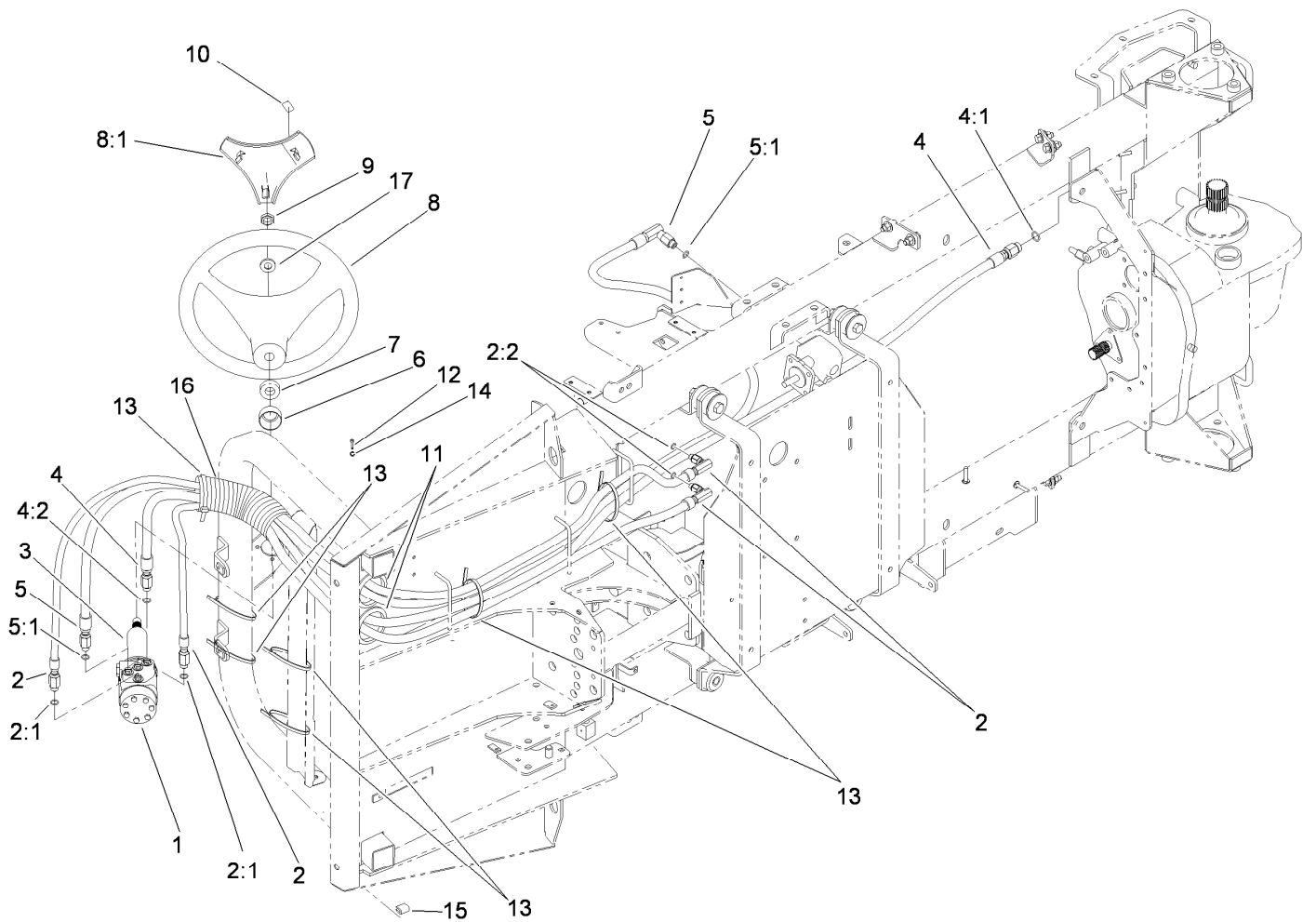
## Boom Valve Assembly No. 106-4882

<i>Ref.</i>	<i>Part Number</i>	<i>Qty.</i>	<i>Description</i>	<i>Ref.</i>	<i>Part Number</i>	<i>Qty.</i>	<i>Description</i>
1	100-6897	1	Bushing	15:1	100-6882	1	O-Ring
2	104-8916	1	Rod-Valve, Individual Boom	15:2	100-6766	1	Pin
3	100-6758	1	Fork	15:3	100-6835	1	Handle
4	100-6887	2	O-Ring	15:4	100-6641	1	O-Ring
5	100-6885	3	Fork-Valve, Boom	15:5	100-6769	1	Screw-Adjust
6	99-0850	3	Nut	16	100-6765	1	Valve-Boom Section, Manual
7	100-6759	3	Housing-Section Valve	16:1	100-6882	1	O-Ring
8	100-6892	5	O-Ring	16:2	100-6766	1	Pin
9	100-6913	2	Cover	16:3	100-6835	1	Handle
10	100-6908	1	T-Piece	16:4	100-6641	1	O-Ring
11	100-6894	2	Nut	16:5	100-6769	1	Screw-Adjust
12	100-6634	2	Washer	17	100-6770	2	O-Ring
13	106-5112	3	Hosebarb ASM	18	100-6878	3	O-Ring
13:1	100-6645	1	O-Ring				
15	100-6767	2	Valve-Boom Section, Manual				



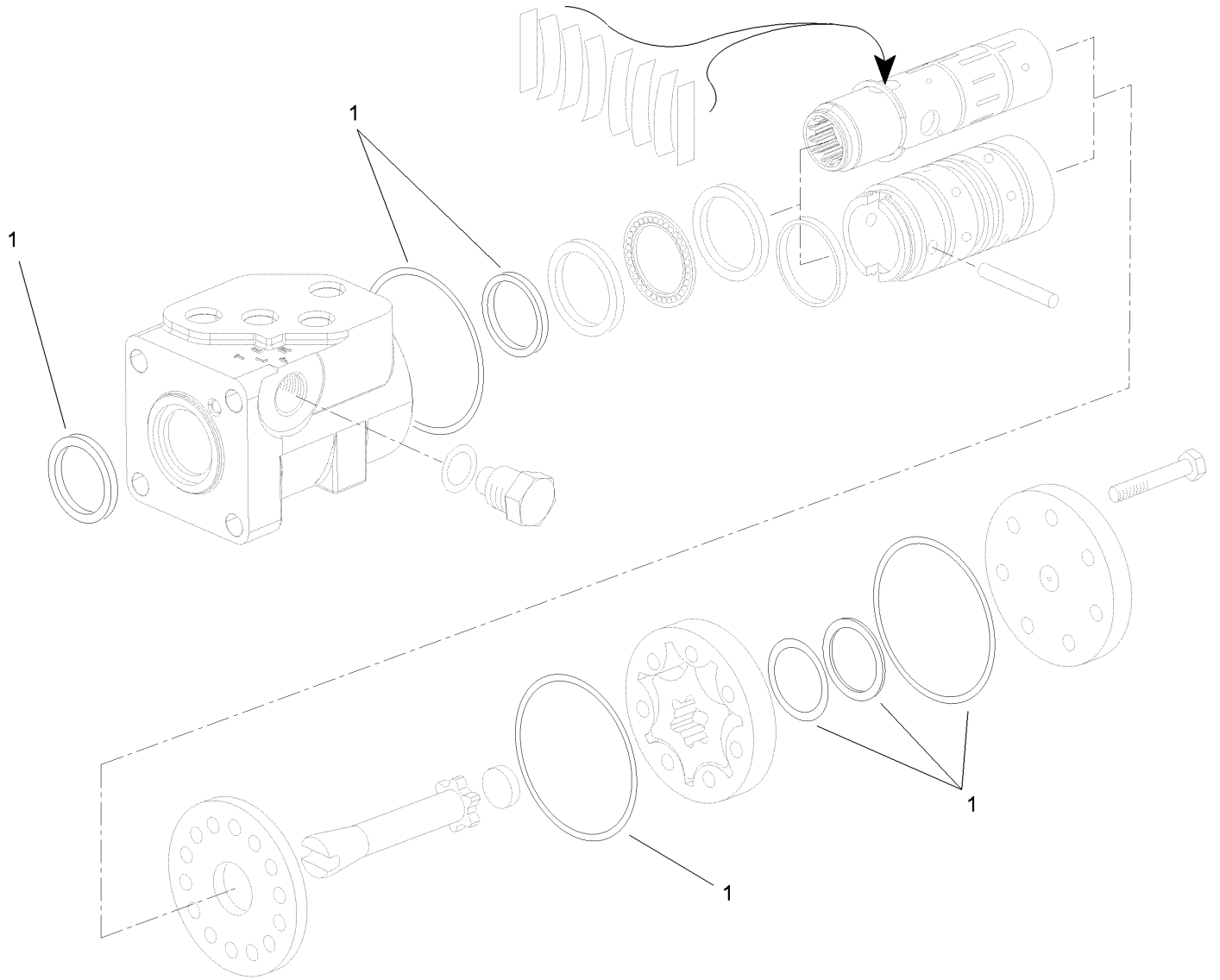
## Flow Meter Assembly No. 106-4884

<i>Ref.</i>	<i>Part Number</i>	<i>Qty.</i>	<i>Description</i>
1	100-6885	1	Fork-Valve, Boom
2	104-8901	1	Housing-Meter, Flow
3	100-6900	1	Flow Sensor ASM
3:1	100-6906	1	Shaft-Rotor
3:2	100-6919	1	Meter-Flow, Rotor
3:3	100-8678	1	Nut
3:4	100-8653	1	O-Ring



## Hydraulic Hose Routing Assembly

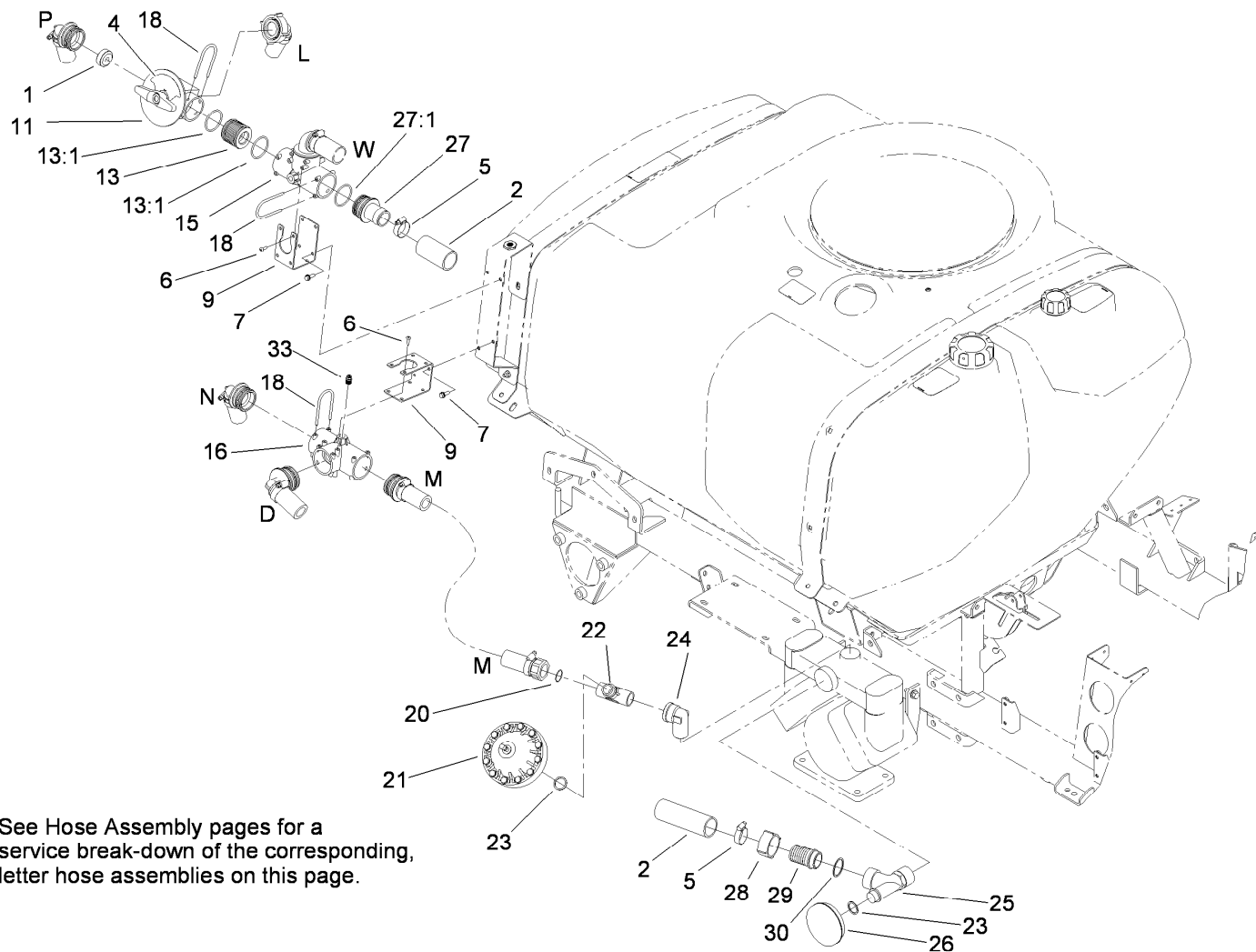
<i>Ref.</i>	<i>Part Number</i>	<i>Qty.</i>	<i>Description</i>	<i>Ref.</i>	<i>Part Number</i>	<i>Qty.</i>	<i>Description</i>
1	114-5076	1	Steering Control Valve ASM	8	98-1471	1	Wheel-Steering
2	100-8252	2	Hose ASM	8:1	98-1468	1	Cover-Wheel, Steering
2:1	237-78	1	O-Ring	9	110-8816	1	Nut-Hex
2:2	237-42	1	O-Ring	10	98-1459	1	Decal
3	94-8792	1	Column-Steering	11	237-164	2	Grommet
4	100-8253	1	Hose ASM	12	33113-020	4	Screw-HH
4:1	237-42	1	O-Ring	13	3290-379	17	Tie-Cable
4:2	237-79	1	O-Ring	14	3253-18	4	Washer-Lock
5	100-8251	1	Hose ASM	15	108-3582	1	Trim-Edge
5:1	237-42	2	O-Ring	16	104-8973	1	Cover-Hose, HYD
6	93-5439	1	Seal-Steering	17	3256-27	1	Washer-Flat
7	21-9260	1	Cover-Dust				



## Steering Valve Assembly No. 114-5076

<i>Ref.</i>	<i>Part Number</i>	<i>Qty.</i>	<i>Description</i>
1	108-1519	1	Seal Kit

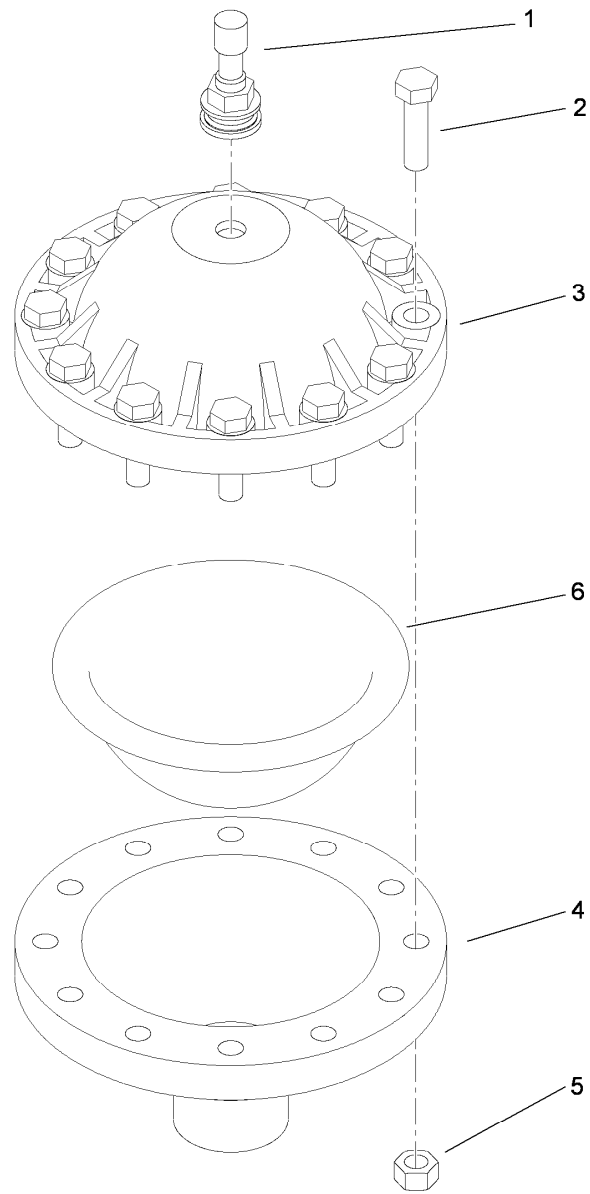




See Hose Assembly pages for a service break-down of the corresponding, letter hose assemblies on this page.

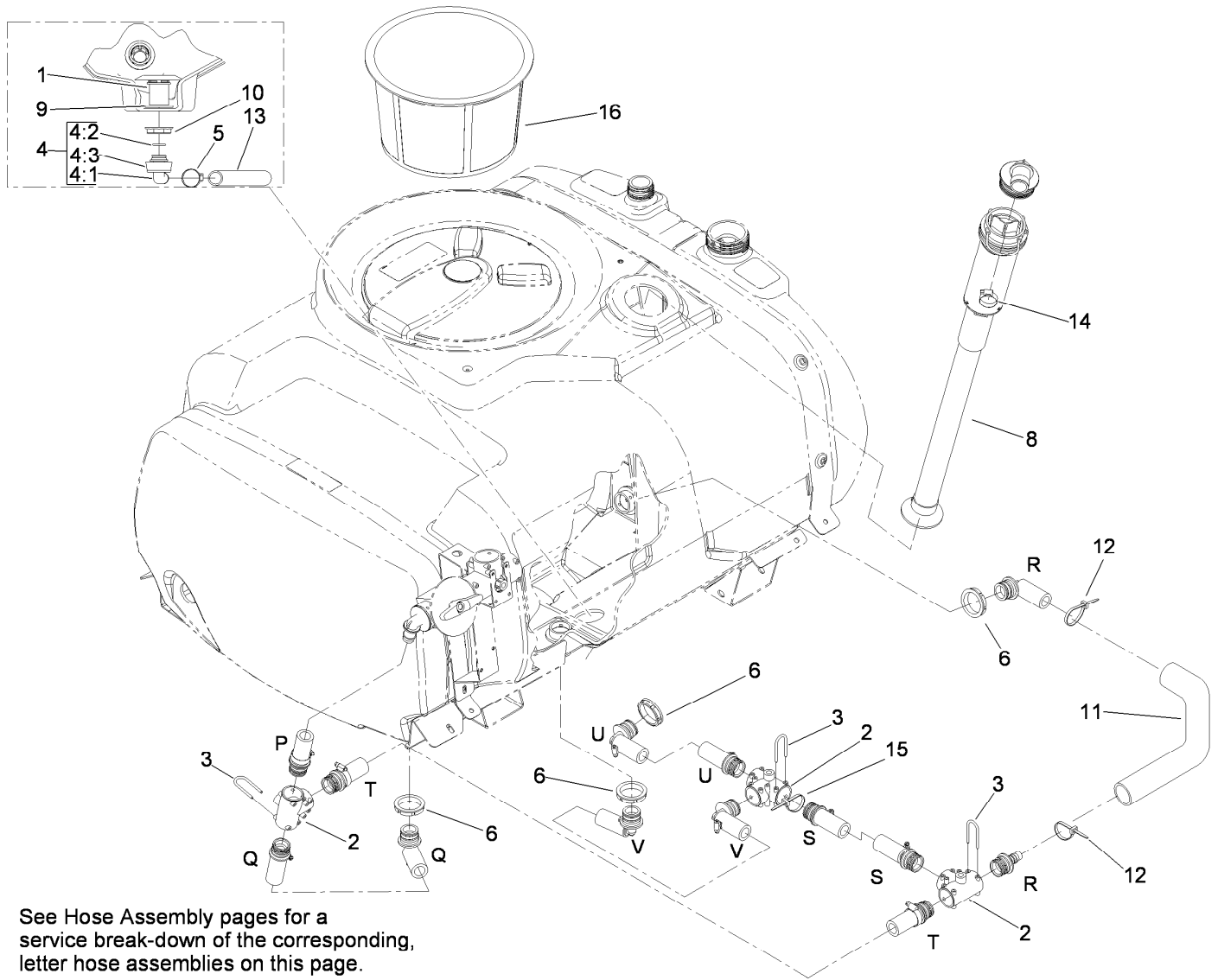
## Sprayer Component Assembly No. 1

<i>Ref.</i>	<i>Part Number</i>	<i>Qty.</i>	<i>Description</i>	<i>Ref.</i>	<i>Part Number</i>	<i>Qty.</i>	<i>Description</i>
1	110-5186	1	Reducer-Agitation	20	100-6655	1	Gasket
2	108-3686	1	Hose-Suction	21	100-6662	1	Pressure Damper ASM
4	107-8621	1	Decal-Agitation	22	100-8699	1	Tee
5	41327	2	Clamp-Hose	23	100-6656	2	O-Ring
6	32144-32	8	Screw	24	100-8698	1	Elbow
7	3234-4	4	Screw-HHF	25	100-8681	1	Tee
9	100-8478	2	Bracket-Tee	26	100-6660	1	Suction Damper ASM
11	100-8673	1	Agitation Valve ASM	27	106-4936	1	Hosebarb
13	106-4947	1	Connector	27:1	100-8637	1	O-Ring
13:1	100-8637	2	O-Ring	28	100-8678	1	Nut
15	100-6704	1	Tee	29	100-8679	1	Hosebarb
16	100-8675	1	Tee-Pressure	30	100-8680	1	Seal
18	100-8635	8	Fork	33	100-8674	1	Coupler-Tube



## Pressure Damper Assembly No. 100-6662

<i>Ref.</i>	<i>Part Number</i>	<i>Qty.</i>	<i>Description</i>
1	99-0895	1	Valve
2	33114-030	12	Screw-HH
3	99-0896	1	Half-Upper, Damper
4	99-0898	1	Half-Lower, Damper
5	33014-00	12	Nut-Hex
6	99-0897	1	Diaphragm

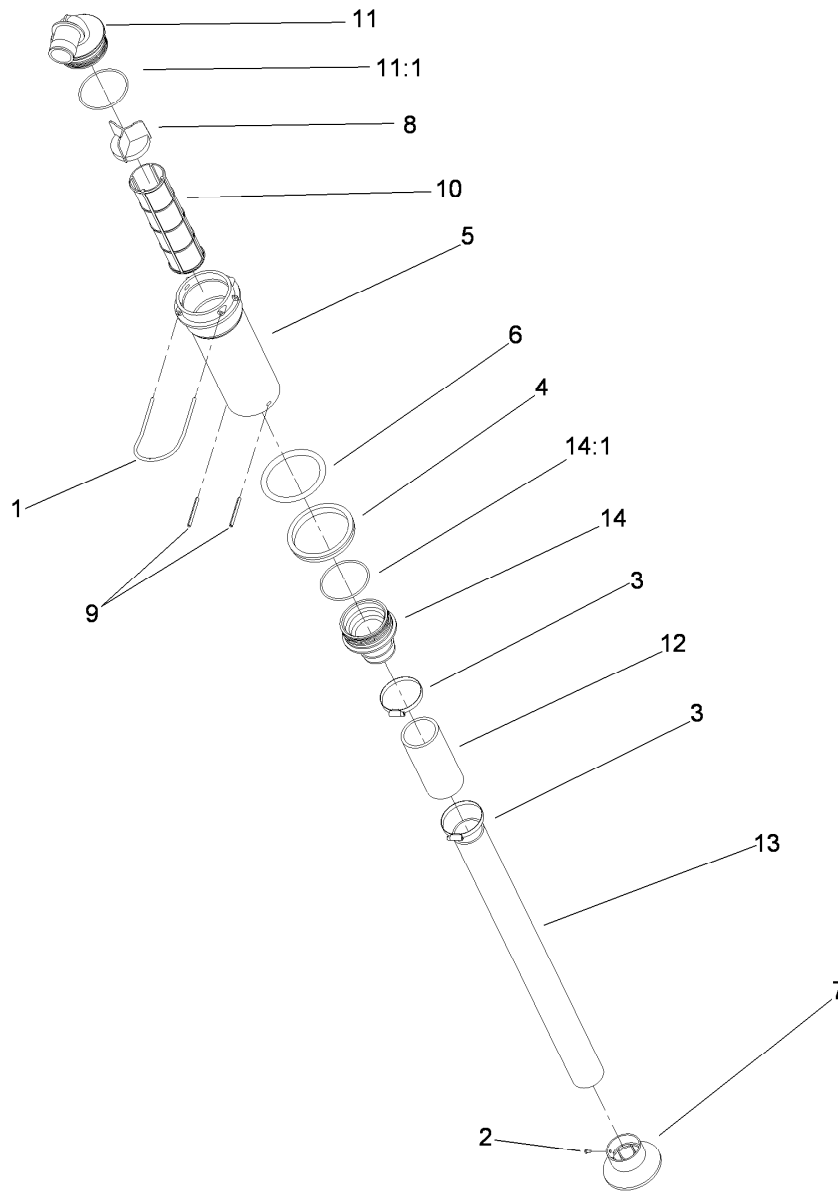


## Sprayer Component Assembly No. 2

Ref.	Part Number	Qty.	Description
1	110-5166	1	Outlet-Drain
2	104-9041	3	Tee
3	100-6708	9	Fork
4	112-7904	1	90 DEG Elbow ASM
4:1	110-5217	1	Elbow-90 DEG
4:2	110-5239	1	O-Ring
4:3	110-5247	1	Nut-Fly
5	2412-34	1	Clamp-Hose
6	100-6713	4	Nut-Bulkhead

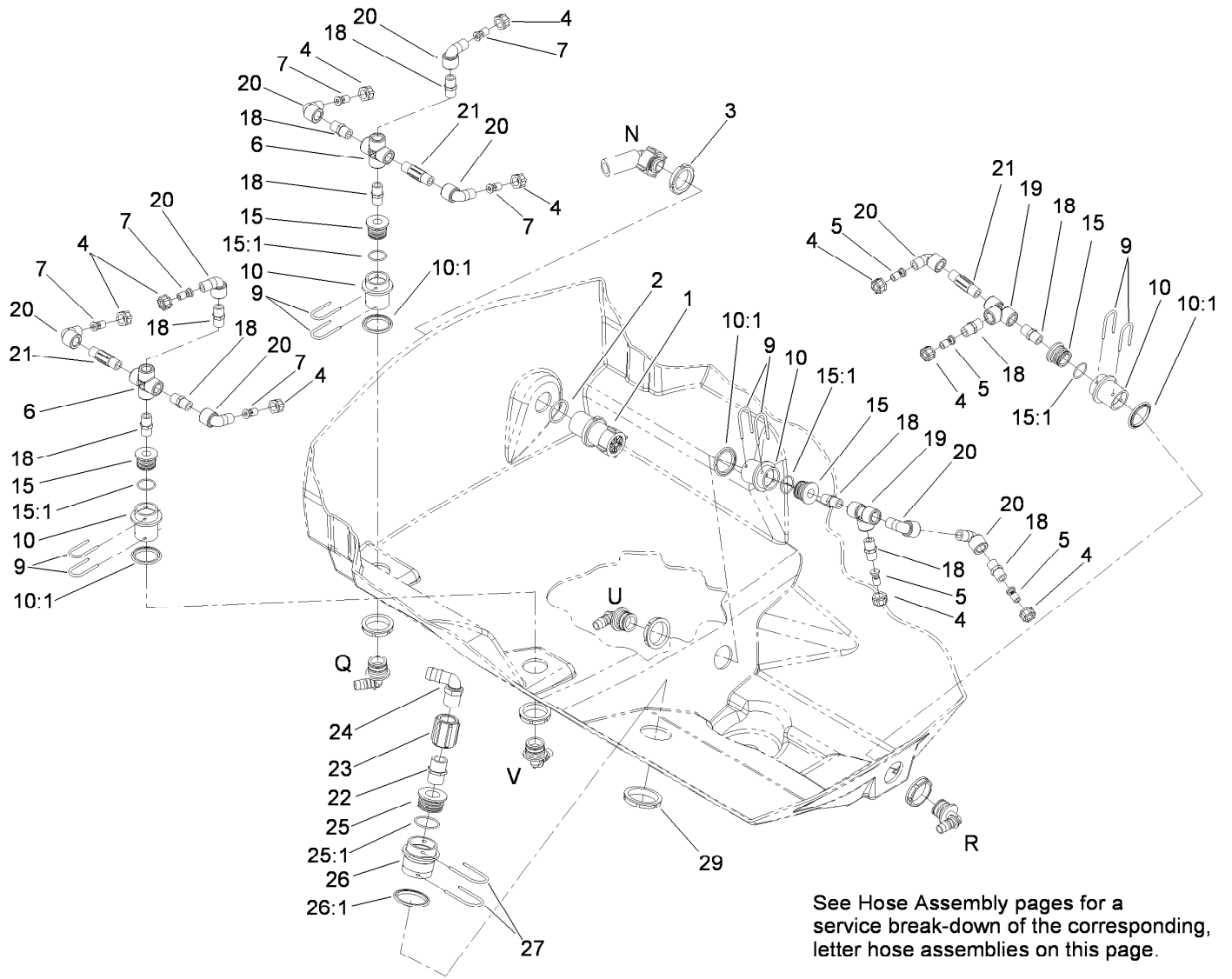
Ref.	Part Number	Qty.	Description
8		1	Top Mounted Suction ASM ●
9	110-5246	1	Seal-Plastic
10	110-5237	1	Nut-Ring, Plastic
11	107-8650	1	Conduit-Convolved
12	3290-378	2	Tie-Cable
13	119-9352	1	Hose-Drain
14	41327	1	Clamp-Hose
15	1-809066	1	Cable Tie-Plastic
16	119-9419	1	Basket-Filter

● Not serviced separately



## Top Mounted Suction Assembly

<i>Ref.</i>	<i>Part Number</i>	<i>Qty.</i>	<i>Description</i>	<i>Ref.</i>	<i>Part Number</i>	<i>Qty.</i>	<i>Description</i>
1	100-8636	1	Fork-Special	10	100-6992	1	Element-Filter, Red
2	108-3270	1	Screw-TAP	10	100-6991	1	Element-Filter, Green
3	26392	2	Clamp-Hose	10	100-8642	1	Screen-Suction
4	100-8647	1	Nut-Bulkhead	11	106-4952	1	Hosebarb-90 DEG
5	100-8643	1	Housing-Filter	11:1	100-6989	1	O-Ring
6	100-8646	1	Gasket-Bulkhead	12	100-8649	1	Hose-Suction
7	100-6714	1	Foot-Tube, Suction	13	107-8625	1	Tube-Suction
8	100-8641	1	Vane-Screen	14	106-4942	1	Hosebarb-Straight
9	100-8644	2	Pin-Expansion	14:1	100-6989	1	O-Ring

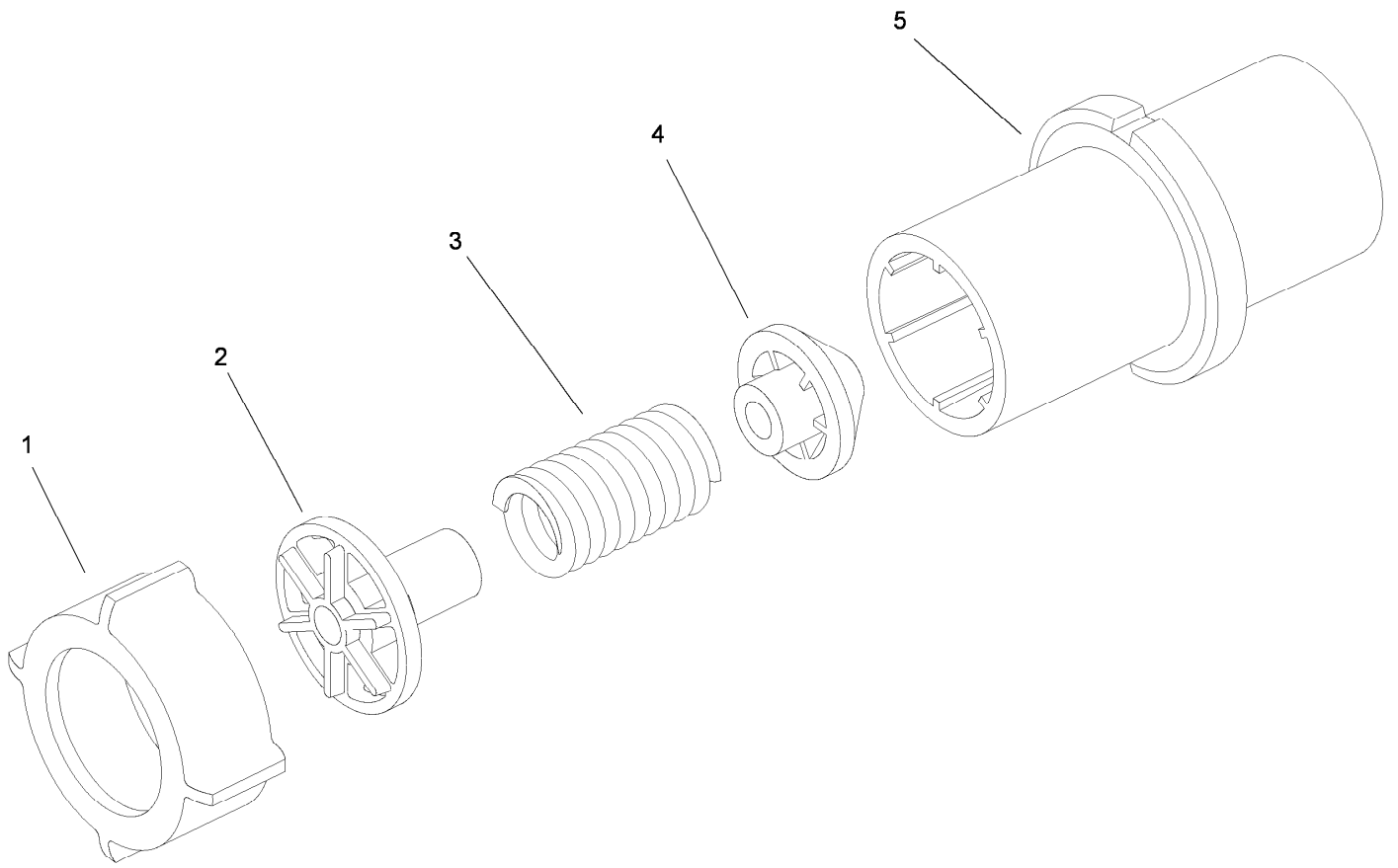


See Hose Assembly pages for a service break-down of the corresponding, letter hose assemblies on this page.

## Sprayer Component Assembly No. 3

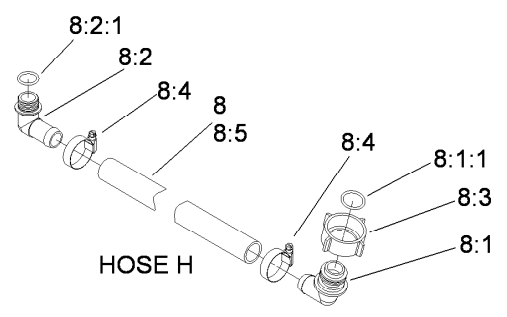
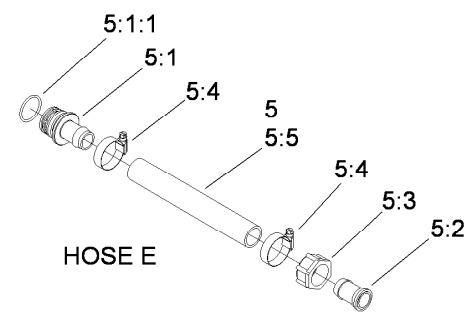
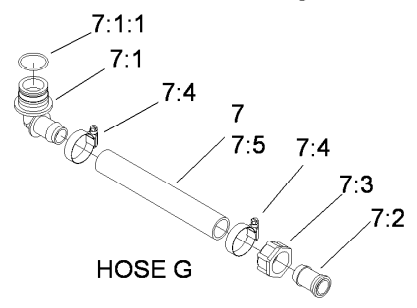
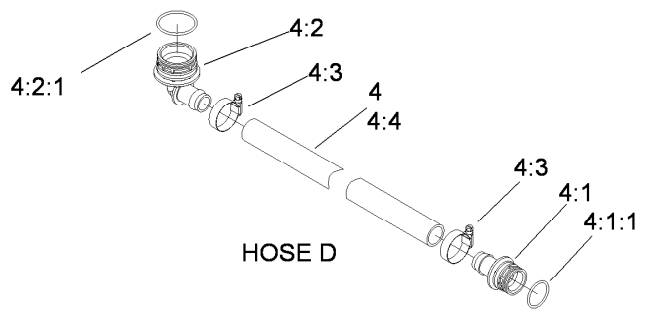
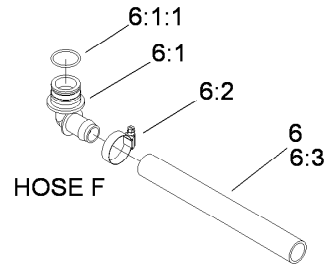
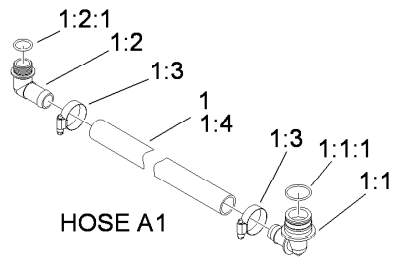
Ref.	Part Number	Qty.	Description
1	100-6820	1	Safety Valve ASM (225 PSI)
2	100-6652	1	Gasket
3	99-0761	1	Ringnut
4	99-0766	10	Nut
5	100-6705	4	Nozzle-Agitation
6	110-5248	2	Cross
7	100-6706	6	Nozzle-Agitation
9	100-6708	8	Fork
10	106-4896	4	Fitting-Bulkhead
10:1	100-6710	1	Gasket-Bulkhead
15	106-4943	4	Adapter ASM
15:1	100-6712	1	O-Ring
18	108-3574	11	Nipple-Short

Ref.	Part Number	Qty.	Description
19	94-7100	2	Tee
20	108-3573	9	Elbow-90 DEG
21	94-7103	3	Nipple
22	108-3578	1	Nipple-Short
23	108-3577	1	Union-Short
24	108-3576	1	Elbow-90 DEG, Barbed
25	108-3357	1	Adapter ASM
25:1	100-8637	1	O-Ring
26	108-3358	1	Fitting-Bulkhead
26:1	107-2864	1	Gasket-Bulkhead
27	100-8635	2	Fork
29	100-7051	1	Nut-Bulkhead



## Safety Valve Assembly No. 100-6820

<i>Ref.</i>	<i>Part Number</i>	<i>Qty.</i>	<i>Description</i>
1	100-8678	1	Nut
2	100-6724	1	Valve-Relief, Seat
3	100-6725	1	Spring-Relief, Valve
4	100-6726	1	Cone-Relief, Valve
5	100-6727	1	Housing-Relief, Valve

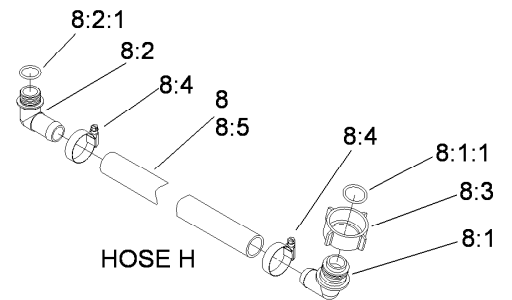
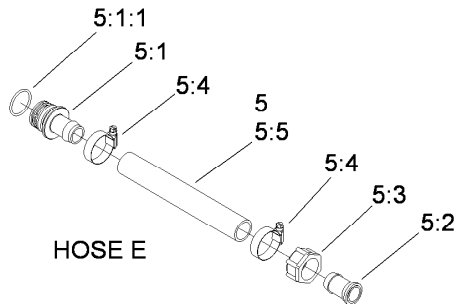
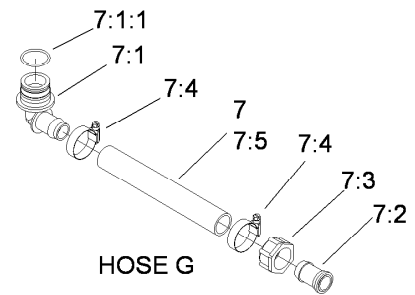
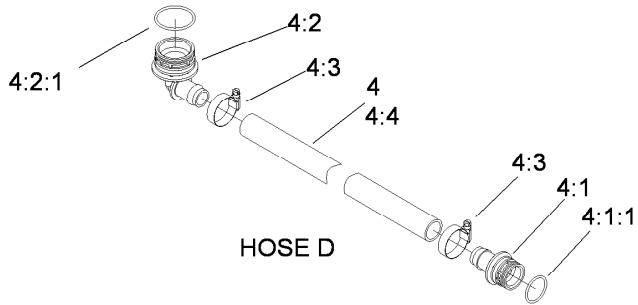
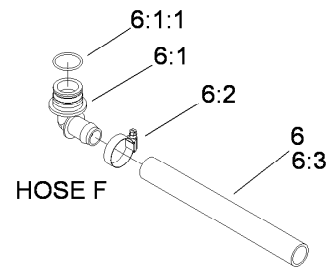
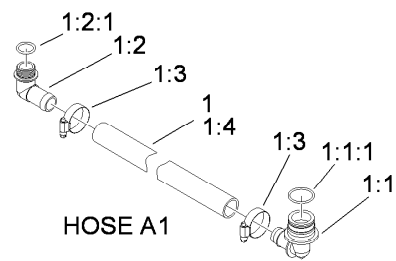


## Hose Assembly No. 1

Ref.	Part Number	Qty.	Description
1		1	Boom Bypass Hose ASM ●
1:1	106-4933	1	Hosebarb ASM
1:1:1	100-8637	1	O-Ring
1:2	106-4948	1	Hose Barb ASM
1:2:1	100-6882	1	O-Ring
1:3	2412-3	2	Clamp-Hose
1:4	104-9044	1	Hose-Bypass, Boom
4		1	Pressure Manifold Hose ASM ●
4:1	106-4935	1	Hosebarb ASM
4:1:1	100-6712	1	O-Ring
4:2	106-4933	1	Hosebarb ASM
4:2:1	100-8637	1	O-Ring
4:3	2412-3	2	Clamp-Hose
4:4	117-5831	1	Hose-Pressure
5		1	Main Supply Hose ASM ●
5:1	106-4935	1	Hosebarb ASM
5:1:1	100-6712	1	O-Ring

Ref.	Part Number	Qty.	Description
5:2	99-0781	1	Hosebarb
5:3	99-0769	1	Nut
5:4	2412-3	2	Clamp-Hose
5:5	104-8909	1	Hose-Bypass
6		1	Control Supply Hose ASM ●
6:1	106-4945	1	Elbow
6:1:1	100-6712	1	O-Ring
6:2	2412-3	1	Clamp-Hose
6:3	104-8908	1	Hose-Bypass
7		1	Pressure Control Hose ASM ●
7:1	106-4945	1	Elbow
7:1:1	100-6712	1	O-Ring
7:2	99-0781	1	Hosebarb
7:3	99-0769	1	Nut
7:4	2412-3	2	Clamp-Hose
7:5	104-8909	1	Hose-Bypass
8		1	Flowmeter Hose ASM ●

● Not serviced separately



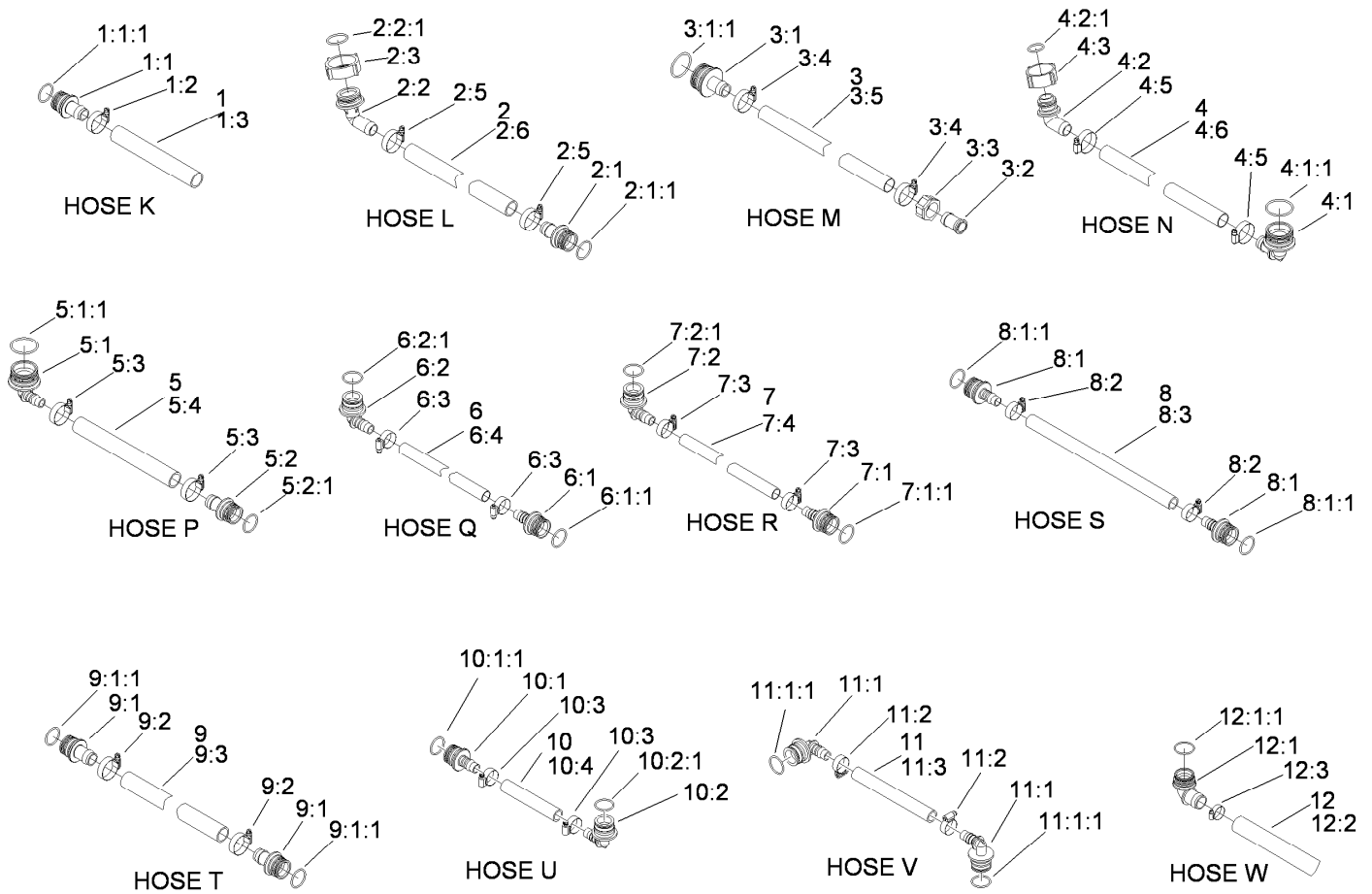
## Hose Assembly No. 1 (continued)

Ref.	Part Number	Qty.	Description
8:1	106-4949	1	Hosebarb
8:1:1	100-6646	1	O-Ring
8:2	106-4948	1	Hose Barb ASM
8:2:1	100-6882	1	O-Ring

Ref.	Part Number	Qty.	Description
8:3	100-8678	1	Nut
8:4	2412-3	2	Clamp-Hose
8:5	104-8906	1	Hose-Pressure

● Not serviced separately

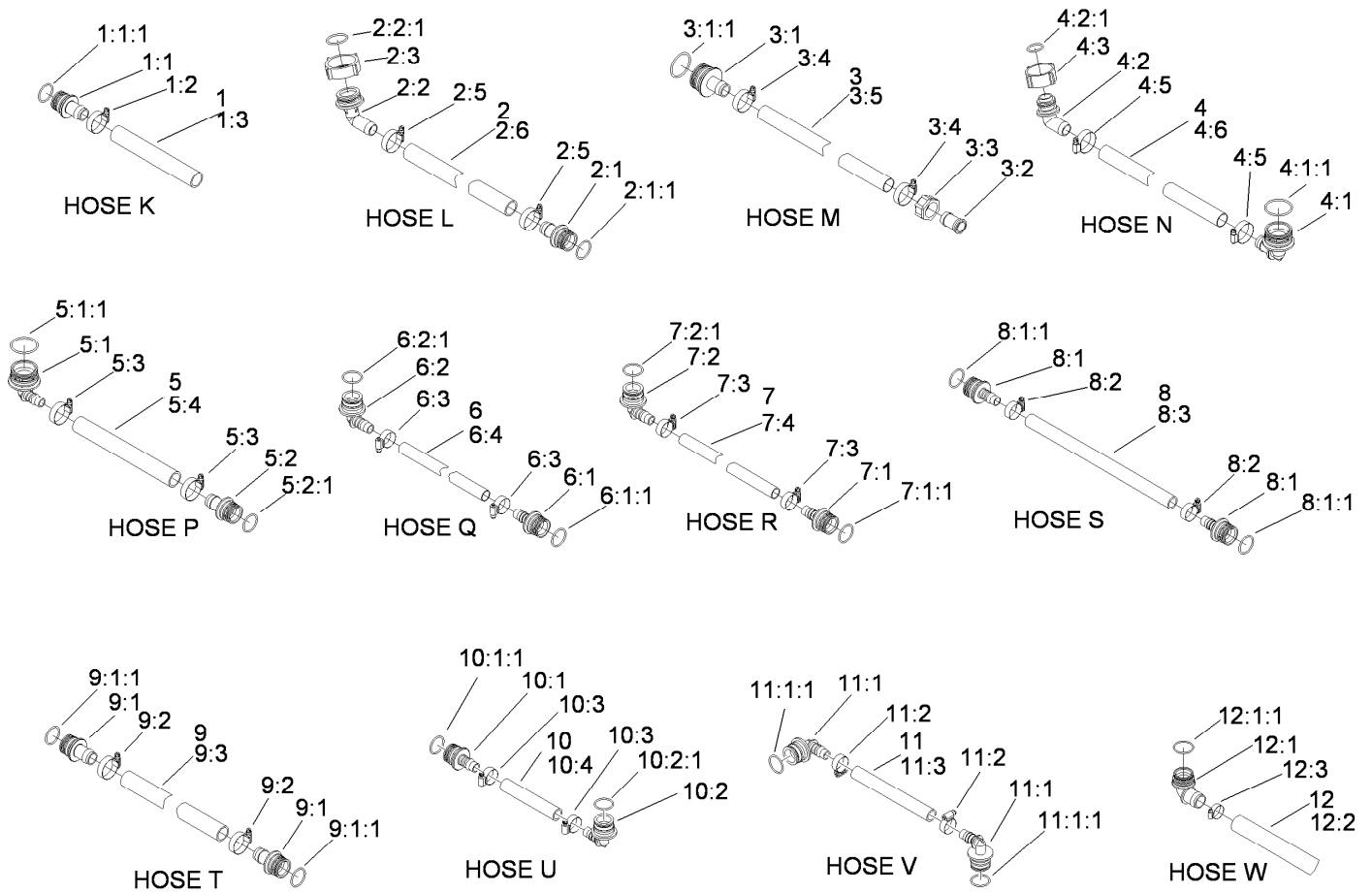




## Hose Assembly No. 2

Ref.	Part Number	Qty.	Description	Ref.	Part Number	Qty.	Description
1		1	Main On/Off Bypass Hose ASM ●	3:3	99-0769	1	Nut
1:1	106-4935	1	Hosebarb ASM	3:4	2412-3	2	Clamp-Hose
1:1:1	100-6712	1	O-Ring	3:5	104-8712	1	Hose
1:2	2412-3	1	Clamp-Hose	4		1	Relief Valve Hose ASM ●
1:3	104-8909	1	Hose-Bypass	4:1	106-4933	1	Hosebarb ASM
2		1	Agitation Valve Hose ASM ●	4:1:1	100-8637	1	O-Ring
2:1	106-4935	1	Hosebarb ASM	4:2	106-4949	1	Hosebarb
2:1:1	100-6712	1	O-Ring	4:2:1	100-6646	1	O-Ring
2:2	106-4950	1	Hose Barb ASM	4:3	100-8678	1	Nut
2:2:1	100-8671	1	O-Ring	4:5	2412-3	2	Clamp-Hose
2:3	100-8669	1	Nut	4:6	104-8710	1	Hose
2:5	2412-3	2	Clamp-Hose	5		1	Agitation Valve Hose ASM ●
2:6	104-8915	1	Hose-Pressure	5:1	106-4933	1	Hosebarb ASM
3		1	Manifold Tee Hose ASM ●	5:1:1	100-8637	1	O-Ring
3:1	106-4932	1	Hosebarb-Straight	5:2	106-4935	1	Hosebarb ASM
3:1:1	100-8637	1	O-Ring	5:2:1	100-6712	1	O-Ring
3:2	99-0781	1	Hosebarb	5:3	2412-3	2	Clamp-Hose
				5:4	107-8642	1	Hose

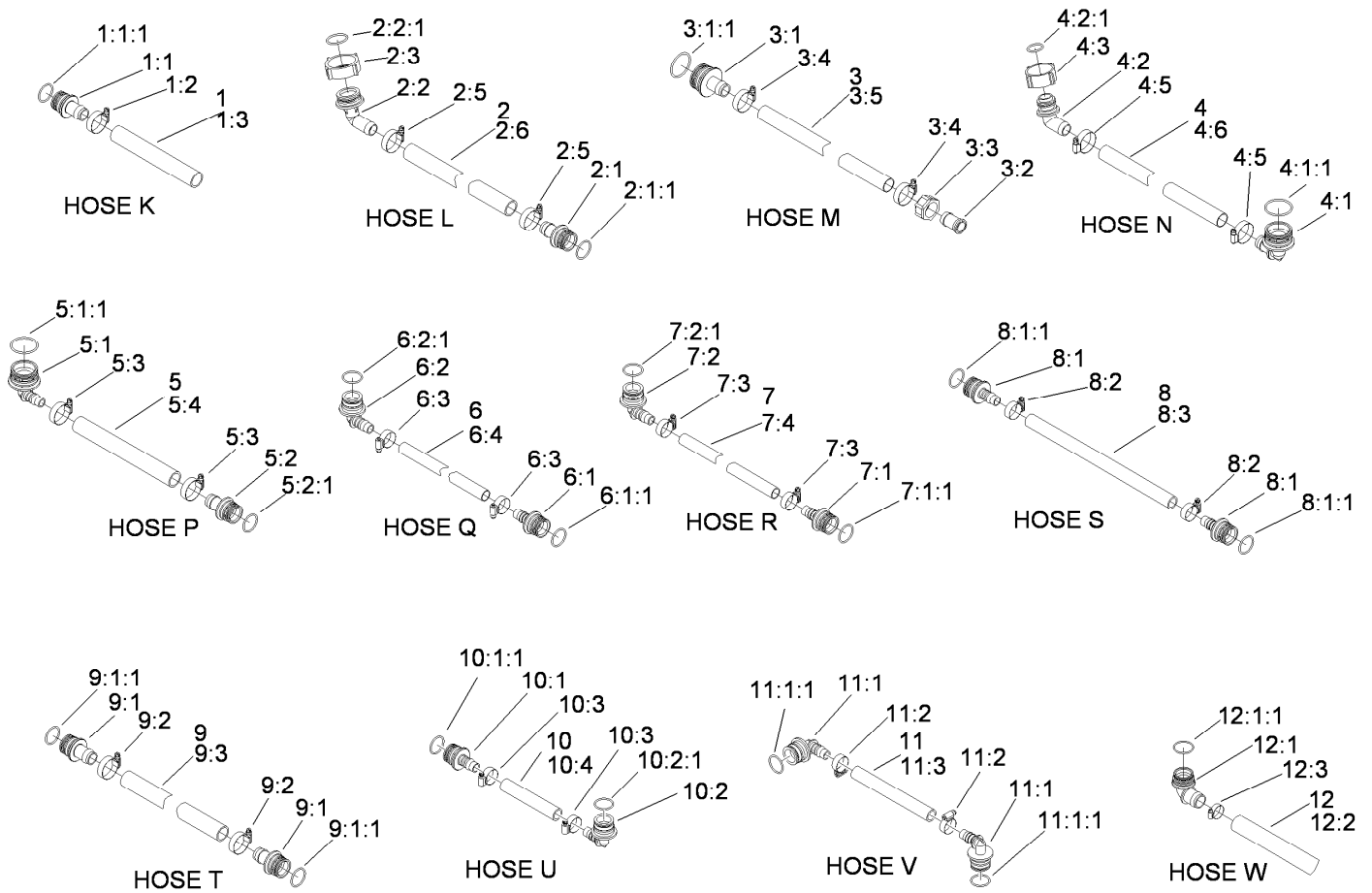
● Not serviced separately



## Hose Assembly No. 2 (continued)

Ref.	Part Number	Qty.	Description	Ref.	Part Number	Qty.	Description
6		1	Rear Hose Agitation ASM ●	8:3	108-3689	1	Hose
6:1	106-4939	1	Hosebarb-Straight	9		1	Agitation Tee Hose ASM ●
6:1:1	100-6712	1	O-Ring	9:1	106-4935	2	Hosebarb ASM
6:2	106-4940	1	Hosebarb-90 DEG	9:1:1	100-6712	1	O-Ring
6:2:1	100-6712	1	O-Ring	9:2	2412-3	2	Clamp-Hose
6:3	2412-129	2	Clamp-Hose	9:3	104-9039	1	Hose-Tee, Agitation
6:4	106-1360	1	Hose	10		1	Agitation Hose ASM ●
7		1	Front Agitation Hose ASM ●	10:1	106-4939	1	Hosebarb-Straight
7:1	106-4939	1	Hosebarb-Straight	10:1:1	100-6712	1	O-Ring
7:1:1	100-6712	1	O-Ring	10:2	106-4940	1	Hosebarb-90 DEG
7:2	106-4940	1	Hosebarb-90 DEG	10:2:1	100-6712	1	O-Ring
7:2:1	100-6712	1	O-Ring	10:3	2412-129	2	Clamp-Hose
7:3	2412-129	2	Clamp-Hose	10:4	108-3366	1	Hose
7:4	104-8706	1	Hose	11		1	Agitation Hose ASM ●
8		1	Agitation Hose ASM ●	11:1	106-4940	2	Hosebarb-90 DEG
8:1	106-4939	2	Hosebarb-Straight	11:1:1	100-6712	1	O-Ring
8:1:1	100-6712	1	O-Ring	11:2	2412-129	2	Clamp-Hose
8:2	2412-129	2	Clamp-Hose	11:3	108-3365	1	Hose

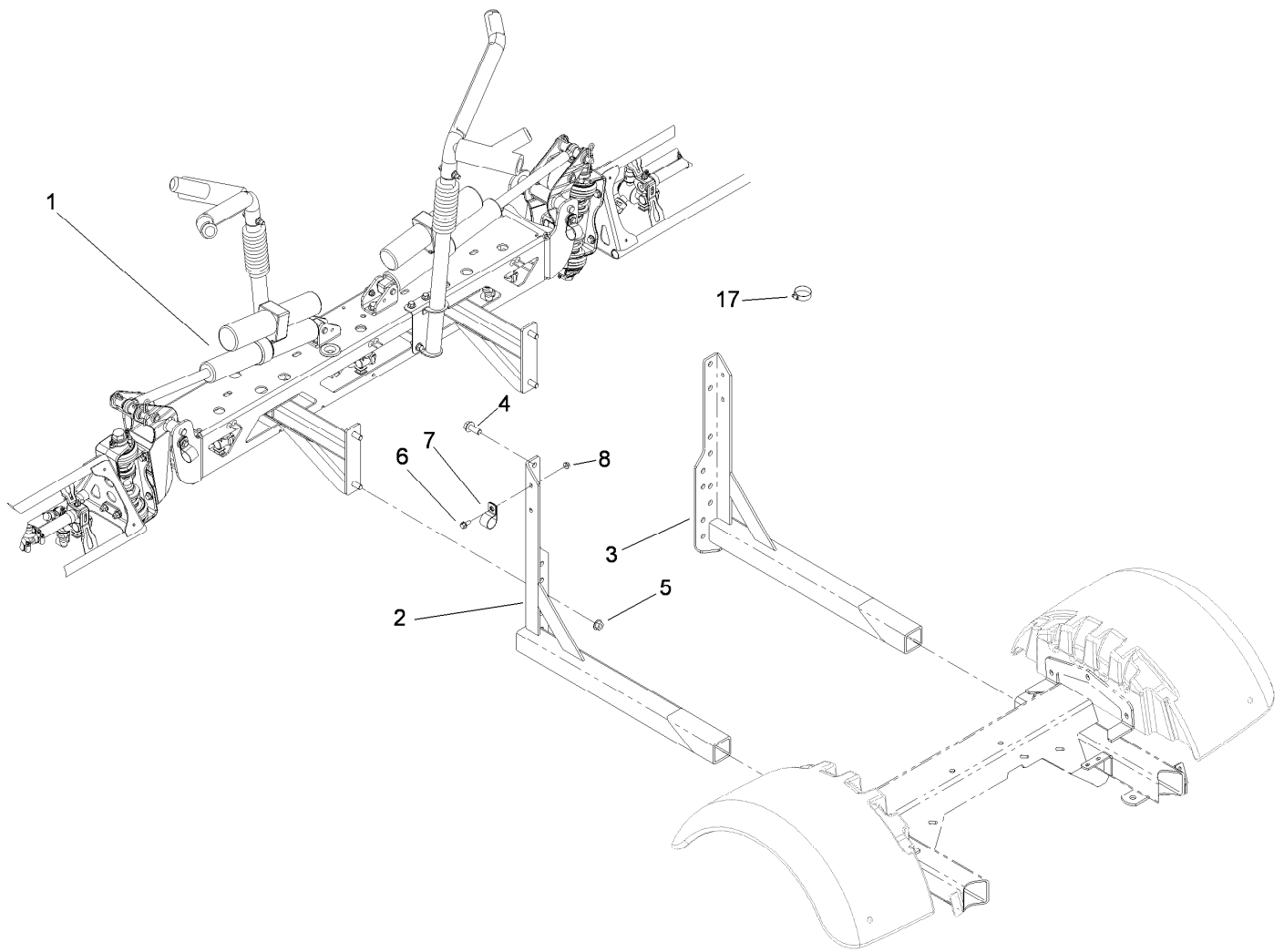
● Not serviced separately



## Hose Assembly No. 2 (continued)

Ref.	Part Number	Qty.	Description	Ref.	Part Number	Qty.	Description
12		1	Suction Hose ASM ●	12:2	108-3685	1	Hose-Suction
12:1	110-5156	1	Suction Elbow ASM	12:3	41327	1	Clamp-Hose
12:1:1	100-8637	1	O-Ring				

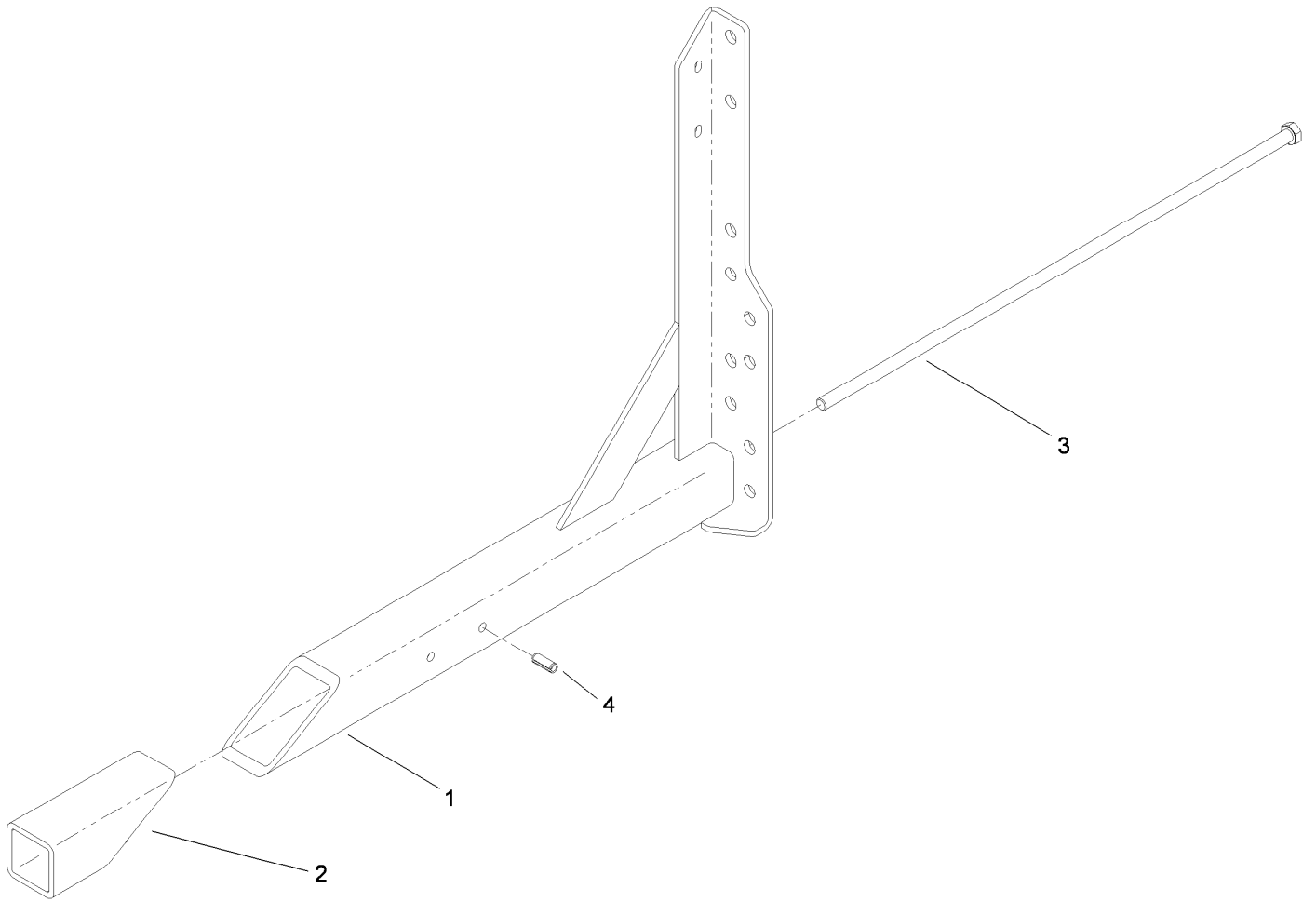
● Not serviced separately



## Boom Mount Assembly

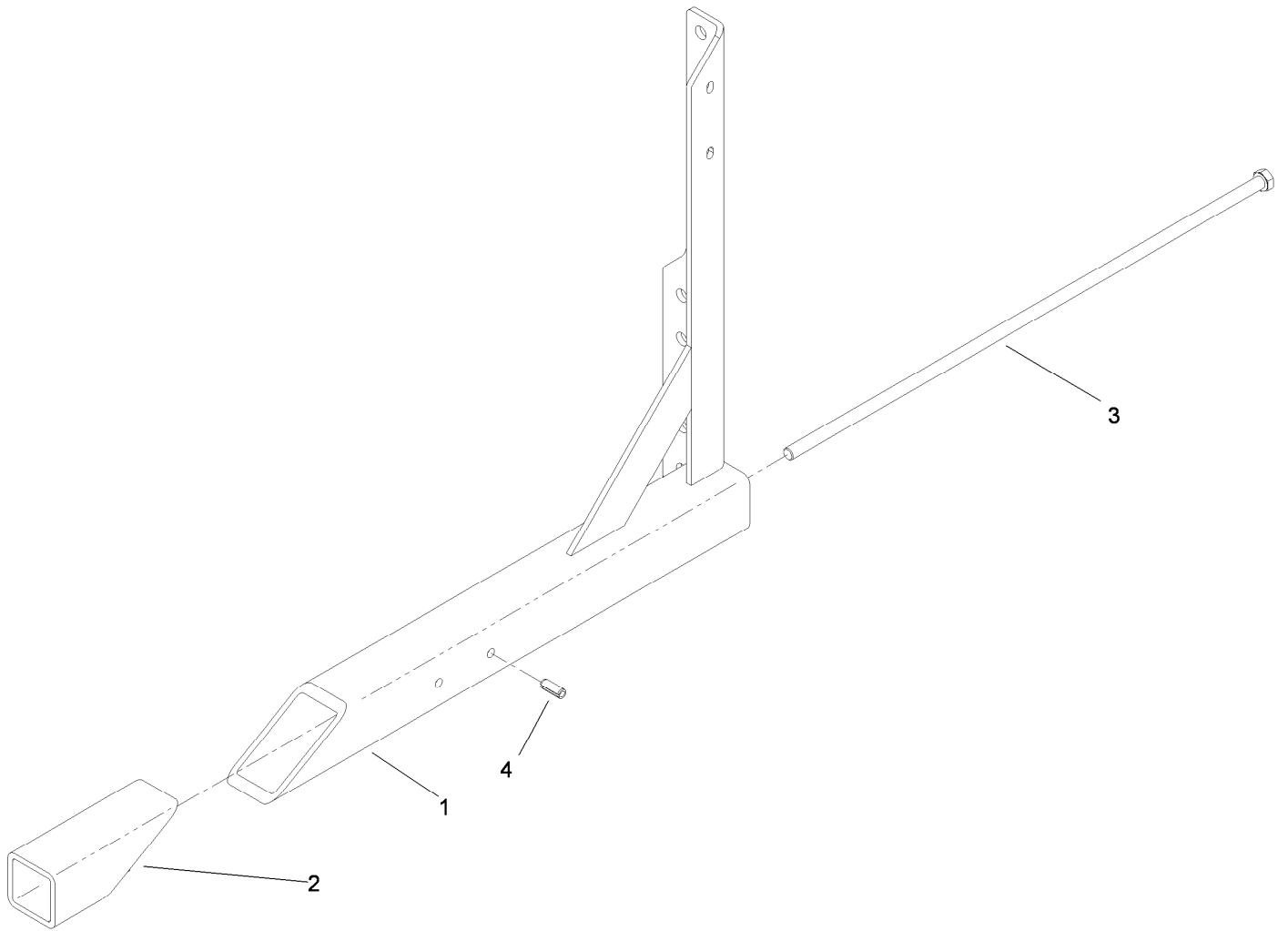
Ref.	Part Number	Qty.	Description
1		1	Boom ASM ●
2		1	RH Boom Mount ASM ●
3		1	LH Boom Mount ASM ●
4	110-5057	4	Capscrew-HHF
5	108-3745	4	Nut-HHF, Whiz
6	3234-5	1	Screw-HHF
7	114-9566	1	Clamp-R
8	104-8300	1	Nut-HF, NI
17	2412-34	3	Clamp-Hose

● Not serviced separately



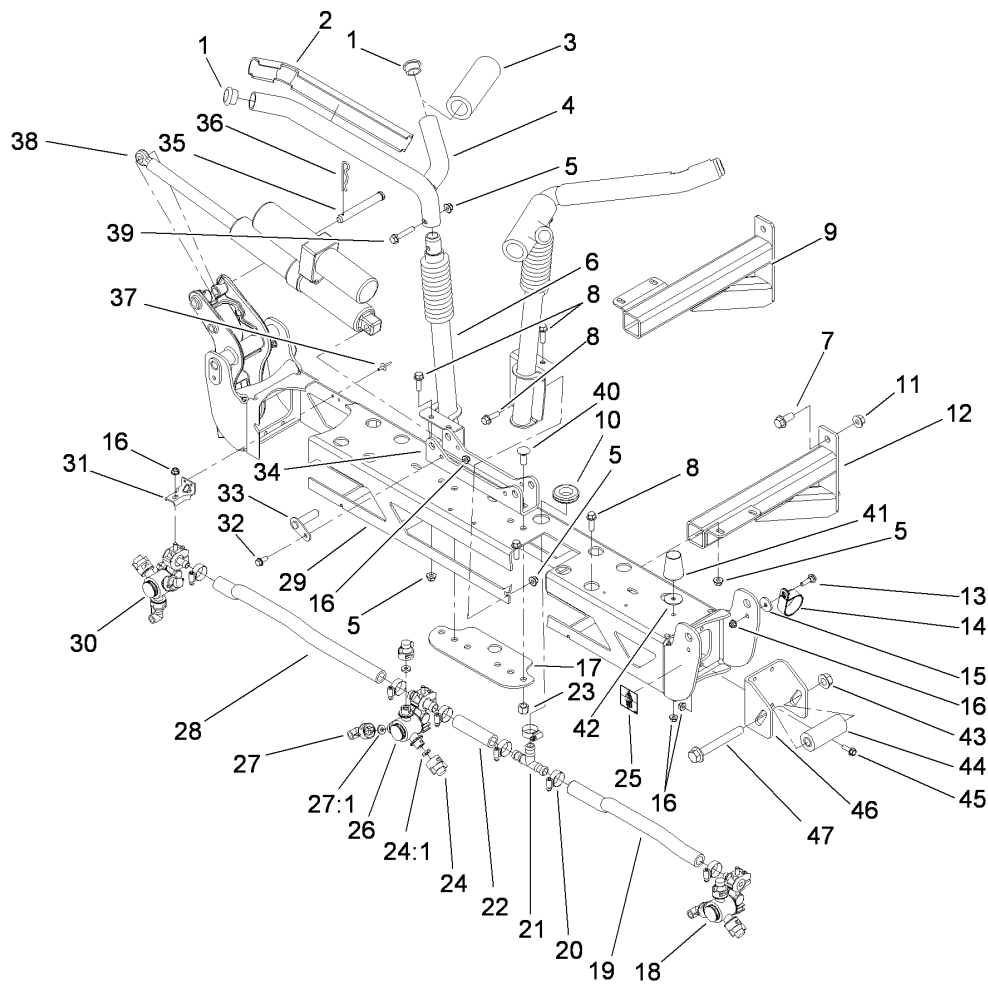
## Right Hand Boom Mount Assembly

<i>Ref.</i>	<i>Part Number</i>	<i>Qty.</i>	<i>Description</i>
1	108-3714-03	1	RH Boom Mount ASM
2	107-8638-03	1	Wedge-Tube
3	107-8620	1	Screw-HH
4	32121-41	1	Pin-Roll



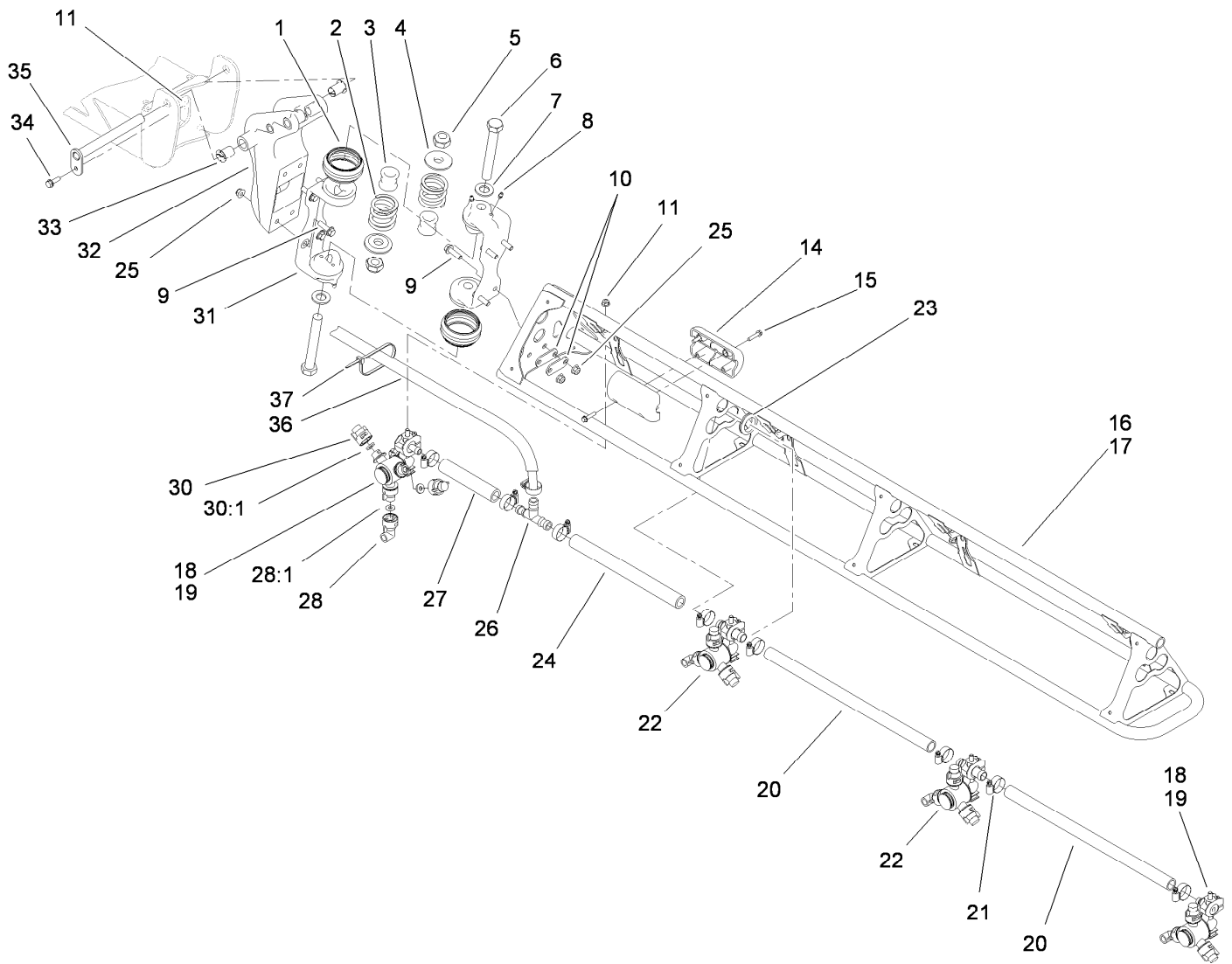
## Left Hand Boom Mount Assembly

<i>Ref.</i>	<i>Part Number</i>	<i>Qty.</i>	<i>Description</i>
1	108-3715-03	1	LH Boom Mount ASM
2	107-8638-03	1	Wedge-Tube
3	107-8620	1	Screw-HH
4	32121-41	1	Pin-Roll



## Center Boom Assembly

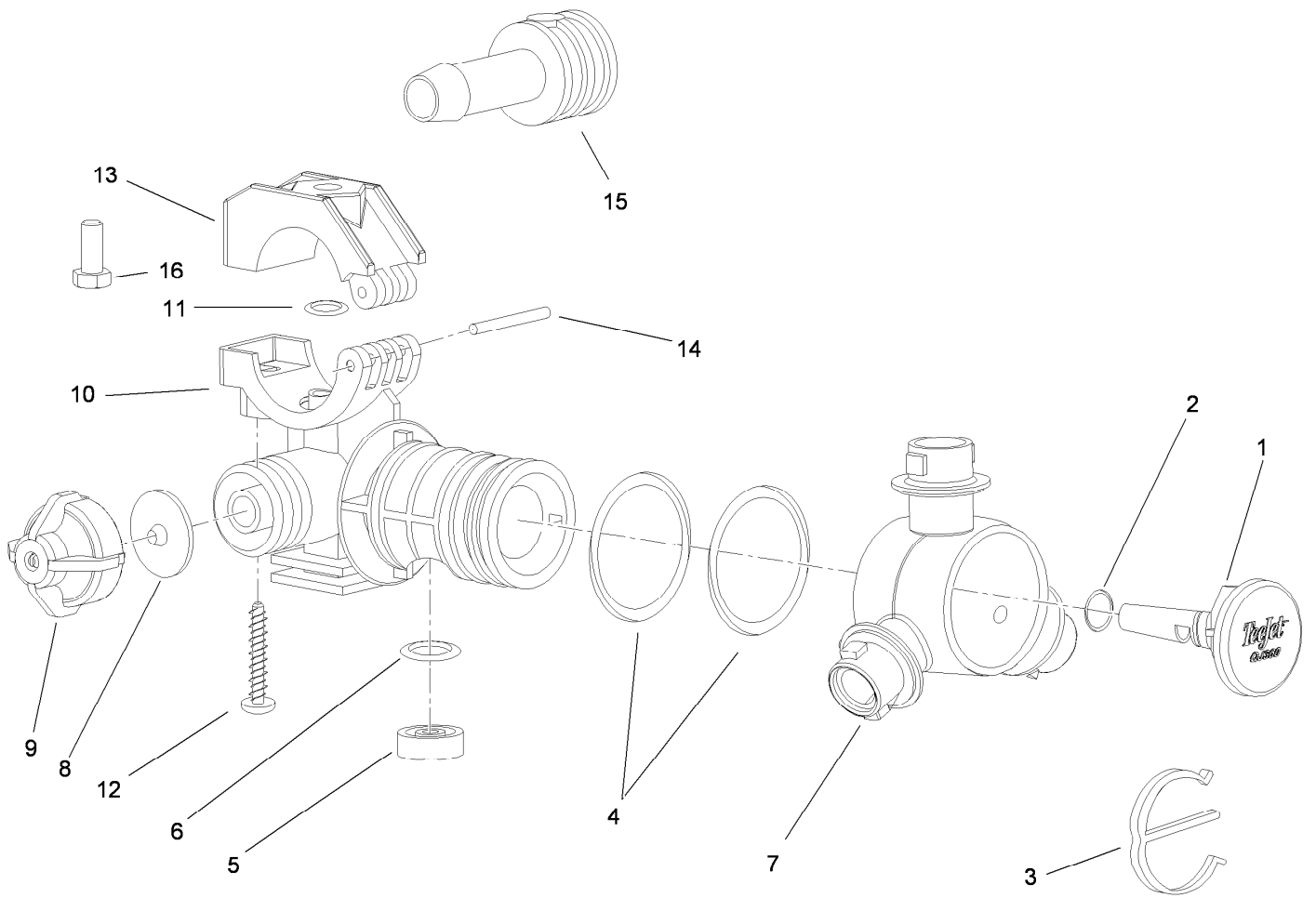
Ref.	Part Number	Qty.	Description	Ref.	Part Number	Qty.	Description
1	108-3489	4	Cap-Tube	25	114-9576	2	Decal-Pinchpoint
2	108-3495	2	Cover-Slide	26	108-3727	1	Double Turret Body ASM
3	108-3457	2	Spacer	27	95-9186	3	Cap
4	108-3476-03	2	Cradle-Upper	27:1	40998	1	Seat-Gasket
5	104-8301	12	Nut-HF, NI	28	108-3735	1	Hose-Boom, Center (LH)
6	108-3472-03	2	Cradle-Lower	29	114-9579-03	1	Frame ASM
7	110-5057	4	Capscrew-HHF	30	108-3725	1	LH Single Body Turret ASM
8	110-5050	10	Screw-HHF	31	107-8775	3	Bracket-Mount, Nozzle
9	108-3408-03	1	Frame-Mount, Boom (LH)	32	110-5053	2	Screw-HHF
10	108-3723	1	Grommet	33	112-7884	2	Pin-Pivot
11	108-3745	4	Nut-HHF, Whiz	34	114-9560-03	1	Strap-Clevis
12	108-3409-03	1	Frame-Mount, Boom (RH)	35	108-3436	2	Pin-Clevis
13	108-3744	2	Screw-Shoulder	36	3290-468	2	Pin-Cotter
14	114-9566	2	Clamp-R	37	3269-18	6	Rivet-Blind
15	108-3743	2	Washer	38	108-3438	2	Actuator
16	104-8300	17	Nut-HF, NI	39	108-3742	2	Screw-HHF
17	108-3469-03	1	Plate-Washer	40	110-5067	2	Screw-CARR
18	108-3726	1	RH Single Body Turret ASM	41	110-5070	2	Bumper
19	108-3718	1	Hose-Boom, Center (RH)	42	3256-68	2	Washer-Flat
20	2412-129	7	Clamp-Hose	43	32128-54	2	Nut-HF
21	108-3439	1	Tee	44	112-7881	2	Bumper
22	108-3717	1	Hose-Boom	45	108-3748	8	Screw-HHF
23	3296-23	2	Nut-Lock, NI	46	112-7872-03	2	Bracket-Hard Stop
24	95-9187	6	Cap-Blank	47	105-1763	2	Screw-HHF
24:1	40998	1	Seat-Gasket				



## Left and Right Hand Boom Assembly

Ref.	Part Number	Qty.	Description	Ref.	Part Number	Qty.	Description
1	108-3459	4	Boot-Hinge	21	2412-129	18	Clamp-Hose
2	108-3440	4	Spring-Breakaway, Boom	22	108-3727	4	Double Turret Body ASM
3	108-3730	4	Tube-Hinge	23	240-3	4	Grommet-Rubber
4	108-3444	4	Retainer-Spring	24	108-3721	2	Hose-Boom
5	3296-15	4	Nut-Lock, NI	25	104-8301	16	Nut-HF, NI
6	108-3738	4	Screw-HH	26	108-3439	2	Tee
7	110-5054	4	Washer-Flat	27	108-3728	2	Hose-Boom
8	302-5	8	Fitting-Grease	28	95-9186	8	Cap
9	110-5050	16	Screw-HHF	28:1	40998	1	Seat-Gasket
10	108-3605	8	Plate-Backing	30	95-9187	16	Cap-Blank
11	104-8300	10	Nut-HF, NI	30:1	40998	1	Seat-Gasket
14	119-9368	4	Block Slide	31	108-3471-03	4	Hinge
15	119-9369	8	Screw-HHF	32	119-4993-03	2	Bracket-Pivot
16	108-3524-03	1	Boom-RH	33	100-8541	4	Bushing-A Arm
17	108-3525-03	1	Boom-LH	34	108-3748	2	Screw-HHF
18	108-3726	2	RH Single Body Turret ASM	35	108-3419	2	Pivot Pin ASM
19	108-3725	2	LH Single Body Turret ASM	36	107-8650	2	Conduit-Convolutod
20	40506	4	Hose-Jumper	37	3290-378	4	Tie-Cable

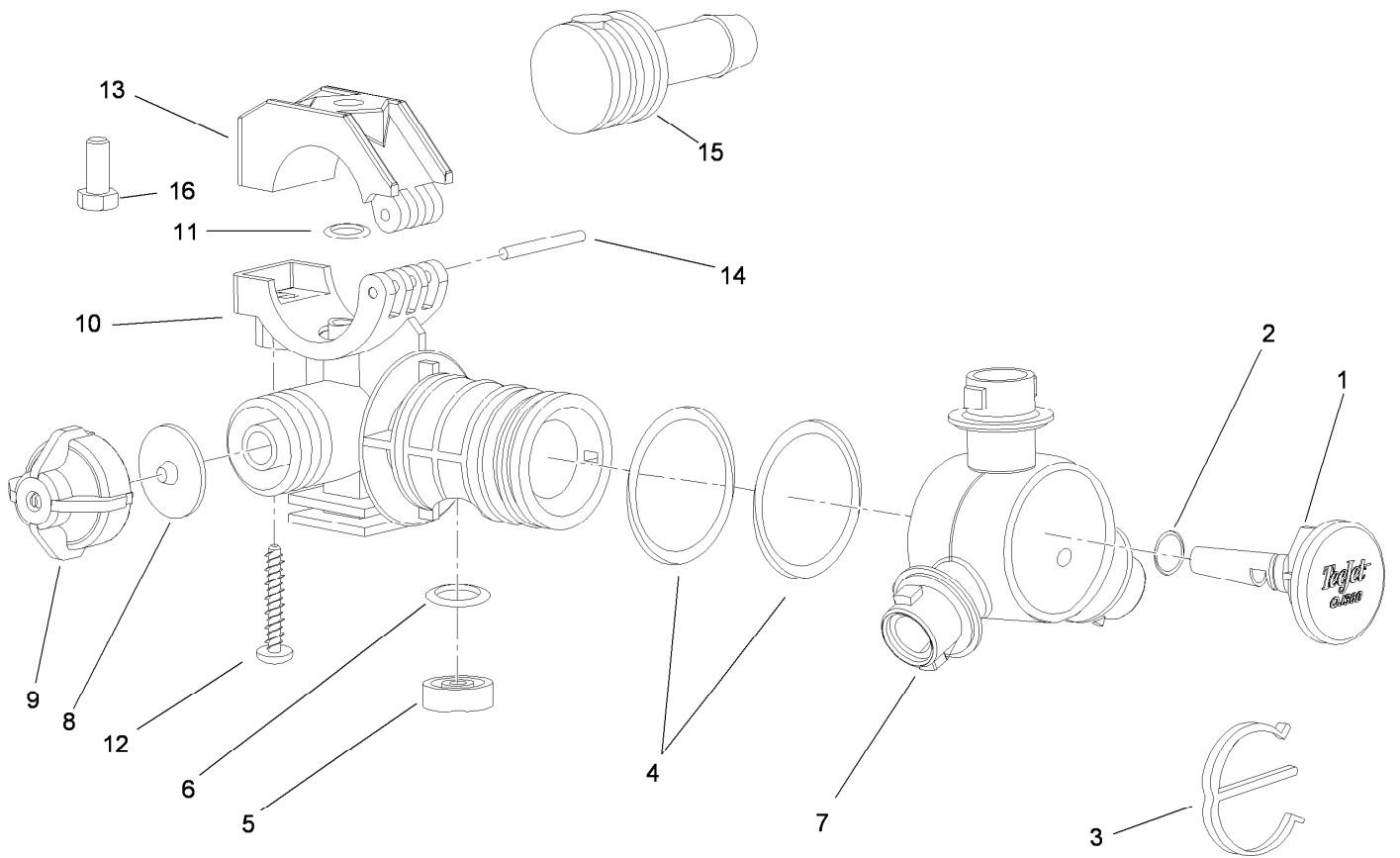




## RH Single Body Turret Assembly No. 108-3726

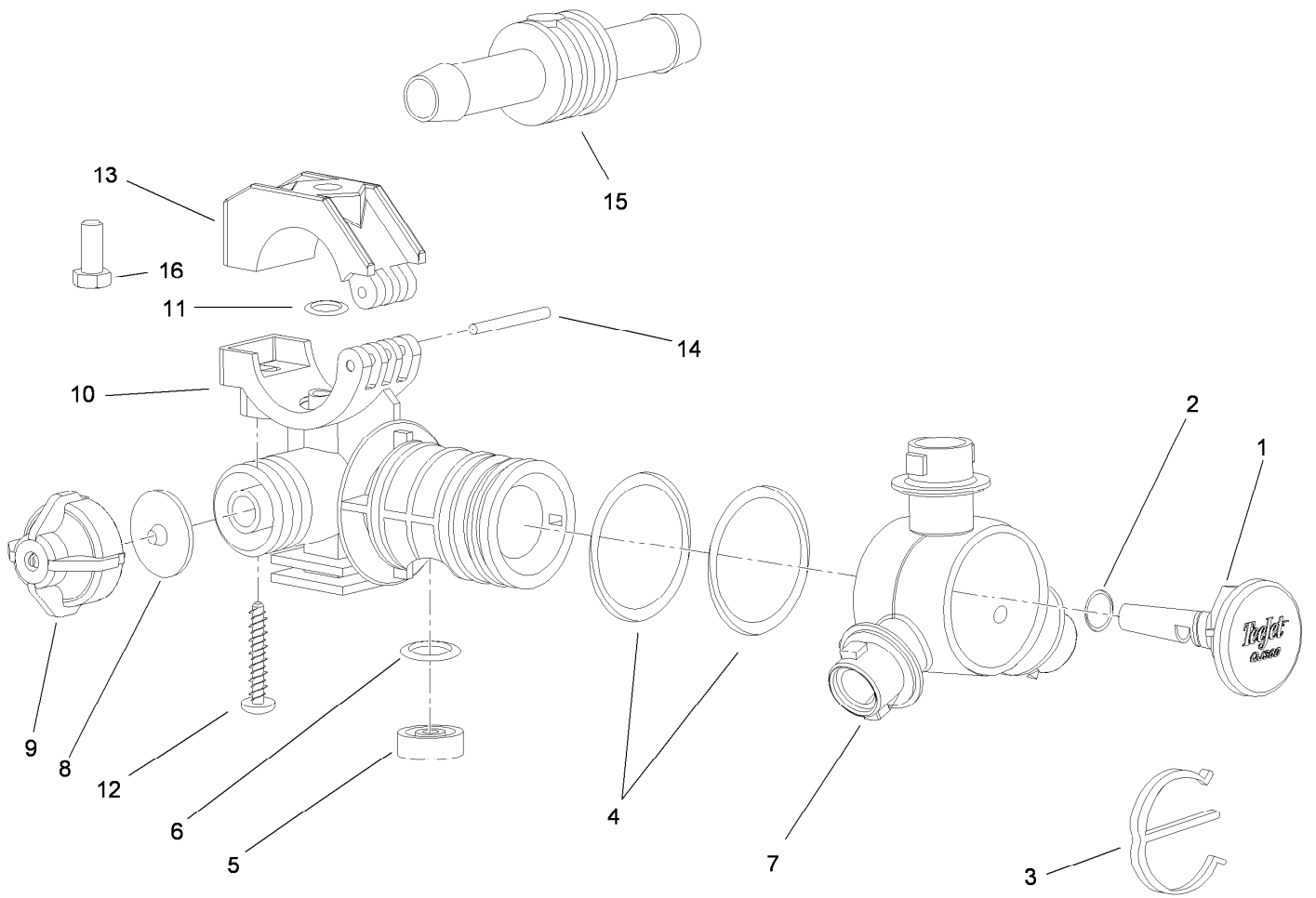
<i>Ref.</i>	<i>Part Number</i>	<i>Qty.</i>	<i>Description</i>
1	95-9200	1	Plug
2	95-9198	1	O-Ring
3	95-9197	1	E-Clip
4	95-9199	2	O-Ring
5	108-3264	1	Seal-Viton
6	108-3265	1	O-Ring-Viton
7	95-9196	1	Turret
8	41003	1	Diaphragm

<i>Ref.</i>	<i>Part Number</i>	<i>Qty.</i>	<i>Description</i>
9	95-9193	1	Cap-Diaphragm
10	95-9192	1	Body-Split Eyelet
11	95-9191	1	O-Ring
12	99-0811	1	Screw-Clamp
13	99-0812	1	Clamp-Upper
14	99-0814	1	Pin-Pivot
15	95-9201	1	Shank-Hose
16	322-3	1	Screw-HH



## LH Single Body Turret Assembly No. 108-3725

<i>Ref.</i>	<i>Part Number</i>	<i>Qty.</i>	<i>Description</i>	<i>Ref.</i>	<i>Part Number</i>	<i>Qty.</i>	<i>Description</i>
1	95-9200	1	Plug	9	95-9193	1	Cap-Diaphragm
2	95-9198	1	O-Ring	10	95-9192	1	Body-Split Eyelet
3	95-9197	1	E-Clip	11	95-9191	1	O-Ring
4	95-9199	2	O-Ring	12	99-0811	1	Screw-Clamp
5	108-3264	1	Seal-Viton	13	99-0812	1	Clamp-Upper
6	108-3265	1	O-Ring-Viton	14	99-0814	1	Pin-Pivot
7	95-9196	1	Turret	15	95-9201	1	Shank-Hose
8	41003	1	Diaphragm	16	322-3	1	Screw-HH



## Double Turret Body Assembly No. 108-3727

Ref.	Part Number	Qty.	Description
1	95-9200	1	Plug
2	95-9198	1	O-Ring
3	95-9197	1	E-Clip
4	95-9199	2	O-Ring
5	108-3264	1	Seal-Viton
6	108-3265	1	O-Ring-Viton
7	95-9196	1	Turret
8	41003	1	Diaphragm

Ref.	Part Number	Qty.	Description
9	95-9193	1	Cap-Diaphragm
10	95-9192	1	Body-Split Eyelet
11	95-9191	1	O-Ring
12	99-0811	1	Screw-Clamp
13	99-0812	1	Clamp-Upper
14	99-0814	1	Pin-Pivot
15	95-9202	1	Shank-Hose
16	322-3	1	Screw-HH

# Attachments and Accessories

## For 41199 Multi-Pro 1200 Turf Sprayer

<b>Product Name</b>	<b>Model/Part</b>
Rinse Kit .....	106-4842
Sprayer Valves O-Ring Kit .....	106-4846
Premium Engine Oil, 10w30 (55 Gallon Drum) .....	108-1179
Premium Engine Oil, 10w30 (5 Gallon Pail) .....	108-1180
Premium ATF (Drum).....	108-1185
Premium ATF (Pail) .....	108-1186
Premium All Purpose Grease (Tube) .....	108-1190
Turret Seal Repair Kit .....	108-3263
Foam Marker Mounting Kit.....	119-9366
Tire .....	330802
Single Nozzle Kit.....	41024
Spray Gun Kit 9 (inc. 25ft Of 1/2in Hose) .....	41133
Electric Hose Reel Kit .....	41135
Pro Foam Concentrate (4 x 1 Gallon) .....	41157
Sonic Boom Kit .....	41217
Foam Marker Kit .....	41236
Roll-Over Protection System .....	41361
Pro-Foam.....	41607
Spark Arrestor Screen .....	94-8157

**Notes:**

**Notes:**

**Notes:**



**Count on it.**