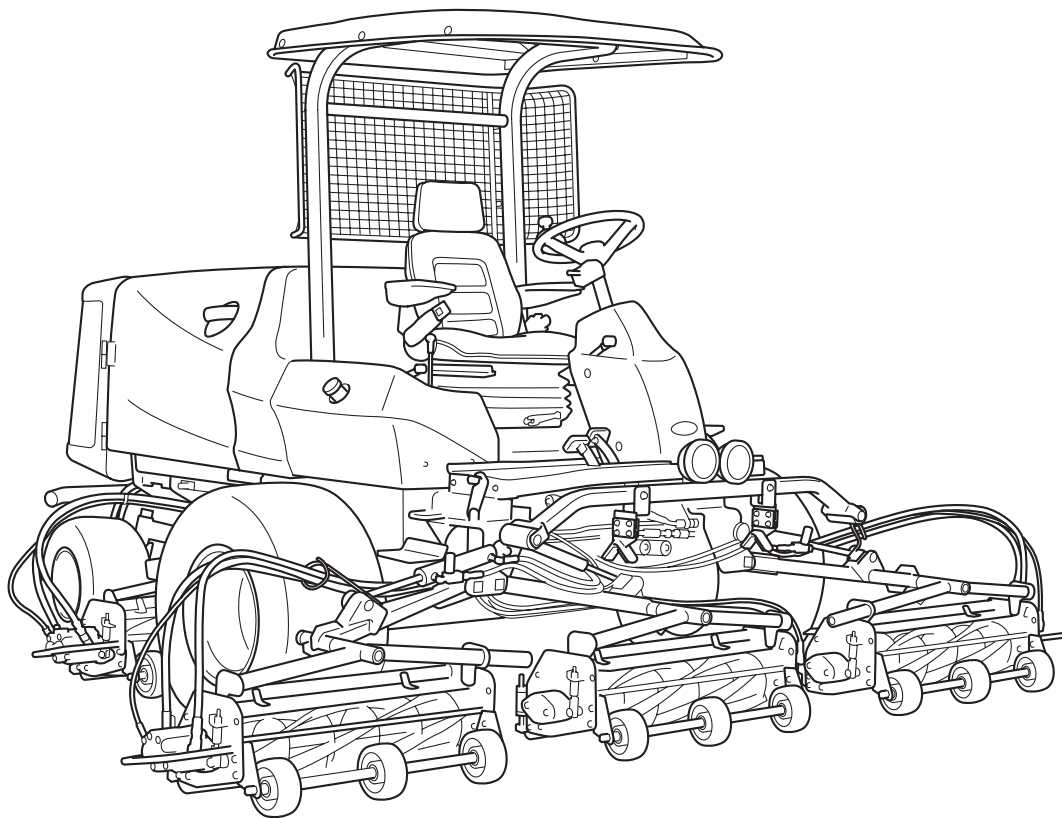


LM3210

5-Unit Reel Mower

Parts catalog



BARONESS[®]

Quality on Demand

Serial No.10033-

Ver.1.2

Greeting

Thank you for purchasing Baroness machine.

This machine has been shipped from the factory after comprehensive test runs and inspections. However, the optimum performance of the machine depends on how you use and maintain it, including routine inspections, adjustments, and fuel supplies before and after the operation.

We hope you will use the machine safely, and take advantage of its best performance.

Note

(For inquiry about this machine)

Since the type of machine may be changed sequentially, inform us of the type and the serial number.

The information described in this manual is subject to change without prior notice.

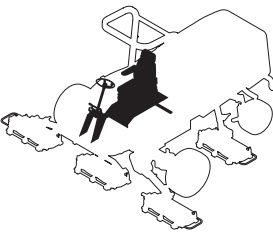
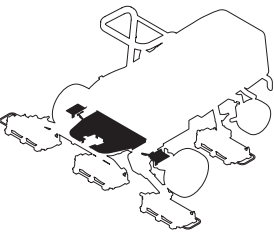
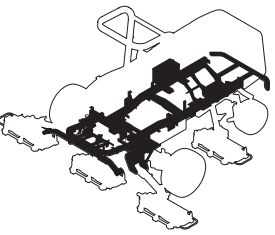
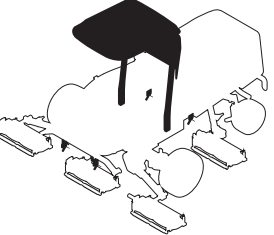
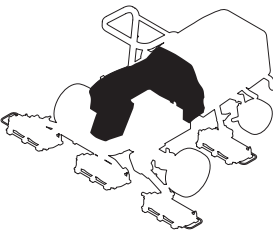
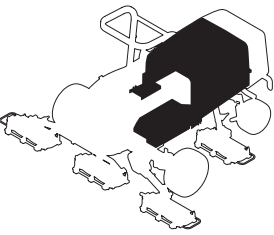
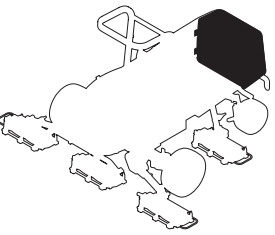
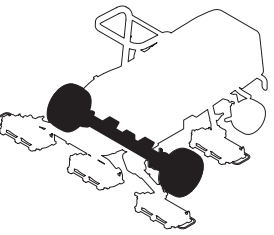
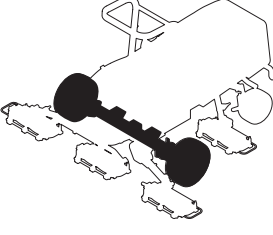
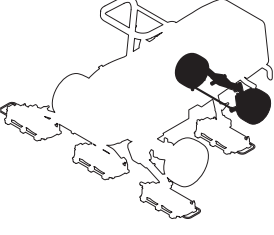
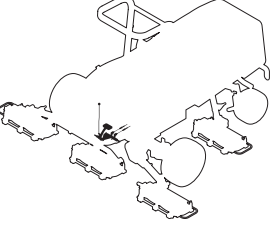
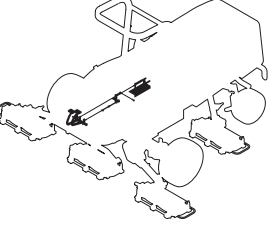
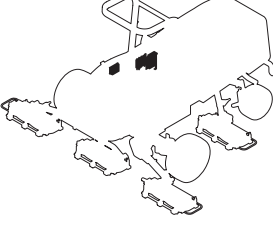

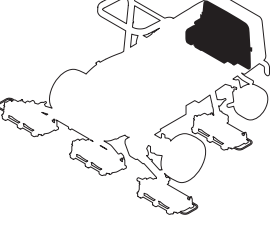
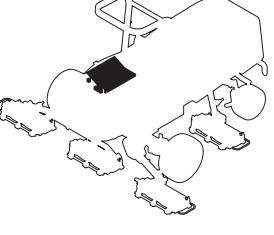
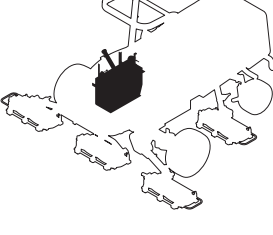
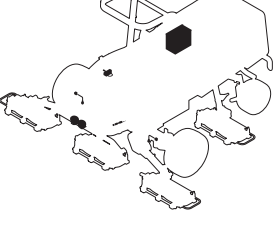
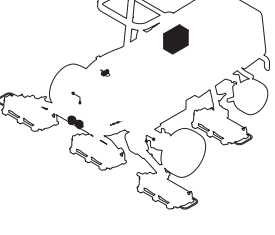

When replacing parts, be sure to use Baroness parts or parts designated by Kyo-eisha.


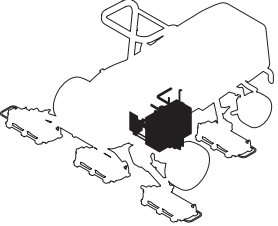

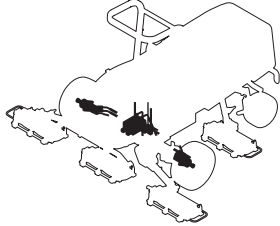
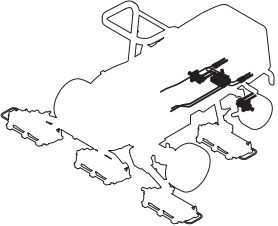
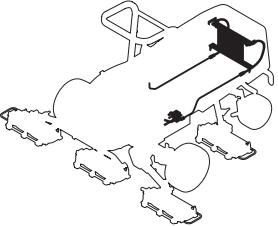
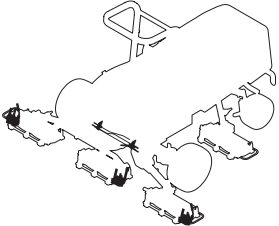
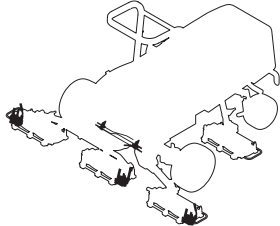
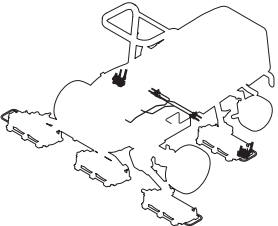
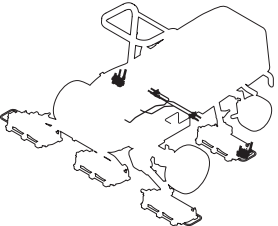
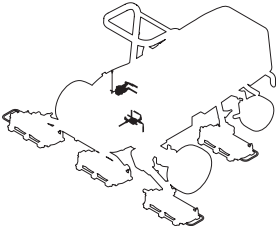
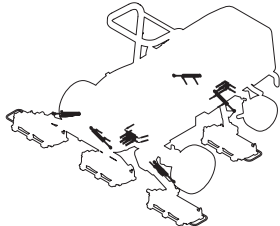

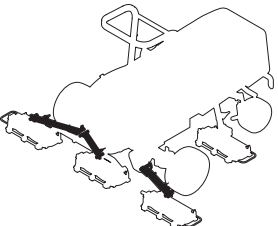
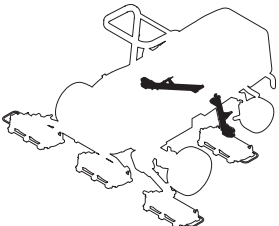
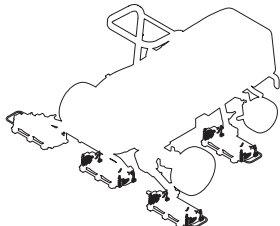
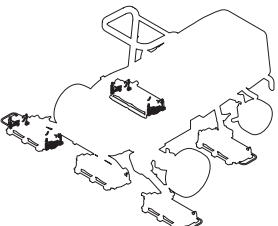
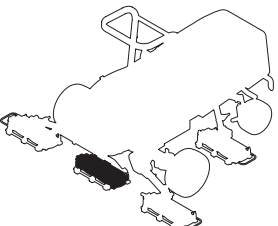
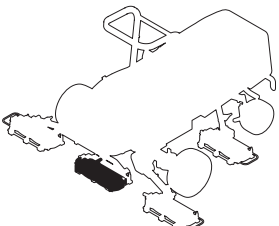
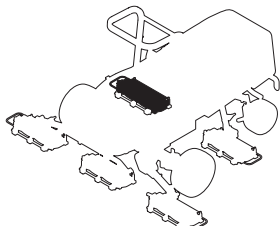
Note that the Baroness product warranty may not apply to defects caused by the use of parts from other companies.

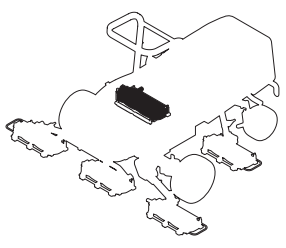
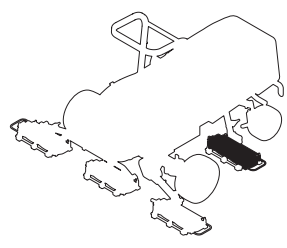
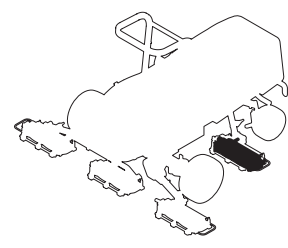
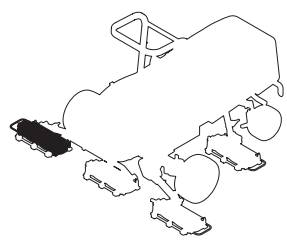
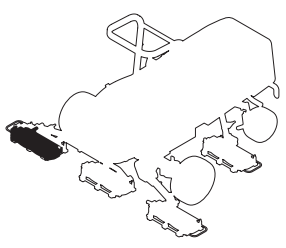
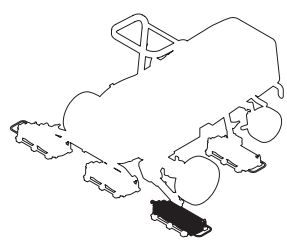
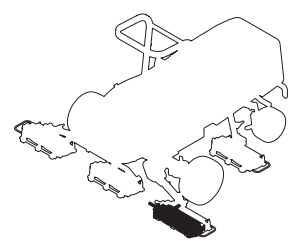
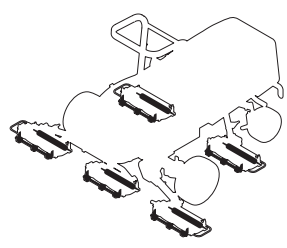
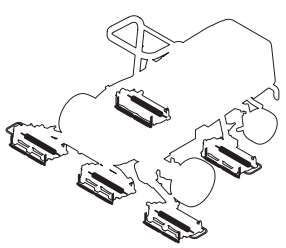
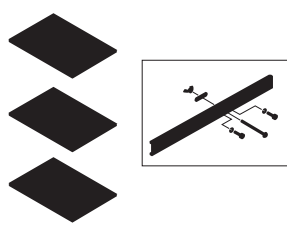
(For ordering parts)

For prevention of delivery of wrong parts, be sure to inform us of the code number and the part name.

Example:	Code No.	Part Name	Qty
	LM3210-1701Z0	COVER COMP, TANK R	1

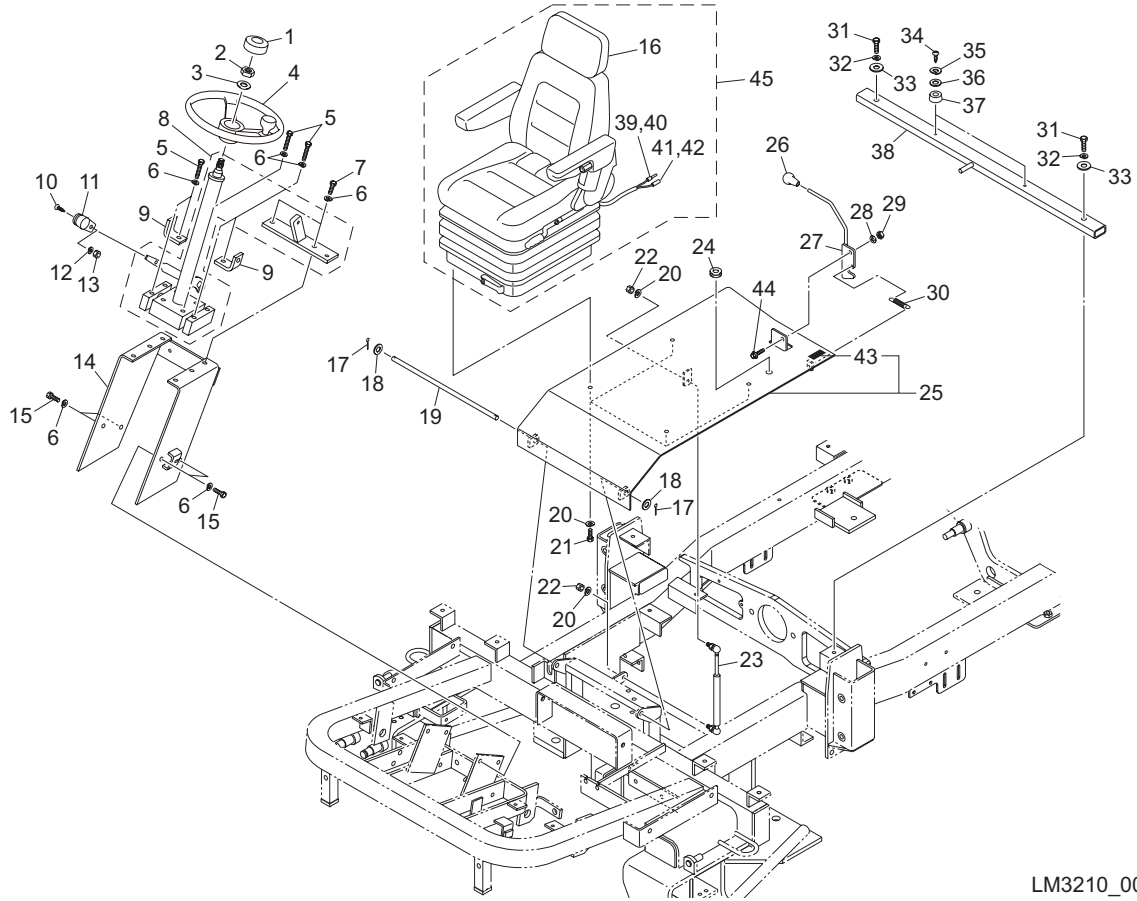
<p>1.Frame section A P4</p> 	<p>2.Frame section B P6</p> 	<p>3.Frame section C P8</p> 	<p>4.Frame section D P10</p> 
<p>5.Cover section A P12</p> 	<p>6.Cover section B P13</p> 	<p>7.Cover section C P15</p> 	<p>8.Front wheel section (Type R) P16</p> 
<p>9.Front wheel section (Type F) P18</p> 	<p>10.Rear wheel section .. P20</p> 	<p>11.Pedal section A P22</p> 	<p>12.Pedal section B P24</p> 
<p>13.Engine section A P26</p> 	<p>14.Engine section B P28</p> 	<p>15.Engine section C P30</p> 	<p>16.Engine section D P32</p> 
<p>17.Engine section E P33</p> 	<p>18.Engine section F (Type R) P34</p> 	<p>19.Engine section F (Type F) P35</p> 	<p>20.Engine section G P36</p> 

<p>21.Hydraulic section A P37</p> 	<p>22.Hydraulic section B P39</p> 	<p>23.Hydraulic section C (Type R) P41</p> 	<p>24.Hydraulic section C (Type F) P43</p> 
<p>25.Hydraulic section D P45</p> 	<p>26.Hydraulic section E P47</p> 	<p>27.Hydraulic section F (Type R) P49</p> 	<p>28.Hydraulic section F (Type F) P51</p> 
<p>29.Hydraulic section G (Type R) P53</p> 	<p>30.Hydraulic section G (Type F) P54</p> 	<p>31.Hydraulic section H P55</p> 	<p>32.Hydraulic section J P57</p> 
<p>33.Hydraulic section K P59</p> 	<p>34.Lift arm section (#1,4,5) P61</p> 	<p>35.Lift arm section (#2,3) P62</p> 	<p>36.Mower section Ass'y (#1,3,5) P63</p> 
<p>37.Mower section Ass'y (#2,4) P65</p> 	<p>38.Mower section (#1) (Type R) P67</p> 	<p>39.Mower section (#1) (Type F) P68</p> 	<p>40.Mower section (#2) (Type R) P69</p> 

<p>41.Mower section (#2) (Type F) P70</p> 	<p>42.Mower section (#3) (Type R) P71</p> 	<p>43.Mower section (#3) (Type F) P72</p> 	<p>44.Mower section (#4) (Type R) P73</p> 
<p>45.Mower section (#4) (Type F) P74</p> 	<p>46.Mower section (#5) (Type R) P75</p> 	<p>47.Mower section (#5) (Type F) P76</p> 	<p>48.Mower caster wheel section (Type R) P77</p> 
<p>49.Roller Ass'y section (Type F) P78</p> 	<p>50.Accessory section ... P80</p> 		

1.Frame section A

LM3210

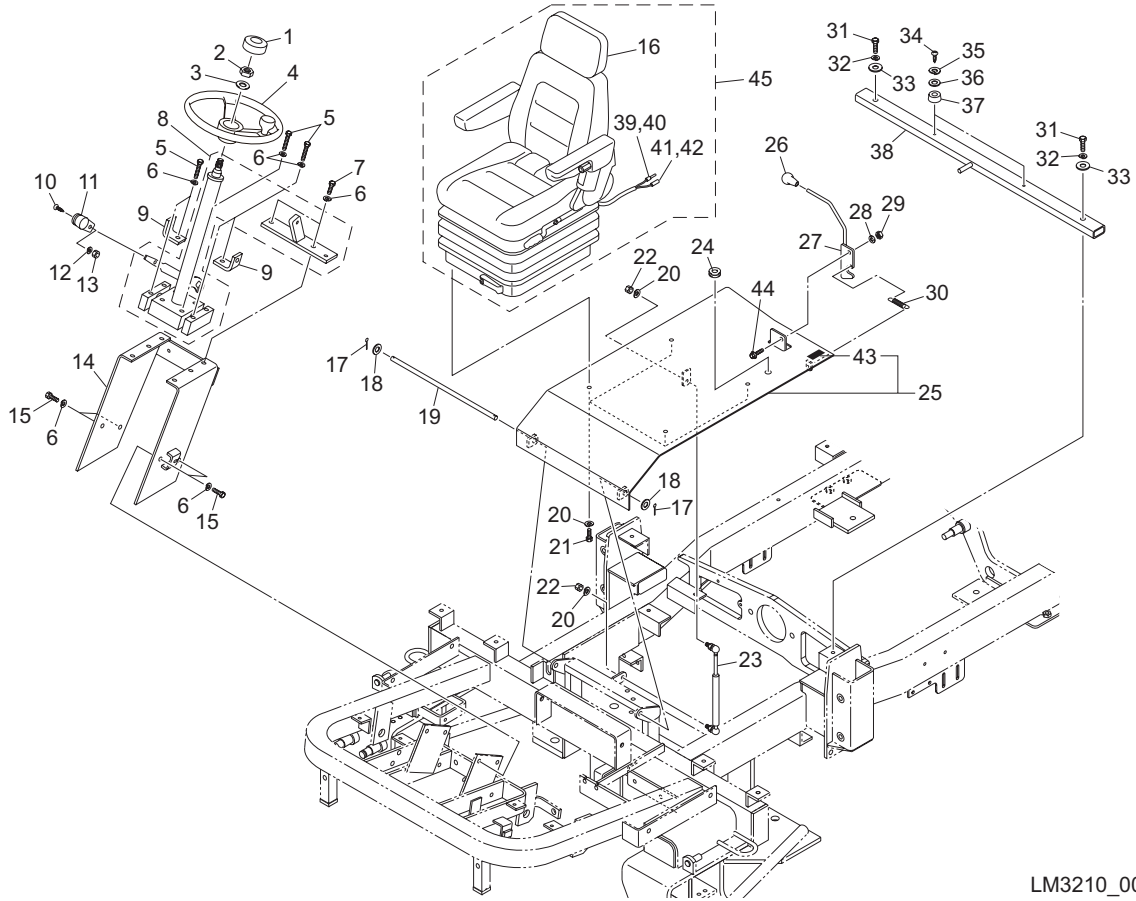


LM3210_001_z01

Cat No.	Code No.	Part name	Qty	Remark	SN of application
1-1	K1310000130	CAP, RUBBER	1		
1-2	K0103140002	NUT, P1.5 M14	1		
1-3	K0200140002	WASHER, SPRING M14	1		
1-4	K1710000070	STEERING, WITH KNOB V027220-0000	1		
1-5	K0000100502	BOLT, M10-50	8		
1-6	K0200100002	WASHER, SPRING M10	14		
1-7	K0000100202	BOLT, M10-20	2		
1-8	K1730000060	COLUMN, STEERING TILT TYPE	1		
1-9	LM2700-0931ZD	MOUNT, FRONT COVER	2		
1-10	K0042050082	SCREW, + ROUND HEAD M5-8	1		
1-11	K1301000150	GRIP, PLASTIC THROTTLE LEVER	1		
1-12	K0200050002	WASHER, SPRING M5	1		
1-13	K0100050002	NUT, M5	1		
1-14	LM2700-0602ZD	MOUNT, HANDLE	1		
1-15	K0000100152	BOLT, M10-15	4		
1a-16	K1700000250	SEAT, DS85H/90	1		
1-17	K0300032252	PIN, COTTER M3.2-25	2		
1-18	K5000120002	WASHER, M12	2		
1-19	LM2700-0609Z2	SHAFT, WITH HOLES M12-333	1		
1-20	K0200080002	WASHER, SPRING M8	6		
1-21	K0000080202	BOLT, M8-20	4		
1-22	K0100080002	NUT, M8	2		
1-23	K3381000010	GAS-SPRING, C25	1		
1-24	K0910000020	GROMMET, C30NG79H	1		
1-25	GM2810-3601Z0	BRACKET ASSY, SEAT	1		
1-26	K1300000040	GRIP, RUBBER BLACK 9-35.5	1		
1-27	LM2700-0607ZD	LEVER	1		
1-28	K5000100002	WASHER, M10	1		
1-29	K0144100002	NUT, WITH F-RING, M10	1		
1-30	K1030000098	SPRING, WITH U HOOK M1.6-12-66.8	1		

1.Frame section A

LM3210

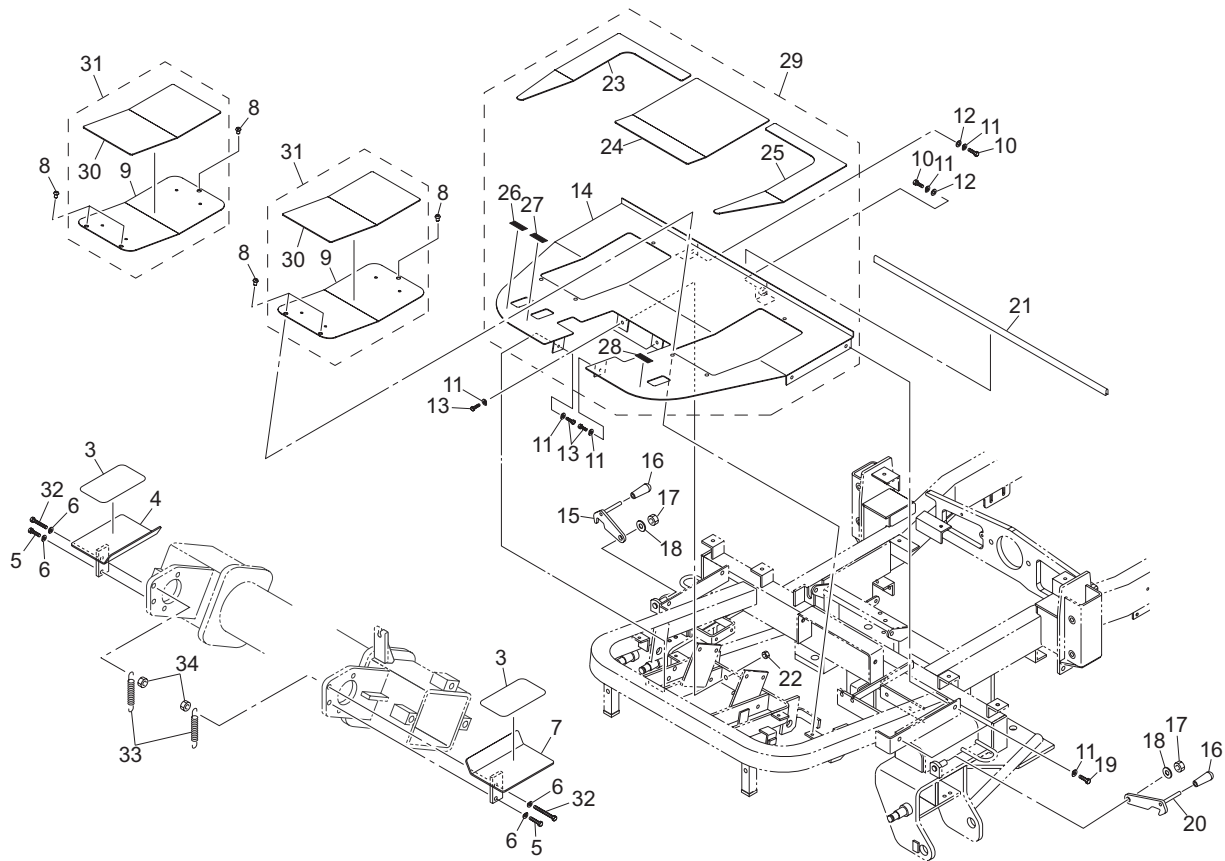


LM3210_001_z01

Cat No.	Code No.	Part name	Qty	Remark	SN of application
1-31	K0000100402	BOLT, M10-40	2		
1-32	K0200100002	WASHER, SPRING M10	2		
1-33	K5073210352	WASHER, SPHC 3.2-10-35	2		
1-34	K0042050152	SCREW, + ROUND HEAD M5-15	2		
1-35	K0200050002	WASHER, SPRING M5	2		
1-36	K5000050002	WASHER, M5	2		
1-37	K4039000130	RUBBER, TK-3220	2		
1-38	LM2700-0608BD	RECEIVER, SEAT	1		
1-39	K3622000210	CONNECTOR, MALE CA104	1		
1-40	K3622000220	SLEEVE, INSULATED FOR CONNECTOR CA104	1		
1-41	K3622000230	CONNECTOR, FEMALE CB104	1		
1-42	K3622000240	SLEEVE, INSULATED FOR CONNECTOR CB104	1		
1-43	K4205001580	DECAL, CAUTION TO INJURE	1		
1-44	K0000100252	BOLT, M10-25	1		
1a-45	K1700000390	SEAT, DS85H190 COMP	1		

2.Frame section B

LM3210

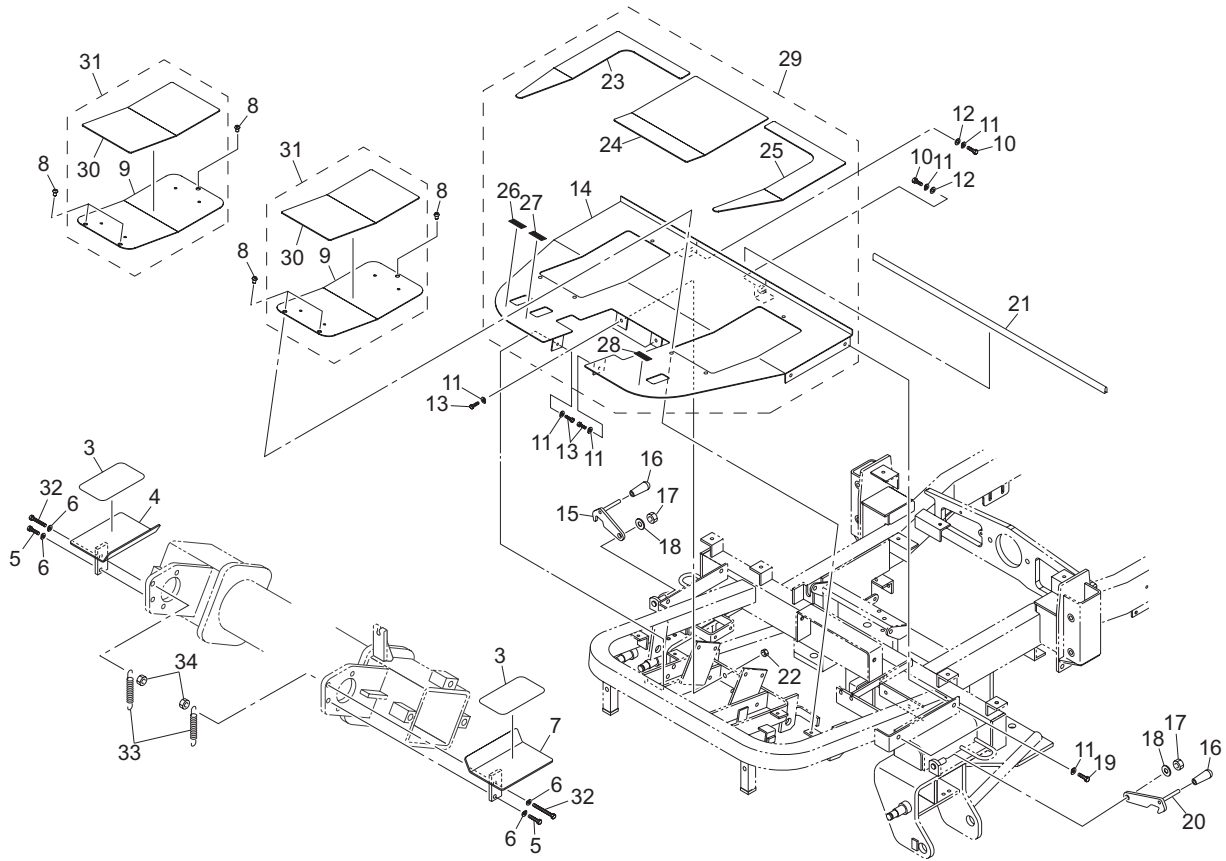


LM3210_002_z02

Cat No.	Code No.	Part name	Qty	Remark	SN of application
2-1					
2-2					
2-3	K4400000030	SHEET, NONSLIP FOR PEDAL 100170	2		
2-4	GM2800-0624ZD	STEP, (R)	1		
2-5	K0000120302	BOLT, M12-30	4		
2-6	K0200120002	WASHER, SPRING M12	4		
2-7	GM2800-0623ZD	STEP, (L)	1		
2-8	K0062080122	BOLT, BUTTON HEAD WITH HEX. HOLE M8-12	6		
2-9	LM2700-0621AD	COVER, STEP	2		
2-10	K0000080252	BOLT, M8-25	2		
2-11	K0200080002	WASHER, SPRING M8	10		
2-12	K5000080002	WASHER, M8	2		
2-13	K0000080202	BOLT, M8-20	4		
2-14	LM2700-0620BD	STEP	1		
2-15	GM2800-0621AD	LEVER, LOCKING #4	1		
2-16	K1300000110	GRIP, RUBBER YELLOW 9-22	2		
2-17	K0145140002	NUT, WITH F-RING, P1.5 M14	2		
2-18	K0210140002	SPRING, CONICAL DISC L M14	2		
2-19	K0000080152	BOLT, M8-15	4		
2-20	GM2800-0622AD	LEVER, LOCKING #5	1		
2-21	K3198608900	TRIM, SEAL 6100-16A-890	1		
2-22	K0100080002	NUT, M8	2		
2-23	K4400000070	SHEET, NONSLIP RIGHT	1		
2-24	K4400000100	SHEET, NONSLIP CENTER	1		
2-25	K4400000060	SHEET, NONSLIP LEFT	1		
2-26	K4203001440	DECAL, BACKWARD	1		
2-27	K4203001430	DECAL, FORWARD	1		
2-28	K4203001450	DECAL, BRAKE	1		
2-29	LM2700-0640Z0	STEP COMP	1		
2-30	K4400000080	SHEET, NONSLIP 346186	2		

2.Frame section B

LM3210

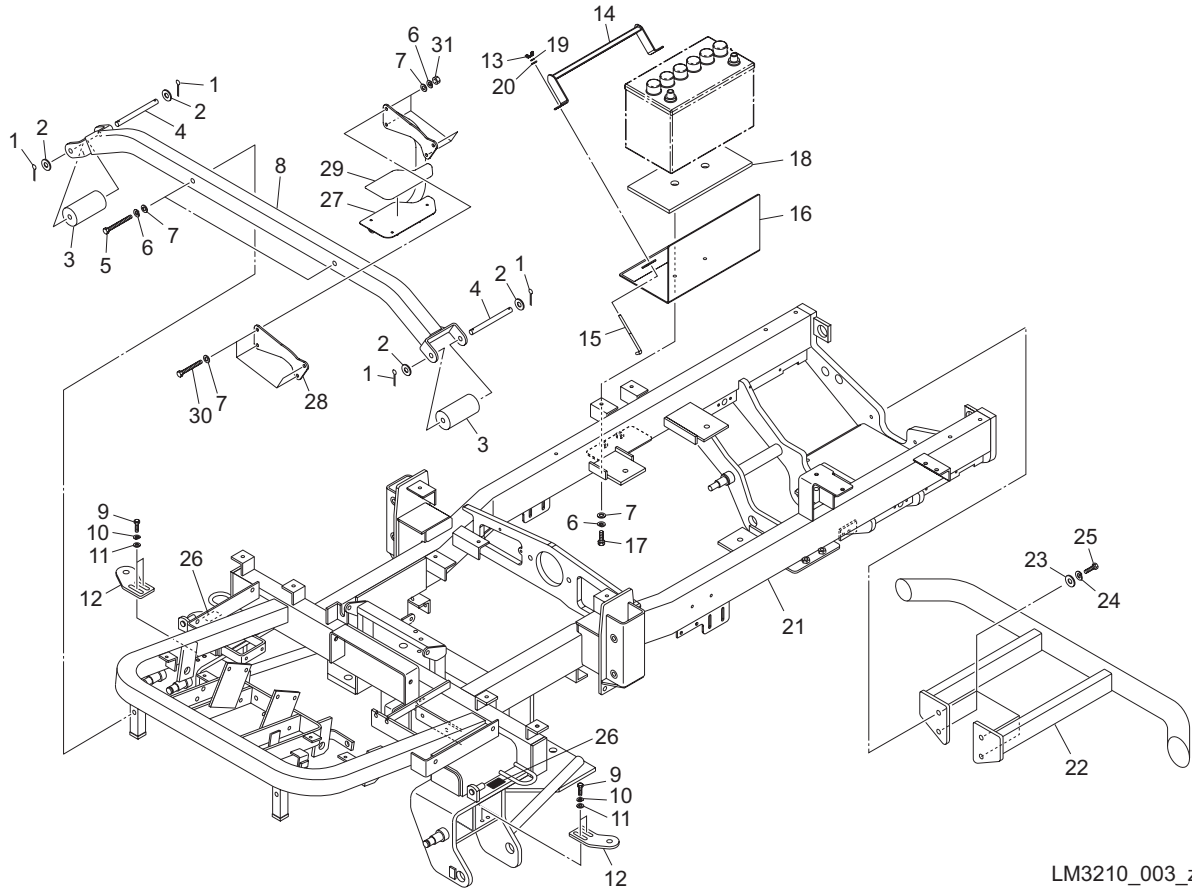


LM3210_002_z02

Cat No.	Code No.	Part name	Qty	Remark	SN of application
2-31	LM2700-0641Z0	COVER COMP, STEP	2		
2-32	K0000120702	BOLT, M12-70	2		
2-33	K1020000218	SPRING, W/ROUND HOOK M1.6-18.2-65.6	2		
2-34	K0144120002	NUT, W/F-RING M12	2		

3.Frame section C

LM3210

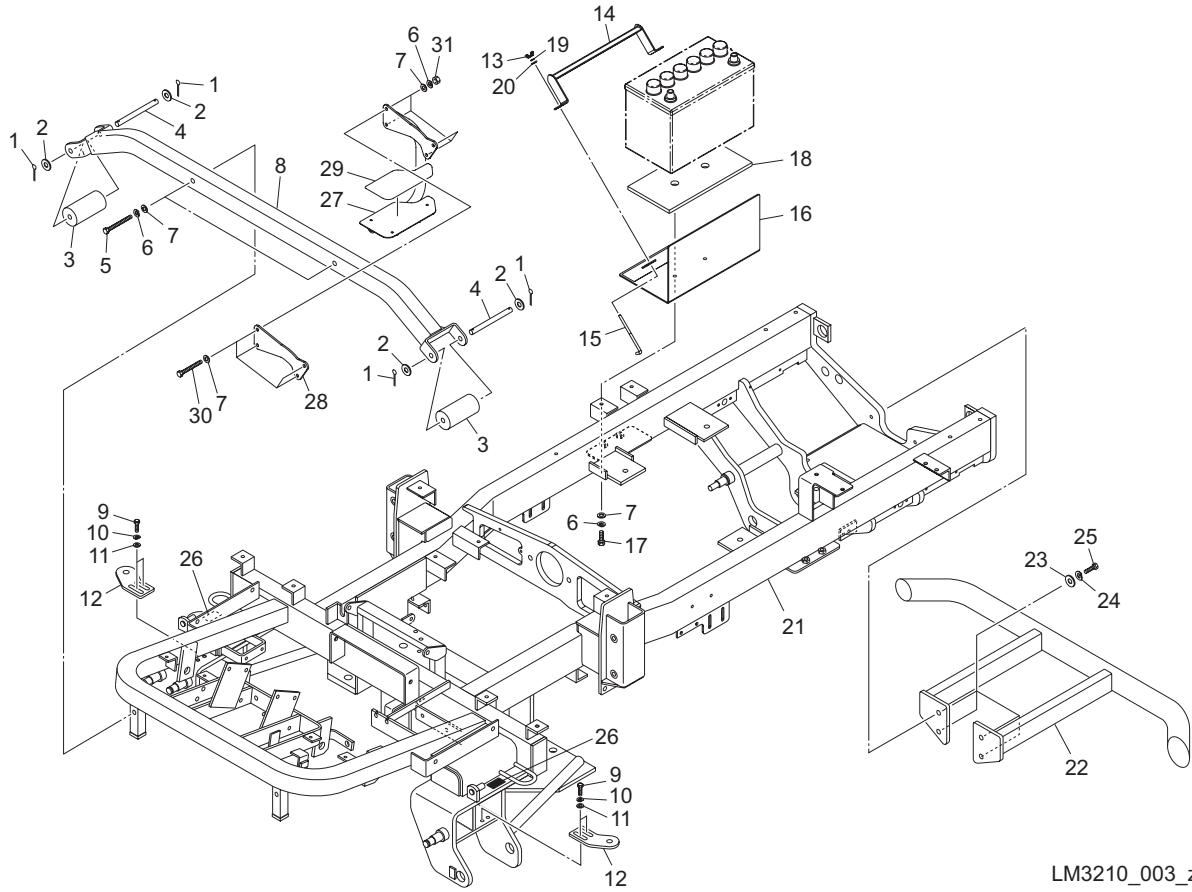


LM3210_003_z01

Cat No.	Code No.	Part name	Qty	Remark	SN of application
3-1	K0300032222	PIN, COTTER M3.2-22	4		
3-2	K5000140002	WASHER, M14	4		
3-3	GM2800-0628Z0	RUBBER, ROLLER 120	2		
3-4	GM2800-0629Z2	SHAFT, ROLLER 155	2		
3-5	K0000101002	BOLT, M10-100	2		
3-6	K0200100002	WASHER, SPRING M10	6		
3-7	K5000100002	WASHER, M10	6		
3-8	GM2800-0614ZD	GUIDE, ARM	1		
3-9	K0000080202	BOLT, M8-20	4		
3-10	K0200080002	WASHER, SPRING M8	4		
3-11	K5000080002	WASHER, M8	4		
3-12	LM2700-0625ZD	BRACKET, SWITCH	2		
3-13	K0141060002	NUT, WING M6-3	2		
3-14	GM2810-0603ZD	CLAMP, BATTERY	1		
3-15	M6171000312	ROD, W/ M6	2		
3-16	GM2800-0602ZD	MOUNT, VALVE	1		
3-17	K0000100202	BOLT, M10-20	2		
3-18	K4035000140	RUBBER, VIBRATION PROOF FOR BATTERY	1		
3-19	K0200060002	WASHER, SPRING M6	2		
3-20	K5012306162	WASHER, SPCC 2.3-6-16	2		
3-21	GM2810-0601CD	FRAME	1		
3-22	GM2800-0617ZD	BUMPER	1		
3-23	K5000120002	WASHER, M12	4		
3-24	K0200120002	WASHER, SPRING M12	4		
3-25	K0010120302	BOLT, HT P1.75 M12-30	4		
3-26	K4205001900	DECAL, CAUTION ARM LOCK	2		
3a-27					
3a-28					
3a-29					
3a-30					

3.Frame section C

LM3210

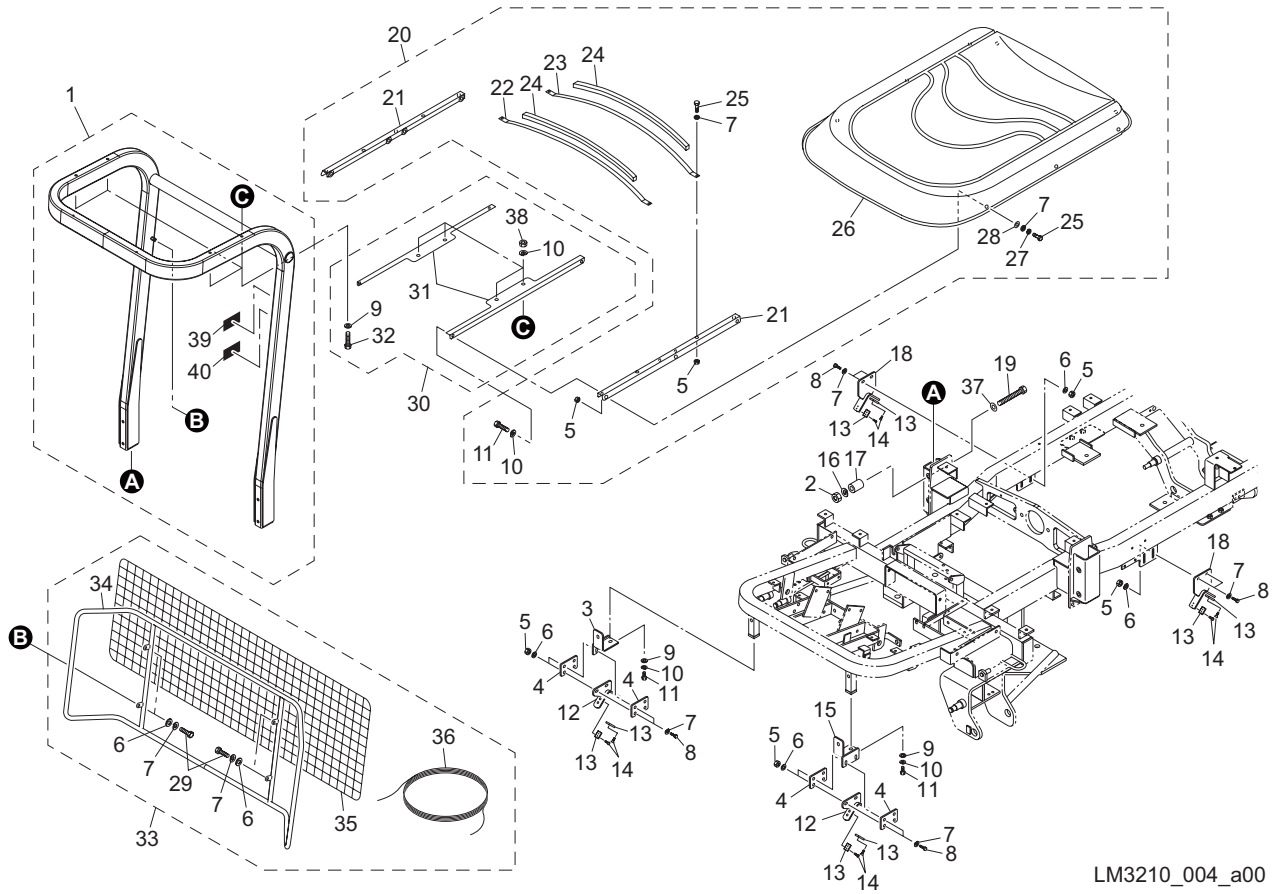


LM3210_003_z01

Cat No.	Code No.	Part name	Qty	Remark	SN of application
3a-31					

4.Frame section D

LM3210

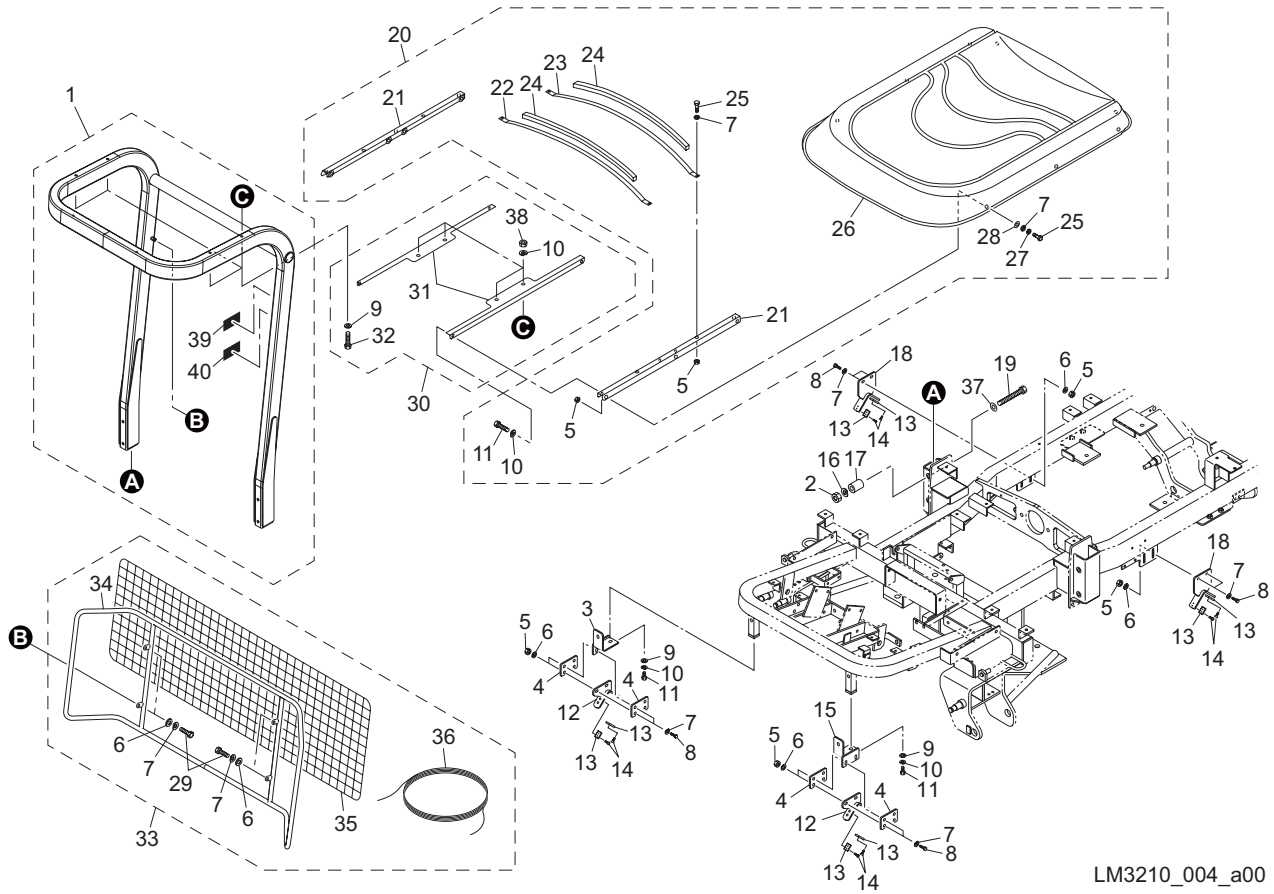


LM3210_004_a00

Cat No.	Code No.	Part name	Qty	Remark	SN of application
4a-1	GM2810-1304ZD	ROPS ASSY	1		
4-2	K0159000061	NUT, 10.9T M12-1	4		
4-3	LM3200-0603ZD	BRACKET, (R)	1		
4-4	LM3200-0606ZD	PLATE, MOUNTING MOWER STOPPER	4		
4-5	K0100080002	NUT, M8	16		
4-6	K5000080002	WASHER, M8	16		
4-7	K0200080002	WASHER, SPRING M8	26		
4-8	K0000080302	BOLT, M8-30	12		
4-9	K5000100002	WASHER, M10	6		
4-10	K0200100002	WASHER, SPRING M10	10		
4-11	K0000100202	BOLT, M10-20	6		
4-12	LM3200-0602ZD	STOPPER, MOWER #1	2		
4-13	LM526A-0107Z0	STOPPER	8		
4-14	K0041060122	SCREW, + FLAT HEAD M6-12	16		
4-15	LM3200-0604ZD	BRACKET, (L)	1		
4-16	K0200120002	WASHER, SPRING M12	4		
4-17	GM2810-1302ZD	COLLAR, SECURING	4		
4-18	LM2700-0614AD	STOPPER, MOWER	2		
4-19	K0013121102	BOLT, HT M12-110	4		
4-20	K9120000030	ROOF ASSY	1		
4-21	K190000011D	SUPPORT, HOOD	2		
4-22	K190000010D	ARCH, B	1		
4-23	K190000009D	ARCH, A	1		
4-24	K1900000120	SPONGE, URETHANE 20-20840	2		
4-25	K0000080202	BOLT, M8-20	10		
4-26	K1900000080	ROOF	1		
4-27	K5012308322	WASHER, SPCC 2.3-8-32	6		
4-28	K1900000130	RUBBER, FOR ROOF	8		
4-29	K0000080152	BOLT, M8-15	4		
4a-30	K9120000050	BRACKET SET, FOR AWNING FRAME	1		

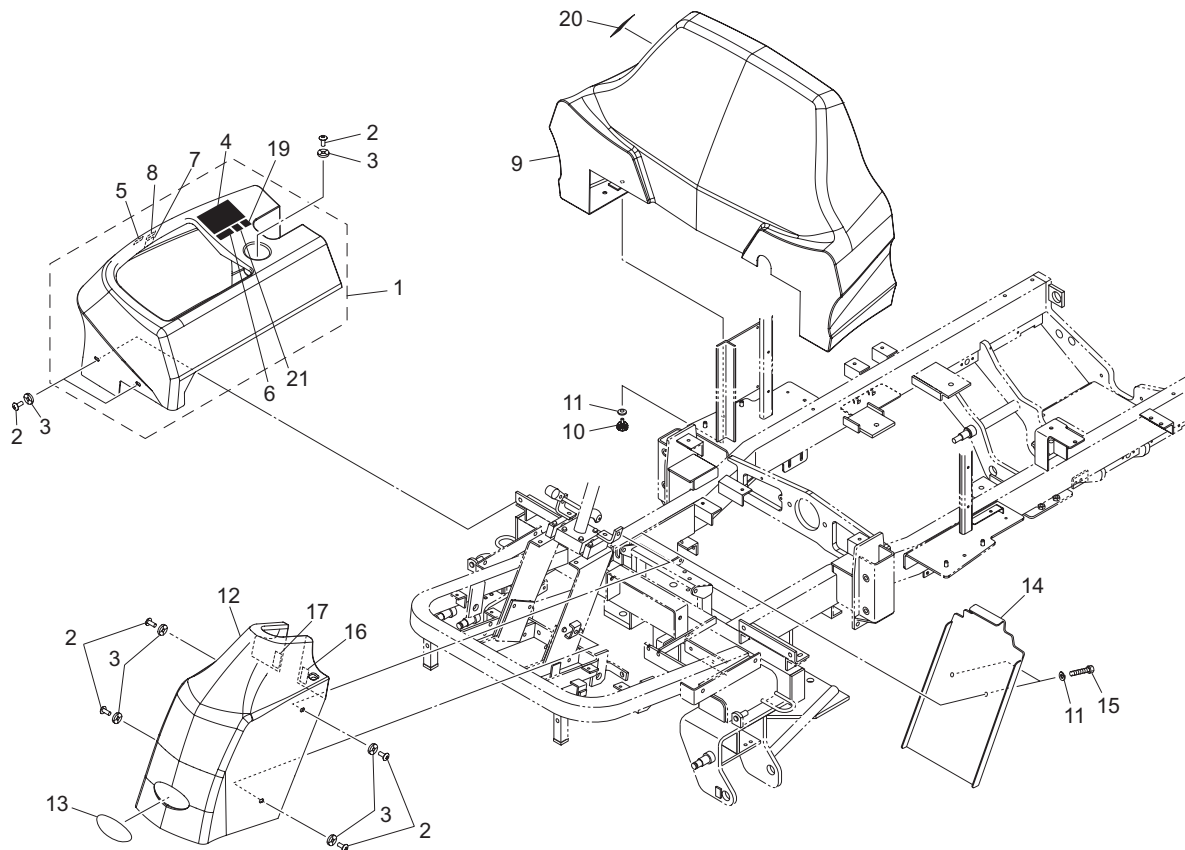
4.Frame section D

LM3210



LM3210_004_a00

Cat No.	Code No.	Part name	Qty	Remark	SN of application
4a-31	K520500040D	PLATE, FOR FIXING ROOF	1		
4a-32	K0000101002	BOLT, M10-10	4		
4-33	K8990000040	NET ASSY, PROTECTION	1		
4-34	K789900128D	FRAME, FOR BALL PROOF NET	1		
4-35	K4130000020	NET, PROTECTION 550*1375 S	1		
4-36	K4140000020	ROPE, 2-6700 S	2		
4-37	K5000120002	WASHER, M12	4		
4a-38	K0100100002	NUT, M10	4		
4a-39	K4209001500	LABEL, CERTIFICATE OF ROPS	1		
4a-40	K4205001710	DECAL, CAUTION TO ROPS	1		

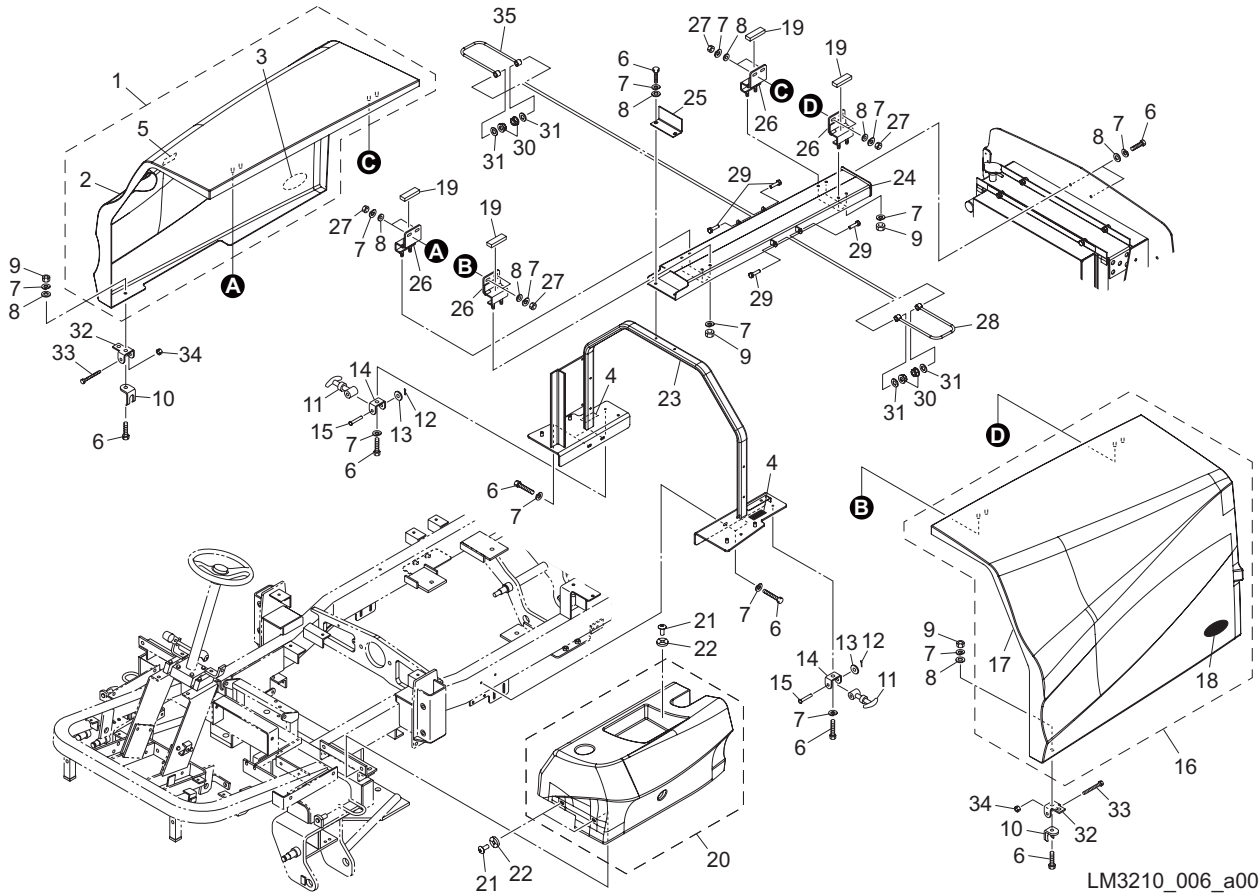


LM3210_005_a01

Cat No.	Code No.	Part name	Qty	Remark	SN of application
5a-1	LM3210-1701Z0	COVER COMP, TANK R	1		
5-2	K0056080200	SCREW, SUS + TRUSS M8-20	7		
5-3	K4031000070	RUBBER, VIBRATION PROOF 5-825	7		
5-4	K4205001840	STICKER, REEL START/STOP	1		
5-5	K4205001940	DECAL, CAUTION FIRE	1		
5-6	K4205001950	DECAL, CAUTION EXHAUST GAS	1		
5-7	K4209001000	DECAL, DIESEL FUEL REFUELING HOLE	1		
5-8	K4209001530	DECAL, INDICATING DIESEL FUEL	1		
5-9	GM2810-0908Z0	COVER, CENTER	1		
5-10	K1320000250	KNOB, DIMPLE M8-16	2		
5-11	K0210080002	SPRING, CONICAL DISC L M8	4		
5-12	GM2810-0905Z0	COVER, FRONT	1		
5-13	K4201000570	STICKER, BARONESS	1		
5-14	LM2700-0951ZD	COVER, FRONT (REAR)	1		
5-15	K0000080152	BOLT, M8-15	2		
5-16	K4203001340	STICKER, PARKING BRAKE	1		
5-17	K4203001350	STICKER, TILT STEERING	1		
5a-18					
5a-19	K4209001290	DECAL, NOISE LEVEL LWA 103	1		
5a-20	K4209001550	LABEL, MAINTENANCE	1		
5a-21	K4205002090	DECAL, WARNING NOISE	1		

6.Cover section B

LM3210

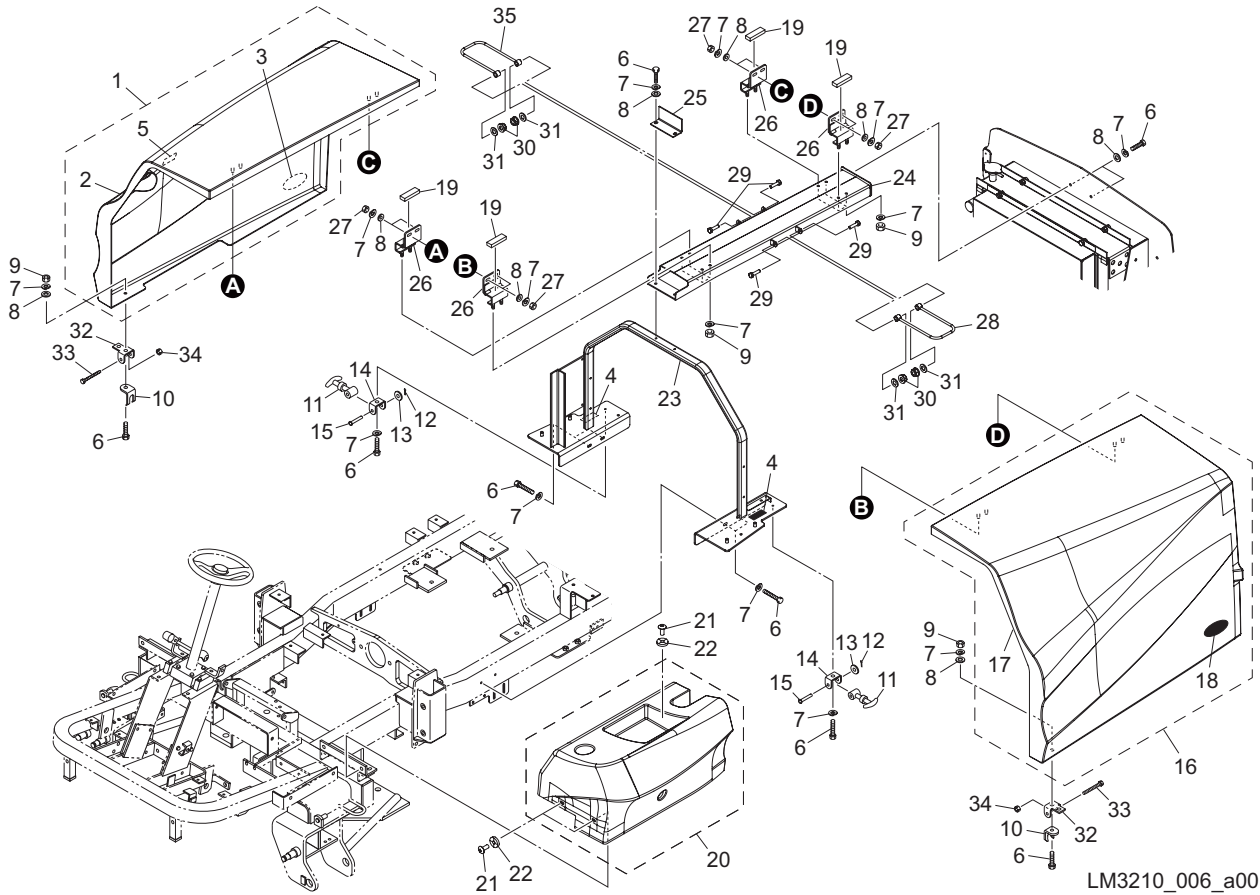


LM3210_006_a00

Cat No.	Code No.	Part name	Qty	Remark	SN of application
6-1	LM3210-3903Z0	COVER COMP, SIDE R	1		
6-2	GM2810-0911Z0	COVER, SIDE R	1		
6-3	LM3210-0902Z0	DECAL, LM3210 R	1		
6-4	K4205001580	DECAL, CAUTION TO INJURE	2		
6-5	K4205001540	DECAL, CAUTION TO HOT PARTS	1		
6-6	K0000080202	BOLT, M8-20	12		
6-7	K0200080002	WASHER, SPRING M8	28		
6-8	K5000080002	WASHER, M8	14		
6-9	K0100080002	NUT, M8	10		
6-10	K5270002352	RECEIVER, RUBBER HOOK	2		
6-11	K1520000090	HOOK, RUBBER SMALL	2		
6-12	K0300016202	PIN, COTTER M1.6-20	2		
6-13	K5000060002	WASHER, M6	2		
6-14	K5200000102	BRACKET, RUBBER HOOK	2		
6-15	K6030060352	PIN, FLAT HEAD M6-35	2		
6-16	LM3210-3904Z0	COVER COMP, SIDE L	1		
6-17	GM2810-0914Z0	COVER, SIDE L	1		
6-18	LM3210-0903Z0	DECAL, LM3210 L	1		
6-19	K4428000120	RUBBER, URETHAN 5-15-80	4		
6-20	GM2810-0907Z0	COVER, TANK L	1		
6-21	K0056080200	SCREW, SUS + TRUSS M8-20	3		
6-22	K4031000070	RUBBER, VIBRATION PROOF 5-825	3		
6-23	GM2810-0901ZD	FRAME, COVER	1		
6-24	GM2810-0922ZD	MOUNT, COVER	1		
6-25	GM2800-0930ZD	RETAINER, COVER	1		
6-26	GM2800-0920Z0	HINGE ASSY	4		
6-27	K0144080002	NUT, WITH F-RING, M8	8		
6-28	GM1500-0932B2	STAY, FOR HOOD	1		
6-29	K0000100402	BOLT, M10-40	4		
6-30	K0144100002	NUT, WITH F-RING, M10	4		

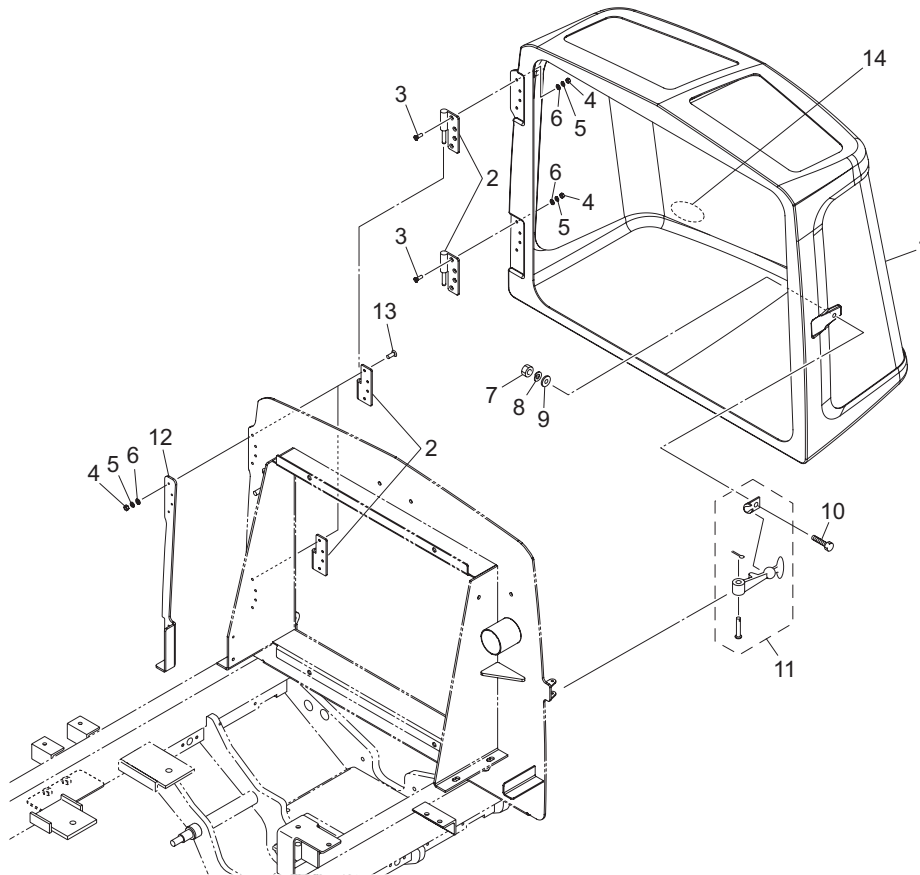
6.Cover section B

LM3210



LM3210_006_a00

Cat No.	Code No.	Part name	Qty	Remark	SN of application
6-31	K5000100002	WASHER, M10	4		
6a-32	K7355000702	FITTING, RUBBER CATCH LOCK	2		
6a-33	K0000060452	BOLT, M6-45	2		
6a-34	K0144060002	NUT, WITH F-RING, M6	2		
6-35	GM2800-0945Z2	STAY, FOR HOOD	1	10021-	

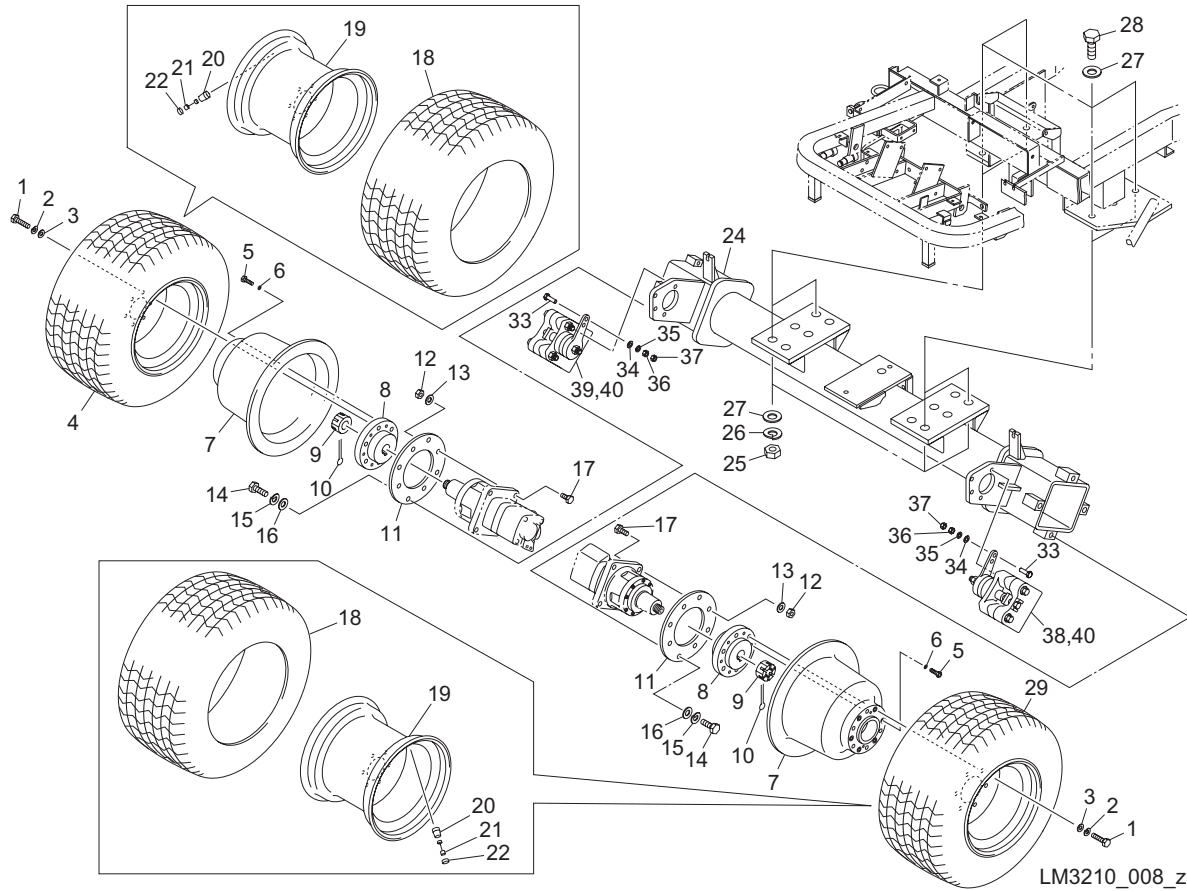


LM3210_007_z00

Cat No.	Code No.	Part name	Qty	Remark	SN of application
7-1	GM2810-3905	COVER COMP, RADIATOR	1		
7-2	K4521000030	HINGE, B-1065-11-R	2		
7-3	K0041050162	SCREW, + FLAT HEAD M5-16	8		
7-4	K0100050002	NUT, M5	16		
7-5	K0200050002	WASHER, SPRING M5	16		
7-6	K5000050002	WASHER, M5	16		
7-7	K0100060002	NUT, M6	1		
7-8	K0200060002	WASHER, SPRING M6	1		
7-9	K5011606202	WASHER, SPCC 1.6-6-20	1		
7-10	K0000060202	BOLT, M6-20	1		
7-11	K1520000030	HOOK ASSY, RUBBER	1		
7-12	GM2810-0503ZD	PLATE, MOUNTING COVER	1		
7-13	K0041050122	SCREW, + FLAT HEAD M5-12	8		
7-14	K4201000570	STICKER, BARONESS	1		

8.Front wheel section (Type R)

LM3210

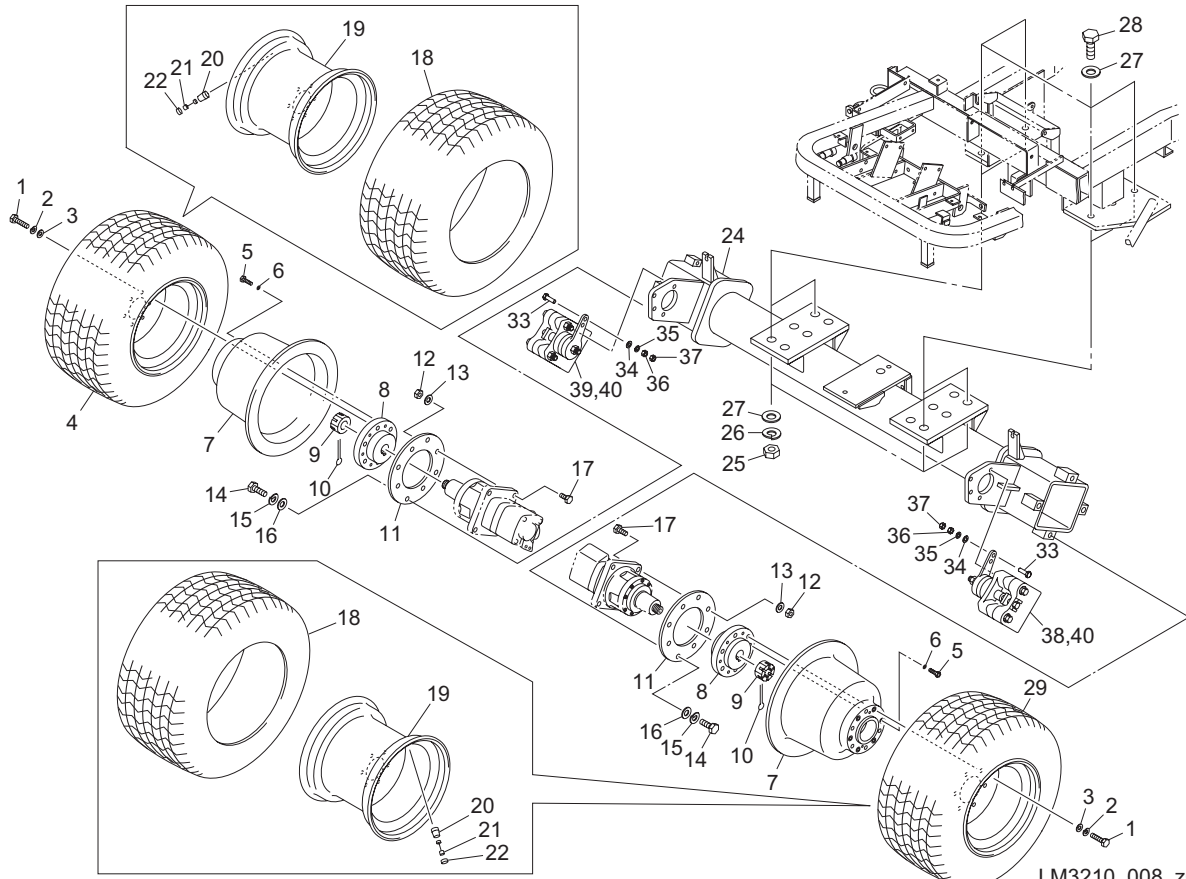


LM3210_008_z02

Cat No.	Code No.	Part name	Qty	Remark	SN of application
8-1	K0014120652	BOLT, HT P1.5 M12-65	12		
8-2	K0200120002	WASHER, SPRING M12	12		
8-3	K5000120002	WASHER, M12	12		
8-4	K2040000860	TIRE ASSY, 31*15.5-15 R	1		
8-5	K001A080401	BOLT,13T W/HEX. HOLE M8-40	12		
8-6	K0215080002	WASHER, DISK SPRING H M8-2	12		
8-7	LM2700-0305ZD	DISK, BRAKE	2		
8-8	LM2700-0306ZD	MOUNT, WHEEL	2		
8-9	K0138240002	NUT, HIGH SLOTTED P1.5 M24	2		
8-10	K0300050452	PIN, COTTER M5-45	2		
8-11	LM2700-0307Z2	PLATE, MOUNTING MOTOR	2		
8-12	K0100140002	NUT, M14	8		
8-13	K0200140002	WASHER, SPRING M14	8		
8-14	K0014160402	BOLT, HT P1.5 M16-40	8		
8-15	K0200160002	WASHER, SPRING M16	8		
8-16	K5000160002	WASHER, M16	8		
8-17	K0013140502	BOLT, HT M14-50	8		
8-18	K2041000180	TIRE, 31*15.5-15PD1	2		
8-19	K209000088D	WHEEL, 15*13	2		
8-20	K2097000010	VALVE, RIM TR413	2		
8-21	K2092000010	CORE, VALVE NO.8000	2		
8-22	K2093000010	CAP, VALVE	2		
8-23					
8-24	LM2700-0308ZD	AXLE, FRONT	1		
8-25	K0152200002	NUT, NYLON P1.5 M20	4		
8-26	K0200200002	WASHER, SPRING M20	4		
8-27	K5000200002	WASHER, M20	8		
8-28	K0015200702	BOLT, HT P1.5 M20-70	4		
8-29	K2040000850	TIRE ASSY, 31*15.5-15 L	1		
8-30					

8. Front wheel section (Type R)

LM3210

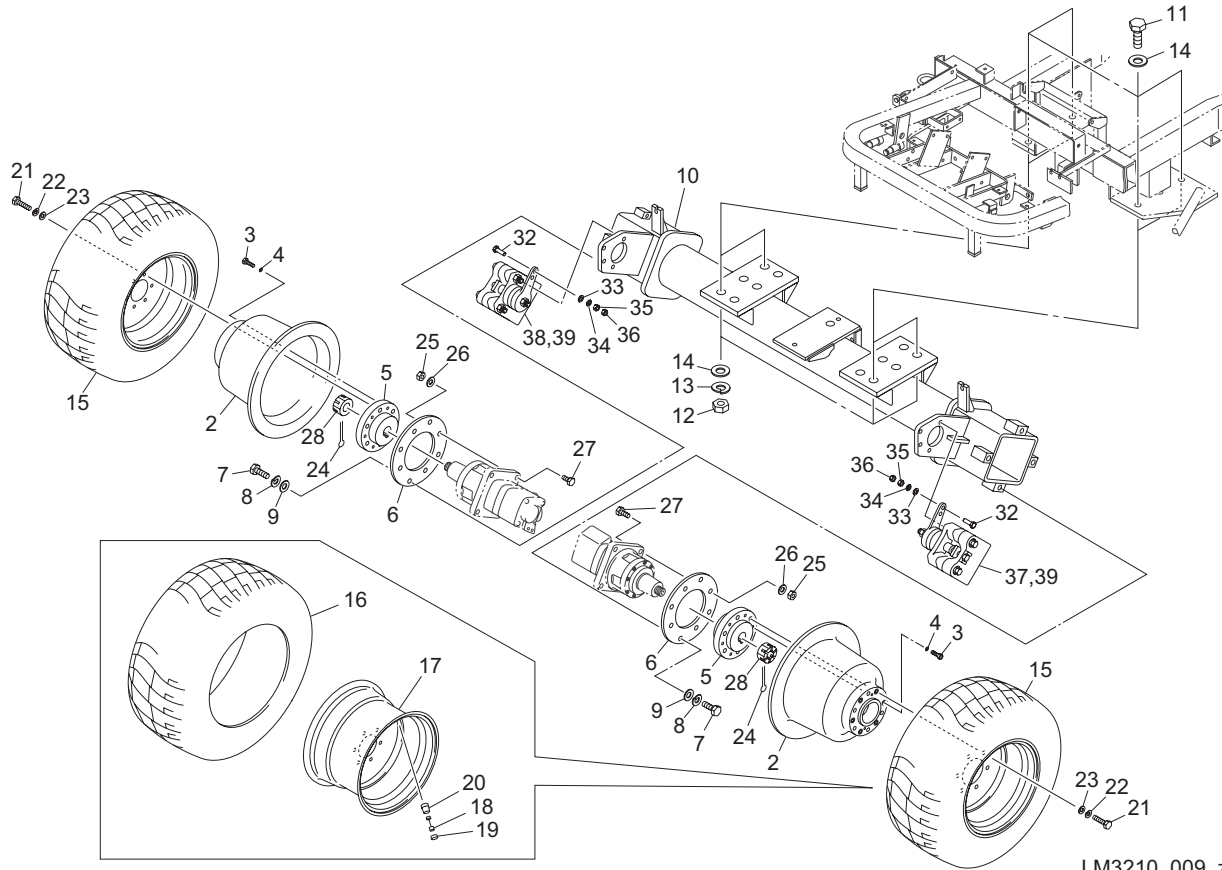


LM3210_008_z02

Cat No.	Code No.	Part name	Qty	Remark	SN of application
8-31					
8-32					
8-33	K0000080302	BOLT, M8-30	2		
8-34	K5000080002	WASHER, M8	2		
8-35	K0200080002	WASHER, SPRING M8	2		
8-36	K0100080002	NUT, M8	2		
8-37	K0144080002	NUT, W/F-RING M8	2		
8-38	K1720000260	BRAKE ASSY, CCW	1		
8-39	K1720000270	BRAKE ASSY, CW	1		
8-40	K1720000260-1	KIT, LINING 34835.39	2		

9.Front wheel section (Type F)

LM3210

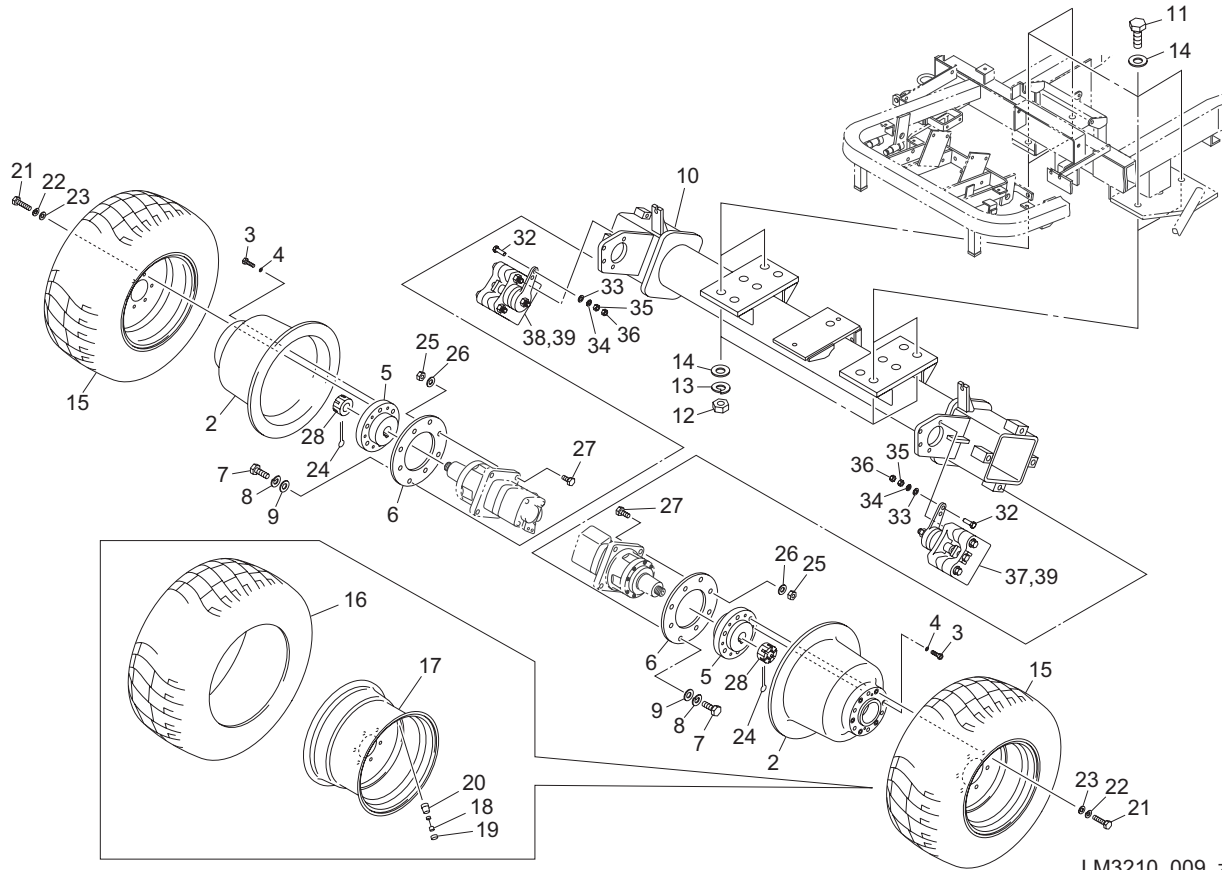


LM3210_009_z02

Cat No.	Code No.	Part name	Qty	Remark	SN of application
9-1					
9-2	LM2700-0305ZD	DISK, BRAKE	2		
9-3	K001A080401	BOLT,13T W/HEX. HOLE M8-40	12		
9-4	K0215080002	WASHER, DISK SPRING H M8-2	12		
9-5	LM2700-0306ZD	MOUNT, WHEEL	2		
9-6	LM2700-0307Z2	PLATE, MOUNTING MOTOR	2		
9-7	K0014160402	BOLT, HT P1.5 M16-40	8		
9-8	K0200160002	WASHER, SPRING M16	8		
9-9	K5000160002	WASHER, M16	8		
9-10	LM2700-0308ZD	AXLE, FRONT	1		
9-11	K0015200702	BOLT, HT P1.5 M20-70	4		
9-12	K0152200002	NUT, NYLON P1.5 M20	4		
9-13	K0200200002	WASHER, SPRING M20	4		
9-14	K5000200002	WASHER, M20	8		
9-15	K2040000870	TIRE ASSY, C-769 31*13.5-15	2		
9-16	K2041000480	TIRE, C-769 31*13.5-15	2		
9-17	K209000089D	WHEEL, 15*10	2		
9-18	K2092000010	CORE, VALVE NO.8000	2		
9-19	K2093000010	CAP, VALVE	2		
9-20	K2097000010	VALVE, RIM TR413	2		
9-21	K0014120652	BOLT, HT P1.5 M12-65	12		
9-22	K0200120002	WASHER, SPRING M12	12		
9-23	K5000120002	WASHER, M12	12		
9-24	K0300050452	PIN, COTTER M5-45	2		
9-25	K0100140002	NUT, M14	8		
9-26	K0200140002	WASHER, SPRING M14	8		
9-27	K0013140502	BOLT, HT M14-50	8		
9-28	K0138240002	NUT, HIGH SLOTTED P1.5 M24	2		
9-29					
9-30					

9.Front wheel section (Type F)

LM3210

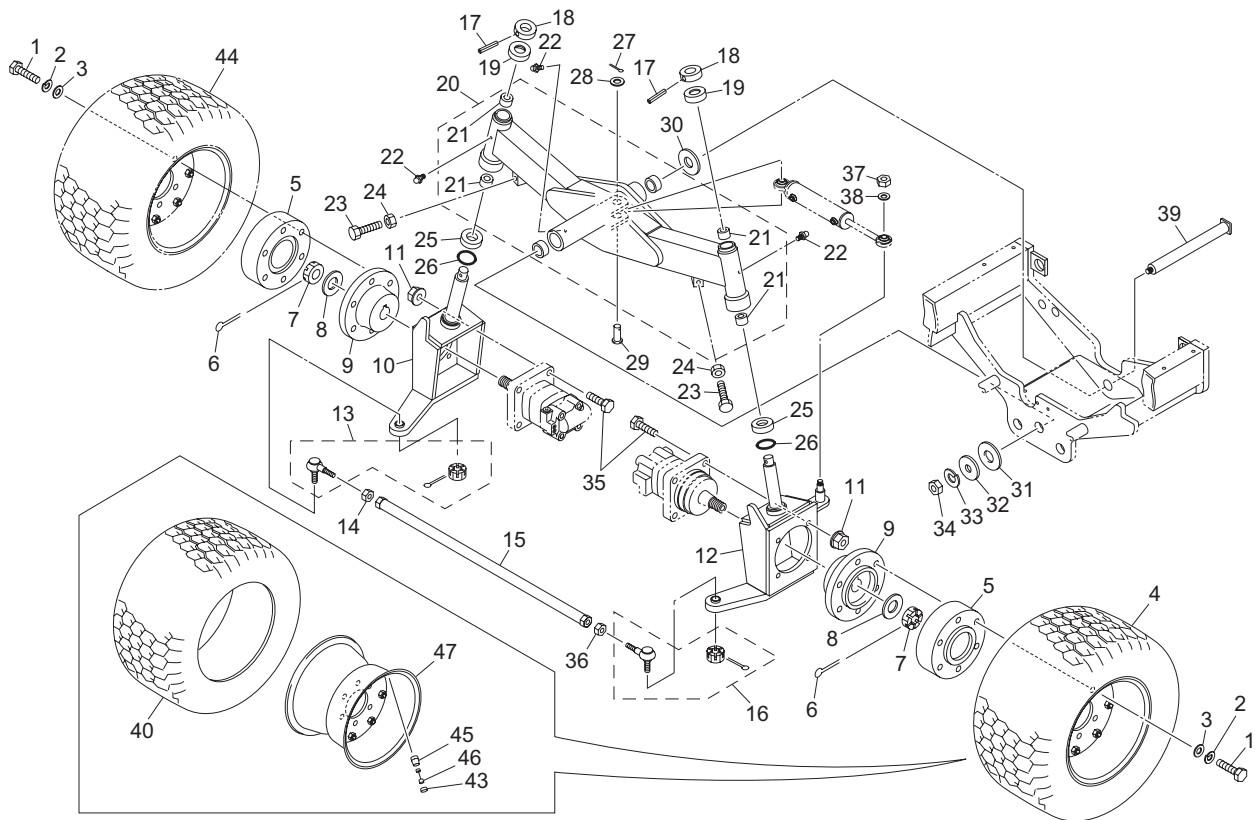


LM3210_009_z02

Cat No.	Code No.	Part name	Qty	Remark	SN of application
9-31					
9-32	K0000080302	BOLT, M8-30	2		
9-33	K5000080002	WASHER, M8	2		
9-34	K0200080002	WASHER, SPRING M8	2		
9-35	K0100080002	NUT, M8	2		
9-36	K0144080002	NUT, W/F-RING M8	2		
9-37	K1720000260	BRAKE ASSY, CCW	1		
9-38	K1720000270	BRAKE ASSY, CW	1		
9-39	K1720000260-1	KIT, LINING 34835.39	2		

10.Rear wheel section

LM3210

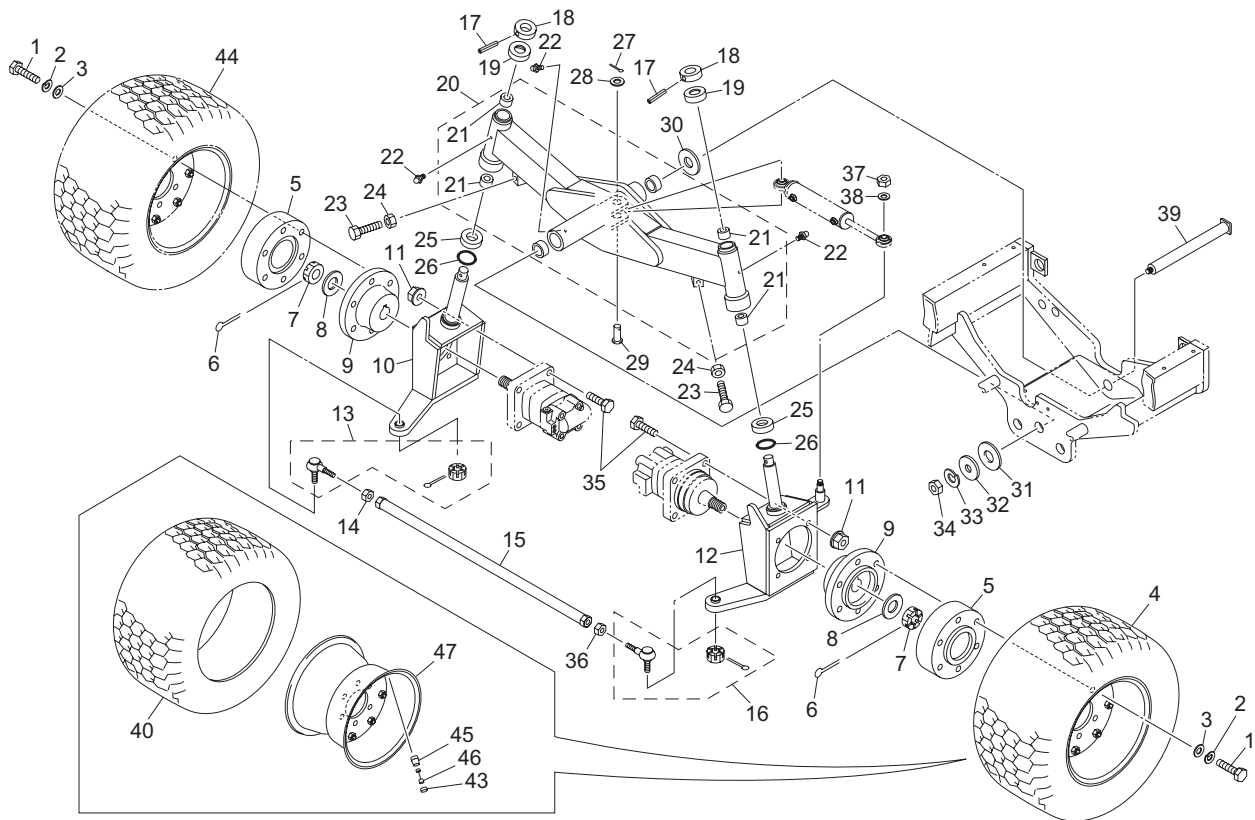


LM3210_010_a01

Cat No.	Code No.	Part name	Qty	Remark	SN of application
10-1	K0014120652	BOLT, HT P1.5 M12-65	12		
10-2	K0200120002	WASHER, SPRING M12	12		
10-3	K5000120002	WASHER, M12	12		
10-4					
10-5	LM2700-0310ZD	SPACER, REAR WHEEL	2		
10-6	K0300050452	PIN, COTTER M5-45	2		
10-7	K0138240002	NUT, HIGH SLOTTED P1.5 M24	2		
10-8	K5000240002	WASHER, M24	2		
10-9	GM1500A0240AD	MOUNT, FRONT WHEEL 90	2		
10-10	LM2700-0303AD	KINGPIN, (R)	1		
10-11	K0151120002	NUT, FLANGED M12	8		
10-12	LM2700-0302AD	KINGPIN, (L)	1		
10-13	K1610000020	TIE-ROD END ASSY, MALE (R)	1		
10-14	K0160000192	NUT, SPECIAL P1.5 M17	1		
10-15	LM2700-0304ZD	ROD, TIE	1		
10-16	K1611000020	TIE-ROD END ASSY, LEFT-HANDED MALE (L)	1		
10-17	K0320080501	PIN, SPRING M8-50	2		
10-18	K6213000113	COLLAR, WITH HOLE M25-50-20	2		
10-19	K6204000383	CAP	2		
10-20	GM2800-0302ZD	PIVOT	1		
10-21	K6000000500	BUSH, COPPER 22.3-26-20	4		
10-22	K1440000010	GREASE NIPPLE, A TYPE	3		
10-23	K0010120502	BOLT, HT M12-50	2		
10-24	K0159000052	NUT, SMALL M12	2		
10-25	K0640511070	BEARING, BALL THRUST 51107	2		
10-26	K0880048000	O-RING, P48	2		
10-27	K0300032402	PIN, COTTER M3.2-40	1		
10-28	K5012320402	WASHER, SPCC 2.3-20-40	1		
10-29	K6031200568	PIN, FLAT HEAD HT M20-56	1		
10-30	K5051030500	WASHER, C5191P 1-30-50	1		

10.Rear wheel section

LM3210

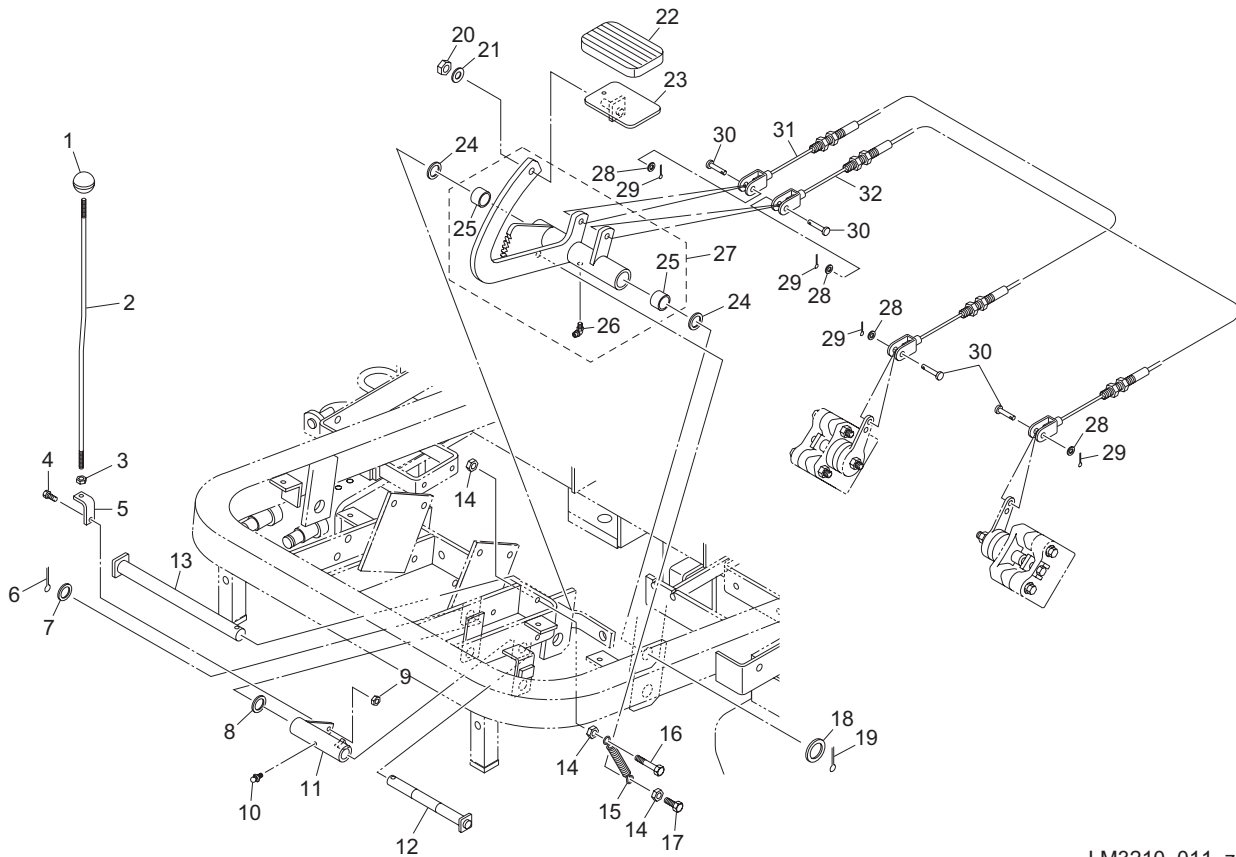


LM3210_010_a01

Cat No.	Code No.	Part name	Qty	Remark	SN of application
10-31	K5011030422	WASHER, SPCC 1-30-42	1		
10-32	K5073216352	WASHER, SPHC 3.2-16-35	1		
10-33	K0200160002	WASHER, SPRING M16	1		
10-34	K0100160002	NUT, M16	1		
10-35	K0000120452	BOLT, M12-45	8		
10-36	K0160000202	NUT, LEFT-HANDED SPECIAL P1.5 M17	1		
10-37	K0145140002	NUT, WITH F-RING, P1.5 M14	1		
10-38	K0215140001	WASHER, DISK SPRING H M14-2	1		
10-39	K7147000258	SHAFT, WITH M16 THREAD 30316	1		
10-40	K2041000390	TIRE, 20*12.0-10RS	2		
10-41					
10-42					
10-43	K2093000010	CAP, VALVE	2		
10a-44	K2040000910	TIRE ASSY, 20*12.00-10	2		
10a-45	K2097000010	VALVE, RIM TR413	2		
10a-46	K2092000010	CORE, VALVE NO.8000	2		
10a-47	K209000094D	WHEEL, 10*8.5	2		

11. Pedal section A

LM3210

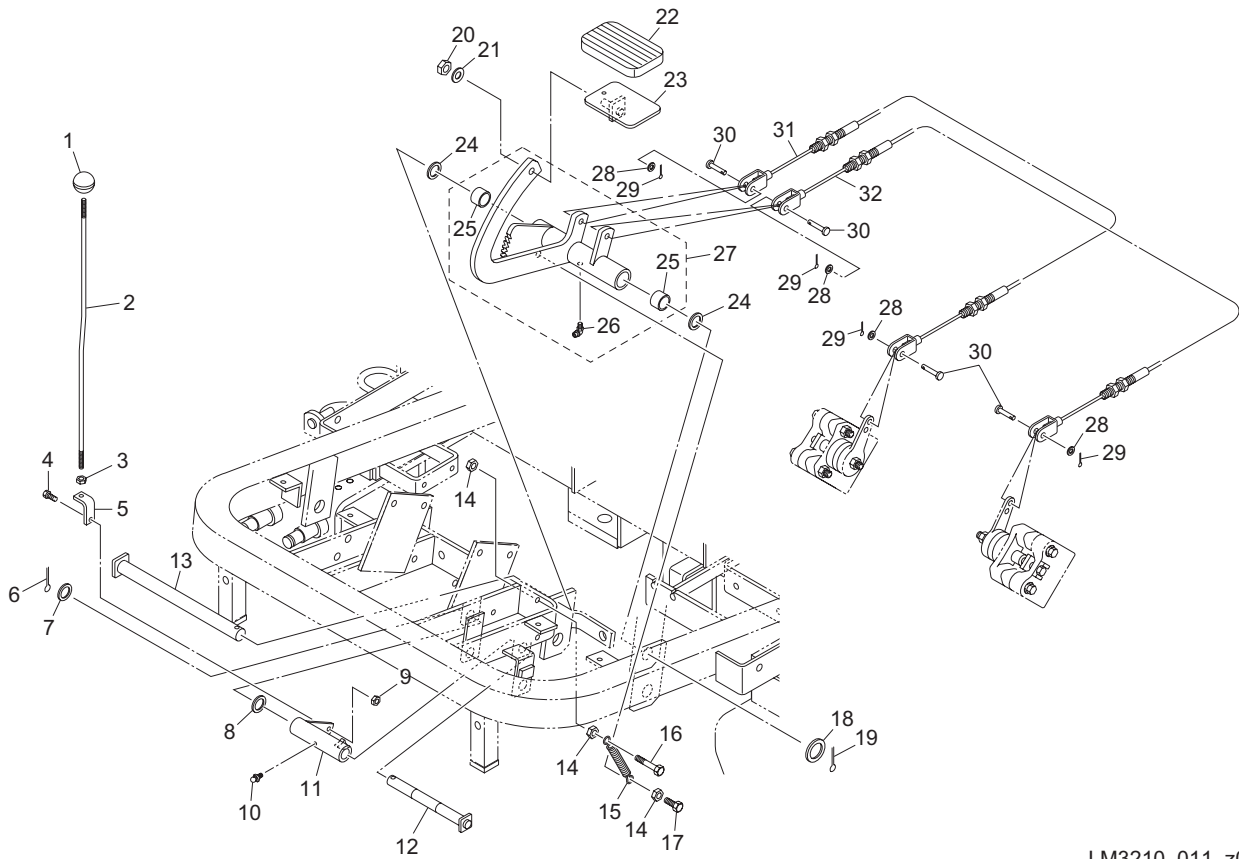


LM3210_011_z01

Cat No.	Code No.	Part name	Qty	Remark	SN of application
11-1	K1301000050	GRIP, PLASTIC LEVER	1		
11-2	LM2700-0407Z2	SHAFT, LOCKING	1		
11-3	K0100080002	NUT, M8	1		
11-4	K0000060202	BOLT, M6-20	1		
11-5	LM2700-0406ZD	ANGLE, LOCK SHAFT	1		
11-6	K0300032252	PIN, COTTER M3.2-25	1		
11-7	K5012316282	WASHER, SPCC 2.3-16-28	1		
11-8	K5011016222	WASHER, SPCC 1-16-22	2		
11-9	K0144060002	NUT, WITH F-RING, M6	1		
11-10	K1440000010	GREASE NIPPLE, A TYPE	1		
11-11	LM2700-0404ZD	MOUNT, BRAKE SHAFT	1		
11-12	LM2700-0410Z2	SHAFT, BRAKE	1		
11-13	LM2700-0411Z2	SHAFT, PEDAL	2		
11-14	K0100100002	NUT, M10	3		
11-15	K1020000088	SPRING, WITH ROUND HOOK M2.3-17-78	1		
11-16	K0003100502	BOLT, M10-50	1		
11-17	K0000100202	BOLT, M10-20	1		
11-18	K5012320402	WASHER, SPCC 2.3-20-40	1		
11-19	K0300032402	PIN, COTTER M3.2-40	1		
11-20	K0144100002	NUT, WITH F-RING, M10	1		
11-21	K5000100002	WASHER, M10	1		
11-22	K4050000050	RUBBER, FOR PEDAL 70100	1		
11-23	LM2700-0409AD	PEDAL, A	1		
11-24	K5051020320	WASHER, C5191P 1-20-32	2		
11-25	K6000000280	BUSH, 20-24-20	2		
11-26	K1440000020	GREASE NIPPLE, C	1		
11-27	LM3200-0401ZD	PEDAL, BRAKE	1		
11-28	K5000080002	WASHER, M8	4		
11-29	K0300020202	PIN, COTTER M2-20	4		
11-30	K6031080222	PIN, FLAT HEAD HT M8-22	4		

11. Pedal section A

LM3210

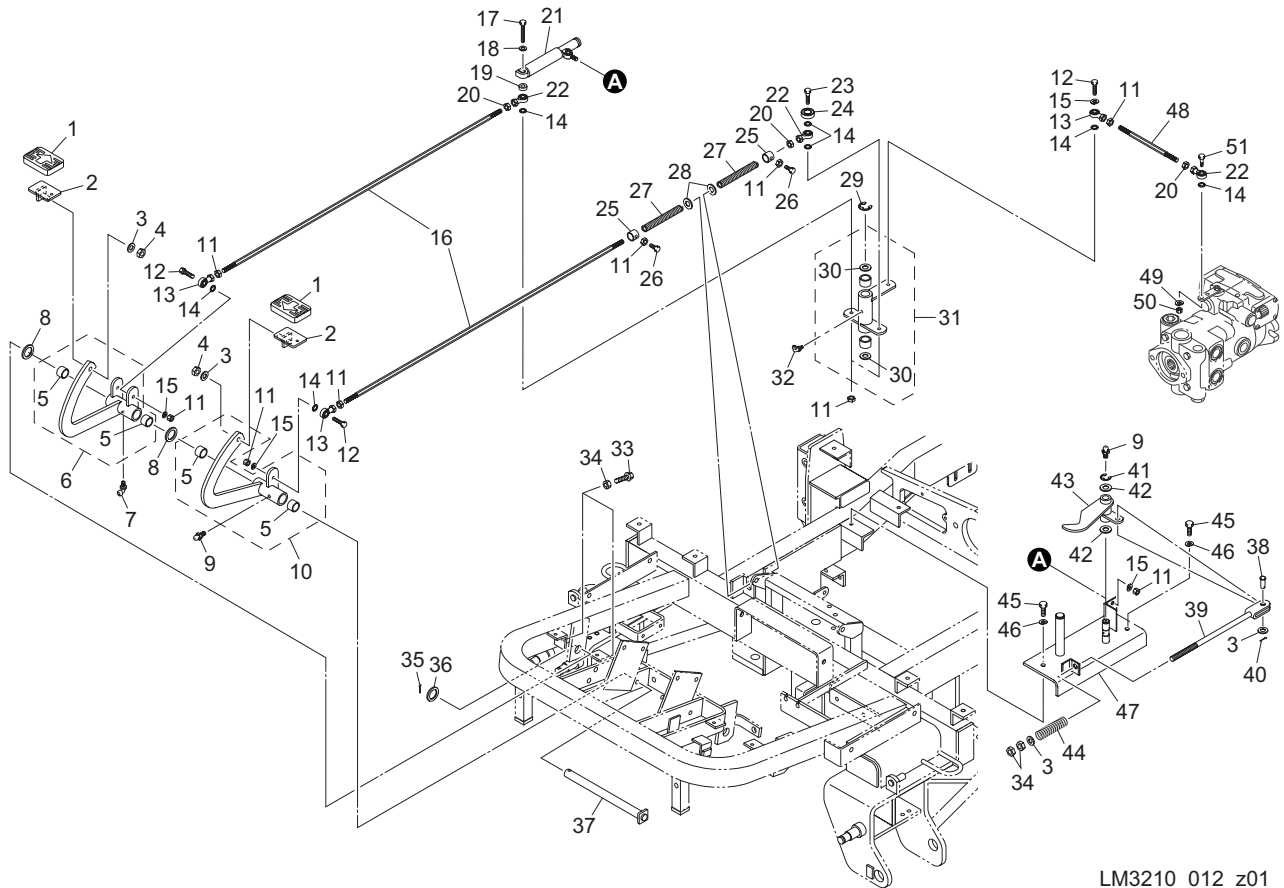


LM3210_011_z01

Cat No.	Code No.	Part name	Qty	Remark	SN of application
11-31	K1120238000	WIRE, BRAKE 2380	1		
11-32	K1120205500	WIRE, BRAKE 2055	1		

12. Pedal section B

LM3210

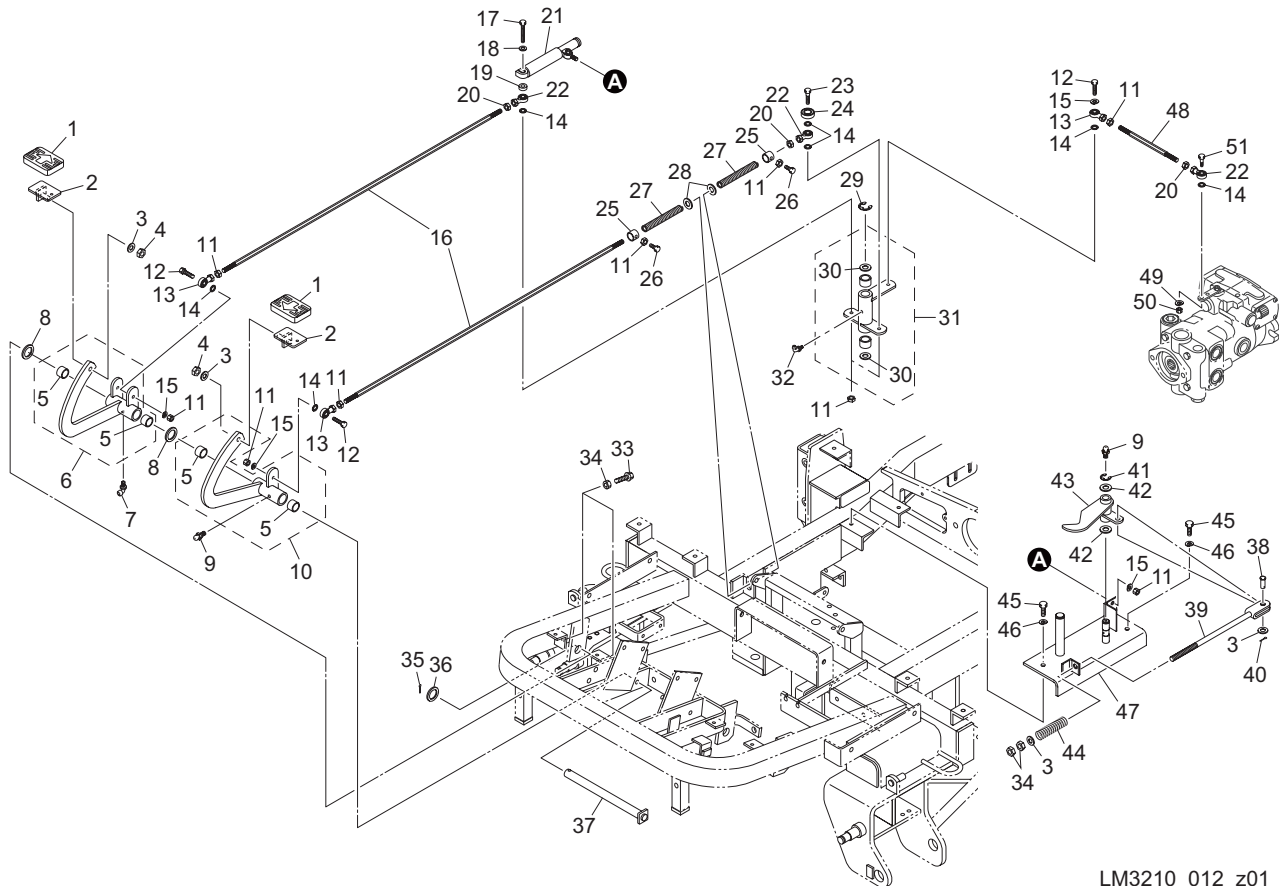


LM3210_012_z01

Cat No.	Code No.	Part name	Qty	Remark	SN of application
12-1	LM2700-0420Z0	RUBBER, PEDAL 5575	2		
12-2	LM2700-0408AD	PEDAL, B	2	10018~	
12-3	K5000100002	WASHER, M10	4		
12-4	K0144100002	NUT, WITH F-RING, M10	2		
12-5	K6000000280	BUSH, 20-24-20	4		
12-6	LM2700-0402AD	PEDAL, BACKWARD	1		
12-7	K1440000020	GREASE NIPPLE, C	1		
12-8	K5051020320	WASHER, C5191P 1-20-32	2		
12-9	K1440000010	GREASE NIPPLE, A TYPE	2		
12-10	GM2800-0406AD	PEDAL, FORWARD	1		
12-11	K0100080002	NUT, M8	9		
12-12	K0000080302	BOLT, M8-30	3		
12-13	K1601080000	JOINT, SPHERICAL PHS8	3		
12-14	K5073208202	WASHER, SPHC 3.2-8-20	7		
12-15	K0200080002	WASHER, SPRING M8	4		
12-16	LM2700-0415Z2	ROD, THREADED 875	2		
12-17	K0003080552	BOLT, M8-55	1		
12-18	K5000080002	WASHER, M8	1		
12-19	K6212003262	COLLAR, STKM M8.5-14-8	1		
12-20	K0180080002	NUT, LEFT-HANDED M8	3		
12-21	K3380000010	DAMPER, FOR LEVER	1		
12-22	K16010800L0	JOINT, SPHERICAL PHS8LA	3		
12-23	LM2700-0418Z2	BOLT, SPECIAL WITH M8	1		
12-24	K0608006290	BEARING, BALL SEAL 2RS 629	1		
12-25	K6218000012	COLLAR, TAPPED M12-22-20	2		
12-26	K0000080202	BOLT, M8-20	2		
12-27	K1000000558	SPRING, COMPRESSION M2-18-100	2		
12-28	K5000120002	WASHER, M12	2		
12-29	K0400015002	RING, RETAINING E M15	1		
12-30	K5011020472	WASHER, SPCC 1-20-47	2		

12. Pedal section B

LM3210

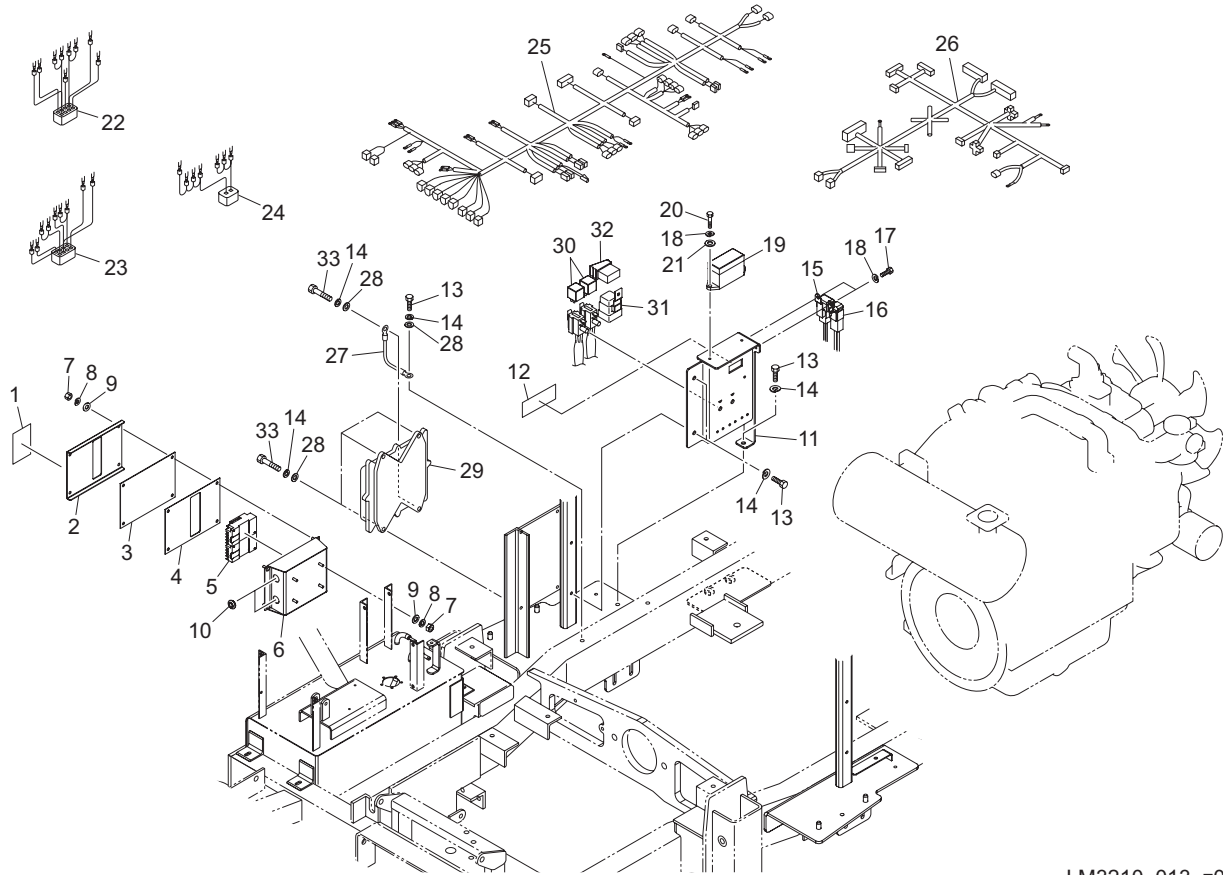


LM3210_012_z01

Cat No.	Code No.	Part name	Qty	Remark	SN of application
12-31	LM2700-0413Z2	LEVER, CONTROLING PUMP	1		
12-32	K1440000030	GREASE NIPPLE, B	1		
12-33	K0000100352	BOLT, M10-35	2		
12-34	K0100100002	NUT, M10	4		
12-35	K0300032402	PIN, COTTER M3.2-40	1		
12-36	K5012320402	WASHER, SPCC 2.3-20-40	1		
12-37	LM2700-0411Z2	SHAFT, PEDAL	1		
12-38	K6031100258	PIN, FLAT HEAD HT M10-25	1		
12-39	LM2700-0419Z2	ADJUSTER, LEVER	1		
12-40	K0300025202	PIN, COTTER M2.5-20	1		
12-41	K0400012002	RING, RETAINING E M12	1		
12-42	K5011016222	WASHER, SPCC 1-16-22	2		
12-43	LM2700-0412Z2	LEVER, NEUTRALIZING PUMP	1		
12-44	K100000082D	SPRING, COMPRESSION M2.6-17.2-70	1		
12-45	K0000100152	BOLT, M10-15	2		
12-46	K0200100002	WASHER, SPRING M10	2		
12-47	LM2700-0414Z2	FITTING, NEUTRALIZING PUMP	1		
12-48	LM2700-0416Z2	ROD, THREADED 170	1		
12-49	K0200060002	WASHER, SPRING M6	1		
12-50	K0100060002	NUT, M6	1		
12-51	LM2700-0417Z2	BOLT, SPECIAL WITH M6	1		

13.Engine section A

LM3210

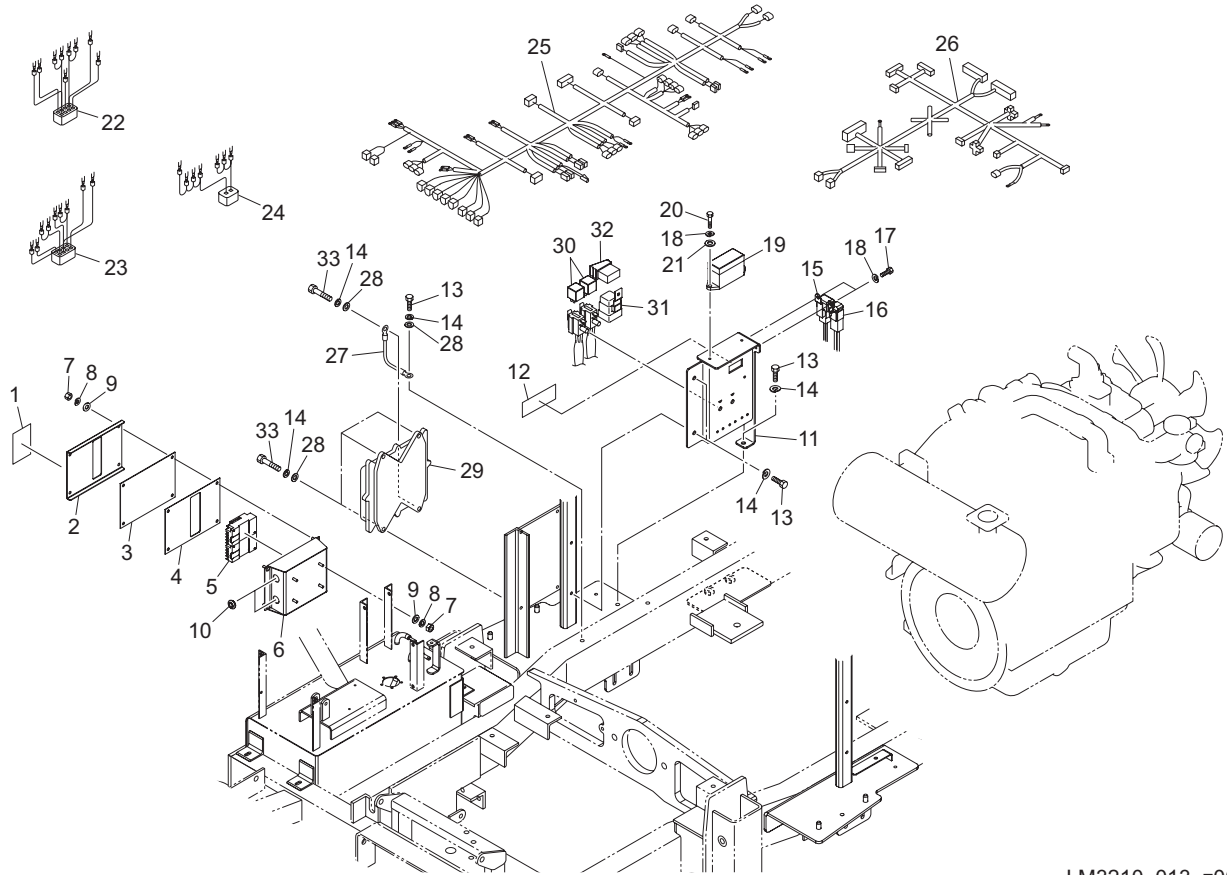


LM3210_013_z00

Cat No.	Code No.	Part name	Qty	Remark	SN of application
13-1	LM3210-0502Z0	LABEL, RELAY	1		
13-2	GM2800-0519ZD	COVER, BOX	1		
13-3	GM2800-0518Z0	BOARD, ACRYLIC M 1.5-134189	1		
13-4	GM2800-0517Z0	PACKING, RUBBER 1-134189	1		
13-5	K3680000030	RELAY BOX, G6B-4CB	2		
13-6	GM2800-0570ZD	BOX, RELAY	1		
13-7	K0100050002	NUT, M5	8		
13-8	K0200050002	WASHER, SPRING M5	8		
13-9	K5000050002	WASHER, M5	8		
13-10	K0900300200	GROMMET, W/SEALING C30SG20A	2		
13-11	GM2810-0506ZD	MOUNT, ELECTRIC COMPONENT	1		
13-12	K4203001590	LABEL, LAPPING	1		
13-13	K0000080152	BOLT, M8-15	4		
13-14	K0200080002	WASHER, SPRING M8	4		
13-15	K3630000160	FUSE BLOCK, FUSIBLE LINK 30A	1		
13-16	K3630000150	FUSE BLOCK, FUSIBLE LINK 50A	1		
13-17	K0000060102	BOLT, M6-10	2		
13-18	K0200060002	WASHER, SPRING M6	4		
13-19	K3630000090	FUSE BLOCK, MINI 10P-A	1		
13-20	K0000060302	BOLT, M6-30	2		
13-21	K5000060002	WASHER, M6	2		
13-22	LM3200-0504Z0	WIRE, RELAY A	1		
13-23	LM3200-0505Z0	WIRE, RELAY B	1		
13-24	LM3200-0506Z0	WIRE, RELAY C	1		
13-25	LM3210-0501Z0	HARNESS, MAIN	1		
13-26	GM2810-0507Z0	HARNESS, MEDIUM	1		
13-27	K3620001000	WIRE, TO EARTH AV3-160	1		
13-28	K5000080002	WASHER, M8	5		
13-29	PF1H432-6020-1	ECU ASSY	1		
13-30	PF1J423-6023-1	RELAY	2		

13.Engine section A

LM3210

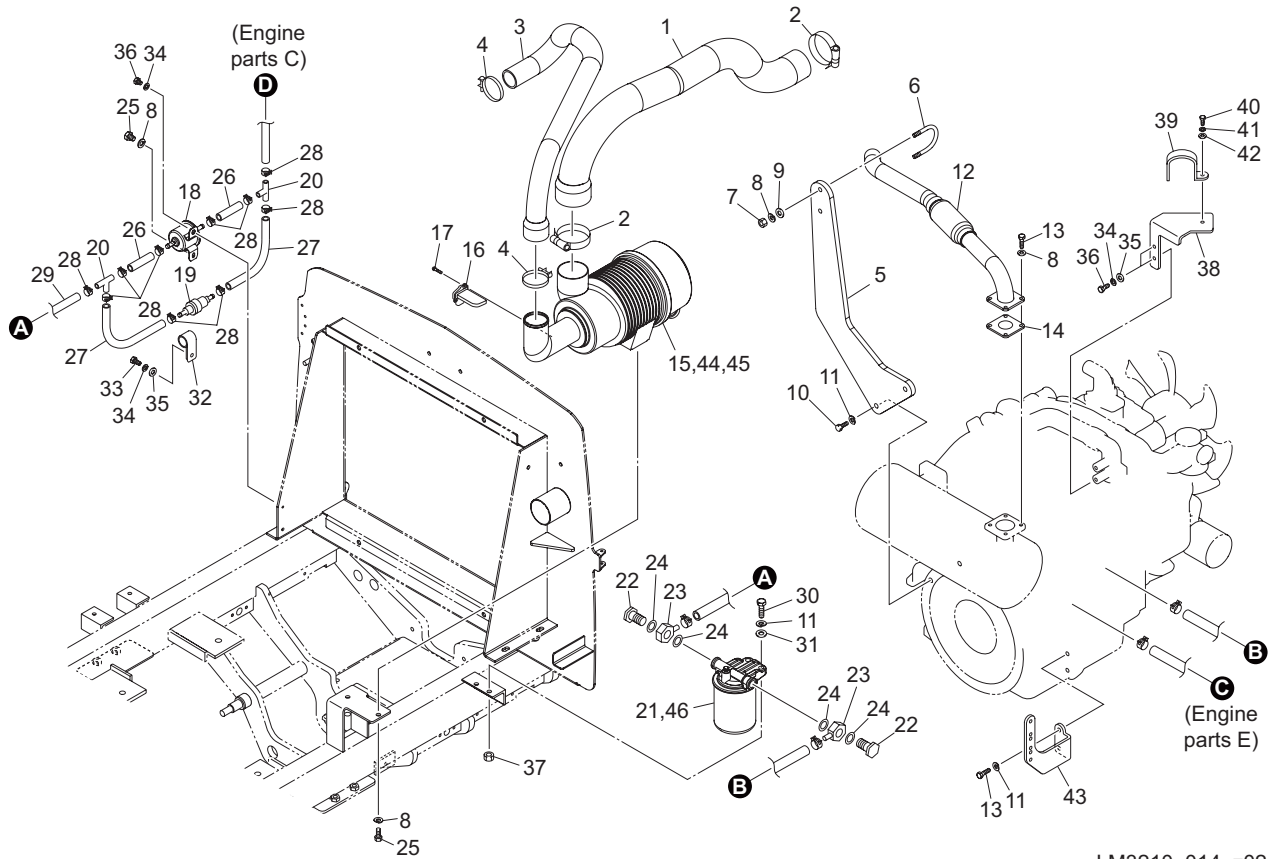


LM3210_013_z00

Cat No.	Code No.	Part name	Qty	Remark	SN of application
13-31	PFRP421-5373-1	RELAY	1		
13-32	K3661000070	SWITCH, ROCKER RED	1		
13-33	K0000080202	BOLT, M8-20	4		

14.Engine section B

LM3210

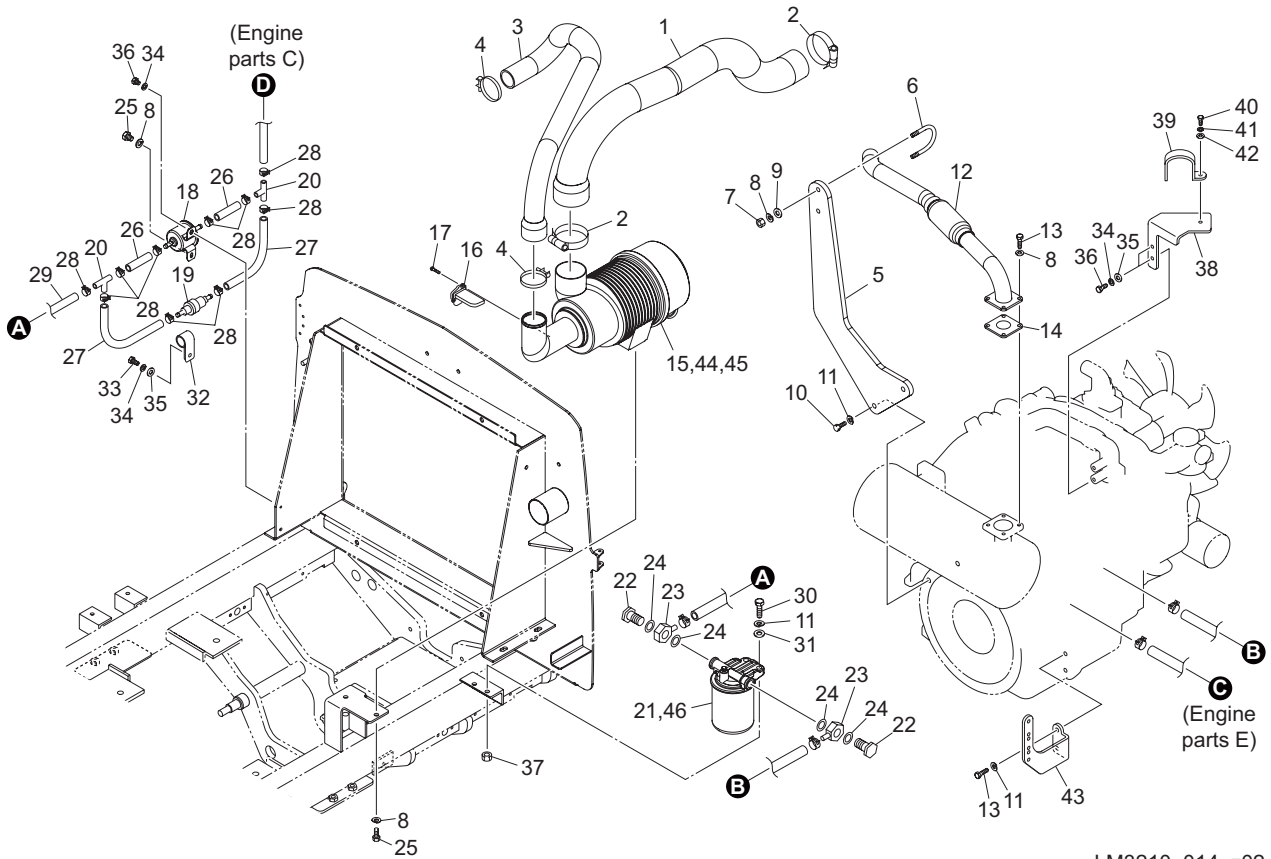


LM3210_014_z02

Cat No.	Code No.	Part name	Qty	Remark	SN of application
14-1	GM2810-0509Z0	HOSE, SUCTION A	1		
14-2	K4261056000	CLAMP, HOSE PARKER 54-100	2		
14-3	GM2810-0510Z0	HOSE, AIR CLEANER B	1		
14-4	K4261044000	CLAMP, HOSE PARKER 29-76	2		
14-5	GM2810-0504ZD	STAY, MUFFLER	1		
14-6	K0073000052	BOLT, WITH F-RING, M8-40A	1		
14-7	K0100080002	NUT, M8	2		
14-8	K0200080002	WASHER, SPRING M8	9		
14-9	K5000080002	WASHER, M8	2		
14-10	K0000100252	BOLT, M10-25	2		
14-11	K0200100002	WASHER, SPRING M10	4		
14-12	GM2810-0505ZU	PIPE, TAIL	1		
14-13	K0000080202	BOLT, M8-20	4		
14-14	PF17326-1223-1	PACKING, EXHAUST PIPE	1		
14-15	PF1K987-1101-0	AIR CLEANER ASSY	1		
14-16	PF1J520-1070-1	SENSOR	1		
14-17	PF03054-50412	SCREW, ROUND HEAD	2		
14-18	PFR1401-5135-2	PUMP ASSY, FUEL	1		
14-19	PF1G911-4246-1	VALVE	1		
14-20	PF3N600-4217-1	CONNECTOR	2		
14-21	PF1J456-4301-0	FILTER ASSY	1		
14-22	PF16541-9579-1	BOLT, COUPLING	2		
14-23	PF15401-9569-2	JOINT, PIPING	2		
14-24	PF17105-3368-2	PACKING	4		
14-25	K0000080152	BOLT, M8-15	3		
14-26	K3180000500	HOSE, FUEL 8*1B-50	2		
14-27	K3180001200	HOSE, FUEL 8*1B-120	2		
14-28	K4260000172	CLAMP, HOSE KS-11-19	10		
14-29	K3180010700	HOSE, FUEL 8*1B-1070	1		
14-30	K0000100352	BOLT, M10-35	2		

14.Engine section B

LM3210

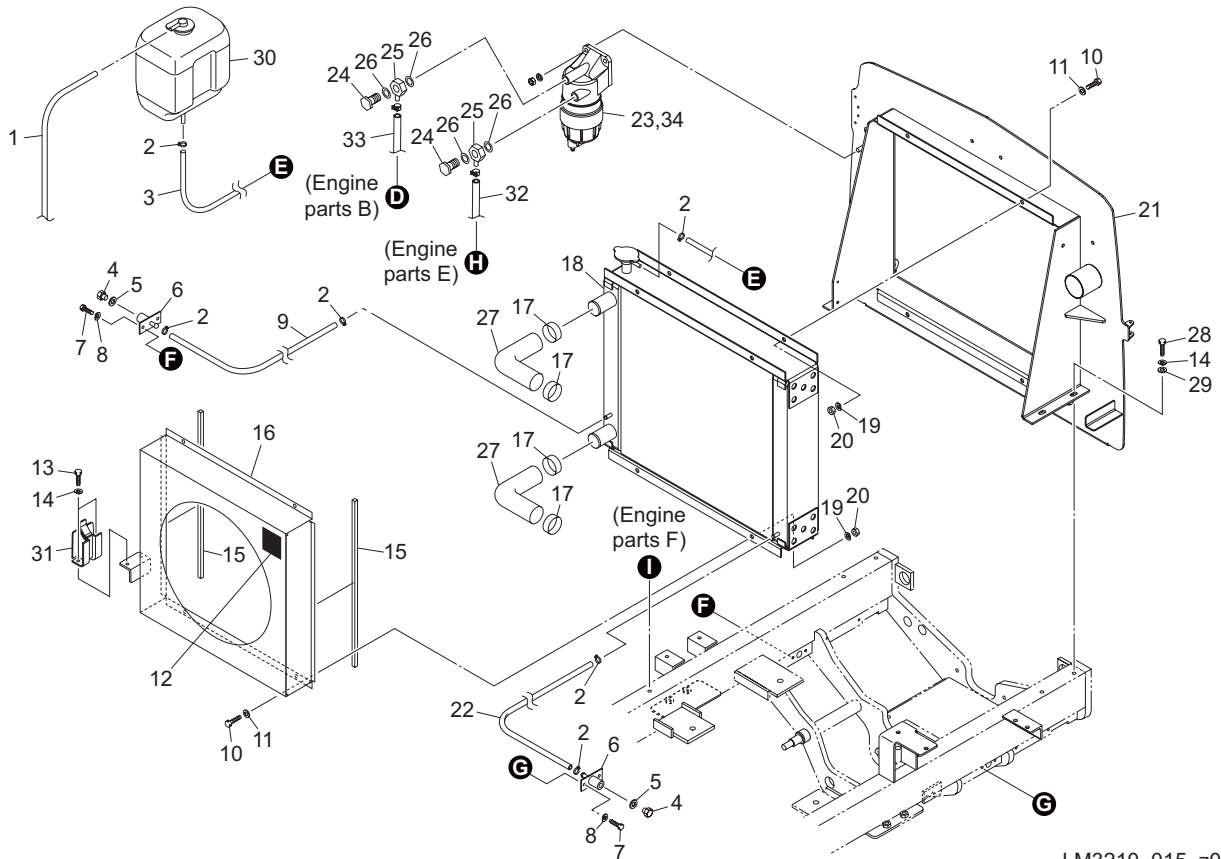


LM3210_014_z02

Cat No.	Code No.	Part name	Qty	Remark	SN of application
14-31	K5000100002	WASHER, M10	2		
14-32	K4270022060	CLIP, HARNESS 22 M6	1		
14-33	K0000060202	BOLT, M6-20	1		
14-34	K0200060002	WASHER, SPRING M6	2		
14-35	K5000060002	WASHER, M6	1		
14-36	K0000060152	BOLT, M6-15	1		
14-37	K0100100002	NUT, M10	2		
14-38	GM2810-0512Z2	BRACKET, HOSE	1		
14-39	K4260000252	CLAMP, HOSE SBKNS54	1		
14-40	K0000050102	BOLT, M5-10	1		
14-41	K0200050002	WASHER, SPRING M5	1		
14-42	K5000050002	WASHER, M5	1		
14-43	GM2810-0513Z2	BRACKET, MEDIUM HARNESS	1		
14-44	PF59800-2611-0	AIR CLEANER ELEMENT ASSY	1		
14-45	PF3A111-1913-0	AIR CLEANER ELEMENT(INNER)	1		
14-46	PF1J521-4317-0	FILTER CARTRIDGE	1		

15.Engine section C

LM3210

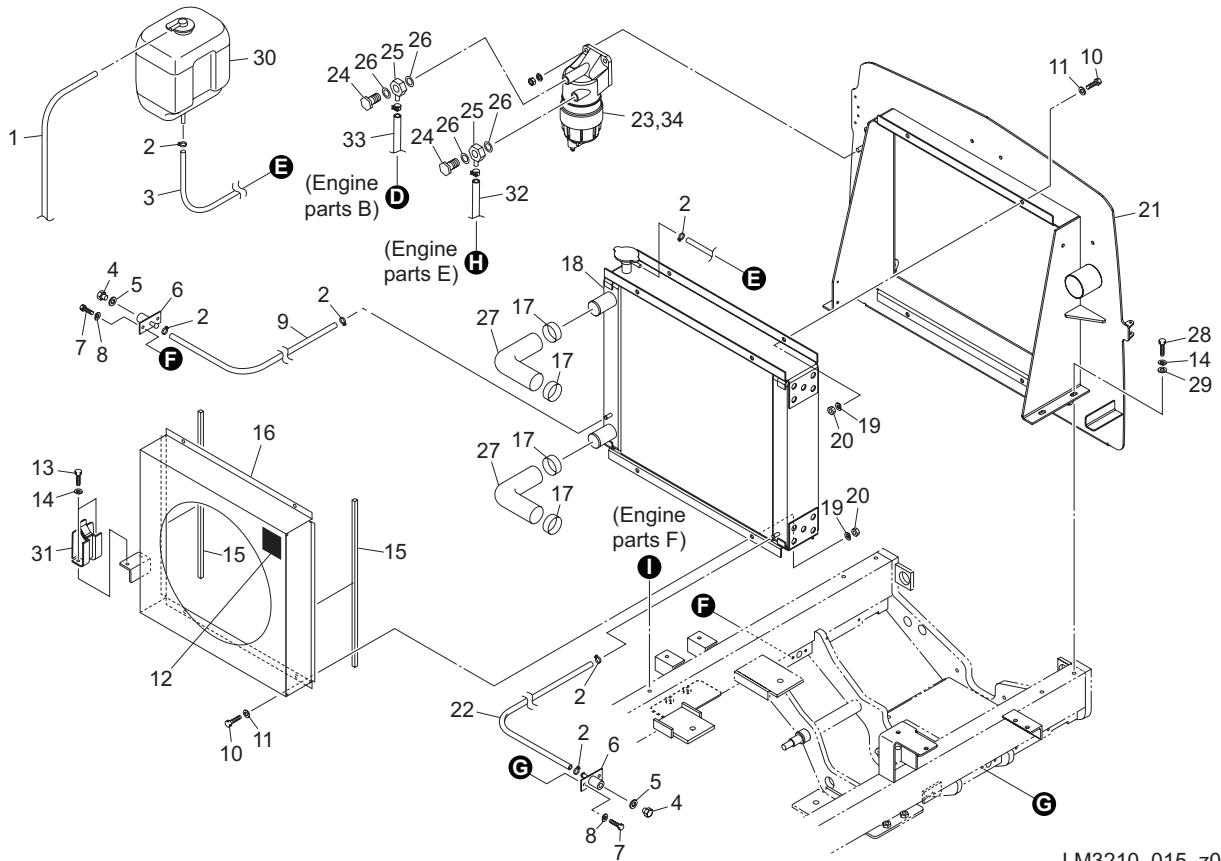


LM3210_015_z01

Cat No.	Code No.	Part name	Qty	Remark	SN of application
15-1	GM2800-0528Z0	HOSE, DRAIN 700	1		
15-2	K4260000150	CLAMP, HOSE 12	6		
15-3	GM2800-0527Z0	HOSE, DRAIN 950	1		
15-4	LM2700-0563Z0	PLUG, DRAIN	2		
15-5	LM2700-0562Z0	PACKING	2		
15-6	LM2700-0561Z2	JOINT	2		
15-7	K0000060152	BOLT, M6-15	4		
15-8	K0200060002	WASHER, SPRING M6	4		
15-9	GM2800-0562Z0	HOSE, DRAIN 450	1		
15-10	K0000100202	BOLT, M10-20	8		
15-11	K5000100002	WASHER, M10	8		
15-12	K4205001530	DECAL, CAUTION TO ROTATING OBJECT	1		
15-13	K0000080152	BOLT, M8-15	2		
15-14	K0200080002	WASHER, SPRING M8	6		
15-15	K4220000230	SPONGE, URETHAN 10-10-500	2		
15-16	GM2800-0567AD	SHROUD	1		
15-17	K4260000200	CLAMP, HOSE JUBILEE BAND 2A	4		
15-18	GM2800-0569Z0	RADIATOR COMP	1		
15-19	K0200100002	WASHER, SPRING M10	8		
15-20	K0100100002	NUT, M10	8		
15-21	GM2810-0502AD	FRAME, MOUNTING RADIATOR	1		
15-22	GM2800-0526Z0	HOSE, DRAIN 300	1		
15-23	PF1K987-4335-0	FILTER ASSY	1		
15-24	PF16541-9579-1	BOLT, COUPLING	2		
15-25	PF15401-9569-2	JOINT, PIPING	2		
15-26	PF17105-3368-2	PACKING	4		
15-27	PFR1401-42363	HOSE	2		
15-28	K0000080202	BOLT, M8-20	4		
15-29	K5000080002	WASHER, M8	4		
15-30	PF15501-7240-0	TANK ASSY, RESERVE	1		

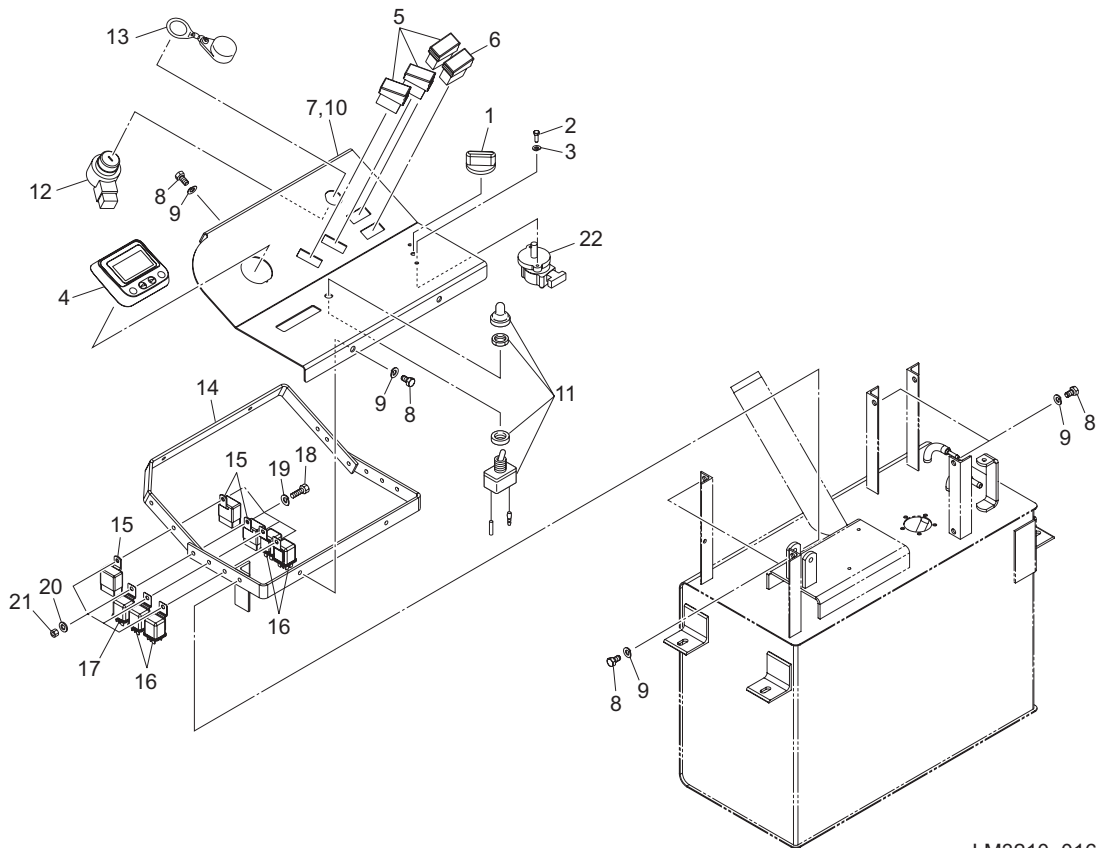
15.Engine section C

LM3210



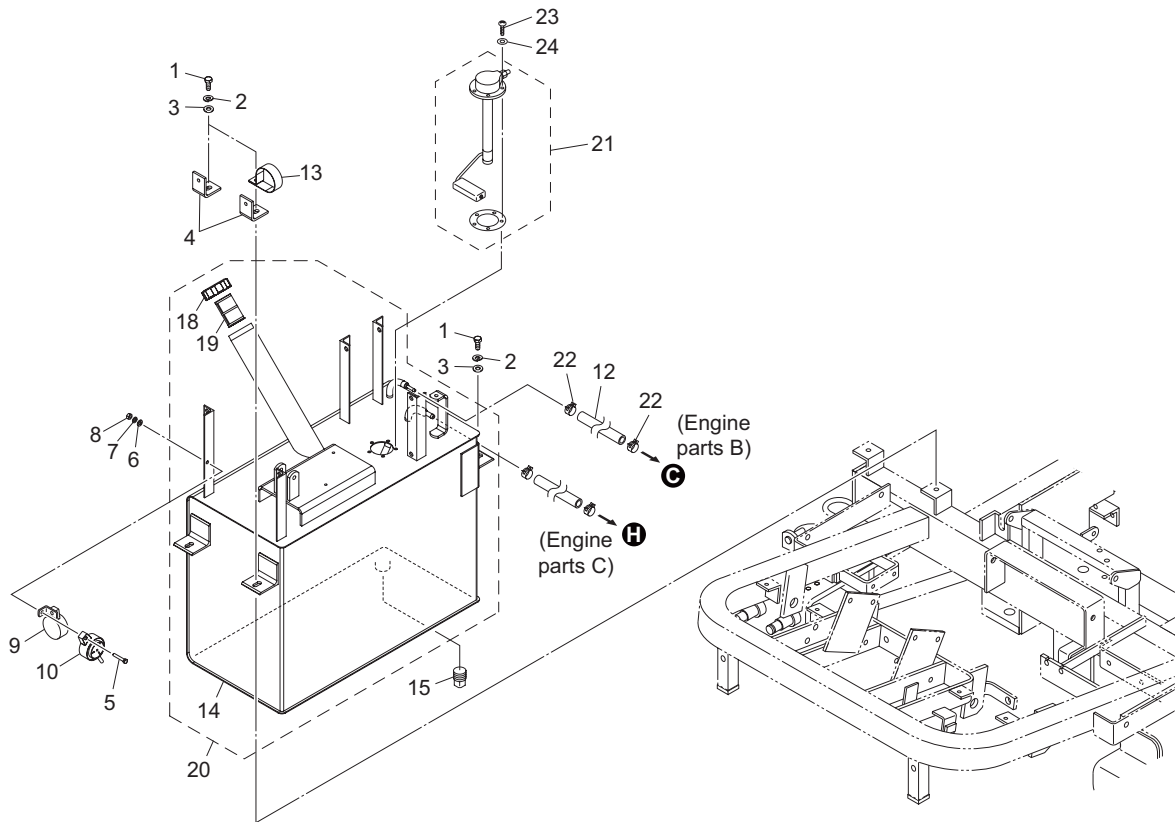
LM3210_015_z01

Cat No.	Code No.	Part name	Qty	Remark	SN of application
15-31	PF15527-7246-0	STAY, RESERVE TANK	1		
15-32	K3180018600	HOSE, FUEL 8*1B-1860	1		
15-33	K3180002500	HOSE, FUEL 8*1B-250	1		
15-34	PF1J520-4306-0	ELEMENT ASSY, FILTER	1		



LM3210_016_z01

Cat No.	Code No.	Part name	Qty	Remark	SN of application
16-1					
16-2	K0042050152	SCREW, + ROUND HEAD M5-15	2		
16-3	K0200050002	WASHER, SPRING M5	2		
16-4	K3655000010	DISPLAY UNIT, PV101-C	1		
16-5	K3661000050	SWITCH, ROCKER	3		
16-6	K3661000100	SWITCH, ROCKER M	1		
16-7	LM3210-0901Z0	DECAL, OPERATION	1		
16-8	K0000080152	BOLT, M8-15	8		
16-9	K0200080002	WASHER, SPRING M8	8		
16-10	GM2810-0902ZD	FRAME, COVER	1		
16-11	K3662000100	SWITCH, TOGGLE FOR LAMP WD101181	1		
16-12	PF15248-6359-0	SWITCH ASSY, STARTER	1		
16-13	PF54611-4112-0	CAP, STARTER SWITCH	1		
16-14	GM2810-0904ZD	FRAME, MOUNTING METER	1		
16-15	K3681000010	RELAY, CA1-DC12V-N	3		
16-16	K3681000070	RELAY, MR5A411A1K	4		
16-17	K3681000080	RELAY, MR5A602A1K	1		
16-18	K0000060202	BOLT, M6-20	4		
16-19	K0200060002	WASHER, SPRING M6	4		
16-20	K5000060002	WASHER, M6	4		
16-21	K0100060002	NUT, M6	4		
16-22	K3691000020	POTENTIOMETER,WCS-135118	1	10021-	

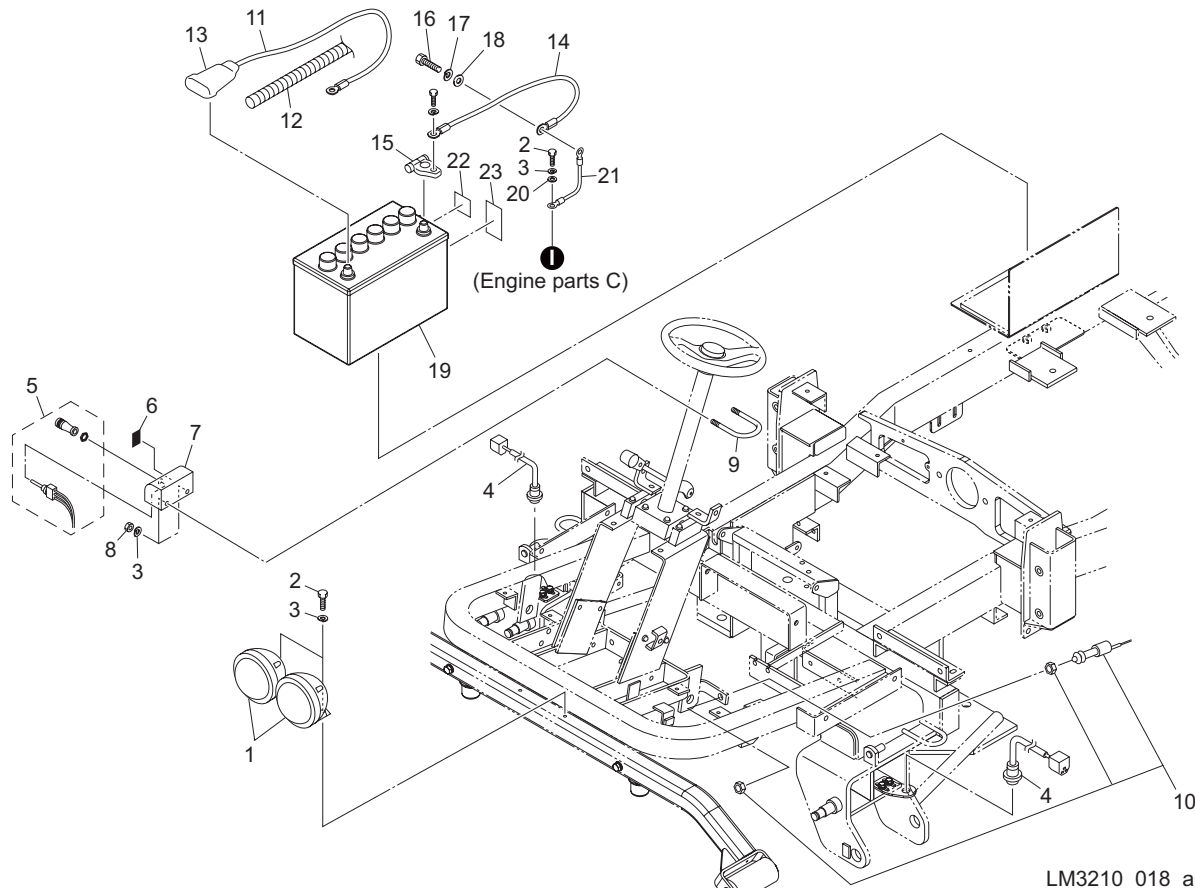


LM3210_017_z01

Cat No.	Code No.	Part name	Qty	Remark	SN of application
17-1	K0000080202	BOLT, M8-20	4		
17-2	K0200080002	WASHER, SPRING M8	4		
17-3	K5000080002	WASHER, M8	4		
17-4	LM2700-0950ZD	BRACKET, SIDE COVER	2		
17-5	K0000050302	BOLT, M5-30	1		
17-6	K5000050002	WASHER, M5	1		
17-7	K0200050002	WASHER, SPRING M5	1		
17-8	K0100050002	NUT, M5	1		
17-9	K3700000030	BUZZER, EBS-12 WITH STAY	1		
17-10	K3700000010	BUZZER, EBM-12 TYPE	1		
17-11					
17-12	K3180019000	HOSE, FUEL 8*1B1900	1		
17-13	K4270022060	CLIP, HARNESS 22 M6	1		
17-14	GM2810-0702BD-Y	TANK, FUEL	1		
17-15	K1422106001-Y	PLUG, TAPER WITH HEX. HOLE T1, 3/8	1		
17-16					
17-17					
17-18	K1410000120	PLUG, FUEL TANK	1		
17-19	K3420000080	STRAINER, FUEL	1		
17-20	GM2810-0703Z0	TANK ASSY, FUEL W/ CAP	1		
17-21	GM2810-0704Z0	SENDER, FUEL 227*198	1		
17-22	K4260000172	CLAMP, HOSE 12	2		
17-23	K0000050152	BOLT, M5-15	5		
17-24	K0922050000	SEAL, WASHER 5WF	5		

18.Engine section F (Type R)

LM3210

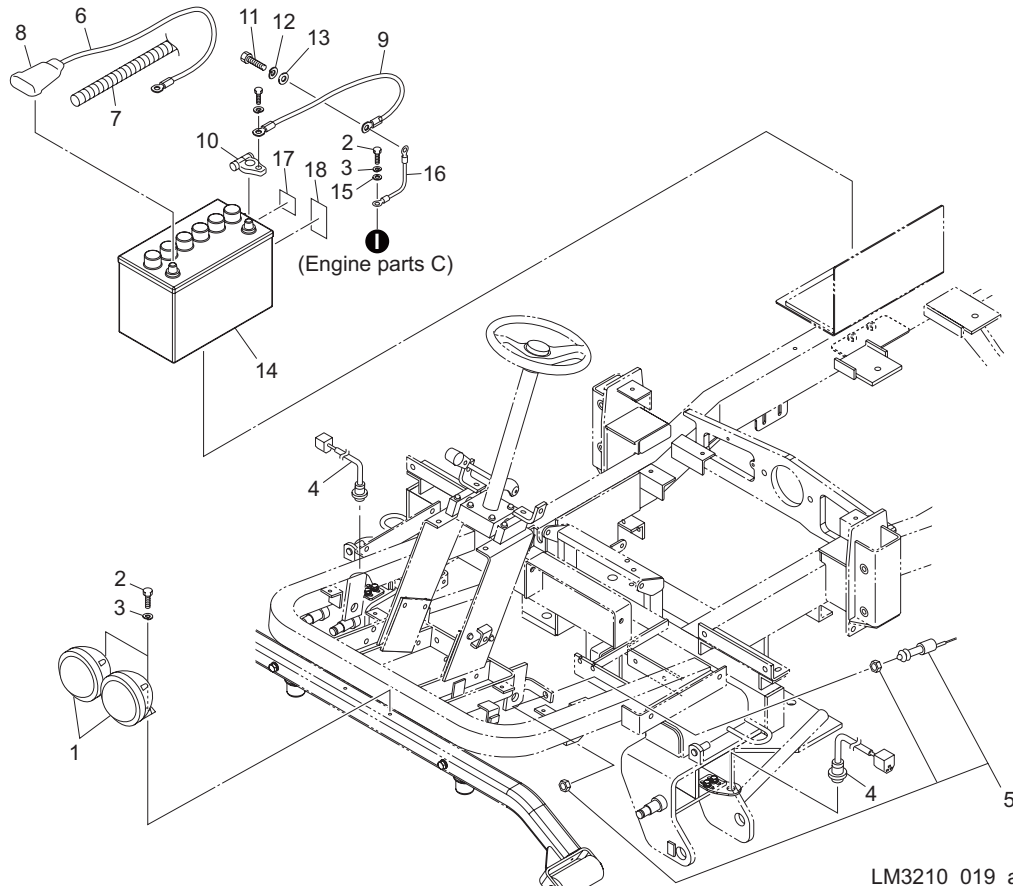


LM3210_018_a01

Cat No.	Code No.	Part name	Qty	Remark	SN of application
18-1	K3640000060	LAMP, V31623A	2		
18-2	K0000080152	BOLT, M8-15	3		
18-3	K0200080002	WASHER, SPRING M8	5		
18-4	K3720000120	SENSOR, PROXIMITY E2E-X5E2	3	#3、#4、#5	
18-5	K3662000030	SWITCH, TOGGLE FOR AUTO-RETURN ET1115G	1		
18-6	K4203001420	DECAL, DIFFERENTIAL LOCK	1		
18-7	LM2700-0552ZD	SWITCH BOX	1		
18-8	K0100080002	NUT, M8	2		
18-9	K0073000052	BOLT, WITH F-RING, M8-40A	1		
18-10	K3671000150	SWITCH, LIMIT V17680A	1		
18-11	K3610000620	WIRE, BATTERY (+) 500	1		
18-12	K3194103200	TUBE, CORRUGATED, 10-320	1		
18-13	K3612000070	TERMINAL, BATTERY PLUS 4013-D-8-1	1		
18-14	K3611000490	WIRE, TO EARTH 500	1		
18-15	K3612000080	TERMINAL, BATTERY MINUS 4013-D-8-1	1		
18-16	K0002120252	BOLT, P1.25 M12-25	1		
18-17	K0200120002	WASHER, SPRING M12	1		
18-18	K5000120002	WASHER, M12	1		
18-19	K3600000180	BATTERY, FX105D31R	1		
18-20	K5000080002	WASHER, M8	1		
18-21	K3611000430	WIRE, TO EARTH 500	1		
18a-22	K4209001400	LABEL, CAPACITY OF BATTERY 105D31	1		
18a-23	K4205002030	DECAL, CROSSED-OUT DUST BIN	1		

19.Engine section F (Type F)

LM3210

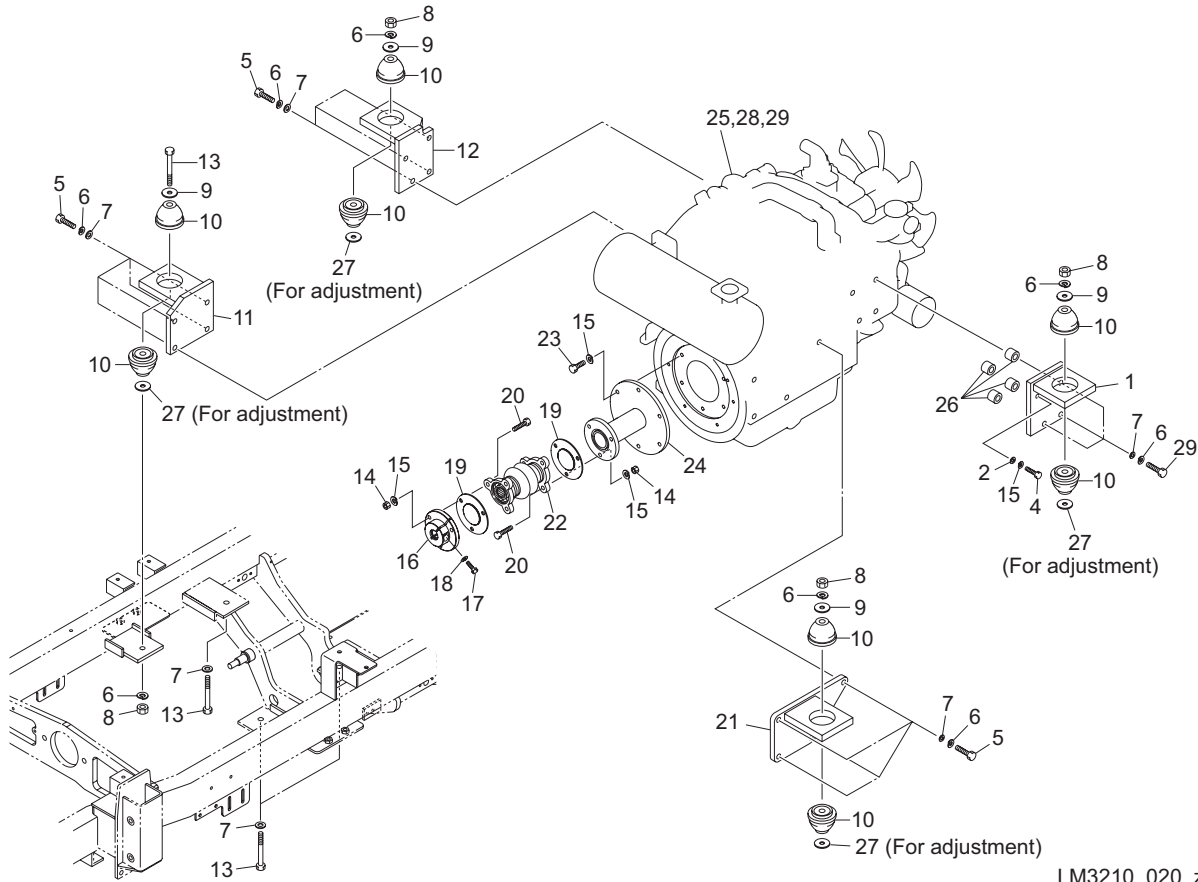


LM3210_019_a01

Cat No.	Code No.	Part name	Qty	Remark	SN of application
19-1	K3640000060	LAMP, V31623A	2		
19-2	K0000080152	BOLT, M8-15	3		
19-3	K0200080002	WASHER, SPRING M8	3		
19-4	K3720000120	SENSOR, PROXIMITY E2E-X5E2	3	#3、#4、#5	
19-5	K3671000150	SWITCH, LIMIT V17680A	1		
19-6	K3610000620	WIRE, BATTERY (+) 500	1		
19-7	K3194103200	TUBE, CORRUGATED, 10-320	1		
19-8	K3612000070	TERMINAL, BATTERY PLUS 4013-D-8-1	1		
19-9	K3611000490	WIRE, TO EARTH 500	1		
19-10	K3612000080	TERMINAL, BATTERY MINUS 4013-D-8-1	1		
19-11	K0002120252	BOLT, P1.25 M12-25	1		
19-12	K0200120002	WASHER, SPRING M12	1		
19-13	K5000120002	WASHER, M12	1		
19-14	K3600000180	BATTERY, FX105D31R	1		
19-15	K5000080002	WASHER, M8	1		
19-16	K3611000430	WIRE, TO EARTH 500	1		
19a-17	K4209001400	LABEL, CAPACITY OF BATTERY 105D31	1		
19a-18	K4205002030	DECAL, CROSSED-OUT DUST BIN	1		

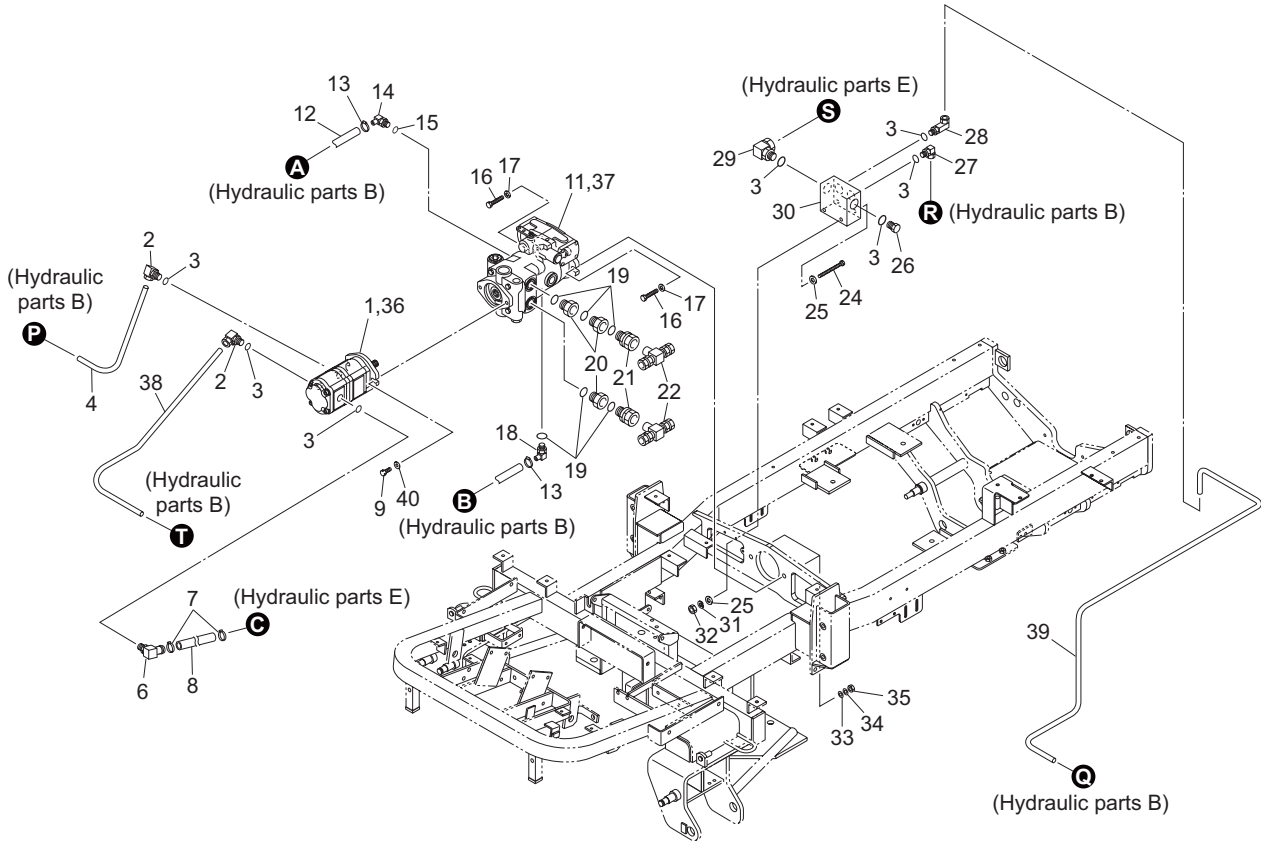
20.Engine section G

LM3210



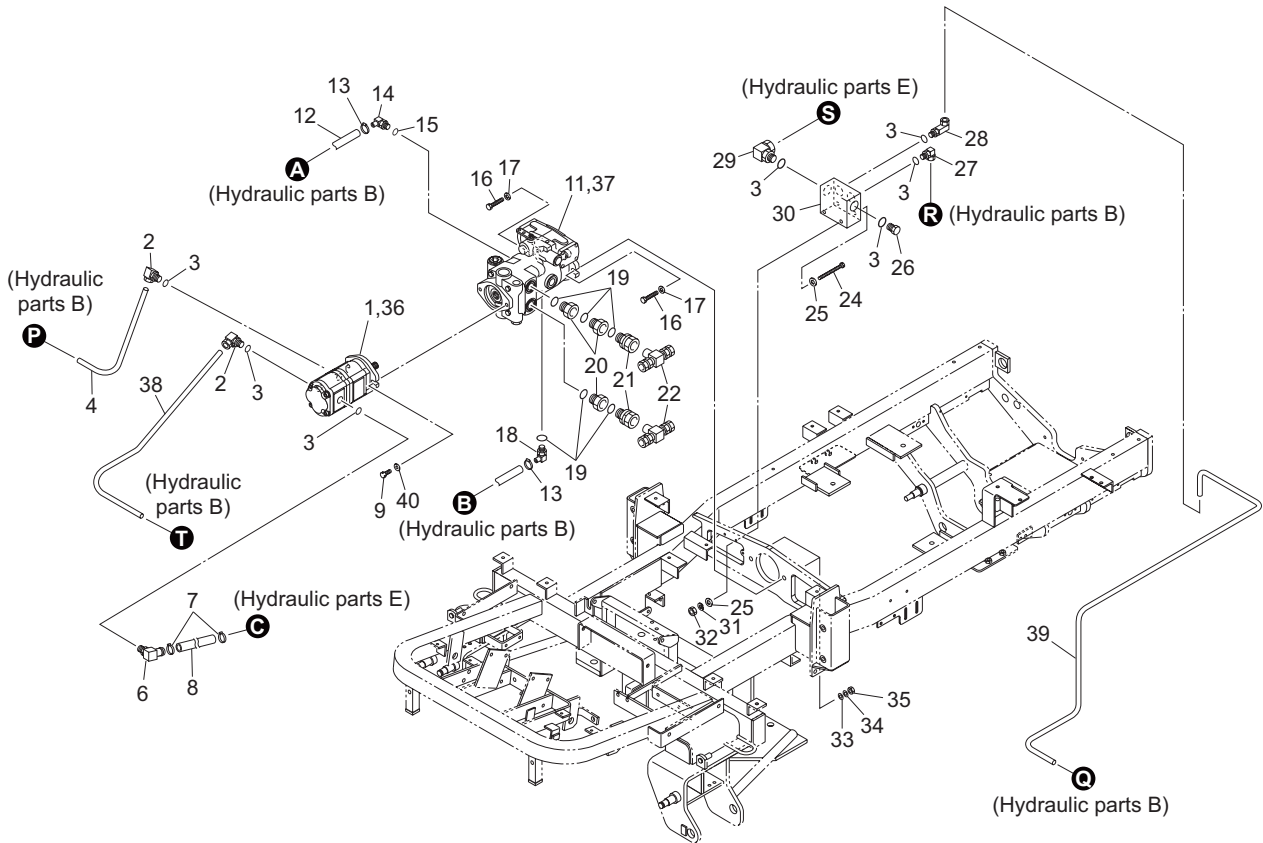
LM3210_020_z02

Cat No.	Code No.	Part name	Qty	Remark	SN of application
20-1	GM2800-0525ZD	BRACKET, ENGINE D	1		
20-2	K5000100002	WASHER, M10	1		
20-3	K0012120552	BOLT, HT P1.25 M12-55	3		
20-4	K0011100502	BOLT, HT P1.25 M10-50	1		
20-5	K0012120352	BOLT, HT P1.25 M12-35	12		
20-6	K0200120002	WASHER, SPRING M12	20		
20-7	K5000120002	WASHER, M12	20		
20-8	K0100120002	NUT, M12	4		
20-9	K5076012402	WASHER, SPHC 6-12-40	4		
20-10	K4042000100	RUBBER, VIBRATION PROOF TO MOUNT ENGINE	8		
20-11	GM2800-0533ZD	BRACKET, ENGINE A	1		
20-12	GM2800-0515ZD	BRACKET, ENGINE B	1		
20-13	K0013121102	BOLT, HT M12-110	4		
20-14	K0100100002	NUT, M10	3		
20-15	K0200100002	WASHER, SPRING M10	15		
20-16	K6204000572	DISK, DRIVING POMP SIDE	1		
20-17	K001A080401	BOLT,13T W/HEX. HOLE M8-40	1		
20-18	K0215100002	WASHER, DISK SPRING H M10-2	1		
20-19	K6204000562	SPACER, 118	2		
20-20	K0010100352	BOLT, HT M10-35	6		
20-21	LM2700-0504ZD	BRACKET, ENGINE C	1		
20-22	K1620000270	JOINT,BC75ACCP230	1		
20-23	K0011100302	BOLT, HT P1.25 M10-30	6		
20-24	GM2810-0501Z2	ADAPTER, FLYWHEEL	1		
20-25	K2691000400	ENGINE, KUBOTA V2403-CR-TE4	1		
20-26	K6212000542	COLLAR, STKM M12.8-22-20	4		
20-27	K5011613402	WASHER, SPCC 1.6-13-40	4	For adjustment	
20-28	PF17266-9701-0	BELT, COGGED 42.5-A	1		
20-29	PF16414-3243-4	FILTER (OIL CARTRIDGE)	1		



LM3210_021_z02

Cat No.	Code No.	Part name	Qty	Remark	SN of application
21-1	K3252000090	PUMP, GEAR PBB22RK514	1		
21-2	K3026416081-Y	NIPPLE, LONG ELBOW KLO16-040E	2		
21-3	K0881018000	O-RING, P18B	7		
21-4	LM3210-0802Z2-Y	PIPE, F	1		
21-5					
21-6	K3008000212-Y	ADAPTOR, ODD SIZED 90 DEG FPD2576	1		
21-7	K4260000200	CLAMP, HOSE JUBILEE BAND 2A	2		
21-8	GM2810-0815Z0	HOSE, SUCTION 38 412	1		
21-9	K0069000251	BOLT, 3/8-16 UNC 31.8	2		
21-10					
21-11	K3244000040	PUMP, PISTON 72400RXF-04	1		
21-12	GM2800-0846A0	HOSE, SUCTION 25-750	1		
21-13	K4260000190	CLAMP, HOSE JUBILEE BAND 1	2		
21-14	K3008000302-Y	ADAPTOR, FPD21941	1		
21-15	K0887000420	O-RING, AS568-042	1		
21-16	K0010120502	BOLT, HT M12-50	2		
21-17	K5073212352	WASHER, SPHC 3.2-12-35	2		
21-18	K3008000312-Y	ADAPTOR, FPD21939	1		
21-19	K0887009160	O-RING, AS568-916	6		
21-20	K3008000632-Y	CONNECTOR, WITH O-RING 4043-1 5/16-O	3		
21-21	K3008000622-Y	CONNECTOR, WITH O-RING 1202-25-1 5/16	2		
21-22	K3027025001-Y	TEE, KTB 25-000E	2		
21-23					
21-24	K0003080702	BOLT, M8-70	2		
21-25	K5000080002	WASHER, M8	4		
21-26	K1420000232-Y	PLUG, O-RING WITH HEX. HOLE 215-PF1/2	1		
21-27	K3026416081-Y	NIPPLE, LONG ELBOW KLO16-040E	1		
21-28	K3028416081-Y	NIPPLE, ELBOW KLG16-040E	1		
21-29	K3026425121-Y	NIPPLE, KLO 25-060E	1		
21-30	LM2700-0821Z2-Y	MANIFOLD	1		

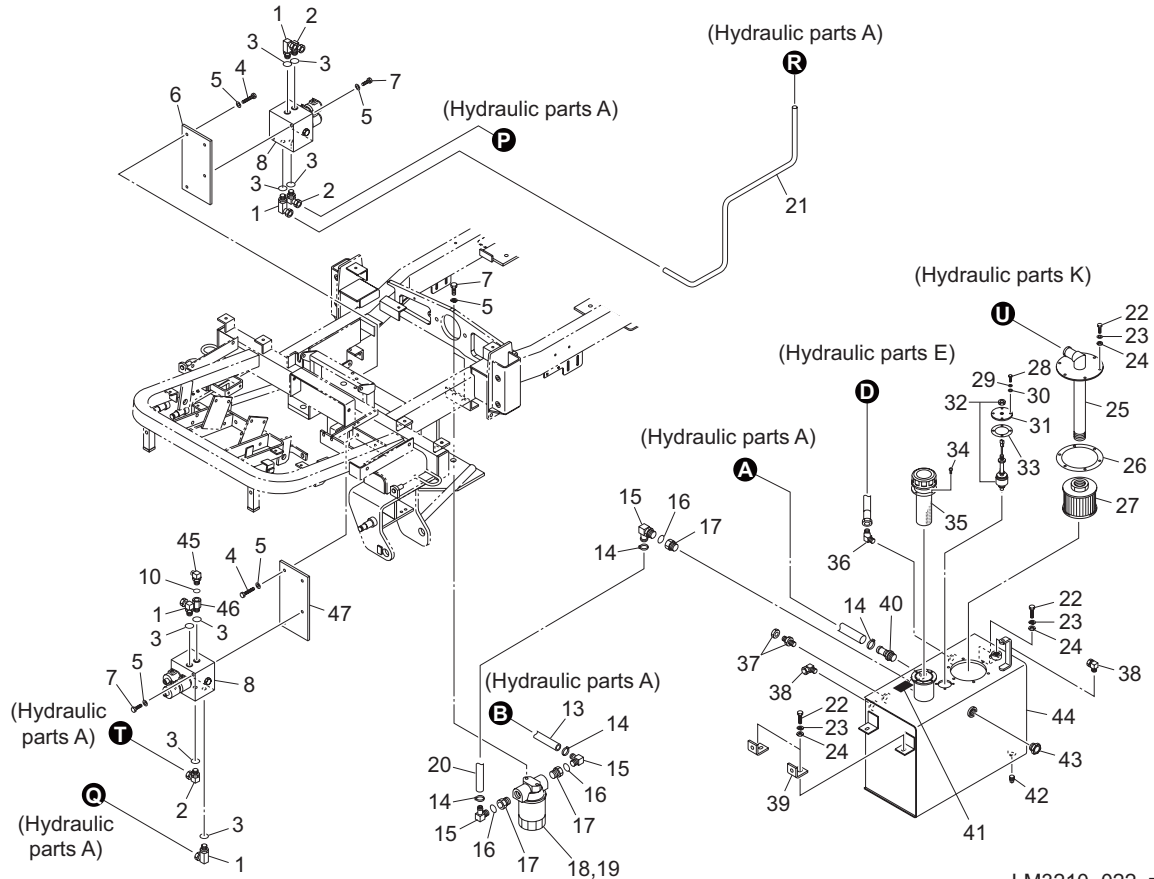


LM3210_021_z02

Cat No.	Code No.	Part name	Qty	Remark	SN of application
21-31	K0200080002	WASHER, SPRING M8	2		
21-32	K0100080002	NUT, M8	2		
21-33	K5000120002	WASHER, M12	2		
21-34	K0200120002	WASHER, SPRING M12	2		
21-35	K0100120002	NUT, M12	2		
21-36	Y62-10313	SEAL KIT, GEAR PUMP PBB55RK513	1		
21-37	Y72400-908	SEAL KIT, PISTON PUMP 72400	1		
21-38	LM3210-0811Z2-Y	PIPE, A	1		
21-39	LM3210-0813Z2-Y	PIPE, E	1		
21-40	K5073210242	WASHER, SPHC 3.2-10-24	2		

22. Hydraulic section B

LM3210

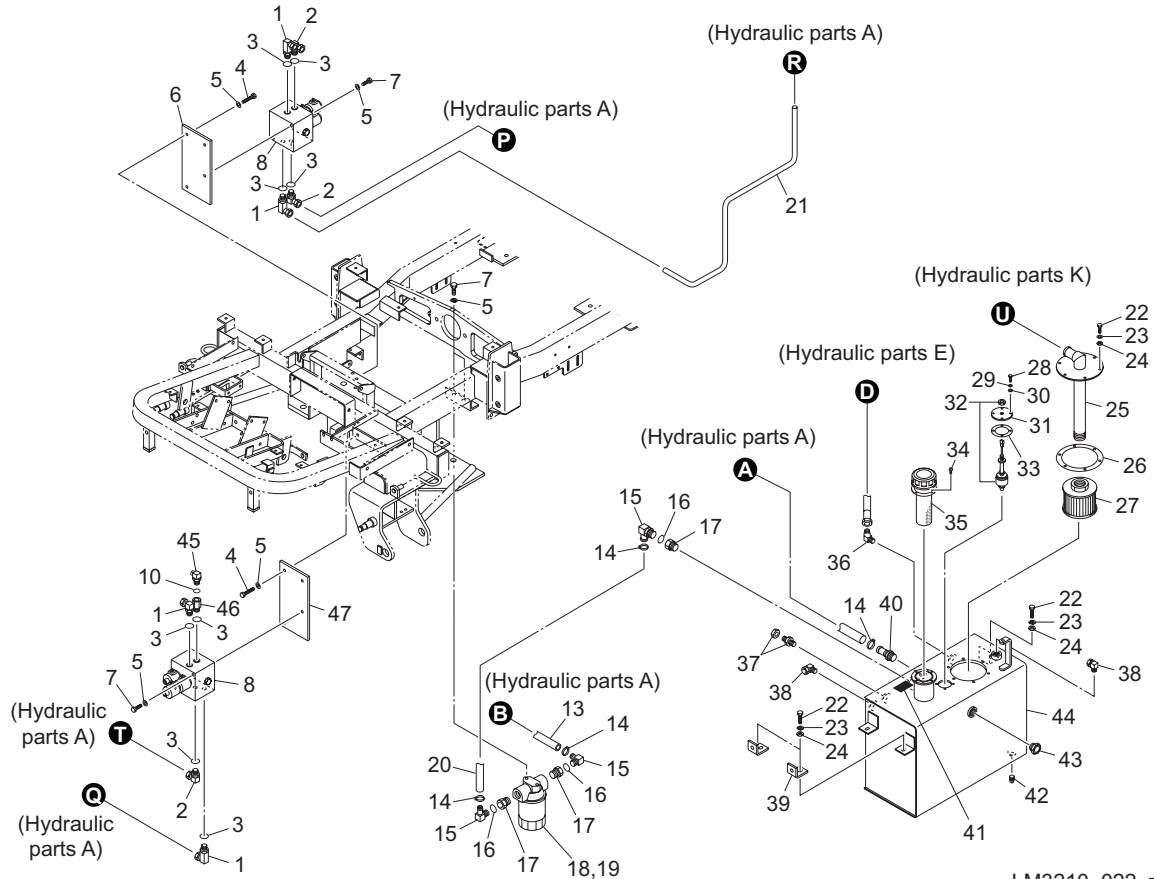


LM3210_022_z01

Cat No.	Code No.	Part name	Qty	Remark	SN of application
22-1	K3028416061-Y	NIPPLE, LONG ELBOW KLG16-030E	4		
22-2	K3026416061-Y	NIPPLE, ELBOW KLO16-030E	3		
22-3	K0881018000	O-RING, P18B	8		
22-4	K0000100302	BOLT, M10-30	4		
22-5	K0200100002	WASHER, SPRING M10	10		
22-6	LM2700-0813ZD	BRACKET, VALVE #2 #3 MOWER	1		
22-7	K0000100202	BOLT, M10-20	6		
22-8	K3313000520	VALVE COMP, SOLENOID HF81978-13	2		
22-9					
22-10	K0881014000	O-RING, P14B	1		
22-11					
22-12					
22-13	GM2800-0845A0	HOSE, SUCTION 25-240	1		
22-14	K4260000190	CLAMP, HOSE JUBILEE BAND 1	4		
22-15	K3008000312-Y	ADAPTOR, FPD21939	3		
22-16	K0887009160	O-RING, AS568-916	3		
22-17	K3008000642-Y	CONNECTOR, WITH O-RING 4400-25-16	3		
22-18	K3410000020	FILTER, CARTRIDGE CF-80-10U	1		
22-19	K3410000030	FILTER, CARTRIDGE F-913-1 (SUBSTITUTE)	1		
22-20	LM2700-0868A0	HOSE, SUCTION 25-210	1		
22-21	LM3210-0804Z2-Y	PIPE, K	1		
22-22	K0000080202	BOLT, M8-20	9		
22-23	K0200080002	WASHER, SPRING M8	9		
22-24	K5000080002	WASHER, M8	9		
22-25	GM2800-0862Z2-Y	ATTACHMENT, SUCTION HOSE	1		
22-26	LM535E-0434Z0	PACKING, SUCTION PORT	1		
22-27	K3413000040	FILTER, SUCTION SFT-10-150W	1		
22-28	K0000060202	BOLT, M6-20	4		
22-29	K0200060002	WASHER, SPRING M6	4		
22-30	K5000060002	WASHER, M6	4		

22. Hydraulic section B

LM3210

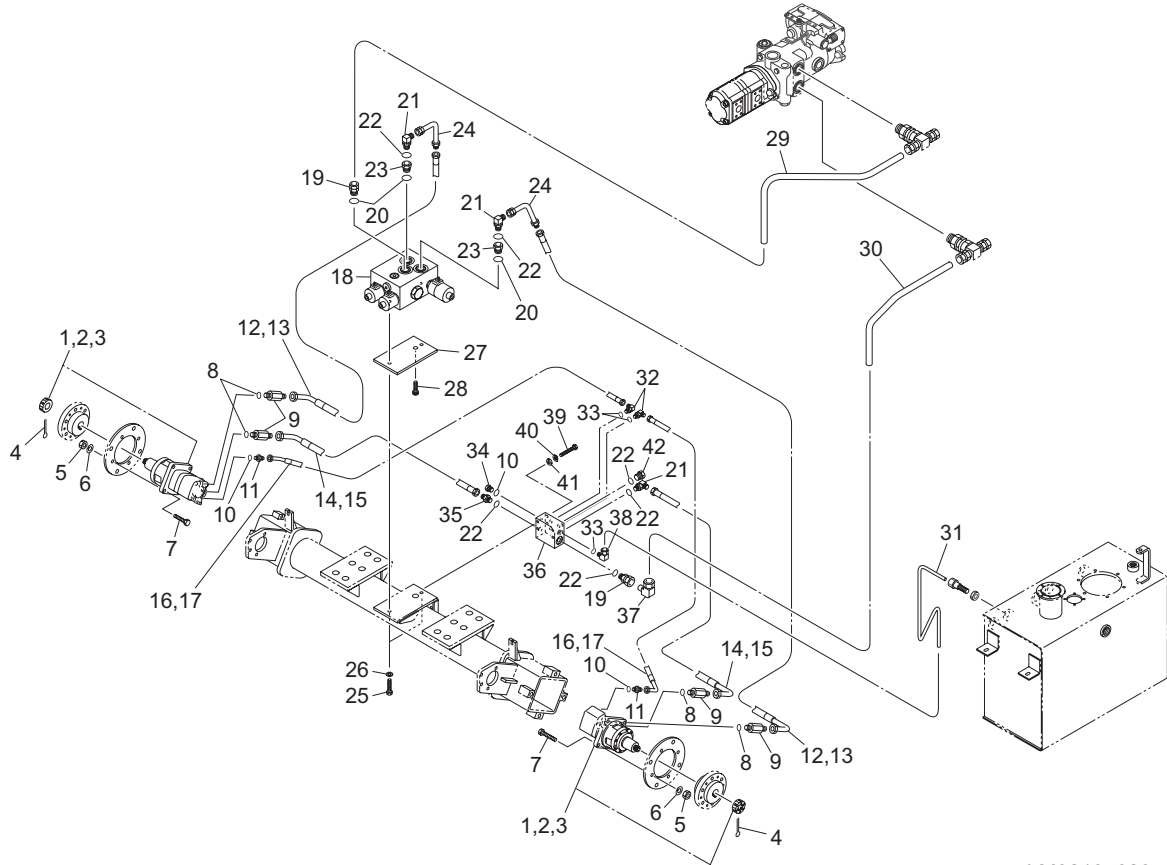


LM3210_022_z01

Cat No.	Code No.	Part name	Qty	Remark	SN of application
22-31	LM526--0809Z2-Y	BRACKET, OIL LEVEL SENSOR	1		
22-32	K3720000130	SENSOR, LEVEL SWITCH	1		
22-33	K4011000330	PACKING, OIL-SHEET 0.8-4575	1		
22-34	K0044050102	SCREW, + ROUND HEAD WITH W/SW M5-10	4		
22-35	K3400000030	BREATHER, REFUELING HOLE FAB-50	1		
22-36	K3003120002-Y	ELBOW, 45 DEG 1035-12	1		
22-37	K3026610081-Y	CONNECTOR, KCT 10-040E	1		
22-38	K3028010081-Y	ELBOW, KLN 12-040E	2		
22-39	LM2700-0950ZD	BRACKET, SIDE COVER	2		
22-40	K3009000132-Y	ADAPTOR, MO-JS-25	1		
22-41	K4209000980	DECAL, HYDRAULIC OIL	1		
22-42	K1422106001-Y	PLUG, TAPER WITH HEX. HOLE T1, 3/8	1		
22-43	K1400000044-Y	GAUGE, OIL M TYPEPF3/4	1		
22-44	GM2810-0813AD-Y	TANK, HYDRAULIC	1		
22-45	K302506L082-Y	ADAPTER, FOR PIPE 06L-08	1		
22-46	K3009000172-Y	ADAPTER, PF3/8*PF1/2	1		
22-47	LM3210-0814ZD	BRACKET, VALVE #1 #4 #5 MOWER	1		

23. Hydraulic section C (Type R)

LM3210

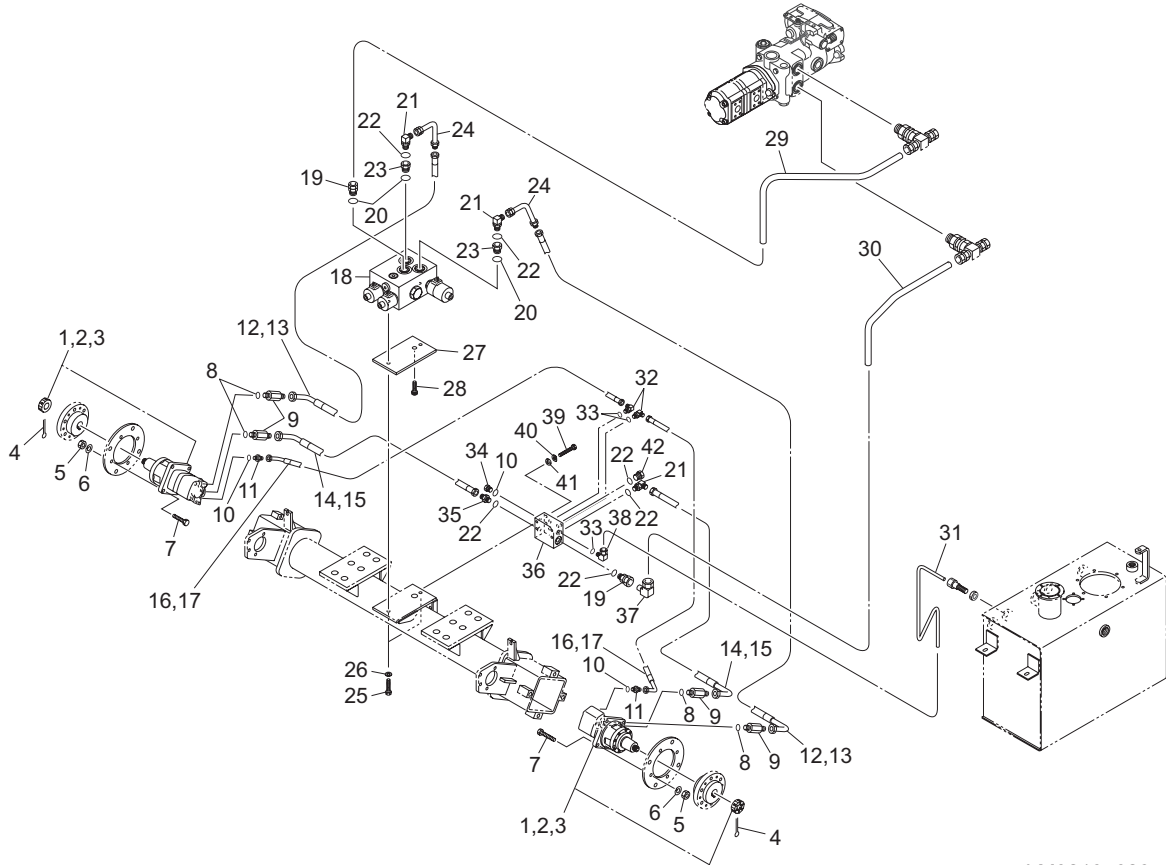


LM3210_023_z00

Cat No.	Code No.	Part name	Qty	Remark	SN of application
23-1	K3291000240	WHEEL MOTOR 4-490BBAS-F9321	2		
23-2	Y61234S	SEAL KIT, WHEEL MOTOR 4-330B/490BBAS (REAR)	2		
23-3	YAE0325A	SEAL KIT, WHEEL MOTOR 4-330BBAS (SHAFT)	2		
23-4	K0300040502	PIN, COTTER M4-50	2		
23-5	K0100140002	NUT, M14	8		
23-6	K0200140002	WASHER, SPRING M14	8		
23-7	K0013140502	BOLT, HT M14-50	8		
23-8	K0887009120	O-RING, AS568-912	4		
23-9	K3008000382-Y	CONNECTOR, WITH O-RING 1	4		
23-10	K0887009040	O-RING, AS568-904	3		
23-11	K3008000342-Y	CONNECTOR, WITH O-RING 1096-6	2		
23-12	K3106430700	HOSE, WP245-12-3-700	2		
23-13	K3191006000	TUBE, SPIRAL SP-15 600	2		
23-14	K3106430600	HOSE, WP245-12-3-600	2		
23-15	K3191005000	TUBE, SPIRAL SP-15 500	2		
23-16	K3101220700	HOSE, WP70-6-2-700	2		
23-17	K3190006000	TUBE, SPIRAL SP-12 600	2		
23-18	K3313000460	VALVE COMP, SOLENOID HF78445-12	1		
23-19	K3026325121-Y	CONNECTOR, KCO 25-060E	2		
23-20	K0881024000	O-RING, P24B	3		
23-21	K3008000042-Y	ADAPTOR, 90 DEG 1086-12	3		
23-22	K0881018000	O-RING, P18B	6		
23-23	K3029000312-Y	BUSHING, PF1/2*PF3/4	2		
23-24	K3025064082-Y	ADAPTOR, FOR PIPE 064-08	2		
23-25	K0000100302	BOLT, M10-30	2		
23-26	K0200100002	WASHER, SPRING M10	2		
23-27	LM2700-0831ZD	MOUNT, DIFF LOCK VALVE	1		
23-28	K0024100151	BOLT, WITH HEX. HOLE M10-15	1		
23-29	GM2810-0811Z2-Y	PIPE, K	1		
23-30	GM2810-0812Z2-Y	PIPE, L	1		

23.Hydraulic section C (Type R)

LM3210

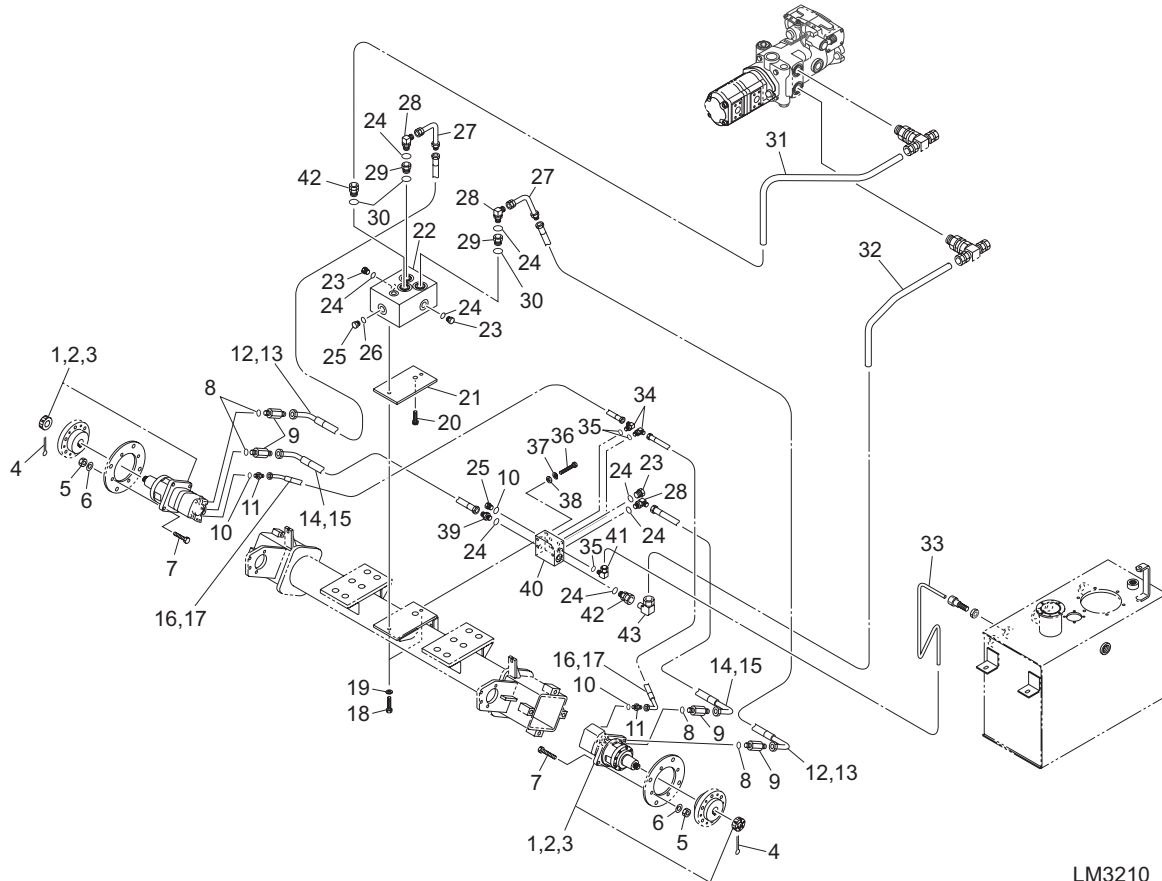


LM3210_023_z00

Cat No.	Code No.	Part name	Qty	Remark	SN of application
23-31	GM2800-0820Z2-Y	PIPE, L	1		
23-32	K3008000442-Y	ADAPTOR, 90 DEG 1086-6	2		
23-33	K0881014000	O-RING, P14B	3		
23-34	K1420000222-Y	PLUG, O-RING 215-PF1/4	1		
23-35	K3009000092-Y	ADAPTOR, PT1/2*PF1/2	1		
23-36	LM2700-0821Z2-Y	MANIFOLD	1		
23-37	K3027125001-Y	ELBOW, KLC 25-000E	1		
23-38	K3026410041-Y	NIPPLE, KLO 10-020KNNT	1		
23-39	K0003080702	BOLT, M8-70	4		
23-40	K0200080002	WASHER, SPRING M8	4		
23-41	K5000080002	WASHER, M8	4		
23-42	K1420000232-Y	PLUG, O-RING WITH HEX. HOLE 215-PF1/2	1		

24. Hydraulic section C (Type F)

LM3210

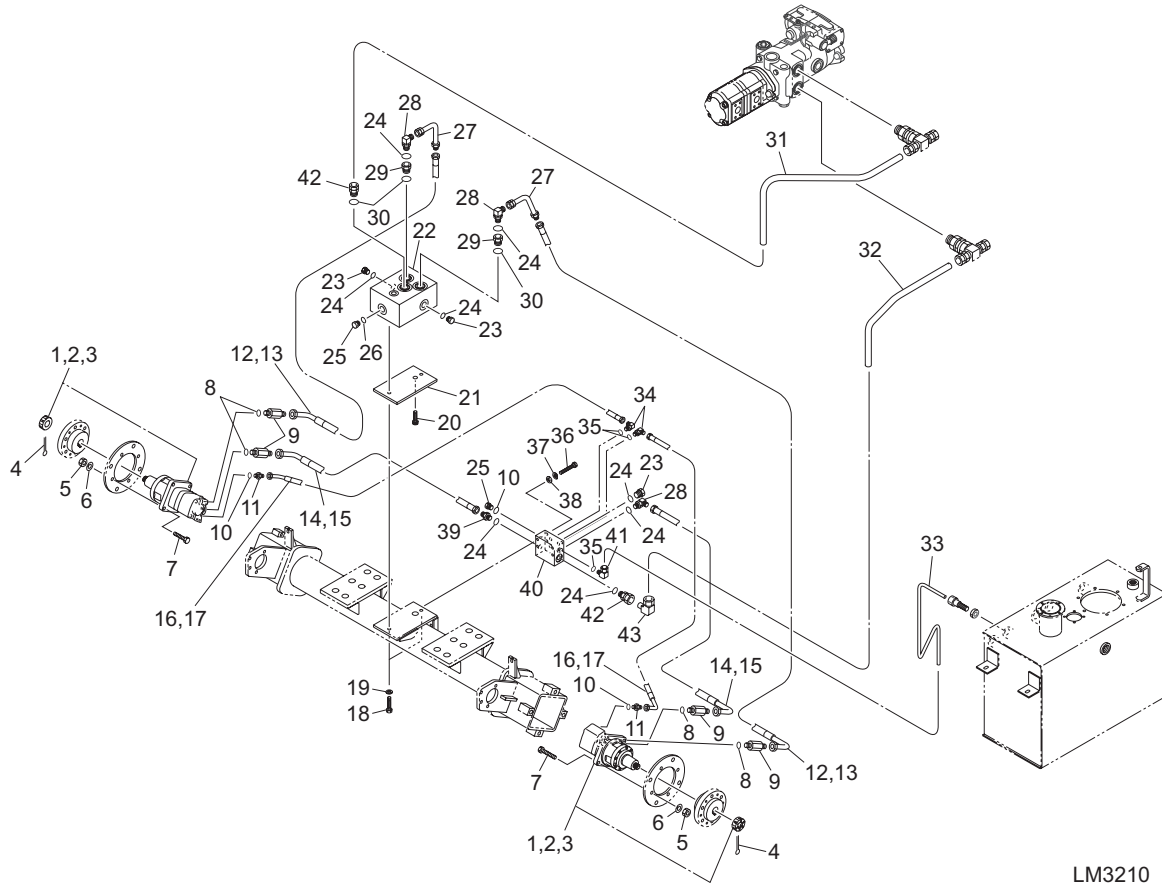


LM3210_024_z00

Cat No.	Code No.	Part name	Qty	Remark	SN of application
24-1	K3291000240	WHEEL MOTOR 4-490BBAS-F9321	2		
24-2	Y61234S	SEAL KIT, WHEEL MOTOR 4-330B/490BBAS (REAR)	2		
24-3	YAE0325A	SEAL KIT, WHEEL MOTOR 4-330BBAS (SHAFT)	2		
24-4	K0300040502	PIN, COTTER M4-50	2		
24-5	K0100140002	NUT, M14	8		
24-6	K0200140002	WASHER, SPRING M14	8		
24-7	K0013140502	BOLT, HT M14-50	8		
24-8	K0887009120	O-RING, AS568-912	4		
24-9	K3008000382-Y	CONNECTOR, WITH O-RING 1	4		
24-10	K0887009040	O-RING, AS568-904	3		
24-11	K3008000342-Y	CONNECTOR, WITH O-RING 1096-6	2		
24-12	K3106430700	HOSE, WP245-12-3-700	2		
24-13	K3191006000	TUBE, SPIRAL SP-15 600	2		
24-14	K3106430600	HOSE, WP245-12-3-600	2		
24-15	K3191005000	TUBE, SPIRAL SP-15 500	2		
24-16	K3101220700	HOSE, WP70-6-2-700	2		
24-17	K3190006000	TUBE, SPIRAL SP-12 600	2		
24-18	K0000100302	BOLT, M10-30	2		
24-19	K0200100002	WASHER, SPRING M10	2		
24-20	K001A100151	BOLT,13T W/HEX. HOLE M10-15	1		
24-21	LM2700-0831ZD	MOUNT, DIFF LOCK VALVE	1		
24-22	LM2700-4901Z2-Y	MANIFOLD, B	1		
24-23	K1420000232-Y	PLUG, O-RING WITH HEX. HOLE 215-PF1/2	3		
24-24	K0881018000	O-RING, P18B	8		
24-25	K1420000222-Y	PLUG, O-RING 215-PF1/4	2		
24-26	K0881011000	O-RING, P11B	1		
24-27	K3025064082-Y	ADAPTOR, FOR PIPE 064-08	2		
24-28	K3008000042-Y	ADAPTOR, 90 DEG 1086-12	3		
24-29	K3029000312-Y	BUSHING, PF1/2*PF3/4	2		
24-30	K0881024000	O-RING, P24B	3		

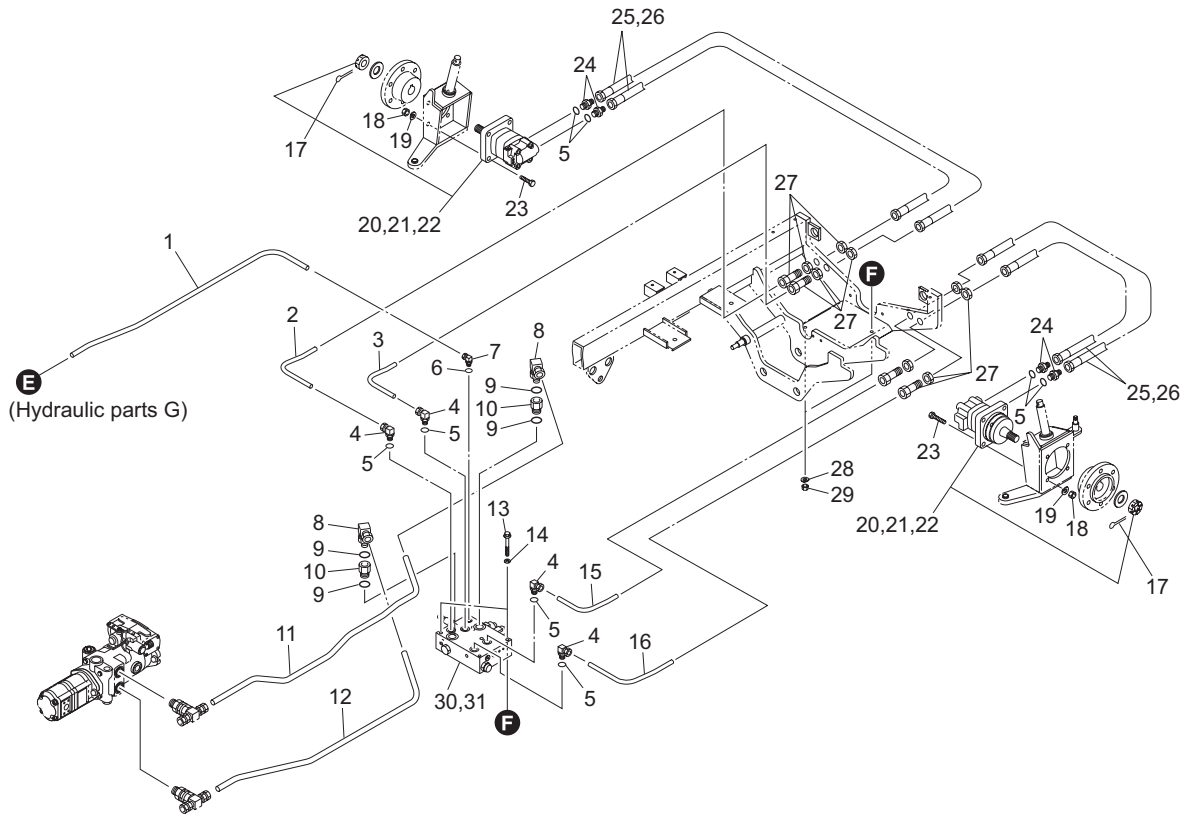
24. Hydraulic section C (Type F)

LM3210



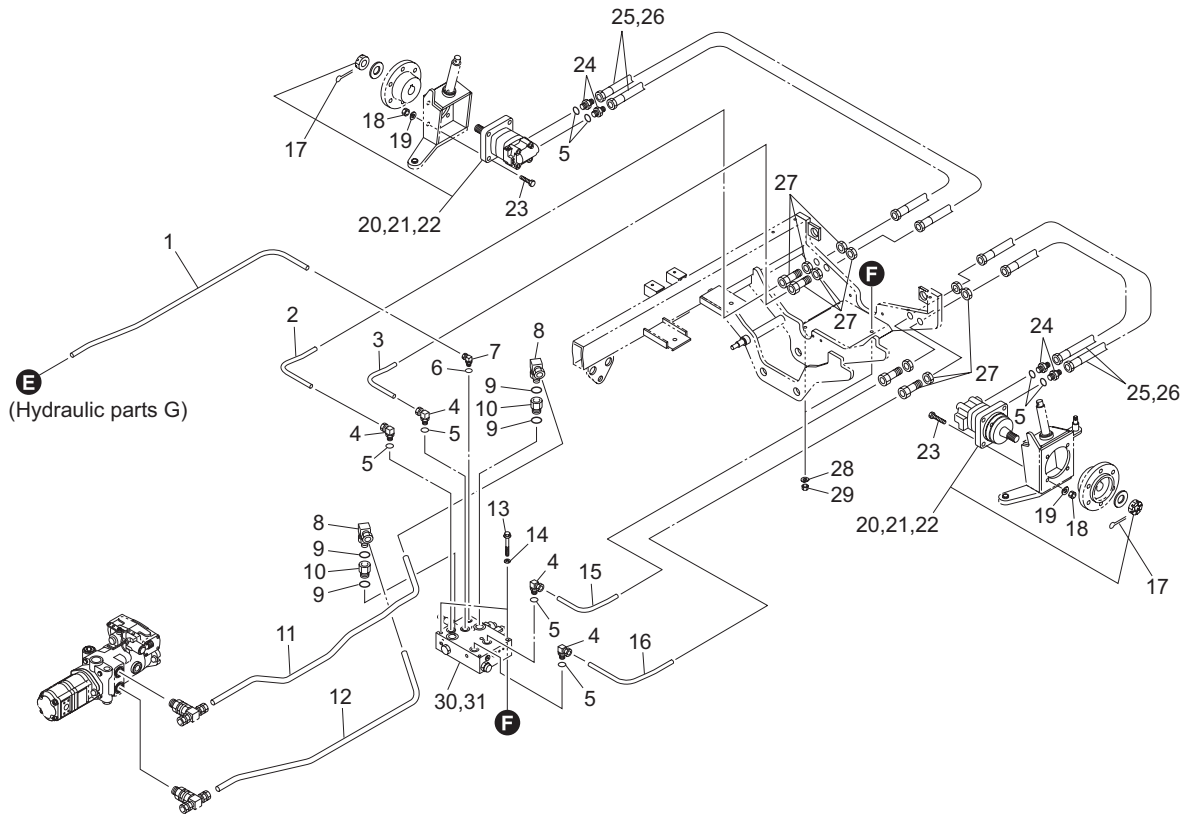
LM3210_024_z00

Cat No.	Code No.	Part name	Qty	Remark	SN of application
24-31	GM2810-0811Z2-Y	PIPE, K	1		
24-32	GM2810-0812Z2-Y	PIPE, L	1		
24-33	GM2800-0820Z2-Y	PIPE, L	1		
24-34	K3008000442-Y	ADAPTOR, 90 DEG 1086-6	2		
24-35	K0881014000	O-RING, P14B	3		
24-36	K0003080702	BOLT, M8-70	4		
24-37	K0200080002	WASHER, SPRING M8	4		
24-38	K5000080002	WASHER, M8	4		
24-39	K3009000092-Y	ADAPTOR, PT1/2*PF1/2	1		
24-40	LM2700-0821Z2-Y	MANIFOLD	1		
24-41	K3026410041-Y	NIPPLE, KLO 10-020KNNT	1		
24-42	K3026325121-Y	CONNECTOR, KCO 25-060E	2		
24-43	K3027125001-Y	ELBOW, KLC 25-000E	1		



LM3210_025_z01

Cat No.	Code No.	Part name	Qty	Remark	SN of application
25-1	GM2800-0877Z2-Y	PIPE, P	1		
25-2	GM2800-0809Z2-Y	PIPE, A	1		
25-3	GM2800-0811A2-Y	PIPE, C	1		
25-4	K3026416081-Y	NIPPLE, LONG ELBOW KLO16-040E	4		
25-5	K0881018000	O-RING, P18B	8		
25-6	K0881011000	O-RING, P11B	1		
25-7	K3028410081-Y	ELBOW, KLG10-020E	1		
25-8	K3026425121-Y	NIPPLE, KLO 25-060E	2		
25-9	K0881024000	O-RING, P24B	4		
25-10	K3008000662-Y	CONNECTOR, WITH O-RING 1110-19-19	2		
25-11	GM2810-0804Z2-Y	PIPE, D	1		
25-12	GM2810-0803Z2-Y	PIPE, C	1		
25-13	K0003101002	BOLT, M10-100	2		
25-14	K5000100002	WASHER, M10	2		
25-15	GM2800-0812A2-Y	PIPE, D	1		
25-16	GM2800-0810Z2-Y	PIPE, B	1		
25-17	K0300050452	PIN, COTTER M5-45	2		
25-18	K0100120002	NUT, M12	8		
25-19	K0200120002	WASHER, SPRING M12	8		
25-20	K3291000190	MOTOR, WHEEL 2-200BS4S	2		
25-21	Y61091S	SEAL KIT, 2000 ORBIT MOTOR (SHAFT)	2		
25-22	Y61090S	SEAL KIT, 2000 ORBIT MOTOR (REAR)	2		
25-23	K0000120452	BOLT, M12-45	8		
25-24	K3009000092-Y	ADAPTOR, PT1/2*PF1/2	4		
25-25	K3105410800	HOSE, WP210-12-1-800	4		
25-26	K3191007000	TUBE, SPIRAL SP-15 700	4		
25-27	K3026916081-Y	UNION, KUE 12-040E	4		
25-28	K0200100002	WASHER, SPRING M10	2		
25-29	K0100100002	NUT, M10	2		
25-30	K3313000290	VALVE COMP, SOLENOID V4205	1		

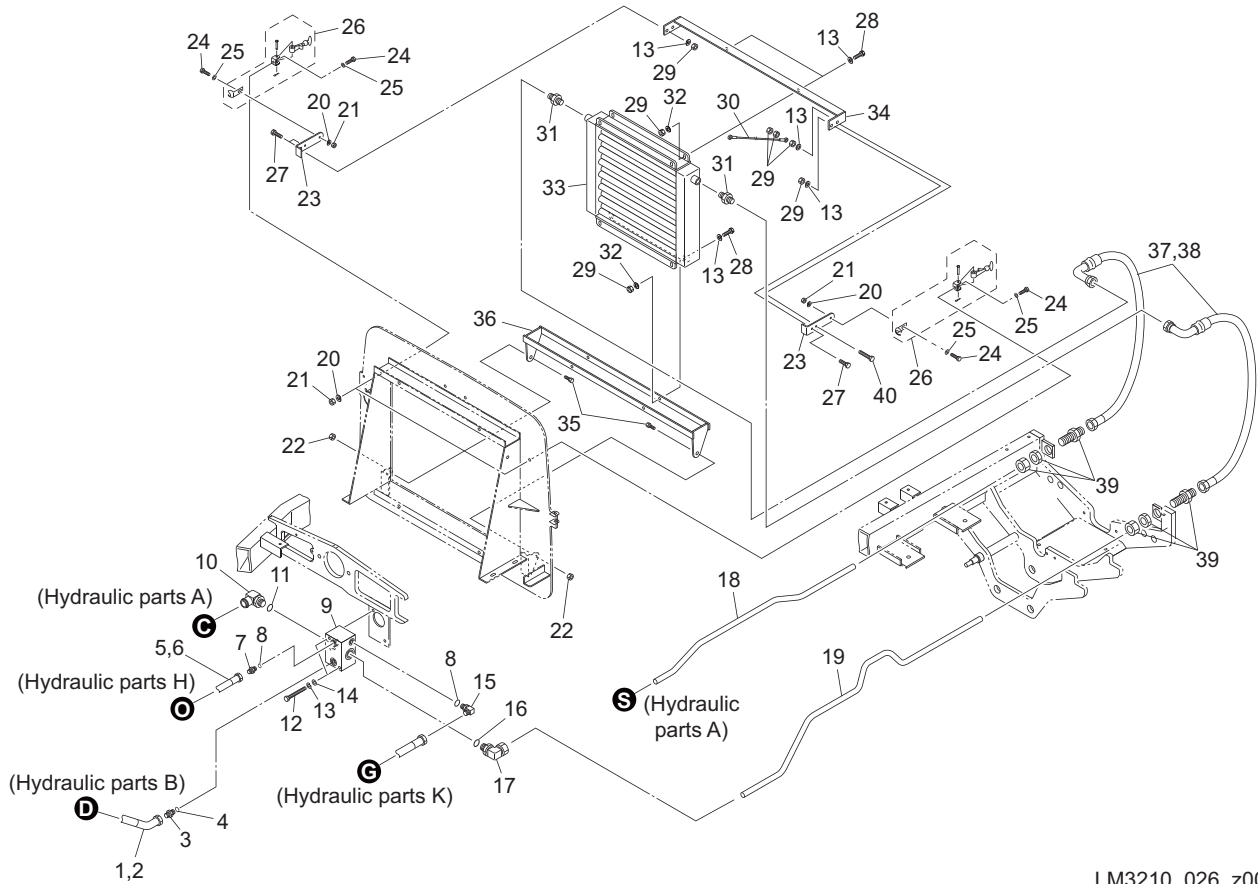


LM3210_025_z01

Cat No.	Code No.	Part name	Qty	Remark	SN of application
25-31	YSK08-3N-MM	SEAL KIT, FOR VALVE, SOLENOID V4205	1		

26. Hydraulic section E

LM3210

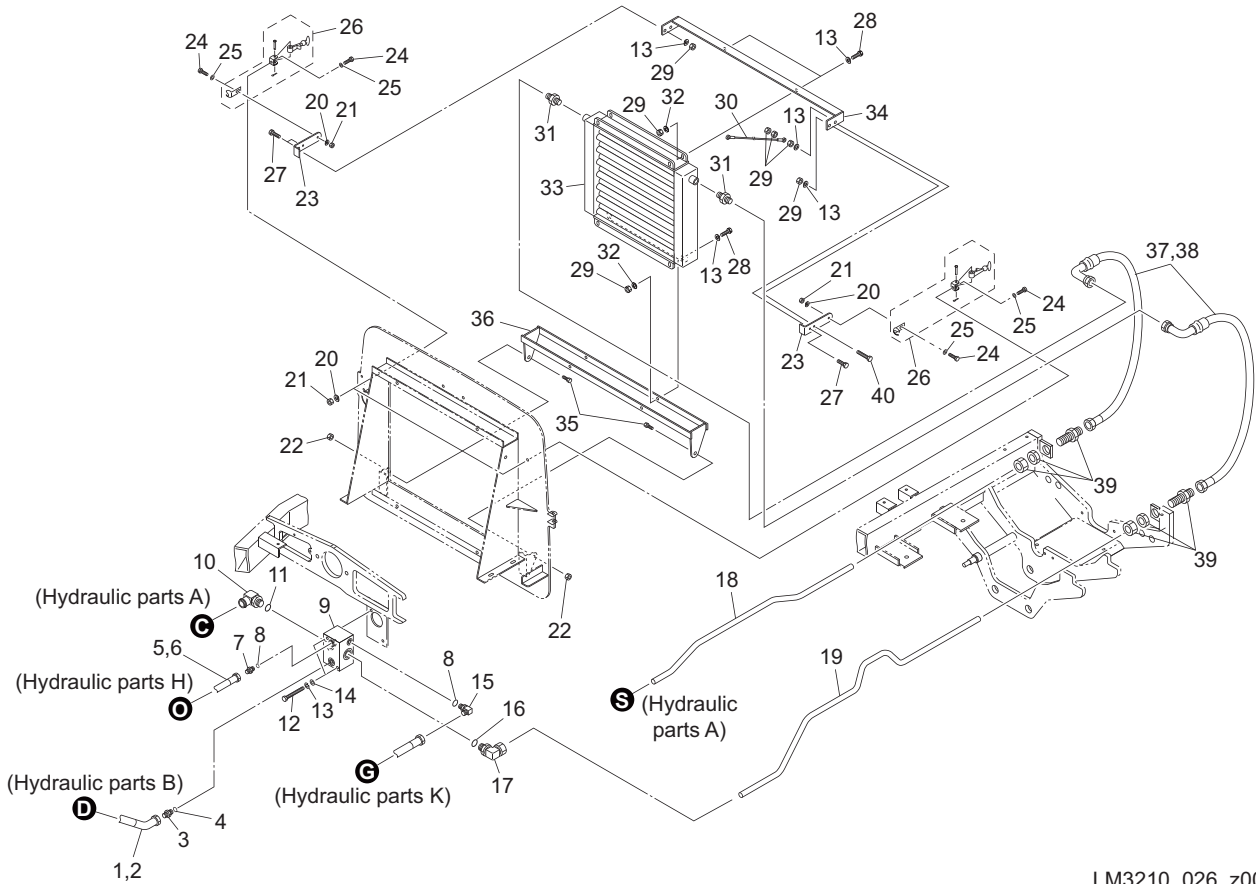


LM3210_026_z00

Cat No.	Code No.	Part name	Qty	Remark	SN of application
26-1	K3101420550	HOSE, WP70-12-2-550	1		
26-2	K3191004500	TUBE, SPIRAL SP-15 450	1		
26-3	K3009000092-Y	ADAPTOR, PT1/2*PF1/2	1		
26-4	K0881018000	O-RING, P18B	1		
26-5	K3101330700	HOSE, WP70-9-3-700	1		
26-6	K3191006000	TUBE, SPIRAL SP-15 600	1		
26-7	K3009000142-Y	ADAPTOR, PF3/8PF3/8	1		
26-8	K0881014000	O-RING, P14B	2		
26-9	K3321000060	VALVE HF80396-12	1		
26-10	K3008000212-Y	ADAPTOR, ODD SIZED 90 DEG FPD2576	1		
26-11	K0887009200	O-RING, AS568-920	1		
26-12	K0003080902	BOLT, M8-90	2		
26-13	K0200080002	WASHER, SPRING M8	12		
26-14	K5073208202	WASHER, SPHC 3.2-8-20	2		
26-15	K3008000032-Y	ADAPTOR, 90 DEG 1086-9	1		
26-16	K0881029000	O-RING, P29B	1		
26-17	K3026425161-Y	NIPPLE, KLO 25-080E	1		
26-18	LM3210-0805Z2-Y	PIPE, N	1		
26-19	GM2810-0809Z2-Y	PIPE, I	1		
26-20	K0200060002	WASHER, SPRING M6	4		
26-21	K0100060002	NUT, M6	4		
26-22	K0144100002	NUT, M10 WITH F-RING	2		
26-23	GM2800-0807ZD	FIXTURE	2		
26-24	K0000060152	BOLT, M6-15	4		
26-25	K5000060002	WASHER, M6	4		
26-26	K1520000030	HOOK ASSY, RUBBER	2		
26-27	K0000080152	BOLT, M8-15	3		
26-28	K0000080202	BOLT, M8-20	6		
26-29	K0100080002	NUT, M8	10		
26-30	K1170057000	WIRE, HOOK 570	1		

26. Hydraulic section E

LM3210

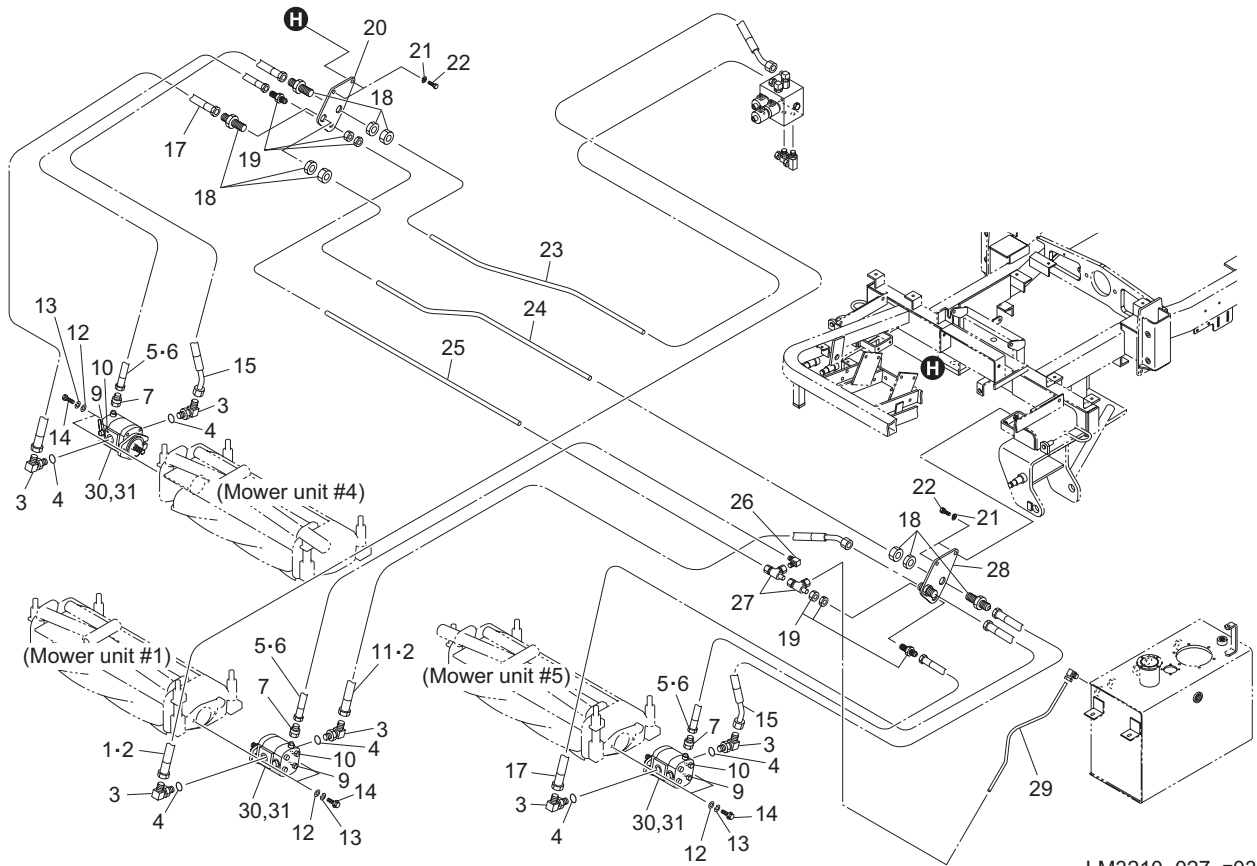


LM3210_026_z00

Cat No.	Code No.	Part name	Qty	Remark	SN of application
26-31	K3007000012-Y	ADAPTOR, ODD SIZED PT1/2*PF3/4	2		
26-32	K5000080002	WASHER, M8	6		
26-33	LM2700-3839Z0	OIL COOLER	1		
26-34	LM3200-0819ZD	FITTING, OIL COOLER (UPPER)	1		
26-35	K0000100202	BOLT, M10-20	2		
26-36	LM3200-0820ZD	FITTING, OIL COOLER (LOWER)	1		
26-37	K3101630700	HOSE, WP70-19-3-700	2		
26-38	K3192006000	TUBE, SPIRAL SP-20 600	2		
26-39	K3026925121-Y	UNION, KUE25-060E	2		
26-40	K0000080302	BOLT, M8-30	1		

27. Hydraulic section F (Type R)

LM3210

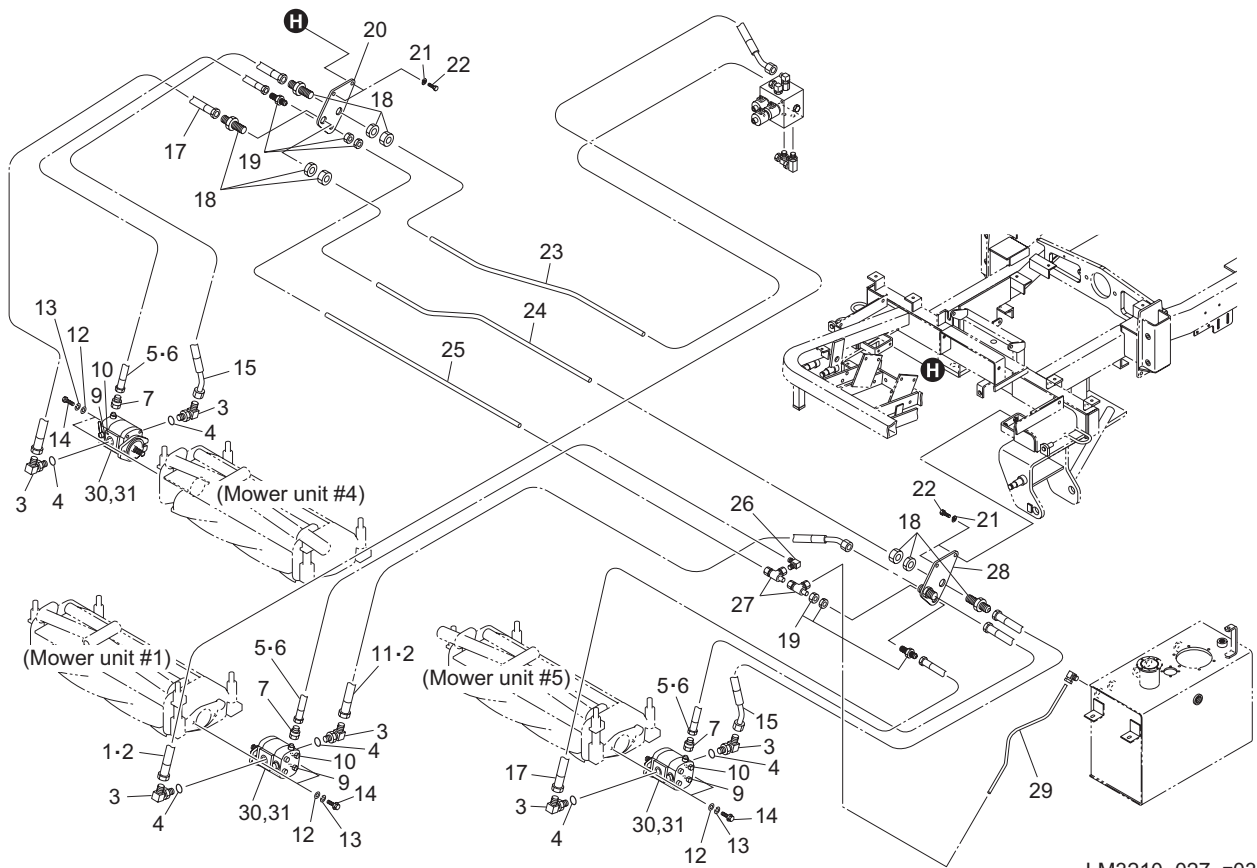


LM3210_027_z03

Cat No.	Code No.	Part name	Qty	Remark	SN of application
27-1	K3103411850	HOSE, WP140-12-1-1850	1		
27-2	K3191016500	TUBE, SPIRAL SP-15 1650	2		
27-3	K3008000042-Y	ADAPTOR, 90 DEG 1086-12	6		
27-4	K0881018000	O-RING, P18B	6		
27-5	K3101211650	HOSE, WP70-6-1-1650	3		
27-6	K3190015500	TUBE, SPIRAL SP-12 1550	3		
27-7	K3008000232-Y	CONNECTOR, WITH O-RING PF1/4 X PF1/4	3		
27-8					
27-9	K4203001310	DECAL, REEL STOP	3		
27-10	K4203001300	DECAL, REEL ROTATION	3		
27-11	K3103421850	HOSE, WP140-12-2-1850	1		
27-12	K5000100002	WASHER, M10	6		
27-13	K0200100002	WASHER, SPRING M10	6		
27-14	K0008100302	BOLT, SMALL M10-30	6		
27-15	K3103421820	HOSE, WP140-12-2-1820	2		
27-16					
27-17	K3103411800	HOSE, WP140-12-1-1800	2		
27-18	K3026916081-Y	UNION, KUE 12-040E	3		
27-19	K3026910041-Y	UNION, KUE 10-020E	2		
27-20	LM3200-0817Z2	PLATE, MOUNTING FITTING	1		
27-21	K0200080002	WASHER, SPRING M8	4		
27-22	K0000080202	BOLT, M8-20	4		
27-23	LM3200-0803Z2-Y	PIPE, C	1		
27-24	LM3200-0802Z2-Y	PIPE, B	1		
27-25	LM3200-0804Z2-Y	PIPE, D	1		
27-26	K3028510041-Y	ELBOW, FOR HOSE HLD 10-20E	1		
27-27	K3027210001-Y	TEE, KTC 10-000E	2		
27-28	GM2800-0830A2-Y	PLATE, FOR FIXTURE A	1		
27-29	LM3200-0815Z2-Y	PIPE, L	1		
27-30	K3282000070	MOTOR, GEAR PLM20.20	3		

27. Hydraulic section F (Type R)

LM3210

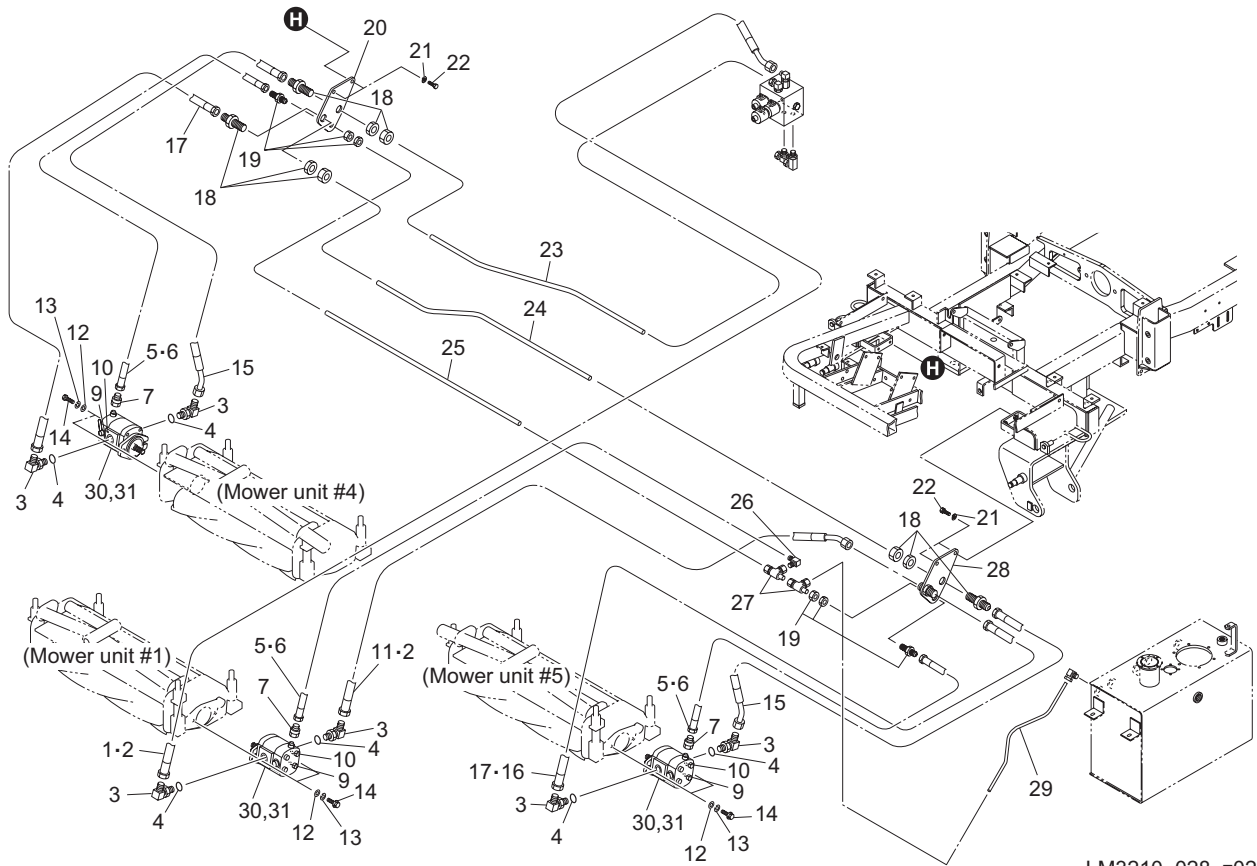


LM3210_027_z03

Cat No.	Code No.	Part name	Qty	Remark	SN of application
27-31	Y62029050	SEAL KIT, PLM20-01S9R	3		

28. Hydraulic section F (Type F)

LM3210

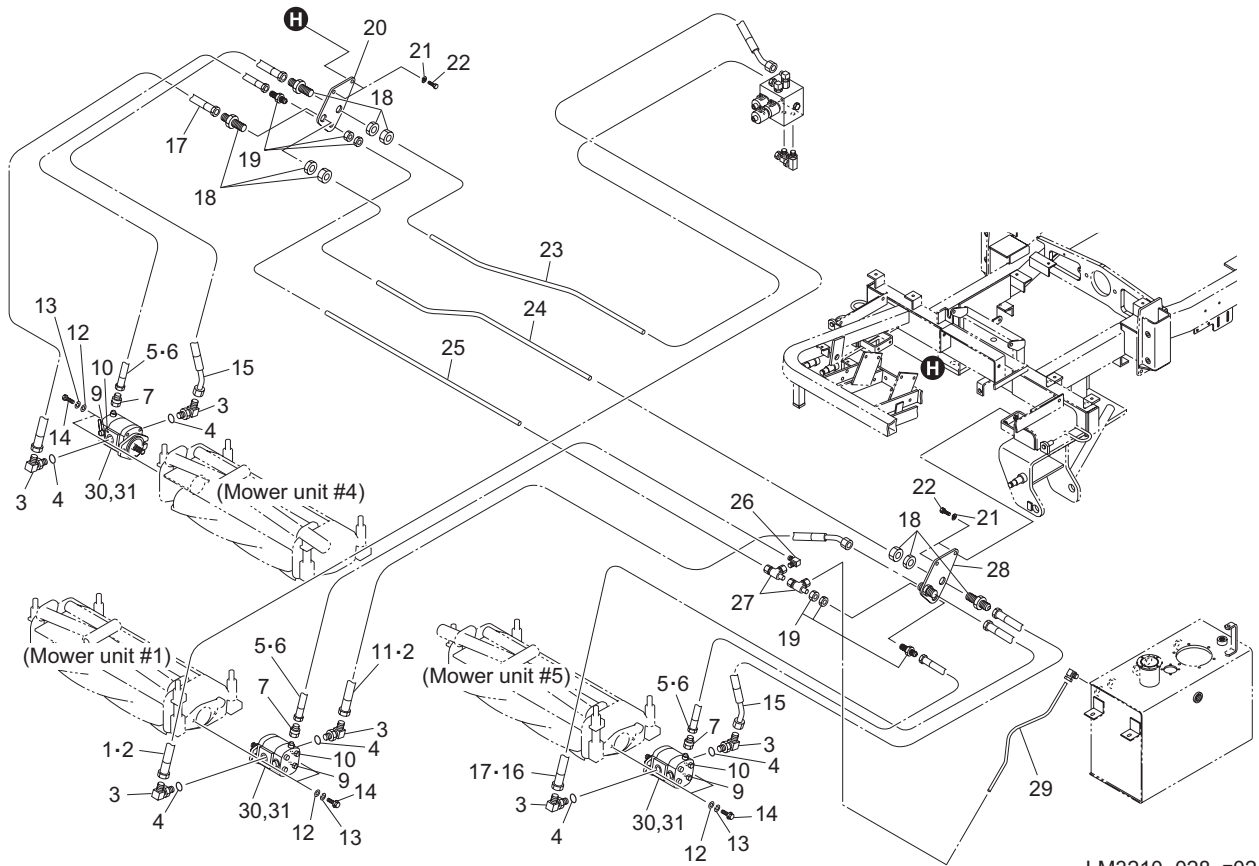


LM3210_028_z02

Cat No.	Code No.	Part name	Qty	Remark	SN of application
28-1	K3103411850	HOSE, WP140-12-1-1850	1		
28-2	K3191016500	TUBE, SPIRAL SP-15 1650	2		
28-3	K3008000042-Y	ADAPTOR, 90 DEG 1086-12	6		
28-4	K0881018000	O-RING, P18B	6		
28-5	K3101211650	HOSE, WP70-6-1-1650	3		
28-6	K3190015500	TUBE, SPIRAL SP-12 1550	3		
28-7	K3008000232-Y	CONNECTOR, WITH O-RING PF1/4 X PF1/4	3		
28-8					
28-9	K4203001310	DECAL, REEL STOP	3		
28-10	K4203001300	DECAL, REEL ROTATION	3		
28-11	K3103421850	HOSE, WP140-12-2-1850	1		
28-12	K5000100002	WASHER, M10	6		
28-13	K0200100002	WASHER, SPRING M10	6		
28-14	K0008100302	BOLT, SMALL M10-30	6		
28-15	LM3210-0808Z0	HOSE, WP140-12-2-1820	2		
28-16					
28-17	LM3210-0807Z0	HOSE, WP140-12-1-1800	2		
28-18	K3026916081-Y	UNION, KUE 12-040E	3		
28-19	K3026910041-Y	UNION, KUE 10-020E	2		
28-20	LM3200-0817Z2	PLATE, MOUNTING FITTING	1		
28-21	K0200080002	WASHER, SPRING M8	4		
28-22	K0000080202	BOLT, M8-20	4		
28-23	LM3200-0803Z2-Y	PIPE, C	1		
28-24	LM3200-0802Z2-Y	PIPE, B	1		
28-25	LM3200-0804Z2-Y	PIPE, D	1		
28-26	K3028510041-Y	ELBOW, FOR HOSE HLD 10-20E	1		
28-27	K3027210001-Y	TEE, KTC 10-000E	2		
28-28	GM2800-0830Z2-Y	PLATE, FOR FIXTURE A	1		
28-29	LM3200-0815Z2-Y	PIPE, L	1		
28-30	K3282000060	MOTOR, GEAR PLM20.16	3		

28. Hydraulic section F (Type F)

LM3210

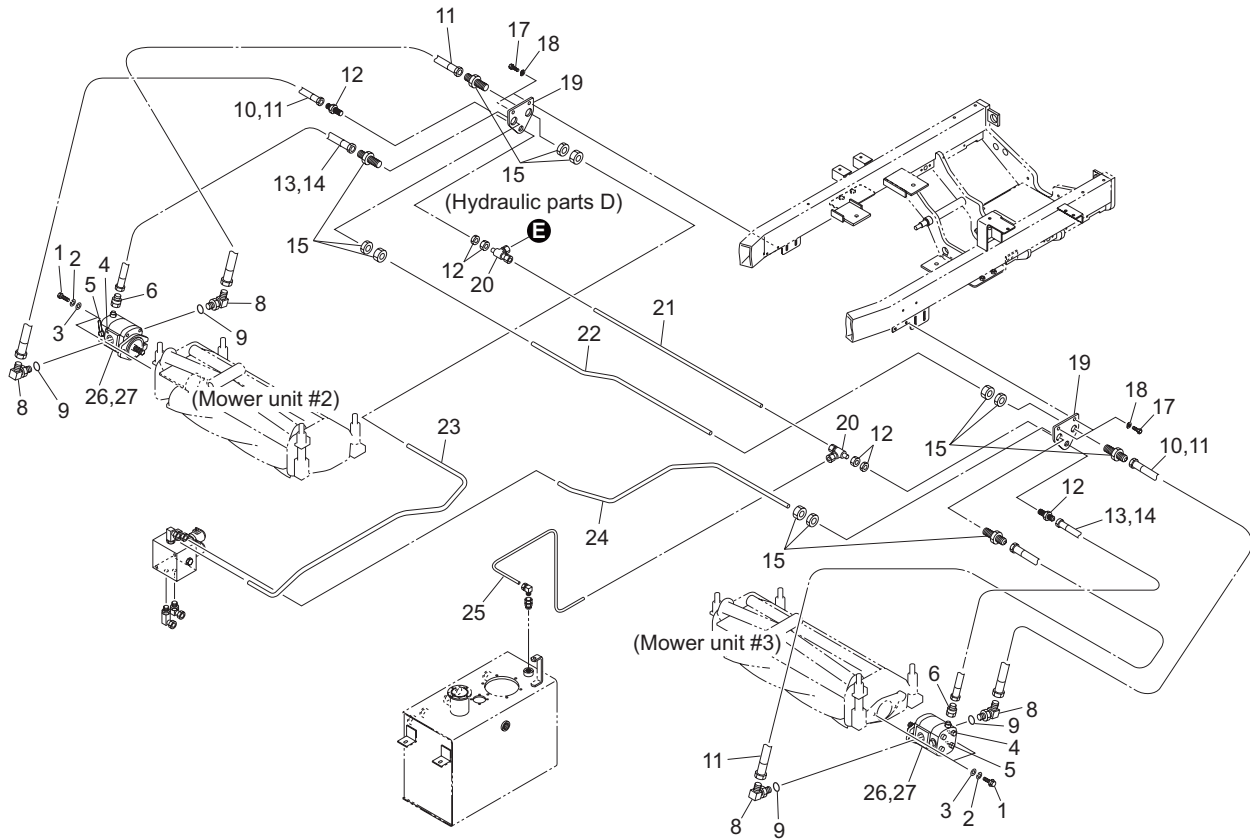


LM3210_028_z02

Cat No.	Code No.	Part name	Qty	Remark	SN of application
28-31	Y62029050	SEAL KIT, PLM20-01S9R	3		

29. Hydraulic section G (Type R)

LM3210

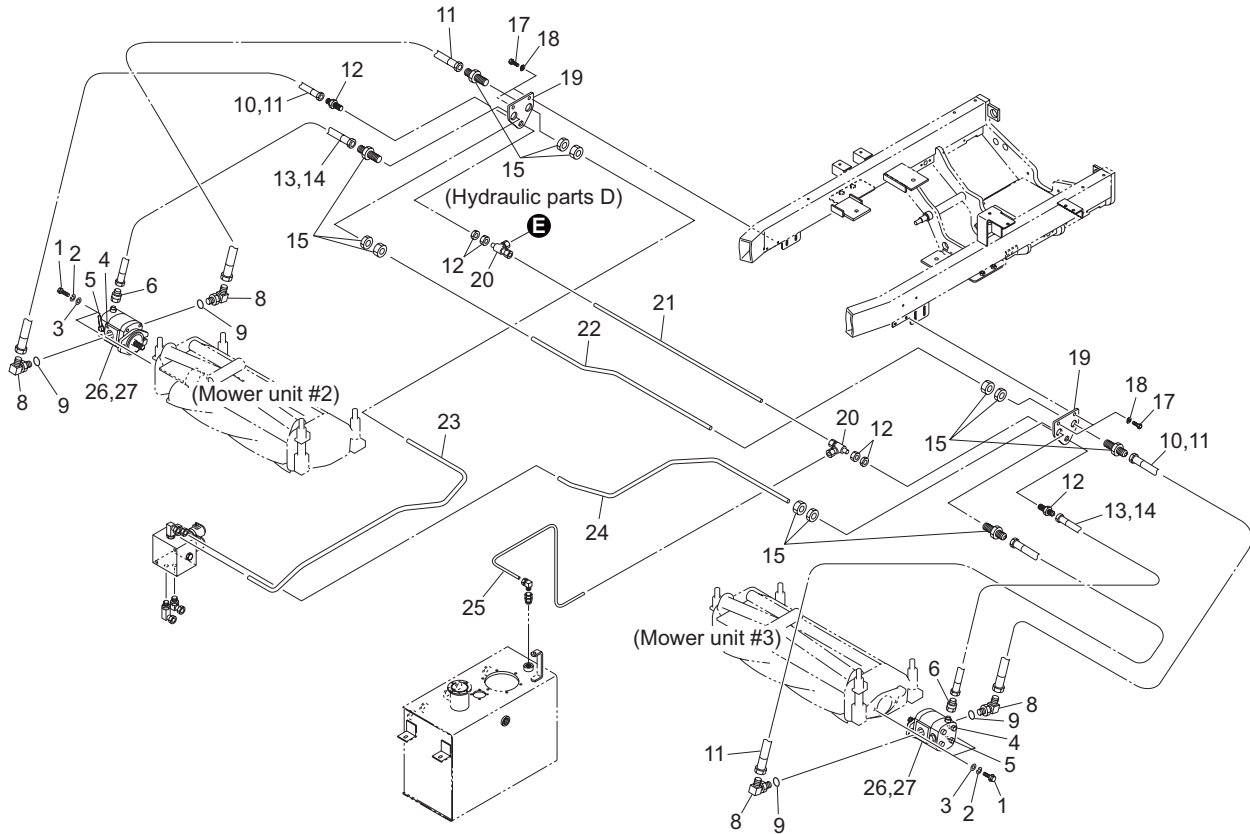


LM3210_029_z02

Cat No.	Code No.	Part name	Qty	Remark	SN of application
29-1	K0008100302	BOLT, SMALL M10-30	4		
29-2	K0200100002	WASHER, SPRING M10	4		
29-3	K5000100002	WASHER, M10	4		
29-4	K4203001300	DECAL, REEL ROTATION	2		
29-5	K4203001310	DECAL, REEL STOP	2		
29-6	K3008000232-Y	CONNECTOR, WITH O-RING PF1/4 X PF1/4	2		
29-7					
29-8	K3008000042-Y	ADAPTOR, 90 DEG 1086-12	4		
29-9	K0881018000	O-RING, P18B	4		
29-10	K3103411270	HOSE, WP140-12-1-1270	4		
29-11	K3191010700	TUBE, SPIRAL SP-15 1070	4		
29-12	K3026910041-Y	UNION, KUE 10-020E	2		
29-13	K3101211100	HOSE, WP70-6-1-1100	2		
29-14	K3190010000	TUBE, SPIRAL SP-12 1000	2		
29-15	K3026916081-Y	UNION, KUE 12-040E	4		
29-16					
29-17	K0000080202	BOLT, M8-20	4		
29-18	K0200080002	WASHER, SPRING M8	4		
29-19	GM2800-0831ZD	PLATE, FOR FIXTURE B	2		
29-20	K3027210001-Y	TEE, KTC 10-000E	2		
29-21	LM3200-0810Z2-Y	PIPE, J	1		
29-22	LM3200-0808Z2-Y	PIPE, H	1		
29-23	LM3200-0809Z2-Y	PIPE, I	1		
29-24	LM3200-0807Z2-Y	PIPE, G	1		
29-25	GM2800-0875Z2-Y	PIPE, N	1		
29-26	K3282000070	MOTOR, GEAR PLM20.20	2		
29-27	Y62029050	SEAL KIT, PLM20-01S9R	2		

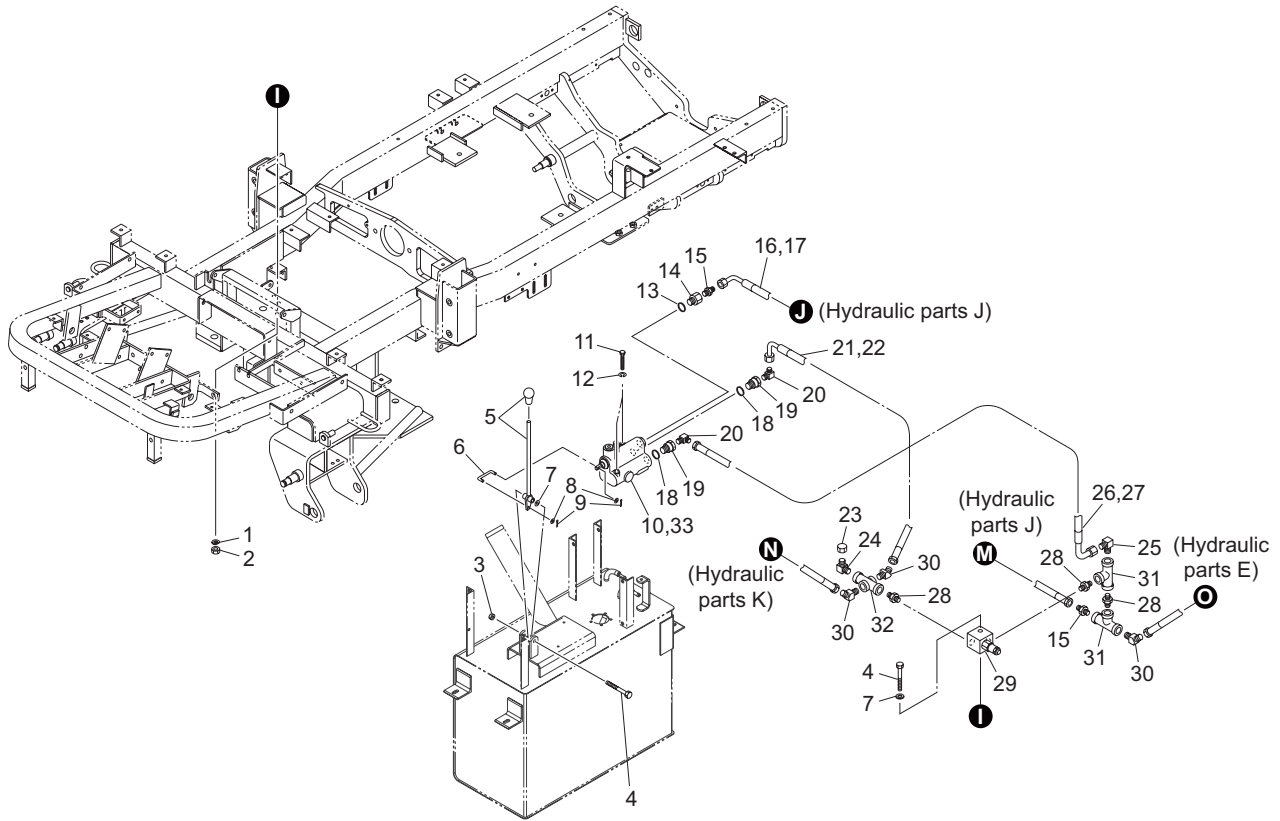
30. Hydraulic section G (Type F)

LM3210



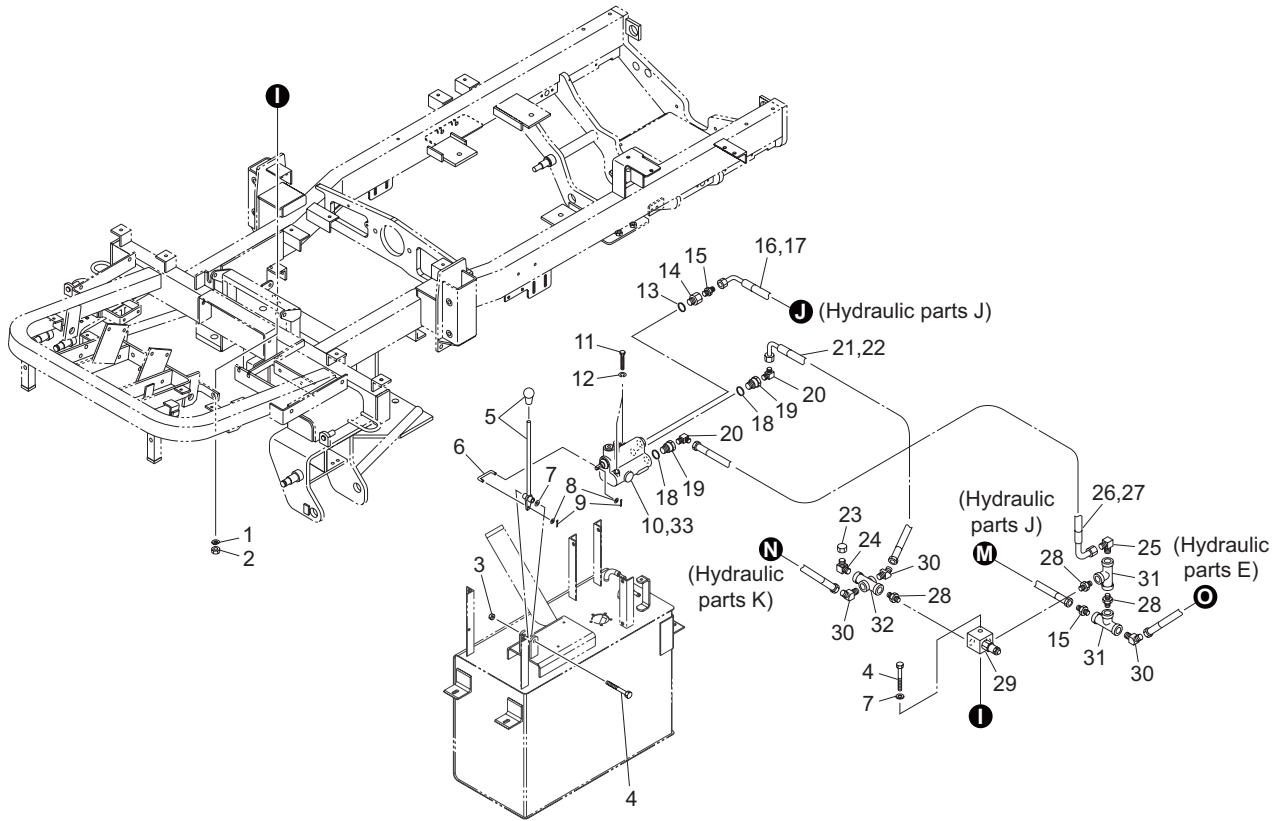
LM3210_030_z02

Cat No.	Code No.	Part name	Qty	Remark	SN of application
30-1	K0008100302	BOLT, SMALL M10-30	4		
30-2	K0200100002	WASHER, SPRING M10	4		
30-3	K5000100002	WASHER, M10	4		
30-4	K4203001300	DECAL, REEL ROTATION	2		
30-5	K4203001310	DECAL, REEL STOP	2		
30-6	K3008000232-Y	CONNECTOR, WITH O-RING PF1/4 X PF1/4	2		
30-7					
30-8	K3008000042-Y	ADAPTOR, 90 DEG 1086-12	4		
30-9	K0881018000	O-RING, P18B	4		
30-10	K3103411270	HOSE, WP140-12-1-1270	4		
30-11	K3191010700	TUBE, SPIRAL SP-15 1070	4		
30-12	K3026910041-Y	UNION, KUE 10-020E	2		
30-13	K3101211100	HOSE, WP70-6-1-1100	2		
30-14	K3190010000	TUBE, SPIRAL SP-12 1000	2		
30-15	K3026916081-Y	UNION, KUE 12-040E	4		
30-16					
30-17	K0000080202	BOLT, M8-20	4		
30-18	K0200080002	WASHER, SPRING M8	4		
30-19	GM2800-0831ZD	PLATE, FOR FIXTURE B	2		
30-20	K3027210001-Y	TEE, KTC 10-000E	2		
30-21	LM3200-0810Z2-Y	PIPE, J	1		
30-22	LM3200-0808Z2-Y	PIPE, H	1		
30-23	LM3200-0809Z2-Y	PIPE, I	1		
30-24	LM3200-0807Z2-Y	PIPE, G	1		
30-25	GM2800-0875Z2-Y	PIPE, N	1		
30-26	K3282000060	MOTOR, GEAR PLM20.16	2		
30-27	Y62029050	SEAL KIT, PLM20-01S9R	2		



LM3210_031_z01

Cat No.	Code No.	Part name	Qty	Remark	SN of application
31-1	K0200080002	WASHER, SPRING M8	1		
31-2	K0100080002	NUT, M8	1		
31-3	K0144080002	NUT, WITH F-RING, M8	1		
31-4	K0000080502	BOLT, M8-50	2		
31-5	GM2800-0804Z2	LEVER, RAISING AND LOWERING MOWER	1		
31-6	GM2800-0805Z2	ROD	1		
31-7	K5000080002	WASHER, M8	2		
31-8	K5000050002	WASHER, M5	2		
31-9	K0300016122	PIN, COTTER M1.6-12	2		
31-10	K3321000030	MANIHOLD, CONTROL VALVE	1		
31-11	K0000060452	BOLT, M6-45	2		
31-12	K0200060002	WASHER, SPRING M6	2		
31-13	K0887009060	O-RING, AS568-906	1		
31-14	K3008000242-Y	ADAPTOR, ODD SIZED 90 DEG 9/16-18UNFPT3/8	1		
31-15	K3007000062-Y	ADAPTOR, ODD SIZED PT3/8*PF1/4	2		
31-16	K3103230800	HOSE, WP140-6-3-800	1		
31-17	K3190006000	TUBE, SPIRAL SP-12 600	1		
31-18	K0887009080	O-RING, AS568-908	2		
31-19	K3008000692-Y	CONNECTOR, WITH O-RING 4043-8-8	2		
31-20	K3006000022-Y	ELBOW, ODD SIZED PT1/2*PF3/8	2		
31-21	K3103330600	HOSE, WP140-9-3-600	1		
31-22	K3191005000	TUBE, SPIRAL SP-15 500	1		
31-23	K3008000482-Y	CAP, TAPPED FEMALE PF1/4	1		
31-24	K3006000012-Y	ELBOW, ODD SIZED PT3/8*PF1/4	1		
31-25	K3001090002-Y	ELBOW, 90 DEG. 1033-9	1		
31-26	K3103330400	HOSE, WP140-9-3-400	1		
31-27	K3191003000	TUBE, SPIRAL SP-15 300	1		
31-28	K3023060001-Y	NIPPLE, NS PT3/8	3		
31-29	K3315000050	VALVE, RELIEF	1		
31-30	K3003090002-Y	ELBOW, 45 DEG 1035-9	3		

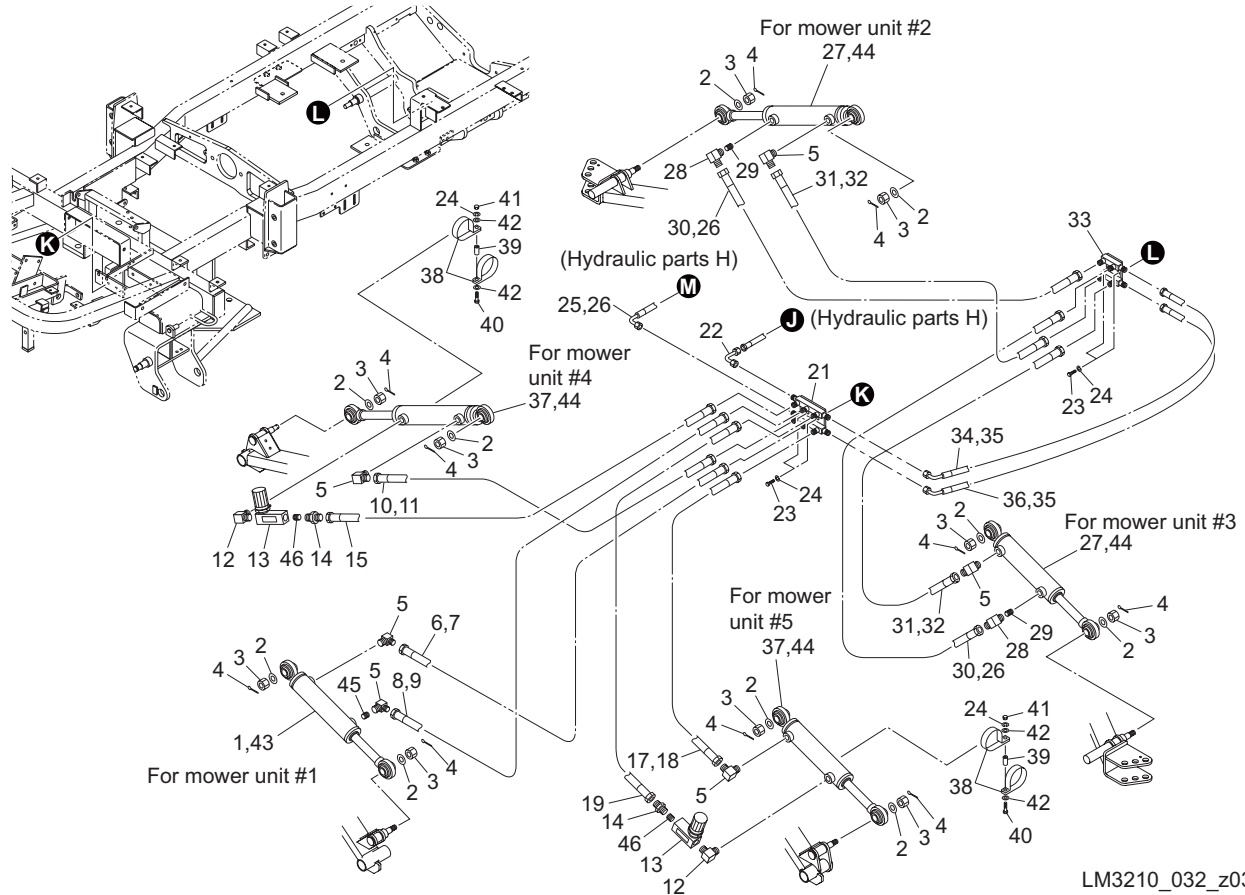


LM3210_031_z01

Cat No.	Code No.	Part name	Qty	Remark	SN of application
31-31	K3024000042-Y	JOINT, CAST IRON PT3/8*PF3/8	2		
31-32	K3026006002-Y	CROSS, SCREWED SXA03	1		
31-33	K3321000030-1	REPAIR KIT, 31921-927	1		

32. Hydraulic section J

LM3210

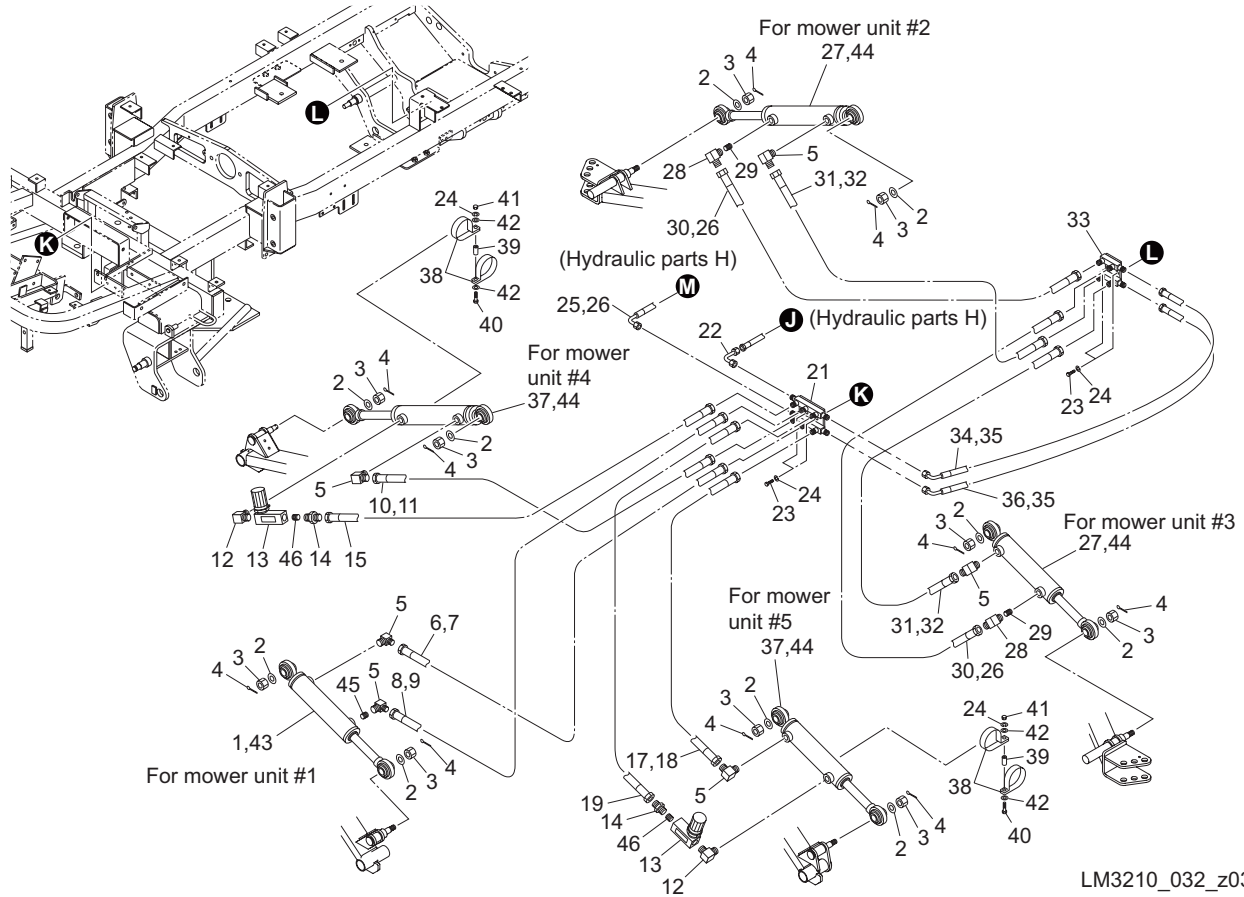


LM3210_032_z03

Cat No.	Code No.	Part name	Qty	Remark	SN of application
32-1	K3213000150	CYLINDER, 40-138 359	1		
32-2	K0215160001	WASHER, DISK SPRING H M16-2	10		
32-3	K0122160002	NUT, HIGH SLOTTED P1.5 M16	10		
32-4	K0300032402	PIN, COTTER M3.2-40	10		
32-5	K3001060002-Y	ELBOW, 90 DEG 1033-6	5		
32-6	K3101210600	HOSE, WP70-6-1-600	1		
32-7	K3190005000	TUBE, SPIRAL SP-12 500	1		
32-8	K3103210480	HOSE, WP140-6-1-480	1		
32-9	K3190003800	TUBE, SPIRAL SP-12 380	1		
32-10	K3101210850	HOSE, WP70-6-1-850	1		
32-11	K3190007500	TUBE, SPIRAL SP-12 750	1		
32-12	K3006000042-Y	ELBOW, PT1/4	2		
32-13	K3332000050	VALVE, SLOW RETURN HF02172	2		
32-14	K3009000272-Y	ADAPTER, 1013-6M6	2		
32-15	K3103211000	HOSE, WP140-6-1-1000	1		
32-16	K3190008000	TUBE, SPIRAL SP-12 800	1		
32-17	K3101210750	HOSE, WP70-6-1-750	1		
32-18	K3190006500	TUBE, SPIRAL SP-12 650	1		
32-19	K3103210940	HOSE, WP140-6-1-940	1		
32-20	K3190007400	TUBE, SPIRAL SP-12 740	1		
32-21	GM2800-0802Z2-Y	MANIFOLD	1		
32-22	K3025069042-Y	ADAPTOR, FOR PIPE 069-04	1		
32-23	K0000080202	BOLT, M8-20	2		
32-24	K0200080002	WASHER, SPRING M8	4		
32-25	K3101230500	HOSE, WP70-6-3-500	1		
32-26	K3190004000	TUBE, SPIRAL SP-12 400	3		
32-27	K3213000160	CYLINDER, 45-110 270	2		
32-28	K3029000252-Y	ELBOW, 90 DEG 1033-6M6	3		
32-29	K0023000011-Y	SETSCREW, M6-6-1	2		
32-30	K3103210500	HOSE, WP140-6-1-500	2		

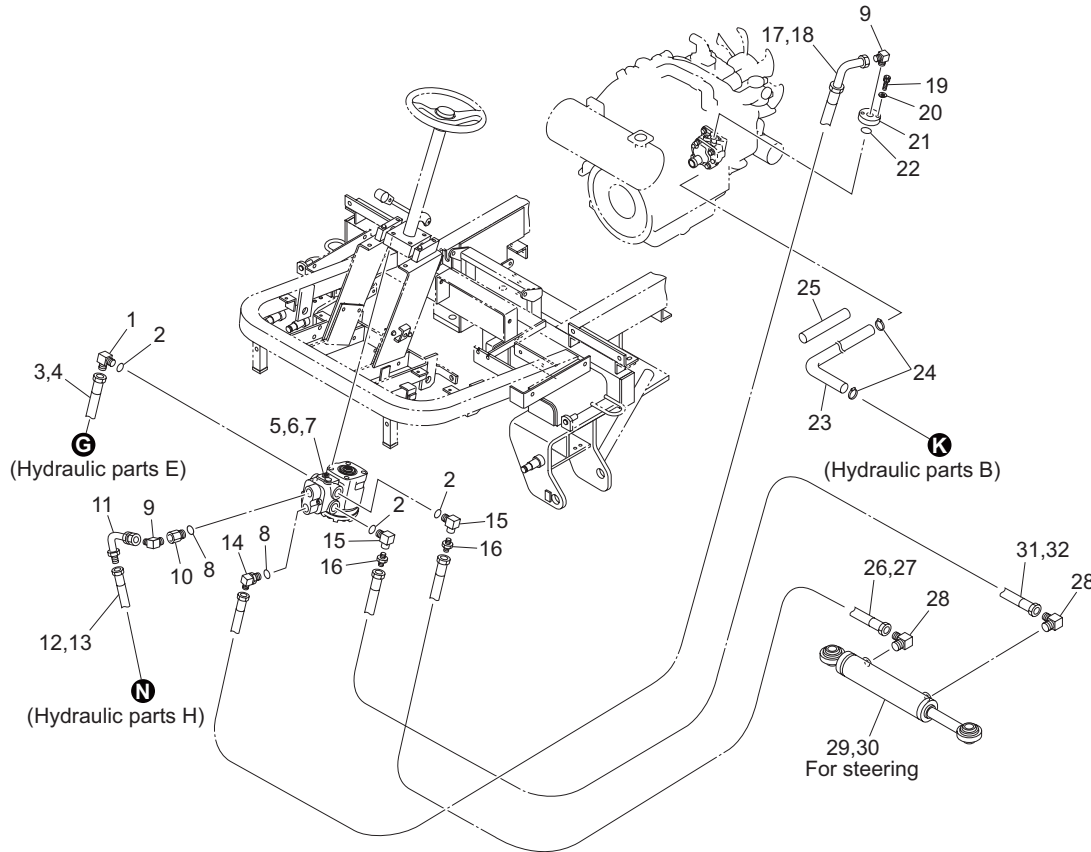
32. Hydraulic section J

LM3210



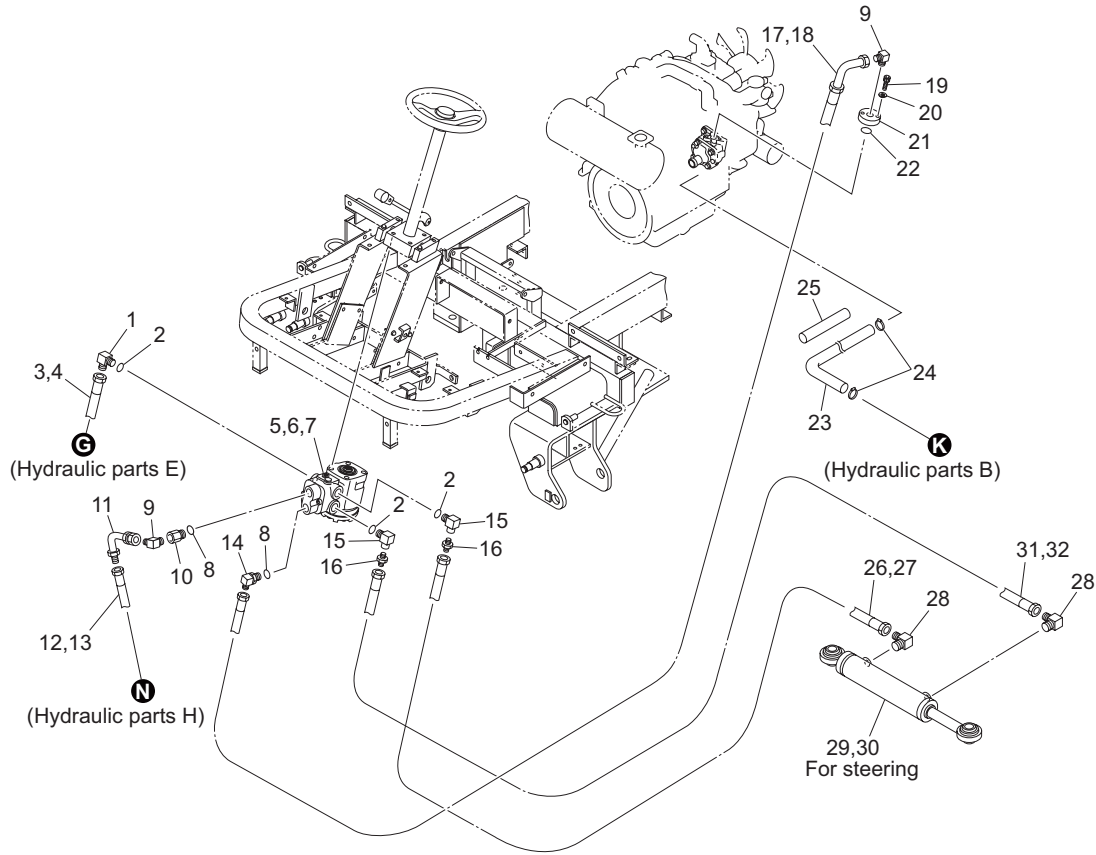
LM3210_032_z03

Cat No.	Code No.	Part name	Qty	Remark	SN of application
32-31	K3101210400	HOSE, WP70-6-1-400	2		
32-32	K3190003000	TUBE, SPIRAL SP-12 300	2		
32-33	GM2800-0803Z2-Y	MANIFOLD	1		
32-34	K3103222000	HOSE, WP140-6-2-2000	1		
32-35	K3190019000	TUBE, SPIRAL SP-12 1900	2		
32-36	K3101222000	HOSE, WP70-6-2-2000	1		
32-37	K3213000170	CYLINDER, 45-195 397	2		
32-38	K4270050080	CLIP, HARNESS 50 M8	4		
32-39	K6211000482	COLLAR, SGP M9.2-13.8-14	2		
32-40	K0000080352	BOLT, M8-35	2		
32-41	K0100080002	NUT, M8	2		
32-42	K5000080002	WASHER, M8	4		
32-43	YIS-40D-SK	SEAL KIT, CYLINDER	1		
32-44	YIS-45B-SK	SEAL KIT, CYLINDER	4		
32-45	K0023000061-Y	SETScrew, M6-6-1.6	1		
32-46	K0023000051-Y	SETScrew, M6-6-1.2	2		



LM3210_033_z00

Cat No.	Code No.	Part name	Qty	Remark	SN of application
33-1	K3008000032-Y	ADAPTOR, 90 DEG 1086-9	1		
33-2	K0881014000	O-RING, P14B	3		
33-3	K3101311850	HOSE, WP70-9-1-1850	1		
33-4	K3191017500	TUBE, SPIRAL SP-15 1750	1		
33-5	K3294000120	STEERING, ORBIT ROLL LC-D1-E	1		
33-6	YBA0271A	SEAL KIT, ORBIT ROLL UA-B4-D	1		
33-7	YBK0039A	SEAL KIT, ORBIT ROLL LB-D1-A	1		
33-8	K0881018000	O-RING, P18B	2		
33-9	K3001090002-Y	ELBOW, 90 DEG. 1033-9	2		
33-10	K3029000042-Y	BUSHING, PF1/2*PT3/8	1		
33-11	K3025069062-Y	ADAPTOR, FOR PIPE 069-06	1		
33-12	K3103311050	HOSE, WP140-9-1-1050	1		
33-13	K3191009500	TUBE, SPIRAL SP-15 950	1		
33-14	K3008000352-Y	ELBOW, 90 DEG. ODD SIZED PF3/8 PF1/2	1		
33-15	K3008000082-Y	ADAPTOR, 90 DEG PF3/8PT1/4	2		
33-16	K3000060002-Y	ADAPTOR, 1013-6	2		
33-17	K3103322330	HOSE, WP140-9-2-2330	1		
33-18	K3191022300	TUBE, SPIRAL SP-15 2230	1		
33-19	K0000080252	BOLT, M8-25	2		
33-20	K0200080002	WASHER, SPRING M8	2		
33-21	LM2700-0811Z2-Y	FLANGE, PUMP	1		
33-22	K0881020000	O-RING, P20B	1		
33-23	GM2800-0863A0	HOSE, SUCTION 25-1050	1		
33-24	K4260000190	CLAMP, HOSE JUBILEE BAND 1	2		
33-25	K3172501200	HOSE, VINYL 38*44-120	1		
33-26	K3103213300	HOSE, WP140-6-1-3300	1		
33-27	K3190032000	TUBE, SPIRAL SP-12 3200	1		
33-28	K3001060002-Y	ELBOW, 90 DEG 1033-6	2		
33-29	K3213000190	CYLINDER, 40-187-393	1		
33-30	YIS-40A-SK	SEAL KIT, CYLINDER	1		

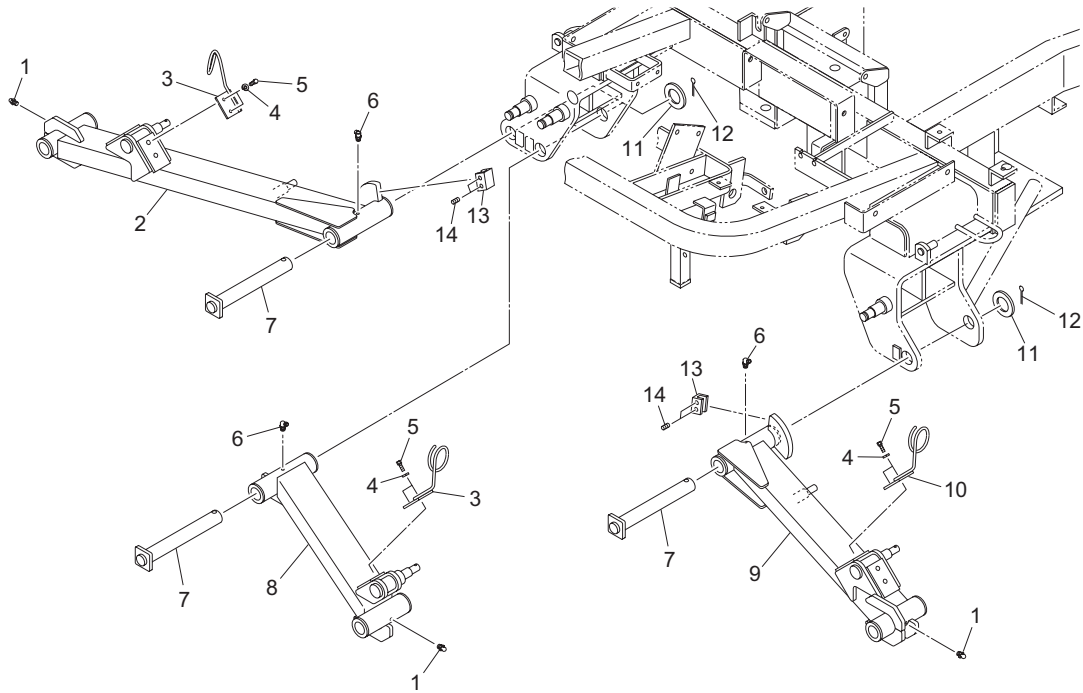


LM3210_033_z00

Cat No.	Code No.	Part name	Qty	Remark	SN of application
33-31	K3103213500	HOSE, WP140-6-1-3500	1		
33-32	K3190034000	TUBE, SPIRAL SP-12 3400	1		

34.Lift arm section (#1,4,5)

LM3210

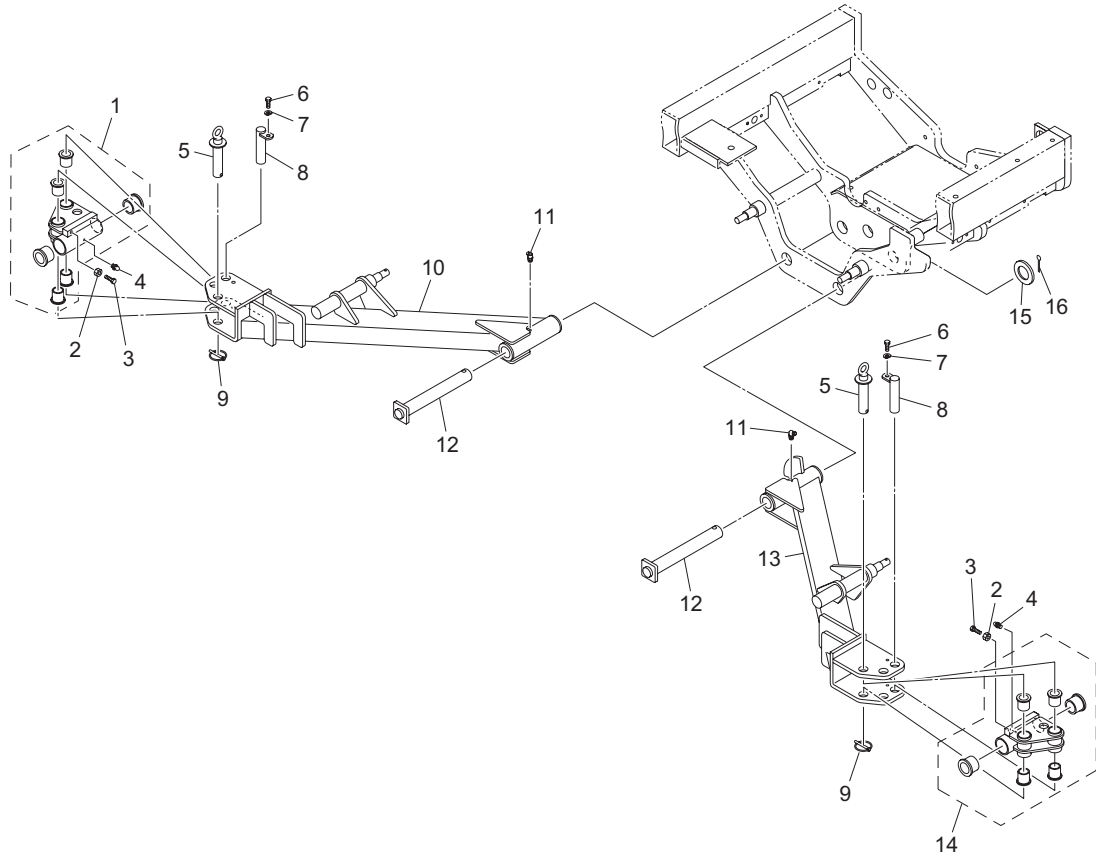


LM3210_034_a00

Cat No.	Code No.	Part name	Qty	Remark	SN of application
34-1	K144000010	GREASE NIPPLE, A TYPE	3		
34-2	LM3200-0204ZD	ARM, LIFT #4	1		
34-3	LM2700-0232Z2	GUIDE, HOSE B	2		
34-4	K0200080002	WASHER, SPRING M8	3		
34-5	K0000080202	BOLT, M8-20	3		
34-6	K1440000020	GREASE NIPPLE, C	3		
34-7	K7147000232	PIN, WITH HOLE M30-196	3		
34-8	LM3200-0201ZD	ARM, LIFT #1	1		
34-9	LM3200-0205ZD	ARM, LIFT #5	1		
34-10	LM2700-0234Z2	GUIDE, HOSE D	1		
34-11	K5012330452	WASHER, SPCC 2.3-30-45	3		
34-12	K0300040502	PIN, COTTER M4-50	3		
34a-13	GM2800-0215Z2	STOPPER, MOWER	2		
34a-14	K0028260100	SETSCREW, SUS M6-10	4		

35.Lift arm section (#2,3)

LM3210

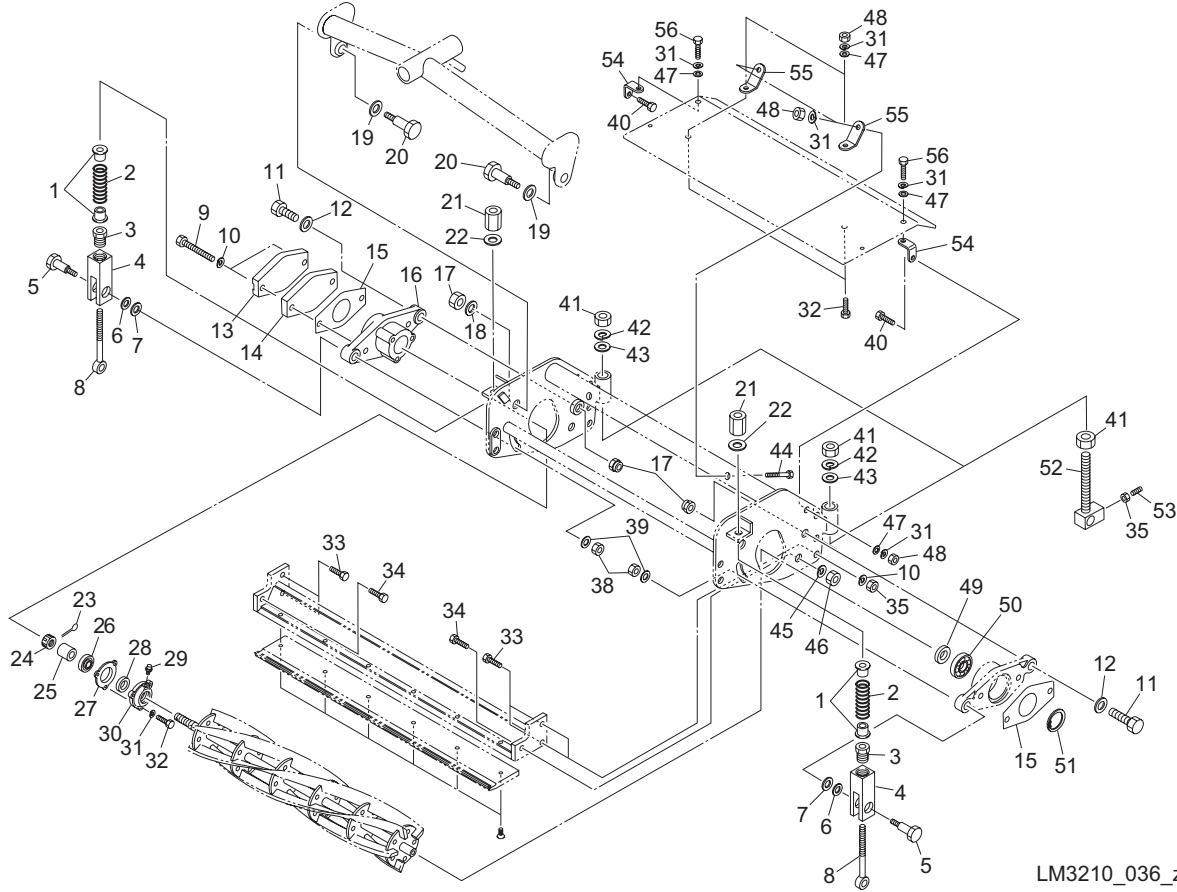


LM3210_035_z00

Cat No.	Code No.	Part name	Qty	Remark	SN of application
35-1	GM2800-0212AD	FITTING, ROTATING #2	1		
35-2	K0100080002	NUT, M8	2		
35-3	K0000080302	BOLT, M8-30	2		
35-4	K1440000010	GREASE NIPPLE, A TYPE	2		
35-5	GM2800-0213A2	PIN, WITH GRIP	2		
35-6	K0000080202	BOLT, M8-20	2		
35-7	K0200080002	WASHER, SPRING M8	2		
35-8	LM2700-0211B2	SHAFT, SLEWING (REAR)	2		
35-9	K6061060002	PIN, CLIP M6	2		
35-10	LM3200-0202ZD	ARM, LIFT #2	1		
35-11	K1440000020	GREASE NIPPLE, C	2		
35-12	K7147000232	PIN, WITH HOLE M30-196	2		
35-13	LM3200-0203ZD	ARM, LIFT #3	1		
35-14	GM2800-0211AD	FITTING, ROTATING #3	1		
35-15	K5012330452	WASHER, SPCC 2.3-30-45	2		
35-16	K0300040502	PIN, COTTER M4-50	2		

36.Mower section Ass'y (#1,3,5)

LM3210

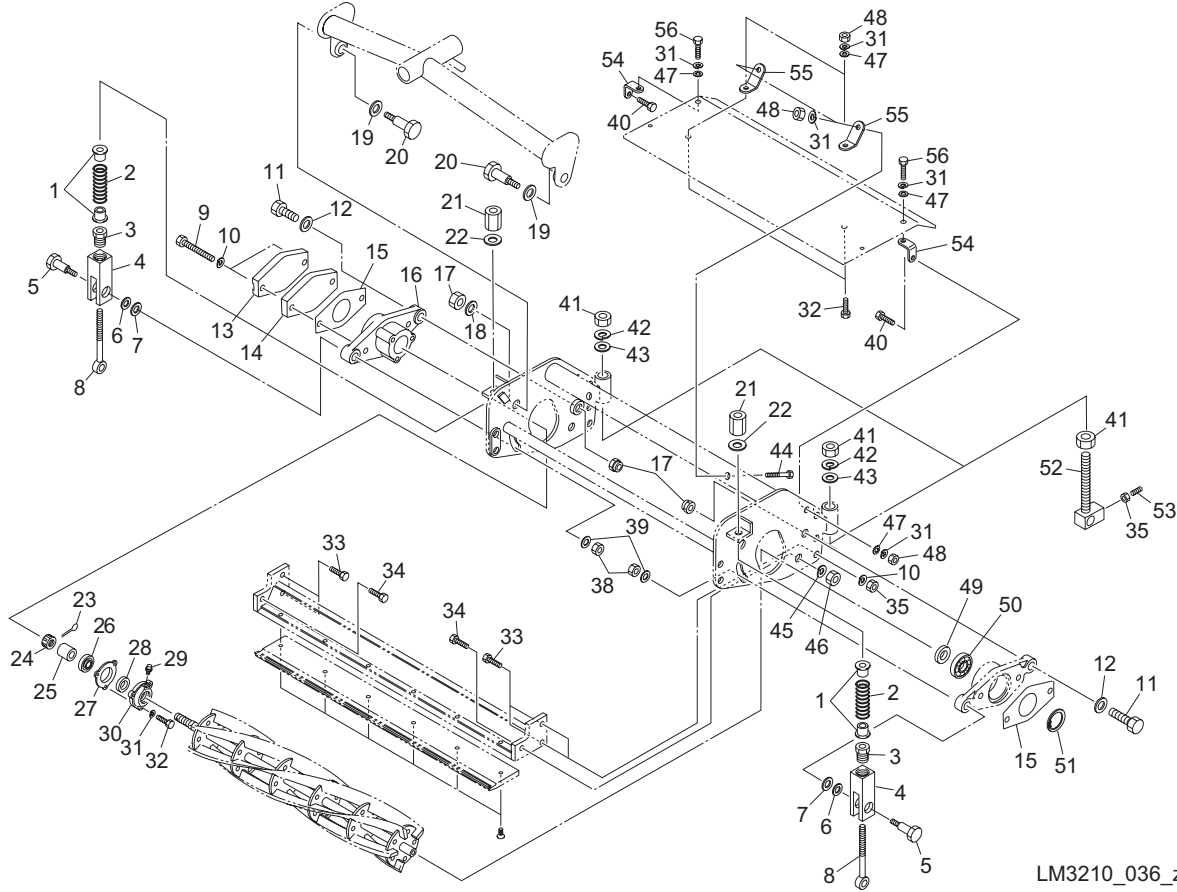


LM3210_036_z02

Cat No.	Code No.	Part name	Qty	Remark	SN of application
36-1	K6206000052	RECEIVER, FOR SPRING	4		
36-2	K1000000458	SPRING, COMPRESSION M5-25-60	2		
36-3	K6081000082	PIPE, WITH CUTTER ADJUSTING SCREW	2		
36-4	K6090000552	MOUNT, ADJUSTING SCREW	2		
36-5	K6082000122	BOLT, STEPPED FOR FIXING HOUSING	2		
36-6	K0214100002	WASHER, DISK SPRING L M10-2	2		
36-7	K5012310172	WASHER, SPCC 2.3-10-17	2		
36-8	K7303000182	BOLT, ADJUSTING CUTTER	2		
36-9	K0000100702	BOLT, M10-70	2		
36-10	K0200100002	WASHER, SPRING M10	8		
36-11	K0071001132	BOLT, AXIS	2		
36-12	K5012314252	WASHER, SPCC 2.3-14-25	2		
36-13	K690300017D	COVER, REEL HOUSING	1		
36-14	LM2700-1201ZD	WEIGHT, MOWER	1		
36-15	K4011000290	PACKING, OIL-SHEET	2		
36-16	K6903000212	HOUSING, REEL CUTTER	1		
36-17	K0105140002	NUT, P1.5 M14-3	4		
36-18	K0212140002	WASHER, DISK SPRING L M14-1	2		
36-19	K5011020282	WASHER, SPCC 1-20-28	2		
36-20	K6082000132	BOLT, STEPPED FOR FIXING FRAME	2		
36-21	LM56G--0506Z2	NUT, HIGH M10-17-35 P1.0	2		
36-22	K5051010160	WASHER, C5191P 1-10-16	2		
36-23	K0300032252	PIN, COTTER M3.2-25	1		
36-24	K0170000012	NUT, SPECIAL M20	1		
36-25	K6212001742	COLLAR, STKM M20.2-28-18	1		
36-26	K0602063040	BEARING, BALL SHIELD Z 6304	1		
36-27	K4011000150	PACKING, OIL-SHEET	1		
36-28	K0822542080	OIL SEAL, MHSA25428	1		
36-29	K1440000010	GREASE NIPPLE, A TYPE	1		
36-30	K6903000042	CAP, HOUSING	1		

36.Mower section Ass'y (#1,3,5)

LM3210

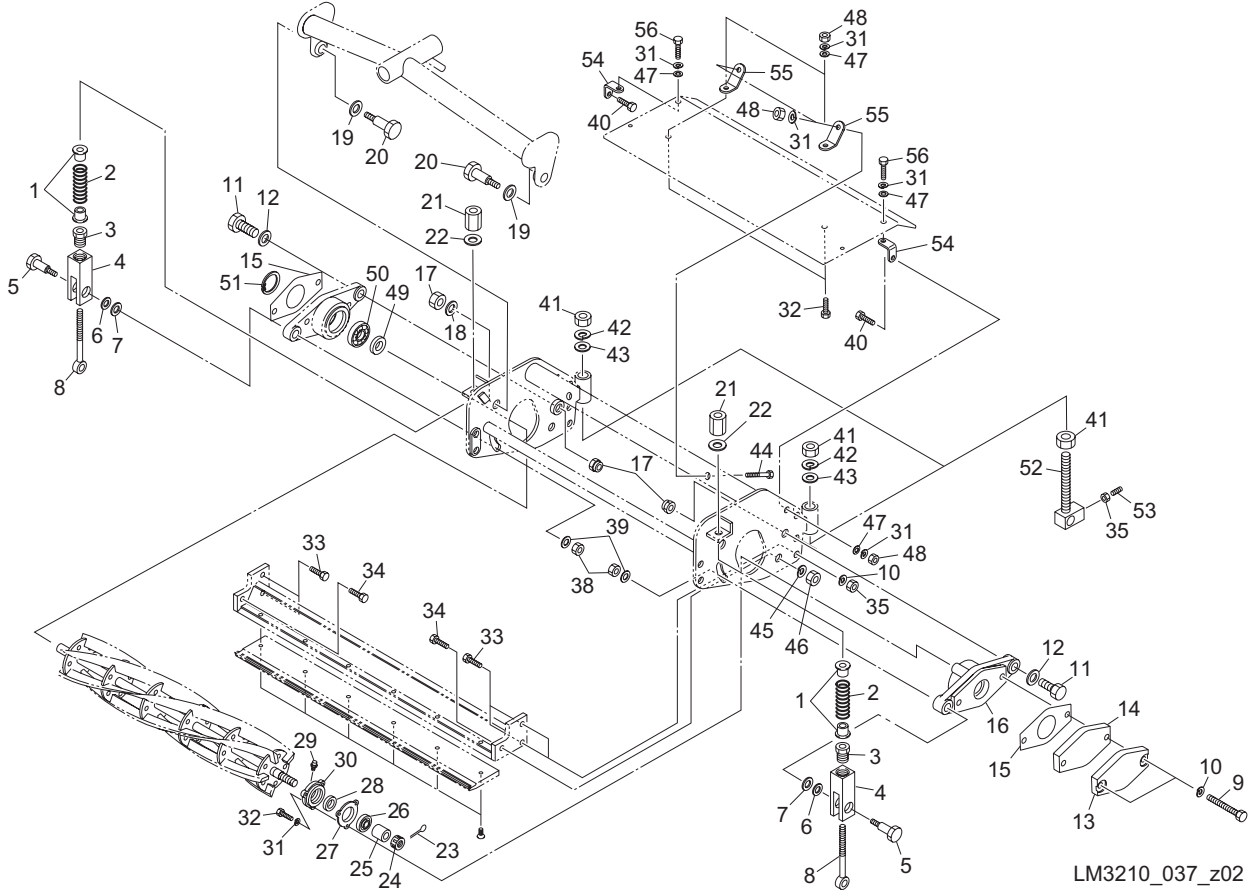


LM3210_036_z02

Cat No.	Code No.	Part name	Qty	Remark	SN of application
36-31	K0200060002	WASHER, SPRING M6	11		
36-32	K0000060152	BOLT, M6-15	5		
36-33	K0000100252	BOLT, M10-25	4		
36-34	K0000120302	BOLT, M12-30	2		
36-35	K0100100002	NUT, M10	6		
36-36	K5000100002	WASHER, M10	4		
36-37	K0000100352	BOLT, M10-35	4		
36-38	K0145100002	NUT, WITH F-RING, P1.25 M10	2		
36-39	K5073210242	WASHER, SPHC 3.2-10-24	2		
36-40	K0000060202	BOLT, M6-20	2		
36-41	K0108180002	NUT, P1.5 M18-3	4		
36-42	K0200180002	WASHER, SPRING M18	2		
36-43	K5012018282	WASHER, SPCC 2-18-28	2		
36-44	K0000060502	BOLT, M6-50	2		
36-45	K0200120002	WASHER, SPRING M12	2		
36-46	K0100120002	NUT, M12	2		
36-47	K5000060002	WASHER, M6	6		
36-48	K0100060002	NUT, M6	6		
36-49	K0823560120	OIL SEAL, MHSA356012	1		
36-50	K0602062070	BEARING, BALL SHIELD Z 6207	1		
36-51	K0402072001	RING, RETAINING R M72	1		
36-52	LM526A-0108Z2	SCREW, ADJUSTING CUTTING HEIGHT	2		
36-53	K0023100251	SETSCREW, M10-25	2		
36-54	K5206000522	PLATE, FOR FIXING COVER	2		
36-55	K527600041R	PLATE, FOR FIXING COVER	2		
36-56	K0000060102	BOLT, M6-10	2		

37.Mower section Ass'y (#2,4)

LM3210

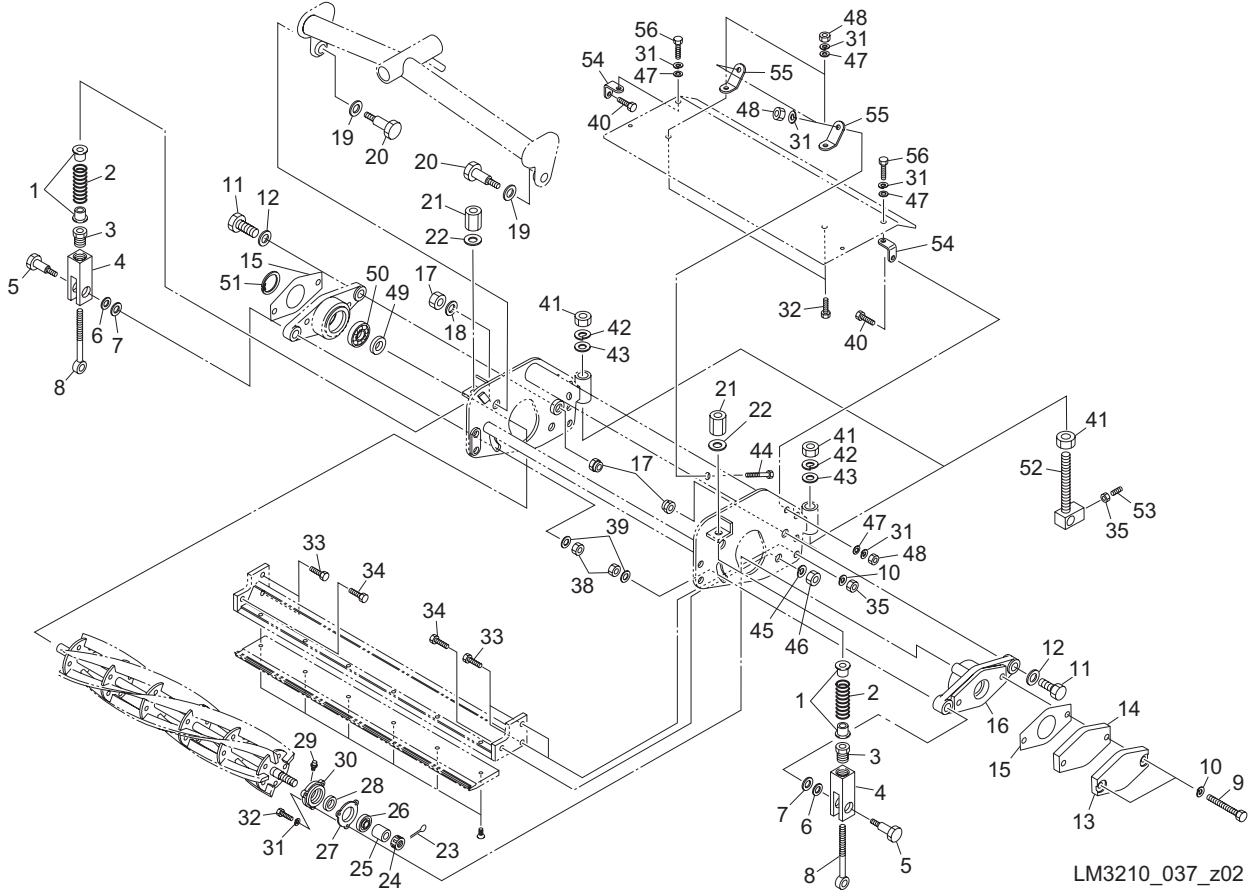


LM3210_037_z02

Cat No.	Code No.	Part name	Qty	Remark	SN of application
37-1	K6206000052	RECEIVER, FOR SPRING	4		
37-2	K1000000458	SPRING, COMPRESSION M5-25-60	2		
37-3	K6081000082	PIPE, WITH CUTTER ADJUSTING SCREW	2		
37-4	K6090000552	MOUNT, ADJUSTING SCREW	2		
37-5	K6082000122	BOLT, STEPPED FOR FIXING HOUSING	2		
37-6	K0214100002	WASHER, DISK SPRING L M10-2	2		
37-7	K5012310172	WASHER, SPCC 2.3-10-17	2		
37-8	K7303000182	BOLT, ADJUSTING CUTTER	2		
37-9	K0000100702	BOLT, M10-70	2		
37-10	K0200100002	WASHER, SPRING M10	8		
37-11	K0071001132	BOLT, AXIS	2		
37-12	K5012314252	WASHER, SPCC 2.3-14-25	2		
37-13	K690300017D	COVER, REEL HOUSING	1		
37-14	LM2700-1201ZD	WEIGHT, MOWER	1		
37-15	K4011000290	PACKING, OIL-SHEET	2		
37-16	K6903000212	HOUSING, REEL CUTTER	1		
37-17	K0105140002	NUT, P1.5 M14-3	4		
37-18	K0212140002	WASHER, DISK SPRING L M14-1	2		
37-19	K5011020282	WASHER, SPCC 1-20-28	2		
37-20	K6082000132	BOLT, STEPPED FOR FIXING FRAME	2		
37-21	LM56G--0506Z2	NUT, HIGH M10-17-35 P1.0	2		
37-22	K5051010160	WASHER, C5191P 1-10-16	2		
37-23	K0300032252	PIN, COTTER M3.2-25	1		
37-24	K0170000012	NUT, SPECIAL M20	1		
37-25	K6212001742	COLLAR, STKM M20.2-28-18	1		
37-26	K0602063040	BEARING, BALL SHIELD Z 6304	1		
37-27	K4011000150	PACKING, OIL-SHEET	1		
37-28	K0822542080	OIL SEAL, MHS A25428	1		
37-29	K1440000010	GREASE NIPPLE, A TYPE	1		
37-30	K6903000042	CAP, HOUSING	1		

37.Mower section Ass'y (#2,4)

LM3210

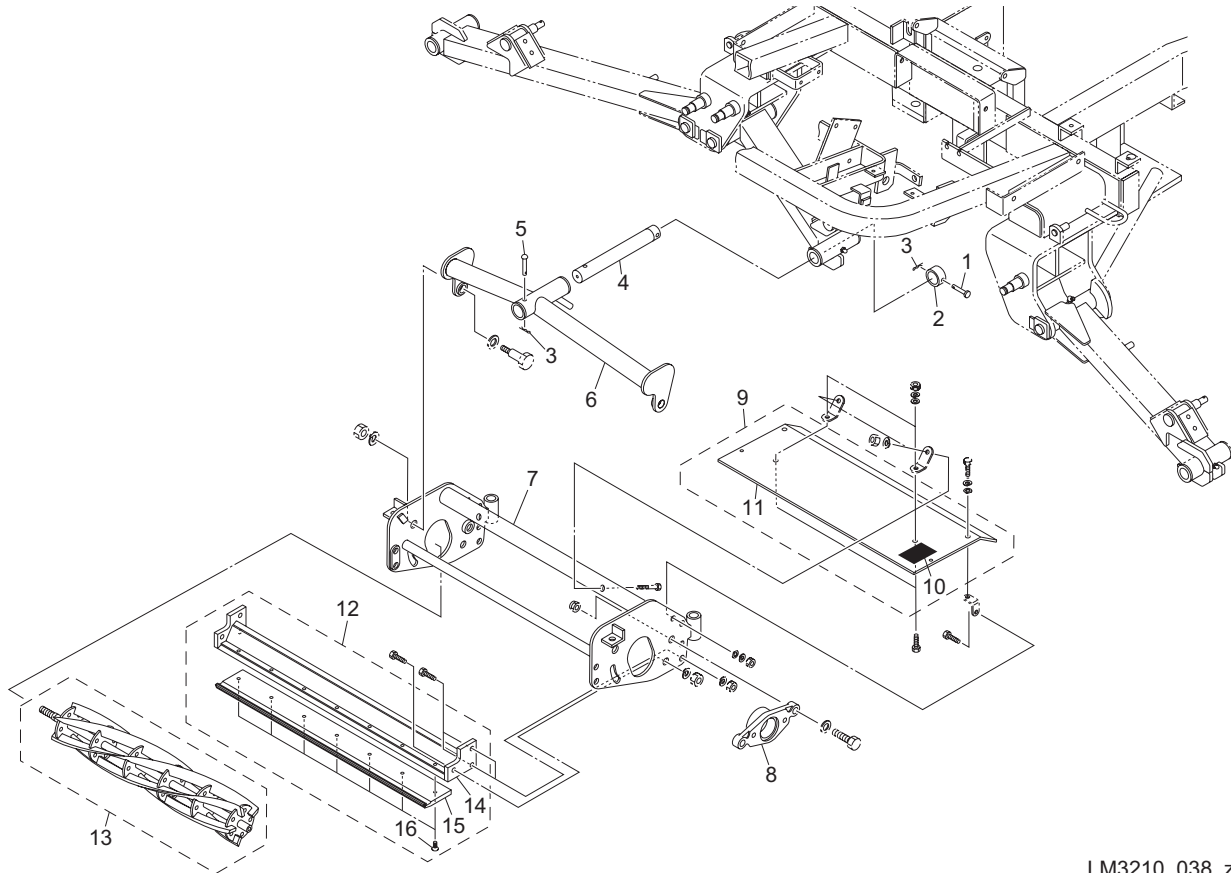


LM3210_037_z02

Cat No.	Code No.	Part name	Qty	Remark	SN of application
37-31	K0200060002	WASHER, SPRING M6	11		
37-32	K0000060152	BOLT, M6-15	5		
37-33	K0000100252	BOLT, M10-25	4		
37-34	K0000120302	BOLT, M12-30	2		
37-35	K0100100002	NUT, M10	6		
37-36	K5000100002	WASHER, M10	4		
37-37	K0000100352	BOLT, M10-35	4		
37-38	K0145100002	NUT, WITH F-RING, P1.25 M10	2		
37-39	K5073210242	WASHER, SPHC 3.2-10-24	2		
37-40	K0000060202	BOLT, M6-20	2		
37-41	K0108180002	NUT, P1.5 M18-3	4		
37-42	K0200180002	WASHER, SPRING M18	2		
37-43	K5012018282	WASHER, SPCC 2-18-28	2		
37-44	K0000060502	BOLT, M6-50	2		
37-45	K0200120002	WASHER, SPRING M12	2		
37-46	K0100120002	NUT, M12	2		
37-47	K5000060002	WASHER, M6	6		
37-48	K0100060002	NUT, M6	6		
37-49	K0823560120	OIL SEAL, MHSA356012	1		
37-50	K0602062070	BEARING, BALL SHIELD Z 6207	1		
37-51	K0402072001	RING, RETAINING R M72	1		
37-52	LM526A-0108Z2	SCREW, ADJUSTING CUTTING HEIGHT	2		
37-53	K0023100251	SETSCREW, M10-25	2		
37-54	K5206000522	PLATE, FOR FIXING COVER	2		
37-55	K527600041R	PLATE, FOR FIXING COVER	2		
37-56	K0000060102	BOLT, M6-10	2		

38.Mower section (#1) (Type R)

LM3210

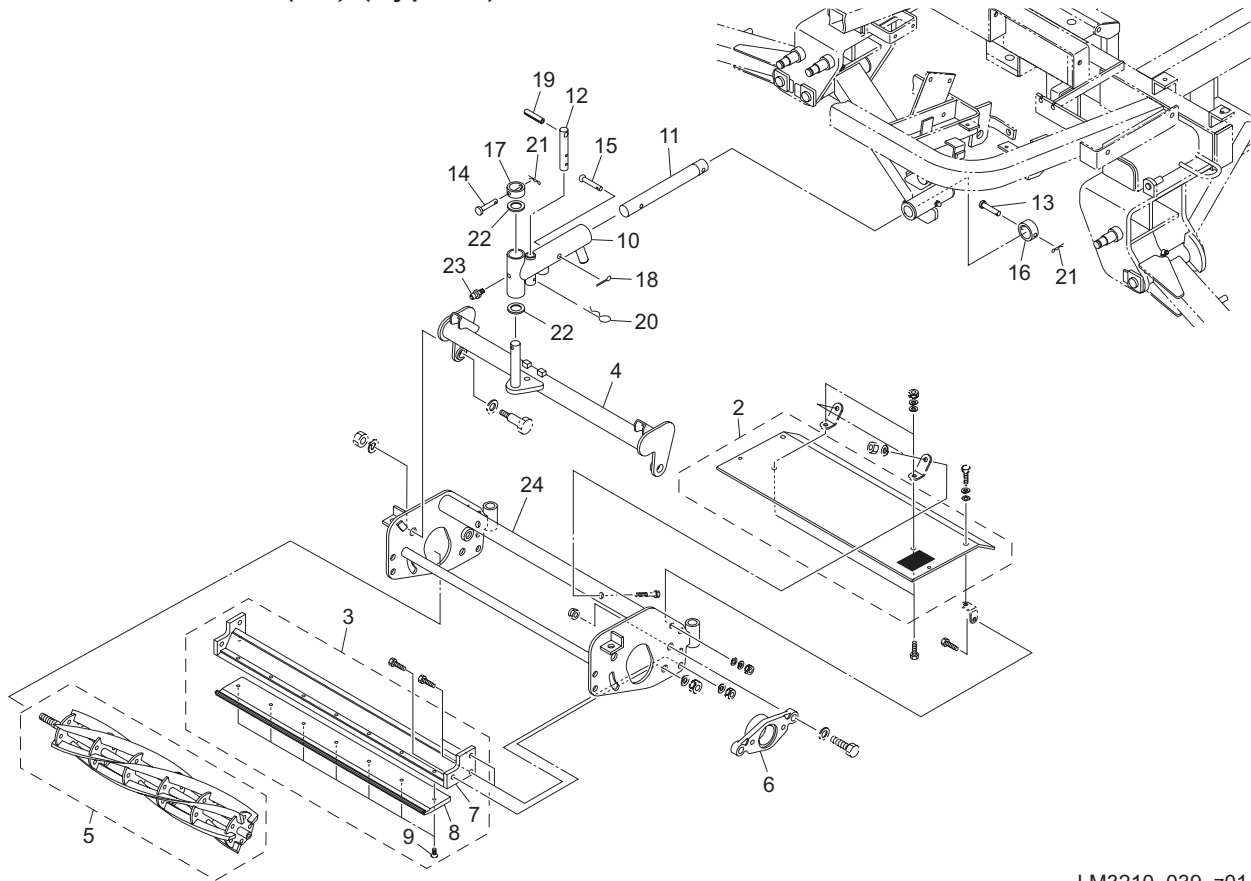


LM3210_038_z00

Cat No.	Code No.	Part name	Qty	Remark	SN of application
38-1	GM2800-0210Z8	PIN, HT FLAT HEAD 9.6-54.5	1		
38-2	K6215000362	COLLAR, STKM WITH HOLE M30-42-16	1		
38-3	K0341000002	PIN, SNAP WITH RETAINER M10	2		
38-4	LM3200-0111Z0	SHAFT	1		
38-5	K6041095548	PIN, ROUND HEAD M9.5-54	1		
38-6	LM3200-0101ZR	ARM, MOWER #1	1		
38-7	K705200008R	FRAME, MOWER	1		
38-8	K6903000192	HOUSING, HYDRAULIC MOTOR A	1		
38-9	K9010000200	COVER COMP, REEL 30	1		
38-10	K4205001600	DECAL, CAUTION TO MUTILATION	2		
38-11	K527000260R	COVER, REEL REAR 30	1		
38-12	K8022000030	BASE & BEDKNIFE ASSY	1		
38-13	K28318R151R	REEL CUTTER (CYLINDER), 760-5R	1		
38-14	K744200007R	BASE, BEDKNIFE 840	1		
38-15	K2510000020	BED-KNIFE (BOTTOM BLADE), 85-770-51	1		
38-16	K0071001182	SCREW, HT FLAT HEAD M10-16	7		

39.Mower section (#1) (Type F)

LM3210

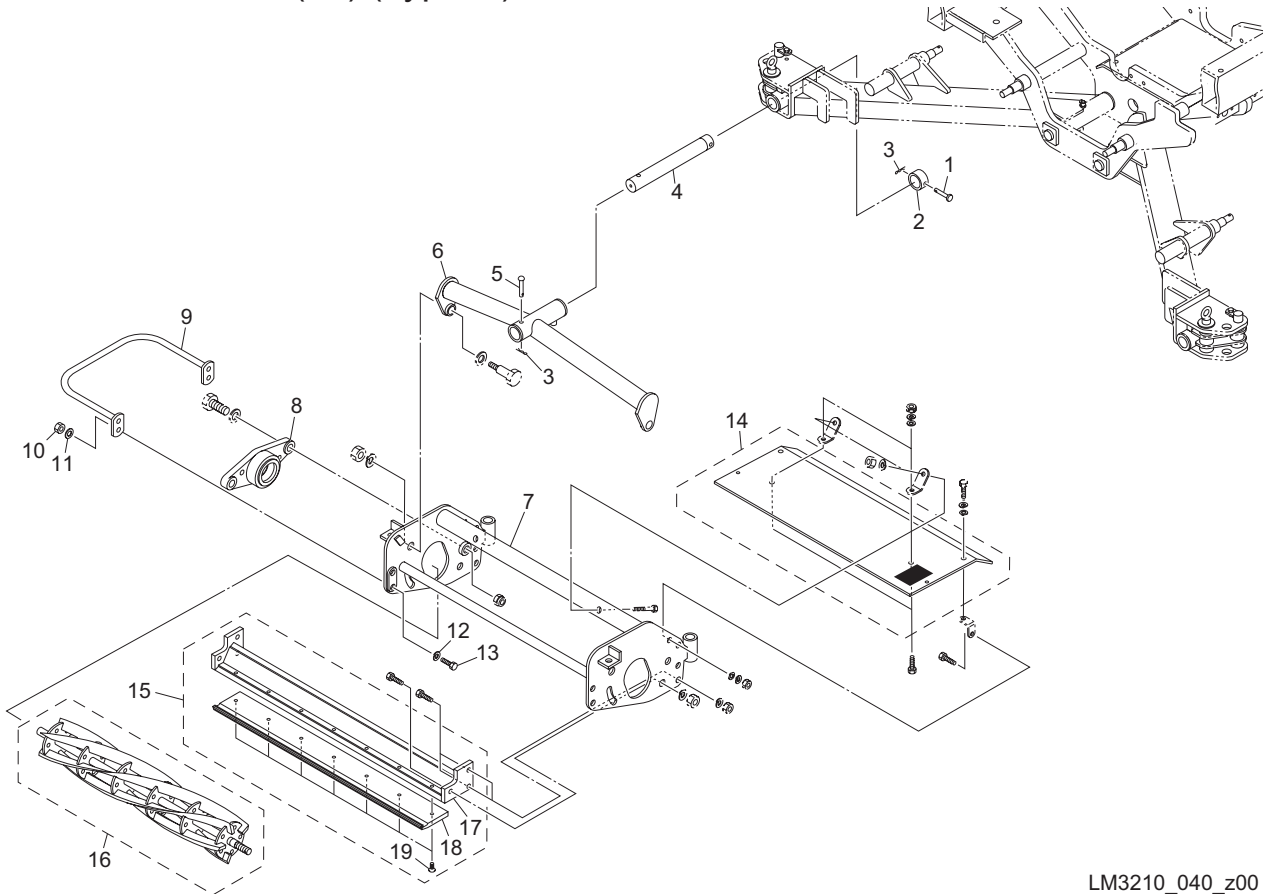


LM3210_039_z01

Cat No.	Code No.	Part name	Qty	Remark	SN of application
39a-1	K705200009R	FRAME, MOWER	1		
39-2	LM3200-0110Z0	COVER COMP, REEL	1		
39-3	K8022000030	BASE & BEDKNIFE ASSY	1		
39-4	LM3200-1301ZR	ARM, MOWER #1	1		
39-5	K283181R71R	REEL CUTTER (CYLINDER), 766-7R	1		
39-6	K6903000192	HOUSING, HYDRAULIC MOTOR A	1		
39-7	K744200007R	BASE, BEDKNIFE 840	1		
39-8	K2510000020	BED-KNIFE (BOTTOM BLADE), 85-770-51	1		
39-9	K0071001182	SCREW, HT FLAT HEAD M10-16	7		
39-10	LM3200-1306ZR	CONNECTOR, MOWER (FRONT)	1		
39-11	LM3200-1308Z0	SHAFT	1		
39-12	LM3200-1309Z8	SHAFT, STOPPER	1		
39-13	GM2800-0210Z8	PIN, HT FLAT HEAD 9.6-54.5	1		
39-14	K6031090458	PIN, FLAT HEAD HT M9.6-45.5	1		
39-15	K6041080488	PIN, ROUND HEAD HT M8-48.5	1		
39-16	K6215000362	COLLAR, STKM WITH HOLE M30-42-16	1		
39-17	K6215000412	COLLAR, STKM WITH HOLE M25.5-36-16	1		
39-18	K0300025202	PIN, COTTER M2.5-20	1		
39-19	K0320080501	PIN, SPRING M8-50	1		
39-20	K0332200008	PIN, SNAP M22	1		
39-21	K0341000002	PIN, SNAP WITH RETAINER M10	2		
39-22	K5051025350	WASHER, C5191P 1-25-35	2		
39-23	K1440000010	GREASE NIPPLE, A TYPE	1		
39a-24					

40.Mower section (#2) (Type R)

LM3210

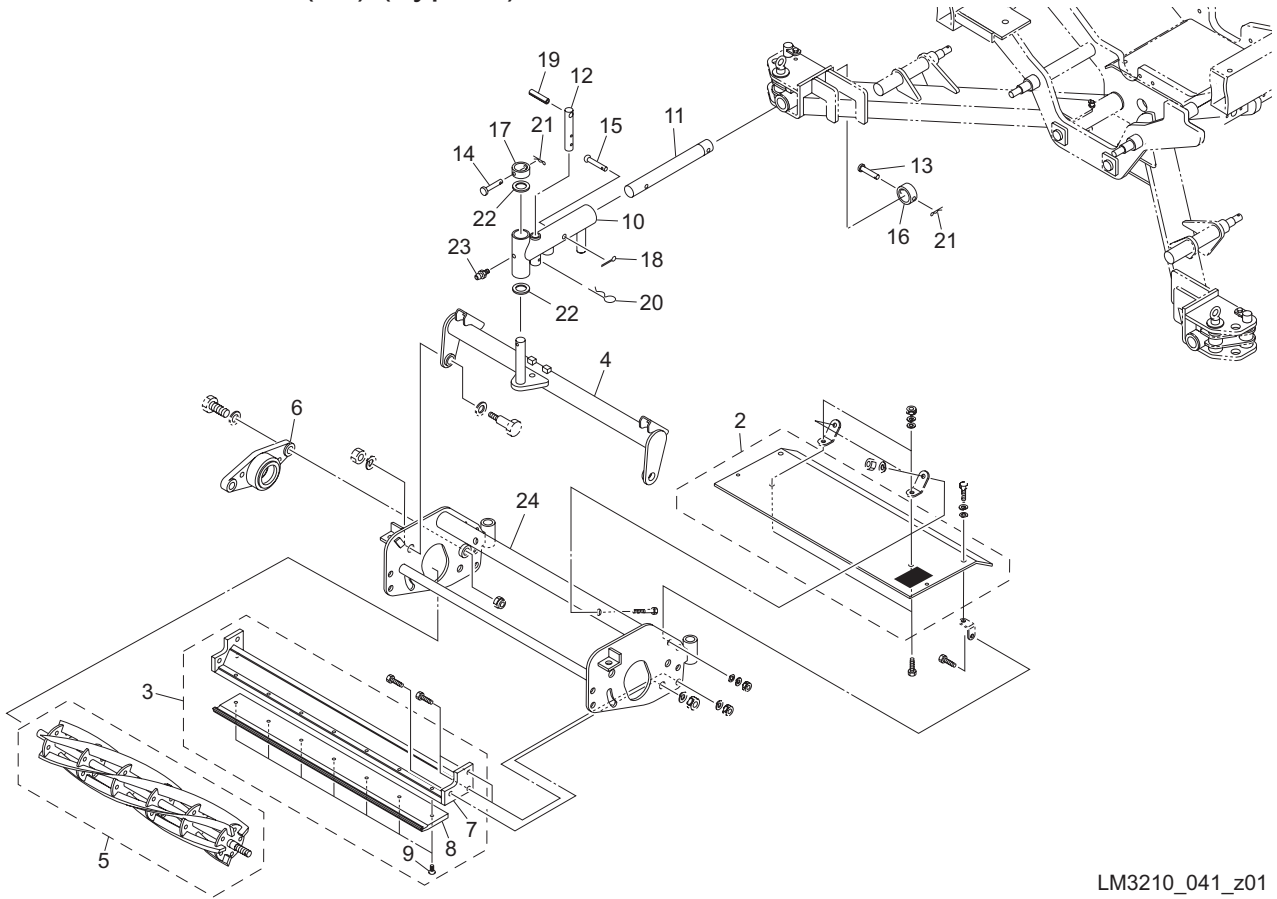


LM3210_040_z00

Cat No.	Code No.	Part name	Qty	Remark	SN of application
40-1	GM2800-0210Z8	PIN, HT FLAT HEAD 9.6-54.5	1		
40-2	K6215000362	COLLAR, STKM WITH HOLE M30-42-16	1		
40-3	K0341000002	PIN, SNAP WITH RETAINER M10	2		
40-4	LM3200-0111Z0	SHAFT	1		
40-5	K6041095548	PIN, ROUND HEAD M9.5-54	1		
40-6	LM3200-0102ZR	ARM, MOWER #2	1		
40-7	K705200008R	FRAME, MOWER	1		
40-8	K6903000202	HOUSING, HYDRAULIC MOTOR B	1		
40-9	LM3200-0109ZR	GUARD, MOTER	1		
40-10	K0100100002	NUT, M10	2		
40-11	K5000100002	WASHER, M10	2		
40-12	K0200100002	WASHER, SPRING M10	2		
40-13	K0000100402	BOLT, M10-40	2		
40-14	K9010000200	COVER COMP, REEL 30	1		
40-15	K8022000030	BASE & BEDKNIFE ASSY	1		
40-16	K28318R051R	REEL CUTTER (CYLINDER), 760-5	1		
40-17	K744200007R	BASE, BEDKNIFE 840	1		
40-18	K2510000020	BED-KNIFE (BOTTOM BLADE), 85-770-51	1		
40-19	K0071001182	SCREW, HT FLAT HEAD M10-16	7		

41.Mower section (#2) (Type F)

LM3210

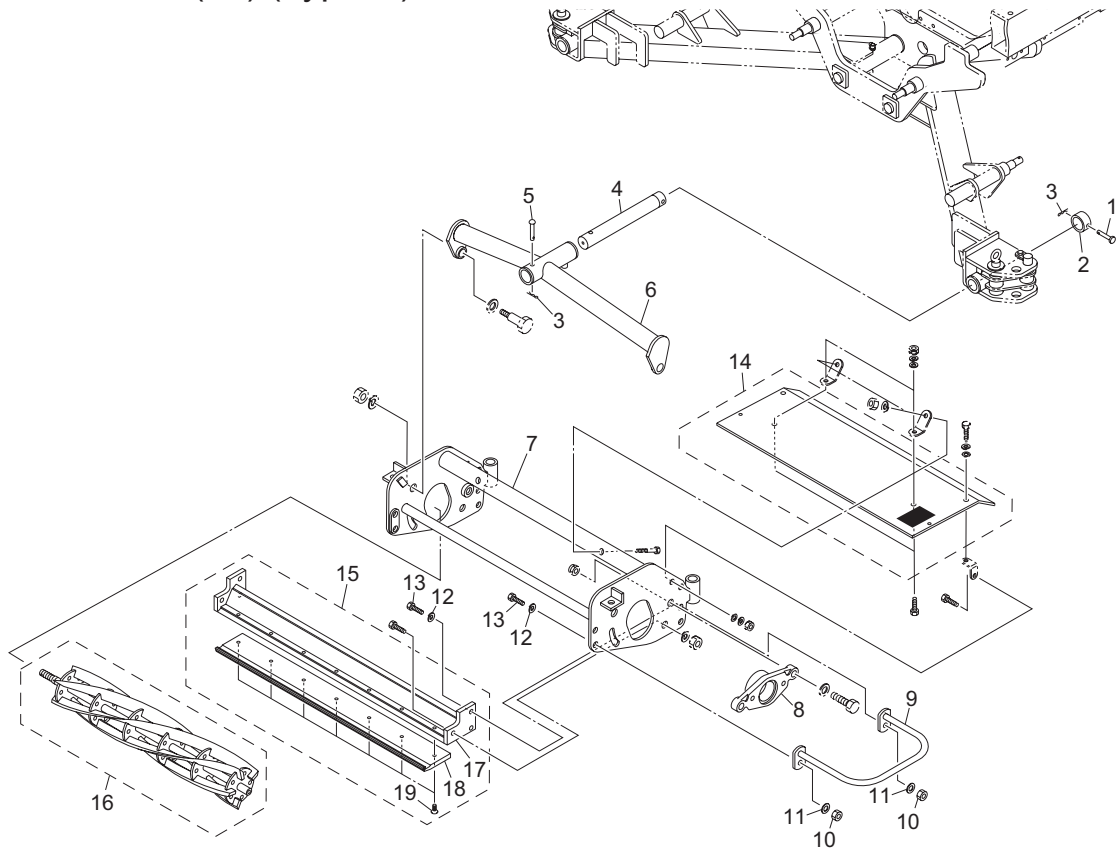


LM3210_041_z01

Cat No.	Code No.	Part name	Qty	Remark	SN of application
41a-1	K705200009R	FRAME, MOWER	1		
41-2	LM3200-0110Z0	COVER COMP, REEL	1		
41-3	K8022000030	BASE & BEDKNIFE ASSY	1		
41-4	LM3200-1302ZR	ARM, MOWER #2 & #3	1		
41-5	K283181L71R	REEL CUTTER (CYLINDER), 766-7	1		
41-6	K6903000202	HOUSING, HYDRAULIC MOTOR B	1		
41-7	K744200007R	BASE, BEDKNIFE 840	1		
41-8	K2510000020	BED-KNIFE (BOTTOM BLADE), 85-770-51	1		
41-9	K0071001182	SCREW, HT FLAT HEAD M10-16	7		
41-10	LM3200-1307ZR	CONNECTOR, MOWER (REAR)	1		
41-11	LM3200-1308Z0	SHAFT	1		
41-12	LM3200-1309Z8	SHAFT, STOPPER	1		
41-13	GM2800-0210Z8	PIN, HT FLAT HEAD 9.6-54.5	1		
41-14	K6031090458	PIN, FLAT HEAD HT M9.6-45.5	1		
41-15	K6041080488	PIN, ROUND HEAD HT M8-48.5	1		
41-16	K6215000362	COLLAR, STKM WITH HOLE M30-42-16	1		
41-17	K6215000412	COLLAR, STKM WITH HOLE M25.5-36-16	1		
41-18	K0300025202	PIN, COTTER M2.5-20	1		
41-19	K0320080501	PIN, SPRING M8-50	1		
41-20	K0332200008	PIN, SNAP M22	1		
41-21	K0341000002	PIN, SNAP WITH RETAINER M10	2		
41-22	K5051025350	WASHER, C5191P 1-25-35	2		
41-23	K1440000010	GREASE NIPPLE, A TYPE	1		
41a-24					

42.Mower section (#3) (Type R)

LM3210

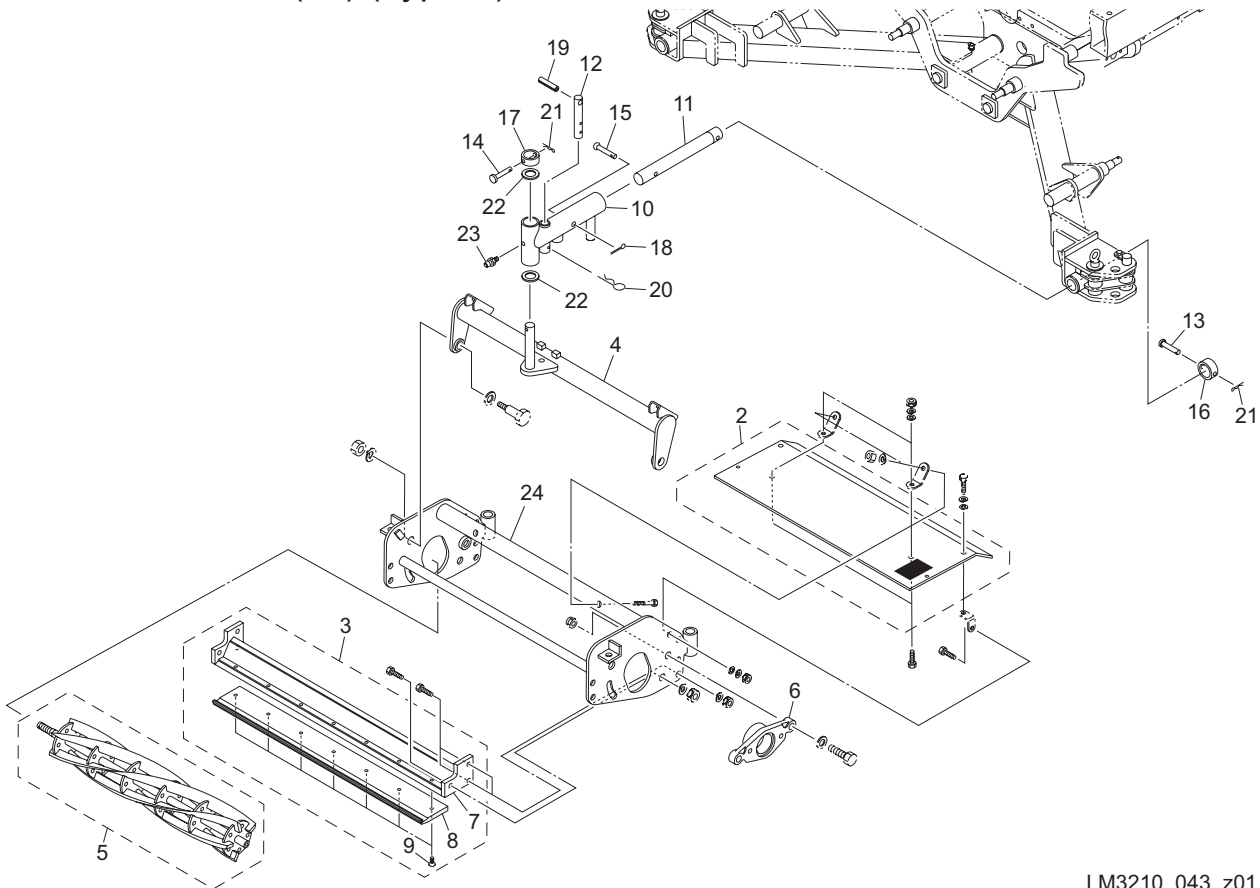


LM3210_042_z00

Cat No.	Code No.	Part name	Qty	Remark	SN of application
42-1	GM2800-0210Z8	PIN, HT FLAT HEAD 9.6-54.5	1		
42-2	K6215000362	COLLAR, STKM WITH HOLE M30-42-16	1		
42-3	K0341000002	PIN, SNAP WITH RETAINER M10	2		
42-4	LM3200-0111Z0	SHAFT	1		
42-5	K6041095548	PIN, ROUND HEAD M9.5-54	1		
42-6	LM3200-0103ZR	ARM, MOWER #3	1		
42-7	K705200008R	FRAME, MOWER	1		
42-8	K6903000192	HOUSING, HYDRAULIC MOTOR A	1		
42-9	LM3200-0109ZR	GUARD, MOTER	1		
42-10	K0100100002	NUT, M10	2		
42-11	K5000100002	WASHER, M10	2		
42-12	K0200100002	WASHER, SPRING M10	2		
42-13	K0000100402	BOLT, M10-40	2		
42-14	K9010000200	COVER COMP, REEL 30	1		
42-15	K8022000030	BASE & BEDKNIFE ASSY	1		
42-16	K28318R151R	REEL CUTTER (CYLINDER), 760-5R	1		
42-17	K744200007R	BASE, BEDKNIFE 840	1		
42-18	K2510000020	BED-KNIFE (BOTTOM BLADE), 85-770-51	1		
42-19	K0071001182	SCREW, HT FLAT HEAD M10-16	7		

43.Mower section (#3) (Type F)

LM3210

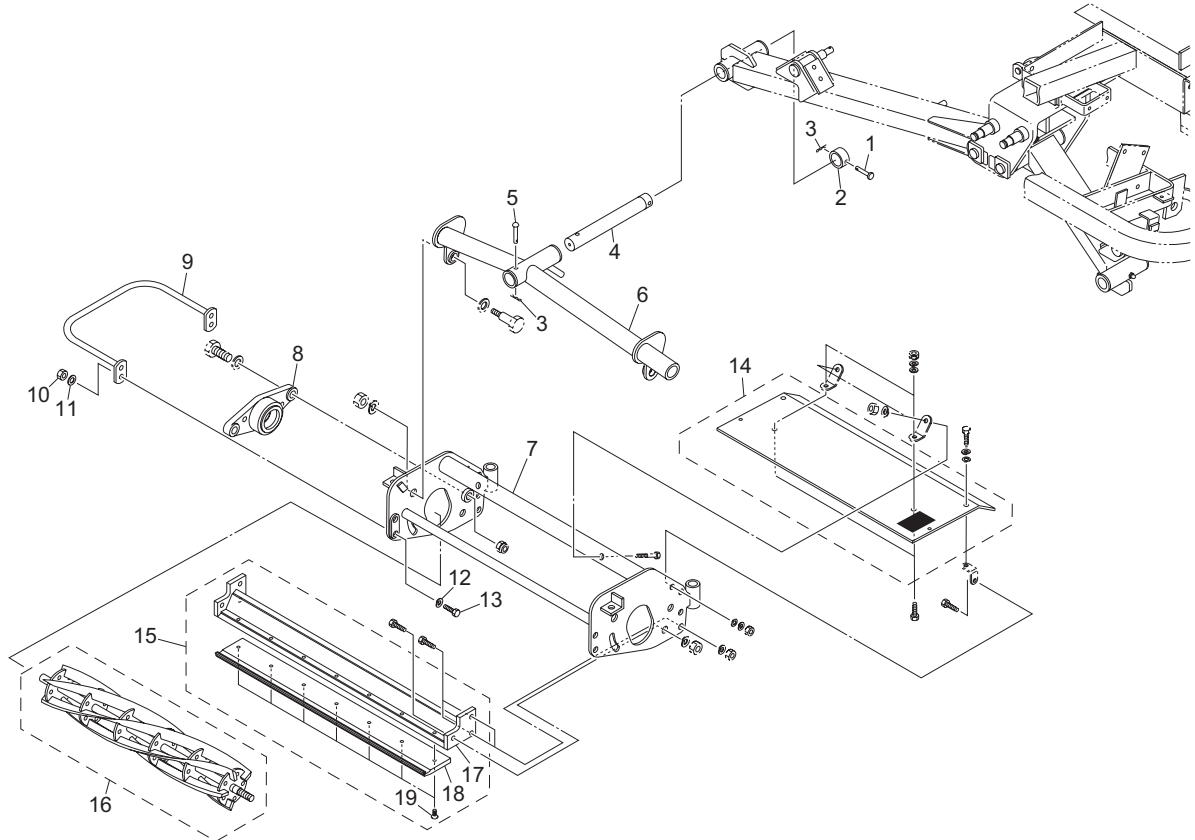


LM3210_043_z01

Cat No.	Code No.	Part name	Qty	Remark	SN of application
43a-1	K705200009R	FRAME, MOWER	1		
43-2	LM3200-0110Z0	COVER COMP, REEL	1		
43-3	K8022000030	BASE & BEDKNIFE ASSY	1		
43-4	LM3200-1302ZR	ARM, MOWER #2 & #3	1		
43-5	K283181R71R	REEL CUTTER (CYLINDER), 766-7R	1		
43-6	K6903000192	HOUSING, HYDRAULIC MOTOR A	1		
43-7	K744200007R	BASE, BEDKNIFE 840	1		
43-8	K2510000020	BED-KNIFE (BOTTOM BLADE), 85-770-51	1		
43-9	K0071001182	SCREW, HT FLAT HEAD M10-16	7		
43-10	LM3200-1307ZR	CONNECTOR, MOWER (REAR)	1		
43-11	LM3200-1308Z0	SHAFT	1		
43-12	LM3200-1309Z8	SHAFT, STOPPER	1		
43-13	GM2800-0210Z8	PIN, HT FLAT HEAD 9.6-54.5	1		
43-14	K6031090458	PIN, FLAT HEAD HT M9.6-45.5	1		
43-15	K6041080488	PIN, ROUND HEAD HT M8-48.5	1		
43-16	K6215000362	COLLAR, STKM WITH HOLE M30-42-16	1		
43-17	K6215000412	COLLAR, STKM WITH HOLE M25.5-36-16	1		
43-18	K0300025202	PIN, COTTER M2.5-20	1		
43-19	K0320080501	PIN, SPRING M8-50	1		
43-20	K0332200008	PIN, SNAP M22	1		
43-21	K0341000002	PIN, SNAP WITH RETAINER M10	2		
43-22	K5051025350	WASHER, C5191P 1-25-35	2		
43-23	K1440000010	GREASE NIPPLE, A TYPE	1		
43a-24					

44.Mower section (#4) (Type R)

LM3210

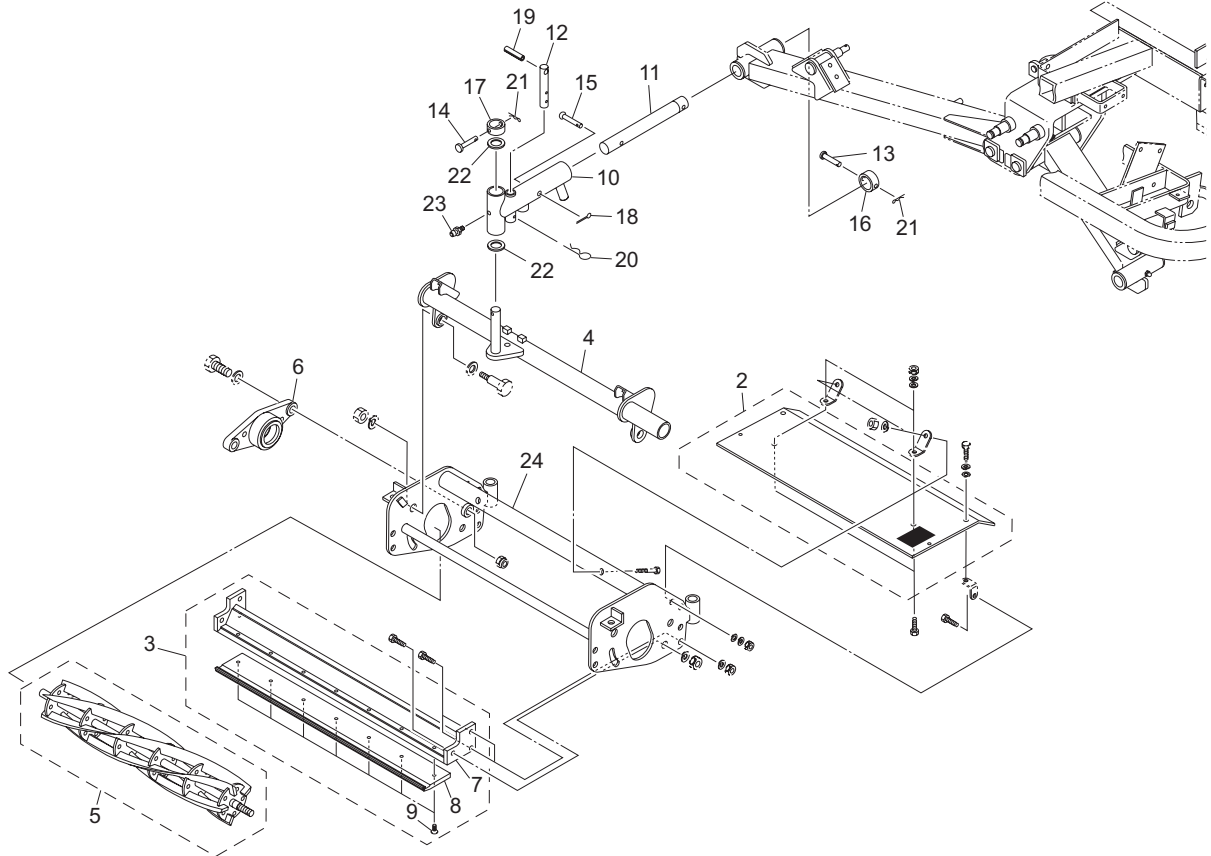


LM3210_044_z00

Cat No.	Code No.	Part name	Qty	Remark	SN of application
44-1	GM2800-0210Z8	PIN, HT FLAT HEAD 9.6-54.5	1		
44-2	K6215000362	COLLAR, STKM WITH HOLE M30-42-16	1		
44-3	K0341000002	PIN, SNAP WITH RETAINER M10	2		
44-4	LM3200-0111Z0	SHAFT	1		
44-5	K6041095548	PIN, ROUND HEAD M9.5-54	1		
44-6	LM3200-0104ZR	ARM, MOWER #4	1		
44-7	K705200008R	FRAME, MOWER	1		
44-8	K6903000202	HOUSING, HYDRAULIC MOTOR B	1		
44-9	LM3200-0109ZR	GUARD, MOTER	1		
44-10	K0100100002	NUT, M10	2		
44-11	K5000100002	WASHER, M10	2		
44-12	K0200100002	WASHER, SPRING M10	2		
44-13	K0000100402	BOLT, M10-40	2		
44-14	K9010000200	COVER COMP, REEL 30	1		
44-15	K8022000030	BASE & BEDKNIFE ASSY	1		
44-16	K28318R051R	REEL CUTTER (CYLINDER), 760-5	1		
44-17	K744200007R	BASE, BEDKNIFE 840	1		
44-18	K2510000020	BED-KNIFE (BOTTOM BLADE), 85-770-51	1		
44-19	K0071001182	SCREW, HT FLAT HEAD M10-16	7		

45.Mower section (#4) (Type F)

LM3210

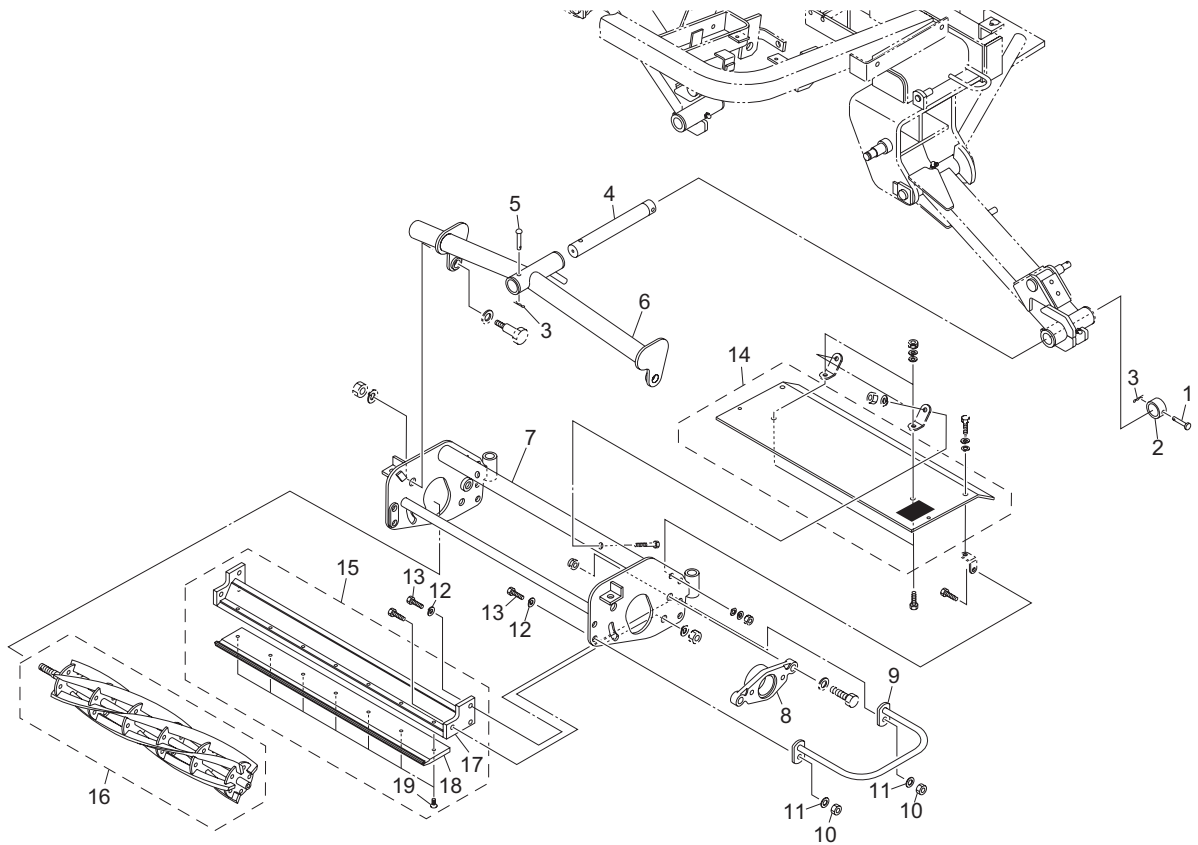


LM3210_045_z01

Cat No.	Code No.	Part name	Qty	Remark	SN of application
45a-1	K705200009R	FRAME, MOWER	1		
45-2	LM3200-0110Z0	COVER COMP, REEL	1		
45-3	K8022000030	BASE & BEDKNIFE ASSY	1		
45-4	LM3200-1304ZR	ARM, MOWER #4	1		
45-5	K283181L71R	REEL CUTTER (CYLINDER), 766-7	1		
45-6	K6903000202	HOUSING, HYDRAULIC MOTOR B	1		
45-7	K744200007R	BASE, BEDKNIFE 840	1		
45-8	K2510000020	BED-KNIFE (BOTTOM BLADE), 85-770-51	1		
45-9	K0071001182	SCREW, HT FLAT HEAD M10-16	7		
45-10	LM3200-1306ZR	CONNECTOR, MOWER (FRONT)	1		
45-11	LM3200-1308Z0	SHAFT	1		
45-12	LM3200-1309Z8	SHAFT, STOPPER	1		
45-13	GM2800-0210Z8	PIN, HT FLAT HEAD 9.6-54.5	1		
45-14	K6031090458	PIN, FLAT HEAD HT M9.6-45.5	1		
45-15	K6041080488	PIN, ROUND HEAD HT M8-48.5	1		
45-16	K6215000362	COLLAR, STKM WITH HOLE M30-42-16	1		
45-17	K6215000412	COLLAR, STKM WITH HOLE M25.5-36-16	1		
45-18	K0300025202	PIN, COTTER M2.5-20	1		
45-19	K0320080501	PIN, SPRING M8-50	1		
45-20	K0332200008	PIN, SNAP M22	1		
45-21	K0341000002	PIN, SNAP WITH RETAINER M10	2		
45-22	K5051025350	WASHER, C5191P 1-25-35	2		
45-23	K1440000010	GREASE NIPPLE, A TYPE	1		
45a-24					

46.Mower section (#5) (Type R)

LM3210

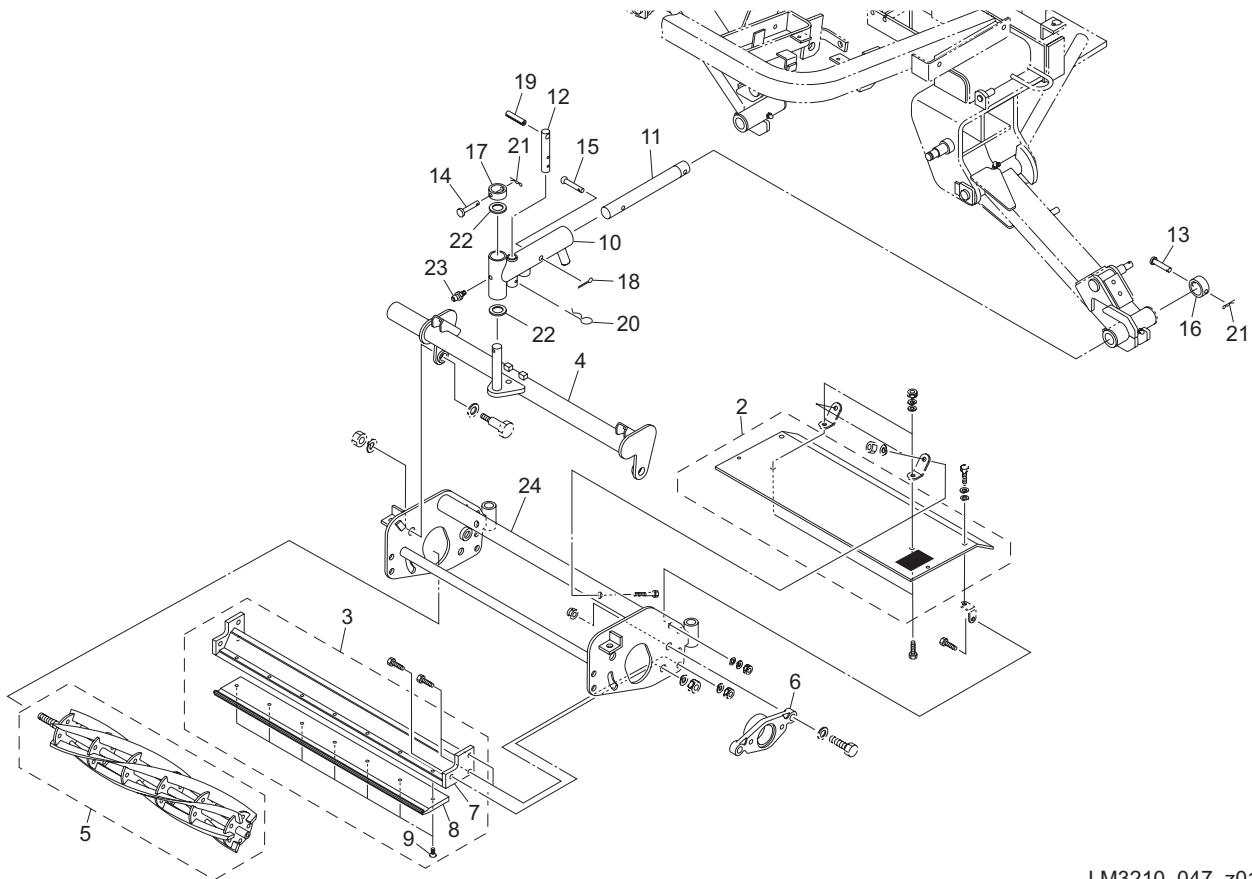


LM3210_046_z00

Cat No.	Code No.	Part name	Qty	Remark	SN of application
46-1	GM2800-0210Z8	PIN, HT FLAT HEAD 9.6-54.5	1		
46-2	K6215000362	COLLAR, STKM WITH HOLE M30-42-16	1		
46-3	K0341000002	PIN, SNAP WITH RETAINER M10	2		
46-4	LM3200-0111Z0	SHAFT	1		
46-5	K6041095548	PIN, ROUND HEAD M9.5-54	1		
46-6	LM3200-0105ZR	ARM, MOWER #5	1		
46-7	K705200008R	FRAME, MOWER	1		
46-8	K6903000192	HOUSING, HYDRAULIC MOTOR A	1		
46-9	LM3200-0109ZR	GUARD, MOTER	1		
46-10	K0100100002	NUT, M10	2		
46-11	K5000100002	WASHER, M10	2		
46-12	K0200100002	WASHER, SPRING M10	2		
46-13	K0000100402	BOLT, M10-40	2		
46-14	K9010000200	COVER COMP, REEL 30	1		
46-15	K8022000030	BASE & BEDKNIFE ASSY	1		
46-16	K28318R151R	REEL CUTTER (CYLINDER), 760-5R	1		
46-17	K744200007R	BASE, BEDKNIFE 840	1		
46-18	K2510000020	BED-KNIFE (BOTTOM BLADE), 85-770-51	1		
46-19	K0071001182	SCREW, HT FLAT HEAD M10-16	7		

47.Mower section (#5) (Type F)

LM3210

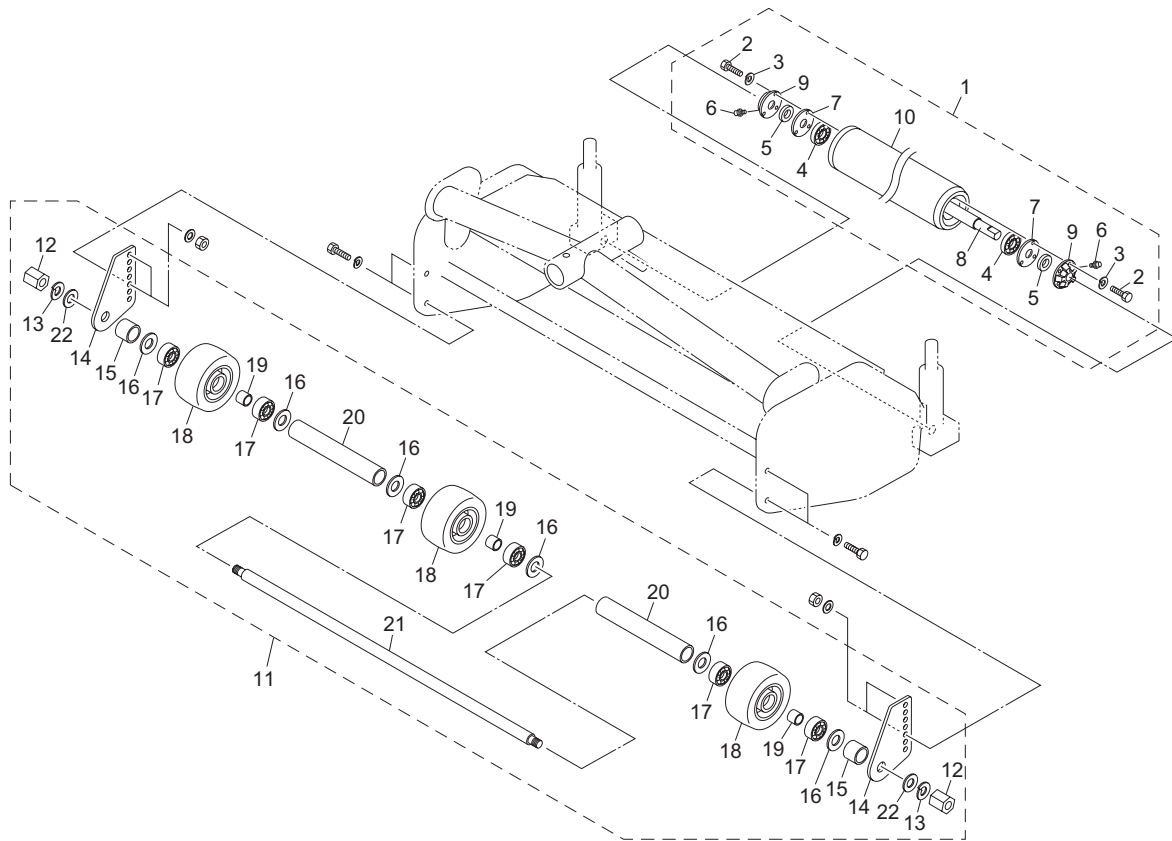


LM3210_047_z01

Cat No.	Code No.	Part name	Qty	Remark	SN of application
47a-1	K705200009R	FRAME, MOWER	1		
47-2	LM3200-0110Z0	COVER COMP, REEL	1		
47-3	K8022000030	BASE & BEDKNIFE ASSY	1		
47-4	LM3200-1305ZR	ARM, MOWER #5	1		
47-5	K283181R71R	REEL CUTTER (CYLINDER), 766-7R	1		
47-6	K6903000192	HOUSING, HYDRAULIC MOTOR A	1		
47-7	K744200007R	BASE, BEDKNIFE 840	1		
47-8	K2510000020	BED-KNIFE (BOTTOM BLADE), 85-770-51	1		
47-9	K0071001182	SCREW, HT FLAT HEAD M10-16	7		
47-10	LM3200-1306ZR	CONNECTOR, MOWER (FRONT)	1		
47-11	LM3200-1308Z0	SHAFT	1		
47-12	LM3200-1309Z8	SHAFT, STOPPER	1		
47-13	GM2800-0210Z8	PIN, HT FLAT HEAD 9.6-54.5	1		
47-14	K6031090458	PIN, FLAT HEAD HT M9.6-45.5	1		
47-15	K6041080488	PIN, ROUND HEAD HT M8-48.5	1		
47-16	K6215000362	COLLAR, STKM WITH HOLE M30-42-16	1		
47-17	K6215000412	COLLAR, STKM WITH HOLE M25.5-36-16	1		
47-18	K0300025202	PIN, COTTER M2.5-20	1		
47-19	K0320080501	PIN, SPRING M8-50	1		
47-20	K0332200008	PIN, SNAP M22	1		
47-21	K0341000002	PIN, SNAP WITH RETAINER M10	2		
47-22	K5051025350	WASHER, C5191P 1-25-35	2		
47-23	K1440000010	GREASE NIPPLE, A TYPE	1		
47a-24					

48.Mower caster wheel section (Type R)

LM3210

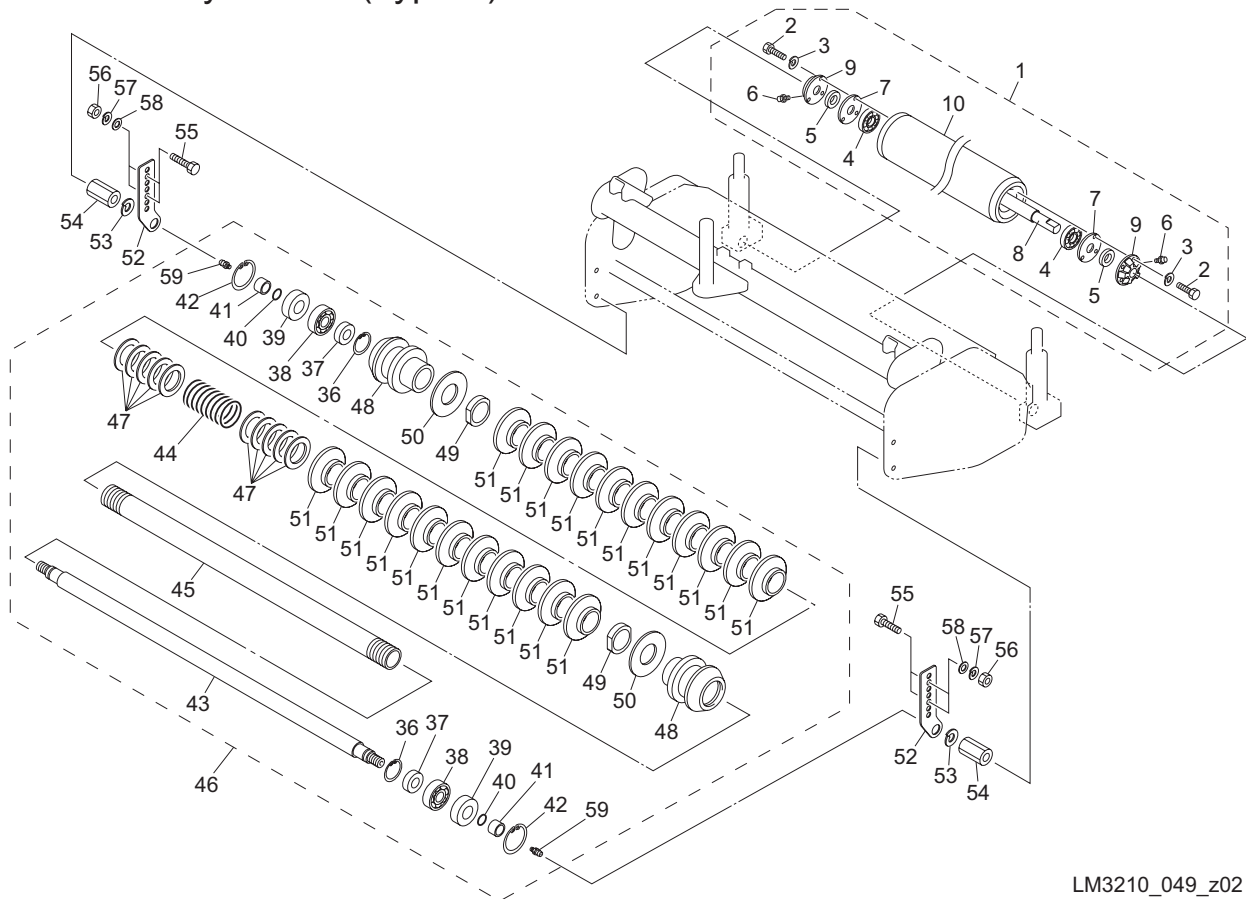


LM3210_048_z01

Cat No.	Code No.	Part name	Qty	Remark	SN of application
48-1	K8021000530	ROLLER ASSY, 872	1		
48-2	K0000060152	BOLT, M6-15	6		
48-3	K0200060002	WASHER, SPRING M6	6		
48-4	K0602062030	BEARING, BALL SHIELD Z 6203	2		
48-5	K0821730080	OIL SEAL, MHSA17308	2		
48-6	K1440000010	GREASE NIPPLE, A TYPE	2		
48-7	K4015136650	PACKING, FIBER 1-36-65	2		
48-8	K6155000290	SHAFT, ROLLER 872	1		
48-9	K6810000070	HOUSING, SEAL	2		
48-10	K740000025D	ROLLER, 76.2-782	1		
48-11	LM3200-0137Z0	WHEEL ASSY, FRONT	1		
48-12	K0160000662	NUT, SPECIAL M14-20	2		
48-13	K0200140002	WASHER, SPRING M14	2		
48-14	LM3200-0106Z2	BRACKET, WHEEL	2		
48-15	LM3200-0107Z2	COLLAR, WHEEL	2		
48-16	K5030520430	WASHER, C2801P 0.5-20-43	6		
48-17	K0612062040	BEARING, BALL SEAL 2RD 6204	6		
48-18	K2110000030	WHEEL, RUBBER 150	3		
48-19	K6212000640	COLLAR, STKM M20.2-25.4-33	3		
48-20	K6212002682	COLLAR, STKM M20.2-2828.5	2		
48-21	LM3200-0108Z0	AXLE	1		
48-22	K5073214252	WASHER, SPHC 3.2-14-25	2		

49. Roller Ass'y section (Type F)

LM3210

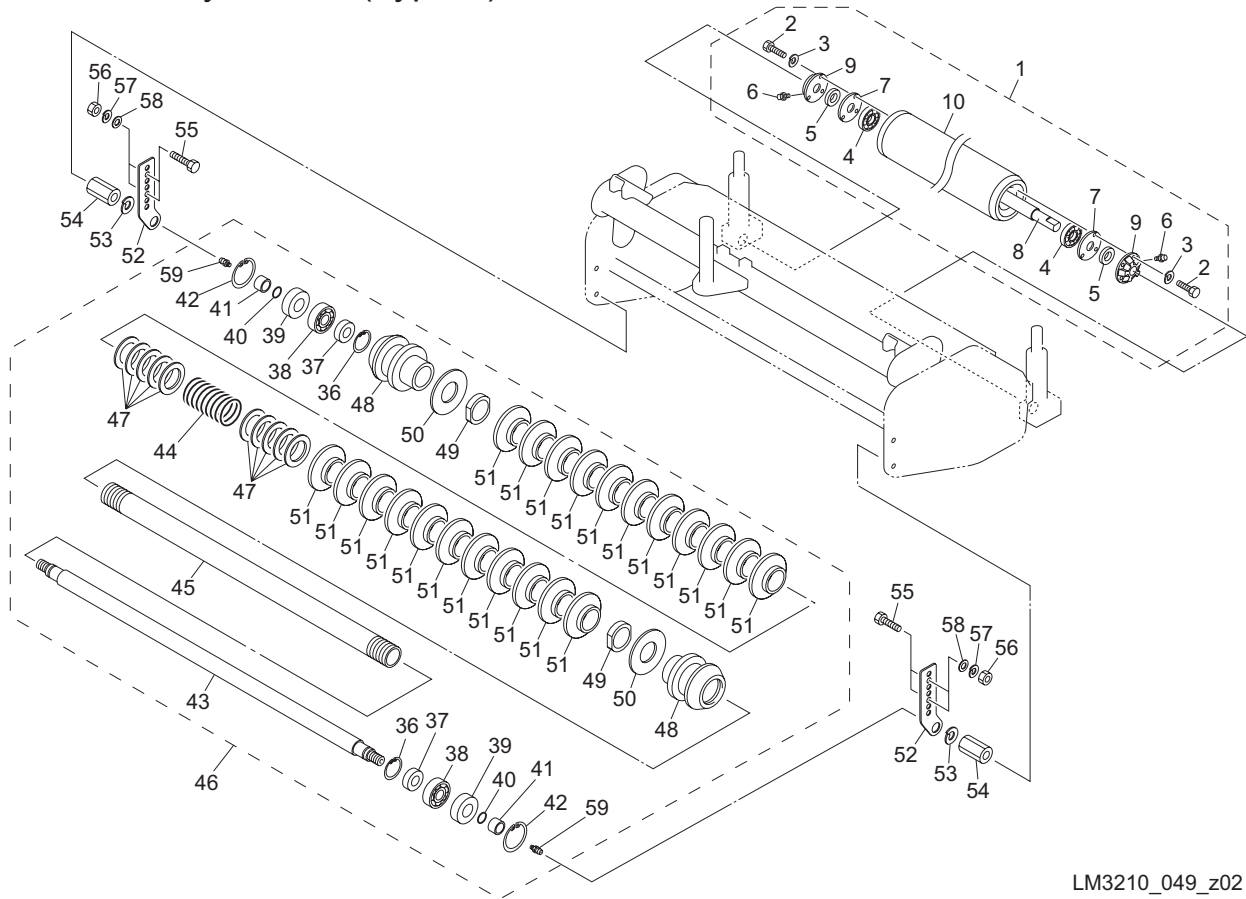


LM3210_049_z02

Cat No.	Code No.	Part name	Qty	Remark	SN of application
49-1	K8021000530	ROLLER ASSY, 872	1		
49-2	K0000060152	BOLT, M6-15	6		
49-3	K0200060002	WASHER, SPRING M6	6		
49-4	K0602062030	BEARING, BALL SHIELD Z 6203	2		
49-5	K0821730080	OIL SEAL, MHSA17308	2		
49-6	K1440000010	GREASE NIPPLE, A TYPE	2		
49-7	K4015136650	PACKING, FIBER 1-36-65	2		
49-8	K6155000290	SHAFT, ROLLER 872	1		
49-9	K6810000070	HOUSING, SEAL	2		
49-10	K740000025D	ROLLER, 76.2-782	1		
49-11					
49-12					
49-13					
49-36	K0402035001	RING, RETAINING R M35	2		
49-37	K0822235080	OIL SEAL, MHSA22358	2		
49-38	K0600063030	BEARING, BALL 6303	2		
49-39	K0822547080	OIL SEAL, MHSA25478	2		
49-40	K0885015000	O-RING, S15	2		
49-41	K6219000600	COLLAR, SUS M17-25-27	2		
49-42	K0402047001	RING, RETAINING R M47	2		
49-43	LM281--2022Z0	SHAFT, ROLLER 22-871	1		
49-44	K100000073D	SPRING, COMPRESSION M5-51-75	1		
49-45	LM281--2203Z2	PIPE, ROLLER 34.2-40715.2	1		
49-46	LM281--2205Z0	ROLLER ASSY, GROOVED 30	1		
49-47	K5011040522	WASHER, SPCC 1-40-52	10	For adjustment	
49-48	K620200051D	HOUSING, ROLLER 75.5	2		
49-49	K016000062D	NUT, M40	2		
49-50	K510100061D	PLATE, ROUND 80	2		

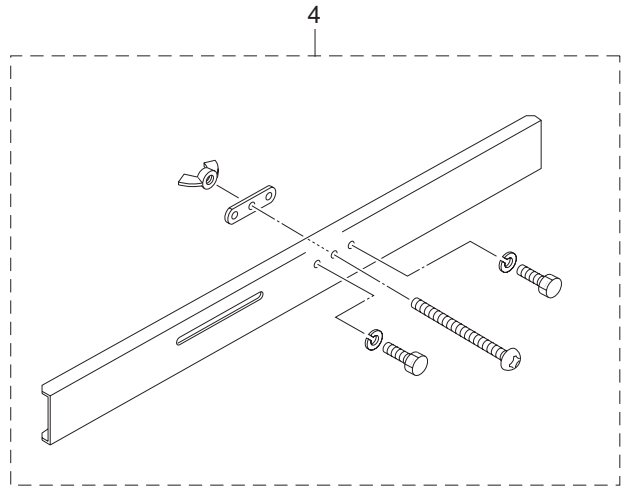
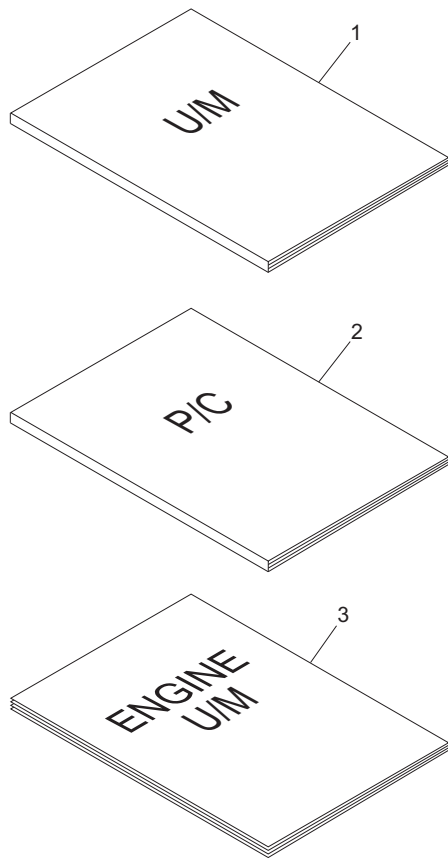
49. Roller Ass'y section (Type F)

LM3210



LM3210_049_z02

Cat No.	Code No.	Part name	Qty	Remark	SN of application
49-51	K5920000120	ROLLER, PLASTIC 80	22		
49-52	K5131001882	PLATE, SPHC ROLLER BRACKET	2		
49-53	K0200140002	WASHER, SPRING M14	2		
49-54	K0160000652	NUT, SPECIAL M14-30	2		
49-55	K0000100252	BOLT, M10-25	4		
49-56	K0102100002	NUT, M10-3	2		
49-57	K0200100002	WASHER, SPRING M10	2		
49-58	K5000100002	WASHER, M10	2		
49-59	K1440000010	GREASE NIPPLE, A TYPE	2		



LM3210_050_z00

Cat No.	Code No.	Part name	Qty	Remark	SN of application
50a-1	750101-100-A	OWNERS OPERATING MANUAL, LM3210	1		
50a-2	750101-100-B	PARTS CATALOG, LM3210	1		
50-3	K2699V2403T01	OPERATING MANUAL, ENGINE KUBOTA	1		
50-4	K4825000060	GAUGE ASSY, CUTTING HEIGHT 600	1		

MEMO

BARONESS[®]
Quality on Demand



KYOEISHA CO.,LTD.

Head Office 1-26, Miyuki-cho, Toyokawa, Tel : (0533)84-1390
Aichi-Pref. 442-8530 Japan. Fax : (0533)89-3623