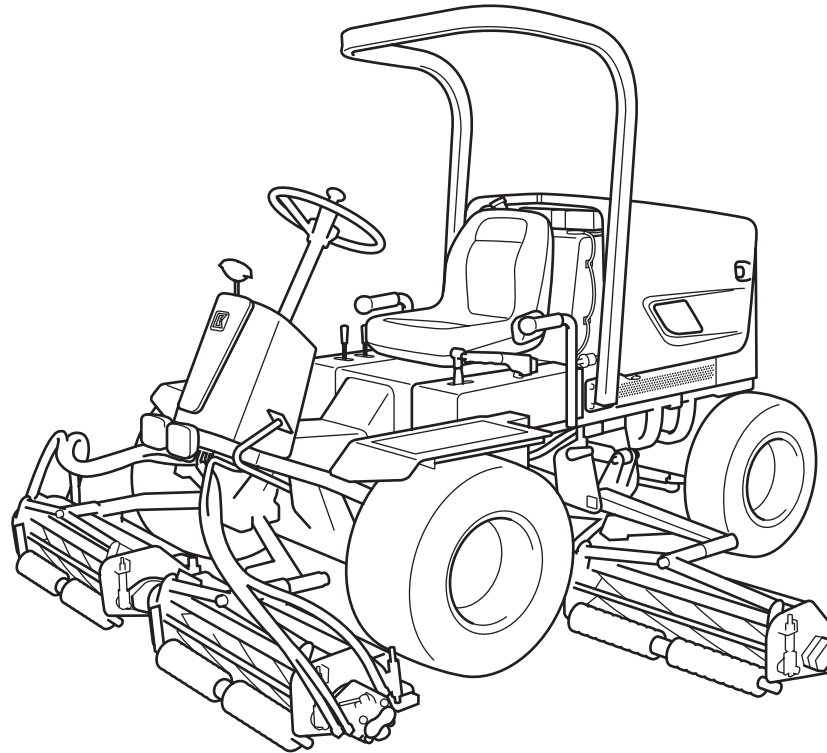


LM285

5-Unit Reel Mower

Parts catalog



Serial No.10240-

BARONESS[®]
Quality on Demand

Ver.1.7

Contents

| | | | |
|--|----|--|----|
| PARTS CATALOGUE | 2 | 130. Front roller scraper section (option) | 67 |
| 101. Frame section..... | 3 | 131. Rear roller scraper section (option) | 69 |
| 102. Cover section (Front)..... | 7 | | |
| 103. Cover section (Rear) | 9 | | |
| 104. Front wheel section | 11 | | |
| 105. Rear wheel section..... | 13 | | |
| 106. Pedal section | 15 | | |
| 107. Engine section | 17 | | |
| 108. Radiator section | 21 | | |
| 109. Hydraulic section A(Cylinder system)..... | 25 | | |
| 110. Hydraulic section A(Power steering system) | 29 | | |
| 111. Hydraulic section B/Type_R (Reel motor system)..... | 31 | | |
| 113. Hydraulic section C (Front wheel motor system)..... | 33 | | |
| 114. Hydraulic section C (Rear wheel motor system)..... | 37 | | |
| 115. Lift arm section/Type_R | 39 | | |
| 117. Mower section/Type_R (#1) | 41 | | |
| 118. Mower section/Type_R (#2·#5) | 45 | | |
| 119. Mower section/Type_R (#3·#4) | 49 | | |
| 123. Wheel section..... | 53 | | |
| 124. Roller Ass'y section | 55 | | |
| 125. Accessory section | 57 | | |
| 126. Roof section (option) | 59 | | |
| 127. CR brush section A | 61 | | |
| 128. CR brush section B | 63 | | |
| 129. Variable reel cover section | 65 | | |

Greeting

Thank you for purchasing Baroness machine.
We hope you will use the machine safely, and take advantage of its best performance.

Note

(For inquiry about this machine)

Since the type of machine may be changed sequentially, inform us of the type and the serial number.

The information described in this manual is subject to change without prior notice.

When replacing parts, be sure to use Baroness parts or parts designated by Kyoisha.

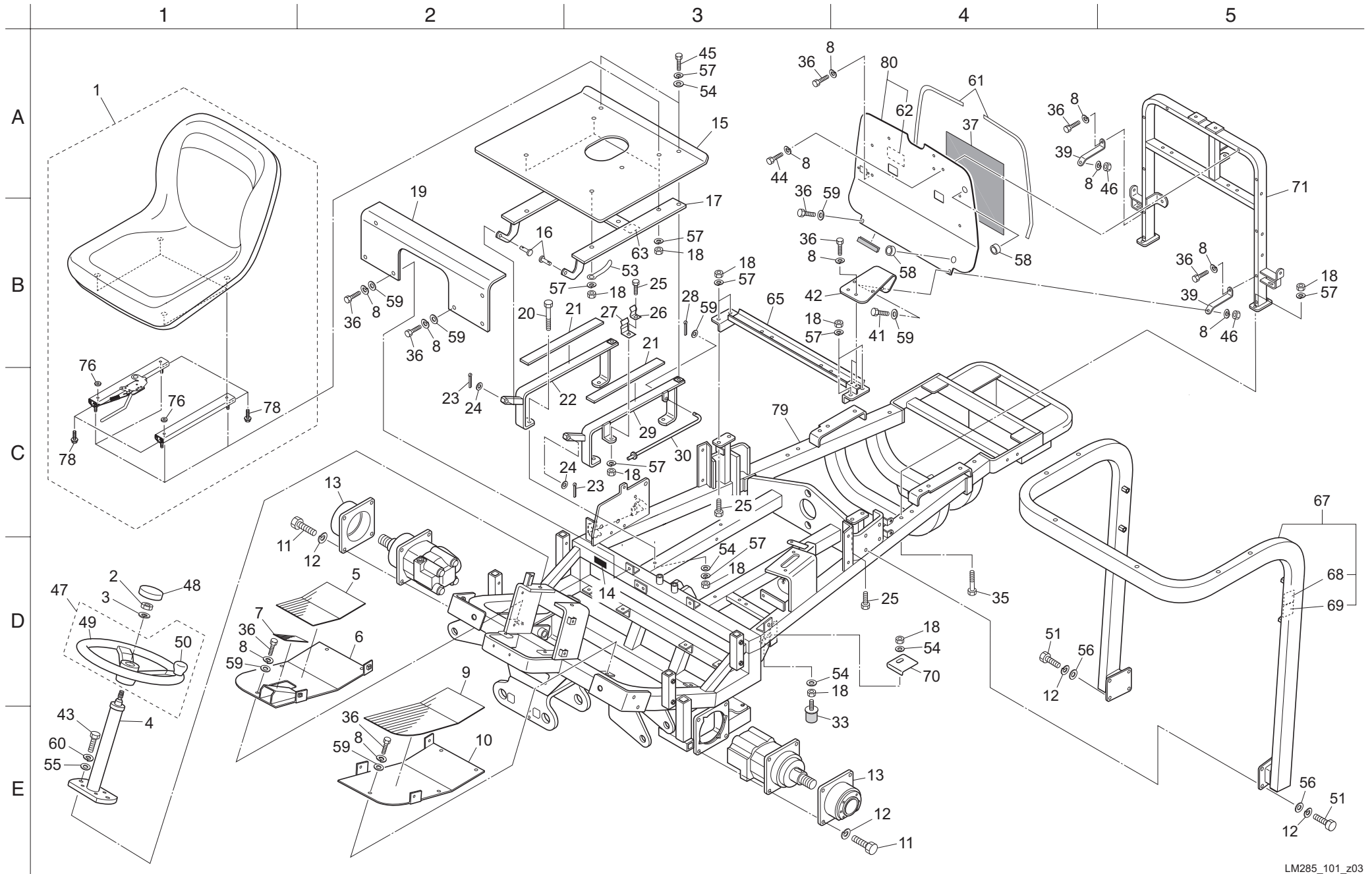
Note that the Baroness product warranty may not apply to defects caused by the use of parts from other companies.

(For ordering parts)

For prevention of delivery of wrong parts, be sure to inform us of the code number and the part name.

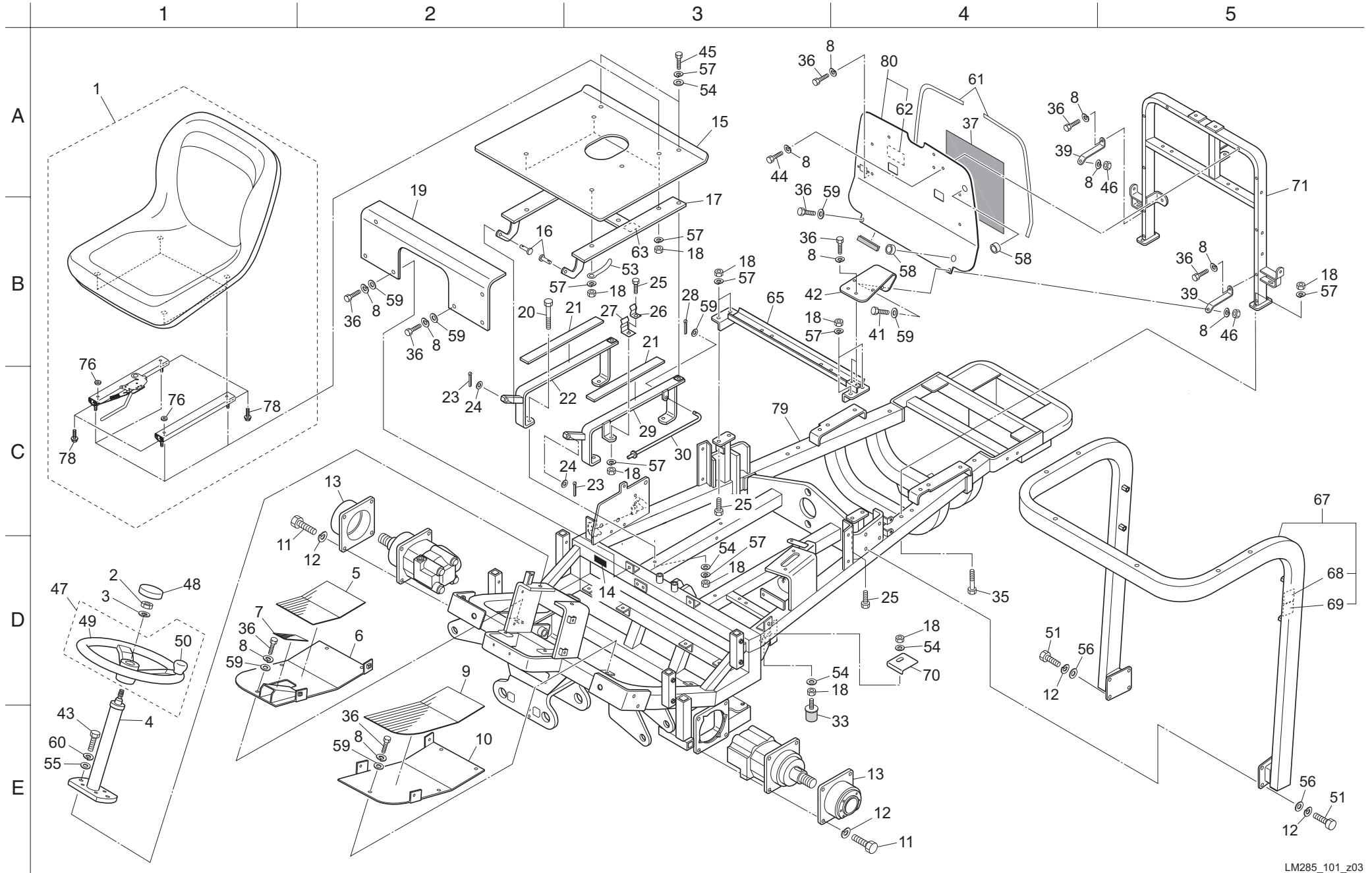
| Example: | Code No. | Part Name | Qty |
|----------|---------------|-----------|-----|
| | LM285--0601BD | FRAME | 1 |

101. Frame section



| Cat No. | Code No. | Part name | Qty | Remark | SN of application | Cat No. | Code No. | Part name | Qty | Remark | SN of application |
|---------|---------------|-------------------------------|-----|--------|-------------------|---------|---------------|----------------------------------|-----|--------|-------------------|
| 101-1 | K170000290 | SEAT ASSY, WITH SWITCH SPACER | 1 | | | 101-36 | K0000060152 | BOLT, M6-15 | 15 | | |
| 101-2 | K0103140002 | NUT, P1.5 M14 | 1 | | | 101-37 | LM318--0630Z0 | INSULATOR, FUEL TANK | 1 | | |
| 101-3 | K0200140002 | WASHER, SPRING M14 | 1 | | | 101-38 | | | | | |
| 101-4 | K1730000070 | COLUMN, STEERING | 1 | | | 101-39 | LM318--0621AD | SUPPORT, ANTI WIND PLATE | 2 | | |
| 101-5 | LM318--0623Z0 | RUBBER, STEP (R) | 1 | | | 101-40 | | | | | |
| 101-6 | LM318--0648ZD | STEP, (R) | 1 | | | 101-41 | K0000060202 | BOLT, M6-20 | 1 | | |
| 101-7 | LM318--0625Z0 | RUBBER, PLATE FOR PEDAL STEP | 1 | | | 101-42 | LM318--0637ZD | MOUNT, FUEL PUMP | 1 | | |
| 101-8 | K0200060002 | WASHER, SPRING M6 | 21 | | | 101-43 | K0000100302 | BOLT, M10-30 | 2 | | |
| 101-9 | LM318--0608Z0 | RUBBER, STEP (L) | 1 | | | 101-44 | K0000060102 | BOLT, M6-10 | 6 | | |
| 101-10 | LM318--0647ZD | STEP, (L) | 1 | | | 101-45 | K0000080252 | BOLT, M8-25 | 3 | | |
| 101-11 | K0010120602 | BOLT, HT M12-60 | 8 | | | 101-46 | K0100060002 | NUT, M6 | 2 | | |
| 101-12 | K0200120002 | WASHER, SPRING M12 | 16 | | | 101-47 | K1710000070 | STEERING, WITH KNOB V027220-0000 | 1 | | |
| 101-13 | LM318--0609ZD | HOUSING, HYDRAULIC MOTOR | 2 | | | 101-48 | K1310000130 | CAP, RUBBER | 1 | | |
| 101-14 | K4203001290 | DECAL, STOP VALVE OPERATION | 1 | | | 101-49 | K1710000080 | STEERING, V027220-0101 | 1 | | |
| 101-15 | LM285--0959ZD | COVER, UNDER SEAT | 1 | | | 101-50 | K1710000090 | KNOB, V027220-0200 ASSY | 1 | | |
| 101-16 | K6030100322 | PIN, FLAT HEAD M10-32 | 2 | | | 101-51 | K0010120402 | BOLT, HT M12-40 | 8 | | |
| 101-17 | LM282--0646AD | PLATE, FOR MOUNTING SEAT | 1 | | | 101-52 | | | | | |
| 101-18 | K0100080002 | NUT, M8 | 17 | | | 101-53 | K4281000020 | CLAMP, HARNESS 8.5 80 | 1 | | |
| 101-19 | LM282--0958ZD | COVER, FRONT (CENTER) | 1 | | | 101-54 | K5000080002 | WASHER, M8 | 10 | | |
| 101-20 | K0000080602 | BOLT, M8-60 | 4 | | | 101-55 | K5000100002 | WASHER, M10 | 2 | | |
| 101-21 | LM282--0606Z0 | RUBBER, FOR SEAT BASE | 2 | | | 101-56 | K5000120002 | WASHER, M12 | 8 | | |
| 101-22 | LM282--0605CD | FITTING, MOUNTING SEAT (R) | 1 | | | 101-57 | K0200080002 | WASHER, SPRING M8 | 19 | | |
| 101-23 | K0300025202 | PIN, COTTER M2.5-20 | 2 | | | 101-58 | K0910000100 | GROMMET, C30NG79L | 2 | | |
| 101-24 | K5011010162 | WASHER, SPCC 1-10-16 | 2 | | | 101-59 | K5000060002 | WASHER, M6 | 12 | | |
| 101-25 | K0000080202 | BOLT, M8-20 | 5 | | | 101-60 | K0200100002 | WASHER, SPRING M10 | 2 | | |
| 101-26 | K1090000108 | SPRING, RECEIVING ROD B | 1 | | | 101-61 | K3198108200 | TRIM, SEAL 6100-16C-820 | 2 | | |
| 101-27 | K5270002052 | RECEIVER, ROD A | 1 | | | 101-62 | K4205001540 | DECAL, CAUTION TO HOT PARTS | 1 | | |
| 101-28 | K0300016122 | PIN, COTTER M1.6-12 | 1 | | | 101-63 | K4209001180 | DECAL, ARROW POINT | 1 | | |
| 101-29 | LM282--0603BD | FITTING, MOUNTING SEAT (L) | 1 | | | 101-64 | | | | | |
| 101-30 | MS400--0521Z2 | STAND | 1 | | | 101-65 | LM285--0621ZD | STAY, TANK | 1 | | |
| 101-31 | | | | | | 101-66 | | | | | |
| 101-32 | | | | | | 101-67 | K9310000040 | ROPS, 2 POST WITH MARK | 1 | | |
| 101-33 | K4049030000 | RUBBER, STOPPER KI-30 | 2 | | | 101-68 | K4209001500 | STICKER, ROPS CERTIFICATION | 1 | | |
| 101-34 | | | | | | 101-69 | K4205001710 | DECAL, CAUTION TO ROPS | 1 | | |
| 101-35 | K0003080702 | BOLT, M8-70 | 4 | | | 101-70 | LM285--0653ZD | ANGLE | 1 | | |

101. Frame section

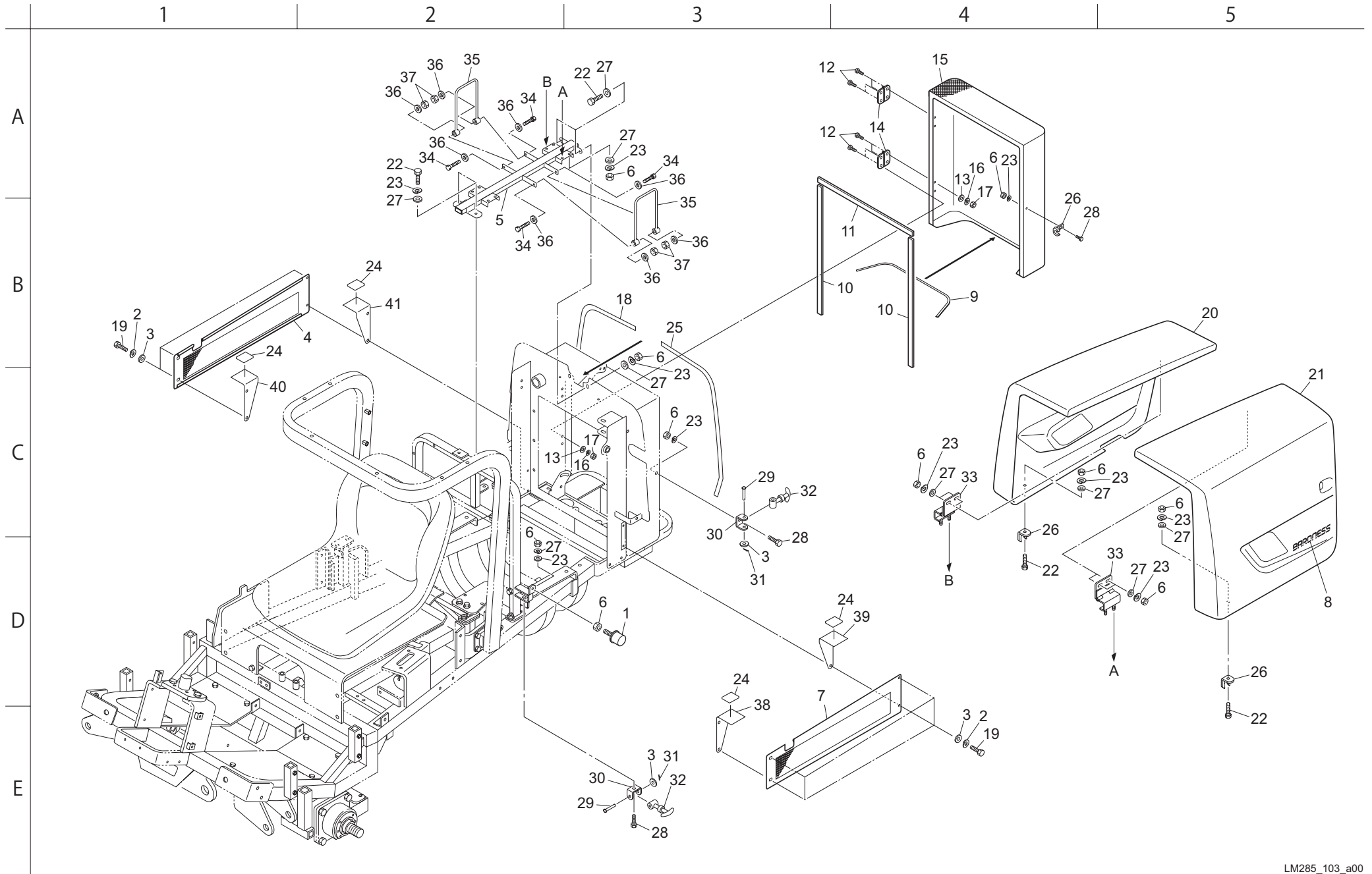


| Cat No. | Code No. | Part name | Qty | Remark | SN of application |
|---------|---------------|------------------------------------|-----|--------|-------------------|
| 101-71 | LM285--0619BD | MOUNT, TANK | 1 | | |
| 101-72 | | | | | |
| 101-73 | | | | | |
| 101-74 | | | | | |
| 101-75 | | | | | |
| 101-76 | K5074510262 | WASHER, SPHC 4.5-10-26 | 2 | | |
| 101-77 | | | | | |
| 101-78 | K0021080302 | BOLT, FLANGED M8-30 | 4 | | |
| 101-79 | LM285--0601CD | FRAME | 1 | | 10150- |
| 101-80 | LM281--0613Z0 | PLATE, SHIELDING WIND WITH STICKER | 1 | | 10180- |
| | | | | | |
| | | | | | |
| | | | | | |
| | | | | | |
| | | | | | |
| | | | | | |

| Cat No. | Code No. | Part name | Qty | Remark | SN of application |
|---------|----------|-----------|-----|--------|-------------------|
| | | | | | |
| | | | | | |
| | | | | | |
| | | | | | |
| | | | | | |
| | | | | | |
| | | | | | |
| | | | | | |
| | | | | | |

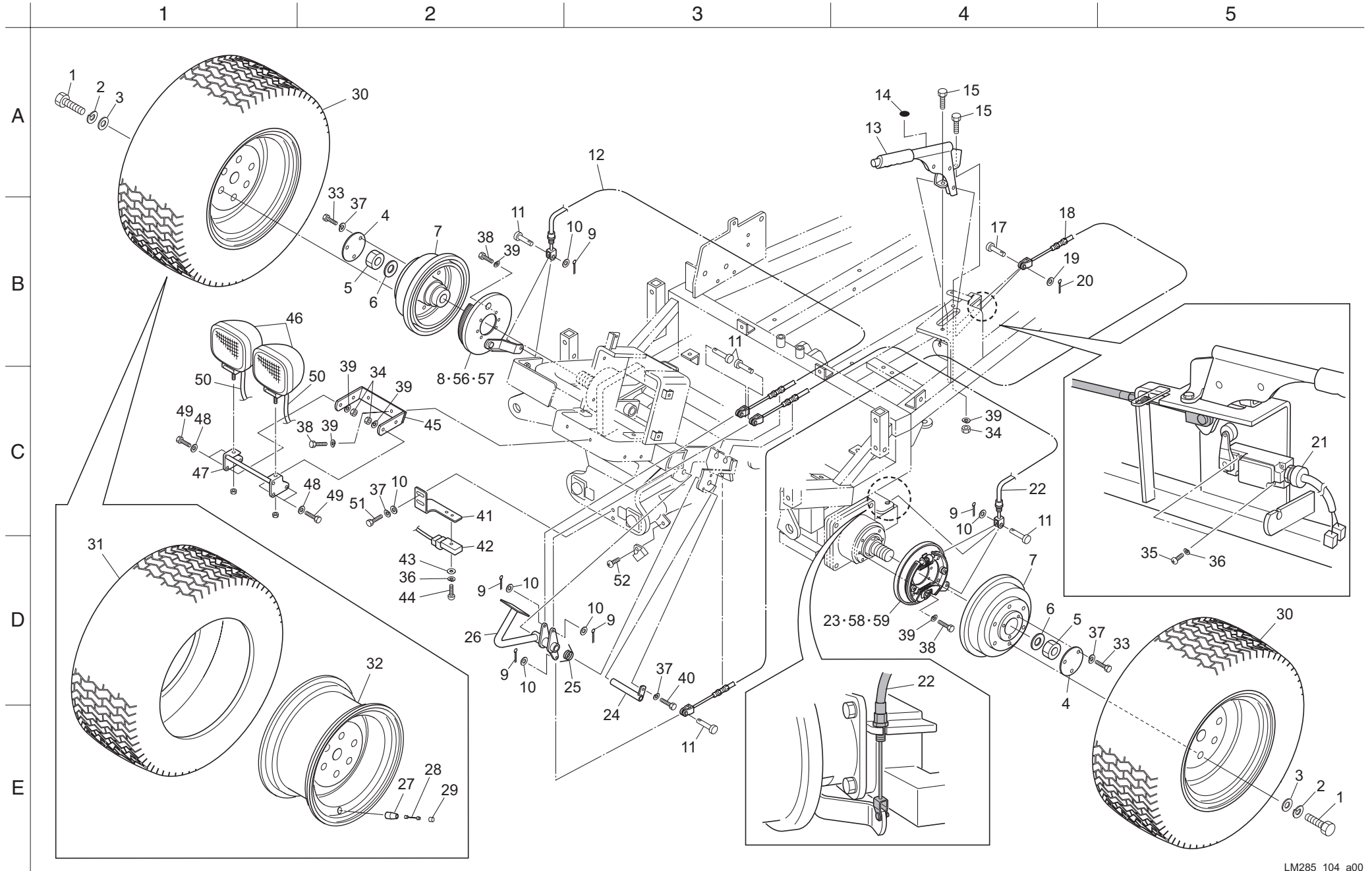
| Cat No. | Code No. | Part name | Qty | Remark | SN of application | Cat No. | Code No. | Part name | Qty | Remark | SN of application |
|---------|---------------|------------------------------------|-----|--------|-------------------|---------|---------------|--------------------------------|-----|--------|-------------------|
| 102-1 | | | | | | 102-36 | K0200080002 | WASHER, SPRING M8 | 12 | | |
| 102-2 | K3197002550 | TRIM, AL 75-16-255 | 1 | | | 102-37 | LM285--2201ZD | STAY, GAUGE | 1 | | |
| 102-3 | LM285--0906A0 | COVER COMP, (FRONT) | 1 | | | 102-38 | K5000080002 | WASHER, M8 | 9 | | |
| 102-4 | K0200060002 | WASHER, SPRING M6 | 31 | | | 102-39 | K5011606202 | WASHER, SPCC 1.6-6-20 | 8 | | |
| 102-5 | K5000060002 | WASHER, M6 | 21 | | | 102-40 | LM285--0962Z2 | BRACKET, SWITCH | 1 | | |
| 102-6 | K4201000590 | STICKER, K | 1 | | | 102-41 | K0000060102 | BOLT, M6-10 | 2 | | |
| 102-7 | K3654000010 | GAUGE, ANGLE | 1 | | | 102-42 | K3670000130 | SWITCH, LIMIT AZ3725-1 | 1 | | |
| 102-8 | K1320000030 | KNOB, WITH M8 4215 | 1 | | | 102-43 | K0042040252 | SCREW, + ROUND HEAD M4-25 | 2 | | |
| 102-9 | K0210080002 | SPRING, CONICAL DISC L M8 | 3 | | | 102-44 | K0200040002 | WASHER, SPRING M4 | 2 | | |
| 102-10 | | | | | | 102-45 | K5000040002 | WASHER, M4 | 2 | | |
| 102-11 | K4015108180 | PACKING, FIBER 1-8.5-18 | 1 | | | 102-46 | K4030306200 | RUBBER, WASHER 3-6.5-20 | 8 | | |
| 102-12 | K0000080202 | BOLT, M8-20 | 5 | | | 102-47 | | | | | |
| 102-13 | LM285--0972A0 | COVER COMP, FRONT (R) | 1 | | | 102a-48 | K4209001340 | DECAL, CAUTION "DO NOT STEP" | 1 | | |
| 102-14 | K3197002000 | TRIM, AL 75-16-200 | 1 | | | 102-49 | | | | | |
| 102-15 | LM285--0961ZD | STOPPER | 1 | | | 102-50 | | | | | |
| 102-16 | K0100080002 | NUT, M8 | 2 | | | 102-51 | K0060060120 | BOLT, SUS WITH HEX. HOLE M6-12 | 2 | | |
| 102-17 | LM282--7504ZR | COVER, WHEEL (R) | 1 | | | 102-52 | K4205001540 | DECAL, CAUTION TO HOT PARTS | 1 | | |
| 102-18 | LM318--0965Z0 | SHEET, SLIP RESISTANCE | 2 | | | 102-53 | K4205001950 | DECAL, CAUTION EXHAUST GAS | 1 | | |
| 102-19 | K0900301200 | GROMMET, W/SEALING C30SG120A | 1 | | | 102-54 | LM285--0980Z0 | PANEL, WITH MARK (METER) | 1 | | 10180- |
| 102a-20 | LM285--0968Z0 | COVER, WITH STICKER (CENTER FRONT) | 1 | | | | | | | | |
| 102-21 | K4209000980 | DECAL, HYDRAULIC OIL | 1 | | | | | | | | |
| 102-22 | K3197000500 | TRIM, AL 75-16-50 | 1 | | | | | | | | |
| 102-23 | LM285--0951ZR | COVER, WHEEL (L) | 1 | | | | | | | | |
| 102-24 | K0042060252 | SCREW, + ROUND HEAD M6-25 | 2 | | | | | | | | |
| 102-25 | K0100060002 | NUT, M6 | 2 | | | | | | | | |
| 102-26 | LM285--0971Z0 | COVER COMP, FRONT (L) | 1 | | | | | | | | |
| 102-27 | K4203001220 | DECAL, ENGINE ROTATION | 1 | | | | | | | | |
| 102-28 | K0000060202 | BOLT, M6-20 | 4 | | | | | | | | |
| 102-29 | K0000060152 | BOLT, M6-15 | 23 | | | | | | | | |
| 102-30 | K0000080502 | BOLT, M8-50 | 8 | | | | | | | | |
| 102-31 | LM318--0959ZD | COVER, CENTER (REAR) | 1 | | | | | | | | |
| 102-32 | LM285--0967A0 | DECAL, OPERATING LEVER | 1 | | | | | | | | |
| 102-33 | LM285--0651ZD | HAND REST, (L) | 1 | | | | | | | | |
| 102-34 | LM285--0652ZD | HAND REST, (R) | 1 | | | | | | | | |
| 102-35 | K1300000020 | GRIP, RUBBER HANDLE 25.4 | 2 | | | | | | | | |

103. Cover section (Rear)



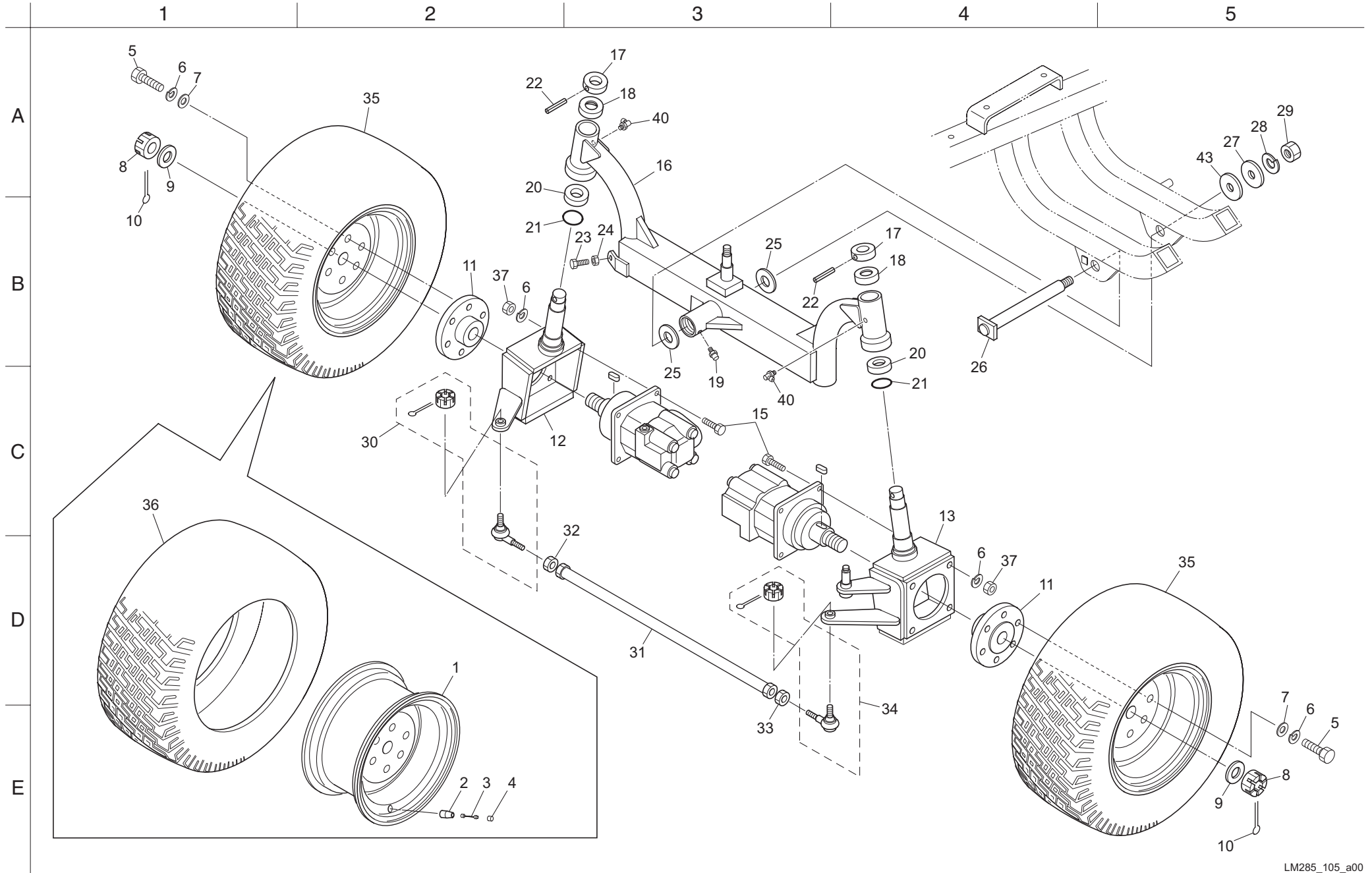
| Cat No. | Code No. | Part name | Qty | Remark | SN of application | Cat No. | Code No. | Part name | Qty | Remark | SN of application |
|---------|---------------|-------------------------------|-----|--------|-------------------|---------|---------------|-----------------------|-----|--------|-------------------|
| 103-1 | K4049030000 | RUBBER, STOPPER KI-30 | 2 | | | 103-36 | K5000100002 | WASHER, M10 | 8 | | |
| 103-2 | K0200060002 | WASHER, SPRING M6 | 8 | | | 103-37 | K0144100002 | NUT, WITH F-RING, M10 | 4 | | |
| 103-3 | K5000060002 | WASHER, M6 | 11 | | | 103-38 | LM285--0965ZD | STAY, (L FRONT) | 1 | | |
| 103-4 | LM285--0939ZD | COVER, SIDE (R) | 1 | | | 103-39 | LM285--0963ZD | STAY, (L REAR) | 1 | | |
| 103-5 | LM285--0660ZD | FITTING, HOOD | 1 | | | 103-40 | LM285--0966ZD | STAY, (R FRONT) | 1 | | |
| 103-6 | K0100080002 | NUT, M8 | 26 | | | 103-41 | LM285--0964ZD | STAY, (R REAR) | 1 | | |
| 103-7 | LM285--0938ZD | COVER, SIDE (L) | 1 | | | | | | | | |
| 103-8 | K4201000330 | STICKER, BARONESS 240S | 2 | | | | | | | | |
| 103-9 | K3197005700 | TRIM, AL 75-16-570 | 1 | | | | | | | | |
| 103-10 | K4228000090 | SPONGE, RUBBER 5-15-590 | 2 | | | | | | | | |
| 103-11 | K4228000100 | SPONGE, RUBBER 5-15-500 | 1 | | | | | | | | |
| 103-12 | K0000050122 | BOLT, M5-12 | 8 | | | | | | | | |
| 103-13 | K5000050002 | WASHER, M5 | 8 | | | | | | | | |
| 103-14 | K4520000210 | HINGE, RESIN WITH HOLE 5.2-75 | 2 | | | | | | | | |
| 103-15 | LM285--0940AD | COVER, RADIATOR | 1 | | | | | | | | |
| 103-16 | K0200050002 | WASHER, SPRING M5 | 8 | | | | | | | | |
| 103-17 | K0100050002 | NUT, M5 | 8 | | | | | | | | |
| 103-18 | K3198305200 | TRIM, SEAL 6100-32C-520 | 1 | | | | | | | | |
| 103-19 | K0000060152 | BOLT, M6-15 | 8 | | | | | | | | |
| 103-20 | LM285--0905A0 | HOOD COMP, (R) | 1 | | | | | | | | |
| 103a-21 | LM285--0904Z0 | HOOD COMP, (L) | 1 | | | | | | | | |
| 103-22 | K0000080202 | BOLT, M8-20 | 6 | | | | | | | | |
| 103-23 | K0200080002 | WASHER, SPRING M8 | 26 | | | | | | | | |
| 103-24 | K4033000430 | RUBBER, PLATE 1-3045 | 4 | | | | | | | | |
| 103-25 | K3198304400 | TRIM, SEAL 6100-32C-440 | 1 | | | | | | | | |
| 103-26 | K5270002352 | RECEIVER, RUBBER HOOK | 3 | | | | | | | | |
| 103-27 | K5000080002 | WASHER, M8 | 24 | | | | | | | | |
| 103-28 | K0000080152 | BOLT, M8-15 | 4 | | | | | | | | |
| 103-29 | K6030060352 | PIN, FLAT HEAD M6-35 | 3 | | | | | | | | |
| 103-30 | K5200000102 | BRACKET, RUBBER HOOK | 3 | | | | | | | | |
| 103-31 | K0300016202 | PIN, COTTER M1.6-20 | 3 | | | | | | | | |
| 103-32 | K1520000090 | HOOK, RUBBER SMALL | 3 | | | | | | | | |
| 103-33 | GM2800-0920Z0 | HINGE ASSY | 4 | | | | | | | | |
| 103-34 | K0000100402 | BOLT, M10-40 | 4 | | | | | | | | |
| 103-35 | GM1500-0932B2 | STAY, FOR HOOD | 2 | | | | | | | | |

104. Front wheel section



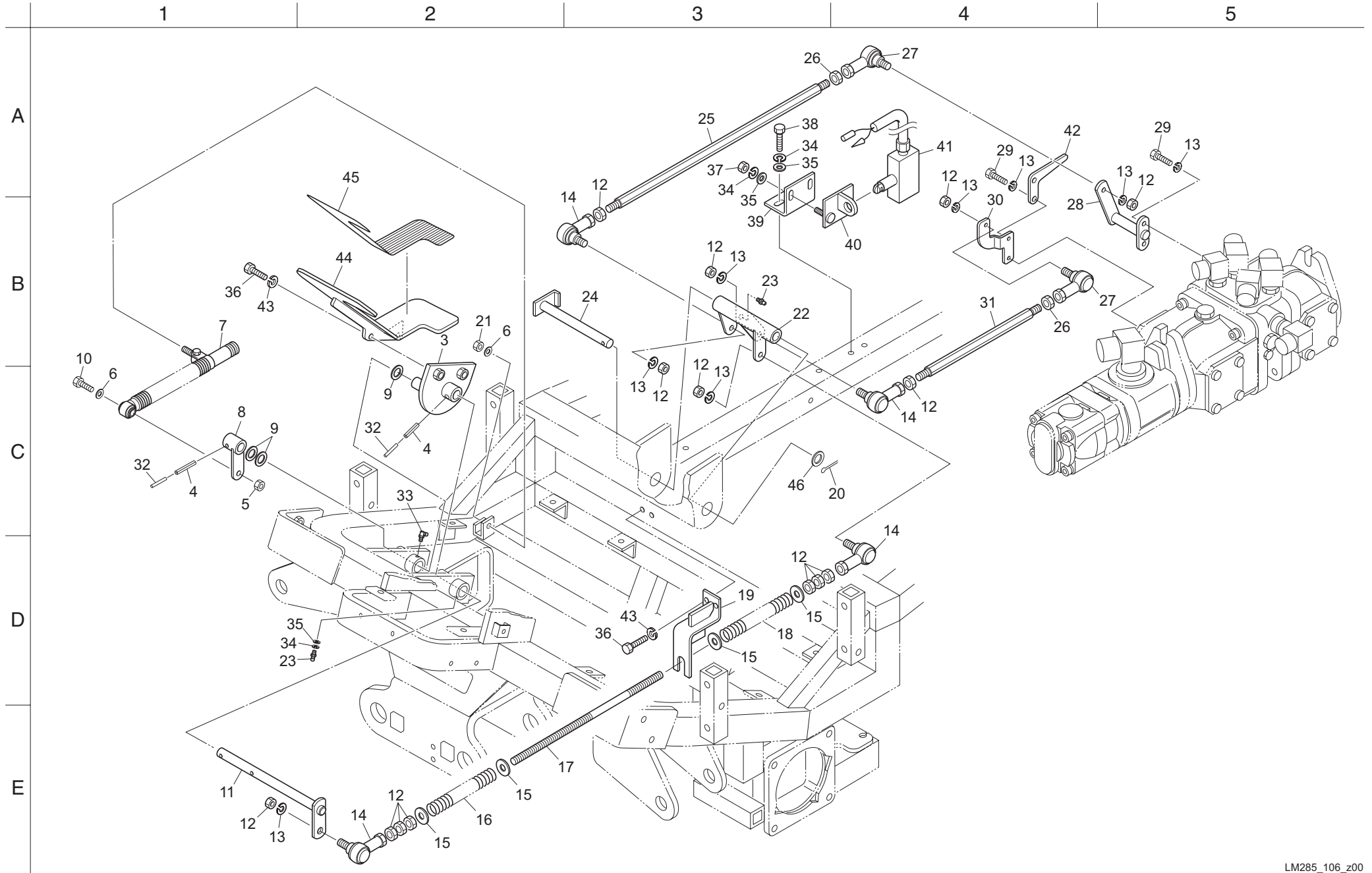
| Cat No. | Code No. | Part name | Qty | Remark | SN of application | Cat No. | Code No. | Part name | Qty | Remark | SN of application |
|---------|---------------|-----------------------------|-----|--------|-------------------|---------|---------------|-----------------------------------|-----|--------|-------------------|
| 104-1 | K0011120302 | BOLT, HT P1.5 M12-30 | 12 | | | 104-36 | K0200050002 | WASHER, SPRING M5 | 3 | | |
| 104-2 | K0200120002 | WASHER, SPRING M12 | 12 | | | 104-37 | K0200060002 | WASHER, SPRING M6 | 9 | | |
| 104-3 | K5074512252 | WASHER, SPHC 4.5-12-25 | 12 | | | 104-38 | K0000080152 | BOLT, M8-15 | 14 | | |
| 104-4 | K517000012D | PLATE, SPCC BOLT COVER | 2 | | | 104-39 | K0200080002 | WASHER, SPRING M8 | 20 | | |
| 104-5 | K0160000492 | NUT, SPECIAL P1.5 M24 | 2 | | | 104-40 | K0000060202 | BOLT, M6-20 | 1 | | |
| 104-6 | K0214240001 | WASHER, DISK SPRING L M24-2 | 2 | | | 104-41 | LM285--0207ZD | PLATE, MOUNTING SENSOR | 1 | | |
| 104-7 | K6909000232 | MOUNT, WHEEL | 2 | | | 104-42 | K3720000140 | SENSOR, PROXIMITY SWITCH NC | 1 | | |
| 104-8 | K1720000210 | BRAKE ASSY, WITH LEVER (R) | 1 | | | 104-43 | K5000050002 | WASHER, M5 | 1 | | |
| 104-9 | K0300016202 | PIN, COTTER M1.6-20 | 5 | | | 104-44 | K0000050202 | BOLT, M5-20 | 1 | | |
| 104-10 | K5000060002 | WASHER, M6 | 7 | | | 104-45 | LM285--1102ZD | STAY, LAMP | 1 | | |
| 104-11 | K6031060172 | PIN, FLAT-HEAD HT M6-17 | 5 | | | 104-46 | K3640000070 | LAMP, WORKING WL-B220A | 2 | | |
| 104-12 | K1120125000 | WIRE, BRAKE 1250 | 1 | | | 104-47 | LM2700-1701ZD | BRACKET, LAMP | 1 | | |
| 104-13 | K1724000020 | LEVER ASSY, SIDE BRAKE | 1 | | | 104-48 | K5000080002 | WASHER, M8 | 4 | | |
| 104-14 | K4209001200 | DECAL, BRAKE | 1 | | | 104-49 | K0000080252 | BOLT, M8-25 | 4 | | |
| 104-15 | K0000080202 | BOLT, M8-20 | 2 | | | 104-50 | K3194001000 | TUBE, CORRUGATED 7-100 | 2 | | |
| 104-16 | | | | | | 104-51 | K0000060152 | BOLT, M6-15 | 2 | | |
| 104-17 | K6030120242 | PIN, FLAT HEAD M12-24 | 1 | | | 104-52 | K0048050102 | SCREW, + ROUND HEAD WITH SW M5-10 | 1 | | |
| 104-18 | K1120141010 | WIRE, BRAKE 1410 | 1 | | | 104a-53 | | | | | |
| 104-19 | K5000120002 | WASHER, M12 | 1 | | | 104a-54 | | | | | |
| 104-20 | K0300020202 | PIN, COTTER M2-20 | 1 | | | 104a-55 | | | | | |
| 104-21 | K3670000120 | SWITCH, LIMIT D4A-4717N | 1 | | | 104-56 | P741-8005-00 | SHOE ASSY | 1 | | |
| 104-22 | K1120107000 | WIRE, BRAKE 1070 | 1 | | | 104-57 | P741-8007-00 | SHOE ASSY | 1 | | |
| 104-23 | K1720000200 | BRAKE ASSY, WITH LEVER (L) | 1 | | | 104-58 | P741-8006-00 | SHOE ASSY | 1 | | |
| 104-24 | LM282--0802Z2 | SHAFT, PEDAL | 1 | | | 104-59 | P741-8008-00 | SHOE ASSY | 1 | | |
| 104-25 | K1050000068 | SPRING, TORSION | 1 | | | | | | | | |
| 104-26 | LM282--0817Z3 | PEDAL, BRAKE | 1 | | | | | | | | |
| 104-27 | K2097000010 | VALVE, RIM TR413 | 2 | | | | | | | | |
| 104-28 | K2092000020 | CORE, VALVE NO.9000 | 2 | | | | | | | | |
| 104-29 | K2093000010 | CAP, VALVE | 2 | | | | | | | | |
| 104-30 | K2040000600 | TIRE ASSY, M40B-23*1050-12 | 2 | TYPE R | | | | | | | |
| 104-31 | K2041000360 | TIRE, M40B 23*1050-12 | 2 | TYPE R | | | | | | | |
| 104-32 | K209000081L | WHEEL, 8.5JA*12WDC | 2 | TYPE R | | | | | | | |
| 104-33 | K0000060102 | BOLT, M6-10 | 6 | | | | | | | | |
| 104-34 | K0100080002 | NUT, M8 | 6 | | | | | | | | |
| 104-35 | K0042050402 | SCREW, + ROUND HEAD M5-40 | 2 | | | | | | | | |

105. Rear wheel section

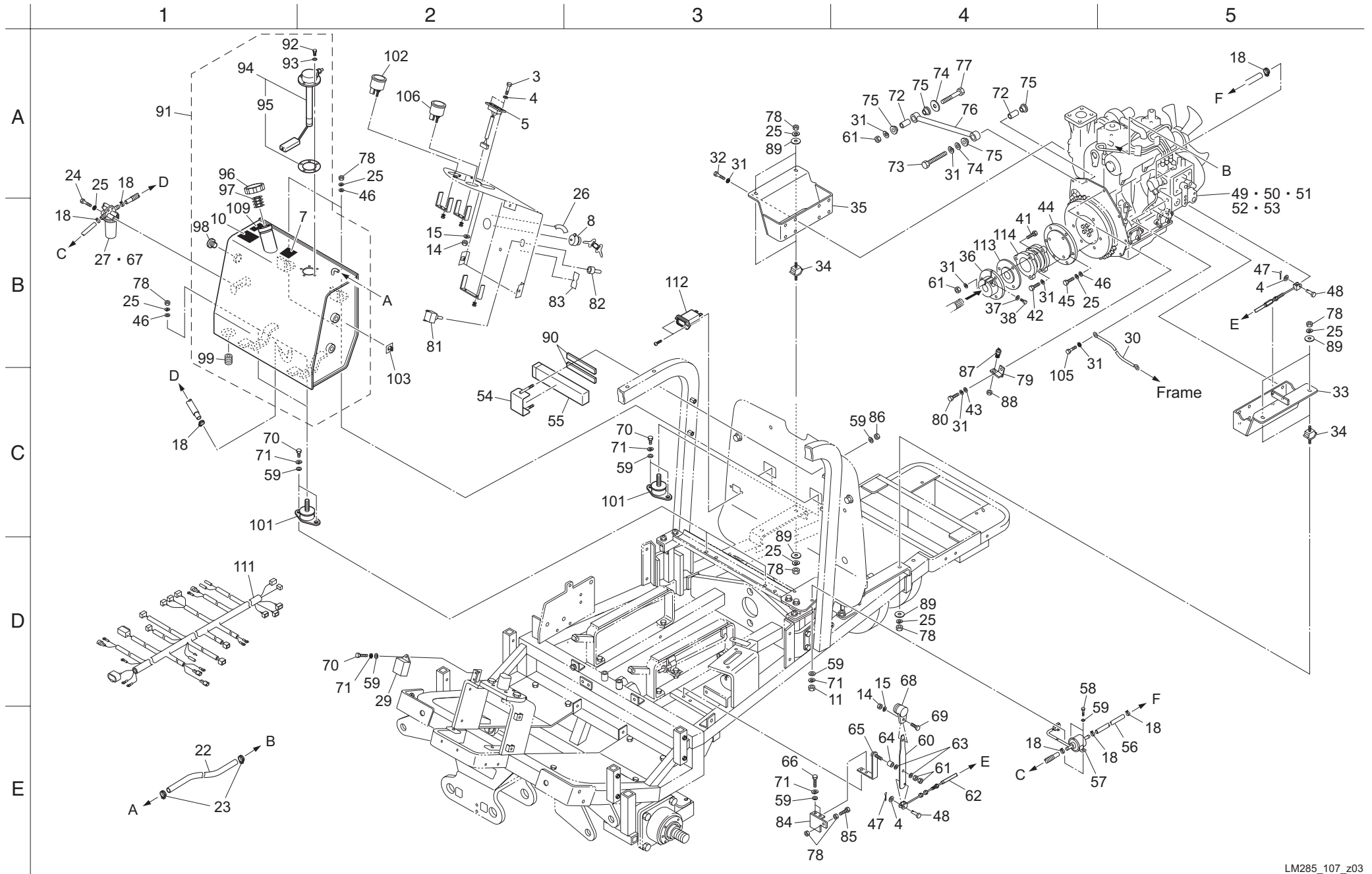


| Cat No. | Code No. | Part name | Qty | Remark | SN of application | Cat No. | Code No. | Part name | Qty | Remark | SN of application |
|---------|---------------|--|-----|--------|-------------------|---------|-------------|------------------------|-----|--------|-------------------|
| 105-1 | K209000054L | WHEEL, 7JA*12WDC | 2 | | | 105-36 | K2041000370 | TIRE, M40B 23*850-12 | 2 | TYPE R | |
| 105-2 | K2097000010 | VALVE, RIM TR413 | 2 | | | 105-37 | K0100120002 | NUT, M12 | 8 | | |
| 105-3 | K2092000010 | CORE, VALVE NO.8000 | 2 | | | 105-38 | | | | | |
| 105-4 | K2093000010 | CAP, VALVE | 2 | | | 105-39 | | | | | |
| 105-5 | K0011120302 | BOLT, HT P1.5 M12-30 | 12 | | | 105-40 | K1440000020 | GREASE NIPPLE, C TYPE | 2 | | |
| 105-6 | K0200120002 | WASHER, SPRING M12 | 20 | | | 105a-41 | | | | | |
| 105-7 | K5074512252 | WASHER, SPHC 4.5-12-25 | 12 | | | 105a-42 | | | | | |
| 105-8 | K0138240002 | NUT, HIGH SLOTTED M24 PITCH 1.5 | 2 | | | 105-43 | K5051030420 | WASHER, C5191P 1-30-42 | 1 | | |
| 105-9 | K5000240002 | WASHER, M24 | 2 | | | | | | | | |
| 105-10 | K0300050452 | PIN, COTTER M5-45 | 2 | | | | | | | | |
| 105-11 | LM318--0304AD | MOUNT, REAR WHEEL 80 | 2 | | | | | | | | |
| 105-12 | LM318--0302DD | KING PIN, (R) | 1 | | | | | | | | |
| 105-13 | LM318--0303DD | KING PIN, (L) | 1 | | | | | | | | |
| 105-14 | | | | | | | | | | | |
| 105-15 | K0000120452 | BOLT, M12-45 | 8 | | | | | | | | |
| 105-16 | LM318--0301DD | PIVOT | 1 | | | | | | | | |
| 105-17 | K6213000113 | COLLAR, WITH HOLE M25-50-20 | 2 | | | | | | | | |
| 105-18 | K6204000383 | CAP | 2 | | | | | | | | |
| 105-19 | K1440000010 | GREASE NIPPLE, A TYPE | 1 | | | | | | | | |
| 105-20 | K0640511070 | BEARING, BALL THRUST 51107 | 2 | | | | | | | | |
| 105-21 | K0880048000 | O-RING, P48 | 2 | | | | | | | | |
| 105-22 | K0320080501 | PIN, SPRING M8-50 | 2 | | | | | | | | |
| 105-23 | K0000100302 | BOLT, M10-30 | 1 | | | | | | | | |
| 105-24 | K0100100002 | NUT, M10 | 1 | | | | | | | | |
| 105-25 | K5051030500 | WASHER, C5191P 1-30-50 | 2 | | | | | | | | |
| 105-26 | K7147000198 | PIN, FOR PIVOT | 1 | | | | | | | | |
| 105-27 | K5073216352 | WASHER, SPHC 3.2-16-35 | 1 | | | | | | | | |
| 105-28 | K0200160002 | WASHER, SPRING M16 | 1 | | | | | | | | |
| 105-29 | K0100160002 | NUT, M16 | 1 | | | | | | | | |
| 105-30 | K1610000020 | TIE-ROD END ASSY, MALE (R) | 1 | | | | | | | | |
| 105-31 | LM318--0305ZD | ROD, TIE | 1 | | | | | | | | |
| 105-32 | K0160000192 | NUT, SPECIAL P1.5 M17 | 1 | | | | | | | | |
| 105-33 | K0160000202 | NUT, LEFT-HANDED SPECIAL P1.5 M17 | 1 | | | | | | | | |
| 105-34 | K1611000020 | TIE-ROD END ASSY, LEFT-HANDED MALE (L) | 1 | | | | | | | | |
| 105-35 | K2040000610 | TIRE ASSY, M40B-23*850-12 | 2 | TYPE R | | | | | | | |

106. Pedal section

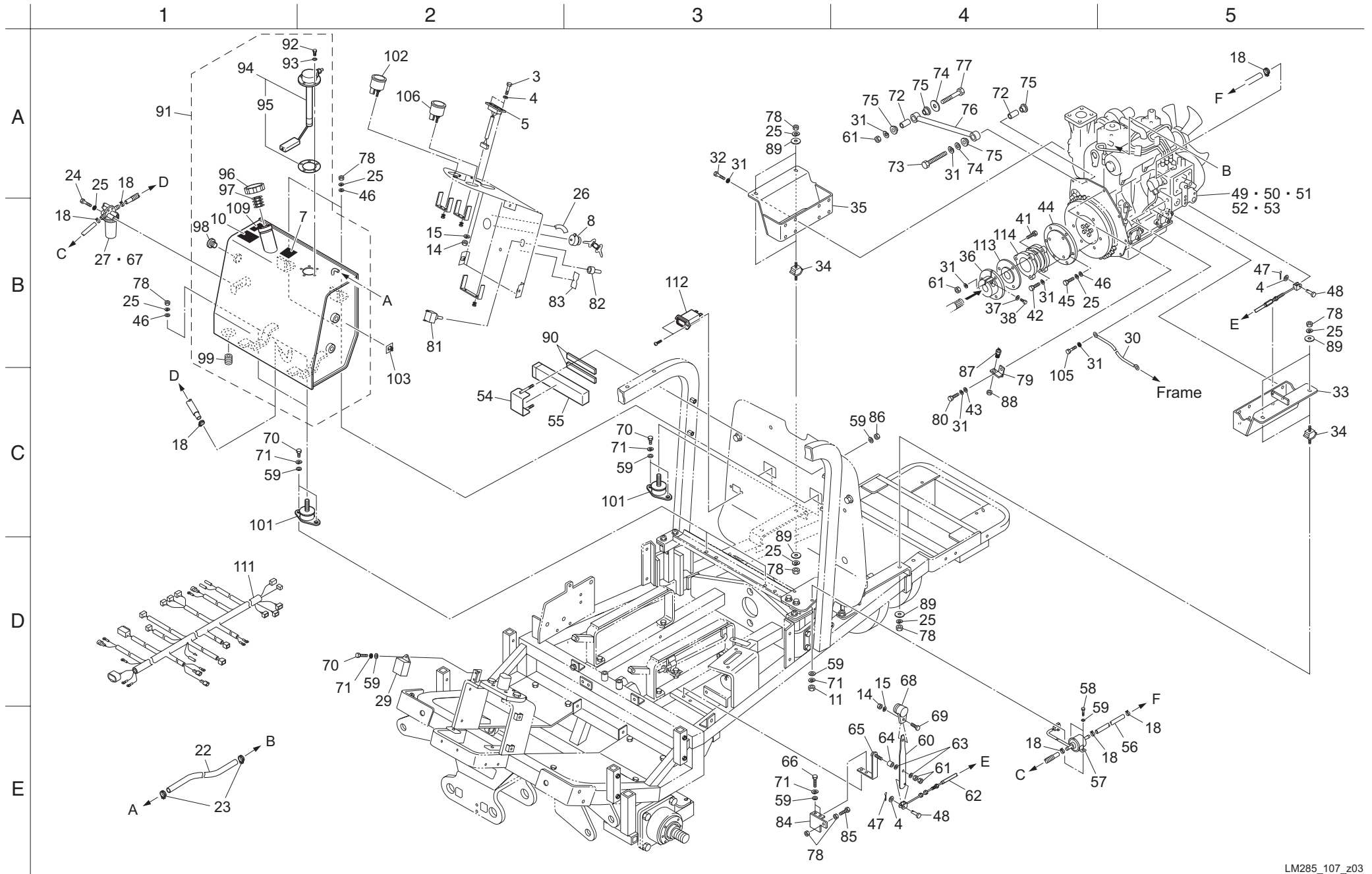


107. Engine section



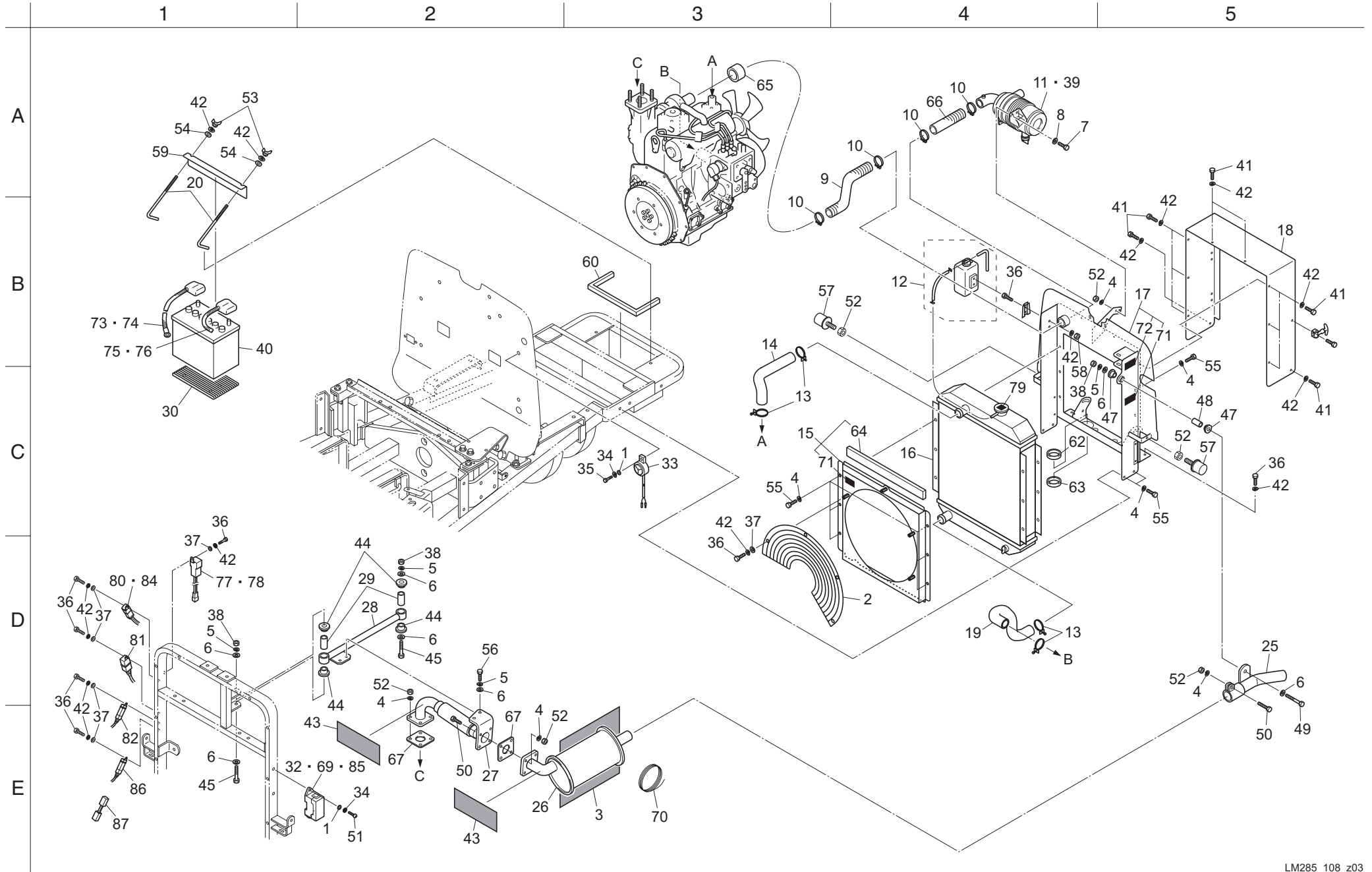
| Cat No. | Code No. | Part name | Qty | Remark | SN of application | Cat No. | Code No. | Part name | Qty | Remark | SN of application |
|---------|----------------|-----------------------------------|-----|--------|-------------------|---------|----------------|------------------------------|-----|--------|-------------------|
| 107-1 | | | | | | 107-36 | LM282--0541Z2 | DISK, DRIVING PUMP SIDE | 1 | | |
| 107-2 | | | | | | 107-37 | K0215100002 | WASHER, DISK SPRING H M10-2 | 1 | | |
| 107-3 | K0042050122 | SCREW, + ROUND HEAD M5-12 | 2 | | | 107-38 | K0024100351 | BOLT, WITH HEX. HOLE M10-35 | 1 | | |
| 107-4 | K5000050002 | WASHER, M5 | 4 | | | 107-39 | | | 1 | | |
| 107-5 | K3641000040 | LAMP, PILOT | 1 | | | 107-40 | K1620000260 | JOINT, BC75ACP201 | 1 | | |
| 107-6 | | | | | | 107-41 | K0010100352 | BOLT, HT M10-35 | 3 | | |
| 107-7 | K4209001330 | DECAL, DIESEL FUEL INDICATION | 1 | | | 107-42 | K0010100202 | BOLT, HT M10-20 | 3 | | |
| 107-8 | PF15248-6359-0 | SWITCH ASSY, STARTER | 1 | | | 107-43 | K5000100002 | WASHER, M10 | 1 | | |
| 107-9 | | | | | | 107-44 | | | 1 | | |
| 107-10 | K4209001000 | DECAL, DIESEL FUEL REFUELING HOLE | 1 | | | 107-45 | K0010080202 | BOLT, HT M8-20 | 6 | | |
| 107-11 | K0100060002 | NUT, M6 | 2 | | | 107-46 | K5000080002 | WASHER, M8 | 10 | | |
| 107-12 | | | | | | 107-47 | K0300016202 | PIN, COTTER M1.6-20 | 2 | | |
| 107-13 | | | | | | 107-48 | K6030050122 | PIN, FLAT HEAD M5-12 | 2 | | |
| 107-14 | K0100050002 | NUT, M5 | 3 | | | 107-49 | K2691000220 | ENGINE, KUBOTA D1105-T-E3B | 1 | | |
| 107-15 | K0200050002 | WASHER, SPRING M5 | 3 | | | 107-50 | PF15241-3209-4 | ELEMENT, OIL FILTER | 1 | | |
| 107-16 | | | | | | 107-51 | PF16241-9701-0 | BELT, FAN | 1 | | |
| 107-17 | | | | | | 107-52 | PF13901-3375-0 | PLUG, DRAIN BOLT | 1 | | |
| 107-18 | PF14911-4275-1 | CLIP, PIPE | 6 | | | 107-53 | PF6C090-5896-0 | GASKET, DRAIN OILPAN | 1 | | |
| 107-19 | | | | | | 107-54 | LM285--1002ZD | FITTING | 1 | | |
| 107-20 | | | | | | 107-55 | LM285--1001Z0 | CASE, MANUAL | 1 | | |
| 107-21 | | | | | | 107-56 | PF09661-8250-0 | TUBE, FUEL | 1 | | |
| 107-22 | PF09661-4210-0 | TUBE, FUEL | 1 | | | 107-57 | PFR1401-5135-1 | PUMP ASSY, FUEL | 1 | | |
| 107-23 | PF14971-4275-1 | CLIP, PIPE | 2 | | | 107-58 | K0000060152 | BOLT, M6-15 | 2 | | |
| 107-24 | K0000080602 | BOLT, M8-60 | 1 | | | 107-59 | K5000060002 | WASHER, M6 | 17 | | |
| 107-25 | K0200080002 | WASHER, SPRING M8 | 13 | | | 107-60 | LM318--0510Z2 | SHANK, THROTTLE LEVER | 1 | | |
| 107-26 | K4209001190 | DECAL, KEY SWITCH | 1 | | | 107-61 | K0100100002 | NUT, M10 | 6 | | |
| 107-27 | PF1G313-4301-0 | FILTER ASSY, FUEL | 1 | | | 107-62 | K1110101000 | WIRE, THROTTLE 1010 | 1 | | |
| 107-28 | | | | | | 107-63 | K0210100002 | SPRING, CONICAL DISC L M10 | 2 | | |
| 107-29 | PF15694-6599-0 | TIMER, GLOW LAMP | 1 | | | 107-64 | K6212000092 | COLLAR, STKM M10-16-10 | 1 | | |
| 107-30 | K3611000430 | WIRE, TO EARTH 500 | 1 | | | 107-65 | LM318--0511Z2 | BRACKET, THROTTLE LEVER | 1 | | |
| 107-31 | K0200100002 | WASHER, SPRING M10 | 23 | | | 107-66 | K0000060202 | BOLT, M6-20 | 2 | | |
| 107-32 | K0017100252 | BOLT, SMALL HT P1.25 M10-25 | 16 | | | 107-67 | PF1G313-4356-0 | ELEMENT ASSY, FUEL | 1 | | |
| 107-33 | LM285--0516AD | BASE, ENGINE (L) | 1 | | | 107-68 | K1301000150 | GRIP, PLASTIC THROTTLE LEVER | 1 | | |
| 107-34 | K4040000150 | RUBBER, VIBRATION PROOF EC4001 | 4 | | | 107-69 | K0042050082 | SCREW, + ROUND HEAD M5-8 | 1 | | |
| 107-35 | LM285--0517AD | BASE, ENGINE (R) | 1 | | | 107-70 | K0000060102 | BOLT, M6-10 | 9 | | |

107. Engine section



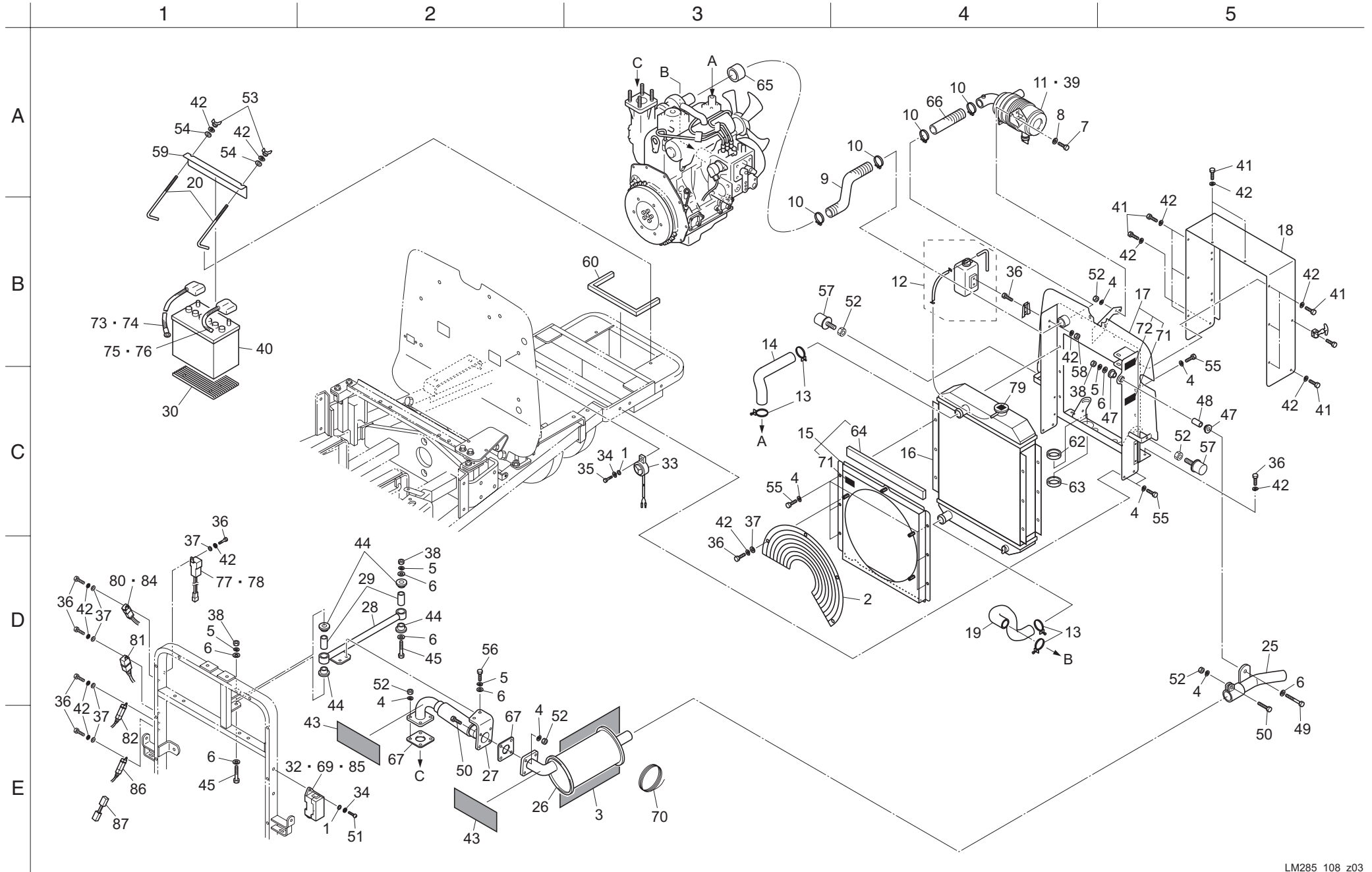
| Cat No. | Code No. | Part name | Qty | Remark | SN of application | Cat No. | Code No. | Part name | Qty | Remark | SN of application |
|---------|----------------|------------------------------------|-----|--------|-------------------|---------|----------------|--------------------------|-----|--------|-------------------|
| 107-71 | K0200060002 | WASHER, SPRING M6 | 13 | | | 107-106 | PFR1401-5317-1 | GAUGE, WATER TEMPERATURE | 1 | | 10148- |
| 107-72 | K6211000062 | COLLAR, SGP M12.7-17.3-31 | 2 | | | 107-107 | | | | | 10148- |
| 107-73 | K0014100602 | BOLT, HT P1.25 M10-60 | 1 | | | 107-108 | | | | | |
| 107-74 | K5073210352 | WASHER, SPHC 3.2-10-35 | 2 | | | 107-109 | K4205001940 | DECAL, CAUTION FIRE | 1 | | |
| 107-75 | K4031000310 | RUBBER, PLATE 32 | 4 | | | 107-110 | K4209001470 | PLATE, TPEM | 1 | | |
| 107-76 | LM285--0551ZD | ROD, TORQUE | 1 | | | 107-111 | LM281--0503Z0 | HARNESS | 1 | | 10180- |
| 107-77 | K0010100602 | BOLT, HT M10-60 | 1 | | | 107-112 | K365000040 | HOUR METER, MINI | 1 | | 10180- |
| 107-78 | K0100080002 | NUT, M8 | 14 | | | 107-113 | K6204000842 | SPACER, 118-70 | | | 10046- |
| 107-79 | LM285--0550AD | FITTING, ELECTROMAGNETIC PICKUP | 1 | | | 107-114 | LM282--0542A2 | FITTING, MOUNTING JOINT | | | 10046- |
| 107-80 | K0011100302 | BOLT, HT P1.25 M10-30 | 1 | | | | | | | | |
| 107-81 | K3662000060 | SWITCH, TOGGLE ST115AT | 1 | | | | | | | | |
| 107-82 | K4031000300 | RUBBER, CAP WD1911 | 1 | | | | | | | | |
| 107-83 | K4203001410 | STICKER, LIGHT SWITCH | 1 | | | | | | | | |
| 107-84 | LM282--0560Z2 | STOPPER | 1 | | | | | | | | |
| 107-85 | K0000080352 | BOLT, M8-35 | 1 | | | | | | | | |
| 107-86 | K0144060002 | NUT, WITH F-RING, M6 | 2 | | | | | | | | |
| 107-87 | PF56713-4293-1 | PICKUP, ELECTROMAGNETIC | 1 | | | | | | | | |
| 107-88 | PF02172-5018-0 | NUT | 1 | | | | | | | | |
| 107-89 | K5073208202 | WASHER, SPHC 3.2-8-20 | 8 | | | | | | | | |
| 107-90 | K4228000040 | SPONGE, RUBBER 5-15-230 | 2 | | | | | | | | |
| 107-91 | LM285--0509Z0 | TANK COMP, FUEL | 1 | | 10223- | | | | | | |
| 107-92 | K0000050152 | BOLT, M5-15 | 5 | | | | | | | | |
| 107-93 | K0922050000 | SEAL, WASHER 5WF | 5 | | | | | | | | |
| 107-94 | K2721000100 | GAUGE, FLOATING 225 X 175 | 1 | | | | | | | | |
| 107-95 | K2721000020 | PACKING, OIL-SHEET | 1 | | | | | | | | |
| 107-96 | K1410000120 | PLUG, FUEL TANK | 1 | | 10223- | | | | | | |
| 107-97 | K3420000080 | STRAINER, FUEL | 1 | | 10223- | | | | | | |
| 107-98 | K1400000044-Y | GAUGE, OIL M TYPEPF3/4 | 1 | | | | | | | | |
| 107-99 | K1422106001-Y | PLUG, TAPER WITH HEX. HOLE T1, 3/8 | 1 | | | | | | | | |
| 107-100 | | | | | | | | | | | |
| 107-101 | K4042000040 | RUBBER, VIBRATION PROOF KB-30 | 4 | | | | | | | | |
| 107-102 | K3653000010 | GAUGE, FUEL 52BG2 | 1 | | | | | | | | |
| 107-103 | K4251000020 | CLAMP, WIRE S20 | 1 | | | | | | | | |
| 107-104 | | | | | | | | | | | |
| 107-105 | K0001100202 | BOLT, P1.25 M10-20 | 1 | | | | | | | | |

108. Radiator section

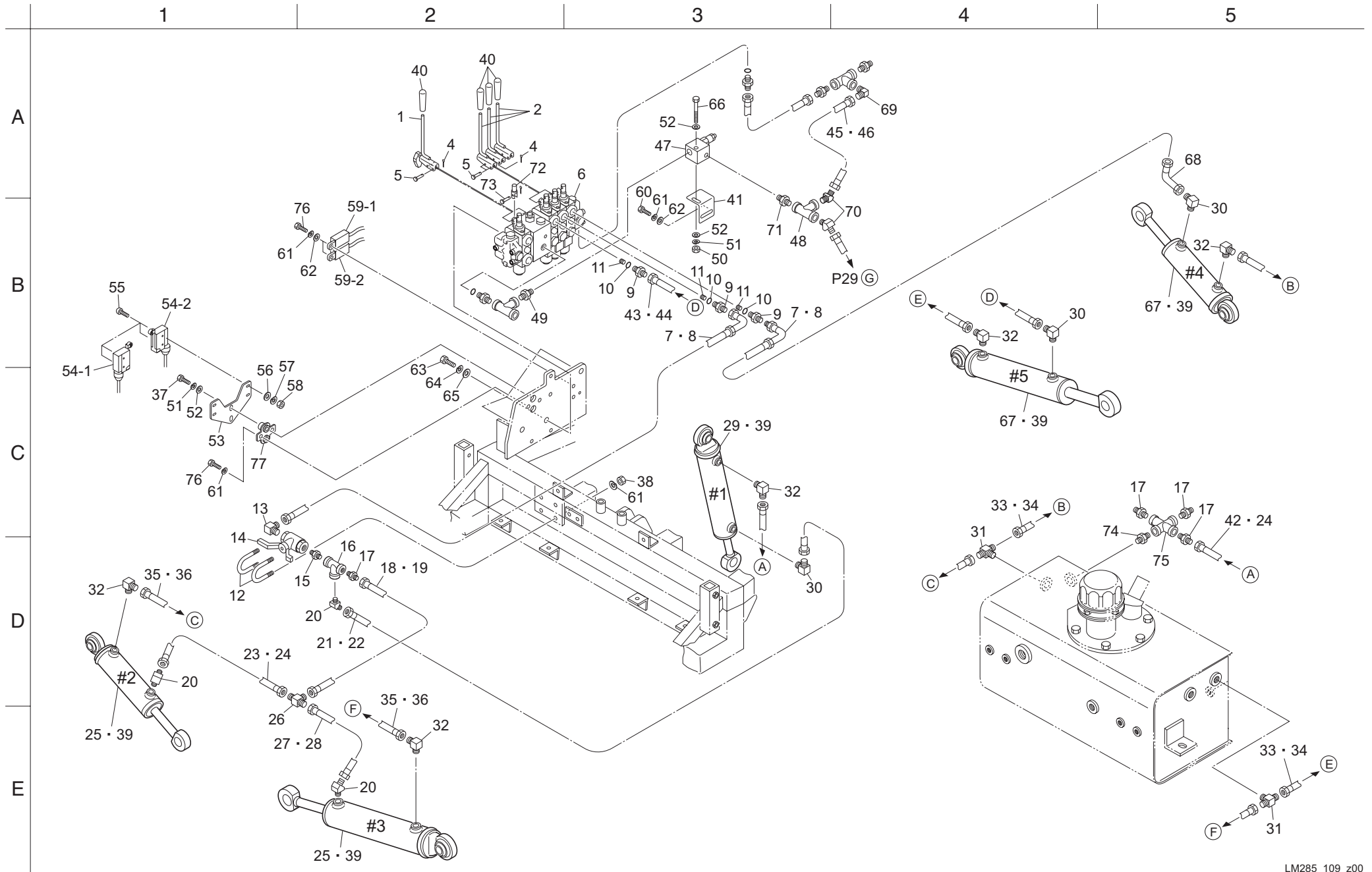


| Cat No. | Code No. | Part name | Qty | Remark | SN of application | Cat No. | Code No. | Part name | Qty | Remark | SN of application |
|---------|----------------|---|-----|--------|-------------------|---------|----------------|---------------------------------|-----|--------|-------------------|
| 108-1 | K5000050002 | WASHER, M5 | 3 | | | 108-36 | K0000060152 | BOLT, M6-15 | 13 | | |
| 108-2 | PF1G690-7412-0 | COVER, FAN | 1 | | | 108-37 | K5000060002 | WASHER, M6 | 9 | | |
| 108-3 | K4230000140 | PLATE, GLASS-FABRICS 1.6-285420 | 1 | | | 108-38 | K0100100002 | NUT, M10 | 3 | | |
| 108-4 | K0200080002 | WASHER, SPRING M8 | 27 | | | 108-39 | PFT0270-1632-0 | ELEMENT, AIR CLEANER | 1 | | |
| 108-5 | K0200100002 | WASHER, SPRING M10 | 5 | | | 108-40 | K3600000160 | BATTERY, FX75D23L | 1 | | |
| 108-6 | K5000100002 | WASHER, M10 | 8 | | | 108-41 | K0000060102 | BOLT, M6-10 | 10 | | |
| 108-7 | K0000080202 | BOLT, M8-20 | 2 | | | 108-42 | K0200060002 | WASHER, SPRING M6 | 25 | | |
| 108-8 | K5000080002 | WASHER, M8 | 2 | | | 108-43 | K4230000040 | PLATE, GLASS-FABRICS 1.6-301000 | 2 | | |
| 108-9 | K3170004000 | HOSE, 50 BANNER A 400 | 1 | | | 108-44 | K4031000050 | RUBBER, ROUND FOR HANDLE 35 | 4 | | |
| 108-10 | K4262057000 | CLAMP, LS BAND 57 | 4 | | | 108-45 | K0010100702 | BOLT, HT M10-70 | 2 | | |
| 108-11 | PF17407-1101-0 | AIR CLEANER ASSY | 1 | | | 108-46 | | | | | |
| 108-12 | PFRC411-4268-1 | TANK ASSY, RESERVE | 1 | | | 108-47 | K4031000020 | RUBBER, ROUND FOR HANDLE 32 | 2 | | |
| 108-13 | PF09318-8903-9 | CLAMP, FOR HOSE | 4 | | | 108-48 | K6211000062 | COLLAR, SGP M12.7-17.3-31 | 1 | | |
| 108-14 | PF16292-7294-1 | PIPE, WATER 4 | 1 | | | 108-49 | K0003100502 | BOLT, M10-50 | 1 | | |
| 108-15 | LM285--0560Z0 | SHROUD, WITH STICKER | 1 | | | 108-50 | K0000080302 | BOLT, M8-30 | 5 | | |
| 108-16 | K2730000040 | RADIATOR | 1 | | | 108-51 | K0042050152 | SCREW, + ROUND HEAD M5-15 | 2 | | |
| 108-17 | LM285--0561B0 | FITTING, RADIATOR WITH STICKER | 1 | | | 108-52 | K0100080002 | NUT, M8 | 13 | | |
| 108-18 | LM285--0941BD | BOX | 1 | | | 108-53 | K0141060002 | NUT, WING M6-3 | 2 | | |
| 108-19 | PF1G345-7285-0 | HOSE, (1, WATER) | 1 | | | 108-54 | K5012306162 | WASHER, SPCC 2.3-6-16 | 2 | | |
| 108-20 | K6171000312 | ROD, WITH M6 | 2 | | | 108-55 | K0000080152 | BOLT, M8-15 | 16 | | |
| 108-21 | | | | | | 108-56 | K0000100252 | BOLT, M10-25 | 2 | | |
| 108-22 | | | | | | 108-57 | K4049030000 | RUBBER, STOPPER KI-30 | 2 | | |
| 108-23 | | | | | | 108-58 | K0100060002 | NUT, M6 | 2 | | |
| 108-24 | | | | | | 108-59 | LM285--0911Z2 | CLAMPER, BATTERY | 1 | | |
| 108-25 | LM285--0553ZU | PIPE, TAIL | 1 | | | 108-60 | GM1600-0519Z0 | SPONGE, RUBBER 8-610 | 1 | | |
| 108-26 | K2693000030 | MUFFLER | 1 | | | 108-61 | | | | | |
| 108-27 | LM285--0552ZU | PIPE, FLEXIBLE EXHAUST | 1 | | | 108-62 | K0900300660 | GROMMET, W/SEALING C30SG30A | 2 | | |
| 108-28 | LM285--0554ZD | BAR, SUPPORTING | 1 | | | 108-63 | K0900300300 | GROMMET, W/SEALING C30SG30A | 2 | | |
| 108-29 | K6211000022 | COLLAR, M12-17.3-40 | 2 | | | 108-64 | LM282--0522Z0 | SPONGE, URETHANE | 2 | | |
| 108-30 | K4035000020 | RUBBER, VIBRATION PROOF FOR BATTERY 256 | 1 | | | 108-65 | LM285--0555Z0 | COLLAR, TURBINE | 1 | | |
| 108-31 | | | | | | 108-66 | K3170001500 | HOSE, 50 BANNER A 150 | 1 | | |
| 108-32 | K3630000170 | FUSE BLOCK, MINI 10P-C | 1 | | | 108-67 | PF15263-1237-0 | PACKING, MUFFLER NA | 2 | | |
| 108-33 | K3700000010 | BUZZER, EBM-12 TYPE | 1 | | | 108-68 | | | | | |
| 108-34 | K0200050002 | WASHER, SPRING M5 | 3 | | | 108-69 | K3631000070 | FUSE, MINI BLADE 5A | 1 | | |
| 108-35 | K0000050252 | BOLT, M5-25 | 1 | | | 108-70 | K4980015000 | WIRE, SUS 1.2-1500 | 1 | | |

108. Radiator section

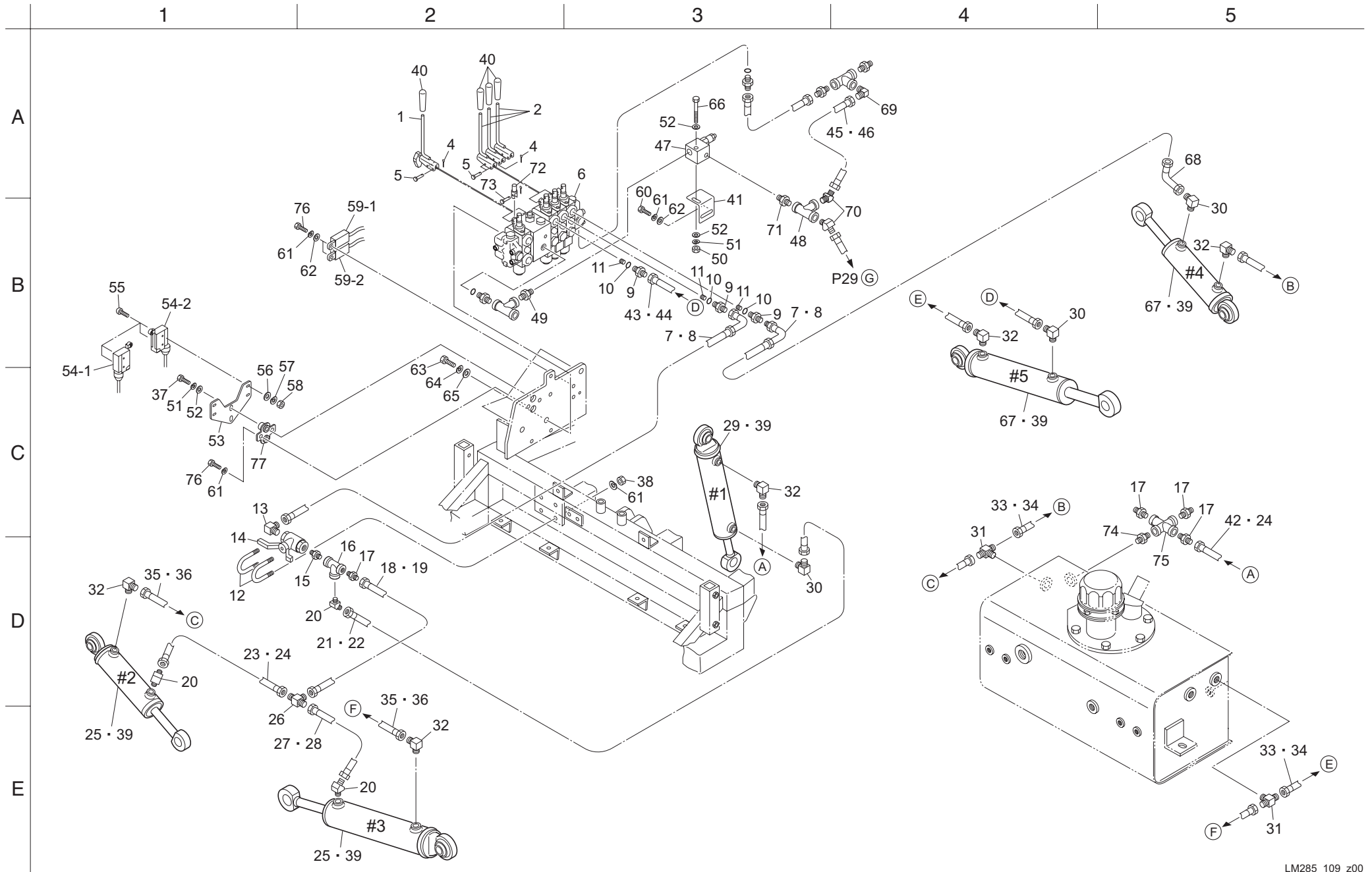


109. Hydraulic section A(Cylinder system)



| Cat No. | Code No. | Part name | Qty | Remark | SN of application | Cat No. | Code No. | Part name | Qty | Remark | SN of application |
|---------|---------------|-------------------------------------|-----|--------|-------------------|----------|---------------|---------------------------|-----|--------------------------------|-------------------|
| 109-1 | LM285--0702A2 | LEVER, REEL ROTATION | 1 | | | 109-36 | K3190001700 | TUBE, SPIRAL SP-12 170 | 2 | | |
| 109-2 | LM285--0701Z2 | LEVER, RAISING AND LOWERING MOWER | 3 | | | 109-37 | K0000080152 | BOLT, M8-15 | 2 | | |
| 109-3 | | | | | | 109-38 | K0100060002 | NUT, M6 | 4 | | |
| 109-4 | K0300020102 | PIN, COTTER M2-10 | 4 | | | 109-39 | YD10000896-1 | SEAL KIT, CYLINDER | 5 | | |
| 109-5 | Y80103-1139-2 | PIN, 5-24 | 8 | | | 109-40 | K1300000180 | GRIP, RUBBER BLACK 7-23 | 4 | | |
| 109-6 | K3303000030 | VALVE, FOURFOLD ASV50 | 1 | | | 109-41 | LM285--0662ZD | BRACKET, RELIEF VALVE | 1 | | |
| 109-7 | K3103230480 | HOSE, WP140-6-3-480 | 2 | | | 109-42 | K3101210400 | HOSE, WP70-6-1-400 | 1 | | |
| 109-8 | K3190003500 | TUBE, SPIRAL SP-12 350 | 2 | | | 109-43 | K3103230900 | HOSE, WP140-6-3-900 | 1 | | |
| 109-9 | K3029000152-Y | CONNECTOR, WITH O-RING PF3/8*PF1/4 | 3 | | | 109-44 | K3190008000 | TUBE, SPIRAL SP-12 800 | 1 | | |
| 109-10 | K0881014000 | O-RING, P14B | 5 | | | 109-45 | K3100410340 | HOSE, WP35-12-1-340 | 1 | | |
| 109-11 | K0023000031-Y | PLUG, TAPER WITH HEX. HOLE T1 1/8-1 | 3 | | | 109-46 | K3191001900 | TUBE, SPIRAL SP-15 190 | 1 | | |
| 109-12 | K0073000022 | BOLT, WITH F-RING, M6-40 | 2 | | | 109-47 | K3315000050 | VALVE, RELIEF | 1 | | |
| 109-13 | K3006000012-Y | ELBOW, ODD SIZED PT3/8*PF1/4 | 1 | | | 109-48 | K3021080002-Y | TEE, TEF PT1/2 | 1 | | |
| 109-14 | K3360000010 | VALVE, STOP 397819 | 1 | | | 109-49 | K3023060001-Y | NIPPLE, NS.PT3/8 | 1 | | |
| 109-15 | K3029000211-Y | NIPPLE, ODD SIZED PT3/8*PT1/4 | 1 | | | 109-50 | K0100080002 | NUT, M8 | 1 | | |
| 109-16 | K3021040002-Y | TEE, TEF PT1/4 | 1 | | | 109-51 | K0200080002 | WASHER, SPRING M8 | 3 | | |
| 109-17 | K3000060002-Y | ADAPTOR, 1013-6 | 4 | | | 109-52 | K5000080002 | WASHER, M8 | 4 | | |
| 109-18 | K3145000160 | HOSE, SSC140-570 | 1 | | | 109-53 | LM285--0661ZD | BRACKET, SWITCH | 1 | | |
| 109-19 | K3190004700 | TUBE, SPIRAL SP-12 470 | 1 | | | 109-54-1 | K3670000140 | SWITCH, LIMIT SWAZ7121N0 | 1 | for stop solenoid | |
| 109-20 | K3003060002-Y | ELBOW, 45 DEG 1035-6 | 3 | | | 109-54-2 | K3670000140 | SWITCH, LIMIT SWAZ7121N0 | 1 | for cell motor | |
| 109-21 | K3145000150 | HOSE, IB140-460 | 1 | | | 109-55 | K0042040302 | SCREW, + ROUND HEAD M4-30 | 4 | | |
| 109-22 | K3190003600 | TUBE, SPIRAL SP-12 360 | 1 | | | 109-56 | K5000040002 | WASHER, M4 | 4 | | |
| 109-23 | K3145000180 | HOSE, IB140-400 | 1 | | | 109-57 | K0200040002 | WASHER, SPRING M4 | 4 | | |
| 109-24 | K3190003000 | TUBE, SPIRAL SP-12 300 | 2 | | | 109-58 | K0100040002 | NUT, M4 | 4 | | |
| 109-25 | K3205000030 | CYLINDER, 40-110 307 | 2 | | | 109-59-1 | K3681000060 | RELAY, CALAF-12V-N-5 | 1 | for seat switch | |
| 109-26 | K3008000092-Y | ADAPTOR, T FOR HOSE PF1/4 | 1 | | | 109-59-2 | K3681000060 | RELAY, CALAF-12V-N-5 | 1 | for detecting rotation of reel | |
| 109-27 | K3145000170 | HOSE, IB140-320 | 1 | | | 109-60 | K0000060202 | BOLT, M6-20 | 2 | | |
| 109-28 | K3190002200 | TUBE, SPIRAL SP-12 220 | 1 | | | 109-61 | K0200060002 | WASHER, SPRING M6 | 10 | | |
| 109-29 | K3205000020 | CYLINDER, 40-70 252 | 1 | | | 109-62 | K5000060002 | WASHER, M6 | 4 | | |
| 109-30 | K3001060002-Y | ELBOW, 90 DEG 1033-6 | 5 | | | 109-63 | K0000120252 | BOLT, M12-25 | 3 | | |
| 109-31 | K3029000352-Y | TEE, PT1/4*PF1/4 | 2 | | | 109-64 | K0200120002 | WASHER, SPRING M12 | 3 | | |
| 109-32 | K3006000152-Y | ELBOW, ODD SIZED PT1/8*PF1/4 | 5 | | | 109-65 | K5000120002 | WASHER, M12 | 3 | | |
| 109-33 | K3101210960 | HOSE, WP70-6-1-960 | 2 | | | 109-66 | K0003080502 | BOLT, M8-50 | 1 | | |
| 109-34 | K3190008600 | TUBE, SPIRAL SP-12 860 | 2 | | | 109-67 | K3205000040 | CYLINDER, 40-158 352 | 2 | | |
| 109-35 | K3101230270 | HOSE, WP70-6-3-270 | 2 | | | 109-68 | K3000120002-Y | ADAPTOR, 1013-12 | 2 | | |

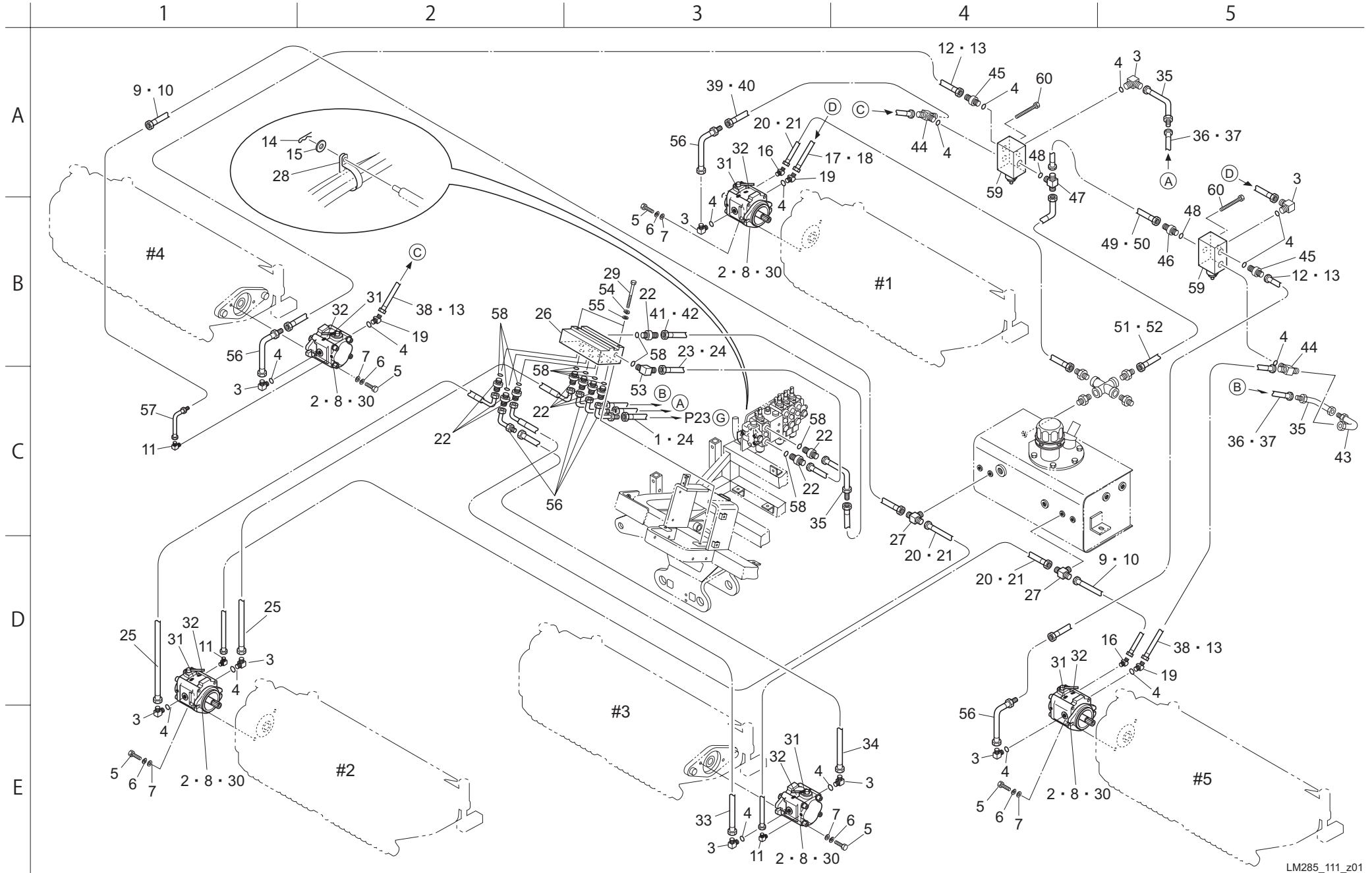
109. Hydraulic section A(Cylinder system)



| Cat No. | Code No. | Part name | Qty | Remark | SN of application | Cat No. | Code No. | Part name | Qty | Remark | SN of application |
|---------|---------------|-------------------------------|-----|--------|-------------------|---------|----------|-----------|-----|--------|-------------------|
| 109-69 | K3001120002-Y | ELBOW, 90 DEG 1033-12 | 1 | | | | | | | | |
| 109-70 | K3003120002-Y | ELBOW, 45 DEG 1035-12 | 2 | | | | | | | | |
| 109-71 | K3029000091-Y | NIPPLE, ODD SIZED.PT3/8*PT1/2 | 1 | | | | | | | | |
| 109-72 | Y80103-1135-2 | LINKAGE, LEVER | 4 | | | | | | | | |
| 109-73 | Y80103-1141-2 | PIN, 5-21 | 4 | | | | | | | | |
| 109-74 | K3023040001-Y | NIPPLE, NS.PT1/4 | 1 | | | | | | | | |
| 109-75 | K3026004002-Y | CROSS, SCREWED SXA02 | 1 | | | | | | | | |
| 109-76 | K0000060102 | BOLT, M6-10 | 4 | | | | | | | | |
| 109-77 | LM285--0663ZD | MOUNT, SWITCH | 1 | | 10150- | | | | | | |
| 109-78 | | | | | | | | | | | |
| 109-79 | | | | | | | | | | | |
| | | | | | | | | | | | |
| | | | | | | | | | | | |
| | | | | | | | | | | | |
| | | | | | | | | | | | |
| | | | | | | | | | | | |
| | | | | | | | | | | | |
| | | | | | | | | | | | |

| Cat No. | Code No. | Part name | Qty | Remark | SN of application | Cat No. | Code No. | Part name | Qty | Remark | SN of application |
|---------|---------------|---|-----|--------|-------------------|---------|---------------|----------------------------|-----|--------|-------------------|
| 110-1 | K3145000290 | HOSE, SSC35-560 | 1 | | | 110-36 | K3000120002-Y | ADAPTOR, 1013-12 | 2 | | |
| 110-2 | K3190004450 | TUBE, SPIRAL SP-12 445 | 1 | | | 110-37 | K3100411000 | HOSE, WP35-12-1-1000 | 1 | | |
| 110-3 | K0881014000 | O-RING, P14B | 7 | | | 110-38 | K3191008500 | TUBE, SPIRAL SP-15 850 | 1 | | |
| 110-4 | K3008000192-Y | ADAPTOR, ODD SIZED 90 DEG PF1/2*PF3/8 | 1 | | | 110-39 | K3003120002-Y | ELBOW, 45 DEG 1035-12 | 1 | | |
| 110-5 | | | | | | 110-40 | K3100411900 | HOSE, WP35-12-1-1900 | 1 | | |
| 110-6 | K3104421100 | HOSE, WP175-12-2-1100 | 1 | | | 110-41 | K3191017500 | TUBE, SPIRAL SP-15 1750 | 1 | | |
| 110-7 | K3191009500 | TUBE, SPIRAL SP-15 950 | 1 | | | 110-42 | K0000080202 | BOLT, M8-20 | 4 | | |
| 110-8 | K3008000072-Y | ADAPTOR, 90 DEG 1125-9 | 1 | | | 110-43 | K0200080002 | WASHER, SPRING M8 | 4 | | |
| 110-9 | K3009000192-Y | ADAPTOR, PT3/8*PF1/2 | 1 | | | 110-44 | LM285--0642ZD | BRACKET, OIL COOLER | 2 | | |
| 110-10 | K3145000400 | HOSE, SSC140-1000 | 1 | | | 110-45 | K3431000050 | OIL COOLER | 1 | | 10213- |
| 110-11 | K3191008700 | TUBE, SPIRAL SP-15 870 | 1 | | | 110-46 | K5000080002 | WASHER, M8 | 4 | | |
| 110-12 | K3145000120 | HOSE, SSC70-1910 | 1 | | | 110-47 | K0144080002 | NUT, WITH F-RING, M8 | 2 | | |
| 110-13 | K3190018050 | TUBE, SPIRAL SP-12 1805 | 1 | | | 110-48 | K0000080252 | BOLT, M8-25 | 2 | | |
| 110-14 | K3145000130 | HOSE, SSC70-1960 | 1 | | | 110-49 | K1320000220 | KNOB, WITH M8 4220 | 2 | | |
| 110-15 | K3190018550 | TUBE, SPIRAL SP-12 1855 | 1 | | | 110-50 | K0213080002 | WASHER, DISK SPRING H M8-1 | 2 | | |
| 110-16 | K0881018000 | O-RING, P18B | 1 | | | 110-51 | K5073208202 | WASHER, SPHC 3.2-8-20 | 2 | | |
| 110-17 | K3006000022-Y | ELBOW, ODD SIZED PT1/2*PF3/8 | 1 | | | | | | | | |
| 110-18 | K0000100302 | BOLT, M10-30 | 4 | | | | | | | | |
| 110-19 | K3294000060 | STEERING, ORBIT ROLL UBS070A08GCD | 1 | | | | | | | | |
| 110-20 | YBA0274A | SEAL KIT, ORBIT ROLL UBS070A08GCD | 1 | | | | | | | | |
| 110-21 | YBA0056A | SEAL KIT, ORBIT ROLL UBS070A08GCD VALVE | 1 | | | | | | | | |
| 110-22 | K3009000192-Y | ADAPTOR, PT3/8*PF1/2 | 1 | | | | | | | | |
| 110-23 | K3021060002-Y | TEE, TEF PT3/8 | 1 | | | | | | | | |
| 110-24 | K3009000052-Y | ADAPTOR, PT3/8*PF3/8 | 1 | | | | | | | | |
| 110-25 | K3100430300 | HOSE, WP35-12-3-300 | 1 | | | | | | | | |
| 110-26 | K3191001500 | TUBE, SPIRAL SP-15 150 | 1 | | | | | | | | |
| 110-27 | K3021080002-Y | TEE, TEF PT1/2 | 2 | | | | | | | | |
| 110-28 | K3009000172-Y | ADAPTOR, PF3/8*PF1/2 | 1 | | | | | | | | |
| 110-29 | K5000100002 | WASHER, M10 | 4 | | | | | | | | |
| 110-30 | K0215140001 | WASHER, DISK SPRING H M14-2 | 2 | | | | | | | | |
| 110-31 | K3001060002-Y | ELBOW, 90 DEG 1033-6 | 2 | | | | | | | | |
| 110-32 | K3214000010 | CYLINDER, 35-164 374A | 1 | | | | | | | | |
| 110-33 | K0145140002 | NUT, WITH F-RING, P1.5 M14 | 2 | | | | | | | | |
| 110-34 | YDW46D0190-1 | SEAL KIT, CYLINDER | 1 | | | | | | | | |
| 110-35 | K0200100002 | WASHER, SPRING M10 | 4 | | | | | | | | |

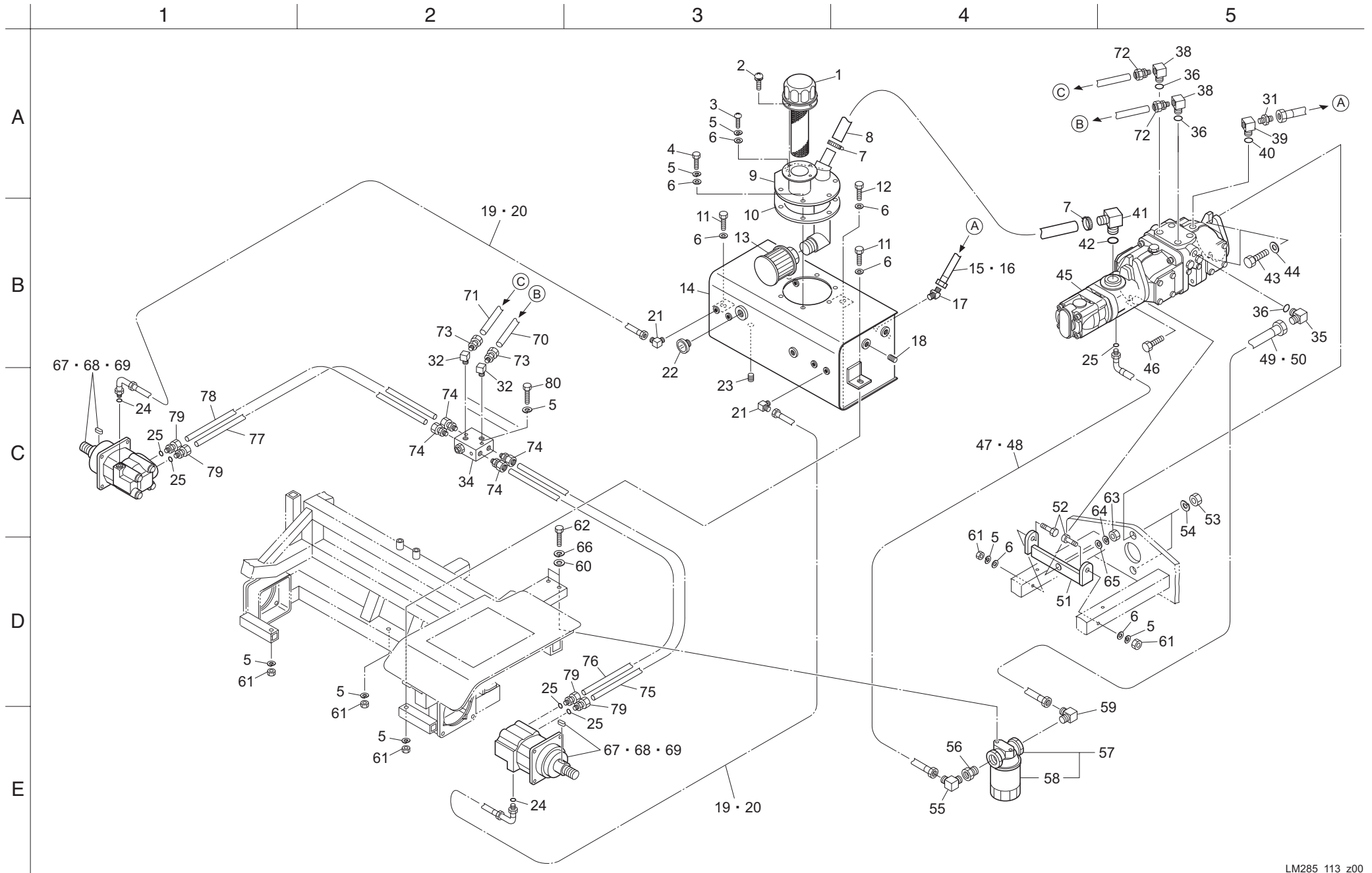
111. Hydraulic section B/Type_R (Reel motor system)



| Cat No. | Code No. | Part name | Qty | Remark | SN of application |
|---------|---------------|-------------------------------|-----|--------|-------------------|
| 111-1 | K3100410950 | HOSE, WP35-12-1-950 | 1 | | |
| 111-2 | K3280000230 | MOTOR, GEAR MB4AK379 | 5 | | |
| 111-3 | K3008000042-Y | ADAPTOR, 90 DEG 1086-12 | 9 | | |
| 111-4 | K0881018000 | O-RING, P18B | 16 | | |
| 111-5 | K0000100252 | BOLT, M10-25 | 10 | | |
| 111-6 | K0200100002 | WASHER, SPRING M10 | 10 | | |
| 111-7 | K5000100002 | WASHER, M10 | 10 | | |
| 111-8 | K3280000200 | MOTOR, GEAR MB6AK379 | 5 | | |
| 111-9 | K3101211900 | HOSE, WP70-6-1-1900 | 2 | | |
| 111-10 | K3190017500 | TUBE, SPIRAL SP-12 1750 | 2 | | |
| 111-11 | K3001060002-Y | ELBOW, 90 DEG 1033-6 | 3 | | |
| 111-12 | K3104410750 | HOSE, WP175-12-1-750 | 2 | | |
| 111-13 | K3191006000 | TUBE, SPIRAL SP-15 600 | 4 | | |
| 111-14 | K0330800008 | PIN, SNAP M8 | 1 | | |
| 111-15 | K5000080002 | WASHER, M8 | 1 | | |
| 111-16 | K3003060002-Y | ELBOW, 45 DEG 1035-6 | 2 | | |
| 111-17 | K3104411050 | HOSE, WP175-12-1-1050 | 1 | | |
| 111-18 | K3191009000 | TUBE, SPIRAL SP-15 900 | 1 | | |
| 111-19 | K3008000182-Y | ADAPTOR, 45 DEG | 3 | | |
| 111-20 | K3101211600 | HOSE, WP70-6-1-1600 | 3 | | |
| 111-21 | K3190014500 | TUBE, SPIRAL SP-12 1450 | 3 | | |
| 111-22 | K3009000172-Y | ADAPTOR, PF3/8*PF1/2 | 10 | | |
| 111-23 | K3104410950 | HOSE, WP175-12-1-950 | 1 | | |
| 111-24 | K3191008000 | TUBE, SPIRAL SP-15 800 | 2 | | |
| 111-25 | LM285--0705A0 | HOSE, WP175-12-3-1200 | 2 | | |
| 111-26 | K3321000050 | MANIFOLD, WITH SOLENOID VALVE | 1 | | |
| 111-27 | K3029000352-Y | TEE, PT1/4*PF1/4 | 3 | | |
| 111-28 | K4270030080 | CLIP, HARNESS 30 M8 | 1 | | |
| 111-29 | K0003080702 | BOLT, M8-70 | 2 | | |
| 111-30 | YCG0038A | SEAL KIT, GEAR MOTOR MB6AK379 | 5 | | |
| 111-31 | K4203001300 | DECAL, REEL ROTATION | 5 | | |
| 111-32 | K4203001310 | DECAL, REEL STOP | 5 | | |
| 111-33 | LM285--0707A0 | HOSE, WP175-12-3-1250 | 1 | | |
| 111-34 | LM285--0706A0 | HOSE, WP175-12-1-1200 | 1 | | |
| 111-35 | K3025064082-Y | ADAPTOR, FOR PIPE 064-08 | 3 | | |

| Cat No. | Code No. | Part name | Qty | Remark | SN of application |
|---------|---------------|---------------------------------------|-----|--------|-------------------|
| 111-36 | K3104411450 | HOSE, WP175-12-1-1450 | 2 | | |
| 111-37 | K3191013000 | TUBE, SPIRAL SP-15 1300 | 1 | | |
| 111-38 | K3104430750 | HOSE, WP175-12-3-750 | 2 | | |
| 111-39 | K3104430700 | HOSE, WP175-12-3-700 | 1 | | |
| 111-40 | K3191005500 | TUBE, SPIRAL SP-15 550 | 1 | | |
| 111-41 | K3104410880 | HOSE, WP175-12-1-880 | 1 | | |
| 111-42 | K3191007300 | TUBE, SPIRAL SP-15 780 | 1 | | |
| 111-43 | K3025069082-Y | ADAPTOR, FOR PIPE 069-08 | 1 | | |
| 111-44 | K3008000362-Y | BOSS, T-SHAPED WITH O-RING 1087-12 | 2 | | |
| 111-45 | K3009000092-Y | ADAPTOR, PT1/2*PF1/2 | 2 | | |
| 111-46 | K3008000232-Y | CONNECTOR, WITH O-RING PF1/4 X PF1/4 | 1 | | |
| 111-47 | K3008000672-Y | ADAPTOR, T WITH O-RING 1087-6 | 1 | | |
| 111-48 | K0881011000 | O-RING, P11B | 2 | | |
| 111-49 | K3100230280 | HOSE, WP35-6-3-280 | 1 | | |
| 111-50 | K3190001700 | TUBE, SPIRAL SP-12 170 | 1 | | |
| 111-51 | K3100230900 | HOSE, WP35-6-3-900 | 1 | | |
| 111-52 | K3190007700 | TUBE, SPIRAL SP-12 770 | 1 | | |
| 111-53 | K3008000192-Y | ADAPTOR, ODD SIZED 90 DEG PF1/2*PF3/8 | 1 | | |
| 111-54 | K0200080002 | WASHER, SPRING M8 | 2 | | |
| 111-55 | K5000080002 | WASHER, M8 | 2 | | |
| 111-56 | K302506L082-Y | ADAPTOR, FOR PIPE 06L-08 | 7 | | |
| 111-57 | K302506L042-Y | ADAPTOR, FOR PIPE 06L-04 | 1 | | |
| 111-58 | K0881014000 | O-RING, P14B | 11 | | |
| 111-59 | K3390000030 | VALVE, SELECTOR V1249 | 2 | | |
| 111-60 | K0024080801 | BOLT, WITH HEX. HOLE M8-80 | 8 | | |

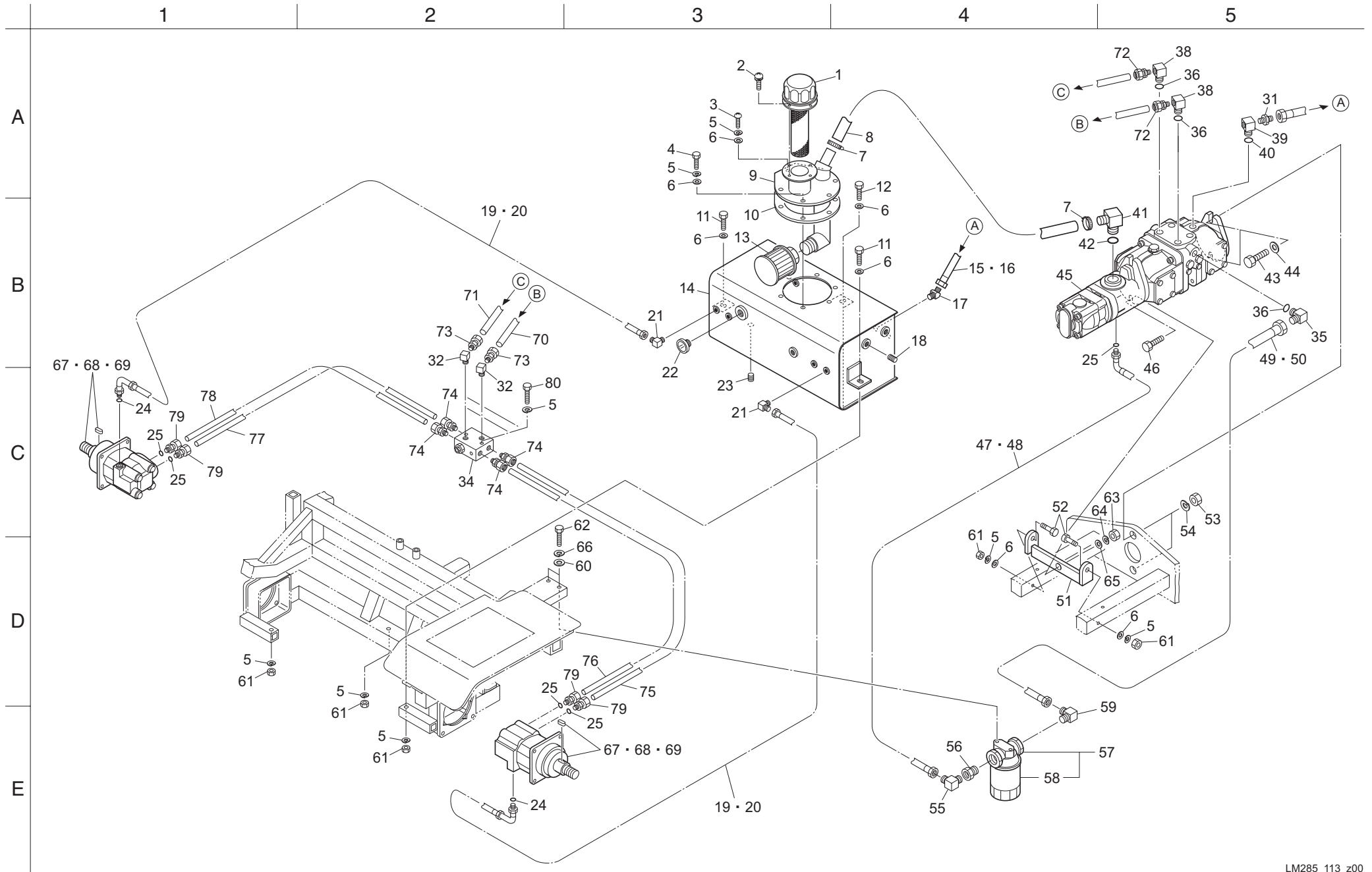
113. Hydraulic section C (Front wheel motor system)



| Cat No. | Code No. | Part name | Qty | Remark | SN of application |
|---------|-----------------|-------------------------------------|-----|--------|-------------------|
| 113-1 | K3400000030 | BREATHER, REFUELING HOLE FAB-50 | 1 | | |
| 113-2 | K0044050102 | SCREW, + ROUND HEAD WITH W/SW M5-10 | 4 | | |
| 113-3 | K0056080200 | SCREW, SUS + TRUSS M8-20 | 1 | | |
| 113-4 | K0000080202 | BOLT, M8-20 | 5 | | |
| 113-5 | K0200080002 | WASHER, SPRING M8 | 13 | | |
| 113-6 | K5000080002 | WASHER, M8 | 11 | | |
| 113-7 | K4260000200 | CLAMP, HOSE JUBILEE BAND 2A | 2 | | |
| 113-8 | LM318--0730Z0 | HOSE, WP35-32*500 | 1 | | |
| 113-9 | LM318--0705Z2-Y | PORT, SUCTION HYDRAULIC TANK | 1 | | |
| 113-10 | LM318--0711Z0 | PACKING | 1 | | |
| 113-11 | K0003080502 | BOLT, M8-50 | 2 | | |
| 113-12 | K0003080702 | BOLT, M8-70 | 1 | | |
| 113-13 | K3413000020 | FILTER, SUCTION SFT-08-150W | 1 | | |
| 113-14 | LM318--0701CD-Y | TANK, HYDRAULIC | 1 | | |
| 113-15 | K3145000340 | HOSE, SSC35-1000 | 1 | | |
| 113-16 | K3192008500 | TUBE, SPIRAL SP-20 850 | 1 | | |
| 113-17 | K3003190002-Y | ELBOW, 45 DEG 1035-19 | 1 | | |
| 113-18 | K1422108001-Y | PLUG, TAPER WITH HEX. HOLE T1, 1/2 | 1 | | |
| 113-19 | K3145000270 | HOSE, SSC35-250 | 2 | | |
| 113-20 | K3190001550 | TUBE, SPIRAL SP-12 155 | 2 | | |
| 113-21 | K3001060002-Y | ELBOW, 90 DEG 1033-6 | 2 | | |
| 113-22 | K1400000044-Y | GAUGE, OIL M TYPEPF3/4 | 1 | | |
| 113-23 | K1422106001-Y | PLUG, TAPER WITH HEX. HOLE T1, 3/8 | 1 | | |
| 113-24 | K0881011000 | O-RING, P11B | 2 | | |
| 113-25 | K0881018000 | O-RING, P18B | 5 | | |
| 113-26 | | | | | |
| 113-27 | | | | | |
| 113-28 | | | | | |
| 113-29 | | | | | |
| 113-30 | | | | | |
| 113-31 | K3007000012-Y | ADAPTOR, ODD SIZED PT1/2*PF3/4 | 1 | | |
| 113-32 | K3022080002-Y | ELBOW, FEMALE-MALE STE PT1/2 | 2 | | |
| 113-33 | | | | | |
| 113-34 | K3321000020 | MANIFOLD, WITH RELIEF VALVE | 1 | | |
| 113-35 | K3008000162-Y | ADAPTOR, 90 DEG UNF | 1 | | |

| Cat No. | Code No. | Part name | Qty | Remark | SN of application |
|---------|-----------------|---|-----|--------|-------------------|
| 113-36 | K0887009100 | O-RING, AS568-910 | 3 | | |
| 113-37 | | | | | |
| 113-38 | K3008000142-Y | ADAPTOR, 90 DEG | 2 | | |
| 113-39 | K3008000172-Y | ADAPTOR, 90 DEG UNF | 1 | | |
| 113-40 | K0887009080 | O-RING, AS568-908 | 1 | | |
| 113-41 | K3008000152-Y | ADAPTOR, 90 DEG | 1 | | |
| 113-42 | K0881029000 | O-RING, P29B | 1 | | |
| 113-43 | K0013140502 | BOLT HT M14-50 | 2 | | |
| 113-44 | K5000140002 | WASHER, M14 | 2 | | |
| 113-45 | K3240000020 | PUMP, PISTON PV1616AR | 1 | | |
| 113-46 | K0000120452 | BOLT, M12-45 | 1 | | |
| 113-47 | K3145000610 | HOSE, SSC35-710 | 1 | | |
| 113-48 | K3191006100 | TUBE, SPIRAL SP-15 610 | 1 | | |
| 113-49 | K3145000600 | HOSE, SSC35-660 | 1 | | |
| 113-50 | K3192005600 | TUBE, SPIRAL SP-20 560 | 1 | | |
| 113-51 | LM318--0708ZD | MOUNT, PUMP | 1 | | |
| 113-52 | K0000080602 | BOLT, M8-60 | 2 | | |
| 113-53 | K0100140002 | NUT, M14 | 2 | | |
| 113-54 | K0200140002 | WASHER, SPRING M14 | 2 | | |
| 113-55 | K3006000102-Y | ELBOW, ODD SIZED PT3/4*PF1/2 | 1 | | |
| 113-56 | K3024000012-Y | JOINT, CAST IRON 1*3/4 | 1 | | |
| 113-57 | K3412000030 | FILTER, CARTRIDGE SP08-10-03 | 1 | | |
| 113-58 | K3412000060 | FILTER, CARTRIDGE C-SP08H-10 (SUBSTITUTE) | 1 | | |
| 113-59 | K3006000112-Y | ELBOW, ODD SIZED PT1*PF3/4 | 1 | | |
| 113-60 | K5000100002 | WASHER, M10 | 2 | | |
| 113-61 | K0100080002 | NUT, M8 | 5 | | |
| 113-62 | K0000100202 | BOLT, M10-20 | 2 | | |
| 113-63 | K0100120002 | NUT, M12 | 1 | | |
| 113-64 | K0200120002 | WASHER, SPRING M12 | 1 | | |
| 113-65 | K5000120002 | WASHER, M12 | 1 | | |
| 113-66 | K0200100002 | WASHER, SPRING M10 | 2 | | |
| 113-67 | K3291000190 | MOTOR, WHEEL 2-200BS4S | 2 | | |
| 113-68 | Y61090S | SEAL KIT, 2000 ORBIT MOTOR (REAR) | 2 | | |
| 113-69 | Y61091S | SEAL KIT, 2000 ORBIT MOTOR (SHAFT) | 2 | | |
| 113-70 | LM285--0785Z2-Y | PIPE, PUMP A2 | 1 | | |

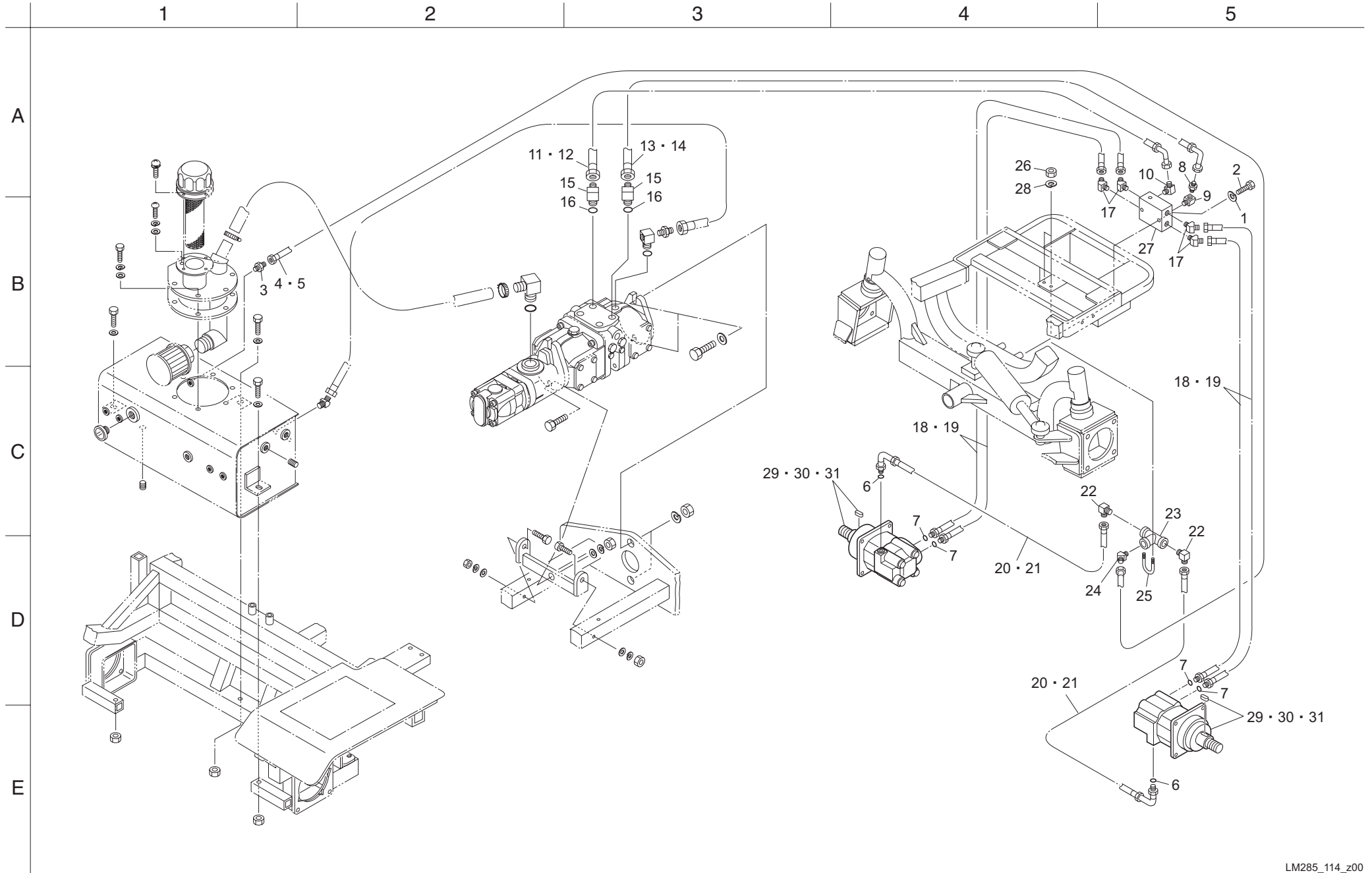
113. Hydraulic section C (Front wheel motor system)



| Cat No. | Code No. | Part name | Qty | Remark | SN of application |
|---------|-----------------|------------------------|-----|--------|-------------------|
| 113-71 | LM285--0786Z2-Y | PIPE, PUMP 132 | 1 | | |
| 113-72 | K3026622121-Y | CONNECTOR, KCT 22-060E | 2 | | |
| 113-73 | K3026622081-Y | CONNECTOR, KCT 22-040E | 2 | | |
| 113-74 | K3026615081-Y | CONNECTOR, KCT 15-040E | 4 | | |
| 113-75 | LM285--0781Z2-Y | PIPE, MOTOR B (L) | 1 | | |
| 113-76 | LM285--0782Z2-Y | PIPE, MOTOR A (L) | 1 | | |
| 113-77 | LM285--0784Z2-Y | PIPE, MOTOR A (R) | 1 | | |
| 113-78 | LM285--0783Z2-Y | PIPE, MOTOR B (R) | 1 | | |
| 113-79 | K3026315081-Y | CONNECTOR, KCO 15-040E | 4 | | |
| 113-80 | K0003080552 | BOLT, M8-55 | 2 | | |
| | | | | | |
| | | | | | |
| | | | | | |
| | | | | | |
| | | | | | |
| | | | | | |

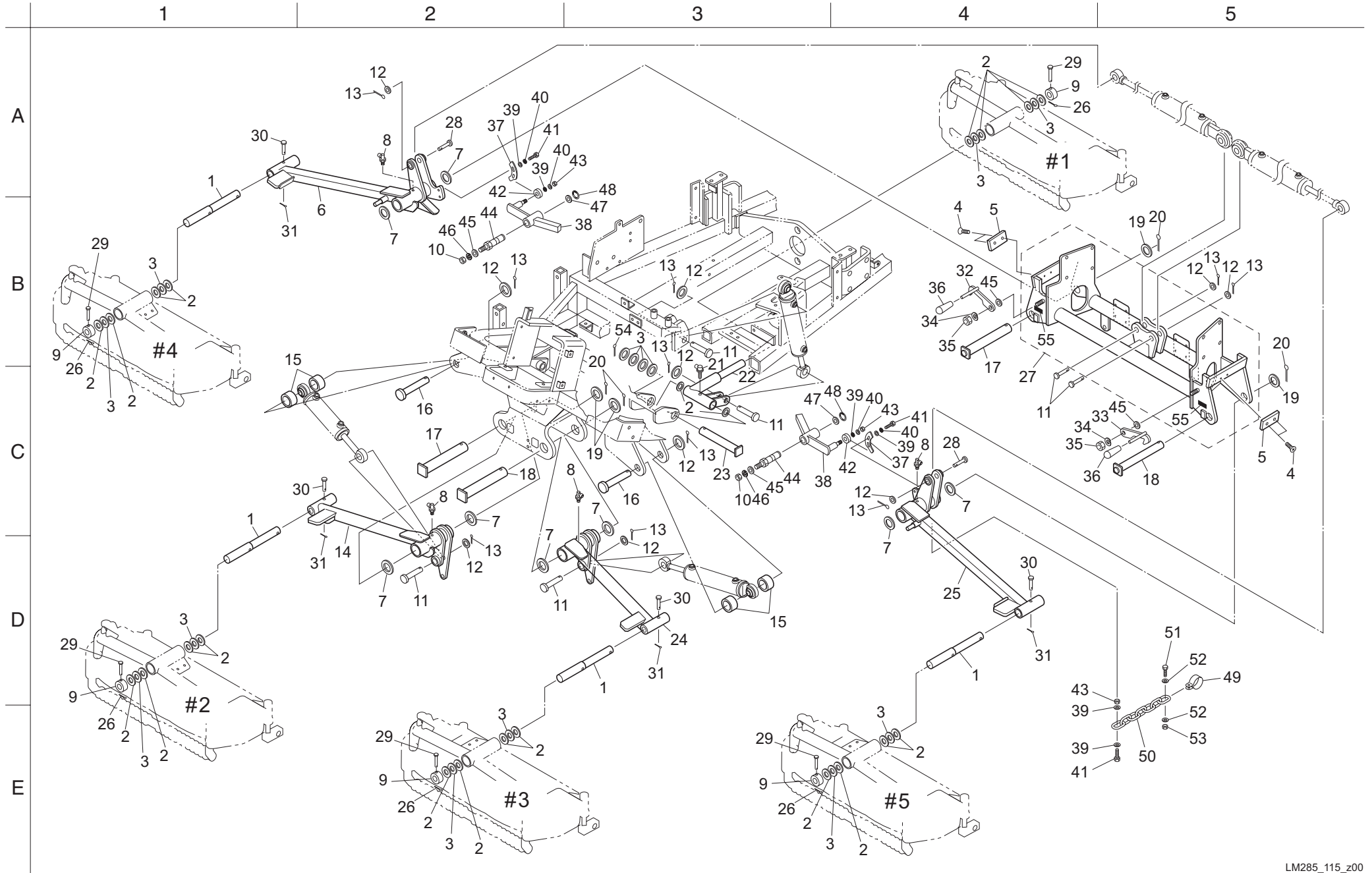
| Cat No. | Code No. | Part name | Qty | Remark | SN of application |
|---------|----------|-----------|-----|--------|-------------------|
| | | | | | |
| | | | | | |
| | | | | | |
| | | | | | |
| | | | | | |
| | | | | | |
| | | | | | |
| | | | | | |
| | | | | | |

114. Hydraulic section C (Rear wheel motor system)



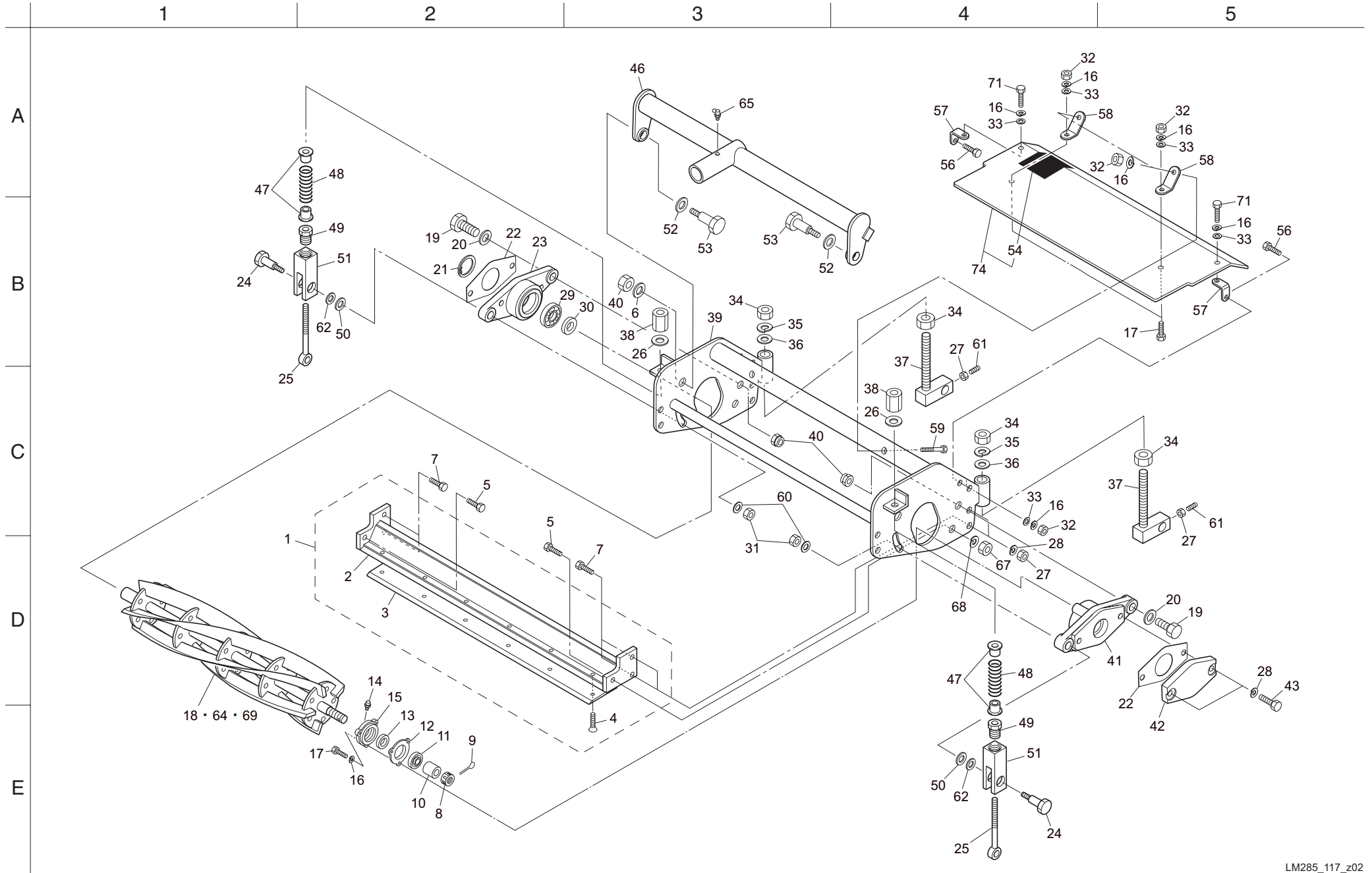
| Cat No. | Code No. | Part name | Qty | Remark | SN of application | Cat No. | Code No. | Part name | Qty | Remark | SN of application |
|---------|---------------|------------------------------------|-----|--------|-------------------|---------|----------|-----------|-----|--------|-------------------|
| 114-1 | K0200080002 | WASHER, SPRING M8 | 2 | | | | | | | | |
| 114-2 | K0003080552 | BOLT, M8-55 | 2 | | | | | | | | |
| 114-3 | K3007000022-Y | ADAPTOR, ODD SIZED PT1/2*PF3/8 | 1 | | | | | | | | |
| 114-4 | K3101311750 | HOSE, WP70-9-1-1750 | 1 | | | | | | | | |
| 114-5 | K3190015500 | TUBE, SPIRAL SP-12 1550 | 1 | | | | | | | | |
| 114-6 | K0881011000 | O-RING, P11B | 2 | | | | | | | | |
| 114-7 | K0881018000 | O-RING, P18B | 4 | | | | | | | | |
| 114-8 | K3007000012-Y | ADAPTOR, ODD SIZED PT1/2*PF3/4 | 1 | | | | | | | | |
| 114-9 | K3022080002-Y | ELBOW, FEMALE-MALE STE PT1/2 | 1 | | | | | | | | |
| 114-10 | K3006000122-Y | ELBOW, ODD SIZED PT1/2*PF3/4 | 1 | | | | | | | | |
| 114-11 | K3104531010 | HOSE, WP175-15-3-1010 | 1 | | | | | | | | |
| 114-12 | K3192008150 | TUBE, SPIRAL SP-20 815 | 1 | | | | | | | | |
| 114-13 | K3104531050 | HOSE, WP175-15-3-1050 | 1 | | | | | | | | |
| 114-14 | K3192008950 | TUBE, SPIRAL SP-20 895 | 1 | | | | | | | | |
| 114-15 | K3008000162-Y | ADAPTOR, 90 DEG UNF | 2 | | | | | | | | |
| 114-16 | K0887009100 | O-RING, AS568-910 | 2 | | | | | | | | |
| 114-17 | K3003120002-Y | ELBOW, 45 DEG 1035-12 | 4 | | | | | | | | |
| 114-18 | K3145000410 | HOSE, IB175-650 | 4 | | | | | | | | |
| 114-19 | K3191005150 | TUBE, SPIRAL SP-15 515 | 4 | | | | | | | | |
| 114-20 | K3145000260 | HOSE, SSC35-770 | 2 | | | | | | | | |
| 114-21 | K3190006750 | TUBE, SPIRAL SP-12 675 | 2 | | | | | | | | |
| 114-22 | K3006000012-Y | ELBOW, ODD SIZED PT3/8*PF1/4 | 2 | | | | | | | | |
| 114-23 | K3021060002-Y | TEE, TEF PT3/8 | 1 | | | | | | | | |
| 114-24 | K3003090002-Y | ELBOW, 45 DEG 1035-9 | 1 | | | | | | | | |
| 114-25 | K0073000022 | BOLT, WITH F-RING, M6-40 | 1 | | | | | | | | |
| 114-26 | K0100060002 | NUT, M6 | 2 | | | | | | | | |
| 114-27 | K3321000020 | MANIFOLD, WITH RELIEF VALVE | 1 | | | | | | | | |
| 114-28 | K0200060002 | WASHER, SPRING M6 | 2 | | | | | | | | |
| 114-29 | K3291000190 | MOTOR, WHEEL 2-200BS4S | 2 | | | | | | | | |
| 114-30 | Y61090S | SEAL KIT, 2000 ORBIT MOTOR (REAR) | 2 | | | | | | | | |
| 114-31 | Y61091S | SEAL KIT, 2000 ORBIT MOTOR (SHAFT) | 2 | | | | | | | | |

115. Lift arm section/Type_R



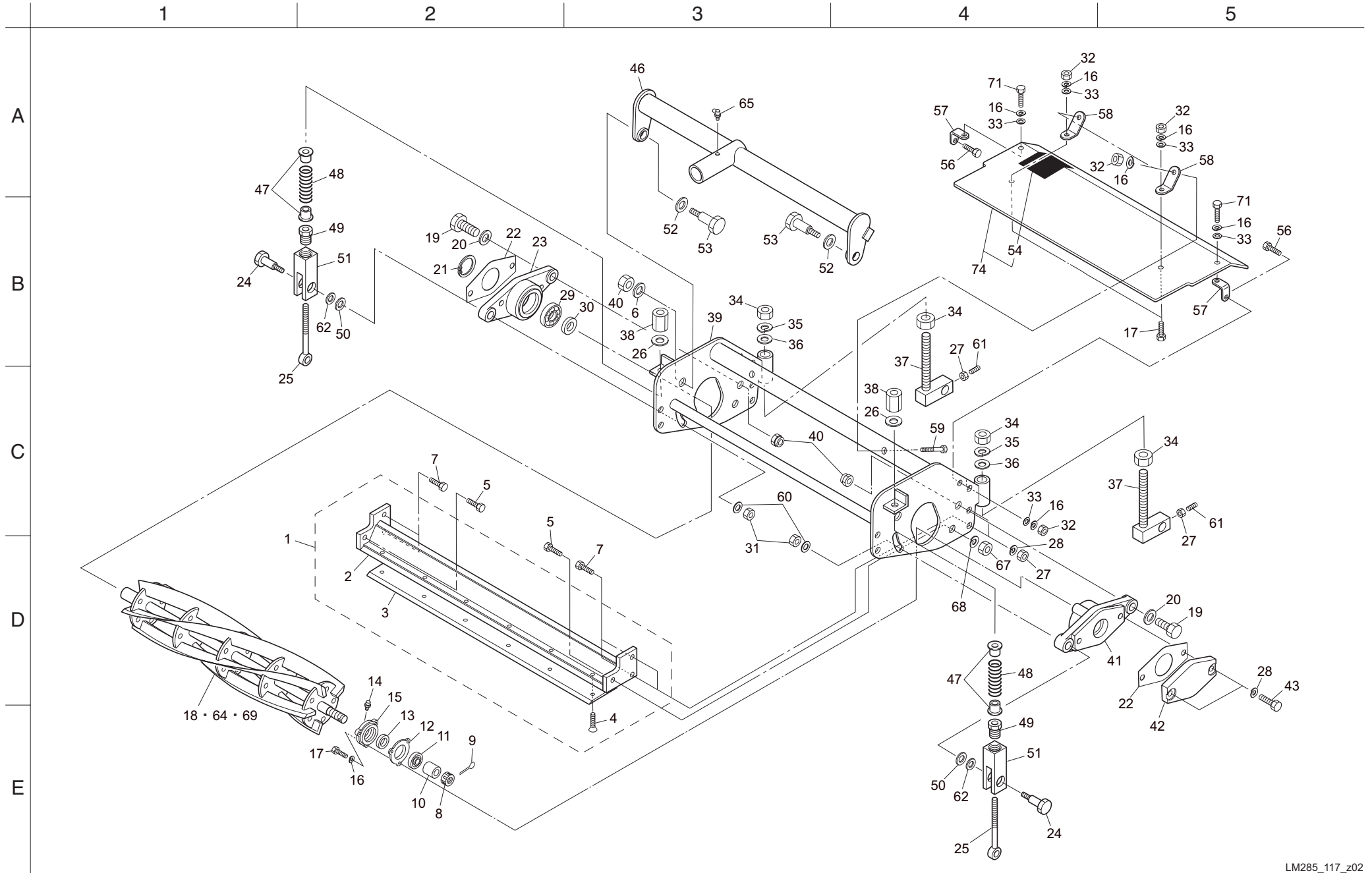
| Cat No. | Code No. | Part name | Qty | Remark | SN of application | Cat No. | Code No. | Part name | Qty | Remark | SN of application |
|---------|---------------|----------------------------------|-----|--------|-------------------|---------|---------------|----------------------------|-----|--------|-------------------|
| 115-1 | K6155000220 | SHAFT, STEPPED | 4 | | | 115-36 | K1300000110 | GRIP, RUBBER YELLOW 9-22 | 2 | | |
| 115-2 | K5051025370 | WASHER, C5191P 1-25.4-37 | 22 | | | 115-37 | LM285--0208Z2 | CAM | 2 | | |
| 115-3 | K5011025372 | WASHER, SPCC 1-25.4-37 | 14 | | | 115-38 | LM285--0206ZD | LEVER, UNLOAD | 2 | | |
| 115-4 | K0041060152 | SCREW, + FLAT HEAD M6-15 | 4 | | | 115-39 | K5000080002 | WASHER, M8 | 10 | | |
| 115-5 | K4033000380 | RUBBER, PLATE STOPPER | 2 | | | 115-40 | K0200080002 | WASHER, SPRING M8 | 6 | | |
| 115-6 | LM285--0203BD | ARM, LIFTING (REAR RIGHT) | 1 | | | 115-41 | K0000080252 | BOLT, M8-25 | 6 | | |
| 115-7 | K5051030420 | WASHER, C5191P 1-30-42 | 8 | | | 115-42 | K0608006290 | BEARING, BALL SEAL 2RS 629 | 2 | | |
| 115-8 | K1440000030 | GREASE NIPPLE, B TYPE | 4 | | | 115-43 | K0100080002 | NUT, M8 | 4 | | |
| 115-9 | K6215000142 | COLLAR, STKM WITH HOLE M26-32-15 | 5 | | | 115-44 | K6123000112 | SHAFT, THREADED M14-95.5 | 2 | | |
| 115-10 | K0103140002 | NUT, P1.5 M14 | 2 | | | 115-45 | K5000140002 | WASHER, M14 | 4 | | |
| 115-11 | K6030200572 | PIN, FLAT HEAD M20-57 | 6 | | | 115-46 | K0200140002 | WASHER, SPRING M14 | 2 | | |
| 115-12 | K5012320402 | WASHER, SPCC 2.3-20-40 | 10 | | | 115-47 | K5051016240 | WASHER, C5191P 1-16-24 | 2 | | |
| 115-13 | K0300032402 | PIN, COTTER M3.2-40 | 10 | | | 115-48 | K0400012002 | RING, RETAINING E M12 | 2 | | |
| 115-14 | LM285--0205AD | ARM, LIFTING FRONT (R) | 1 | | | 115-49 | K4270035060 | CLIP, HARNESS 35 M6 | 2 | | |
| 115-15 | K6212000372 | COLLAR, STKM M20.2-25.4-14.5 | 4 | | | 115-50 | K4532000092 | CHAINS, GENERAL USE 4.8-7 | 2 | | |
| 115-16 | LM318--0209Z2 | PIN, CYLINDER 84 | 2 | | | 115-51 | K0000060252 | BOLT, M6-25 | 2 | | |
| 115-17 | K7147000232 | PIN, WITH HOLE M30-197 | 2 | | | 115-52 | K5012306162 | WASHER, SPCC 2.3-6-16 | 4 | | |
| 115-18 | LM318--0221Z2 | SHAFT, MOWER ARM (FRONT L) | 2 | | | 115-53 | K0144060002 | NUT, WITH F-RING, M6 | 2 | | |
| 115-19 | K5012330452 | WASHER, SPCC 2.3-30-45 | 4 | | | 115-54 | K0300040402 | PIN, COTTER M4-40 | 1 | | |
| 115-20 | K0300040502 | PIN, COTTER M4-50 | 4 | | | 115-55 | K4205001900 | DECAL, CAUTION MOWER LOCK | 2 | | |
| 115-21 | K1440000020 | GREASE NIPPLE, C TYPE | 1 | | | | | | | | |
| 115-22 | LM318--0220AD | ARM, LIFT (REAR) | 1 | | | | | | | | |
| 115-23 | K7147000242 | PIN, WITH HOLE M25.4-160 | 1 | | | | | | | | |
| 115-24 | LM285--0204AD | ARM, LIFTING FRONT (L) | 1 | | | | | | | | |
| 115-25 | LM285--0202BD | ARM, LIFTING (REAR LEFT) | 1 | | | | | | | | |
| 115-26 | K0340800002 | PIN, SNAP WITH RETAINER M8 | 5 | | | | | | | | |
| 115-27 | LM285--0220Z0 | FRAME, ARM WITH DECAL | 1 | | | | | | | | |
| 115-28 | K6030200802 | PIN, FLAT HEAD M20-80 | 2 | | | | | | | | |
| 115-29 | K6040080402 | PIN, ROUND HEAD M8-40 | 5 | | | | | | | | |
| 115-30 | K6041080488 | PIN, ROUND HEAD HT M8-48.5 | 4 | | | | | | | | |
| 115-31 | K0300032252 | PIN, COTTER M3.2-25 | 4 | | | | | | | | |
| 115-32 | LM285--0210ZD | LEVER, LOCKING B | 1 | | | | | | | | |
| 115-33 | LM285--0209ZD | LEVER, LOCKING A | 1 | | | | | | | | |
| 115-34 | K0210140002 | SPRING, CONICAL DISC L M14 | 2 | | | | | | | | |
| 115-35 | K0145140002 | NUT, WITH F-RING, P1.5 M14 | 2 | | | | | | | | |

117. Mower section/Type_R (#1)



| Cat No. | Code No. | Part name | Qty | Remark | SN of application | Cat No. | Code No. | Part name | Qty | Remark | SN of application |
|---------|-------------|-----------------------------------|-----|----------|-------------------|---------|---------------|-----------------------------------|-----|----------|-------------------|
| 117-1 | K8022000020 | BASE & BEDKNIFE ASSY | 1 | | | 117-36 | K5012018282 | WASHER, SPCC 2-18-28 | 2 | | |
| 117-2 | K744200006R | BASE, BEDKNIFE 732 | 1 | | | 117-37 | LM526A-0108Z2 | SCREW, ADJUSTING CUTTING HEIGHT | 2 | | |
| 117-3 | K2510000030 | BEDKNIFE (BOTTOM BLADE), 7-85-662 | 1 | | | 117-38 | LM56G--0506Z2 | NUT, HIGH M10-17-35 P1.0 | 2 | | |
| 117-4 | K0071001182 | SCREW, HT FLAT HEAD M10-16 | 6 | | | 117-39 | K705200006R | FRAME, MOWER | 1 | | |
| 117-5 | K0000120302 | BOLT, M12-30 | 2 | | | 117-40 | K0105140002 | NUT, P1.5 M14-3 | 4 | | |
| 117-6 | K0212140002 | WASHER, DISK SPRING L M14-1 | 2 | | | 117-41 | K6903000222 | HOUSING, REEL CUTTER CR | 1 | | 10194- |
| 117-7 | K0000100252 | BOLT, M10-25 | 4 | | | 117-42 | K690300017D | COVER, REEL HOUSING | 1 | | |
| 117-8 | K0170000012 | NUT, SPECIAL M20 | 1 | | | 117-43 | K0000100452 | BOLT, M10-45 | 2 | | |
| 117-9 | K0300032252 | PIN, COTTER M3.2-25 | 1 | | | 117-44 | | | | | |
| 117-10 | K6212001742 | COLLAR, STKM M20.2-28-18 | 1 | | | 117-45 | | | | | |
| 117-11 | K0602063040 | BEARING, BALL SHIELD Z 6304 | 1 | | | 117-46 | LM282--0158ZR | FRAME, REAR MOWER | 1 | #1MOWER | |
| 117-12 | K4011000150 | PACKING, OIL-SHEET | 1 | | | 117-47 | K6206000052 | RECEIVER, FOR SPRING | 4 | | |
| 117-13 | K0822542080 | OIL SEAL, MHSA25428 | 1 | | | 117-48 | K1000000458 | SPRING, COMPRESSION M5-25-60 | 2 | | |
| 117-14 | K1440000010 | GREASE NIPPLE, A TYPE | 1 | | | 117-49 | K6081000082 | PIPE, WITH CUTTER ADJUSTING SCREW | 2 | | |
| 117-15 | K6903000042 | CAP, HOUSING | 1 | | | 117-50 | K5012310172 | WASHER, SPCC 2.3-10-17 | 2 | | |
| 117-16 | K0200060002 | WASHER, SPRING M6 | 11 | | | 117-51 | K6090000552 | MOUNT, ADJUSTING SCREW | 2 | | |
| 117-17 | K0000060152 | BOLT, M6-15 | 5 | | | 117-52 | K5011020282 | WASHER, SPCC 1-20-28 | 2 | | |
| 117-18 | K285260R90R | REEL CUTTER (CYLINDER), 660-9R | 1 | 9 Blades | | 117-53 | K6082000132 | BOLT, STEPPED FOR FIXING FRAME | 2 | | |
| 117-19 | K0071001132 | BOLT, AXIS | 2 | | | 117-54 | K4205001600 | DECAL, CAUTION TO MUTILATION | 1 | | |
| 117-20 | K5012314252 | WASHER, SPCC 2.3-14-25 | 2 | | | 117-55 | | | | | |
| 117-21 | K0402072001 | RING, RETAINING R M72 | 1 | | | 117-56 | K0000060202 | BOLT, M6-20 | 2 | | |
| 117-22 | K4011000290 | PACKING, OIL-SHEET | 2 | | | 117-57 | K5206000522 | PLATE, FOR FIXING COVER | 2 | | |
| 117-23 | K6903000202 | HOUSING, HYDRAULIC MOTOR B | 1 | | | 117-58 | K527600041R | PLATE, FOR FIXING COVER | 2 | | |
| 117-24 | K6082000122 | BOLT, STEPPED FOR FIXING HOUSING | 2 | | | 117-59 | K0000060502 | BOLT, M6-50 | 2 | | |
| 117-25 | K7303000182 | BOLT, ADJUSTING CUTTER | 2 | | | 117-60 | K5073210242 | WASHER, SPHC 3.2-10-24 | 2 | | |
| 117-26 | K5051010160 | WASHER, C5191P 1-10-16 | 2 | | | 117-61 | K0023100251 | SETSCREW, M10-25 | 2 | | |
| 117-27 | K0100100002 | NUT, M10 | 6 | | | 117-62 | K0214100002 | WASHER, DISK SPRING L M10-2 | 2 | | |
| 117-28 | K0200100002 | WASHER, SPRING M10 | 6 | | | 117-63 | LM282--0140A0 | COVER, REEL WITH STICKER (REAR) | 1 | #1MOWER | |
| 117-29 | K0602062070 | BEARING, BALL SHIELD Z 6207 | 1 | | | 117-64 | K285260R70R | REEL CUTTER (CYLINDER), 660-7R | 1 | 7 Blades | |
| 117-30 | K0823560120 | OIL SEAL, MHSA356012 | 1 | | | 117-65 | K1440000020 | GREASE NIPPLE, C TYPE | 1 | | |
| 117-31 | K0145100002 | NUT, WITH F-RING, P1.25 M10 | 2 | | | 117-66 | | | | | |
| 117-32 | K0100060002 | NUT, M6 | 6 | | | 117-67 | K0100120002 | NUT, M12 | 2 | | |
| 117-33 | K5000060002 | WASHER, M6 | 6 | | | 117-68 | K0200120002 | WASHER, SPRING M12 | 2 | | |
| 117-34 | K0108180002 | NUT, P1.5 M18-3 | 4 | | | 117-69 | K285260R50R | REEL CUTTER (CYLINDER), 660-5R | 1 | 5 Blades | |
| 117-35 | K0200180002 | WASHER, SPRING M18 | 2 | | | 117-70 | | | | | |

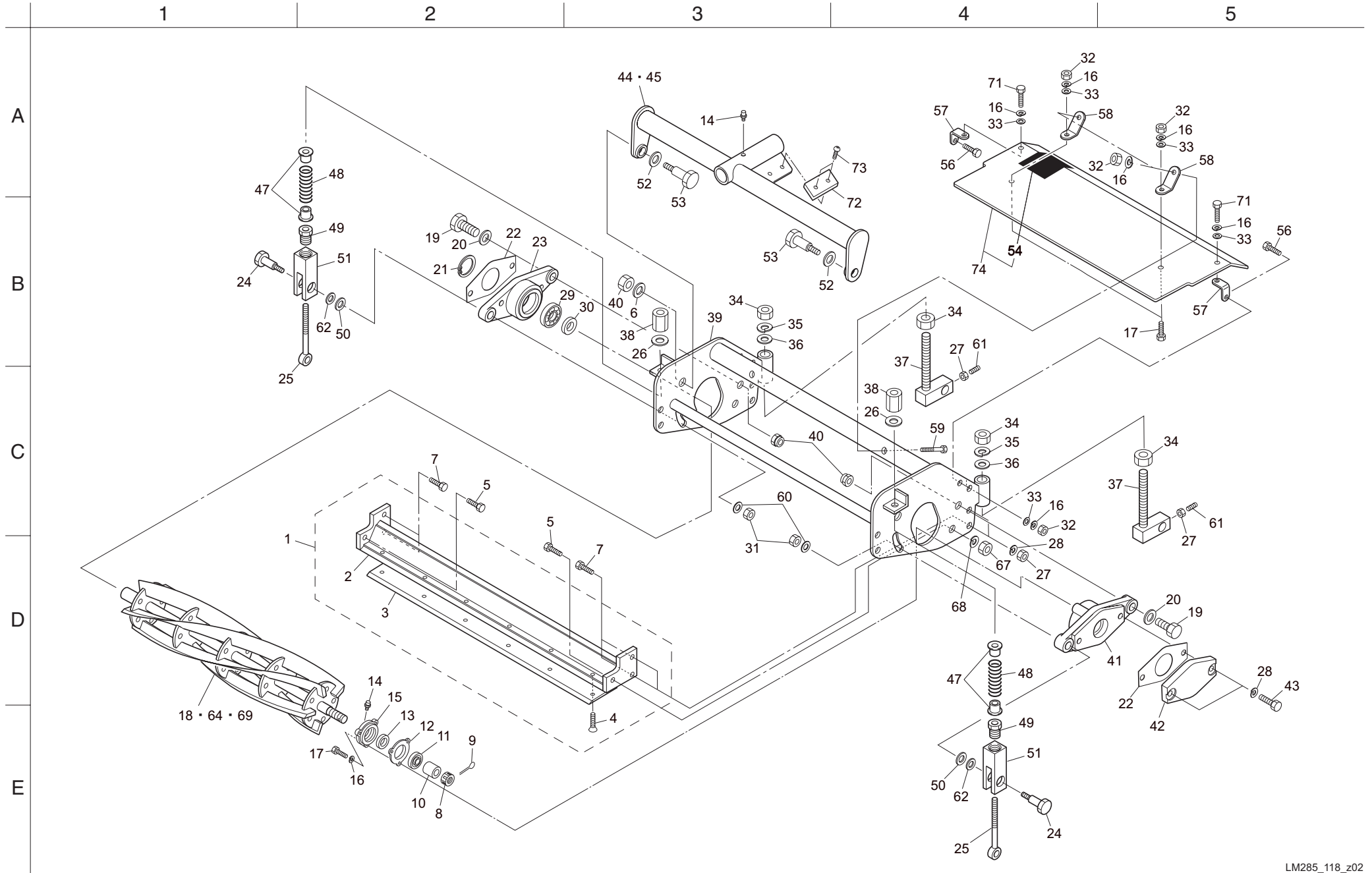
117. Mower section/Type_R (#1)



| Cat No. | Code No. | Part name | Qty | Remark | SN of application |
|---------|-------------|--------------------------|-----|--------|-------------------|
| 117-71 | K0000060102 | BOLT, M6-10 | 2 | | |
| 117-72 | | | | | |
| 117-73 | | | | | |
| 117-74 | | | | | |
| | K9010000180 | COVER, REEL WITH STICKER | 1 | | |
| | | | | | |
| | | | | | |
| | | | | | |
| | | | | | |
| | | | | | |
| | | | | | |
| | | | | | |
| | | | | | |
| | | | | | |
| | | | | | |

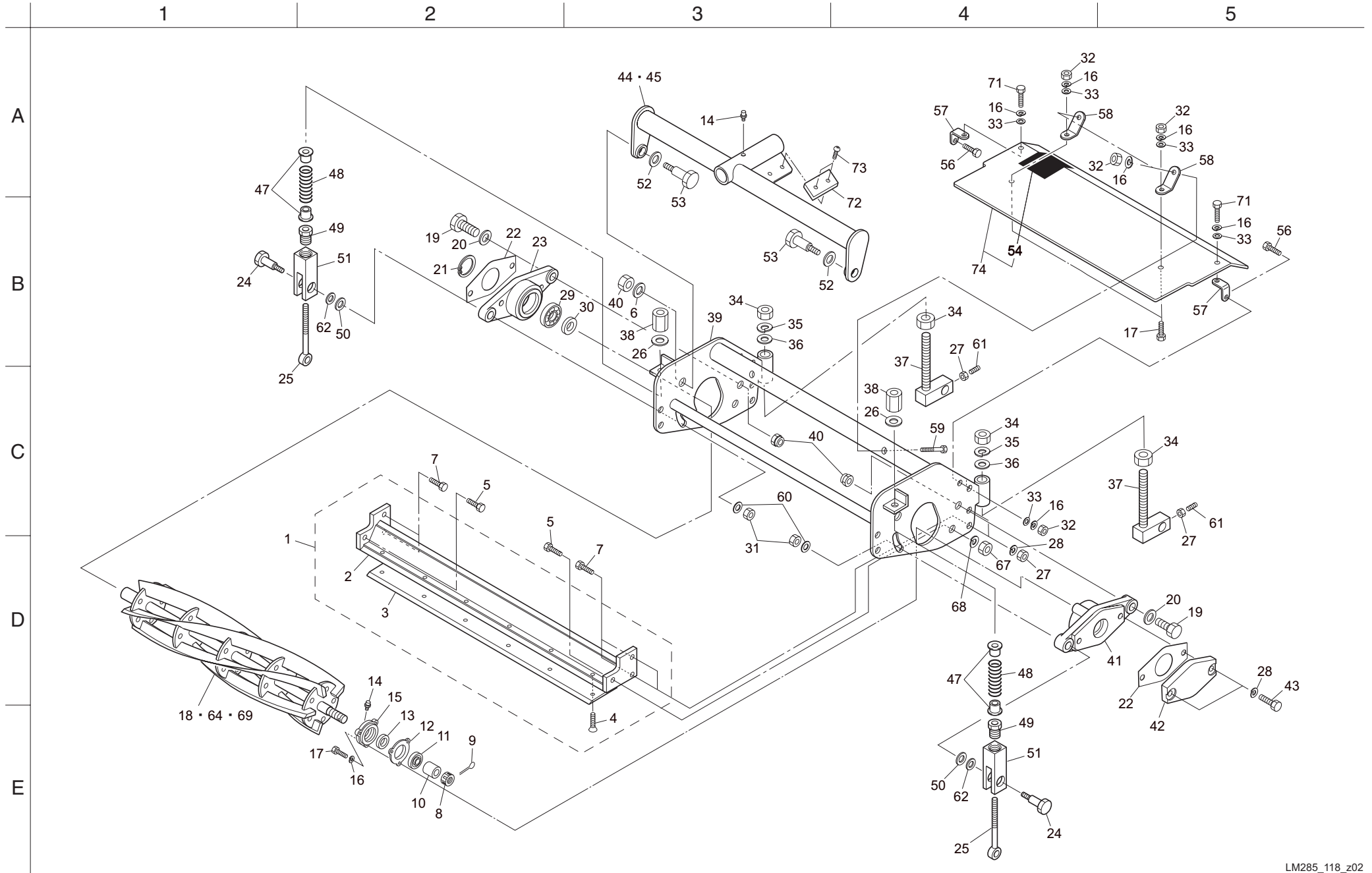
| Cat No. | Code No. | Part name | Qty | Remark | SN of application |
|---------|----------|-----------|-----|--------|-------------------|
| | | | | | |
| | | | | | |
| | | | | | |
| | | | | | |
| | | | | | |
| | | | | | |
| | | | | | |
| | | | | | |
| | | | | | |
| | | | | | |

118. Mower section/Type_R (#2•#5)



| Cat No. | Code No. | Part name | Qty | Remark | SN of application | Cat No. | Code No. | Part name | Qty | Remark | SN of application |
|---------|-------------|-----------------------------------|-----|----------|-------------------|---------|---------------|-----------------------------------|-----|----------|-------------------|
| 118-1 | K8022000020 | BASE & BEDKNIFE ASSY | 1 | | | 118-36 | K5012018282 | WASHER, SPCC 2-18-28 | 2 | | |
| 118-2 | K744200006R | BASE, BEDKNIFE 732 | 1 | | | 118-37 | LM526A-0108Z2 | SCREW, ADJUSTING CUTTING HEIGHT | 2 | | |
| 118-3 | K2510000030 | BEDKNIFE (BOTTOM BLADE), 7-85-662 | 1 | | | 118-38 | LM56G--0506Z2 | NUT, HIGH M10-17-35 P1.0 | 2 | | |
| 118-4 | K0071001182 | SCREW, HT FLAT HEAD M10-16 | 6 | | | 118-39 | K705200006R | FRAME, MOWER | 1 | | |
| 118-5 | K0000120302 | BOLT, M12-30 | 2 | | | 118-40 | K0105140002 | NUT, P1.5 M14-3 | 4 | | |
| 118-6 | K0212140002 | WASHER, DISK SPRING L M14-1 | 2 | | | 118-41 | K6903000222 | HOUSING, REEL CUTTER CR | 1 | | 10194- |
| 118-7 | K0000100252 | BOLT, M10-25 | 4 | | | 118-42 | K690300017D | COVER, REEL HOUSING | 1 | | |
| 118-8 | K0170000012 | NUT, SPECIAL M20 | 1 | | | 118-43 | K0000100452 | BOLT, M10-45 | 2 | | |
| 118-9 | K0300032252 | PIN, COTTER M3.2-25 | 1 | | | 118-44 | LM285--0102ZR | ARM, MOWER #2 #4 | 1 | #2MOWER | |
| 118-10 | K6212001742 | COLLAR, STKM M20.2-28-18 | 1 | | | 118-45 | LM285--0101ZR | ARM, MOWER #3 #5 | 1 | #5MOWER | |
| 118-11 | K0602063040 | BEARING, BALL SHIELD Z 6304 | 1 | | | 118-46 | | | | | |
| 118-12 | K4011000150 | PACKING, OIL-SHEET | 1 | | | 118-47 | K6206000052 | RECEIVER, FOR SPRING | 4 | | |
| 118-13 | K0822542080 | OIL SEAL, MHSA25428 | 1 | | | 118-48 | K1000000458 | SPRING, COMPRESSION M5-25-60 | 2 | | |
| 118-14 | K1440000010 | GREASE NIPPLE, A TYPE | 4 | | | 118-49 | K6081000082 | PIPE, WITH CUTTER ADJUSTING SCREW | 2 | | |
| 118-15 | K6903000042 | CAP, HOUSING | 1 | | | 118-50 | K5012310172 | WASHER, SPCC 2.3-10-17 | 2 | | |
| 118-16 | K0200060002 | WASHER, SPRING M6 | 11 | | | 118-51 | K6090000552 | MOUNT, ADJUSTING SCREW | 2 | | |
| 118-17 | K0000060152 | BOLT, M6-15 | 5 | | | 118-52 | K5011020282 | WASHER, SPCC 1-20-28 | 2 | | |
| 118-18 | K285260R90R | REEL CUTTER (CYLINDER), 660-9R | 1 | 9 Blades | | 118-53 | K6082000132 | BOLT, STEPPED FOR FIXING FRAME | 2 | | |
| 118-19 | K0071001132 | BOLT, AXIS | 2 | | | 118-54 | K4205001600 | DECAL, CAUTION TO MUTILATION | 1 | | |
| 118-20 | K5012314252 | WASHER, SPCC 2.3-14-25 | 2 | | | 118-55 | | | | | |
| 118-21 | K0402072001 | RING, RETAINING R M72 | 1 | | | 118-56 | K0000060202 | BOLT, M6-20 | 2 | | |
| 118-22 | K4011000290 | PACKING, OIL-SHEET | 2 | | | 118-57 | K5206000522 | PLATE, FOR FIXING COVER | 2 | | |
| 118-23 | K6903000202 | HOUSING, HYDRAULIC MOTOR B | 1 | | | 118-58 | K527600041R | PLATE, FOR FIXING COVER | 2 | | |
| 118-24 | K6082000122 | BOLT, STEPPED FOR FIXING HOUSING | 2 | | | 118-59 | K0000060502 | BOLT, M6-50 | 2 | | |
| 118-25 | K7303000182 | BOLT, ADJUSTING CUTTER | 2 | | | 118-60 | K5073210242 | WASHER, SPHC 3.2-10-24 | 2 | | |
| 118-26 | K5051010160 | WASHER, C5191P 1-10-16 | 2 | | | 118-61 | K0023100251 | SETSCREW, M10-25 | 2 | | |
| 118-27 | K0100100002 | NUT, M10 | 6 | | | 118-62 | K0214100002 | WASHER, DISK SPRING L M10-2 | 2 | | |
| 118-28 | K0200100002 | WASHER, SPRING M10 | 6 | | | 118-63 | | | | | |
| 118-29 | K0602062070 | BEARING, BALL SHIELD Z 6207 | 1 | | | 118-64 | K285260R70R | REEL CUTTER (CYLINDER), 660-7R | 1 | 7 Blades | |
| 118-30 | K0823560120 | OIL SEAL, MHSA356012 | 1 | | | 118-65 | | | | | |
| 118-31 | K0145100002 | NUT, WITH F-RING, P1.25 M10 | 2 | | | 118-66 | | | | | |
| 118-32 | K0100060002 | NUT, M6 | 6 | | | 118-67 | K0100120002 | NUT, M12 | 2 | | |
| 118-33 | K5000060002 | WASHER, M6 | 6 | | | 118-68 | K0200120002 | WASHER, SPRING M12 | 2 | | |
| 118-34 | K0108180002 | NUT, P1.5 M18-3 | 4 | | | 118-69 | K285260R50R | REEL CUTTER (CYLINDER), 660-5R | 1 | 5 Blades | |
| 118-35 | K0200180002 | WASHER, SPRING M18 | 2 | | | 118-70 | | | | | |

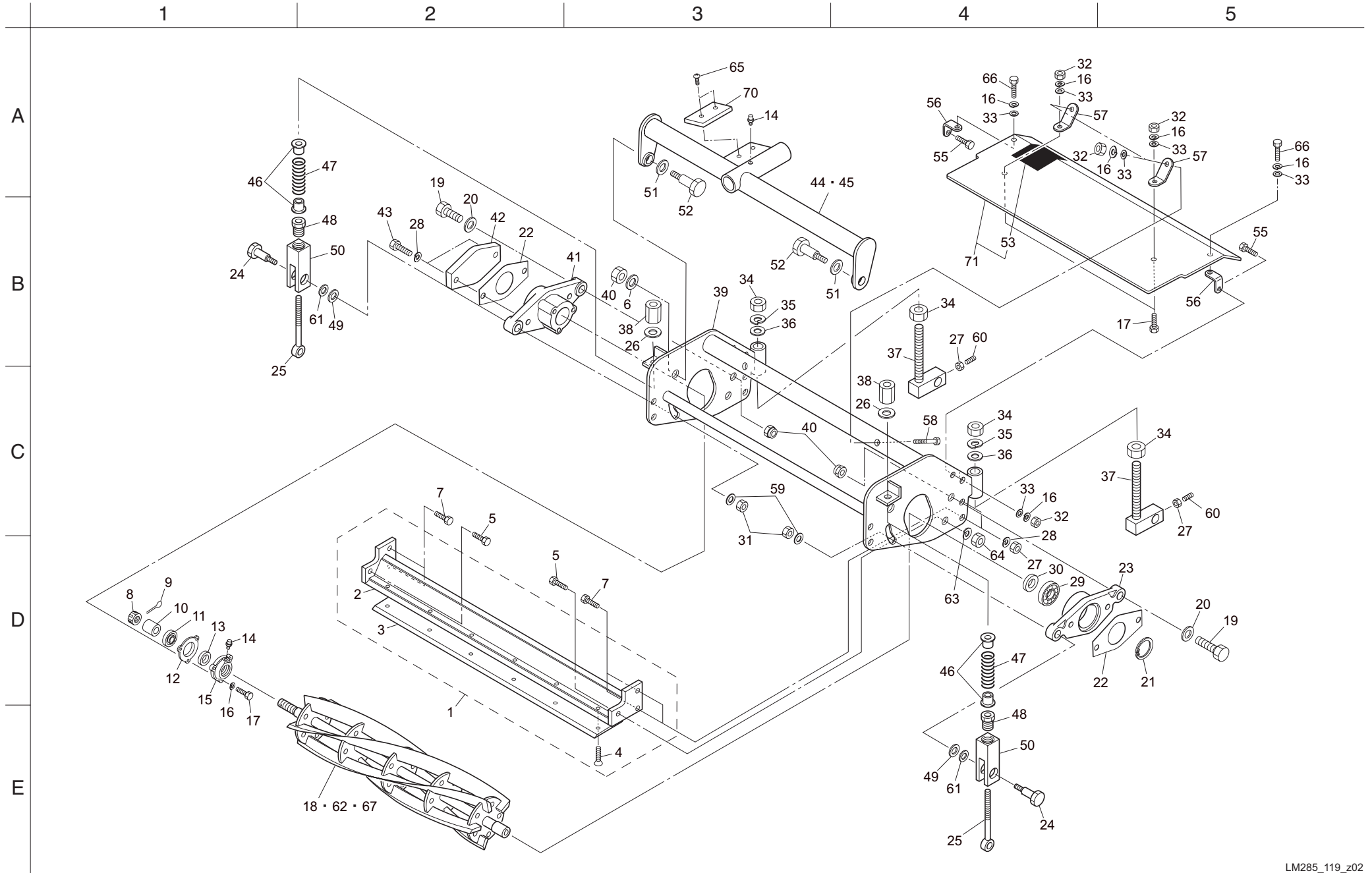
118. Mower section/Type_R (#2•#5)



| Cat No. | Code No. | Part name | Qty | Remark | SN of application |
|---------|-------------|----------------------------|-----|--------|-------------------|
| 118-71 | K0000060102 | BOLT, M6-10 | 2 | | |
| 118-72 | K4033000380 | RUBBER, PLATE STOPPER | 1 | | |
| 118-73 | K0041060152 | SCREW, + FLAT HEAD M6-15 | 2 | | |
| 118-74 | K9010000180 | COVER, FOR REEL WITH DECAL | 2 | | |
| | | | | | |
| | | | | | |
| | | | | | |
| | | | | | |
| | | | | | |
| | | | | | |
| | | | | | |
| | | | | | |
| | | | | | |
| | | | | | |
| | | | | | |

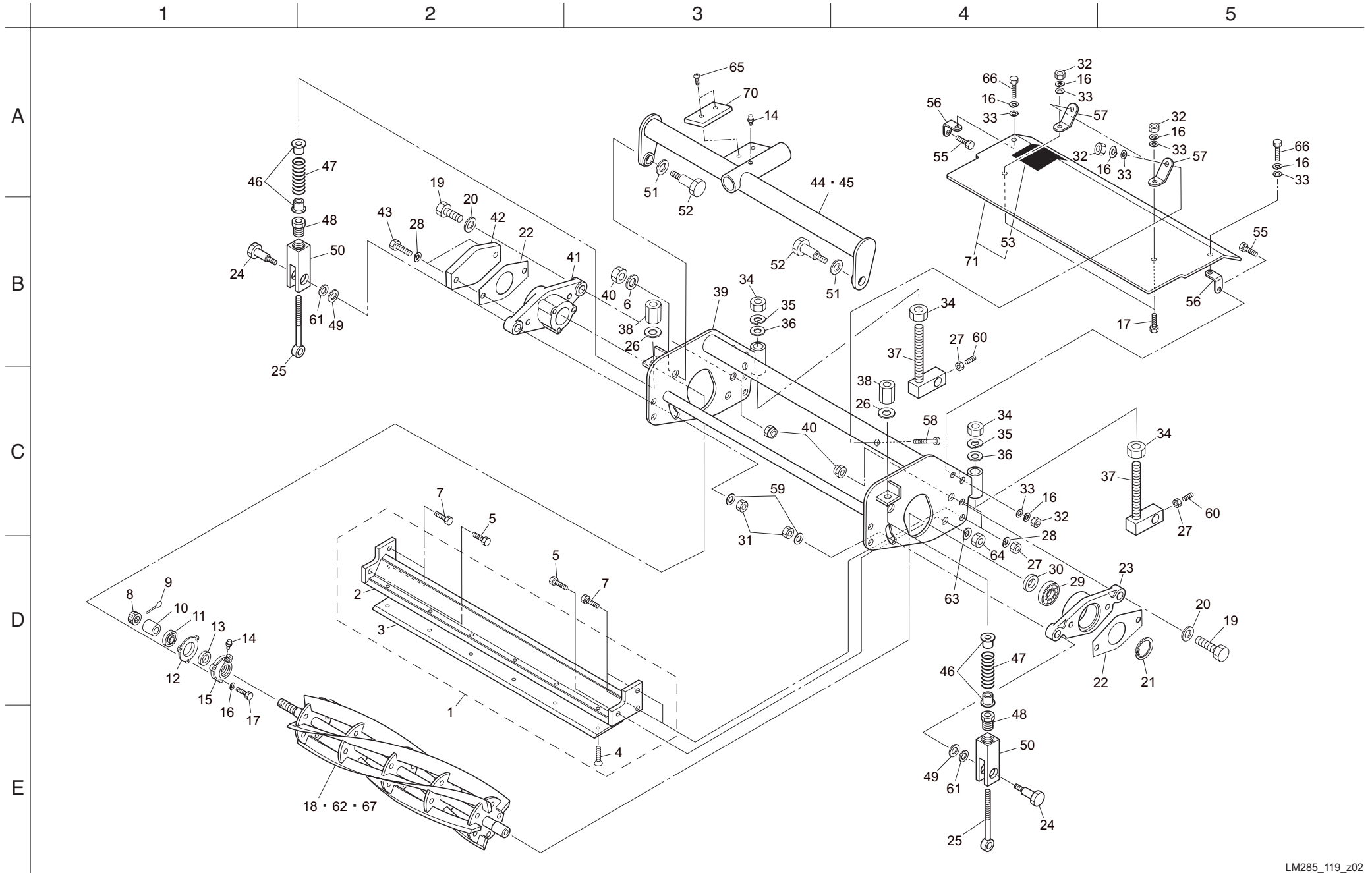
| Cat No. | Code No. | Part name | Qty | Remark | SN of application |
|---------|----------|-----------|-----|--------|-------------------|
| | | | | | |
| | | | | | |
| | | | | | |
| | | | | | |
| | | | | | |
| | | | | | |
| | | | | | |
| | | | | | |
| | | | | | |
| | | | | | |
| | | | | | |
| | | | | | |
| | | | | | |
| | | | | | |
| | | | | | |

119. Mower section/Type_R (#3•#4)



| Cat No. | Code No. | Part name | Qty | Remark | SN of application | Cat No. | Code No. | Part name | Qty | Remark | SN of application |
|---------|-------------|-----------------------------------|-----|----------|-------------------|---------|---------------|-----------------------------------|-----|----------|-------------------|
| 119-1 | K8022000020 | BASE & BEDKNIFE ASSY | 1 | | | 119-36 | K5012018282 | WASHER, SPCC 2-18-28 | 2 | | |
| 119-2 | K744200006R | BASE, BEDKNIFE 732 | 1 | | | 119-37 | LM526A-0108Z2 | SCREW, ADJUSTING CUTTING HEIGHT | 2 | | |
| 119-3 | K2510000030 | BEDKNIFE (BOTTOM BLADE), 7-85-662 | 1 | | | 119-38 | LM56G--0506Z2 | NUT, HIGH M10-17-35 P1.0 | 2 | | |
| 119-4 | K0071001182 | SCREW, HT FLAT HEAD M10-16 | 6 | | | 119-39 | K705200006R | FRAME, MOWER | 1 | | |
| 119-5 | K0000120302 | BOLT, M12-30 | 2 | | | 119-40 | K0105140002 | NUT, P1.5 M14-3 | 4 | | |
| 119-6 | K0212140002 | WASHER, DISK SPRING L M14-1 | 2 | | | 119-41 | K6903000222 | HOUSING, REEL CUTTER CR | 1 | | 10194- |
| 119-7 | K0000100252 | BOLT, M10-25 | 4 | | | 119-42 | K690300017D | COVER, REEL HOUSING | 1 | | |
| 119-8 | K0170000012 | NUT, SPECIAL M20 | 1 | | | 119-43 | K0000100452 | BOLT, M10-45 | 2 | | |
| 119-9 | K0300032252 | PIN, COTTER M3.2-25 | 1 | | | 119-44 | LM285--0102ZR | ARM, MOWER #2 #4 | 1 | #4MOWER | |
| 119-10 | K6212001742 | COLLAR, STKM M20.2-28-18 | 1 | | | 119-45 | LM285--0101ZR | ARM, MOWER #3 #5 | 1 | #3MOWER | |
| 119-11 | K0602063040 | BEARING, BALL SHIELD Z 6304 | 1 | | | 119-46 | K6206000052 | RECEIVER, FOR SPRING | 4 | | |
| 119-12 | K4011000150 | PACKING, OIL-SHEET | 1 | | | 119-47 | K1000000458 | SPRING, COMPRESSION M5-25-60 | 2 | | |
| 119-13 | K0822542080 | OIL SEAL, MHSA25428 | 1 | | | 119-48 | K6081000082 | PIPE, WITH CUTTER ADJUSTING SCREW | 2 | | |
| 119-14 | K1440000010 | GREASE NIPPLE, A TYPE | 2 | | | 119-49 | K5012310172 | WASHER, SPCC 2.3-10-17 | 2 | | |
| 119-15 | K6903000042 | CAP, HOUSING | 1 | | | 119-50 | K6090000552 | MOUNT, ADJUSTING SCREW | 2 | | |
| 119-16 | K0200060002 | WASHER, SPRING M6 | 11 | | | 119-51 | K5011020282 | WASHER, SPCC 1-20-28 | 2 | | |
| 119-17 | K0000060152 | BOLT, M6-15 | 5 | | | 119-52 | K6082000132 | BOLT, STEPPED FOR FIXING FRAME | 2 | | |
| 119-18 | K285260L90R | REEL CUTTER (CYLINDER), 660-9L | 1 | 9 Blades | | 119-53 | K4205001600 | DECAL, CAUTION TO MUTILATION | 1 | | |
| 119-19 | K0071001132 | BOLT, AXIS | 2 | | | 119-54 | | | | | |
| 119-20 | K5012314252 | WASHER, SPCC 2.3-14-25 | 2 | | | 119-55 | K0000060202 | BOLT, M6-20 | 2 | | |
| 119-21 | K0402072001 | RING, RETAINING R M72 | 1 | | | 119-56 | K5206000522 | PLATE, FOR FIXING COVER | 2 | | |
| 119-22 | K4011000290 | PACKING, OIL-SHEET | 2 | | | 119-57 | K527600041R | PLATE, FOR FIXING COVER | 2 | | |
| 119-23 | K6903000192 | HOUSING, HYDRAULIC MOTOR A | 1 | | | 119-58 | K0000060502 | BOLT, M6-50 | 2 | | |
| 119-24 | K6082000122 | BOLT, STEPPED FOR FIXING HOUSING | 2 | | | 119-59 | K5073210242 | WASHER, SPHC 3.2-10-24 | 2 | | |
| 119-25 | K7303000182 | BOLT, ADJUSTING CUTTER | 2 | | | 119-60 | K0023100251 | SETSCREW, M10-25 | 2 | | |
| 119-26 | K5051010160 | WASHER, C5191P 1-10-16 | 2 | | | 119-61 | K0214100002 | WASHER, DISK SPRING L M10-2 | 2 | | |
| 119-27 | K0100100002 | NUT, M10 | 6 | | | 119-62 | K285260L70R | REEL CUTTER (CYLINDER), 660-7L | 1 | 7 Blades | |
| 119-28 | K0200100002 | WASHER, SPRING M10 | 6 | | | 119-63 | K0200120002 | WASHER, SPRING M12 | 2 | | |
| 119-29 | K0602062070 | BEARING, BALL SHIELD Z 6207 | 1 | | | 119-64 | K0100120002 | NUT, M12 | 2 | | |
| 119-30 | K0823560120 | OIL SEAL, MHSA356012 | 1 | | | 119-65 | K0041060152 | SCREW, + FLAT HEAD M6-15 | 2 | | |
| 119-31 | K0145100002 | NUT, WITH F-RING, P1.25 M10 | 2 | | | 119-66 | K0000060102 | BOLT, M6-10 | 2 | | |
| 119-32 | K0100060002 | NUT, M6 | 6 | | | 119-67 | K285260L50R | REEL CUTTER (CYLINDER), 660-5L | 1 | 5 Blades | |
| 119-33 | K5000060002 | WASHER, M6 | 8 | | | 119-68 | | | | | |
| 119-34 | K0108180002 | NUT, P1.5 M18-3 | 4 | | | 119-69 | | | | | |
| 119-35 | K0200180002 | WASHER, SPRING M18 | 2 | | | 119-70 | K4033000380 | RUBBER, PLATE STOPPER | 1 | | |

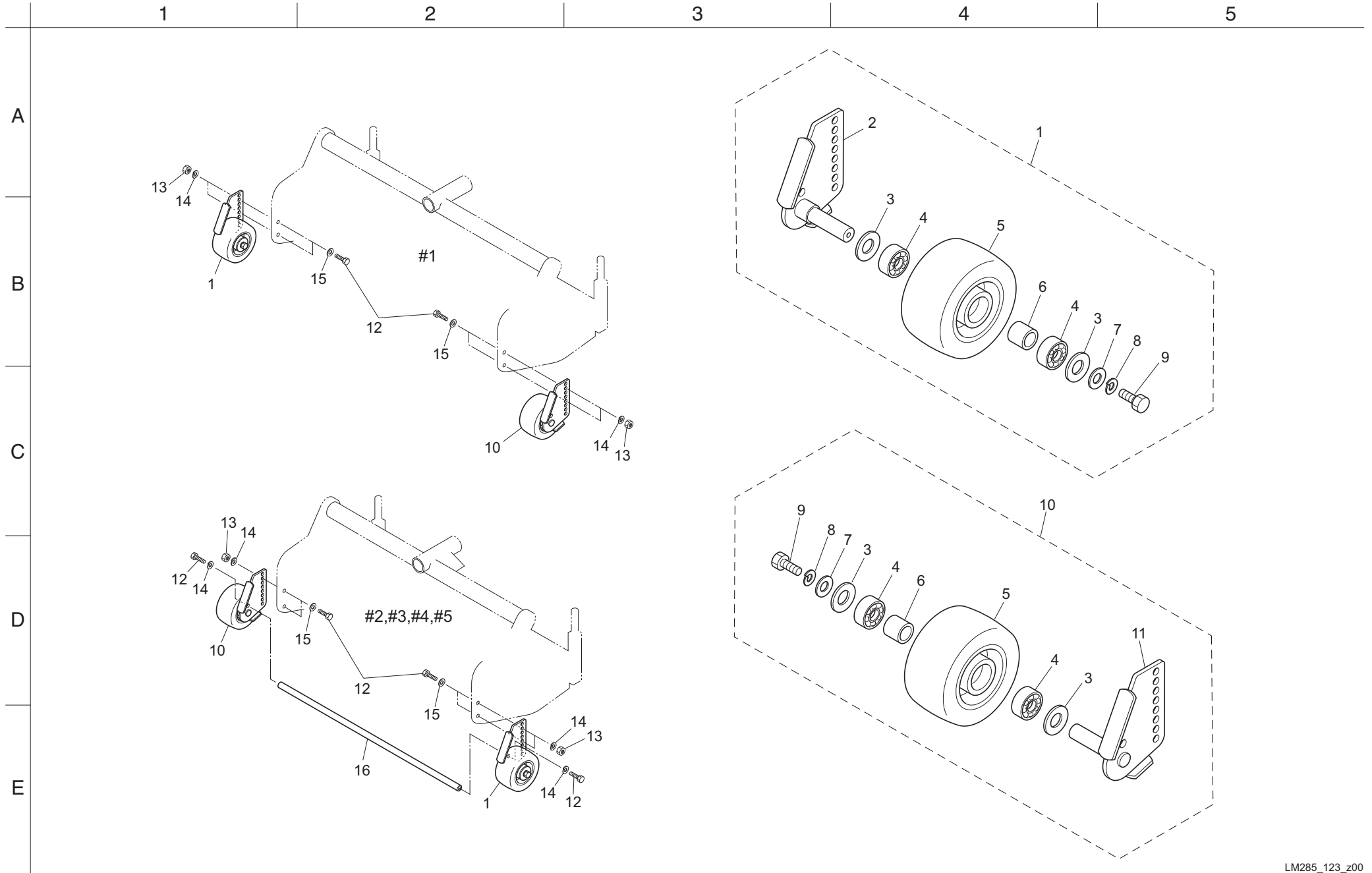
119. Mower section/Type_R (#3•#4)



| Cat No. | Code No. | Part name | Qty | Remark | SN of application |
|---------|-------------|----------------------------|-----|--------|-------------------|
| 119-71 | K9010000180 | COVER, FOR REEL WITH DECAL | 2 | | |
| | | | | | |
| | | | | | |
| | | | | | |
| | | | | | |
| | | | | | |
| | | | | | |
| | | | | | |
| | | | | | |
| | | | | | |

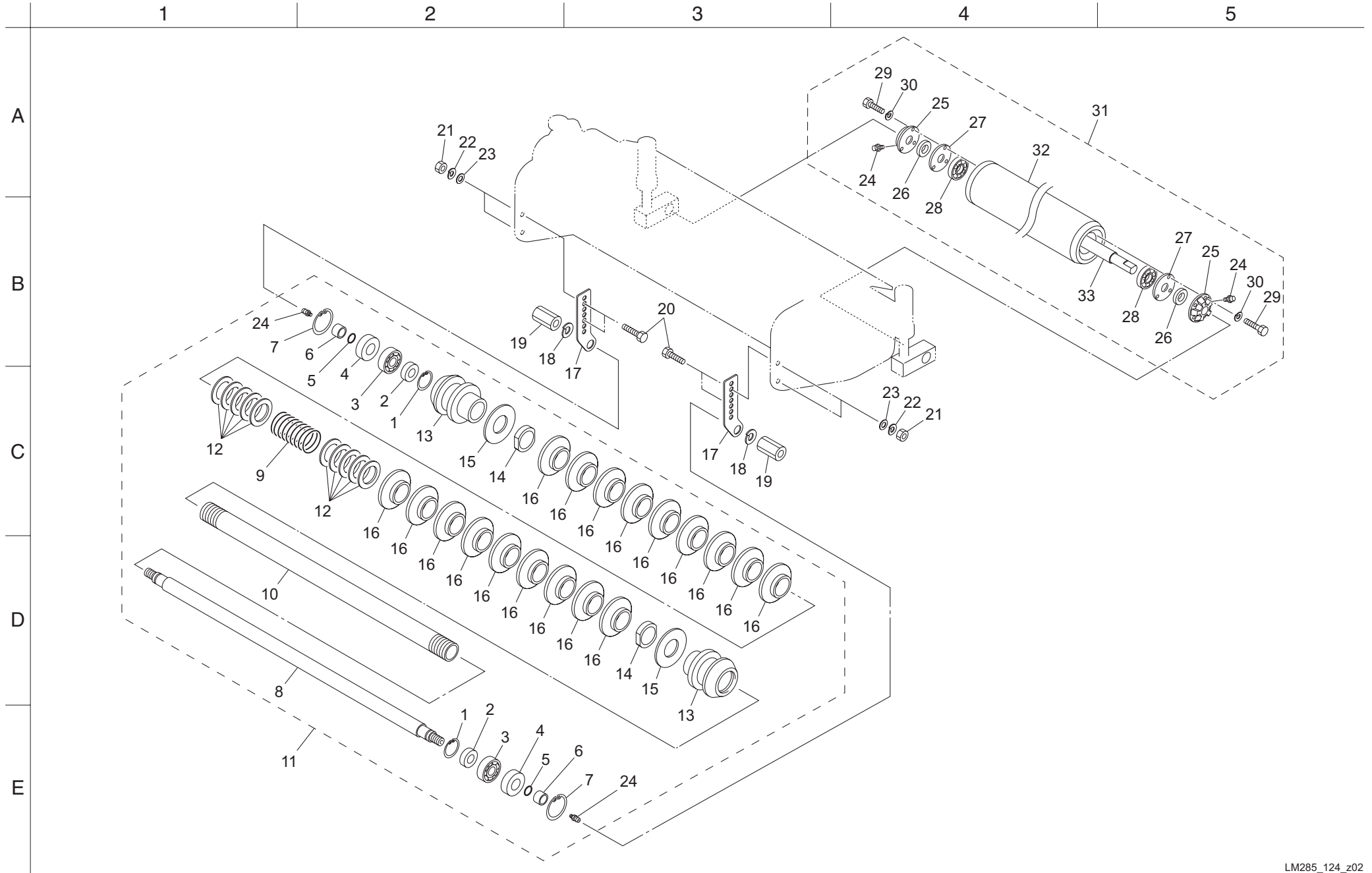
| Cat No. | Code No. | Part name | Qty | Remark | SN of application |
|---------|----------|-----------|-----|--------|-------------------|
| | | | | | |
| | | | | | |
| | | | | | |
| | | | | | |
| | | | | | |
| | | | | | |
| | | | | | |
| | | | | | |
| | | | | | |
| | | | | | |

123. Wheel section



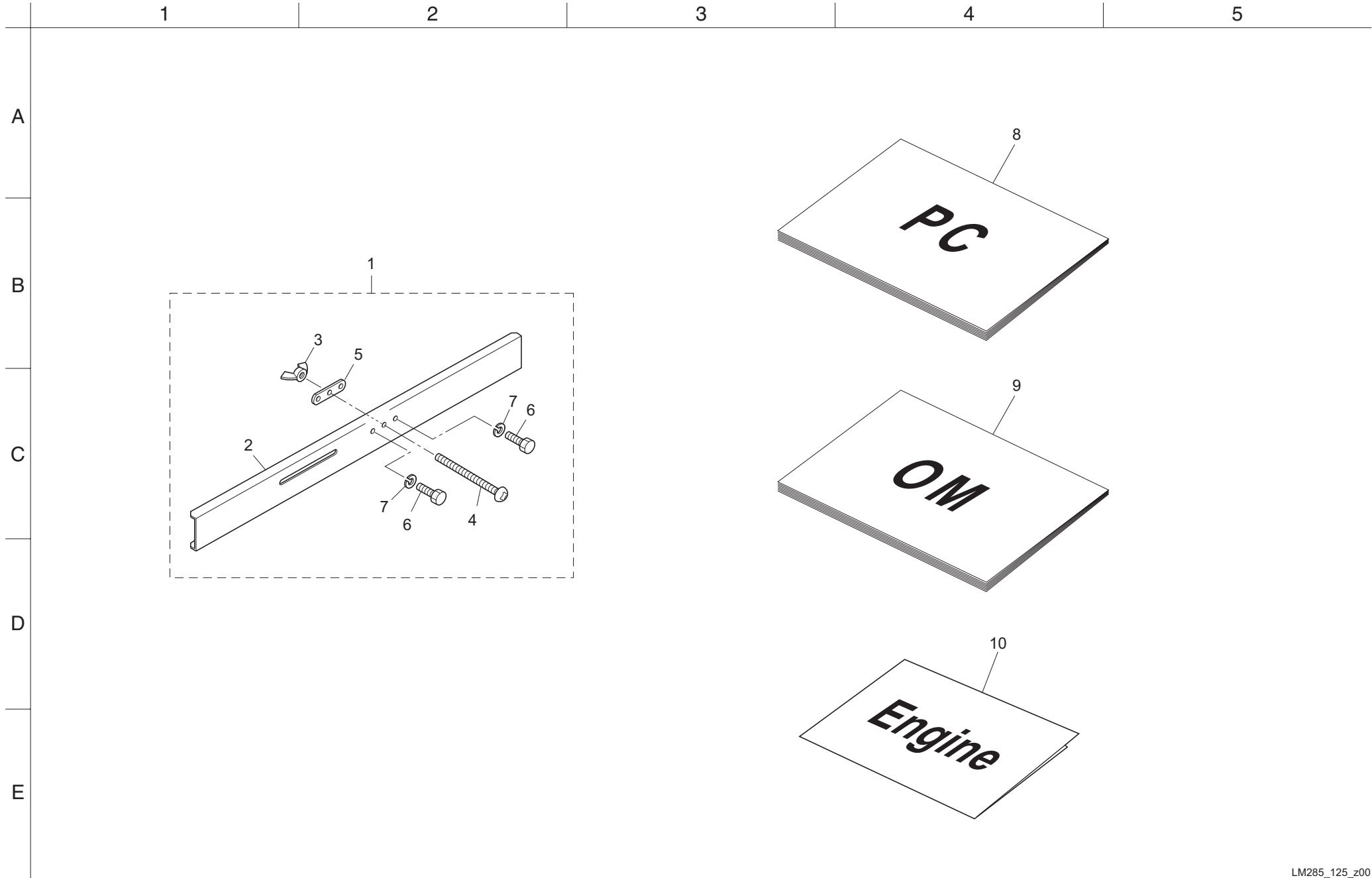
| Cat No. | Code No. | Part name | Qty | Remark | SN of application | Cat No. | Code No. | Part name | Qty | Remark | SN of application |
|---------|---------------|-----------------------------|-----|--------|-------------------|---------|----------|-----------|-----|--------|-------------------|
| 123-1 | LM526R-0125Z0 | WHEEL ASSY, FRONT (L) | 1 | | | | | | | | |
| 123-2 | LM526R-0108Z2 | BRACKET, FROMT ROLLER (L) | 1 | | | | | | | | |
| 123-3 | K5030520430 | WASHER, C2801P 0.5-20-43 | 4 | | | | | | | | |
| 123-4 | K0612062040 | BEARING, BALL SEAL 2RD 6204 | 4 | | | | | | | | |
| 123-5 | K2110000030 | WHEEL, RUBBER 150 | 2 | | | | | | | | |
| 123-6 | K6212000640 | COLLAR, STKM M20.2-25.4-33 | 2 | | | | | | | | |
| 123-7 | K6204000212 | WASHER, CLAMPING WHEEL | 2 | | | | | | | | |
| 123-8 | K0200080002 | WASHER, SPRING M8 | 2 | | | | | | | | |
| 123-9 | K0000080202 | BOLT, M8-20 | 2 | | | | | | | | |
| 123-10 | LM526R-0126Z0 | WHEEL ASSY, FRONT (R) | 1 | | | | | | | | |
| 123-11 | LM526R-0109Z2 | BRACKET, FROMT ROLLER (R) | 1 | | | | | | | | |
| 123-12 | K0000100252 | BOLT, M10-25 | 4 | | | | | | | | |
| 123-13 | K0100100002 | NUT, M10 | 4 | | | | | | | | |
| 123-14 | K0200100002 | WASHER, SPRING M10 | 4 | | | | | | | | |
| 123-15 | K5000100002 | WASHER, M10 | 4 | | | | | | | | |
| 123-16 | LM526R-0110Z2 | PIPE, STAY | 1 | | | | | | | | |
| | | | | | | | | | | | |
| | | | | | | | | | | | |
| | | | | | | | | | | | |
| | | | | | | | | | | | |

124. Roller Ass'y section



| Cat No. | Code No. | Part name | Qty | Remark | SN of application | Cat No. | Code No. | Part name | Qty | Remark | SN of application |
|---------|---------------|------------------------------|-----|----------------|-------------------|---------|----------|-----------|-----|--------|-------------------|
| 124-1 | K0402035001 | RING, RETAINING R M35 | 4 | | | | | | | | |
| 124-2 | K0822235080 | OIL SEAL, MHSA22358 | 4 | | | | | | | | |
| 124-3 | K0600063030 | BEARING, BALL 6303 | 4 | | | | | | | | |
| 124-4 | K0822547080 | OIL SEAL, MHSA25478 | 4 | | | | | | | | |
| 124-5 | K0885015000 | O-RING, S15 | 4 | | | | | | | | |
| 124-6 | K6219000600 | COLLAR, SUS M17-25-27 | 4 | | | | | | | | |
| 124-7 | K0402047001 | RING, RETAINING R M47 | 4 | | | | | | | | |
| 124-8 | LM2400-2106Z0 | SHAFT, ROLLER 22-770 | 2 | | | | | | | | |
| 124-9 | K100000073D | SPRING, COMPRESSION M5-51-75 | 2 | | | | | | | | |
| 124-10 | LM2700-0151Z2 | PIPE, ROLLER 34.2-40607.2 | 2 | | | | | | | | |
| 124-11 | LM2400-2102Z0 | SLOTTED ROLLER ASSY OS | 2 | | | | | | | | |
| 124-12 | K5011040522 | WASHER, SPCC 1-40-52 | 20 | For adjustment | | | | | | | |
| 124-13 | K620200051D | HOUSING, ROLLER 75.5 | 4 | | | | | | | | |
| 124-14 | K016000062D | NUT, M40 | 4 | | | | | | | | |
| 124-15 | K510100061D | PLATE, ROUND 80 | 4 | | | | | | | | |
| 124-16 | K5920000120 | ROLLER, PLASTIC 80 | 36 | | | | | | | | |
| 124-17 | K5131001882 | PLATE, SPHC ROLLER BRACKET | 4 | | | | | | | | |
| 124-18 | K0200140002 | WASHER, SPRING M14 | 4 | | | | | | | | |
| 124-19 | K0160000652 | NUT, SPECIAL M14-30 | 4 | | | | | | | | |
| 124-20 | K0000100252 | BOLT, M10-25 | 8 | | | | | | | | |
| 124-21 | K0102100002 | NUT, M10-3 | 4 | | | | | | | | |
| 124-22 | K0200100002 | WASHER, SPRING M10 | 4 | | | | | | | | |
| 124-23 | K5000100002 | WASHER, M10 | 4 | | | | | | | | |
| 124-24 | K1440000010 | GREASE NIPPLE, A TYPE | 4 | | | | | | | | |
| 124-25 | K6810000070 | HOUSING, SEAL | 2 | | | | | | | | |
| 124-26 | K0821730080 | OIL SEAL, MHSA17308 | 2 | | | | | | | | |
| 124-27 | K4015136650 | PACKING, FIBER 1-36-65 | 2 | | | | | | | | |
| 124-28 | K0602062030 | BEARING, BALL SHIELD Z 6203 | 2 | | | | | | | | |
| 124-29 | K0000060152 | BOLT, M6-15 | 6 | | | | | | | | |
| 124-30 | K0200060002 | WASHER, SPRING M6 | 6 | | | | | | | | |
| 124-31 | K8021000520 | ROLLER ASSY, 764 | 1 | | | | | | | | |
| 124-32 | K740000024D | ROLLER, 76.2-674 | 1 | | | | | | | | |
| 124-33 | K6155000280 | SHAFT, ROLLER 764 | 1 | | | | | | | | |

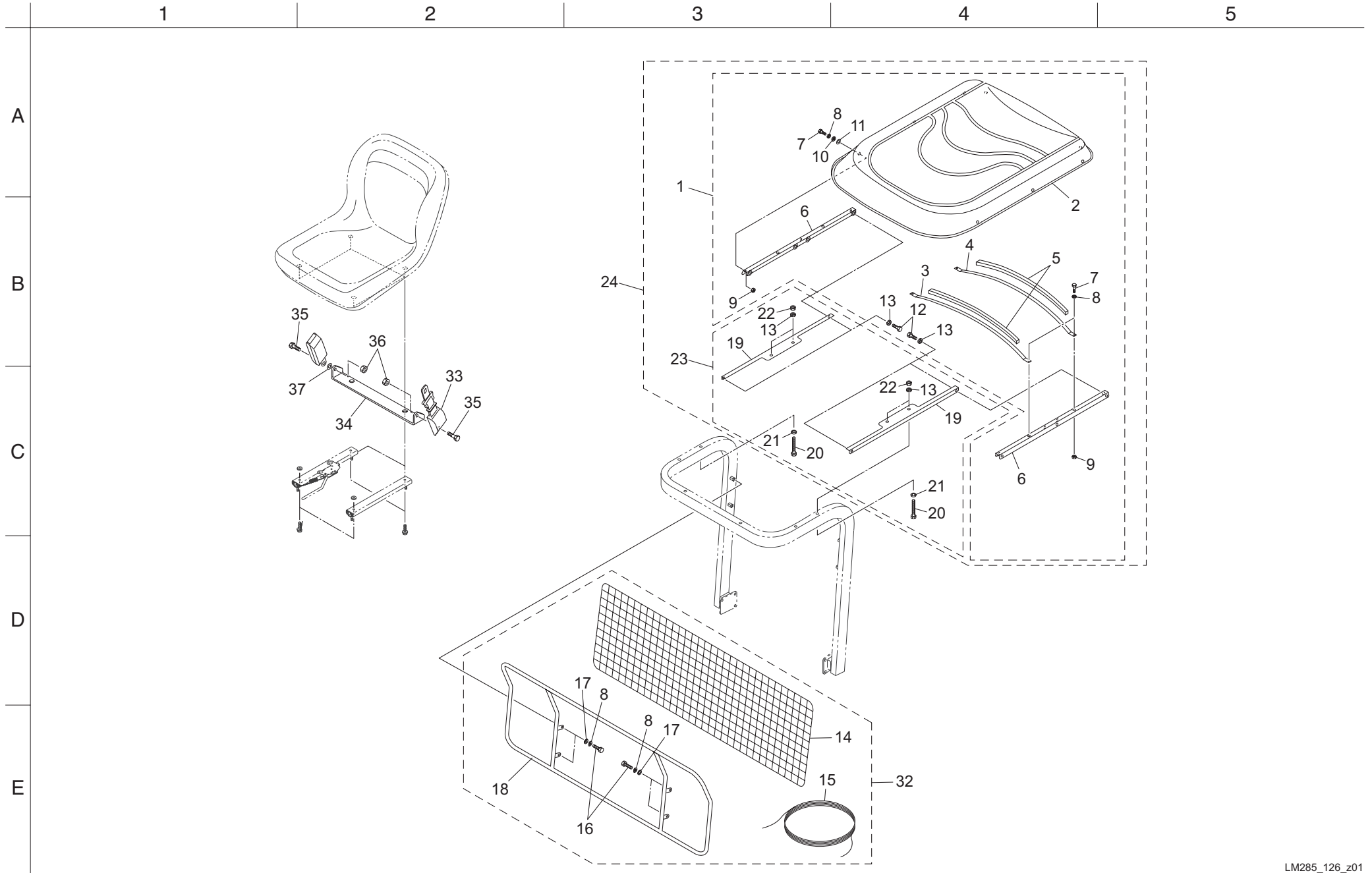
125. Accessory section



| Cat No. | Code No. | Part name | Qty | Remark | SN of application |
|---------|----------------|--|-----|--------|-------------------|
| 125-1 | K4825000060 | GAUGE, CUTTING HEIGHT 600 ASSY | 1 | | |
| 125-2 | K482500003D | GAUGE, CUTTING HEIGHT 600 | 1 | | |
| 125-3 | K0141060002 | NUT, WING M6-3 | 1 | | |
| 125-4 | K0071000522 | SCREW, FOR CUTTING HEIGHT ADJUST M6-75 | 1 | | |
| 125-5 | K4825000042 | PLATE, MOUNTING SCREW | 1 | | |
| 125-6 | K0021060102 | BOLT, FLANGED M6-10 | 2 | | |
| 125-7 | K0200060002 | WASHER, SPRING M6 | 2 | | |
| 125b-8 | 750101-80-B | PARTS CATALOG (LM285) ENGLISH | 1 | | |
| 125b-9 | 750101-80-A | OWNERS OPERATING MANUAL (LM285) ENGLISH | 1 | | |
| 125a-10 | PF1J987-8916-2 | OWNERS OPERATING MANUAL FOR ENGINE (ENGLISH) | 1 | | |
| | | | | | |
| | | | | | |
| | | | | | |
| | | | | | |
| | | | | | |
| | | | | | |
| | | | | | |

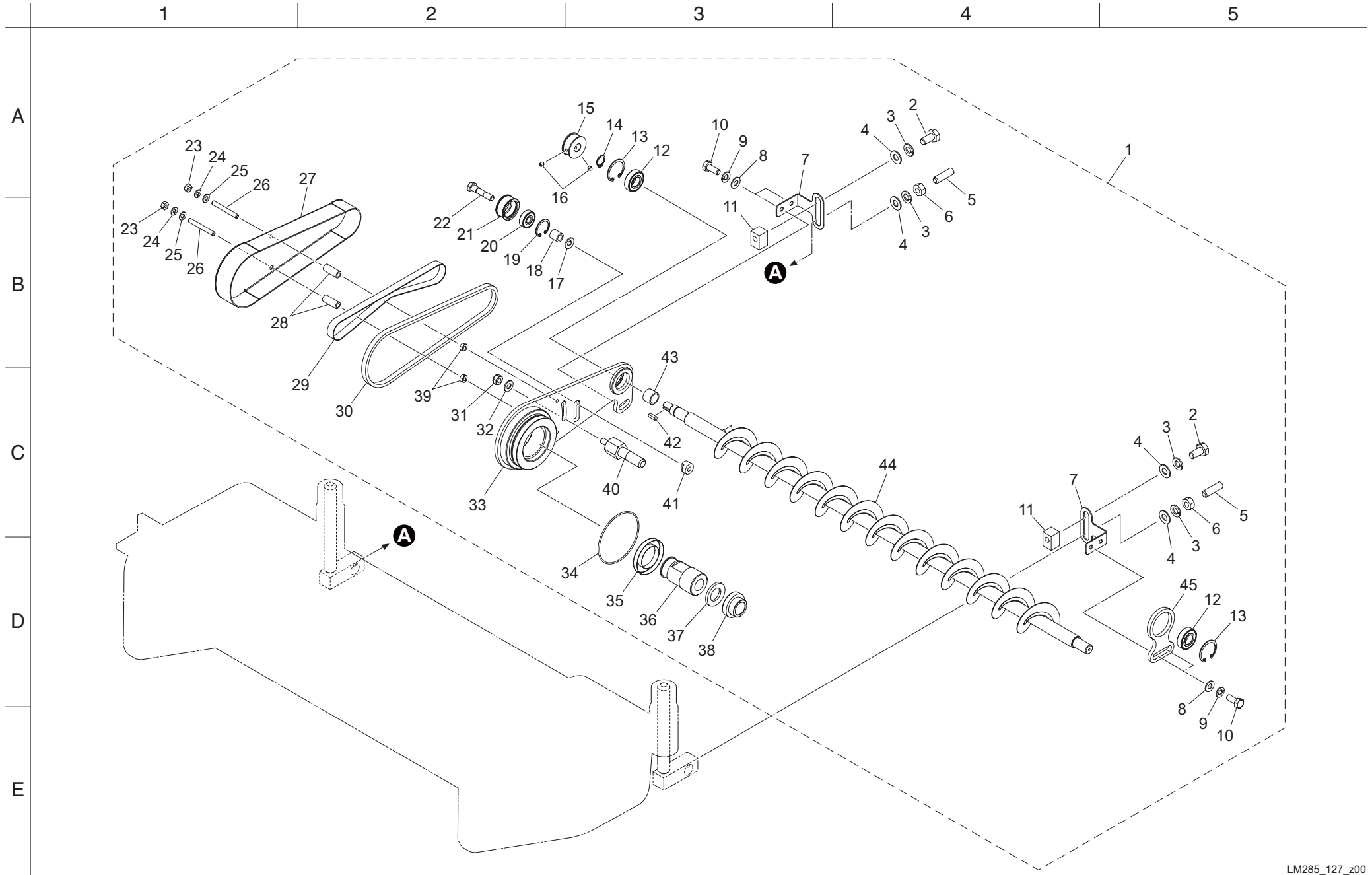
| Cat No. | Code No. | Part name | Qty | Remark | SN of application |
|---------|----------|-----------|-----|--------|-------------------|
| | | | | | |
| | | | | | |
| | | | | | |
| | | | | | |
| | | | | | |
| | | | | | |
| | | | | | |
| | | | | | |
| | | | | | |
| | | | | | |

126. Roof section (option)



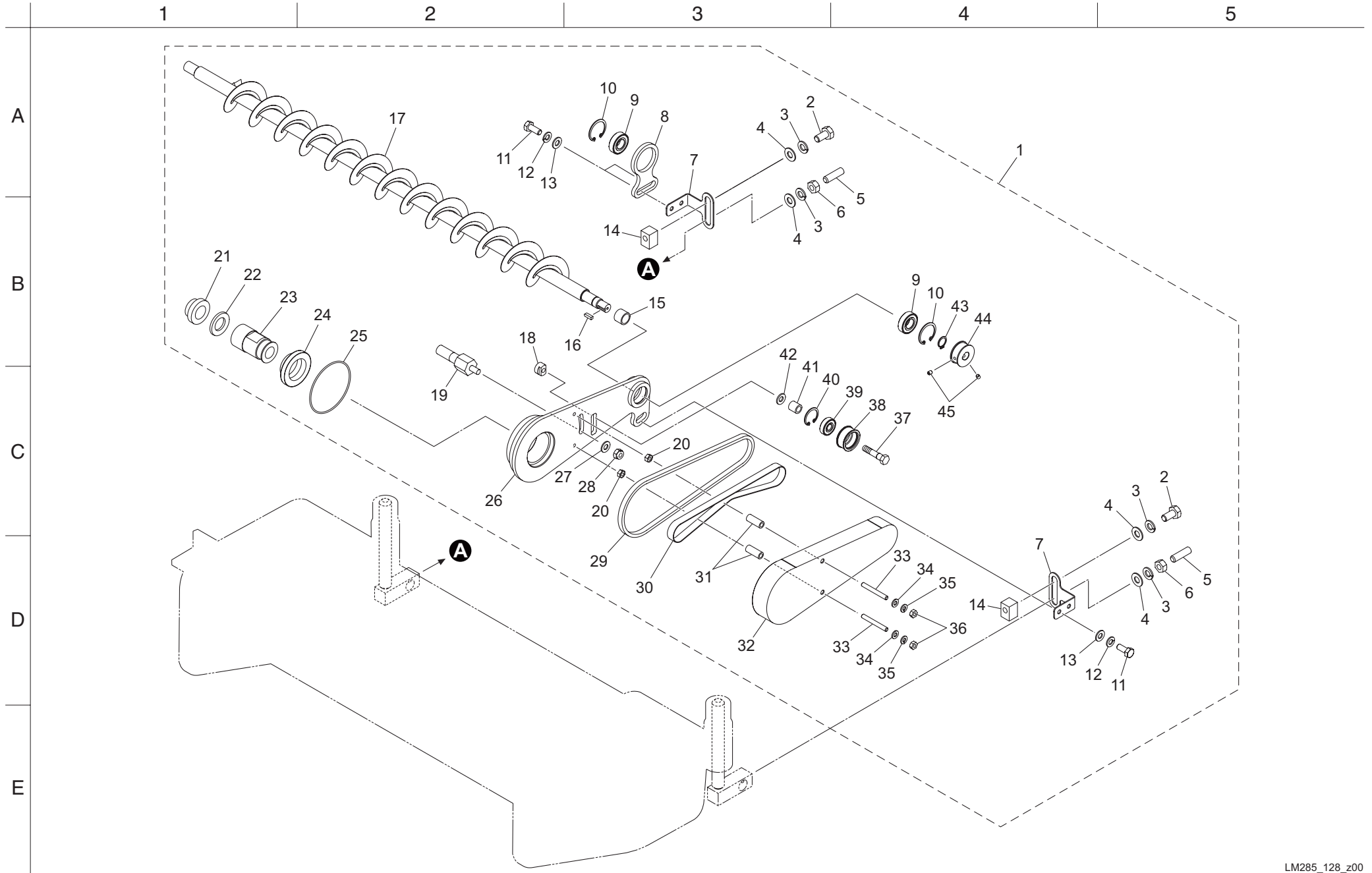
| Cat No. | Code No. | Part name | Qty | Remark | SN of application | Cat No. | Code No. | Part name | Qty | Remark | SN of application |
|---------|---------------|-------------------------------|-----|--------|-------------------|---------|-------------|----------------------------|-----|--------|-------------------|
| 126-1 | K9120000030 | ROOF ASSY | 1 | | | 126-36 | K0145120002 | NUT, WITH F-RING, P1.5 M12 | 2 | | |
| 126-2 | K1900000080 | ROOF | 1 | | | 126-37 | K5012013322 | WASHER, SPCC 2-12.8-32 | 2 | | |
| 126-3 | K190000010D | ARCH, B | 1 | | | | | | | | |
| 126-4 | K190000009D | ARCH, A | 1 | | | | | | | | |
| 126-5 | K1900000120 | SPONGE, URETHANE 20-20840 | 2 | | | | | | | | |
| 126-6 | K190000011D | SUPPORT, HOOD | 2 | | | | | | | | |
| 126-7 | K0000080202 | BOLT, M8-20 | 10 | | | | | | | | |
| 126-8 | K0200080002 | WASHER, SPRING M8 | 14 | | | | | | | | |
| 126-9 | K0100080002 | NUT, M8 | 10 | | | | | | | | |
| 126-10 | K5012308322 | WASHER, SPCC 2.3-8-32 | 6 | | | | | | | | |
| 126-11 | K1900000130 | RUBBER, FOR ROOF | 6 | | | | | | | | |
| 126-12 | K0000100202 | BOLT, M10-20 | 4 | | | | | | | | |
| 126-13 | K0200100002 | WASHER, SPRING M10 | 8 | | | | | | | | |
| 126-14 | K4130000020 | NET, BALL-PROOF 550*1375S | 1 | | | | | | | | |
| 126-15 | K4140000020 | ROPE, 2-6700S | 2 | | | | | | | | |
| 126-16 | K0000080152 | BOLT, M8-15 | 4 | | | | | | | | |
| 126-17 | K5000080002 | WASHER, M8 | 4 | | | | | | | | |
| 126-18 | K789900120D | FRAME, FOR BALL PROOF NET | 1 | | | | | | | | |
| 126-19 | K520500040D | PLATE, FOR FIXING ROOF | 2 | | | | | | | | |
| 126-20 | K0000101002 | BOLT, M10-100 | 4 | | | | | | | | |
| 126-21 | K5000100002 | WASHER, M10 | 4 | | | | | | | | |
| 126-22 | K0100100002 | NUT, M10 | 4 | | | | | | | | |
| 126-23 | K9120000050 | BRACKET SET, FOR AWNING FRAME | 1 | | | | | | | | |
| 126-24 | K9120000060 | ROOF AND FLAME ASSY | 1 | | | | | | | | |
| 126-25 | | | | | | | | | | | |
| 126-26 | | | | | | | | | | | |
| 126-27 | | | | | | | | | | | |
| 126-28 | | | | | | | | | | | |
| 126-29 | | | | | | | | | | | |
| 126-30 | | | | | | | | | | | |
| 126-31 | | | | | | | | | | | |
| 126-32 | LM285--1705A0 | PROTECTIVE NET KIT, LM285 | 1 | | | | | | | | |
| 126-33 | K1701000100 | SEATBELT | 1 | | | | | | | | |
| 126-34 | K1701000110 | BRACKET, FOR XB-180 SEAT BELT | 1 | | | | | | | | |
| 126-35 | K0011120252 | BOLT, HT P1.5 M12-25 | 2 | | | | | | | | |

127. CR brush section A



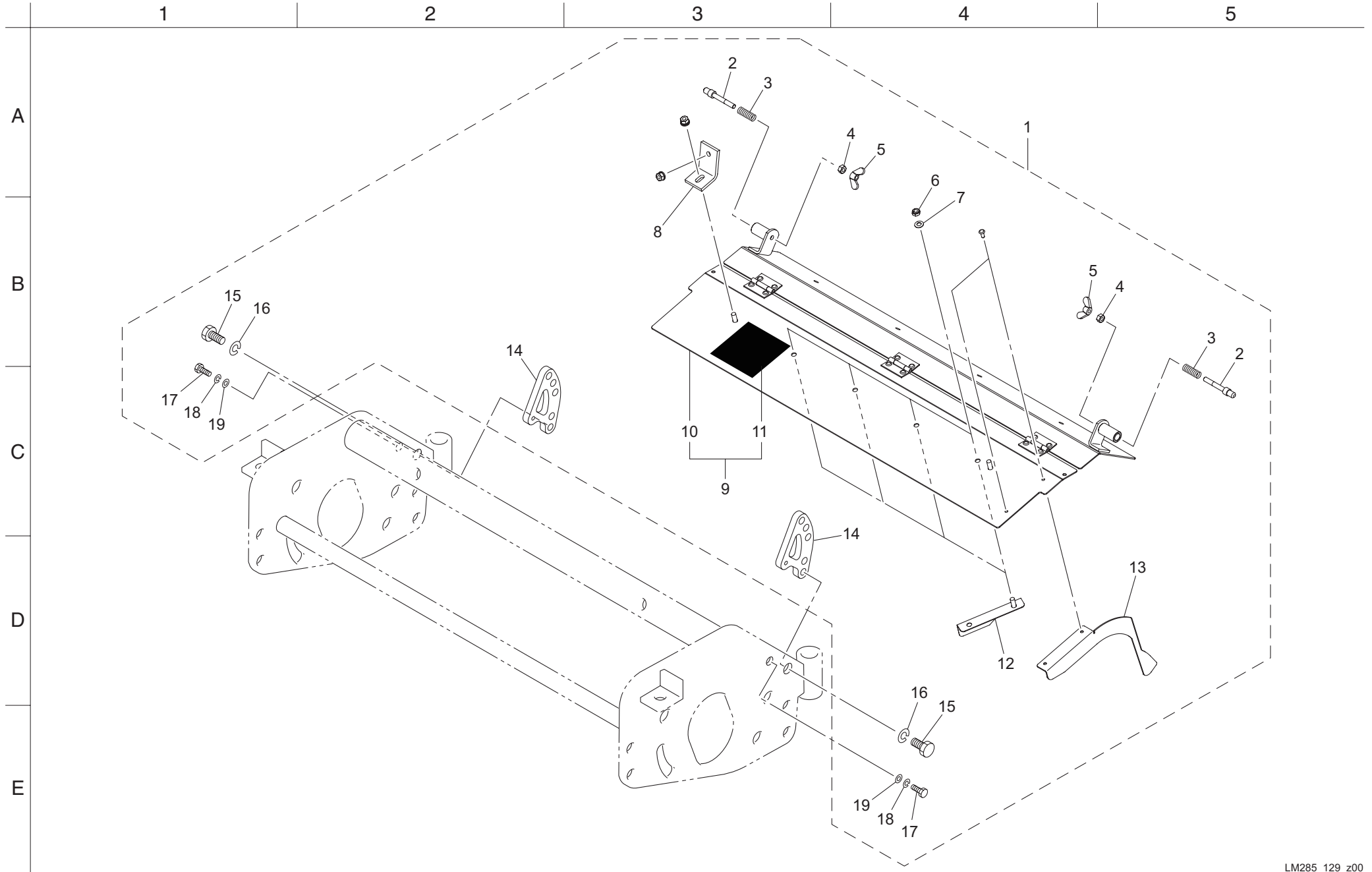
| Cat No. | Code No. | Part name | Qty | Remark | SN of application | Cat No. | Code No. | Part name | Qty | Remark | SN of application |
|---------|---------------|---------------------------------|-----|-----------------|-------------------|---------------|---------------------------|-----------------------------|-----|--------|-------------------|
| 127-1 | LM2400-2441Z0 | CR BRUSH COMP, 26 (R) | 1 | For #3, #4Mower | | 127-36 | LM2400-2407Z2 | PULLEY, DRIVING 30 | 1 | | |
| 127-2 | K0000100202 | BOLT, M10-20 | 2 | | | 127-37 | K0212200002 | WASHER, DISK SPRING L M20-1 | 1 | | |
| 127-3 | K0200100002 | WASHER, SPRING M10 | 4 | | | 127-38 | LM2400-2408Z2 | COLLAR, STEPPED | 1 | | |
| 127-4 | K5000100002 | WASHER, M10 | 4 | | | 127-39 | K0100060002 | NUT, M6 | 2 | | |
| 127-5 | K0023100351 | SETSCREW, M10-35 | 2 | | | 127-40 | LM2400-2409Z2 | BOLT, AXIS | 1 | | |
| 127-6 | K0100100002 | NUT, M10 | 2 | | 127-41 | LM2700-4109Z2 | BASE, SCREW | 1 | | | |
| 127-7 | LM2400-2406ZD | ADJUSTER, BRUSH | 2 | | 127-42 | K0520404140 | KEY, ROUND/SQUARE, M4-414 | 1 | | | |
| 127-8 | K5000080002 | WASHER, M8 | 3 | | 127-43 | LM2400-2411Z2 | COLLAR, 15-19-14 | 1 | | | |
| 127-9 | K0200080002 | WASHER, SPRING M8 | 3 | | 127-44 | K4150000260 | BRUSH, CR 26 | 1 | | | |
| 127-10 | K0000080202 | BOLT, M8-20 | 3 | | 127-45 | LM2400-2403ZD | HOUSING, BRUSH | 1 | | | |
| 127-11 | LM2400-2412Z2 | SCREW, ADJUSTING CUTTING HEIGHT | 2 | | | | | | | | |
| 127-12 | K0612060020 | BEARING, BALL SEAL 2RD 6002 | 2 | | | | | | | | |
| 127-13 | K0402032001 | RING, RETAINING R M32 | 2 | | | | | | | | |
| 127-14 | K0401015001 | RING, RETAINING S M15 | 1 | | | | | | | | |
| 127-15 | LM2400-2410A2 | PULLEY, BRUSH SHAFT | 1 | | | | | | | | |
| 127-16 | K0023050061 | SETSCREW, M5-6 | 2 | | | | | | | | |
| 127-17 | K0213080002 | WASHER, DISK SPRING H M8-1 | 1 | | | | | | | | |
| 127-18 | K6211000482 | COLLAR, SGP M9.2-13.8-14 | 1 | | | | | | | | |
| 127-19 | K0402026001 | RING, RETAINING R M26 | 1 | | | | | | | | |
| 127-20 | K0608006290 | BEARING, BALL SEAL 2RS 629 | 1 | | | | | | | | |
| 127-21 | LM2700-4108Z2 | PULLEY, TENSION 1232 | 1 | | | | | | | | |
| 127-22 | LM2700-4111Z8 | BOLT, SPECIAL M8 | 1 | | | | | | | | |
| 127-23 | K0100060002 | NUT, M6 | 2 | | | | | | | | |
| 127-24 | K5000060002 | WASHER, M6 | 2 | | | | | | | | |
| 127-25 | K0200060002 | WASHER, SPRING M6 | 2 | | | | | | | | |
| 127-26 | K0023060502 | SETSCREW, M6-50 | 2 | | | | | | | | |
| 127-27 | LM2400-2405ZD | COVER, BELT | 1 | | | | | | | | |
| 127-28 | K6211000492 | COLLAR, SGP M6.5-10.5-26.4 | 2 | | | | | | | | |
| 127-29 | K2380000030 | BELT, 10FL-500 | 1 | | | | | | | | |
| 127-30 | LM2700-4123Z0 | RUBBER, 8U-615 | 1 | | | | | | | | |
| 127-31 | K0144080002 | NUT, WITH F-RING, M8 | 1 | | | | | | | | |
| 127-32 | K5000080002 | WASHER, M8 | 1 | | | | | | | | |
| 127-33 | LM2400-2404ZD | FRAME, BRUSH (R) | 1 | | | | | | | | |
| 127-34 | K0885080000 | O-RING, S80 | 1 | | | | | | | | |
| 127-35 | K0823555080 | OIL SEAL, MHSA355508 | 1 | | | | | | | | |

128. CR brush section B



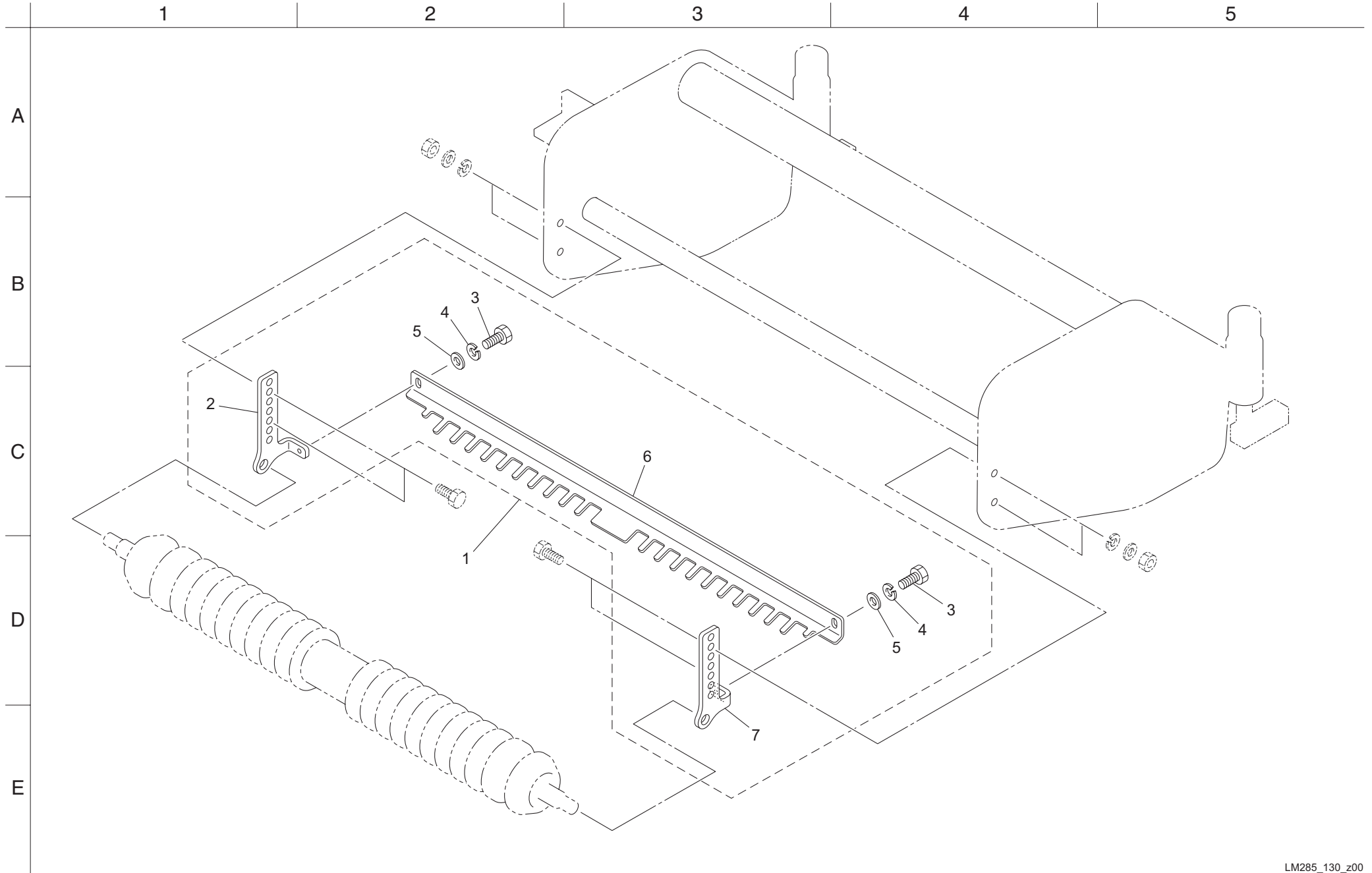
| Cat No. | Code No. | Part name | Qty | Remark | SN of application | Cat No. | Code No. | Part name | Qty | Remark | SN of application |
|---------|---------------|---------------------------------|-----|----------------------|-------------------|---------------|----------------------------|----------------------------|-----|--------|-------------------|
| 128-1 | LM2400-2440Z0 | CR BRUSH COMP, 26 (L) | 1 | For #1, #2, #5 Mower | | 128-36 | K0100060002 | NUT, M6 | 2 | | |
| 128-2 | K0000100202 | BOLT, M10-20 | 2 | | | 128-37 | LM2700-4111Z8 | BOLT, SPECIAL M8 | 1 | | |
| 128-3 | K0200100002 | WASHER, SPRING M10 | 4 | | | 128-38 | LM2700-4108Z2 | PULLEY, TENSION 1232 | 1 | | |
| 128-4 | K5000100002 | WASHER, M10 | 4 | | | 128-39 | K0608006290 | BEARING, BALL SEAL 2RS 629 | 1 | | |
| 128-5 | K0023100351 | SETSCREW, M10-35 | 2 | | | 128-40 | K0402026001 | RING, RETAINING R M26 | 1 | | |
| 128-6 | K0100100002 | NUT, M10 | 2 | | 128-41 | K6211000482 | COLLAR, SGP M9.2-13.8-14 | 1 | | | |
| 128-7 | LM2400-2406ZD | ADJUSTER, BRUSH | 2 | | 128-42 | K0213080002 | WASHER, DISK SPRING H M8-1 | 1 | | | |
| 128-8 | LM2400-2403ZD | HOUSING, BRUSH | 1 | | 128-43 | K0401015001 | RING, RETAINING S M15 | 1 | | | |
| 128-9 | K0612060020 | BEARING, BALL SEAL 2RD 6002 | 2 | | 128-44 | LM2400-2410A2 | PULLEY, BRUSH SHAFT | 1 | | | |
| 128-10 | K0402032001 | RING, RETAINING R M32 | 2 | | 128-45 | K0023050061 | SETSCREW, M5-6 | 2 | | | |
| 128-11 | K0000080202 | BOLT, M8-20 | 3 | | | | | | | | |
| 128-12 | K0200080002 | WASHER, SPRING M8 | 3 | | | | | | | | |
| 128-13 | K5000080002 | WASHER, M8 | 3 | | | | | | | | |
| 128-14 | LM2400-2412Z2 | SCREW, ADJUSTING CUTTING HEIGHT | 2 | | | | | | | | |
| 128-15 | LM2400-2411Z2 | COLLAR, 15-19-14 | 1 | | | | | | | | |
| 128-16 | K0520404140 | KEY, ROUND/SQUARE, M4-414 | 1 | | | | | | | | |
| 128-17 | K4150000260 | BRUSH, CR 26 | 1 | | | | | | | | |
| 128-18 | LM2700-4109Z2 | BASE, SCREW | 1 | | | | | | | | |
| 128-19 | LM2400-2409Z2 | BOLT, AXIS | 1 | | | | | | | | |
| 128-20 | K0100060002 | NUT, M6 | 2 | | | | | | | | |
| 128-21 | LM2400-2408Z2 | COLLAR, STEPPED | 1 | | | | | | | | |
| 128-22 | K0212200002 | WASHER, DISK SPRING L M20-1 | 1 | | | | | | | | |
| 128-23 | LM2400-2407Z2 | PULLEY, DRIVING 30 | 1 | | | | | | | | |
| 128-24 | K0823555080 | OIL SEAL, MHSA355508 | 1 | | | | | | | | |
| 128-25 | K0885080000 | O-RING, S80 | 1 | | | | | | | | |
| 128-26 | LM2400-2402ZD | FRAME, BRUSH (L) | 1 | | | | | | | | |
| 128-27 | K5000080002 | WASHER, M8 | 1 | | | | | | | | |
| 128-28 | K0144080002 | NUT, WITH F-RING, M8 | 1 | | | | | | | | |
| 128-29 | LM2700-4123Z0 | RUBBER, 8U-615 | 1 | | | | | | | | |
| 128-30 | K2380000030 | BELT, 10FL-500 | 1 | | | | | | | | |
| 128-31 | K6211000492 | COLLAR, SGP M6.5-10.5-26.4 | 2 | | | | | | | | |
| 128-32 | LM2400-2405ZD | COVER, BELT | 1 | | | | | | | | |
| 128-33 | K0023060502 | SETSCREW, M6-50 | 2 | | | | | | | | |
| 128-34 | K0200060002 | WASHER, SPRING M6 | 2 | | | | | | | | |
| 128-35 | K5000060002 | WASHER, M6 | 2 | | | | | | | | |

129. Variable reel cover section



| Cat No. | Code No. | Part name | Qty | Remark | SN of application | Cat No. | Code No. | Part name | Qty | Remark | SN of application |
|---------|---------------|-----------------------------------|-----|--------|-------------------|---------|----------|-----------|-----|--------|-------------------|
| 129-1 | LM2400-2445Z0 | COVER COMP, REEL VARIABLE | 1 | | | | | | | | |
| 129-2 | LM526--1103Z2 | PIN, LOCKING | 2 | | | | | | | | |
| 129-3 | K1000000260 | SPRING, COMPRESSION M0.7-8.4-25 | 2 | | | | | | | | |
| 129-4 | K0100060002 | NUT, M6 | 2 | | | | | | | | |
| 129-5 | K0141060002 | NUT, WING M6-3 | 2 | | | | | | | | |
| 129-6 | K0144060002 | NUT, WITH F-RING, M6 | 4 | | | | | | | | |
| 129-7 | LM526A-1103ZR | MOUNT, COVER | 4 | | | | | | | | |
| 129-8 | LM2400-2421Z0 | COVER, REEL VARIABLE W/DECAL | 2 | | | | | | | | |
| 129-9 | LM2400-2420ZR | COVER, REEL VARIABLE | 1 | | | | | | | | |
| 129-10 | K4205001600 | DECAL, CAUTION TO MUTILATION | 1 | | | | | | | | |
| 129-11 | K0213060001 | WASHER, DISK SPRING H M6-1 | 1 | | | | | | | | |
| 129-12 | LM526A-1104AR | FIN | 4 | | | | | | | | |
| 129-13 | LM526A-1102ZR | COVER, AUXILIARY | 1 | | | | | | | | |
| 129-14 | LM2400-2446ZR | ADJUSTER, FOR VARIABLE REEL COVER | 2 | | | | | | | | |
| 129-15 | K0000100152 | BOLT, M10-15 | 2 | | | | | | | | |
| 129-16 | K0200100002 | WASHER, SPRING M10 | 2 | | | | | | | | |
| 129-17 | K0000060152 | BOLT, M6-15 | 2 | | | | | | | | |
| 129-18 | K0200060002 | WASHER, SPRING M6 | 2 | | | | | | | | |
| 129-19 | K5000060002 | WASHER, M6 | 2 | | | | | | | | |
| | | | | | | | | | | | |
| | | | | | | | | | | | |
| | | | | | | | | | | | |
| | | | | | | | | | | | |

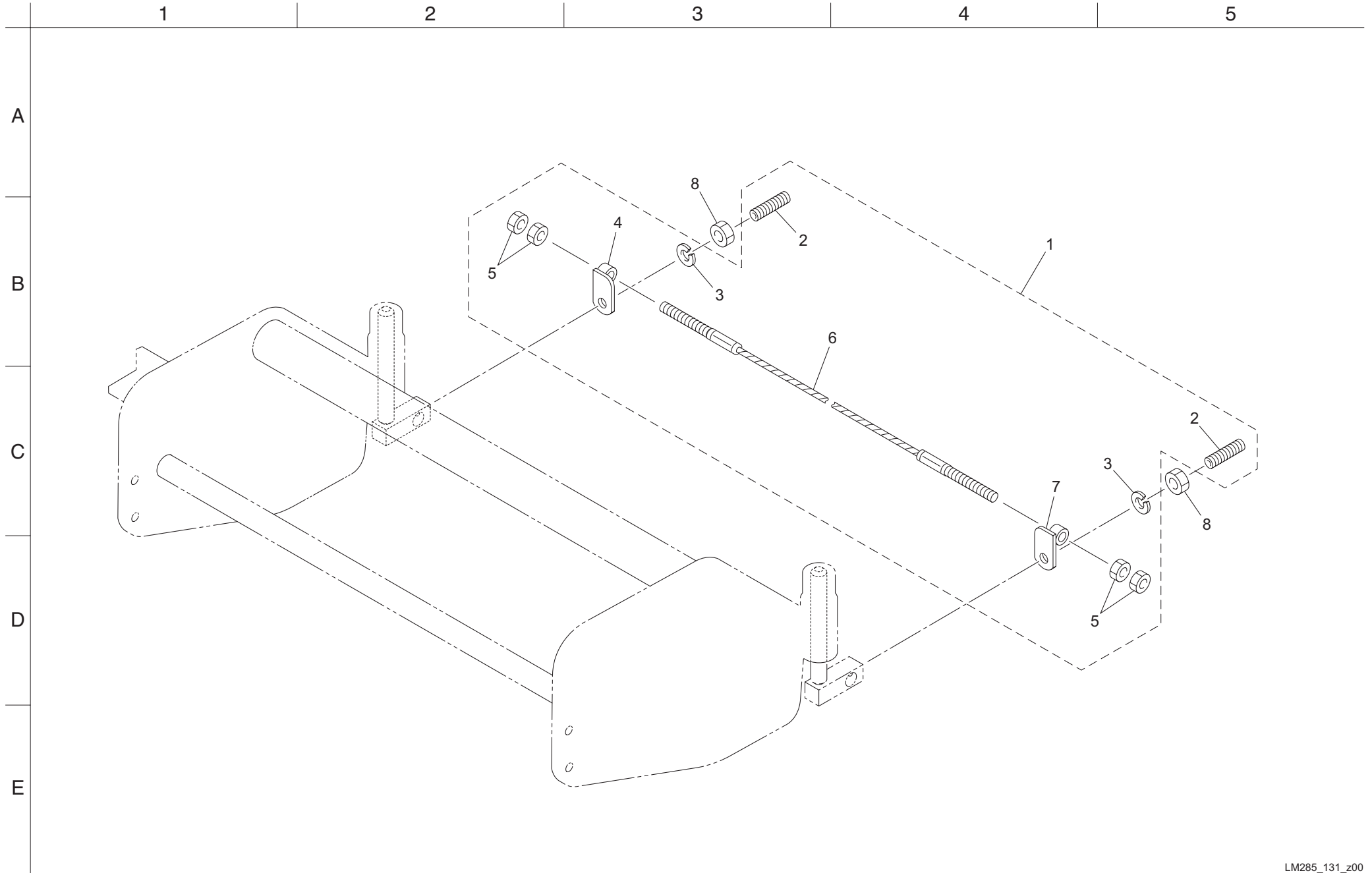
130. Front roller scraper section (option)



| Cat No. | Code No. | Part name | Qty | Remark | SN of application |
|---------|---------------|---------------------------|-----|--------|-------------------|
| 130-1 | LM2400-9093Z0 | SCRAPER KIT, 26 | 1 | | |
| 130-2 | LM2400-9092Z2 | BRACKET, FRONT ROLLER (R) | 1 | | |
| 130-3 | K0000060152 | BOLT, M6-15 | 2 | | |
| 130-4 | K0200060002 | WASHER, SPRING M6 | 2 | | |
| 130-5 | K5000060002 | WASHER, M6 | 2 | | |
| 130-6 | LM2400-9090Z2 | SCRAPER, 26 | 1 | | |
| 130-7 | LM2400-9091Z2 | BRACKET, FRONT ROLLER (L) | 1 | | |
| | | | | | |
| | | | | | |
| | | | | | |
| | | | | | |
| | | | | | |
| | | | | | |
| | | | | | |
| | | | | | |

| Cat No. | Code No. | Part name | Qty | Remark | SN of application |
|---------|----------|-----------|-----|--------|-------------------|
| | | | | | |
| | | | | | |
| | | | | | |
| | | | | | |
| | | | | | |
| | | | | | |
| | | | | | |
| | | | | | |
| | | | | | |
| | | | | | |
| | | | | | |
| | | | | | |
| | | | | | |
| | | | | | |

131. Rear roller scraper section (option)



| Cat No. | Code No. | Part name | Qty | Remark | SN of application |
|---------|---------------|------------------------------|-----|--------|-------------------|
| 131-1 | LM285--7601Z0 | SCRAPER KIT, FOR REAR ROLLER | 1 | | |
| 131-2 | K0023100351 | SETSCREW, M10-35 | 2 | | |
| 131-3 | K0200100002 | WASHER, SPRING M10 | 2 | | |
| 131-4 | K735500068D | BRACKET, A | 1 | | |
| 131-5 | K0100080002 | NUT, M8 | 4 | | |
| 131-6 | K1170081000 | WIRE, 810 | 1 | | |
| 131-7 | K735500069D | BRACKET, B | 1 | | |
| 131-8 | K0100100002 | NUT, M10 | 2 | | |
| | | | | | |
| | | | | | |
| | | | | | |
| | | | | | |
| | | | | | |
| | | | | | |
| | | | | | |
| | | | | | |

| Cat No. | Code No. | Part name | Qty | Remark | SN of application |
|---------|----------|-----------|-----|--------|-------------------|
| | | | | | |
| | | | | | |
| | | | | | |
| | | | | | |
| | | | | | |
| | | | | | |
| | | | | | |
| | | | | | |
| | | | | | |
| | | | | | |
| | | | | | |
| | | | | | |
| | | | | | |
| | | | | | |
| | | | | | |

BARONESS[®]
Quality on Demand

 **KYOEISHA CO., LTD.**
Head Office 1-26, Miyuki-cho, Toyokawa, Tel : (0533)84-1390
Aichi-Pref. 442-8530 Japan. Fax : (0533)89-3623