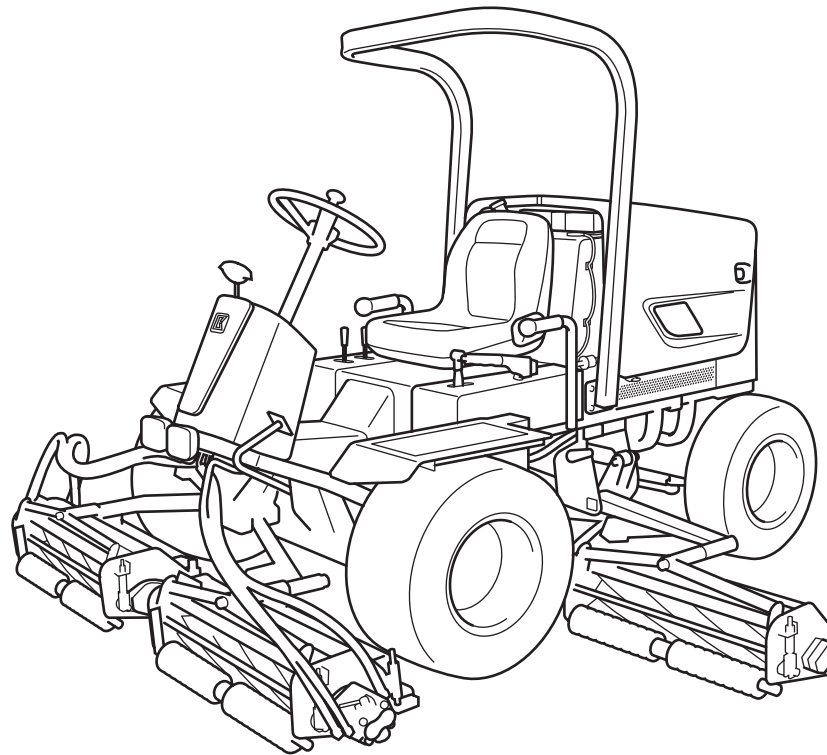


LM285

5-Unit Reel Mower

Parts catalog



Serial No.10134-

BARONESS[®]
Quality on Demand

Ver.1.4

Contents

PARTS CATALOGUE	2
101. Frame parts	3
102. Cover parts (Front)	7
103. Cover parts (Rear)	9
104. Front wheel parts.....	11
105. Rear wheel parts	13
106. Pedal parts	15
107. Engine parts	17
108. Radiator parts	21
109. Hydraulic parts A(Cylinder system)	25
110. Hydraulic parts A(Power steering system)	29
111. Hydraulic parts B/TYPE_R (Reel motor system).....	31
113. Hydraulic parts C (Front wheel motor system)	33
114. Hydraulic parts C (Rear wheel motor system).....	37
115. Mower lift arm parts/TYPE_R.....	39
117. Mower parts/TYPE_R (#1)	41
118. Mower parts/TYPE_R (#2·#5)	45
119. Mower parts/TYPE_R (#3·#4)	49
123. Wheel parts	51
124. Roller Ass'y parts	53
125. Accessory parts	55
126. Roof parts (option).....	57

Greeting

Thank you for purchasing Baroness machine.
We hope you will use the machine safely, and take advantage of its best performance.

Note

(For inquiry about this machine)

Since the type of machine may be changed sequentially, inform us of the type and the serial number.

The information described in this manual is subject to change without prior notice.

When replacing parts, be sure to use Baroness parts or parts designated by Kyoisha.

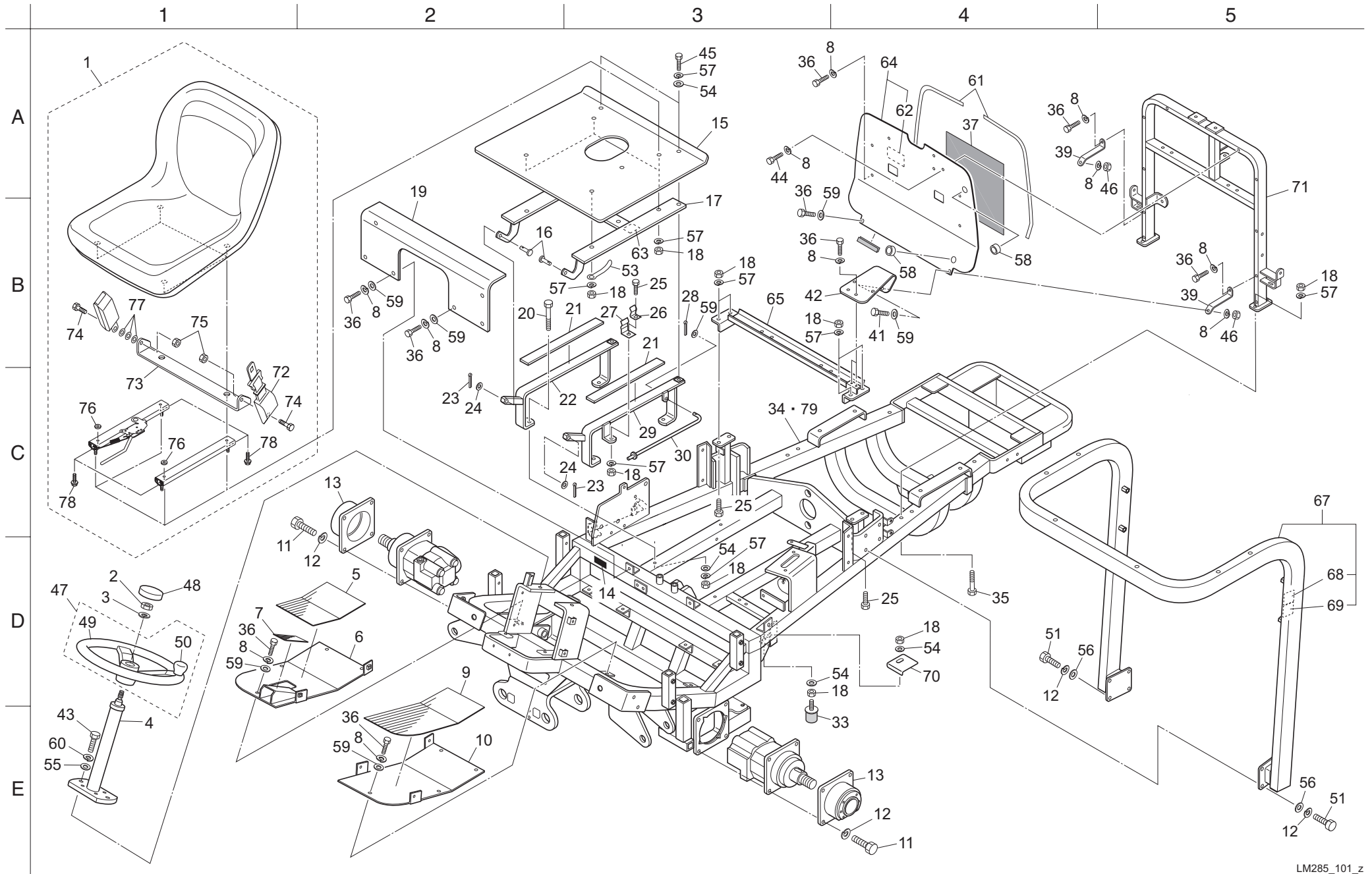
Note that the Baroness product warranty may not apply to defects caused by the use of parts from other companies.

(For ordering parts)

For prevention of delivery of wrong parts, be sure to inform us of the code number and the part name.

Example:	Code No.	Part Name	Qty
	LM285--0601BD	FRAME	1

101. Frame parts

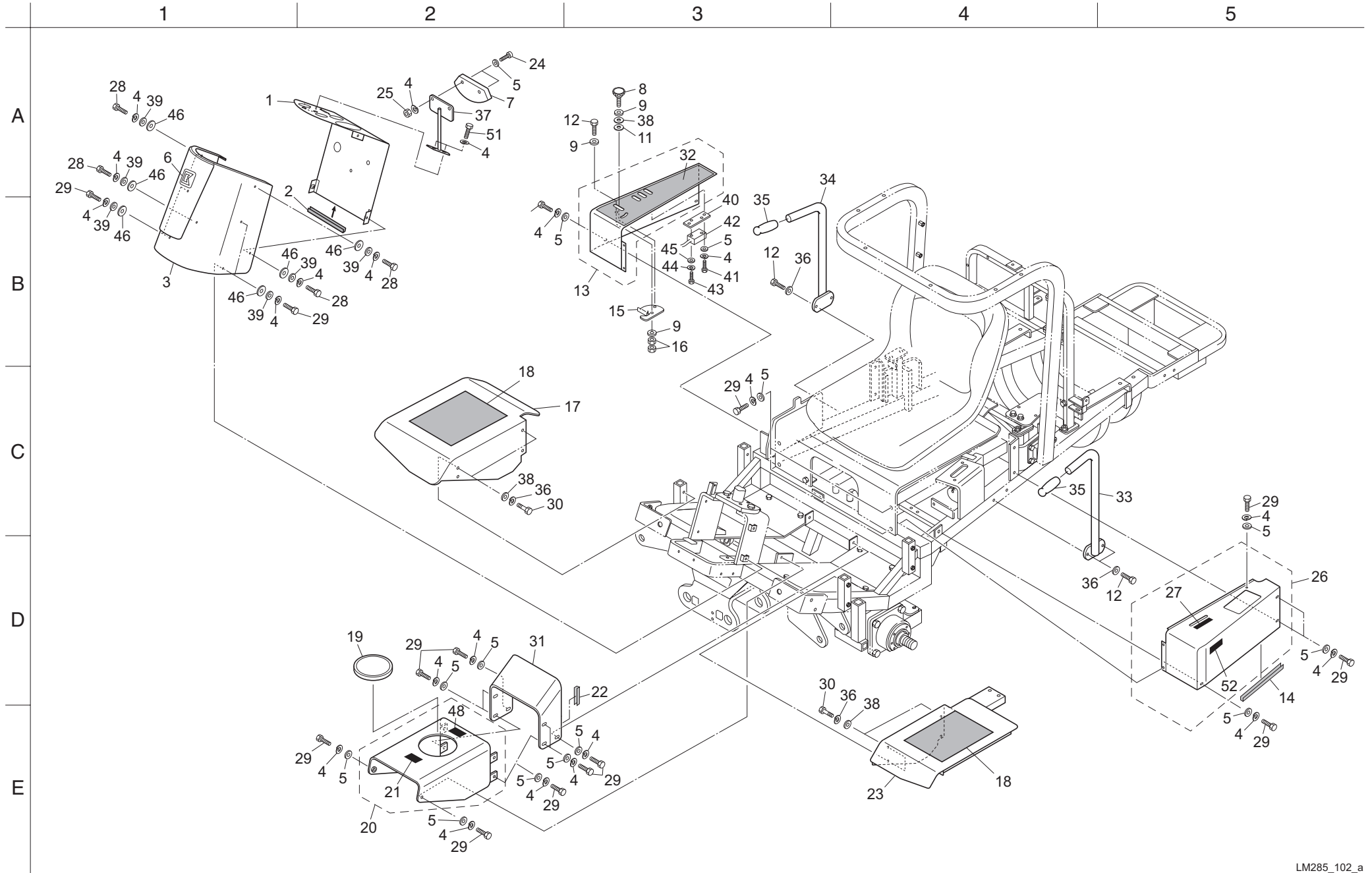


Cat No.	Code No.	Part name	Qty	Remark	SN of application	Cat No.	Code No.	Part name	Qty	Remark	SN of application
101-1	K170000290	SEAT ASSY, WITH SWITCH SPACER	1			101-36	K0000060152	BOLT, M6-15	15		
101-2	K0103140002	NUT, P1.5 M14	1			101-37	LM318--0630Z0	INSULATOR, FUEL TANK	1		
101-3	K0200140002	WASHER, SPRING M14	1			101-38					
101-4	K1730000070	COLUMN, STEERING	1			101-39	LM318--0621ZD	SUPPORT, ANTI WIND PLATE	2		
101-5	LM318--0623Z0	RUBBER, STEP (R)	1			101-40					
101-6	LM318--0648ZD	STEP, (R)	1			101-41	K0000060202	BOLT, M6-20	1		
101-7	LM318--0625Z0	RUBBER, PLATE FOR PEDAL STEP	1			101-42	LM318--0637ZD	MOUNT, FUEL PUMP	1		
101-8	K0200060002	WASHER, SPRING M6	21			101-43	K0000100302	BOLT, M10-30	2		
101-9	LM318--0608Z0	RUBBER, STEP (L)	1			101-44	K0000060102	BOLT, M6-10	6		
101-10	LM318--0647ZD	STEP, (L)	1			101-45	K0000080252	BOLT, M8-25	3		
101-11	K0010120602	BOLT, HT M12-60	8			101-46	K0100060002	NUT, M6	2		
101-12	K0200120002	WASHER, SPRING M12	16			101-47	K1710000070	STEERING, WITH KNOB V027220-0000	1		
101-13	LM318--0609ZD	HOUSING, HYDRAULIC MOTOR	2			101-48	K1310000130	CAP, RUBBER	1		
101-14	K4203001290	DECAL, STOP VALVE OPERATION	1			101-49	K1710000080	STEERING, V027220-0101	1		
101-15	LM285--0959ZD	COVER, UNDER SEAT	1			101-50	K1710000090	KNOB, V027220-0200 ASSY	1		
101-16	K6030100322	PIN, FLAT HEAD M10-32	2			101-51	K0010120402	BOLT, HT M12-40	8		
101-17	LM282--0646AD	PLATE, FOR MOUNTING SEAT	1			101-52					
101-18	K0100080002	NUT, M8	17			101-53	K4281000020	CLAMP, HARNESS 8.5 80	1		
101-19	LM282--0958ZD	COVER, FRONT (CENTER)	1			101-54	K5000080002	WASHER, M8	10		
101-20	K0000080602	BOLT, M8-60	4			101-55	K5000100002	WASHER, M10	2		
101-21	LM282--0606Z0	RUBBER, FOR SEAT BASE	2			101-56	K5000120002	WASHER, M12	8		
101-22	LM282--0605BD	FITTING, MOUNTING SEAT (R)	1			101-57	K0200080002	WASHER, SPRING M8	19		
101-23	K0300025202	PIN, COTTER M2.5-20	2			101-58	K0910000100	GROMMET, C30NG79L	2		
101-24	K5011010162	WASHER, SPCC 1-10-16	2			101-59	K5000060002	WASHER, M6	12		
101-25	K0000080202	BOLT, M8-20	5			101-60	K0200100002	WASHER, SPRING M10	2		
101-26	K1090000108	SPRING, RECEIVING ROD B	1			101-61	K3198108200	TRIM, SEAL 6100-16C-820	2		
101-27	K5270002052	RECEIVER, ROD A	1			101-62	K4205001540	DECAL, CAUTION TO HOT PARTS	1		
101-28	K0300016122	PIN, COTTER M1.6-12	1			101-63	K4209001180	DECAL, ARROW POINT	1		
101-29	LM282--0603BD	FITTING, MOUNTING SEAT (L)	1			101-64	LM285--0671Z0	PLATE, SHIELDING WIND WITH STICKER	1		
101-30	MS400--0521Z2	STAND	1			101-65	LM285--0621ZD	STAY, TANK	1		
101-31						101-66					
101-32						101-67	K9310000030	ROPS, 2 POST WITH MARK	1		
101-33	K4049030000	RUBBER, STOPPER KI-30	2			101-68	K4209001350	STICKER, ROPS CERTIFICATION	1		
101-34	LM285--0601AD	FRAME	1		-10149	101-69	K4205001710	DECAL, CAUTION TO ROPS	1		
101-35	K0003080702	BOLT, M8-70	4			101-70	LM285--0653ZD	ANGLE	1		

Cat No.	Code No.	Part name	Qty	Remark	SN of application
101-71	LM285--0619ZD	MOUNT, TANK	1		
101-72	K1701000100	SEATBELT	1		
101-73	K1701000110	BRACKET, FOR XB-180 SEAT BELT	1		
101-74	K0011120252	BOLT, HT P1.5 M12-25	2		
101-75	K0145120002	NUT, WITH F-RING, P1.5 M12	2		
101-76	K5074510262	WASHER, SPHC 4.5-10-26	2		
101-77	K5012013322	WASHER, SPCC 2-12.8-32	3		
101-78	K0021080302	BOLT, FLANGED M8-30	4		
101-79	LM285--0601BD	FRAME	1		10150-

Cat No.	Code No.	Part name	Qty	Remark	SN of application

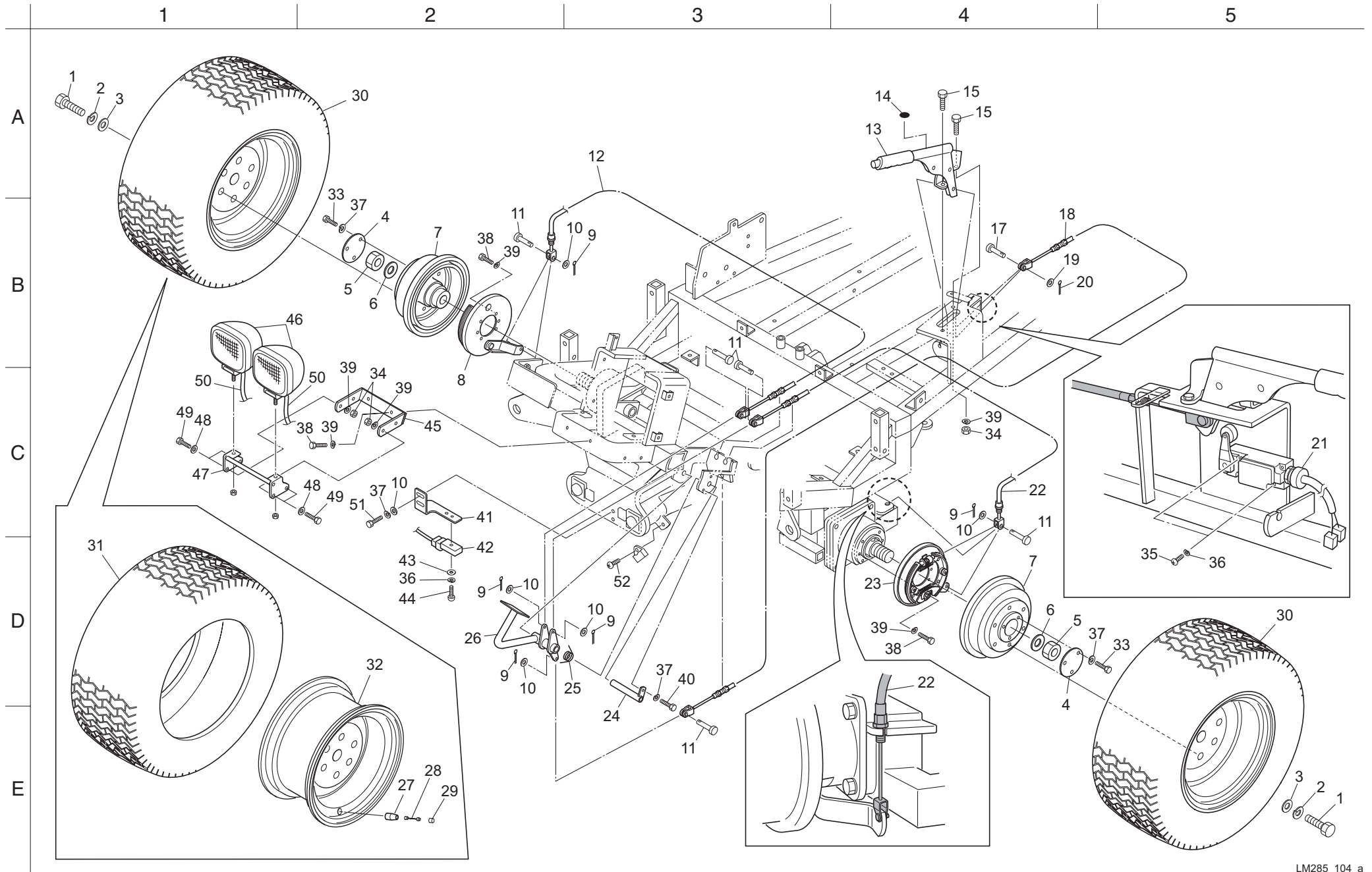
102. Cover parts (Front)



Cat No.	Code No.	Part name	Qty	Remark	SN of application	Cat No.	Code No.	Part name	Qty	Remark	SN of application
102-1	LM285--0957ZD	PANEL, METER	1			102-36	K0200080002	WASHER, SPRING M8	12		
102-2	K3197002550	TRIM, AL 75-16-255	1			102-37	LM285--2201ZD	STAY, GAUGE	1		
102-3	LM285--0906A0	COVER COMP, (FRONT)	1			102-38	K5000080002	WASHER, M8	9		
102-4	K0200060002	WASHER, SPRING M6	31			102-39	K5011606202	WASHER, SPCC 1.6-6-20	8		
102-5	K5000060002	WASHER, M6	21			102-40	LM285--0962Z2	BRACKET, SWITCH	1		
102-6	K4201000590	STICKER, K	1			102-41	K0000060102	BOLT, M6-10	2		
102-7	K3654000010	GAUGE, ANGLE	1			102-42	K3670000130	SWITCH, LIMIT AZ3725-1	1		
102-8	K1320000030	KNOB, WITH M8 4215	1			102-43	K0042040252	SCREW, + ROUND HEAD M4-25	2		
102-9	K0210080002	SPRING, CONICAL DISC L M8	3			102-44	K0200040002	WASHER, SPRING M4	2		
102-10						102-45	K5000040002	WASHER, M4	2		
102-11	K4015108180	PACKING, FIBER 1-8.5-18	1			102-46	K4030306200	RUBBER, WASHER 3-6.5-20	8		
102-12	K0000080202	BOLT, M8-20	5			102-47					
102-13	LM285--0972Z0	COVER COMP, FRONT (R)	1			102a-48	K4209001340	DECAL, CAUTION "DO NOT STEP"	1		
102-14	K3197002000	TRIM, AL 75-16-200	1			102-49					
102-15	LM285--0961ZD	STOPPER	1			102-50					
102-16	K0100080002	NUT, M8	2			102-51	K0060060120	BOLT, SUS WITH HEX. HOLE M6-12	2		
102-17	LM282--7504ZR	COVER, WHEEL (R)	1			102-52	K4205001540	DECAL, CAUTION TO HOT PARTS	1		
102-18	LM318--0965Z0	SHEET, SLIP RESISTANCE	2								
102-19	K0900301200	GROMMET, W/SEALING C30SG120A	1								
102a-20	LM285--0968Z0	COVER, WITH STICKER (CENTER FRONT)	1								
102-21	K4209000980	DECAL, HYDRAULIC OIL	1								
102-22	K3197000500	TRIM, AL 75-16-50	1								
102-23	LM285--0951ZR	COVER, WHEEL (L)	1								
102-24	K0042060252	SCREW, + ROUND HEAD M6-25	2								
102-25	K0100060002	NUT, M6	2								
102-26	LM285--0971Z0	COVER COMP, FRONT (L)	1								
102-27	K4203001220	DECAL, ENGINE ROTATION	1								
102-28	K0000060202	BOLT, M6-20	4								
102-29	K0000060152	BOLT, M6-15	23								
102-30	K0000080502	BOLT, M8-50	8								
102-31	LM318--0959ZD	COVER, CENTER (REAR)	1								
102-32	LM285--0967Z0	DECAL, OPERATING LEVER	1								
102-33	LM285--0651ZD	HAND REST, (L)	1								
102-34	LM285--0652ZD	HAND REST, (R)	1								
102-35	K1300000020	GRIP, RUBBER HANDLE 25.4	2								

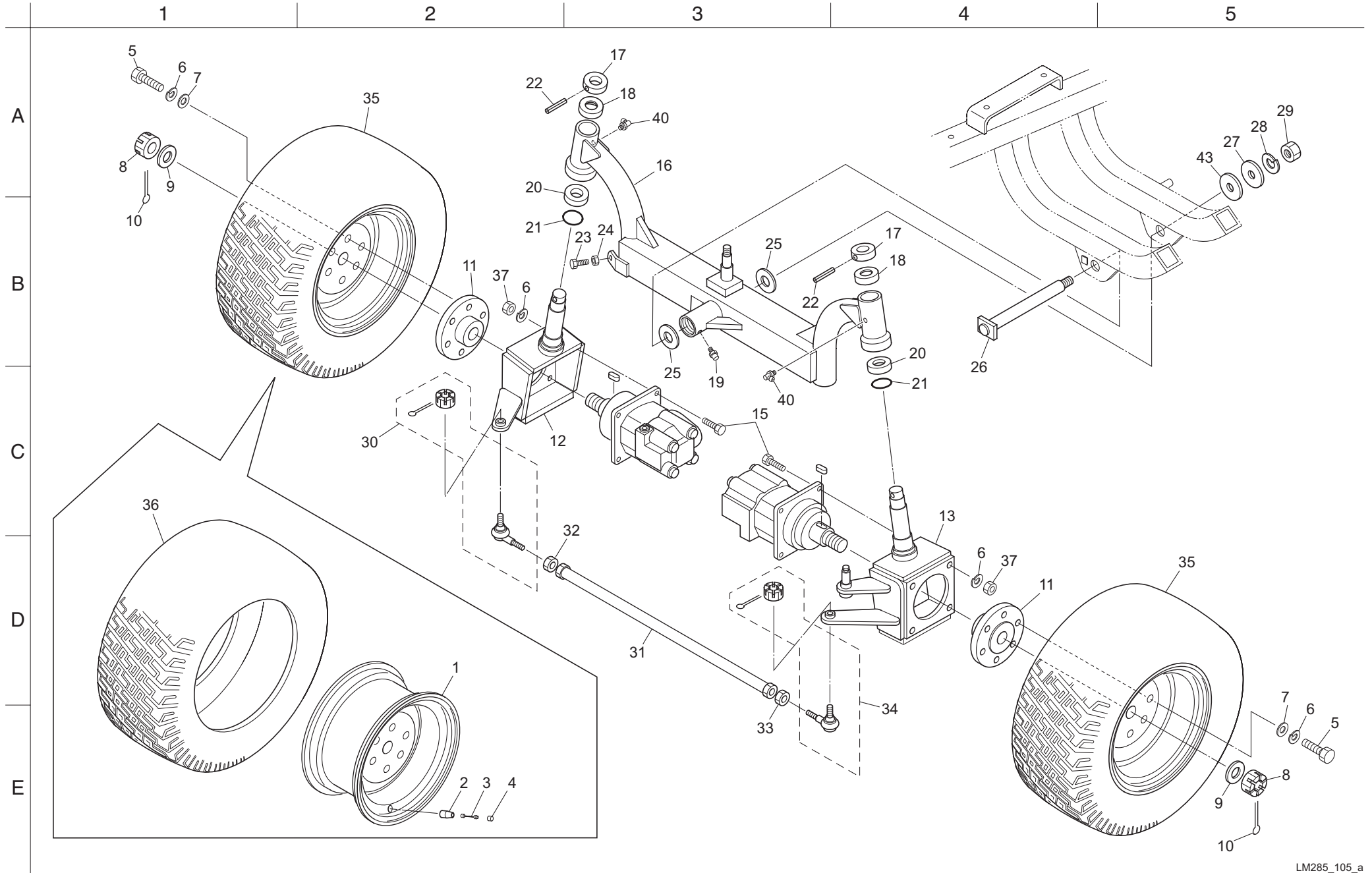
Cat No.	Code No.	Part name	Qty	Remark	SN of application	Cat No.	Code No.	Part name	Qty	Remark	SN of application
103-1	K4049030000	RUBBER, STOPPER KI-30	2			103-36	K5000100002	WASHER, M10	8		
103-2	K0200060002	WASHER, SPRING M6	8			103-37	K0144100002	NUT, WITH F-RING, M10	4		
103-3	K5000060002	WASHER, M6	11			103-38	LM285--0965ZD	STAY, (L FRONT)	1		
103-4	LM285--0939ZD	COVER, SIDE (R)	1			103-39	LM285--0963ZD	STAY, (L REAR)	1		
103-5	LM285--0660ZD	FITTING, HOOD	1			103-40	LM285--0966ZD	STAY, (R FRONT)	1		
103-6	K0100080002	NUT, M8	26			103-41	LM285--0964ZD	STAY, (R REAR)	1		
103-7	LM285--0938ZD	COVER, SIDE (L)	1								
103-8	K4201000330	STICKER, BARONESS 240S	2								
103-9	K3197005700	TRIM, AL 75-16-570	1								
103-10	K4228000090	SPONGE, RUBBER 5-15-590	2								
103-11	K4228000100	SPONGE, RUBBER 5-15-500	1								
103-12	K0000050122	BOLT, M5-12	8								
103-13	K5000050002	WASHER, M5	8								
103-14	K4520000210	HINGE, RESIN WITH HOLE 5.2-75	2								
103-15	LM285--0940ZD	COVER, RADIATOR	1								
103-16	K0200050002	WASHER, SPRING M5	8								
103-17	K0100050002	NUT, M5	8								
103-18	K3198305200	TRIM, SEAL 6100-32C-520	1								
103-19	K0000060152	BOLT, M6-15	8								
103-20	LM285--0905Z0	FOOD COMP, (R)	1								
103a-21	LM285--0904Z0	FOOD COMP, (L)	1								
103-22	K0000080202	BOLT, M8-20	6								
103-23	K0200080002	WASHER, SPRING M8	26								
103-24	K4033000430	RUBBER, PLATE 1-3045	4								
103-25	K3198304400	TRIM, SEAL 6100-32C-440	1								
103-26	K5270002352	RECEIVER, RUBBER HOOK	3								
103-27	K5000080002	WASHER, M8	24								
103-28	K0000080152	BOLT, M8-15	4								
103-29	K6030060352	PIN, FLAT HEAD M6-35	3								
103-30	K5200000102	BRACKET, RUBBER HOOK	3								
103-31	K0300016202	PIN, COTTER M1.6-20	3								
103-32	K1520000090	HOOK, RUBBER SMALL	3								
103-33	GM2800-0920Z0	HINGE ASSY	4								
103-34	K0000100402	BOLT, M10-40	4								
103-35	GM1500-0932B2	STAY, FOR HOOD	2								

104. Front wheel parts



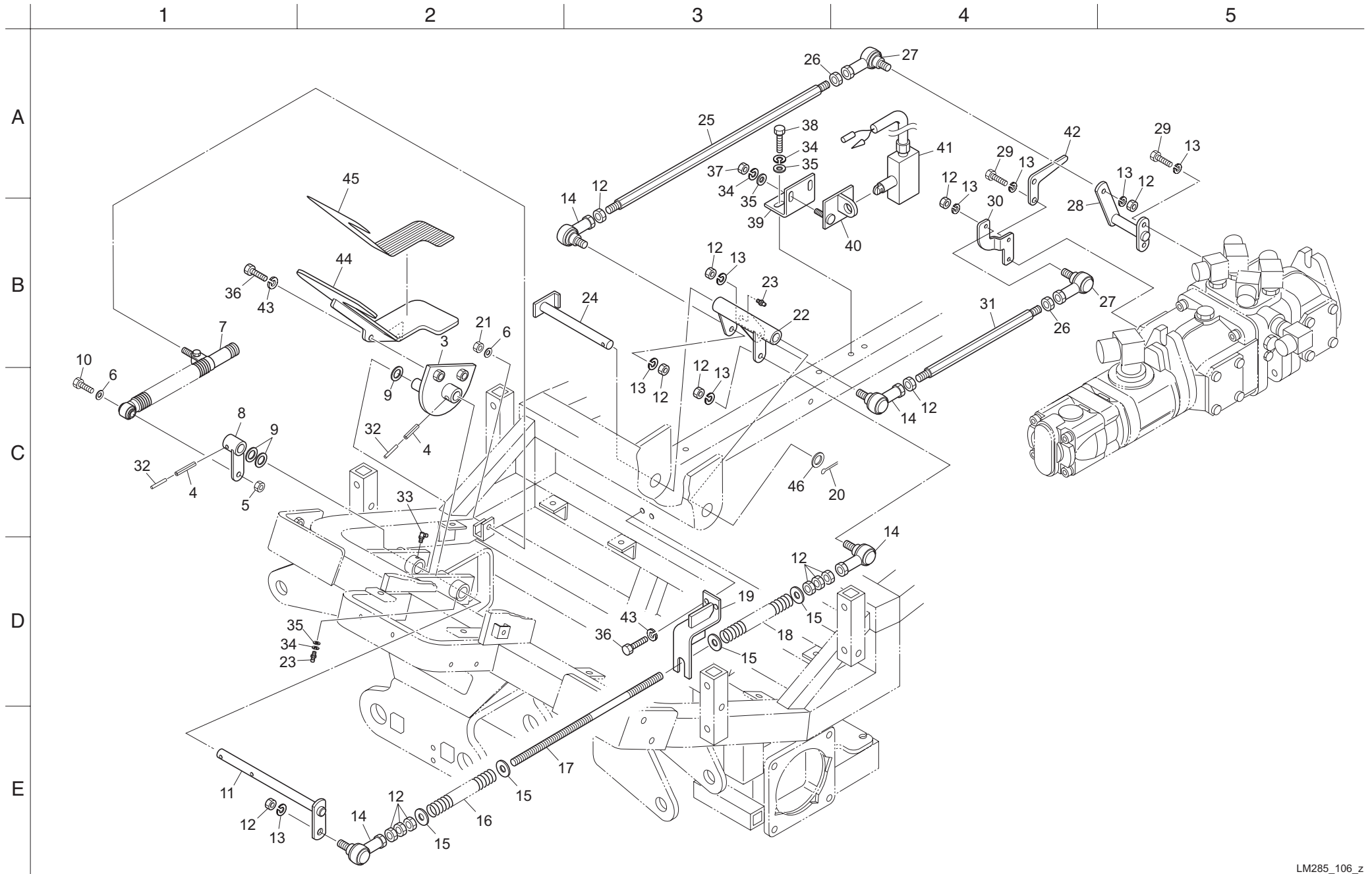
Cat No.	Code No.	Part name	Qty	Remark	SN of application	Cat No.	Code No.	Part name	Qty	Remark	SN of application
104-1	K0011120302	BOLT, HT P1.5 M12-30	12			104-36	K0200050002	WASHER, SPRING M5	3		
104-2	K0200120002	WASHER, SPRING M12	12			104-37	K0200060002	WASHER, SPRING M6	9		
104-3	K5074512252	WASHER, SPHC 4.5-12-25	12			104-38	K0000080152	BOLT, M8-15	14		
104-4	K517000012D	PLATE, SPCC BOLT COVER	2			104-39	K0200080002	WASHER, SPRING M8	20		
104-5	K0160000492	NUT, SPECIAL P1.5 M24	2			104-40	K0000060202	BOLT, M6-20	1		
104-6	K0214240001	WASHER, DISK SPRING L M24-2	2			104-41	LM285--0207ZD	PLATE, MOUNTING SENSOR	1		
104-7	K6909000232	MOUNT, WHEEL	2			104-42	K3720000140	SENSOR, PROXIMITY SWITCH NC	1		
104-8	K1720000210	BRAKE ASSY, WITH LEVER (R)	1			104-43	K5000050002	WASHER, M5	1		
104-9	K0300016202	PIN, COTTER M1.6-20	5			104-44	K0000050202	BOLT, M5-20	1		
104-10	K5000060002	WASHER, M6	7			104-45	LM285--1102ZD	STAY, LAMP	1		
104-11	K6031060172	PIN, FLAT-HEAD HT M6-17	5			104-46	K3640000070	LAMP, WORKING WL-B220A	2		
104-12	K1120125000	WIRE, BRAKE 1250	1			104-47	LM2700-1701ZD	BRACKET, LAMP	1		
104-13	K1724000020	LEVER ASSY, SIDE BRAKE	1			104-48	K5000080002	WASHER, M8	4		
104-14	K4209001200	DECAL, BRAKE	1			104-49	K0000080252	BOLT, M8-25	4		
104-15	K0000080202	BOLT, M8-20	2			104-50	K3194001000	TUBE, CORRUGATED 7-100	2		
104-16						104-51	K0000060152	BOLT, M6-15	2		
104-17	K6030120242	PIN, FLAT HEAD M12-24	1			104-52	K0048050102	SCREW, + ROUND HEAD WITH SW M5-10	1		
104-18	K1120141010	WIRE, BRAKE 1410	1			104a-53					
104-19	K5000120002	WASHER, M12	1			104a-54					
104-20	K0300020202	PIN, COTTER M2-20	1			104a-55					
104-21	K3670000120	SWITCH, LIMIT D4A-4717N	1								
104-22	K1120107000	WIRE, BRAKE 1070	1								
104-23	K1720000200	BRAKE ASSY, WITH LEVER (L)	1								
104-24	LM282--0802Z2	SHAFT, PEDAL	1								
104-25	K1050000068	SPRING, TORSION	1								
104-26	LM282--0817Z3	PEDAL, BRAKE	1								
104-27	K2097000010	VALVE, RIM TR413	2								
104-28	K2092000020	CORE, VALVE NO.9000	2								
104-29	K2093000010	CAP, VALVE	2								
104-30	K2040000600	TIRE ASSY, M40B-23*1050-12	2	TYPE R							
104-31	K2041000360	TIRE, M40B 23*1050-12	2	TYPE R							
104-32	K209000081L	WHEEL, 8.5JA*12WDC	2	TYPE R							
104-33	K0000060102	BOLT, M6-10	6								
104-34	K0100080002	NUT, M8	6								
104-35	K0042050402	SCREW, + ROUND HEAD M5-40	2								

105. Rear wheel parts



Cat No.	Code No.	Part name	Qty	Remark	SN of application	Cat No.	Code No.	Part name	Qty	Remark	SN of application
105-1	K209000054L	WHEEL, 7JA*12WDC	2			105-36	K2041000370	TIRE, M40B 23*850-12	2	TYPE R	
105-2	K2097000010	VALVE, RIM TR413	2			105-37	K0100120002	NUT, M12	8		
105-3	K2092000010	CORE, VALVE NO.8000	2			105-38					
105-4	K2093000010	CAP, VALVE	2			105-39					
105-5	K0011120302	BOLT, HT P1.5 M12-30	12			105-40	K1440000020	GREASE NIPPLE, C TYPE	2		
105-6	K0200120002	WASHER, SPRING M12	20			105a-41					
105-7	K5074512252	WASHER, SPHC 4.5-12-25	12			105a-42					
105-8	K0138240002	NUT, HIGH SLOTTED M24 PITCH 1.5	2			105-43	K5051030420	WASHER, C5191P 1-30-42	1		
105-9	K5000240002	WASHER, M24	2								
105-10	K0300050452	PIN, COTTER M5-45	2								
105-11	LM318--0304AD	MOUNT, REAR WHEEL 80	2								
105-12	LM318--0302DD	KING PIN, (R)	1								
105-13	LM318--0303DD	KING PIN, (L)	1								
105-14											
105-15	K0000120452	BOLT, M12-45	8								
105-16	LM318--0301DD	PIVOT	1								
105-17	K6213000113	COLLAR, WITH HOLE M25-50-20	2								
105-18	K6204000383	CAP	2								
105-19	K1440000010	GREASE NIPPLE, A TYPE	1								
105-20	K0640511070	BEARING, BALL THRUST 51107	2								
105-21	K0880048000	O-RING, P48	2								
105-22	K0320080501	PIN, SPRING M8-50	2								
105-23	K0000100302	BOLT, M10-30	1								
105-24	K0100100002	NUT, M10	1								
105-25	K5051030500	WASHER, C5191P 1-30-50	2								
105-26	K7147000198	PIN, FOR PIVOT	1								
105-27	K5073216352	WASHER, SPHC 3.2-16-35	1								
105-28	K0200160002	WASHER, SPRING M16	1								
105-29	K0100160002	NUT, M16	1								
105-30	K1610000020	TIE-ROD END ASSY, MALE (R)	1								
105-31	LM318--0305ZD	ROD, TIE	1								
105-32	K0160000192	NUT, SPECIAL P1.5 M17	1								
105-33	K0160000202	NUT, LEFT-HANDED SPECIAL P1.5 M17	1								
105-34	K1611000020	TIE-ROD END ASSY, LEFT-HANDED MALE (L)	1								
105-35	K2040000610	TIRE ASSY, M40B-23*850-12	2	TYPE R							

106. Pedal parts

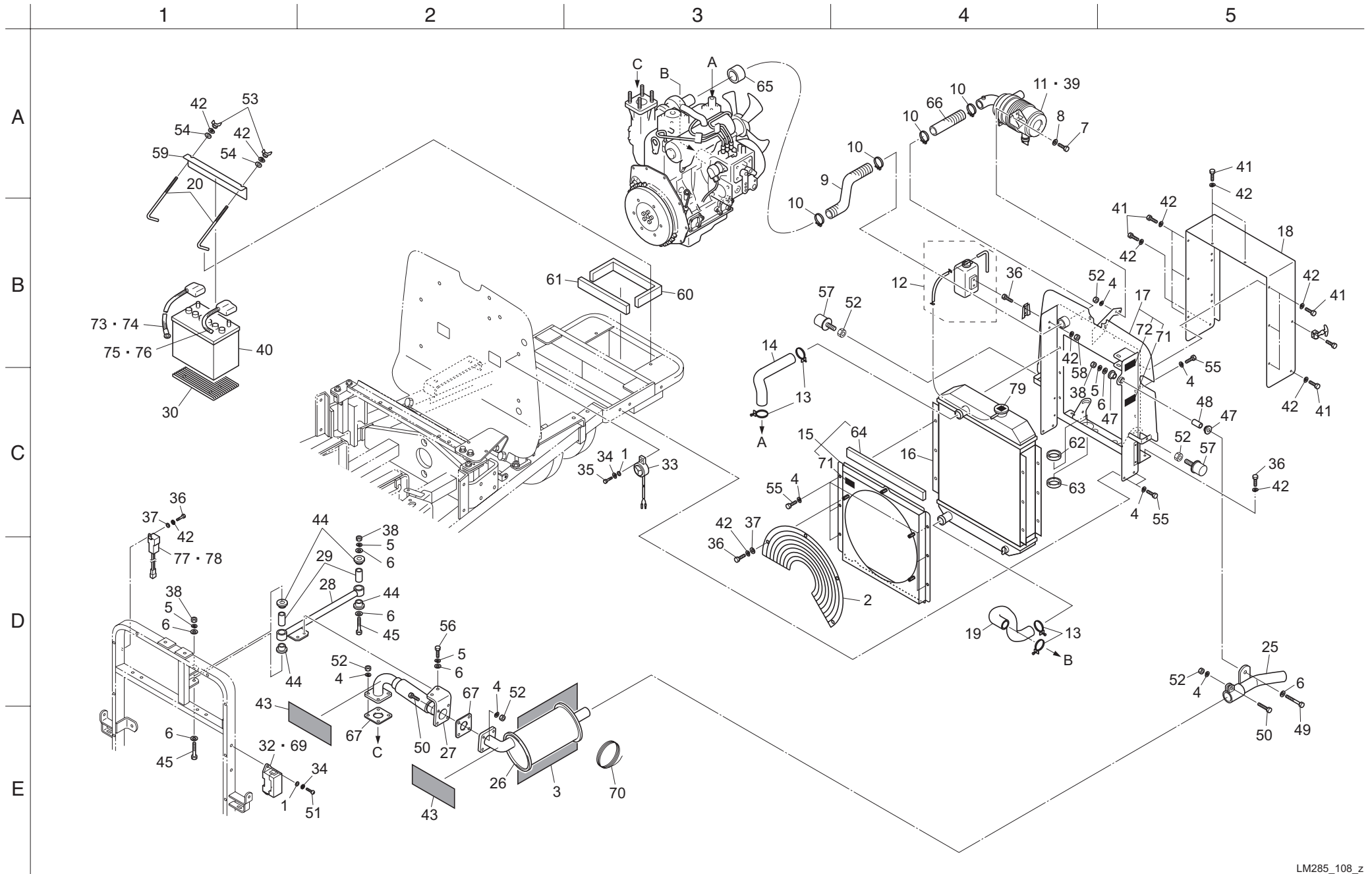


Cat No.	Code No.	Part name	Qty	Remark	SN of application	Cat No.	Code No.	Part name	Qty	Remark	SN of application
106-1						106-36	K0000080202	BOLT, M8-20	4		
106-2						106-37	K0100060002	NUT, M6	2		
106-3	LM318--0802ZD	PEDAL, (UNDER)	1			106-38	K0000060152	BOLT, M6-15	2		
106-4	K0320050281	PIN, SPRING M5-28	2			106-39	LM282--7515ZD	BASE, MOUNTING SWITCH	1		
106-5	K0100080002	NUT, M8	1			106-40	LM282--7516ZD	FITTING, MOUNTING SWITCH	1		
106-6	K5000080002	WASHER, M8	2			106-41	K3671000050	SWITCH, LIMIT SLI-A	1		
106-7	K3380000010	DAMPER, FOR LEVER	1			106-42	LM282--7514A2	LEVER, NEUTRALIZING	1		
106-8	LM318--0813B2	LEVER, DAMPER	1			106-43	K0200080002	WASHER, SPRING M8	4		
106-9	K5051016240	WASHER, C5191P 1-16-24	3~4	for adjustment		106-44	LM285--0801ZD	PEDAL	1		
106-10	K0000080352	BOLT, M8-35	1			106-45	LM285--0802Z0	RUBBER, FOR PEDAL	1		
106-11	LM318--0803Z2	SHAFT, PEDAL	1			106-46	K5011016222	WASHER, SPCC 1-16-22	1		
106-12	K0100100002	NUT, M10	14								
106-13	K0200100002	WASHER, SPRING M10	10								
106-14	K1604100000	JOINT, SPHERICAL LHSA10	4								
106-15	K5012311242	WASHER, SPCC 2.3-11-24	4								
106-16	LM318--0815Z8	SPRING, COMPRESSION M3-21-105	1								
106-17	LM318--0805Z2	ROD	1								
106-18	LM318--0816Z8	SPRING, COMPRESSION M3-21-80	1								
106-19	LM318--0808ZD	BRACKET, NEUTRAL AXIS	1								
106-20	K0300040502	PIN, COTTER M4-50	1								
106-21	K0144080002	NUT, WITH F-RING, M8	1								
106-22	LM318--0804Z2	LEVER, IDLE	1								
106-23	K1440000010	GREASE NIPPLE, A TYPE	2								
106-24	LM318--0811A2	SHAFT, IDLE LEVER	1								
106-25	LM318--0807Z2	ROD	1								
106-26	K0180100002	NUT, LEFT-HANDED M10	2								
106-27	K16041000L0	JOINT, SPHERICAL LHSA10L	2								
106-28	LM318--0809Z2	LEVER, SHIFT	1								
106-29	K0011100252	BOLT, HT P1.25 M10-25	4								
106-30	LM318--0810Z2	LEVER, SHIFT	1								
106-31	LM318--0806Z2	ROD	1								
106-32	K0320030251	PIN, SPRING M3-25	2								
106-33	K1440000020	GREASE NIPPLE, C TYPE	1								
106-34	K0200060002	WASHER, SPRING M6	5								
106-35	K5000060002	WASHER, M6	5								

Cat No.	Code No.	Part name	Qty	Remark	SN of application	Cat No.	Code No.	Part name	Qty	Remark	SN of application
107-1						107-36	LM282--0541Z2	DISK, DRIVING PUMP SIDE	1		
107-2	K9400000050	GAUGE ASSY, WATER TEMPERATURE	1			107-37	K0215100002	WASHER, DISK SPRING H M10-2	1		
107-3	K0042050122	SCREW, + ROUND HEAD M5-12	2			107-38	K0024100351	BOLT, WITH HEX. HOLE M10-35	1		
107-4	K5000050002	WASHER, M5	4			107-39	K6204000562	SPACER, 118	1		
107-5	K3641000040	LAMP, PILOT	1			107-40	K1620000120	JOINT, BC75ACP201	1		
107-6	PF15886-8301-1	HOUR METER ASSY	1			107-41	K0010100352	BOLT, HT M10-35	3		
107-7	K4209001330	DECAL, DIESEL FUEL INDICATION	1			107-42	K0010100202	BOLT, HT M10-20	3		
107-8	PF15248-6359-0	SWITCH ASSY, STARTER	1			107-43	K5000100002	WASHER, M10	1		
107-9						107-44	LM282--0542Z2	FITTING, MOUNTING JOINT	1		
107-10	K4209001000	DECAL, DIESEL FUEL REFUELING HOLE	1			107-45	K0010080202	BOLT, HT M8-20	6		
107-11	K0100060002	NUT, M6	2			107-46	K5000080002	WASHER, M8	10		
107-12						107-47	K0300016202	PIN, COTTER M1.6-20	2		
107-13						107-48	K6030050122	PIN, FLAT HEAD M5-12	2		
107-14	K0100050002	NUT, M5	3			107-49	K2691000100	ENGINE, KUBOTA D1105-T-E3B	1		
107-15	K0200050002	WASHER, SPRING M5	3			107-50	PF15241-3209-4	ELEMENT, OIL FILTER	1		
107-16						107-51	PF16241-9701-0	BELT, FAN	1		
107-17						107-52	PF13901-3375-0	PLUG, DRAIN BOLT	1		
107-18	PF14911-4275-1	CLIP, PIPE	6			107-53	PF6C090-5896-0	GASKET, DRAIN OILPAN	1		
107-19						107-54	LM285--1002ZD	FITTING	1		
107-20						107-55	LM285--1001Z0	CASE, MANUAL	1		
107-21						107-56	PF09661-8250-0	TUBE, FUEL	1		
107-22	PF09661-4210-0	TUBE, FUEL	1			107-57	PFR1401-5135-1	PUMP ASSY, FUEL	1		
107-23	PF14971-4275-1	CLIP, PIPE	2			107-58	K0000060152	BOLT, M6-15	2		
107-24	K0000080602	BOLT, M8-60	1			107-59	K5000060002	WASHER, M6	18		
107-25	K0200080002	WASHER, SPRING M8	13			107-60	LM318--0510Z2	SHANK, THROTTLE LEVER	1		
107-26	K4209001190	DECAL, KEY SWITCH	1			107-61	K0100100002	NUT, M10	6		
107-27	PF1G313-4301-0	FILTER ASSY, FUEL	1			107-62	K1110101000	WIRE, THROTTLE 1010	1		
107-28	PF1K574-6022-0	RELAY COMP	1			107-63	K0210100002	SPRING, CONICAL DISC L M10	2		
107-29	PF15694-6599-0	TIMER, GLOW LAMP	1			107-64	K6212000092	COLLAR, STKM M10-16-10	1		
107-30	K3611000430	WIRE, TO EARTH 500	1			107-65	LM318--0511Z2	BRACKET, THROTTLE LEVER	1		
107-31	K0200100002	WASHER, SPRING M10	23			107-66	K0000060202	BOLT, M6-20	2		
107-32	K0017100252	BOLT, SMALL HT P1.25 M10-25	16			107-67	PF1G313-4356-0	ELEMENT ASSY, FUEL	1		
107-33	LM285--0516AD	BASE, ENGINE (L)	1			107-68	K1301000150	GRIP, PLASTIC THROTTLE LEVER	1		
107-34	K4040000150	RUBBER, VIBRATION PROOF EC4001	4			107-69	K0042050082	SCREW, + ROUND HEAD M5-8	1		
107-35	LM285--0517AD	BASE, ENGINE (R)	1			107-70	K0000060102	BOLT, M6-10	10		

Cat No.	Code No.	Part name	Qty	Remark	SN of application	Cat No.	Code No.	Part name	Qty	Remark	SN of application
107-71	K0200060002	WASHER, SPRING M6	14			107-106	PFR1401-5317-1	GAUGE, WATER TEMPERATURE	1		10148-
107-72	K6211000062	COLLAR, SGP M12.7-17.3-31	2			107-107	K3620000950	CONNECTOR	1		10148-
107-73	K0014100602	BOLT, HT P1.25 M10-60	1								
107-74	K5073210352	WASHER, SPHC 3.2-10-35	2								
107-75	K4031000310	RUBBER, PLATE 32	4								
107-76	LM285--0551ZD	ROD, TORQUE	1								
107-77	K0010100602	BOLT, HT M10-60	1								
107-78	K0100080002	NUT, M8	14								
107-79	LM285--0550ZD	FITTING, ELECTROMAGNETIC PICKUP	1								
107-80	K0011100302	BOLT, HT P1.25 M10-30	1								
107-81	K3662000060	SWITCH, TOGGLE ST115AT	1								
107-82	K4031000300	RUBBER, CAP WD1911	1								
107-83	K4203001410	STICKER, LIGHT SWITCH	1								
107-84	LM282--0560Z2	STOPPER	1								
107-85	K0000080352	BOLT, M8-35	1								
107-86	K0144060002	NUT, WITH F-RING, M6	2								
107-87	PF56713-4293-1	PICKUP, ELECTROMAGNETIC	1								
107-88	PF02172-5018-0	NUT	1								
107-89	K5073208202	WASHER, SPHC 3.2-8-20	8								
107-90	K4228000040	SPONGE, RUBBER 5-15-230	2								
107-91	LM285--0506A0	TANK COMP, FUEL	1								
107-92	K0000050152	BOLT, M5-15	5								
107-93	K0922050000	SEAL, WASHER 5WF	5								
107-94	K2721000100	GAUGE, FLOATING 225 X 175	1								
107-95	K2721000020	PACKING, OIL-SHEET	1								
107-96	K1410000070-Y	PLUG, OIL WITH AIR HOLE	1								
107-97	K3420000030	STRAINER, FUEL	1								
107-98	K1400000044-Y	GAUGE, OIL M TYPEPF3/4	1								
107-99	K1422106001-Y	PLUG, TAPER WITH HEX. HOLE T1, 3/8	1								
107-100											
107-101	K4042000040	RUBBER, VIBRATION PROOF KB-30	4								
107-102	K3653000010	GAUGE, FUEL 52BG2	1								
107-103	K4251000020	CLAMP, WIRE S20	1								
107-104	LM285--0504A0	HARNESS	1								
107-105	K0001100202	BOLT, P1.25 M10-20	1								

108. Radiator parts



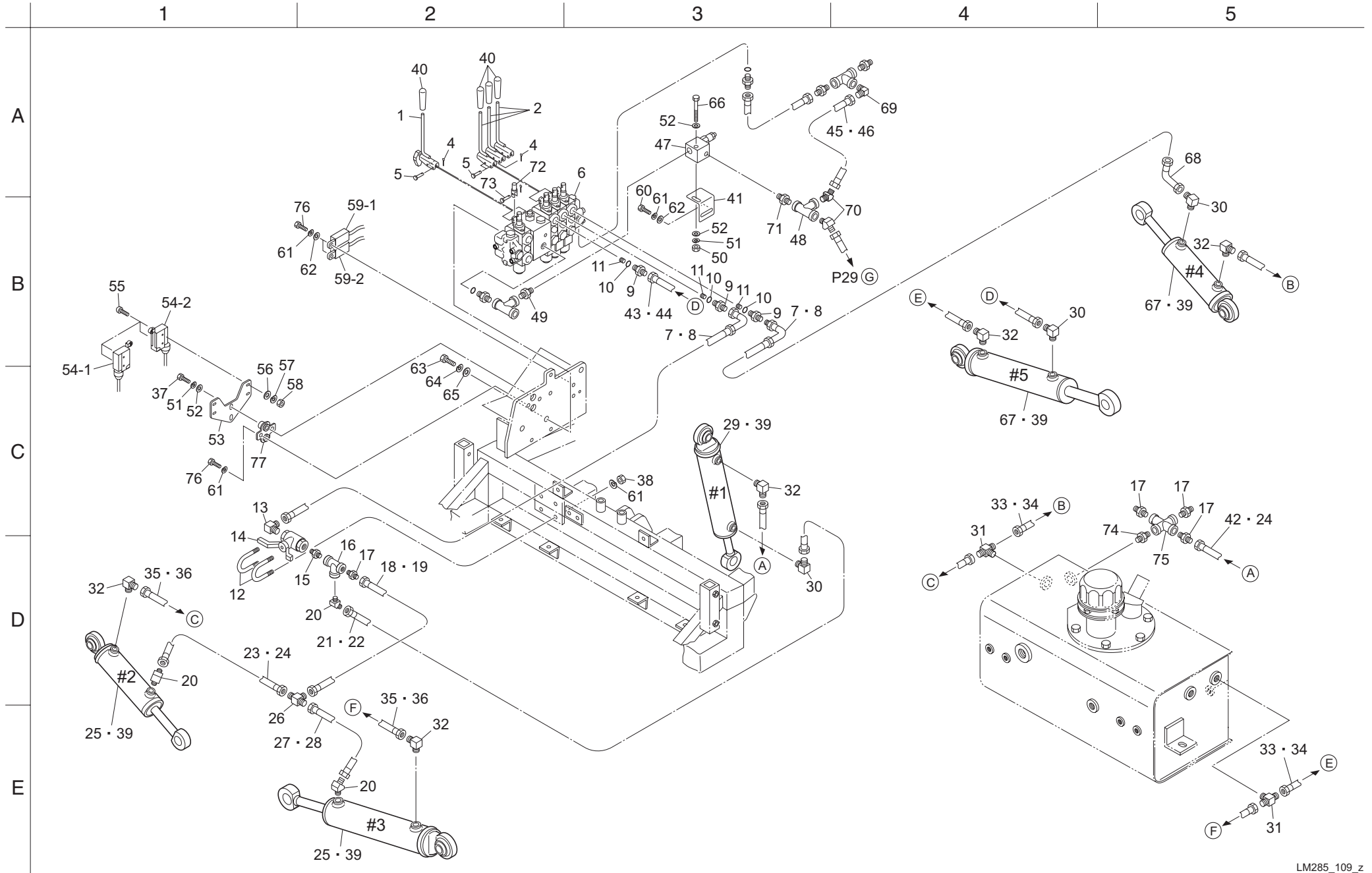
Cat No.	Code No.	Part name	Qty	Remark	SN of application
108-1	K5000050002	WASHER, M5	3		
108-2	PF1G690-7412-0	COVER, FAN	1		
108-3	K4230000140	PLATE, GLASS-FABRICS 1.6-285420	1		
108-4	K0200080002	WASHER, SPRING M8	27		
108-5	K0200100002	WASHER, SPRING M10	5		
108-6	K5000100002	WASHER, M10	8		
108-7	K0000080202	BOLT, M8-20	2		
108-8	K5000080002	WASHER, M8	2		
108-9	K3170004000	HOSE, 50 BANNER A 400	1		
108-10	K4262057000	CLAMP, LS BAND 57	4		
108-11	PF17407-1101-0	AIR CLEANER ASSY	1		
108-12	PFRC411-4268-1	TANK ASSY, RESERVE	1		
108-13	PF09318-8903-9	CLAMP, FOR HOSE	4		
108-14	PF16292-7294-1	PIPE, WATER 4	1		
108-15	LM285--0560Z0	SHROUD, WITH STICKER	1		
108-16	K2730000040	RADIATOR	1		
108-17	LM285--0561A0	FITTING, RADIATOR WITH STICKER	1		
108-18	LM285--0941ZD	BOX	1		
108-19	PF1G345-7285-0	HOSE, (1, WATER)	1		
108-20	K6171000312	ROD, WITH M6	2		
108-21					
108-22					
108-23					
108-24					
108-25	LM285--0553ZU	PIPE, TAIL	1		
108-26	K2693000030	MUFFLER	1		
108-27	LM285--0552ZU	PIPE, FLEXIBLE EXHAUST	1		
108-28	LM285--0554ZD	BAR, SUPPORTING	1		
108-29	K6211000022	COLLAR, M12-17.3-40	2		
108-30	K4035000020	RUBBER, VIBRATION PROOF FOR BATTERY 256	1		
108-31					
108-32	K3630000110	FUSE BLOCK, MINI 10P-B	1		
108-33	K3700000010	BUZZER, EBM-12 TYPE	1		
108-34	K0200050002	WASHER, SPRING M5	3		
108-35	K0000050252	BOLT, M5-25	1		

Cat No.	Code No.	Part name	Qty	Remark	SN of application
108-36	K0000060152	BOLT, M6-15	9		
108-37	K5000060002	WASHER, M6	5		
108-38	K0100100002	NUT, M10	3		
108-39	PFT0270-1632-0	ELEMENT, AIR CLEANER	1		
108-40	K3600000160	BATTERY, FX75D23L	1		
108-41	K0000060102	BOLT, M6-10	10		
108-42	K0200060002	WASHER, SPRING M6	21		
108-43	K4230000040	PLATE, GLASS-FABRICS 1.6-301000	2		
108-44	K4031000050	RUBBER, ROUND FOR HANDLE 35	4		
108-45	K0010100702	BOLT, HT M10-70	2		
108-46					
108-47	K4031000020	RUBBER, ROUND FOR HANDLE 32	2		
108-48	K6211000062	COLLAR, SGP M12.7-17.3-31	1		
108-49	K0003100502	BOLT, M10-50	1		
108-50	K0000080302	BOLT, M8-30	5		
108-51	K0042050152	SCREW, + ROUND HEAD M5-15	2		
108-52	K0100080002	NUT, M8	13		
108-53	K0141060002	NUT, WING M6-3	2		
108-54	K5012306162	WASHER, SPCC 2.3-6-16	2		
108-55	K0000080152	BOLT, M8-15	16		
108-56	K0000100252	BOLT, M10-25	2		
108-57	K4049030000	RUBBER, STOPPER KI-30	2		
108-58	K0100060002	NUT, M6	2		
108-59	LM285--0911Z2	CLAMPER, BATTERY	1		
108-60	GM1600-0519Z0	SPONGE, RUBBER 8-610	1		
108-61	GM1600-0520Z0	SPONGE, RUBBER 8-250	1		
108-62	K0900300660	GROMMET, W/SEALING C30SG30A	2		
108-63	K0900300300	GROMMET, W/SEALING C30SG30A	2		
108-64	LM282--0522Z0	SPONGE, URETHANE	2		
108-65	LM285--0555Z0	COLLAR, TURBINE	1		
108-66	K3170001500	HOSE, 50 BANNER A 150	1		
108-67	PF15263-1237-0	PACKING, MUFFLER NA	2		
108-68					
108-69	K3631000070	FUSE, MINI BLADE 5A	1		
108-70	K4980015000	WIRE, SUS 1.2-1500	1		

Cat No.	Code No.	Part name	Qty	Remark	SN of application
108-71	K4205001530	DECAL, CAUTION TO ROTATING OBJECT	2		
108-72	K4205001540	DECAL, CAUTION TO HOT PARTS	1		
108-73	K3610000230	WIRE, BATTERY (+) 1250	1		
108-74	K3196012000	TUBE, CORRUGATED 13-1200	1		
108-75	K3611000420	WIRE, TO EARTH 1000	1		
108-76	K3196009500	TUBE, CORRUGATED 13-950	1		
108-77	K3630000130	FUSE BLOCK, FUSIBLE LINK 50A	1		
108-78	K3631000170	FUSE, PLUG-IN 50A	1		
108-79	K4205001970	DECAL, CAUTION SPOUTING COOLANT	1		

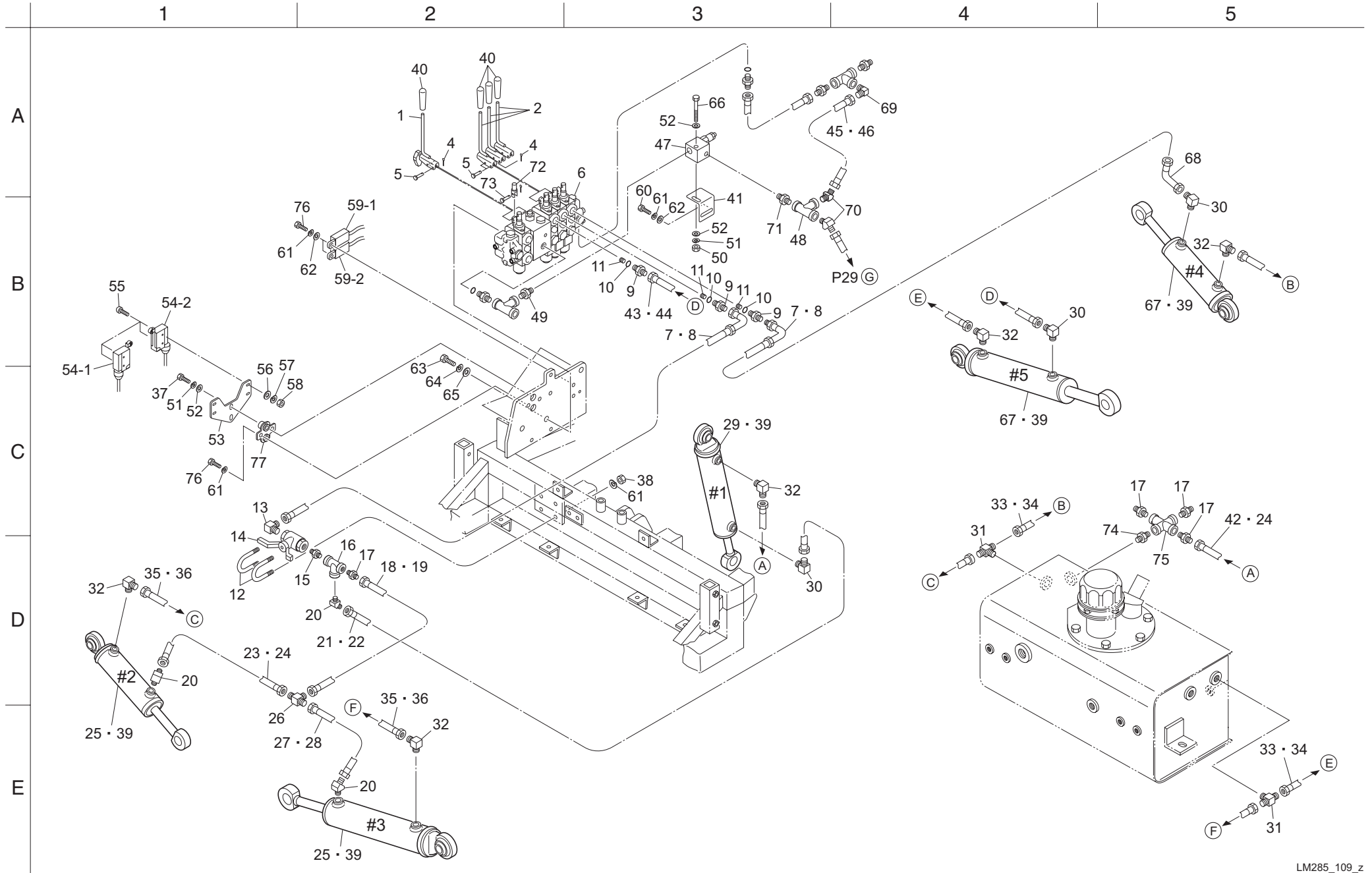
Cat No.	Code No.	Part name	Qty	Remark	SN of application

109. Hydraulic parts A(Cylinder system)



Cat No.	Code No.	Part name	Qty	Remark	SN of application	Cat No.	Code No.	Part name	Qty	Remark	SN of application
109-1	LM285--0702A2	LEVER, REEL ROTATION	1			109-36	K3190001700	TUBE, SPIRAL SP-12 170	2		
109-2	LM285--0701Z2	LEVER, RAISING AND LOWERING MOWER	3			109-37	K0000080152	BOLT, M8-15	2		
109-3						109-38	K0100060002	NUT, M6	4		
109-4	K0300020102	PIN, COTTER M2-10	4			109-39	YD10000896-1	SEAL KIT, CYLINDER	5		
109-5	Y80103-1139-2	PIN, 5-24	8			109-40	K1300000180	GRIP, RUBBER BLACK 7-23	4		
109-6	K3303000030	VALVE, FOURFOLD ASV50	1			109-41	LM285--0662ZD	BRACKET, RELIEF VALVE	1		
109-7	K3103230480	HOSE, WP140-6-3-480	2			109-42	K3101210400	HOSE, WP70-6-1-400	1		
109-8	K3190003500	TUBE, SPIRAL SP-12 350	2			109-43	K3103230900	HOSE, WP140-6-3-900	1		
109-9	K3029000152-Y	CONNECTOR, WITH O-RING PF3/8*PF1/4	3			109-44	K3190008000	TUBE, SPIRAL SP-12 800	1		
109-10	K0881014000	O-RING, P14B	5			109-45	K3100410340	HOSE, WP35-12-1-340	1		
109-11	K0023000031-Y	PLUG, TAPER WITH HEX. HOLE T1 1/8-1	3			109-46	K3191001900	TUBE, SPIRAL SP-15 190	1		
109-12	K0073000022	BOLT, WITH F-RING, M6-40	2			109-47	K3315000050	VALVE, RELIEF	1		
109-13	K3006000012-Y	ELBOW, ODD SIZED PT3/8*PF1/4	1			109-48	K3021080002-Y	TEE, TEF PT1/2	1		
109-14	K3360000010	VALVE, STOP 397819	1			109-49	K3023060001-Y	NIPPLE, NS.PT3/8	1		
109-15	K3029000211-Y	NIPPLE, ODD SIZED PT3/8*PT1/4	1			109-50	K0100080002	NUT, M8	1		
109-16	K3021040002-Y	TEE, TEF PT1/4	1			109-51	K0200080002	WASHER, SPRING M8	3		
109-17	K3000060002-Y	ADAPTOR, 1013-6	4			109-52	K5000080002	WASHER, M8	4		
109-18	K3145000160	HOSE, SSC140-570	1			109-53	LM285--0661ZD	BRACKET, SWITCH	1		
109-19	K3190004700	TUBE, SPIRAL SP-12 470	1			109-54-1	K3670000140	SWITCH, LIMIT SWAZ7121N0	1	for stop solenoid	
109-20	K3003060002-Y	ELBOW, 45 DEG 1035-6	3			109-54-2	K3670000140	SWITCH, LIMIT SWAZ7121N0	1	for cell motor	
109-21	K3145000150	HOSE, IB140-460	1			109-55	K0042040302	SCREW, + ROUND HEAD M4-30	4		
109-22	K3190003600	TUBE, SPIRAL SP-12 360	1			109-56	K5000040002	WASHER, M4	4		
109-23	K3145000180	HOSE, IB140-400	1			109-57	K0200040002	WASHER, SPRING M4	4		
109-24	K3190003000	TUBE, SPIRAL SP-12 300	2			109-58	K0100040002	NUT, M4	4		
109-25	K3205000030	CYLINDER, 40-110 307	2			109-59-1	K3681000060	RELAY, CALAF-12V-N-5	1	for seat switch	
109-26	K3008000092-Y	ADAPTOR, T FOR HOSE PF1/4	1			109-59-2	K3681000060	RELAY, CALAF-12V-N-5	1	for detecting rotation of reel	
109-27	K3145000170	HOSE, IB140-320	1			109-60	K0000060202	BOLT, M6-20	2		
109-28	K3190002200	TUBE, SPIRAL SP-12 220	1			109-61	K0200060002	WASHER, SPRING M6	10		
109-29	K3205000020	CYLINDER, 40-70 252	1			109-62	K5000060002	WASHER, M6	4		
109-30	K3001060002-Y	ELBOW, 90 DEG 1033-6	5			109-63	K0000120252	BOLT, M12-25	3		
109-31	K3029000352-Y	TEE, PT1/4*PF1/4	2			109-64	K0200120002	WASHER, SPRING M12	3		
109-32	K3006000152-Y	ELBOW, ODD SIZED PT1/8*PF1/4	5			109-65	K5000120002	WASHER, M12	3		
109-33	K3101210960	HOSE, WP70-6-1-960	2			109-66	K0003080502	BOLT, M8-50	1		
109-34	K3190008600	TUBE, SPIRAL SP-12 860	2			109-67	K3205000040	CYLINDER, 40-158 352	2		
109-35	K3101230270	HOSE, WP70-6-3-270	2			109-68	K3000120002-Y	ADAPTOR, 1013-12	2		

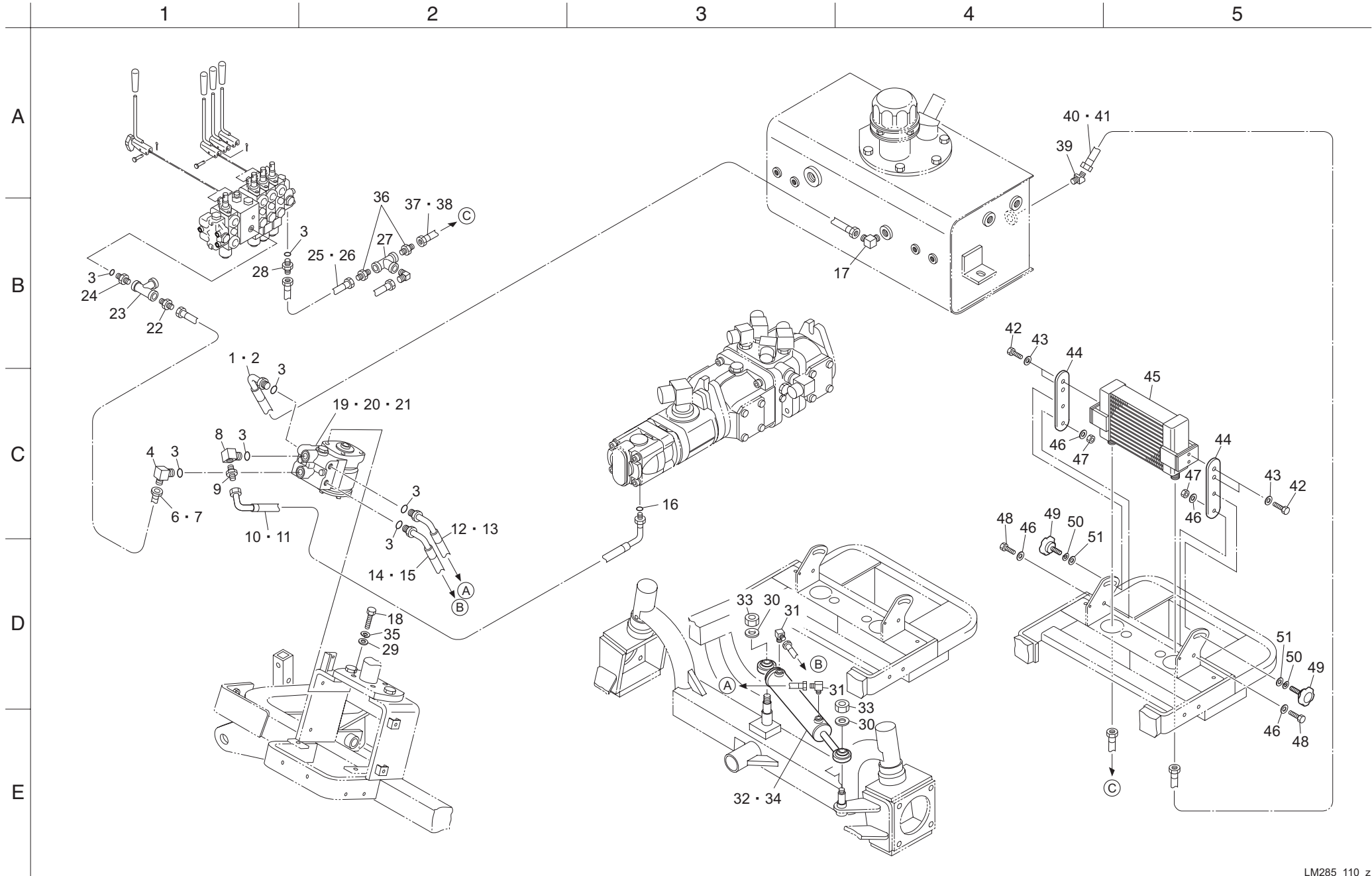
109. Hydraulic parts A(Cylinder system)



Cat No.	Code No.	Part name	Qty	Remark	SN of application
109-69	K3001120002-Y	ELBOW, 90 DEG 1033-12	1		
109-70	K3003120002-Y	ELBOW, 45 DEG 1035-12	2		
109-71	K3029000091-Y	NIPPLE, ODD SIZED.PT3/8*PT1/2	1		
109-72	Y80103-1135-2	LINKAGE, LEVER	4		
109-73	Y80103-1141-2	PIN, 5-21	4		
109-74	K3023040001-Y	NIPPLE, NS.PT1/4	1		
109-75	K3026004002-Y	CROSS, SCREWED SXA02	1		
109-76	K0000060102	BOLT, M6-10	4		
109-77	LM285--0663ZD	MOUNT, SWITCH	1		10150-

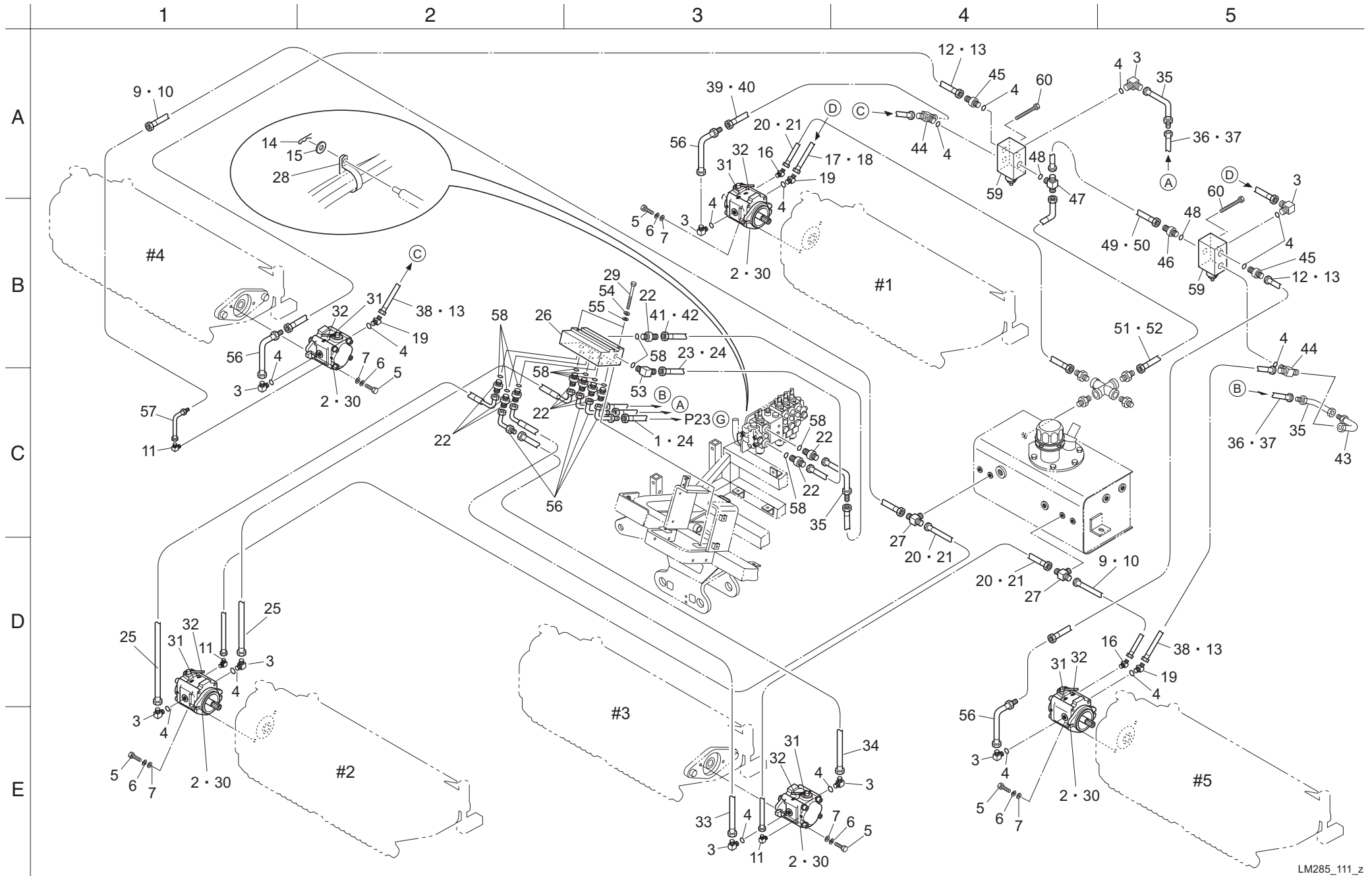
Cat No.	Code No.	Part name	Qty	Remark	SN of application

110. Hydraulic parts A(Power steering system)



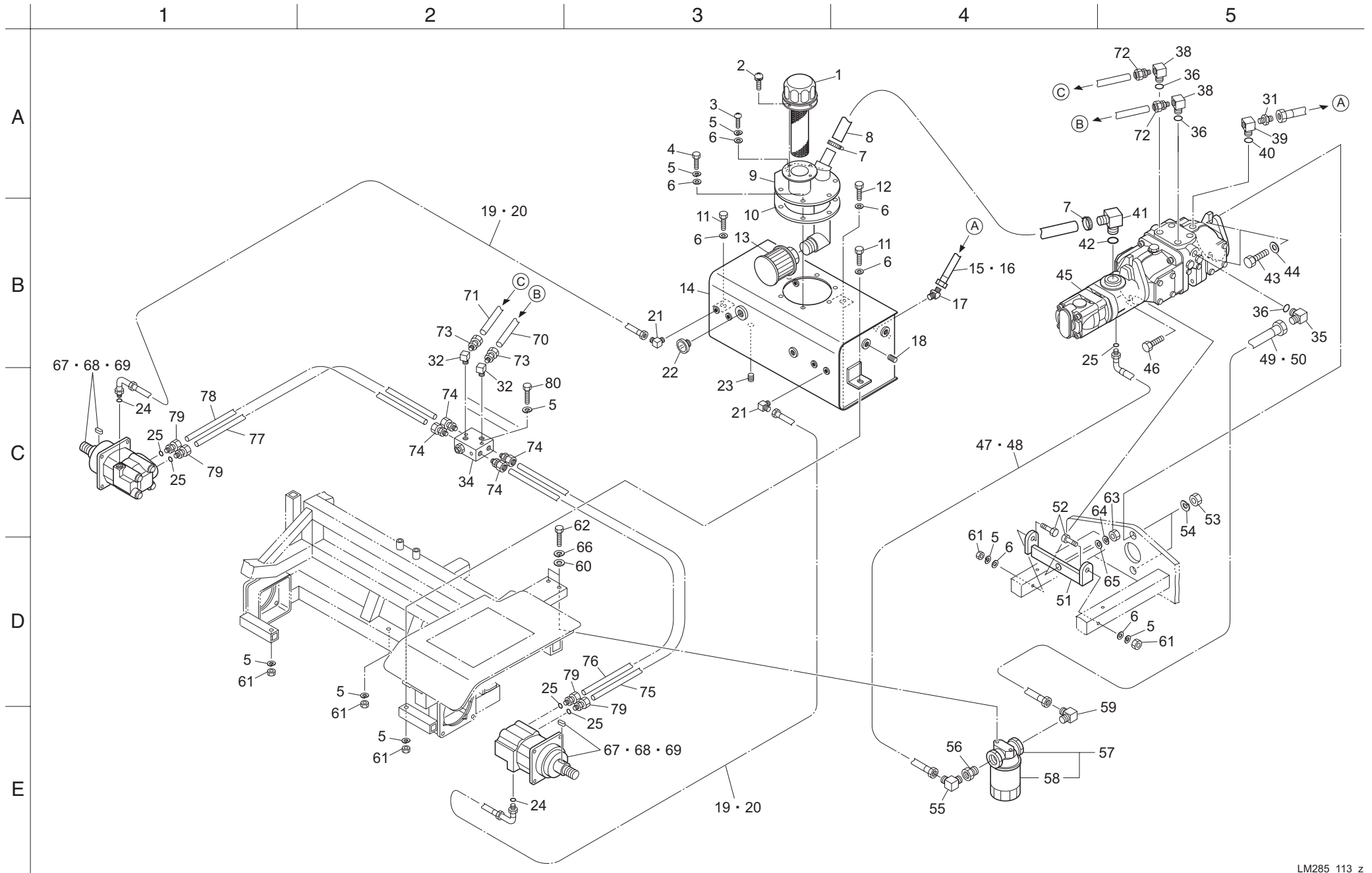
Cat No.	Code No.	Part name	Qty	Remark	SN of application	Cat No.	Code No.	Part name	Qty	Remark	SN of application
110-1	K3145000290	HOSE, SSC35-560	1			110-36	K3000120002-Y	ADAPTOR, 1013-12	2		
110-2	K3190004450	TUBE, SPIRAL SP-12 445	1			110-37	K3100411000	HOSE, WP35-12-1-1000	1		
110-3	K0881014000	O-RING, P14B	7			110-38	K3191008500	TUBE, SPIRAL SP-15 850	1		
110-4	K3008000192-Y	ADAPTOR, ODD SIZED 90 DEG PF1/2*PF3/8	1			110-39	K3003120002-Y	ELBOW, 45 DEG 1035-12	1		
110-5						110-40	K3100411900	HOSE, WP35-12-1-1900	1		
110-6	K3104421100	HOSE, WP175-12-2-1100	1			110-41	K3191017500	TUBE, SPIRAL SP-15 1750	1		
110-7	K3191009500	TUBE, SPIRAL SP-15 950	1			110-42	K0000080202	BOLT, M8-20	4		
110-8	K3008000072-Y	ADAPTOR, 90 DEG 1125-9	1			110-43	K0200080002	WASHER, SPRING M8	4		
110-9	K3009000192-Y	ADAPTOR, PT3/8*PF1/2	1			110-44	LM285--0642ZD	BRACKET, OIL COOLER	2		
110-10	K3145000400	HOSE, SSC140-1000	1			110-45	K3431000030	OIL COOLER	1		
110-11	K3191008700	TUBE, SPIRAL SP-15 870	1			110-46	K5000080002	WASHER, M8	4		
110-12	K3145000120	HOSE, SSC70-1910	1			110-47	K0144080002	NUT, WITH F-RING, M8	2		
110-13	K3190018050	TUBE, SPIRAL SP-12 1805	1			110-48	K0000080252	BOLT, M8-25	2		
110-14	K3145000130	HOSE, SSC70-1960	1			110-49	K1320000220	KNOB, WITH M8 4220	2		
110-15	K3190018550	TUBE, SPIRAL SP-12 1855	1			110-50	K0213080002	WASHER, DISK SPRING H M8-1	2		
110-16	K0881018000	O-RING, P18B	1			110-51	K5073208202	WASHER, SPHC 3.2-8-20	2		
110-17	K3006000022-Y	ELBOW, ODD SIZED PT1/2*PF3/8	1								
110-18	K0000100302	BOLT, M10-30	4								
110-19	K3294000060	STEERING, ORBIT ROLL UBS070A08GCD	1								
110-20	YBA0274A	SEAL KIT, ORBIT ROLL UBS070A08GCD	1								
110-21	YBA0056A	SEAL KIT, ORBIT ROLL UBS070A08GCD VALVE	1								
110-22	K3009000192-Y	ADAPTOR, PT3/8*PF1/2	1								
110-23	K3021060002-Y	TEE, TEF PT3/8	1								
110-24	K3009000052-Y	ADAPTOR, PT3/8*PF3/8	1								
110-25	K3100430300	HOSE, WP35-12-3-300	1								
110-26	K3191001500	TUBE, SPIRAL SP-15 150	1								
110-27	K3021080002-Y	TEE, TEF PT1/2	2								
110-28	K3009000172-Y	ADAPTOR, PF3/8*PF1/2	1								
110-29	K5000100002	WASHER, M10	4								
110-30	K0215140001	WASHER, DISK SPRING H M14-2	2								
110-31	K3001060002-Y	ELBOW, 90 DEG 1033-6	2								
110-32	K3214000010	CYLINDER, 35-164 374A	1								
110-33	K0145140002	NUT, WITH F-RING, P1.5 M14	2								
110-34	YDW46D0190-1	SEAL KIT, CYLINDER	1								
110-35	K0200100002	WASHER, SPRING M10	4								

111. Hydraulic parts B/TYPE_R (Reel motor system)



Cat No.	Code No.	Part name	Qty	Remark	SN of application	Cat No.	Code No.	Part name	Qty	Remark	SN of application
111-1	K3100410950	HOSE, WP35-12-1-950	1			111-36	K3104411450	HOSE, WP175-12-1-1450	2		
111-2	K3280000230	MOTOR, GEAR MB4AK379	5			111-37	K3191013000	TUBE, SPIRAL SP-15 1300	1		
111-3	K3008000042-Y	ADAPTOR, 90 DEG 1086-12	9			111-38	K3104430750	HOSE, WP175-12-3-750	2		
111-4	K0881018000	O-RING, P18B	16			111-39	K3104430700	HOSE, WP175-12-3-700	1		
111-5	K0000100252	BOLT, M10-25	10			111-40	K3191005500	TUBE, SPIRAL SP-15 550	1		
111-6	K0200100002	WASHER, SPRING M10	10			111-41	K3104410880	HOSE, WP175-12-1-880	1		
111-7	K5000100002	WASHER, M10	10			111-42	K3191007300	TUBE, SPIRAL SP-15 780	1		
111-8						111-43	K3025069082-Y	ADAPTOR, FOR PIPE 069-08	1		
111-9	K3101211900	HOSE, WP70-6-1-1900	2			111-44	K3008000362-Y	BOSS, T-SHAPED WITH O-RING 1087-12	2		
111-10	K3190017500	TUBE, SPIRAL SP-12 1750	2			111-45	K3009000092-Y	ADAPTOR, PT1/2*PF1/2	2		
111-11	K3001060002-Y	ELBOW, 90 DEG 1033-6	3			111-46	K3008000232-Y	CONNECTOR, WITH O-RING PF1/4 X PF1/4	1		
111-12	K3104410750	HOSE, WP175-12-1-750	2			111-47	K3008000672-Y	ADAPTOR, T WITH O-RING 1087-6	1		
111-13	K3191006000	TUBE, SPIRAL SP-15 600	4			111-48	K0881011000	O-RING, P11B	2		
111-14	K0330800008	PIN, SNAP M8	1			111-49	K3100230280	HOSE, WP35-6-3-280	1		
111-15	K5000080002	WASHER, M8	1			111-50	K3190001700	TUBE, SPIRAL SP-12 170	1		
111-16	K3003060002-Y	ELBOW, 45 DEG 1035-6	2			111-51	K3100230900	HOSE, WP35-6-3-900	1		
111-17	K3104411050	HOSE, WP175-12-1-1050	1			111-52	K3190007700	TUBE, SPIRAL SP-12 770	1		
111-18	K3191009000	TUBE, SPIRAL SP-15 900	1			111-53	K3008000192-Y	ADAPTOR, ODD SIZED 90 DEG PF1/2*PF3/8	1		
111-19	K3008000182-Y	ADAPTOR, 45 DEG	3			111-54	K0200080002	WASHER, SPRING M8	2		
111-20	K3101211600	HOSE, WP70-6-1-1600	3			111-55	K5000080002	WASHER, M8	2		
111-21	K3190014500	TUBE, SPIRAL SP-12 1450	3			111-56	K302506L082-Y	ADAPTOR, FOR PIPE 06L-08	7		
111-22	K3009000172-Y	ADAPTOR, PF3/8*PF1/2	10			111-57	K302506L042-Y	ADAPTOR, FOR PIPE 06L-04	1		
111-23	K3104410950	HOSE, WP175-12-1-950	1			111-58	K0881014000	O-RING, P14B	11		
111-24	K3191008000	TUBE, SPIRAL SP-15 800	2			111-59	K3390000030	VALVE, SELECTOR V1249	2		
111-25	LM285--0705Z0	HOSE, WP175-12-3-1200	2			111-60	K0024080801	BOLT, WITH HEX. HOLE M8-80	8		
111-26	K3321000050	MANIFOLD, WITH SOLENOID VALVE	1								
111-27	K3029000352-Y	TEE, PT1/4*PF1/4	3								
111-28	K4270030080	CLIP, HARNESS 30 M8	1								
111-29	K0003080702	BOLT, M8-70	2								
111-30	YCG0038A	SEAL KIT, GEAR MOTOR MB6AK379	5								
111-31	K4203001300	DECAL, REEL ROTATION	5								
111-32	K4203001310	DECAL, REEL STOP	5								
111-33	LM285--0707Z0	HOSE, WP175-12-3-1250	1								
111-34	LM285--0706Z0	HOSE, WP175-12-1-1200	1								
111-35	K3025064082-Y	ADAPTOR, FOR PIPE 064-08	3								

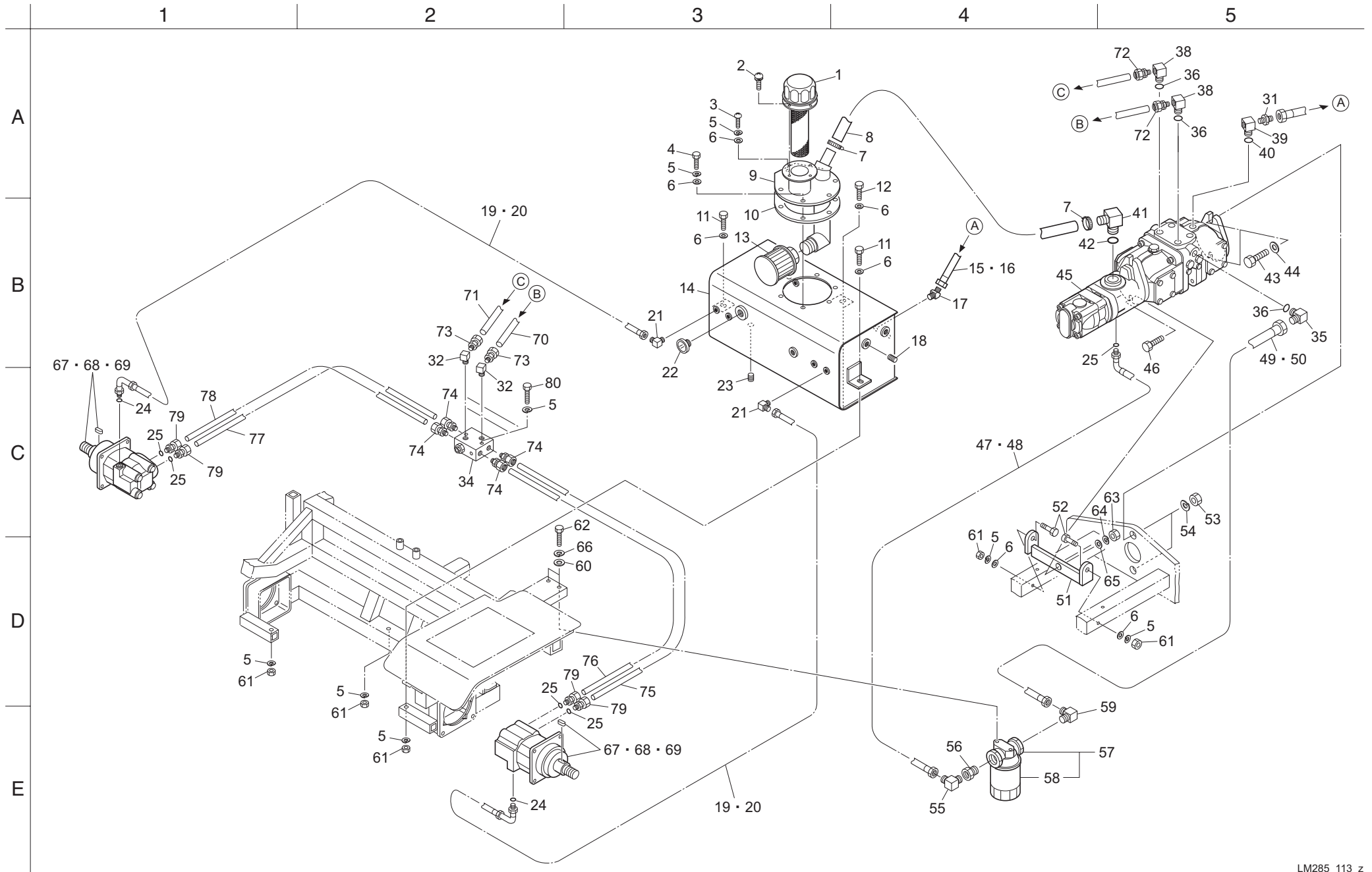
113. Hydraulic parts C (Front wheel motor system)



Cat No.	Code No.	Part name	Qty	Remark	SN of application
113-1	K3400000030	BREATHER, REFUELING HOLE FAB-50	1		
113-2	K0044050102	SCREW, + ROUND HEAD WITH W/SW M5-10	4		
113-3	K0056080200	SCREW, SUS + TRUSS M8-20	1		
113-4	K0000080202	BOLT, M8-20	5		
113-5	K0200080002	WASHER, SPRING M8	13		
113-6	K5000080002	WASHER, M8	11		
113-7	K4260000200	CLAMP, HOSE JUBILEE BAND 2A	2		
113-8	LM318--0730Z0	HOSE, WP35-32*500	1		
113-9	LM318--0705Z2-Y	PORT, SUCTION HYDRAULIC TANK	1		
113-10	LM318--0711Z0	PACKING	1		
113-11	K0003080502	BOLT, M8-50	2		
113-12	K0003080702	BOLT, M8-70	1		
113-13	K3413000020	FILTER, SUCTION SFT-08-150W	1		
113-14	LM318--0701CD-Y	TANK, HYDRAULIC	1		
113-15	K3145000340	HOSE, SSC35-1000	1		
113-16	K3192008500	TUBE, SPIRAL SP-20 850	1		
113-17	K3003190002-Y	ELBOW, 45 DEG 1035-19	1		
113-18	K1422108001-Y	PLUG, TAPER WITH HEX. HOLE T1, 1/2	1		
113-19	K3145000270	HOSE, SSC35-250	2		
113-20	K3190001550	TUBE, SPIRAL SP-12 155	2		
113-21	K3001060002-Y	ELBOW, 90 DEG 1033-6	2		
113-22	K1400000044-Y	GAUGE, OIL M TYPEPF3/4	1		
113-23	K1422106001-Y	PLUG, TAPER WITH HEX. HOLE T1, 3/8	1		
113-24	K0881011000	O-RING, P11B	2		
113-25	K0881018000	O-RING, P18B	5		
113-26					
113-27					
113-28					
113-29					
113-30					
113-31	K3007000012-Y	ADAPTOR, ODD SIZED PT1/2*PF3/4	1		
113-32	K3022080002-Y	ELBOW, FEMALE-MALE STE PT1/2	2		
113-33					
113-34	K3321000020	MANIFOLD, WITH RELIEF VALVE	1		
113-35	K3008000162-Y	ADAPTOR, 90 DEG UNF	1		

Cat No.	Code No.	Part name	Qty	Remark	SN of application
113-36	K0887009100	O-RING, AS568-910	3		
113-37					
113-38	K3008000142-Y	ADAPTOR, 90 DEG	2		
113-39	K3008000172-Y	ADAPTOR, 90 DEG UNF	1		
113-40	K0887009080	O-RING, AS568-908	1		
113-41	K3008000152-Y	ADAPTOR, 90 DEG	1		
113-42	K0881029000	O-RING, P29B	1		
113-43	K0013140502	BOLT HT M14-50	2		
113-44	K5000140002	WASHER, M14	2		
113-45	K3240000020	PUMP, PISTON PV1616AR	1		
113-46	K0000120452	BOLT, M12-45	1		
113-47	K3145000610	HOSE, SSC35-710	1		
113-48	K3191006100	TUBE, SPIRAL SP-15 610	1		
113-49	K3145000600	HOSE, SSC35-660	1		
113-50	K3192005600	TUBE, SPIRAL SP-20 560	1		
113-51	LM318--0708ZD	MOUNT, PUMP	1		
113-52	K0000080602	BOLT, M8-60	2		
113-53	K0100140002	NUT, M14	2		
113-54	K0200140002	WASHER, SPRING M14	2		
113-55	K3006000102-Y	ELBOW, ODD SIZED PT3/4*PF1/2	1		
113-56	K3024000012-Y	JOINT, CAST IRON 1*3/4	1		
113-57	K3412000030	FILTER, CARTRIDGE SP08-10-03	1		
113-58	K3412000060	FILTER, CARTRIDGE C-SP08H-10 (SUBSTITUTE)	1		
113-59	K3006000112-Y	ELBOW, ODD SIZED PT1*PF3/4	1		
113-60	K5000100002	WASHER, M10	2		
113-61	K0100080002	NUT, M8	5		
113-62	K0000100202	BOLT, M10-20	2		
113-63	K0100120002	NUT, M12	1		
113-64	K0200120002	WASHER, SPRING M12	1		
113-65	K5000120002	WASHER, M12	1		
113-66	K0200100002	WASHER, SPRING M10	2		
113-67	K3291000190	MOTOR, WHEEL 2-200BS4S	2		
113-68	Y61090S	SEAL KIT, 2000 ORBIT MOTOR (REAR)	2		
113-69	Y61091S	SEAL KIT, 2000 ORBIT MOTOR (SHAFT)	2		
113-70	LM285--0785Z2-Y	PIPE, PUMP A2	1		

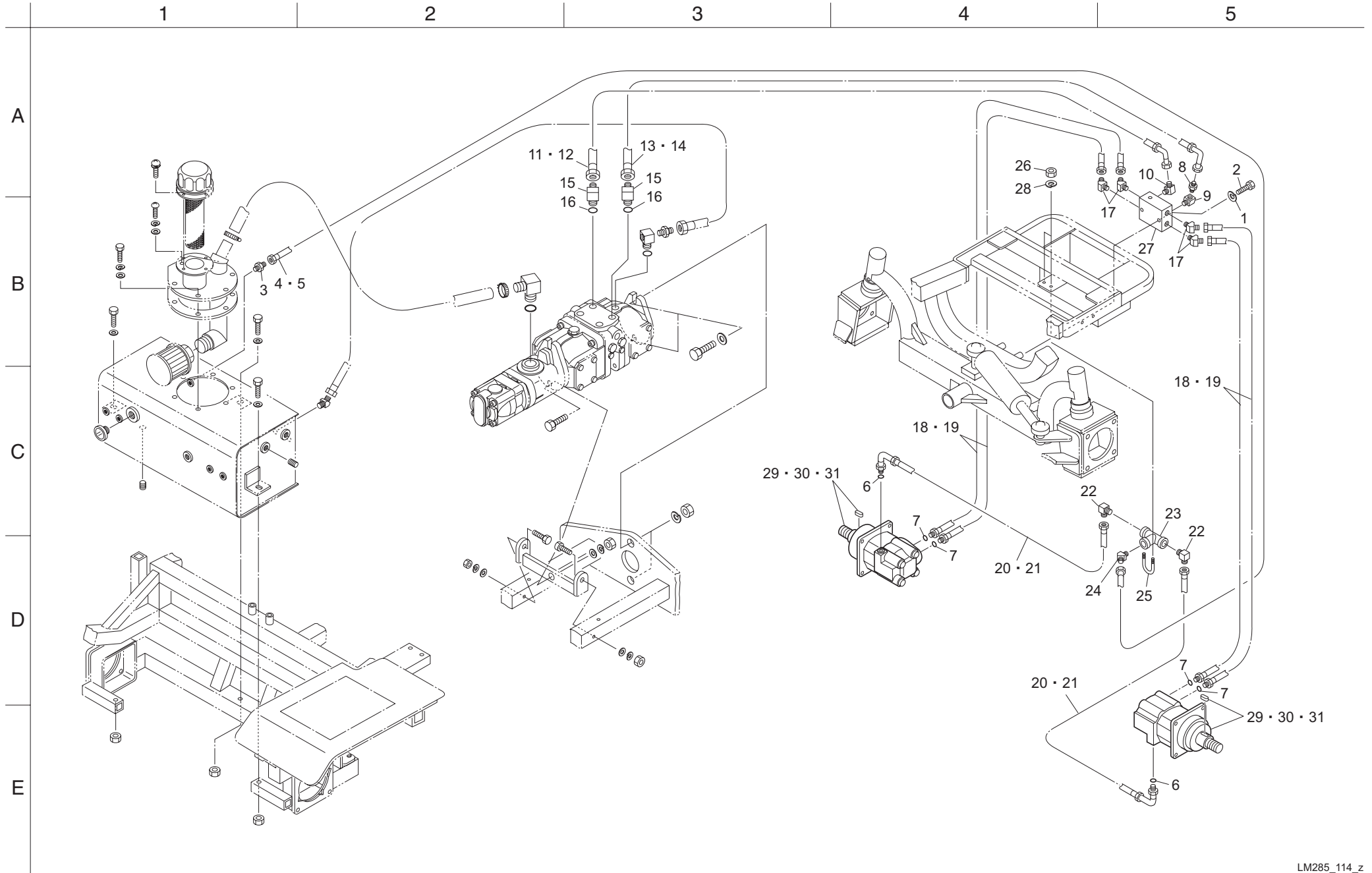
113. Hydraulic parts C (Front wheel motor system)



Cat No.	Code No.	Part name	Qty	Remark	SN of application
113-71	LM285--0786Z2-Y	PIPE, PUMP 132	1		
113-72	K3026622121-Y	CONNECTOR, KCT 22-060E	2		
113-73	K3026622081-Y	CONNECTOR, KCT 22-040E	2		
113-74	K3026615081-Y	CONNECTOR, KCT 15-040E	4		
113-75	LM285--0781Z2-Y	PIPE, MOTOR B (L)	1		
113-76	LM285--0782Z2-Y	PIPE, MOTOR A (L)	1		
113-77	LM285--0784Z2-Y	PIPE, MOTOR A (R)	1		
113-78	LM285--0783Z2-Y	PIPE, MOTOR B (R)	1		
113-79	K3026315081-Y	CONNECTOR, KCO 15-040E	4		
113-80	K0003080552	BOLT, M8-55	2		

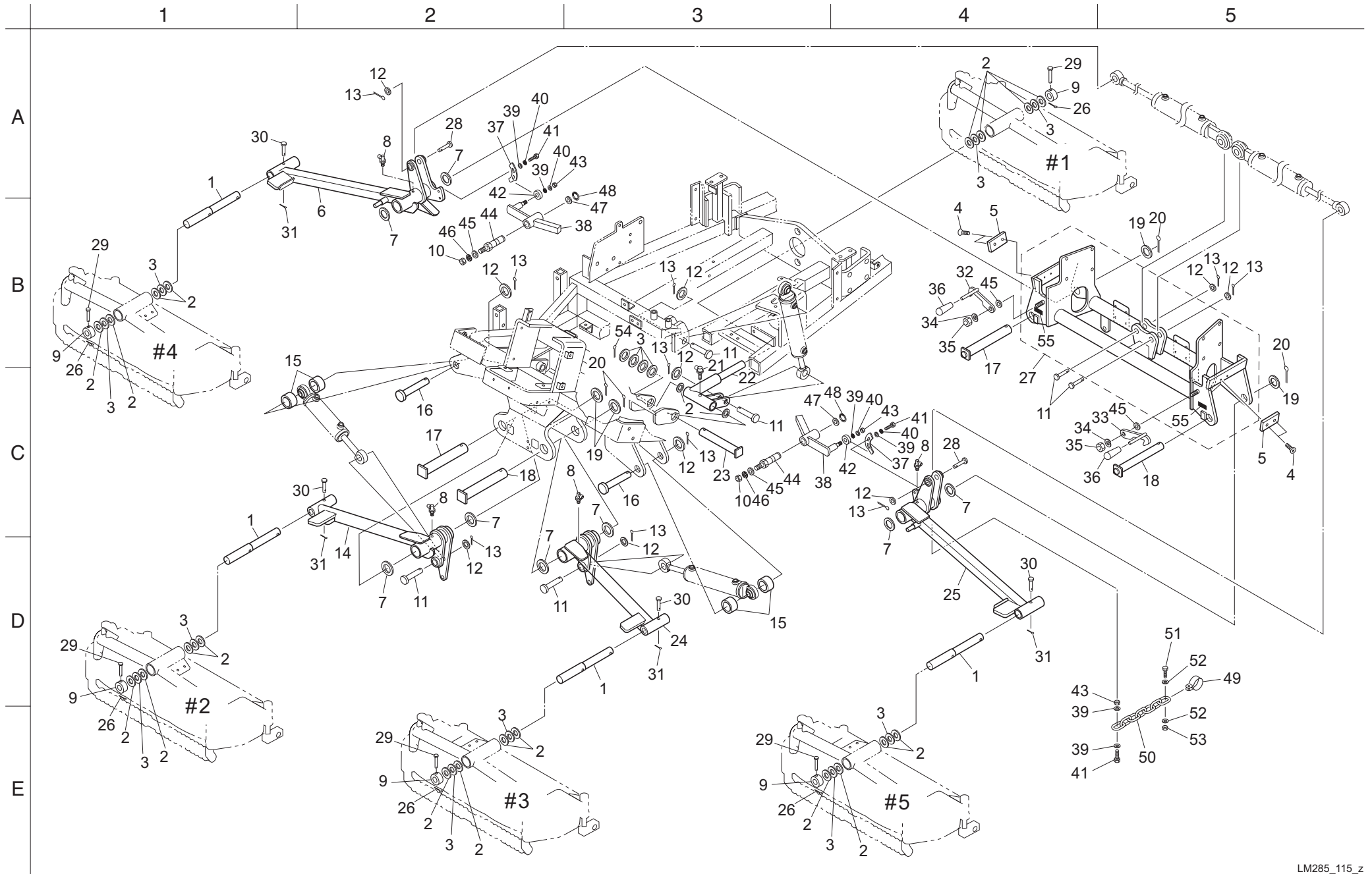
Cat No.	Code No.	Part name	Qty	Remark	SN of application

114. Hydraulic parts C (Rear wheel motor system)



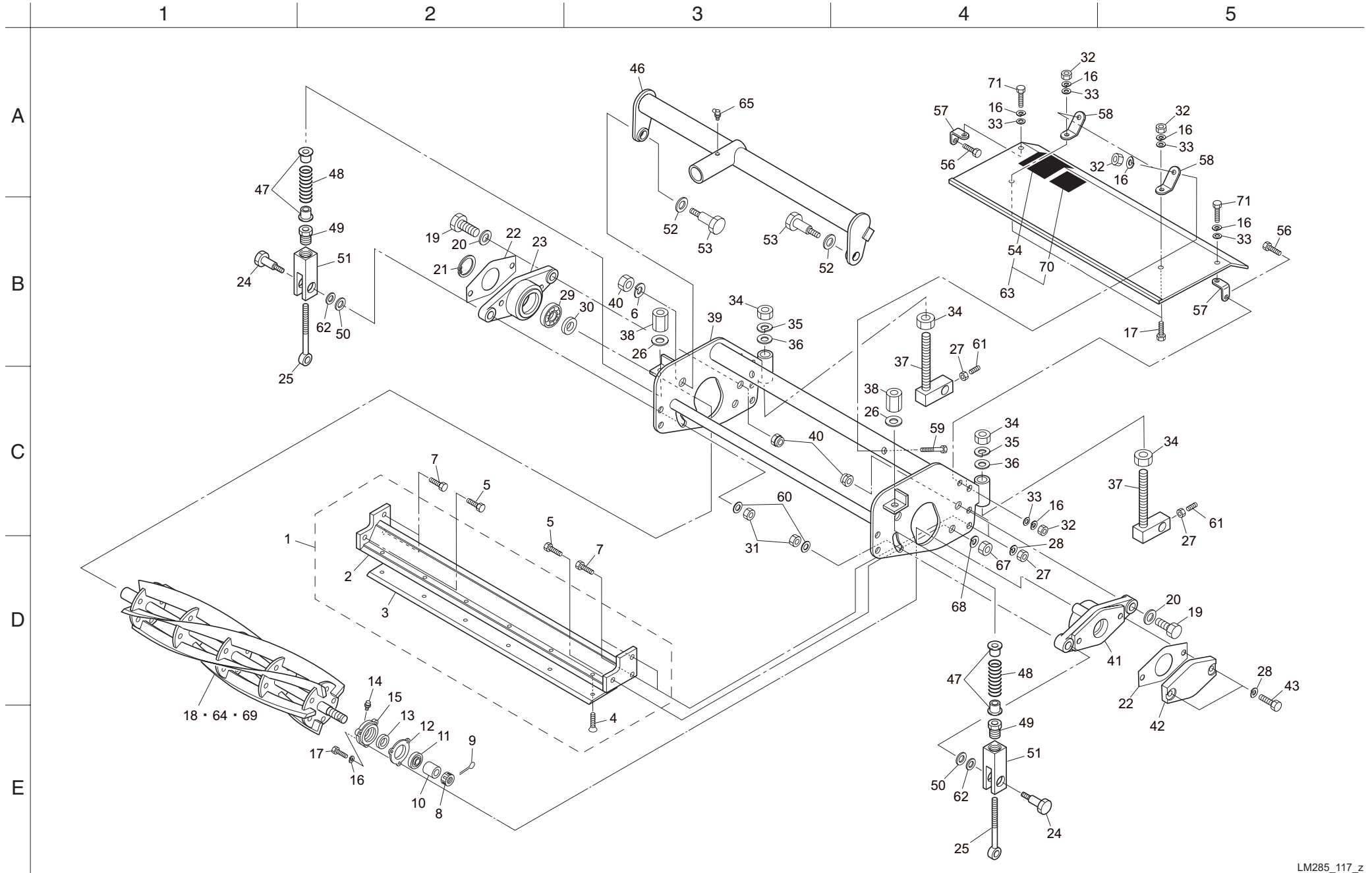
Cat No.	Code No.	Part name	Qty	Remark	SN of application	Cat No.	Code No.	Part name	Qty	Remark	SN of application
114-1	K0200080002	WASHER, SPRING M8	2								
114-2	K0003080552	BOLT, M8-55	2								
114-3	K3007000022-Y	ADAPTOR, ODD SIZED PT1/2*PF3/8	1								
114-4	K3101311700	HOSE, WP70-9-1-1700	1								
114-5	K3190014900	TUBE, SPIRAL SP-12 1490	1								
114-6	K0881011000	O-RING, P11B	2								
114-7	K0881018000	O-RING, P18B	4								
114-8	K3007000012-Y	ADAPTOR, ODD SIZED PT1/2*PF3/4	1								
114-9	K3022080002-Y	ELBOW, FEMALE-MALE STE PT1/2	1								
114-10	K3006000122-Y	ELBOW, ODD SIZED PT1/2*PF3/4	1								
114-11	K3104531010	HOSE, WP175-15-3-1010	1								
114-12	K3192008150	TUBE, SPIRAL SP-20 815	1								
114-13	K3104531050	HOSE, WP175-15-3-1050	1								
114-14	K3192008950	TUBE, SPIRAL SP-20 895	1								
114-15	K3008000162-Y	ADAPTOR, 90 DEG UNF	2								
114-16	K0887009100	O-RING, AS568-910	2								
114-17	K3003120002-Y	ELBOW, 45 DEG 1035-12	4								
114-18	K3145000410	HOSE, IB175-650	4								
114-19	K3191005150	TUBE, SPIRAL SP-15 515	4								
114-20	K3145000260	HOSE, SSC35-770	2								
114-21	K3190006750	TUBE, SPIRAL SP-12 675	2								
114-22	K3006000012-Y	ELBOW, ODD SIZED PT3/8*PF1/4	2								
114-23	K3021060002-Y	TEE, TEF PT3/8	1								
114-24	K3003090002-Y	ELBOW, 45 DEG 1035-9	1								
114-25	K0073000022	BOLT, WITH F-RING, M6-40	1								
114-26	K0100060002	NUT, M6	2								
114-27	K3321000020	MANIFOLD, WITH RELIEF VALVE	1								
114-28	K0200060002	WASHER, SPRING M6	2								
114-29	K3291000190	MOTOR, WHEEL 2-200BS4S	2								
114-30	Y61090S	SEAL KIT, 2000 ORBIT MOTOR (REAR)	2								
114-31	Y61091S	SEAL KIT, 2000 ORBIT MOTOR (SHAFT)	2								

115. Mower lift arm parts/TYPE_R



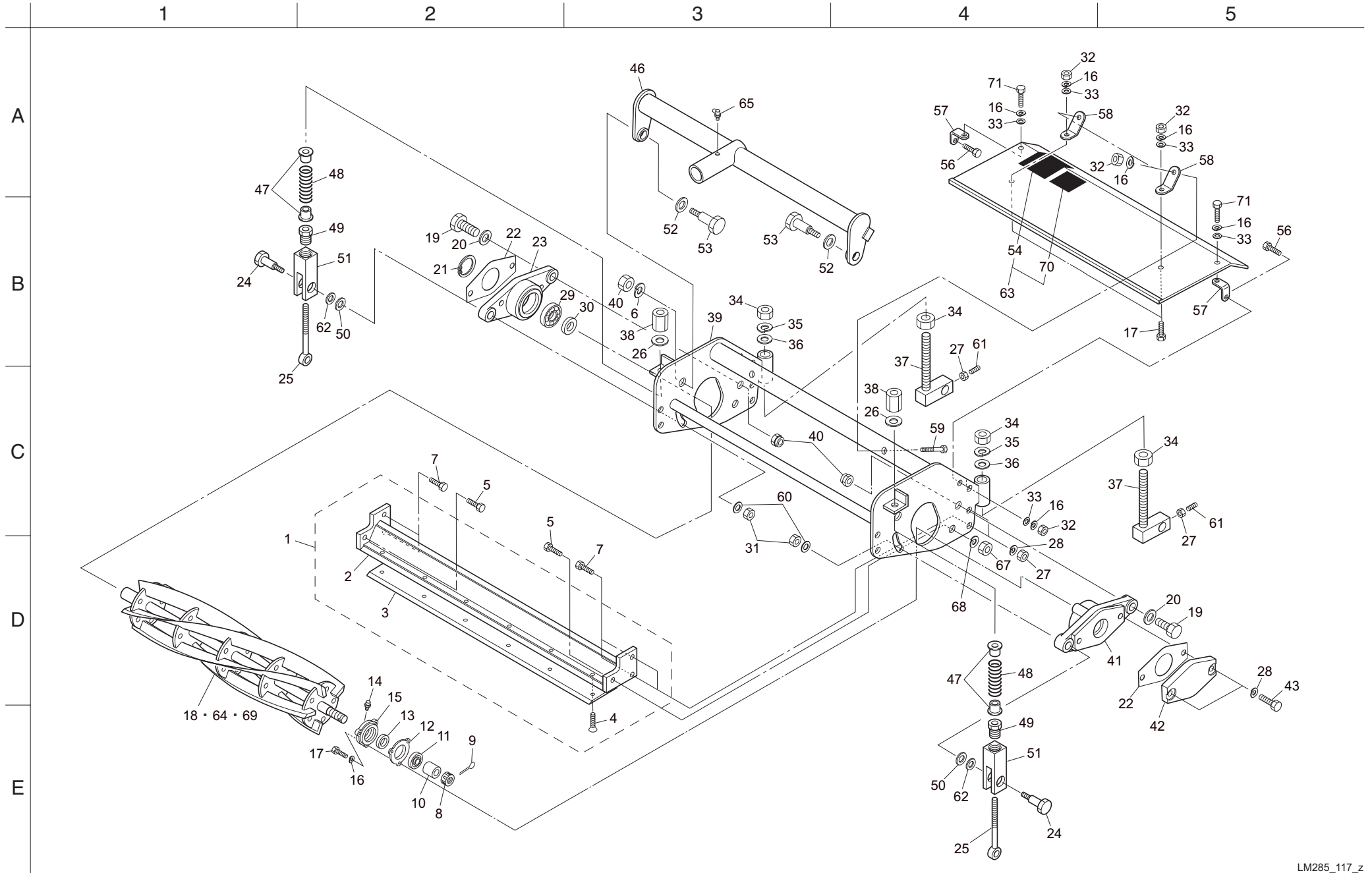
Cat No.	Code No.	Part name	Qty	Remark	SN of application	Cat No.	Code No.	Part name	Qty	Remark	SN of application
115-1	K6155000220	SHAFT, STEPPED	4			115-36	K1300000110	GRIP, RUBBER YELLOW 9-22	2		
115-2	K5051025370	WASHER, C5191P 1-25.4-37	22			115-37	LM285--0208Z2	CAM	2		
115-3	K5011025372	WASHER, SPCC 1-25.4-37	14			115-38	LM285--0206ZD	LEVER, UNLOAD	2		
115-4	K0041060152	SCREW, + FLAT HEAD M6-15	4			115-39	K5000080002	WASHER, M8	10		
115-5	K4033000380	RUBBER, PLATE STOPPER	2			115-40	K0200080002	WASHER, SPRING M8	6		
115-6	LM285--0203BD	ARM, LIFTING (REAR RIGHT)	1			115-41	K0000080252	BOLT, M8-25	6		
115-7	K5051030420	WASHER, C5191P 1-30-42	8			115-42	K0608006290	BEARING, BALL SEAL 2RS 629	2		
115-8	K1440000030	GREASE NIPPLE, B TYPE	4			115-43	K0100080002	NUT, M8	4		
115-9	K6215000142	COLLAR, STKM WITH HOLE M26-32-15	5			115-44	K6123000112	SHAFT, THREADED M14-95.5	2		
115-10	K0103140002	NUT, P1.5 M14	2			115-45	K5000140002	WASHER, M14	4		
115-11	K6030200572	PIN, FLAT HEAD M20-57	6			115-46	K0200140002	WASHER, SPRING M14	2		
115-12	K5012320402	WASHER, SPCC 2.3-20-40	10			115-47	K5051016240	WASHER, C5191P 1-16-24	2		
115-13	K0300032402	PIN, COTTER M3.2-40	10			115-48	K0400012002	RING, RETAINING E M12	2		
115-14	LM285--0205AD	ARM, LIFTING FRONT (R)	1			115-49	K4270035060	CLIP, HARNESS 35 M6	2		
115-15	K6212000372	COLLAR, STKM M20.2-25.4-14.5	4			115-50	K4532000092	CHAINS, GENERAL USE 4.8-7	2		
115-16	LM318--0209Z2	PIN, CYLINDER 84	2			115-51	K0000060252	BOLT, M6-25	2		
115-17	K7147000232	PIN, WITH HOLE M30-196	2			115-52	K5012306162	WASHER, SPCC 2.3-6-16	4		
115-18	LM318--0221Z2	SHAFT, MOWER ARM (FRONT L)	2			115-53	K0144060002	NUT, WITH F-RING, M6	2		
115-19	K5012330452	WASHER, SPCC 2.3-30-45	4			115-54	K0300040322	PIN, COTTER M4-32	1		
115-20	K0300040502	PIN, COTTER M4-50	4			115-55	K4205001900	DECAL, CAUTION ARM LOCK	2		
115-21	K1440000020	GREASE NIPPLE, C TYPE	1								
115-22	LM318--0220AD	ARM, LIFT (REAR)	1								
115-23	K7147000242	PIN, WITH HOLE M25.4-160	1								
115-24	LM285--0204AD	ARM, LIFTING FRONT (L)	1								
115-25	LM285--0202BD	ARM, LIFTING (REAR LEFT)	1								
115-26	K0340800002	PIN, SNAP WITH RETAINER M8	5								
115-27	LM285--0220Z0	FRAME, ARM WITH DECAL	1								
115-28	K6030200802	PIN, FLAT HEAD M20-80	2								
115-29	K6040080402	PIN, ROUND HEAD M8-40	5								
115-30	K6041080488	PIN, ROUND HEAD HT M8-48.5	4								
115-31	K0300032252	PIN, COTTER M3.2-25	4								
115-32	LM285--0210ZD	LEVER, LOCKING B	1								
115-33	LM285--0209ZD	LEVER, LOCKING A	1								
115-34	K0210140002	SPRING, CONICAL DISC L M14	2								
115-35	K0145140002	NUT, WITH F-RING, P1.5 M14	2								

117. Mower parts/TYPE_R (#1)



Cat No.	Code No.	Part name	Qty	Remark	SN of application	Cat No.	Code No.	Part name	Qty	Remark	SN of application
117-1	K8022000020	BASE & BEDKNIFE ASSY	1			117-36	K5012018282	WASHER, SPCC 2-18-28	2		
117-2	K744200006R	BASE, BEDKNIFE 732	1			117-37	LM526A-0108Z2	SCREW, ADJUSTING CUTTING HEIGHT	2		
117-3	K2510000030	BEDKNIFE (BOTTOM BLADE), 7-85-662	1			117-38	K0160000032	NUT, ADJUSTING BED-KNIFE P1 M10	2		
117-4	K0071000092	SCREW, HT FLAT HEAD M10-20	6			117-39	K705200006R	FRAME, MOWER	1		
117-5	K0000120302	BOLT, M12-30	2			117-40	K0105140002	NUT, P1.5 M14-3	4		
117-6	K0200140002	WASHER, SPRING M14	2			117-41	K6903000212	HOUSING, REEL CUTTER	1		
117-7	K0000100252	BOLT, M10-25	4			117-42	K690300017D	COVER, REEL HOUSING	1		
117-8	K0170000012	NUT, SPECIAL M20	1			117-43	K0000100452	BOLT, M10-45	2		
117-9	K0300032252	PIN, COTTER M3.2-25	1			117-44					
117-10	K6212001742	COLLAR, STKM M20.2-28-18	1			117-45					
117-11	K0602063040	BEARING, BALL SHIELD Z 6304	1			117-46	LM282--0158ZR	FRAME, REAR MOWER	1	#1MOWER	
117-12	K4011000150	PACKING, OIL-SHEET	1			117-47	K6206000052	RECEIVER, FOR SPRING	4		
117-13	K0822542080	OIL SEAL, MHSA25428	1			117-48	K1000000458	SPRING, COMPRESSION M5-25-60	2		
117-14	K1440000010	GREASE NIPPLE, A TYPE	1			117-49	K6081000082	PIPE, WITH CUTTER ADJUSTING SCREW	2		
117-15	K6903000042	CAP, HOUSING	1			117-50	K5012310172	WASHER, SPCC 2.3-10-17	2		
117-16	K0200060002	WASHER, SPRING M6	11			117-51	K6090000552	MOUNT, ADJUSTING SCREW	2		
117-17	K0000060152	BOLT, M6-15	5			117-52	K5011020282	WASHER, SPCC 1-20-28	2		
117-18	K285260R90R	REEL CUTTER (CYLINDER), 660-9R	1	9 Blades		117-53	K6082000132	BOLT, STEPPED FOR FIXING FRAME	2		
117-19	K0071001132	BOLT, AXIS	2			117-54	K4205001600	DECAL, CAUTION TO MUTILATION	1		
117-20	K5012314252	WASHER, SPCC 2.3-14-25	2			117-55					
117-21	K0402072001	RING, RETAINING R M72	1			117-56	K0000060202	BOLT, M6-20	2		
117-22	K4011000290	PACKING, OIL-SHEET	2			117-57	K5206000522	PLATE, FOR FIXING COVER	2		
117-23	K6903000202	HOUSING, HYDRAULIC MOTOR B	1			117-58	K527600041R	PLATE, FOR FIXING COVER	2		
117-24	K6082000122	BOLT, STEPPED FOR FIXING HOUSING	2			117-59	K0000060502	BOLT, M6-50	2		
117-25	K7303000182	BOLT, ADJUSTING CUTTER	2			117-60	K5073210242	WASHER, SPHC 3.2-10-24	2		
117-26	K5051010160	WASHER, C5191P 1-10-16	2			117-61	K0023100251	SETSCREW, M10-25	2		
117-27	K0100100002	NUT, M10	6			117-62	K0214100002	WASHER, DISK SPRING L M10-2	2		
117-28	K0200100002	WASHER, SPRING M10	6			117-63	LM282--0140A0	COVER, REEL WITH STICKER (REAR)	1	#1MOWER	
117-29	K0602062070	BEARING, BALL SHIELD Z 6207	1			117-64	K285260R70R	REEL CUTTER (CYLINDER), 660-7R	1	7 Blades	
117-30	K0823560120	OIL SEAL, MHSA356012	1			117-65	K1440000020	GREASE NIPPLE, C TYPE	1		
117-31	K0145100002	NUT, WITH F-RING, P1.25 M10	2			117-66					
117-32	K0100060002	NUT, M6	6			117-67	K0100120002	NUT, M12	2		
117-33	K5000060002	WASHER, M6	6			117-68	K0200120002	WASHER, SPRING M12	2		
117-34	K0108180002	NUT, P1.5 M18-3	4			117-69	K285260R50R	REEL CUTTER (CYLINDER), 660-5R	1	5 Blades	
117-35	K0200180002	WASHER, SPRING M18	2			117-70	K4205001650	DECAL, CAUTION TO FRYING OBJECT	1		

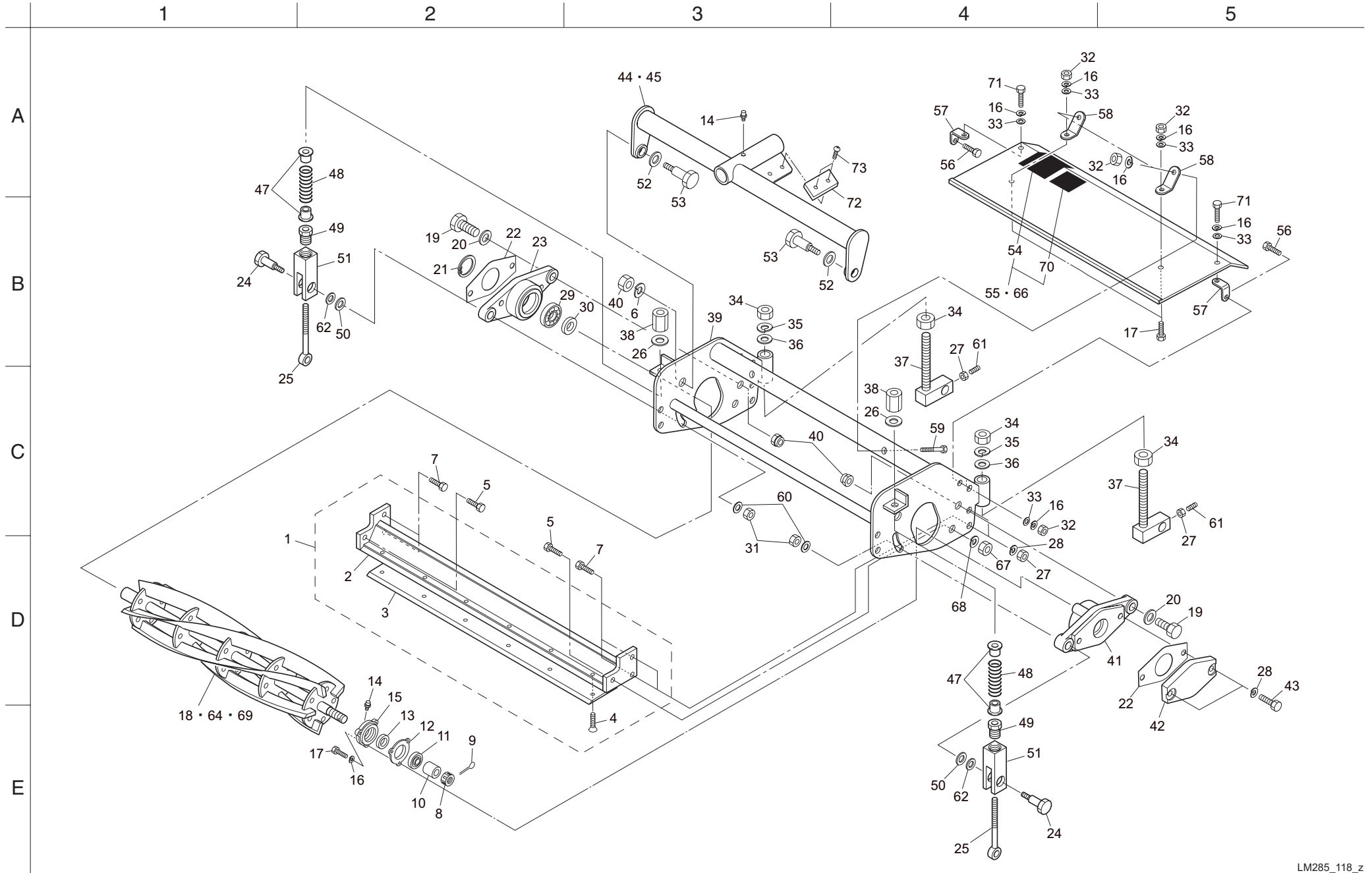
117. Mower parts/TYPE_R (#1)



Cat No.	Code No.	Part name	Qty	Remark	SN of application
117-71 117-72 117-73	K0000060102	BOLT, M6-10	2		

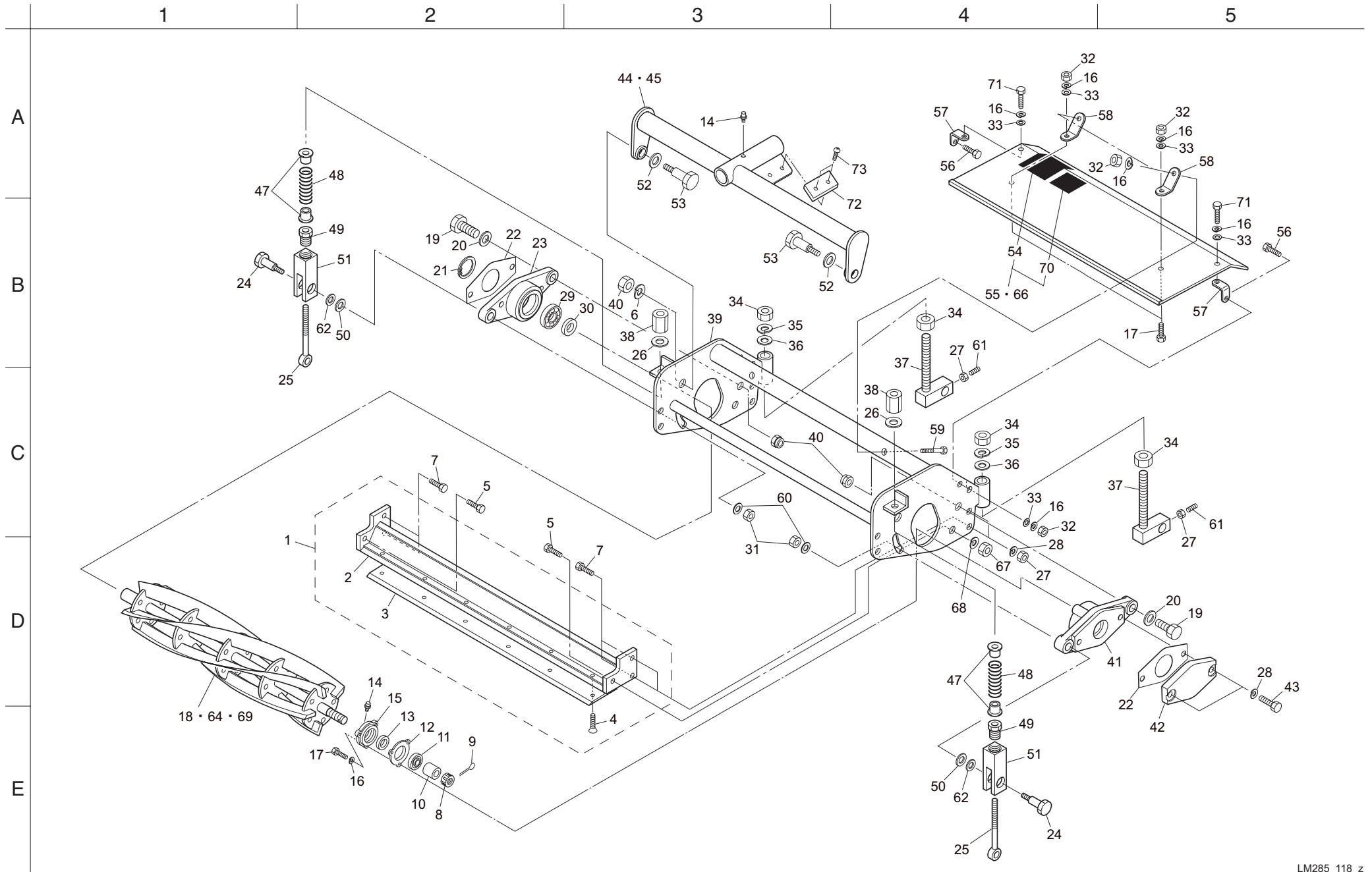
Cat No.	Code No.	Part name	Qty	Remark	SN of application

118. Mower parts/TYPE_R (#2•#5)

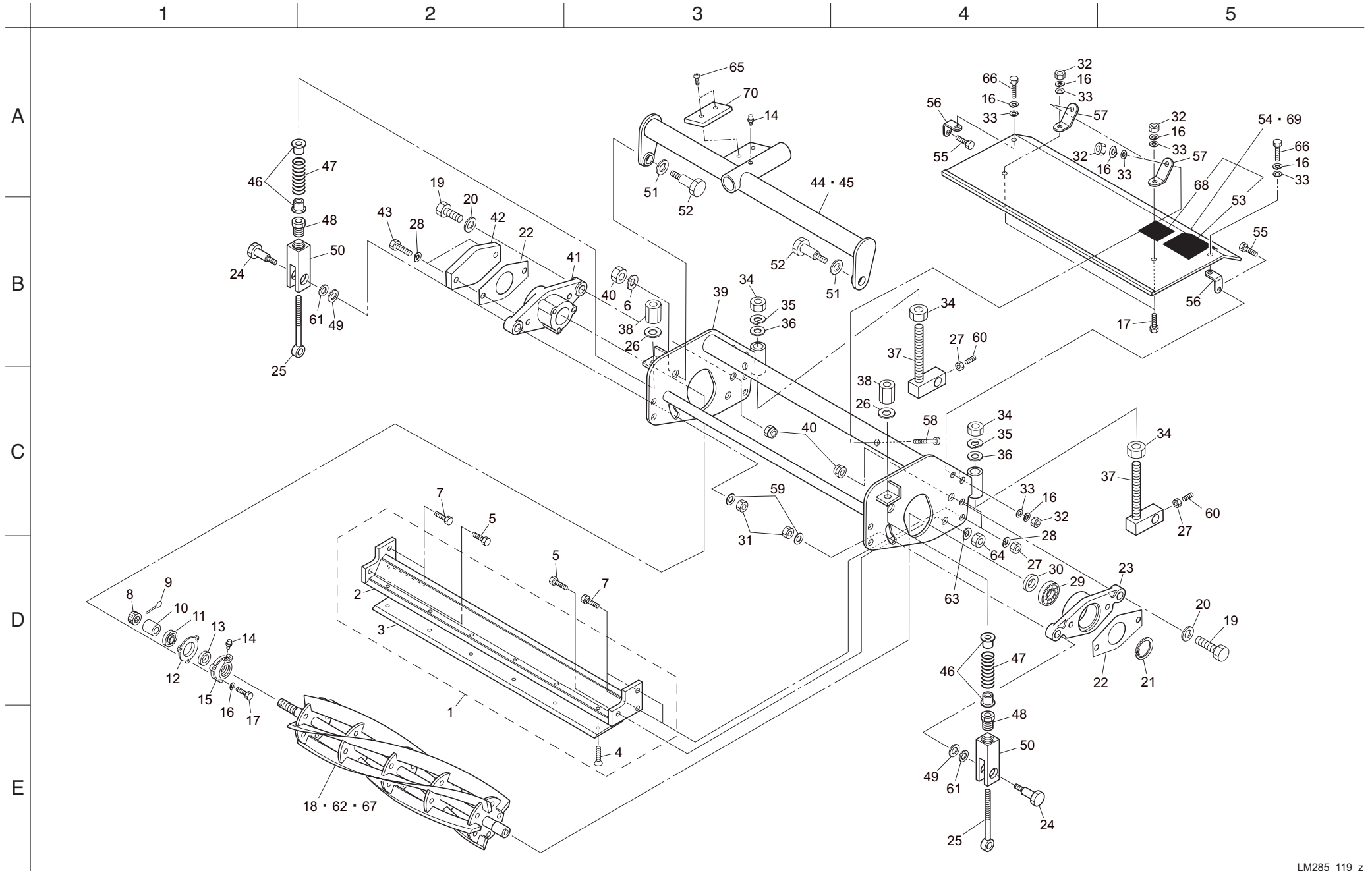


Cat No.	Code No.	Part name	Qty	Remark	SN of application	Cat No.	Code No.	Part name	Qty	Remark	SN of application
118-1	K8022000020	BASE & BEDKNIFE ASSY	1			118-36	K5012018282	WASHER, SPCC 2-18-28	2		
118-2	K744200006R	BASE, BEDKNIFE 732	1			118-37	LM526A-0108Z2	SCREW, ADJUSTING CUTTING HEIGHT	2		
118-3	K2510000030	BEDKNIFE (BOTTOM BLADE), 7-85-662	1			118-38	K0160000032	NUT, ADJUSTING BED-KNIFE P1 M10	2		
118-4	K0071000092	SCREW, HT FLAT HEAD M10-20	6			118-39	K705200006R	FRAME, MOWER	1		
118-5	K0000120302	BOLT, M12-30	2			118-40	K0105140002	NUT, P1.5 M14-3	4		
118-6	K0200140002	WASHER, SPRING M14	2			118-41	K6903000212	HOUSING, REEL CUTTER	1		
118-7	K0000100252	BOLT, M10-25	4			118-42	K690300017D	COVER, REEL HOUSING	1		
118-8	K0170000012	NUT, SPECIAL M20	1			118-43	K0000100452	BOLT, M10-45	2		
118-9	K0300032252	PIN, COTTER M3.2-25	1			118-44	LM285--0102ZR	ARM, MOWER #2 #4	1	#2MOWER	
118-10	K6212001742	COLLAR, STKM M20.2-28-18	1			118-45	LM285--0101ZR	ARM, MOWER #3 #5	1	#5MOWER	
118-11	K0602063040	BEARING, BALL SHIELD Z 6304	1			118-46					
118-12	K4011000150	PACKING, OIL-SHEET	1			118-47	K6206000052	RECEIVER, FOR SPRING	4		
118-13	K0822542080	OIL SEAL, MHSA25428	1			118-48	K1000000458	SPRING, COMPRESSION M5-25-60	2		
118-14	K1440000010	GREASE NIPPLE, A TYPE	4			118-49	K6081000082	PIPE, WITH CUTTER ADJUSTING SCREW	2		
118-15	K6903000042	CAP, HOUSING	1			118-50	K5012310172	WASHER, SPCC 2.3-10-17	2		
118-16	K0200060002	WASHER, SPRING M6	11			118-51	K6090000552	MOUNT, ADJUSTING SCREW	2		
118-17	K0000060152	BOLT, M6-15	5			118-52	K5011020282	WASHER, SPCC 1-20-28	2		
118-18	K285260R90R	REEL CUTTER (CYLINDER), 660-9R	1	9 Blades		118-53	K6082000132	BOLT, STEPPED FOR FIXING FRAME	2		
118-19	K0071001132	BOLT, AXIS	2			118-54	K4205001600	DECAL, CAUTION TO MUTILATION	1		
118-20	K5012314252	WASHER, SPCC 2.3-14-25	2			118-55	K9010000110	COVER, FOR REEL WITH DECAL (LEFT)	1	#2MOWER	
118-21	K0402072001	RING, RETAINING R M72	1			118-56	K0000060202	BOLT, M6-20	2		
118-22	K4011000290	PACKING, OIL-SHEET	2			118-57	K5206000522	PLATE, FOR FIXING COVER	2		
118-23	K6903000202	HOUSING, HYDRAULIC MOTOR B	1			118-58	K527600041R	PLATE, FOR FIXING COVER	2		
118-24	K6082000122	BOLT, STEPPED FOR FIXING HOUSING	2			118-59	K0000060502	BOLT, M6-50	2		
118-25	K7303000182	BOLT, ADJUSTING CUTTER	2			118-60	K5073210242	WASHER, SPHC 3.2-10-24	2		
118-26	K5051010160	WASHER, C5191P 1-10-16	2			118-61	K0023100251	SETSCREW, M10-25	2		
118-27	K0100100002	NUT, M10	6			118-62	K0214100002	WASHER, DISK SPRING L M10-2	2		
118-28	K0200100002	WASHER, SPRING M10	6			118-63					
118-29	K0602062070	BEARING, BALL SHIELD Z 6207	1			118-64	K285260R70R	REEL CUTTER (CYLINDER), 660-7R	1	7 Blades	
118-30	K0823560120	OIL SEAL, MHSA356012	1			118-65					
118-31	K0145100002	NUT, WITH F-RING, P1.25 M10	2			118-66	K9010000120	COVER, FOR REEL WITH DECAL (R)	1	#5MOWER	
118-32	K0100060002	NUT, M6	6			118-67	K0100120002	NUT, M12	2		
118-33	K5000060002	WASHER, M6	6			118-68	K0200120002	WASHER, SPRING M12	2		
118-34	K0108180002	NUT, P1.5 M18-3	4			118-69	K285260R50R	REEL CUTTER (CYLINDER), 660-5R	1	5 Blades	
118-35	K0200180002	WASHER, SPRING M18	2			118-70	K4205001650	DECAL, CAUTION TO FRYING OBJECT	1		

118. Mower parts/TYPE_R (#2•#5)

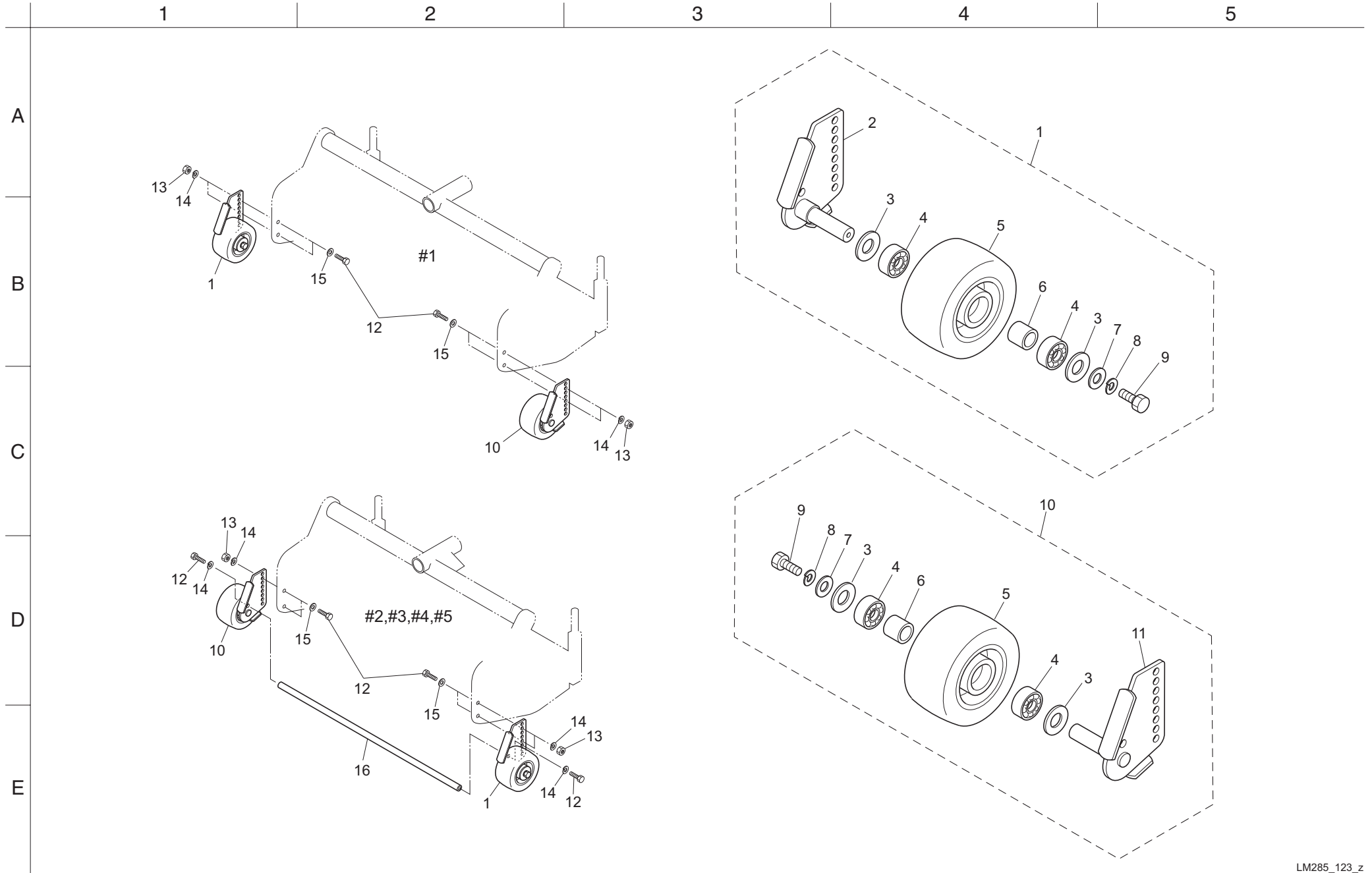


119. Mower parts/TYPE_R (#3•#4)

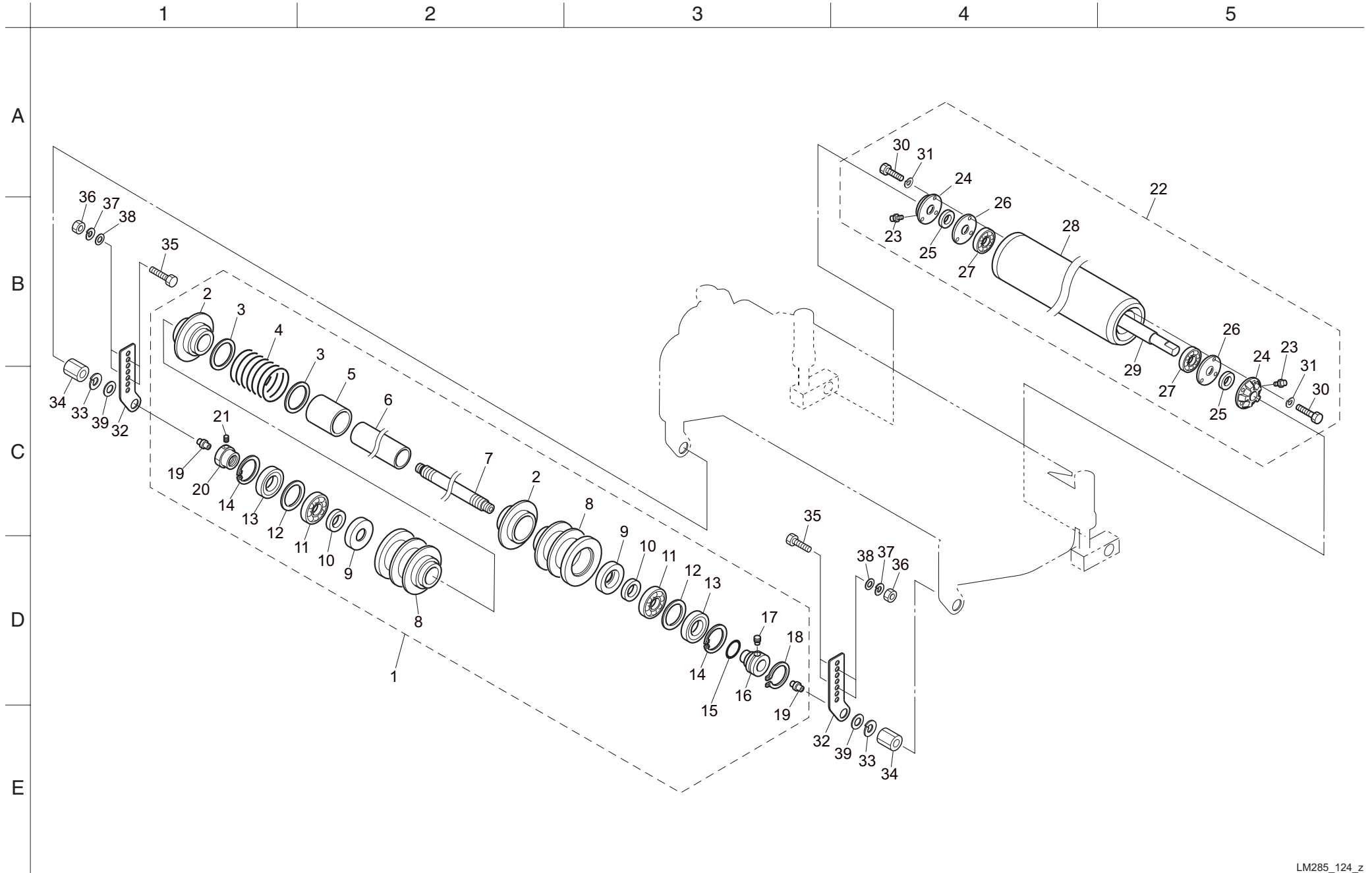


Cat No.	Code No.	Part name	Qty	Remark	SN of application	Cat No.	Code No.	Part name	Qty	Remark	SN of application
119-1	K8022000020	BASE & BEDKNIFE ASSY	1			119-36	K5012018282	WASHER, SPCC 2-18-28	2		
119-2	K744200006R	BASE, BEDKNIFE 732	1			119-37	LM526A-0108Z2	SCREW, ADJUSTING CUTTING HEIGHT	2		
119-3	K2510000030	BEDKNIFE (BOTTOM BLADE), 7-85-662	1			119-38	K0160000032	NUT, ADJUSTING BED-KNIFE P1 M10	2		
119-4	K0071000092	SCREW, HT FLAT HEAD M10-20	6			119-39	K705200006R	FRAME, MOWER	1		
119-5	K0000120302	BOLT, M12-30	2			119-40	K0105140002	NUT, P1.5 M14-3	4		
119-6	K0200140002	WASHER, SPRING M14	2			119-41	K6903000212	HOUSING, REEL CUTTER	1		
119-7	K0000100252	BOLT, M10-25	4			119-42	K690300017D	COVER, REEL HOUSING	1		
119-8	K0170000012	NUT, SPECIAL M20	1			119-43	K0000100452	BOLT, M10-45	2		
119-9	K0300032252	PIN, COTTER M3.2-25	1			119-44	LM285--0102ZR	ARM, MOWER #2 #4	1	#4MOWER	
119-10	K6212001742	COLLAR, STKM M20.2-28-18	1			119-45	LM285--0101ZR	ARM, MOWER #3 #5	1	#3MOWER	
119-11	K0602063040	BEARING, BALL SHIELD Z 6304	1			119-46	K6206000052	RECEIVER, FOR SPRING	4		
119-12	K4011000150	PACKING, OIL-SHEET	1			119-47	K1000000458	SPRING, COMPRESSION M5-25-60	2		
119-13	K0822542080	OIL SEAL, MHSA25428	1			119-48	K6081000082	PIPE, WITH CUTTER ADJUSTING SCREW	2		
119-14	K1440000010	GREASE NIPPLE, A TYPE	2			119-49	K5012310172	WASHER, SPCC 2.3-10-17	2		
119-15	K6903000042	CAP, HOUSING	1			119-50	K6090000552	MOUNT, ADJUSTING SCREW	2		
119-16	K0200060002	WASHER, SPRING M6	11			119-51	K5011020282	WASHER, SPCC 1-20-28	2		
119-17	K0000060152	BOLT, M6-15	5			119-52	K6082000132	BOLT, STEPPED FOR FIXING FRAME	2		
119-18	K285260L90R	REEL CUTTER (CYLINDER), 660-9L	1	9 Blades		119-53	K4205001600	DECAL, CAUTION TO MUTILATION	1		
119-19	K0071001132	BOLT, AXIS	2			119-54	K9010000120	COVER, FOR REEL WITH DECAL (R)	1	#3MOWER	
119-20	K5012314252	WASHER, SPCC 2.3-14-25	2			119-55	K0000060202	BOLT, M6-20	2		
119-21	K0402072001	RING, RETAINING R M72	1			119-56	K5206000522	PLATE, FOR FIXING COVER	2		
119-22	K4011000290	PACKING, OIL-SHEET	2			119-57	K527600041R	PLATE, FOR FIXING COVER	2		
119-23	K6903000192	HOUSING, HYDRAULIC MOTOR A	1			119-58	K0000060502	BOLT, M6-50	2		
119-24	K6082000122	BOLT, STEPPED FOR FIXING HOUSING	2			119-59	K5073210242	WASHER, SPHC 3.2-10-24	2		
119-25	K7303000182	BOLT, ADJUSTING CUTTER	2			119-60	K0023100251	SETSCREW, M10-25	2		
119-26	K5051010160	WASHER, C5191P 1-10-16	2			119-61	K0214100002	WASHER, DISK SPRING L M10-2	2		
119-27	K0100100002	NUT, M10	6			119-62	K285260L70R	REEL CUTTER (CYLINDER), 660-7L	1	7 Blades	
119-28	K0200100002	WASHER, SPRING M10	6			119-63	K0200120002	WASHER, SPRING M12	2		
119-29	K0602062070	BEARING, BALL SHIELD Z 6207	1			119-64	K0100120002	NUT, M12	2		
119-30	K0823560120	OIL SEAL, MHSA356012	1			119-65	K0041060152	SCREW, + FLAT HEAD M6-15	2		
119-31	K0145100002	NUT, WITH F-RING, P1.25 M10	2			119-66	K0000060102	BOLT, M6-10	2		
119-32	K0100060002	NUT, M6	6			119-67	K285260L50R	REEL CUTTER (CYLINDER), 660-5L	1	5 Blades	
119-33	K5000060002	WASHER, M6	8			119-68	K4205001650	DECAL, CAUTION TO FRYING OBJECT	1		
119-34	K0108180002	NUT, P1.5 M18-3	4			119-69	K9010000110	COVER, FOR REEL WITH DECAL (LEFT)	1	#4MOWER	
119-35	K0200180002	WASHER, SPRING M18	2			119-70	K4033000380	RUBBER, PLATE STOPPER	1		

123. Wheel parts

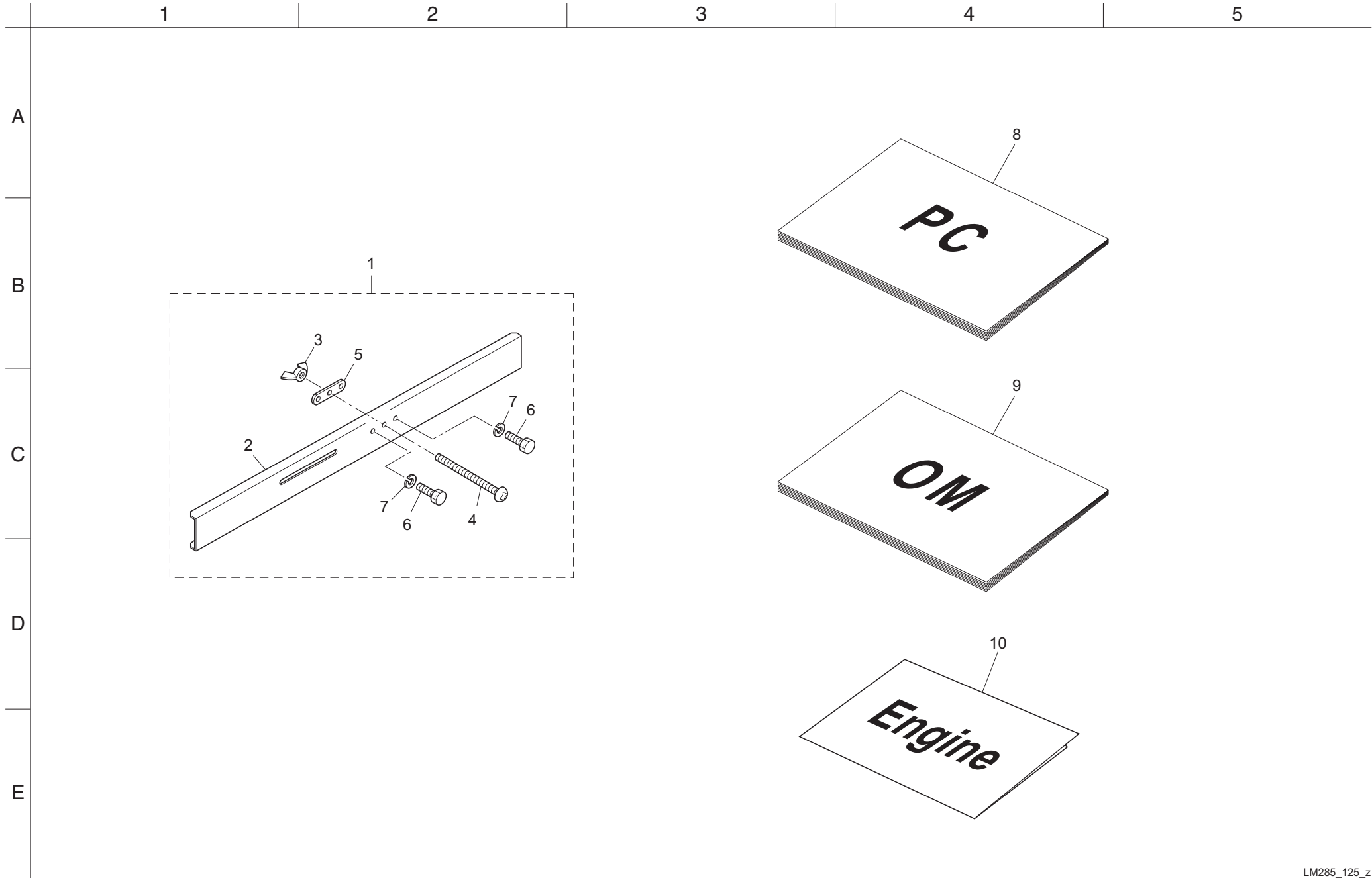


124. Roller Ass'y parts



Cat No.	Code No.	Part name	Qty	Remark	SN of application	Cat No.	Code No.	Part name	Qty	Remark	SN of application
124-1	K8021000420	ROLLER ASSY, GROOVED	1			124-36	K0100100002	NUT, M10	4		
124-2	K5920000060	ROLLER, 80	18			124-37	K0200100002	WASHER, SPRING M10	4		
124-3	K5051035470	WASHER, C5191P 1-35-47	2			124-38	K5000100002	WASHER, M10	4		
124-4	K100000073D	SPRING, COMPRESSION M5-51-75	1			124-39	K5073214252	WASHER, SPHC 3.2-14-25	2		
124-5	K6212001612	COLLAR, STKM M35-40-49	1								
124-6	K6226000082	PIPE, ROLLER M28-345-78	1								
124-7	K6121000340	SHAFT, THREADED ROLLER 762	1								
124-8	K620200046D	HOUSING, FOR SLOTTED ROLLER 77	2								
124-9	K6803000030	HOUSING, SEALING	2								
124-10	K0822035080	OIL SEAL, MHSA20358	2								
124-11	K0631302040	BEARING, TAPER ROLLER JRP6 30204	2								
124-12	K6212001192	COLLAR, STKM M42-25.4-14.5	2								
124-13	K0822547080	OIL SEAL, MHSA25478	2								
124-14	K0402047001	RING, RETAINING R M47	2								
124-15	K0880020000	O-RING, P20	1								
124-16	K6219000210	COLLAR, M17-36-28.25	1								
124-17	K0071000778	STOPPER, DRUM COLLAR	1								
124-18	K0401036001	RING, RETAINING S M36	1								
124-19	K1440000050	GREASE NIPPLE, M8	2								
124-20	K0160000550	NUT, M20-27	1								
124-21	K0028060100	SETSCREW, SUS M6-10	1								
124-22	K8021000430	ROLLER ASSY, REAR 764	1								
124-23	K1440000010	GREASE NIPPLE, A TYPE	2								
124-24	K6810000070	HOUSING, SEALING	2								
124-25	K0821730080	OIL SEAL, MHSA17308	2								
124-26	K4015136650	PACKING, FIBER 1-36-65	2								
124-27	K0602062030	BEARING, BALL SHIELD Z 6203	2								
124-28	K740000016D	ROLLER, 76.2-674	1								
124-29	K6155000190	SHAFT, STEPED ROLLER 764	1								
124-30	K0000060122	BOLT, M6-12	6								
124-31	K0200060002	WASHER, SPRING M6	6								
124-32	K5131001882	PLATE, SPHC ROLLER BRACKET	2								
124-33	K0200140002	WASHER, SPRING M14	2								
124-34	K0160000532	NUT, HIGH M14-20	2								
124-35	K0000100252	BOLT, M10-25	4								

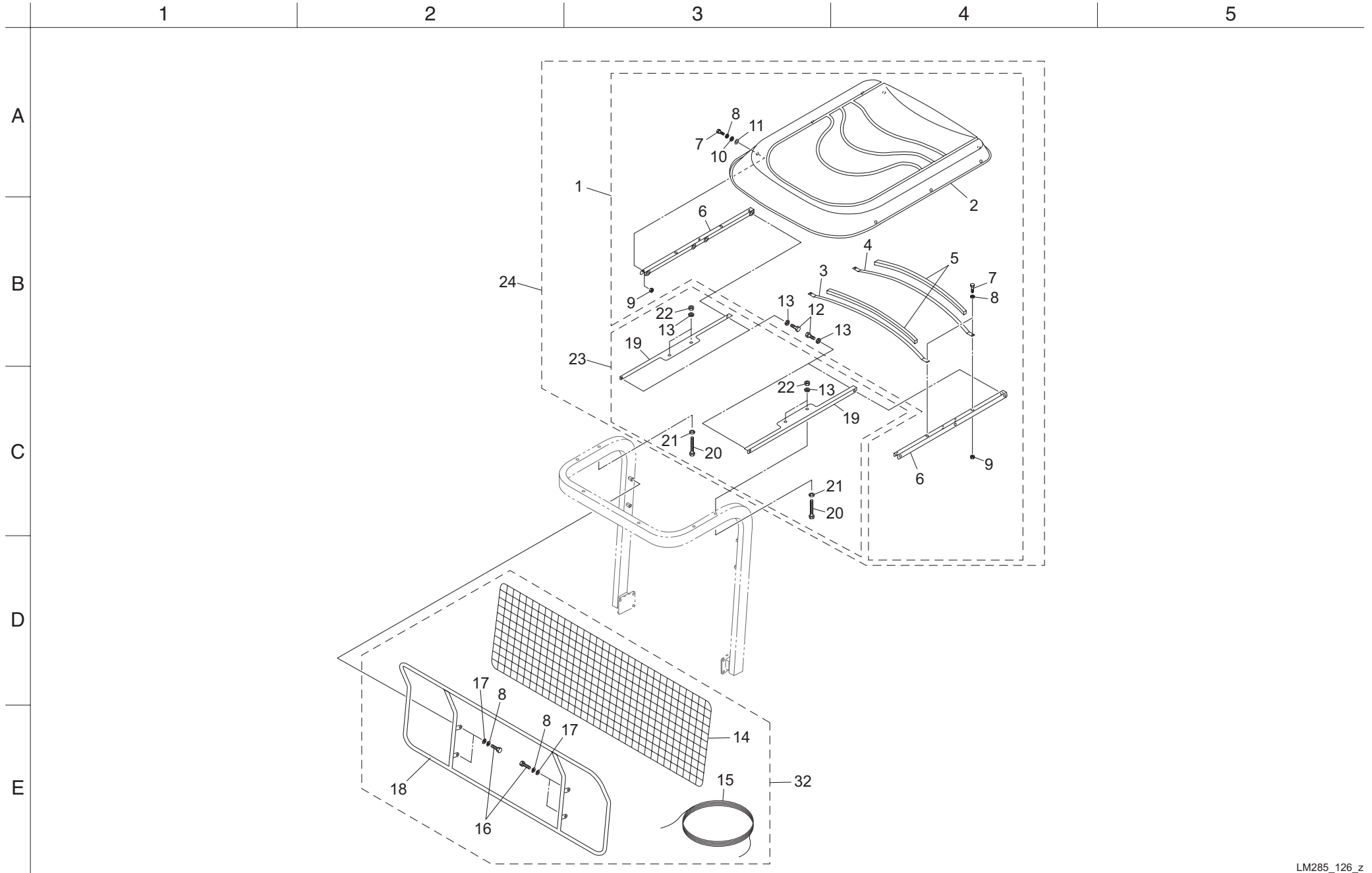
125. Accessory parts



Cat No.	Code No.	Part name	Qty	Remark	SN of application
125-1	K4825000060	GAUGE, CUTTING HEIGHT 600 ASSY	1		
125-2	K482500003D	GAUGE, CUTTING HEIGHT 600	1		
125-3	K0141060002	NUT, WING M6-3	1		
125-4	K0071000522	SCREW, FOR CUTTING HEIGHT ADJUST M6-75	1		
125-5	K4825000042	PLATE, MOUNTING SCREW	1		
125-6	K0021060102	BOLT, FLANGED M6-10	2		
125-7	K0200060002	WASHER, SPRING M6	2		
125b-8	750101-80-B	PARTS CATALOG (LM285) ENGLISH	1		
125b-9	750101-80-A	OWNERS OPERATING MANUAL (LM285) ENGLISH	1		
125a-10	PF1J987-8916-2	OWNERS OPERATING MANUAL FOR ENGINE (ENGLISH)	1		

Cat No.	Code No.	Part name	Qty	Remark	SN of application

126. Roof parts (option)



Cat No.	Code No.	Part name	Qty	Remark	SN of application	Cat No.	Code No.	Part name	Qty	Remark	SN of application
126-1	K9120000030	ROOF ASSY	1								
126-2	K1900000080	ROOF	1								
126-3	K190000010D	ARCH, B	1								
126-4	K190000009D	ARCH, A	1								
126-5	K1900000120	SPONGE, URETHANE 20-20840	2								
126-6	K190000011D	SUPPORT, HOOD	2								
126-7	K0000080202	BOLT, M8-20	10								
126-8	K0200080002	WASHER, SPRING M8	14								
126-9	K0100080002	NUT, M8	10								
126-10	K5012308322	WASHER, SPCC 2.3-8-32	6								
126-11	K1900000130	RUBBER, FOR ROOF	6								
126-12	K0000100202	BOLT, M10-20	4								
126-13	K0200100002	WASHER, SPRING M10	8								
126-14	K4130000010	NET, BALL-PROOF 500*1375	1								
126-15	K4140000010	ROPE, 2-6700	2								
126-16	K0000080152	BOLT, M8-15	4								
126-17	K5000080002	WASHER, M8	4								
126-18	K789900120D	FRAME, FOR BALL PROOF NET	1								
126-19	K520500040D	PLATE, FOR FIXING ROOF	2								
126-20	K0000101002	BOLT, M10-100	4								
126-21	K5000100002	WASHER, M10	4								
126-22	K0100100002	NUT, M10	4								
126-23	K9120000050	BRACKET SET, FOR AWNING FRAME	1								
126-24	K9120000060	ROOF AND FLAME ASSY	1								
126-25											
126-26											
126-27											
126-28											
126-29											
126-30											
126-31											
126-32	LM285--1705Z0	PROTECTIVE NET KIT, LM285	1								

BARONESS[®]
Quality on Demand

 **KYOEISHA CO.,LTD.**

Head Office 1-26, Miyuki-cho, Toyokawa, Tel : (0533)84-1390
Aichi-Pref. 442-8530 Japan. Fax : (0533)89-3623