

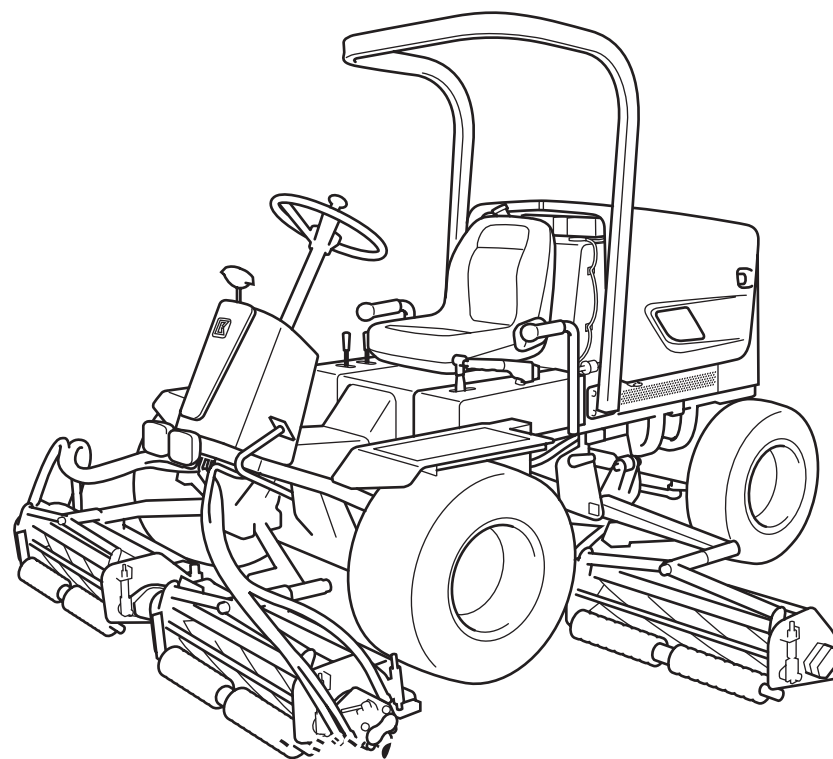
BARONNESS[®]

Reel Mower

LM285

5-Reel Gang Rough Mower

Parts catalog



Serial No.10120~

BARONNESS[®]

Quality on Demand

Ver.1.1

Contents

| | |
|--|----|
| PARTS CATALOGUE..... | 2 |
| 1. Frame parts | 3 |
| 2. Cover parts (Front) | 5 |
| 3. Cover parts (Rear)..... | 7 |
| 4. Front wheel parts..... | 9 |
| 5. Rear wheel parts | 11 |
| 6. Pedal parts | 13 |
| 7. Engine parts | 15 |
| 8. Radiator parts..... | 19 |
| 9. Hydraulic parts A (Cylinder system) | 23 |
| 10. Hydraulic parts A (Power steering system) | 27 |
| 11. Hydraulic parts B (Reel motor system type R) | 29 |
| 12. Hydraulic parts C (Front wheel motor system) | 31 |
| 13. Hydraulic parts C (Rear wheel motor system)..... | 35 |
| 14. Mower lift arm parts type R | 37 |
| 15. Mower parts (#1, #2, #5) type R..... | 39 |
| 16. Mower parts (#3, #4) type R..... | 43 |
| 17. Wheel parts | 45 |
| 18. Roller Ass' y parts..... | 47 |
| 19. Accessory parts..... | 49 |
| 20. Option..... | 51 |

Compact and light weight
5-deck reel mower

LM285 **BARONESS** **MOWER**

PARTS CATALOGUE

☆ **Ordering parts**

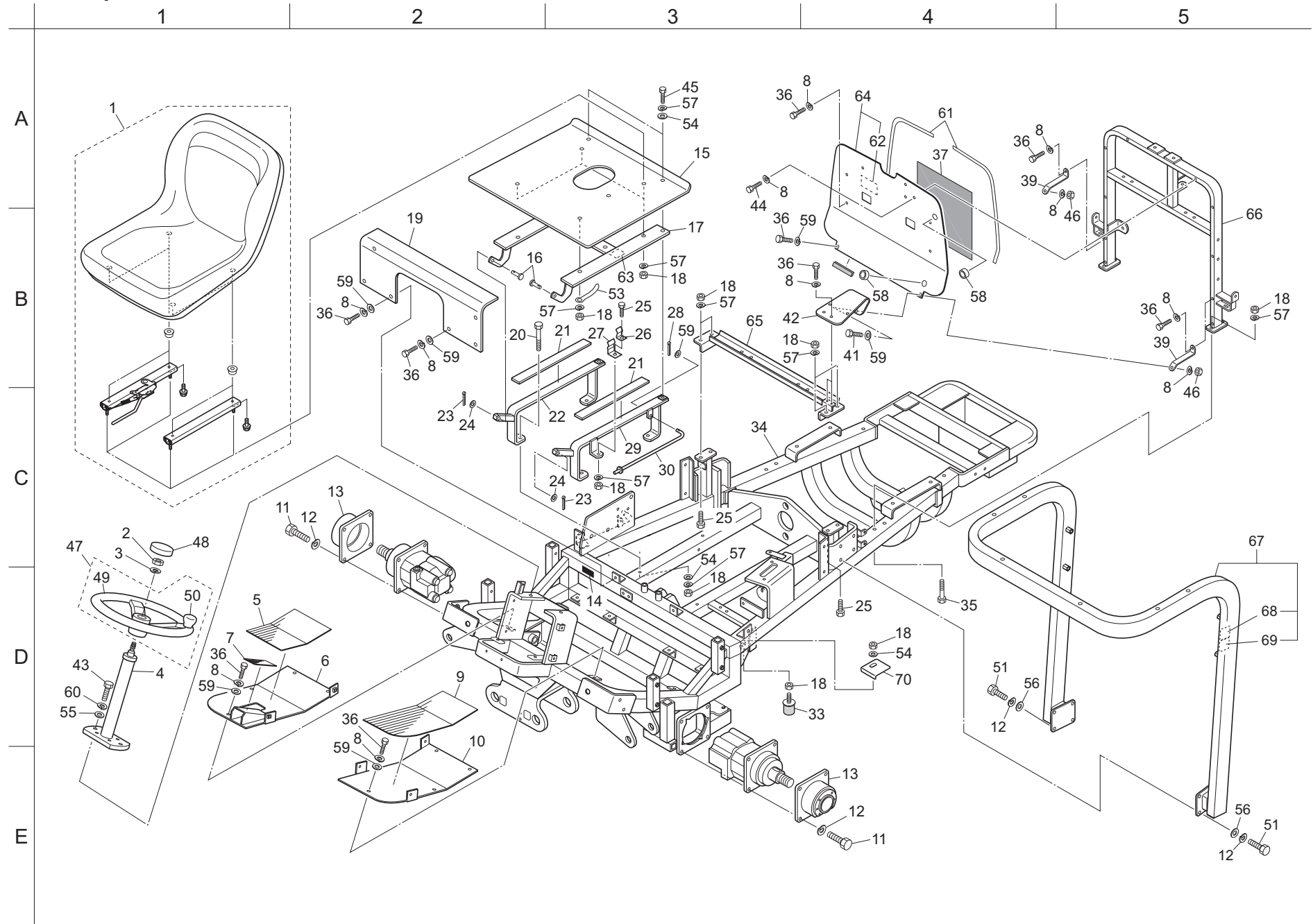
All parts in this parts catalogue are controlled by computer.

For prevention of delivery of wrong parts, advise us of the catalogue No., code No., and part name.

| (Example) | Cat No. | Code No. | Part Name | Qty |
|-----------|---------|-------------|-----------------|-----|
| | 1-4 | K1730000010 | steering column | 1 |

1. Frame parts

LM285

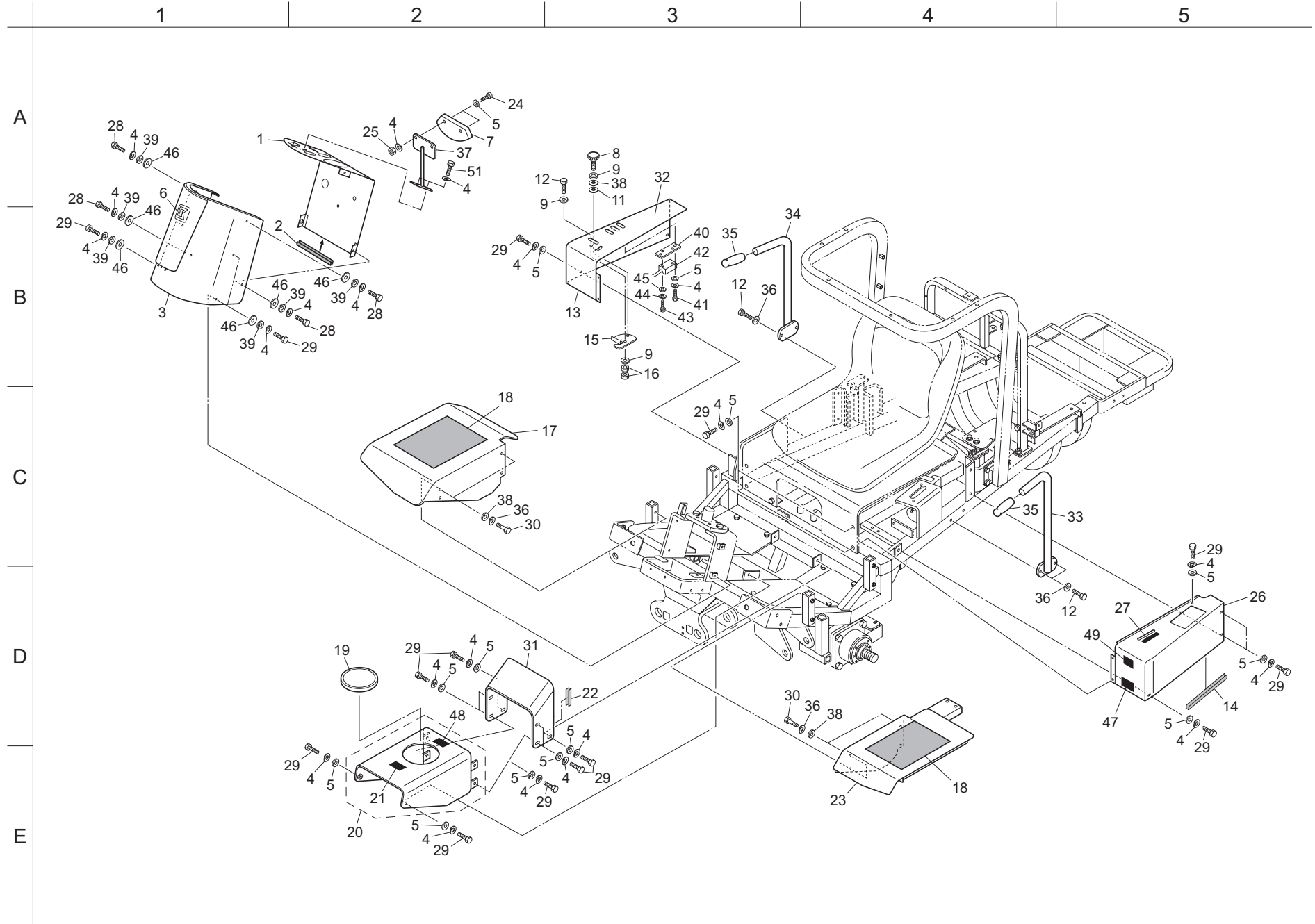


| Cat No. | Code No. | Part Name | Qty | Remark |
|---------|---------------|--------------------------------|-----|--------|
| 1-1 | K1700000290 | seat Ass' y with switch spacer | 1 | |
| 1-2 | K0103140002 | 14 nut P1.5 | 1 | |
| 1-3 | K0200140002 | 14S washer | 1 | |
| 1-4 | K1730000010 | steering column | 1 | |
| 1-5 | LM318--0623Z0 | step (R) rubber | 1 | |
| 1-6 | LM318--0648ZD | step (R) | 1 | |
| 1-7 | LM318--0625Z0 | pedal step plate rubber | 1 | |
| 1-8 | K0200060002 | 6S washer | 21 | |
| 1-9 | LM318--0608Z0 | step (L) rubber | 1 | |
| 1-10 | LM318--0647ZD | step (L) | 1 | |
| 1-11 | K0013120602 | 12 heat-treated bolt 60 | 8 | |
| 1-12 | K0200120002 | 12S washer | 16 | |
| 1-13 | LM318--0609ZD | hydraulic motor mount fitting | 2 | |
| 1-14 | K4203001290 | stop valve operation mark | 1 | |
| 1-15 | LM285--0959ZD | seat undercover | 1 | |
| 1-16 | K6030100322 | 10 flat-head pin 32 | 2 | |
| 1-17 | LM282--0646AD | seat mount plate | 1 | |
| 1-18 | K0100080002 | 8 nut | 17 | |
| 1-19 | LM282--0958ZD | front cover center | 1 | |
| 1-20 | K0003080602 | 8 bolt 60 | 4 | |
| 1-21 | LM282--0606Z0 | seat base rubber | 2 | |
| 1-22 | LM282--0605BD | seat mount fitting (R) | 1 | |
| 1-23 | K0300025202 | 2.5 split pin 20 | 2 | |
| 1-24 | K5011010162 | 1SPCC metal washer 1016 | 2 | |
| 1-25 | K0000080202 | 8 bolt 20 | 5 | |
| 1-26 | K1090000108 | rod receiver B | 1 | |
| 1-27 | K5270002052 | rod receiver A | 1 | |
| 1-28 | K0300016122 | 1.6 split pin 12 | 1 | |
| 1-29 | LM282--0603BD | seat mount fitting (L) | 1 | |
| 1-30 | MS400--0521Z2 | stand | 1 | |
| 1-31 | | | | |
| 1-32 | | | | |
| 1-33 | K4049030000 | rubber stopper KI-30 | 2 | |
| 1-34 | LM285--0601ZD | frame | 1 | |
| 1-35 | K0003080702 | 8 bolt 70 | 4 | |

| Cat No. | Code No. | Part Name | Qty | Remark |
|---------|---------------|---------------------------------|-----|--------|
| 1-36 | K0000060152 | 6 bolt 15 | 15 | |
| 1-37 | LM318--0630Z0 | fuel tank heat insulator | 1 | |
| 1-38 | | | | |
| 1-39 | LM318--0621ZD | anti-wind plate support | 2 | |
| 1-40 | | | | |
| 1-41 | K0000060202 | 6 bolt 20 | 1 | |
| 1-42 | LM318--0637ZD | fuel pump mount plate | 1 | |
| 1-43 | K0000100302 | 10 bolt 30 | 2 | |
| 1-44 | K0000060102 | 6 bolt 10 | 6 | |
| 1-45 | K0000080252 | 8 bolt 25 | 3 | |
| 1-46 | K0100060002 | 6 nut | 2 | |
| 1-47 | K1710000070 | steering with knob V027220-0000 | 1 | |
| 1-48 | K1310000130 | rubber cap | 1 | |
| 1-49 | K1710000080 | steering V02722-0101 | 1 | |
| 1-50 | K1710000090 | knob Ass' y V027220-0200 | 1 | |
| 1-51 | K0013120402 | 12 heat-treated bolt 40 | 8 | |
| 1-52 | | | | |
| 1-53 | K4281000020 | 8.5 harness clamp 80 | 1 | |
| 1-54 | K5000080002 | 8 washer | 6 | |
| 1-55 | K5000100002 | 10 washer | 4 | |
| 1-56 | K5000120002 | 12 washer | 8 | |
| 1-57 | K0200080002 | 8S washer | 15 | |
| 1-58 | K0910000100 | grommet C30NG79L | 2 | |
| 1-59 | K5000060002 | 6 washer | 12 | |
| 1-60 | K0200100002 | 10S washer | 2 | |
| 1-61 | K3198108200 | black trim seal 6100-16C-820 | 2 | |
| 1-62 | K4205001540 | caution label - hot parts | 1 | |
| 1-63 | K4209001180 | mark | 1 | |
| 1-64 | LM285--0671Z0 | plate, wind shielding with mark | 1 | |
| 1-65 | LM285--0621ZD | stay, for tank | 1 | |
| 1-66 | LM285--0620ZD | bracket for fixing tank | 1 | |
| 1-67 | K9310000030 | ROPS, 2 post with mark | 1 | |
| 1-68 | K4209001350 | mark, ROPS certification | 1 | |
| 1-69 | K4205001710 | mark, ROPS caution | 1 | |
| 1-70 | LM285--0653ZD | plate, L shaped | 1 | |

2. Frame parts (Front)

LM285

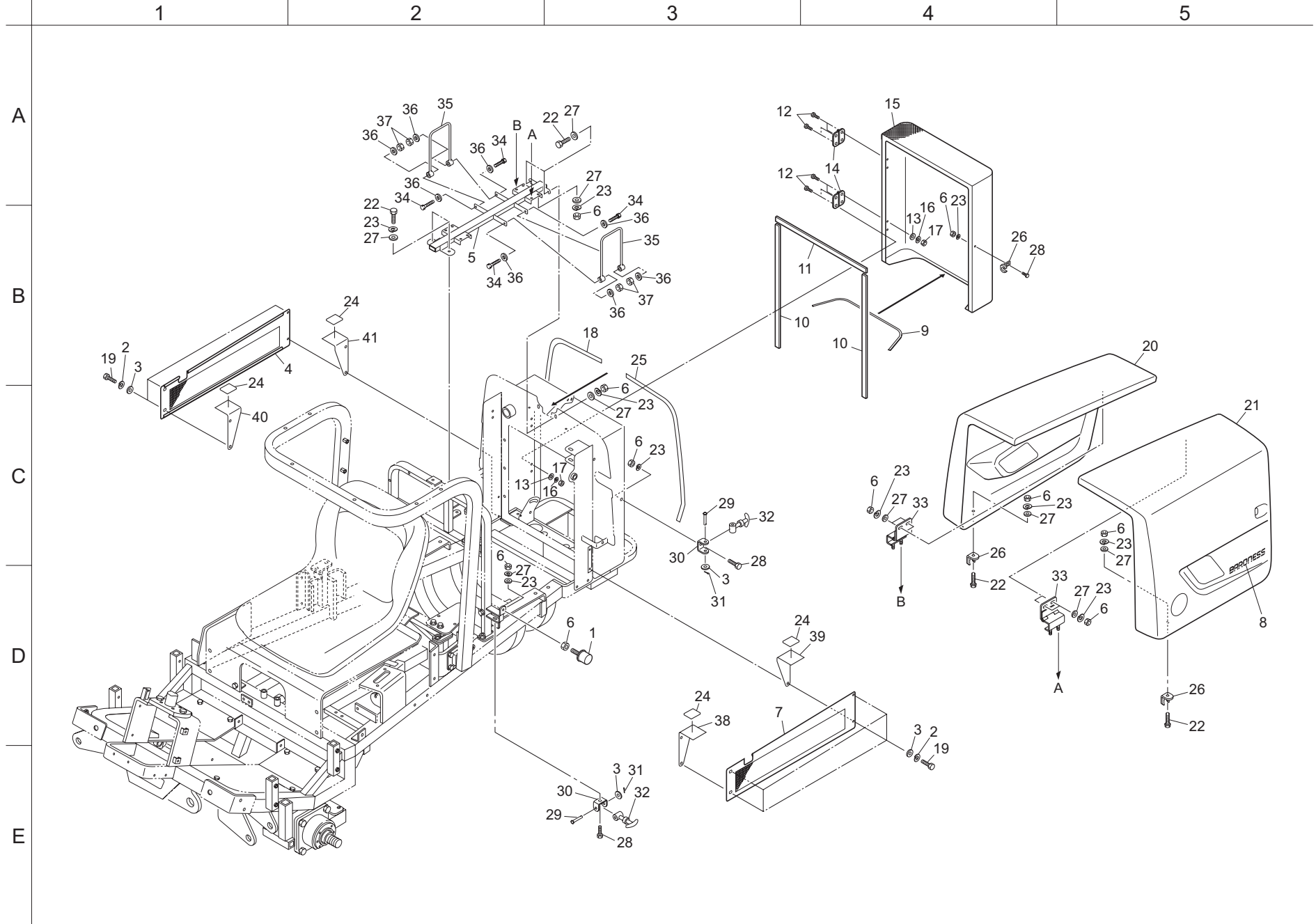


| Cat No. | Code No. | Part Name | Qty | Remark |
|---------|---------------|------------------------------|-----|--------|
| 2-1 | LM285--0957ZD | meter panel | 1 | |
| 2-2 | K3197002550 | black trim small 255 | 1 | |
| 2-3 | LM285--0906Z0 | front cover COMP | 1 | |
| 2-4 | K0200060002 | 6S washer | 31 | |
| 2-5 | K5000060002 | 6 washer | 21 | |
| 2-6 | K4201000590 | K mark | 1 | |
| 2-7 | K3654000010 | angle gauge | 1 | |
| 2-8 | K1320000030 | knob with M8 4215 | 1 | |
| 2-9 | K0210080001 | 8 conical disk spring L | 3 | |
| 2-10 | | | | |
| 2-11 | K4015108180 | 1 fiber 8.518 | 1 | |
| 2-12 | K0000080202 | 8 bolt 20 | 5 | |
| 2-13 | LM285--0972Z0 | front cover (R) COMP | 1 | |
| 2-14 | K3197002000 | black trim small 200 | 1 | |
| 2-15 | LM285--0961ZD | stopper | 1 | |
| 2-16 | K0100080002 | 8 nut | 2 | |
| 2-17 | LM282--7504ZR | wheel cover (R) | 1 | |
| 2-18 | LM318--0965Z0 | slip stopper | 2 | |
| 2-19 | K0900301200 | grommet with film C30SG120A | 1 | |
| 2-20 | LM285--0968Z0 | center cover front with mark | 1 | US/UK |
| 2-21 | K4209000980 | hydraulic oil mark | 1 | |
| 2-22 | K3197000500 | black trim small 50 | 1 | |
| 2-23 | LM285--0951ZR | wheel cover (L) | 1 | |
| 2-24 | K0042060252 | 6+ round head small screw 25 | 2 | |
| 2-25 | K0100060002 | 6 nut | 2 | |
| 2-26 | LM285--0971Z0 | front cover (L) COMP | 1 | |
| 2-27 | K4203001220 | engine rotation mark | 1 | |
| 2-28 | K0000060202 | 6 bolt 20 | 4 | |
| 2-29 | K0000060152 | 6 bolt 15 | 23 | |
| 2-30 | K0003080502 | 8 bolt 50 | 8 | |
| 2-31 | LM318--0959ZD | center cover rear | 1 | |
| 2-32 | LM285--0967Z0 | lever operation label | 1 | |
| 2-33 | LM285--0651ZD | hand rest (L) | 1 | |
| 2-34 | LM285--0652ZD | hand rest (R) | 1 | |
| 2-35 | K1300000020 | handle grip 25.4 | 2 | |

| Cat No. | Code No. | Part Name | Qty | Remark |
|---------|---------------|------------------------------------|-----|--------|
| 2-36 | K0200080002 | 8S washer | 12 | |
| 2-37 | LM285--2201ZD | mount plate | 1 | |
| 2-38 | K5000080002 | 8 washer | 9 | |
| 2-39 | K5011606202 | 1.6 SPCC metal washer 620 | 8 | |
| 2-40 | LM285--0962Z2 | switch mount plate | 1 | |
| 2-41 | K0000060102 | 6 bolt 10 | 2 | |
| 2-42 | K3670000130 | limit switch AZ3725-1 | 1 | |
| 2-43 | K0042040252 | 4+ round head small screw 25 | 2 | |
| 2-44 | K0200040002 | 4S washer | 2 | |
| 2-45 | K5000040002 | 4 washer | 2 | |
| 2-46 | K4030306200 | 3 rubber washer 6.520 | 8 | |
| 2-47 | K4200000320 | specification label LM285 | 1 | |
| 2-48 | K4209001340 | DO NOT STEP label | 1 | US/UK |
| 2-49 | K4209001290 | noise level Lwa103 mark | 1 | US/UK |
| 2-50 | | | | |
| 2-51 | K0060060120 | 6 stainless bolt with hex, hole 12 | 2 | |
| | | | | |
| | | | | |
| | | | | |
| | | | | |
| | | | | |
| | | | | |
| | | | | |
| | | | | |
| | | | | |
| | | | | |

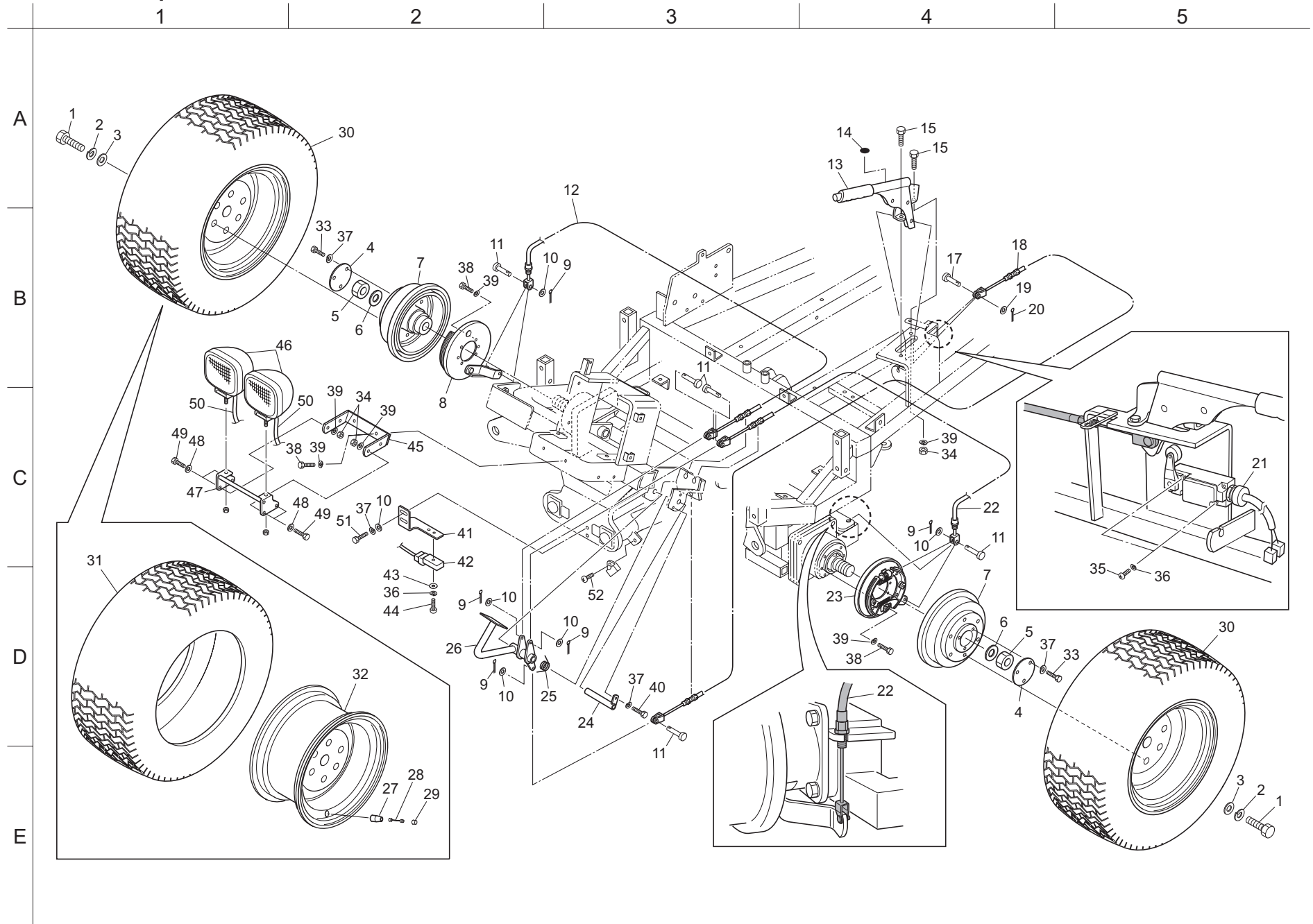
3. Cover parts (Rear)

LM285



4. Front wheel parts

LM285

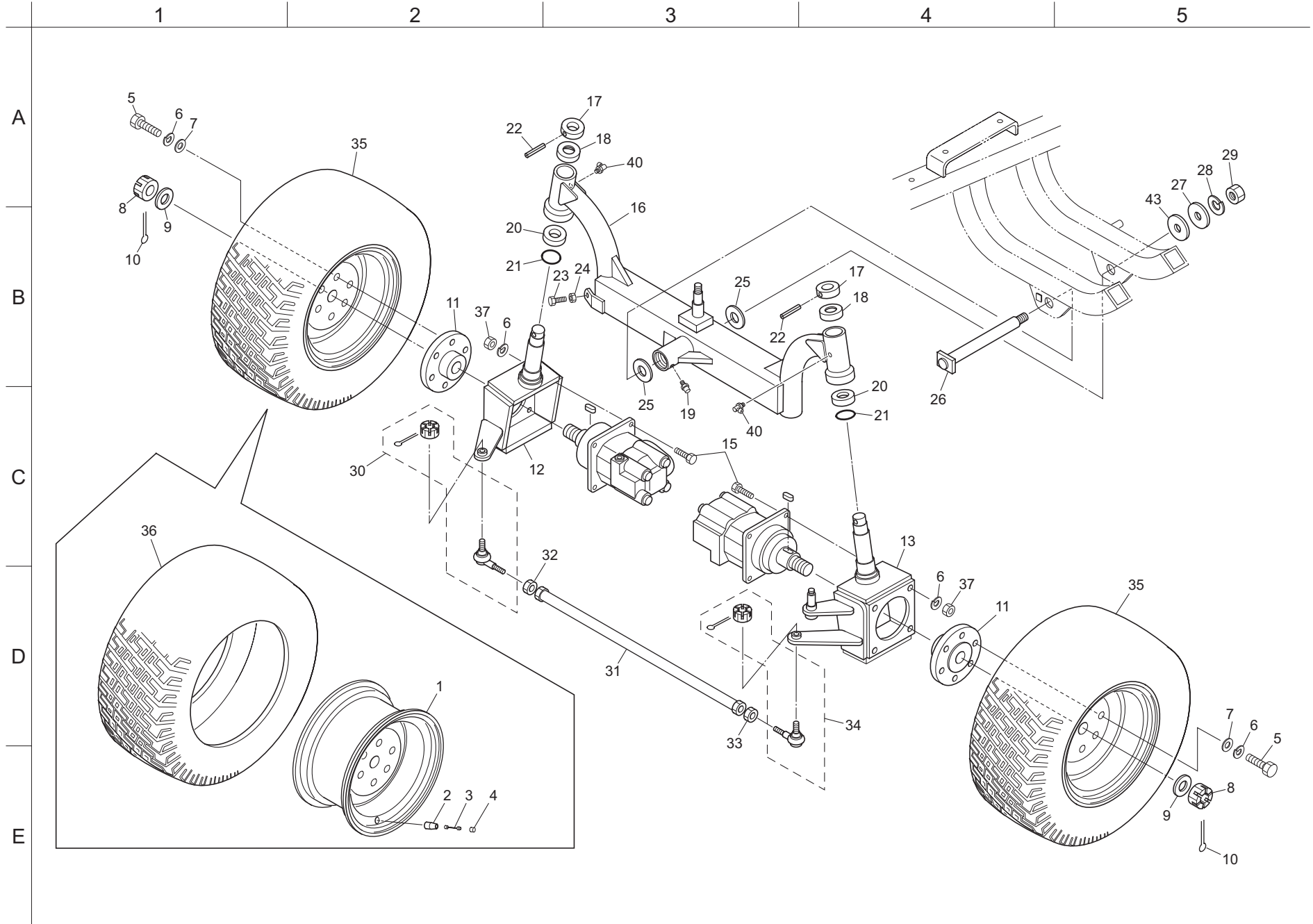


| Cat No. | Code No. | Part Name | Qty | Remark |
|---------|---------------|---|-----|--------|
| 4-1 | K0034120302 | 12 heat-treated 8T bolt 30P1.5 | 12 | |
| 4-2 | K0200120002 | 12S washer | 12 | |
| 4-3 | K5074512252 | 4.5SPHC metal washer 1225 | 12 | |
| 4-4 | K517000012D | cover | 2 | |
| 4-5 | K0160000492 | 24 special nut P1.5 | 2 | |
| 4-6 | K0214240001 | 24 metal washer with conical disk spring 2L | 2 | |
| 4-7 | K6909000232 | wheel mount base | 2 | |
| 4-8 | K1720000210 | brake Ass' y (R) with lever | 1 | |
| 4-9 | K0300016202 | 1.6 split pin 20 | 5 | |
| 4-10 | K5000060002 | 6 washer | 7 | |
| 4-11 | K6031060172 | 6 hardened flat-head pin 17 | 5 | |
| 4-12 | K1120125000 | brake wire 1250 | 1 | |
| 4-13 | K1724000020 | parking brake lever Ass' y | 1 | |
| 4-14 | K4209001200 | brake mark | 1 | |
| 4-15 | K0000080202 | 8 bolt 20 | 2 | |
| 4-16 | | | | |
| 4-17 | K6030120242 | 12 flat head pin 24 | 1 | |
| 4-18 | K1120141010 | brake wire 1410 | 1 | |
| 4-19 | K5000120002 | 12 washer | 1 | |
| 4-20 | K0300020202 | 2 split pin 20 | 1 | |
| 4-21 | K3670000120 | limit switch D4A-4717N | 1 | |
| 4-22 | K1120102000 | brake wire 1020 | 1 | |
| 4-23 | K1720000200 | brake Ass' y (L) with lever | 1 | |
| 4-24 | LM282--0802Z2 | pedal shaft | 1 | |
| 4-25 | K1050000068 | tension return spring | 1 | |
| 4-26 | LM282--0817Z3 | brake pedal | 1 | |
| 4-27 | K2097000010 | rim valve TR413 | 2 | |
| 4-28 | K2092000020 | valve core No.9000 | 2 | |
| 4-29 | K2093000010 | valve cap | 2 | type R |
| 4-30 | K2040000600 | tire M40B · 23×1050-12 Ass'y | 2 | type R |
| 4-31 | K2041000360 | tire M40B · 23×1050-12 | 2 | type R |
| 4-32 | K209000081L | wheel 8.5JA×12WDC | 2 | |
| 4-33 | K0000060102 | 6 bolt 10 | 6 | |
| 4-34 | K0100080002 | 8 nut | 6 | |
| 4-35 | K0042050402 | 5+ round head small screw 40 | 2 | |

| Cat No. | Code No. | Part Name | Qty | Remark |
|---------|---------------|-------------------------------|-----|--------|
| 4-36 | K0200050002 | 5S washer | 3 | |
| 4-37 | K0200060002 | 6S washer | 9 | |
| 4-38 | K0000080152 | 8 bolt 15 | 14 | |
| 4-39 | K0200080002 | 8S washer | 20 | |
| 4-40 | K0000060202 | 6 bolt 20 | 1 | |
| 4-41 | LM285--0207ZD | sensor mount plate | 1 | |
| 4-42 | K3720000140 | proximity switch NC | 1 | |
| 4-43 | K5000050002 | 5 washer | 1 | |
| 4-44 | K0000050202 | 5 bolt 20 | 1 | |
| 4-45 | LM285--1102ZD | light stay | 1 | |
| 4-46 | K3640000070 | working lamp WL-B220A | 2 | |
| 4-47 | LM2700-1701ZD | light bracket | 1 | |
| 4-48 | K5000080002 | 8 washer | 4 | |
| 4-49 | K0000080252 | 8 bolt 25 | 4 | |
| 4-50 | K3194001000 | 7 corrugate tube 100 | 2 | |
| 4-51 | K0000060152 | 6 bolt 15 | 2 | |
| 4-52 | K0048050102 | 5+ round head small screw 10S | 1 | |
| 4-53 | | | | |
| 4-54 | | | | |
| 4-55 | | | | |

5. Rear wheel parts

LM285

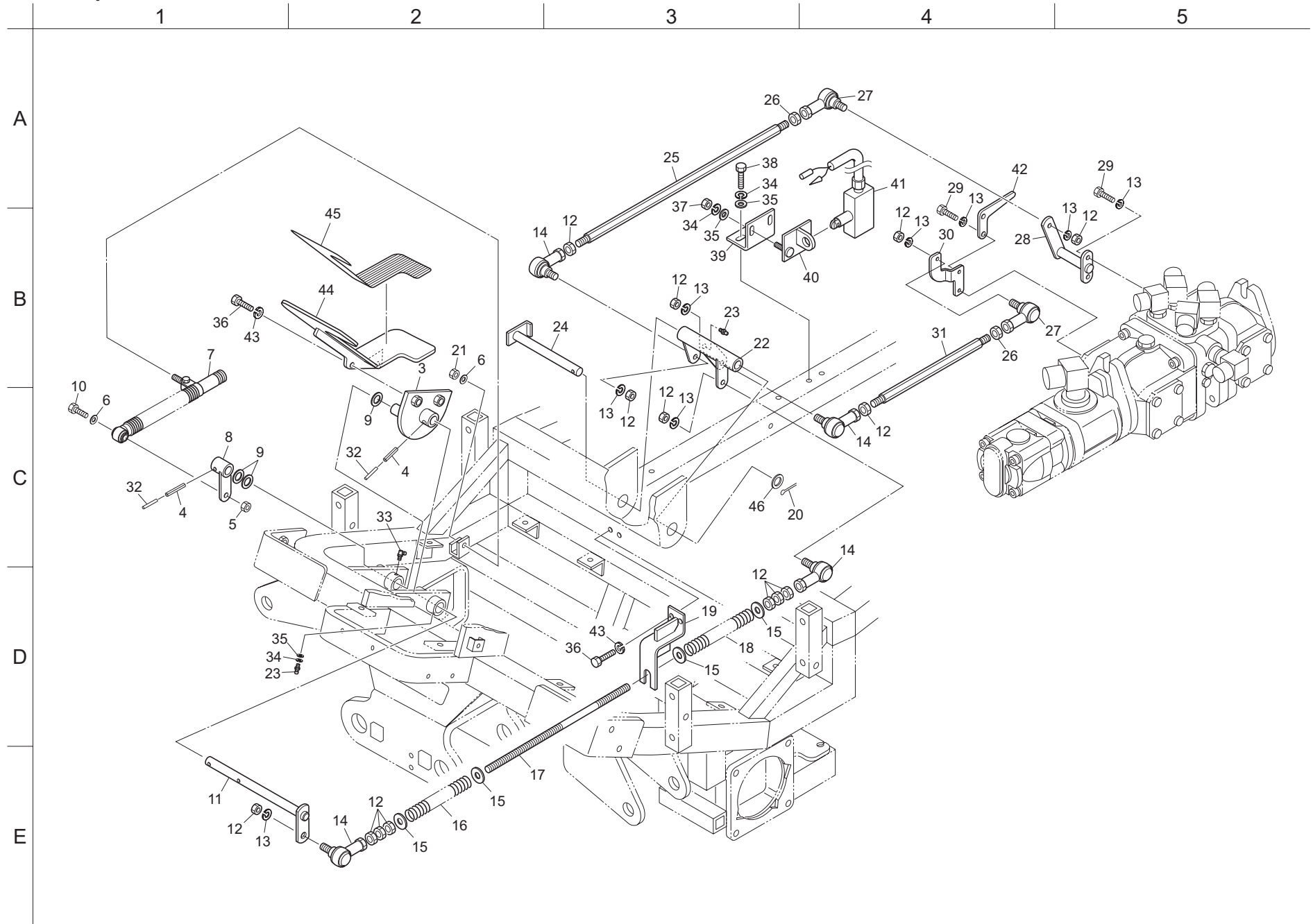


| Cat No. | Code No. | Part Name | Qty | Remark |
|---------|---------------|--------------------------------------|-----|--------|
| 5-1 | K209000054L | wheel 7JA×12WDC | 2 | |
| 5-2 | K2097000010 | rim valve TR413 | 2 | |
| 5-3 | K2092000010 | valve core No.8000 | 2 | |
| 5-4 | K2093000010 | valve cap | 2 | |
| 5-5 | K0011120302 | 12 heat-treated bolt 30P1.5 | 12 | |
| 5-6 | K0200120002 | 12S washer | 20 | |
| 5-7 | K5074512252 | 4.5SPHC metal washer 1225 | 12 | |
| 5-8 | K0138240002 | 24 slotted high nut P1.5 | 2 | |
| 5-9 | K5000240002 | 24 washer | 2 | |
| 5-10 | K0300050452 | 5 split pin 45 | 2 | |
| 5-11 | LM318--0304AD | rear wheel mount base 80 | 2 | |
| 5-12 | LM318--0302CD | kingpin (R) | 1 | |
| 5-13 | LM318--0303CD | kingpin (L) | 1 | |
| 5-14 | | | | |
| 5-15 | K0000120452 | 12 bolt 45 | 8 | |
| 5-16 | LM318--0301DD | pivot | 1 | |
| 5-17 | K6213000113 | 25 collar with hole 5020 | 2 | |
| 5-18 | K6204000383 | cover | 2 | |
| 5-19 | K1440000010 | grease nipple | 1 | |
| 5-20 | K0640511070 | thrust bearing 51107 | 2 | |
| 5-21 | K0880048000 | O-ring P48 | 2 | |
| 5-22 | K0320080501 | 8 spring pin 50 | 2 | |
| 5-23 | K0000100252 | 10 bolt 25 | 1 | |
| 5-24 | K0100100002 | 10 nut | 1 | |
| 5-25 | K5051030500 | 1C5191P metal washer 3050 | 2 | |
| 5-26 | K7147000198 | pivot pin | 1 | |
| 5-27 | K5073216352 | 3.2SPHC metal washer 1635 | 1 | |
| 5-28 | K0200160002 | 16S washer | 1 | |
| 5-29 | K0100160002 | 16 nut | 1 | |
| 5-30 | K1610000020 | tie-rod end right Ass' y | 1 | |
| 5-31 | LM318--0305ZD | tie-rod | 1 | |
| 5-32 | K0160000192 | 17 special nut P1.5 | 1 | |
| 5-33 | K0160000202 | 17 left-hand thread special nut P1.5 | 1 | |
| 5-34 | K1611000020 | tie-rod end left Ass' y | 1 | |
| 5-35 | K2040000610 | tire M40B · 23×850-12 Ass' y | 2 | type R |

| Cat No. | Code No. | Part Name | Qty | Remark |
|---------|-------------|------------------------|-----|--------|
| 5-36 | K2041000370 | tire M40B · 23×850-12 | 2 | type R |
| 5-37 | K0100120002 | 12 nut | 8 | |
| 5-38 | | | | |
| 5-39 | | | | |
| 5-40 | K1440000020 | C shaped grease nipple | 2 | |
| 5-41 | | | | |
| 5-42 | | | | |
| 5-43 | K5051030420 | 1C5191P washer 3042 | 1 | |
| | | | | |
| | | | | |
| | | | | |
| | | | | |
| | | | | |
| | | | | |
| | | | | |
| | | | | |
| | | | | |

6. Pedal parts

LM285

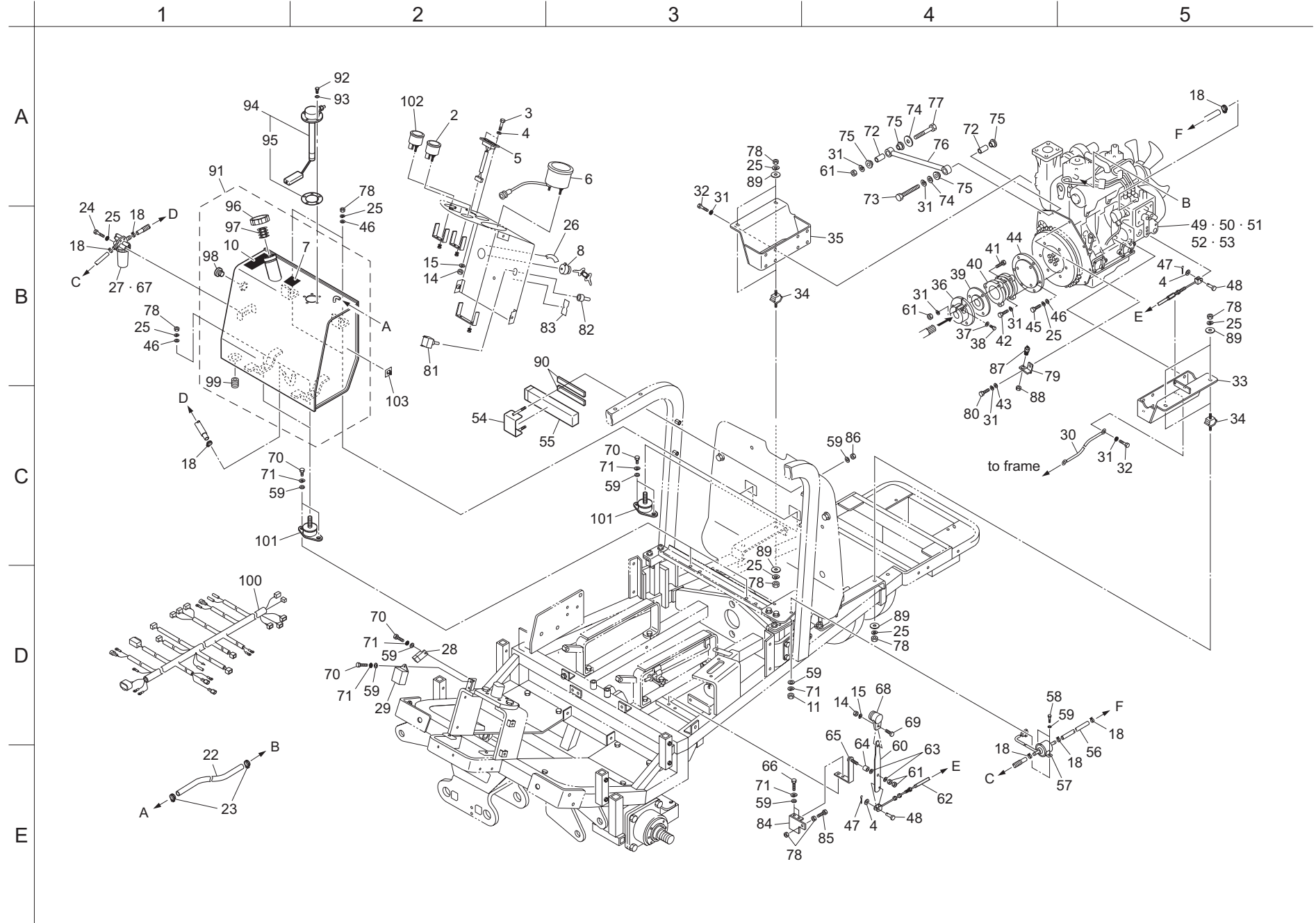


| Cat No. | Code No. | Part Name | Qty | Remark |
|---------|---------------|----------------------------|-----|----------------|
| 6-1 | | | | |
| 6-2 | | | | |
| 6-3 | LM318--0802ZD | pedal (under) | 1 | |
| 6-4 | K0320050281 | 5 spring pin 28 | 2 | |
| 6-5 | K0100080002 | 8 nut | 1 | |
| 6-6 | K5000080002 | 8 washer | 2 | |
| 6-7 | K3380000010 | lever damper | 1 | |
| 6-8 | LM318--0813B2 | damper lever | 1 | |
| 6-9 | K5051016240 | 1C5191P metal washer 1624 | 3~4 | for adjustment |
| 6-10 | K0000080352 | 8 bolt 35 | 1 | |
| 6-11 | LM318--0803Z2 | pedal shaft | 1 | |
| 6-12 | K0100100002 | 10 nut | 14 | |
| 6-13 | K0200100002 | 10S washer | 10 | |
| 6-14 | K1604100000 | rod end LHSA10 | 4 | |
| 6-15 | K5012311242 | 2.3SPHC metal washer 1124 | 4 | |
| 6-16 | LM318--0815Z8 | 3 compression spring 21105 | 1 | |
| 6-17 | LM318--0805Z2 | rod | 1 | |
| 6-18 | LM318--0816Z8 | 3 compression spring 2180 | 1 | |
| 6-19 | LM318--0808ZD | neutral fitting | 1 | |
| 6-20 | K0300040502 | 4 split pin 50 | 1 | |
| 6-21 | K0144080002 | 8U nut | 1 | |
| 6-22 | LM318--0804Z2 | idle lever | 1 | |
| 6-23 | K1440000010 | grease nipple | 2 | |
| 6-24 | LM318--0811A2 | idle lever shaft | 1 | |
| 6-25 | LM318--0807Z2 | rod | 1 | |
| 6-26 | K0180100002 | 10 left-hand thread nut | 2 | |
| 6-27 | K16041000L0 | rod end LHSA10L | 2 | |
| 6-28 | LM318--0809Z2 | shift lever | 1 | |
| 6-29 | K0001100252 | 10 bolt 25 P1.25 | 4 | |
| 6-30 | LM318--0810Z2 | shift lever | 1 | |
| 6-31 | LM318--0806Z2 | rod | 1 | |
| 6-32 | K0320030251 | 3 spring pin 25 | 2 | |
| 6-33 | K1440000020 | C-shaped grease nipple | 1 | |
| 6-34 | K0200060002 | 6S washer | 5 | |
| 6-35 | K5000060002 | 6 washer | 5 | |

| Cat No. | Code No. | Part Name | Qty | Remark |
|---------|---------------|----------------------|-----|--------|
| 6-36 | K0000080202 | 8 bolt 20 | 4 | |
| 6-37 | K0100060002 | 6 nut | 2 | |
| 6-38 | K0000060152 | 6 bolt 15 | 2 | |
| 6-39 | LM282--7515ZD | switch mount base | 1 | |
| 6-40 | LM282--7516ZD | switch mount fitting | 1 | |
| 6-41 | K3671000050 | limit switch SLI-A | 1 | |
| 6-42 | LM282--7514Z2 | neutral lever | 1 | |
| 6-43 | K0200080002 | 8S washer | 4 | |
| 6-44 | LM285--0801ZD | pedal | 1 | |
| 6-45 | LM285--0802Z0 | pedal rubber | 1 | |
| 6-46 | K5011016222 | ISPCC washer 1622 | 1 | |
| | | | | |
| | | | | |
| | | | | |
| | | | | |
| | | | | |
| | | | | |
| | | | | |
| | | | | |

7. Engine parts

LM285

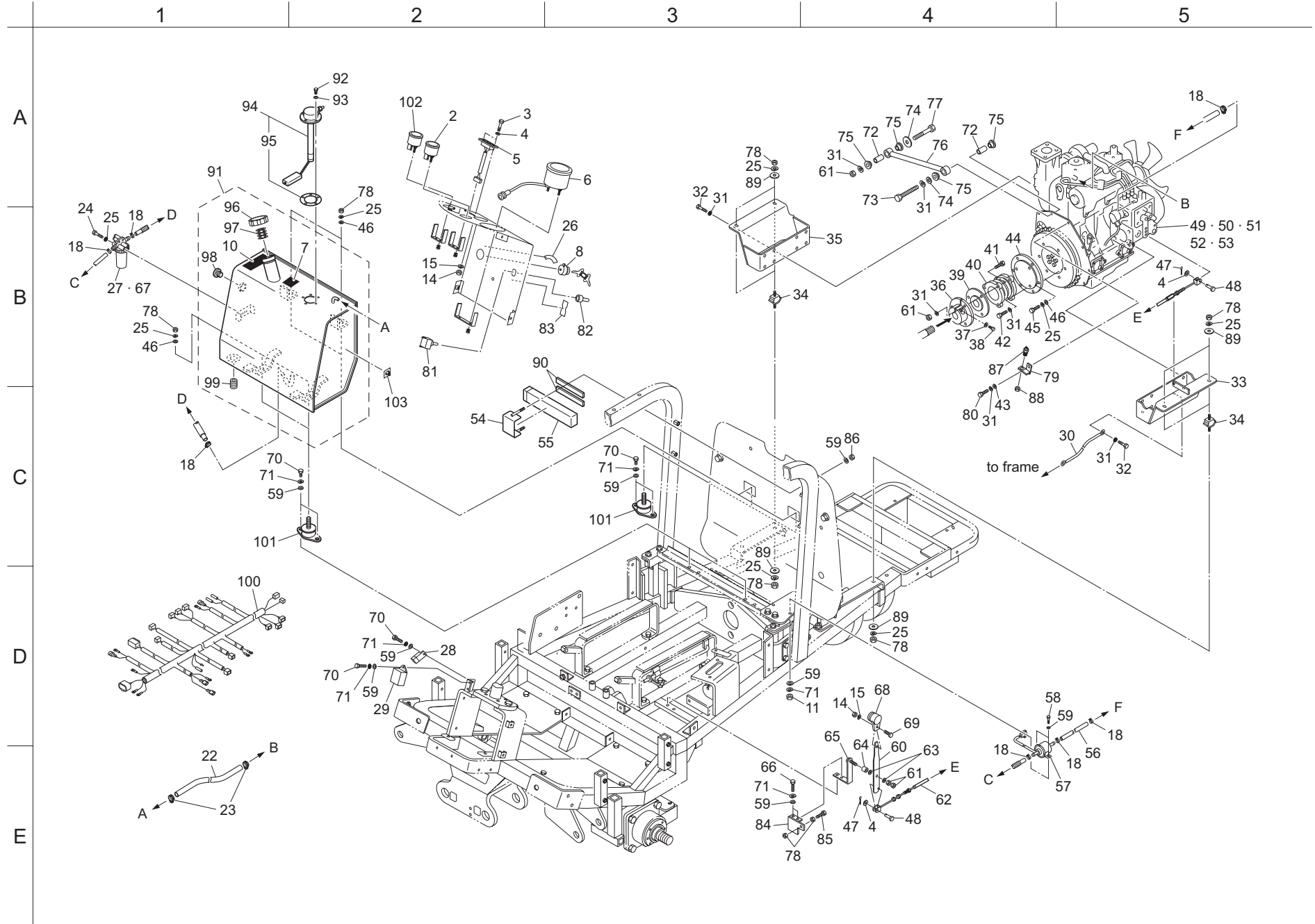


| Cat No. | Code No. | Part Name | Qty | Remark |
|---------|----------------|------------------------------------|-----|--------|
| 7-1 | | | | |
| 7-2 | PF19488-8303-0 | water temperature gauge | 1 | |
| 7-3 | K0042050122 | 5+ round head small screw 12 | 2 | |
| 7-4 | K5000050002 | 5 washer | 4 | |
| 7-5 | K3641000040 | pilot lamp | 1 | |
| 7-6 | PF15886-8301-1 | hour meter Ass' y | 1 | |
| 7-7 | K4209001330 | diesel fuel indication mark | 1 | |
| 7-8 | PF15248-6359-0 | starter switch | 1 | |
| 7-9 | | | | |
| 7-10 | K4209001000 | diesel fuel refueling hole mark | 1 | |
| 7-11 | K0100060002 | 6 nut | 2 | |
| 7-12 | | | | |
| 7-13 | | | | |
| 7-14 | K0100050002 | 5 nut | 3 | |
| 7-15 | K0200050002 | 5S washer | 3 | |
| 7-16 | | | | |
| 7-17 | | | | |
| 7-18 | PF14911-4275-1 | pipe clip | 6 | |
| 7-19 | | | | |
| 7-20 | | | | |
| 7-21 | | | | |
| 7-22 | PF09661-4210-0 | fuel tube | 1 | |
| 7-23 | PF14971-4275-1 | pipe clip | 2 | |
| 7-24 | K0003080602 | 8 bolt 60 | 1 | |
| 7-25 | K0200080002 | 8S washer | 13 | |
| 7-26 | K4209001190 | key switch label | 1 | |
| 7-27 | PF15393-4301-7 | fuel filter Ass' y | 1 | |
| 7-28 | PF1K574-6022-0 | relay comp. | 1 | |
| 7-29 | PF15694-6599-0 | glow lamp timer | 1 | |
| 7-30 | K3611000360 | ground wire 500 | 1 | |
| 7-31 | K0200100002 | 10S washer | 22 | |
| 7-32 | K0017100252 | 10 small heat-treated bolt 25P1.25 | 16 | |
| 7-33 | LM285--0516ZD | engine base (L) | 1 | |
| 7-34 | K4040000150 | anti-vibration rubber EC4001 | 4 | |
| 7-35 | LM285--0517ZD | engine base (R) | 1 | |

| Cat No. | Code No. | Part Name | Qty | Remark |
|---------|----------------|---|-----|--------|
| 7-36 | LM282--0541Z2 | pump side drive disk | 1 | |
| 7-37 | K0215100002 | 10 metal washer with conical disk spring 2H | 1 | |
| 7-38 | K0024100351 | 10 bolt with hex. hole 35 | 1 | |
| 7-39 | K6204000562 | spacer 118 | 1 | |
| 7-40 | K1620000120 | joint BC75ACP201 | 1 | |
| 7-41 | K0010100352 | 10 heat-treated bolt 35 | 3 | |
| 7-42 | K0010100202 | 10 heat-treated bolt 20 | 3 | |
| 7-43 | K5000100002 | 10 washer | 1 | |
| 7-44 | LM282--0542Z2 | joint mount fitting | 1 | |
| 7-45 | K0010080202 | 8 heat-treated bolt 20 | 6 | |
| 7-46 | K5000080002 | 8 washer | 10 | |
| 7-47 | K0300016202 | 1.6 split pin 20 | 2 | |
| 7-48 | K6030050122 | 5 flat-head pin 12 | 2 | |
| 7-49 | K2691000100 | Kubota engine D1105-T-E3B | 1 | |
| 7-50 | PF16271-3209-3 | oil element | 1 | |
| 7-51 | PF1G345-9701-0 | fan belt | 1 | |
| 7-52 | PF15221-3375-0 | plug (drain bolt) | 1 | |
| 7-53 | PF6C090-5896-0 | gasket (drain oil pan) | 1 | |
| 7-54 | LM285--1002ZD | mount fitting | 1 | |
| 7-55 | LM285--1001Z0 | manual case | 1 | |
| 7-56 | PF09661-8250-0 | fuel tube | 1 | |
| 7-57 | PFR1401-5135-1 | fuel sending pump | 1 | |
| 7-58 | K0000060152 | 6 bolt 15 | 2 | |
| 7-59 | K5000060002 | 6 washer | 18 | |
| 7-60 | LM318--0510Z2 | lever plate | 1 | |
| 7-61 | K0100100002 | 10 nut | 6 | |
| 7-62 | K1110101000 | throttle wire 1010 | 1 | |
| 7-63 | K0210100001 | 10 conical disk spring L | 2 | |
| 7-64 | K6212000092 | 10STKM collar 1610 | 1 | |
| 7-65 | LM318--0511Z2 | throttle lever mount fitting | 1 | |
| 7-66 | K0000060202 | 6 bolt 20 | 2 | |
| 7-67 | PF15231-4356-0 | fuel element | 1 | |
| 7-68 | K1301000150 | throttle lever grip | 1 | |
| 7-69 | K0042050082 | 5+ round head small screw 8 | 1 | |
| 7-70 | K0000060102 | 6 bolt 10 | 10 | |

7. Engine parts

LM285

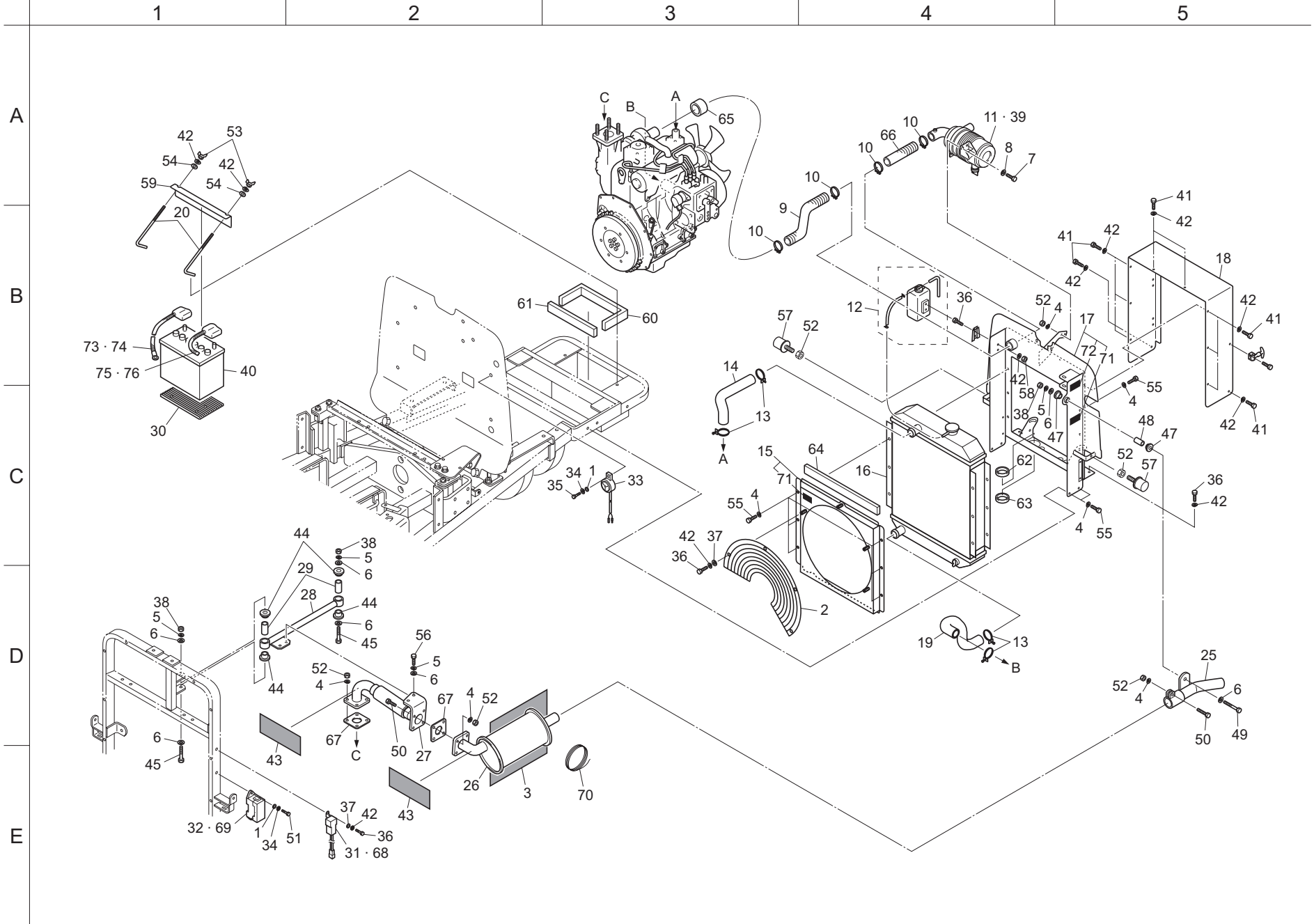


| Cat No. | Code No. | Part Name | Qty | Remark |
|---------|----------------|---------------------------------------|-----|--------|
| 7-71 | K0200060002 | 6S washer | 14 | |
| 7-72 | K6211000062 | 12.75SGP collar 17.331 | 2 | |
| 7-73 | K0014100602 | 10 heat-treated bolt 60P1.25 | 1 | |
| 7-74 | K5073210352 | 3.2SPHC metal washer 1035 | 2 | |
| 7-75 | K4031000310 | rubber 32 | 4 | |
| 7-76 | LM285--0551ZD | torque rod | 1 | |
| 7-77 | K0003100602 | 10 bolt 60 | 1 | |
| 7-78 | K0100080002 | 8 nut | 14 | |
| 7-79 | LM285--0550ZD | pickup mount fitting | 1 | |
| 7-80 | K0001100302 | 10 bolt 30P1.25 | 1 | |
| 7-81 | K3662000060 | Satori toggle ST115AT | 1 | |
| 7-82 | K4031000300 | rubber cap WD1911 | 1 | |
| 7-83 | K4203001410 | light switch mark | 1 | |
| 7-84 | LM282--0560Z2 | stopper | 1 | |
| 7-85 | K0000080352 | 8 bolt 35 | 1 | |
| 7-86 | K0144060002 | 6U nut | 2 | |
| 7-87 | PF56713-4293-1 | electromagnetic pickup | 1 | |
| 7-88 | PF02172-5018-0 | nut | 1 | |
| 7-89 | K5012308202 | 2.3SPCC metal washer 820 | 8 | |
| 7-90 | K4228000040 | 5 rubber sponge 15230 | 2 | |
| 7-91 | LM285--0506A0 | fuel tank comp | 1 | |
| 7-92 | K0000050152 | 5 bolt 15 | 5 | |
| 7-93 | K0922050000 | seal washer 5WF | 5 | |
| 7-94 | K2721000100 | tank unit 225 x 175 | 1 | |
| 7-95 | K2721000020 | packing | 1 | |
| 7-96 | K1410000070-Y | filler cap ass' y | 1 | |
| 7-97 | K3420000030 | filter net | 1 | |
| 7-98 | K1400000044-Y | PF3/4 oil plug M type | 1 | |
| 7-99 | K1422106001-Y | tapered plug with hex, hole type1 3/8 | 1 | |
| 7-100 | LM285--0505Z0 | harness | 1 | |
| 7-101 | K4042000040 | rubber, anti-vibration KB-30 | 4 | |
| 7-102 | K3653000010 | fuel gauge 52BG2 | 1 | |
| 7-103 | K4251000020 | sticker, wire S20 | 1 | |

| Cat No. | Code No. | Part Name | Qty | Remark |
|---------|----------|-----------|-----|--------|
| | | | | |
| | | | | |
| | | | | |
| | | | | |
| | | | | |
| | | | | |
| | | | | |
| | | | | |
| | | | | |
| | | | | |
| | | | | |
| | | | | |
| | | | | |
| | | | | |
| | | | | |
| | | | | |
| | | | | |
| | | | | |
| | | | | |
| | | | | |
| | | | | |
| | | | | |
| | | | | |
| | | | | |
| | | | | |
| | | | | |
| | | | | |
| | | | | |
| | | | | |
| | | | | |
| | | | | |
| | | | | |

8. Radiator parts

LM285

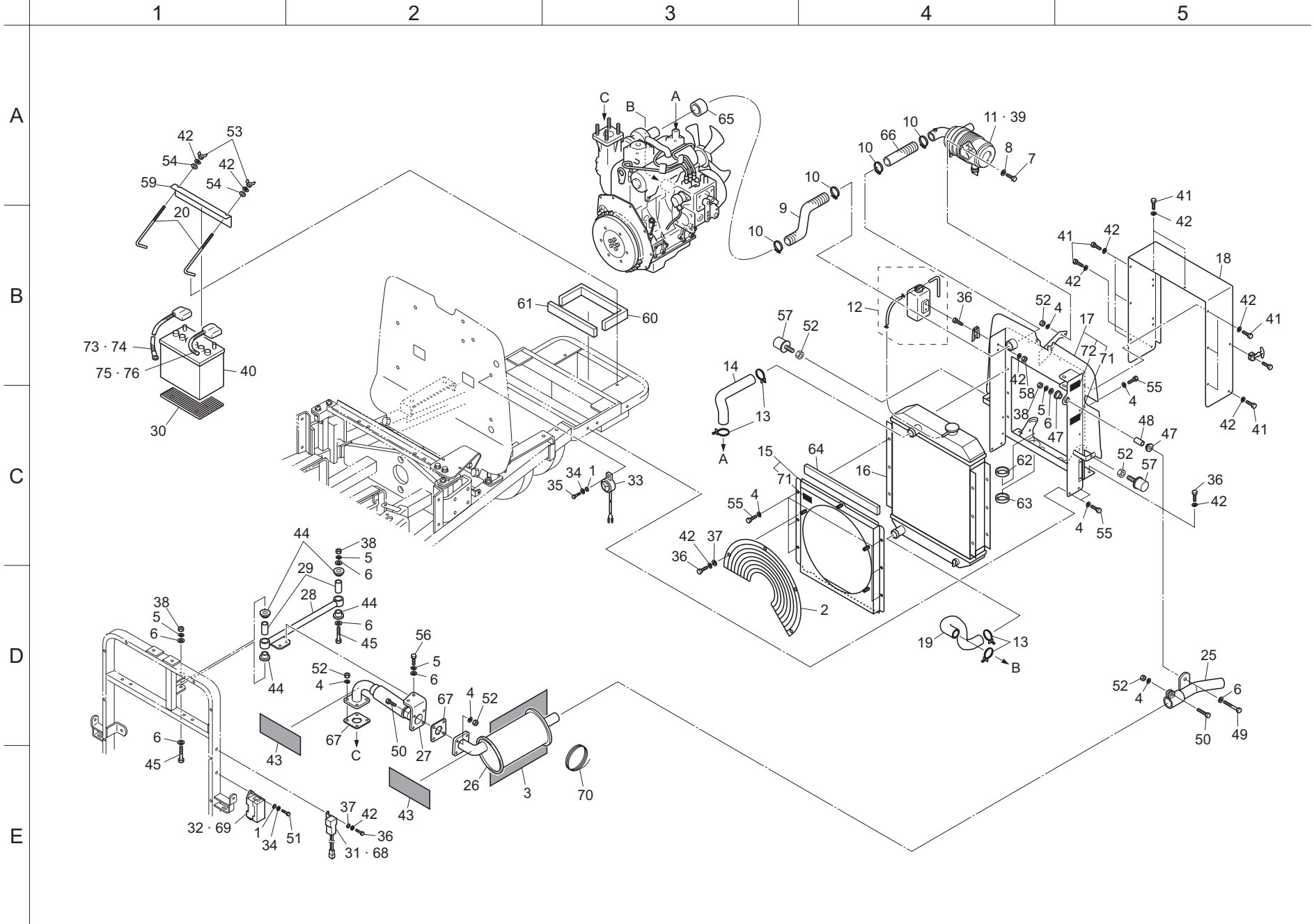


| Cat No. | Code No. | Part Name | Qty | Remark |
|---------|----------------|-----------------------------------|-----|--------|
| 8-1 | K5000050002 | 5 washer | 3 | |
| 8-2 | PF1G690-7412-0 | fan cover | 1 | |
| 8-3 | K4230000140 | 1.6 heat insulating plate 285420 | 1 | |
| 8-4 | K0200080002 | 8S washer | 27 | |
| 8-5 | K0200100002 | 10S washer | 5 | |
| 8-6 | K5000100002 | 10 washer | 8 | |
| 8-7 | K0000080202 | 8 bolt 20 | 2 | |
| 8-8 | K5000080002 | 8 washer | 2 | |
| 8-9 | K3170004000 | 50 banner A hose 400 | 1 | |
| 8-10 | K4262057000 | LS band 57 | 4 | |
| 8-11 | PF17407-1101-0 | air cleaner | 1 | |
| 8-12 | PFRC411-4268-1 | reserve tank Ass' y | 1 | |
| 8-13 | PF09318-8903-9 | hose clamp | 4 | |
| 8-14 | PF16292-7294-1 | water pipe 4 | 1 | |
| 8-15 | LM285--0560Z0 | shroud with mark | 1 | |
| 8-16 | K2730000030 | radiator | 1 | |
| 8-17 | LM285--0561Z0 | radiator mount fitting with mark | 1 | |
| 8-18 | LM285--0941ZD | box | 1 | |
| 8-19 | PF1G345-7285-0 | hose (1, water) | 1 | |
| 8-20 | LM285--0913A2 | rod with M6 | 2 | |
| 8-21 | | | | |
| 8-22 | | | | |
| 8-23 | | | | |
| 8-24 | | | | |
| 8-25 | LM285--0553ZU | tail pipe | 1 | |
| 8-26 | K2693000030 | muffler | 1 | |
| 8-27 | LM285--0552ZU | exhaust flexible pipe | 1 | |
| 8-28 | LM285--0554ZD | support bar | 1 | |
| 8-29 | K6211000022 | 12.7 collar 17.340 | 2 | |
| 8-30 | K4035000020 | battery anti-vibration rubber 256 | 1 | |
| 8-31 | K3620000720 | fusible link | 1 | |
| 8-32 | K3630000110 | mini-fuse block 10P-B | 1 | |
| 8-33 | K3700000010 | buzzer EBM-12 type | 1 | |
| 8-34 | K0200050002 | 5S washer | 3 | |
| 8-35 | K0000050252 | 5 bolt 25 | 1 | |

| Cat No. | Code No. | Part Name | Qty | Remark |
|---------|----------------|----------------------------------|-----|--------|
| 8-36 | K0000060152 | 6 bolt 15 | 9 | |
| 8-37 | K5000060002 | 6 washer | 5 | |
| 8-38 | K0100100002 | 10 nut | 3 | |
| 8-39 | PFT0270-1632-0 | air cleaner element | 1 | |
| 8-40 | K3600000160 | battery FX75D23L | 1 | |
| 8-41 | K0000060102 | 6 bolt 10 | 10 | |
| 8-42 | K0200060002 | 6S washer | 21 | |
| 8-43 | K4230000040 | 1.6 heat insulating plate 301000 | 2 | |
| 8-44 | K4031000050 | rubber for handle 35 | 4 | |
| 8-45 | K0010100702 | 10 heat treated bolt 70 | 2 | |
| 8-46 | | | | |
| 8-47 | K4031000020 | rubber for handle 32 | 2 | |
| 8-48 | K6211000062 | 12.7SGP collar 17.331 | 1 | |
| 8-49 | K0003100502 | 10 bolt 50 | 1 | |
| 8-50 | K0000080302 | 8 bolt 30 | 4 | |
| 8-51 | K0000050152 | 5 bolt 15 | 2 | |
| 8-52 | K0100080002 | 8 nut | 13 | |
| 8-53 | K0141060002 | 6 wing nut 3 | 2 | |
| 8-54 | K5012306162 | 2.3SPCC metal washer 616 | 2 | |
| 8-55 | K0000080152 | 8 bolt 15 | 16 | |
| 8-56 | K0000100252 | 10 bolt 25 | 2 | |
| 8-57 | K4049030000 | rubber stopper KI-30 | 2 | |
| 8-58 | K0100060002 | 6 nut | 2 | |
| 8-59 | LM285--0911Z2 | battery holder | 1 | |
| 8-60 | GM1600-0519Z0 | 8 rubber sponge 610 | 1 | |
| 8-61 | GM1600-0520Z0 | 8 rubber sponge 250 | 1 | |
| 8-62 | K0900300660 | grommet with film C30SG66A | 2 | |
| 8-63 | K0900300260 | grommet with film C30SG26A | 2 | |
| 8-64 | LM282--0522Z0 | urethane sponge | 2 | |
| 8-65 | LM285--0555Z0 | turbine collar | 1 | |
| 8-66 | K3170001500 | 50 banner A hose 150 | 1 | |
| 8-67 | PF15263-1237-0 | muffler packing NA | 2 | |
| 8-68 | K3631000100 | plug-in fuse 50A | 1 | |
| 8-69 | K3631000070 | mini-blade fuse 5A | 1 | |
| 8-70 | K4980015000 | ø1.2 stainless wire 1500 | 1 | |

8. Radiator parts

LM285

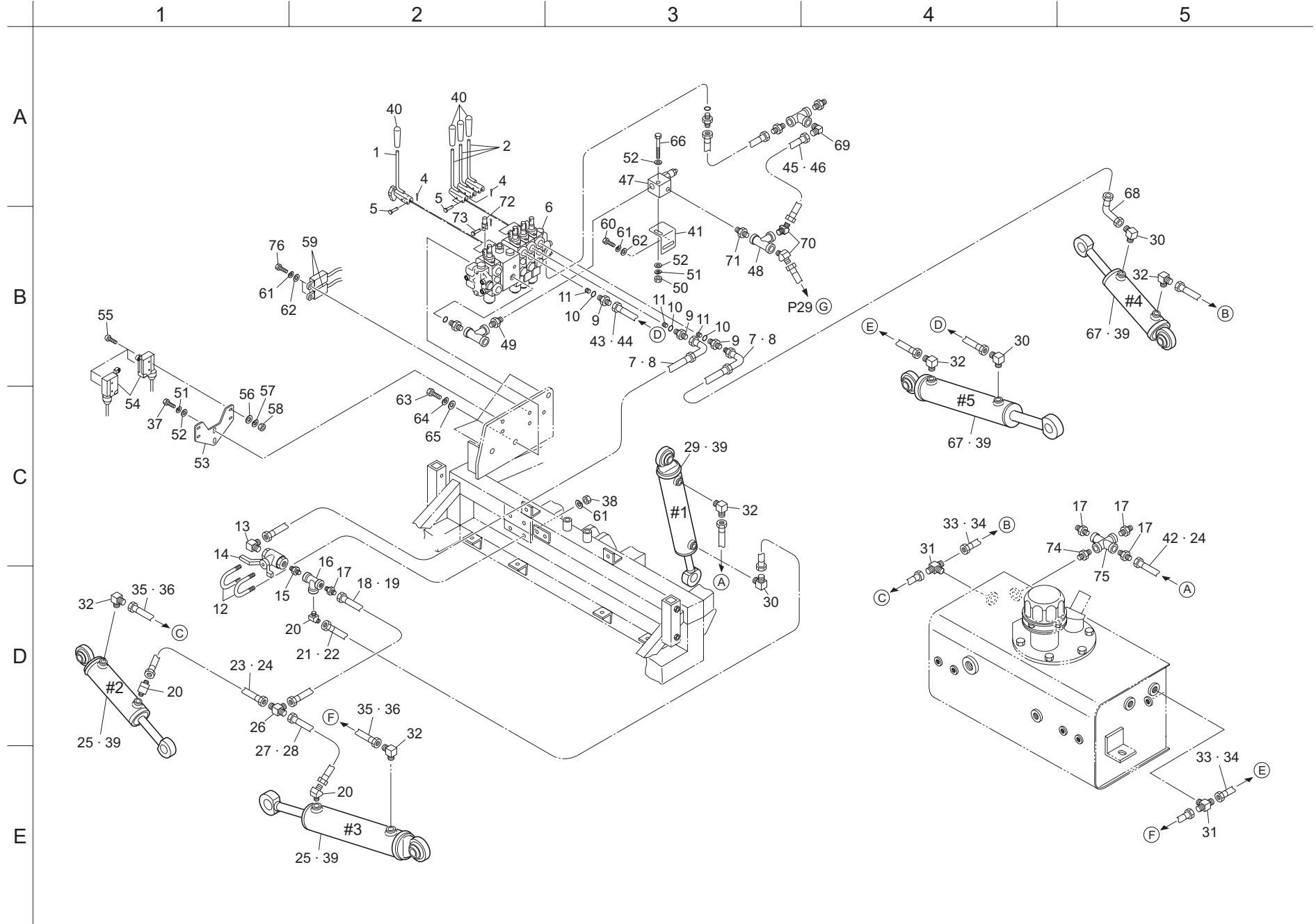


| Cat No. | Code No. | Part Name | Qty | Remark |
|---------|-------------|------------------------------|-----|--------|
| 8-71 | K4205001530 | caution label-rotating parts | 2 | |
| 8-72 | K4205001540 | caution label - hot parts | 1 | |
| 8-73 | K3610000230 | battery (+) wire 1250 | 1 | |
| 8-74 | K3196012000 | 13 corrugate tube 1200 | 1 | |
| 8-75 | K3611000420 | battery earth code 1000 | 1 | |
| 8-76 | K3196009500 | 13 corrugate tube 950 | 1 | |
| | | | | |
| | | | | |
| | | | | |
| | | | | |
| | | | | |
| | | | | |
| | | | | |
| | | | | |
| | | | | |

| Cat No. | Code No. | Part Name | Qty | Remark |
|---------|----------|-----------|-----|--------|
| | | | | |
| | | | | |
| | | | | |
| | | | | |
| | | | | |
| | | | | |
| | | | | |
| | | | | |
| | | | | |
| | | | | |
| | | | | |
| | | | | |
| | | | | |
| | | | | |

9. Hydraulic parts A (Cylinder system)

LM285

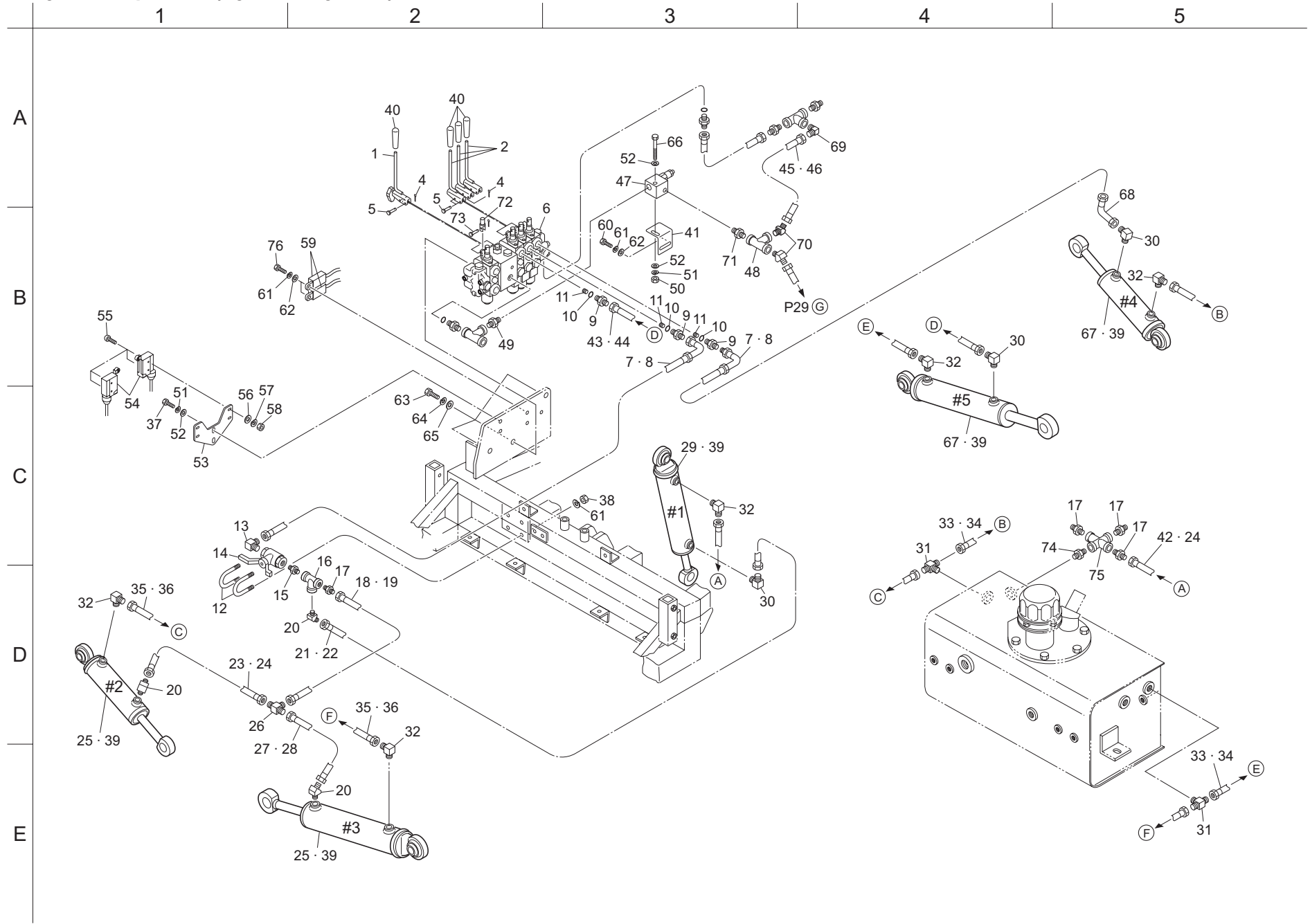


| Cat No. | Code No. | Part Name | Qty | Remark |
|---------|---------------|--------------------------------------|-----|--------|
| 9-1 | LM285--0702Z2 | reel rotation lever | 1 | |
| 9-2 | LM285--0701Z2 | raise/lower lever | 3 | |
| 9-3 | | | | |
| 9-4 | K0300020102 | 2 split pin 10 | 4 | |
| 9-5 | Y80103-1139-2 | pin ø5 x 24 | 8 | |
| 9-6 | K3303000030 | ASV50 quadruplet valve | 1 | |
| 9-7 | K3103230450 | WP140-6 hose 3-450 | 2 | |
| 9-8 | K3190003500 | SP-12 coil tube 350 | 2 | |
| 9-9 | K3029000152-Y | O-ring connector (short) PF3/8PF1/4 | 3 | |
| 9-10 | K0881014000 | O-ring P14B | 5 | |
| 9-11 | K0023000031-Y | taper plug with hex. hole 1pc 1/8-1 | 3 | |
| 9-12 | K0073000022 | 6U bolt 40 | 2 | |
| 9-13 | K3006000012-Y | different diameter elbow PT3/8PF1/4 | 1 | |
| 9-14 | K3360000010 | stop valve 397819 | 1 | |
| 9-15 | K3029000211-Y | different diameter nipple PT3/8PT1/4 | 1 | |
| 9-16 | K3021040002-Y | screwed type tee TEFPT1/4 | 1 | |
| 9-17 | K3000060002-Y | adaptor 1013-6 | 4 | |
| 9-18 | K3145000160 | SSC140 hose 570 | 1 | |
| 9-19 | K3190004700 | SP-12 coil tube 470 | 1 | |
| 9-20 | K3003060002-Y | 45 elbow 1035-6 | 3 | |
| 9-21 | K3145000150 | IB140 hose 460 | 1 | |
| 9-22 | K3190003600 | SP-12 coil tube 360 | 1 | |
| 9-23 | K3145000180 | IB140 hose 400 | 1 | |
| 9-24 | K3190003000 | SP-12 coil tube 300 | 2 | |
| 9-25 | K3205000030 | 40-110 cylinder 307 | 2 | |
| 9-26 | K3008000092-Y | tee for hose PF1/4 | 1 | |
| 9-27 | K3145000170 | IB140 hose 320 | 1 | |
| 9-28 | K3190002200 | SP-12 coil tube 220 | 1 | |
| 9-29 | K3205000020 | 40-70 cylinder 252 | 1 | |
| 9-30 | K3001060002-Y | 90 elbow 1033-6 | 5 | |
| 9-31 | K3029000352-Y | special tee PT1/4PF1/4 | 2 | |
| 9-32 | K3006000152-Y | different diameter elbow PT1/8PF1/4 | 5 | |
| 9-33 | K3101210960 | WP70-6 hose 1-960 | 2 | |
| 9-34 | K3190008600 | SP-12 coil tube 860 | 2 | |
| 9-35 | K3101230270 | WP70-6 hose 3-270 | 2 | |

| Cat No. | Code No. | Part Name | Qty | Remark |
|---------|---------------|------------------------------|-----|--------|
| 9-36 | K3190001700 | SP-12 coil tube 170 | 2 | |
| 9-37 | K0000080152 | 8 bolt 15 | 2 | |
| 9-38 | K0100060002 | 6 nut | 4 | |
| 9-39 | YD10000896-1 | seal Ass' y | 4 | |
| 9-40 | K1300000180 | 7 black grip 23 | 4 | |
| 9-41 | LM285--0662ZD | relief valve mount plate | 1 | |
| 9-42 | K3101210400 | WP70-6 hose 1-400 | 1 | |
| 9-43 | K3103230900 | WP140-6 hose 3-900 | 1 | |
| 9-44 | K3190008000 | SP-12 coil tube 800 | 1 | |
| 9-45 | K3100410340 | WP35-12 hose 1-340 | 1 | |
| 9-46 | K3191001900 | SP-15 coil tube 190 | 1 | |
| 9-47 | K3315000050 | relief valve | 1 | |
| 9-48 | K3021080002-Y | screwed type tee TEFPT1/2 | 1 | |
| 9-49 | K3023060001-Y | nipple NSPT3/8 | 1 | |
| 9-50 | K0100080002 | 8 nut | 1 | |
| 9-51 | K0200080002 | 8S washer | 3 | |
| 9-52 | K5000080002 | 8 washer | 4 | |
| 9-53 | LM285--0661ZD | switch mount plate | 1 | |
| 9-54 | K3670000140 | limit switch SWAZ7121N0 | 2 | |
| 9-55 | K0042040302 | 4+ round head small screw 30 | 4 | |
| 9-56 | K5000040002 | 4 washer | 4 | |
| 9-57 | K0200040002 | 4S washer | 4 | |
| 9-58 | K0100040002 | 4 nut | 4 | |
| 9-59 | K3681000060 | relay CA1aF-12V-N-5 | 2 | |
| 9-60 | K0000060202 | 6 bolt 20 | 2 | |
| 9-61 | K0200060002 | 6S washer | 8 | |
| 9-62 | K5000060002 | 6 washer | 4 | |
| 9-63 | K0000120252 | 12 bolt 25 | 3 | |
| 9-64 | K0200120002 | 12S washer | 3 | |
| 9-65 | K5000120002 | 12 washer | 3 | |
| 9-66 | K0003080502 | 8 bolt 50 | 1 | |
| 9-67 | K3205000040 | 40-158 cylinder 352 | 2 | |
| 9-68 | K3000120002-Y | adaptor 1013-12 | 2 | |
| 9-69 | K3001120002-Y | 90 elbow 1033-12 | 1 | |
| 9-70 | K3003120002-Y | 45 elbow 1035-12 | 2 | |

9. Hydraulic parts A (Cylinder system)

LM285

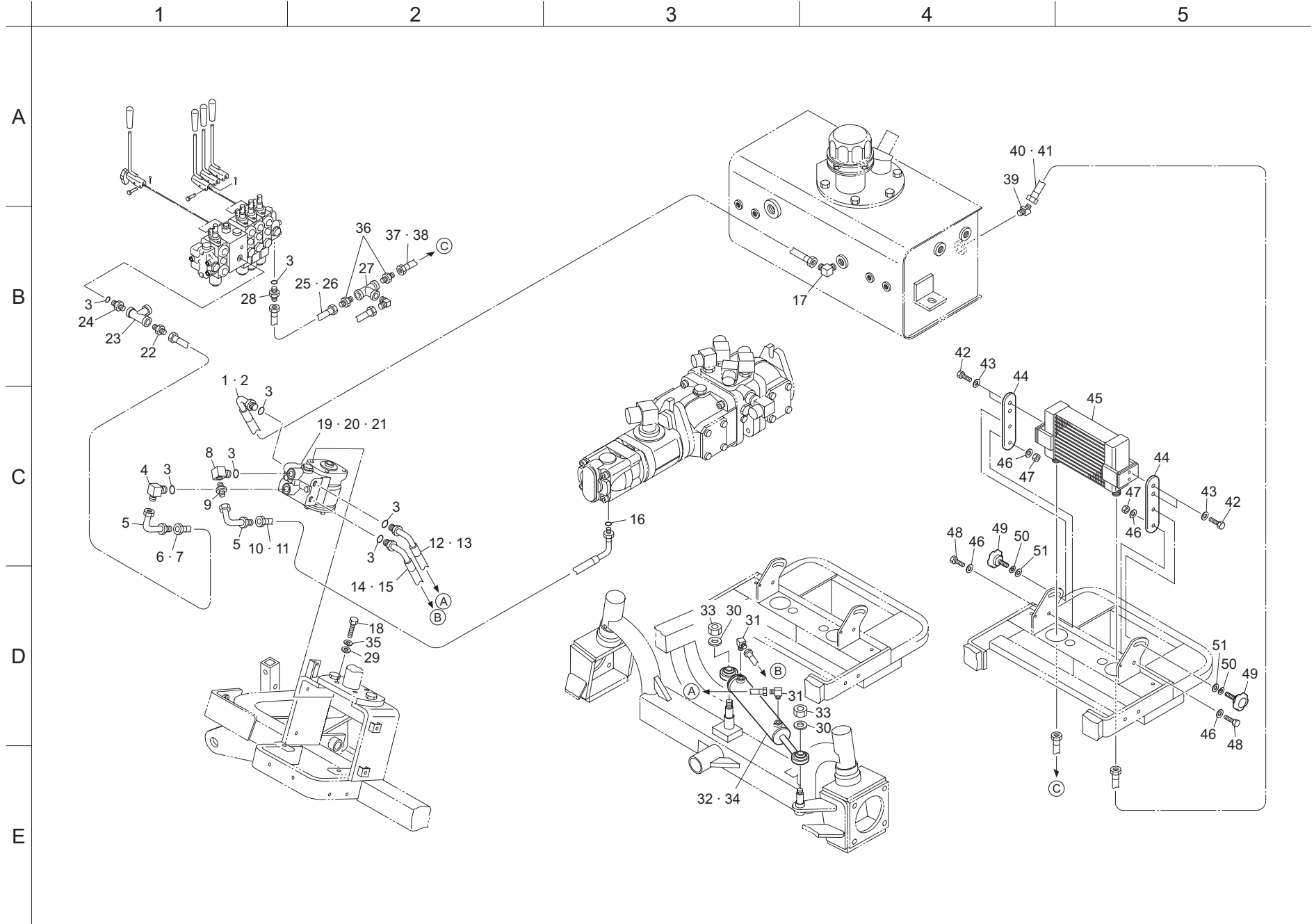


| Cat No. | Code No. | Part Name | Qty | Remark |
|---------|---------------|--------------------------------------|-----|--------|
| 9-71 | K3029000091-Y | different diameter nipple PT3/8PT1/2 | 1 | |
| 9-72 | Y80103-1135-2 | lever link | 4 | |
| 9-73 | Y80103-1141-2 | pin ø5×21 | 4 | |
| 9-74 | K3023040001-Y | nipple NSPT1/4 | 1 | |
| 9-75 | K3026004002-Y | screwed type cross SXA02 | 1 | |
| 9-76 | K0000060102 | 6 bolt 10 | 2 | |
| | | | | |
| | | | | |
| | | | | |
| | | | | |
| | | | | |
| | | | | |
| | | | | |
| | | | | |

| Cat No. | Code No. | Part Name | Qty | Remark |
|---------|----------|-----------|-----|--------|
| | | | | |
| | | | | |
| | | | | |
| | | | | |
| | | | | |
| | | | | |
| | | | | |
| | | | | |
| | | | | |
| | | | | |
| | | | | |
| | | | | |
| | | | | |
| | | | | |

10. Hydraulic parts A (Power steering system)

LM285

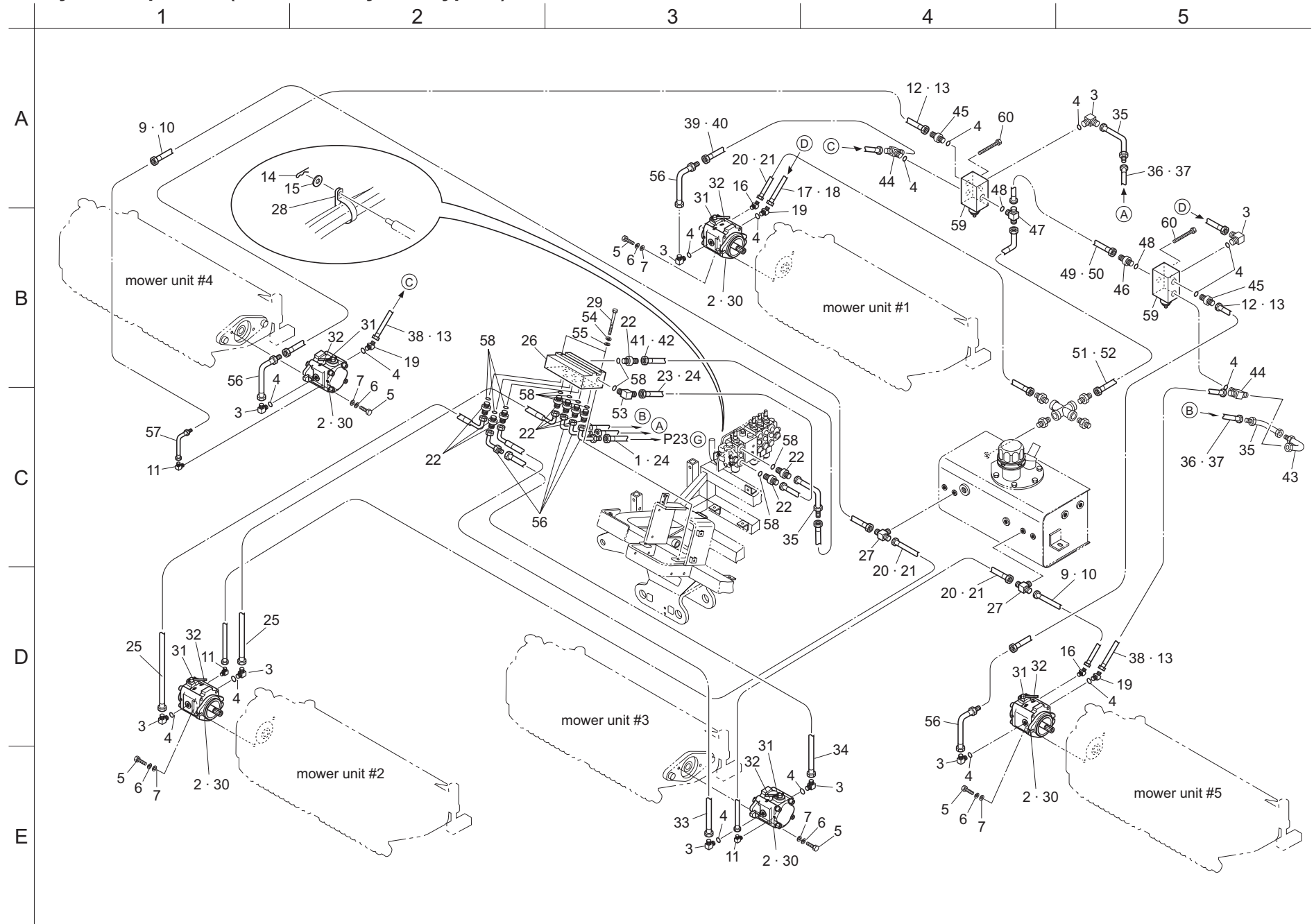


| Cat No. | Code No. | Part Name | Qty | Remark |
|---------|---------------|---|-----|--------|
| 10-1 | K3145000290 | SSC35 hose 560 | 1 | |
| 10-2 | K3190004450 | SP-12 coil tube 445 | 1 | |
| 10-3 | K0881014000 | O-ring P14B | 7 | |
| 10-4 | K3008000192-Y | 90 different diameter elbow PF1/2PF3/8 | 1 | |
| 10-5 | K3025069082-Y | pipe adaptor 069-08 | 2 | |
| 10-6 | K3104421100 | WP175-12 hose 2-1100 | 1 | |
| 10-7 | K3191009500 | SP-15 coil tube 950 | 1 | |
| 10-8 | K3008000072-Y | 90 adjuster elbow 1125-9 | 1 | |
| 10-9 | K3009000192-Y | special adaptor PT3/8PF1/2 | 1 | |
| 10-10 | K3145000910 | SSC140 hose 850 | 1 | |
| 10-11 | K3191007000 | SP-15 coil tube 700 | 1 | |
| 10-12 | K3145000120 | SSC70 hose 1910 | 1 | |
| 10-13 | K3190018050 | SP-12 coil tube 1805 | 1 | |
| 10-14 | K3145000130 | SSC70 hose 1960 | 1 | |
| 10-15 | K3190018550 | SP-12 coil tube 1855 | 1 | |
| 10-16 | K0881018000 | O-ring P18B | 1 | |
| 10-17 | K3006000022-Y | different diameter elbow PT1/2PF3/8 | 1 | |
| 10-18 | K0000100302 | 10 bolt 30 | 4 | |
| 10-19 | K3294000060 | orbit roll UBS070A08GCD | 1 | |
| 10-20 | YBA0274A | orbit roll UBS070A08GCD seal kit | 1 | |
| 10-21 | YBA0056A | orbit roll UBS070A08GCD valve seal kit | 1 | |
| 10-22 | K3009000192-Y | special adaptor PT3/8PF1/2 | 1 | |
| 10-23 | K3021060002-Y | screwed type tee TEFPT3/8 | 1 | |
| 10-24 | K3009000052-Y | special adaptor PT3/8PF3/8 | 1 | |
| 10-25 | K3100430300 | WP35-12 hose 3-300 | 1 | |
| 10-26 | K3191001500 | SP-15 coil tube 150 | 1 | |
| 10-27 | K3021080002-Y | screwed type tee TEFPT1/2 | 2 | |
| 10-28 | K3009000172-Y | special adaptor PF3/8PF1/2 | 1 | |
| 10-29 | K5000100002 | 10 washer | 4 | |
| 10-30 | K0215140001 | 14 metal washer with conical disk spring 2H | 2 | |
| 10-31 | K3001060002-Y | 90 elbow 1033-6 | 2 | |
| 10-32 | K3214000010 | 35-164 cylinder 374A | 1 | |
| 10-33 | K0145140002 | 14U nut P1.5 | 2 | |
| 10-34 | YDW46D0190-1 | seal Ass' y | 1 | |
| 10-35 | K0200100002 | 10S washer | 4 | |

| Cat No. | Code No. | Part Name | Qty | Remark |
|---------|---------------|--|-----|--------|
| 10-36 | K3000120002-Y | adaptor 1013-12 | 2 | |
| 10-37 | K3100411000 | WP35-12 hose 1-1000 | 1 | |
| 10-38 | K3191008500 | SP-15 coil tube 850 | 1 | |
| 10-39 | K3003120002-Y | 45 elbow 1035-12 | 1 | |
| 10-40 | K3100411900 | WP35-12 hose 1-1900 | 1 | |
| 10-41 | K3191017500 | SP-15 coil tube 1750 | 1 | |
| 10-42 | K0000080202 | 8 bolt 20 | 4 | |
| 10-43 | K0200080002 | 8S washer | 4 | |
| 10-44 | LM285--0642ZD | oil cooler stopper | 2 | |
| 10-45 | K3431000030 | oil cooler | 1 | |
| 10-46 | K5000080002 | 8 washer | 4 | |
| 10-47 | K0144080002 | 8U nut | 2 | |
| 10-48 | K0000080252 | 8 bolt 25 | 2 | |
| 10-49 | K1320000220 | knob with M8 4220 | 2 | |
| 10-50 | K0213080002 | 8 metal washer with conical disk spring 1H | 2 | |
| 10-51 | K5073208202 | 3.2SPHC metal washer 820 | 2 | |
| | | | | |
| | | | | |
| | | | | |
| | | | | |
| | | | | |

11. Hydraulic parts B (Reel motor system type R)

LM285

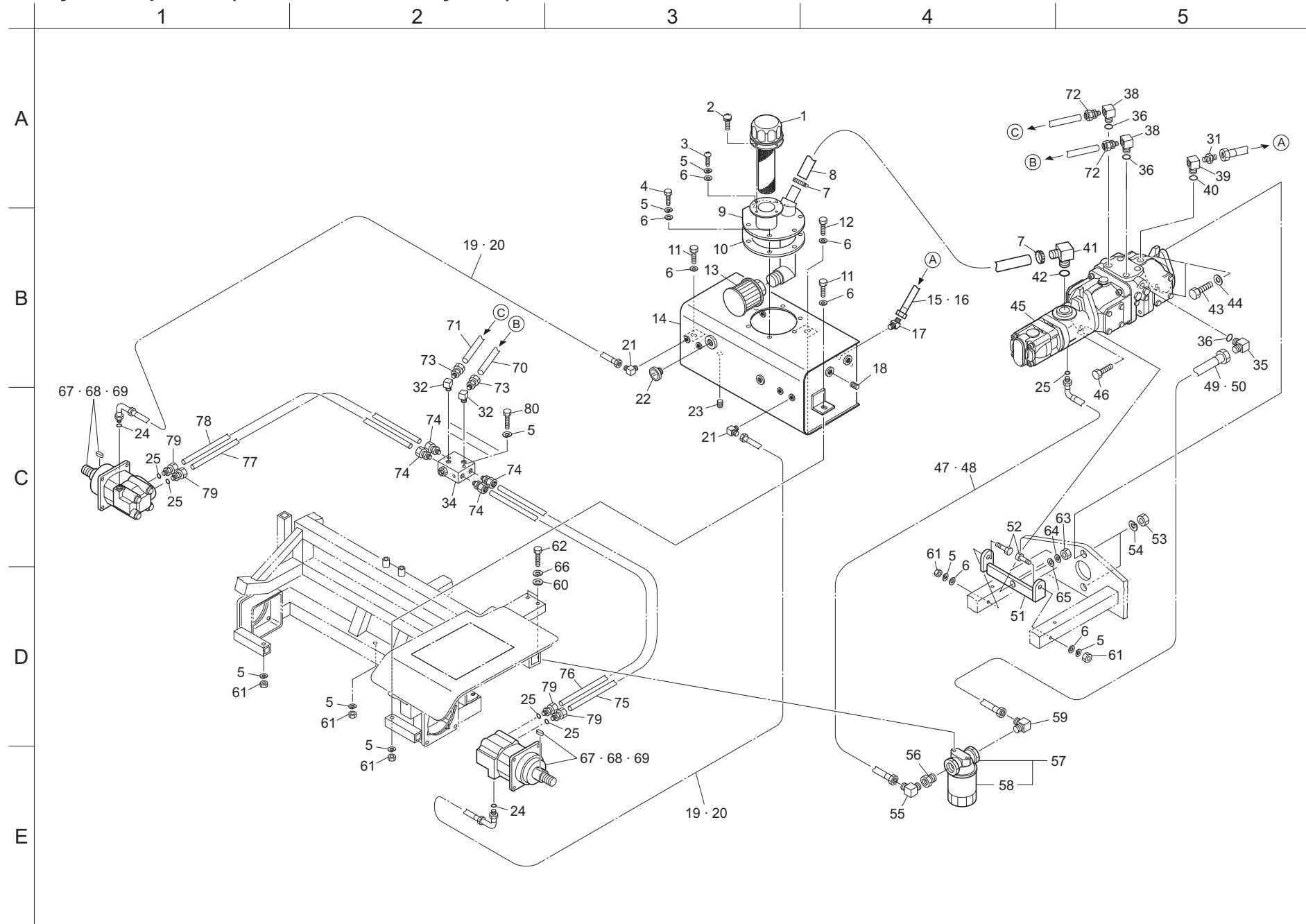


| Cat No. | Code No. | Part Name | Qty | Remark |
|---------|---------------|--------------------------------|-----|--------|
| 11-1 | K3100410950 | WP35-12 hose 1-950 | 1 | |
| 11-2 | K3280000230 | gear motor MB4AK379 | 5 | |
| 11-3 | K3008000042-Y | 90 adjuster elbow 1086-12 | 9 | |
| 11-4 | K0881018000 | O-ring P18B | 16 | |
| 11-5 | K0000100252 | 10 bolt 25 | 10 | |
| 11-6 | K0200100002 | 10S washer | 10 | |
| 11-7 | K5000100002 | 10 washer | 10 | |
| 11-8 | | | | |
| 11-9 | K3101211900 | WP70-6 hose 1-1900 | 2 | |
| 11-10 | K3190017500 | SP-12 coil tube 1750 | 2 | |
| 11-11 | K3001060002-Y | 90 elbow 1033-6 | 3 | |
| 11-12 | K3104410750 | WP175-12 hose 1-750 | 2 | |
| 11-13 | K3191006000 | SP-15 coil tube 600 | 4 | |
| 11-14 | K0330800008 | 8 snap pin | 1 | |
| 11-15 | K5000080002 | 8 washer | 1 | |
| 11-16 | K3003060002-Y | 45 elbow 1035-6 | 2 | |
| 11-17 | K3104411050 | WP175-12 hose 1-1050 | 1 | |
| 11-18 | K3191009000 | SP-15 coil tube 900 | 1 | |
| 11-19 | K3008000182-Y | 45 adjustable elbow | 3 | |
| 11-20 | K3101211600 | WP70-6 hose 1-1600 | 3 | |
| 11-21 | K3190014500 | SP-12 coil tube 1450 | 3 | |
| 11-22 | K3009000172-Y | special adaptor PF3/8PF1/2 | 10 | |
| 11-23 | K3104410950 | WP175-12 hose 1-950 | 1 | |
| 11-24 | K3191008000 | SP-15 coil tube 800 | 2 | |
| 11-25 | LM285--0705Z0 | WP175-12 hose 3-1200 | 2 | |
| 11-26 | K3321000050 | manifold with solenoid valve | 1 | |
| 11-27 | K3029000352-Y | special tee PT1/4PF1/4 | 3 | |
| 11-28 | K4270050080 | 50 harness clip M8 | 1 | |
| 11-29 | K0003080702 | 8 bolt 70 | 2 | |
| 11-30 | YCG0038A | seal kit for MB gear motor 379 | 5 | |
| 11-31 | K4203001300 | reel rotation mark | 5 | |
| 11-32 | K4203001310 | reel stop mark | 5 | |
| 11-33 | LM285--0707Z0 | WP175-12 hose 3-1250 | 1 | |
| 11-34 | LM285--0706Z0 | WP175-12 hose 1-1200 | 1 | |
| 11-35 | K3025064082-Y | pipe adaptor 064-08 | 3 | |

| Cat No. | Code No. | Part Name | Qty | Remark |
|---------|---------------|--|-----|--------|
| 11-36 | K3104411450 | WP175-12 hose 1-1450 | 2 | |
| 11-37 | K3191013000 | SP-15 coil tube 1300 | 1 | |
| 11-38 | K3104430750 | WP175-12 hose 3-750 | 2 | |
| 11-39 | K3104430700 | WP175-12 hose 3-700 | 1 | |
| 11-40 | K3191005500 | SP-15 coil tube 550 | 1 | |
| 11-41 | K3104410880 | WP175-12 hose 1-880 | 1 | |
| 11-42 | K3191007300 | SP-15 coil tube 720 | 1 | |
| 11-43 | K3025069082-Y | pipe adapter 069-08 | 1 | |
| 11-44 | K3008000362-Y | O-ring boss tee 1087-12 | 2 | |
| 11-45 | K3009000092-Y | special adapter PF1/2 PF1/2 | 2 | |
| 11-46 | K3008000232-Y | O-ring connector PF1/4 PF1/4 | 1 | |
| 11-47 | K3008000672-Y | O-ring boss tee 1087-6 | 1 | |
| 11-48 | K0881011000 | O-ring P11B | 2 | |
| 11-49 | K3100230280 | WP35-6 hose 3-280 | 1 | |
| 11-50 | K3190001700 | SP-12 coil tube 170 | 1 | |
| 11-51 | K3100230900 | WP35-6 hose 3-900 | 1 | |
| 11-52 | K3190007700 | SP-12 coil tube 770 | 1 | |
| 11-53 | K3008000192-Y | 90 different diameter elbow PF1/2PF3/8 | 1 | |
| 11-54 | K0200080002 | 8S washer | 2 | |
| 11-55 | K5000080002 | 8 washer | 2 | |
| 11-56 | K302506L082-Y | pipe adaptor 06L-08 | 7 | |
| 11-57 | K302506L042-Y | pipe adaptor 06L-04 | 1 | |
| 11-58 | K0881014000 | O-ring P14 | 11 | |
| 11-59 | K3390000030 | selector valve V1249 | 2 | |
| 11-60 | K0024080801 | 8 bolt with hex. hole 80 | 8 | |
| | | | | |
| | | | | |
| | | | | |
| | | | | |
| | | | | |
| | | | | |
| | | | | |
| | | | | |
| | | | | |
| | | | | |
| | | | | |
| | | | | |

12. Hydraulic parts C (Front wheel motor system)

LM285

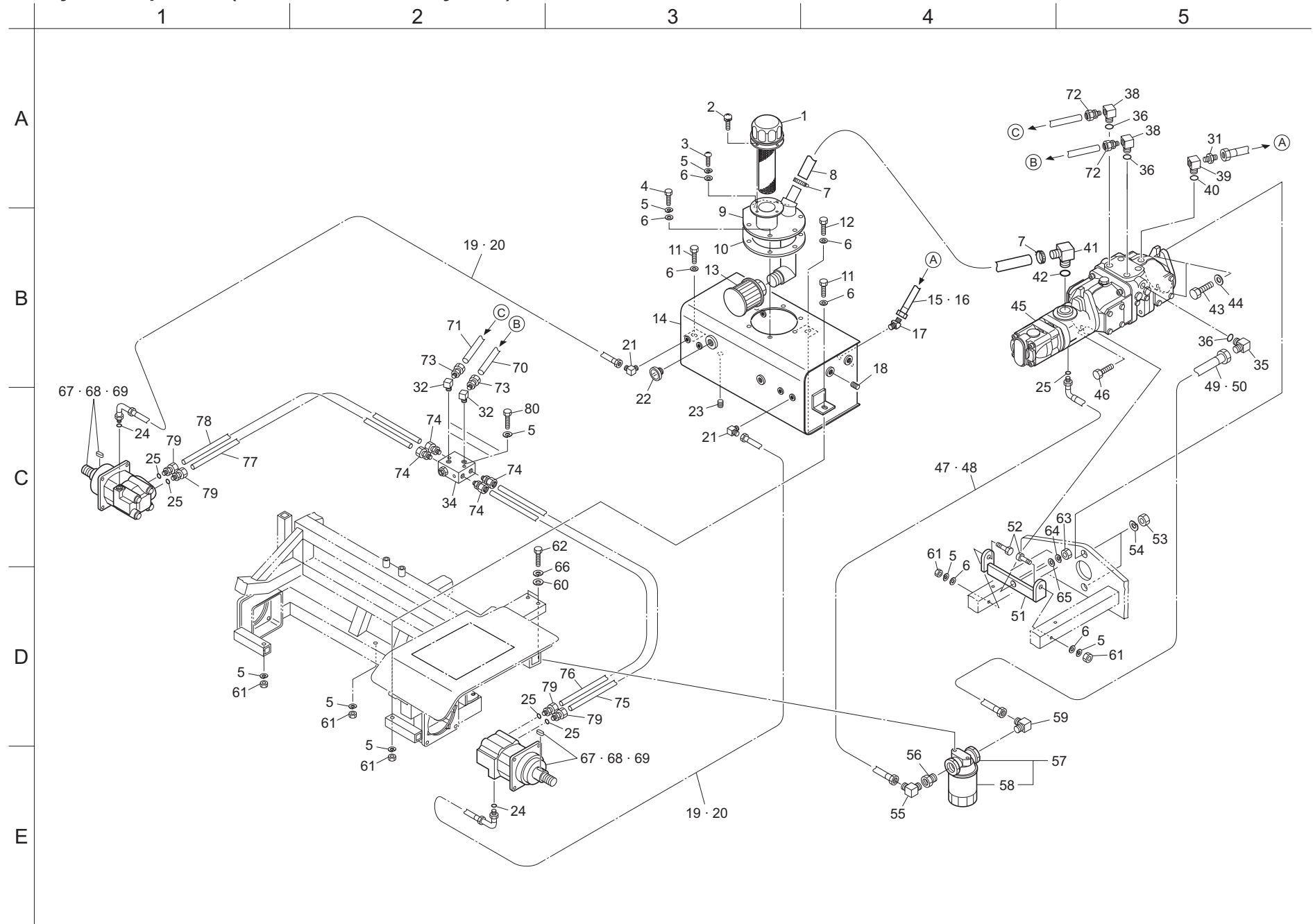


| Cat No. | Code No. | Part Name | Qty | Remark |
|---------|-----------------|---------------------------------------|-----|--------|
| 12-1 | K3400000030 | refueling hole breather FAB-50 | 1 | |
| 12-2 | K0044050102 | 5+ round head small screw 10SW | 4 | |
| 12-3 | K0056080200 | 8 stainless + truss small screw 20 | 1 | |
| 12-4 | K0000080202 | 8 bolt 20 | 5 | |
| 12-5 | K0200080002 | 8S washer | 13 | |
| 12-6 | K5000080002 | 8 washer | 11 | |
| 12-7 | K4260000200 | jubilee band 2A | 2 | |
| 12-8 | LM318--0730Z0 | WP35-32×500 | 1 | |
| 12-9 | LM318--0705Z2-Y | hydraulic suction port | 1 | |
| 12-10 | LM318--0711Z0 | packing | 1 | |
| 12-11 | K0000080552 | 8 bolt 55 | 2 | |
| 12-12 | K0003080702 | 8 bolt 70 | 1 | |
| 12-13 | K3413000020 | suction filter SFT-08-150W | 1 | |
| 12-14 | LM318--0701BD-Y | hydraulic tank | 1 | |
| 12-15 | K3145000340 | SSC35 hose 1000 | 1 | |
| 12-16 | K3192008500 | SP-20 coil tube 850 | 1 | |
| 12-17 | K3003190002-Y | 45 elbow 1035-19 | 1 | |
| 12-18 | K1422108001-Y | taper plug with hex. hole 1pc 1/2 | 1 | |
| 12-19 | K3145000270 | SSC35 hose 250 | 2 | |
| 12-20 | K3190001550 | SP-12 coil tube 155 | 2 | |
| 12-21 | K3001060002-Y | 90 elbow 1033-6 | 2 | |
| 12-22 | K1400000044-Y | PF3/4 oil filler plug M type | 1 | |
| 12-23 | K1422106001-Y | taper plug with hex. hole 1pc 3/8 | 1 | |
| 12-24 | K0881011000 | O-ring P11B | 2 | |
| 12-25 | K0881018000 | O-ring P18B | 5 | |
| 12-26 | | | | |
| 12-27 | | | | |
| 12-28 | | | | |
| 12-29 | | | | |
| 12-30 | | | | |
| 12-31 | K3007000012-Y | different diameter adaptor PT1/2PF3/4 | 1 | |
| 12-32 | K3022080002-Y | female-male elbow STEPT1/2 | 2 | |
| 12-33 | | | | |
| 12-34 | K3321000020 | manifold with pressure relief valve | 1 | |
| 12-35 | K3008000162-Y | UNF90 adjustable elbow | 1 | |

| Cat No. | Code No. | Part Name | Qty | Remark |
|---------|-----------------|---------------------------------------|-----|--------|
| 12-36 | K0887009100 | O-ring AS568-910 | 3 | |
| 12-37 | | | | |
| 12-38 | K3008000142-Y | 90 adjustable elbow | 2 | |
| 12-39 | K3008000172-Y | UNF90 adjustable elbow | 1 | |
| 12-40 | K0887009080 | O-ring AS568-908 | 1 | |
| 12-41 | K3008000152-Y | 90 elbow nipple | 1 | |
| 12-42 | K0881029000 | O-ring P29B | 1 | |
| 12-43 | K0013140502 | 14 heat-treated bolt 50 | 2 | |
| 12-44 | K5000140002 | 14 washer | 2 | |
| 12-45 | K3240000020 | piston pump PV1616AR | 1 | |
| 12-46 | K0000120452 | 12 bolt 45 | 1 | |
| 12-47 | K3145000610 | SSC35 hose 710 | 1 | |
| 12-48 | K3191006100 | SP-15 coil tube 610 | 1 | |
| 12-49 | K3145000600 | SSC35 hose 660 | 1 | |
| 12-50 | K3192005600 | SP-20 coil tube 560 | 1 | |
| 12-51 | LM318--0708ZD | pump support fitting | 1 | |
| 12-52 | K0003080602 | 8 bolt 60 | 2 | |
| 12-53 | K0100140002 | 14 nut | 2 | |
| 12-54 | K0200140002 | 14S washer | 2 | |
| 12-55 | K3006000102-Y | different diameter elbow PT3/4PF1/2 | 1 | |
| 12-56 | K3024000012-Y | cast iron bush 1×3/4 | 1 | |
| 12-57 | K3412000030 | filter SP08-10-03 | 1 | |
| 12-58 | K3412000060 | filter for the substitute C-SP08H-10 | 1 | |
| 12-59 | K3006000112-Y | different diameter elbow PT1PF3/4 | 1 | |
| 12-60 | K5000100002 | 10 washer | 2 | |
| 12-61 | K0100080002 | 8 nut | 5 | |
| 12-62 | K0000100302 | 10 bolt 30 | 2 | |
| 12-63 | K0100120002 | 12 nut | 1 | |
| 12-64 | K0200120002 | 12S washer | 1 | |
| 12-65 | K5000120002 | 12 washer | 1 | |
| 12-66 | K0200100002 | 10S washer | 2 | |
| 12-67 | K3291000190 | wheel motor 2-200BS4S | 2 | |
| 12-68 | Y61090S | 2000 orbit motor seal kit (for rear) | 2 | |
| 12-69 | Y61091S | 2000 orbit motor seal kit (for shaft) | 2 | |
| 12-70 | LM285--0785Z2-Y | pipe for pump A2 | 1 | |

12. Hydraulic parts C (Front wheel motor system)

LM285

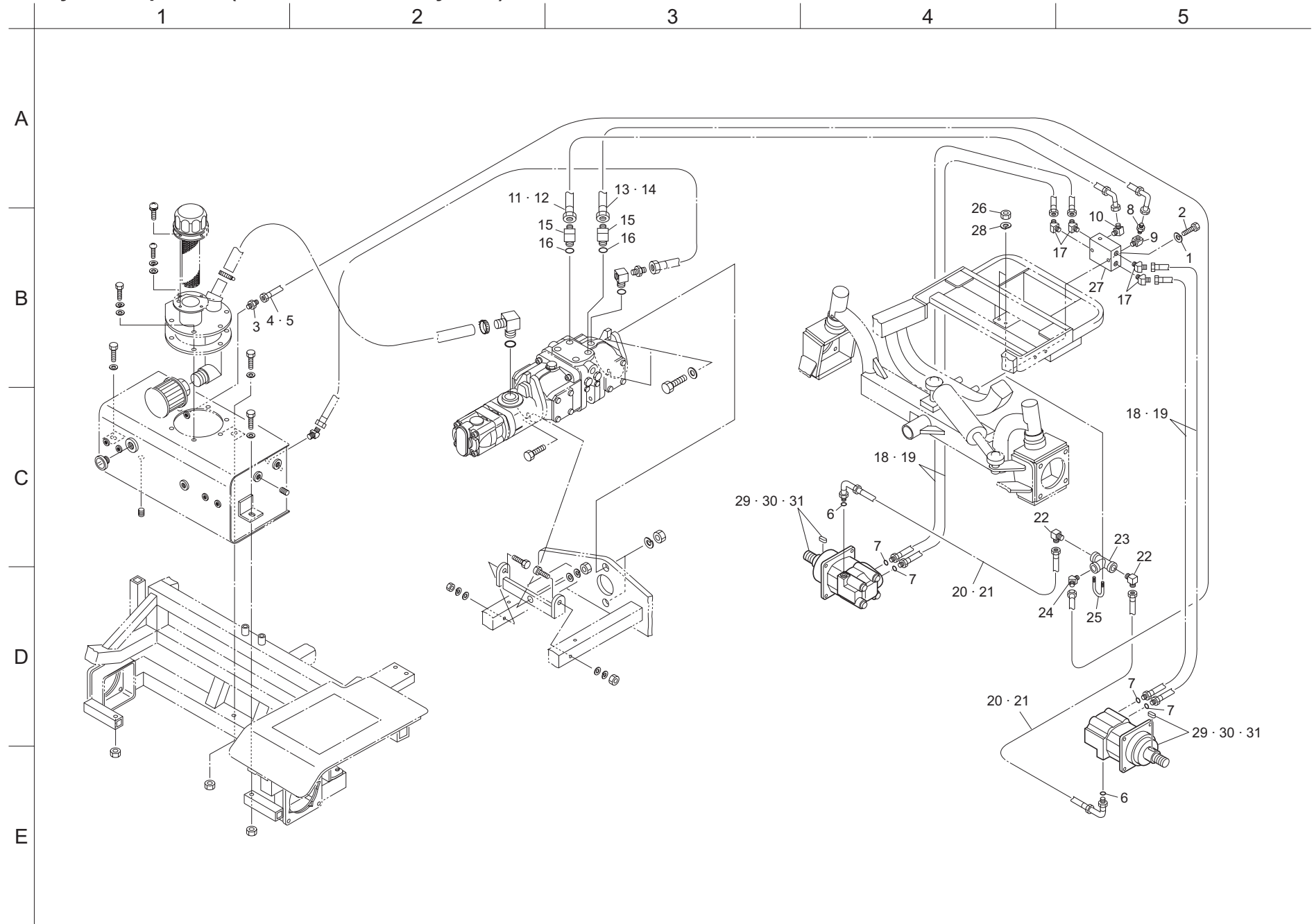


| Cat No. | Code No. | Part Name | Qty | Remark |
|---------|-----------------|------------------------|-----|--------|
| 12-71 | LM285--0786Z2-Y | pipe for pump 132 | 1 | |
| 12-72 | K3026622121-Y | connector KCT22-060E | 2 | |
| 12-73 | K3026622081-Y | connector KCT22-040E | 2 | |
| 12-74 | K3026615081-Y | connector KCT15-040E | 4 | |
| 12-75 | LM285--0781Z2-Y | pipe for left motor B | 1 | |
| 12-76 | LM285--0782Z2-Y | pipe for left motor A | 1 | |
| 12-77 | LM285--0784Z2-Y | pipe for right motor A | 1 | |
| 12-78 | LM285--0783Z2-Y | pipe for right motor B | 1 | |
| 12-79 | K3026315081-Y | connector KC015-040E | 4 | |
| 12-80 | K0003080552 | 8 bolt 55 | 2 | |
| | | | | |
| | | | | |
| | | | | |
| | | | | |
| | | | | |
| | | | | |
| | | | | |

| Cat No. | Code No. | Part Name | Qty | Remark |
|---------|----------|-----------|-----|--------|
| | | | | |
| | | | | |
| | | | | |
| | | | | |
| | | | | |
| | | | | |
| | | | | |
| | | | | |
| | | | | |

13. Hydraulic parts C (Rear wheel motor system)

LM285

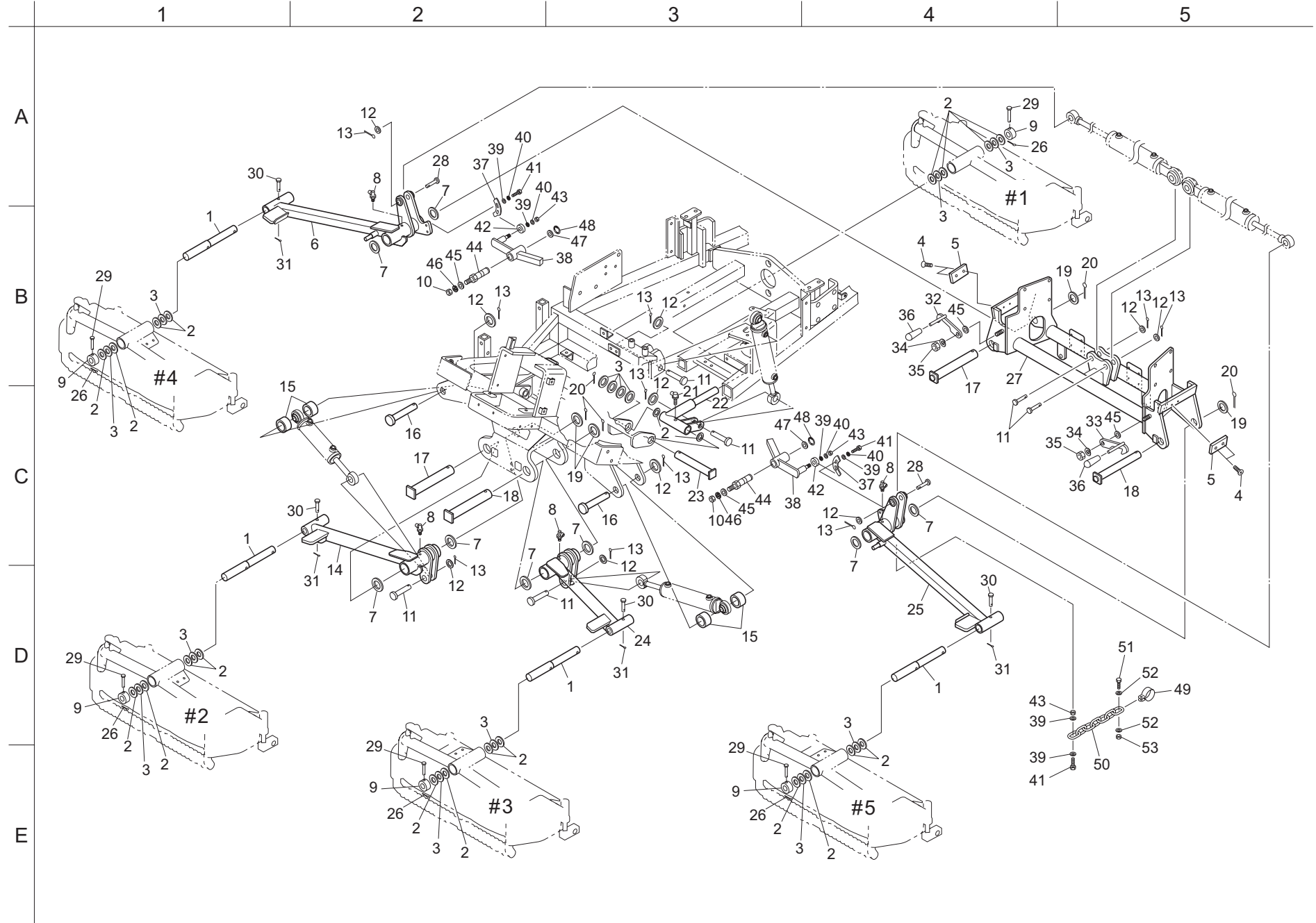


| Cat No. | Code No. | Part Name | Qty | Remark |
|---------|---------------|---------------------------------------|-----|--------|
| 13-1 | K0200080002 | 8S washer | 2 | |
| 13-2 | K0000080552 | 8 bolt 55 | 2 | |
| 13-3 | K3007000022-Y | different diameter adaptor PT1/2PF3/8 | 1 | |
| 13-4 | K3101311700 | WP70-9 hose 1-1700 | 1 | |
| 13-5 | K3190014900 | SP-12 coil tube 1490 | 1 | |
| 13-6 | K0881011000 | O-ring P11B | 2 | |
| 13-7 | K0881018000 | O-ring P18B | 4 | |
| 13-8 | K3007000012-Y | different diameter adaptor PT1/2PF3/4 | 1 | |
| 13-9 | K3022080002-Y | female-male elbow STEPT1/2 | 1 | |
| 13-10 | K3006000122-Y | different diameter elbow PT1/2PF3/4 | 1 | |
| 13-11 | K3104531010 | WP175-15 hose 3-1010 | 1 | |
| 13-12 | K3192008150 | SP-20 coil tube 815 | 1 | |
| 13-13 | K3104531050 | WP175-15 hose 3-1050 | 1 | |
| 13-14 | K3192008950 | SP-20 coil tube 895 | 1 | |
| 13-15 | K3008000162-Y | UNF90 adjustable elbow | 2 | |
| 13-16 | K0887009100 | O-ring AS568-910 | 2 | |
| 13-17 | K3003120002-Y | 45 elbow 1035-12 | 4 | |
| 13-18 | K3145000410 | IB175 hose 650 | 4 | |
| 13-19 | K3191005150 | SP-15 coil tube 515 | 4 | |
| 13-20 | K3145000260 | SSC35 hose 770 | 2 | |
| 13-21 | K3190006750 | SP-12 coil tube 675 | 2 | |
| 13-22 | K3006000012-Y | different diameter elbow PT3/8PF1/4 | 2 | |
| 13-23 | K3021060002-Y | screwed type tee TEFPT3/8 | 1 | |
| 13-24 | K3003090002-Y | 45 elbow 1035-9 | 1 | |
| 13-25 | K0073000022 | 6U bolt 40 | 1 | |
| 13-26 | K0100060002 | 6 nut | 2 | |
| 13-27 | K3321000020 | manifold with pressure relief valve | 1 | |
| 13-28 | K0200060002 | 6S washer | 2 | |
| 13-29 | K3291000190 | wheel motor 2-200BS4S | 2 | |
| 13-30 | Y61090S | 2000 orbit motor seal kit (for rear) | 2 | |
| 13-31 | Y61091S | 2000 orbit motor seal kit (for shaft) | 2 | |

| Cat No. | Code No. | Part Name | Qty | Remark |
|---------|----------|-----------|-----|--------|
| | | | | |
| | | | | |
| | | | | |
| | | | | |
| | | | | |
| | | | | |
| | | | | |
| | | | | |
| | | | | |
| | | | | |
| | | | | |
| | | | | |
| | | | | |
| | | | | |
| | | | | |
| | | | | |
| | | | | |
| | | | | |
| | | | | |
| | | | | |
| | | | | |
| | | | | |
| | | | | |
| | | | | |
| | | | | |
| | | | | |
| | | | | |
| | | | | |

14. Mower lift arm parts (type R)

LM285

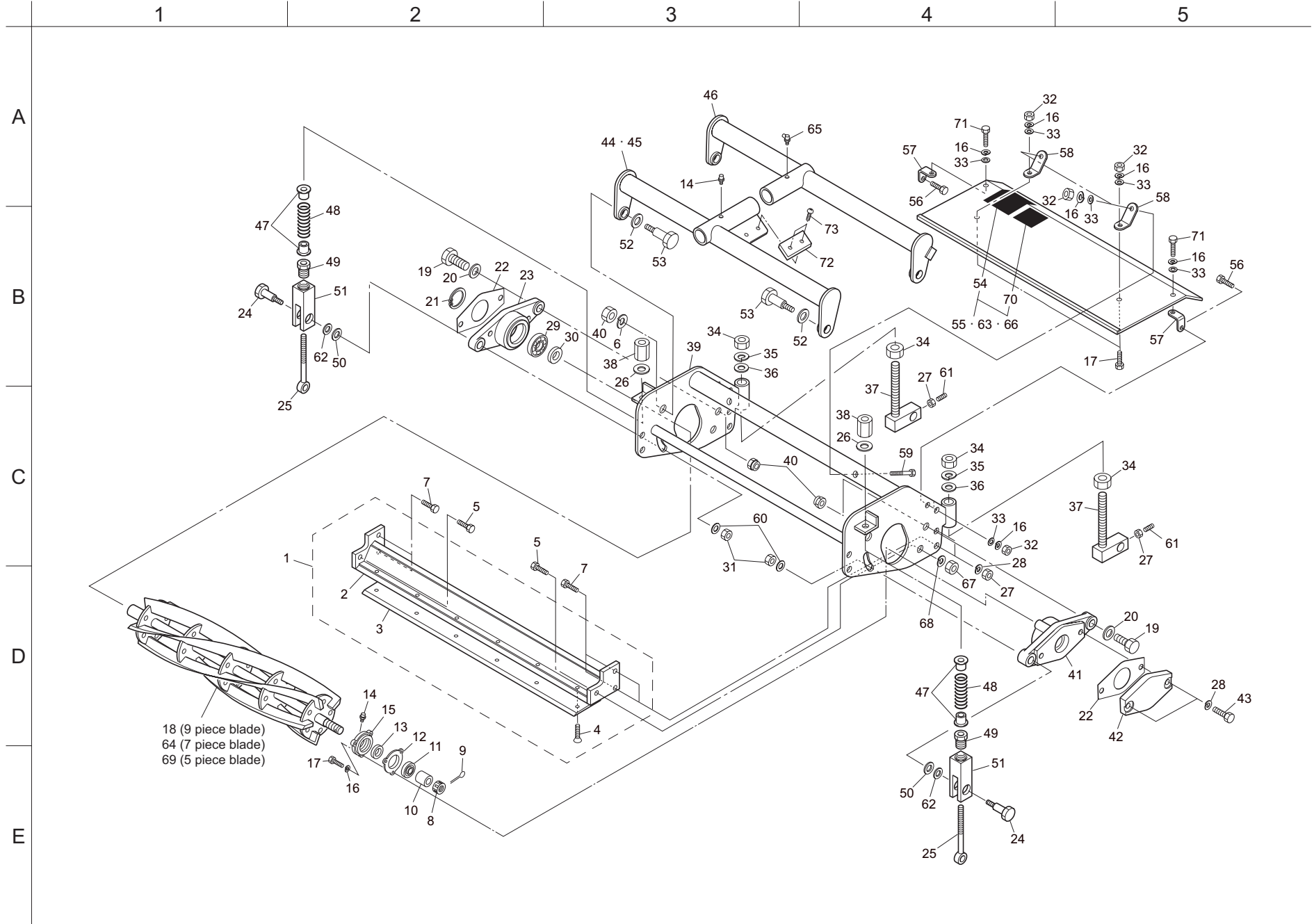


| Cat No. | Code No. | Part Name | Qty | Remark |
|---------|---------------|--------------------------------|-----|--------|
| 14-1 | K6155000220 | shaft | 4 | |
| 14-2 | K5051025370 | 1C5191P metal washer 25.437 | 22 | |
| 14-3 | K5011025372 | 1SPCC metal washer 25.437 | 14 | |
| 14-4 | K0041060152 | 6+ countersunk head screw 15 | 4 | |
| 14-5 | K4033000380 | stop rubber | 2 | |
| 14-6 | LM285--0203ZD | rear lift arm (R) | 1 | |
| 14-7 | K5051030420 | 1C5191P metal washer 3042 | 8 | |
| 14-8 | K1440000030 | B-shaped grease nipple | 4 | |
| 14-9 | K6215000142 | 26 collar with hole 3215 | 5 | |
| 14-10 | K0103140002 | 14 nut P1.5 | 2 | |
| 14-11 | K6030200572 | 20 flat-head pin 57 | 6 | |
| 14-12 | K5012320402 | 2.3SPCC metal washer 2040 | 10 | |
| 14-13 | K0300032402 | 3.2 split pin 40 | 10 | |
| 14-14 | LM285--0205ZD | front lift arm (R) | 1 | |
| 14-15 | K6212000372 | 20.2STKM collar 25.414.5 | 4 | |
| 14-16 | LM318--0209Z2 | cylinder pin 84 | 2 | |
| 14-17 | K7147000232 | 30 pin with hole 196 | 2 | |
| 14-18 | LM318--0221Z2 | front mower arm shaft (L) | 2 | |
| 14-19 | K5012330452 | 2.3SPCC metal washer 3045 | 4 | |
| 14-20 | K0300040502 | 4 split pin 50 | 5 | |
| 14-21 | K1440000020 | C-shaped grease nipple | 1 | |
| 14-22 | LM318--0220AD | rear lift arm | 1 | |
| 14-23 | K7147000242 | 25.4 pin with hole 160 | 1 | |
| 14-24 | LM285--0204ZD | front lift arm (L) | 1 | |
| 14-25 | LM285--0202ZD | rear lift arm (L) | 1 | |
| 14-26 | K0340800002 | 8 snap pin with stopper | 5 | |
| 14-27 | LM285--0201AD | arm frame | 1 | |
| 14-28 | K6030200802 | 20 flat-head pin 80 | 2 | |
| 14-29 | K6040080402 | 8 round head pin 40 | 5 | |
| 14-30 | K6041080488 | 8 hardened round head pin 48.5 | 4 | |
| 14-31 | K0300032252 | 3.2 split pin 25 | 4 | |
| 14-32 | LM526--0619AD | #5 lock lever | 1 | |
| 14-33 | LM526--0618AD | #4 lock lever | 1 | |
| 14-34 | K0210140002 | 14 conical disk spring L | 2 | |
| 14-35 | K0145140002 | 14U nut P1.5 | 2 | |

| Cat No. | Code No. | Part Name | Qty | Remark |
|---------|---------------|----------------------------------|-----|--------|
| 14-36 | K1300000110 | 9 yellow grip 22 | 2 | |
| 14-37 | LM285--0208Z2 | cam | 2 | |
| 14-38 | LM285--0206ZD | unload lever | 2 | |
| 14-39 | K5000080002 | 8 washer | 10 | |
| 14-40 | K0200080002 | 8S washer | 6 | |
| 14-41 | K0000080252 | 8 bolt 25 | 6 | |
| 14-42 | K0608006290 | bearing 6292R5 | 2 | |
| 14-43 | K0100080002 | 8 nut | 4 | |
| 14-44 | K6123000112 | shaft with M14 95.5 | 2 | |
| 14-45 | K5000140002 | 14 washer | 4 | |
| 14-46 | K0200140002 | 14S washer | 2 | |
| 14-47 | K5051016240 | 1C5191P metal washer 1624 | 2 | |
| 14-48 | K0400012002 | stop ring E12 | 2 | |
| 14-49 | K4270035060 | 35 harness clip M6 | 2 | |
| 14-50 | K4532000092 | 4.8 general service chain 7 link | 2 | |
| 14-51 | K0000060202 | 6 bolt 20 | 2 | |
| 14-52 | K5012306162 | 2.3SPCC metal washer 616 | 4 | |
| 14-53 | K0144060002 | 6U nut | 2 | |
| | | | | |
| | | | | |
| | | | | |
| | | | | |
| | | | | |

15. Mower parts (#1, #2, #5) type R

LM285

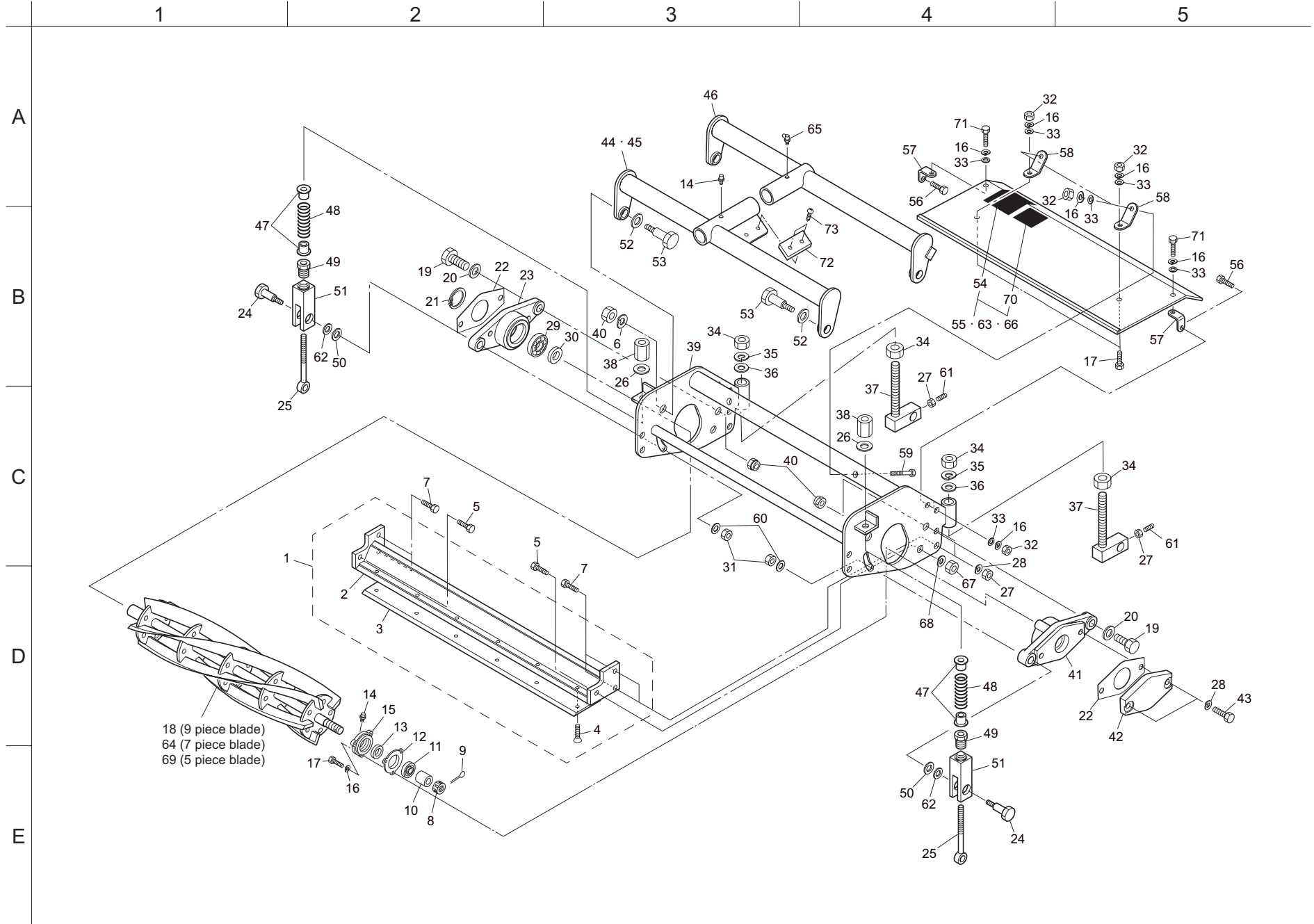


| Cat No. | Code No. | Part Name | Qty | Remark |
|---------|-------------|---|-----|--------|
| 15-1 | K8022000020 | 180 bed knife (R), (L) Ass' y | 3 | |
| 15-2 | K744200006R | bed knife mount base 732 | 3 | |
| 15-3 | K2510000030 | 7 bed knife 85-662 | 3 | |
| 15-4 | K0071000092 | 10 heat-treated countersunk head screw 20 | 18 | |
| 15-5 | K0000120302 | 12 bolt 30 | 6 | |
| 15-6 | K0200140002 | 14S washer | 6 | |
| 15-7 | K0000100252 | 10 bolt 25 | 12 | |
| 15-8 | K0170000012 | 20 slotted special nut | 3 | |
| 15-9 | K0300032252 | 3.2 split pin 25 | 3 | |
| 15-10 | K6212001742 | 20.2STKM collar 2818 | 3 | |
| 15-11 | K0602063040 | bearing 6304Z | 3 | |
| 15-12 | K4011000150 | packing | 3 | |
| 15-13 | K0822542080 | oil seal MHSA25428 | 3 | |
| 15-14 | K1440000010 | grease nipple | 5 | |
| 15-15 | K6903000042 | housing cover | 3 | |
| 15-16 | K0200060002 | 6S washer | 33 | |
| 15-17 | K0000060152 | 6 bolt 15 | 15 | |
| 15-18 | K285260R90R | reel cutter 660-9R | 3 | |
| 15-19 | K0071001132 | support shaft bolt | 6 | |
| 15-20 | K5012314252 | 2.3SPCC metal washer 1425 | 6 | |
| 15-21 | K0402072001 | stop ring R72 | 3 | |
| 15-22 | K4011000290 | packing | 6 | |
| 15-23 | K6903000202 | hydraulic motor housing B | 3 | |
| 15-24 | K6082000122 | housing bolt | 6 | |
| 15-25 | K7303000182 | cutter adjusting bolt | 6 | |
| 15-26 | K5051010160 | 1C5191P metal washer 1016 | 6 | |
| 15-27 | K0100100002 | 10 nut | 18 | |
| 15-28 | K0200100002 | 10S washer | 18 | |
| 15-29 | K0602062070 | bearing 6207Z | 3 | |
| 15-30 | K0823560120 | oil seal MHSA356012 | 3 | |
| 15-31 | K0145100002 | 10U nut P1.25 | 6 | |
| 15-32 | K0100060002 | 6 nut | 18 | |
| 15-33 | K5000060002 | 6 washer | 24 | |
| 15-34 | K0108180002 | 18 nut 3P1.5 | 12 | |
| 15-35 | K0200180002 | 18S washer | 6 | |

| Cat No. | Code No. | Part Name | Qty | Remark |
|---------|---------------|---|-----|-------------------|
| 15-36 | K5012018282 | 2SPCC metal washer 1828 | 6 | |
| 15-37 | LM526A-0108Z2 | cutting height adjusting screw | 6 | |
| 15-38 | K0160000032 | 10 receiving blade adjusting nut P1 | 6 | |
| 15-39 | K705200006R | mower frame | 3 | |
| 15-40 | K0105140002 | 14 nut 3P1.5 | 12 | |
| 15-41 | K6903000212 | reel housing | 3 | |
| 15-42 | K690300017D | reel housing cover | 3 | |
| 15-43 | K0000100452 | 10 bolt 45 | 6 | |
| 15-44 | LM285--0102ZR | #2, 4 mower arm | 1 | for mower unit #2 |
| 15-45 | LM285--0101ZR | #3, 5 mower arm | 1 | for mower unit #5 |
| 15-46 | LM282--0158ZR | rear mower frame | 1 | |
| 15-47 | K6206000052 | spring receiver | 12 | |
| 15-48 | K1000000458 | 5 compression spring 2560 | 6 | |
| 15-49 | K6081000082 | pipe with cutter adjusting screw | 6 | |
| 15-50 | K5012310172 | 2.3SPCC metal washer 1017 | 6 | |
| 15-51 | K6090000552 | adjusting screw mount base | 6 | |
| 15-52 | K5011020282 | 1SPCC metal washer 2028 | 6 | |
| 15-53 | K6082000132 | frame bolt | 6 | |
| 15-54 | K4205001600 | caution label (cutting) | 3 | |
| 15-55 | K9010000110 | reel cover (L) with mark | 1 | for mower unit #2 |
| 15-56 | K0000060202 | 6 bolt 20 | 6 | |
| 15-57 | K5206000522 | cover mount plate | 6 | |
| 15-58 | K527600041R | cover mount plate | 6 | |
| 15-59 | K0003060502 | 6 bolt 50 | 6 | |
| 15-60 | K5073210242 | 3.2SPCC metal washer 1024 | 6 | |
| 15-61 | K0023100251 | 10 hollow set screw 25 | 6 | |
| 15-62 | K0214100002 | 10 metal washer with conical disk spring 2L | 6 | |
| 15-63 | LM282--0140A0 | reel cover rear with mark | 1 | for mower unit #1 |
| 15-64 | K285260R70R | reel cutter 660-7R | 3 | |
| 15-65 | K1440000020 | C-shaped grease nipple | 1 | |
| 15-66 | K9010000120 | reel cover right with mark | 1 | for mower unit #5 |
| 15-67 | K0100120002 | 12 nut | 6 | |
| 15-68 | K0200120002 | 12S washer | 6 | |
| 15-69 | K285260R50R | reel cutter 660-5R | 3 | |
| 15-70 | K4205001650 | caution label (flying objects) | 3 | |

15. Mower parts (#1, #2, #5) type R

LM285

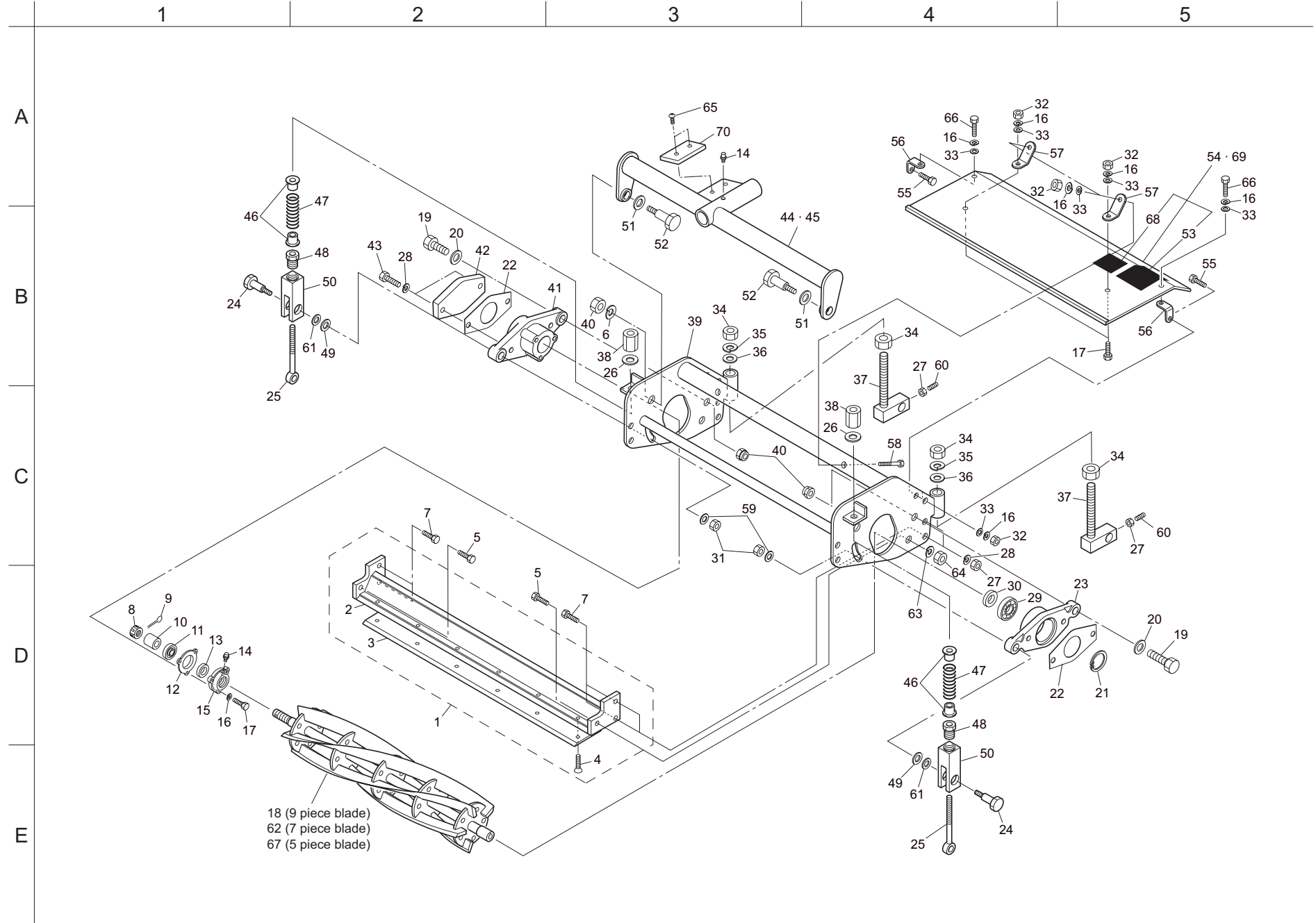


| Cat No. | Code No. | Part Name | Qty | Remark |
|---------|-------------|------------------------------|-----|--------|
| 15-71 | K0000060102 | 6 bolt 10 | 6 | |
| 15-72 | K4033000380 | stop rubber | 2 | |
| 15-73 | K0041060152 | 6+ round head small screw 15 | 4 | |
| | | | | |
| | | | | |
| | | | | |
| | | | | |
| | | | | |
| | | | | |
| | | | | |
| | | | | |
| | | | | |
| | | | | |

| Cat No. | Code No. | Part Name | Qty | Remark |
|---------|----------|-----------|-----|--------|
| | | | | |
| | | | | |
| | | | | |
| | | | | |
| | | | | |
| | | | | |
| | | | | |
| | | | | |
| | | | | |
| | | | | |
| | | | | |
| | | | | |
| | | | | |

16. Mower parts (#3, #4) type R

LM285

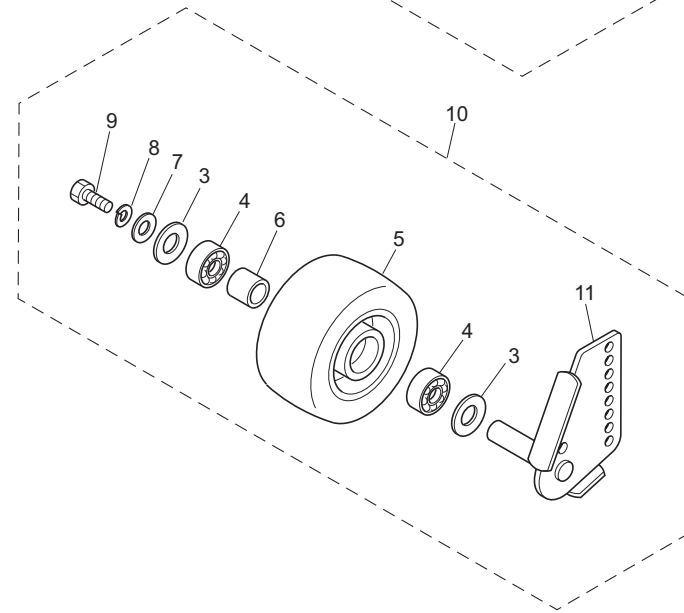
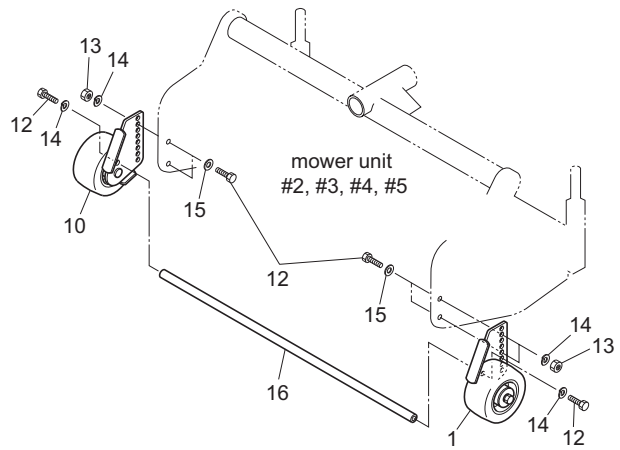
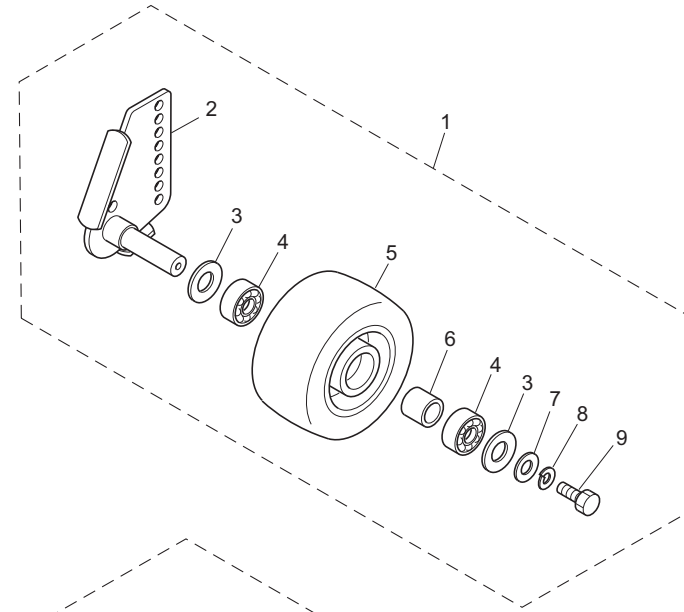
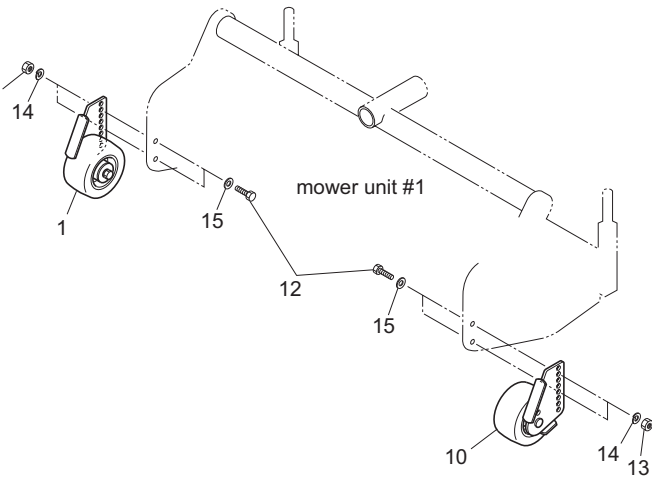


| Cat No. | Code No. | Part Name | Qty | Remark |
|---------|-------------|---|-----|--------|
| 16-1 | K8022000020 | 180 bed knife (R), (L) Ass' y | 2 | |
| 16-2 | K744200006R | bed knife mount base 732 | 2 | |
| 16-3 | K2510000030 | 7 bed knife 85-662 | 2 | |
| 16-4 | K0071000092 | 10 heat-treated countersunk head screw 20 | 12 | |
| 16-5 | K0000120302 | 12 bolt 30 | 4 | |
| 16-6 | K0200140002 | 14S washer | 4 | |
| 16-7 | K0000100252 | 10 bolt 25 | 8 | |
| 16-8 | K0170000012 | 20 slotted special nut | 2 | |
| 16-9 | K0300032252 | 3.2 split pin 25 | 2 | |
| 16-10 | K6212001742 | 20.2STKM collar 2818 | 2 | |
| 16-11 | K0602063040 | bearing 6304Z | 2 | |
| 16-12 | K4011000150 | packing | 2 | |
| 16-13 | K0822542080 | oil seal MHSA25428 | 2 | |
| 16-14 | K1440000010 | grease nipple | 4 | |
| 16-15 | K6903000042 | housing cover | 2 | |
| 16-16 | K0200060002 | 6S washer | 22 | |
| 16-17 | K0000060152 | 6 bolt 15 | 10 | |
| 16-18 | K285260L90R | reel cutter 660-9L | 2 | |
| 16-19 | K0071001132 | support shaft bolt | 4 | |
| 16-20 | K5012314252 | 2.3SPCC metal washer 1425 | 4 | |
| 16-21 | K0402072001 | stop ring R72 | 2 | |
| 16-22 | K4011000290 | packing | 4 | |
| 16-23 | K6903000192 | hydraulic motor housing A | 2 | |
| 16-24 | K6082000122 | housing bolt | 4 | |
| 16-25 | K7303000182 | cutter adjusting bolt | 4 | |
| 16-26 | K5051010160 | 1C5191P metal washer 1016 | 4 | |
| 16-27 | K0100100002 | 10 nut | 12 | |
| 16-28 | K0200100002 | 10S washer | 12 | |
| 16-29 | K0602062070 | bearing 6207Z | 2 | |
| 16-30 | K0823560120 | oil seal MHSA356012 | 2 | |
| 16-31 | K0145100002 | 10U nut P1.25 | 4 | |
| 16-32 | K0100060002 | 6 nut | 12 | |
| 16-33 | K5000060002 | 6 washer | 16 | |
| 16-34 | K0108180002 | 18 nut 3P1.5 | 8 | |
| 16-35 | K0200180002 | 18S washer | 4 | |

| Cat No. | Code No. | Part Name | Qty | Remark |
|---------|---------------|---|-----|-------------------|
| 16-36 | K5012018282 | 2SPCC metal washer 1828 | 4 | |
| 16-37 | LM526A-0108Z2 | cutting height adjusting screw | 4 | |
| 16-38 | K0160000032 | 10 receiving blade adjusting nut P1 | 4 | |
| 16-39 | K705200006R | mower frame | 2 | |
| 16-40 | K0105140002 | 14 nut 3P1.5 | 8 | |
| 16-41 | K6903000212 | reel housing | 2 | |
| 16-42 | K690300017D | reel housing cover | 2 | |
| 16-43 | K0000100452 | 10 bolt 45 | 4 | |
| 16-44 | LM285--0102ZR | #2, 4 mower arm | 1 | for mower unit #4 |
| 16-45 | LM285--0101ZR | #3, 5 mower arm | 1 | for mower unit #3 |
| 16-46 | K6206000052 | spring receiver | 8 | |
| 16-47 | K1000000458 | 5 compression spring 2560 | 4 | |
| 16-48 | K6081000082 | pipe with cutter adjusting screw | 4 | |
| 16-49 | K5012310172 | 2.3SPCC metal washer 1017 | 4 | |
| 16-50 | K6090000552 | adjusting screw mount base | 4 | |
| 16-51 | K5011020282 | 1SPCC metal washer 2028 | 4 | |
| 16-52 | K6082000132 | frame bolt | 4 | |
| 16-53 | K4205001600 | caution label (cutting) | 2 | |
| 16-54 | K9010000120 | reel cover (R) with mark | 1 | for mower unit #3 |
| 16-55 | K0000060202 | 6 bolt 20 | 4 | |
| 16-56 | K5206000522 | cover mount plate | 4 | |
| 16-57 | K527600041R | cover mount plate | 4 | |
| 16-58 | K0003060502 | 6 bolt 50 | 4 | |
| 16-59 | K5073210242 | 3.2SPCC metal washer 1024 | 4 | |
| 16-60 | K0023100251 | 10 hollow set screw 25 | 4 | |
| 16-61 | K0214100002 | 10 metal washer with conical disk spring 2L | 4 | |
| 16-62 | K285260L70R | reel cutter 660-7L | 2 | |
| 16-63 | K0200120002 | 12S washer | 4 | |
| 16-64 | K0100120002 | 12 nut | 4 | |
| 16-65 | K0041060152 | 6+ round head small screw 15 | 4 | |
| 16-66 | K0000060102 | 6 bolt 10 | 4 | |
| 16-67 | K285260L50R | reel cutter 660-5L | 2 | |
| 16-68 | K4205001650 | caution label (flying objects) | 2 | |
| 16-69 | K9010000110 | reel cover (L) with mark | 1 | for mower unit #4 |
| 16-70 | K4033000380 | stop rubber | 2 | |

17. Wheel parts

LM285

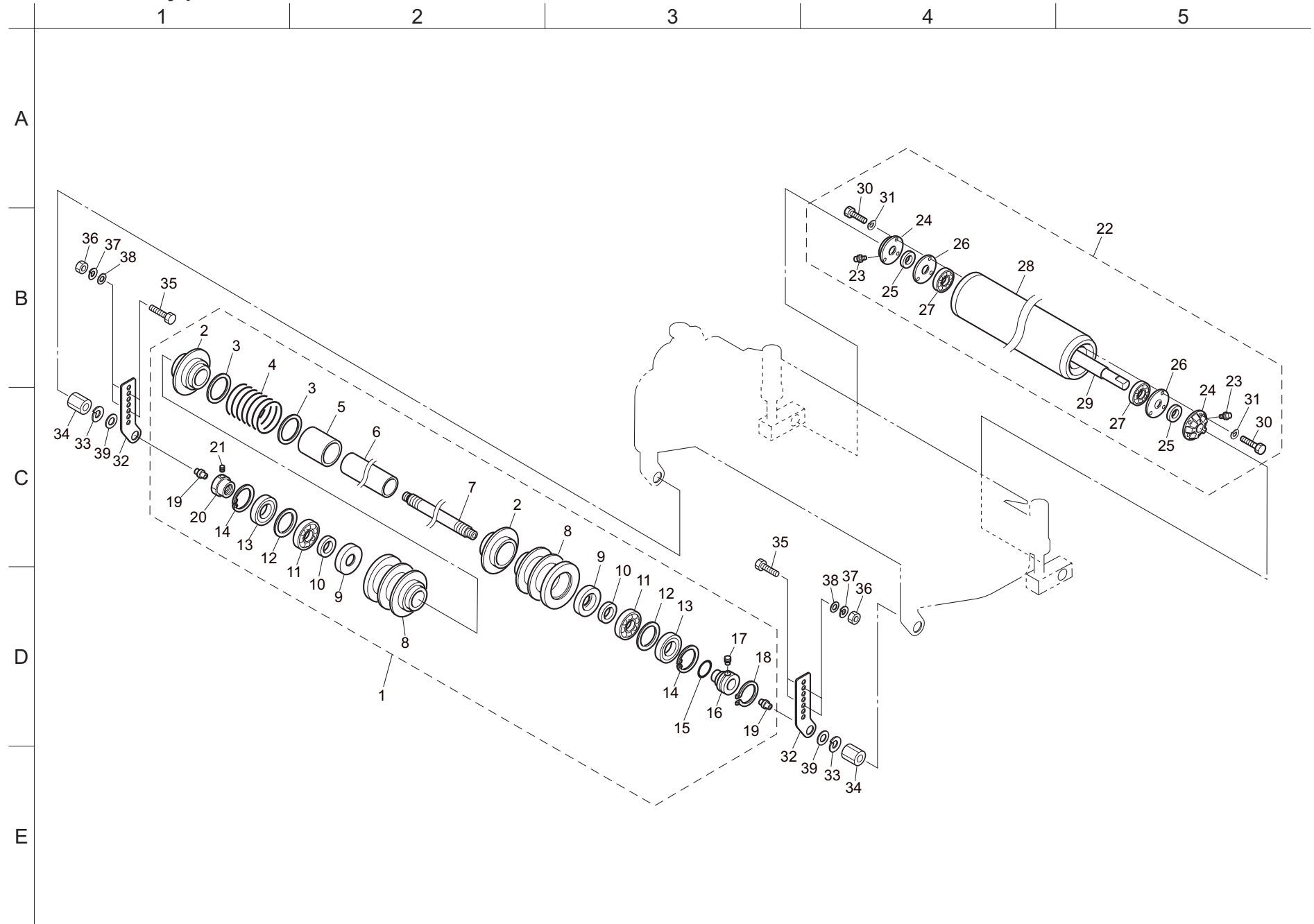


| Cat No. | Code No. | Part Name | Qty | Remark |
|---------|---------------|-----------------------------|-----|--------|
| 17-1 | LM526R-0125Z0 | front wheel (L) Ass' y | 1 | |
| 17-2 | LM526R-0108Z2 | front roller bracket (L) | 1 | |
| 17-3 | K5030520430 | 0.5C2801P metal washer 2043 | 4 | |
| 17-4 | K0612062040 | bearing 62042RD | 4 | |
| 17-5 | K2110000030 | rubber wheel 150 | 2 | |
| 17-6 | K6212000640 | 20.2STKM collar 25.433 | 2 | |
| 17-7 | K6204000212 | wheel clamping washer | 2 | |
| 17-8 | K0200080002 | 8S washer | 2 | |
| 17-9 | K0000080202 | 8 bolt 20 | 2 | |
| 17-10 | LM526R-0126Z0 | front wheel (R) Ass' y | 1 | |
| 17-11 | LM526R-0109Z2 | front roller bracket (R) | 1 | |
| 17-12 | K0000100252 | 10 bolt 25 | 6 | |
| 17-13 | K0100100002 | 10 nut | 4 | |
| 17-14 | K0200100002 | 10S washer | 6 | |
| 17-15 | K5000100002 | 10 washer | 4 | |
| 17-16 | LM526R-0110Z2 | stay pipe | 1 | |
| | | | | |
| | | | | |
| | | | | |
| | | | | |

| Cat No. | Code No. | Part Name | Qty | Remark |
|---------|----------|-----------|-----|--------|
| | | | | |
| | | | | |
| | | | | |
| | | | | |
| | | | | |
| | | | | |
| | | | | |
| | | | | |
| | | | | |

18. Roller Ass'y parts

LM285



| Cat No. | Code No. | Part Name | Qty | Remark |
|---------|-------------|---------------------------|-----|--------|
| 18-1 | K8021000420 | slotted roller Ass' y | 1 | |
| 18-2 | K5920000060 | 80 roller | 18 | |
| 18-3 | K5051035470 | 1C5191P metal washer 3547 | 2 | |
| 18-4 | K100000073D | 5 compression spring 5175 | 1 | |
| 18-5 | K6212001612 | 35STKM collar 4049 | 1 | |
| 18-6 | K6226000082 | 28 roller pipe 34578 | 1 | |
| 18-7 | K6121000340 | roller shaft 762 | 1 | |
| 18-8 | K620200046D | slotted roller housing 77 | 2 | |
| 18-9 | K6803000030 | seal housing | 2 | |
| 18-10 | K0822035080 | oil seal MHSA20358 | 2 | |
| 18-11 | K0631302040 | taper roller 30204JRP6 | 2 | |
| 18-12 | K6212001192 | 42STKM collar 473.25 | 2 | |
| 18-13 | K0822547080 | oil seal MHSA25478 | 2 | |
| 18-14 | K0402047001 | stop ring R47 | 2 | |
| 18-15 | K0880020000 | O-ring P20 | 1 | |
| 18-16 | K6219000210 | 17 collar 3628.25 | 1 | |
| 18-17 | K0071000778 | drum collar stopper | 1 | |
| 18-18 | K0401036001 | stop ring S36 | 1 | |
| 18-19 | K1440000050 | M8 grease nipple | 2 | |
| 18-20 | K0160000550 | 20 nut 27 | 1 | |
| 18-21 | K0023060081 | 6 hollow set screw 8 | 1 | |
| 18-22 | K8021000430 | roller Ass' y 764 | 1 | |
| 18-23 | K1440000010 | grease nipple | 2 | |
| 18-24 | K6810000070 | seal housing | 2 | |
| 18-25 | K0821730080 | oil seal MHSA17308 | 2 | |
| 18-26 | K4015136650 | 1 fiber 3665 | 2 | |
| 18-27 | K0602062030 | bearing 6203Z | 2 | |
| 18-28 | K740000016D | 76.2 roller 674 | 1 | |
| 18-29 | K6155000190 | roller shaft 764 | 1 | |
| 18-30 | K0000060122 | 6 bolt 12 | 6 | |
| 18-31 | K0200060002 | 6S washer | 6 | |
| 18-32 | K5131001882 | roller bracket | 2 | |
| 18-33 | K0200140002 | 14S washer | 2 | |
| 18-34 | K0160000532 | 14 high nut 20 | 2 | |
| 18-35 | K0000100252 | 10 bolt 25 | 4 | |

| Cat No. | Code No. | Part Name | Qty | Remark |
|---------|-------------|---------------------------|-----|--------|
| 18-36 | K0100100002 | 10 nut | 4 | |
| 18-37 | K0200100002 | 10S washer | 4 | |
| 18-38 | K5000100002 | 10 washer | 4 | |
| 18-39 | K5073214252 | 3.2SPHC metal washer 1425 | 2 | |
| | | | | |
| | | | | |
| | | | | |
| | | | | |
| | | | | |
| | | | | |
| | | | | |
| | | | | |
| | | | | |
| | | | | |
| | | | | |
| | | | | |
| | | | | |
| | | | | |
| | | | | |
| | | | | |
| | | | | |
| | | | | |
| | | | | |
| | | | | |
| | | | | |

19. Accessory parts

LM285

| | | | | |
|---|---|---|---|---|
| 1 | 2 | 3 | 4 | 5 |
|---|---|---|---|---|

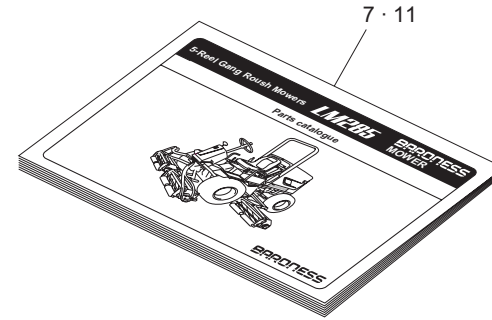
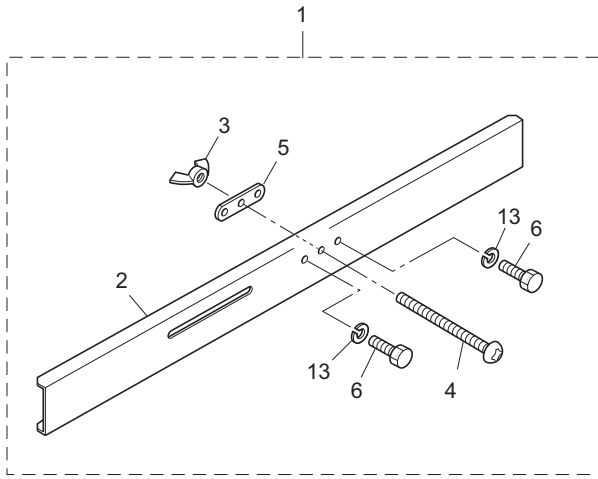
A

B

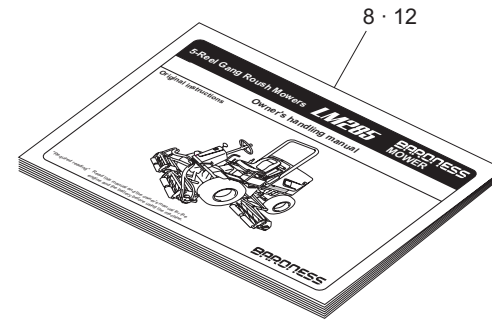
C

D

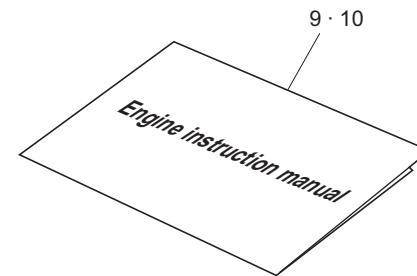
E



7 · 11



8 · 12



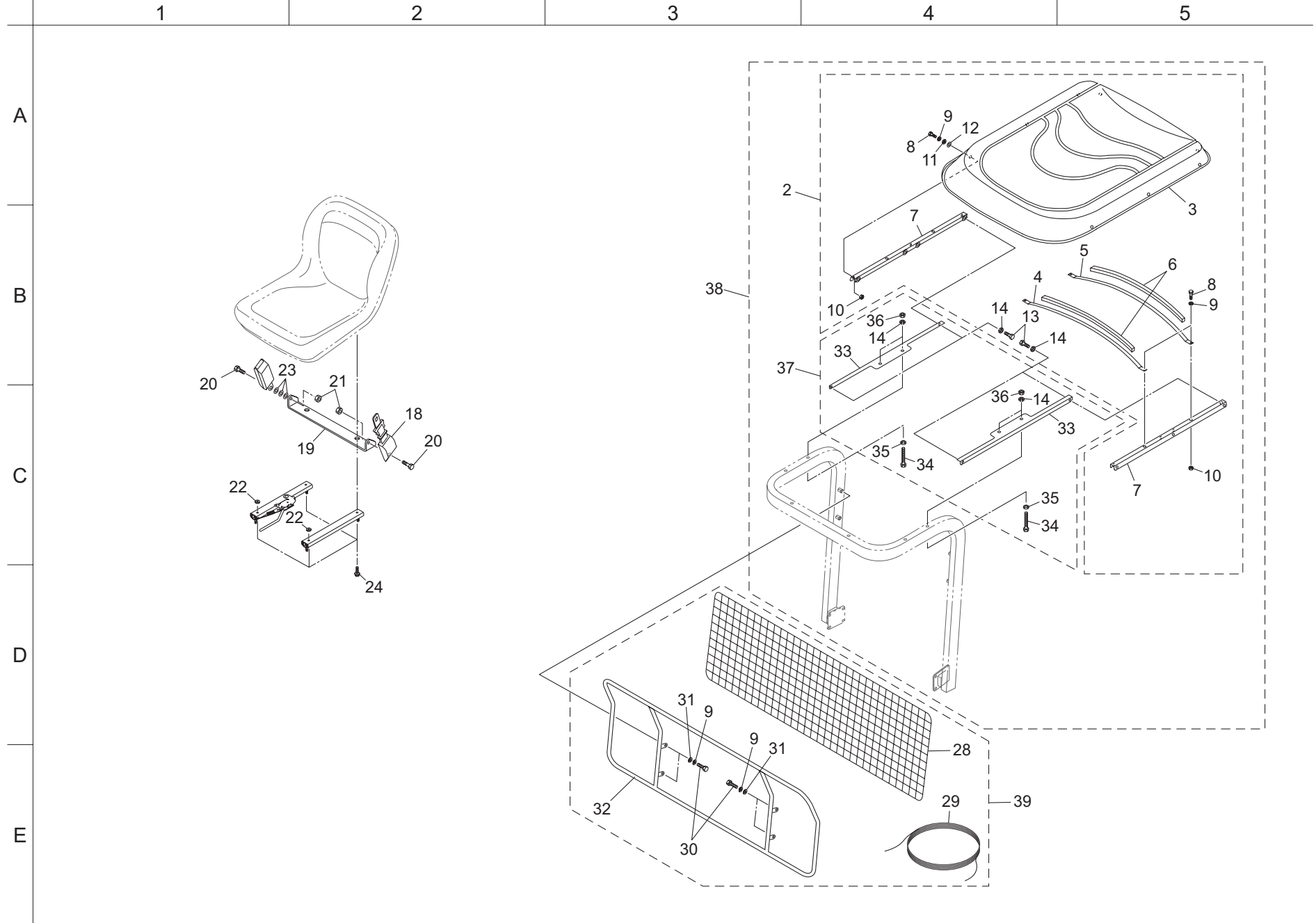
9 · 10

| Cat No. | Code No. | Part Name | Qty | Remark |
|---------|----------------|---|-----|--------|
| 19-1 | K4825000060 | cutting height gauge 600 Ass' y | 1 | |
| 19-2 | K482500003D | cutting height gauge 600 | 1 | |
| 19-3 | K0141060002 | 6 wing nut 3 | 1 | |
| 19-4 | K0071000522 | 6 cutting height screw 75 | 1 | |
| 19-5 | K4825000042 | screw mount plate | 1 | |
| 19-6 | K0021060102 | 6 bolt with flange 10 | 2 | |
| 19-7 | 750101-64-B | LM285 Parts Catalogue | 1 | |
| 19-8 | 750101-64-A | LM285 owner's handling manual | 1 | |
| 19-9 | PF1J987-8916-2 | engine instruction manual (English) | 1 | |
| 19-10 | PF1G398-8911-3 | engine instruction manual (Japanese) | 1 | |
| 19-11 | 750101-67-B | LM285 Parts Catalogue (Japanese) | 1 | |
| 19-12 | 750101-67-A | LM285 owner' s handling manual (Japanese) | 1 | |
| 19-13 | K0200060002 | 6S washer | 2 | |
| | | | | |
| | | | | |
| | | | | |
| | | | | |
| | | | | |
| | | | | |

| Cat No. | Code No. | Part Name | Qty | Remark |
|---------|----------|-----------|-----|--------|
| | | | | |
| | | | | |
| | | | | |
| | | | | |
| | | | | |
| | | | | |
| | | | | |
| | | | | |
| | | | | |
| | | | | |

20. Option

LM285



BARONESS[®]
Quality on Demand

 **KYOEISHA CO., LTD.**
Head Office 1-26, Miyuki-cho, Toyokawa, Tel : (0533)84-1390
Aichi-Pref. 442-8530 Japan. Fax : (0533)89-3623