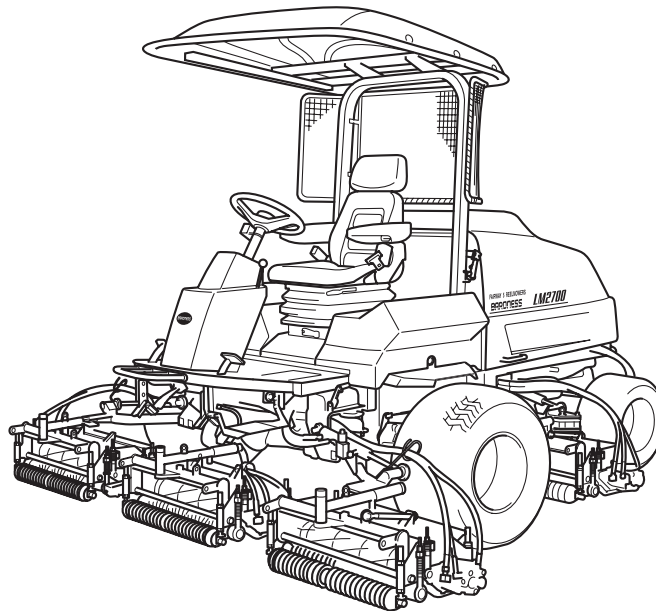


LM2700

5-Unit Reel Mower

Parts catalog



BARONNESS[®]
Quality on Demand

Serial No. LM2700 : 11203-

Ver. 3.4

Contents

101. Frame section A for 26inch	3	147. Mower section D (Reel cutter) for 22inch	79
102. Frame section B for 22inch	7	148. Mower section E for 26inch	81
103. Frame section C	11	149. Mower section F for 22inch	83
104. Cover section	13	150. Front roller ASSY section A for 26inch	85
105. Front wheel section	15	151. Front roller ASSY section B for 22inch	87
106. Rear wheel section	17	152. Rear roller ASSY section A for 26inch	89
107. Pedal section A	19	153. Rear roller ASSY section B for 22inch	91
108. Pedal section B	21	154. Groomer ASSY section A (#1,3,5) for 26inch	93
109. Engine section A	23	155. Groomer ASSY section B (#1,3,5) for 22inch	95
110. Engine section B	27	156. Groomer ASSY section C (#1,3,5) for 26inch	97
111. Engine section C for 26inch	31	157. Groomer ASSY section D (#1,3,5) for 22inch	99
112. Engine section C for 22inch	33	158. Groomer ASSY section E (#2,4) for 26inch	101
113. Engine section E (Engine)	35	159. Groomer ASSY section F (#2,4) for 22inch	103
114. Hydraulic section A	37	160. Groomer ASSY section G (#2,4) for 26inch	105
115. Hydraulic section B	41	161. Groomer ASSY section H (#2,4) for 22inch	107
116. Hydraulic section C	43	162. CR brush section A (B type/#1,3,5/accompanied by groomer) for 26inch	109
117. Hydraulic section D	45	163. CR brush section B (B type/#1,3,5/accompanied by groomer) for 22inch	111
118. Hydraulic section E	47	164. CR brush section C (A type/#1,3,5) for 26inch	113
119. Hydraulic section F	49	165. CR brush section D (A type/#1,3,5) for 22inch	115
120. Hydraulic section G	51	166. CR brush section E (B type/#2,4/accompanied by groomer) for 26inch	117
121. Hydraulic section H	55	167. CR brush section F (B type/#2,4/accompanied by groomer) for 22inch	119
122. Front lift arm section A for 26inch	57	168. CR brush section G (A type/#2,4) for 26inch	121
123. Front lift arm section B for 22inch	59	169. CR brush section H (A type/#2,4) for 22inch	123
124. Rear lift arm section A for 26inch	61	170. CR brush section J (B type/Drive ASSY)	125
125. Rear lift arm section A for 22inch	63	171. Front scraper section A for 26inch	127
132. Accessories	65	172. Front scraper section B for 22inch	129
133. Grass catcher section A for 26inch	67	173. Rear scraper section A (bar type) for 26inch	131
134. Grass catcher section B for 22inch	69	174. Rear scraper section B (bar type) for 22inch	133
143. Light section	71	175. Rear scraper section A (wire type) for 26inch	135
144. Mower section A for 26inch	73	176. Rear scraper section B (wire type) for 22inch	137
145. Mower section B for 22inch	75		
146. Mower section C (Reel cutter) for 26inch	77		

5-Unit Reel Mower

LM2700

Parts catalog

(For ordering parts)

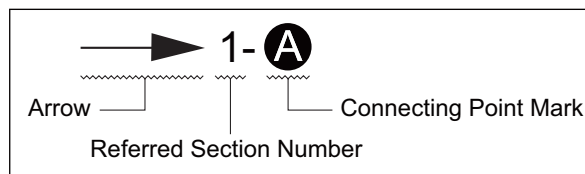
For prevention of delivery of wrong parts, be sure to inform us of the code number and the part name.

Example:	Code No.	Part Name	Qty
	K0200100002	WASHER, SPRING M10	8

<Indication of the connecting point shown on the other page>

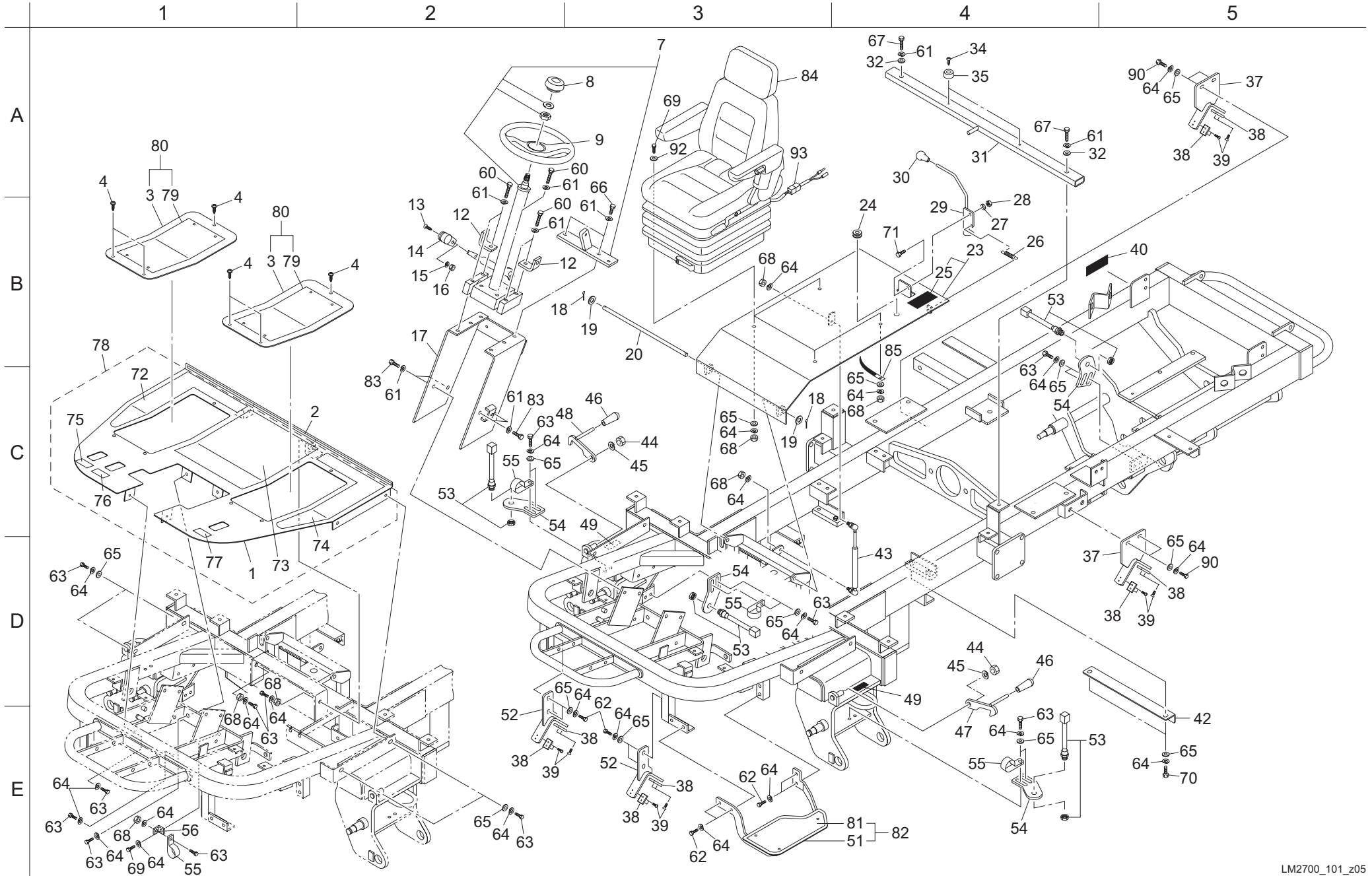
(Example and description)

The following indication shows the connecting point of the part shown on the other page.



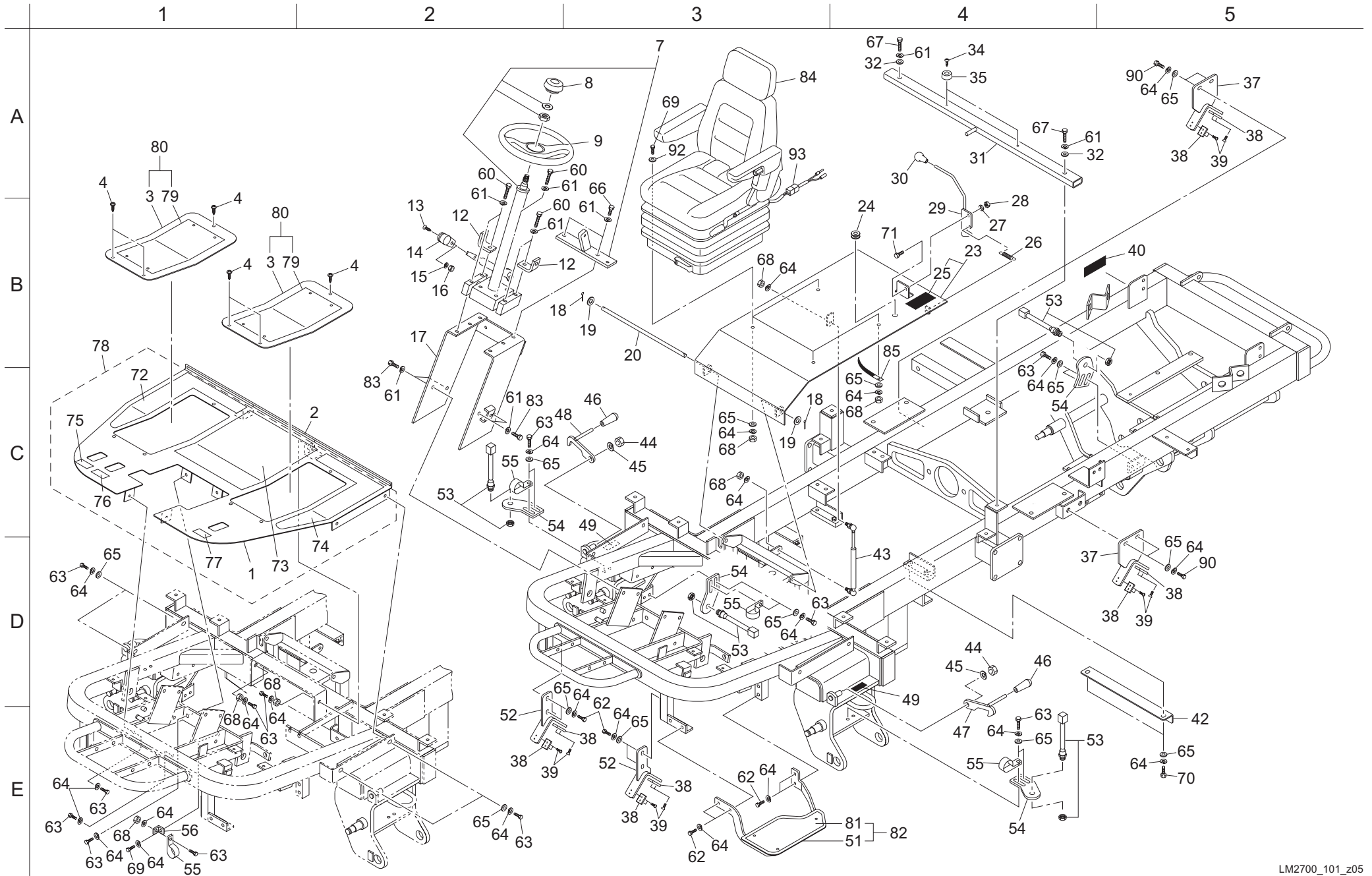
- 1- **A** : Refer to the point **A** in the illustration of the section No.1
- 2- **B** : Refer to the point **B** in the illustration of the section No.2

101. Frame section A for 26inch



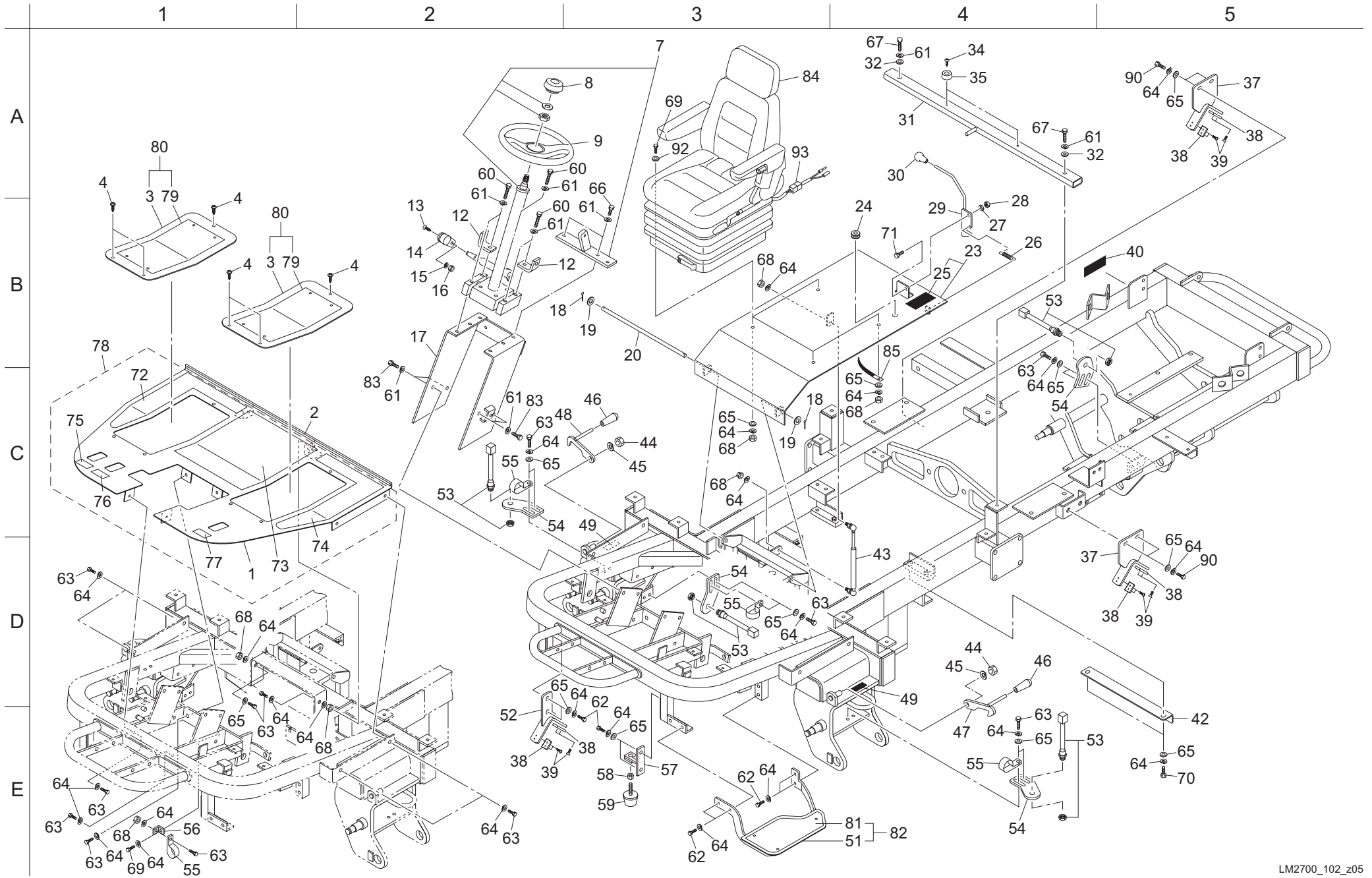
Cat No.	Code No.	Part name	Qty	Remark	SN of application	Cat No.	Code No.	Part name	Qty	Remark	SN of application
101-1	LM2700-0620BD	STEP	1			101-36					
101-2	K3198608900	TRIM, SEAL 6100-16A-890	1			101-37	LM2700-0614AD	STOPPER, MOWER	2		
101-3	LM2700-0621AD	COVER, STEP	2			101-38	LM526A-0107Z0	STOPPER	8		
101-4	K0062080122	BOLT, BUTTON HEAD W/HEX HOLE M8-12	6			101-39	K0041060122	SCREW, + FLAT HEAD M6-12	16		
101-5						101-40	K4205001540	DECAL, CAUTION TO HOT PARTS	1		
101-6						101-41					
101-7	K1730000060	COLUMN, STEERING TILT TYPE	1			101-42	LM2700-0610ZD	STAY	1		
101-8	K1310000130	CAP, RUBBER	1			101-43	K3381000010	GAS-SPRING, C25	1		
101-9	K1710000100	STEERING, V02722-0101A	1			101-44	K0145140002	NUT, W/F-RING M14 P1.5	2		
101-10						101-45	K0210140002	SPRING, CONICAL DISC L M14	2		
101-11						101-46	K1300000110	GRIP, RUBBER YELLOW 9-22	2		
101-12	LM2700-0931ZD	MOUNT, FRONT COVER	2			101-47	LM526--0619AD	LEVER, #5 LOCK	1		
101-13	K0042050082	SCREW, + ROUND HEAD M5-8	1			101-48	LM526--0618AD	LEVER, #4 LOCK	1		
101-14	K1301000150	GRIP, PLASTIC THROTTLE LEVER	1			101-49	K4205000750	DECAL, CAUTION ARM LOCK	2		
101-15	K0200050002	WASHER, SPRING M5	1			101-50					
101-16	K0100050002	NUT, M5	1			101-51	LM2700-0619ZD	STEP	1		
101-17	LM2700-0602ZD	MOUNT, HANDLE	1			101-52	LM2700-0615ZD	STOPPER, MOWER	2		
101-18	K0300032252	PIN, COTTER M3.2-25	2			101-53	LM2700-0557Z0	SENSOR, PROXIMITY E2E-X5E	4		
101-19	K5000120002	WASHER, M12	2			101-54	LM2700-0625ZD	BRACKET, SWITCH	4		
101-20	LM2700-0609Z2	SHAFT, W/HOLES M12-333	1			101-55	K4270050080	CLIP, HARNESS 50 M8	4		
101-21						101-56	LM2700-0571ZD	FITTING	1		
101-22						101-57					
101-23	LM2700-3602Z0	MOUNT COMP, SEAT	1			101-58					
101-24	K0900300240	GROMMET, W/SEALING C30SG24A	1			101-59					
101-25	K4205001580	DECAL, CAUTION TO INJURE	1			101-60	K0000100502	BOLT, M10-50	8		
101-26	K1030000098	SPRING, W/U HOOK M1.6-12-66.8	1			101-61	K0200100002	WASHER, SPRING M10	16		
101-27	K5000100002	WASHER, M10	1			101-62	K0000080152	BOLT, M8-15	8		
101-28	K0144100002	NUT, W/F-RING M10	1			101-63	K0000080202	BOLT, M8-20	20		
101-29	LM2700-0607ZD	LEVER	1			101-64	K0200080002	WASHER, SPRING M8	39		
101-30	K1300000040	GRIP, RUBBER BLACK 9-35.5	1			101-65	K5000080002	WASHER, M8	26		
101-31	LM2700-0608BD	RECEIVER, SEAT	1			101-66	K0000100202	BOLT, M10-20	2		
101-32	K5073210352	WASHER, SPHC 3.2-10-35	2			101-67	K0000100402	BOLT, M10-40	2		
101-33						101-68	K0100080002	NUT, M8	9		
101-34	K0042050152	SCREW, + ROUND HEAD M5-15	2			101-69	K0000080252	BOLT, M8-25	5		
101-35	K4039000130	RUBBER, TK-3220	2			101-70	K0000080302	BOLT, M8-30	2		

101. Frame section A for 26inch



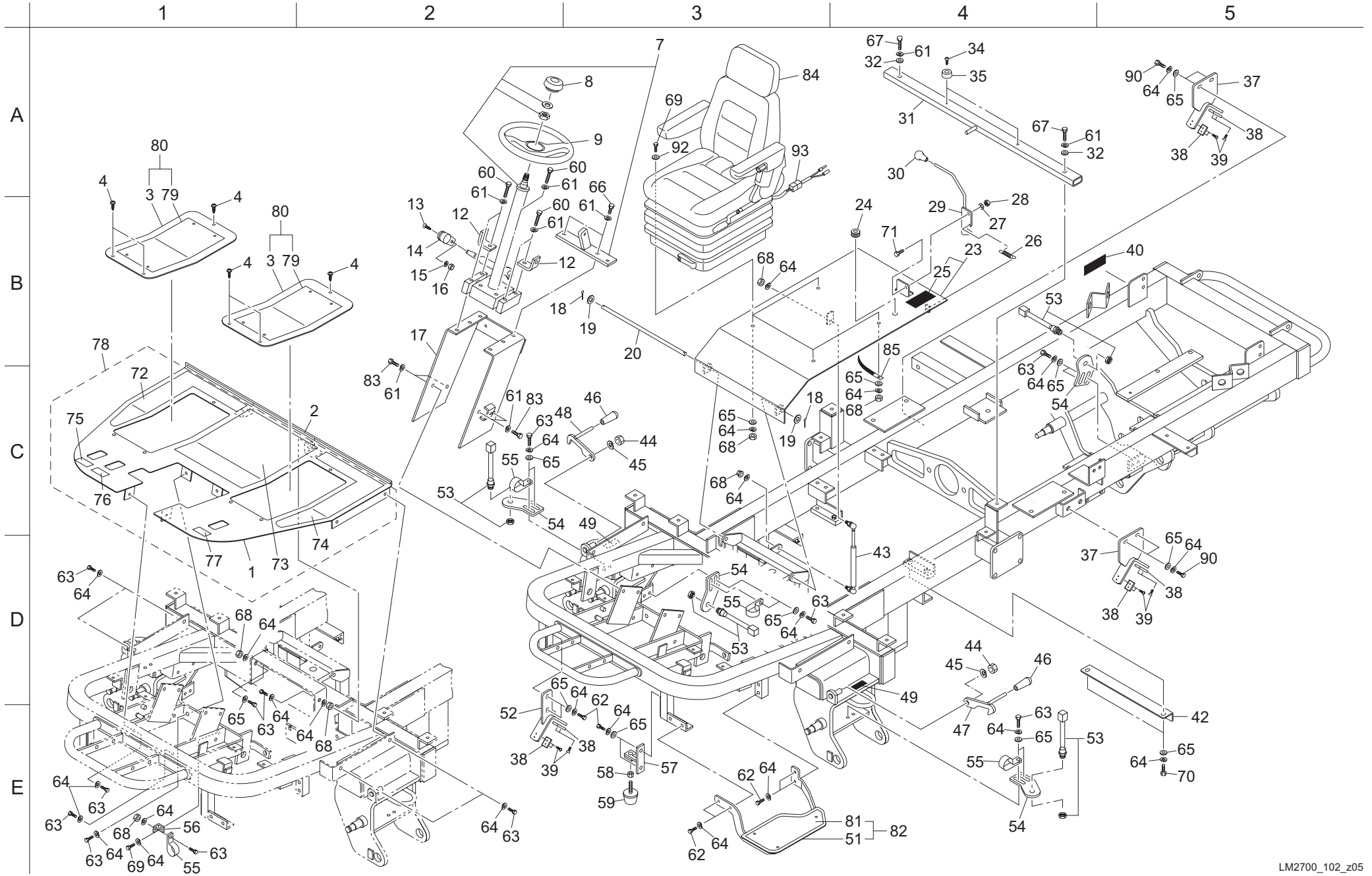
Cat No.	Code No.	Part name	Qty	Remark	SN of application	Cat No.	Code No.	Part name	Qty	Remark	SN of application
101-71	K0000100252	BOLT, M10-25	1								
101-72	K4400000070	SHEET, NONSKID (RH)	1								
101-73	K4400000100	SHEET, NONSKID (CENTER)	1								
101-74	K4400000060	SHEET, NONSKID (LH)	1								
101-75	K4203001440	DECAL, BACKWARD	1								
101-76	K4203001430	DECAL, FORWARD	1								
101-77	K4203001450	DECAL, BRAKE	1								
101-78	LM2700-0640Z0	STEP COMP	1								
101-79	K4400000080	SHEET, NONSKID 346186	2								
101-80	LM2700-0641Z0	COVER COMP, STEP	2								
101-81	K4400000090	SHEET, STEP	1								
101-82	LM2700-0642Z0	STEP COMP	1								
101-83	K0000100152	BOLT, M10-15	4								
101-84	K1700000420	SEAT, SGA18118 W/SUSPENSION	1								
101-85	K4281000020	CLAMP, HARNESS 8.5 80	1								
101-86											
101-87											
101-88											
101-89											
101-90	K0010080202	BOLT, HT M8-20	4								
101-91											
101-92	K5012308242	WASHER, SPCC 2.3-8-24	4								
101-93	K3620001130	WIRE, SEAT SWITCH	1								

102. Frame section B for 22inch



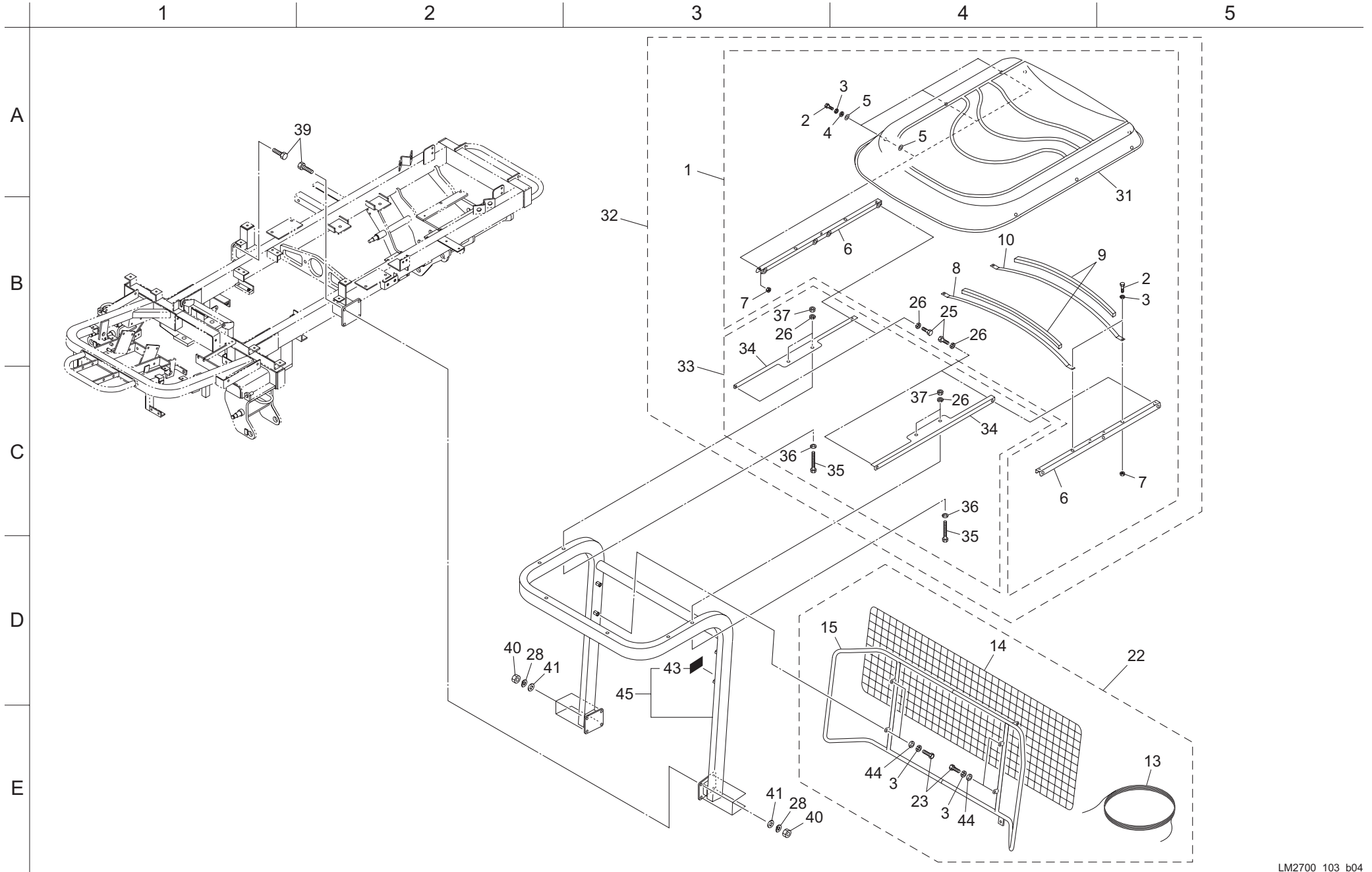
Cat No.	Code No.	Part name	Qty	Remark	SN of application	Cat No.	Code No.	Part name	Qty	Remark	SN of application
102-1	LM2700-0620BD	STEP	1			102-36					
102-2	K3198608900	TRIM, SEAL 6100-16A-890	1			102-37	LM2700-0614AD	STOPPER, MOWER	2		
102-3	LM2700-0621AD	COVER, STEP	2			102-38	LM526A-0107Z0	STOPPER	6		
102-4	K0062080122	BOLT, BUTTON HEAD W/HEX HOLE M8-12	6			102-39	K0041060122	SCREW, + FLAT HEAD M6-12	12		
102-5						102-40	K4205001540	DECAL, CAUTION TO HOT PARTS	1		
102-6						102-41					
102-7	K1730000060	COLUMN, STEERING TILT TYPE	1			102-42	LM2700-0610ZD	STAY	1		
102-8	K1310000130	CAP, RUBBER	1			102-43	K3381000010	GAS-SPRING, C25	1		
102-9	K1710000100	STEERING, V02722-0101A	1			102-44	K0145140002	NUT, W/F-RING M14 P1.5	2		
102-10						102-45	K0210140002	SPRING, CONICAL DISC L M14	2		
102-11						102-46	K1300000110	GRIP, RUBBER YELLOW 9-22	2		
102-12	LM2700-0931ZD	MOUNT, FRONT COVER	2			102-47	LM526--0619AD	LEVER, #5 LOCK	1		
102-13	K0042050082	SCREW, + ROUND HEAD M5-8	1			102-48	LM526--0618AD	LEVER, #4 LOCK	1		
102-14	K1301000150	GRIP, PLASTIC THROTTLE LEVER	1			102-49	K4205001900	DECAL, CAUTION MOWER LOCK	2		
102-15	K0200050002	WASHER, SPRING M5	1			102-50					
102-16	K0100050002	NUT, M5	1			102-51	LM2700-0619ZD	STEP	1		
102-17	LM2700-0602ZD	MOUNT, HANDLE	1			102-52	LM2700-0615ZD	STOPPER, MOWER	1		
102-18	K0300032252	PIN, COTTER M3.2-25	2			102-53	LM2700-0557Z0	SENSOR, PROXIMITY E2E-X5E	4		
102-19	K5000120002	WASHER, M12	2			102-54	LM2700-0625ZD	BRACKET, SWITCH	4		
102-20	LM2700-0609Z2	SHAFT, W/HOLES M12-333	1			102-55	K4270050080	CLIP, HARNESS 50 M8	4		
102-21						102-56	LM2700-0571ZD	FITTING	1		
102-22						102-57	LM2700-2401ZD	STOPPER, MOWER	1		
102-23	LM2700-3602Z0	MOUNT COMP, SEAT	1			102-58	K0100100002	NUT, M10	1		
102-24	K0900300240	GROMMET, W/SEALING C30SG24A	1			102-59	K4049050000	STOPPER, RUBBER KI-50	1		
102-25	K4205001580	DECAL, CAUTION TO INJURE	1			102-60	K0000100502	BOLT, M10-50	8		
102-26	K1030000098	SPRING, W/U HOOK M1.6-12-66.8	1			102-61	K0200100002	WASHER, SPRING M10	16		
102-27	K5000100002	WASHER, M10	1			102-62	K0000080152	BOLT, M8-15	8		
102-28	K0144100002	NUT, W/F-RING M10	1			102-63	K0000080202	BOLT, M8-20	20		
102-29	LM2700-0607ZD	LEVER	1			102-64	K0200080002	WASHER, SPRING M8	39		
102-30	K1300000040	GRIP, RUBBER BLACK 9-35.5	1			102-65	K5000080002	WASHER, M8	20		
102-31	LM2700-0608BD	RECEIVER, SEAT	1			102-66	K0000100202	BOLT, M10-20	2		
102-32	K5073210352	WASHER, SPHC 3.2-10-35	2			102-67	K0000100402	BOLT, M10-40	2		
102-33						102-68	K0100080002	NUT, M8	9		
102-34	K0042050152	SCREW, + ROUND HEAD M5-15	2			102-69	K0000080252	BOLT, M8-25	5		
102-35	K4039000130	RUBBER, TK-3220	2			102-70	K0000080302	BOLT, M8-30	2		

102. Frame section B for 22inch



Cat No.	Code No.	Part name	Qty	Remark	SN of application	Cat No.	Code No.	Part name	Qty	Remark	SN of application
102-71	K0000100252	BOLT, M10-25	1								
102-72	K4400000070	SHEET, NONSKID (RH)	1								
102-73	K4400000100	SHEET, NONSKID (CENTER)	1								
102-74	K4400000060	SHEET, NONSKID (LH)	1								
102-75	K4203001440	DECAL, BACKWARD	1								
102-76	K4203001430	DECAL, FORWARD	1								
102-77	K4203001450	DECAL, BRAKE	1								
102-78	LM2700-0640Z0	STEP COMP	1								
102-79	K4400000080	SHEET, NONSKID 346186	2								
102-80	LM2700-0641Z0	COVER COMP, STEP	2								
102-81	K4400000090	SHEET, STEP	1								
102-82	LM2700-0642Z0	STEP COMP	1								
102-83	K0000100152	BOLT, M10-15	4								
102-84	K1700000420	SEAT, SGA18118 W/SUSPENSION	1								
102-85	K4281000020	CLAMP, HARNESS 8.5 80	1								
102-86											
102-87											
102-88											
102-89											
102-90	K0010080202	BOLT, HT M8-20	4								
102-91											
102-92	K5012308242	WASHER, SPCC 2.3-8-24	4								
102-93	K3620001130	WIRE, SEAT SWITCH	1								

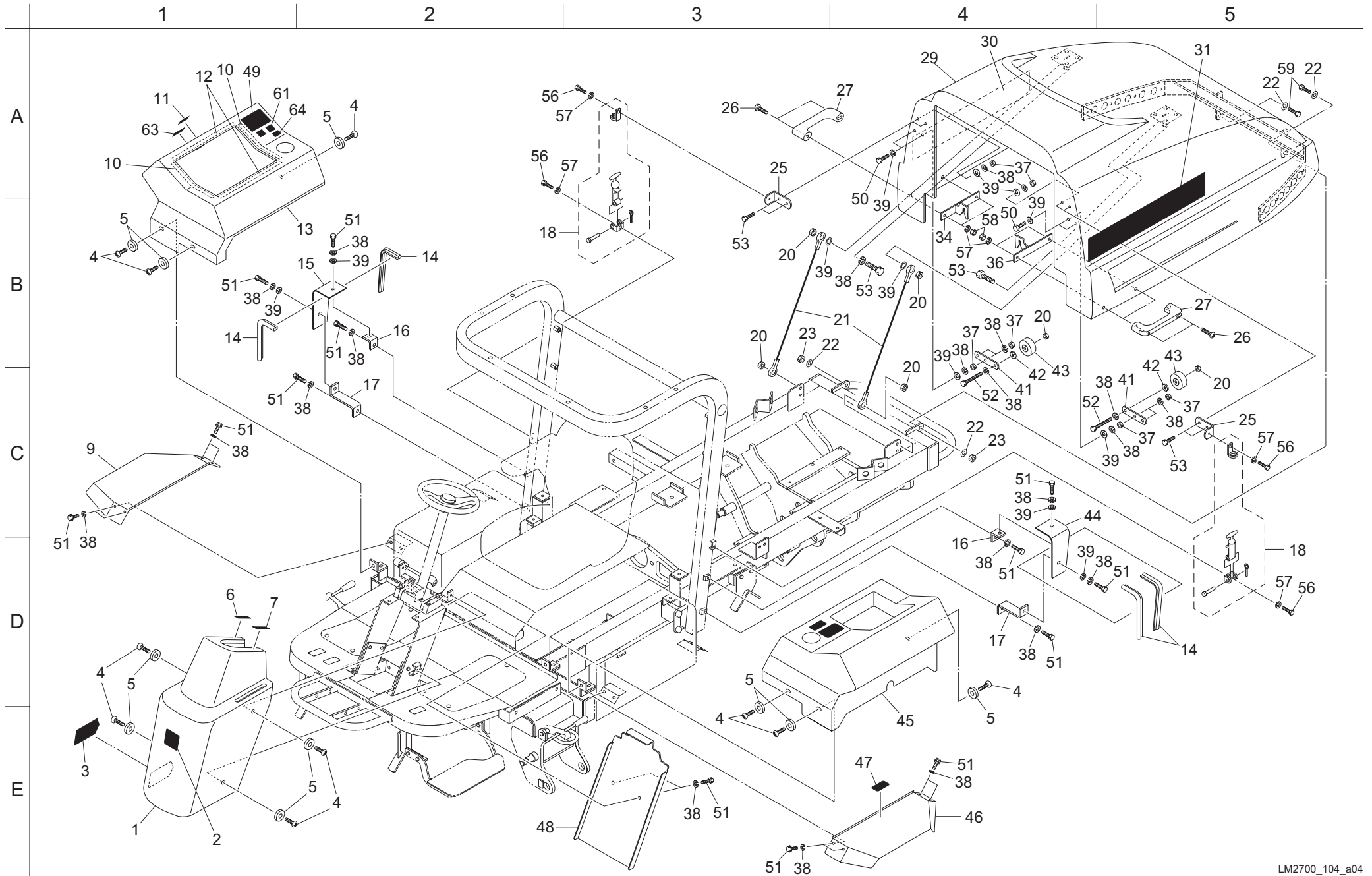
103. Frame section C



Cat No.	Code No.	Part name	Qty	Remark	SN of application
103-1	K9120000030	ROOF ASSY	1		
103-2	K0000080202	BOLT, M8-20	10		
103-3	K0200080002	WASHER, SPRING M8	14		
103-4	K5012308352	WASHER, SPCC 2.3-8-35	6		
103-5	K1900000130	RUBBER, FOR ROOF	8		
103-6	K190000011D	SUPPORT, HOOD	2		
103-7	K0100080002	NUT, M8	10		
103-8	K190000010D	ARCH, B	1		
103-9	K1900000120	SPONGE, URETHANE 20-20840	2		
103-10	K190000009D	ARCH, A	1		
103-11					
103a-12					
103-13	K4140000020	ROPE, 2-6700S	2		
103-14	K4130000020	NET, PROTECTION 550*1375 S	1		
103-15	K789900109D	FRAME, FOR BALL PROOF NET	1		
103-16					
103a-17					
103-18					
103-19					
103-20					
103-21					
103a-22	K8990000040	NET ASSY, PROTECTION	1		
103-23	K0000080152	BOLT, M8-15	4		
103-24					
103-25	K0000100202	BOLT, M10-20	4		
103a-26	K0200100002	WASHER, SPRING M10	8		
103-27					
103a-28	K0200120002	WASHER, SPRING M12	8		
103a-29					
103-30					
103-31	K1900000080	ROOF	1		
103a-32	K9120000060	ROOF AND FRAME ASSY	1		
103a-33	K9120000050	BRACKET SET, FOR AWNING FRAME	1		
103a-34	K520500040D	PLATE, FOR FIXING ROOF	2		
103a-35	K0000101002	BOLT, M10-100	4		

Cat No.	Code No.	Part name	Qty	Remark	SN of application
103a-36	K5000100002	WASHER, M10	4		
103a-37	K0100100002	NUT, M10	4		
103b-38					
103-39	K001A120401	BOLT, 13T W/HEX HOLE M12-40	8		
103-40	K0191120001	NUT, 10T SCM435H M12	8		
103-41	K5012312222	WASHER, SPCC 2.3-12-22	8		
103-42					
103a-43	K4205001710	DECAL, CAUTION TO ROPS	1		
103-44	K5000080002	WASHER, M8	4		
103b-45	LM2700-5102B0	ROPS, W/ MARK (LM2700)	1		

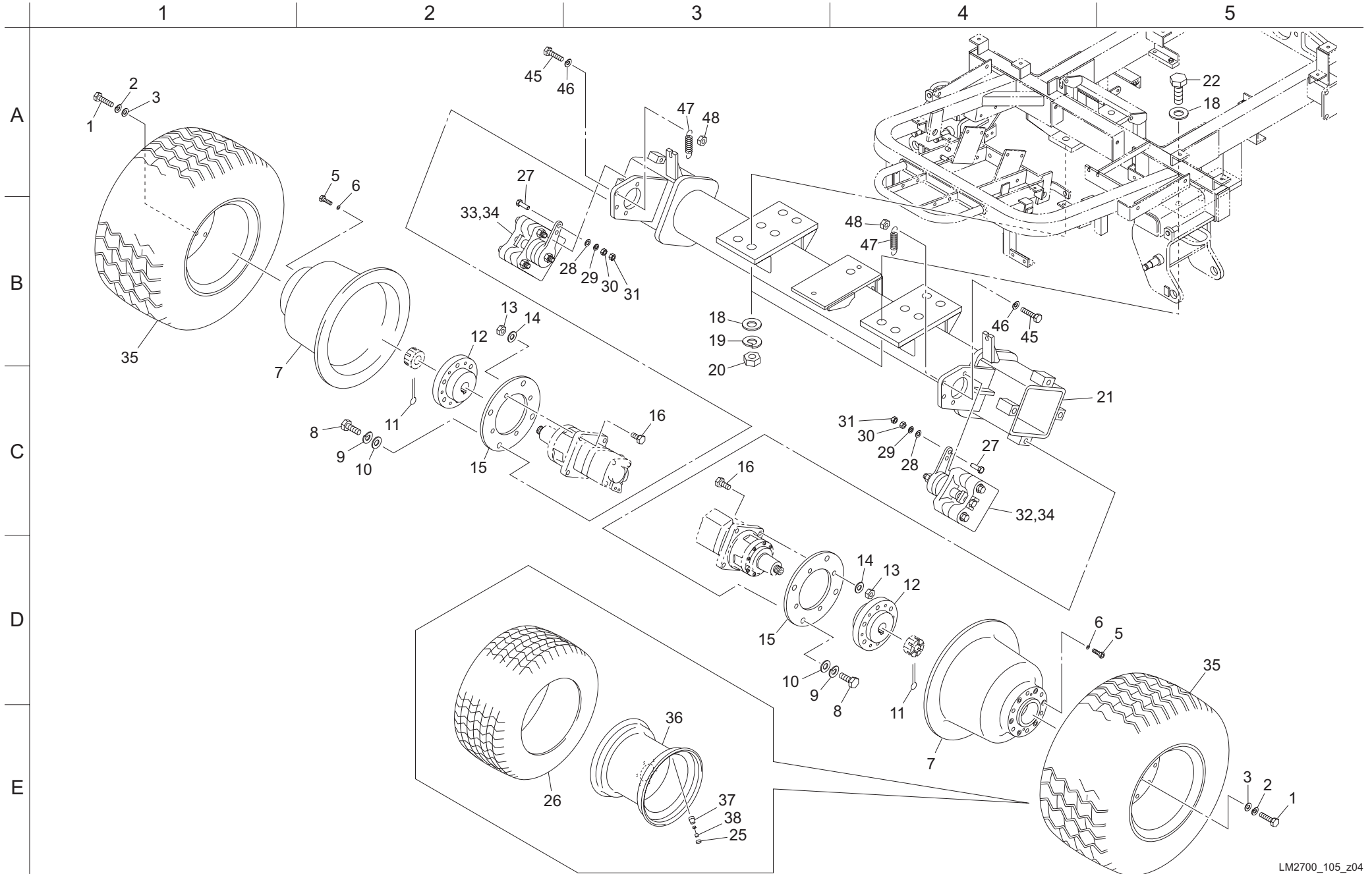
104. Cover section



Cat No.	Code No.	Part name	Qty	Remark	SN of application
104-1	LM2700-0926A0	COVER, FRONT	1		
104-2	K4201000590	STICKER, K	1		
104-3	K4203001370	STICKER, VELOCITY	1		
104-4	K0056080200	SCREW, SUS + TRUSS M8-20	10		
104-5	K4031000070	RUBBER, VIBRATION PROOF 5-825	10		
104-6	K4203001350	STICKER, TILT STEERING	1		
104-7	K4203001340	STICKER, PARKING BRAKE	1		
104-8					
104-9	LM2700-0941ZD	COVER, TIRE (RH)	1		
104-10	K4228000050	SPONGE, RUBBER 10-20-330	2		
104-11	K4209001000	DECAL, DIESEL FUEL REFUELING HOLE	1		
104-12	K4228000060	SPONGE, RUBBER 10-20-380	2		
104a-13	LM2700-3905Z0	COVER COMP, SIDE (RH)	1		
104-14	K3198103500	TRIM, SEAL 6100-16C-350	4		
104-15	LM2700-0949ZD	COVER, AUXILIARY (RH)	1		
104-16	LM2700-0946ZD	ANGLE, MOUNTING AUXILIARY COVER	2		
104-17	LM2700-0947ZD	BRACKET, AUXILIARY COVER	2		
104-18	K1520000030	HOOK ASSY, RUBBER	2		
104-19					
104-20	K0144080002	NUT, W/F-RING M8	6		
104-21	K1170092000	CABLE, 920	2		
104-22	K5000120002	WASHER, M12	4		
104-23	K0144120002	NUT, W/F-RING M12	2		
104-24					
104-25	LM2700-0943ZD	MOUNT, RUBBER CATCH	2		
104-26	K0042060252	SCREW, + ROUND HEAD M6-25	4		
104-27	K1301000160	GRIP, PLASTIC HANDLE	2		
104-28					
104-29	LM2700-0945B0	HOOD COMP	1		
104-30	LM2700-0956Z0	STICKER, BARONESS LM2700 (RH)	1		
104-31	LM2700-0955Z0	STICKER, BARONESS LM2700 (LH)	1		
104-32					
104-33					
104-34	LM2700-0935ZD	STOPPER, HOOD (RH)	1		
104-35					

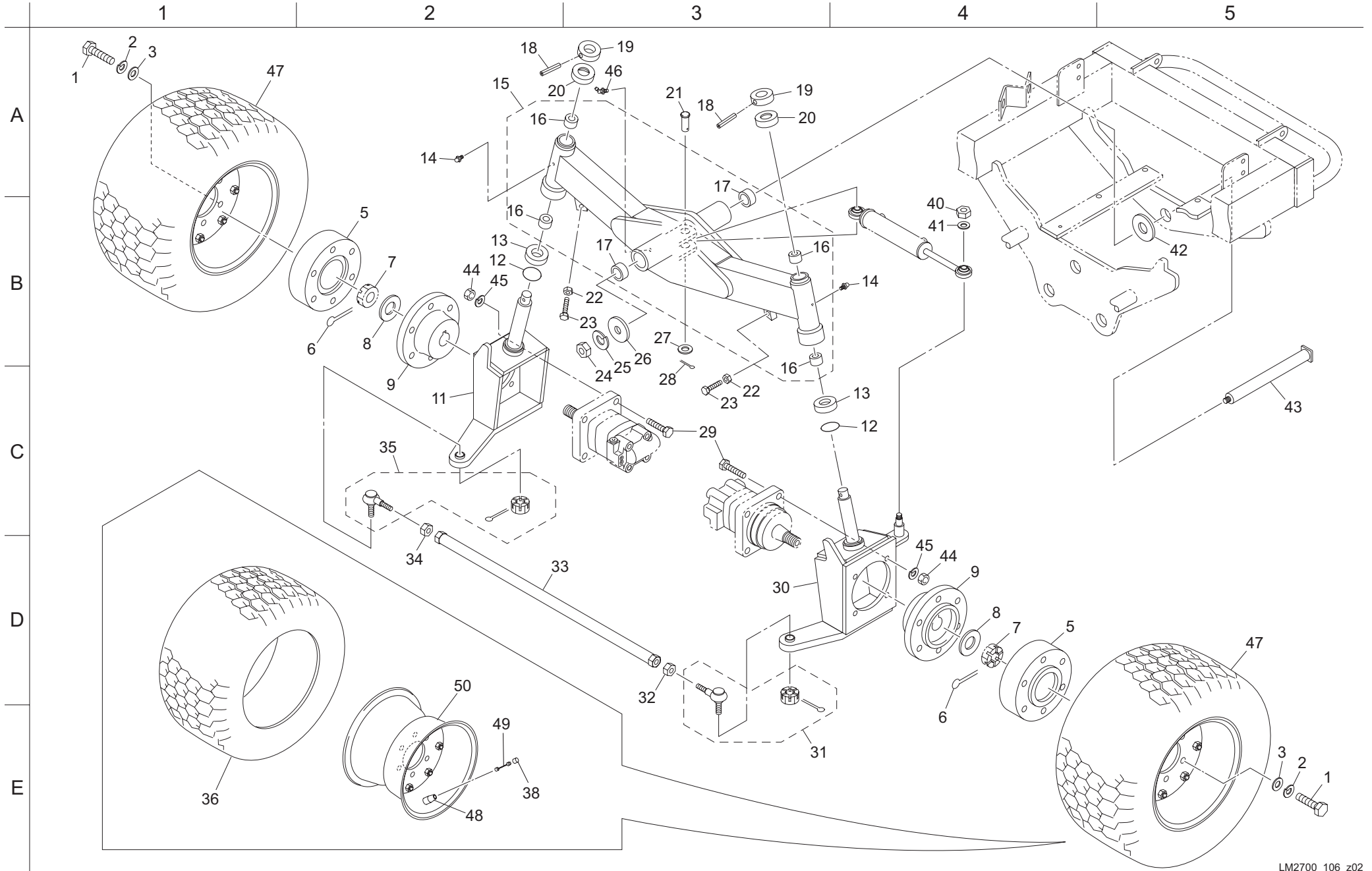
Cat No.	Code No.	Part name	Qty	Remark	SN of application
104-36	LM2700-0934ZD	STOPPER, HOOD (LH)	1		
104-37	K0100080002	NUT, M8	12		
104-38	K0200080002	WASHER, SPRING M8	34		
104-39	K5000080002	WASHER, M8	12		
104-40					
104-41	LM2700-0944ZD	BRACKET, ROLLER	2		
104-42	K4031000210	RUBBER, ROUND WASHER	2		
104-43	K2141000020	CASTER WHEEL, NO.4H-P	2		
104-44	LM2700-0948ZD	COVER, AUXILIARY (LH)	1		
104-45	LM2700-0952Z0	COVER, SIDE (LH)	1		
104-46	LM2700-0940ZD	COVER, TIRE (LH)	1		
104-47	K4209000980	DECAL, HYDRAULIC OIL	1		
104-48	LM2700-0951ZD	COVER, FRONT (REAR)	1		
104-49	K4205001840	STICKER, REEL START/STOP	1		
104-50	K0000080302	BOLT, M8-30	4		
104-51	K0000080152	BOLT, M8-15	18		
104-52	K0000080502	BOLT, M8-50	2		
104-53	K0000080202	BOLT, M8-20	6		
104-54					
104-55					
104-56	K0000060102	BOLT, M6-10	4		
104-57	K0200060002	WASHER, SPRING M6	8		
104-58	K0100060002	NUT, M6	4		
104-59	K0000120302	BOLT, M12-30	2		
104-60					
104a-61	K4205001330	DECAL, CAUTION TO NOISE	1		
104-62					
104-63	K4205001940	DECAL, CAUTION FIRE	1		
104-64	K4205001950	DECAL, CAUTION EXHAUST GAS	1		
104-65					
104-66					

105. Front wheel section



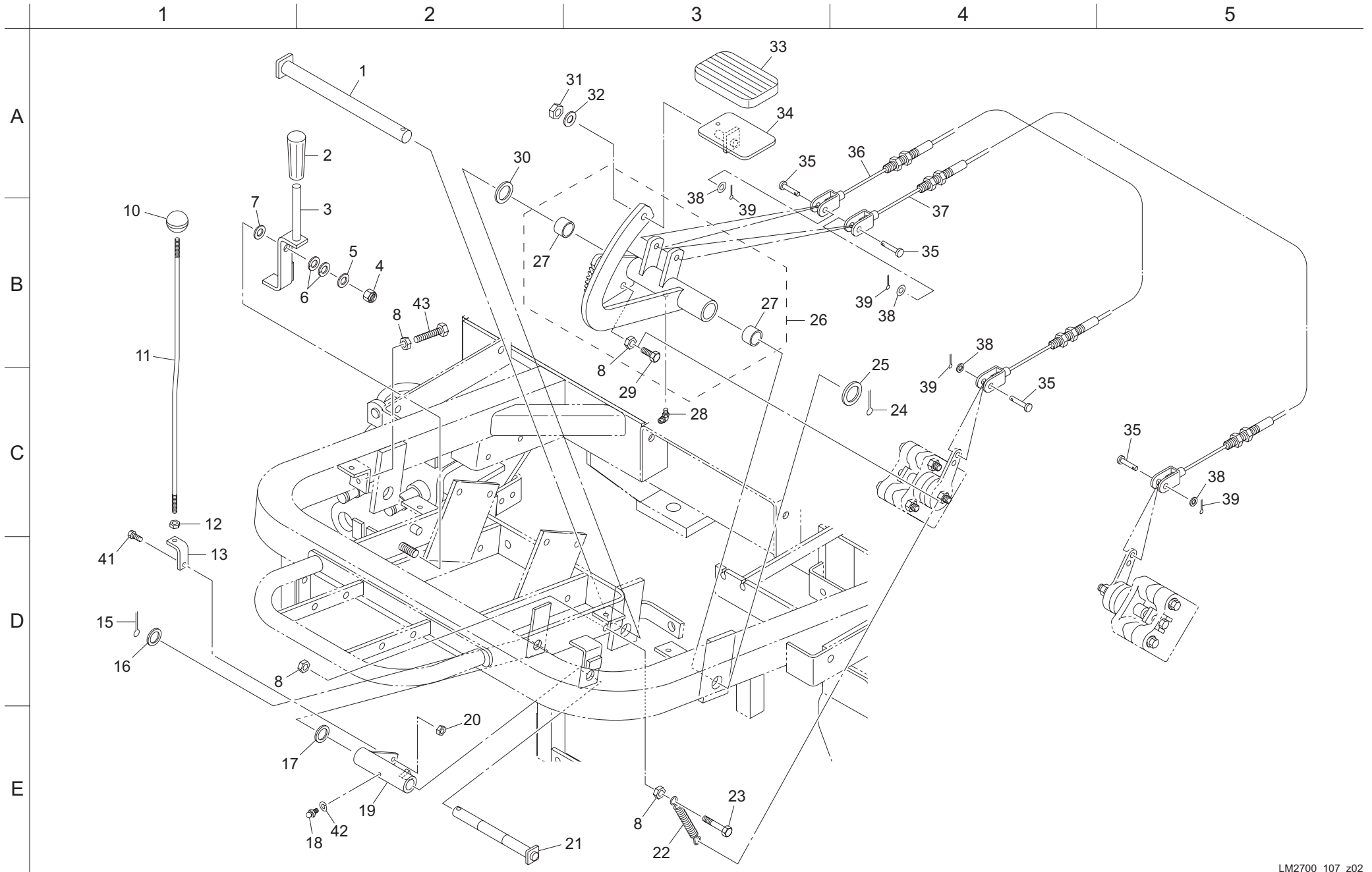
Cat No.	Code No.	Part name	Qty	Remark	SN of application	Cat No.	Code No.	Part name	Qty	Remark	SN of application
105-1	K0014120652	BOLT, HT P1.5 M12-65	12			105-36	K209000095L	WHEEL, 12*12I	2		
105-2	K0200120002	WASHER, SPRING M12	12			105-37	K2097000010	VALVE, RIM TR413	2		
105-3	K5000120002	WASHER, M12	12			105-38	K2092000020	CORE, VALVE NO.9000	2		
105-4						105-39					
105-5	K001A080401	BOLT, 13T W/HEX HOLE M8-40	12			105-40					
105-6	K0215080002	WASHER, DISK SPRING 2H M8	12			105-41					
105-7	LM2700-0305ZD	DISK, BRAKE	2			105-42					
105-8	K0014160402	BOLT, HT P1.5 M16-40	8			105-43					
105-9	K0200160002	WASHER, SPRING M16	8			105-44					
105-10	K5000160002	WASHER, M16	8			105-45	K0000120602	BOLT, M12-60	2		
105-11	K0300040502	PIN, COTTER M4-50	2			105-46	K0200120002	WASHER, SPRING M12	2		
105-12	LM2700-0306ZD	MOUNT, WHEEL	2			105-47	K1020000218	SPRING, W/ROUND HOOK M1.6-18.2-65.6	2		
105-13	K0100140002	NUT, M14	8			105-48	K0144120002	NUT, W/F-RING M12	2		
105-14	K0200140002	WASHER, SPRING M14	8								
105-15	LM2700-0307Z2	PLATE, MOUNTING MOTOR	2								
105-16	K0013140502	BOLT, HT M14-50	8								
105-17											
105-18	K5000200002	WASHER, M20	8								
105-19	K0200200002	WASHER, SPRING M20	4								
105-20	K0152200002	NUT, NYLON P1.5 M20	4								
105-21	LM2700-0308ZD	AXLE, FRONT	1								
105-22	K0015200702	BOLT, HT P1.5 M20-70	4								
105-23											
105-24											
105-25	K2093000010	CAP, VALVE	2								
105-26	K2041000300	TIRE, 26.5*14.00-12TL	2								
105-27	K0000080302	BOLT, M8-30	2								
105-28	K5000080002	WASHER, M8	2								
105-29	K0200080002	WASHER, SPRING M8	2								
105-30	K0100080002	NUT, M8	2								
105-31	K0144080002	NUT, W/F-RING M8	2								
105-32	K1720000260	BRAKE ASSY, CCW	1								
105-33	K1720000270	BRAKE ASSY, CW	1								
105-34	Y34835.39	KIT, BRAKE LINING (REPLACEMENT)	2								
105-35	K2040000950	TIRE ASSY, 26.5*14.00-12TL	2								

106. Rear wheel section



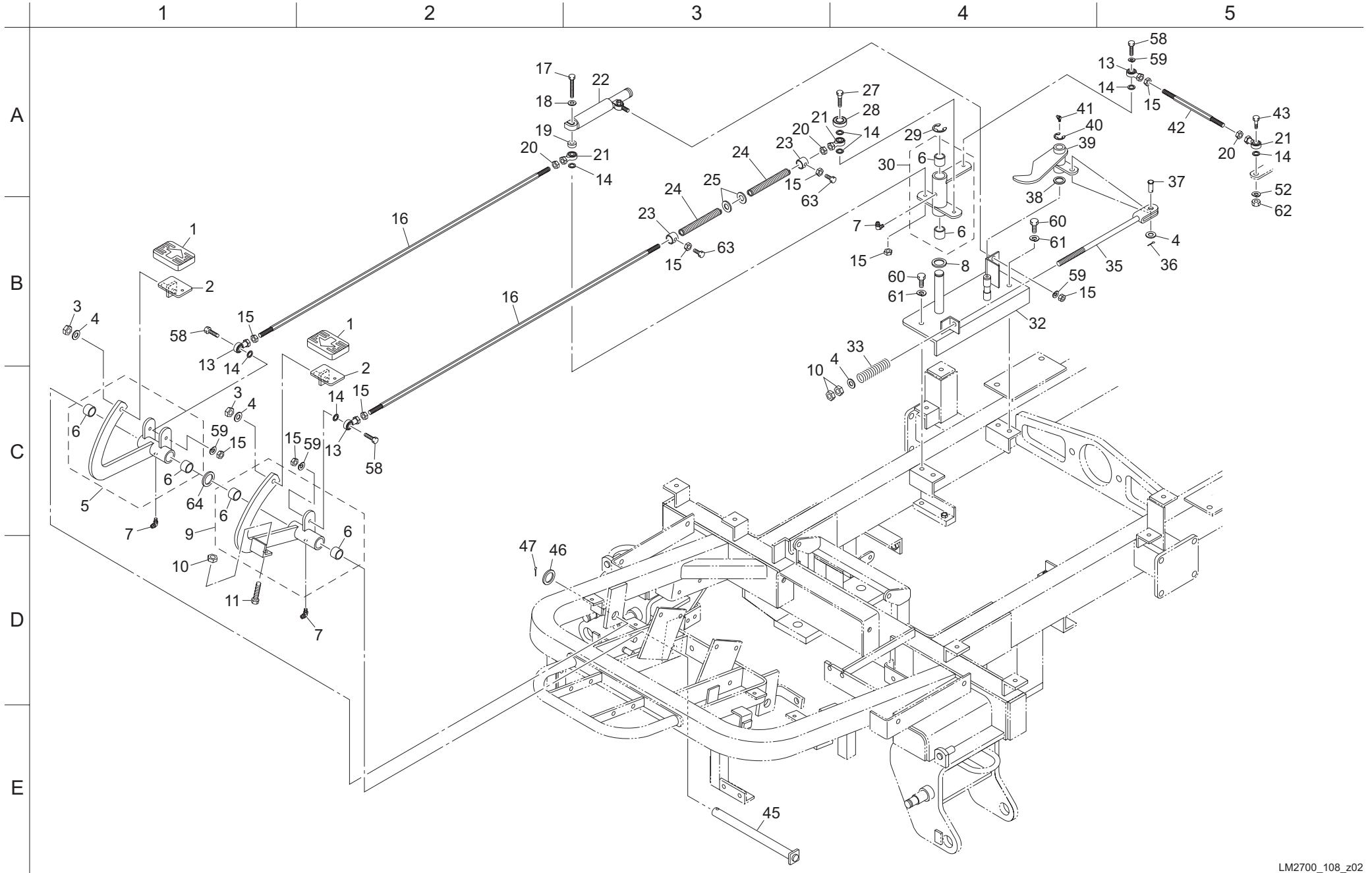
Cat No.	Code No.	Part name	Qty	Remark	SN of application	Cat No.	Code No.	Part name	Qty	Remark	SN of application
106-1	K0014120652	BOLT, HT P1.5 M12-65	12			106-36	K2041000390	TIRE, 20*12.00-10RS	2		
106-2	K0200120002	WASHER, SPRING M12	12			106-37					
106-3	K5000120002	WASHER, M12	12			106-38	K2093000010	CAP, VALVE	2		
106-4						106-39					
106-5	LM2700-0310ZD	SPACER, REAR WHEEL	2			106-40	K0145140002	NUT, W/F-RING M14 P1.5	1		
106-6	K0300050452	PIN, COTTER M5-45	2			106-41	K0215140001	WASHER, DISK SPRING 2H M14	1		
106-7	K0138240002	NUT, HIGH SLOTTED P1.5 M24	2			106-42	K5051030500	WASHER, C5191P 1-30-50	1		
106-8	K5000240002	WASHER, M24	2			106-43	K7147000258	SHAFT, W/M16 THREAD 30316	1		
106-9	GM1500A0240AD	MOUNT, FRONT WHEEL 90	2			106-44	K0100120002	NUT, M12	8		
106-10						106-45	K0200120002	WASHER, SPRING M12	8		
106-11	LM2700-0303AD	KINGPIN, (RH)	1			106-46	K1440000030	GREASE NIPPLE, 67.5 TYPE B	1		
106-12	K0880048000	O-RING, P48	2			106-47	K2040000900	TIRE ASSY, 20*12.00-10	2		
106-13	K0640511070	BEARING, BALL THRUST 51107	2			106-48	K2097000060	VALVE, RIM TR412	2		
106-14	K1440000010	GREASE NIPPLE, STRAIGHT TYPE A	2			106-49	K2092000020	CORE, VALVE NO.9000	2		
106-15	LM2700-0301AD	PIVOT	1			106-50	K209000094L	WHEEL, 10*8.5	2		
106-16	K6000000500	BUSH, COPPER 22.3-26-20	4								
106-17	K6000000080	BUSH, COPPER 30-36-30	2								
106-18	K0320080501	PIN, SPRING M8-50	2								
106-19	K6213000113	COLLAR, W/HOLE M25-50-20	2								
106-20	K6204000383	LID	2								
106-21	K6031200568	PIN, FLAT HEAD HT M20-56	1								
106-22	K0159000052	NUT, SMALL M12	2								
106-23	K0010120502	BOLT, HT M12-50	2								
106-24	K0100160002	NUT, M16	1								
106-25	K0200160002	WASHER, SPRING M16	1								
106-26	K5073216352	WASHER, SPHC 3.2-16-35	1								
106-27	K5012320402	WASHER, SPCC 2.3-20-40	1								
106-28	K0300032402	PIN, COTTER M3.2-40	1								
106-29	K0010120502	BOLT, HT M12-50	8								
106-30	LM2700-0302AD	KINGPIN, (LH)	1								
106-31	K1611000020	END ASSY, TIE-ROD LEFT-HANDED MALE (LH)	1								
106-32	K0160000202	NUT, LEFT-HANDED SPECIAL P1.5 M17	1								
106-33	LM2700-0304ZD	ROD, TIE	1								
106-34	K0160000192	NUT, SPECIAL P1.5 M17	1								
106-35	K1610000020	END ASSY, TIE-ROD MALE (RH)	1								

107. Pedal section A



Cat No.	Code No.	Part name	Qty	Remark	SN of application	Cat No.	Code No.	Part name	Qty	Remark	SN of application
107-1	LM2700-0411Z2	SHAFT, PEDAL	1			107-36	K1120238000	WIRE, BRAKE 2380	1		
107-2	K1300000070	GRIP, RUBBER BLACK 9-22	1			107-37	K1120205500	WIRE, BRAKE 2055	1		
107-3	LM2700-0405ZD	STOPPER, DRIVING PEDAL	1			107-38	K5000080002	WASHER, M8	4		
107-4	K0145140002	NUT, W/F-RING M14 P1.5	1			107-39	K0300020202	PIN, COTTER M2-20	4		
107-5	K5000140002	WASHER, M14	1			107-40					
107-6	K0210140002	SPRING, CONICAL DISC L M14	2			107-41	K0000060202	BOLT, M6-20	1		
107-7	K5011014202	WASHER, SPCC 1-14-20	1			107-42	K0200060002	WASHER, SPRING M6	1		
107-8	K0100100002	NUT, M10	5			107-43	K0000100352	BOLT, M10-35	2		
107-9											
107-10	K1301000050	GRIP, PLASTIC LEVER	1								
107-11	LM2700-0407Z2	SHAFT, LOCKING	1								
107-12	K0100080002	NUT, M8	1								
107-13	LM2700-0406ZD	ANGLE, LOCK SHAFT	1								
107-14											
107-15	K0300032252	PIN, COTTER M3.2-25	1								
107-16	K5012316282	WASHER, SPCC 2.3-16-28	1								
107-17	K5011016222	WASHER, SPCC 1-16-22	1								
107-18	K1440000010	GREASE NIPPLE, STRAIGHT TYPE A	1								
107-19	LM2700-0404ZD	MOUNT, BRAKE SHAFT	1								
107-20	K0144060002	NUT, W/F-RING M6	1								
107-21	LM2700-0410Z2	SHAFT, BRAKE	1								
107-22	K1020000088	SPRING, W/ROUND HOOK M2.3-17-78	1								
107-23	K0003100502	BOLT, M10-50	1								
107-24	K0300032402	PIN, COTTER M3.2-40	1								
107-25	K5012320402	WASHER, SPCC 2.3-20-40	1								
107-26	LM2700-0403ZD	PEDAL, BRAKE	1								
107-27	K6000000280	BUSH, 20-24-20	2								
107-28	K1440000020	GREASE NIPPLE, 90 TYPE C	1								
107-29	K0000100202	BOLT, M10-20	1								
107-30	K5011020472	WASHER, SPCC 1-20-47	1								
107-31	K0144100002	NUT, W/F-RING M10	1								
107-32	K5000100002	WASHER, M10	1								
107-33	K4050000050	RUBBER, FOR PEDAL 70100	1								
107-34	LM2700-0409AD	PEDAL, A	1								
107-35	K6031080222	PIN, FLAT HEAD HT M8-22	4								

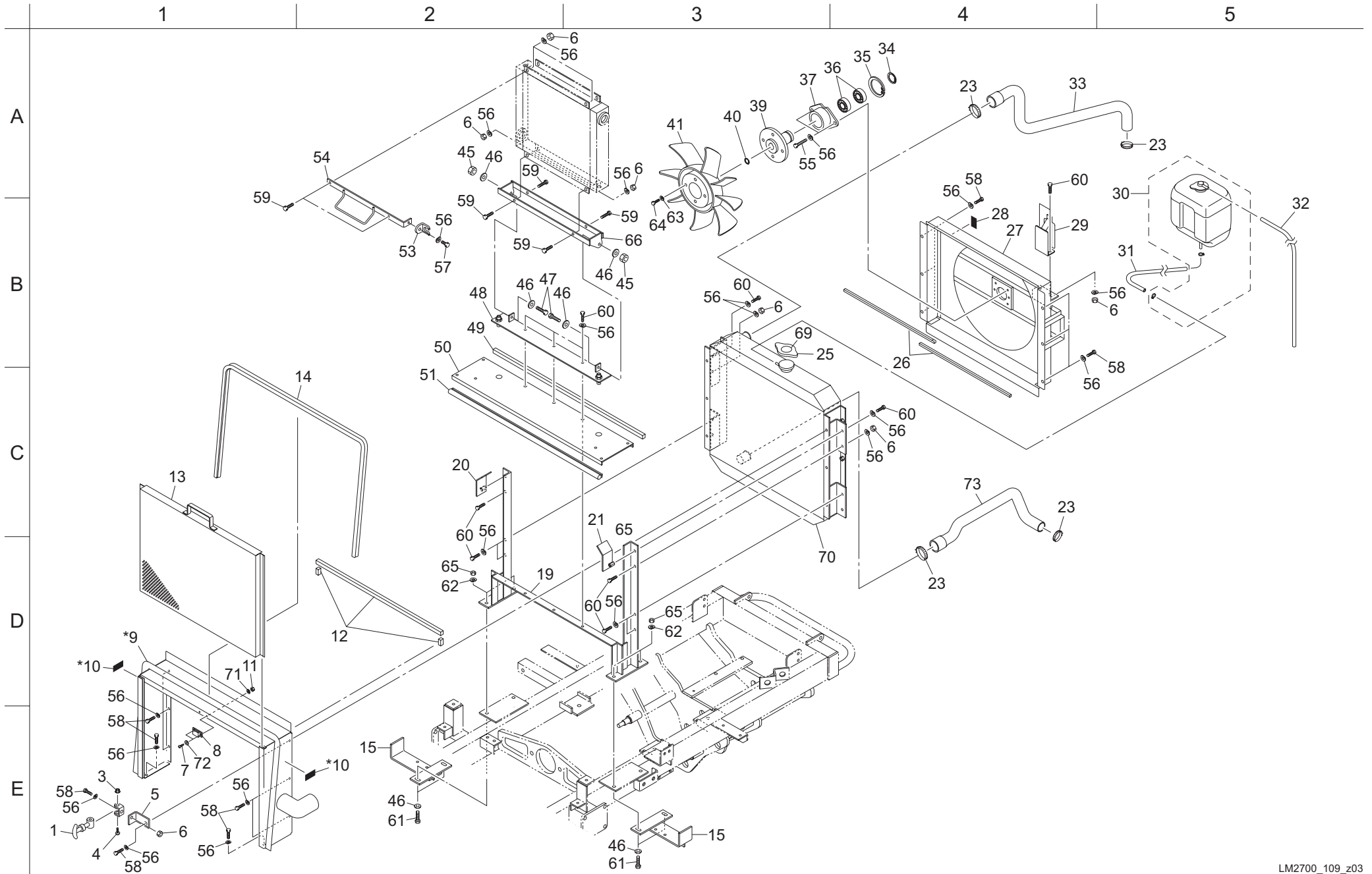
108. Pedal section B



Cat No.	Code No.	Part name	Qty	Remark	SN of application
108-1	LM2700-0420Z0	RUBBER, PEDAL 5575	2		
108-2	LM2700-0408AD	PEDAL, B	2		
108-3	K0144100002	NUT, W/F-RING M10	2		
108-4	K5000100002	WASHER, M10	4		
108-5	LM2700-0402AD	PEDAL, BACKWARD	1		
108-6	K6000000280	BUSH, 20-24-20	6		
108-7	K1440000020	GREASE NIPPLE, 90 TYPE C	3		
108-8	K5011020472	WASHER, SPCC 1-20-47	1		
108-9	LM2700-0401AD	PEDAL, FORWARD	1		
108-10	K0100100002	NUT, M10	3		
108-11	K0000100302	BOLT, M10-30	1		
108-12					
108-13	K1601080000	JOINT, SPHERICAL PHS8	3		
108-14	K5073208202	WASHER, SPHC 3.2-8-20	7		
108-15	K0100080002	NUT, M8	9		
108-16	LM2700-0415Z2	ROD, THREADED 875	2		
108-17	K0003080552	BOLT, M8-55	1		
108-18	K5000080002	WASHER, M8	1		
108-19	K6212003262	COLLAR, STKM M8.5-14-8	1		
108-20	K0180080002	NUT, LEFT-HANDED M8	3		
108-21	K16010800L0	JOINT, SPHERICAL PHS8LA	3		
108-22	K3380000010	DAMPER, FOR LEVER	1		
108-23	K6218000012	COLLAR, TAPPED M12-22-20	2		
108-24	K1000000558	SPRING, COMPRESSION M2-18-100	2		
108-25	K5000120002	WASHER, M12	2		
108-26					
108-27	LM2700-0418Z2	BOLT, SPECIAL W/M8	1		
108-28	K0608006290	BEARING, BALL SEAL 2RS 629	1		
108-29	K0400015002	RING, RETAINING E M15	1		
108-30	LM2700-0413Z2	LEVER, CONTROLING PUMP	1		
108-31					
108-32	LM2700-0414Z2	FITTING, NEUTRALIZING PUMP	1		
108-33	K100000082D	SPRING, COMPRESSION M2.6-17.2-70	1		
108-34					
108-35	LM2700-0419Z2	ADJUSTER, LEVER	1		

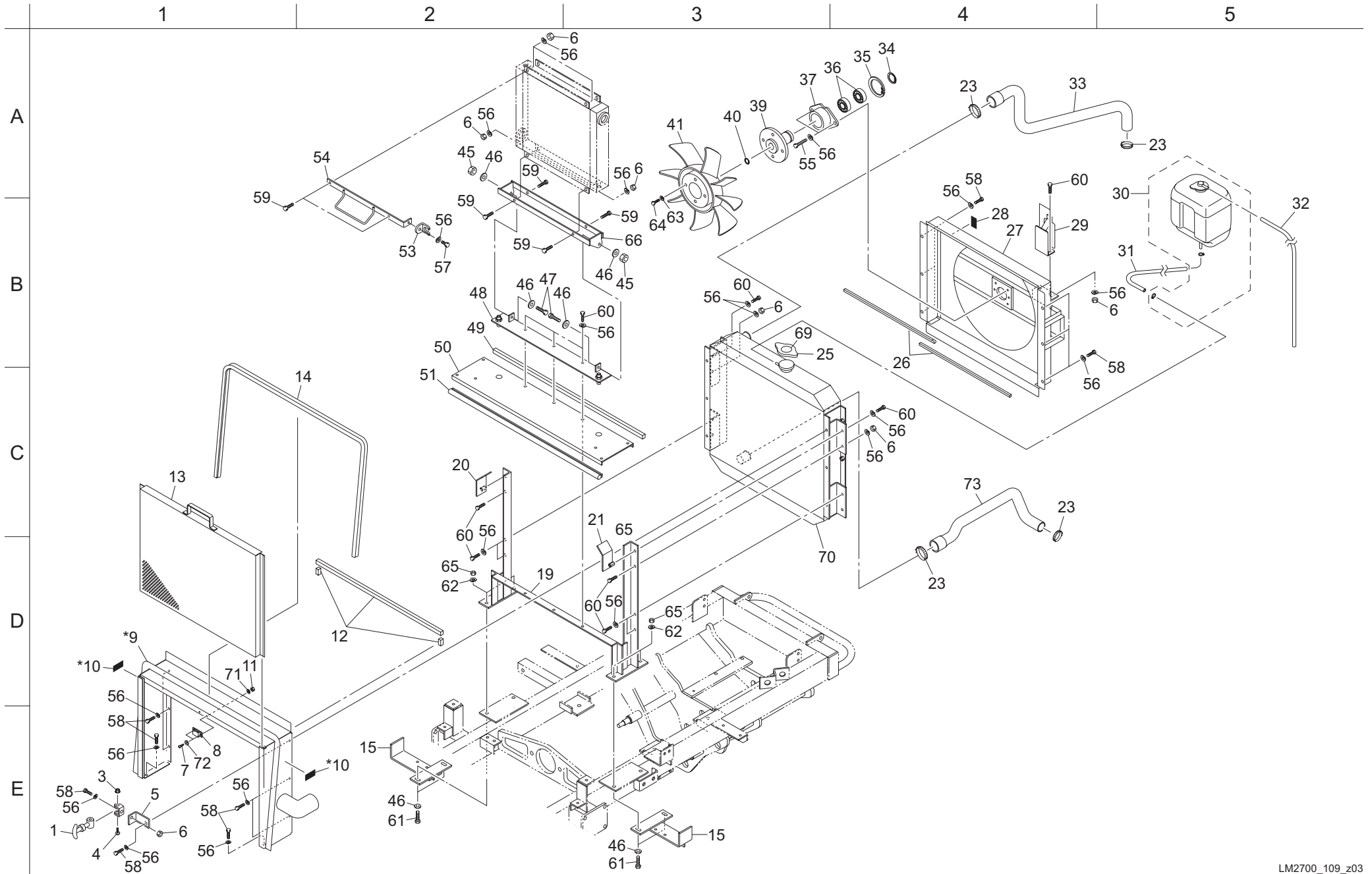
Cat No.	Code No.	Part name	Qty	Remark	SN of application
108-36	K0300025202	PIN, COTTER M2.5-20	1		
108-37	K6031100258	PIN, FLAT HEAD HT M10-25	1		
108-38	K5011016222	WASHER, SPCC 1-16-22	1		
108-39	LM2700-0412Z2	LEVER, NEUTRALIZING PUMP	1		
108-40	K0400012002	RING, RETAINING E M12	1		
108-41	K1440000030	GREASE NIPPLE, 67.5 TYPE B	1		
108-42	LM2700-0416Z2	ROD, THREADED 170	1		
108-43	LM2700-0417Z2	BOLT, SPECIAL W/M6	1		
108-44					
108-45	LM2700-0411Z2	SHAFT, PEDAL	1		
108-46	K5012320402	WASHER, SPCC 2.3-20-40	1		
108-47	K0300032402	PIN, COTTER M3.2-40	1		
108-48					
108-49					
108-50					
108-51					
108-52	K0200060002	WASHER, SPRING M6	1		
108-53					
108-54					
108-55					
108-56					
108-57					
108-58	K0000080302	BOLT, M8-30	3		
108-59	K0200080002	WASHER, SPRING M8	4		
108-60	K0000100152	BOLT, M10-15	2		
108-61	K0200100002	WASHER, SPRING M10	2		
108-62	K0100060002	NUT, M6	1		
108-63	K0000080202	BOLT, M8-20	2		
108-64	K5051020320	WASHER, C5191P 1-20-32	1		

109. Engine section A



Cat No.	Code No.	Part name	Qty	Remark	SN of application	Cat No.	Code No.	Part name	Qty	Remark	SN of application
109-1	K1520000090	HOOK, RUBBER SMALL	1			109-36	K0613060050	BEARING, BALL SEAL 2RDC3 6005	2		
109-2						109-37	LM535F-3403Z2	HOUSING, PULLEY	1		
109-3	K0144060002	NUT, W/F-RING M6	1			109-38					
109-4	K0000060402	BOLT, M6-40	1			109-39	LM2700-0507Z2	MOUNT, COOLING FAN	1		
109-5	LM2700-0542ZD	MOUNT, CATCH (LH)	1			109-40	K0402013001	RING, RETAINING R M13	1		
109-6	K0100080002	NUT, M8	11			109-41	PF16483-7411-0	FAN	1		
109-7	K0042030102	SCREW, + ROUND HEAD M3-10	2			109-42					
109-8	K1510000080	MAGNET, CATCH TL-107	1			109-43					
109-9	LM2700-3501Z0	FRAME COMP, PROTECTION PLATE	1	*9 includes 10		109-44					
109-10	K4205001580	DECAL, CAUTION TO INJURE	1			109-45	K0144100002	NUT, W/F-RING M10	2		
109-11	K0100030002	NUT, M3	2			109-46	K5000100002	WASHER, M10	8		
109-12	K4220000040	SPONGE, URETHAN 15-20700	1			109-47	K0000100252	BOLT, M10-25	2		
109-13	LM2700-0544ZD	PLATE, DUST PROOF	1			109-48	LM2700-0539ZD-Y	RECEIVER, OIL COOLER	1		
109-14	K3198616800	TRIM, SEAL 6100-16A-1680	1			109-49	K4220000260	SPONGE, URETHAN 15-15790	1		
109-15	LM2700-0936ZD	RECEIVER, HOOD	2			109-50	LM2700-0538AD	SILL, DUST PROOF PLATE	1		
109-16						109-51	K3198607900	TRIM, SEAL 6100-16A-790	1		
109-17						109-52					
109-18						109-53	K5270002352	RECEIVER, RUBBER HOOK	1		
109-19	LM2700-0509ZD	MOUNT, RADIATOR	1			109-54	LM2700-0568AD	FITTING, OIL COOLER UPPER	1		
109-20	LM2700-0550ZD	GUIDE, ROLLER (RH)	1			109-55	K0000080402	BOLT, M8-40	2		
109-21	LM2700-0549ZD	GUIDE, ROLLER (LH)	1			109-56	K0200080002	WASHER, SPRING M8	39		
109-22						109-57	K0000080102	BOLT, M8-10	1		
109-23	K4260000200	CLAMP, HOSE JUBILEE BAND 2A	4			109-58	K0000080152	BOLT, M8-15	17		
109-24						109-59	K0000080252	BOLT, M8-25	6		
109-25	K2731000010	CAP, RADIATOR	1			109-60	K0000080202	BOLT, M8-20	15		
109-26	K4220000220	SPONGE, URETHAN 10-10550	2			109-61	K0000100302	BOLT, M10-30	4		
109-27	LM2700-0508ZD	SHROUD	1			109-62	K0200100002	WASHER, SPRING M10	4		
109a-28	K4205001530	DECAL, CAUTION TO ROTATING OBJECT	1			109-63	K0200060002	WASHER, SPRING M6	4		
109-29	PF15527-7246-0	STAY, RESERVE TANK	1			109-64	K0000060152	BOLT, M6-15	4		
109-30	PF15501-7240-0	TANK ASSY, RESERVE	1			109-65	K0100100002	NUT, M10	4		
109-31	LM2700-0558Z0	HOSE, RADIATOR DRAIN	1			109-66	LM2700-0578ZD	FITTING, OIL COOLER UNDER	1		
109-32	LM2700-0559Z0	HOSE, TANK DRAIN	1			109-67	LM2700-0579ZD	FITTING, U-SHAPED	1		
109-33	LM2700-0553Z0	HOSE, RADIATOR UPPER	1			109-68	K5000080002	WASHER, M8	2		
109-34	K0401025001	RING, RETAINING S M25	1			109a-69					
109-35	K0402047001	RING, RETAINING R M47	1			109-70	LM2710-0527Z0	RADIATOR	1		

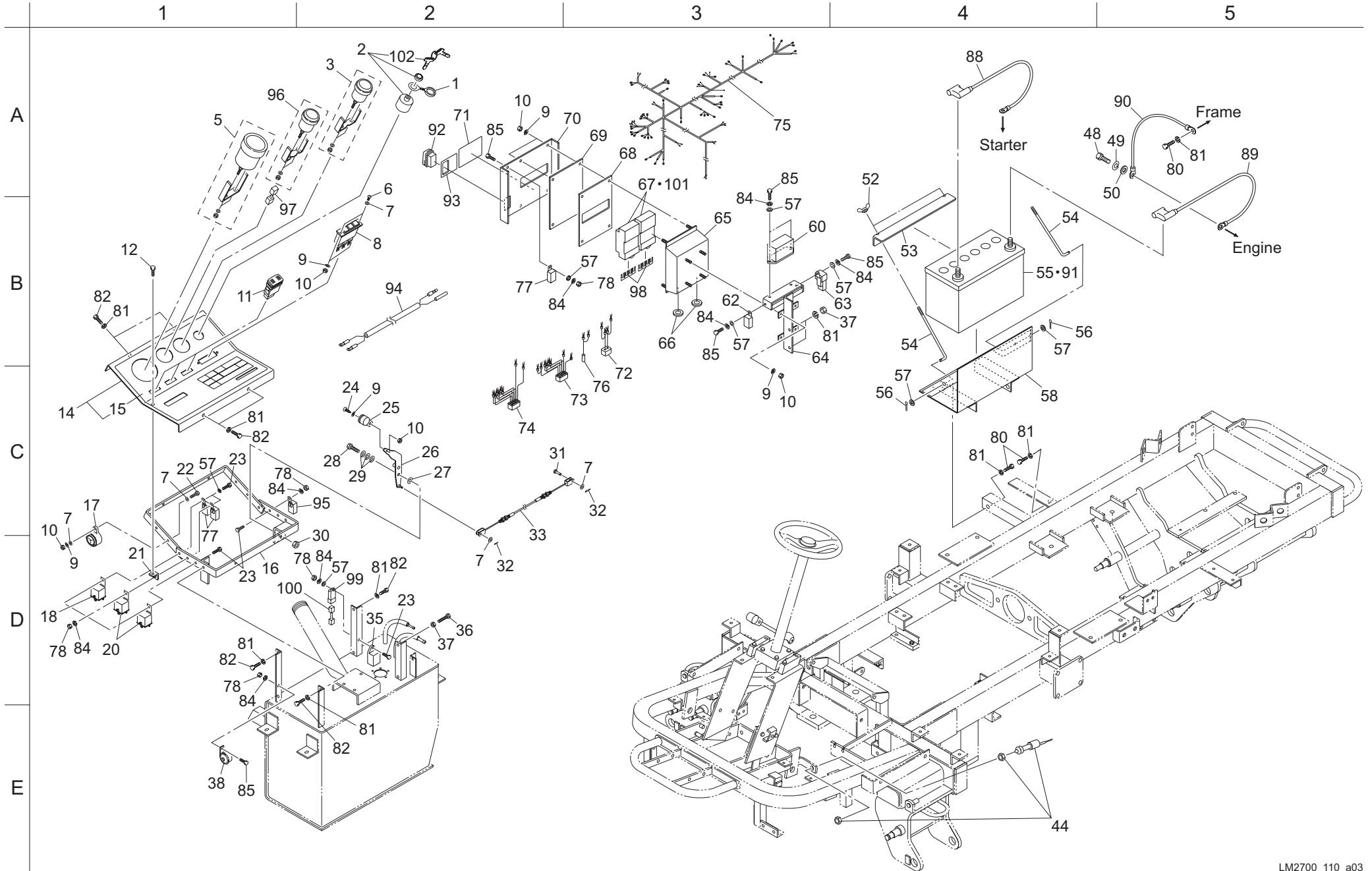
109. Engine section A



Cat No.	Code No.	Part name	Qty	Remark	SN of application
109-71	K0200030002	WASHER, SPRING M3	2		
109-72	K5000030002	WASHER, M3	2		
109-73	LM2710-0533Z0	HOSE, RADIATOR LOWER	1		

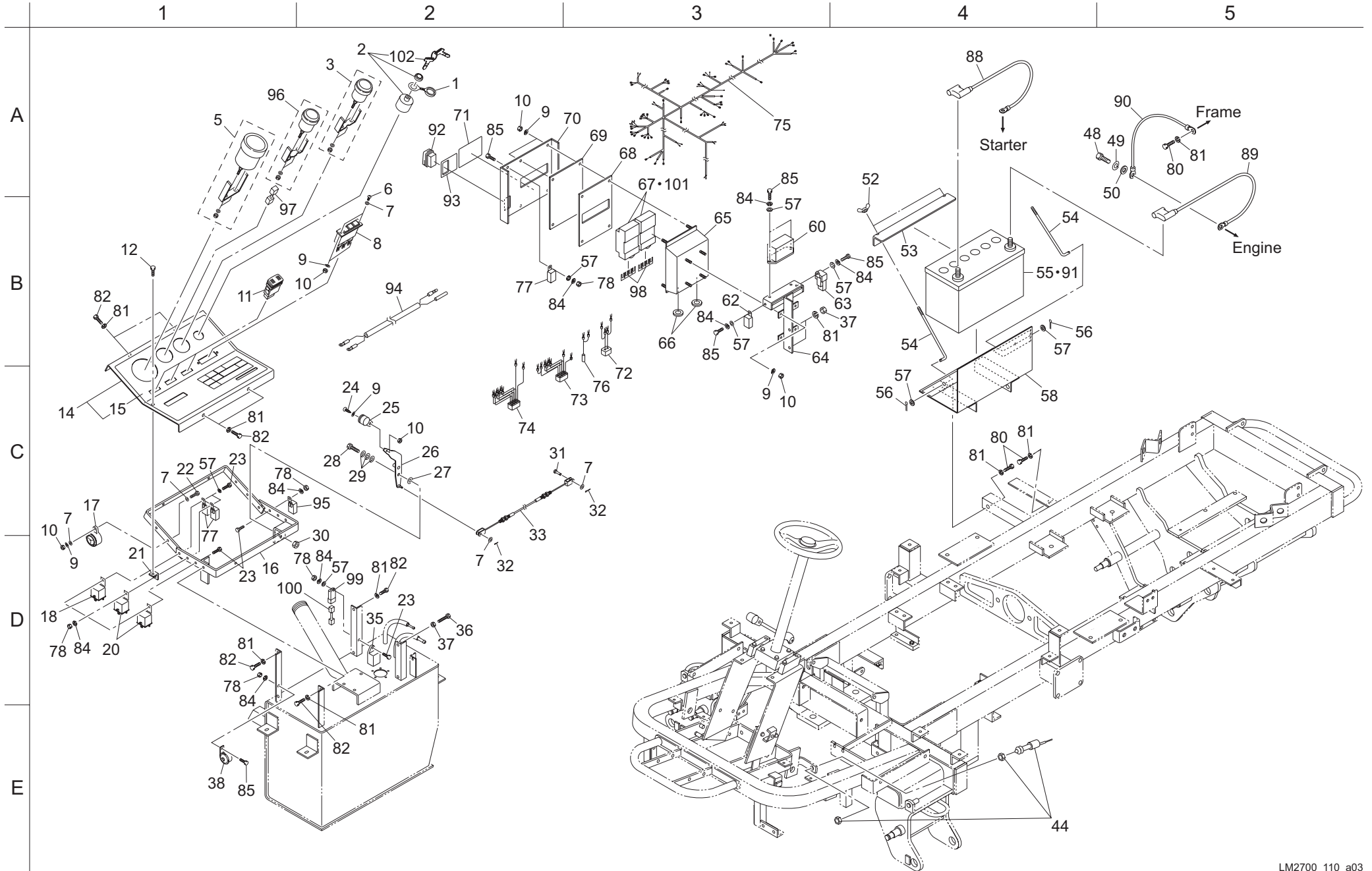
Cat No.	Code No.	Part name	Qty	Remark	SN of application

110. Engine section B



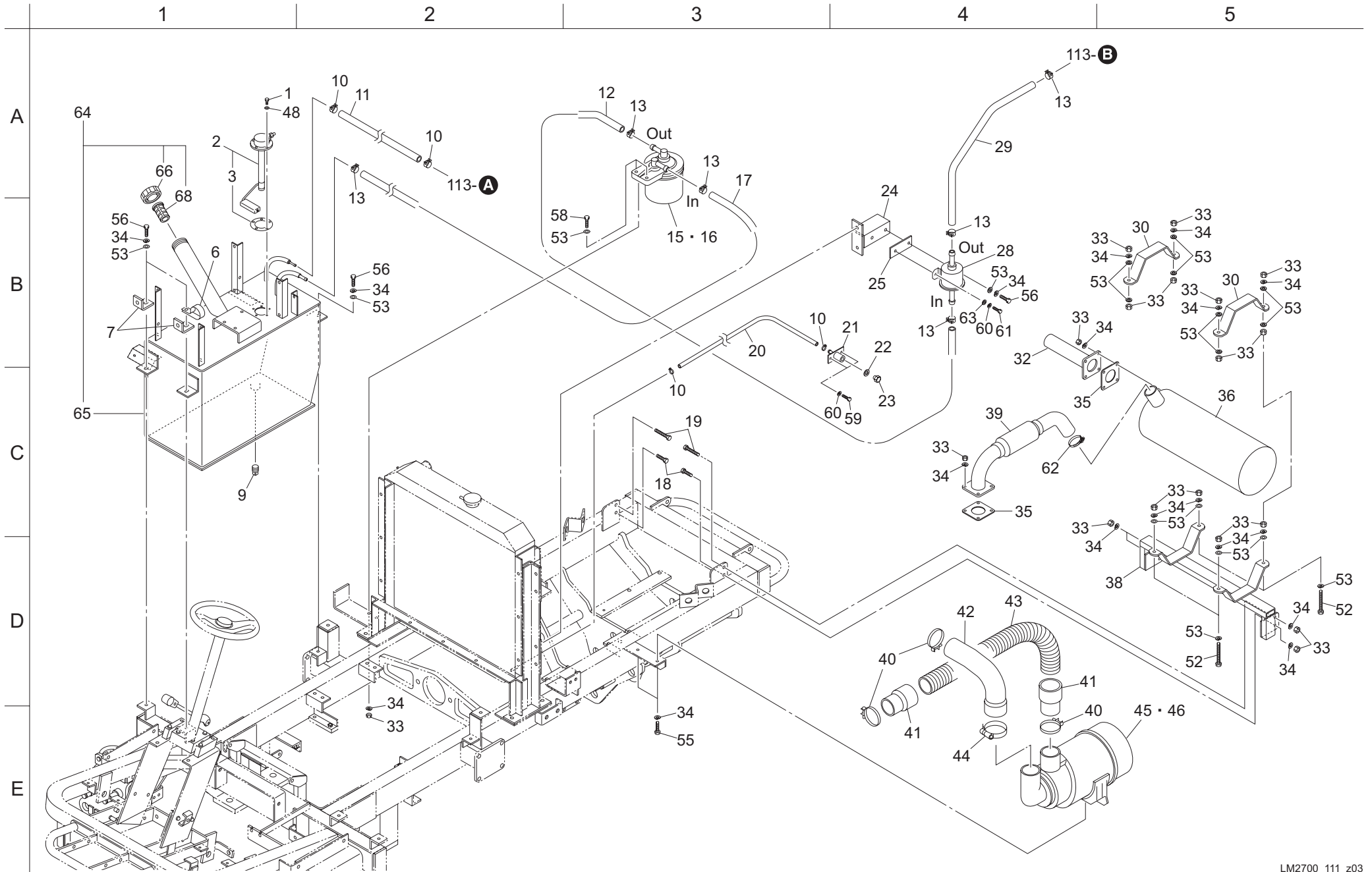
Cat No.	Code No.	Part name	Qty	Remark	SN of application	Cat No.	Code No.	Part name	Qty	Remark	SN of application
110-1	PF54611-4112-0	CAP, STARTER SWITCH	1			110-36	K0000080402	BOLT, M8-40	1		
110-2	PF15248-6359-0	SWITCH ASSY, STARTER	1			110a-37	K0100080002	NUT, M8	3		
110-3	K3653000010	GAUGE, FUEL 52BG2	1			110-38	K3700000030	BUZZER, EBS-12 W/STAY	1		
110-4						110a-39					
110-5	PF17492-8301-0	HOUR METER ASSY	1			110a-40					
110-6	K0042050122	SCREW, + ROUND HEAD M5-12	2			110-41					
110-7	K5000050002	WASHER, M5	6			110a-42					
110-8	K3641000040	LAMP, PILOT	1			110a-43					
110-9	K0200050002	WASHER, SPRING M5	12			110-44	K3671000150	SWITCH, LIMIT V17680A	1		
110-10	K0100050002	NUT, M5	12			110-45					
110a-11	K3661000050	SWITCH, ROCKER	3			110-46					
110-12	K0062080122	BOLT, BUTTON HEAD W/HEX HOLE M8-12	1			110-47					
110-13						110-48	K0002120202	BOLT, P1.25 M12-20	1		
110a-14	LM2700-3902Z0	MOUNT COMP, INSTRUMENT	1			110-49	K0200120002	WASHER, SPRING M12	1		
110a-15	LM2700-0959Z0	STICKER, OPERATION	1			110-50	K5000120002	WASHER, M12	1		
110-16	LM2700-0937ZD	BRACKET, INSTRUMENT	1			110-51					
110-17	K3700000010	BUZZER, EBM-12 TYPE	1			110-52	K0141060002	NUT, WING M6-3	2		
110-18	K3681000080	RELAY, MR5A602A1K	1			110-53	GM2800-0604ZD	CLAMP, BATTERY	1		
110-19						110-54	LM2700-0546ZD	ROD, SUPPORTING BATTERY	2		
110-20	K3681000070	RELAY, MR5A411A1K	2			110-55	K3600000180	BATTERY, FX105D31R	1	mounted from Japan	
110-21	LM2700-0954ZD	ANGLE, TAPPED M3-25-25	1			110-56	K0300016122	PIN, COTTER M1.6-12	2		
110-22	K0000050252	BOLT, M5-25	1			110a-57	K5000060002	WASHER, M6	11		
110a-23	K0000060202	BOLT, M6-20	6			110-58	LM2700-0545ZD	CASE, BATTERY	1		
110-24	K0042050082	SCREW, + ROUND HEAD M5-8	1			110-59					
110-25	K1301000150	GRIP, PLASTIC THROTTLE LEVER	1			110-60	K3630000090	FUSE BLOCK, MINI 10P-A	1		
110-26	LM2700-0560Z2	LEVER, THROTTLE	1			110-61					
110-27	K5011010202	WASHER, SPCC 1-10-20	1			110-62	K3681000060	RELAY, CA1aF-12V-N-5	1		
110-28	K0011100302	BOLT, HT P1.25 M10-30	1			110-63	K3630000150	FUSE BLOCK, FUSIBLE LINK 50A	1		
110-29	K0210100002	SPRING, CONICAL DISC L M10	3			110-64	LM2700-0551ZD	BRACKET, BATTERY BOX	1		
110-30	K0103100002	NUT, P1.25 M10	1			110-65	GM2800-0516ZD	RELAY BOX	1		
110-31	K6030050152	PIN, FLAT HEAD M5-15	1			110-66	K0900300160	GROMMET, W/SEALING C30SG16A	2		
110-32	K0300020202	PIN, COTTER M2-20	2			110-67	K3680000030	RELAY BOX, G6B-4CB	2		
110-33	K1110168020	WIRE, THROTTLE 1680	1			110-68	GM2800-0517Z0	PACKING, RUBBER 1-134189	1		
110-34						110-69	GM2800-0518Z0	BOARD, ACRYLIC M 1.5-134189	1		
110-35	PF15694-6599-0	TIMER, GLOW LAMP	1			110a-70	LM2700-0577ZD	CAP, BOX	1		

110. Engine section B



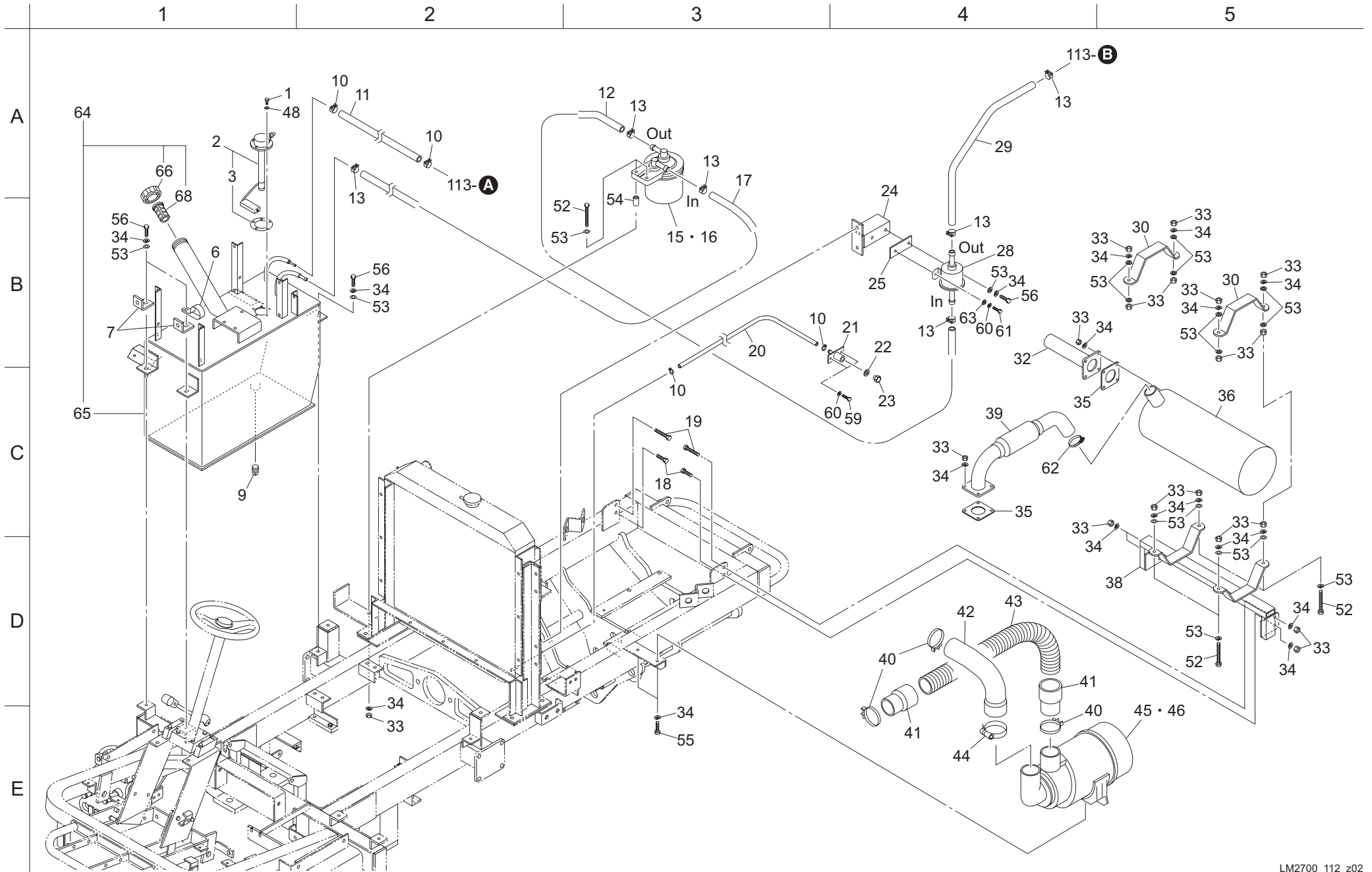
Cat No.	Code No.	Part name	Qty	Remark	SN of application	Cat No.	Code No.	Part name	Qty	Remark	SN of application
110a-71	LM2700-0573Z0	DECAL, BOX COVER	1								
110-72	LM2700-0565Z0	WIRE, RELAY C	1								
110-73	LM2700-0566Z0	WIRE, RELAY A	1								
110-74	LM2700-0567Z0	WIRE, RELAY B	1								
110a-75	LM2700-0576A0	HARNESS	1								
110a-76	LM2700-1901Z0	WIRE, RELAY D	1								
110a-77	K3681000010	RELAY, CA1-DC12V-N	3								
110a-78	K0100060002	NUT, M6	6								
110-79											
110-80	K0000080152	BOLT, M8-15	3								
110-81	K0200080002	WASHER, SPRING M8	12								
110-82	K0000080202	BOLT, M8-20	7								
110-83											
110a-84	K0200060002	WASHER, SPRING M6	11								
110-85	K0000060152	BOLT, M6-15	5								
110-86											
110-87											
110-88	K3610000350	WIRE, BATTERY (+) 750	1								
110-89	K3611000410	WIRE, TO EARTH 600	1								
110-90	K3611000430	WIRE, TO EARTH 500	1								
110a-91	K3600000250	BATTERY, EXIDE 27-60	1								
110a-92	K3661000070	SWITCH, ROCKER RED	1								
110a-93	K4205001870	DECAL, LAPPING	1								
110a-94	GM2800-0558Z0	WIRE, LOCKOUT SWITCH	1								
110a-95	K3683000010	TIMER, OFF DELAY 0.9S	1								
110-96	PFR1401-5317-0	GAUGE, WATER TEMPERATURE	1								
110-97	K3620000950	CONNECTOR	1								
110-98	K3680000040	SHORTING BAR, RELAY G6B-4CB	2								
110-99	PF5H276-4125-0	RELAY COMP	1								
110-100	K3620001040	CONNECTOR	1								
110-101	G6B2114P-US-P6B	RELAY, FOR TERMINAL G6B-4CB	1-8								
110-102	PF15248-6370-0	KEY, STARTER	1								

111. Engine section C for 26inch



Cat No.	Code No.	Part name	Qty	Remark	SN of application	Cat No.	Code No.	Part name	Qty	Remark	SN of application
111-1	K0000050152	BOLT, M5-15	5			111-36	PF17234-1211-4	MUFFLER	1		
111-2	K2721000090	GAUGE, FLOATING 180*195	1			111-37					
111-3	K2721000020	PACKING, OIL-SHEET	1			111-38	LM2700-0523ZU	STAY, MUFFLER	1		
111-4						111-39	LM2700-0525ZU	PIPE, EXHAUST	1		
111-5						111-40	K4261036000	CLAMP, HOSE 4669	3		
111-6	K4270050080	CLIP, HARNESS 50 M8	1			111-41	K3773000650	CUFF, 65 BANNER A	2		
111-7	LM2700-0950ZD	PLATE, MOUNTING SIDE COVER	2			111-42	LM2700-0555Z0	HOSE, AIR CLEANER	1		
111-8						111-43	K3170105500	HOSE, 65 BANNER A 550	1		
111-9	K1422106001-Y	PLUG, TAPERED W/HEX HOLE T1 3/8	1			111-44	K4261044000	CLAMP, HOSE PARKER 29-76	1		
111-10	K4260000150	CLAMP, HOSE 12	4			111-45	PF1G369-1101-0	AIR CLEANER ASSY	1		
111-11	K3182014000	HOSE, FUEL 4*1B1400	1			111-46	PFR1401-4227-0	ELEMENT ASSY, OUTER	1		
111-12	K3180011000	HOSE, FUEL 8*1B1100	1			111-47					
111-13	K4260000172	CLAMP, HOSE KS-11-19	6			111-48	K0922050000	SEAL, WASHER 5WF	5		
111-14						111-49					
111-15	PF15224-4301-0	FILTER ASSY, FUEL	1			111-50					
111-16	PF15221-4317-0	ELEMENT, FUEL FILTER	1			111-51					
111-17	K3180007000	HOSE, FUEL 8*1B 700	1			111-52	K0000080552	BOLT, M8-55	4		
111-18	K0000080202	BOLT, M8-20	2			111-53	K5000080002	WASHER, M8	22		
111-19	K0000080402	BOLT, M8-40	2			111-54					
111-20	LM2700-0558Z0	HOSE, RADIATOR DRAIN	1			111-55	K0000080152	BOLT, M8-15	3		
111-21	LM2700-0561Z2	JOINT, TER39280AB	1			111-56	K0000080202	BOLT, M8-20	3		
111-22	LM2700-0562Z0	PACKING, 995714120	1			111-57					
111-23	LM2700-0563Z0	PLUG, DRAIN	1			111-58	K0000080252	BOLT, M8-25	2		
111-24	LM2700-0548ZD	BRACKET, PUMP	1			111-59	K0000060152	BOLT, M6-15	2		
111-25	PF66591-5456-3	RUBBER, VIBRATION PROOF	1			111-60	K0200060002	WASHER, SPRING M6	2		
111-26						111-61	K0000060202	BOLT, M6-20	1		
111-27						111-62	K4260000200	CLAMP, HOSE JUBILEE BAND 2A	1		
111-28	PF1G377-5203-0	PUMP ASSY, FUEL	1			111-63	K5000060002	WASHER, M6	1		
111-29	K3180006000	HOSE, FUEL 8*1B600	1			111-64	LM2700-0703Z0	TANK ASSY, FUEL W/ CAP	1		
111-30	LM2700-0524ZU	PLATE, MOUNTING MUFFLER	2			111-65	LM2700-0702AD-Y	TANK, FUEL	1		
111-31						111-66	K1410000120	PLUG, FUEL TANK	1		
111-32	LM2700-0527ZU	PIPE, TAIL	1			111-67					
111-33	K0100080002	NUT, M8	26			111-68	K3420000090	FILTER ASSY, FUEL	1		
111-34	K0200080002	WASHER, SPRING M8	28								
111-35	PFT0070-1642-0	GASKET, MUFFLER	2								

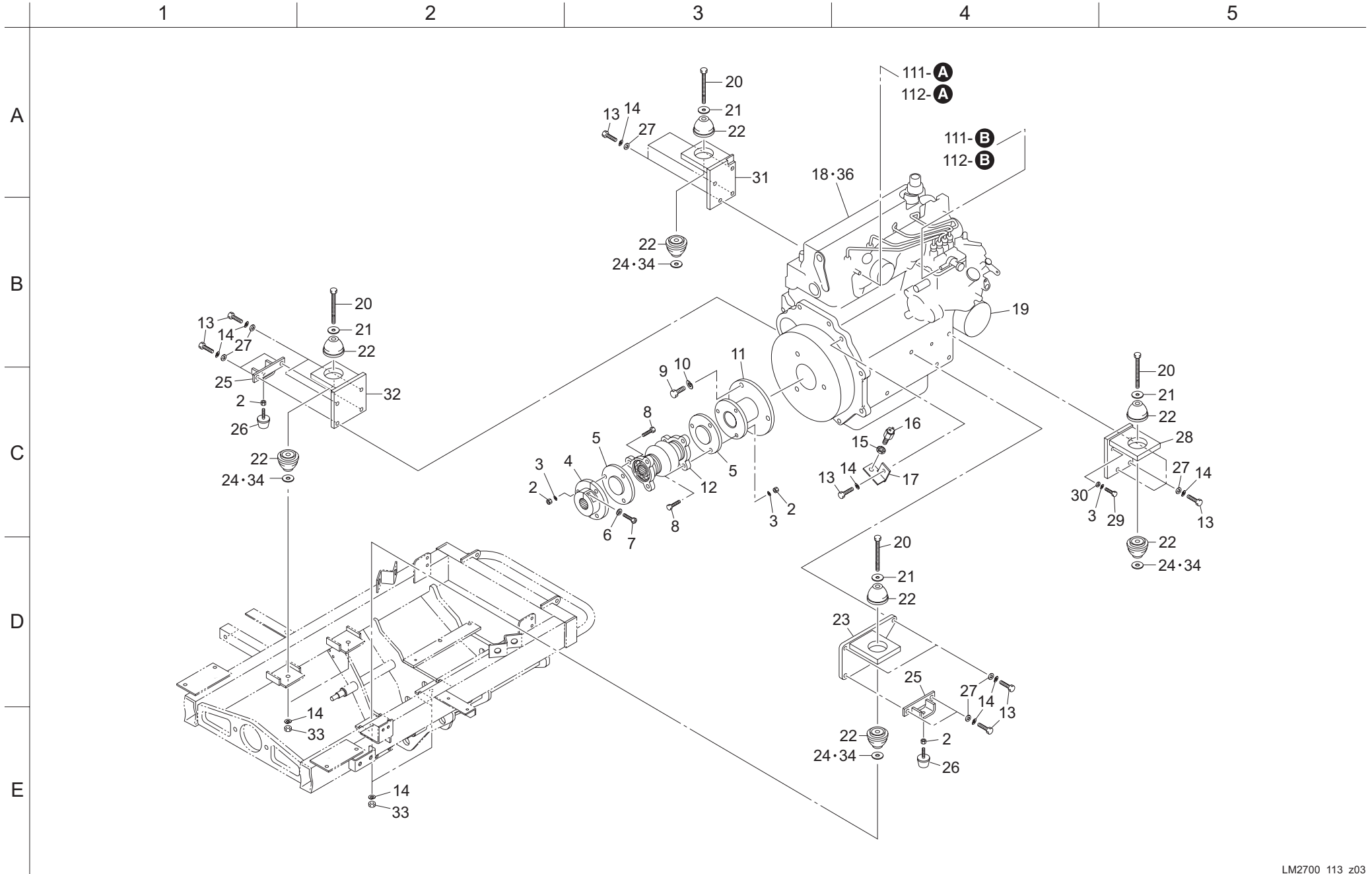
112. Engine section C for 22inch



Cat No.	Code No.	Part name	Qty	Remark	SN of application
112-1	K0000050152	BOLT, M5-15	5		
112-2	K2721000090	GAUGE, FLOATING 180*195	1		
112-3	K2721000020	PACKING, OIL-SHEET	1		
112-4					
112-5					
112-6	K4270050080	CLIP, HARNESS 50 M8	1		
112-7	LM2700-0950ZD	PLATE, MOUNTING SIDE COVER	2		
112-8					
112-9	K1422106001-Y	PLUG, TAPERED W/HEX HOLE T1 3/8	1		
112-10	K4260000150	CLAMP, HOSE 12	4		
112-11	K3182014000	HOSE, FUEL 4*1B1400	1		
112-12	K3180011000	HOSE, FUEL 8*1B1100	1		
112-13	K4260000172	CLAMP, HOSE KS-11-19	6		
112-14					
112-15	PF15224-4301-0	FILTER ASSY, FUEL	1		
112-16	PF15221-4317-0	ELEMENT, FUEL FILTER	1		
112-17	K3180007000	HOSE, FUEL 8*1B 700	1		
112-18	K0000080202	BOLT, M8-20	2		
112-19	K0000080402	BOLT, M8-40	2		
112-20	LM2700-0558Z0	HOSE, RADIATOR DRAIN	1		
112-21	LM2700-0561Z2	JOINT, TER39280AB	1		
112-22	LM2700-0562Z0	PACKING, 995714120	1		
112-23	LM2700-0563Z0	PLUG, DRAIN	1		
112-24	LM2700-0548ZD	BRACKET, PUMP	1		
112-25	PF66591-5456-3	RUBBER, VIBRATION PROOF	1		
112-26					
112-27					
112-28	PF1G377-5203-0	PUMP ASSY, FUEL	1		
112-29	K3180006000	HOSE, FUEL 8*1B600	1		
112-30	LM2700-0524ZU	PLATE, MOUNTING MUFFLER	2		
112-31					
112-32	LM2700-0527ZU	PIPE, TAIL	1		
112-33	K0100080002	NUT, M8	26		
112-34	K0200080002	WASHER, SPRING M8	28		
112-35	PFT0070-1642-0	GASKET, MUFFLER	2		

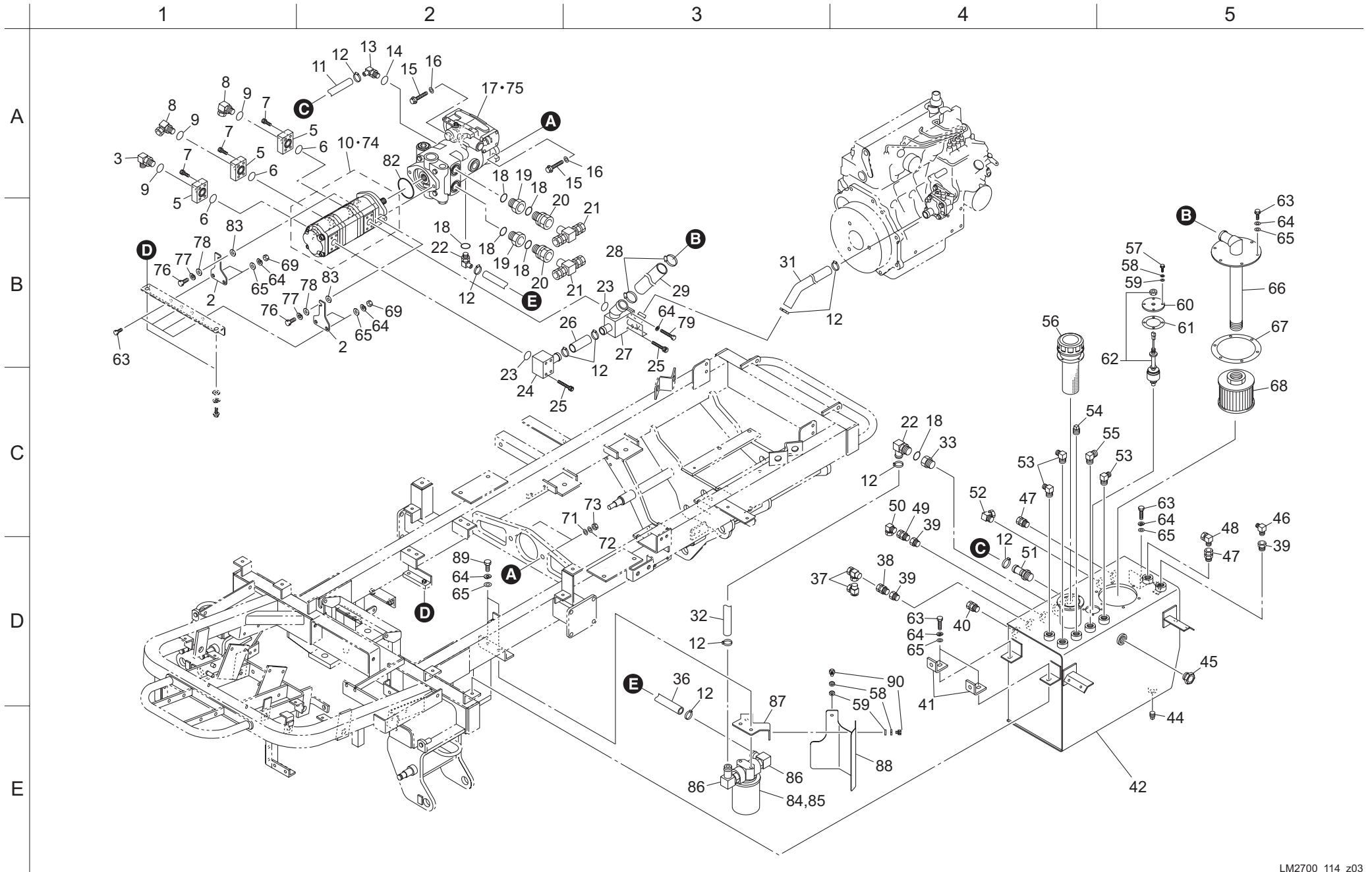
Cat No.	Code No.	Part name	Qty	Remark	SN of application
112-36	PF17234-1211-4	MUFFLER	1		
112-37					
112-38	LM2700-0523ZU	STAY, MUFFLER	1		
112-39	LM2700-0525ZU	PIPE, EXHAUST	1		
112-40	K4261036000	CLAMP, HOSE 4669	3		
112-41	K3773000650	CUFF, 65 BANNER A	2		
112-42	LM2700-0555Z0	HOSE, AIR CLEANER	1		
112-43	K3170105500	HOSE, 65 BANNER A 550	1		
112-44	K4261044000	CLAMP, HOSE PARKER 29-76	1		
112-45	PF1G369-1101-0	AIR CLEANER ASSY	1		
112-46	PFR1401-4227-0	ELEMENT ASSY, OUTER	1		
112-47					
112-48	K0922050000	SEAL, WASHER 5WF	5		
112-49					
112-50					
112-51					
112-52	K0000080552	BOLT, M8-55	6		
112-53	K5000080002	WASHER, M8	22		
112-54	K6212001582	COLLAR, STKM M8.5-17-22	2		
112-55	K0000080152	BOLT, M8-15	3		
112-56	K0000080202	BOLT, M8-20	3		
112-57					
112-58					
112-59	K0000060152	BOLT, M6-15	2		
112-60	K0200060002	WASHER, SPRING M6	2		
112-61	K0000060202	BOLT, M6-20	1		
112-62	K4260000200	CLAMP, HOSE JUBILEE BAND 2A	1		
112-63	K5000060002	WASHER, M6	1		
112-64	LM2700-0703Z0	TANK ASSY, FUEL W/ CAP	1		
112-65	LM2700-0702AD-Y	TANK, FUEL	1		
112-66	K1410000120	PLUG, FUEL TANK	1		
112-67					
112-68	K3420000090	FILTER ASSY, FUEL	1		

113. Engine section E (Engine)



Cat No.	Code No.	Part name	Qty	Remark	SN of application	Cat No.	Code No.	Part name	Qty	Remark	SN of application
113-1						113-36	PF17112-9701-2	FAN BELT	1		
113-2	K0100100002	NUT, M10	8								
113-3	K0200100002	WASHER, SPRING M10	7								
113-4	K6204000572	DISK, DRIVING PUMP SIDE	1								
113-5	K6204000562	SPACER, 118	2								
113-6	K0215100002	WASHER, DISK SPRING 2H M10	1								
113-7	K001A100401	BOLT, 13T W/HEX HOLE M10-40	1								
113-8	K0010100402	BOLT, HT M10-40	6								
113-9	K0010140302	BOLT, HT M14-30	3								
113-10	K0200140002	WASHER, SPRING M14	3								
113-11	LM2700-0501Z2	ADAPTER, FLYWHEEL	1								
113-12	K1620000270	JOINT, BC75ACP230	1								
113-13	K0012120352	BOLT, HT P1.25 M12-35	16								
113-14	K0200120002	WASHER, SPRING M12	20								
113-15	K0160000142	NUT, SPECIAL P1.5 M18	1								
113-16	PF56713-4293-0	PICKUP, ELECTROMAGNETIC	1								
113-17	LM2700-0531ZD	FITTING, ELECTROMAGNETIC PICKUP	1								
113-18	LM2700-0590A0	ENGINE, V2203-M-E3B-LMKY-1	1								
113-19	PF16414-3243-4	FILTER (OIL CARTRIDGE)	1								
113-20	K0013121102	BOLT, HT M12-110	4								
113-21	K5076012402	WASHER, SPHC 6-12-40	4								
113-22	K4042000100	RUBBER, ISOLATOR TO MOUNT ENGINE	8								
113-23	LM2700-0504ZD	BRACKET, ENGINE C	1								
113-24	K5011613402	WASHER, SPCC 1.6-13-40	4	for adjustment							
113-25	LM2700-0564AD	MOUNT, RUBBER STOPPER	2								
113-26	K4049050000	STOPPER, RUBBER KI-50	2								
113-27	K5000120002	WASHER, M12	15								
113-28	LM2700-0505ZD	BRACKET, ENGINE D	1								
113-29	K0011100302	BOLT, HT P1.25 M10-30	1								
113-30	K5000100002	WASHER, M10	1								
113-31	LM2700-0503ZD	BRACKET, ENGINE B	1								
113-32	LM2700-0502ZD	BRACKET, ENGINE A	1								
113-33	K0100120002	NUT, M12	4								
113-34	K5012313402	Washer, SPCC 2.3-13-40	4	for adjustment							
113-35											

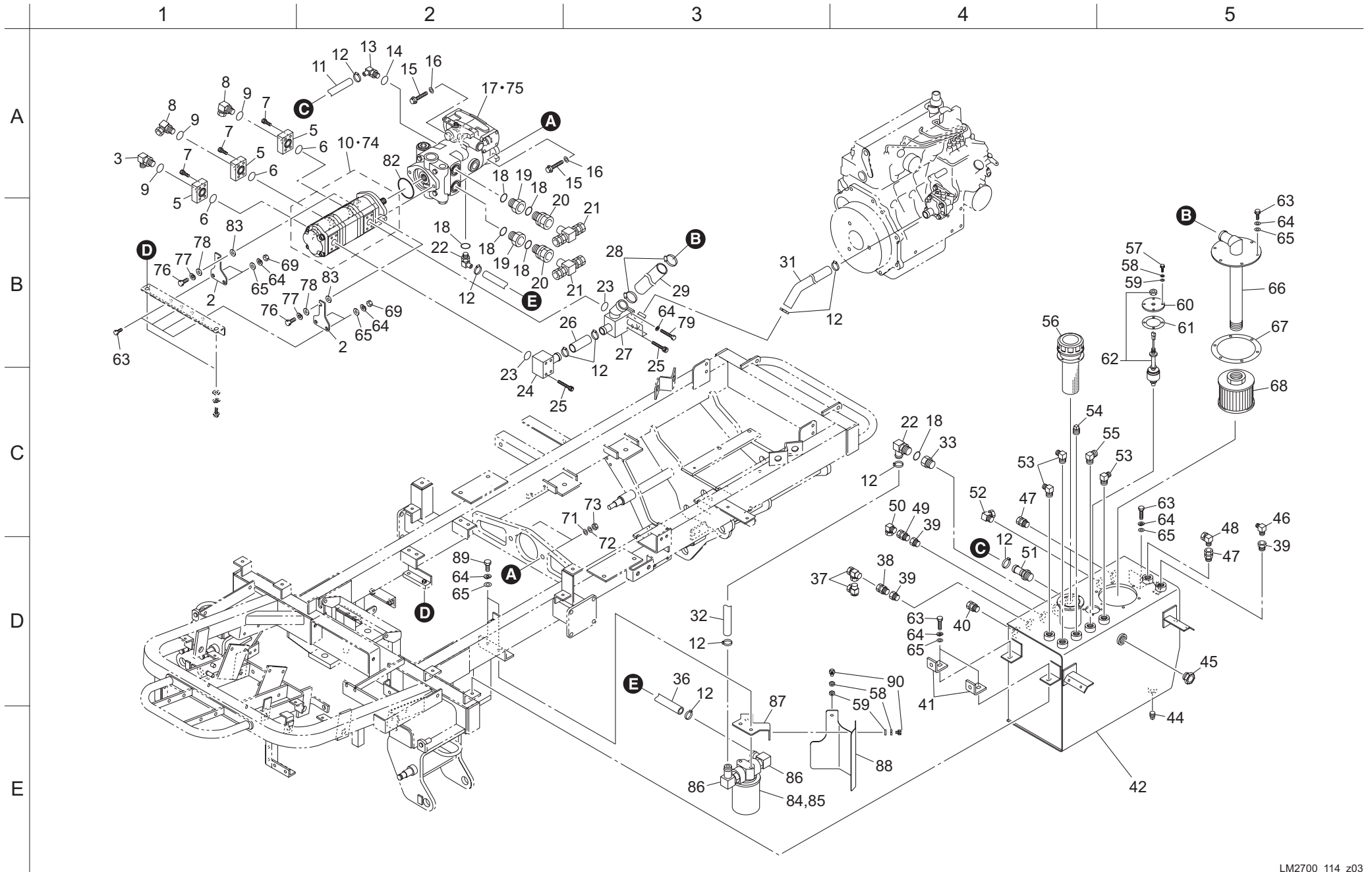
114. Hydraulic section A



Cat No.	Code No.	Part name	Qty	Remark	SN of application
114-1					
114-2	LM2700-0803ZD	BRACKET, PUMP	2		
114-3	K3008000352-Y	ELBOW, 90 ODD SIZED PF3/8 PF1/2	1		
114-4					
114-5	LM2700-0830Z2-Y	FLANGE, DISCHARGE	3		
114-6	K0881028000	O-RING, P28B	3		
114-7	K001A080251	BOLT, 13T W/HEX HOLE M8-25	12		
114-8	K3026412081-Y	NIPPLE, KLO 12-040E	2		
114-9	K0881018000	O-RING, P18B	3		
114-10	K3252000040	PUMP, GEAR PBBB222	1		
114-11	K3149010630	HOSE, S-25-630	1		
114-12	K4260000190	CLAMP, HOSE JUBILEE BAND 1	10		
114-13	K3008000302-Y	ELBOW, ADJUSTABLE FPD21941	1		
114-14	K0887009120	O-RING, AS568-912	1		
114-15	K0010120502	BOLT, HT M12-50	2		
114-16	K5073212352	WASHER, SPHC 3.2-12-35	2		
114-17	K3244000040	PUMP, PISTON 72400	1		
114-18	K0887009160	O-RING, AS568-916	6		
114-19	K3008000632-Y	CONNECTOR, W/O-RING 4043-1 5/16-O	2		
114-20	K3008000622-Y	CONNECTOR, W/O-RING 1202-25-1 5/16	2		
114-21	K3027025001-Y	TEE, KTB 25-000E	2		
114-22	K3008000312-Y	ELBOW, ADJUSTABLE FPD21939	2		
114-23	K0882025000	O-RING, G25	2		
114-24	LM2700-0805A2-Y	FLANGE, SUCTION	1		
114-25	K001A080601	BOLT, 13T W/HEX HOLE M8-60	7		
114-26	LM2700-3844A0	HOSE, BYPASS	1		
114-27	LM2700-0804B2-Y	FLANGE, COMMON SUCTION	1		
114-28	K4260000200	CLAMP, HOSE JUBILEE BAND 2A	2		
114-29	K3100A00390	HOSE, WP35-38-0-390	1		
114-30					
114-31	K3149010780	HOSE, S-25-780	1		
114-32	K3149010210	HOSE, S-25-210	1		
114-33	K3008000642-Y	CONNECTOR, W/O-RING 4400-25-16	1		
114-34					
114-35					

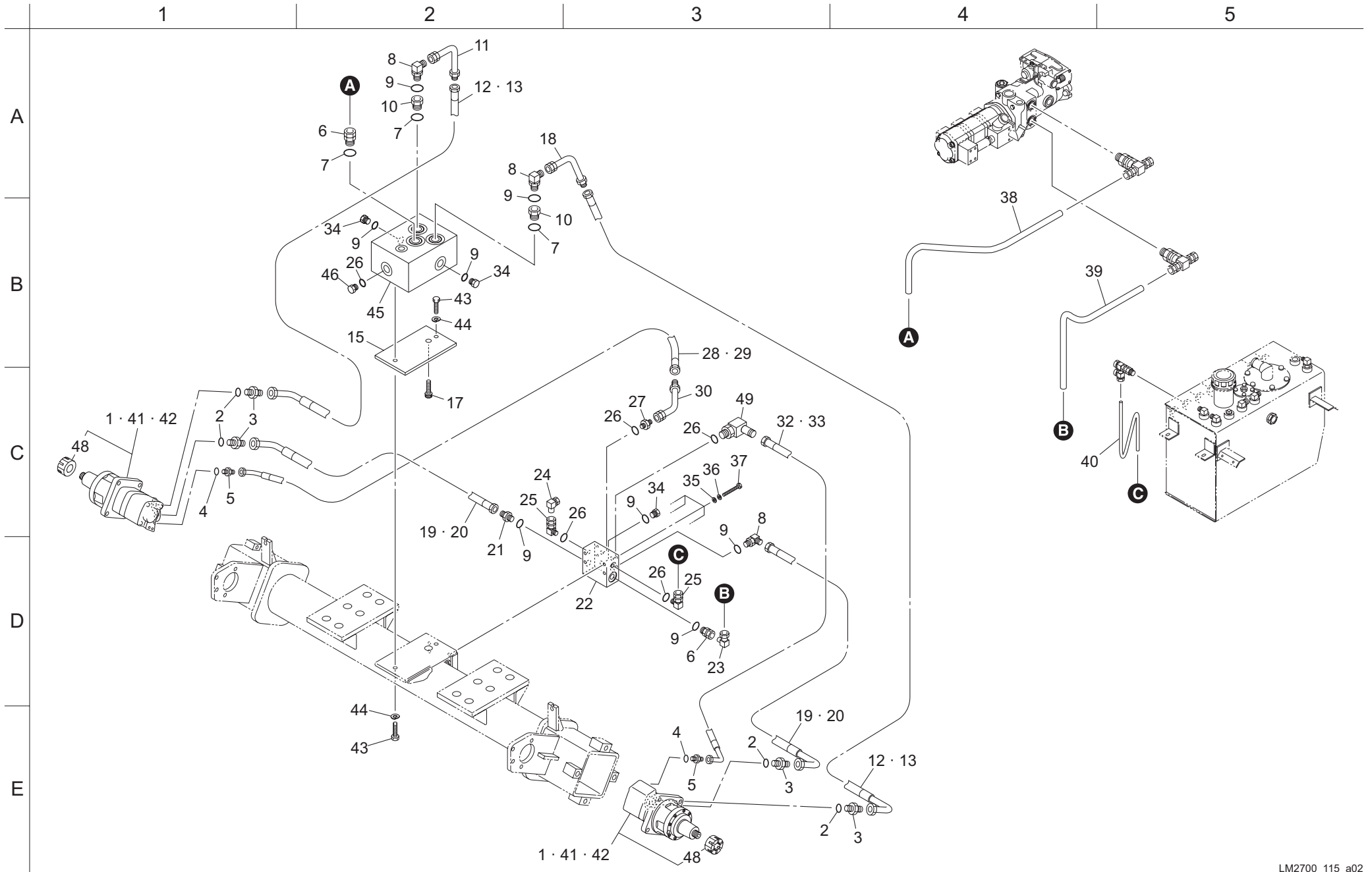
Cat No.	Code No.	Part name	Qty	Remark	SN of application
114-36	K3149010150	HOSE, S-25-150	1		
114-37	K3027210001-Y	TEE, KTC 10-000E	2		
114-38	K3026610061-Y	CONNECTOR, KCT 10-030E	1		
114-39	K3020080601-Y	BUSHING, BUT 1/2*3/8	3		
114-40	K3026612081-Y	CONNECTOR, KCT 12-040E	1		
114-41	LM2700-0950ZD	PLATE, MOUNTING SIDE COVER	2		
114-42	LM2700-0801CD-Y	TANK, HYDRAULIC	1		
114-43					
114-44	K1422106001-Y	PLUG, TAPERED W/HEX HOLE T1 3/8	1		
114-45	K1400000044-Y	GAUGE, OIL PF3/4 TYPE M	1		
114-46	K3006000012-Y	ELBOW, ODD SIZED PT3/8*PF1/4	1		
114-47	K3026610081-Y	CONNECTOR, KCT 10-040E	2		
114-48	K3027110001-Y	ELBOW, KLC 10-000E	1		
114-49	K3026612061-Y	CONNECTOR, KCT 12-030E	1		
114-50	K3027112001-Y	ELBOW, KLC 12-000E	1		
114-51	K3009000132-Y	ADAPTER, MO-JS-25	1		
114-52	K3028012081-Y	ELBOW, KLN 12-040E	1		
114-53	K3006000022-Y	ELBOW, ODD SIZED PT1/2*PF3/8	3		
114-54	K1422108001-Y	PLUG, TAPERED W/ HEX HOLE T1 1/2	1		
114-55	K3001120002-Y	ELBOW, 90 1033-12	1		
114-56	K3400000030	BREATHER, REFUELING HOLE FAB-50	1		
114-57	K0000060202	BOLT, M6-20	4		
114-58	K0200060002	WASHER, SPRING M6	6		
114-59	K5000060002	WASHER, M6	6		
114-60	LM526--0809Z2-Y	BRACKET, OIL LEVEL SENSOR	1		
114-61	K4011000330	PACKING, OIL-SHEET 0.8-4575	1		
114-62	K3720000130	SENSOR, LEVEL SWITCH	1		
114-63	K0000080202	BOLT, M8-20	12		
114-64	K0200080002	WASHER, SPRING M8	16		
114-65	K5000080002	WASHER, M8	15		
114-66	LM2700-0802Z2-Y	ATTACHMENT, SUCTION HOSE	1		
114-67	LM535E-0434Z0	PACKING, SUCTION PORT	1		
114-68	K3413000040	FILTER, SUCTION SFT-10-150W	1		
114-69	K0100080002	NUT, M8	4		
114-70					

114. Hydraulic section A



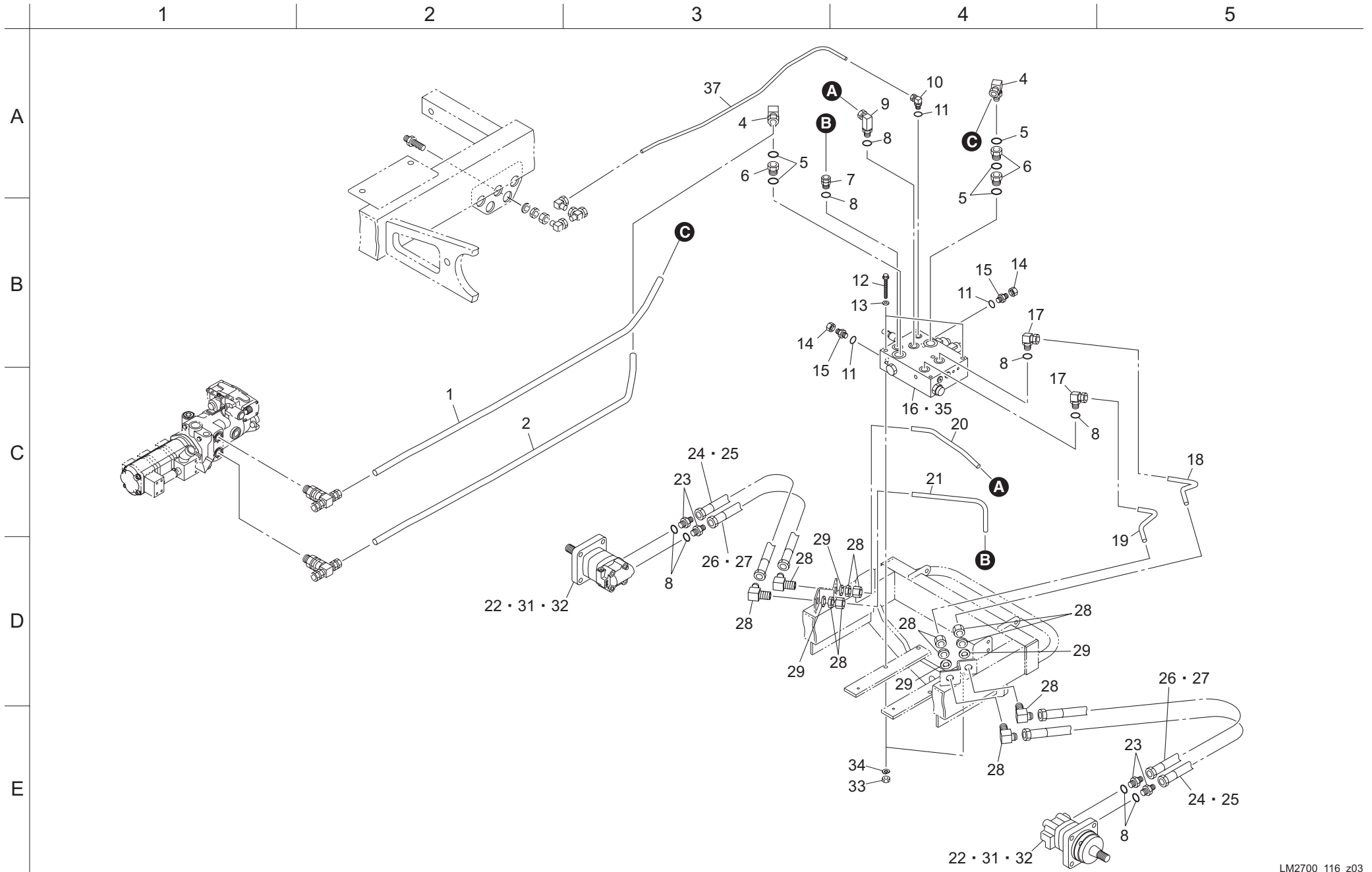
Cat No.	Code No.	Part name	Qty	Remark	SN of application	Cat No.	Code No.	Part name	Qty	Remark	SN of application
114-71	K5000120002	WASHER, M12	2								
114-72	K0200120002	WASHER, SPRING M12	2								
114-73	K0100120002	NUT, M12	2								
114-74	Y61-24603	REPAIR KIT	1								
114-75	Y72400-908	SEAL KIT, PISTON PUMP 72400	1								
114-76	K0069000221	BOLT, 3/8-16 UNC 38.1	2								
114-77	K0200100002	WASHER, SPRING M10	2								
114-78	K5000100002	WASHER, M10	4								
114-79	K0000080602	BOLT, M8-60	1								
114-80											
114-81											
114-82	K0887000420	O-RING, AS568-042	1								
114-83	K5073210242	WASHER, SPHC 3.2-10-24	2								
114-84	K3416000030	HEAD ASSY, OIL FILTERP576562	1								
114-85	K3416000040	FILTER, CARTRIDGE P565245	1								
114-86	K3008000922-Y	ELBOW, W/O-RING 1*5/8-12UN	2								
114-87	LM2700-0882ZD	BRACKET, CHARGE FILTER	1								
114-88	LM2700-0883ZD	PLATE, PROTECTING FILTER	1								
114-89	K0069000301	BOLT, UNC18 5/16-18-25	2								
114-90	K0000060122	BOLT, M6-12	2								

115. Hydraulic section B



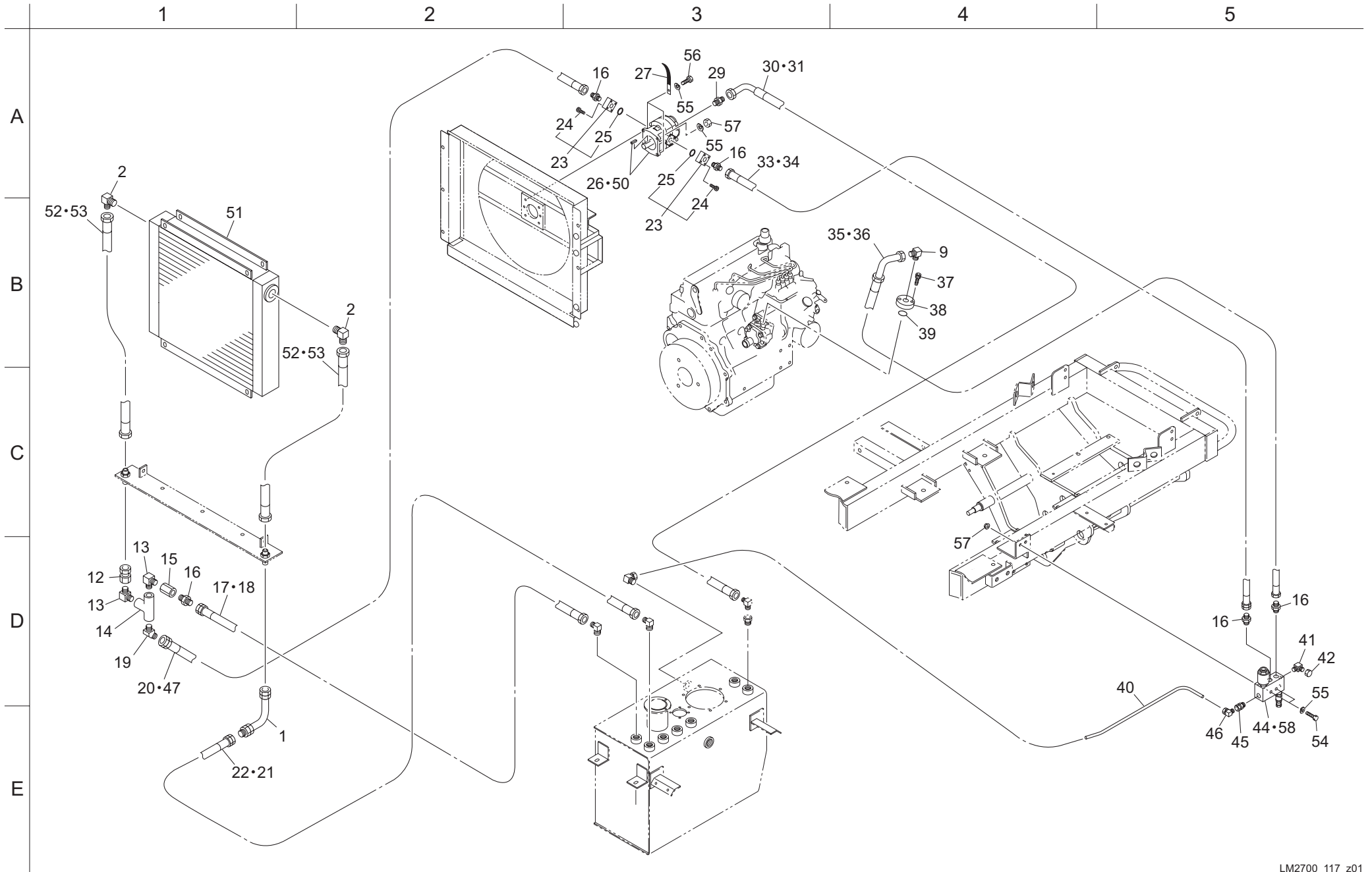
Cat No.	Code No.	Part name	Qty	Remark	SN of application	Cat No.	Code No.	Part name	Qty	Remark	SN of application
115-1	K3291000180	MOTOR, WHEEL 4-330BBAS-F9183	2			115-36	K0200080002	WASHER, SPRING M8	4		
115-2	K0887009120	O-RING, AS568-912	4			115-37	K0000080702	BOLT, M8-70	4		
115-3	K3008000382-Y	CONNECTOR, W/O-RING 1	4			115-38	LM2700-0824Z2-Y	PIPE, PISTON PUMP C	1		
115-4	K0887009040	O-RING, AS568-904	2			115-39	LM2700-0825A2-Y	PIPE, PISTON PUMP D	1		
115-5	K3008000342-Y	CONNECTOR, W/O-RING 1096-6	2			115-40	LM2700-0846Z2-Y	PIPE, FRONT WHEEL MANIFOLD DRAIN	1		
115-6	K3026325121-Y	CONNECTOR, KCO 25-060E	2			115-41	Y61234S	SEAL KIT, WHEEL MOTOR 4000 (REAR)	2		
115-7	K0881024000	O-RING, P24B	3			115-42	YAE0325A	SEAL KIT, WHEEL MOTOR 4000 (SHAFT)	2		
115-8	K3008000042-Y	ELBOW, ADJUSTABLE 90 DEG 1086-12	3			115-43	K0000100302	BOLT, M10-30	2		
115a-9	K0881018000	O-RING, P18B	8			115-44	K0200100002	WASHER, SPRING M10	2		
115-10	K3029000312-Y	BUSHING, PF1/2*PF3/4	2			115a-45	LM2700-4901Z2-Y	MANIFOLD, B	1		
115-11	K3025069082-Y	ADAPTER, FOR PIPE 069-08	1			115a-46	K1420000222-Y	PLUG, W/O-RING 215-PF1/4	1		
115-12	K3106430710	HOSE, WP245-12-3-710	2			115a-47					
115-13	K3191006100	TUBE, SPIRAL SP-15 610	2			115-48	Y14230	NUT, WHEEL MOTOR 4000	2		
115-14						115-49	K3008000442-Y	ADAPTER, 90 1086-6	1		
115-15	LM2700-0831ZD	MOUNT, DIFF LOCK VALVE	1								
115-16											
115-17	K001A100151	BOLT, 13T W/HEX HOLE M10-15	1								
115-18	K302506L082-Y	ADAPTER, FOR PIPE 06L-08	1								
115-19	K3106430610	HOSE, WP245-12-3-610	2								
115-20	K3191005100	TUBE, SPIRAL SP-15 510	2								
115-21	K3009000092-Y	ADAPTER, PF1/2*PF1/2	1								
115-22	LM2700-0821Z2-Y	MANIFOLD	1								
115-23	K3027125001-Y	ELBOW, KLC 25-000E	1								
115-24	K3027110001-Y	ELBOW, KLC 10-000E	1								
115-25	K3026410041-Y	NIPPLE, KLO 10-020KNNT	2								
115a-26	K0881011000	O-RING, P11B	5								
115-27	K3008000232-Y	CONNECTOR, W/O-RING PF1/4*PF1/4	1								
115-28	K3101220740	HOSE, WP70-6-2-740	1								
115-29	K3190006400	TUBE, SPIRAL SP-12 640	1								
115-30	K3025064042-Y	ADAPTER, FOR PIPE 064-04	1								
115-31											
115-32	K3101220690	HOSE, WP70-6-2-690	1								
115-33	K3190005900	TUBE, SPIRAL SP-12 590	1								
115a-34	K1420000232-Y	PLUG, O-RING 215-PF1/2	3								
115-35	K5000080002	WASHER, M8	4								

116. Hydraulic section C



Cat No.	Code No.	Part name	Qty	Remark	SN of application	Cat No.	Code No.	Part name	Qty	Remark	SN of application
116-1	LM2700-0822Z2-Y	PIPE, PISTON PUMP A	1			116-36					
116-2	LM2700-0823Z2-Y	PIPE, PISTON PUMP B	1			116-37	LM2700-0884Z2-Y	PIPE, V5260 DRAIN	1		
116-3											
116-4	K3026425121-Y	NIPPLE, KLO 25-060E	2								
116-5	K0881024000	O-RING, P24B	5								
116-6	K3008000662-Y	CONNECTOR, W/O-RING 1110-19-19	3								
116-7	K3026316081-Y	CONNECTOR, KCO 16-040E	1								
116-8	K0881018000	O-RING, P18B	8								
116-9	K3028416081-Y	NIPPLE, ELBOW KLG16-040E	1								
116-10	K3026410041-Y	NIPPLE, KLO 10-020KNNT	1								
116-11	K0881011000	O-RING, P11B	3								
116-12	K0000101002	BOLT, M10-100	2								
116-13	K5000100002	WASHER, M10	2								
116-14	K3008000482-Y	CAP, TAPPED FEMALE PF1/4	2								
116-15	K3008000232-Y	CONNECTOR, W/O-RING PF1/4*PF1/4	2								
116-16	K3313000290	VALVE COMP, SOLENOID V4205	1								
116-17	K3026416081-Y	NIPPLE, LONG ELBOW KLO16-040E	2								
116-18	LM2700-0826Z2-Y	PIPE, REAR WHEEL A	1								
116-19	LM2700-0827Z2-Y	PIPE, REAR WHEEL B	1								
116-20	LM2700-0829Z2-Y	PIPE, REAR WHEEL D	1								
116-21	LM2700-0828Z2-Y	PIPE, REAR WHEEL C	1								
116-22	K3291000130	MOTOR, ORBIT 2-160BS4S-E341	2								
116-23	K3009000092-Y	ADAPTER, PF1/2*PF1/2	4								
116-24	K3106410850	HOSE, WP245-12-1-850	2								
116-25	K3191007500	TUBE, SPIRAL SP-15 750	2								
116-26	K3106410800	HOSE, WP245-12-1-800	2								
116-27	K3191007000	TUBE, SPIRAL SP-15 700	2								
116-28	K3028716081-Y	UNION, KLH 16-040E	4								
116-29	K0214240001	WASHER, DISK SPRING 2L M24	4								
116-30											
116-31	Y61091S	SEAL KIT, 2000 ORBIT MOTOR (SHAFT)	2								
116-32	Y61090S	SEAL KIT, 2000 ORBIT MOTOR (REAR)	2								
116-33	K0100100002	NUT, M10	2								
116-34	K0200100002	WASHER, SPRING M10	2								
116-35	YZ40068516	SEAL KIT	1								

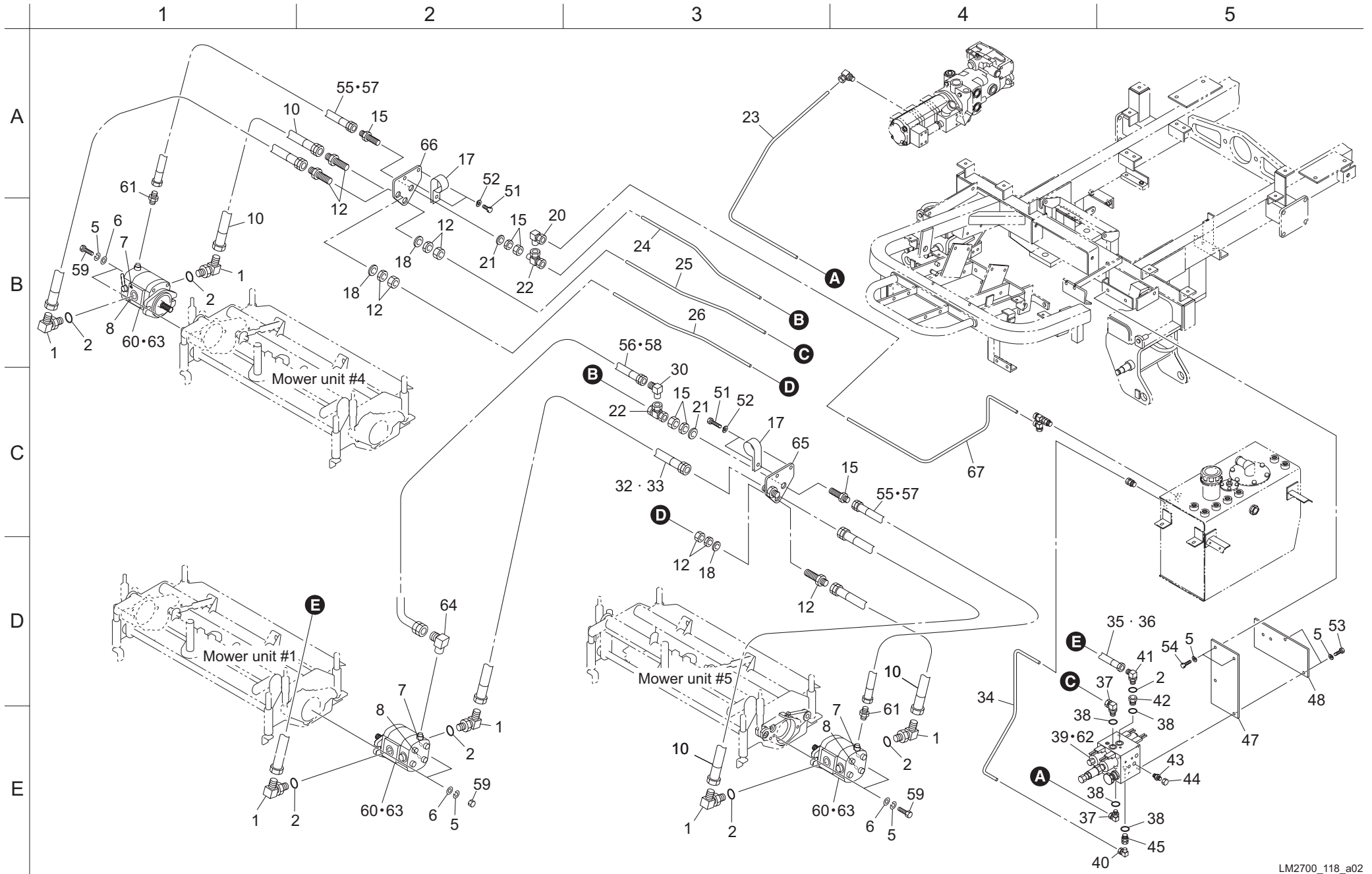
117. Hydraulic section D



Cat No.	Code No.	Part name	Qty	Remark	SN of application
117-1	K3025069062-Y	ADAPTER, FOR PIPE 069-06	1		
117-2	K3006000022-Y	ELBOW, ODD SIZED PT1/2*PF3/8	2		
117-3					
117-4					
117-5					
117-6					
117-7					
117-8					
117-9	K3001090002-Y	ELBOW, 90 1033-9	2		
117-10					
117-11					
117-12	K3008000712-Y	CONNECTOR, SWIVEL 06	1		
117-13	K3006000072-Y	ELBOW, PT3/8	2		
117-14	K3021060002-Y	TEE, TEF PT3/8	1		
117-15	K3340000030	VALVE, CHECK 03-100	1		
117-16	K3000090002-Y	ADAPTER, 1013-9	5		
117-17	K3100311050	HOSE, WP35-9-1-1050	1		
117-18	K3191009500	TUBE, SPIRAL SP-15 950	1		
117-19	K3003090002-Y	ELBOW, 45 1035-9	1		
117-20	K3100310700	HOSE, WP35-9-1-700	1		
117-21	K3191008000	TUBE, SPIRAL SP-15 800	1		
117-22	K3100310900	HOSE, WP35-9-1-900	1		
117-23	K3281000010	FLANGE, PORT 14.8 D	2		
117-24	K001A060301	BOLT, 13T W/HEX HOLE M6-30	2		
117-25	K0881022000	O-RING, P22B	2		
117-26	K3280000240	MOTOR, GEAR MA7AD661	1		
117-27	K4281000020	CLAMP, HARNESS 8.5 80	1		
117-28					
117-29	K3007000032-Y	ADAPTER, ODD SIZED PT1/8*PF1/4	1		
117-30	K3101231520	HOSE, WP70-6-3-1520	1		
117-31	K3190014200	TUBE, SPIRAL SP-12 1420	1		
117-32					
117-33	K3101310550	HOSE, WP70-9-1-550	1		
117-34	K3191004500	TUBE, SPIRAL SP-15 450	1		
117-35	K3101330360	HOSE, WP70-9-3-360	1		

Cat No.	Code No.	Part name	Qty	Remark	SN of application
117-36	K3191002600	TUBE, SPIRAL SP-15 260	1		
117-37	K001A080251	BOLT, 13T W/HEX HOLE M8-25	2		
117-38	LM2700-0811Z2-Y	FLANGE, PUMP	1		
117-39	K0881020000	O-RING, P20B	1		
117-40	LM2700-0851Z2-Y	PIPE, V4127A TANK	1		
117-41	K3006000152-Y	ELBOW, ODD SIZED PT1/8*PF1/4	1		
117-42	K3008000482-Y	CAP, TAPPED FEMALE PF1/4	1		
117-43					
117-44	K3313000250	VALVE, SOLENOID V4209	1		
117-45	K3026612061-Y	CONNECTOR, KCT 12-030E	1		
117-46	K3027112001-Y	ELBOW, KLC 12-000E	1		
117-47	K3191006000	TUBE, SPIRAL SP-15 600	1		
117-48					
117-49					
117-50	Y61-25070	SEAL KIT, GEAR MOTOR MA661/MA7AD661	1		
117-51	LM2700-3839Z0	OIL COOLER	1		
117-52	K3100310380	HOSE, WP35-9-1-380	2		
117-53	K3191002800	TUBE, SPIRAL SP-15 280	2		
117-54	K0000080502	BOLT, M8-50	2		
117-55	K0200080002	WASHER, SPRING M8	6		
117-56	K0000080202	BOLT, M8-20	2		
117-57	K0100080002	NUT, M8	4		
117-58	YZSK08-2N-T/B	SEAL KIT, SK08-2N-T/B CHECK VALVE	1		

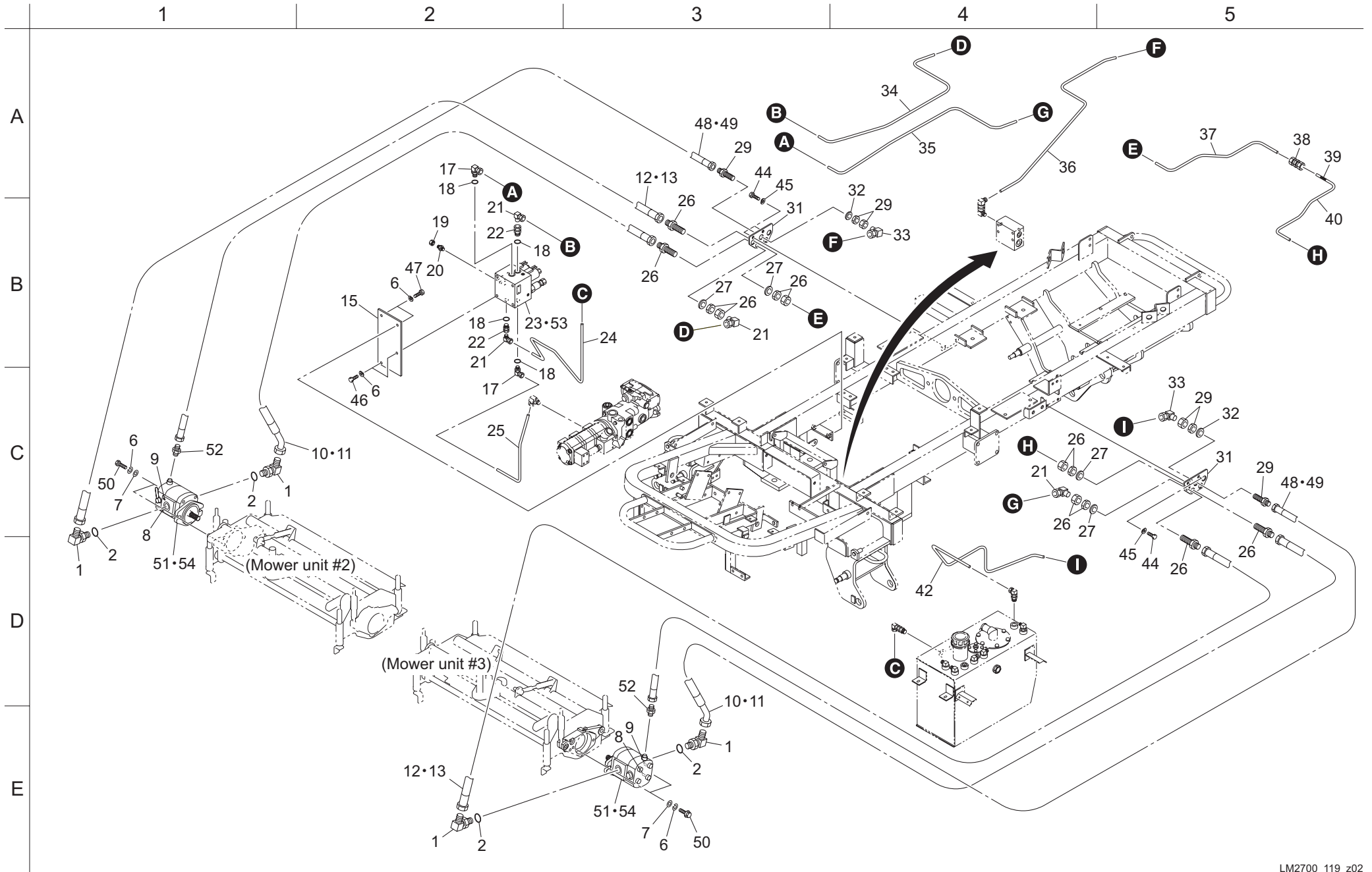
118. Hydraulic section E



Cat No.	Code No.	Part name	Qty	Remark	SN of application
118-1	K3008000352-Y	ELBOW, 90 ODD SIZED PF3/8 PF1/2	6		
118-2	K0881018000	O-RING, P18B	7		
118-3					
118-4					
118-5	K0200100002	WASHER, SPRING M10	10		
118-6	K5000100002	WASHER, M10	6		
118-7	K4203001300	DECAL, REEL ROTATION	3		
118-8	K4203001310	DECAL, REEL STOP	3		
118-9					
118a-10	LM2700-3841B0	HOSE, WP175-9-1-1400	4		
118a-11					
118-12	K3026912061-Y	UNION, KUE 12-030E	3		
118-13					
118-14					
118-15	K3026910041-Y	UNION, KUE 10-020E	2		
118-16					
118-17	K4270050080	CLIP, HARNESS 50 M8	2		
118-18	K0214180001	WASHER, DISK SPRING 2L M18	3		
118-19					
118-20	K3027110001-Y	ELBOW, KLC 10-000E	1		
118-21	K0214160001	WASHER, DISK SPRING 2L M16	2		
118-22	K3027210001-Y	TEE, KTC 10-000E	2		
118-23	LM2700-0854Z2-Y	PIPE, V5259 PUMP	1		
118-24	LM2700-0845Z2-Y	PIPE, #5 MOTOR DRAIN	1		
118-25	LM2700-0857Z2-Y	PIPE, #4 MOTOR OUT	1		
118-26	LM2700-0859Z2-Y	PIPE, #5 MOTOR IN	1		
118-27					
118-28					
118-29					
118-30	K3028510041-Y	ELBOW, FOR HOSE HLD 10-20E	1		
118-31					
118-32	K3104321970	HOSE, WP175-9-2-1970	1		
118-33	K3191018700	TUBE, SPIRAL SP-15 1870	1		
118-34	LM2700-0858Z2-Y	PIPE, V5259 TANK	1		
118-35	K3104311840	HOSE, WP175-9-1-1840	1		

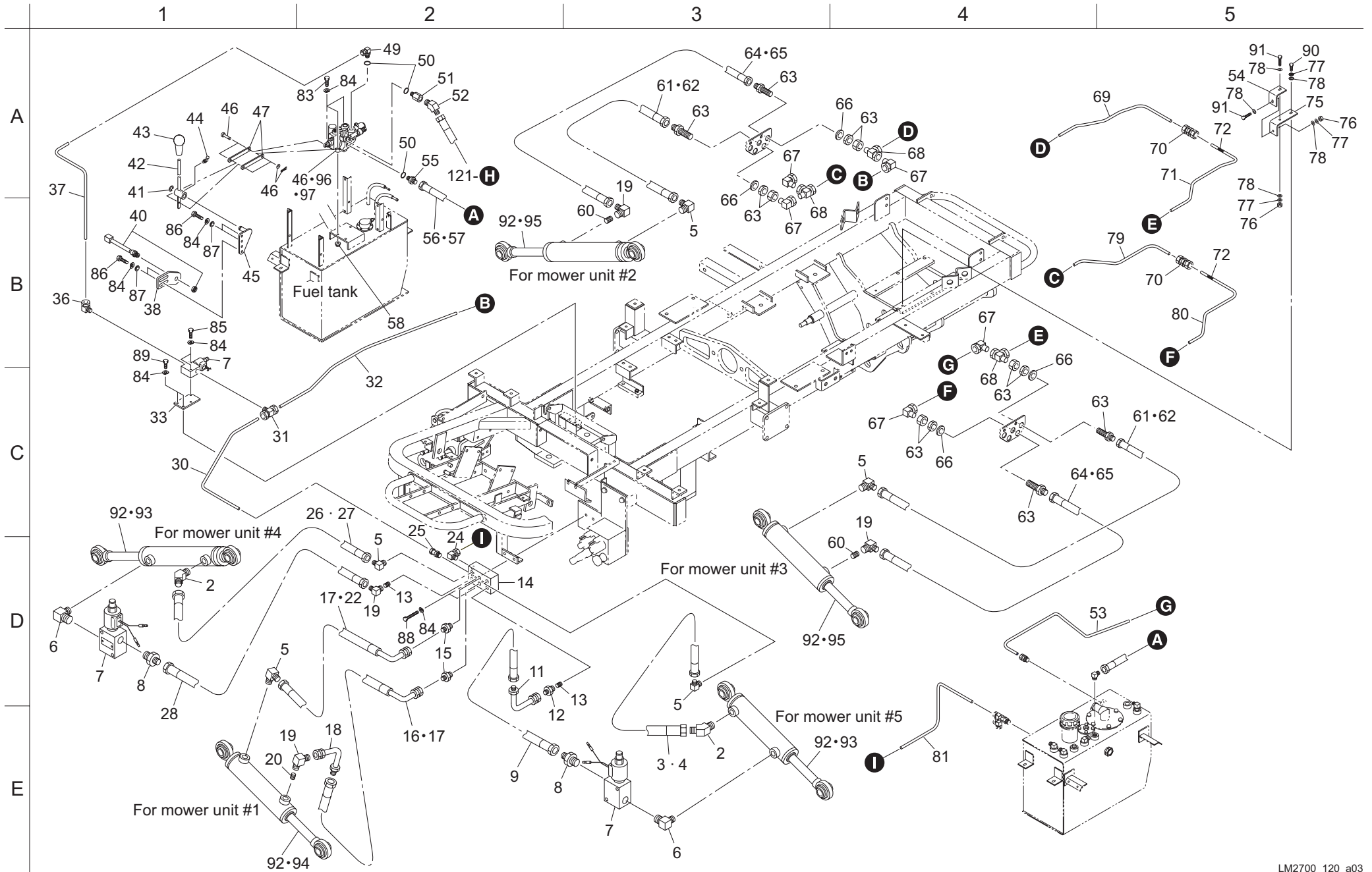
Cat No.	Code No.	Part name	Qty	Remark	SN of application
118-36	K3191017400	TUBE, SPIRAL SP-15 1740	1		
118-37	K3026412061-Y	NIPPLE, ELBOW KLO 12-030KNNT	2		
118-38	K0881014000	O-RING, P14B	4		
118-39	K3313000280	VALVE COMP, SOLENOID V5259A	1		
118-40	K3027112001-Y	ELBOW, KLC 12-000E	1		
118-41	K3008000032-Y	ELBOW, ADJUSTABLE 90 1086-9	1		
118-42	K3029000282-Y	BUSHING, PF3/8*PF3/8	1		
118-43	K3000060002-Y	ADAPTER, 1013-6	1		
118-44	K3008000482-Y	CAP, TAPPED FEMALE PF1/4	1		
118-45	K3026312061-Y	CONNECTOR, KCO 12-030E	1		
118-46					
118-47	LM2700-0814ZD	BRACKET, VALVE #1 #4 #5 MOWER	1		
118-48	LM2700-0866ZD	BRACKET, MANIFOLD	1		
118-49					
118-50					
118-51	K0000080202	BOLT, M8-20	4		
118-52	K0200080002	WASHER, SPRING M8	4		
118-53	K0000100252	BOLT, M10-25	2		
118-54	K0000100302	BOLT, M10-30	2		
118-55	K3101211420	HOSE, WP70-6-1-1420	2		
118-56	K3101221830	HOSE, WP70-6-1-1830	1		
118-57	K3190013200	TUBE, SPIRAL SP-12 1320	2		
118-58	K3190017300	TUBE, SPIRAL SP-12 1730	1		
118-59	K0008100302	BOLT, SMALL M10-30	6		
118-60	K3282000060	MOTOR, GEAR PLM20.16	3		
118-61	K3008000232-Y	CONNECTOR, W/O-RING PF1/4*PF1/4	2		
118-62	Y889625	SEAL KIT, SOLENOID VALVE V5259A	1		
118-63	YCA62029050	SEAL KIT, PLM20-01S9R	3		
118-64	K3008000442-Y	ADAPTER, 90 1086-6	1		
118-65	LM2700-0879Z2-Y	BRACKET, HOSE #5 MOWER	1		
118-66	LM2700-0880Z2	BRACKET, HOSE #4 MOWER	1		
118-67	LM2700-0881Z2-Y	PIPE, #4 MOTOR DRAIN	1		

119. Hydraulic section F



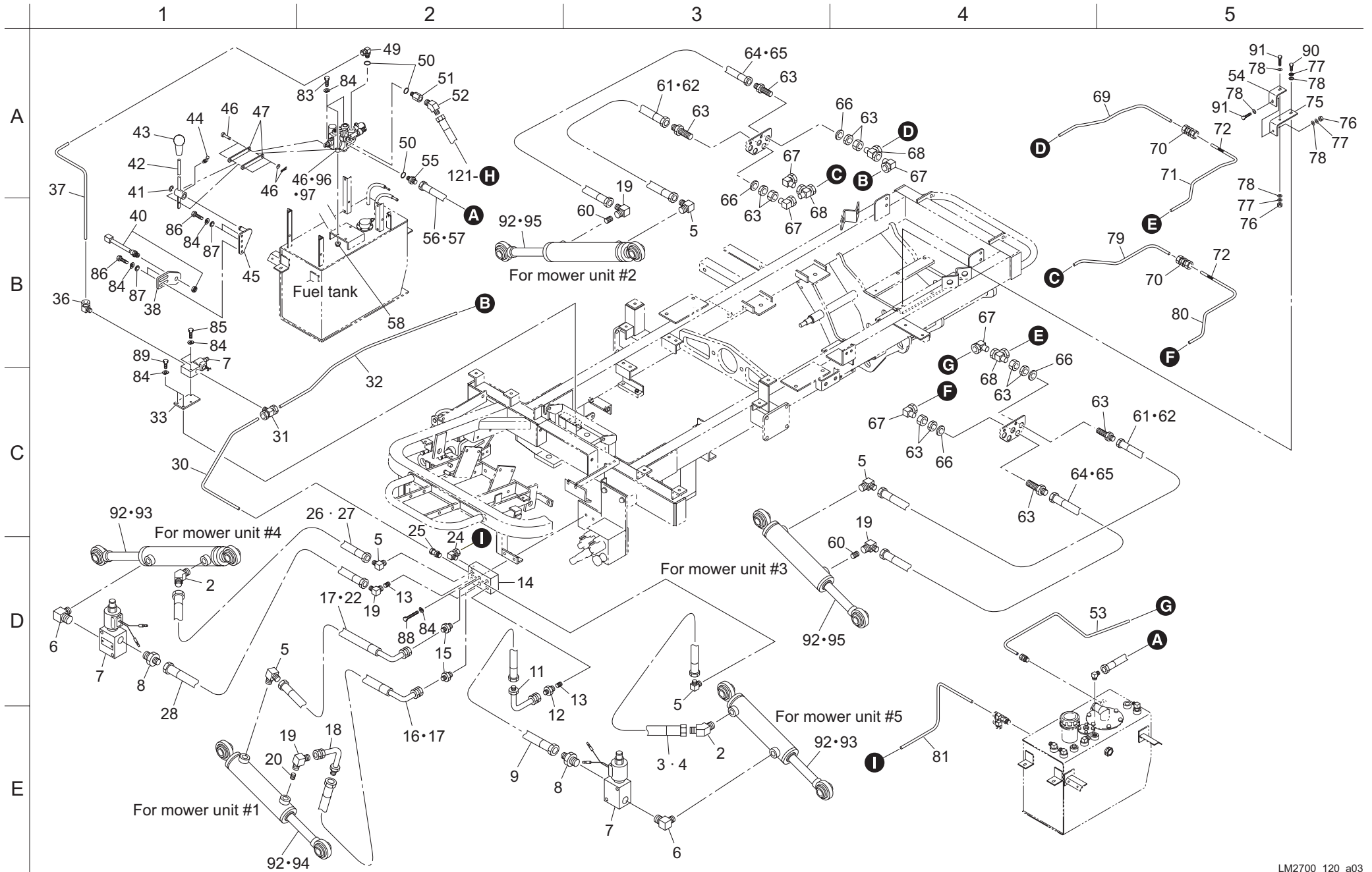
Cat No.	Code No.	Part name	Qty	Remark	SN of application	Cat No.	Code No.	Part name	Qty	Remark	SN of application
119-1	K3008000352-Y	ELBOW, 90 ODD SIZED PF3/8 PF1/2	4			119-36	LM2700-0841Z2-Y	PIPE, #2 MOTOR DRAIN	1		
119-2	K0881018000	O-RING, P18B	4			119-37	LM2700-0862Z2-Y	PIPE, #2 MOTOR INPUT	1		
119-3						119-38	K3028612001-Y	UNION, KUA 12-000E	1		
119-4						119-39	K3186000500	HOSE, VINYL 10-50	1		
119-5						119-40	LM2700-0839Z2-Y	PIPE, #3 MOTOR OUTPUT	1		
119-6	K0200100002	WASHER, SPRING M10	8			119-41					
119-7	K5000100002	WASHER, M10	4			119-42	LM2700-0843Z2-Y	PIPE, #3 MOTOR DRAIN	1		
119-8	K4203001300	DECAL, REEL ROTATION	2			119-43					
119-9	K4203001310	DECAL, REEL STOP	2			119-44	K0000080202	BOLT, M8-20	4		
119-10	K3103321020	HOSE, WP140-9-2-1020	2			119-45	K0200080002	WASHER, SPRING M8	4		
119-11	K3191009200	TUBE, SPIRAL SP-15 920	2			119-46	K0000100202	BOLT, M10-20	2		
119-12	K3103311000	HOSE, WP140-9-1-1000	2			119-47	K0000100302	BOLT, M10-30	2		
119-13	K3191009000	TUBE, SPIRAL SP-15 900	2			119-48	K3190008700	TUBE, SPIRAL SP-12 870	2		
119-14						119-49	K3101210970	HOSE, WP70-6-1-970	2		
119-15	LM2700-0813AD	PLATE, MOUNTING VALVE #2 & #3 MOWER	1			119-50	K0008100302	BOLT, SMALL M10-30	4		
119-16						119-51	K3282000060	MOTOR, GEAR PLM20.16	2		
119-17	K3026412061-Y	NIPPLE, ELBOW KLO 12-030KNNT	2			119-52	K3008000232-Y	CONNECTOR, W/O-RING PF1/4*PF1/4	2		
119-18	K0881014000	O-RING, P14B	4			119-53	Y889625	SEAL KIT, SOLENOID VALVE V5259A	1		
119-19	K3008000482-Y	CAP, TAPPED FEMALE PF1/4	1			119-54	YCA62029050	SEAL KIT, PLM20-01S9R	2		
119-20	K3000060002-Y	ADAPTER, 1013-6	1								
119-21	K3027112001-Y	ELBOW, KLC 12-000E	4								
119-22	K3026312061-Y	CONNECTOR, KCO 12-030E	2								
119-23	K3313000280	VALVE COMP, SOLENOID V5259A	1								
119-24	LM2700-3834Z2-Y	PIPE, V5259A TANK	1								
119-25	LM2700-3836Z2-Y	PIPE, V5259A PUMP	1								
119-26	K3026912061-Y	UNION, KUE 12-030E	4								
119-27	K0214180001	WASHER, DISK SPRING 2L M18	4								
119-28											
119-29	K3026910041-Y	UNION, KUE 10-020E	2								
119-30											
119-31	LM2700-0812ZD	BRACKET, HOSE #2 #3 MOWER	2								
119-32	K0214160001	WASHER, DISK SPRING 2L M16	2								
119-33	K3027110001-Y	ELBOW, KLC 10-000E	2								
119-34	LM2700-3835A2-Y	PIPE, OUTPUT #2 MOTOR	1								
119-35	LM2700-3837A2-Y	PIPE, INPUT #2 MOTOR	1								

120. Hydraulic section G



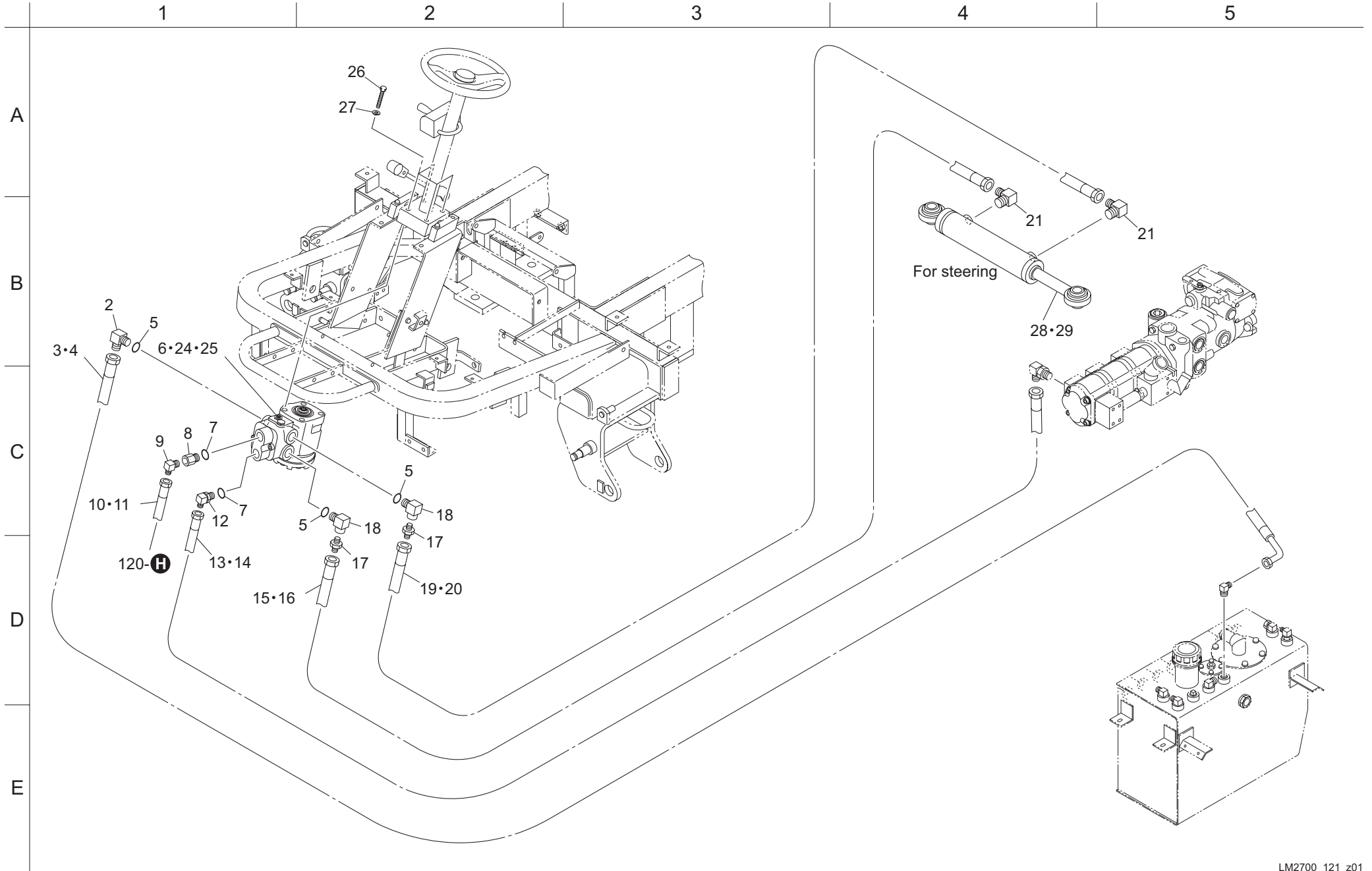
Cat No.	Code No.	Part name	Qty	Remark	SN of application	Cat No.	Code No.	Part name	Qty	Remark	SN of application
120-1						120-36	K3028012061-Y	ELBOW, KLN 12-030E	1		
120-2	K3003060002-Y	ELBOW, 45 1035-6	2			120-37	LM2700-0856Z2-Y	PIPE, CYLINDER	1		
120-3	K3101210650	HOSE, WP70-6-1-650	1			120-38	LM2700-0625ZD	BRACKET, SWITCH	1		
120-4	K3190005500	TUBE, SPIRAL SP-12 550	1			120-39					
120-5	K3001060002-Y	ELBOW, 90 1033-6	5			120-40	LM2700-0557Z0	SENSOR, PROXIMITY E2E-X5E	1		
120-6	K3006000032-Y	ELBOW, ODD SIZED PT1/4*PT3/8	2			120-41	K0400012002	RING, RETAINING E M12	1		
120-7	K3313000040	VALVE, SOLENOID V4029	3			120-42	LM2700-0874Z2	LEVER	1		
120-8	K3009000042-Y	ADAPTER, PF1/4*PT3/8	2			120-43	K1300000040	GRIP, RUBBER BLACK 9-35.5	1		
120a-9	LM2700-3842A0	HOSE, WP105-6-2-800	1			120-44	K1440000030	GREASE NIPPLE, 67.5 TYPE B	1		
120a-10						120-45	LM2700-0873Z2	BRACKET, LEVER	1		
120-11	K302506L042-Y	ADAPTER, PIPE 06L-04	1			120-46	K3300000190	VALVE, STACK SV3-1191	1		
120-12	K3009000272-Y	ADAPTER, 1013-6M6	1			120-47	LM2700-0875Z2	BRACKET, VALVE	2		
120-13	K0023000051-Y	SETSCREW, M6-6-1.2	2			120-48					
120-14	LM2700-0834Z2-Y	MANIFOLD, CYLINDER	1			120-49	K3026412061-Y	NIPPLE, ELBOW KLO 12-030KNNT	1		
120-15	K3000060002-Y	ADAPTER, 1013-6	2			120-50	K0881018000	O-RING, P18B	3		
120-16	K3102230600	HOSE, WP105-6-3-600	1			120-51	K3029000072-Y	BUSHING, PF3/8*PT3/8	1		
120-17	K3190005000	TUBE, SPIRAL SP-12 500	2			120-52	K3003090002-Y	ELBOW, 45 1035-9	1		
120-18	K3025069042-Y	ADAPTER, FOR PIPE 069-04	1			120-53	LM2700-0842Z2-Y	PIPE, #3 CYLINDER DRAIN	1		
120-19	K3029000252-Y	ELBOW, 90 1033-6M6	4			120-54	LM2700-0864ZD	CLAMPER, PIPE B	1		
120-20	K0023000061-Y	SETSCREW, M6-6-1.6	1			120-55	K3009000172-Y	ADAPTER, PF3/8*PF1/2	1		
120-21						120-56	K3100421050	HOSE, WP35-12-2-1050	1		
120-22	K3101230600	HOSE, WP70-6-3-600	1			120-57	K3191009500	TUBE, SPIRAL SP-15 950	1		
120-23						120-58	K0100080002	NUT, M8	3		
120-24	K3028010041-Y	ELBOW, KLN 10-020E	1			120-59					
120-25	K3026610041-Y	CONNECTOR, KCT 10-020E	1			120-60	K0023000011-Y	SETSCREW, M6-6-1	2		
120-26	K3101211040	HOSE, WP70-6-1-1040	1			120-61	K3102220460	HOSE, WP105-6-2-460	2		
120-27	K3190009400	TUBE, SPIRAL SP-12 940	1			120-62	K3190003600	TUBE, SPIRAL SP-12 360	2		
120a-28	LM2700-3843A0	HOSE, WP105-6-2-1100	1			120-63	K3026910041-Y	UNION, KUE 10-020E	4		
120a-29						120-64	K3102230430	HOSE, WP105-6-3-430	2		
120-30	LM2700-0847Z2-Y	PIPE, #1 #4 #5 CYLINDER	1			120-65	K3190003300	TUBE, SPIRAL SP-12 330	2		
120-31	K3028210061-Y	TEE, KTN 10-030E	1			120-66	K0214160001	WASHER, DISK SPRING 2L M16	4		
120-32	LM2700-0840Z2-Y	PIPE, #2 CYLINDER	1			120-67	K3027110001-Y	ELBOW, KLC 10-000E	5		
120-33	LM2700-0865ZD	BRACKET, VALVE	1			120-68	K3027210001-Y	TEE, KTC 10-000E	3		
120-34						120-69	LM2700-0837Z2-Y	PIPE, DRAIN #2 #3 CYLINDER	1		
120-35						120-70	K3028610001-Y	UNION, KUA 10-000E	2		

120. Hydraulic section G



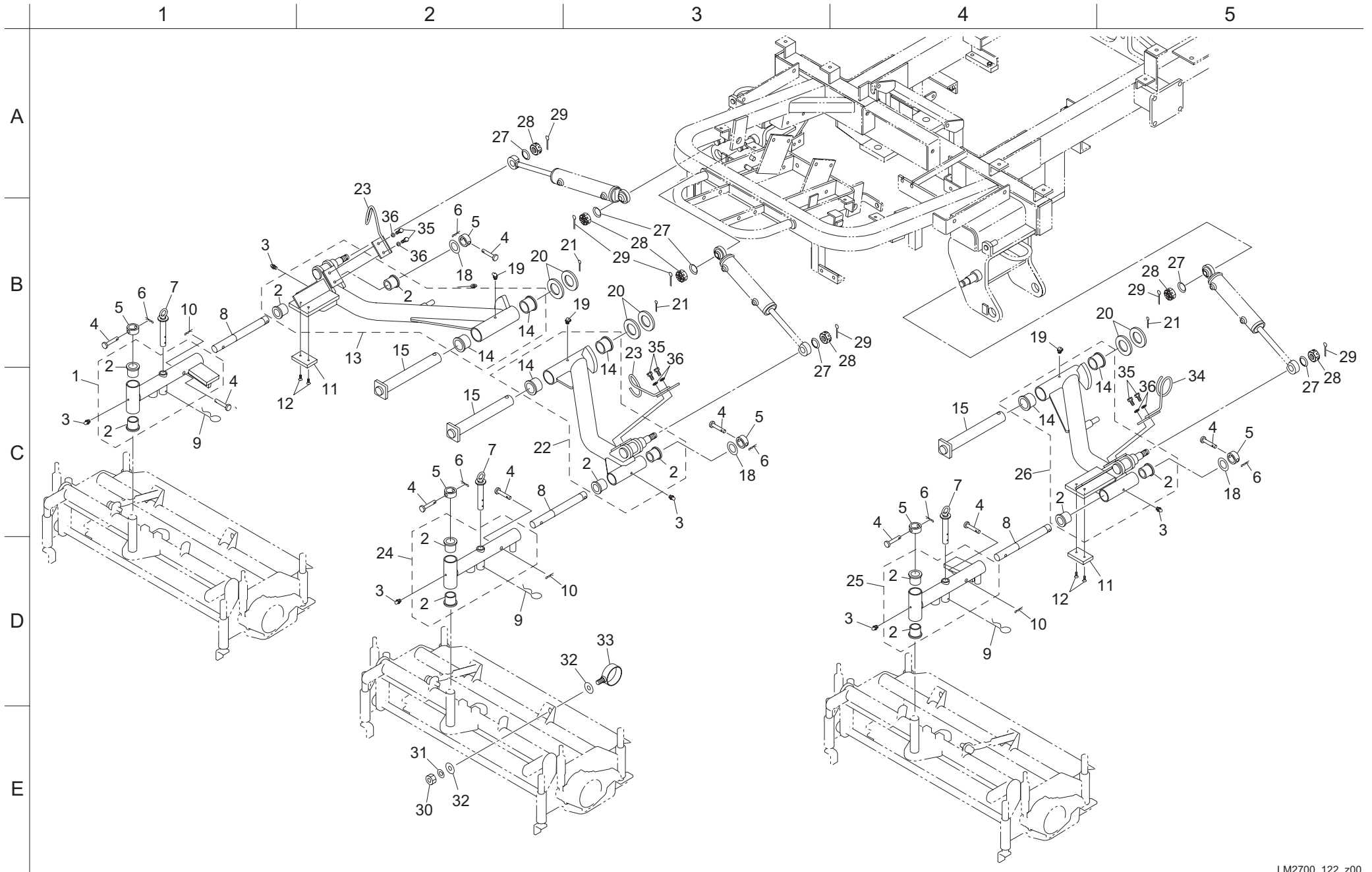
Cat No.	Code No.	Part name	Qty	Remark	SN of application	Cat No.	Code No.	Part name	Qty	Remark	SN of application
120-71	LM2700-0861Z2-Y	PIPE, #3 CYLINDER DRAIN	1								
120-72	K3186000500	HOSE, VINYL 10-50	2								
120-73											
120-74											
120-75	LM2700-0863ZD	CLAMPER, PIPE A	1								
120-76	K0100060002	NUT, M6	2								
120-77	K0200060002	WASHER, SPRING M6	2								
120-78	K5000060002	WASHER, M6	5								
120-79	LM2700-0838Z2-Y	PIPE, #2 #3 CYLINDER	1								
120-80	LM2700-0860Z2-Y	PIPE, #3 CYLINDER	1								
120-81	LM2700-0848A2-Y	PIPE, CYLINDER DRAIN #1, 4, 5	1								
120-82											
120-83	K0000080302	BOLT, M8-30	3								
120-84	K0200080002	WASHER, SPRING M8	13								
120-85	K0000080402	BOLT, M8-40	2								
120-86	K0000080152	BOLT, M8-15	4								
120-87	K5000080002	WASHER, M8	4								
120-88	K0000080502	BOLT, M8-50	2								
120-89	K0000080202	BOLT, M8-20	2								
120-90	K0000060152	BOLT, M6-15	1								
120-91	K0000060402	BOLT, M6-40	2								
120-92	YIS-40A-SK	SEAL KIT, CYLINDER	5								
120-93	K3213000250	CYLINDER, 40-200 387	2								
120-94	K3213000240	CYLINDER, 40-138 363	1								
120-95	K3213000230	CYLINDER, 40-90 307	2								
120-96	YSV3-010-IC27	SEAL KIT, INLET COVER	1								
120-97	YSV3-010-ISB222	SEAL KIT, ISB BLOCK ASSY	1								

121. Hydraulic section H



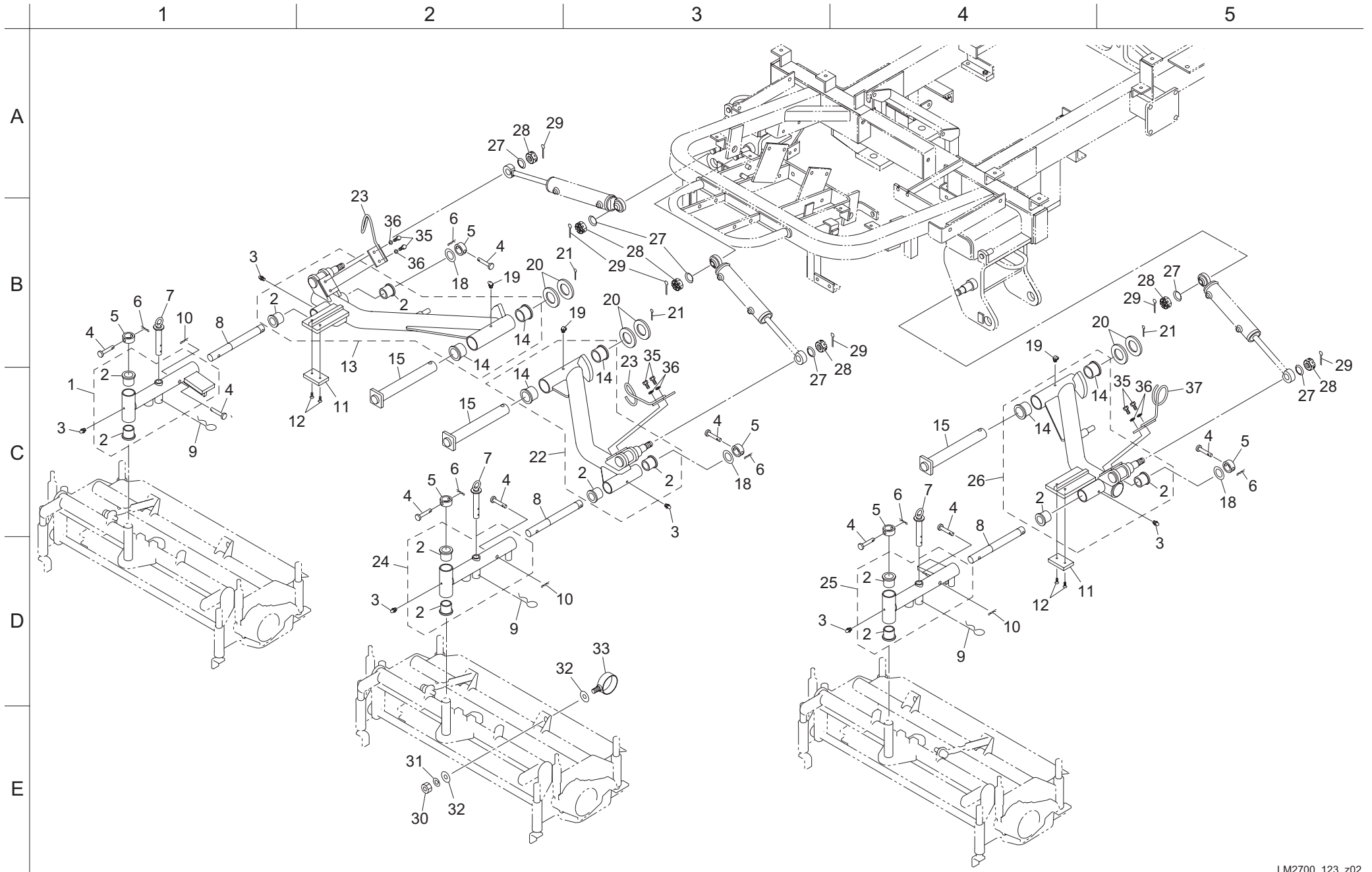
Cat No.	Code No.	Part name	Qty	Remark	SN of application	Cat No.	Code No.	Part name	Qty	Remark	SN of application
121-1											
121-2	K3008000032-Y	ELBOW, ADJUSTABLE 90 1086-9	1								
121-3	K3100331720	HOSE, WP35-9-3-1720	1								
121-4	K3191016200	TUBE, SPIRAL SP-15 1620	1								
121-5	K0881014000	O-RING, P14B	3								
121-6	K3294000120	STEERING CNTL UNIT, ORBITROL LC-D1-E	1								
121-7	K0881018000	O-RING, P18B	2								
121-8	K3029000042-Y	BUSHING, PF1/2*PT3/8	1								
121-9	K3001090002-Y	ELBOW, 90 1033-9	1								
121-10	K3102311500	HOSE, WP105-9-1-1500	1								
121-11	K3191014000	TUBE, SPIRAL SP-15 1400	1								
121-12	K3008000352-Y	ELBOW, 90 ODD SIZED PF3/8 PF1/2	1								
121-13	K3102311100	HOSE, WP105-9-1-1100	1								
121-14	K3191010000	TUBE, SPIRAL SP-15 1000	1								
121-15	K3101213000	HOSE, WP70-6-1-3000	1								
121-16	K3190029000	TUBE, SPIRAL SP-12 2900	1								
121-17	K3000060002-Y	ADAPTER, 1013-6	2								
121-18	K3008000082-Y	ELBOW, ADJUSTABLE 90 PF3/8PT1/4	2								
121-19	K3101213210	HOSE, WP70-6-1-3210	1								
121-20	K3190031100	TUBE, SPIRAL SP-12 3110	1								
121-21	K3001060002-Y	ELBOW, 90 1033-6	2								
121-22											
121-23											
121-24	YBK0039A	SEAL KIT, ORBITROL LB-D1-A	1								
121-25	YBA0271A	SEAL KIT, ORBITROL UA-B4-D	1								
121-26	K0000100502	BOLT, M10-50	4								
121-27	K0200100002	WASHER, SPRING M10	4								
121-28	YIS-40A-SK	SEAL KIT, CYLINDER	1								
121-29	K3213000190	CYLINDER, 40-187-393	1								

122. Front lift arm section A for 26inch



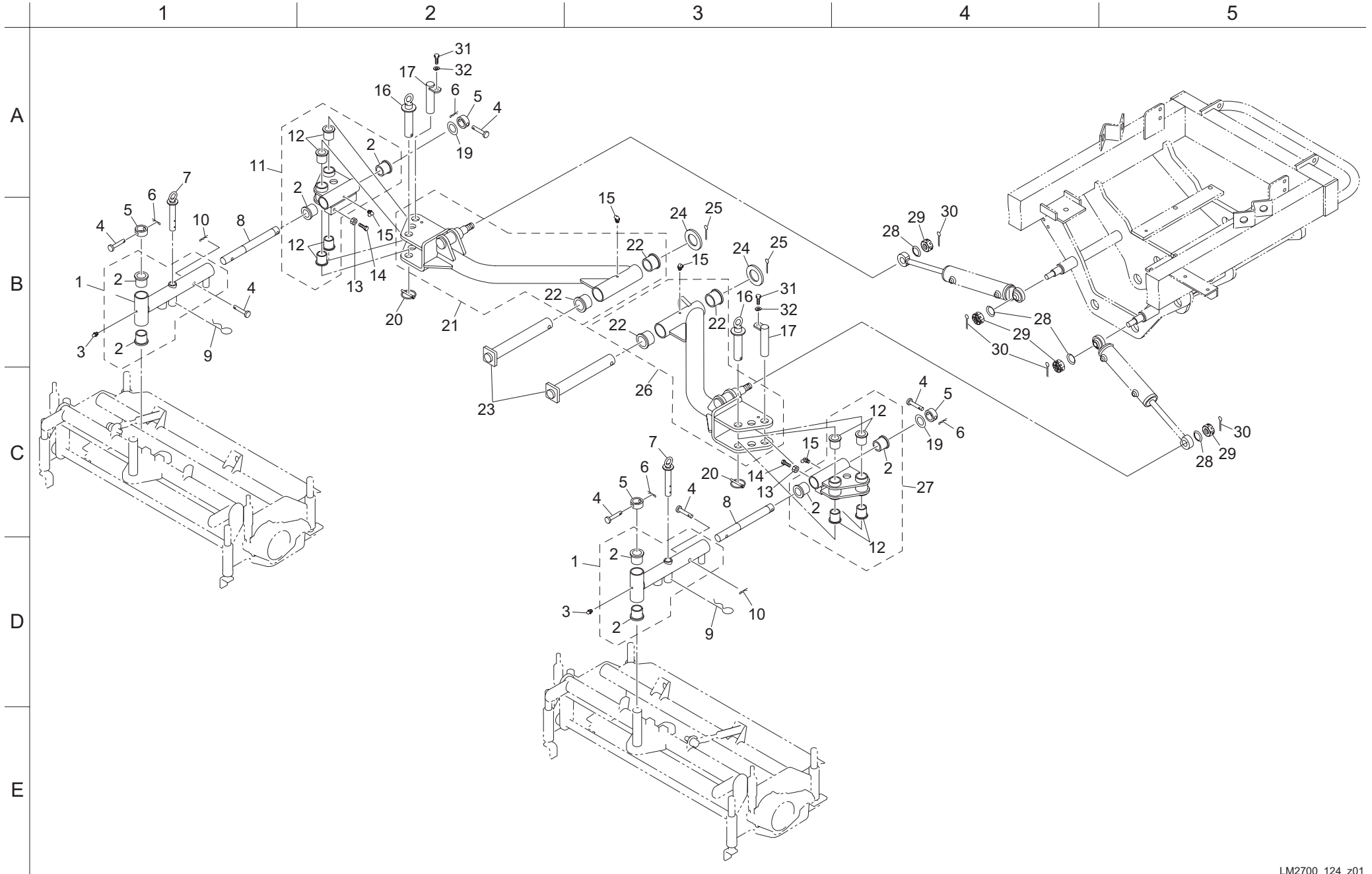
Cat No.	Code No.	Part name	Qty	Remark	SN of application	Cat No.	Code No.	Part name	Qty	Remark	SN of application
122-1	LM2700-0218ZR	JOINT, MOWER #4	1			122-36	K0200080002	WASHER, SPRING M8	6		
122-2	K6010000150	BUSH, FLANGED 25-32-30	12								
122-3	K1440000010	GREASE NIPPLE, STRAIGHT TYPE A	6								
122-4	K6031090458	PIN, FLAT HEAD HT M9.6-45.5	9								
122-5	K6215000412	COLLAR, STKM W/HOLE M25.5-36-16	6								
122-6	K0341000002	PIN, SNAP W/RETAINER M10	6								
122-7	LM2700-0204A2	PIN, LOCKING	3								
122-8	LM2700-0202Z0	SHAFT	3								
122-9	K0332200008	PIN, SNAP M22	3								
122-10	K0300025202	PIN, COTTER M2.5-20	3								
122-11	K4033000380	STOPPER, URETHAN RUBBER	2								
122-12	K0041060152	SCREW, + FLAT HEAD M6-15	4								
122-13	LM2700-0208ZD	ARM, LIFTING #4	1								
122-14	K6010000140	BUSH, FLANGED 30-38-30	6								
122-15	K7147000232	PIN, W/HOLE M30-197	3								
122-16											
122-17											
122-18	K5011025372	WASHER, SPCC 1-25.4-37	3	for adjustment							
122-19	K1440000020	GREASE NIPPLE, 90 TYPE C	3								
122-20	K5012330452	WASHER, SPCC 2.3-30-45	6								
122-21	K0300040502	PIN, COTTER M4-50	3								
122-22	LM2700-0210ZD	ARM, LIFTING #1	1								
122-23	LM2700-0232Z2	GUIDE, HOSE B	2								
122-24	LM2700-0201ZR	JOINT, MOWER	1								
122-25	LM2700-0217ZR	JOINT, MOWER #5	1								
122-26	LM2700-0207ZD	ARM, LIFTING #5	1								
122-27	K0215160001	WASHER, DISK SPRING 2H M16	6								
122-28	K0122160002	NUT, HIGH SLOTTED P1.5 M16	6								
122-29	K0300032402	PIN, COTTER M3.2-40	6								
122-30	K0100120002	NUT, M12	1								
122-31	K0200120002	WASHER, SPRING M12	1								
122-32	K5000120002	WASHER, M12	2								
122-33	LM2700-0231Z2	GUIDE, HOSE A	1								
122-34	LM2700-0234Z2	GUIDE, HOSE D	1								
122-35	K0000080152	BOLT, M8-15	6								

123. Front lift arm section B for 22inch



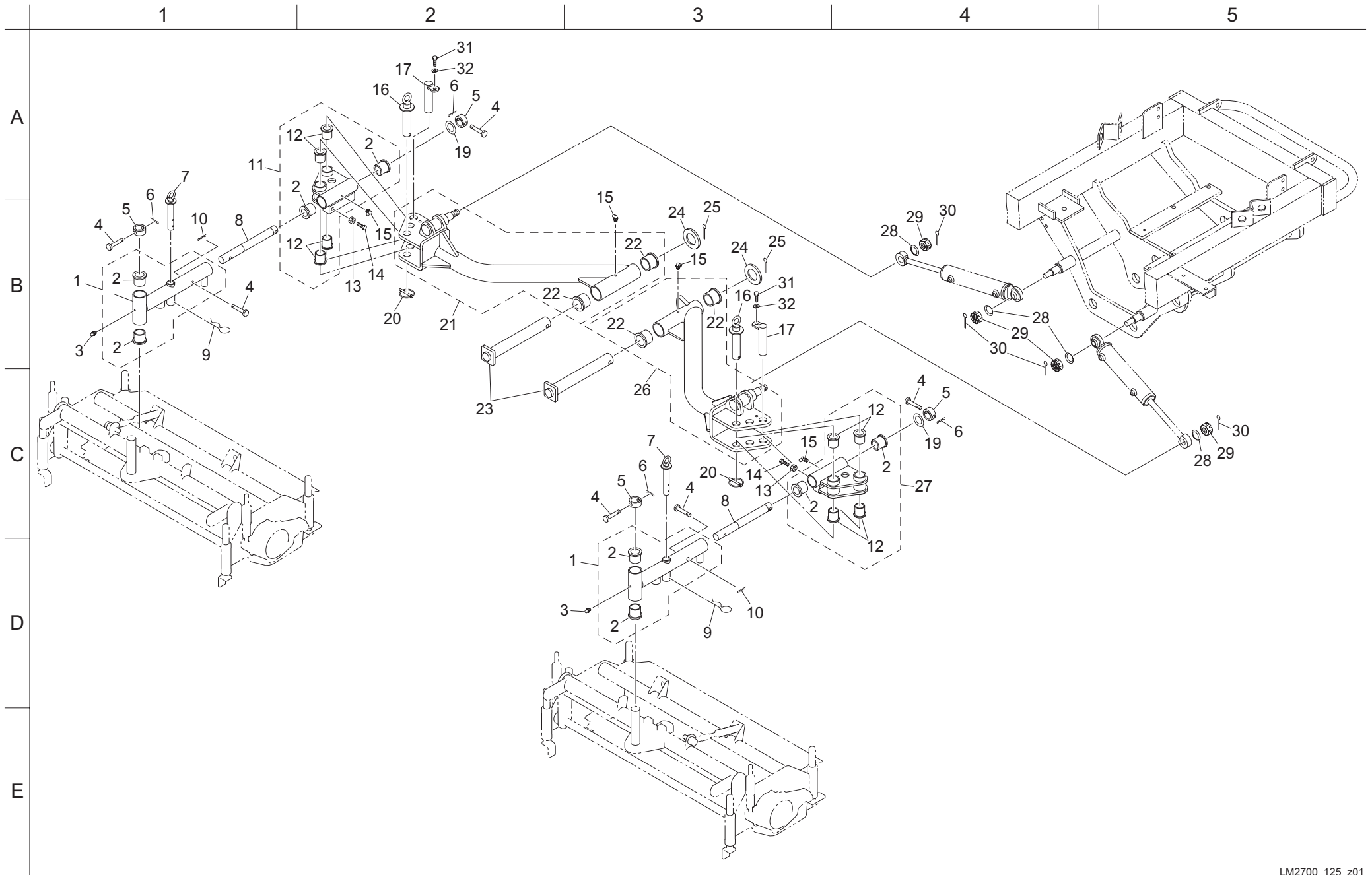
Cat No.	Code No.	Part name	Qty	Remark	SN of application	Cat No.	Code No.	Part name	Qty	Remark	SN of application
123-1	LM2700-0218ZR	JOINT, MOWER #4	1			123-36	K0200080002	WASHER, SPRING M8	6		
123-2	K6010000150	BUSH, FLANGED 25-32-30	12			123-37	LM2700-0234Z2	GUIDE, HOSE D	1		
123-3	K1440000010	GREASE NIPPLE, STRAIGHT TYPE A	6								
123-4	K6031090458	PIN, FLAT HEAD HT M9.6-45.5	9								
123-5	K6215000412	COLLAR, STKM W/HOLE M25.5-36-16	6								
123-6	K0341000002	PIN, SNAP W/RETAINER M10	6								
123-7	LM2700-0204A2	PIN, LOCKING	3								
123-8	LM2700-0202Z0	SHAFT	3								
123-9	K0332200008	PIN, SNAP M22	3								
123-10	K0300025202	PIN, COTTER M2.5-20	3								
123-11	K4033000380	STOPPER, URETHAN RUBBER	2								
123-12	K0041060152	SCREW, + FLAT HEAD M6-15	4								
123-13	LM2700-2304ZD	ARM, LIFTING #4	1								
123-14	K6010000140	BUSH, FLANGED 30-38-30	6								
123-15	K7147000232	PIN, W/HOLE M30-197	3								
123-16											
123-17											
123-18	K5011025372	WASHER, SPCC 1-25.4-37	3	for adjustment							
123-19	K1440000020	GREASE NIPPLE, 90 TYPE C	3								
123-20	K5012330452	WASHER, SPCC 2.3-30-45	6								
123-21	K0300040502	PIN, COTTER M4-50	3								
123-22	LM2700-0210ZD	ARM, LIFTING #1	1								
123-23	LM2700-0232Z2	GUIDE, HOSE B	2								
123-24	LM2700-0201ZR	JOINT, MOWER	1								
123-25	LM2700-0217ZR	JOINT, MOWER #5	1								
123-26	LM2700-2305ZD	ARM, LIFTING #5	1								
123-27	K0215160001	WASHER, DISK SPRING 2H M16	6								
123-28	K0122160002	NUT, HIGH SLOTTED P1.5 M16	6								
123-29	K0300032402	PIN, COTTER M3.2-40	6								
123-30	K0100120002	NUT, M12	1								
123-31	K0200120002	WASHER, SPRING M12	1								
123-32	K5000120002	WASHER, M12	2								
123-33	LM2700-0231Z2	GUIDE, HOSE A	1								
123-34											
123-35	K0000080152	BOLT, M8-15	6								

124. Rear lift arm section A for 26inch



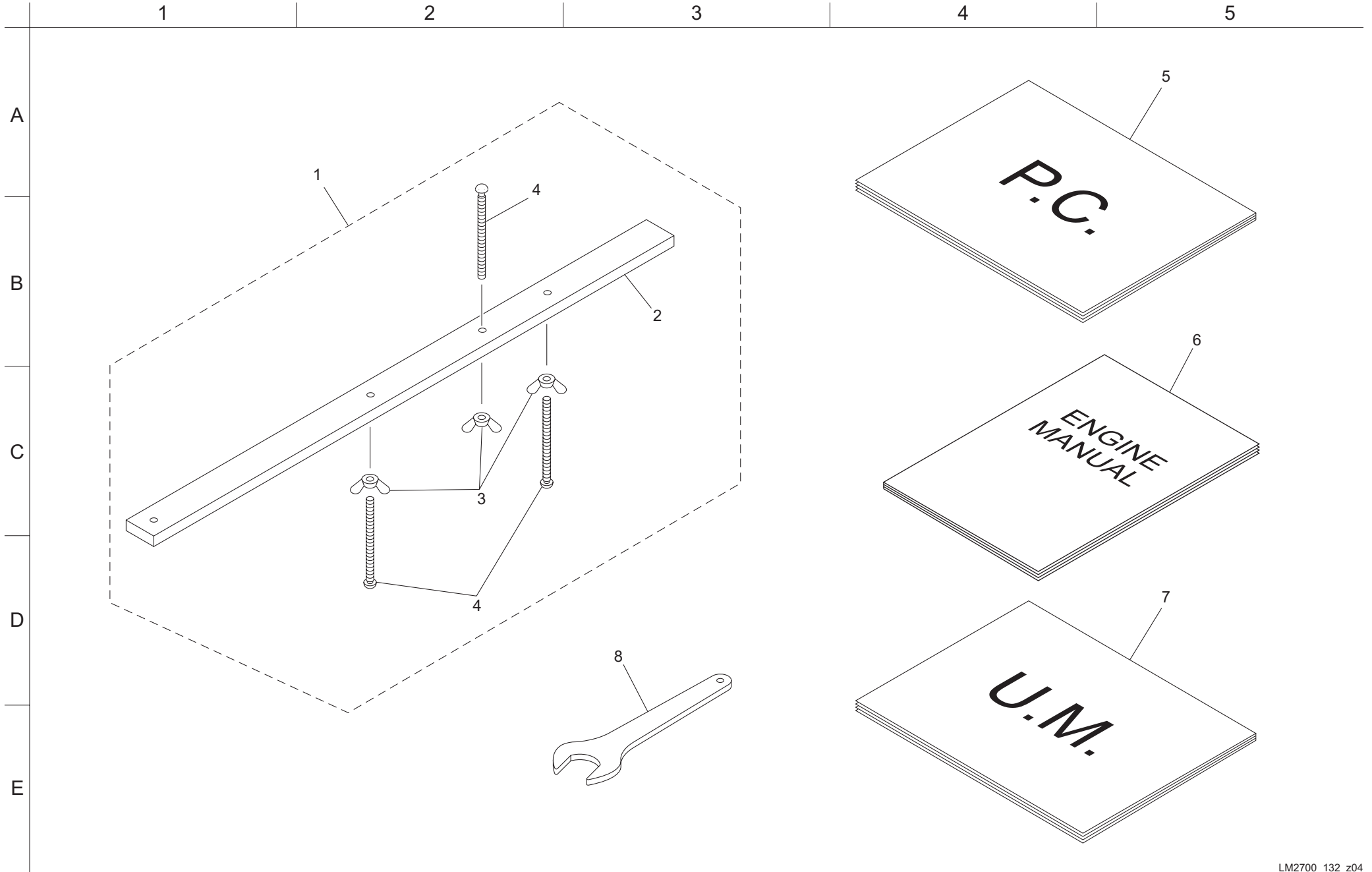
Cat No.	Code No.	Part name	Qty	Remark	SN of application	Cat No.	Code No.	Part name	Qty	Remark	SN of application
124-1	LM2700-0201ZR	JOINT, MOWER	2								
124-2	K6010000150	BUSH, FLANGED 25-32-30	8								
124-3	K1440000010	GREASE NIPPLE, STRAIGHT TYPE A	2								
124-4	K6031090458	PIN, FLAT HEAD HT M9.6-45.5	6								
124-5	K6215000412	COLLAR, STKM W/HOLE M25.5-36-16	4								
124-6	K0341000002	PIN, SNAP W/RETAINER M10	4								
124-7	LM2700-0204A2	PIN, LOCKING	2								
124-8	LM2700-0202Z0	SHAFT	2								
124-9	K0332200008	PIN, SNAP M22	2								
124-10	K0300025202	PIN, COTTER M2.5-20	2								
124-11	LM2700-0236ZD	JOINT ASSY, SLEWING MOWER #2	1								
124-12	K6010000130	BUSH, FLANGED 22-28-30	8								
124-13	K0103100002	NUT, P1.25 M10	2								
124-14	K0011100302	BOLT, HT P1.25 M10-30	2								
124-15	K1440000020	GREASE NIPPLE, 90 TYPE C	4								
124-16	K7147000292	PIN, W/GRIP	2								
124-17	LM2700-0211B2	SHAFT, SLEWING (REAR)	2								
124-18											
124-19	K5011025372	WASHER, SPCC 1-25.4-37	2	for adjustment							
124-20	K6061060002	PIN, CLIP M6	2								
124-21	LM2700-0213BD	ARM, LIFTING #2	1								
124-22	K6010000140	BUSH, FLANGED 30-38-30	4								
124-23	K7147000232	PIN, W/HOLE M30-197	2								
124-24	K5011030422	WASHER, SPCC 1-30-42	2								
124-25	K0300040502	PIN, COTTER M4-50	2								
124-26	LM2700-0212BD	ARM, LIFTING #3	1								
124-27	LM2700-0237ZD	JOINT ASSY, SLEWING MOWER #3	1								
124-28	K0215160001	WASHER, DISK SPRING 2H M16	4								
124-29	K0122160002	NUT, HIGH SLOTTED P1.5 M16	4								
124-30	K0300032402	PIN, COTTER M3.2-40	4								
124-31	K0000080152	BOLT, M8-15	2								
124-32	K0200080002	WASHER, SPRING M8	2								

125. Rear lift arm section A for 22inch



Cat No.	Code No.	Part name	Qty	Remark	SN of application	Cat No.	Code No.	Part name	Qty	Remark	SN of application
125-1	LM2700-0201ZR	JOINT, MOWER	2								
125-2	K6010000150	BUSH, FLANGED 25-32-30	8								
125-3	K1440000010	GREASE NIPPLE, STRAIGHT TYPE A	2								
125-4	K6031090458	PIN, FLAT HEAD HT M9.6-45.5	6								
125-5	K6215000412	COLLAR, STKM W/HOLE M25.5-36-16	4								
125-6	K0341000002	PIN, SNAP W/RETAINER M10	4								
125-7	LM2700-0204A2	PIN, LOCKING	2								
125-8	LM2700-0202Z0	SHAFT	2								
125-9	K0332200008	PIN, SNAP M22	2								
125-10	K0300025202	PIN, COTTER M2.5-20	2								
125-11	LM2700-2306ZD	JOINT ASSY, SLEWING MOWER #2	1								
125-12	K6010000130	BUSH, FLANGED 22-28-30	8								
125-13	K0103100002	NUT, P1.25 M10	2								
125-14	K0011100302	BOLT, HT P1.25 M10-30	2								
125-15	K1440000020	GREASE NIPPLE, 90 TYPE C	4								
125-16	K7147000292	PIN, W/GRIP	2								
125-17	LM2700-0211B2	SHAFT, SLEWING (REAR)	2								
125-18											
125-19	K5011025372	WASHER, SPCC 1-25.4-37	2	for adjustment							
125-20	K6061060002	PIN, CLIP M6	2								
125-21	LM2700-2302AD	ARM, LIFTING #2	1								
125-22	K6010000140	BUSH, FLANGED 30-38-30	4								
125-23	K7147000232	PIN, W/HOLE M30-197	2								
125-24	K5011030422	WASHER, SPCC 1-30-42	2								
125-25	K0300040502	PIN, COTTER M4-50	2								
125-26	LM2700-2303AD	ARM, LIFTING #3	1								
125-27	LM2700-2307ZD	JOINT ASSY, SLEWING MOWER #3	1								
125-28	K0215160001	WASHER, DISK SPRING 2H M16	4								
125-29	K0122160002	NUT, HIGH SLOTTED P1.5 M16	4								
125-30	K0300032402	PIN, COTTER M3.2-40	4								
125-31	K0000080152	BOLT, M8-15	2								
125-32	K0200080002	WASHER, SPRING M8	2								

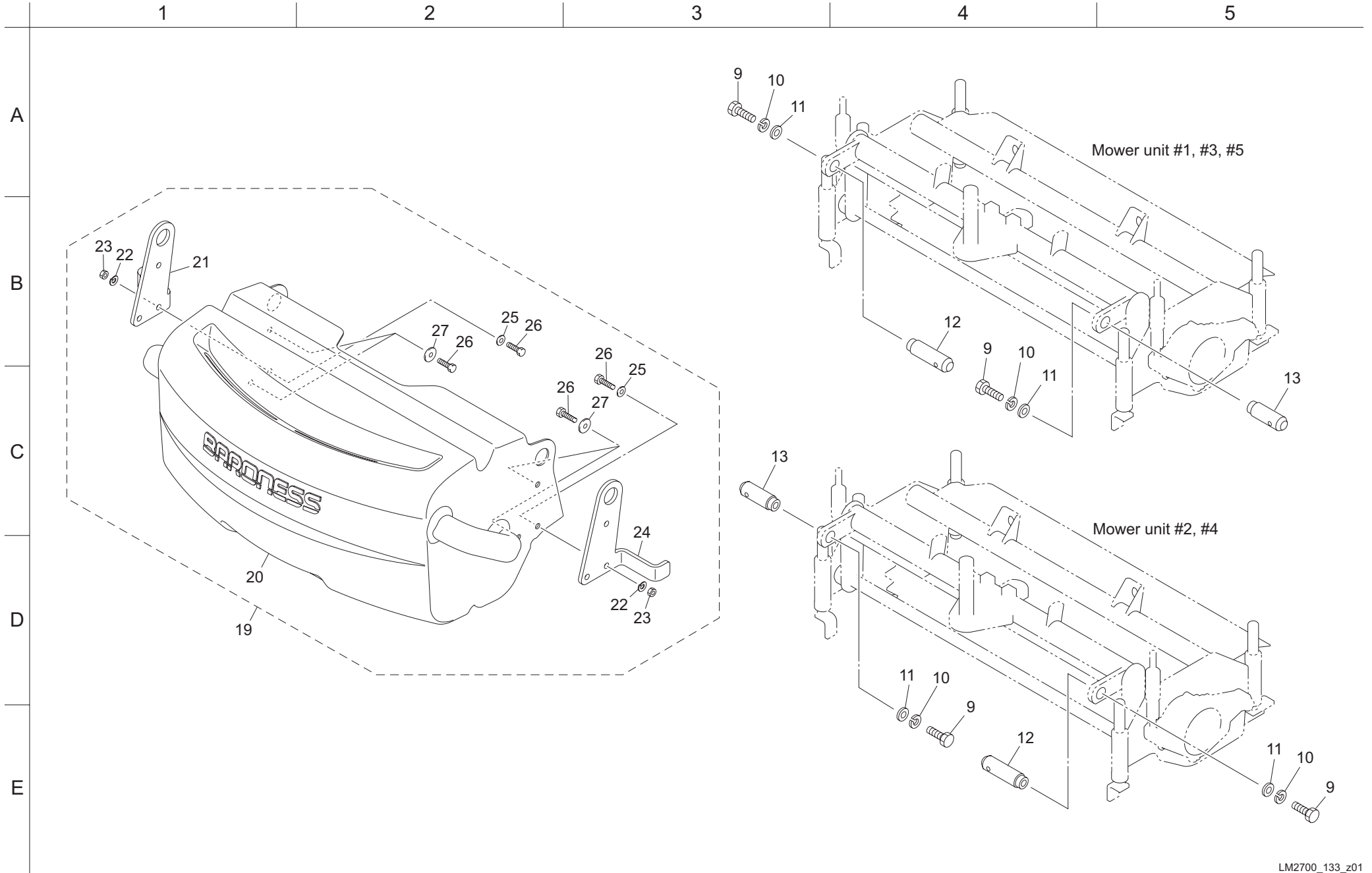
132. Accessories



Cat No.	Code No.	Part name	Qty	Remark	SN of application
132-1	LM2700-1502A0	GAGE ASSY, CUTTING HEIGHT	1		
132-2	LM2700-1501A2	GAUGE, CUTTING HEIGHT 600A	1		
132-3	K0141060002	NUT, WING M6-3	3		
132-4	K0071000522	SCREW, FOR ADJ HOC M6-75	3		
132b-5	750101-71-A	OWNERS OPERATING MANUAL, LM2700 (UK)	1		
132a-6	PF1J464-89165	OPERATORS MANUAL, D1803-M V2203-M	1		
132b-7	750101-71-B	PARTS CATALOG, LM2700 (UK)	1		
132-8	K480200081D	SPANNER, SLIM SINGLE-ENDED 46	1		

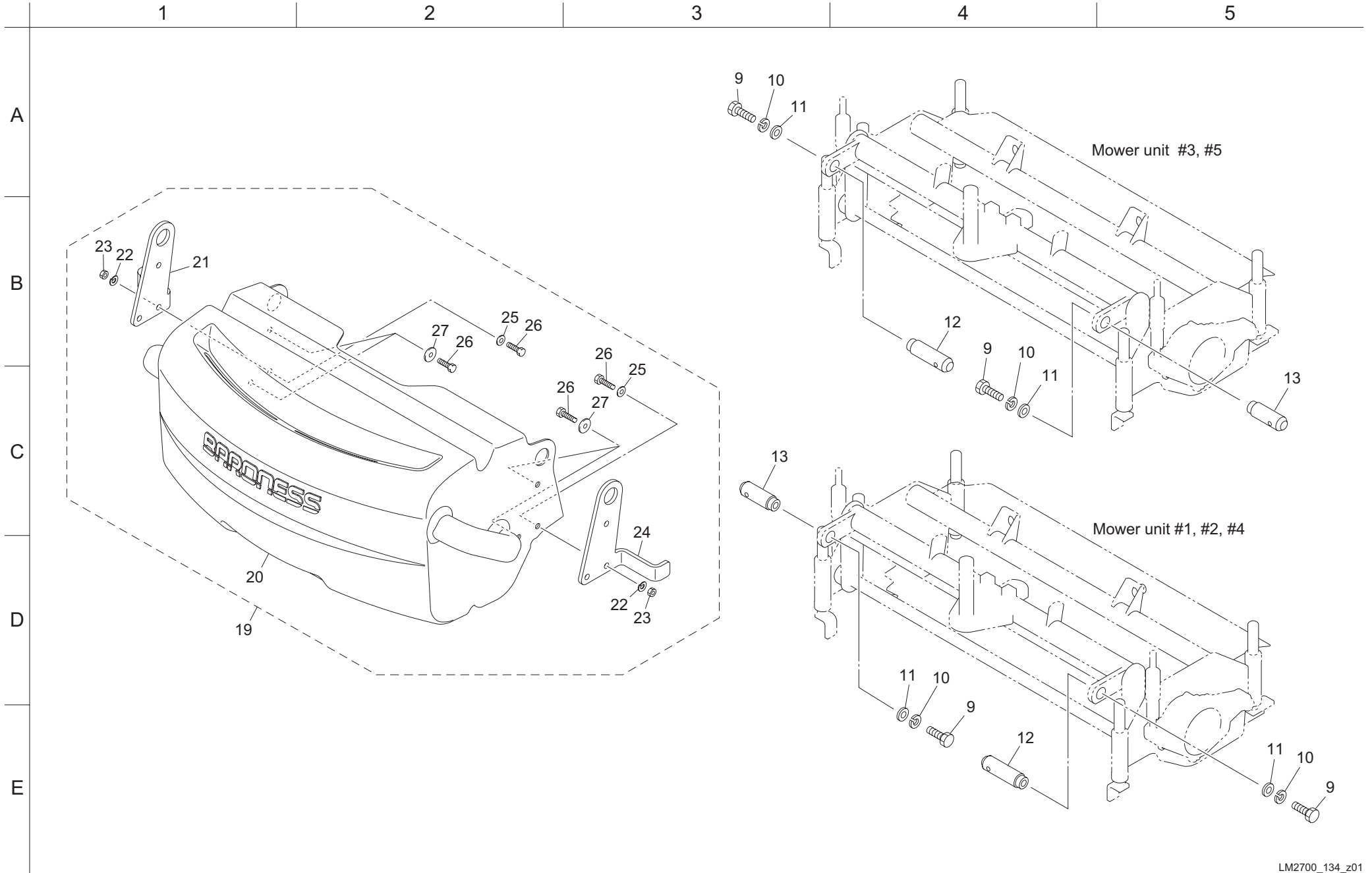
Cat No.	Code No.	Part name	Qty	Remark	SN of application

133. Grass catcher section A for 26inch



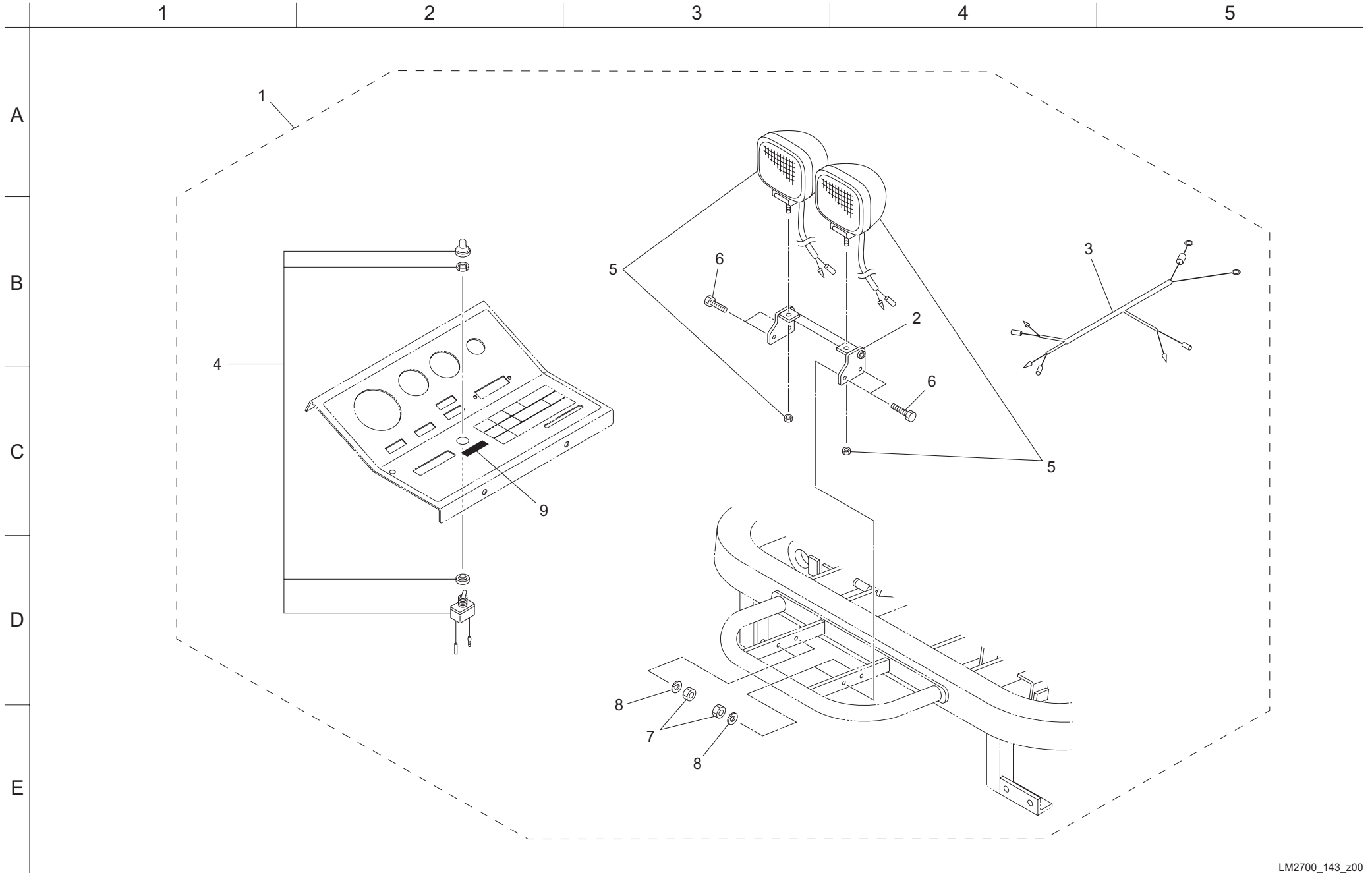
Cat No.	Code No.	Part name	Qty	Remark	SN of application	Cat No.	Code No.	Part name	Qty	Remark	SN of application
133-1											
133-2											
133-3											
133-4											
133-5											
133-6											
133-7											
133-8											
133-9	K0000140252	BOLT, M14-25	10								
133-10	K0200140002	WASHER, SPRING M14	10								
133-11	K5000140002	WASHER, M14	10								
133-12	LM2700-1104Z2	PIN, CATCHER 95	5								
133-13	LM2700-1105Z2	PIN, CATCHER 75	5								
133-14											
133-15											
133-16											
133-17											
133-18											
133-19	LM2700-1130Z0	GRASS CATCHER ASSY, 26	5								
133-20	LS66---6002Z0	GRASS CATCHER, 26	5								
133-21	LH6690-6104ZD	BRACKET, (LH)	5								
133-22	K0200080002	WASHER, SPRING M8	30								
133-23	K0100080002	NUT, M8	30								
133-24	LH6690-6103ZD	BRACKET, (RH)	5								
133-25	K5000080002	WASHER, M8	30								
133-26	K0000080252	BOLT, M8-25	30								
133-27	K5012308352	WASHER, SPCC 2.3-8-35	20								

134. Grass catcher section B for 22inch



Cat No.	Code No.	Part name	Qty	Remark	SN of application	Cat No.	Code No.	Part name	Qty	Remark	SN of application
134-1											
134-2											
134-3											
134-4											
134-5											
134-6											
134-7											
134-8											
134-9	K0000140252	BOLT, M14-25	10								
134-10	K0200140002	WASHER, SPRING M14	10								
134-11	K5000140002	WASHER, M14	10								
134-12	LM2700-1104Z2	PIN, CATCHER 95	5								
134-13	LM2700-1105Z2	PIN, CATCHER 75	5								
134-14											
134-15											
134-16											
134-17											
134-18											
134-19	LM2700-2710Z0	GRASS CATCHER ASSY, 22	5								
134-20	LS62---6002Z0	GRASS CATCHER, 22	5								
134-21	LH6690-6104ZD	BRACKET, (LH)	5								
134-22	K0200080002	WASHER, SPRING M8	30								
134-23	K0100080002	NUT, M8	30								
134-24	LH6690-6103ZD	BRACKET, (RH)	5								
134-25	K5000080002	WASHER, M8	30								
134-26	K0000080252	BOLT, M8-25	30								
134-27	K5012308352	WASHER, SPCC 2.3-8-35	20								

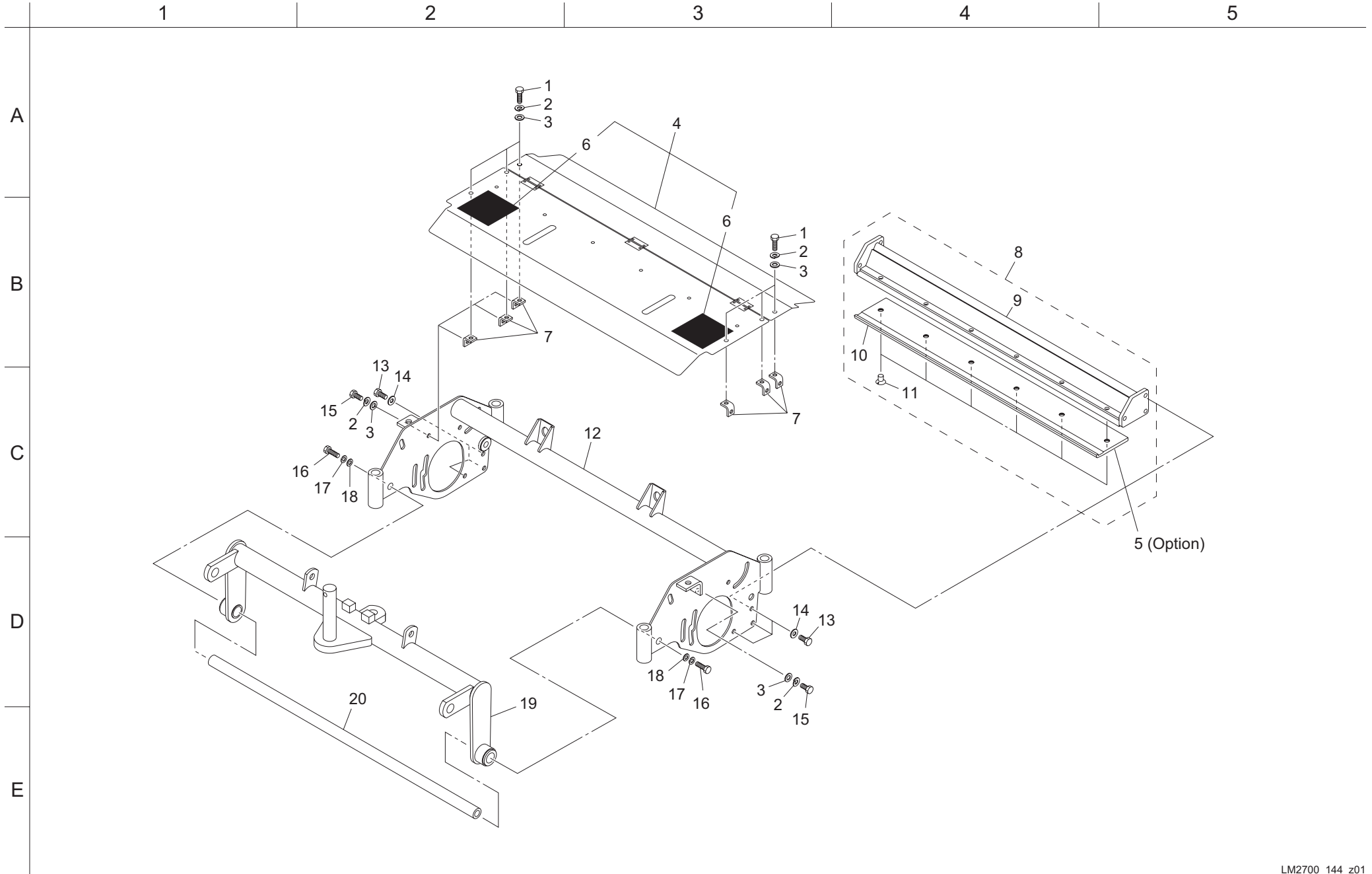
143. Light section



Cat No.	Code No.	Part name	Qty	Remark	SN of application
143-1	LM2700-1703Z0	LAMP KIT, LM2700	1		
143-2	LM2700-1701ZD	BRACKET, LAMP	1		
143-3	LM2700-1702Z0	WIRE, LAMP	1		
143-4	K3662000100	SWITCH, TOGGLE FOR LAMP WD101181	1		
143-5	K3640000070	LAMP, WORKING WL-B220A	2		
143-6	K0000080302	BOLT, M8-30	4		
143-7	K0100080002	NUT, M8	4		
143-8	K0200080002	WASHER, SPRING M8	4		
143-9	K4203001140	STICKER, ON/OFF A	1		

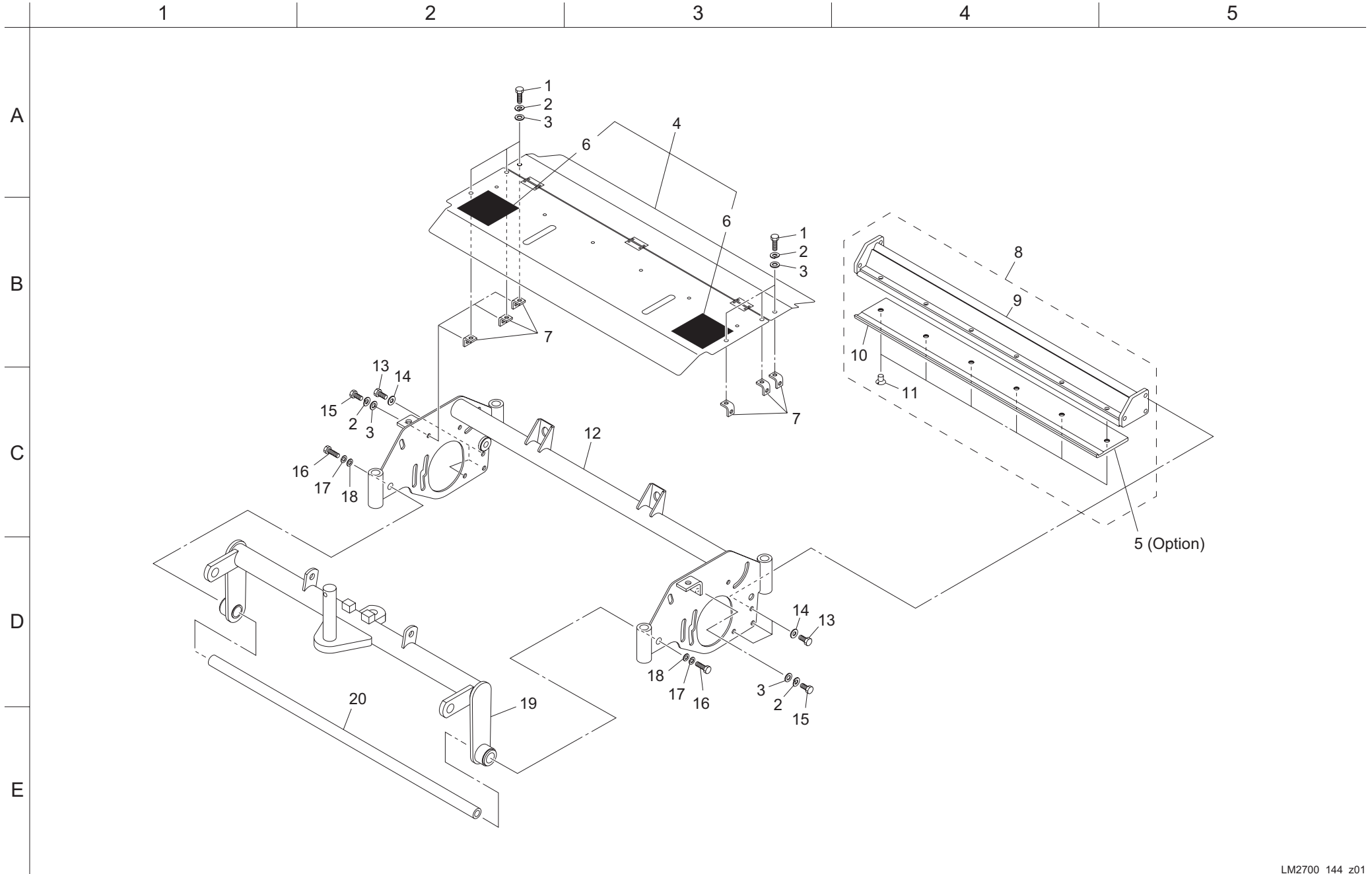
Cat No.	Code No.	Part name	Qty	Remark	SN of application

144. Mower section A for 26inch



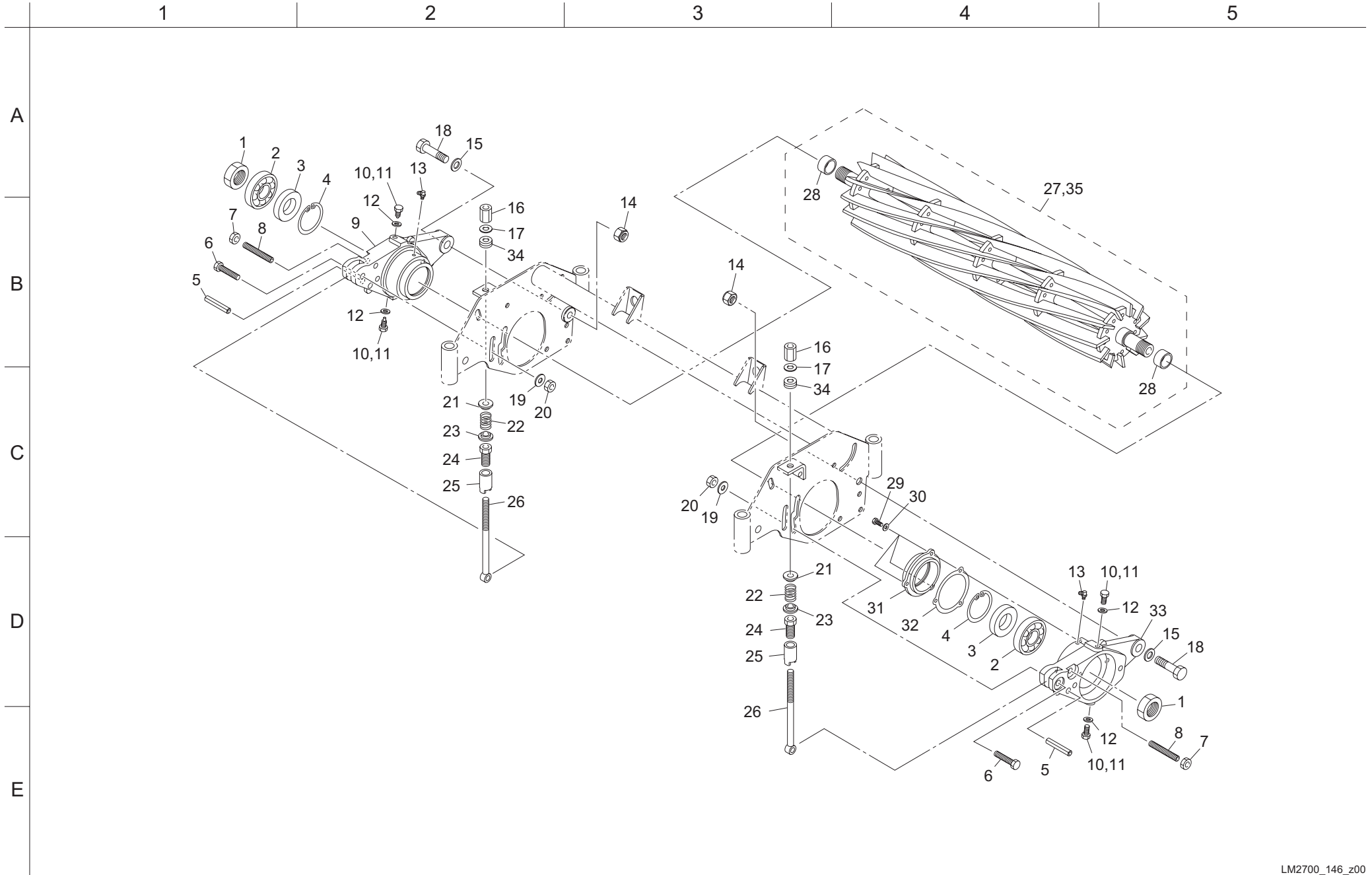
Cat No.	Code No.	Part name	Qty	Remark	SN of application	Cat No.	Code No.	Part name	Qty	Remark	SN of application
144-1	K0000080102	BOLT, M8-10	30								
144-2	K0200080002	WASHER, SPRING M8	60								
144-3	K5000080002	WASHER, M8	60								
144-4	LH6690-0510A0	COVER COMP, CUTTER	5								
144-5	K2510000250	BEDKNIFE, TIPPED 5.0-26	5	option							
144-6	K4205001600	DECAL, CAUTION TO MUTILATION	10								
144-7	LM2700-0139ZR	PLATE, MOUNTING COVER	30								
144-8	LH6690-0381Z0	BEDKNIFE & BASE ASSY, 732	5	7.0mm							
144-9	LH6690-0380ZR	BASE, BEDKNIFE 732	5								
144-10	K2510000030	BEDKNIFE, TIPPED 7.0-26	5								
144-11	K0071001182	SCREW, HT FLAT HEAD M10-16	30								
144-12	LH6690-0101ZR	FRAME, MOWER 26	5								
144-13	K0008100202	BOLT, SMALL M10-20	30								
144-14	K0214100002	WASHER, DISK SPRING 2L M10	30								
144-15	K0000080152	BOLT, M8-15	30								
144-16	K0001140252	BOLT, P1.5 M14-25	10								
144-17	K0200140002	WASHER, SPRING M14	10								
144-18	K5000140002	WASHER, M14	10								
144-19	LM2700-0144BR	ARM, MOWER	5								
144-20	LM2700-0140Z8	STAY, FRONT	5								

145. Mower section B for 22inch



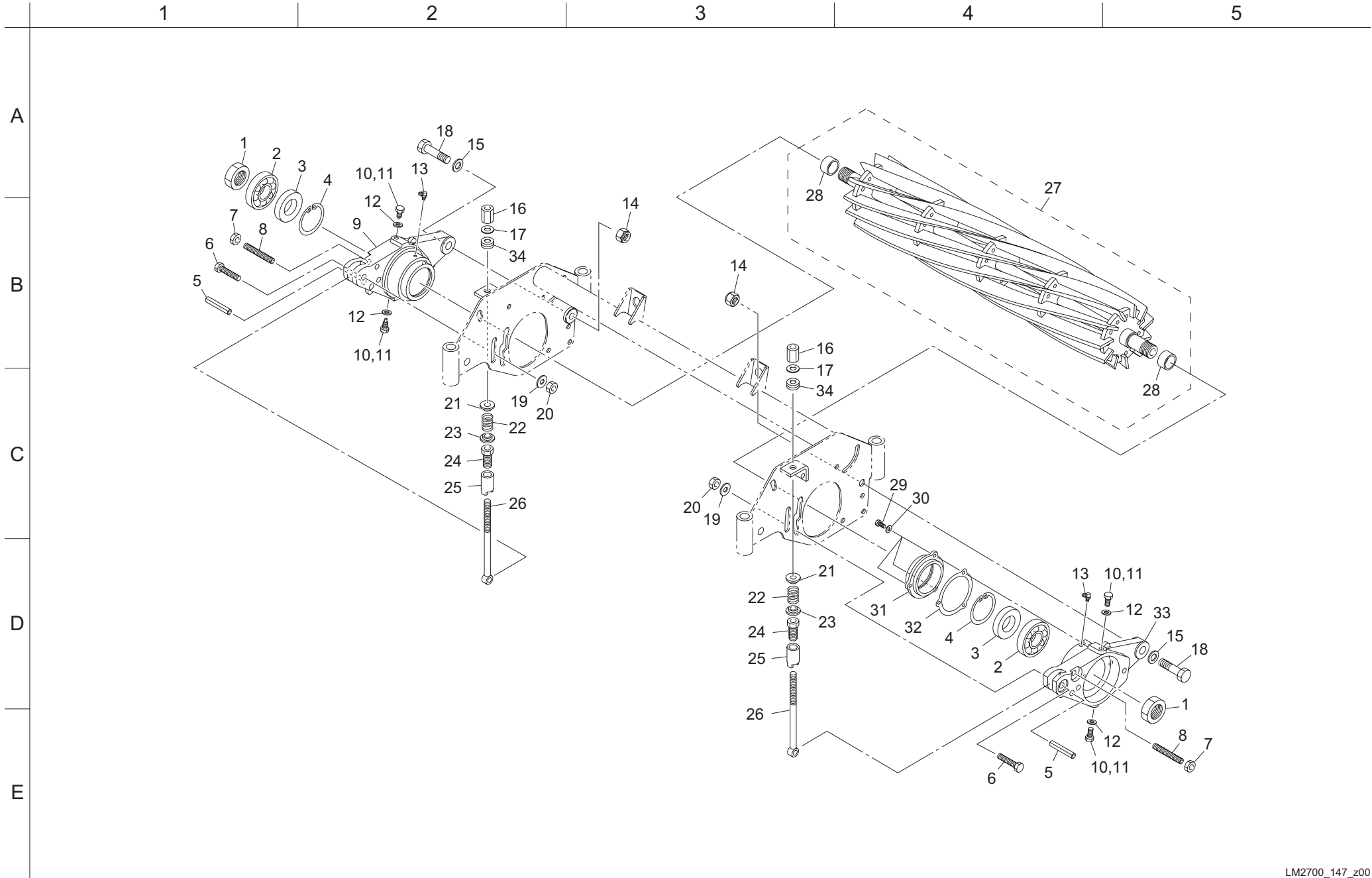
Cat No.	Code No.	Part name	Qty	Remark	SN of application	Cat No.	Code No.	Part name	Qty	Remark	SN of application
145-1	K0000080102	BOLT, M8-10	30								
145-2	K0200080002	WASHER, SPRING M8	60								
145-3	K5000080002	WASHER, M8	60								
145-4	LH6290-0510A0	COVER COMP, CUTTER 22	5								
145-5	K2510000280	BEDKNIFE, TIPPED 5.0-22	5	option							
145-6	K4205001600	DECAL, CAUTION TO MUTILATION	10								
145-7	LM2700-0139ZR	PLATE, MOUNTING COVER	30								
145-8	LH6290-0381Z0	BEDKNIFE & BASE ASSY, 629.5 7mm	5	7.0mm							
145a-8	LH6290-0382Z0	BEDKNIFE & BASE ASSY, 629.5 5mm	5	5.0mm							
145-9	LH6290-0380ZR	BASE, BEDKNIFE 629.5	5								
145-10	K2510000290	BEDKNIFE, TIPPED 7.0-22	5								
145-11	K0071001182	SCREW, HT FLAT HEAD M10-16	30								
145-12	LH6290-0101ZR	FRAME, MOWER 22	5								
145-13	K0008100202	BOLT, SMALL M10-20	30								
145-14	K0214100002	WASHER, DISK SPRING 2L M10	30								
145-15	K0000080152	BOLT, M8-15	30								
145-16	K0001140252	BOLT, P1.5 M14-25	10								
145-17	K0200140002	WASHER, SPRING M14	10								
145-18	K5000140002	WASHER, M14	10								
145-19	LM2700-2103BR	ARM, MOWER 22	5								
145-20	LM2700-2106Z8	STAY, FRONT 22	5								

146. Mower section C (Reel cutter) for 26inch



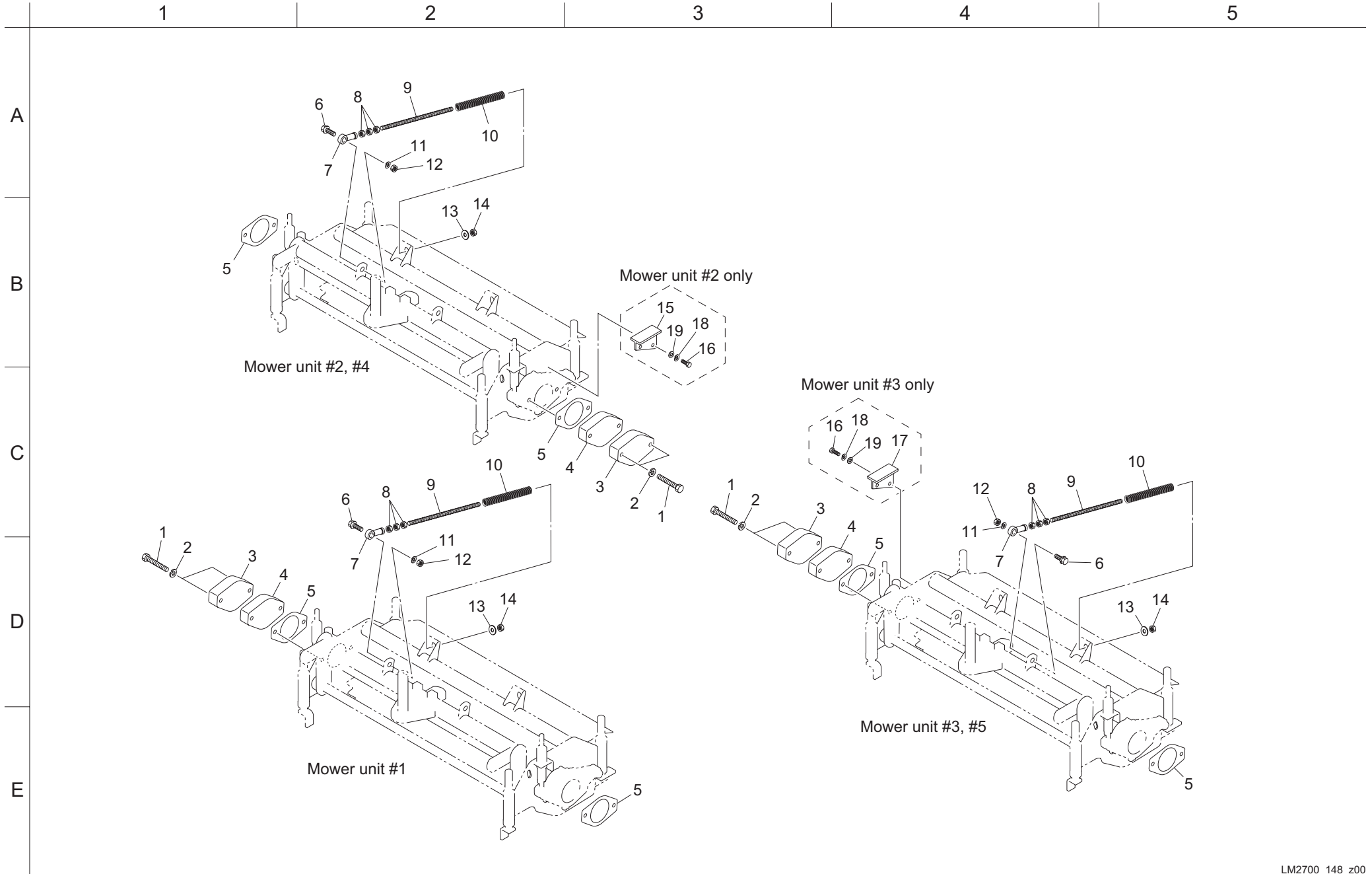
Cat No.	Code No.	Part name	Qty	Remark	SN of application	Cat No.	Code No.	Part name	Qty	Remark	SN of application
146-1	LM2700-0142Z2	NUT, SMALL M30 P2	10								
146-2	K0610062060	BEARING, BALL SEAL RD 6206	10								
146-3	K0823552110	OIL SEAL, MHSA355211	10								
146-4	K0402052001	RING, RETAINING R M52	10								
146-5	K0320100501	PIN, SPRING M10-50	10								
146-6	K0003100502	BOLT, M10-50	10								
146-7	K0102100002	NUT, M10-3	10								
146-8	K0028100600	SETSCREW, SUS M10-60	10								
146-9	LM2700-0149Z0	HOUSING, REEL (RH)	5								
146-10	K0000080102	BOLT, M8-10	10	Motor side							
146-11	LM2700-0146A2	BOLT, STOP	10	Groomer side							
146-12	K0922080000	SEAL, WASHER 8WF	20								
146-13	K1440000020	GREASE NIPPLE, 90 TYPE C	10								
146-14	K0105140002	NUT, P1.5 M14-3	10								
146-15	K5012314252	WASHER, SPCC 2.3-14-25	10								
146-16	LM56G--0506Z2	NUT, HIGH M10-17-35 P1.0	10								
146-17	K5051010160	WASHER, C5191P 1-10-16	10								
146-18	K0071001132	BOLT, AXIS	10								
146-19	K5073210242	WASHER, SPHC 3.2-10-24	10								
146-20	K0144100002	NUT, W/F-RING M10	10								
146-21	K6206000172	RECEIVER, SPRING	10								
146-22	K1000000618	SPRING, COMPRESSION M5-25-35	10								
146-23	K6206000052	RECEIVER, FOR SPRING	10								
146-24	LM535E-1335Z2	PIPE, W/CUTTER ADJUSTING SCREW	10								
146-25	LM535E-1334Z2	PIPE, ADJUSTING	10								
146-26	K6511000042	BOLT, ADJUSTING CUTTER 170	10								
146-27	LM2700-0192Z0	REEL CUTTER ASSY	5	9-blade							
146-28	K0737000080	INNER RACE, NB LRTZ303518	10								
146-29	K0000060152	BOLT, M6-15	15								
146-30	K0212060002	WASHER, DISK SPRING 1L M6	15								
146-31	LM2700-0150Z0	COVER, HOUSING	5								
146-32	LM2700-0130Z0	PACKING, REEL	5								
146-33	LM2700-0148Z0	HOUSING, REEL (LH)	5								
146-34	K5090000820	WASHER, SPHERICAL M10	6								
146-35	LM2700-1302Z0	REEL CUTTER ASSY, 26-7	5	7-blade							

147. Mower section D (Reel cutter) for 22inch



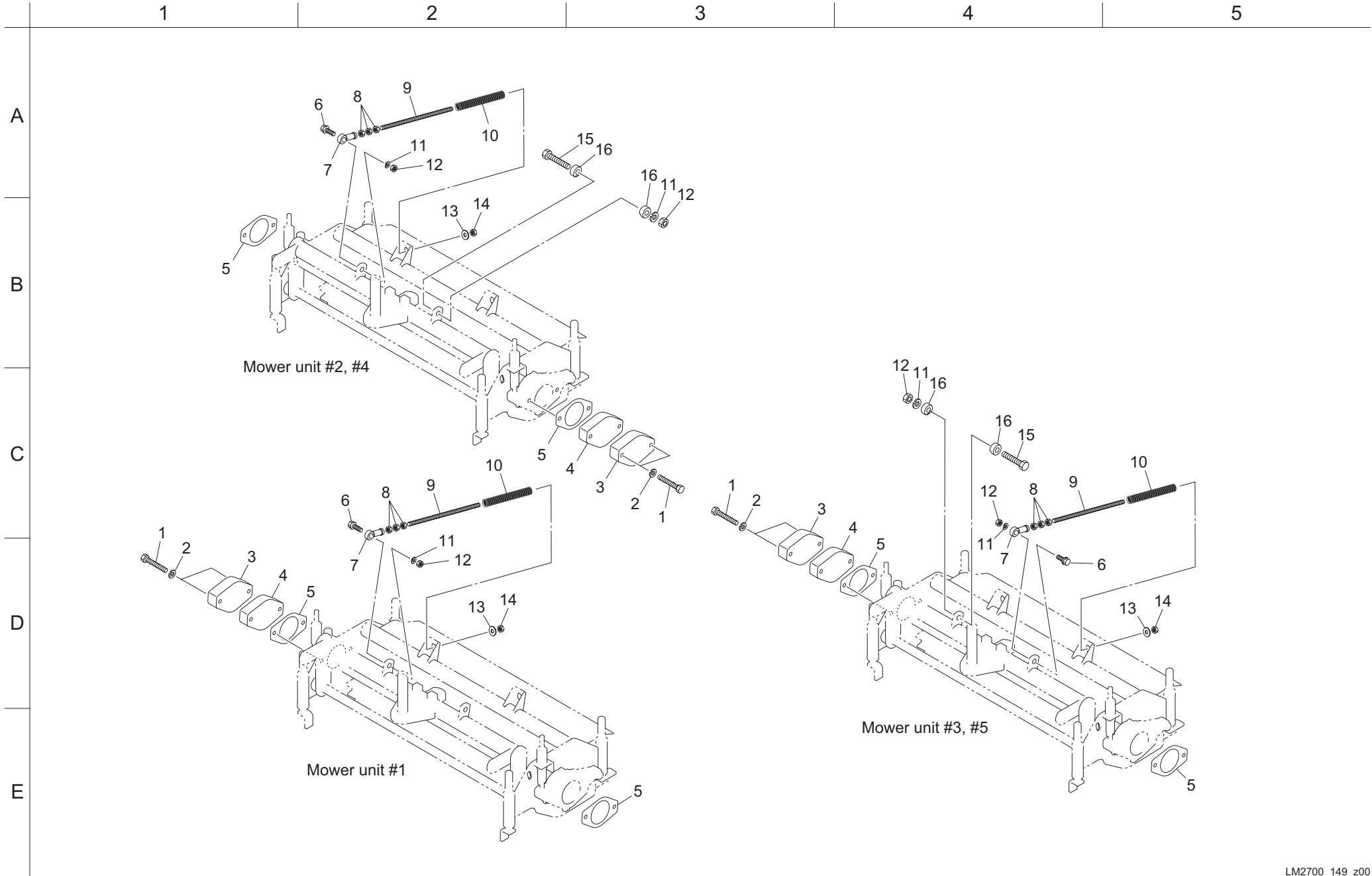
Cat No.	Code No.	Part name	Qty	Remark	SN of application	Cat No.	Code No.	Part name	Qty	Remark	SN of application
147-1	LM2700-0142Z2	NUT, SMALL M30 P2	10								
147-2	K0610062060	BEARING, BALL SEAL RD 6206	10								
147-3	K0823552110	OIL SEAL, MHSA355211	10								
147-4	K0402052001	RING, RETAINING R M52	10								
147-5	K0320100501	PIN, SPRING M10-50	10								
147-6	K0003100502	BOLT, M10-50	10								
147-7	K0102100002	NUT, M10-3	10								
147-8	K0028100600	SETSCREW, SUS M10-60	10								
147-9	LM2700-0149Z0	HOUSING, REEL (RH)	5								
147-10	K0000080102	BOLT, M8-10	10	Motor side							
147-11	LM2700-0146A2	BOLT, STOP	10	Groomer side							
147-12	K0922080000	SEAL, WASHER 8WF	20								
147-13	K1440000020	GREASE NIPPLE, 90 TYPE C	10								
147-14	K0105140002	NUT, P1.5 M14-3	10								
147-15	K5012314252	WASHER, SPCC 2.3-14-25	10								
147-16	LM56G--0506Z2	NUT, HIGH M10-17-35 P1.0	10								
147-17	K5051010160	WASHER, C5191P 1-10-16	10								
147-18	K0071001132	BOLT, AXIS	10								
147-19	K5073210242	WASHER, SPHC 3.2-10-24	10								
147-20	K0144100002	NUT, W/F-RING M10	10								
147-21	K6206000172	RECEIVER, SPRING	10								
147-22	K1000000618	SPRING, COMPRESSION M5-25-35	10								
147-23	K6206000052	RECEIVER, FOR SPRING	10								
147-24	LM535E-1335Z2	PIPE, W/CUTTER ADJUSTING SCREW	10								
147-25	LM535E-1334Z2	PIPE, ADJUSTING	10								
147-26	K6511000042	BOLT, ADJUSTING CUTTER 170	10								
147-27	LM2700-2114Z0	REEL CUTTER ASSY 22-9	5	9-blade							
147-28	K0737000080	INNER RACE, NB LRTZ303518	10								
147-29	K0000060152	BOLT, M6-15	15								
147-30	K0212060002	WASHER, DISK SPRING 1L M6	15								
147-31	LM2700-0150Z0	COVER, HOUSING	5								
147-32	LM2700-0130Z0	PACKING, REEL	5								
147-33	LM2700-0148Z0	HOUSING, REEL (LH)	5								
147-34	K5090000820	WASHER, SPHERICAL M10	6								

148. Mower section E for 26inch



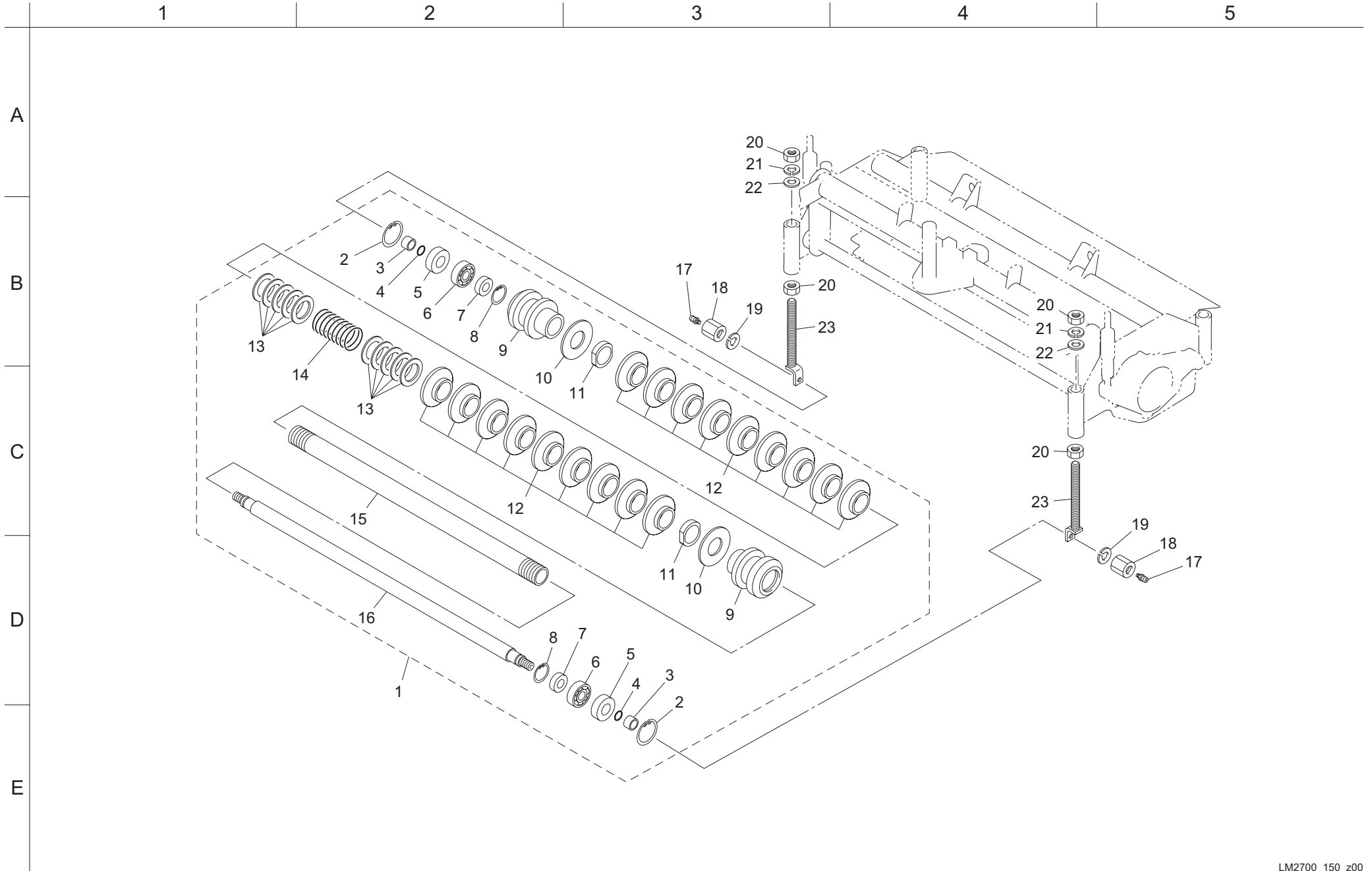
Cat No.	Code No.	Part name	Qty	Remark	SN of application	Cat No.	Code No.	Part name	Qty	Remark	SN of application
148-1	K0000100702	BOLT, M10-70	10								
148-2	K0200100002	WASHER, SPRING M10	10								
148-3	K690300017D	COVER, REEL HOUSING	5								
148-4	LM2700-1201ZD	WEIGHT, MOWER	5								
148-5	K4011000290	PACKING, OIL-SHEET	10								
148-6	K0000120352	BOLT, M12-35	5								
148-7	K1607120000	JOINT, SPHERICAL PHS12EC	5								
148-8	K0102120002	NUT, M12-3	15								
148-9	LM2700-0219Z2	SHAFT, THREADED M12-240	5								
148-10	K1000000118	SPRING, COMPRESSION M3-21-150	5								
148-11	K0200120002	WASHER, SPRING M12	5								
148-12	K0100120002	NUT, M12	5								
148-13	K5073212352	WASHER, SPHC 3.2-12-35	5								
148-14	K0144120002	NUT, W/F-RING M12	5								
148-15	LM2700-0166ZD	STOPPER, #2 MOWER	1								
148-16	K0000080202	BOLT, M8-20	4								
148-17	LM2700-0167ZD	STOPPER, #3 MOWER	1								
148-18	K0200080002	WASHER, SPRING M8	4								
148-19	K5000080002	WASHER, M8	4								

149. Mower section F for 22inch



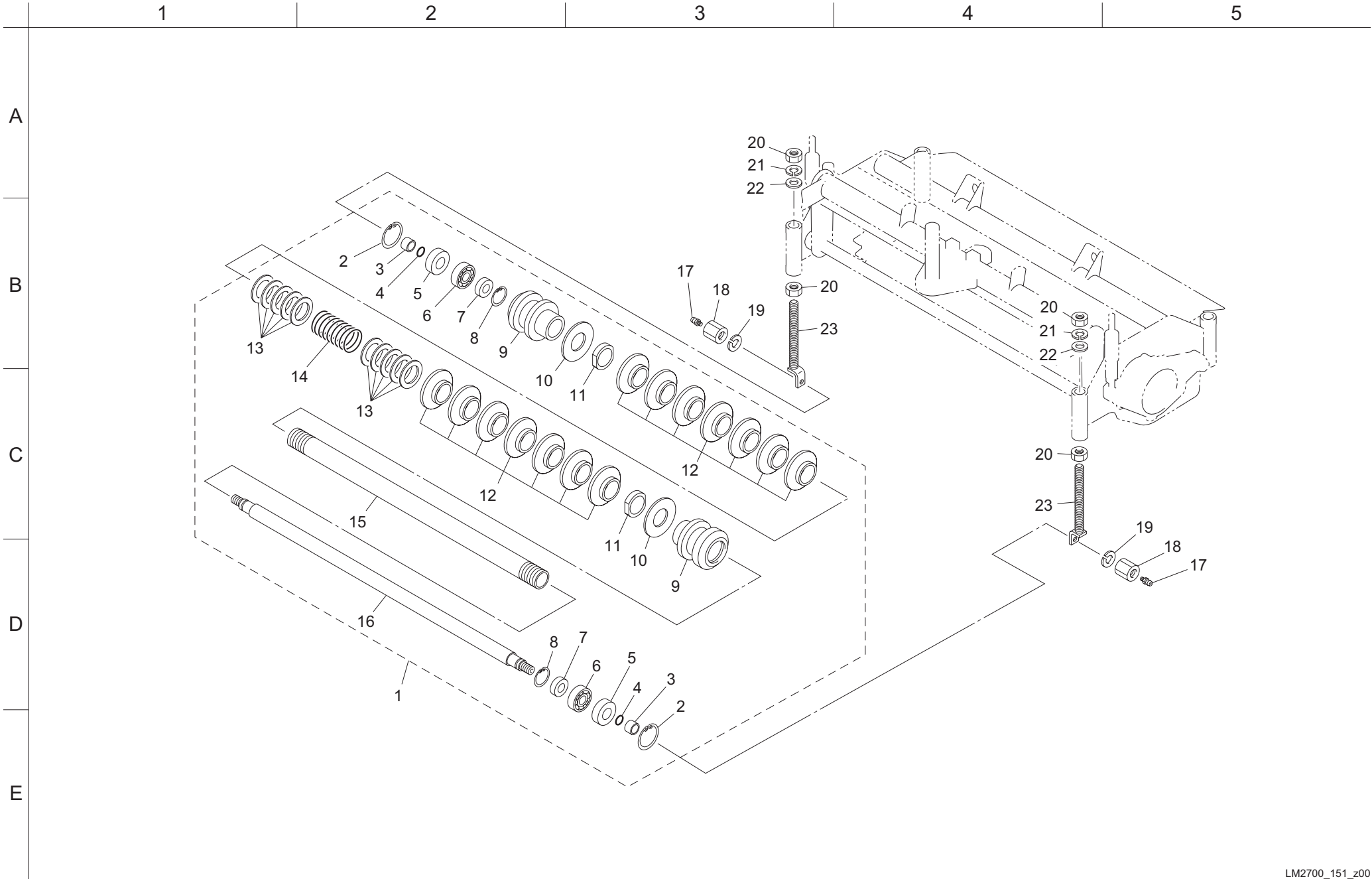
Cat No.	Code No.	Part name	Qty	Remark	SN of application	Cat No.	Code No.	Part name	Qty	Remark	SN of application
149-1	K0000100702	BOLT, M10-70	10								
149-2	K0200100002	WASHER, SPRING M10	10								
149-3	K690300017D	COVER, REEL HOUSING	5								
149-4	LM2700-1201ZD	WEIGHT, MOWER	5								
149-5	K4011000290	PACKING, OIL-SHEET	10								
149-6	K0000120352	BOLT, M12-35	5								
149-7	K1607120000	JOINT, SPHERICAL PHS12EC	5								
149-8	K0102120002	NUT, M12-3	15								
149-9	LM2700-0219Z2	SHAFT, THREADED M12-240	5								
149-10	K1000000118	SPRING, COMPRESSION M3-21-150	5								
149-11	K0200120002	WASHER, SPRING M12	7								
149-12	K0100120002	NUT, M12	7								
149-13	K5073212352	WASHER, SPHC 3.2-12-35	5								
149-14	K0144120002	NUT, W/F-RING M12	5								
149-15	K0013120702	BOLT, HT M12-70	2								
149-16	LM2700-2125ZR	STOPPER	4								
149-17	LM2700-0167ZD	STOPPER, #3 MOWER	1								
149-18	K0200080002	WASHER, SPRING M8	4								
149-19	K5000080002	WASHER, M8	4								

150. Front roller ASSY section A for 26inch



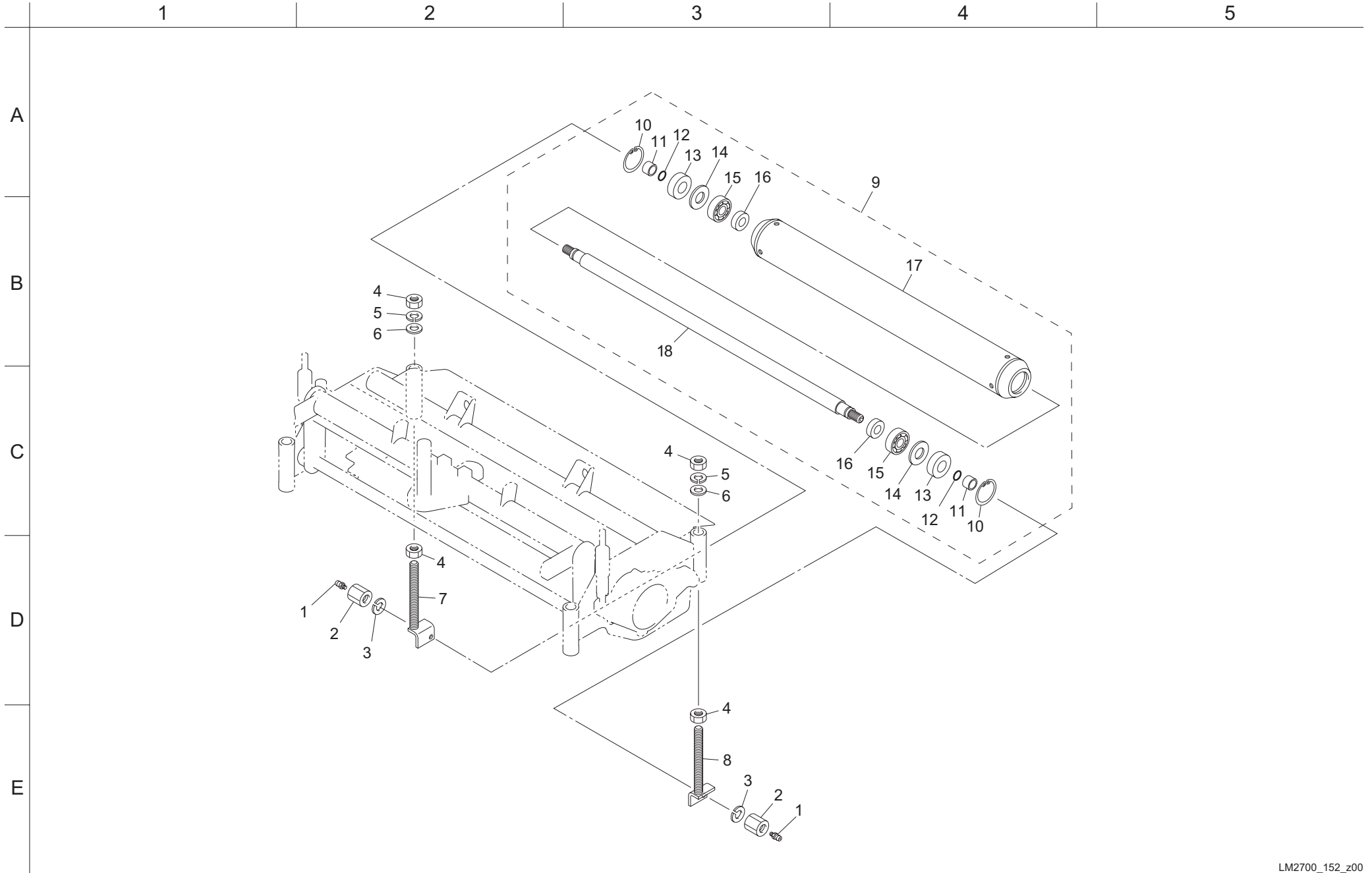
Cat No.	Code No.	Part name	Qty	Remark	SN of application	Cat No.	Code No.	Part name	Qty	Remark	SN of application
150-1	LH6690-0602A0	ROLLER ASSY	5								
150-2	K0402047001	RING, RETAINING R M47	10								
150-3	K6219000580	COLLAR, SUS M17-25-16	10								
150-4	K0885015000	O-RING, S15	10								
150-5	K0822547080	OIL SEAL, MHSA25478	10								
150-6	K0600063030	BEARING, BALL 6303	10								
150-7	K0822235080	OIL SEAL, MHSA22358	10								
150-8	K0402035001	RING, RETAINING R M35	10								
150-9	LH6690-0601AD	HOUSING, ROLLER	10								
150-10	K510100061D	PLATE, ROUND 80	10								
150-11	K016000062D	NUT, M40	10								
150-12	K5920000120	ROLLER, PLASTIC 80	90								
150-13	K5011040522	WASHER, SPCC 1-40-52	50	for adjustment							
150-14	K100000073D	SPRING, COMPRESSION M5-51-75	5								
150-15	LM2700-0151Z2	PIPE, ROLLER 34.2-40607.2	5								
150-16	LM2700-0152Z0	SHAFT, ROLLER 22-749	5								
150-17	K1440000010	GREASE NIPPLE, STRAIGHT TYPE A	10								
150-18	K0160000652	NUT, SPECIAL M14-30	10								
150-19	K0200140002	WASHER, SPRING M14	10								
150-20	K0108180002	NUT, P1.5 M18-3	20								
150-21	K0200180002	WASHER, SPRING M18	10								
150-22	K5012018282	WASHER, SPCC 2-18-28	10								
150-23	LM2700-0137Z2	SCREW, ADJUSTING CUTTING HEIGHT	10								

151. Front roller ASSY section B for 22inch



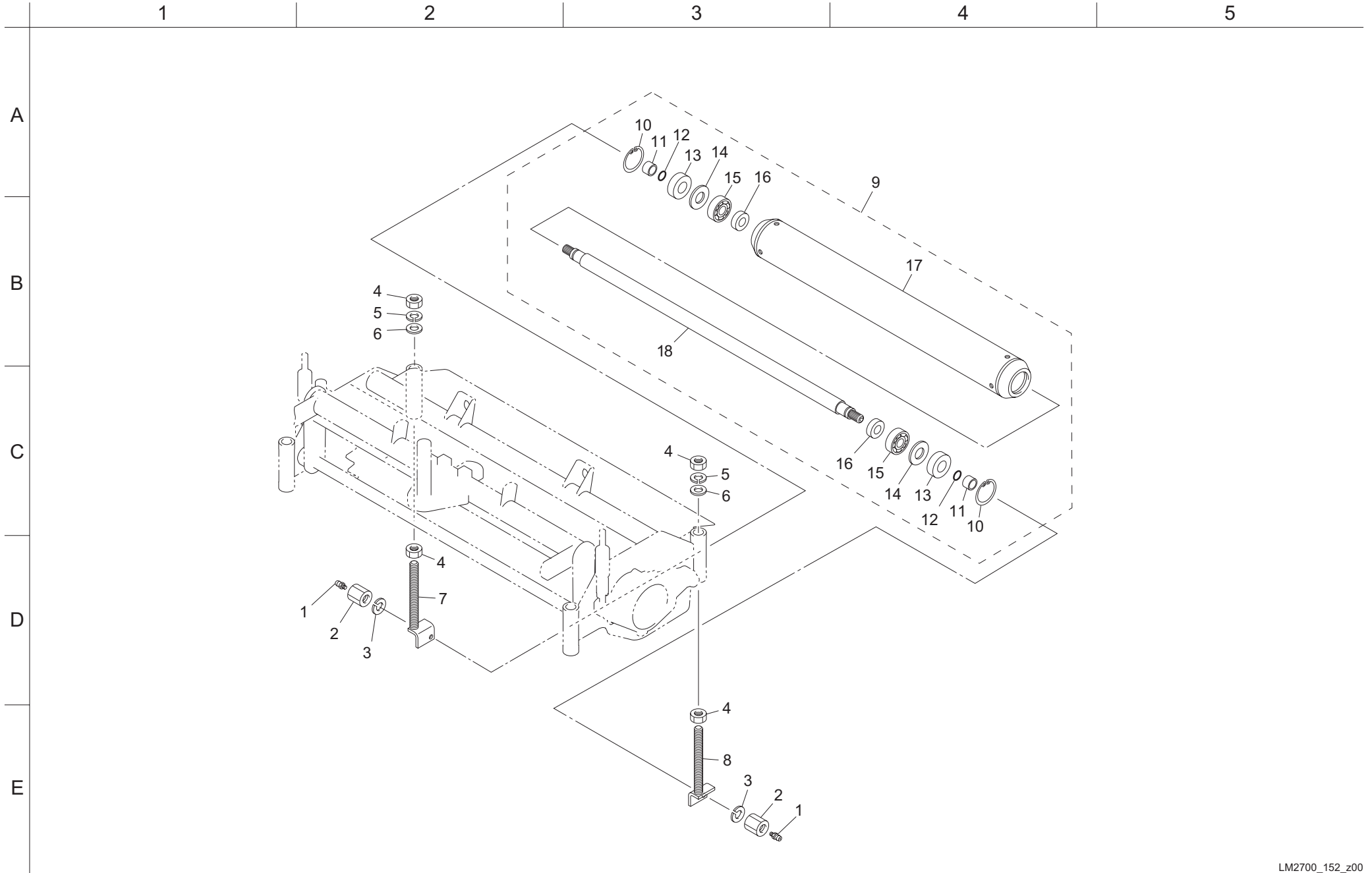
Cat No.	Code No.	Part name	Qty	Remark	SN of application	Cat No.	Code No.	Part name	Qty	Remark	SN of application
151-1	LH6290-0602A0	ROLLER ASSY, 22	5								
151-2	K0402047001	RING, RETAINING R M47	10								
151-3	K6219000580	COLLAR, SUS M17-25-16	10								
151-4	K0885015000	O-RING, S15	10								
151-5	K0822547080	OIL SEAL, MHSA25478	10								
151-6	K0600063030	BEARING, BALL 6303	10								
151-7	K0822235080	OIL SEAL, MHSA22358	10								
151-8	K0402035001	RING, RETAINING R M35	10								
151-9	LH6690-0601AD	HOUSING, ROLLER	10								
151-10	K510100061D	PLATE, ROUND 80	10								
151-11	K016000062D	NUT, M40	10								
151-12	K5920000120	ROLLER, PLASTIC 80	70								
151-13	K5011040522	WASHER, SPCC 1-40-52	50	for adjustment							
151-14	K100000073D	SPRING, COMPRESSION M5-51-75	5								
151-15	LM2700-2109Z2	PIPE, ROLLER 34.2-40504.7	5								
151-16	LM2700-2107Z0	SHAFT, ROLLER 646.5	5								
151-17	K1440000010	GREASE NIPPLE, STRAIGHT TYPE A	10								
151-18	K0160000652	NUT, SPECIAL M14-30	10								
151-19	K0200140002	WASHER, SPRING M14	10								
151-20	K0108180002	NUT, P1.5 M18-3	20								
151-21	K0200180002	WASHER, SPRING M18	10								
151-22	K5012018282	WASHER, SPCC 2-18-28	10								
151-23	LM2700-0137Z2	SCREW, ADJUSTING CUTTING HEIGHT	10								

152. Rear roller ASSY section A for 26inch



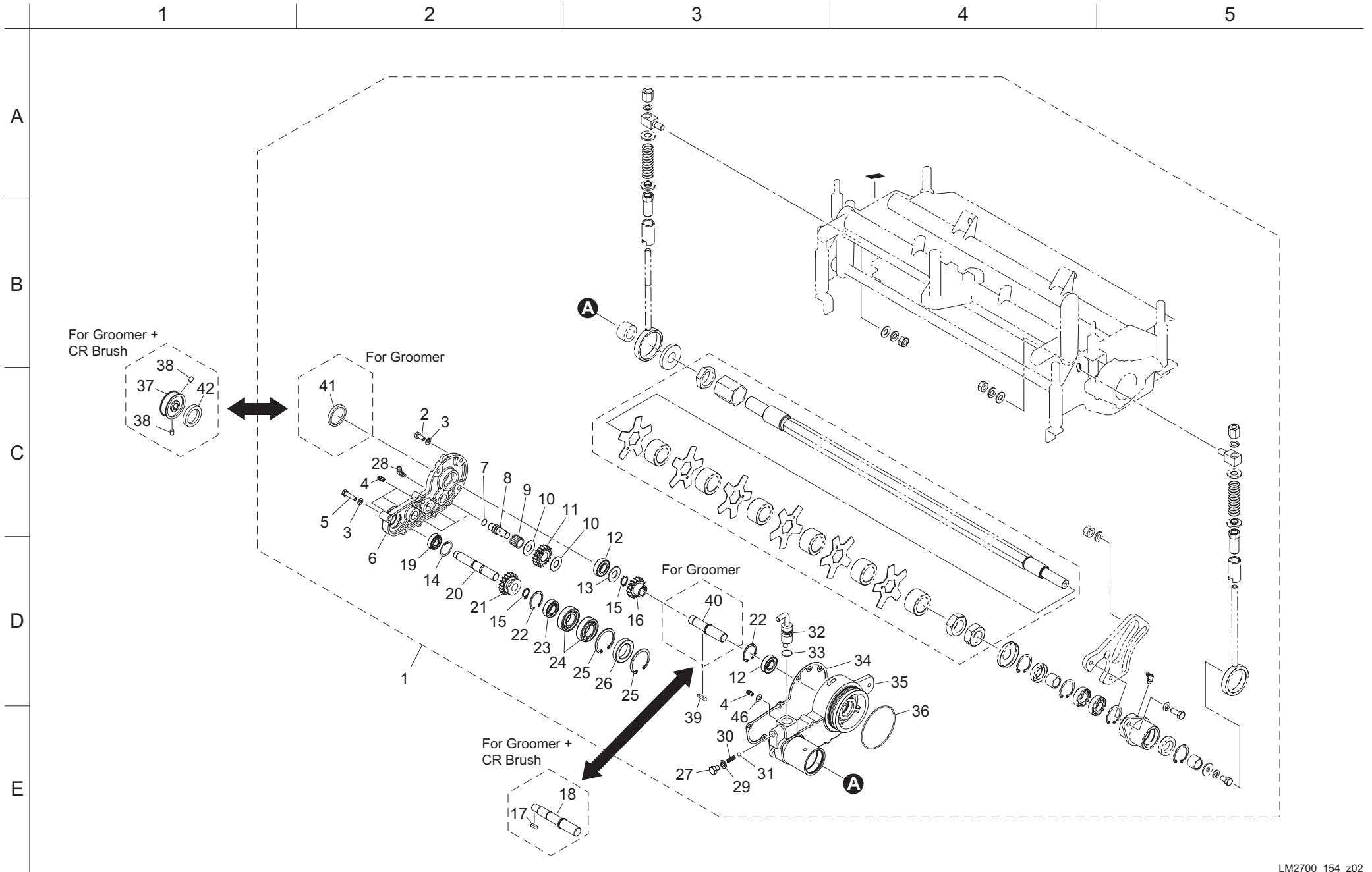
Cat No.	Code No.	Part name	Qty	Remark	SN of application	Cat No.	Code No.	Part name	Qty	Remark	SN of application
152-1	K1440000010	GREASE NIPPLE, STRAIGHT TYPE A	10								
152-2	K0160000652	NUT, SPECIAL M14-30	10								
152-3	K0200140002	WASHER, SPRING M14	10								
152-4	K0108180002	NUT, P1.5 M18-3	20								
152-5	K0200180002	WASHER, SPRING M18	10								
152-6	K5012018282	WASHER, SPCC 2-18-28	10								
152-7	LM2700-0161Z2	SCREW, ADJ HOC (RH)	5								
152-8	LM2700-0162Z2	SCREW, ADJ HOC (LH)	5								
152-9	LM2700-0193Z0	ROLLER ASSY	5								
152-10	K0402047001	RING, RETAINING R M47	10								
152-11	K6219000580	COLLAR, SUS M17-25-16	10								
152-12	K0885015000	O-RING, S15	10								
152-13	K0822547080	OIL SEAL, MHSA25478	10								
152-14	K5090000802	WASHER, SPHC 3.2-40-47	10								
152-15	K0600063030	BEARING, BALL 6303	10								
152-16	K0822235080	OIL SEAL, MHSA22358	10								
152-17	LM2700-0154ZD	ROLLER, 76.2-696	5								
152-18	LM2700-0152Z0	SHAFT, ROLLER 22-749	5								

153. Rear roller ASSY section B for 22inch



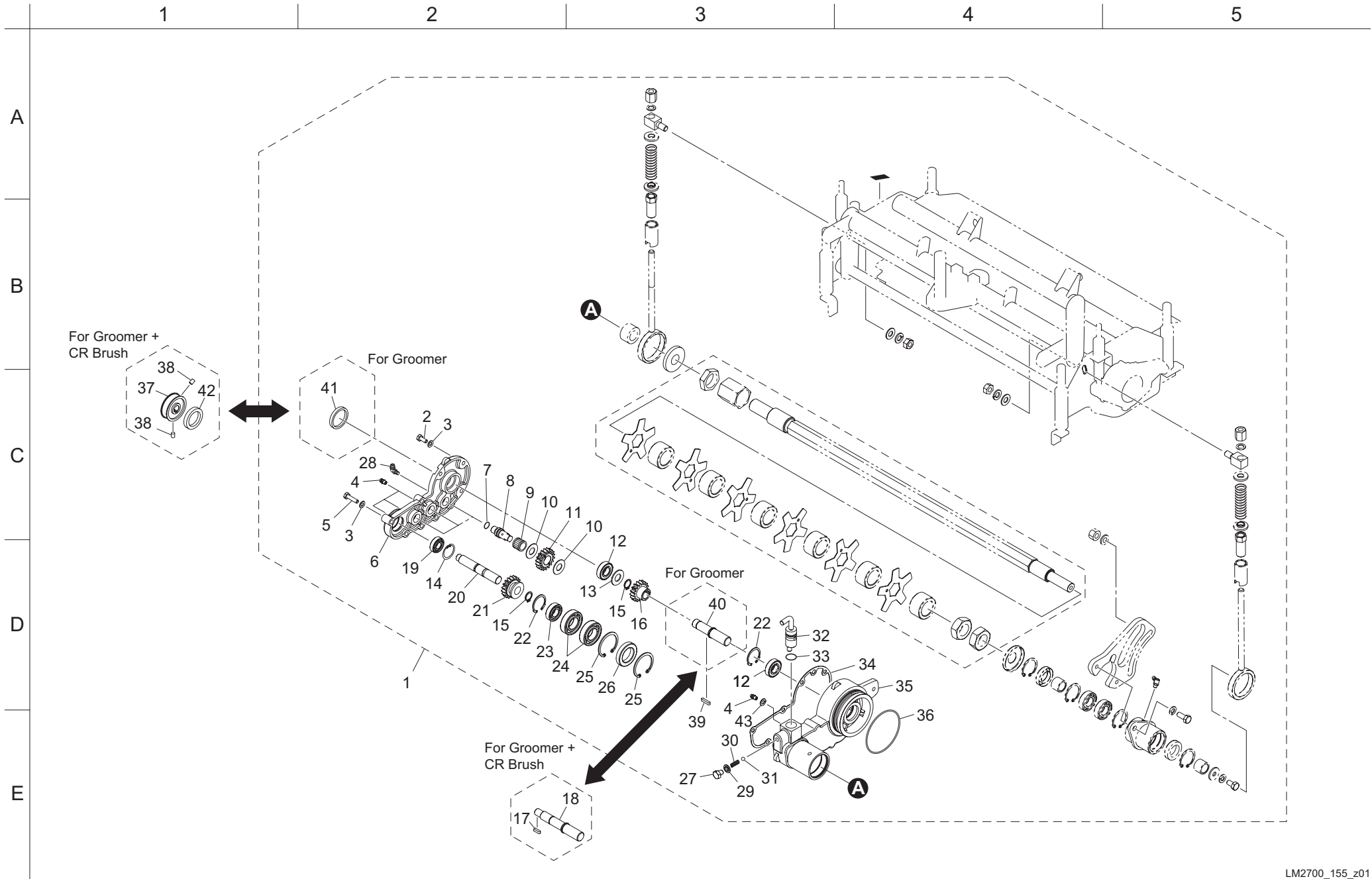
Cat No.	Code No.	Part name	Qty	Remark	SN of application	Cat No.	Code No.	Part name	Qty	Remark	SN of application
153-1	K1440000010	GREASE NIPPLE, STRAIGHT TYPE A	10								
153-2	K0160000652	NUT, SPECIAL M14-30	10								
153-3	K0200140002	WASHER, SPRING M14	10								
153-4	K0108180002	NUT, P1.5 M18-3	20								
153-5	K0200180002	WASHER, SPRING M18	10								
153-6	K5012018282	WASHER, SPCC 2-18-28	10								
153-7	LM2700-0161Z2	SCREW, ADJ HOC (RH)	5								
153-8	LM2700-0162Z2	SCREW, ADJ HOC (LH)	5								
153-9	LM2700-2117Z0	ROLLER ASSY	5								
153-10	K0402047001	RING, RETAINING R M47	10								
153-11	K6219000580	COLLAR, SUS M17-25-16	10								
153-12	K0885015000	O-RING, S15	10								
153-13	K0822547080	OIL SEAL, MHSA25478	10								
153-14	K5090000802	WASHER, SPHC 3.2-40-47	10								
153-15	K0600063030	BEARING, BALL 6303	10								
153-16	K0822235080	OIL SEAL, MHSA22358	10								
153-17	LM2700-2108ZD	ROLLER, 76.2-696	5								
153-18	LM2700-2107Z0	SHAFT, ROLLER 22-749	5								

154. Groomer ASSY section A (#1,3,5) for 26inch



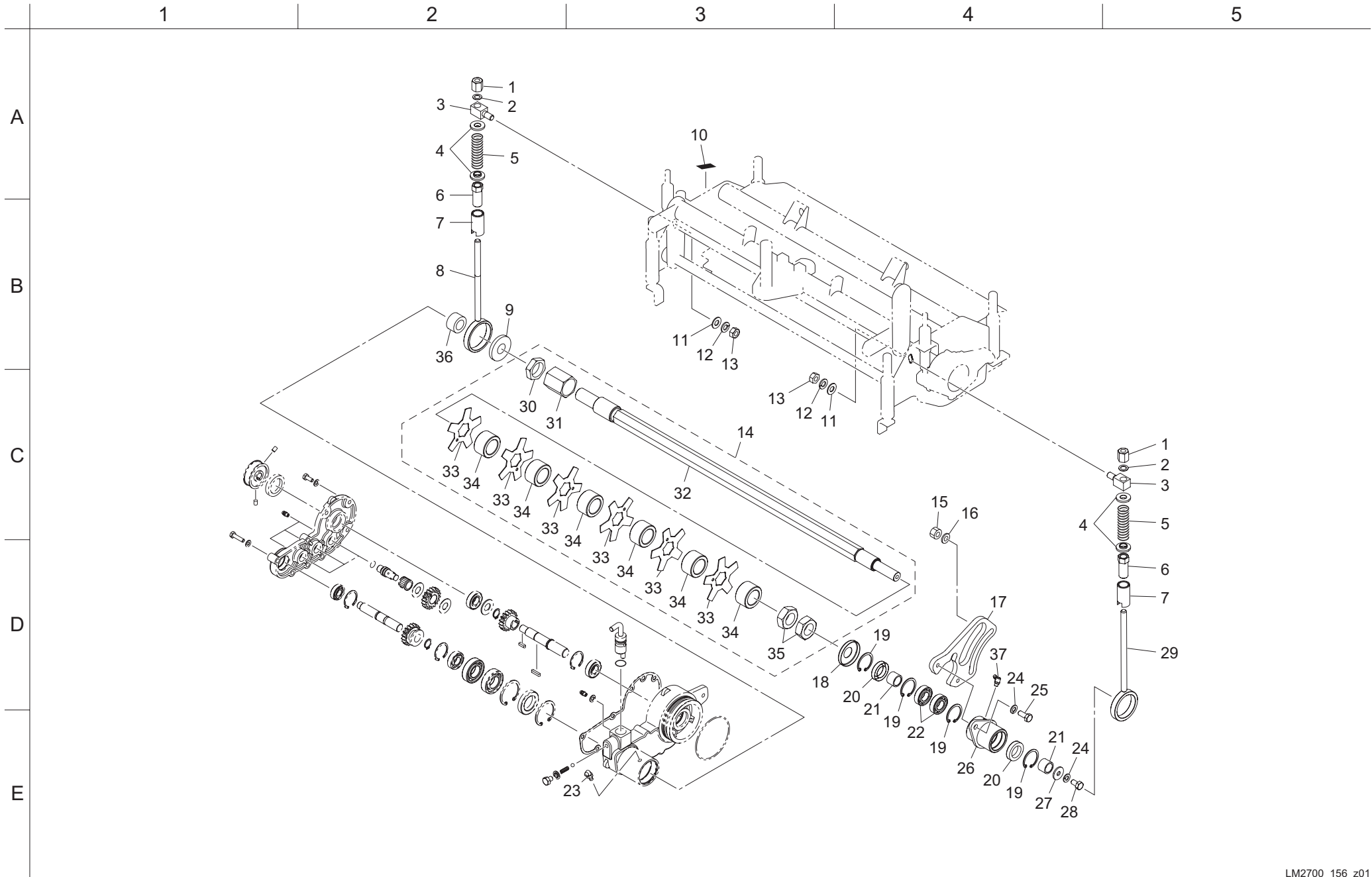
Cat No.	Code No.	Part name	Qty	Remark	SN of application	Cat No.	Code No.	Part name	Qty	Remark	SN of application
154-1	LH669L-1190Z0	GROOMER ASSY, LEFT MOWER	3			154-36	K0885080000	O-RING, S80	3		
154-2	K0000060152	BOLT, M6-15	9			154-37	LM2700-4106Z2	PULLEY, DRIVING	3		
154-3	K0212060002	WASHER, DISK SPRING 1L M6	24			154-38	K0023050081	SETSCREW, M5-8	6		
154-4	K1440000010	GREASE NIPPLE, STRAIGHT TYPE A	12			154-39	K0500404180	KEY, BOTH ROUND M4-418	3		
154-5	K0000060302	BOLT, M6-30	12			154-40	LH669L-1101Z0	SHAFT, DRIVE	3		
154-6	LH669L-1302Z0	COVER, GROOMER (RH)	3			154-41	K0890000030	CAP, RUBBER 25	3		
154-7	K0885014000	O-RING, S14	9			154-42	K0821525070	OIL SEAL, MHSA15257	3		
154-8	LM2700-0111Z0	COUNTERSHAFT	9			154-43					
154-9	K0701317120	BEARING, NEEDLE KT131712	9			154-44					
154-10	K5051013280	WASHER, C5191P 1-13-28	18			154-45					
154-11	K6186000030	GEAR, 18-TEETH	9			154-46	K0200060002	WASHER, SPRING M6	3		
154-12	K0612060020	BEARING, BALL SEAL 2RD 6002	6								
154-13	K5051015220	WASHER, C5191P 1-15-22	3								
154-14	K0402028001	RING, RETAINING R M28	3								
154-15	K0401015001	RING, RETAINING S M15	6								
154-16	LH669L-1305Z0	GEAR, 17-TEETH	3								
154-17	K0520404140	KEY, ROUND/SQUARE, M4-414	3								
154-18	LH669L-1304Z0	SHAFT, DRIVE	3								
154-19	K0600060010	BEARING, BALL 6001	3								
154-20	LH669L-1303Z0	SHAFT, SPLINE OUTPUT	3								
154-21	LM2700-0110Z0	GEAR, CLUTCH 18-TEETH	3								
154-22	K0404032001	RING, RETAINING ROUND R M32	6								
154-23	K0600060020	BEARING, 6002	3								
154-24	K0600060220	BEARING, 60/22	6								
154-25	K0402045001	RING, RETAINING R M45	6								
154-26	K0822844080	OIL SEAL, MHSA28448	3								
154-27	K0000080102	BOLT, M8-10	3								
154-28	K1440000020	GREASE NIPPLE, 90 TYPE C	3								
154-29	K0922080000	SEAL, WASHER 8WF	3								
154-30	K1000000090	SPRING, COMPRESSION M1-6-18	3								
154-31	K1500635000	BALL, STEEL 6.35	3								
154-32	LH669L-1306Z8	LEVER, CLUTCH (RH)	3								
154-33	K0880015000	O-RING, P15	3								
154-34	LM2700-0129A0	PACKING, GROOMER	3								
154-35	LH669L-1301Z0	CASE, GROOMER (RH)	3								

155. Groomer ASSY section B (#1,3,5) for 22inch



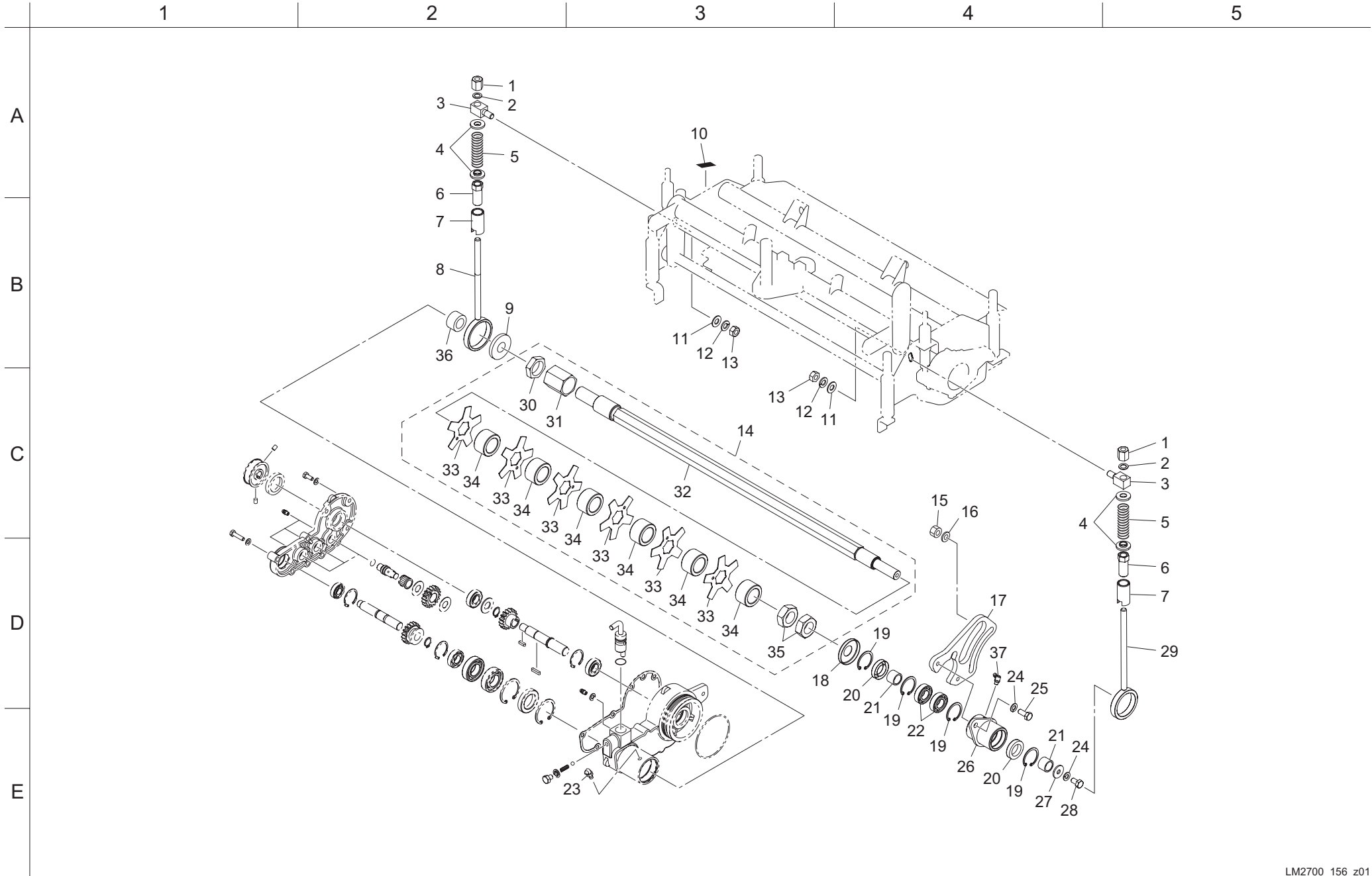
Cat No.	Code No.	Part name	Qty	Remark	SN of application	Cat No.	Code No.	Part name	Qty	Remark	SN of application
155-1	LH629L-1190Z0	GROOMER & GEAR ASSY (LH)	3			155-36	K0885080000	O-RING, S80	3		
155-2	K0000060152	BOLT, M6-15	9			155-37	LM2700-4106Z2	PULLEY, DRIVING	3		
155-3	K0212060002	WASHER, DISK SPRING 1L M6	24			155-38	K0023050081	SETSCREW, M5-8	6		
155-4	K1440000010	GREASE NIPPLE, STRAIGHT TYPE A	12			155-39	K0500404180	KEY, BOTH ROUND M4-418	3		
155-5	K0000060302	BOLT, M6-30	15			155-40	LH669L-1101Z0	SHAFT, DRIVE	3		
155-6	LH669L-1302Z0	COVER, GROOMER (RH)	3			155-41	K0890000030	CAP, RUBBER 25	3		
155-7	K0885014000	O-RING, S14	9			155-42	K0821525070	OIL SEAL, MHSA15257	3		
155-8	LM2700-0111Z0	COUNTERSHAFT	9			155-43	K0200060002	WASHER, SPRING M6	3		
155-9	K0701317120	BEARING, NEEDLE KT131712	9								
155-10	K5051013280	WASHER, C5191P 1-13-28	18								
155-11	K6186000030	GEAR, 18-TEETH	9								
155-12	K0612060020	BEARING, BALL SEAL 2RD 6002	6								
155-13	K5051015220	WASHER, C5191P 1-15-22	3								
155-14	K0402028001	RING, RETAINING R M28	3								
155-15	K0401015001	RING, RETAINING S M15	6								
155-16	LH669L-1305Z0	GEAR, 17-TEETH	3								
155-17	K0520404140	KEY, ROUND/SQUARE, M4-414	3								
155-18	LH669L-1304Z0	SHAFT, DRIVE	3								
155-19	K0600060010	BEARING, BALL 6001	3								
155-20	LH669L-1303Z0	SHAFT, SPLINE OUTPUT	3								
155-21	LM2700-0110Z0	GEAR, CLUTCH 18-TEETH	3								
155-22	K0404032001	RING, RETAINING ROUND R M32	6								
155-23	K0600060020	BEARING, 6002	3								
155-24	K0600060220	BEARING, 60/22	6								
155-25	K0402045001	RING, RETAINING R M45	6								
155-26	K0822844080	OIL SEAL, MHSA28448	3								
155-27	K0000080102	BOLT, M8-10	3								
155-28	K1440000020	GREASE NIPPLE, 90 TYPE C	3								
155-29	K0922080000	SEAL, WASHER 8WF	3								
155-30	K1000000090	SPRING, COMPRESSION M1-6-18	3								
155-31	K1500635000	BALL, STEEL 6.35	3								
155-32	LH669L-1306Z8	LEVER, CLUTCH (RH)	3								
155-33	K0880015000	O-RING, P15	3								
155-34	LM2700-0129A0	PACKING, GROOMER	3								
155-35	LH669L-1301Z0	CASE, GROOMER (RH)	3								

156. Groomer ASSY section C (#1,3,5) for 26inch



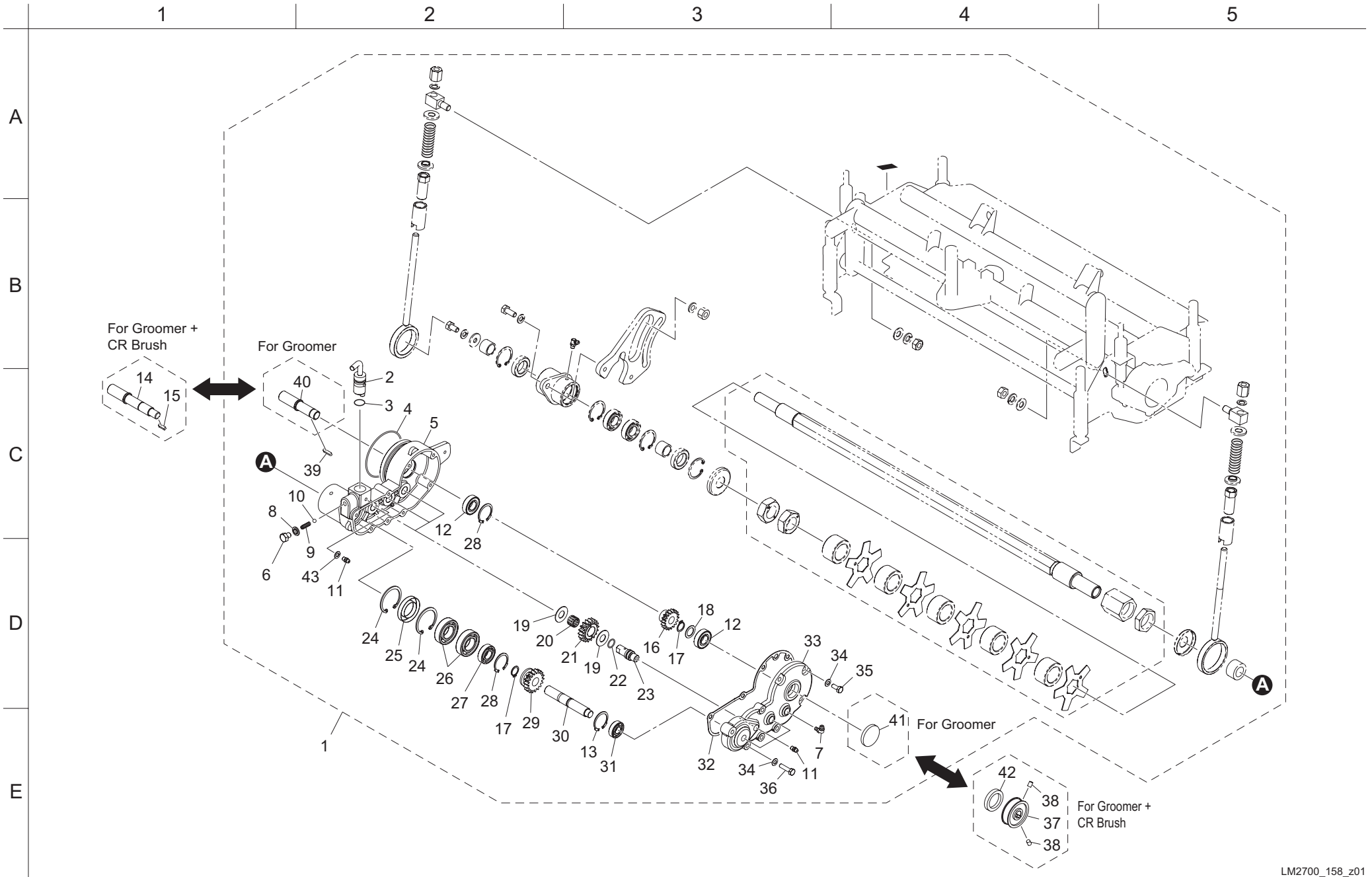
Cat No.	Code No.	Part name	Qty	Remark	SN of application	Cat No.	Code No.	Part name	Qty	Remark	SN of application
156-1	K0160000032	NUT, ADJUSTING BED-KNIFE P1 M10	6			156-36	K0737000090	INNER RACE, LRTZ 222818	3		
156-2	K5051010160	WASHER, C5191P 1-10-16	6			156-37	K1440000020	GREASE NIPPLE, 90 TYPE C	3		
156-3	LM2700-0136Z2	RECEIVER, ROD 10	6								
156-4	K6206000052	RECEIVER, FOR SPRING	12								
156-5	K1000000578	SPRING, COMPRESSION M3.5-22-73	6								
156-6	LM535E-1335Z2	PIPE, W/CUTTER ADJUSTING SCREW	6								
156-7	LM2700-0135Z2	PIPE, ADJUSTING	6								
156-8	LH669L-1313Z2	BOLT, ADJUSTING GROOMER	3								
156-9	LH669L-1310Z2	COVER, CASE DUST PROOF	3								
156-10	K4203000080	STICKER, ON/OFF	3								
156-11	K5000100002	WASHER, M10	6								
156-12	K0200100002	WASHER, SPRING M10	6								
156-13	K0100100002	NUT, M10	6								
156-14	LH669L-1391Z0	SHAFT ASSY, GROOMER	3								
156-15	K0144100002	NUT, W/F-RING M10	3								
156-16	K5073210242	WASHER, SPHC 3.2-10-24	3								
156-17	LH669L-1312Z2	BRACKET, GROOMER HOUSING	3								
156-18	K5370000312	COVER, DUST PROOF	3								
156-19	K0402035001	RING, RETAINING R M35	12								
156-20	K0822235080	OIL SEAL, MHSA22358	6								
156-21	K0737000060	INNER RACE, NB LRT172216	6								
156-22	K0600060030	BEARING, BALL 6003	6								
156-23	K1440000030	GREASE NIPPLE, 67.5 TYPE B	3								
156-24	K0200080002	WASHER, SPRING M8	9								
156-25	K0000080202	BOLT, M8-20	6								
156-26	LH669L-1311Z2	HOUSING, GROOMER (LH)	3								
156-27	K5012308242	WASHER, SPCC 2.3-8-24	3								
156-28	K0000080152	BOLT, M8-15	3								
156-29	LM2700-0134A2	BOLT, ADJUSTING GROOMER	3								
156-30	LH669L-1309Z2	NUT, SECURING (SMALL)	3								
156-31	LH669L-1308Z2	NUT, SECURING (LARGE)	3								
156-32	LH669L-1307Z2	SHAFT, GROOMER	3								
156-33	K2570000039	BLADE, VERTICAL 1.2-5-85	69								
156-34	K6214000020	COLLAR, AC M28-42-24.6	69								
156-35	K0108240002	NUT, P1.5 M24-3	6								

157. Groomer ASSY section D (#1,3,5) for 22inch



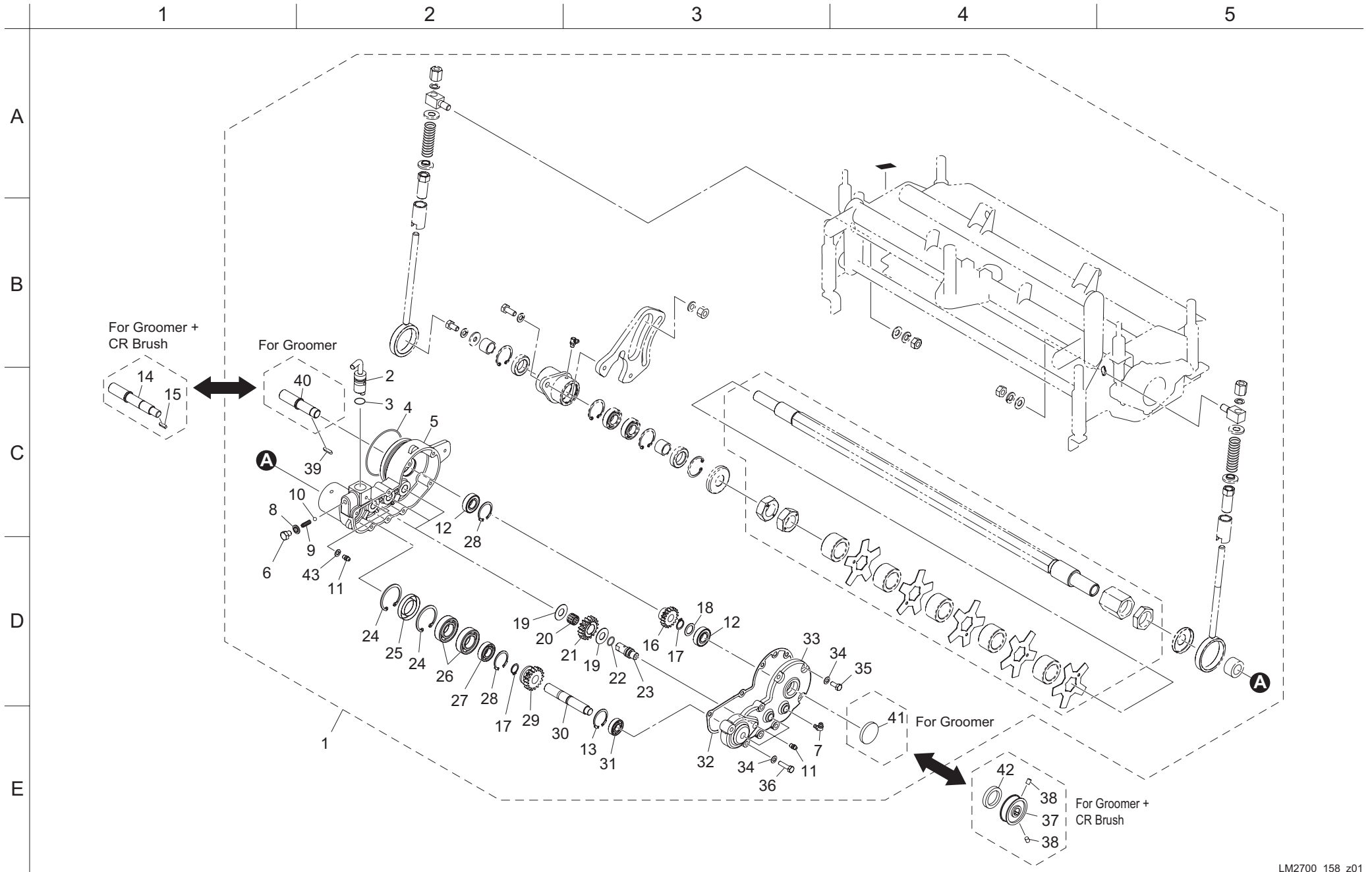
Cat No.	Code No.	Part name	Qty	Remark	SN of application	Cat No.	Code No.	Part name	Qty	Remark	SN of application
157-1	K0160000032	NUT, ADJUSTING BED-KNIFE P1 M10	6			157-36	K0737000090	INNER RACE, LRTZ 222818	3		
157-2	K5051010160	WASHER, C5191P 1-10-16	6			157-37	K1440000020	GREASE NIPPLE, 90 TYPE C	3		
157-3	LM2700-0136Z2	RECEIVER, ROD 10	6								
157-4	K6206000052	RECEIVER, FOR SPRING	12								
157-5	K1000000578	SPRING, COMPRESSION M3.5-22-73	6								
157-6	LM535E-1335Z2	PIPE, W/CUTTER ADJUSTING SCREW	6								
157-7	LM2700-0135Z2	PIPE, ADJUSTING	6								
157-8	LH669L-1313Z2	BOLT, ADJUSTING GROOMER	3								
157-9	LH669L-1310Z2	COVER, CASE DUST PROOF	3								
157-10	K4203000080	STICKER, ON/OFF	3								
157-11	K5000100002	WASHER, M10	6								
157-12	K0200100002	WASHER, SPRING M10	6								
157-13	K0100100002	NUT, M10	6								
157-14	LH629L-1391Z0	SHAFT ASSY, GROOMER 22	3								
157-15	K0144100002	NUT, W/F-RING M10	3								
157-16	K5073210242	WASHER, SPHC 3.2-10-24	3								
157-17	LH669L-1312Z2	BRACKET, GROOMER HOUSING	3								
157-18	K5370000312	COVER, DUST PROOF	3								
157-19	K0402035001	RING, RETAINING R M35	12								
157-20	K0822235080	OIL SEAL, MHSA22358	6								
157-21	K0737000060	INNER RACE, NB LRT172216	6								
157-22	K0600060030	BEARING, BALL 6003	6								
157-23	K1440000030	GREASE NIPPLE, 67.5 TYPE B	3								
157-24	K0200080002	WASHER, SPRING M8	9								
157-25	K0000080202	BOLT, M8-20	6								
157-26	LH669L-1311Z2	HOUSING, GROOMER (LH)	3								
157-27	K5012308242	WASHER, SPCC 2.3-8-24	3								
157-28	K0000080152	BOLT, M8-15	3								
157-29	LM2700-0134A2	BOLT, ADJUSTING GROOMER	3								
157-30	LH669L-1309Z2	NUT, SECURING (SMALL)	3								
157-31	LH669L-1308Z2	NUT, SECURING (LARGE)	3								
157-32	LH629L-1301Z2	SHAFT, GROOMER 22	3								
157-33	K2570000039	BLADE, VERTICAL 1.2-5-85	46								
157-34	K6214000020	COLLAR, AC M28-42-24.6	46								
157-35	K0108240002	NUT, P1.5 M24-3	6								

158. Groomer ASSY section E (#2,4) for 26inch



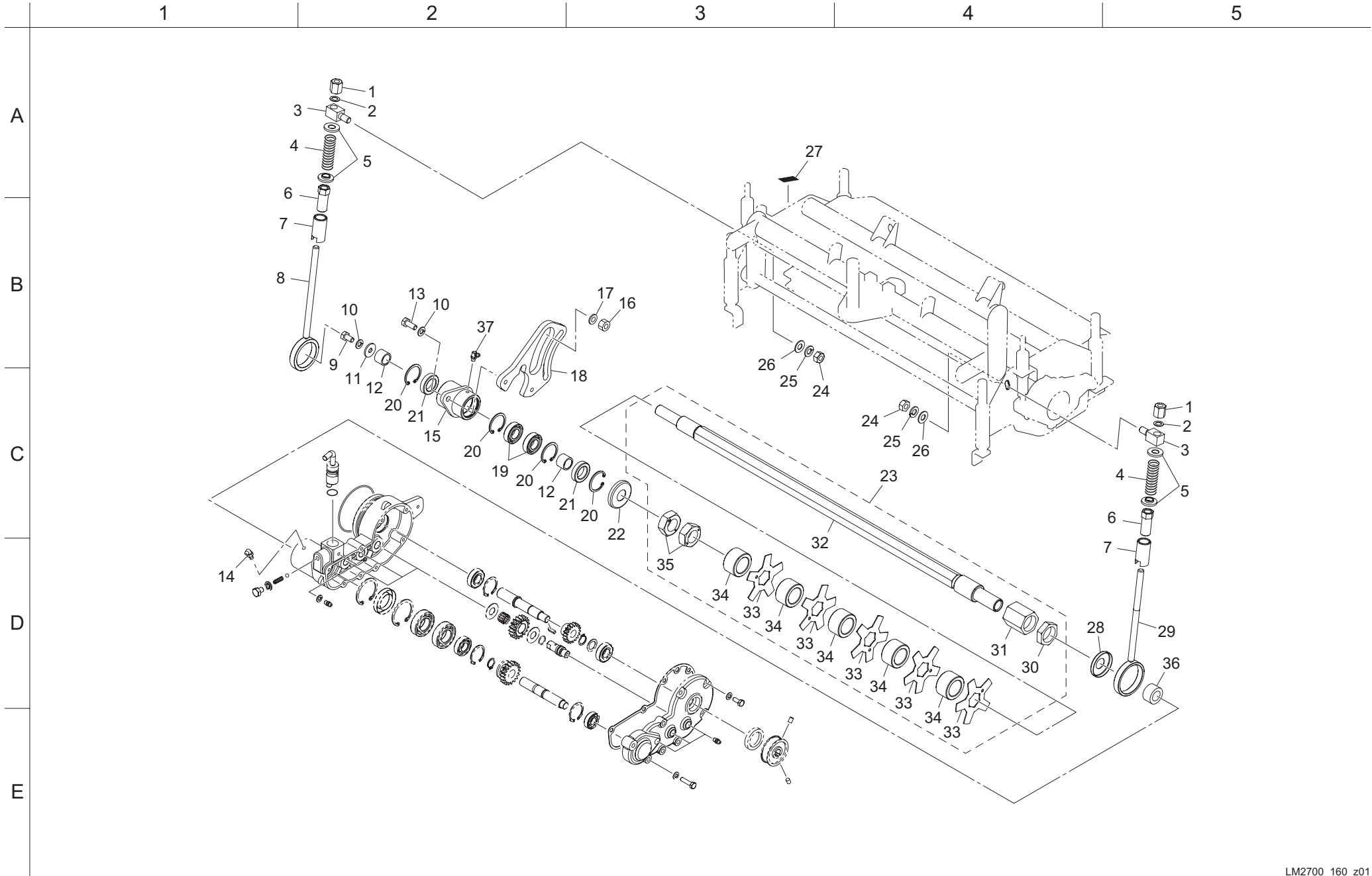
Cat No.	Code No.	Part name	Qty	Remark	SN of application	Cat No.	Code No.	Part name	Qty	Remark	SN of application
158-1	LH669R-1190Z0	GROOMER & GEAR ASSY (RH)	2			158-36	K0000060302	BOLT, M6-30	10		
158-2	LH669R-1303Z8	LEVER, CLUTCH (LH)	2			158-37	LM2700-4106Z2	PULLEY, DRIVING	2		
158-3	K0880015000	O-RING, P15	2			158-38	K0023050081	SETSCREW, M5-8	4		
158-4	K0885080000	O-RING, S80	2			158-39	K0500404180	KEY, BOTH ROUND M4-418	2		
158-5	LH669R-1301Z0	CASE, GROOMER (LH)	2			158-40	LH669L-1101Z0	SHAFT, DRIVE	2		
158-6	K0000080102	BOLT, M8-10	2			158-41	K0890000030	CAP, RUBBER 25	2		
158-7	K1440000020	GREASE NIPPLE, 90 TYPE C	2			158-42	K0821525070	OIL SEAL, MHSA15257	2		
158-8	K0922080000	SEAL, WASHER 8WF	2			158-43	K0200060002	WASHER, SPRING M6	2		
158-9	K1000000090	SPRING, COMPRESSION M1-6-18	2								
158-10	K1500635000	BALL, STEEL 6.35	2								
158-11	K1440000010	GREASE NIPPLE, STRAIGHT TYPE A	8								
158-12	K0612060020	BEARING, BALL SEAL 2RD 6002	4								
158-13	K0402028001	RING, RETAINING R M28	2								
158-14	LH669L-1304Z0	SHAFT, DRIVE	2								
158-15	K0520404140	KEY, ROUND/SQUARE, M4-414	2								
158-16	LH669L-1305Z0	GEAR, 17-TEETH	2								
158-17	K0401015001	RING, RETAINING S M15	4								
158-18	K5051015220	WASHER, C5191P 1-15-22	2								
158-19	K5051013280	WASHER, C5191P 1-13-28	12								
158-20	K0701317120	BEARING, NEEDLE KT131712	6								
158-21	K6186000030	GEAR, 18-TEETH	6								
158-22	K0885014000	O-RING, S14	6								
158-23	LM2700-0111Z0	COUNTERSHAFT	6								
158-24	K0402045001	RING, RETAINING R M45	4								
158-25	K0822844080	OIL SEAL, MHSA28448	2								
158-26	K0600060220	BEARING, 60/22	4								
158-27	K0600060020	BEARING, 6002	2								
158-28	K0404032001	RING, RETAINING ROUND R M32	2								
158-29	LM2700-0110Z0	GEAR, CLUTCH 18-TEETH	2								
158-30	LH669L-1303Z0	SHAFT, SPLINE OUTPUT	2								
158-31	K0600060010	BEARING, BALL 6001	2								
158-32	LM2700-0129A0	PACKING, GROOMER	2								
158-33	LH669R-1302Z0	COVER, GROOMER (LH)	2								
158-34	K0212060002	WASHER, DISK SPRING 1L M6	16								
158-35	K0000060152	BOLT, M6-15	6								

159. Groomer ASSY section F (#2,4) for 22inch



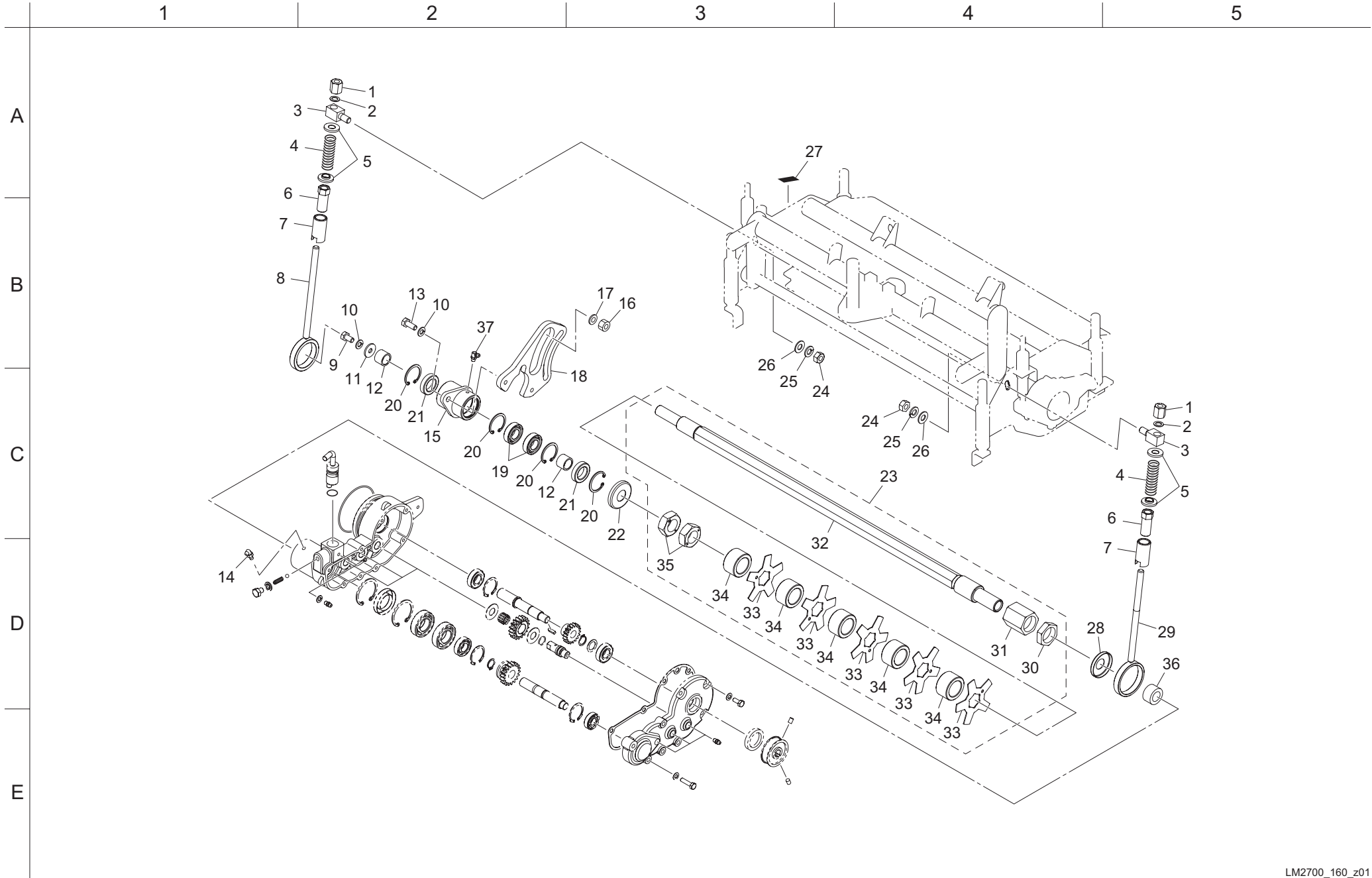
Cat No.	Code No.	Part name	Qty	Remark	SN of application	Cat No.	Code No.	Part name	Qty	Remark	SN of application
159-1	LH629R-1190Z0	GROOMER & GEAR ASSY (RH)	2			159-36	K0000060302	BOLT, M6-30	10		
159-2	LH669R-1303Z8	LEVER, CLUTCH (LH)	2			159-37	LM2700-4106Z2	PULLEY, DRIVING	2		
159-3	K0880015000	O-RING, P15	2			159-38	K0023050081	SETSCREW, M5-8	4		
159-4	K0885080000	O-RING, S80	2			159-39	K0500404180	KEY, BOTH ROUND M4-418	2		
159-5	LH669R-1301Z0	CASE, GROOMER (LH)	2			159-40	LH669L-1101Z0	SHAFT, DRIVE	2		
159-6	K0000080102	BOLT, M8-10	2			159-41	K0890000030	CAP, RUBBER 25	2		
159-7	K1440000020	GREASE NIPPLE, 90 TYPE C	2			159-42	K0821525070	OIL SEAL, MHSA15257	2		
159-8	K0922080000	SEAL, WASHER 8WF	2			159-43	K0200060002	WASHER, SPRING M6	2		
159-9	K1000000090	SPRING, COMPRESSION M1-6-18	2								
159-10	K1500635000	BALL, STEEL 6.35	2								
159-11	K1440000010	GREASE NIPPLE, STRAIGHT TYPE A	8								
159-12	K0612060020	BEARING, BALL SEAL 2RD 6002	4								
159-13	K0402028001	RING, RETAINING R M28	2								
159-14	LH669L-1304Z0	SHAFT, DRIVE	2								
159-15	K0520404140	KEY, ROUND/SQUARE, M4-414	2								
159-16	LH669L-1305Z0	GEAR, 17-TEETH	2								
159-17	K0401015001	RING, RETAINING S M15	4								
159-18	K5051015220	WASHER, C5191P 1-15-22	2								
159-19	K5051013280	WASHER, C5191P 1-13-28	12								
159-20	K0701317120	BEARING, NEEDLE KT131712	6								
159-21	K6186000030	GEAR, 18-TEETH	6								
159-22	K0885014000	O-RING, S14	6								
159-23	LM2700-0111Z0	COUNTERSHAFT	6								
159-24	K0402045001	RING, RETAINING R M45	4								
159-25	K0822844080	OIL SEAL, MHSA28448	2								
159-26	K0600060220	BEARING, 60/22	4								
159-27	K0600060020	BEARING, 6002	2								
159-28	K0404032001	RING, RETAINING ROUND R M32	2								
159-29	LM2700-0110Z0	GEAR, CLUTCH 18-TEETH	2								
159-30	LH669L-1303Z0	SHAFT, SPLINE OUTPUT	2								
159-31	K0600060010	BEARING, BALL 6001	2								
159-32	LM2700-0129A0	PACKING, GROOMER	2								
159-33	LH669R-1302Z0	COVER, GROOMER (LH)	2								
159-34	K0212060002	WASHER, DISK SPRING 1L M6	16								
159-35	K0000060152	BOLT, M6-15	6								

160. Groomer ASSY section G (#2,4) for 26inch



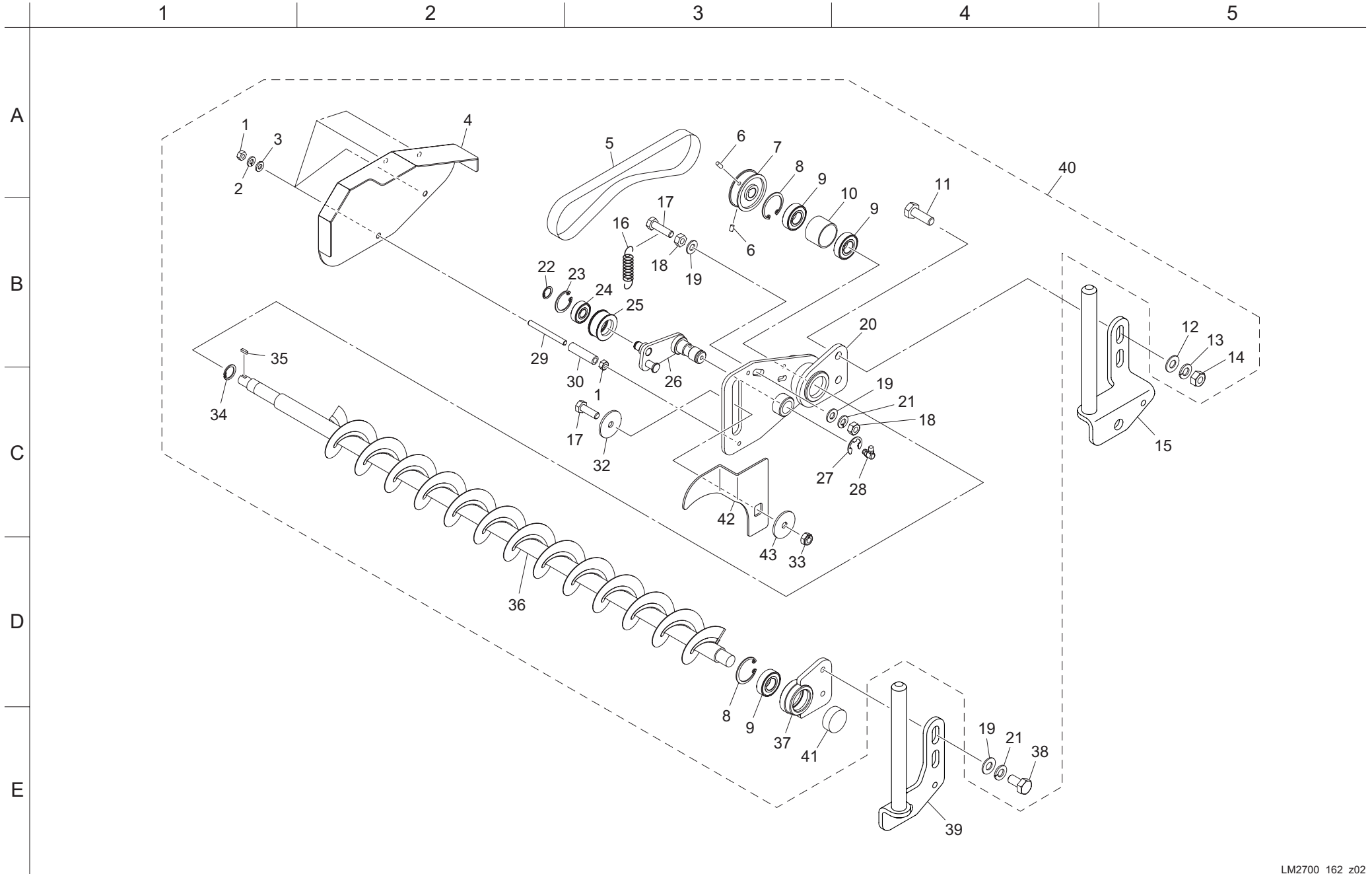
Cat No.	Code No.	Part name	Qty	Remark	SN of application	Cat No.	Code No.	Part name	Qty	Remark	SN of application
160-1	K0160000032	NUT, ADJUSTING BED-KNIFE P1 M10	4			160-36	K0737000090	INNER RACE, LRTZ 222818	2		
160-2	K5051010160	WASHER, C5191P 1-10-16	4			160-37	K1440000020	GREASE NIPPLE, 90 TYPE C	2		
160-3	LM2700-0136Z2	RECEIVER, ROD 10	4								
160-4	K1000000578	SPRING, COMPRESSION M3.5-22-73	4								
160-5	K6206000052	RECEIVER, FOR SPRING	8								
160-6	LM535E-1335Z2	PIPE, W/CUTTER ADJUSTING SCREW	4								
160-7	LM2700-0135Z2	PIPE, ADJUSTING	4								
160-8	LM2700-0134A2	BOLT, ADJUSTING GROOMER	2								
160-9	K0000080152	BOLT, M8-15	2								
160-10	K0200080002	WASHER, SPRING M8	6								
160-11	K5012308242	WASHER, SPCC 2.3-8-24	2								
160-12	K0737000060	INNER RACE, NB LRT172216	4								
160-13	K0000080202	BOLT, M8-20	4								
160-14	K1440000030	GREASE NIPPLE, 67.5 TYPE B	2								
160-15	LH669R-1304Z2	HOUSING, GROOMER (RH)	2								
160-16	K0144100002	NUT, W/F-RING M10	2								
160-17	K5073210242	WASHER, SPHC 3.2-10-24	2								
160-18	LH669L-1312Z2	BRACKET, GROOMER HOUSING	2								
160-19	K0600060030	BEARING, BALL 6003	4								
160-20	K0402035001	RING, RETAINING R M35	8								
160-21	K0822235080	OIL SEAL, MHSA22358	2								
160-22	K5370000312	COVER, DUST PROOF	2								
160-23	LH669L-1391Z0	SHAFT ASSY, GROOMER	2								
160-24	K0100100002	NUT, M10	4								
160-25	K0200100002	WASHER, SPRING M10	4								
160-26	K5000100002	WASHER, M10	4								
160-27	K4203000080	STICKER, ON/OFF	2								
160-28	LH669L-1310Z2	COVER, CASE DUST PROOF	2								
160-29	LH669L-1313Z2	BOLT, ADJUSTING GROOMER	2								
160-30	LH669L-1309Z2	NUT, SECURING (SMALL)	2								
160-31	LH669L-1308Z2	NUT, SECURING (LARGE)	2								
160-32	LH669L-1307Z2	SHAFT, GROOMER	2								
160-33	K2570000039	BLADE, VERTICAL 1.2-5-85	46								
160-34	K6214000020	COLLAR, AC M28-42-24.6	46								
160-35	K0108240002	NUT, P1.5 M24-3	4								

161. Groomer ASSY section H (#2,4) for 22inch



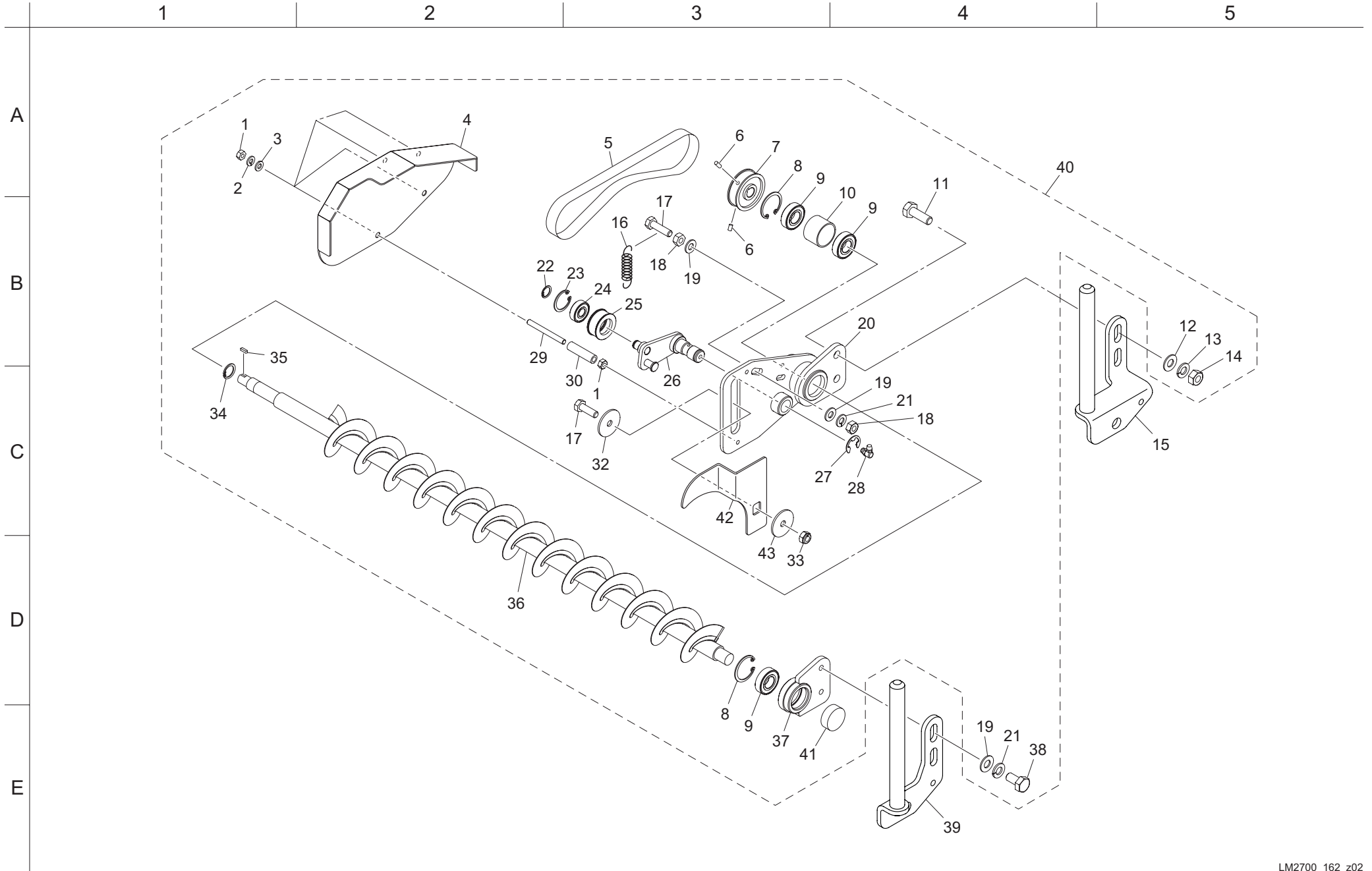
Cat No.	Code No.	Part name	Qty	Remark	SN of application	Cat No.	Code No.	Part name	Qty	Remark	SN of application
161-1	K0160000032	NUT, ADJUSTING BED-KNIFE P1 M10	4			161-36	K0737000090	INNER RACE, LRTZ 222818	2		
161-2	K5051010160	WASHER, C5191P 1-10-16	4			161-37	K1440000020	GREASE NIPPLE, 90 TYPE C	2		
161-3	LM2700-0136Z2	RECEIVER, ROD 10	4								
161-4	K1000000578	SPRING, COMPRESSION M3.5-22-73	4								
161-5	K6206000052	RECEIVER, FOR SPRING	8								
161-6	LM535E-1335Z2	PIPE, W/CUTTER ADJUSTING SCREW	4								
161-7	LM2700-0135Z2	PIPE, ADJUSTING	4								
161-8	LM2700-0134A2	BOLT, ADJUSTING GROOMER	2								
161-9	K0000080152	BOLT, M8-15	2								
161-10	K0200080002	WASHER, SPRING M8	6								
161-11	K5012308242	WASHER, SPCC 2.3-8-24	2								
161-12	K0737000060	INNER RACE, NB LRT172216	4								
161-13	K0000080202	BOLT, M8-20	4								
161-14	K1440000030	GREASE NIPPLE, 67.5 TYPE B	2								
161-15	LH669R-1304Z2	HOUSING, GROOMER (RH)	2								
161-16	K0144100002	NUT, W/F-RING M10	2								
161-17	K5073210242	WASHER, SPHC 3.2-10-24	2								
161-18	LH669L-1312Z2	BRACKET, GROOMER HOUSING	2								
161-19	K0600060030	BEARING, BALL 6003	4								
161-20	K0402035001	RING, RETAINING R M35	8								
161-21	K0822235080	OIL SEAL, MHSA22358	2								
161-22	K5370000312	COVER, DUST PROOF	2								
161-23	LH629L-1391Z0	SHAFT ASSY, GROOMER 22	2								
161-24	K0100100002	NUT, M10	4								
161-25	K0200100002	WASHER, SPRING M10	4								
161-26	K5000100002	WASHER, M10	4								
161-27	K4203000080	STICKER, ON/OFF	2								
161-28	LH669L-1310Z2	COVER, CASE DUST PROOF	2								
161-29	LH669L-1313Z2	BOLT, ADJUSTING GROOMER	2								
161-30	LH669L-1309Z2	NUT, SECURING (SMALL)	2								
161-31	LH669L-1308Z2	NUT, SECURING (LARGE)	2								
161-32	LH629L-1301Z2	SHAFT, GROOMER 22	2								
161-33	K2570000039	BLADE, VERTICAL 1.2-5-85	46								
161-34	K6214000020	COLLAR, AC M28-42-24.6	46								
161-35	K0108240002	NUT, P1.5 M24-3	4								

162. CR brush section A (B type/#1,3,5/accompanied by groomer) for 26inch



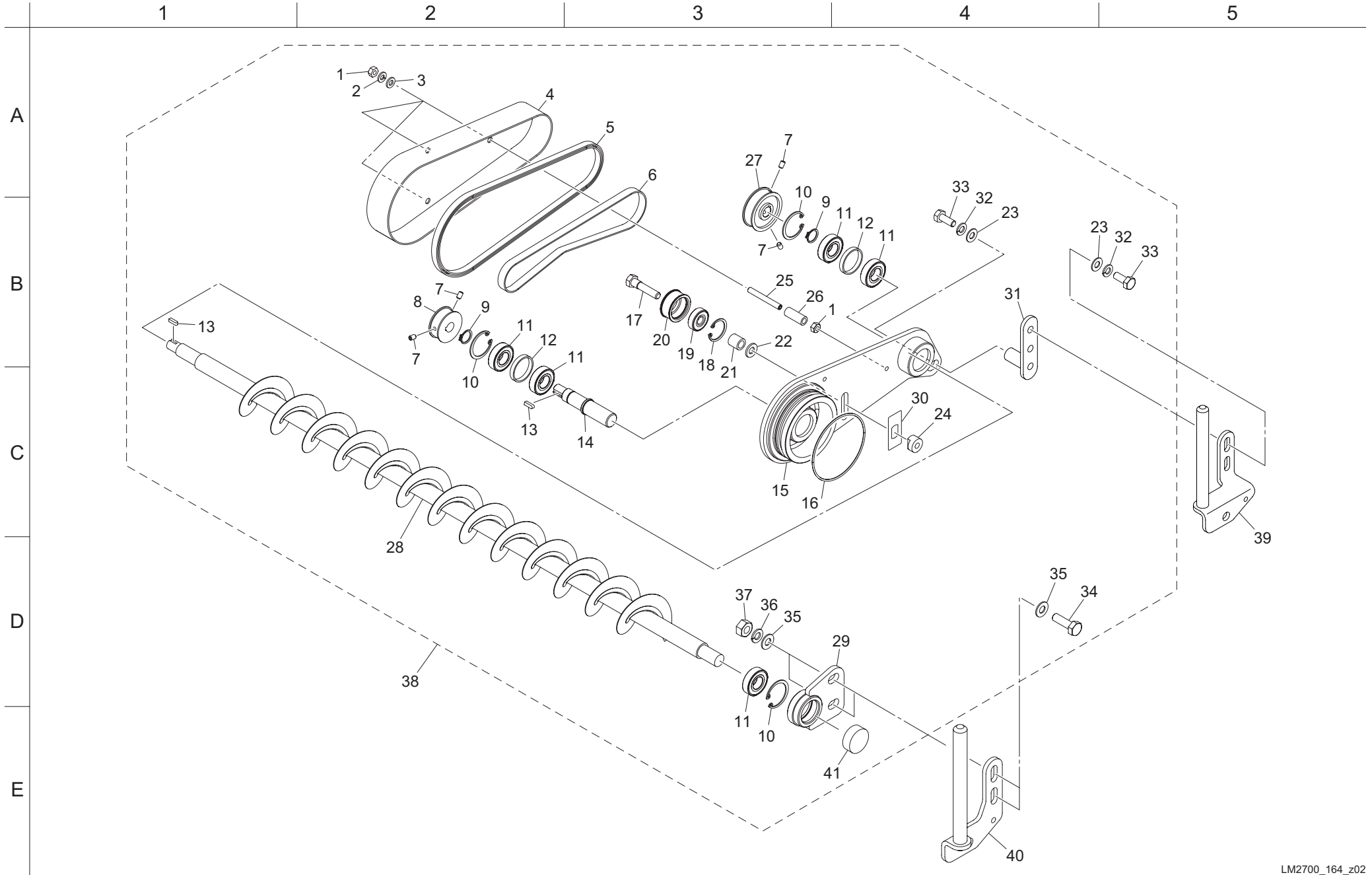
Cat No.	Code No.	Part name	Qty	Remark	SN of application	Cat No.	Code No.	Part name	Qty	Remark	SN of application
162-1	K0100060002	NUT, M6	24			162-36	LH669L-1321B0	BRUSH, CR	3		
162-2	K0200060002	WASHER, SPRING M6	12			162-37	LH669L-1315AD	HOUSING, BRUSH (LH)	3		
162-3	K5000060002	WASHER, M6	12			162-38	K0000080202	BOLT, M8-20	6		
162-4	LH669L-4402ZD	COVER, CASE (RH)	3			162-39	LH669L-0801B2	SCREW, ADJ HOC FOR L MOWER (LH)	3		
162-5	K2380000030	BELT, F STAR 10FL-500	3			162-40	LH669L-1392Z0	CR BRUSH ASSY, (RH)	3		
162-6	K0023050081	SETSCREW, M5-8	6			162-41	K0890000050	CAP, RUBBER 28	3		
162-7	LM2700-4107Z2	PULLEY, BRUSH SHAFT	3			162-42	LH669L-4401ZD	COVER, (RH)	3		
162-8	K0402032001	RING, RETAINING R M32	6			162-43	K5012308262	WASHER, SPCC 2.3-8-26	3		
162-9	K0612060020	BEARING, BALL SEAL 2RD 6002	9								
162-10	LH669L-1317Z2	COLLAR, STKM 28.6-31.8-22	3								
162-11	K0000100302	BOLT, M10-30	6								
162-12	K5000100002	WASHER, M10	6								
162-13	K0200100002	WASHER, SPRING M10	6								
162-14	K0100100002	NUT, M10	6								
162-15	LH669L-0802A2	SCREW, ADJ HOC FOR L MOWER (RH)	3								
162-16	K1020000208	SPRING, W/ROUND HOOK M1.6-16.6-65.2	3								
162-17	K0000080302	BOLT, M8-30	6								
162-18	K0100080002	NUT, M8	6								
162-19	K5000080002	WASHER, M8	9								
162-20	LH669L-1314ZD	FRAME, BRUSH (RH)	3								
162-21	K0200080002	WASHER, SPRING M8	9								
162-22	K0401010001	RING, RETAINING S M10	3								
162-23	K0402026001	RING, RETAINING R M26	3								
162-24	K0608060000	BEARING, BALL SEAL 2RS 6000	3								
162-25	LM2700-4108Z2	PULLEY, TENSION 1232	3								
162-26	LH669L-1316A2	LEVER, TENSION (RH)	3								
162-27	K0400012002	RING, RETAINING E M12	3								
162-28	K1440000020	GREASE NIPPLE, 90 TYPE C	3								
162-29	LH669L-1319Z2	SHAFT, SCREWED 60	12								
162-30	LH669L-1320Z2	COLLAR, SPG 6.5-10.5-40	12								
162-31											
162-32	K5012308352	WASHER, SPCC 2.3-8-35	3								
162-33	K0144080002	NUT, W/F-RING M8	3								
162-34	K0401015001	RING, RETAINING S M15	3								
162-35	K0520404140	KEY, ROUND/SQUARE, M4-414	3								

163. CR brush section B (B type/#1,3,5/accompanied by groomer) for 22inch



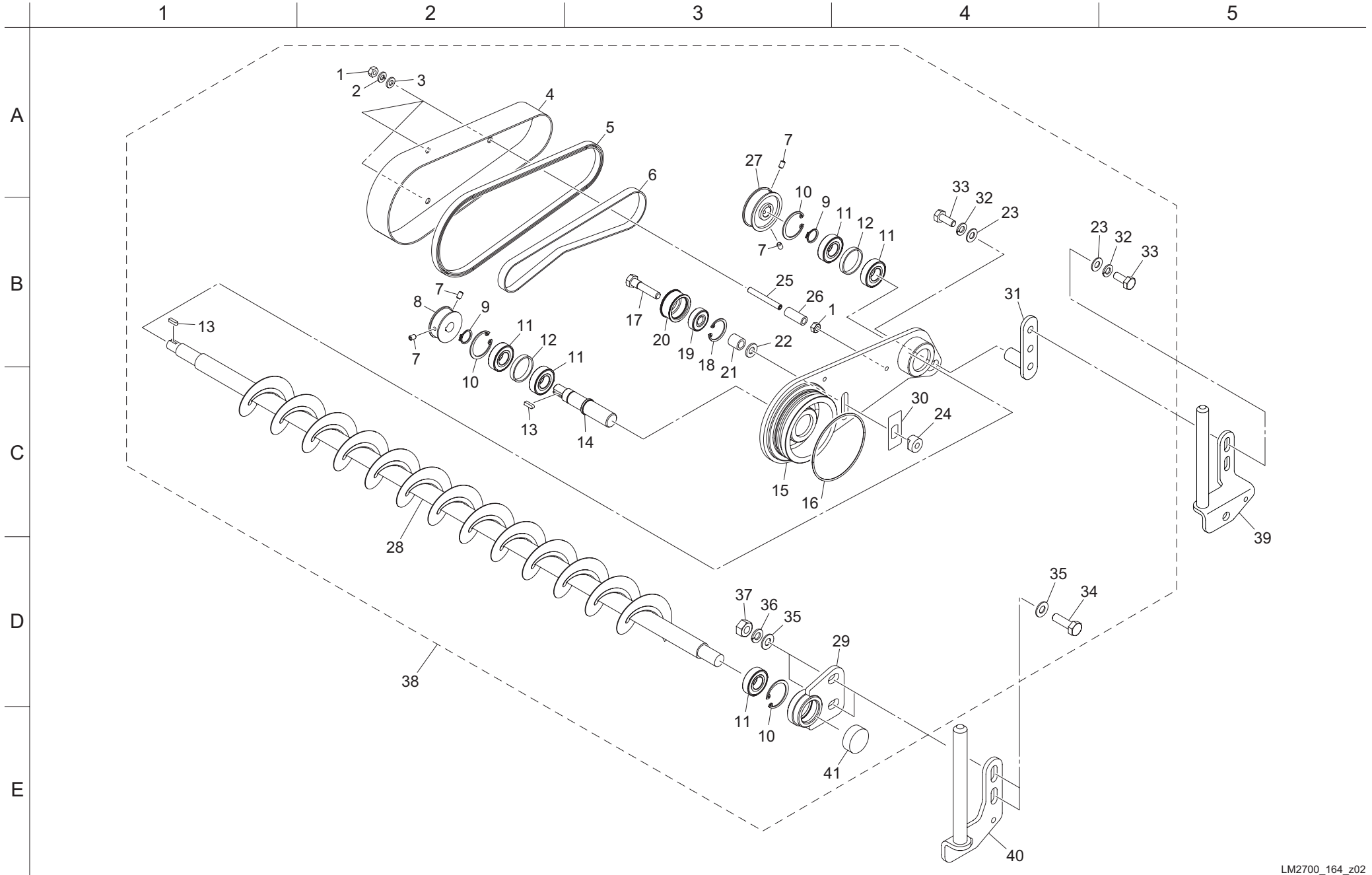
Cat No.	Code No.	Part name	Qty	Remark	SN of application	Cat No.	Code No.	Part name	Qty	Remark	SN of application
163-1	K0100060002	NUT, M6	24			163-36	LH629L-1302B0	BRUSH, CR 22	3		
163-2	K0200060002	WASHER, SPRING M6	12			163-37	LH669L-1315AD	HOUSING, BRUSH (LH)	3		
163-3	K5000060002	WASHER, M6	12			163-38	K0000080202	BOLT, M8-20	6		
163-4	LH669L-4402ZD	COVER, CASE (RH)	3			163-39	LH669L-0801B2	SCREW, ADJ HOC FOR L MOWER (LH)	3		
163-5	K2380000030	BELT, F STAR 10FL-500	3			163-40	LH629L-1392Z0	CR BRUSH ASSY, (RH)	3		
163-6	K0023050081	SETSCREW, M5-8	6			163-41	K0890000050	CAP, RUBBER 28	3		
163-7	LM2700-4107Z2	PULLEY, BRUSH SHAFT	3			163-42	LH669L-4401ZD	COVER, (RH)	3		
163-8	K0402032001	RING, RETAINING R M32	6			163-43	K5012308262	WASHER, SPCC 2.3-8-26	3		
163-9	K0612060020	BEARING, BALL SEAL 2RD 6002	9								
163-10	LH669L-1317Z2	COLLAR, STKM 28.6-31.8-22	3								
163-11	K0000100302	BOLT, M10-30	6								
163-12	K5000100002	WASHER, M10	6								
163-13	K0200100002	WASHER, SPRING M10	6								
163-14	K0100100002	NUT, M10	6								
163-15	LH669L-0802A2	SCREW, ADJ HOC FOR L MOWER (RH)	3								
163-16	K1020000208	SPRING, W/ROUND HOOK M1.6-16.6-65.2	3								
163-17	K0000080302	BOLT, M8-30	6								
163-18	K0100080002	NUT, M8	6								
163-19	K5000080002	WASHER, M8	9								
163-20	LH669L-1314ZD	FRAME, BRUSH (RH)	3								
163-21	K0200080002	WASHER, SPRING M8	9								
163-22	K0401010001	RING, RETAINING S M10	3								
163-23	K0402026001	RING, RETAINING R M26	3								
163-24	K0608060000	BEARING, BALL SEAL 2RS 6000	3								
163-25	LM2700-4108Z2	PULLEY, TENSION 1232	3								
163-26	LH669L-1316A2	LEVER, TENSION (RH)	3								
163-27	K0400012002	RING, RETAINING E M12	3								
163-28	K1440000020	GREASE NIPPLE, 90 TYPE C	3								
163-29	LH669L-1319Z2	SHAFT, SCREWED 60	12								
163-30	LH669L-1320Z2	COLLAR, SPG 6.5-10.5-40	12								
163-31											
163-32	K5012308352	WASHER, SPCC 2.3-8-35	3								
163-33	K0144080002	NUT, W/F-RING M8	3								
163-34	K0401015001	RING, RETAINING S M15	3								
163-35	K0520404140	KEY, ROUND/SQUARE, M4-414	3								

164. CR brush section C (A type/#1,3,5) for 26inch



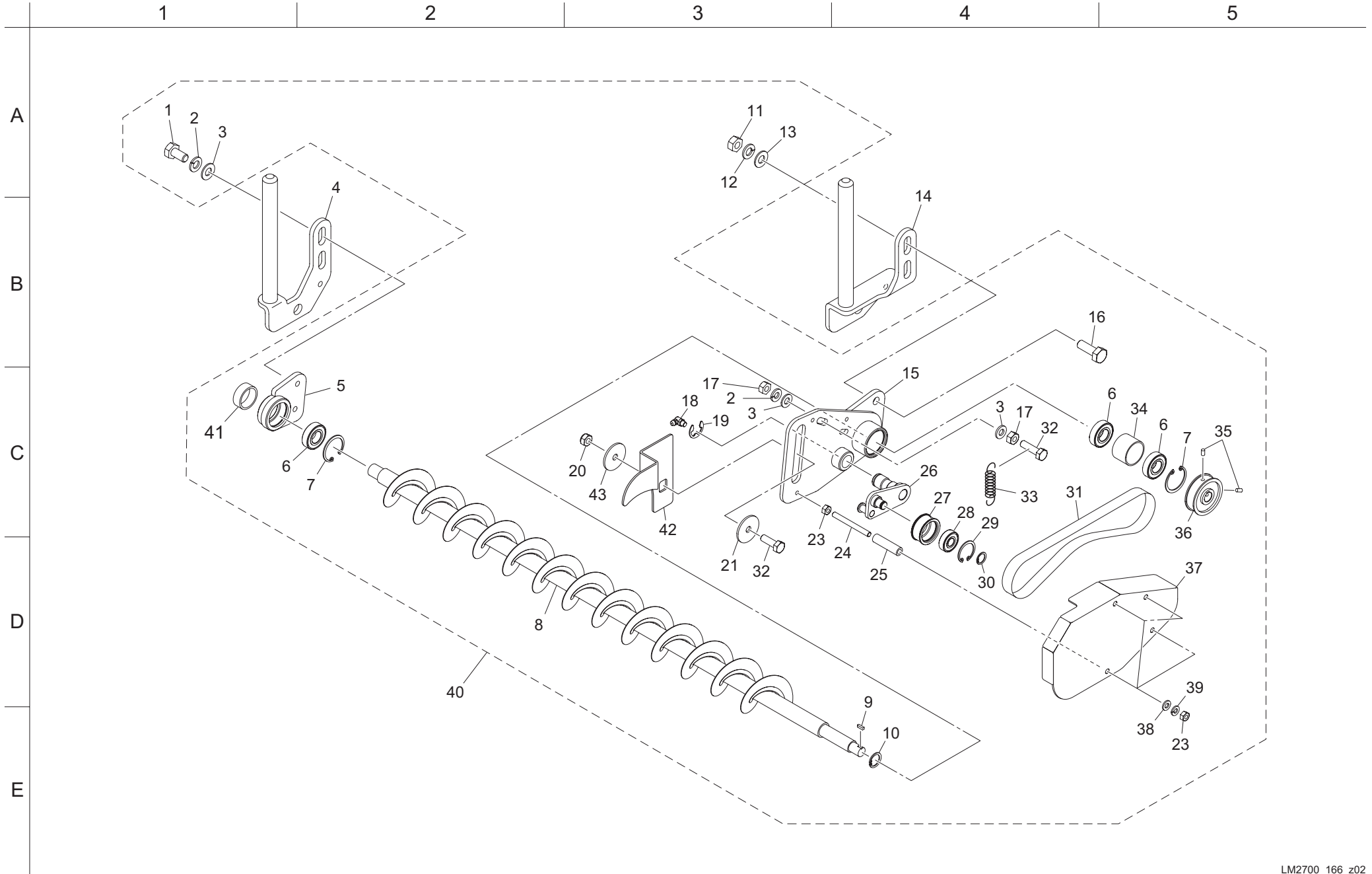
Cat No.	Code No.	Part name	Qty	Remark	SN of application	Cat No.	Code No.	Part name	Qty	Remark	SN of application
164-1	K0100060002	NUT, M6	18			164-36	K0200100002	WASHER, SPRING M10	6		
164-2	K0200060002	WASHER, SPRING M6	9			164-37	K0100100002	NUT, M10	6		
164-3	K5000060002	WASHER, M6	9			164-38	LH669L-1290Z0	CR BRUSH ASSY, (RH)	3		
164-4	LM2700-4120ZD	COVER, BELT	3			164-39	LH669L-0802A2	SCREW, ADJ HOC FOR L MOWER (RH)	3		
164-5	LM2700-4123Z0	RUBBER, 8U-615	3			164-40	LH669L-0801B2	SCREW, ADJ HOC FOR L MOWER (LH)	3		
164-6	K2380000030	BELT, F STAR 10FL-500	3			164-41	K0890000050	CAP, RUBBER 28	3		
164-7	K0023050081	SETSCREW, M5-8	12								
164-8	LM2700-4106Z2	PULLEY, DRIVING	3								
164-9	K0401015001	RING, RETAINING S M15	6								
164-10	K0402032001	RING, RETAINING R M32	9								
164-11	K0612060020	BEARING, BALL SEAL 2RD 6002	15								
164-12	K6212004172	COLLAR, STKM M28.6-31.8-5	9								
164-13	K0520404140	KEY, ROUND/SQUARE, M4-414	6								
164-14	LM2700-4105Z0	SHAFT, DRIVING	3								
164-15	LH669L-1201ZD	FRAME, BRUSH (RH)	3								
164-16	K0885080000	O-RING, S80	3								
164-17	LM2700-4111Z8	BOLT, SPECIAL M8	3								
164-18	K0402026001	RING, RETAINING R M26	3								
164-19	K0608006290	BEARING, BALL SEAL 2RS 629	3								
164-20	LM2700-4108Z2	PULLEY, TENSION 1232	3								
164-21	K6211000482	COLLAR, SGP M9.2-13.8-14	3								
164-22	K0213080002	WASHER, DISK SPRING 1H M8	3								
164-23	K5000080002	WASHER, M8	9								
164-24	LM2700-4109Z2	BASE, SCREW	3								
164-25	K0023060502	SETSCREW, M6-50	9								
164-26	K6211000492	COLLAR, SGP M6.5-10.5-26.4	9								
164-27	LM2700-4107Z2	PULLEY, BRUSH SHAFT	3								
164-28	LH669L-1203B0	BRUSH, CR	3								
164-29	LH669L-1202AD	HOUSING, BRUSH (LH)	3								
164-30	LH669L-1206Z2	PLATE	3								
164-31	LH669L-1205ZD	ADJUSTER	3								
164-32	K0200080002	WASHER, SPRING M8	9								
164-33	K0000080152	BOLT, M8-15	9								
164-34	K0000100302	BOLT, M10-30	6								
164-35	K5000100002	WASHER, M10	12								

165. CR brush section D (A type/#1,3,5) for 22inch



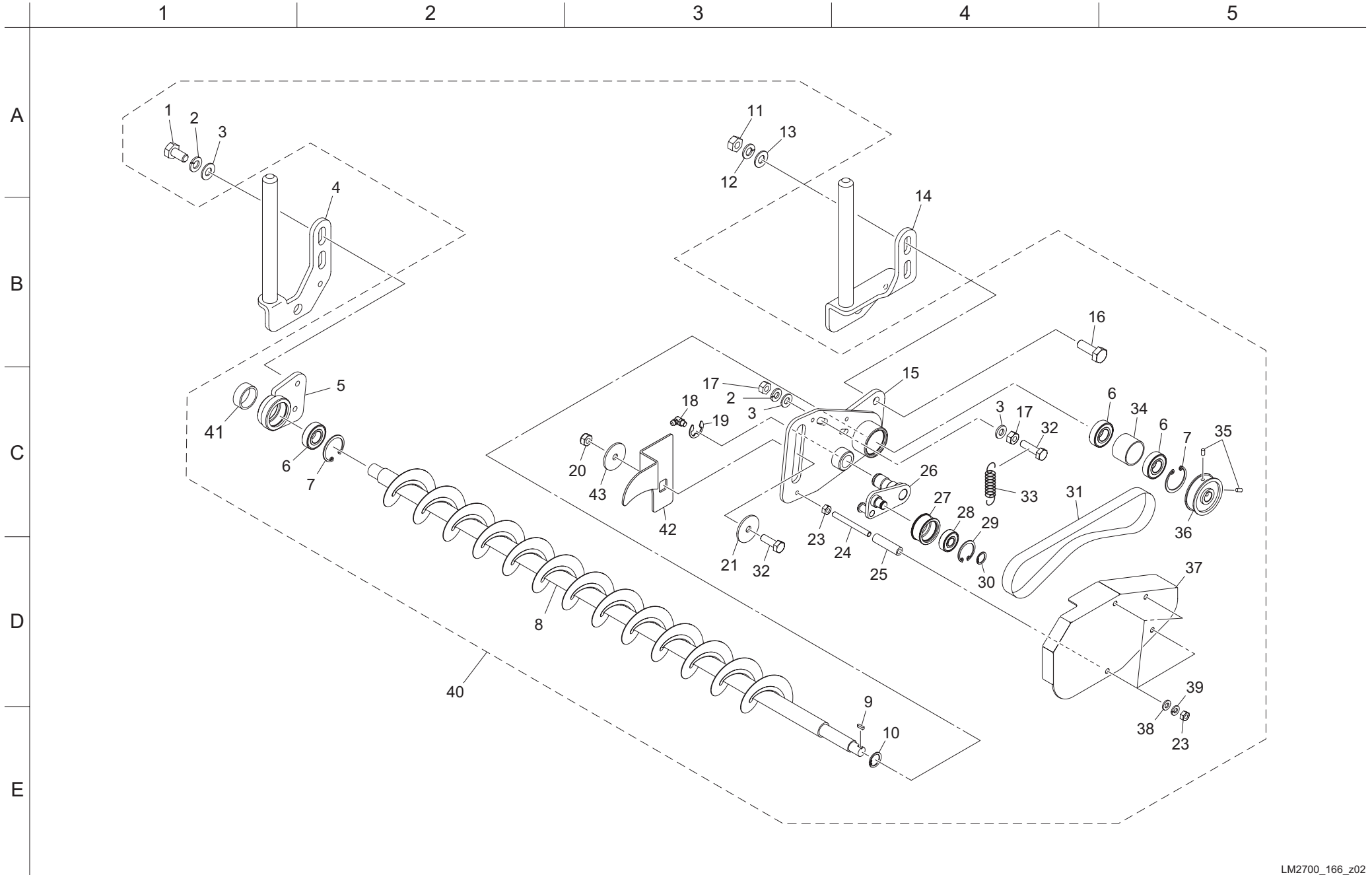
Cat No.	Code No.	Part name	Qty	Remark	SN of application	Cat No.	Code No.	Part name	Qty	Remark	SN of application
165-1	K0100060002	NUT, M6	18			165-36	K0200100002	WASHER, SPRING M10	6		
165-2	K0200060002	WASHER, SPRING M6	9			165-37	K0100100002	NUT, M10	6		
165-3	K5000060002	WASHER, M6	9			165-38	LH629L-1290Z0	CR BRUSH ASSY, (RH)	3		
165-4	LM2700-4120ZD	COVER, BELT	3			165-39	LH669L-0802A2	SCREW, ADJ HOC FOR L MOWER (RH)	3		
165-5	LM2700-4123Z0	RUBBER, 8U-615	3			165-40	LH669L-0801B2	SCREW, ADJ HOC FOR L MOWER (LH)	3		
165-6	K2380000030	BELT, F STAR 10FL-500	3			165-41	K0890000050	CAP, RUBBER 28	3		
165-7	K0023050081	SETSCREW, M5-8	12								
165-8	LM2700-4106Z2	PULLEY, DRIVING	3								
165-9	K0401015001	RING, RETAINING S M15	6								
165-10	K0402032001	RING, RETAINING R M32	9								
165-11	K0612060020	BEARING, BALL SEAL 2RD 6002	15								
165-12	K6212004172	COLLAR, STKM M28.6-31.8-5	9								
165-13	K0520404140	KEY, ROUND/SQUARE, M4-414	6								
165-14	LM2700-4105Z0	SHAFT, DRIVING	3								
165-15	LH669L-1201ZD	FRAME, BRUSH (RH)	3								
165-16	K0885080000	O-RING, S80	3								
165-17	LM2700-4111Z8	BOLT, SPECIAL M8	3								
165-18	K0402026001	RING, RETAINING R M26	3								
165-19	K0608006290	BEARING, BALL SEAL 2RS 629	3								
165-20	LM2700-4108Z2	PULLEY, TENSION 1232	3								
165-21	K6211000482	COLLAR, SGP M9.2-13.8-14	3								
165-22	K0213080002	WASHER, DISK SPRING 1H M8	3								
165-23	K5000080002	WASHER, M8	9								
165-24	LM2700-4109Z2	BASE, SCREW	3								
165-25	K0023060502	SETSCREW, M6-50	9								
165-26	K6211000492	COLLAR, SGP M6.5-10.5-26.4	9								
165-27	LM2700-4107Z2	PULLEY, BRUSH SHAFT	3								
165-28	LH629L-1201B0	BRUSH, CR 22	3								
165-29	LH669L-1202AD	HOUSING, BRUSH (LH)	3								
165-30	LH669L-1206Z2	PLATE	3								
165-31	LH669L-1205ZD	ADJUSTER	3								
165-32	K0200080002	WASHER, SPRING M8	9								
165-33	K0000080152	BOLT, M8-15	9								
165-34	K0000100302	BOLT, M10-30	6								
165-35	K5000100002	WASHER, M10	12								

166. CR brush section E (B type/#2,4/accompanied by groomer) for 26inch



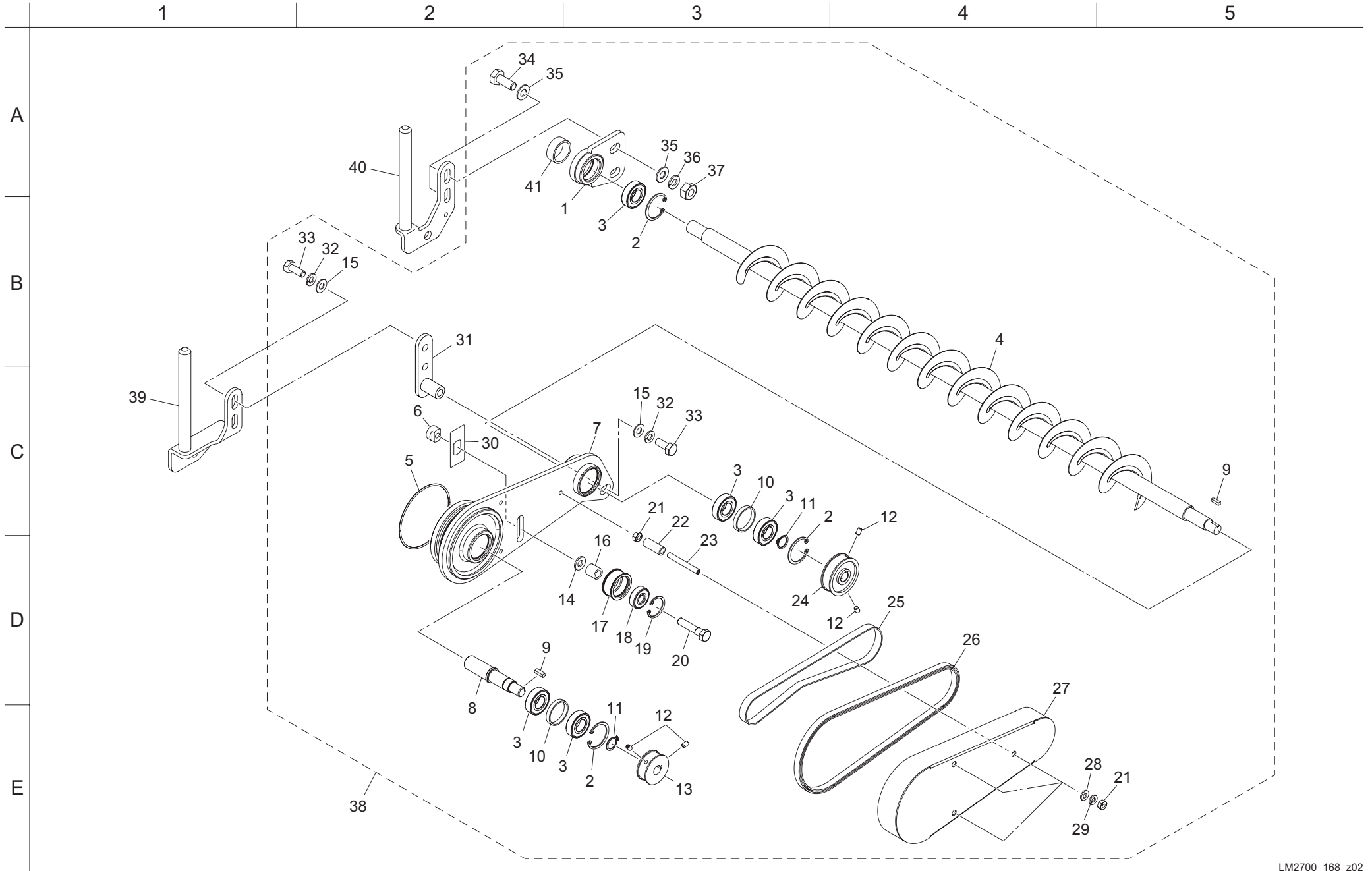
Cat No.	Code No.	Part name	Qty	Remark	SN of application	Cat No.	Code No.	Part name	Qty	Remark	SN of application
166-1	K0000080202	BOLT, M8-20	4			166-36	LM2700-4107Z2	PULLEY, BRUSH SHAFT	2		
166-2	K0200080002	WASHER, SPRING M8	6			166-37	LH669R-4402ZD	COVER, CASE (LH)	2		
166-3	K5000080002	WASHER, M8	6			166-38	K5000060002	WASHER, M6	8		
166-4	LH669R-0801B2	SCREW, ADJUSTING CUTTING HEIGHT R (RH)	2			166-39	K0200060002	WASHER, SPRING M6	8		
166-5	LH669R-1307AD	HOUSING, BRUSH (RH)	2			166-40	LH669R-1305Z0	CR BRUSH ASSY, (LH)	2		
166-6	K0612060020	BEARING, BALL SEAL 2RD 6002	6			166-41	K0890000050	CAP, RUBBER 28	2		
166-7	K0402032001	RING, RETAINING R M32	4			166-42	LH669R-4401ZD	COVER, (LH)	2		
166-8	LH669L-1321B0	BRUSH, CR	2			166-43	K5012308262	WASHER, SPCC 2.3-8-26	2		
166-9	K0520404140	KEY, ROUND/SQUARE, M4-414	2								
166-10	K0401015001	RING, RETAINING S M15	2								
166-11	K0100100002	NUT, M10	4								
166-12	K0200100002	WASHER, SPRING M10	4								
166-13	K5000100002	WASHER, M10	4								
166-14	LH669R-0802A2	SCREW, ADJUSTING CUTTING HEIGHT R (LH)	2								
166-15	LH669R-1306ZD	FRAME, BRUSH (LH)	2								
166-16	K0000100302	BOLT, M10-30	4								
166-17	K0100080002	NUT, M8	4								
166-18	K1440000020	GREASE NIPPLE, 90 DEG TYPE C	2								
166-19	K0400012002	RING, RETAINING E M12	2								
166-20	K0144080002	NUT, W/F-RING M8	2								
166-21	K5012308352	WASHER, SPCC 2.3-8-35	2								
166-22											
166-23	K0100060002	NUT, M6	16								
166-24	LH669L-1319Z2	SHAFT, SCREWED 60	8								
166-25	LH669L-1320Z2	COLLAR, SPG 6.5-10.5-40	8								
166-26	LH669R-1308A2	LEVER, TENSION (LH)	2								
166-27	LM2700-4108Z2	PULLEY, TENSION 1232	2								
166-28	K0608060000	BEARING, BALL SEAL 2RS 6000	2								
166-29	K0402026001	RING, RETAINING R M26	2								
166-30	K0401010001	RING, RETAINING S M10	2								
166-31	K2380000030	BELT, F STAR 10FL-500	2								
166-32	K0000080302	BOLT, M8-30	4								
166-33	K1020000208	SPRING, W/ROUND HOOK M1.6-16.6-65.2	2								
166-34	LH669L-1317Z2	COLLAR, STKM 28.6-31.8-22	2								
166-35	K0023050081	SETSCREW, M5-8	4								

167. CR brush section F (B type/#2,4/accompanied by groomer) for 22inch



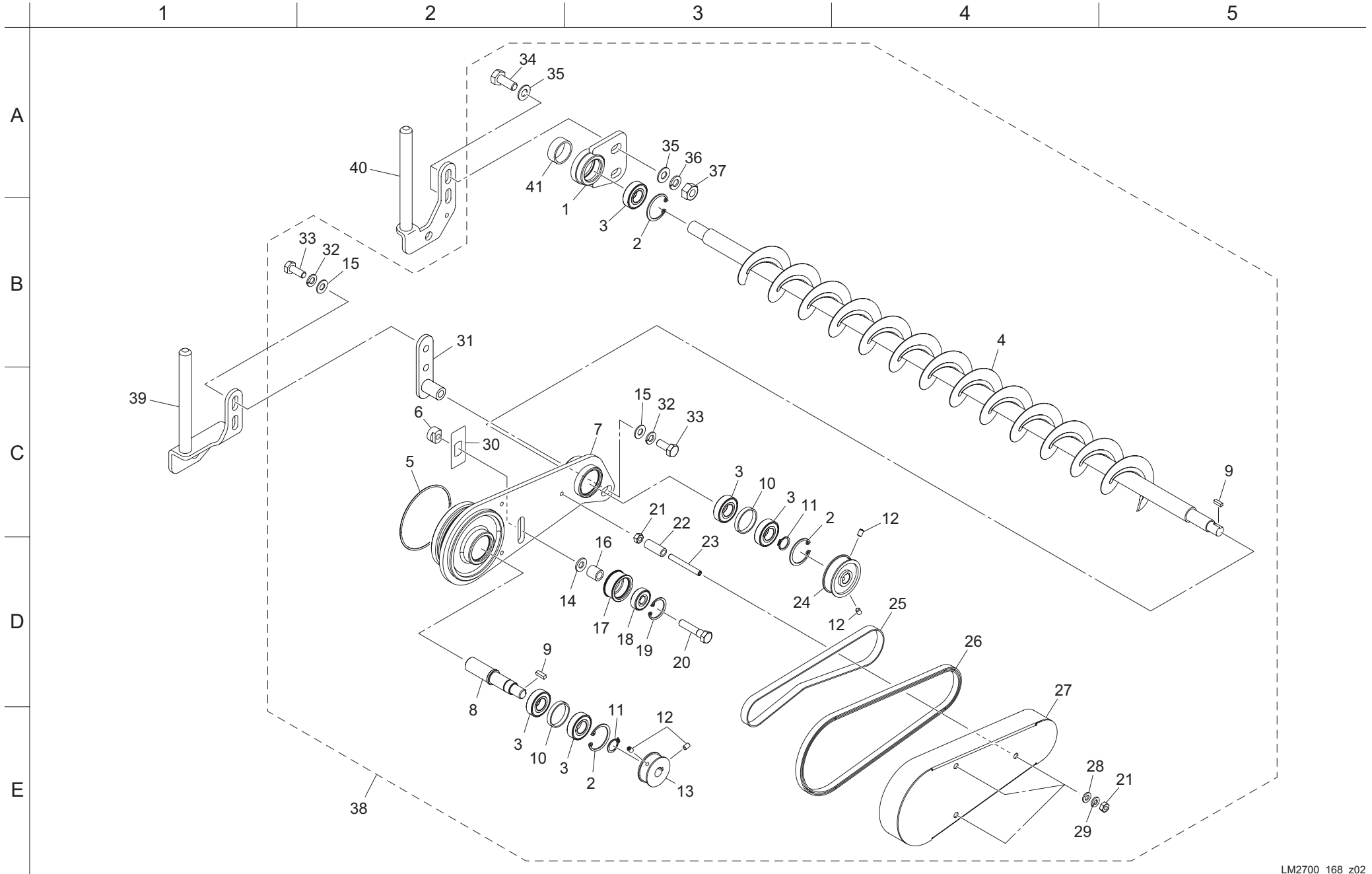
Cat No.	Code No.	Part name	Qty	Remark	SN of application	Cat No.	Code No.	Part name	Qty	Remark	SN of application
167-1	K0000080202	BOLT, M8-20	4			167-36	LM2700-4107Z2	PULLEY, BRUSH SHAFT	2		
167-2	K0200080002	WASHER, SPRING M8	6			167-37	LH669R-4402ZD	COVER, CASE (LH)	2		
167-3	K5000080002	WASHER, M8	6			167-38	K5000060002	WASHER, M6	8		
167-4	LH669R-0801B2	SCREW, ADJ HOC FOR R MOWER (RH)	2			167-39	K0200060002	WASHER, SPRING M6	8		
167-5	LH669R-1307AD	HOUSING, BRUSH (RH)	2			167-40	LH629R-1305Z0	CR BRUSH ASSY, (LH)	2		
167-6	K0612060020	BEARING, BALL SEAL 2RD 6002	6			167-41	K0890000050	CAP, RUBBER 28	2		
167-7	K0402032001	RING, RETAINING R M32	4			167-42	LH669R-4401ZD	COVER, (LH)	2		
167-8	LH629L-1302B0	BRUSH, CR 22	2			167-43	K5012308262	WASHER, SPCC 2.3-8-26	2		
167-9	K0520404140	KEY, ROUND/SQUARE, M4-414	2								
167-10	K0401015001	RING, RETAINING S M15	2								
167-11	K0100100002	NUT, M10	4								
167-12	K0200100002	WASHER, SPRING M10	4								
167-13	K5000100002	WASHER, M10	4								
167-14	LH669R-0802A2	SCREW, ADJ HOC FOR R MOWER (LH)	2								
167-15	LH669R-1306ZD	FRAME, BRUSH (LH)	2								
167-16	K0000100302	BOLT, M10-30	4								
167-17	K0100080002	NUT, M8	4								
167-18	K1440000020	GREASE NIPPLE, 90 TYPE C	2								
167-19	K0400012002	RING, RETAINING E M12	2								
167-20	K0144080002	NUT, W/F-RING M8	2								
167-21	K5012308352	WASHER, SPCC 2.3-8-35	2								
167-22											
167-23	K0100060002	NUT, M6	16								
167-24	LH669L-1319Z2	SHAFT, SCREWED 60	8								
167-25	LH669L-1320Z2	COLLAR, SPG 6.5-10.5-40	8								
167-26	LH669R-1308A2	LEVER, TENSION (LH)	2								
167-27	LM2700-4108Z2	PULLEY, TENSION 1232	2								
167-28	K0608060000	BEARING, BALL SEAL 2RS 6000	2								
167-29	K0402026001	RING, RETAINING R M26	2								
167-30	K0401010001	RING, RETAINING S M10	2								
167-31	K2380000030	BELT, F STAR 10FL-500	2								
167-32	K0000080302	BOLT, M8-30	4								
167-33	K1020000208	SPRING, W/ROUND HOOK M1.6-16.6-65.2	2								
167-34	LH669L-1317Z2	COLLAR, STKM 28.6-31.8-22	2								
167-35	K0023050081	SETSCREW, M5-8	4								

168. CR brush section G (A type/#2,4) for 26inch



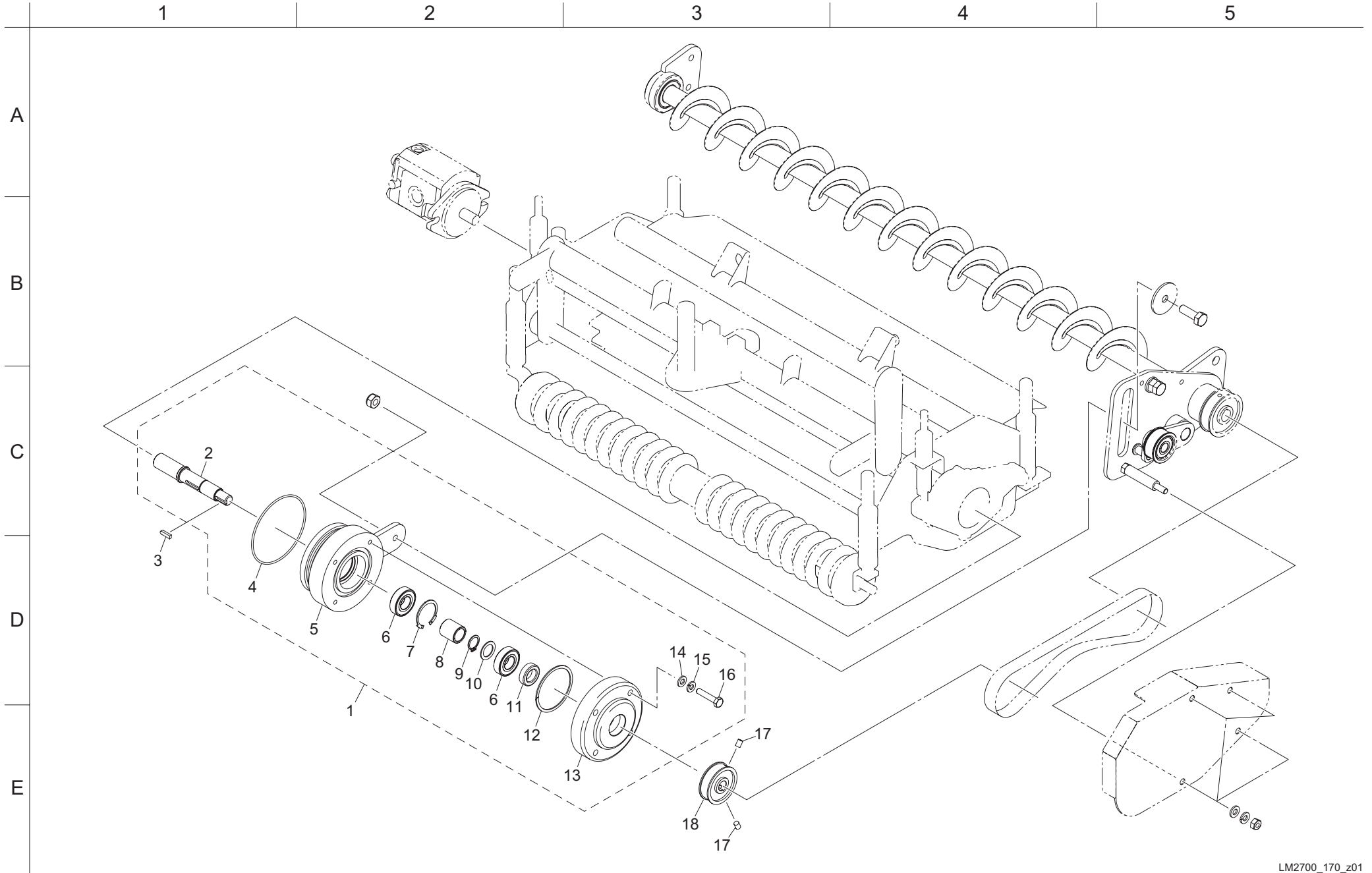
Cat No.	Code No.	Part name	Qty	Remark	SN of application	Cat No.	Code No.	Part name	Qty	Remark	SN of application
168-1	LH669R-1202AD	HOUSING, BRUSH (RH)	2			168-36	K0200100002	WASHER, SPRING M10	6		
168-2	K0402032001	RING, RETAINING R M32	6			168-37	K0100100002	NUT, M10	6		
168-3	K0612060020	BEARING, BALL SEAL 2RD 6002	10			168-38	LH669R-1290Z0	CR BRUSH ASSY, (LH)	2		
168-4	LH669L-1203B0	BRUSH, CR	2			168-39	LH669R-0802A2	SCREW, ADJ HOC FOR R MOWER (LH)	2		
168-5	K0885080000	O-RING, S80	2			168-40	LH669R-0801B2	SCREW, ADJ HOC FOR R MOWER (RH)	2		
168-6	LM2700-4109Z2	BASE, SCREW	2			168-41	K0890000050	CAP, RUBBER 28	2		
168-7	LH669R-1201ZD	FRAME, BRUSH (LH)	2								
168-8	LM2700-4105Z0	SHAFT, DRIVING	2								
168-9	K0520404140	KEY, ROUND/SQUARE, M4-414	4								
168-10	K6212004172	COLLAR, STKM M28.6-31.8-5	6								
168-11	K0401015001	RING, RETAINING S M15	4								
168-12	K0023050081	SETSCREW, M5-8	8								
168-13	LM2700-4106Z2	PULLEY, DRIVING	2								
168-14	K0213080002	WASHER, DISK SPRING 1H M8	2								
168-15	K5000080002	WASHER, M8	6								
168-16	K6211000482	COLLAR, SGP M9.2-13.8-14	2								
168-17	LM2700-4108Z2	PULLEY, TENSION 1232	2								
168-18	K0608006290	BEARING, BALL SEAL 2RS 629	2								
168-19	K0402026001	RING, RETAINING R M26	2								
168-20	LM2700-4111Z8	BOLT, SPECIAL M8	2								
168-21	K0100060002	NUT, M6	12								
168-22	K6211000492	COLLAR, SGP M6.5-10.5-26.4	6								
168-23	K0023060502	SETSCREW, M6-50	6								
168-24	LM2700-4107Z2	PULLEY, BRUSH SHAFT	2								
168-25	K2380000030	BELT, F STAR 10FL-500	2								
168-26	LM2700-4123Z0	RUBBER, 8U-615	2								
168-27	LM2700-4120ZD	COVER, BELT	2								
168-28	K5000060002	WASHER, M6	6								
168-29	K0200060002	WASHER, SPRING M6	6								
168-30	LH669L-1206Z2	PLATE	2								
168-31	LH669L-1205ZD	ADJUSTER	3								
168-32	K0200080002	WASHER, SPRING M8	9								
168-33	K0000080152	BOLT, M8-15	9								
168-34	K0000100302	BOLT, M10-30	6								
168-35	K5000100002	WASHER, M10	12								

169. CR brush section H (A type/#2,4) for 22inch

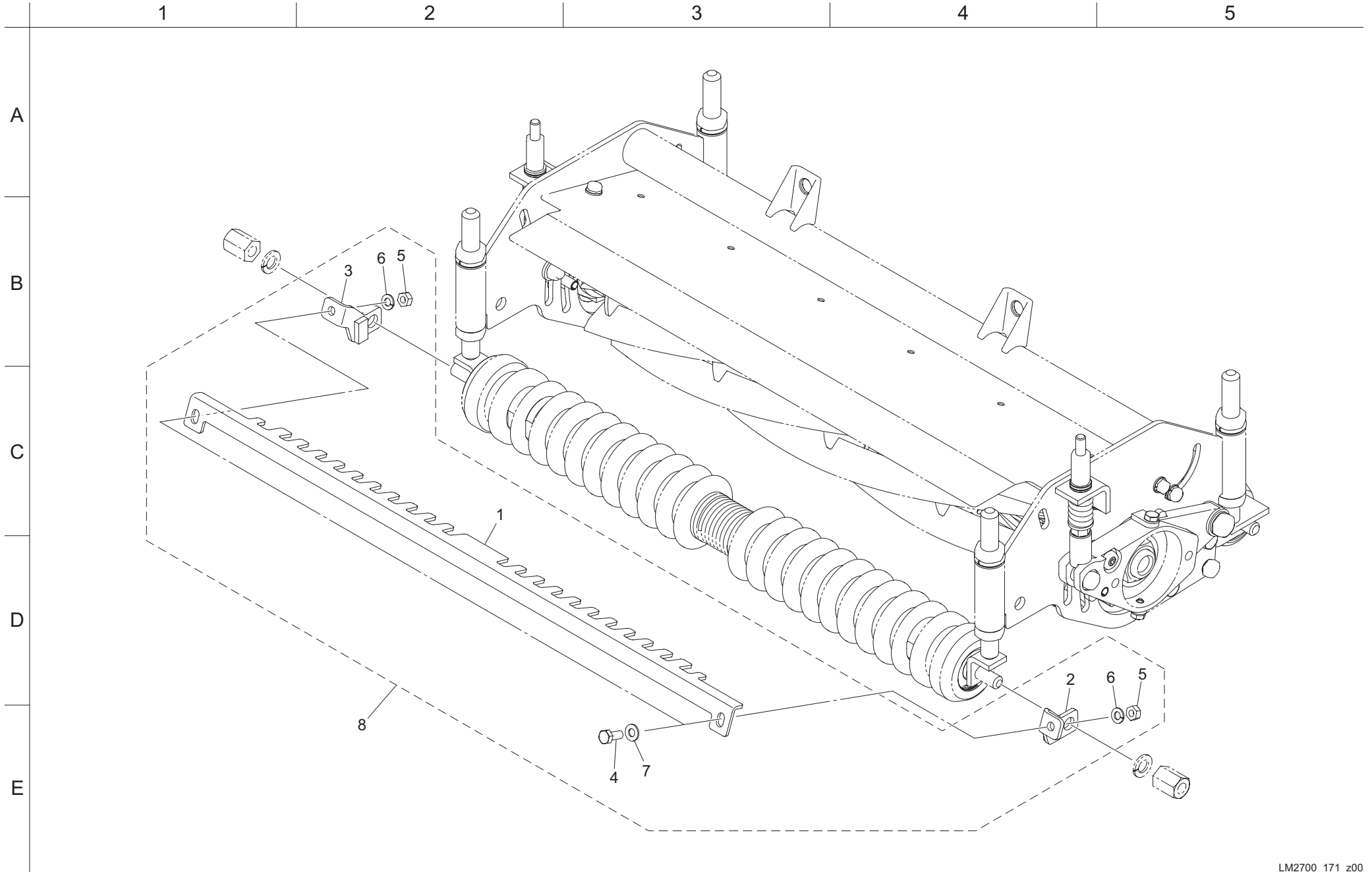


Cat No.	Code No.	Part name	Qty	Remark	SN of application	Cat No.	Code No.	Part name	Qty	Remark	SN of application
169-1	LH669R-1202AD	HOUSING, BRUSH (RH)	2			169-36	K0200100002	WASHER, SPRING M10	6		
169-2	K0402032001	RING, RETAINING R M32	6			169-37	K0100100002	NUT, M10	6		
169-3	K0612060020	BEARING, BALL SEAL 2RD 6002	10			169-38	LH629R-1290Z0	CR BRUSH ASSY, (LH)	2		
169-4	LH629L-1201B0	BRUSH, CR 22	2			169-39	LH669R-0802A2	SCREW, ADJ HOC FOR R MOWER (LH)	2		
169-5	K0885080000	O-RING, S80	2			169-40	LH669R-0801B2	SCREW, ADJ HOC FOR R MOWER (RH)	2		
169-6	LM2700-4109Z2	BASE, SCREW	2			169-41	K0890000050	CAP, RUBBER 28	2		
169-7	LH669R-1201ZD	FRAME, BRUSH (LH)	2								
169-8	LM2700-4105Z0	SHAFT, DRIVING	2								
169-9	K0520404140	KEY, ROUND/SQUARE, M4-414	4								
169-10	K6212004172	COLLAR, STKM M28.6-31.8-5	6								
169-11	K0401015001	RING, RETAINING S M15	4								
169-12	K0023050081	SETSCREW, M5-8	8								
169-13	LM2700-4106Z2	PULLEY, DRIVING	2								
169-14	K0213080002	WASHER, DISK SPRING 1H M8	2								
169-15	K5000080002	WASHER, M8	6								
169-16	K6211000482	COLLAR, SGP M9.2-13.8-14	2								
169-17	LM2700-4108Z2	PULLEY, TENSION 1232	2								
169-18	K0608006290	BEARING, BALL SEAL 2RS 629	2								
169-19	K0402026001	RING, RETAINING R M26	2								
169-20	LM2700-4111Z8	BOLT, SPECIAL M8	2								
169-21	K0100060002	NUT, M6	12								
169-22	K6211000492	COLLAR, SGP M6.5-10.5-26.4	6								
169-23	K0023060502	SETSCREW, M6-50	6								
169-24	LM2700-4107Z2	PULLEY, BRUSH SHAFT	2								
169-25	K2380000030	BELT, F STAR 10FL-500	2								
169-26	LM2700-4123Z0	RUBBER, 8U-615	2								
169-27	LM2700-4120ZD	COVER, BELT	2								
169-28	K5000060002	WASHER, M6	6								
169-29	K0200060002	WASHER, SPRING M6	6								
169-30	LH669L-1206Z2	PLATE	2								
169-31	LH669L-1205ZD	ADJUSTER	3								
169-32	K0200080002	WASHER, SPRING M8	9								
169-33	K0000080152	BOLT, M8-15	9								
169-34	K0000100302	BOLT, M10-30	6								
169-35	K5000100002	WASHER, M10	12								

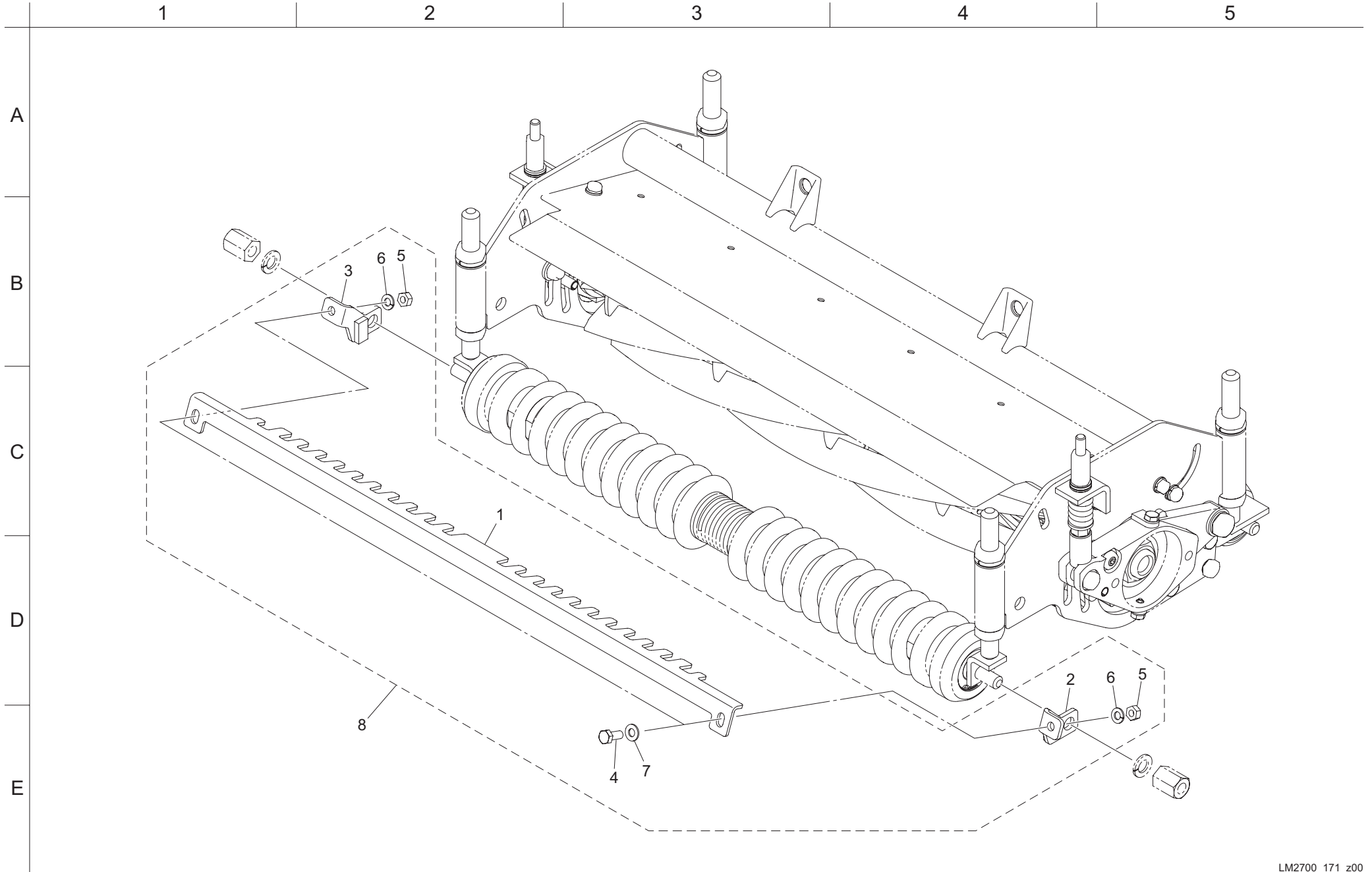
170. CR brush section J (B type/Drive ASSY)



171. Front scraper section A for 26inch



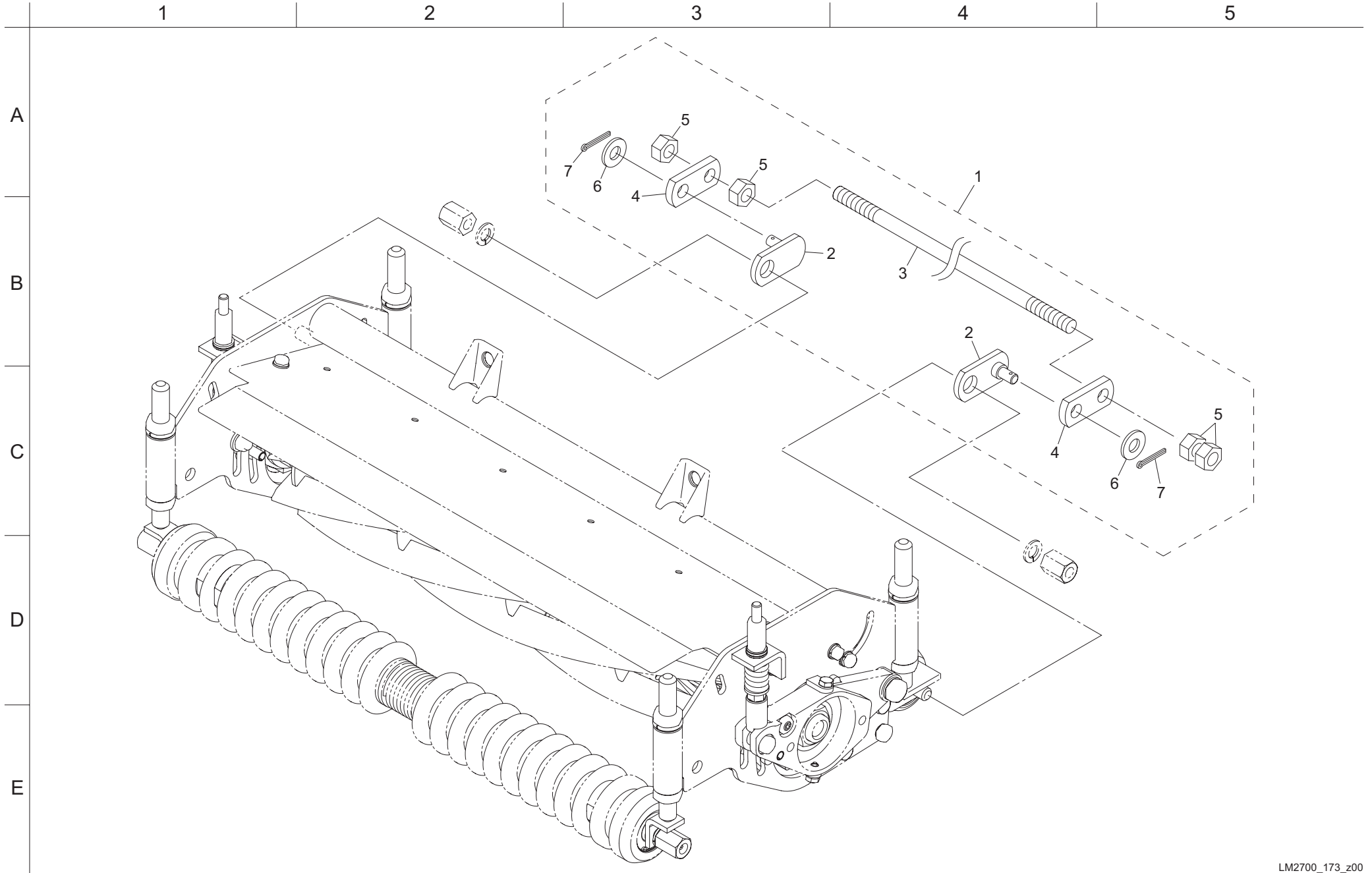
172. Front scraper section B for 22inch



Cat No.	Code No.	Part name	Qty	Remark	SN of application
172-1	LH62---4501Z2	SCRAPER, 22	5		
172-2	LH66---4502ZD	PLATE, MOUNTING (LH)	5		
172-3	LH66---4503ZD	PLATE, MOUNTING (RH)	5		
172-4	K0000080202	BOLT, M8-20	10		
172-5	K0100080002	NUT, M8	10		
172-6	K0200080002	WASHER, SPRING M8	10		
172-7	K5000080002	WASHER, M8	10		
172-8	LH62---4504Z0	SCRAPER ASSY, FRONT 22	5		

Cat No.	Code No.	Part name	Qty	Remark	SN of application

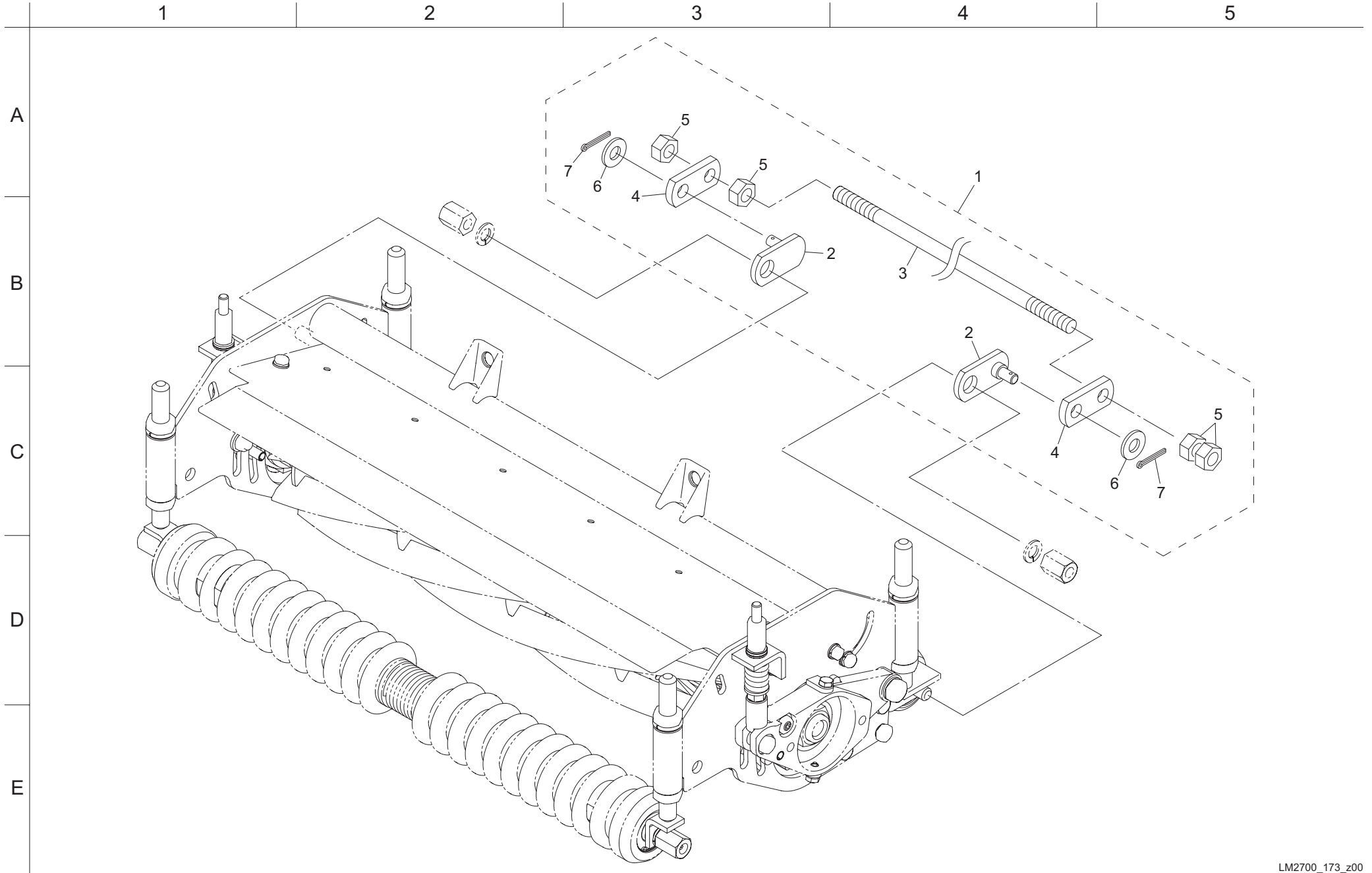
173. Rear scraper section A (bar type) for 26inch



Cat No.	Code No.	Part name	Qty	Remark	SN of application
173-1	LM2700-4402Z0	SCRAPER ASSY, 26	5		
173-2	LM2700-4403ZD	FITTING	10		
173-3	LM2700-4404Z0	SCRAPER, 768	5		
173-4	LM2700-4405ZD	BRACKET	10		
173-5	K0100080002	NUT, M8	20		
173-6	K5000080002	WASHER, M8	10		
173-7	K0300020202	PIN, COTTER M2-20	10		

Cat No.	Code No.	Part name	Qty	Remark	SN of application

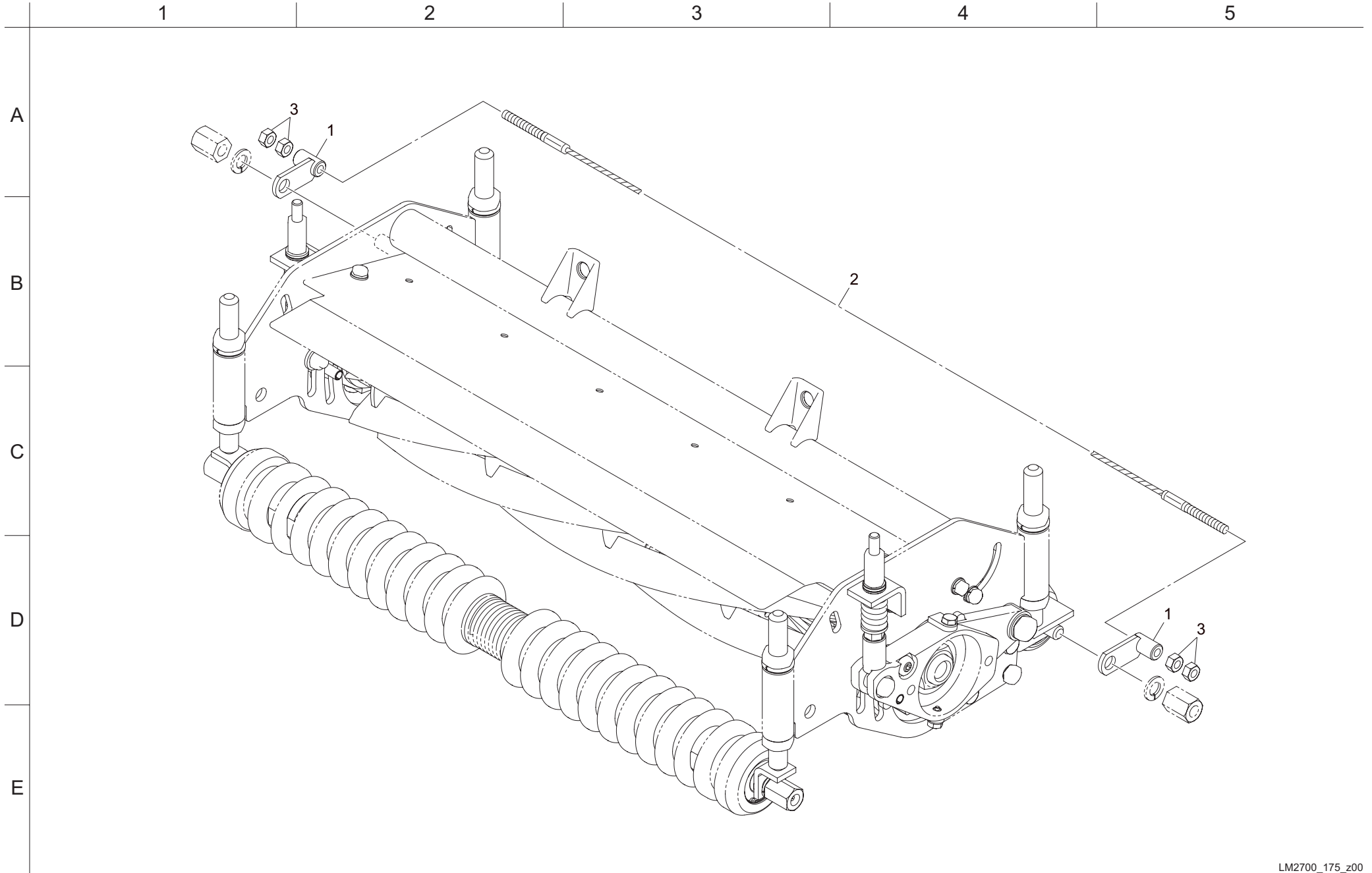
174. Rear scraper section B (bar type) for 22inch



Cat No.	Code No.	Part name	Qty	Remark	SN of application
174-1	LM2700-4502Z0	SCRAPER ASSY, 22	5		
174-2	LM2700-4403ZD	FITTING	10		
174-3	LM2700-4504Z0	SCRAPER, 666	5		
174-4	LM2700-4405ZD	BRACKET	10		
174-5	K0100080002	NUT, M8	20		
174-6	K5000080002	WASHER, M8	10		
174-7	K0300020202	PIN, COTTER M2-20	10		

Cat No.	Code No.	Part name	Qty	Remark	SN of application

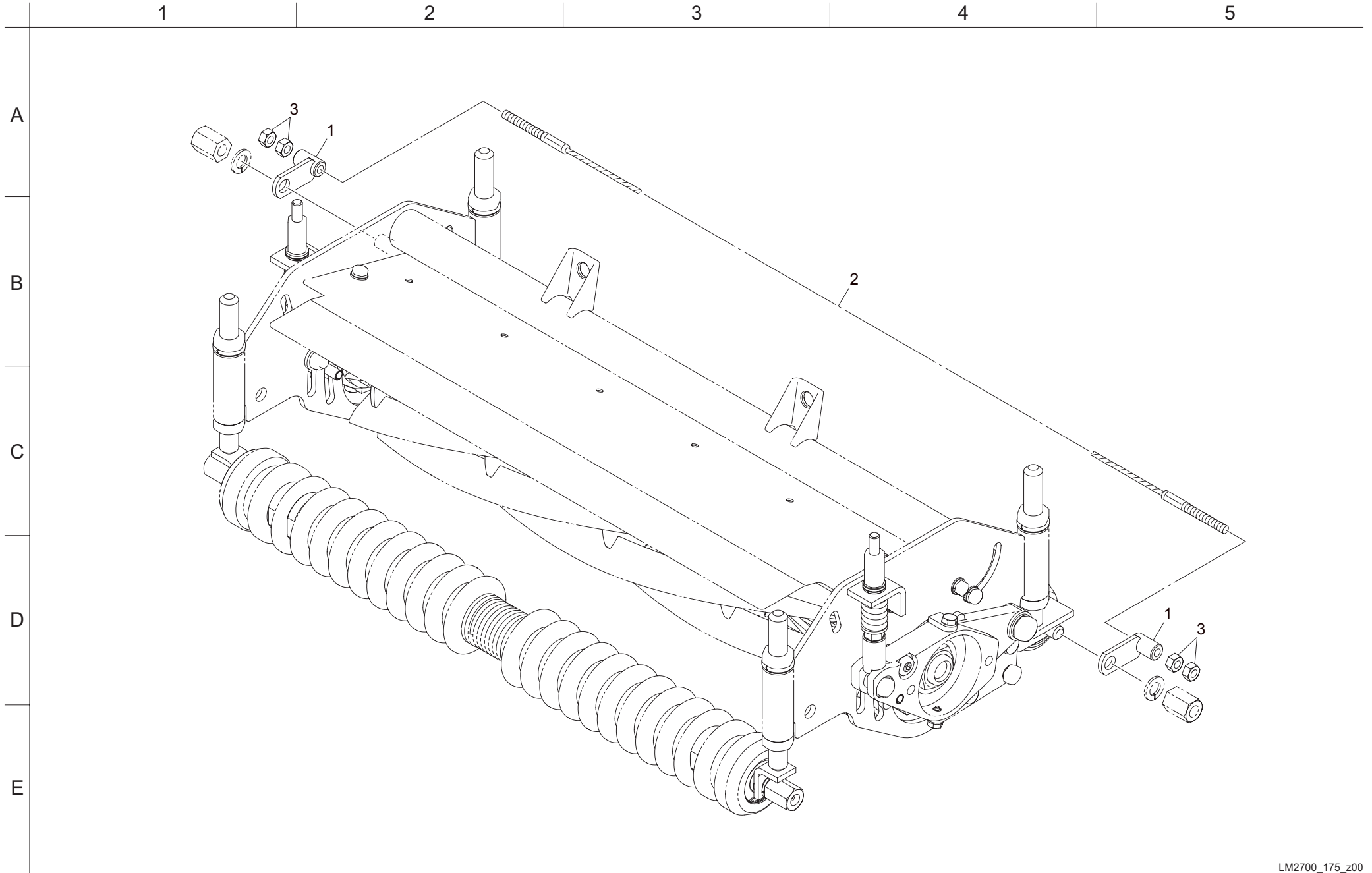
175. Rear scraper section A (wire type) for 26inch



Cat No.	Code No.	Part name	Qty	Remark	SN of application
175-1	LH66---4702Z2	FITTING	10		
175-2	K1170081000	WIRE, 810	5		
175-3	K0100080002	NUT, M8	20		

Cat No.	Code No.	Part name	Qty	Remark	SN of application

176. Rear scraper section B (wire type) for 22inch



BARONESS[®]

Quality on Demand

 **KYOEISHA CO., LTD.**

Head Office 1-26, Miyuki-cho, Toyokawa-city, Tel : +81-533-84-1390
Aichi-pref, 442-8530 JAPAN Fax : +81-533-84-1220