

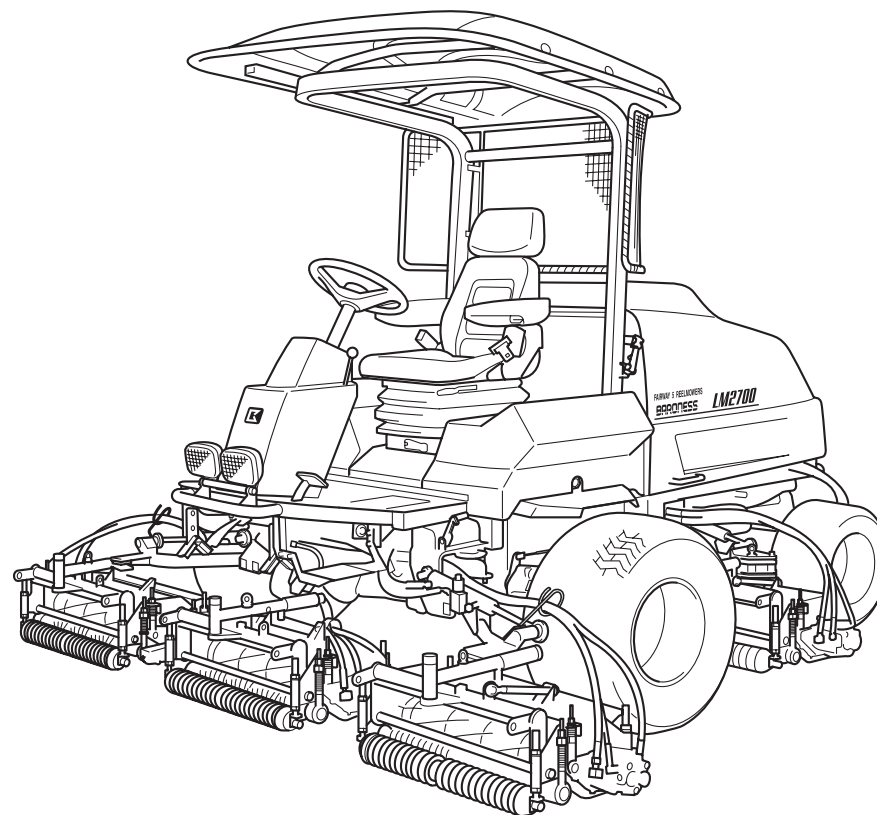
BARONESS[®]

Reel Mower

LM2700

Front 5-Reel Fairway Mower

Parts catalog



Serial No.10372~

BARONESS[®]

Quality on Demand

Ver.2.0

Greeting

Thank you for purchasing Baroness machine.

This machine has been shipped from the factory after comprehensive test runs and inspections. However, the optimum performance of the machine depends on how you use and maintain it, including routine inspections, adjustments, and fuel supplies before and after the operation.

We hope you will use the machine safely, and take advantage of its best performance.

Note

(For inquiry about this machine)

Since the type of machine may be changed sequentially, inform us of the type and the serial number.

The information described in this manual is subject to change without prior notice.

When replacing parts, be sure to use Baroness parts or parts designated by Kyo-eisha.

Note that the Baroness product warranty may not apply to defects caused by the use of parts from other companies.

(For ordering parts)

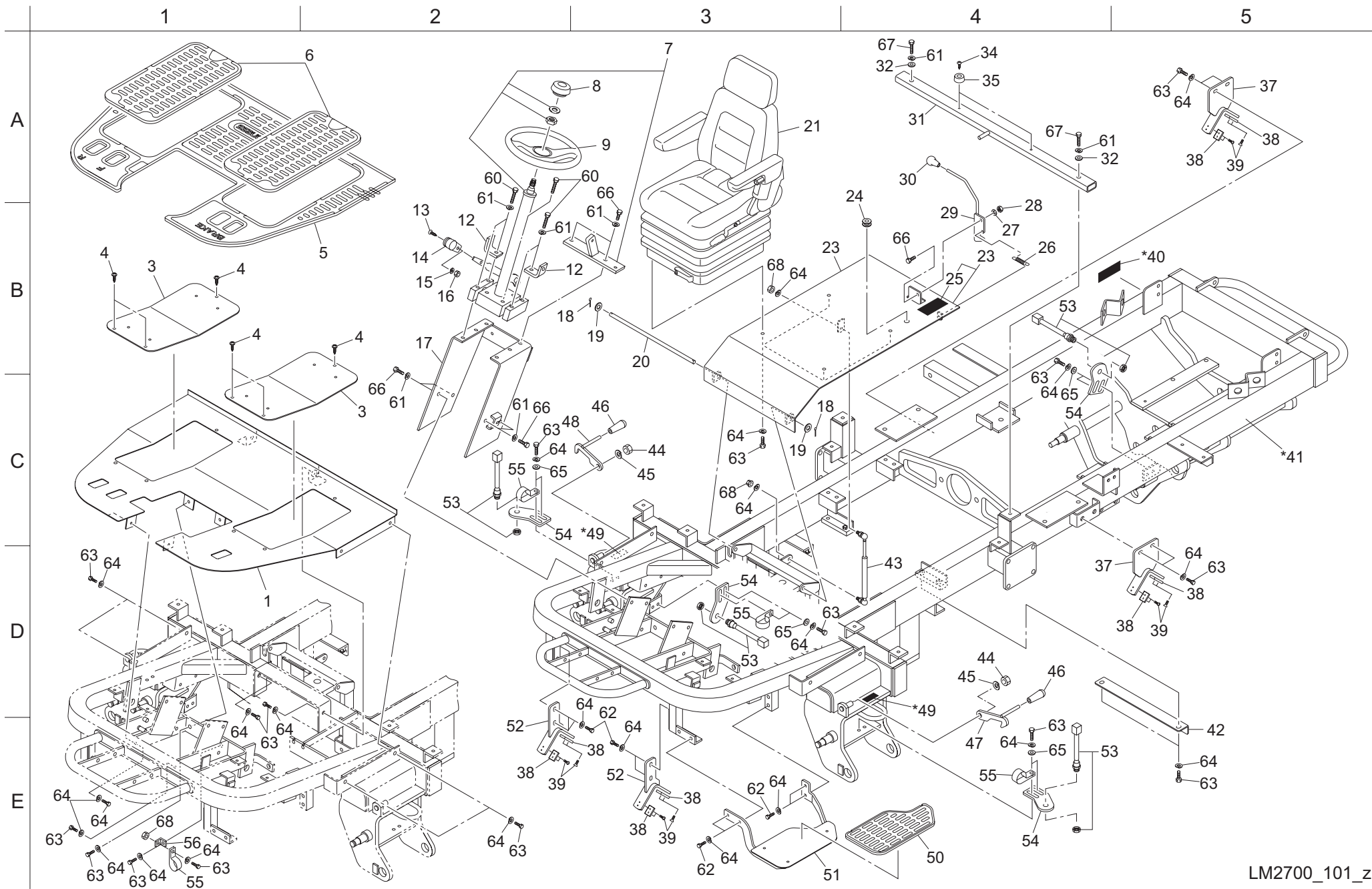
For prevention of delivery of wrong parts, be sure to inform us of the code number and the part name.

Example:	Code No.	Part Name	Qty
	LM2700-0620ZD	STEP	1

Contents

PARTS CATALOGUE	2	126. Mower parts A (26inch).....	59
101. Frame parts A (26inch).....	3	127. Mower parts A (22inch).....	61
102. Frame parts A (22inch).....	5	128. Mower parts B (26inch)	63
103. Frame parts B	7	129. Mower parts B (22inch)	65
104. Cover parts.....	9	130. Roller Ass'y parts (26inch).....	67
105. Front wheel parts.....	11	131. Roller Ass'y parts (22inch).....	69
106. Rear wheel parts	13	132. Accessory parts	71
107. Pedal parts A	15	133. Option (26inch Grass catcher parts)	73
108. Pedal parts B.....	17	134. Option (22inch Grass catcher parts)	75
109. Engine parts A.....	19	135. Option (26inch Groomer Ass'y parts for mower unit #1,#3,#5).....	77
110. Engine parts B.....	21	136. Option (22inch Groomer Ass'y parts for mower unit #1,#3,#5).....	79
111. Engine parts C (26inch).....	25	137. Option (26inch Groomer Ass'y parts for mower unit #2,#4).....	81
112. Engine parts C (22inch).....	27	138. Option (22inch Groomer Ass'y parts for mower unit #2,#4).....	83
113. Engine parts D	29	139. Option (26inch, 22inch scraper parts)	85
114. Hydraulic parts A	31	140. Option (22inch, 22inch scraper parts)	87
115. Hydraulic parts B	35	141. Option (26inch CR brush parts).....	89
116. Hydraulic parts C	37	142. Option (22inch CR brush parts).....	91
117. Hydraulic parts D	39	143. Option (Light parts).....	93
118. Hydraulic parts E	41		
119. Hydraulic parts F	43		
120. Hydraulic parts G.....	45		
121. Hydraulic parts H.....	49		
122. Lift arm front part (26inch).....	51		
123. Lift arm front part (22inch).....	53		
124. Lift arm rear part (26inch).....	55		
125. Lift arm rear part (22inch).....	57		

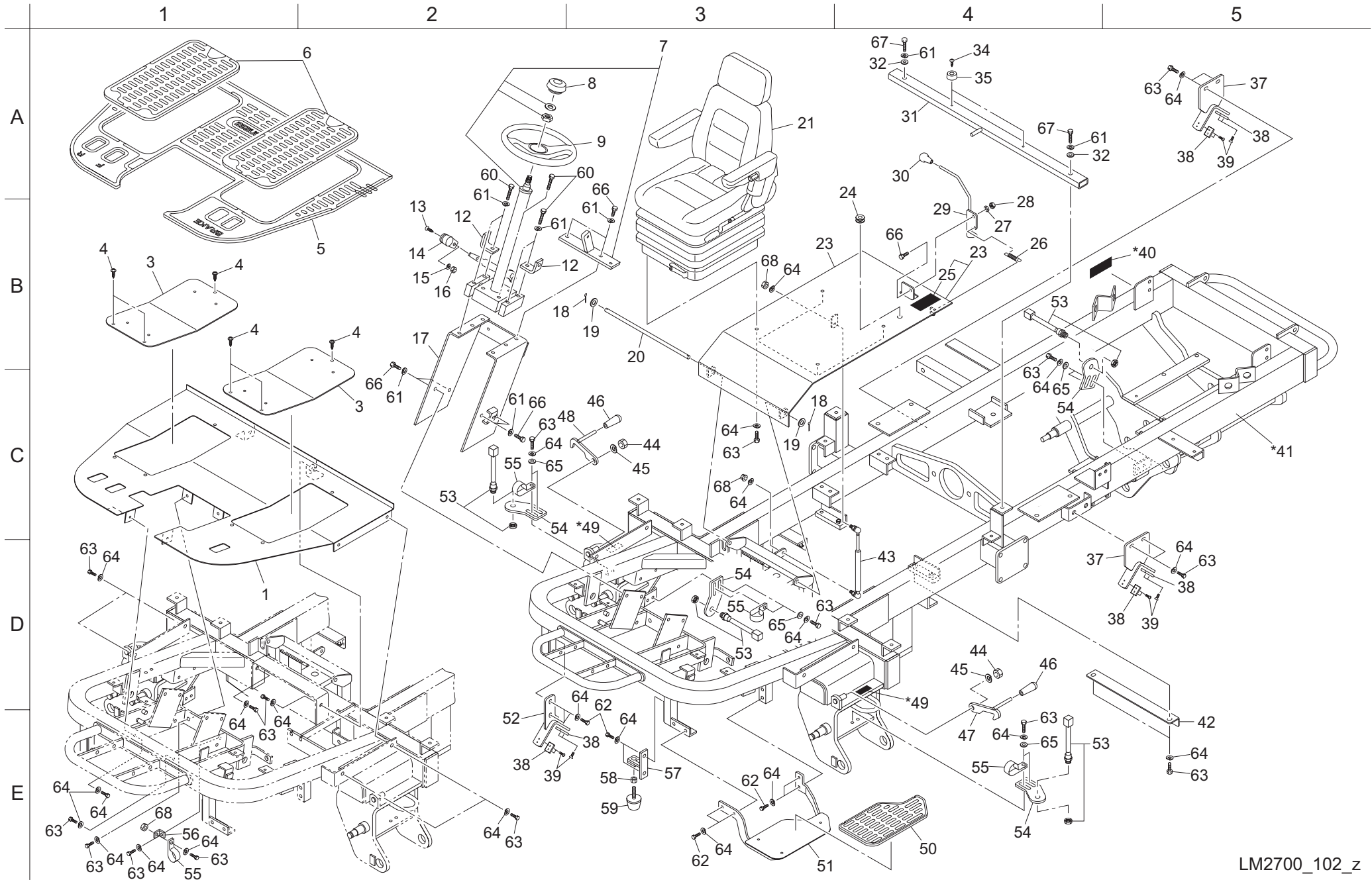
101. Frame parts A (26inch)



Cat No.	Code No.	Part name	Qty	Remark
101-1	LM2700-0620ZD	STEP	1	
101-2				
101-3	LM2700-0621ZD	STEP COVER	2	
101-4	K0062080122	8 HEXAGONAL SOCKET BUTTON BOLT 12	6	
101-5	LM2700-0628Z0	STEP RUBBER (L)	1	
101-6	LM2700-0629Z0	STEP RUBBER (S)	2	
101-7	K1730000060	TILT STEERING COLUMN	1	
101-8	K1310000130	RUBBER CAP	1	
101-9	K1710000100	STEERING WHEEL V027220-0101A	1	
101-10				
101-11				
101-12	LM2700-0931ZD	FRONT COVER MOUNT	2	
101-13	K0042050082	5+ ROUND HEAD SMALL SCREW 8	1	
101-14	K1301000150	THROTTLE LEVER GRIP	1	
101-15	K0200050002	5S WASHER	1	
101-16	K0100050002	5 NUT	1	
101-17	LM2700-0602ZD	HANDLE MOUNT	1	
101-18	K0300020202	2 SPLIT COTTER PIN 20	2	
101-19	K5000120002	12 WASHER	2	
101-20	LM2700-0609Z2	12 SHAFT WITH HOLES 333	1	
101-21	K1700000250	SADDLE DS85H/90	1	
101-22				
101-23	LM2700-3602Z0	SEAT MOUNT COMP	1	
101-24	K0900300240	GROMMET WITH FILM C30SG24A	1	
101-25	K4205001580	CAUTION LABEL - HAND CRUSH	1	
101-26	K1030000098	1.6U HOOK SPRING 1266.8	1	
101-27	K5000100002	10 WASHER	1	
101-28	K0144100002	10U NUT	1	
101-29	LM2700-0607ZD	LEVER	1	
101-30	K1300000040	9 GRIP BLACK 35.5	1	
101-31	LM2700-0608ZD	SEAT RECEIVER	1	
101-32	K5073210352	3.2SPHC METAL WASHER 1035	2	
101-33				
101-34	K0042050152	5+ R-HEAD SMALL SCREW 15	2	
101-35	K4039000130	RUBBER FOOT TK-3220	2	

Cat No.	Code No.	Part name	Qty	Remark
101-36				
101-37	LM2700-0614AD	MOWER STOPPER	2	
101-38	LM526A-0107Z0	PAD	8	
101-39	K0041060122	6 CROSS-HEAD COUNTERSUNK SCREW 12	16	
101-40	K4205001540	CAUTION LABEL - HOT PARTS	1	
101-41	LM2700-3601Z0	FRAME COMP	1	*41 includes 40 and 49
101-42	LM2700-0610ZD	STAY	1	
101-43	K3381000010	GAS SPRING C25	1	
101-44	K0145140002	14U NUT P1.5	2	
101-45	K0210140002	14 DISC SPRING L	2	
101-46	K1300000110	9 YELLOW GRIP 22	2	
101-47	LM526--0619AD	#5 LOCK LEVER	1	
101-48	LM526--0618AD	#4 LOCK LEVER	1	
101-49	K4205000750	ARM LOCK CAUTION PLATE	2	
101-50	LM2700-0630Z0	STEP RUBBER	1	
101-51	LM2700-0619ZD	STEP	1	
101-52	LM2700-0615ZD	MOWER STOPPER	2	
101-53	LM2700-0557Z0	PROXIMITY SENSOR E2E-X5E	4	
101-54	LM2700-0625ZD	SWITCH MOUNT PLATE	4	
101-55	K4270050080	50 HARNESS CLIP M8	4	
101-56	LM2700-0571ZD	MOUNT	1	
101-57				
101-58				
101-59				
101-60	K0000100502	10 BOLT 50	4	
101-61	K0200100002	10S WASHER	12	
101-62	K0000080152	8 BOLT 15	12	
101-63	K0000080202	8 BOLT 20	26	
101-64	K0200080002	8S WASHER	38	
101-65	K5000080002	8 WASHER	8	
101-66	K0000100202	10 BOLT 20	7	
101-67	K0000100402	10 BOLT 40	2	
101-68	K0100080002	8 NUT	3	

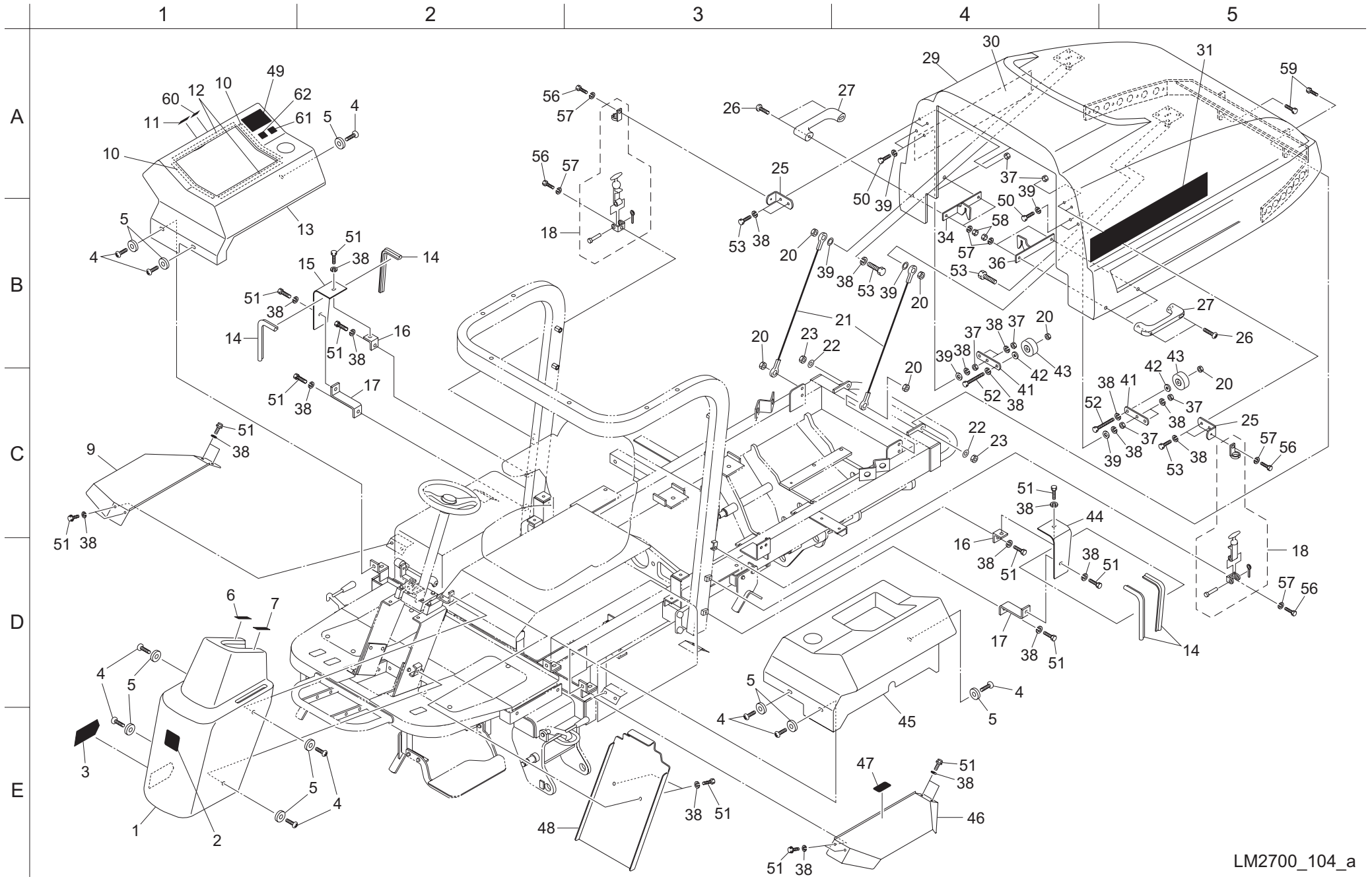
102. Frame parts A (22inch)



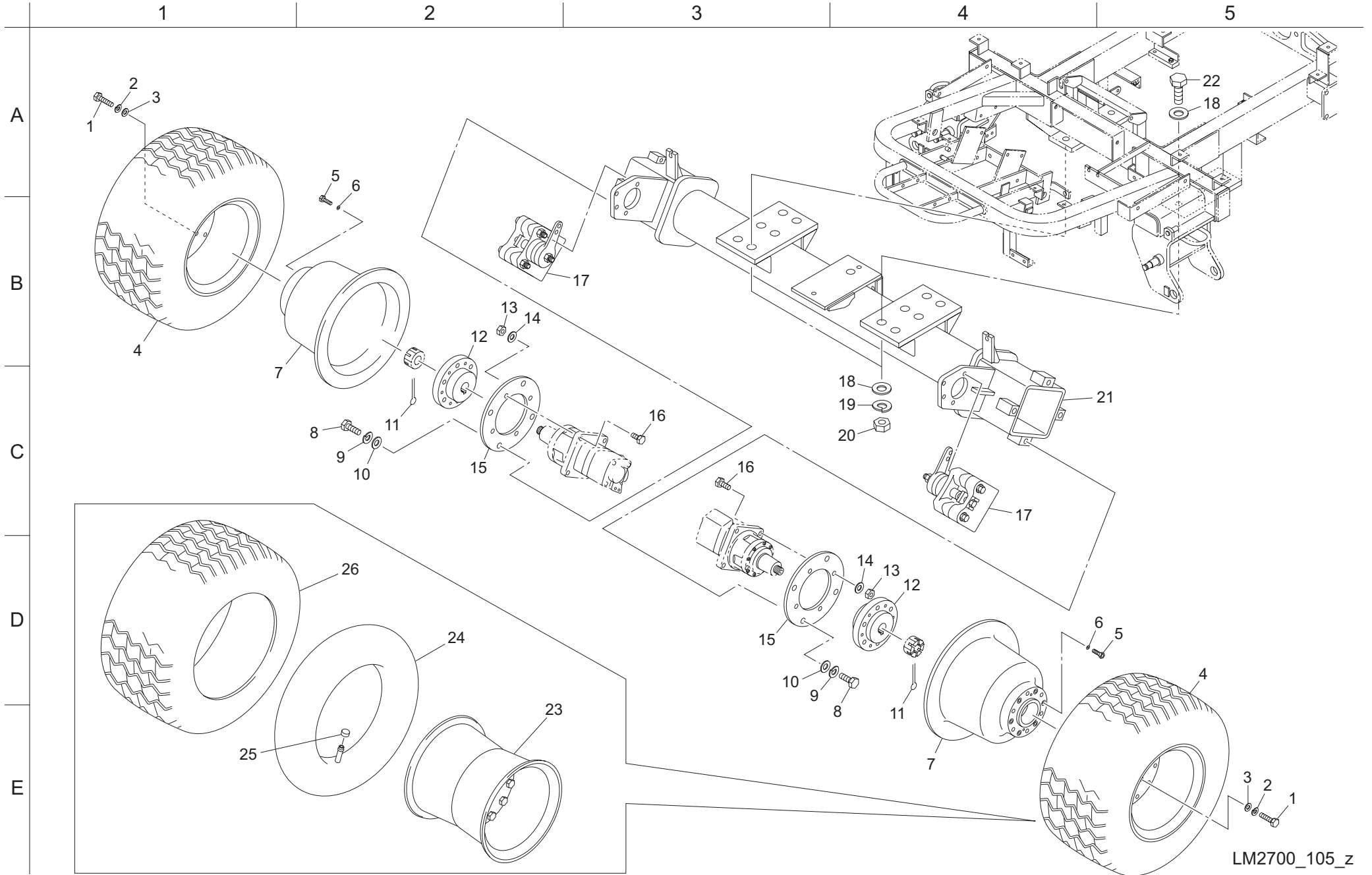
Cat No.	Code No.	Part name	Qty	Remark
102-1	LM2700-0620ZD	STEP	1	
102-2				
102-3	LM2700-0621ZD	STEP COVER	2	
102-4	K0062080122	8 HEXAGONAL SOCKET BUTTON BOLT 12	6	
102-5	LM2700-0628Z0	STEP RUBBER (L)	1	
102-6	LM2700-0629Z0	STEP RUBBER (S)	2	
102-7	K1730000060	TILT STEERING COLUMN	1	
102-8	K1310000130	RUBBER CAP	1	
102-9	K1710000100	STEERING WHEEL V027220-0101A	1	
102-10				
102-11				
102-12	LM2700-0931ZD	FRONT COVER MOUNT	2	
102-13	K0042050082	5+ ROUND HEAD SMALL SCREW 8	1	
102-14	K1301000150	THROTTLE LEVER GRIP	1	
102-15	K0200050002	5S WASHER	1	
102-16	K0100050002	5 NUT	1	
102-17	LM2700-0602ZD	HANDLE MOUNT	1	
102-18	K0300020202	2 SPLIT COTTER PIN 20	2	
102-19	K5000120002	12 WASHER	2	
102-20	LM2700-0609Z2	12 SHAFT WITH HOLES 333	1	
102-21	K1700000250	SADDLE DS85H/90	1	
102-22				
102-23	LM2700-3602Z0	SEAT MOUNT COMP	1	
102-24	K0900300240	GROMMET WITH FILM C30SG24A	1	
102-25	K4205001580	CAUTION LABEL - HAND CRUSH	1	
102-26	K1030000098	1.6U HOOK SPRING 1266.8	1	
102-27	K5000100002	10 WASHER	1	
102-28	K0144100002	10U NUT	1	
102-29	LM2700-0607ZD	LEVER	1	
102-30	K1300000040	9 GRIP BLACK 35.5	1	
102-31	LM2700-0608ZD	SEAT RECEIVER	1	
102-32	K5073210352	3.2SPHC METAL WASHER 1035	2	
102-33				
102-34	K0042050152	5+ R-HEAD SMALL SCREW 15	2	
102-35	K4039000130	RUBBER FOOT TK-3220	2	

Cat No.	Code No.	Part name	Qty	Remark
102-36				
102-37	LM2700-0614AD	MOWER STOPPER	2	
102-38	LM526A-0107Z0	PAD	6	
102-39	K0041060122	6 CROSS-HEAD COUNTERSUNK SCREW 12	12	
102-40	K4205001540	CAUTION LABEL - HOT PARTS	1	
102-41	LM2700-3601Z0	FRAME COMP	1	*41 includes 40 and 49
102-42	LM2700-0610ZD	STAY	1	
102-43	K3381000010	GAS SPRING C25	1	
102-44	K0145140002	14U NUT P1.5	2	
102-45	K0210140002	14 DISC SPRING L	2	
102-46	K1300000110	9 YELLOW GRIP 22	2	
102-47	LM526--0619AD	#5 LOCK LEVER	1	
102-48	LM526--0618AD	#4 LOCK LEVER	1	
102-49	K4205000750	ARM LOCK CAUTION PLATE	2	
102-50	LM2700-0630Z0	STEP RUBBER	1	
102-51	LM2700-0619ZD	STEP	1	
102-52	LM2700-0615ZD	MOWER STOPPER	1	
102-53	LM2700-0557Z0	PROXIMITY SENSOR E2E-X5E	4	
102-54	LM2700-0625ZD	SWITCH MOUNT PLATE	4	
102-55	K4270050080	50 HARNESS CLIP M8	4	
102-56	LM2700-0571ZD	MOUNT	1	
102-57	LM2700-2401ZD	MOWER STOPPER	1	
102-58	K0100100002	10 NUT	1	
102-59	K4049050000	RUBBER STOPPER KI-50	1	
102-60	K0000100502	10 BOLT 50	4	
102-61	K0200100002	10S WASHER	10	
102-62	K0000080152	8 BOLT 15	12	
102-63	K0000080202	8 BOLT 20	26	
102-64	K0200080002	8S WASHER	38	
102-65	K5000080002	8 WASHER	8	
102-66	K0000100202	10 BOLT 20	7	
102-67	K0000100402	10 BOLT 40	2	
102-68	K0100080002	8 NUT	3	

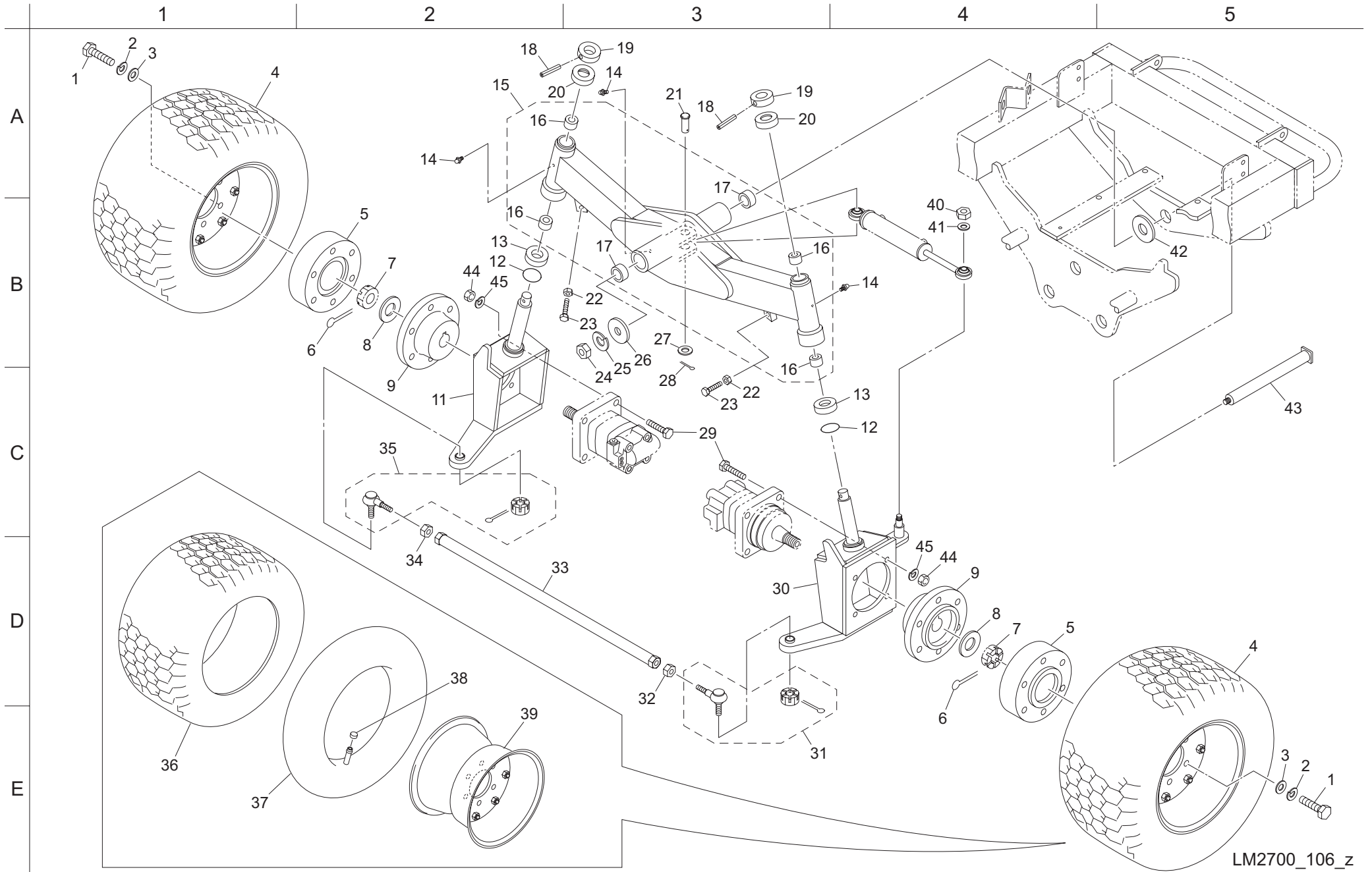
104. Cover parts



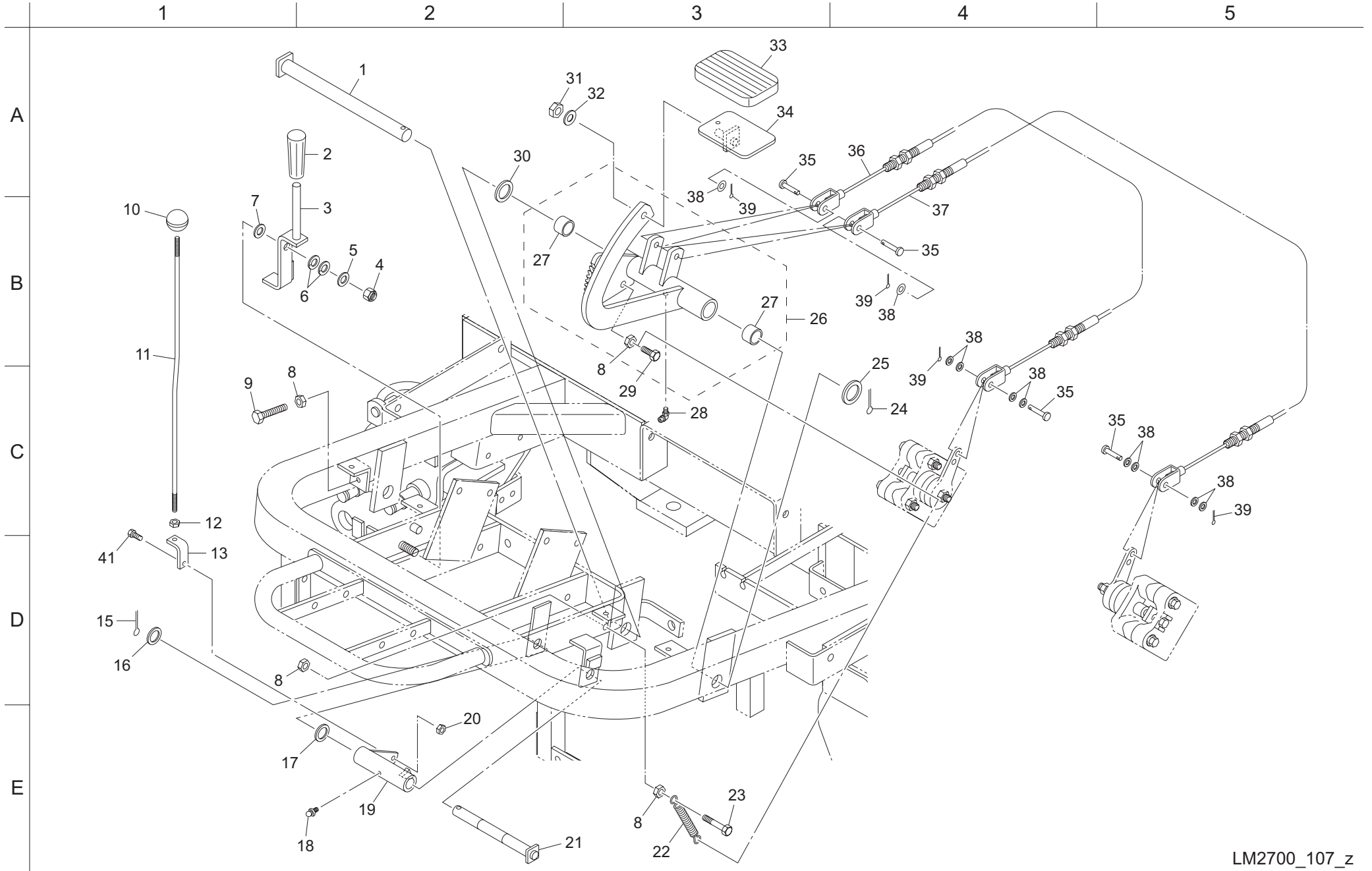
105. Front wheel parts



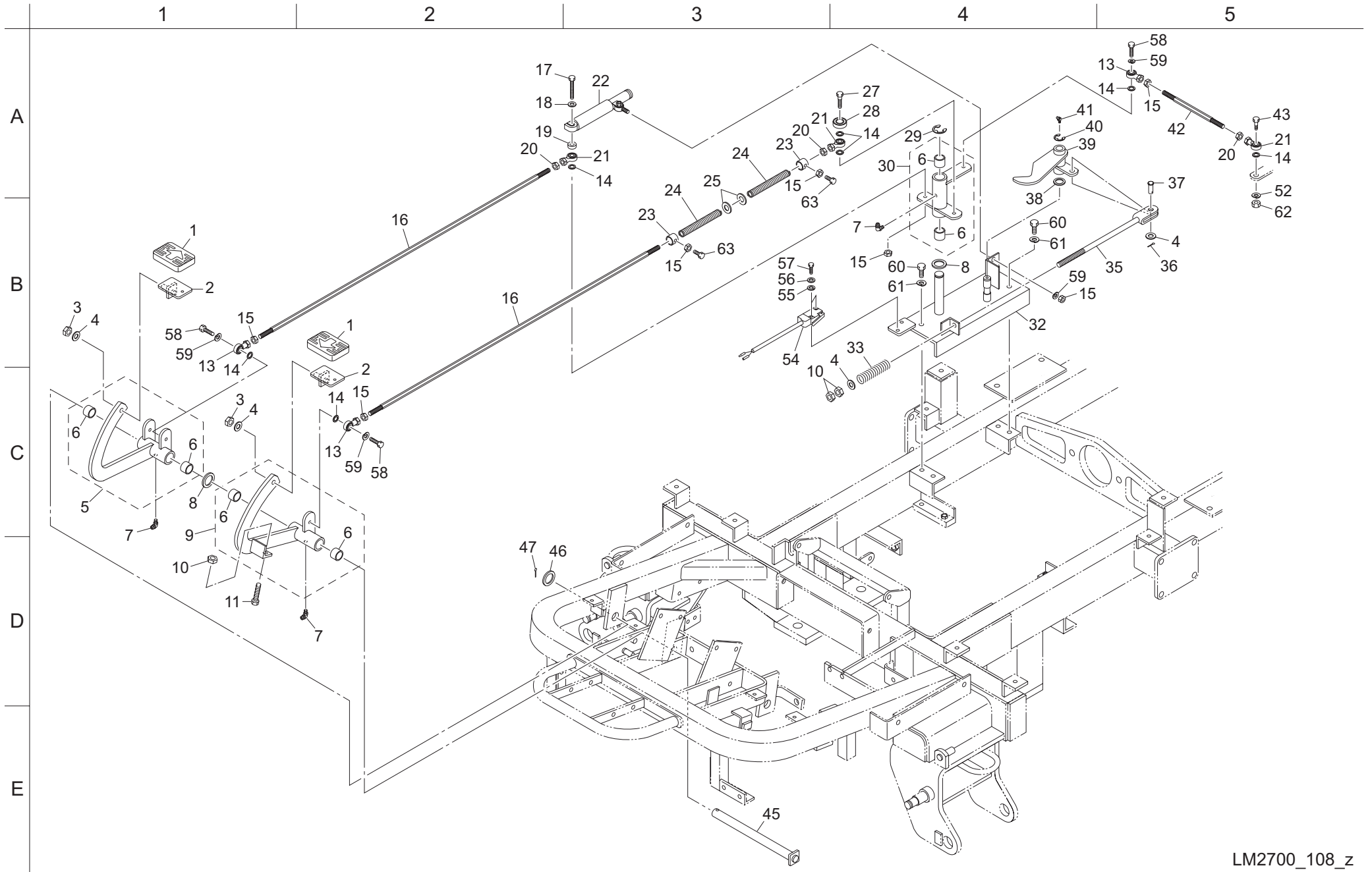
106. Rear wheel parts



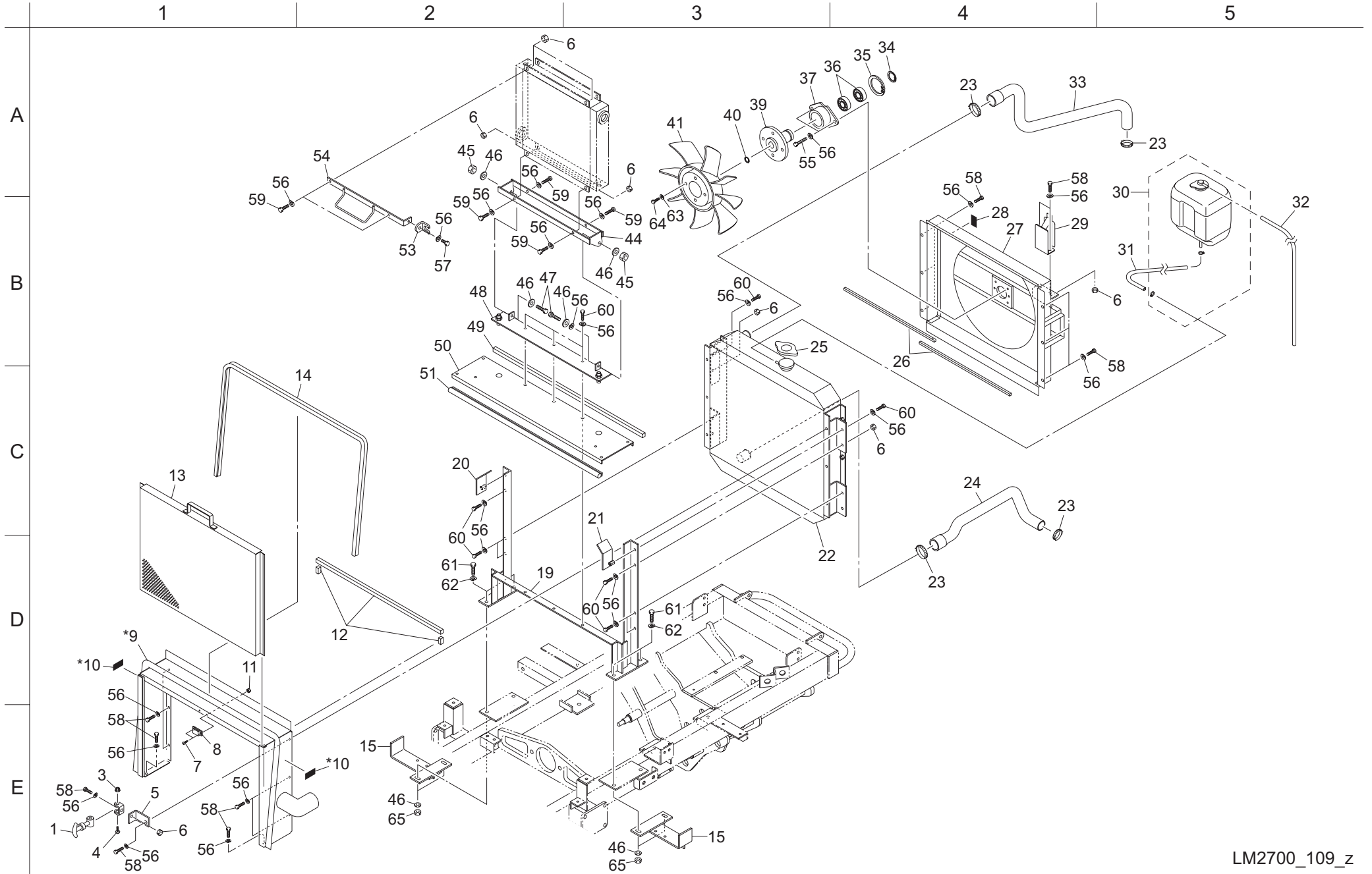
107. Pedal parts A



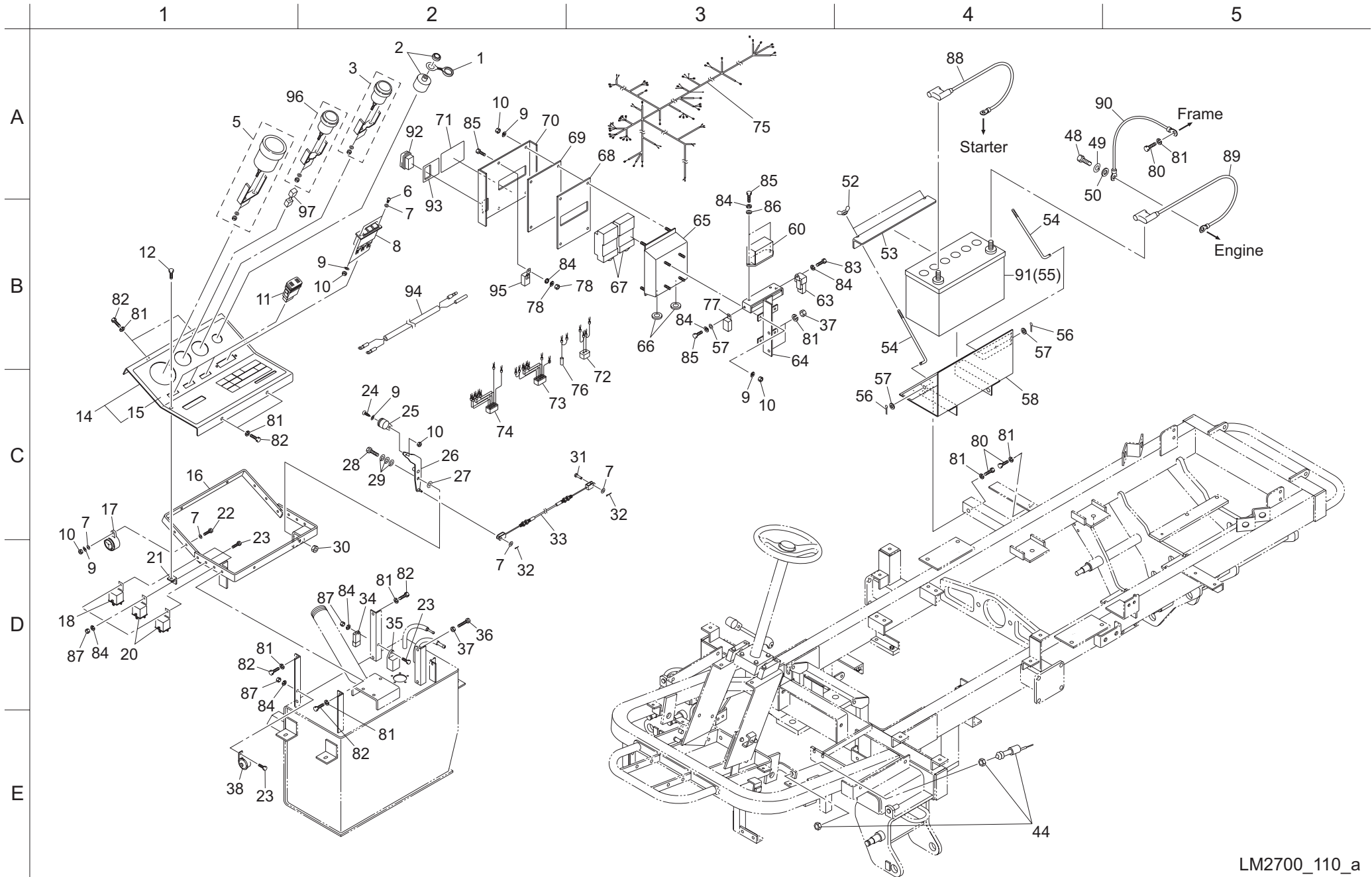
108. Pedal parts B



109. Engine parts A



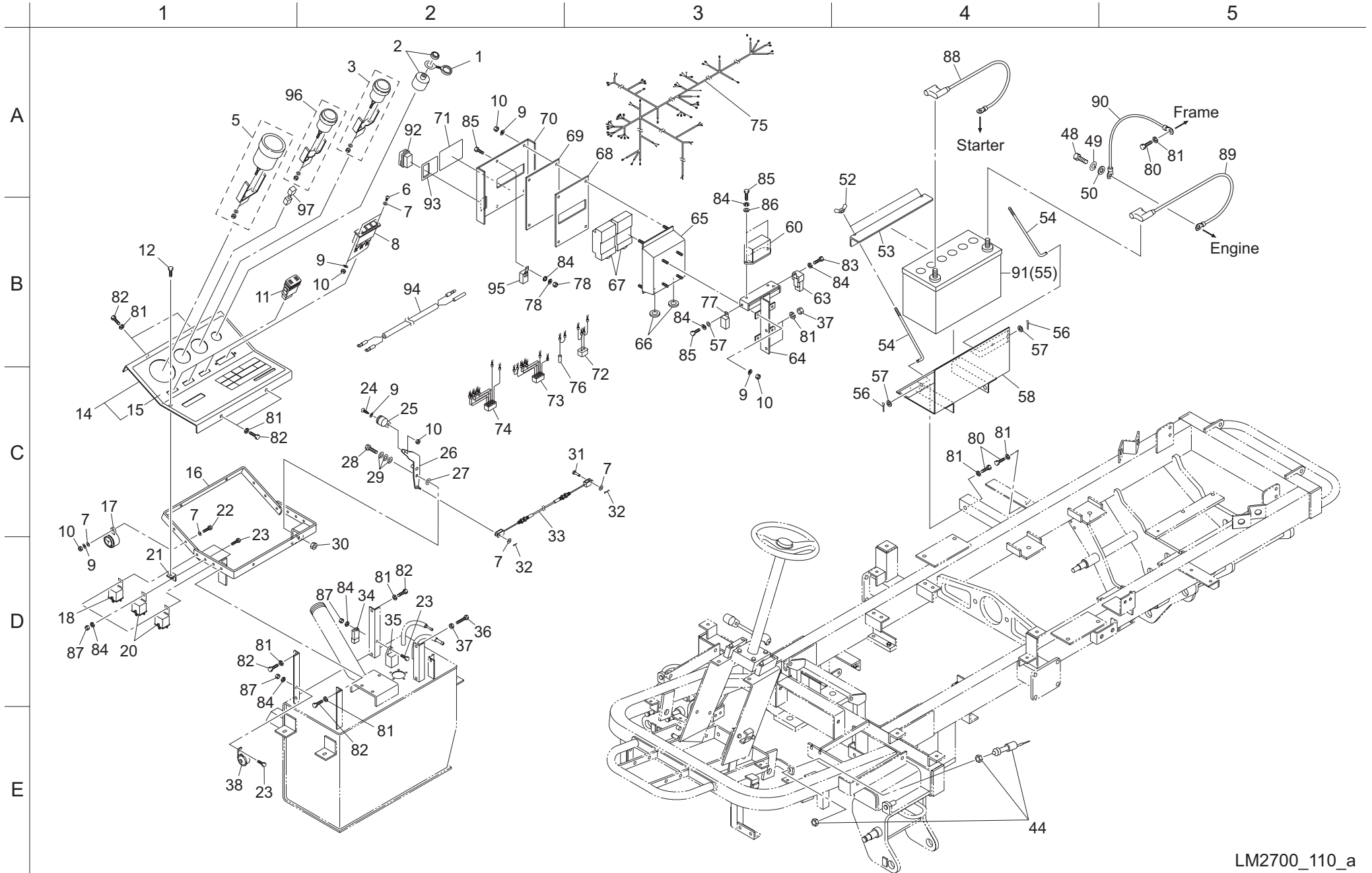
110. Engine parts B



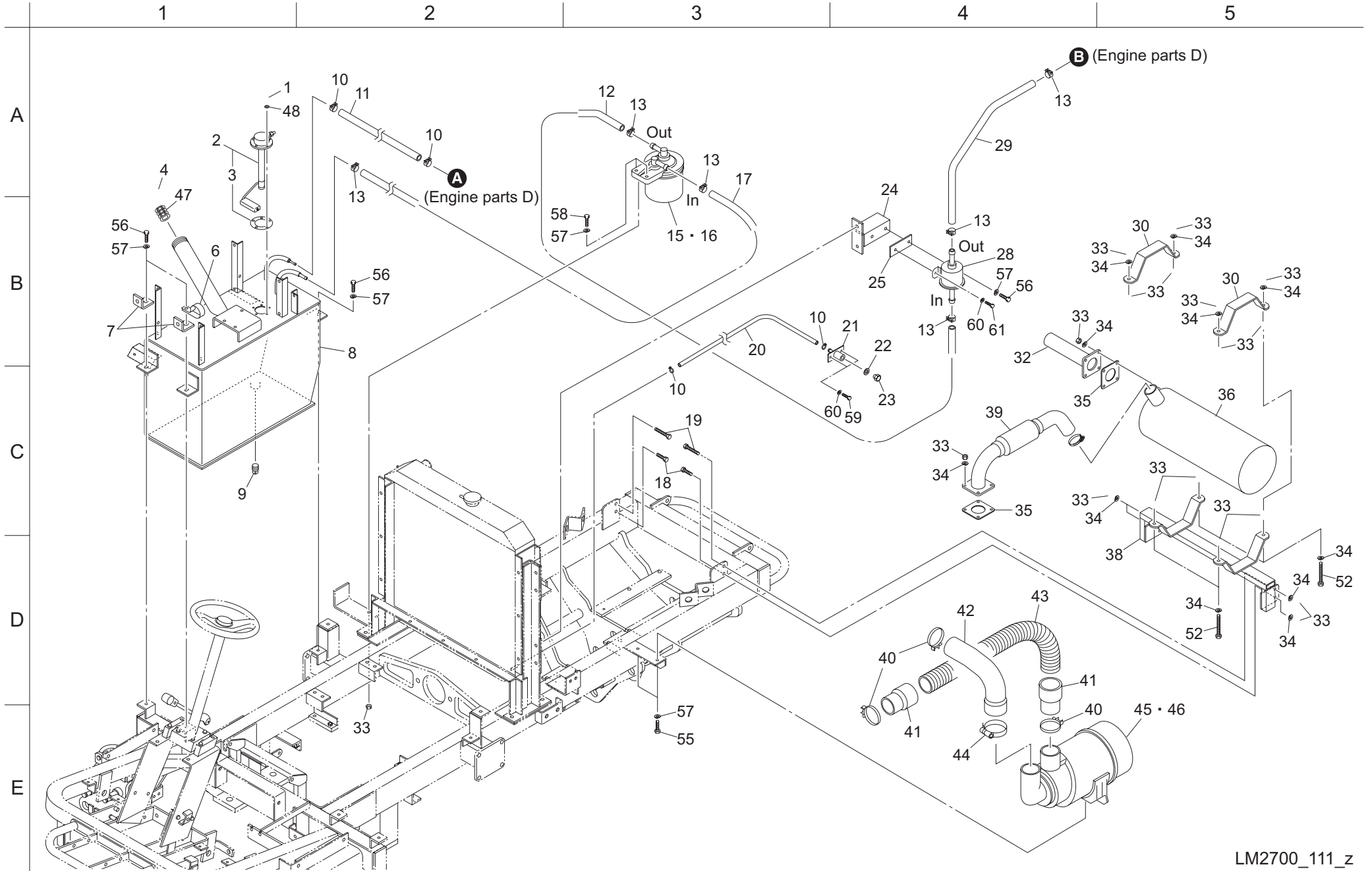
Cat No.	Code No.	Part name	Qty	Remark
110-1	PF54611-4112-1	STARTER SWITCH CAP	1	
110-2	PF15248-6359-2	STARTER SWITCH ASSY	1	
110-3	K3653000010	FUEL GAUGE 52BG2	1	
110-4				
110-5	PF17492-8301-2	HOUR METER ASSY (WITH RPM,HR)	1	
110-6	K0042050122	5+ ROUND HEAD SMALL SCREW 12	2	
110-7	K5000050002	5 WASHER	6	
110-8	K3641000040	PILOT LAMP	1	
110-9	K0200050002	5S WASHER	12	
110-10	K0100050002	5 NUT	12	
110a-11	K3661000050	SEESAW SWITCH	3	
110-12	K0062080122	8 HEXAGONAL SOCKET BUTTON BOLT 12	1	
110-13				
110a-14	LM2700-3902Z0	INSTRUMENT MOUNT PLATE COMP	1	
110a-15	LM2700-0959Z0	OPERATION LABEL(ENGLISH)	1	
110-16	LM2700-0937ZD	INSTRUMENT MOUNT FRAME	1	
110-17	K3700000010	BUZZER TYPE EBM-12	1	
110-18	K3681000080	POWER RELAY MR5A602A1K	1	
110-19				
110-20	K3681000070	POWER RELAY MR5A411A1K	2	
110-21	LM2700-0954ZD	3 ANGLE WITH TAP 2525	1	
110-22	K0000050252	5 BOLT 25	1	
110a-23	K0000060202	6 BOLT 20	4	
110-24	K0042050082	5+ ROUND HEAD SMALL SCREW 8	1	
110-25	K1301000150	THROTTLE LEVER GRIP	1	
110-26	LM2700-0560Z2	THROTTLE LEVER	1	
110-27	K5011010202	1SPCC METAL WASHER 1020	1	
110-28	K0011100302	10 HEAT-TREATED BOLT 30P1.25	1	
110-29	K0210100002	10 DISC SPRING L	3	
110-30	K0103100002	10 NUT P1.25	1	
110-31	K6030050152	5 FLAT HEAD PIN 15	1	
110-32	K0300020202	2 SPLIT COTTER PIN 20	2	
110-33	K1110168020	THROTTLE WIRE 1680	1	
110-34	PF1K574-6022-1	RELAY COMP(12VA,D)	1	
110-35	PF15694-6599-2	TIMER(GLOW LAMP)	1	

Cat No.	Code No.	Part name	Qty	Remark
110-36	K0000080402	8 BOLT 40	1	
110a-37	K0100080002	8 NUT	3	
110-38	K3700000030	BUZZER EBS-12 WITH STAY	1	
110a-39				
110a-40				
110-41				
110a-42				
110a-43				
110-44	K3671000150	SAFETY SWITCH V17680A	1	
110-45				
110-46				
110-47				
110-48	K0002120202	12 BOLT 20P1.25	1	
110-49	K0200120002	12S WASHER	1	
110-50	K5000120002	12 WASHER	1	
110-51				
110-52	K0141060002	6 WING NUT 3	2	
110-53	GM2800-0604ZD	BATTERY SUPPORT	1	
110-54	LM2700-0546ZD	BATTERY SUPPORT ROD	2	
110-55	K3600000180	BATTERY FX105D31R	1	Mounted from Japan
110-56	K0300016122	1.6 SPLIT PIN 12	2	
110-57	K5000060002	6 WASHER	5	
110-58	LM2700-0545ZD	BATTERY CASE	1	
110-59				
110-60	K3630000090	MINI-FUSE BLOCK 10P-A	1	
110-61				
110-62	K3681000060	RELAY CALAF-12V-N-5	1	
110-63	K3630000150	FUSIBLE LINK 50A	1	
110-64	LM2700-0551ZD	BOX BRACKET	1	
110-65	GM2800-0516ZD	RELAY BOX	1	
110-66	K0900300160	GROMMET WITH FILM C305G16A	2	
110-67	K3680000030	TERMINAL RELAY G6B-4CB	2	
110-68	GM2800-0517Z0	1 RUBBER PACKING 134189	1	
110-69	GM2800-0518Z0	1.5 ACRYLIC BOARD 134189	1	
110a-70	LM2700-0577ZD	BOX COVER	1	

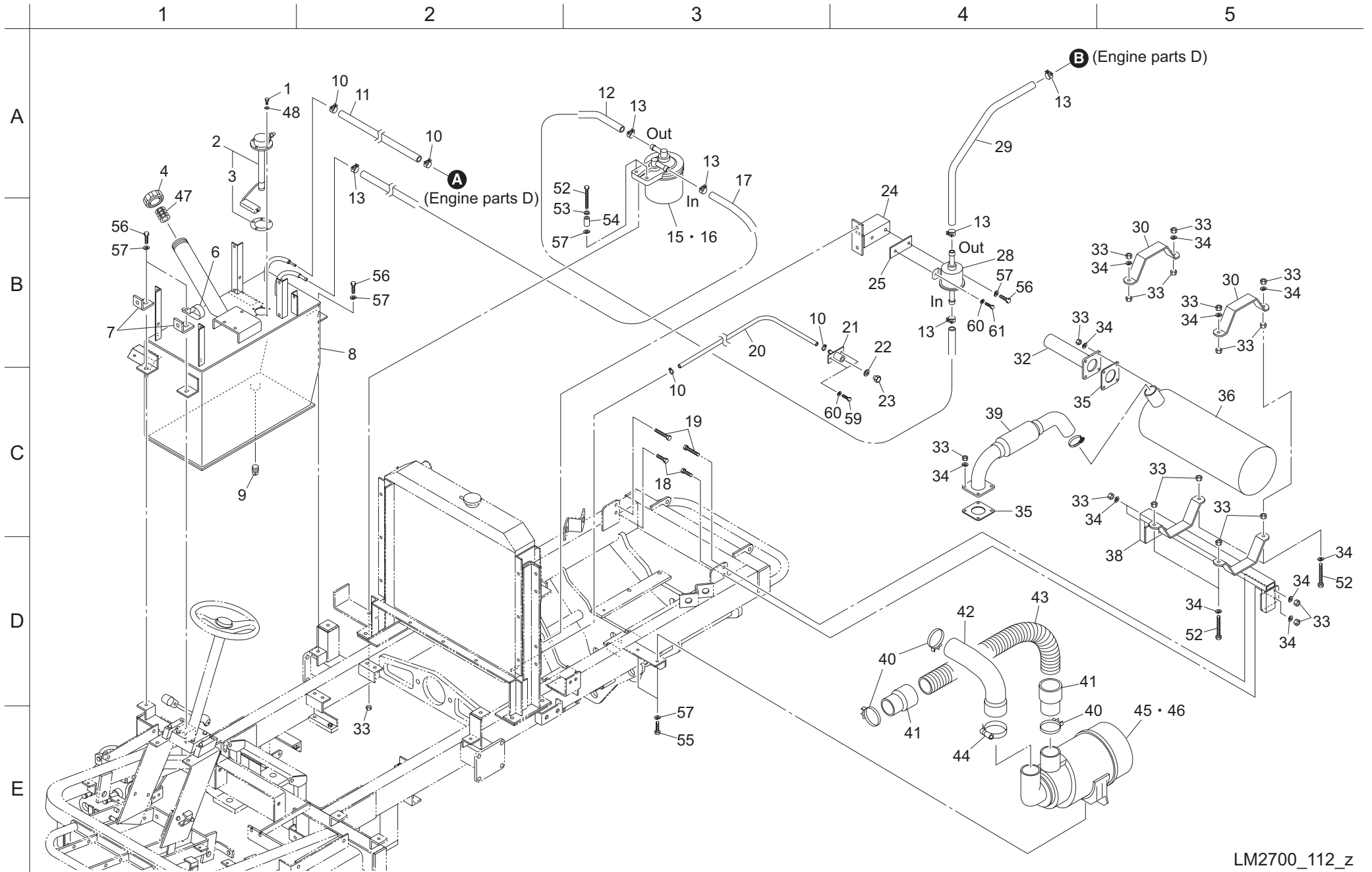
110. Engine parts B



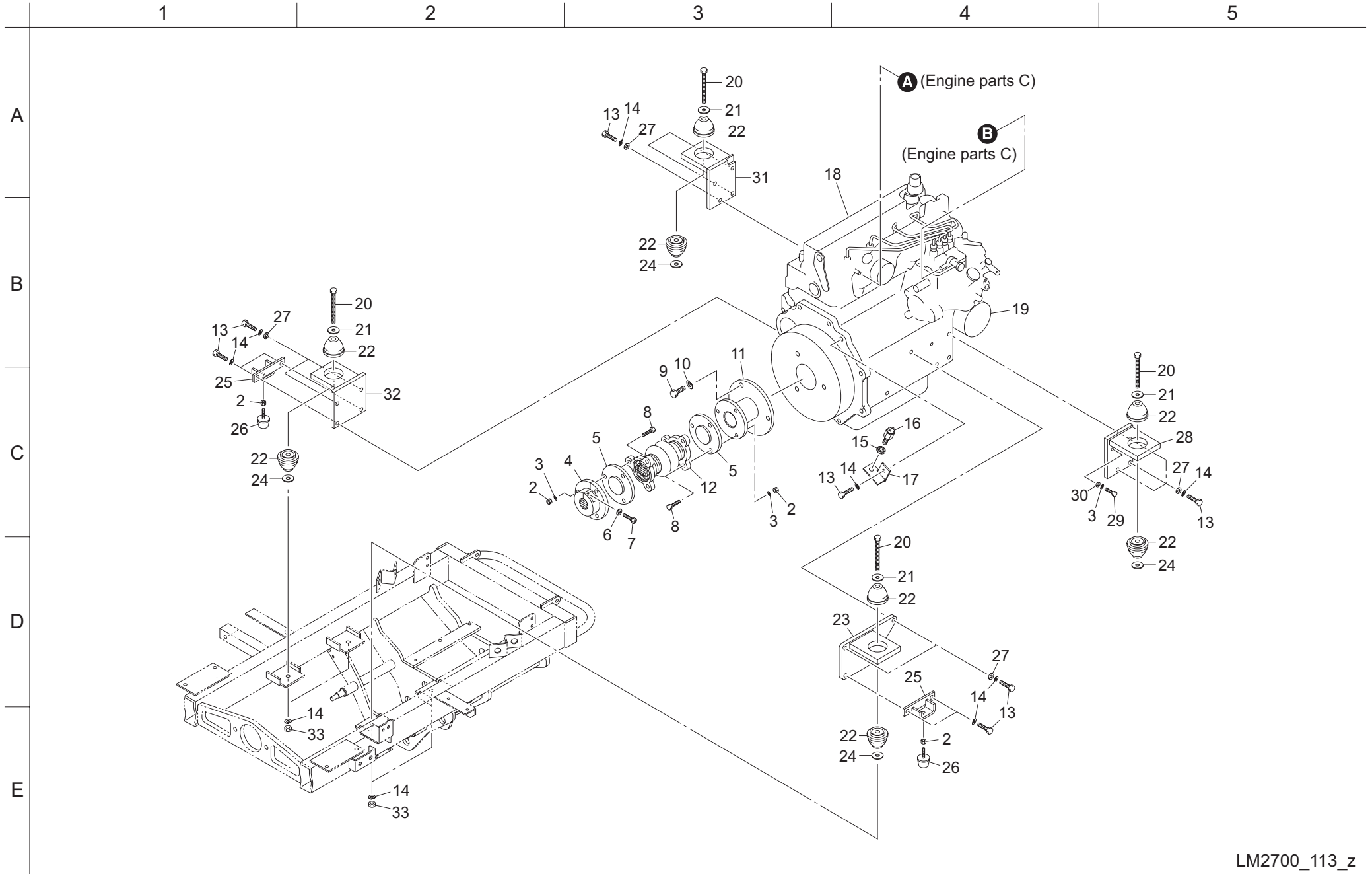
111. Engine parts C (26inch)



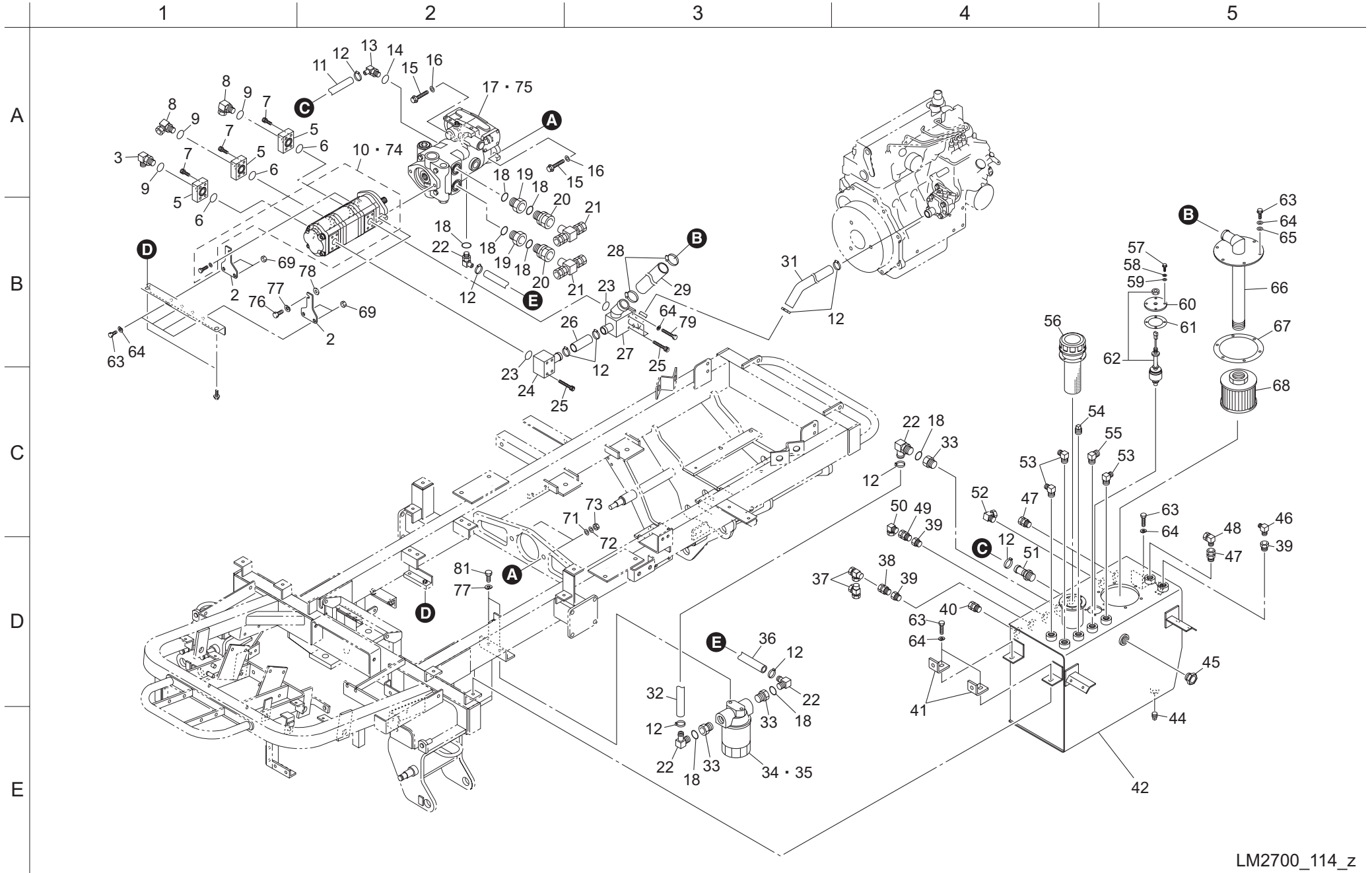
112. Engine parts C (22inch)



113. Engine parts D



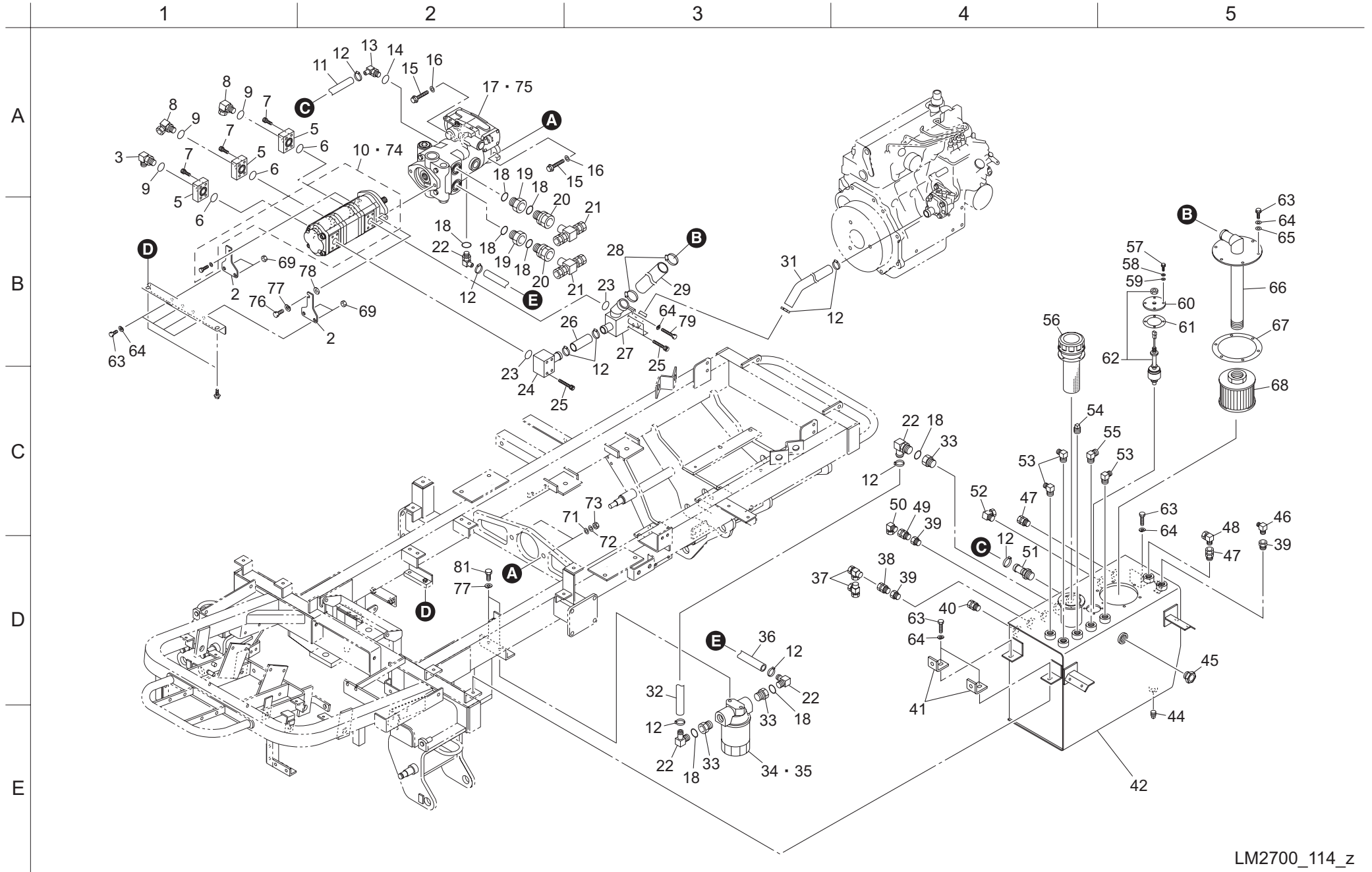
114. Hydraulic parts A



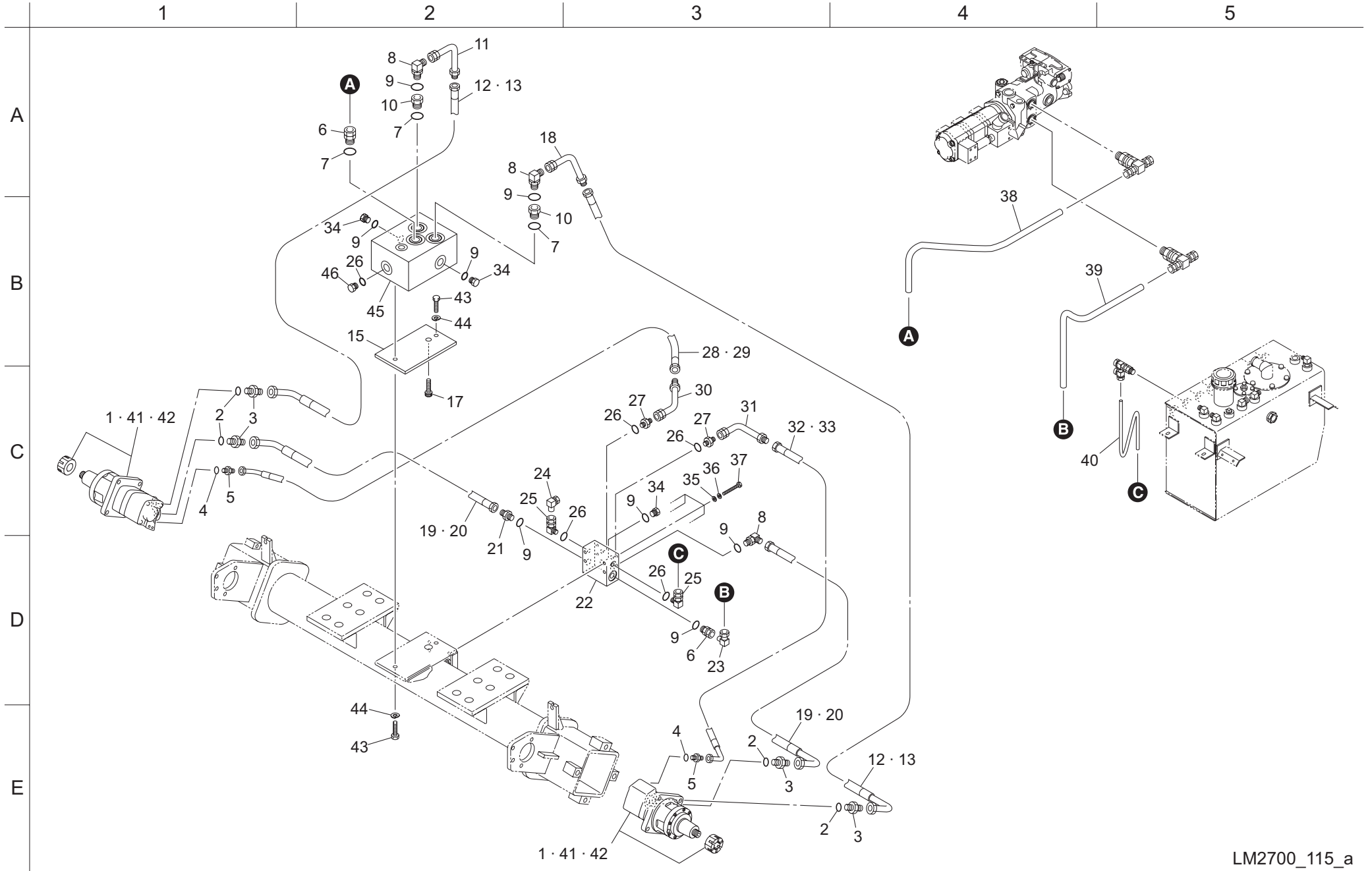
Cat No.	Code No.	Part name	Qty	Remark
114-1				
114-2	LM2700-0803ZD	PUMP SUPPORT PLATE	2	
114-3	K3008000352-Y	90 DIFFERENT-DIAMETER ELBOW PF3/8PF1/2	1	
114-4				
114-5	LM2700-0830Z2-Y	DISCHARGE FLANGE	3	
114-6	K0881028000	O-RING P28B	3	
114-7	K0024080251	8 HEX. SOCKET HEAD BOLT 25	12	
114-8	K3026412081-Y	ELBOW NIPPLE KL012-040E	2	
114-9	K0881018000	O-RING P18B	3	
114-10	K3252000040	GEAR PUMP PBBB222	1	
114-11	LM2700-0870Z0	25 SUCTION HOSE 630	1	
114-12	K4260000190	JUBILEE BAND 1	10	
114-13	K3008000302-Y	ADJUSTABLE ELBOW FPD21941	1	
114-14	K0887009120	O-RING AS568-912	1	
114-15	K0010120502	12 HEAT-TREATED BOLT 50	2	
114-16	K5073212352	3.2SPHC METAL WASHER 1235	2	
114a-17	K3244000040	PISTON PUMP 72400	1	
114-18	K0887009160	O-RING AS568-916	8	
114-19	K3008000632-Y	O-RING CONNECTOR 4043-1 5/16-O	2	
114-20	K3008000622-Y	O-RING CONNECTOR 1202-25-1 5/16	2	
114-21	K3027025001-Y	TEE KTB25-000E	2	
114-22	K3008000312-Y	ADJUSTABLE ELBOW FPD21939	4	
114-23	K0883025000	O-RING 1AG-25	2	
114-24	LM2700-0805A2-Y	SUCTION FLANGE	1	
114-25	K0024080601	8 BOLT WITH HEX. HOLE 60	7	
114-26	LM2700-3844Z0	BYPASS HOSE	1	
114-27	LM2700-0804B2-Y	COMMON SUCTION FLANGE	1	
114-28	K4260000200	JUBILEE BAND 2A	2	
114-29	LM2700-0872Z0	38 SUCTION HOSE 390	1	
114-30				
114-31	LM2700-0871Z0	25 SUCTION HOSE 780	1	
114-32	LM2700-0868Z0	25 SUCTION HOSE 210	1	
114-33	K3008000642-Y	O-RING CONNECTOR 4400-25-16	3	
114-34	K3410000020	CARTRIDGE FILTER CF-08-10U	1	
114-35	K3410000030	CARTRIDGE FILTER F-913-1	1	

Cat No.	Code No.	Part name	Qty	Remark
114-36	LM2700-0869Z0	25 SUCTION HOSE 140	1	
114-37	K3027210001-Y	TEE KTC10-000E	2	
114-38	K3026610061-Y	CONNECTOR KCT10-030E	1	
114-39	K3020080601-Y	BUSHING BUT1/2*3/8	3	
114-40	K3026612081-Y	CONNECTOR KCT12-040E	1	
114-41	LM2700-0950ZD	SIDE COVER MOUNT PLATE	2	
114-42	LM2700-0801AD-Y	HYDRAULIC TANK	1	
114-43				
114-44	K1422106001-Y	HEX. SCKT. TAP. PLUG TYPE 1 3/8	1	
114-45	K1400000044-Y	PF3/4 OIL CAP M	1	
114-46	K3006000012-Y	DIFFERENT DIAMETER ELBOW PT3/8PF1/4	1	
114-47	K3026610081-Y	CONNECTOR KCT10-040E	2	
114-48	K3027110001-Y	ELBOW KLC10-000E	1	
114-49	K3026612061-Y	CONNECTOR KCT12-030E	1	
114-50	K3027112001-Y	ELBOW KLC12-000E	1	
114-51	K3009000132-Y	SPECIAL ADAPTOR MO-JS-25	1	
114-52	K3028012081-Y	ELBOW KLN12-040E	1	
114-53	K3006000022-Y	DIFF. DMTR. ELBOW PT1/2PF3/8	3	
114-54	K1422108001-Y	TAPER PLUG WITH HEX. HOLE 1PC 1/2	1	
114-55	K3001120002-Y	90 ELBOW 1033-12	1	
114-56	K3400000030	REFUELING HOLE BREATHER FAB-50	1	
114-57	K0000060202	6 BOLT 20	4	
114-58	K0200060002	6S WASHER	4	
114-59	K5000060002	6 WASHER	4	
114-60	LM526--0809Z2-Y	OIL LEVEL SENSOR MOUNT PLATE	1	
114-61	LM526--0808Z0	PACKING	1	
114-62	K3720000130	LEVEL SWITCH	1	
114-63	K0000080202	8 BOLT 20	12	
114-64	K0200080002	8S WASHER	14	
114-65	K5000080002	8 WASHER	6	
114-66	LM2700-0802Z2-Y	SUCTION HOSE ATTACHMENT	1	
114-67	LM535E-0434Z0	SUCTION PACKING	1	
114-68	K3413000040	SUCTION FILTER SFT-10-150W	1	
114-69	K0100080002	8 NUT	4	
114-70				

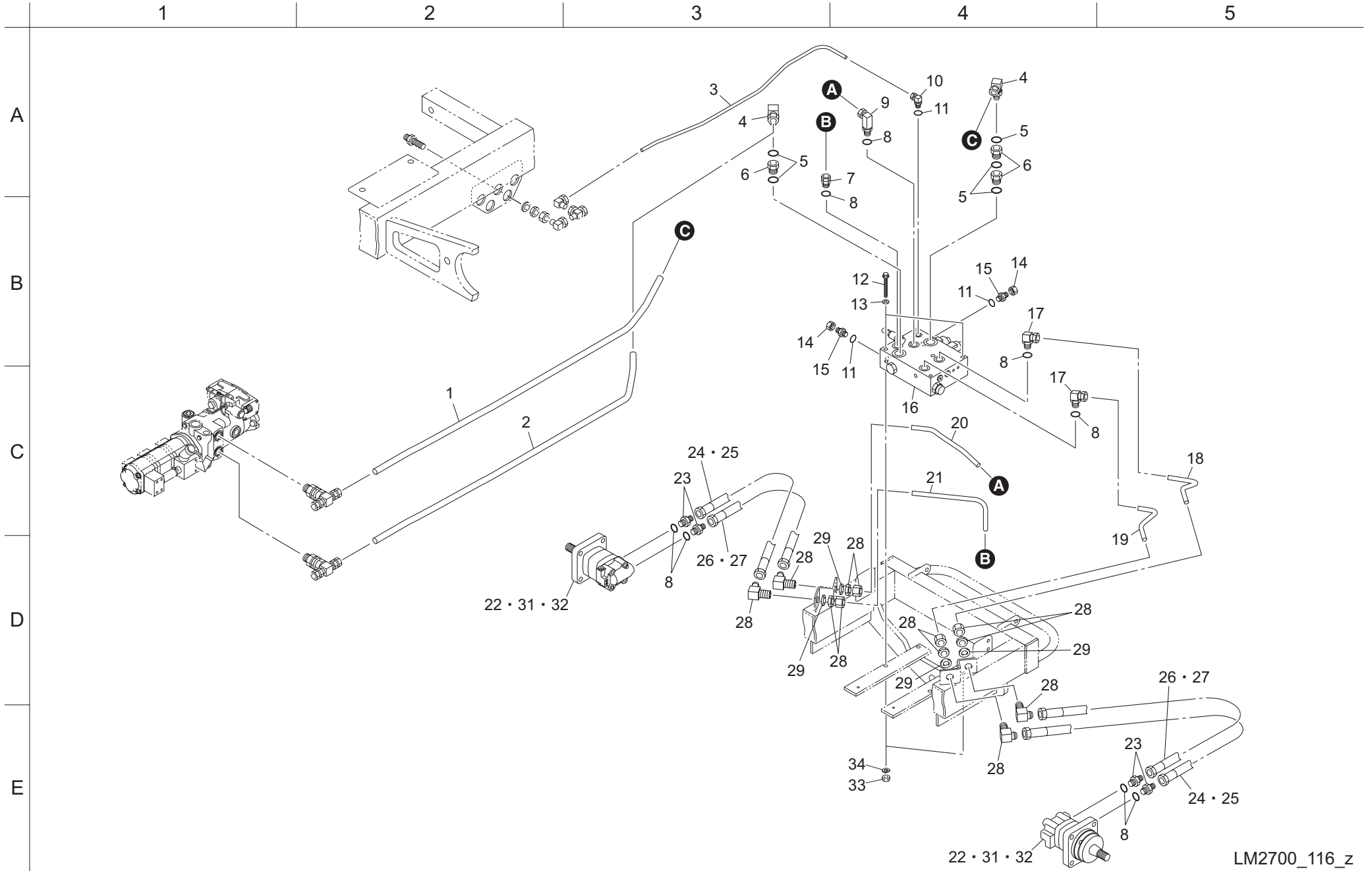
114. Hydraulic parts A



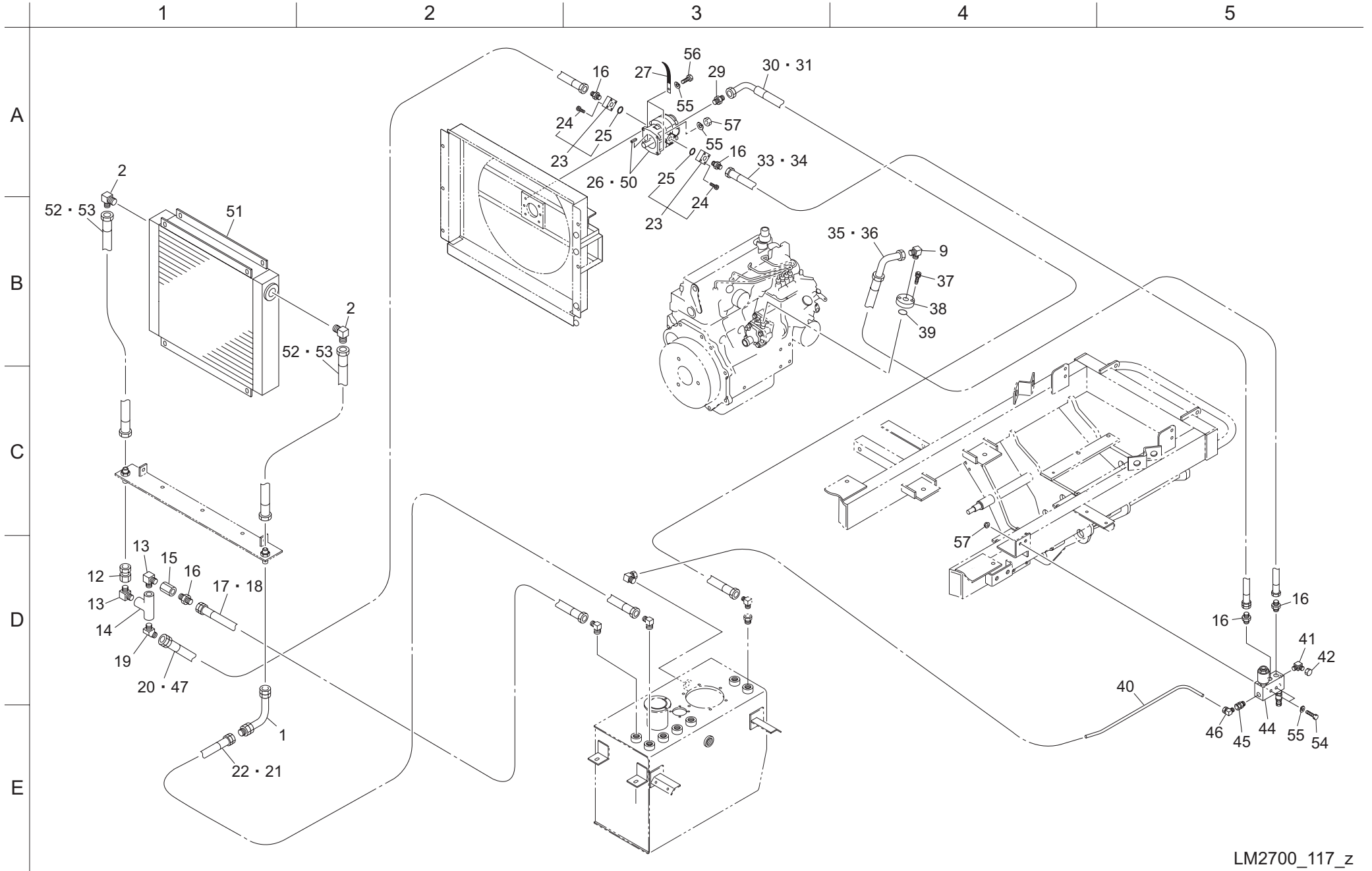
115. Hydraulic parts B



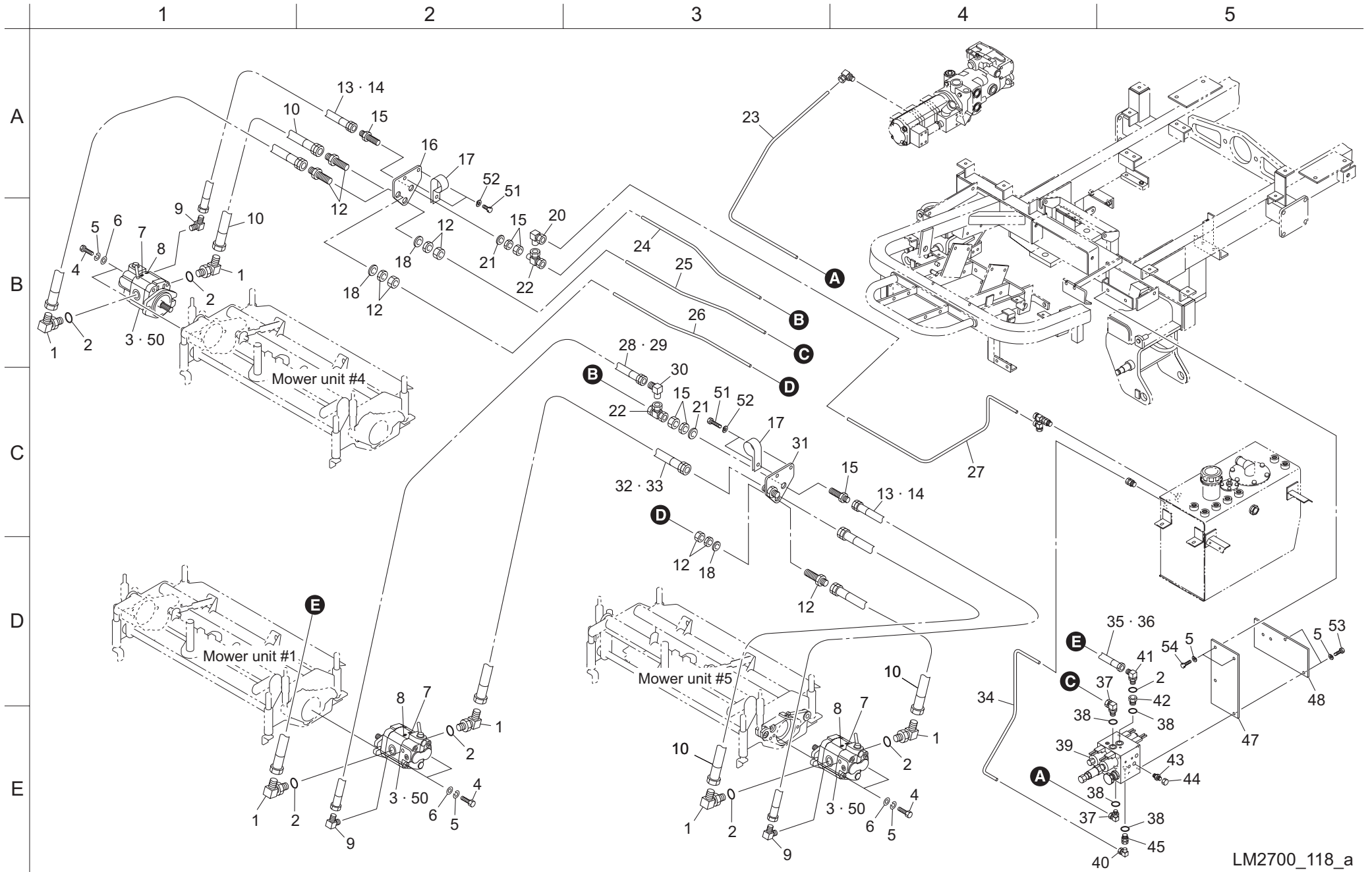
116. Hydraulic parts C



117. Hydraulic parts D



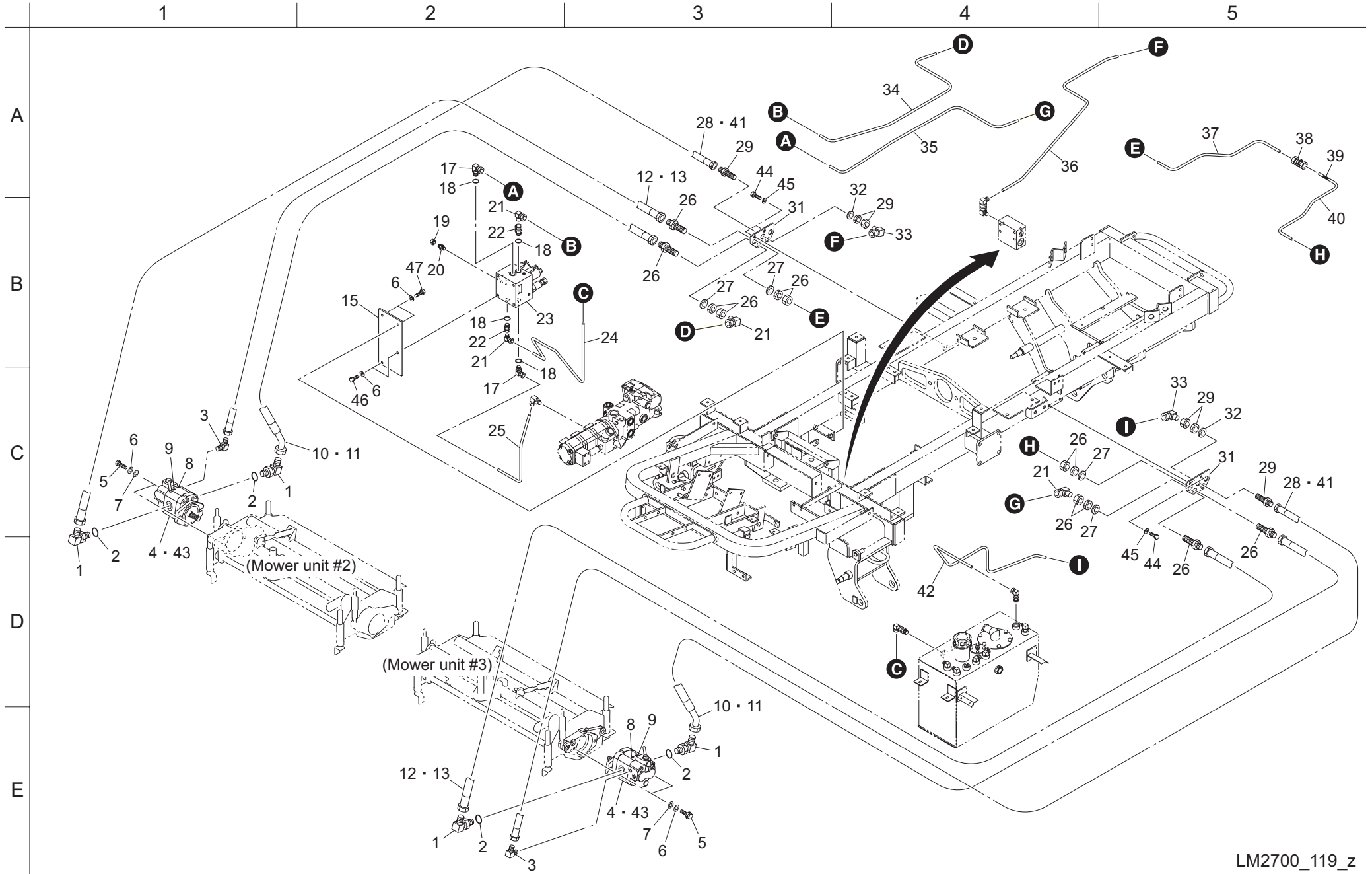
118. Hydraulic parts E



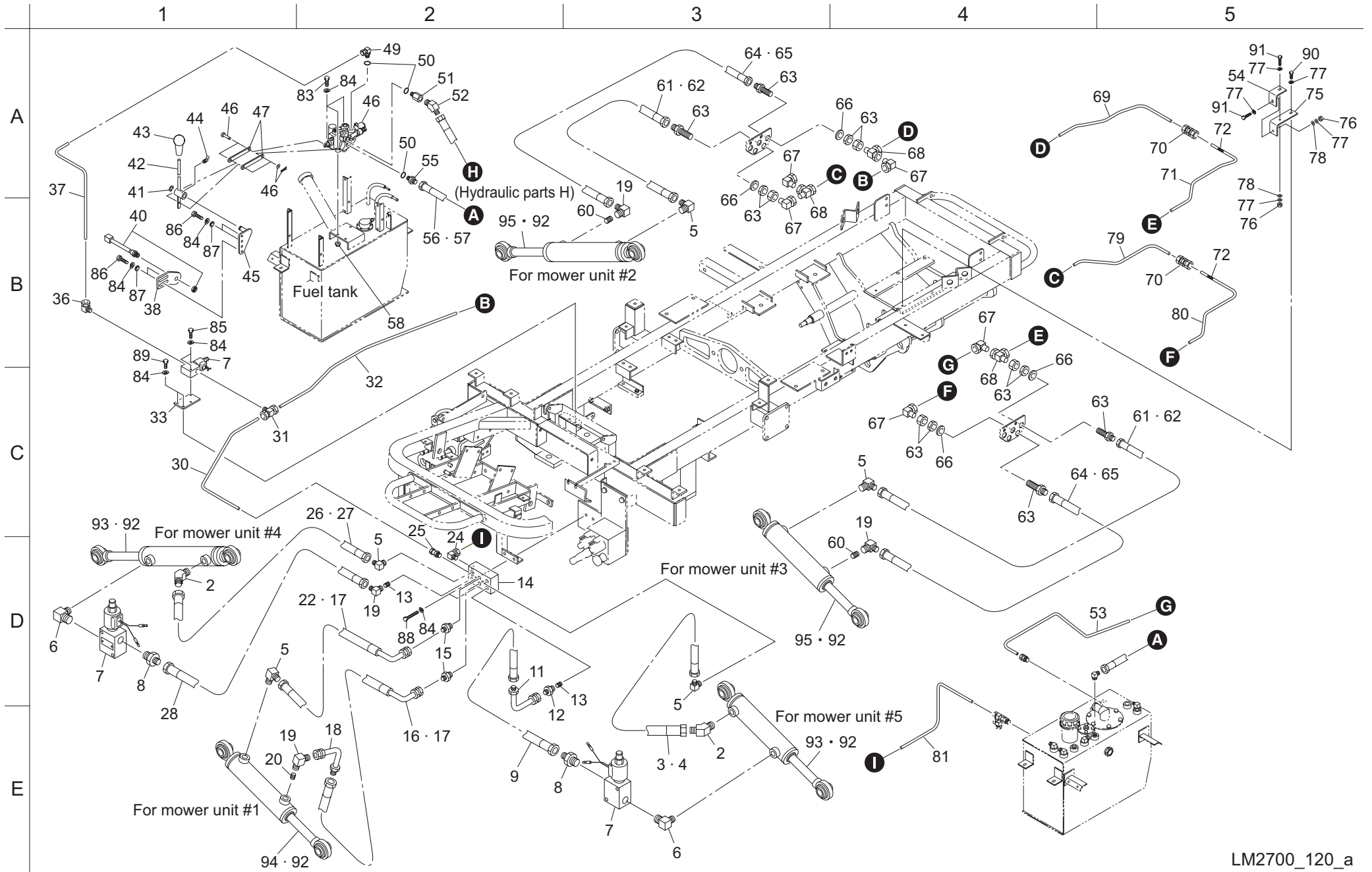
Cat No.	Code No.	Part name	Qty	Remark
118-1	K3008000352-Y	90 DIFFERENT-DIAMETER ELBOW PF3/8PF1/2	6	
118-2	K0881018000	O-RING P18B	7	
118-3	K3280000230	GEAR MOTOR MB4AK379	3	
118-4	K0000100302	10 BOLT 30	6	
118-5	K0200100002	10S WASHER	10	
118-6	K5000100002	10 WASHER	6	
118-7	K4203001300	REEL ROTATION MARK	3	
118-8	K4203001310	REEL STOP MARK	3	
118-9	K3001060002-Y	90 ELBOW 1033-6	3	
118a-10	LM2700-3841Z0	WP140-9 HOSE 1-1400	4	
118a-11				
118-12	K3026912061-Y	BULKHEAD UNION KUE12-030E	3	
118-13	K3101211450	WP70-6 HOSE 1-1450	2	
118-14	K3190013500	SP-12 COIL TUBE 1350	2	
118-15	K3026910041-Y	BULKHEAD UNION KUE10-020E	2	
118-16	LM2700-0833Z2	MOWER UNIT #4 RELAY PLATE	1	
118-17	K4270050080	50 HARNESS CLIP M8	2	
118-18	K0214180001	18 METAL WASHER WITH CONICAL DISK SPRING 2L	3	
118-19				
118-20	K3027110001-Y	ELBOW KLC10-000E	1	
118-21	K0214160001	16 METAL WASHER WITH CONICAL DISK SPRING 2L	2	
118-22	K3027210001-Y	TEE KTC10-000E	2	
118-23	LM2700-0854Z2-Y	V5259 PUMP PIPE	1	
118-24	LM2700-0845Z2-Y	#5 MOTOR DRAIN PIPE	1	
118-25	LM2700-0857Z2-Y	#4 MOTOR OUT PIPE	1	
118-26	LM2700-0859Z2-Y	#5 MOTOR IN PIPE	1	
118-27	LM2700-0844Z2-Y	#4 MOTOR DRAIN PIPE	1	
118-28	K3101221860	WP70-6 HOSE 2-1860	1	
118-29	K3190017600	SP-12 COIL TUBE 1760	1	
118-30	K3028510041-Y	HOSE CONNECTION ELBOW HLD10-20E	1	
118-31	LM2700-0832Z2-Y	#5 MOWER RELAY FITTING	1	
118-32	K3103321970	WP140-9 HOSE 2-1970	1	
118-33	K3191018700	SP-15 COIL TUBE 1870	1	
118-34	LM2700-0858Z2-Y	V5259 TANK PIPE	1	
118-35	K3103311840	WP140-9 HOSE 1-1840	1	

Cat No.	Code No.	Part name	Qty	Remark
118-36	K3191017400	SP-15 COIL TUBE 1740	1	
118-37	K3026412061-Y	ELBOW NIPPLE KL012-030E	2	
118-38	K0881014000	O-RING P14B	4	
118-39	K3313000280	SOLENOID VALVE V5259A COMP	1	
118-40	K3027112001-Y	ELBOW KLC12-000E	1	
118-41	K3008000032-Y	90 ADJUSTER ELBOW 1086-9	1	
118-42	K3029000282-Y	SPECIAL BUSHING PF3/8 PF3/8	1	
118-43	K3000060002-Y	ADAPTER 1013-6	1	
118-44	K3008000482-Y	SCREW CAP (FEMALE) PF1/4	1	
118-45	K3026312061-Y	CONNECTOR KOC12-030E	1	
118-46				
118-47	LM2700-0814ZD	VALVE MOUNT PLATE FOR MOWER UNIT #1#4#5	1	
118-48	LM2700-0866ZD	MANIFOLD MOUNT PLATE	1	
118-49				
118-50	YCG0038A	SEAL KIT FOR MB GEAR MOTOR 379	3	
118-51	K0000080202	8 BOLT 20	4	
118-52	K0200080002	8S WASHER	4	
118-53	K0000100252	10 BOLT 25	2	
118-54	K0000100302	10 BOLT 30	2	

119. Hydraulic parts F



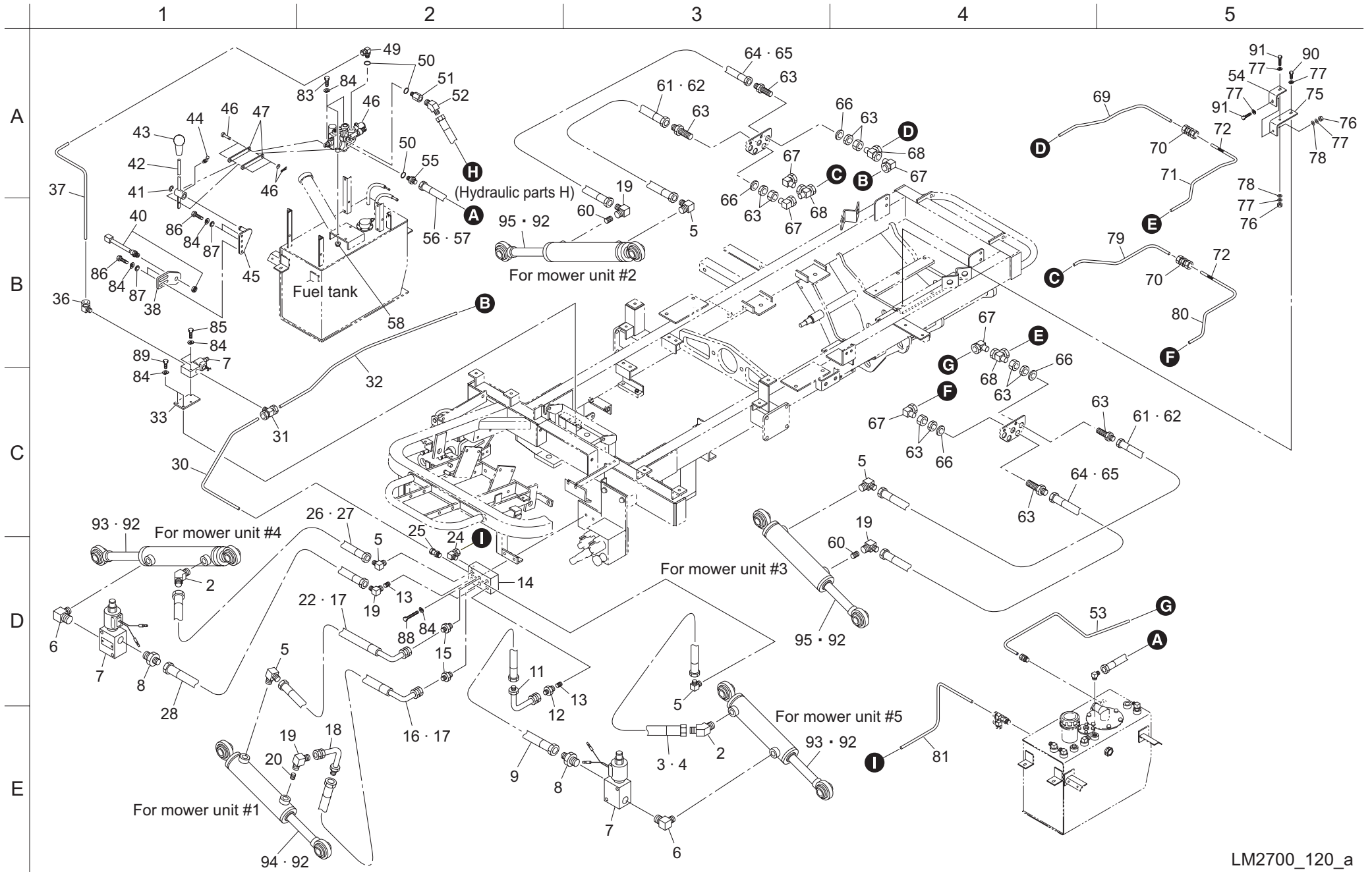
120. Hydraulic parts G



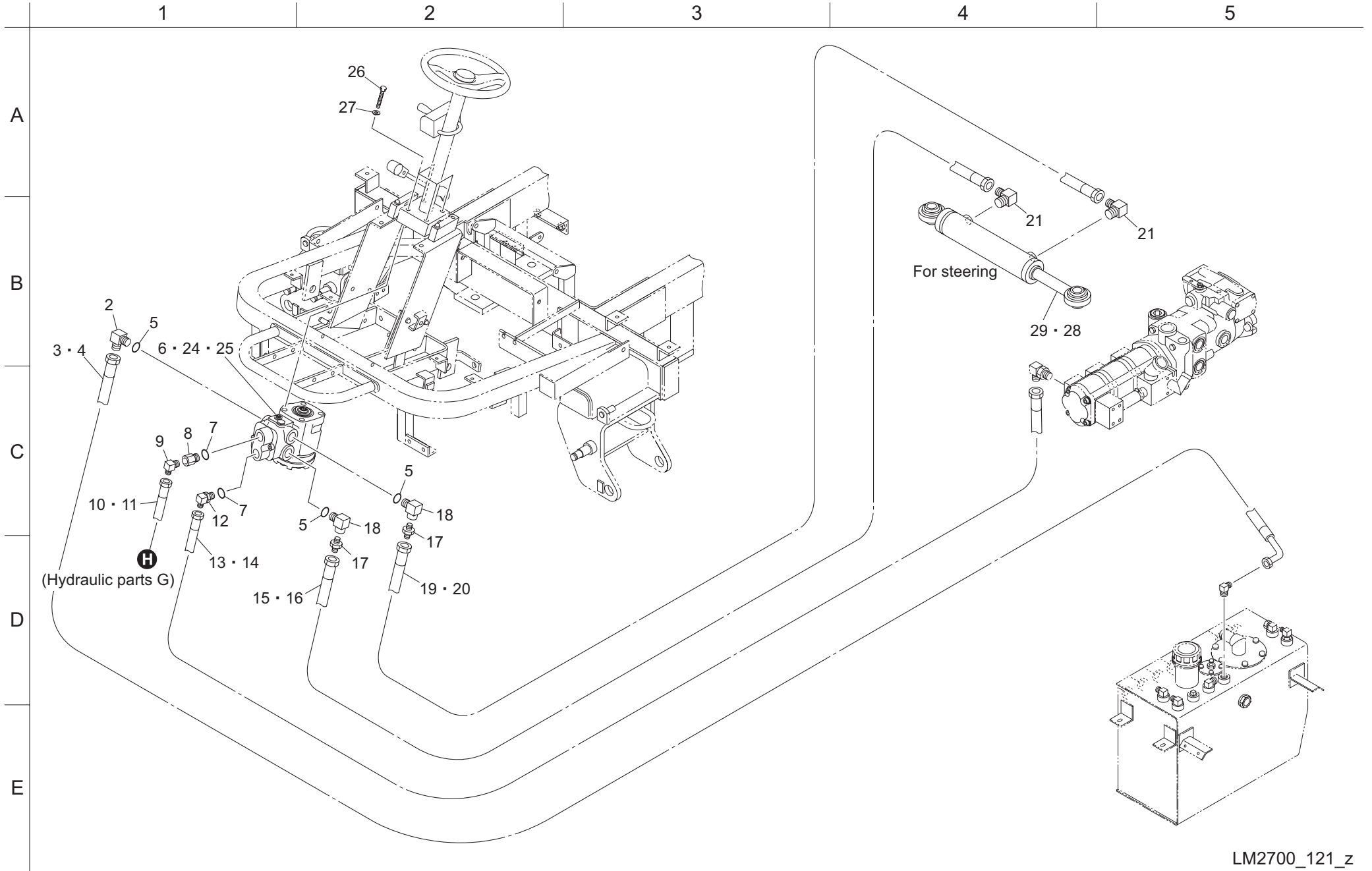
Cat No.	Code No.	Part name	Qty	Remark
120-1				
120-2	K3003060002-Y	45 ELBOW 1035-6	2	
120-3	K3101210650	WP70-6 HOSE 1-650	1	
120-4	K3190005500	SP-12 COIL TUBE 550	1	
120-5	K3001060002-Y	90 ELBOW 1033-6	5	
120-6	K3006000032-Y	DIFF. DMTR. ELBOW PT1/4PT3/8	2	
120-7	K3313000040	SOLENOID CHECK VALVE V4029	3	
120-8	K3009000042-Y	SPECIAL ADAPTER PF1/4PT3/8	2	
120a-9	LM2700-3842Z0	WP105-6 HOSE 2-800	1	
120a-10				
120-11	K302506L042-Y	PIPE ADAPTOR 06L-04	1	
120-12	K3009000272-Y	SPECIAL ADAPTOR 1013-6M6	1	
120-13	K0023000051-Y	6 HOLLOW SET SCREW 6-1.2	2	
120-14	LM2700-0834Z2-Y	CYLINDER MANIFOLD	1	
120-15	K3000060002-Y	ADAPTER 1013-6	2	
120-16	K3102230600	WP105-6 HOSE 3-600	1	
120-17	K3190005000	SP-12 COIL TUBE 500	2	
120-18	K3025069042-Y	PIPE ADAPTOR 069-04	1	
120-19	K3029000252-Y	90 ELBOW 1033-6M6	4	
120-20	K0023000061-Y	6 HOLLOW SET SCREW 6-1.6	1	
120-21				
120-22	K3101230600	WP70-6 HOSE 3-600	1	
120-23				
120-24	K3028010041-Y	ELBOW KLN10-020E	1	
120-25	K3026610041-Y	CONNECTOR KCT10-020E	1	
120-26	K3101211040	WP70-6 HOSE 1-1040	1	
120-27	K3190009400	SP-12 COIL TUBE 940	1	
120a-28	LM2700-3843Z0	WP105-6 HOSE 2-1100	1	
120a-29				
120-30	LM2700-0847Z2-Y	#1#4#5 CYLINDER PIPE	1	
120-31	K3028210061-Y	NIPPLE-IN-TEE KTN10-030E	1	
120-32	LM2700-0840Z2-Y	#2 CYLINDER PIPE	1	
120-33	LM2700-0865ZD	VALVE PLATE	1	
120-34				
120-35				

Cat No.	Code No.	Part name	Qty	Remark
120-36	K3028012061-Y	ELBOW KLN12-030E	1	
120-37	LM2700-0856Z2-Y	CYLINDER PIPE	1	
120-38	LM2700-0625ZD	SWITCH MOUNT PLATE	1	
120-39				
120-40	LM2700-0557Z0	PROXIMITY SENSOR E2E-X5E	1	
120-41	K0400012002	RETAINING RING E12	1	
120-42	LM2700-0874Z2	LEVER	1	
120-43	K1300000050	GRIP, BLACK 9-35.5	1	
120-44	K1440000030	GREASE NIPPLE, B TYPE	1	
120-45	LM2700-0873Z2	LEVER SUPPORT	1	
120-46	K3300000190	STUCK VALVE SV3-1191	1	
120-47	LM2700-0875Z2	JOINT PLATE	2	
120-48				
120-49	K3026412061-Y	ELBOW NIPPLE KL012-030E	1	
120-50	K0881018000	O-RING P18B	3	
120-51	K3029000072-Y	SPECIAL BUSHING PF3/8PT3/8	1	
120-52	K3003090002-Y	45 ELBOW 1035-9	1	
120-53	LM2700-0842Z2-Y	#3 CYLINDER DRAIN PIPE	1	
120-54	LM2700-0864ZD	PIPE RETAINING TOOL B	1	
120-55	K3009000172-Y	SPECIAL ADAPTER PF3/8PF1/2	1	
120-56	K3100421050	WP35-12 HOSE 2-1050	1	
120-57	K3191009500	SP-15 COIL TUBE 950	1	
120-58	K0100080002	8 NUT	3	
120-59				
120-60	K0023000011-Y	6 HOLLOW SET SCREW 6-1	2	
120-61	K3102220460	WP105-6 HOSE 2-460	2	
120-62	K3190003600	SP-12 COIL TUBE 360	2	
120-63	K3026910041-Y	BULKHEAD UNION KUE10-020E	4	
120-64	K3102230430	WP105-6 HOSE 3-430	2	
120-65	K3190003300	SP-12 COIL TUBE 330	2	
120-66	K0214160001	16 METAL WASHER WITH CONICAL DISK SPRING 2L	4	
120-67	K3027110001-Y	ELBOW KLC10-000E	5	
120-68	K3027210001-Y	TEE KTC10-000E	3	
120-69	LM2700-0837Z2-Y	#2#3 CYLINDER DRAIN PIPE	1	
120-70	K3028610001-Y	UNION KUA10-000E	2	

120. Hydraulic parts G



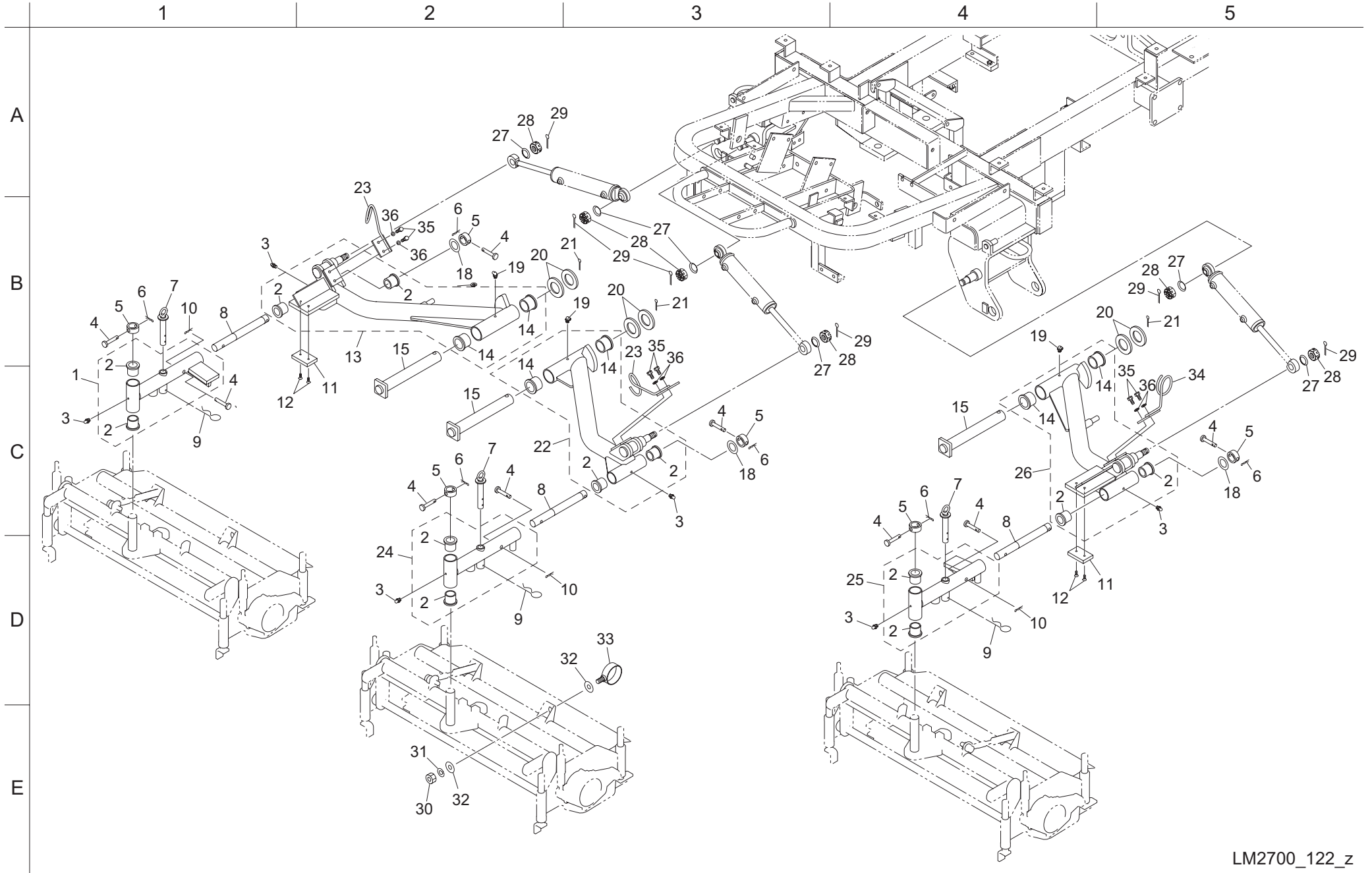
121. Hydraulic parts H



Cat No.	Code No.	Part name	Qty	Remark
121-1				
121-2	K3008000032-Y	90 ADJUSTER ELBOW 1086-9	1	
121-3	K3100331720	WP35-9 HOSE 3-1720	1	
121-4	K3191016200	SP-15 COIL TUBE 1620	1	
121-5	K0881014000	O-RING P14B	3	
121-6	K3294000120	ORBIT ROLL LC-D1-E	1	
121-7	K0881018000	O-RING P18B	2	
121-8	K3029000042-Y	SPECIAL BUSHING PF1/2PT3/8	1	
121-9	K3001090002-Y	90 ELBOW 1033-9	1	
121-10	K3102311500	WP105-9 HOSE 1-1500	1	
121-11	K3191014000	SP-15 COIL TUBE 1400	1	
121-12	K3008000352-Y	90 DIFFERENT-DIAMETER ELBOW PF3/8PF1/2	1	
121-13	K3102311100	WP105-9 HOSE 1-1100	1	
121-14	K3191010000	SP-15 COIL TUBE 1000	1	
121-15	K3101213000	WP70-6 HOSE 1-3000	1	
121-16	K3190029000	SP-12 COIL TUBE 2900	1	
121-17	K3000060002-Y	ADAPTER 1013-6	2	
121-18	K3008000082-Y	90 ADJUSTING ELBOW PF3/8PT1/4	2	
121-19	K3101213210	WP70-6 HOSE 1-3210	1	
121-20	K3190031100	SP-12 COIL TUBE 3110	1	
121-21	K3001060002-Y	90 ELBOW 1033-6	2	
121-22				
121-23				
121-24	YBK0039A	SEAL KIT FOR ORBIT ROLL (LB-D1)	1	
121-25	YBA0271A	SEAL KIT FOR ORBIT ROLL (UA-B4-D)	1	
121-26	K0000100502	10 BOLT 50	4	
121-27	K0200100002	SPRING WASHER, M10	4	
121-28	YIS-40A-SK	CYLINDER SEAL KIT	1	
121-29	K3213000190	40-187 CYLINDER 393	1	

Cat No.	Code No.	Part name	Qty	Remark

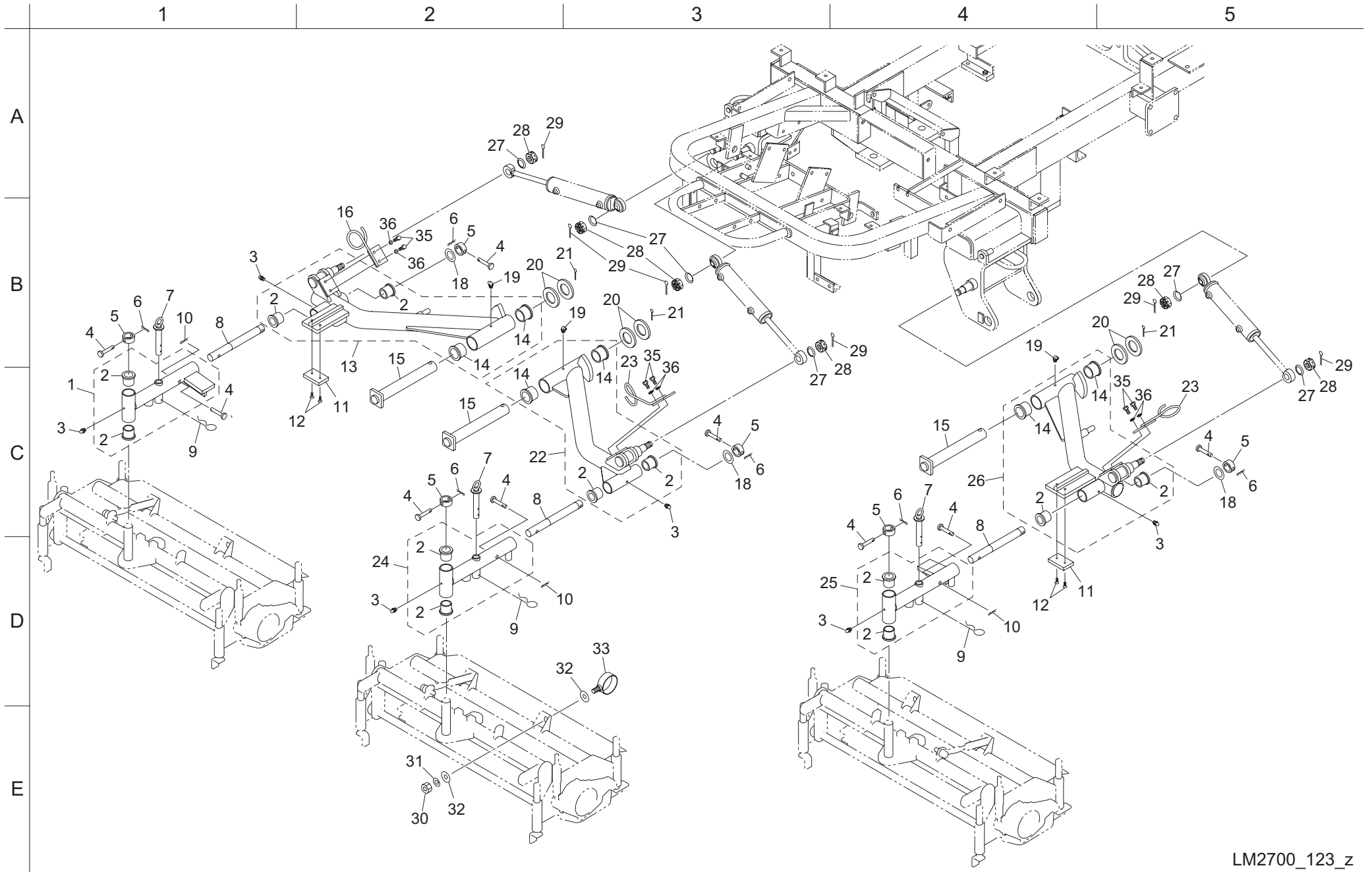
122. Lift arm front part (26inch)



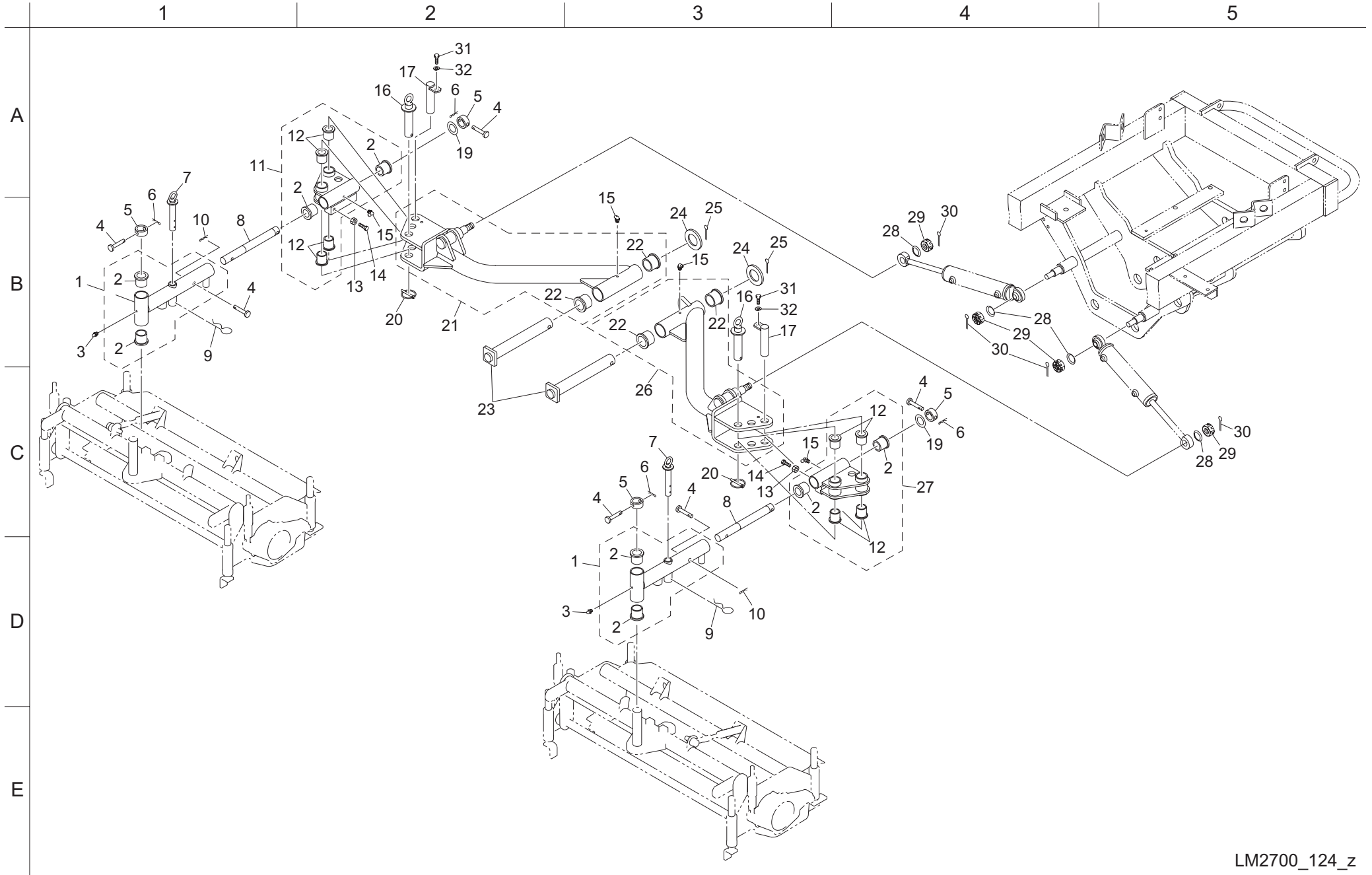
Cat No.	Code No.	Part name	Qty	Remark
122-1	LM2700-0218ZR	#4 MOWER JOINT	1	
122-2	K6010000150	25 FLANGE BUSH 3230	12	
122-3	K1440000010	GREASE NIPPLE, A TYPE	6	
122-4	K6031090458	9.6 HARDENED ROUND HEAD PIN 45.5	9	
122-5	K6215000412	25.2 STKM COLLAR WITH HOLE 3616	6	
122-6	K0341000002	10 SNAP PIN WITH STOPPER	6	
122-7	LM2700-0204A2	LOCK PIN	3	
122-8	LM2700-0202Z0	SHAFT	3	
122-9	K0332200008	22 SNAP PIN	3	
122-10	K0300025202	COTTER PIN, 2.5-20	3	
122-11	K4033000380	STOP RUBBER	2	
122-12	K0041060152	6+ COUNTERSUNK HEAD SCREW 15	4	
122-13	LM2700-0208ZD	#4 LIFT ARM	1	
122-14	K6010000140	30 FLANGE BUSH 3830	6	
122-15	K7147000232	30 PIN WITH HOLE 196	3	
122-16				
122-17				
122-18	K5011025372	1SPCC METAL WASHER 25.437	3	For adjustment
122-19	K1440000020	GREASE NIPPLE, C TYPE	3	
122-20	K5012330452	2.3SPCC METAL WASHER 3045	6	
122-21	K0300040502	4 SPLIT PIN 50	3	
122-22	LM2700-0210ZD	#1 LIFT ARM	1	
122-23	LM2700-0232Z2	HOSE GUIDE B	2	
122-24	LM2700-0201ZR	MOWER JOINT	1	
122-25	LM2700-0217ZR	#5 MOWER JOINT	1	
122-26	LM2700-0207ZD	#5 LIFT ARM	1	
122-27	K0215160001	16 METAL WASHER WITH CONICAL DISK SPRING 2H	6	
122-28	K0122160002	16 SLOTTED HIGH NUT P1.5	6	
122-29	K0300040322	COTTER PIN, 4-32	6	
122-30	K0100120002	12 NUT	1	
122-31	K0200120002	12S WASHER	1	
122-32	K5000120002	12 WASHER	2	
122-33	LM2700-0231Z2	HOSE GUIDE A	1	
122-34	LM2700-0234Z2	HOSE GUIDE D	1	
122-35	K0000080152	8 BOLT 15	6	

Cat No.	Code No.	Part name	Qty	Remark
122-36	K0200080002	8S WASHER	6	

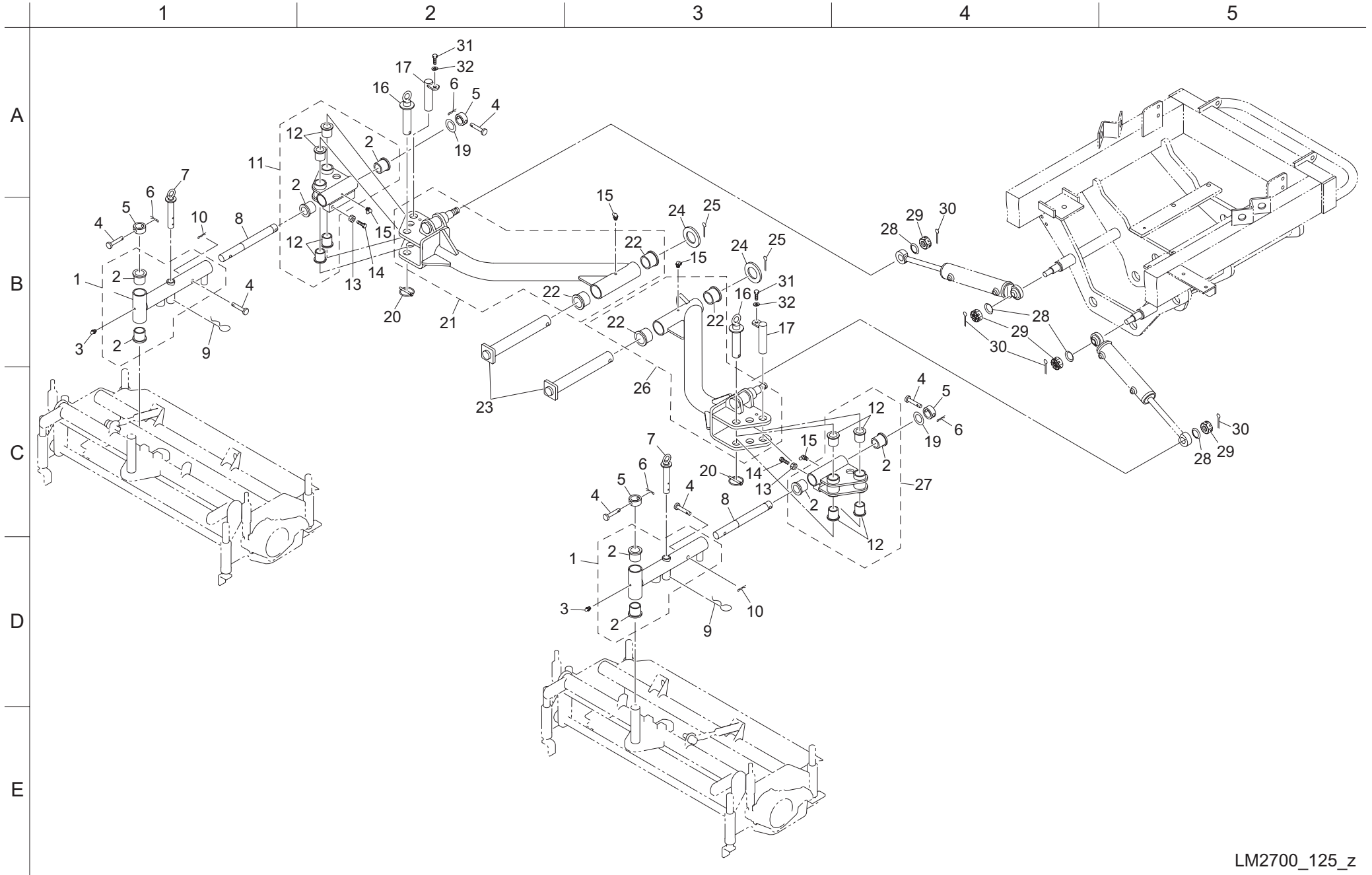
123. Lift arm front part (22inch)



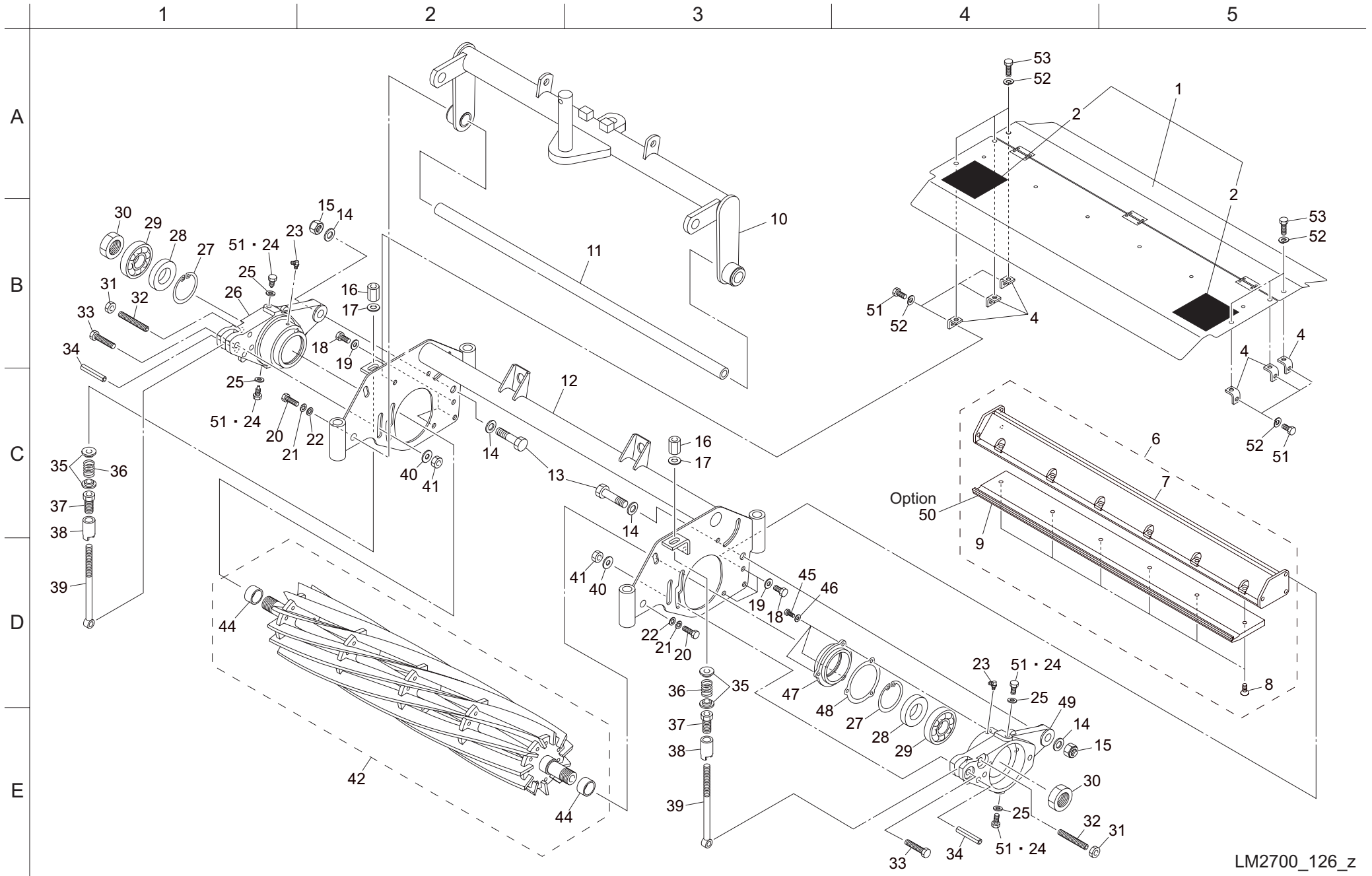
124. Lift arm rear part (26inch)



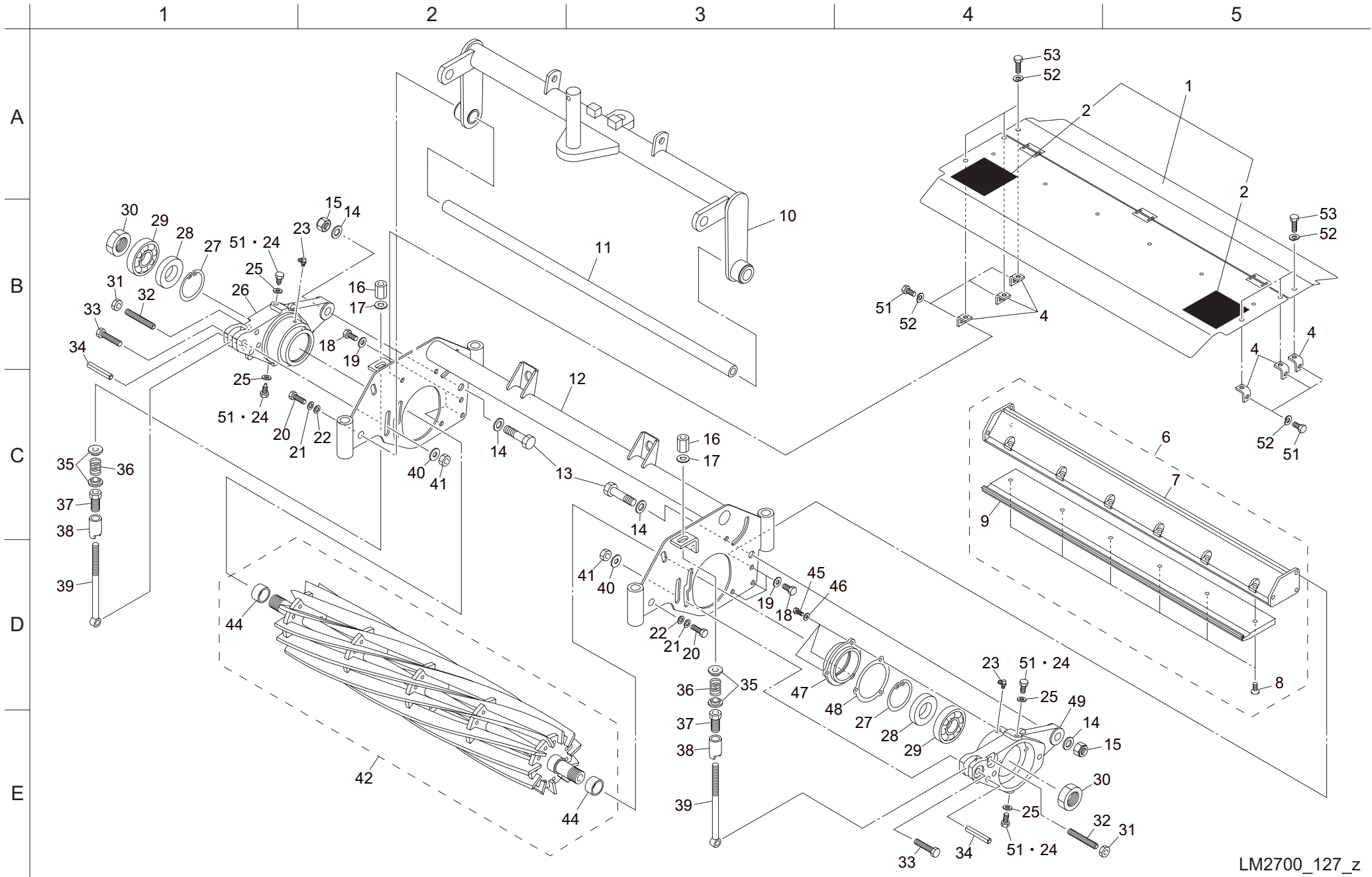
125. Lift arm rear part (22inch)



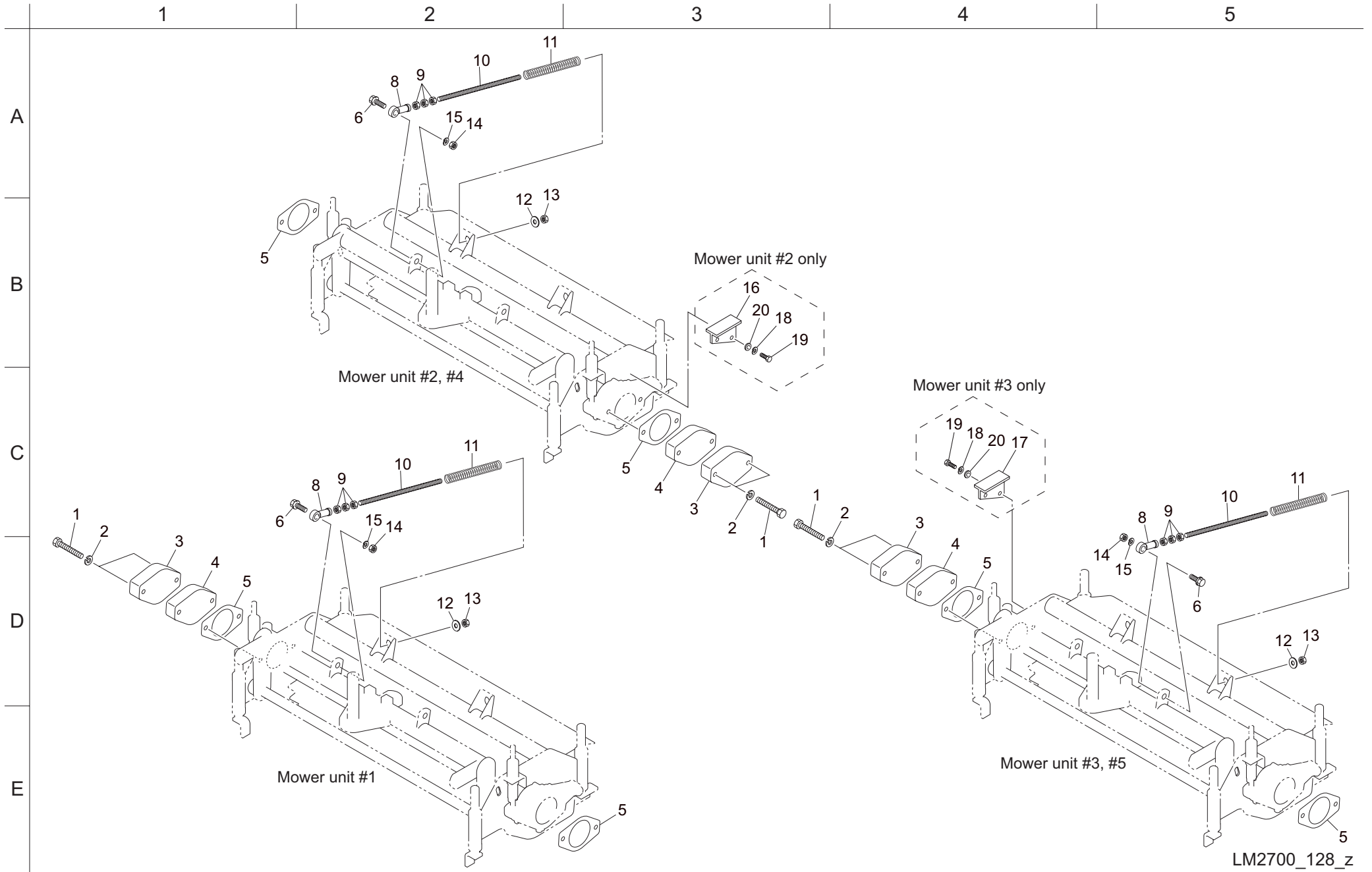
126. Mower parts A (26inch)



127. Mower parts A (22inch)



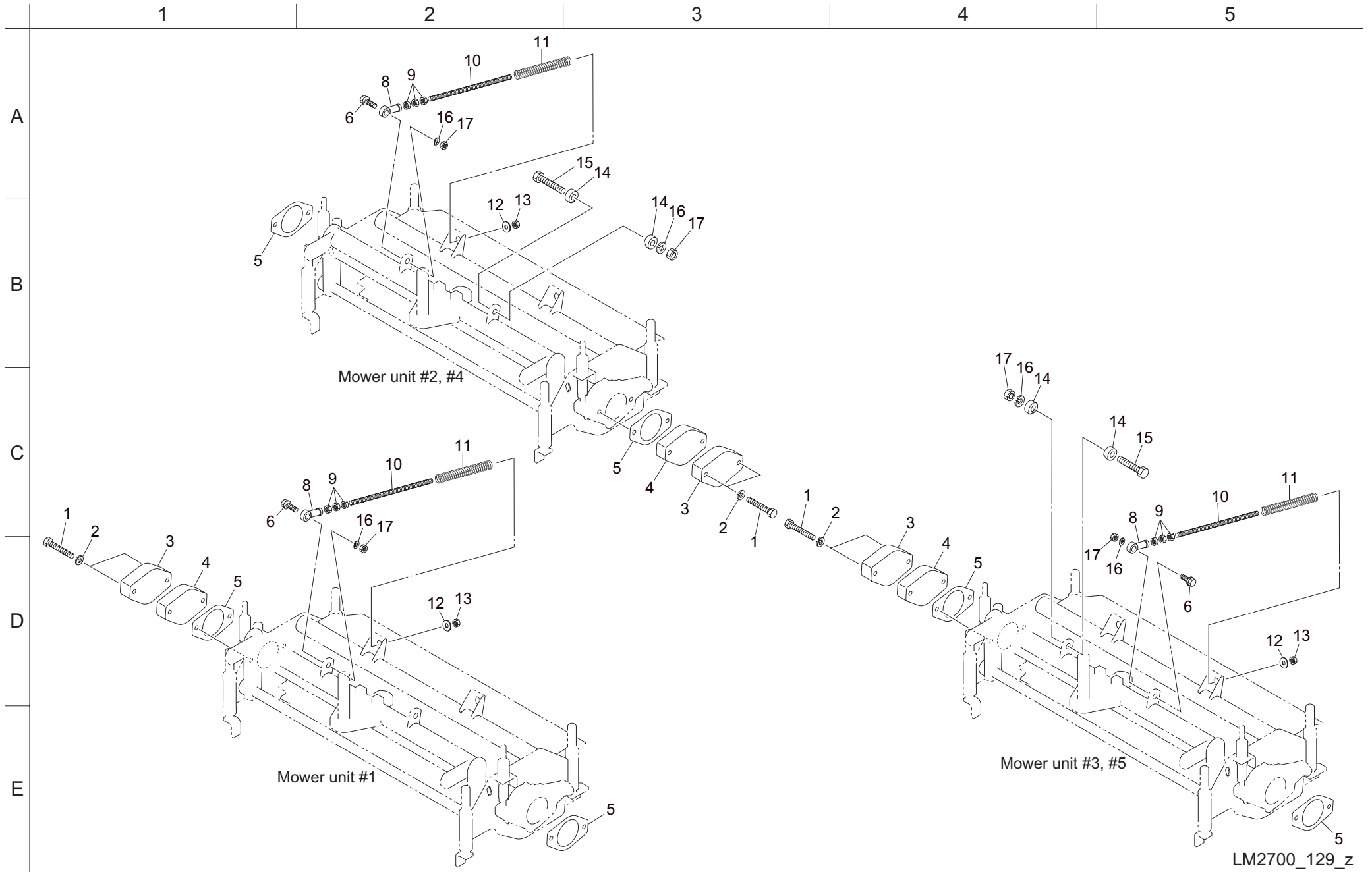
128. Mower parts B (26inch)



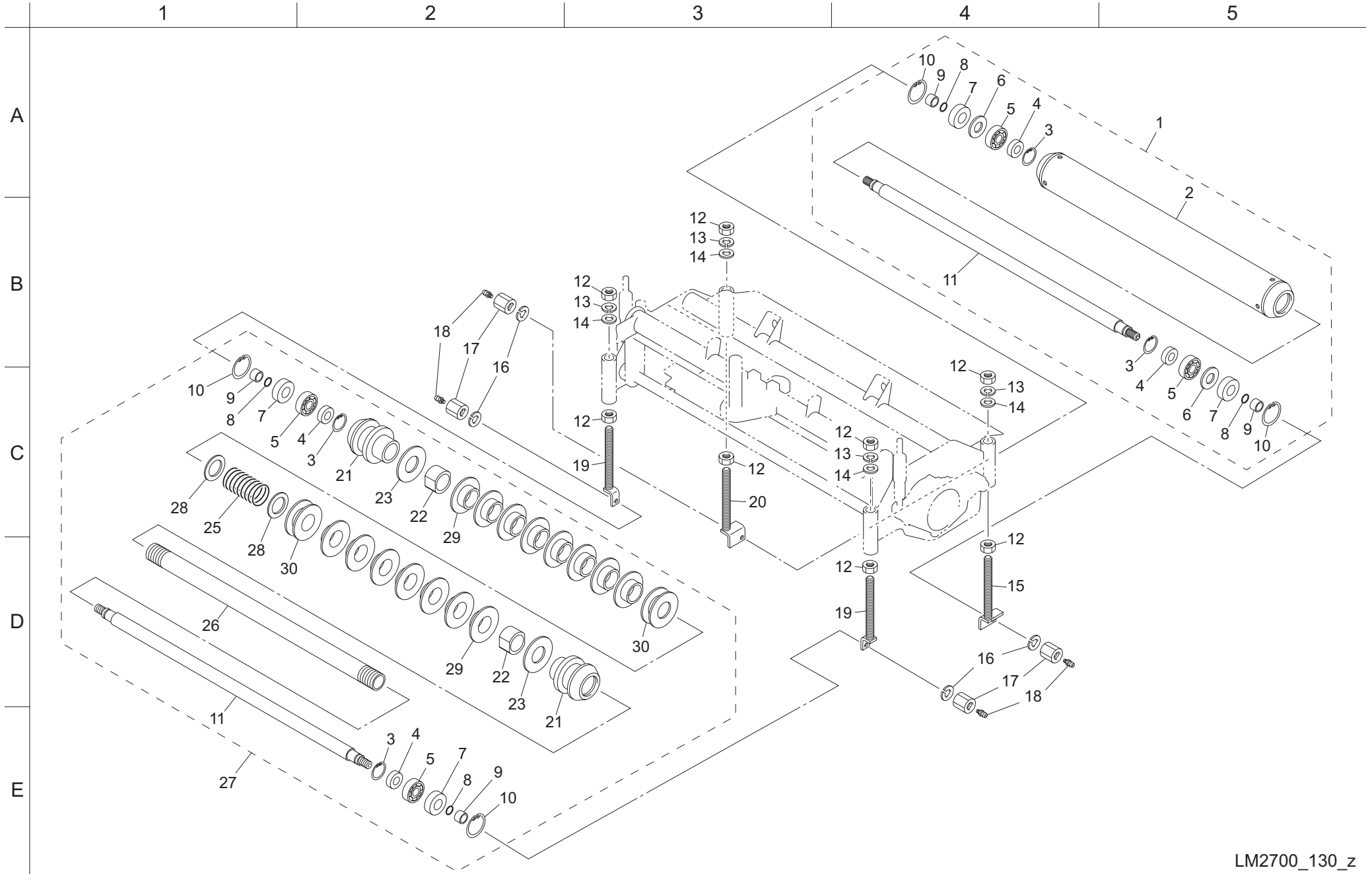
Cat No.	Code No.	Part name	Qty	Remark
128-1	K0000100702	10 BOLT 70	10	
128-2	K0200100002	10S WASHER	10	
128-3	K690300017D	REEL HOUSING COVER	5	
128-4	LM2700-1201ZD	MOWER WEIGHT	5	
128-5	K4011000290	PACKING	10	
128-6	K0000120352	12 BOLT 35	5	
128-7				
128-8	K1607120000	ROD END PHS12EC	5	
128-9	K0102120002	12 NUT 3	15	
128-10	LM2700-0219Z2	M12 SCREW SHAFT 240	5	
128-11	K1000000118	3 COMPRESSION SPRING 21150	5	
128-12	K5073212352	3.2 SPHC WASHER 1235	5	
128-13	K0144120002	12U NUT	5	
128-14	K0100120002	12 NUT	5	
128-15	K0200120002	12S WASHER	5	
128-16	LM2700-0166ZD	#2 MOWER STOPPER	1	
128-17	LM2700-0167ZD	#3 MOWER STOPPER	1	
128-18	K0200080002	8S WASHER	4	
128-19	K0000080202	8 BOLT 20	4	
128-20	K5000080002	8 WASHER	4	

Cat No.	Code No.	Part name	Qty	Remark

129. Mower parts B (22inch)



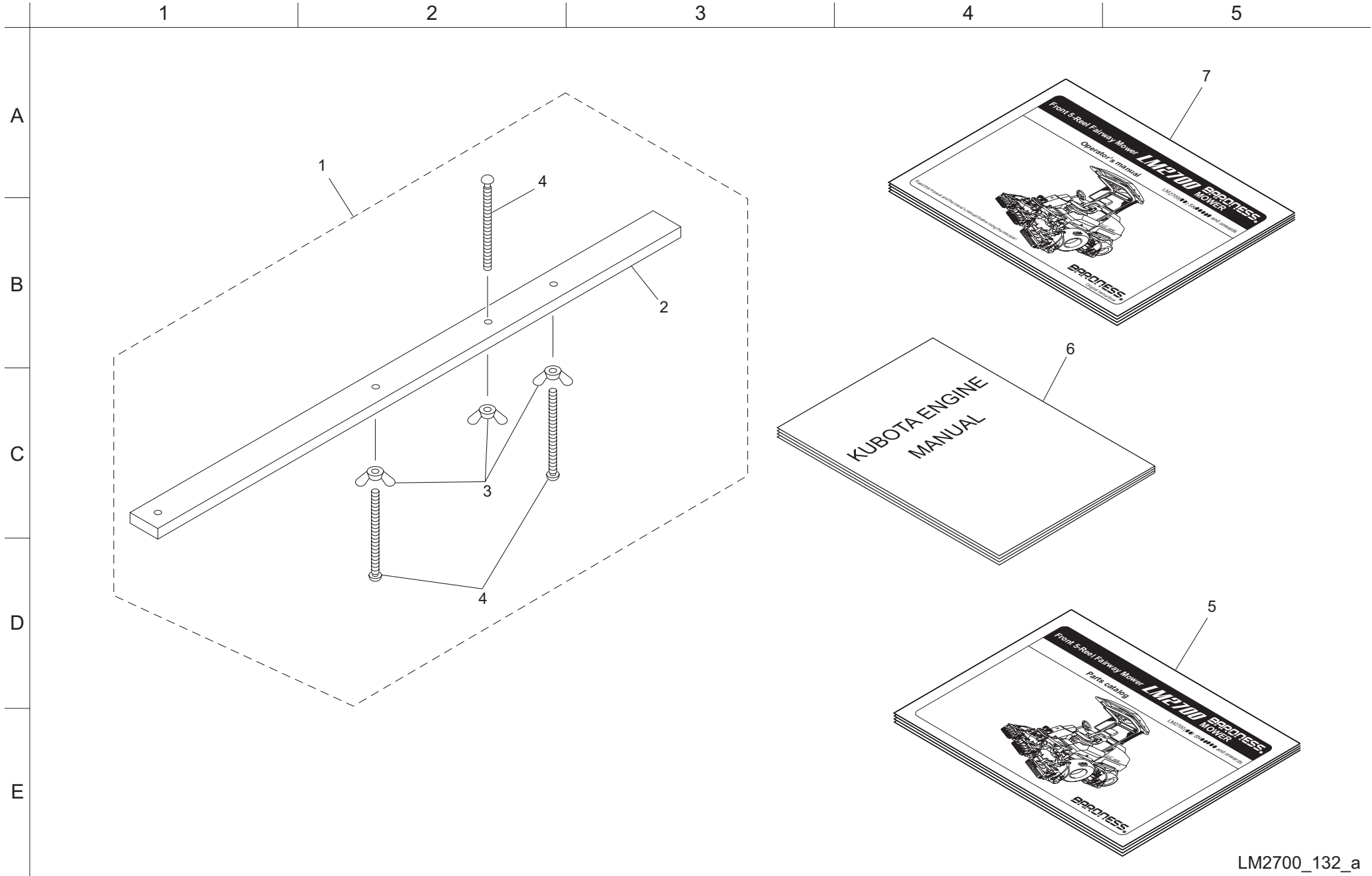
130. Roller Ass'y parts (26inch)



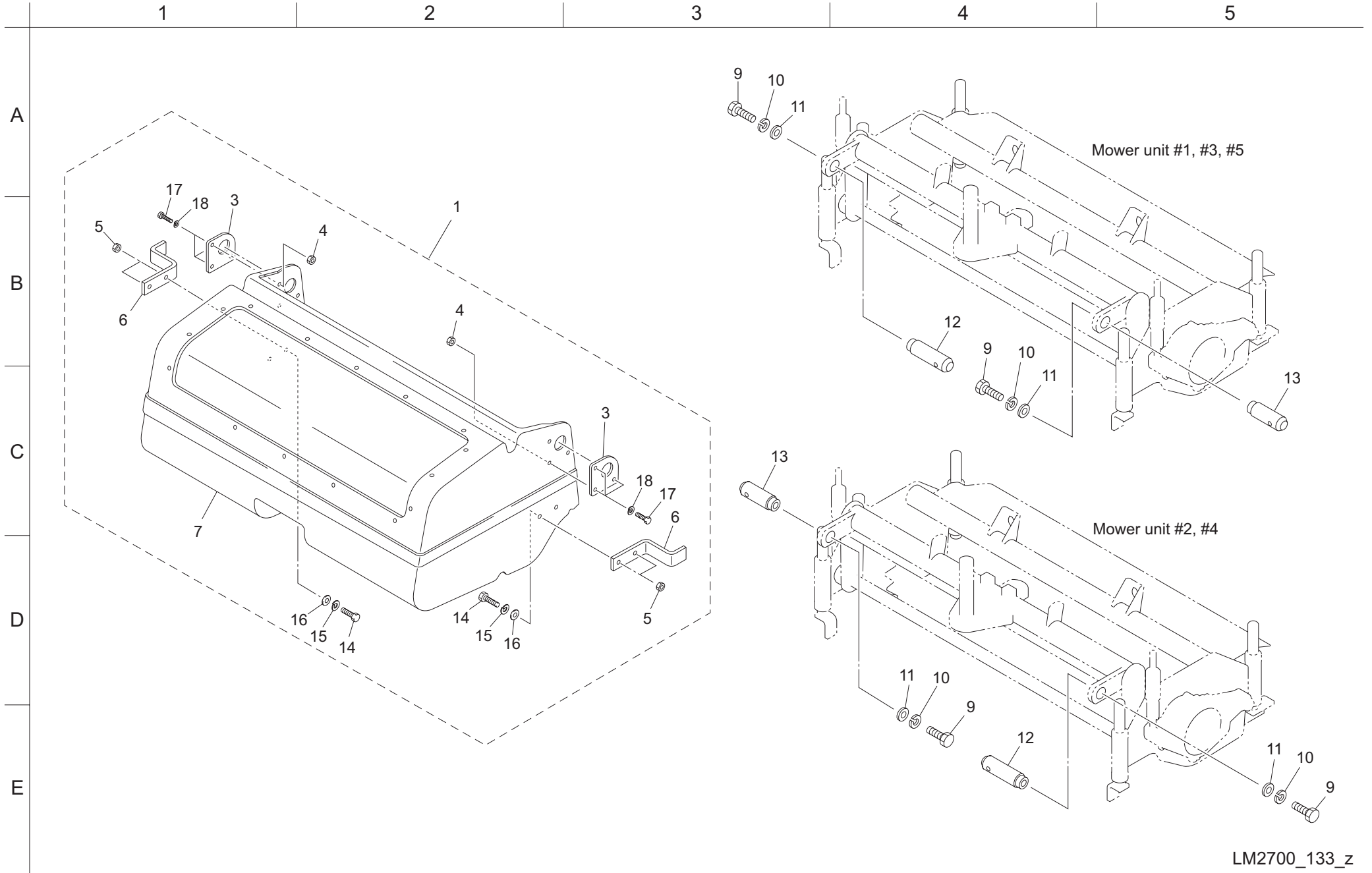
Cat No.	Code No.	Part name	Qty	Remark
130-1	LM2700-0193Z0	ROLLER ASSY	5	
130-2	LM2700-0154ZD	76.2 ROLLER 696	5	
130-3	K0402035001	STOP RING R35	20	
130-4	K0822235080	OIL SEAL MHSA22358	20	
130-5	K0600063030	BALL BRG 6303	20	
130-6	K5090000802	3.2SPHC WASHER 4047	10	
130-7	K0822547080	OIL SEAL MHSA25478	20	
130-8	K0885015000	O-RING S15	20	
130-9	K6219000580	17SUS COLLER 2516	20	
130-10	K0402047001	STOP RING R47	20	
130-11	LM2700-0152Z0	22 ROLLER SHAFT 749	10	
130-12	K0108180002	18 NUT 3P1.5	40	
130-13	K0200180002	18S WASHER	20	
130-14	K5012018282	2SPCC METAL WASHER 1828	20	
130-15	LM2700-0162Z2	CUTTING HEIGHT ADJUSTING SCREW (L)	5	
130-16	K0200140002	14S WASHER	20	
130-17	K0149142302	14-22 HIGH NUT 30	20	
130-18	K1440000010	GREASE NIPPLE, A TYPE	20	
130-19	LM2700-0137Z2	CUTTING HEIGHT ADJUSTING SCREW	10	
130-20	LM2700-0161Z2	CUTTING HEIGHT ADJUSTING SCREW (R)	5	
130-21	LM2700-0153ZD	ROLLER HOUSING 75.5	10	
130-22	LM2700-0122Z2	LOCK COLLER	10	
130-23	LM2700-0155Z0	4A2017P WASHER 40.580	10	
130-24				
130-25	K100000073D	5 COMPRESSION SPRING 5175	5	
130-26	LM2700-0151Z2	34.2 ROLLER PIPE 40607.2	5	
130-27	LM2700-0190Z0	SLOTTED ROLLER ASSY	5	
130-28	K5011040522	1SPCC WASHER 4052	10	
130-29	LM2700-0164Z0	ROLLER A	75	
130-30	LM2700-0165Z0	ROLLER B	10	

Cat No.	Code No.	Part name	Qty	Remark

132. Accessory parts



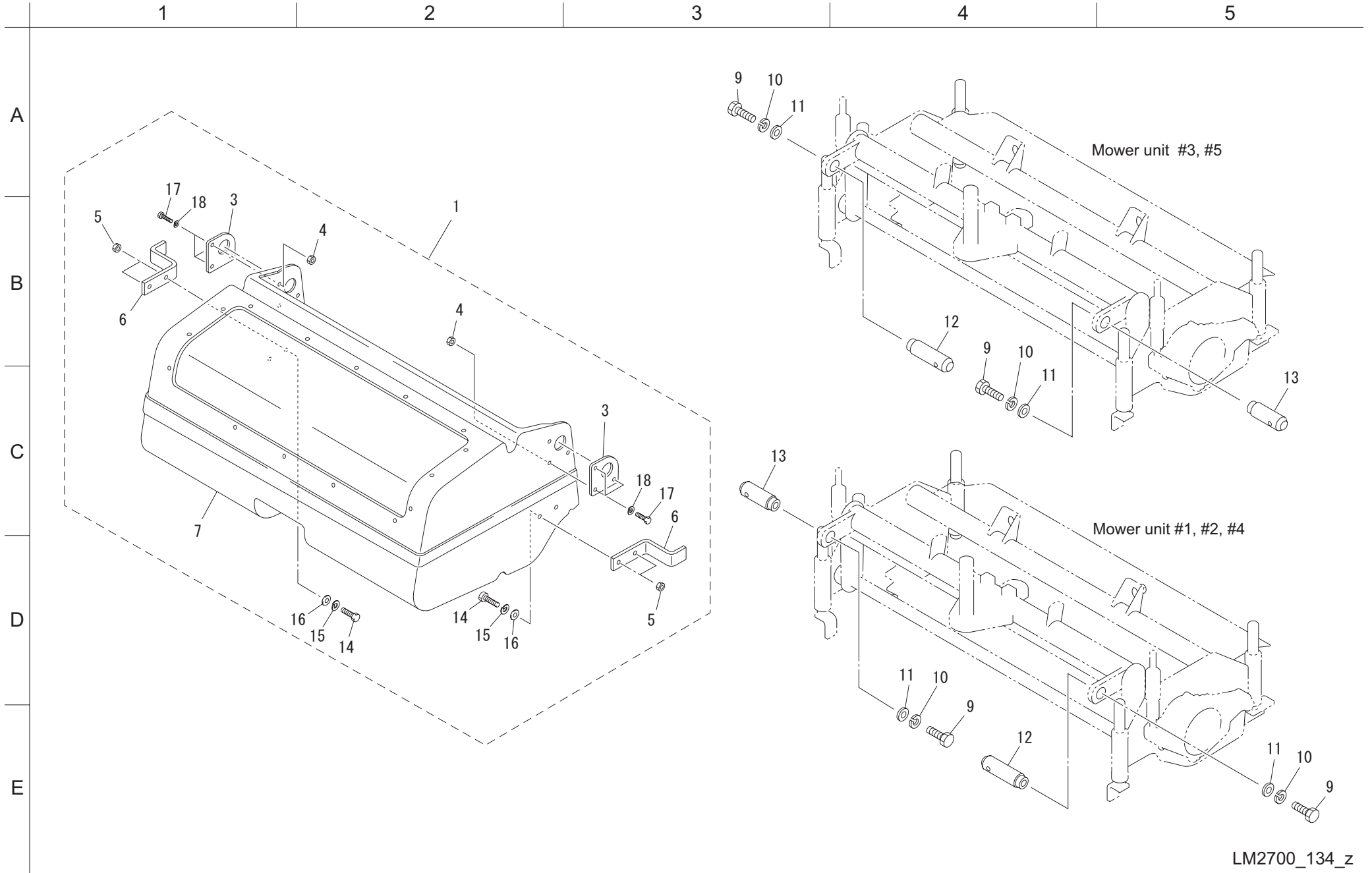
133. Option (26inch Grass catcher parts)



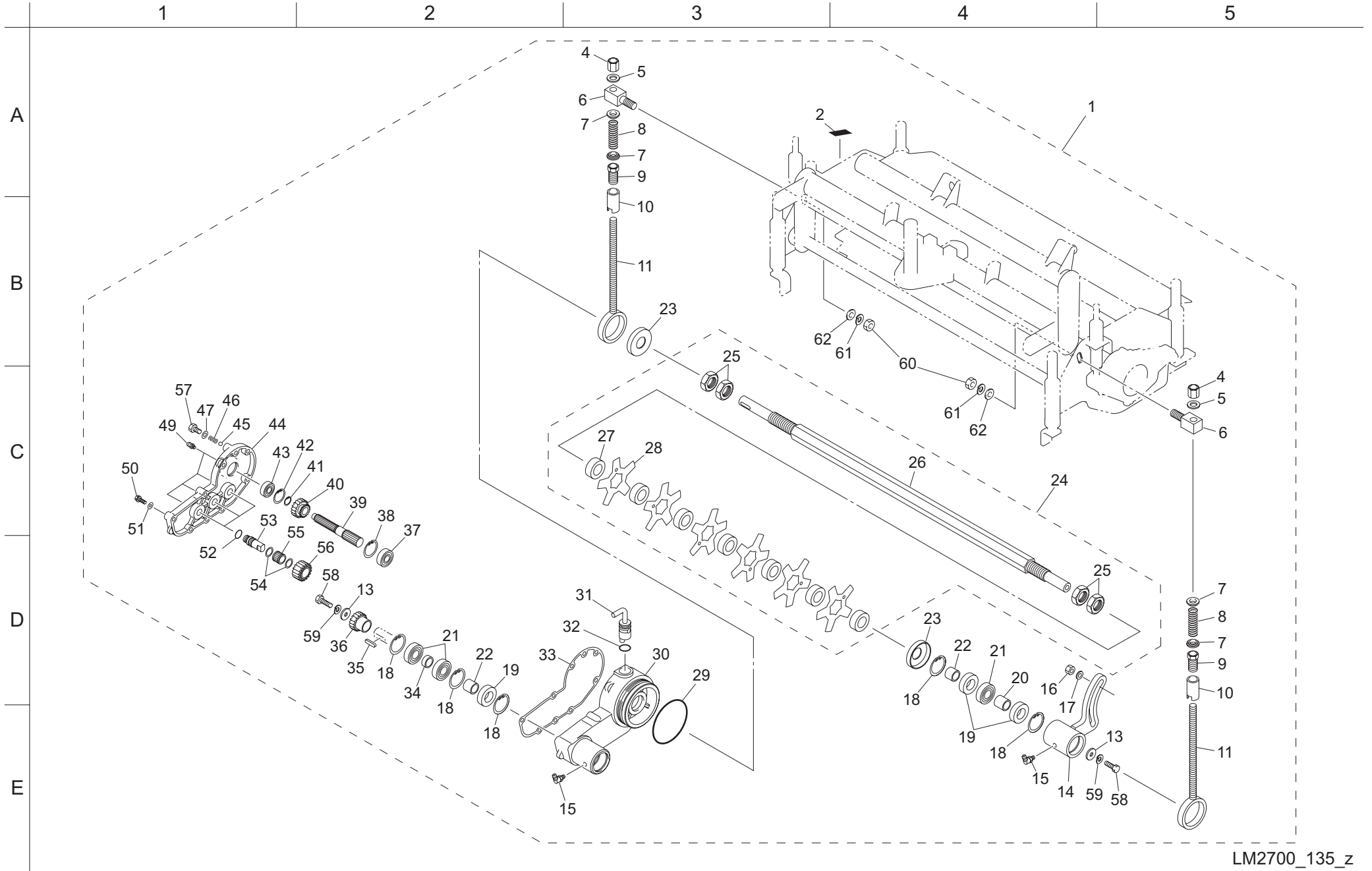
Cat No.	Code No.	Part name	Qty	Remark
133-1	LM2700-1101Z0	26 GRASS CATCHER ASSY	5	
133-2				
133-3	LM2700-1110ZD	REINFORCEMENT PLATE	10	
133-4	K0100060002	6 NUT	30	
133-5	K0100080002	8 NUT	20	
133-6	LM2700-1116ZD	STOPPER	10	
133-7	LM2700-1102Z0	26 GRASS CATCHER COMP	5	
133-8				
133-9	K0000140252	14 BOLT 25	10	
133-10	K0200140002	14S WASHER	10	
133-11	K5000140002	14 WASHER	10	
133-12	LM2700-1104Z2	CATCHER PIN 95	5	
133-13	LM2700-1105Z2	CATCHER PIN 75	5	
133-14	K0000080202	8 BOLT 20	20	
133-15	K0200080002	8S WASHER	20	
133-16	K5000080002	8 WASHER	20	
133-17	K0000060202	6 BOLT 20	30	
133-18	K0200060002	6S WASHER	30	

Cat No.	Code No.	Part name	Qty	Remark

134. Option (22inch Grass catcher parts)



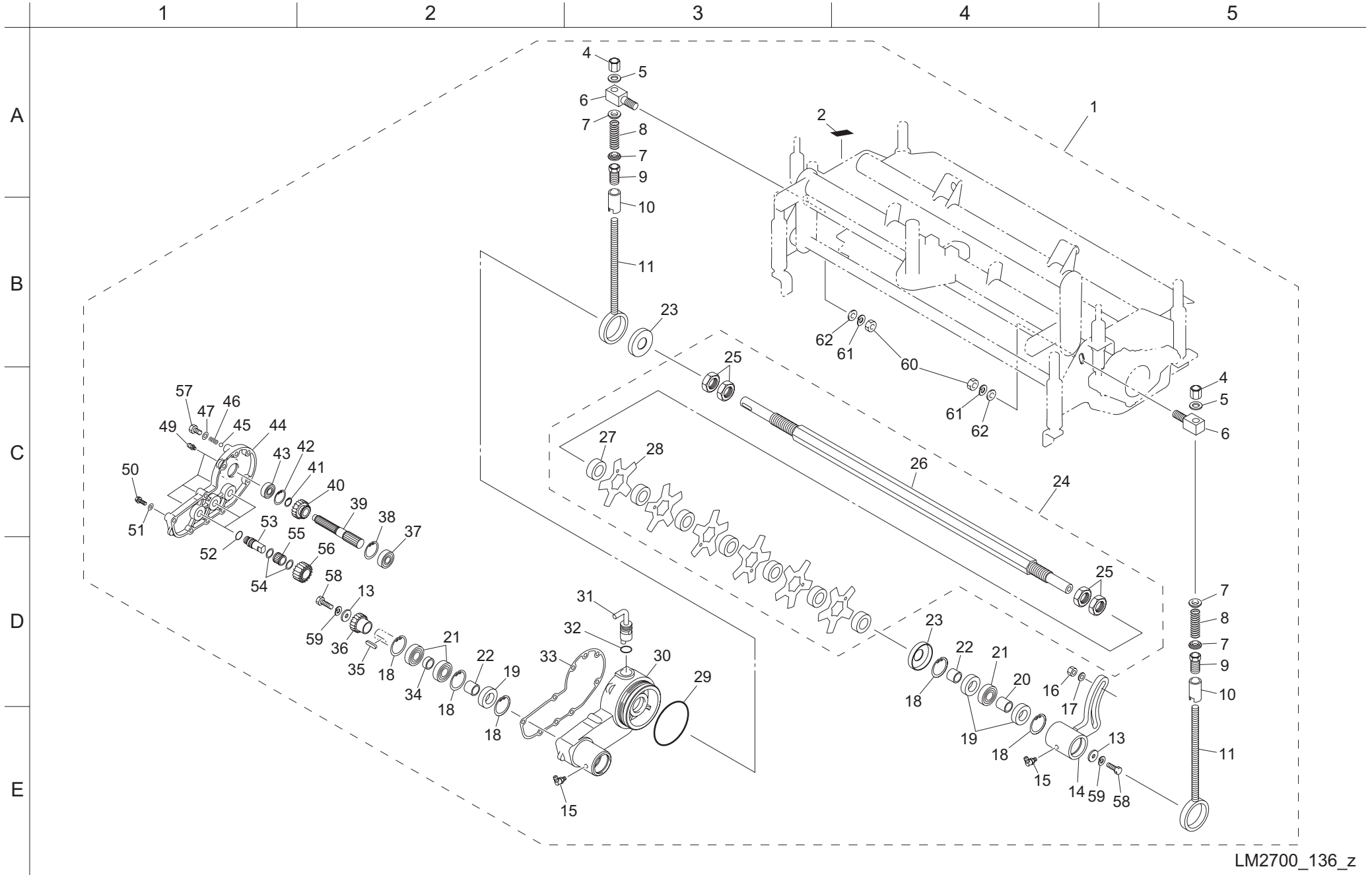
135. Option (26inch Groomer Ass'y parts for mower unit #1,#3,#5)



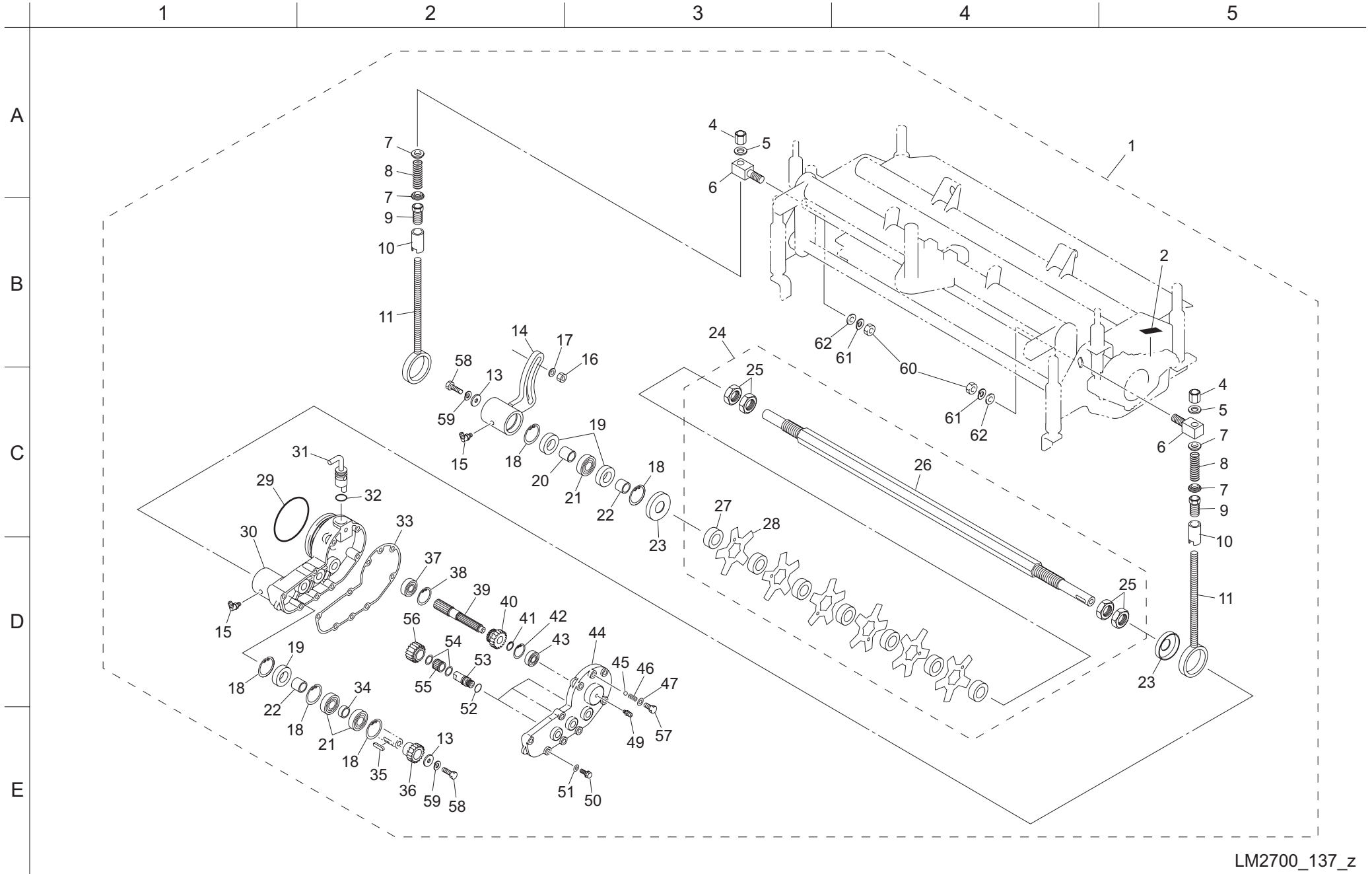
Cat No.	Code No.	Part name	Qty	Remark
135-1	LM2700-0197Z0	LEFT GROOMER ASSY	3	
135-2	K4203000080	ON/OFF MARK	3	
135-3				
135-4	K0160000032	10 RECEIVING BLADE ADJUSTING NUT P1	6	
135-5	K5051010160	WASHER, C5191P 1-10-16	6	
135-6	LM2700-0136Z2	10 ROD RECEIVER	6	
135-7	K6206000052	SPRING RECEIVER	12	
135-8	K1000000578	3.5 COMPRESSION SPRING 2273	6	
135-9	LM535E-1335Z2	CUTTER ADJUSTING PIPE WITH SCREW	6	
135-10	LM2700-0135Z2	ADJUSTING PIPE	6	
135-11	LM2700-0134Z2	GROOMER ADJUSTING BOLT	6	
135-12				
135-13	K5012308242	2.3 SPCC WASHER 824	6	
135-14	LM2700-0132Z2	GROOMER HOUSING (L)	3	
135-15	K1440000030	GREASE NIPPLE, B TYPE	6	
135-16	K0144100002	10U NUT	3	
135-17	K5073210242	3.2SPHC WASHER 1024	3	
135-18	K0402035001	STOP RING R35	15	
135-19	K0822235080	OIL SEAL MHSA22358	9	
135-20	K0737000070	MULTI-PURPOSE INNER RING LRT172223	6	
135-21	K0600060030	BEARING 6003	9	
135-22	K0737000060	MULTI-PURPOSE INNER RING LRT172216	3	
135-23	K5370000312	DUSTPROOF COVER	6	
135-24	LM2700-0189Z0	GROOMER SHAFT ASSY	3	
135-25	K0108240002	24 NUT 3P1.5	12	
135-26	LM2700-0126Z2	GROOMER SHAFT	3	
135-27	K6214000020	28AC COLLER 4224.6	72	
135-28	K2570000039	1.2-5 BLADE 85	69	
135-29	K0885080000	O-RING S80	3	
135-30	LM2700-0101Z0	GROOMER CASE (R)	3	
135-31	LM2700-0114Z8	CLUTCH LEVER (R)	3	
135-32	K0880015000	O-RING P15	3	
135-33	LM2700-0129A0	GROOMER PACKING	3	
135-34	K6212003170	17 STKM COLLER 227.4	3	
135-35	K0500404180	4 BOTH-END ROUND KEY 418	3	

Cat No.	Code No.	Part name	Qty	Remark
135-36	LM2700-0112Z0	17 GEAR	3	
135-37	K0612060020	BEARING 60022RD	3	
135-38	K0402032001	STOP RING R32	3	
135-39	LM2700-0109Z0	SPLINE SHAFT	3	
135-40	LM2700-0110Z0	18 CLUTCH GEAR	3	
135-41	K0403015001	STOP RING ROUND S15	3	
135-42	K0402028001	STOP RING R28	3	
135-43	K0600006001	BEARING 6001	3	
135-44	LM2700-0103Z0	GROOMER COVER (R)	3	
135-45	K1500635000	6.35 STEEL BALL	3	
135-46	K1000000090	1 COMPRESSION SPRING 618	3	
135-47	K0922080000	SEAL WASHER 8WF	3	
135-48				
135-49	K1440000010	GREASE NIPPLE, A TYPE	12	
135-50	K0000060252	6 BOLT 25	24	
135-51	K0212060002	6 METAL WASHER WITH CONICAL DISK SPRING 1L	24	
135-52	K0885014000	O-RING S14	9	
135-53	LM2700-0111Z0	INTERMEDIATE SHAFT	9	
135-54	K5051013280	1C5191P WASHER 1328	18	
135-55	K0701317120	NEEDLE KT131712	9	
135-56	K6186000030	18-TEETH GEAR	9	
135-57	K0000080102	8 BOLT 10	3	
135-58	K0000080152	8 BOLT 15	6	
135-59	K0200080002	8S WASHER	6	
135-60	K0100100002	10 NUT	6	
135-61	K0200100002	10S WASHER	6	
135-62	K5000100002	10 WASHER	6	

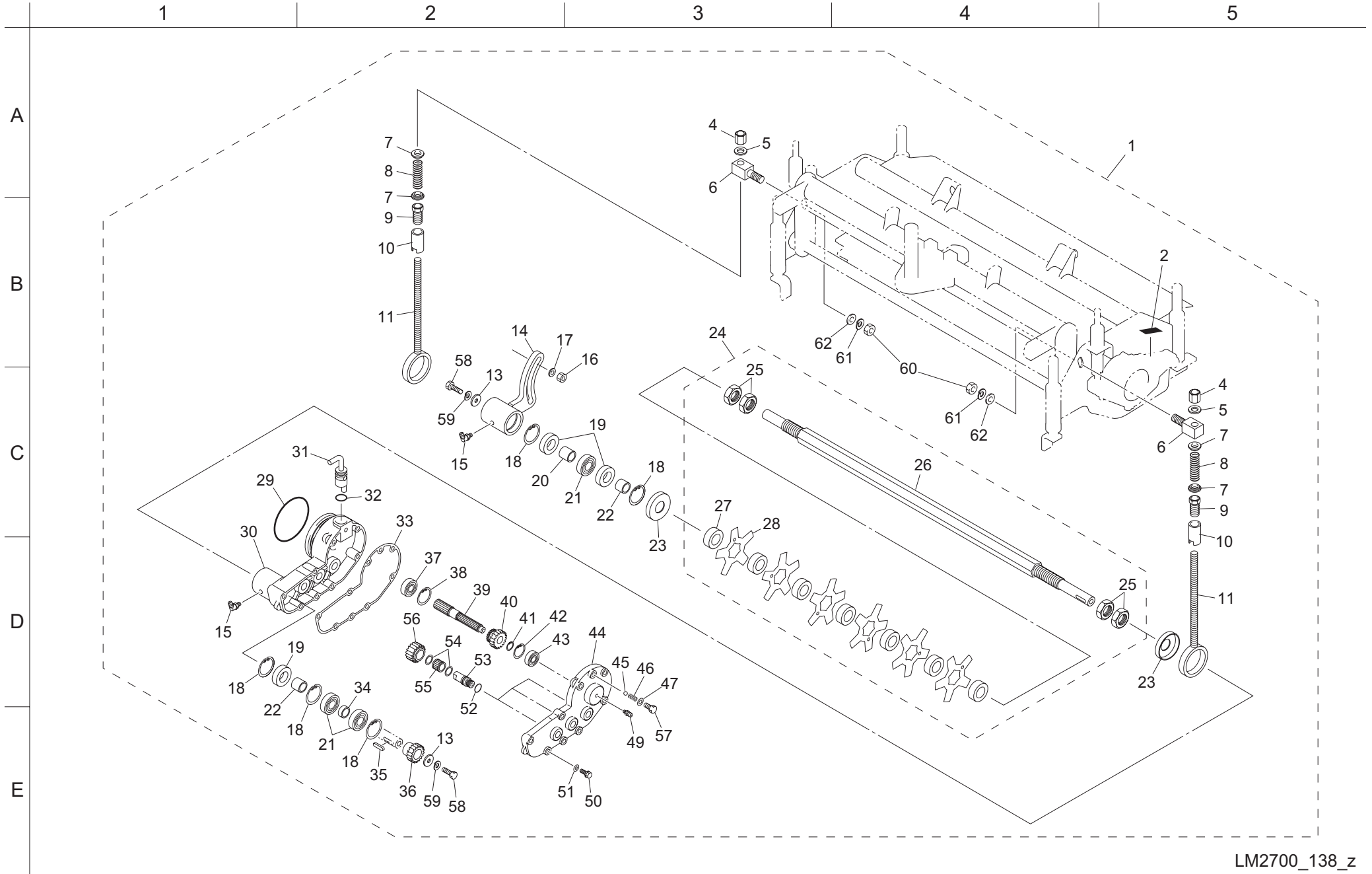
136. Option (22inch Groomer Ass'y parts for mower unit #1,#3,#5)



137. Option (26inch Groomer Ass'y parts for mower unit #2,#4)



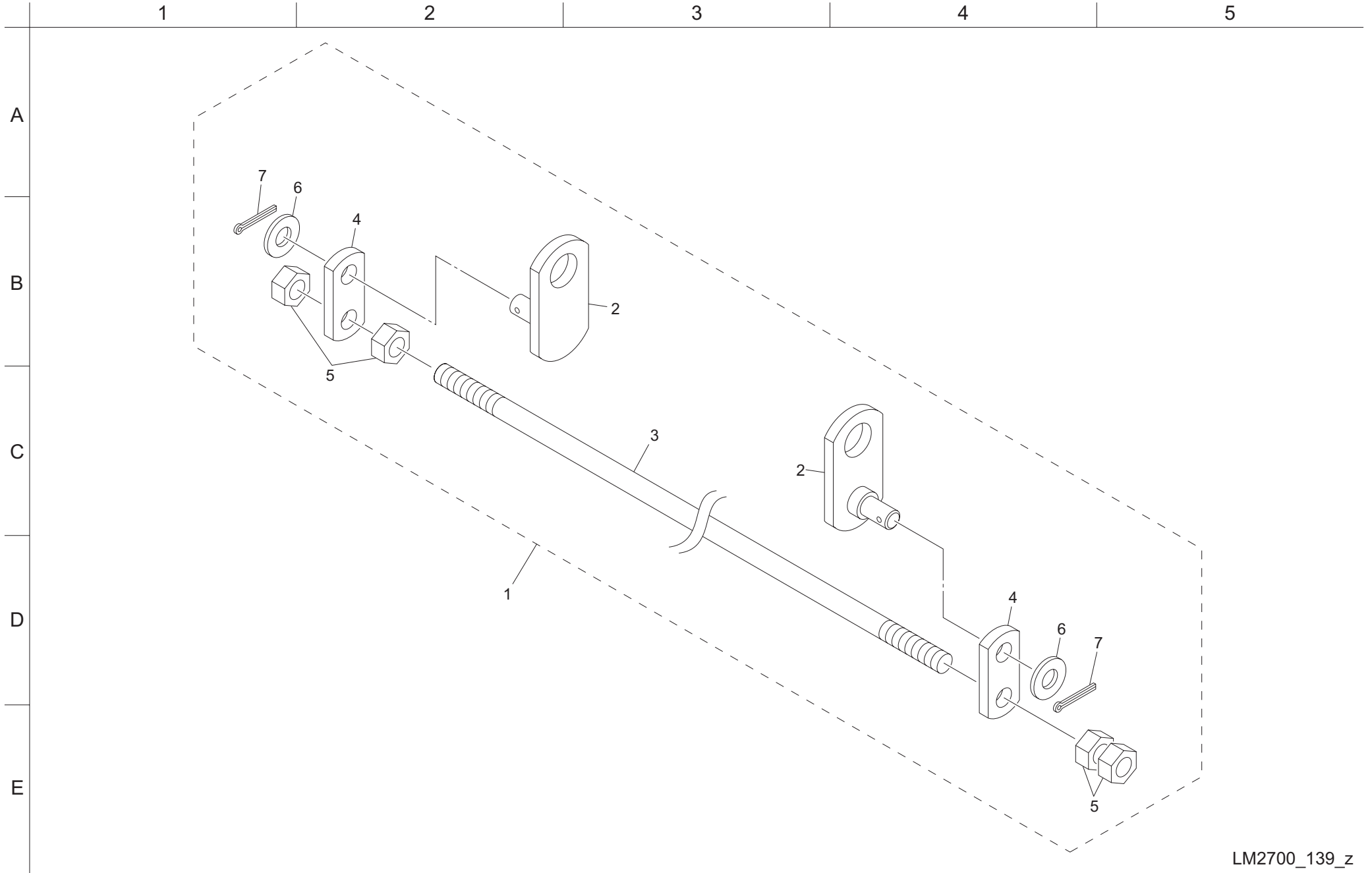
138. Option (22inch Groomer Ass'y parts for mower unit #2,#4)



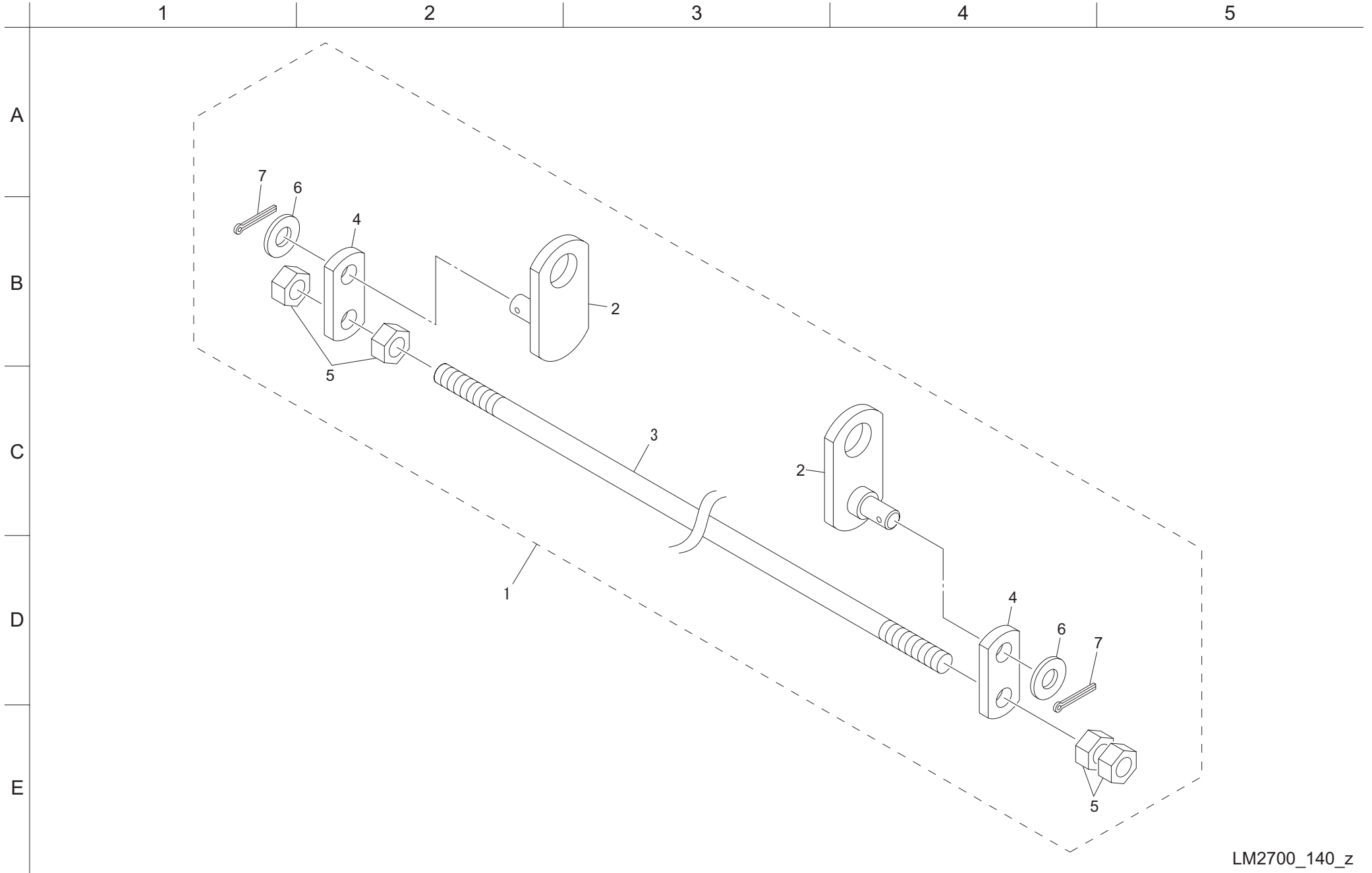
Cat No.	Code No.	Part name	Qty	Remark
138-1	LM2700-2123Z0	22 RIGHT GROOMER ASSY	2	
138-2	K4203000080	ON/OFF MARK	2	
138-3				
138-4	K0160000032	10 RECEIVING BLADE ADJUSTING NUT P1	4	
138-5	K5051010160	WASHER, C5191P 1-10-16	4	
138-6	LM2700-0136Z2	10 ROD RECEIVER	4	
138-7	K6206000052	SPRING RECEIVER	8	
138-8	K1000000578	3.5 COMPRESSION SPRING 2273	4	
138-9	LM535E-1335Z2	CUTTER ADJUSTING PIPE WITH SCREW	4	
138-10	LM2700-0135Z2	ADJUSTING PIPE	4	
138-11	LM2700-0134Z2	GROOMER ADJUSTING BOLT	4	
138-12				
138-13	K5012308242	2.3 SPCC WASHER 824	4	
138-14	LM2700-0133Z2	GROOMER HOUSING (R)	2	
138-15	K1440000030	GREASE NIPPLE, B TYPE	4	
138-16	K0144100002	10U NUT	2	
138-17	K5073210242	3.2SPHC WASHER 1024	2	
138-18	K0402035001	STOP RING R35	10	
138-19	K0822235080	OIL SEAL MHSA22358	6	
138-20	K0737000070	MULTI-PURPOSE INNER RING LRT172223	4	
138-21	K0600060030	BEARING 6003	6	
138-22	K0737000060	MULTI-PURPOSE INNER RING LRT172216	2	
138-23	K5370000312	DUSTPROOF COVER	4	
138-24	LM2700-2121Z0	22 GROOMER SHAFT ASSY	2	
138-25	K0108240002	24 NUT 3P1.5	8	
138-26	LM2700-2110Z2	22 GROOMER SHAFT	2	
138-27	K6214000020	28AC COLLAR 4224.6	40	
138-28	K2570000039	1.2-5 BLADE 85	38	
138-29	K0885080000	O-RING S80	2	
138-30	LM2700-0102Z0	GROOMER CASE (L)	2	
138-31	LM2700-0115Z8	CLUTCH LEVER (L)	2	
138-32	K0880015000	O-RING P15	2	
138-33	LM2700-0129A0	GROOMER PACKING	2	
138-34	K6212003170	17 STKM COLLAR 227.4	2	
138-35	K0500404180	4 BOTH-END ROUND KEY 418	2	

Cat No.	Code No.	Part name	Qty	Remark
138-36	LM2700-0112Z0	17 GEAR	2	
138-37	K0612060020	BEARING 60022RD	2	
138-38	K0402032001	STOP RING R32	2	
138-39	LM2700-0109Z0	SPLINE SHAFT	2	
138-40	LM2700-0110Z0	18 CLUTCH GEAR	2	
138-41	K0403015001	STOP RING ROUND S15	2	
138-42	K0402028001	STOP RING R28	2	
138-43	K0600006001	BEARING 6001	2	
138-44	LM2700-0104Z0	GROOMER COVER (L)	2	
138-45	K1500635000	6.35 STEEL BALL	2	
138-46	K1000000090	1 COMPRESSION SPRING 618	2	
138-47	K0922080000	SEAL WASHER 8WF	2	
138-48				
138-49	K1440000010	GREASE NIPPLE, A TYPE	8	
138-50	K0000060252	6 BOLT 25	16	
138-51	K0212060002	6 METAL WASHER WITH CONICAL DISK SPRING 1L	16	
138-52	K0885014000	O-RING S14	6	
138-53	LM2700-0111Z0	INTERMEDIATE SHAFT	6	
138-54	K5051013280	1C5191P WASHER 1328	12	
138-55	K0701317120	NEEDLE KT131712	6	
138-56	K6186000030	18-TEETH GEAR	6	
138-57	K0000080102	8 BOLT 10	2	
138-58	K0000080152	8 BOLT 15	4	
138-59	K0200080002	8S WASHER	4	
138-60	K0100100002	10 NUT	6	
138-61	K0200100002	10S WASHER	6	
138-62	K5000100002	10 WASHER	6	

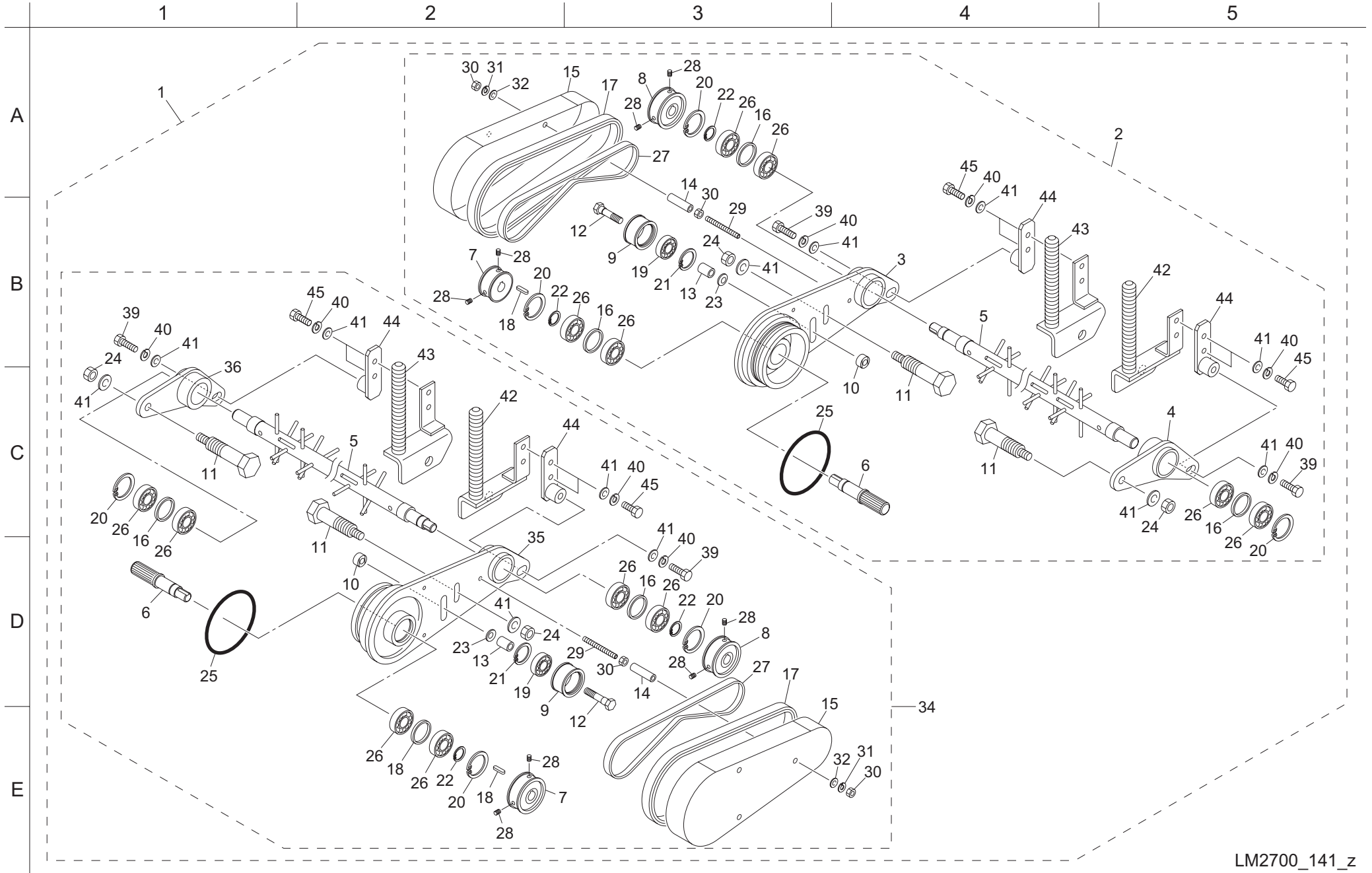
139. Option (26inch scraper parts)



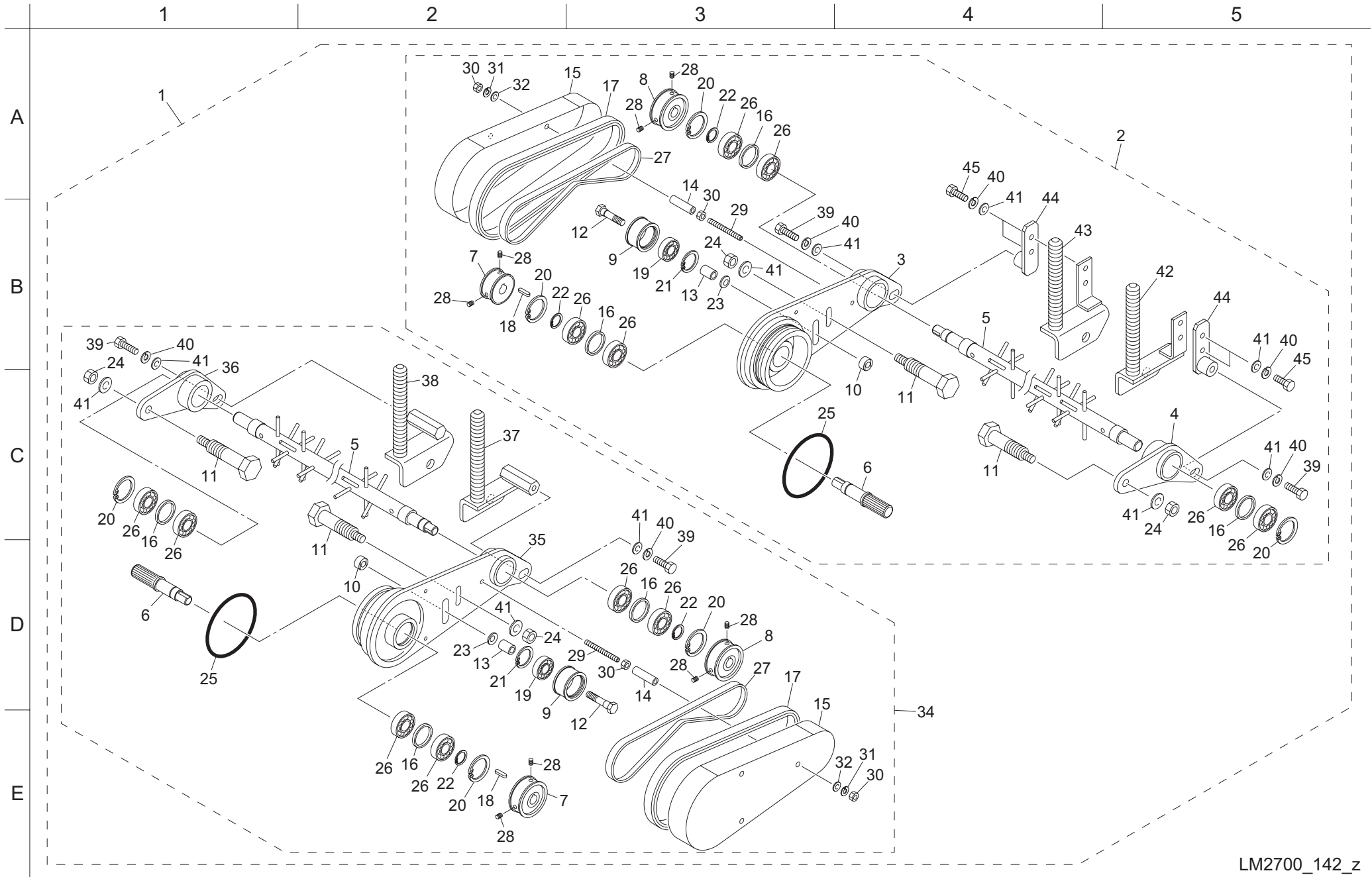
140. Option (22inch scraper parts)



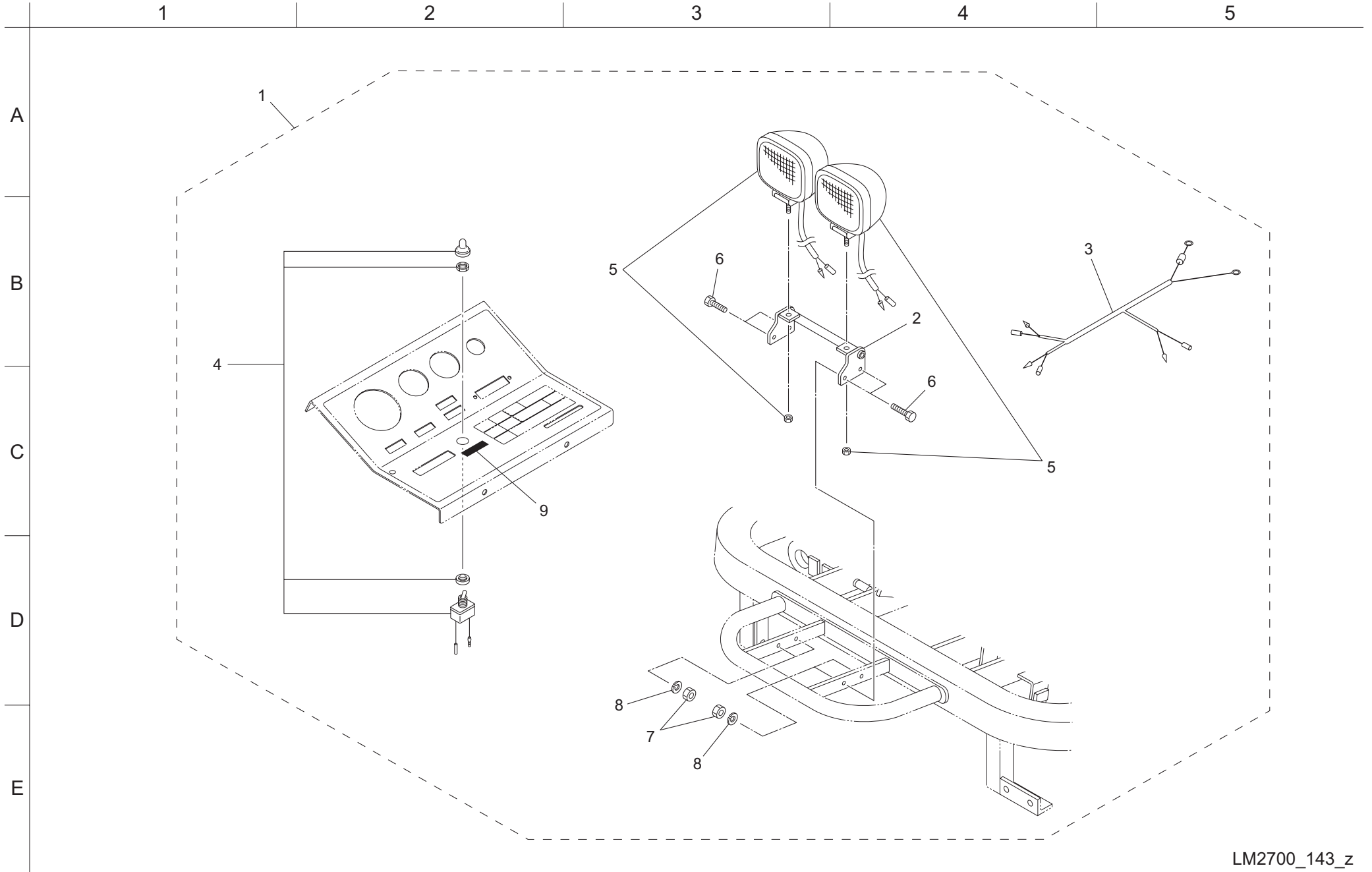
141. Option (26inch CR brush parts)



142. Option (22inch CR brush parts)



143. Option (Light parts)



BARONESS[®]
Quality on Demand

 **KYOEISHA CO., LTD.**
Head Office 1-26, Miyuki-cho, Toyokawa, Tel : (0533)84-1390
Aichi-Pref. 442-8530 Japan. Fax : (0533)89-3623