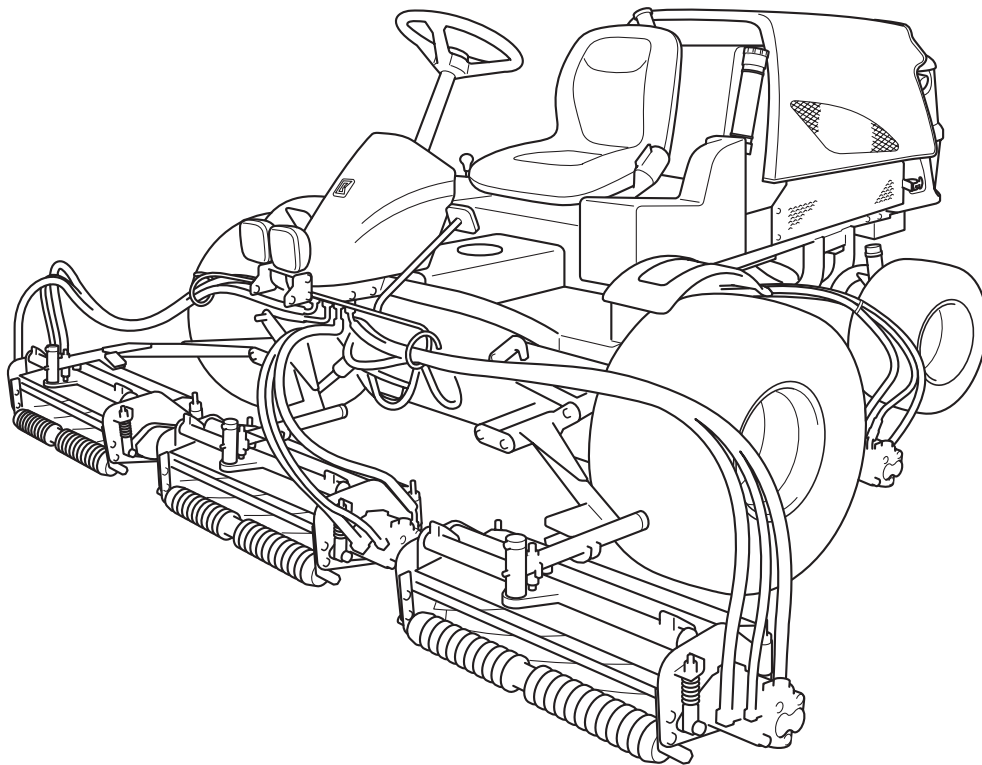


# ***LM2400***

5-Unit Fairway Mower

## Parts catalog



**BARONESS**<sup>®</sup>

Quality on Demand

Serial No.10200-

Ver.2.2

## Greeting

Thank you for purchasing Baroness machine.

This machine has been shipped from the factory after comprehensive test runs and inspections. However, the optimum performance of the machine depends on how you use and maintain it, including routine inspections, adjustments, and fuel supplies before and after the operation.

We hope you will use the machine safely, and take advantage of its best performance.

## Note

(For inquiry about this machine)

Since the type of machine may be changed sequentially, inform us of the type and the serial number.

The information described in this manual is subject to change without prior notice.

When replacing parts, be sure to use Baroness parts or parts designated by Kyo-eisha.

Note that the Baroness product warranty may not apply to defects caused by the use of parts from other companies.

(For ordering parts)

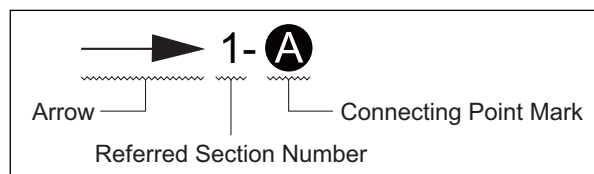
For prevention of delivery of wrong parts, be sure to inform us of the code number and the parts name.

Example:	Code No.	Part Name	Qty
	LM2400-0601AD	FRAME, MAIN	1

### <Indication of the connecting point shown on the other page>

(Example and description)

The following indication shows the connecting point of the part shown on the other page.

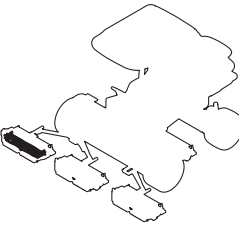
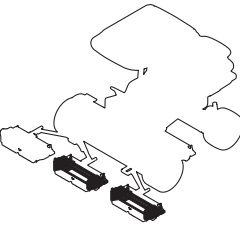
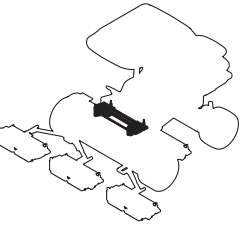
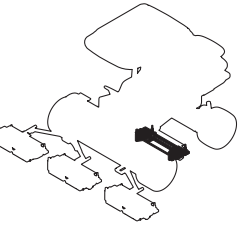
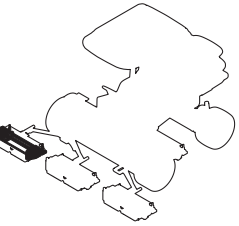
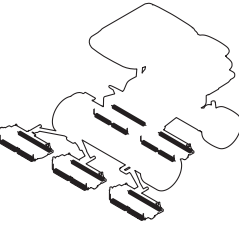

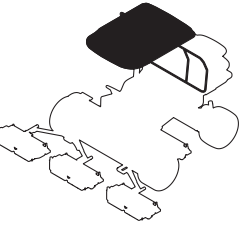
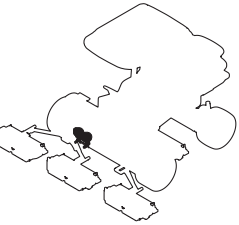
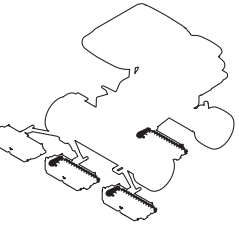
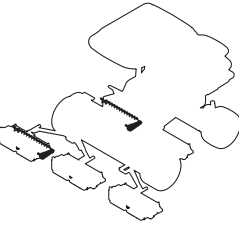
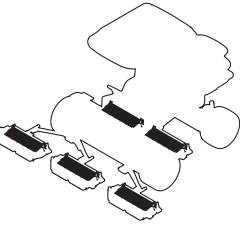
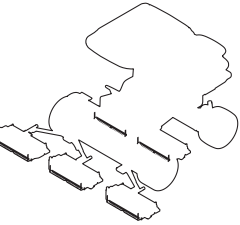
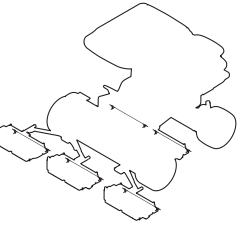


→ 1-**A** : Refer to the point **A** in the illustration of the section No.1

→ 2-**A** : Refer to the point **A** in the illustration of the section No.2

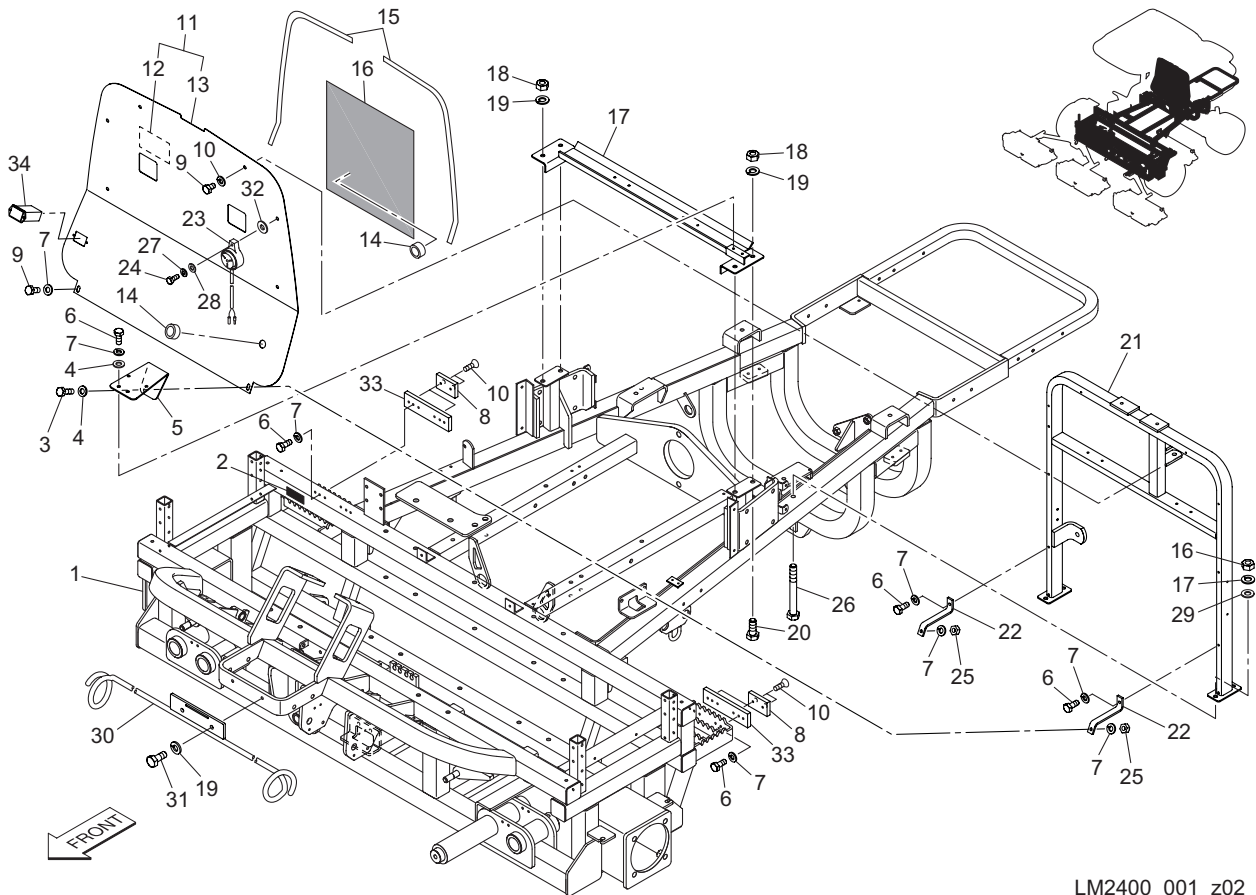
# Contents

1.FRAME SECTION : A ..... P3	2.FRAME SECTION : B ..... P5	3.FRAME SECTION : C ..... P7	4.FRAME SECTION : D ..... P8	5.COVER SECTION : A ..... P10
6.COVER SECTION : B ..... P12	7.COVER SECTION : C ..... P14	8.COVER SECTION : D ..... P15	9.FRONT WHEEL SECTION ..... P16	10.REAR WHEEL SECTION ..... P17
11.PEDAL SECTION ..... P19	12.ENGINE SECTION : A ..... P21	13.ENGINE SECTION : B ..... P23	14.ENGINE SECTION : C ..... P25	15.ENGINE SECTION : D ..... P27
16.ENGINE SECTION : E ..... P29	17.ENGINE SECTION : F ..... P30	18.HYDRAULIC SECTION : A ..... P31	19.HYDRAULIC SECTION : B ..... P34	20.HYDRAULIC SECTION : C ..... P35
21.HYDRAULIC SECTION : D ..... P36	22.HYDRAULIC SECTION : E ..... P38	23.HYDRAULIC SECTION : F ..... P40	24.HYDRAULIC SECTION : G ..... P41	25.HYDRAULIC SECTION : H ..... P43
26.LIFT ARM SECTION : A ..... P45	27.LIFT ARM SECTION : B ..... P47	28.MOWER SECTION : A ..... P48	29.MOWER SECTION : B ..... P49	30.MOWER SECTION : C ..... P50

<p>31.MOWER SECTION : D ..... P51</p> 	<p>36.MOWER SECTION : I ..... P52</p> 	<p>37.MOWER SECTION : J ..... P54</p> 	<p>38.MOWER SECTION : K ..... P56</p> 	<p>39.MOWER SECTION : L ..... P58</p> 
<p>40.ROLLER ASSY SECTION ..... P60</p> 	<p>41.ACCESSORY SECTION ..... P62</p> 	<p>42.ROOF ASSY SECTION (OPTION) ..... P63</p> 	<p>43.LIGHT SECTION ..... P64</p> 	<p>44. CR BRUSH SECTION A ..... P65</p> 
<p>45. CR BRUSH SECTION B ..... P67</p> 	<p>46. VARIABLE REEL COVER SECTION ..... P69</p> 	<p>47. FRONT ROLLER SCRAPER SECTION (OPTION) ..... P70</p> 	<p>48. REAR ROLLER SCRAPER SECTION (OPTION) ..... P71</p> 	

# 1. FRAME SECTION : A

LM2400



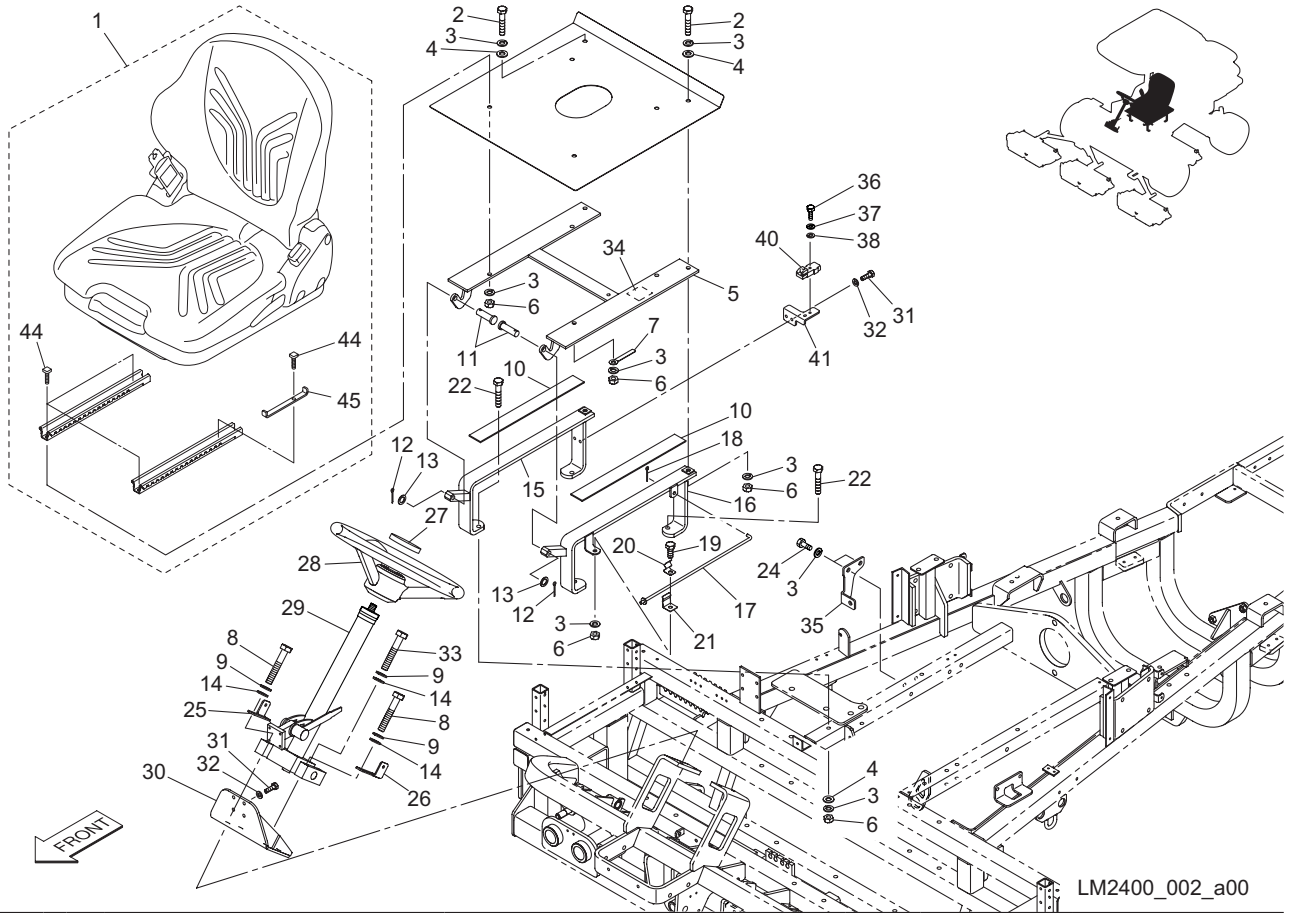
LM2400\_001\_z02

Cat No.	Code No.	Part name	Qty	Remark	SN of application
1 - 1	LM2400-0651ZD	FRAME, MAIN	1		
1 - 2	K4203001290	DECAL, STOP VALVE OPERATION	1		
1 - 3	K0000060202	BOLT, M6-20	1		
1 - 4	K5000060002	WASHER, M6	8		
1 - 5	LM318--0637ZD	MOUNT, FUEL PUMP	1		
1 - 6	K0000060152	BOLT, M6-15	9		
1 - 7	K0200060002	WASHER, SPRING M6	10		
1 - 8	K4033000380	RUBBER, PLATE STOPPER	4		
1 - 9	K0000060102	BOLT, M6-10	4		
1 - 10	K0041060152	SCREW, + FLAT HEAD M6-15	8		
1 - 11	LM2400-0671A0	PLATE, SHIELDING WIND WITH STICKER	1		
1 - 12	K4205001540	DECAL, CAUTION TO HOT PARTS	1		
1 - 13	LM2400-0622AD	PLATE, SHIELDING WIND	1		
1 - 14	K0910000100	GROMMET, C30NG79L	2		
1 - 15	K3198116000	TRIM, SEAL 6100-16C-1600	1		
1 - 16	LM318--0630Z0	INSULATOR, FUEL TANK	1		
1 - 17	LM2400-0621ZD	STAY, TANK	1		
1 - 18	K0100080002	NUT, M8	8		
1 - 19	K0200080002	WASHER, SPRING M8	10		
1 - 20	K0000080202	BOLT, M8-20	4		
1 - 21	LM2400-0619ZD	MOUNT, TANK	1		
1 - 22	LM318--0621AD	SUPPORT, WIND SHIELD	2		
1 - 23	K3700000010	BUZZER, EBM-12 TYPE	1		
1 - 24	K0000050252	BOLT, M5-25	1		
1 - 25	K0100060002	NUT, M6	2		
1 - 26	K0003080702	BOLT, M8-70	4		
1 - 27	K0200050002	WASHER, SPRING M5	1		
1 - 28	K5000050002	WASHER, M5	1		
1 - 29	K5000080002	WASHER, M8	4		
1 - 30	LM2400-0623A2	GUIDE, HOSE	1		



## 2. FRAME SECTION : B

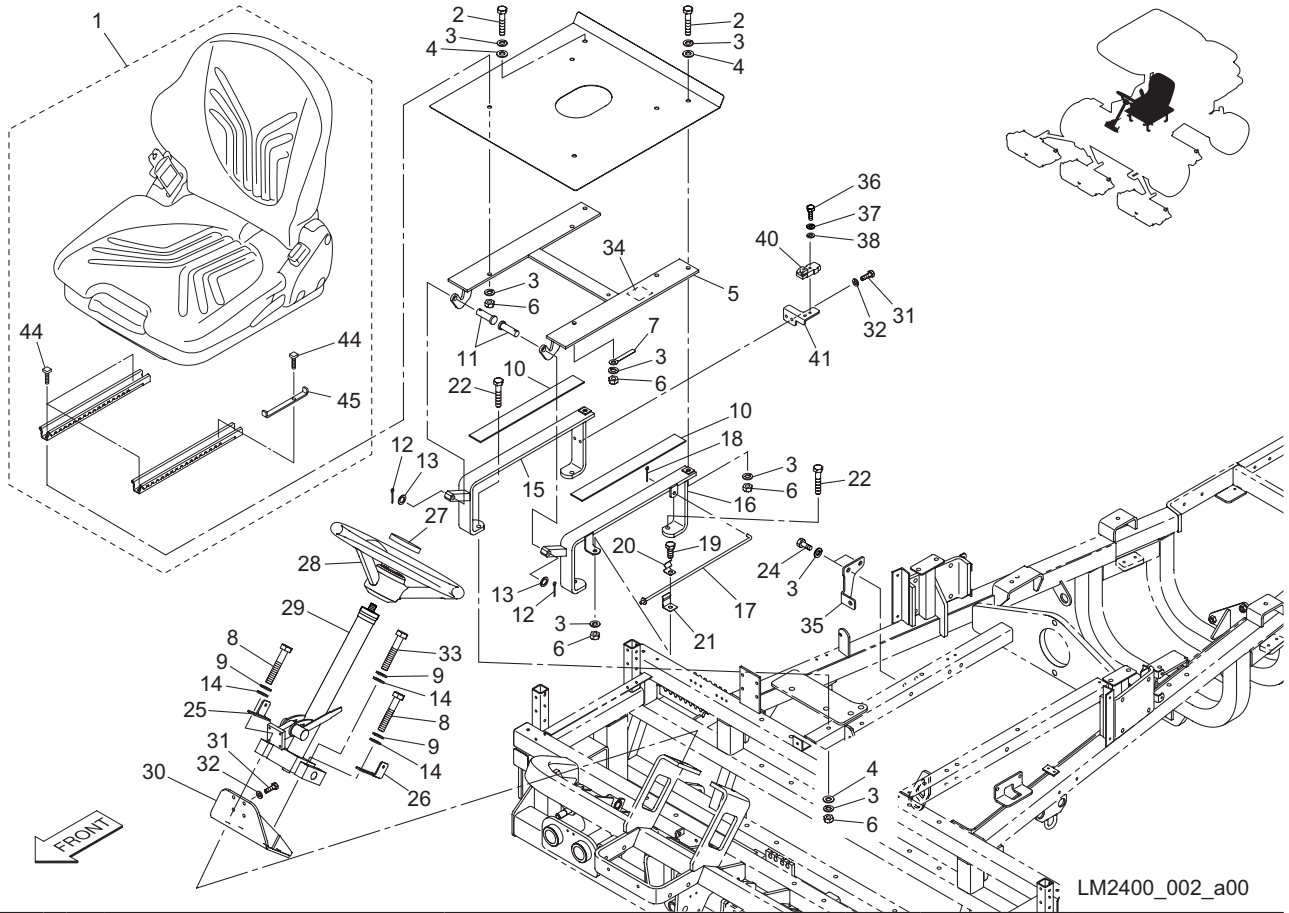
LM2400



Cat No.	Code No.	Part name	Qty	Remark	SN of application
2a - 1	K1700000370	SEAT, MSG65	1		
2 - 2	K0000080602	BOLT, M8-60	2		
2 - 3	K0200080002	WASHER, SPRING M8	14		
2 - 4	K5000080002	WASHER, M8	9		
2 - 5	LM282--0646AD	PLATE, FOR MOUNTING SEAT	1		
2 - 6	K0100080002	NUT, M8	14		
2 - 7	K4281000020	CLAMP, HARNESS 8.5 80	1		
2 - 8	K0000100602	BOLT, M10-60	4		
2 - 9	K0200100002	WASHER, SPRING M10	8		
2 - 10	LM282--0606Z0	RUBBER, FOR SEAT BASE	2		
2 - 11	K6030100322	PIN, FLAT HEAD M10-32	2		
2 - 12	K0300025202	PIN, COTTER M2.5-20	2		
2 - 13	K5011010162	WASHER, SPCC 1-10-16	2		
2 - 14	K5000100002	WASHER, M10	8		
2 - 15	LM282--0605DD	FITTING, MOUNTING SEAT (R)	1		
2 - 16	LM282--0603BD	FITTING, MOUNTING SEAT (L)	1		
2 - 17	MS400--0521Z2	STAND	1		
2 - 18	K0300016122	PIN, COTTER M1.6-12	1		
2 - 19	K0000080202	BOLT, M8-20	1		
2 - 20	K1090000108	SPRING, RECEIVING ROD B	1		
2 - 21	K5270002052	RECEIVER, ROD A	1		
2 - 22	K0003080702	BOLT, M8-70	6		
2 - 23					
2 - 24	K0000080152	BOLT, M8-15	2		
2 - 25	LM2400-0915A2	STAY, FRONT COVER (L)	1		
2 - 26	LM2400-0916A2	STAY, FRONT COVER (R)	1		
2 - 27	K1310000130	CAP, RUBBER	1		
2 - 28	K1710000080	STEERING, V027220-0101	1		
2 - 29	K1730000030	COLUMN, STEERING TILT TYPE	1		
2 - 30	LM2400-0609ZD	BASE, STEERING COLUMN	1		

## 2. FRAME SECTION : B

LM2400

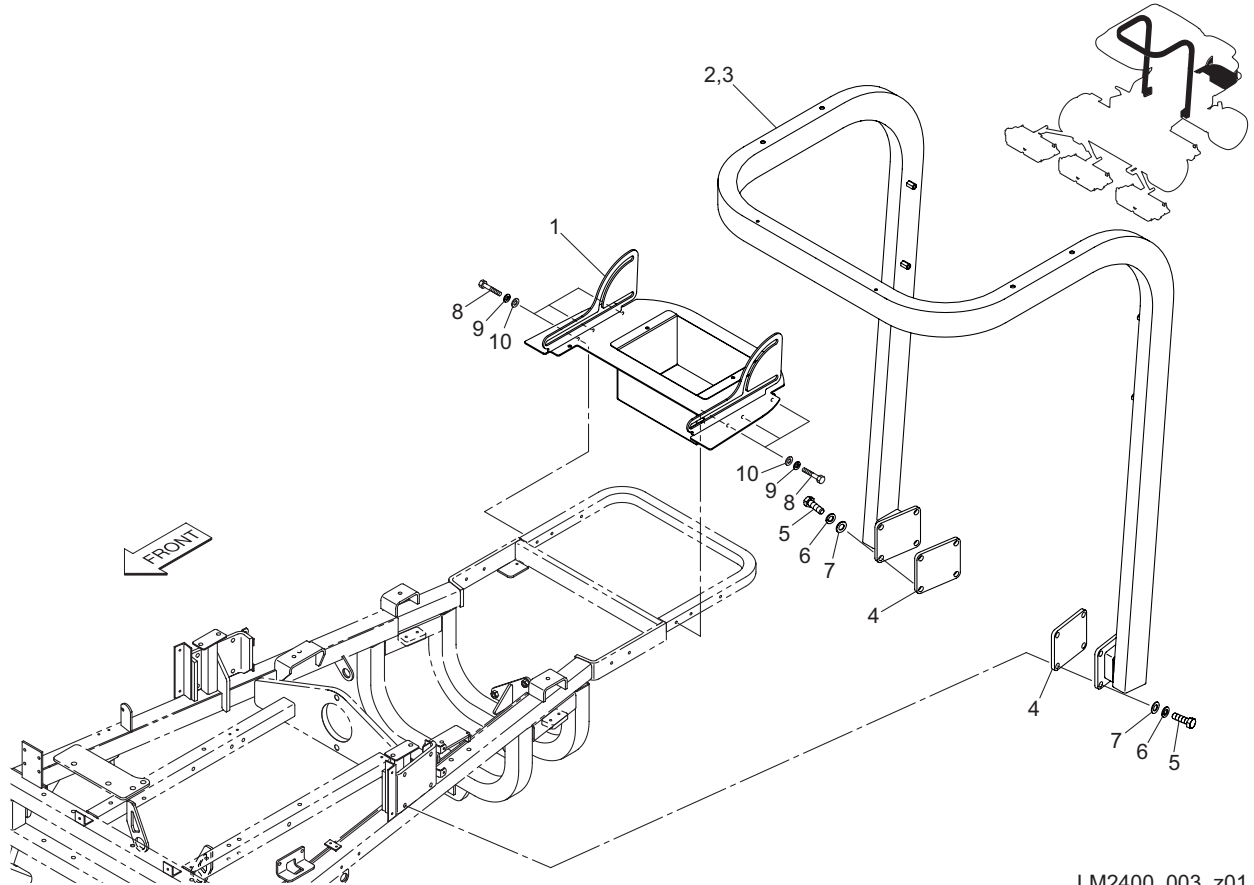


Cat No.	Code No.	Part name	Qty	Remark	SN of application
2 - 31	K0000060202	BOLT, M6-20	6		
2 - 32	K0200060002	WASHER, SPRING M6	6		
2 - 33	K0000100552	BOLT, M10-55	4		
2 - 34	K4209001180	DECAL, ARROW POINT	1		
2 - 35	LM2400-0645Z2	BRACKET, DAMPER	1		
2 - 36	K0000050202	BOLT, M5-20	1		
2 - 37	K0200050002	WASHER, SPRING M5	1		
2 - 38	K5000050002	WASHER, M5	1		
2 - 39					
2 - 40	K3720000160	SWITCH, PROXIMITY NO+	1		
2 - 41	LM2400-0646Z2	STAY, N SENSOR	1		
2a - 42					
2a - 43					
2a - 44	K0069000272	BOLT, SQ HEAD M8-25	4		
2a - 45	LM315GC3602ZD	STOPPER, SEAT	1		
2a - 46	K3620001010	WIRING, SEAT SWITCH NO	1		



### 3. FRAME SECTION : C

LM2400

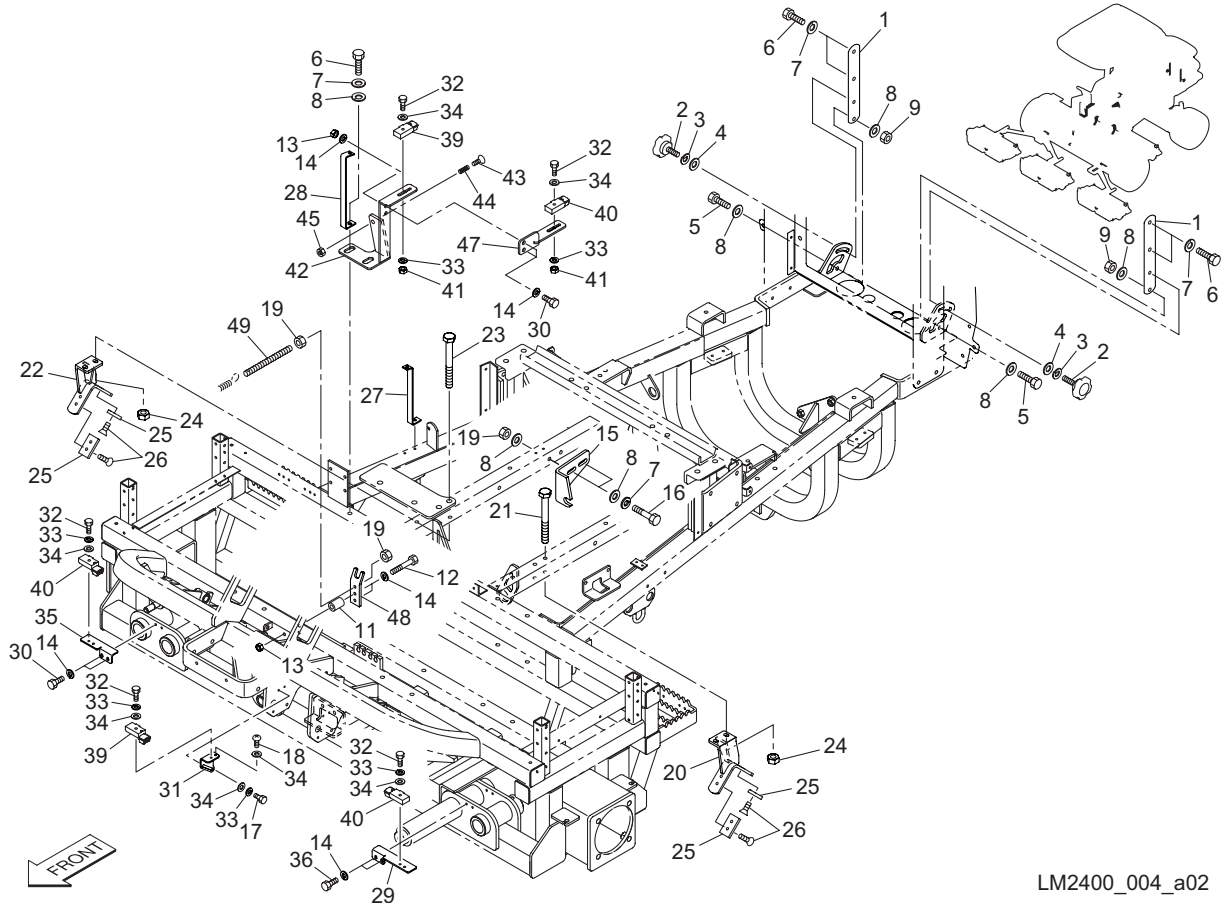


LM2400\_003\_z01

Cat No.	Code No.	Part name	Qty	Remark	SN of application
3 - 1	LM2400-0931ZD	BRACKET, SLIDING	1		
3a - 2	LM2400-1301A0	ROPS ASSY, 2 POST	1		
3a - 3	K9310000040	ROPS, 2 POST WITH MARK	1		
3a - 4	K640000011D	SPACER	2		
3a - 5	K0010120402	BOLT, HT M12-40	8		
3a - 6	K0200120002	WASHER, SPRING M12	8		
3a - 7	K5000120002	WASHER, M12	8		
3 - 8	K0000060502	BOLT, M6-50	6		
3 - 9	K0200060002	WASHER, SPRING M6	6		
3 - 10	K5000060002	WASHER, M6	6		

# 4. FRAME SECTION : D

LM2400

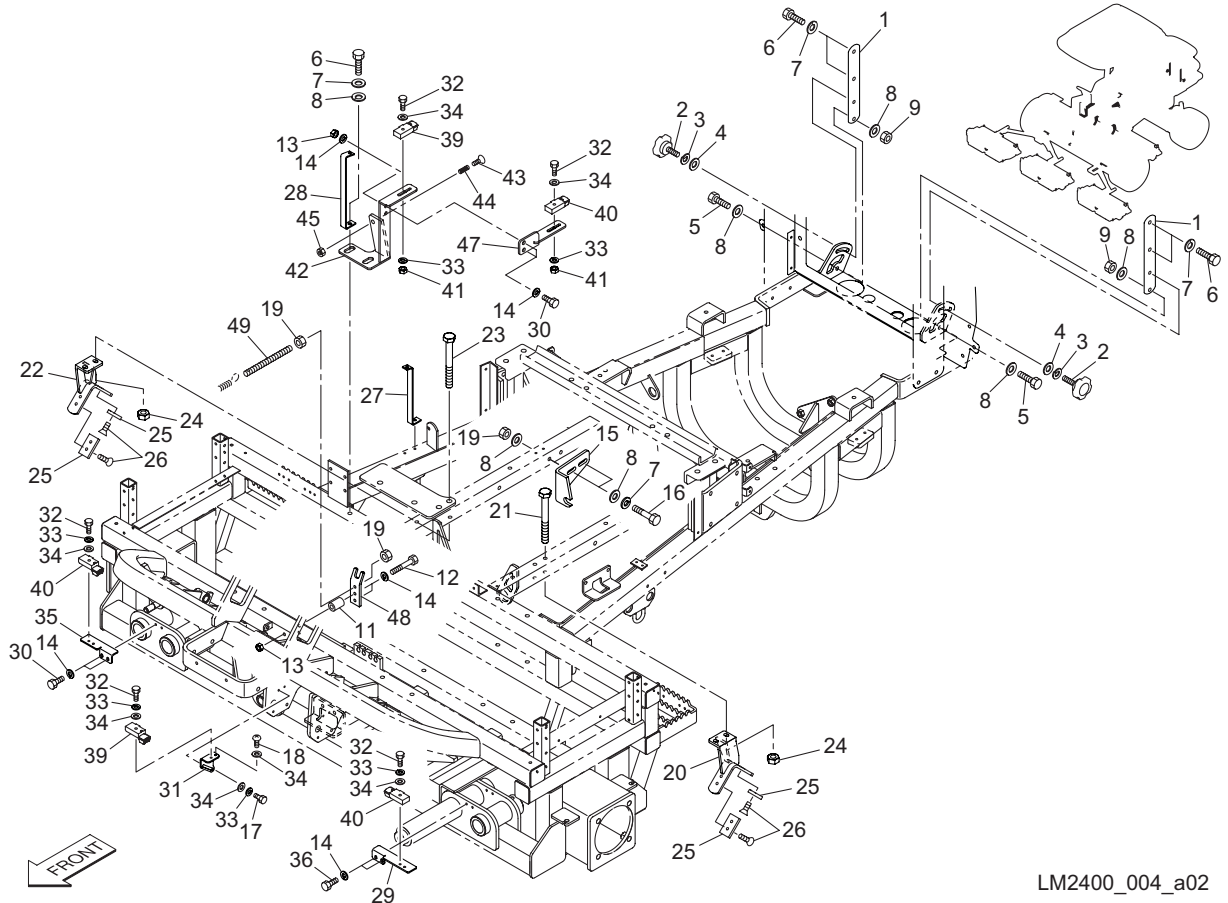


LM2400\_004\_a02

Cat No.	Code No.	Part name	Qty	Remark	SN of application
4 - 1	LM2400-0642ZD	RETAINER, OIL COOLER	2		
4 - 2	K1320000220	KNOB, WITH M8 4220	2		
4 - 3	K0213080002	WASHER, DISK SPRING H M8-1	2		
4 - 4	K5073208202	WASHER, SPHC 3.2-8-20	2		
4 - 5	K0000080252	BOLT, M8-25	2		
4 - 6	K0000080202	BOLT, M8-20	8		
4 - 7	K0200080002	WASHER, SPRING M8	10		
4 - 8	K5000080002	WASHER, M8	6		
4 - 9	K0144080002	NUT, WITH F-RING, M8	2		
4 - 10					
4 - 11	K6212001582	COLLAR, STKM M8.5-17-22	2		
4 - 12	K0003060902	BOLT, M6-90	2		
4a - 13	K0100060002	NUT, M6	4		
4a - 14	K0200060002	WASHER, SPRING M6	10		
4 - 15	LM2400-0606AD	RECIEVER, WIRE PP (REAR)	1		
4 - 16	K0000080602	BOLT, M8-60	2		
4 - 17	K0000050102	BOLT, M5-10	2		
4 - 18	K0042050122	SCREW, + ROUND HEAD M5-12	1		
4 - 19	K0100080002	NUT, M8	4		
4 - 20	LM2400-0603AD	STOPPER, #3 MOWER	1		
4 - 21	K0000100602	BOLT, M10-60	2		
4 - 22	LM2400-0604AD	STOPPER, #2 MOWER	1		
4 - 23	K0000100702	BOLT, M10-70	2		
4 - 24	K0100100002	NUT, M10	4		
4 - 25	LM526A-0107Z0	STOPPER	4		
4 - 26	K0041060122	SCREW, +FLAT HEAD M6-12	8		
4 - 27	LM2400-0613ZD	STAY, PANEL (REAR)	1		
4 - 28	LM2400-0614ZD	STAY, PANEL (FRONT)	1		
4 - 29	LM2400-0634ZD	MOUNT, SENSOR (L)	1		
4a - 30	K0000060152	BOLT, M6-15	4		

# 4. FRAME SECTION : D

LM2400

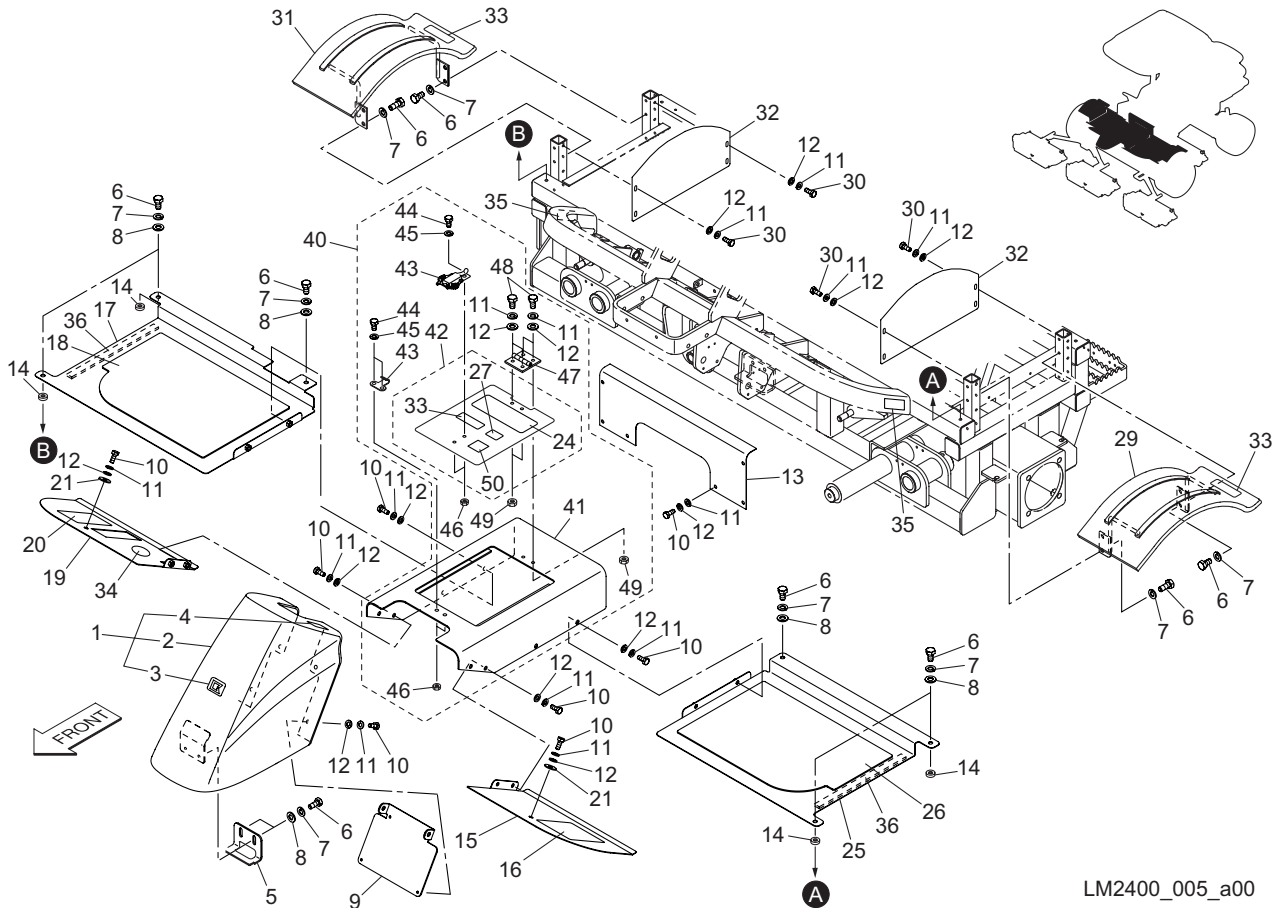


LM2400\_004\_a02

Cat No.	Code No.	Part name	Qty	Remark	SN of application
4 - 31	LM2400-0638Z2	STAY, SENSOR PARKING	1		
4a - 32	K0000050202	BOLT, M5-20	6		
4a - 33	K0200050002	WASHER, SPRING M5	11		
4a - 34	K5000050002	WASHER, M5	10		
4 - 35	LM2400-0635ZD	MOUNT, SENSOR (R)	1		
4 - 36	K0000060152	BOLT, M6-15	2		
4 - 37					
4 - 38					
4 - 39	K3720000150	SWITCH, PROXIMITY NO	2		
4a - 40	K3720000160	SWITCH, PROXIMITY NO+	3		
4a - 41	K0100050002	NUT, M5	2		
4 - 42	LM2400-0721Z2	BRACKET, OPERATING LEVER	1		
4 - 43	K0041060352	SCREW, + FLAT HEAD M6-35	1		
4 - 44	K1000000260	SPRING, COMPRESSION M0.7-8.4-25	1		
4 - 45	K0144060002	NUT, WITH F-RING, M6	1		
4 - 46	K0000050252	BOLT, M5-25	1		
4a - 47	LM2400-1203ZD	BRACKET, SENSOR	1		
4 - 48	LM2400-0617AD	RECEIVER, WIRE PP (FRONT)	1		
4 - 49	K6122000172	SCREW, ADJUSTING M8-80	1		

# 5. COVER SECTION : A

LM2400

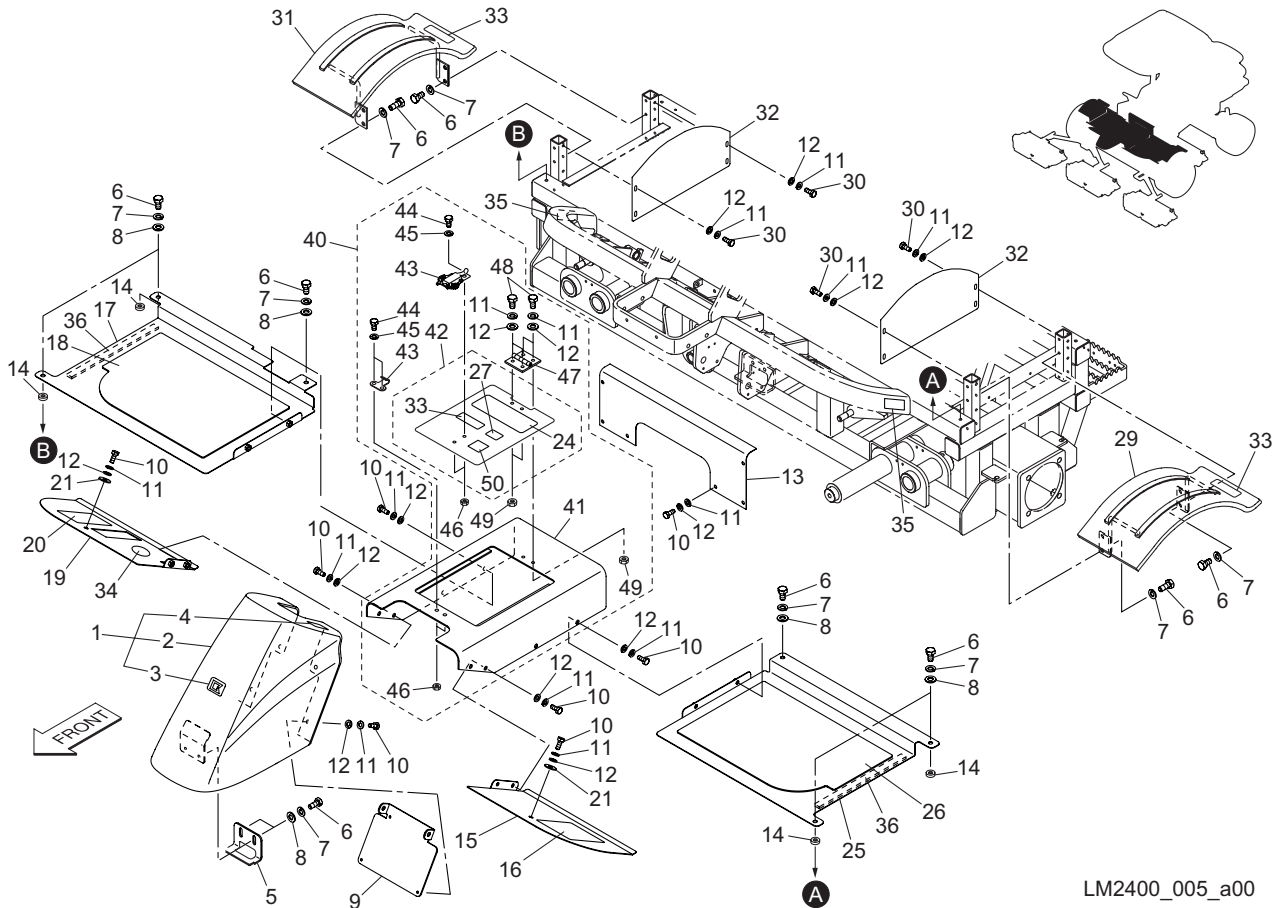


LM2400\_005\_a00

Cat No.	Code No.	Part name	Qty	Remark	SN of application
5 - 1	LM2400-0950Z0	COVER COMP, FRONT	1		
5 - 2	LM2400-0960Z0	COVER, FRONT	1		
5 - 3	K4201000590	STICKER, K	1		
5 - 4	K4203001560	STICKER, TILT STEERING	1		
5 - 5	LM2400-0955A2	BRACKET, FRONT COVER	1		
5 - 6	K0000080152	BOLT, M8-15	16		
5 - 7	K0200080002	WASHER, SPRING M8	16		
5 - 8	K5000080002	WASHER, M8	8		
5 - 9	LM2400-0914ZD	COVER, FRONT (REAR)	1		
5 - 10	K0000060152	BOLT, M6-15	16		
5 - 11	K0200060002	WASHER, SPRING M6	32		
5 - 12	K5000060002	WASHER, M6	28		
5 - 13	LM2400-0913AD	COVER, FRONT (MIDDLER)	1		
5 - 14	K4031000070	RUBBER, VIBRATION PROOF 5-825	4		
5 - 15	LM2400-0908ZD	STEP, (L)	1		
5 - 16	K4400000040	SHEET, STEP 150150	1		
5 - 17	LM2400-0906ZD	COVER, FLOOR (R)	1		
5 - 18	LM526--0623A0	SHEET, STEP (R)	1		
5 - 19	LM2400-0909ZD	STEP, (R)	1		
5 - 20	K4400000030	SHEET, NONSLIP FOR PEDAL 100170	1		
5 - 21	K5011006182	WASHER, SPCC 1-6-18	2		
5 - 22					
5 - 23					
5 - 24	LM2400-0918Z0	STICKER, OPERATION 2	1		
5 - 25	LM2400-0907ZD	COVER, FLOOR (L)	1		
5 - 26	LM526A-0603Z0	SHEET, STEP (L)	1		
5 - 27	K4209000980	DECAL, HYDRAULIC OIL	1		
5 - 28					
5 - 29	LM2400-0910ZR	COVER, WHEEL (L)	1		
5 - 30	K0000060102	BOLT, M6-10	12		

# 5. COVER SECTION : A

LM2400

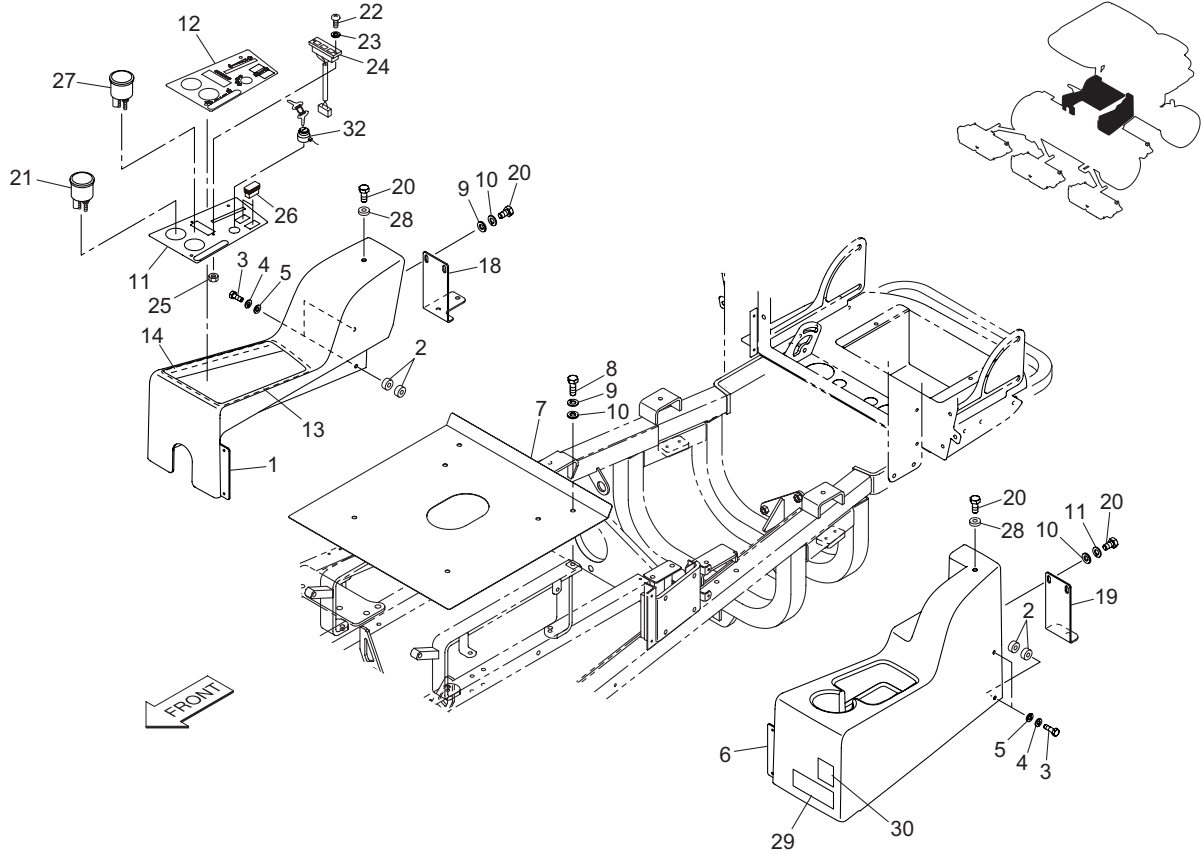


LM2400\_005\_a00

Cat No.	Code No.	Part name	Qty	Remark	SN of application
5 - 31	LM2400-0911ZR	COVER, WHEEL (R)	1		
5 - 32	LM2400-0920ZD	PLATE, SIDE	2		
5 - 33	K4209001340	DECAL, CAUTION "DO NOT STEP"	3		
5 - 34	K4209001200	DECAL, BRAKE	1		
5 - 35	K4205001900	DECAL, CAUTION ARM LOCK	2		
5 - 36	K4228000110	SPONGE, RUBBER 5-15-300	2		
5 - 37					
5 - 38					
5 - 39					
5a - 40	LM2400-3906Z0	COVER COMP, CENTER	1		
5 - 41	LM2400-0940ZD	COVER, CENTER	1		
5a - 42	LM2400-3907Z0	CAP COMP, TANK	1		
5 - 43	K1521000012	CLIP, CATCH	1		
5 - 44	K0000050152	BOLT, M5-15	4		
5 - 45	K0200050002	WASHER, SPRING M5	4		
5 - 46	K0100050002	NUT, M5	4		
5 - 47	K4520000240	HINGES, HOLED SUS 7-5075	1		
5 - 48	K0042060202	SCREW, + ROUND HEAD M6-20	4		
5 - 49	K0100060002	NUT, M6	4		
5a - 50	K4205001330	DECAL, CAUTION TO NOISE	1		

## 6. COVER SECTION : B

LM2400

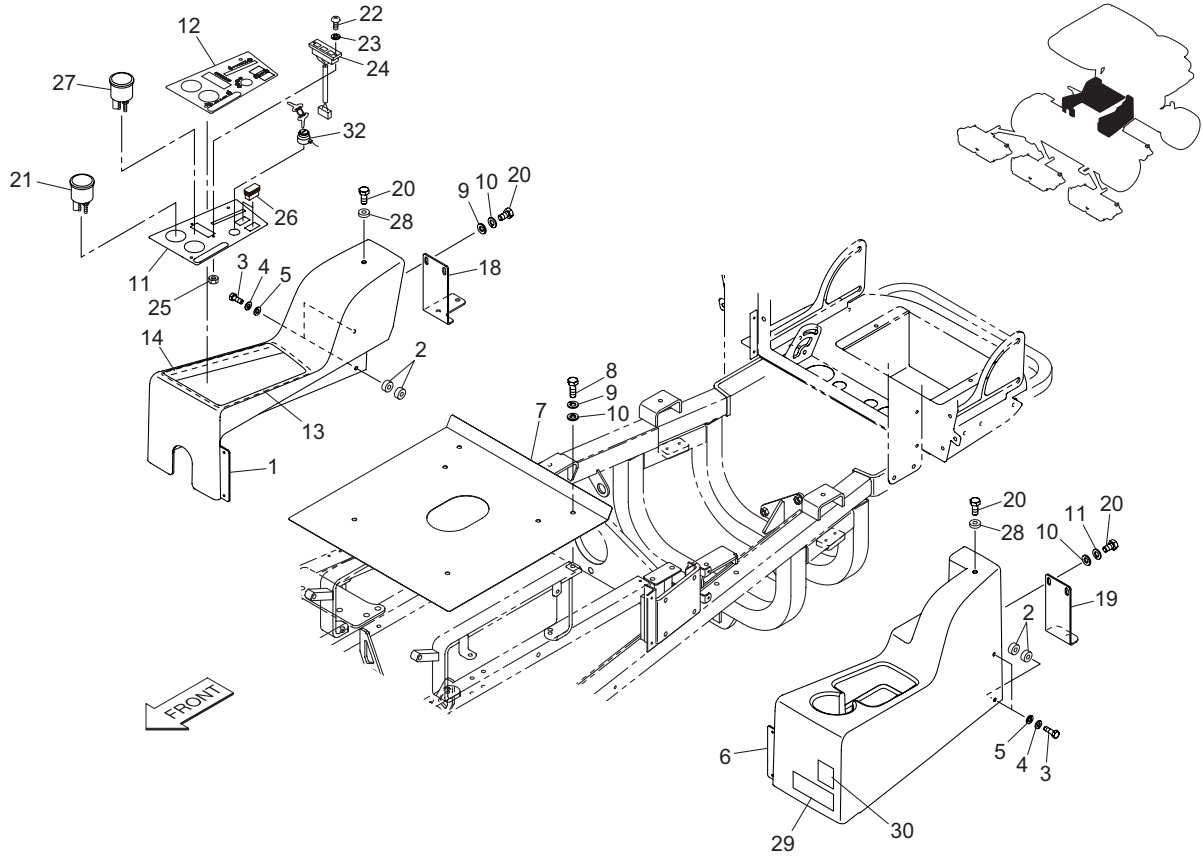


LM2400\_006\_a01

Cat No.	Code No.	Part name	Qty	Remark	SN of application
6 - 1	LM2400-0966B0	COVER COMP, SIDE (RIGHT)	1		
6 - 2	K4031000340	RUBBER, VIBRATION PROOF 5-CR824	8		
6 - 3	K0000060252	BOLT, M6-25	4		
6 - 4	K0200060002	WASHER, SPRING M6	4		
6 - 5	K5000060002	WASHER, M6	4		
6 - 6	LM2400-0967B0	COVER COMP, SIDE (LEFT)	1		
6 - 7	LM285--0959ZD	COVER, UNDER SEAT	1		
6 - 8	K0000080252	BOLT, M8-25	2		
6 - 9	K0200080002	WASHER, SPRING M8	6		
6 - 10	K5000080002	WASHER, M8	6		
6 - 11	LM2400-0919AD	PANEL, OPERATION	1		
6 - 12	LM2400-0934A0	STICKER, OPERATION	1		
6 - 13	K4228000050	SPONGE, RUBBER 10-20-330	2		
6 - 14	K4220000230	SPONGE, URETHAN 10-10-500	1		
6 - 15					
6 - 16					
6 - 17					
6 - 18	LM2400-0608ZD	RETAINER, COVER (R)	1		
6 - 19	LM2400-0611ZD	RETAINER, COVER (L)	1		
6 - 20	K0000080152	BOLT, M8-15	6		
6 - 21	K3653000010	GAUGE, FUEL 52BG2	1		
6 - 22	K0042050122	SCREW, + ROUND HEAD M5-12	2		
6 - 23	K5000050002	WASHER, M5	2		
6 - 24	K3641000070	LAMP, PILOT BOX	1		
6 - 25	K0100050002	NUT, M5	2		
6a - 26	K3661000050	SWITCH, ROCKER	2		
6 - 27	PFR1401-5317-0	GAUGE, WATER TEMPERATURE	1		
6 - 28	K4030208180	RUBBER, WASHER 818	2		
6a - 29	K4200000430	STICKER, SPECIFICATION LM2400	1		
6a - 30	K4209001290	DECAL, NOISE LEVEL LWA 103	1		

# 6. COVER SECTION : B

LM2400

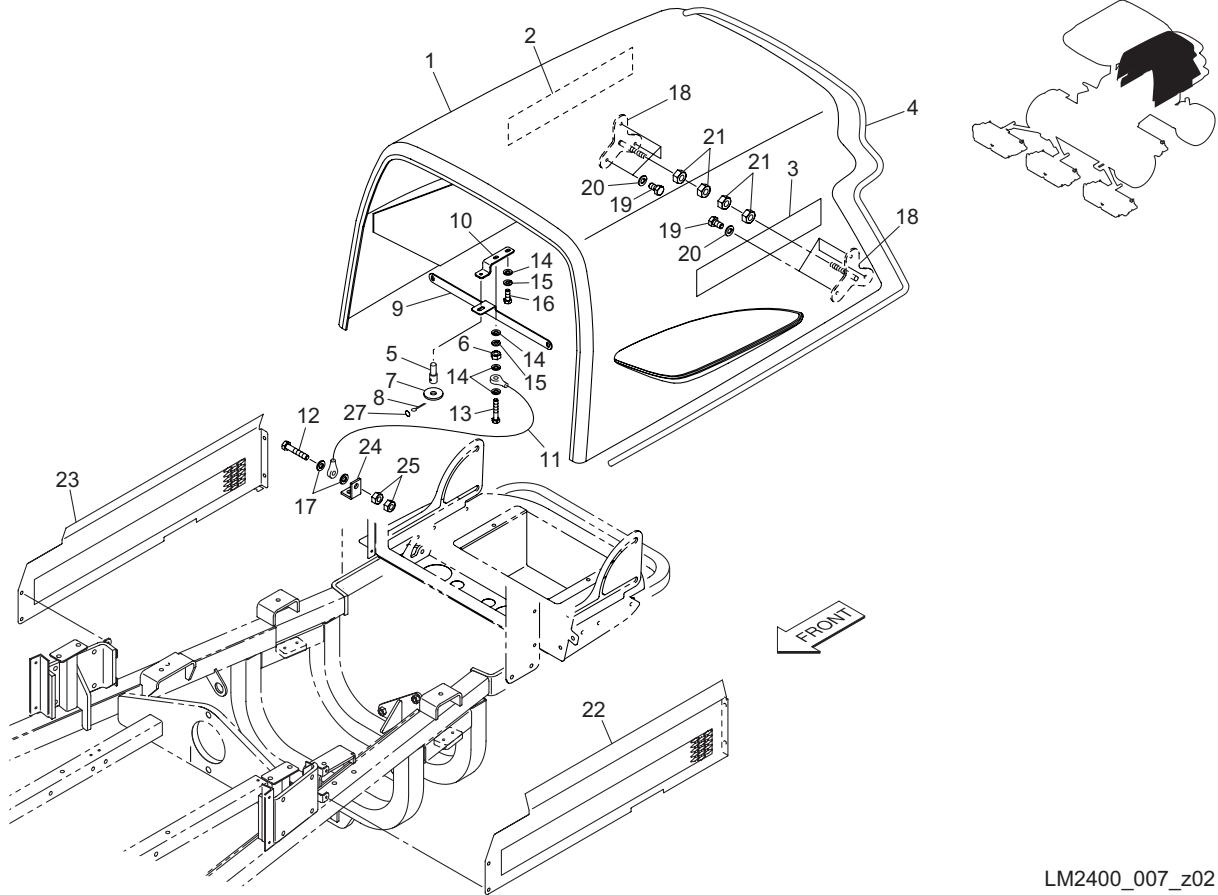


LM2400\_006\_a01

Cat No.	Code No.	Part name	Qty	Remark	SN of application
6 - 31					
6 - 32	PF15248-6359-0	SWITCH ASSY, STARTER	1		

# 7. COVER SECTION : C

LM2400



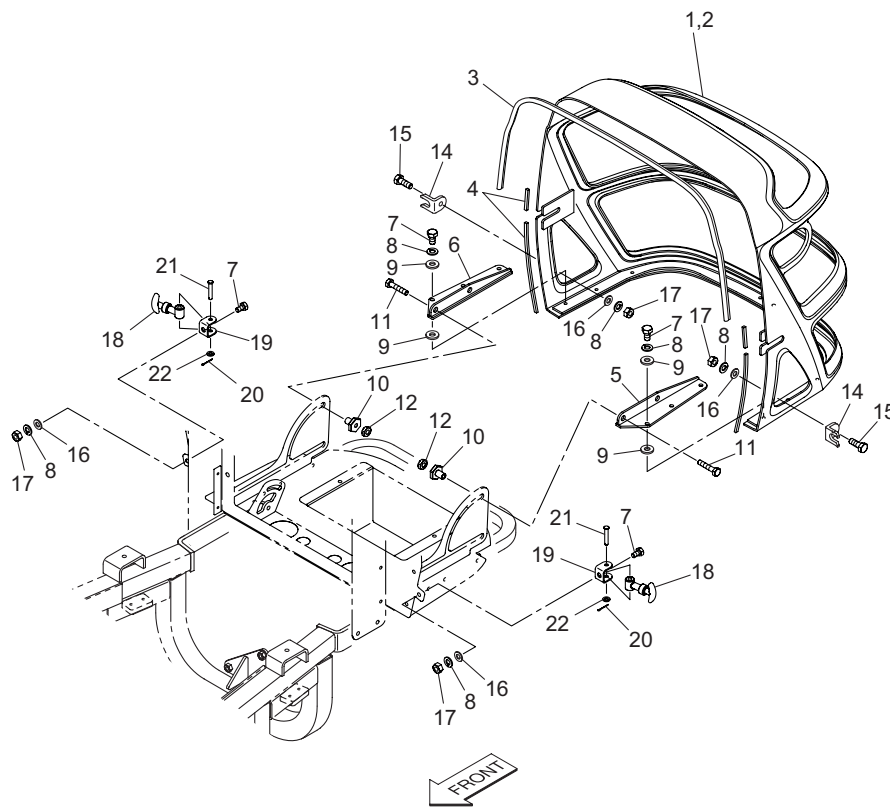
LM2400\_007\_z02

Cat No.	Code No.	Part name	Qty	Remark	SN of application
7 - 1	LM2400-0978A0	HOOD COMP	1		
7 - 2	LM2400-0901Z0	STICKER, BARONESS LM2400 (R)	1		
7 - 3	LM2400-0902Z0	STICKER, BARONESS LM2400 (L)	1		
7 - 4	K3197536000	TRIM, TRE32-H-L-3600	1		
7 - 5	LM2400-0926Z2	SHAFT, 22 WITH M8 SCREW	1		
7 - 6	K0100060002	NUT, M6	2		
7 - 7	K5012308262	WASHER, SPCC 2.3-8-26	1		
7 - 8	K0330800008	PIN, SNAP M8	1		
7 - 9	LM2400-0925ZD	RECIEVER, HOOD	1		
7 - 10	LM2400-0936ZD	PLATE, LOCKING	1		
7 - 11	K1170092000	CABLE, 920	1		
7 - 12	K0000080302	BOLT, M8-30	1		
7 - 13	K0000060252	BOLT, M6-25	1		
7 - 14	K5000060002	WASHER, M6	4		
7 - 15	K0200060002	WASHER, SPRING M6	2		
7 - 16	K0000080152	BOLT, M8-15	1		
7 - 17	K5000080002	WASHER, M8	2		
7 - 18	LM2400-0921Z2	FULCRUM, HOOD	2		
7 - 19	K0062080102	BOLT, BUTTON HEAD WITH HEX. HOLE M8-10	6		
7 - 20	K0200080002	WASHER, SPRING M8	6		
7 - 21	K0144100002	NUT, M10 WITH F-RING	4		
7 - 22	LM2400-0927AD	COVER, SIDE (L)	1		
7 - 23	LM2400-0928AD	COVER, SIDE (R)	1		
7 - 24	LM2400-0937Z2	RECIEVER, WIRING	1		
7 - 25	K0100080002	NUT, M8	2		
7 - 26					
7 - 27	K0880018000	O-RING, P18	1		



# 8. COVER SECTION : D

LM2400

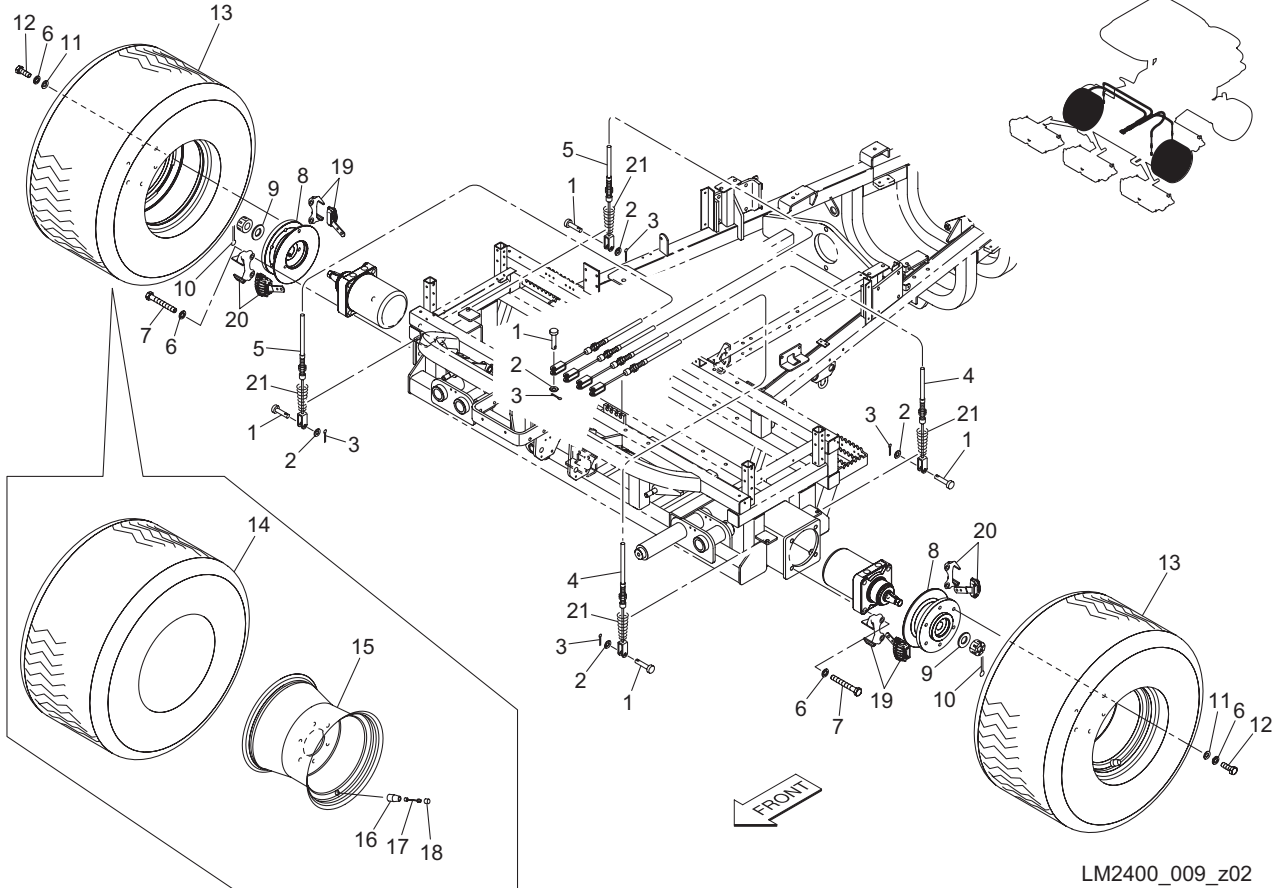


LM2400\_008\_z00

Cat No.	Code No.	Part name	Qty	Remark	SN of application
8 - 1	LM2400-0999A0	COVER COMP, REAR	1		
8 - 2	LM2400-0998A0	COVER, REAR	1		
8 - 3	K3198712500	TRIM, SEAL 6100-48C-1250	1		
8 - 4	K4220000220	SPONGE, URETHAN 10-10550	1		
8 - 5	LM2400-0932Z2	BRACKET, SLIDING REAR COVER (L)	1		
8 - 6	LM2400-0933Z2	BRACKET, SLIDING REAR COVER (R)	1		
8 - 7	K0000080152	BOLT, M8-15	10		
8 - 8	K0200080002	WASHER, SPRING M8	10		
8 - 9	K5012308182	WASHER, SPCC 2.3-8-18	12		
8 - 10	LM2400-0935Z2	COLLAR, SLIDING TAPPED	4		
8 - 11	K0000100502	BOLT, M10-50	4		
8 - 12	K0102100002	NUT, M10-3	4		
8 - 13					
8 - 14	K5270002352	RECEIVER, RUBBER HOOK	2		
8 - 15	K0000080202	BOLT, M8-20	2		
8 - 16	K5000080002	WASHER, M8	4		
8 - 17	K0100080002	NUT, M8	4		
8 - 18	K1520000090	HOOK, RUBBER SMALL	2		
8 - 19	K5200000102	BRACKET, RUBBER HOOK	2		
8 - 20	K0300016202	PIN, COTTER M1.6-20	2		
8 - 21	K6030060352	PIN, FLAT HEAD M6-35	2		
8 - 22	K5000060002	WASHER, M6	2		
8 - 23					

# 9. FRONT WHEEL SECTION

LM2400

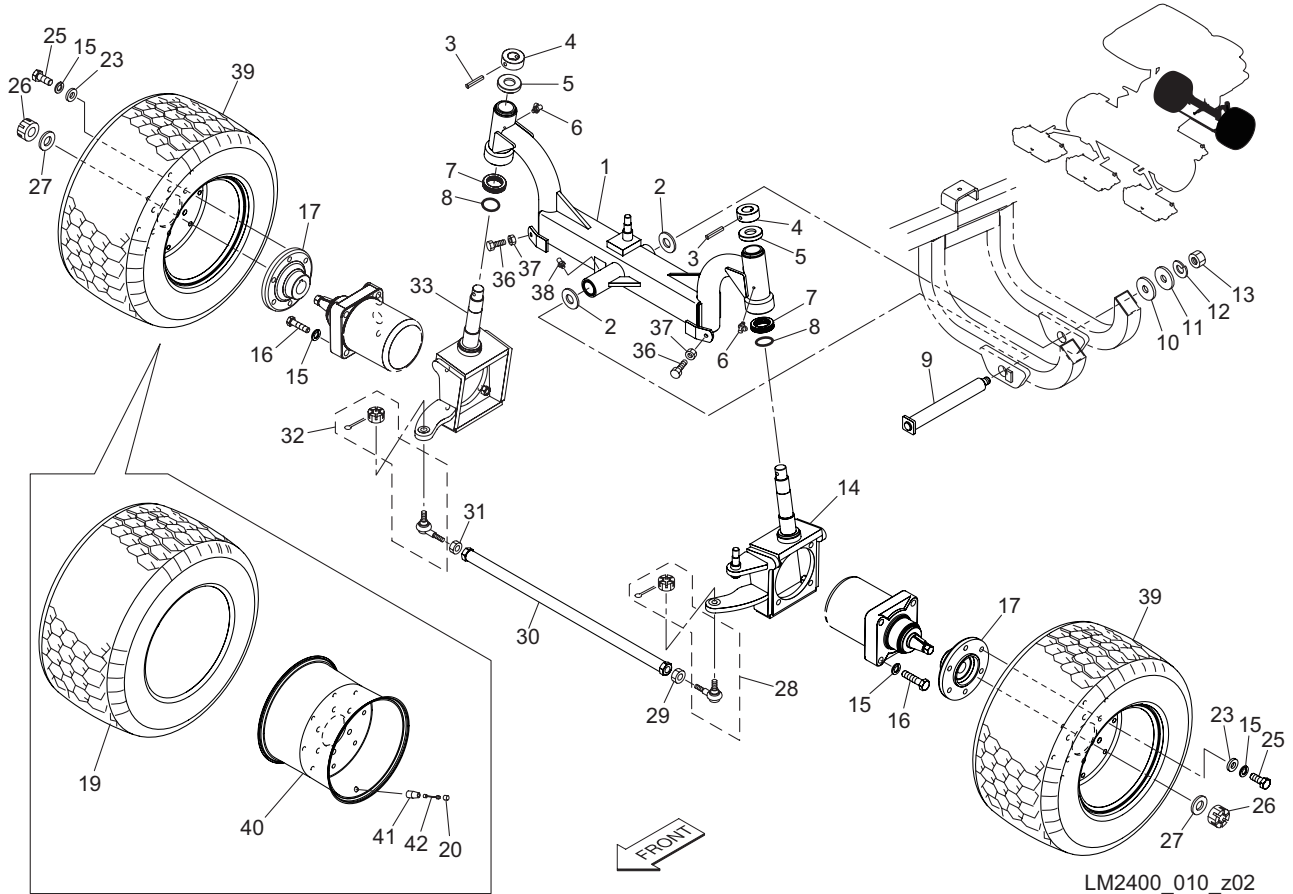


LM2400\_009\_z02

Cat No.	Code No.	Part name	Qty	Remark	SN of application
9 - 1	K6031080222	PIN, FLAT HEAD HT M8-22	8		
9 - 2	K5000080002	WASHER, M8	8		
9 - 3	K0300020202	PIN, COTTER M2-20	8		
9 - 4	K1120130020	WIRE, BRAKE 1300	2		
9 - 5	K1120153010	WIRE, BRAKE 1530	2		
9 - 6	K0200120002	WASHER, SPRING M12	20		
9 - 7	K0010120902	BOLT, HT M12-60	8		
9 - 8	LM5000V0902AD	MOUNT, WHEEL	2		
9 - 9	K0214240001	WASHER, DISK SPRING L M24-2	2		
9 - 10	K0300040502	PIN, COTTER M4-50	2		
9 - 11	K5074512252	WASHER, SPHC 4.5-12-25	12		
9 - 12	K0034120352	BOLT, 8T P1.5 M12-35	12		
9 - 13	K2040000720	TIRE ASSY, 26.5*14.00-12K507	2		
9 - 14	K2041000460	TIRE, 26.5*14.00-12K507	2		
9 - 15	K209000087L	WHEEL, 12*10.5	2		
9 - 16	K2092000010	CORE, VALVE NO.8000	2		
9 - 17	K2097000010	VALVE, RIM TR413	2		
9 - 18	K2093000010	CAP, VALVE	2		
9 - 19	K1720000240	CALIPER, BRAKE M15 CW	2		
9 - 20	K1720000250	CALIPER, BRAKE M15 CCW	2		
9 - 21	K100000928	SPRING, COMPRESSION TAPERED 1.4 2168	4		

# 10. REAR WHEEL SECTION

LM2400



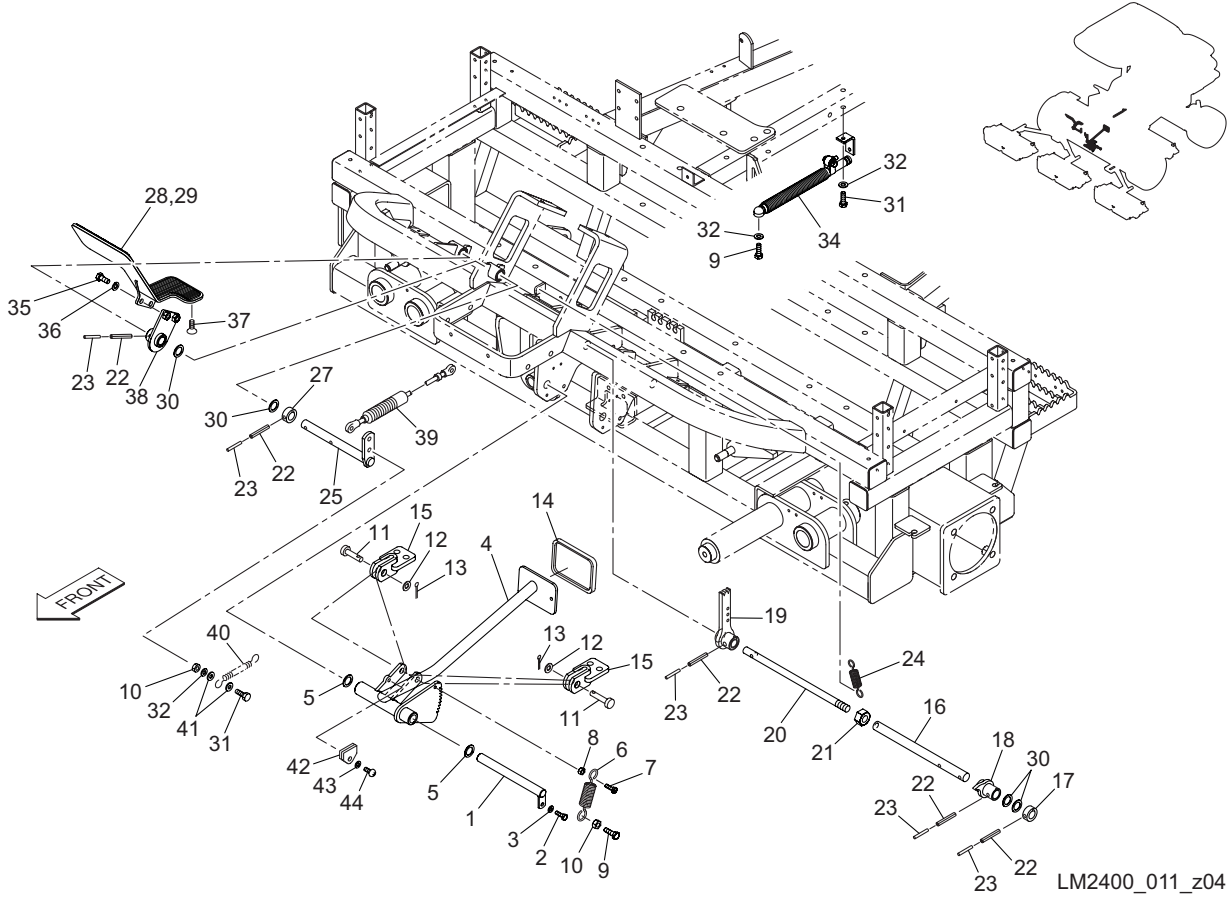
LM2400\_010\_z02

Cat No.	Code No.	Part name	Qty	Remark	SN of application
10 - 1	LM2400-0301ZD	PIVOT	1		
10 - 2	K5051030500	WASHER, C5191P 1-30-50	2		
10 - 3	K0320080501	PIN, SPRING M8-50	2		
10 - 4	K6213000113	COLLAR, WITH HOLE M25-50-20	2		
10 - 5	K6204000383	CAP	2		
10 - 6	K1440000020	GREASE NIPPLE, C	2		
10 - 7	K0640511070	BEARING, BALL THRUST 51107	2		
10 - 8	K0880048000	O-RING, P48	2		
10 - 9	K7147000198	PIN, FOR PIVOT	1		
10 - 10	K5051030420	WASHER, C5191P 1-30-42	1		
10 - 11	K5073216352	WASHER, SPHC 3.2-16-35	1		
10 - 12	K0200160002	WASHER, SPRING M16	1		
10 - 13	K0100160002	NUT, M16	1		
10 - 14	LM2400-0303ZD	KING PIN, (L)	1		
10 - 15	K0200120002	WASHER, SPRING M12	8		
10 - 16	K0013120702	BOLT, HT M12-70	8		
10 - 17	GM1500A0240AD	MOUNT, FRONT WHEEL 90	2		
10 - 18					
10 - 19	K2041000470	TIRE, 20*10.00-10	2		
10 - 20	K2093000010	CAP, VALVE	2		
10 - 21					
10 - 22					
10 - 23	K5074512252	WASHER, SPHC 4.5-12-25	12		
10 - 24	K0200120002	WASHER, SPRING M12	12		
10 - 25	K0034120352	BOLT, 8T P1.5 M12-35	12		
10 - 26	K0138240002	NUT, HIGH SLOTTED P1.5 M24	2		
10 - 27	K0212240001	WASHER, DISK SPRING L M24-1	2		
10 - 28	K1611000020	TIE-ROD END ASSY, LEFT-HANDED MALE (L)	1		
10 - 29	K0160000202	NUT, LEFT-HANDED SPECIAL P1.5 M17	1		
10 - 30	LM2400-0305ZD	ROD, TIE	1		



# 11. PEDAL SECTION

LM2400

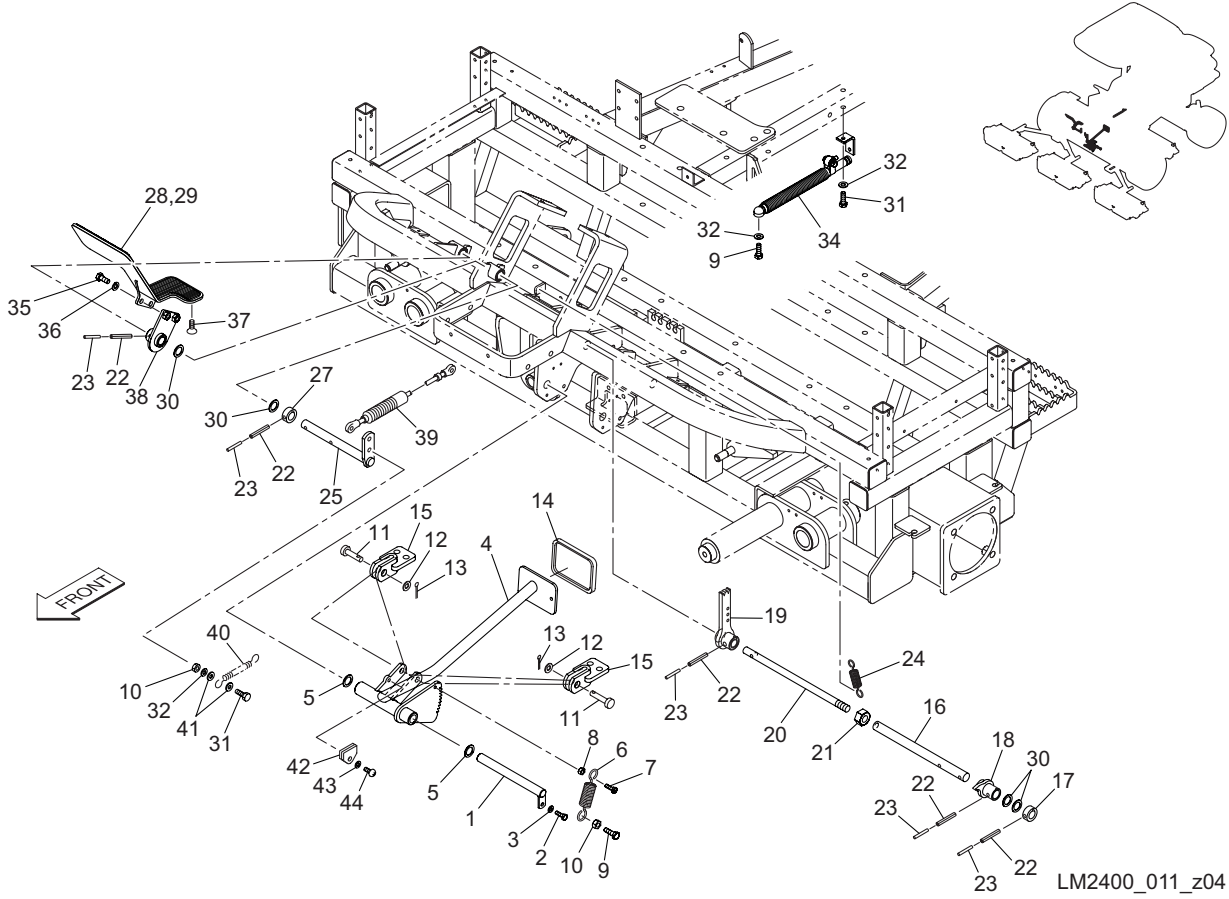


LM2400\_011\_z04

Cat No.	Code No.	Part name	Qty	Remark	SN of application
11 - 1	LM2400-0801Z2	SHAFT, PEDAL	1		
11 - 2	K0200060002	WASHER, SPRING M6	1		
11 - 3	K0000060202	BOLT, M6-20	1		
11 - 4	LM2400-0802AD	PEDAL, BRAKE	1		
11 - 5	K5051016240	WASHER, C5191P 1-16-24	2		
11 - 6	K1020000208	SPRING, WITH ROUND HOOK M1.6-16.6-65.2	1		
11 - 7	K001A060201	BOLT, 13T W/HEX. HOLE M6-20	1		
11 - 8	K0100060002	NUT, M6	1		
11 - 9	K0000080252	BOLT, M8-25	2		
11 - 10	K0100080002	NUT, M8	5		
11 - 11	K6031100258	PIN, FLAT HEAD HT M10-25	2		
11 - 12	K5000100002	WASHER, M10	2		
11 - 13	K0300025202	PIN, COTTER M2.5-20	2		
11 - 14	K4050000050	RUBBER, FOR PEDAL 70100	1		
11 - 15	LM2400-0803Z2	RETAINER, WIRE	2		
11 - 16	LM2400-0804Z2	SHAFT, LOCKING	1		
11 - 17	K6215000622	COLLAR, STKM WITH HOLE M16-25-15	1		
11 - 18	LM2400-0806Z2	LOCK, BRAKE	1		
11 - 19	LM2400-0807A2	LEVER, LOCK	1		
11 - 20	LM2400-0808Z2	SHAFT, LOCKING LEVER	1		
11 - 21	K0100100002	NUT, M10	1		
11 - 22	K0320050281	PIN, SPRING M5-28	5		
11 - 23	K0320030251	PIN, SPRING M3-25	5		
11 - 24	K1020000178	SPRING, WITH ROUND HOOK M1-10-50	1		
11 - 25	LM2400-0809A2	SHAFT, PEDAL	1		
11 - 26					
11 - 27	K6215000622	COLLAR, STKM WITH HOLE M16-25-15	1		
11 - 28	LM2400-0813ZD	PEDAL, TRAVELING	1		
11 - 29	LM2400-0818Z0	RUBBER, PEDAL	1		
11 - 30	K5051016240	WASHER, C5191P 1-16-24	2		

# 11. PEDAL SECTION

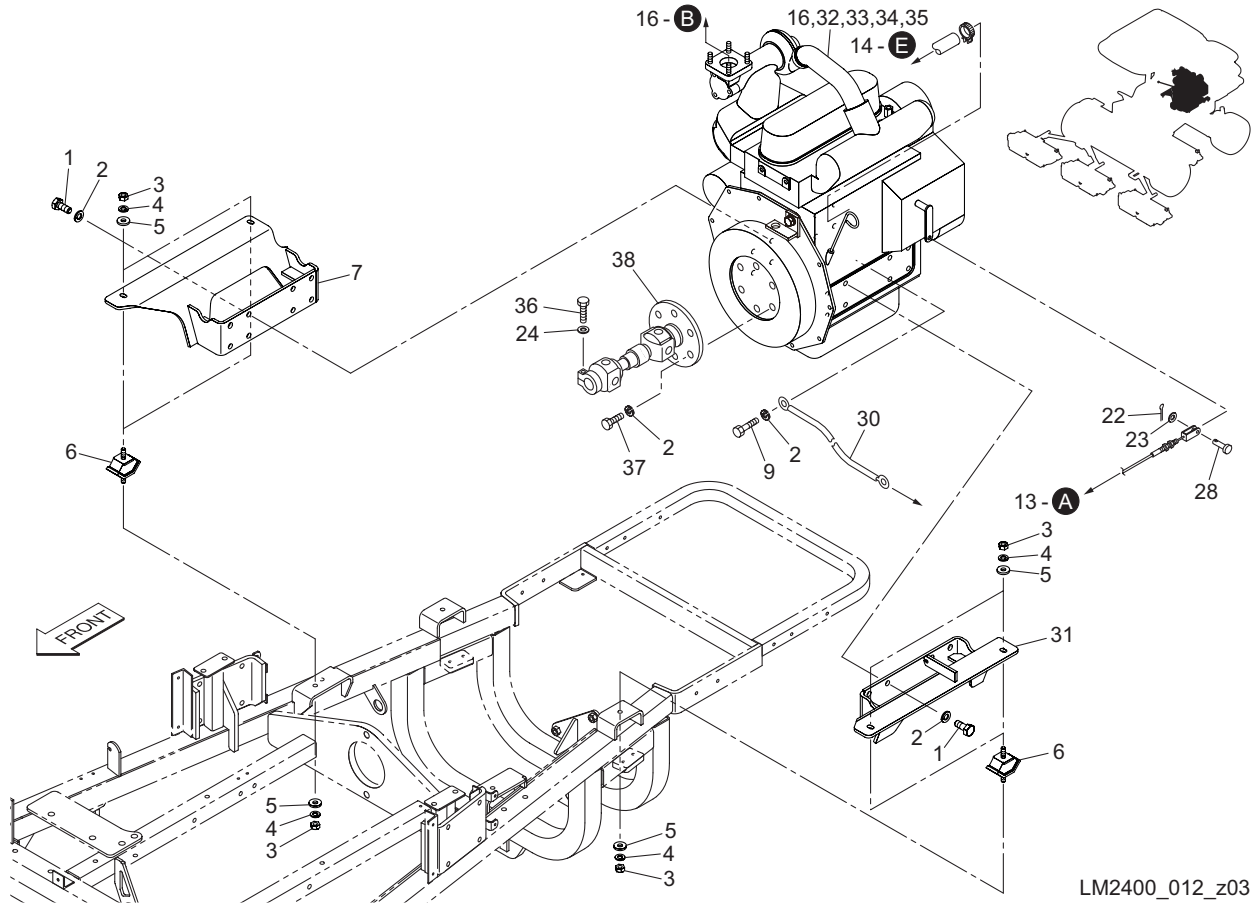
LM2400



Cat No.	Code No.	Part name	Qty	Remark	SN of application
11 - 31	K0000080202	BOLT, M8-20	2		
11 - 32	K5000080002	WASHER, M8	3		
11 - 33					
11 - 34	K3380000010	DAMPER, FOR LEVER	1		
11 - 35	K0000080152	BOLT, M8-15	2		
11 - 36	K0200080002	WASHER, SPRING M8	2		
11 - 37	K0056080200	SCREW, SUS + TRUSS M8-20	1		
11 - 38	LM2400-0819ZD	PEDAL, LOWER	1		
11 - 39	K1160097510	CABLE, PUSH PULL 975	1		
11 - 40	K1020000168	SPRING, WITH ROUND HOOK M2.3-18.6-95	1		
11 - 41	K5012308242	WASHER, SPCC 2.3-8-24	2		
11 - 42	K1510000110	MAGNET, W/PLASTIC BASE	1		
11 - 43	K0200050002	WASHER, SPRING M5	1		
11 - 44	K0042050102	SCREW, + ROUND HEAD M5-10	1		

# 12. ENGINE SECTION : A

LM2400

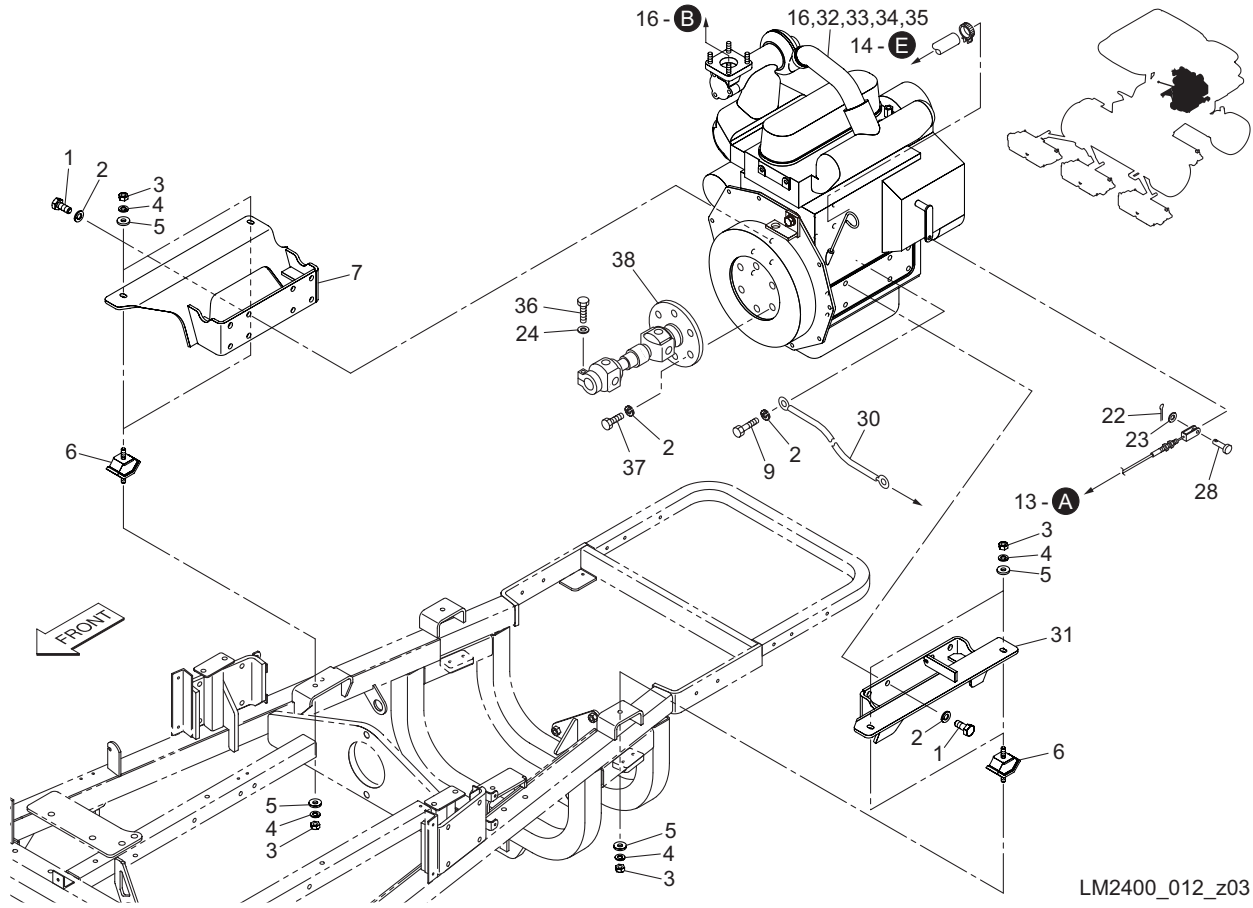


LM2400\_012\_z03

Cat No.	Code No.	Part name	Qty	Remark	SN of application
12 - 1	K0017100252	BOLT, SMALL HT P1.25 M10-25	16		
12 - 2	K0200100002	WASHER, SPRING M10	23		
12 - 3	K0100080002	NUT, M8	8		
12 - 4	K0200080002	WASHER, SPRING M8	14		
12 - 5	K5073208202	WASHER, SPHC 3.2-8-20	8		
12 - 6	K4040000150	RUBBER, VIBRATION PROOF EC4001	4		
12 - 7	LM2400-0502AD	BASE, ENGINE (R)	1		
12 - 8					
12 - 9	K0001100202	BOLT, P1.25 M10-20	1		
12 - 10					
12 - 11					
12 - 12					
12 - 13					
12 - 14					
12 - 15					
12 - 16	K2691000220	ENGINE, D1105-T-E3B-LMKY-1	1		
12 - 17					
12 - 18					
12 - 19					
12 - 20					
12 - 21					
12 - 22	K0300016122	PIN, COTTER M1.6-12	1		
12 - 23	K5000050002	WASHER, M5	1		
12 - 24	K0215100002	WASHER, DISK SPRING H M10-2	1		
12 - 25					
12 - 26					
12 - 27					
12 - 28	K6030050122	PIN, FLAT HEAD M5-12	1		
12 - 29					
12 - 30	K3611000430	CODE, TO EARTH 500	1		

# 12. ENGINE SECTION : A

LM2400



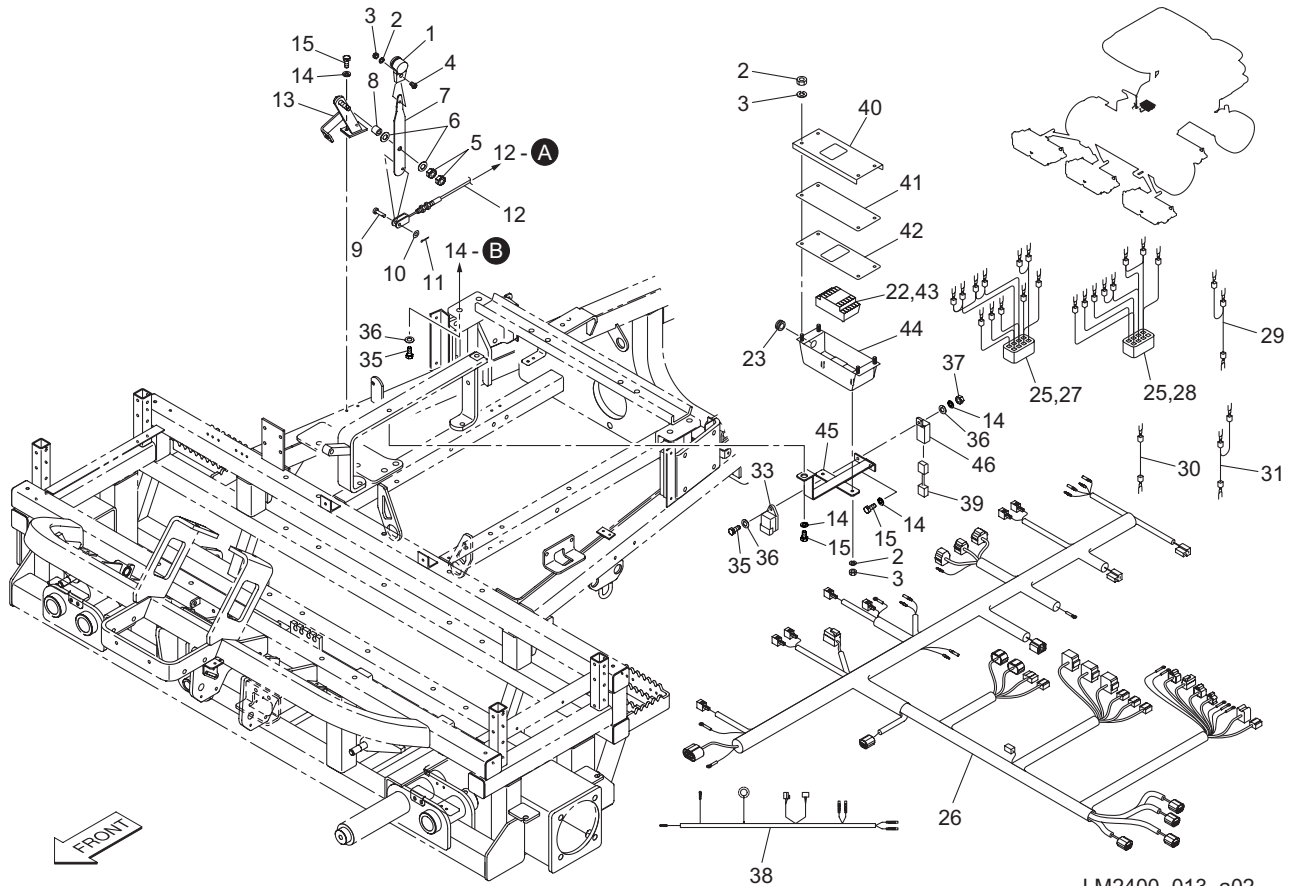
LM2400\_012\_z03

Cat No.	Code No.	Part name	Qty	Remark	SN of application
12 - 31	LM2400-0501AD	BASE, ENGINE (L)	1		
12 - 32	PF15241-3209-4	ELEMENT, OIL FILTER	1		
12 - 33	PF16241-9701-3	BELT, FAN (37 COG)	1		
12 - 34	PF13901-3375-0	PLUG, DRAIN	1		
12 - 35	PF6C090-5896-0	GASKET, DRAIN OILPAN	1		
12 - 36	K001A100401	BOLT, 13T W/HEX. HOLE M10-40	1		
12 - 37	K0011100252	BOLT, HT P1.25 M10-25	6		
12 - 38	K1620000250	JOINT ASSY, UNIVERSAL	1		



### 13. ENGINE SECTION : B

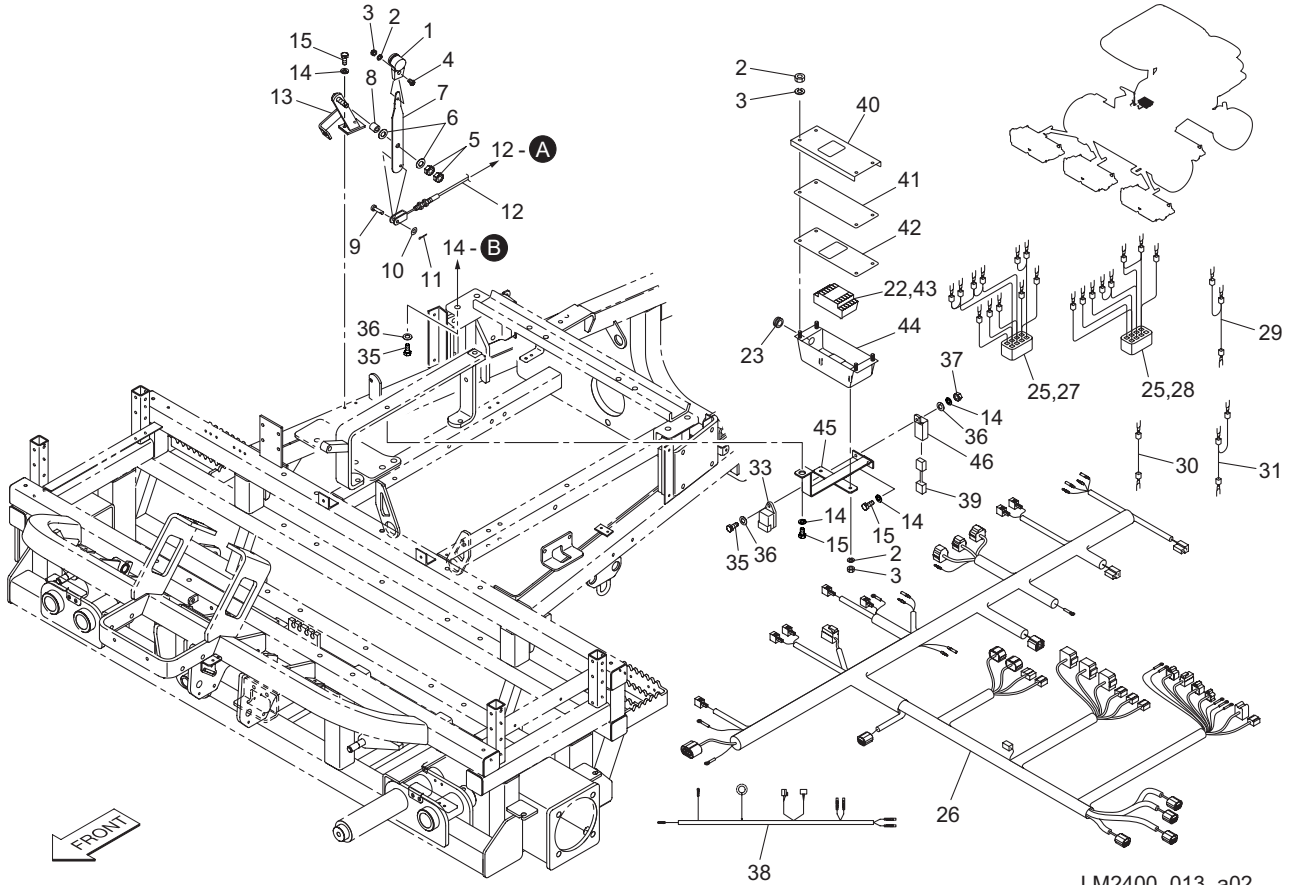
LM2400



Cat No.	Code No.	Part name	Qty	Remark	SN of application
13 - 1	K1301000150	GRIP, PLASTIC THROTTLE LEVER	1		
13 - 2	K0200050002	WASHER, SPRING M5	7		
13 - 3	K0100050002	NUT, M5	7		
13 - 4	K0042050082	SCREW, + ROUND HEAD M5-8	1		
13 - 5	K0100100002	NUT, M10	2		
13 - 6	K0210100002	SPRING, CONICAL DISC L M10	2		
13 - 7	LM318--0510Z2	PLATE, THROTTLE LEVER	1		
13 - 8	K6212000092	COLLAR, STKM M10-16-10	1		
13 - 9	K6030050122	PIN, FLAT HEAD M5-12	1		
13 - 10	K5000050002	WASHER, M5	1		
13 - 11	K0300016122	PIN, COTTER M1.6-12	1		
13 - 12	K1110168020	WIRE, THROTTLE 1680	1		
13 - 13	LM2400-0590ZD	BRACKET, THROTTLE WIRE	1		
13 - 14	K0200060002	WASHER, SPRING M6	6		
13 - 15	K0000060152	BOLT, M6-15	5		
13 - 16					
13 - 17					
13 - 18					
13 - 19	GM2800-0519ZD	COVER, BOX	1		
13 - 20	GM2800-0518Z0	BOARD, ACRYLIC M 1.5-134189	1		
13 - 21	GM2800-0517Z0	PACKING, RUBBER 1-134189	1		
13 - 22	K3680000030	RELAY BOX, G6B-4CB	1		
13 - 23	K0900300160	GROMMET, W/SEALING C30SG16A	1		
13 - 24					
13 - 25	K3194101000	TUBE, SPIRAL SP-15-10-100	1		
13 - 26	LM2400-0522A0	HARNESS	1		
13 - 27	LM2400-0507Z0	WIRE, RELAY A	1		
13 - 28	LM2400-0508A0	WIRE, RELAY B	1		
13 - 29	LM2400-0509Z0	WIRE, RELAY C	1		
13 - 30	LM2400-0510Z0	WIRE, RELAY D	1		

### 13. ENGINE SECTION : B

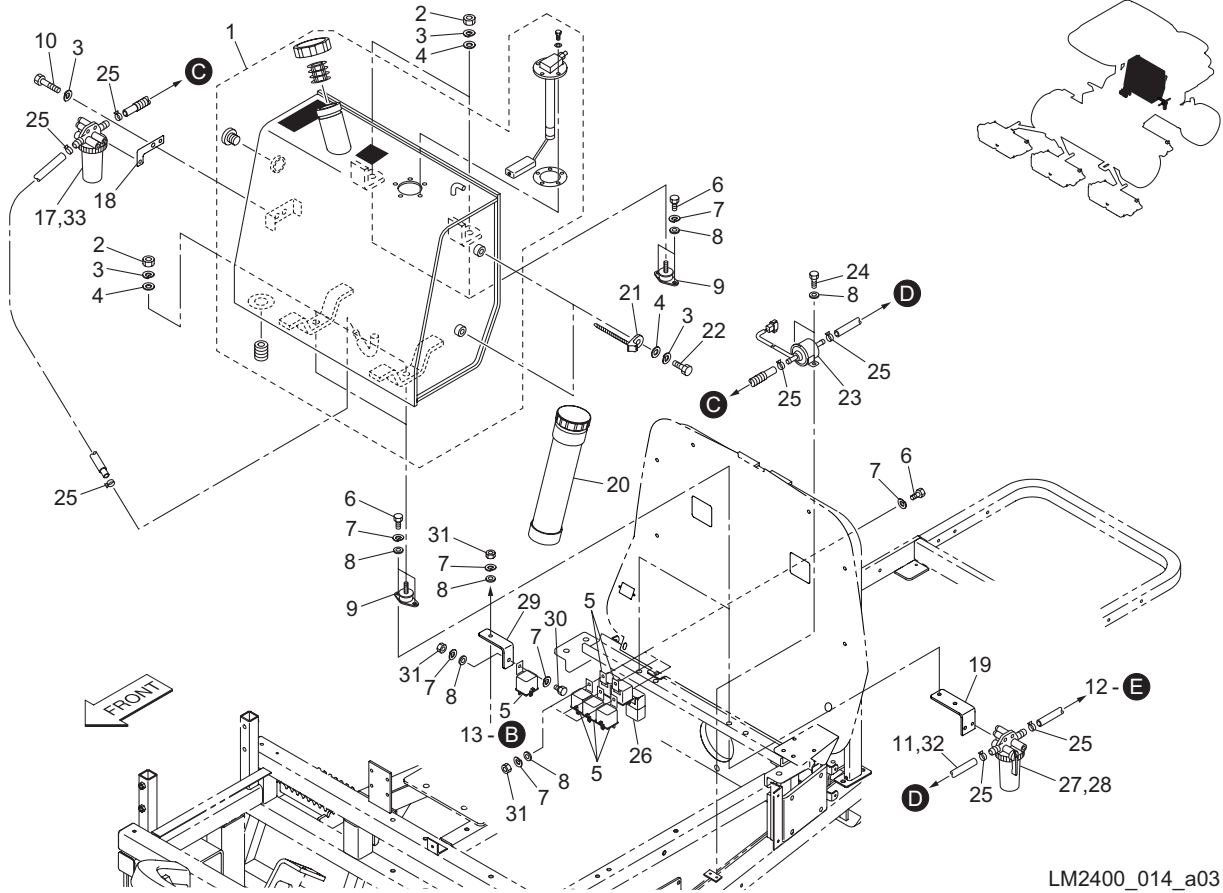
LM2400



Cat No.	Code No.	Part name	Qty	Remark	SN of application
13 - 31	LM2400-0511A0	WIRE, RELAY E	1		
13 - 32					
13 - 33	PF15694-6599-0	TIMER, GLOW LAMP	1		
13 - 34					
13a - 35	K0000060202	BOLT, M6-20	2		
13a - 36	K5000060002	WASHER, M6	3		
13 - 37	K0100060002	NUT, M6	1		
13a - 38					
13 - 39	K3620001040	CONNECTOR	1		
13 - 40	LM315GB0632ZD	CAP, ELECTRIC EQUIPMENT BOX	1		
13 - 41	LM315GB0633A0	PLATE, ACRYLIC 2-70-189	1		
13 - 42	LM315GB0634Z0	PACKING, RUBBER 1-70-189	1		
13 - 43	G6B2114P-US-P6B	RELAY, FOR TERMINAL G6B-4CB (REPLACEMENT)	1		
13 - 44	LM315GB0631ZD	RELAY BOX	1		
13 - 45	LM2400-0647ZD	STAY, RELAY BOX	1		
13 - 46	PF5H276-4125-1	RELAY COMP	1		

# 14. ENGINE SECTION : C

LM2400

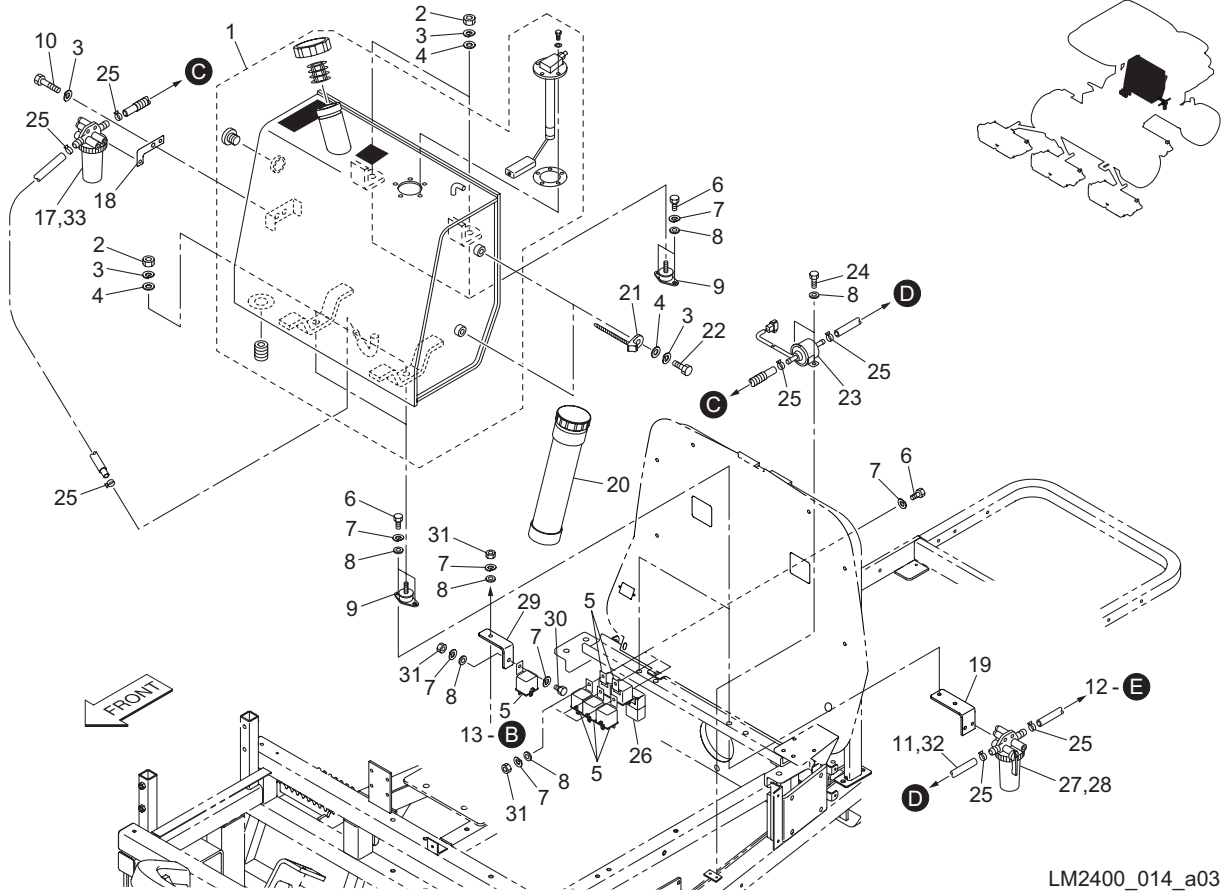


LM2400\_014\_a03

Cat No.	Code No.	Part name	Qty	Remark	SN of application
14 - 1	LM2400-0528Z0	TANK COMP, FUEL	1		
14 - 2	K0100080002	NUT, M8	4		
14 - 3	K0200080002	WASHER, SPRING M8	7		
14 - 4	K5000080002	WASHER, M8	6		
14a - 5	K3681000070	RELAY, MR5A411A1K	6	OPTION	
14 - 6	K0000060202	BOLT, M6-20	11		
14a - 7	K0200060002	WASHER, SPRING M6	17	OPTION	
14a - 8	K5000060002	WASHER, M6	13	OPTION	
14 - 9	K4042000040	RUBBER, VIBRATION PROOF KB-30	4		
14 - 10	K0000080602	BOLT, M8-60	1		
14 - 11	PF09661-8250-0	TUBE, FUEL	1		
14 - 12					
14 - 13					
14 - 14					
14 - 15					
14 - 16					
14 - 17	PFRB101-5126-0	FILTER ASSY	1		
14 - 18	LM2400-0505Z2	BRACKET, SEDIMENTER	1		
14 - 19	LM2400-0506ZD	STAY, FUEL FILTER	1		
14 - 20	K5920000130	CASE, FOR MANUALS	1		
14 - 21	K4241000140	BAND, PLASTIC TIE MOUNT CL8-SB8	2		
14 - 22	K0000080152	BOLT, M8-15	2		
14 - 23	PFR1401-5135-2	PUMP ASSY, FUEL	1		
14 - 24	K0000060152	BOLT, M6-15	2		
14 - 25	PF14911-4275-0	CLIP, PIPE	6		
14a - 26	K3681000060	RELAY, CALAF-12V-N-5	1	OPTION	
14 - 27	PF1G313-4301-0	FILTER ASSY, FUEL	1		
14 - 28	PF1G313-4356-0	ELEMENT ASSY, FUEL	1		
14a - 29	LM2400-1204ZD	MOUNT, RELAY	1	OPTION	
14a - 30	K0000060102	BOLT, M6-10	1	OPTION	

# 14. ENGINE SECTION : C

LM2400

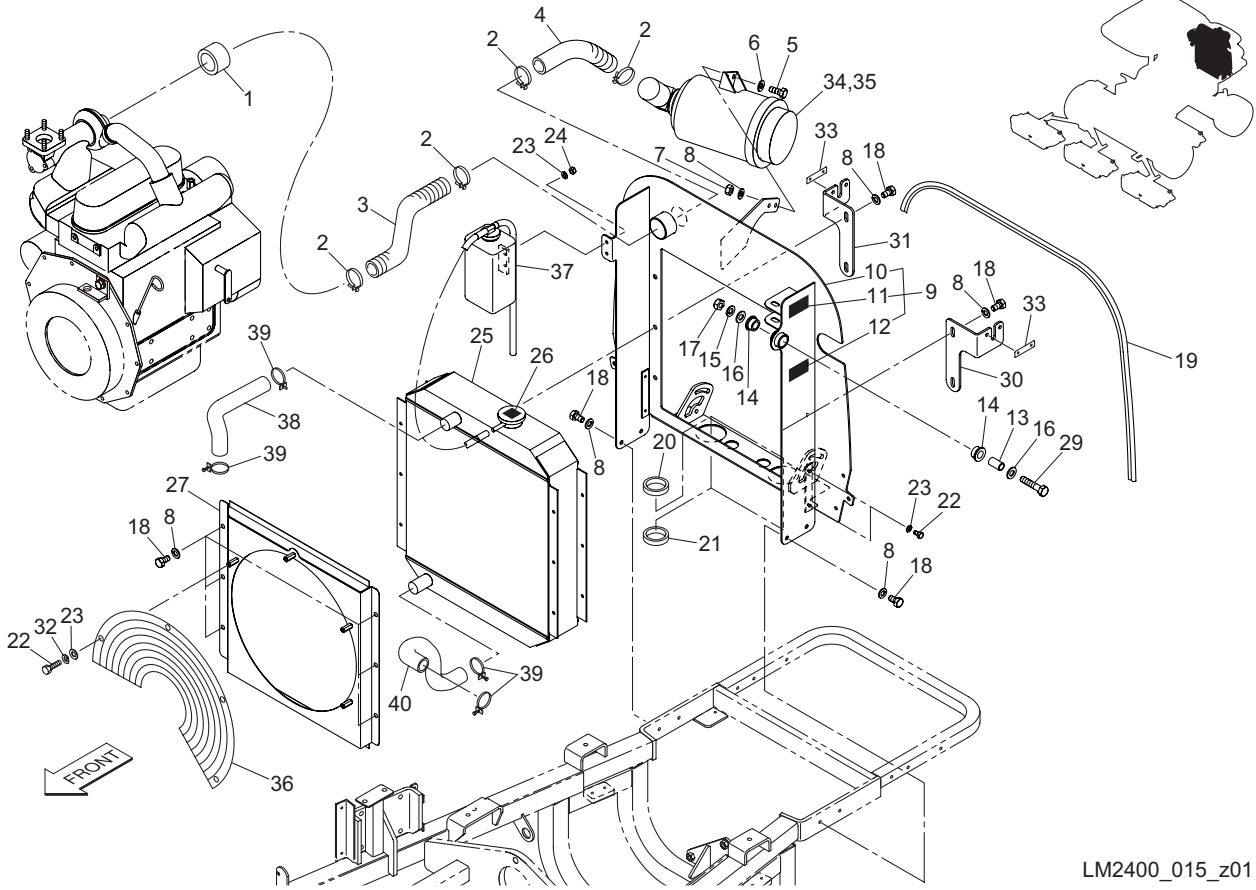


LM2400\_014\_a03

Cat No.	Code No.	Part name	Qty	Remark	SN of application
14a - 31	K0100060002	NUT, M6	5	OPTION	
14 - 32	K4231172030	TUBE, HEAT-INSULATING CA17*2030	1		
14 - 33	PFRB101-5128-0	ELEMENT	1		

# 15. ENGINE SECTION : D

LM2400

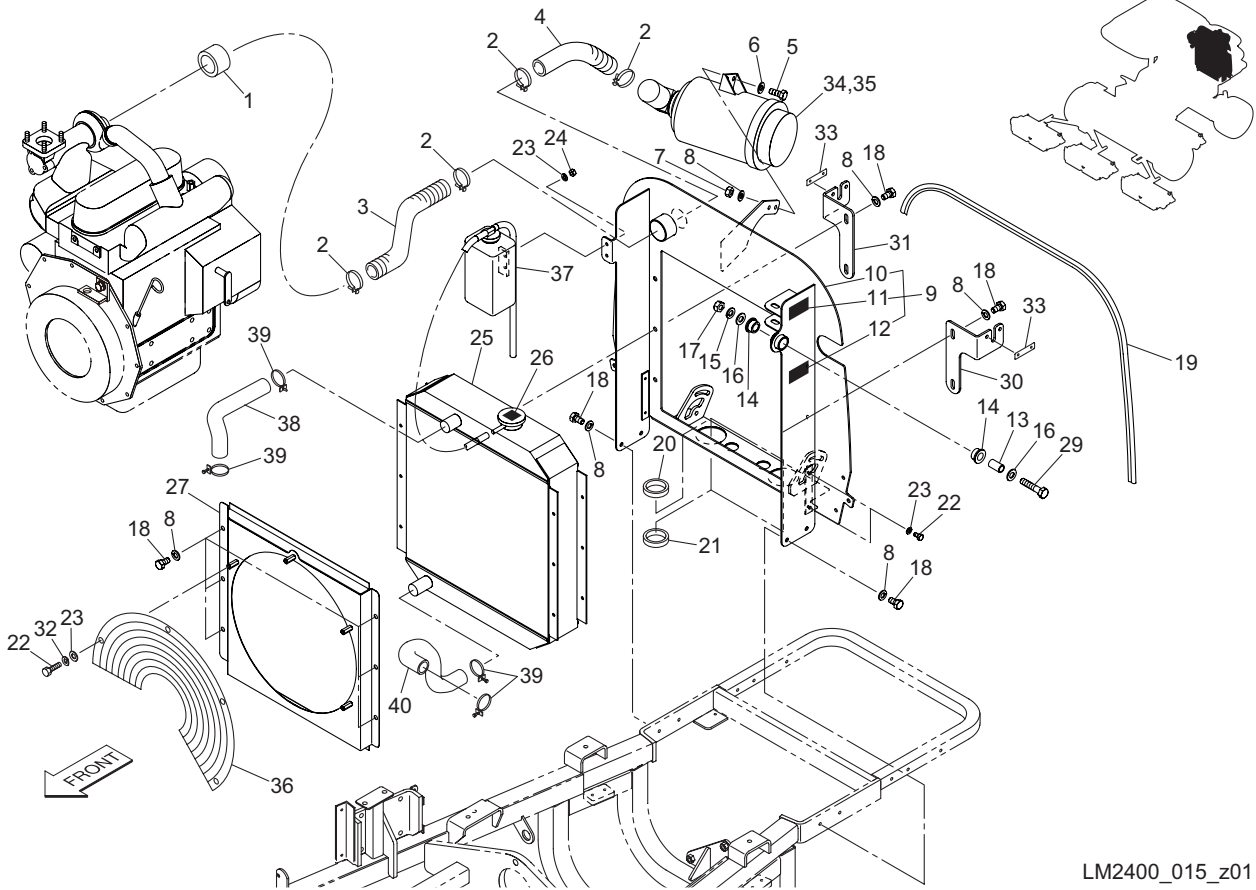


LM2400\_015\_z01

Cat No.	Code No.	Part name	Qty	Remark	SN of application
15 - 1	LM285--0555Z0	COLLAR, TURBINE	1		
15 - 2	K4262057000	CLAMP, LS BAND 57	4		
15 - 3	K3170004000	HOSE, 50 BANNER A 400	1		
15 - 4	K3170001500	HOSE, 50 BANNER A 150	1		
15 - 5	K0000080202	BOLT, M8-20	2		
15 - 6	K5000080002	WASHER, M8	2		
15 - 7	K0100080002	NUT, M8	2		
15 - 8	K0200080002	WASHER, SPRING M8	18		
15 - 9	LM2400-0561A0	BRACKET, RADIATOR WITH DECAL	1		
15 - 10	LM2400-0521AD	MOUNT, RADIATOR	1		
15 - 11	K4205001540	DECAL, CAUTION TO HOT PARTS	1		
15 - 12	K4205001530	DECAL, CAUTION TO ROTATING OBJECT	1		
15 - 13	K6211000062	COLLAR, SGP M12.7-17.3-31	1		
15 - 14	K4031000020	RUBBER, ROUND FOR HANDLE 32	2		
15 - 15	K0200100002	WASHER, SPRING M10	1		
15 - 16	K5000100002	WASHER, M10	2		
15 - 17	K0100100002	NUT, M10	1		
15 - 18	K0000080152	BOLT, M8-15	16		
15 - 19	K3198310000	TRIM, SEAL 6100-32C-1000	1		
15 - 20	K0900300660	GROMMET, W/SEALING C30SG30A	2		
15 - 21	K0900300300	GROMMET, W/SEALING C30SG30A	2		
15 - 22	K0000060152	BOLT, M6-15	8		
15 - 23	K0200060002	WASHER, SPRING M6	8		
15 - 24	K0100060002	NUT, M6	2		
15 - 25	K2730000040	RADIATOR	1		
15 - 26	K4205001970	DECAL, CAUTION SPOUTING COOLANT	1		
15 - 27	LM285--0560Z0	SHROUD, WITH STICKER	1		
15 - 28					
15 - 29	K0003100502	BOLT, M10-50	1		
15 - 30	LM2400-0923ZD	BRACKET, FULCRUM (L)	1		

# 15. ENGINE SECTION : D

LM2400

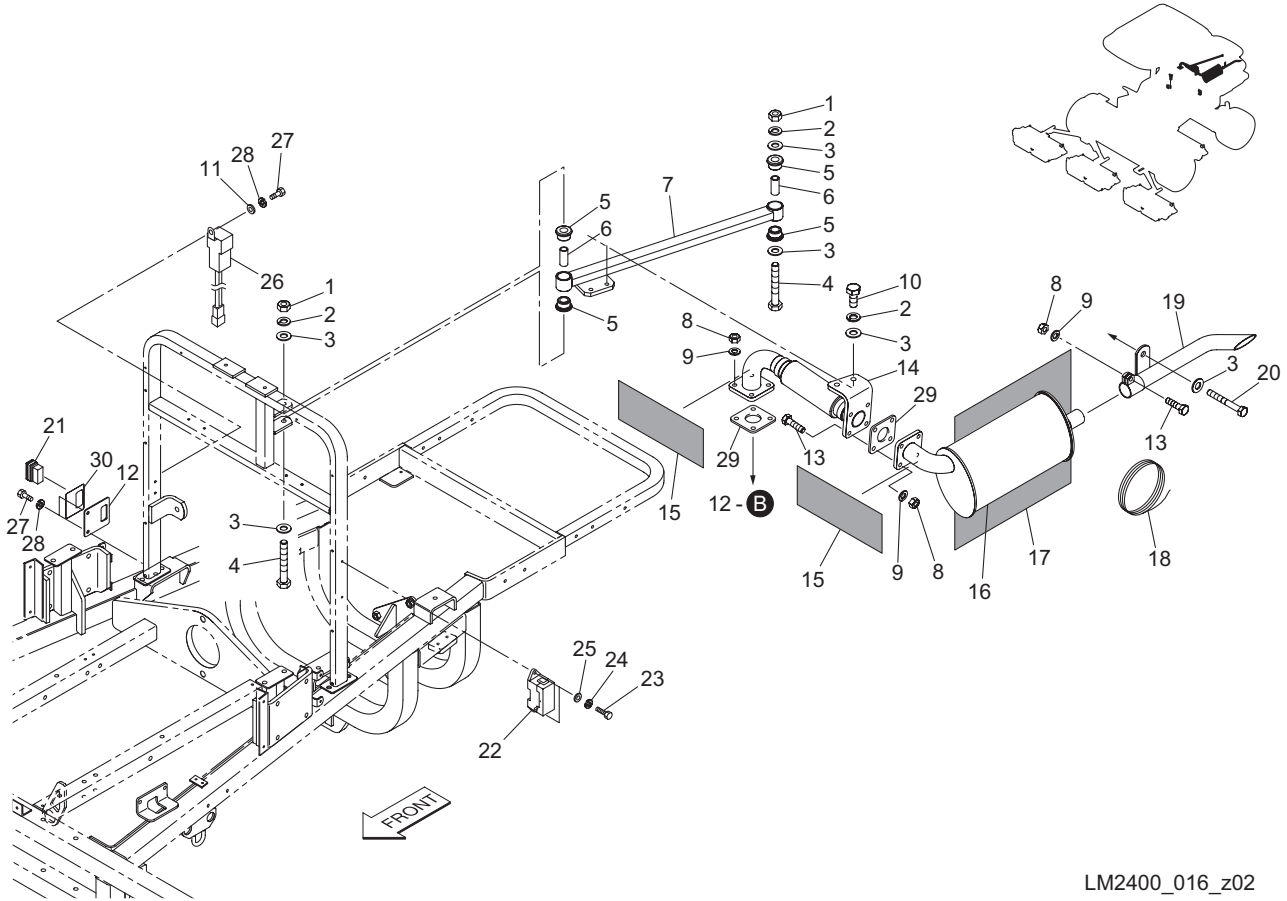


LM2400\_015\_z01

Cat No.	Code No.	Part name	Qty	Remark	SN of application
15 - 31	LM2400-0924ZD	BRACKET, FULCRUM (R)	1		
15 - 32	K5000060002	WASHER, M6	2		
15 - 33	LM2400-0922Z2	RETAINER, FULCRUM SHAFT	2		
15 - 34	PF17407-1101-0	AIR CLEANER ASSY	1		
15 - 35	PFT1270-1632-0	FILTER COMP; AIR CLEANER	1		
15 - 36	PF1G690-7412-0	COVER, FAN	1		
15 - 37	PFRC411-4268-0	TANK ASSY, RESERVE	1		
15 - 38	PF16292-7294-0	PIPE, WATER 4	1		
15 - 39	PF09318-8903-9	CLAMP, FOR HOSE	4		
15 - 40	PF1G345-7285-0	HOSE, (1, WATER)	1		

# 16. ENGINE SECTION : E

LM2400

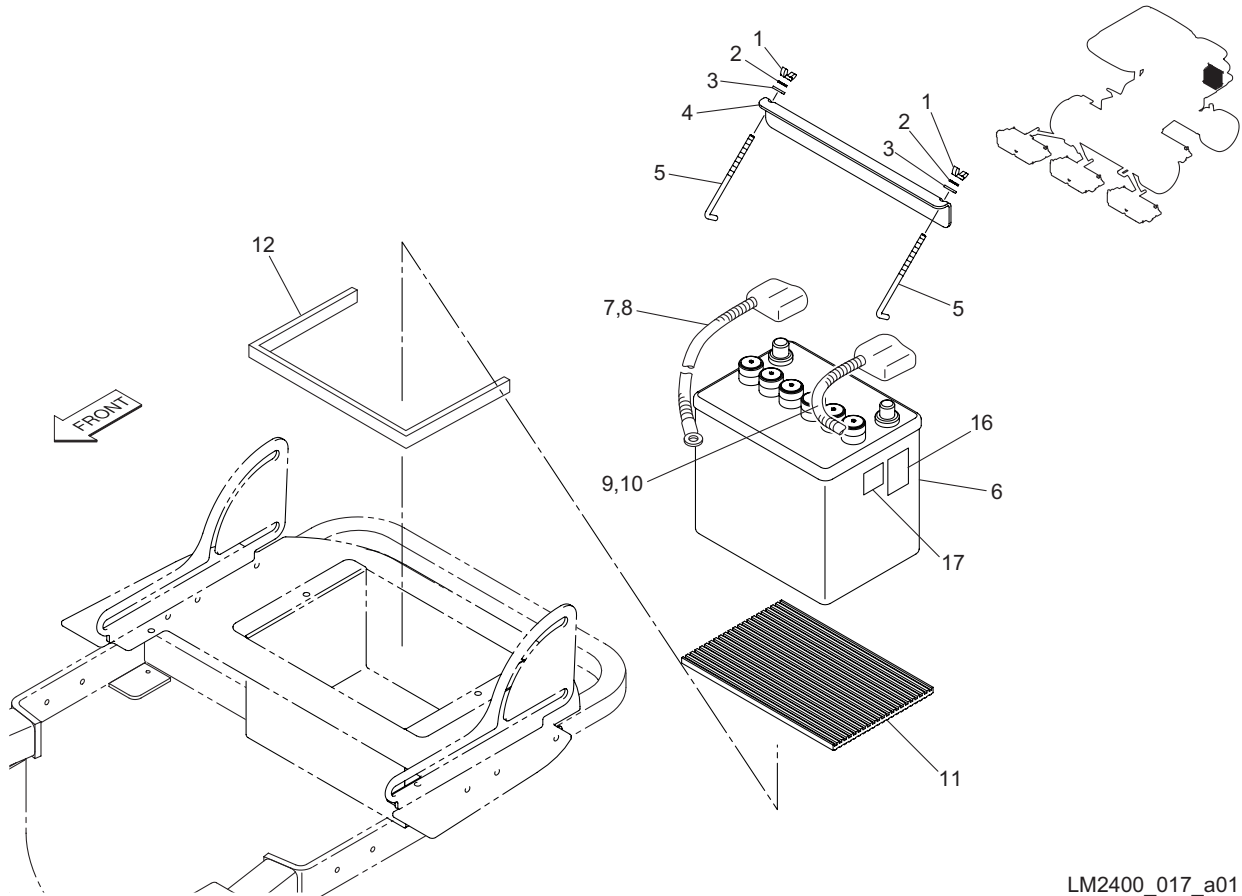


LM2400\_016\_z02

Cat No.	Code No.	Part name	Qty	Remark	SN of application
16 - 1	K0100100002	NUT, M10	2		
16 - 2	K0200100002	WASHER, SPRING M10	4		
16 - 3	K5000100002	WASHER, M10	4		
16 - 4	K0010100702	BOLT, HT M10-70	7		
16 - 5	K4031000050	RUBBER, ROUND FOR HANDLE 35	4		
16 - 6	K6211000022	COLLAR, M12-17.3-40	2		
16 - 7	LM285--0554ZD	BAR, SUPPORTING	1		
16 - 8	K0100080002	NUT, M8	9		
16 - 9	K0200080002	WASHER, SPRING M8	9		
16 - 10	K0000100252	BOLT, M10-25	2		
16 - 11	K5000060002	WASHER, M6	1		
16 - 12	LM2400-0630A2	STAY, SWITCH	1		
16 - 13	K0000080302	BOLT, M8-30	5		
16 - 14	LM285--0552ZU	PIPE, FLEXIBLE EXHAUST	1		
16 - 15	K4230000040	PLATE, GLASS-FABRICS 1.6-30-1000	2		
16 - 16	K2693000030	MUFFLER	1		
16 - 17	K4230000140	PLATE, GLASS-FABRICS 1.6-285420	1		
16 - 18	K4980015000	WIRE, SUS 1.2-1500	1		
16 - 19	LM2400-0512ZU	PIPE, TAIL	1		
16 - 20	K0003100502	BOLT, M10-50	1		
16 - 21	K3661000070	SWITCH, ROCKER RED	1		
16 - 22	K3630000170	FUSE BLOCK, MNI 10P-C	1		
16 - 23	K0000050152	BOLT, M5-15	2		
16 - 24	K0200050002	WASHER, SPRING M5	2		
16 - 25	K5000050002	WASHER, M5	2		
16 - 26	K3630000130	FUSE BLOCK, FUSIBLE LINK 50A	1		
16 - 27	K0000060152	BOLT, M6-15	3		
16 - 28	K0200060002	WASHER, SPRING M6	3		
16 - 29	PF15263-1237-0	PACKING, MUFFLER NA	2		
16 - 30	K4203001580	DECAL, LAPPING SWITCH	1		

# 17. ENGINE SECTION : F

LM2400



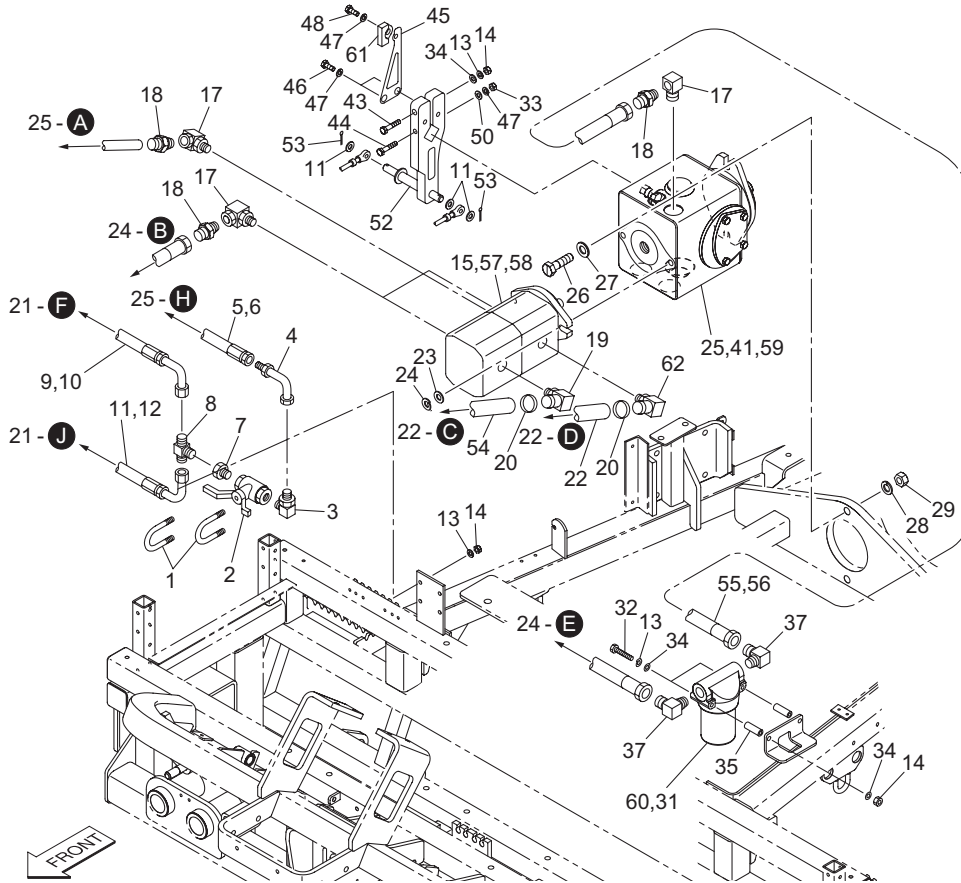
LM2400\_017\_a01

Cat No.	Code No.	Part name	Qty	Remark	SN of application
17 - 1	K0141060002	NUT, WING M6-3	2		
17 - 2	K0200060002	WASHER, SPRING M6	2		
17 - 3	K5012306162	WASHER, SPCC 2.3-6-16	2		
17 - 4	LM285--0911Z2	CLAMPER, BATTERY	1		
17 - 5	K6171000312	ROD, WITH M6	2		
17 - 6	K3600000160	BATTERY, FX75D23L	1		
17 - 7	K3610000230	WIRE, BATTERY (+) 1250	1		
17 - 8	K3195012000	TUBE, CORRUGATED 15-1200	1		
17 - 9	K3611000420	WIRE, TO EARTH 1000	1		
17 - 10	K3195009500	TUBE, CORRUGATED 15-950	1		
17 - 11	K4035000020	RUBBER, VIBRATION PROOF FOR BATTERY 256	1		
17 - 12	GM1600-0519Z0	SPONGE, RUBBER 8-610	1		
17 - 13					
17 - 14					
17 - 15					
17a - 16	K4205002030	DECAL, CROSSED-OUT DUST BIN	1		
17a - 17	K4209001410	STICKER, CAPACITY OF BATTERY 75D23,	1		



# 18. HYDRAULIC SECTION : A

LM2400

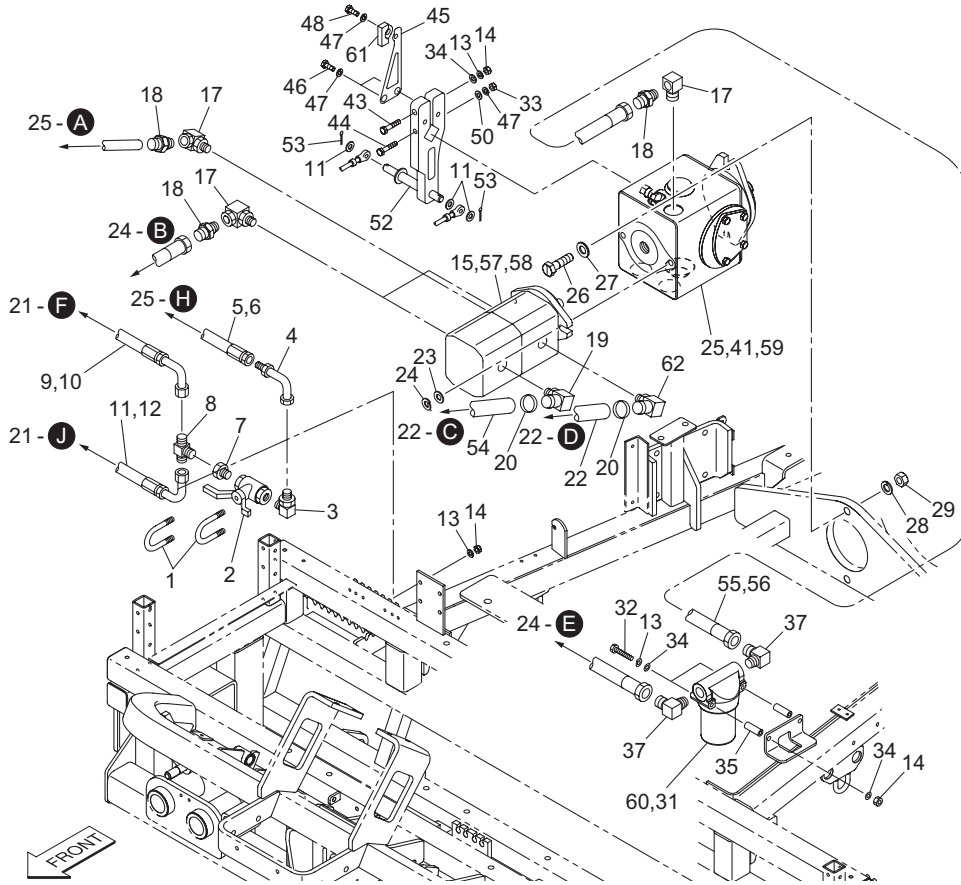


LM2400\_018\_z04

Cat No.	Code No.	Part name	Qty	Remark	SN of application
18 - 1	K0073000022	BOLT, WITH F-RING, M6-40	2		
18 - 2	K3360000010	VALVE, STOP 397819	1		
18 - 3	K3006000012-Y	ELBOW, ODD SIZED PT3/8*PF1/4	1		
18 - 4	K3025069042-Y	ADAPTOR, FOR PIPE 069-04	1		
18 - 5	K3104230600	HOSE, WP175-6-3-600	1		
18 - 6	K3190005000	TUBE, SPIRAL SP-12 500	1		
18 - 7	K3020060401-Y	BUSHING, BUT 3/8*1/4	1		
18 - 8	K3029000352-Y	TEE, PT1/4*PF1/4	1		
18 - 9	K3104231150	HOSE, WP175-6-3-1150	1		
18 - 10	K3190010500	TUBE, SPIRAL SP-12 1050	1		
18 - 11	K5000080002	WASHER, M8	3		
18 - 12					
18 - 13	K0200060002	WASHER, SPRING M6	7		
18 - 14	K0100060002	NUT, M6	7		
18 - 15	K3253000020	PUMP, GEAR 10.8CC-6.0CC	1		
18 - 16					
18 - 17	K3008000822-Y	ELBOW, O-RING 4045-10-8	3		
18 - 18	K3000120002-Y	ADAPTER, 1013-12	3		
18 - 19	K3008000302-Y	ADAPTOR, FPD21941	1		
18 - 20	K4260000190	CLAMP, HOSE JUBILEE BAND 1	2		
18 - 21					
18 - 22	LM2400-0724Z0	HOSE, SUCTION 25-420	1		
18 - 23	K0200100002	WASHER, SPRING M10	2		
18 - 24	K5000100002	WASHER, M10	2		
18 - 25	K3240000030	PUMP, PISTON LPV35	1		
18 - 26	K0013140502	BOLT, HT M14-50	2		
18 - 27	K5000140002	WASHER, M14	2		
18 - 28	K0200140002	WASHER, SPRING M14	2		
18 - 29	K0100140002	NUT, M14	2		
18 - 30					

# 18. HYDRAULIC SECTION : A

LM2400

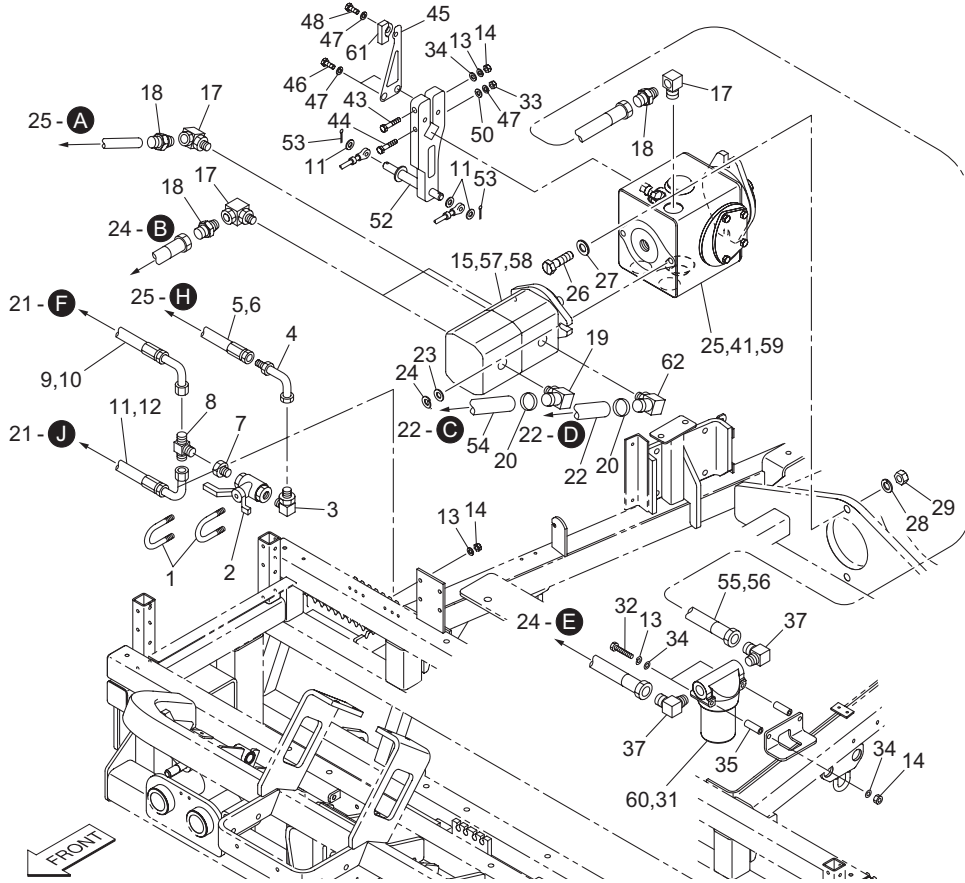


LM2400\_018\_z04

Cat No.	Code No.	Part name	Qty	Remark	SN of application
18 - 31	K3412000080	FILTER, CARTRIDGE DT-04A-10X	1		
18 - 32	K0003060902	BOLT, M6-90	2		
18 - 33					
18 - 34	K5000060002	WASHER, M6	5		
18 - 35	K6210000162	COLLAR, SS41 6.5-16-31	2		
18 - 36					
18 - 37	K3001120002-Y	ELBOW, 90 DEG 1033-12	2		
18 - 38					
18 - 39					
18 - 40					
18 - 41	K1421020000-Y	PLUG, TAPERED W/ SQUARE HEAD SCREW	1		
18 - 42					
18 - 43	K0000060502	BOLT, M6-50	1		
18 - 44	K0000050502	BOLT, M5-50	1		
18 - 45	LM2400-0636Z2	STAY, MAGNET N	1		
18 - 46	K0000050202	BOLT, M5-20	2		
18 - 47	K0200050002	WASHER, SPRING M5	4		
18 - 48	K0042050102	SCREW, + ROUND HEAD M5-10	1		
18 - 49					
18 - 50	K5000050002	WASHER, M5	1		
18 - 51					
18 - 52	LM2400-0616A2	LEVER, TRUNNION	1		
18 - 53	K0300020202	PIN, COTTER M2-20	2		
18 - 54	LM2400-0730Z0	HOSE, SUCTION 25-300	1		
18 - 55	K3100410250	HOSE, WP35-12-1-250	1		
18 - 56	K3191001500	TUBE, SPIRAL SP-15 150	1		
18 - 57	Y211.20.007.0K	SEAL KIT, FRONT	1		
18 - 58	Y211.20.005.0K	SEAL KIT, REAR	1		
18 - 59	Y4510463	PUMP, PISTON OVERHAUL SEAL KIT(LM2400/LM5000V)	1		
18 - 60	K3412000090	FILTER, CARTRIDGE DTE-04A-10X (SUBSTITUTE)	1		

# 18. HYDRAULIC SECTION : A

LM2400

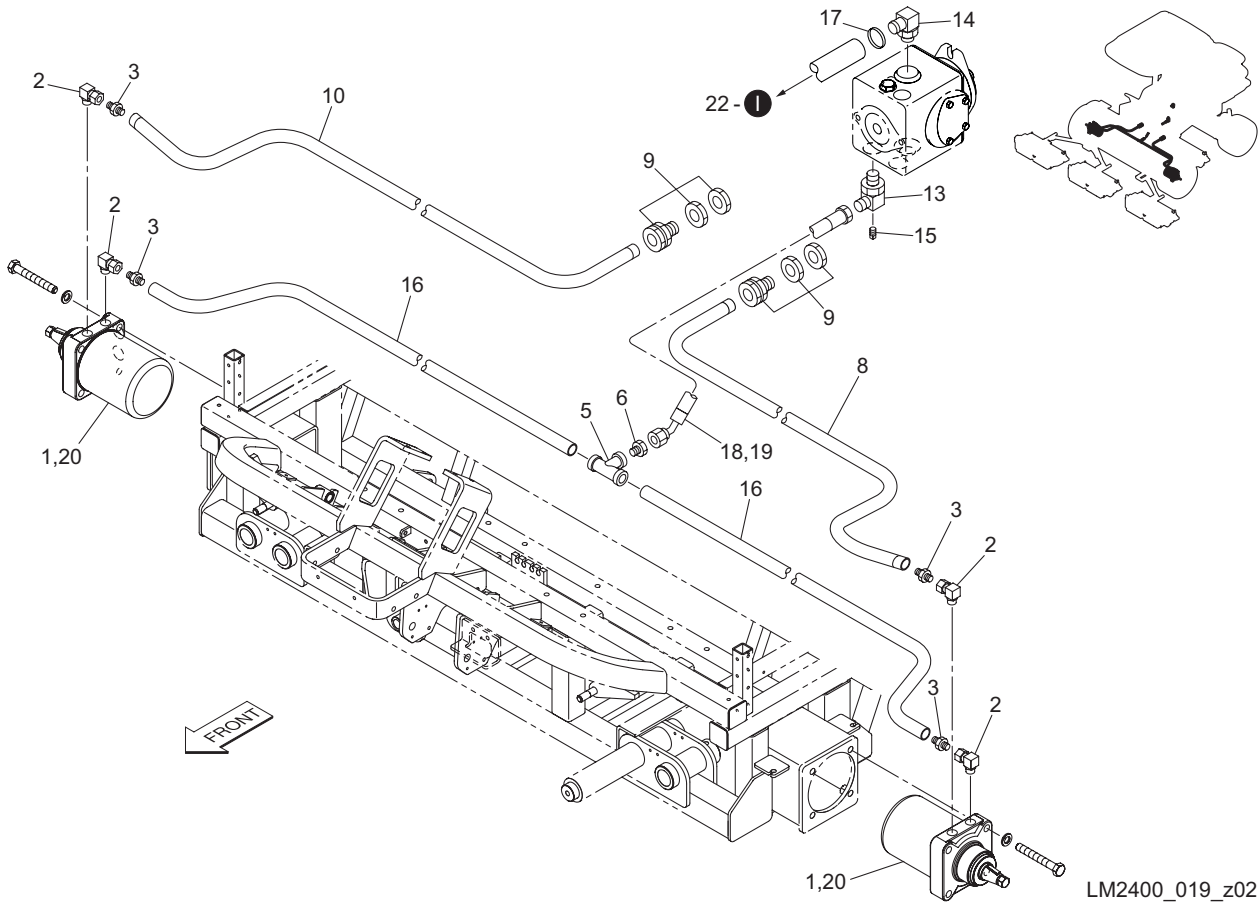


LM2400\_018\_z04

Cat No.	Code No.	Part name	Qty	Remark	SN of application
18 - 61	K1510000110	MAGNET, W/PLASTIC BASE	1		
18 - 62	K3008000892-Y	ELBOW, ADJUSTABLE DIA 22	1		

# 19. HYDRAULIC SECTION : B

LM2400

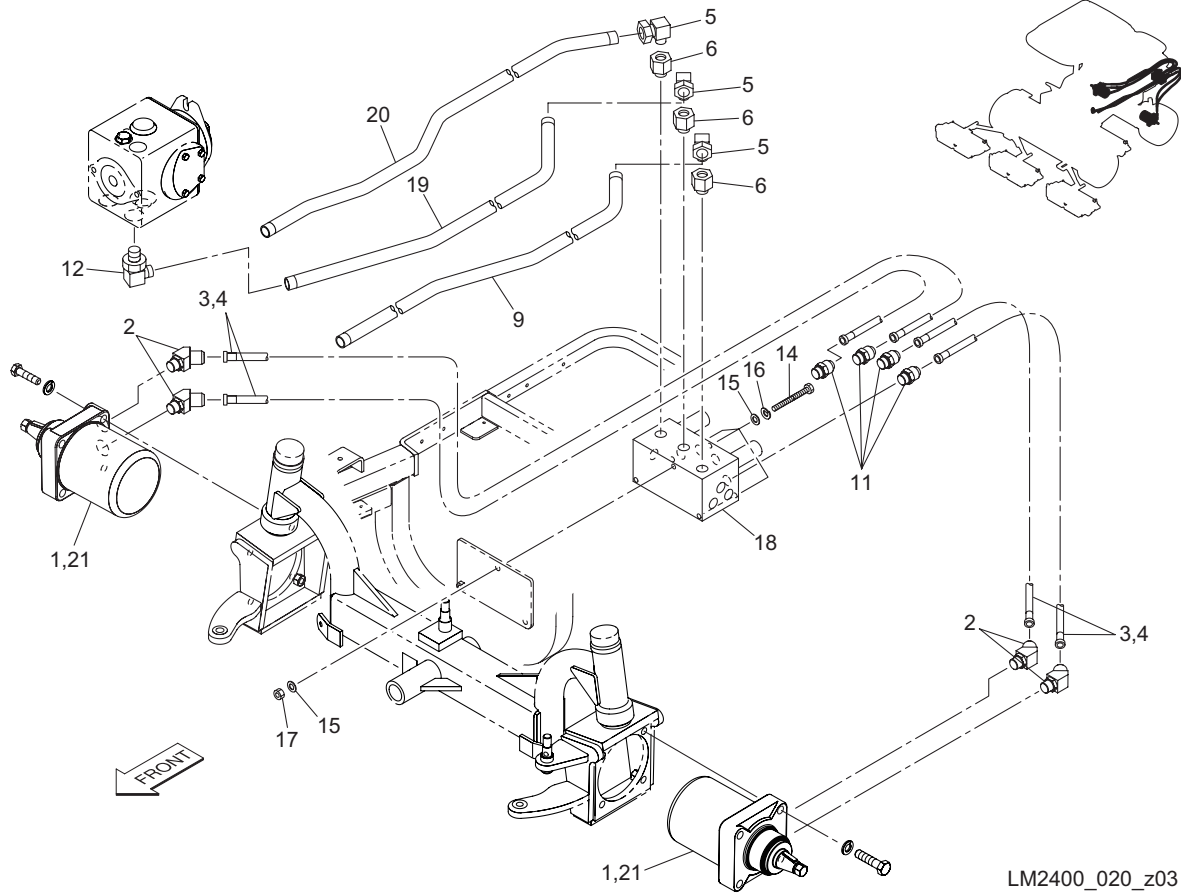


LM2400\_019\_z02

Cat No.	Code No.	Part name	Qty	Remark	SN of application
19 - 1	K3292000020	MOTOR, WHEEL TG0405US080AAAF	2		
19 - 2	K3008000822-Y	ELBOW, O-RING 4045-10-8	4		
19 - 3	K3026622081-Y	CONNECTOR, KCT 22-040E	4		
19 - 4					
19 - 5	LM2400-0791Z0	TIE, NIPPLE KTN22-060E	1		
19 - 6	LM2400-0790Z0	CONNECTOR, FEMALE 1015-12	1		
19 - 7					
19 - 8	LM2400-0708A2-Y	PIPE, 22 DIG FROM FRONT MOTOR LEFT	1		
19 - 9	K3027922001-Y	UNION, KSU 22-000E	2		
19 - 10	LM2400-0709A2-Y	PIPE, 22 DIG FROM FRONT MOTOR RIGHT	1		
19 - 11					
19 - 12					
19 - 13	K3008000802-Y	ELBOW, ADJUSTABLE UN90-1128-19	1		
19 - 14	K3008000302-Y	ADAPTOR, FPD21941	1		
19 - 15	K1421020000-Y	PLUG, TAPERED W/ SQUARE HEAD SCREW	1		
19 - 16	LM2400-0725Z2-Y	PIPE, 22 DIG MOTOR FORWARDING	2		
19 - 17	K4260000190	CLAMP, HOSE JUBILEE BAND 1	1		
19 - 18	K3107620360	HOSE, WP280-19-2-360	1		
19 - 19	K3192002600	TUBE, SPIRAL SP-20 260	1		
19 - 20	YSK000092	SEAL KIT	2		

# 20. HYDRAULIC SECTION : C

LM2400

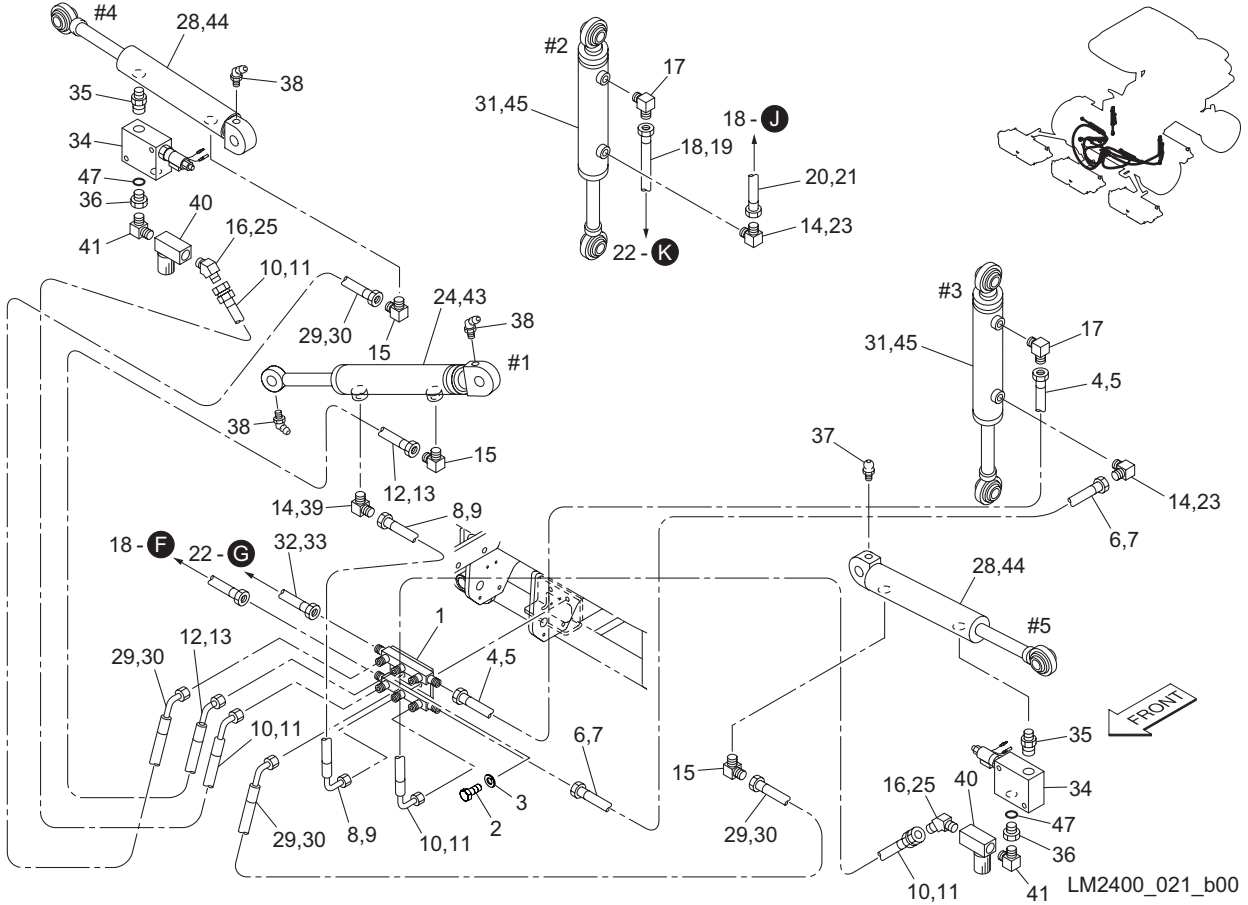


LM2400\_020\_z03

Cat No.	Code No.	Part name	Qty	Remark	SN of application
20 - 1	K3292000010	MOTOR, WHEEL TG0310US080AAAF	2		
20 - 2	K3008000762-Y	ELBOW, ADJUSTABLE UNF45-1129-15	4		
20 - 3	K3106511200	HOSE, WP245-15-1-1200	4		
20 - 4	K3192011000	TUBE, SPIRAL SP-20-1100	4		
20 - 5	K3026422121-Y	NIPPLE, KLO 22-060E	3		
20 - 6	K3008000842-Y	BUSH, 7/8-14UNFPF3/4	3		
20 - 7					
20 - 8					
20 - 9	LM2400-0711Z2-Y	PIPE, AWD VALVE (L)	1		
20 - 10					
20 - 11	K3008000772-Y	CONNECTOR, WITH O-RING 1096-15	4		
20 - 12	K3008000812-Y	ELBOW, O-RING 1204-22-1, 1/16	1		
20 - 13					
20 - 14	K0013101252	BOLT, HT M10-125	3		
20 - 15	K5000100002	WASHER, M10	3		
20 - 16	K0200100002	WASHER, SPRING M10	3		
20 - 17	K0100100002	NUT, M10	1		
20 - 18	K3315000060	VALVE, CROSS RELIEF YHFD-0108	1		
20 - 19	LM2400-0731Z2-Y	PIPE, MAIN PUMP RETURN	1		
20 - 20	LM2400-0726Z2-Y	PIPE, AWD VALVE (RIGHT)	1		
20 - 21	YSK000092	SEAL KIT	2		

# 21. HYDRAULIC SECTION : D

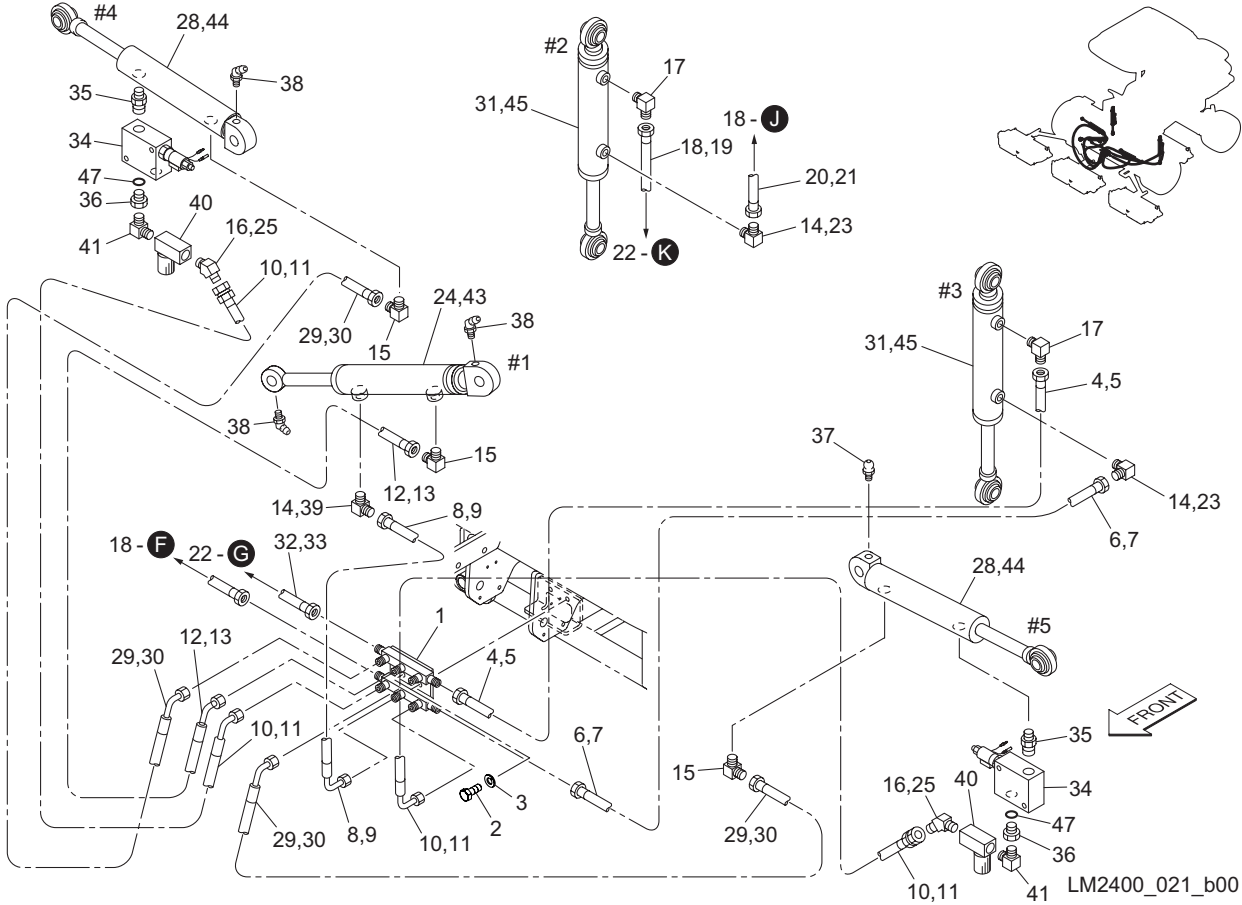
LM2400



Cat No.	Code No.	Part name	Qty	Remark	SN of application
21 - 1	GM2800-0802Z2-Y	MANIFOLD	1		
21 - 2	K0000080202	BOLT, M8-20	2		
21 - 3	K0200080002	WASHER, SPRING M8	2		
21 - 4	K3100210900	HOSE, WP35-6-1-900	1		
21 - 5	K3190007500	TUBE, SPIRAL SP-12 750	1		
21 - 6	K3104210850	HOSE, WP175-6-1-850	1		
21 - 7	K3190007000	TUBE, SPIRAL SP-12 700	1		
21 - 8	K3104210300	HOSE, WP175-6-1-300	1		
21 - 9	K3190002000	TUBE, SPIRAL SP-12 200	1		
21 - 10	K3104230350	HOSE, WP175-6-3-350	2		
21 - 11	K3190002500	TUBE, SPIRAL SP-12 250	2		
21 - 12	K3100230400	HOSE, WP35-6-3-400	1		
21 - 13	K3190003000	TUBE, SPIRAL SP-12 300	1		
21a - 14	K3029000252-Y	ELBOW, 90 DEG 1033-6M6	3		
21 - 15	K3001060002-Y	ELBOW, 90 DEG 1033-6	3		
21a - 16	K3029000372-Y	ELBOW, 45-1035-6M6	2		
21 - 17	K3006000152-Y	ELBOW, ODD SIZED PT1/8*PF1/4	2		
21 - 18	K3100230450	HOSE, WP35-6-3-450	1		
21 - 19	K3190003500	TUBE, SPIRAL SP-12 350	1		
21 - 20	K3104230350	HOSE, WP175-6-3-350	1		
21 - 21	K3190002500	TUBE, SPIRAL SP-12 250	1		
21 - 22					
21 - 23	K0023000021-Y	SET SCREW, M6-6-0.8	2		
21 - 24	K3207000010	CYLINDER, 40-122-397	1		
21b - 25	K0023000101-Y	SETScrew, M6-6-2.0	2		
21 - 26					
21 - 27					
21 - 28	K3207000020	CYLINDER, 40-219-505	2		
21 - 29	K3100230400	HOSE, WP35-6-3-400	2		
21 - 30	K3190003000	TUBE, SPIRAL SP-12 300	2		

# 21. HYDRAULIC SECTION : D

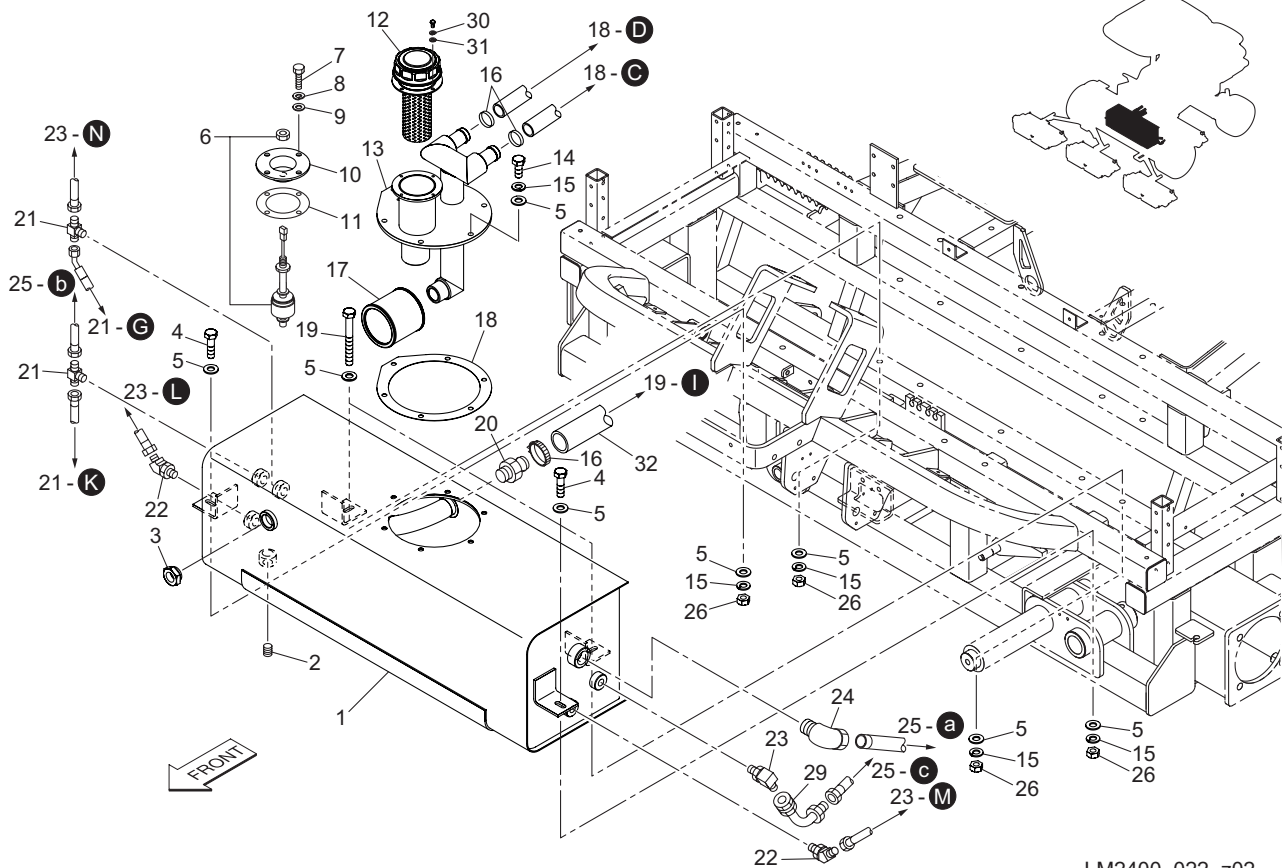
LM2400



Cat No.	Code No.	Part name	Qty	Remark	SN of application
21 - 31	K3205000020	CYLINDER, 40-70 252	2		
21 - 32	K3100210560	HOSE, WP35-6-1-560	1		
21 - 33	K3190004600	TUBE, SPIRAL SP-12 460	1		
21a - 34	K3313000490	CHECKVALVE, MAGNETIC HF87424-13	2		
21a - 35	K3029000242-Y	ADAPTOR, PT1/4PF3/8	2		
21a - 36	K3029000382-Y	BUSHING, PF3/8PT1/4	2		
21 - 37	K1440000010	GREASE NIPPLE, A TYPE	1		
21 - 38	K1440000030	GREASE NIPPLE, B	3		
21a - 39	K0023000061-Y	SETSCREW, M6-6-1.6	1		
21b - 40	K3332000050	VALVE, SLOW RETURN HF02172	2		
21b - 41	K3006000042-Y	ELBOW, PT1/4	2		
21 - 42					
21 - 43	K3206000010-SK	SEAL KIT	1		
21 - 44	K3206000020-SK	SEAL KIT	2		
21 - 45	YD10000896-1	SEAL KIT, CYLINDER	2		
21a - 46					
21a - 47	K0881014000	O-RING, P14B	2		

## 22. HYDRAULIC SECTION : E

LM2400



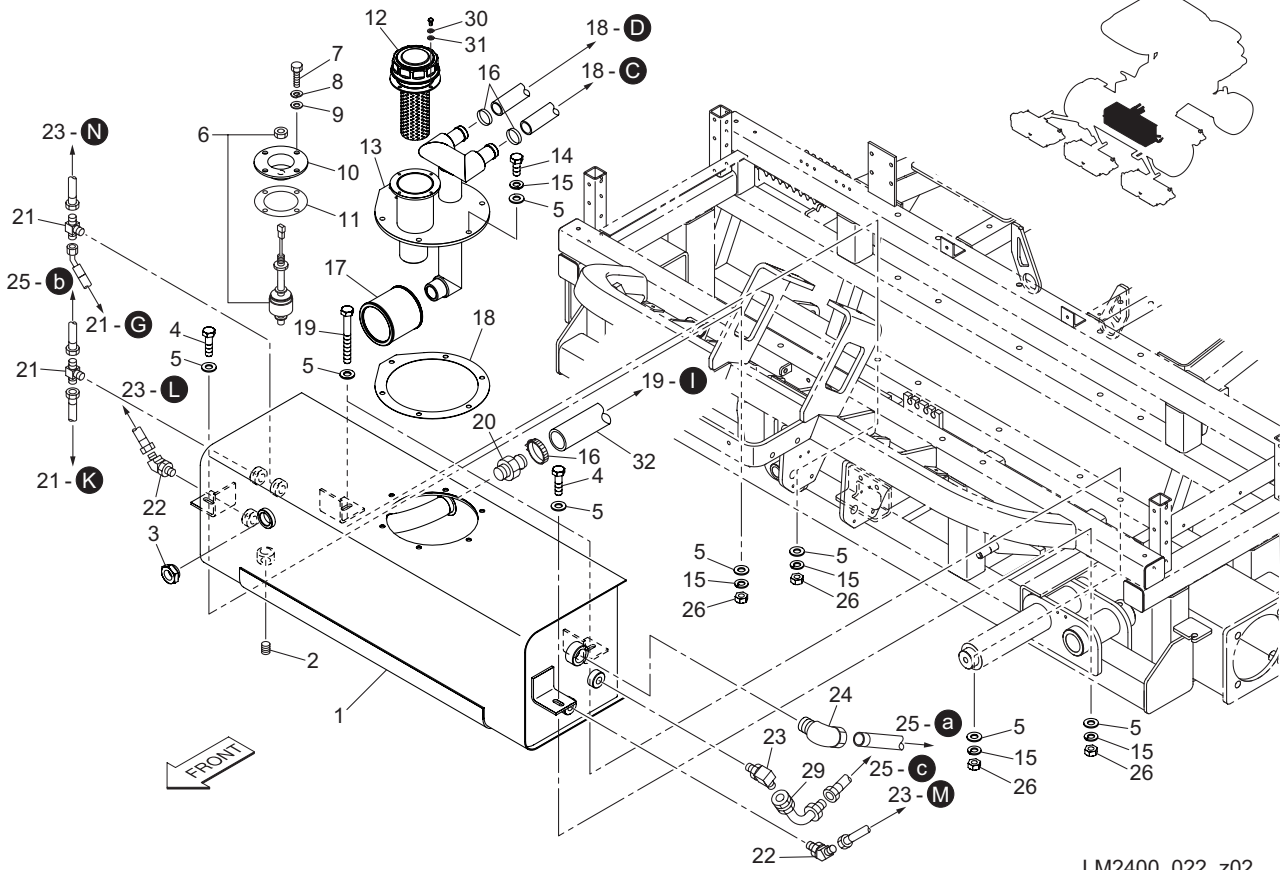
LM2400\_022\_z02

Cat No.	Code No.	Part name	Qty	Remark	SN of application
22 - 1	LM2400-0701ZD-Y	TANK, HYDRAULIC	1		
22 - 2	K1422106001-Y	PLUG, TAPERED W/ HEX. HOLE T1, 3/8	1		
22 - 3	K1400000044-Y	GAUGE, OIL M TYPEPF3/4	1		
22 - 4	K0000080302	BOLT, M8-30	2		
22 - 5	K5000080002	WASHER, M8	14		
22 - 6	K3720000130	SENSOR, LEVEL SWITCH	1		
22 - 7	K0000060152	BOLT, M6-15	4		
22 - 8	K0200060002	WASHER, SPRING M6	4		
22 - 9	K5000060002	WASHER, M6	4		
22 - 10	LM2400-0702Z2-Y	BRACKET, OIL LEVEL SENSOR	1		
22 - 11	K4011000330	PACKING, OIL-SHEET 0.8-4575	1		
22 - 12	K3400000030	BREATHER, REFUELING HOLE FAB-50	1		
22 - 13	LM2400-0712Z2-Y	SUCTION PORT, HYDRAULIC	1		
22 - 14	K0000080202	BOLT, M8-20	6		
22 - 15	K0200080002	WASHER, SPRING M8	10		
22 - 16	K4260000190	CLAMP, HOSE JUBILEE BAND 1	3		
22 - 17	K3413000020	FILTER, SUCTION SFT-08-150W	1		
22 - 18	LM318--0711Z0	PACKING	1		
22 - 19	K0000080702	BOLT, M8-70	2		
22 - 20	K3009000132-Y	ADAPTOR, MO-JS-25	1		
22 - 21	K3029000352-Y	TEE, PT1/4*PF1/4	2		
22 - 22	K3003060002-Y	ELBOW, 45 DEG 1035-6	2		
22 - 23	K3001060002	ELBOW, 90 DEG 1033-6	1		
22 - 24	K3028022121-Y	ELBOW, KLN22-060E	1		
22 - 25					
22 - 26	K0100080002	NUT, M8	4		
22 - 27					
22 - 28					
22 - 29	K3025069042-Y	ADAPTOR, FOR PIPE 069-04	1		
22 - 30	K0200050002	WASHER, SPRING M5	4		



# 22. HYDRAULIC SECTION : E

LM2400

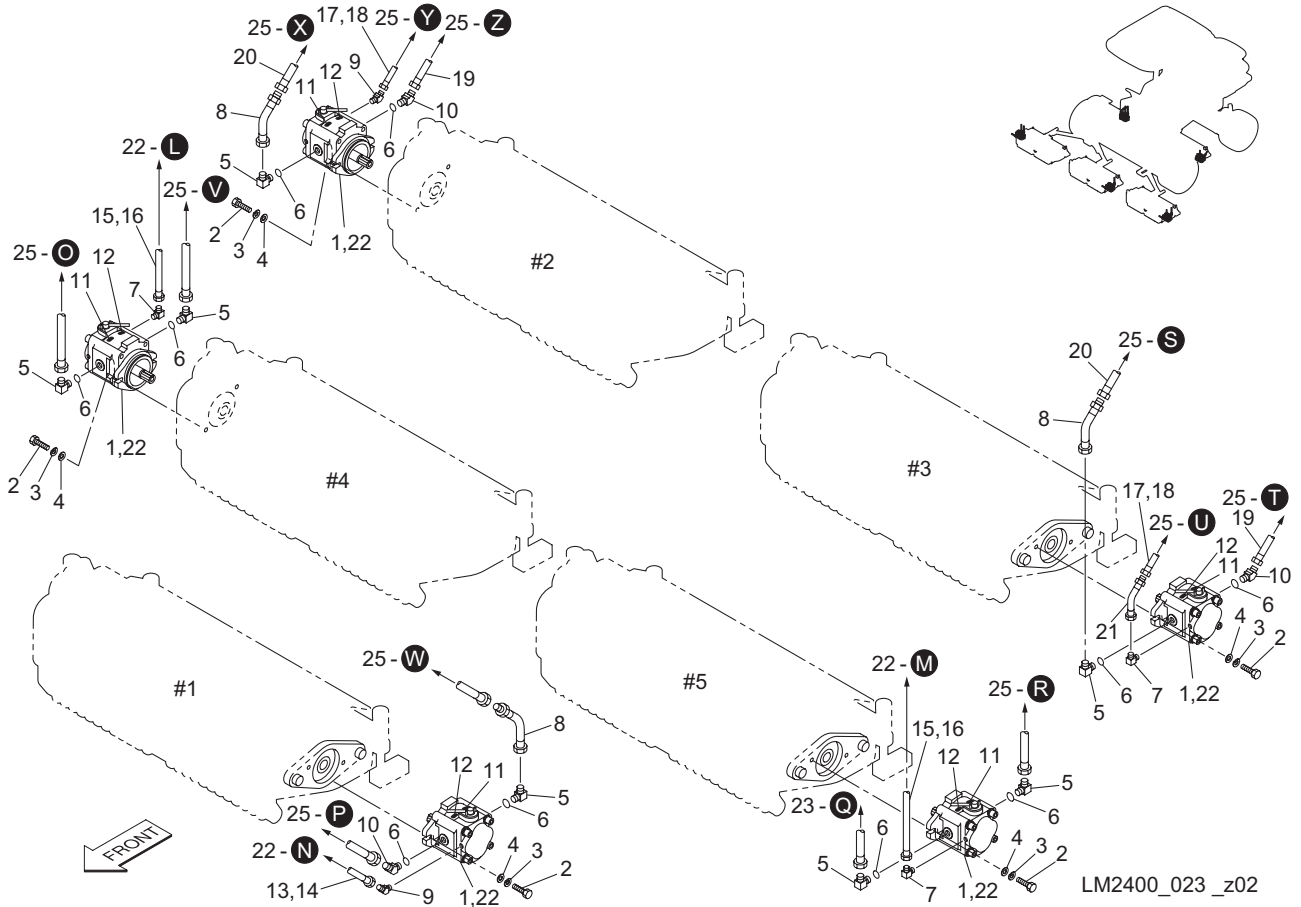


LM2400\_022\_z02

Cat No.	Code No.	Part name	Qty	Remark	SN of application
22 - 31	K5000050002	WASHER, M5	4		
22 - 32	LM2400-0722Z0	HOSE, SUCTION 25-540	1		

# 23. HYDRAULIC SECTION : F

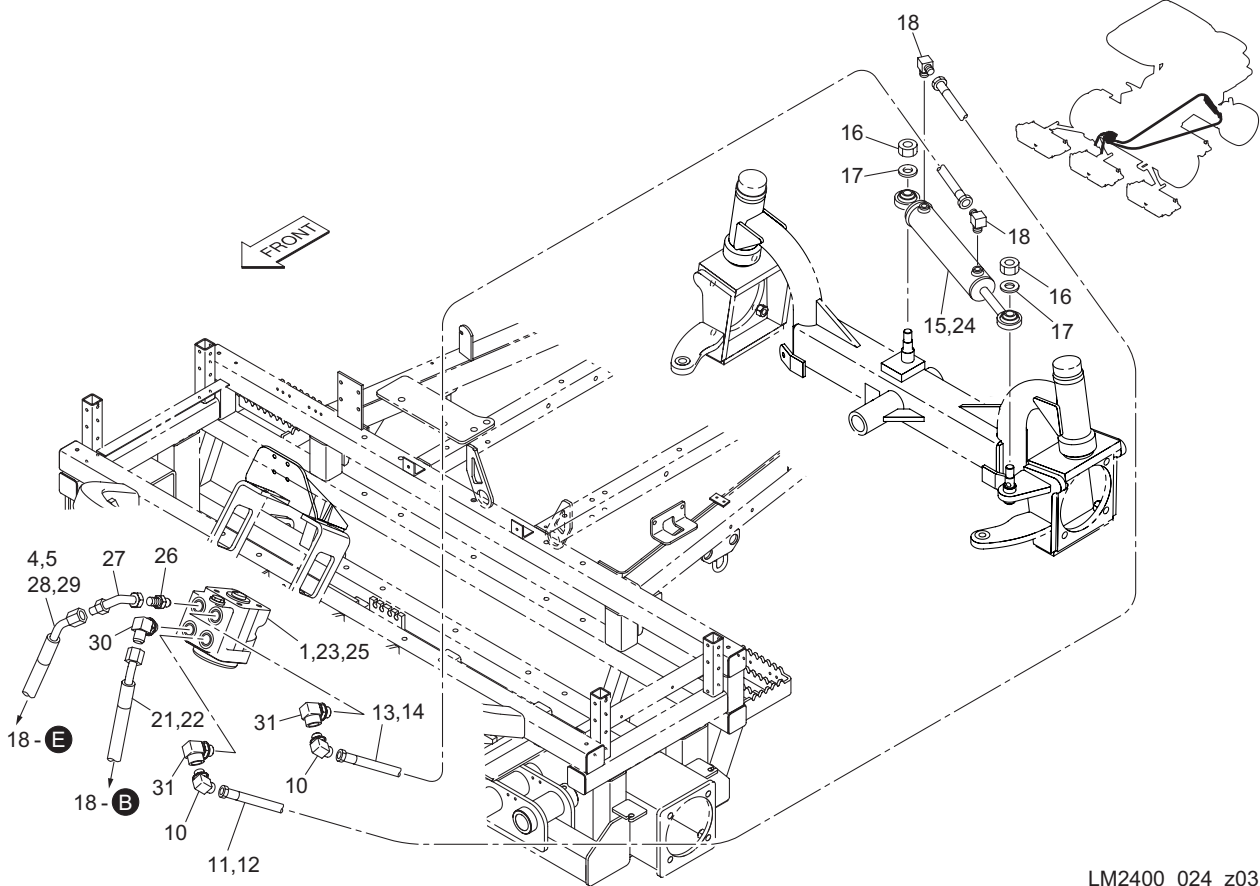
LM2400



Cat No.	Code No.	Part name	Qty	Remark	SN of application
23 - 1	K3280000200	MOTOR, GEAR MB6AK379	5		
23 - 2	K0000100252	BOLT, M10-25	10		
23 - 3	K0200100002	WASHER, SPRING M10	10		
23 - 4	K5000100002	WASHER, M10	10		
23 - 5	K3008000042-Y	ADAPTOR, 90 DEG 1086-12	6		
23 - 6	K0881018000	O-RING, P18B	10		
23 - 7	K3001060002-Y	ELBOW, 90 DEG 1033-6	4		
23 - 8	K3025064082-Y	ADAPTOR, FOR PIPE 064-08	3		
23 - 9	K3003060002-Y	ELBOW, 45 DEG 1035-6	1		
23 - 10	K3008000182-Y	ADAPTOR, 45 DEG	4		
23 - 11	K4203001300	DECAL, REEL ROTATION	5		
23 - 12	K4203001310	DECAL, REEL STOP	5		
23 - 13	K3100222200	HOSE, WP35-6-2-2200	1		
23 - 14	K3190021000	TUBE, SPIRAL SP-12 2100	1		
23 - 15	K3100212800	HOSE, WP35-6-1-2800	2		
23 - 16	K3190027000	TUBE, SPIRAL SP-12-2700	2		
23 - 17	K3100211550	HOSE, WP35-6-1-1500	2		
23 - 18	K3190014500	TUBE, SPIRAL SP-12 1450	2		
23 - 19	LM2400-0756A0	HOSE, WP175-12-2-1100	2		
23 - 20	LM2400-0757A0	HOSE, WP175-12-2-1020	2		
23 - 21	K3025064042-Y	ADAPTOR, FOR PIPE 064-04	1		
23 - 22	YCG0038A	SEAL KIT, GEAR MOTOR MB6AK379	5		

# 24. HYDRAULIC SECTION : G

LM2400

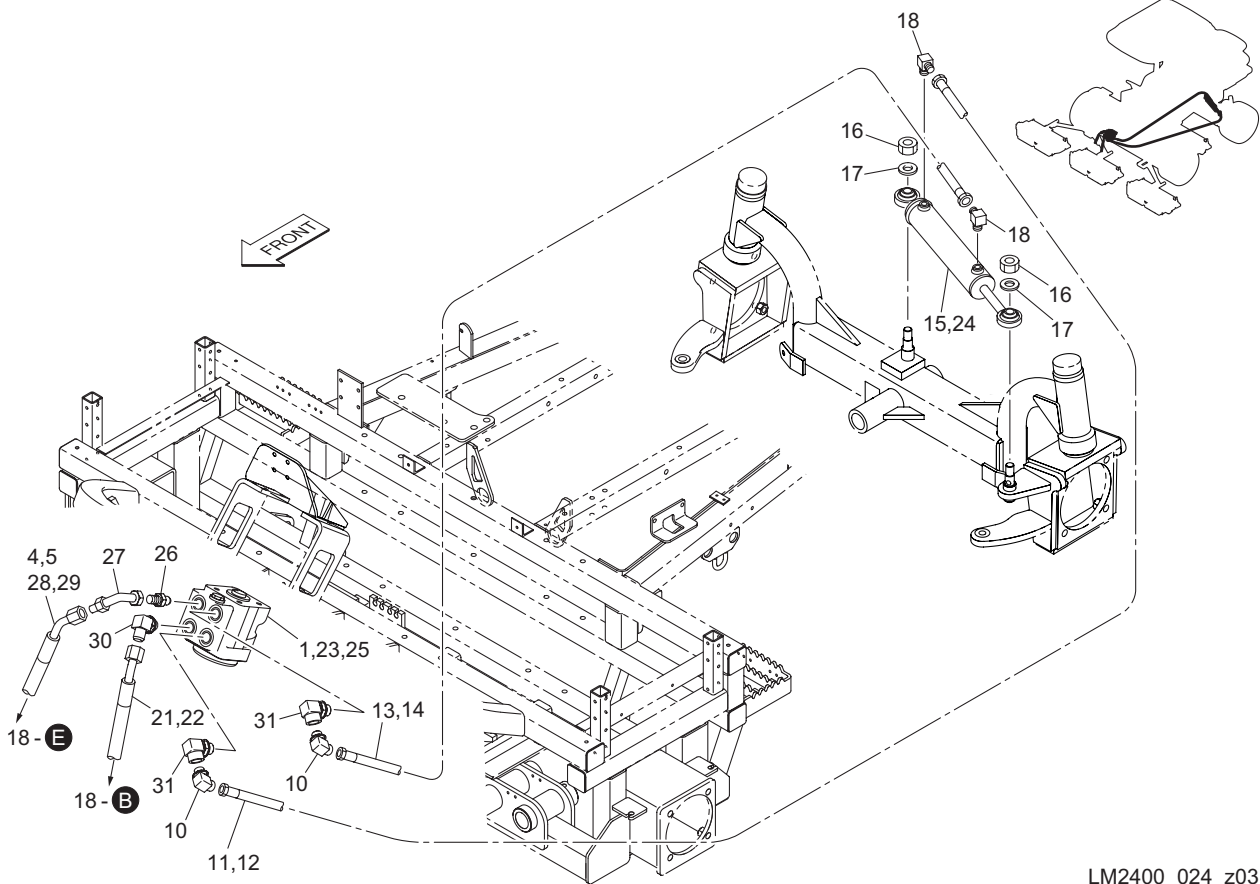


LM2400\_024\_z03

Cat No.	Code No.	Part name	Qty	Remark	SN of application
24 - 1	K3295000010	STEERING CNTL UNIT, ORBITROL AJ02010	1		-10206
24 - 2	K3008000692-Y	CONNECTOR, WITH O-RING 4043-8-8	1		-10206
24 - 3	K3001120002-Y	ELBOW, 90 DEG 1033-12	1		-10206
24 - 4	K3100431030	HOSE, WP35-12-3-1030	1		-10206
24 - 5	K3191009300	TUBE, SPIRAL SP-15 930	1		-10206
24 - 6	K3008000112-Y	ELBOW, ADJUSTABLE UNF90-112812	1		-10206
24 - 7					
24 - 8					
24 - 9	K3008000022-Y	ELBOW, 90 DEG. ADJUSTER 4045	2		-10206
24 - 10	K3001060002-Y	ELBOW, 90 DEG 1033-6	2		
24 - 11	K3102212300	HOSE, WP105-6-1-2300	1		
24 - 12	K3190022000	TUBE, SPIRAL SP-12 2200	1		
24 - 13	K3102212050	HOSE, WP105-6-1-2050	1		
24 - 14	K3190019500	TUBE, SPIRAL SP-12 1950	1		
24 - 15	K3216000020	CYLINDER, 35-192-323	1		
24 - 16	K0145140002	NUT, WITH F-RING, P1.5 M14	2		
24 - 17	K0215140001	WASHER, DISK SPRING H M14-2	2		
24 - 18	K3001060002	ELBOW, 90 DEG 1033-6	2		
24 - 19					
24 - 20					
24 - 21	K3102430830	HOSE, WP105-12-3-830	1		
24 - 22	K3191007300	TUBE, SPIRAL SP-15 780	1		
24 - 23	K3295000010-1	SEAL KIT, P/NO 406100	1		
24 - 24	K3215000010-SK	SEAL KIT	1		
24 - 25	K3295000020	STEERING CNTL UNIT, ORBITROL AJ02010(G)	1		10207-
24 - 26	K3009000172-Y	ADAPTER, PF3/8*PF1/2	1		10207-
24 - 27	K3025069082-Y	ADAPTER, FOR PIPE 069-08	1		10207-
24 - 28	K3100431060	HOSE, WP35-12-3-1060	1		10207-
24 - 29	K3191009600	TUBE, SPIRAL SP-15 960	1		10207-
24 - 30	K3008000192-Y	ADAPTER, ODD SIZED 90 DEG PF1/2*PF3/8	1		10207-

# 24. HYDRAULIC SECTION : G

LM2400

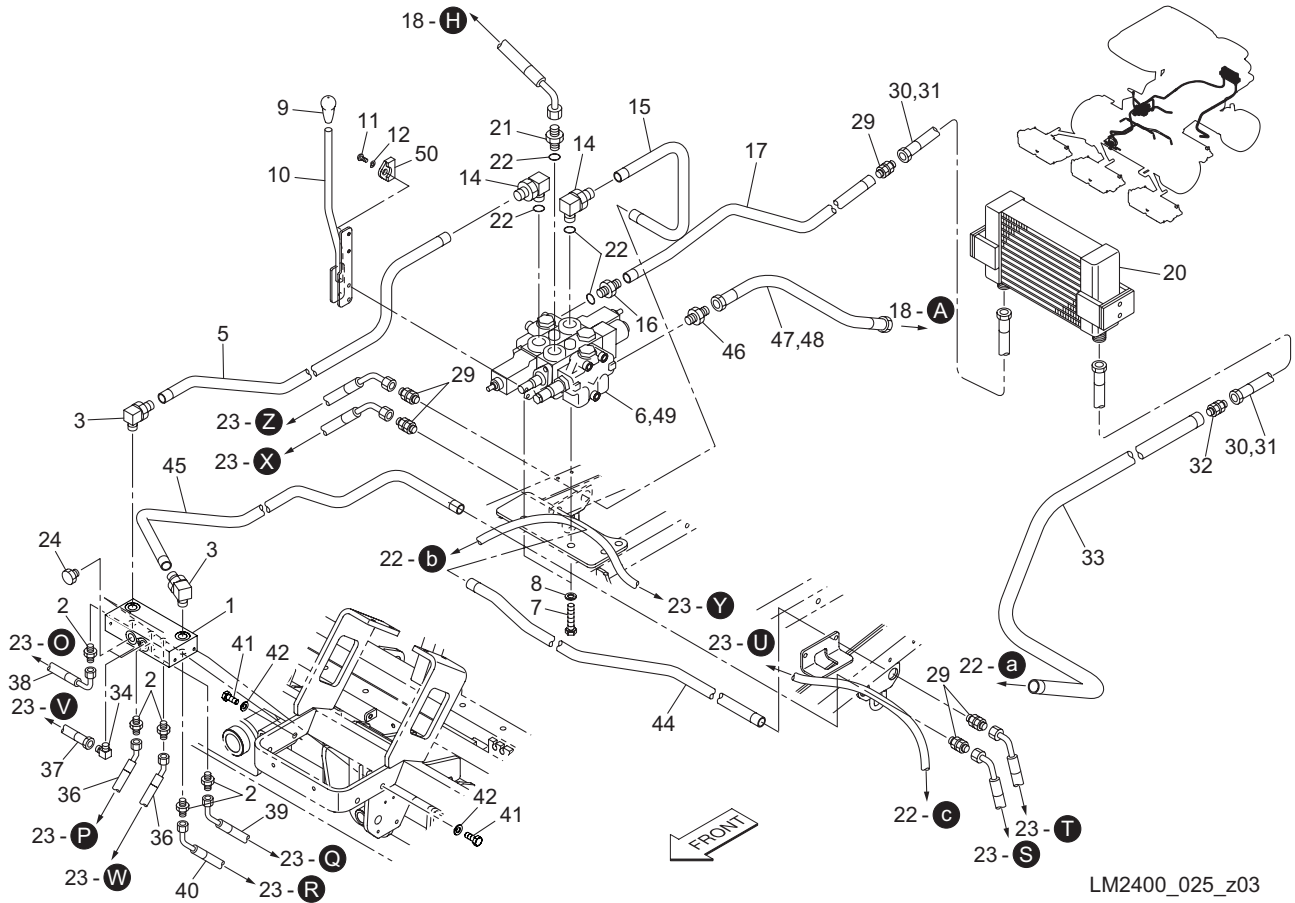


LM2400\_024\_z03

Cat No.	Code No.	Part name	Qty	Remark	SN of application
24 - 31	K3008000082-Y	ADAPTER, 90 DEG PF3/8PT1/4	2		10207-

# 25. HYDRAULIC SECTION : H

LM2400

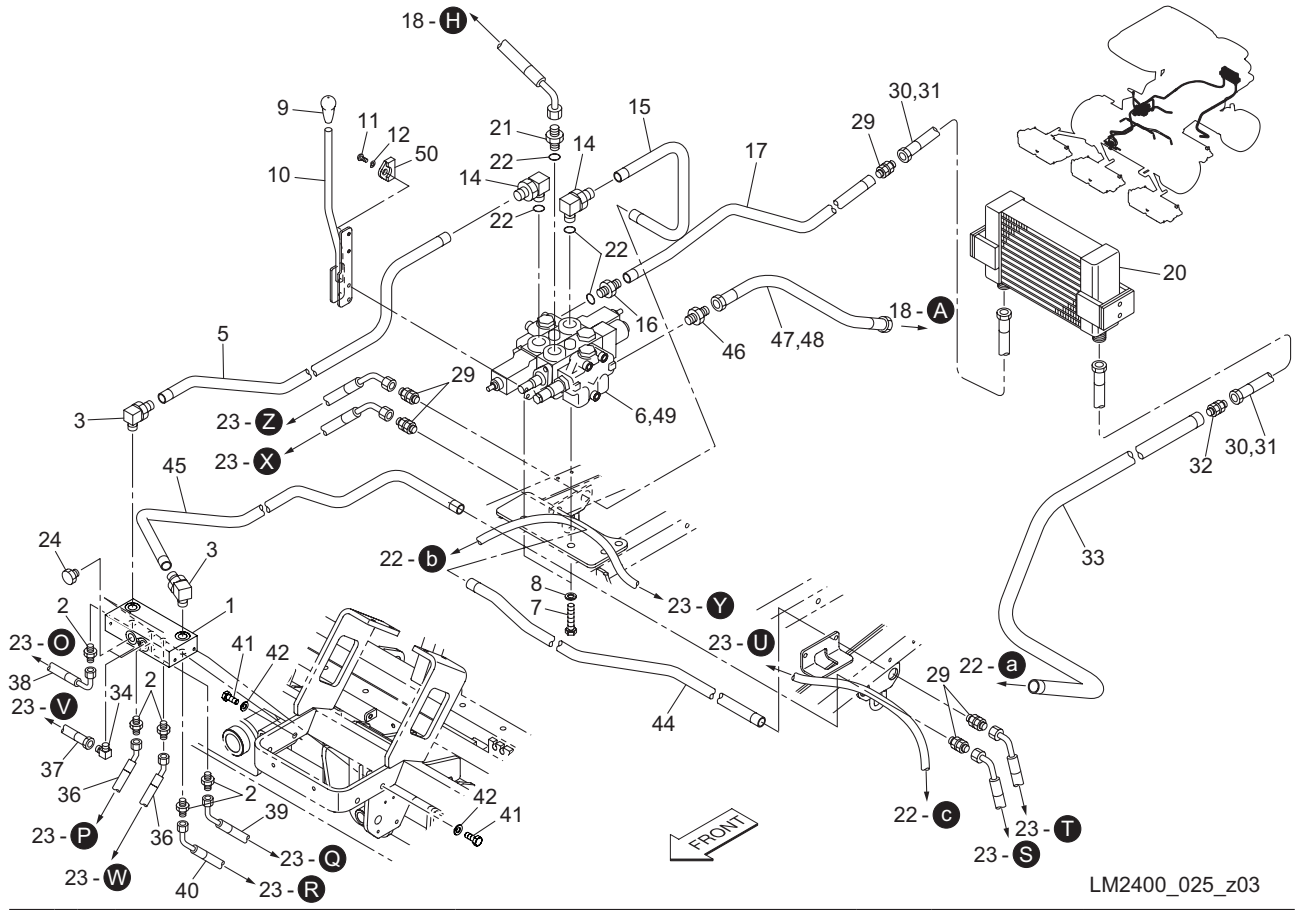


LM2400\_025\_z03

Cat No.	Code No.	Part name	Qty	Remark	SN of application
25 - 1	LM282--0701Z2	MANIFOLD	1		
25 - 2	K3009000092-Y	ADAPTOR, PT1/2*PF1/2	5		
25 - 3	K3026415081-Y	NIPPLE, KLO15-040E	2		
25 - 4					
25 - 5	LM2400-0717Z2-Y	PIPE, ROTATING REEL A	1		
25 - 6	K3303000050	VALVE, MULTI DOUBLE	1		
25 - 7	K0000120252	BOLT, M12-25	2		
25 - 8	K0200120002	WASHER, SPRING M12	2		
25 - 9	K1300000050	GRIP, RUBBER RED 9-35.5	1		
25 - 10	LM2400-0720Z2	LEVER, OPERATING	1		
25 - 11	K0042050122	SCREW, + ROUND HEAD M5-12	1		
25 - 12	K0200050002	WASHER, SPRING M5	1		
25 - 13					
25 - 14	K3026415061-Y	ELBOW, NIPPLE KLO15-030E	2		
25 - 15	LM2400-0719Z2-Y	PIPE, ROTATING REEL D	1		
25 - 16	K3026315061-Y	CONNECTOR, KCO 15-030E	1		
25 - 17	LM2400-0714Z2-Y	PIPE, VALVE RAISING MOWER B	1		
25 - 18					
25 - 19					
25 - 20	K3431000040	COOLER, OIL	1		
25 - 21	K3009000202-Y	ADAPTOR, PF1/4*PF3/8	1		
25 - 22					
25 - 23					
25 - 24	K1420000232-Y	PLUG, W/ O-RING WITH HEX. HOLE 215-PF1/2	2		
25 - 25					
25 - 26					
25 - 27					
25 - 28					
25 - 29	K3026915081-Y	UNION, KUE15-040E	5		
25 - 30	K3100410660	HOSE, WP35-12-3-660	2		

# 25. HYDRAULIC SECTION : H

LM2400

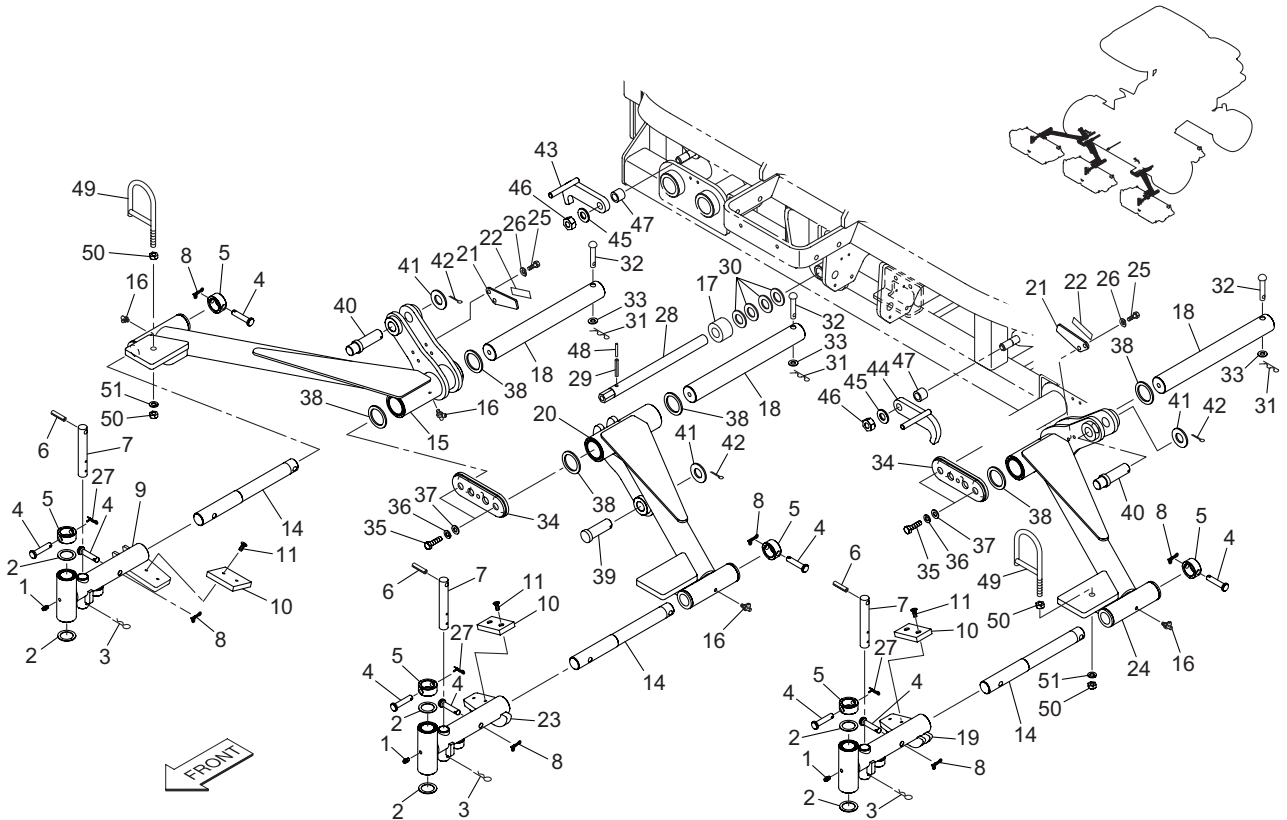


LM2400\_025\_z03

Cat No.	Code No.	Part name	Qty	Remark	SN of application
25 - 31	K3191005600	TUBE, SPIRAL SP-15 560	2		
25 - 32	K3026922081-Y	UNION, KUE22-040E	1		
25 - 33	LM2400-0715Z2-Y	PIPE, OUT FROM OIL COOLER	1		
25 - 34	K3008000042-Y	ADAPTOR, 90 DEG 1086-12	1		
25 - 35					
25 - 36	LM2400-0751A0	HOSE, WP175-12-3-1100	2		
25 - 37	LM2400-0755A0	HOSE, WP175-12-1-1900	1		
25 - 38	LM2400-0752A0	HOSE, WP175-12-3-1800	1		
25 - 39	LM2400-0754A0	HOSE, WP175-12-3-1900	1		
25 - 40	LM2400-0753A0	HOSE, WP175-12-3-1850	1		
25 - 41	K0000080252	BOLT, M8-25	2		
25 - 42	K0200080002	WASHER, SPRING M8	2		
25 - 43					
25 - 44	LM2400-0716A2-Y	PIPE, ROTATING REEL C	1		
25 - 45	LM2400-0718A2-Y	PIPE, ROTATING REEL B	1		
25 - 46	K3009000172-Y	ADAPTOR, PF3/8*PF1/2	1		
25 - 47	K3104431000	HOSE, WP175-12-3-1000	1		
25 - 48	K3191009000	TUBE, SPIRAL SP-15 900	1		
25 - 49	K3303000050-SK	SEAL KIT, D50603090-1	1		
25 - 50	K1510000110	MAGNET, W/PLASTIC BASE	1		

# 26. LIFT ARM SECTION : A

LM2400

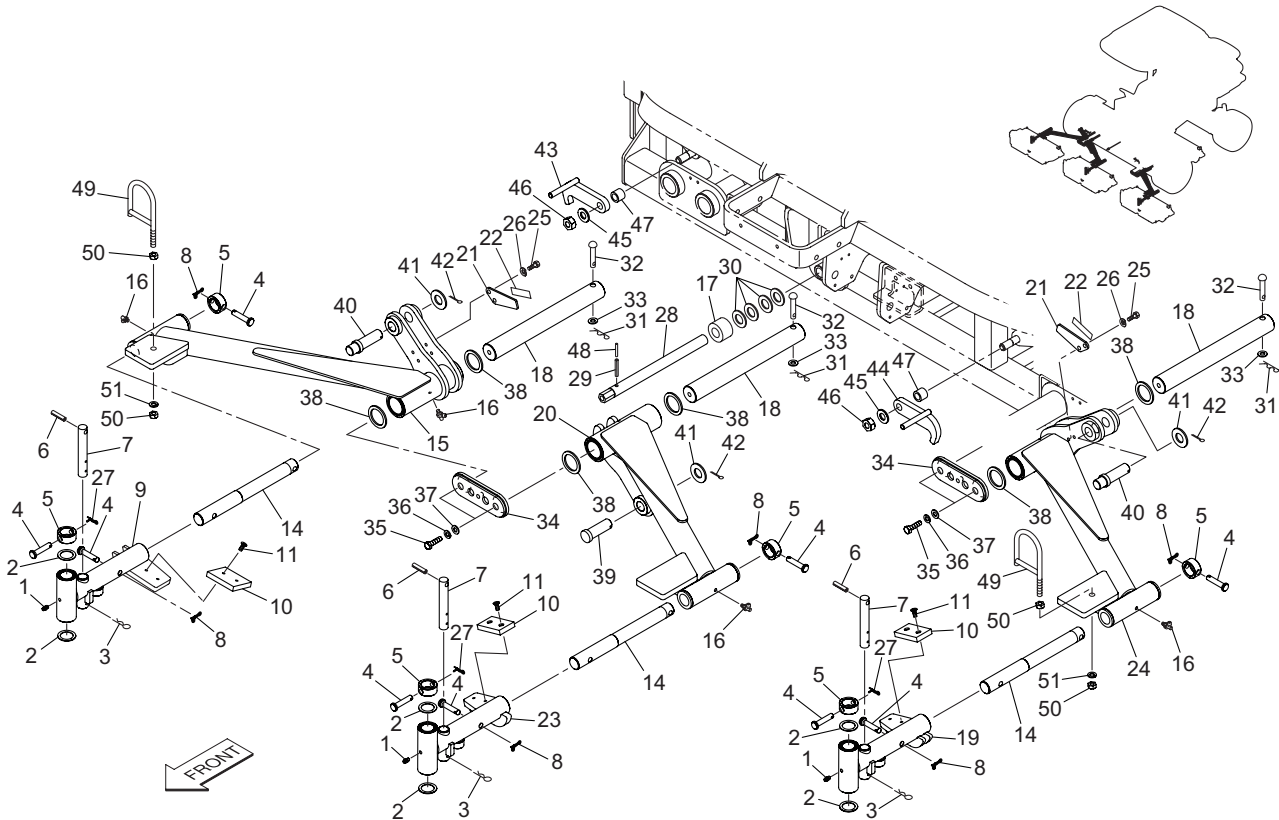


LM2400\_026\_z01

Cat No.	Code No.	Part name	Qty	Remark	SN of application
26 - 1	K1440000010	GREASE NIPPLE, A TYPE	6		
26 - 2	K5051025350	WASHER, C5191P 1-25-35	6		
26 - 3	K0332200008	PIN, SNAP M22	3		
26 - 4	K6031090458	PIN, FLAT HEAD HT M9.6-45.5	9		
26 - 5	K6215000412	COLLAR, STKM WITH HOLE M25.5-36-16	6		
26 - 6	K0320080501	PIN, SPRING M8-50	3		
26 - 7	LM526A-0208A8	SHAFT, STOPPER	3		
26 - 8	K0341000002	PIN, SNAP WITH RETAINER M10	6		
26 - 9	LM2400-0202ZD	CONNECTOR, #4 MOWER	1		
26 - 10	K4033000380	RUBBER, PLATE STOPPER	3		
26 - 11	K0041060152	SCREW, + FLAT HEAD M6-15	6		
26 - 12					
26 - 13					
26 - 14	LM2700-0202Z0	SHAFT	3		
26 - 15	LM2400-0204AD	ARM, LIFTING #4 MOWER	1		
26 - 16	K1440000030	GREASE NIPPLE, B	3		
26 - 17	LM2400-0615ZD	COLLAR	1		
26 - 18	LM2400-0207Z2	PIN, 35-300 HOLED	3		
26 - 19	LM2400-0201ZD	CONNECTOR, #5 MOWER	1		
26 - 20	LM2400-0206ZD	ARM, LIFTING #1 MOWER	1		
26 - 21	LM2400-0632Z2	BRACKET, MAGNET	2		
26 - 22	LM2400-0639Z0	MAGNET, FOR PROXIMITY SWITCH	2		
26 - 23	LM2400-0203AD	CONNECTOR, #1 MOWER	1		
26 - 24	LM2400-0205AD	ARM, LIFTING #5 MOWER	1		
26 - 25	K0000060152	BOLT, M6-15	4		
26 - 26	K0200060002	WASHER, SPRING M6	4		
26 - 27	K0300025202	PIN, COTTER M2.5-20	3		
26 - 28	LM2400-0210Z2	SHAFT, CYLINDER	1		
26 - 29	K0320060361	PIN, SPRING M6-36	1		
26 - 30	K5051020350	WASHER, C5191P 1-20-35	4		

# 26. LIFT ARM SECTION : A

LM2400



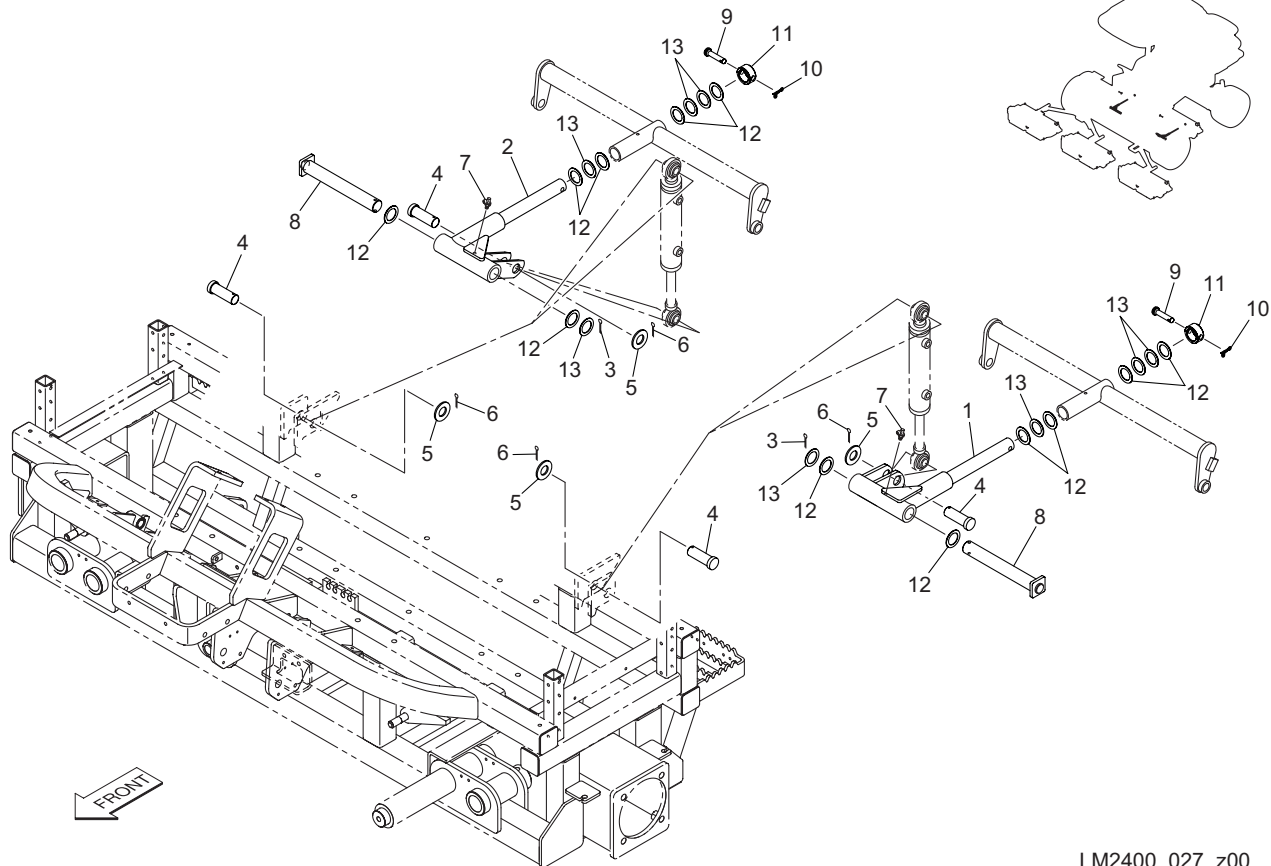
LM2400\_026\_z01

Cat No.	Code No.	Part name	Qty	Remark	SN of application
26 - 31	K0300025202	PIN, COTTER M2.5-20	3		
26 - 32	K6041100718	PIN, ROUND HEAD HT M10.15-71.5	3		
26 - 33	K5000100002	WASHER, M10	3		
26 - 34	LM2400-0211AD	STOPPER	2		
26 - 35	K0000120302	BOLT, M12-30	4		
26 - 36	K0200120002	WASHER, SPRING M12	4		
26 - 37	K5000120002	WASHER, M12	4		
26 - 38	K5051035470	WASHER, C5191P 1-35-47	6		
26 - 39	K6030200802	PIN, FLAT HEAD M20-80	1		
26 - 40	LM2400-0213Z2	PIN, 20-102	2		
26 - 41	K5012320402	WASHER, SPCC 2.3-20-40	3		
26 - 42	K0300032402	PIN, COTTER M3.2-40	3		
26 - 43	LM2400-0214Z2	LEVER, LOCKING (L)	1		
26 - 44	LM2400-0215Z2	LEVER, LOCKING (R)	1		
26 - 45	K0210140001	SPRING, CONICAL DISC L M14	2		
26 - 46	K0145140002	NUT, WITH F-RING, P1.5 M14	2		
26 - 47	K6212001672	COLLAR, STKM M16-22-15.5	2		
26 - 48	K0320035321	PIN, SPRING M3.5-32	1		
26 - 49	LM2400-0216Z2	GUIDE, HOSE	2		
26 - 50	K0100100002	NUT, M10	4		
26 - 51	K0200100002	WASHER, SPRING M10	2		



# 27. LIFT ARM SECTION : B

LM2400



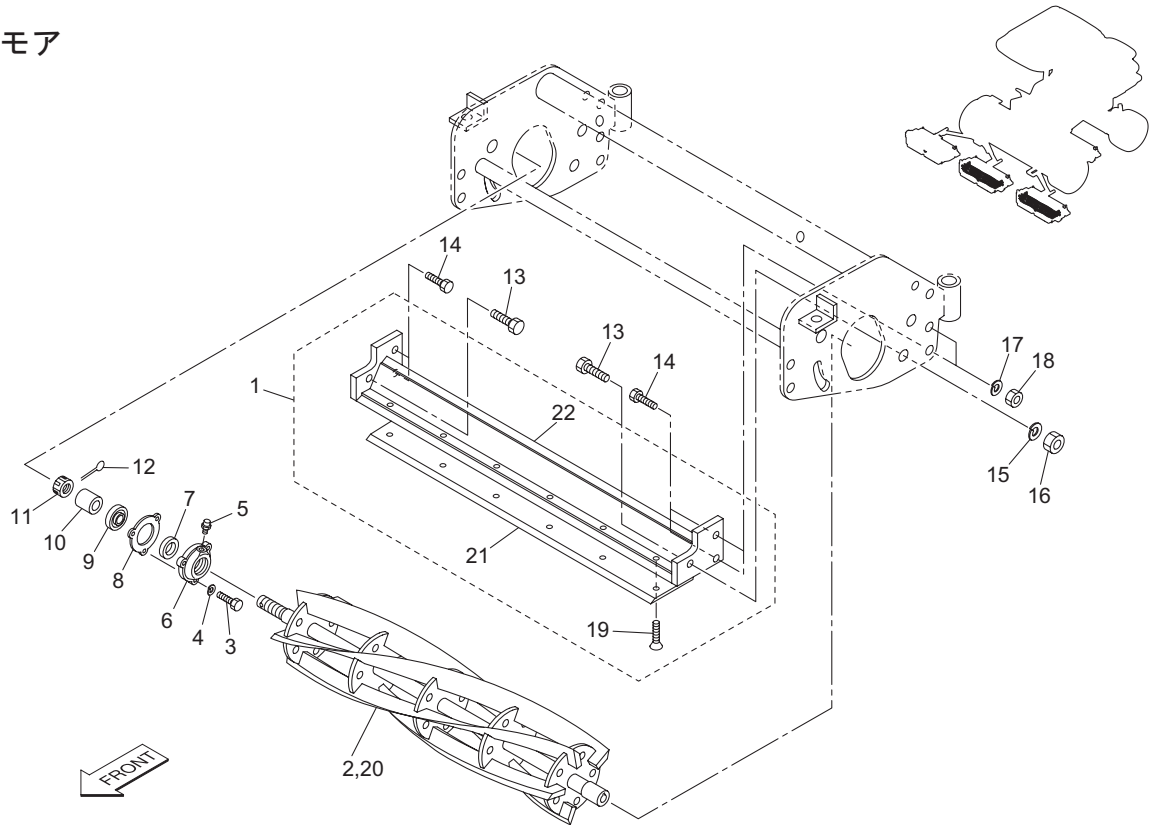
LM2400\_027\_z00

Cat No.	Code No.	Part name	Qty	Remark	SN of application
27 - 1	LM2400-0209ZD	ARM, LIFTING #3 MOWER	1		
27 - 2	LM2400-0208ZD	ARM, LIFTING #2 MOWER	1		
27 - 3	K0300040402	PIN, COTTER M4-40	2		
27 - 4	K6030200572	PIN, FLAT HEAD M20-57	4		
27 - 5	K5012320402	WASHER, SPCC 2.3-20-40	4		
27 - 6	K0300032402	PIN, COTTER M3.2-40	4		
27 - 7	K1440000030	GREASE NIPPLE, B	2		
27 - 8	LM2400-0212Z2	PIN, 25.4-184 HOLED	2		
27 - 9	K6040080402	PIN, ROUND HEAD M8-40	2		
27 - 10	K0340800002	PIN, SNAP WITH RETAINER M8	2		
27 - 11	K6215000142	COLLAR, STKM WITH HOLE M26-32-15	2		
27 - 12	K5051025370	WASHER, C5191P 1-25.4-37	6 - 12	for adjusting	
27 - 13	K5011025372	WASHER, SPCC 1-25.4-37	6 - 12	for adjusting	

28. MOWER SECTION : A

LM2400

#1/5モア



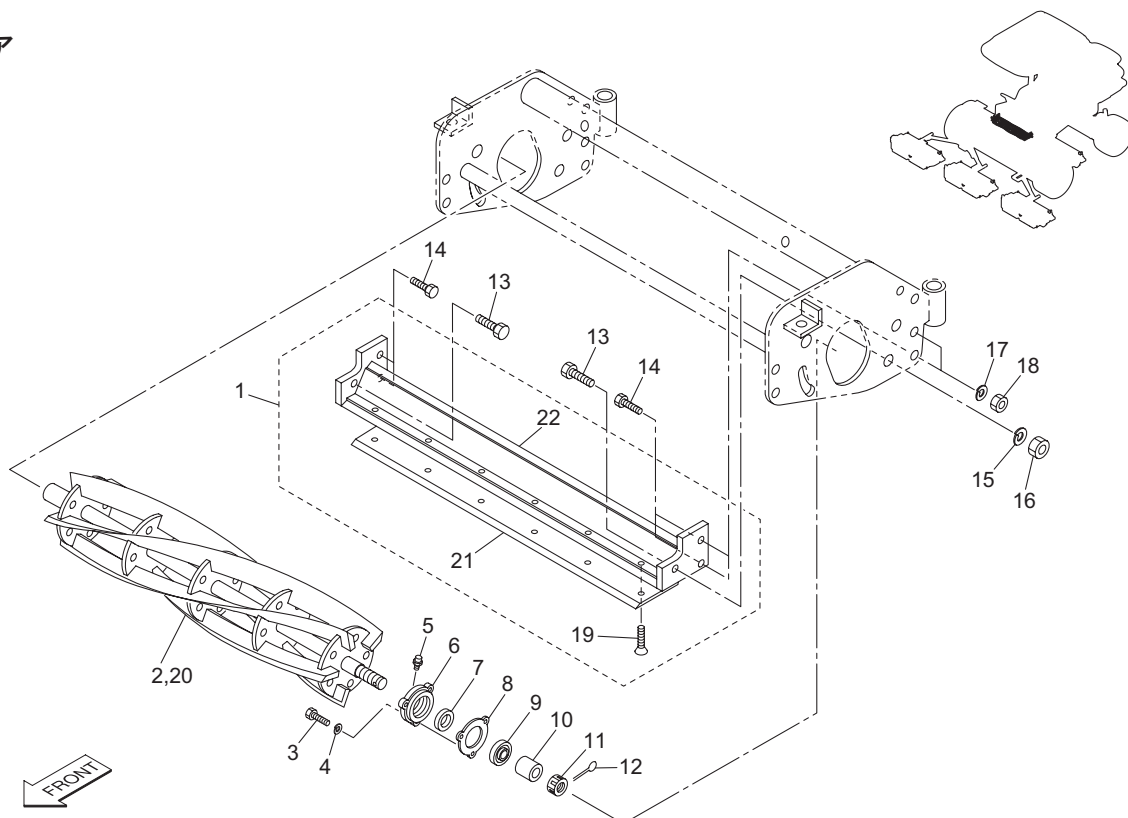
LM2400\_028\_z02

Cat No.	Code No.	Part name	Qty	Remark	SN of application
28 - 1	K8022000020	BASE & BEDKNIFE ASSY	2		
28 - 2	K285260L90R	REEL CUTTER (CYLINDER), 660-9L	2		
28 - 3	K0000060152	BOLT, M6-15	6		
28 - 4	K0200060002	WASHER, SPRING M6	6		
28 - 5	K1440000010	GREASE NIPPLE, A TYPE	2		
28 - 6	K6903000042	CAP, HOUSING	2		
28 - 7	K0822542080	OIL SEAL, MHSA25428	2		
28 - 8	K4011000150	PACKING, OIL-SHEET	2		
28 - 9	K0602063040	BEARING, BALL SHIELD Z 6304	2		
28 - 10	K6212001742	COLLAR, STKM M20.2-28-18	2		
28 - 11	K0170000012	NUT, SPECIAL M20	2		
28 - 12	K0300032252	PIN, COTTER M3.2-25	2		
28 - 13	K0000120302	BOLT, M12-30	4		
28 - 14	K0000100252	BOLT, M10-25	8		
28 - 15	K0200120002	WASHER, SPRING M12	4		
28 - 16	K0100120002	NUT, M12	4		
28 - 17	K0200100002	WASHER, SPRING M10	8		
28 - 18	K0100100002	NUT, M10	8		
28 - 19	K0071001182	SCREW, HT FLAT HEAD M10-16	12		
28 - 20	K285260L70R	REEL CUTTER (CYLINDER), 660-7L	2		
28 - 21	K2510000030	BEDKNIFE (BOTTOM BLADE), 7-85-662	2		
28 - 22	K744200006R	BASE, BEDKNIFE 732	2		

29. MOWER SECTION : B

LM2400

#2モア



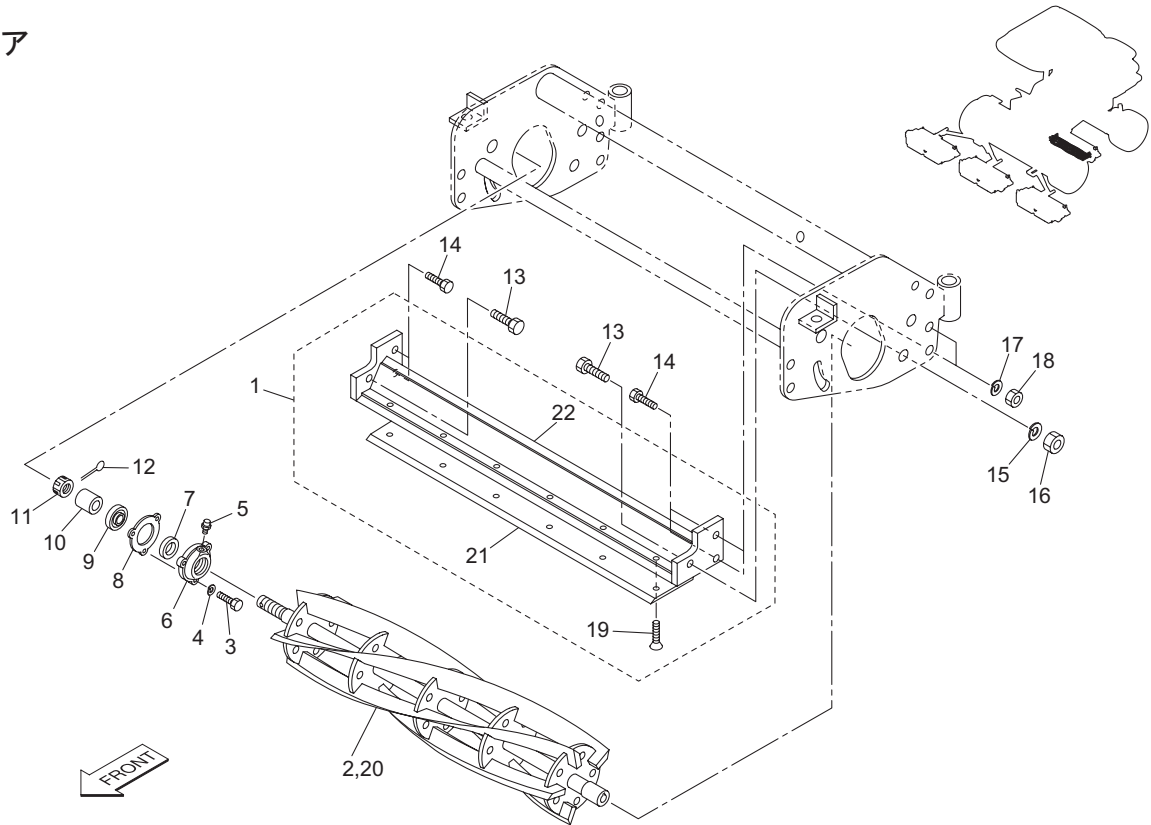
LM2400\_029\_z02

Cat No.	Code No.	Part name	Qty	Remark	SN of application
29 - 1	K8022000020	BASE & BEDKNIFE ASSY	1		
29 - 2	K285260R90R	REEL CUTTER (CYLINDER), 660-9R	1		
29 - 3	K0000060152	BOLT, M6-15	3		
29 - 4	K0200060002	WASHER, SPRING M6	3		
29 - 5	K1440000010	GREASE NIPPLE, A TYPE	1		
29 - 6	K6903000042	CAP, HOUSING	1		
29 - 7	K0822542080	OIL SEAL, MHSA25428	1		
29 - 8	K4011000150	PACKING, OIL-SHEET	1		
29 - 9	K0602063040	BEARING, BALL SHIELD Z 6304	1		
29 - 10	K6212001742	COLLAR, STKM M20.2-28-18	1		
29 - 11	K0170000012	NUT, SPECIAL M20	1		
29 - 12	K0300032252	PIN, COTTER M3.2-25	1		
29 - 13	K0000120302	BOLT, M12-30	2		
29 - 14	K0000100252	BOLT, M10-25	4		
29 - 15	K0200120002	WASHER, SPRING M12	2		
29 - 16	K0100120002	NUT, M12	2		
29 - 17	K0200100002	WASHER, SPRING M10	4		
29 - 18	K0100100002	NUT, M10	4		
29 - 19	K0071001182	SCREW, HT FLAT HEAD M10-16	6		
29 - 20	K285260R70R	REEL CUTTER (CYLINDER), 660-7R	1		
29 - 21	K2510000030	BEDKNIFE (BOTTOM BLADE), 7-85-662	1		
29 - 22	K744200006R	BASE, BEDKNIFE 732	1		

# 30. MOWER SECTION : C

LM2400

#3モア



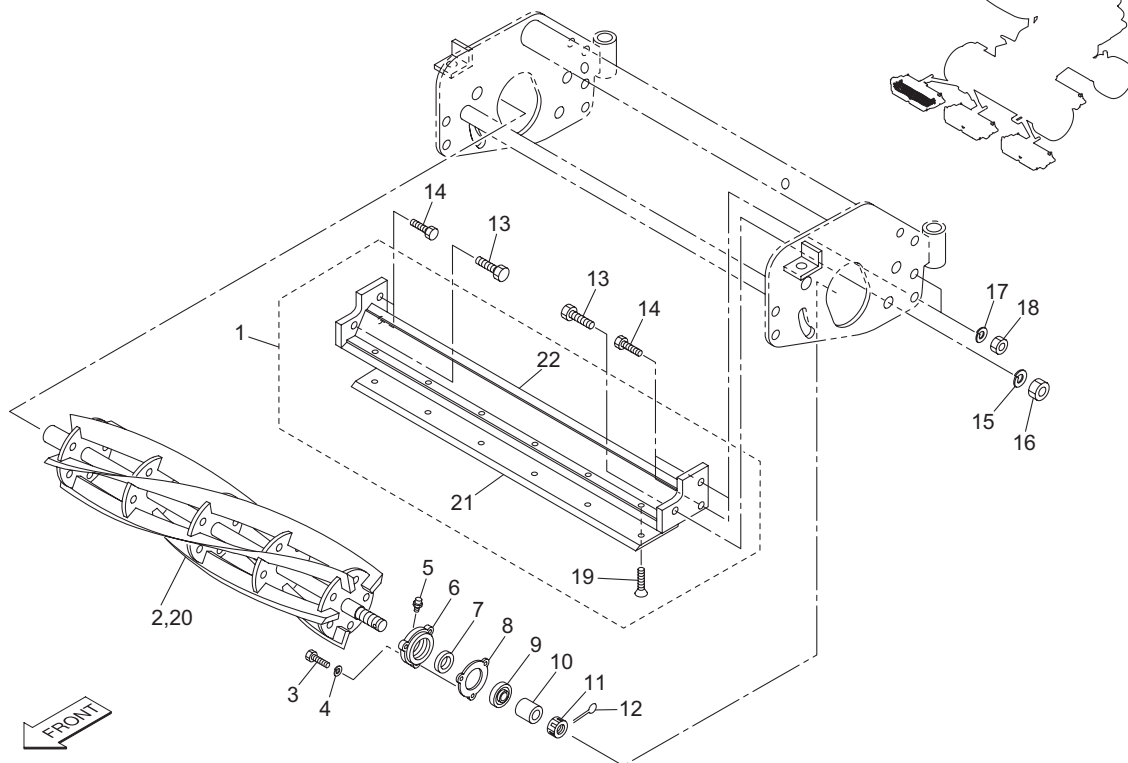
LM2400\_030\_z02

Cat No.	Code No.	Part name	Qty	Remark	SN of application
30 - 1	K8022000020	BASE & BEDKNIFE ASSY	1		
30 - 2	K285260L90R	REEL CUTTER (CYLINDER), 660-9L	1		
30 - 3	K0000060152	BOLT, M6-15	3		
30 - 4	K0200060002	WASHER, SPRING M6	3		
30 - 5	K1440000010	GREASE NIPPLE, A TYPE	1		
30 - 6	K6903000042	CAP, HOUSING	1		
30 - 7	K0822542080	OIL SEAL, MHSA25428	1		
30 - 8	K4011000150	PACKING, OIL-SHEET	1		
30 - 9	K0602063040	BEARING, BALL SHIELD Z 6304	1		
30 - 10	K6212001742	COLLAR, STKM M20.2-28-18	1		
30 - 11	K0170000012	NUT, SPECIAL M20	1		
30 - 12	K0300032252	PIN, COTTER M3.2-25	1		
30 - 13	K0000120302	BOLT, M12-30	2		
30 - 14	K0000100252	BOLT, M10-25	4		
30 - 15	K0200120002	WASHER, SPRING M12	2		
30 - 16	K0100120002	NUT, M12	2		
30 - 17	K0200100002	WASHER, SPRING M10	4		
30 - 18	K0100100002	NUT, M10	4		
30 - 19	K0071001182	SCREW, HT FLAT HEAD M10-16	6		
30 - 20	K285260L70R	REEL CUTTER (CYLINDER), 660-7L	1		
30 - 21	K2510000030	BEDKNIFE (BOTTOM BLADE), 7-85-662	1		
30 - 22	K744200006R	BASE, BEDKNIFE 732	1		

# 31. MOWER SECTION : D

LM2400

#4モア



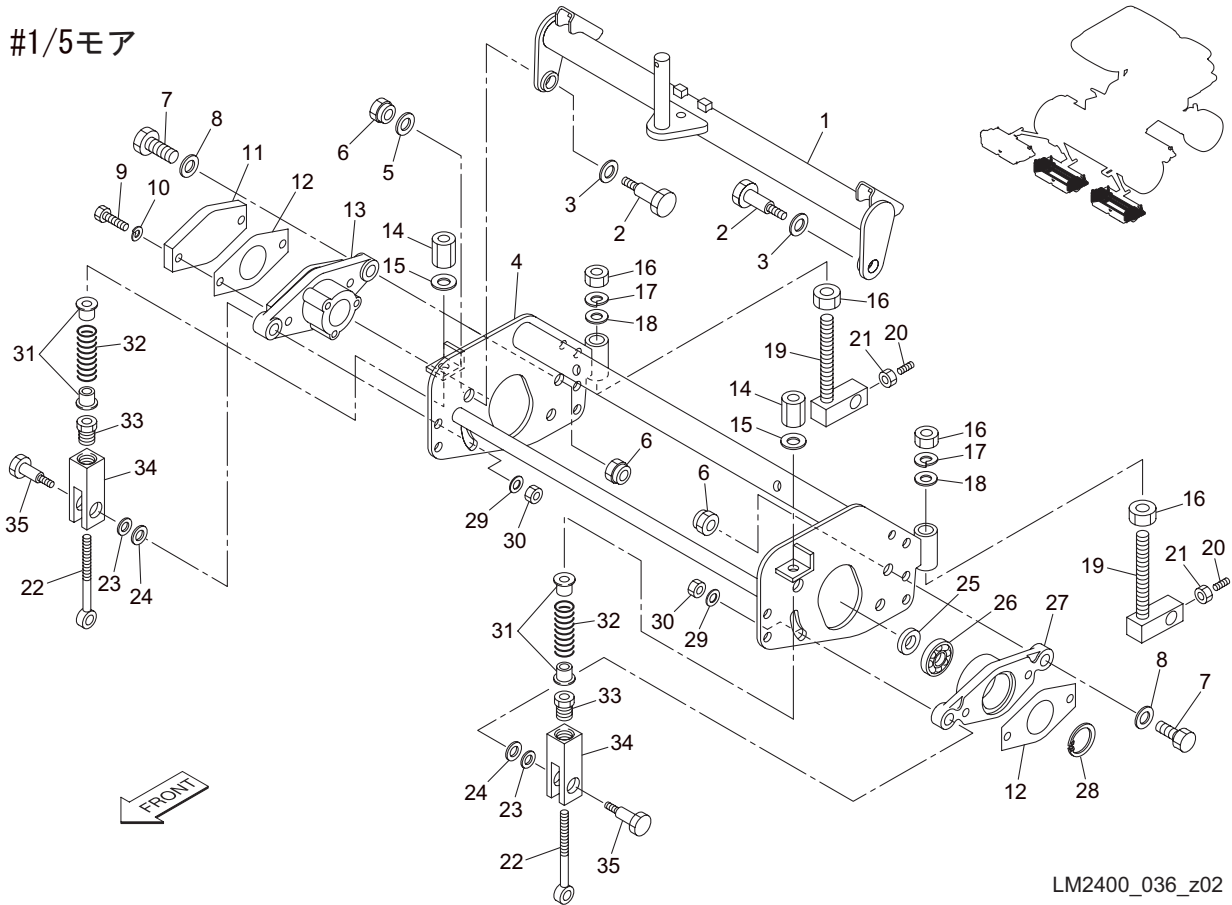
LM2400\_031\_z02

Cat No.	Code No.	Part name	Qty	Remark	SN of application
31 - 1	K8022000020	BASE & BEDKNIFE ASSY	1		
31 - 2	K285260R90R	REEL CUTTER (CYLINDER), 660-9R	1		
31 - 3	K0000060152	BOLT, M6-15	3		
31 - 4	K0200060002	WASHER, SPRING M6	3		
31 - 5	K1440000010	GREASE NIPPLE, A TYPE	1		
31 - 6	K6903000042	CAP, HOUSING	1		
31 - 7	K0822542080	OIL SEAL, MHSA25428	1		
31 - 8	K4011000150	PACKING, OIL-SHEET	1		
31 - 9	K0602063040	BEARING, BALL SHIELD Z 6304	1		
31 - 10	K6212001742	COLLAR, STKM M20.2-28-18	1		
31 - 11	K0170000012	NUT, SPECIAL M20	1		
31 - 12	K0300032252	PIN, COTTER M3.2-25	1		
31 - 13	K0000120302	BOLT, M12-30	2		
31 - 14	K0000100252	BOLT, M10-25	4		
31 - 15	K0200120002	WASHER, SPRING M12	2		
31 - 16	K0100120002	NUT, M12	2		
31 - 17	K0200100002	WASHER, SPRING M10	4		
31 - 18	K0100100002	NUT, M10	4		
31 - 19	K0071001182	SCREW, HT FLAT HEAD M10-16	6		
31 - 20	K285260R70R	REEL CUTTER (CYLINDER), 660-7R	1		
31 - 21	K2510000030	BEDKNIFE (BOTTOM BLADE), 7-85-662	1		
31 - 22	K744200006R	BASE, BEDKNIFE 732	1		

# 36. MOWER SECTION : I

LM2400

#1/5モア



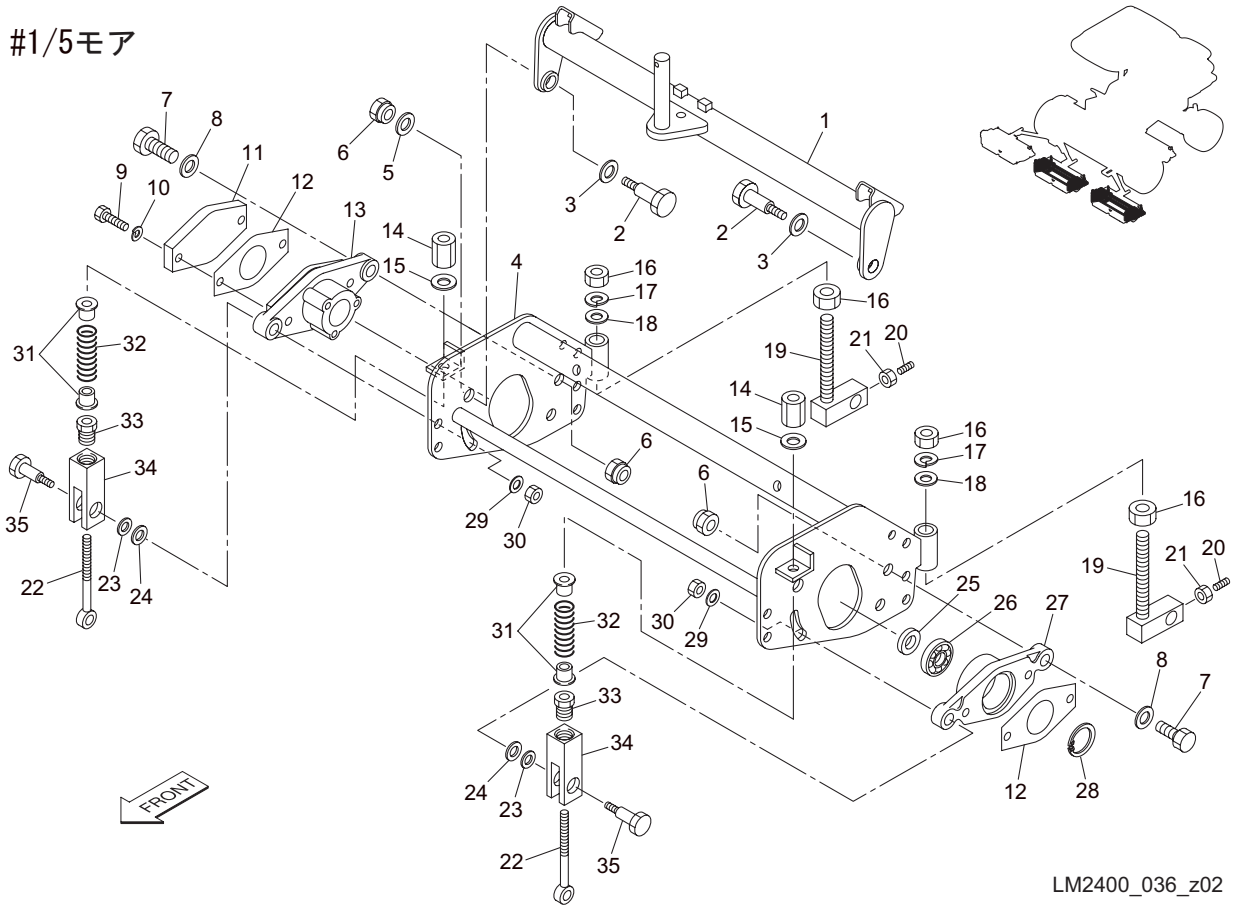
LM2400\_036\_z02

Cat No.	Code No.	Part name	Qty	Remark	SN of application
36 - 1	LM282--0104AR	ARM, MOWER #2, #3	2		
36 - 2	K6082000132	BOLT, STEPPED FOR FIXING FRAME	4		
36 - 3	K5011020282	WASHER, SPCC 1-20-28	4		
36 - 4	K705200006R	FRAME, MOWER	2		
36 - 5	K0212140002	WASHER, DISK SPRING L M14-1	4		
36 - 6	K0105140002	NUT, P1.5 M14-3	8		
36 - 7	K0071001132	BOLT, AXIS	4		
36 - 8	K5012314252	WASHER, SPCC 2.3-14-25	8		
36 - 9	K0000100452	BOLT, M10-45	4		
36 - 10	K0200100002	WASHER, SPRING M10	4		
36 - 11	K690300017D	COVER, REEL HOUSING	2		
36 - 12	K4011000290	PACKING, OIL-SHEET	4		
36 - 13	K6903000222	HOUSING, REEL CUTTER CR	2		
36 - 14	LM56G--0506Z2	NUT, HIGH M10-17-35 P1.0	4		
36 - 15	K5051010160	WASHER, C5191P 1-10-16	4		
36 - 16	K0108180002	NUT, P1.5 M18-3	8		
36 - 17	K0200180002	WASHER, SPRING M18	4		
36 - 18	K5012018282	WASHER, SPCC 2-18-28	4		
36 - 19	LM526A-0108Z2	SCREW, ADJUSTING CUTTING HEIGHT	8		
36 - 20	K0023100251	SETSCREW, M10-25	4		
36 - 21	K0100100002	NUT, M10	4		
36 - 22	K7303000182	BOLT, ADJUSTING CUTTER	4		
36 - 23	K0214100002	WASHER, DISK SPRING L M10-2	4		
36 - 24	K5012310172	WASHER, SPCC 2.3-10-17	4		
36 - 25	K0823560120	OIL SEAL, MHSA356012	2		
36 - 26	K0602062070	BEARING, BALL SHIELD Z 6207	2		
36 - 27	K6903000192	HOUSING, HYDRAULIC MOTOR A	2		
36 - 28	K0402072001	RING, RETAINING R M72	2		
36 - 29	K5073210242	WASHER, SPHC 3.2-10-24	4		
36 - 30	K0145100002	NUT, WITH F-RING, P1.25 M10	4		

# 36. MOWER SECTION : I

LM2400

#1/5モア



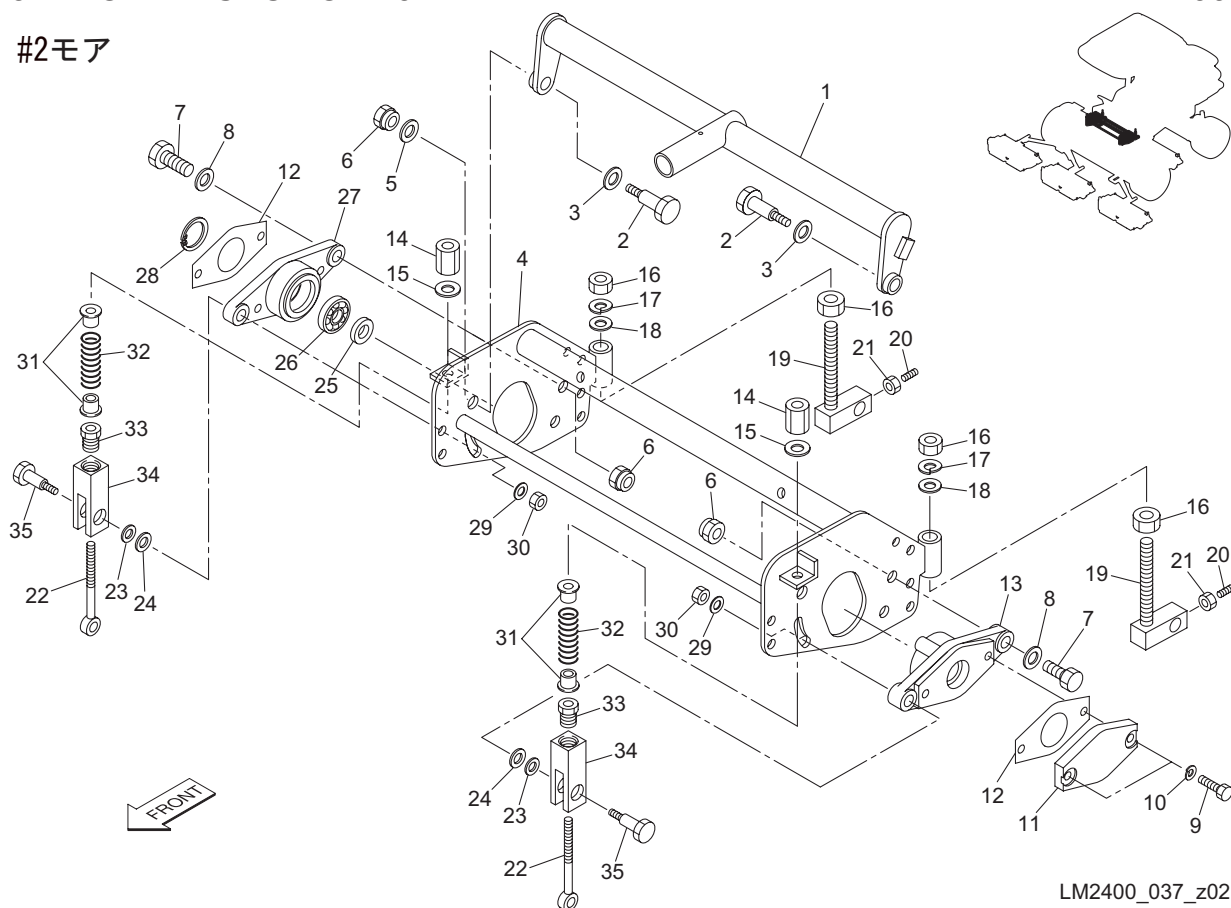
LM2400\_036\_z02

Cat No.	Code No.	Part name	Qty	Remark	SN of application
36 - 31	K6206000052	RECEIVER , FOR SPRING	8		
36 - 32	K1000000458	SPRING, COMPRESSION M5-25-60	4		
36 - 33	K6081000082	PIPE, WITH CUTTER ADJUSTING SCREW	4		
36 - 34	K6090000552	MOUNT, ADJUSTING SCREW	4		
36 - 35	K6082000122	BOLT, STEPPED FOR FIXING HOUSING	4		

# 37. MOWER SECTION : J

LM2400

#2モア



LM2400\_037\_z02

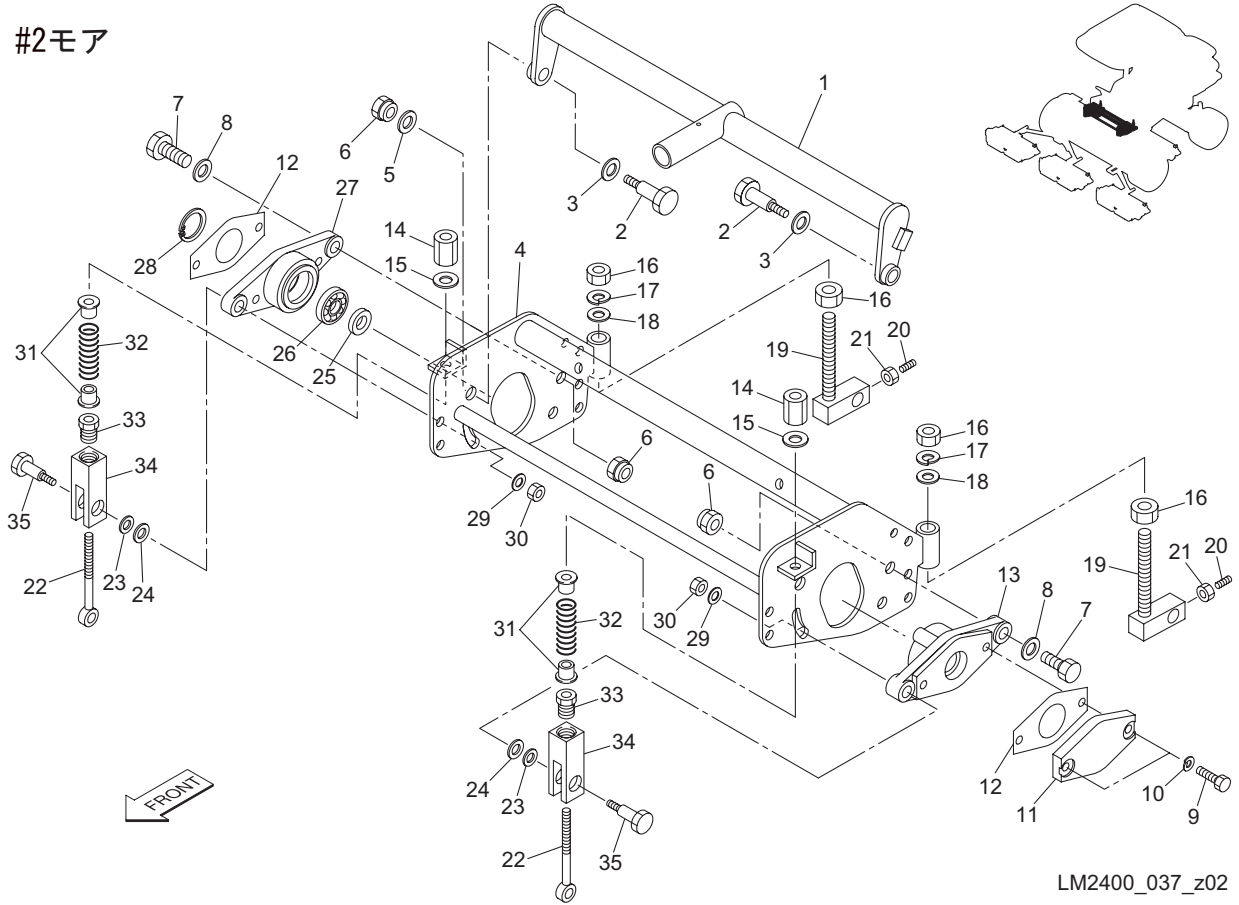
Cat No.	Code No.	Part name	Qty	Remark	SN of application
37 - 1	LM2400-0101ZR	ARM, MOWER #2, #3	1		
37 - 2	K6082000132	BOLT, STEPPED FOR FIXING FRAME	2		
37 - 3	K5011020282	WASHER, SPCC 1-20-28	2		
37 - 4	K705200006R	FRAME, MOWER	1		
37 - 5	K0212140002	WASHER, DISK SPRING L M14-1	2		
37 - 6	K0105140002	NUT, P1.5 M14-3	4		
37 - 7	K0071001132	BOLT, AXIS	2		
37 - 8	K5012314252	WASHER, SPCC 2.3-14-25	2		
37 - 9	K0000100452	BOLT, M10-45	2		
37 - 10	K0200100002	WASHER, SPRING M10	2		
37 - 11	K690300017D	COVER, REEL HOUSING	1		
37 - 12	K4011000290	PACKING, OIL-SHEET	2		
37 - 13	K6903000222	HOUSING, REEL CUTTER CR	1		
37 - 14	LM56G--0506Z2	NUT, HIGH M10-17-35 P1.0	2		
37 - 15	K5051010160	WASHER, C5191P 1-10-16	2		
37 - 16	K0108180002	NUT, P1.5 M18-3	4		
37 - 17	K0200180002	WASHER, SPRING M18	2		
37 - 18	K5012018282	WASHER, SPCC 2-18-28	2		
37 - 19	LM526A-0108Z2	SCREW, ADJUSTING CUTTING HEIGHT	2		
37 - 20	K0023100251	SETSCREW, M10-25	2		
37 - 21	K0100100002	NUT, M10	2		
37 - 22	K7303000182	BOLT, ADJUSTING CUTTER	2		
37 - 23	K0214100002	WASHER, DISK SPRING L M10-2	2		
37 - 24	K5012310172	WASHER, SPCC 2.3-10-17	2		
37 - 25	K0823560120	OIL SEAL, MHS356012	1		
37 - 26	K0602062070	BEARING, BALL SHIELD Z 6207	1		
37 - 27	K6903000202	HOUSING, HYDRAULIC MOTOR B	1		
37 - 28	K0402072001	RING, RETAINING R M72	1		
37 - 29	K5073210242	WASHER, SPHC 3.2-10-24	2		
37 - 30	K0145100002	NUT, WITH F-RING, P1.25 M10	2		



# 37. MOWER SECTION : J

LM2400

#2モア



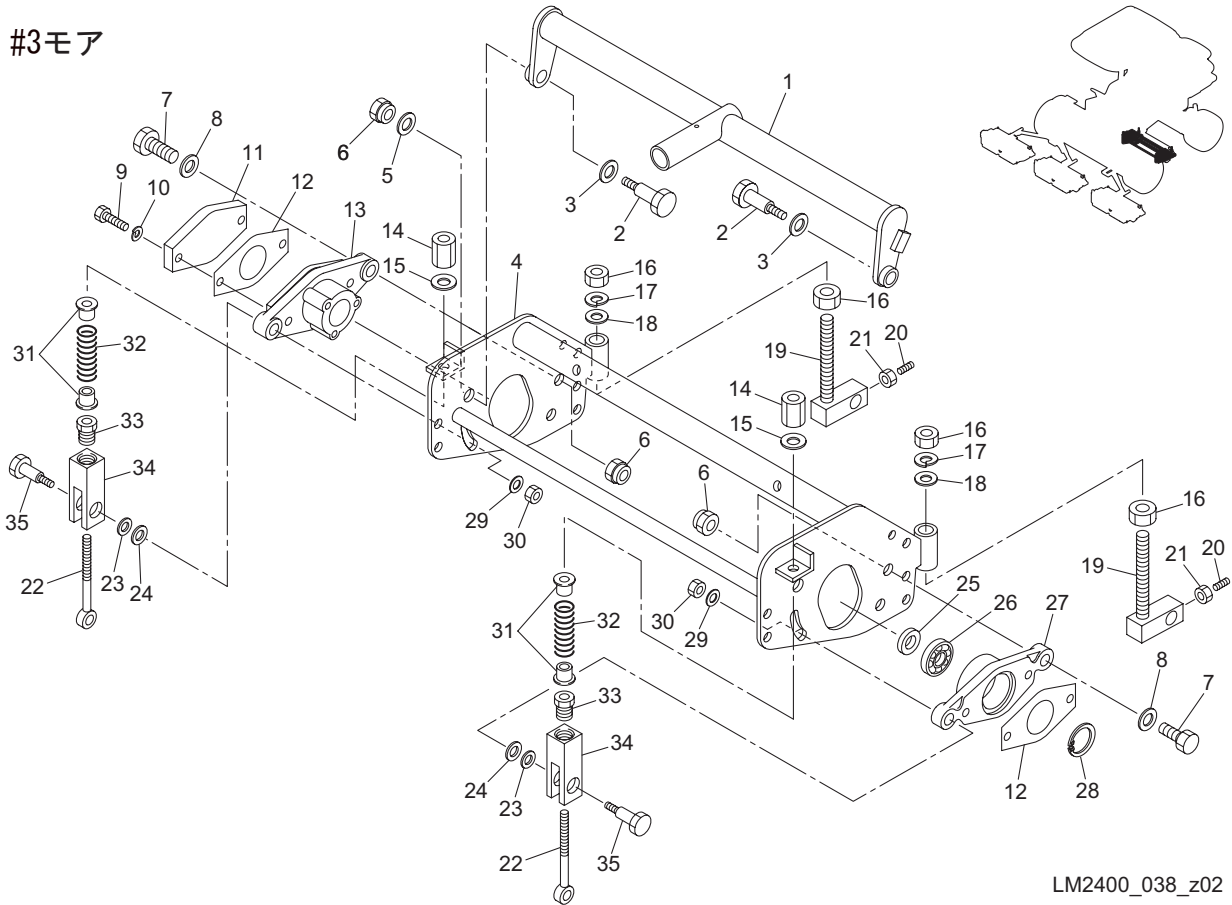
LM2400\_037\_z02

Cat No.	Code No.	Part name	Qty	Remark	SN of application
37 - 31	K6206000052	RECEIVER , FOR SPRING	4		
37 - 32	K1000000458	SPRING, COMPRESSION M5-25-60	2		
37 - 33	K6081000082	PIPE, WITH CUTTER ADJUSTING SCREW	2		
37 - 34	K6090000552	MOUNT, ADJUSTING SCREW	2		
37 - 35	K6082000122	BOLT, STEPPED FOR FIXING HOUSING	2		

# 38. MOWER SECTION : K

LM2400

#3モア



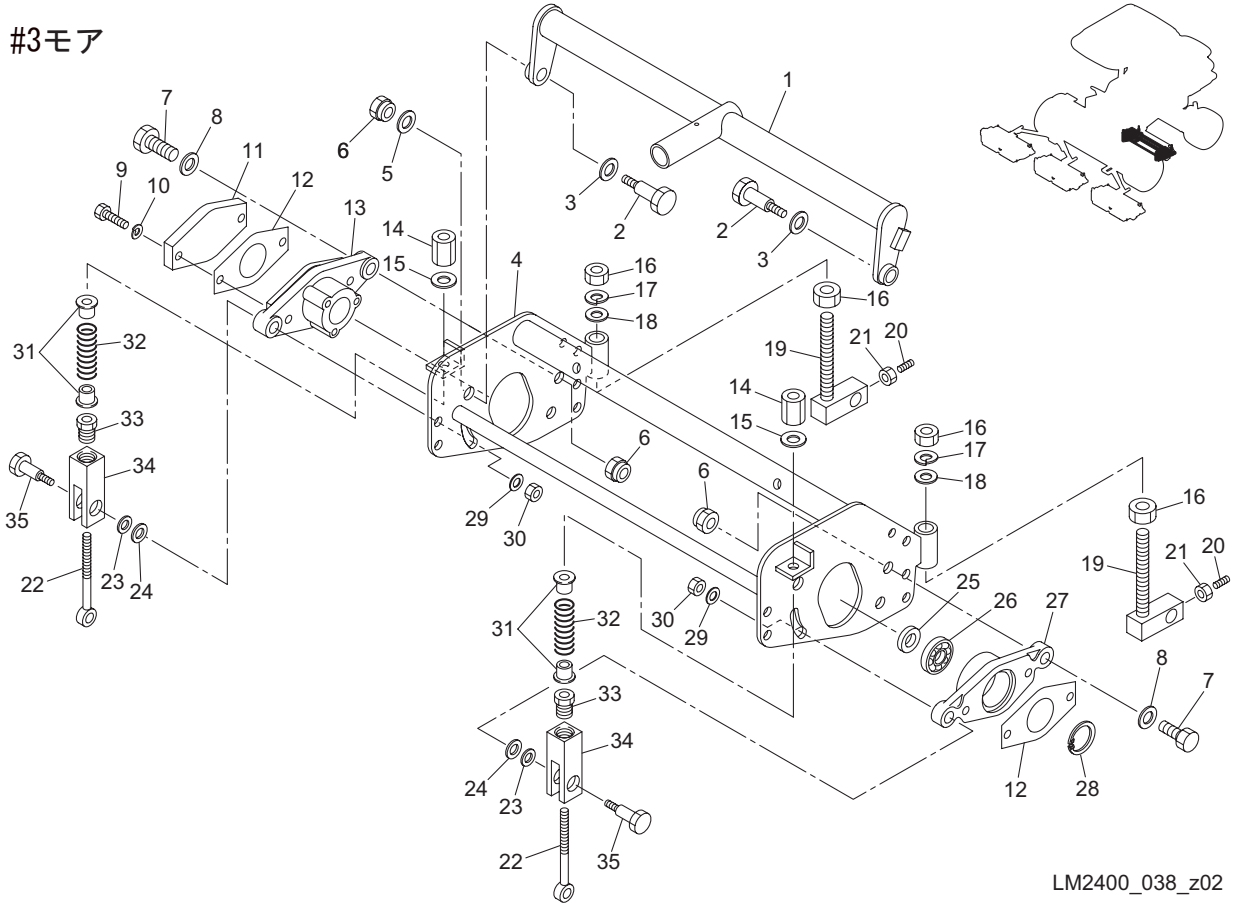
LM2400\_038\_z02

Cat No.	Code No.	Part name	Qty	Remark	SN of application
38 - 1	LM2400-0101ZR	ARM, MOWER #2, #3	1		
38 - 2	K6082000132	BOLT, STEPPED FOR FIXING FRAME	2		
38 - 3	K5011020282	WASHER, SPCC 1-20-28	2		
38 - 4	K705200006R	FRAME, MOWER	1		
38 - 5	K0212140002	WASHER, DISK SPRING L M14-1	2		
38 - 6	K0105140002	NUT, P1.5 M14-3	4		
38 - 7	K0071001132	BOLT, AXIS	2		
38 - 8	K5012314252	WASHER, SPCC 2.3-14-25	2		
38 - 9	K0000100452	BOLT, M10-45	2		
38 - 10	K0200100002	WASHER, SPRING M10	2		
38 - 11	K690300017D	COVER, REEL HOUSING	1		
38 - 12	K4011000290	PACKING, OIL-SHEET	2		
38 - 13	K6903000222	HOUSING, REEL CUTTER CR	1		
38 - 14	LM56G--0506Z2	NUT, HIGH M10-17-35 P1.0	2		
38 - 15	K5051010160	WASHER, C5191P 1-10-16	2		
38 - 16	K0108180002	NUT, P1.5 M18-3	4		
38 - 17	K0200180002	WASHER, SPRING M18	2		
38 - 18	K5012018282	WASHER, SPCC 2-18-28	2		
38 - 19	LM526A-0108Z2	SCREW, ADJUSTING CUTTING HEIGHT	2		
38 - 20	K0023100251	SETSCREW, M10-25	2		
38 - 21	K0100100002	NUT, M10	2		
38 - 22	K7303000182	BOLT, ADJUSTING CUTTER	2		
38 - 23	K0214100002	WASHER, DISK SPRING L M10-2	2		
38 - 24	K5012310172	WASHER, SPCC 2.3-10-17	2		
38 - 25	K0823560120	OIL SEAL, MHSA356012	1		
38 - 26	K0602062070	BEARING, BALL SHIELD Z 6207	1		
38 - 27	K6903000192	HOUSING, HYDRAULIC MOTOR A	1		
38 - 28	K0402072001	RING, RETAINING R M72	1		
38 - 29	K5073210242	WASHER, SPHC 3.2-10-24	2		
38 - 30	K0145100002	NUT, WITH F-RING, P1.25 M10	2		

# 38. MOWER SECTION : K

LM2400

#3モア



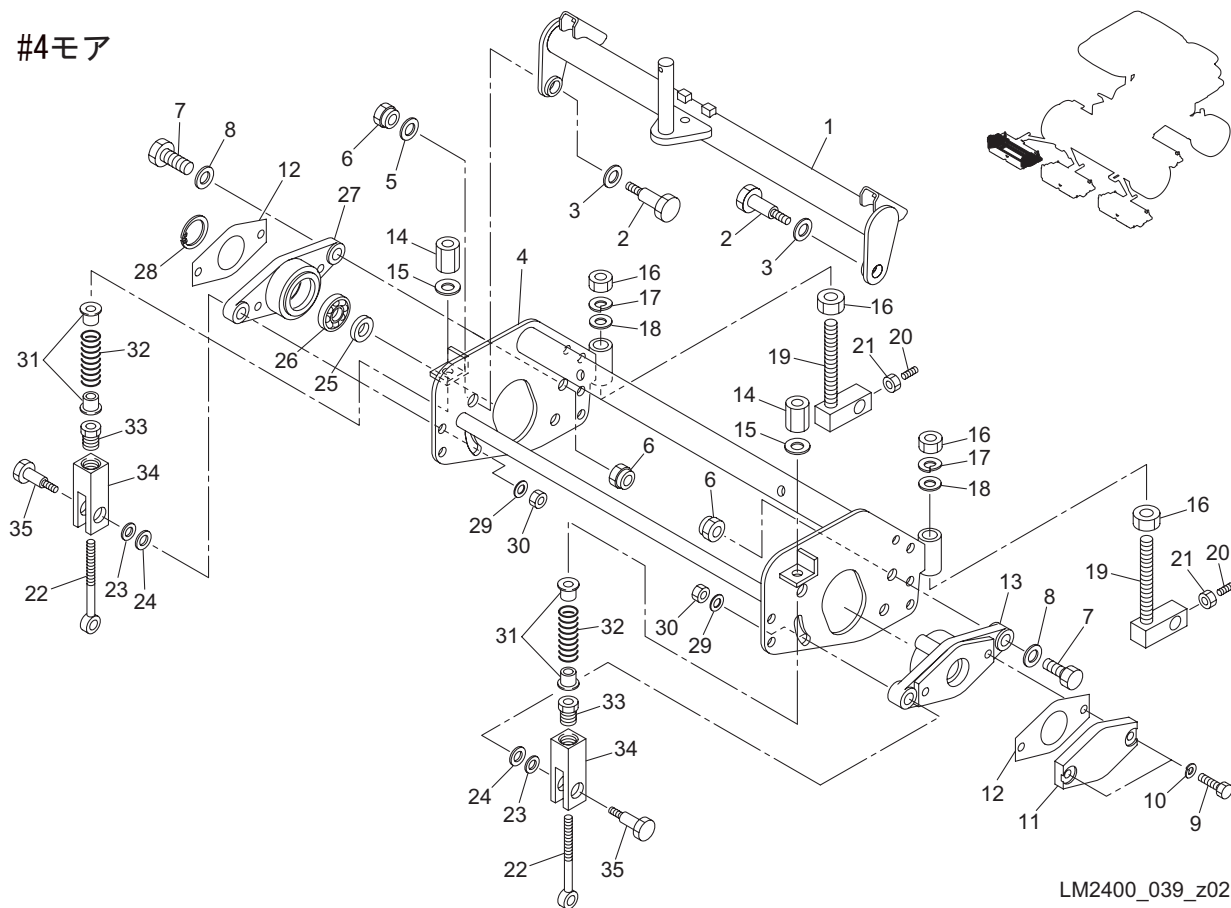
LM2400\_038\_z02

Cat No.	Code No.	Part name	Qty	Remark	SN of application
38 - 31	K6206000052	RECEIVER , FOR SPRING	4		
38 - 32	K1000000458	SPRING, COMPRESSION M5-25-60	2		
38 - 33	K6081000082	PIPE, WITH CUTTER ADJUSTING SCREW	2		
38 - 34	K6090000552	MOUNT, ADJUSTING SCREW	2		
38 - 35	K6082000122	BOLT, STEPPED FOR FIXING HOUSING	2		

# 39. MOWER SECTION : L

LM2400

#4モア



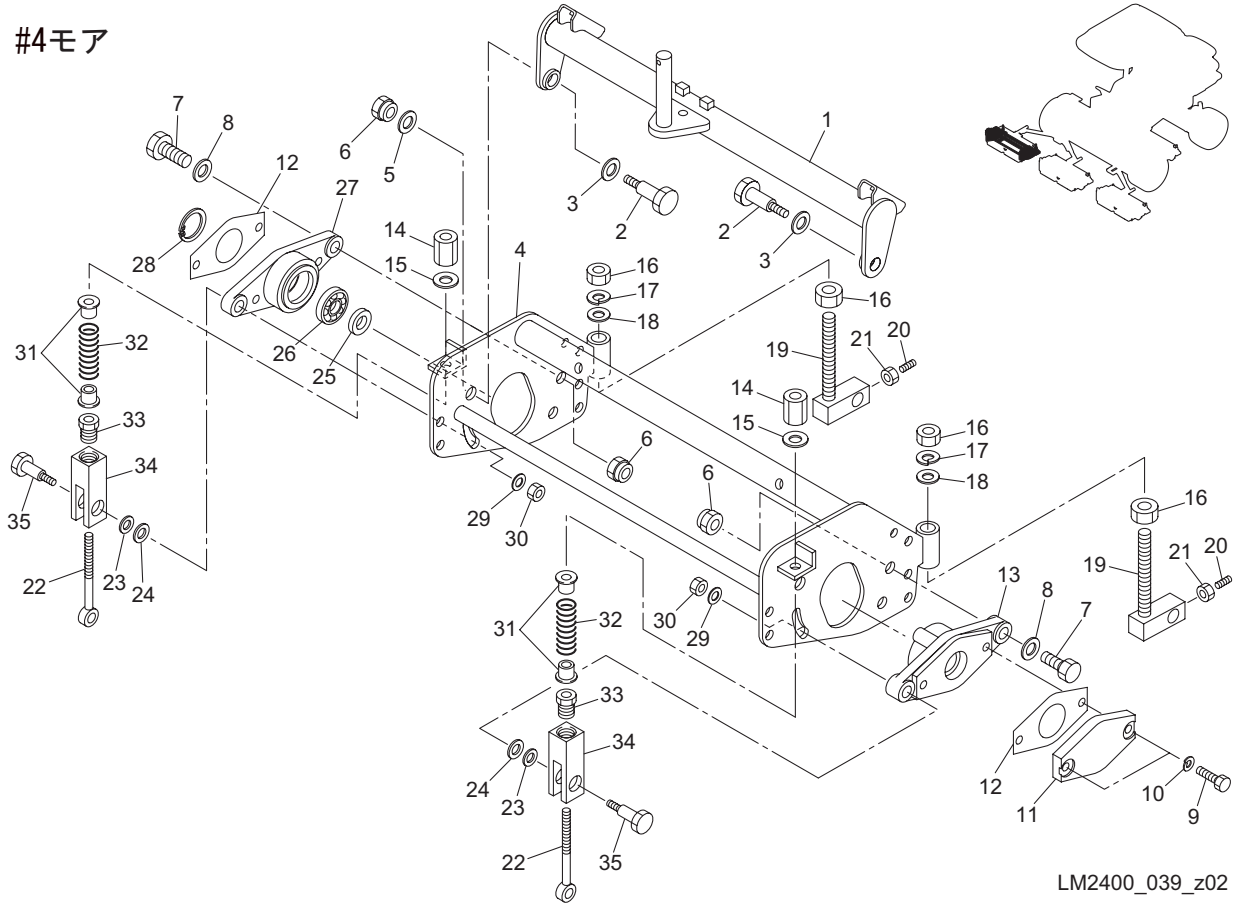
LM2400\_039\_z02

Cat No.	Code No.	Part name	Qty	Remark	SN of application
39 - 1	LM282--0104AR	ARM, MOWER #2, #3	1		
39 - 2	K6082000132	BOLT, STEPPED FOR FIXING FRAME	2		
39 - 3	K5011020282	WASHER, SPCC 1-20-28	2		
39 - 4	K705200006R	FRAME, MOWER	1		
39 - 5	K0212140002	WASHER, DISK SPRING L M14-1	2		
39 - 6	K0105140002	NUT, P1.5 M14-3	4		
39 - 7	K0071001132	BOLT, AXIS	2		
39 - 8	K5012314252	WASHER, SPCC 2.3-14-25	2		
39 - 9	K0000100452	BOLT, M10-45	2		
39 - 10	K0200100002	WASHER, SPRING M10	2		
39 - 11	K690300017D	COVER, REEL HOUSING	1		
39 - 12	K4011000290	PACKING, OIL-SHEET	2		
39 - 13	K6903000222	HOUSING, REEL CUTTER CR	1		
39 - 14	LM56G--0506Z2	NUT, HIGH M10-17-35 P1.0	2		
39 - 15	K5051010160	WASHER, C5191P 1-10-16	2		
39 - 16	K0108180002	NUT, P1.5 M18-3	4		
39 - 17	K0200180002	WASHER, SPRING M18	2		
39 - 18	K5012018282	WASHER, SPCC 2-18-28	2		
39 - 19	LM526A-0108Z2	SCREW, ADJUSTING CUTTING HEIGHT	2		
39 - 20	K0023100251	SETSCREW, M10-25	2		
39 - 21	K0100100002	NUT, M10	2		
39 - 22	K7303000182	BOLT, ADJUSTING CUTTER	2		
39 - 23	K0214100002	WASHER, DISK SPRING L M10-2	2		
39 - 24	K5012310172	WASHER, SPCC 2.3-10-17	2		
39 - 25	K0823560120	OIL SEAL, MHSA356012	1		
39 - 26	K0602062070	BEARING, BALL SHIELD Z 6207	1		
39 - 27	K6903000202	HOUSING, HYDRAULIC MOTOR B	1		
39 - 28	K0402072001	RING, RETAINING R M72	1		
39 - 29	K5073210242	WASHER, SPHC 3.2-10-24	2		
39 - 30	K0145100002	NUT, WITH F-RING, P1.25 M10	2		

39. MOWER SECTION : L

LM2400

#4モア

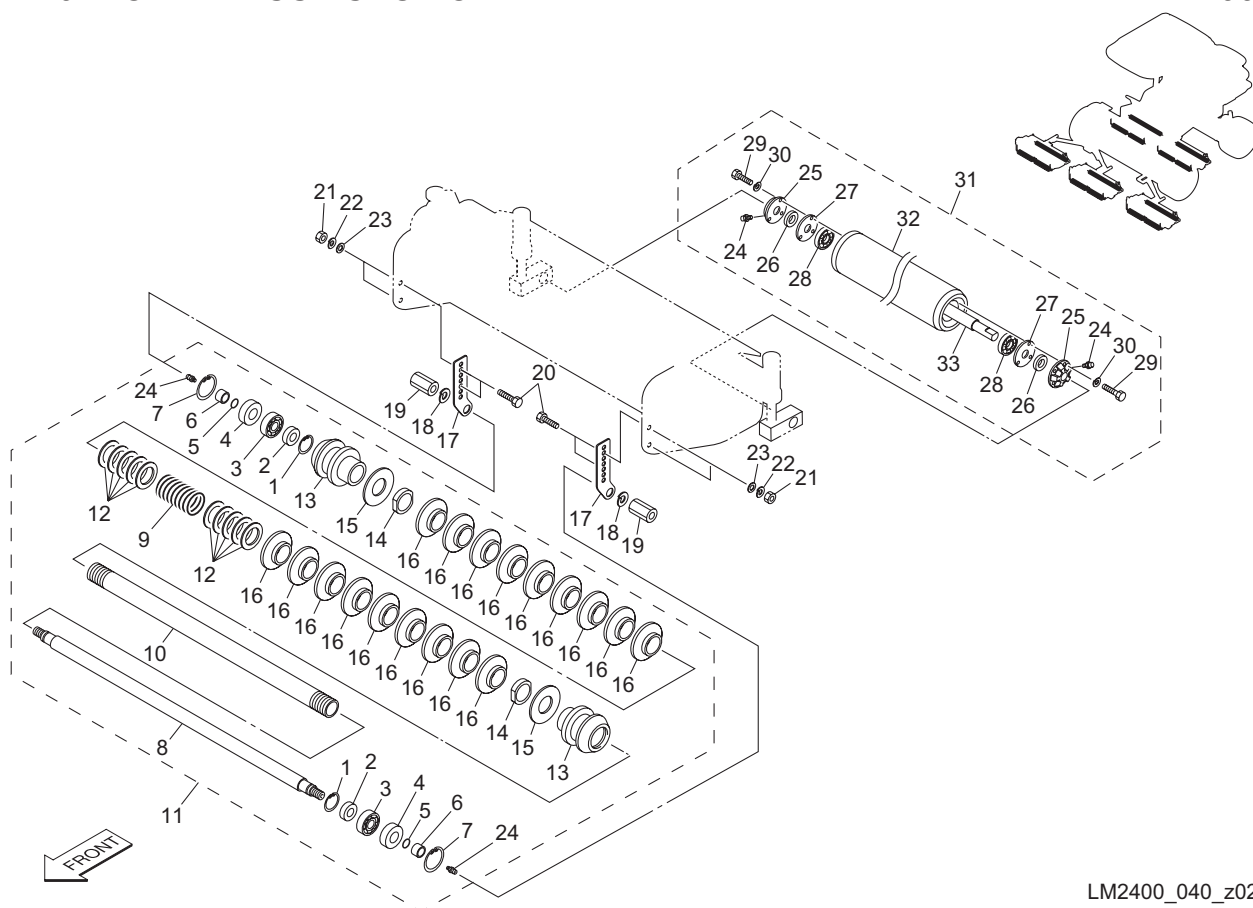


LM2400\_039\_z02

Cat No.	Code No.	Part name	Qty	Remark	SN of application
39 - 31	K6206000052	RECEIVER , FOR SPRING	4		
39 - 32	K1000000458	SPRING, COMPRESSION M5-25-60	2		
39 - 33	K6081000082	PIPE, WITH CUTTER ADJUSTING SCREW	2		
39 - 34	K6090000552	MOUNT, ADJUSTING SCREW	2		
39 - 35	K6082000122	BOLT, STEPPED FOR FIXING HOUSING	2		

# 40. ROLLER ASSY SECTION

LM2400

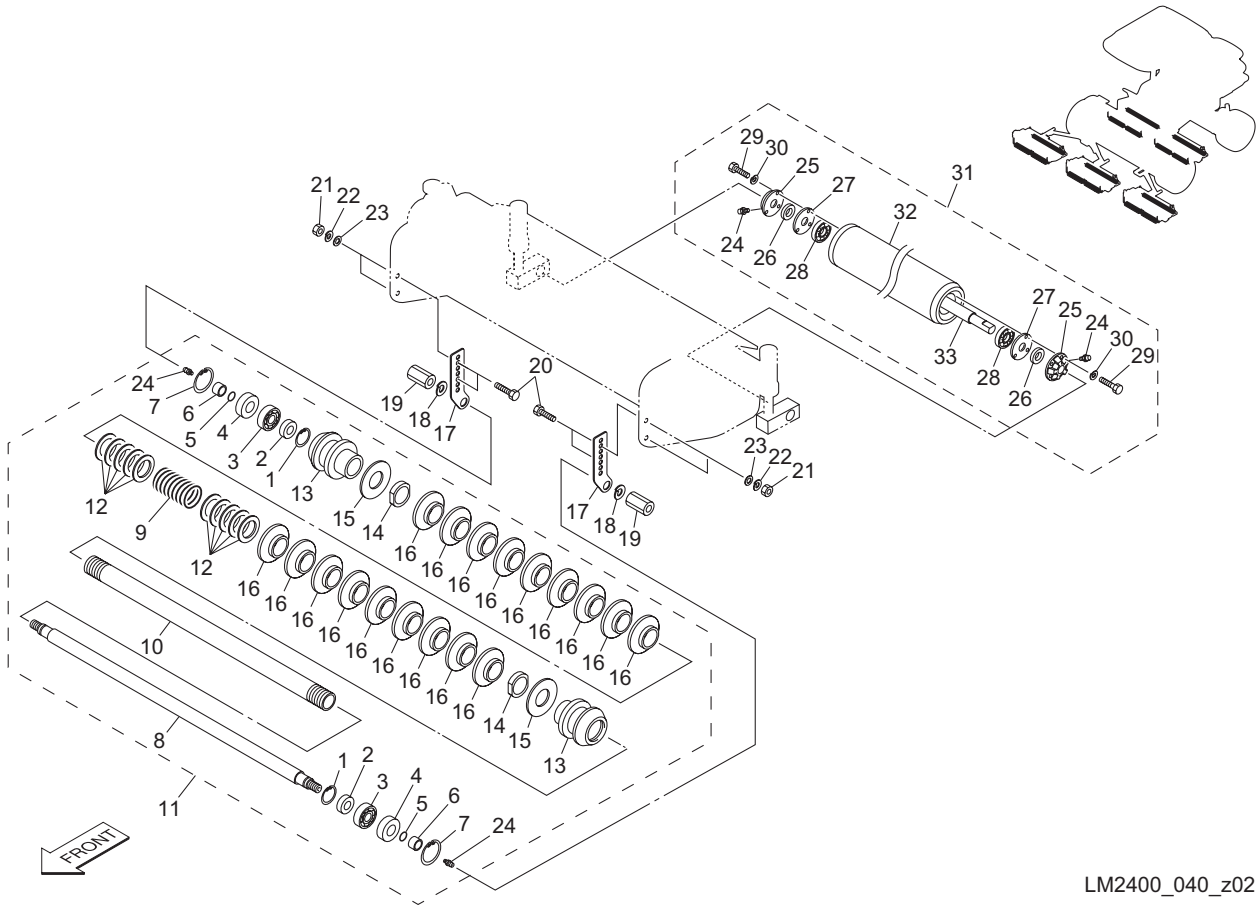


LM2400\_040\_z02

Cat No.	Code No.	Part name	Qty	Remark	SN of application
40 - 1	K0402035001	RING, RETAINING R M35	2		
40 - 2	K0822235080	OIL SEAL, MHSA22358	2		
40 - 3	K0600063030	BEARING, BALL 6303	2		
40 - 4	K0822547080	OIL SEAL, MHSA25478	2		
40 - 5	K0885015000	O-RING, S15	2		
40 - 6	K6219000600	COLLAR, SUS M17-25-27	2		
40 - 7	K0402047001	RING, RETAINING R M47	2		
40 - 8	LM2400-2106Z0	SHAFT, ROLLER 22-770	1		
40 - 9	K100000073D	SPRING, COMPRESSION M5-51-75	1		
40 - 10	LM2700-0151Z2	PIPE, ROLLER 34.2-40607.2	1		
40 - 11	LM2400-2102Z0	SLOTTED ROLLER ASSY OS	1		
40 - 12	K5011040522	WASHER, SPCC 1-40-52	10		
40 - 13	K620200051D	HOUSING, ROLLER 75.5	2		
40 - 14	K016000062D	NUT, M40	2		
40 - 15	K510100061D	PLATE, ROUND 80	2		
40 - 16	K5920000120	ROLLER, PLASTIC 80	18		
40 - 17	K5131001882	PLATE, SPHC ROLLER BRACKET	2		
40 - 18	K0200140002	WASHER, SPRING M14	2		
40 - 19	K0160000652	NUT, SPECIAL M14-30	2		
40 - 20	K0000100252	BOLT, M10-25	4		
40 - 21	K0102100002	NUT, M10-3	4		
40 - 22	K0200100002	WASHER, SPRING M10	4		
40 - 23	K5000100002	WASHER, M10	4		
40 - 24	K1440000010	GREASE NIPPLE, A TYPE	4		
40 - 25	K6810000070	HOUSING, SEAL	2		
40 - 26	K0821730080	OIL SEAL, MHSA17308	2		
40 - 27	K4015136650	PACKING, FIBER 1-36-65	2		
40 - 28	K0602062030	BEARING, BALL SHIELD Z 6203	2		
40 - 29	K0000060122	BOLT, M6-15	6		
40 - 30	K0200060002	WASHER, SPRING M6	6		

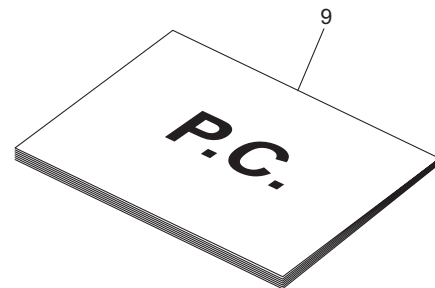
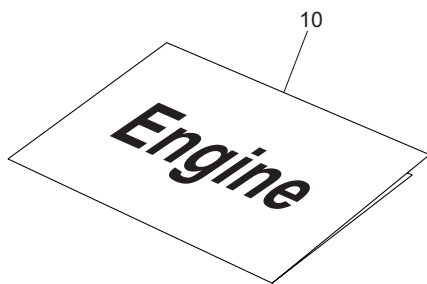
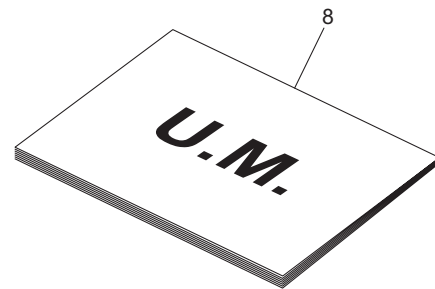
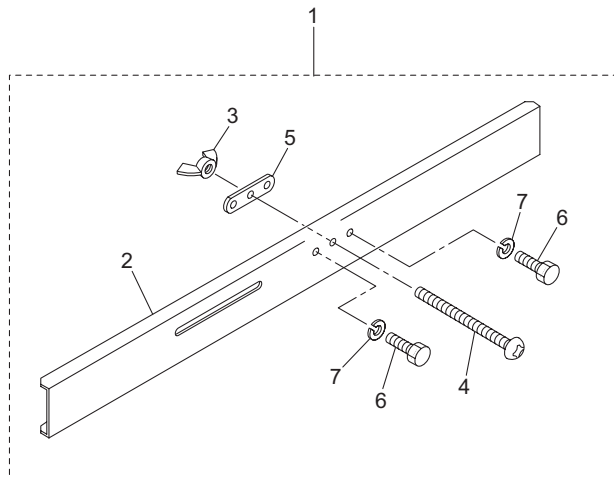
# 40. ROLLER ASSY SECTION

LM2400



LM2400\_040\_z02

Cat No.	Code No.	Part name	Qty	Remark	SN of application
40 - 31	K8021000520	ROLLER ASSY, 764	1		
40 - 32	K740000024D	ROLLER, 76.2-674	1		
40 - 33	K6155000280	SHAFT, ROLLER 764	1		



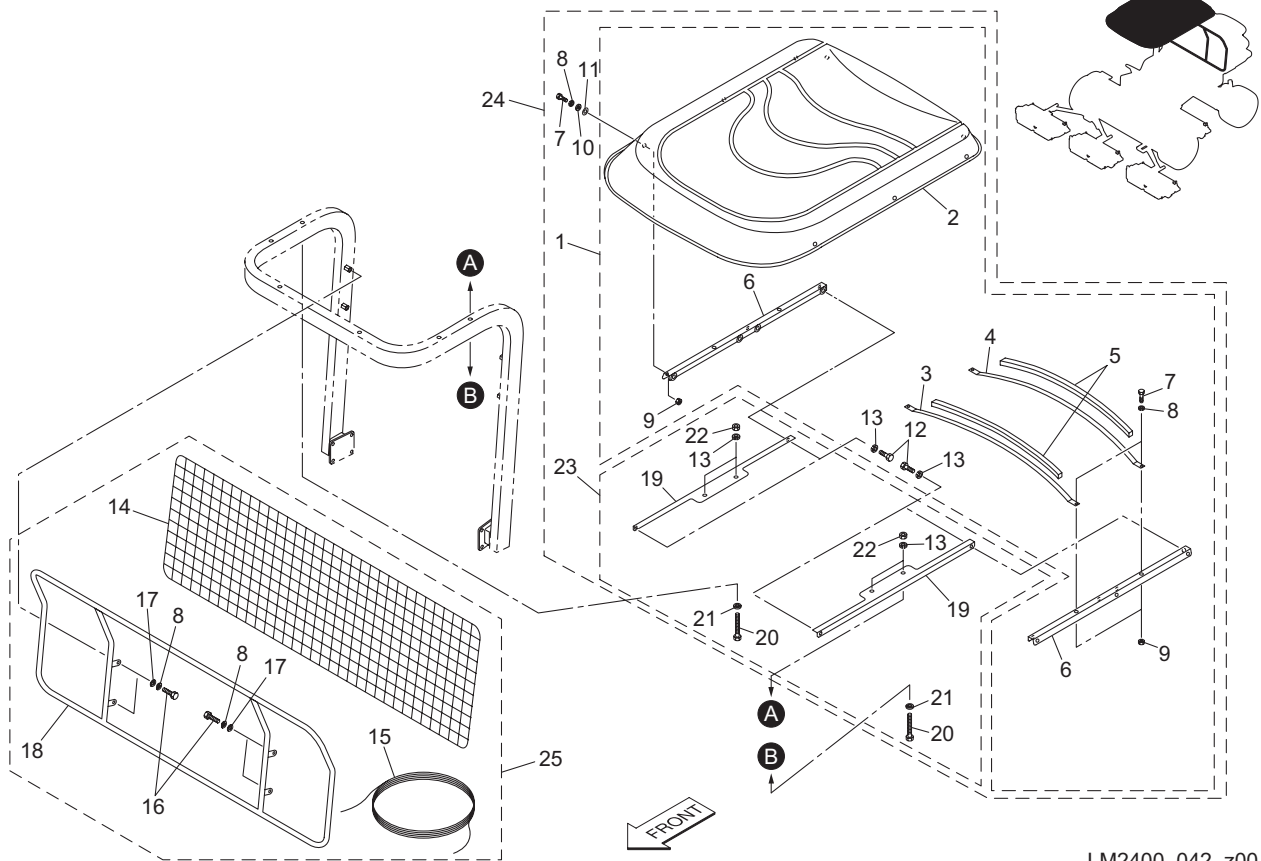
LM2400\_041\_z01

Cat No.	Code No.	Part name	Qty	Remark	SN of application
41 - 1	K4825000060	GAUGE ASSY, CUTTING HEIGHT 600	1		
41 - 2	K482500003D	GAUGE, CUTTING HEIGHT 600	1		
41 - 3	K0141060002	NUT, WING M6-3	1		
41 - 4	K0071000522	SCREW, FOR CUTTING HEIGHT ADJUST M6-75	1		
41 - 5	K4825000042	PLATE, MOUNTING SCREW	1		
41 - 6	K0000060102	BOLT, M6-10	2		
41 - 7	K0200060002	WASHER, SPRING M6	2		
41a - 8	750101-91-A	OWNERS OPERATING MANUAL, LM2400	1		
41a - 9	750101-91-B	PARTS CATALOG, LM2400	1		
41 - 10	PF1G398-8911-3	OWNERS OPERATING MANUAL FOR ENGINE (JAPANESE)	1		



# 42. ROOF ASSY SECTION (OPTION)

LM2400

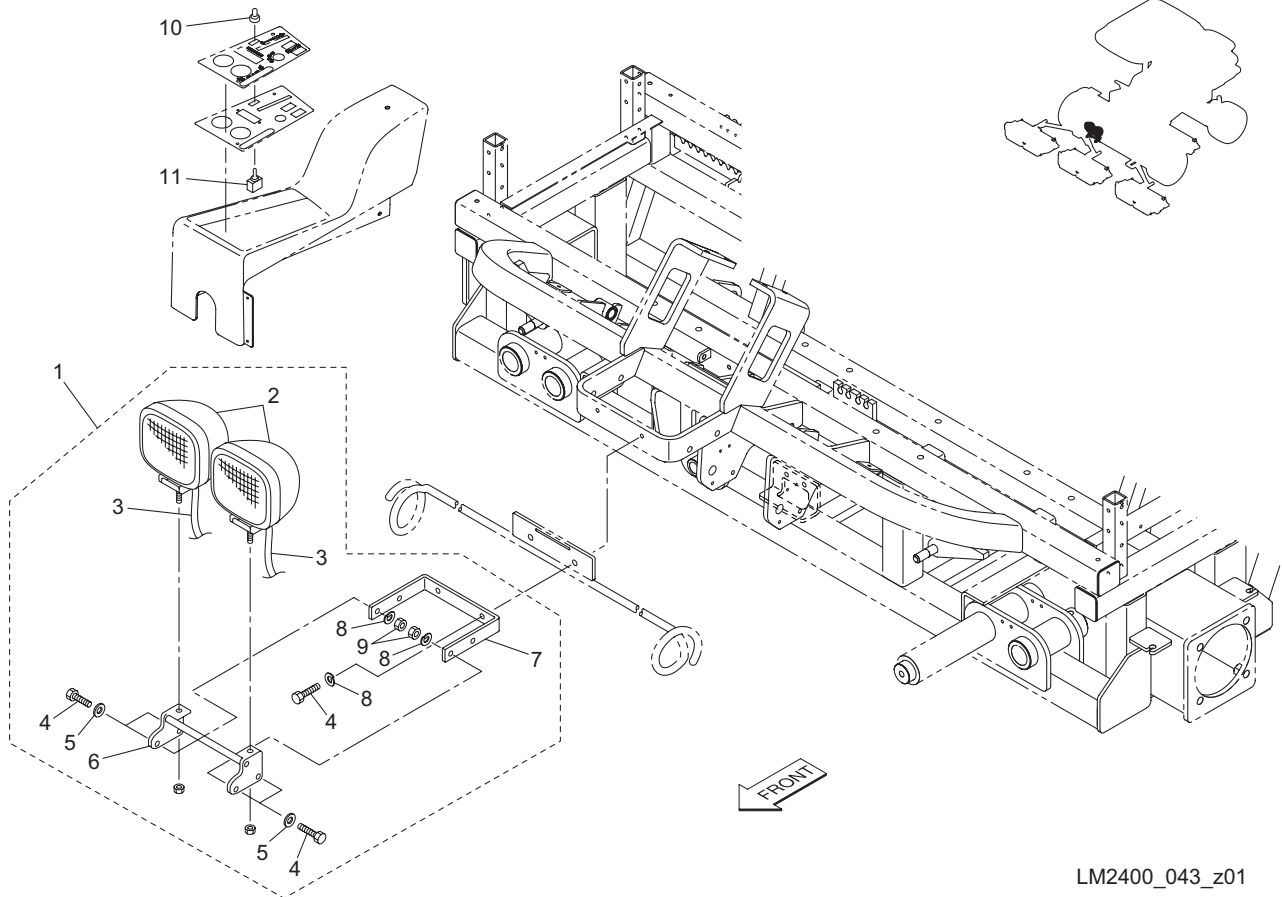


LM2400\_042\_z00

Cat No.	Code No.	Part name	Qty	Remark	SN of application
42 - 1	K9120000030	ROOF ASSY	1		
42 - 2	K1900000080	ROOF	1		
42 - 3	K190000010D	ARCH, B	1		
42 - 4	K190000009D	ARCH, A	1		
42 - 5	K1900000120	SPONGE, URETHANE 20-20840	2		
42 - 6	K190000011D	SUPPORT, HOOD	2		
42 - 7	K0000080202	BOLT, M8-20	10		
42 - 8	K0200080002	WASHER, SPRING M8	14		
42 - 9	K0100080002	NUT, M8	10		
42 - 10	K5012308322	WASHER, SPCC 2.3-8-32	6		
42 - 11	K1900000130	RUBBER, FOR ROOF	6		
42 - 12	K0000100202	BOLT, M10-20	4		
42 - 13	K0200100002	WASHER, SPRING M10	8		
42 - 14	K4130000020	NET, PROTECTION 550*1375 S	1		
42 - 15	K4140000020	ROPE, 2-6700 S	2		
42 - 16	K0000080152	BOLT, M8-15	4		
42 - 17	K5000080002	WASHER, M8	4		
42 - 18	K789900120D	FRAME, FOR BALL PROOF NET	1		
42 - 19	K520500040D	PLATE, FOR FIXING ROOF	2		
42 - 20	K0000101002	BOLT, M10-100	4		
42 - 21	K5000100002	WASHER, M10	4		
42 - 22	K0100100002	NUT, M10	4		
42 - 23	K9120000050	BRACKET SET, FOR AWNING FRAME	1		
42 - 24	K9120000060	ROOF AND FRAME ASSY	1	OPTION	
42 - 25	LM285--1705A0	PROTECTIVE NET KIT	1	OPTION	
42a - 26					
42a - 27					
42a - 28					
42a - 29					
42a - 30					

### 43. LIGHT SECTION

LM2400

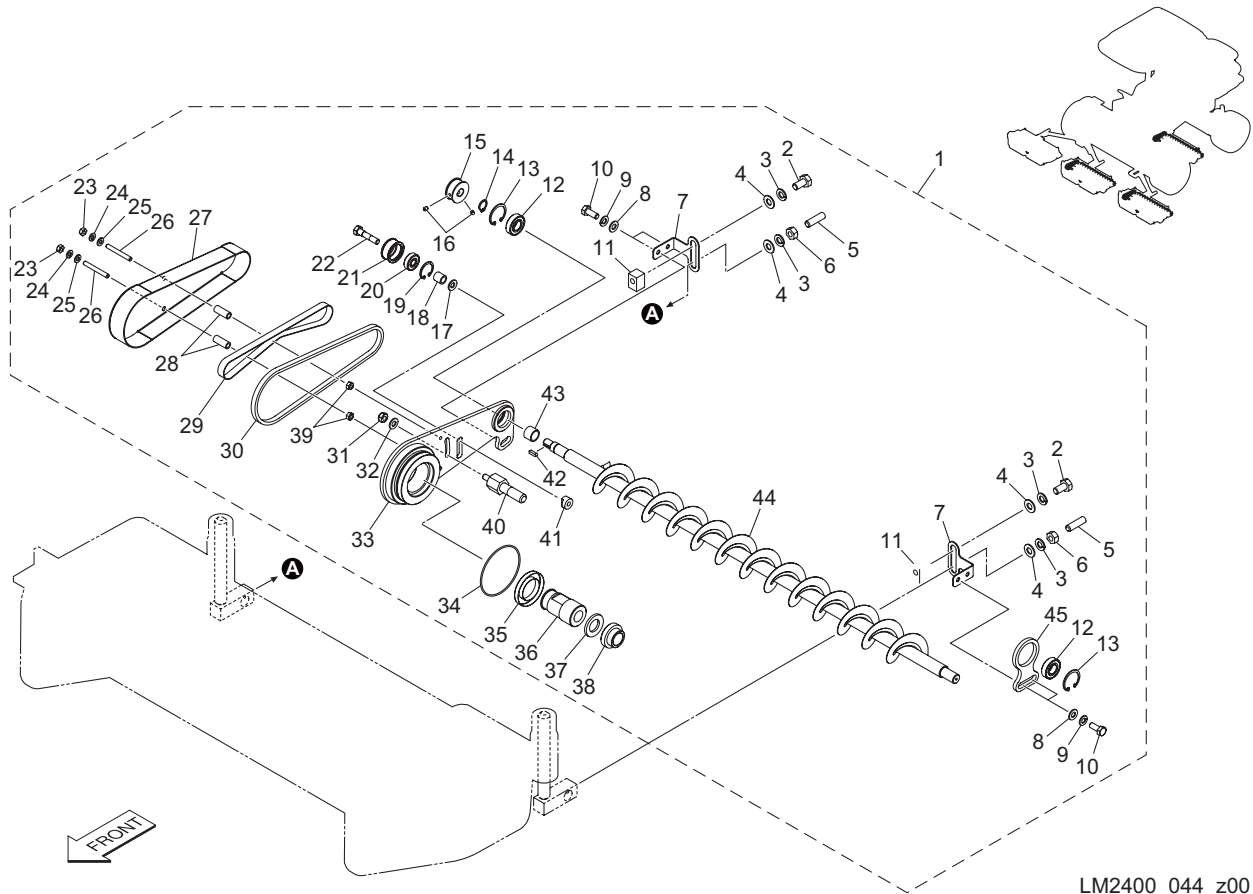


LM2400\_043\_z01

Cat No.	Code No.	Part name	Qty	Remark	SN of application
43a - 1	LM2400-1101Z0	LIGHT PART ASSY	1		
43 - 2	K3640000070	LAMP, WORKING WL-B220A	2		
43 - 3	K3194001000	TUBE, CORRUGATED 7-100	2		
43 - 4	K0000080252	BOLT, M8-25	6		
43 - 5	K5000080002	WASHER, M8	4		
43 - 6	LM2700-1701ZD	BRACKET, LAMP	1		
43 - 7	LM2400-1102ZD	STAY, LIGHT	1		
43 - 8	K0200080002	WASHER, SPRING M8	6		
43 - 9	K0100080002	NUT, M8	4		
43 - 10	K4031000300	RUBBER, CAP WD1911	1		
43 - 11	K3662000060	SWITCH, TOGGLE ST115AT	1		

# 44. CR BRUSH SECTION A

LM2400

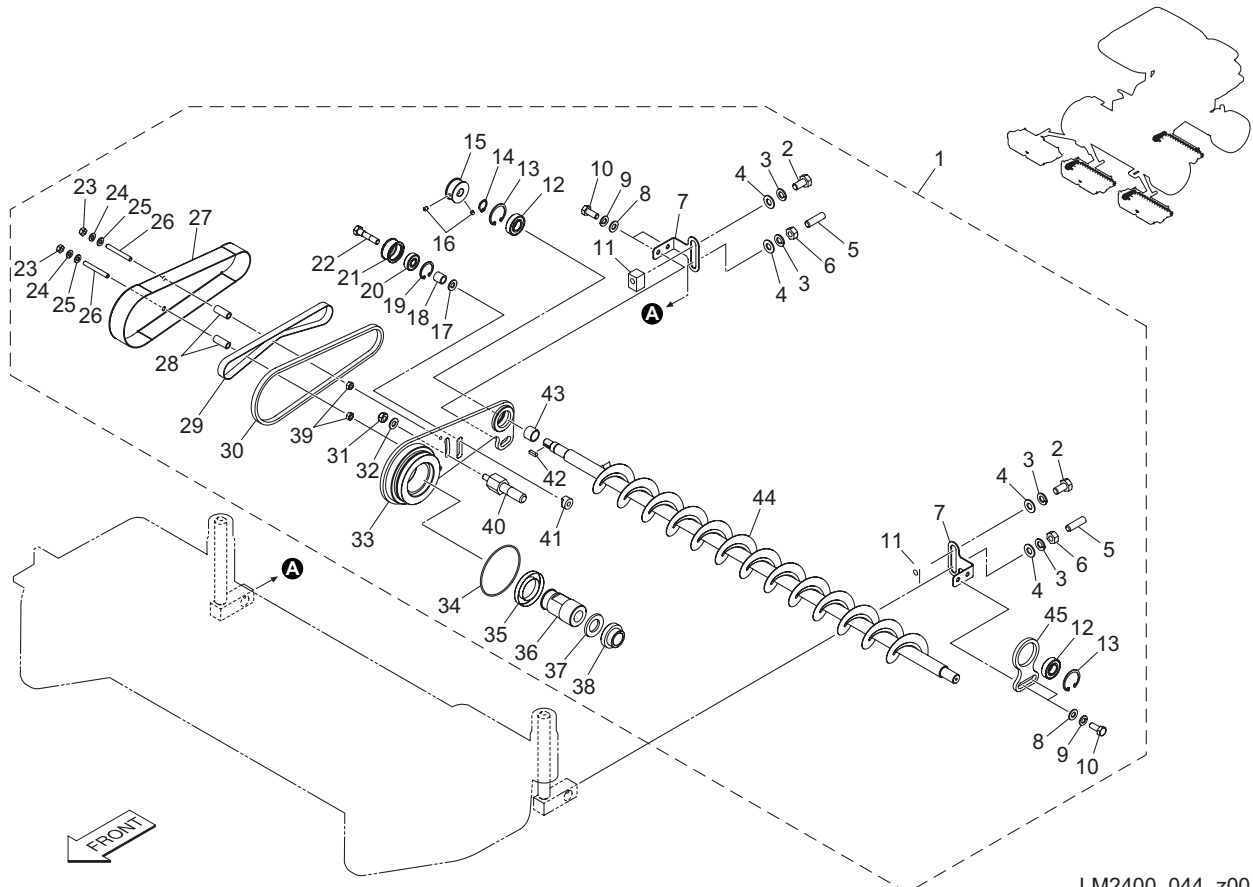


LM2400\_044\_z00

Cat No.	Code No.	Part name	Qty	Remark	SN of application
44a - 1	LM2400-2441Z0	CR BRUSH COMP, 26 (R)	1	for#1, #3,#5 Mower	
44 - 2	K0000100202	BOLT, M10-20	2		
44 - 3	K0200100002	WASHER, SPRING M10	4		
44 - 4	K5000100002	WASHER, M10	4		
44 - 5	K0023100351	SETSCREW, M10-35	2		
44 - 6	K0100100002	NUT, M10	2		
44 - 7	LM2400-2406ZD	ADJUSTER, BRUSH	2		
44 - 8	K5000080002	WASHER, M8	3		
44 - 9	K0200080002	WASHER, SPRING M8	3		
44 - 10	K0000080202	BOLT, M8-20	3		
44 - 11	LM2400-2412Z2	SCREW, ADJUSTING CUTTING HEIGHT	2		
44 - 12	K0612060020	BEARING, BALL SEAL 2RD 6002	2		
44 - 13	K0402032001	RING, RETAINING R M32	2		
44 - 14	K0401015001	RING, RETAINING S M15	1		
44 - 15	LM2400-2410A2	PULLEY, BRUSH SHAFT	1		
44 - 16	K0023050061	SETSCREW, M5-6	2		
44 - 17	K0213080002	WASHER, DISK SPRING H M8-1	1		
44 - 18	K6211000482	COLLAR, SGP M9.2-13.8-14	1		
44 - 19	K0402026001	RING, RETAINING R M26	1		
44 - 20	K0608006290	BEARING, BALL SEAL 2RS 629	1		
44 - 21	LM2700-4108Z2	PULLEY, TENSION 1232	1		
44 - 22	LM2700-4111Z8	BOLT, SPECIAL M8	1		
44 - 23	K0100060002	NUT, M6	2		
44 - 24	K5000060002	WASHER, M6	2		
44 - 25	K0200060002	WASHER, SPRING M6	2		
44 - 26	K0023060502	SETSCREW, M6-50	2		
44 - 27	LM2400-2405ZD	COVER, BELT	1		
44 - 28	K6211000492	COLLAR, SGP M6.5-10.5-26.4	2		
44 - 29	K2380000030	BELT, 10FL-500	1		
44 - 30	LM2700-4123Z0	RUBBER, 8U-615	1		

# 44. CR BRUSH SECTION A

LM2400

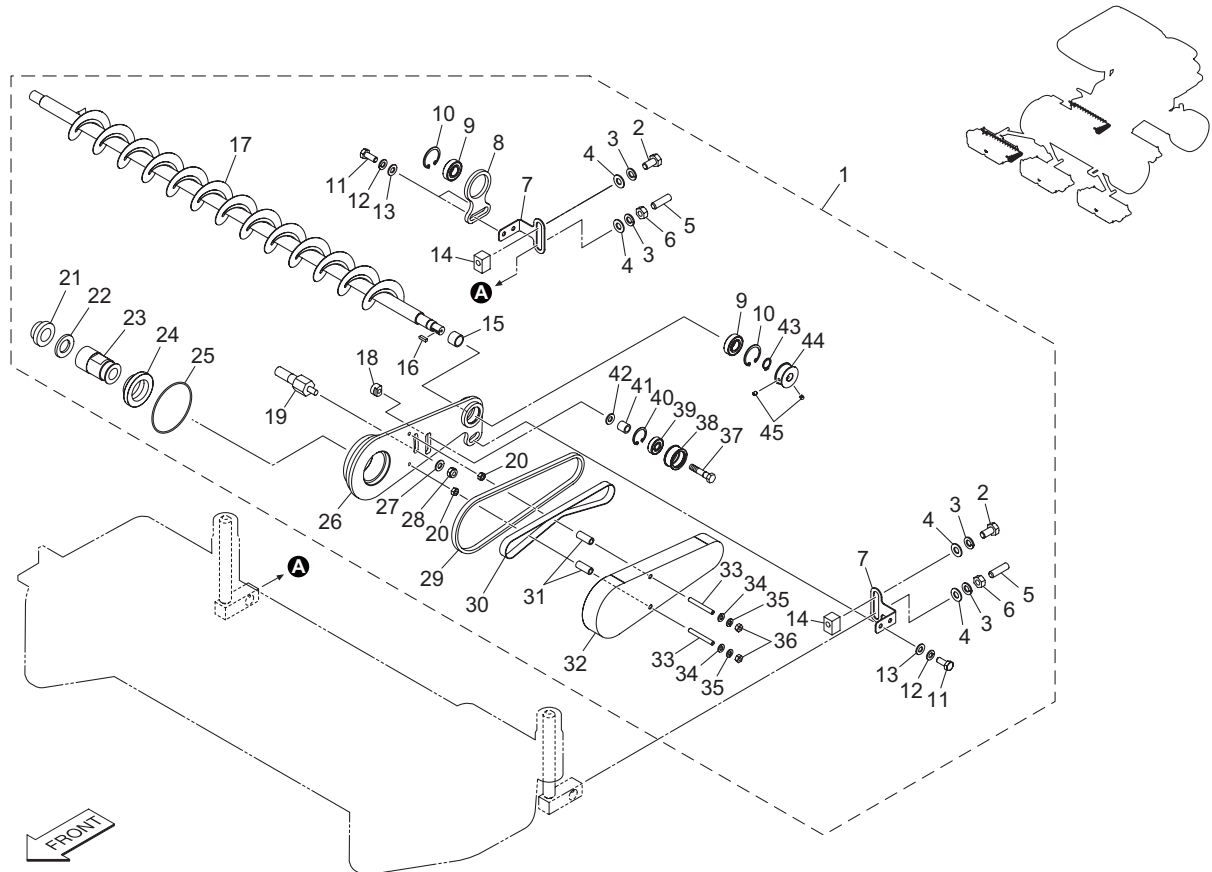


LM2400\_044\_z00

Cat No.	Code No.	Part name	Qty	Remark	SN of application
44 - 31	K0144080002	NUT, WITH F-RING, M8	1		
44 - 32	K5000080002	WASHER, M8	1		
44 - 33	LM2400-2404ZD	FRAME, BRUSH (R)	1		
44 - 34	K0885080000	O-RING, S80	1		
44 - 35	K0823555080	OIL SEAL, MHSA355508	1		
44 - 36	LM2400-2407Z2	PULLEY, DRIVING 30	1		
44 - 37	K0212200002	WASHER, DISK SPRING L M20-1	1		
44 - 38	LM2400-2408Z2	COLLAR, STEPPED	1		
44 - 39	K0100060002	NUT, M6	2		
44 - 40	LM2400-2409Z2	BOLT, AXIS	1		
44 - 41	LM2700-4109Z2	BASE, SCREW	1		
44 - 42	K0520404140	KEY, ROUND/SQUARE, M4-414	1		
44 - 43	LM2400-2411Z2	COLLAR, 15-19-14	1		
44 - 44	K4150000260	BRUSH, CR 26	1		
44 - 45	LM2400-2403ZD	HOUSING, BRUSH	1		

# 45. CR BRUSH SECTION B

LM2400

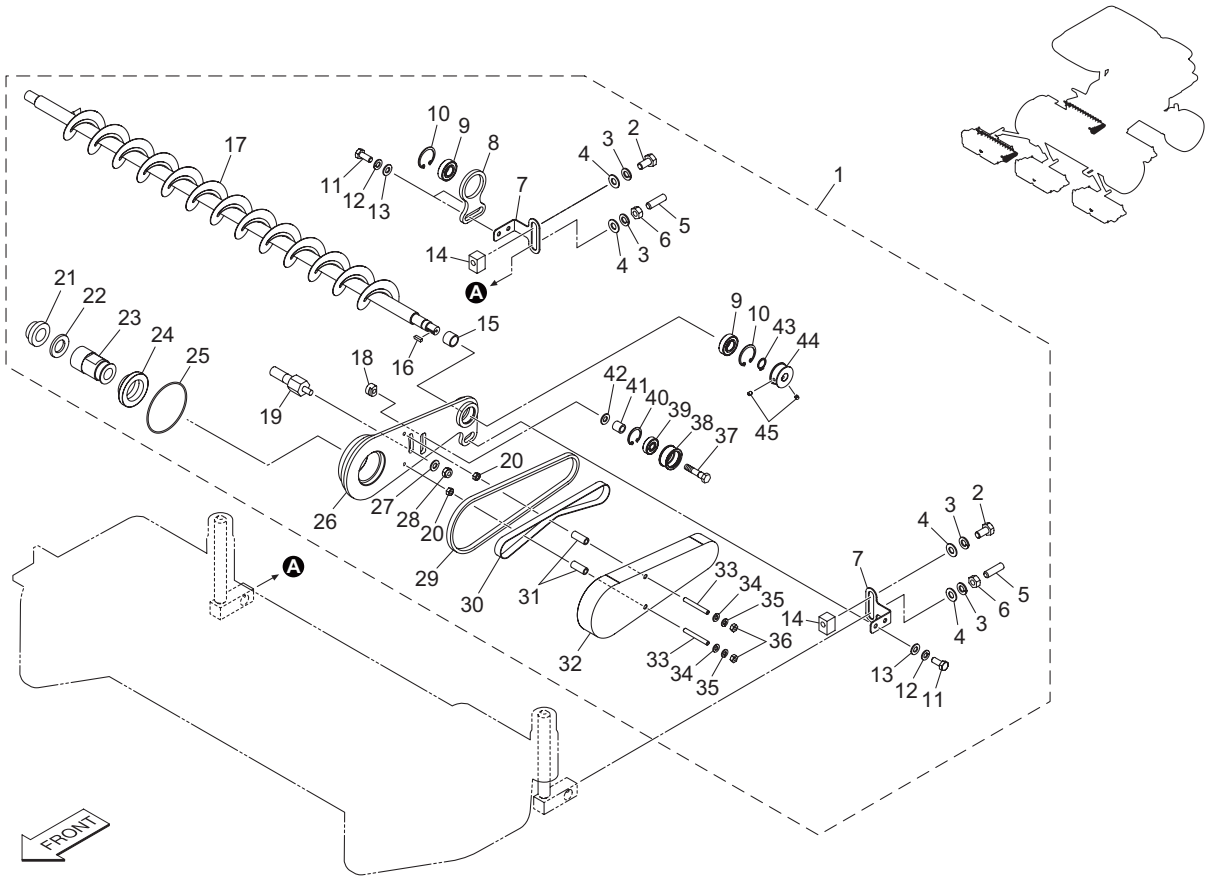


LM2400\_045\_z00

Cat No.	Code No.	Part name	Qty	Remark	SN of application
45a - 1	LM2400-2440Z0	CR BRUSH COMP, 26 (L)	1	for #2,#4 Mower	
45 - 2	K0000100202	BOLT, M10-20	2		
45 - 3	K0200100002	WASHER, SPRING M10	4		
45 - 4	K5000100002	WASHER, M10	4		
45 - 5	K0023100351	SETSCREW, M10-35	2		
45 - 6	K0100100002	NUT, M10	2		
45 - 7	LM2400-2406ZD	ADJUSTER, BRUSH	2		
45 - 8	LM2400-2403ZD	HOUSING, BRUSH	1		
45 - 9	K0612060020	BEARING, BALL SEAL 2RD 6002	2		
45 - 10	K0402032001	RING, RETAINING R M32	2		
45 - 11	K0000080202	BOLT, M8-20	3		
45 - 12	K0200080002	WASHER, SPRING M8	3		
45 - 13	K5000080002	WASHER, M8	3		
45 - 14	LM2400-2412Z2	SCREW, ADJUSTING CUTTING HEIGHT	2		
45 - 15	LM2400-2411Z2	COLLAR, 15-19-14	1		
45 - 16	K0520404140	KEY, ROUND/SQUARE, M4-414	1		
45 - 17	K4150000260	BRUSH, CR 26	1		
45 - 18	LM2700-4109Z2	BASE, SCREW	1		
45 - 19	LM2400-2409Z2	BOLT, AXIS	1		
45 - 20	K0100060002	NUT, M6	2		
45 - 21	LM2400-2408Z2	COLLAR, STEPPED	1		
45 - 22	K0212200002	WASHER, DISK SPRING L M20-1	1		
45 - 23	LM2400-2407Z2	PULLEY, DRIVING 30	1		
45 - 24	K0823555080	OIL SEAL, MHSA355508	1		
45 - 25	K0885080000	O-RING, S80	1		
45 - 26	LM2400-2402ZD	FRAME, BRUSH (L)	1		
45 - 27	K5000080002	WASHER, M8	1		
45 - 28	K0144080002	NUT, WITH F-RING, M8	1		
45 - 29	LM2700-4123Z0	RUBBER, 8U-615	1		
45 - 30	K2380000030	BELT, 10FL-500	1		

# 45. CR BRUSH SECTION B

LM2400

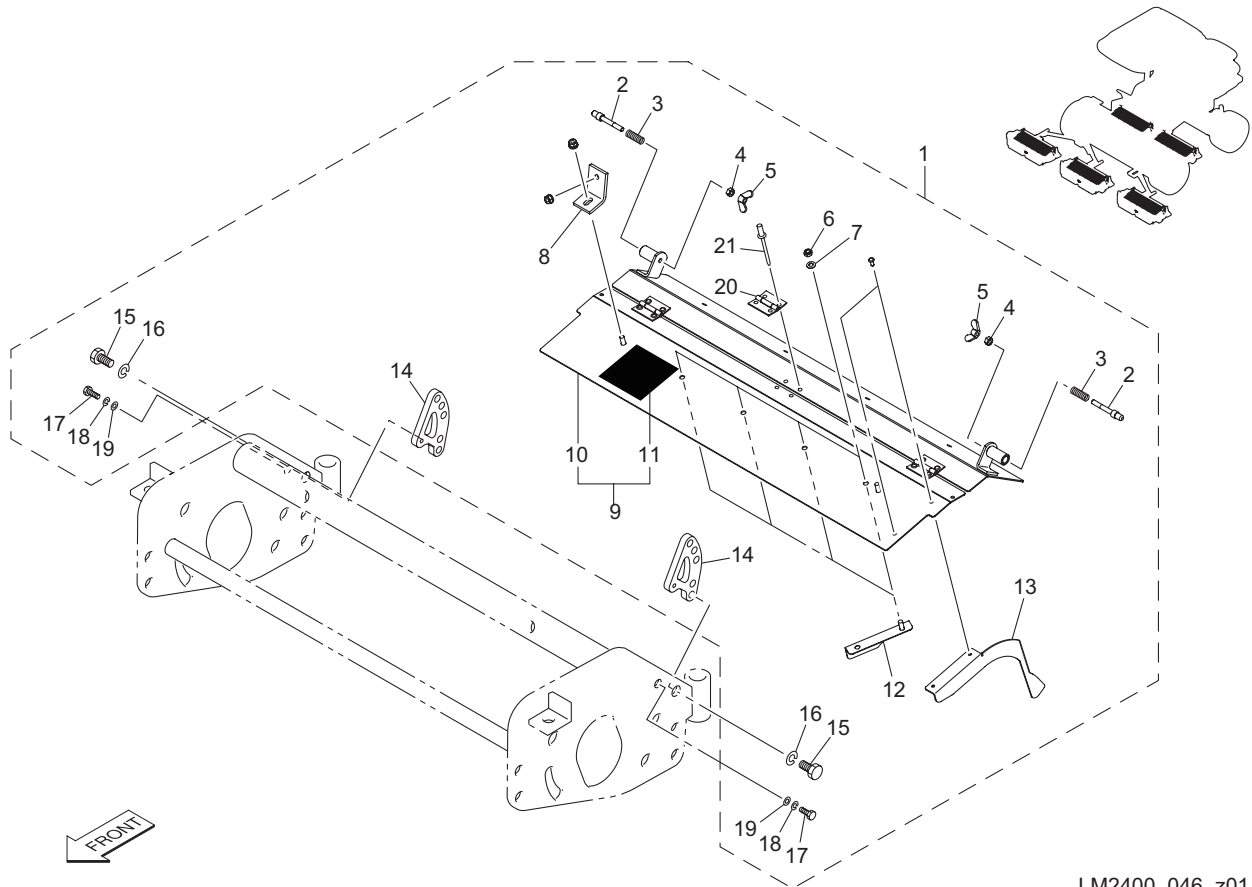


LM2400\_045\_z00

Cat No.	Code No.	Part name	Qty	Remark	SN of application
45 - 31	K6211000492	COLLAR, SGP M6.5-10.5-26.4	2		
45 - 32	LM2400-2405ZD	COVER, BELT	1		
45 - 33	K0023060502	SETSCREW, M6-50	2		
45 - 34	K0200060002	WASHER, SPRING M6	2		
45 - 35	K5000060002	WASHER, M6	2		
45 - 36	K0100060002	NUT, M6	2		
45 - 37	LM2700-4111Z8	BOLT, SPECIAL M8	1		
45 - 38	LM2700-4108Z2	PULLEY, TENSION 1232	1		
45 - 39	K0608006290	BEARING, BALL SEAL 2RS 629	1		
45 - 40	K0402026001	RING, RETAINING R M26	1		
45 - 41	K6211000482	COLLAR, SGP M9.2-13.8-14	1		
45 - 42	K0213080002	WASHER, DISK SPRING H M8-1	1		
45 - 43	K0401015001	RING, RETAINING S M15	1		
45 - 44	LM2400-2410A2	PULLEY, BRUSH SHAFT	1		
45 - 45	K0023050061	SETSCREW, M5-6	2		

# 46. VARIABLE REEL COVER SECTION

LM2400

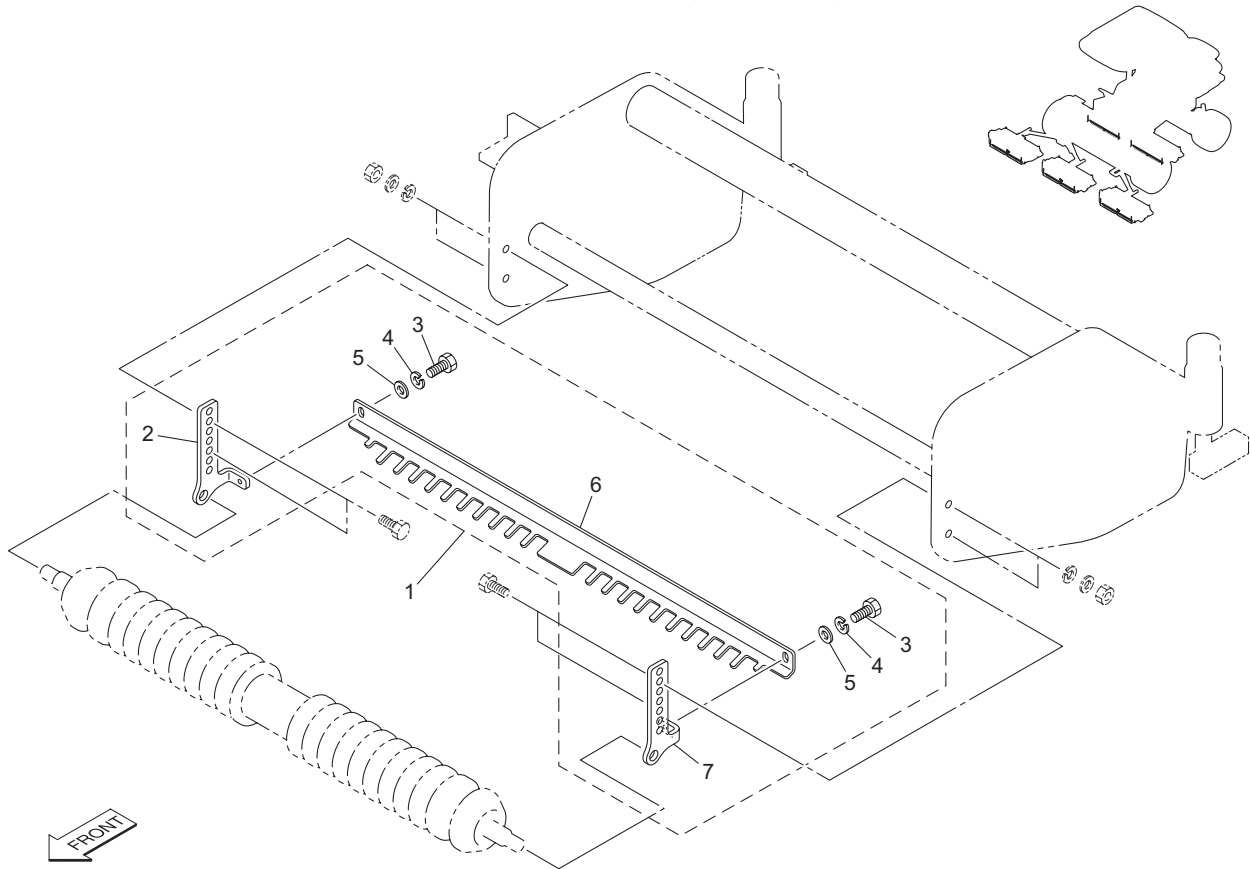


LM2400\_046\_z01

Cat No.	Code No.	Part name	Qty	Remark	SN of application
46a - 1	LM2400-2445Z0	COVER COMP, REEL VARIABLE	1		
46 - 2	LM526--1103Z2	PIN, LOCKING	2		
46 - 3	K1000000260	SPRING, COMPRESSION M0.7-8.4-25	2		
46 - 4	K0100060002	NUT, M6	2		
46 - 5	K0141060002	NUT, WING M6-3	2		
46 - 6	K0144060002	NUT, WITH F-RING, M6	4		
46 - 7	K0213060001	WASHER, DISK SPRING H M6-1	4		
46 - 8	LM526A-1103ZR	MOUNT, COVER	2		
46 - 9	LM2400-2421Z0	COVER, REEL VARIABLE W/DECAL	1		
46 - 10	LM2400-2420ZR	COVER, REEL VARIABLE	1		
46 - 11	K4205001600	DECAL, CAUTION TO MUTILATION	1		
46 - 12	LM526A-1104AR	FIN	4		
46 - 13	LM526A-1102ZR	COVER, AUXILIARY	1		
46 - 14	LM2400-2446ZR	ADJUSTER, FOR VARIABLE REEL COVER	2		
46 - 15	K0000100152	BOLT, M10-15	2		
46 - 16	K0200100002	WASHER, SPRING M10	2		
46 - 17	K0000060152	BOLT, M6-15	2		
46 - 18	K0200060002	WASHER, SPRING M6	2		
46 - 19	K5000060002	WASHER, M6	2		
46 - 20	K4520000120	HINGE, W/HOLE 4.2-4035	3		
46 - 21	K4510615120	RIVET, BLIND AVEX 1661-0512	12		

# 47. FRONT ROLLER SCRAPER SECTION (OPTION)

LM2400



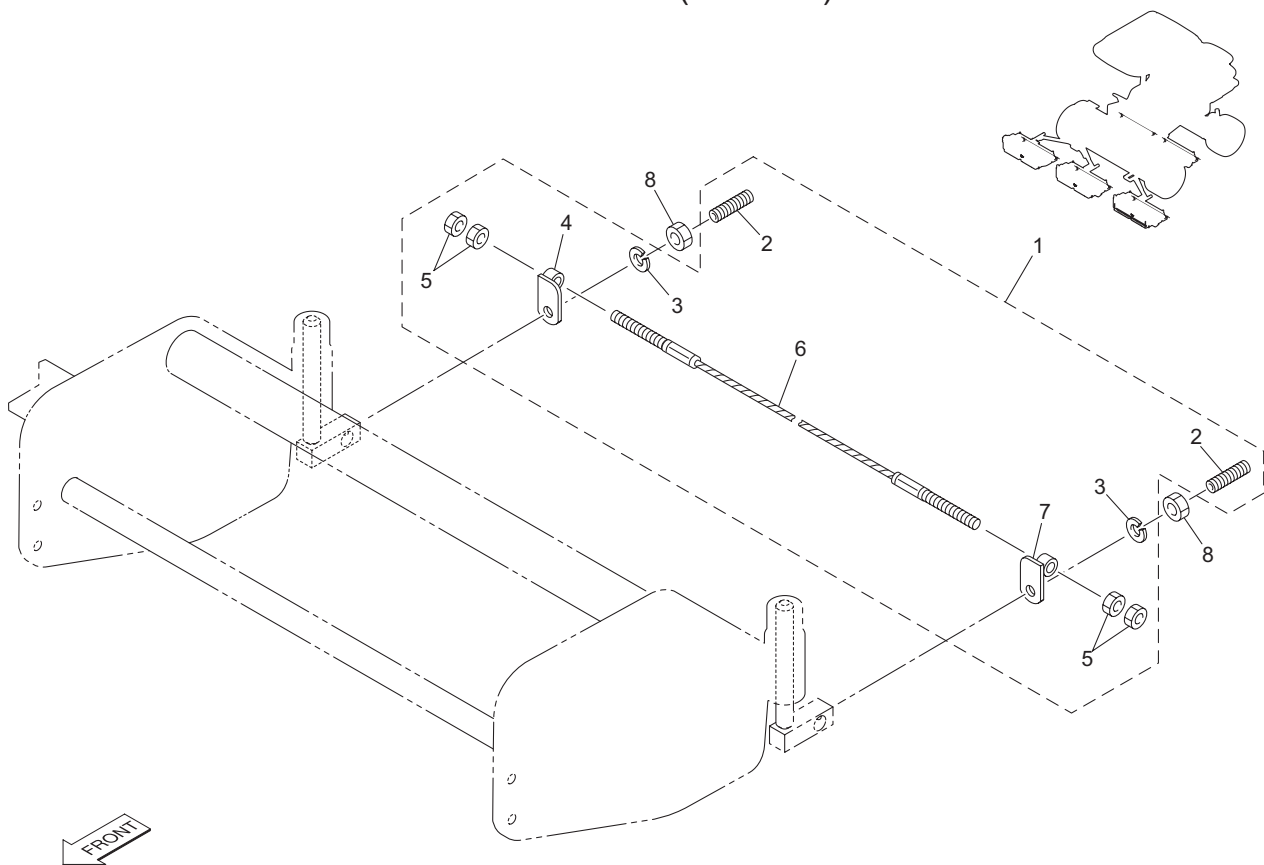
LM2400\_047\_z00

Cat No.	Code No.	Part name	Qty	Remark	SN of application
47 - 1	LM2400-9093Z0	SCRAPER KIT, 26	1	OPTION	
47 - 2	LM2400-9092Z2	BRACKET, FRONT ROLLER (R)	1		
47 - 3	K0000060152	BOLT, M6-15	2		
47 - 4	K0200060002	WASHER, SPRING M6	2		
47 - 5	K5000060002	WASHER, M6	2		
47 - 6	LM2400-9090Z2	SCRAPER, 26	1		
47 - 7	LM2400-9091Z2	BRACKET, FRONT ROLLER (L)	1		



# 48. REAR ROLLER SCRAPER SECTION (OPTION)

LM2400



LM2400\_048\_z00

Cat No.	Code No.	Part name	Qty	Remark	SN of application
48 - 1	LM285--7601Z0	SCRAPER KIT FOR REAR ROLLER	1	OPTION	
48 - 2	K0023100351	SETSCREW, M10-35	2		
48 - 3	K0200100002	WASHER, SPRING M10	2		
48 - 4	K735500068D	BRACKET A	1		
48 - 5	K0100080002	NUT, M8	4		
48 - 6	K1170081000	WIRE 810	1		
48 - 7	K735500069D	BRACKET B	1		
48 - 8	K0100100002	NUT, M10	2		

**BARONESS**<sup>®</sup>

Quality on Demand

 **KYOEISHA CO., LTD.**

Head Office 1-26, Miyuki-cho, Toyokawa, Tel : (0533)84-1390  
Aichi-Pref. 442-8530 Japan. Fax : (0533)89-3623