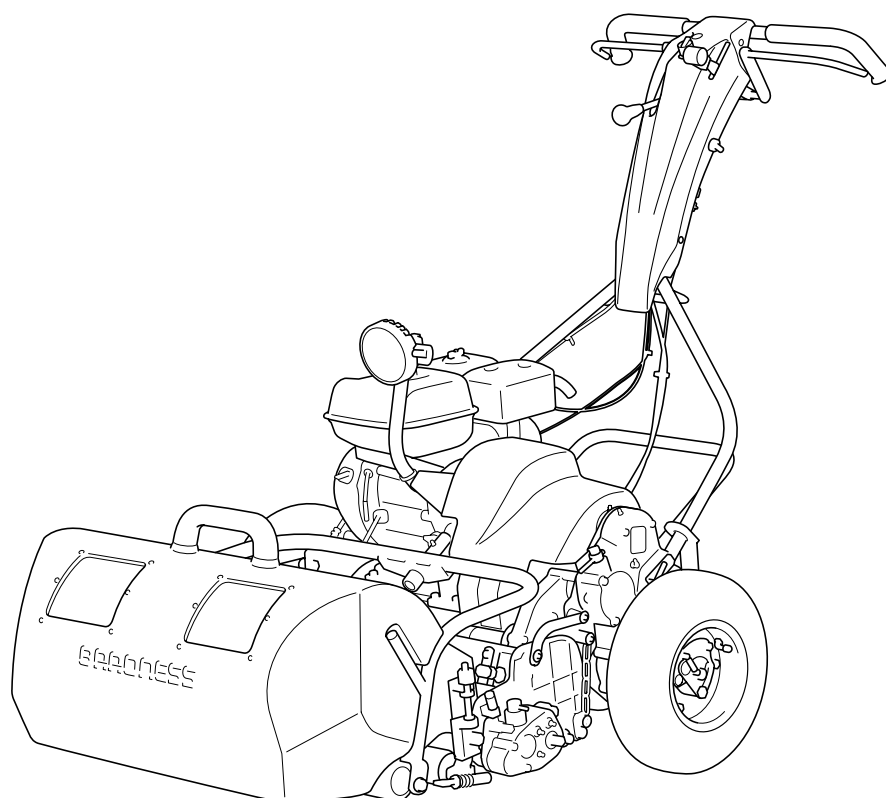


LM101

Floating Head Greens Mower

Parts catalog



BARONESS[®]
Quality on Demand

Serial No.10231-

Ver.1.2

Greeting

Thank you for purchasing Baroness machine.

This machine has been shipped from the factory after comprehensive test runs and inspections. However, the optimum performance of the machine depends on how you use and maintain it, including routine inspections, adjustments, and fuel supplies before and after the operation.

We hope you will use the machine safely, and take advantage of its best performance.

Note

(For inquiry about this machine)

Since the type of machine may be changed sequentially, inform us of the type and the serial number.

The information described in this manual is subject to change without prior notice.

When replacing parts, be sure to use Baroness parts or parts designated by Kyoisha.

Note that the Baroness product warranty may not apply to defects caused by the use of parts from other companies.

(For ordering parts)

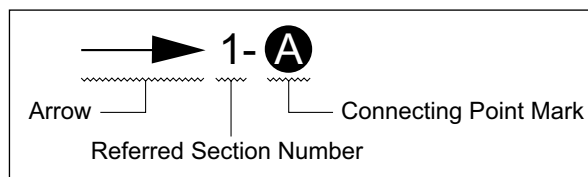
For prevention of delivery of wrong parts, be sure to inform us of the code number and the part name.

Example:	Code No.	Part Name	Qty
	K0200100002	WASHER, SPRING M10	8

<Indication of the connecting point shown on the other page>

(Example and description)

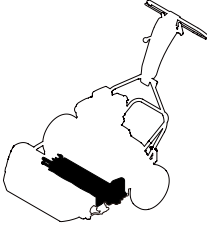
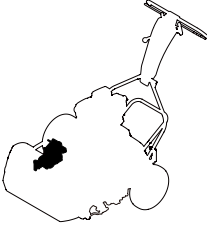
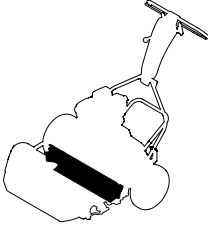
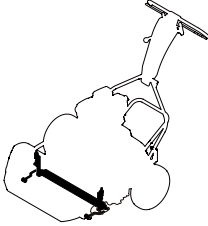
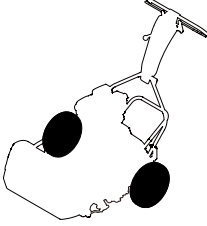
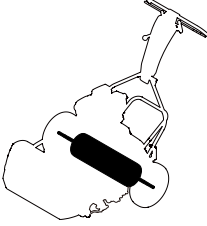
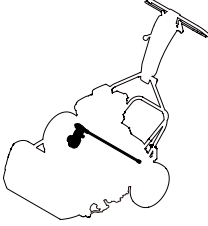
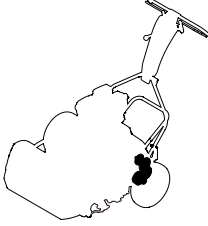
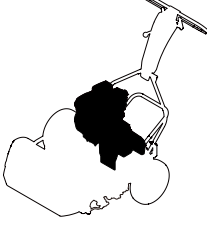
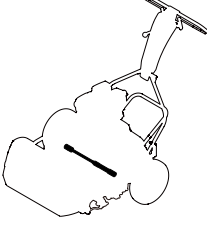
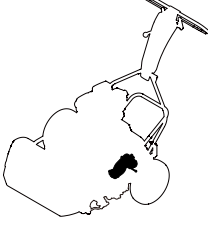
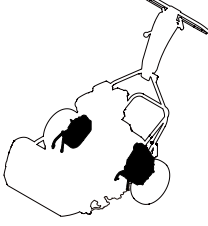
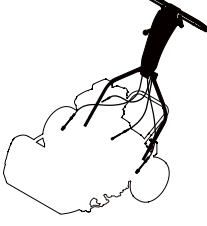
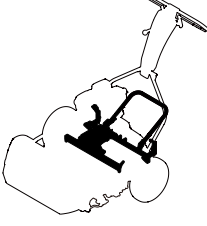
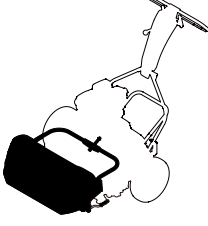
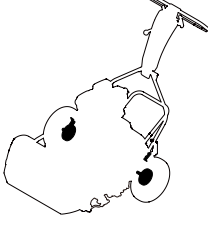
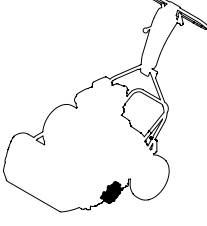
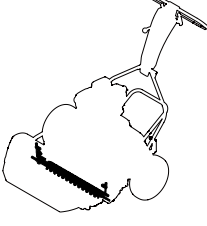
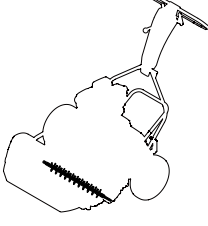
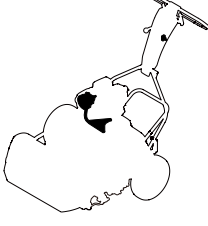
The following indication shows the connecting point of the part shown on the other page.



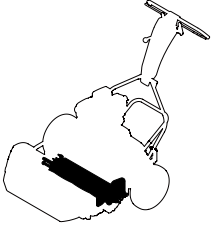
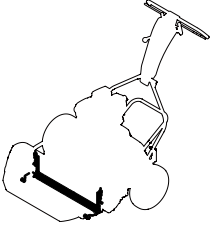
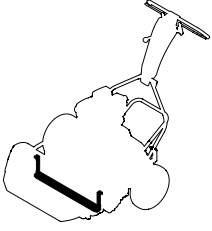
→ 1- **A** : Refer to the point **A** in the illustration of the section No.1

→ 2- **B** : Refer to the point **B** in the illustration of the section No.2

Contents

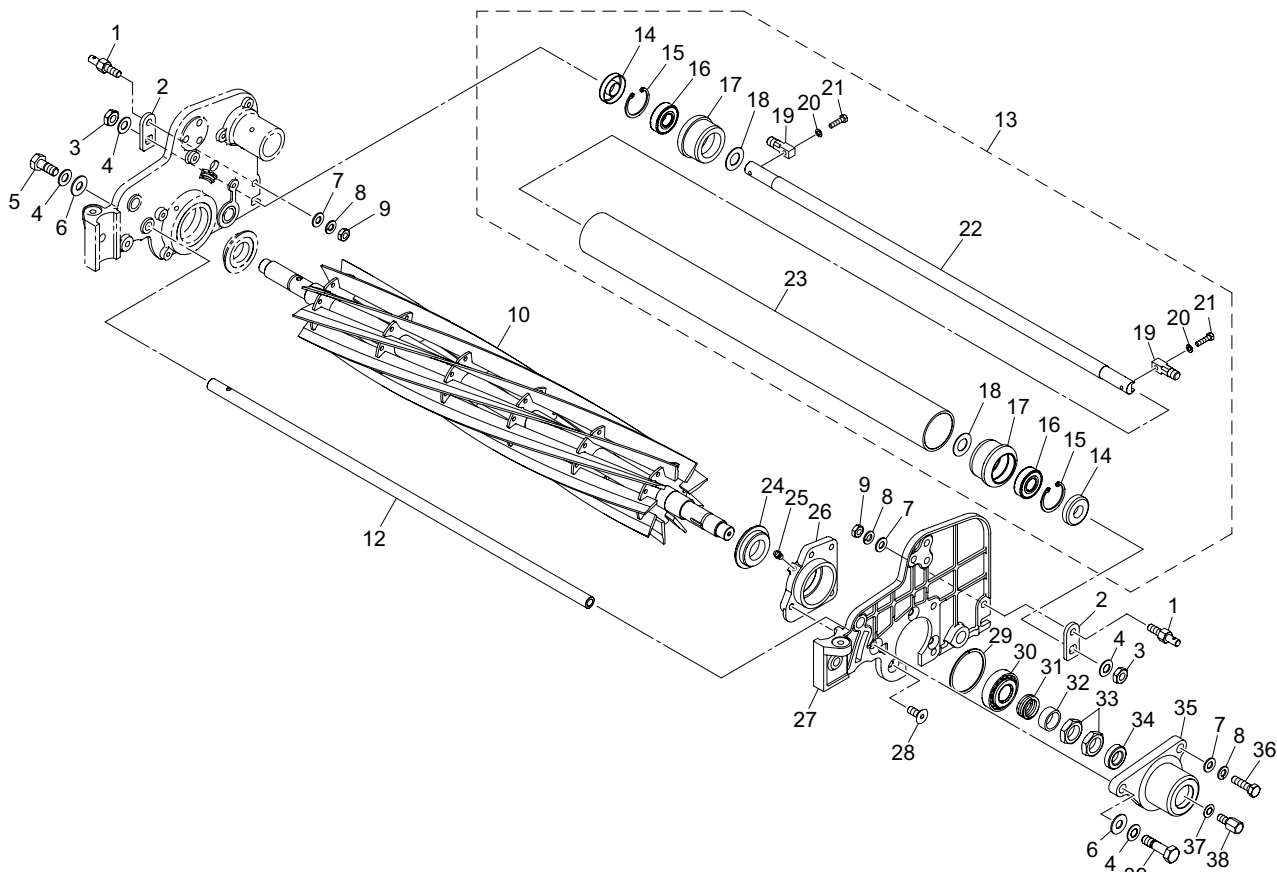
<p>1. Mower section A..... P5</p> 	<p>2. Mower section B..... P7</p> 	<p>3. Mower section C..... P9</p> 	<p>4. Mower section D..... P11</p> 
<p>5. Drum wheel section A P12</p> 	<p>6. Drum wheel section B P13</p> 	<p>7. Drum wheel section C P14</p> 	<p>8. Drum wheel section D P15</p> 
<p>9. Engine & Clutch section P17</p> 	<p>10. Power transmission section P19</p> 	<p>11. Mower transmission case section P20</p> 	<p>12. Frame section..... P22</p> 
<p>A13. Handle section A P24</p> 	<p>14. Handle section B P26</p> 	<p>15. Grass catcher section P27</p> 	<p>16. Brake section..... P28</p> 
<p>17. Groomer section A P29</p> 	<p>18. Groomer section B P31</p> 	<p>19. Brush section..... P33</p> 	<p>20. Light section P34</p> 

Contents

<p>21. Mower W/ Groomer section A..... P35</p> 	<p>22. Mower W/ Groomer section B..... P37</p> 	<p>23. Accessory section P38</p>	<p>24. Optional tools section P39</p>
<p>25. SMOOTH ROLLER KIT P40</p> 			

1. Mower section A

LM101

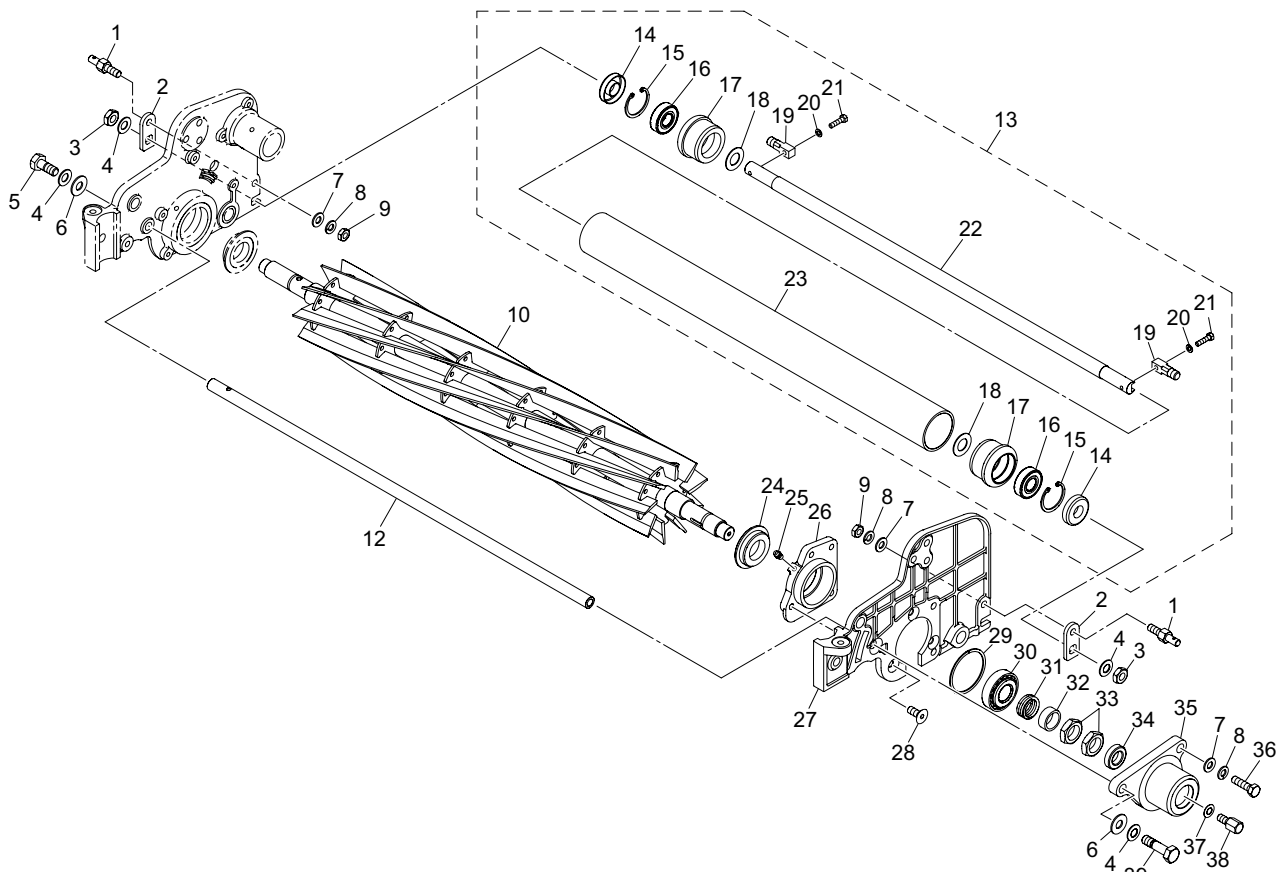


LM101_01_a00

Cat No.	Code No.	Part name	Qty	Remark	SN of application
1 - 1	LM54GA-0149Z3	BOLT, 45	2		
1 - 2	LM101--0148Z2	STOPPER	2		
1 - 3	K0160000282	NUT, P1 OH1 M10-3	2		
1 - 4	K0211100001	SPRING, CONICAL DISC H M10	4		
1 - 5	LM54GA-0115A3	BOLT, KNOCK 25	1		
1 - 6	K5001100002	WASHER, M10-24	2		
1 - 7	K5000080002	WASHER, M8	4		
1 - 8	K0200080002	WASHER, SPRING M8	4		
1 - 9	K0102080002	NUT, M8-3	2		
1 - 10	K280540090R	REEL CUTTER, 557	1		
1a- 11					
1 - 12	LM54GA-0114A3	STAY, MOWER 603.4 (FRONT)	1		
1 - 13	LM101--0153Z0	ROLLER ASSY, REAR	1		
1 - 14	K0851535080	OIL SEAL, PJN15358	2		
1 - 15	K0402035001	RING, RETAINING R M35	2		
1 - 16	K0612062020	BEARING, BALL SEAL 2RD 6202	2		
1 - 17	LM101--0139Z0	HOUSING, ROLLER	2		
1 - 18	K5051015280	WASHER, C5191P 1-15-28	2		
1 - 19	LM101--0140Z2	SHAFT, M10	2		
1 - 20	K0200050002	WASHER, SPRING M5	2		
1 - 21	K0010050202	BOLT, HT M5-20	2		
1 - 22	LM101--0137Z2	SHAFT, ROLLER	1		
1 - 23	LM54G--0138Z0	ROLLER, REAR	1		
1 - 24	K0830000020	OIL SEAL, 254210	1		
1 - 25	K1440000010	GREASE NIPPLE, A TYPE	1		
1 - 26	LM101--0123ZR	HOUSING, REEL (LH)	1		
1 - 27	LM101--0103Z0	FRAME, (LH)	1		
1 - 28	K0053080202	BOLT, FLAT HEAD W/HEX. HOLE M8-20	3		
1 - 29	K0880050000	O-RING, P50	1		
1 - 30	K0631302040	BEARING, TAPER ROLLER JRP6 30204	1		

1. Mower section A

LM101

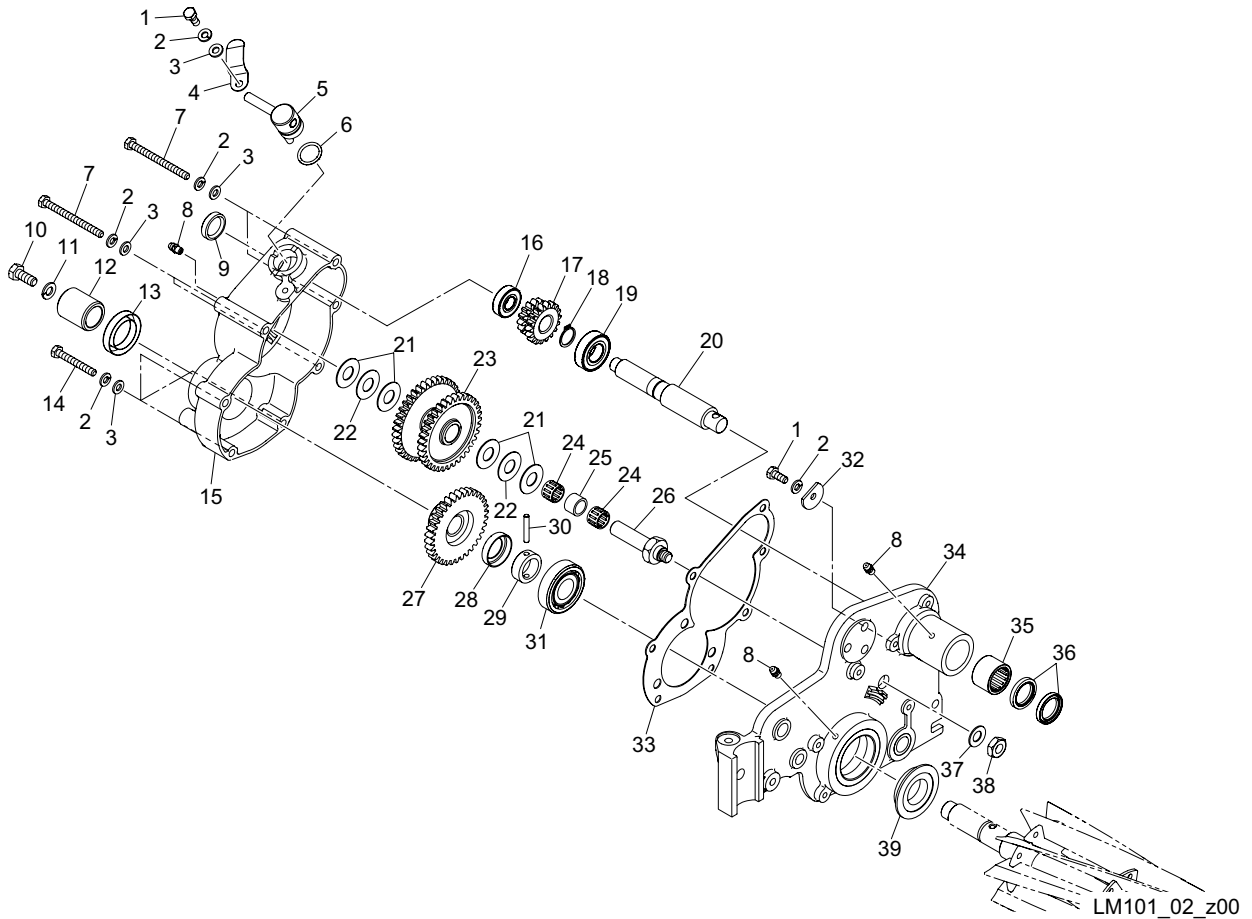


LM101_01_a00

Cat No.	Code No.	Part name	Qty	Remark	SN of application
1 - 31	K1000000740	SPRING, COMPRESSION M3.2-26.9-22	1		
1 - 32	K6212000630	COLLAR, STKM M20.2-25.4-10	1		
1 - 33	K0160000082	NUT, SPECIAL P1.5 M20-8	2		
1 - 34	K0821628070	OIL SEAL, MHSA16287	1		
1 - 35	LM54G--0111ZR	COVER, REEL SHAFT	1		
1 - 36	K0000080302	BOLT, M8-30	2		
1 - 37	K0210080002	SPRING, CONICAL DISC L M8	1		
1 - 38	LM101--0112Z2	BOLT, RAPPING	1		
1 - 39	K0071000592	BOLT, POSITIONING M10-40	1		

2. Mower section B

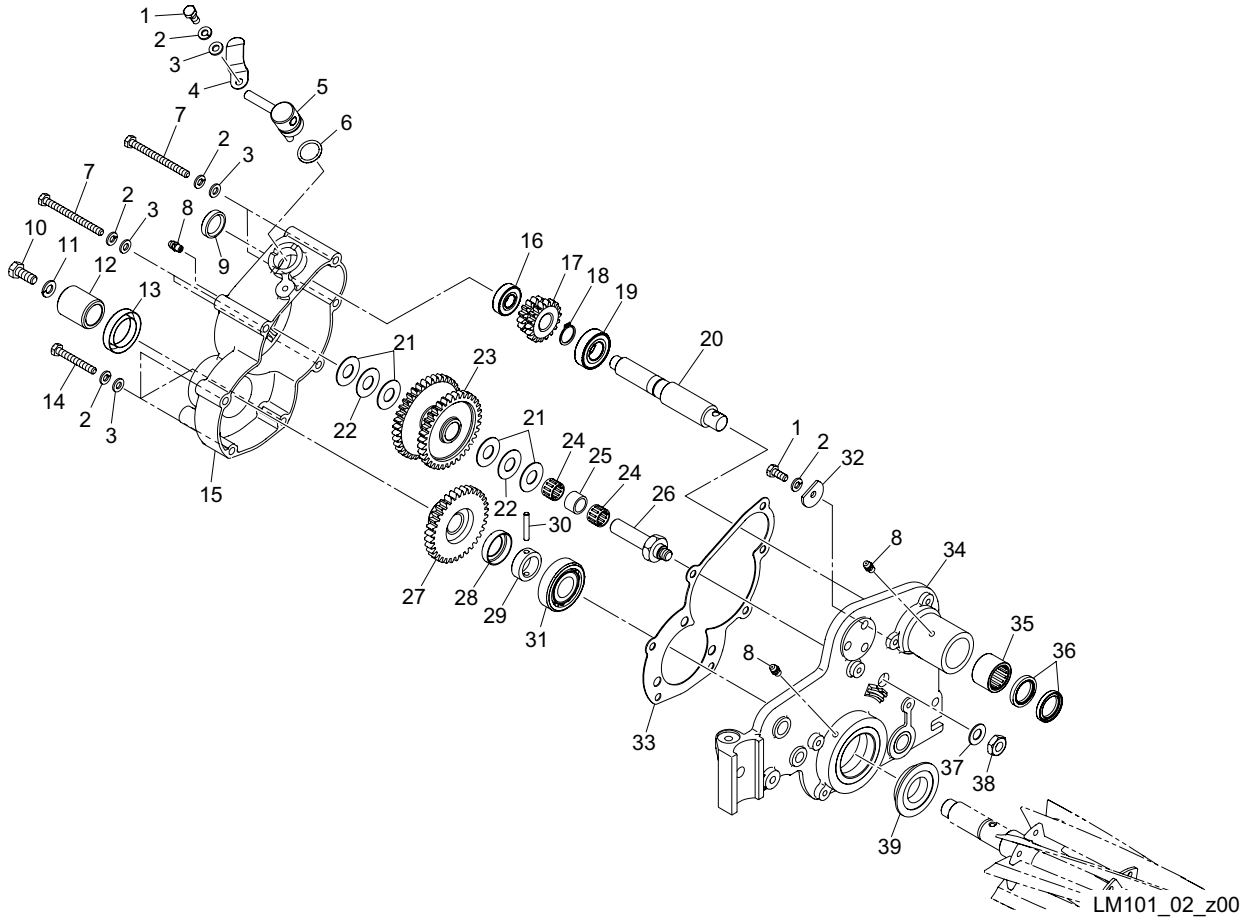
LM101



Cat No.	Code No.	Part name	Qty	Remark	SN of application
2 - 1	K0000060152	BOLT, M6-15	2		
2 - 2	K0200060002	WASHER, SPRING M6	9		
2 - 3	K5000060002	WASHER, M6	8		
2 - 4	K1090000058	SPRING, CLUTCH RETAINER	1		
2 - 5	LM101--0107Z8	LEVER, CLUTCH	1		
2 - 6	K0880018000	O-RING, P18	1		
2 - 7	K0000060702	BOLT, M6-70	4		
2 - 8	K1440000010	GREASE NIPPLE, STRAIGHT TYPE A	3		
2 - 9	K0890000030	CAP, RUBBER 25	1		
2 - 10	K0074080202	BOLT, LEFT-HANDED M8-20	1		
2 - 11	K0200080002	WASHER, SPRING M8	1		
2 - 12	LM101--0110Z8	COLLAR, SECURING GEAR	1		
2 - 13	K0822840080	OIL SEAL, MHSA28408	1		
2 - 14	K0000060452	BOLT, M6-45	3		
2 - 15	LM101--0101Z0	COVER, GEAR (RH)	1		
2 - 16	K0612060010	BEARING, BALL SEAL 2RD 6001	1		
2 - 17	LM101--0106Z0	GEAR, 15-TEETH /18 TEETH	1		
2 - 18	K0401017001	RING, RETAINING S M17	1		
2 - 19	K0613060030	BEARING, BALL SEAL 2RDC3 6003	1		
2 - 20	LM101--0108Z8	SHAFT, INLET	1		
2 - 21	K5051013280	WASHER, C5191P 1-13-28	4		
2 - 22	K5020813280	WASHER, NBS55 0.8-13-28	2		
2 - 23	LM101--0105A0	GEAR, 35T 38T	1		
2 - 24	K0701317120	BEARING, NEEDLE KT131712	2		
2 - 25	LM101--0113Z0	COLLAR, GEAR	1		
2 - 26	LM101--0109Z0	COUNTERSHAFT	1		
2 - 27	LM101--0104Z0	GEAR, REEL 34 TEETH	1		
2 - 28	K5300000282	COVER, FOR PIN LOCK	1		
2 - 29	K6213000040	COLLAR, W/HOLE FOR BEARING (LH)	1		
2 - 30	K6051045280	PIN, STRAIGHT HT 4.5-28	1		

2. Mower section B

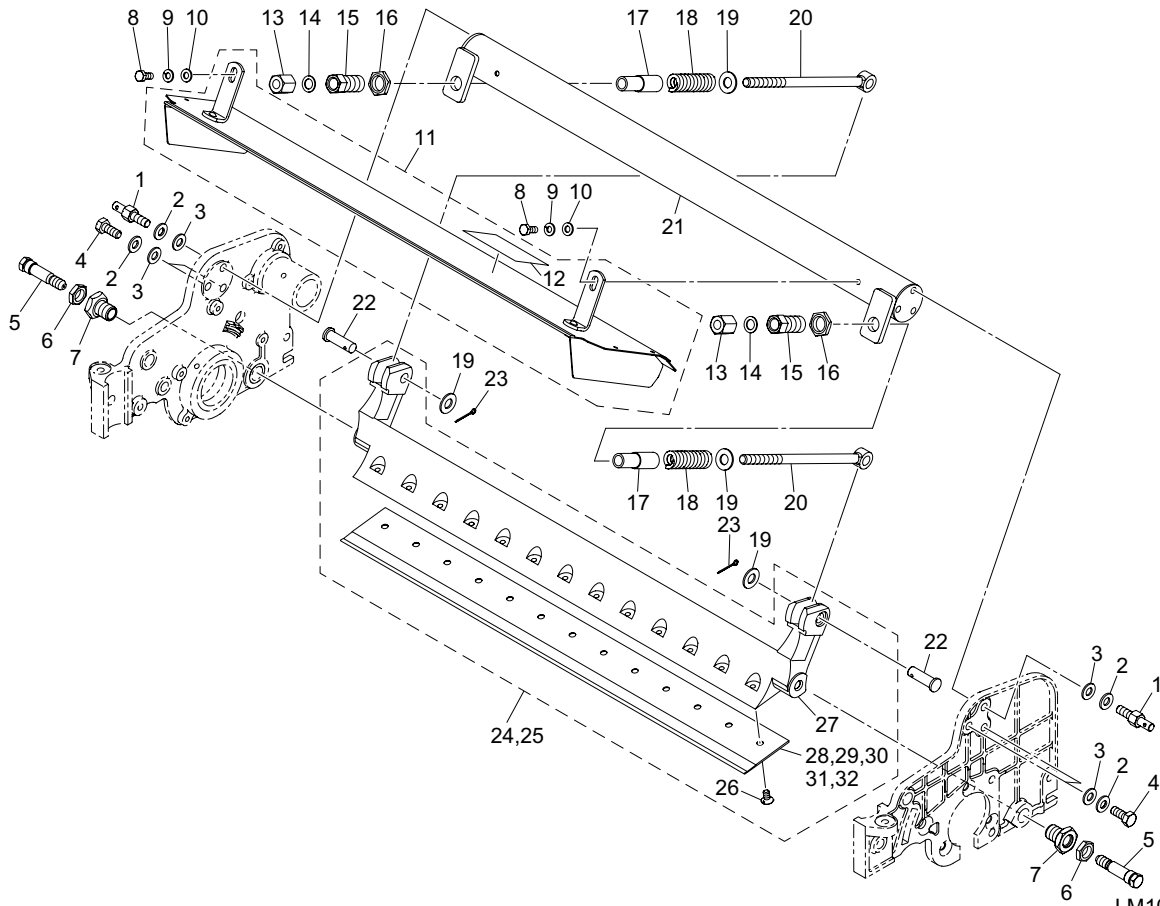
LM101



Cat No.	Code No.	Part name	Qty	Remark	SN of application
2 - 31	K0631302040	BEARING, TAPER ROLLER JRP6 30204	1		
2 - 32	K5090000603	WASHER, SPCC 2.3-6-25	1		
2 - 33	LM54G--0127Z0	PACKING, CASE	1		
2 - 34	LM101--0102Z0	FRAME, (RH)	1		
2 - 35	K0736000010	BEARING, NEEDLE CAGE TAF 212920OG	1		
2 - 36	K0871212940	OIL SEAL, DS 21294	2		
2 - 37	K0210100002	SPRING, CONICAL DISC L M10	1		
2 - 38	K0160000282	NUT, P1 OH1 M10-3	1		
2 - 39	K0830000020	OIL SEAL, 254210	1		

3. Mower section C

LM101

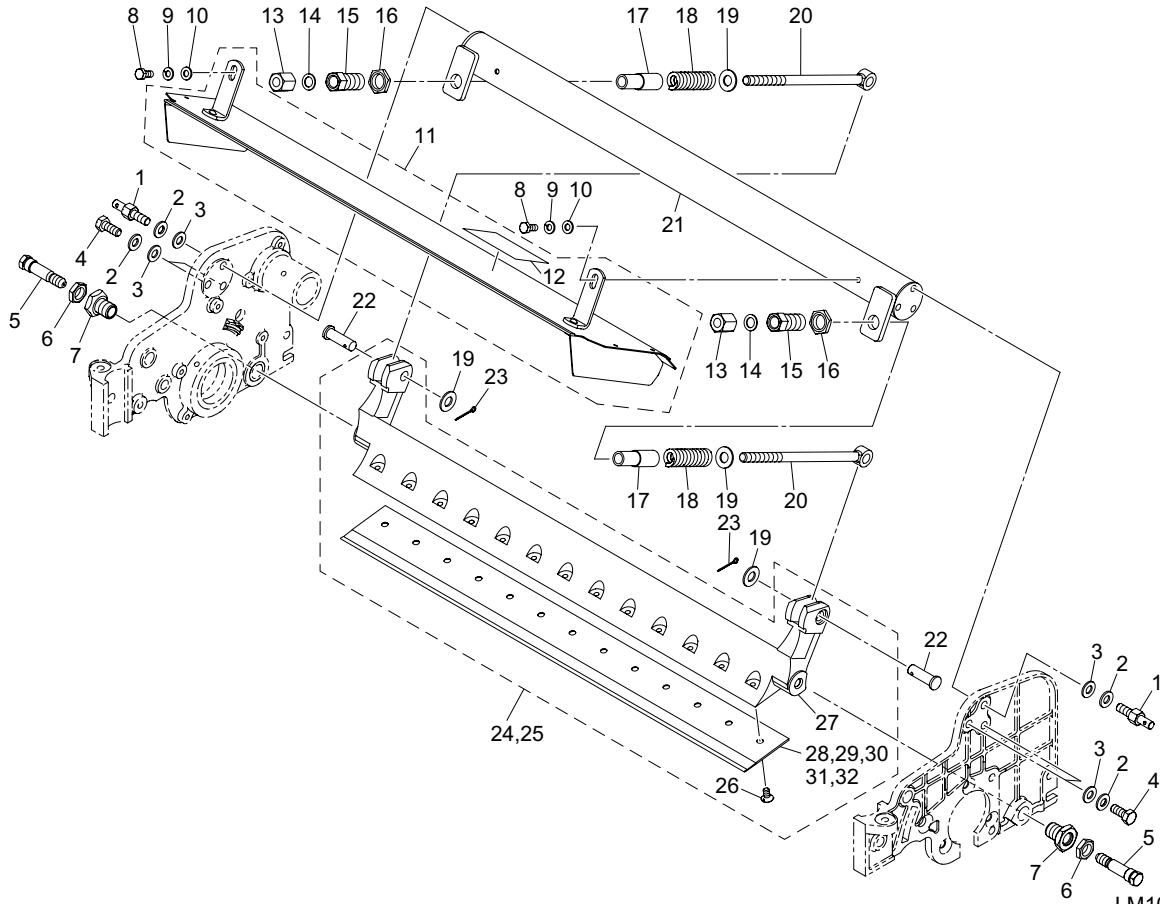


LM101_03_z00

Cat No.	Code No.	Part name	Qty	Remark	SN of application
3 - 1	LM54GA-0149Z3	BOLT, 45	2		
3 - 2	K0213080002	WASHER, DISK SPRING 1H M8	6		
3 - 3	K5000080002	WASHER, M8	6		
3 - 4	K0000080202	BOLT, M8-20	4		
3 - 5	K6082000010	BOLT, SUS STEPPED FOR FIXING CUTTER	2		
3 - 6	K0160000112	NUT, LOCKING	2		
3 - 7	K6010000010	BUSH, STEPPED	2		
3 - 8	K0000060152	BOLT, M6-15	2		
3 - 9	K0200060002	WASHER, SPRING M6	2		
3 - 10	K5000060002	WASHER, M6	2		
3 - 11	LM54GB-2001Z0	COVER, REEL W/ MARK	1		
3 - 12	K4205001600	DECAL, CAUTION TO MUTILATION	1		
3 - 13	K0160000032	NUT, ADJUSTING BED-KNIFE P1 M10	2		
3 - 14	K5011010162	WASHER, SPCC 1-10-16	2		
3 - 15	K6081000032	PIPE, ADJUSTING CUTTER W/SCREW	2		
3 - 16	K0160000122	NUT, LOCKING ADJUSTING CUTTER	2		
3 - 17	LM54GA-0117Z3	COLLAR, 53.5	2		
3 - 18	K1000000078	SPRING, COMPRESSION M3.5-17.5-60	2		
3 - 19	K5000100002	WASHER, M10	4		
3 - 20	K6511000052	BOLT, ADJUSTING CUTTER 185	2		
3 - 21	LM54GA-0113ZR	STAY, MOWER	1		
3 - 22	K6032000052	PIN, FLAT HEAD M10-32	2		
3 - 23	K0300025202	PIN, COTTER M2.5-20	2		
3 - 24	LM101--0152Z0	BEDKNIFE COMP, 1.5	1		
3 - 25	LM101--1952Z0	BEDKNIFE COMP, 2.0	1		
3 - 26	K0071000222	SCREW, HT + FLAT HEAD M6-12	13		
3 - 27	LM54GA-0120AR	BASE, BEDKNIFE	1		
3 - 28	K2511000270	BEDKNIFE, 1.5	1		
3 - 29	K2511000280	BEDKNIFE, 2.0	1		
3 - 30	K2511000050	BEDKNIFE, 2.5-55G	1		

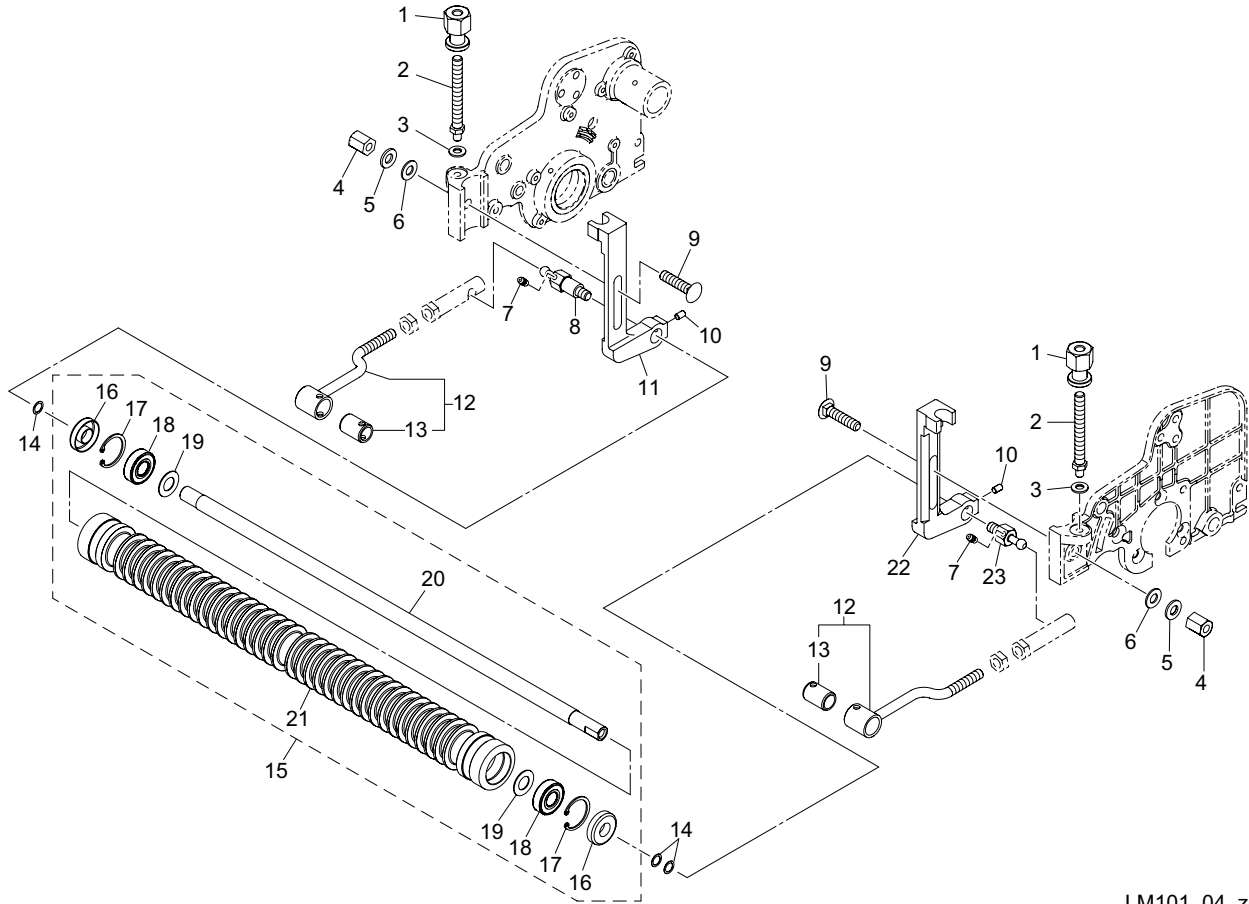
3. Mower section C

LM101



LM101_03_z00

Cat No.	Code No.	Part name	Qty	Remark	SN of application
3 - 31	K2510000060	BEDKNIFE, 3.0-62.5-559	1		
3 - 32	K2510000160	BEDKNIFE, 5-62.5-559	1		

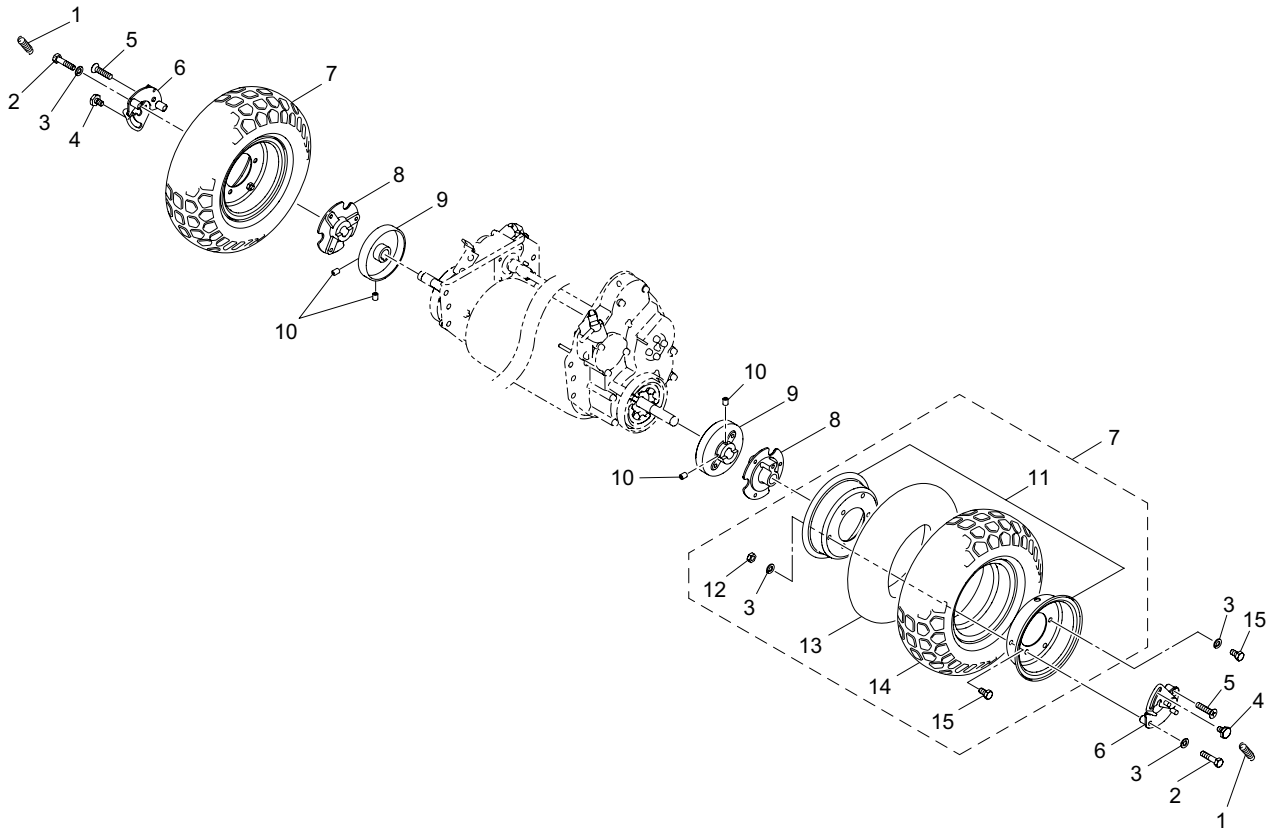


LM101_04_z00

Cat No.	Code No.	Part name	Qty	Remark	SN of application
4 - 1	K6084000162	ADJUSTER FOR ROLLER (IGCA)	2		
4 - 2	LM101--0121Z0	BOLT, SUS ADJUSTING CUTTING HEIGHT	2		
4 - 3	K0213080002	WASHER, DISK SPRING 1H M8	2		
4 - 4	K0149107202	NUT, HIGH M10-17-20	2		
4 - 5	K0213100002	WASHER, DISK SPRING 1H M10	2		
4 - 6	K5000100002	WASHER, M10	2		
4 - 7	K1440000010	GREASE NIPPLE, STRAIGHT TYPE A	2		
4 - 8	LM54G--0133Z0	BOLT, SUS MOUNTING MOWER (RH)	1		
4 - 9	K0025100452	BOLT,CARRIAGE M10-45	2		
4 - 10	K0028060100	SETSCREW, SUS M6-10	2		
4 - 11	LM101--0116Z2	BRACKET, ROLLER (RH)	1		
4 - 12	LM54G--0823Z0	FITTING, MOWER LM54GB	2		
4 - 13	K6000000150	BUSH, W/HOLE 15-20-29	2		
4 - 14	K5050310140	WASHER, C5191P 0.3-10-14	0~6	for adjustment	
4 - 15	LM101--0151Z0	ROLLER ASSY, GROOVED	1		
4 - 16	K0851535080	OIL SEAL, PJN15358	2		
4 - 17	K0402035001	RING, RETAINING R M35	2		
4 - 18	K0612062020	BEARING, BALL SEAL 2RD 6202	2		
4 - 19	K5051015280	WASHER, C5191P 1-15-28	2		
4 - 20	LM101--0118Z2	SHAFT, ROLLER	1		
4 - 21	LM101--0117Z3	ROLLER, GROOVED	1		
4 - 22	LM101--0115Z2	BRACKET, ROLLER (LH)	1		
4 - 23	LM54G--0132Z0	BOLT, SUS MOUNTING MOWER (LH)	1		

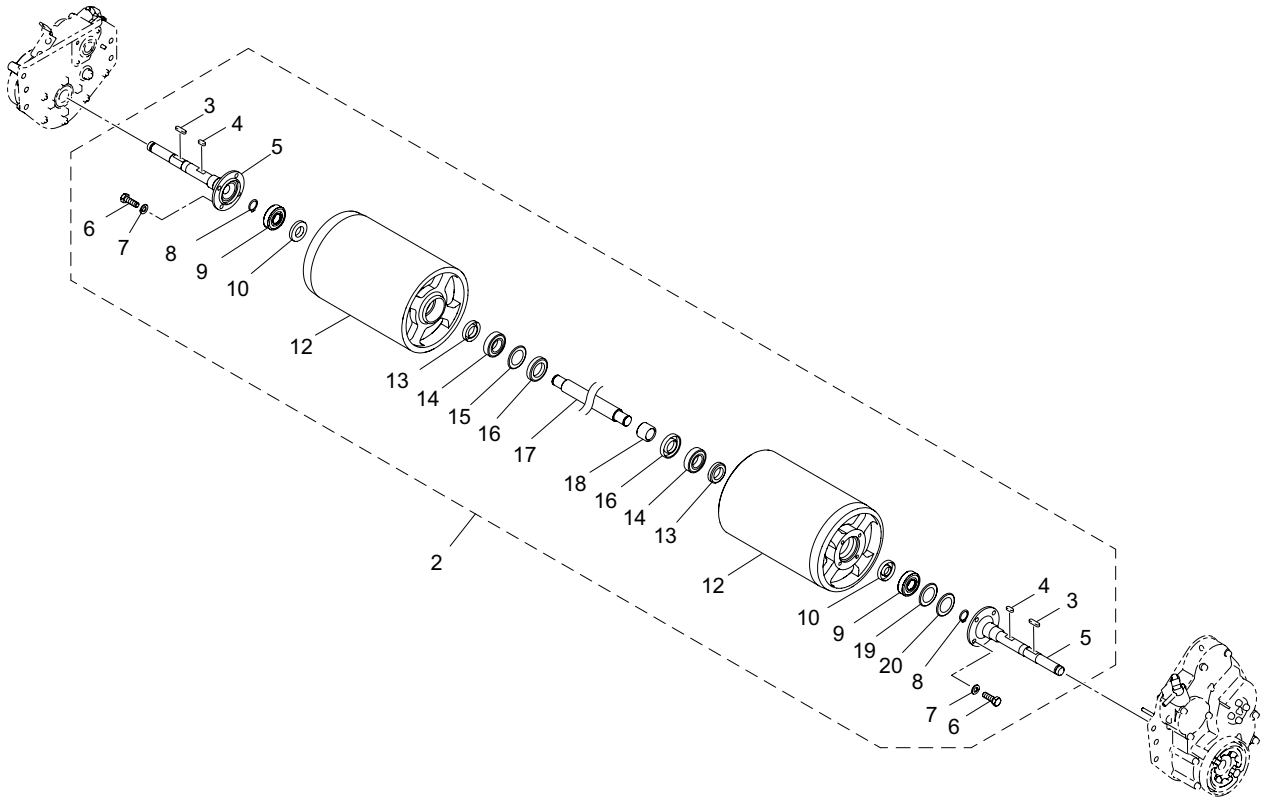
5. Drum wheel section A

LM101



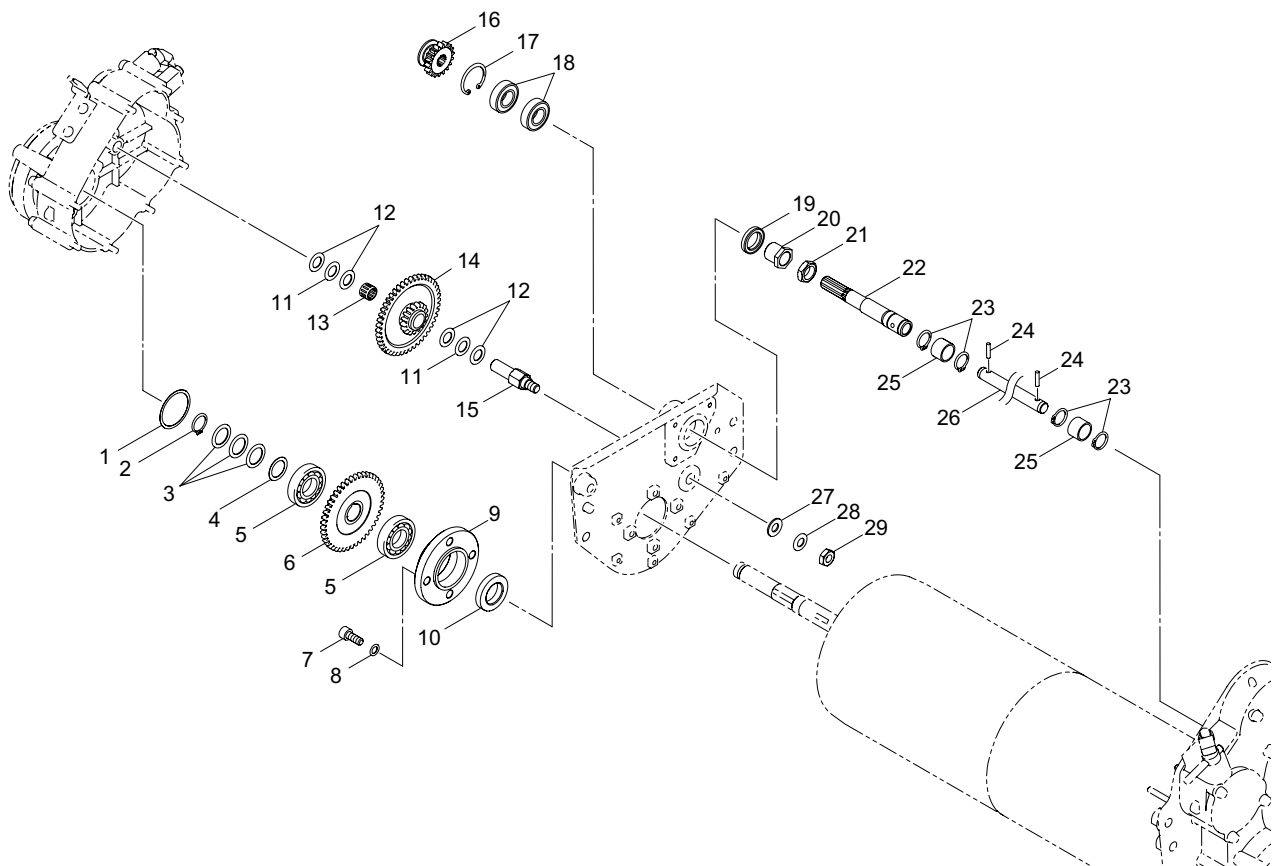
LM101_05_z00

Cat No.	Code No.	Part name	Qty	Remark	SN of application
5 - 1	K1030000068	SPRING, W/U HOOK M1.5-8.5-35.5	2		
5 - 2	K0000080352	BOLT, M8-35	2		
5 - 3	K0200080002	WASHER, SPRING M8	10		
5 - 4	K6082000023	BOLT, STEPPED M8-10	2		
5 - 5	K0041080352	SCREW, + FLAT HEAD M8-35	2		
5 - 6	LM55GB-0242C2	PLATE, CLAMPING WHEEL	2		
5 - 7	K2020000050	TIRE ASSY, 4.10/3.50-6	2		
5 - 8	LM55GD-0239AD	MOUNT, WHEEL	2		
5 - 9	LM55GD-0238Z2	DRUM, BRAKE	2		
5 - 10	K0023080101	SETSCREW, M8-10	4		
5 - 11	K2080000040	WHEEL COMP, 3SP-6	2		
5 - 12	K0100080003	NUT, M8	6		
5 - 13	K2091000220	TUBE, 4.10/3.50-6	2		
5 - 14	K2021000030	TIRE, 4.10/3.50-6	2		
5 - 15	K0000080152	BOLT, M8-15	8		



LM101_06_a00

Cat No.	Code No.	Part name	Qty	Remark	SN of application
6a- 1					
6 - 2	LM101--2801Z0	DRUM & SHAFT ASSY, ND	1		
6 - 3	K0500505280	KEY, BOTH ROUND M5-528	2		
6 - 4	K0500505160	KEY, BOTH ROUND M5-516	2		
6 - 5	LM101--0204Z2	SHAFT, DRUM (OUTER)	2		
6 - 6	K0000080252	BOLT, M8-25	8		
6 - 7	K0200080002	WASHER, SPRING M8	8		
6 - 8	K0401020001	RING, RETAINING S M20	2		
6 - 9	K0613062040	BEARING, BALL SEAL 2RDC3 6204	2		
6 - 10	K0812040070	OIL SEAL, MHS20407	2		
6a- 11					
6 - 12	LM101--2802Z0	DRUM, ND	2		
6 - 13	K0852540080	OIL SEAL, PJN25408	2		
6 - 14	K0608060050	BEARING, BALL SEAL 2RS 6005	2		
6 - 15	K5010525322	WASHER, SPCC 0.5-25-32	1	for adjustment	
6 - 16	K0823047080	OIL SEAL, MHSA30478	2		
6 - 17	LM101--0203Z2	SHAFT, DRUM (INNER)	1		
6 - 18	K6212002592	COLLAR, STKM 25.1-30-21.5	1		
6 - 19	K5010320282	WASHER, SPCC 0.3-20-28	1	for adjustment	
6 - 20	K5011020282	WASHER, SPCC 1-20-28	1	for adjustment	

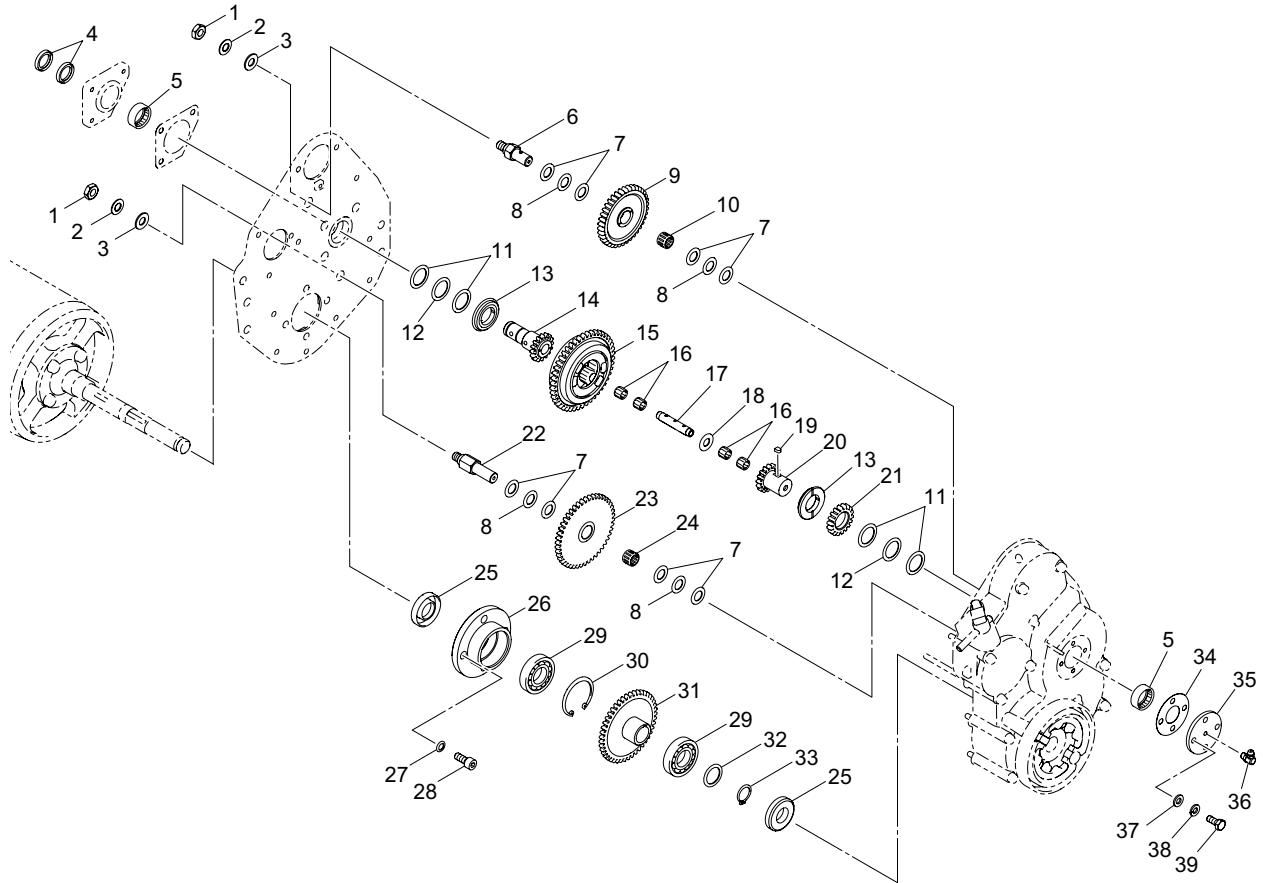


LM101_07_z00

Cat No.	Code No.	Part name	Qty	Remark	SN of application
7 - 1	K5010340462	WASHER, SPCC 0.3-40-46.5	1~3	for adjustment	
7 - 2	K0401020001	RING, RETAINING S M20	1		
7 - 3	K5011020282	WASHER, SPCC 1-20-28	3		
7 - 4	K5010320282	WASHER, SPCC 0.3-20-28	1	for adjustment	
7 - 5	K0601062040	BEARING, BALL C3 6204	2		
7 - 6	LM54GA-0221B0	GEAR, 45-TEETH FOR WHEEL SHAFT (RH)	1		
7 - 7	K001A080201	BOLT, 13T W/HEX HOLE M8-20	4		
7 - 8	K0215080002	WASHER, DISK SPRING 2H M8	4		
7 - 9	LM54G--0229Z0	HOUSING, AXLE (RH)	1		
7 - 10	K0822542080	OIL SEAL, MHSA25428	1		
7 - 11	K5020813220	WASHER, NBS55 0.8-13-22	2		
7 - 12	K5051013220	WASHER, C5191P 1-13-22	4		
7 - 13	K0711317200	BEARING, NEEDLE KTW131720E01C3	1		
7 - 14	LM54GA-0219A0	GEAR, DOUBLE 46-/17-TEETH (RH)	1		
7 - 15	LM54G--0228Z0	SHAFT, #2 FOR FRAME (RH)	1		
7 - 16	K6180000090	GEAR, 18-TEETH M2 SPLINE	1		
7 - 17	K0402035001	RING, RETAINING R M35	1		
7 - 18	K0616062020	BEARING, BALL SEAL 2NSEC3 6202	2		
7 - 19	K0802030050	OIL SEAL, MH20305	1		
7 - 20	K0160000510	NUT, SPECIAL P1 M17-22	1		
7 - 21	K0160000332	NUT, SPECIAL P1 M17-7	1		
7 - 22	K6100000049	SHAFT, TRANSMISSION (RH)	1		
7 - 23	K0401018001	RING, RETAINING S M18	4		
7 - 24	K0311040170	ROLLER, NEEDLE N4*17.8 FW6-C3	2		
7 - 25	K6211000312	COLLAR, SGP 18.2-21.7-15	2		
7 - 26	LM54G--0225Z3	SHAFT, TRANSMISSION	1		
7 - 27	K5000100002	WASHER, M10	1		
7 - 28	K0211100001	SPRING, CONICAL DISC H M10	1		
7 - 29	K0160000282	NUT, P1 OH1 M10-3	1		

8. Drum wheel section D

LM101

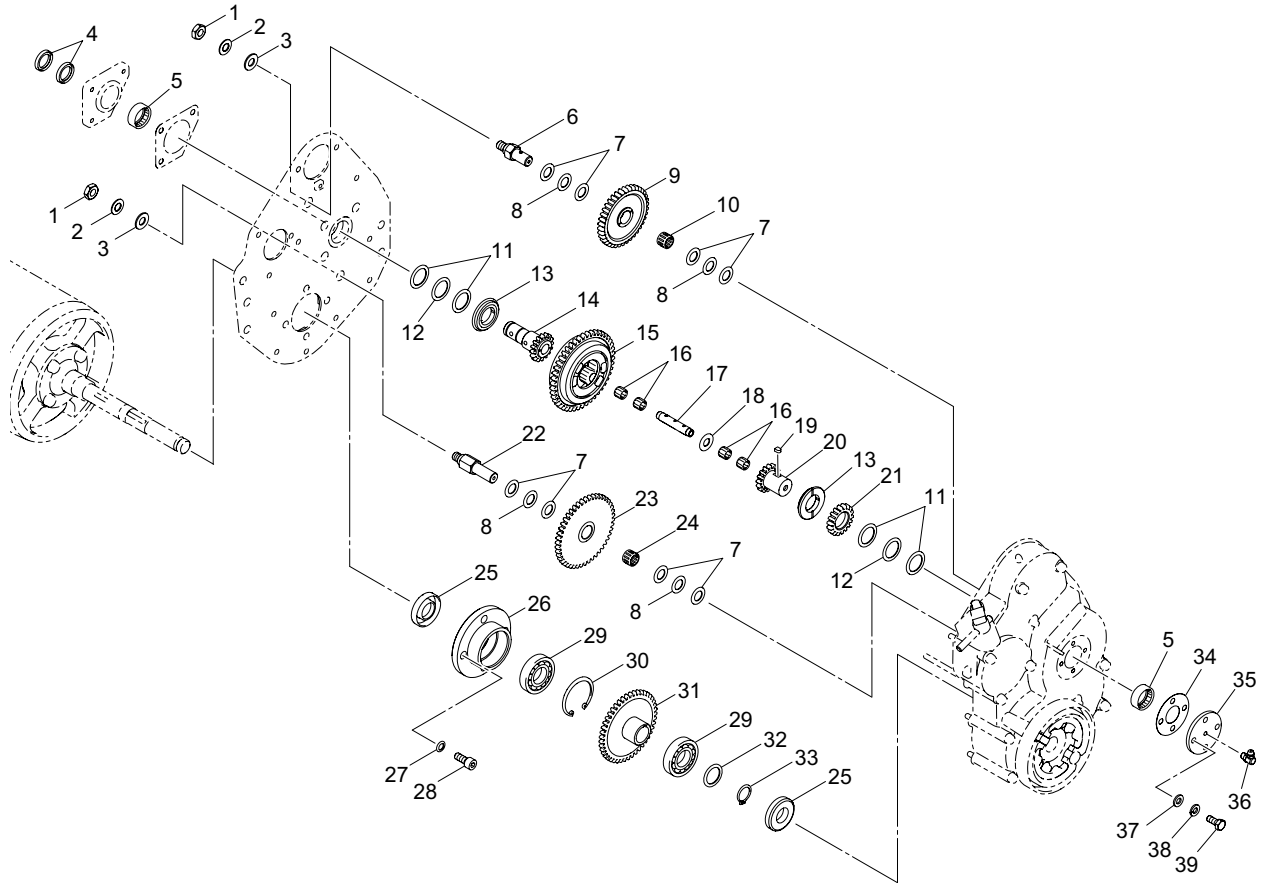


LM101_08_z00

Cat No.	Code No.	Part name	Qty	Remark	SN of application
8 - 1	K0160000282	NUT, P1 OH1 M10-3	2		
8 - 2	K0211100001	SPRING, CONICAL DISC H M10	2		
8 - 3	K5000100002	WASHER, M10	2		
8 - 4	K0870182640	OIL SEAL, OS 18264	2		
8 - 5	K0722210000	BEARING, NEEDLE TAZ 2210	2		
8 - 6	LM54G--0201Z0	SHAFT, #2	1		
8 - 7	K5051013220	WASHER, C5191P 1-13-22	8		
8 - 8	K5020813220	WASHER, NBS55 0.8-13-22	4		
8 - 9	LM54G--0202Z0	GEAR, 38-TEETH	1		
8 - 10	K0701317120	BEARING, NEEDLE KT131712	1		
8 - 11	K5051022300	WASHER, C5191P 1-22-30	4		
8 - 12	K5020822300	WASHER, NBS55 0.8-22-30	2		
8 - 13	K6202000140	RETAINER, DIFF GEAR	2		
8 - 14	LM55GB-0210A3	GEAR, DIFF 16-TEETH (RH)	1		
8 - 15	LM54G--0203Z0	GEAR ASSY, DIFF 50-TEETH	1		
8 - 16	K0701013100	BEARING, NEEDLE KT101310EGB2	4		
8 - 17	K6150000150	PIN, FOR DIFF GEAR M10-55	1		
8 - 18	K5051010220	WASHER, C5191P 1-10-22	1		
8 - 19	K0520504060	KEY, ROUND/SQUARE, M5-46.3	1		
8 - 20	LM55GB-0209C0	GEAR, DIFF 16-TEETH (LH)	1		
8 - 21	LM55GB-0214A0	GEAR, 18-TEETH (LH)	1		
8 - 22	LM54G--0218Z0	SHAFT, #4 LEFT FRAME	1		
8 - 23	LM54GA-0220A0	GEAR, DOUBLE 46-/17-TEETH (LH)	1		
8 - 24	K0711317200	BEARING, NEEDLE KTW131720E01C3	1		
8 - 25	K0822542080	OIL SEAL, MHSA25428	2		
8 - 26	LM54G--0222Z0	HOUSING, AXLE (LH)	1		
8 - 27	K0215080002	WASHER, DISK SPRING 2H M8	4		
8 - 28	K001A080201	BOLT, 13T W/HEX HOLE M8-20	4		
8 - 29	K0601062040	BEARING, BALL C3 6204	2		
8 - 30	K0402047001	RING, RETAINING R M47	1		

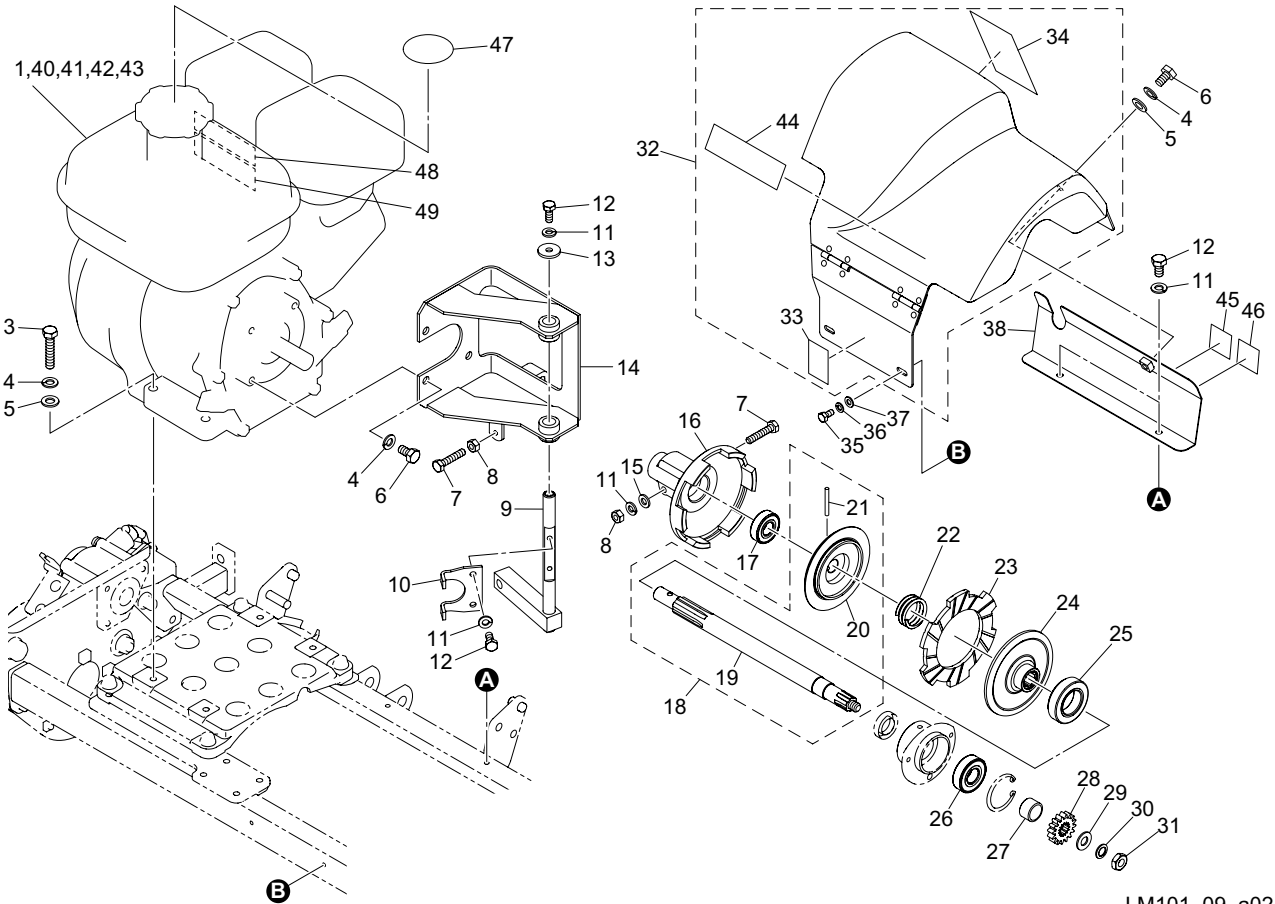
8. Drum wheel section D

LM101



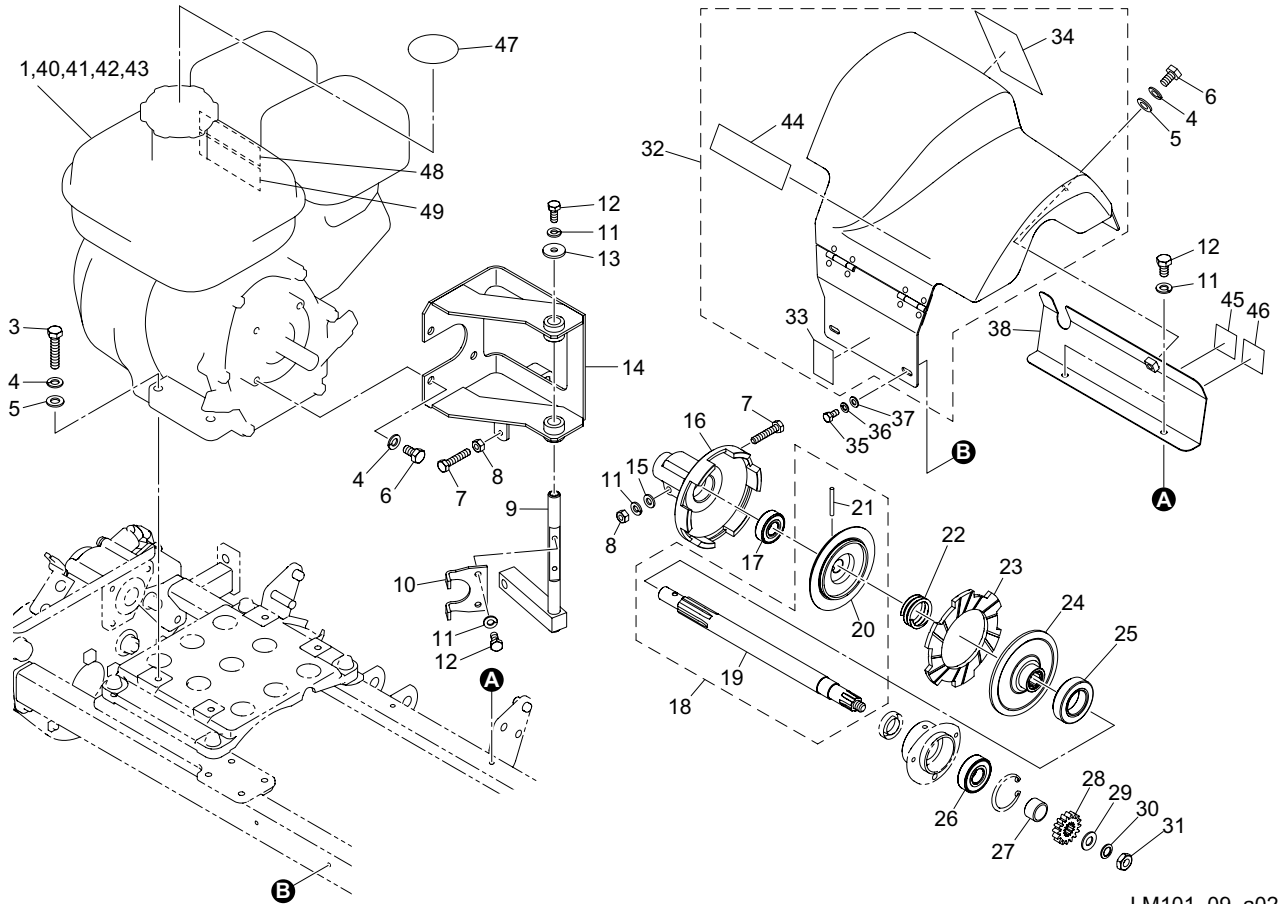
LM101_08_z00

Cat No.	Code No.	Part name	Qty	Remark	SN of application
8 - 31	LM54GA-0223A0	GEAR, 45-TEETH FOR WHEEL SHAFT (LH)	1		
8 - 32	K5010320282	WASHER, SPCC 0.3-20-28	1	for adjustment	
8 - 33	K0401020001	RING, RETAINING S M20	1		
8 - 34	LM55GB-0208Z0	PACKING, #3 SHAFT	2		
8 - 35	LM55GB-0217Z0	RETAINER, BEARING	1		
8 - 36	K1440000020	GREASE NIPPLE, 90 DEG TYPE C	1		
8 - 37	K5000060002	WASHER, M6	4		
8 - 38	K0200060002	WASHER, SPRING M6	4		
8 - 39	K0000060152	BOLT, M6-15	4		



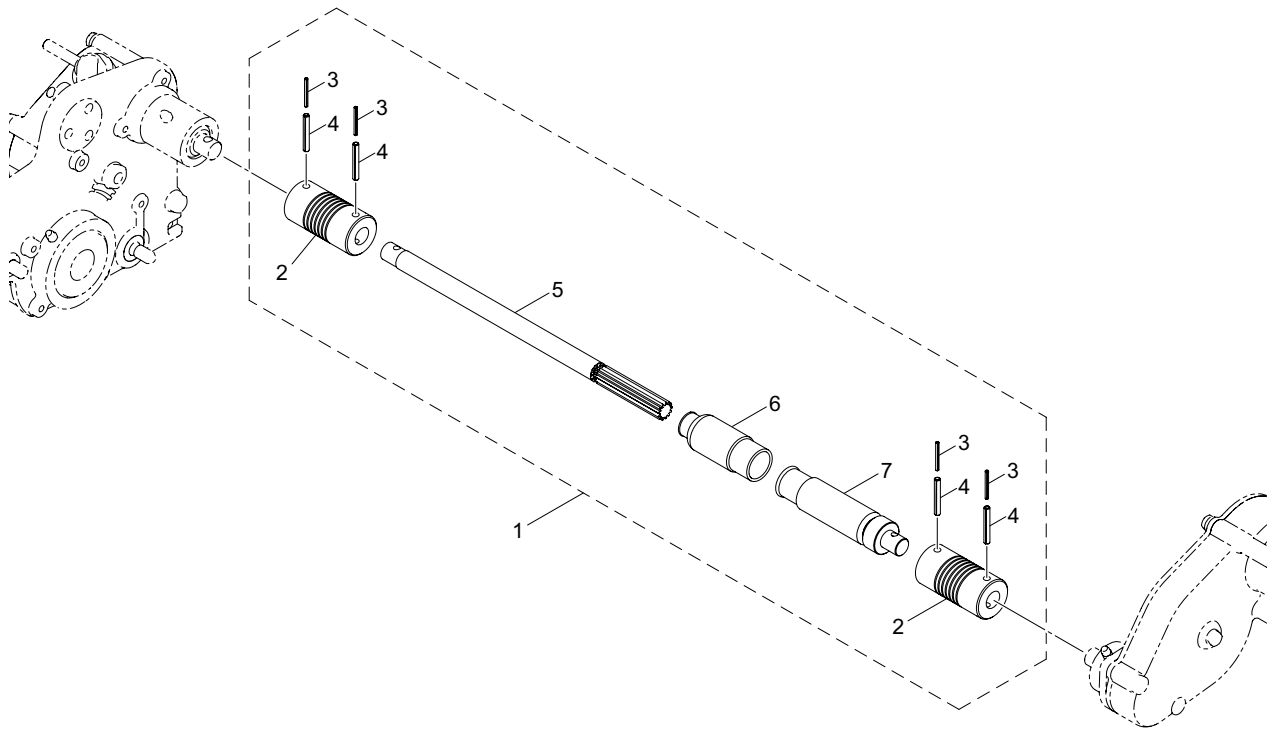
LM101_09_a02

Cat No.	Code No.	Part name	Qty	Remark	SN of application
9a- 1	K2655000030	ENGINE, HONDA GX120UT3	1		
9a- 2					
9 - 3	K0000080352	BOLT, M8-35	4		
9a- 4	K0200080002	WASHER, SPRING M8	9		
9a- 5	K5000080002	WASHER, M8	5		
9a- 6	K0000080152	BOLT, M8-15	5		
9 - 7	K0000060302	BOLT, M6-30	2		
9 - 8	K0100060002	NUT, M6	2		
9 - 9	LM56G--2202Z2	LEVER, CLUTCH S	1		
9 - 10	LM56G--2203Z2	PLATE, RETAINING S	1		
9 - 11	K0200060002	WASHER, SPRING M6	6		
9 - 12	K0000060152	BOLT, M6-15	5		
9 - 13	K5012306202	WASHER, SPCC 2.3-6-20	1		
9 - 14	LM101--0301ZD	CASE, CLUTCH 54	1		
9 - 15	K5000060002	WASHER, M6	1		
9 - 16	K6911000050	CLUTCH, ENGINE	1		
9 - 17	K0616062020	BEARING, BALL SEAL 2NSEC3 6202	1		
9 - 18	LM54GB-0308Z0	SHAFT ASSY, CLUTCH 54	1		
9 - 19	LM54GB-0307Z2	SHAFT, ENGINE CLUTCH	1		
9 - 20	K6911000043	HOLDER, CLUTCH FADING 15	1		
9 - 21	K0310050402	PIN, TAPERED M5-40	1		
9 - 22	K1000000160	SPRING, COMPRESSION M3.5-34-15	1		
9 - 23	K1810000030	LINING, CLUTCH FADING	1		
9 - 24	K6911000092	PLATE, CLUTCH	1		
9 - 25	K0659000020	BEARING, RELEASE RCT 2850	1		
9 - 26	K0616062030	BEARING, BALL SEAL 2NSEC3 6203	1		
9 - 27	K6212001060	COLLAR, STKM M17.1-22-14	1		
9 - 28	K6180000140	GEAR, SPLINED 16-TEETH	1		
9 - 29	K5000100002	WASHER, M10	1		
9 - 30	K0214100002	WASHER, DISK SPRING 2L M10	1		



LM101_09_a02

Cat No.	Code No.	Part name	Qty	Remark	SN of application
9 - 31	K0160000282	NUT, P1 OH1 M10-3	1		
9 - 32	LM101--0302Z0	COVER ASSY, CLUTCH	1		
9 - 33	K4205001760	DECAL, CAUTION PTO	1		
9 - 34	K4205002150	DECAL, CAUTION HANDLING	1		
9 - 35	K0000050102	BOLT, M5-10	2		
9 - 36	K0200050002	WASHER, SPRING M5	2		
9 - 37	K5000050002	WASHER, M5	2		
9 - 38	LM101--0305ZD	RECEIVER, COVER	1		
9a- 39					
9a- 40	PE920702112	PLUG, SPARK (BPR4ES) (NGK)	1		
9a- 41	PBH17210-ZE0-505	ELEMENT, AIR CLEANER (DUAL)	1		
9a- 42	PBH17218-ZE0-505	FILTER, OUTER	1		
9a- 43	PBH17232-891-000	GROMMET, AIR CLEANER	1		
9 - 44	K4201000680	STICKER, BARONESS 95	1		
9a- 45	K4205001330	DECAL, CAUTION TO NOISE			
9a- 46	K4209000880	DECAL, NOISE LEVEL LWA 98	1		
9 - 47	K4205001300	DECAL, WARNING ENGINE OIL	1		
9a- 48	K4205002190	LABEL, CERTIFICATING P65	1		
9a- 49	K4205002200	DECAL, WARNING SPARK ARRESTER	1		

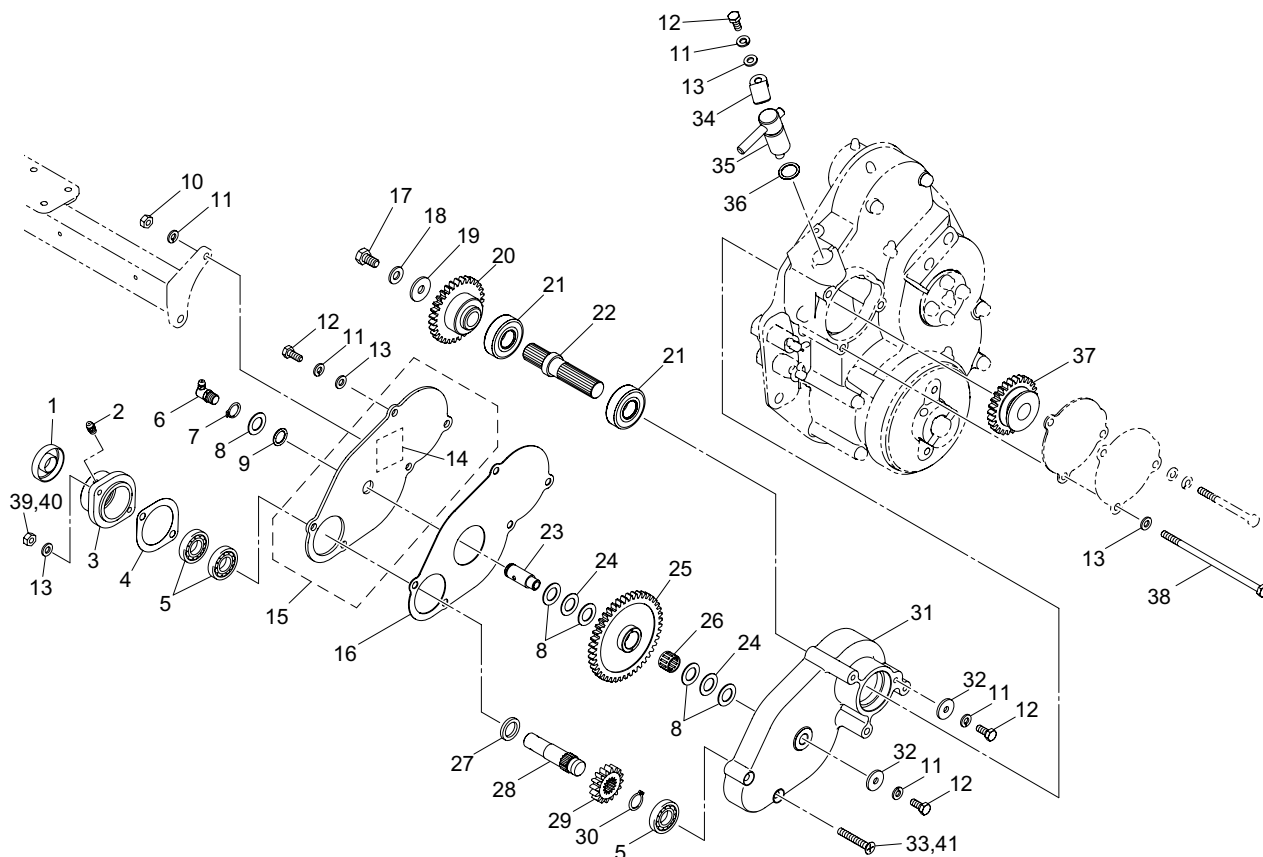


LM101_10_z00

Cat No.	Code No.	Part name	Qty	Remark	SN of application
10 - 1	LM101--0410Z0	JOINT ASSY	1		
10 - 2	K1620000350	COUPLING	2		
10 - 3	K0320025251	PIN, SPRING M2.5-25	4		
10 - 4	K0320040321	PIN, SPRING M4-32	4		
10 - 5	LM54G--0402A9	SHAFT, SPLINE	1		
10 - 6	K4032000030	RUBBER, TUBE 24-250	1		
10 - 7	LM54G--0401BD	SLEEVE, SPLINED W/BOSS	1		

11. Mower transmission case section

LM101

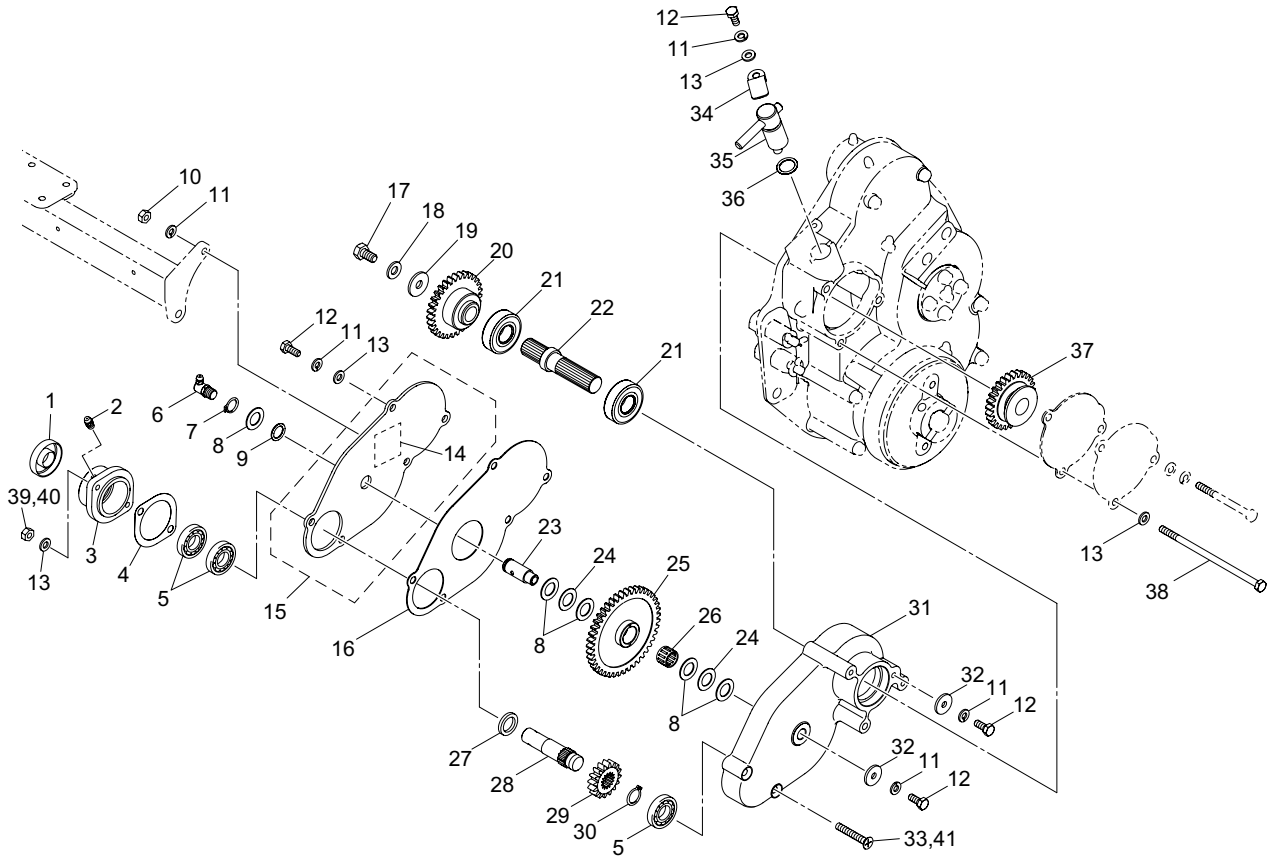


LM101_11_z01

Cat No.	Code No.	Part name	Qty	Remark	SN of application
11 - 1	K0851535080	OIL SEAL, PJN15358	1		
11 - 2	K1440000010	GREASE NIPPLE, STRAIGHT TYPE A	1		
11 - 3	LM101--0502A2	HOUSING	1		
11 - 4	LM101--0507Z0	PACKING, HOUSING	1		
11 - 5	K0601060020	BEARING, BALL C3 6002	3		
11 - 6	K1440000040	GREASE NIPPLE, C TYPE PT1/8	1		
11 - 7	K0401013001	RING, RETAINING S M13	1		
11 - 8	K5051013220	WASHER, C5191P 1-13-22	5		
11 - 9	K0880012500	O-RING, P12.5	1		
11 - 10	K0100060002	NUT, M6	1		
11 - 11	K0200060002	WASHER, SPRING M6	6		
11 - 12	K0000060152	BOLT, M6-15	5		
11 - 13	K5000060002	WASHER, M6	6		
11 - 14	K4209000370	DECAL, GREASING EACH 10-HOURS	1		
11 - 15	LM101--0511Z0	PLATE, W/ MARK	1		
11 - 16	LM101--0505Z0	PACKING	1		
11 - 17	K0000080152	BOLT, M8-15	1		
11 - 18	K0213080002	WASHER, DISK SPRING 1H M8	1		
11 - 19	K5012308242	WASHER, SPCC 2.3-8-24	1		
11 - 20	LM54G--0504Z0	GEAR, 31-TEETH	1		
11 - 21	K0616062030	BEARING, BALL SEAL 2NSEC3 6203	2		
11 - 22	LM54G--0503Z0	SHAFT, #1	1		
11 - 23	LM54G--0505A0	COUNTERSHAFT	1		
11 - 24	K5020813220	WASHER, NBS55 0.8-13-22	2		
11 - 25	LM101--0506Z0	GEAR, 43-TEETH	1		
11 - 26	K0701317120	BEARING, NEEDLE KT131712	1		
11 - 27	K6210000470	COLLAR, 15.2-223	1		
11 - 28	LM101--0501Z8	SHAFT, TRANSMISSION	1		
11 - 29	K6180000140	GEAR, SPLINED 16-TEETH	1		
11 - 30	K0401015001	RING, RETAINING S M15	1		

11. Mower transmission case section

LM101

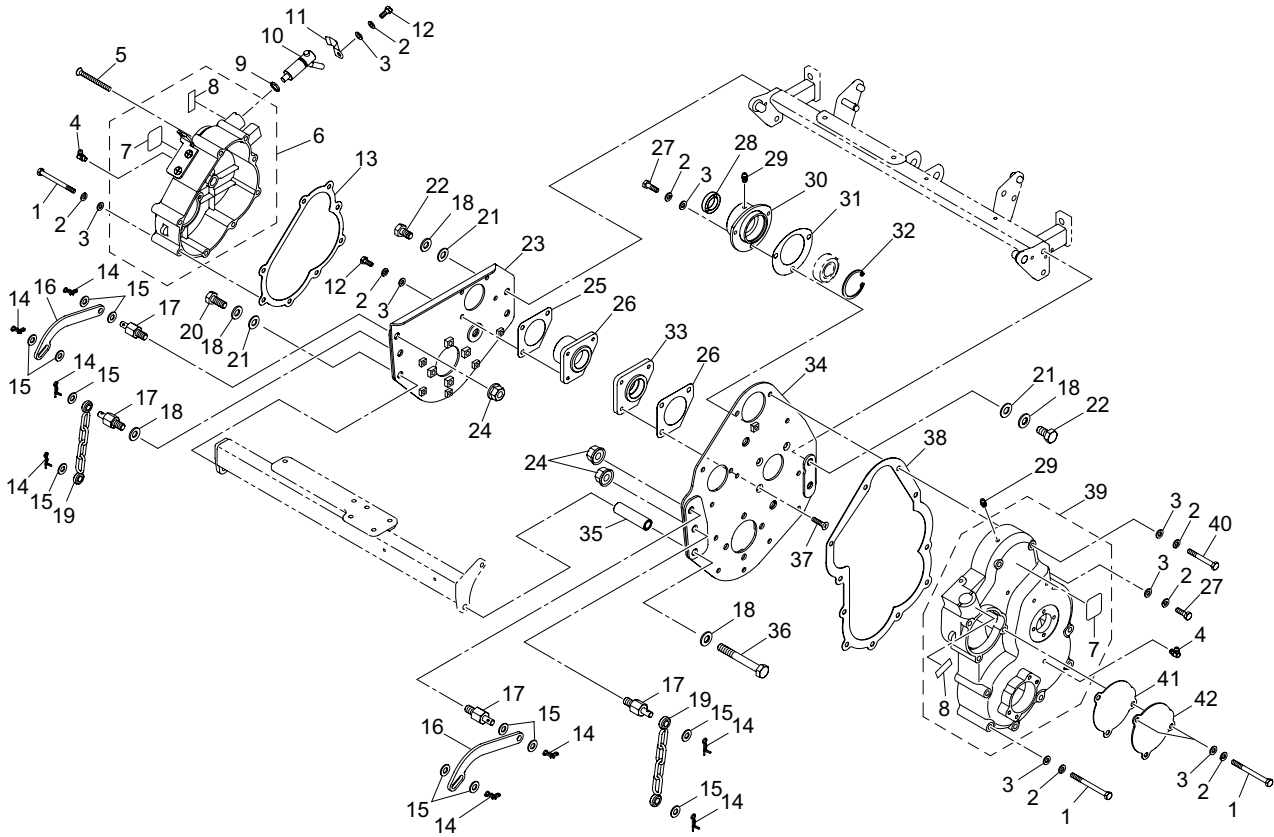


LM101_11_z01

Cat No.	Code No.	Part name	Qty	Remark	SN of application
11 - 31	LM101--0503Z0	GEARCASE	1		
11 - 32	K5012306202	WASHER, SPCC 2.3-6-20	2		
11 - 33	K0041060402	SCREW, + FLAT HEAD M6-40	2		-10136
11 - 34	K1090000058	SPRING, CLUTCH RETAINER	1		
11 - 35	K7321000093	HANDLE, CLUTCH	1		
11 - 36	K0880015000	O-RING, P15	1		
11 - 37	LM54G--0512Z0	GEAR, 27-TEETH	1		
11 - 38	K0003061302	BOLT, M6-130	1		
11 - 39	K0102060002	NUT, M6-3	2		10096-10136
11 - 40	K0144060002	NUT, W/F-RING M6	2		10137-
11 - 41	K0041060452	SCREW, + OVAL HEAD M6-45	2		10137-

12. Frame section

LM101

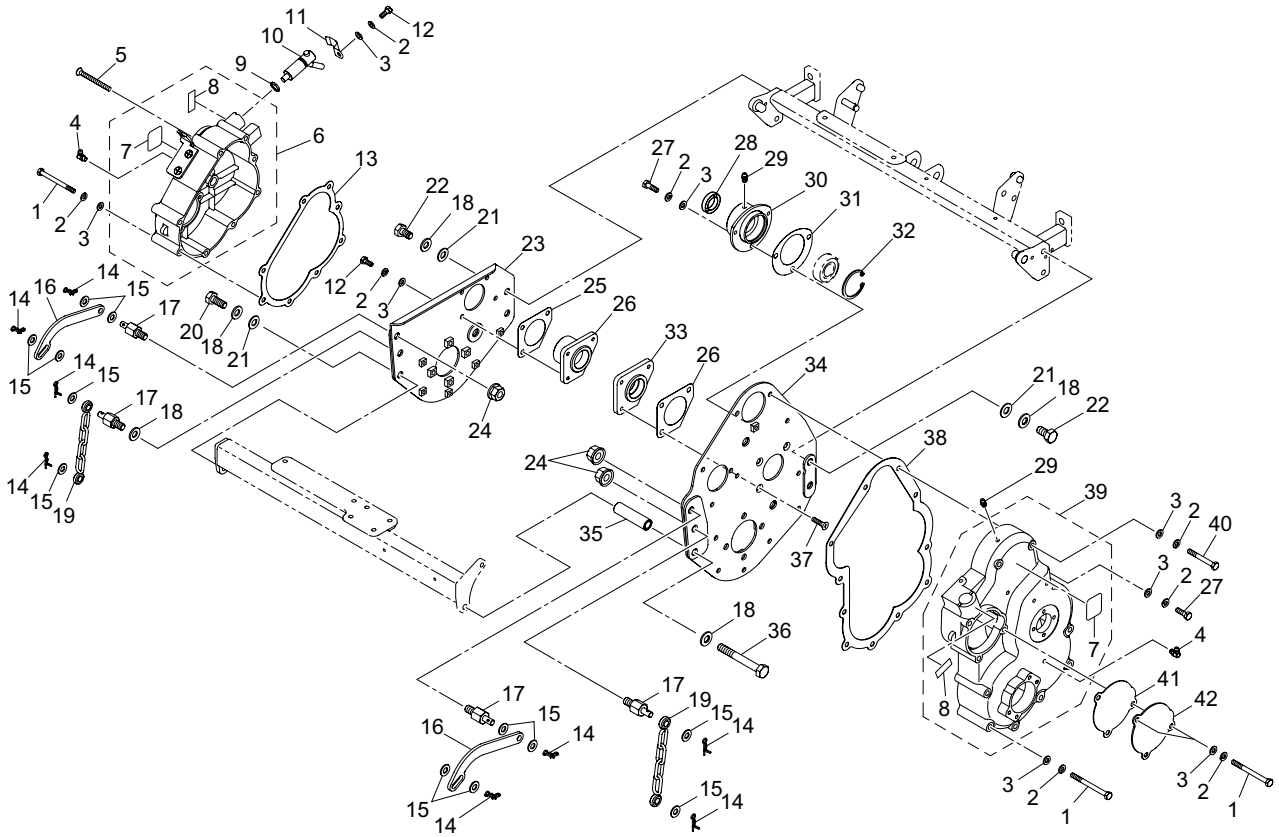


LM101_12_z00

Cat No.	Code No.	Part name	Qty	Remark	SN of application
12 - 1	K0000060702	BOLT, M6-70	15		
12 - 2	K0200060002	WASHER, SPRING M6	21		
12 - 3	K5000060002	WASHER, M6	21		
12 - 4	K1440000020	GREASE NIPPLE, 90 DEG TYPE C	3		
12 - 5	K0041060652	SCREW, + FLAT HEAD M 6-65	1		
12 - 6	LM101--0602Z0	COVER, FRAME W/ MARK (RH)	1		
12 - 7	K4209000370	DECAL, GREASING EACH 10-HOURS	2		
12 - 8	K4203001140	STICKER, ON/OFF A	2		
12 - 9	K0880012500	O-RING, P12.5	1		
12 - 10	LM54G--0618Z3	HANDLE, CLUTCH	1		
12 - 11	K1090000058	SPRING, CLUTCH RETAINER	1		
12 - 12	K0000060152	BOLT, M6-15	2		
12 - 13	LM54G--0606Z0	PACKING, (RH)	1		
12 - 14	K0340800002	PIN, SNAP W/RETAINER M8	8		
12 - 15	K5000080002	WASHER, M8	12		
12 - 16	LM101--0603Z3	SUPPORT, MOWER	2		
12 - 17	LM54G--0614Z3	BOLT, HOLDING CHAIN	4		
12 - 18	K0213100002	WASHER, DISK SPRING 1H M10	7		
12 - 19	LM54G--0617Z0	CHAIN	2		
12 - 20	K0000100252	BOLT, M10-25	1		
12 - 21	K5000100002	WASHER, M10	5		
12 - 22	K0000100202	BOLT, M10-20	4		
12 - 23	LM54G--0602A3	FRAME, (RH)	1		
12 - 24	K0143100002	NUT, W/DISC S M10	3		
12 - 25	LM54G--0609Z0	GASKET, DIFF HOUSING	2		
12 - 26	LM54G--0612ZD	HOUSING, DIFF (RH)	1		
12 - 27	K0000060202	BOLT, M6-20	2		
12 - 28	K0811930070	OIL SEAL, MHS19307	1		
12 - 29	K1440000010	GREASE NIPPLE, STRAIGHT TYPE A	2		
12 - 30	LM54GA-0608Z3	HOUSING, #1 SHAFT	1		

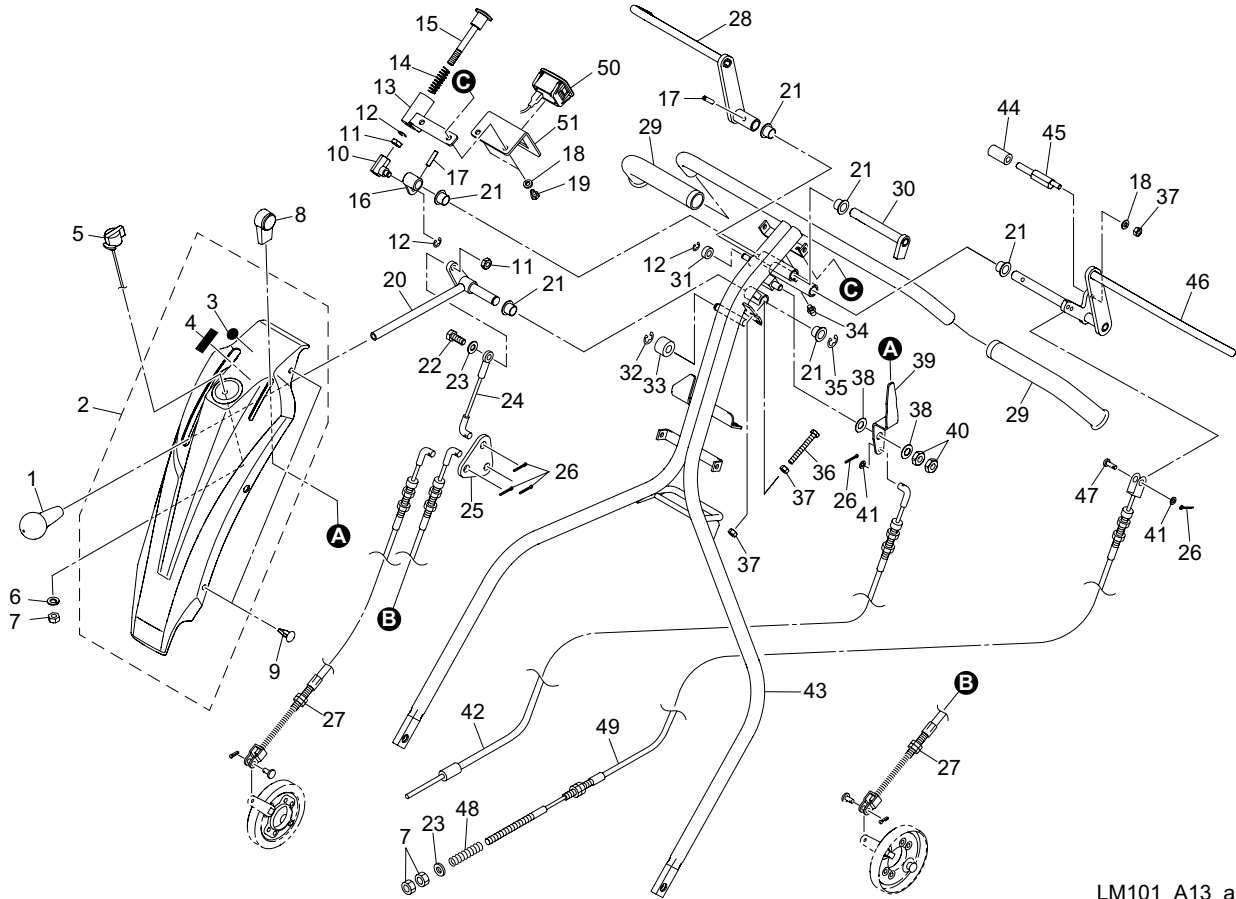
12. Frame section

LM101



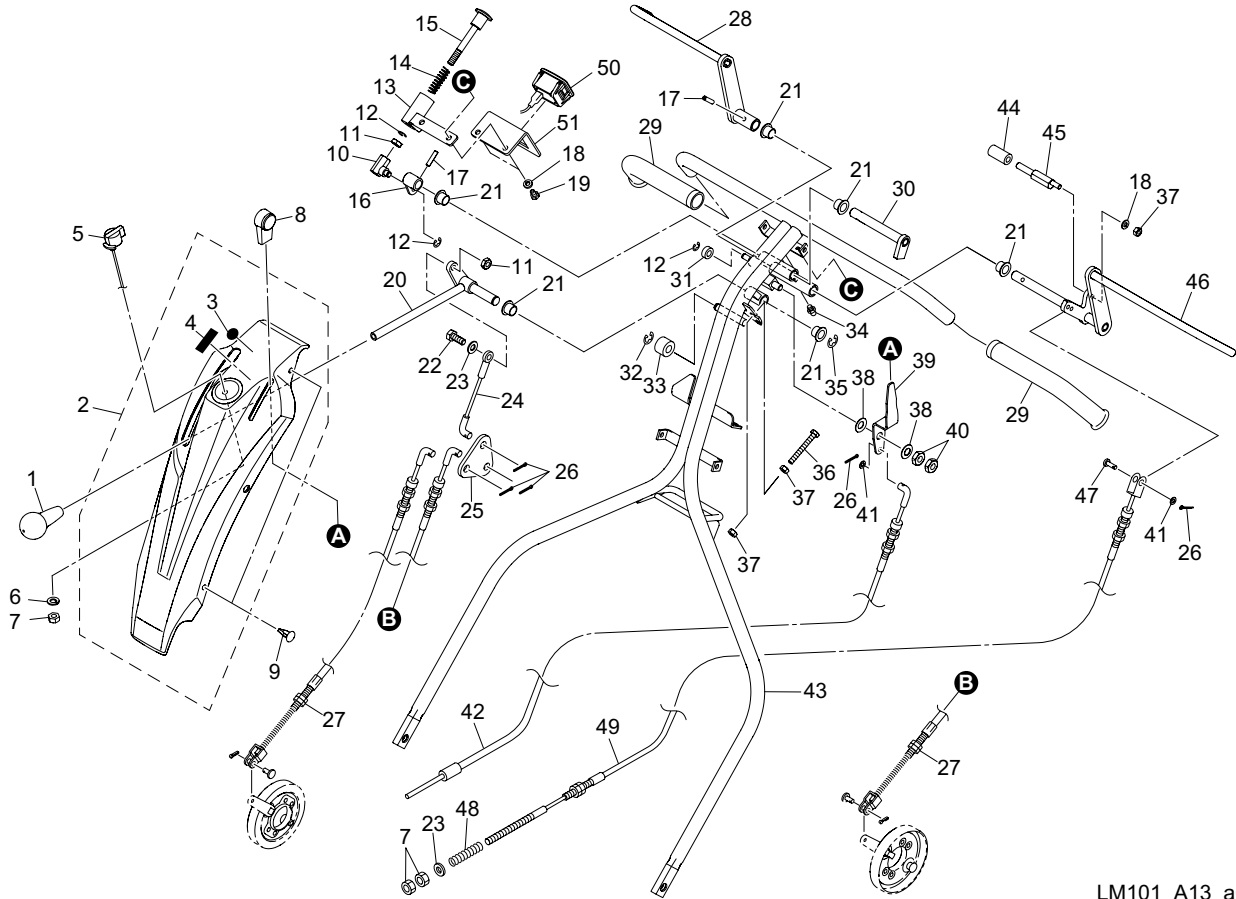
LM101_12_z00

Cat No.	Code No.	Part name	Qty	Remark	SN of application
12 - 31	LM54G--0607Z0	PACKING, #1 SHAFT	1		
12 - 32	K0402040001	RING, RETAINING R M40	1		
12 - 33	LM54G--0610ZD	HOUSING, DIFF (LH)	1		
12 - 34	LM54G--0601B3	FRAME, (LH)	1		
12 - 35	K6212002643	COLLAR, STKM M10.2-165-9.8	1		
12 - 36	K0000100802	BOLT, M10-80	1		
12 - 37	K0041060122	SCREW, + FLAT HEAD M6-12	3		
12 - 38	LM54G--0603A0	PACKING, LARGE	1		
12 - 39	LM101--0601Z0	COVER, FRAME W/ MARK (LH)	1		
12 - 40	K0000060502	BOLT, M6-50	2		
12 - 41	LM54G--0620Z0	PACKING	1		
12 - 42	LM54G--0619ZD	COVER	1		



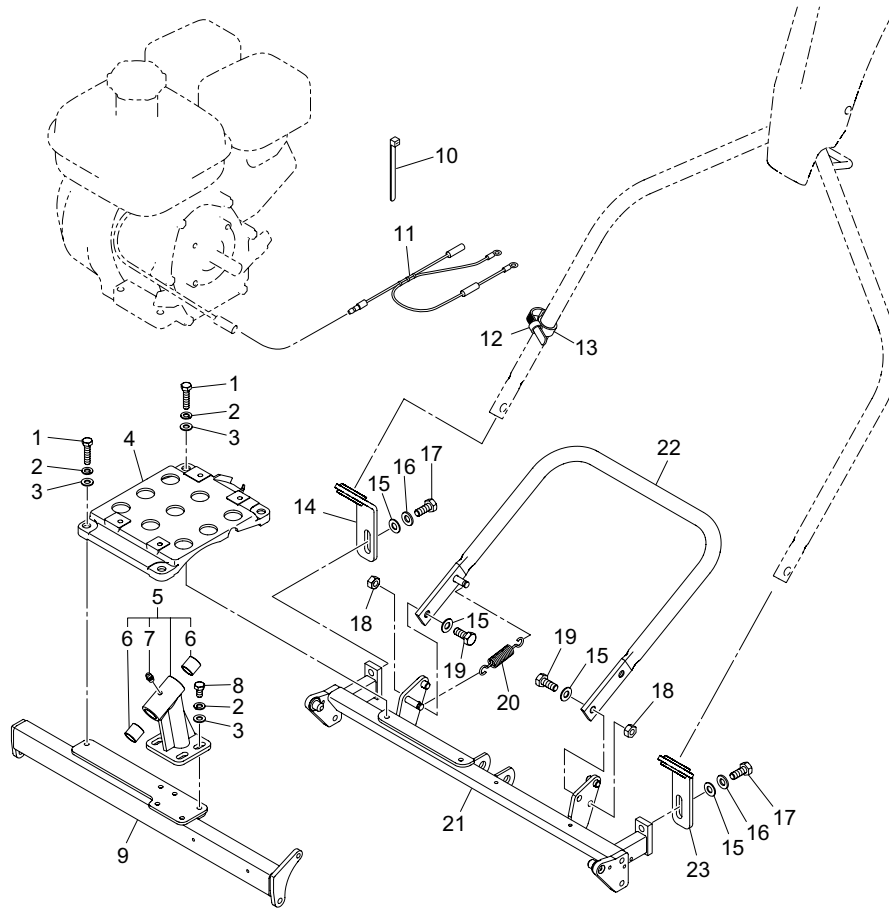
LM101_A13_a01

Cat No.	Code No.	Part name	Qty	Remark	SN of application
A13 - 1	K1300000050	GRIP, RUBBER RED 9-35.5	1		
A13 - 2	LM101--2706Z0	COVER, HANDLE U W/MARK	1		
A13 - 3	K4209001200	DECAL, BRAKE	1		
A13 - 4	K4203000700	DECAL, ACCELERATOR	1		
A13 - 5	K3662000050	SWITCH, TOGGLE FOR ENGINE	1		
A13 - 6	K0200080002	WASHER, SPRING M8	1		
A13 - 7	K0100080002	NUT, M8	3		
A13 - 8	K1320000150	KNOB, W/PLUG	1		
A13 - 9	K4021000030	CLIP, ANCHOR	4		
A13 - 10	LM56GB-2608Z2	NUT, HIGH, W/SHAFT	1		
A13 - 11	K0102080002	NUT, M8-3	2		
A13 - 12	K0400006002	RING, RETAINING E M6	3		
A13 - 13	LM56GB-2606Z2	MOUNT, SWITCH	1		
A13 - 14	K1000000938	SPRING, COMPRESSION M1-12-40	1		
A13 - 15	LM56GB-2607Z2	SWITCH, RELEASING LOCK	1		
A13 - 16	LM56GB-2605Z2	CONNECTOR	1		
A13 - 17	K0320050221	PIN, SPRING M5-22	2		
A13 - 18	K0200060002	WASHER, SPRING M6	3		
A13 - 19	K0000060152	BOLT, M6-15	2		
A13 - 20	LM56GB-2602Z2	LEVER, BRAKE	1		
A13 - 21	K6010000170	BUSH, FLANGED 12-14-10	6		
A13 - 22	K0000080202	BOLT, M8-20	1		
A13 - 23	K5000080002	WASHER, M8	2		
A13 - 24	K1120010000	WIRE, BRAKE 100	1		
A13 - 25	LM101--2702Z2	PLATE, CONNECTING WIRE	1		
A13 - 26	K0300020122	PIN, COTTER M2-12	5		
A13 - 27	K1120113010	WIRE, BRAKE 1130	2		
A13 - 28	LM56GB-2611AD	LEVER, CLUTCH (RH)	1		
A13 - 29	K1300000250	GRIP, RUBBER BLACK 22-256	2		
A13 - 30	LM56GB-2604A2	STOPPER	1		



LM101_A13_a01

Cat No.	Code No.	Part name	Qty	Remark	SN of application
A13 - 31	K4031000290	RUBBER, 7.5-15-5.5	1		
A13 - 32	K0400008002	RING, RETAINING E M8	1		
A13 - 33	K4031000100	STOPPER, RUBBER	1		
A13 - 34	K1440000070	GREASE NIPPLE	3		
A13 - 35	K0400009002	RING, RETAINING E M9	1		
A13 - 36	K0000060502	BOLT, M6-50	1		
A13 - 37	K0100060002	NUT, M6	2		
A13 - 38	K0210100002	SPRING, CONICAL DISC L M10	2		
A13 - 39	LM56GB-2603Z2	LEVER, THROTTLE	1		
A13 - 40	K0102100002	NUT, M10-3	2		
A13 - 41	K5000050002	WASHER, M5	2		
A13 - 42	K1110100010	WIRE, THROTTLE 1000	1		
A13 - 43	LM101--2701ZD	HANDLE, U 54	1		
A13 - 44	K3180000400	RUBBER, STOPPER	1		
A13 - 45	LM56GB-2609Z2	SHAFT, STOPPER	1		
A13 - 46	LM56GB-2610AD	LEVER, CLUTCH (LH)	1		
A13 - 47	K6030050152	PIN, FLAT HEAD M5-15	1		
A13 - 48	K100000082D	SPRING, COMPRESSION M2.6-17.2-70	1		
A13 - 49	K1130116000	WIRE, CLUTCH 1160	1		
A13 - 50	K3650000090	HOUR METER	1		
A13 - 51	LM101--2703ZD	BRACKET, HOURMETER	1		

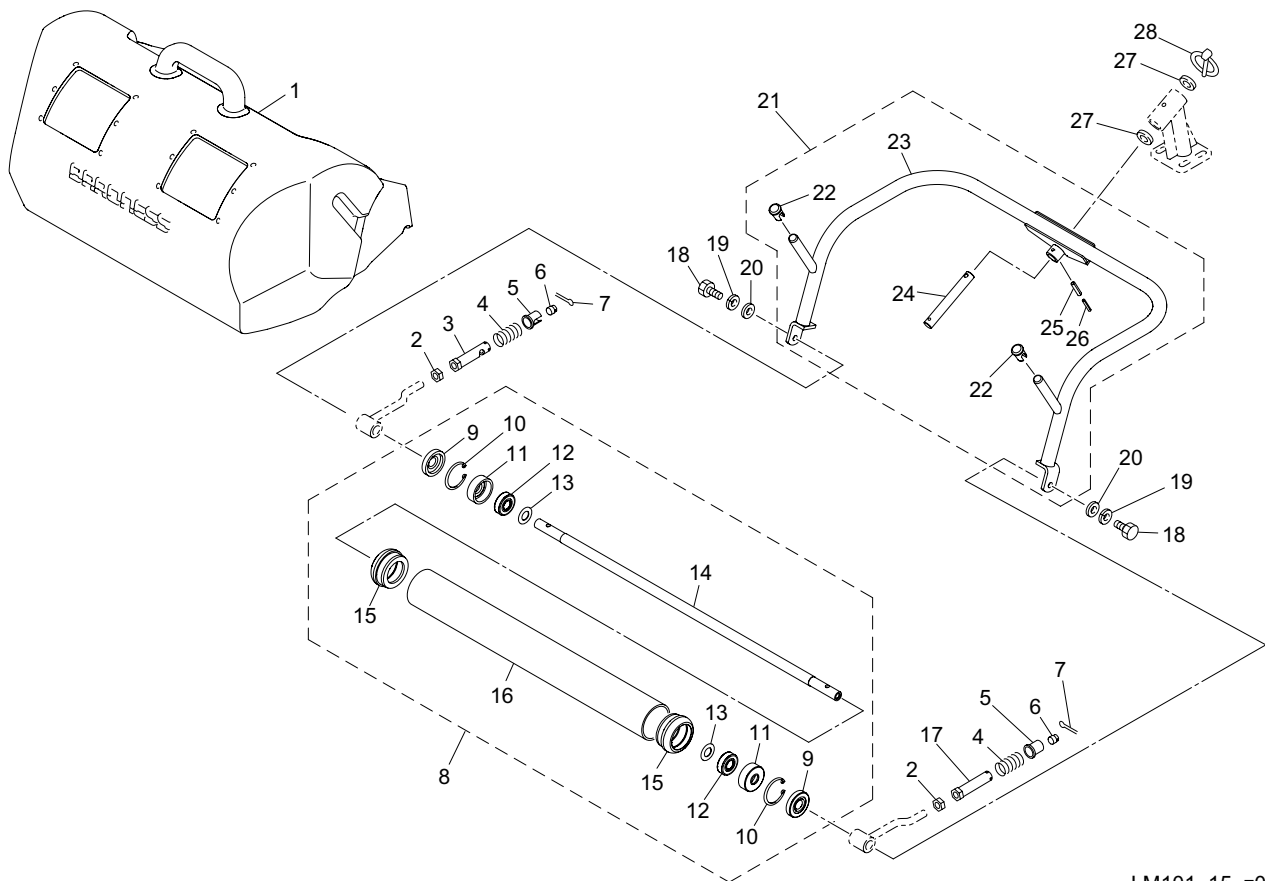


LM101_14_z00

Cat No.	Code No.	Part name	Qty	Remark	SN of application
14 - 1	K0000080302	BOLT, M8-30	4		
14 - 2	K0200080002	WASHER, SPRING M8	8		
14 - 3	K5000080002	WASHER, M8	8		
14 - 4	LM54GA-0727A0	BASE, ENGINE 106	1		
14 - 5	LM54G--0719CD	HITCH, MOUNTING ARM	1		
14 - 6	K6000000240	BUSH, 17-20-19	2		
14 - 7	K1440000010	GREASE NIPPLE, STRAIGHT TYPE A	1		
14 - 8	K0000080152	BOLT, M8-15	4		
14 - 9	LM54G--0713ZR	STAY, FRAME FRONT	1		
14 - 10	K4241000040	BAND, PLASTIC TRCV-200W	1		
14 - 11	K3620000550	LINE, ENGINE SWITCH 8A	1		
14 - 12	K4241000070	TUBE, URETHANE 7	3		
14 - 13	K4241000010	BAND, NYLON 140	3		
14 - 14	LM55GB-0716E0	ADJUSTER, HANDLE (RH)	1		
14 - 15	K5000100002	WASHER, M10	4		
14 - 16	K0213100002	WASHER, DISK SPRING 1H M10	2		
14 - 17	K0010100252	BOLT, HT M10-25	2		
14 - 18	K0100100002	NUT, M10	2		
14 - 19	K0000100252	BOLT, M10-25	2		
14 - 20	K1020000198	SPRING, W/ROUND HOOK M2.6-15.5-84	1		
14 - 21	LM101--0714ZR	STAY, REAR FRAME	1		
14 - 22	LM56G--0708AD	STAND	1		
14 - 23	LM55GB-0715E0	ADJUSTER, HANDLE (LH)	1		

15. Grass catcher section

LM101

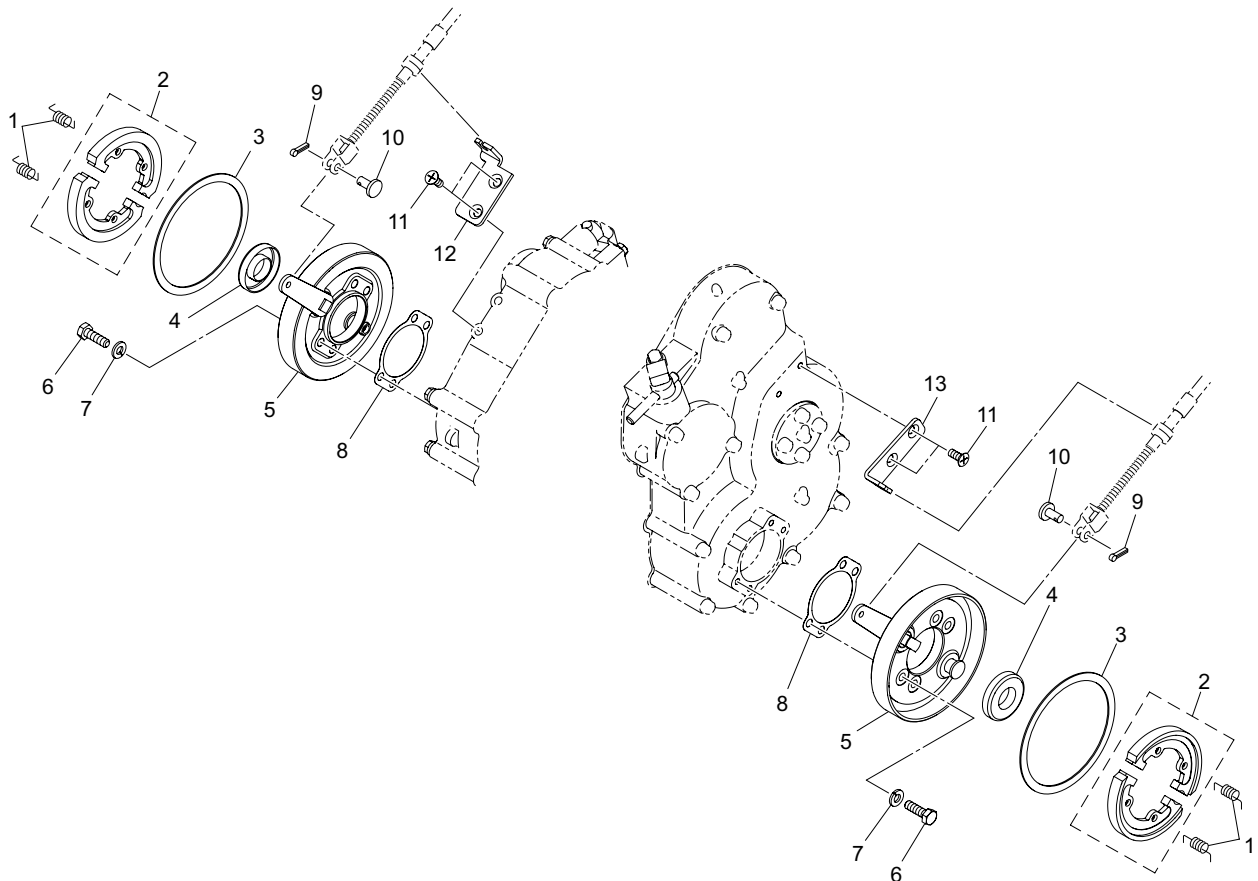


LM101_15_z00

Cat No.	Code No.	Part name	Qty	Remark	SN of application
15 - 1	LM101--0820Z0	GRASS CATCHER COMP	1		
15 - 2	K0160000282	NUT, P1 OH1 M10-3	2		
15 - 3	LM54G--0805Z9	PIPE, (RH)	1		
15 - 4	K1000000678	SPRING, COMPRESSION M1-18-43	2		
15 - 5	LM54G--0808Z9	STOPPER	2		
15 - 6	LM54G--0806Z3	SCREW, RETAINING	2		
15 - 7	K0302025250	PIN, COTTER SUS M2.5-25	2		
15 - 8	LM54G--0810B0	ROLLER ASSY, 590	1		
15 - 9	K0861000020	OIL SEAL, TA1542.38	2		
15 - 10	K0402042001	RING, RETAINING R M42	2		
15 - 11	K0861000030	OIL SEAL, 6202	2		
15 - 12	K0616062020	BEARING, BALL SEAL 2NSEC3 6202	2		
15 - 13	K5051015280	WASHER, C5191P 1-15-28	2		
15 - 14	K6131000060	SHAFT, TAPPED ROLLER 651	1		
15 - 15	LM54GA-0812A0	HOUSING, ROLLER 60	2		
15 - 16	K6226000100	PIPE, ROLLER M55-605-60	1		
15 - 17	LM54G--0804Z9	PIPE, (LH)	1		
15 - 18	K0000100302	BOLT, M10-30	2		
15 - 19	K0200100002	WASHER, SPRING M10	2		
15 - 20	K5000100002	WASHER, M10	2		
15 - 21	LM54G--0822Z0	BRACKET COMP, BASKET	1		
15 - 22	K1310000060	CAP, 12.7	2		
15 - 23	LM54G--0824Z0	BRACKET, GRASS CATCHER	1		
15 - 24	LM54G--0825A8	SHAFT, ARM	1		
15 - 25	K0320050251	PIN, SPRING M5-25	1		
15 - 26	K0320030251	PIN, SPRING M3-25	1		
15 - 27	K5051017280	WASHER, C5191P 1-17-28	2		
15 - 28	K6061060002	PIN, CLIP M6	1		

16. Brake section

LM101

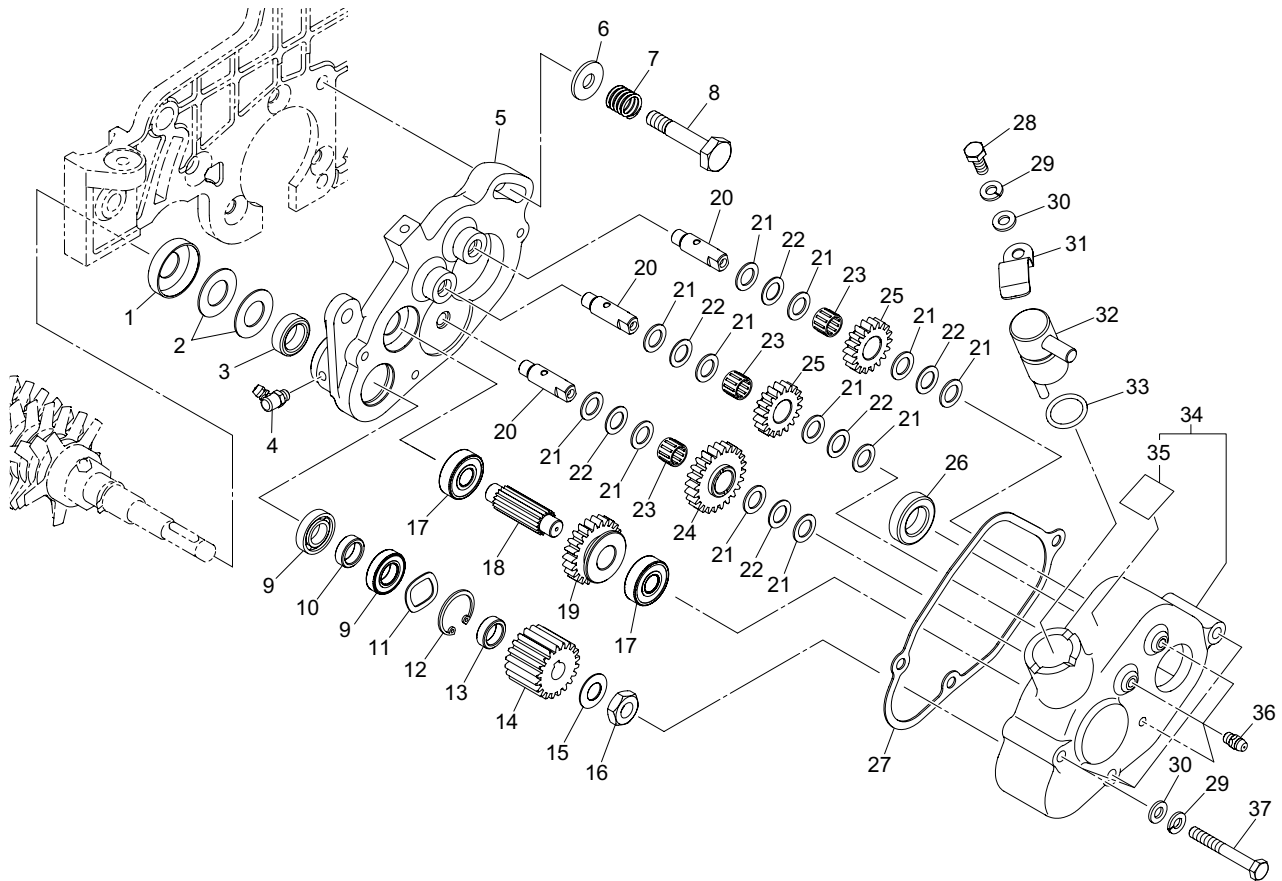


LM101_16_z00

Cat No.	Code No.	Part name	Qty	Remark	SN of application
16 - 1	K1040000010	SPRING, W/HOOK M1.6-8-45	4		
16 - 2	K1725000040	SHOE ASSY, BRAKE 100	2		
16 - 3	K4009000010	PACKING, FELT 1-96-110	2		
16 - 4	K0852042080	OIL SEAL, PJN20428	2		
16 - 5	LM55GB-1102Z2	PLATE, MOUNTING BRAKE	2		
16 - 6	K0000060202	BOLT, M6-20	8		
16 - 7	K0200060002	WASHER, SPRING M6	8		
16 - 8	LM55GB-1101Z0	PACKING	2		
16 - 9	K0300020202	PIN, COTTER M2-20	2		
16 - 10	K6030050152	PIN, FLAT HEAD M5-15	2		
16 - 11	K0041060152	SCREW, + FLAT HEAD M6-15	4		
16 - 12	LM54G--1112Z3	BRACKET, BRAKE WIRE (RH)	1		
16 - 13	LM55GB-1113A3	BRACKET, BRAKE WIRE (LH)	1		

17. Groomer section A

LM101

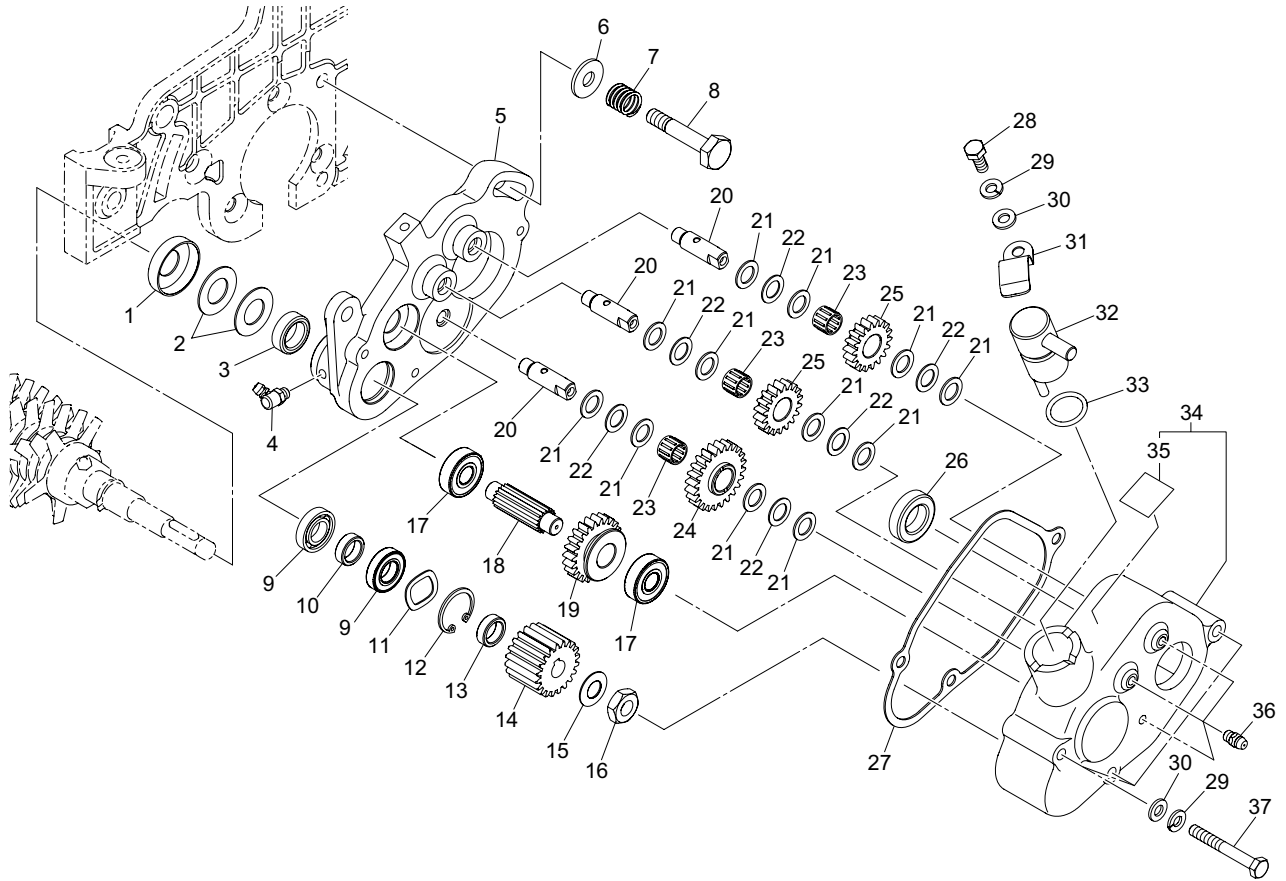


LM101_17_z00

Cat No.	Code No.	Part name	Qty	Remark	SN of application
17 - 1	K5300000293	COVER, DUST PROOF	1		
17 - 2	K5051015280	WASHER, C5191P 1-15-28	2		
17 - 3	K0821522070	OIL SEAL, MHSA15227	1		
17 - 4	K1440000030	GREASE NIPPLE, 67.5 DEG TYPE B	1		
17 - 5	LM101--1201Z0	GEARCASE	1		
17 - 6	K5090000250	WASHER, C5191P 2-8.5-22	1		
17 - 7	K1000000309	SPRING, COMPRESSION M1.6-13.7-20	1		
17 - 8	LM54GAS1230Z3	BOLT, CLAMPING CASE (LH)	1		
17 - 9	K0611069010	BEARING, BALL SEAL RDC3 6901	2		
17 - 10	K6212002630	COLLAR, STKM M12.1-17-5.6	1		
17 - 11	K0220160110	WASHER, WAVE 16011	1		
17 - 12	K0402024001	RING, RETAINING R M24	1		
17 - 13	K6212001910	COLLAR, STKM M12.1-17-6	1		
17 - 14	LM101--1204Z0	GEAR, 20-TEETH	1		
17 - 15	K0210100002	SPRING, CONICAL DISC L M10	1		
17 - 16	K0160000282	NUT, P1 OH1 M10-3	1		
17 - 17	K0608060000	BEARING, BALL SEAL 2RS 6000	2		
17 - 18	K6100000100	SHAFT, CLUTCH	1		
17 - 19	K6180000150	GEAR, SPLINED 23-TEETH	1		
17 - 20	K6120000310	COUNTERSHAFT, THREADED	3		
17 - 21	K5051010160	WASHER, C5191P 1-10-16	12		
17 - 22	K5020810160	WASHER, NBS55 0.8-10-16	6		
17 - 23	K0701013100	BEARING, NEEDLE KT101310EGB2	3		
17 - 24	K6186000050	GEAR, 24-TEETH	1		
17 - 25	K6186000040	GEAR, 18-TEETH B	2		
17 - 26	K0821628070	OIL SEAL, MHSA16287	1		
17 - 27	LM101--1203Z0	PACKING, GEARCASE	1		
17 - 28	K0000060102	BOLT, M6-10	1		
17 - 29	K0200060002	WASHER, SPRING M6	4		
17 - 30	K5000060002	WASHER, M6	4		

17. Groomer section A

LM101

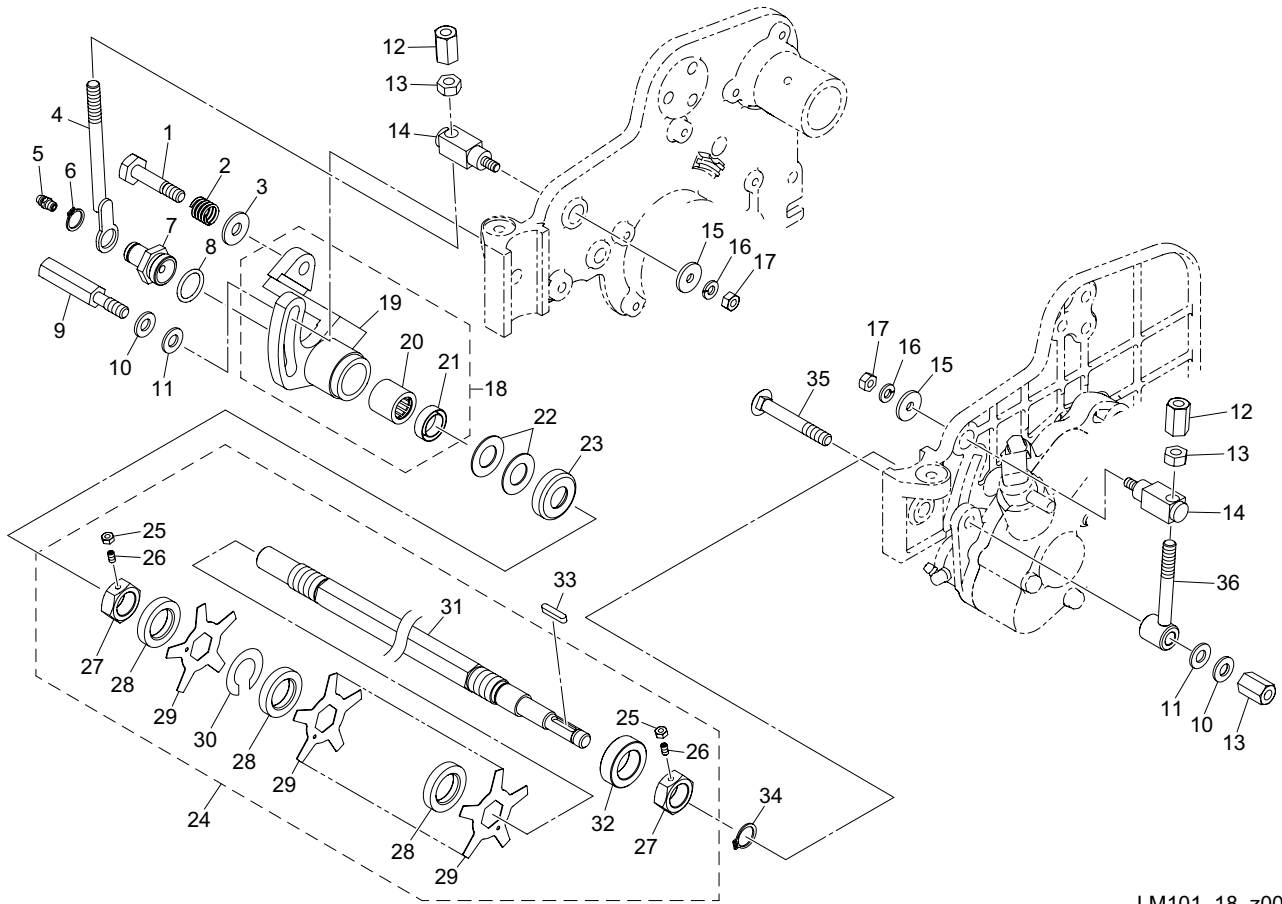


LM101_17_z00

Cat No.	Code No.	Part name	Qty	Remark	SN of application
17 - 31	K1090000058	SPRING, CLUTCH RETAINER	1		
17 - 32	LM101--1207Z8	LEVER, CLUTCH	1		
17 - 33	K0880018000	O-RING, P18	1		
17 - 34	LM101--1251Z0	COVER, GEARCASE W/ MARK	1		
17 - 35	K4203001120	STICKER, GROOMER INDICATION	1		
17 - 36	K1440000010	GREASE NIPPLE, STRAIGHT TYPE A	3		
17 - 37	K0000060502	BOLT, M6-50	3		

18. Groomer section B

LM101

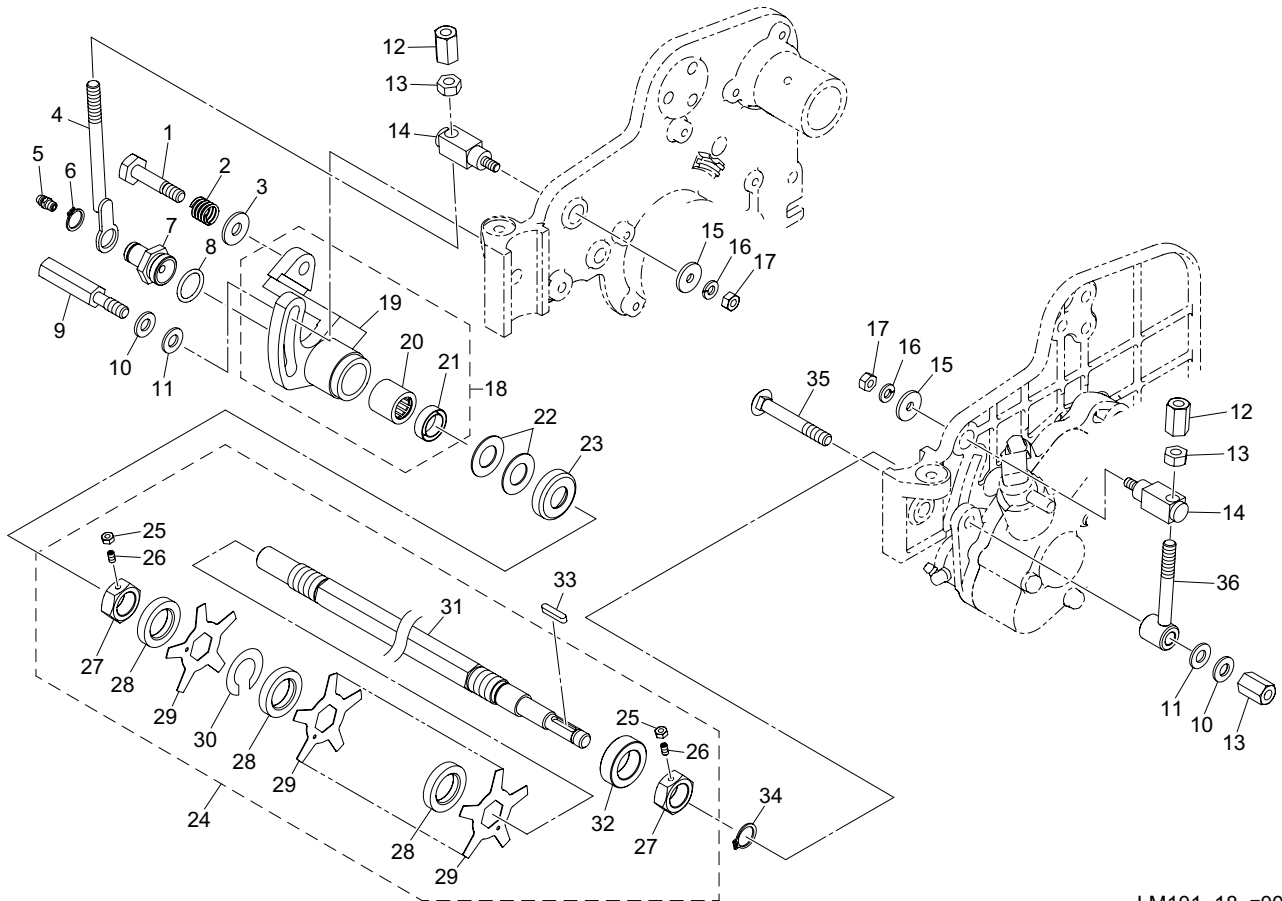


LM101_18_z00

Cat No.	Code No.	Part name	Qty	Remark	SN of application
18 - 1	K6083000143	PIN, STEPPED FOR FIXING (RH) CASE	1		
18 - 2	K1000000309	SPRING, COMPRESSION M1.6-13.7-20	1		
18 - 3	K5090000250	WASHER, C5191P 2-8.5-22	1		
18 - 4	LM54GS-1229A3	SCREW, MOUNTING	1		
18 - 5	K1440000010	GREASE NIPPLE, STRAIGHT TYPE A	1		
18 - 6	K0401013001	RING, RETAINING S M13	1		
18 - 7	K6809000270	SCREW	1		
18 - 8	K0880018000	O-RING, P18	1		
18 - 9	K6081000062	BOLT, 45	1		
18 - 10	K0213080002	WASHER, DISK SPRING 1H M8	2		
18 - 11	K5000080002	WASHER, M8	2		
18 - 12	K0149083202	NUT, HIGH M8-13-20	3		
18 - 13	K0100080002	NUT, M8	2		
18 - 14	LM54GAS1227Z3	ADJUSTER	2		
18 - 15	K5012306202	WASHER, SPCC 2.3-6-20	2		
18 - 16	K0200060002	WASHER, SPRING M6	2		
18 - 17	K0100060002	NUT, M6	2		
18 - 18	LM101--1253Z0	HOUSING ASSY, VERTICAL (RH)	1		
18 - 19	LM54GS-1207A0	HOUSING, VERTICAL (RH)	1		
18 - 20	K0721520000	BEARING, NEEDLE TA 1520 Z	1		
18 - 21	K0821522070	OIL SEAL, MHSA15227	1		
18 - 22	K5051015280	WASHER, C5191P 1-15-28	2		
18 - 23	K5300000293	COVER, DUST PROOF	1		
18 - 24	LM101--1252Z0	GROOMER COMP, 77	1		
18 - 25	K0100040002	NUT, M4	2		
18 - 26	K0023000041	SETSCREW, M4-8	2		
18 - 27	K0160000602	NUT, SPECIAL P1 M17 W/M4	2		
18 - 28	K6214000030	COLLAR, AC M19.7-32-6.1	77		
18 - 29	K2570000019	BLADE, VERTICAL 63	77		
18 - 30	K5090000673	WASHER, SPCC 0.5	0~10	for adjustment	

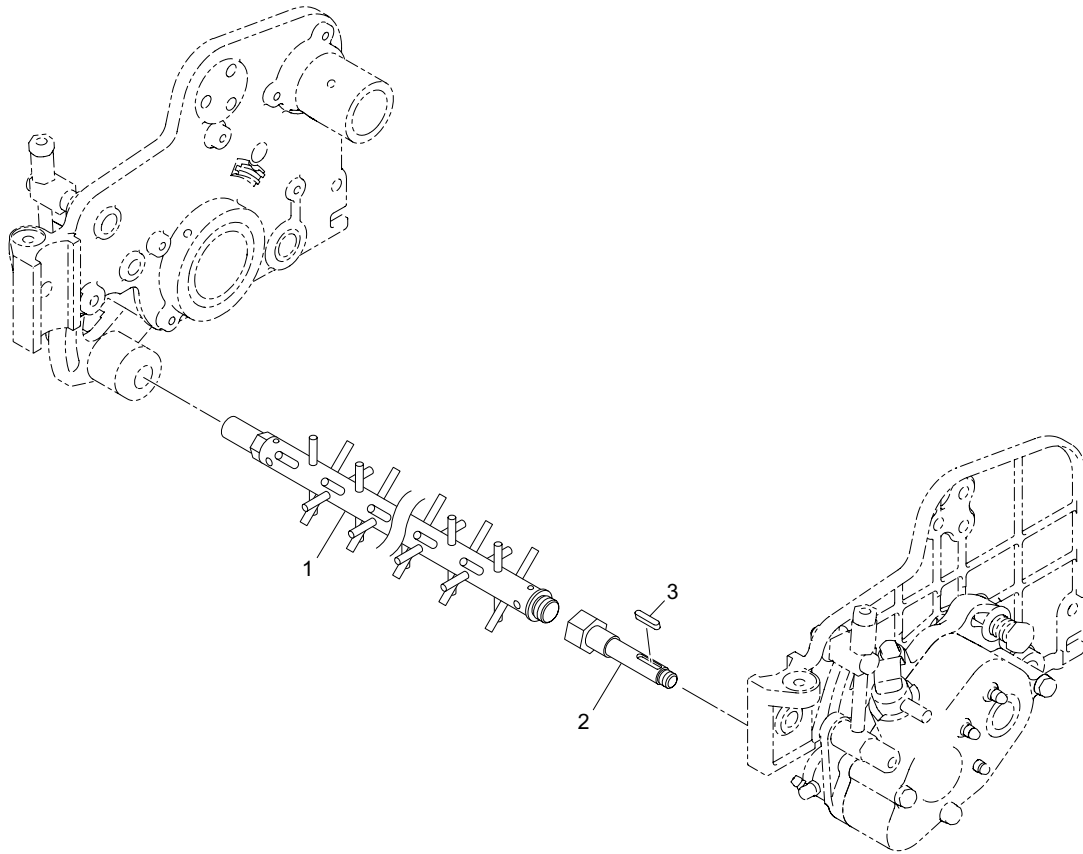
18. Groomer section B

LM101



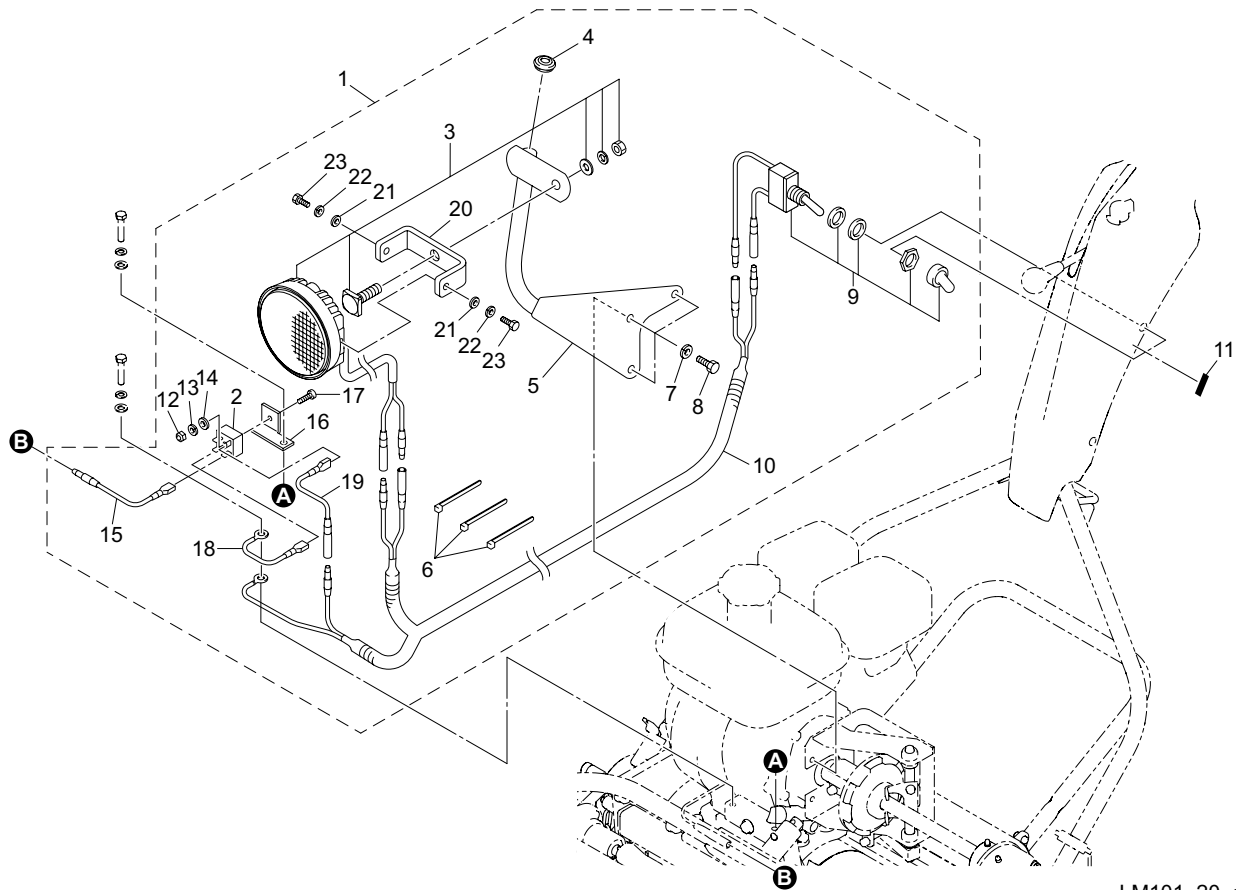
LM101_18_z00

Cat No.	Code No.	Part name	Qty	Remark	SN of application
18 - 31	LM101--1208Z8	SHAFT, VERTICAL	1		
18 - 32	LM55GBS1204Z0	COLLAR	1		
18 - 33	K0500404200	KEY, BOTH ROUND M4-420	1		
18 - 34	K0401015001	RING, RETAINING S M15	1		
18 - 35	K0025080552	BOLT,CARRIAGE M8-55	1		
18 - 36	LM54GS-1220A3	STOPPER, (LH)	1		



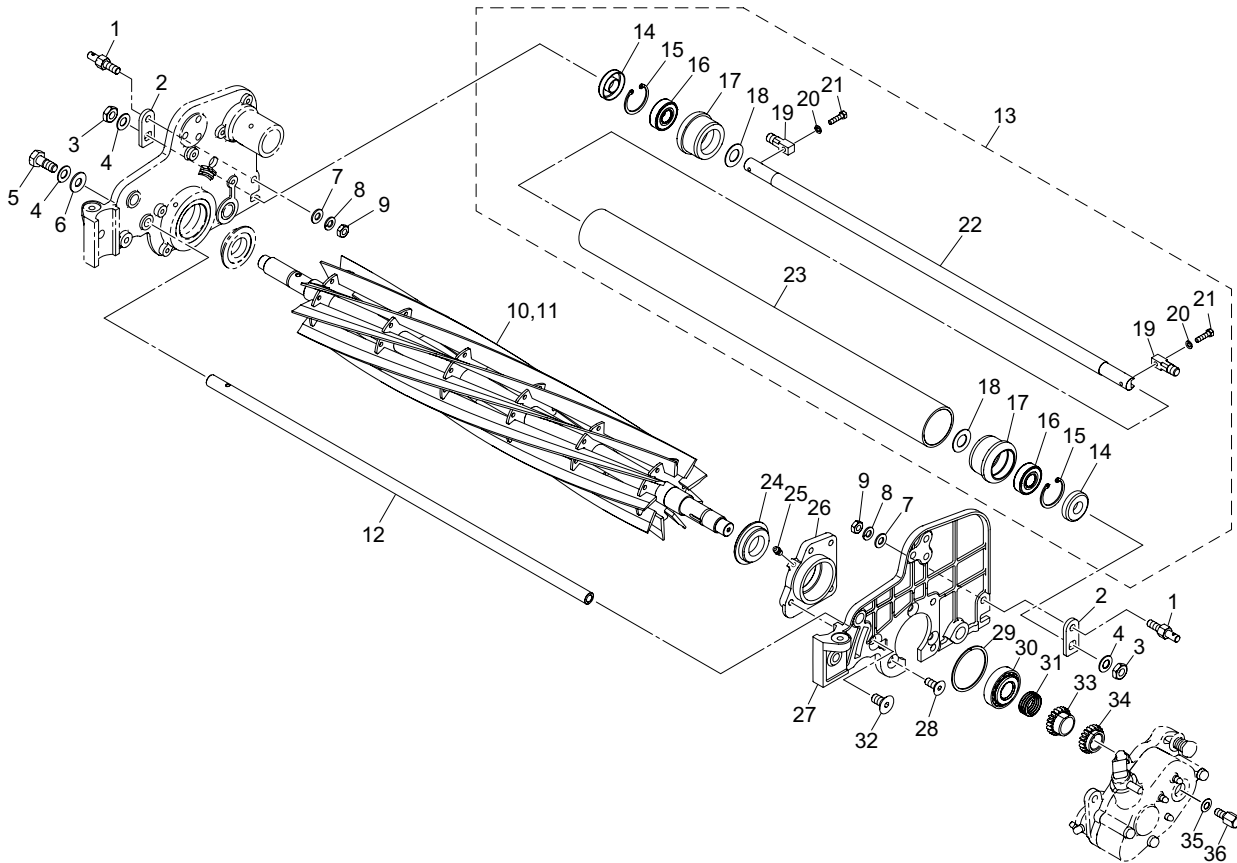
LM101_19_z00

Cat No.	Code No.	Part name	Qty	Remark	SN of application
19 - 1	K4150000010	SHAFT ASSY, BRUSH 15	1		
19 - 2	LM101--1301Z8	SHAFT, BRUSH SMALL	1		
19 - 3	K0500404200	KEY, BOTH ROUND M4-420	1		



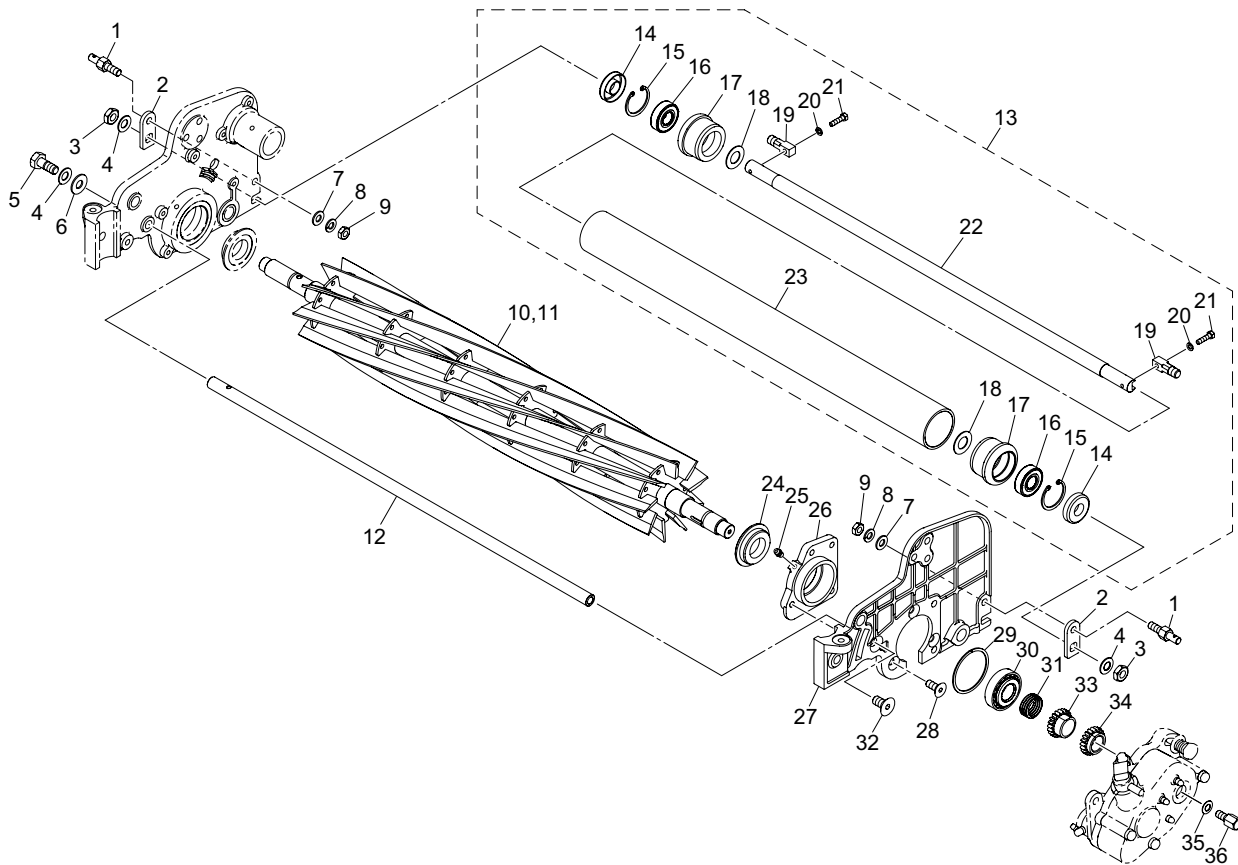
LM101_20_a01

Cat No.	Code No.	Part name	Qty	Remark	SN of application
20a- 1	LM101--2350Z0	LIGHT KIT, LED	1		
20a- 2	K3730000030	DIODE, BRIDGE S15VB60	1		
20 - 3	K3640000090	LAMP, LED WORKING NS-2556	1		
20 - 4	K0900300140	GROMMET, W/SEALING C30SG14A	1		
20 - 5	K735500071D	BRACKET, HEAD LAMP	1		
20 - 6	K4241000060	BAND, PLASTIC TRCV-160LW	3		
20 - 7	K0200080002	WASHER, SPRING M8	3		
20 - 8	K0000080202	BOLT, M8-20	3		
20 - 9	K3662000100	SWITCH, TOGGLE FOR LAMP WD101181	1		
20 - 10	K3620001060	WIRE, SWITCH	1		
20 - 11	K4203001610	DECAL, LIGHT SWITCH	1		
20a- 12	K0144040002	NUT, W/F-RING, M4	1		
20a- 13	K0200040002	WASHER, SPRING M4	1		
20a- 14	K5000040002	WASHER, M4	1		
20a- 15	LM101--2303Z0	WIRE, 80	1		
20a- 16	LM101--2301Z2	BRACKET, RECTIFIER	1		
20a- 17	K0042040202	SCREW, + ROUND HEAD M4-20	1		
20a- 18	LM101--2302Z0	WIRE, BLACK	1		
20a- 19	LM101--2304Z0	WIRE, 100	1		
20 - 20	LM101--2305ZD	BRACKET, HEAD LAMP	1		
20 - 21	K5000050002	WASHER, M5	2		
20 - 22	K0200050002	WASHER, SPRING M5	2		
20 - 23	K0000050152	BOLT, M5-15	2		



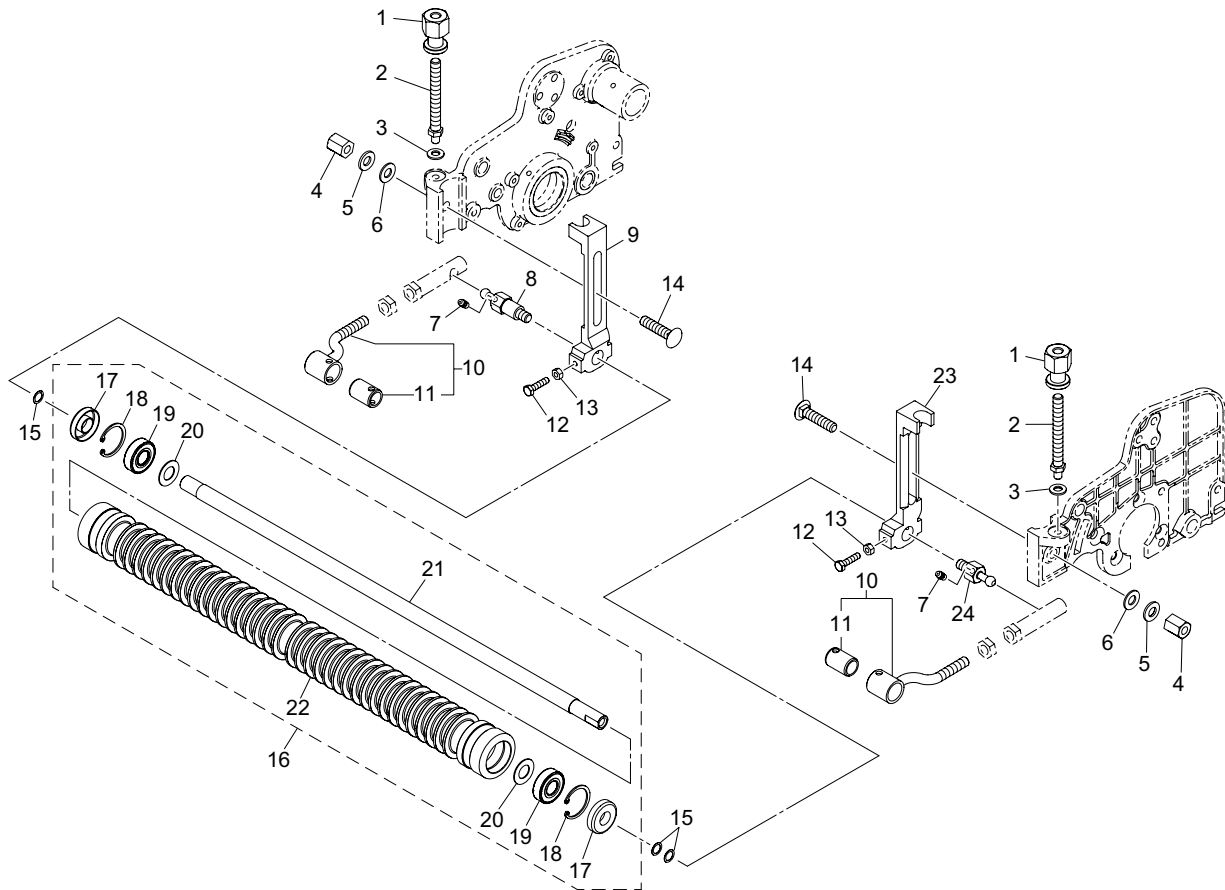
LM101_21_z00

Cat No.	Code No.	Part name	Qty	Remark	SN of application
21 - 1	LM54GA-0149Z3	BOLT, 45	2		
21 - 2	LM101--0148Z2	STOPPER	2		
21 - 3	K0160000282	NUT, P1 OH1 M10-3	2		
21 - 4	K0211100001	SPRING, CONICAL DISC H M10	3		
21 - 5	LM54GA-0115A3	BOLT, KNOCK 25	1		
21 - 6	K5001100002	WASHER, M10-24	1		
21 - 7	K5000080002	WASHER, M8	2		
21 - 8	K0200080002	WASHER, SPRING M8	2		
21 - 9	K0102080002	NUT, M8-3	2		
21 - 10	K280540090R	REEL CUTTER, 557	1		
21 - 11	K280540110R	REEL CUTTER, 557-11	1		
21 - 12	LM54GA-0114A3	STAY, MOWER 603.4 (FRONT)	1		
21 - 13	LM101--0153Z0	ROLLER ASSY, REAR	1		
21 - 14	K0851535080	OIL SEAL, PJN15358	2		
21 - 15	K0402035001	RING, RETAINING R M35	2		
21 - 16	K0612062020	BEARING, BALL SEAL 2RD 6202	2		
21 - 17	LM101--0139Z0	HOUSING, ROLLER	2		
21 - 18	K5051015280	WASHER, C5191P 1-15-28	2		
21 - 19	LM101--0140Z2	SHAFT, M10	2		
21 - 20	K0200050002	WASHER, SPRING M5	2		
21 - 21	K0010050202	BOLT, HT M5-20	2		
21 - 22	LM101--0137Z2	SHAFT, ROLLER	1		
21 - 23	LM54G--0138Z0	ROLLER, REAR	1		
21 - 24	K0830000020	OIL SEAL, 254210	1		
21 - 25	K1440000010	GREASE NIPPLE, STRAIGHT TYPE A	1		
21 - 26	LM101--0123ZR	HOUSING, REEL (LH)	1		
21 - 27	LM101--0103Z0	FRAME, (LH)	1		
21 - 28	K0053080202	BOLT, FLAT HEAD W/HEX. HOLE M8-20	3		
21 - 29	K0880050000	O-RING, P50	1		
21 - 30	K0631302040	BEARING, TAPER ROLLER JRP6 30204	1		



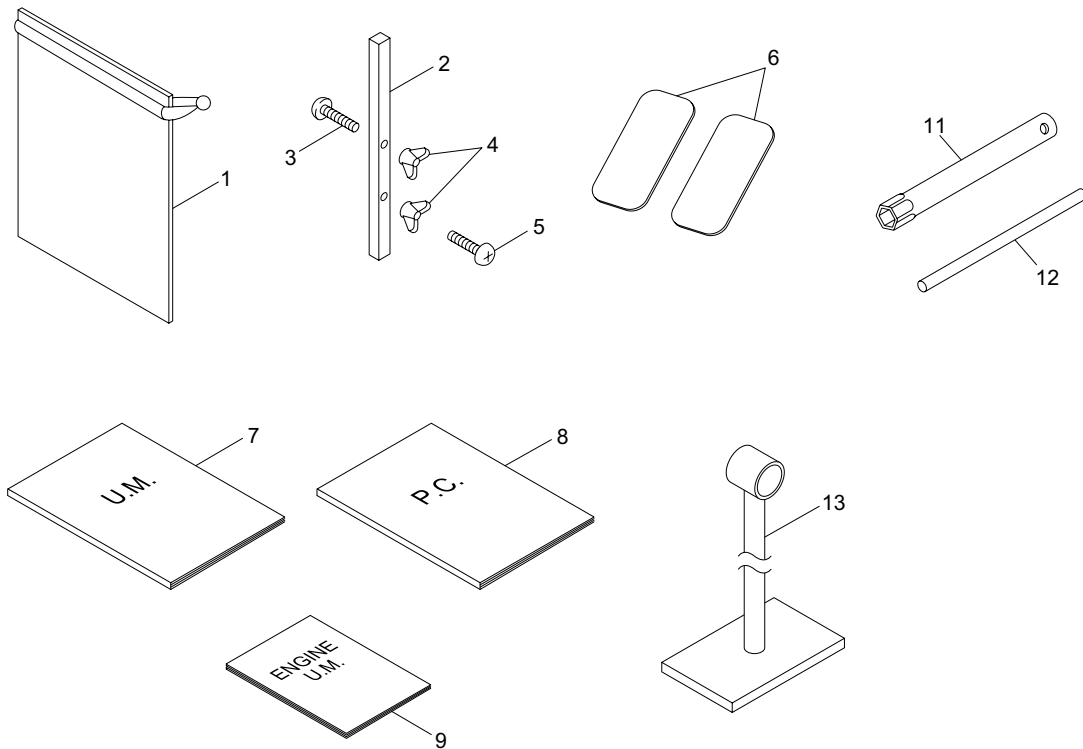
LM101_21_z00

Cat No.	Code No.	Part name	Qty	Remark	SN of application
21 - 31	K1000000740	SPRING, COMPRESSION M3.2-26.9-22	1		
21 - 32	K0053100202	BOLT, FLAT HEAD W/HEX HOLE M10-20	1		
21 - 33	LM101--1205Z0	GEAR, REEL 20-TEETH A	1		
21 - 34	LM101--1206Z0	GEAR, REEL 20-TEETH B	1		
21 - 35	K0210080002	SPRING, CONICAL DISC L M8	1		
21 - 36	LM101--0112Z2	BOLT, RAPPING	1		



LM101_22_z00

Cat No.	Code No.	Part name	Qty	Remark	SN of application
22 - 1	K6084000162	ADJUSTER FOR ROLLER (IGCA)	2		
22 - 2	LM101--0121Z0	BOLT, SUS ADJUSTING CUTTING HEIGHT	2		
22 - 3	K0213080002	WASHER, DISK SPRING 1H M8	2		
22 - 4	K0149107202	NUT, HIGH M10-17-20	2		
22 - 5	K0213100002	WASHER, DISK SPRING 1H M10	2		
22 - 6	K5000100002	WASHER, M10	2		
22 - 7	K1440000010	GREASE NIPPLE, STRAIGHT TYPE A	2		
22 - 8	LM54G--0133Z0	BOLT, SUS MOUNTING MOWER (RH)	1		
22 - 9	LM101--1210Z2	BRACKET, ROLLER (RH)	1		
22 - 10	LM101--1213Z0	FIXTURE COMP, MOWER	2		
22 - 11	K6000000150	BUSH, W/HOLE 15-20-29	2		
22 - 12	K0000060252	BOLT, M6-25	2		
22 - 13	K0100060002	NUT, M6	2		
22 - 14	K0025100452	BOLT,CARRIAGE M10-45	2		
22 - 15	K5050310140	WASHER, C5191P 0.3-10-14	0~6	for adjustment	
22 - 16	LM101--0151Z0	ROLLER ASSY, GROOVED	1		
22 - 17	K0851535080	OIL SEAL, PJN15358	2		
22 - 18	K0402035001	RING, RETAINING R M35	2		
22 - 19	K0612062020	BEARING, BALL SEAL 2RD 6202	2		
22 - 20	K5051015280	WASHER, C5191P 1-15-28	2		
22 - 21	LM101--0118Z2	SHAFT, ROLLER	1		
22 - 22	LM101--0117Z3	ROLLER, GROOVED	1		
22 - 23	LM101--1209Z2	BRACKET, ROLLER (LH)	1		
22 - 24	LM54G--0132Z0	BOLT, SUS MOUNTING MOWER (LH)	1		

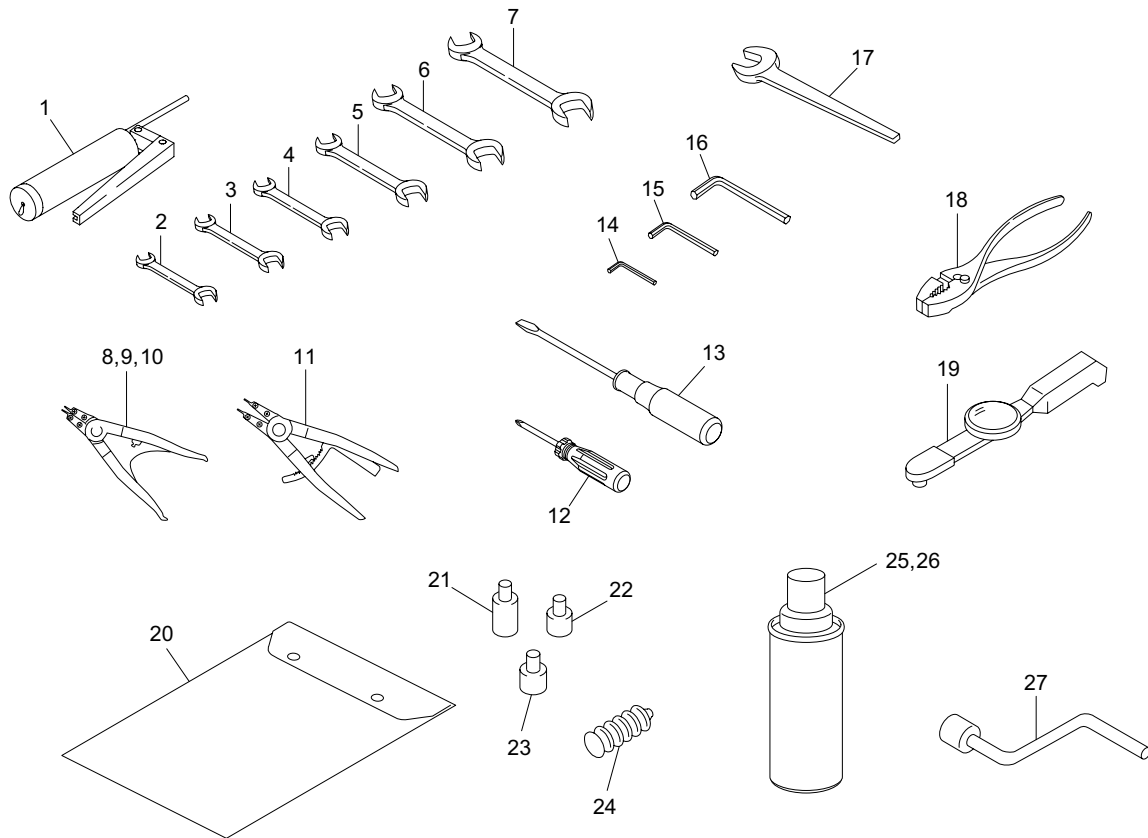


LM101_23_a01

Cat No.	Code No.	Part name	Qty	Remark	SN of application
23 - 1	K4801000050	BAG, TOOL (BIG)	1		
23 - 2	K6090000072	GAUGE, CUTTING HEIGHT	1		
23 - 3	K0046060502	SCREW, + PAN HEAD M6-50	1		
23 - 4	K0141060002	NUT, WING M6-3	2		
23 - 5	K0046060302	SCREW, + PAN HEAD M6-30	1		
23 - 6	K4802000120	GAUGE, THICKNESS0.5	2		
23a- 7	750101-116-A	OWNERS OPERATING MANUAL, LM101	1		
23a- 8	750101-116-B	PARTS CATALOG, LM101	1		
23a- 9	K2655GX120U01	OPERATORS MANUAL, ENGINE GX120	1		
23a- 10					
23a- 11	HN89216-Z0T-800	WRENCH, SPARK PLUG	1		
23a- 12	HN89219-805-000	HANDLE, BOX WRENCH	1		
23 - 13	LM54GB-0901ZD	STAND, FOR MAINTENANCE	1		

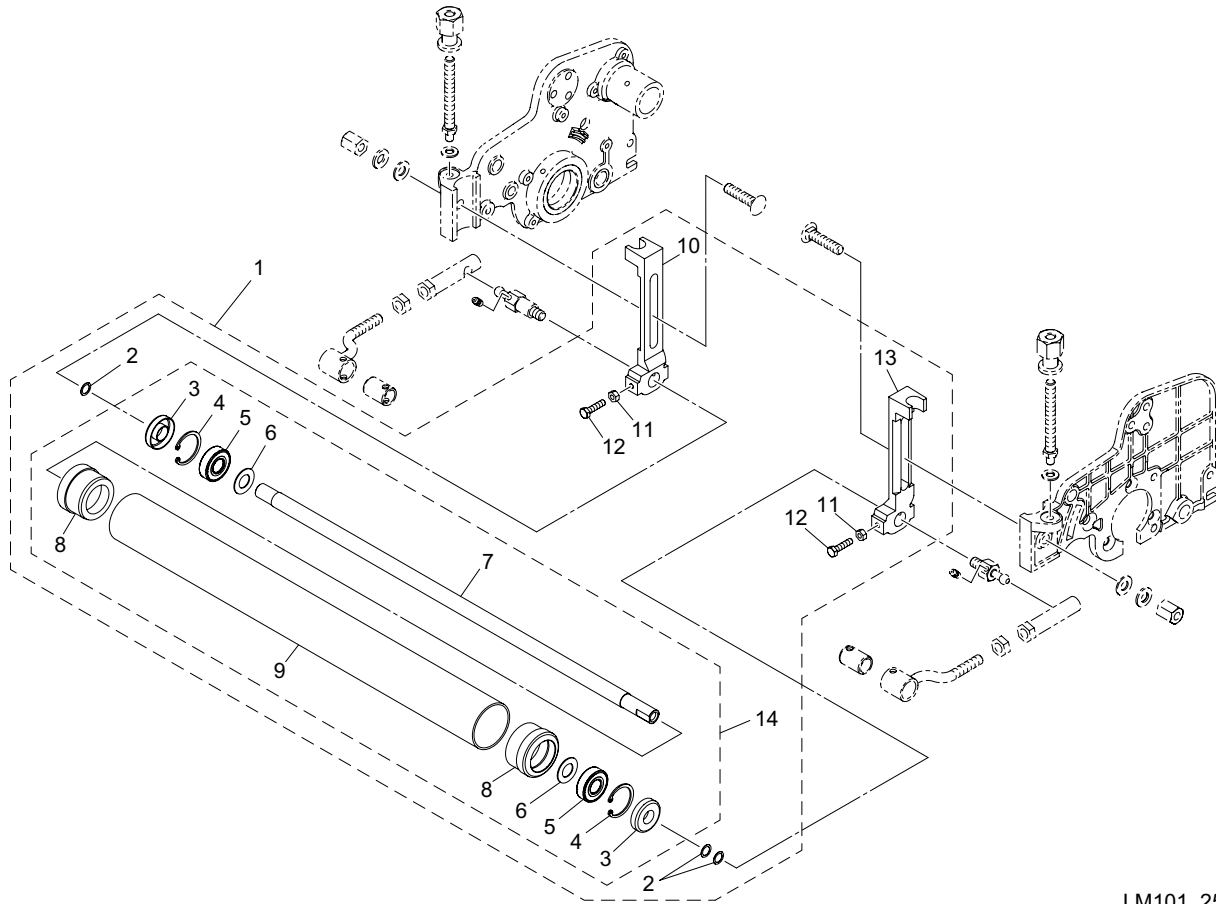
24. Optional tools section

LM101



LM101_24_z00

Cat No.	Code No.	Part name	Qty	Remark	SN of application
24 - 1	K485000022	GREASE GUN	1		
24 - 2	K4810070082	WRENCH, 7*8	1		
24 - 3	K4810080102	WRENCH, 8*10	1		
24 - 4	K4810100122	WRENCH, 10*12	1		
24 - 5	K4810130172	WRENCH, 13*17	1		
24 - 6	K4810190222	WRENCH, 19*22	1		
24 - 7	K4810220242	WRENCH, 22*24	1		
24 - 8	K4802000400	TOOL, STOP RING PLIERS ST-1	1		
24 - 9	K4802000410	TOOL, STOP RING PLIERS ST-2	1		
24 - 10	K4802000420	TOOL, STOP RING PLIERS RT-2	1		
24 - 11	K4802000430	TOOL, STOP RING PLIERS RT-2N	1		
24 - 12	K4820000010	SCREWDRIVER, +/-	1		
24 - 13	K4820000020	SCREWDRIVER, - 200	1		
24 - 14	K4813020001	SPANNER, HEX PIN 2	1		
24 - 15	K4813040001	SPANNER, HEX PIN 4	1		
24 - 16	K4813050001	SPANNER, HEX PIN 5	1		
24 - 17	K4811240002	WRENCH, SINGLE HEAD 24	1		
24 - 18	K4830000032	PLIERS, 135	1		
24 - 19	K4802000370	TOOL, TORQUE WRENCH 6-60	1		
24 - 20	K4801000050	BAG, TOOL (BIG)	1		
24 - 21	K4802000364	TOOL, SOCKET ADAPTER 9.5*12.7	1		
24 - 22	K4802000354	TOOL, SOCKET ADAPTER 6.35*9.5	1		
24 - 23	K4816006130	SOCKET, HEX 6.35-13	1		
24 - 24	K2931000400	GREASE, EXCELITE EP NO.2 400G	1		
24 - 25	BARONESS-001	SPRAY, LACQUER WINE RED	1		
24 - 26	BARONESS-002	SPRAY, LACQUER DARK GRAY	1		
24 - 27	K4802000382	TOOL, LAPPING HANDLE	1		



LM101_25_z00

Cat No.	Code No.	Part name	Qty	Remark	SN of application
25 - 1	LM101--4301Z0	ROLLER KIT, SMOOTH	1	option	
25 - 2	K5050310140	WASHER, C5191P 0.3-10-14	0~6	for adjustment	
25 - 3	K0851535080	OIL SEAL, PJN15358	2		
25 - 4	K0402035001	RING, RETAINING R M35	2		
25 - 5	K0612062020	BEARING, BALL SEAL 2RD 6202	2		
25 - 6	K5051015280	WASHER, C5191P 1-15-28	2		
25 - 7	LM101--0118Z2	SHAFT, ROLLER	1		
25 - 8	K6202000550	HOUSING, ROLLER	2		
25 - 9	LM101--4303ZD	PIPE, SMOOTH ROLLER	1		
25 - 10	LM101--4305Z2	BRACKET, ROLLER (RH)	1		
25 - 11	K0100060002	NUT, M6	2		
25 - 12	K0000060252	BOLT, M6-25	2		
25 - 13	LM101--4304Z2	BRACKET, ROLLER (LH)	1		
25 - 14	LM101--4302Z0	ROLLER ASSY, SMOOTH	1		

MEMO

BARONESS[®]
Quality on Demand



KYOEISHA CO., LTD.

Head Office 1-26, Miyuki-cho, Toyokawa, Tel : (0533)84-1390
Aichi-Pref. 442-8530 Japan. Fax : (0533)89-3623