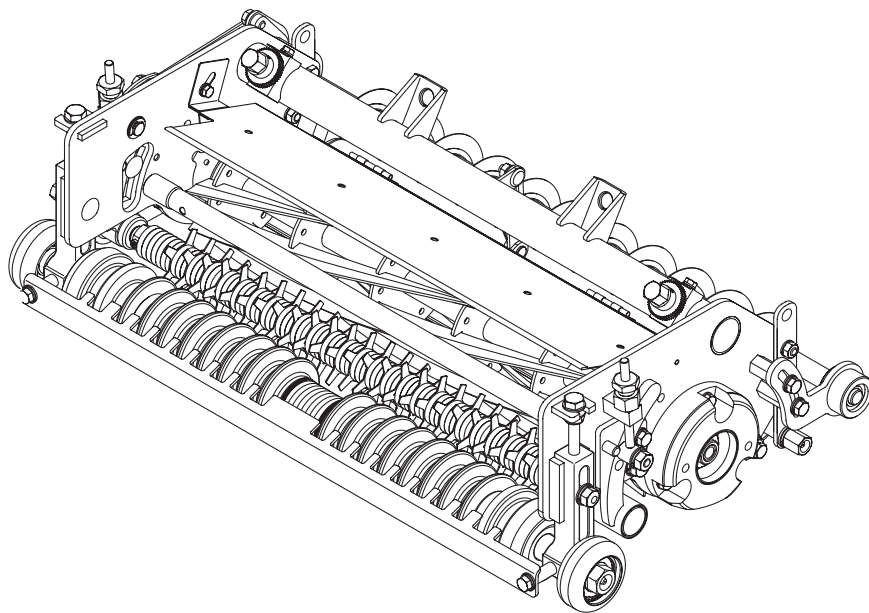


# LH52

Small Diameter Mower Unit

## Parts catalog



**BARONESS**  
Quality on Demand

## Greeting

Thank you for purchasing Baroness machine.

This machine has been shipped from the factory after comprehensive test runs and inspections. However, the optimum performance of the machine depends on how you use and maintain it, including routine inspections, adjustments, and fuel supplies before and after the operation.

We hope you will use the machine safely, and take advantage of its best performance.

## Note

(For inquiry about this machine)

Since the type of machine may be changed sequentially, inform us of the type and the serial number.

The information described in this manual is subject to change without prior notice.

When replacing parts, be sure to use Baroness parts or parts designated by Kyo-eisha.

Note that the Baroness product warranty may not apply to defects caused by the use of parts from other companies.

(For ordering parts)

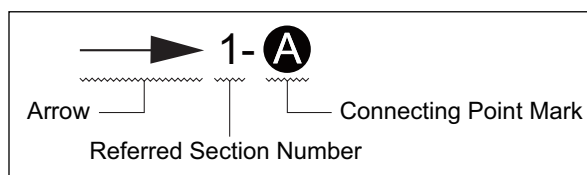
For prevention of delivery of wrong parts, be sure to inform us of the code number and the part name.

Example:	Code No.	Part Name	Qty
	K0000100402	BOLT, M10-40	1

### <Indication of the connecting point shown on the other page>

(Example and description)

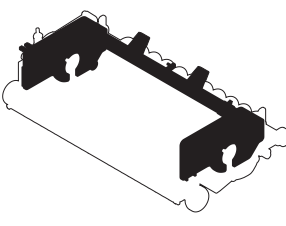
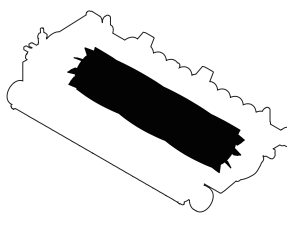
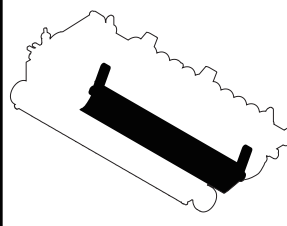
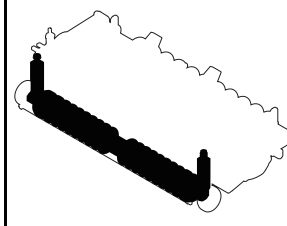
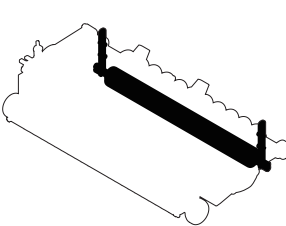
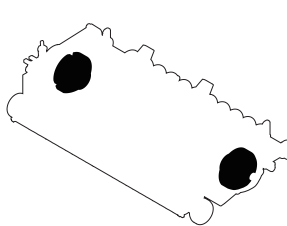
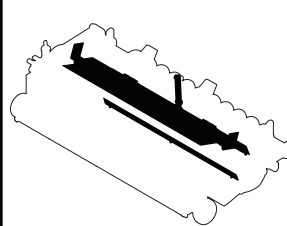
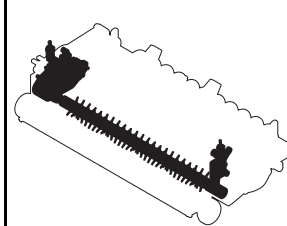
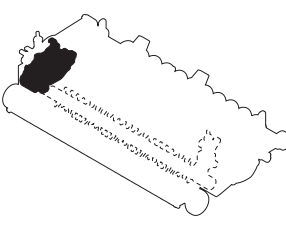
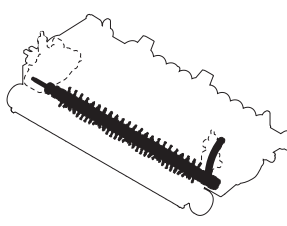
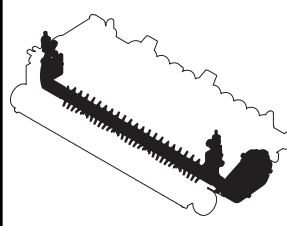
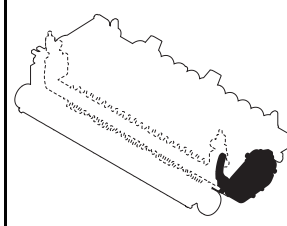
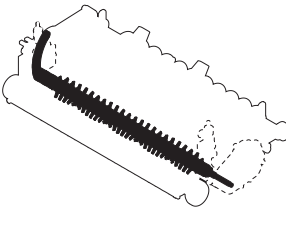
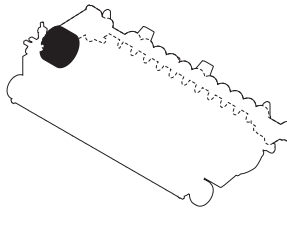
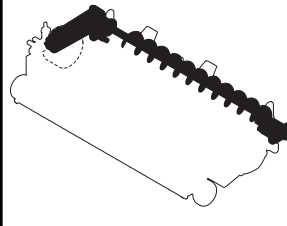
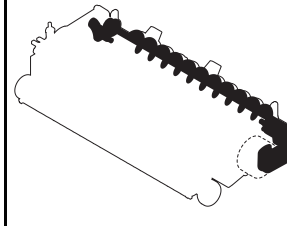
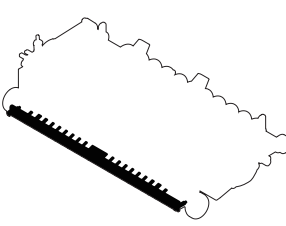
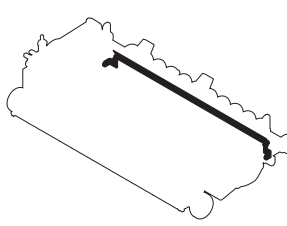
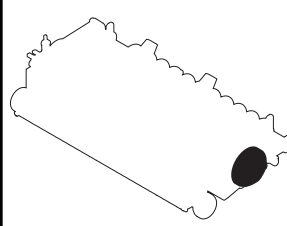
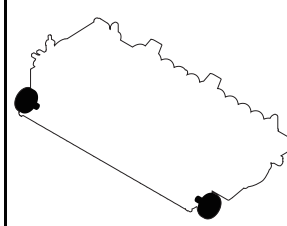
The following indication shows the connecting point of the part shown on the other page.



→ 1- A : Refer to the point A in the illustration of the section No.1

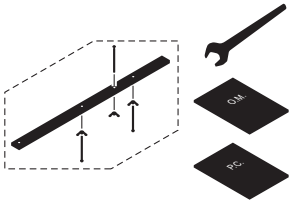
→ 2- A : Refer to the point A in the illustration of the section No.2

# Contents

1.Frame section.....3 	2.Reel cutter section.....4 	3.Bed knife section .....5 	4.Front roller section.....6 
5.Rear roller section .....7 	6.Housing section .....8 	7.Reel cover section .....9 	8.Groomer section A (motor on left side).....10 
9.Groomer section B (motor on left side).....11 	10.Groomer section C (motor on left side).....13 	11.Groomer section D (motor on right side) .....14 	12.Groomer section E (motor on right side) .....15 
13.Groomer section F (motor on right side) .....17 	14.CR brush section A (motor on left side • right side) .....18 	15. CR brush section B (motor on left side).....19 	16.CR brush section C (motor on right side) .....21 
17.Front scraper section .....23 	18.Rear scraper section .....24 	19.Weight section .....25 	20.Support roller section .....26 

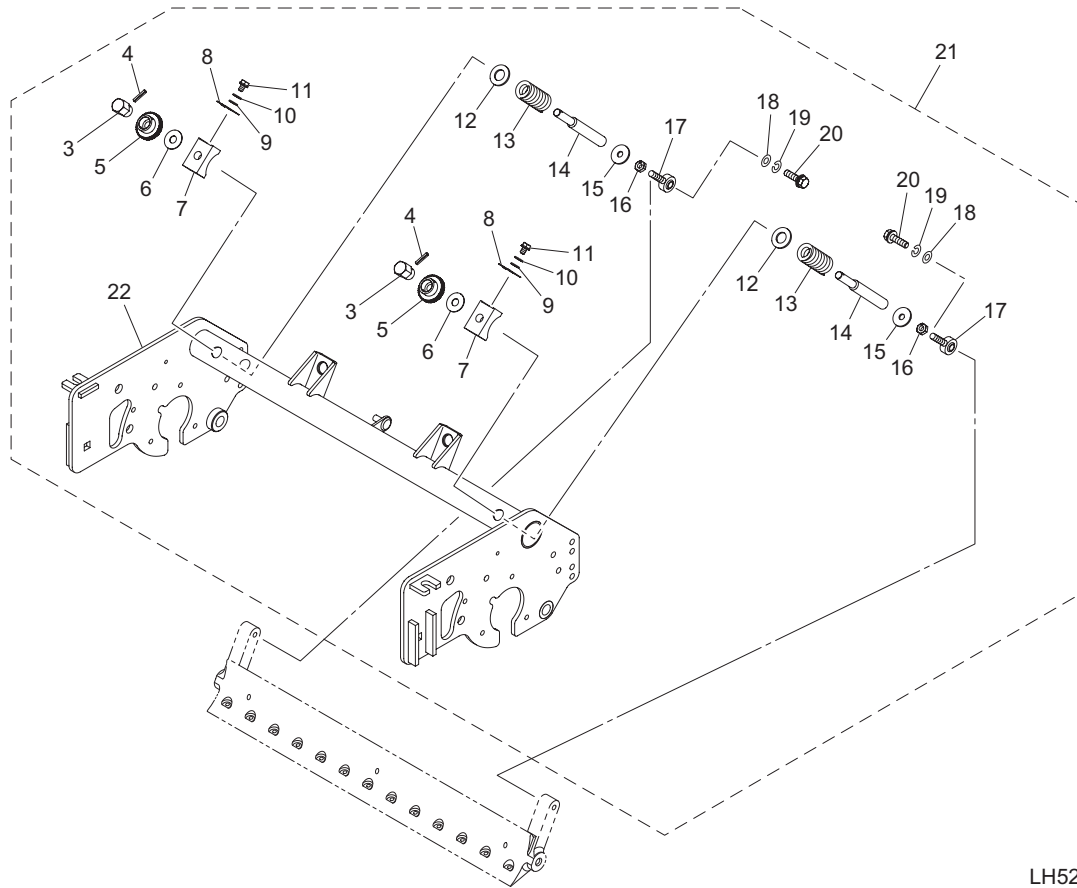
21. Accessory tool section

.....27



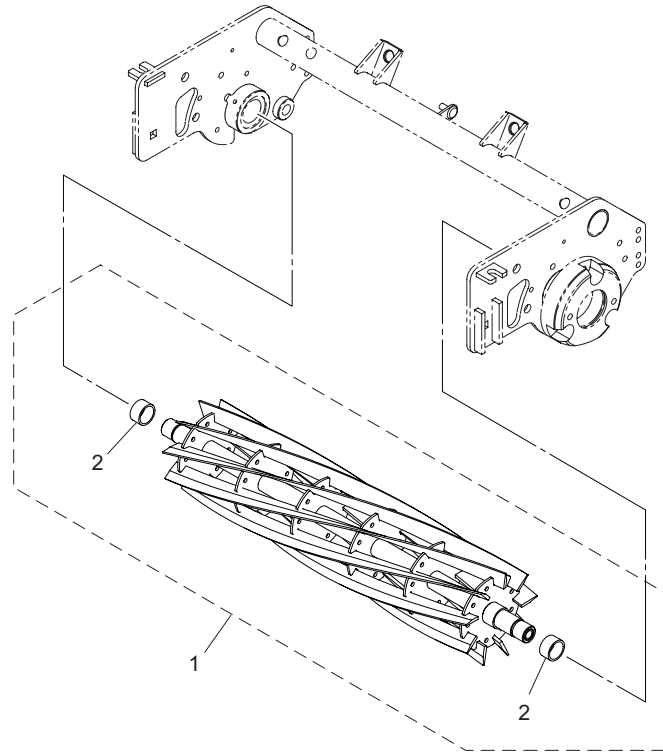
# 1.Frame section

LH52



LH52\_001\_z01

Cat No.	Code No.	Part name	Qty	Remark	SN of application
1-1					
1-2					
1-3	LH52---0104Z2	NUT, ADJUSTMENT	2		
1-4	K0320040201	PIN, SPRING M4-20	2		
1-5	LH52---0105Z2	ADJUSTER, KNIFE 50	2		
1-6	K5051010260	WASHER, C5191P 1-10-26	2		
1-7	LH52---0103Z2	MOUNT	2		
1-8	LH52---0106Z8	SPRING, ALIGNING CUTTING EDGE	2		
1-9	K5000060002	WASHER, M6	2		
1-10	K0200060002	WASHER, SPRING M6	2		
1-11	K0000060102	BOLT, M6-10	2		
1-12	K5000140002	WASHER, M14	2		
1-13	K1000000458	SPRING, COMPRESSION M5-25-60	2		
1-14	LH52---0102Z2	SHAFT, ADJUSING BLADES	2		
1-15	K5012308262	WASHER, SPCC 2.3-8-26	2		
1-16	K0102080002	NUT, M8-3	2		
1-17	K1602080000	JOINT, SPHERICAL POS8	2		
1-18	K5000080002	WASHER, M8	2		
1-19	K0200080002	WASHER, SPRING M8	2		
1-20	K0000080302	BOLT, M8-30	2		
1-21	LH52---0110A0	FRAME ASSY, MOWER	1		
1-22	LH52---0101AR	FRAME	1		

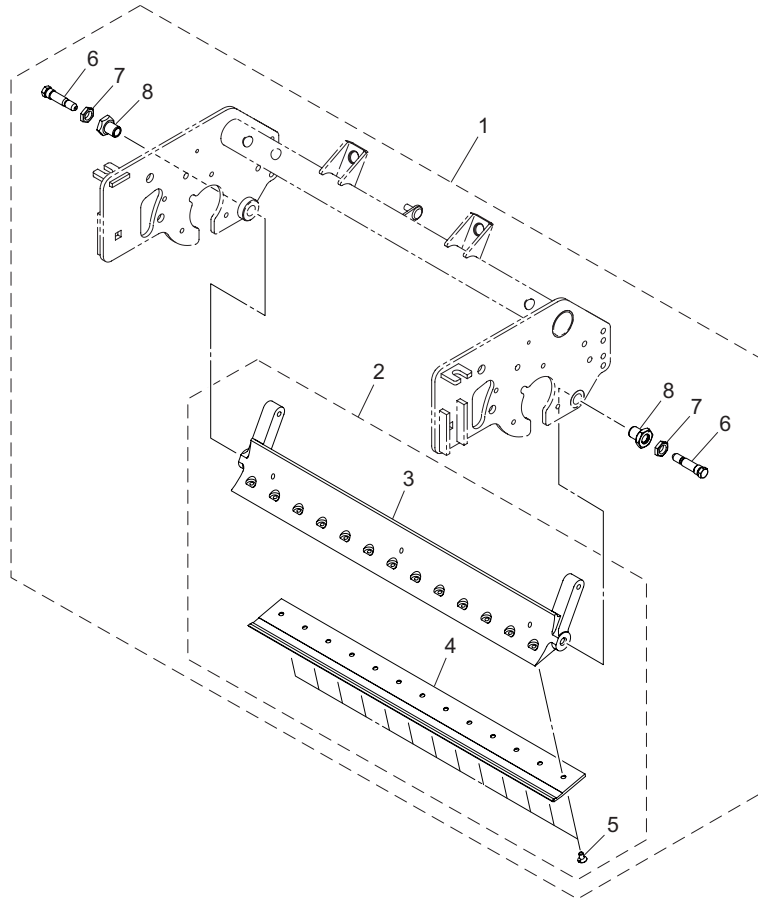


LH52\_002\_z00

Cat No.	Code No.	Part name	Qty	Remark	SN of application
2-1	LH529--0201Z0	REEL CUTTER ASSY	1	9-blade	
2a-1	LH527--0201Z0	REEL CUTTER ASSY	1	7-blade	
2b-1	LH521--0201Z0	REEL CUTTER ASSY	1	11-blade	
2-2	K0737000100	INNER RACE, LRTZ253016	2		

### 3.Bed knife section

LH52

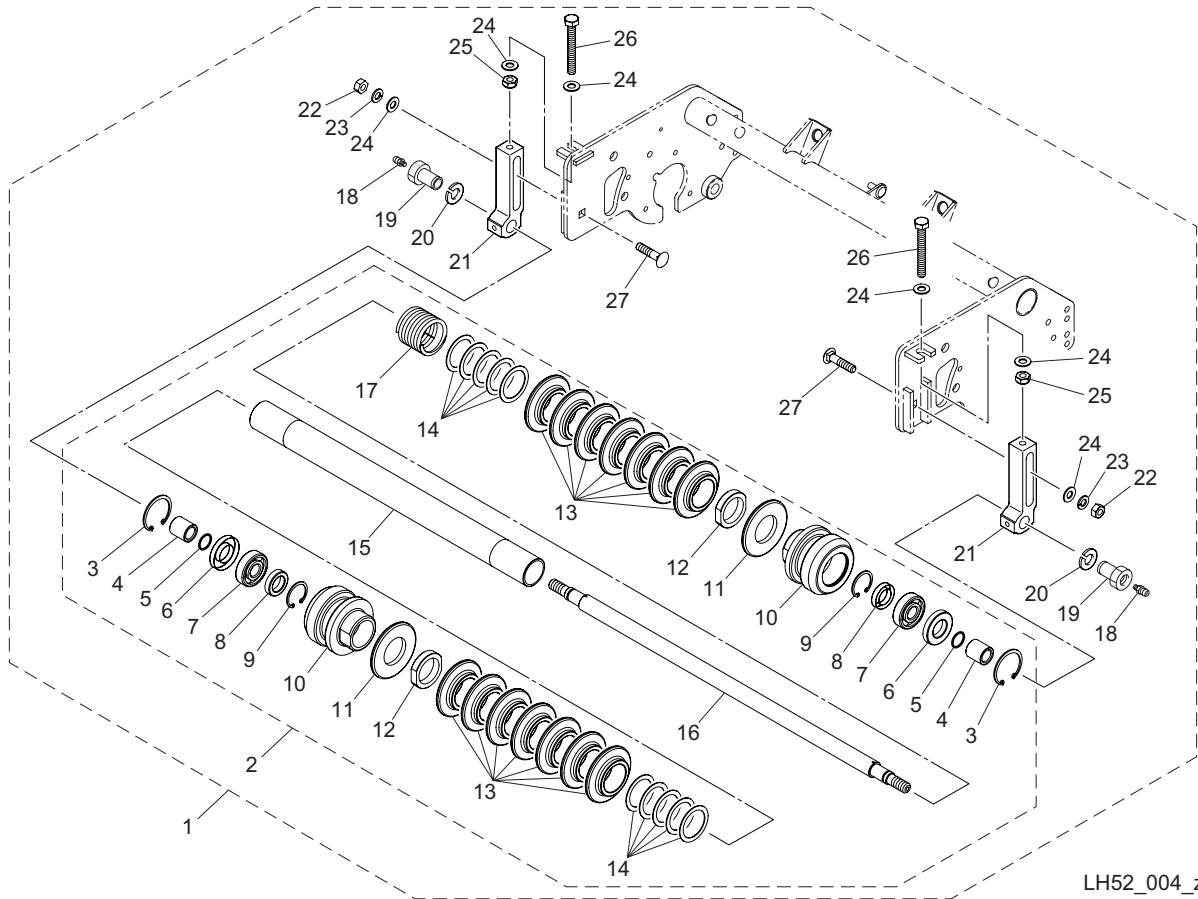


LH52\_003\_z00

Cat No.	Code No.	Part name	Qty	Remark	SN of application
3-1	LH52---1310Z0	BEDKNIFE ASSY	1		
3-2	LH52---1302Z0	BEDKNIFE & BASE ASSY	1		
3-3	LH52---1301ZR	BASE, BED KNIFE	1		
3-4	K2510000160	BEDKNIFE, 5-62.5-559	1		
3-5	K0071000222	SCREW, HT + FLAT HEAD M6-12	13		
3-6	K6082000010	BOLT, SUS STEPPED FOR FIXING CUTTER	2		
3-7	K0160000112	NUT, LOCKING	2		
3-8	K6010000010	BUSH, STEPPED	2		

# 4.Front roller section

LH52



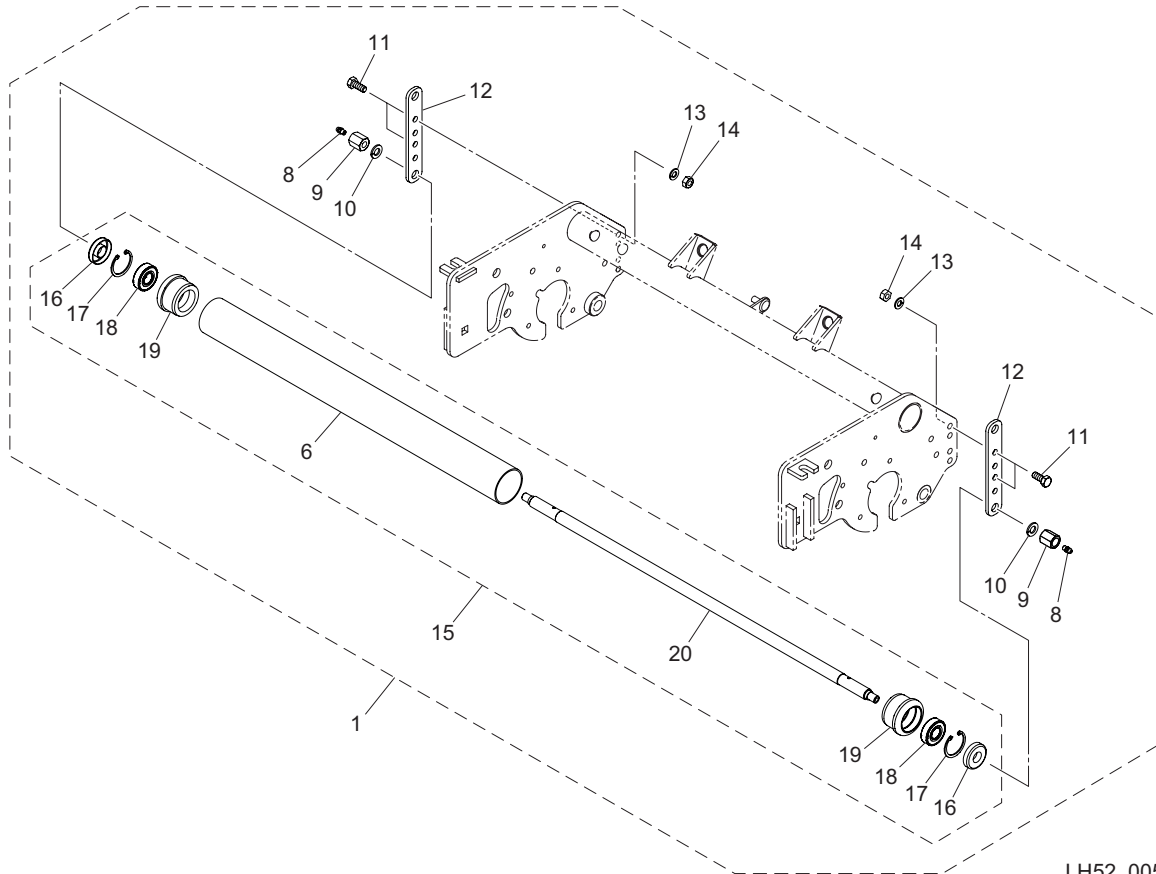
LH52\_004\_z00

Cat No.	Code No.	Part name	Qty	Remark	SN of application
4-1	LH52---0610Z0	ROLLER ASSY, FRONT	1		
4-2	LH52---0603Z0	ROLLER ASSY, 22	1		
4-3	K0402047001	RING, RETAINING R M47	2		
4-4	K6219000600	COLLAR, SUS M17-25-27	2		
4-5	K0885015000	O-RING, S15	2		
4-6	K0822547080	OIL SEAL, MHA25478	2		
4-7	K0600063030	BEARING, BALL 6303	2		
4-8	K0822235080	OIL SEAL, MHA22358	2		
4-9	K0402035001	RING, RETAINING R M35	2		
4-10	LH6690-0601ZD	HOUSING, ROLLER	2		
4-11	K510100061D	PLATE, ROUND 80	2		
4-12	K016000062D	NUT, M40	2		
4-13	K5920000120	ROLLER, PLASTIC 80	14		
4-14	K5011040522	WASHER, SPCC 1-40-52	10		
4-15	LM2700-2109Z2	PIPE, ROLLER 34.2-40504.7	1		
4-16	LM2700-2107Z0	SHAFT, ROLLER 646.5	1		
4-17	K100000073D	SPRING, COMPRESSION M5-51-75	1		
4-18	K1440000010	GREASE NIPPLE, STRAIGHT TYPE A	2		
4-19	LH52---0602Z2	NUT	2		
4-20	K0200180002	WASHER, SPRING M18	2		
4-21	LH52---0601Z2	BRACKET, FRONT ROLLER	2		
4-22	K0100100002	NUT, M10	2		
4-23	K0200100002	WASHER, SPRING M10	2		
4-24	K5000100002	WASHER, M10	4		
4-25	K0144100002	NUT, W/F-RING M10	2		
4-26	K0000100802	BOLT, M10-80	2		
4-27	K0025100452	BOLT,CARRIAGE M10-45	2		



# 5.Rear roller section

LH52

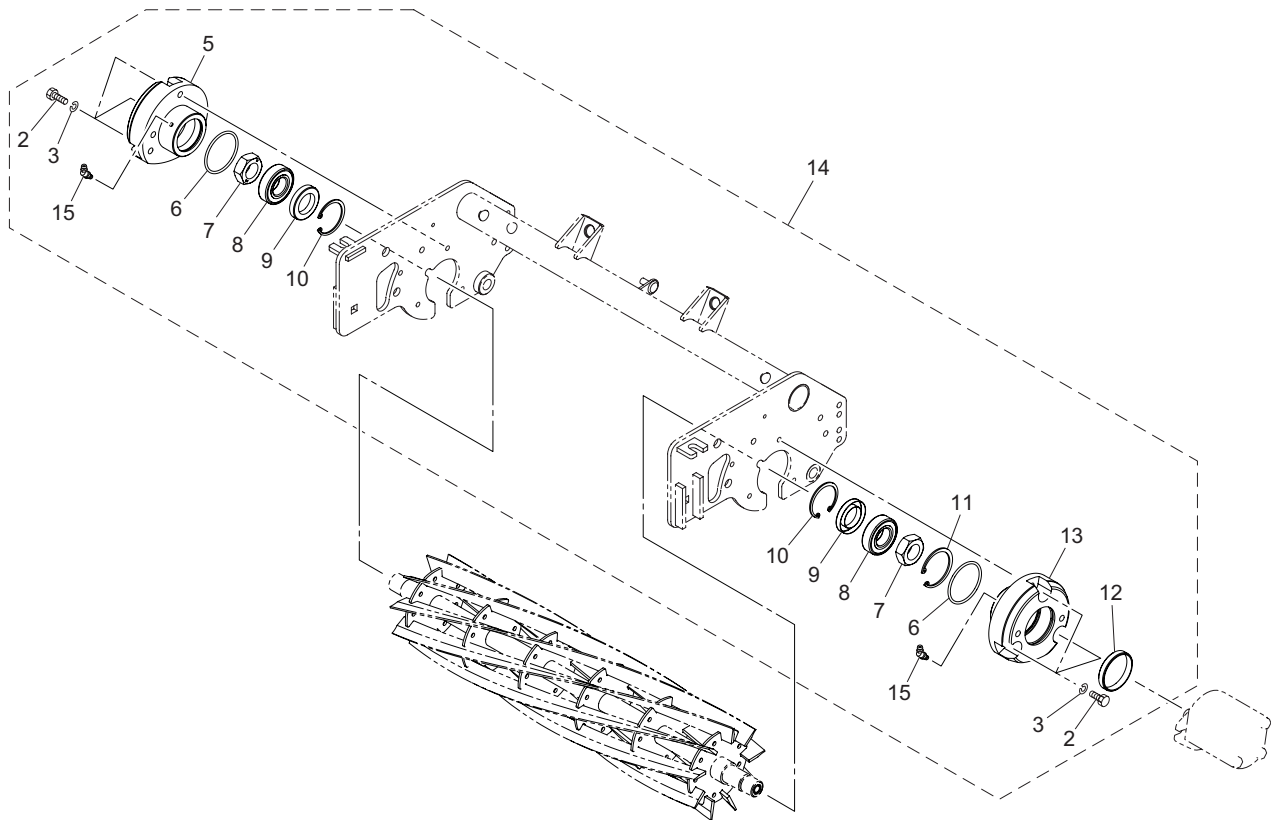


LH52\_005\_z01

Cat No.	Code No.	Part name	Qty	Remark	SN of application
5-1	LH52---0710A0	ROLLER ASSY, REAR	1		
5-2					
5-3					
5-4					
5-5					
5-6	LM150GA1365AD	ROLLER, REAR	1		
5-7					
5-8	K1440000010	GREASE NIPPLE, STRAIGHT TYPE A	2		
5-9	LH52---0702Z2	NUT	2		
5-10	K0200100002	WASHER, SPRING M10	2		
5-11	K0010080202	BOLT, HT M8-20	4		
5-12	LH52---0701Z2	BRACKET, REAR ROLLER	2		
5-13	K0200080002	WASHER, SPRING M8	4		
5-14	K0100080002	NUT, M8	4		
5-15	LH52---0711Z0	ROLLER ASSY	1		
5-16	K0851535080	OIL SEAL, PJN15358	2		
5-17	K0402035001	RING, RETAINING R M35	2		
5-18	K0612062020	BEARING, BALL SEAL 2RD 6202	2		
5-19	K6202000550	HOUSING, ROLLER	2		
5-20	LH52---0704Z0	SHAFT, ROLLER	1		

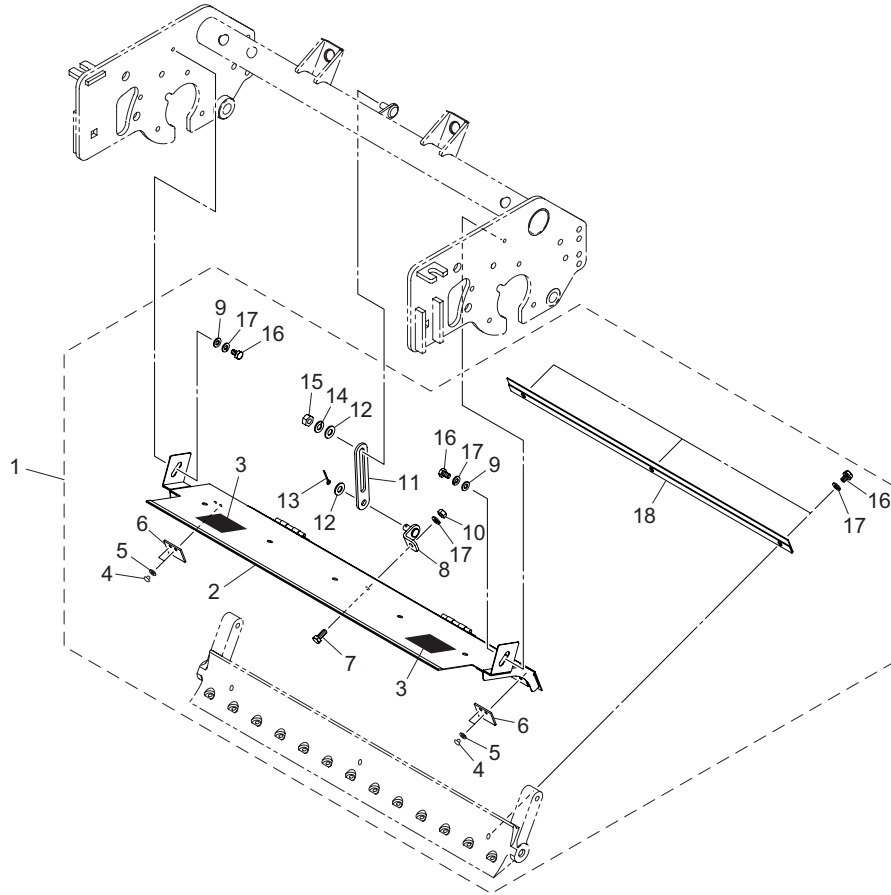
# 6.Housing section

LH52



LH52\_006\_z01

Cat No.	Code No.	Part name	Qty	Remark	SN of application
6-1					
6-2	K0000080202	BOLT, M8-20	1		
6-3	K0200080002	WASHER, SPRING M8	2		
6-4					
6-5	LH52---0401Z2	HOUSING, REEL G	2		
6-6	K0882055000	O-RING, G55	2		
6-7	K0108240002	NUT, P1.5 M24-3	2		
6-8	K0606062050	BEARING, BALL SEAL RS 6205	2		
6-9	K0823047080	OIL SEAL, MHSA30478	2		
6-10	K0402047001	RING, RETAINING R M47	2		
6-11	K0402052001	RING, RETAINING R M52	2		
6-12	LH52---0403A2	COLLAR	2		
6-13	LH52---0402Z2	HOUSING, REEL M	2		
6-14	LH52---0410A0	HOUSING ASSY, REEL	1		
6-15	K1440000030	GREASE NIPPLE, 67.5 DEG TYPE B	2		

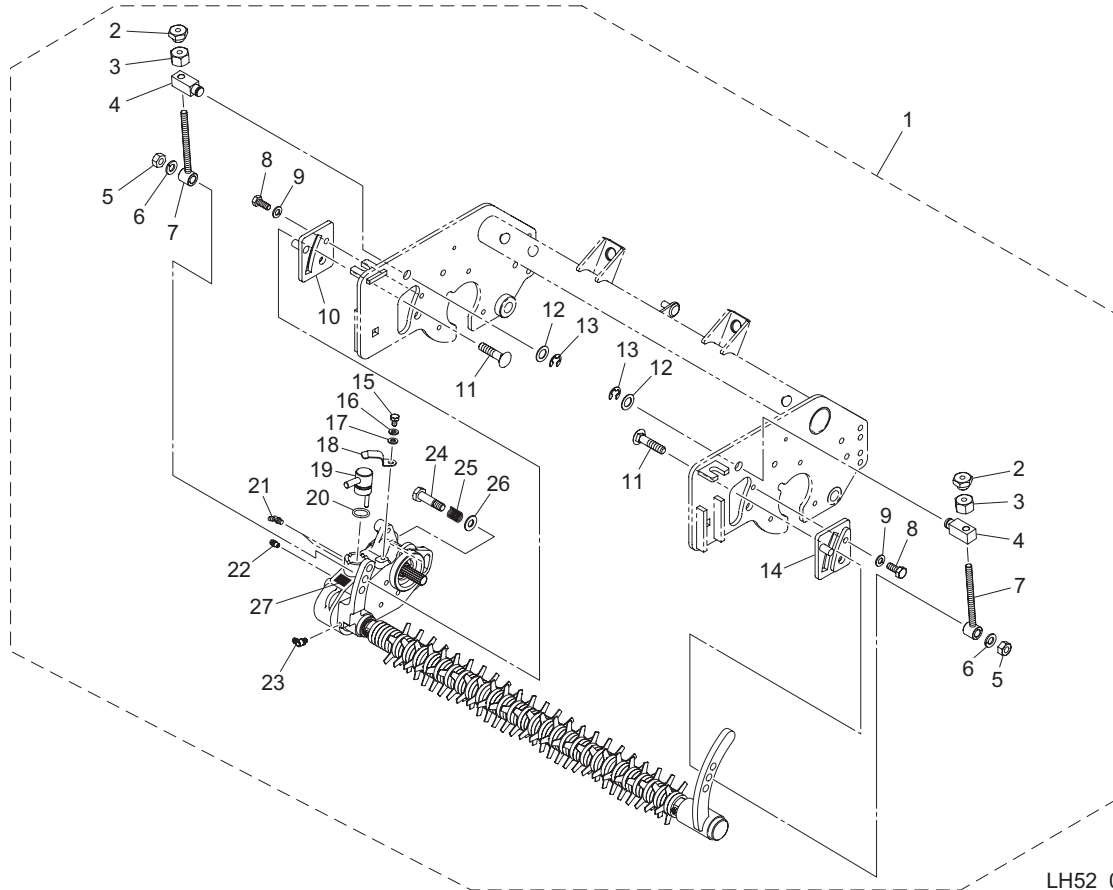


LH52\_007\_z00

Cat No.	Code No.	Part name	Qty	Remark	SN of application
7-1	LH52---2510Z0	COVER ASSY, REEL	1		
7-2	LH52---2511Z0	COVER COMP, REEL	1		
7-3	K4205001600	DECAL, CAUTION TO MUTILATION	2		
7-4	K4510615120	RIVET, BLIND AVEX 1661-0512	4		
7-5	K5000050002	WASHER, M5	4		
7-6	LH52---2503Z0	PLATE, RUBBER	2		
7-7	K0000060152	BOLT, M6-15	1		
7-8	LH52---2502ZR	PLATE, MOUNTING	1		
7-9	K5000060002	WASHER, M6	3		
7-10	K0100060002	NUT, M6	1		
7-11	LH52---2504ZR	PLATE, STEEL	1		
7-12	K5000080002	WASHER, M8	2		
7-13	K0300025202	PIN, COTTER M2.5-20	1		
7-14	K0200080002	WASHER, SPRING M8	1		
7-15	K0100080002	NUT, M8	1		
7-16	K0000060102	BOLT, M6-10	5		
7-17	K0200060002	WASHER, SPRING M6	6		
7-18	LM56GB-0521ZR	CRAMPER, REEL COVER	1		

# 8.Groomer section A (motor on left side)

LH52

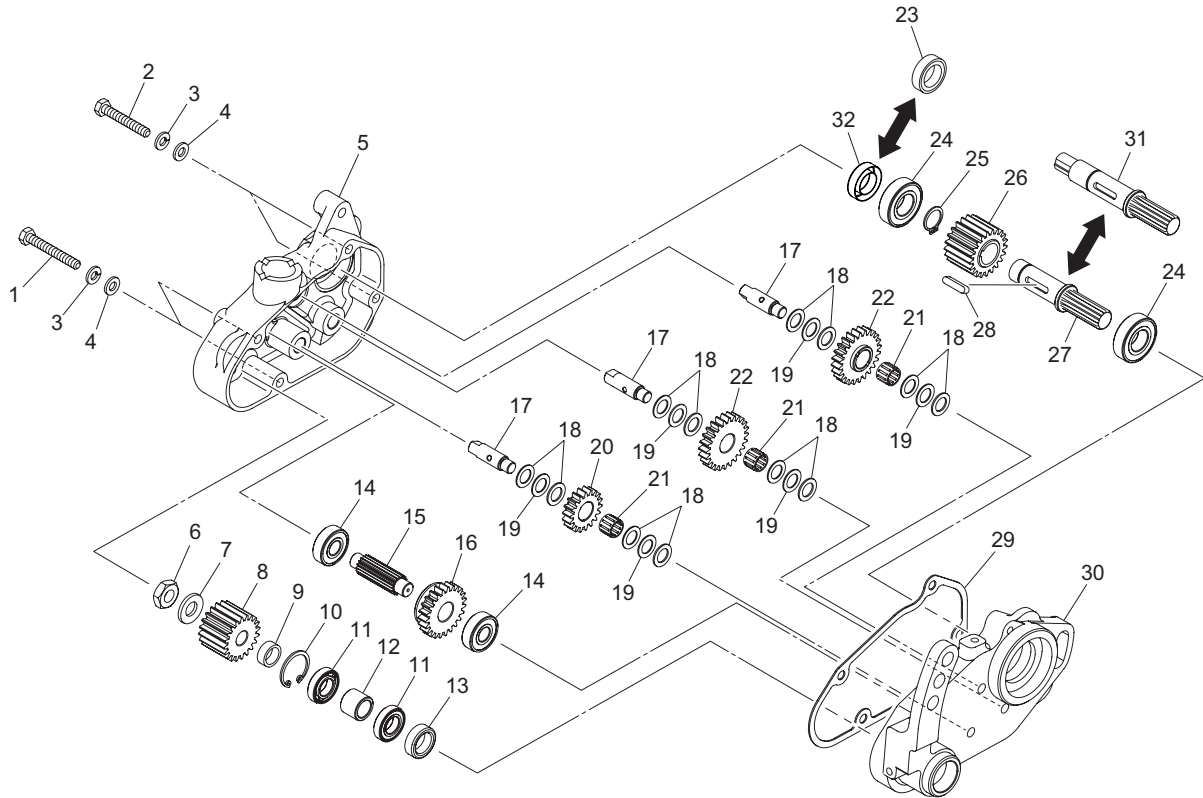


LH52\_008\_z00

Cat No.	Code No.	Part name	Qty	Remark	SN of application
8-1	LH52L--4121Z0	GROOMER ASSY, (RH)	1	for Groomer	
8a-1	LH52L--4310Z0	GROOMER ASSY, W/CR-BRUSH (RH)	1	for Groomer + CR brush	
8-2	LM56G--1216Z2	NUT, SPECIAL B M8	2		
8-3	LM56G--1215Z2	NUT, SPECIAL A M8	2		
8-4	LH52L--4112Z2	ADJUSTER	2		
8-5	K0100100002	NUT, M10	2		
8-6	K0200100002	WASHER, SPRING M10	2		
8-7	LH52L--4113Z2	SCREW, ADJUSTING	2		
8-8	K0000080202	BOLT, M8-20	2		
8-9	K0200080002	WASHER, SPRING M8	2		
8-10	LH52L--4111ZR	GUIDE, (RH)	1		
8-11	K0025100452	BOLT,CARRIAGE M10-45	2		
8-12	K5011013222	WASHER, SPCC 1-13-22	2		
8-13	K0400010002	RING, RETAINING E M10	2		
8-14	LH52L--4110ZR	GUIDE, (LH)	1		
8-15	K0000060102	BOLT, M6-10	1		
8-16	K0200060002	WASHER, SPRING M6	1		
8-17	K5000060002	WASHER, M6	1		
8-18	K1090000058	SPRING, CLUTCH RETAINER	1		
8-19	LH52L--4107Z8	LEVER, CLUTCH (RH)	1		
8-20	K0880018000	O-RING, P18	1		
8-21	K1440000030	GREASE NIPPLE, 67.5 DEG TYPE B	2		
8-22	K1440000010	GREASE NIPPLE, STRAIGHT TYPE A	1		
8-23	K1440000020	GREASE NIPPLE, 90 DEG TYPE C	1		
8-24	LH52L--4108Z2	BOLT, SECURING CASE	1		
8-25	K1000000309	SPRING, COMPRESSION M1.6-13.7-20	1		
8-26	K5000100002	WASHER, M10	1		
8-27	K4203001120	STICKER, GROOMER INDICATION	1		

# 9.Groomer section B (motor on left side)

LH52

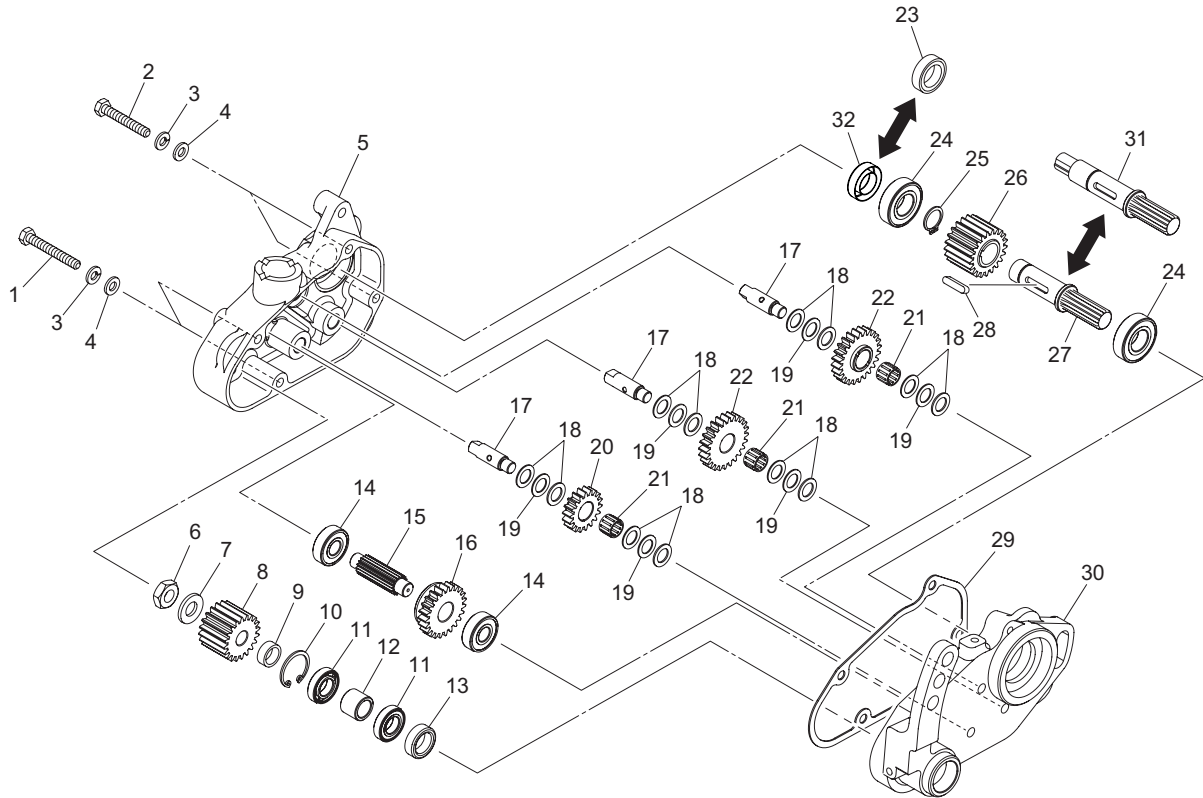


LH52\_009\_z00

Cat No.	Code No.	Part name	Qty	Remark	SN of application
9-1	K0000060452	BOLT, M6-45	2		
9-2	K0000060402	BOLT, M6-40	2		
9-3	K0200060002	WASHER, SPRING M6	4		
9-4	K5000060002	WASHER, M6	4		
9-5	LH52L--4102Z0	COVER, GEARCASE (RH)	1		
9-6	K0160000322	NUT, LEFT-HANDED P1 M10	1		
9-7	K0213100002	WASHER, DISK SPRING H M10-1	1		
9-8	K6180000160	GEAR, SPLINED 20-TEETH	1		
9-9	K6212001910	COLLAR, STKM M12.1-17-6	1		
9-10	K0402024001	RING, RETAINING R M24	1		
9-11	K0611069010	BEARING, BALL SEAL RDC3 6901	2		
9-12	K6212001590	COLLAR, STKM M12.1-17-14	1		
9-13	K0821522070	OIL SEAL, MHS A15227	1		
9-14	K0608060000	BEARING, BALL SEAL 2RS 6000	2		
9-15	K6100000100	SHAFT, CLUTCH	1		
9-16	K6180000150	GEAR, SPLINED 23-TEETH	1		
9-17	K6120000310	COUNTERSHAFT, THREADED	3		
9-18	K5051010160	WASHER, C5191P 1-10-16	12		
9-19	K5020810160	WASHER, NBS55 0.8-10-16	6		
9-20	K6186000040	GEAR, 18-TEETH B	1		
9-21	K0701013100	BEARING, NEEDLE KT101310EGB2	3		
9-22	K6186000050	GEAR, 24-TEETH	2		
9-23	K0821525070	OIL SEAL, MHS A15257	1	for Groomer + CR brush	
9-24	K0612060020	BEARING, BALL SEAL 2RD 6002	2		
9-25	K0401015001	RING, RETAINING S M15	1		
9-26	LH52L--4104Z0	GEAR, 21-TEETH	1		
9-27	LH52L--4101Z0	SHAFT, SPLINE	1	for Groomer	
9-28	K0500404180	KEY, BOTH ROUND M4-418	1		
9-29	LH52L--4105Z0	PACKING	1		
9-30	LH52L--4103Z0	CASE, GROOMER (RH)	1		

9.Groomer section B (motor on left side)

LH52

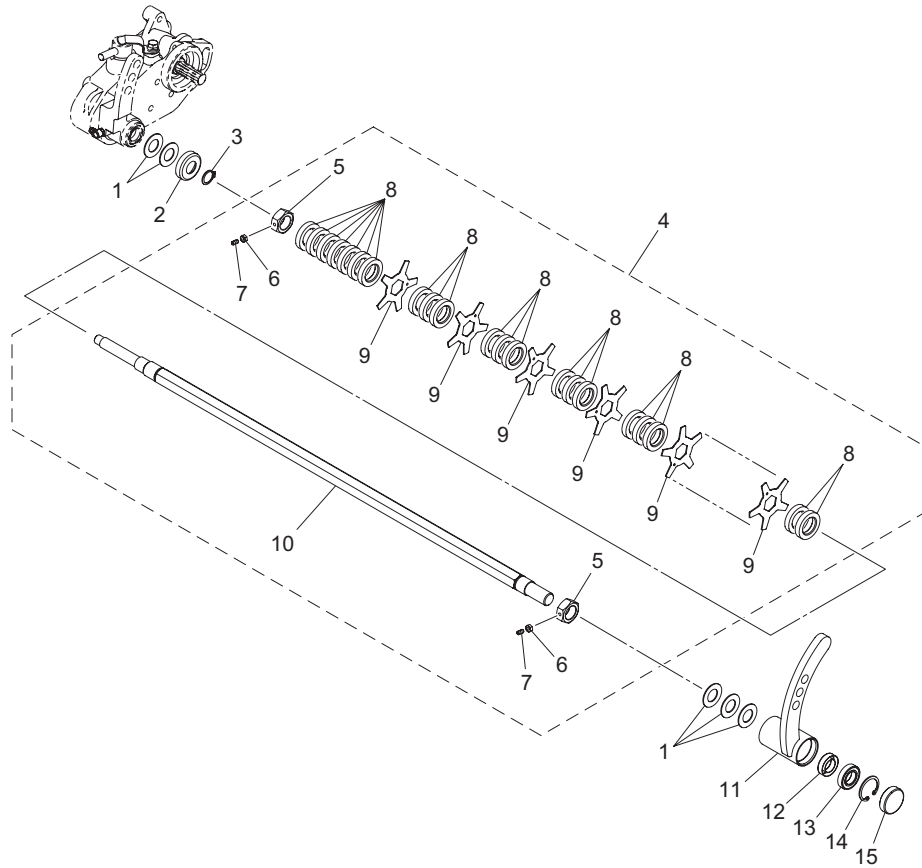


LH52\_009\_z00

Cat No.	Code No.	Part name	Qty	Remark	SN of application
9-31	LH52L--4205Z0	SHAFT, SPLINE	1	for Groomer + CR brush	
9-32	K0890000030	CAP, RUBBER 25	1	for Groomer	

# 10.Groomer section C (motor on left side)

LH52

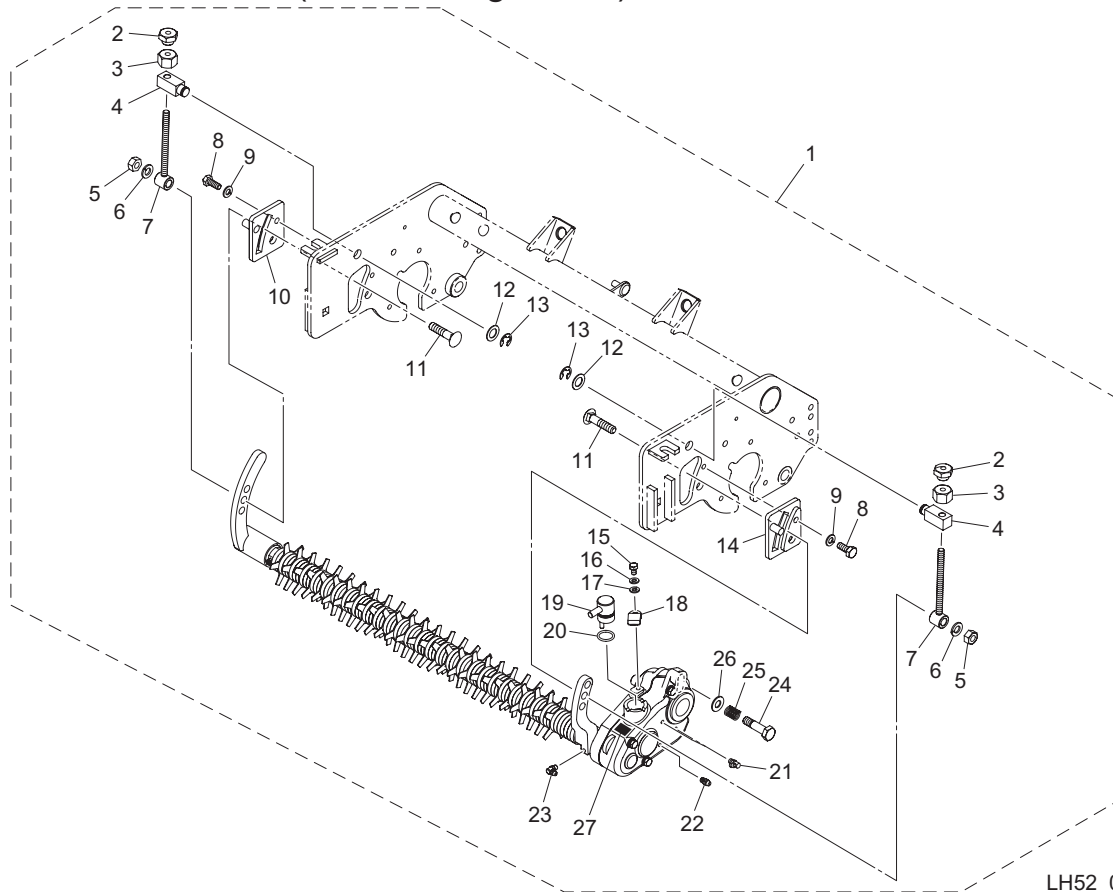


LH52\_010\_z01

Cat No.	Code No.	Part name	Qty	Remark	SN of application
10-1	K5051015280	WASHER, C5191P 1-15-28	5		
10-2	K5300000293	COVER, DUST PROOF	1		
10-3	K0401015001	RING, RETAINING S M15	1		
10-4	LH52L--4120Z0	GROOMER COMP	1		
10-5	K0160000602	NUT, SPECIAL P1 M17 W/M4	2		
10-6	K0100040002	NUT, M4	2		
10-7	K0023000041	SETSCREW, M4-8	2		
10-8	K6214000030	COLLAR, AC M19.7-32-6.1	87		
10-9	K2570000099	BLADE, VERTICAL 63-1	27		
10-10	LH52L--4109Z8	SHAFT, GROOMER	1		
10-11	LH52L--4106ZR	HOUSING, GROOMER (LH)	1		
10-12	K0821525070	OIL SEAL, MHSA15257	1		
10-13	K0608069020	BEARING, BALL SEAL 2RS 6902	1		
10-14	K0402028001	RING, RETAINING R M28	1		
10-15	K0890000060	CAP, RUBBER 30	1		

# 11.Groomer section D (motor on right side)

LH52



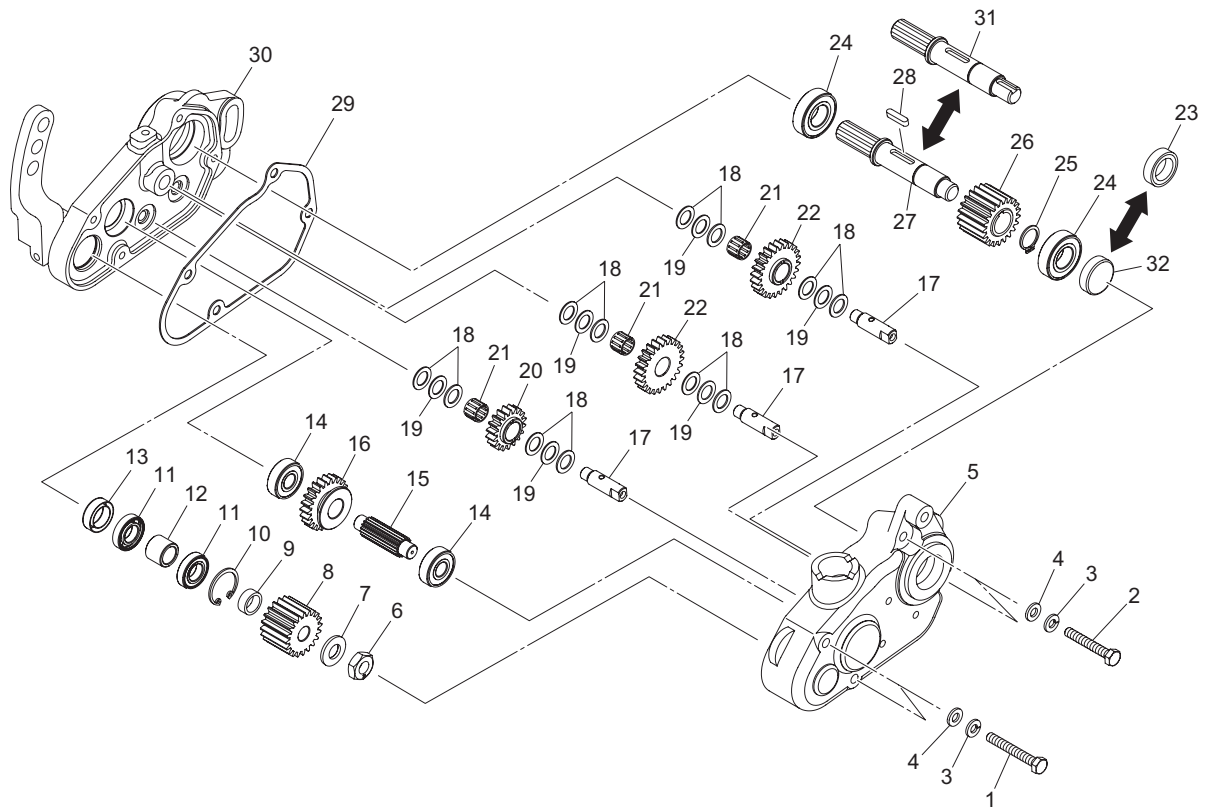
LH52\_011\_z00

Cat No.	Code No.	Part name	Qty	Remark	SN of application
11-1	LH52R--4110Z0	GROOMER ASSY, (LH)	1	for Groomer	
11a-1	LH52R--4310Z0	GROOMER ASSY, W/CR-BRUSH (LH)	1	for Groomer + CR brush	
11-2	LM56G--1216Z2	NUT, SPECIAL B M8	2		
11-3	LM56G--1215Z2	NUT, SPECIAL A M8	2		
11-4	LH52L--4112Z2	ADJUSTER	2		
11-5	K0100100002	NUT, M10	2		
11-6	K0200100002	WASHER, SPRING M10	2		
11-7	LH52L--4113Z2	SCREW, ADJUSTING	2		
11-8	K0000080202	BOLT, M8-20	2		
11-9	K0200080002	WASHER, SPRING M8	2		
11-10	LH52L--4111ZR	GUIDE, (RH)	1		
11-11	K0025100452	BOLT,CARRIAGE M10-45	2		
11-12	K5011013222	WASHER, SPCC 1-13-22	2		
11-13	K0400010002	RING, RETAINING E M10	2		
11-14	LH52L--4110ZR	GUIDE, (LH)	1		
11-15	K0000060102	BOLT, M6-10	1		
11-16	K0200060002	WASHER, SPRING M6	1		
11-17	K5000060002	WASHER, M6	1		
11-18	K1090000058	SPRING, CLUTCH RETAINER	1		
11-19	LH52R--4104Z8	LEVER, CLUTCH ( L H)	1		
11-20	K0880018000	O-RING, P18	1		
11-21	K1440000030	GREASE NIPPLE, 67.5 DEG TYPE B	2		
11-22	K1440000010	GREASE NIPPLE, STRAIGHT TYPE A	1		
11-23	K1440000020	GREASE NIPPLE, 90 DEG TYPE C	1		
11-24	LH52L--4108Z2	BOLT, SECURING CASE	1		
11-25	K1000000309	SPRING, COMPRESSION M1.6-13.7-20	1		
11-26	K5000100002	WASHER, M10	1		
11-27	K4203001680	LABEL, INDICATION GROOMER	1		



# 12.Groomer section E (motor on right side)

LH52

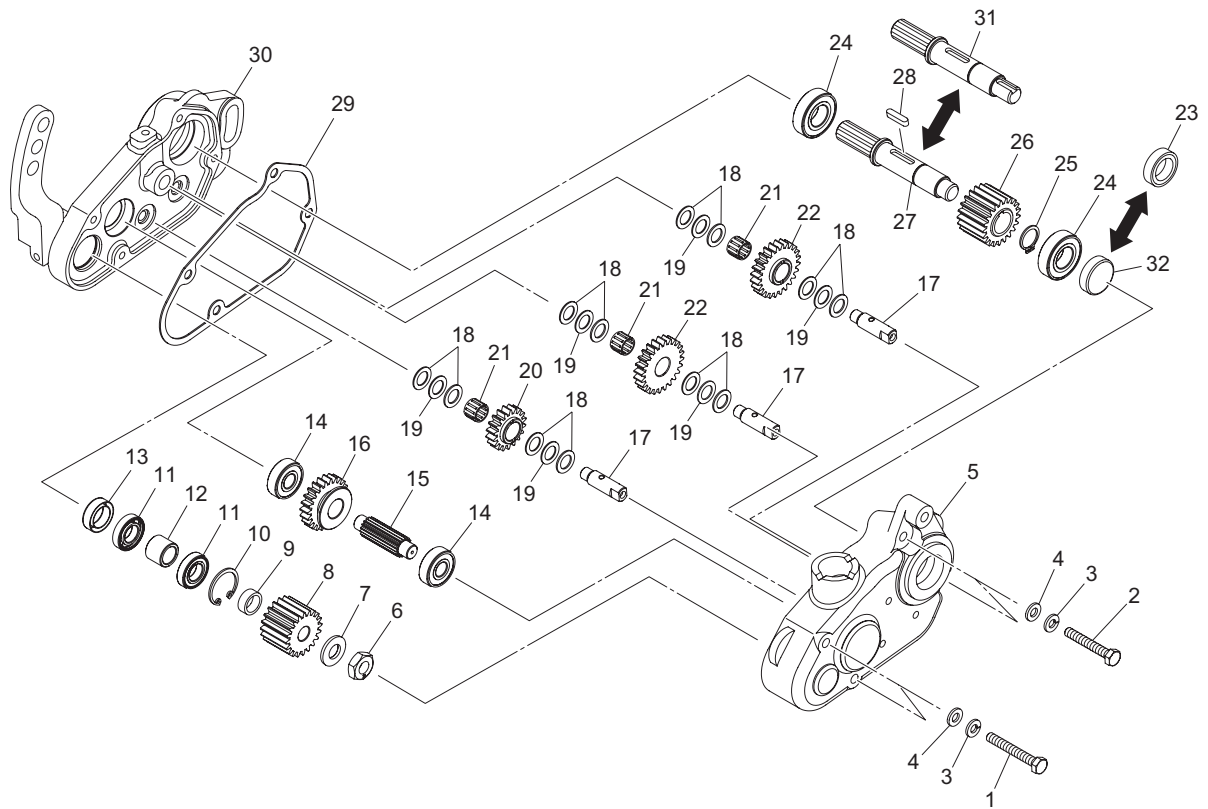


LH52\_012\_z00

Cat No.	Code No.	Part name	Qty	Remark	SN of application
12-1	K0000060452	BOLT, M6-45	2		
12-2	K0000060402	BOLT, M6-40	2		
12-3	K0200060002	WASHER, SPRING M6	4		
12-4	K5000060002	WASHER, M6	4		
12-5	LH52R--4101Z0	COVER, GEARCASE (LH)	1		
12-6	K0160000322	NUT, LEFT-HANDED P1 M10	1		
12-7	K0213100002	WASHER, DISK SPRING H M10-1	1		
12-8	K6180000160	GEAR, SPLINED 20-TEETH	1		
12-9	K6212001910	COLLAR, STKM M12.1-17-6	1		
12-10	K0402024001	RING, RETAINING R M24	1		
12-11	K0611069010	BEARING, BALL SEAL RDC3 6901	2		
12-12	K6212001590	COLLAR, STKM M12.1-17-14	1		
12-13	K0821522070	OIL SEAL, MHSA15227	1		
12-14	K0608060000	BEARING, BALL SEAL 2RS 6000	2		
12-15	K6100000100	SHAFT, CLUTCH	1		
12-16	K6180000150	GEAR, SPLINED 23-TEETH	1		
12-17	K6120000310	COUNTERSHAFT, THREADED	3		
12-18	K5051010160	WASHER, C5191P 1-10-16	12		
12-19	K5020810160	WASHER, NBS55 0.8-10-16	6		
12-20	K6186000040	GEAR, 18-TEETH B	1		
12-21	K0701013100	BEARING, NEEDLE KT101310EGB2	3		
12-22	K6186000050	GEAR, 24-TEETH	2		
12-23	K0821525070	OIL SEAL, MHSA15257	1	for Groomer + CR brush	
12-24	K0612060020	BEARING, BALL SEAL 2RD 6002	2		
12-25	K0401015001	RING, RETAINING S M15	1		
12-26	LH52L--4104Z0	GEAR, 21-TEETH	1		
12-27	LH52L--4101Z0	SHAFT, SPLINE	1	for Groomer	
12-28	K0500404180	KEY, BOTH ROUND M4-418	1		
12-29	LH52L--4105Z0	PACKING	1		
12-30	LH52R--4105Z0	CASE, GROOMER (LH)	1		

12.Groomer section E (motor on right side)

LH52

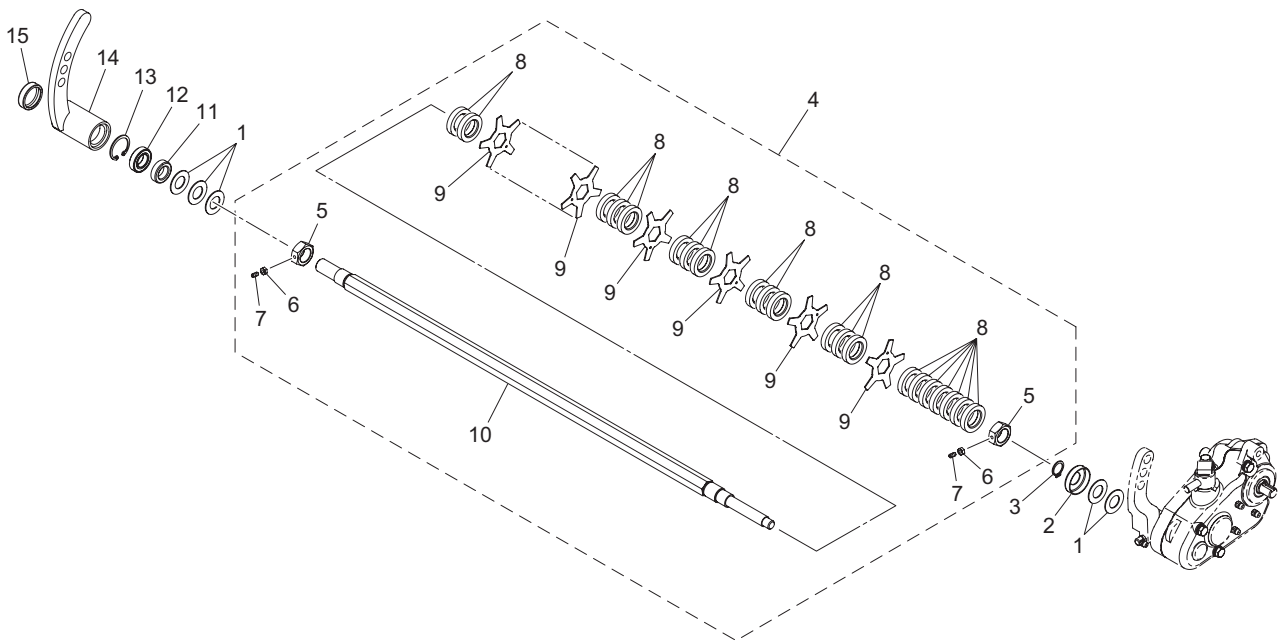


LH52\_012\_z00

Cat No.	Code No.	Part name	Qty	Remark	SN of application
12-31	LH52L--4205Z0	SHAFT, SPLINE	1	for Groomer + CR brush	
12-32	K0890000030	CAP, RUBBER 25	1	for Groomer	

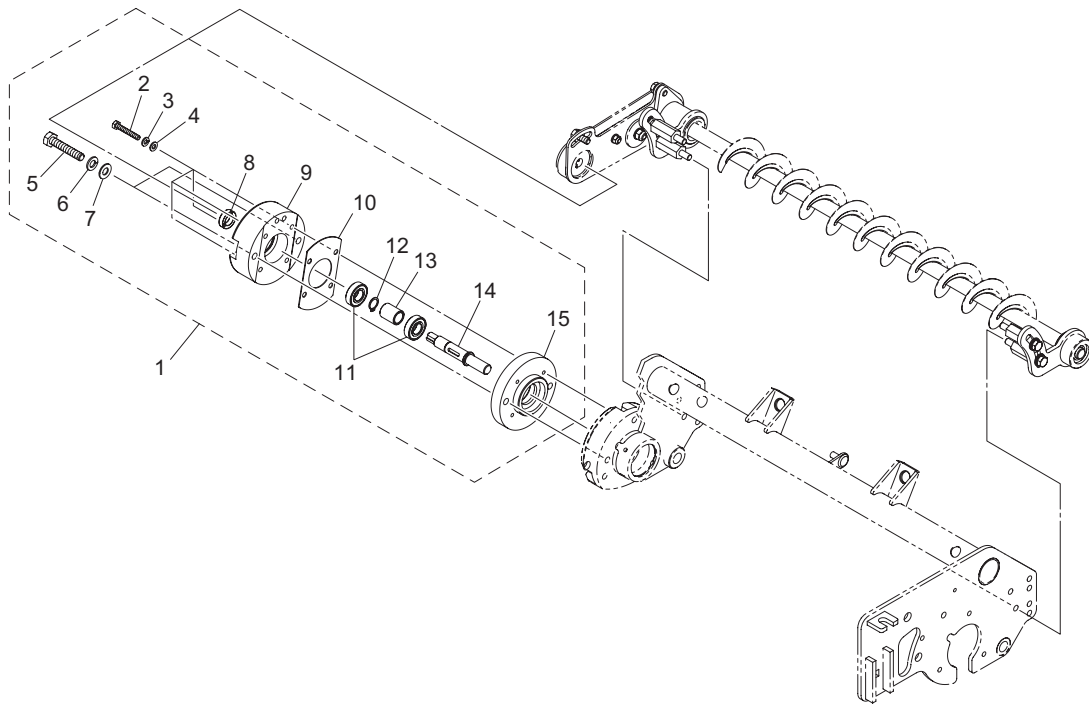
# 13.Groomer section F (motor on right side)

LH52



LH52\_013\_z01

Cat No.	Code No.	Part name	Qty	Remark	SN of application
13-1	K5051015280	WASHER, C5191P 1-15-28	5		
13-2	K5300000293	COVER, DUST PROOF	1		
13-3	K0401015001	RING, RETAINING S M15	1		
13-4	LH52L--4120Z0	GROOMER COMP	1		
13-5	K0160000602	NUT, SPECIAL P1 M17 W/M4	2		
13-6	K0100040002	NUT, M4	2		
13-7	K0023000041	SETSCREW, M4-8	2		
13-8	K6214000030	COLLAR, AC M19.7-32-6.1	87		
13-9	K2570000099	BLADE, VERTICAL 63-1	27		
13-10	LH52L--4109Z8	SHAFT, GROOMER	1		
13-11	K0821525070	OIL SEAL, MHSA15257	1		
13-12	K0608069020	BEARING, BALL SEAL 2RS 6902	1		
13-13	K0402028001	RING, RETAINING R M28	1		
13-14	LH52R--4103ZR	HOUSING, GROOMER (RH)	1		
13-15	K0890000060	CAP, RUBBER 30	1		

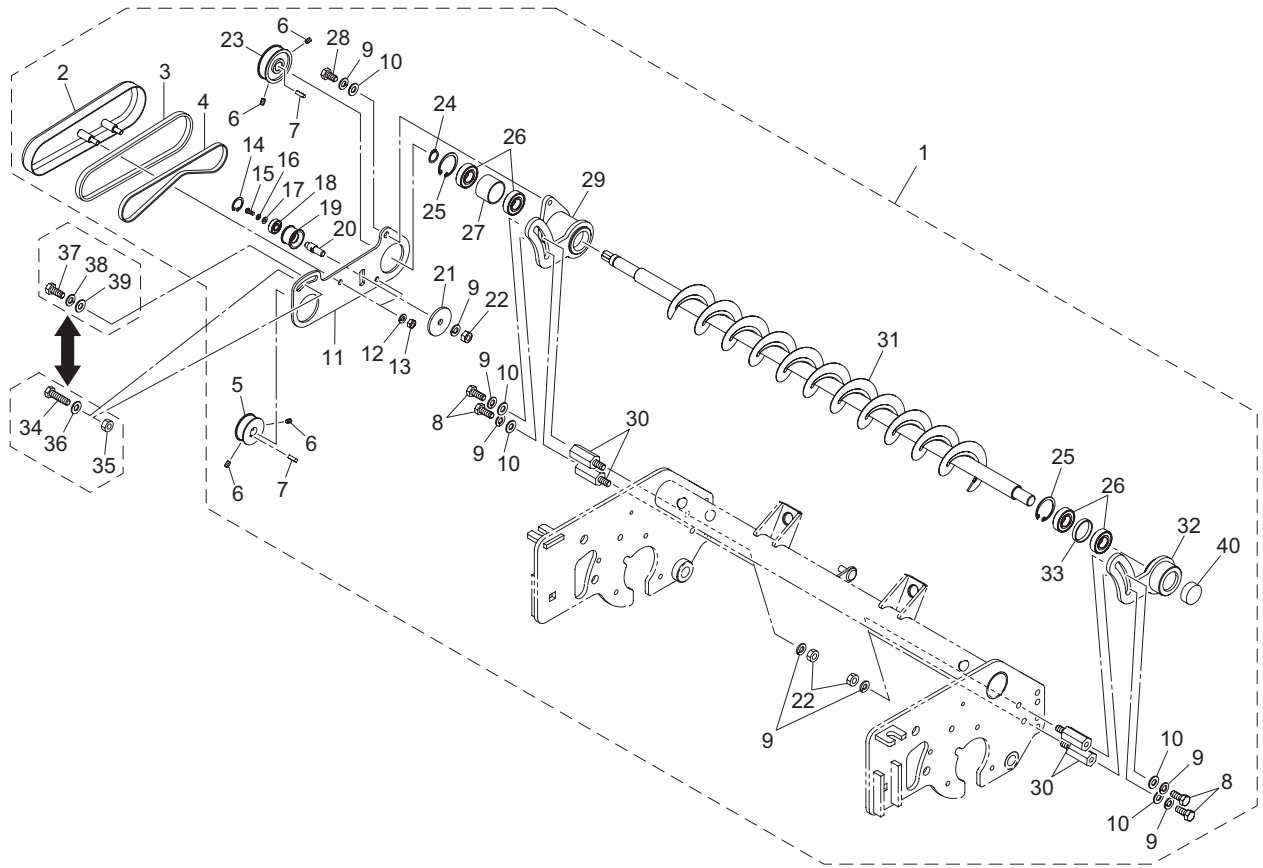


LH52\_014\_z00

Cat No.	Code No.	Part name	Qty	Remark	SN of application
14-1	LH52L--4221Z0	GEARCASE ASSY, CR BRUSH	1		
14-2	K0000060402	BOLT, M6-40	4		
14-3	K0200060002	WASHER, SPRING M6	4		
14-4	K5000060002	WASHER, M6	4		
14-5	K0000100552	BOLT, M10-55	2		
14-6	K0200100002	WASHER, SPRING M10	2		
14-7	K5000100002	WASHER, M10	2		
14-8	K0821525070	OIL SEAL, MHSA15257	1		
14-9	LH52L--4202Z0	COVER, GEARCASE CR BRUSH	1		
14-10	LH52L--4204Z0	PACKING	1		
14-11	K0612060020	BEARING, BALL SEAL 2RD 6002	2		
14-12	K0401015001	RING, RETAINING S M15	1		
14-13	LH52L--4203Z0	COLLAR	1		
14-14	LH52L--4205Z0	SHAFT, SPLINE	1		
14-15	LH52L--4201Z0	GEARCASE, CR BRUSH	1		

# 15.CR brush section B (motor on left side)

LH52

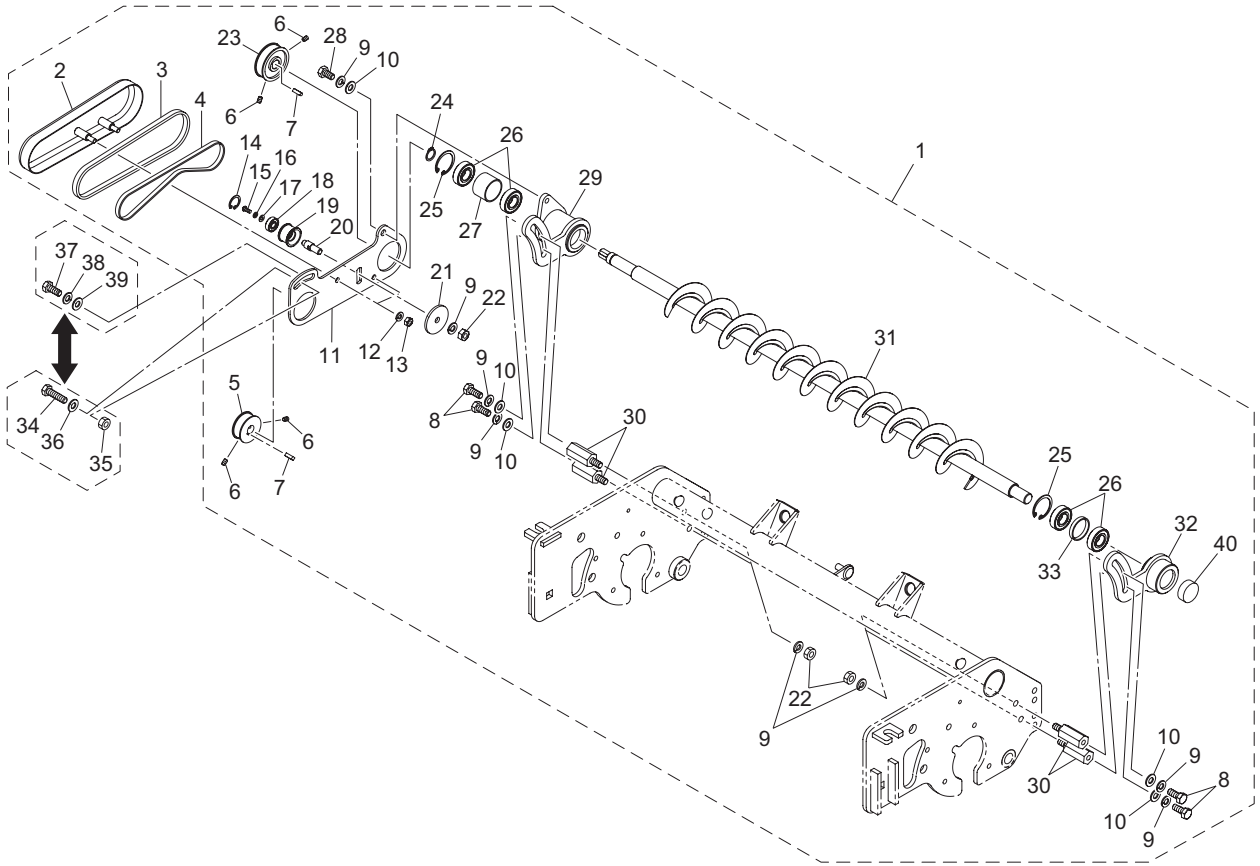


LH52\_015\_z01

Cat No.	Code No.	Part name	Qty	Remark	SN of application
15-1	LH52L--4220Z0	BRUSH ASSY, CR (RH)	1		
15-2	LH52L--4210ZD	COVER, BELT (RH)	1		
15-3	LH52L--4211Z0	RUBBER, U 8-482	1		
15-4	K2380000170	BELT, F STAR 10FL-450	1		
15-5	LM2700-4106Z2	PULLEY, DRIVING	1		
15-6	K0023050081	SETSCREW, M5-8	4		
15-7	K0520404140	KEY, ROUND/SQUARE, M4-414	2		
15-8	K0000080202	BOLT, M8-20	4		
15-9	K0200080002	WASHER, SPRING M8	10		
15-10	K5000080002	WASHER, M8	5		
15-11	LH52L--4209Z2	PLATE, MOUNTING BRUSH	1		
15-12	K0200060002	WASHER, SPRING M6	2		
15-13	K0100060002	NUT, M6	2		
15-14	K0402019001	RING, RETAINING R M19	1		
15-15	K0042040102	SCREW, + ROUND HEAD M4-10	1		
15-16	K0200040002	WASHER, SPRING M4	1		
15-17	K5000040002	WASHER, M4	1		
15-18	K0608006070	BEARING, BALL SEAL 2RS 607	1		
15-19	LM315GC7609Z2	PULLEY, TENSION 1423	1		
15-20	LH52L--4206Z2	SHAFT	1		
15-21	K5073208402	WASHER, SPHC 3.2-8-40	1		
15-22	K0100080002	NUT, M8	5		
15-23	LM2700-4107Z2	PULLEY, BRUSH SHAFT	1		
15-24	K0401015001	RING, RETAINING S M15	1		
15-25	K0402032001	RING, RETAINING R M32	2		
15-26	K0612060020	BEARING, BALL SEAL 2RD 6002	4		
15-27	LH669L-1317Z2	COLLAR, STKM 28.6-31.8-22	1		
15-28	K0000080152	BOLT, M8-15	1		
15-29	LH52L--4207ZD	HOUSING, BRUSH (RH)	1		
15-30	LH52L--4214ZD	SHAFT	4		

15.CR brush section B (motor on left side)

LH52

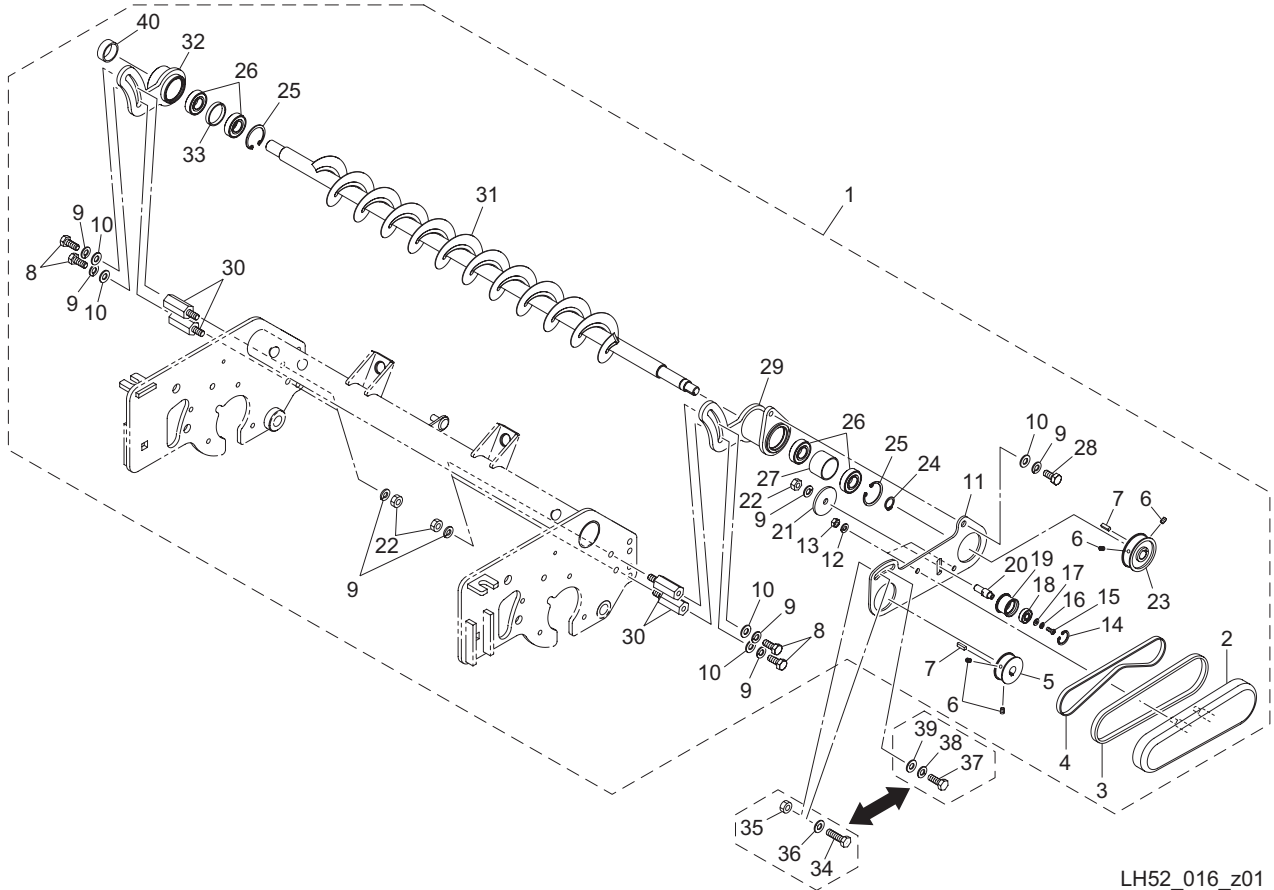


LH52\_015\_z01

Cat No.	Code No.	Part name	Qty	Remark	SN of application
15-31	LH52L--4212A0	BRUSH, CR 22	1		
15-32	LH52L--4208ZD	HOUSING, (LH)	1		
15-33	K6212004172	COLLAR, STKM M28.6-31.8-5	1		
15-34	K0000080352	BOLT, M8-35	1	for Groomer + CR brush	
15-35	K0144080002	NUT, W/F-RING M8	1	for Groomer + CR brush	
15-36	K5000080002	WASHER, M8	1	for Groomer + CR brush	
15-37	K0000080202	BOLT, M8-20	1	for Groomer	
15-38	K0200080002	WASHER, SPRING M8	1	for Groomer	
15-39	K5000080002	WASHER, M8	1	for Groomer	
15-40	K0890000050	CAP, RUBBER 28	1		

# 16.CR brush section C (motor on right side)

LH52

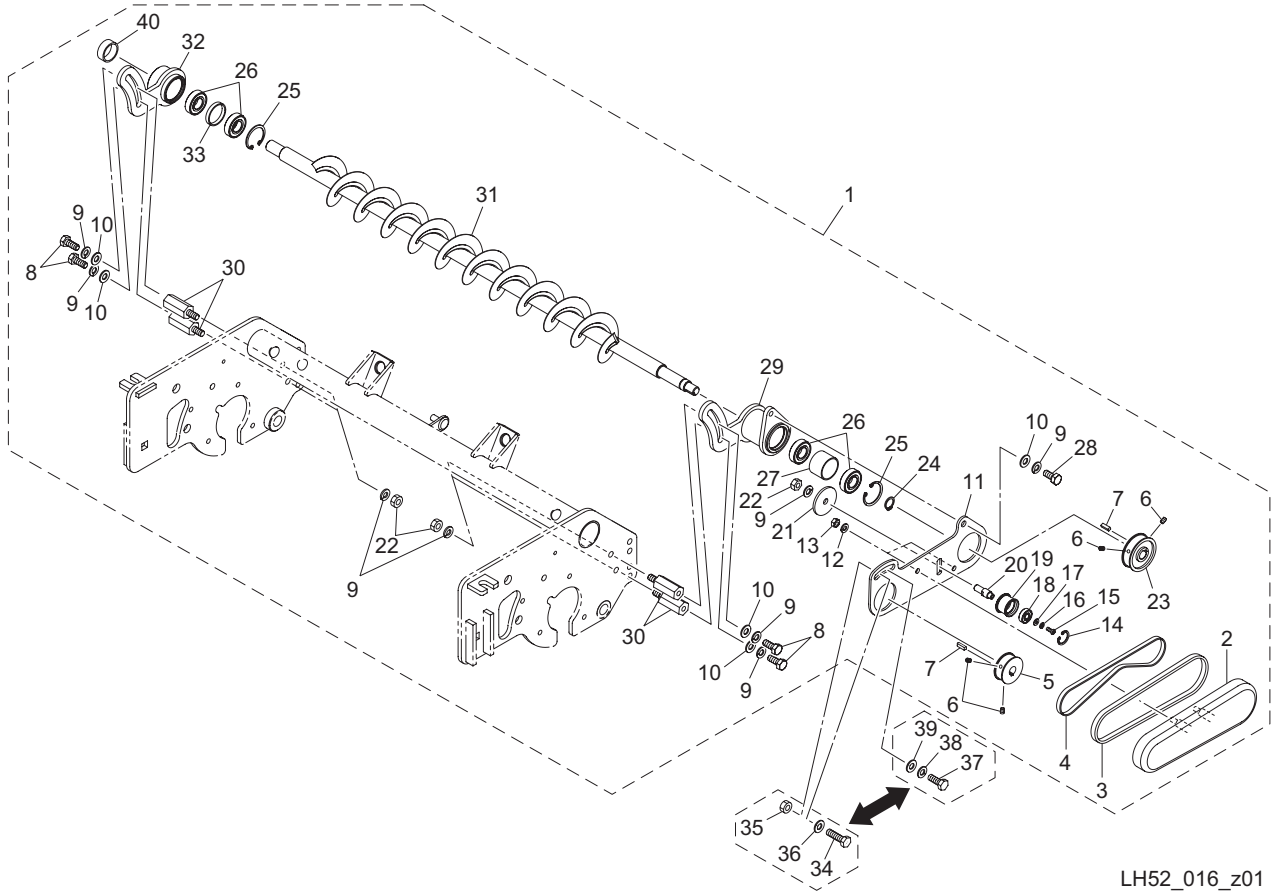


LH52\_016\_z01

Cat No.	Code No.	Part name	Qty	Remark	SN of application
16-1	LH52R--4220Z0	BRUSH ASSY, CR (LH)	1		
16-2	LH52R--4203ZD	COVER, BELT (LH)	1		
16-3	LH52L--4211Z0	RUBBER, U 8-482	1		
16-4	K2380000170	BELT, F STAR 10FL-450	1		
16-5	LM2700-4106Z2	PULLEY, DRIVING	1		
16-6	K0023050081	SETSCREW, M5-8	4		
16-7	K0520404140	KEY, ROUND/SQUARE, M4-414	2		
16-8	K0000080202	BOLT, M8-20	4		
16-9	K0200080002	WASHER, SPRING M8	10		
16-10	K5000080002	WASHER, M8	5		
16-11	LH52L--4209Z2	PLATE, MOUNTING BRUSH	1		
16-12	K0200060002	WASHER, SPRING M6	2		
16-13	K0100060002	NUT, M6	2		
16-14	K0402019001	RING, RETAINING R M19	1		
16-15	K0042040102	SCREW, + ROUND HEAD M4-10	1		
16-16	K0200040002	WASHER, SPRING M4	1		
16-17	K5000040002	WASHER, M4	1		
16-18	K0608006070	BEARING, BALL SEAL 2RS 607	1		
16-19	LM315GC7609Z2	PULLEY, TENSION 1423	1		
16-20	LH52L--4206Z2	SHAFT	1		
16-21	K5073208402	WASHER, SPHC 3.2-8-40	1		
16-22	K0100080002	NUT, M8	5		
16-23	LM2700-4107Z2	PULLEY, BRUSH SHAFT	1		
16-24	K0401015001	RING, RETAINING S M15	1		
16-25	K0402032001	RING, RETAINING R M32	2		
16-26	K0612060020	BEARING, BALL SEAL 2RD 6002	4		
16-27	LH669L-1317Z2	COLLAR, STKM 28.6-31.8-22	1		
16-28	K0000080152	BOLT, M8-15	1		
16-29	LH52R--4201ZD	HOUSING, BRUSH (LH)	1		
16-30	LH52L--4214ZD	SHAFT	4		

16.CR brush section C (motor on right side)

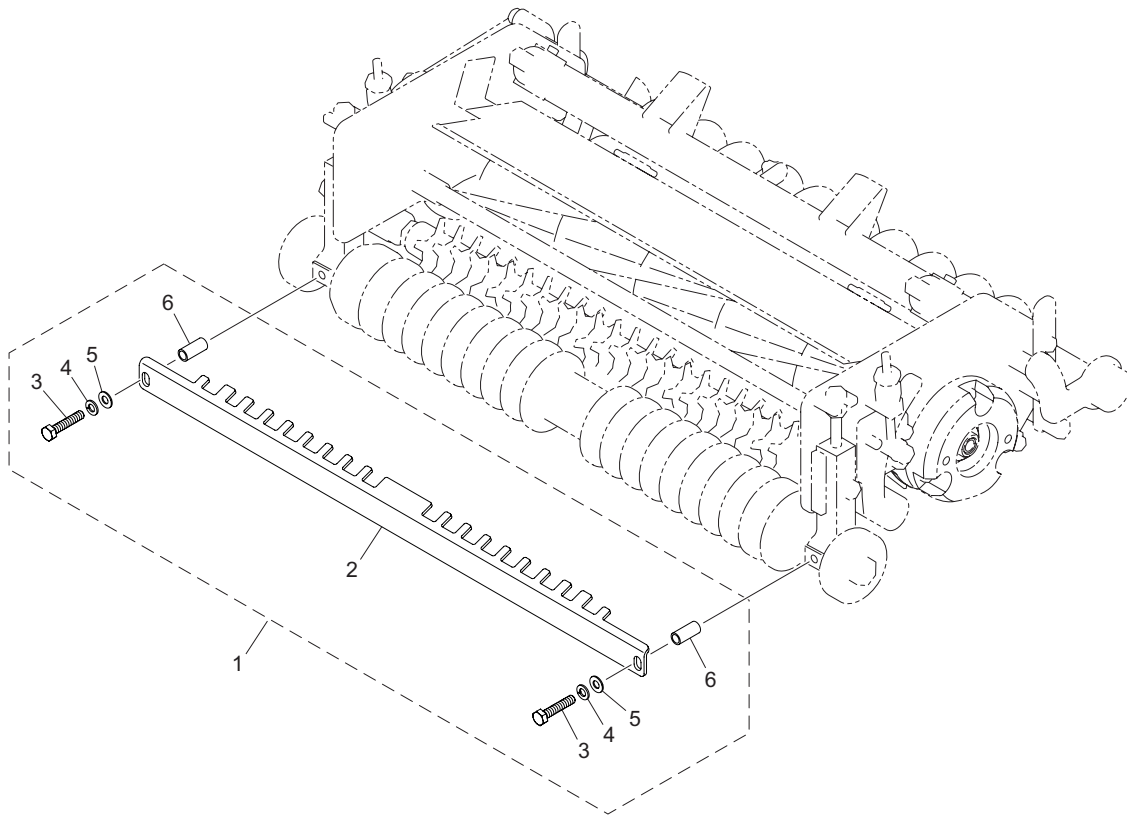
LH52



LH52\_016\_z01

Cat No.	Code No.	Part name	Qty	Remark	SN of application
16-31	LH52L--4212A0	BRUSH, CR 22	1		
16-32	LH52R--4202ZD	HOUSING, (RH)	1		
16-33	K6212004172	COLLAR, STKM M28.6-31.8-5	1	for Groomer + CR brush	
16-34	K0000080352	BOLT, M8-35	1	for Groomer + CR brush	
16-35	K0144080002	NUT, W/F-RING M8	1	for Groomer + CR brush	
16-36	K5000080002	WASHER, M8	1	for Groomer	
16-37	K0000080202	BOLT, M8-20	1	for Groomer	
16-38	K0200080002	WASHER, SPRING M8	1	for Groomer	
16-39	K5000080002	WASHER, M8	1		
16-40	K0890000050	CAP, RUBBER 28	1		



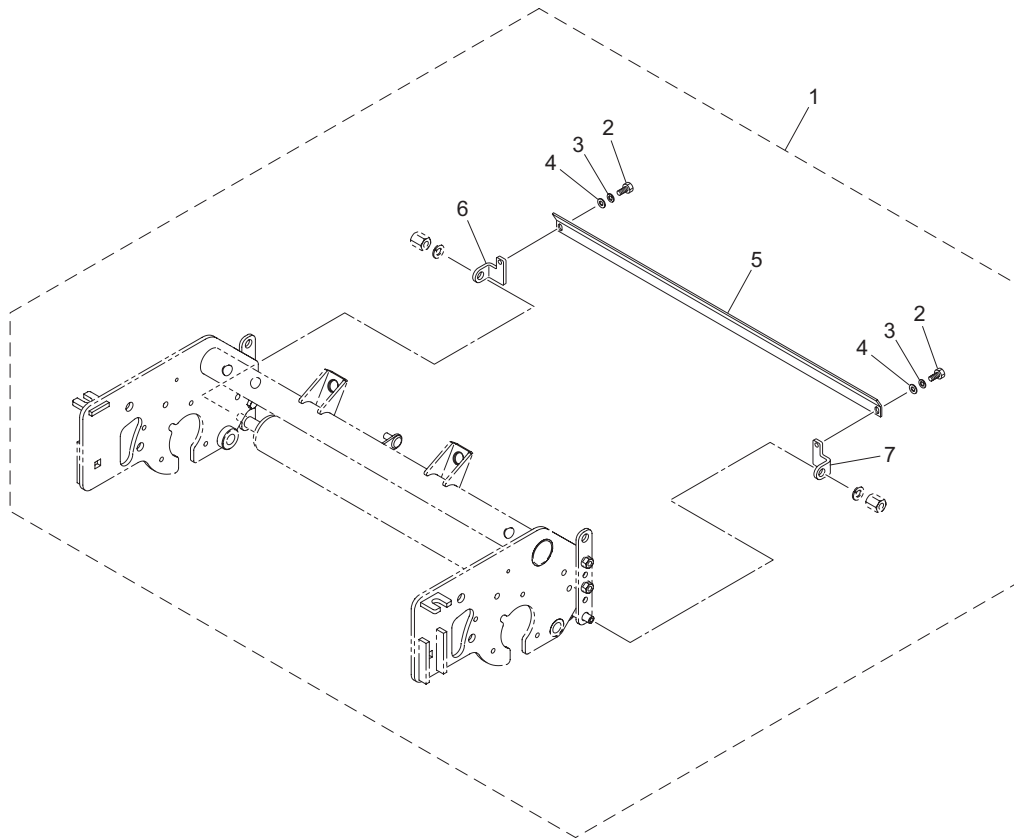


LH52\_017\_z00

Cat No.	Code No.	Part name	Qty	Remark	SN of application
17-1	LH52---4503Z0	SCRAPER ASSY	1		
17-2	LH52---4501ZD	ROLLER, FRONT LARGE FOR SCRAPER	1		
17-3	K0000080402	BOLT, M8-40	2		
17-4	K0200080002	WASHER, SPRING M8	2		
17-5	K5000080002	WASHER, M8	2		
17-6	LH52---4502Z2	COLLAR, STKM 8.8-1226.5	2		

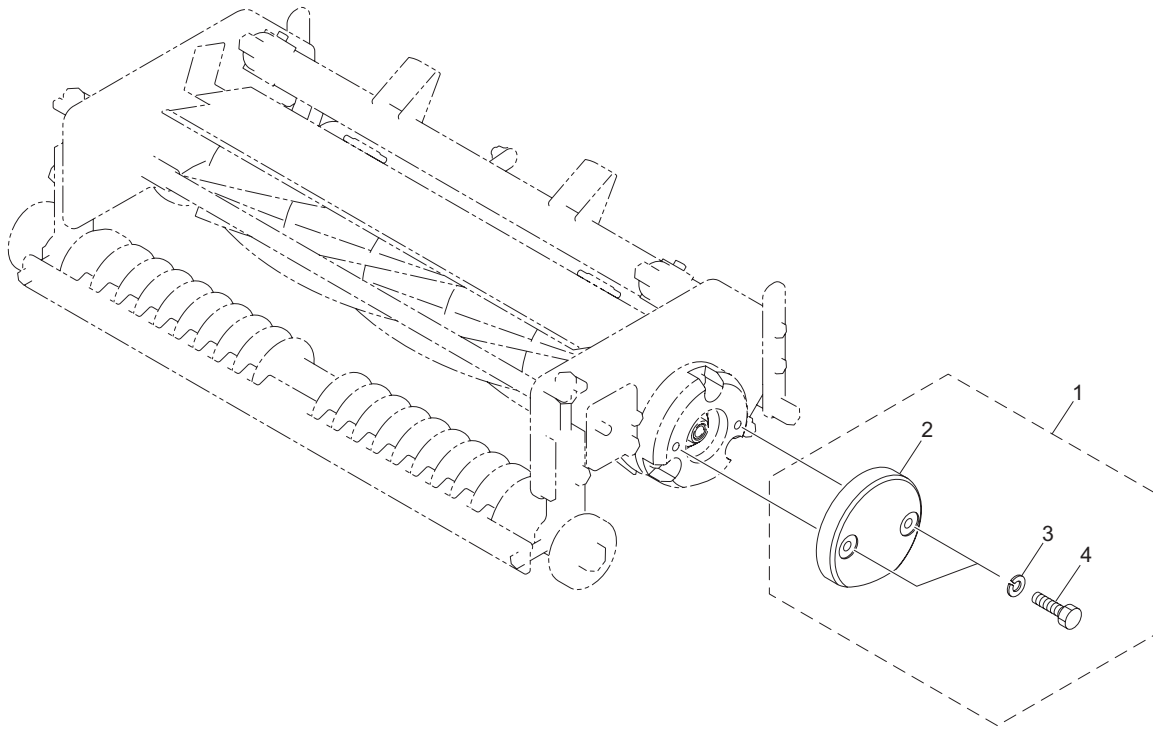
# 18.Rear scraper section

LH52



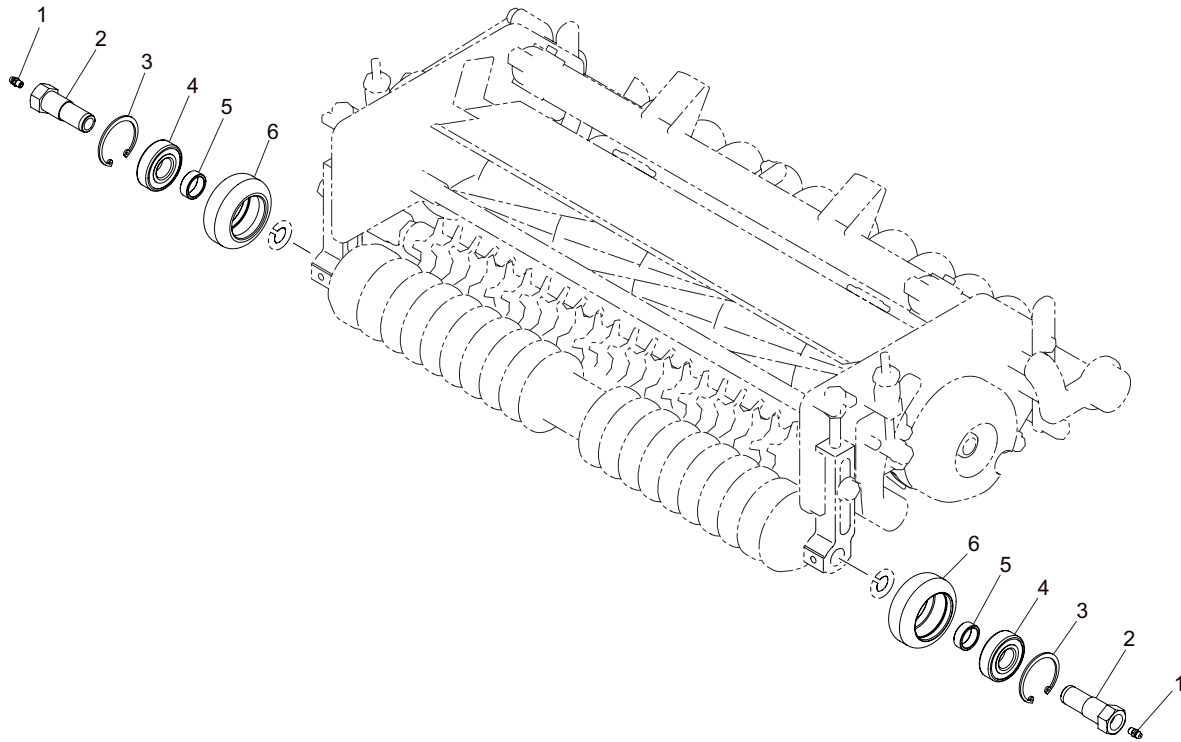
LH52\_018\_z00

Cat No.	Code No.	Part name	Qty	Remark	SN of application
18-1	LH52---4610Z0	SCRAPER ASSY	1		
18-2	K0000060102	BOLT, M6-10	2		
18-3	K0200060002	WASHER, SPRING M6	2		
18-4	K5000060002	WASHER, M6	2		
18-5	LH52---4601Z2	ROLLER, FOR REAR SCRAPER	1		
18-6	LH52---4603Z2	BRACKET, REAR SCRAPER ROLLER (RH)	1		
18-7	LH52---4602Z2	BRACKET, REAR SCRAPER ROLLER (LH)	1		



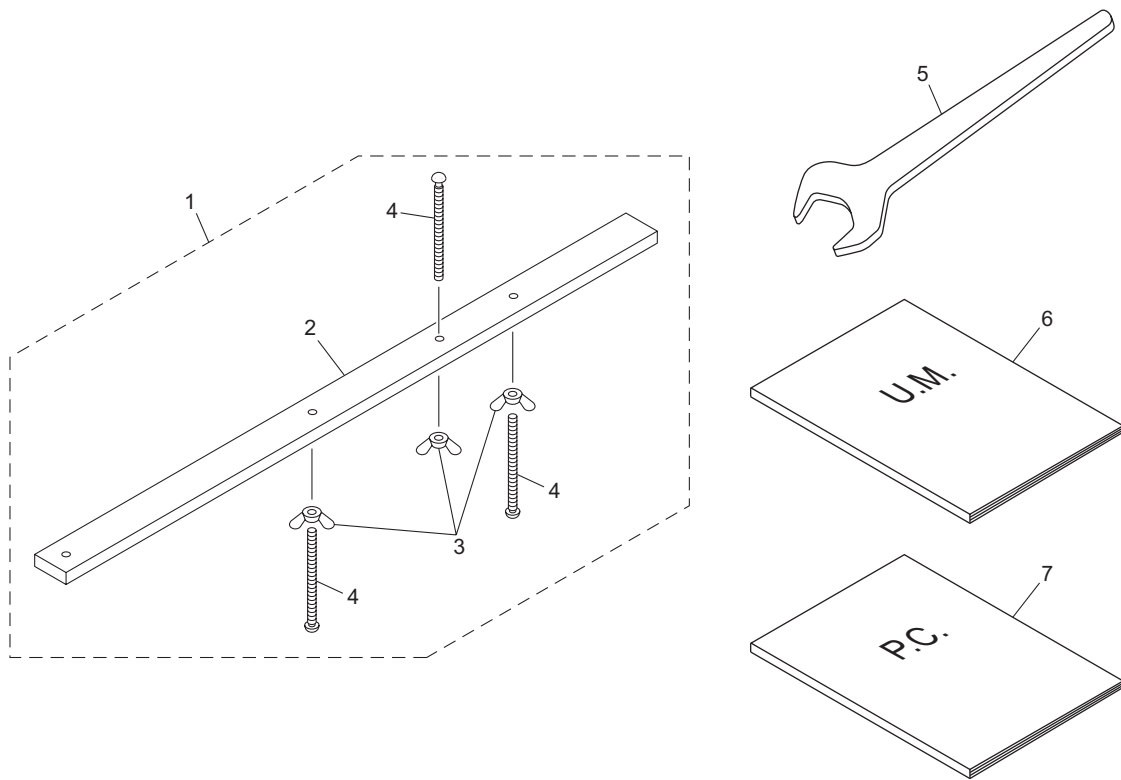
LH52\_019\_z00

Cat No.	Code No.	Part name	Qty	Remark	SN of application
19-1	LH52---0910Z0	WEIGHT ASSY, A	1		
19-2	LH52---0901ZR	WEIGHT, A	1		
19-3	K0200100002	WASHER, SPRING M10	2		
19-4	K0000100302	BOLT, M10-30	2		



LH52\_020\_z00

Cat No.	Code No.	Part name	Qty	Remark	SN of application
20-1	K1440000010	GREASE NIPPLE, STRAIGHT TYPE A	2		
20-2	LH52---4801Z2	SHAFT, SUPPORT ROLLER	2		
20-3	K0402047001	RING, RETAINING R M47	2		
20-4	K0612062040	BEARING, BALL SEAL 2RD 6204	2		
20-5	LH52---4803Z2	COLLAR	2		
20-6	LH52---4802Z0	ROLLER, SUPPORT	2		



LH52\_021\_z01

Cat No.	Code No.	Part name	Qty	Remark	SN of application
21-1	LM2700-1502A0	GAGE ASSY, CUTTING HEIGHT	1		
21-2	LM2700-1501A2	GAUGE, CUTTING HEIGHT 600A	1		
21-3	K0141060002	NUT, WING M6-3	3		
21-4	K0071000522	SCREW, FOR CUTTING HEIGHT ADJUST M6-75	3		
21-5	K480200081D	SPANNER, SLIM SINGLE-ENDED 46	1		
21a-6	750101-142-A	OWNERS OPERATING MANUAL, LH52	1		
21a-7	750101-142-B	PARTS CATALOG, LH52	1		

**BARONESS**<sup>®</sup>  
Quality on Demand

 **KYOEISHA CO., LTD.**  
Head Office 1-26, Miyuki-cho, Toyokawa-city, Tel :+81-533-84-1390  
Aichi-pref, 442-8530 JAPAN Fax :+81-533-84-1220