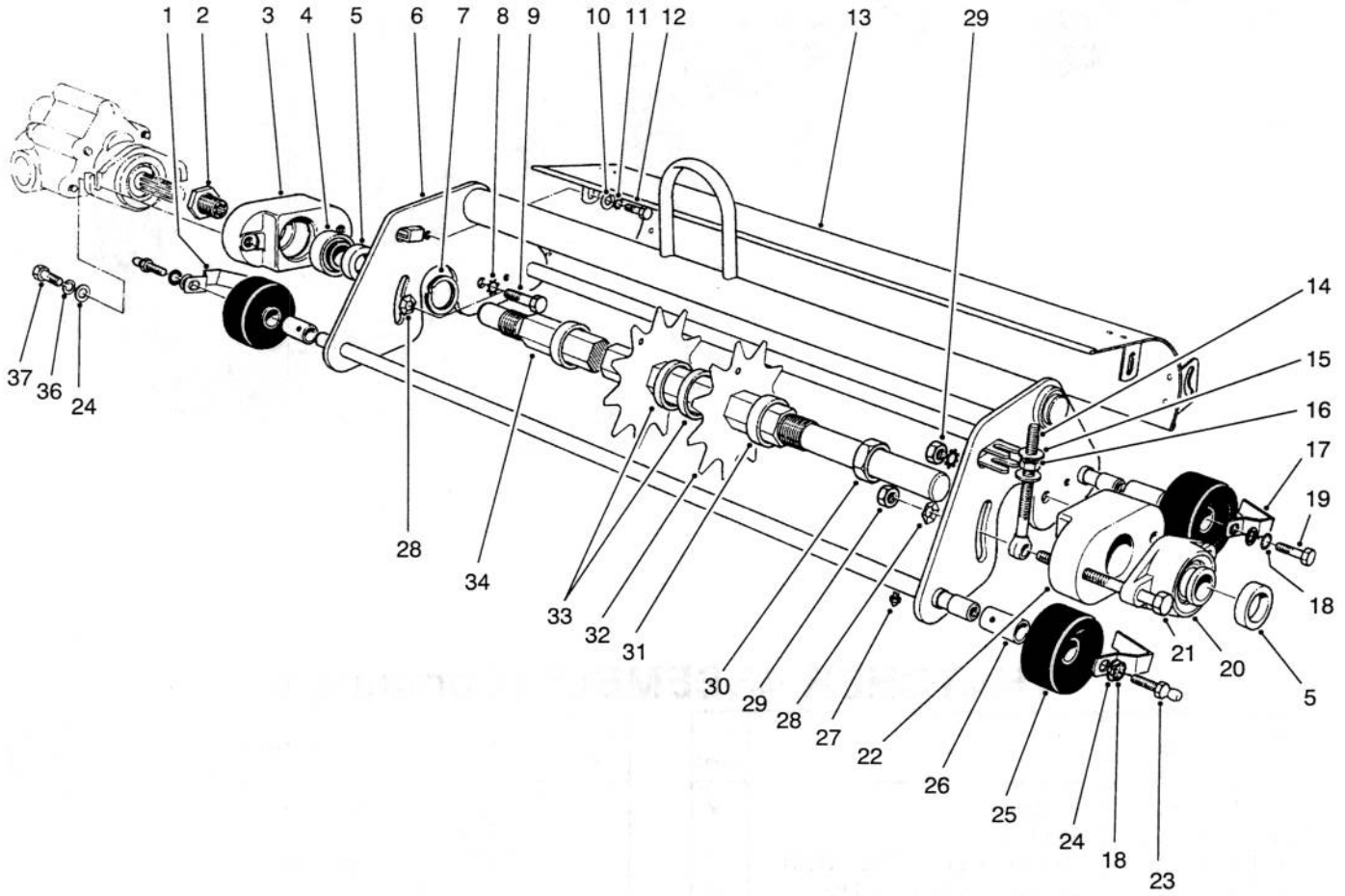




MODEL NO. 04416-50001 & UP	<b>PARTS CATALOG</b>
<b>THATCHING REEL</b> For Greensmaster® 3000 Traction Units	

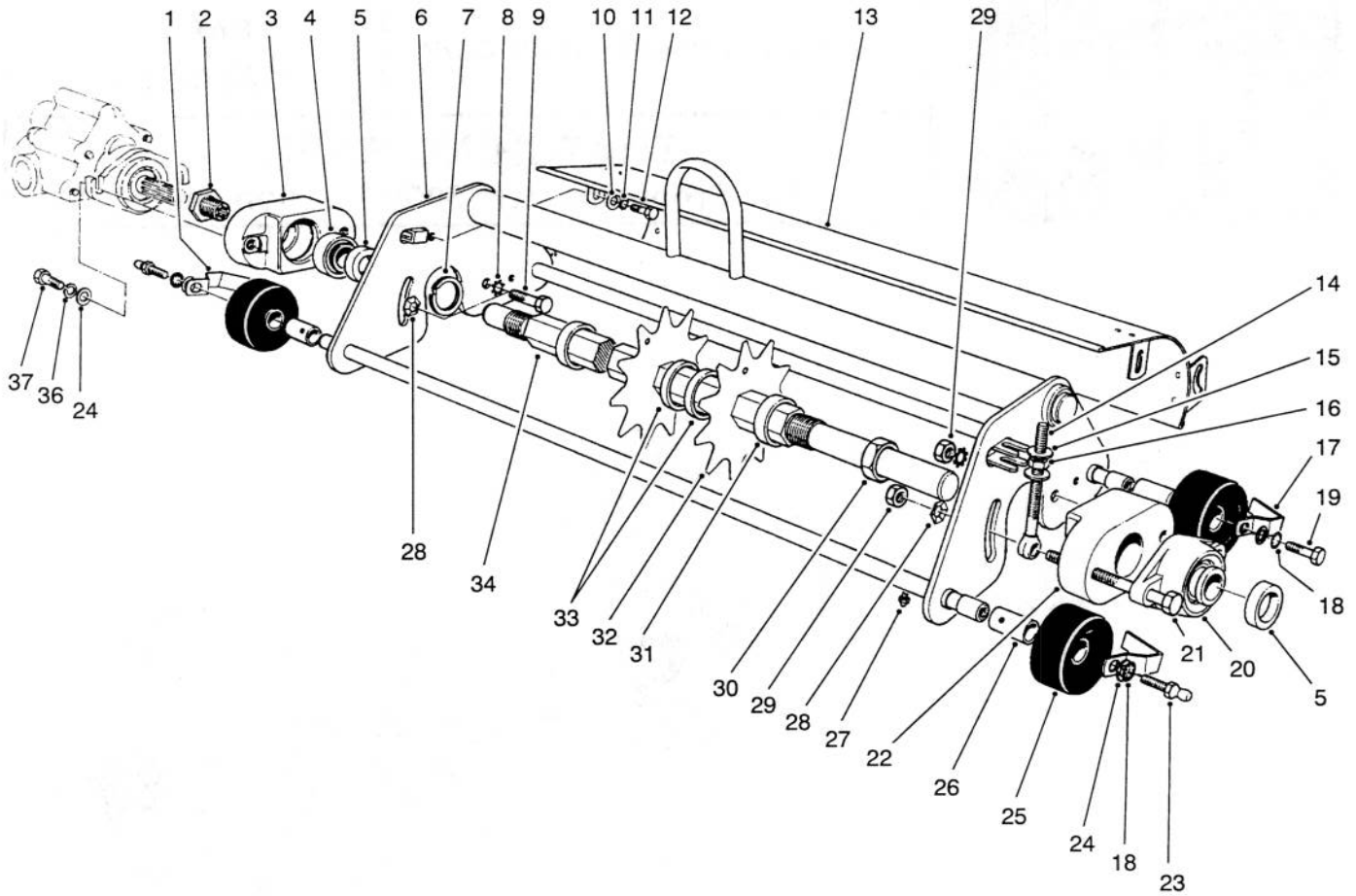


T-0325-1

### THATCHER ASSEMBLY

Ref. No.	Part No.	Description	No. Used
1	17-1650	Scraper - Wheel R.H.	2
2	93-1394	Nut - Spline	1
3	17-1610	Housing - Bearing	1
4	251-206	Bearing	1
5	251-77	Lock Collar	2
6	17-1450	Frame W.A.	1
7	32151-71	Ring - Retaining	1
8	3255-16	Washer - Lock, Ext. Tooth	2
9	324-6	Screw - Cap, Hex. Hd.	2
10	3256-22	Washer - Flat	4
11	3255-7	Washer - Lock, Ext. Tooth	4
12	329-1	Screw - Cap, Hex. Hd.	4
13	17-1530	Grass Shield	1
14	17-1510	Eye Bolt	2
15	17-1710	Washer	4
16	3217-7	Nut - Hex.	2

Ref. No.	Part No.	Description	No. Used
17	17-1640	Scraper - Wheel L.H.	2
18	3254-6	Washer - Lock, Int. Tooth	4
19	3211-3	Screw - Cap, Hex. Hd.	2
20	251-247	Housing - Bearing	1
21	324-13	Screw - Cap, Hex. Hd.	2
22	17-1520	Counterweight	1
23	92-8906	Ball Stud	2
24	3256-24	Washer - Flat	6
25	17-1630	Wheel	4
26	17-1620	Bushing - Wheel	4
27	302-5	Fitting - Grease	4
28	3290-334	Washer - Lock, Pyramidal	2
29	3217-8	Nut - Hex.	2
30	3220-18	Nut - Jam	2
31	17-1580	Spacer	2
32	17-1590	Blade	37



T-0325-1

## THATCHER ASSEMBLY (Continued)

Ref. No.	Part No.	Description	No. Used
33	17-1600	Spacer	72
34	17-1570	Shaft Hex	1
36	3255-9	Washer - Lock, Ext. Tooth	2
37	323-6	Screw - Cap, Hex. Hd.	2

Ref. No.	Part No.	Description	No. Used
*	17-2290	Gauge .060	2
*	17-2300	Gauge .120	2
*	17-2310	Gauge .250	2

\*Not Illustrated