



Count on it.

Parts Catalog

Tri-Roller

Greensmaster® 3000 Series

Model No. 04495—Serial No. 290000001 and Up



Ordering Replacement Parts

To order replacement parts, please supply the part number, the quantity, and the description of each part desired.

Understanding Reference Numbers

Each identified part in an illustration has a reference number. The reference number for a part also appears in the parts list, along with other information about the part.

This catalog uses two special reference number formats, one to indicate parts in a service assembly and another to indicate the quantity of a given part in an illustration.

Service Assembly Reference Numbers

Parts in service assemblies have reference numbers in the form a:b. The a represents the reference number of the entire service assembly and the b represents a sequential number unique to each part within the service assembly.

For example, a wheel assembly might be identified by reference number 6, the tire by 6:1, the valve by 6:2, and the wheel by 6:3. When you order the assembly identified by reference number 6, you receive all parts identified by reference numbers 6:1, 6:2, and 6:3. However, you may also order any part individually. Reference numbers of this type appear in illustration and in parts lists.

Reference Numbers Indicating Quantity

In an illustration, if a reference number indicates more than one part, the reference number has the form nX y. The n represents the quantity of the part, the X is the multiplication symbol, and the y represents the reference number.

For example, in an illustration, the reference number 2X 37 means that two of the parts identified by reference number 37 are indicated.

List of Abbreviations

AR: as required

ASM: assembly

BBC: blade brake control

BHTF: button head thread forming

CARR: carriage

CCW: counter clockwise

CW: clockwise

DEG: degrees

DPA: Dual Point Adjustment

ECM: electronic control module

EXT: external

FH: flat head

GA: gauge

HD: heavy-duty

HF: hex flange

HH: hex head

HHF: hex head flange

HHFTF: hex head flange thread forming

HJ: hex jam

HLH: hex lag head

HOC: height-of-cut

HP: high pressure

HSBH: hex socket button head

HSFH: hex socket flat head

HSH: hex socket head

HWH: hex washer head

HWTF: hex washer head thread forming

HYD: hydraulic

LH: left hand

LP: low pressure

LPG: Liquefied Petroleum Gas

NI: nylon insert

NPTF: national pipe thread fine

PFH: phillips flat head

PPH: phillips pan head

PPHTF: phillips pan head thread forming

PRH: phillips round head

PTH: phillips truss head

PTO: power-take-off

RH: right hand

ROPS: roll-over protection system

RRB: rear roller brush

SFH: slotted fillister head

SHH: slotted hex head

SHWH: slotted hex washer head

SPH: slotted pan head

SQH: square head

SRH: slotted round head

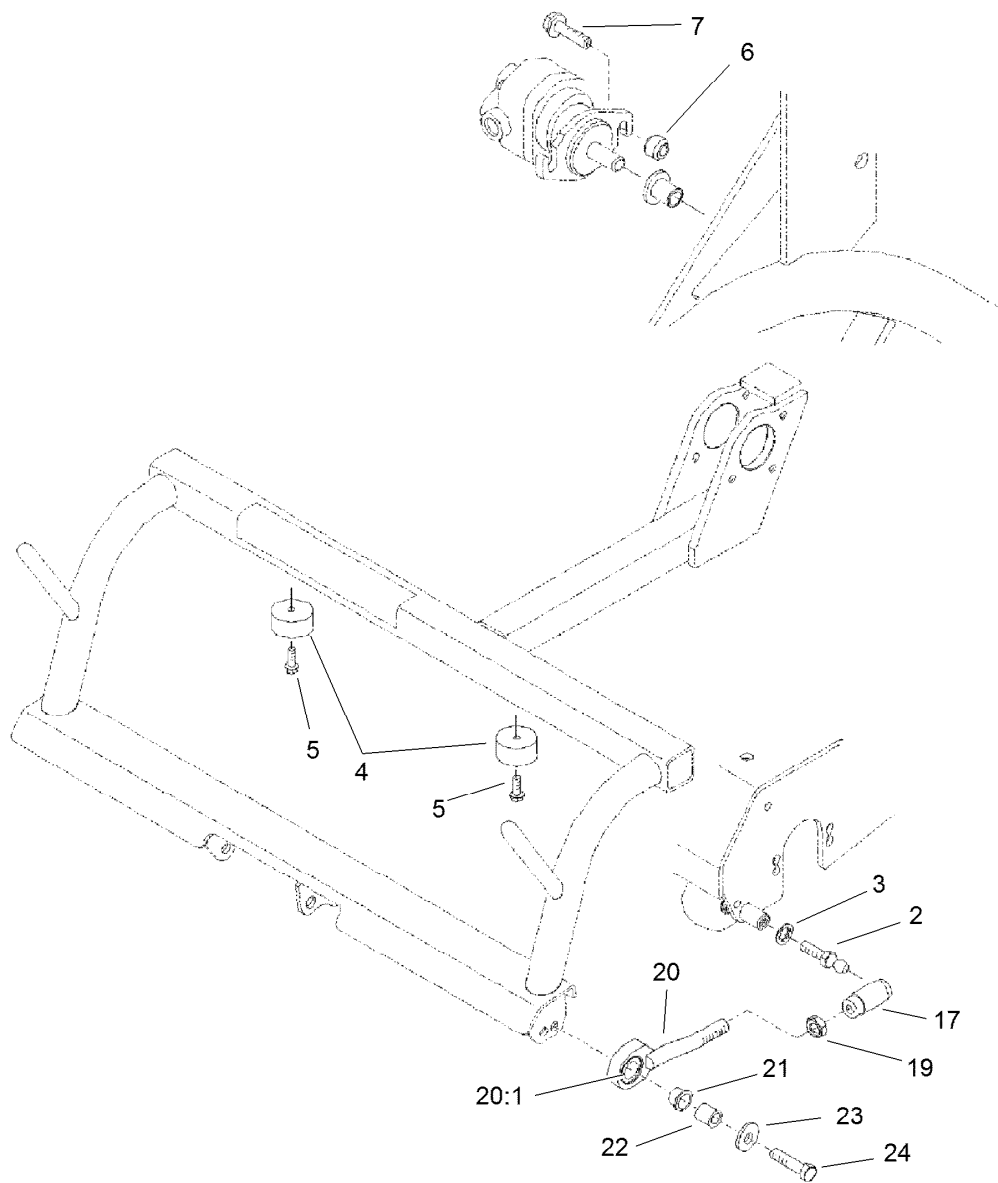
STD: standard

TAP: self tapping

TTH: torx truss head

Contents

Tri-Roller Mounting Assembly 4
Tri-Roller Assembly 5

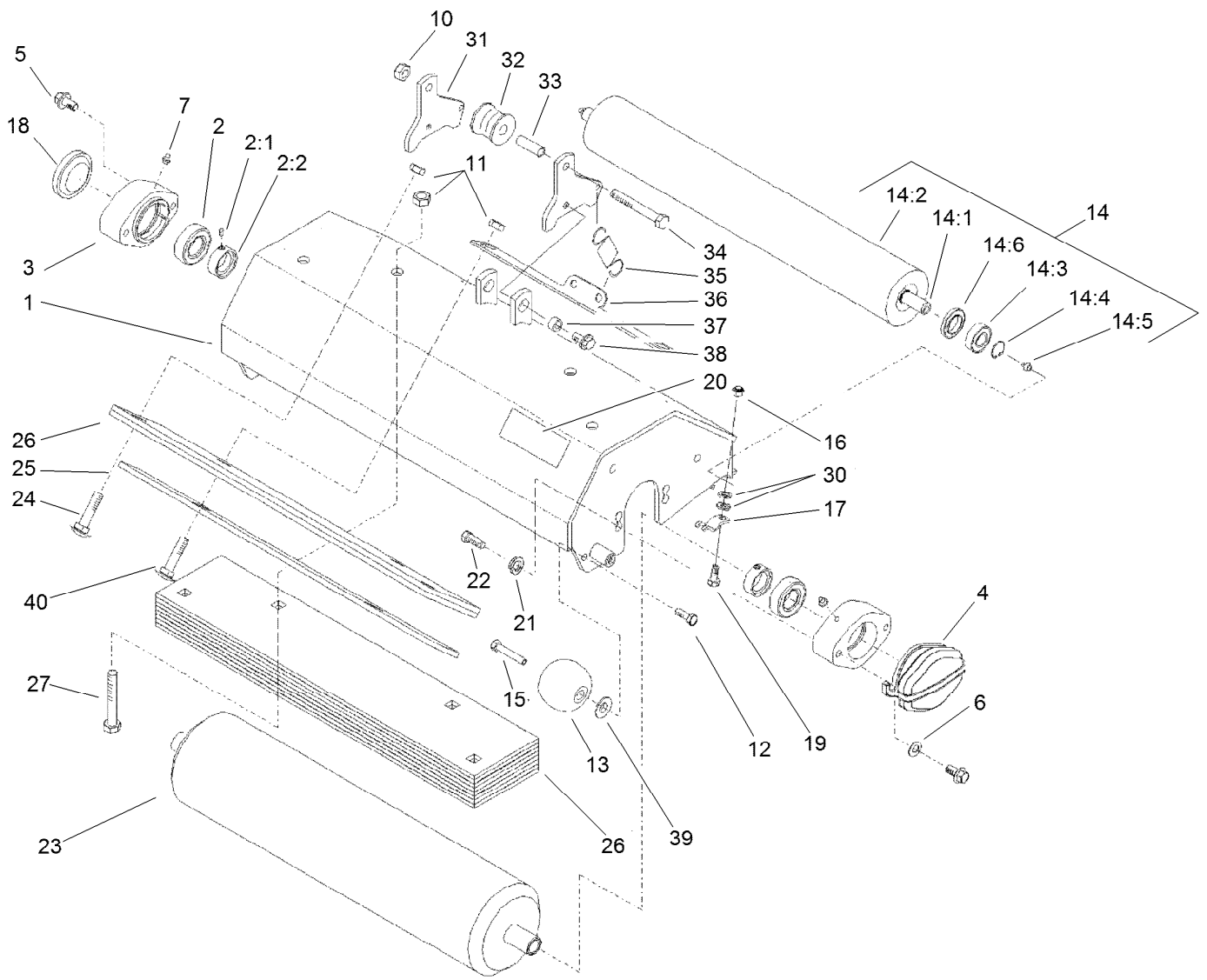


Tri-Roller Mounting Assembly

Ref.	Part Number	Qty.	Description
1		3	Tri-Roller ASM ●■
2	94-2958	6	Stud-Ball
3	3254-6	6	Washer-Lock, Internal
4	94-4548	6	Bumper-Recessed
5	32144-44	6	Screw-HWH, Thread Roll
6	61-2370	1	Spacer
7	32144-102	1	Screw-HWH
17	54-7460	6	Joint-Ball
19	3220-5	6	Nut-Jam
20	18-3049	6	Pull Link ASM
20:1	95-0532	1	Rubber Bushing ASM
21	256-292	6	Bushing-Flange, NI
22	75-5270	6	Spacer-Knob, Seat
23	3256-4	6	Washer-Flat
24	3211-6	6	Screw-HH

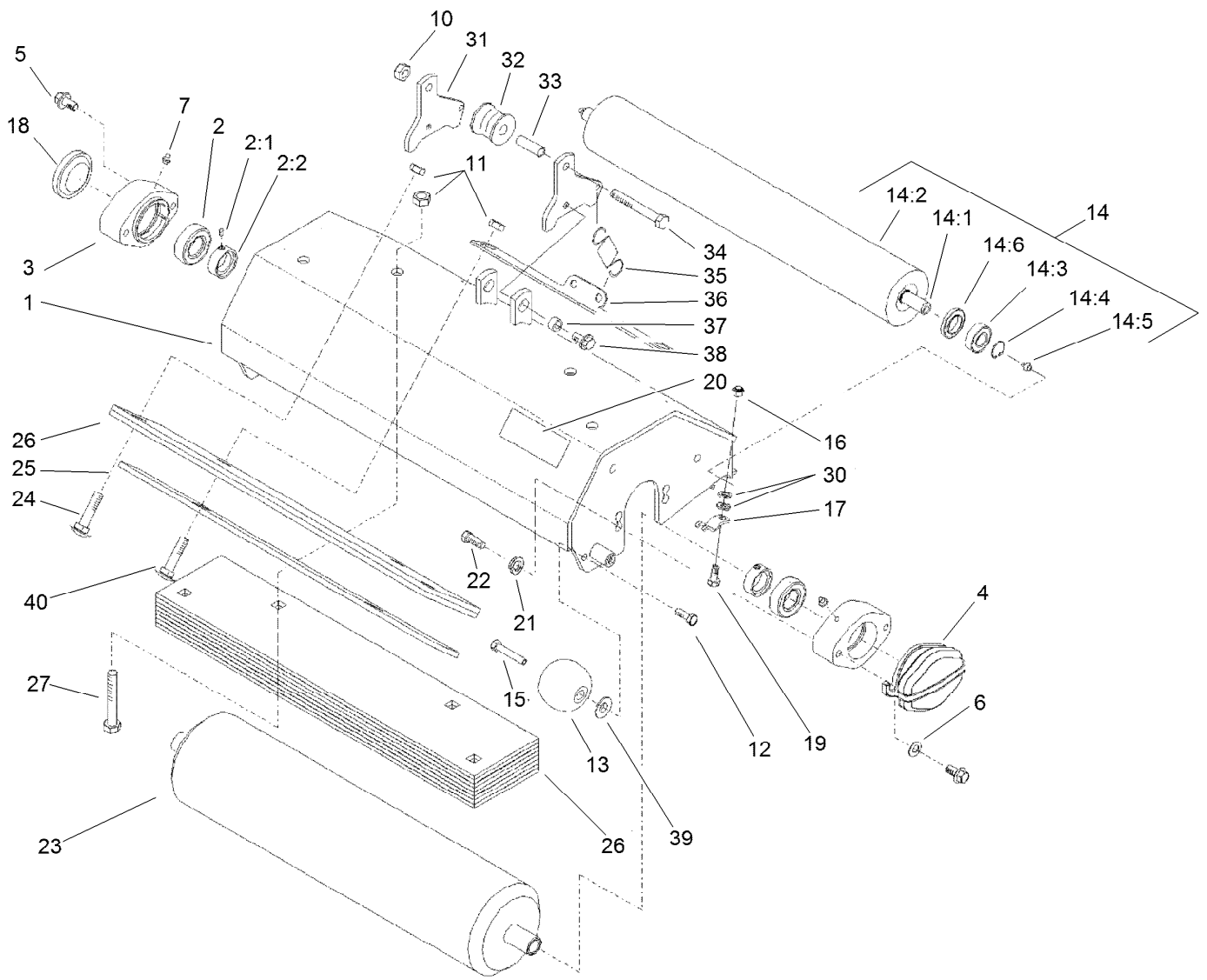
● Not illustrated

■ Not serviced separately



Tri-Roller Assembly

Ref.	Part Number	Qty.	Description	Ref.	Part Number	Qty.	Description
1	100-6443-01	1	Frame ASM	16	33024-00	2	Nut-Lock, NI
2	94-3405	2	Bearing-Ball	17	99-8168	2	Collar-HOC
2:1	3245-35	1	Screw-Set, HSH	18	2410-30	1	Cap-Plastic
2:2	251-77	1	Collar-Lock, Bearing	19	33114-025	2	Screw-HH
3	95-7148	2	Housing-Bearing	20	67-1300	1	Decal
4	95-1642-01	1	Weight-Counter	21	48-9590	4	Washer-Lock
5	93-2569	4	Screw-HHF	22	33115-025	4	Screw-HH
6	3256-24	2	Washer-Flat	23	99-1614	1	Roller ASM
7	302-5	2	Fitting-Grease	24	33126-040	2	Screw-CARR
10	3296-39	1	Nut-Lock, NI	25	99-1637-01	1	Plate-Scraper
11	33026-00	6	Nut-Lock	26	99-1620-01	9	Plate-Weight, Long
12	323-5	2	Screw-HH	27	33116-070	2	Screw-HH
13	99-4210	2	Roller-Anti Scalp	30	3256-74	4	Washer-Flat
14	99-1615	1	Rear Roller ASM	31	117-0561-01	2	Plate-Pivot
14:1	93-2466	1	Shaft-Roller	32	100-6449	1	Roller-Lift
14:2	99-1616	1	Rear Roller Tube ASM	33	100-6448	1	Spacer-Roller
14:3	93-2559	2	Bearing-Ball	34	323-12	1	Screw-HH
14:4	93-2525	2	Ring-Retaining	35	88-6330	1	Spring-Extension
14:5	302-5	2	Fitting-Grease	36	100-9818-01	1	Plate-Mount, Spring
14:6	98-2194	2	Sleeve-Grease	37	52-2480	2	Spacer-Wheel
15	99-4209	2	Shaft-Roller	38	3234-1	2	Screw-HHF



Tri-Roller Assembly (continued)

<i>Ref.</i>	<i>Part Number</i>	<i>Qty.</i>	<i>Description</i>
39	3256-45	2	Washer-Flat
40	33126-045	2	Screw-CARR

Notes:



Count on it.