



Tri-Roller Kit
For Greensmaster® 3000 Series
Model No. 04495-21000001 and Up

Parts Catalog

Ordering Replacement Parts

To order replacement parts, please supply: the part number, the quantity, and the description of each part desired.

Understanding Reference Numbers

Each identified part in an illustration has a reference number. The reference number for a part also appears in the parts list, along with other information about the part.

This catalog uses two special reference number formats, one to indicate parts in a service assembly and another to indicate the quantity of a given part in an illustration.

Service Assembly Reference Numbers

Parts in service assemblies have reference numbers in the form **a:b**. The **a** represents the reference number of the entire service assembly and the **b** represents a sequential number unique to each part within the service assembly.

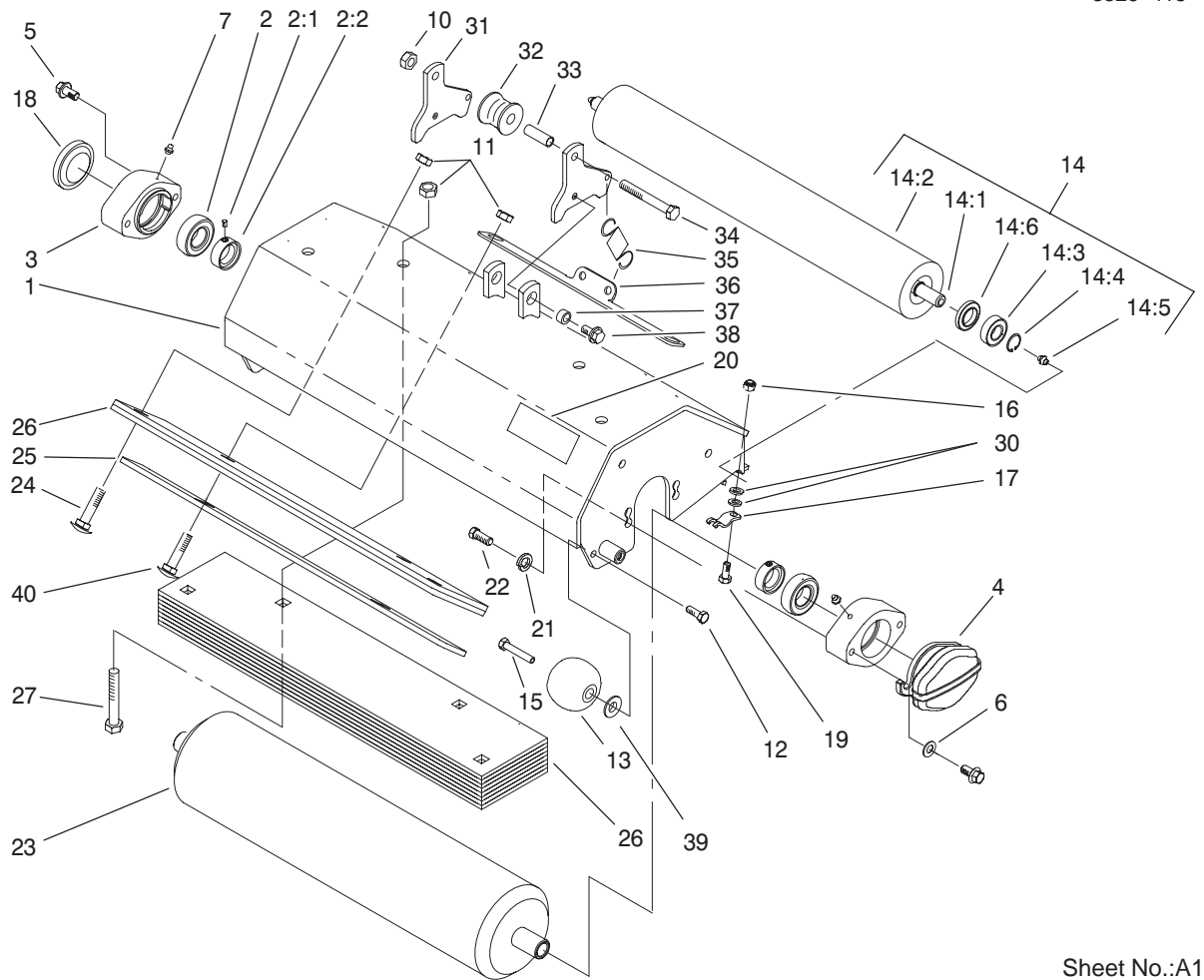
For example, a wheel assembly might be identified by reference number **6**, the tire by **6:1**, the valve by **6:2**, and the wheel by **6:3**. When you order the assembly identified by reference number **6**, you receive all parts identified by reference numbers **6:1**, **6:2**, and **6:3**. However, you may also order any part individually.

Reference numbers of this type appear in illustrations and in part lists.

Reference Numbers Indicating Quantity

In an illustration, if a reference number indicates more than one part, the reference number has the form **nX y**. The **n** represents the quantity of the part, the **X** is the multiplication symbol, and the **y** represents the reference number.

For example, in an illustration, the reference number **2X 37** means that two of the parts identified by reference number **37** are indicated.



Sheet No.:A1

Tri-Roller Assembly

Ref. No.	Part No.	Qty.	Description
1	100-6443-01	1	Frame ASM
2	94-3405	2	Bearing-Ball
2:1	3245-35	1	Screw-HS
2:2	251-77	1	Bearing-Lockcollar
3	95-7148	2	Housing-Bearing
4	95-1642-01	1	Weight-Counter
5	93-2569	4	Screw-HHF
6	3256-24	2	Washer-Flat
7	302-5	2	Fitting-Grease
10	3296-39	1	Nut-Lock, NI
11	33026-00	6	Nut-Lock
12	323-5	2	Screw-HH
13	99-4210	2	Roller-Anti Scalp
14	99-1615	1	Rear Roller ASM
14:1	93-2466	1	Shaft-Roller
14:2	99-1616	1	Rear Roller Tube ASM
14:3	93-2559	2	Bearing-Ball
14:4	93-2525	2	Ring-Retaining
14:5	302-5	2	Fitting-Grease
14:6	98-2194	2	Sleeve-Grease
15	99-4209	2	Shaft-Roller
16	33024-00	2	Nut-Lock
17	99-8168	2	Collar-HOC
18	2410-30	1	Cap-Plastic
19	33114-025	2	Screw-HH
20	67-1300	1	Decal-Toro

Ref. No.	Part No.	Qty.	Description
21	48-9590	4	Washer-Lock
22	33115-025	4	Screw-HH
23	99-1614	1	Roller ASM
24	33126-040	2	Screw-CARR
25	99-1637-01	1	Plate-Scraper
26	99-1620-01	9	Plate-Weight, Long
27	33116-070	2	Screw-HH
30	3256-74	4	Washer-Flat
31	100-6446-01	2	Plate-Pivot
32	100-6449	1	Roller-Lift
33	100-6448	1	Spacer-Roller
34	323-12	1	Screw-HH
35	88-6330	1	Spring-Extension
36	100-9818-01	1	Plate-Spring Mount
37	100-6447	2	Tube-Spacer
38	3234-1	2	Screw-HHF
39	3256-45	2	Washer-Flat
40	33126-045	2	Screw-CARR

