



Count on it.

Parts Catalog

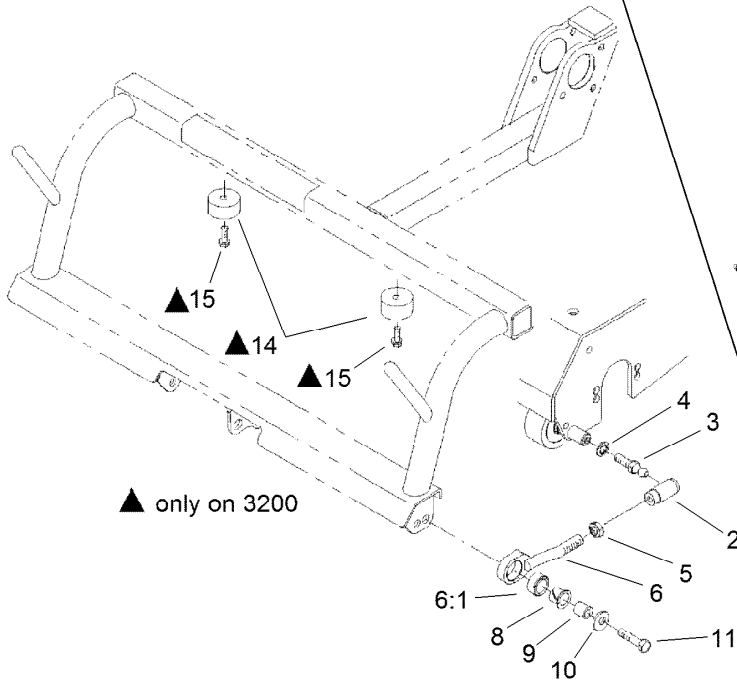
Spiker

Greensmaster® 3000 Series

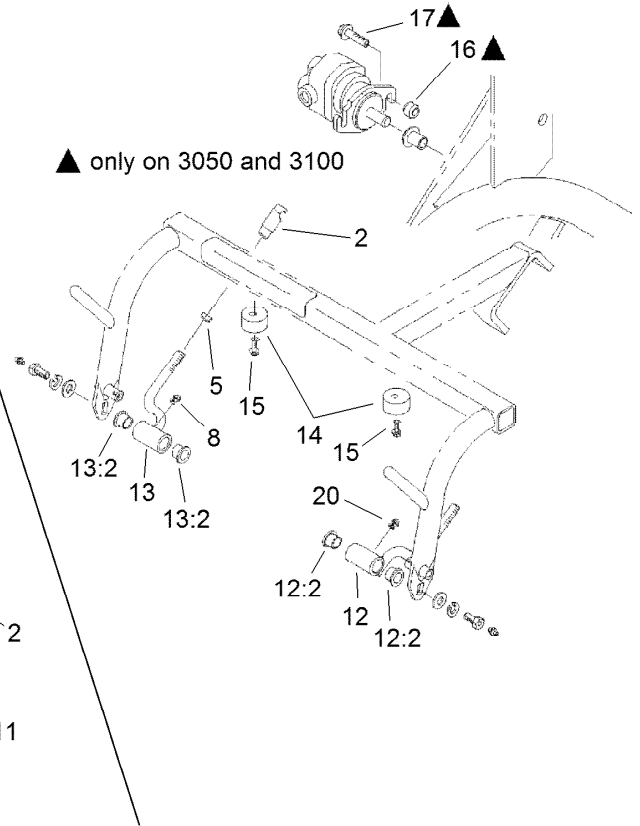
Model No. 04494—Serial No. 290000001 and Up



Greensmaster 3200 and 3250



Greensmaster 3050, 3100 and 3150



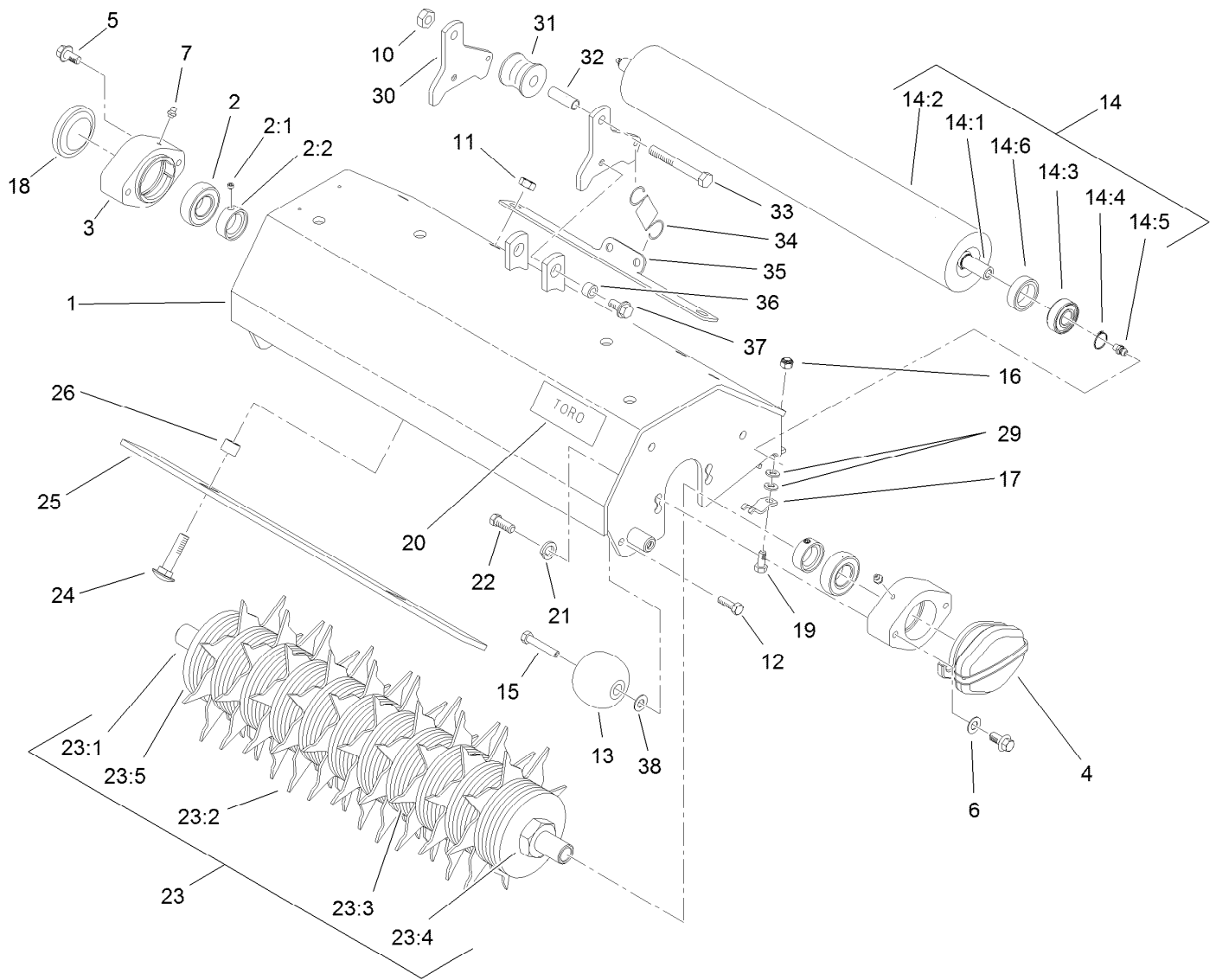
Pull Link and Pull Arm Assembly

Ref.	Part Number	Qty.	Description
1		3	Spiker ASM ●■
2	54-7460	6	Joint-Ball
3	54-7430	6	Stud-Ball
4	3254-6	6	Washer-Lock, Internal
5	3220-5	6	Nut-Jam
6	18-3049	6	Pull Link ASM
6:1	95-0532	1	Rubber Bushing ASM
8	256-292	6	Bushing-Flange, NI
9	75-5270	6	Spacer-Knob, Seat
10	3256-4	6	Washer-Flat

Ref.	Part Number	Qty.	Description
11	3211-6	6	Screw-HH
12	99-1468	3	LH Pull Arm ASM
12:2	3-1506	2	Bushing
13	99-1467	3	RH Pull Arm ASM
13:2	3-1506	2	Bushing
14	94-4548	6	Bumper-Recessed
15	32144-44	6	Screw-HWH, Thread Roll
16	61-2370	1	Spacer
17	32144-102	1	Screw-HWH
20	302-5	6	Fitting-Grease

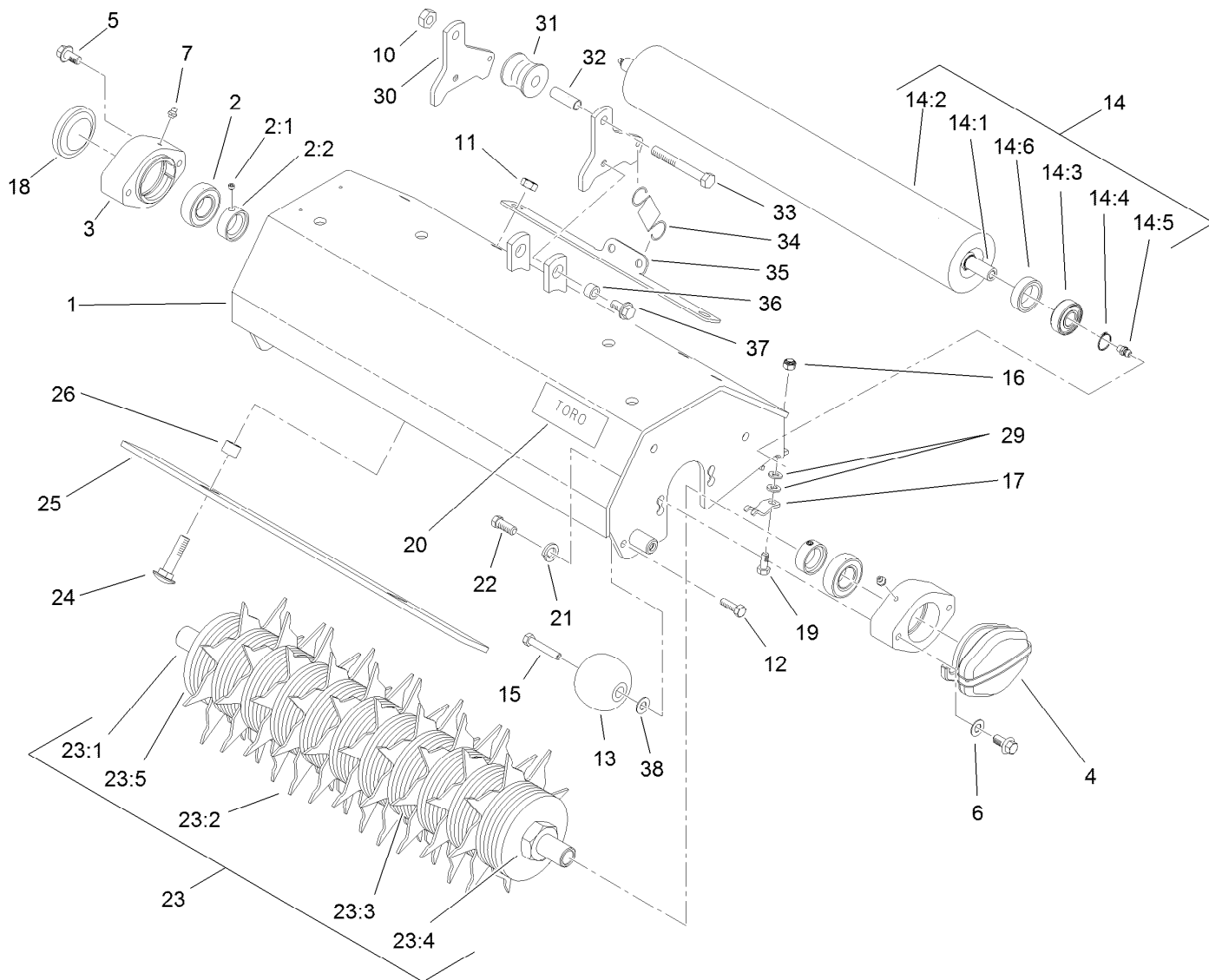
● Not illustrated

■ Not serviced separately



Spiker Assembly

Ref.	Part Number	Qty.	Description	Ref.	Part Number	Qty.	Description
1	100-6443-01	1	Frame ASM	16	33024-00	2	Nut-Lock, NI
2	94-3405	2	Bearing-Ball	17	99-8168	2	Collar-HOC
2:1	3245-35	1	Screw-Set, HSH	18	2410-30	1	Cap-Plastic
2:2	251-77	1	Collar-Lock, Bearing	19	33114-025	2	Screw-HH
3	95-7148	2	Housing-Bearing	20	67-1300	1	Decal
4	95-1642-01	1	Weight-Counter	21	48-9590	4	Washer-Lock
5	93-2569	4	Screw-HHF	22	33115-025	4	Screw-HH
6	3256-24	2	Washer-Flat	23	99-1610	1	Spiker Shaft ASM
7	302-5	2	Fitting-Grease	23:1	99-1611	1	Shaft
10	3296-39	1	Nut-Lock, NI	23:2	99-1612	10	Blade-Spiker
11	33026-00	2	Nut-Lock	23:3	99-1613	73	Spacer
12	323-5	2	Screw-HH	23:4	67-5840	2	Nut-Jam
13	99-4210	2	Roller-Anti Scalp	23:5	99-1635	2	Spacer
14	99-1615	1	Rear Roller ASM	24	33126-045	2	Screw-CARR
14:1	93-2466	1	Shaft-Roller	25	99-1637-01	1	Plate-Scraper
14:2	99-1616	1	Rear Roller Tube ASM	26	74-3730	2	Spacer-Spindle, Rear
14:3	93-2559	2	Bearing-Ball	29	3256-74	4	Washer-Flat
14:4	93-2525	2	Ring-Retaining	30	117-0561-01	2	Plate-Pivot
14:5	302-5	2	Fitting-Grease	31	100-6449	1	Roller-Lift
14:6	98-2194	2	Sleeve-Grease	32	100-6448	1	Spacer-Roller
15	99-4209	2	Shaft-Roller	33	323-12	1	Screw-HH



Spiker Assembly (continued)

<i>Ref.</i>	<i>Part Number</i>	<i>Qty.</i>	<i>Description</i>	<i>Ref.</i>	<i>Part Number</i>	<i>Qty.</i>	<i>Description</i>
34	88-6330	1	Spring-Extension	37	3234-1	2	Screw-HHF
35	100-9818-01	1	Plate-Mount, Spring	38	3256-45	2	Washer-Flat
36	52-2480	2	Spacer-Wheel				

Notes:

Notes:

Notes:



Count on it.