



Spiker Greensmaster® 3000 Series

Model No. 04494 - 280000001 and up.

Parts Catalog

Ordering Replacement Parts

To order replacement parts, please supply the part number, the quantity, and the description of each part desired.

Understanding Reference Numbers

Each identified part in an illustration has a reference number. The reference number for a part also appears in the parts list, along with other information about the part.

This catalog uses two special reference number formats, one to indicate parts in a service assembly and another to indicate the quantity of a given part in an illustration.

Service Assembly Reference Numbers

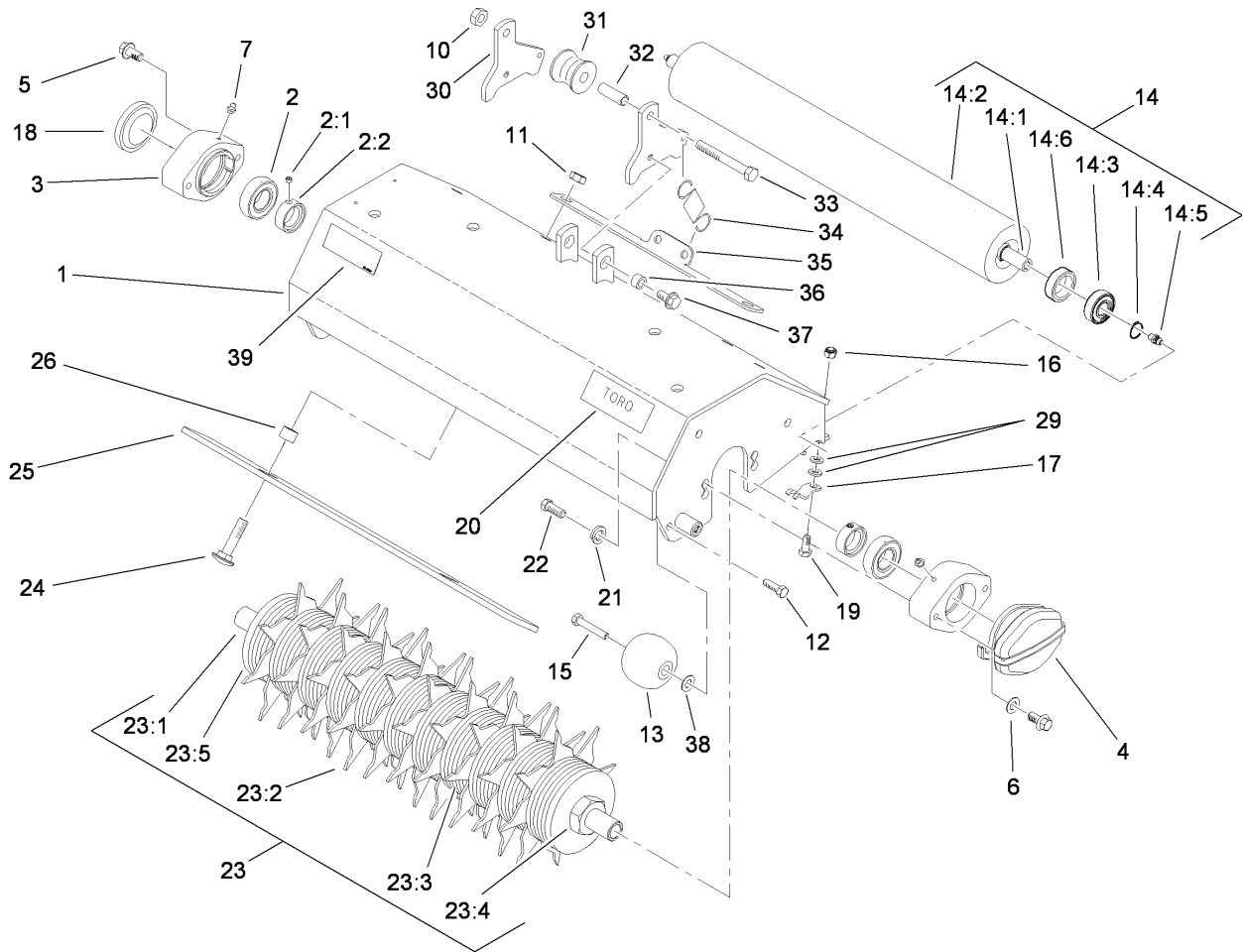
Parts in service assemblies have reference numbers in the form a:b. The a represents the reference number of the entire service assembly and the b represents a sequential number unique to each part within the service assembly.

For example, a wheel assembly might be identified by reference number 6, the tire by 6:1, the valve by 6:2, and the wheel by 6:3. When you order the assembly identified by reference number 6, you receive all parts identified by reference numbers 6:1, 6:2, and 6:3. However, you may also order any part individually. Reference numbers of this type appear in illustrations and in part lists.

Reference Numbers Indicating Quantity

In an illustration, if a reference number indicates more than one part, the reference number has the form nX y. The n represents the quantity of the part, the X is the multiplication symbol, and the y represents the reference number.

For example, in an illustration, the reference number 2X 37 means that two of the parts identified by reference number 37 are indicated.



Spiker Assembly

Ref	Part No.	Qty.	Description
1	100-6443-01	1	Frame ASM
2	94-3405	2	Bearing-Ball
2:1	3245-35	1	Screw-Set
2:2	251-77	1	Collar-Lock, Bearing
3	95-7148	2	Housing-Bearing
4	95-1642-01	1	Weight-Counter
5	93-2569	4	Screw-HHF
6	3256-24	2	Washer-Flat
7	302-5	2	Fitting-Grease
10	3296-39	1	Nut-Lock, NI
11	33026-00	2	Nut-Lock
12	323-5	2	Screw-HH
13	99-4210	2	Roller-Anti Scalp
14	99-1615	1	Rear Roller ASM
14:1	93-2466	1	Shaft-Roller
14:2	99-1616	1	Rear Roller Tube ASM
14:3	93-2559	2	Bearing-Ball
14:4	93-2525	2	Ring-Retaining
14:5	302-5	2	Fitting-Grease
14:6	98-2194	2	Sleeve-Grease
15	99-4209	2	Shaft-Roller
16	33024-00	2	Nut-Lock
17	99-8168	2	Collar-HOC
18	2410-30	1	Cap-Plastic

Ref	Part No.	Qty.	Description
19	33114-025	2	Screw-HH
20	67-1300	1	Decal
21	48-9590	4	Washer-Lock
22	33115-025	4	Screw-HH
23	99-1610	1	Spiker Shaft ASM
23:1	99-1611	1	Shaft-Spiker
23:2	99-1612	10	Blade-Spiker
23:3	99-1613	73	Spacer
23:4	67-5840	2	Nut-Jam
23:5	99-1635	2	Spacer
24	33126-045	2	Screw-CARR
25	99-1637-01	1	Plate-Scraper
26	74-3730	2	Spacer-Spindle, Rear
29	3256-74	4	Washer-Flat
30	100-6446-01	2	Plate-Pivot
31	100-6449	1	Roller-Lift
32	100-6448	1	Spacer-Roller
33	323-12	1	Screw-HH
34	88-6330	1	Spring-Extension
35	100-9818-01	1	Plate-Mount, Spring
36	52-2480	2	Spacer-Wheel
37	3234-1	2	Screw-HHF
38	3256-45	2	Washer-Flat
39	115-3269	1	Decal-Regulatory

