



**Dethatcher Kit**  
**for Greensmaster® 3000 series**  
**Model No. 04493—20000701 and Up**

## Parts Catalog

### Ordering Replacement Parts

To order replacement parts, please supply: the part number, the quantity, and the description of each part desired.

### Understanding Reference Numbers

Each identified part in an illustration has a reference number. The reference number for a part also appears in the parts list, along with other information about the part.

This catalog uses two special reference number formats, one to indicate parts in a service assembly and another to indicate the quantity of a given part in an illustration.

### Service Assembly Reference Numbers

Parts in service assemblies have reference numbers in the form **a:b**. The **a** represents the reference number of the entire service assembly and the **b** represents a sequential number unique to each part within the service assembly.

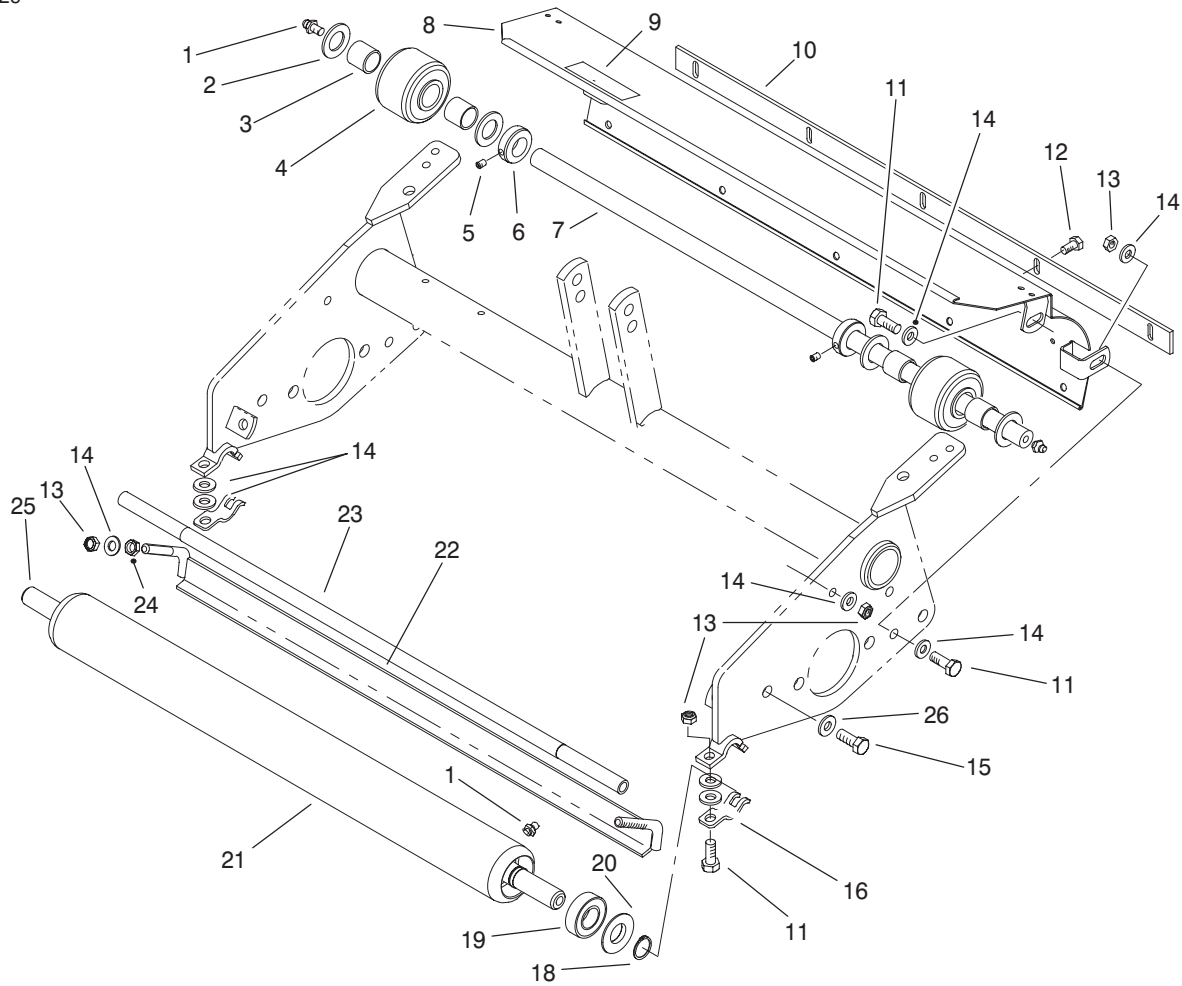
For example, a wheel assembly might be identified by reference number **6**, the tire by **6:1**, the valve by **6:2**, and the wheel by **6:3**. When you order the assembly identified by reference number **6**, you receive all parts identified by reference numbers **6:1**, **6:2**, and **6:3**. However, you may also order any part individually.

Reference numbers of this type appear in illustrations and in part lists.

### Reference Numbers Indicating Quantity

In an illustration, if a reference number indicates more than one part, the reference number has the form **nX y**. The **n** represents the quantity of the part, the **X** is the multiplication symbol, and the **y** represents the reference number.

For example, in an illustration, the reference number **2X 37** means that two of the parts identified by reference number **37** are indicated.

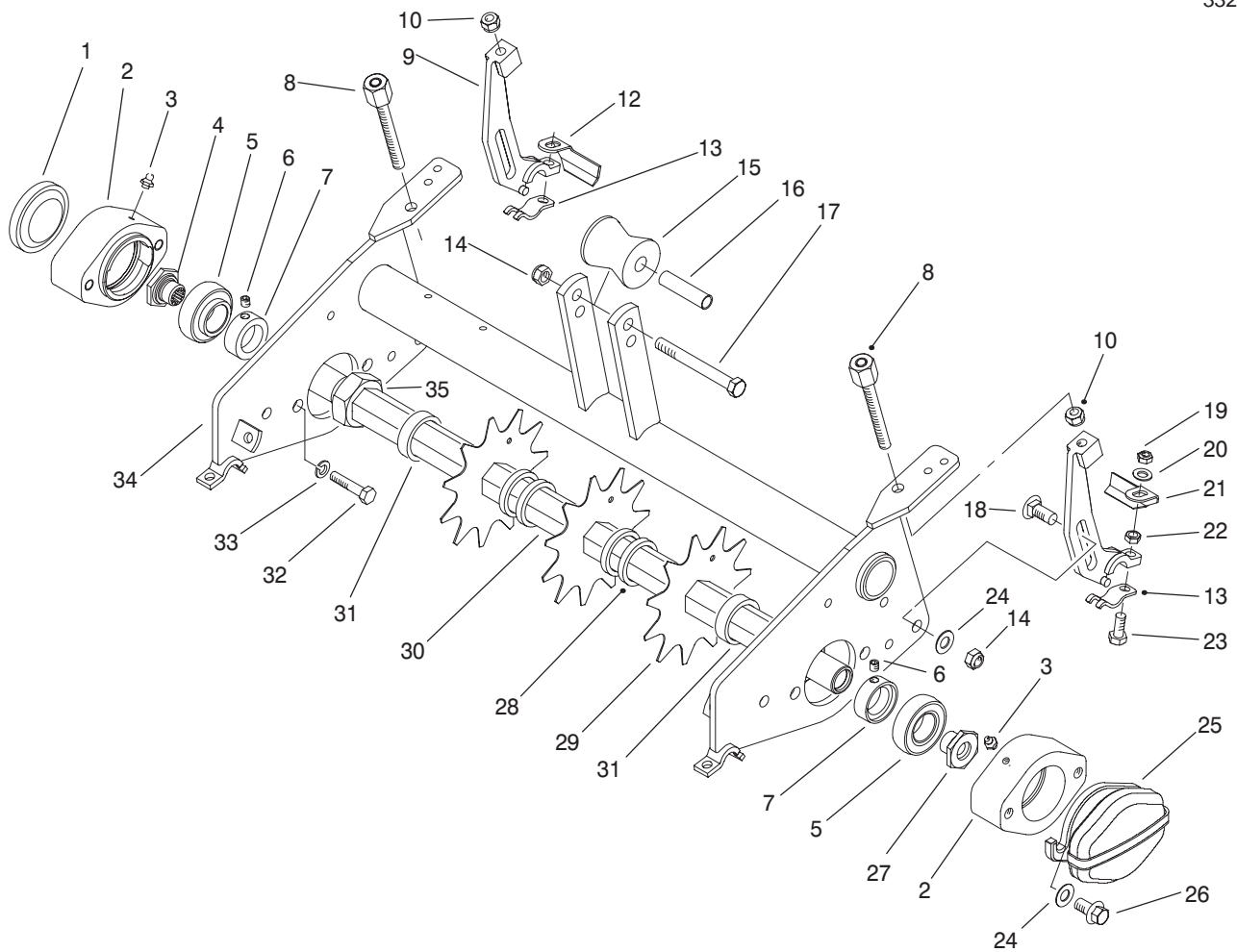


T-2783-1

## Roller Assembly

Ref. No.	Part No.	Qty.	Description
1	302-5	4	Fitting-Grease
2	257-11	4	Washer-Thrust
3	95-7497	4	Bushing-Wheel
4	94-9211	2	Wheel ASM
5	3245-1	2	Screw-Set
6	94-9213	2	Collar-Shaft (Incl. Ref. #5)
7	94-9210	1	Shaft-Wheel, Rear
8	98-3551	1	Grass Shield ASM
9	93-6688	1	Decal-Danger, Reel
10	36-7260	1	Bar-Cutoff
11	33114-025	6	Screw-HH
12	32144-73	5	Screw-HHWTF
13	33024-00	8	Nut-Lock
14	3256-74	14	Washer-Flat
15	33115-020	2	Screw-HHF
16	99-8168	2	Collar-HOC
18	32151-12	2	Ring-Retaining
19	85-9970	2	Bearing ASM
20	85-7190	2	Washer-Shield
21	95-5943	1	Rear Roller ASM (Incl. Ref. #1,18-20 & 25)
22	94-9226	1	Bracket-Scraper
23	98-2196	1	Rod-Shield
24	33014-00	2	Nut-Hex

Ref. No.	Part No.	Qty.	Description
25	95-5946	1	Shaft-Roller
26	3256-24	2	Washer-Flat



T-2731-3

## Frame Assembly

Ref. No.	Part No.	Qty.	Description
1	2410-30	1	Cap-Plastic
2	95-7148	2	Housing-Bearing
3	302-5	2	Fitting-Grease
4	93-1394	1	Nut-Spline
5	251-337	2	Bearing-Ball
6	3245-35	2	Screw-Set
7	251-77	2	Collar-Lock
8	95-1633	2	HOC Adjustment ASM
9	95-1638	2	Bracket-HOC Adjustment, Rear
10	3296-5	2	Nut-Lock
12	94-9219	1	Scraper-Roller, Right
13	99-8168	2	Collar-HOC
14	33025-00	3	Nut-Lock
15	93-2463	1	Roller-Lift
16	93-2464	1	Spacer-Roller
17	33115-080	1	Screw-HH
18	33125-030	2	Screw-CARR
19	33024-00	2	Nut-Lock
20	3256-74	2	Washer-Flat
21	94-9220	1	Scraper-Roller, Left
22	33014-00	2	Nut-Hex
23	33114-030	2	Screw-HH
24	3256-24	4	Washer-Flat
25	95-1642-01	1	Weight-Counter
26	93-2569	4	Screw-HHF

Ref. No.	Part No.	Qty.	Description
27	94-9214	1	Nut-Spline, LH
28	17-1600	72	Spacer
29	17-1590	37	Blade-Tooth, Eleven
30	94-9202	1	Shaft-Dethatcher
31	17-1580	2	Spacer
32	33115-025	4	Screw-HH
33	48-9590	4	Washer-Lock
34	98-3587-01	1	Frame-Dethatcher
35	67-5840	2	Nut-Jam
*	94-9201	1	Dethatcher Shaft ASM (Incl. Ref. #28-31 & 35)
*	94-3405	2	Bearing ASM (Incl. Ref. #5-7)
*	99-8189	4	Plate-Gauge .060
*	99-8188	4	Plate-Gauge .120
*	99-8187	4	Plate-Gauge .250

\* Not Illustrated

