



Count on it.

Parts Catalog

**8-Blade EdgeSeries™ DPA
Cutting Unit**

**Greensmaster® 3150 or 3250-D Series
Traction Unit**

Model No. 04652—Serial No. 408000000 and Up



Ordering Replacement Parts

To order replacement parts, please supply the part number, the quantity, and the description of each part desired.

Understanding Reference Numbers

Each identified part in an illustration has a reference number. The reference number for a part also appears in the parts list, along with other information about the part.

This catalog uses two special reference number formats, one to indicate parts in a service assembly and another to indicate the quantity of a given part in an illustration.

Service Assembly Reference Numbers

Parts in service assemblies have reference numbers in the form a:b. The a represents the reference number of the entire service assembly and the b represents a sequential number unique to each part within the service assembly.

For example, a wheel assembly might be identified by reference number 6, the tire by 6:1, the valve by 6:2, and the wheel by 6:3. When you order the assembly identified by reference number 6, you receive all parts identified by reference numbers 6:1, 6:2, and 6:3. However, you may also order any part individually. Reference numbers of this type appear in illustration and in parts lists.

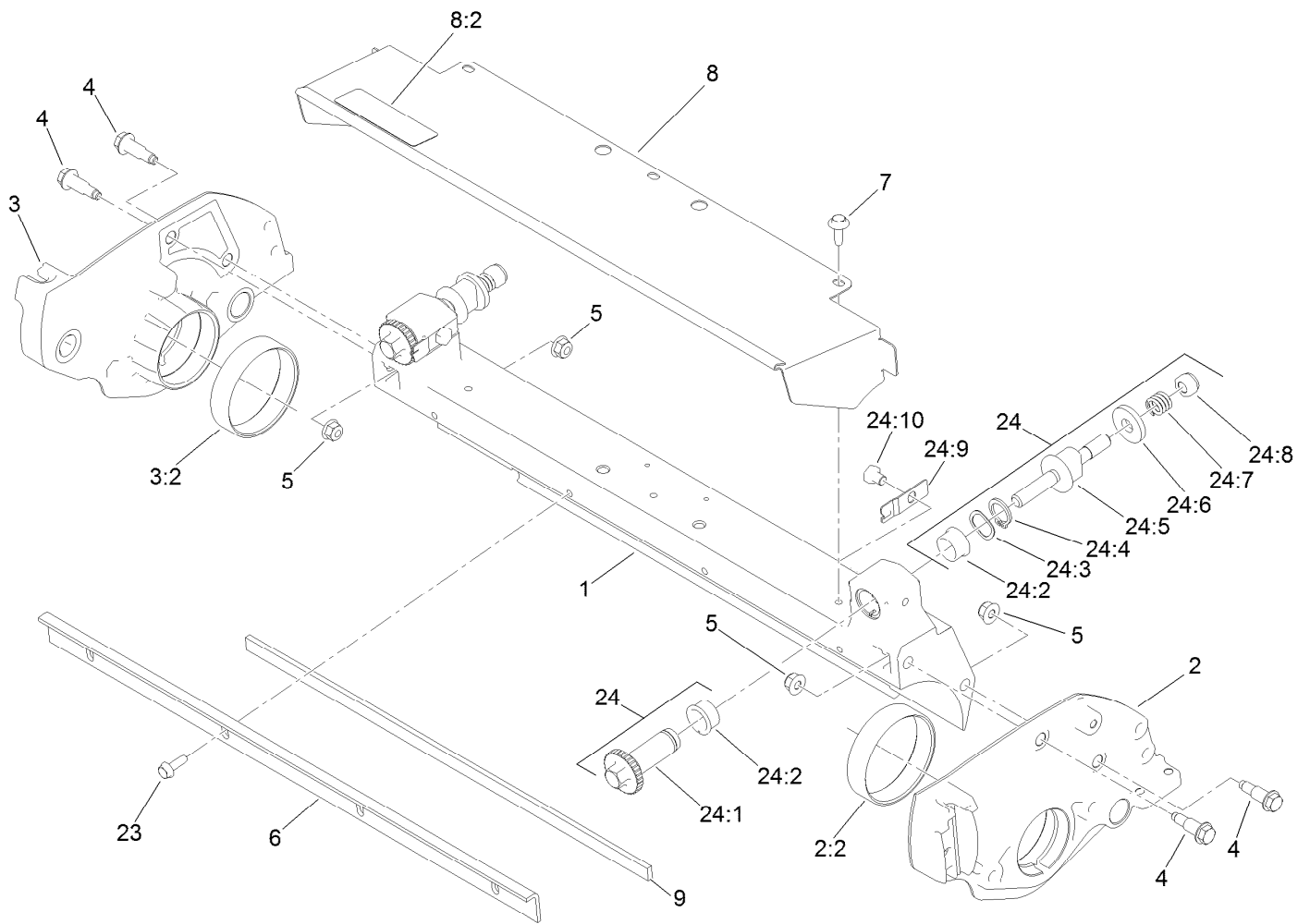
Reference Numbers Indicating Quantity

In an illustration, if a reference number indicates more than one part, the reference number has the form nX y. The n represents the quantity of the part, the X is the multiplication symbol, and the y represents the reference number.

For example, in an illustration, the reference number 2X 37 means that two of the parts identified by reference number 37 are indicated.

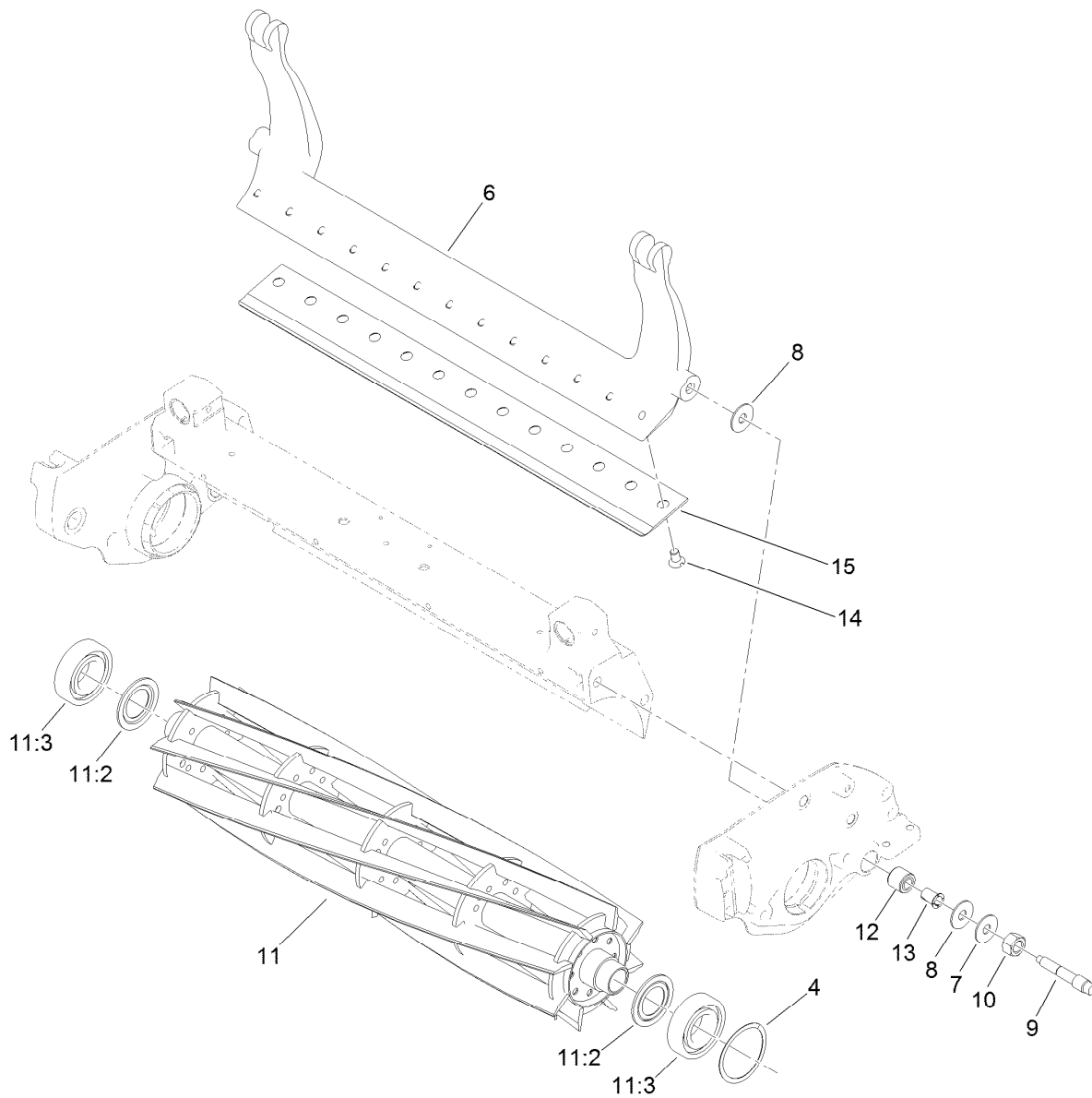
Contents

- Frame Assembly..... 4
- Reel Assembly 5
- Roller Assembly 6
- Rear Full Smooth Roller Kit Assembly No. 140-5560..... 7
- Drive Assembly..... 8
- Attachments and Accessories 9



Frame Assembly

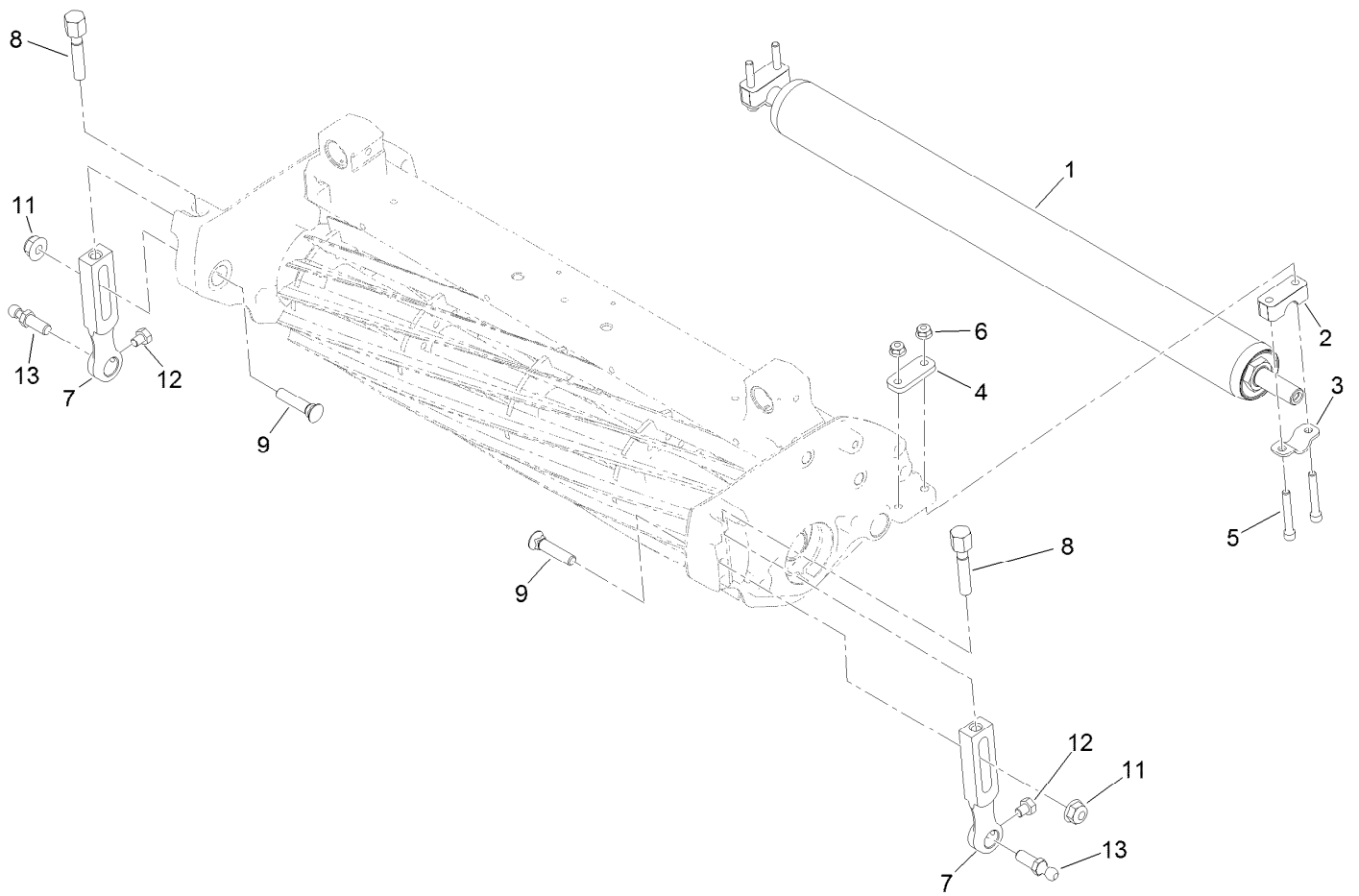
| <i>Ref.</i> | <i>Part Number</i> | <i>Qty.</i> | <i>Description</i> | <i>Ref.</i> | <i>Part Number</i> | <i>Qty.</i> | <i>Description</i> |
|-------------|--------------------|-------------|-----------------------|-------------|--------------------|-------------|------------------------|
| 1 | 119-9303 | 1 | Crossmember | 23 | 131-6150 | 4 | Screw-HWHTF |
| 2 | 119-4005 | 1 | LH Sideplate ASM | 24 | 121-2637 | 1 | DPA Rebuild Kit |
| 2:2 | 117-6619 | 1 | Bushing | 24:1 | 106-5363 | 2 | Shaft-Adjuster |
| 3 | 119-4007 | 1 | RH Sideplate ASM | 24:2 | 106-5344 | 4 | Bushing-Flange, Keyed |
| 3:2 | 117-6619 | 1 | Bushing | 24:3 | 119-4164 | 2 | Washer-Wave |
| 4 | 115-7042 | 4 | Bolt-Shoulder, Flange | 24:4 | 32120-93 | 2 | Ring-Retaining |
| 5 | 119-4041 | 4 | Nut-HF | 24:5 | 137-6130 | 2 | Screw-Adjuster, Bedbar |
| 6 | 115-3303-03 | 1 | Bar-Cutoff | 24:6 | 119-4155 | 2 | Washer-Hardened |
| 7 | 119-4012 | 3 | Screw-HWHTF | 24:7 | 119-4156 | 2 | Spring-Compression |
| 8 | 119-4095 | 1 | Grass Shield ASM | 24:8 | 119-4039 | 2 | Nut-Hex |
| 8:2 | 137-9706 | 1 | Decal-Warning | 24:9 | 99-2097 | 2 | Detent |
| 9 | 106-2619 | 1 | Strip-Seal | 24:10 | 119-4067 | 2 | Screw-HH |



Reel Assembly

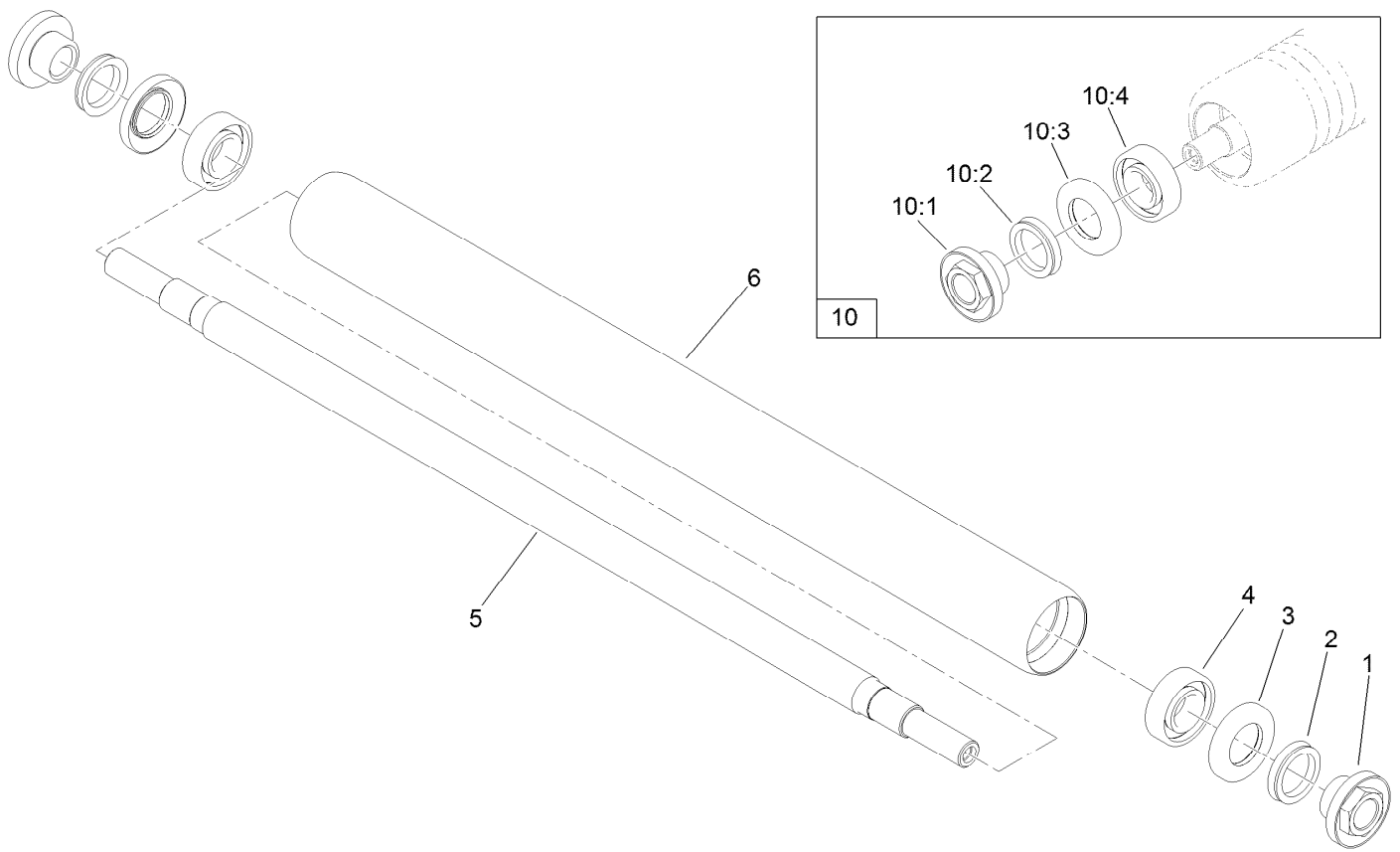
| Ref. | Part Number | Qty. | Description | Ref. | Part Number | Qty. | Description |
|------|-------------|------|---|------|-------------|------|---|
| 4 | 115-5258 | 1 | Spring-Wire, Flat | 15 | 108-4302 | 1 | Bedknife-Tournament, Extended (21In GR) ● |
| 6 | 106-2648-01 | 1 | Bedbar | 15 | 108-4303 | 1 | Bedknife-Microcut, Extended (21In GR) ● |
| 7 | 119-4150 | 2 | Washer-Flat | 15 | 115-1880 | 1 | Bedknife-Edgemax, Microcut (21In GR) |
| 8 | 52-2900 | 4 | Washer-Plastic | 15 | 115-1881 | 1 | Bedknife-Edgemax, Tournament (21In GR) ● |
| 9 | 117-9493 | 2 | Bolt-Bedbar | 15 | 63-8610 | 1 | Bedknife-Fairway (21In) ● |
| 10 | 140-9234 | 2 | Nut-Hex Lock | 15 | 93-4262 | 1 | Bedknife-Microcut (21In GR) ● |
| 11 | 137-8511 | 1 | 21 Inch 8 Blade Low Drag Edge Series+ Reel ASM | 15 | 93-4263 | 1 | Bedknife-Tournament Cut (21In GR) ● |
| 11 | 137-8512 | 1 | 21 Inch 11 Blade Low Drag Edge Series+ Reel ASM ● | 15 | 93-4264 | 1 | Bedknife-Low Cut (21In GR) ● |
| 11 | 137-8513 | 1 | 21 Inch 14 Blade Low Drag Edge Series+ Reel ASM ● | 15 | 94-6392 | 1 | Bedknife-Highcut (21In GR) ● |
| 11:2 | 115-3299 | 2 | Seal-Flocked | | | | |
| 11:3 | 140-5510 | 2 | Bearing-Sealed, Stainless | | | | |
| 12 | 119-4153 | 2 | Rubber Bushing ASM | | | | |
| 13 | 52-2890 | 2 | Bushing-Nylon | | | | |
| 14 | 119-4151 | 13 | Screw-Bedknife | | | | |

● Optional Equipment



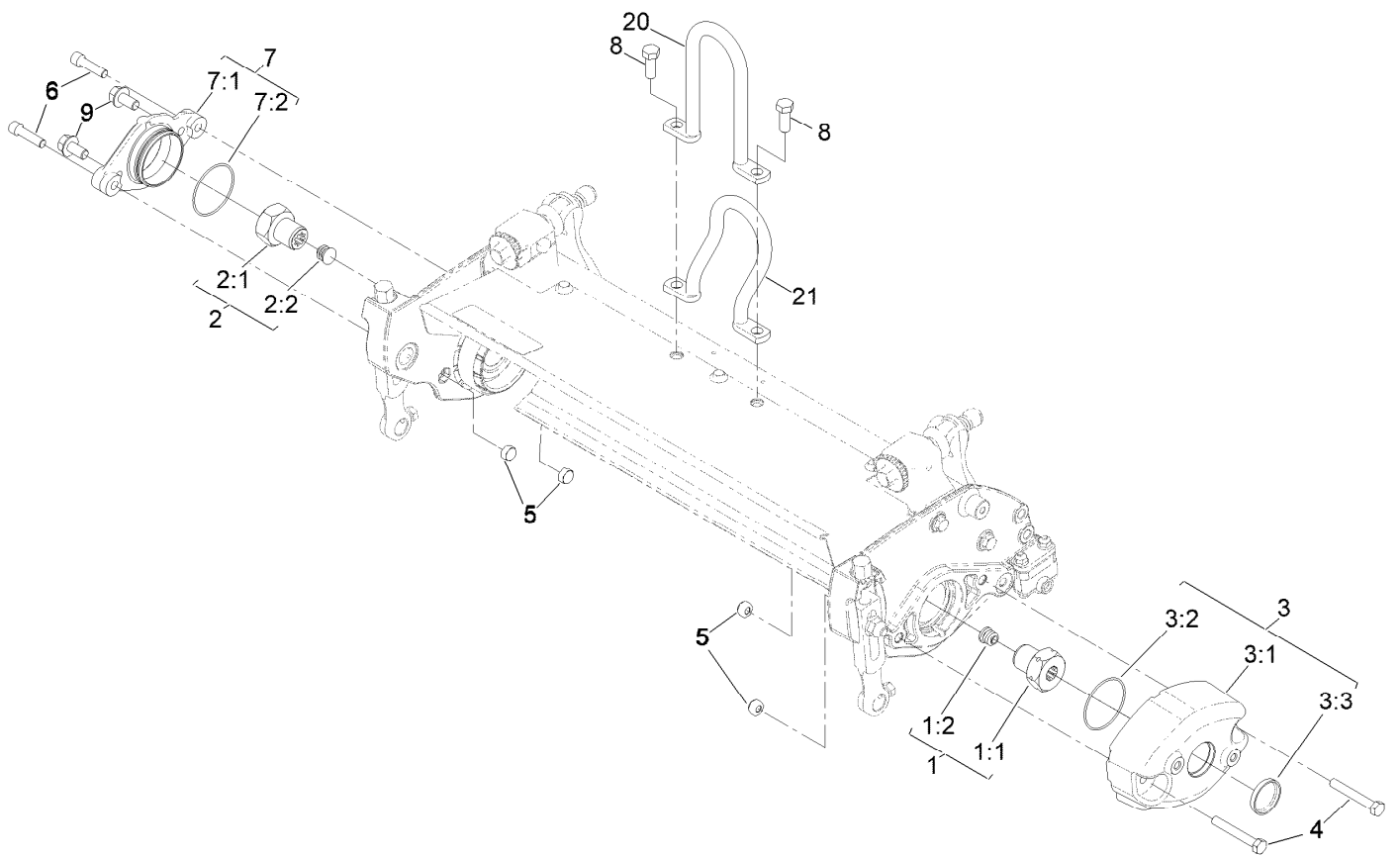
Roller Assembly

| <i>Ref.</i> | <i>Part Number</i> | <i>Qty.</i> | <i>Description</i> |
|-------------|--------------------|-------------|-----------------------------------|
| 1 | 140-5560 | 1 | Full Rear Roller(2.0In DIA)(21In) |
| 2 | 119-4166 | 2 | Spacer-Height, Roller |
| 3 | 119-4157 | 2 | Retainer-Shaft |
| 4 | 119-4165 | 2 | Shim-Height, Roller |
| 5 | 119-4035 | 4 | Screw-HSH |
| 6 | 119-4040 | 4 | Nut-HF, NI |
| 7 | 115-7041 | 2 | Arm-HOC |
| 8 | 110-7352 | 2 | Screw-HOC |
| 9 | 99-3773 | 2 | Bolt-Plow |
| 11 | 133-7570 | 2 | Nut-Flange, NI |
| 12 | 119-4067 | 2 | Screw-HH |
| 13 | 94-2958 | 2 | Stud-Ball |



Rear Full Smooth Roller Kit Assembly No. 140-5560

| <i>Ref.</i> | <i>Part Number</i> | <i>Qty.</i> | <i>Description</i> |
|-------------|--------------------|-------------|---------------------------------|
| 1 | 108-3151 | 2 | Nut-Lock, Bearing (Service) |
| 2 | 106-6942 | 2 | V-Ring |
| 3 | 106-6941 | 2 | Seal |
| 4 | 251-347 | 2 | Bearing-Ball |
| 5 | 119-4090 | 1 | Shaft-Roller |
| 6 | 140-5541 | 1 | Tube Roller 2.0In DIA X 22.15In |
| 10 | 140-5552 | 1 | GR Roller Rebuild Kit |
| 10:1 | 108-3151 | 2 | Nut-Lock, Bearing (Service) |
| 10:2 | 106-6942 | 2 | V-Ring |
| 10:3 | 106-6941 | 2 | Seal |
| 10:4 | 251-347 | 2 | Bearing-Ball |



Drive Assembly

| Ref. | Part Number | Qty. | Description | Ref. | Part Number | Qty. | Description |
|------|-------------|------|--------------------------|------|-------------|------|-------------------------------|
| 1 | 120-3221 | 1 | LH Reel Nut ASM | 4 | 322-11 | 2 | Screw-HH |
| 1:1 | | 1 | Nut-Reel, Splined (LH) ● | 5 | 119-4038 | 4 | Nut-Hex |
| 1:2 | 120-3220 | 1 | Plug-Plastic | 6 | 3274-18 | 2 | Screw-HSH |
| 2 | 120-3222 | 1 | RH Reel Nut ASM | 7 | 117-9095 | 1 | Motor Adaptor ASM |
| 2:1 | | 1 | Nut-Reel, Splined (RH) ● | 7:1 | | 1 | Adaptor-Motor ● |
| 2:2 | 120-3220 | 1 | Plug-Plastic | 7:2 | 360-0398 | 1 | O-Ring |
| 3 | 115-3340 | 1 | Weight ASM | 8 | 323-6 | 2 | Screw-HH |
| 3:1 | | 1 | Weight-Reel ● | 9 | 110-1718 | 2 | Screw-HHF |
| 3:2 | 360-0398 | 1 | O-Ring | 20 | 105-5740 | 1 | Hook-Lift (GR30/31X0) |
| 3:3 | 121-4609 | 1 | Plug-Expansion | 21 | 110-2397 | 1 | Hook-Lift, Offset (1.25 Inch) |

● Not serviced separately

Attachments and Accessories

For 04652 8-Blade EdgeSeries DPA Cutting Unit Greensmaster 3150 or 3250-D Series Traction Unit

| Product Name | Model/Part |
|--|-------------|
| Split Full Front Roller | 04249 |
| Split Narrow Wiehle Roller | 04250 |
| Narrow Wiehle Roller (Qty 1) | 04255 |
| Wide Wiehle Roller (Qty 1) | 04256 |
| Front Full Smooth Roller (Qty 1) | 04257 |
| Extended Narrow Wiehle Roller (Qty 1) | 04258 |
| Paspalum Wiehle Roller (Qty 1)..... | 04267 |
| 21in Soft Grooming Brush..... | 04270 |
| 21in Stiff Grooming Brush..... | 04271 |
| Turf Evaluator | 04399 |
| Full Roller Kit (Set of 3)..... | 04625 |
| Narrow Wiehle Roller Kit (Set of 3) | 04626 |
| Wide Wiehle Roller Kit (Set of 3)..... | 04627 |
| Steel Roller (Qty 1) | 04628 |
| Dampening Roller Kit..... | 04629 |
| Rear Roller Scraper Kit (Set of 3)..... | 04646 |
| Universal Groomer Drive Kit | 04648 |
| Rear Roller Brush, Greensmaster 3250-D, TriFlex 3300, and 3400 Series DPA Cutting Units with Universal Groomer | 04650 |
| 21in Twin Tip Groomer Reel | 04802 |
| Pull Link Kit for DPA Reel Mower Groomer, Greensmaster 3150..... | 106-2643 |
| Bedbar | 106-2648-01 |
| Steel Roller Asm | 107-3509 |
| Narrow Wiehle Steel Roller Asm..... | 107-3510 |
| Wide Wiehle Steel Roller Asm | 107-3514 |
| Roller Scraper Kit..... | 107-9561 |
| Bedknife-Tournament, Extended | 108-4302 |
| Bedknife-Microcut, Extended..... | 108-4303 |
| Blade-Groomer, Helix | 110-2333 |
| Pull Link Kit for DPA Reel Mower Groomer | 112-9248 |
| Bedknife-EDGEMAX, Microcut..... | 115-1880 |
| Bedknife-EDGEMAX, Tournament Cut | 115-1881 |
| Narrow Wiehle Roller Kit..... | 115-7360 |
| Front Brush for Narrow Wiehle Roller (Qty 1)..... | 115-7377 |
| Front Brush for Wide Wiehle Roller (Qty 1) | 115-7378 |
| Front Brush for Full Roller (Qty 1) | 115-7379 |
| Front Comb for Narrow Wiehle Roller (Qty 1)..... | 115-7380 |
| Front Comb for Wide Wiehle Roller (Qty 1) | 115-7381 |
| Front Comb for Full Roller (Qty 1) | 115-7382 |
| Wide Wiehle Roller Kit | 115-7386 |
| Front Full Smooth Roller Kit..... | 115-7388 |
| Weight Kit, Counter-Rotating | 120-2760 |
| High Height-of-Cut Arms (Qty 1) | 120-9600 |
| Rear Roller Adjustment (Qty 1)..... | 120-9602 |
| Rear Roller Scraper (Qty 1) | 121-2260 |

Attachments and Accessories (continued)

| | |
|--|------------|
| MVP Kit-Cutting Unit Re-Build | 121-2637 |
| Extended Wiehle Roller Kit | 121-4675 |
| MVP Kit, Forward Rotating Groomer Re-Build | 121-9517 |
| Paspalum Wiehle Roller | 121-9535 |
| Front Scraper for Narrow Wiehle Roller (Qty 1)..... | 125-3503 |
| Front Scraper for Wide Wiehle Roller (Qty 1)..... | 125-3504 |
| Front Scraper for Full Roller (Qty 1) | 125-3505 |
| Rear Roller Extension Kit (Set of 3)..... | 125-5180 |
| Toro Reel Paper (10 Pack)..... | 125-5610 |
| 21in Soft Grooming Brush Kit..... | 127-1547 |
| 21in Stiff Grooming Brush Kit..... | 127-1548 |
| Groomer Quick Up Kit..... | 127-6119 |
| Angle Indicator..... | 131-6828 |
| Angle Indicator Mount..... | 131-6829 |
| RRB Adapter Kit | 132-0723 |
| Blade-Groomer, Universal Harden Blade (Thin) | 132-4626 |
| Bedknife-Edgemax | 137-0879 |
| Tool-Hand Tap 15/16-16 (GR DPA Reel)..... | 137-0926 |
| Tool-Hand Tap 15/16-16, LH (GR DPA Reel) | 137-0927 |
| 21 Inch 8 Blade Low Drag Reel ASM (EdgeSeries+) | 137-8511 |
| 21 Inch 11 Blade Low Drag Reel ASM (EdgeSeries+)..... | 137-8512 |
| 21 Inch 14 Blade Low Drag Reel ASM (EdgeSeries+)..... | 137-8513 |
| 8 Blade Heavy Duty Reel ASM | 137-8517 |
| Groomer Pull Link Kit, Serial Number 401500000 and After Greensmaster 3120 or Greensmaster 3150 Traction Unit | 138-4976 |
| Shim-TORO Reel (.002in) | 140-5531 |
| Rear Roller Brush Adapter Kit, Greensmaster 3000 Series DPA Cutting Units | 140-5534 |
| GR Roller Rebuild Kit..... | 140-5552 |
| Roller Rebuild Tool Kit, Greensmaster Cutting Units | 140-5553 |
| Full Rear Roller(2.0in Dia)(21in) | 140-5560 |
| Bedknife-Fairway..... | 63-8610 |
| Cast Iron Wiehle Roller (Qty 1) | 71-1550 |
| Bedknife-Microcut..... | 93-4262 |
| Bedknife-Tournament Cut..... | 93-4263 |
| Bedknife-Low Cut | 93-4264 |
| Bedknife-Highcut | 94-6392 |
| Height-of-Cut Bar..... | 94-9010 |
| Bedbar-Aggressive | 99-3794-0P |

Notes:



Count on it.