



Count on it.

Parts Catalog

**Greensmaster® 3250-D 2-Wheel
Drive Traction Unit**

Model No. 04383—Serial No. 310000001 and Up



Ordering Replacement Parts

To order replacement parts, please supply the part number, the quantity, and the description of each part desired.

Understanding Reference Numbers

Each identified part in an illustration has a reference number. The reference number for a part also appears in the parts list, along with other information about the part.

This catalog uses two special reference number formats, one to indicate parts in a service assembly and another to indicate the quantity of a given part in an illustration.

Service Assembly Reference Numbers

Parts in service assemblies have reference numbers in the form a:b. The a represents the reference number of the entire service assembly and the b represents a sequential number unique to each part within the service assembly.

For example, a wheel assembly might be identified by reference number 6, the tire by 6:1, the valve by 6:2, and the wheel by 6:3. When you order the assembly identified by reference number 6, you receive all parts identified by reference numbers 6:1, 6:2, and 6:3. However, you may also order any part individually. Reference numbers of this type appear in illustration and in parts lists.

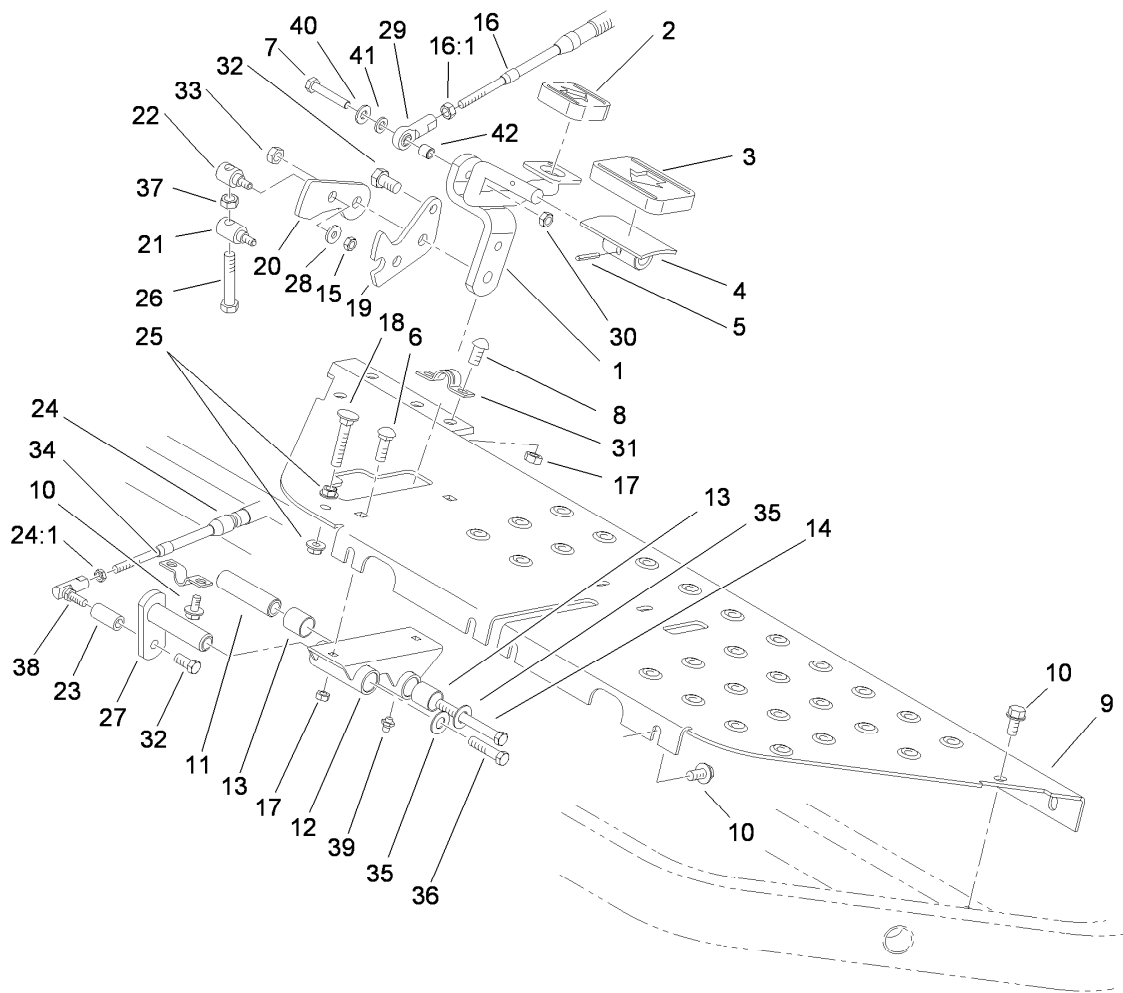
Reference Numbers Indicating Quantity

In an illustration, if a reference number indicates more than one part, the reference number has the form nX y. The n represents the quantity of the part, the X is the multiplication symbol, and the y represents the reference number.

For example, in an illustration, the reference number 2X 37 means that two of the parts identified by reference number 37 are indicated.

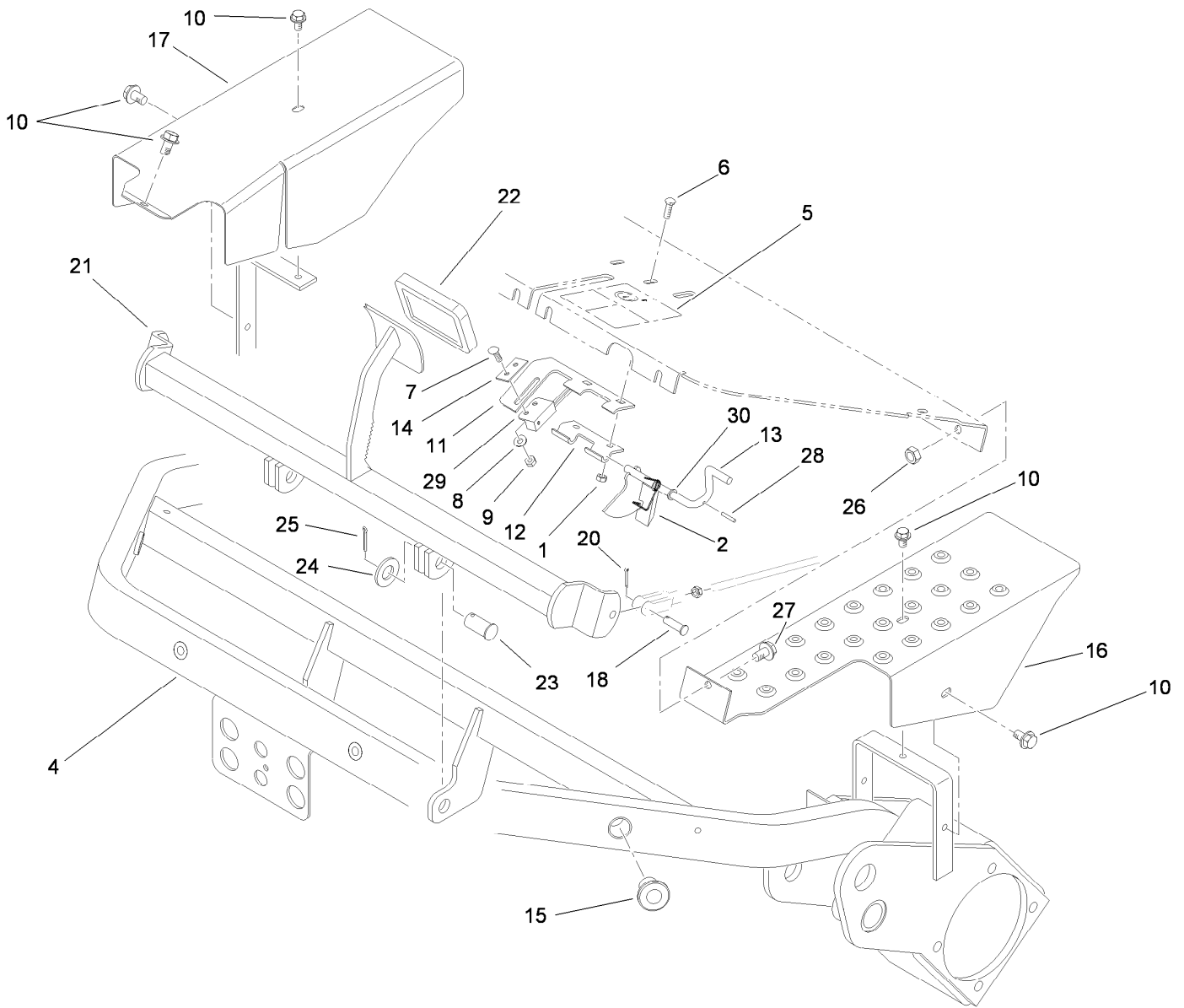
Contents

Traction Control Assembly	4
Brake Pedal Assembly	5
Front Wheel and Brake Assembly	6
Brake Assembly No. 104-7705	7
LH Hydraulic Wheel Motor Assembly No. 112-0237	8
RH Hydraulic Wheel Motor Assembly No. 112-0238	9
Steering Arm Assembly	10
Steering Valve Assembly No. 114-4672	11
Rear Wheel Assembly	12
Hydraulic Cylinder Assembly No. 112-0298	13
Console Assembly	14
Functional Control Lever Assembly	15
Seat Assembly	16
Battery and Electrical Component Assembly	17
Hydrostat and Gear Pump Drive Assembly	18
Hydrostat Assembly No. 105-0494	19
Gear Pump Assembly No. 104-7737	20
Neutral System Assembly	21
Engine Installation Assembly	22
Air Cleaner and Exhaust Assembly	23
Air Cleaner Assembly No. 95-5805	24
Radiator Assembly	25
Manifold Block Installation Assembly	26
Hydraulic Manifold Assembly No. 112-9197	27
Front Bulkhead and Reel Motor Assembly	29
Hydraulic Motor Assembly No. 112-9200	30
Rear Bulkhead and Reel Motor Assembly	31
Left Hand and Right Hand Lift Arm Assembly	32
Hydraulic Cylinder Assembly No. 105-3821	33
Center Lift Arm Assembly	34
Hydraulic Cylinder Assembly No. 105-3820	35
Fuel System Assembly	36
Hydraulic Tank and Filter Assembly	37
Miscellaneous Part Assembly	38
Pull Frame Assembly	39
Cylinder Assembly	40
Crankshaft Assembly	41
Cylinder Head Assembly	42
Injection Assembly	43
Injection Pump Assembly No. 114-4697	44
Rocker Arm Assembly	45
Oil Pan Assembly	46
Gear Cover Assembly	47
Gear Housing Assembly	48
Water Pump Assembly	49
Manifold Assembly	50
Alternator and Starter Assembly	51
Gasket Set and Valve Overhaul Kit	52
Attachments and Accessories	53



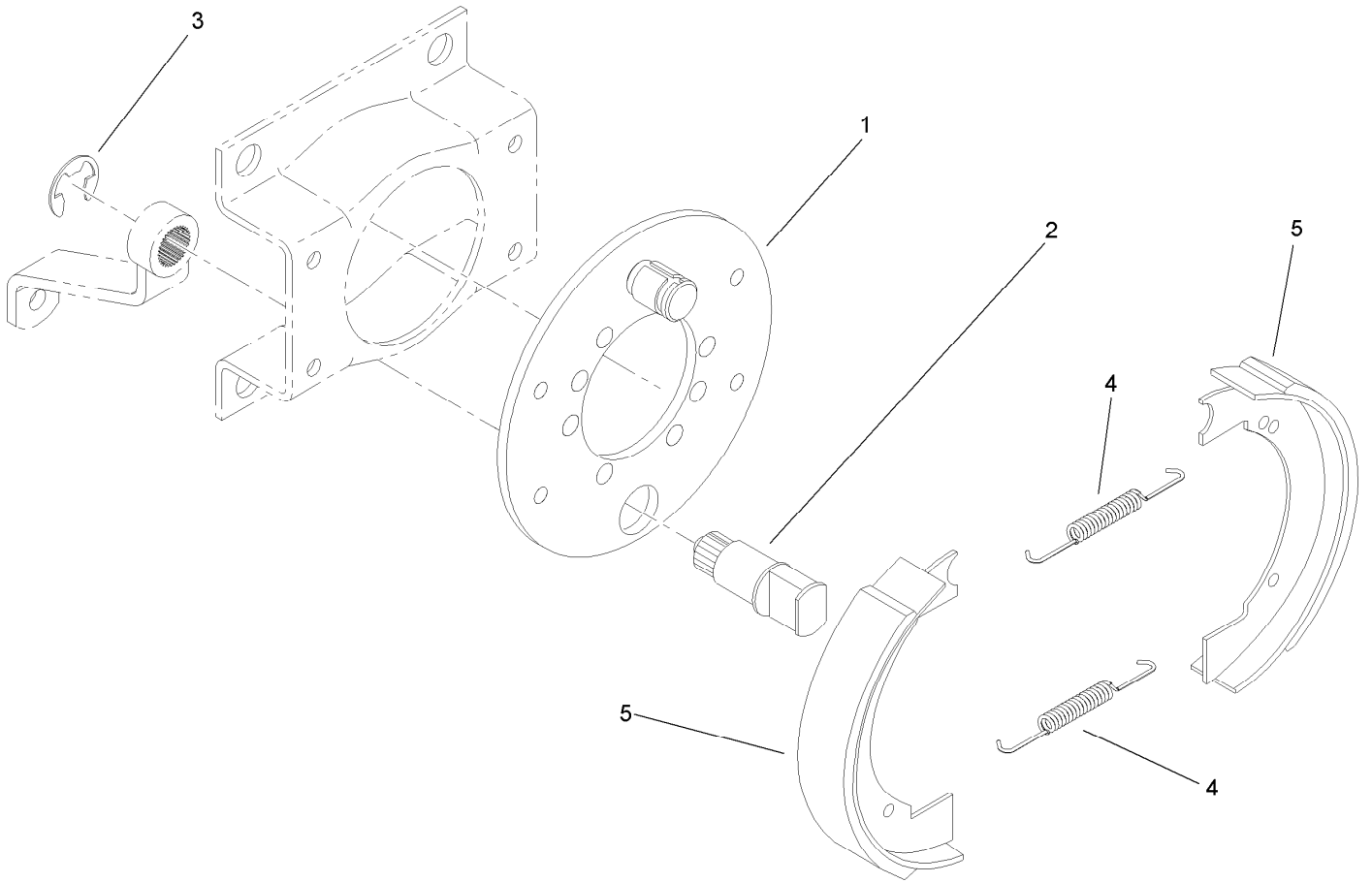
Traction Control Assembly

<i>Ref.</i>	<i>Part Number</i>	<i>Qty.</i>	<i>Description</i>	<i>Ref.</i>	<i>Part Number</i>	<i>Qty.</i>	<i>Description</i>
1	93-2085-01	1	Rod ASM	22	94-1374	1	Trunnion-Bracket, Mow
2	74-9110	1	Pad-Pedal, Reverse	23	94-1386	1	Shaft-Pedal
3	74-9100	1	Pad-Pedal, Forward	24	94-1304	1	Cable-Lock, Neutral
4	49-6440-03	1	Pedal-Forward	24:1	3219-14	2	Nut-Hex
5	32121-45	1	Pin-Spring	25	32128-20	2	Nut-HF
6	33124-020	2	Screw-CARR	26	94-3489	1	Screw-HH
7	321-9	1	Screw-HH	27	94-1300	1	Lock-Neutral
8	110-0032	2	Screw-Button Head, Torx	28	3256-1	2	Washer-Flat
9	105-9750-01	1	Plate-Floor	29	2411-41	1	Rod End-Ball Joint
10	32104-32	8	Screw-HWH	30	3296-56	1	Nut-Lock, NI
11	94-1371	1	Spacer	31	93-2092	1	Clamp-Cable
12	115-6695	1	Pedal-Pivot	32	33114-016	2	Screw-HH
13	256-311	4	Bushing-Split	33	33025-00	1	Nut-Lock, NI
14	33115-090	1	Screw-HH	34	93-2279	1	Clamp-Cable
15	33023-00	2	Nut-Lock	35	3256-24	2	Washer-Flat
16	107-2550	1	Cable-Control, Traction	36	33115-016	1	Screw-HH
16:1	3220-1	2	Nut-Jam	37	33014-00	1	Nut-Hex
17	33024-00	4	Nut-Lock, NI	38	2411-38	1	Joint-Ball
18	17-9420	1	Screw-Handle	39	302-5	1	Fitting-Grease
19	94-1373	1	Bracket-Lock	40	3256-22	1	Washer-Flat
20	94-1372	1	Bracket-Mow	41	33093-00	1	Washer-Flat
21	94-1375	1	Trunnion-Bracket, Lock	42	99-3545	1	Spacer



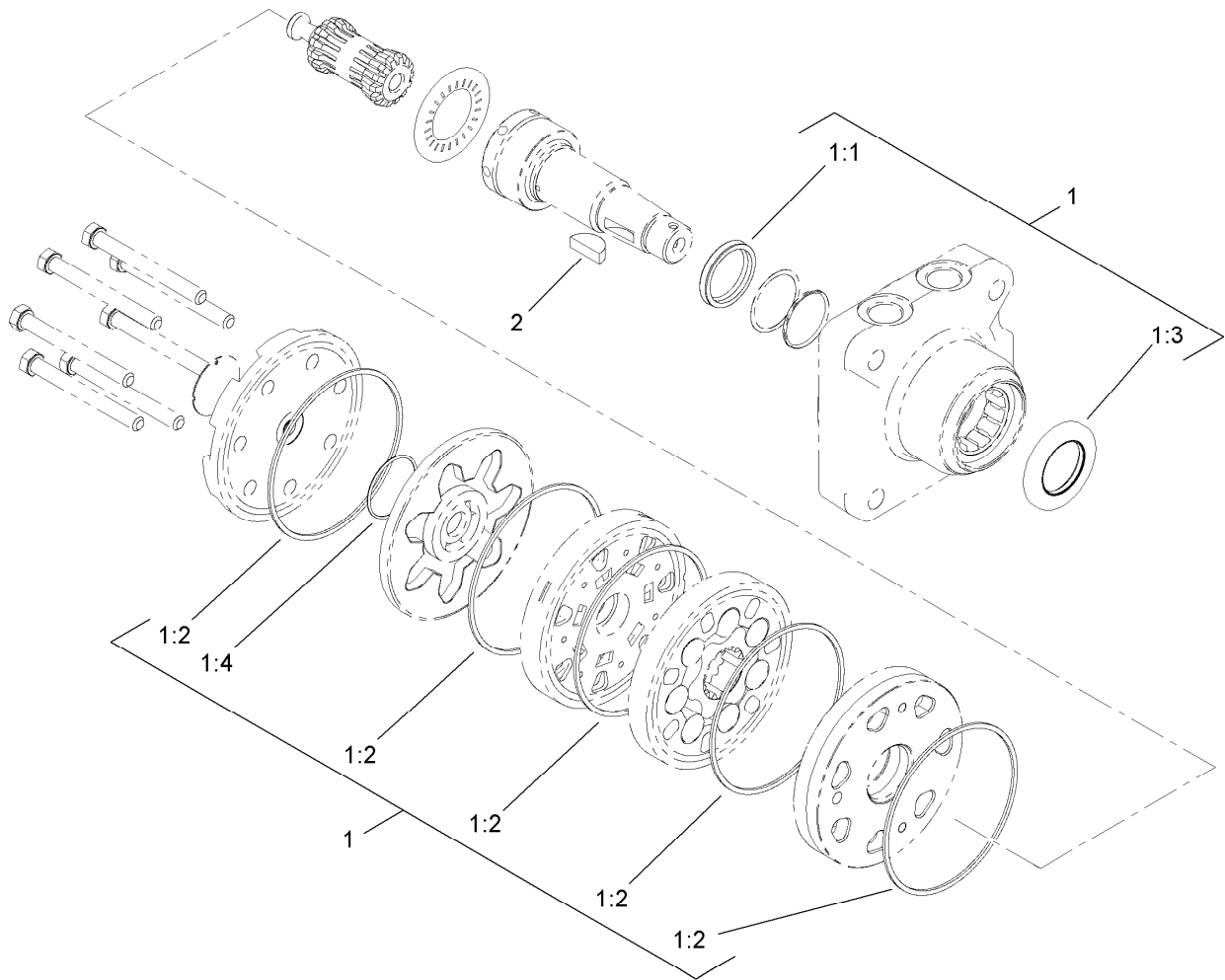
Brake Pedal Assembly

<i>Ref.</i>	<i>Part Number</i>	<i>Qty.</i>	<i>Description</i>	<i>Ref.</i>	<i>Part Number</i>	<i>Qty.</i>	<i>Description</i>
1	33023-00	2	Nut-Lock	16	93-2073-01	1	Shield-Wheel, LH
2	104-7704	1	Spring-Latch, Brake	17	93-2072-01	1	Shield-Wheel, RH
4	107-9543-01	1	Frame ASM	18	283-61	2	Pin-Yoke
5	93-8062	1	Decal-Brake, Parking	20	3272-6	2	Pin-Cotter
6	33123-016	2	Screw-CARR	21	93-2075-01	1	Brake Pedal ASM
7	33123-016	1	Screw-CARR	22	93-7629	1	Pad-Foot, Brake
8	33093-00	1	Washer-Flat	23	283-87	2	Pin-Clevis
9	33023-00	1	Nut-Lock	24	3256-27	2	Washer-Flat
10	32104-32	5	Screw-HWH	25	3272-11	2	Pin-Cotter
11	104-2096	1	Bracket-Switch	26	33024-00	1	Nut-Lock, NI
12	104-7703	1	Hinge-Lower	27	33114-020	1	Screw-HH
13	104-2094	1	Brake-Latch	28	32121-50	1	Pin-Spring
14	104-7702	1	Plate-Switch	29	104-2057	1	Sensor
15	83-1700	3	Bushing-Flange	30	75-5470	1	Spacer-Bearing



Brake Assembly No. 104-7705

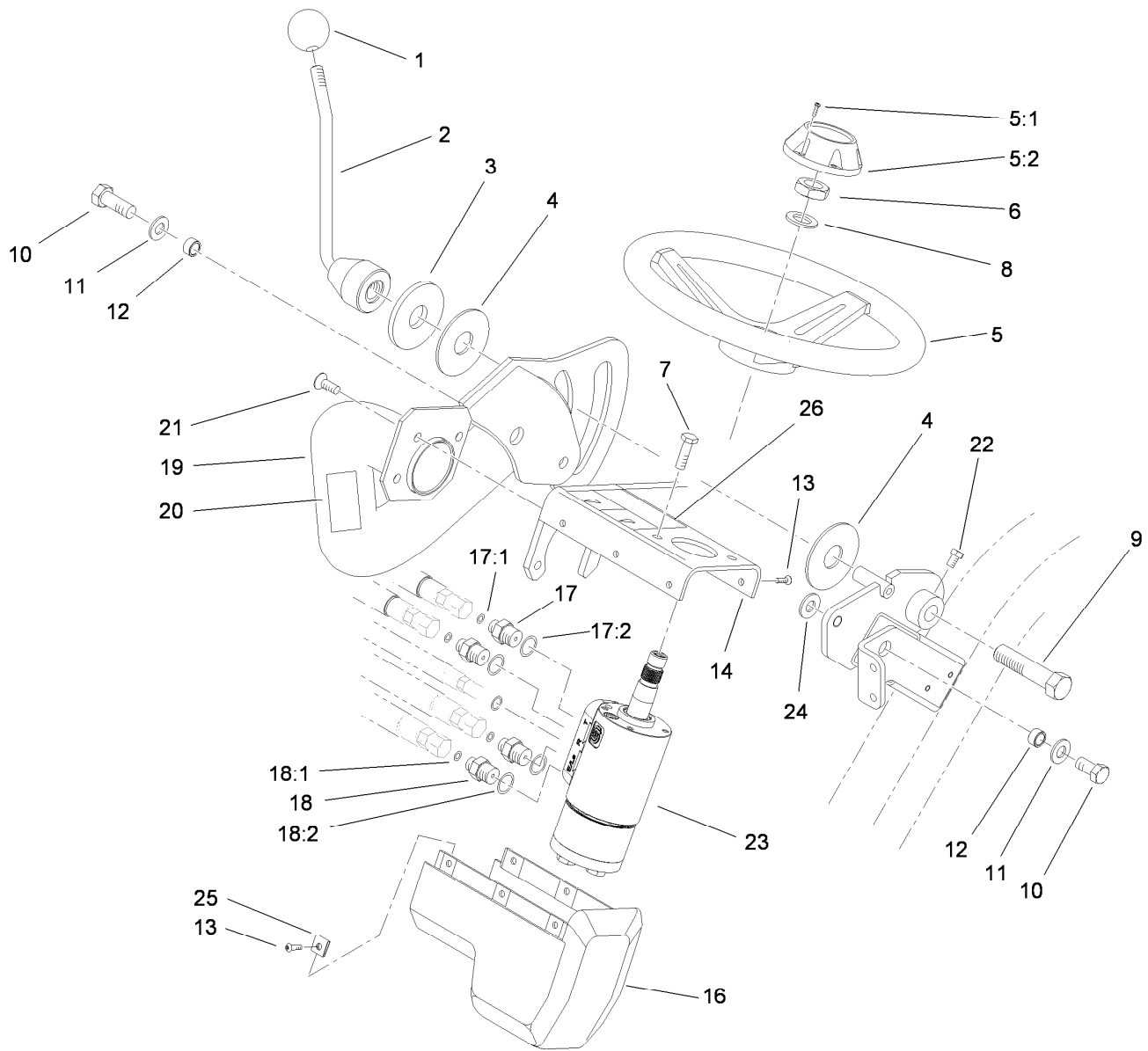
<i>Ref.</i>	<i>Part Number</i>	<i>Qty.</i>	<i>Description</i>
1	70-9870	1	Plate-Backing
2	104-7707	1	Shaft-Cam, Brake
3	104-7706	1	E-Ring, Bowed
4	70-9880	2	Spring-Return
5	70-9840	2	Shoe-Brake



LH Hydraulic Wheel Motor Assembly No. 112-0237

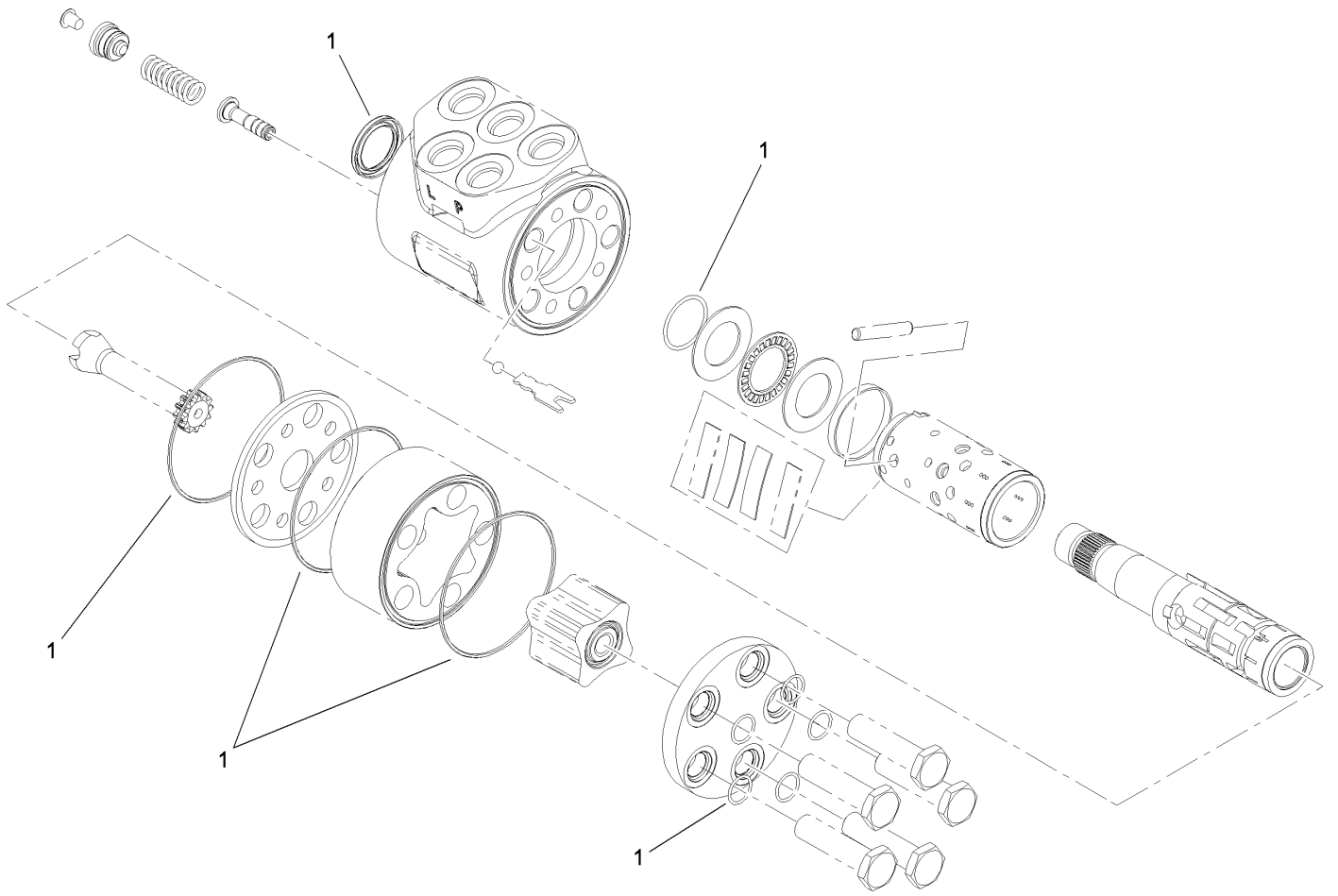
<i>Ref.</i>	<i>Part Number</i>	<i>Qty.</i>	<i>Description</i>
1	110-6459	1	Seal Kit
1:1		1	Seal-Shaft ●
1:2		5	Seal-Body ●
1:3		1	Seal-Dirt / Water ●
1:4		1	Seal-Commutator ●
2	3257-42	1	Key-Woodruff

● Not serviced separately



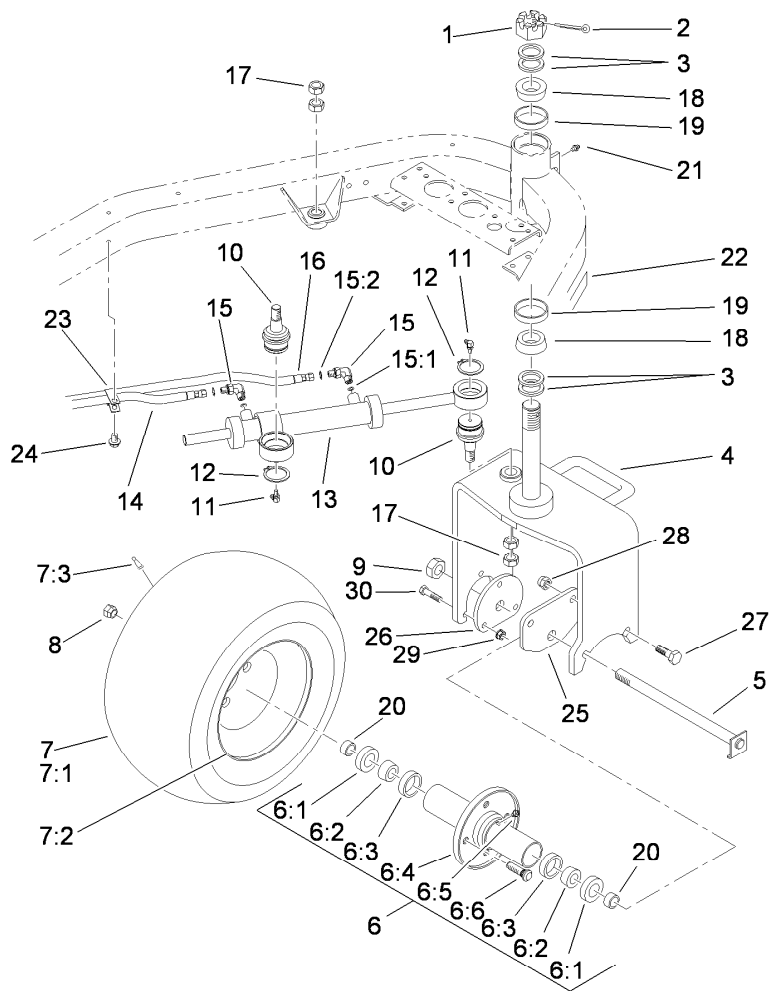
Steering Arm Assembly

Ref.	Part Number	Qty.	Description	Ref.	Part Number	Qty.	Description
1	233-48	1	Knob	17	340-1	2	Fitting-Straight
2	93-2400-03	1	Lockup Handle ASM	17:1	237-21	1	O-Ring
3	83-0760	1	Spacer-Plate, Lockup	17:2	237-42	1	O-Ring
4	83-0740	2	Disc-Friction	18	340-2	2	Fitting-Straight
5	75-0560	1	Steering Wheel ASM	18:1	237-22	1	O-Ring
5:1	32144-21	1	Screw	18:2	237-42	1	O-Ring
5:2	68-5140	1	Cap-Wheel, Steering	19	93-2115-01	1	Steering Arm ASM
6	110-8816	1	Nut-Hex	20	93-8068	1	Decal-Arm, Steering
7	33103-016	4	Screw-HHF	21	3274-80	3	Screw-HH
8	3256-27	1	Washer-Flat	22	3242-2	1	Screw-SQH
9	93-2199	1	Screw-HH, RH	23	114-4672	1	Steering Valve ASM
10	325-4	2	Screw-HH	24	65-6390	1	Washer-Thrust, Plain
11	3256-26	2	Washer-Flat	25	3290-277	6	Nut-Speed
12	47-2890	2	Bushing	26	117-9536	1	Decal-Danger
13	3274-39	6	Screw-HSBH	26	117-9537	1	Decal-Danger, CE
14	114-4698-03	1	Steering Mount ASM				
16	83-0810	1	Cover-Steering				



Steering Valve Assembly No. 114-4672

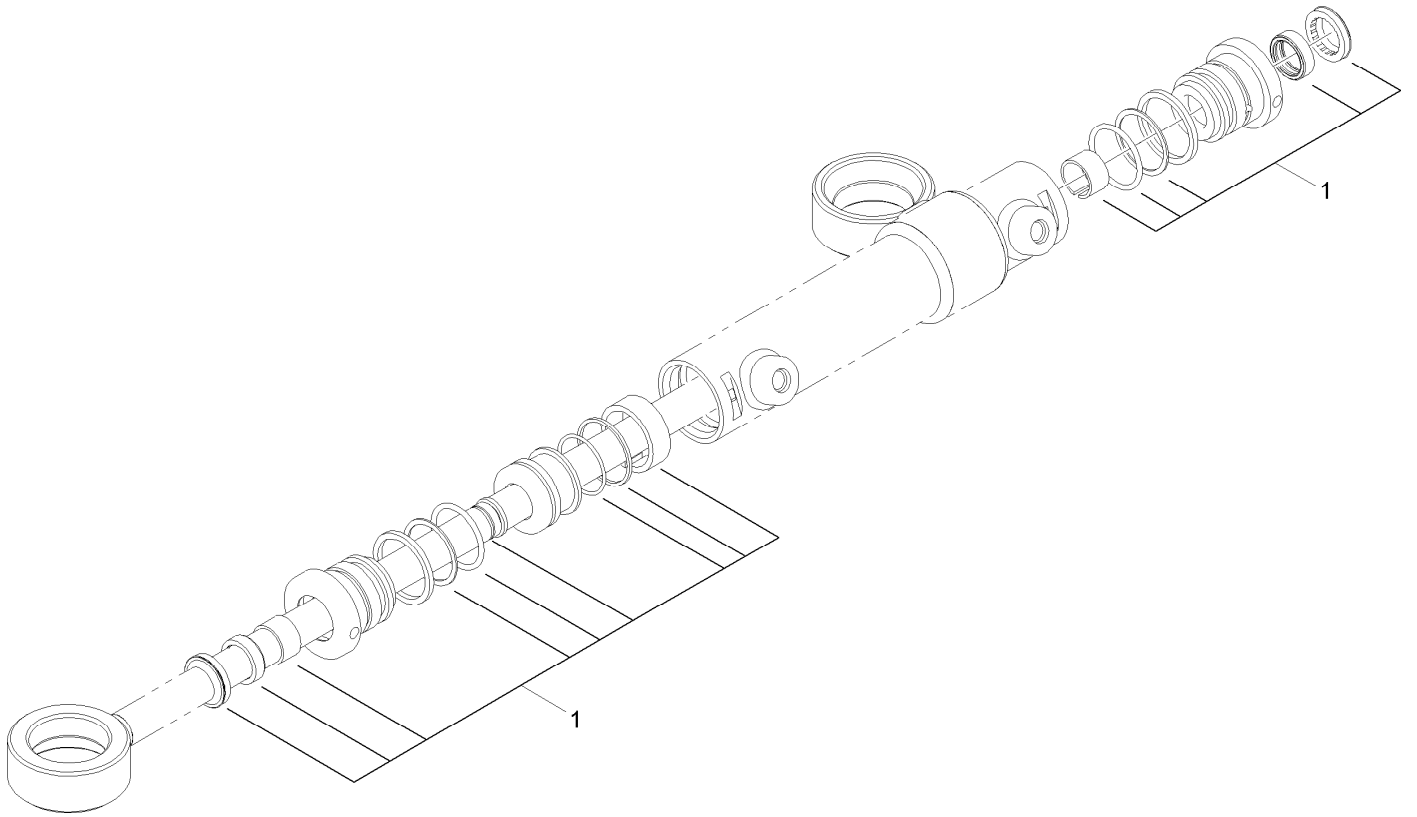
<i>Ref.</i>	<i>Part Number</i>	<i>Qty.</i>	<i>Description</i>
1	106-6716	1	Seal Kit



Rear Wheel Assembly

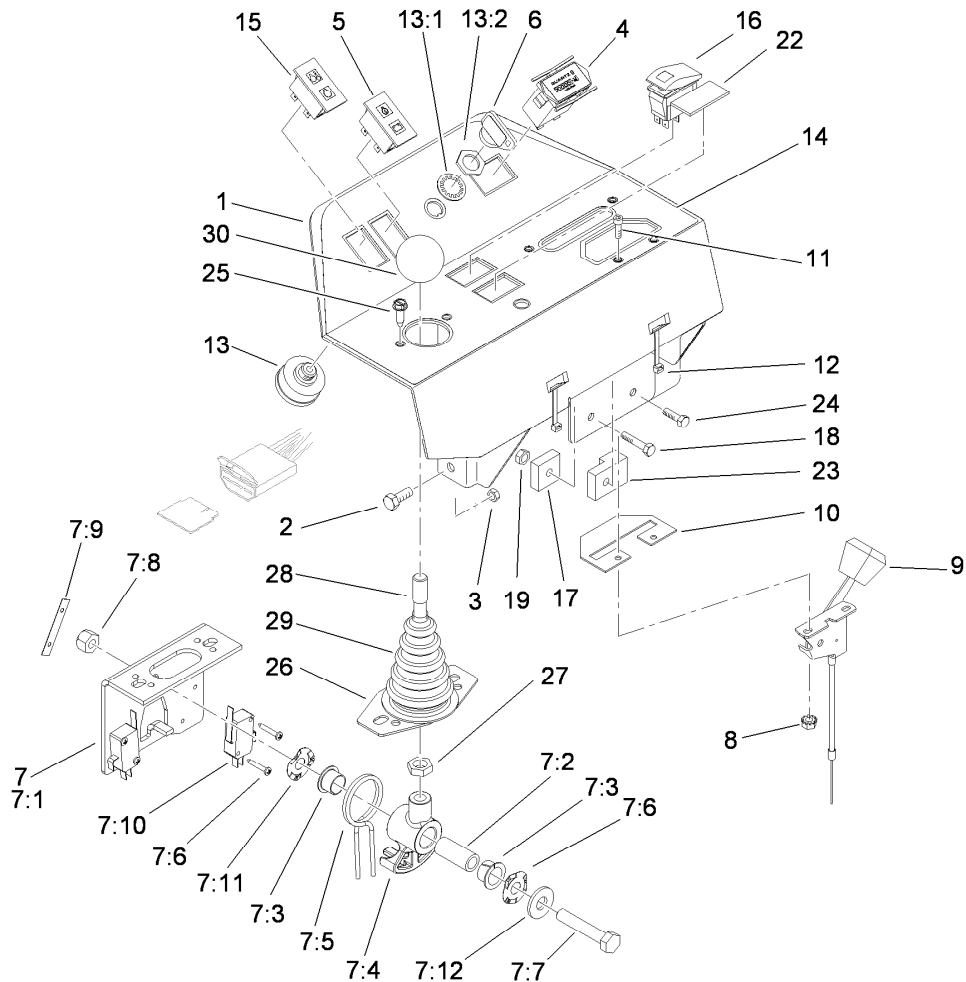
Ref.	Part Number	Qty.	Description	Ref.	Part Number	Qty.	Description
1	32136-9	1	Nut-Hex, Slotted	13	112-0298	1	HYD Steering Cylinder ASM
2	3272-37	1	Pin-Cotter	14	93-2270	1	HYD Hose ASM
3	18-6320	4	Washer-Steering	15	340-132	2	Fitting-Elbow, 90 DEG
4	112-9174-01	1	Fork-Caster	15:1	237-78	1	O-Ring
5	70-8370	1	Bolt	15:2	237-21	1	O-Ring
6	72-9710	1	Hub-Tire	16	108-5675	1	Hydraulic Hose ASM
6:1	253-111	2	Seal-Oil	17	3220-6	4	Nut-Jam
6:2	254-78	2	Bearing-Cone	18	254-70	2	Bearing-Cone
6:3	254-79	2	Bearing-Roller, Cup	19	254-61	2	Cup-Bearing, Roller
6:4	75-9440	1	Hub ASM	20	70-8490	2	Spacer-Spindle, Rear
6:5	302-11	1	Fitting-Lube, 45 DEG	21	302-5	1	Fitting-Grease
6:6	10-6830	4	Stud-Type, Drive	22	99-1493	1	Decal
7		1	Tire ASM ●	23	92-5753	1	Clamp-Hose
7:1	70-8500	1	Tire-Smooth, 4-Ply	24	32104-32	1	Screw-HWH
7:2	114-4643	1	Wheel	25	99-1485-01	1	Plate-Adapter, Motor
7:3	232-27	1	Stem-Valve	26	99-1486-01	1	Plate-Adapter
8	242-50	4	Nut-Lug	27	325-6	2	Screw-HH
9	3296-67	1	Nut-Lock, NI	28	3296-23	2	Nut-Lock, NI
10	106-6774	2	Joint-Ball	29	3296-39	3	Nut-Lock, NI
11	302-60	2	Fitting-Grease	30	114-4681	3	Screw-HHF
12	32151-104	2	Ring-Retaining, External				

● Not serviced separately



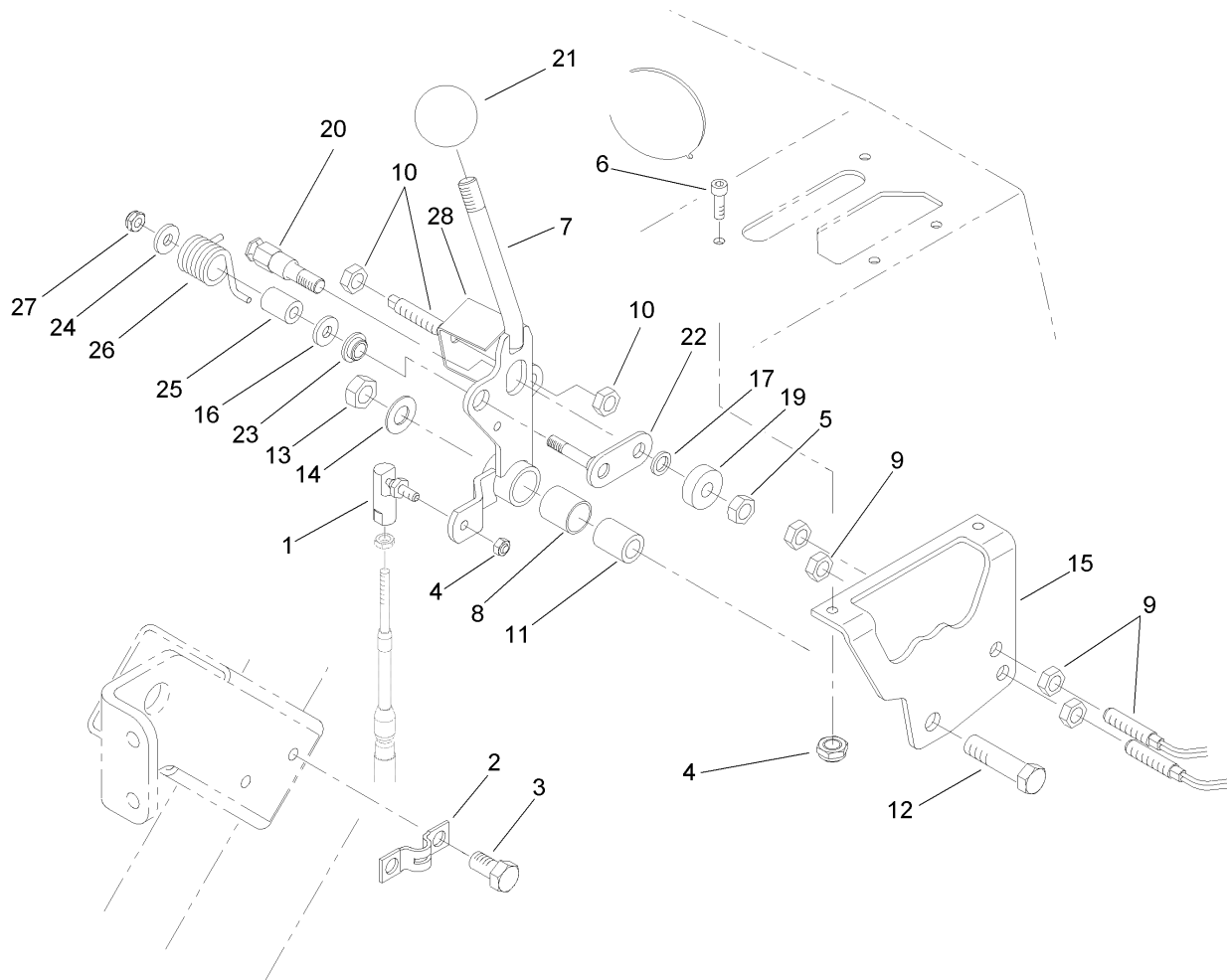
Hydraulic Cylinder Assembly No. 112-0298

<i>Ref.</i>	<i>Part Number</i>	<i>Qty.</i>	<i>Description</i>
1	112-9170	2	Seal Kit



Console Assembly

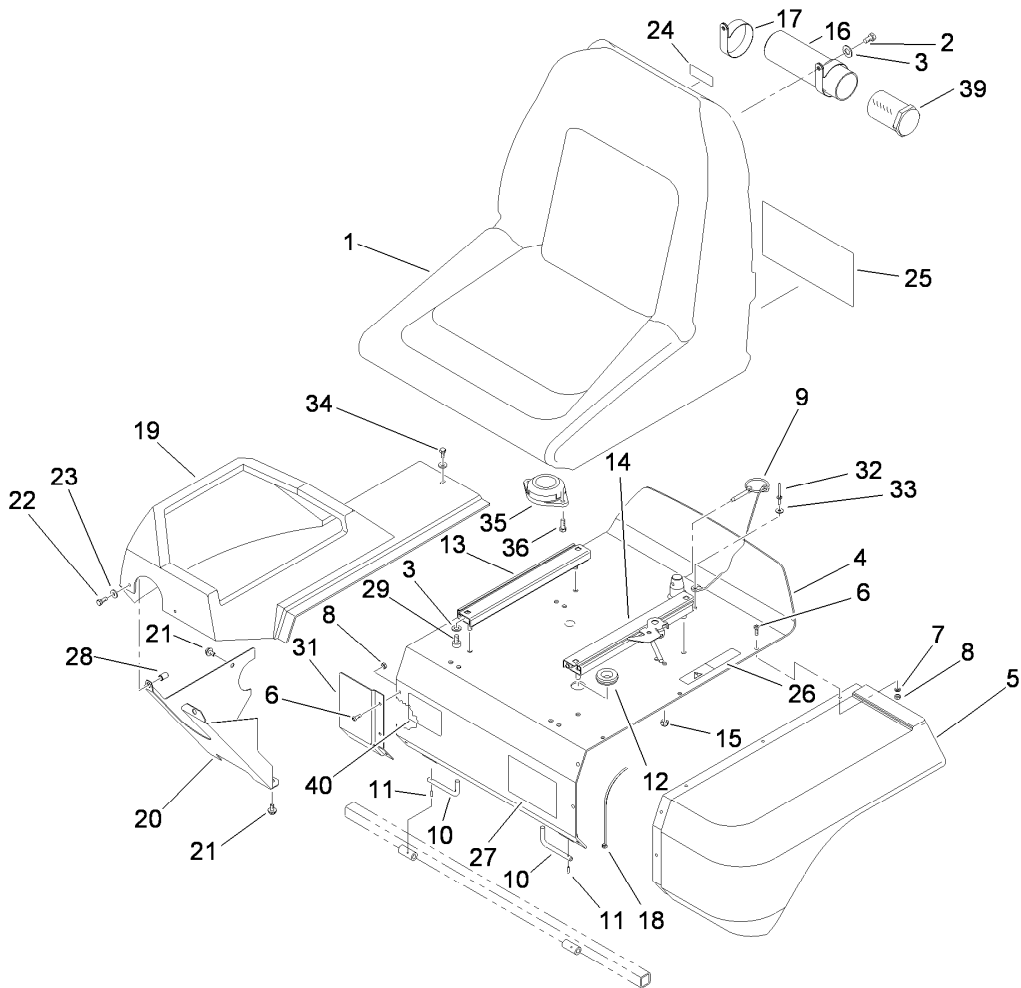
Ref.	Part Number	Qty.	Description	Ref.	Part Number	Qty.	Description
1	108-6503-03	1	Console ASM	11	3273-26	2	Screw-HSH
2	33114-020	4	Screw-HH	12	3290-378	2	Tie-Cable
3	33024-00	4	Nut-Lock, NI	13	27-2360	1	Switch
4	1-513374	1	Meter-Hour	13:1	218-446	1	Nut-Hex
5	100-8070	1	Lamp-Warning	13:2	218-447	1	Washer-Lock
6	63-8360	2	Key-Ignition	14	107-9529	1	Decal-Instrument
7	106-4167	1	Joystick Bracket ASM	15	100-8071	1	Lamp-Warning
7:1	115-5357-03	1	Bracket-Joystick	16	100-8072	1	Switch-Rocker, On-None-(On)
7:2	106-4192	1	Spacer	17	92-2538	1	Module-Timer
7:3	93-5547	2	Bushing-Nylon	18	33113-030	1	Screw-HH
7:4	105-7507	1	Hub-Pivot, Joystick	19	33023-00	2	Nut-Lock
7:5	105-8289	1	Spring-Torsion	22	99-7420	1	Plug-Hole
7:6	106-4193	2	Washer-Finger, Spring	23	115-2292	1	Timer-Glow Plug
7:7	322-9	1	Screw-HH	24	33113-020	1	Screw-HH
7:8	3296-29	1	Nut-Lock, NI	25	32144-19	2	Screw-SHWH
7:9	3290-354	2	Nut-Speed	26	112-9181	1	Plate-Boot
7:10	108-6496	2	Switch (W/Boot)	27	3218-3	1	Nut-Jam
7:11	95-3003	4	Screw-PPHTF	28	105-8288	1	Rod-Joystick
7:12	3256-3	1	Washer-Flat	29	93-5961	1	Boot-Lever
8	32149-8	2	Nut-Keps	30	233-42	1	Knob
9	99-8150	1	Control-Throttle				
10	112-9179	1	Plate-Cover				



Functional Control Lever Assembly

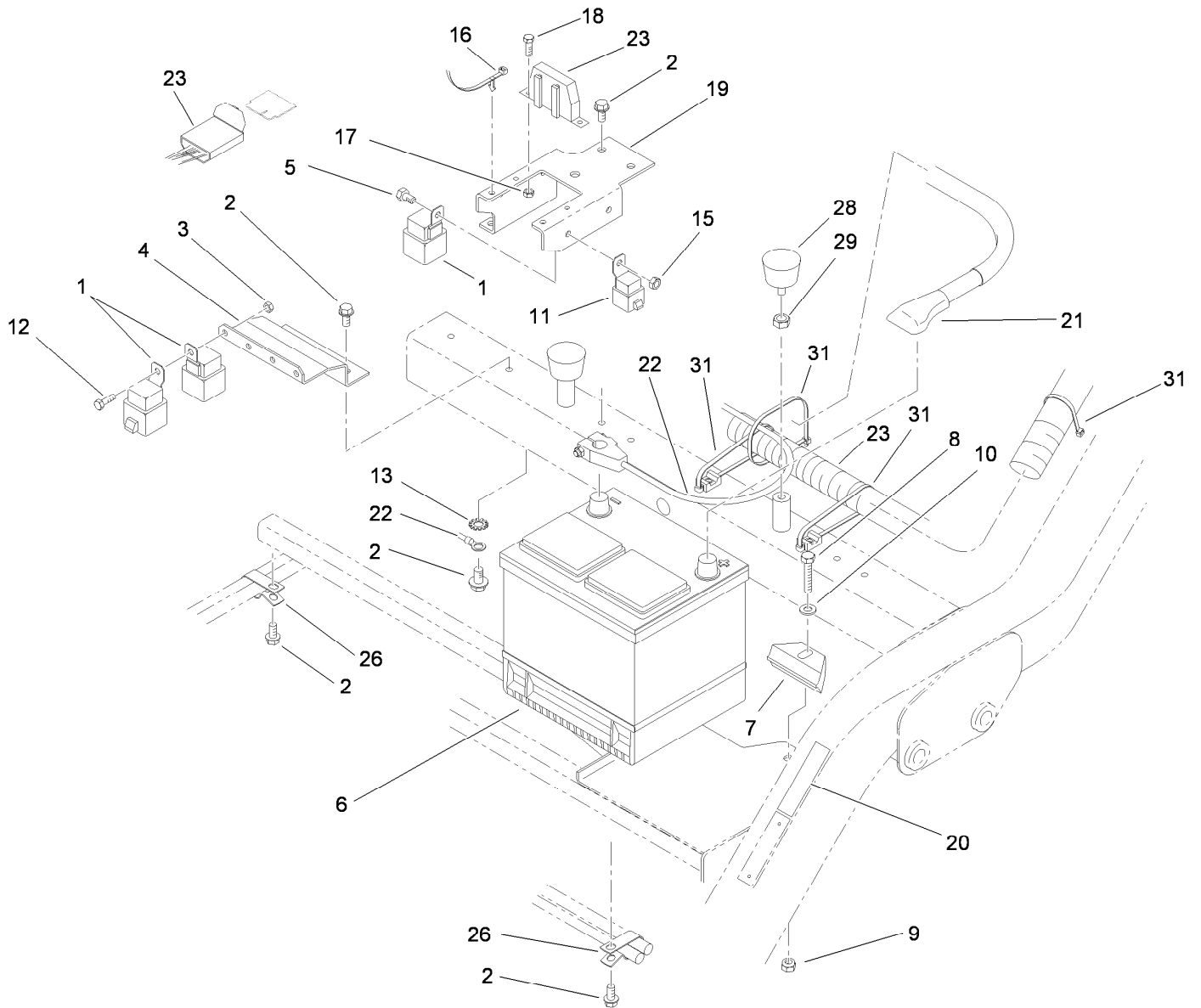
Ref.	Part Number	Qty.	Description
1	2411-38	1	Joint-Ball
2	93-2279	1	Clamp-Cable
3	32104-32	2	Screw-HWH
4	3296-27	2	Nut-Lock, NI
5	33024-00	1	Nut-Lock, NI
6	3273-26	2	Screw-HSH
7	94-9611	1	Handle
8	256-311	1	Bushing-Split
9	112-0278	2	Switch-Reed
10	93-2056	1	Actuator-Switch, Reed
11	94-1378	1	Tube-Pivot, Handle
12	33115-040	1	Screw-HH
13	33025-00	1	Nut-Lock, NI
14	3256-24	1	Washer-Flat

Ref.	Part Number	Qty.	Description
15	94-6398	1	Bracket-Traction
16	3256-23	1	Washer-Plain
17	75-5470	1	Spacer-Bearing
19	251-259	1	Bearing-Ball
20	94-9617	1	Pin-Spring
21	233-42	1	Knob
22	94-9614	1	Pivot-Roller
23	94-9619	1	Bushing
24	3256-67	1	Washer
25	94-9618	1	Spacer-Spring
26	94-9620	1	Spring-Torsion
27	33023-00	1	Nut-Lock
28	106-6356	1	Shield-Switch



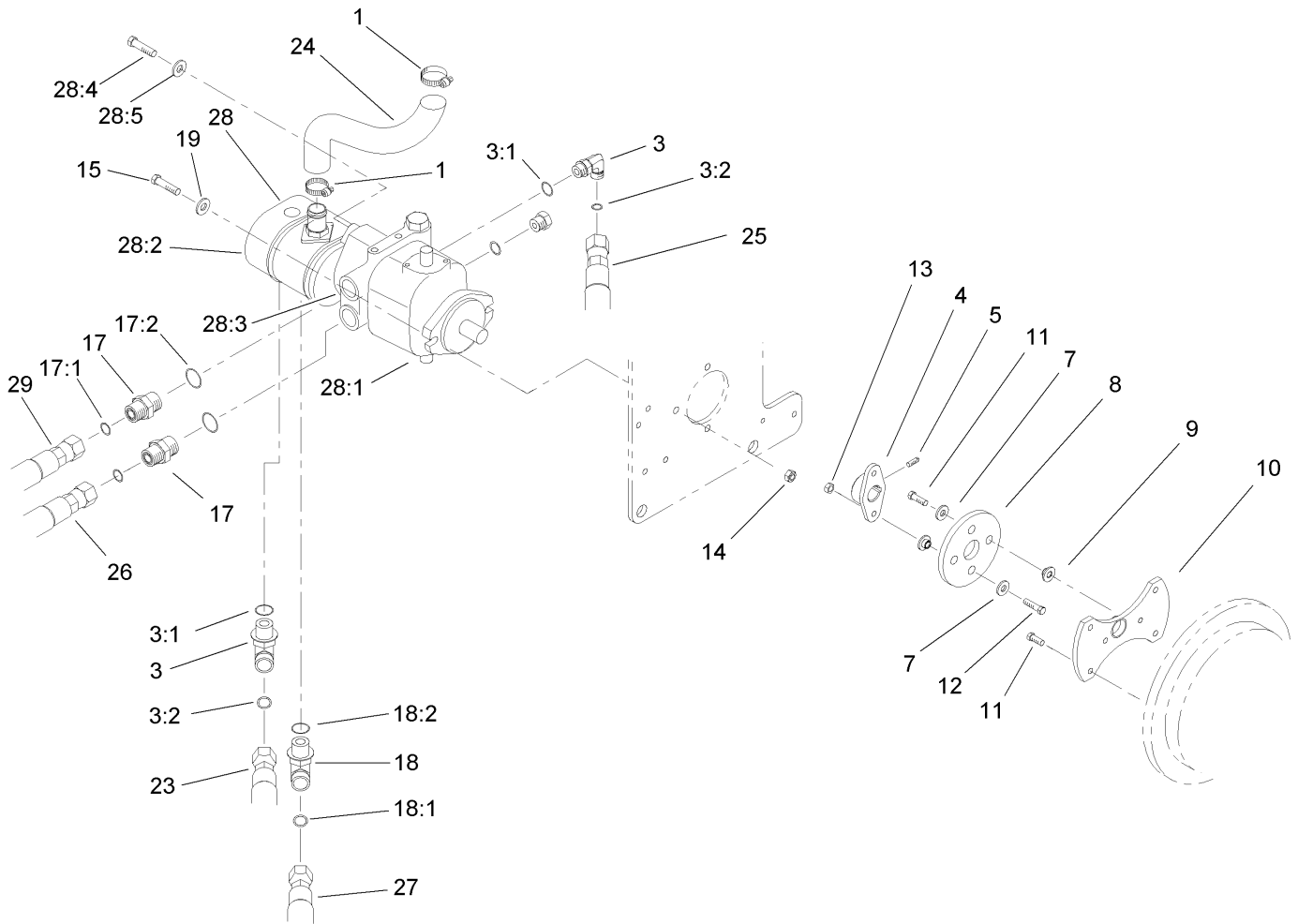
Seat Assembly

<i>Ref.</i>	<i>Part Number</i>	<i>Qty.</i>	<i>Description</i>	<i>Ref.</i>	<i>Part Number</i>	<i>Qty.</i>	<i>Description</i>
1	104-4620	1	Seat	25	114-4616	1	Decal-Service, Spanish
2	322-2	2	Screw-HH	25	114-4617	1	Decal-Service, French
3	3256-23	6	Washer-Plain	25	114-4618	1	Decal-Service, German
4	93-2135-03	1	Seat Support ASM	25	114-4619	1	Decal-Service, Swedish
5	93-2128	1	Panel-Base, Seat	25	114-4620	1	Decal-Service, Italian
6	3274-39	9	Screw-HSBH	25	114-4621	1	Decal-Service, Portuguese
7	3256-77	6	Washer-Flat	25	114-4622	1	Decal-Service, Norwegian
8	3296-12	9	Nut-Lock, NI	25	114-4623	1	Decal-Service, Finnish
9	77-3780	1	Pin ASM-Lynch	25	114-4624	1	Decal-Service, Danish
10	93-2422	2	Rod-Pivot, Seat	25	114-4625	1	Decal-Service, Dutch
11	32121-7	2	Pin-Roll, Slotted	25	114-4626	1	Decal-Service, Japanese
12	237-100	1	Grommet	25	115-3028	1	Decal-Service
13	92-8990	1	Adjuster-Seat, Non-Locking	26	93-6689	1	Decal-No Riders
14	92-8991	1	Adjuster (W/Latch)	27	94-2579	1	Decal
15	3296-29	4	Nut-Lock, NI	28	93-5447	2	Nut-Clinch
16	104-7050	1	Tube-Manual	29	3274-12	4	Screw-HSH
17	2412-133	2	Clamp-R	31	94-4546-03	1	Panel-Extension
18	3290-378	1	Tie-Cable	32	3290-282	1	Rivet-Blind
19	99-4208	1	Shroud-Console	33	3256-49	1	Washer-Plain
20	94-4547-03	1	Panel-Lower, RH	34	33113-012	1	Screw-HH
21	32104-32	2	Screw-HWH	35	92-6282	1	Switch-Seat
22	33113-016	2	Screw-HH	36	32144-10	2	Screw-HWH
23	3256-1	3	Washer-Flat	39	104-7048	1	Cap-Housing
24	93-6686	1	Decal-Oil, HYD	40	114-4615	1	Decal-Speed, Clip



Battery and Electrical Component Assembly

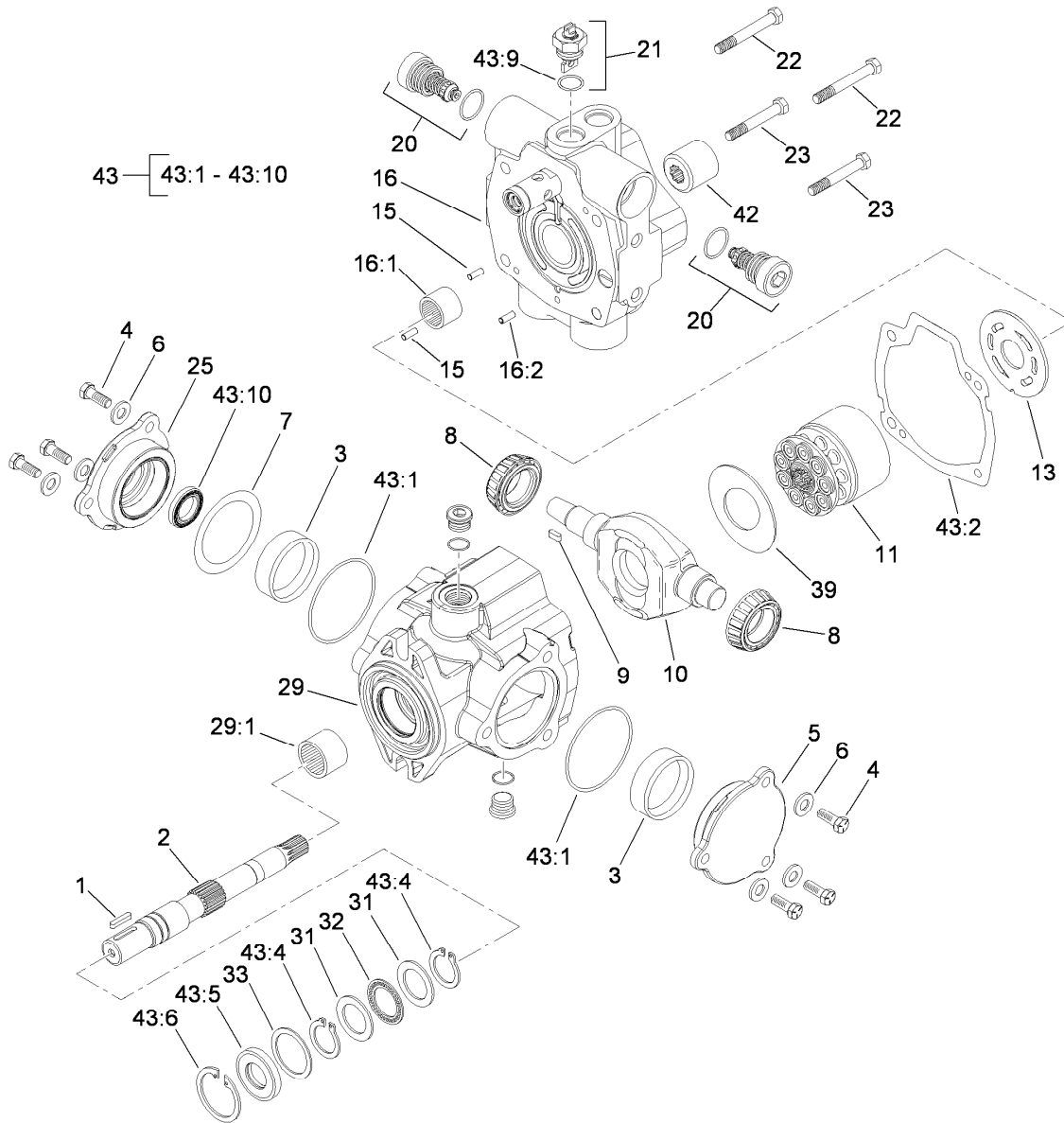
<i>Ref.</i>	<i>Part Number</i>	<i>Qty.</i>	<i>Description</i>	<i>Ref.</i>	<i>Part Number</i>	<i>Qty.</i>	<i>Description</i>
1	99-7430	9	Relay-Mini	15	3296-2	1	Nut-Lock, NI
2	32144-11	7	Screw-HWH	16	94-1325	2	Tie-Mount, Push
3	33023-00	4	Nut-Lock	17	32149-7	2	Nut-Keps
4	93-2169-01	1	Bracket-Relay	18	32105-13	2	Screw-HWH
5	3290-134	1	Screw	19	100-3186-03	1	Bracket-Holder, Fuse
6	106-5187	1	Battery, 525 CCA W/O Electrolyte	20	117-9524	1	Decal-Regulatory
7	66-2490	1	Retainer-Battery	21	95-8853	1	Cable-Battery, Positive
8	33115-040	1	Screw-HH	22	99-8167	1	Cable-Battery, Negative
9	33025-00	1	Nut-Lock, NI	23	112-9165	1	Harness-Wire
10	3256-24	1	Washer-Flat	26	92-5753	2	Clamp-Hose
11	99-7435	1	Relay	28	68-3270	2	Bumper-Rubber
12	33113-016	4	Screw-HH	29	3218-2	2	Nut-Hex Jam
13	3254-2	1	Washer-Lock, Internal	31	3290-378	6	Tie-Cable



Hydrostat and Gear Pump Drive Assembly

Ref.	Part Number	Qty.	Description	Ref.	Part Number	Qty.	Description
1	2412-34	2	Clamp-Hose	18	340-17	1	Fitting-Elbow, 90 DEG
3	340-18	2	Fitting-HYD, 90 DEG	18:1	237-65	1	O-Ring
3:1	237-79	1	O-Ring	18:2	237-80	1	O-Ring
3:2	237-22	1	O-Ring	19	100-4852	2	Washer-Hardened
4	110-5227	1	Hub-Pump	23	105-4339	1	Hose-HYD
5	3241-6	2	Screw-SQH	24	99-1905	1	Hose-Inlet, Pump
7	3256-3	2	Washer-Flat	25	108-6514	1	Hose-Hydraulic
8	80-8650	1	Coupling-Drive	26	99-4220	1	HYD Hose ASM
9	27-6600	4	Spacer-Coupling	27	99-4216	1	HYD Hose ASM
10	93-2220-03	1	Adapter-Pump	28		1	Hydrostat/Gear Pump ASM
11	33114-020	6	Screw-HH				●
12	33114-030	1	Screw-HH	28:1	105-0494	1	Hydrostat ASM
13	33024-00	2	Nut-Lock, NI	28:2	104-7737	1	Gear Pump ASM
14	33025-00	2	Nut-Lock, NI	28:3	60-3520	1	O-Ring
15	33115-040	2	Screw-HH	28:4	3274-1	2	Screw-HSH
17	340-8	2	Fitting-Straight	28:5	3256-24	2	Washer-Flat
17:1	237-65	1	O-Ring	29	99-4217	1	Hose-Hydraulic
17:2	237-81	1	O-Ring				

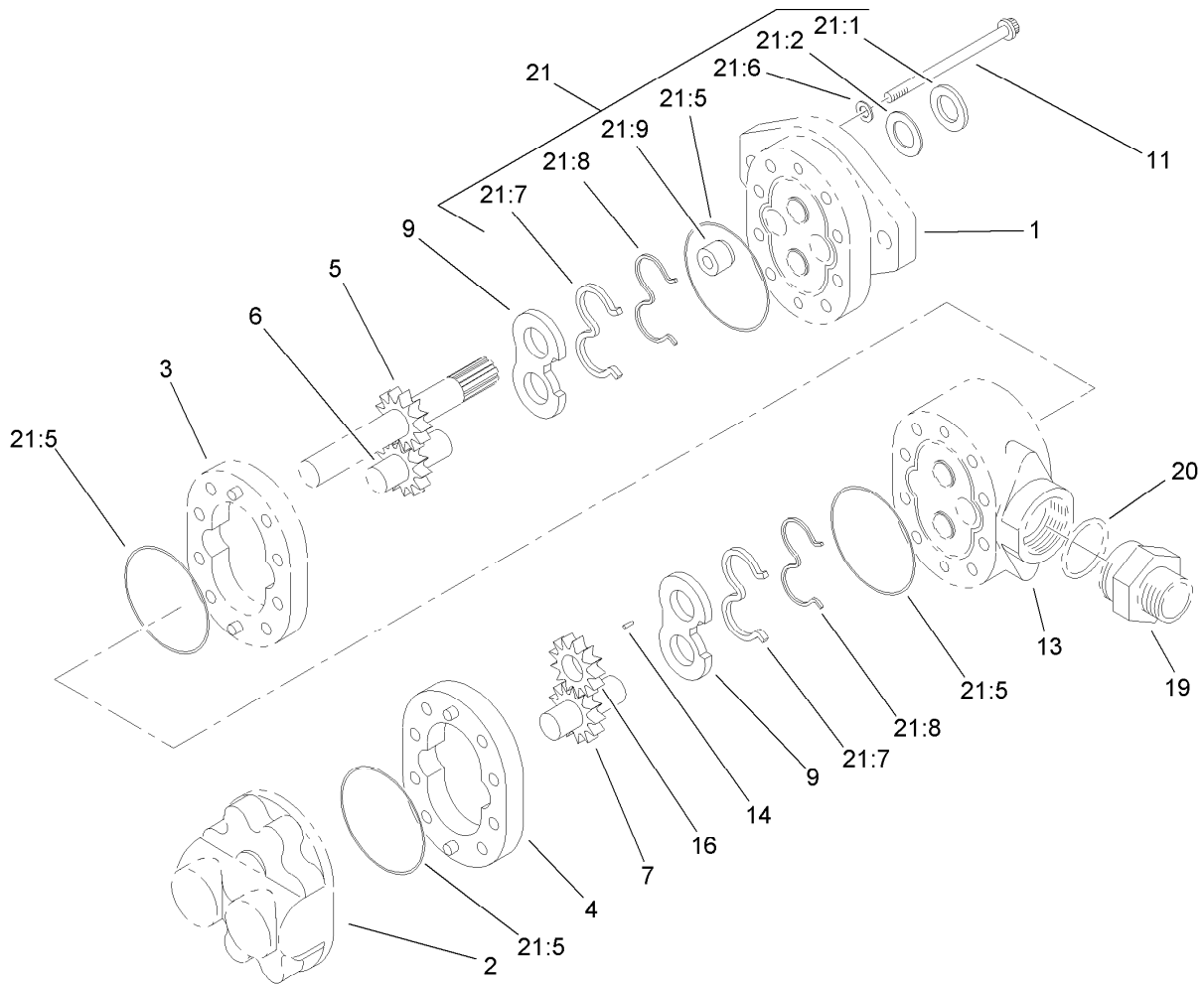
● Not serviced separately



Hydrostat Assembly No. 105-0494

Ref.	Part Number	Qty.	Description	Ref.	Part Number	Qty.	Description
1	94-3645	1	Key	22	76-6170	2	Capscrew
2	94-6359	1	Shaft-Drive	23	76-6160	2	Capscrew
3	104-4046	2	Bearing-Cup	25	98-4645	1	Plate-Cover
4	98-4640	6	Screw-Cap	29	100-3176	1	Housing ASM
5	98-4644	1	Plate-Cover	29:1	94-6363	1	Bearing
6	105-9762	6	Washer	31	252-71	2	Washer-Thrust
7	100-3182	2	Shim Kit	32	252-66	1	Bearing-Thrust
8	98-4639	2	Bearing-Cone	33	33-3720	1	Washer
9	94-3646	1	Key	39	98-4635	1	Insert-Plate, Cam
10	100-3175	1	Camplate	42	74-9040	1	Coupler
11	76-6070	1	Rotating Kit	43	105-3844	1	Seal Repair Kit
13	100-3180	1	Plate-Valve	43:1	100-3179	2	O-Ring
15	76-6150	2	Pin-Dowel	43:2	33-4930	1	Gasket-Housing
16	105-3813	1	Endcover Sub ASM	43:4	32151-29	2	Ring-Retaining
16:1	94-6368	1	Bearing	43:5	104-4861	1	Seal-Shaft
16:2		1	Pin-Roll ●	43:6	32151-13	1	Ring-Retaining
20	105-3812	2	Valve-Check	43:9		1	Ring-Retaining ●
21	105-3811	1	Valve-Bypass	43:10		1	Seal-Shaft ●

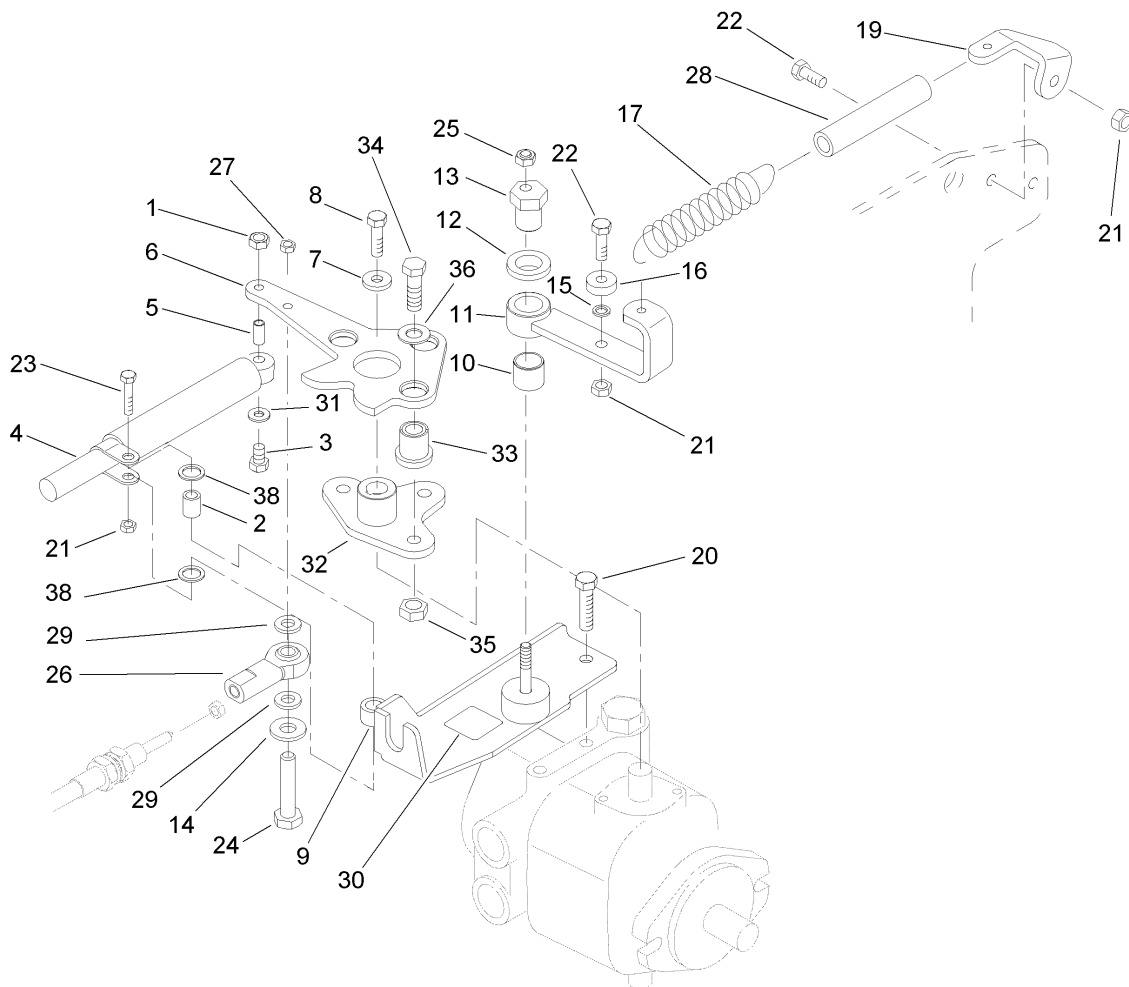
● Not serviced separately



Gear Pump Assembly No. 104-7737

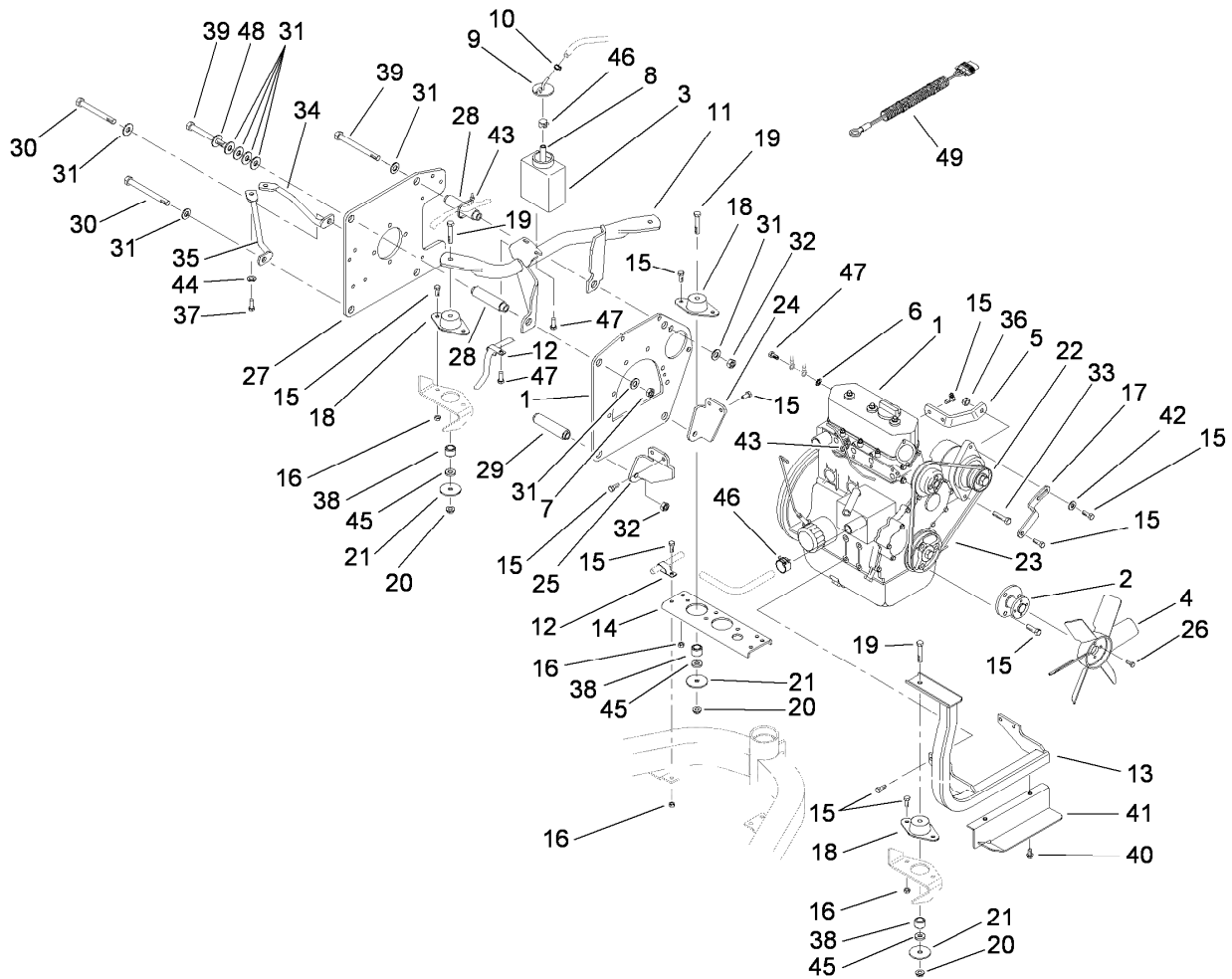
Ref.	Part Number	Qty.	Description
1		1	Plate-Front ●
2		1	Plate-Back ●
3		1	Body ●
4	95-4364	1	Body
5		1	Gear-Drive ●
6		1	Gear-Idler ●
7	95-4366	1	Gear-Idler
9	95-4368	2	Plate-Wear
11	94-8158	8	Screw-Cap
13		1	Plate-Adapter ●
14		1	Key ●
16	95-4373	1	Gear-Fit, Slip
19		1	Fitting-Suction ●
20		1	Ring-Retaining ●
21	94-8161	1	Seal Repair Kit
21:1	49-2640	1	Seal-Shaft
21:2	60-5890	1	Washer
21:5		4	Ring-Retaining ●
21:6	94-8160	4	Washer
21:7	95-4369	2	Seal-Pressure
21:8	95-4367	2	Gasket-Backup
21:9	94-3011	1	Plug

● Not serviced separately



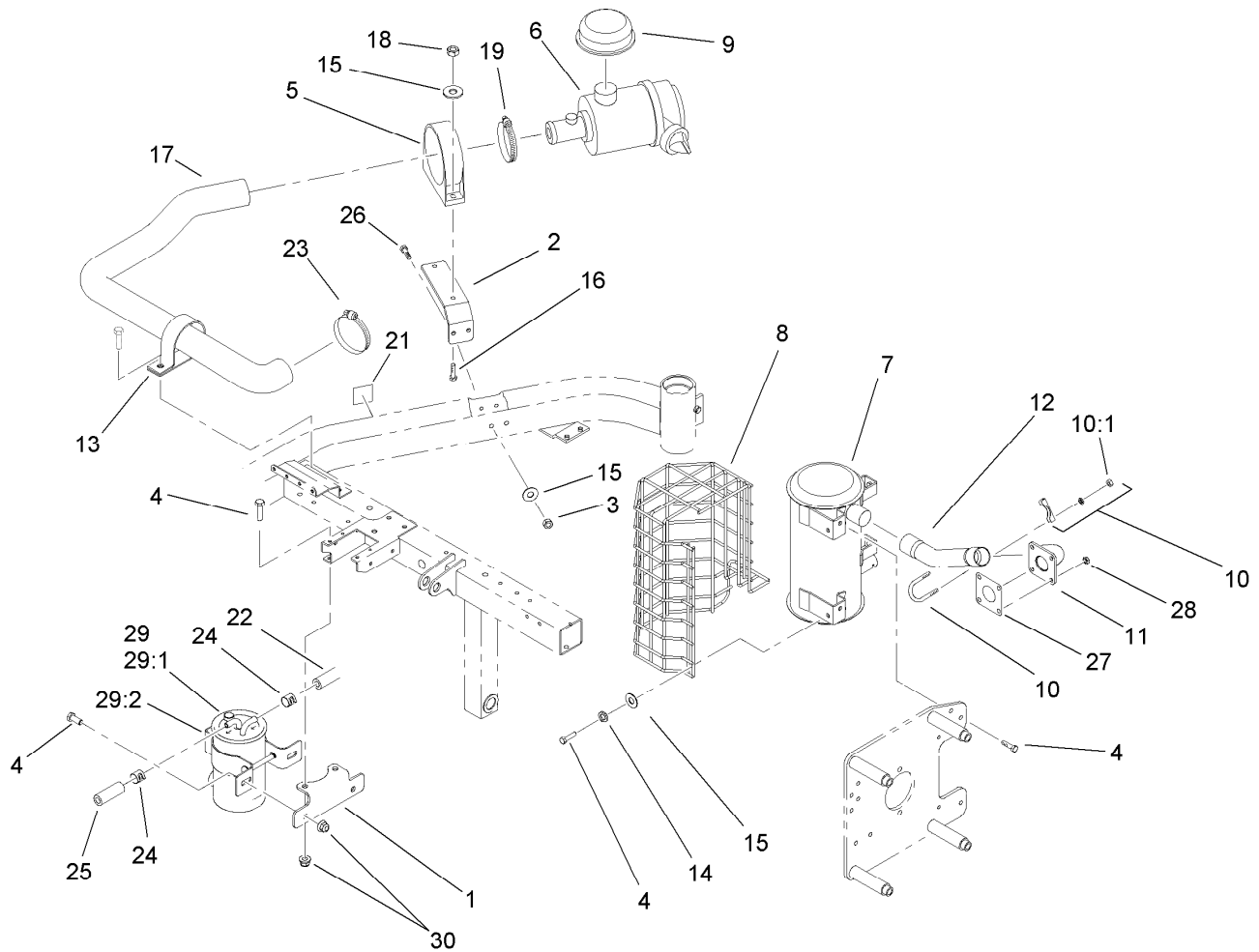
Neutral System Assembly

<i>Ref.</i>	<i>Part Number</i>	<i>Qty.</i>	<i>Description</i>	<i>Ref.</i>	<i>Part Number</i>	<i>Qty.</i>	<i>Description</i>
1	33023-00	1	Nut-Lock	20	323-4	2	Screw-HH
2	94-8197	1	Tube-Pivot	21	33024-00	3	Nut-Lock, NI
3	33113-035	1	Screw-HH	22	33114-025	2	Screw-HH
4	76-8870	1	Damper-Lever	23	33114-030	1	Screw-HH
5	94-1312	1	Spacer-Pivot	24	321-8	1	Screw-HH
6	94-3488-03	1	Lever-Pump	25	3296-29	1	Nut-Lock, NI
7	88-7200	1	Washer-Flat	26	2411-41	1	Rod End-Ball Joint
8	3210-6	1	Screw-HH	27	3296-42	1	Nut-Lock, NI
9	100-9846	1	Support-Cable	28	99-4251	1	Hose-Dampener
10	94-9609	1	Bushing-Straight	29	33093-00	2	Washer-Flat
11	94-4527	1	Arm-Neutral	30	93-9051	1	Decal-Bolt, Eccentric
12	3-6498	1	Washer-Thrust	31	3256-22	1	Washer-Flat
13	93-2111	1	Stud-Traction	32	94-3486	1	Plate
14	3256-22	1	Washer-Flat	33	63-9750	3	Mount
15	75-5470	1	Spacer-Bearing	34	33115-035	3	Screw-HH
16	251-259	1	Bearing-Ball	35	33025-00	3	Nut-Lock, NI
17	99-4254	1	Spring-Extension	36	2844	3	Washer
19	99-4276	1	Bracket-Spring	38	94-8196	2	Washer-Nylon



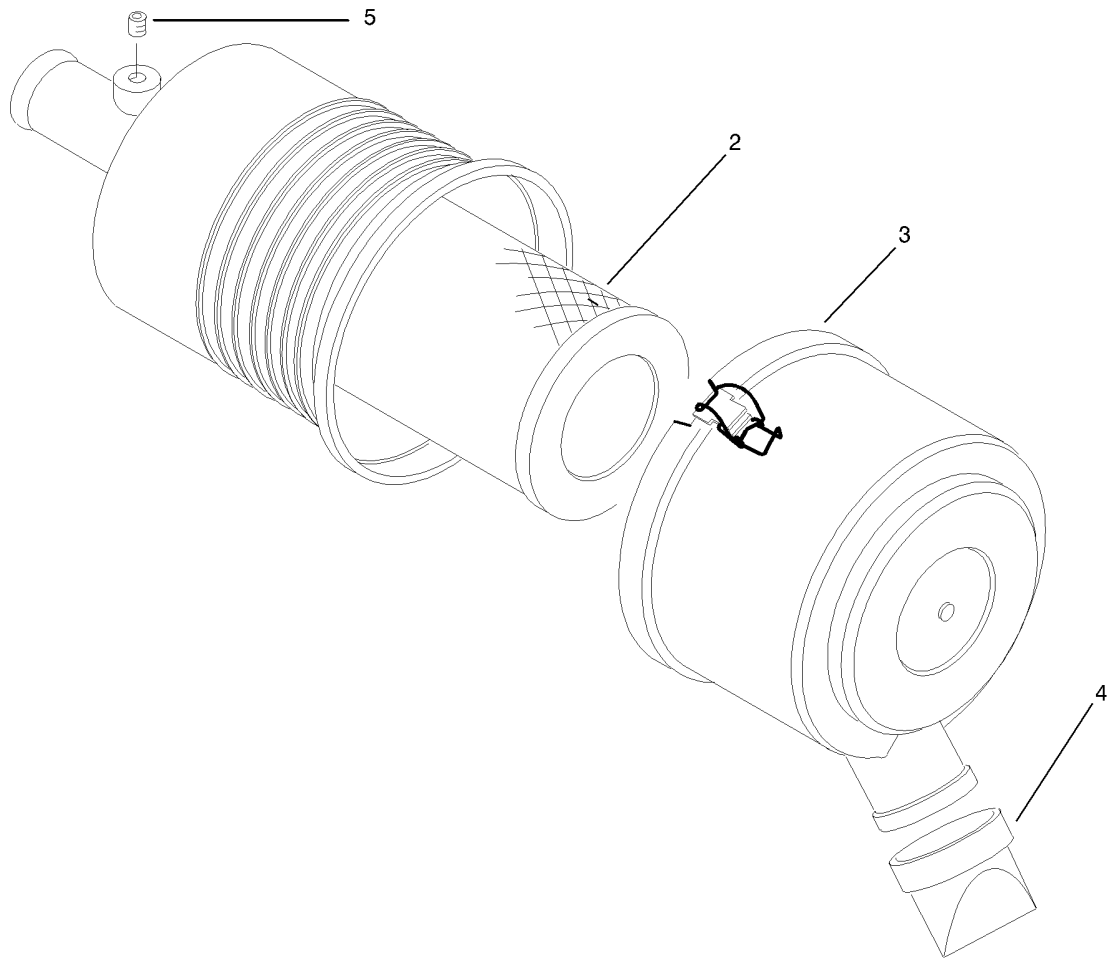
Engine Installation Assembly

Ref.	Part Number	Qty.	Description	Ref.	Part Number	Qty.	Description
1	117-9532	1	Engine-Diesel	26	33113-016	4	Screw-HH
2	99-1495	1	Adapter-Fan	27	99-4190-03	1	Plate-Pump
3	93-2049	1	Tank-Overflow	28	93-2588	2	Spacer-Upper
4	93-2090	1	Fan-Engine	29	93-2174	2	Spacer
5	93-2445	1	Bracket-Alternator, Upper	30	33116-130	2	Screw-HH
6	3254-2	1	Washer-Lock, Internal	31	87-7270	9	Washer-Thrust
7	51-2070	1	Nut	32	33026-00	3	Nut-Hex
8	108-3283	1	Hose-Fuel	33	33115-050	1	Screw-HH
9	93-2048	1	Cap-Tank, Overflow	34	99-4240	1	Brace-Wireform, LH
10	2412-108	1	Clamp-Worm	35	99-4238	1	Brace-Wireform, RH
11	100-3190-03	1	Engine Mount ASM	36	33025-00	1	Nut-Lock, NI
12	92-5753	2	Clamp-Hose	37	323-4	2	Screw-HH
13	99-1473-03	1	Mount-Engine, Front	38	94-4538	3	Spacer-Mount
14	93-2020-01	1	Bracket-Support	39	33116-120	2	Screw-HH
15	33114-020	26	Screw-HH	40	32104-32	2	Screw-HWH
16	33024-00	4	Nut-Lock, NI	41	94-8156-03	1	Deflector-Fan
17	93-2446	1	Bracket-Alternator, Lower	42	3256-3	1	Washer-Flat
18	83-1030	3	Mount-Engine	43	3290-378	2	Tie-Cable
19	323-11	3	Screw-HH	44	3256-24	2	Washer-Flat
20	3290-357	3	Nut-HHF, Whiz	45	66-6480	3	Washer
21	83-1040	3	Washer-Flat	46	92-2379	2	Clamp-Hose
22	99-9209	1	Alternator	47	33114-016	3	Screw-HH
23	99-8153	1	Belt-V	48	73-0040	1	Washer-Thrust
24	99-4189-03	1	Bracket-Engine, LH	49	99-3441	1	Harness-Wire, Fusible Link
25	99-4188-03	1	Bracket-Engine, RH				



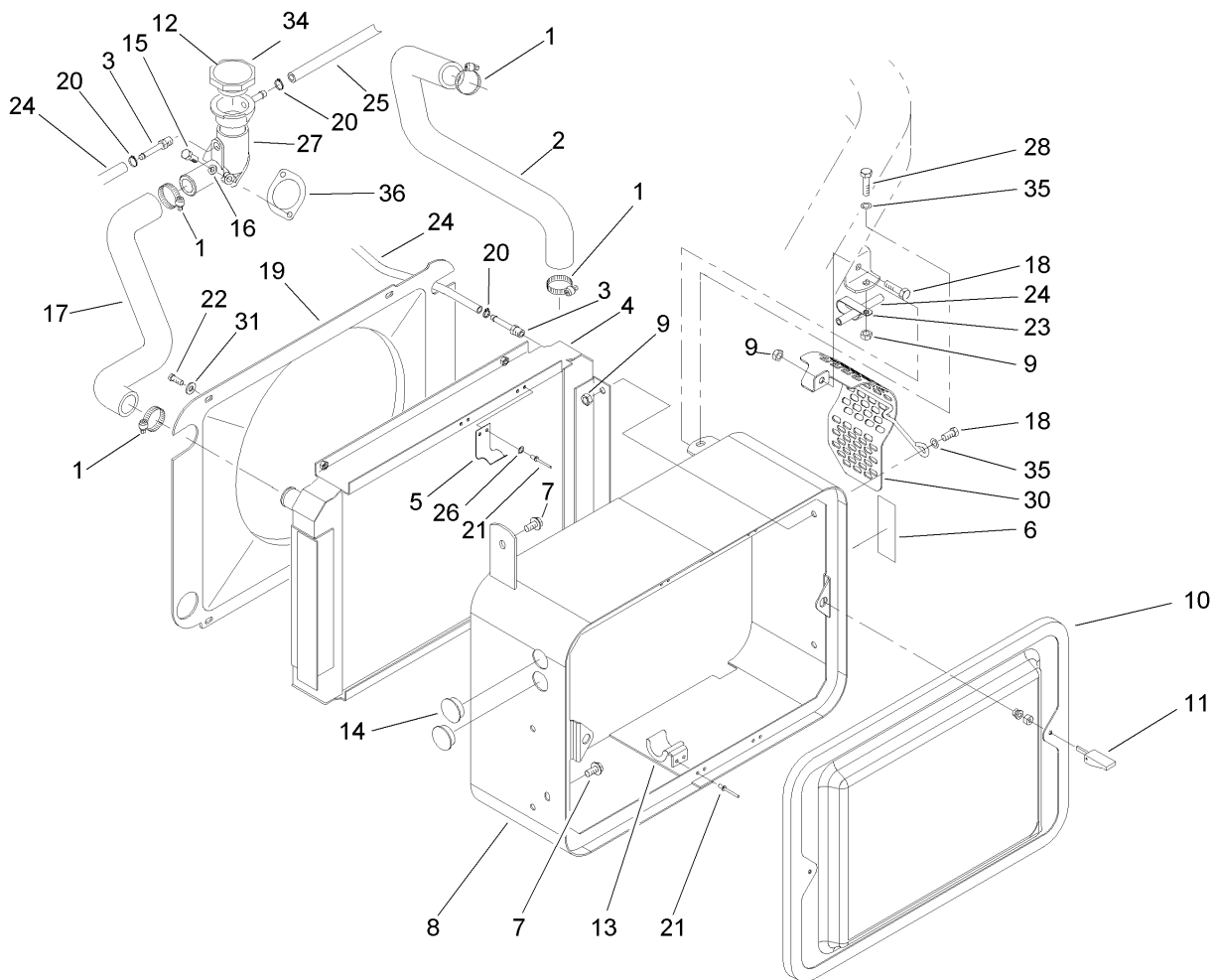
Air Cleaner and Exhaust Assembly

<i>Ref.</i>	<i>Part Number</i>	<i>Qty.</i>	<i>Description</i>	<i>Ref.</i>	<i>Part Number</i>	<i>Qty.</i>	<i>Description</i>
1	112-9178	1	Bracket-Filter	16	322-16	2	Screw-HH
2	99-4203-03	1	Bracket-Cleaner, Air	17	99-4204	1	Hose-Cleaner, Air
3	33024-00	2	Nut-Lock, NI	18	3296-29	2	Nut-Lock, NI
4	33114-020	10	Screw-HH	19	2412-92	1	Clamp-Hose
5	95-5806	1	Bracket-Mounting, Air Cleaner	21	93-7275	1	Decal-Fluid, Starting
6	95-5805	1	Air Cleaner ASM	22	110-4112	1	Hose-Fuel
7	94-8153	1	Muffler	23	2412-130	1	Clamp-Hose
8	108-6485	1	Guard-Muffler	24	92-2379	2	Clamp-Hose
9	46-7510	1	Hood-Inlet, Air	25	110-4007	1	Hose-Fuel
10	2112-9	2	Clamp	26	33114-080	2	Screw-HH
10:1	32128-20	2	Nut-HF	27	99-9179	1	Gasket-Exhaust
11	99-1472	1	Plate-Exhaust	28	99-9176	4	Nut-Hex
12	99-1494	1	Pipe-Exhaust	29	110-8814	1	Fuel Filter ASM
13	2412-107	1	Clamp-R	29:1	112-9188	1	Element-Filter, Fuel/Water
14	3253-4	4	Washer-Lock	29:2	112-9189	1	Bracket-Filter
15	3256-23	4	Washer-Plain	30	104-3082	4	Nut-Lock, HHF



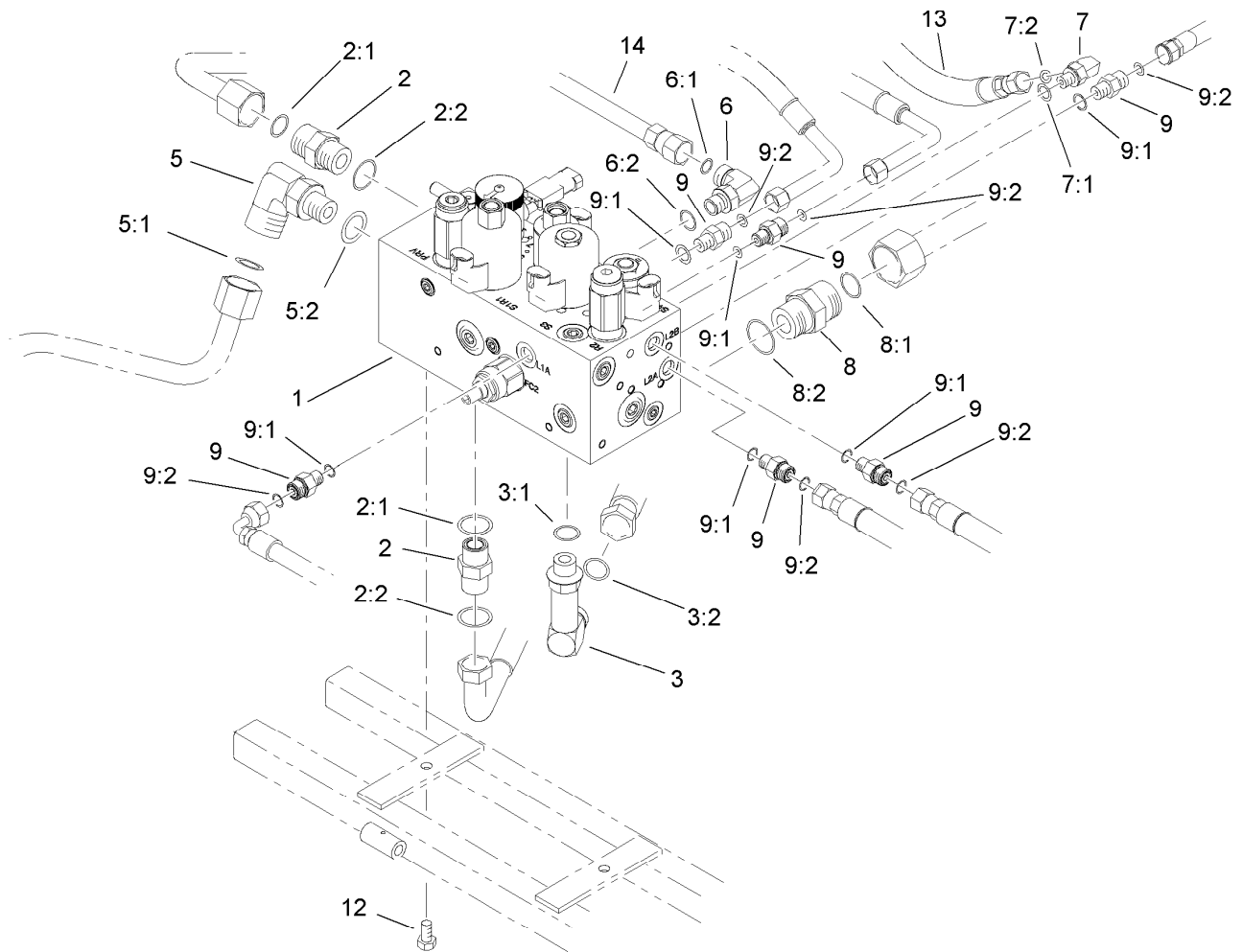
Air Cleaner Assembly No. 95-5805

<i>Ref.</i>	<i>Part Number</i>	<i>Qty.</i>	<i>Description</i>
2	108-3811	1	Filter-Air
3	94-3652	1	Cover ASM
4	87-9400	1	Valve-Vacuator
5	285-17	1	Plug-Pipe



Radiator Assembly

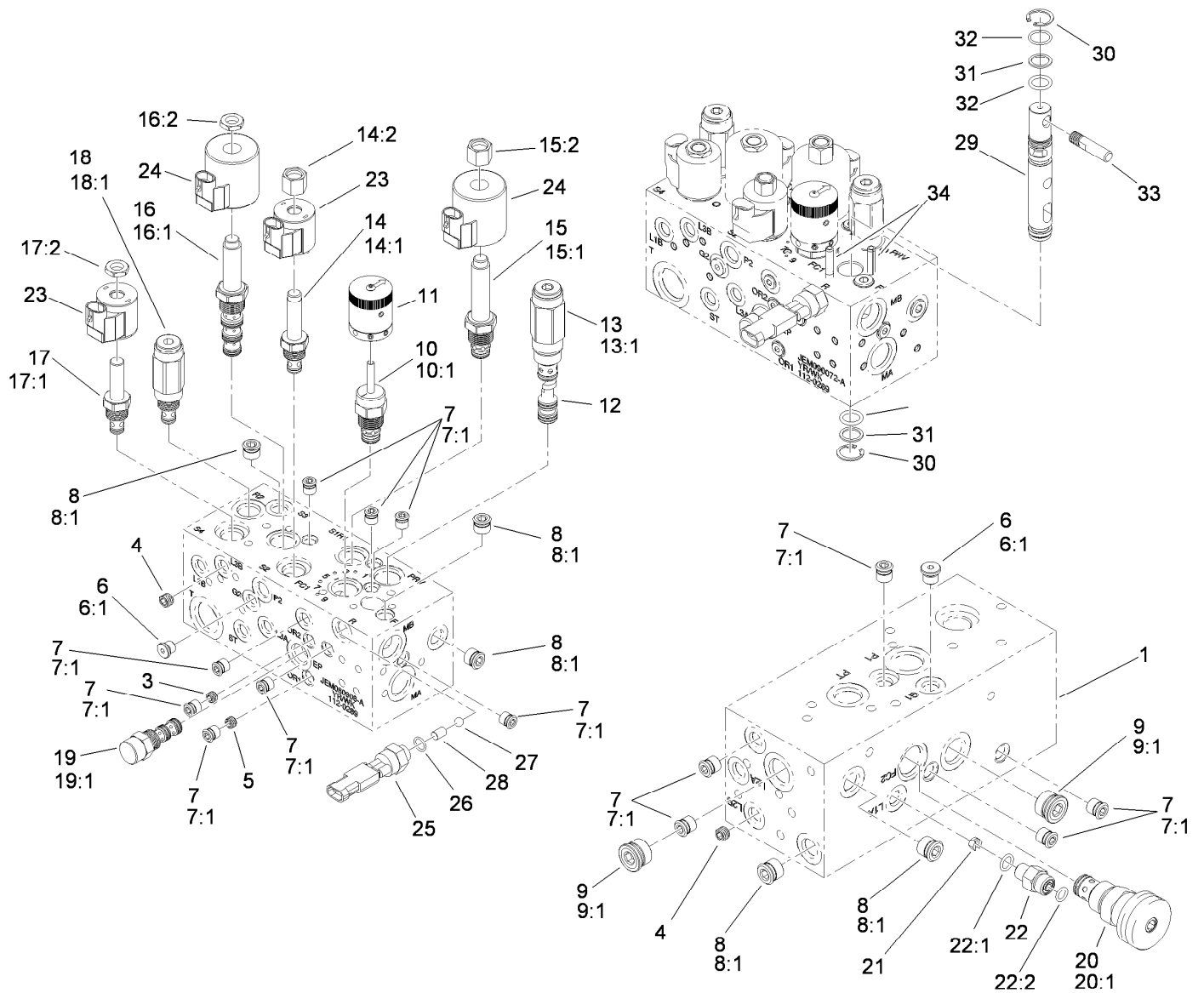
<i>Ref.</i>	<i>Part Number</i>	<i>Qty.</i>	<i>Description</i>	<i>Ref.</i>	<i>Part Number</i>	<i>Qty.</i>	<i>Description</i>
1	2412-34	4	Clamp-Hose	18	33114-020	5	Screw-HH
2	99-1469	1	Hose-Radiator	19	93-2320	1	Shroud-Fan
3	304-73	2	Fitting-Straight	20	2412-108	3	Clamp-Worm
4	99-8193	1	Radiator	21	3269-15	6	Rivet-Pop
5	104-7736	1	Bracket-Cooler, Upper	22	33113-016	4	Screw-HH
6	93-6681	1	Decal-Warning, Fan	23	92-5753	1	Clamp-Hose
7	32104-32	2	Screw-HWH	24	109-0281	1	Hose-Fuel
8	106-9056-01	1	Support-Radiator	25	110-4112	1	Hose-Fuel
9	33024-00	6	Nut-Lock, NI	26	3269-6	2	Washer-Flat
10	100-3172-03	1	Screen ASM	27	93-2448	1	Thermostat Housing ASM
11	74-5950	2	Latch-Swell	28	33114-025	1	Screw-HH
12	106-5976	1	Decal-Warning	30	100-3164-03	1	Guard-Alternator
13	93-2424	2	Bracket-Cooler, Lower	31	3256-22	4	Washer-Flat
14	94-4528	2	Plug	34	66-3240	1	Cap-Radiator
15	33113-025	2	Screw-HH	35	3256-23	2	Washer-Plain
16	3253-3	2	Washer-Lock	36	99-9163	1	Gasket-Housing, Outlet
17	93-2018	1	Hose-Radiator				



Manifold Block Installation Assembly

Ref.	Part Number	Qty.	Description	Ref.	Part Number	Qty.	Description
1	112-9197	1	Manifold ASM W/Backlap	7	340-97	1	Fitting-Elbow, 90 DEG
2	340-7	2	Fitting-Straight	7:1	237-22	1	O-Ring
2:1	237-65	1	O-Ring	7:2	237-78	1	O-Ring
2:2	237-80	1	O-Ring	8	340-9	1	Fitting-STR
3	99-6160	1	Fitting-Elbow, 90 Long	8:1	237-58	1	O-Ring
3:1	237-30	1	O-Ring	8:2	237-81	1	O-Ring
3:2	237-79	1	O-Ring	9	340-92	5	Fitting-Straight
5	340-17	1	Fitting-Elbow, 90 DEG	9:1	237-78	1	O-Ring
5:1	237-65	1	O-Ring	9:2	237-21	1	O-Ring
5:2	237-80	1	O-Ring	12	33114-016	2	Screw-HH
6	340-77	1	Fitting-Elbow, 90 DEG	13	112-0274	1	Hose-HYD
6:1	237-22	1	O-Ring	13:3	237-42	1	O-Ring ●
6:2	237-42	1	O-Ring	14	105-9790	1	Hose ASM

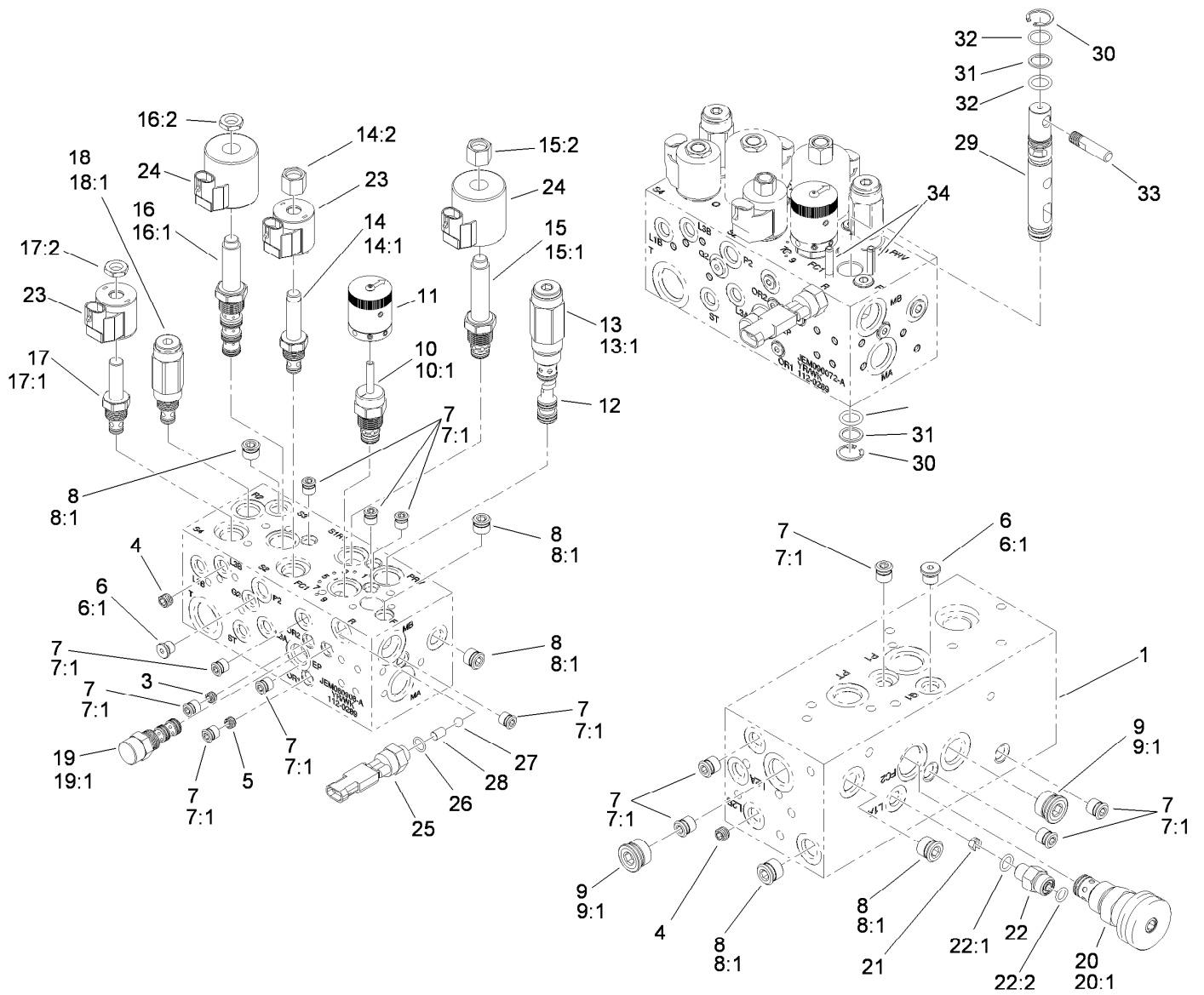
● Not illustrated



Hydraulic Manifold Assembly No. 112-9197

Ref.	Part Number	Qty.	Description	Ref.	Part Number	Qty.	Description
1		1	Body-Manifold ●	14	107-7517	1	Valve-Solenoid
3	112-9202	1	Orifice-Flow, Control (.060)	14:1	105-9156	1	Seal Kit
4	110-8887	2	Plug-Orifice (0.055)	14:2	107-7812	1	Nut-Solenoid
5	112-9203	1	Orifice-Control, Flow (.013)	15	110-8768	1	Valve-Relief, Solenoid (3000 PSI)
6	353-990	2	Plug ASM	15:1	110-6316	1	Seal Kit
6:1	237-78	1	O-Ring	15:2	130-8180	1	Nut-Coil (9/16-24 Unef-2B)
7	106-1025	13	Plug-HYD	16	110-8906	1	Valve-Solenoid
7:1	237-78	1	O-Ring	16:1	110-8908	1	Spool Valve Seal Kit
8	106-1026	5	Plug-HYD	16:2	110-2634	1	Nut-Coil
8:1	237-42	1	O-Ring	17	112-9206	1	Solenoid Valve ASM
9	106-1027	2	Plug	17:1	105-9156	1	Seal Kit
9:1	237-79	1	O-Ring	17:2	110-2634	1	Nut-Coil
10	110-8769	1	Valve-Control, Manual Flow	18	112-9207	1	Valve-Relief
10:1	110-2633	1	Seal Kit	18:1	105-9156	1	Seal Kit
11	110-8767	1	Rotary Handle ASM	19	110-8988	1	Element-Logic
12	119-3506	1	Piston-Pilot	19:1	110-8773	1	Seal Kit
13	112-9205	1	Valve-Relief	20	119-4136	1	Control-Flow
13:1	105-9159	1	Seal Kit				

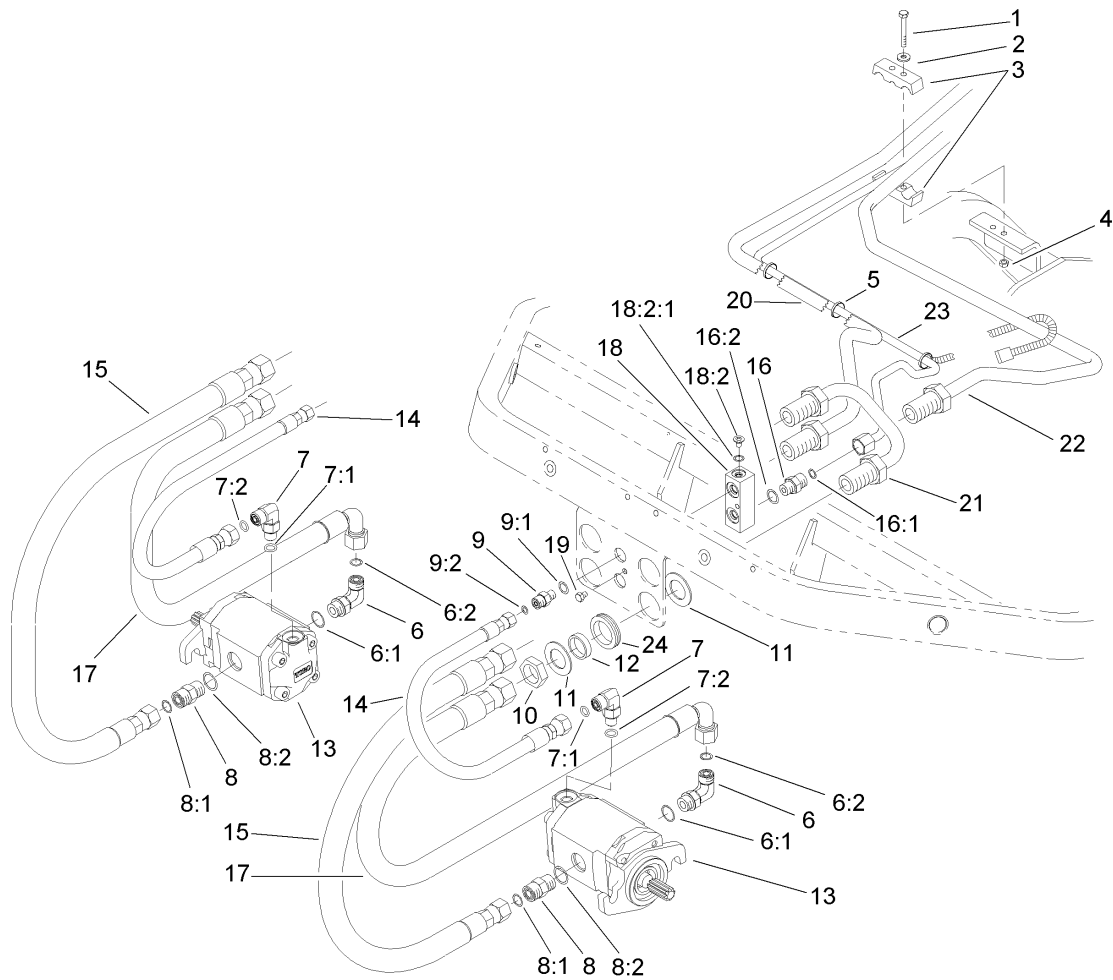
● Not serviced separately



Hydraulic Manifold Assembly No. 112-9197 (continued)

Ref.	Part Number	Qty.	Description	Ref.	Part Number	Qty.	Description
20:1	110-2633	1	Seal Kit	27	110-8762	1	Ball-Chrome
21	110-8903	1	Orifice-Control, Flow (0.055)	28	112-6533	1	Pin-Dowel
22	340-92	1	Fitting-Straight	29	112-6536	1	Spool
22:1	237-78	1	O-Ring	30	112-6532	2	Ring-Retaining
22:2	237-21	1	O-Ring	31	112-6534	2	Ring-Back Up
23	105-9333	2	Coil-12Vdc	32	117-4606	3	O-Ring
24	110-2630	2	Coil-12Vdc	33	110-8758	1	Handle-Spool
25	72-4320	1	Switch-Ball	34	112-6531	2	Pin-Spring
26	110-8757	1	O-Ring				

● Not serviced separately

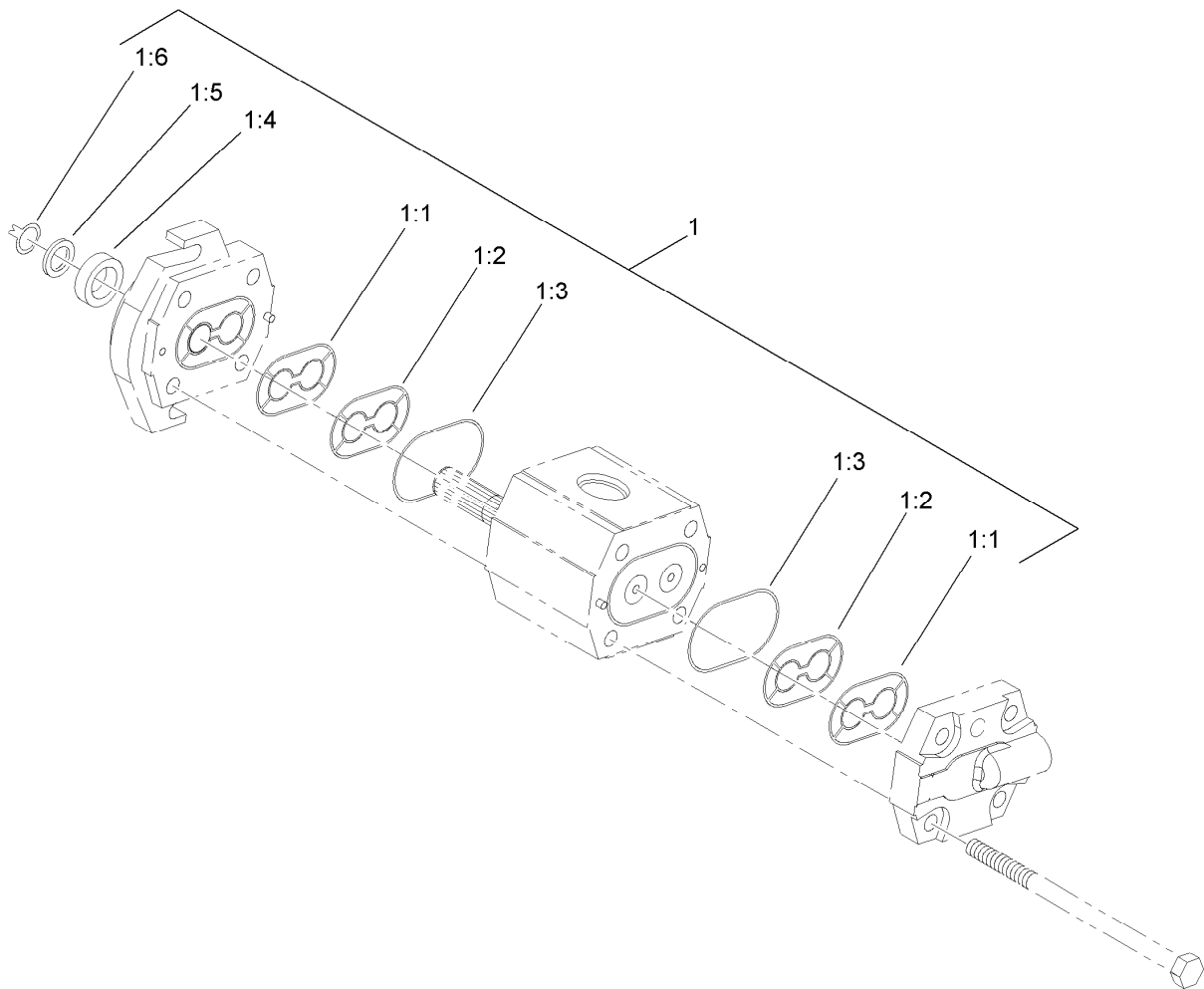


Front Bulkhead and Reel Motor Assembly

Ref.	Part Number	Qty.	Description
1	33113-050	2	Screw-HH
2	3256-1	2	Washer-Flat
3	93-2509	2	Clamp-Tube
4	33023-00	2	Nut-Lock
5	3290-378	3	Tie-Cable
6	340-98	2	Fitting-Elbow, 90 DEG
6:1	237-79	1	O-Ring
6:2	237-30	1	O-Ring
7	340-132	2	Fitting-Elbow, 90 DEG
7:1	237-78	1	O-Ring
7:2	237-21	1	O-Ring
8	340-4	2	Fitting-Straight
8:1	237-30	1	O-Ring
8:2	237-79	1	O-Ring
9	340-92	2	Fitting-Straight
9:1	237-78	1	O-Ring
9:2	237-21	1	O-Ring
10	340-74	2	Nut-Lock, Bulkhead
11	69-9010	4	Washer

Ref.	Part Number	Qty.	Description
12	69-9000	2	Spacer
13	112-9200	2	HYD Motor ASM
14	106-9674	2	Hose-HYD
15	95-2908	2	Hose-HYD
16	340-2	1	Fitting-Straight
16:1	237-22	1	O-Ring
16:2	237-42	1	O-Ring
17	95-2909	2	Hose-HYD
18	93-2238	1	T-Block
18:2	353-991	1	Plug-Hex, Hollow
18:2:1	237-156	1	O-Ring
19	33113-008	1	Screw-HH
20	94-1318	1	Tube-HYD
21	94-1319	1	Tube-HYD
22	94-1320	1	Tube-HYD
23	94-1321	1	Tube-HYD
23:1	237-22	2	O-Ring ●
24	240-3	2	Grommet-Rubber

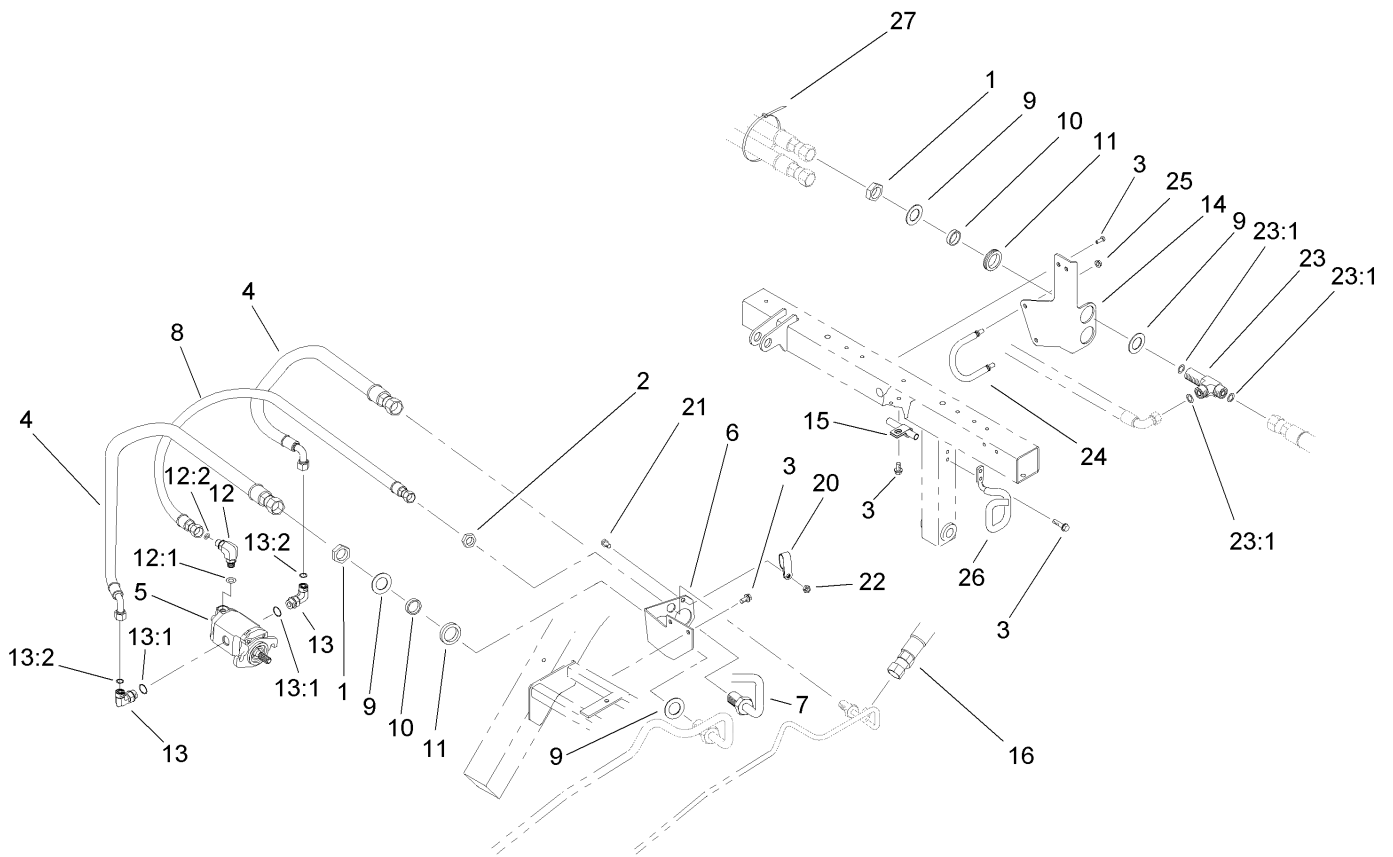
● Not illustrated



Hydraulic Motor Assembly No. 112-9200

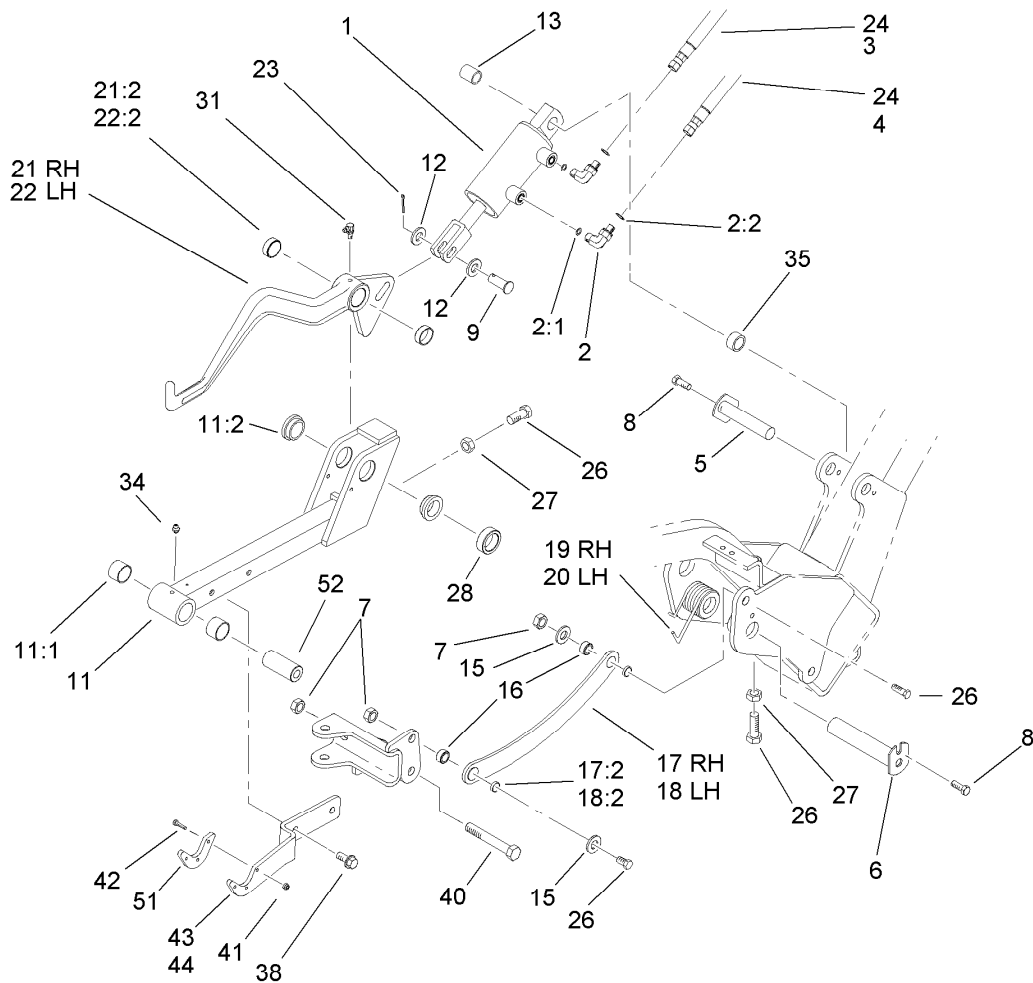
<i>Ref.</i>	<i>Part Number</i>	<i>Qty.</i>	<i>Description</i>
1	112-9184	1	Seal Kit
1:1		2	Seal-Extrusion, Anti ●
1:2		2	Seal-Pressure ●
1:3		2	Ring-Retaining ●
1:4		1	Seal-Shaft ●
1:5		1	Washer-Backup ●
1:6		1	Ring-Snap ●

● Not serviced separately



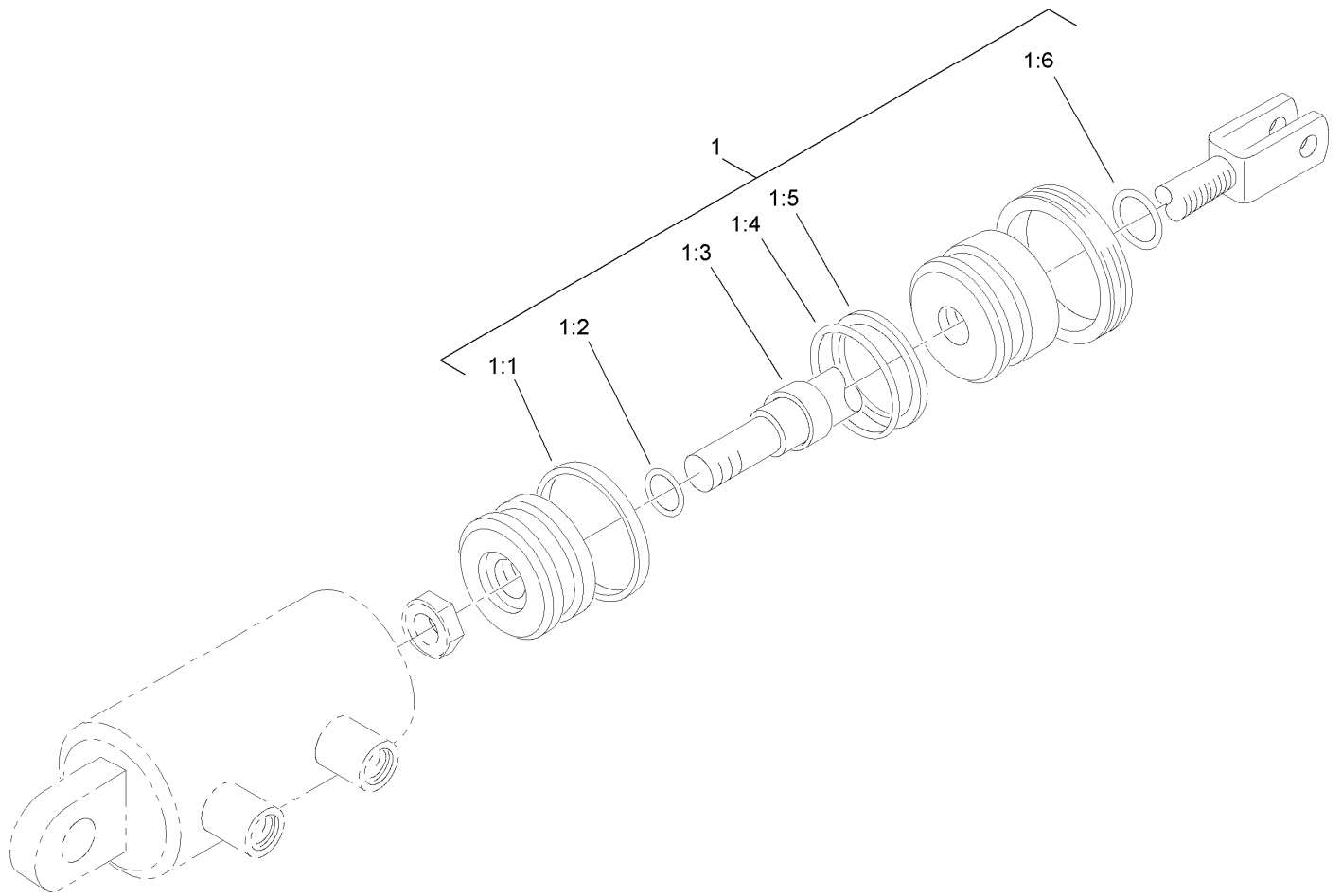
Rear Bulkhead and Reel Motor Assembly

<i>Ref.</i>	<i>Part Number</i>	<i>Qty.</i>	<i>Description</i>	<i>Ref.</i>	<i>Part Number</i>	<i>Qty.</i>	<i>Description</i>
1	340-74	4	Nut-Lock, Bulkhead	13:1	237-79	1	O-Ring
2	340-70	1	Nut-Lock	13:2	237-30	1	O-Ring
3	32104-32	7	Screw-HWH	14	99-4222-03	1	Bracket-Hose
4	95-2907	2	Hose ASM	15	2412-4	1	Clamp-R
5	112-9200	1	HYD Motor ASM	16	110-4008	1	HYD Hose ASM
6	94-1316	1	Bracket-Bulkhead	20	2412-137	1	Clamp-R, Double
7	94-1317	1	Tube-HYD	21	33114-020	1	Screw-HH
8	105-5405	1	Hose-HYD	22	33024-00	1	Nut-Lock, NI
9	69-9010	8	Washer	23	94-5350	2	Fitting-Tee
10	69-9000	4	Spacer	23:1	237-65	3	O-Ring
11	240-3	4	Grommet-Rubber	24	99-4221	1	Retainer-Hose
12	340-132	1	Fitting-Elbow, 90 DEG	25	3296-29	2	Nut-Lock, NI
12:1	237-78	1	O-Ring	26	94-5352	1	Retainer-Hose
12:2	237-21	1	O-Ring	27	3290-378	1	Tie-Cable
13	340-98	2	Fitting-Elbow, 90 DEG				



Left Hand and Right Hand Lift Arm Assembly

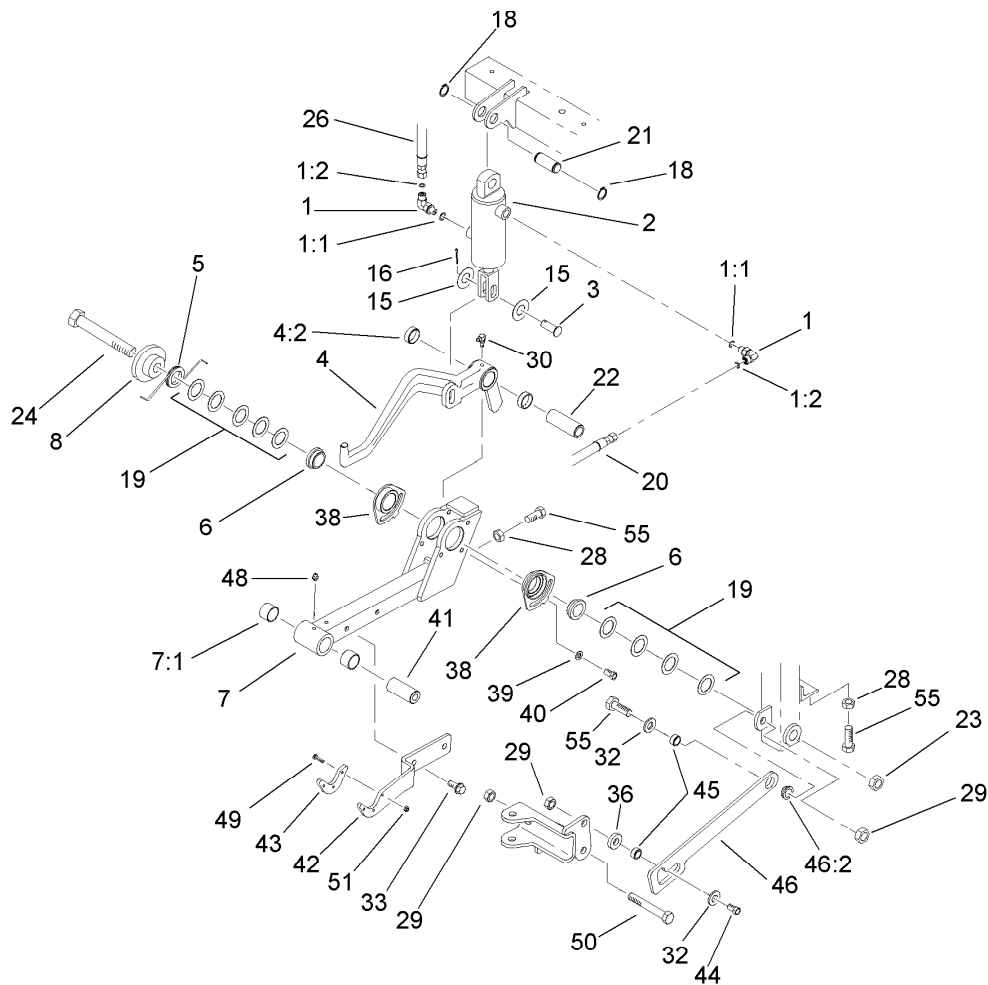
Ref.	Part Number	Qty.	Description	Ref.	Part Number	Qty.	Description
1	105-3821	2	HYD Cylinder ASM	19	105-3809	1	Spring-Torsion, RH
2	340-132	4	Fitting-Elbow, 90 DEG	20	105-3818	1	Spring-Torsion, LH
2:1	237-78	1	O-Ring	21	99-4213	1	RH Lift Arm ASM
2:2	237-21	1	O-Ring	21:2	92-8995	2	Bushing
3	108-6505	1	Hose-HYD	22	99-4212	1	LH Lift Arm ASM
4	112-9193	1	Hose-HYD	22:2	92-8995	2	Bushing
5	10-6060	2	Pin-Pivot	23	3272-11	2	Pin-Cotter
6	94-8198	2	Pin	24	93-2254	2	HYD Hose ASM
7	3296-25	6	Nut-Lock, NI	26	325-7	8	Screw-HH
8	32104-32	4	Screw-HWH	27	3218-5	3	Nut-Jam
9	283-68	2	Pin-Clevis	28	93-2384	2	Spacer-Carrier
11	99-4115	2	Front Lift Frame ASM	31	302-60	2	Fitting-Grease
11:1	98-4166	2	Bushing	34	302-5	2	Fitting-Grease
11:2	94-9610	2	Bushing-Flange	35	74-3730	2	Spacer-Spindle, Rear
12	33096-00	4	Washer-Flat	38	32144-69	4	Screw-HWHTF
13	105-3838	2	Spacer	40	325-14	2	Screw-HH
15	3256-26	4	Washer-Flat	41	3296-54	6	Nut-Lock
16	99-4201	4	Tube-Spacer	42	3250-17	6	Screw-PPH
17	99-4258	1	RH Link Bracket ASM	43	99-4111-01	1	Plate-Transport, 1 And 3
17:2	99-4243	2	Bushing-Flange	44	99-4112-01	1	Plate-Transport, #2
18	99-4260	1	LH Link Bracket ASM	51	99-4225	2	Pad-Wear
18:2	99-4243	2	Bushing-Flange	52	99-4072	2	Spacer



Hydraulic Cylinder Assembly No. 105-3821

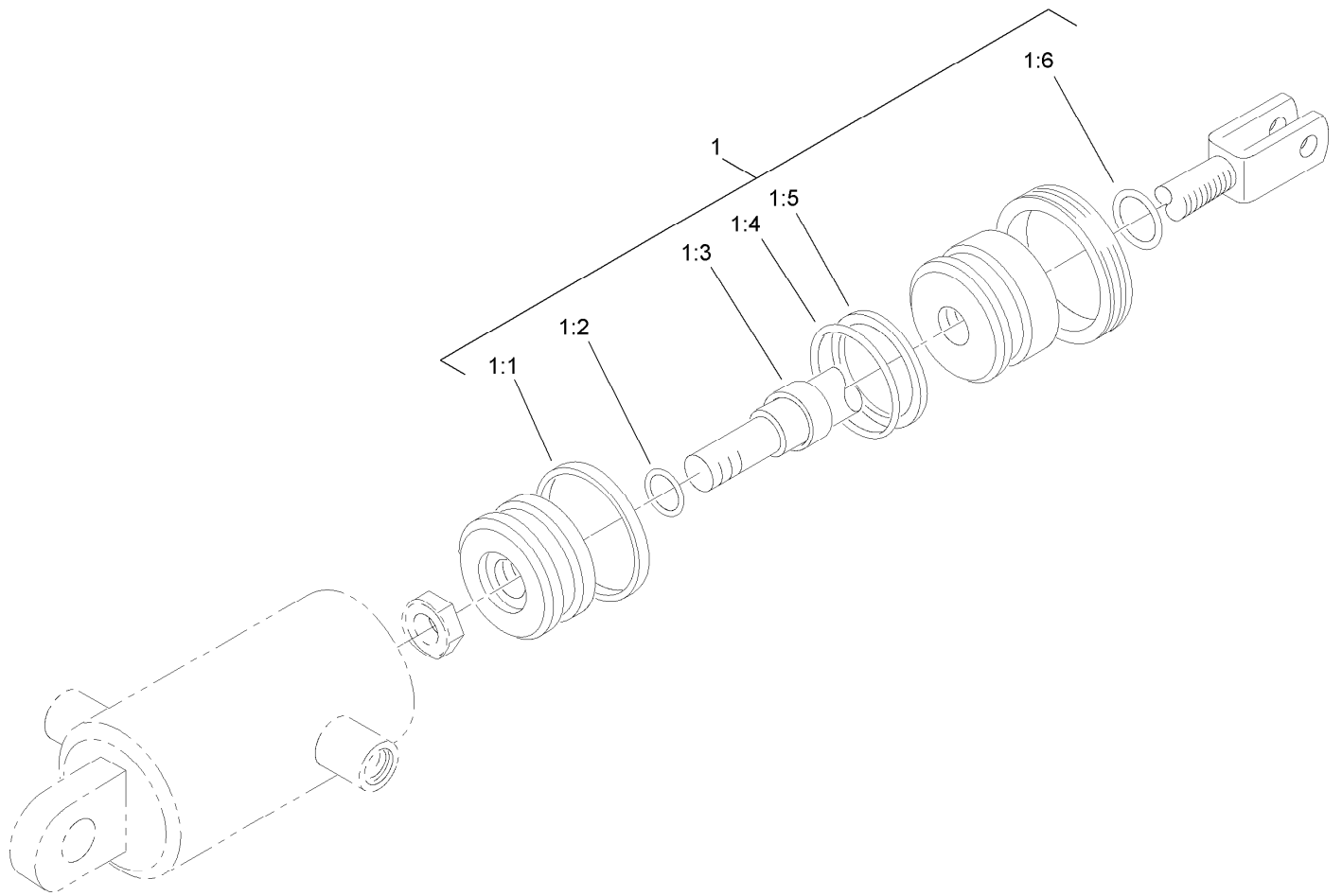
<i>Ref.</i>	<i>Part Number</i>	<i>Qty.</i>	<i>Description</i>
1	105-3836	1	Seal Kit
1:1		1	T-Seal ●
1:2		1	Ring-Retaining ●
1:3		1	Seal-Rod ●
1:4		1	Ring-Retaining ●
1:5		1	Backup ●
1:6		1	Seal-Dust ●

● Not serviced separately



Center Lift Arm Assembly

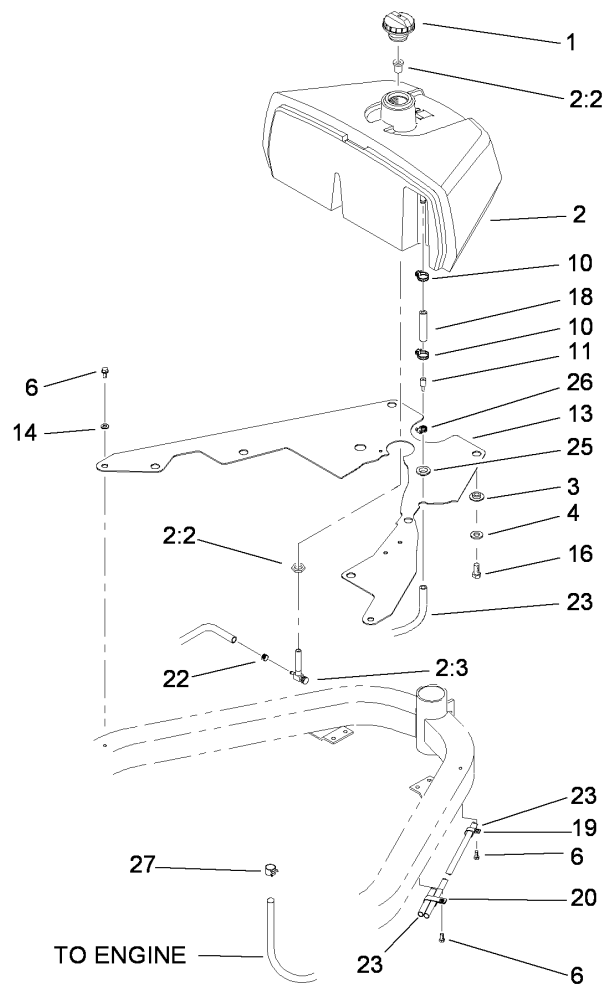
Ref.	Part Number	Qty.	Description	Ref.	Part Number	Qty.	Description
1	340-132	2	Fitting-Elbow, 90 DEG	28	3218-5	2	Nut-Jam
1:1	237-78	1	O-Ring	29	3296-25	3	Nut-Lock, NI
1:2	237-21	1	O-Ring	30	302-60	1	Fitting-Grease
2	105-3820	1	HYD Cylinder ASM	32	3256-26	2	Washer-Flat
3	283-68	1	Pin-Clevis	33	32144-69	2	Screw-HWHTF
4	99-4126	1	Center Lift Arm ASM	36	99-4248	1	Spacer
4:2	92-8995	2	Bushing	38	98-4618	2	Bushing-Eccentric
5	105-9781	1	Spring-Torsion	39	3256-74	2	Washer-Flat
6	98-2197	2	Bushing-Flange	40	33114-016	2	Screw-HH
7	99-4116	1	Rear Lift Frame ASM	41	99-4072	1	Spacer
7:1	98-4166	2	Bushing	42	99-4111-01	1	Plate-Transport, 1 And 3
8	105-9779	1	Guide-Spring	43	99-4225	1	Pad-Wear
15	33096-00	2	Washer-Flat	44	325-7	1	Screw-HH
16	3272-11	1	Pin-Cotter	45	99-4201	2	Tube-Spacer
18	32120-72	2	Ring-Snap	46	99-4246	1	Link Bracket ASM
19	63-2290	9	Washer-Thrust	46:2	99-4243	1	Bushing-Flange
20	112-9185	1	Hose ASM	48	302-5	1	Fitting-Grease
21	94-3452	1	Pin	49	3250-17	3	Screw-PPH
22	94-8199	1	Tube-Pivot	50	325-14	1	Screw-HH
23	3296-53	1	Nut-Lock, NI	51	3296-54	3	Nut-Lock
24	327-25	1	Screw-HH	55	325-7	3	Screw-HH
26	106-7981	1	Hose-HYD				



Hydraulic Cylinder Assembly No. 105-3820

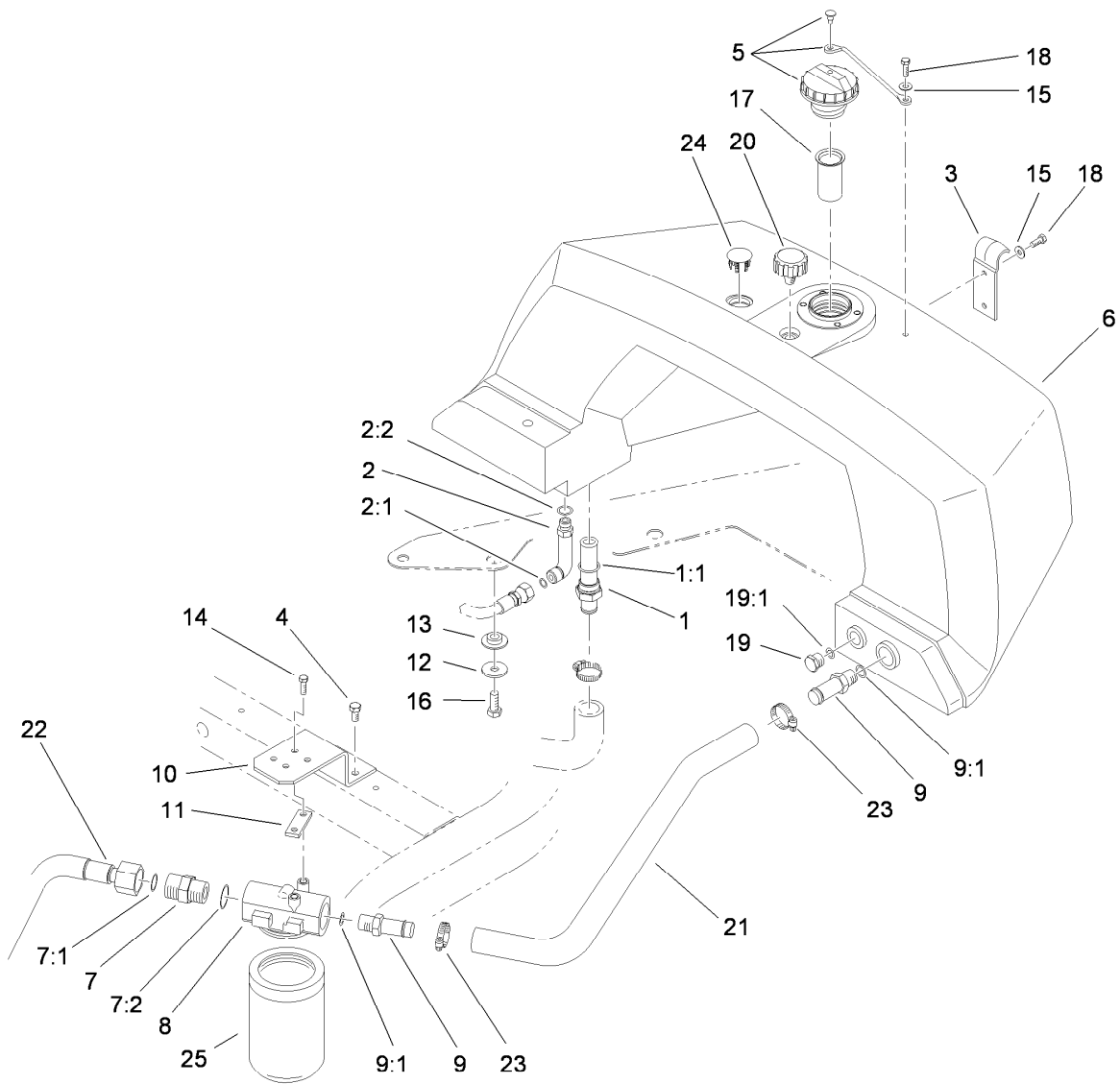
<i>Ref.</i>	<i>Part Number</i>	<i>Qty.</i>	<i>Description</i>
1	105-3836	1	Seal Kit
1:1		1	T-Seal ●
1:2		1	Ring-Retaining ●
1:3		1	Seal-Rod ●
1:4		1	Ring-Retaining ●
1:5		1	Backup ●
1:6		1	Seal-Dust ●

● Not serviced separately



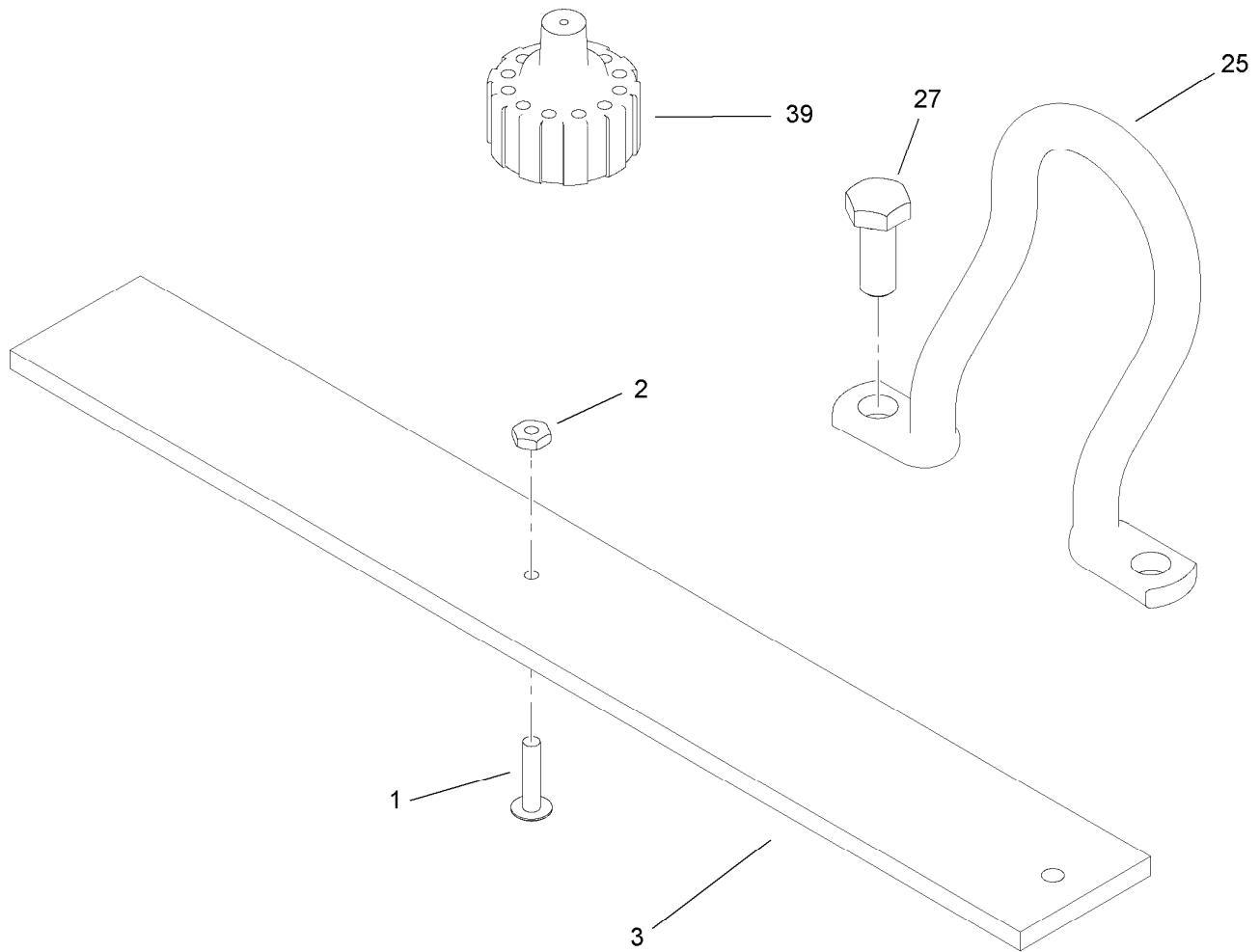
Fuel System Assembly

<i>Ref.</i>	<i>Part Number</i>	<i>Qty.</i>	<i>Description</i>
1	115-5305	1	Cap-Fuel
2	114-4680	1	Tank ASM
2:2	114-4677	1	Bulkhead ASM
2:3	114-4679	1	Fitting-Shut Off, Fuel
3	240-11	3	Bushing-Flange
4	93-4637	3	Washer-Flat
6	32104-32	5	Screw-HWH
10	2412-36	2	Clamp-Hose
11	112-0212	1	Fitting-Fuel
13	94-1364-03	1	Plate ASM
14	3256-23	2	Washer-Plain
16	33115-020	3	Screw-HH
18	106-1128	1	Hose-Fuel
19	2412-41	1	Clamp-R
20	92-5753	1	Clamp-Hose
22	92-2379	1	Clamp-Hose
23	110-3958	1	Hose-Fuel
25	237-124	1	Grommet
26	2412-108	1	Clamp-Worm
27	2412-146	1	Clamp-Hose



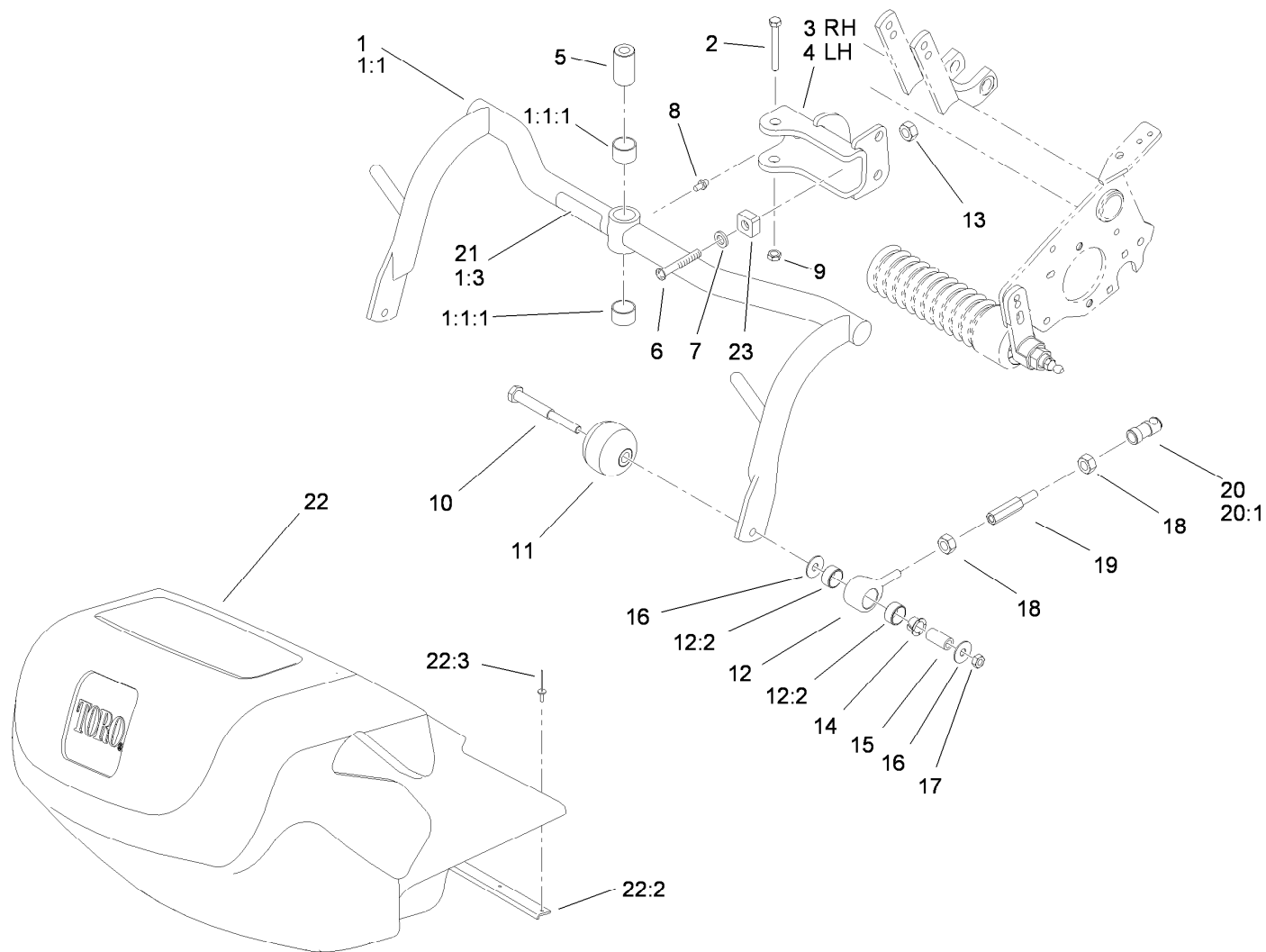
Hydraulic Tank and Filter Assembly

Ref.	Part Number	Qty.	Description	Ref.	Part Number	Qty.	Description
1	112-0211	1	Strainer Fitting ASM	11	105-4309	1	Plate-Filter
1:1	237-146	1	O-Ring	12	93-4637	4	Washer-Flat
2	69-4320	1	Fitting-HYD, 90 DEG	13	240-11	4	Bushing-Flange
2:1	237-22	1	O-Ring	14	321-5	2	Screw-HH
2:2	237-42	1	O-Ring	15	3256-1	3	Washer-Flat
3	93-2438	1	Clamp-Tank, Fuel	16	33115-020	4	Screw-HH
4	32104-32	2	Screw-HWH	17	93-2275	1	Screen-Filler
5	93-7160	1	Cap-Oil, HYD	18	33113-016	3	Screw-HH
6	117-9531	1	Tank-Hydraulic	19	353-988	1	Plug-Hex
7	340-9	1	Fitting-STR	19:1	237-79	1	O-Ring
7:1	237-58	1	O-Ring	20	68-6150	1	Breather
7:2	237-81	1	O-Ring	21	94-9607	1	Hose-Return
8	92-5821	1	Head-Filter	22	94-4518	1	Tube ASM
9	354-73	2	Fitting	23	2412-129	2	Clamp-Hose
9:1	237-81	1	O-Ring	24	93-2437	1	Plug-Serrated
10	105-9793-03	1	Mount-Filter, Oil	25	107-9531	1	Filter-Oil, HYD



Miscellaneous Part Assembly

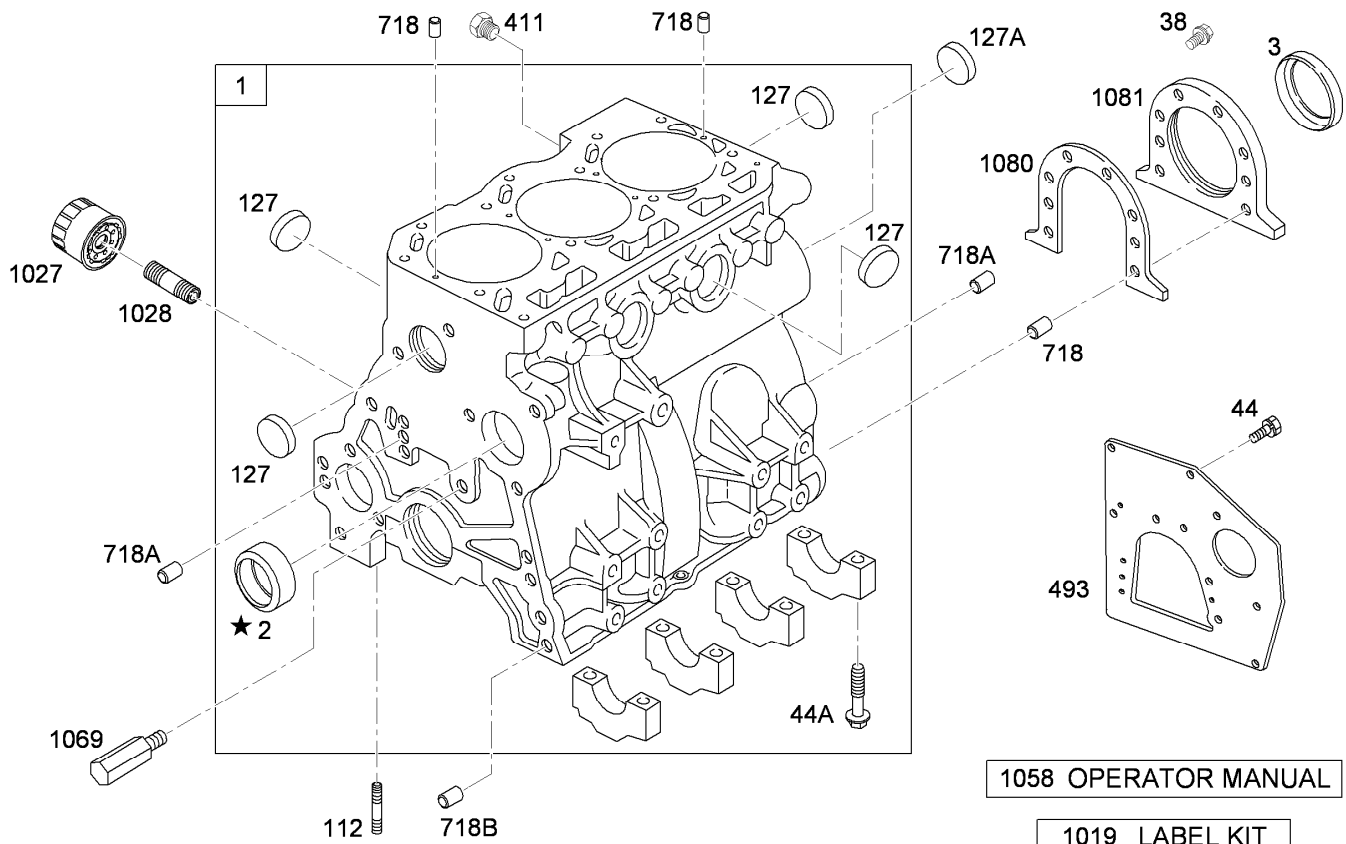
<i>Ref.</i>	<i>Part Number</i>	<i>Qty.</i>	<i>Description</i>
1	32122-22	1	Screw-PTH
2	3219-14	1	Nut-Hex
3	65-8320	1	Bar-Gauge
25	110-2397	3	Hook-Lift, Offset (1.25 Inch)
27	33115-025	6	Screw-HH
39	92-8020	1	Adapter-Breather



Pull Frame Assembly

Ref.	Part Number	Qty.	Description	Ref.	Part Number	Qty.	Description
1	99-4114	3	Pull Frame ASM	12:2	95-0532	2	Rubber Bushing ASM
1:1		1	Pull Frame And Bushing ASM ●	13	3296-12	3	Nut-Lock, NI
1:1:1	98-4166	2	Bushing	14	104-7738	12	Bushing-Flange
1:3	104-7729	1	Decal-Danger, CE	15	108-6544	6	Spacer
2	325-13	3	Screw-HH	16	52-2860	12	Washer
3	99-4183-01	2	RH Clevis ASM	17	3296-59	6	Nut-Lock, NI
4	99-4182-01	1	LH Clevis ASM	18	3220-3	12	Nut-HJ
5	99-4109	3	Spacer	19	88-6870	6	Extension-Arm, Pull
6	78-8710	3	Screw	20	99-1460	6	Ball Joint Receiver ASM
7	3256-77	3	Washer-Flat	20:1	99-1461	1	Sleeve-Joint, Ball
8	302-5	3	Fitting-Grease	21	104-7729	3	Decal-Danger, CE
9	3296-25	3	Nut-Lock, NI	22	106-4689	3	Grass Basket ASM
10	108-6543	6	Shaft-Roller	22:2	104-2607	1	Strip-Basket
11	99-4210	6	Roller-Anti Scalp	22:3	3290-382	8	Rivet-Pop
12	108-6542	6	Pull Link ASM	23	94-1392	3	Pad-Rubber

● Not serviced separately



1058 OPERATOR MANUAL

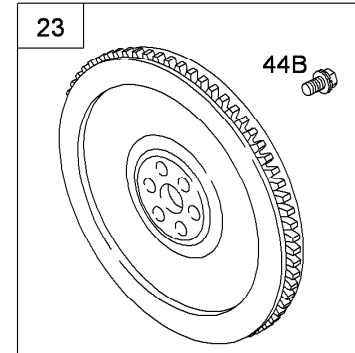
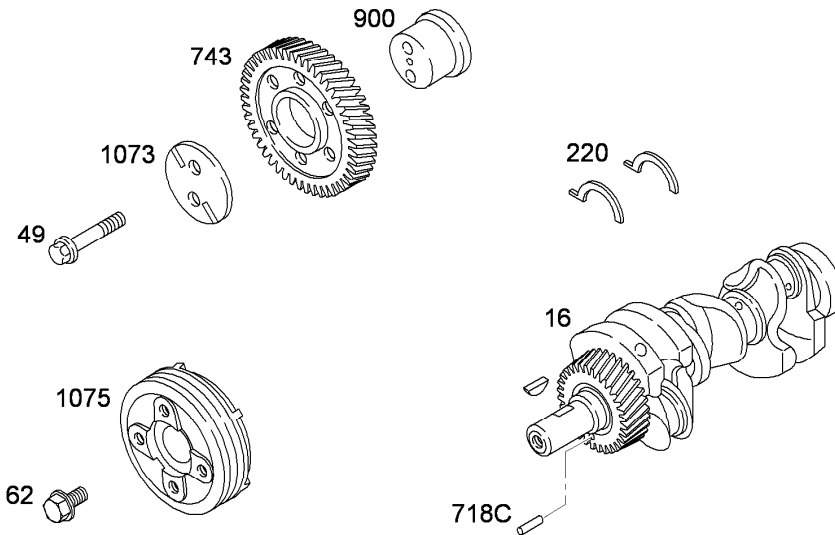
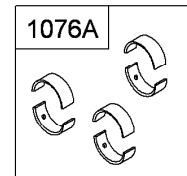
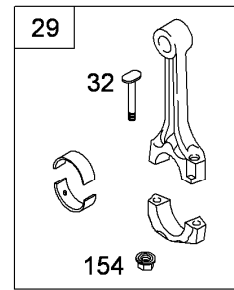
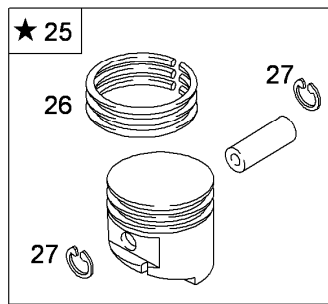
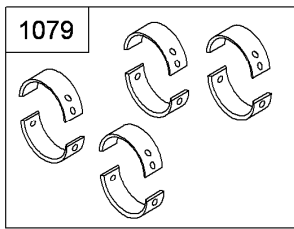
1019 LABEL KIT

★ Requires Special Tools To Install
See Repair Manual For Instructions

Assemblies include all parts shown in frames

Cylinder Assembly

Ref.	Part Number	Qty.	Description	Ref.	Part Number	Qty.	Description
1	100-6401	1	Cylinder ASM	718	99-9012	4	Pin-Locating
2	99-9002	1	Bushing	718A	99-9013	3	Pin-Locating
3	99-9003	1	Seal-Oil	718B	99-9014	2	Pin-Locating
38	99-9004	6	Screw-Hex	1019	99-9015	1	Label Kit
44	99-9005	3	Screw-Hex	1027	99-9017	1	Filter-Oil
44A	99-9006	8	Screw-Hex	1028	99-9018	1	Adapter-Filter, Oil
112	99-9007	1	Stud-Metric	1058	99-9602	1	Manual-Owners
127	99-9008	7	Plug-Welch	1069	99-9020	1	Nozzle-Oil
127A	99-9010	1	Plug-Welch	1080	99-9021	1	Gasket-Retainer
411	99-9601	1	Plug (Cylinder Block)	1081	99-9022	1	Retainer-Seal
493	100-3195	1	Bracket-Mounting				

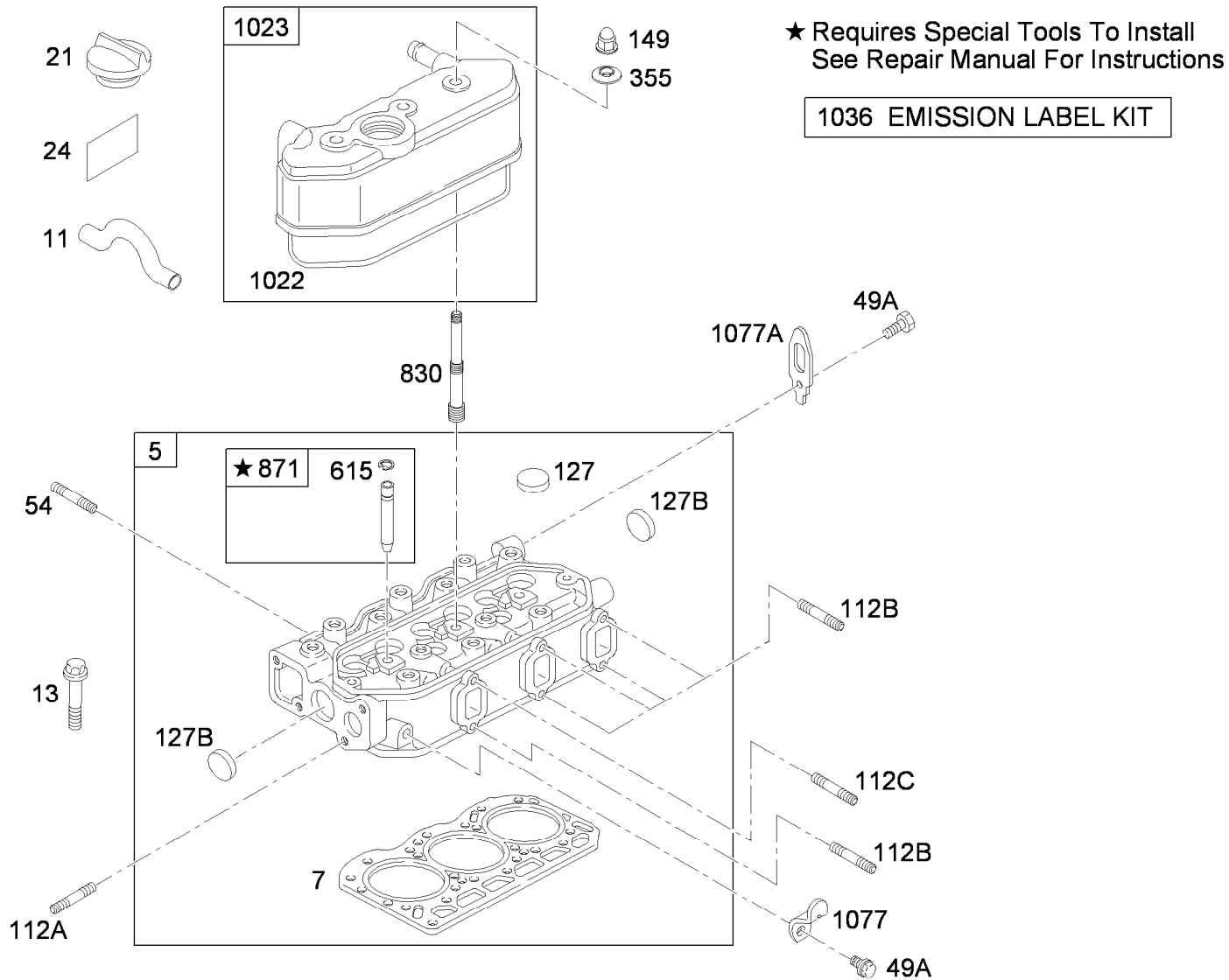


★ Requires Special Tools To Install
See Repair Manual For Instructions

Assemblies include all parts shown in frames

Crankshaft Assembly

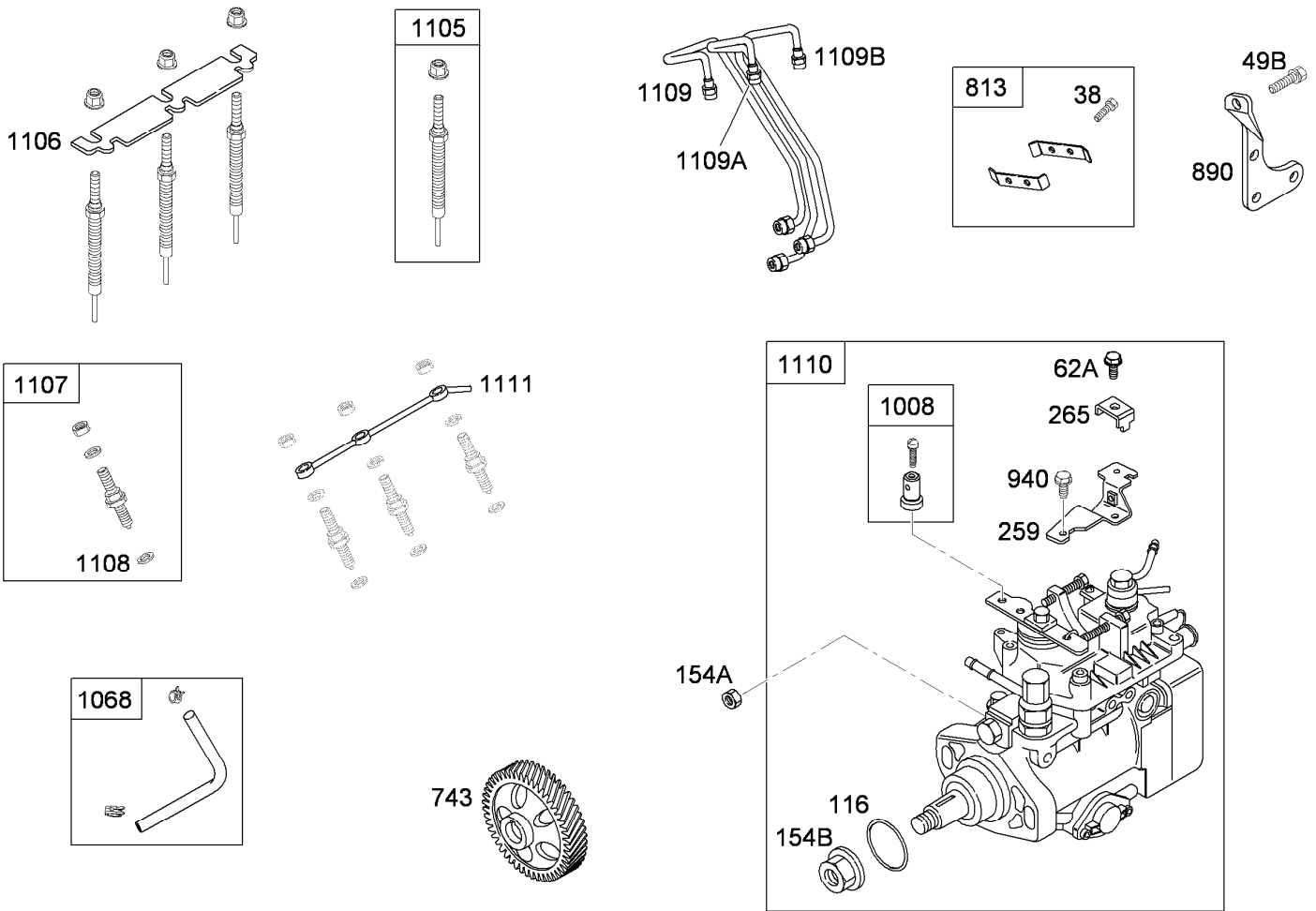
Ref.	Part Number	Qty.	Description	Ref.	Part Number	Qty.	Description
16	105-9339	1	Crankshaft	220	99-9035	1	Shim-Endplay
23	99-9267	1	Flywheel	220	99-9036	1	Shim-Endplay (.005 Oversized)
25	99-9605	3	Piston ASM	718C	99-9037	1	Pin-Locating
25	99-9268	3	Piston ASM (.010 In Oversized)	743	99-9609	1	Gear-Drive
26	99-9606	3	Ring Set	900	99-9039	1	Shaft-Gear
26	99-9269	3	Ring Set (.010 Oversized)	1073	99-9040	1	Plate-Gear, Idler
27	99-9607	6	Lock-Pin, Piston	1075	99-9692	1	Pulley-Crankshaft
29	117-8838	3	Rod-Connecting	1076A	117-4893	3	Rod Bearing Set (STD)
32	99-9030	6	Screw	1076A	99-9044	3	Rod Bearing Set (.010 Undersized)
44B	99-9031	6	Screw-Hex	1079	99-9045	1	Main Bearing Set (Set Of 8)
49	99-9032	2	Screw-Hex	1079	99-9046	1	Main Bearing Set (.010 Undersized)
62	99-9033	1	Screw-Hex				
154	99-9034	6	Nut-Hex				



Assemblies include all parts shown in frames

Cylinder Head Assembly

Ref.	Part Number	Qty.	Description	Ref.	Part Number	Qty.	Description
5	99-9611	1	Head-Cylinder	615	99-9067	6	Retainer
7	99-9612	1	Gasket-Head, Cylinder	830	99-9101	3	Stud-Arm, Rocker
11	104-7743	1	Tube-Breather	871	99-9070	6	Bushing-Guide
13	99-9614	14	Screw-Metric	1022	99-9073	1	Gasket-Cover, Rocker
21	99-9052	1	Cap-Fill, Oil	1023	100-6402	1	Cover-Rocker
24	105-3817	1	Label-Fill, Oil	1036	99-9615	1	Emission Label Kit
54	99-9055	2	Stud-Metric	1077	99-9076	1	Bracket-Lifting
127	99-9008	2	Plug-Welch	1077A	99-9077	1	Bracket-Lifting
127B	99-9060	2	Plug-Welch	112A	99-9057	2	Stud-Metric
149	99-9061	3	Nut-Hex, Metric	112B	99-9058	5	Stud-Metric
355	99-9063	3	Washer-Seal	112C	99-9059	1	Stud-Metric
49A	99-9054	2	Screw-Hex				

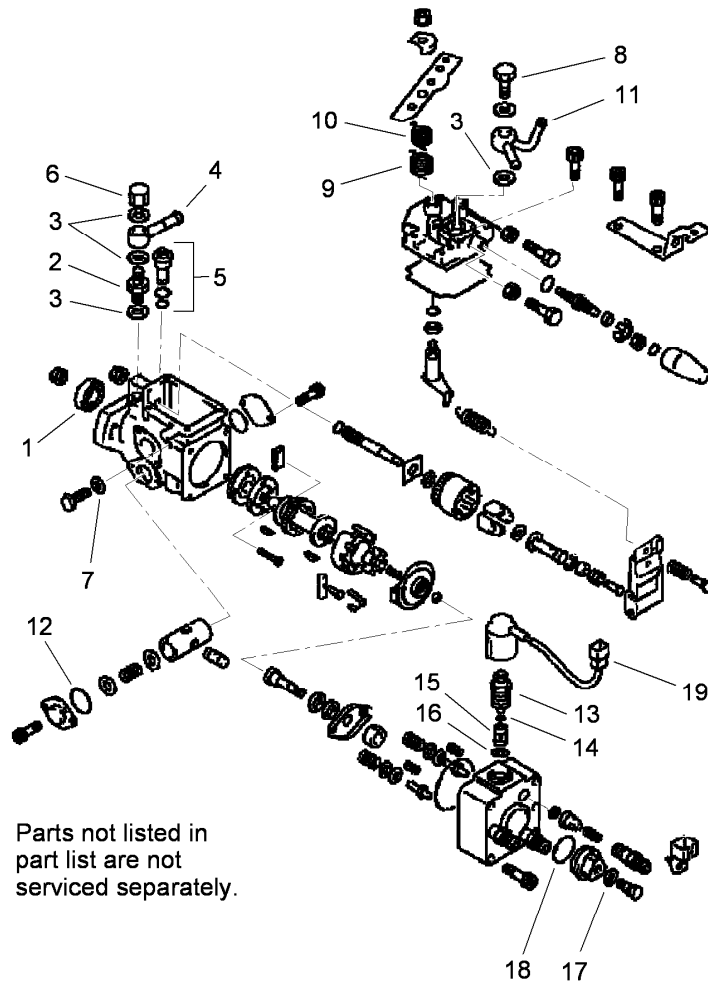


Assemblies include all parts shown in frames

Injection Assembly

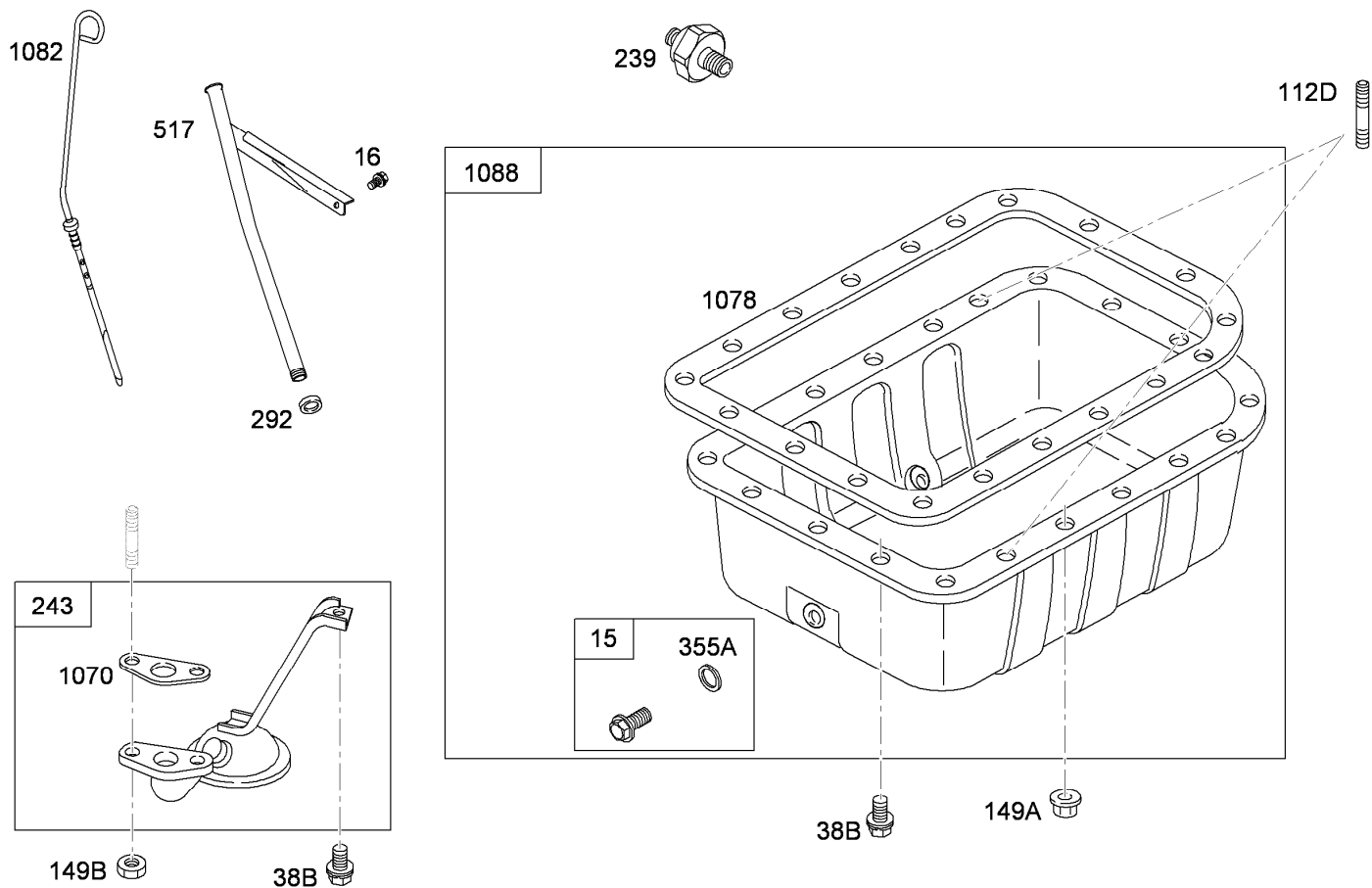
Ref.	Part Number	Qty.	Description
38	99-9004	2	Screw-Hex
49B	99-9616	4	Screw-Hex
62A	100-6403	1	Screw-Metric
116	99-9618	1	O-Ring
154A	99-9619	2	Nut-Hex, Metric
154B	99-9620	1	Nut-Hex, Metric
259	99-9621	1	Bracket-Clamp, Casing
265	99-9622	1	Clamp-Casing
743	99-9624	1	Gear-Drive
813	99-9625	1	Clamp
890	99-9626	1	Bracket-Support
940	100-6410	2	Screw-Hex

Ref.	Part Number	Qty.	Description
1008	99-9628	1	Clamp-Swivel
1068	99-9629	1	Hose / Clamp ASM
1105	114-4695	3	Plug-Glow
1106	99-9631	1	Strap-Plug, Glow
1107	114-4696	3	Injection Nozzle
1108	99-9633	3	Seat-Injector
1109	99-9690	1	Pipe-Injector, No. 1
1109A	99-9634	1	Pipe-Injector, No. 2
1109B	99-9635	1	Pipe-Injector, No. 3
1110	114-4697	1	Pump-Injection
1111	99-9637	1	Pipe-Return, Fuel



Injection Pump Assembly No. 114-4697

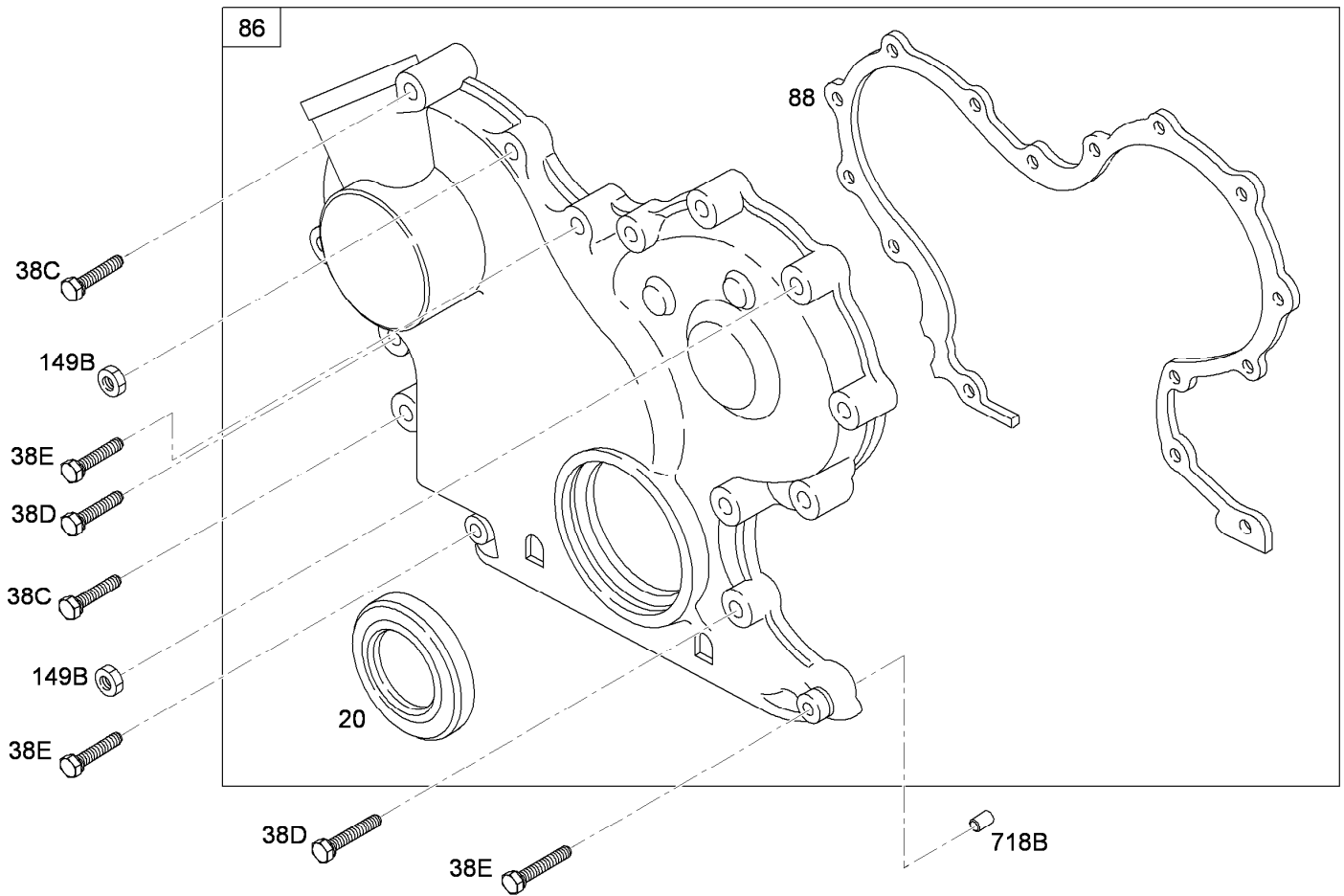
<i>Ref.</i>	<i>Part Number</i>	<i>Qty.</i>	<i>Description</i>
1	100-5190	1	Seal-Oil
2	100-5234	1	Screw-Hollow
3	100-5221	5	Washer
4	100-5222	1	Nipple ASM
5	100-5230	1	Valve ASM
6	100-5302	1	Nut-Cap
7	100-5314	2	Gasket-Delivery
8	100-5220	1	Screw ASM
9	100-5226	1	Spring-Return
10	100-5228	1	Spring-Return
11	100-5307	1	Nipple ASM
12	100-5202	2	O-Ring
13	100-5161	1	Solenoid ASM
14	100-5162	1	O-Ring
15	100-5303	1	Filter ASM
16	100-5304	1	Washer
17	100-5205	1	Gasket-Delivery
18	100-5206	1	O-Ring
19	100-5212	1	Wire ASM



Assemblies include all parts shown in frames

Oil Pan Assembly

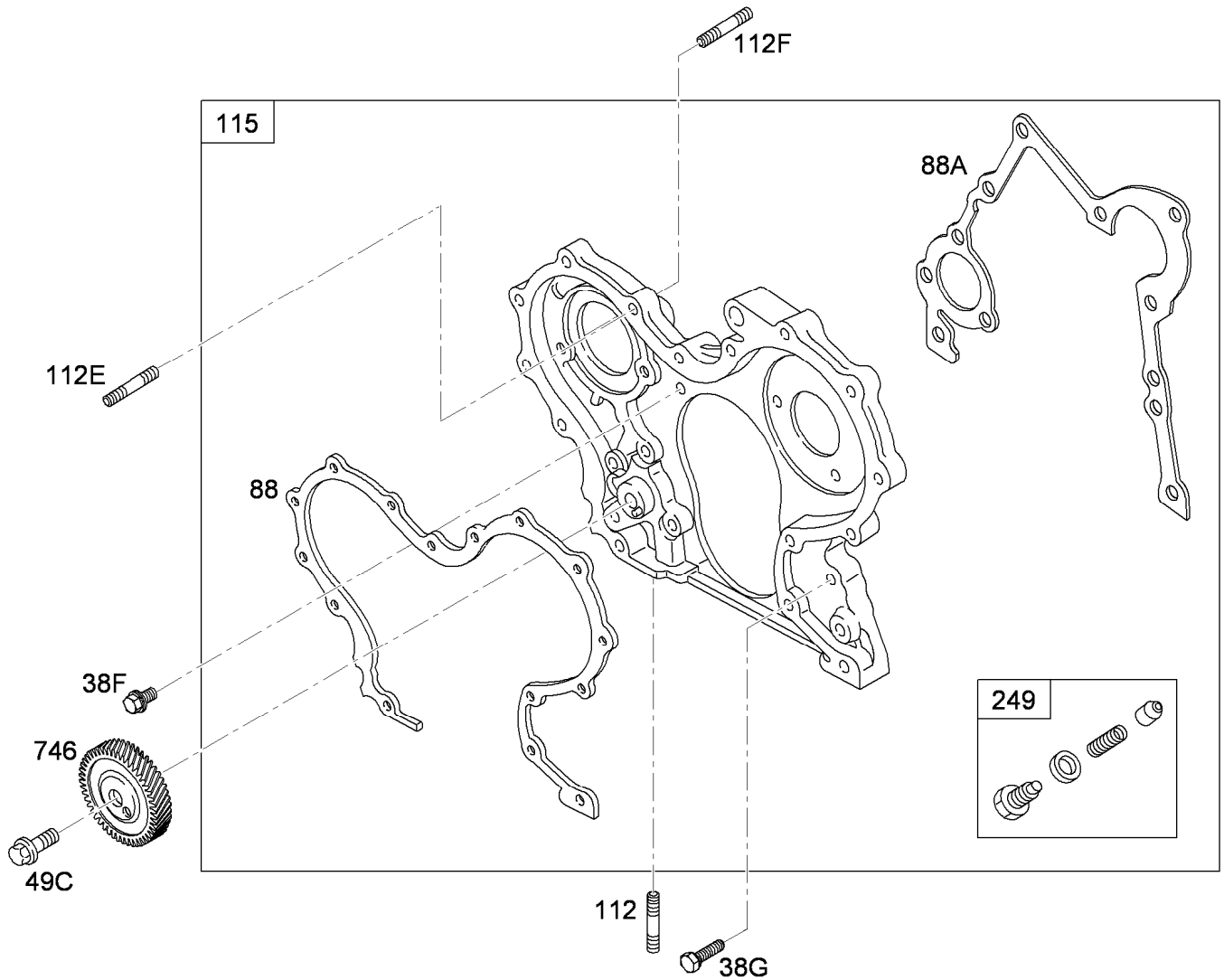
Ref.	Part Number	Qty.	Description
15	99-9644	1	Plug-Drain, Oil
16	99-9256	1	Screw-Hex
239	99-9115	1	Switch-Pressure, Oil
243	99-9116	1	Screen-Pump, Oil
292	99-9265	1	Seal-O-Ring
38B	99-9111	18	Screw-Hex
517	100-6406	1	Tube-Dipstick
1070	99-9120	1	Gasket-Strainer, Oil
1078	99-9121	1	Gasket-Pan, Oil
1082	100-6405	1	Dipstick
1088	99-9649	1	Pan-Oil
112D	99-9112	2	Stud-Metric
149A	99-9113	2	Nut-Hex, Metric
149B	99-9114	2	Nut-Hex, Metric
355A	99-9645	1	Washer-Seal



Assemblies include all parts shown in frames

Gear Cover Assembly

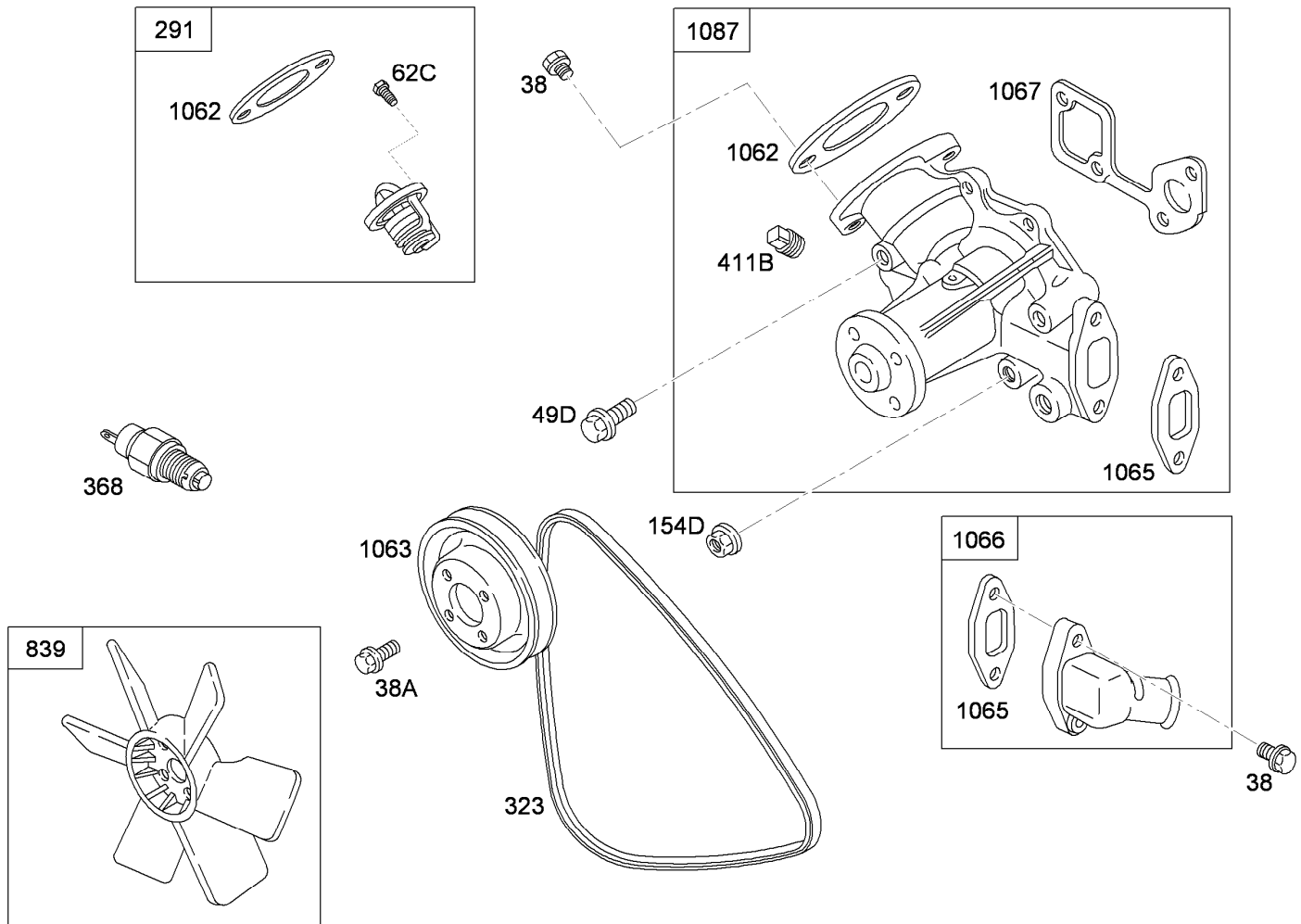
<i>Ref.</i>	<i>Part Number</i>	<i>Qty.</i>	<i>Description</i>
20	115-2291	1	Seal-Oil
38C	99-9651	2	Screw-Hex
38D	99-9128	9	Screw-Hex
38E	99-9129	3	Screw-Hex
86	115-2338	1	Gear Cover ASM
88	99-9653	1	Gasket-Cover, Gear
149B	99-9114	2	Nut-Hex, Metric
718B	99-9014	1	Pin-Locating



Assemblies include all parts shown in frames

Gear Housing Assembly

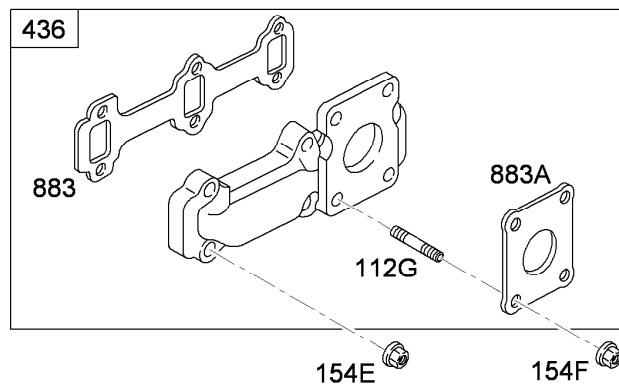
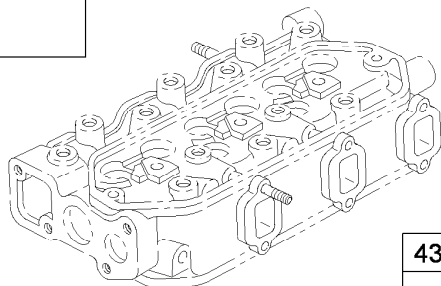
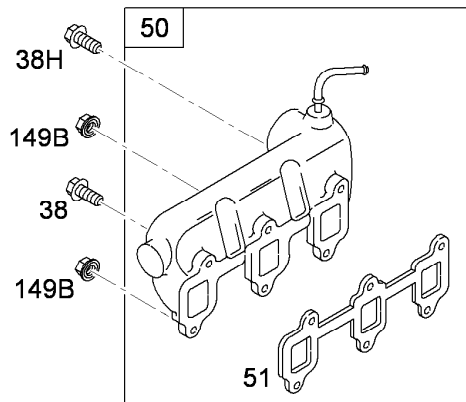
Ref.	Part Number	Qty.	Description
88	99-9653	1	Gasket-Cover, Gear
88A	99-9136	1	Gasket-Cover, Gear Reduction
112	99-9007	1	Stud-Metric
112E	99-9137	2	Stud-Metric
112F	99-9654	2	Stud-Metric
115	99-9655	1	Housing-Gear
249	99-9142	1	Valve-Relief, Oil
38F	99-9134	1	Screw-Hex
38G	99-9133	4	Screw-Hex
49C	99-9135	1	Screw-Hex
746	99-9656	1	Gear-Drive



Assemblies include all parts shown in frames

Water Pump Assembly

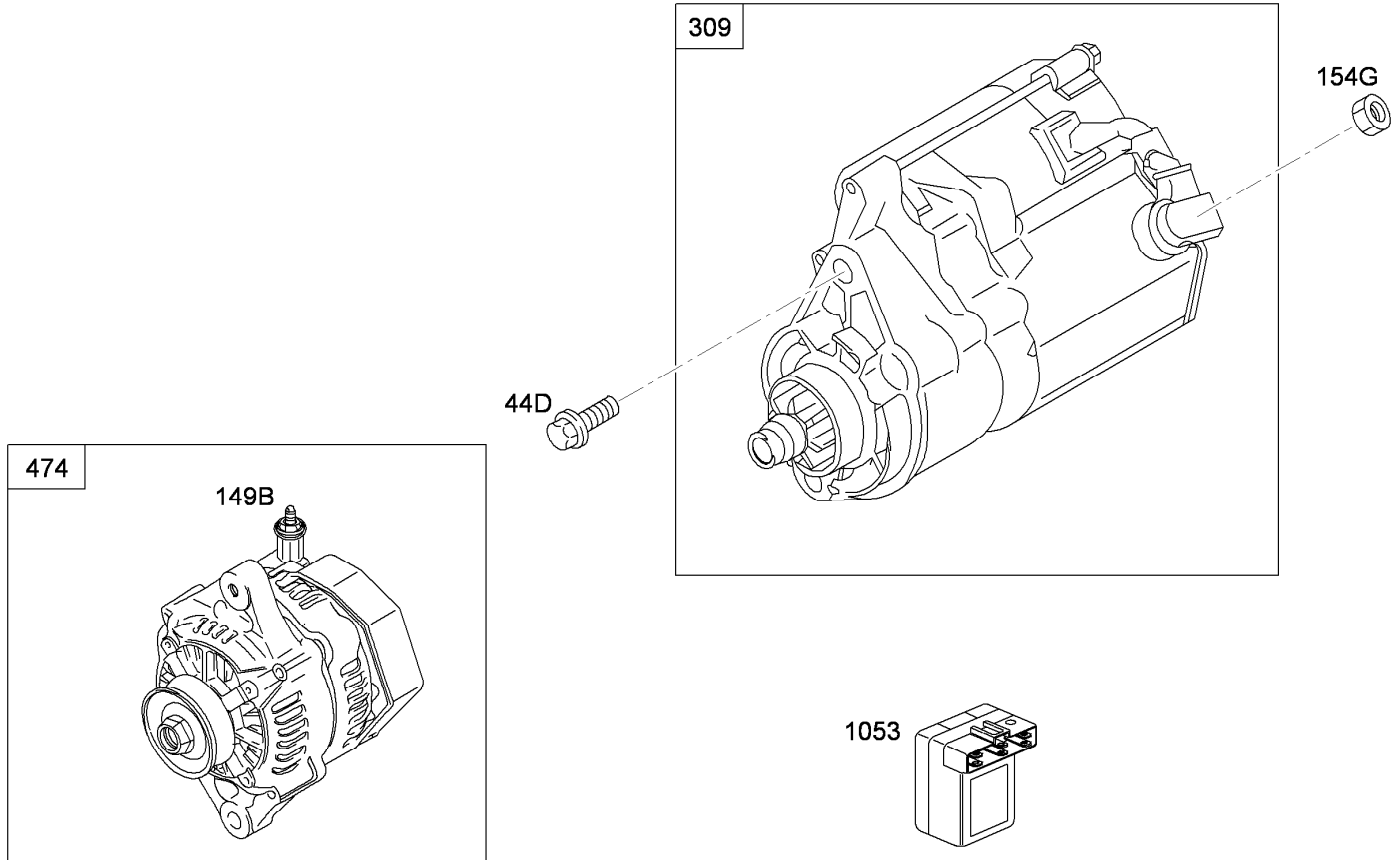
Ref.	Part Number	Qty.	Description	Ref.	Part Number	Qty.	Description
38	99-9004	2	Screw-Hex	1062	99-9163	1	Gasket-Housing, Outlet
38A	99-9111	4	Screw-Hex	1063	99-9164	1	Pulley-Pump
291	99-9155	1	Thermostat	1065	99-9166	1	Gasket-Housing, Inlet
323	99-8153	1	Belt-V	1066	99-9167	1	Housing-Inlet
368	99-9157	1	Switch-Temperature, Water	1067	99-9168	1	Gasket-Pump, Water
49D	99-9151	2	Screw-Hex	1087	105-3832	1	Pump-Water
62C	99-9152	1	Screw-Metric	154D	99-9153	1	Nut-Hex, Metric
839	93-2090	1	Fan-Engine	411B	99-9159	1	Plug



Assemblies include all parts shown in frames

Manifold Assembly

<i>Ref.</i>	<i>Part Number</i>	<i>Qty.</i>	<i>Description</i>
38	99-9004	1	Screw-Hex
38H	99-9660	3	Screw-Hex
50	99-9661	1	Manifold-Intake
51	99-9662	1	Gasket-Intake
436	99-9177	1	Manifold-Exhaust
883	99-9178	1	Gasket-Exhaust
883A	99-9179	1	Gasket-Exhaust
112G	100-6407	4	Stud-Manifold, Exhaust
149B	99-9114	2	Nut-Hex, Metric
154E	99-9175	6	Nut-Hex, Metric
154F	99-9176	4	Nut-Hex

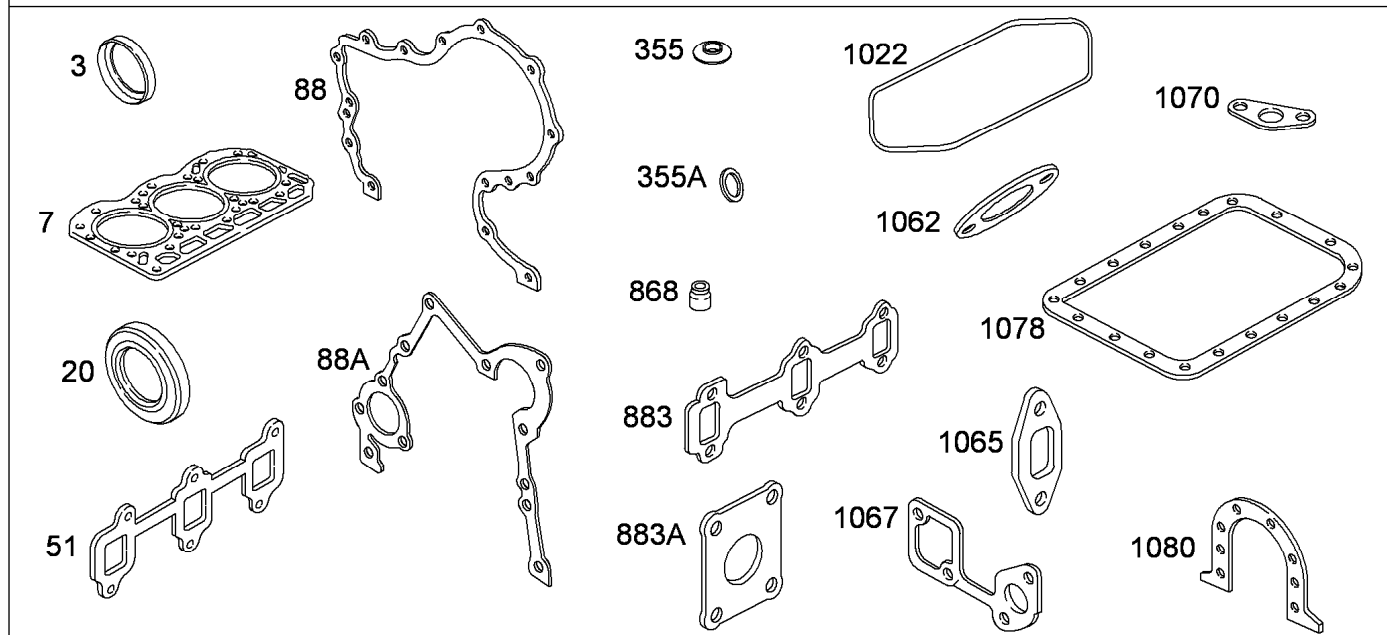


Assemblies include all parts shown in frames

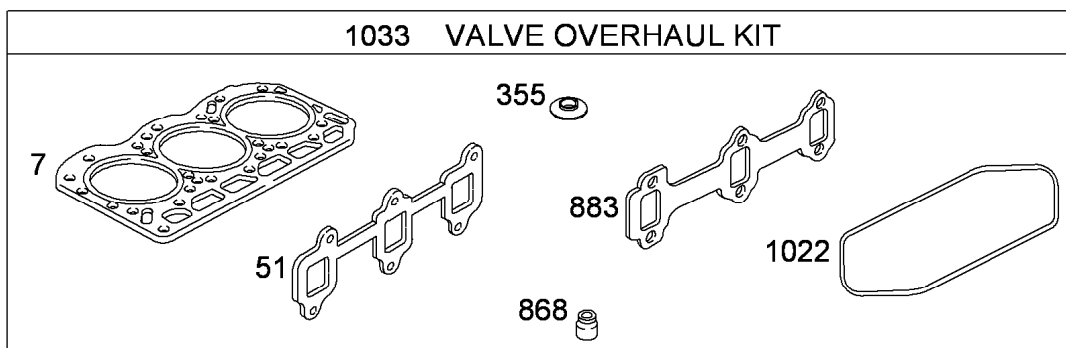
Alternator and Starter Assembly

<i>Ref.</i>	<i>Part Number</i>	<i>Qty.</i>	<i>Description</i>
44D	99-9201	2	Screw-Hex
149B	99-9114	1	Nut-Hex, Metric
154G	99-9206	1	Nut-Hex, Metric
309	110-2598	1	Motor-Starter
474	99-9209	1	Alternator
1053	115-2292	1	Timer-Glow Plug

358 ENGINE GASKET SET



1033 VALVE OVERHAUL KIT



Assemblies include all parts shown in frames

Gasket Set and Valve Overhaul Kit

Ref.	Part Number	Qty.	Description
3	99-9003	1	Seal-Oil
7	99-9612	1	Gasket-Head, Cylinder
20	115-2291	1	Seal-Oil
51	99-9662	1	Gasket-Intake
88	99-9653	1	Gasket-Cover, Gear
88A	99-9136	1	Gasket-Cover, Gear Reduction
355	99-9063	1	Washer-Seal
355A	99-9645	1	Washer-Seal
358	99-9667	1	Gasket-Set
868	99-9643	6	Seal-Valve

Ref.	Part Number	Qty.	Description
883	99-9178	1	Gasket-Exhaust
883A	99-9179	1	Gasket-Exhaust
1022	99-9073	1	Gasket-Cover, Rocker
1033	99-9668	1	Valve Overhaul Kit
1062	99-9163	1	Gasket-Housing, Outlet
1065	99-9166	1	Gasket-Housing, Inlet
1067	99-9168	1	Gasket-Pump, Water
1070	99-9120	1	Gasket-Strainer, Oil
1078	99-9121	1	Gasket-Pan, Oil
1080	99-9021	1	Gasket-Retainer

Attachments and Accessories

For 04383 Greensmaster 3250-D 2-Wheel Drive Traction Unit

Product Name	Model/Part
Turf Evaluator	04399
Three-Wheel Drive Kit	04475
Spiker Kit	04494
Tri-Roller Kit.....	04495
Dethatching Reel ASM	04496
Leak Detector Kit	04497
Light Kit.....	04551
Roll-Over Protection Kit	04552
8-Blade DPA Reel Mower	04610
11-Blade DPA Reel Mower	04611
14-Blade DPA Reel Mower	04616
Hose Adapter Kit.....	100-6430
Premium Bio-Degradable Hydraulic Fluid (5 Gallon Pail).....	100-7674
Oil Cooler Kit.....	104-7701
Ground-Following Suspension Kit	104-9400
Radiator Screen Kit.....	105-9766
Premium All Season Hydraulic Fluid (55 Gallon Drum)	108-1177
Premium All Season Hydraulic Fluid (5 Gallon Pail).....	108-1178
Premium Engine Oil, 10w30 (55 Gallon Drum)	108-1179
Premium Engine Oil, 10w30 (5 Gallon Pail)	108-1180
Premium Bio-Degradable Hydraulic Fluid (55 Gallon Drum)	108-1189
Wheel Weight Kit	112-0279
Hydraulic Hose Kit	117-2721
MVP Filter Kit.....	30018
400-hour Filter Maintenance Kit.....	30062
Arm Rest Kit.....	30707
Spark Arrestor Screen	94-8157
Tire-TURFMATE	99-4506

Notes:

Notes:



Count on it.