



**Count on it.**

**Parts Catalog**

**Greensmaster® 3250-D**

**2-Wheel Drive Traction Unit**

**Model No. 04383—Serial No. 290000001 and Up**

# Ordering Replacement Parts

To order replacement parts, please supply the part number, the quantity, and the description of each part desired.

## Understanding Reference Numbers

Each identified part in an illustration has a reference number. The reference number for a part also appears in the parts list, along with other information about the part.

This catalog uses two special reference number formats, one to indicate parts in a service assembly and another to indicate the quantity of a given part in an illustration.

## Service Assembly Reference Numbers

Parts in service assemblies have reference numbers in the form a:b. The a represents the reference number of the entire service assembly and the b represents a sequential number unique to each part within the service assembly.

For example, a wheel assembly might be identified by reference number 6, the tire by 6:1, the valve by 6:2, and the wheel by 6:3. When you order the assembly identified by reference number 6, you receive all parts identified by reference numbers 6:1, 6:2, and 6:3. However, you may also order any part individually. Reference numbers of this type appear in illustration and in parts lists.

## Reference Numbers Indicating Quantity

In an illustration, if a reference number indicates more than one part, the reference number has the form nX y. The n represents the quantity of the part, the X is the multiplication symbol, and the y represents the reference number.

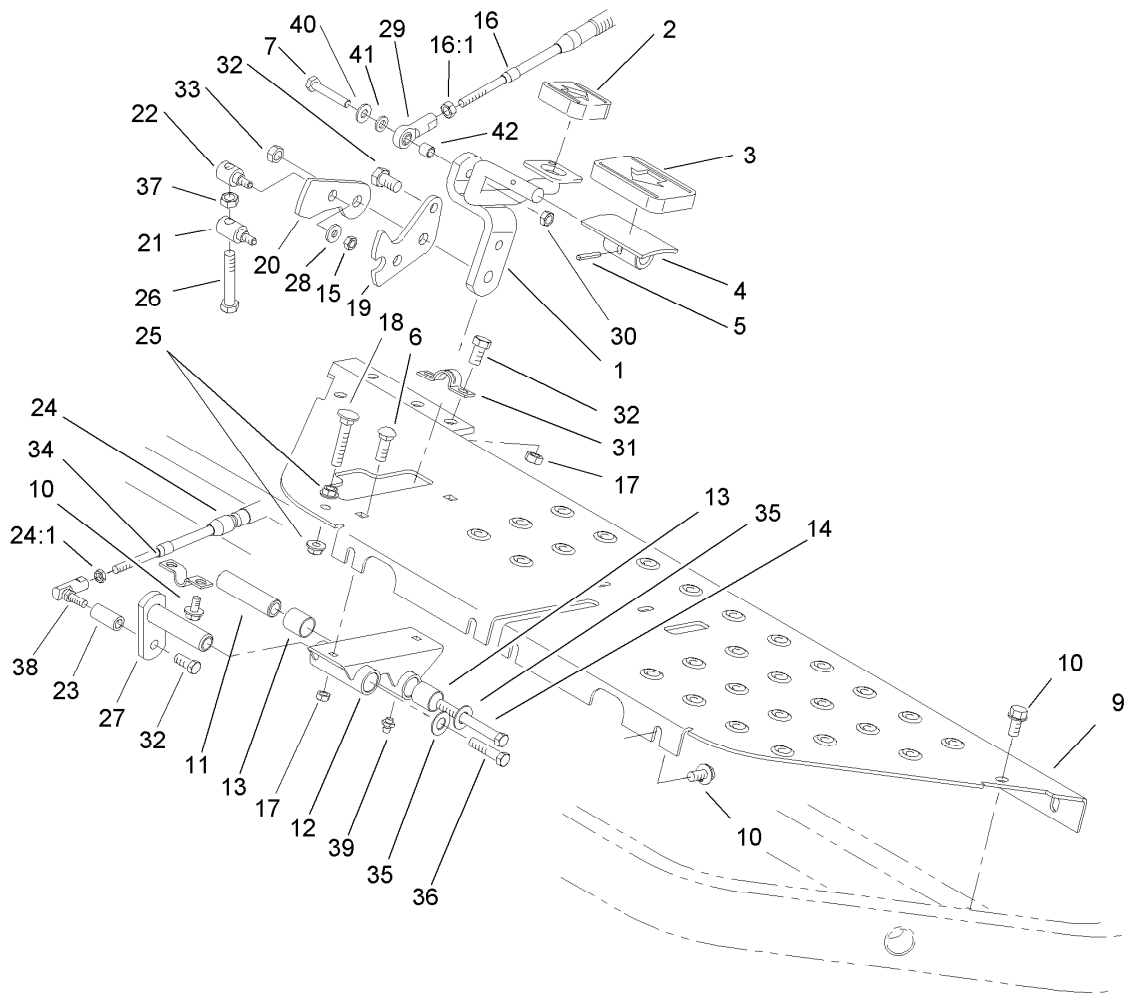
For example, in an illustration, the reference number 2X 37 means that two of the parts identified by reference number 37 are indicated.

# List of Abbreviations

<b>AR:</b> as required	<b>HSBH:</b> hex socket button head	<b>SFH:</b> slotted fillister head
<b>ASM:</b> assembly	<b>HSFH:</b> hex socket flat head	<b>SHH:</b> slotted hex head
<b>BBC:</b> blade brake control	<b>HSH:</b> hex socket head	<b>SHWH:</b> slotted hex washer head
<b>BHTF:</b> button head thread forming	<b>HWH:</b> hex washer head	<b>SPH:</b> slotted pan head
<b>CARR:</b> carriage	<b>HWHTF:</b> hex washer head thread forming	<b>SQH:</b> square head
<b>CCW:</b> counter clockwise	<b>HYD:</b> hydraulic	<b>SRH:</b> slotted round head
<b>CW:</b> clockwise	<b>LH:</b> left hand	<b>STD:</b> standard
<b>DEG:</b> degrees	<b>LP:</b> Liquid Propane	<b>TAP:</b> self tapping
<b>ECM:</b> electronic control module	<b>NI:</b> nylon insert	<b>TTH:</b> torx truss head
<b>EXT:</b> external	<b>NPTF:</b> national pipe thread fine	
<b>FH:</b> flat head	<b>PFH:</b> phillips flat head	
<b>GA:</b> gauge	<b>PPH:</b> phillips pan head	
<b>HD:</b> heavy-duty	<b>PPHTF:</b> phillips pan head thread forming	
<b>HF:</b> hex flange	<b>PRH:</b> phillips round head	
<b>HH:</b> hex head	<b>PTH:</b> phillips truss head	
<b>HHF:</b> hex head flange	<b>PTO:</b> power-take-off	
<b>HHFTF:</b> hex head flange thread forming	<b>RH:</b> right hand	
<b>HJ:</b> hex jam	<b>ROPS:</b> roll-over protection system	
<b>HLH:</b> hex lag head	<b>RRB:</b> rear roller brush	
<b>HOC:</b> height-of-cut		

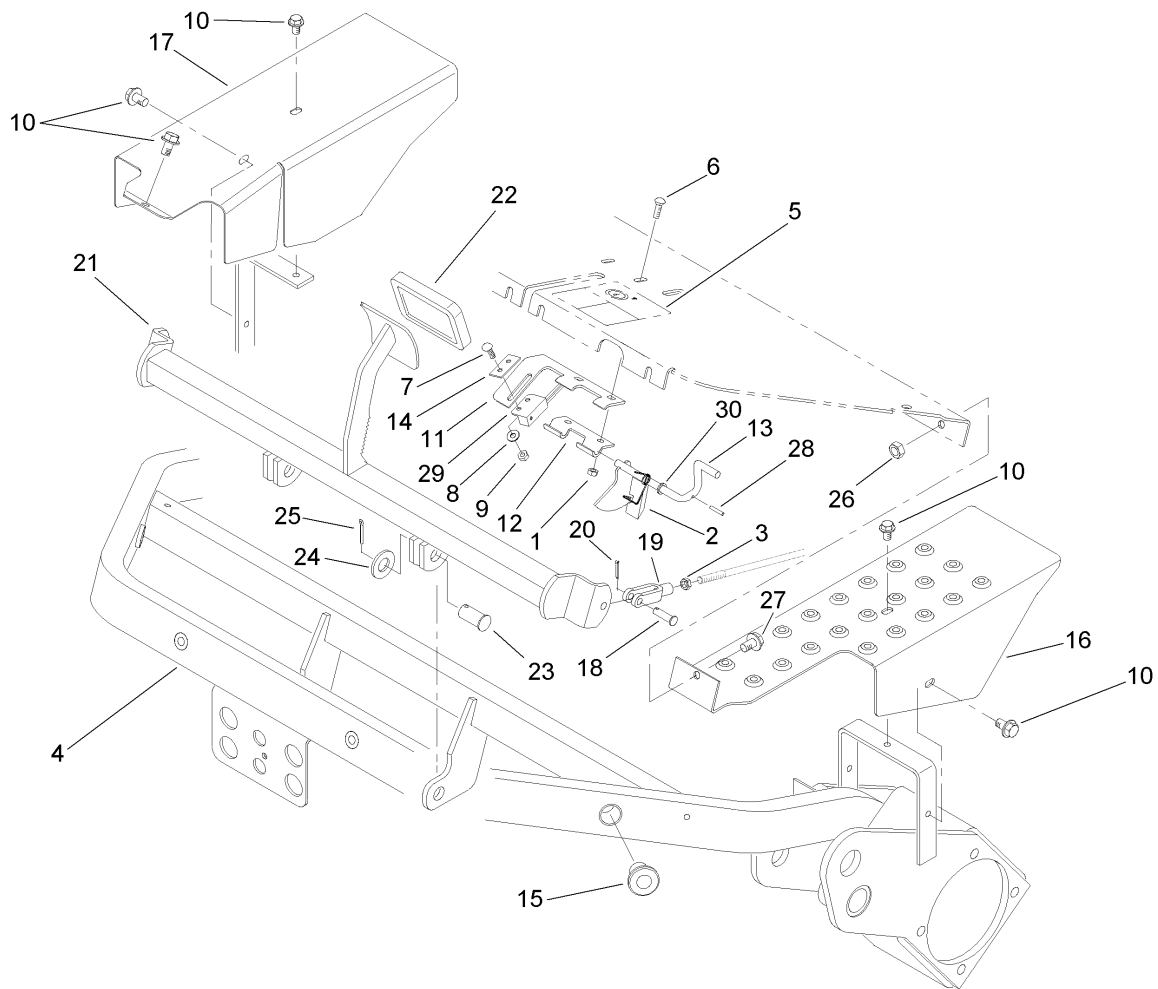
# Contents

Traction Control Assembly	4
Brake Pedal Assembly	5
Front Wheel and Brake Assembly	6
Brake Assembly No. 104-7705	7
LH Hydraulic Wheel Motor Assembly No. 112-0237	8
RH Hydraulic Wheel Motor Assembly No. 112-0238	9
Steering Arm Assembly	10
Steering Valve Assembly No. 114-4672	11
Rear Wheel Assembly	12
Hydraulic Cylinder Assembly No. 112-0298	13
Console Assembly	14
Functional Control Lever Assembly	15
Seat Assembly	16
Battery and Electrical Component Assembly	17
Hydrostat and Gear Pump Drive Assembly	18
Hydrostat Assembly No. 105-0494	19
Gear Pump Assembly No. 104-7737	20
Neutral System Assembly	21
Engine Installation Assembly	22
Air Cleaner and Exhaust Assembly	23
Air Cleaner Assembly No. 95-5805	24
Radiator Assembly	25
Manifold Block Installation Assembly	26
Hydraulic Manifold Assembly No. 112-9197	27
Front Bulkhead and Reel Motor Assembly	28
Hydraulic Motor Assembly No. 112-9200	29
Rear Bulkhead and Reel Motor Assembly	30
Left Hand and Right Hand Lift Arm Assembly	31
Hydraulic Cylinder Assembly No. 105-3821	32
Center Lift Arm Assembly	33
Hydraulic Cylinder Assembly No. 105-3820	34
Fuel System Assembly	35
Hydraulic Tank and Filter Assembly	36
Miscellaneous Part Assembly	37
Pull Frame Assembly	38
Cylinder Assembly	39
Crankshaft Assembly	40
Cylinder Head Assembly	41
Injection Assembly	42
Injection Assembly No. 114-4697	43
Rocker Arm Assembly	44
Oil Pan Assembly	45
Gear Cover Assembly	46
Gear Housing Assembly	47
Water Pump Assembly	48
Manifold Assembly	49
Alternator and Starter Assembly	50
Gasket Set and Valve Overhaul Kit	51
Attachments and Accessories	52



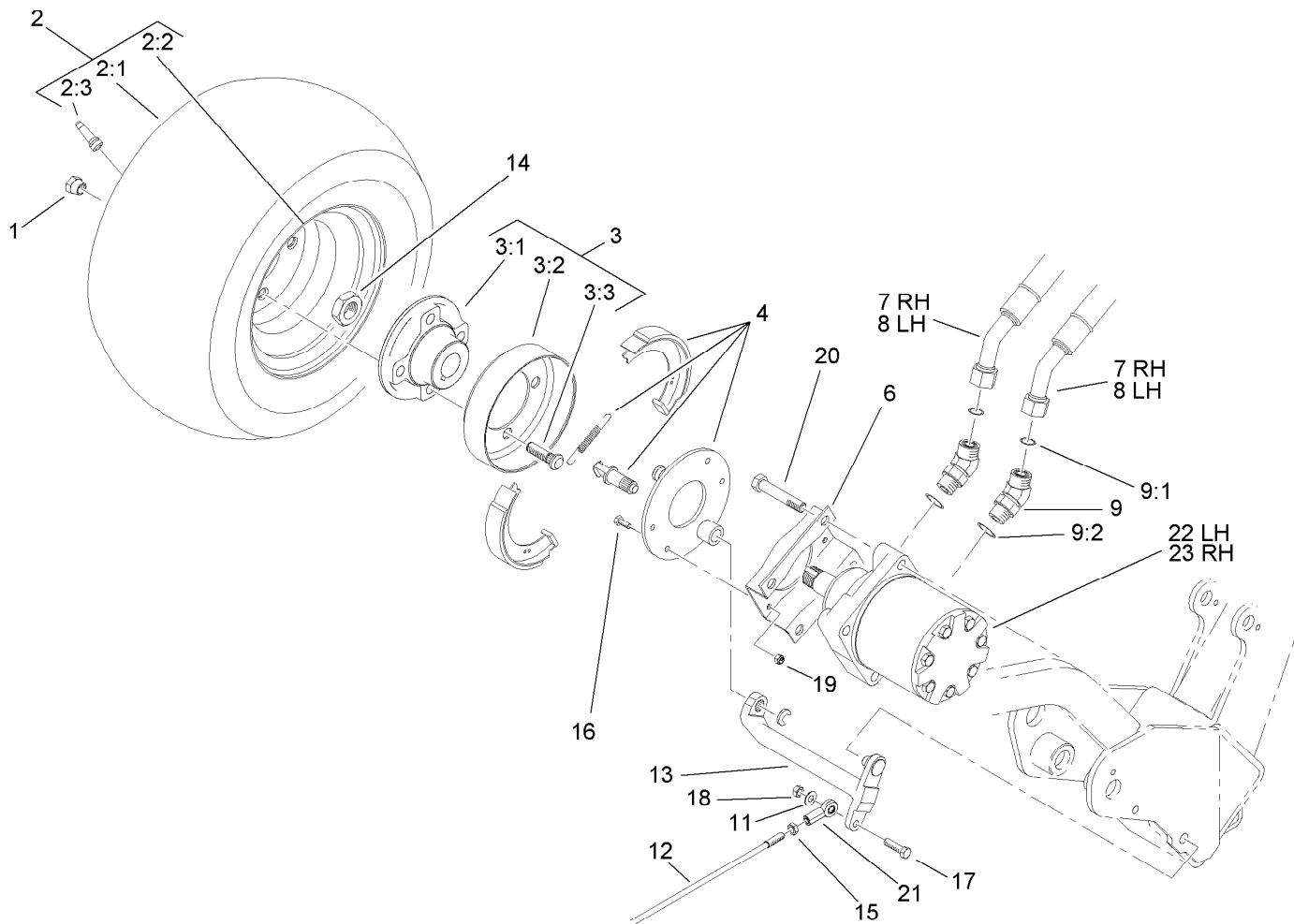
## Traction Control Assembly

<i>Ref.</i>	<i>Part Number</i>	<i>Qty.</i>	<i>Description</i>	<i>Ref.</i>	<i>Part Number</i>	<i>Qty.</i>	<i>Description</i>
1	93-2085-01	1	Rod ASM	23	94-1386	1	Shaft-Pedal, Pivot
2	74-9110	1	Pad-Pedal, Reverse	24	94-1304	1	Cable-Lock, Neutral
3	74-9100	1	Pad-Pedal, Forward	24:1	3219-14	2	Nut-Hex
4	49-6440-03	1	Pedal-Forward	25	32128-20	2	Nut-HF
5	32121-45	1	Pin-Spring	26	94-3489	1	Capscrew-HH
6	33124-020	2	Screw-CARR	27	94-1300	1	Lock-Neutral
7	321-9	1	Screw-HH	28	3256-1	2	Washer-Flat
9	105-9750-01	1	Plate-Floor	29	2411-41	1	Rod End-Ball Joint
10	32104-32	8	Screw-HWH	30	3296-56	1	Nut-Lock, NI
11	94-1371	1	Spacer	31	93-2092	1	Clamp-Cable
12	94-1383	1	Pedal-Pivot	32	33114-016	4	Screw-HH
13	256-311	4	Bushing-Split	33	33025-00	1	Nut-Lock
14	33115-090	1	Screw-HH	34	93-2279	1	Clamp-Cable
15	33023-00	2	Nut-Lock	35	3256-24	2	Washer-Flat
16	107-2550	1	Cable-Control, Traction	36	33115-016	1	Screw-HH
16:1	3220-1	2	Nut-Jam	37	33014-00	1	Nut-Hex
17	33024-00	4	Nut-Lock	38	2411-38	1	Joint-Ball
18	17-9420	1	Screw-Handle	39	302-5	1	Fitting-Grease
19	94-1373	1	Bracket-Lock	40	3256-22	1	Washer-Flat
20	94-1372	1	Bracket-Mow	41	33093-00	1	Washer-Flat
21	94-1375	1	Trunnion-Bracket, Lock	42	99-3545	1	Spacer
22	94-1374	1	Trunnion-Bracket, Mow				



## Brake Pedal Assembly

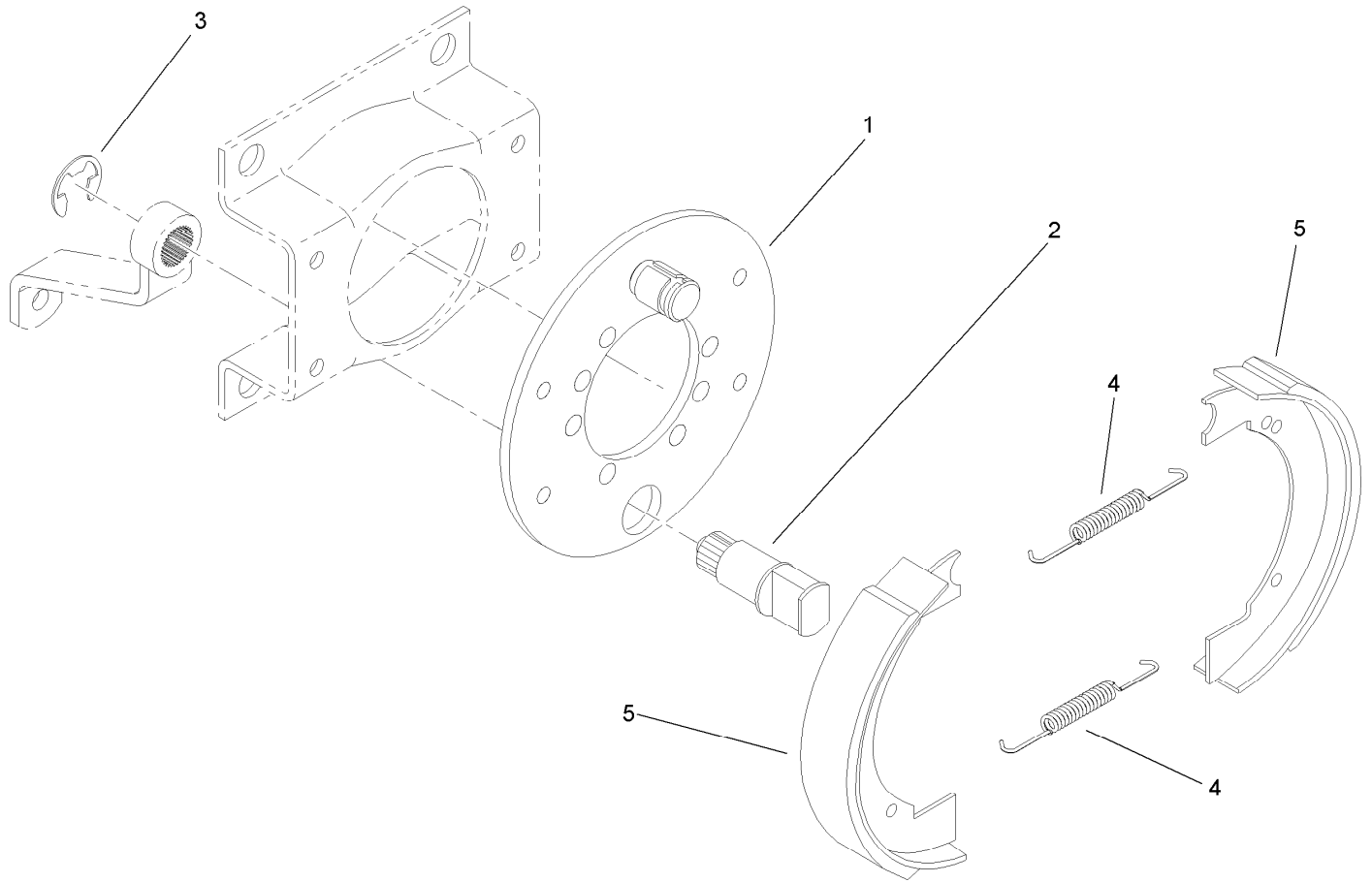
<i>Ref.</i>	<i>Part Number</i>	<i>Qty.</i>	<i>Description</i>	<i>Ref.</i>	<i>Part Number</i>	<i>Qty.</i>	<i>Description</i>
1	33023-00	2	Nut-Lock	16	93-2073-01	1	Shield-Wheel, LH
2	104-7704	1	Spring-Latch, Brake	17	93-2072-01	1	Shield-Wheel, RH
3	3220-2	2	Nut-Jam	18	283-61	2	Pin-Yoke
4	107-9543-01	1	Frame ASM	19	282-2	2	Yoke
5	93-8062	1	Decal-Brake, Parking	20	3272-6	2	Pin-Cotter
6	33123-016	2	Screw-CARR	21	93-2075-01	1	Brake Pedal ASM
7	33123-016	1	Screw-CARR	22	93-7629	1	Pad-Foot, Brake
8	33093-00	1	Washer-Flat	23	283-87	2	Pin-Clevis
9	33023-00	1	Nut-Lock	24	3256-27	2	Washer-Flat
10	32104-32	5	Screw-HWH	25	3272-11	2	Pin-Cotter
11	104-2096	1	Bracket-Switch	26	33024-00	1	Nut-Lock
12	104-7703	1	Hinge-Lower	27	33114-020	1	Screw-HH
13	104-2094	1	Brake-Latch	28	32121-50	1	Pin-Spring
14	104-7702	1	Plate-Switch	29	104-2057	1	Sensor
15	83-1700	3	Bushing-Flange	30	75-5470	1	Spacer-Bearing



## Front Wheel and Brake Assembly

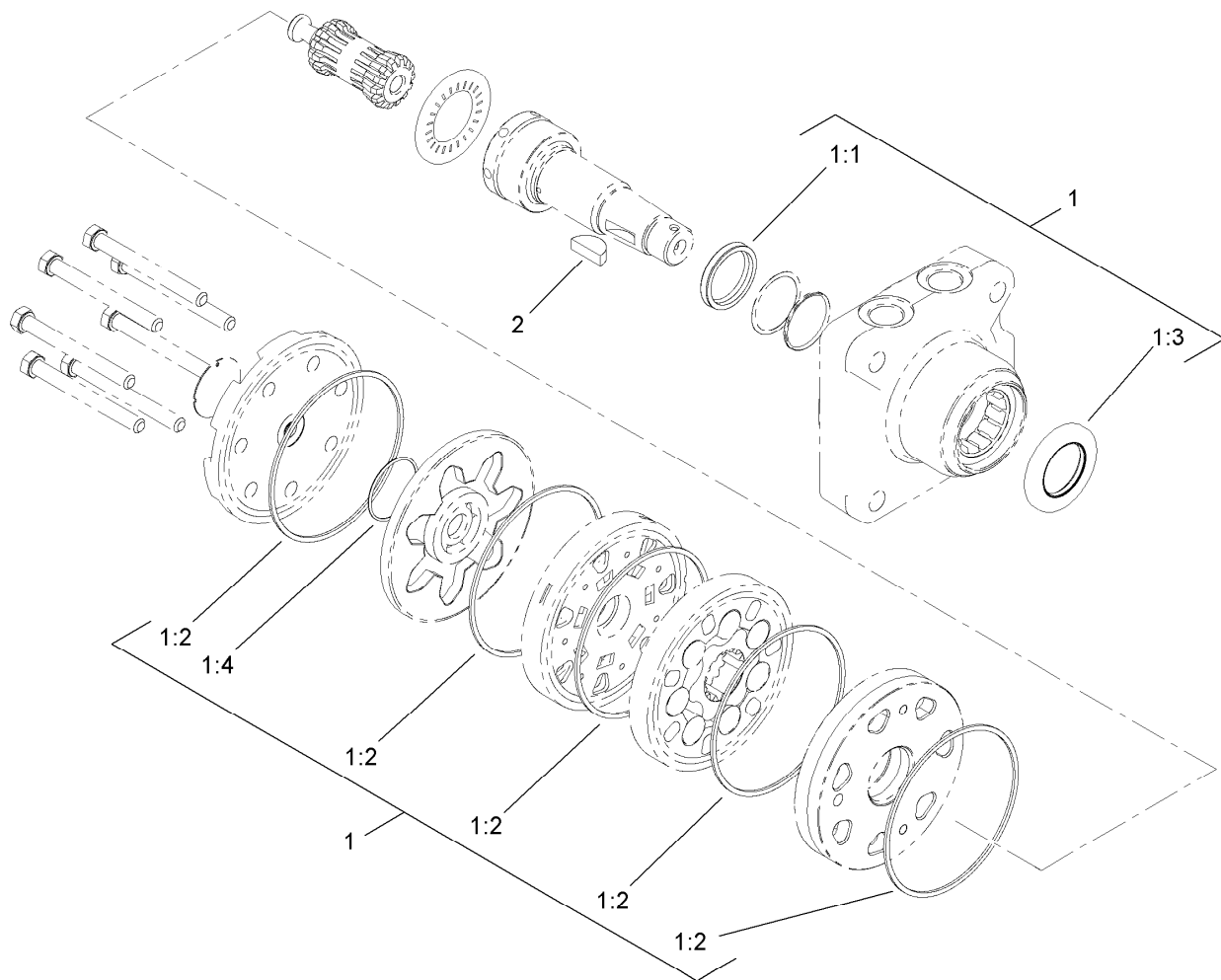
Ref.	Part Number	Qty.	Description	Ref.	Part Number	Qty.	Description
1	242-50	8	Nut-Lug	9:2	237-80	1	O-Ring
2		2	Tire ASM ●	11	3256-23	2	Washer-Flat
2:1	70-8500	1	Tire-Smooth, 2-Ply	12	93-2069	2	Rod-Brake
2:2	114-4643	1	Wheel	13	93-2096	2	Lever-Brake
2:3	232-27	1	Stem-Valve	14	26-3790	2	Nut-Lock
3	112-0229	2	Brake Drum ASM	15	3220-20	2	Nut-Jam
3:1	108-2103-03	1	Hub-Wheel	16	33113-020	8	Screw-HH
3:2	10-6850	1	Drum-Brake	17	33114-030	2	Screw-HH
3:3	85-6540	4	Stud-Drive	18	33024-00	2	Nut-Lock
4	104-7705	2	Brake ASM	19	33023-00	8	Nut-Lock
6	84-2000-03	2	Bracket-Brake	20	33116-060	8	Screw-HH
7	94-5357	2	Hose ASM	21	93-2070	2	Clevis-Swivel
8	94-5358	2	Hose ASM	22	112-0237	1	Motor-Wheel, HYD (LH)
9	340-14	4	Fitting-HYD, 45 DEG	23	112-0238	1	Motor-Wheel, HYD (RH)
9:1	237-65	1	O-Ring				

● Not serviced separately



## Brake Assembly No. 104-7705

<i>Ref.</i>	<i>Part Number</i>	<i>Qty.</i>	<i>Description</i>
1	70-9870	1	Plate-Backing
2	104-7707	1	Shaft-Cam, Brake
3	104-7706	1	E-Ring, Bowed
4	70-9880	2	Spring-Return
5	70-9840	2	Shoe-Brake

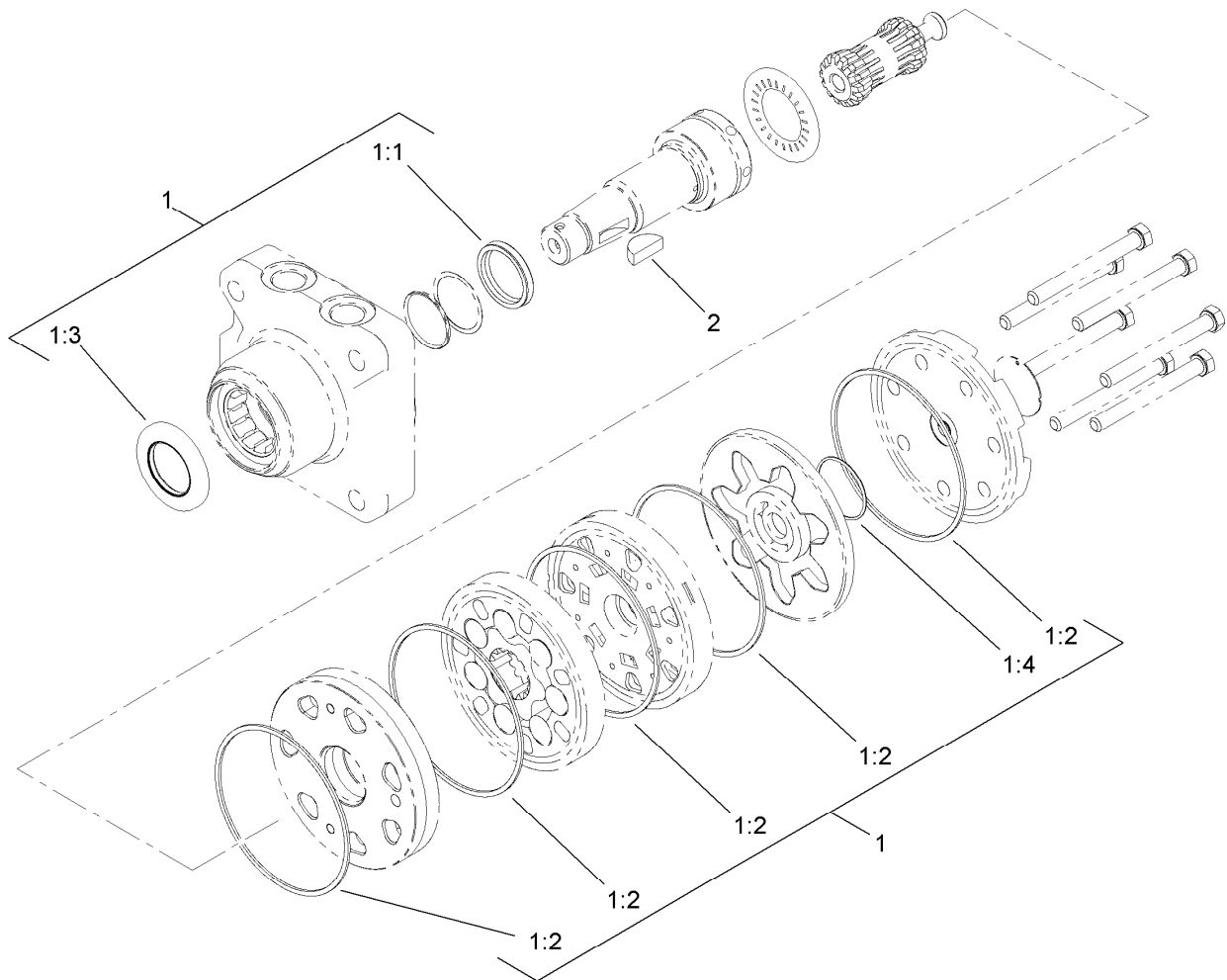


## LH Hydraulic Wheel Motor Assembly No. 112-0237

<i>Ref.</i>	<i>Part Number</i>	<i>Qty.</i>	<i>Description</i>
1	110-6459	1	Seal Kit
1:1		1	Seal-Shaft ●
1:2		5	Seal-Body ●
1:3		1	Seal-Dirt / Water ●
1:4		1	Seal-Commutator ●
2	3257-42	1	Key-Woodruff

● Not serviced separately

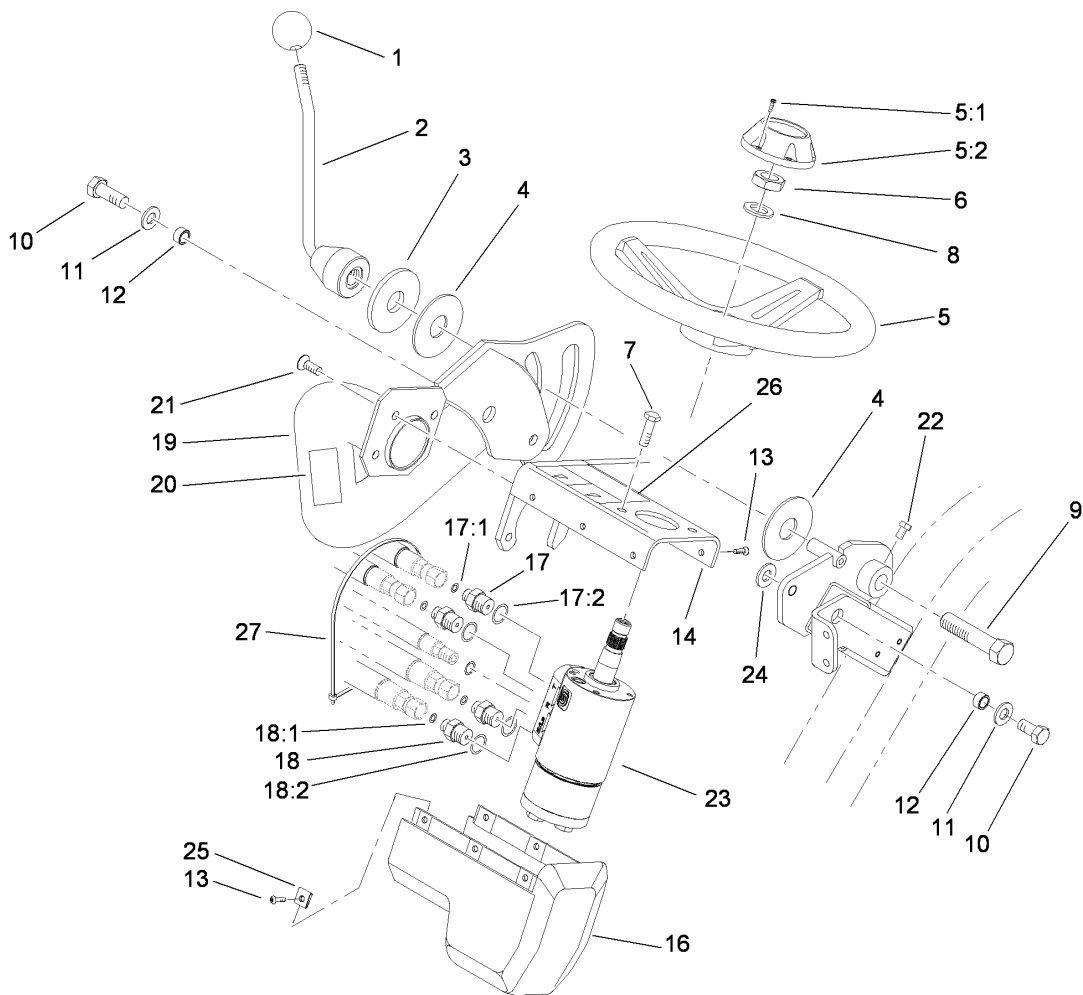




## RH Hydraulic Wheel Motor Assembly No. 112-0238

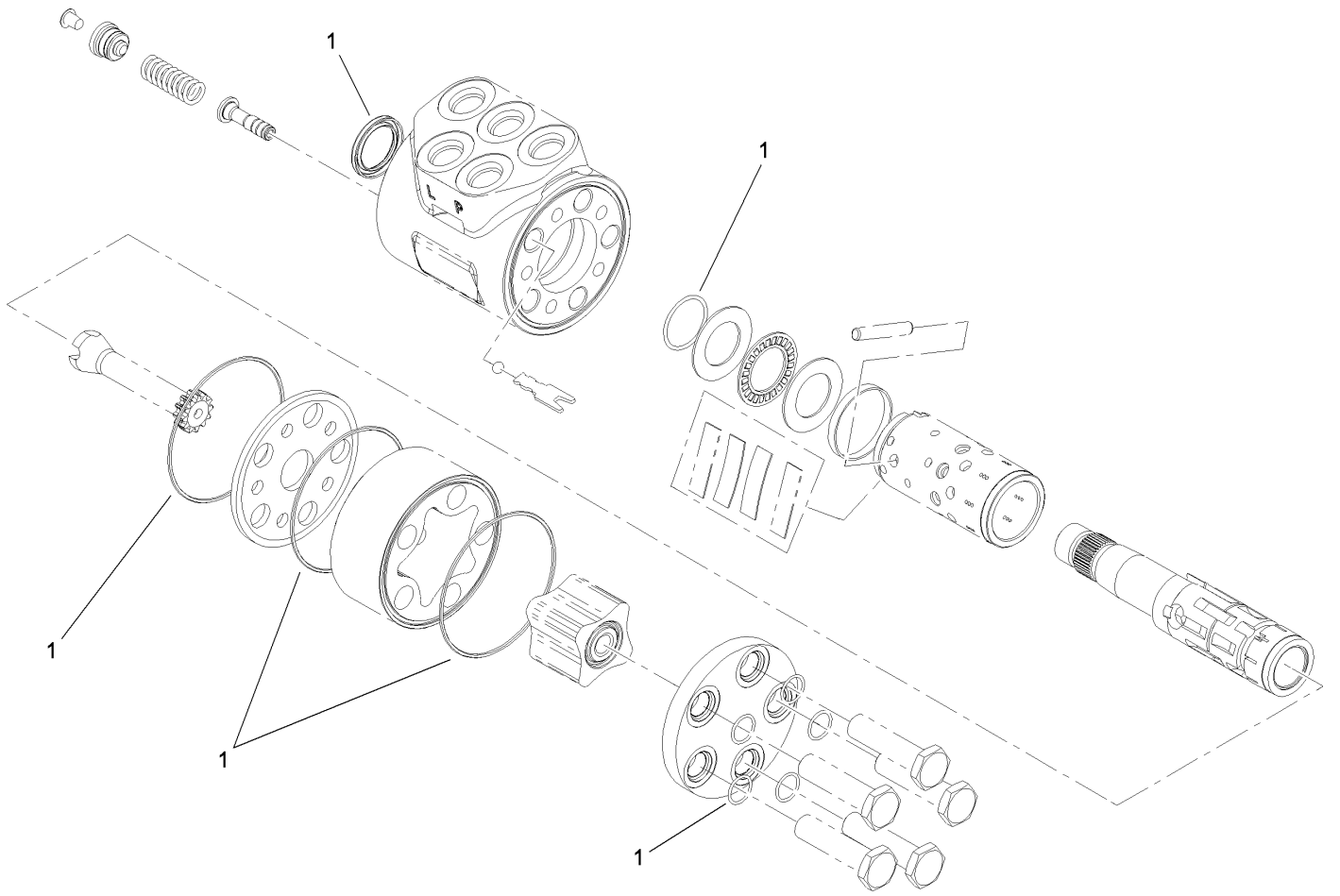
<i>Ref.</i>	<i>Part Number</i>	<i>Qty.</i>	<i>Description</i>
1	110-6459	1	Seal Kit
1:1		1	Seal-Shaft ●
1:2		5	Seal-Body ●
1:3		1	Seal-Dirt / Water ●
1:4		1	Seal-Commutator ●
2	3257-42	1	Key-Woodruff

● Not serviced separately



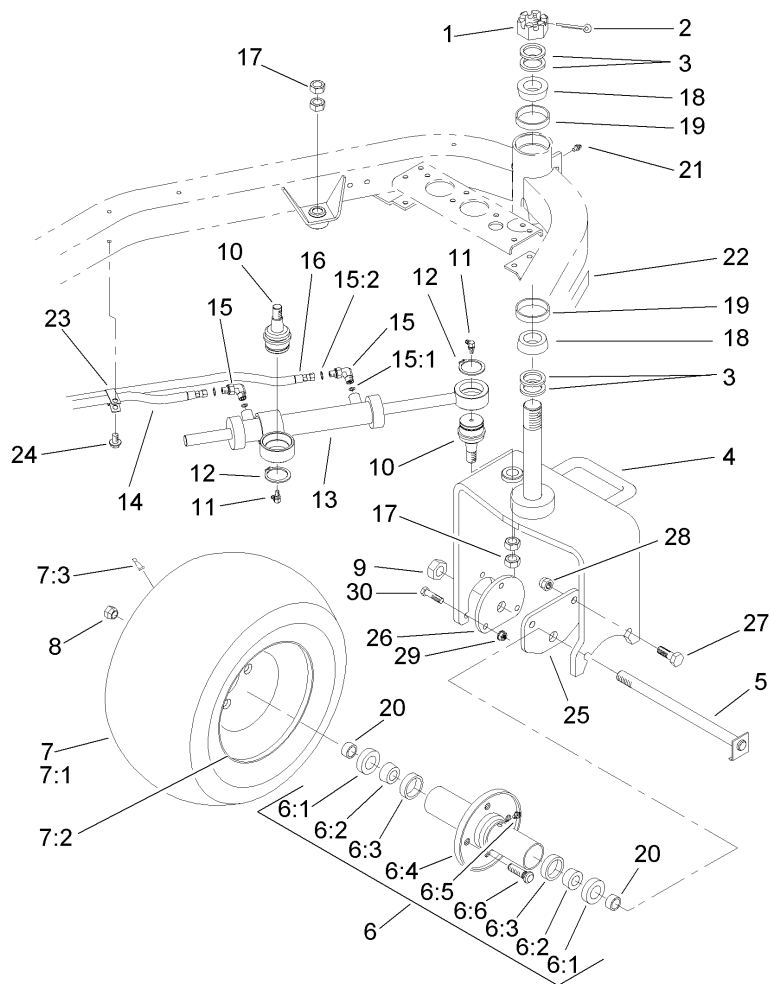
## Steering Arm Assembly

Ref.	Part Number	Qty.	Description	Ref.	Part Number	Qty.	Description
1	233-48	1	Knob	17	340-1	1	Adapter
2	93-2400-03	1	Lockup Handle ASM	17:1	237-21	1	O-Ring
3	83-0760	1	Spacer-Plate, Lockup	17:2	237-42	1	O-Ring
4	83-0740	2	Disc-Friction	18	340-2	2	Fitting-HYD, Straight
5	75-0560	1	Wheel-Steering	18:1	237-22	1	O-Ring
5:1	32144-21	1	Screw	18:2	237-42	1	O-Ring
5:2	68-5140	1	Cap-Wheel, Steering	19	93-2115-01	1	Steering Arm ASM
6	110-8816	1	Nut-Hex	20	93-8068	1	Decal-Arm, Steering
7	33103-016	4	Screw-HHF	21	3274-80	3	Screw-HH
8	3256-27	1	Washer-Flat	22	3242-2	1	Screw-SQH
9	93-2199	1	Screw-HH, RH	23	114-4672	1	Valve-Steering
10	325-4	2	Screw-HH	24	65-6390	1	Washer-Thrust, Plain
11	3256-26	2	Washer-Flat	25	3290-277	6	Nut-Speed
12	47-2890	2	Bushing	26	104-2053	1	Decal-Warning
13	3274-39	6	Screw-HSBH	26	93-8063	1	Decal-Caution, Ce
14	114-4698-03	1	Steering Mount ASM	27	3290-379	1	Tie-Cable
16	83-0810	1	Cover-Steering				



## Steering Valve Assembly No. 114-4672

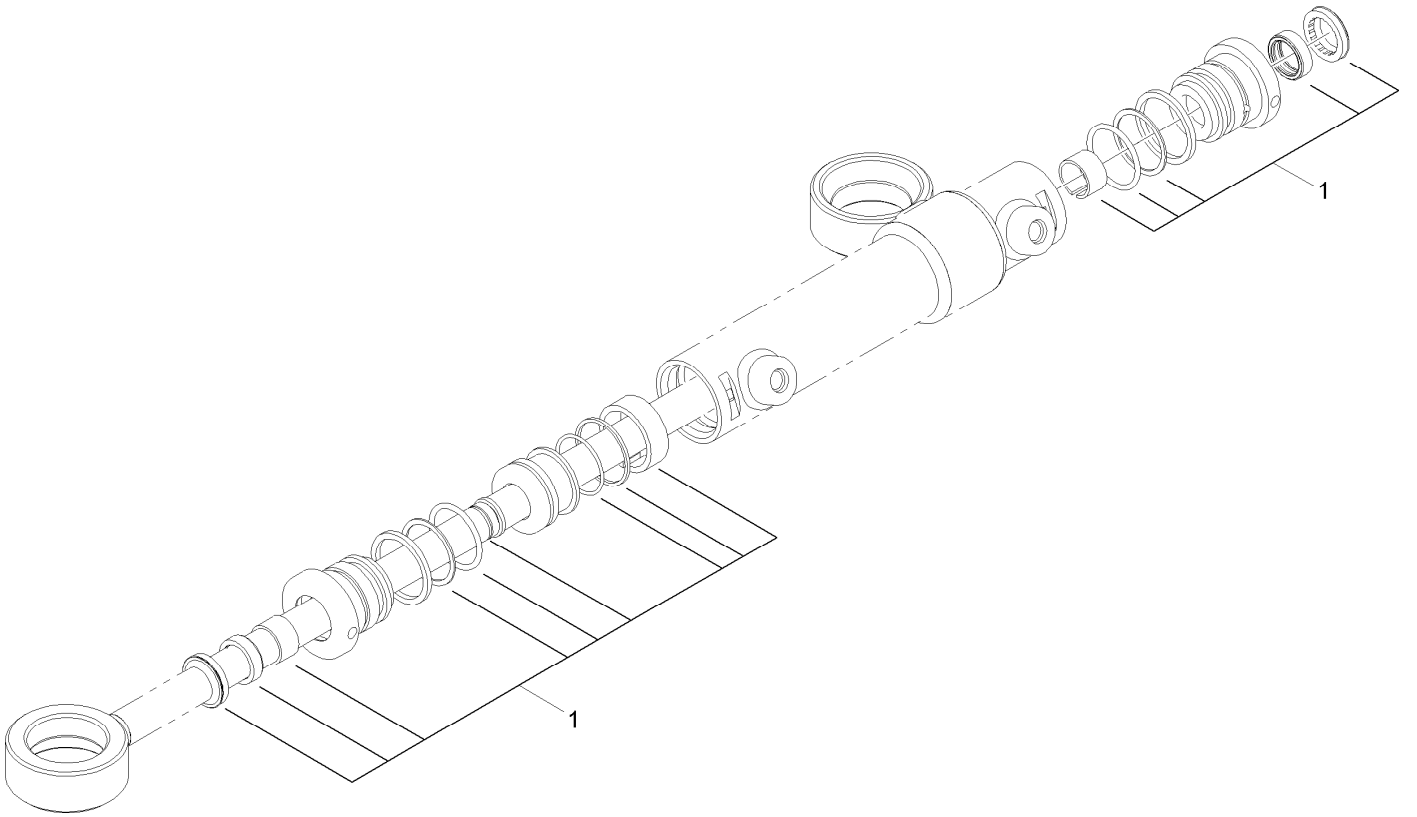
<i>Ref.</i>	<i>Part Number</i>	<i>Qty.</i>	<i>Description</i>
1	106-6716	1	Seal Kit



## Rear Wheel Assembly

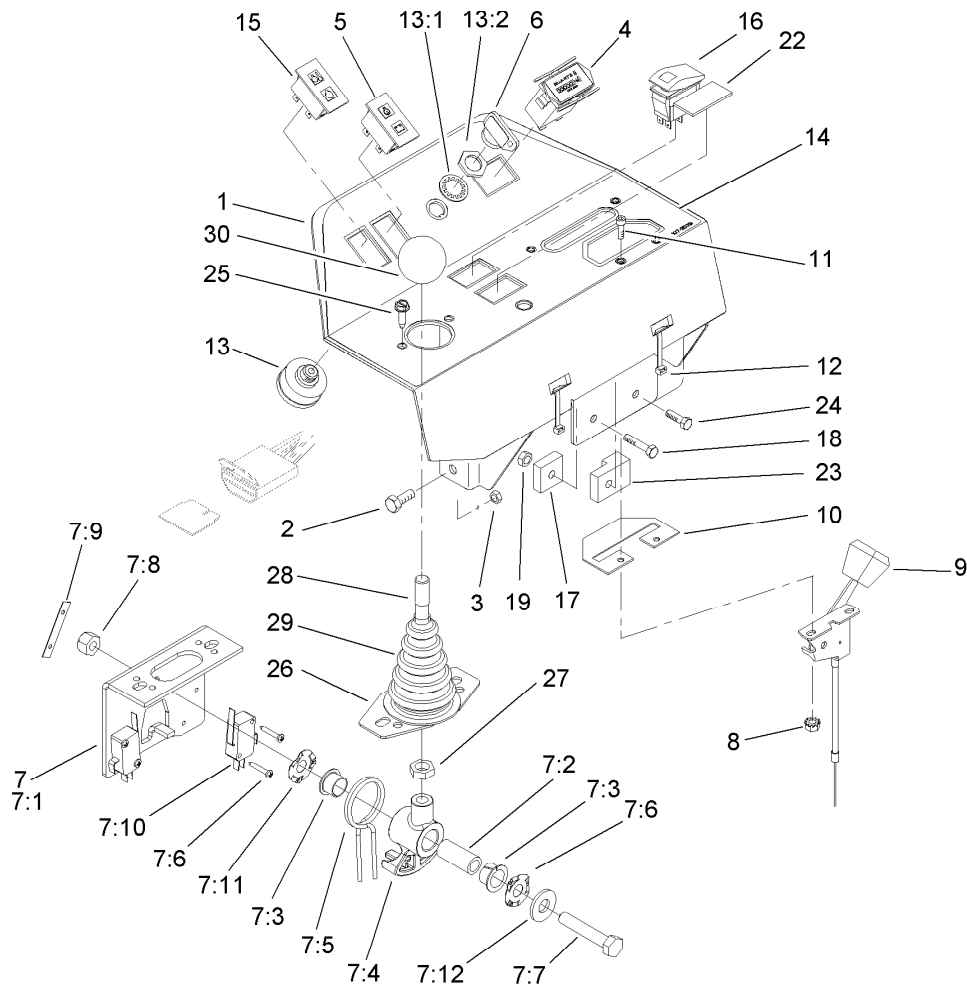
Ref.	Part Number	Qty.	Description	Ref.	Part Number	Qty.	Description
1	32136-9	1	Nut-Hex, Slotted	13	112-0298	1	Cylinder-Steering
2	3272-37	1	Pin-Cotter	14	93-2270	1	HYD Hose ASM
3	18-6320	4	Washer-Steering	15	340-132	2	Fitting-HYD, 90 DEG
4	112-9174-01	1	Fork-Caster	15:1	237-78	1	O-Ring
5	70-8370	1	Bolt	15:2	237-21	1	O-Ring
6	72-9710	1	Hub-Tire	16	93-2269	1	HYD Hose ASM
6:1	253-111	2	Seal-Oil	17	3220-6	4	Nut-Jam
6:2	254-78	2	Bearing-Cone	18	254-70	2	Bearing-Cone
6:3	254-79	2	Bearing-Roller, Cup	19	254-61	2	Cup-Bearing
6:4	75-9440	1	Hub ASM	20	70-8490	2	Spacer-Spindle, Rear
6:5	302-11	1	Fitting-Lube, 45 DEG	21	302-5	1	Fitting-Grease
6:6	10-6830	4	Stud-Type, Drive	22	99-1493	1	Decal
7		1	Tire ASM ●	23	92-5753	1	Clamp-Hose
7:1	70-8500	1	Tire-Smooth, 2-Ply	24	32104-32	1	Screw-HWH
7:2	114-4643	1	Wheel	25	99-1485-01	1	Plate-Adapter, Motor
7:3	232-27	1	Stem-Valve	26	99-1486-01	1	Plate-Adapter
8	242-50	4	Nut-Lug	27	325-6	2	Screw-HH
9	3296-67	1	Nut-Lock, NI	28	3296-23	2	Nut-Lock, NI
10	106-6774	2	Joint-Ball	29	3296-39	3	Nut-Lock, NI
11	302-60	2	Fitting-Grease	30	114-4681	3	Bolt-HHF
12	32151-104	2	Ring-Retaining, External				

● Not serviced separately



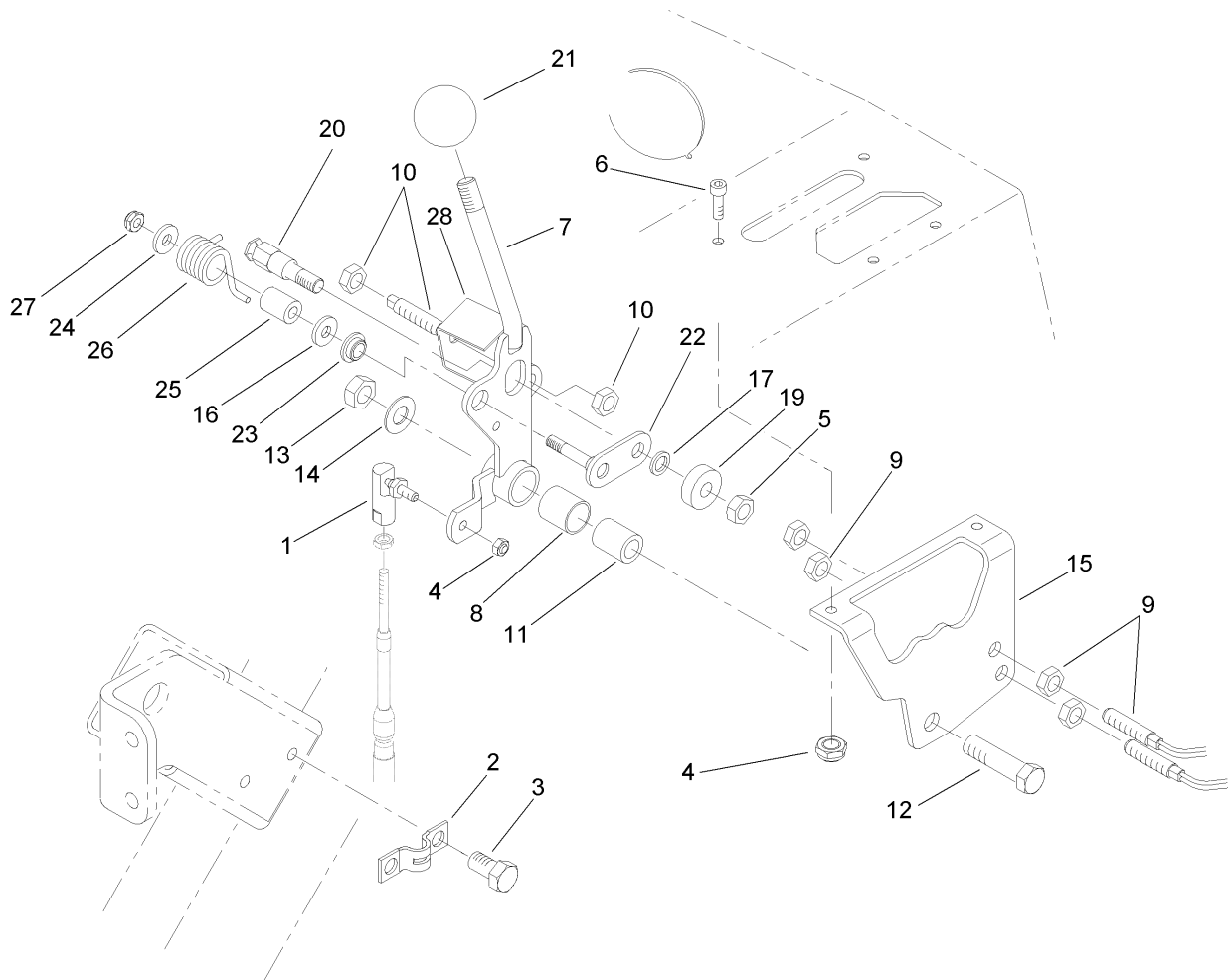
## Hydraulic Cylinder Assembly No. 112-0298

<i>Ref.</i>	<i>Part Number</i>	<i>Qty.</i>	<i>Description</i>
1	112-9170	2	Kit-Seal



## Console Assembly

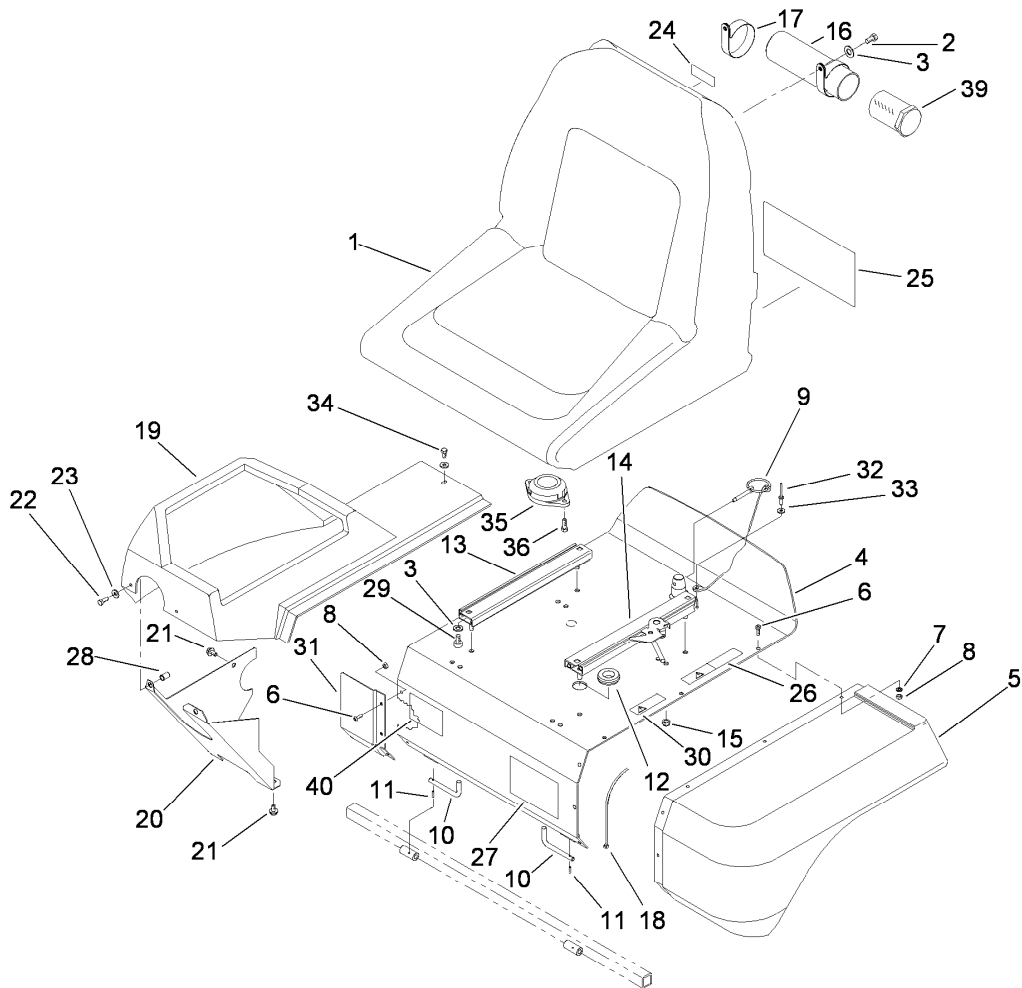
Ref.	Part Number	Qty.	Description	Ref.	Part Number	Qty.	Description
1	108-6503-03	1	Console ASM	10	112-9179	1	Plate-Cover
2	33114-020	4	Screw-HH	11	3273-26	2	Screw-HSH
3	33024-00	4	Nut-Lock	12	3290-378	2	Tie-Cable
4	1-513374	1	Meter-Hour	13	27-2360	1	Switch
5	100-8070	1	Lamp-Warning	13:1	218-446	1	Nut-Hex
6	63-8360	2	Key-Ignition	13:2	218-447	1	Washer-Lock
7	106-4167	1	Joystick Bracket ASM	14	107-9529	1	Decal-Instrument
7:1	106-4168-03	1	Bracket-Joystick	15	100-8071	1	Lamp-Warning
7:2	106-4192	1	Spacer	16	100-8072	1	Switch
7:3	93-5547	2	Bushing-Nylon	17	92-2538	1	Module-Timer
7:4	105-7507	1	Hub-Pivot, Joystick	18	33113-030	1	Screw-HH
7:5	105-8289	1	Spring-Torsion	19	33023-00	2	Nut-Lock
7:6	106-4193	2	Washer-Finger, Spring	22	99-7420	1	Plug-Hole
7:7	322-9	1	Screw-HH	23	114-4676	1	Module
7:8	3296-29	1	Nut-Lock, NI	24	33113-020	1	Screw-HH
7:9	3290-354	2	Nut-Speed	25	32144-19	2	Screw-SHWH
7:10	108-6496	2	Switch ASM (W/Boot)	26	112-9181	1	Plate-Boot
7:11	95-3003	4	Screw-PPH,Thd Form	27	3218-3	1	Nut-Jam
7:12	3256-3	1	Washer-Flat	28	105-8288	1	Rod-Joystick
8	32149-8	2	Nut-Keps	29	93-5961	1	Boot-Lever
9	99-8150	1	Control-Throttle	30	233-42	1	Knob



## Functional Control Lever Assembly

<i>Ref.</i>	<i>Part Number</i>	<i>Qty.</i>	<i>Description</i>
1	2411-38	1	Joint-Ball
2	93-2279	1	Clamp-Cable
3	32104-32	2	Screw-HWH
4	3296-27	2	Nut-Lock, NI
5	33024-00	1	Nut-Lock
6	3273-26	2	Screw-HSH
7	94-9611	1	Handle
8	256-311	1	Bushing-Split
9	112-0278	2	Switch-Reed
10	93-2056	1	Actuator-Switch, Reed
11	94-1378	1	Tube-Pivot, Handle
12	33115-040	1	Screw-HH
13	33025-00	1	Nut-Lock
14	3256-24	1	Washer-Flat

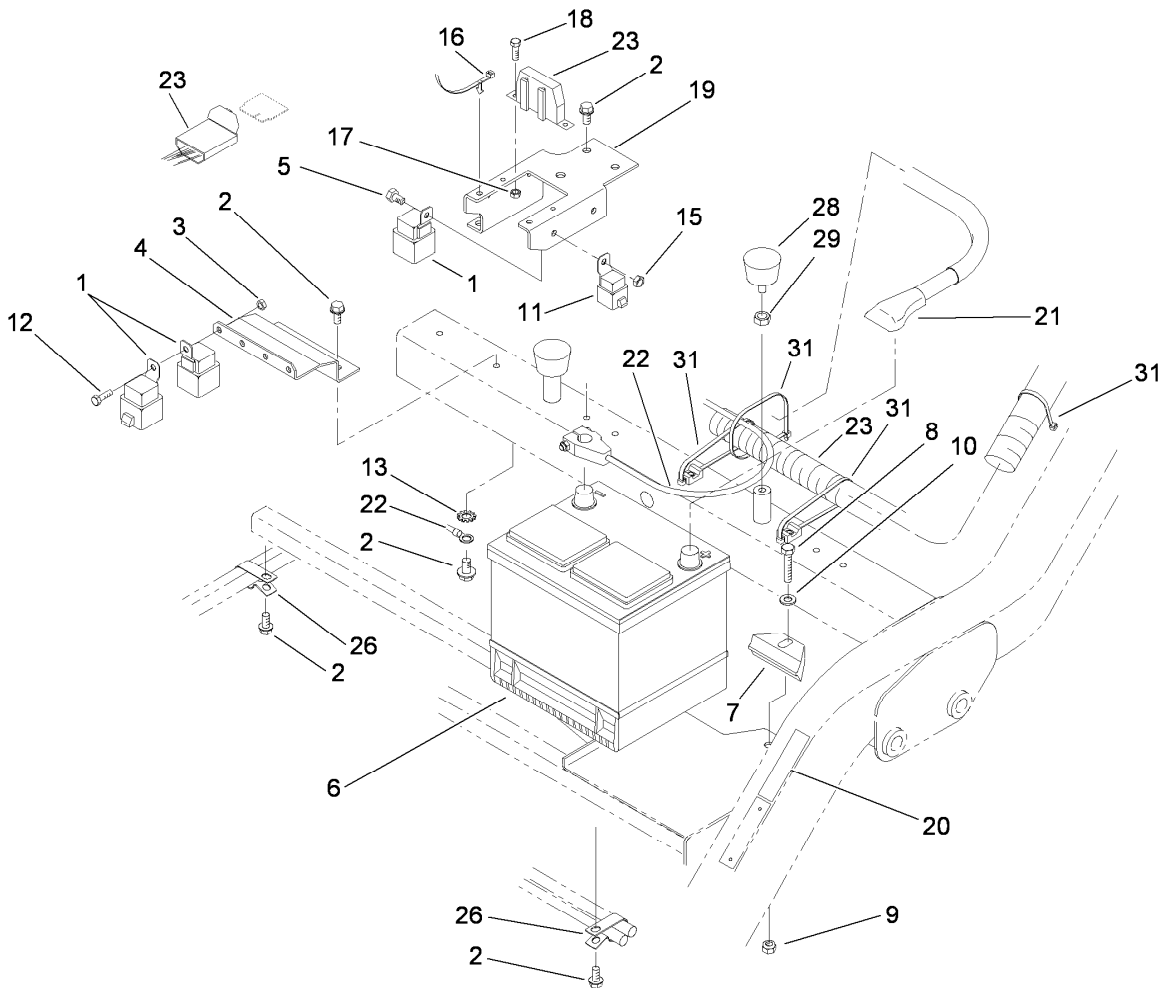
<i>Ref.</i>	<i>Part Number</i>	<i>Qty.</i>	<i>Description</i>
15	94-6398	1	Bracket-Traction
16	3256-23	1	Washer-Flat
17	75-5470	1	Spacer-Bearing
19	251-259	1	Bearing-Ball
20	94-9617	1	Pin-Spring
21	233-42	1	Knob
22	94-9614	1	Pivot-Roller
23	94-9619	1	Bushing
24	3256-67	1	Washer-Flat
25	94-9618	1	Spacer-Spring
26	94-9620	1	Spring-Torsion
27	33023-00	1	Nut-Lock
28	106-6356	1	Shield-Switch



## Seat Assembly

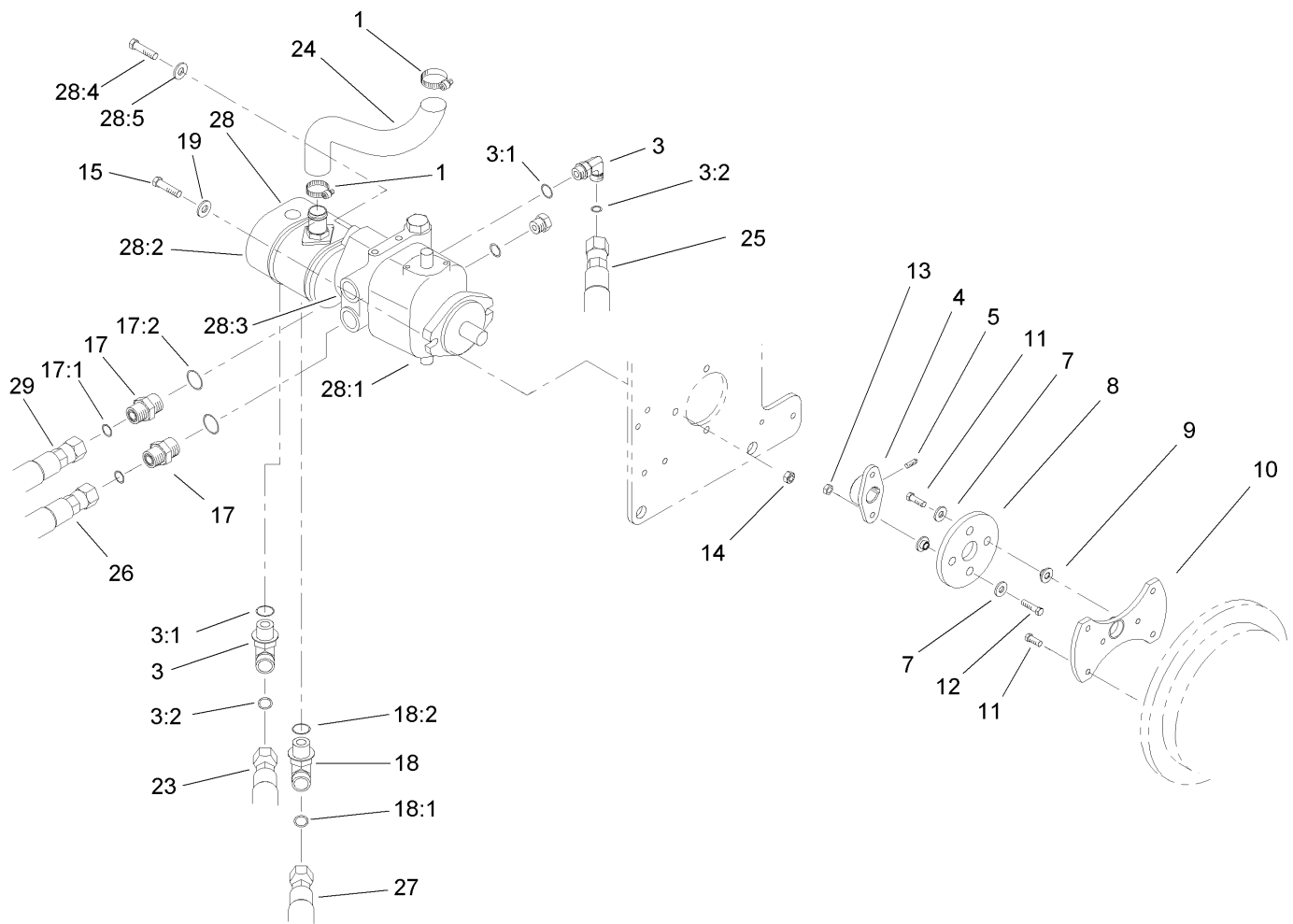
<i>Ref.</i>	<i>Part Number</i>	<i>Qty.</i>	<i>Description</i>	<i>Ref.</i>	<i>Part Number</i>	<i>Qty.</i>	<i>Description</i>
1	104-4620	1	Seat	25	114-4617	1	Decal-Service, French
2	322-2	2	Screw-HH	25	114-4618	1	Decal-Service, German
3	3256-23	6	Washer-Flat	25	114-4619	1	Decal-Service, Swedish
4	93-2135-03	1	Seat Support ASM	25	114-4620	1	Decal-Service, Italian
5	93-2128	1	Panel-Base, Seat	25	114-4621	1	Decal-Service, Portuguese
6	3274-39	9	Screw-HSBH	25	115-3028	1	Decal-Service, Gr3250-D
7	3256-77	6	Washer-Flat	25	114-4626	1	Decal-Service, Japanese
8	3296-12	9	Nut-Lock, NI	25	114-4625	1	Decal-Service, Dutch
9	77-3780	1	Pin ASM	25	114-4624	1	Decal-Service, Danish
10	93-2422	2	Rod-Pivot, Seat	25	114-4623	1	Decal-Service, Finnish
11	32121-7	2	Pin-Roll, Slotted	25	114-4622	1	Decal-Service, Norwegian
12	237-100	1	Grommet	26	93-6689	1	Decal-No Riders
13	92-8990	1	Adjuster-Slave	27	94-2579	1	Decal
14	92-8991	1	Adjuster ASM (W/Latch)	28	93-5447	2	Nut-Clinch
15	3296-29	4	Nut-Lock, NI	29	3274-12	4	Screw-HSH
16	104-7050	1	Tube-Manual	30	98-4387	1	Decal-Protection, Ear
17	2412-133	2	R-Clamp	31	94-4546-03	1	Panel-Extension
18	3290-378	1	Tie-Cable	32	3290-282	1	Rivet-Blind
19	99-4208	1	Shroud-Console	33	3256-49	1	Washer-Flat
20	94-4547-03	1	Panel-Lower, RH	34	33113-012	1	Screw-HH
21	32104-32	2	Screw-HWH	35	92-6282	1	Switch-Seat
22	33113-016	2	Screw-HH	36	32144-10	2	Screw-HWH
23	3256-1	3	Washer-Flat	39	104-7048	1	Cap-Housing
24	93-6686	1	Decal-Oil, HYD	40	114-4615	1	Decal-Speed, Clip
25	114-4616	1	Decal-Service, Spanish				





## Battery and Electrical Component Assembly

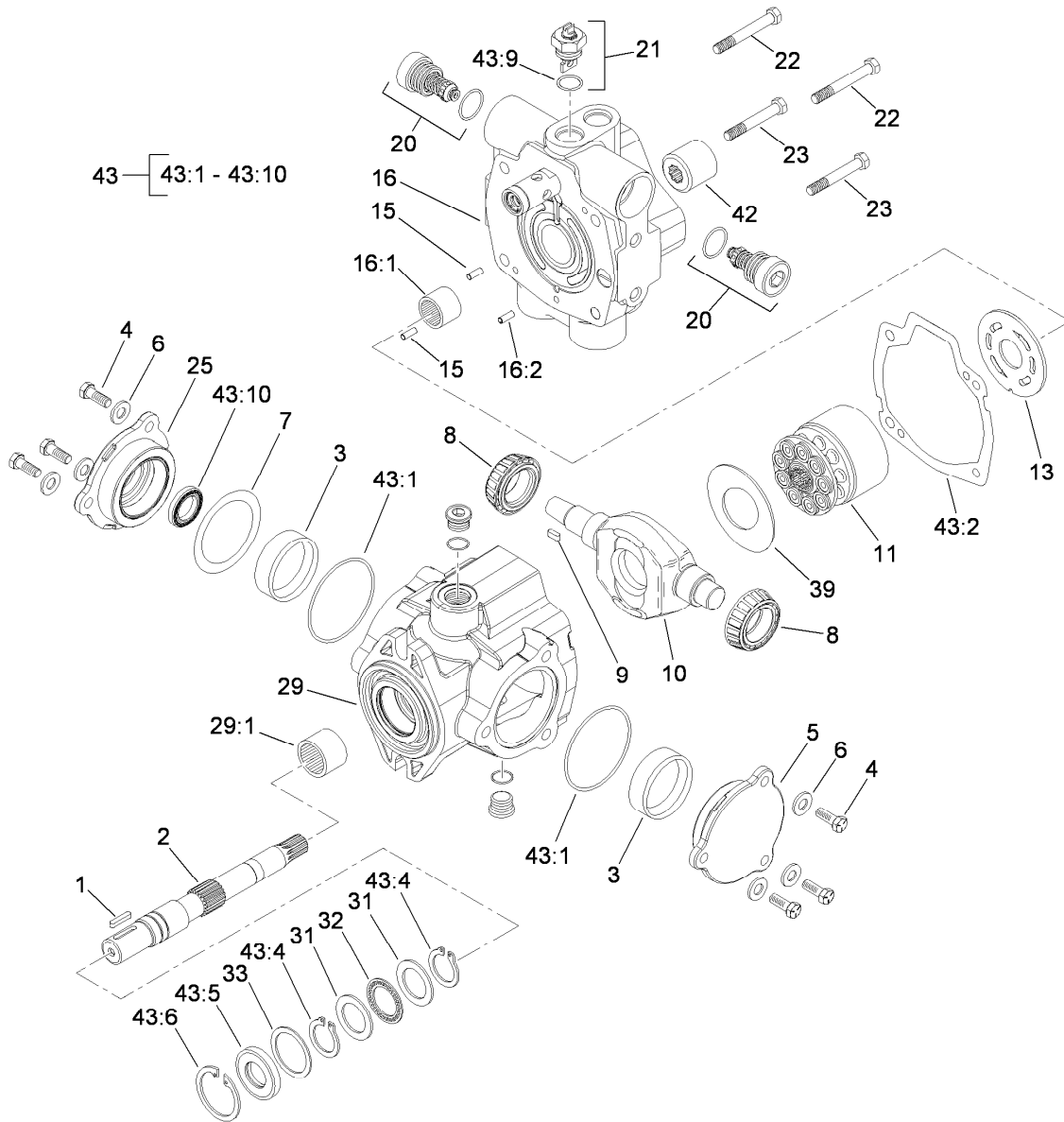
<i>Ref.</i>	<i>Part Number</i>	<i>Qty.</i>	<i>Description</i>	<i>Ref.</i>	<i>Part Number</i>	<i>Qty.</i>	<i>Description</i>
1	99-7430	9	Relay	15	3296-2	1	Nut-Lock, NI
2	32144-11	7	Screw-HWHTF	16	94-1325	2	Tie-Mount, Push
3	33023-00	4	Nut-Lock	17	32149-7	2	Nut-Keps
4	93-2169-01	1	Bracket-Relay	18	32105-13	2	Screw-HWH
5	3290-134	1	Screw	19	100-3186-03	1	Bracket-Holder, Fuse
6	106-5187	1	Battery	20	114-4673	1	Decal-Regulatory
7	66-2490	1	Retainer-Battery	21	95-8853	1	Cable-Battery, Positive
8	33115-040	1	Screw-HH	22	99-8167	1	Cable-Battery, Negative
9	33025-00	1	Nut-Lock	23	112-9165	1	Harness-Wire
10	3256-24	1	Washer-Flat	26	92-5753	2	Clamp-Hose
11	99-7435	1	Relay-Power	28	68-3270	2	Bumper-Rubber
12	33113-016	4	Screw-HH	29	3218-2	2	Nut-Jam
13	3254-2	1	Washer-Lock, Internal	31	3290-378	6	Tie-Cable



## Hydrostat and Gear Pump Drive Assembly

Ref.	Part Number	Qty.	Description	Ref.	Part Number	Qty.	Description
1	2412-34	2	Clamp-Hose	18	340-17	1	Fitting-HYD, 90 DEG
3	340-18	2	Fitting-HYD, 90 DEG	18:1	237-65	1	O-Ring
3:1	237-79	1	O-Ring	18:2	237-80	1	O-Ring
3:2	237-22	1	O-Ring	19	100-4852	2	Washer-Hardened
4	110-5227	1	Hub-Pump	23	105-4339	1	HYD Hose ASM
5	3241-6	2	Screw-SQH	24	99-1905	1	Hose-Inlet, Pump
7	3256-3	2	Washer-Flat	25	108-6514	1	Hose ASM
8	80-8650	1	Coupling-Drive	26	99-4220	1	Hose ASM
9	27-6600	4	Spacer-Coupling	27	99-4216	1	Hose ASM
10	93-2220-03	1	Adapter-Pump	28		1	Hydrostat/Gear Pump ASM
11	33114-020	6	Screw-HH				●
12	33114-030	1	Screw-HH	28:1	105-0494	1	Hydrostat ASM
13	33024-00	2	Nut-Lock	28:2	104-7737	1	Gear Pump ASM
14	33025-00	2	Nut-Lock	28:3	60-3520	1	O-Ring
15	33115-040	2	Screw-HH	28:4	3274-1	2	Screw-HSH
17	340-8	2	Adapter	28:5	3256-24	2	Washer-Flat
17:1	237-65	1	O-Ring	29	99-4217	1	HYD Hose ASM
17:2	237-81	1	O-Ring				

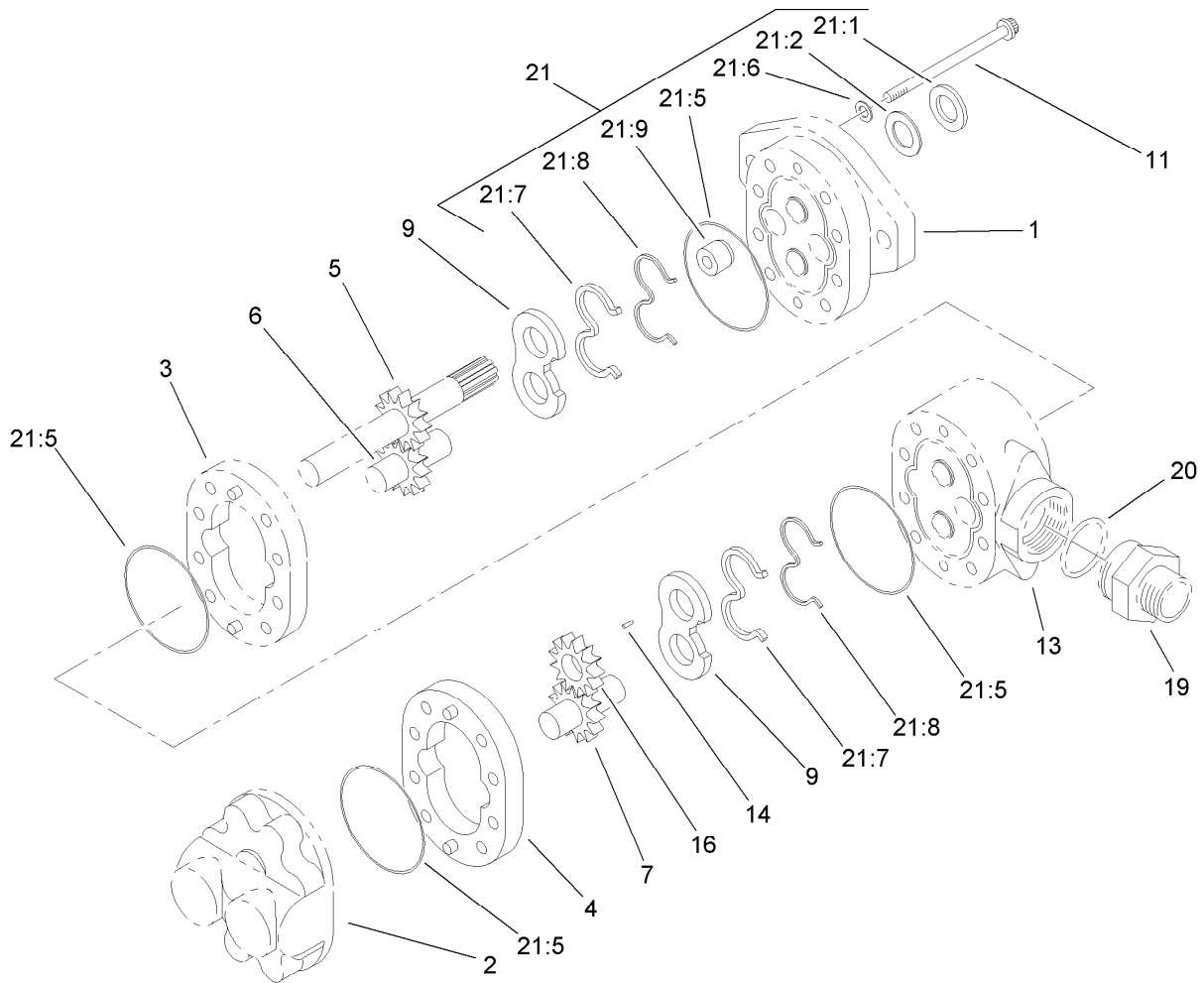
● Not serviced separately



## Hydrostat Assembly No. 105-0494

Ref.	Part Number	Qty.	Description	Ref.	Part Number	Qty.	Description
1	94-3645	1	Key	22	76-6170	2	Capscrew
2	94-6359	1	Shaft-Drive	23	76-6160	2	Capscrew
3	104-4046	2	Bearing-Cup	25	98-4645	1	Plate-Cover
4	98-4640	6	Screw-Cap	29	100-3176	1	Housing ASM
5	98-4644	1	Plate-Cover	29:1	94-6363	1	Bearing
6	105-9762	6	Washer	31	252-71	2	Washer-Thrust
7	100-3182	2	Shim Kit	32	252-66	1	Bearing-Thrust
8	98-4639	2	Bearing-Cone	33	33-3720	1	Washer
9	94-3646	1	Key	39	98-4635	1	Insert-Plate, Cam
10	100-3175	1	Camplate	42	74-9040	1	Coupler
11	76-6070	1	Rotating Kit	43	105-3844	1	Seal Repair Kit
13	100-3180	1	Valve-Plate	43:1	100-3179	2	O-Ring
15	76-6150	2	Pin-Dowel	43:2	33-4930	1	Gasket-Housing
16	105-3813	1	Endcover Sub ASM	43:4	32151-29	2	Ring-Retaining
16:1	94-6368	1	Bearing	43:5	104-4861	1	Seal-Shaft
16:2		1	Pin-Roll ●	43:6	32151-13	1	Ring-Retaining
20	105-3812	2	Valve-Check	43:9		1	O-Ring ●
21	105-3811	1	Valve-Bypass	43:10		1	Seal-Shaft ●

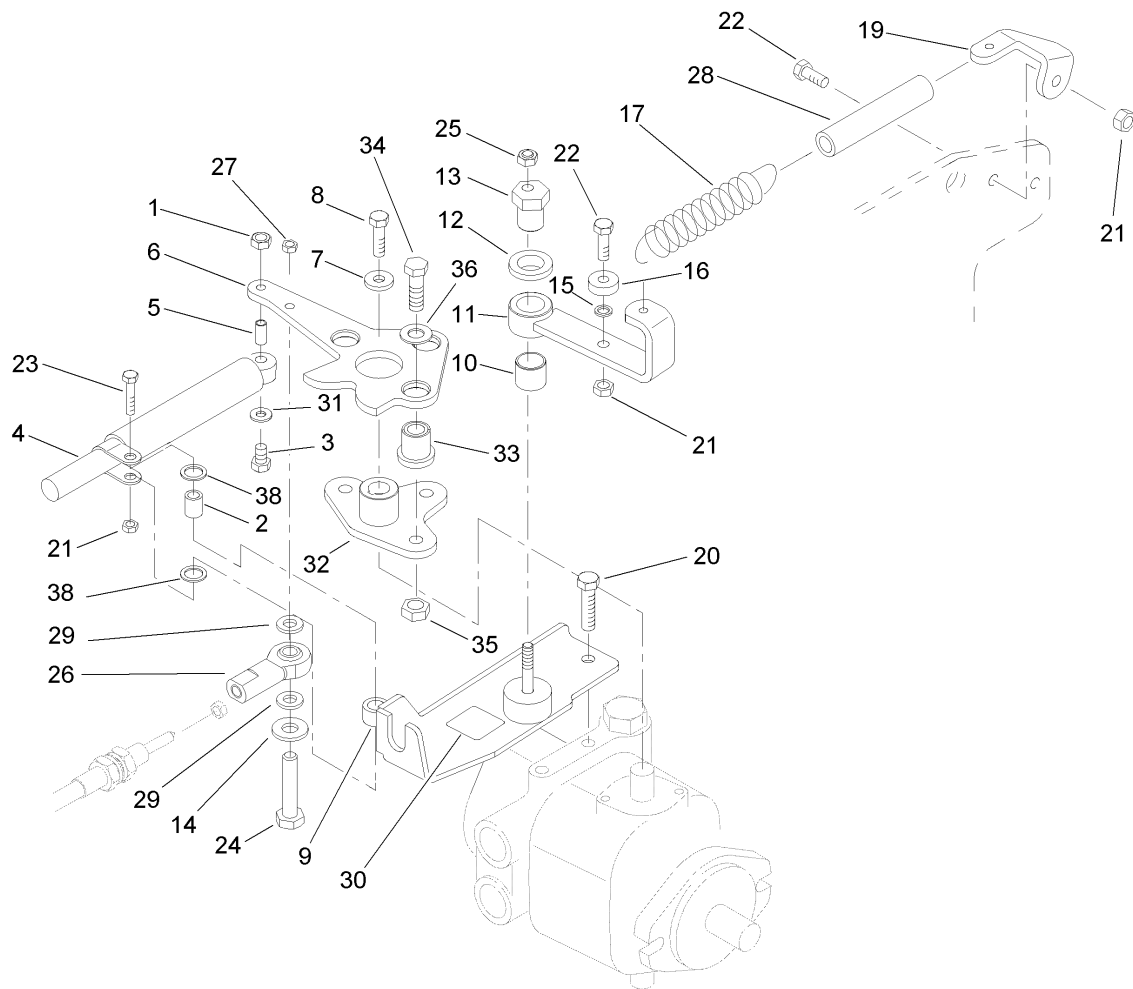
● Not serviced separately



## Gear Pump Assembly No. 104-7737

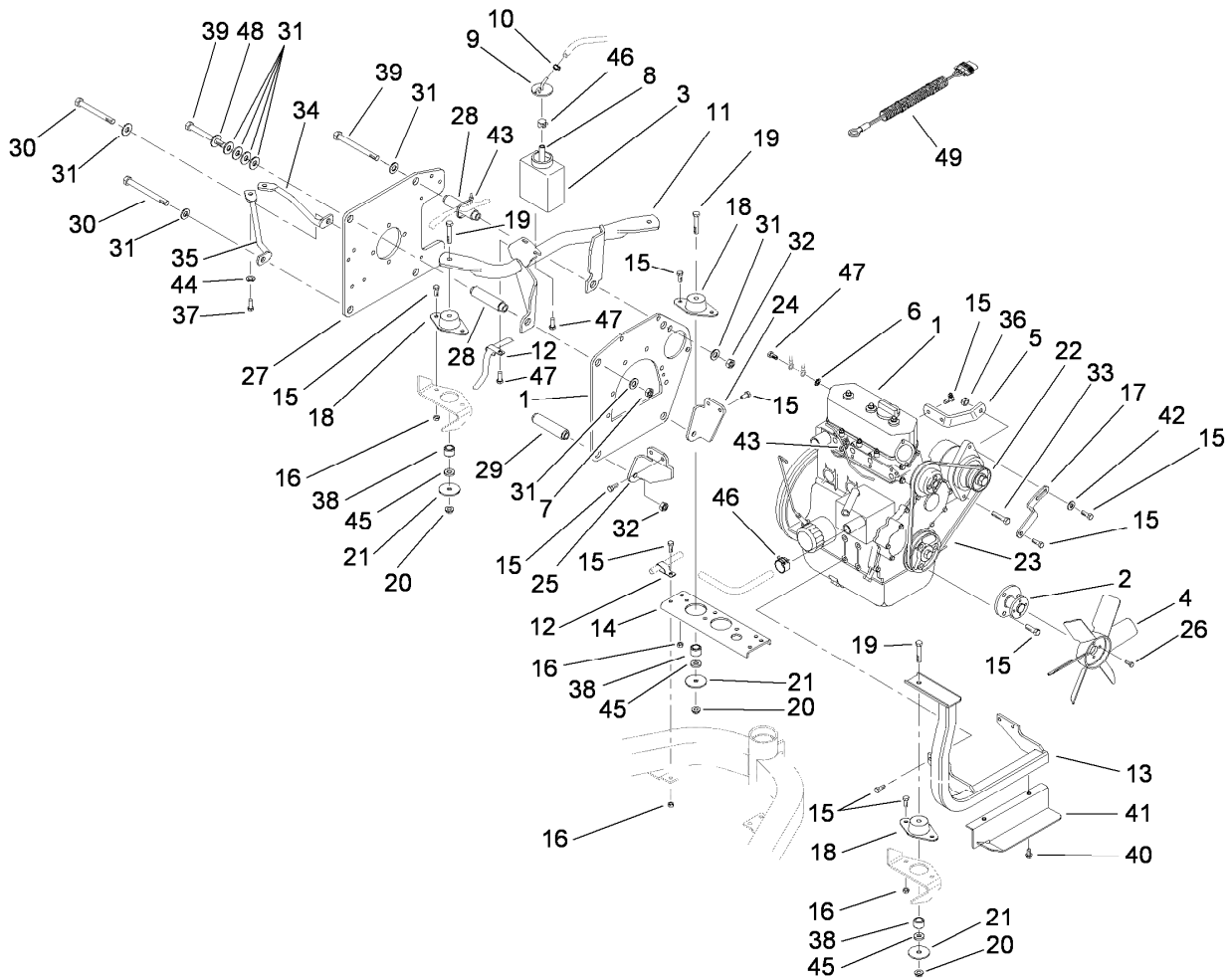
<i>Ref.</i>	<i>Part Number</i>	<i>Qty.</i>	<i>Description</i>
1		1	Plate-Front ●
2		1	Plate-Back ●
3		1	Body ●
4	95-4364	1	Body
5		1	Gear-Drive ●
6		1	Gear-Idler ●
7	95-4366	1	Gear-Idler
9	95-4368	2	Plate-Wear
11	94-8158	8	Screw-Cap
13		1	Plate-Adapter ●
14		1	Key ●
16	95-4373	1	Gear-Fit, Slip
19		1	Fitting-Suction ●
20		1	O-Ring ●
21	94-8161	1	Seal Repair Kit
21:1	49-2640	1	Seal-Shaft
21:2	60-5890	1	Washer
21:5		4	O-Ring ●
21:6	94-8160	4	Washer
21:7	95-4369	2	Seal-Pressure
21:8	95-4367	2	Gasket-Backup
21:9	94-3011	1	Plug

● Not serviced separately



## Neutral System Assembly

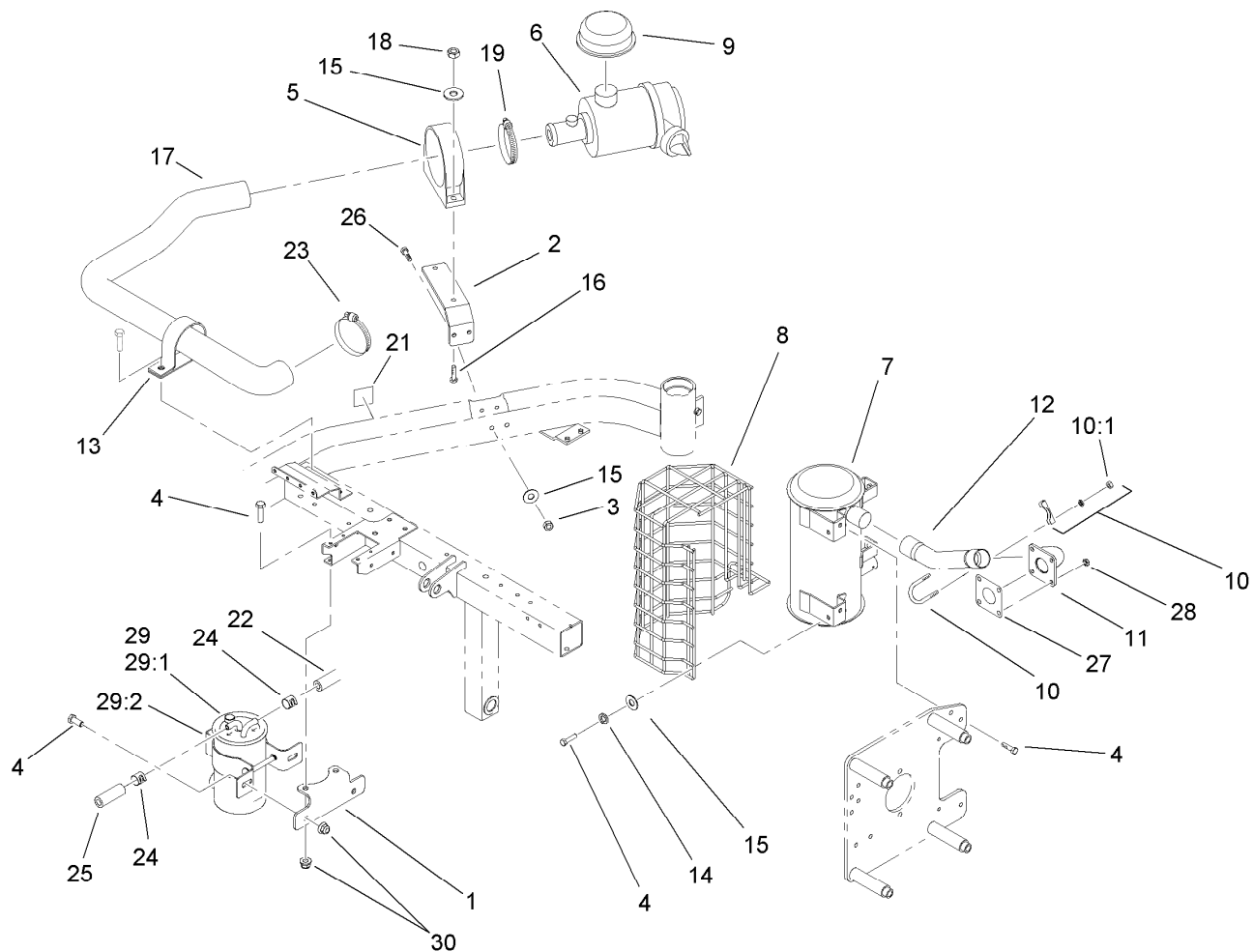
<i>Ref.</i>	<i>Part Number</i>	<i>Qty.</i>	<i>Description</i>	<i>Ref.</i>	<i>Part Number</i>	<i>Qty.</i>	<i>Description</i>
1	33023-00	1	Nut-Lock	20	323-4	2	Screw-HH
2	94-8197	1	Tube-Pivot	21	33024-00	3	Nut-Lock
3	33113-035	1	Screw-HH	22	33114-025	2	Screw-HH
4	76-8870	1	Lever Damper ASM	23	33114-030	1	Screw-HH
5	94-1312	1	Spacer-Pivot	24	321-8	1	Screw-HH
6	94-3488-03	1	Lever-Pump	25	3296-29	1	Nut-Lock, NI
7	88-7200	1	Washer-Flat	26	2411-41	1	Rod End-Ball Joint
8	3210-6	1	Screw-HH	27	3296-42	1	Nut-Lock, NI
9	100-9846	1	Support-Cable	28	99-4251	1	Hose-Dampener
10	94-9609	1	Bushing-Straight	29	33093-00	2	Washer-Flat
11	94-4527	1	Arm-Neutral	30	93-9051	1	Decal-Bolt, Eccentric
12	3-6498	1	Washer-Thrust	31	3256-22	1	Washer-Flat
13	93-2111	1	Stud-Traction	32	94-3486	1	Plate
14	3256-22	1	Washer-Flat	33	63-9750	3	Mount
15	75-5470	1	Spacer-Bearing	34	33115-035	3	Screw-HH
16	251-259	1	Bearing-Ball	35	33025-00	3	Nut-Lock
17	99-4254	1	Spring-Extension	36	2844	3	Washer
19	99-4276	1	Bracket-Spring	38	94-8196	2	Washer-Nylon



## Engine Installation Assembly

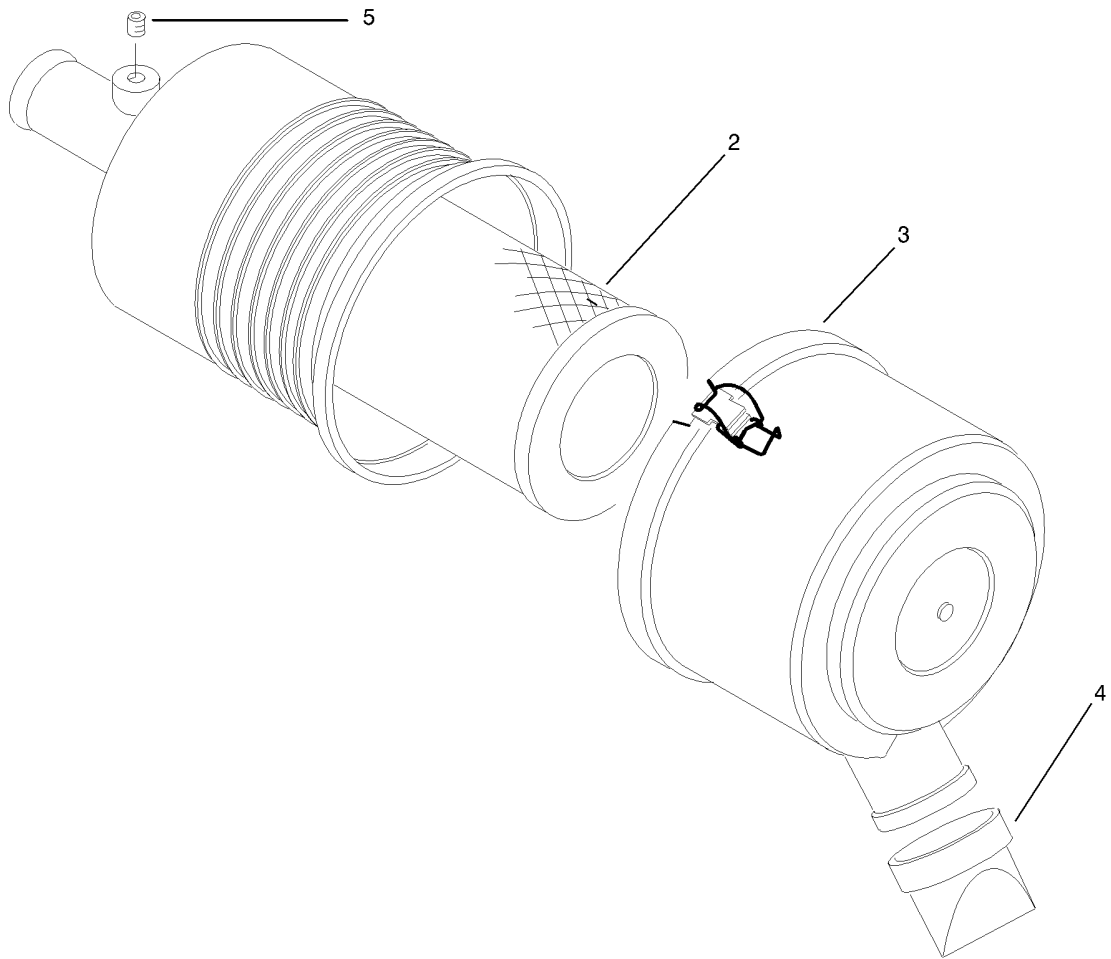
Ref.	Part Number	Qty.	Description	Ref.	Part Number	Qty.	Description
1	114-4664	1	Engine	26	33113-016	4	Screw-HH
2	99-1495	1	Adapter-Fan	27	99-4190-03	1	Plate-Pump
3	93-2049	1	Tank-Overflow	28	93-2588	2	Spacer-Upper
4	93-2090	1	Fan-Engine	29	93-2174	2	Spacer
5	93-2445	1	Bracket-Alternator, Upper	30	33116-130	2	Screw-HH
6	3254-2	1	Washer-Lock, Internal	31	87-7270	9	Washer-Thrust
7	51-2070	1	Nut	32	33026-00	3	Nut-Lock
8	108-3283	1	Hose-Fuel	33	33115-050	1	Screw-HH
9	93-2048	1	Cap-Tank, Overflow	34	99-4240	1	Brace-Wireform, LH
10	2412-108	1	Clamp-Worm	35	99-4238	1	Brace-Wireform, RH
11	100-3190-03	1	Engine Mount ASM	36	33025-00	1	Nut-Lock
12	92-5753	2	Clamp-Hose	37	323-4	2	Screw-HH
13	99-1473-03	1	Mount-Engine, Front	38	94-4538	3	Spacer-Mount
14	93-2020-01	1	Bracket-Support	39	33116-120	2	Screw-HH
15	33114-020	26	Screw-HH	40	32104-32	2	Screw-HWH
16	33024-00	4	Nut-Lock	41	94-8156-03	1	Deflector-Fan
17	93-2446	1	Bracket-Alternator, Lower	42	3256-3	1	Washer-Flat
18	83-1030	3	Mount-Engine	43	3290-378	2	Tie-Cable
19	323-11	3	Screw-HH	44	3256-24	2	Washer-Flat
20	3290-357	3	Nut-HHF, Whiz	45	66-6480	3	Washer
21	83-1040	3	Washer-Flat	46	92-2379	2	Clamp-Hose
22	99-9209	1	Alternator	47	33114-016	3	Screw-HH
23	99-8153	1	Belt-V	48	73-0040	1	Washer-Thrust
24	99-4189-03	1	Bracket-Engine, LH	49	99-3441	1	Harness-Wire, Fusible Link
25	99-4188-03	1	Bracket-Engine, RH				●

● Not illustrated



## Air Cleaner and Exhaust Assembly

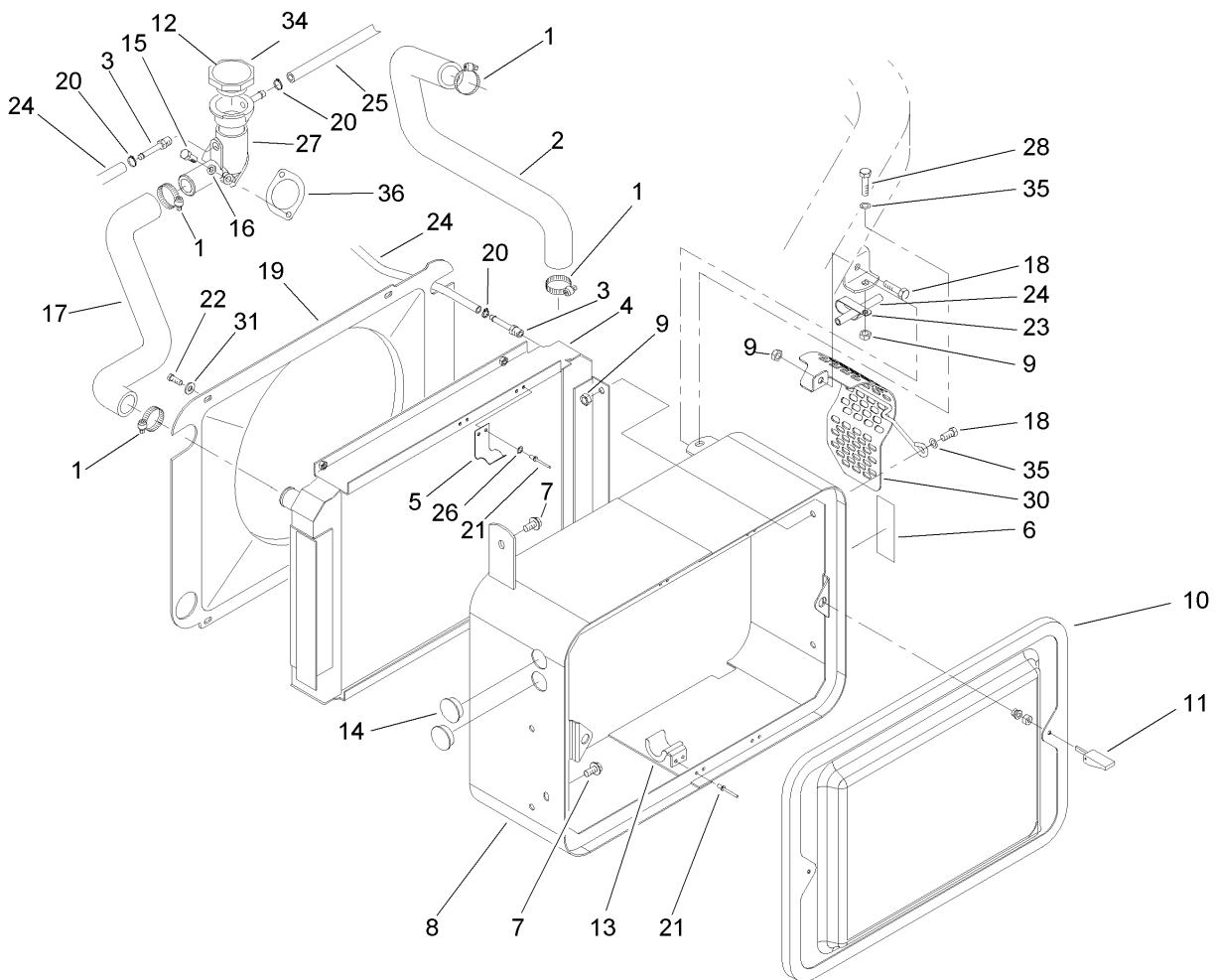
<i>Ref.</i>	<i>Part Number</i>	<i>Qty.</i>	<i>Description</i>	<i>Ref.</i>	<i>Part Number</i>	<i>Qty.</i>	<i>Description</i>
1	112-9178	1	Bracket-Filter	16	322-16	2	Screw-HH
2	99-4203-03	1	Bracket-Cleaner, Air	17	99-4204	1	Hose-Cleaner, Air
3	33024-00	2	Nut-Lock	18	3296-29	2	Nut-Lock, NI
4	33114-020	10	Screw-HH	19	2412-92	1	Clamp-Hose
5	95-5806	1	Bracket-Mounting	21	93-7275	1	Decal-Fluid, Starting
6	95-5805	1	Air Cleaner ASM	22	110-4112	1	Hose-Fuel
7	94-8153	1	Muffler	23	2412-130	1	Clamp-Hose
8	108-6485	1	Guard-Muffler	24	92-2379	2	Clamp-Hose
9	46-7510	1	Hood-Inlet, Air	25	110-4007	1	Hose-Fuel
10	2112-9	2	Clamp	26	33114-080	2	Screw-HH
10:1	32128-20	2	Nut-HF	27	99-9179	1	Gasket-Exhaust
11	99-1472	1	Plate-Exhaust	28	99-9176	4	Nut-Hex
12	99-1494	1	Pipe-Exhaust	29	110-8814	1	Fuel Filter ASM
13	2412-107	1	Clamp-R	29:1	112-9188	1	Element-Filter, Fuel/Water
14	3253-4	4	Washer-Lock	29:2	112-9189	1	Bracket-Filter
15	3256-23	4	Washer-Flat	30	104-3082	4	Nut-Lock, HF



## Air Cleaner Assembly No. 95-5805

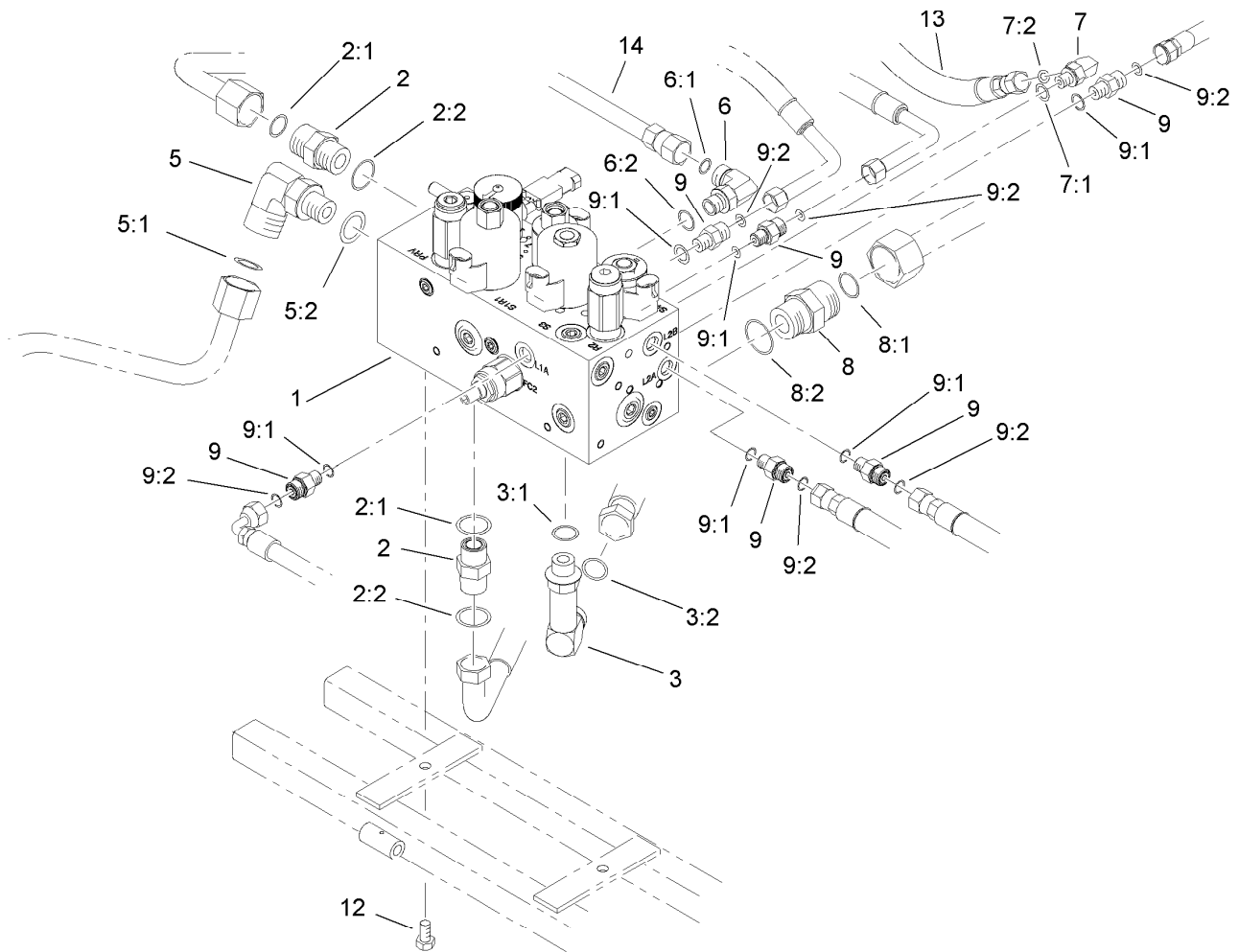
<i>Ref.</i>	<i>Part Number</i>	<i>Qty.</i>	<i>Description</i>
2	108-3811	1	Filter-Air
3	94-3652	1	Cover ASM
4	87-9400	1	Valve-Vacuator
5	285-17	1	Plug-Pipe





## Radiator Assembly

<i>Ref.</i>	<i>Part Number</i>	<i>Qty.</i>	<i>Description</i>	<i>Ref.</i>	<i>Part Number</i>	<i>Qty.</i>	<i>Description</i>
1	2412-34	4	Clamp-Hose	18	33114-020	5	Screw-HH
2	99-1469	1	Hose-Radiator	19	93-2320	1	Shroud-Fan
3	304-73	2	Connector-Hose	20	2412-108	3	Clamp-Worm
4	99-8193	1	Radiator	21	3269-15	6	Rivet-Pop
5	104-7736	1	Bracket-Cooler, Upper	22	33113-016	4	Screw-HH
6	93-6681	1	Decal-Warning, Fan	23	92-5753	1	Clamp-Hose
7	32104-32	2	Screw-HWH	24	109-0281	1	Hose-Fuel
8	106-9056-01	1	Support-Radiator	25	110-4112	1	Hose-Fuel
9	33024-00	6	Nut-Lock	26	3269-6	2	Washer-Flat
10	100-3172-03	1	Screen ASM	27	93-2448	1	Thermostat Housing ASM
11	74-5950	2	Latch-Swell	28	33114-025	1	Screw-HH
12	106-5976	1	Decal-Warning	30	100-3164-03	1	Guard-Alternator
13	93-2424	2	Bracket-Cooler, Lower	31	3256-22	4	Washer-Flat
14	94-4528	2	Plug	34	66-3240	1	Cap-Radiator
15	33113-025	2	Screw-HH	35	3256-23	2	Washer-Flat
16	3253-3	2	Washer-Lock	36	99-9163	1	Gasket-Housing, Outlet
17	93-2018	1	Hose-Radiator				

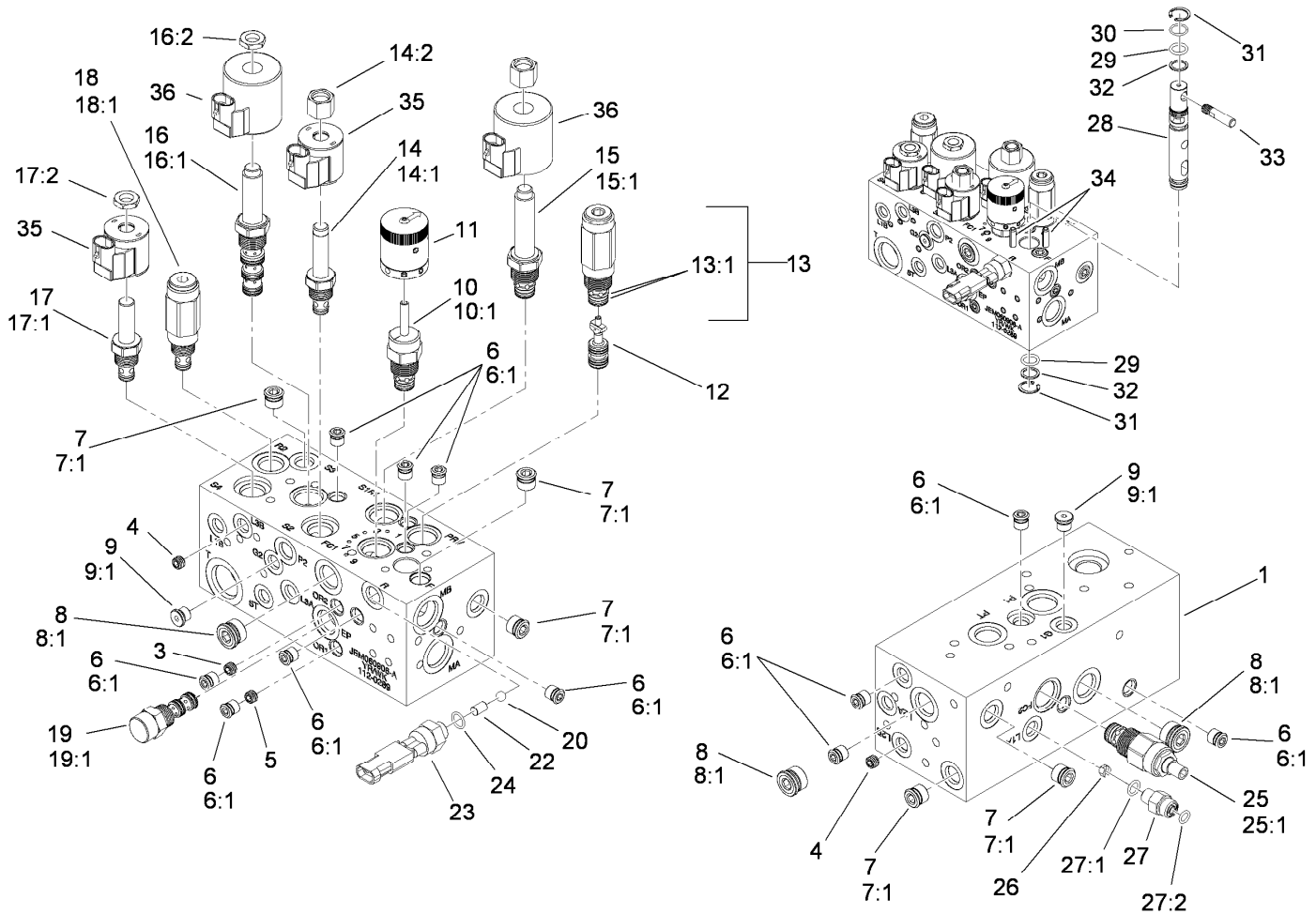


## Manifold Block Installation Assembly

Ref.	Part Number	Qty.	Description
1	112-9197	1	Manifold ASM W/Backlap
2	340-7	2	Adapter
2:1	237-65	1	O-Ring
2:2	237-80	1	O-Ring
3	99-6160	1	Fitting-Elbow, 90 DEG
3:1	237-30	1	O-Ring
3:2	237-79	1	O-Ring
5	340-17	1	Fitting-HYD, 90 DEG
5:1	237-65	1	O-Ring
5:2	237-80	1	O-Ring
6	340-77	1	Fitting-HYD, 90 DEG
6:1	237-22	1	O-Ring
6:2	237-42	1	O-Ring

Ref.	Part Number	Qty.	Description
7	340-97	1	Fitting-HYD, 90 DEG
7:1	237-22	1	O-Ring
7:2	237-78	1	O-Ring
8	340-9	1	Fitting-Straight
8:1	237-58	1	O-Ring
8:2	237-81	1	O-Ring
9	340-92	5	Fitting-HYD, Straight
9:1	237-78	1	O-Ring
9:2	237-21	1	O-Ring
12	33114-016	2	Screw-HH
13	112-0274	1	Hose-HYD
13:3	237-42	1	O-Ring ●
14	105-9790	1	Hose ASM

● Not illustrated

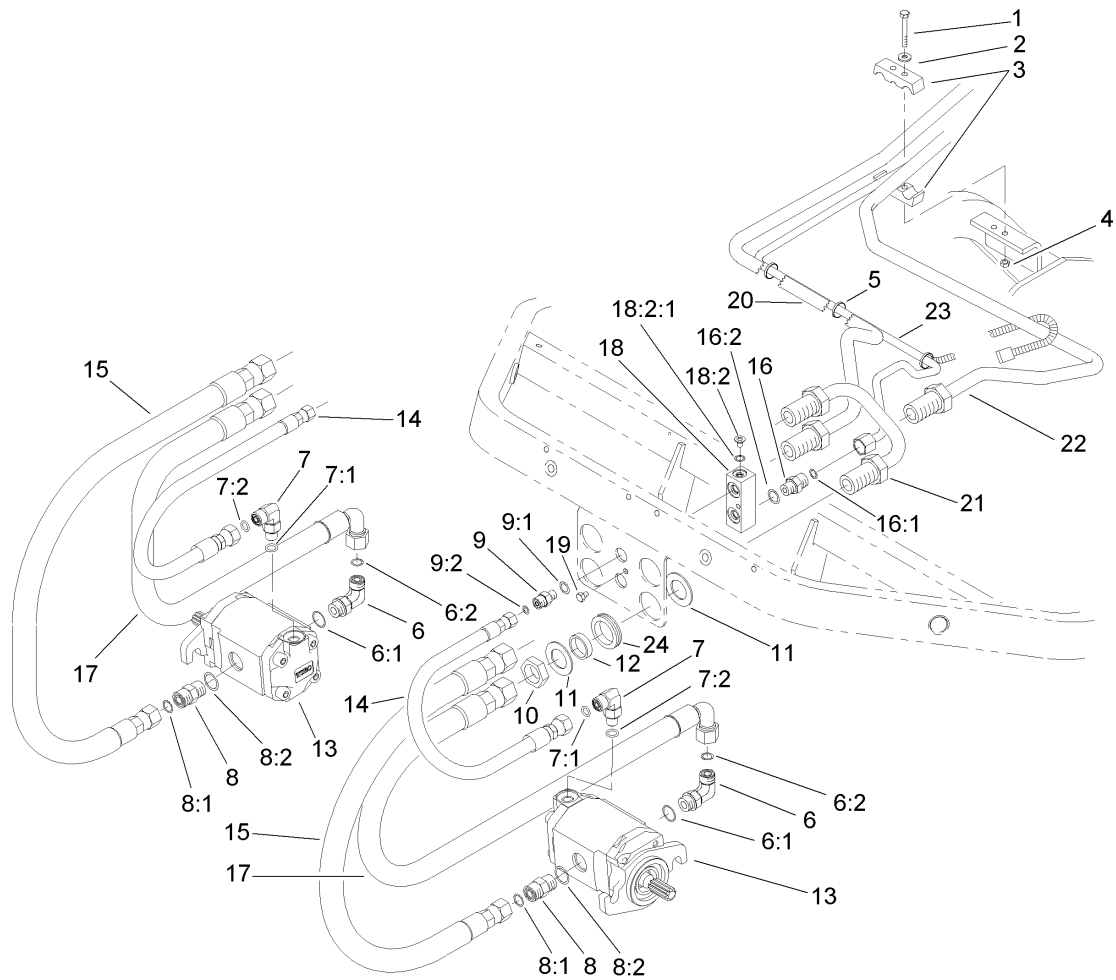


## Hydraulic Manifold Assembly No. 112-9197

Ref.	Part Number	Qty.	Description
1		1	Body-Manifold ●
3	112-9202	1	Orifice-Flow, Control
4	110-8887	2	Plug-Orifice
5	112-9203	1	Orifice-Control, Flow
6	106-1025	12	Plug-HYD
6:1	237-78	1	O-Ring
7	106-1026	5	Plug-HYD
7:1	237-42	1	O-Ring
8	106-1027	3	Plug-HYD
8:1	237-79	1	O-Ring
9	353-990	2	Plug
9:1	237-78	1	O-Ring
10	110-8769	1	Valve-Control, Manual Flow
10:1	110-2633	1	Seal Kit
11	110-8767	1	Rotary Handle ASM
12	112-9204	1	Pilot-Piston
13	112-9205	1	Valve-Relief
13:1	105-9159	1	Seal Kit
14	107-7517	1	Valve-Solenoid
14:1	105-9156	1	Seal Kit
14:2	107-7812	1	Nut-Solenoid
15	110-8768	1	Valve-Relief, Solenoid
15:1	110-6316	1	Seal Kit
16	110-8906	1	Valve-Solenoid
16:1	110-8908	1	Seal Kit
16:2	110-2634	1	Nut-Coil

Ref.	Part Number	Qty.	Description
17	112-9206	1	Valve-Solenoid
17:1	105-9156	1	Seal Kit
17:2	110-2634	1	Nut-Coil
18	112-9207	1	Valve-Relief
18:1	105-9156	1	Seal Kit
19	110-8988	1	Element-Logic
19:1	110-8773	1	Seal Kit
20	110-8762	1	Ball-Chrome
22	112-6533	1	Pin-Dowel
23	72-4320	1	Switch-Ball
24	110-8757	1	O-Ring
25	112-9208	1	Valve-Control, Flow
25:1	110-2633	1	Seal Kit
26	110-8903	1	Orifice-Control, Flow
27	340-92	1	Fitting-HYD, Straight
27:1	237-78	1	O-Ring
27:2	237-21	1	O-Ring
28	112-6536	1	Spool
29	112-6535	2	O-Ring
30	110-8900	1	O-Ring
31	112-6532	2	Ring-Retaining
32	112-6534	2	Ring-Back Up
33	110-8758	1	Handle-Spool
34	112-6531	2	Pin-Spring
35	105-9333	2	Coil-12Vdc
36	110-2630	2	Coil-12Vdc

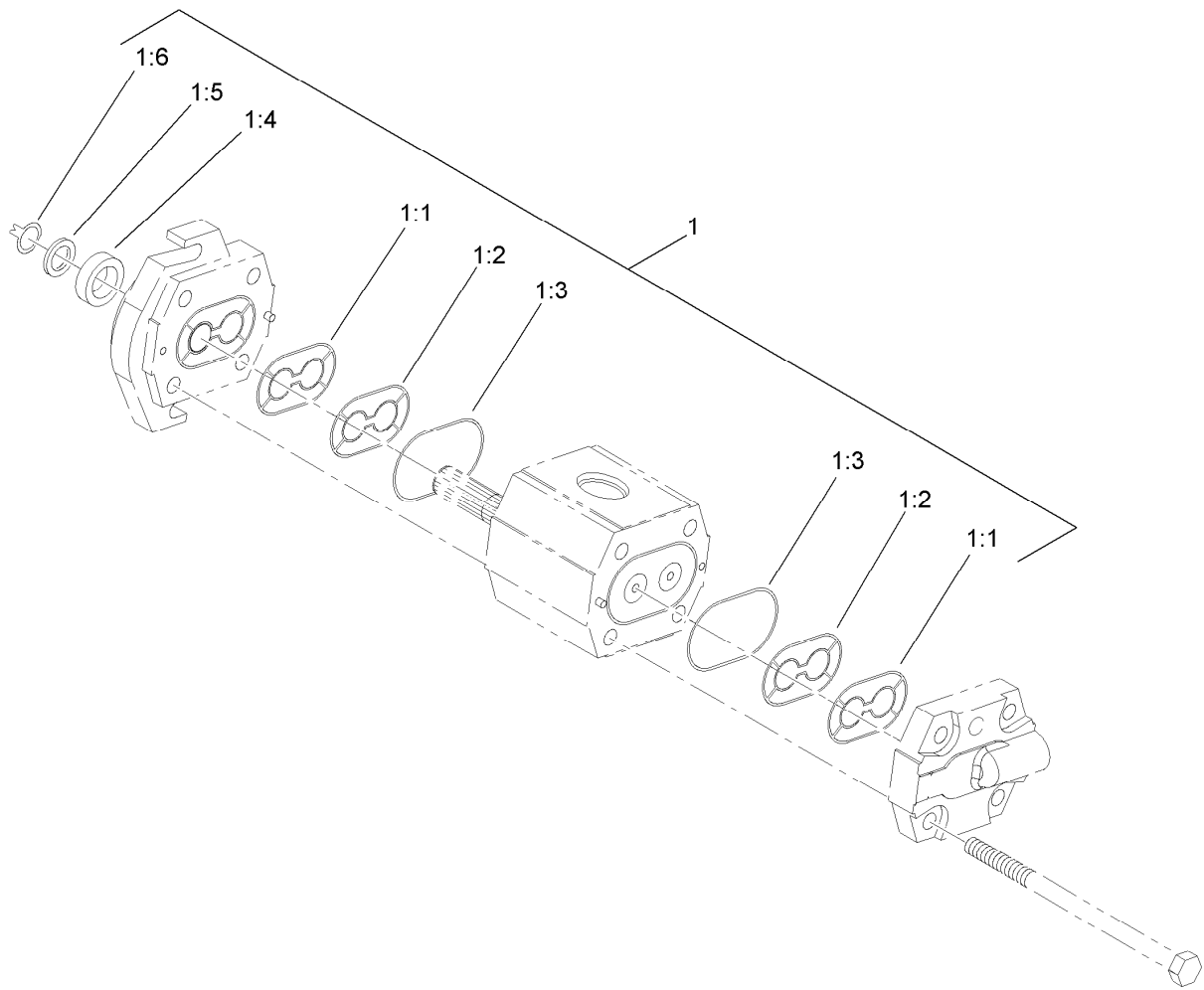
● Not serviced separately



## Front Bulkhead and Reel Motor Assembly

Ref.	Part Number	Qty.	Description	Ref.	Part Number	Qty.	Description
1	33113-050	2	Screw-HH	12	69-9000	2	Spacer
2	3256-1	2	Washer-Flat	13	112-9200	2	Motor-HYD
3	93-2509	2	Clamp-Tube	14	106-9674	2	Hose ASM
4	33023-00	2	Nut-Lock	15	95-2908	2	Hose ASM
5	3290-378	3	Tie-Cable	16	340-2	1	Fitting-HYD, Straight
6	340-98	2	Fitting-HYD, 90 DEG	16:1	237-22	1	O-Ring
6:1	237-79	1	O-Ring	16:2	237-42	1	O-Ring
6:2	237-30	1	O-Ring	17	95-2909	2	Hose ASM
7	340-132	2	Fitting-HYD, 90 DEG	18	93-2238	1	T-Block
7:1	237-78	1	O-Ring	18:2	353-991	1	Plug-Hex, Hollow
7:2	237-21	1	O-Ring	18:2:1	237-156	1	O-Ring
8	340-4	2	Fitting-HYD, Straight	19	33113-008	1	Screw-HH
8:1	237-30	1	O-Ring	20	94-1318	1	Tube-HYD
8:2	237-79	1	O-Ring	21	94-1319	1	Tube-HYD
9	340-92	2	Fitting-HYD, Straight	22	94-1320	1	Tube-HYD
9:1	237-78	1	O-Ring	23	94-1321	1	Tube-HYD
9:2	237-21	1	O-Ring	23:1	237-22	2	O-Ring ●
10	340-74	2	Nut-Lock, Bulkhead	24	240-3	2	Grommet-Rubber
11	69-9010	4	Washer				

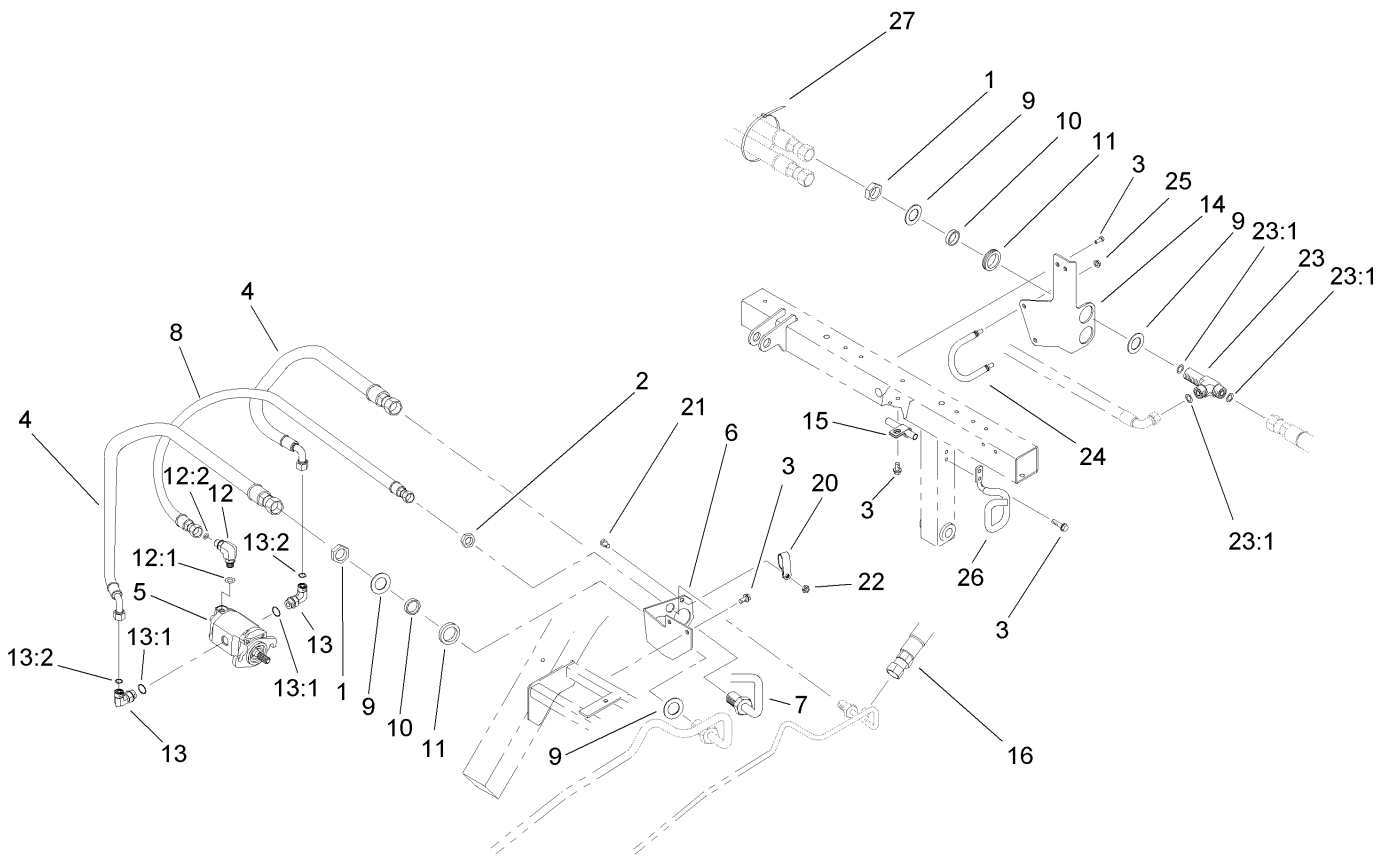
● Not illustrated



## Hydraulic Motor Assembly No. 112-9200

<i>Ref.</i>	<i>Part Number</i>	<i>Qty.</i>	<i>Description</i>
1	112-9184	1	Seal Kit
1:1		2	Seal-Extrusion, Anti ●
1:2		2	Seal-Pressure ●
1:3		2	O-Ring ●
1:4		1	Seal-Shaft ●
1:5		1	Washer-Backup ●
1:6		1	Ring-Snap ●

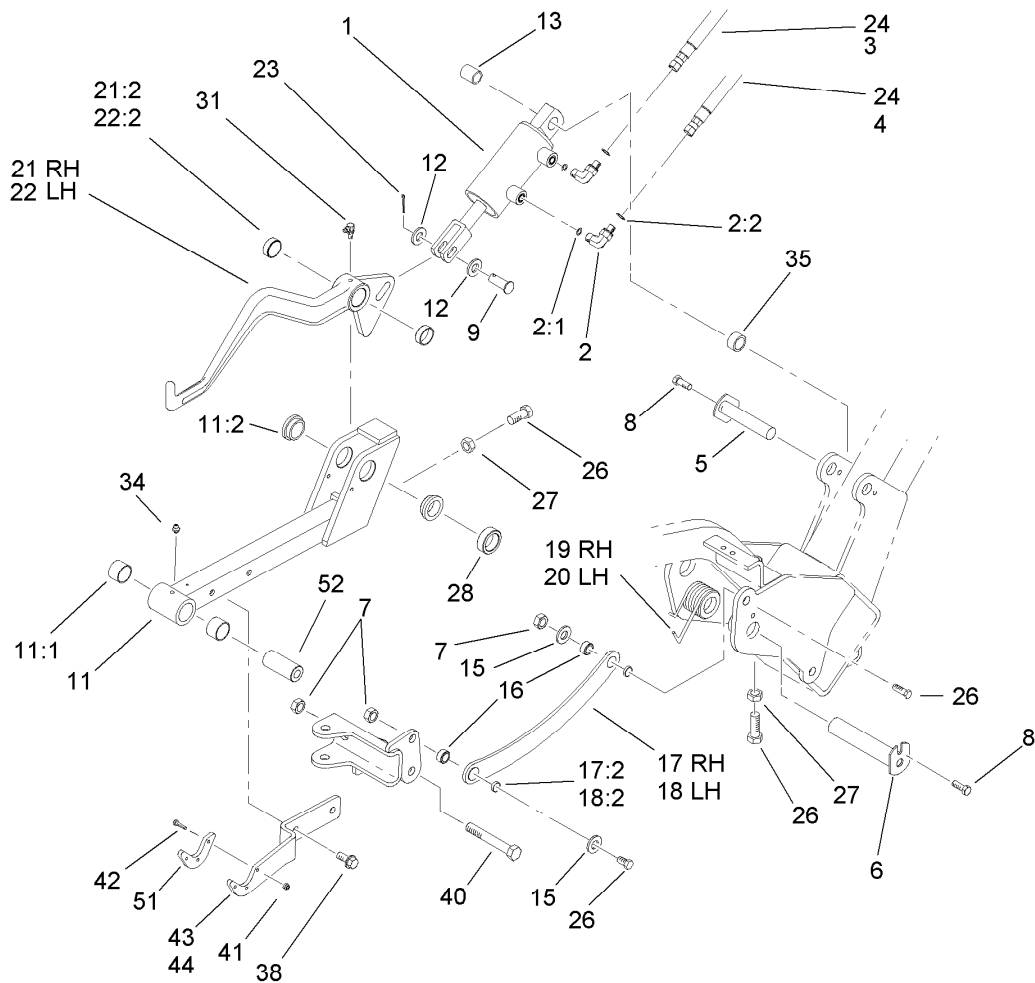
● Not serviced separately



## Rear Bulkhead and Reel Motor Assembly

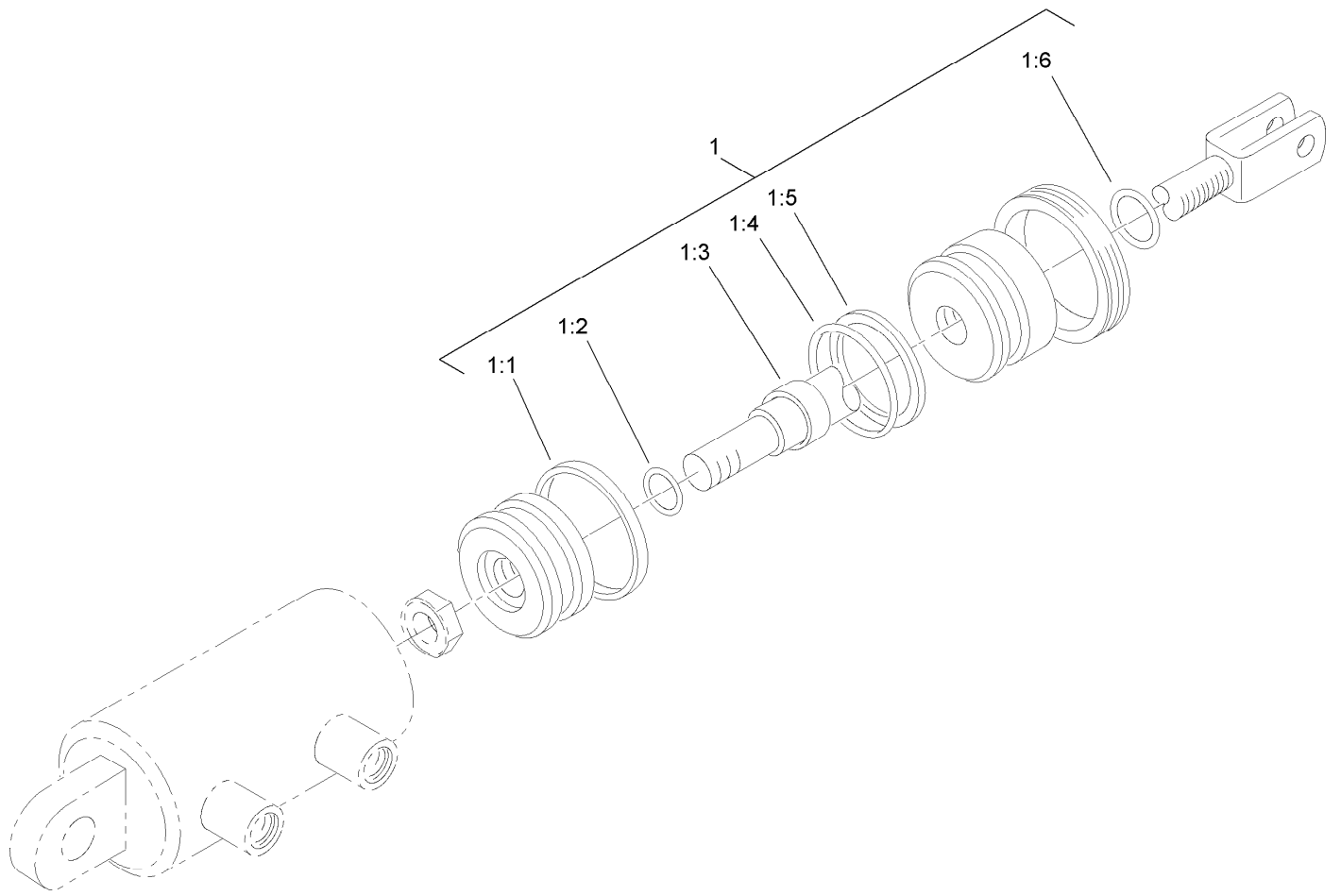
<i>Ref.</i>	<i>Part Number</i>	<i>Qty.</i>	<i>Description</i>
1	340-74	4	Nut-Lock, Bulkhead
2	340-70	1	Nut-Lock
3	32104-32	7	Screw-HWH
4	95-2907	2	Hose ASM
5	112-9200	1	Motor-HYD
6	94-1316	1	Bracket-Bulkhead
7	94-1317	1	Tube-HYD
8	105-5405	1	Hose ASM
9	69-9010	8	Washer
10	69-9000	4	Spacer
11	240-3	4	Grommet-Rubber
12	340-132	1	Fitting-HYD, 90 DEG
12:1	237-78	1	O-Ring
12:2	237-21	1	O-Ring
13	340-98	2	Fitting-HYD, 90 DEG

<i>Ref.</i>	<i>Part Number</i>	<i>Qty.</i>	<i>Description</i>
13:1	237-79	1	O-Ring
13:2	237-30	1	O-Ring
14	99-4222-03	1	Bracket-Hose
15	2412-4	1	Clamp
16	110-4008	1	HYD Hose ASM
20	2412-137	1	Clamp-R, Double
21	33114-020	1	Screw-HH
22	33024-00	1	Nut-Lock
23	94-5350	2	Tee-Bulkhead
23:1	237-65	3	O-Ring
24	99-4221	1	Retainer-Hose
25	3296-29	2	Nut-Lock, NI
26	94-5352	1	Retainer-Hose
27	3290-378	1	Tie-Cable



## Left Hand and Right Hand Lift Arm Assembly

Ref.	Part Number	Qty.	Description	Ref.	Part Number	Qty.	Description
1	105-3821	2	HYD Cylinder ASM	19	105-3809	1	Spring-Torsion, RH
2	340-132	4	Fitting-HYD, 90 DEG	20	105-3818	1	Spring-Torsion, LH
2:1	237-78	1	O-Ring	21	99-4213	1	RH Lift Arm ASM
2:2	237-21	1	O-Ring	21:2	92-8995	2	Bushing
3	108-6505	1	Hose ASM	22	99-4212	1	LH Lift Arm ASM
4	112-9193	1	Hose ASM	22:2	92-8995	2	Bushing
5	10-6060	2	Pin-Pivot	23	3272-11	2	Pin-Cotter
6	94-8198	2	Pin	24	93-2254	2	HYD Hose ASM
7	3296-25	6	Nut-Lock, NI	26	325-7	8	Screw-HH
8	32104-32	4	Screw-HWH	27	3218-5	3	Nut-Jam
9	283-68	2	Pin-Clevis	28	93-2384	2	Spacer-Carrier
11	99-4115	2	Front Lift Frame ASM	31	302-60	2	Fitting-Grease
11:1	98-4166	2	Bushing	34	302-5	2	Fitting-Grease
11:2	94-9610	2	Bushing-Flange	35	74-3730	2	Spacer-Spindle, Rear
12	33096-00	4	Washer-Flat	38	32144-69	4	Screw-HWH, Thd Roll
13	105-3838	2	Spacer	40	325-14	2	Screw-HH
15	3256-26	4	Washer-Flat	41	3296-54	6	Nut-Lock
16	99-4201	4	Tube-Spacer	42	3250-17	6	Screw-PPH
17	99-4258	1	RH Link Bracket ASM	43	99-4111-01	1	Plate-Transport, 1 And 3
17:2	99-4243	2	Bushing-Flange	44	99-4112-01	1	Plate-Transport, 2
18	99-4260	1	LH Link Bracket ASM	51	99-4225	2	Pad-Wear
18:2	99-4243	2	Bushing-Flange	52	99-4072	2	Spacer

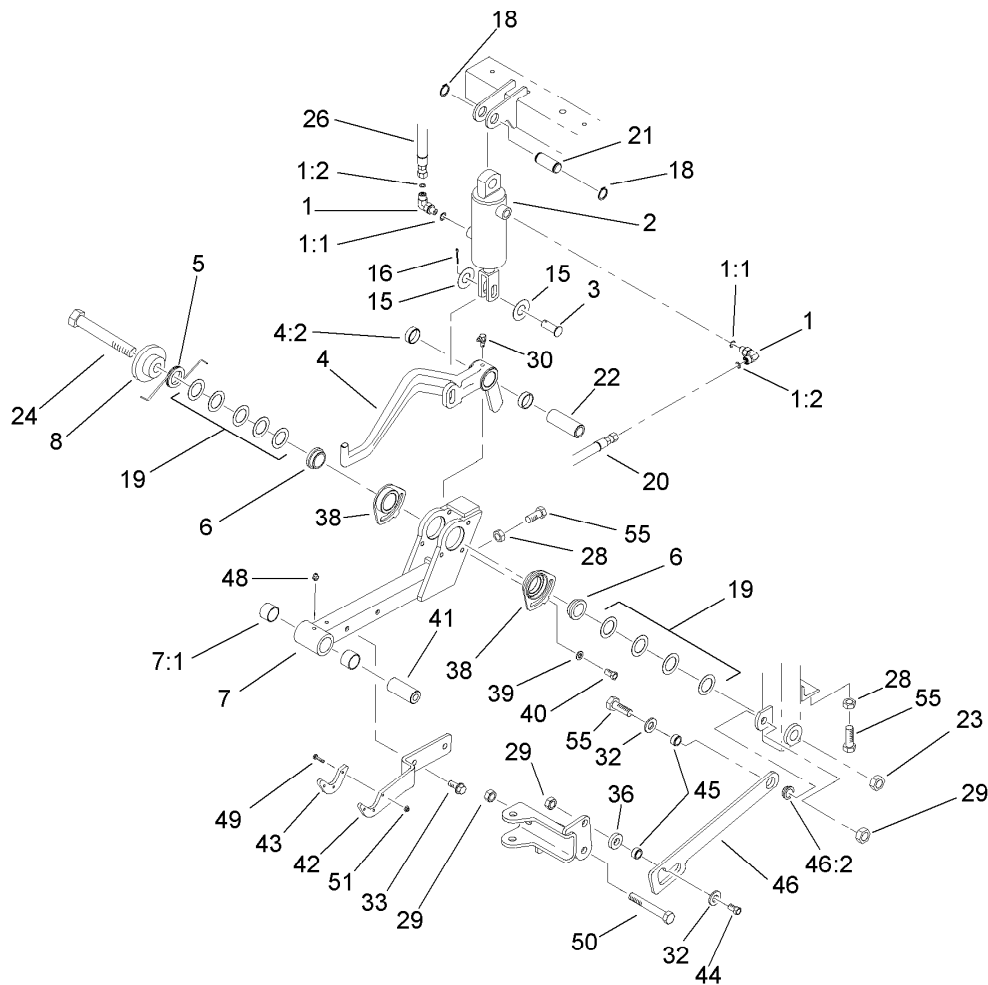


## Hydraulic Cylinder Assembly No. 105-3821

<i>Ref.</i>	<i>Part Number</i>	<i>Qty.</i>	<i>Description</i>
1	105-3836	1	Seal Kit
1:1		1	T-Seal ●
1:2		1	O-Ring ●
1:3		1	Seal-Rod ●
1:4		1	O-Ring ●
1:5		1	Backup ●
1:6		1	Seal-Dust ●

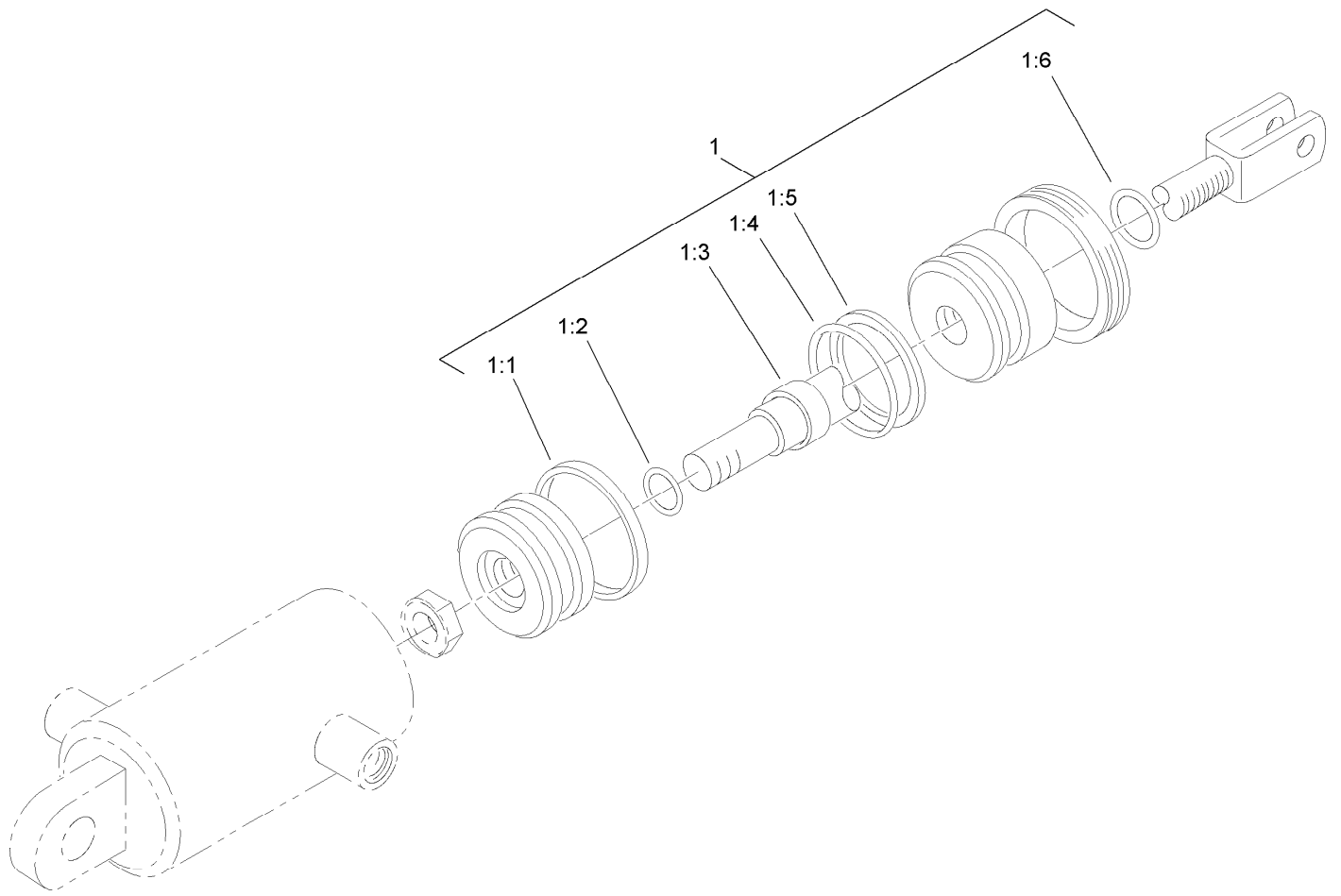
● Not serviced separately





## Center Lift Arm Assembly

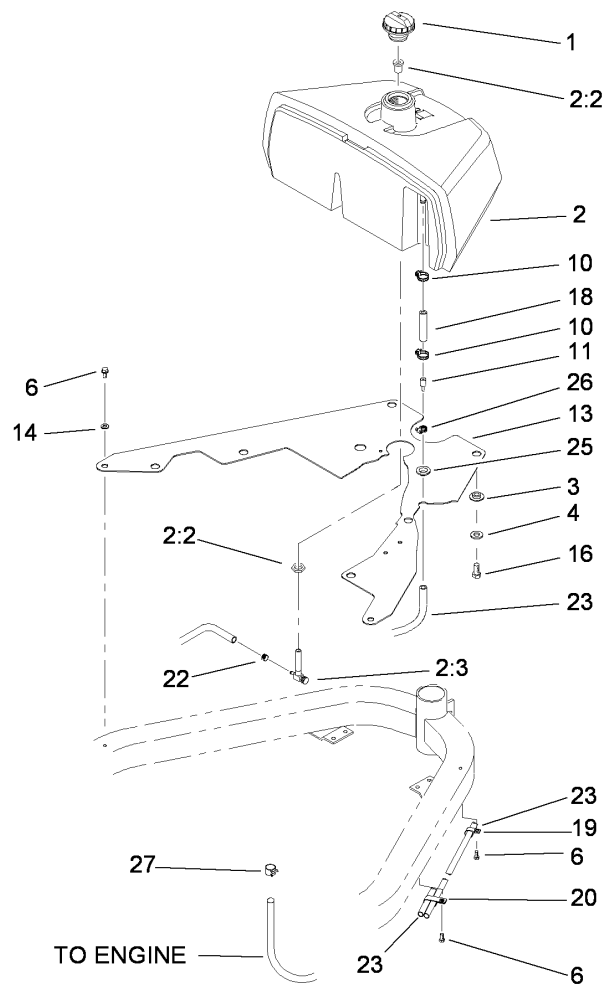
<i>Ref.</i>	<i>Part Number</i>	<i>Qty.</i>	<i>Description</i>	<i>Ref.</i>	<i>Part Number</i>	<i>Qty.</i>	<i>Description</i>
1	340-132	2	Fitting-HYD, 90 DEG	28	3218-5	2	Nut-Jam
1:1	237-78	1	O-Ring	29	3296-25	3	Nut-Lock, NI
1:2	237-21	1	O-Ring	30	302-60	1	Fitting-Grease
2	105-3820	1	HYD Cylinder ASM	32	3256-26	2	Washer-Flat
3	283-68	1	Pin-Clevis	33	32144-69	2	Screw-HWH, Thd Roll
4	99-4126	1	Center Lift Arm ASM	36	99-4248	1	Spacer
4:2	92-8995	2	Bushing	38	98-4618	2	Bushing-Eccentric
5	105-9781	1	Spring-Torsion	39	3256-74	2	Washer-Flat
6	98-2197	2	Bushing-Flange	40	33114-016	2	Screw-HH
7	99-4116	1	Rear Lift Frame ASM	41	99-4072	1	Spacer
7:1	98-4166	2	Bushing	42	99-4111-01	1	Plate-Transport, 1 And 3
8	105-9779	1	Guide-Spring	43	99-4225	1	Pad-Wear
15	33096-00	2	Washer-Flat	44	325-7	1	Screw-HH
16	3272-11	1	Pin-Cotter	45	99-4201	2	Tube-Spacer
18	32120-72	2	Ring-Snap	46	99-4246	1	Link Bracket ASM
19	63-2290	9	Washer-Thrust	46:2	99-4243	1	Bushing-Flange
20	112-9185	1	Hose-HYD	48	302-5	1	Fitting-Grease
21	94-3452	1	Pin	49	3250-17	3	Screw-PPH
22	94-8199	1	Tube-Pivot	50	325-14	1	Screw-HH
23	3296-53	1	Nut-Lock, NI	51	3296-54	3	Nut-Lock
24	327-25	1	Screw-HH	55	325-7	3	Screw-HH
26	106-7981	1	Hose-HYD				



## Hydraulic Cylinder Assembly No. 105-3820

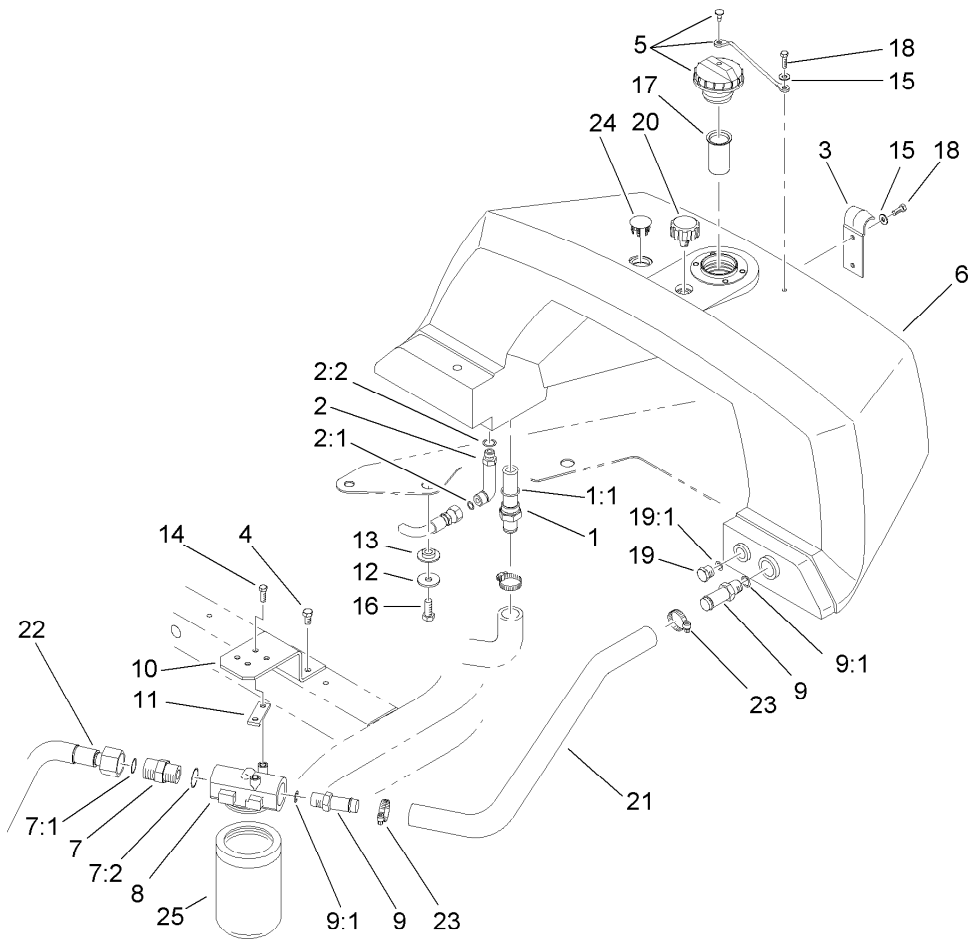
<i>Ref.</i>	<i>Part Number</i>	<i>Qty.</i>	<i>Description</i>
1	105-3836	1	Seal Kit
1:1		1	T-Seal ●
1:2		1	O-Ring ●
1:3		1	Seal-Rod ●
1:4		1	O-Ring ●
1:5		1	Backup ●
1:6		1	Seal-Dust ●

● Not serviced separately



## Fuel System Assembly

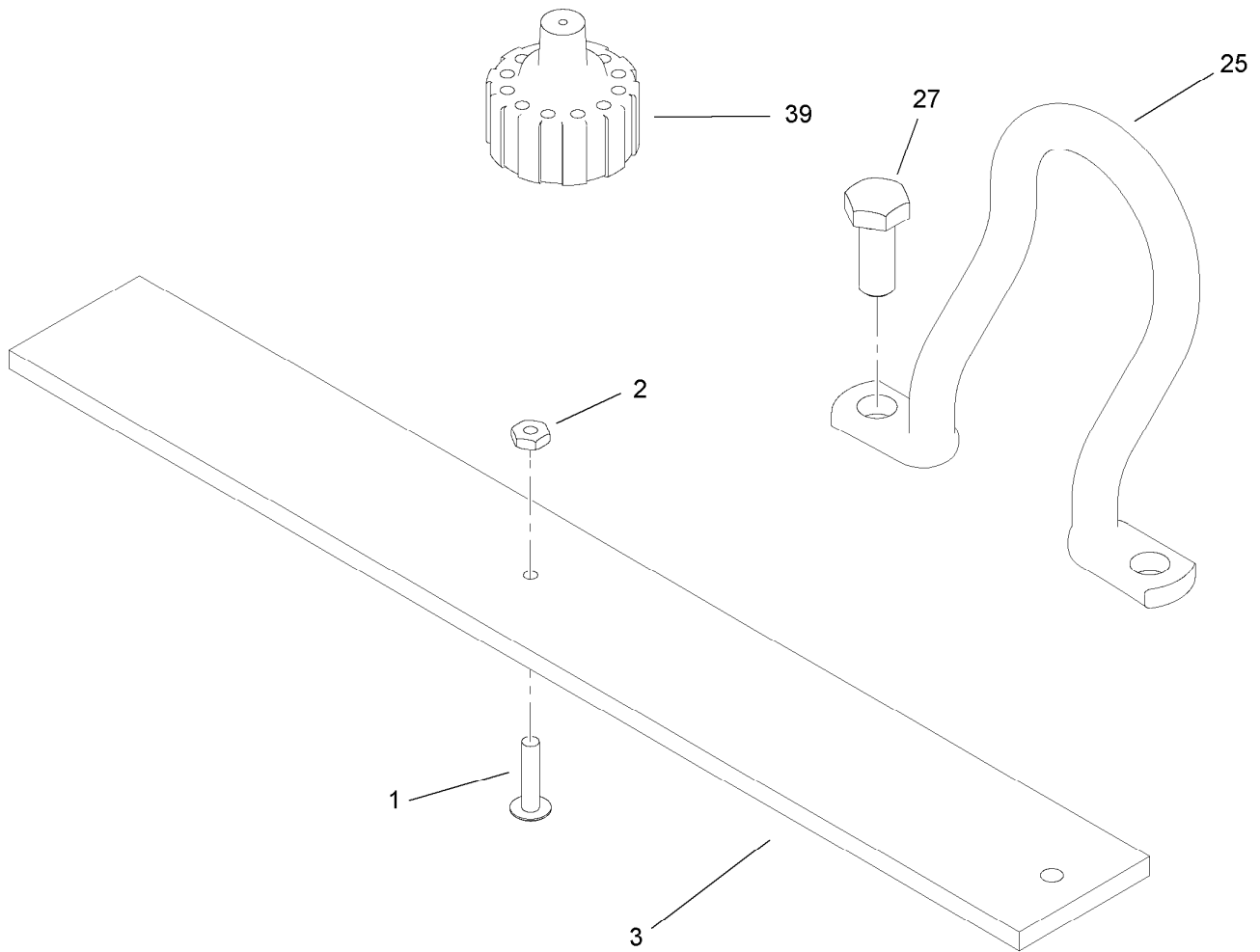
<i>Ref.</i>	<i>Part Number</i>	<i>Qty.</i>	<i>Description</i>
1	115-5305	1	Cap-Fuel
2	114-4680	1	Tank ASM
2:2	114-4677	1	Bulkhead ASM
2:3	114-4679	1	Fitting-90 DEG, W/Strainer
3	240-11	3	Bushing-Flange
4	93-4637	3	Washer-Flat
6	32104-32	5	Screw-HWH
10	2412-36	2	Clamp-Hose
11	112-0212	1	Fitting-Fuel
13	94-1364-03	1	Plate ASM
14	3256-23	2	Washer-Flat
16	33115-020	3	Screw-HH
18	106-1128	1	Hose-Fuel
19	2412-41	1	Clamp
20	92-5753	1	Clamp-Hose
22	92-2379	1	Clamp-Hose
23	110-3958	1	Hose-Fuel
25	237-124	1	Grommet
26	2412-108	1	Clamp-Worm
27	2412-146	1	Clamp-Hose



## Hydraulic Tank and Filter Assembly

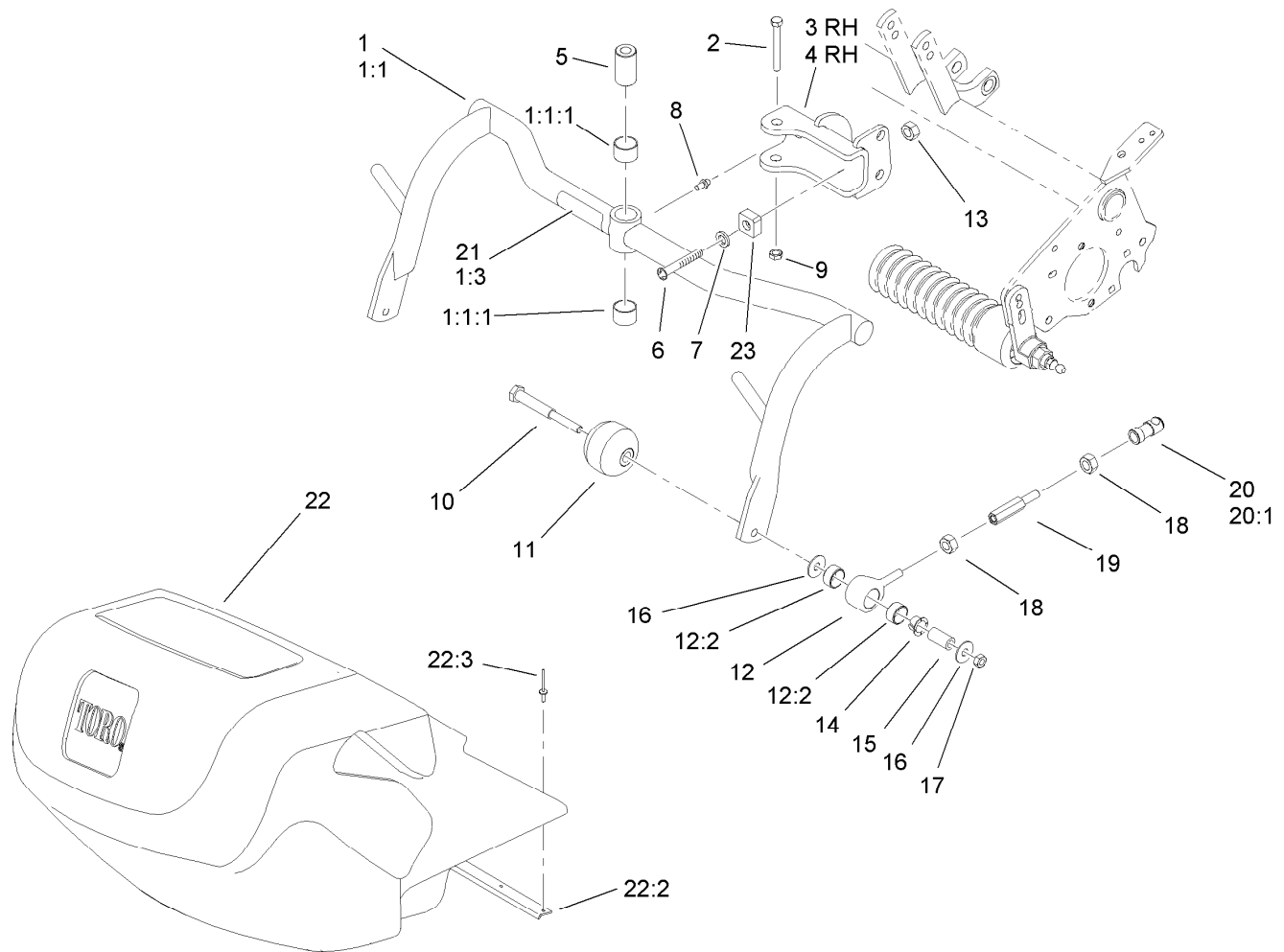
Ref.	Part Number	Qty.	Description
1	112-0211	1	Strainer Fitting ASM
1:1	237-146	1	O-Ring
2	69-4320	1	Fitting-HYD, 90 DEG
2:1	237-22	1	O-Ring
2:2	237-42	1	O-Ring
3	93-2438	1	Clamp-Tank, Fuel
4	32104-32	2	Screw-HWH
5	93-7160	1	Cap-Oil, HYD
6	93-2235	1	Tank-HYD
7	340-9	1	Fitting-Straight
7:1	237-58	1	O-Ring
7:2	237-81	1	O-Ring
8	92-5821	1	Filter Head ASM
9	354-73	2	Fitting-Straight
9:1	237-81	1	O-Ring
10	105-9793-03	1	Mount-Filter, Oil

Ref.	Part Number	Qty.	Description
11	105-4309	1	Plate-Filter
12	93-4637	4	Washer-Flat
13	240-11	4	Bushing-Flange
14	321-5	2	Screw-HH
15	3256-1	3	Washer-Flat
16	33115-020	4	Screw-HH
17	93-2275	1	Screen-Filler
18	33113-016	3	Screw-HH
19	353-988	1	Plug-Hex
19:1	237-79	1	O-Ring
20	68-6150	1	Breather
21	94-9607	1	Hose-Return
22	94-4518	1	Tube ASM
23	2412-129	2	Clamp-Hose
24	93-2437	1	Plug-Serrated
25	107-9531	1	Filter-Oil, HYD



## Miscellaneous Part Assembly

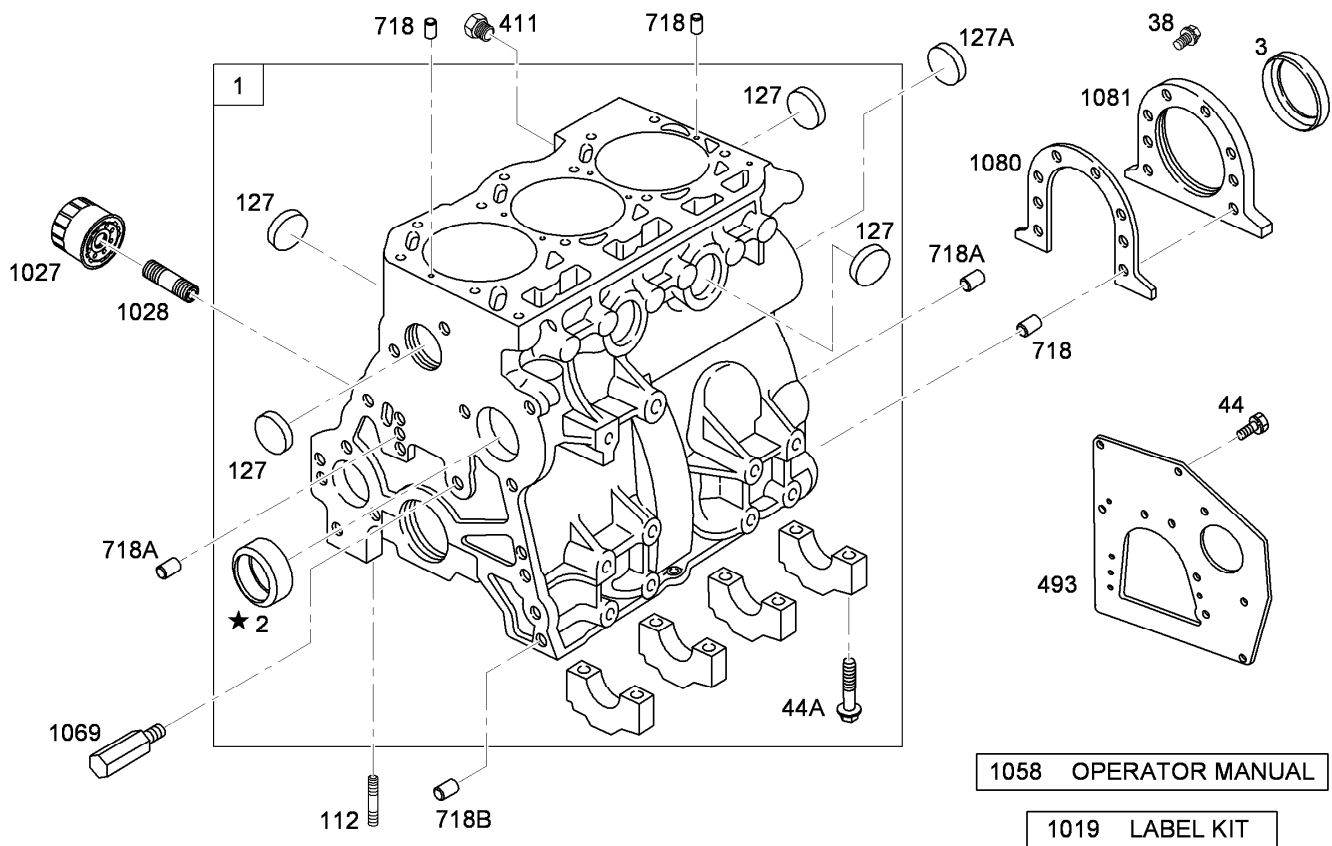
<i>Ref.</i>	<i>Part Number</i>	<i>Qty.</i>	<i>Description</i>
1	32122-22	1	Screw-HH
2	3219-14	1	Nut-Hex
3	65-8320	1	Bar-Gauge
25	110-2397	3	Hook-Lift, Offset (1.25 Inch)
27	33115-025	6	Screw-HH
39	92-8020	1	Adapter-Breather



## Pull Frame Assembly

Ref.	Part Number	Qty.	Description	Ref.	Part Number	Qty.	Description
1	99-4114	3	Pull Frame ASM	12:2	95-0532	2	Rubber Bushing ASM
1:1		1	Pull Frame And Bushing ASM ●	13	3296-12	3	Nut-Lock, NI
1:1:1	98-4166	2	Bushing	14	104-7738	12	Bushing-Flange
1:3	104-7728	1	Decal-Danger	15	108-6544	6	Spacer
2	325-13	3	Screw-HH	16	52-2860	12	Washer
3	99-4183-01	2	RH Clevis ASM	17	3296-59	6	Nut-Lock, NI
4	99-4182-01	1	LH Clevis ASM	18	3220-3	12	Nut-HJ
5	99-4109	3	Spacer	19	88-6870	6	Extension-Arm, Pull
6	78-8710	3	Screw	20	99-1460	6	Ball Joint Receiver ASM
7	3256-77	3	Washer-Flat	20:1	99-1461	1	Sleeve-Joint, Ball
8	302-5	3	Fitting-Grease	21	104-7729	3	Decal-Danger, Ce
9	3296-25	3	Nut-Lock, NI	22	106-4689	3	Grass Basket ASM
10	108-6543	6	Shaft-Roller	22:2	104-2607	1	Strip-Basket
11	99-4210	6	Roller-Anti Scalp	22:3	3290-382	8	Rivet-Pop
12	108-6542	6	Pull Link ASM	23	94-1392	3	Pad-Rubber

● Not serviced separately

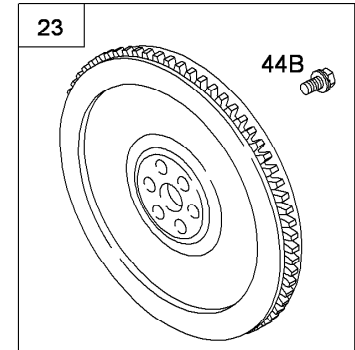
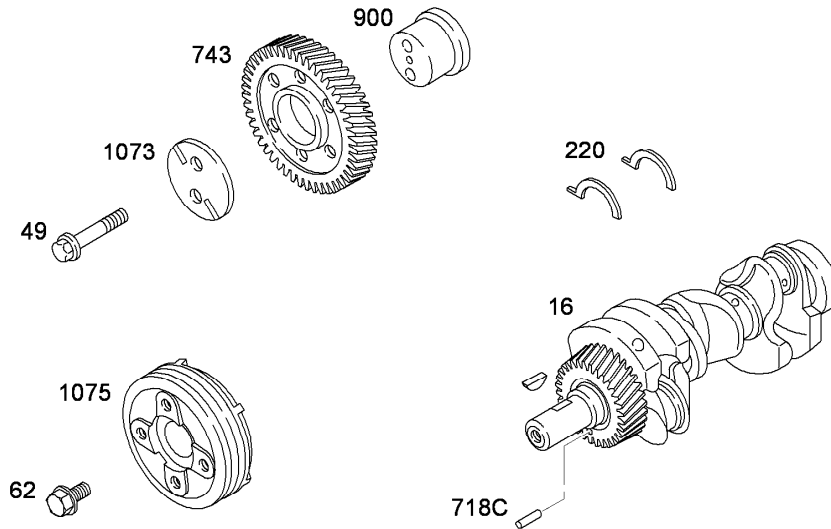
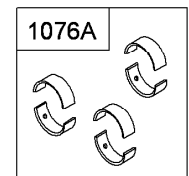
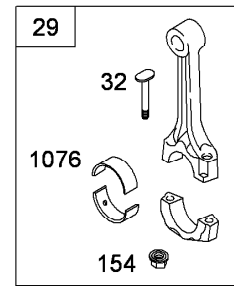
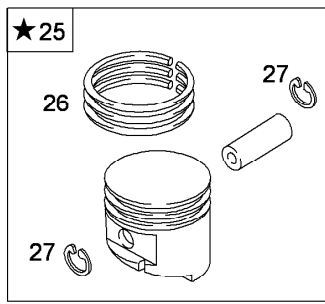
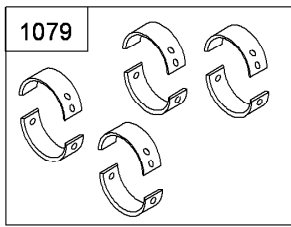


★ Requires Special Tools To Install  
See Repair Manual For Instructions

Assemblies include all parts shown in frames

## Cylinder Assembly

Ref.	Part Number	Qty.	Description
1	100-6401	1	Cylinder ASM
2	99-9002	1	Bushing
3	99-9003	1	Seal-Oil
38	99-9004	6	Screw-Hex
44	99-9005	3	Screw-Hex
44A	99-9006	8	Screw-Hex
112	99-9007	1	Stud-Metric
127	99-9008	7	Plug-Welch
127A	99-9010	1	Plug-Welch
411	99-9601	1	Plug (Cylinder Block)
493	100-3195	1	Bracket-Mounting
718	99-9012	4	Pin-Locating
718A	99-9013	3	Pin-Locating
718B	99-9014	2	Pin-Locating
1019	99-9015	1	Label Kit
1027	99-9017	1	Filter-Oil
1028	99-9018	1	Adapter-Filter, Oil
1058	99-9602	1	Manual-Owners
1069	99-9020	1	Nozzle-Oil
1080	99-9021	1	Gasket-Retainer
1081	99-9022	1	Retainer-Seal



★ Requires Special Tools To Install  
See Repair Manual For Instructions

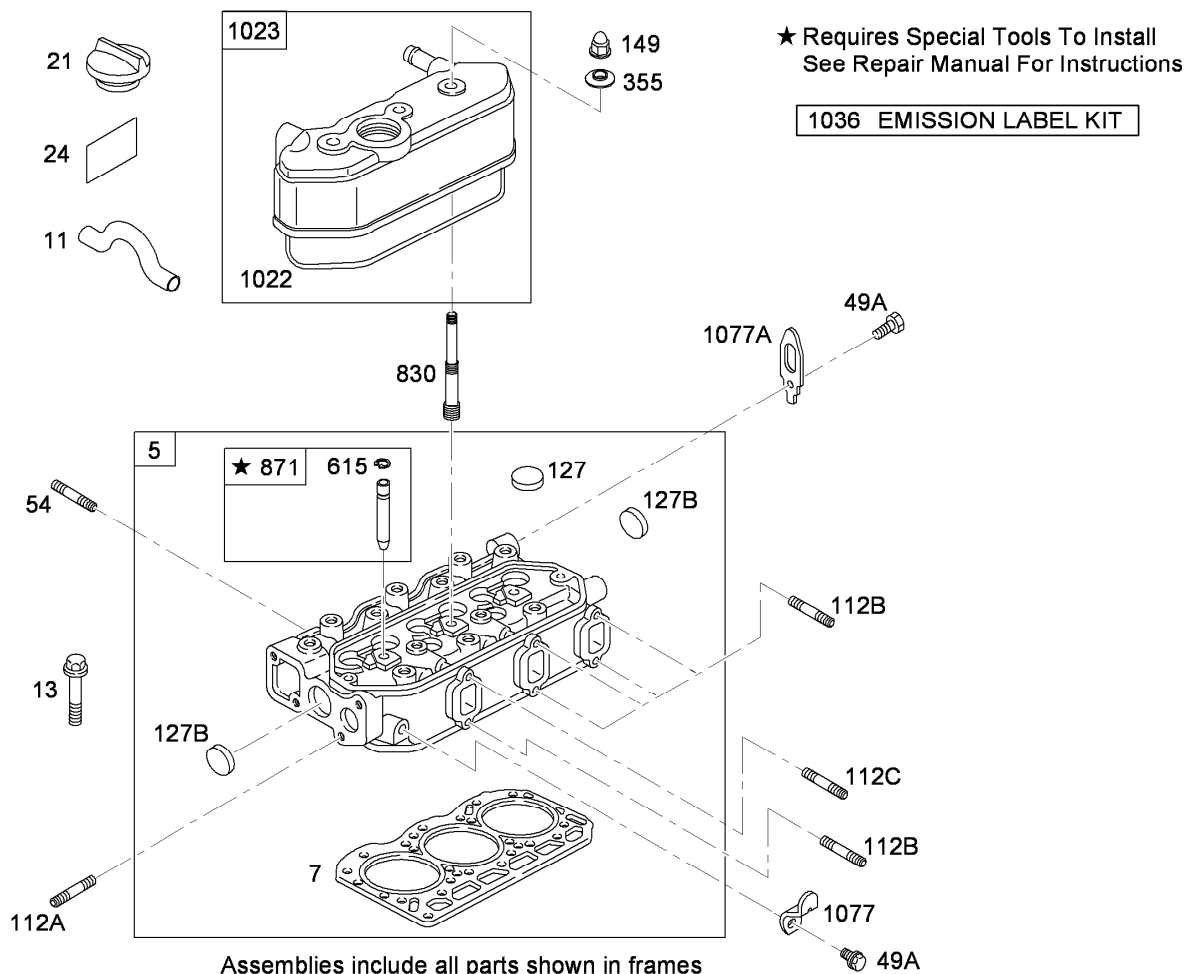
Assemblies include all parts shown in frames

## Crankshaft Assembly

Ref.	Part Number	Qty.	Description
16	99-9252	1	Crankshaft
23	99-9267	1	Flywheel
25	99-9605	3	Piston ASM
25	99-9268	3	Piston ASM (.010 In Oversized)
26	99-9606	3	Ring Set
26	99-9269	3	Ring Set (.010 Oversized)
27	99-9607	6	Lock-Pin, Piston
29	99-9608	3	Rod-Connecting
32	99-9030	6	Screw
49	99-9032	2	Screw-Hex
62	99-9033	1	Screw-Hex
154	99-9034	6	Nut-Hex
220	99-9035	1	Shim-Endplay
220	99-9036	1	Shim-Endplay (.005 Oversized)

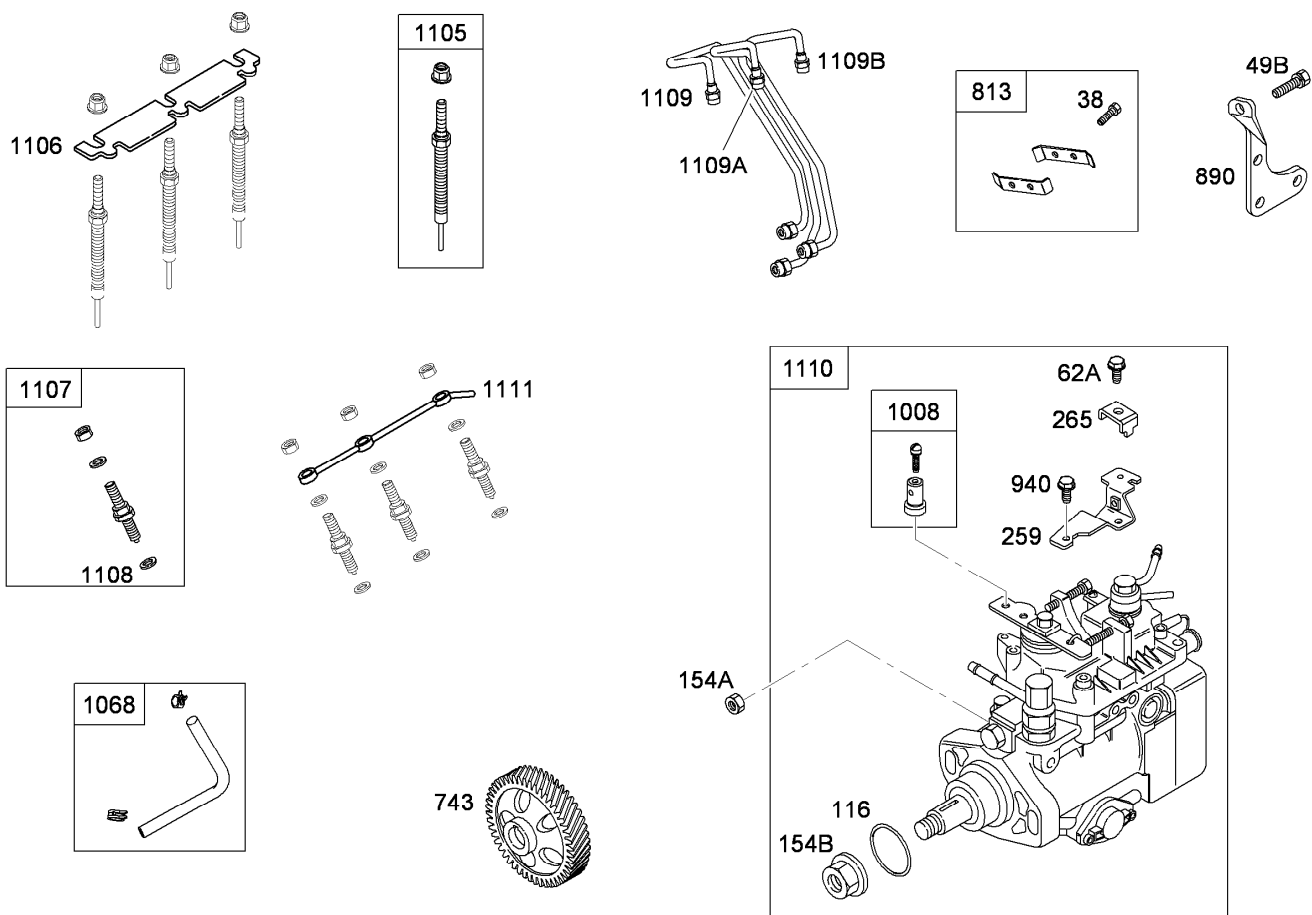
Ref.	Part Number	Qty.	Description
44B	99-9031	6	Screw-Hex
743	99-9609	1	Gear-Drive
900	99-9039	1	Shaft-Gear
1073	99-9040	1	Plate-Gear, Idler
1075	99-9692	1	Pulley-Crankshaft
1076	99-9042	1	Bearing-Rod
1076A	99-9043	3	Rod Bearing Set
1076A	99-9044	3	Rod Bearing Set (.010 Undersized)
1079	99-9045	1	Main Bearing Set (Set Of 8)
1079	99-9046	1	Main Bearing Set (.010 Undersized)
718C	99-9037	1	Pin-Locating





## Cylinder Head Assembly

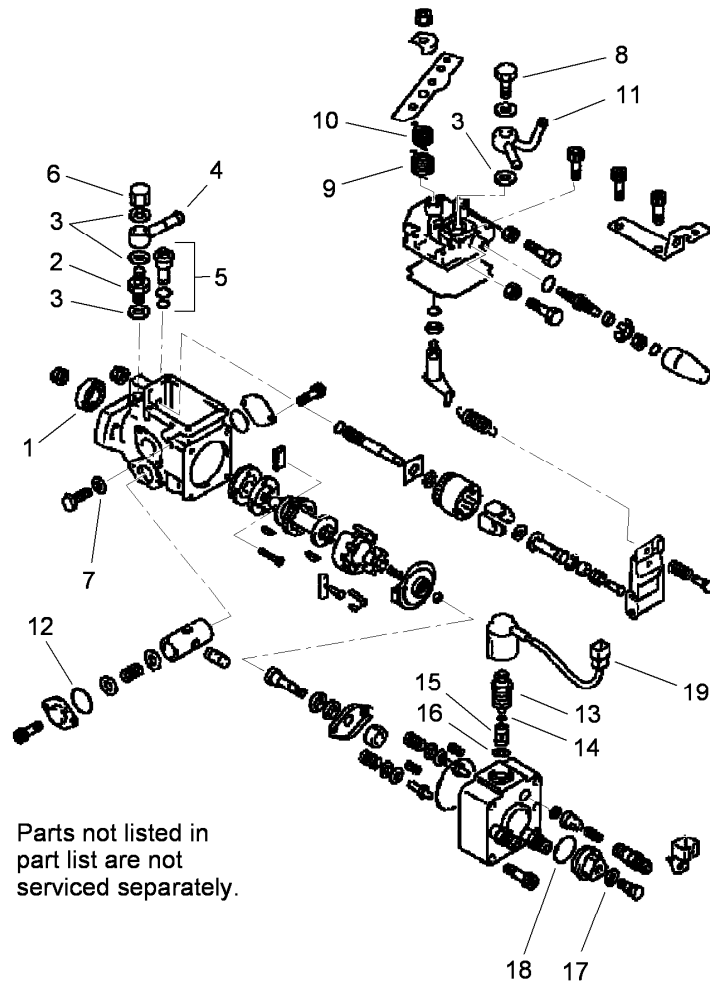
Ref.	Part Number	Qty.	Description
5	99-9611	1	Head-Cylinder
7	99-9612	1	Gasket-Head, Cylinder
11	104-7743	1	Tube-Breather
13	99-9614	14	Screw-Metric
21	99-9052	1	Cap-Fill, Oil
24	105-3817	1	Label-Fill, Oil
54	99-9055	2	Stud-Metric
127	99-9008	2	Plug-Welch
127B	99-9060	2	Plug-Welch
149	99-9061	3	Nut-Hex, Metric
355	99-9063	3	Washer-Seal
49A	99-9054	2	Screw-Hex
615	99-9067	6	Retainer
830	99-9101	3	Stud-Arm, Rocker
871	99-9070	6	Bushing-Guide
1022	99-9073	1	Gasket-Cover, Rocker
1023	100-6402	1	Cover-Rocker
1036	99-9615	1	Emission Label Kit
1077	99-9076	1	Bracket-Lifting
1077A	99-9077	1	Bracket-Lifting
112A	99-9057	2	Stud-Metric
112B	99-9058	5	Stud-Metric
112C	99-9059	1	Stud-Metric



Assemblies include all parts shown in frames

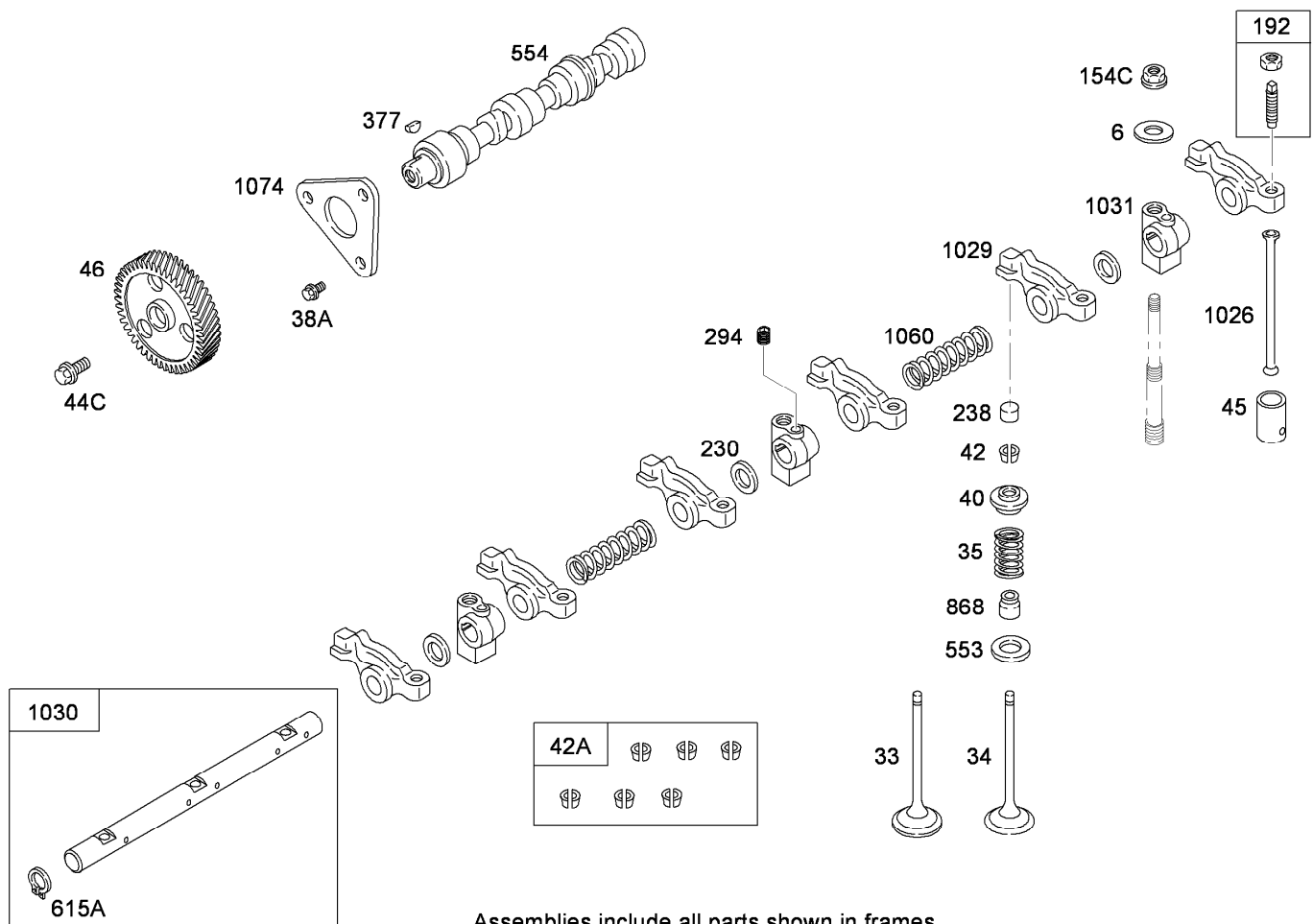
## Injection Assembly

Ref.	Part Number	Qty.	Description
38	99-9004	2	Screw-Hex
49B	99-9616	4	Screw-Hex
62A	100-6403	1	Screw-Metric
116	99-9618	1	O-Ring
154A	99-9619	2	Nut-Hex, Metric
154B	99-9620	1	Nut-Hex, Metric
259	99-9621	1	Bracket-Clamp, Casing
265	99-9622	1	Clamp-Casing
743	99-9624	1	Gear-Drive
813	99-9625	1	Clamp
890	99-9626	1	Bracket-Support
940	100-6410	2	Screw-Hex
1008	99-9628	1	Clamp-Swivel
1068	99-9629	1	Hose / Clamp ASM
1105	114-4695	3	Plug-Glow
1106	99-9631	1	Strap-Plug, Glow
1107	114-4696	3	Injection Nozzle
1108	99-9633	3	Seat-Injector
1109	99-9690	1	Pipe-Injector, No. 1
1109A	99-9634	1	Pipe-Injector, No. 2
1109B	99-9635	1	Pipe-Injector, No. 3
1110	114-4697	1	Pump-Injection
1111	99-9637	1	Pipe-Return, Fuel



## Injection Assembly No. 114-4697

<i>Ref.</i>	<i>Part Number</i>	<i>Qty.</i>	<i>Description</i>
1	100-5190	1	Seal-Oil
2	100-5234	1	Screw-Hollow
3	100-5221	5	Washer
4	100-5222	1	Nipple ASM
5	100-5230	1	Valve ASM
6	100-5302	1	Nut-Cap
7	100-5314	2	Gasket-Delivery
8	100-5220	1	Screw ASM
9	100-5226	1	Spring-Return
10	100-5228	1	Spring-Return
11	100-5307	1	Nipple ASM
12	100-5202	2	O-Ring
13	100-5161	1	Solenoid ASM
14	100-5162	1	O-Ring
15	100-5303	1	Filter ASM
16	100-5304	1	Washer
17	100-5205	1	Gasket-Delivery
18	100-5206	1	O-Ring
19	100-5212	1	Wire ASM

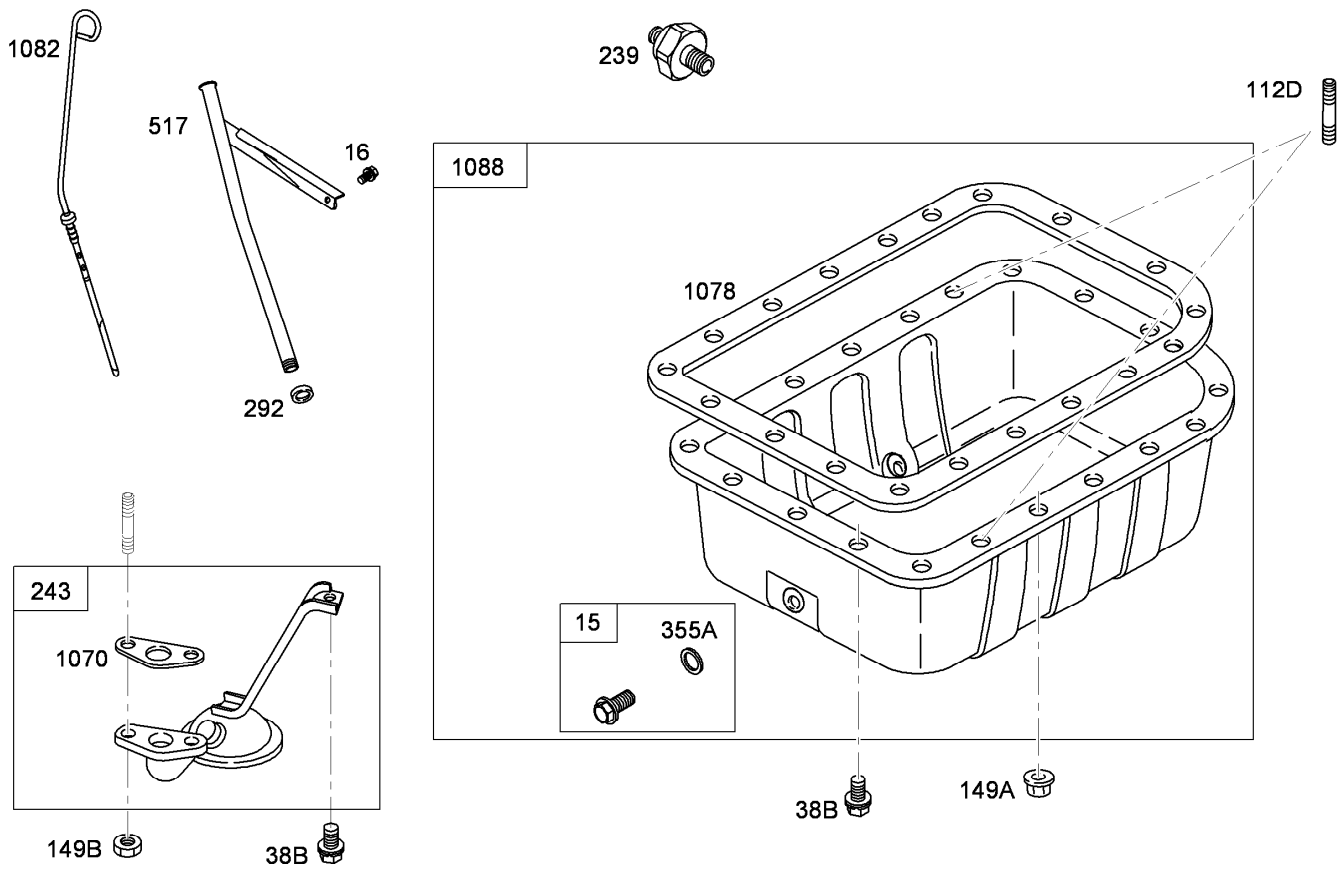


Assemblies include all parts shown in frames

## Rocker Arm Assembly

Ref.	Part Number	Qty.	Description
6	99-9079	3	Washer-Flat
33	99-9638	3	Valve-Exhaust
34	99-9639	3	Valve-Intake
35	99-9640	6	Spring-Valve
40	99-9084	6	Retainer-Valve
42	99-9086	1	Keeper-Valve (Set)
42A	99-9087	6	*obs* Keeper-Valve (Set Of 6)
45	99-9088	6	Tappet-Valve
46	99-9641	1	Gear-Cam
192	99-9092	6	Adjuster-Arm, Rocker
230	99-9093	3	Washer-Spacer
238	99-9094	6	Cap-Valve
294	99-9090	1	Screw-Metric

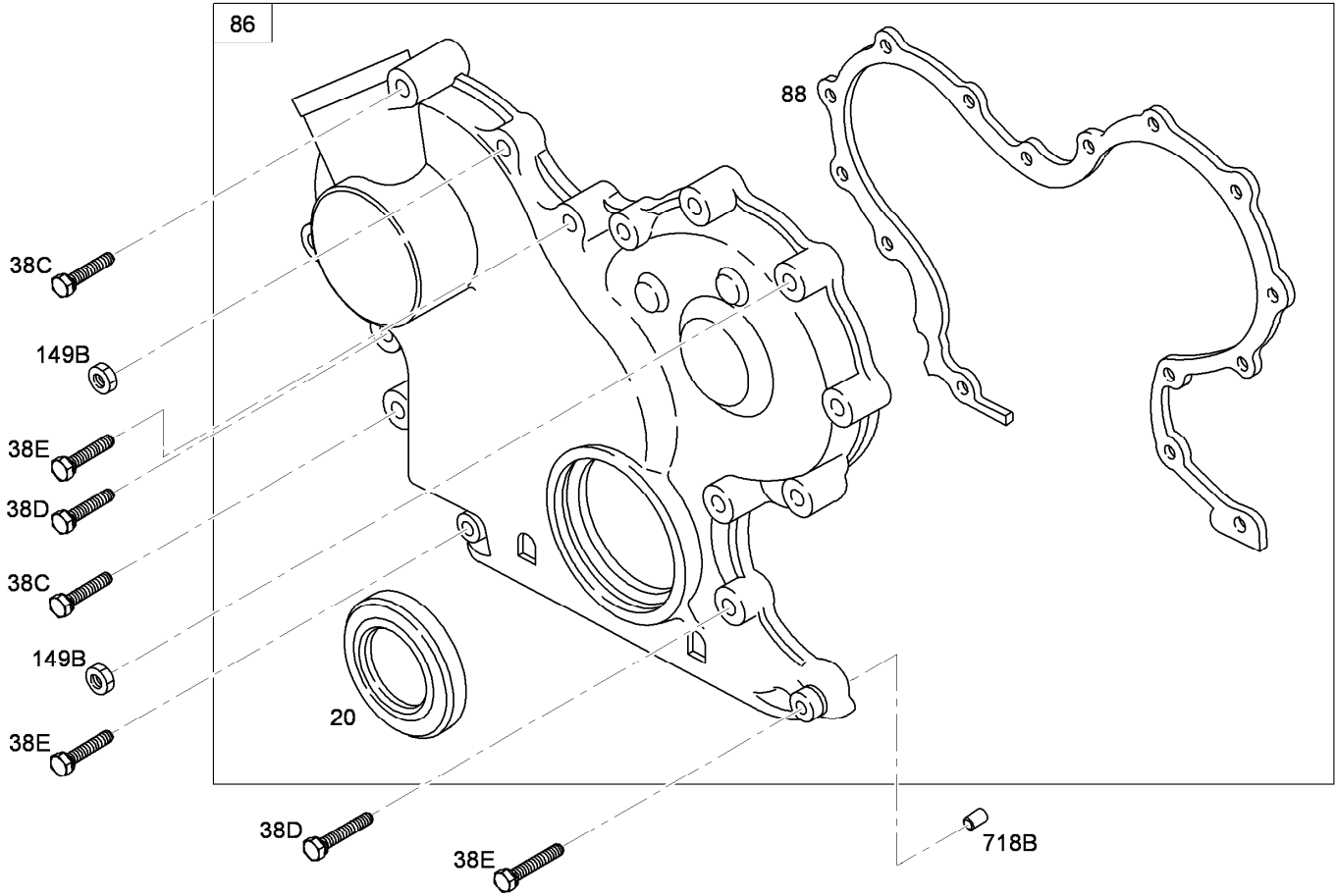
Ref.	Part Number	Qty.	Description
377	99-9642	1	Key-Timing
38A	99-9083	3	Screw-Hex
44C	99-9085	1	Screw-Metric
553	99-9096	6	Seat-Spring, Valve
554	99-9097	1	Shaft-Cam
868	99-9643	6	Seal-Valve
1026	99-9103	6	Rod-Push
1029	99-9104	1	Arm-Rocker
1030	99-9106	1	Shaft-Arm, Rocker
1031	99-9107	3	Support-Arm, Rocker
1060	99-9108	2	Spring-Shaft, Rocker
1074	99-9109	1	Retainer-Camshaft
154C	99-9091	3	Nut-Hex, Metric
615A	99-9099	2	Retainer



Assemblies include all parts shown in frames

## Oil Pan Assembly

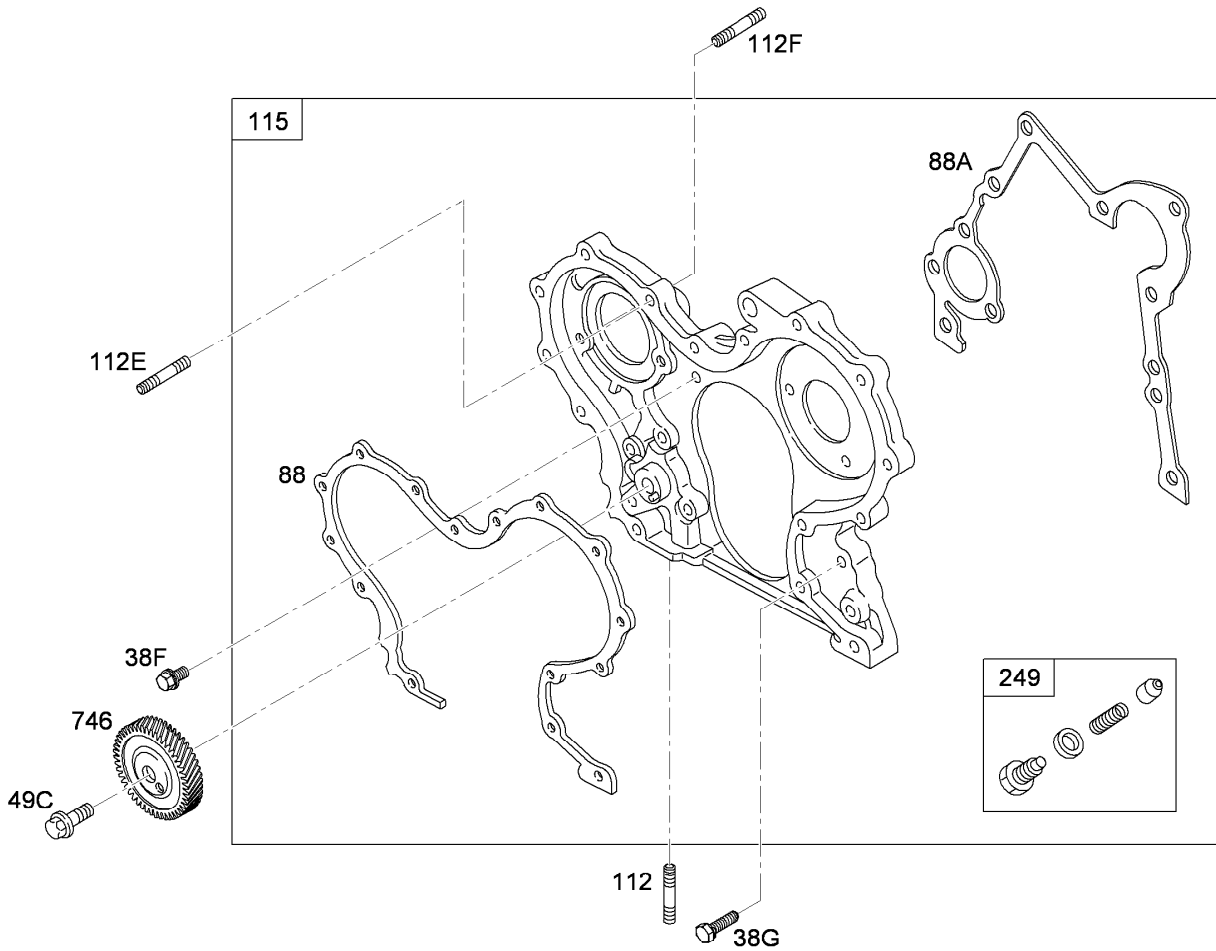
<i>Ref.</i>	<i>Part Number</i>	<i>Qty.</i>	<i>Description</i>
15	99-9644	1	Plug-Drain, Oil
16	99-9256	1	Screw-Hex
239	99-9115	1	Switch-Pressure, Oil
243	99-9116	1	Screen-Pump, Oil
292	99-9265	1	Seal-O-Ring
38B	99-9111	18	Screw-Hex
517	100-6406	1	Tube-Dipstick
1070	99-9120	1	Gasket-Strainer, Oil
1078	99-9121	1	Gasket-Pan, Oil
1082	100-6405	1	Dipstick
1088	99-9649	1	Pan-Oil
112D	99-9112	2	Stud-Metric
149A	99-9113	2	Nut-Hex, Metric
149B	99-9114	2	Nut-Hex, Metric
355A	99-9645	1	Washer-Seal



Assemblies include all parts shown in frames

## Gear Cover Assembly

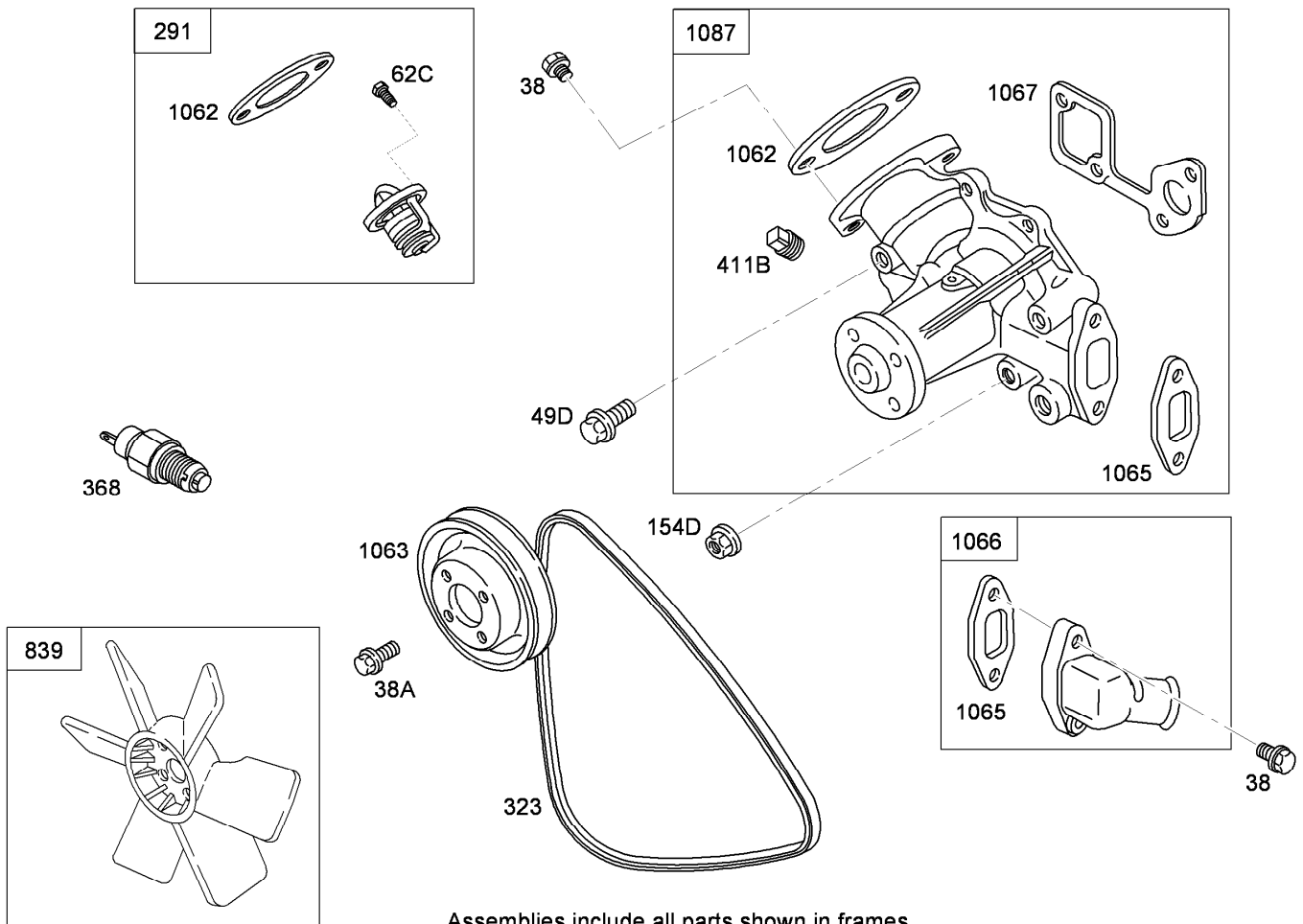
<i>Ref.</i>	<i>Part Number</i>	<i>Qty.</i>	<i>Description</i>
20	99-9126	1	Seal-Oil
86	99-9652	1	Gear Cover ASM
88	99-9653	1	Gasket-Cover, Gear
38C	99-9651	2	Screw-Hex
38D	99-9128	9	Screw-Hex
38E	99-9129	3	Screw-Hex
149B	99-9114	2	Nut-Hex, Metric
718B	99-9014	1	Pin-Locating



Assemblies include all parts shown in frames

## Gear Housing Assembly

<i>Ref.</i>	<i>Part Number</i>	<i>Qty.</i>	<i>Description</i>
88	99-9653	1	Gasket-Cover, Gear
88A	99-9136	1	Gasket-Cover, Gear Reduction
112	99-9007	1	Stud-Metric
112E	99-9137	2	Stud-Metric
112F	99-9654	2	Stud-Metric
115	99-9655	1	Housing-Gear
249	99-9142	1	Valve-Relief, Oil
38F	99-9134	1	Screw-Hex
38G	99-9133	4	Screw-Hex
49C	99-9135	1	Screw-Hex
746	99-9656	1	Gear-Drive

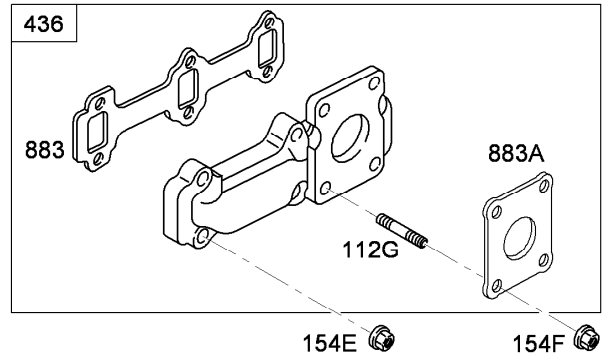
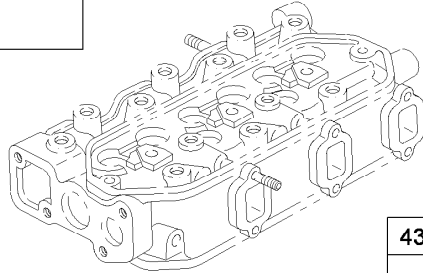
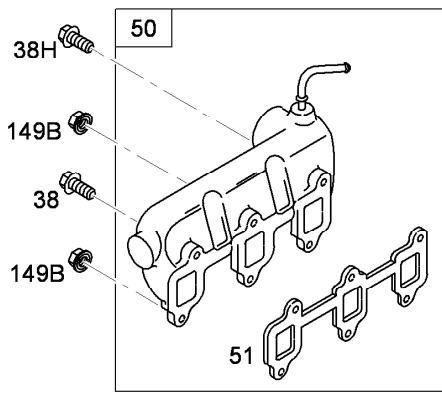


Assemblies include all parts shown in frames

## Water Pump Assembly

Ref.	Part Number	Qty.	Description
38	99-9004	2	Screw-Hex
38A	99-9111	4	Screw-Hex
291	99-9155	1	Thermostat
323	99-8153	1	Belt-V
368	99-9157	1	Switch-Temperature, Water
49D	99-9151	2	Screw-Hex
62C	99-9152	1	Screw-Metric
839	93-2090	1	Fan-Engine
1062	99-9163	1	Gasket-Housing, Outlet
1063	99-9164	1	Pulley-Pump
1065	99-9166	1	Gasket-Housing, Inlet
1066	99-9167	1	Housing-Inlet
1067	99-9168	1	Gasket-Pump, Water
1087	105-3832	1	Pump-Water
154D	99-9153	1	Nut-Hex, Metric
411B	99-9159	1	Plug

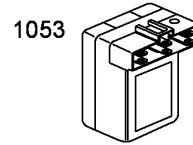
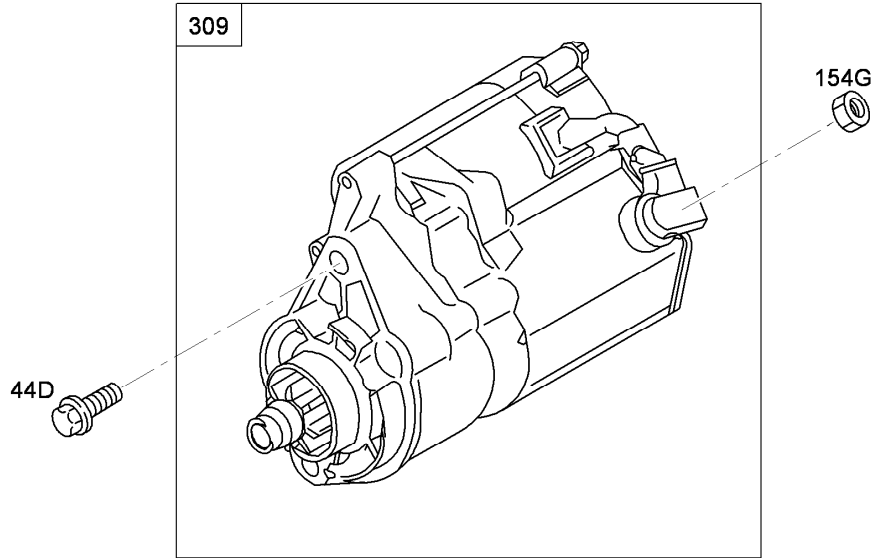
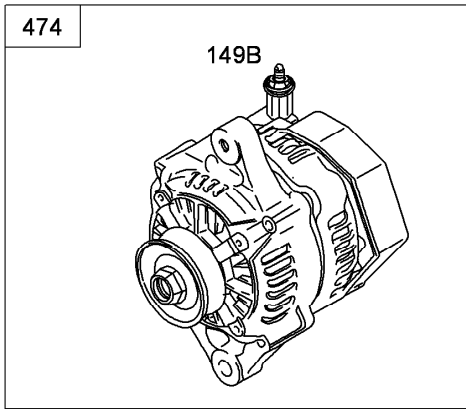




Assemblies include all parts shown in frames

## Manifold Assembly

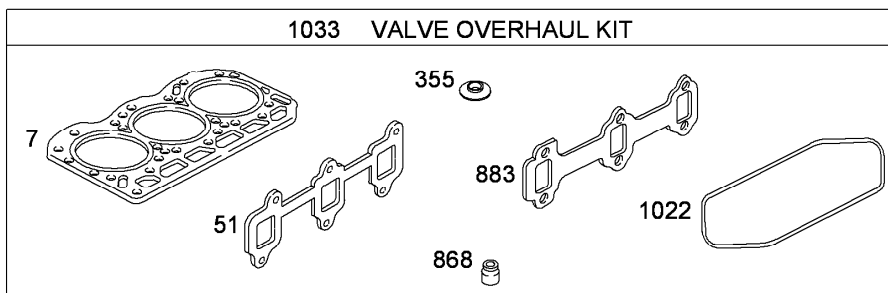
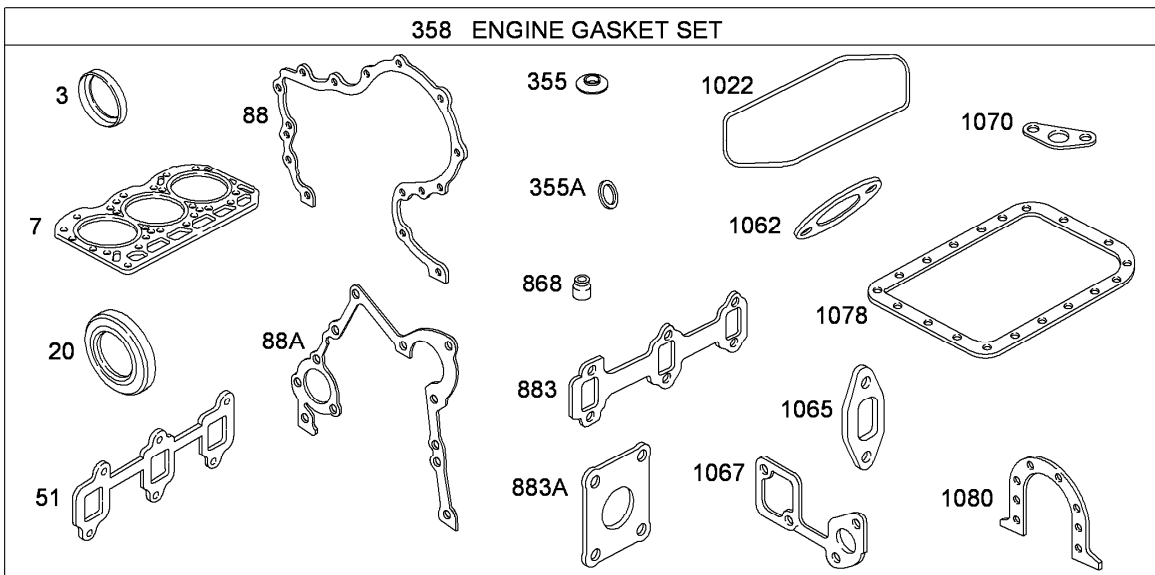
<i>Ref.</i>	<i>Part Number</i>	<i>Qty.</i>	<i>Description</i>
38	99-9004	1	Screw-Hex
38H	99-9660	3	Screw-Hex
50	99-9661	1	Manifold-Intake
51	99-9662	1	Gasket-Intake
436	99-9177	1	Manifold-Exhaust
883	99-9178	1	Gasket-Exhaust
883A	99-9179	1	Gasket-Exhaust
112G	100-6407	4	Stud-Manifold, Exhaust
149B	99-9114	2	Nut-Hex, Metric
154E	99-9175	6	Nut-Hex, Metric
154F	99-9176	4	Nut-Hex



Assemblies include all parts shown in frames

## Alternator and Starter Assembly

<i>Ref.</i>	<i>Part Number</i>	<i>Qty.</i>	<i>Description</i>
44D	99-9201	2	Screw-Hex
149B	99-9114	1	Nut-Hex, Metric
154G	99-9206	1	Nut-Hex, Metric
309	110-2598	1	Motor-Starter
474	99-9209	1	Alternator
1053	114-4676	1	Module



Assemblies include all parts shown in frames

## Gasket Set and Valve Overhaul Kit

Ref.	Part Number	Qty.	Description
3	99-9003	1	Seal-Oil
7	99-9612	1	Gasket-Head, Cylinder
20	99-9126	1	Seal-Oil
51	99-9662	1	Gasket-Intake
88	99-9653	1	Gasket-Cover, Gear
88A	99-9136	1	Gasket-Cover, Gear Reduction
355	99-9063	1	Washer-Seal
355A	99-9645	1	Washer-Seal
358	99-9667	1	Gasket-Set
868	99-9643	6	Seal-Valve
883	99-9178	1	Gasket-Exhaust
883A	99-9179	1	Gasket-Exhaust
1022	99-9073	1	Gasket-Cover, Rocker
1033	99-9668	1	Valve Overhaul Kit
1062	99-9163	1	Gasket-Housing, Outlet
1065	99-9166	1	Gasket-Housing, Inlet
1067	99-9168	1	Gasket-Pump, Water
1070	99-9120	1	Gasket-Strainer, Oil
1078	99-9121	1	Gasket-Pan, Oil
1080	99-9021	1	Gasket-Retainer

# Attachments and Accessories

## For 04383 Greensmaster 3250-D 2-Wheel Drive Traction Unit

<b>Product Name</b>	<b>Model/Part</b>
Turf Evaluator .....	04399
Three-Wheel Drive Kit .....	04475
Spiker Kit .....	04494
Tri-Roller Kit.....	04495
Dethatching Reel ASM .....	04496
Leak Detector Kit .....	04497
Light Kit.....	04551
Roll-Over Protection Kit .....	04552
8-Blade DPA Reel Mower .....	04610
11-Blade DPA Reel Mower .....	04611
14-Blade DPA Reel Mower .....	04616
Hose Adapter Kit.....	100-6430
Premium Bio-Degradable Hydraulic Fluid (Pail).....	100-7674
Oil Cooler Kit.....	104-7701
Ground-Following Suspension Kit .....	104-9400
Radiator Screen Kit.....	105-9766
Premium All Season Hydraulic Fluid (Drum).....	108-1177
Premium All Season Hydraulic Fluid (Pail).....	108-1178
Premium Engine Oil, 10w30 (Drum) .....	108-1179
Premium Engine Oil, 10w30 (Pail) .....	108-1180
Premium Bio-Degradable Hydraulic Fluid (Drum) .....	108-1189
Wheel Weight Kit .....	112-0279
Hydraulic Hose Kit .....	117-2721
MVP Filter Kit.....	30018
400-hour Filter Maintenance Kit.....	30062
Arm Rest Kit.....	30707
Screen-Spark Arrestor.....	94-8157
Tire-Mate, Turf .....	99-4506

**Notes:**

**Notes:**

**Notes:**



**Count on it.**