



**Count on it.**

**Parts Catalog**

**Greensmaster® 3250-D**

Model No. 04383—Serial No. 260000001 and Up

# Ordering Replacement Parts

To order replacement parts, please supply the part number, the quantity, and the description of each part desired.

## Understanding Reference Numbers

Each identified part in an illustration has a reference number. The reference number for a part also appears in the parts list, along with other information about the part.

This catalog uses two special reference number formats, one to indicate parts in a service assembly and another to indicate the quantity of a given part in an illustration.

## Service Assembly Reference Numbers

Parts in service assemblies have reference numbers in the form a:b. The a represents the reference number of the entire service assembly and the b represents a sequential number unique to each part within the service assembly.

For example, a wheel assembly might be identified by reference number 6, the tire by 6:1, the valve by 6:2, and the wheel by 6:3. When you order the assembly identified by reference number 6, you receive all parts identified by reference numbers 6:1, 6:2, and 6:3. However, you may also order any part individually. Reference numbers of this type appear in illustration and in parts lists.

## Reference Numbers Indicating Quantity

In an illustration, if a reference number indicates more than one part, the reference number has the form nX y. The n represents the quantity of the part, the X is the multiplication symbol, and the y represents the reference number.

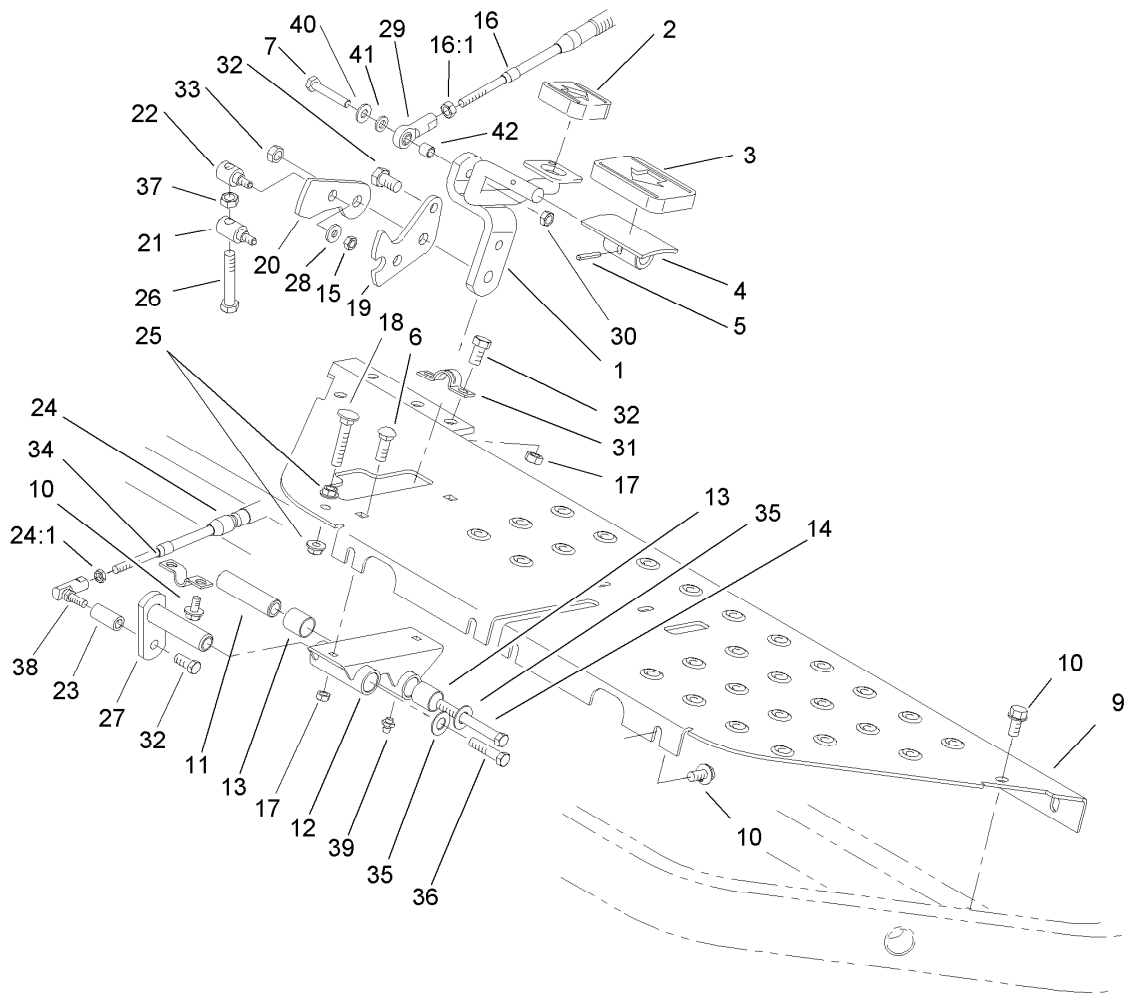
For example, in an illustration, the reference number 2X 37 means that two of the parts identified by reference number 37 are indicated.

# List of Abbreviations

<b>AR:</b> as required	<b>HOC:</b> height-of-cut	<b>RRB:</b> rear roller brush
<b>ASM:</b> assembly	<b>HSBH:</b> hex socket button head	<b>SFH:</b> slotted fillister head
<b>BBC:</b> blade brake control	<b>HSFH:</b> hex socket flat head	<b>SHH:</b> slotted hex head
<b>BHTF:</b> button head thread forming	<b>HSH:</b> hex socket head	<b>SHWH:</b> slotted hex washer head
<b>CARR:</b> carriage	<b>HWH:</b> hex washer head	<b>SPH:</b> slotted pan head
<b>CCW:</b> counter clockwise	<b>HWTF:</b> hex washer head thread forming	<b>SQH:</b> square head
<b>CW:</b> clockwise	<b>HYD:</b> hydraulic	<b>SRH:</b> slotted round head
<b>DEG:</b> degrees	<b>LH:</b> left hand	<b>STD:</b> standard
<b>DPA:</b> Dual Point Adjustment	<b>LP:</b> Liquid Propane	<b>TAP:</b> self tapping
<b>ECM:</b> electronic control module	<b>NI:</b> nylon insert	<b>TTH:</b> torx truss head
<b>EXT:</b> external	<b>NPTF:</b> national pipe thread fine	
<b>FH:</b> flat head	<b>PFH:</b> phillips flat head	
<b>GA:</b> gauge	<b>PPH:</b> phillips pan head	
<b>HD:</b> heavy-duty	<b>PPHTF:</b> phillips pan head thread forming	
<b>HF:</b> hex flange	<b>PRH:</b> phillips round head	
<b>HH:</b> hex head	<b>PTH:</b> phillips truss head	
<b>HHF:</b> hex head flange	<b>PTO:</b> power-take-off	
<b>HHFTF:</b> hex head flange thread forming	<b>RH:</b> right hand	
<b>HJ:</b> hex jam	<b>ROPS:</b> roll-over protection system	
<b>HLH:</b> hex lag head		

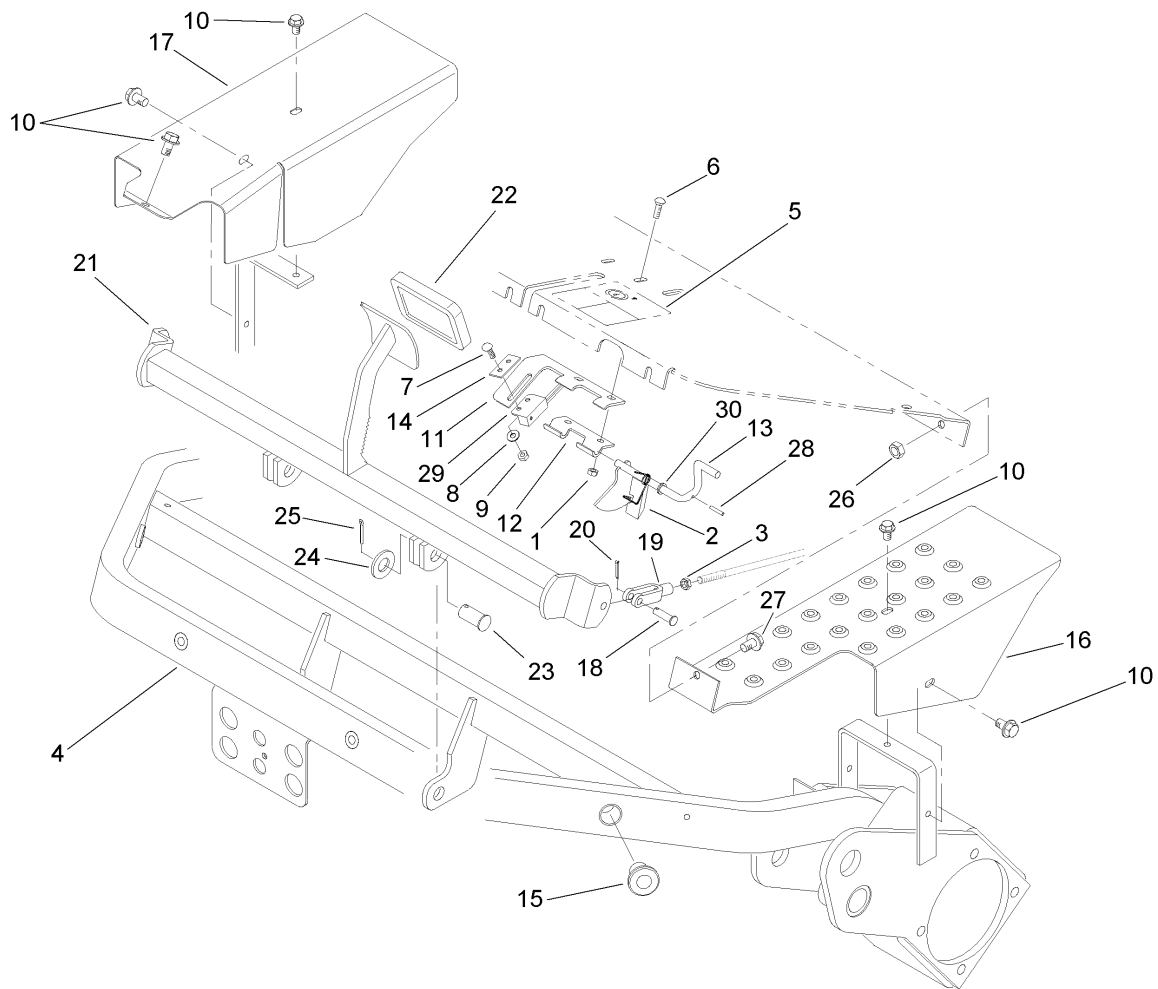
# Contents

Traction Control Assembly .....	4
Brake Pedal Assembly .....	5
Front Wheel and Brake Assembly .....	6
Brake Assembly No. 104-7705 .....	7
Hydraulic Motor Assembly (CCW) No. 110-4015 .....	8
Hydraulic Motor Assembly (CW) No. 110-4016 .....	9
Steering Arm Assembly .....	10
Steering Control Valve Assembly No. 105-0424 .....	11
Rear Wheel Assembly .....	12
Steering Cylinder Assembly No. 93-2122 .....	13
Console Assembly .....	14
Functional Control Lever Assembly .....	15
Seat Assembly .....	16
Battery and Electrical Component Assembly .....	17
Hydrostat and Gear Pump Drive Assembly .....	18
Hydraulic Pump Assembly No. 105-0494 .....	19
Gear Pump Assembly No. 104-7737 .....	20
Neutral System Assembly .....	21
Engine Installation Assembly .....	22
Air Cleaner and Exhaust Assembly .....	23
Air Cleaner Assembly No. 95-5805 .....	24
Radiator Assembly .....	25
Manifold Block Installation Assembly .....	26
Mow/Lift Manifold Assembly No. 107-2570 .....	27
Front Bulkhead and Reel Motor Assembly .....	29
Reel Motor Assembly No. 100-6426 .....	30
Rear Bulkhead and Reel Motor Assembly .....	31
Left Hand and Right Hand Lift Arm Assembly .....	32
Hydraulic Cylinder Assembly No. 105-3821 .....	33
Center Lift Arm Assembly .....	34
Hydraulic Cylinder Assembly No. 105-3820 .....	35
Fuel System Assembly .....	36
Hydraulic Tank and Filter Assembly .....	37
Miscellaneous Part Assembly .....	38
Pull Frame Assembly .....	39
Cylinder Assembly .....	40
Crankshaft Assembly .....	41
Cylinder Head Assembly .....	42
Injection Assembly .....	43
Rocker Arm Assembly .....	44
Oil Pan Assembly .....	45
Cover Assembly .....	46
Gear Housing Assembly .....	47
Water Pump Assembly .....	48
Manifold Assembly .....	49
Alternator Assembly .....	50
Gasket and Valve Overhaul Kit .....	51
Attachments and Accessories .....	52



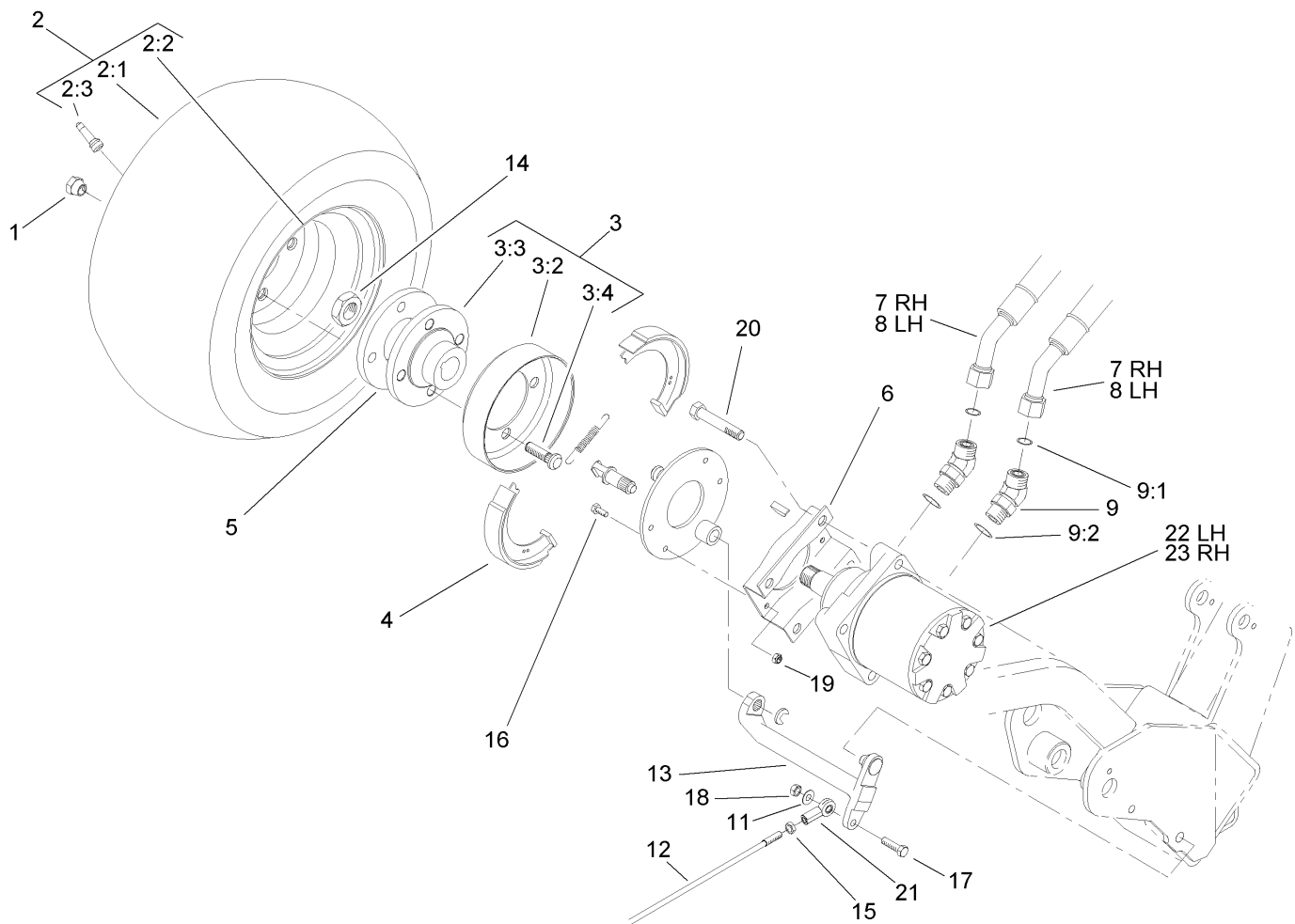
## Traction Control Assembly

<i>Ref.</i>	<i>Part Number</i>	<i>Qty.</i>	<i>Description</i>	<i>Ref.</i>	<i>Part Number</i>	<i>Qty.</i>	<i>Description</i>
1	93-2085-01	1	Rod ASM	23	94-1386	1	Shaft-Pedal
2	74-9110	1	Pad-Pedal, Reverse	24	94-1304	1	Cable-Lock, Neutral
3	74-9100	1	Pad-Pedal, Forward	24:1	3219-14	2	Nut-Hex
4	49-6440-03	1	Pedal-Forward	25	32128-20	2	Nut-HF
5	32121-45	1	Pin-Spring	26	94-3489	1	Screw-HH
6	33124-020	2	Screw-CARR	27	94-1300	1	Lock-Neutral
7	321-9	1	Screw-HH	28	3256-1	2	Washer-Flat
9	105-9750-01	1	Plate-Floor	29	2411-41	1	Rod End-Ball Joint
10	32104-32	8	Screw-HWH	30	3296-56	1	Nut-Lock, NI
11	94-1371	1	Spacer	31	93-2092	1	Clamp-Cable
12	94-1383	1	Pedal-Pivot	32	33114-016	4	Screw-HH
13	256-311	4	Bushing-Split	33	33025-00	1	Nut-Lock, NI
14	33115-090	1	Screw-HH	34	93-2279	1	Clamp-Cable
15	33023-00	2	Nut-Lock	35	3256-24	2	Washer-Flat
16	107-2550	1	Cable-Control, Traction	36	33115-016	1	Screw-HH
16:1	3220-1	2	Nut-Jam	37	33014-00	1	Nut-Hex
17	33024-00	4	Nut-Lock	38	2411-38	1	Joint-Ball
18	17-9420	1	Screw-Handle	39	302-5	1	Fitting-Grease
19	94-1373	1	Bracket-Lock	40	3256-22	1	Washer-Flat
20	94-1372	1	Bracket-Mow	41	33093-00	1	Washer-Flat
21	94-1375	1	Trunnion-Bracket, Lock	42	99-3545	1	Spacer
22	94-1374	1	Trunnion-Bracket, Mow				



## Brake Pedal Assembly

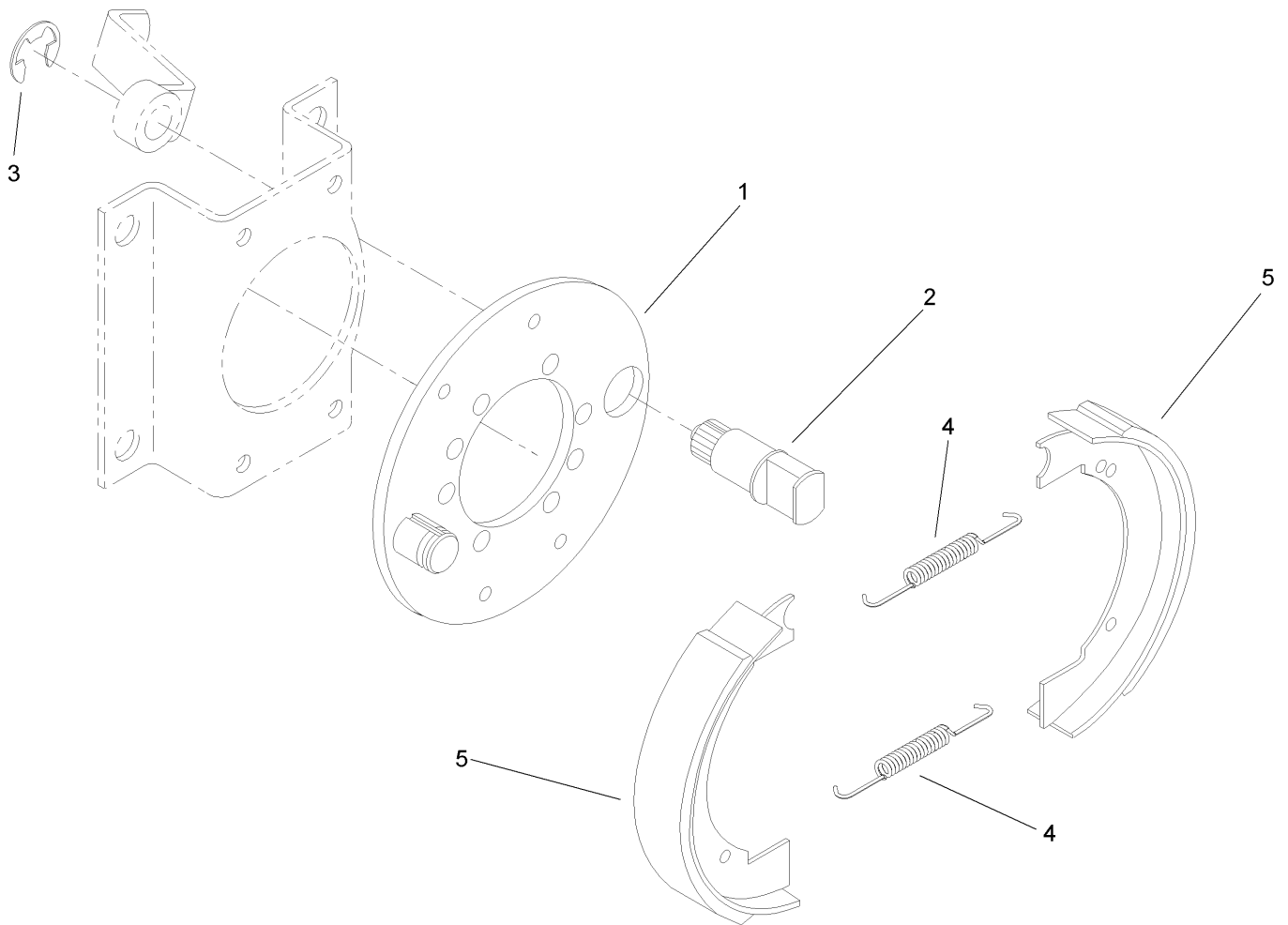
<i>Ref.</i>	<i>Part Number</i>	<i>Qty.</i>	<i>Description</i>	<i>Ref.</i>	<i>Part Number</i>	<i>Qty.</i>	<i>Description</i>
1	33023-00	2	Nut-Lock	16	93-2073-01	1	Shield-Wheel, LH
2	104-7704	1	Spring-Latch, Brake	17	93-2072-01	1	Shield-Wheel, RH
3	3220-2	2	Nut-Jam	18	283-61	2	Pin-Yoke
4	107-9543-01	1	Frame ASM	19	282-2	2	Yoke
5	93-8062	1	Decal-Brake, Parking	20	3272-6	2	Pin-Cotter
6	33123-016	2	Screw-CARR	21	93-2075-01	1	Brake Pedal ASM
7	33123-016	1	Screw-CARR	22	93-7629	1	Pad-Foot, Brake
8	33093-00	1	Washer-Flat	23	283-87	2	Pin-Clevis
9	49-7810	1	Nut-Lock	24	3256-27	2	Washer-Flat
10	32104-32	5	Screw-HWH	25	3272-11	2	Pin-Cotter
11	104-2096	1	Bracket-Switch	26	33024-00	1	Nut-Lock
12	104-7703	1	Hinge-Lower	27	33114-020	1	Screw-HH
13	104-2094	1	Brake-Latch	28	32121-50	1	Pin-Spring
14	104-7702	1	Plate-Switch	29	104-2057	1	Sensor
15	83-1700	3	Bushing-Flange	30	75-5470	1	Spacer-Bearing



## Front Wheel and Brake Assembly

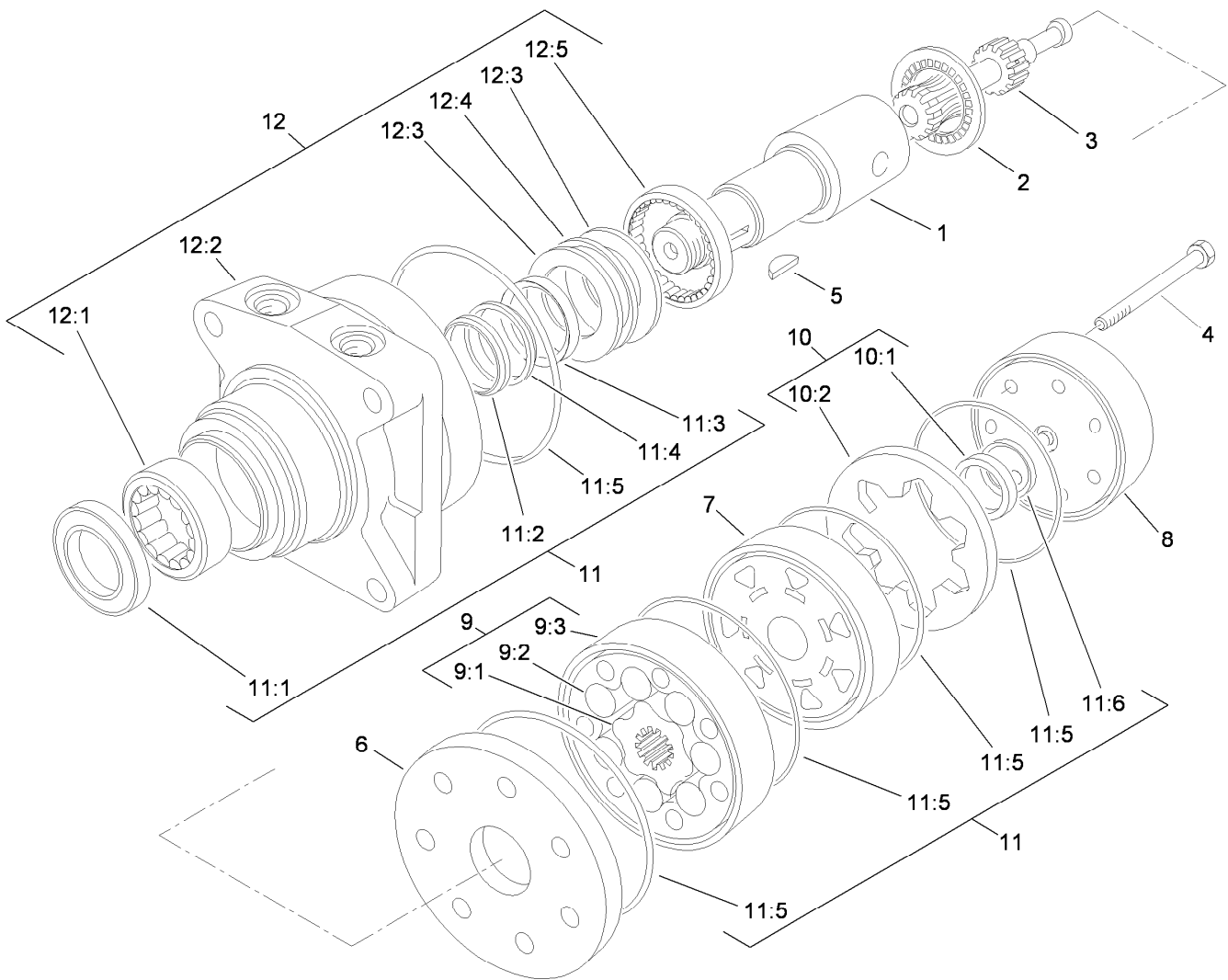
Ref.	Part Number	Qty.	Description	Ref.	Part Number	Qty.	Description
1	242-50	8	Nut-Lug	9:1	237-65	1	O-Ring
2	70-8500	2	Wheel And Tire ASM ●	9:2	237-80	1	O-Ring
2:1	94-6116	1	Tire-Smooth, 2-Ply	11	3256-23	2	Washer-Flat
2:2	232-27	1	Stem-Valve	12	93-2069	2	Rod-Brake
2:3	10-6821	2	Brake Drum ASM	13	93-2096	2	Lever-Brake
3	10-6850	1	Drum-Brake	14	26-3790	2	Nut-Lock
3:2	10-6870-03	1	Hub-Wheel	15	3220-20	2	Nut-Jam
3:3	85-6540	4	Stud-Drive	16	33113-020	8	Screw-HH
3:4	104-7705	2	Brake ASM	17	33114-030	2	Screw-HH
4	92-9154-03	2	Plate-Bearing	18	33024-00	2	Nut-Lock
5	84-2000-03	2	Bracket-Brake	19	33023-00	8	Nut-Lock
6	94-5357	2	Hose ASM	20	33116-060	8	Screw-HH
7	94-5358	2	Hose ASM	21	93-2070	2	Clevis-Swivel
8	340-14	4	Fitting-HYD, 45 DEG	22	110-4015	1	HYD Motor ASM (CCW)
9				23	110-4016	1	HYD Motor ASM (CW)

● Not serviced separately



## Brake Assembly No. 104-7705

<i>Ref.</i>	<i>Part Number</i>	<i>Qty.</i>	<i>Description</i>
1	70-9870	1	Plate-Backing
2	104-7707	1	Shaft-Cam, Brake
3	104-7706	1	E-Ring, Bowed
4	70-9880	2	Spring-Return
5	70-9840	2	Shoe-Brake

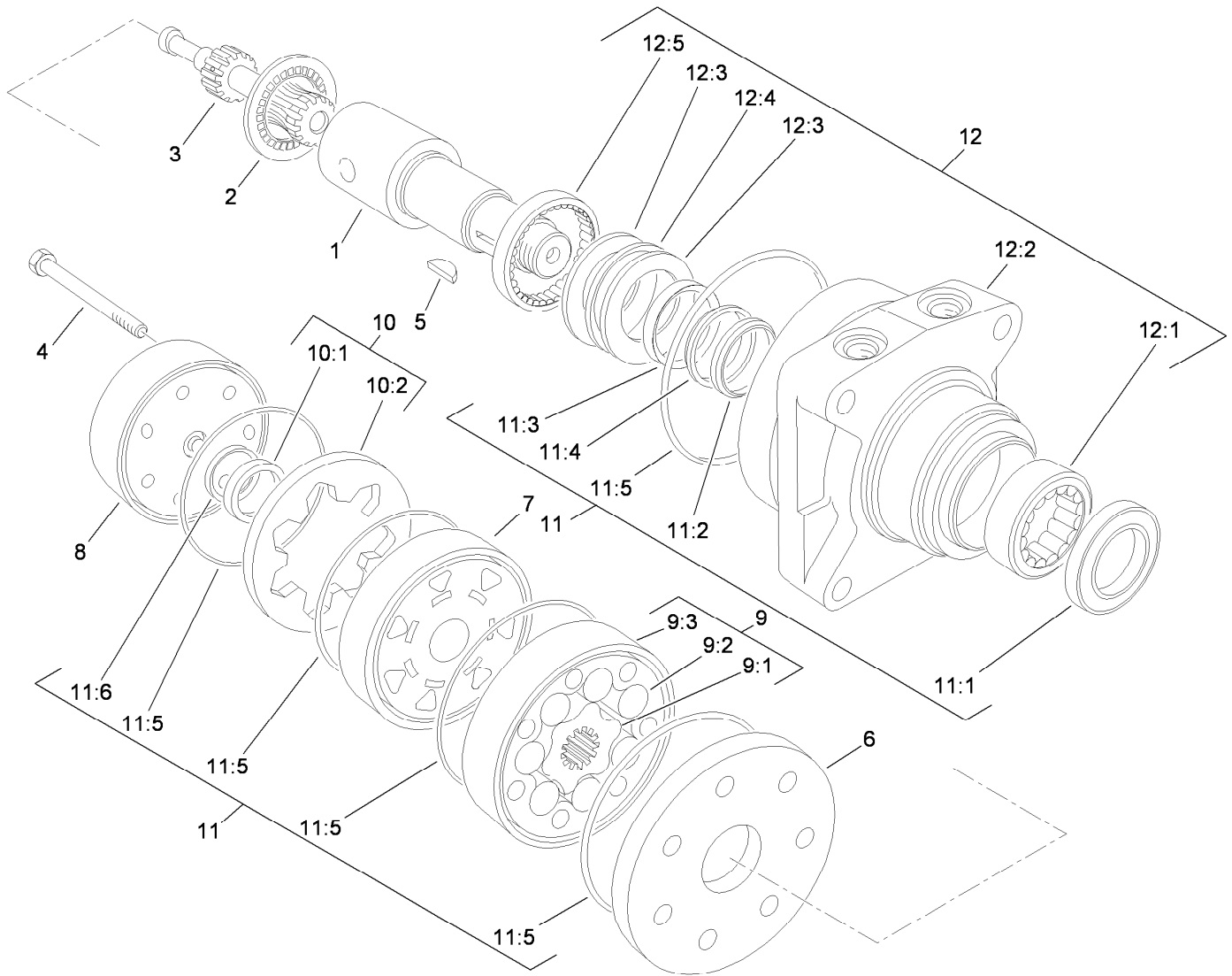


## Hydraulic Motor Assembly (CCW) No. 110-4015

Ref.	Part Number	Qty.	Description	Ref.	Part Number	Qty.	Description
1	76-0860	1	Shaft-Coupling	10:2		1	Ring-Commutator ●
2	76-0850	1	Bearing-Thrust	11	94-8178	1	Seal Kit
3	92-9761	1	Link-Drive	11:1		1	Seal-Dirt And Water ●
4	92-9762	7	Screw-HH	11:2		1	Backup-Ring ●
5	3257-42	1	Key-Woodruff	11:3		1	Seal-Shaft ●
6	92-9754	1	Plate-Wear	11:4		1	Washer-Backup ●
7	76-0840	1	Manifold	11:5		5	Seal-Square, Ring (Inner) ●
8	76-0940	1	End Cover ASM	11:6		1	Seal-Commutator ●
9	92-9763	1	Rotor Set	12	76-0810	1	Housing ASM
9:1		1	Rotor ●	12:1		1	Bearing ●
9:2		1	Vane ●	12:2		1	Housing ●
9:3		1	Stator ●	12:3		2	Washer-Thrust ●
10	76-0880	1	Commutator ASM	12:4		1	Bearing-Thrust ●
10:1		1	Commutator ●	12:5		1	Bearing ●

● Not serviced separately

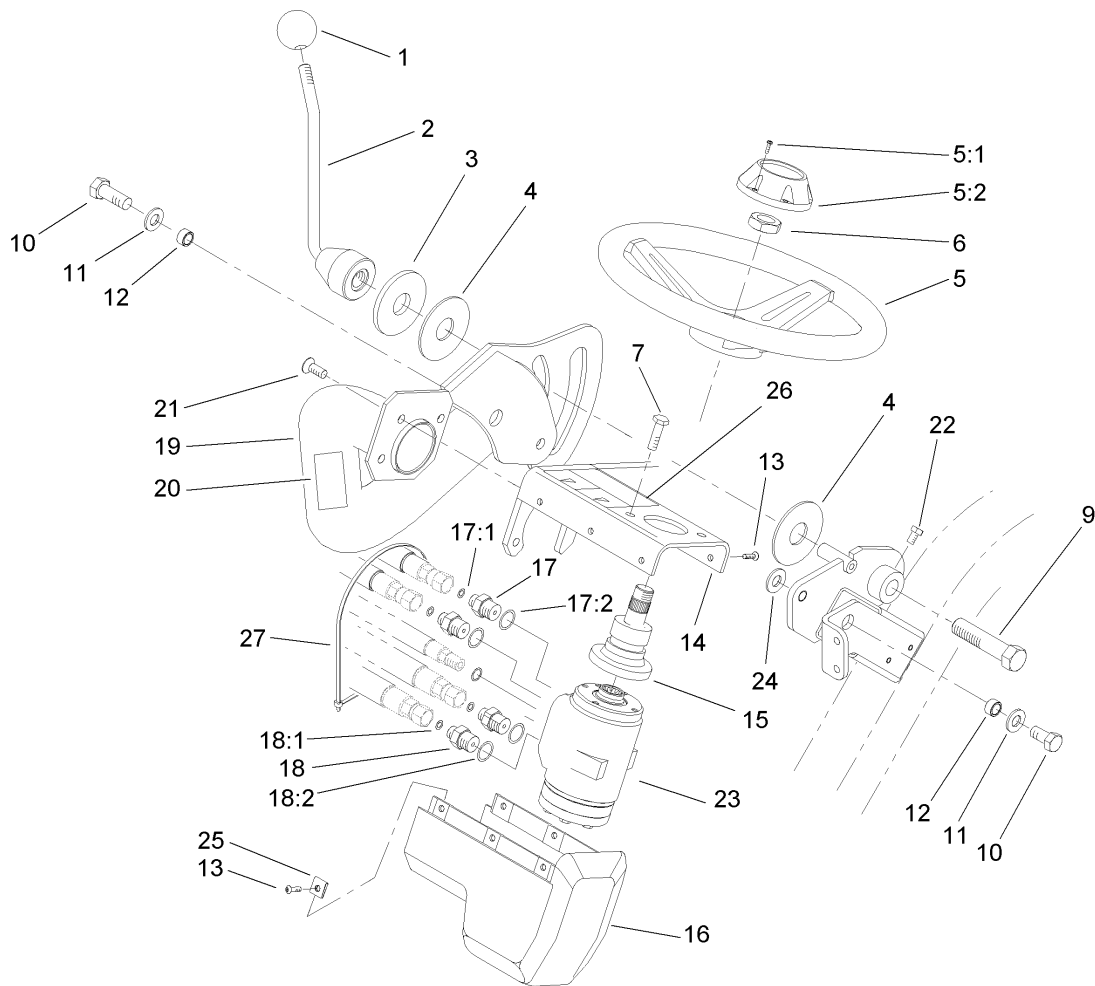




## Hydraulic Motor Assembly (CW) No. 110-4016

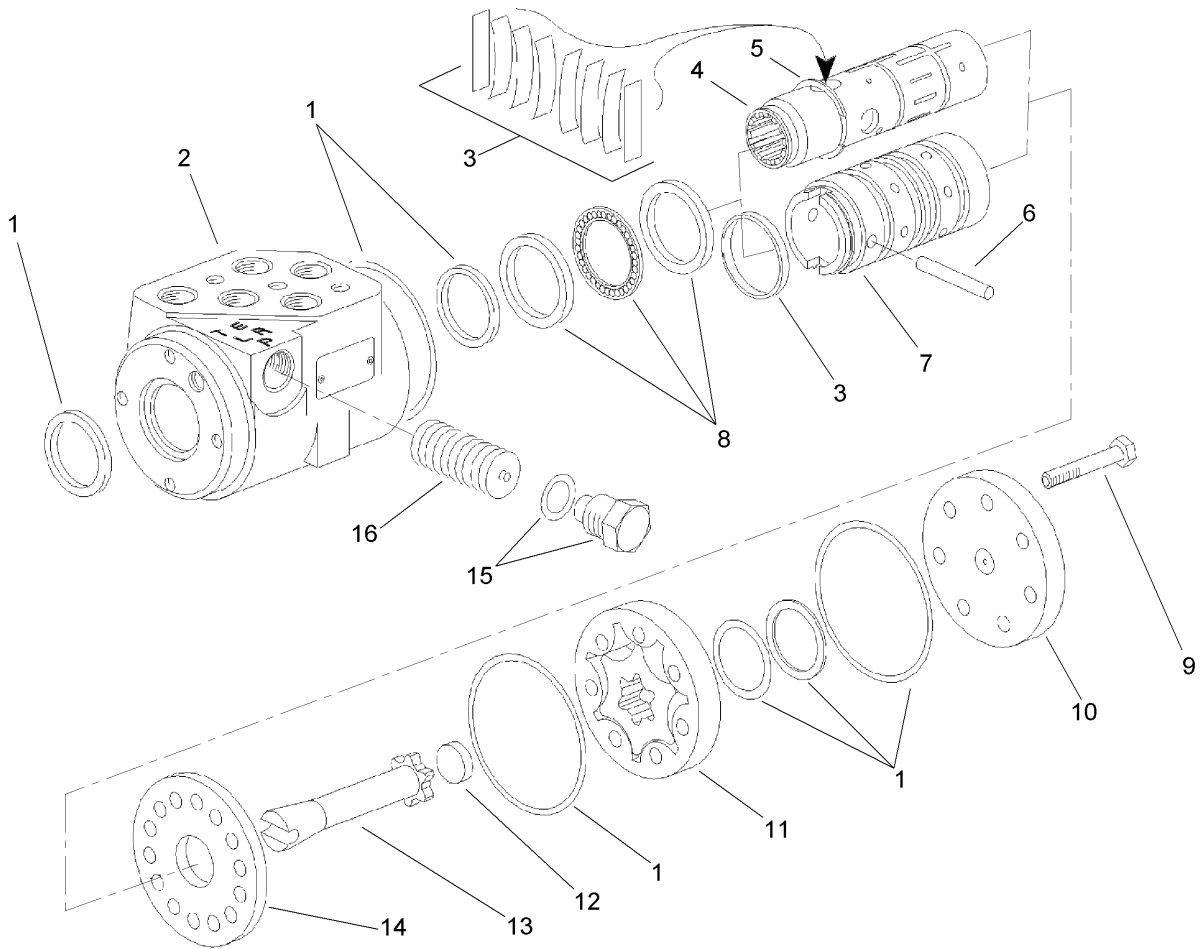
Ref.	Part Number	Qty.	Description	Ref.	Part Number	Qty.	Description
1	76-0860	1	Shaft-Coupling	10:2		1	Ring-Commutator ●
2	76-0850	1	Bearing-Thrust	11	94-8178	1	Seal Kit
3	92-9761	1	Link-Drive	11:1		1	Seal-Dirt And Water ●
4	92-9762	7	Screw-HH	11:2		1	Backup-Ring ●
5	3257-42	1	Key-Woodruff	11:3		1	Seal-Shaft ●
6	92-9754	1	Plate-Wear	11:4		1	Washer-Backup ●
7	76-0840	1	Manifold	11:5		5	Seal-Square, Ring (Inner) ●
8	76-0940	1	End Cover ASM	11:6		1	Seal-Commutator ●
9	92-9763	1	Rotor Set	12	76-0810	1	Housing ASM
9:1		1	Rotor ●	12:1		1	Bearing ●
9:2		1	Vane ●	12:2		1	Housing ●
9:3		1	Stator ●	12:3		2	Washer-Thrust ●
10	76-0880	1	Commutator ASM	12:4		1	Bearing-Thrust ●
10:1		1	Commutator ●	12:5		1	Bearing ●

● Not serviced separately



## Steering Arm Assembly

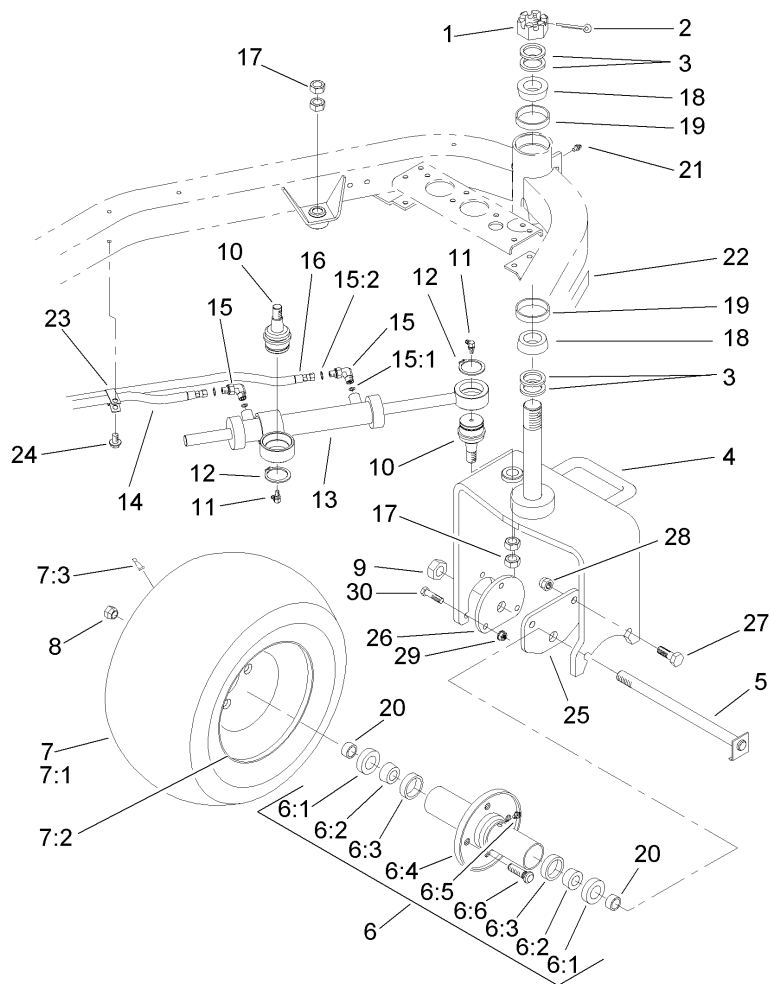
<i>Ref.</i>	<i>Part Number</i>	<i>Qty.</i>	<i>Description</i>	<i>Ref.</i>	<i>Part Number</i>	<i>Qty.</i>	<i>Description</i>
1	233-48	1	Knob	17	340-1	2	Adapter
2	93-2400-03	1	Lockup Handle ASM	17:1	237-21	1	O-Ring
3	83-0760	1	Spacer-Plate, Lockup	17:2	237-42	1	O-Ring
4	83-0740	2	Disc-Friction	18	340-2	2	Fitting-HYD, Straight
5	75-0560	1	Wheel-Steering	18:1	237-22	1	O-Ring
5:1	32144-21	1	Screw	18:2	237-42	1	O-Ring
5:2	68-5140	1	Cap-Wheel, Steering	19	93-2115-01	1	Steering Arm ASM
6	107-2562	1	Nut-Hex	20	93-8068	1	Decal-Arm, Steering
7	33103-016	4	Screw-HHF	21	3274-80	3	Screw-HH
9	93-2199	1	Screw-HH, RH	22	3242-2	1	Screw-SQH
10	325-4	2	Screw-HH	23	105-0424	1	Valve-Control, Steering
11	3256-26	2	Washer-Flat	24	65-6390	1	Washer-Thrust, Plain
12	47-2890	2	Bushing	25	3290-277	6	Nut-Speed
13	3274-39	6	Screw-HSBH	26	104-2053	1	Decal-Warning
14	105-9791-03	1	Steering Cover ASM	26	93-8063	1	Decal-Caution, Ce
15	105-0425	1	Steering Column ASM	27	3290-379	1	Tie-Cable
16	83-0810	1	Cover-Steering				



## Steering Control Valve Assembly No. 105-0424

Ref.	Part Number	Qty.	Description
1	94-4099	1	Seal Kit
2		1	Housing ●
3	94-4095	1	Centering Spring Kit
4		1	Spool ●
5	94-4098	1	Ring-Retaining
6	94-4094	1	Pin
7		1	Sleeve ●
8	94-4096	1	Bearing Kit
9	105-2938	7	Screw-Cap
10	94-4089	1	Cap-End
11	105-2939	1	Gerotor ASM
12	105-2940	1	Spacer
13	94-4093	1	Drive
14	94-4092	1	Plate-Wear
15	99-5511	1	Plug ASM
16	99-5500	1	Valve-Relief

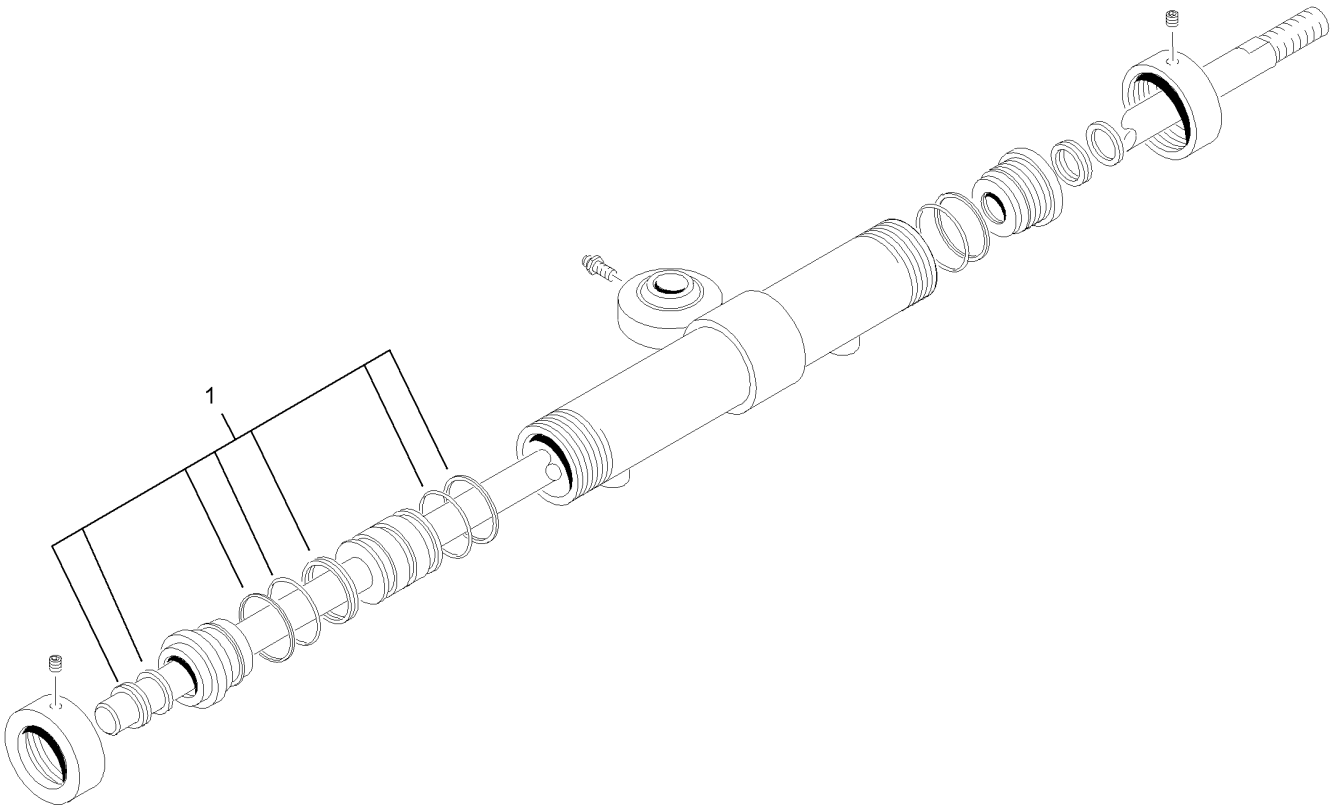
● Not serviced separately



## Rear Wheel Assembly

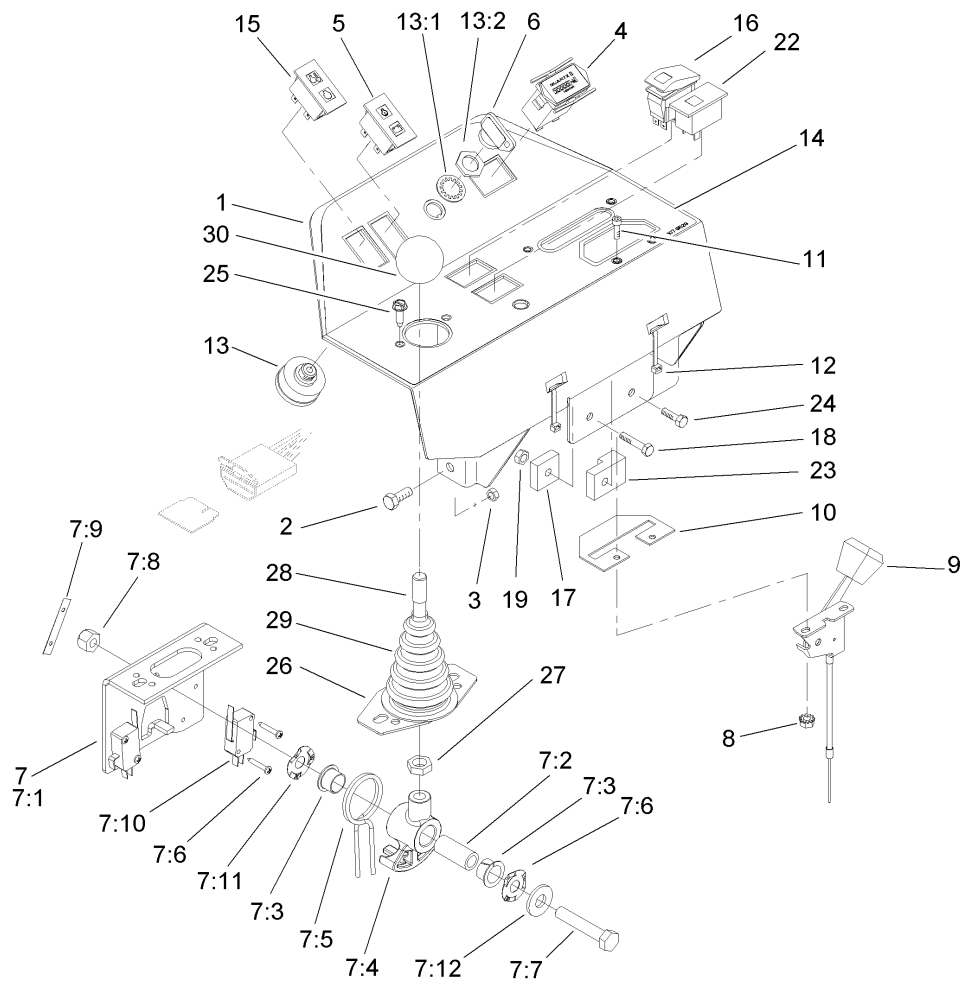
Ref.	Part Number	Qty.	Description	Ref.	Part Number	Qty.	Description
1	32136-9	1	Nut-Hex, Slotted	13	93-2122	1	Steering Cylinder ASM
2	3272-37	1	Pin-Cotter	14	93-2270	1	HYD Hose ASM
3	18-6320	4	Washer-Steering	15	340-132	2	Fitting-HYD, 90 DEG
4	99-1492-01	1	Castor Fork ASM	15:1	237-78	1	O-Ring
5	70-8370	1	Bolt	15:2	237-21	1	O-Ring
6	72-9710	1	Hub-Tire	16	93-2269	1	HYD Hose ASM
6:1	253-111	2	Seal-Oil	17	3220-6	4	Nut-Jam
6:2	254-78	2	Bearing-Cone	18	254-70	2	Bearing-Cone
6:3	254-79	2	Bearing-Roller, Cup	19	254-61	2	Cup-Bearing
6:4	75-9440	1	Hub ASM	20	70-8490	2	Spacer-Spindle, Rear
6:5	302-11	1	Fitting-Lube, 45 DEG	21	302-5	1	Fitting-Grease
6:6	10-6830	4	Stud-Type, Drive	22	99-1493	1	Decal
7		1	Wheel And Tire ASM ●	23	92-5753	1	Clamp-Hose
7:1	70-8500	1	Tire-Smooth, 2-Ply	24	32104-32	1	Screw-HWH
7:2	94-6116	1	Wheel-Rear	25	99-1485-01	1	Plate-Adapter, Motor
7:3	232-27	1	Stem-Valve	26	99-1486-01	1	Plate-Adapter
8	242-50	4	Nut-Lug	27	325-6	2	Screw-HH
9	3296-67	1	Nut-Lock, NI	28	3296-23	2	Nut-Lock, NI
10	106-6774	2	Joint-Ball	29	3296-39	3	Nut-Lock, NI
11	302-60	2	Fitting-Grease	30	323-8	3	Screw-HH
12	32151-104	2	Ring-Retaining, External				

● Not serviced separately



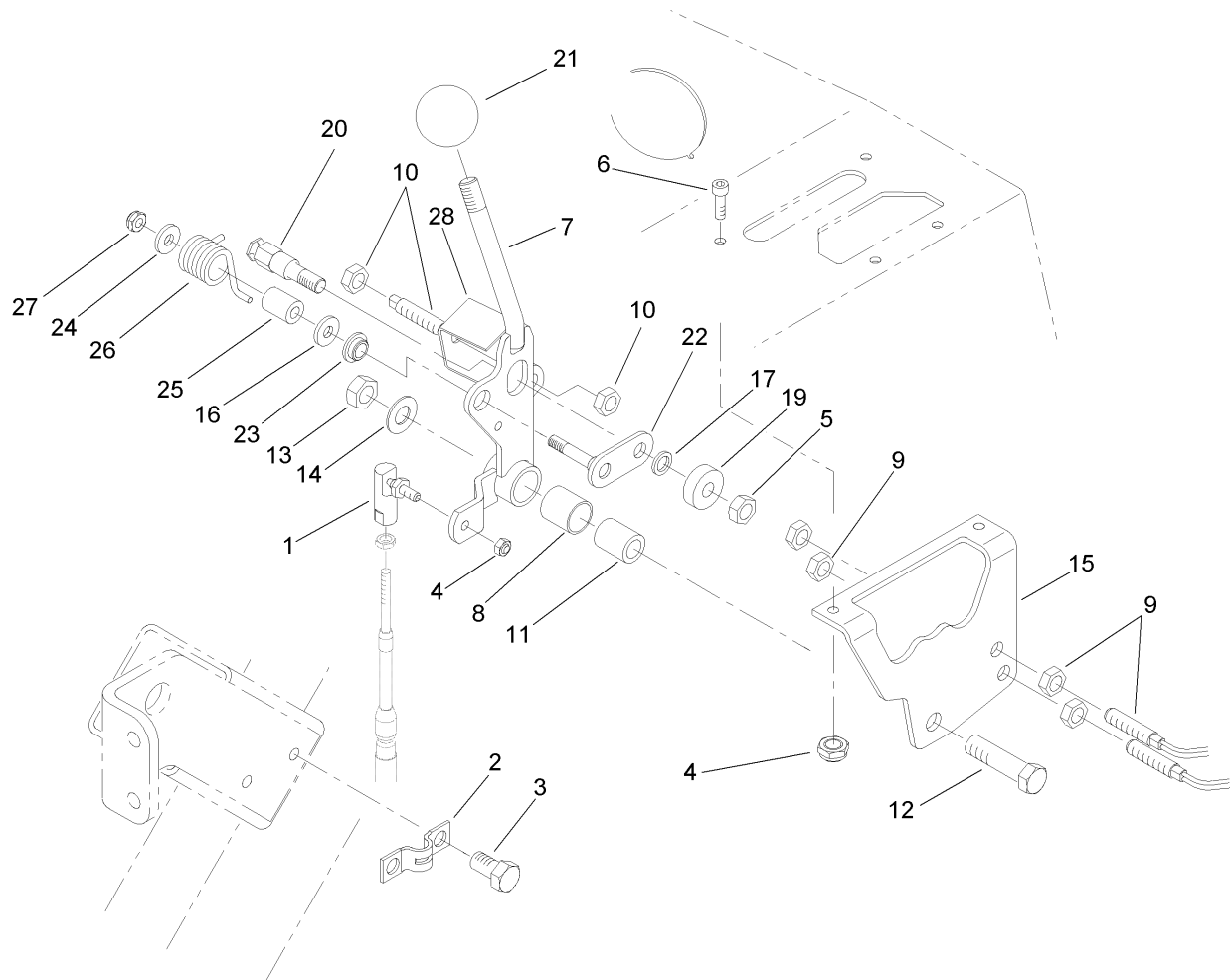
## Steering Cylinder Assembly No. 93-2122

<i>Ref.</i>	<i>Part Number</i>	<i>Qty.</i>	<i>Description</i>
1	94-4398	1	Seal Repair Kit



## Console Assembly

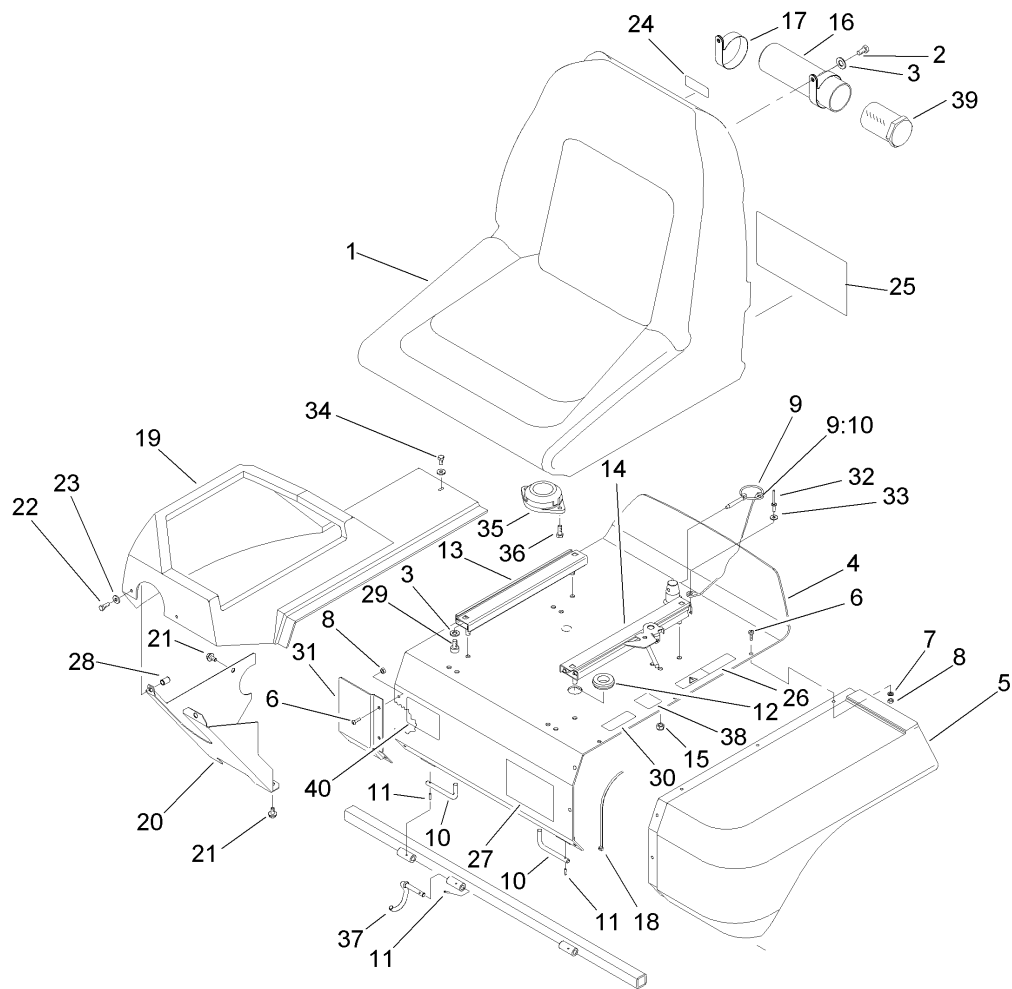
Ref.	Part Number	Qty.	Description	Ref.	Part Number	Qty.	Description
1	108-6503-03	1	Console ASM	10	99-8195-03	1	Plate-Cover
2	33114-020	4	Screw-HH	11	3273-26	2	Screw-HSH
3	33024-00	4	Nut-Lock	12	3290-378	2	Tie-Cable
4	1-513374	1	Meter-Hour	13	27-2360	1	Switch
5	100-8070	1	Lamp-Warning	13:1	218-446	1	Nut-Hex
6	63-8360	1	Key-Ignition	13:2	218-447	1	Washer-Lock
7	106-4167	1	Joystick Bracket ASM	14	107-9529	1	Decal-Instrument
7:1	106-4168-03	1	Bracket-Joystick	15	100-8071	1	Lamp-Warning
7:2	106-4192	1	Spacer	16	100-8072	1	Switch
7:3	93-5547	2	Bushing-Nylon	17	92-2538	1	Module-Timer
7:4	105-7507	1	Hub-Pivot, Joystick	18	33113-030	1	Screw-HH
7:5	105-8289	1	Spring-Torsion	19	33023-00	2	Nut-Lock
7:6	106-4193	2	Washer-Finger, Spring	22	108-6531	1	Indicator-Light, Amber
7:7	322-9	1	Screw-HH	23	99-9666	1	Module
7:8	3296-29	1	Nut-Lock, NI	24	33113-020	1	Screw-HH
7:9	3290-354	2	Nut-Speed	25	32144-19	2	Screw-SHWH
7:10	108-6496	2	Switch ASM (W/Boot)	26	106-4188-03	1	Plate-Boot
7:11	95-3003	4	Screw-PPHTF	27	3218-3	1	Nut-Jam
7:12	3256-3	1	Washer-Flat	28	105-8288	1	Rod-Joystick
8	32149-8	2	Nut-Keps	29	93-5961	1	Boot-Lever
9	99-8150	1	Control-Throttle	30	233-42	1	Knob



## Functional Control Lever Assembly

Ref.	Part Number	Qty.	Description
1	2411-38	1	Joint-Ball
2	93-2279	1	Clamp-Cable
3	32104-32	2	Screw-HWH
4	3296-27	2	Nut-Lock, NI
5	33024-00	1	Nut-Lock
6	3273-26	2	Screw-HSH
7	94-9611	1	Handle
8	256-311	1	Bushing-Split
9	93-2055	2	Sensor-Switch, Reed
10	93-2056	1	Actuator-Switch, Reed
11	94-1378	1	Tube-Pivot, Handle
12	33115-040	1	Screw-HH
13	33025-00	1	Nut-Lock, NI
14	3256-24	1	Washer-Flat

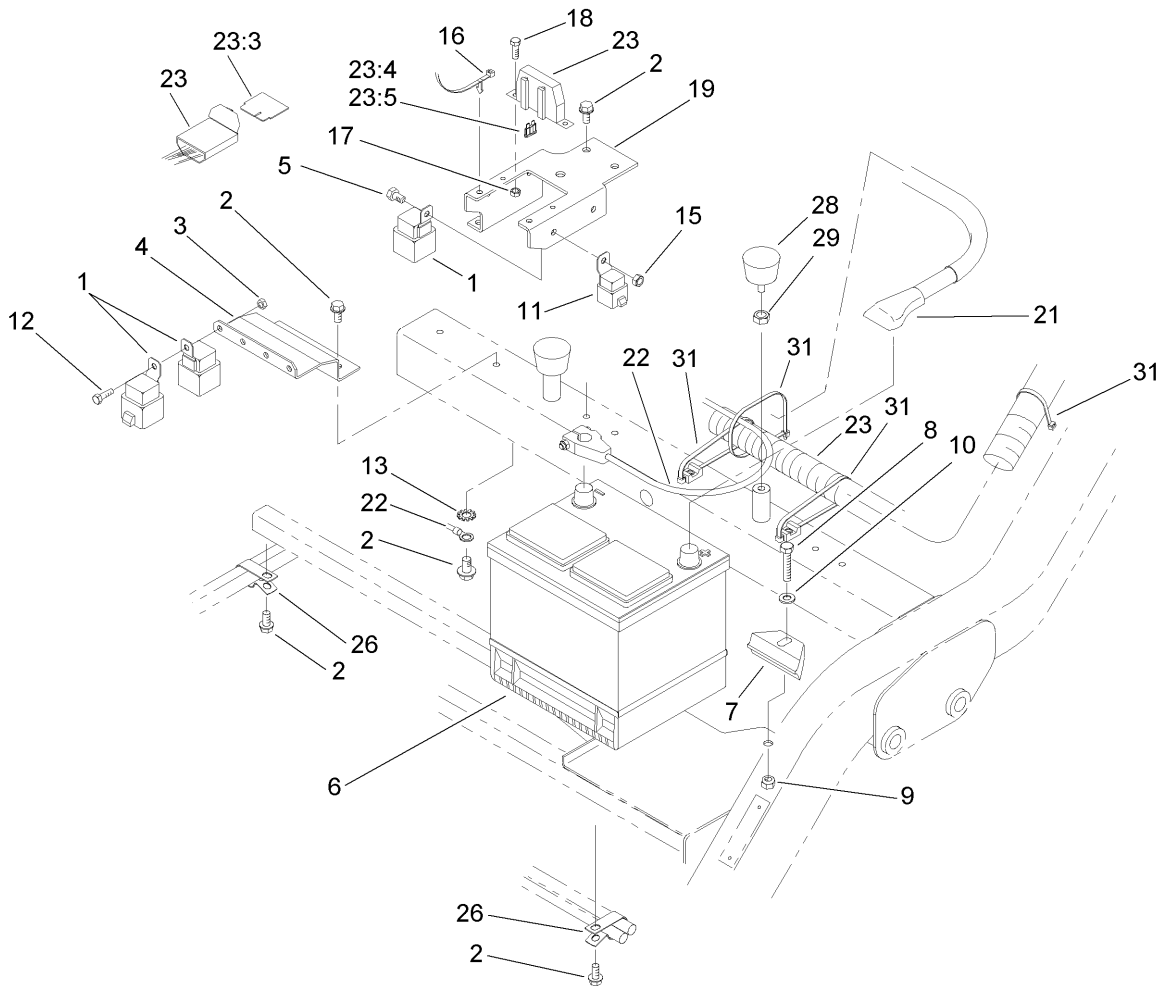
Ref.	Part Number	Qty.	Description
15	94-6398	1	Bracket-Traction
16	3256-23	1	Washer-Flat
17	75-5470	1	Spacer-Bearing
19	251-259	1	Bearing-Ball
20	94-9617	1	Pin-Spring
21	233-42	1	Knob
22	94-9614	1	Pivot-Roller
23	94-9619	1	Bushing
24	3256-67	1	Washer-Flat
25	94-9618	1	Spacer-Spring
26	94-9620	1	Spring-Torsion
27	33023-00	1	Nut-Lock
28	106-6356	1	Shield-Switch



## Seat Assembly

Ref.	Part Number	Qty.	Description	Ref.	Part Number	Qty.	Description
1	104-4620	1	Seat	25	106-6380	1	Decal-Service, Spanish
2	322-2	2	Screw-HH	25	106-6379	1	Decal-Service
3	3256-23	6	Washer-Flat	25	106-6382	1	Decal-Service, German
4	93-2135-03	1	Seat Support ASM	25	106-6383	1	Decal-Service, Swedish
5	93-2128	1	Panel-Base, Seat	25	106-6384	1	Decal-Service, Italian
6	3274-39	9	Screw-HSBH	25	106-6388	1	Decal-Service, Danish
7	3256-77	6	Washer-Flat	25	106-6387	1	Decal-Service, Finnish
8	3296-12	9	Nut-Lock, NI	25	106-6386	1	Decal-Service, Norwegian
9	77-3780	1	Pin ASM	25	106-6389	1	Decal-Service, Dutch
9:10	28-8070	1	Lanyard	25	106-6390	1	Decal-Service, Japanese
10	93-2422	2	Rod-Pivot, Seat	25	106-6385	1	Decal-Service, Portuguese
11	32121-7	3	Pin-Roll, Slotted	26	93-6689	1	Decal-No Riders
12	237-100	1	Grommet	27	94-2579	1	Decal
13	92-8990	1	Adjuster-Slave	28	93-5447	2	Nut-Clinch
14	92-8991	1	Adjuster ASM (W/Latch)	29	3274-12	4	Screw-HSH
15	3296-29	4	Nut-Lock, NI	30	93-7252	1	Decal-Ce Mark
16	104-7050	1	Tube-Manual	31	94-4546-03	1	Panel-Extension
17	2412-133	2	R-Clamp	32	3290-282	1	Rivet-Blind
18	3290-378	1	Tie-Cable	33	3256-49	1	Washer-Flat
19	99-4208	1	Shroud-Console	34	33113-012	1	Screw-HH
20	94-4547-03	1	Panel-Lower, RH	35	92-6282	1	Switch-Seat
21	32104-32	2	Screw-HWH	36	32144-10	2	Screw-HWH
22	33113-016	2	Screw-HH	37	99-4247	1	Wire-Hook
23	3256-1	3	Washer-Flat	38	105-4674	1	Decal-Noise
24	93-6686	1	Decal-Oil, HYD	39	104-7048	1	Cap-Housing
25	106-6381	1	Decal-Service, French	40	105-8324	1	Decal-Instructions, Backlap

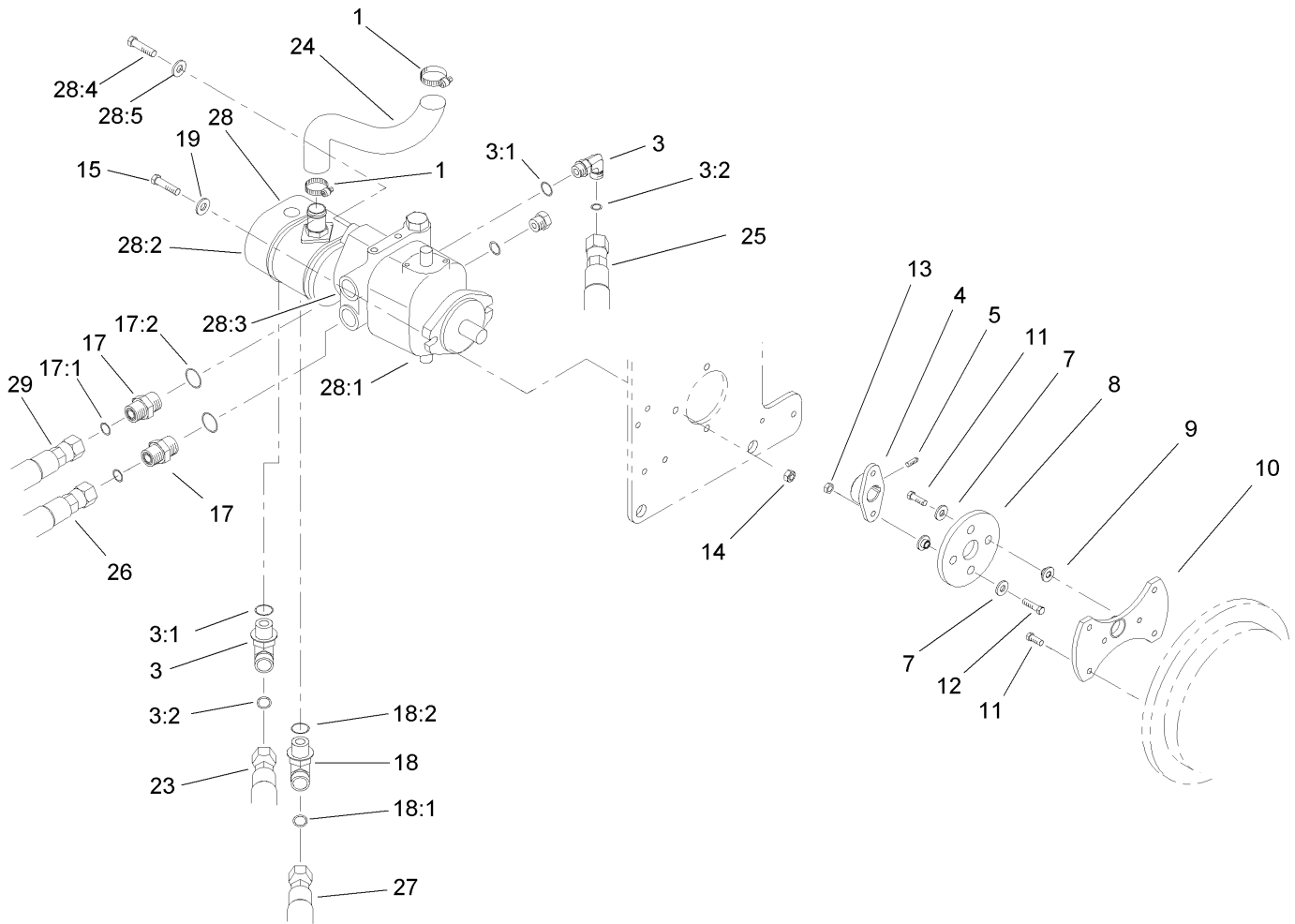




## Battery and Electrical Component Assembly

Ref.	Part Number	Qty.	Description	Ref.	Part Number	Qty.	Description
1	99-7430	9	Relay	18	32105-13	2	Screw-HWH
2	32144-11	7	Screw-HWHTF	19	100-3186-03	1	Bracket-Holder, Fuse
3	33023-00	4	Nut-Lock	21	95-8853	1	Cable-Battery, Positive
4	93-2169-01	1	Bracket-Relay	22	99-8167	1	Cable-Battery, Negative
5	3290-134	1	Screw	23	110-3984	1	Harness-Wire
6	106-5187	1	Battery	23:3	92-3188	2	Diode-Board, Circuit
7	66-2490	1	Retainer-Battery	23:4	109355	1	Fuse-Blade, 15 Amp
8	33115-040	1	Screw-HH	23:5	218-578	2	Fuse-Blade, 10 Amp
9	33025-00	1	Nut-Lock, NI	23:6	104-4022	1	Resistor-75 Ohm ●
10	3256-24	1	Washer-Flat	26	92-5753	2	Clamp-Hose
11	99-7435	1	Relay-Power	28	68-3270	2	Bumper-Rubber
12	33113-016	4	Screw-HH	29	3218-2	2	Nut-Jam
13	3254-2	1	Washer-Lock, Internal	31	3290-378	6	Tie-Cable
15	3296-2	1	Nut-Lock, NI	32	99-3441	1	Harness-Wire, Fusible Link ●
16	94-1325	2	Tie-Mount, Push				
17	3296-2	2	Nut-Lock, NI				

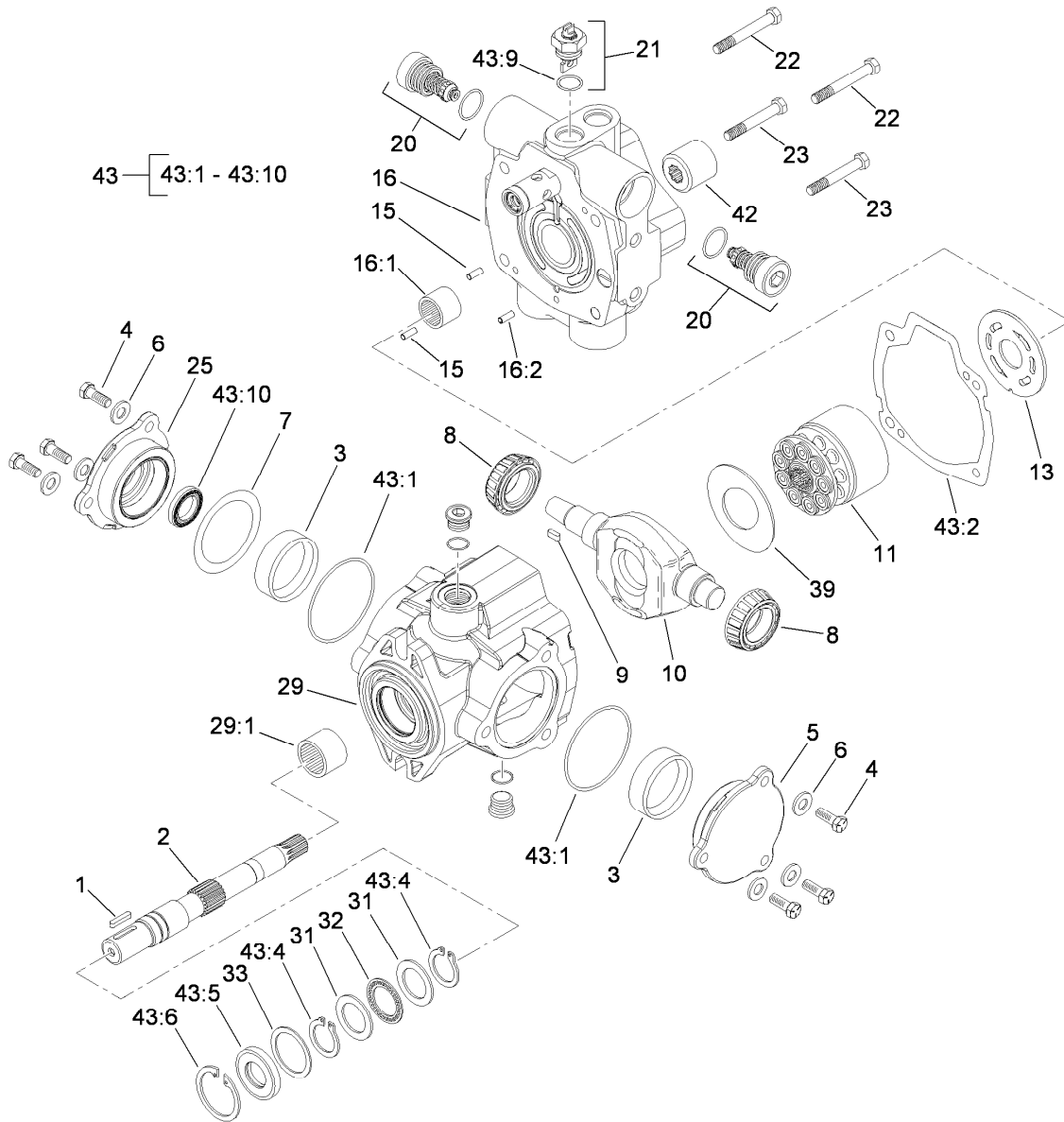
● Not illustrated



## Hydrostat and Gear Pump Drive Assembly

Ref.	Part Number	Qty.	Description	Ref.	Part Number	Qty.	Description
1	2412-34	2	Clamp-Hose	18	340-17	1	Fitting-HYD, 90 DEG
3	340-18	2	Fitting-HYD, 90 DEG	18:1	237-65	1	O-Ring
3:1	237-79	1	O-Ring	18:2	237-80	1	O-Ring
3:2	237-22	1	O-Ring	19	100-4852	2	Washer-Hardened
4	93-2589	1	Hub-Pump	23	105-4339	1	HYD Hose ASM
5	3241-6	2	Screw-SQH	24	99-1905	1	Hose-Inlet, Pump
7	3256-3	2	Washer-Flat	25	108-6514	1	Hose ASM
8	80-8650	1	Coupling-Drive	26	99-4220	1	Hose ASM
9	27-6600	4	Spacer-Coupling	27	99-4216	1	Hose ASM
10	93-2220-03	1	Adapter-Pump	28		1	Hydrostat/Gear Pump ASM
11	33114-020	6	Screw-HH				●
12	33114-030	1	Screw-HH	28:1	105-0494	1	Hydrostat ASM
13	33024-00	2	Nut-Lock	28:2	104-7737	1	Gear Pump ASM
14	33025-00	2	Nut-Lock, NI	28:3	60-3520	1	O-Ring
15	33115-040	2	Screw-HH	28:4	3274-1	2	Screw-HSH
17	340-8	2	Adapter	28:5	3256-24	2	Washer-Flat
17:1	237-65	1	O-Ring	29	99-4217	1	HYD Hose ASM
17:2	237-81	1	O-Ring				

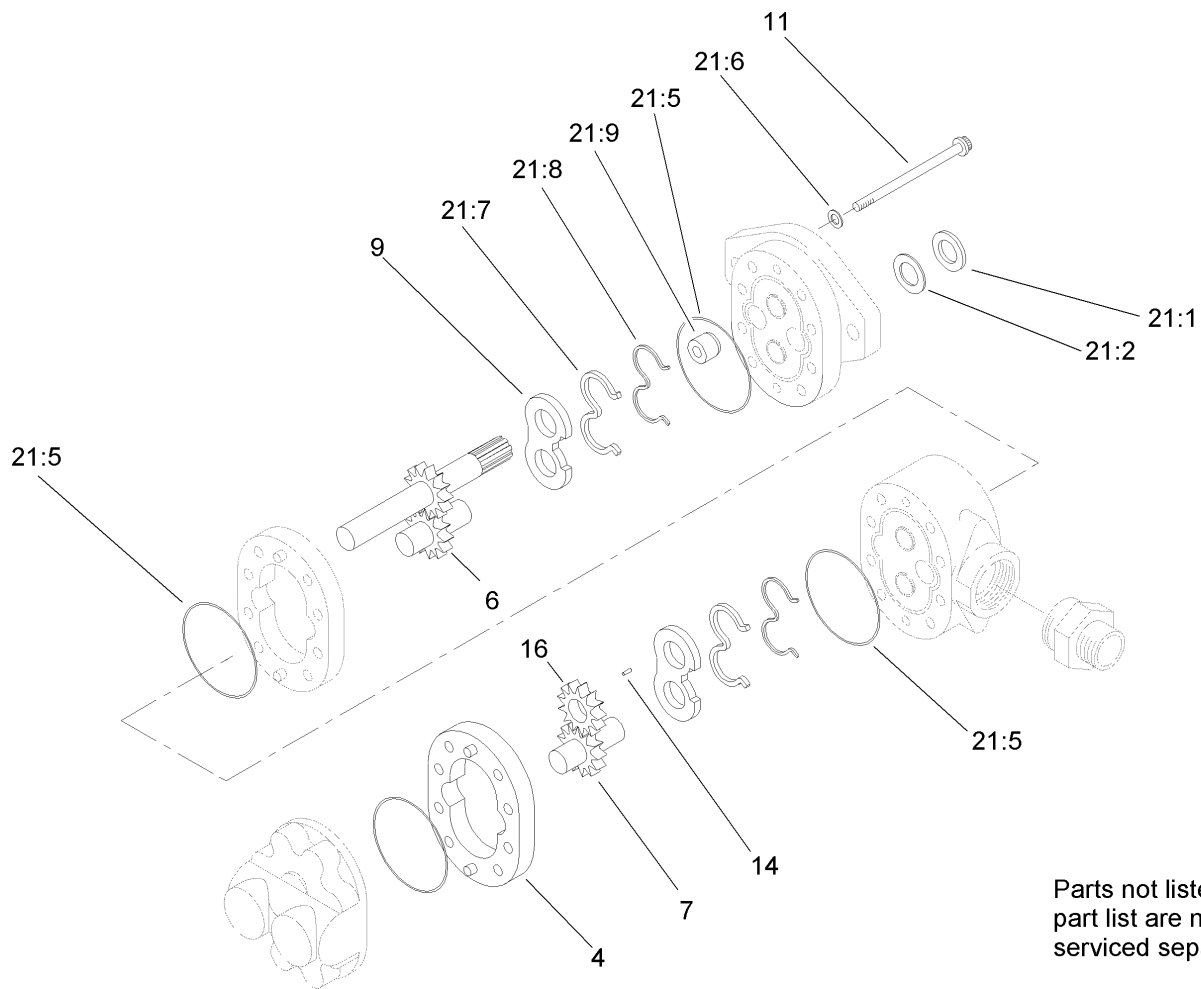
● Not serviced separately



## Hydraulic Pump Assembly No. 105-0494

Ref.	Part Number	Qty.	Description	Ref.	Part Number	Qty.	Description
1	94-3645	1	Key	22	76-6170	2	Capscrew
2	94-6359	1	Shaft-Drive	23	76-6160	2	Capscrew
3	104-4046	2	Bearing-Cup	25	98-4645	1	Plate-Cover
4	98-4640	6	Screw-Cap	29	100-3176	1	Housing ASM
5	98-4644	1	Plate-Cover	29:1	94-6363	1	Bearing
6	105-9762	6	Washer	31	252-71	2	Washer-Thrust
7	100-3182	2	Shim Kit	32	252-66	1	Bearing-Thrust
8	98-4639	2	Bearing-Cone	33	33-3720	1	Washer
9	94-3646	1	Key	39	98-4635	1	Insert-Plate, Cam
10	100-3175	1	Camplate	42	74-9040	1	Coupler
11	76-6070	1	Rotating Kit	43	105-3844	1	Seal Repair Kit
13	100-3180	1	Plate-Valve	43:1	100-3179	2	O-Ring
15	76-6150	2	Pin-Dowel	43:2	33-4930	1	Gasket-Housing
16	105-3813	1	Endcover Sub ASM	43:4	32151-29	2	Ring-Retaining
16:1	94-6368	1	Bearing	43:5	104-4861	1	Seal-Shaft
16:2		1	Pin-Roll ●	43:6	32151-13	1	Ring-Retaining
20	105-3812	2	Valve-Check	43:9		1	O-Ring ●
21	105-3811	1	Valve-Bypass	43:10		1	Seal-Shaft ●

● Not serviced separately

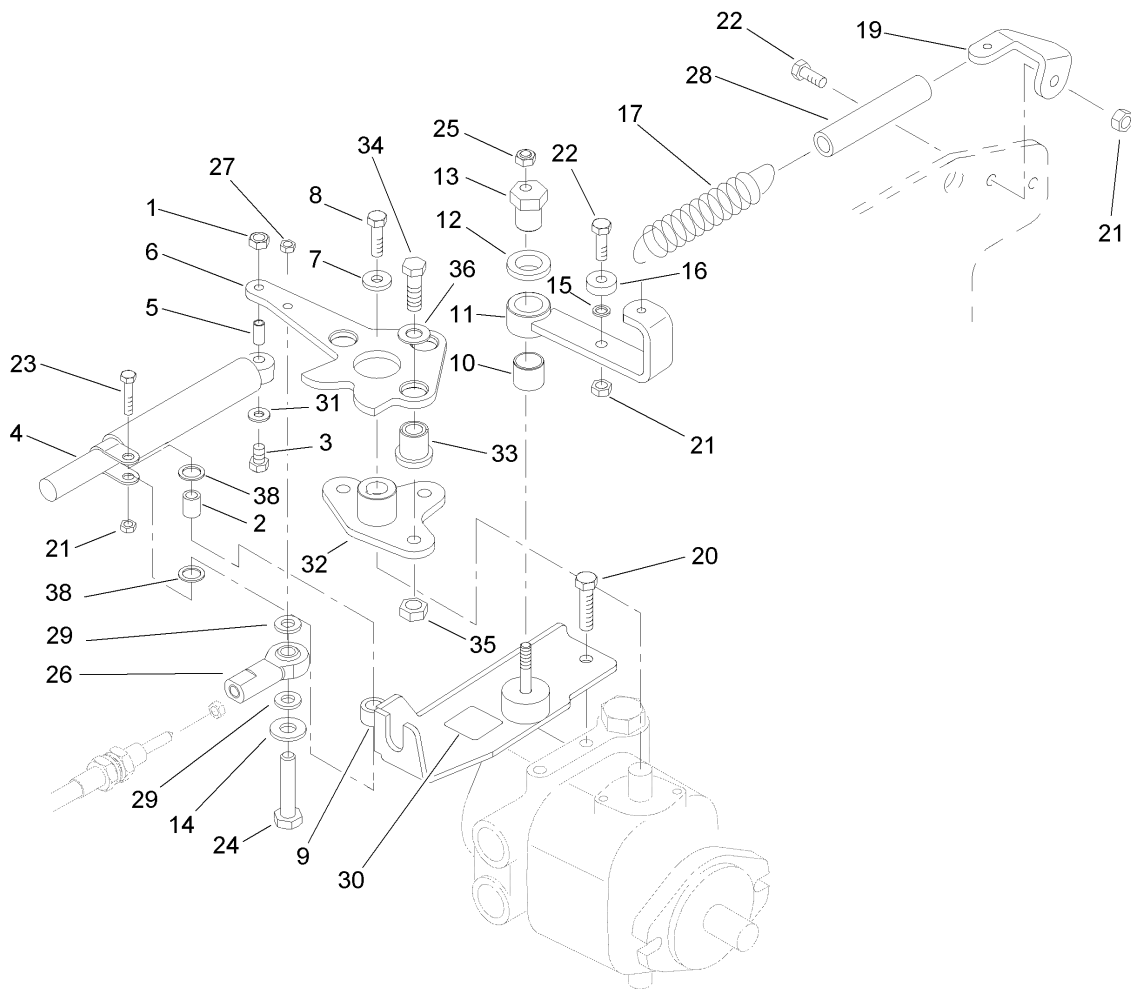


## Gear Pump Assembly No. 104-7737

Ref.	Part Number	Qty.	Description
1		1	Plate-Front ■
2		1	Plate-Back ■
3		1	Body ■
4	95-4364	1	Body
5		1	Gear-Drive ■
6		1	Gear-Idler ■
7	95-4366	1	Gear-Idler
9	95-4368	2	Plate-Wear
11	94-8158	8	Screw-Cap
12		4	Seal-Dust ■
13		1	Plate-Adapter ■
14		1	Key ■
16	95-4373	1	Gear-Fit, Slip
21	94-8161	1	Seal Repair Kit ●
21:1	49-2640	1	Seal-Shaft
21:2	60-5890	1	Washer
21:5		4	Seal-Dust ■
21:6	94-8160	4	Washer
21:7	95-4369	2	Seal-Pressure
21:8	95-4367	2	Gasket-Backup
21:9	94-3011	1	Plug

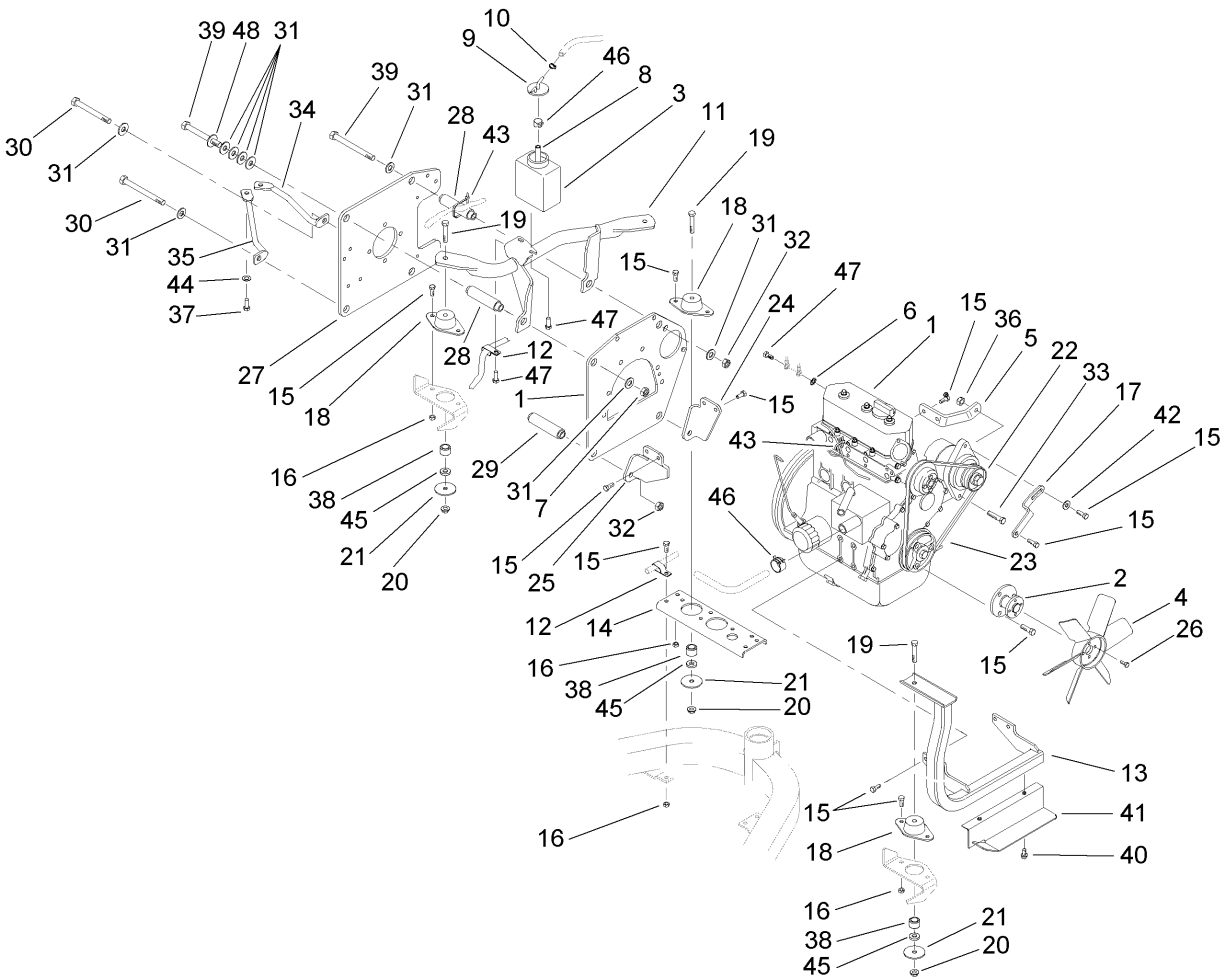
● Not illustrated

■ Not serviced separately



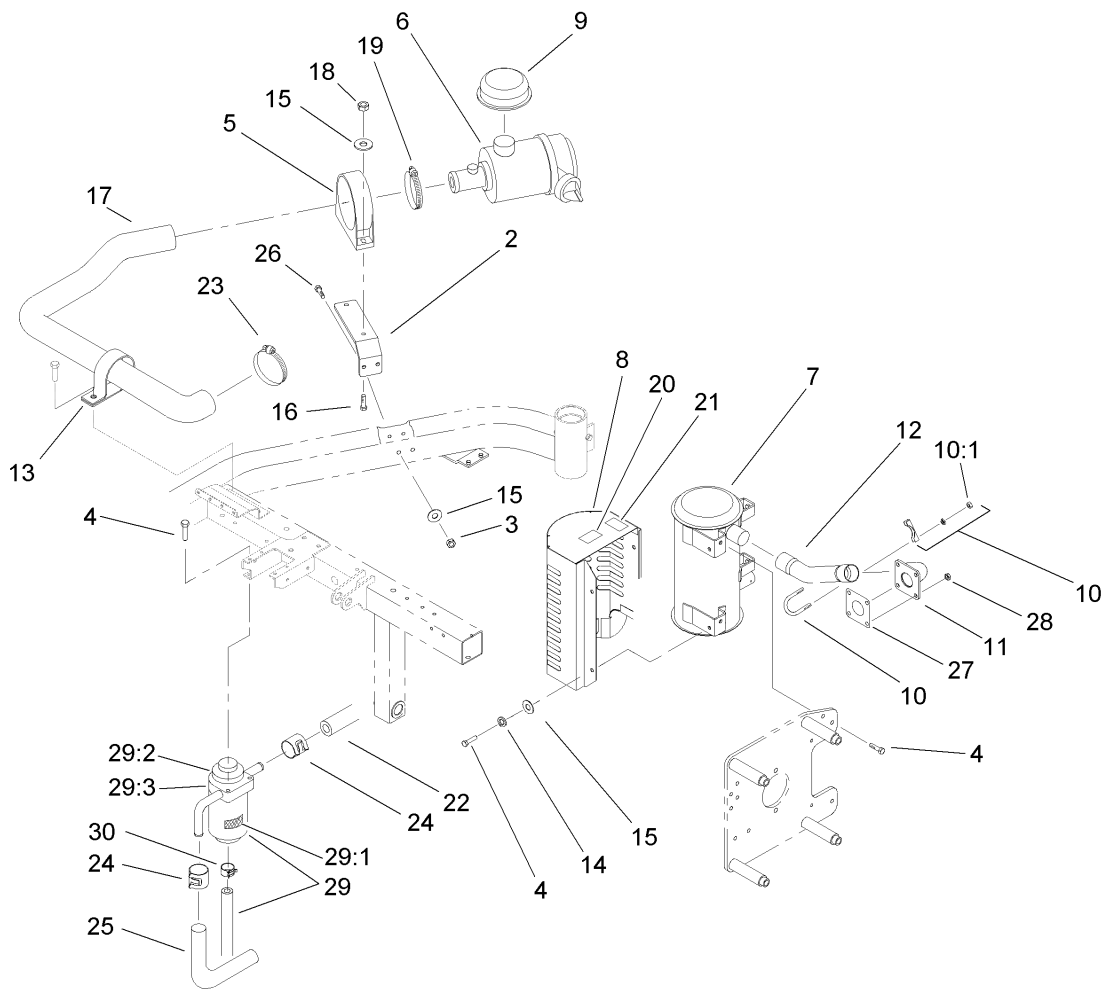
## Neutral System Assembly

<i>Ref.</i>	<i>Part Number</i>	<i>Qty.</i>	<i>Description</i>	<i>Ref.</i>	<i>Part Number</i>	<i>Qty.</i>	<i>Description</i>
1	33023-00	1	Nut-Lock	20	323-4	2	Screw-HH
2	94-8197	1	Tube-Pivot	21	33024-00	3	Nut-Lock
3	33113-035	1	Screw-HH	22	33114-025	2	Screw-HH
4	76-8870	1	Lever Damper ASM	23	33114-030	1	Screw-HH
5	94-1312	1	Spacer-Pivot	24	321-8	1	Screw-HH
6	94-3488-03	1	Lever-Pump	25	3296-29	1	Nut-Lock, NI
7	88-7200	1	Washer-Flat	26	2411-41	1	Rod End-Ball Joint
8	3210-6	1	Screw-HH	27	3296-42	1	Nut-Lock, NI
9	100-9846	1	Support-Cable	28	99-4251	1	Hose-Dampener
10	94-9609	1	Bushing-Straight	29	33093-00	2	Washer-Flat
11	94-4527	1	Arm-Neutral	30	93-9051	1	Decal-Bolt, Eccentric
12	3-6498	1	Washer-Thrust	31	3256-22	1	Washer-Flat
13	93-2111	1	Stud-Traction	32	94-3486	1	Plate
14	3256-22	1	Washer-Flat	33	63-9750	3	Mount
15	75-5470	1	Spacer-Bearing	34	33115-035	3	Screw-HH
16	251-259	1	Bearing-Ball	35	33025-00	3	Nut-Lock, NI
17	99-4254	1	Spring-Extension	36	2844	3	Washer
19	99-4276	1	Bracket-Spring	38	94-8196	2	Washer-Nylon



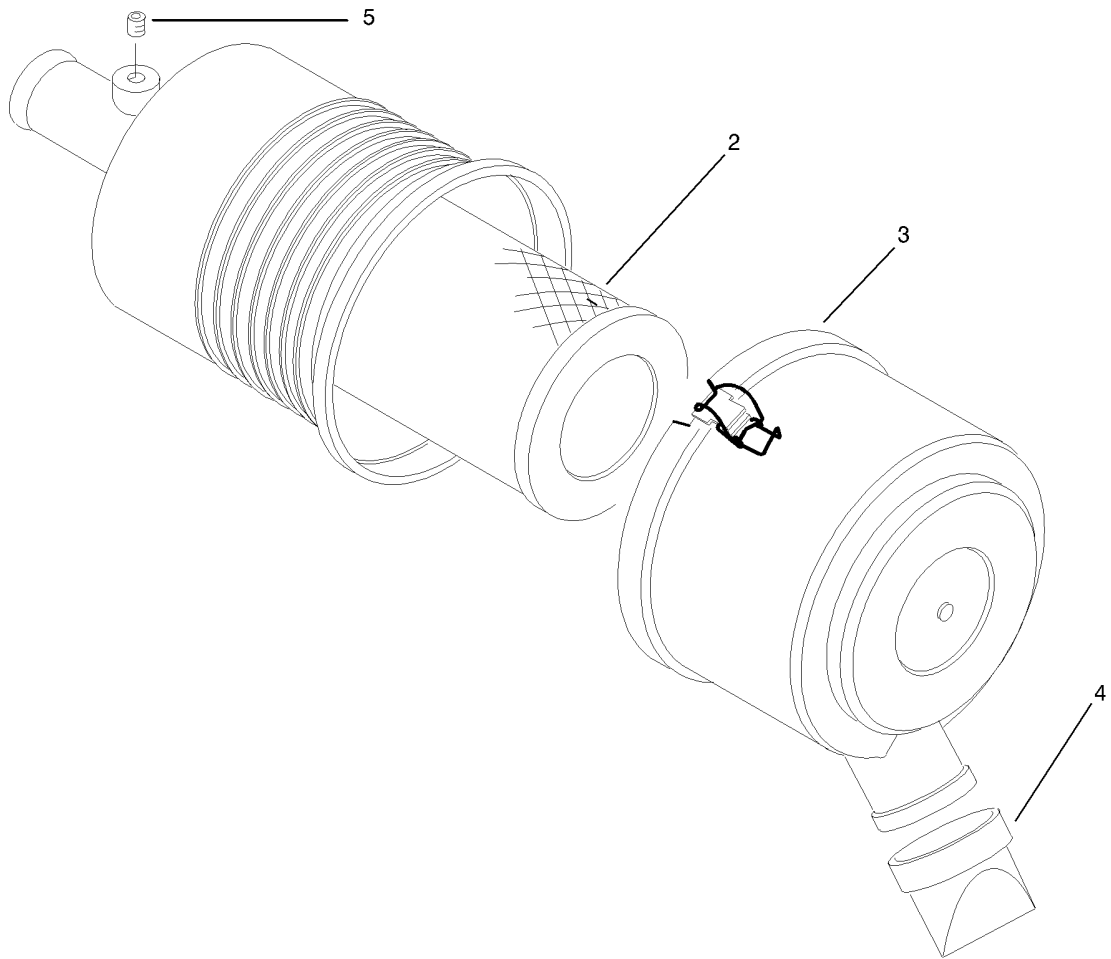
## Engine Installation Assembly

<i>Ref.</i>	<i>Part Number</i>	<i>Qty.</i>	<i>Description</i>	<i>Ref.</i>	<i>Part Number</i>	<i>Qty.</i>	<i>Description</i>
1	99-1481	1	Engine	25	99-4188-03	1	Bracket-Engine, RH
2	99-1495	1	Adapter-Fan	26	33113-016	4	Screw-HH
3	93-2049	1	Tank-Overflow	27	99-4190-03	1	Plate-Pump
4	93-2090	1	Fan-Engine	28	93-2588	2	Spacer-Upper
5	93-2445	1	Bracket-Alternator, Upper	29	93-2174	2	Spacer
6	3254-2	1	Washer-Lock, Internal	30	33116-130	2	Screw-HH
7	51-2070	1	Nut	31	87-7270	9	Washer-Thrust
8	108-3283	1	Hose-Fuel	32	33026-00	3	Nut-Lock
9	93-2048	1	Cap-Tank, Overflow	33	33115-050	1	Screw-HH
10	2412-108	1	Clamp-Worm	34	99-4240	1	Brace-Wireform, LH
11	100-3190-03	1	Engine Mount ASM	35	99-4238	1	Brace-Wireform, RH
12	92-5753	2	Clamp-Hose	36	33025-00	1	Nut-Lock, NI
13	99-1473-03	1	Mount-Engine, Front	37	323-4	2	Screw-HH
14	93-2020-01	1	Bracket-Support	38	94-4538	3	Spacer-Mount
15	33114-020	26	Screw-HH	39	33116-120	2	Screw-HH
16	33024-00	4	Nut-Lock	40	32104-32	2	Screw-HWH
17	93-2446	1	Bracket-Alternator, Lower	41	94-8156-03	1	Deflector-Fan
18	83-1030	3	Mount-Engine	42	3256-3	1	Washer-Flat
19	323-11	3	Screw-HH	43	3290-378	2	Tie-Cable
20	3290-357	3	Nut-HHF, Whiz	44	3256-24	2	Washer-Flat
21	83-1040	3	Washer-Flat	45	66-6480	3	Washer
22	99-9209	1	Alternator	46	92-2379	2	Clamp-Hose
23	99-8153	1	Belt-V	47	33114-016	3	Screw-HH
24	99-4189-03	1	Bracket-Engine, LH	48	73-0040	1	Washer-Thrust



## Air Cleaner and Exhaust Assembly

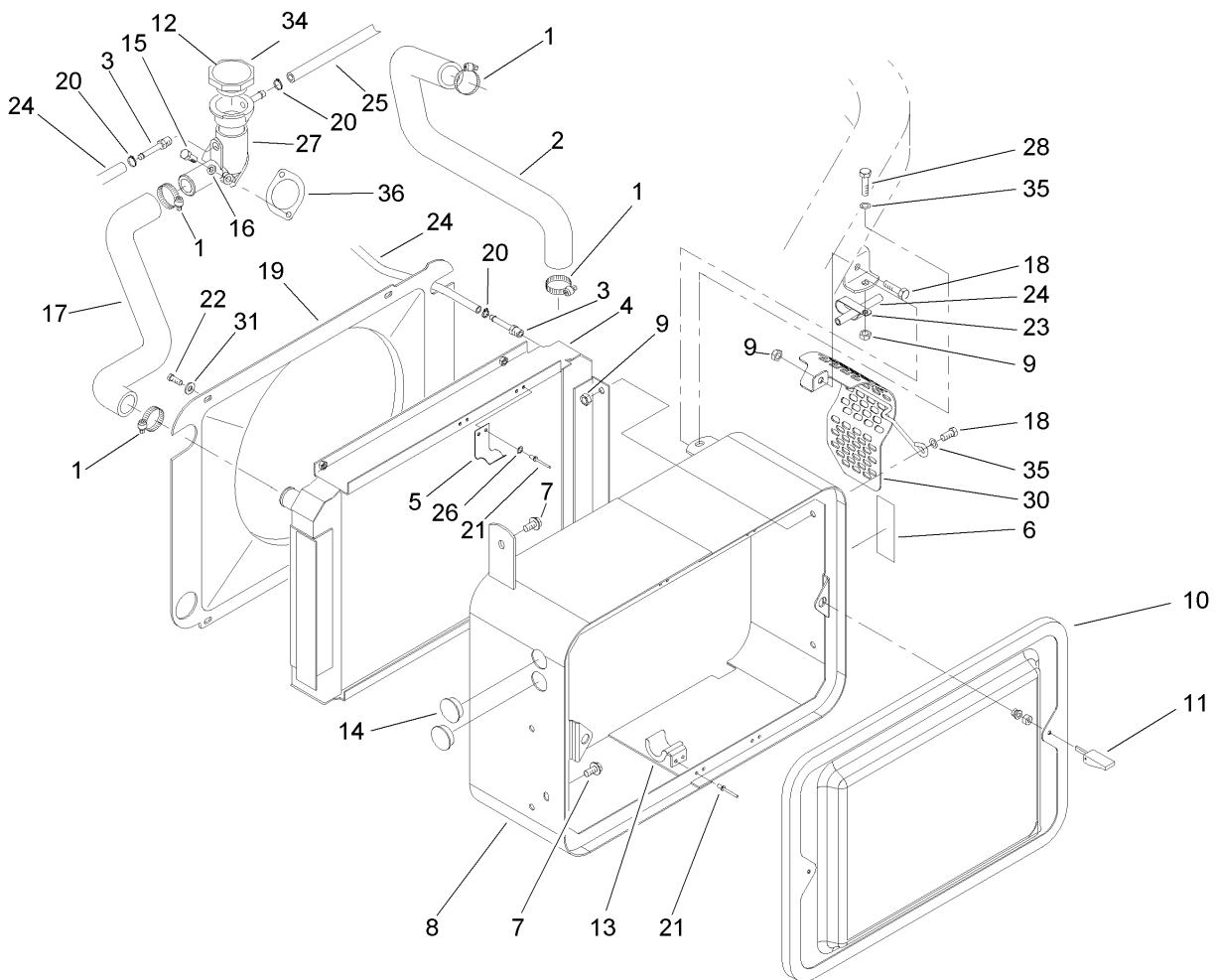
<i>Ref.</i>	<i>Part Number</i>	<i>Qty.</i>	<i>Description</i>	<i>Ref.</i>	<i>Part Number</i>	<i>Qty.</i>	<i>Description</i>
2	99-4203-03	1	Bracket-Cleaner, Air	18	3296-29	2	Nut-Lock, NI
3	33024-00	2	Nut-Lock	19	2412-92	1	Clamp-Hose
4	33114-020	8	Screw-HH	20	93-8069	1	Decal-Surface, Hot
5	95-5806	1	Bracket-Mounting	21	93-7275	1	Decal-Fluid, Starting
6	95-5805	1	Air Cleaner ASM	22	110-4112	1	Hose-Fuel
7	94-8153	1	Muffler	23	2412-130	1	Clamp-Hose
8	94-8182-03	1	Shield-Muffler ASM	24	92-2379	2	Clamp-Hose
9	46-7510	1	Hood-Inlet, Air	25	110-4007	1	Hose-Fuel
10	2112-9	2	Clamp	26	33114-080	2	Screw-HH
10:1	32128-20	2	Nut-HF	27	99-9179	1	Gasket-Exhaust
11	99-1472	1	Plate-Exhaust	28	99-9176	4	Nut-Hex
12	99-1494	1	Pipe-Exhaust	29	100-3191	1	Separator-Fuel
13	2412-107	1	Clamp-R	29:1	100-3192	1	Element-Filter, Fuel
14	3253-4	4	Washer-Lock	29:2	100-6409	1	Sensor-Filter, Fuel
15	3256-23	4	Washer-Flat	29:3	100-6408	1	Cover-Filter
16	322-16	2	Screw-HH	30	94-8189	1	Clamp-Hose
17	99-4204	1	Hose-Cleaner, Air				



## Air Cleaner Assembly No. 95-5805

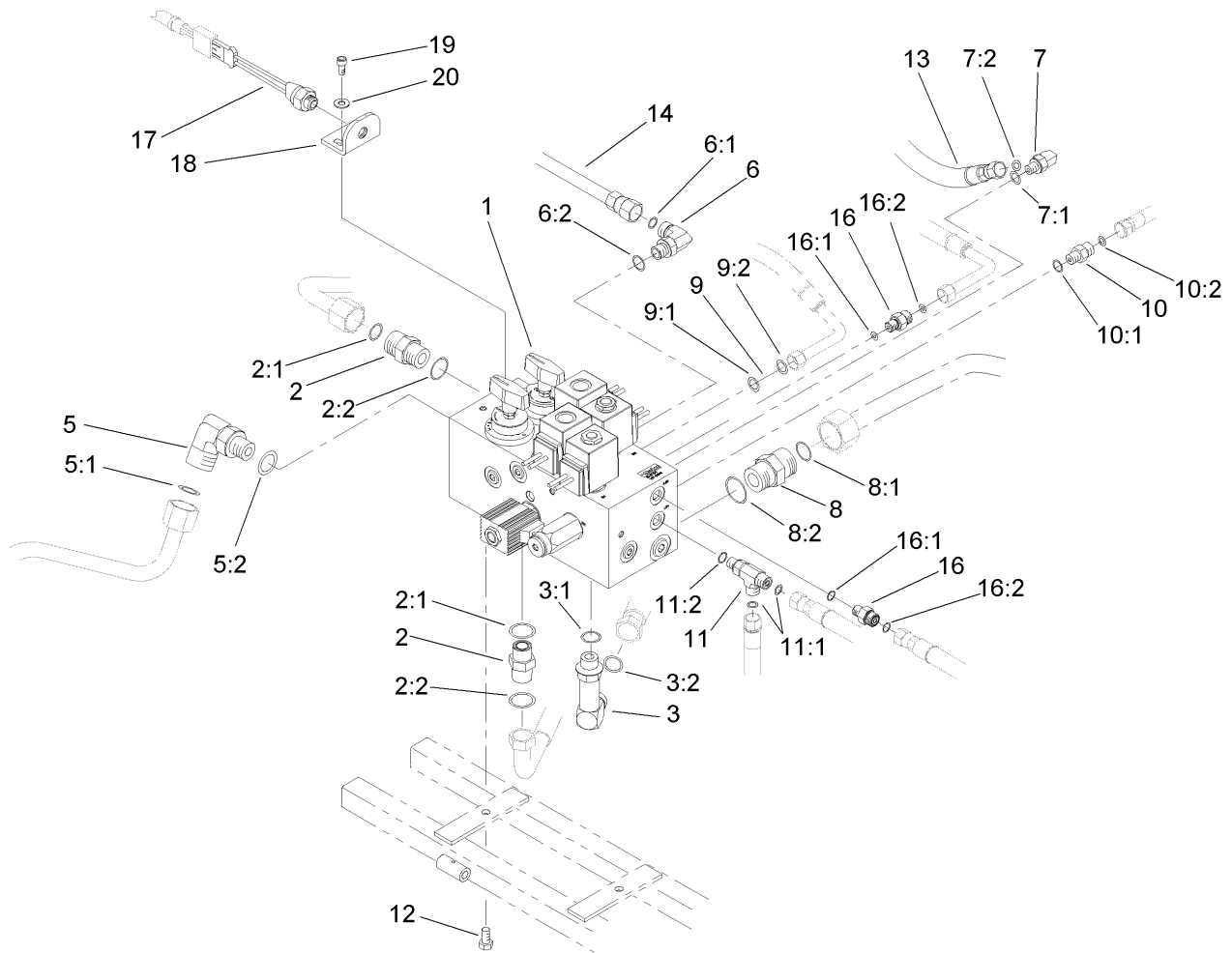
<i>Ref.</i>	<i>Part Number</i>	<i>Qty.</i>	<i>Description</i>
2	108-3811	1	Filter-Air
3	94-3652	1	Cover ASM
4	87-9400	1	Valve-Vacuator
5	285-17	1	Plug-Pipe





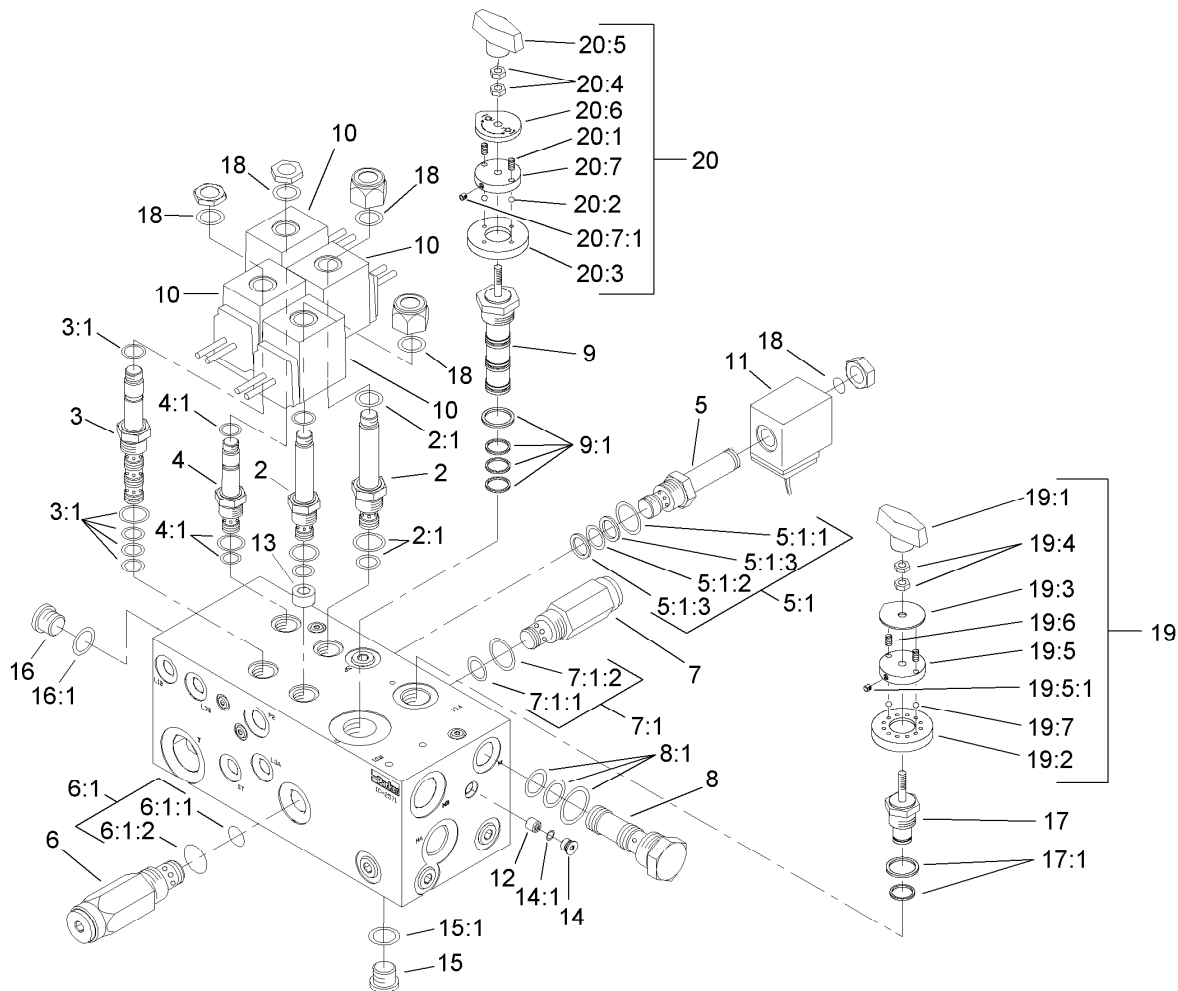
## Radiator Assembly

<i>Ref.</i>	<i>Part Number</i>	<i>Qty.</i>	<i>Description</i>	<i>Ref.</i>	<i>Part Number</i>	<i>Qty.</i>	<i>Description</i>
1	2412-34	4	Clamp-Hose	18	33114-020	5	Screw-HH
2	99-1469	1	Hose-Radiator	19	93-2320	1	Shroud-Fan
3	304-73	2	Connector-Hose	20	2412-108	3	Clamp-Worm
4	99-8193	1	Radiator	21	3269-15	6	Rivet-Pop
5	104-7736	1	Bracket-Cooler, Upper	22	33113-016	4	Screw-HH
6	93-6681	1	Decal-Warning, Fan	23	92-5753	1	Clamp-Hose
7	32104-32	2	Screw-HWH	24	109-0281	1	Hose-Fuel
8	106-9056-01	1	Support-Radiator	25	110-4112	1	Hose-Fuel
9	33024-00	6	Nut-Lock	26	3269-6	2	Washer-Flat
10	100-3172-03	1	Screen ASM	27	93-2448	1	Thermostat Housing ASM
11	74-5950	2	Latch-Swell	28	33114-025	1	Screw-HH
12	106-5976	1	Decal-Warning	30	100-3164-03	1	Guard-Alternator
13	93-2424	2	Bracket-Cooler, Lower	31	3256-22	4	Washer-Flat
14	94-4528	2	Plug	34	66-3240	1	Cap-Radiator
15	33113-025	2	Screw-HH	35	3256-23	2	Washer-Flat
16	3253-3	2	Washer-Lock	36	99-9163	1	Gasket-Outlet
17	93-2018	1	Hose-Radiator				



## Manifold Block Installation Assembly

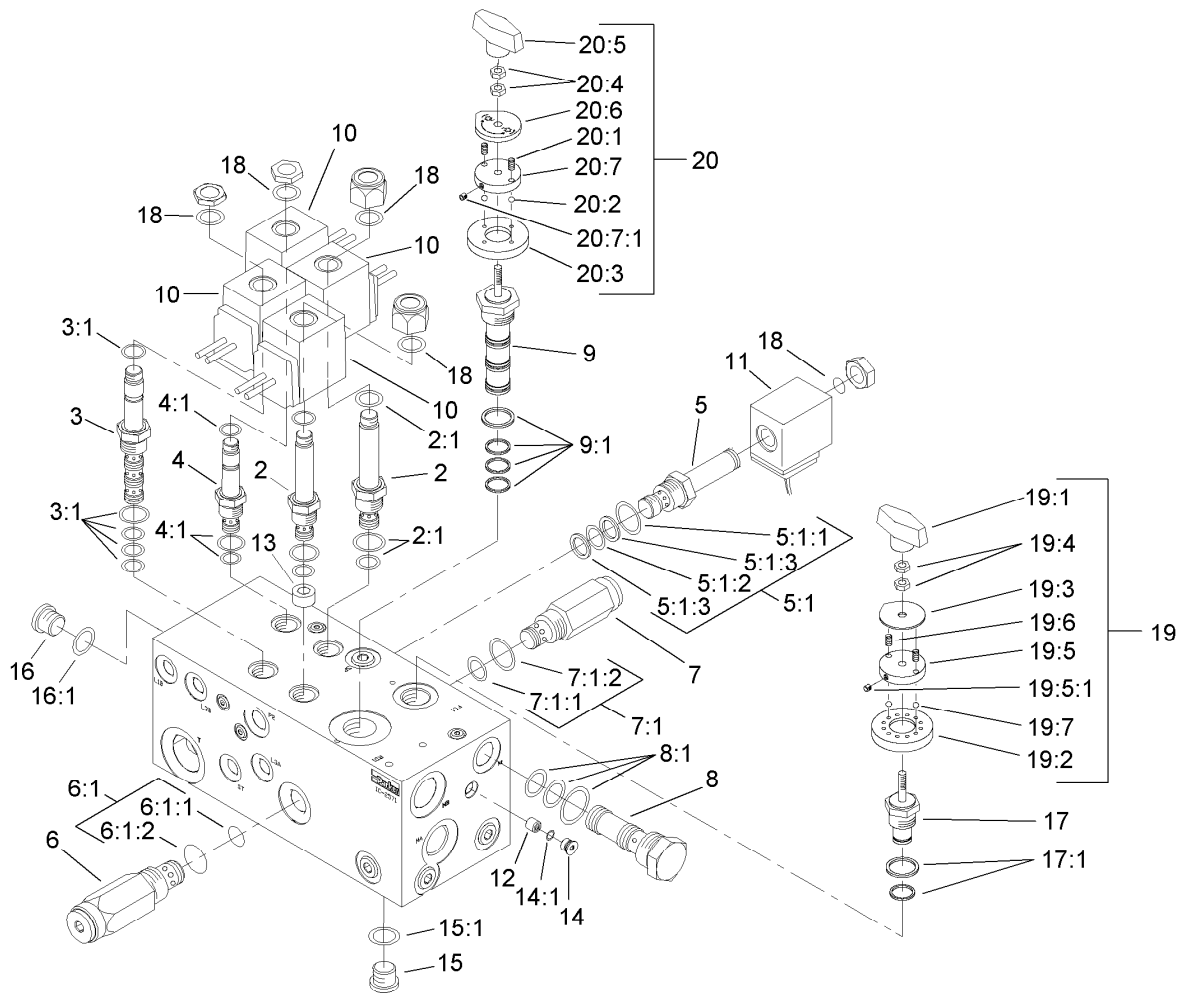
Ref.	Part Number	Qty.	Description	Ref.	Part Number	Qty.	Description
1	107-2570	1	Mow/Lift Manifold ASM	9	340-92	1	Fitting-HYD, Straight
2	340-7	2	Adapter	9:1	237-78	1	O-Ring
2:1	237-65	1	O-Ring	9:2	237-21	1	O-Ring
2:2	237-80	1	O-Ring	10	95-1639	1	Fitting-HYD
3	99-6160	1	Fitting-Elbow, 90 DEG	10:1	237-78	1	O-Ring
3:1	237-30	1	O-Ring	10:2	237-21	1	O-Ring
3:2	237-79	1	O-Ring	11	340-140	1	Adapter-Tee
5	340-17	1	Fitting-HYD, 90 DEG	11:1	237-21	2	O-Ring
5:1	237-65	1	O-Ring	11:2	237-78	1	O-Ring
5:2	237-80	1	O-Ring	12	33114-016	2	Screw-HH
6	340-77	1	Fitting-HYD, 90 DEG	13	93-2271	1	HYD Hose ASM
6:1	237-22	1	O-Ring	14	105-9790	1	Hose ASM
6:2	237-42	1	O-Ring	16	95-1639	2	Fitting-HYD
7	340-132	1	Fitting-HYD, 90 DEG	16:1	237-78	1	O-Ring
7:1	237-78	1	O-Ring	16:2	237-21	1	O-Ring
7:2	237-21	1	O-Ring	17	72-4320	1	Switch-Ball
8	340-9	1	Fitting-Straight	18	94-1357	1	Bracket-Backlap
8:1	237-58	1	O-Ring	19	3274-52	2	Screw-HSH
8:2	237-81	1	O-Ring	20	3256-22	2	Washer-Flat



## Mow/Lift Manifold Assembly No. 107-2570

Ref.	Part Number	Qty.	Description	Ref.	Part Number	Qty.	Description
2	93-7494	2	Cartridge	6:1:3		1	P-Ring ●
2:1	95-5645	1	Seal Kit	7	94-6351	1	Cartridge-Relief
2:1:1		1	Seal-Dust ●	7:1	95-5645	1	Seal Kit
2:1:2		1	Seal-Dust ●	7:1:1		1	Seal-Dust ●
2:1:3		1	P-Ring ●	7:1:2		1	Seal-Dust ●
3	94-2627	1	Cartridge	7:1:3		1	P-Ring ●
3:1	95-5642	1	Seal Kit	8	95-5634	1	Cartridge-Logic, Spool
3:1:1		1	Seal-Dust ●	8:1	95-5641	1	Seal Kit
3:1:2		1	Seal-Dust ●	9	94-3657	1	Spool ASM
3:1:3		1	Seal-Dust ●	9:1	106-1091	1	Seal Kit
3:1:4		1	Ring-Boss, Low Compression ●	10	88-9190	4	Solenoid Coil Kit
4	92-6315	1	Cartridge-Poppet, N.C.	11	106-9086	1	Coil-Solenoid
4:1	95-5645	1	Seal Kit	12	106-9084	1	Plug-Orifice
4:1:1		1	Seal-Dust ●	13	106-9083	1	Plug-Orifice
4:1:2		1	Seal-Dust ●	14	353-991	1	Plug-Hex, Hollow
4:1:3		1	P-Ring ●	14:1	237-156	1	O-Ring
5	106-9087	1	Spool-Type, Stem	15	353-989	8	Plug-Hex, Hollow
5:1	105-3334	1	Seal Kit	15:1	237-42	1	O-Ring
5:1:1		1	Seal-Dust ●	16	353-988	1	Plug-Hex
5:1:2		1	Seal-Dust ●	16:1	237-79	1	O-Ring
5:1:3		2	Ring-Backup ●	17	94-8175	1	Control-Flow, Rotary
6	95-1601	1	Cartridge-Relief	17:1	106-1090	1	Seal Kit
6:1	95-5645	1	Seal Kit	18	94-5438	10	Seal-Washer
6:1:1		1	Seal-Dust ●	19	94-3660	1	Detent Kit
6:1:2		1	Seal-Dust ●	19:1	94-5020	1	Knob ASM
				19:2	94-5025	1	Plate-Locating

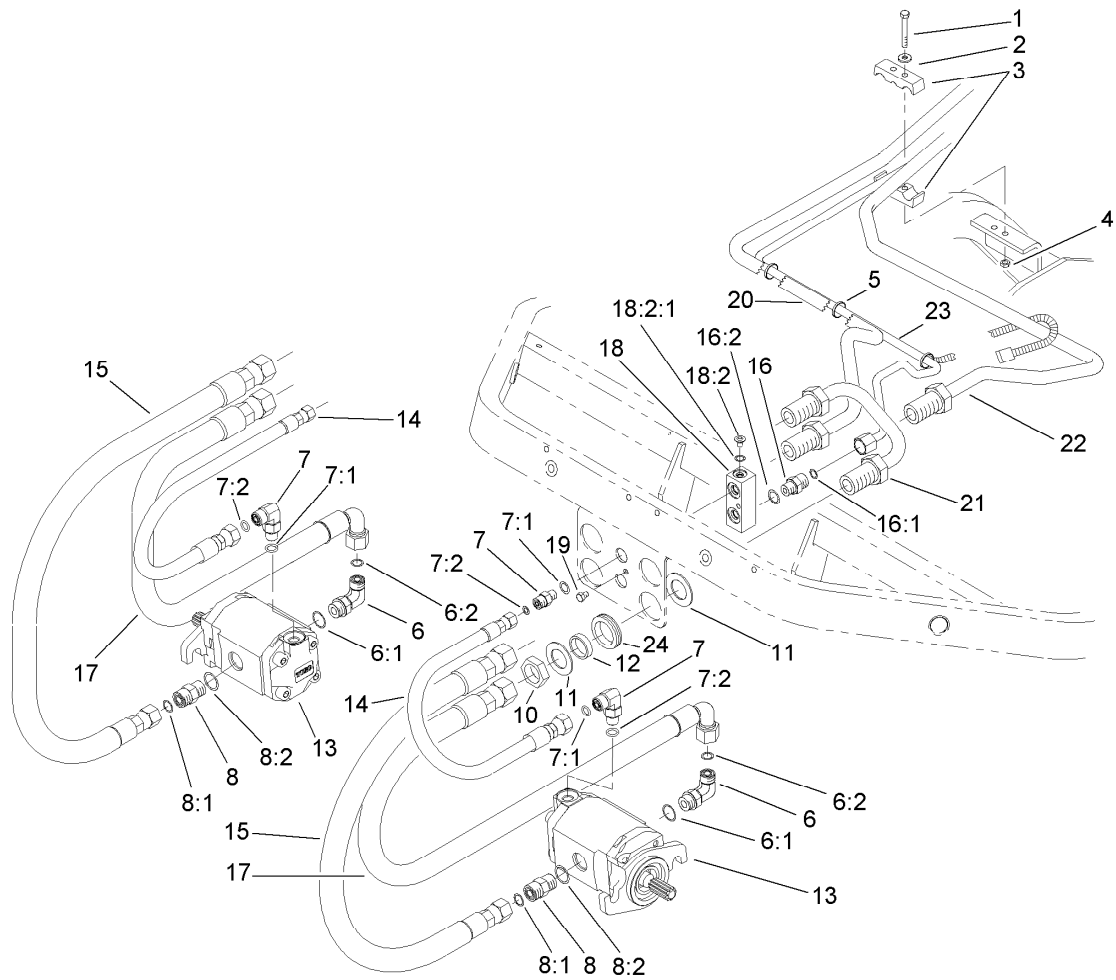
● Not serviced separately



## Mow/Lift Manifold Assembly No. 107-2570 (continued)

Ref.	Part Number	Qty.	Description	Ref.	Part Number	Qty.	Description
19:3	94-5026	1	Plate-Indicator	20:2	255-13	2	Ball-Steel, Stainless
19:4	3218-1	2	Nut-Jam	20:3	94-5021	1	Plate-Locating
19:5	94-5023	1	Plate-Detent	20:4	3218-1	2	Nut-Jam
19:5:1	3245-36	1	Screw-Set, HSH	20:5	94-5020	1	Knob ASM
19:6	94-5027	2	Spring	20:6	99-3543	1	Plate-Indicator
19:7	255-13	2	Ball-Steel, Stainless	20:7	94-5023	1	Plate-Detent
20	94-6378	1	Detent Kit	20:7:1	3245-36	1	Screw-Set, HSH
20:1	94-5027	2	Spring	21	99-3543	1	Plate-Indicator

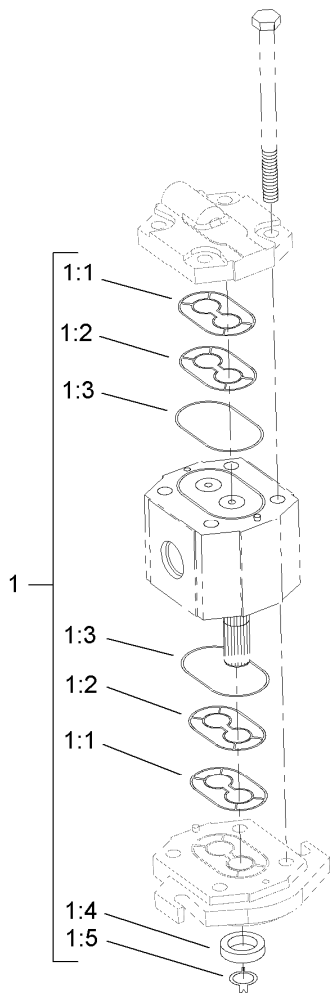
● Not serviced separately



## Front Bulkhead and Reel Motor Assembly

Ref.	Part Number	Qty.	Description
1	33113-050	2	Screw-HH
2	3256-1	2	Washer-Flat
3	93-2509	2	Clamp-Tube
4	33023-00	2	Nut-Lock
5	3290-378	3	Tie-Cable
6	340-98	2	Fitting-HYD, 90 DEG
6:1	237-79	1	O-Ring
6:2	237-30	1	O-Ring
7	340-132	2	Fitting-HYD, 90 DEG
7:1	237-78	1	O-Ring
7:2	237-21	1	O-Ring
8	340-4	2	Fitting-HYD, Straight
8:1	237-30	1	O-Ring
8:2	237-79	1	O-Ring
10	340-74	2	Nut-Lock, Bulkhead
11	69-9010	4	Washer
12	69-9000	2	Spacer

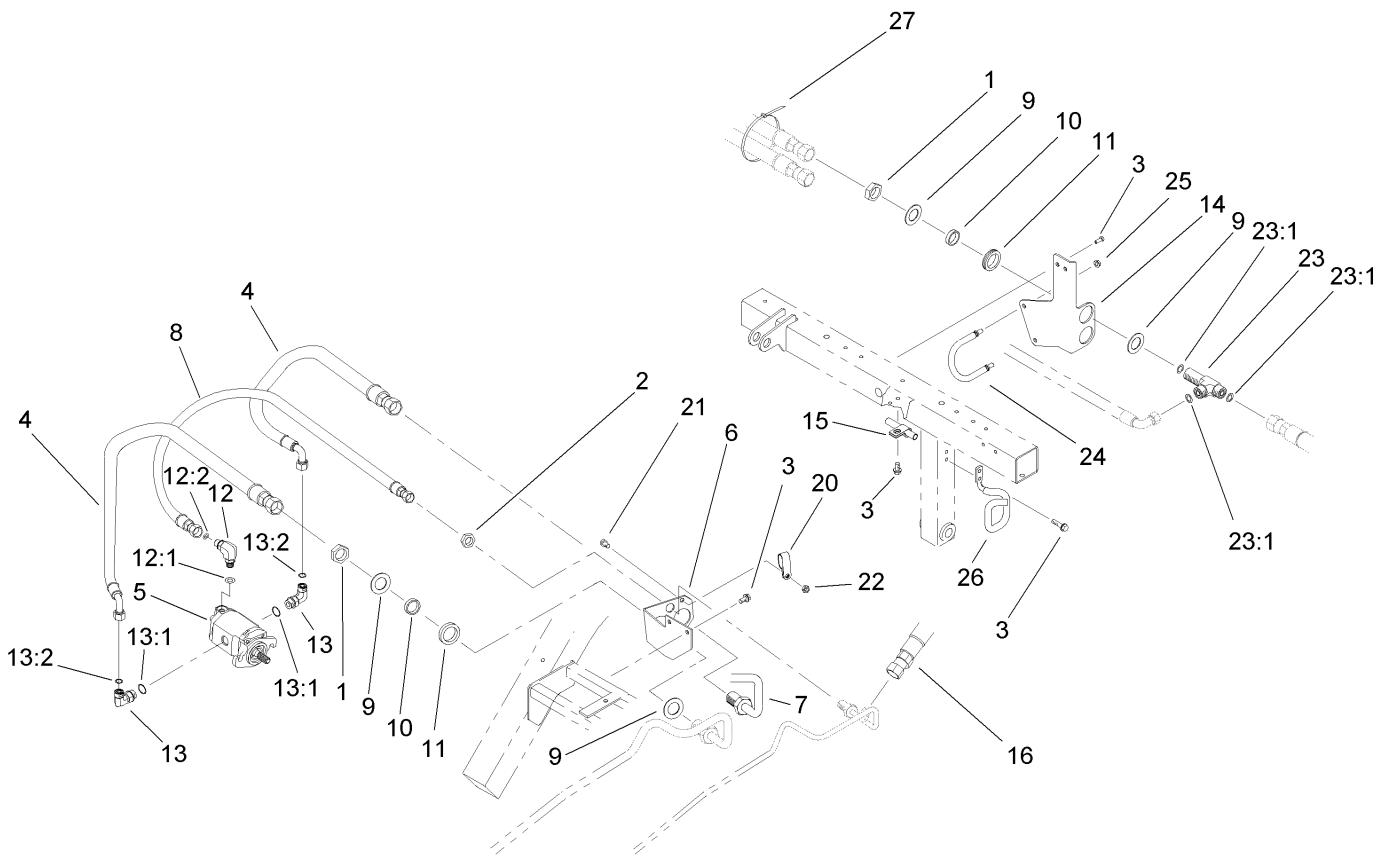
Ref.	Part Number	Qty.	Description
13	100-6426	2	HYD Motor ASM
14	106-9674	2	Hose ASM
15	95-2908	2	Hose ASM
16	340-2	1	Fitting-HYD, Straight
16:1	237-22	1	O-Ring
16:2	237-42	1	O-Ring
17	95-2909	2	Hose ASM
18	93-2238	1	T-Block
18:2	353-991	1	Plug-Hex, Hollow
18:2:1	237-156	1	O-Ring
19	33113-008	1	Screw-HH
20	94-1318	1	Tube-HYD
21	94-1319	1	Tube-HYD
22	94-1320	1	Tube-HYD
23	94-1321	1	Tube-HYD
24	240-3	2	Grommet-Rubber



## Reel Motor Assembly No. 100-6426

<i>Ref.</i>	<i>Part Number</i>	<i>Qty.</i>	<i>Description</i>
1	105-9758	1	Seal Kit
1:1		2	Seal-Extrusion, Anti ●
1:2		2	Seal-Pressure ●
1:3		2	Seal-Dust ●
1:4		1	Seal-Shaft ●
1:5		1	Washer-Backup ●

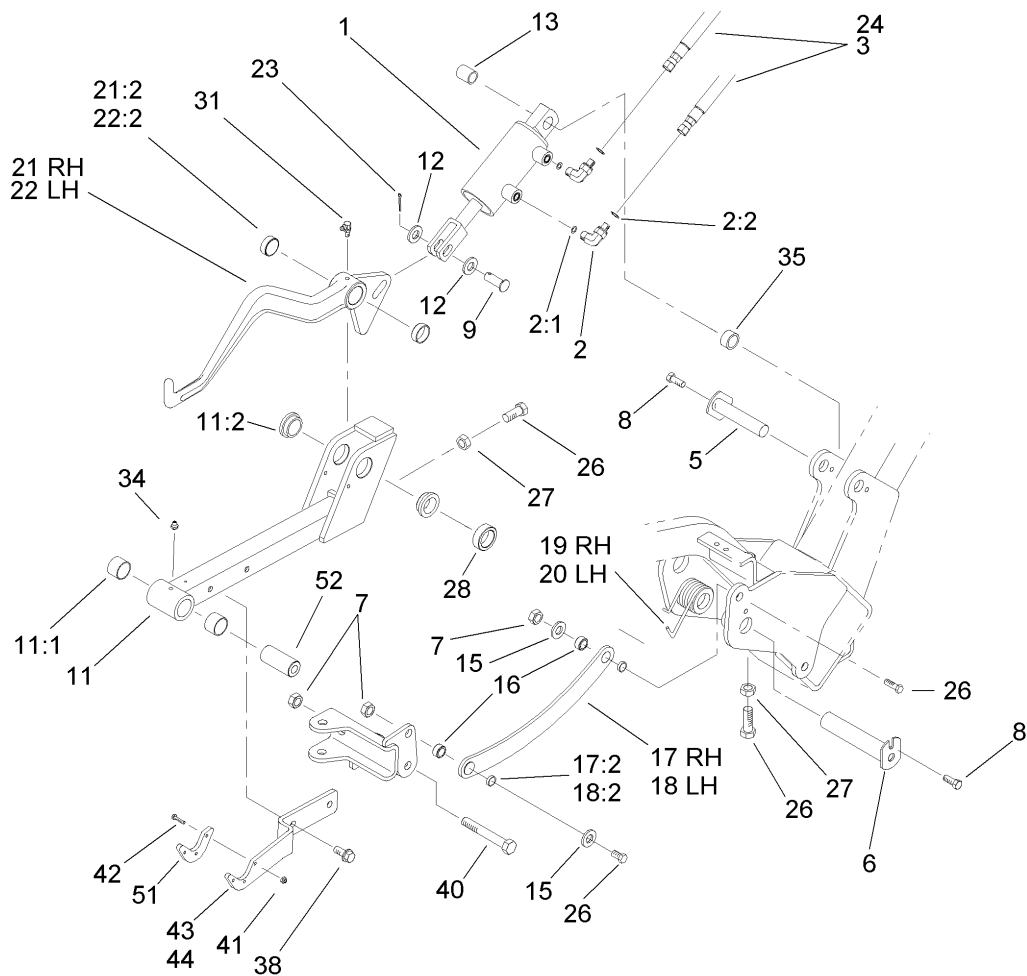
● Not serviced separately



## Rear Bulkhead and Reel Motor Assembly

<i>Ref.</i>	<i>Part Number</i>	<i>Qty.</i>	<i>Description</i>
1	340-74	4	Nut-Lock, Bulkhead
2	340-70	1	Nut-Lock
3	32104-32	7	Screw-HWH
4	95-2907	2	Hose ASM
5	100-6426	1	HYD Motor ASM
6	94-1316	1	Bracket-Bulkhead
7	94-1317	1	Tube-HYD
8	105-5405	1	Hose ASM
9	69-9010	8	Washer
10	69-9000	4	Spacer
11	240-3	4	Grommet-Rubber
12	340-132	1	Fitting-HYD, 90 DEG
12:1	237-78	1	O-Ring
12:2	237-21	1	O-Ring
13	340-98	2	Fitting-HYD, 90 DEG

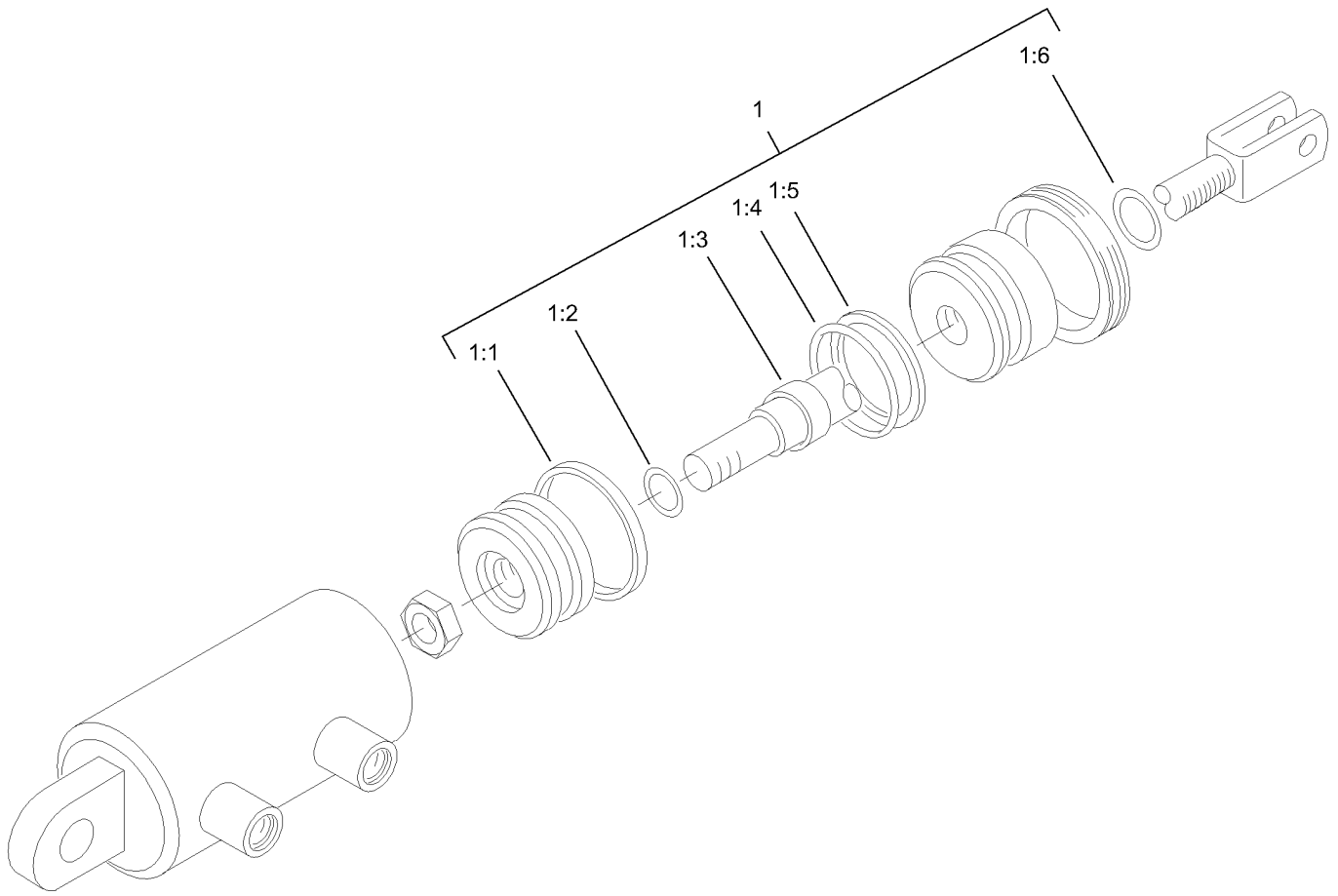
<i>Ref.</i>	<i>Part Number</i>	<i>Qty.</i>	<i>Description</i>
13:1	237-79	1	O-Ring
13:2	237-30	1	O-Ring
14	99-4222-03	1	Bracket-Hose
15	2412-4	1	Clamp
16	110-4008	1	HYD Hose ASM
20	2412-137	1	Clamp-R, Double
21	33114-020	1	Screw-HH
22	33024-00	1	Nut-Lock
23	94-5350	2	Tee-Bulkhead
23:1	237-65	3	O-Ring
24	99-4221	1	Retainer-Hose
25	3296-29	2	Nut-Lock, NI
26	94-5352	1	Retainer-Hose
27	3290-378	1	Tie-Cable



## Left Hand and Right Hand Lift Arm Assembly

Ref.	Part Number	Qty.	Description	Ref.	Part Number	Qty.	Description
1	105-3821	2	HYD Cylinder ASM	20	105-3818	1	Spring-Torsion, LH
2	340-132	4	Fitting-HYD, 90 DEG	21	99-4213	1	RH Lift Arm ASM
2:1	237-78	1	O-Ring	21:2	92-8995	2	Bushing
2:2	237-21	1	O-Ring	22	99-4212	1	LH Lift Arm ASM
3	108-6505	2	Hose ASM	22:2	92-8995	2	Bushing
5	10-6060	2	Pin-Pivot	23	3272-11	2	Pin-Cotter
6	94-8198	2	Pin	24	93-2254	2	HYD Hose ASM
7	3296-25	6	Nut-Lock, NI	26	325-6	7	Screw-HH
8	32104-32	4	Screw-HWH	27	3218-5	3	Nut-Jam
9	283-68	2	Pin-Clevis	28	93-2384	2	Spacer-Carrier
11	99-4115	2	Front Lift Frame ASM	31	302-60	2	Fitting-Grease
11:1	98-4166	2	Bushing	34	302-5	2	Fitting-Grease
11:2	94-9610	2	Bushing-Flange	35	74-3730	2	Spacer-Spindle, Rear
12	33096-00	4	Washer-Flat	38	32144-69	4	Screw-HWH, Thd Roll
13	105-3838	2	Spacer	40	325-14	2	Screw-HH
15	3256-26	4	Washer-Flat	41	3296-54	6	Nut-Lock
16	99-4201	4	Tube-Spacer	42	3250-17	6	Screw-PPH
17	99-4258	1	RH Link Bracket ASM	43	99-4111-01	1	Plate-Transport, 1 And 3
17:2	99-4243	2	Bushing-Flange	44	99-4112-01	1	Plate-Transport, 2
18	99-4260	1	LH Link Bracket ASM	51	99-4225	2	Pad-Wear
18:2	99-4243	2	Bushing-Flange	52	99-4072	2	Spacer
19	105-3809	1	Spring-Torsion, RH				

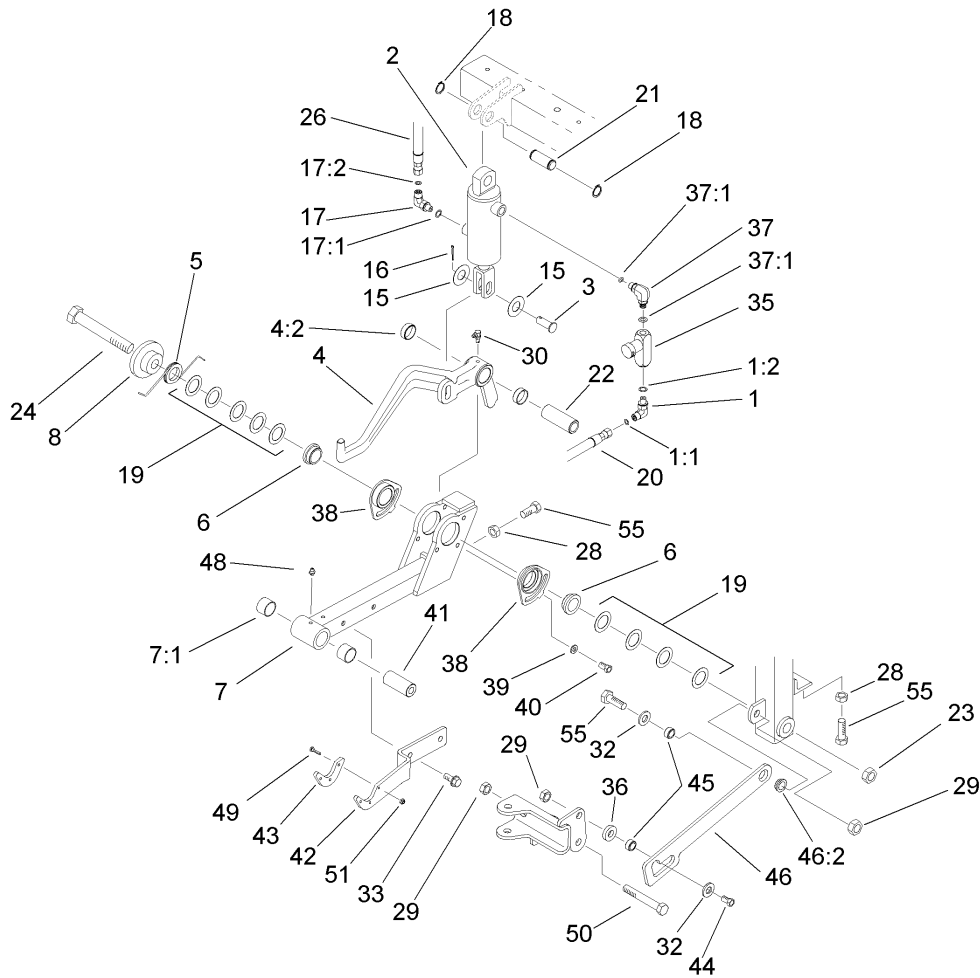




## Hydraulic Cylinder Assembly No. 105-3821

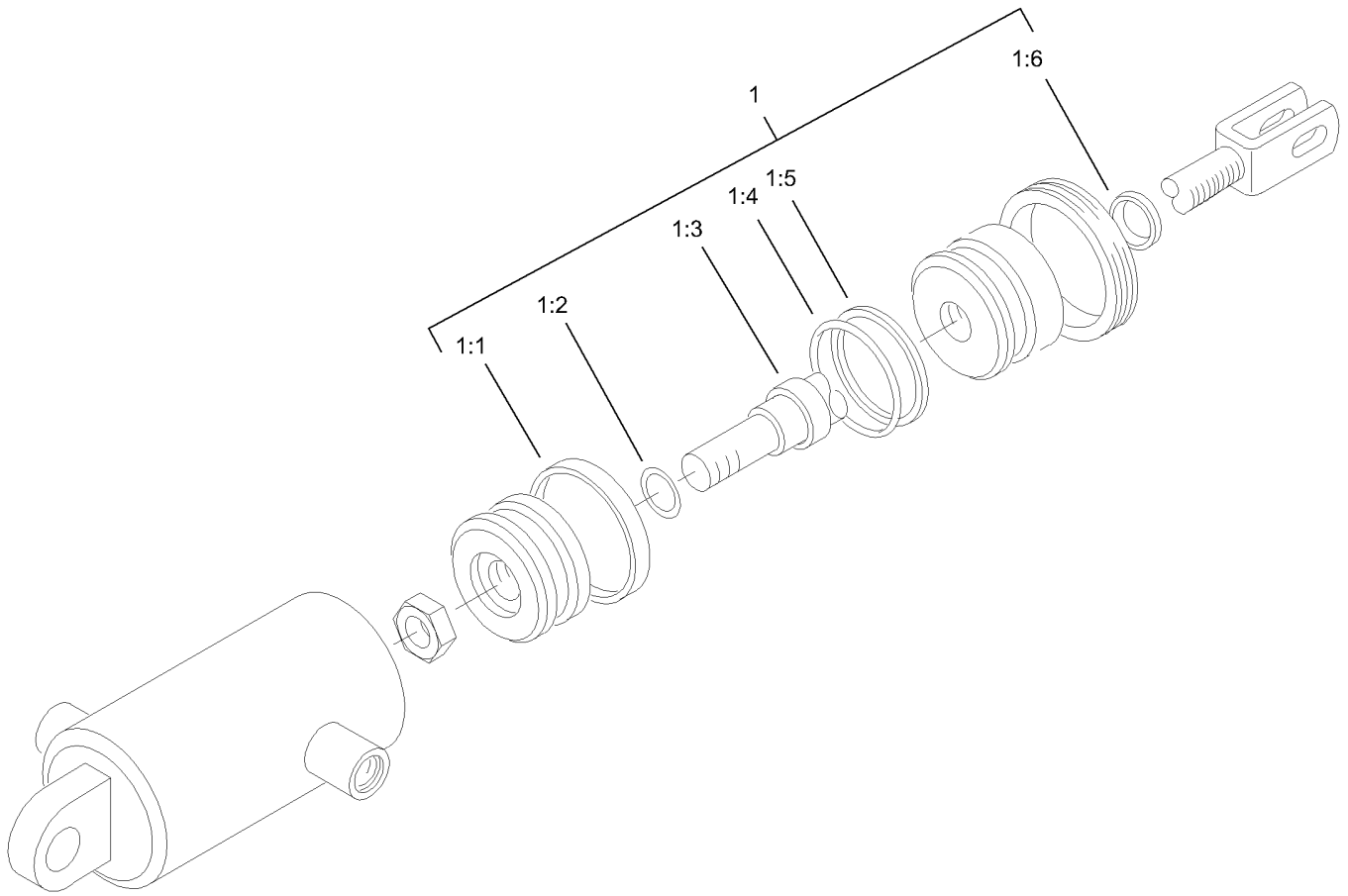
<i>Ref.</i>	<i>Part Number</i>	<i>Qty.</i>	<i>Description</i>
1	105-3836	1	Seal Kit
1:1		1	T-Seal ●
1:2		1	Seal-Dust ●
1:3		1	Seal-Rod ●
1:4		1	Seal-Dust ●
1:5		1	Backup ●
1:6		1	Seal-Dust ●

● Not serviced separately



## Center Lift Arm Assembly

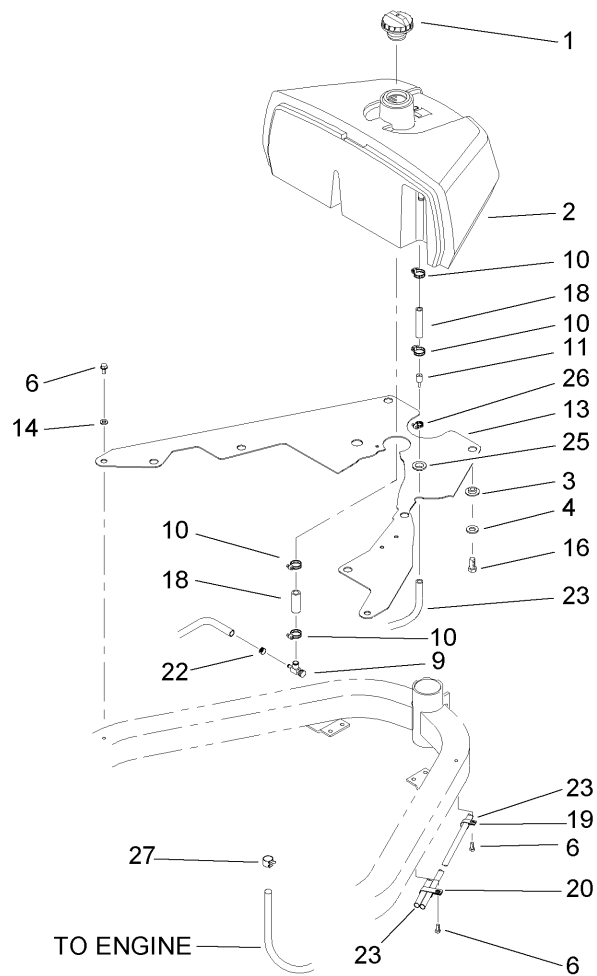
Ref.	Part Number	Qty.	Description	Ref.	Part Number	Qty.	Description
1	340-132	1	Fitting-HYD, 90 DEG	28	3218-5	2	Nut-Jam
1:1	237-78	1	O-Ring	29	3296-25	3	Nut-Lock, NI
1:2	237-21	1	O-Ring	30	302-60	1	Fitting-Grease
2	105-3820	1	HYD Cylinder ASM	32	3256-26	2	Washer-Flat
3	283-68	1	Pin-Clevis	33	32144-69	2	Screw-HWH, Thd Roll
4	99-4126	1	Center Lift Arm ASM	35	93-7489	1	Orifice Valve ASM
4:2	92-8995	2	Bushing	36	99-4248	1	Spacer
5	105-9781	1	Spring-Torsion	37	95-2927	1	Fitting-Elbow
6	98-2197	2	Bushing-Flange	37:1	237-78	2	O-Ring
7	99-4116	1	Rear Lift Frame ASM	38	98-4618	2	Bushing-Eccentric
7:1	98-4166	2	Bushing	39	3256-74	2	Washer-Flat
8	105-9779	1	Guide-Spring	40	33114-016	2	Screw-HH
15	33096-00	2	Washer-Flat	41	99-4072	1	Spacer
16	3272-11	1	Pin-Cotter	42	99-4111-01	1	Plate-Transport, 1 And 3
17	340-132	1	Fitting-HYD, 90 DEG	43	99-4225	1	Pad-Wear
17:1	237-78	1	O-Ring	44	325-7	1	Screw-HH
17:2	237-21	1	O-Ring	45	99-4201	2	Tube-Spacer
18	32120-72	2	Ring-Snap	46	99-4246	1	Link Bracket ASM
19	63-2290	9	Washer-Thrust	46:2	99-4243	1	Bushing-Flange
20	93-2258	1	HYD Hose ASM	48	302-5	1	Fitting-Grease
21	94-3452	1	Pin	49	3250-17	3	Screw-PPH
22	94-8199	1	Tube-Pivot	50	325-14	1	Screw-HH
23	3296-53	1	Nut-Lock, NI	51	3296-54	3	Nut-Lock
24	327-25	1	Screw-HH	55	325-6	3	Screw-HH
26	106-7981	1	Hose-HYD				



## Hydraulic Cylinder Assembly No. 105-3820

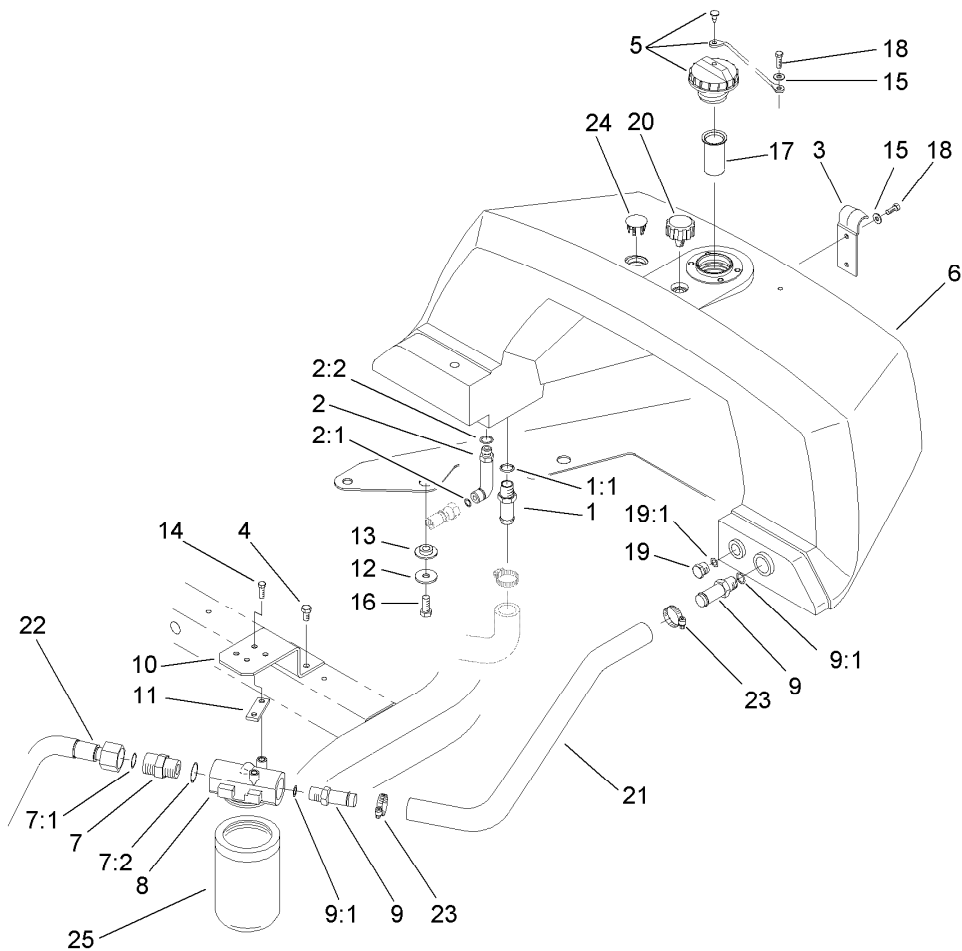
<i>Ref.</i>	<i>Part Number</i>	<i>Qty.</i>	<i>Description</i>
1	105-3836	1	Seal Kit
1:1		1	T-Seal ●
1:2		1	Seal-Dust ●
1:3		1	Seal-Rod ●
1:4		1	Seal-Dust ●
1:5		1	Backup ●
1:6		1	Seal-Dust ●

● Not serviced separately



## Fuel System Assembly

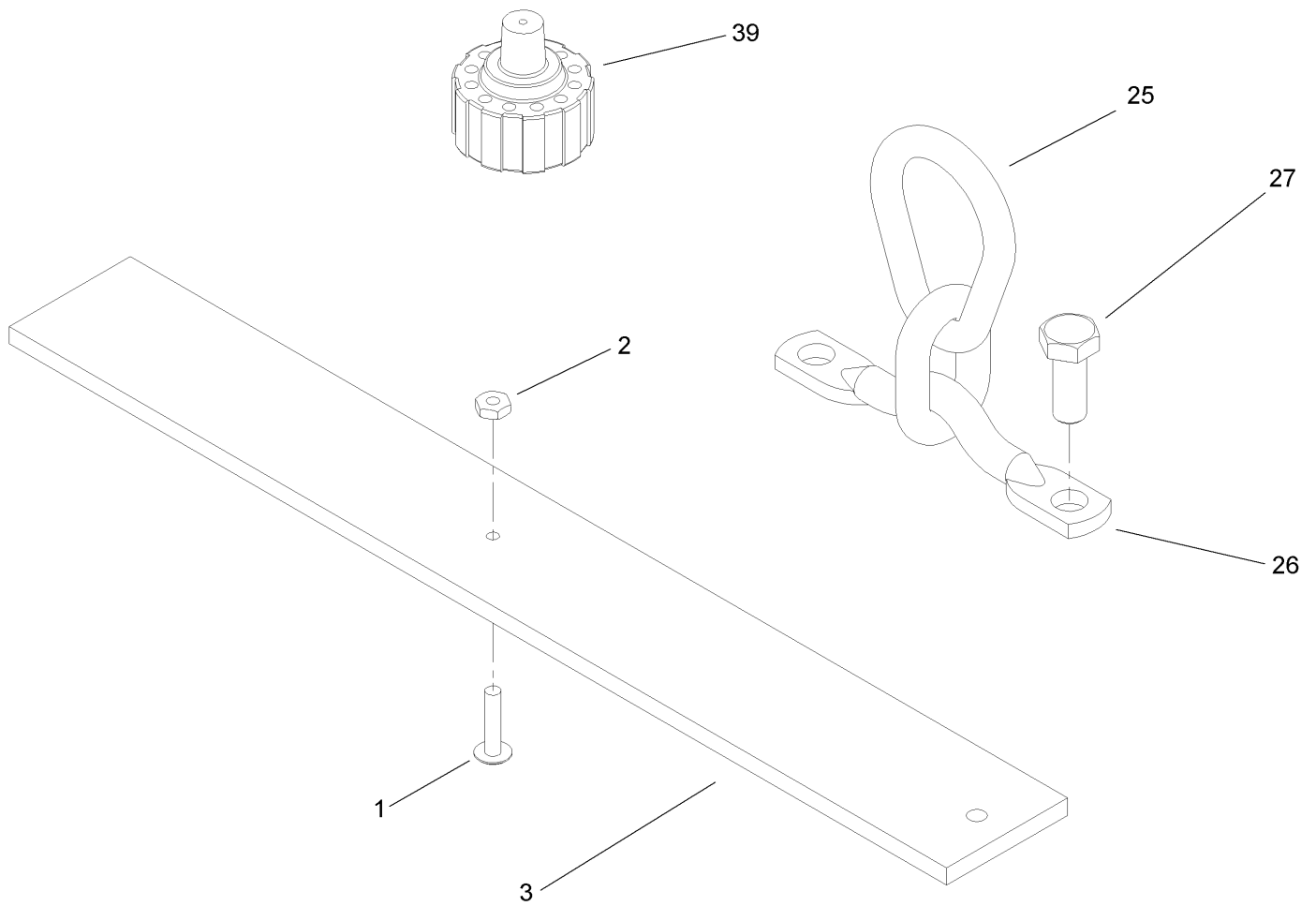
<i>Ref.</i>	<i>Part Number</i>	<i>Qty.</i>	<i>Description</i>
1	93-3102	1	Cap-Fuel
2	93-2225	1	Tank-Fuel
3	240-11	3	Bushing-Flange
4	93-4637	3	Washer-Flat
6	32104-32	5	Screw-HWH
9	56-2520	1	Fitting-Shut Off, Fuel
10	2412-36	4	Clamp-Hose
11	93-2299	1	Fitting-Fuel
13	94-1364-03	1	Plate ASM
14	3256-23	2	Washer-Flat
16	33115-020	3	Screw-HH
18	106-1128	2	Hose-Fuel
19	2412-41	1	Clamp
20	92-5753	1	Clamp-Hose
22	92-2379	1	Clamp-Hose
23	110-3958	1	Hose-Fuel
25	237-124	1	Grommet
26	2412-108	1	Clamp-Worm
27	94-8189	1	Clamp-Hose



## Hydraulic Tank and Filter Assembly

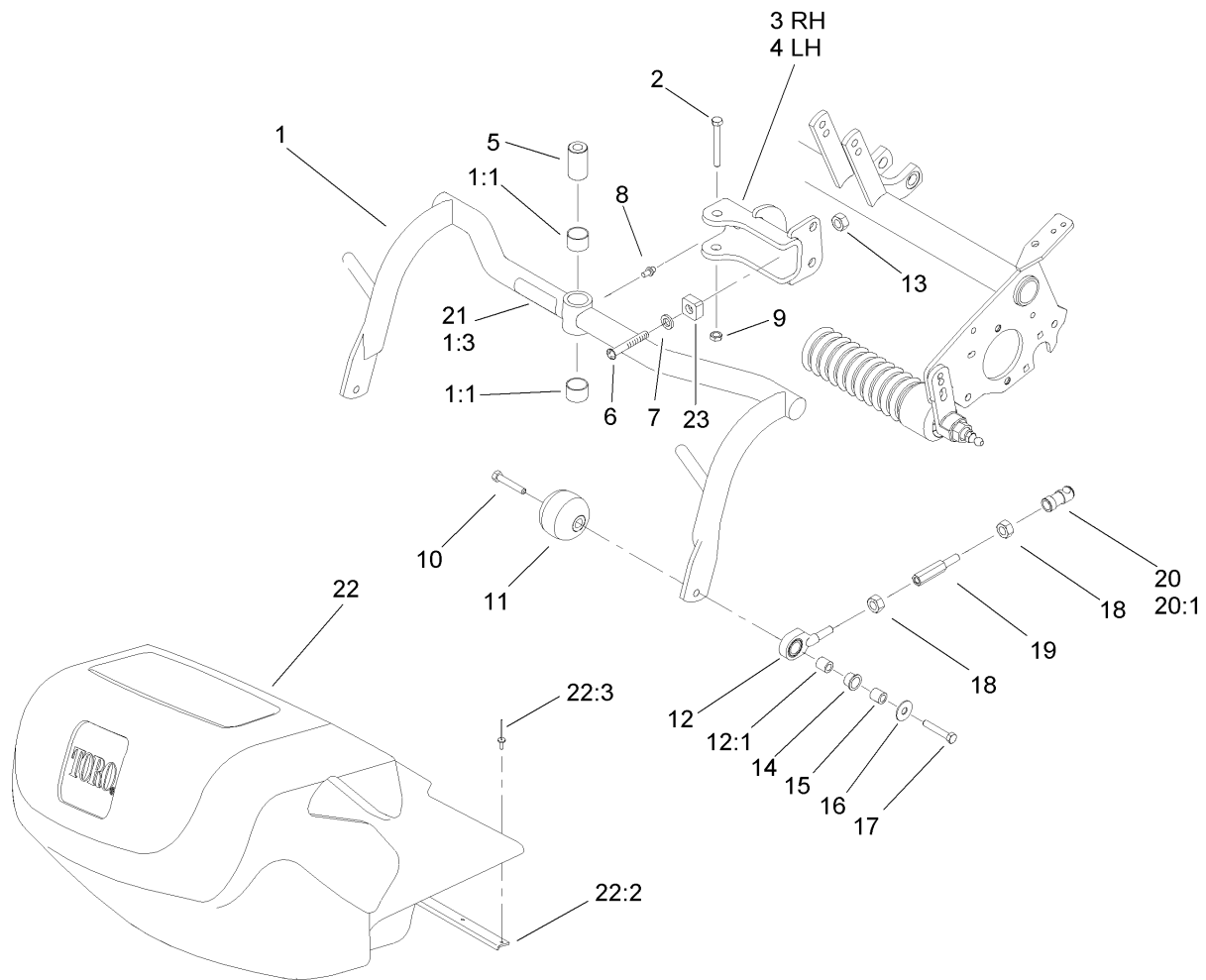
Ref.	Part Number	Qty.	Description
1	354-78	1	Connector-Hose
1:1	237-146	1	O-Ring
2	69-4320	1	Fitting-HYD, 90 DEG
2:1	237-22	1	O-Ring
2:2	237-42	1	O-Ring
3	93-2438	1	Clamp-Tank, Fuel
4	32104-32	2	Screw-HWH
5	93-7160	1	Cap-Oil, HYD
6	93-2235	1	Tank-HYD
7	340-9	1	Fitting-Straight
7:1	237-58	1	O-Ring
7:2	237-81	1	O-Ring
8	92-5821	1	Filter Head ASM
9	354-73	2	Fitting-Straight
9:1	237-81	1	O-Ring
10	105-9793-03	1	Mount-Filter, Oil

Ref.	Part Number	Qty.	Description
11	105-4309	1	Plate-Filter
12	93-4637	4	Washer-Flat
13	240-11	4	Bushing-Flange
14	321-5	2	Screw-HH
15	3256-1	3	Washer-Flat
16	33115-020	4	Screw-HH
17	93-2275	1	Screen-Filler
18	33113-016	3	Screw-HH
19	353-988	1	Plug-Hex
19:1	237-79	1	O-Ring
20	68-6150	1	Breather
21	94-9607	1	Hose-Return
22	94-4518	1	Tube ASM
23	2412-129	2	Clamp-Hose
24	93-2437	1	Plug-Serrated
25	107-9531	1	Filter-Oil, HYD



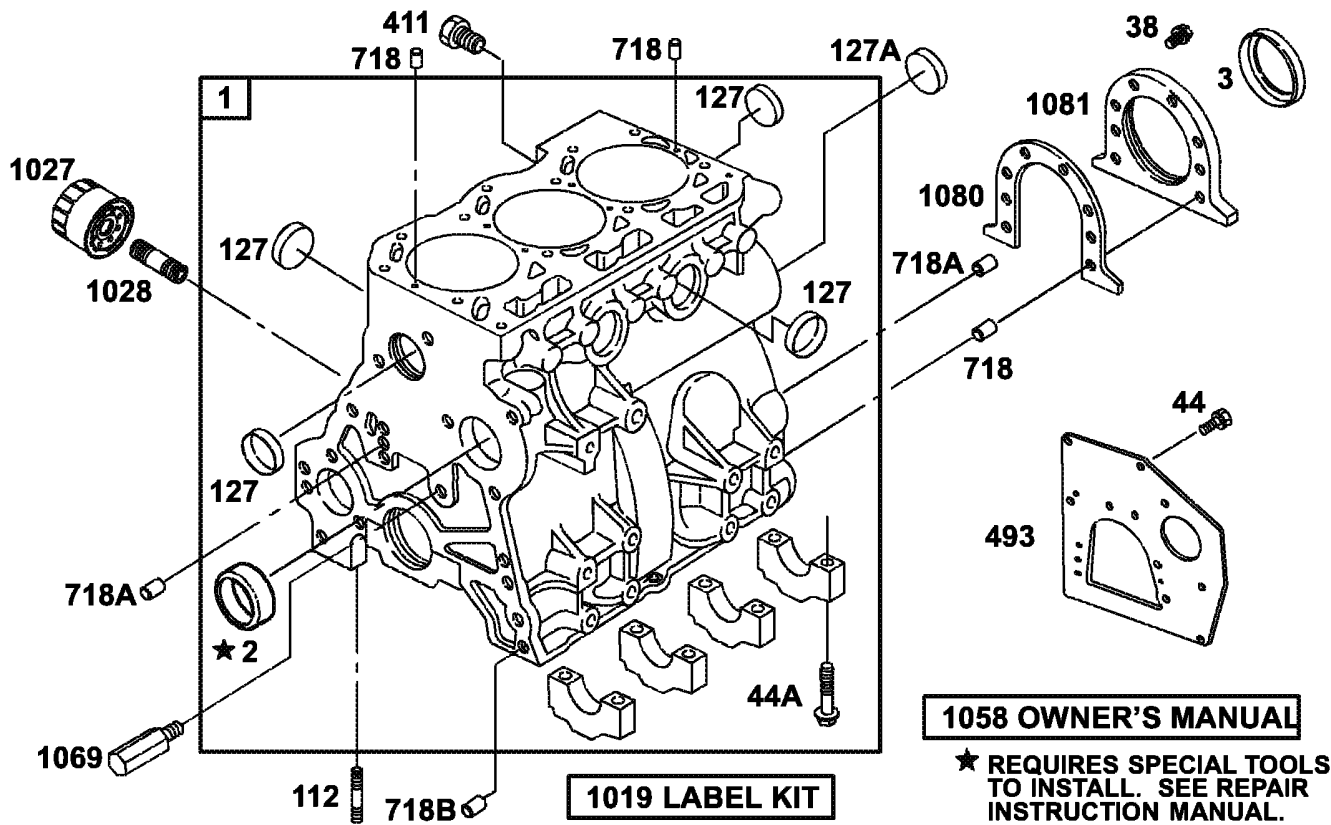
## Miscellaneous Part Assembly

<i>Ref.</i>	<i>Part Number</i>	<i>Qty.</i>	<i>Description</i>
1	32122-22	1	Screw-HH
2	3219-14	1	Nut-Hex
3	65-8320	1	Bar-Gauge
25	106-2601	3	Link-Lift
26	105-5738	3	Strap-Lift
27	33115-025	6	Screw-HH
39	92-8020	1	Adapter-Breather



## Pull Frame Assembly

<i>Ref.</i>	<i>Part Number</i>	<i>Qty.</i>	<i>Description</i>	<i>Ref.</i>	<i>Part Number</i>	<i>Qty.</i>	<i>Description</i>
1	99-4114	3	Pull Frame ASM	13	3296-12	3	Nut-Lock, NI
1:1	98-4166	2	Bushing	14	104-7738	6	Bushing-Flange
1:3	104-7728	1	Decal-Danger	15	75-5270	6	Spacer-Knob, Seat
2	325-13	3	Screw-HH	16	80-6990	6	Washer-Hardened
3	99-4183-01	2	RH Clevis ASM	17	323-8	6	Screw-HH
4	99-4182-01	1	LH Clevis ASM	18	3220-3	12	Nut-HJ
5	99-4109	3	Spacer	19	99-4270	6	Extension-Arm, Pull
6	78-8710	3	Screw	20	99-1460	6	Ball Joint Receiver ASM
7	3256-77	3	Washer-Flat	20:1	99-1461	1	Sleeve-Joint, Ball
8	302-5	3	Fitting-Grease	21	104-7729	3	Decal-Danger, Ce
9	3296-25	3	Nut-Lock, NI	22	106-4689	3	Grass Basket ASM
10	99-4209	6	Shaft-Roller	22:2	104-2607	1	Strip-Basket
11	99-4210	6	Roller-Anti Scalp	22:3	3290-382	8	Rivet-Pop
12	100-6440	6	Pull Link And Bushing ASM	23	94-1392	3	Pad-Rubber
12:1	95-0532	1	Rubber Bushing ASM				

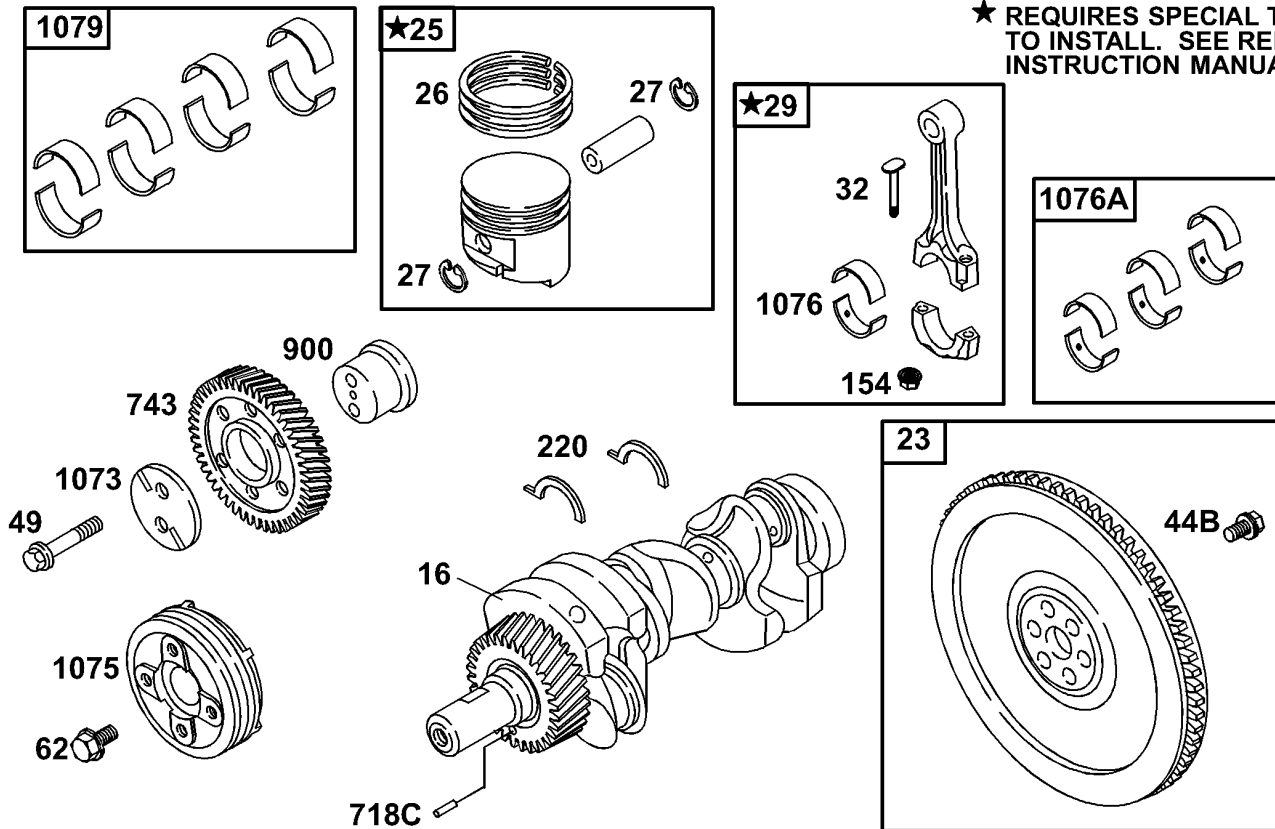


## Cylinder Assembly

Ref.	Part Number	Qty.	Description
1	100-6401	1	Cylinder ASM
2	99-9002	1	Bushing
3	99-9003	1	Seal-Oil ●
1019	99-9015	1	Label Kit
1058	99-9602	1	Manual-Owners
1069	99-9020	1	Nozzle-Oil
1080	99-9021	1	Gasket-Retainer ●
1081	99-9022	1	Retainer-Seal
112	99-9007	1	Stud-Metric
1027	99-9017	1	Filter-Oil
127	99-9008	7	Plug-Welch
127A	99-9010	1	Plug-Welch
1028	99-9018	1	Adapter-Filter, Oil
38	99-9004	6	Screw-Hex
411	99-9601	1	Plug (Cylinder Block)
44	99-9005	3	Screw-Hex
44A	99-9006	8	Screw-Hex
493	100-3195	1	Bracket-Mounting
718	99-9012	4	Pin-Locating
718A	99-9013	3	Pin-Locating
718B	99-9014	2	Pin-Locating

● Included in Gasket Set-Part Number 99-9667



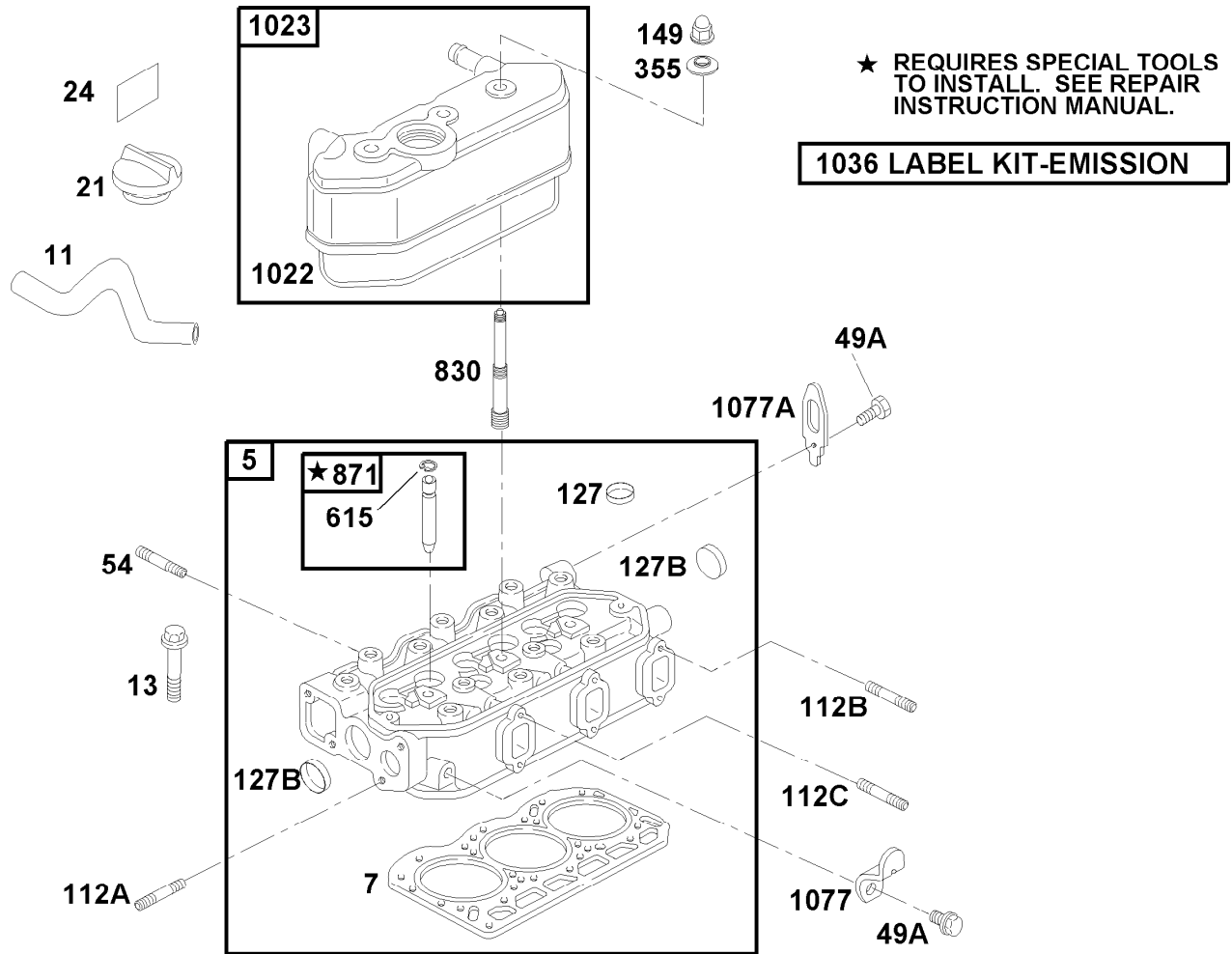


★ REQUIRES SPECIAL TOOLS TO INSTALL. SEE REPAIR INSTRUCTION MANUAL.

### Crankshaft Assembly

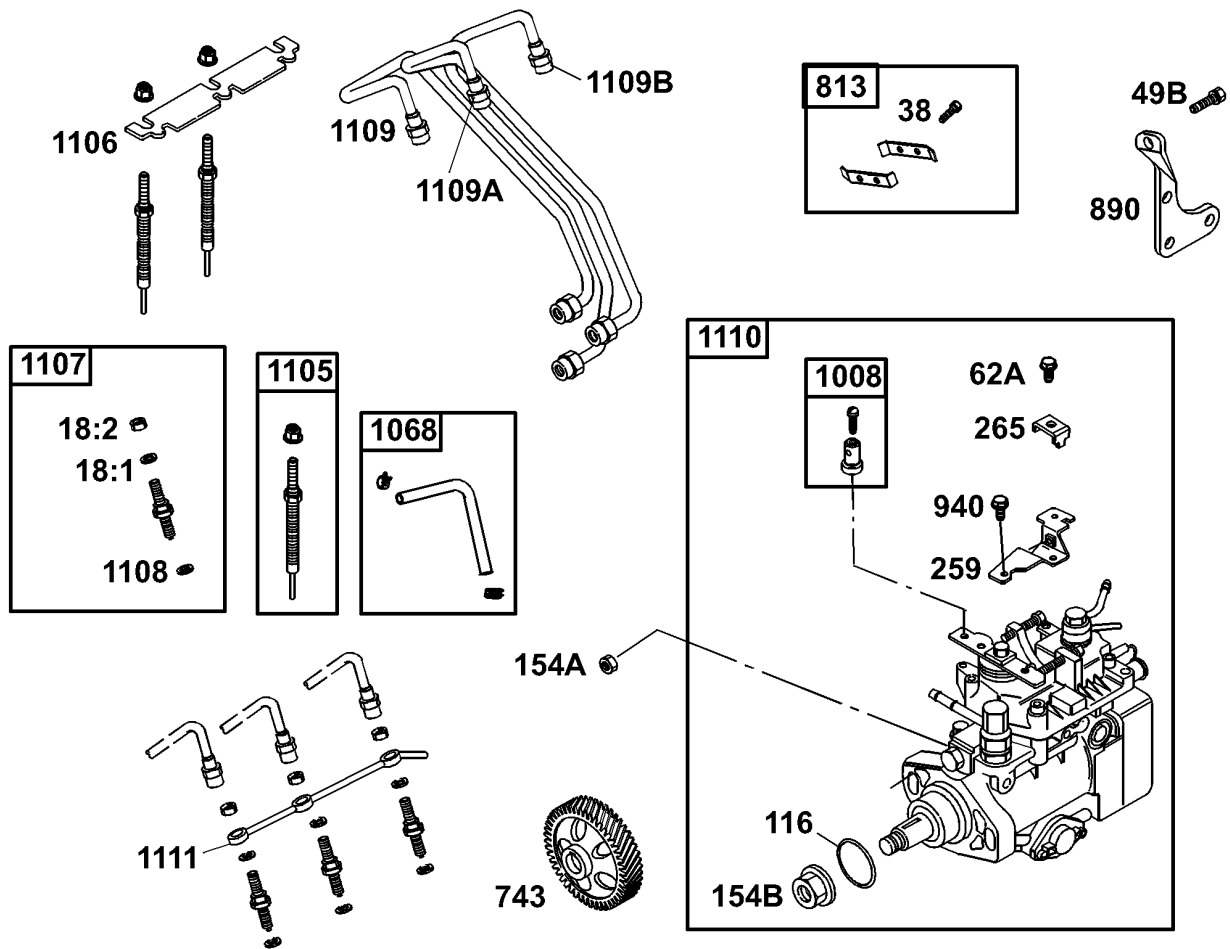
Ref.	Part Number	Qty.	Description
16	99-9252	1	Crankshaft
23	99-9267	1	Flywheel
25	99-9605	3	Piston ASM
25	99-9268	3	Piston ASM (.010 In Oversized)
26	99-9606	3	Ring Set
26	99-9269	3	Ring Set (.010 Oversized)
27	99-9607	6	Lock-Pin, Piston
29	99-9608	3	Rod-Connecting
32	99-9030	6	Screw-Rod, Connecting
49	99-9032	2	Screw-Hex
62	99-9033	1	Screw-Hex
154	99-9034	6	Nut-Hex
220	99-9035	1	Washer-Thrust
220	99-9036	1	Washer-Thrust (.005 In Oversized)

Ref.	Part Number	Qty.	Description
44B	99-9031	6	Screw-Hex
743	99-9609	1	Gear-Drive
900	99-9039	1	Shaft-Gear
1073	99-9040	1	Plate-Gear, Idler
1075	99-9692	1	Pulley-Crankshaft
1076	99-9042	1	Bearing-Rod
1079	99-9045	1	Set-Bearing, Main (Set Of 8)
1079	99-9046	1	Set-Bearing, Main (.010 Undersized)
718C	99-9037	1	Pin-Locating
1076A	99-9043	3	Set-Bearing, Rod
1076A	99-9044	3	Set-Bearing, Rod (.010 Undersized)



## Cylinder Head Assembly

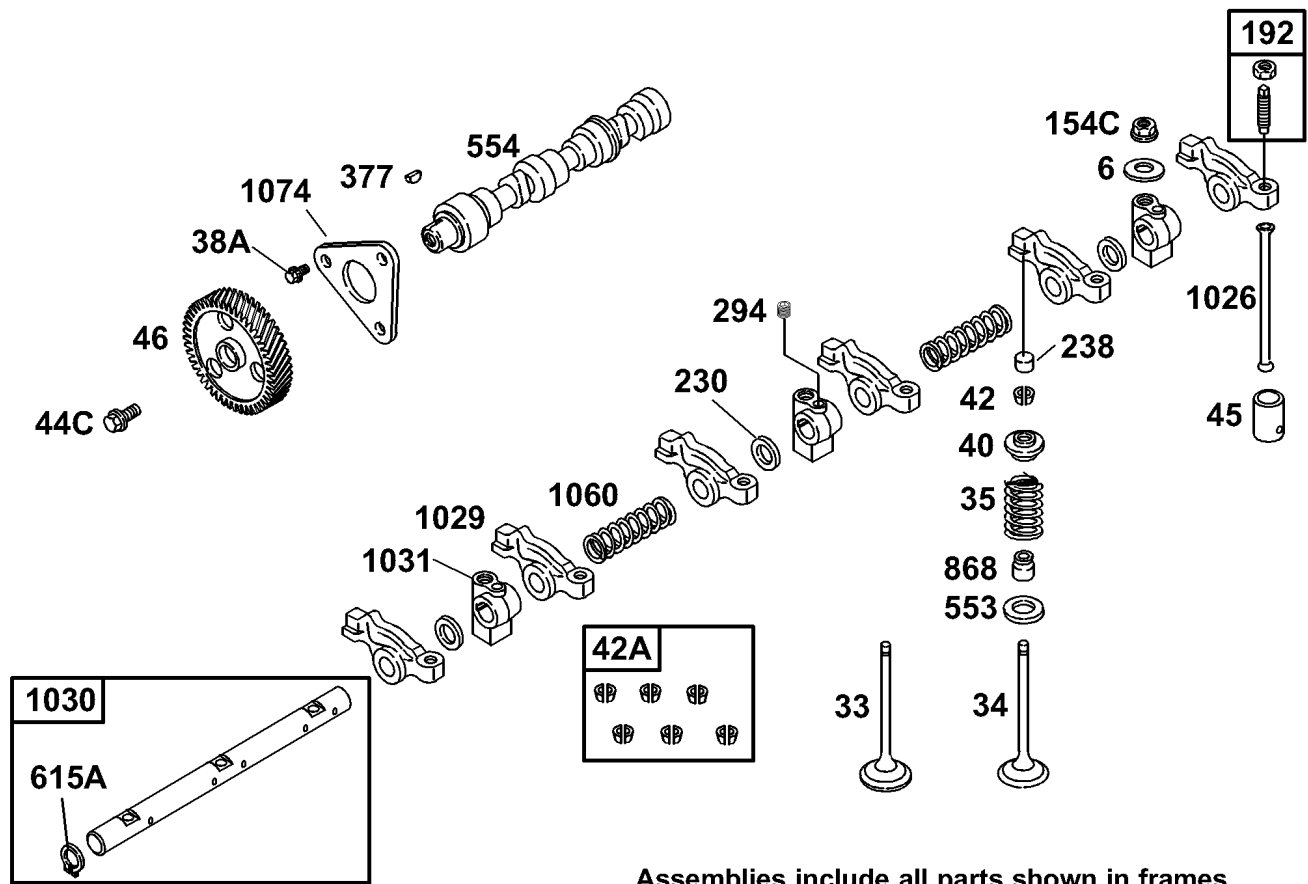
Ref.	Part Number	Qty.	Description
5	99-9611	1	Head-Cylinder
7	99-9612	1	Gasket-Head, Cylinder
11	104-7743	1	Tube-Breather
13	99-9614	14	Screw-Metric
21	99-9052	1	Cap-Fill, Oil
24	105-3817	1	Label-Fill, Oil
54	99-9055	2	Stud-Metric
127	99-9008	2	Plug-Welch
149	99-9061	3	Nut-Hex, Metric
355	99-9063	3	Washer-Seal
49A	99-9054	2	Screw-Hex
615	99-9067	6	Retainer
830	99-9101	3	Stud-Arm, Rocker
871	99-9070	6	Bushing-Guide
1022	99-9073	1	Gasket-Cover, Rocker
1023	100-6402	1	Cover-Rocker
1036	99-9615	1	Emission Label Kit
1077	99-9076	1	Bracket-Lifting
112A	99-9057	2	Stud-Metric
112C	99-9059	1	Stud-Metric
112B	99-9058	5	Stud-Metric
127B	99-9060	2	Plug-Welch
1077A	99-9077	1	Bracket-Lifting



## Injection Assembly

Ref.	Part Number	Qty.	Description
38	99-9004	2	Screw-Hex
116	99-9618	1	O-Ring
259	99-9621	1	Bracket-Clamp, Casing
265	99-9622	1	Clamp-Casing
49B	99-9616	4	Screw-Hex
62A	100-6403	1	Screw-Metric
743	99-9624	1	Gear-Drive
813	99-9625	1	Clamp
890	99-9626	1	Bracket-Support
940	100-6410	2	Screw-Hex
1008	99-9628	1	Clamp-Swivel
1068	99-9629	1	Hose / Clamp ASM
1105	99-9630	3	Plug-Glow

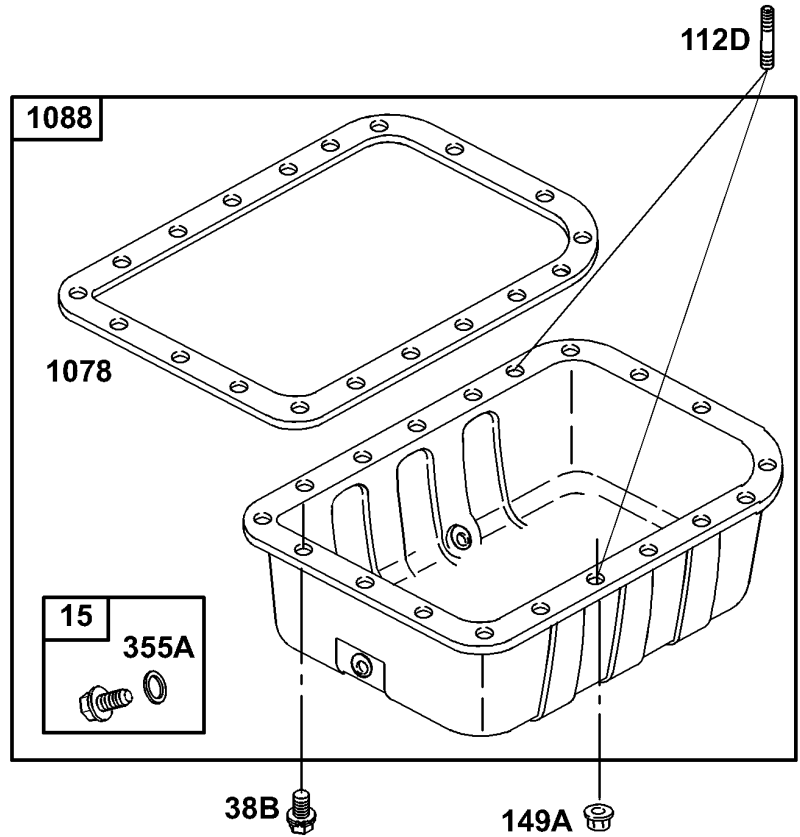
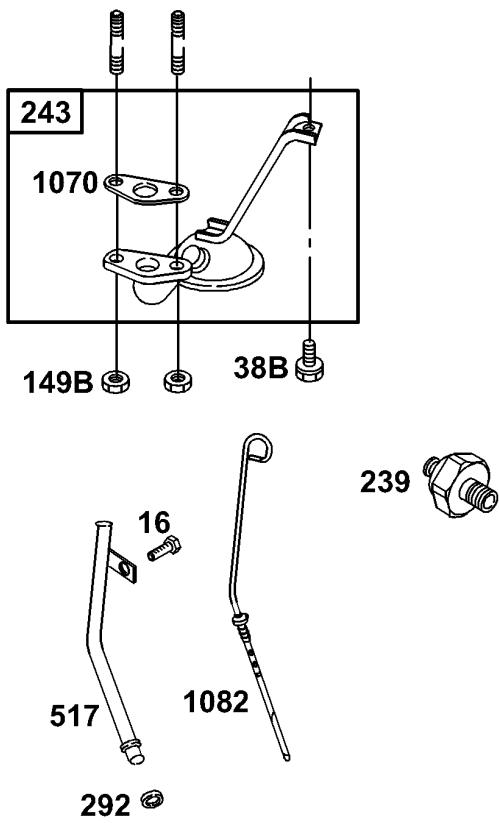
Ref.	Part Number	Qty.	Description
1106	99-9631	1	Strap-Plug, Glow
1107	105-9789	3	Injection Nozzle
1108	99-9633	3	Seat-Injector
1109	99-9690	1	Pipe-Injector, No. 1
1110	106-6364	1	Pump-Injection
1111	99-9637	1	Pipe-Return, Fuel
154A	99-9619	2	Nut-Hex, Metric
154B	99-9620	1	Nut-Hex, Metric
1109A	99-9634	1	Pipe-Injector, No. 2
1109B	99-9635	1	Pipe-Injector, No. 3
18:1	100-5148	1	Washer
18:2	100-5149	1	Nut-Hex



Assemblies include all parts shown in frames.

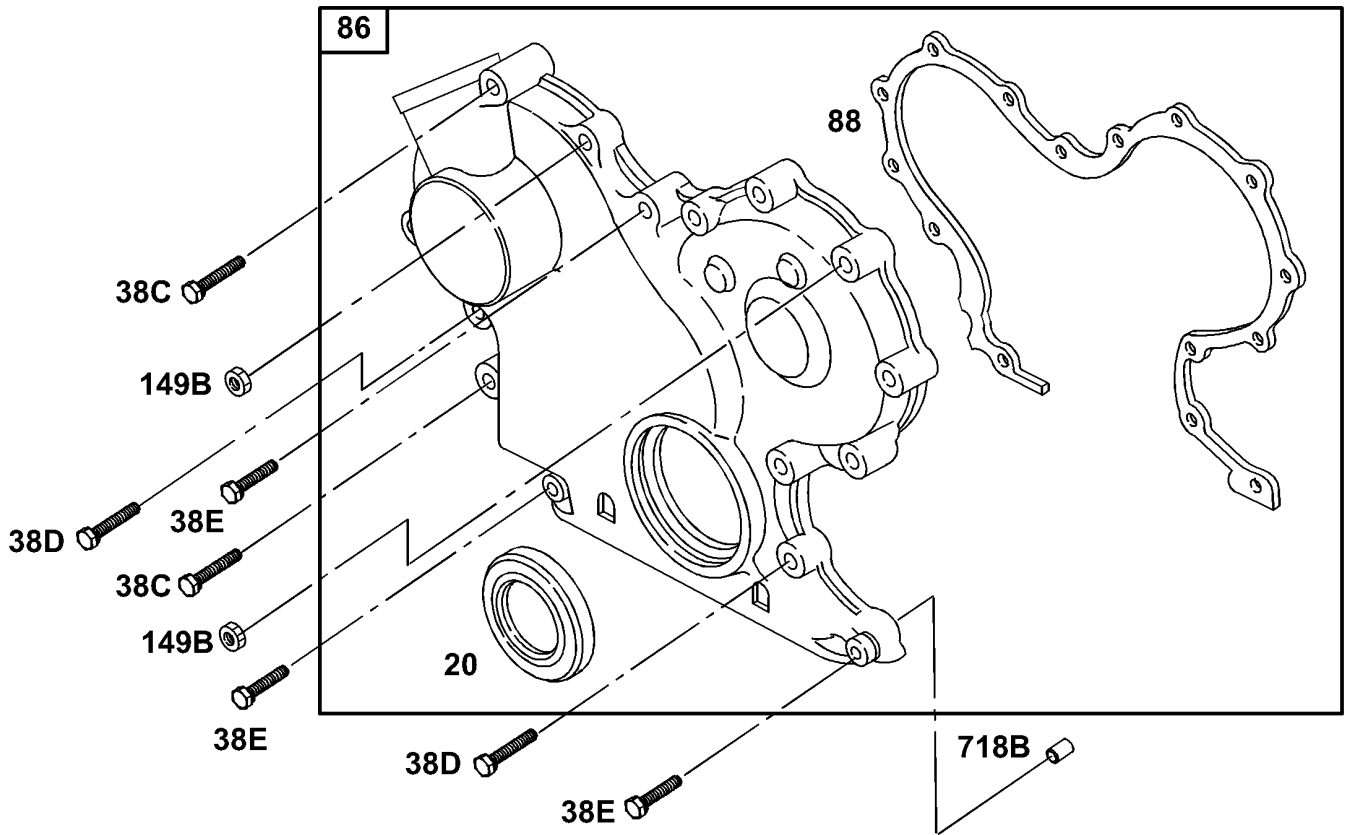
## Rocker Arm Assembly

Ref.	Part Number	Qty.	Description	Ref.	Part Number	Qty.	Description
6	99-9079	3	Washer-Flat	42A	99-9087	6	Keeper-Valve (Set Of 6)
33	99-9638	3	Valve-Exhaust	44C	99-9085	1	Screw-Metric
34	99-9639	3	Valve-Intake	553	99-9096	6	Seat-Spring, Valve
35	99-9640	6	Spring-Valve	554	99-9097	1	Shaft-Cam
40	99-9084	6	Retainer-Valve	868	99-9643	6	Seal-Valve
42	99-9086	1	Keeper-Valve (Set)	1026	99-9103	6	Rod-Push
45	99-9088	6	Tappet-Valve	1029	99-9104	1	Arm-Rocker
46	99-9641	1	Gear-Cam	1030	99-9106	1	Shaft-Arm, Rocker
192	99-9092	6	Adjuster-Arm, Rocker	1031	99-9107	3	Support-Arm, Rocker
230	99-9093	3	Washer-Spacer	1060	99-9108	2	Spring-Shaft, Rocker
238	99-9094	6	Cap-Valve	1074	99-9109	1	Retainer-Camshaft
294	99-9090	1	Screw-Metric	154C	99-9091	3	Nut-Hex, Metric
377	99-9642	1	Key-Timing	615A	99-9099	2	Retainer
38A	99-9083	3	Screw-Hex				



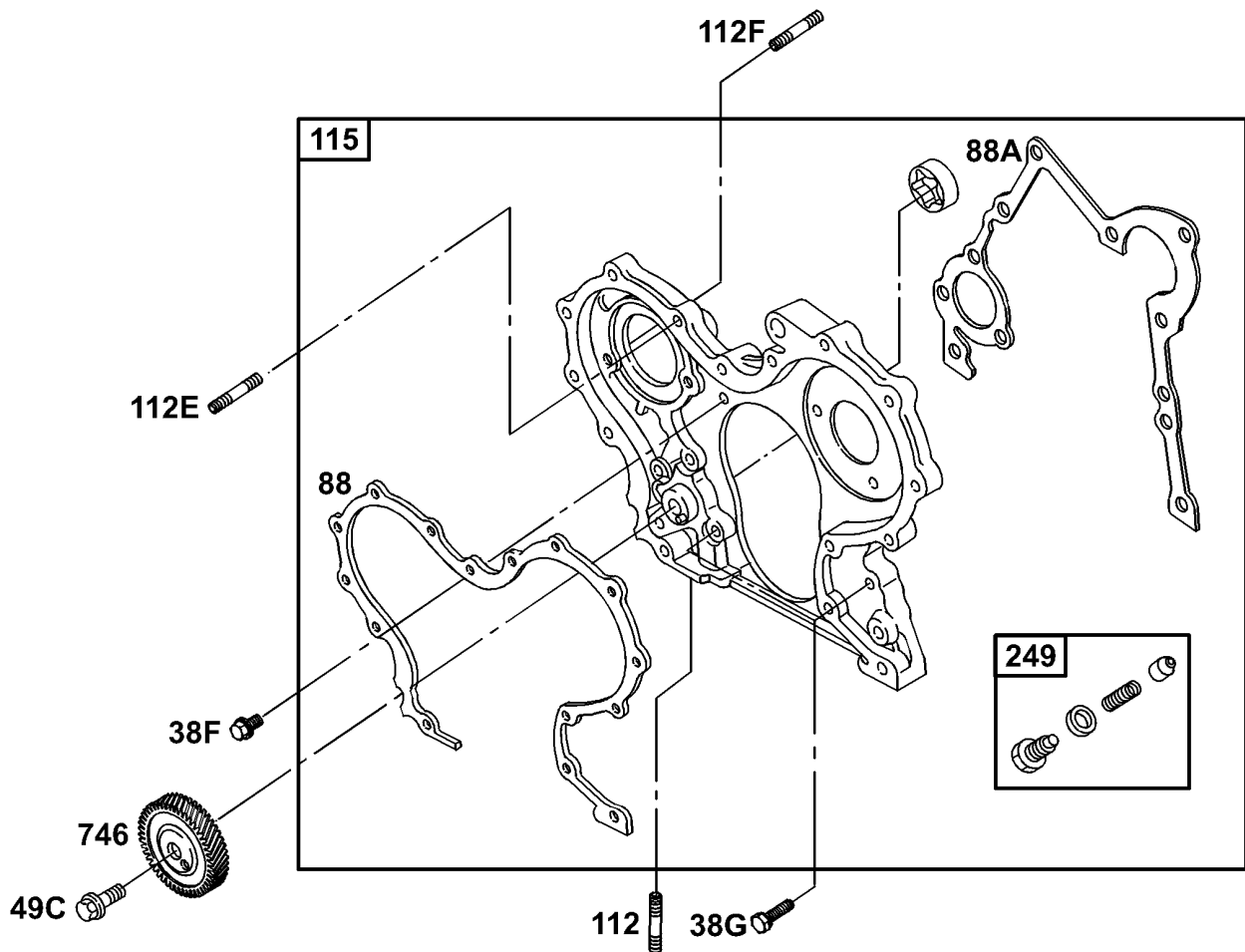
## Oil Pan Assembly

<i>Ref.</i>	<i>Part Number</i>	<i>Qty.</i>	<i>Description</i>
1070	99-9120	1	Gasket-Strainer, Oil
1078	99-9121	1	Gasket-Pan, Oil
1082	100-6405	1	Dipstick
1088	99-9649	1	Pan-Oil
112D	99-9112	2	Stud-Metric
149A	99-9113	2	Nut-Hex, Metric
149B	99-9114	2	Nut-Hex, Metric
15	99-9644	1	Plug-Drain, Oil
16	99-9256	1	Screw-Hex
239	99-9115	1	Switch-Pressure, Oil
243	99-9116	1	Screen-Pump, Oil
292	99-9265	1	Seal-O-Ring
355A	99-9645	1	Washer-Seal
38B	99-9111	18	Screw-Hex
517	100-6406	1	Tube-Dipstick



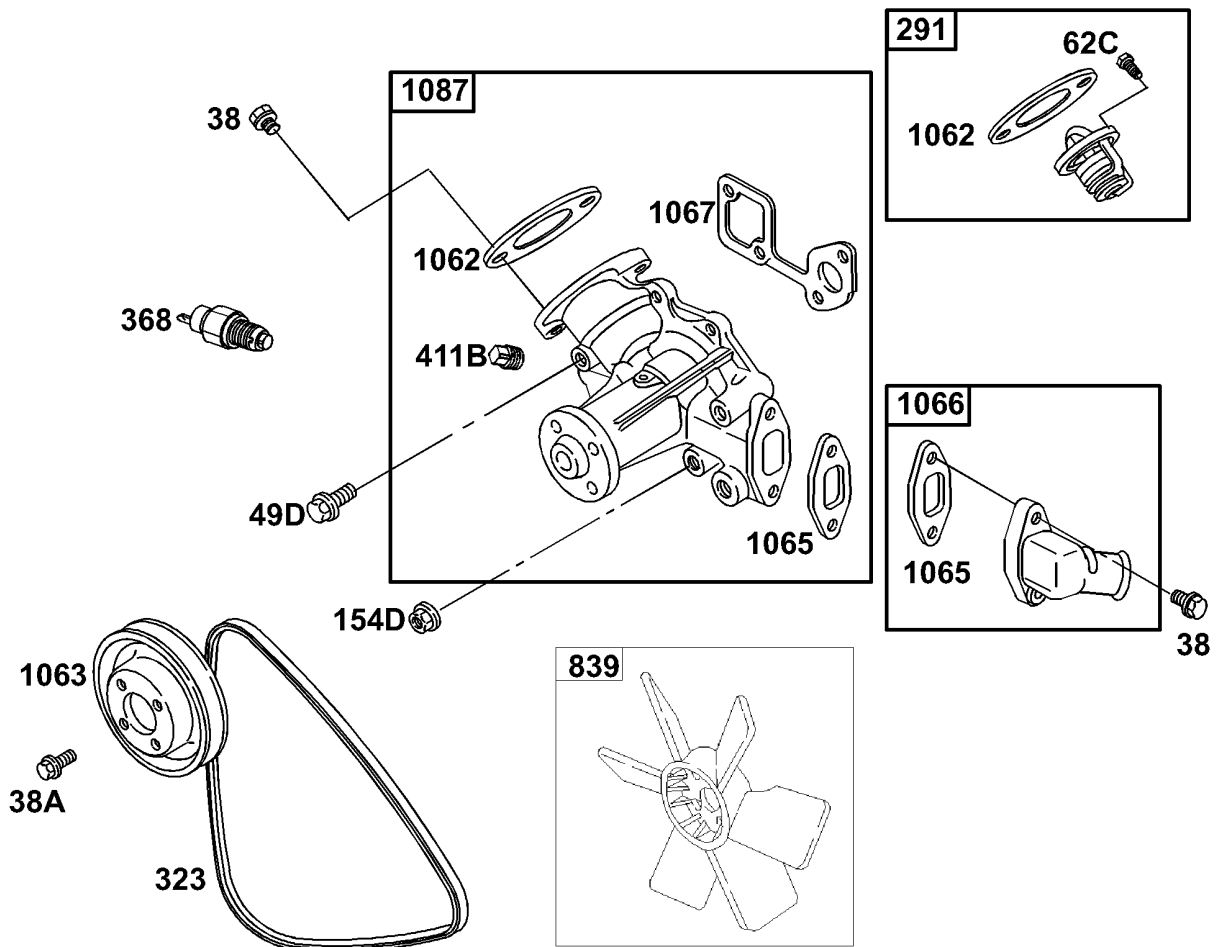
## Cover Assembly

<i>Ref.</i>	<i>Part Number</i>	<i>Qty.</i>	<i>Description</i>
20	99-9126	1	Seal-Oil
86	99-9652	1	Gear Cover ASM
88	99-9653	1	Gasket-Cover, Gear
38C	99-9651	2	Screw-Hex
38D	99-9128	9	Screw-Hex
38E	99-9129	3	Screw-Hex
149B	99-9114	2	Nut-Hex, Metric
718B	99-9014	1	Pin-Locating



## Gear Housing Assembly

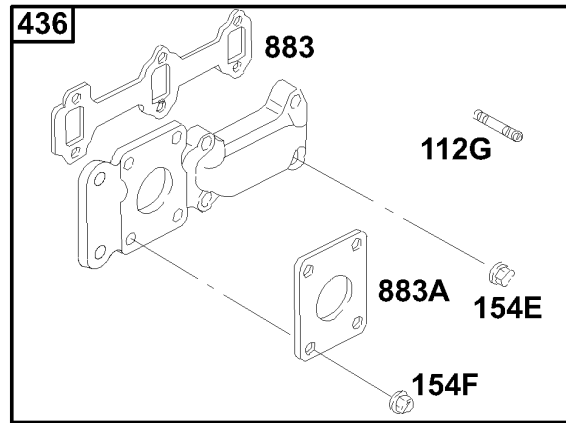
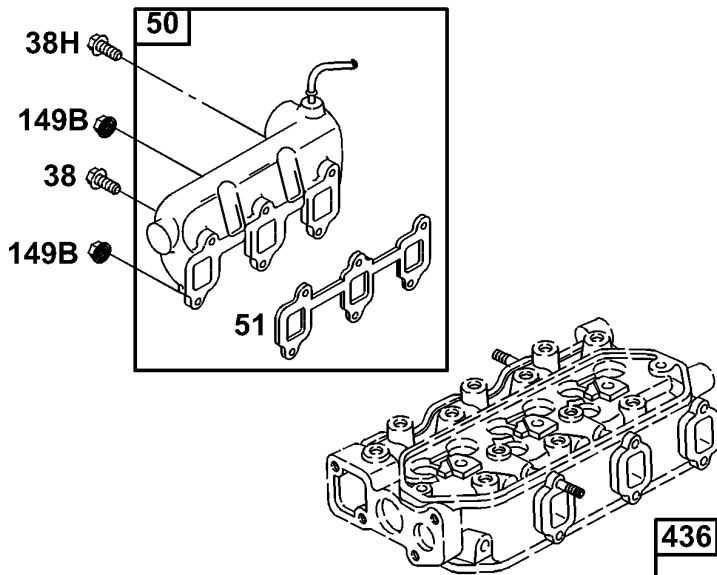
<i>Ref.</i>	<i>Part Number</i>	<i>Qty.</i>	<i>Description</i>
88	99-9653	1	Gasket-Cover, Gear
112	99-9007	1	Stud-Metric
115	99-9655	1	Housing-Gear
249	99-9142	1	Valve-Relief, Oil
38F	99-9134	1	Screw-Hex
38G	99-9133	4	Screw-Hex
49C	99-9135	1	Screw-Hex
746	99-9656	1	Gear-Drive
88A	99-9136	1	Gasket-Cover, Gear
112E	99-9137	2	Stud-Metric
112F	99-9654	2	Stud-Metric



## Water Pump Assembly

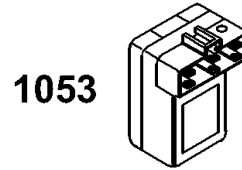
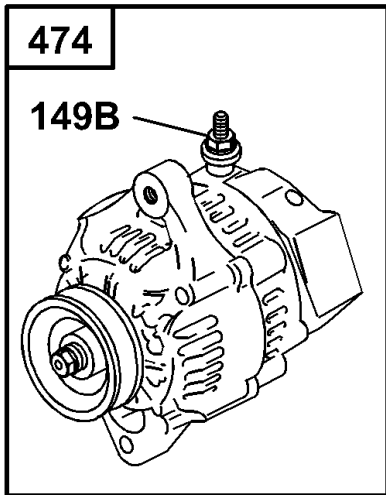
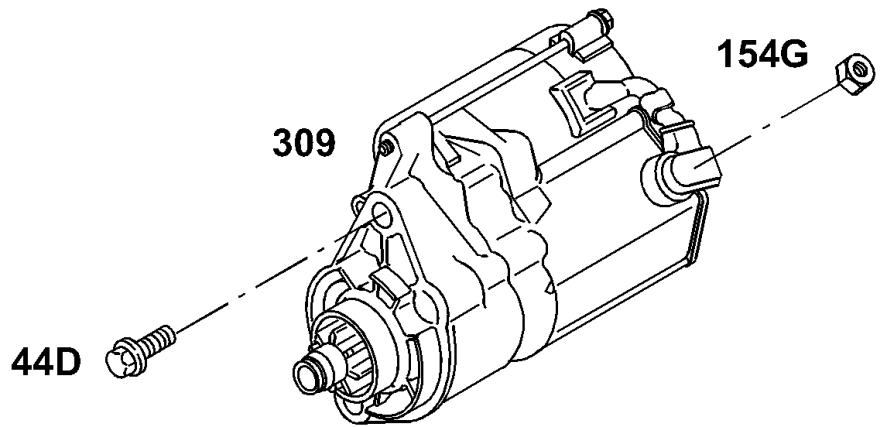
<i>Ref.</i>	<i>Part Number</i>	<i>Qty.</i>	<i>Description</i>
1062	99-9163	1	Gasket-Outlet
1063	99-9164	1	Pulley-Pump
1065	99-9166	1	Gasket-Housing, Inlet
1066	99-9167	1	Housing-Inlet
1067	99-9168	1	Gasket-Pump, Water
1087	105-3832	1	Pump-Water
154D	99-9153	1	Nut-Hex, Metric
291	99-9155	1	Thermostat
323	99-8153	1	Belt-V
368	99-9157	1	Switch-Temperature, Water
38	99-9004	2	Screw-Hex
38A	99-9111	4	Screw-Hex
411B	99-9159	1	Plug
49D	99-9151	2	Screw-Hex
62C	99-9152	1	Screw-Metric
839	93-2090	1	Fan-Engine





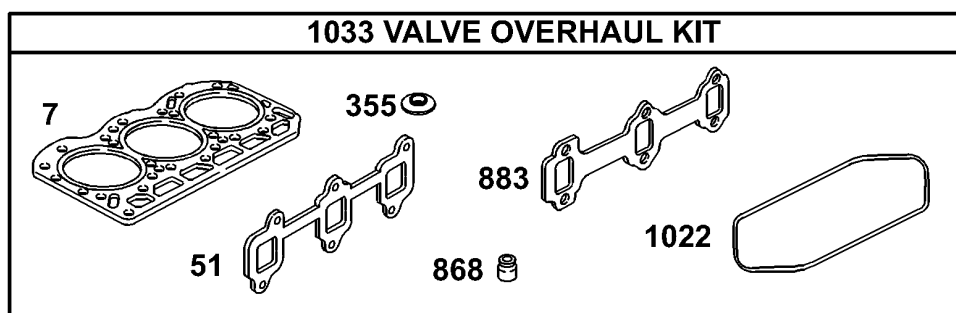
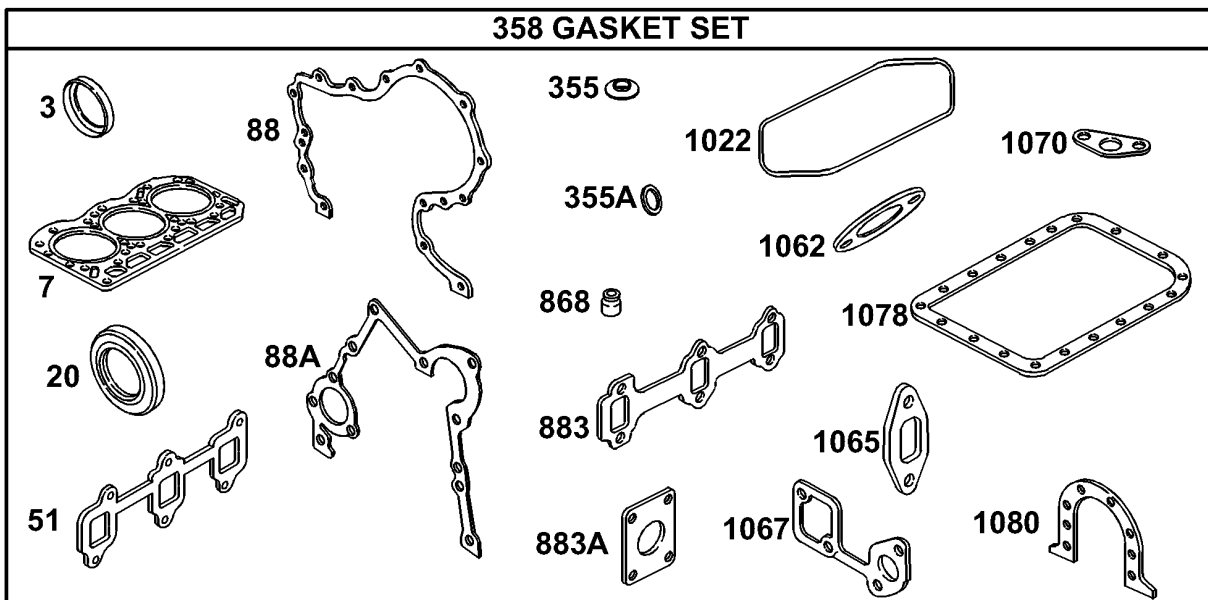
## Manifold Assembly

<i>Ref.</i>	<i>Part Number</i>	<i>Qty.</i>	<i>Description</i>
38	99-9004	1	Screw-Hex
50	99-9661	1	Manifold-Intake
51	99-9662	1	Gasket-Intake
38H	99-9660	3	Screw-Hex
436	99-9177	1	Manifold-Exhaust
883	99-9178	1	Gasket-Exhaust
112G	100-6407	4	Stud-Manifold, Exhaust
149B	99-9114	2	Nut-Hex, Metric
154E	99-9175	6	Nut-Hex, Metric
154F	99-9176	4	Nut-Hex
883A	99-9179	1	Gasket-Exhaust



## Alternator Assembly

<i>Ref.</i>	<i>Part Number</i>	<i>Qty.</i>	<i>Description</i>
309	104-7716	1	Motor-Starter
44D	99-9201	2	Screw-Hex
474	99-9209	1	Alternator
1053	99-9666	1	Module
149B	99-9114	1	Nut-Hex, Metric
154G	99-9206	1	Nut-Hex, Metric



## Gasket and Valve Overhaul Kit

Ref.	Part Number	Qty.	Description
3	99-9003	1	Seal-Oil
7	99-9612	1	Gasket-Head, Cylinder
20	99-9126	1	Seal-Oil
51	99-9662	1	Gasket-Intake
88	99-9653	1	Gasket-Cover, Gear
355	99-9063	1	Washer-Seal
358	99-9667	1	Gasket-Set
868	99-9643	6	Seal-Valve
883	99-9178	1	Gasket-Exhaust
88A	99-9136	1	Gasket-Cover, Gear
1022	99-9073	1	Gasket-Cover, Rocker
1033	99-9668	1	Valve Overhaul Kit
1062	99-9163	1	Gasket-Outlet
1065	99-9166	1	Gasket-Housing, Inlet
1067	99-9168	1	Gasket-Pump, Water
1070	99-9120	1	Gasket-Strainer, Oil
1078	99-9121	1	Gasket-Pan, Oil
1080	99-9021	1	Gasket-Retainer
355A	99-9645	1	Washer-Seal
883A	99-9179	1	Gasket-Exhaust

# Attachments and Accessories

## For 04383 Greensmaster 3250-D

<b>Product Name</b>	<b>Model/Part</b>
Dethatching Reel ASM .....	04493
Spiker Kit .....	04494
Tri-Roller Kit.....	04495
Leak Detector Kit.....	04497
Light Kit.....	04551
Roll-Over Protection Kit .....	04552
Three Wheel Drive Kit.....	04553
8-Blade DPA Reel Mower .....	04610
11-Blade DPA Reel Mower .....	04611
Hose Adapter Kit.....	100-6430
Oil Cooler Kit.....	104-7701
Ground-Following Suspension Kit .....	104-9400
Radiator Screen Kit.....	105-9766
Arm Rest Kit.....	30707
Tie Down Kit .....	94-6379
Spark Arrestor Screen .....	94-8157
Tire-Mate, Turf.....	99-4506

**Notes:**

**Notes:**

**Notes:**



**Count on it.**