



Traction Unit

For Greensmaster® 3250D

Model No. 04383 – 20000301 and Up

Parts Catalog

Ordering Replacement Parts

To order replacement parts, please supply: the part number, the quantity, and the description of each part desired.

Understanding Reference Numbers

Each identified part in an illustration has a reference number. The reference number for a part also appears in the parts list, along with other information about the part.

This catalog uses two special reference number formats, one to indicate parts in a service assembly and another to indicate the quantity of a given part in an illustration.

Service Assembly Reference Numbers

Parts in service assemblies have reference numbers in the form **a:b**. The **a** represents the reference number of the entire service assembly and the **b** represents a sequential number unique to each part within the service assembly.

For example, a wheel assembly might be identified by reference number **6**, the tire by **6:1**, the valve by **6:2**, and the wheel by **6:3**. When you order the assembly identified by reference number **6**, you receive all parts identified by reference numbers **6:1**, **6:2**, and **6:3**. However, you may also order any part individually.

Reference numbers of this type appear in illustrations and in part lists.

Reference Numbers Indicating Quantity

In an illustration, if a reference number indicates more than one part, the reference number has the form **nX y**. The **n** represents the quantity of the part, the **X** is the multiplication symbol, and the **y** represents the reference number.

For example, in an illustration, the reference number **2X 37** means that two of the parts identified by reference number **37** are indicated.

Contents

Description	Page	Description	Page
Traction Control Assembly	4	Air Cleaner, Fuel Filter & Exhaust Assembly ..	21
Brake Pedal Assembly	5	Radiator Assembly	22
Front Wheel and Brake Assembly	6	Manifold Block Installation Assembly	23
Hydraulic Drive Motor Assembly No. 92-9199 .	7	Manifold Assembly No. 93-2240	24
Steering Arm Assembly	8	Front Bulkhead & Reel Motor Assembly	25
Steering Control Valve No. 93-2120	9	Rear Bulkhead & reel Motor Assembly	26
Rear Wheel Assembly	10	Reel Motor Assembly No. 93-1375	27
Console Assembly	11	Lift Arm Assembly-L.H. & R.H.	28
Functional Control Lever Assembly	12	Lift Arm Assembly - Center	29
Seat Assembly	13-14	Fuel System Assembly	30
Electronics Installation Assembly	15	Hydraulic Tank & Filter Assembly	31
Hydrostat and Gear Pump Assembly	16	Pull Frame Assembly	32
Hydrostat Assembly No. 100-3174	17	Electrical Schematic	33
Gear Pump Assembly No. 94-6390	18	Hydraulic Schematic	34
Neutral System Assembly	19	522447-0107-E2 TORO DIESEL	35-48
Engine Installation Assembly	20		

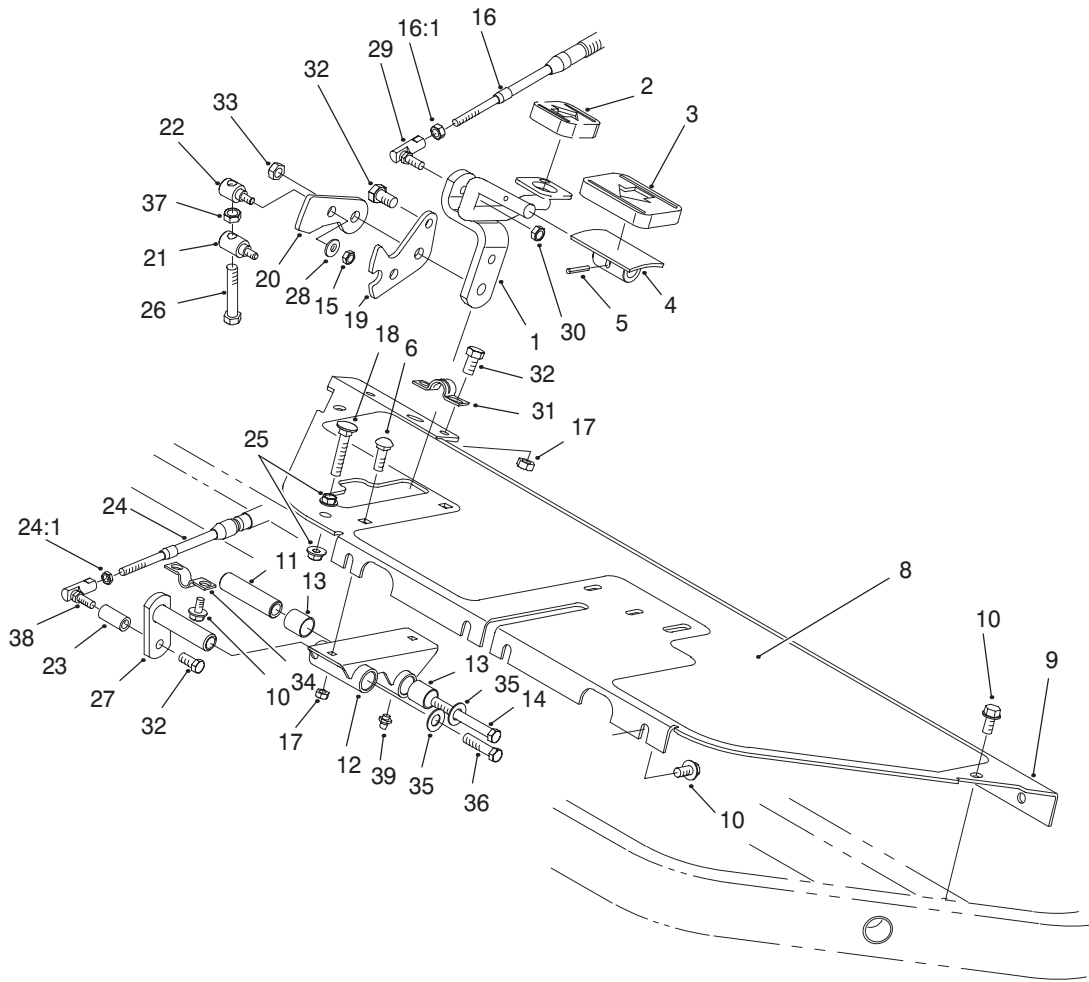
Accessories

Description	Model / Part No.	Description	Model / Part No.
Thatching Reel	04493	Tie Down Kit	94-6379
Spiker Kit	04494	Hose Adapter Kit	100-6430
Tri-Roller Kit	04495	Spark Arrestor Screen	94-8157
Oil Cooler Kit	100-3166	3 Wheel Drive Kit	04553
Leak Detector Kit	04497	8 Blade 4 Bolt Cutting Unit	04480
Backlap/Reel Kit	04498	11 Blade 4 Bolt Cutting Unit	04481
Light Kit	04551	8 Blade SPA Cutting Unit	04482
ROPS Kit	04552	11 Blade SPA Cutting Unit	04483

Part Description Abbreviations

Part descriptions in this catalog may include the following abbreviations.

Abbreviation	Meaning	Abbreviation	Meaning
AR	as required	INC	incorporated
ASM	assembly	LH	left hand
CARR	carriage	NI	nylon insert
DEG	degrees	PPH	Phillips pan head
FH	flat head	PTH	Phillips truss head
GA	gauge	PTO	power take off
HF	hex flange	RH	right hand
HH	hex head	SFH	slotted fillister head
HHF	hex head flange	SHH	slotted hex head
HLH	hex lag head	SQH	square head
HJ	hex jam	SHWH	slotted hex washer head
HOC	height-of-cut	SPH	slotted pan head
HS	hex socket	SRH	slotted round head
HSBH	hex socket button head	STD	standard
HSFH	hex socket flat head	TAP	self tapping
HSH	hex socket head	TTH	Torx truss head
HWH	hex washer head	WH	wing head
HWHTF	hex washer head thread forming		

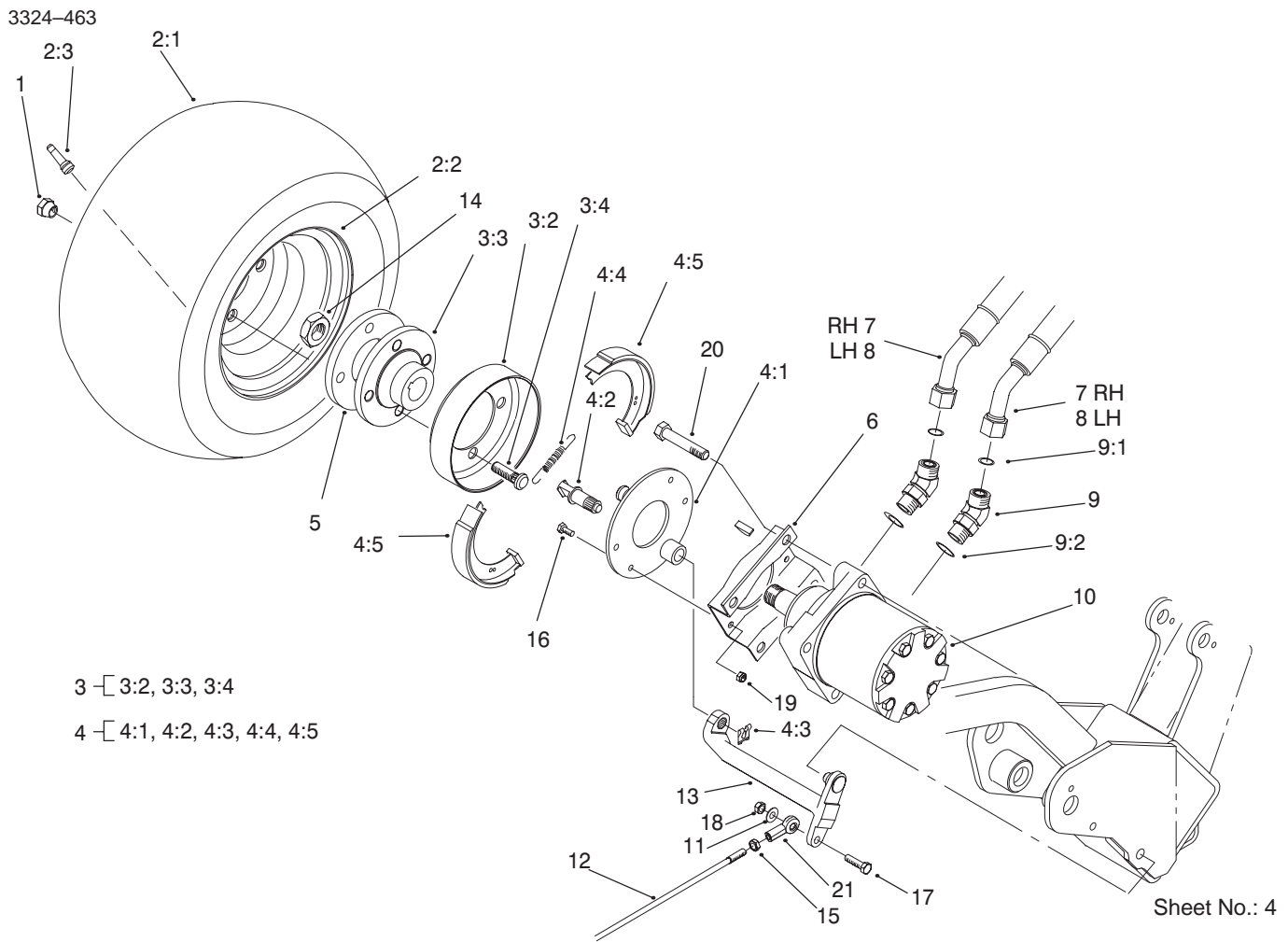


Sheet No.: 2

Traction Control Assembly

Ref. No.	Part No.	Qty.	Description
1	93-2085-01	1	Rod
2	74-9110	1	Pad-Pedal, Reverse
3	74-9100	1	Pad-Pedal, Forward
4	49-6440-03	1	Pedal-Forward
5	32121-45	1	Pin-Spring
6	33124-020	2	Screw-CARR
8	93-2142	1	Pad - Floor Plate
9	94-6399-01	1	Plate - Floor
10	32144-14	8	Screw-HWH
11	94-1371	1	Spacer
12	94-1383	1	Pedal - Pivot
13	256-311	4	Split Bushing
14	33115-090	1	Screw-HH
15	33023-00	2	Nut-Lock NI
16	93-2099	1	Cable-Control, Traction
16:1	3220-1	2	Nut-Jam
17	33024-00	4	Nut-Lock, NI
18	17-9420	1	Screw - Handle
19	94-1373	1	Bracket - Lock
20	94-1372	1	Bracket - Mow
21	94-1375	1	Trunnion - Lock Bracket
22	94-1374	1	Trunnion - Mow Bracket
23	94-1386	1	Shaft - Pivot Pedal

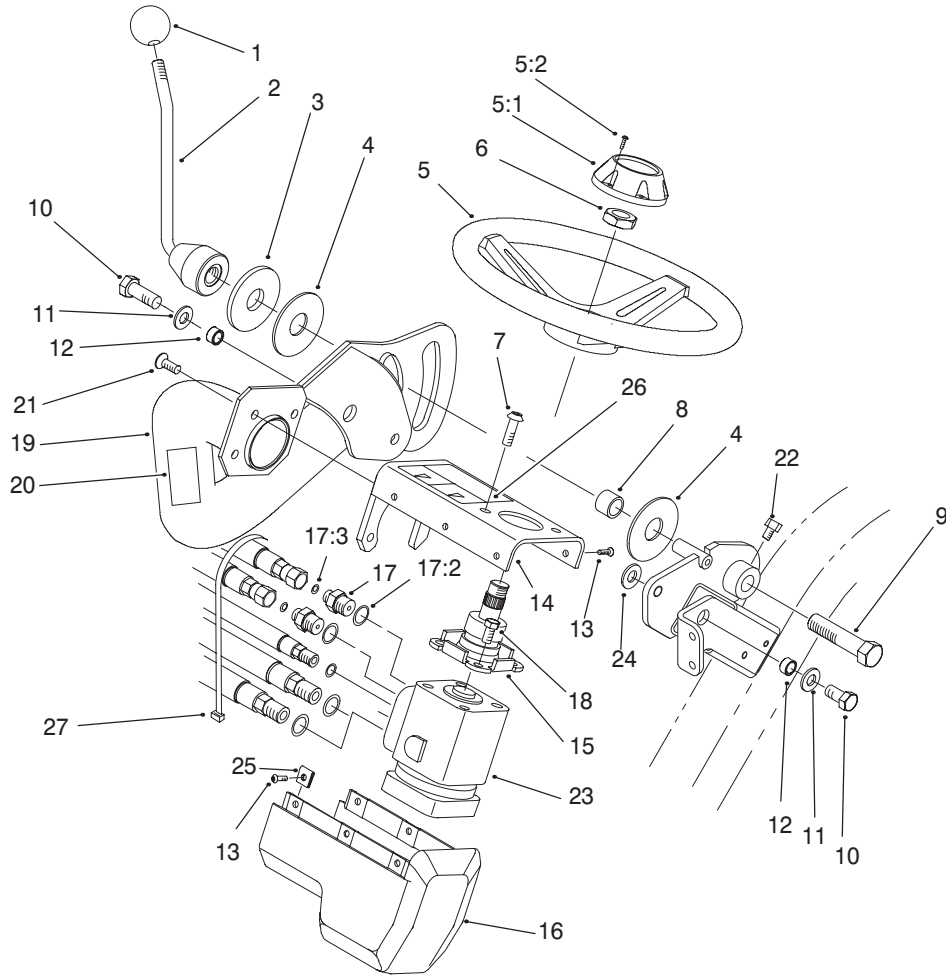
Ref. No.	Part No.	Qty.	Description
24	94-1304	1	Cable - Neutral Lock
24:1	3219-14	2	Nut-Hex
25	32128-20	2	Nut-HF
26	94-3489	1	Capscrew - HH
27	94-1300	1	Neutral Lock
28	3256-1	2	Washer-Flat
29	2411-34	1	Ball Joint
30	3296-13	1	Nut-Lock NI
31	93-2092	1	Clamp - Cable
32	33114-016	2	Screw-HH
33	33025-00	1	Nut-Lock, NI
34	93-2279	1	Clamp - Cable
35	3256-24	2	Washer-Flat
36	33115-016	1	Screw-HH
37	33014-00	1	Nut-Hex
38	2411-38	1	Ball Joint
39	302-5	1	Fitting-Lube



Front Wheel and Brake Assembly

Ref. No.	Part No.	Qty.	Description
1	242-50	8	Nut-Lug
2	99-8186	2	Tire ASM
2:1	70-8500	1	Tire
2:2	94-6116	1	Wheel - Rear
2:3	232-27	1	Stem-Valve
3	10-6821	2	Brake Drum ASM
3:2	10-6850	1	Drum-Brake
3:3	10-6870-03	1	Hub-Wheel
3:4	85-6540	4	Stud-Drive
4	71-1500	2	Brake ASM
4:1	70-9870	1	Plate-Backing
4:2	70-9860	1	Cam-Brake
4:3	70-9850	1	Clip-Retaining
4:4	70-9880	2	Spring-Return
4:5	70-9840	2	Shoe-Brake
5	92-9154-03	2	Plate-Bearing
6	84-2000-03	2	Bracket-Brake
7	94-5357	2	Hose ASM
8	94-5358	2	Hose ASM
9	340-14	4	Fitting-Hyd., 45°
9:1	237-65	1	O-Ring
9:2	237-80	1	O-Ring
10	92-9199	2	Motor-Hydraulic
11	3256-23	2	Washer-Flat
12	93-2069	2	Rod - Brake
13	93-2096	2	Lever - Brake

Ref. No.	Part No.	Qty.	Description
14	26-3790	2	Nut-Lock
15	3220-20	2	Nut-Jam LH
16	33113-020	8	Screw-HH
17	33114-030	2	Screw-HH
18	33024-00	2	Nut-Lock, NI
19	33023-00	8	Nut-Lock NI
20	33116-060	8	Screw-HH
21	93-2070	2	Clevis - Swivel

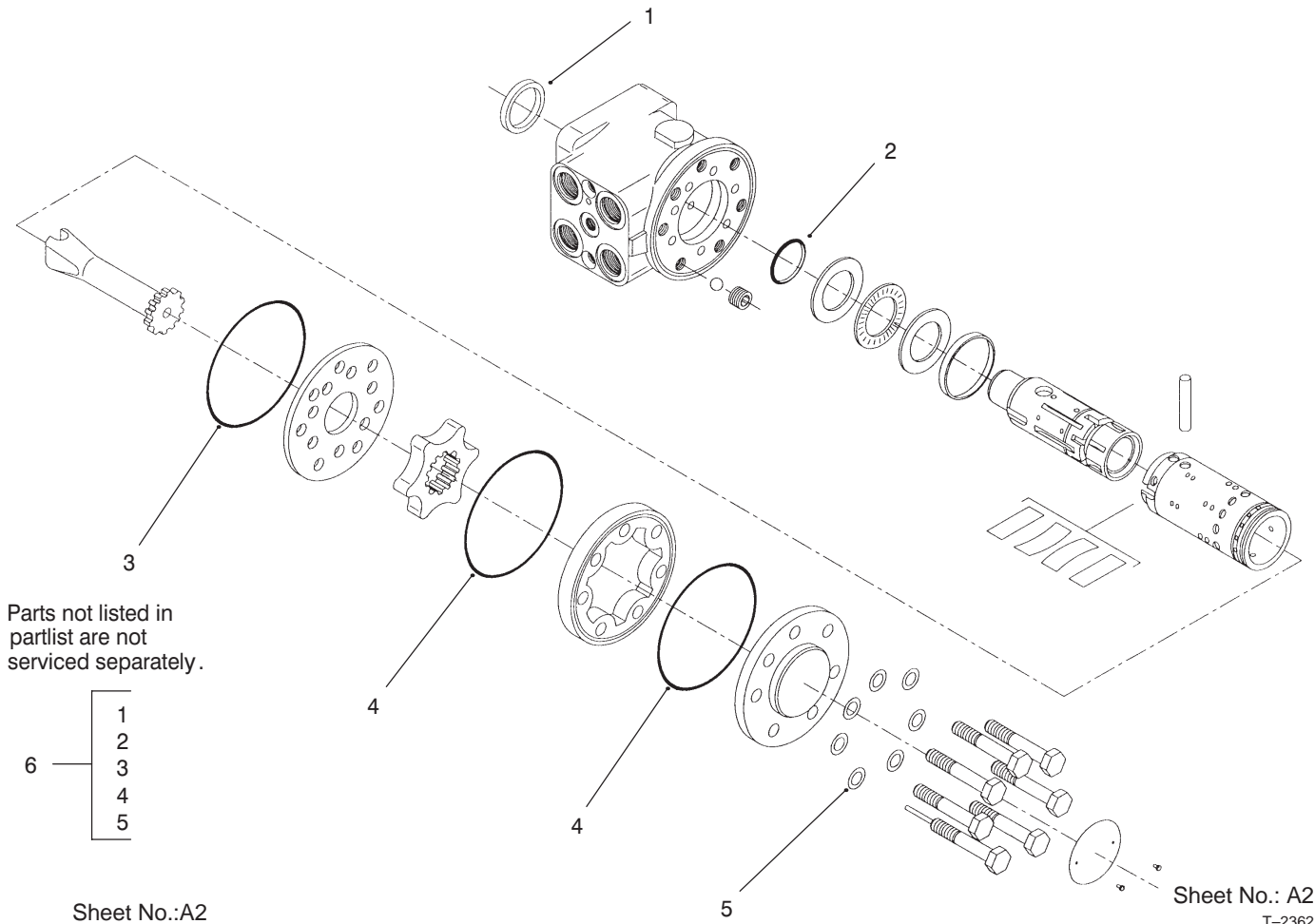


Sheet No.: 5

Steering Arm Assembly

Ref. No.	Part No.	Qty.	Description
1	233-48	1	Knob
2	93-2400-03	1	Lockup Handle
3	83-0760	1	Spacer-Plate, Lockup
4	83-0740	2	Disc - Friction
5	68-5130	1	Wheel-Steering
5:1	68-5140	1	Cap-Wheel, Steering
5:2	32144-21	1	Screw
6	47-6990	1	Nut
7	3274-63	2	Screw-HSH
8	83-0730	1	Spacer - Lockup
9	93-2199	1	Screw - HH (RH)
10	325-4	2	Screw-HH
11	3256-26	2	Washer-Flat
12	47-2890	2	Bushing
13	3274-39	6	Screw-HSBH
14	94-3461-03	1	Steering Cover
15	83-1420	1	Column-Steering
16	94-6366	1	Steering Valve Cover
17	340-133	2	Adapter
17:2	237-79	1	O-Ring
17:3	237-21	1	O-Ring
18	323-4	2	Screw-HH
19	93-2115-01	1	Steering Arm
20	93-8068	1	Decal-Arm, Steering
21	3274-80	3	Screw-HH
22	3242-2	1	Screw-SQH

Ref. No.	Part No.	Qty.	Description
23	93-2120	1	Steering Control Valve
24	65-6390	1	Washer - Thrust, Plain
25	3290-277	6	Nut-Speed
26	93-8063	1	Decal-Warning
27	3290-379	1	Tie-Cable



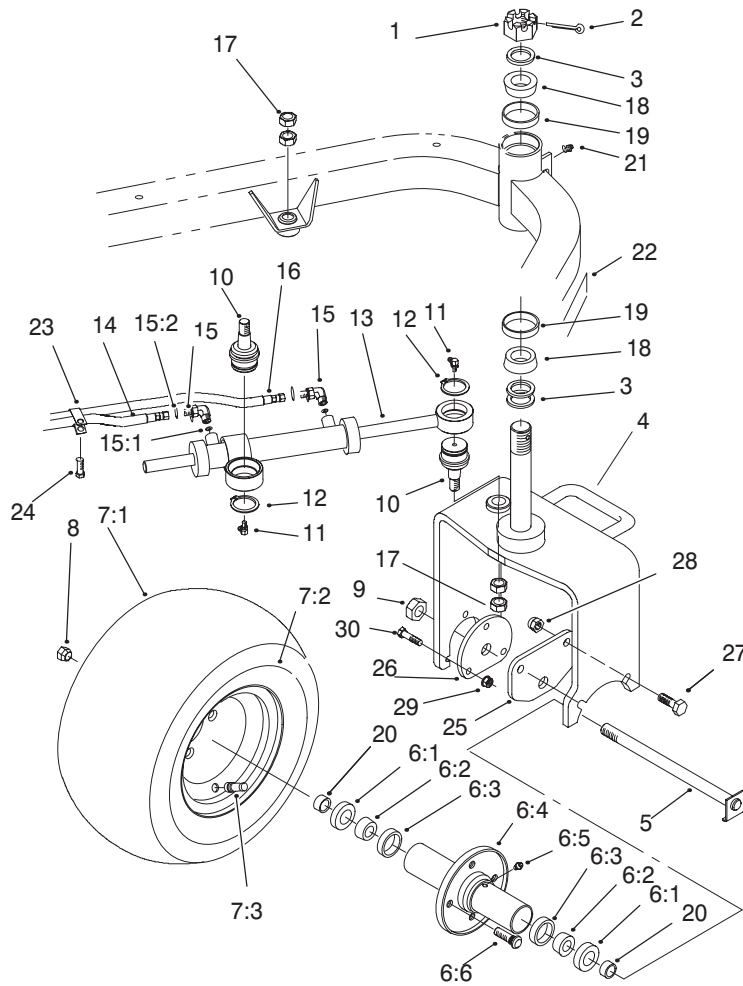
Sheet No.:A2

Sheet No.: A2
T-2362

Steering Control Valve No. 93-2120

Ref. No.	Part No.	Qty.	Description
6	94-4929	1	Kit - Seal

Ref. No.	Part No.	Qty.	Description
----------	----------	------	-------------



6 [6:1, 6:2, 6:3, 6:4, 6:5

7 [7:1, 7:2, 7:3

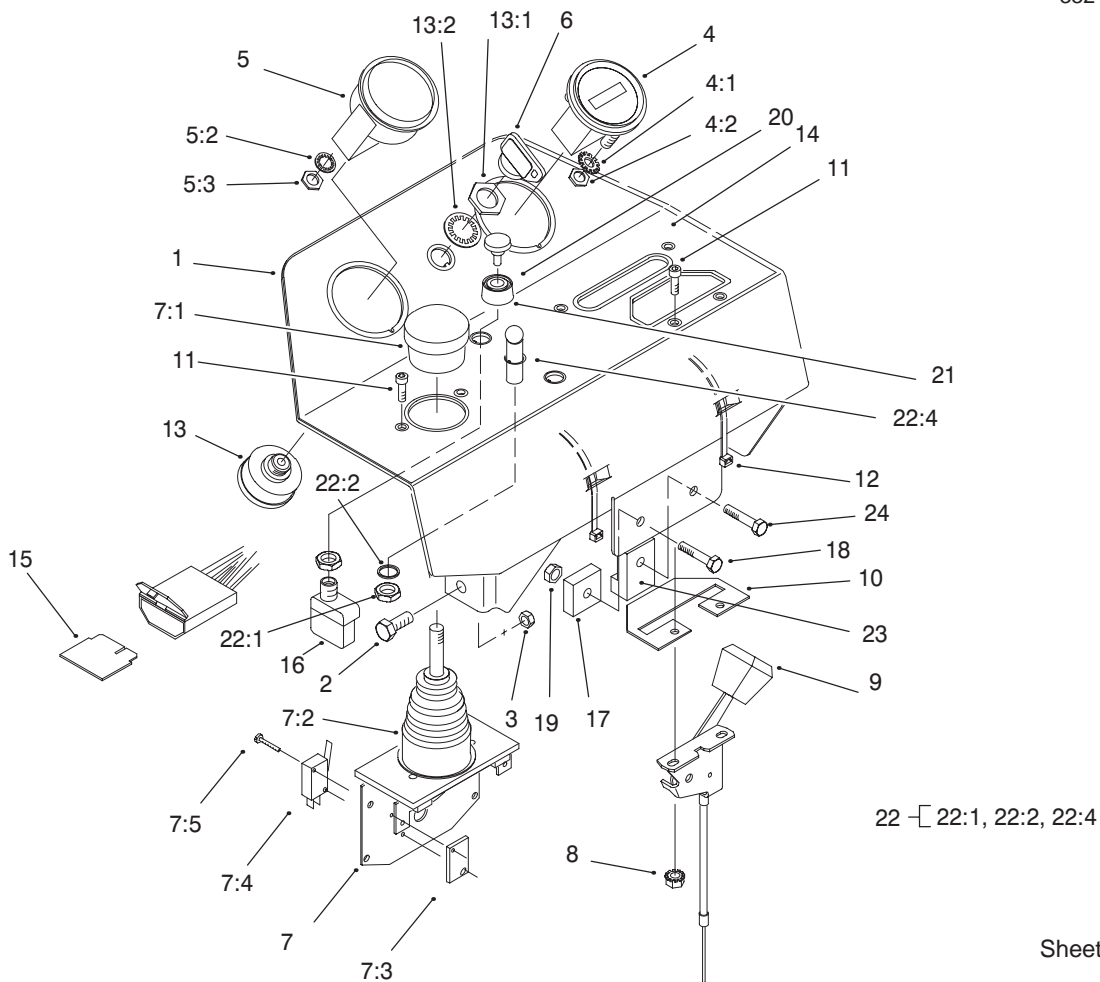
Sheet No.: 6

Rear Wheel Assembly

Ref. No.	Part No.	Qty.	Description
1	32136-9	1	Nut-Hex, Slot
2	3272-37	1	Pin-Cotter
3	18-6320	3	Washer-Steering
4	99-1492-01	1	Castor Fork ASM, Welded
5	70-8370	1	Bolt
6	72-9710	1	Hub-Tire, Sulky
6:1	253-111	2	Seal-Oil
6:2	254-78	2	Cone-Bearing
6:3	254-79	2	Bearing-Roller, Cup
6:4	75-9440	1	Hub ASM
6:5	302-55	1	Zerk
6:6	10-6830	4	Stud-Type, Drive
7	99-8186	1	Tire ASM
7:1	70-8500	1	Tire
7:2	94-6116	1	Wheel - Rear
7:3	232-27	1	Stem-Valve
8	242-50	4	Nut-Lug
9	3296-67	1	Nut-Lock NI
10	92-5838	2	Joint-Ball
11	302-60	2	Fitting-Lube
12	32151-104	2	Ring-Retaining, Ext
13	93-2122	1	Cylinder Assy - Steering
*13:1	94-4398	1	Seal Kit - Repair
14	93-2270	1	Hose Assy - Hyd

Ref. No.	Part No.	Qty.	Description
15	340-132	2	Elbow-90°
15:1	237-78	1	O-Ring
15:2	237-21	1	O-Ring
16	93-2269	1	Hose Assy - Hyd
17	3220-6	4	Nut-Jam
18	254-70	2	Cone-Bearing
19	254-61	2	Cup-Bearing
20	70-8490	2	Rear Spindle Spacer
21	302-5	1	Fitting-Lube
22	99-1493	1	Decal-Greensmaster 3250-D
23	92-5753	1	Clamp - Hose Dbl
24	32144-14	1	Screw-HWH
25	99-1485-01	1	Plate-Adapter-Motor
26	99-1486-01	1	Plate-Adapter
27	325-6	2	Screw-HH
28	3296-23	2	Nut-Lock, NI
29	3296-39	3	Nut-Lock, NI
30	323-8	3	Screw-HH

* Not illustrated



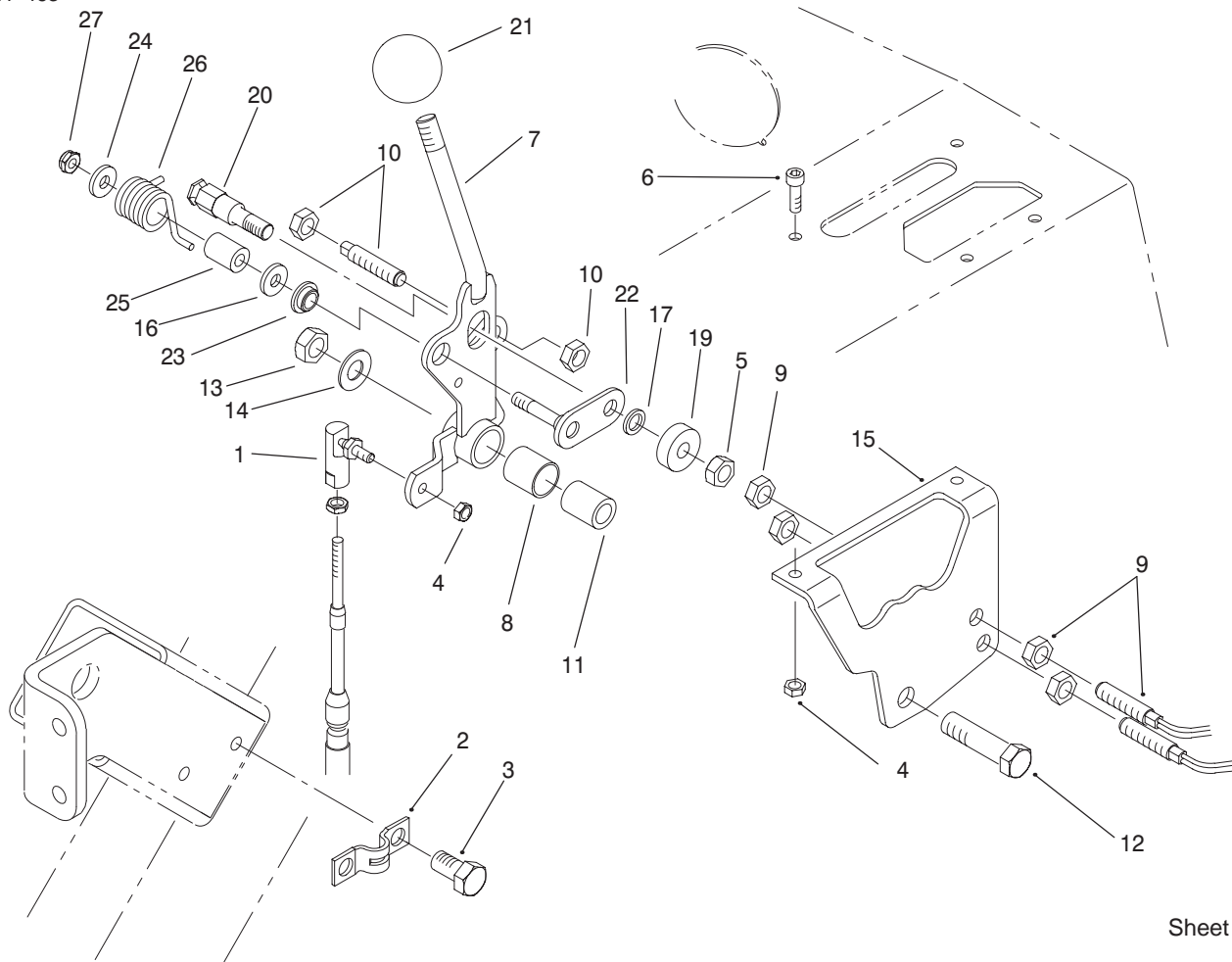
Sheet No.: 7

Console Assembly

Ref. No.	Part No.	Qty.	Description
1	100-3185-03	1	Console ASM,
2	33114-020	4	Screw-HH
3	33024-00	4	Nut-Lock, NI
4	66-2950	1	Gauge-Hourmeter
4:1	3255-20	2	Washer-Lock, Ext. Tooth
4:2	3217-25	2	Nut-Hex
5	93-7053	1	Cluster-Lamp, Warning
*5:1	219-17	4	Bulb
5:2	3254-1	1	Washer-Lock/Int
5:3	3217-26	1	Nut-Hex
6	63-8360	1	Key-Ignition
7	98-2195	1	Joystick
7:1	3290-489	1	Knob
7:2	3290-488	1	Boot
7:3	3290-354	2	Nut-Speed
7:4	218-590	2	Switch
7:5	3290-93	4	Screw-Pan Hd
*7:6	93-3625	1	Spring - Return
8	32149-8	2	Keys Nut
9	99-8150	1	Control-Throttle (Diesel)
10	99-8195-03	1	Plate-Cover
11	3273-26	4	Screw-HSH
12	3290-378	2	Tie-Cable

Ref. No.	Part No.	Qty.	Description
13	27-2360	1	Switch-Key
13:1	218-446	1	Nut-Hex
13:2	218-447	1	Washer-Lock
14	100-3183	1	Decal-Contr0l-Panel
15	92-3188	1	Diode - Circuit Board
16	72-9760	1	Switch
17	92-2538	1	Timer - Glow Plug
18	33113-030	1	Screw-HH
19	33023-00	2	Nut-Lock NI
20	43-6280	1	Push Button
21	43-6420	1	Bezel
22	44-2212	1	Light-Indicator, Amber
22:1	218-535	1	Nut-Hex
22:2	218-536	1	Washer-Lock
22:4	218-562	1	Lens
23	99-9666	1	Module
24	33113-020	1	Screw-HH

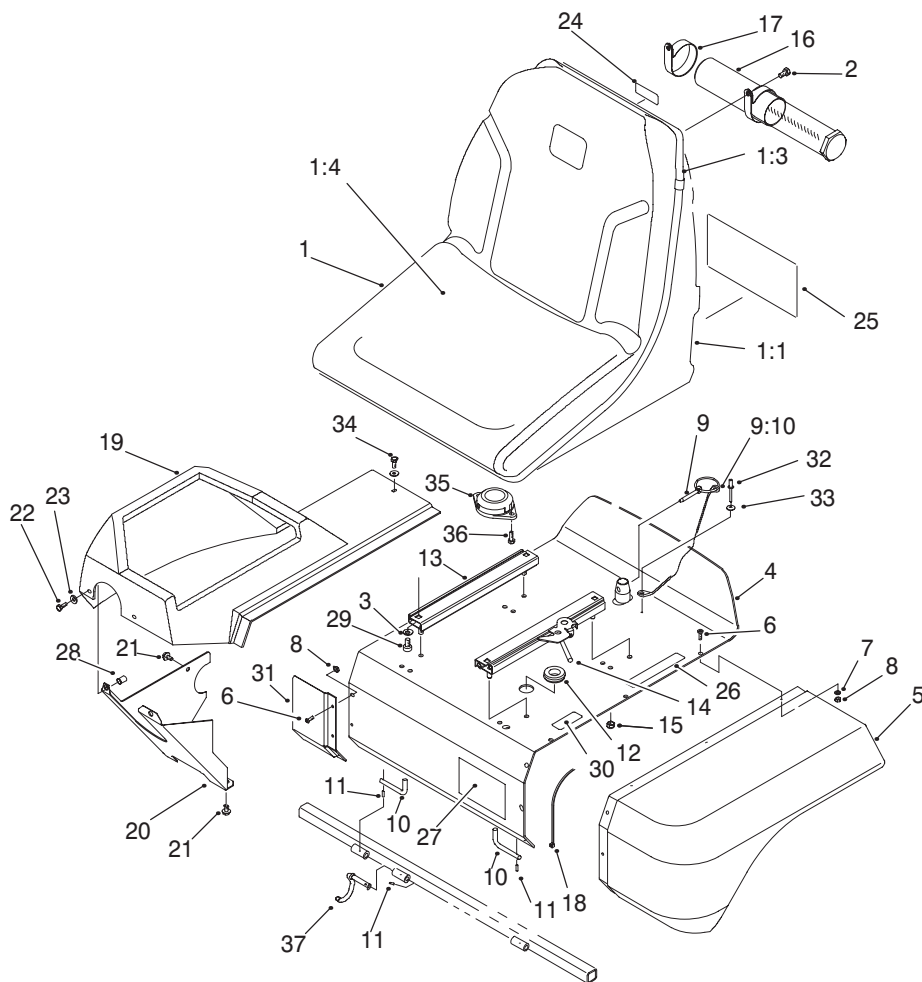
* Not illustrated



Functional Control Lever Assembly

Ref. No.	Part No.	Qty.	Description
1	2411-38	1	Ball Joint
2	93-2279	1	Clamp – Cable
3	32144-14	2	Screw-HWH
4	3296-27	2	Nut-Lock NI
5	33024-00	1	Nut-Lock, NI
6	3273-26	2	Screw-HSH
7	94-9611	1	Handle
8	256-311	1	Split Bushing
9	93-2055	2	Reed Switch – Sensor
10	93-2056	1	Reed Switch – Actuator
11	94-1378	1	Tube – Handle Pivot
12	33115-040	1	Screw-HH
13	33025-00	1	Nut-Lock, NI
14	3256-24	1	Washer-Flat
15	94-6398	1	Bracket – Traction
16	3256-23	1	Washer-Flat
17	75-5470	1	Spacer-Bearing
19	251-259	1	Bearing
20	94-9617	1	Pin – Spring
21	233-42	1	Knob
22	94-9614	1	Roller Pivot
23	94-9619	1	Bushing
24	3256-1	1	Washer-Flat
25	94-9618	1	Spacer – Spring

Ref. No.	Part No.	Qty.	Description
26	94-9620	1	Spring – Torsion
27	33023-00	1	Nut-Lock NI

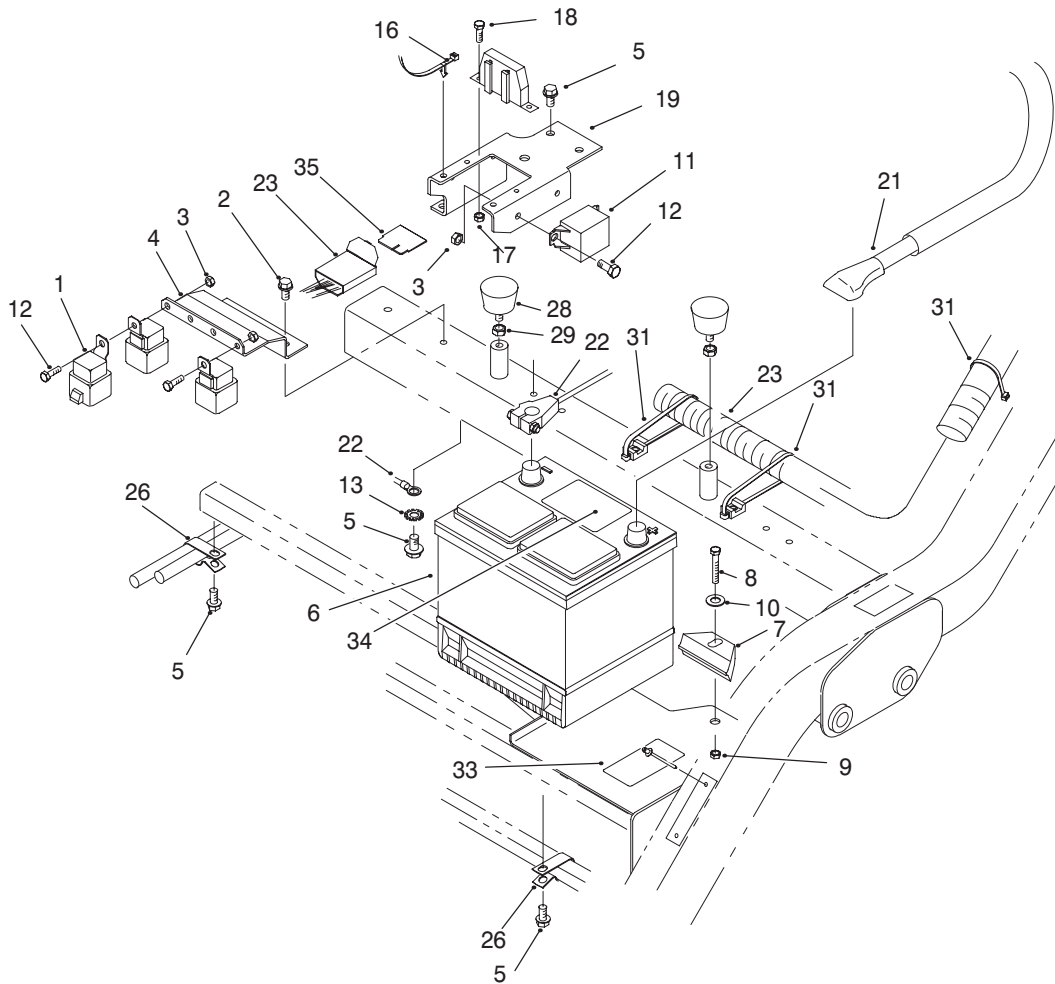


Sheet No.: 9

Seat Assembly

Ref. No.	Part No.	Qty.	Description	Ref. No.	Part No.	Qty.	Description
1	100-3187	1	Seat ASM	22	33113-016	2	Screw-HH
1:1	92-6534	1	Shell	23	3256-1	3	Washer-Flat
*1:2	351-80	1	Clip	24	93-8067	1	Decal-Oil, Hydraulic
1:3	351-78	1	Edging	25	100-3150	1	Decal-Service
1:4	100-6411	1	Cushion-Replacement	25	100-3151	1	Decal-Service (Spanish)
2	322-2	2	Screw-HH	25	100-3152	1	Decal-Service (French)
3	3256-23	4	Washer-Flat	25	100-3153	1	Decal-Service (German)
4	93-2135-03	1	Seat Support	25	100-3154	1	Decal-Service (Swedish)
5	93-2128	1	Panel - Seat Base	25	100-3155	1	Decal-Service (Italian)
6	3274-39	9	Screw-HSBH	25	100-3156	1	Decal-Service (Portuguese)
7	3256-77	6	Washer-Flat	25	100-3157	1	Decal-Service (Norwegian)
8	3296-12	9	Nut-Lock	25	100-3158	1	Decal-Service (Finnish)
9	77-3780	1	Pin ASM	25	100-3159	1	Decal-Service (Danish)
9:10	28-8070	1	Lanyard	25	100-3160	1	Decal-Service (Dutch)
10	93-2422	2	Rod - Seat Pivot	25	100-3161	1	Decal-Service (Japan)
11	32121-7	3	Pin-Spring	26	93-6689	1	Decal - No Riders
12	237-100	1	Grommet	27	94-2579	1	Decal - Toro
13	92-8990	1	Adjuster - 7"	28	93-5447	2	Nut - Clinch,
14	92-8991	1	Adjuster w/Latch				
15	3296-29	4	Nut-Lock, NI				
16	74-0720	1	Tube-Manual				
17	2412-133	2	R-Clamp				
18	3290-378	1	Tie-Cable				
19	99-4208	1	Shroud-Console				
20	94-4547-01	1	Panel - Lower, RH				
21	32144-14	2	Screw-HWH				

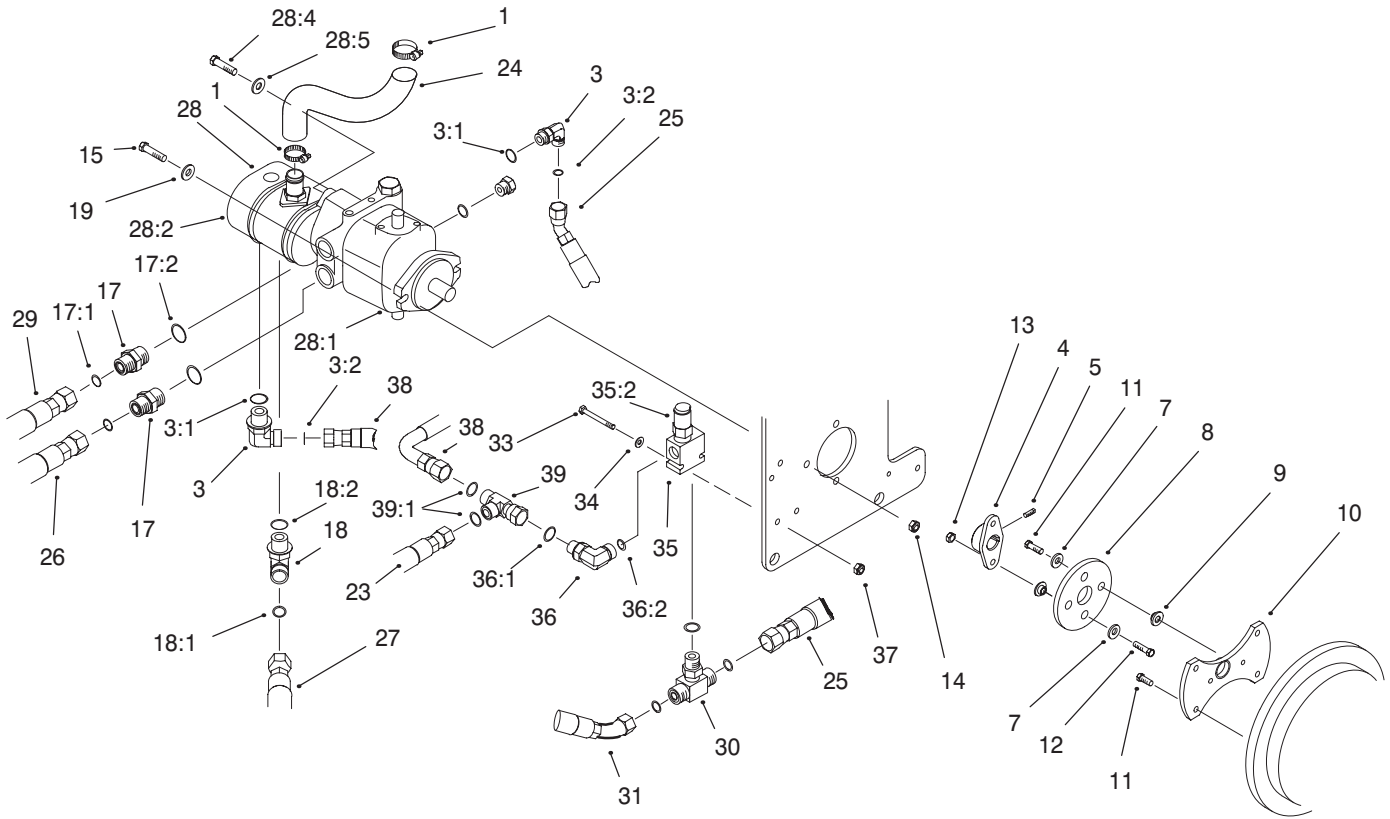
* Not illustrated



Sheet No.: 10

Electronics Installation Assembly

Ref. No.	Part No.	Qty.	Description	Ref. No.	Part No.	Qty.	Description
1	70-1480	8	Relay	33	93-6668	1	Decal - Battery
2	32144-11	2	Screw-TAP	34	93-7276	1	Decal - Danger
3	33023-00	6	Nut-Lock NI	35	92-3188	1	Diode - Circuit Board
4	93-2169-01	1	Bracket - Relay				
5	32144-14	5	Screw-HWH				
6	66-2750	1	Battery				
7	66-2490	1	Retainer-Battery				
8	33115-040	1	Screw-HH				
9	33025-00	1	Nut-Lock, NI				
10	3256-24	1	Washer-Flat				
11	66-8800	1	Relay				
12	33113-016	6	Screw-HH				
13	3254-2	1	Washer-Lock, Internal				
16	94-1325	2	Push Mount - Tie				
17	3296-2	2	Nut-Lock				
18	32105-13	2	Screw-Shh				
19	100-3186-03	1	Bracket-Fuse Holder				
21	95-8853	1	Cable - Battery, Positive				
22	99-8167	1	Cable-Battery, Negative				
23	99-8165	1	Wire Harness, Gr3250d				
26	92-5753	1	Clamp - Hose Dbl				
28	68-3270	2	Rubber Bumper				
29	3218-2	2	Nut-Jam				
31	3290-378	2	Tie-Cable				



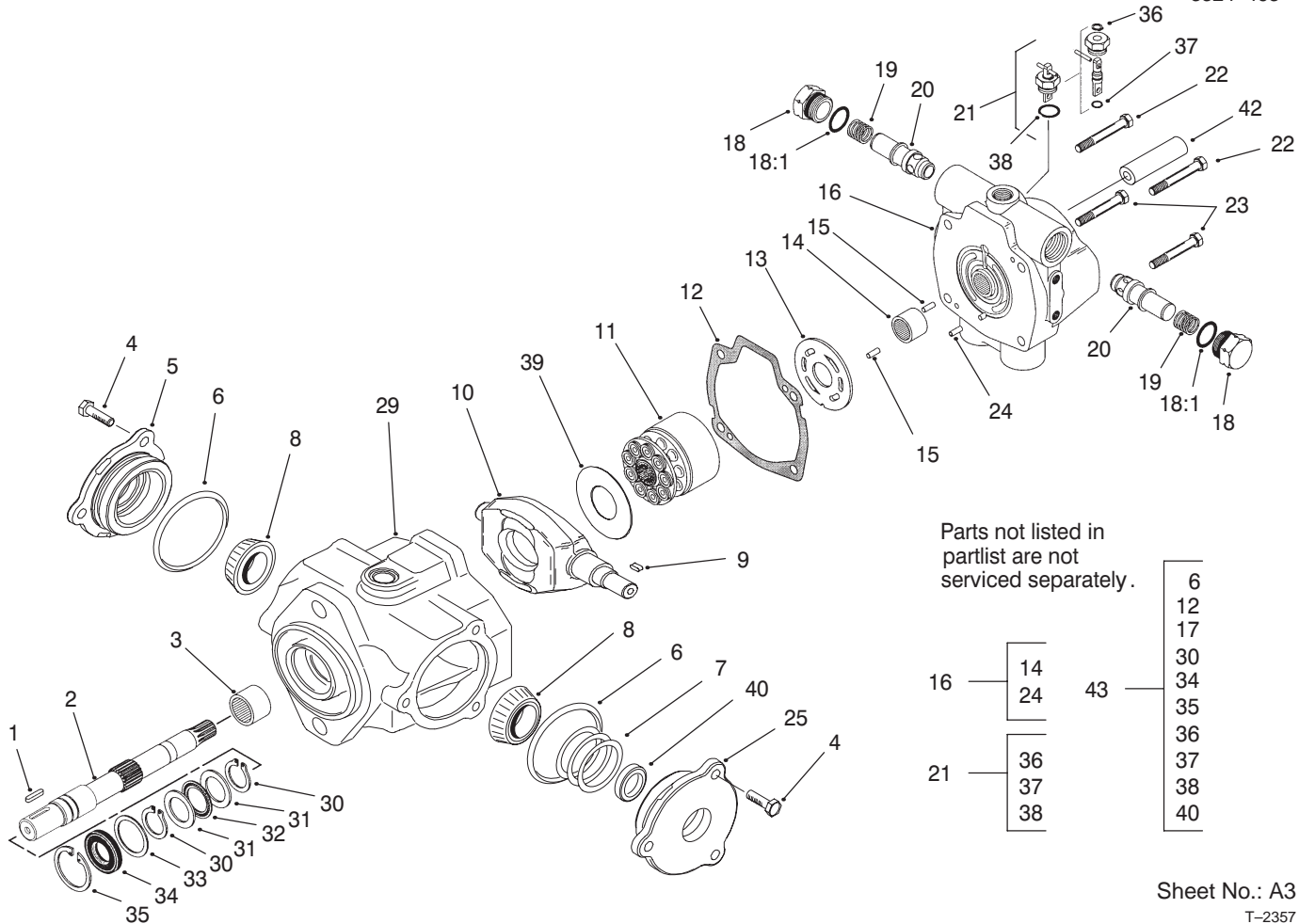
Sheet No.: 11

Hydrostat and Gear Pump Assembly

Ref. No.	Part No.	Qty.	Description
1	2412-34	2	Clamp-Hose
3	340-18	2	Fitting
3:1	237-79	1	O-Ring
3:2	237-22	1	O-Ring
4	93-2589	1	Hub - Pump
5	3241-6	2	Screw-SQH
7	3256-3	2	Washer-Flat
8	80-8650	1	Coupling - Drive
9	27-6600	4	Spacer-Coupling
10	93-2220-03	1	Pump Adapter
11	33114-020	6	Screw-HH
12	33114-030	1	Screw-HH
13	33024-00	2	Nut-Lock, NI
14	33025-00	2	Nut-Lock, NI
15	33115-040	2	Screw-HH
17	340-8	2	Adapter
17:1	237-65	1	O-Ring
17:2	237-81	1	O-Ring
18	340-17	1	Adapter
18:1	237-65	1	O-Ring
18:2	237-80	1	O-Ring
19	100-4852	2	Washer - Hardened
23	99-4218	1	Hose ASM
24	99-1905	1	Hose - Pump Inlet
25	94-6384	1	Hose ASM
26	99-4220	1	Hose ASM

Ref. No.	Part No.	Qty.	Description
27	99-4216	1	Hose ASM
28	99-8152	1	Hydro Gear Pump
28:1	100-3174	1	Hydrostat Assembly
28:2	94-6390	1	Gear Pump
*28:3	60-3520	1	Seal - O-Ring
28:4	3274-1	2	Screw-HSH
28:5	3256-24	2	Washer-Flat
29	99-4217	1	Hose ASM
30	340-94	1	Adapter
31	99-4215	1	Hose ASM
33	33113-050	2	Screw-HH
34	3256-22	2	Washer-Flat
35	94-6385	1	Valve - Relief
35:2	94-6386	1	Cartridge - Relief Valve
36	340-77	1	Fitting-Hyd., 90°
36:1	237-22	1	O-Ring
36:2	237-42	1	O-Ring
37	33023-00	2	Nut-Lock NI
38	99-4219	1	Hose ASM
39	340-115	1	Fitting-Tee
39:1	237-22	2	O-Ring

* Not illustrated



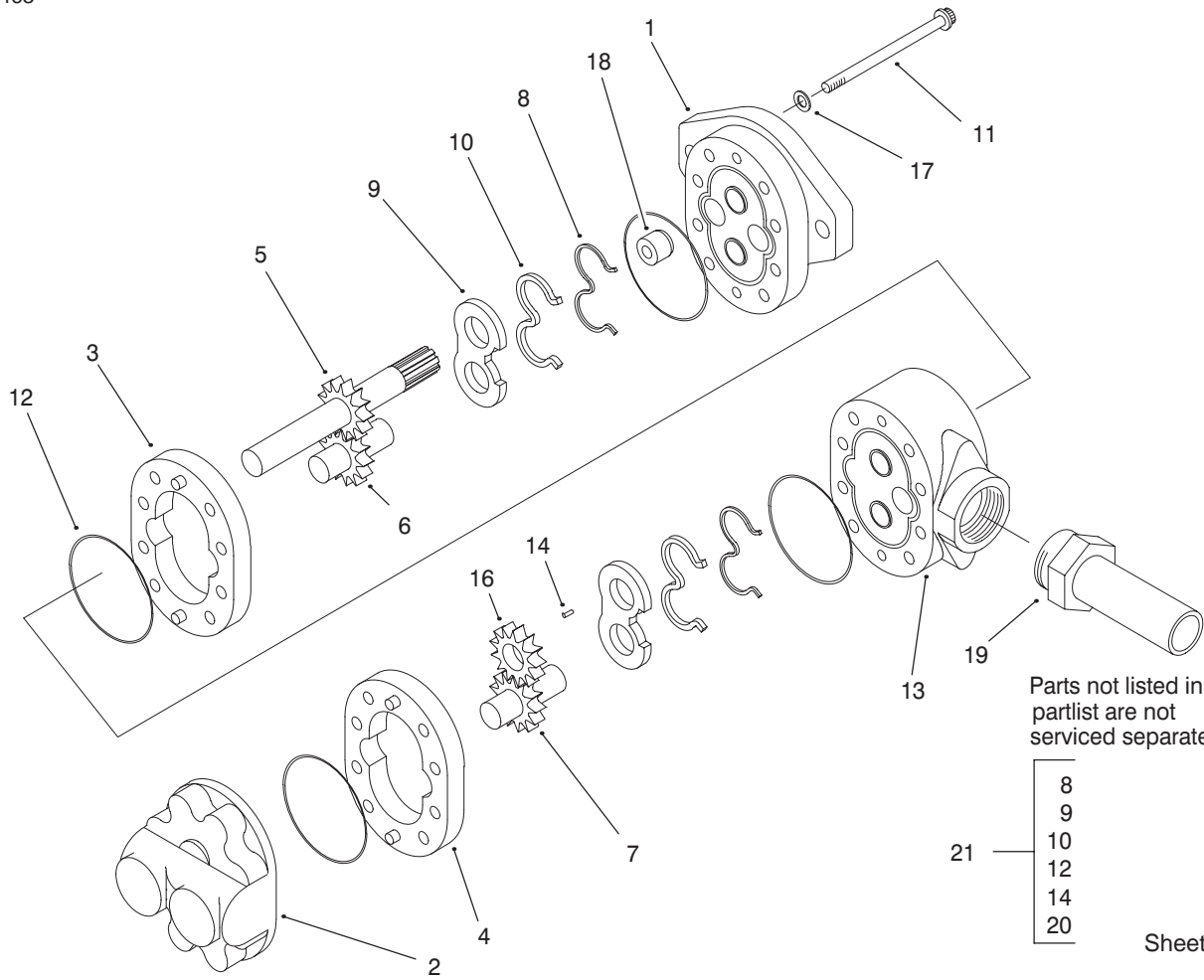
Sheet No.: A3
T-2357

Hydrostat Assembly No. 100-3174

Ref. No.	Part No.	Qty.	Description
1	94-3645	1	Key
2	94-6359	1	Shaft - Drive
3	94-6363	1	Bearing
4	98-4640	6	Screw - Cap
5	98-4644	1	Cover Plate ASM
6	100-3179	2	O-Ring
7	100-3182	2	Kit-Shim
8	98-4639	2	Bearing-Cone
9	94-3646	1	Key
10	100-3175	1	Camplate
11	76-6070	1	Rotating Kit ASM
12	33-4930	1	Gasket-Housing
13	100-3180	1	Valve-Plate
14	94-6368	1	Bearing
15	76-6150	2	Pin-Dowel
16	100-3177	1	Back Plate ASM
18	70-1240	2	Plug ASM
18:1	60-5980	1	O-Ring
19	100-3178	2	Spring
20	94-3644	2	Seat
21	100-3181	1	Dump Valve ASM
22	76-6170	2	Capscrew
23	76-6160	2	Capscrew
25	98-4645	1	Cover Plate ASM
29	100-3176	1	Housing ASM
30	32151-29	2	Ring-Snap, External

Ref. No.	Part No.	Qty.	Description
31	252-71	2	Bearing-Thrust
32	252-66	1	Bearing-Thrust
33	33-3720	1	Washer
34	42-2720	1	Seal-External
35	32151-13	1	Ring-Snap, Internal
39	98-4635	1	Insert-Plate, Cam
42	74-9040	1	Coupler
*43	98-4643	1	Seal Repair Kit

* Not illustrated

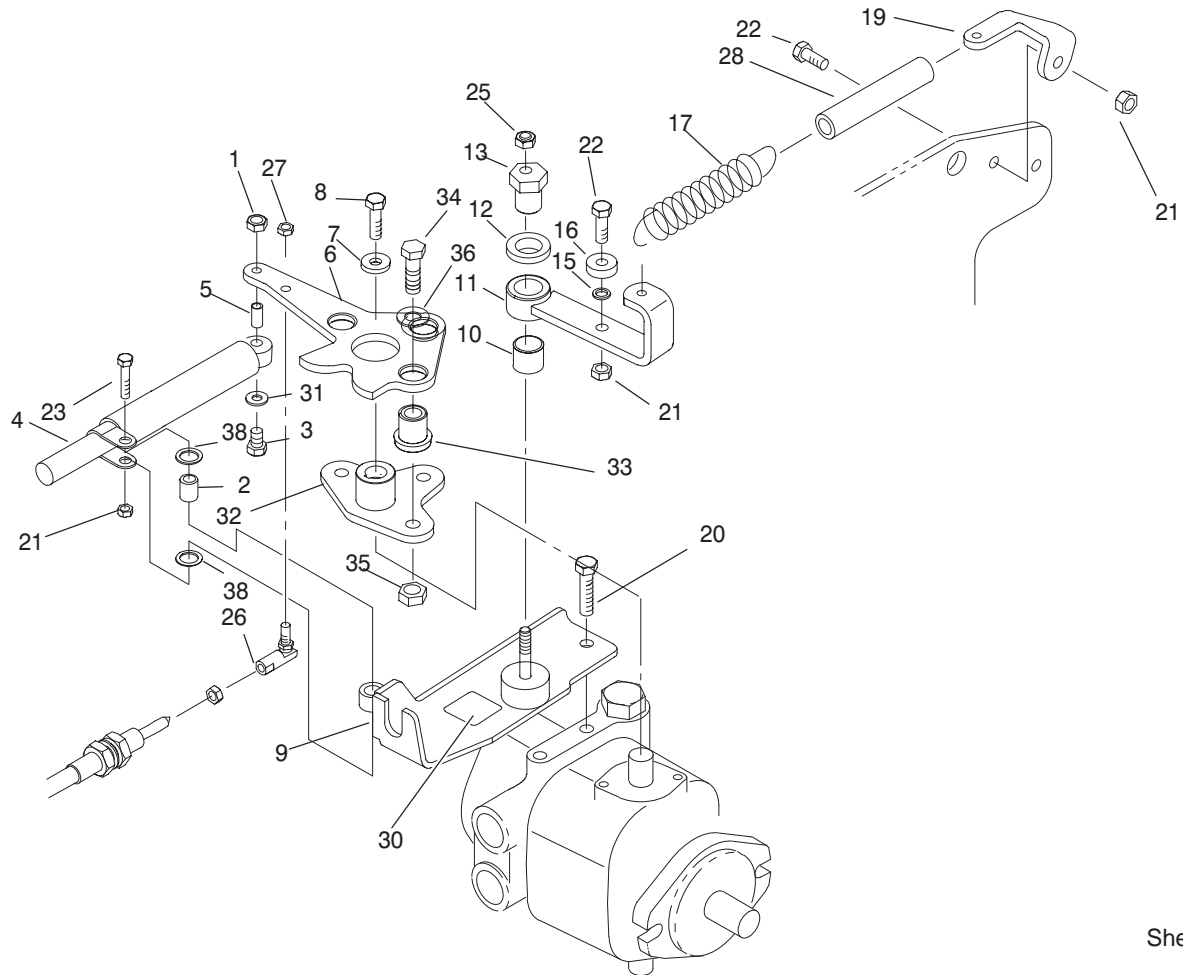


Sheet No.: A4
T-3483

Gear Pump Assembly No. 94-6390

Ref. No.	Part No.	Qty.	Description
11	94-8158	8	Screw – Cap
17	94-8160	4	Washer
18	94-3011	1	Plug
21	94-8161	1	Kit-Repair, Seal

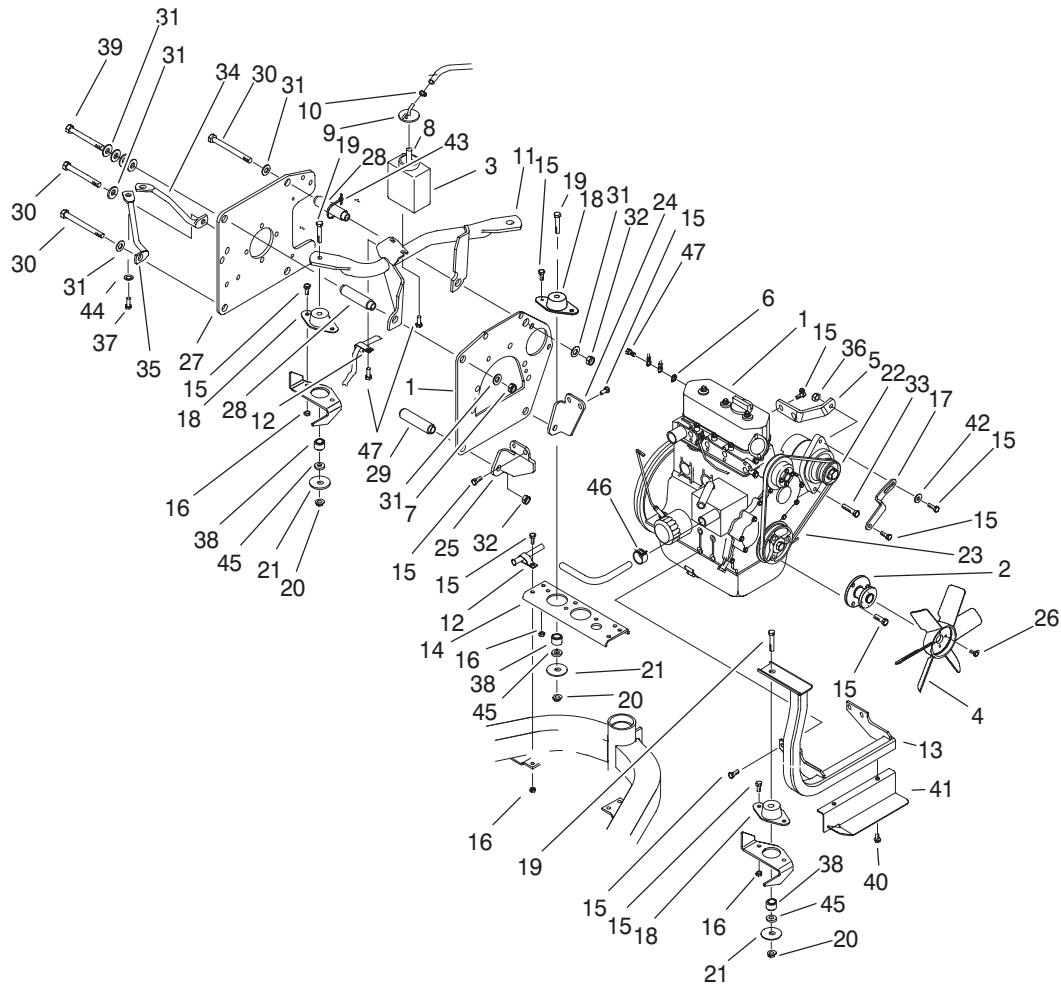
Ref. No.	Part No.	Qty.	Description



Sheet No.: 12

Neutral System Assembly

Ref. No.	Part No.	Qty.	Description	Ref. No.	Part No.	Qty.	Description
1	33023-00	1	Nut-Lock NI	30	93-9051	1	Decal - Eccentric Bolt
2	94-8197	1	Tube - Pivot	31	3256-22	1	Washer-Flat
3	33113-030	1	Screw-HH	32	94-3486	1	Plate
4	76-8870	1	Lever Damper ASM	33	63-9750	3	Mount
5	94-1312	1	Spacer - Pivot	34	33115-035	3	Screw-HH
6	94-3488-03	1	Lever - Pump	35	33025-00	3	Nut-Lock, NI
7	88-7200	1	Washer-Flat	36	2844	3	Washer
8	3210-6	1	Screw-HH	38	94-8196	2	Washer - Nylon
9	100-9846	1	Support-Cable, Welded				
10	94-9609	1	Bushing - Straight				
11	94-4527	1	Neutral Arm				
12	3-6498	1	Washer-Thrust				
13	93-2111	1	Stud - Traction				
15	75-5470	1	Spacer-Bearing				
16	251-259	1	Bearing				
17	94-1369	1	Spring - Extension				
19	99-4249	1	Bracket-Spring				
20	323-4	2	Screw-HH				
21	33024-00	2	Nut-Lock, NI				
22	33114-025	2	Screw-HH				
23	33114-030	1	Screw-HH				
25	3296-29	1	Nut-Lock, NI				
26	2411-34	1	Ball Joint				
27	3296-13	1	Nut-Lock NI				
28	99-4251	1	Hose-Dampener				

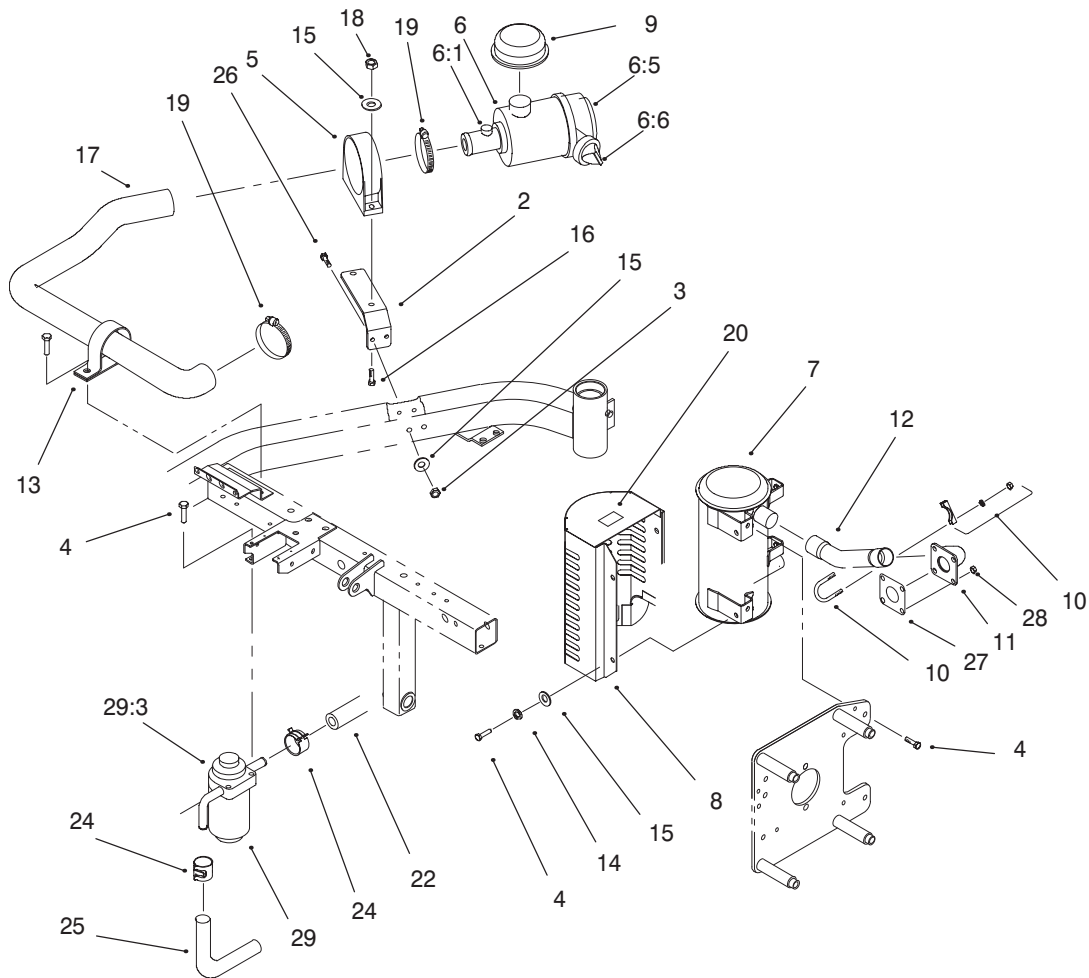


Sheet No.: 13

Engine Installation Assembly

Ref. No.	Part No.	Qty.	Description
1		1	Engine-Briggs Daihatsu
2	99-1495	1	Adapter-Fan
3	93-2049	1	Tank-Overflow
4	93-2090	1	Fan - Engine,
5	93-2445	1	Bracket - Alt, Upper
6	3254-2	1	Washer-Lock, Internal
7	51-2070	1	Nut
8	94-1348	1	Hose-Tank, Recov
9	93-2048	1	Cap-Tank, Overflow
10	2412-108	1	Clamp-Worm
11	100-3190-03	1	Engine Mount ASM,
12	92-5753	2	Clamp - Hose Dbl
13	99-1473-03	1	Eng Mount Wa - Front
14	93-2020-01	1	Bracket - Support
15	33114-020	26	Screw-HH
16	33024-00	4	Nut-Lock, NI
17	93-2446	1	Bracket - Alt, Lower
18	83-1030	3	Mount-Engine
19	323-11	3	Screw-HH
20	3290-357	3	Nut-Flange, Lock
21	83-1040	3	Washer - Flat
22	99-9209	1	Alternator
23	99-8153	1	Belt-V
24	99-4189-03	1	Bracket-Engine,LH
25	99-4188-03	1	Bracket-Engine-RH

Ref. No.	Part No.	Qty.	Description
26	33113-016	4	Screw-HH
27	99-4190-03	1	Plate-Pump
28	93-2588	2	Spacer - Upper
29	93-2174	2	Spacer
30	33116-130	3	Screw-HH
31	87-7270	9	Washer - Thrust
32	33026-00	3	Nut-Lock, NI
33	33115-050	1	Screw-HH
34	99-4240	1	Brace-Wireform,LH
35	99-4238	1	Brace-Wireform,RH
36	33025-00	1	Nut-Lock, NI
37	323-4	2	Screw-HH
38	94-4538	3	Spacer - Mount
39	33116-120	1	Screw-HH
40	32144-14	2	Screw-HWH
41	94-8156-03	1	Deflector - Fan
42	3256-3	1	Washer-Flat
43	3290-378	2	Tie-Cable
44	3256-24	2	Washer-Flat
45	66-6480	3	Washer
46	92-2379	1	Clamp-Hose
47	33114-016	3	Screw-HH



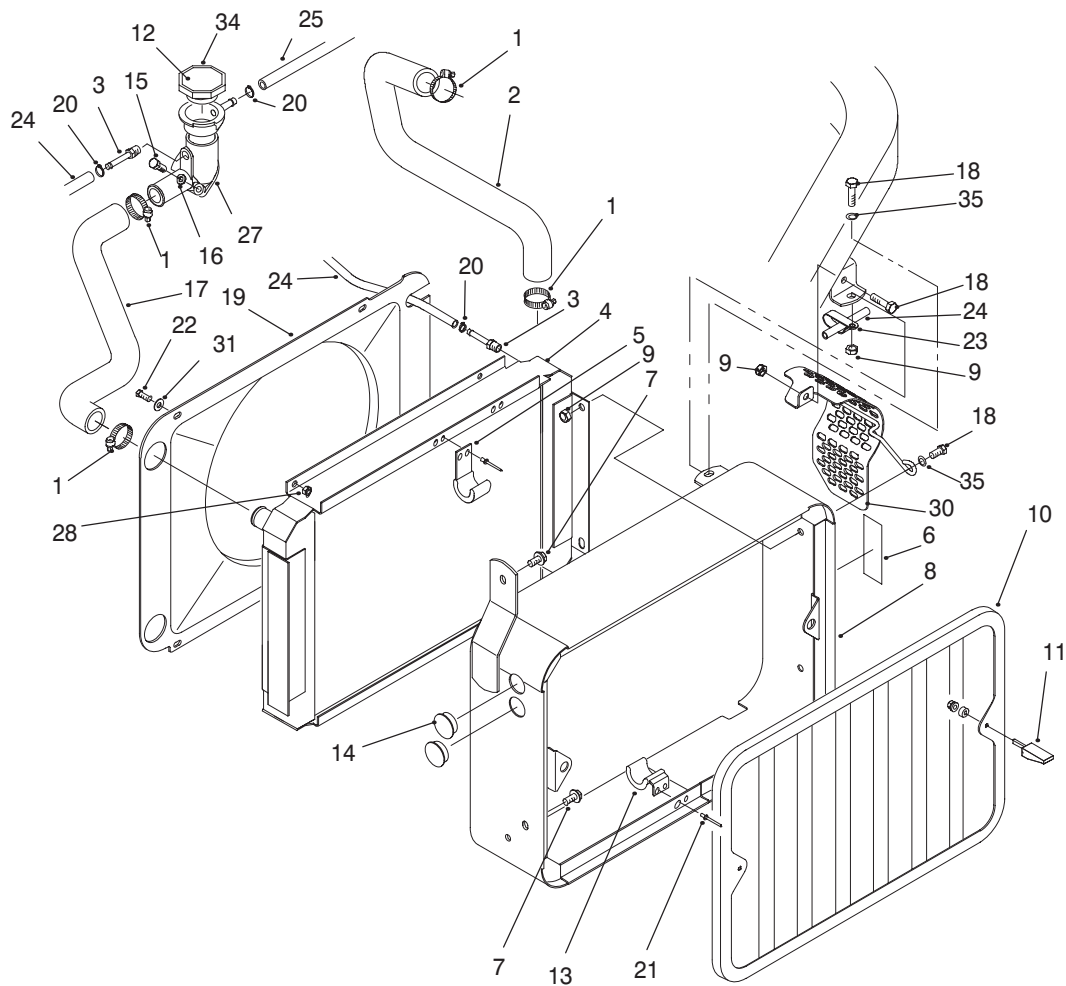
Sheet No.: 14

Air Cleaner, Fuel Filter & Exhaust Assembly

Ref. No.	Part No.	Qty.	Description
2	99-4203	1	Bracket-Air Cleaner
3	33024-00	2	Nut-Lock, NI
4	33114-020	8	Screw-HH
5	95-5806	1	Bracket - Mounting, Air Cleaner
6	95-5805	1	Air Cleaner ASM
6:1	285-17	1	Plug-Pipe
*6:3	93-2195	1	Filter
*6:4	98-2982	1	Filter - Safety Element
6:5	94-3652	1	Cover ASM
6:6	94-1414	1	Valve - Vacuator
7	94-8153	1	Muffler
8	94-8182-03	1	Muffler Shield
9	46-7510	1	Hood-Inlet, Air
10	2112-9	2	Clamp
11	99-1472	1	Exhaust Plate,
12	99-1494	1	Pipe - Exhaust
13	2412-107	1	R Clamp
14	3253-4	4	Washer
15	3256-23	4	Washer-Flat
16	322-16	2	Screw-HH
17	99-4204	1	Hose-Air Cleaner
18	3296-29	2	Nut-Lock, NI
19	2412-92	2	Clamp-Hose
20	93-8069	1	Decal-Surface, Hot
22	92-9283	1	Hose - Fuel, Vent

Ref. No.	Part No.	Qty.	Description
24	92-2379	2	Clamp-Hose
25	93-5553	1	Hose - Fuel
26	33114-080	2	Screw-HH
27	99-9179	1	Gasket-Exhaust
28	99-9176	4	Nut-Metric Hex
29	100-3191	1	Fuel Filtr/Wtr Separator, Diesel
*29:1	100-3192	1	Fuel Filter Element
*29:2	100-6409	1	Sensor-Fuel Filter
29:3	100-6408	1	Cover-Filter

* Not illustrated

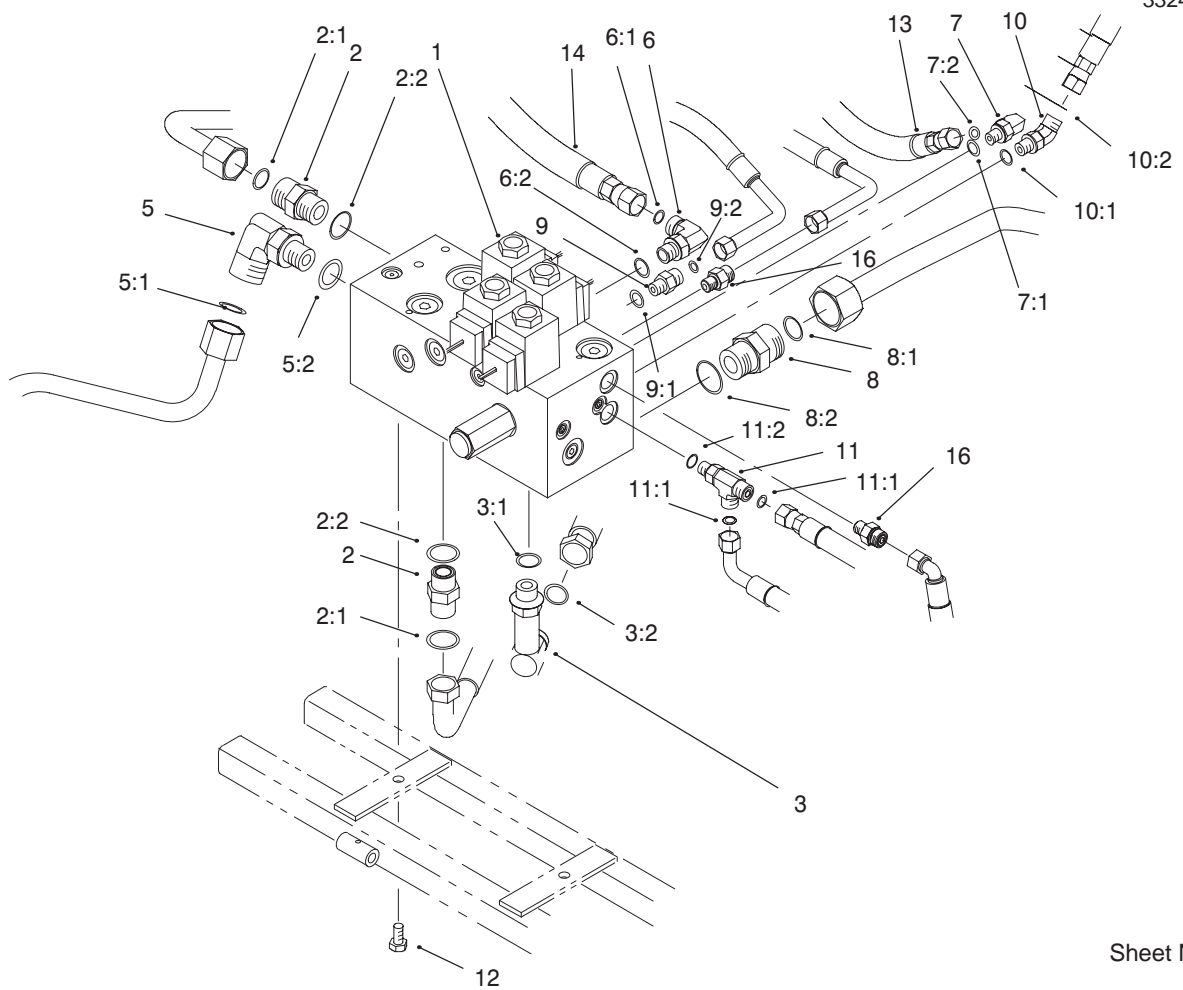


Sheet No.: 15

Radiator Assembly

Ref. No.	Part No.	Qty.	Description
1	2412-34	2	Clamp-Hose
2	99-1469	1	Hose - Radiator
3	304-73	1	Connector-Hose
4	99-8193	1	Radiator
5	93-2425	2	Bracket-Cooler, Upper
6	93-6681	1	Decal-Warning, Fan
7	32144-14	2	Screw-HWH
8	100-3163-01	1	Radiator Support ASM
9	33024-00	6	Nut-Lock, NI
10	93-2050-03	1	Screen Wa
11	74-5950	2	Latch-Swell
12	93-7840	1	Decal-Cap, Radiator
13	93-2424	2	Bracket-Cooler, Lower
14	94-4528	2	Plug
15	33113-025	2	Screw-HH
16	3253-3	2	Washer-Lock/Sp
17	93-2018	1	Hose - Radiator
18	33114-020	6	Screw-HH
19	93-2320	1	Shroud-Fan
20	2412-108	2	Clamp-Worm
21	3269-15	8	Rivet
22	33113-016	4	Screw-HH
23	92-5753	1	Clamp - Hose Dbl
24	27-4480	1	Hose
25	92-9283	1	Hose - Fuel, Vent

Ref. No.	Part No.	Qty.	Description
27	93-2448	1	Housing ASM - Thermostat
28	33023-00	4	Nut-Lock NI
30	100-3164-03	1	Guard-Alternator
31	3256-22	4	Washer-Flat
34	66-3240	1	Cap-Radiator
35	3256-23	2	Washer-Flat

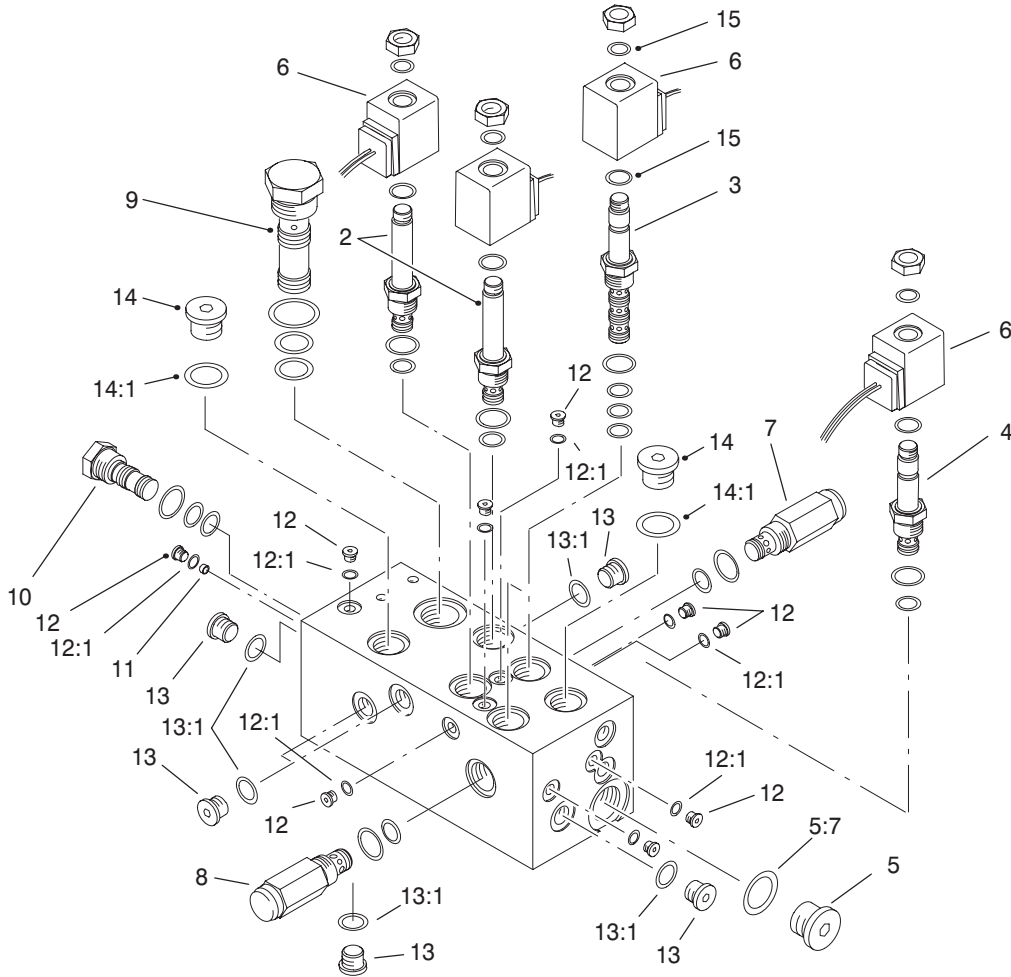


Sheet No.: 16

Manifold Block Installation Assembly

Ref. No.	Part No.	Qty.	Description
1	93-2240	1	Manifold – Mow/Lift Basic
2	340-7	2	Adapter
2:1	237-65	1	O-Ring
2:2	237-80	1	O-Ring
3	99-4214	1	Fitting-Hydraulic
3:1	237-79	1	O-Ring
3:2	237-30	1	O-Ring
5	340-17	1	Adapter
5:1	237-65	1	O-Ring
5:2	237-80	1	O-Ring
6	340-77	1	Fitting-Hyd., 90°
6:1	237-22	1	O-Ring
6:2	237-42	1	O-Ring
7	340-132	1	Elbow-90°
7:1	237-78	1	O-Ring
7:2	237-21	1	O-Ring
8	340-9	1	Fitting-Straight
8:1	237-58	1	O-Ring
8:2	237-81	1	O-Ring
9	340-92	1	Fitting
9:1	237-78	1	O-Ring
9:2	237-21	1	O-Ring
10	340-103	1	Fitting
10:1	237-78	1	O-Ring
10:2	237-21	1	O-Ring

Ref. No.	Part No.	Qty.	Description
11	340-140	1	Adapter Tee
11:1	237-21	2	O-Ring
11:2	237-78	1	O-Ring
12	33114-016	2	Screw-HH
13	93-2271	1	Hose Assy – Hyd
14	93-2272	1	Hose Assy – Hyd
16	95-1639	2	Fitting – Orificed



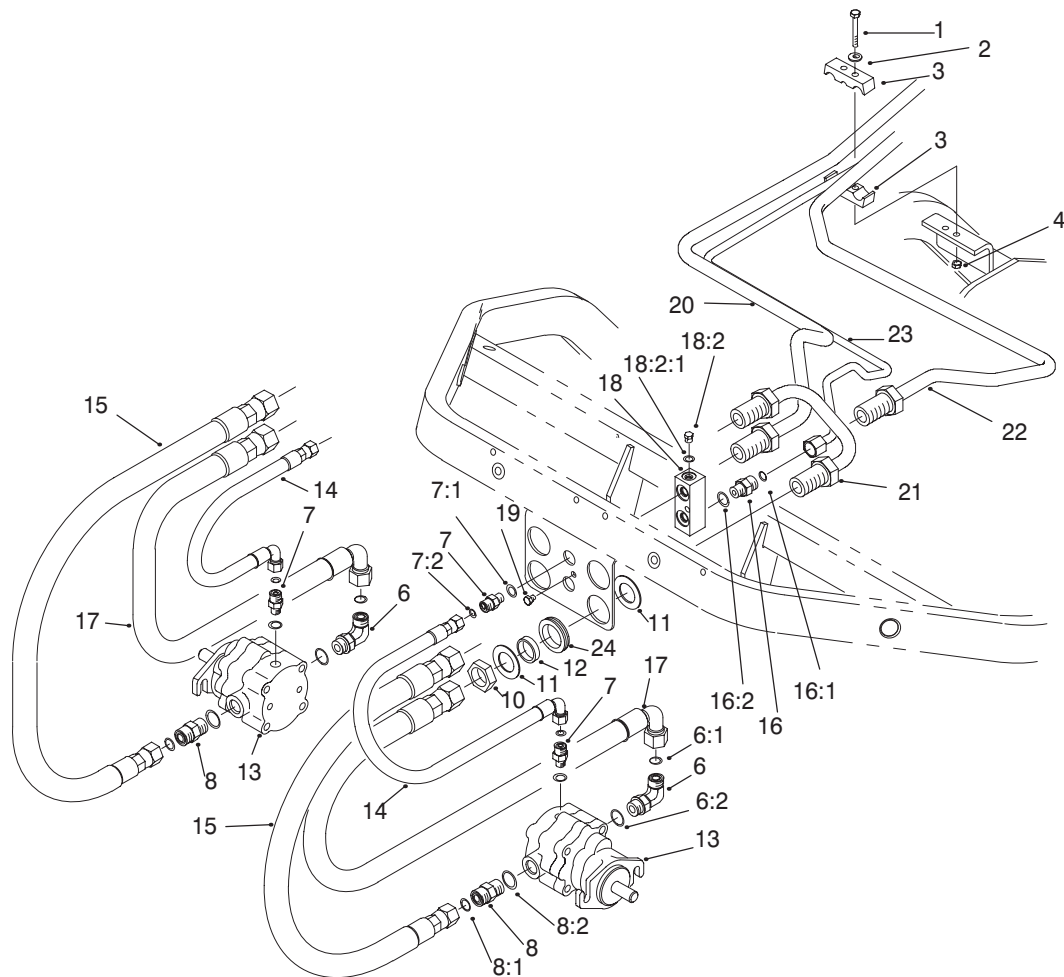
Sheet No.: A7
T-2251

Manifold Assembly No. 93-2240

Ref. No.	Part No.	Qty.	Description
2	93-7494	2	Cartridge - N.o.
*2:1	75-2080	1	Kit-Seal
3	94-2627	1	Cartridge - 4w/2p
*3:1	75-2090	1	Seal Kit
4	92-6315	1	Cartridge-N.c. Poppet
*4:1	69-4230	1	Seal Kit
5	353-988	1	Plug-Hex, Hollow
5:7	237-79	1	O-Ring
6	88-9190	4	Solenoid Coil Kit
7	95-1601	1	Cartridge - Relief Da
*7:1	69-4230	1	Seal Kit
8	94-6351	1	Cartridge Relief D.a.
*8:1	69-4230	1	Seal Kit
9	94-6352	1	Plug - Cavity
*9:1	94-3661	1	Kit-Seal, 4-Way
10	94-6353	1	Plug - Cavity
*10:1	69-4240	1	Kit-Seal
11	95-5999	1	Plug-Orifice
12	353-991	9	Plug-Hex, Hollow
12:1	237-156	1	O-Ring
13	353-989	6	Plug-Hex, Hollow
13:1	237-42	1	O-Ring
14	354-70	2	Plug - Hollow Hex
14:1	237-80	1	O-Ring
15	94-5438	8	Seal-Solenoid
*20	75-2080	2	Kit-Seal

Ref. No.	Part No.	Qty.	Description
*21	75-2090	1	Seal Kit
*22	94-3661	1	Kit-Seal, 4-Way
*23	69-4240	1	Kit-Seal
*24	69-4230	3	Seal Kit

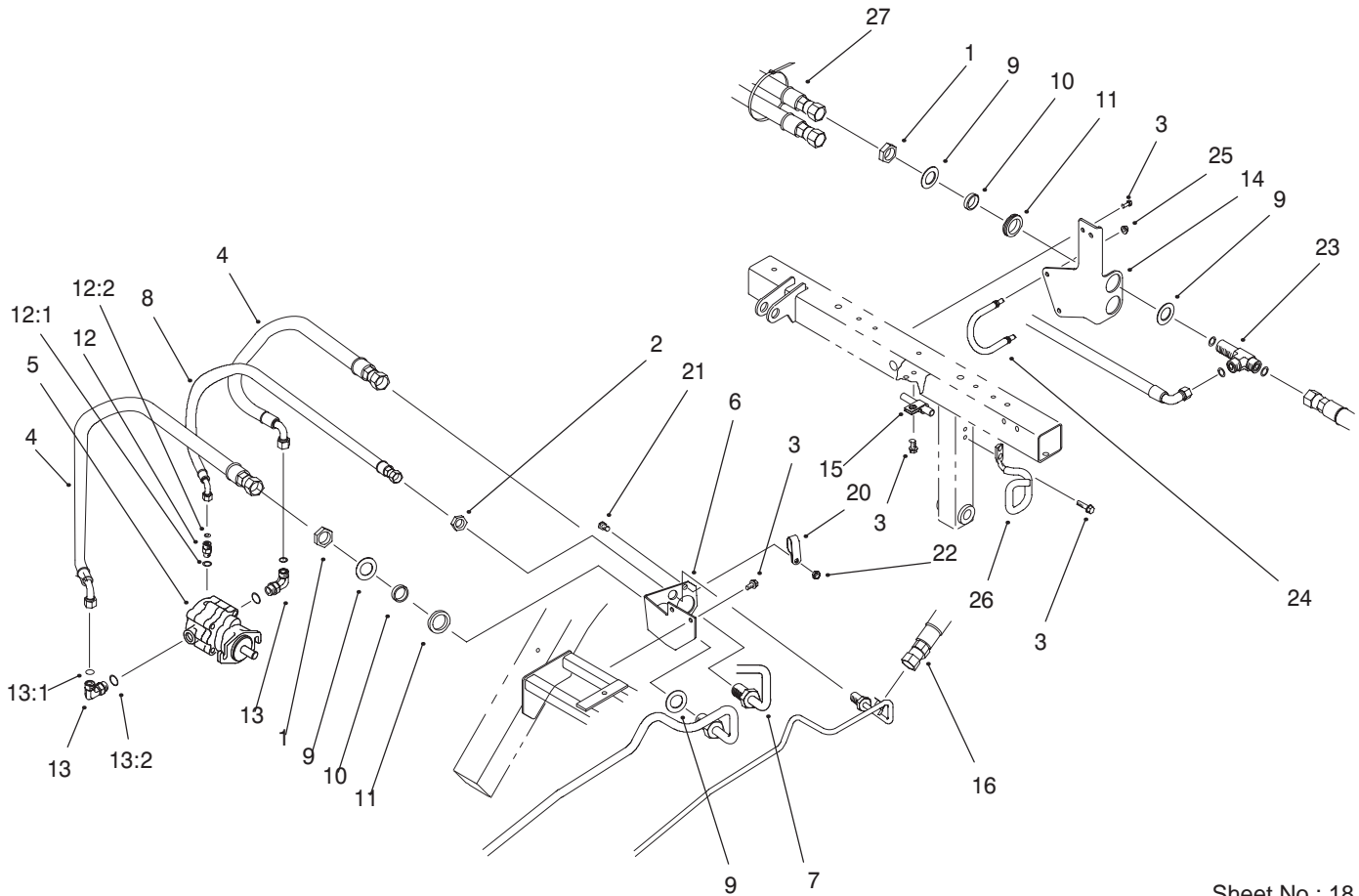
* Not illustrated



Sheet No.: 17

Front Bulkhead & Reel Motor Assembly

Ref. No.	Part No.	Qty.	Description	Ref. No.	Part No.	Qty.	Description
1	33113-050	2	Screw-HH	19	33113-008	1	Screw-HH
2	3256-1	2	Washer-Flat	20	94-1318	1	Tube - Hydraulic
3	93-2509	2	Clamp - Tube	21	94-1319	1	Tube - Hydraulic
4	33023-00	2	Nut-Lock NI	22	94-1320	1	Tube - Hydraulic
6	340-98	2	Fitting-Hyd, 90°	23	94-1321	1	Tube - Hydraulic
6:1	237-79	1	O-Ring	24	240-3	2	Grommet-Rubber
6:2	237-30	1	O-Ring				
7		4	Fitting				
7:1	237-78	2	O-Ring				
7:2	237-21	2	O-Ring				
8	340-4	2	Adapter				
8:1	237-30	1	O-Ring				
8:2	237-79	1	O-Ring				
10	340-74	2	Locknut-Bulkhead				
11	69-9010	4	Washer				
12	69-9000	2	Spacer				
13	93-1375	2	Motor-Reel				
14	93-2264	2	Hose Assy - Hyd				
15	95-2908	2	Hose ASM				
16	340-2	1	Adapter				
16:1	237-22	1	O-Ring				
16:2	237-42	1	O-Ring				
17	95-2909	2	Hose ASM				
18	93-2238	1	T-Block				
18:2	353-991	1	Plug-Hex, Hollow				
18:2:1	237-156	1	O-Ring				

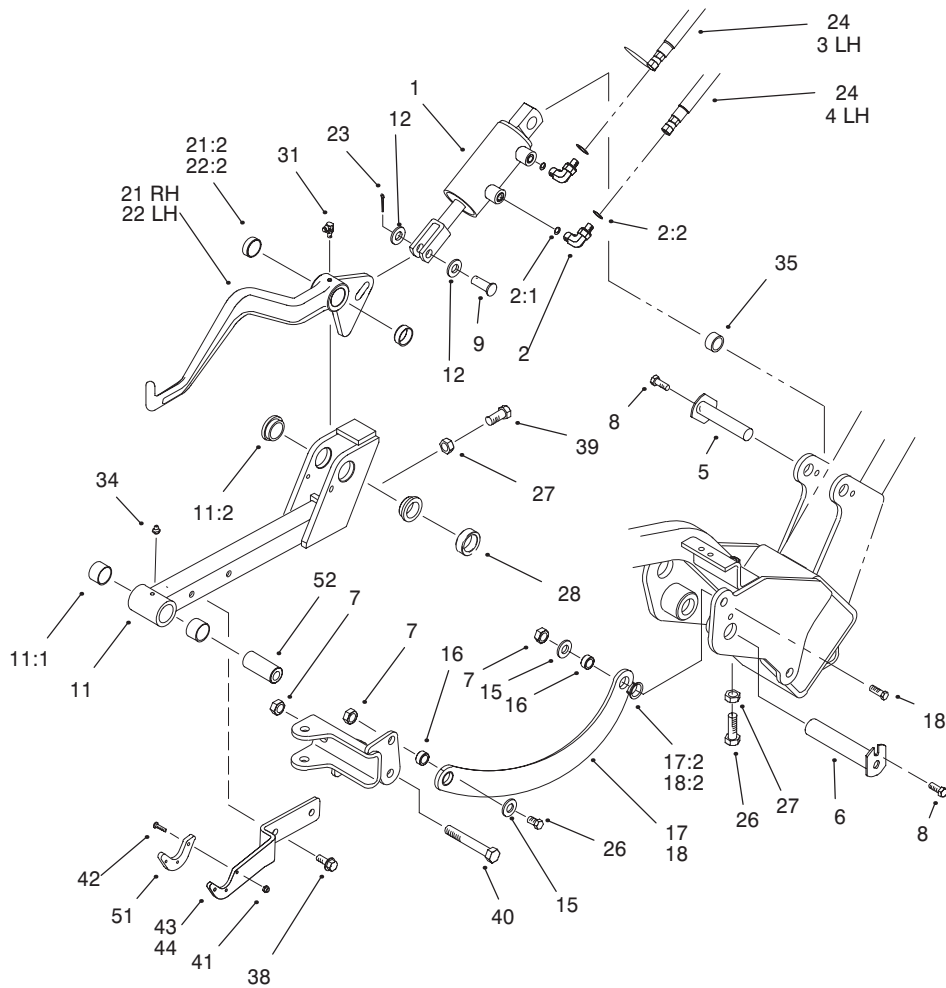


Sheet No.: 18

Rear Bulkhead & Reel Motor Assembly

Ref. No.	Part No.	Qty.	Description
1	340-74	4	Locknut-Bulkhead
2	340-70	1	Locknut-Bulkhead
3	32144-14	7	Screw-HWH
4	95-2907	2	Hose ASM
5	93-1375	1	Motor-Reel
6	94-1316	1	Bracket - Bulkhead
7	94-1317	1	Tube - Hydraulic
8	94-1328	1	Hose ASM
9	69-9010	8	Washer
10	69-9000	4	Spacer
11	240-3	4	Grommet-Rubber
12	340-92	1	Fitting
12:1	237-78	1	O-Ring
12:2	237-21	1	O-Ring
13	340-98	2	Fitting-Hyd, 90°
13:1	237-79	1	O-Ring
13:2	237-30	1	O-Ring
14	99-4222-03	1	Bracket-Hose
15	2412-4	1	Clamp
16	94-4539	1	Hose ASM
20	2412-137	1	Clamp-Tube
21	33114-020	1	Screw-HH
22	33024-00	1	Nut-Lock, NI
23	94-5350	2	Bulkhead Tee, Ors
24	99-4221	1	Retainer-Hose
25	3296-29	2	Nut-Lock, NI

Ref. No.	Part No.	Qty.	Description
26	94-5352	1	Retainer - Hose
27	3290-378	1	Tie-Cable



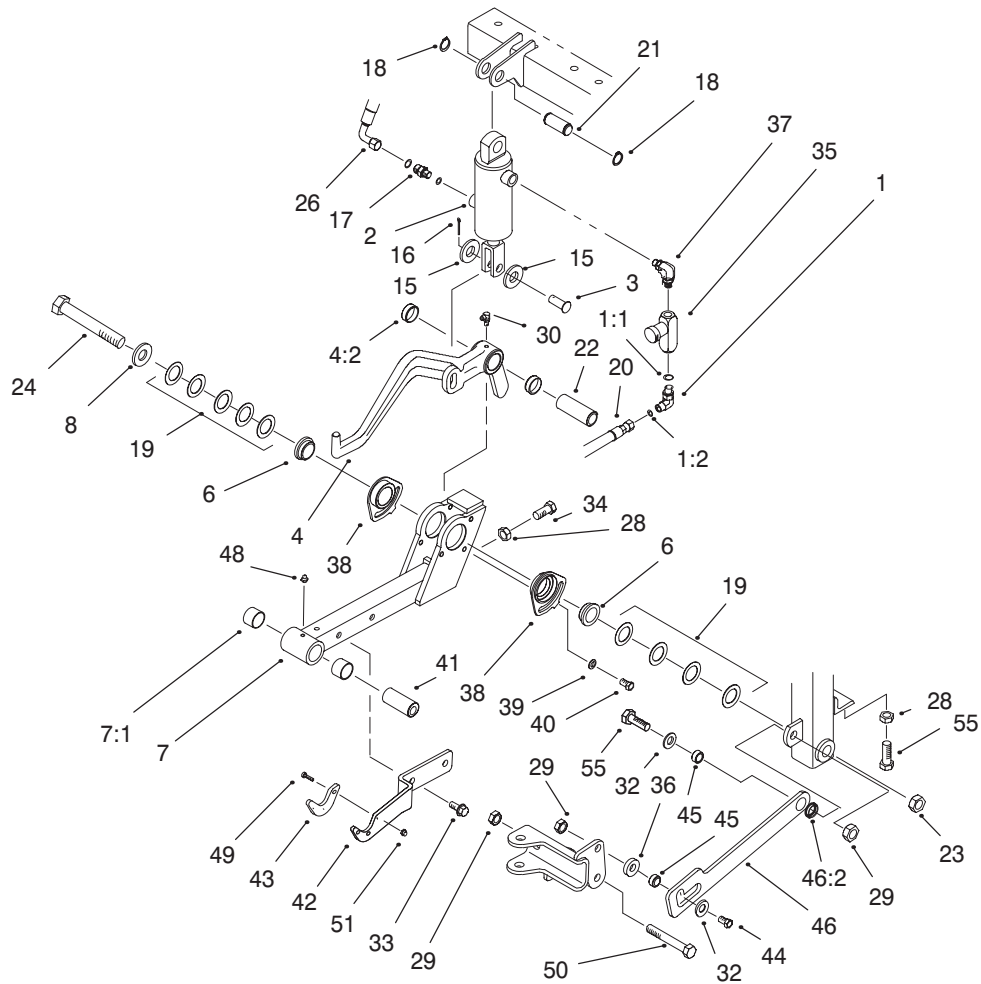
Sheet No.: 19

Lift Arm Assembly—L.H. & R.H. Right Arm Shown

Ref. No.	Part No.	Qty.	Description
1	99-4263	2	Hydraulic Cylinder ASM
*1:1	99-8163	1	Kit-Repair, Seal
2	340-132	4	Elbow-90°
2:1	237-78	1	O-Ring
2:2	237-21	1	O-Ring
3	93-2255	1	Hose Assy - Hyd
4	93-2256	1	Hose Assy - Hyd
5	10-6060	2	Pin-Pivot, Ram
6	94-8198	2	Pin Wa
7	3296-25	6	Nut-Lock NI
8	32144-14	4	Screw-HWH
9	283-68	2	Clevis Pin
11	99-4115	2	Front Lift Frame ASM w/Bushings
11:1	98-4166	2	Bushing
11:2	94-9610	2	Bushing - Flange
12	33096-00	4	Washer-Flat
15	3256-26	4	Washer-Flat
16	99-4201	4	Tube-Spacer
17	99-4258	1	Link Bracket ASM w/Bsg,RH
17:2	99-4243	2	Bushing-Flange
18	99-4260	1	Link Bracket ASM w/Bsg,LH
18:2	99-4243	2	Bushing-Flange

Ref. No.	Part No.	Qty.	Description
21	99-4213	1	Lift Arm-RH ASM w/Bushing
21:2	92-8995	2	Bushing
22	99-4212	1	Lift Arm-LH ASM w/Bushing
22:2	92-8995	2	Bushing
23	3272-11	2	Pin-Cotter
24	93-2254	2	Hose Assy - Hyd
26	325-6	5	Screw-HH
27	3218-5	3	Nut-Jam
28	93-2384	2	Spacer - Carrier
31	302-60	2	Fitting-Lube
34	302-5	2	Fitting-Lube
35	74-3730	2	Spacer-Spindle, Rear
38	32144-69	4	Hex Screw
39	325-4	2	Screw-HH
40	325-14	2	Screw-HH
41	3296-54	6	Nut-Lock NI
42	3250-17	6	Screw-PPH
43	99-4111-01	1	Plate-Transport (#1 & #3)
44	99-4112-01	1	Plate-Transport (#2)
51	99-4225	2	Pad-Wear
52	99-4072	2	Spacer-Pull Frame

* Not illustrated



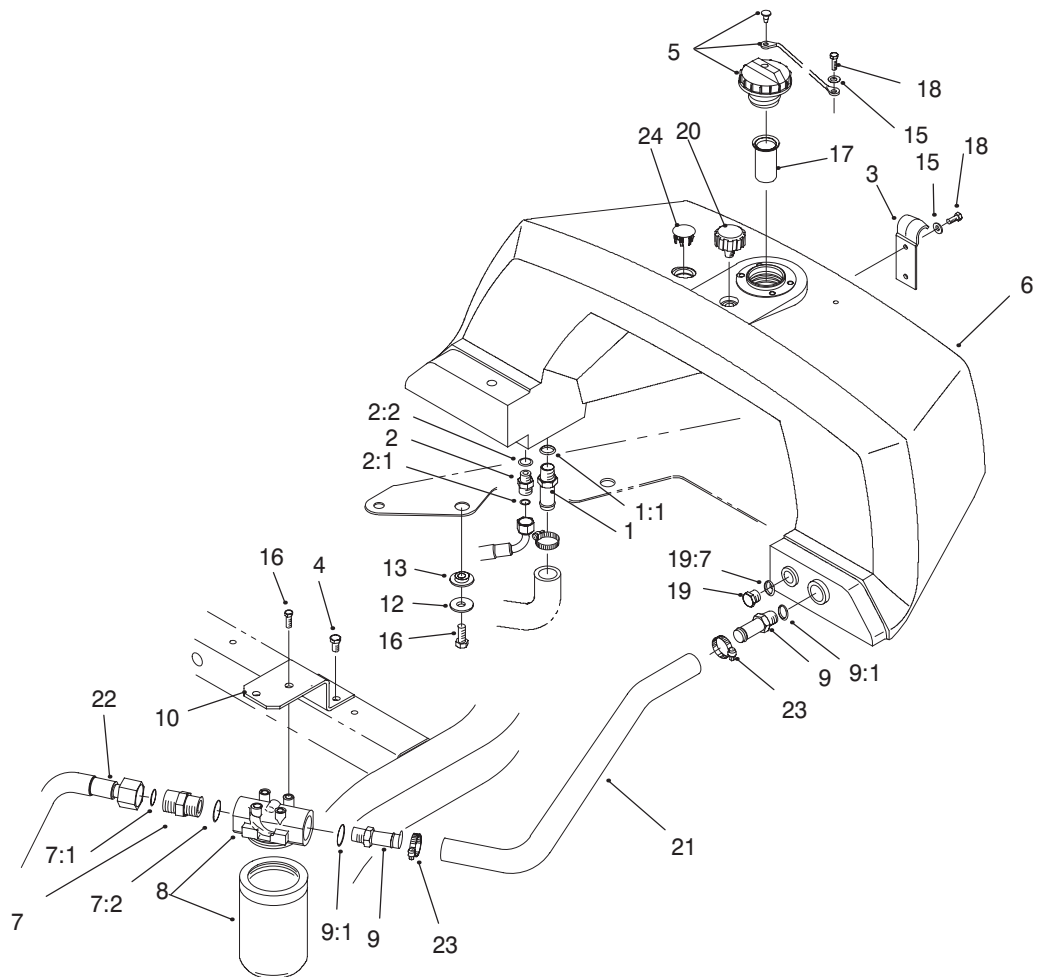
Sheet No.: 20

Lift Arm Assembly – Center

Ref. No.	Part No.	Qty.	Description
1	340-132	1	Elbow-90°
1:1	237-78	1	O-Ring
1:2	237-21	1	O-Ring
2	99-4262	1	Hydraulic Cylinder ASM
*2:1	99-8163	1	Kit-Repair, Seal
3	283-68	1	Clevis Pin
4	99-4126	1	Lift Arm-Center ASM w/Bushings
4:2	92-8995	2	Bushing
6	98-2197	2	Bushing – Flange
7	99-4116	1	Lift Frame ASM Rear w/Bushings
7:1	98-4166	2	Bushing
8	69-8940	1	Washer
15	33096-00	2	Washer-Flat
16	3272-11	1	Pin-Cotter
17	95-1639	1	Fitting – Orificed
18	32120-72	2	Ring-Snap
19	63-2290	9	Washer-Thrust
20	93-2258	1	Hose Assy – Hyd
21	94-3452	1	Pin
22	94-8199	1	Tube – Pivot
23	3296-53	1	Nut-Lock NI
24	327-19	1	Screw-HH
26	94-3477	1	Hose Assy – Hyd

Ref. No.	Part No.	Qty.	Description
28	3218-5	2	Nut-Jam
29	3296-25	3	Nut-Lock NI
30	302-60	1	Fitting-Lube
32	3256-26	2	Washer-Flat
33	32144-69	2	Hex Screw
34	325-5	1	Screw-HH
35	93-7489	1	Orifice Valve Assy
36	99-4248	1	Spacer
37	95-2927	1	Fitting – Elbow
38	98-4618	2	Bushing-Eccentric
39	3256-74	2	Washer-Flat
40	33114-016	2	Screw-HH
41	99-4072	1	Spacer-Pull Frame
42	99-4111-01	1	Plate-Transport (#1 & #3)
43	99-4225	1	Pad-Wear
44	325-7	1	Screw-HH
45	99-4201	2	Tube-Spacer
46	99-4246	1	Link Bracket ASM w/Bsg
46:2	99-4243	1	Bushing-Flange
48	302-5	1	Fitting-Lube
49	3250-17	3	Screw-PPH
50	325-14	1	Screw-HH
51	3296-54	3	Nut-Lock NI
55	325-6	2	Screw-HH

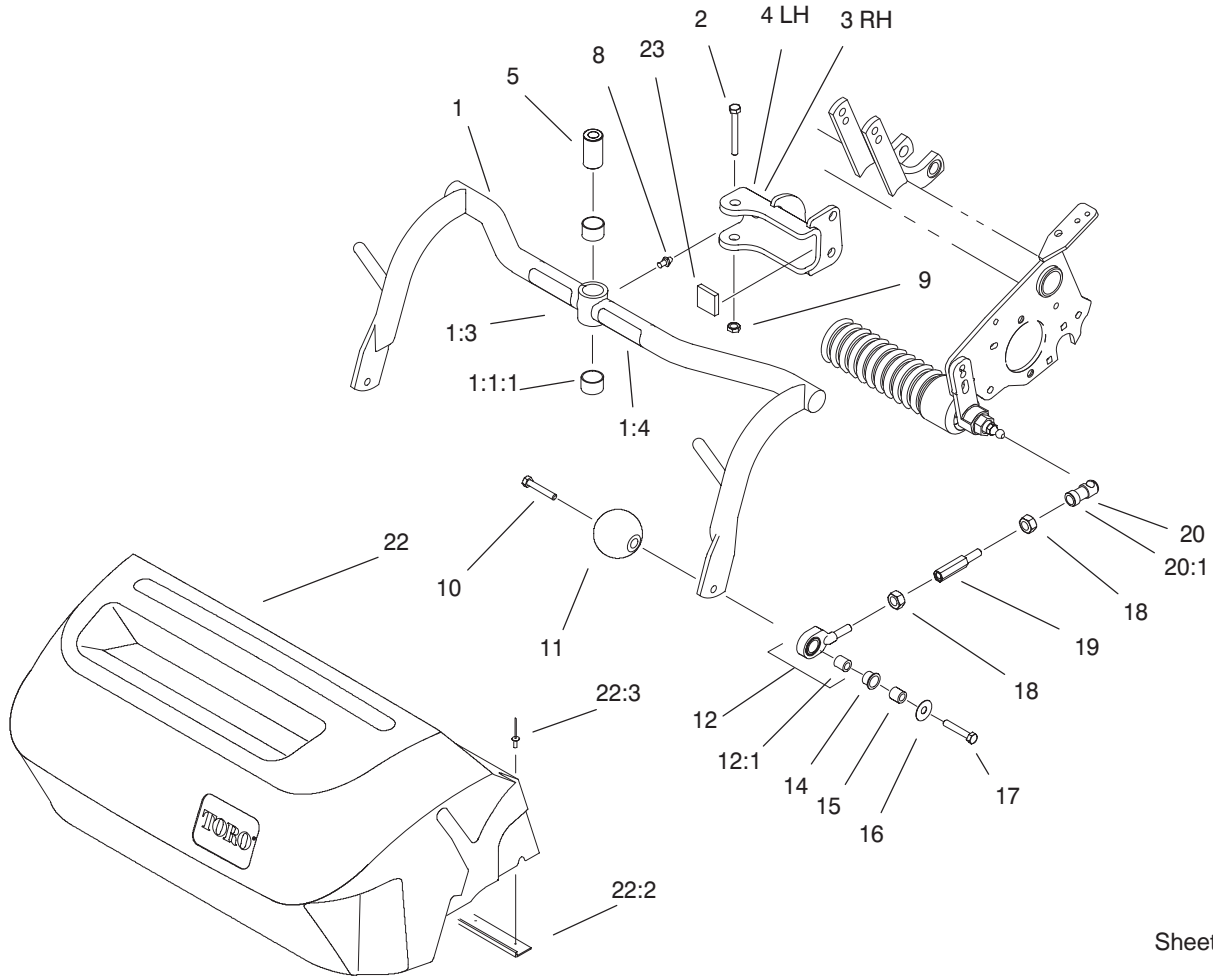
* Not illustrated



Sheet No.: 22

Hydraulic Tank & Filter Assembly

Ref. No.	Part No.	Qty.	Description	Ref. No.	Part No.	Qty.	Description
1	354-78	1	Connector-Hose	21	94-9607	1	Hose - Return
1:1	237-146	1	O-Ring	22	94-4518	1	Tube ASM
2	340-2	1	Adapter	23	2412-129	1	Clamp-Hose
2:1	237-22	1	O-Ring	24	93-2437	1	Plug - Serrated
2:2	237-42	1	O-Ring				
3	93-2438	1	Clamp - Fuel Tank				
4	32144-14	2	Screw-HWH				
5	93-7160	1	Cap-Oil, Hydraulic				
6	93-2235	1	Tank-Hydraulic				
7	340-9	1	Fitting-Straight				
7:1	237-58	1	O-Ring				
7:2	237-81	1	O-Ring				
8	93-2242	1	Filter Assy - Oil				
9	354-73	2	Fitting				
9:1	237-81	2	O-Ring				
10	93-2236-03	1	Mount - Oil Filter				
12	93-4637	4	Washer - Flat				
13	240-11	4	Grommet-Mount, Tank				
15	3256-1	3	Washer-Flat				
16	33115-020	4	Screw-HH				
17	93-2275	1	Screen - Filler				
18	33113-016	3	Screw-HH				
19	353-988	1	Plug-Hex, Hollow				
19:7	237-79	1	O-Ring				
20	68-6150	1	Breather-Air				



Sheet No.: 30

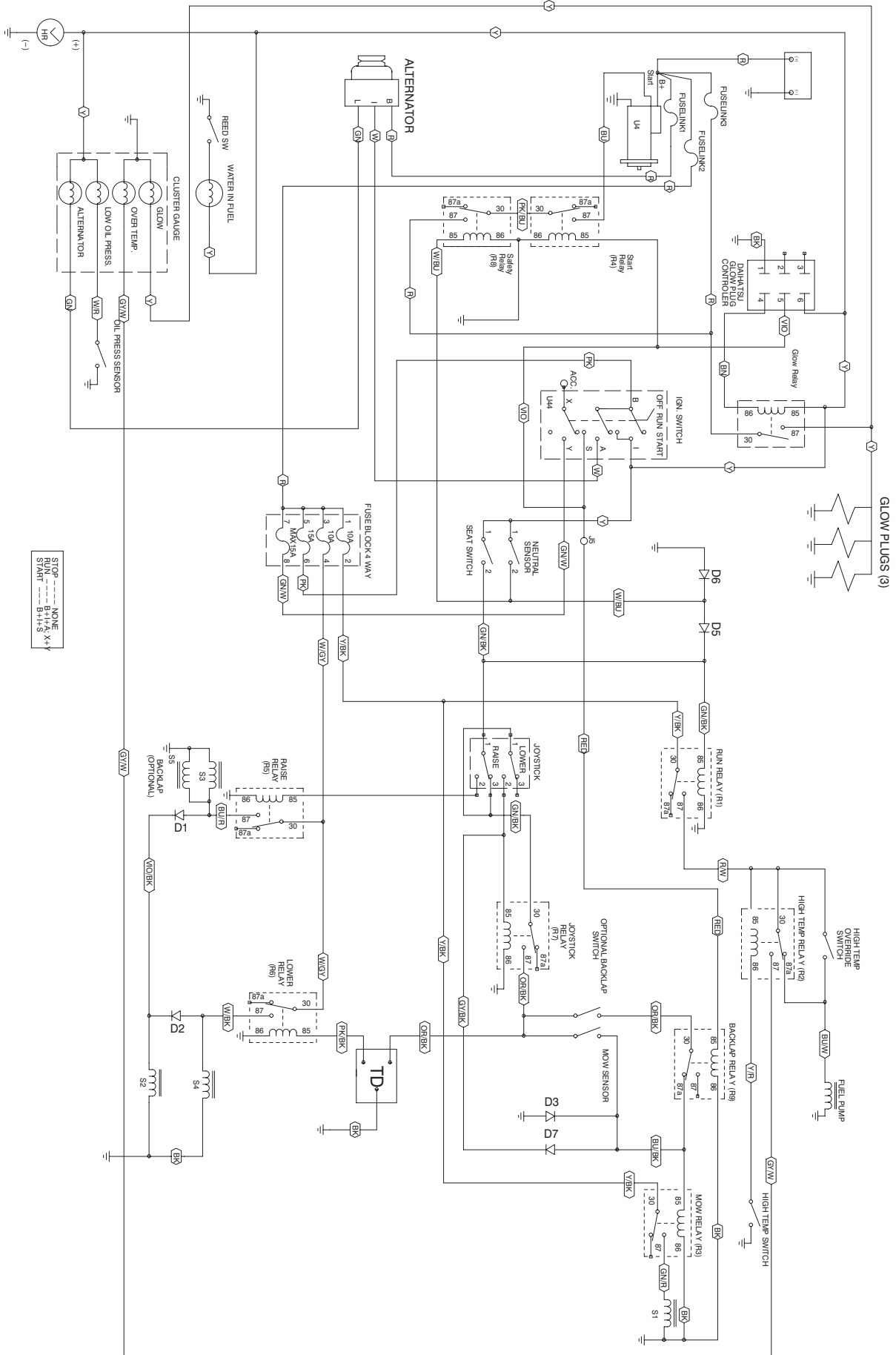
Pull Frame Assembly

Ref. No.	Part No.	Qty.	Description
1	99-4114	3	Pull Frame ASM
☆1:1		1	Pull Frame ASM W / Bushings
1:1:1	98-4166	2	Bushing
1:3	94-2575	1	Decal-Adjustment
1:4	99-4118	1	Decal-Danger
2	325-13	3	Screw-HH
3	99-4183-01	2	Clevis ASM RH
4	99-4182-01	1	Clevis ASM LH
5	99-4109	3	Spacer-Pivot
8	302-5	3	Fitting-Lube
9	3296-25	3	Nut-Lock NI
10	99-4209	6	Shaft-Roller
11	99-4210	6	Roller-Anti Scalp
12	100-6440	6	Pull Link And Bushing ASM
12:1	95-0532	1	Bushing ASM - Rubber
14	256-292	6	Bushing-Flange, NI
15	75-5270	6	Spacer-Seat Knob
16	80-6990	6	Washer-Hardened
17	323-8	6	Screw-HH
18	3220-3	12	Nut-Jam
19	88-6870	6	Extension-Pull Arm
20	99-1460	6	Ball Joint Receiver ASM

Ref. No.	Part No.	Qty.	Description
20:1	99-1461	1	Sleeve-Joint, Ball
22	99-4105	3	Basket ASM
22:2	99-4102	1	Strip-Basket
22:3	3290-382	8	Pop Rivet
23	99-4145	3	Pad-rubber

☆ Not serviced

Electrical Schematic

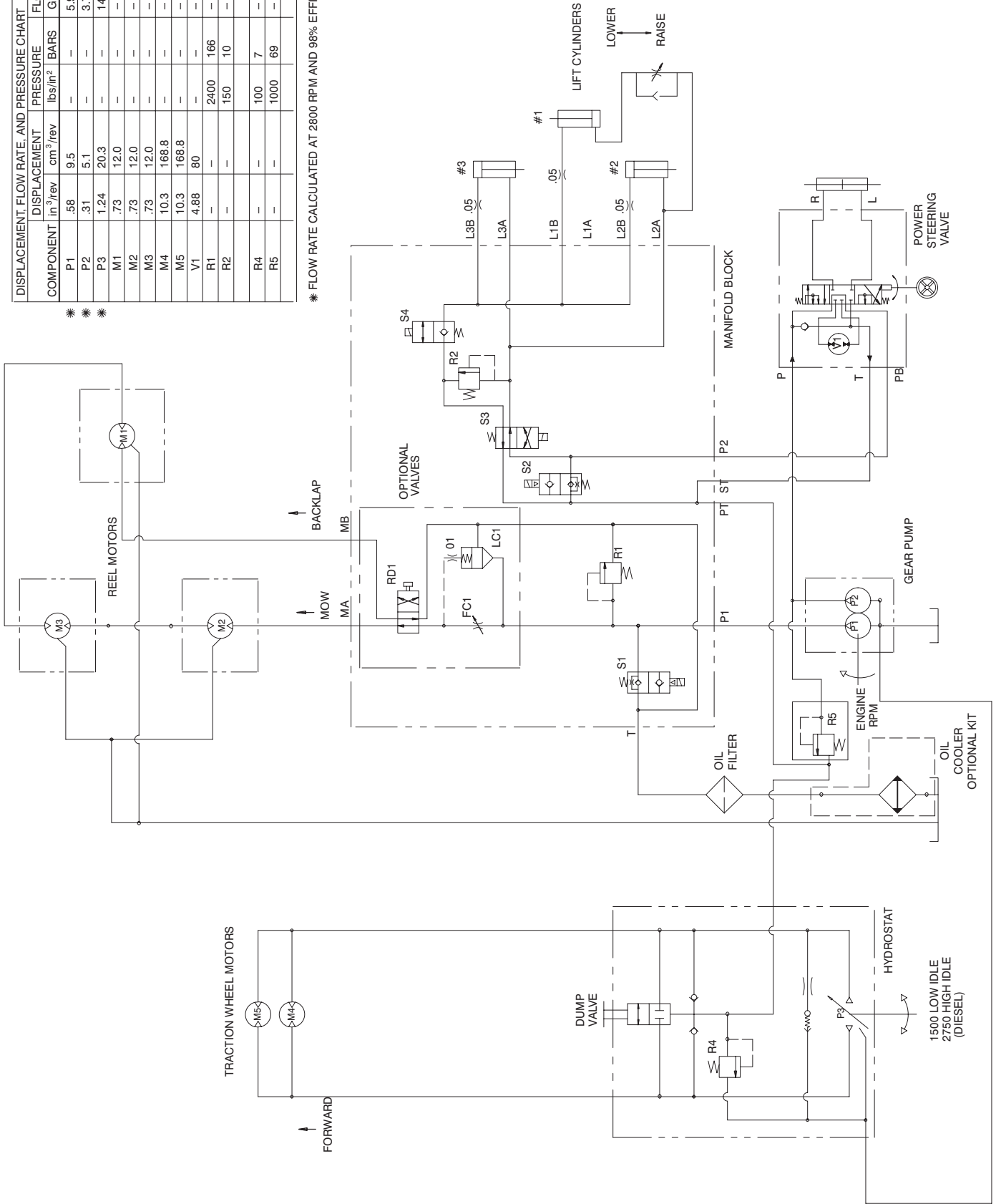


Hydraulic Schematic

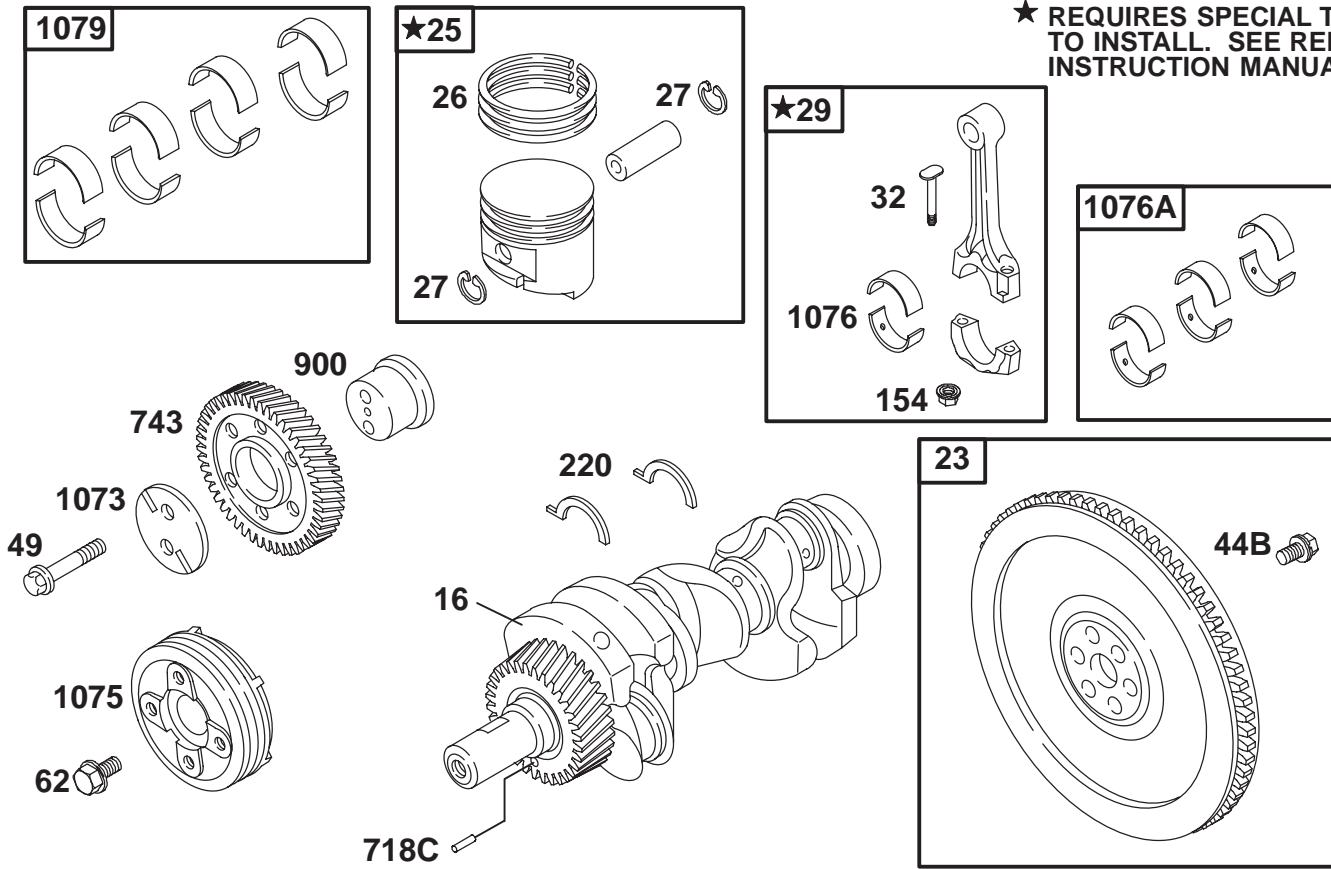
DISPLACEMENT, FLOW RATE, AND PRESSURE CHART						
COMPONENT	DISPLACEMENT in ³ /rev	cm ³ /rev	PRESSURE		FLOW RATE	
			lbs/in ²	BARS	GPM	LPM
P1	.58	9.5	-	-	5.9	22.4
P2	.31	5.1	-	-	3.7	13.9
P3	1.24	20.3	-	-	14.8	55.8
M1	.73	12.0	-	-	-	-
M2	.73	12.0	-	-	-	-
M3	.73	12.0	-	-	-	-
M4	10.3	168.8	-	-	-	-
M5	10.3	168.8	-	-	-	-
V1	4.88	80	-	-	-	-
R1	-	-	2400	166	-	-
R2	-	-	150	10	-	-
R4	-	-	100	7	-	-
R5	-	-	1000	69	-	-

* * *

* FLOW RATE CALCULATED AT 2800 RPM AND 98% EFFICIENCY



★ REQUIRES SPECIAL TOOLS TO INSTALL. SEE REPAIR INSTRUCTION MANUAL.



522447-0107-E2 TORO DIESEL

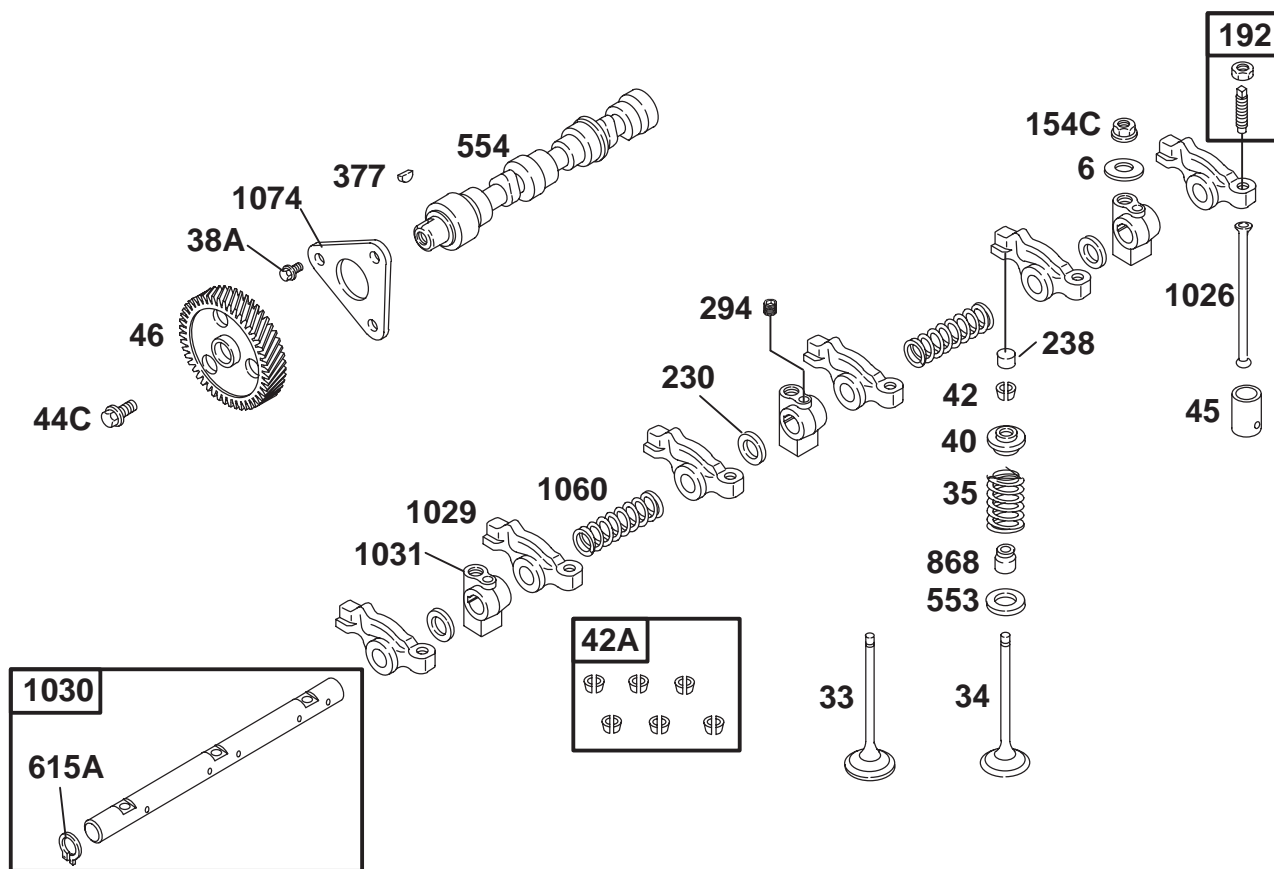
Ref. No.	Part No.	Qty.	Description
1073	99-9040	1	Plate-Idler Gear
1075	99-9692	1	Pully-Crankshaft
∇1076	99-9042	1	Bearing-Rod
∇1076A	99-9043	3	Bearing Set-Rod
∇1076A	99-9044	3	Bearing Set-Rod, .010 Undersize
∇1079	99-9045	1	Bearing Set-Main
∇1079	99-9046	1	Bearing Set-Main, .010 Under
154	99-9034	6	Nut-Hex
∇16	99-9252	1	Crankshaft
∇220	99-9035	1	Washer-Thrust
∇220	99-9036	1	Washer-Thrust .005" Oversize
∇23	99-9267	1	Flywheel
∇25	99-9605	3	Piston Assembly
∇25	99-9268	3	Piston ASM
∇26	99-9606	3	Ring Set
∇26	99-9269	3	Ring Set
27	99-9607	6	Lock-Piston Pin
∇29	99-9608	3	Rod-Connecting
∇32	99-9030	6	Screw-Connecting Rod
44B	99-9031	6	Screw-10mm Hex
49	99-9032	2	Screw-8mm Hex
62	99-9033	1	Screw-Hex

Ref. No.	Part No.	Qty.	Description
718C	99-9037	1	Pin-Locating
∇743	99-9609	1	Gear-Drive
∇900	99-9039	1	Shaft-Gear

∇ Refer To Repair Manual MS 1055 For Assembly and/or Torque Requirements.

★ Included in Gasket Set - Part Number 99-9667

△ Included in Valve Overhaul Kit - Part Number 99-9668



522447-0107-E2 TORO DIESEL

Ref. No.	Part No.	Qty.	Description
	06	3	Washer-Flat
	1026	6	Rod-Push
∇	1029	1	Arm-Rocker
∇	1030	1	Shaft-Rocker Arm
∇	1031	3	Support-Rocker Arm
∇	1060	2	Spring-Rocker Shaft
	1074	1	Retainer-Camshaft
	154C	3	Nut-Metric Hex
	192	6	Adjuster-Rocker Arm
∇	230	3	Washer-Spacer
	238	6	Cap-Valve
	294	1	Screw-Metric
	33	3	Valve-Exhaust
	34	3	Valve-Intake
	35	6	Spring-Valve
	377	1	Key-Timing
	38A	3	Screw-6mm Hex
	40	6	Retainer-Valve
	42	1	Keeper-Valve
	42A	6	Keeper-Valve (Set Of 6)
	44C	1	Screw-Metric
	45	6	Tappet-Valve
∇	46	1	Gear-Cam
	553	6	Seat-Valve Spring
	554	1	Shaft-Cam

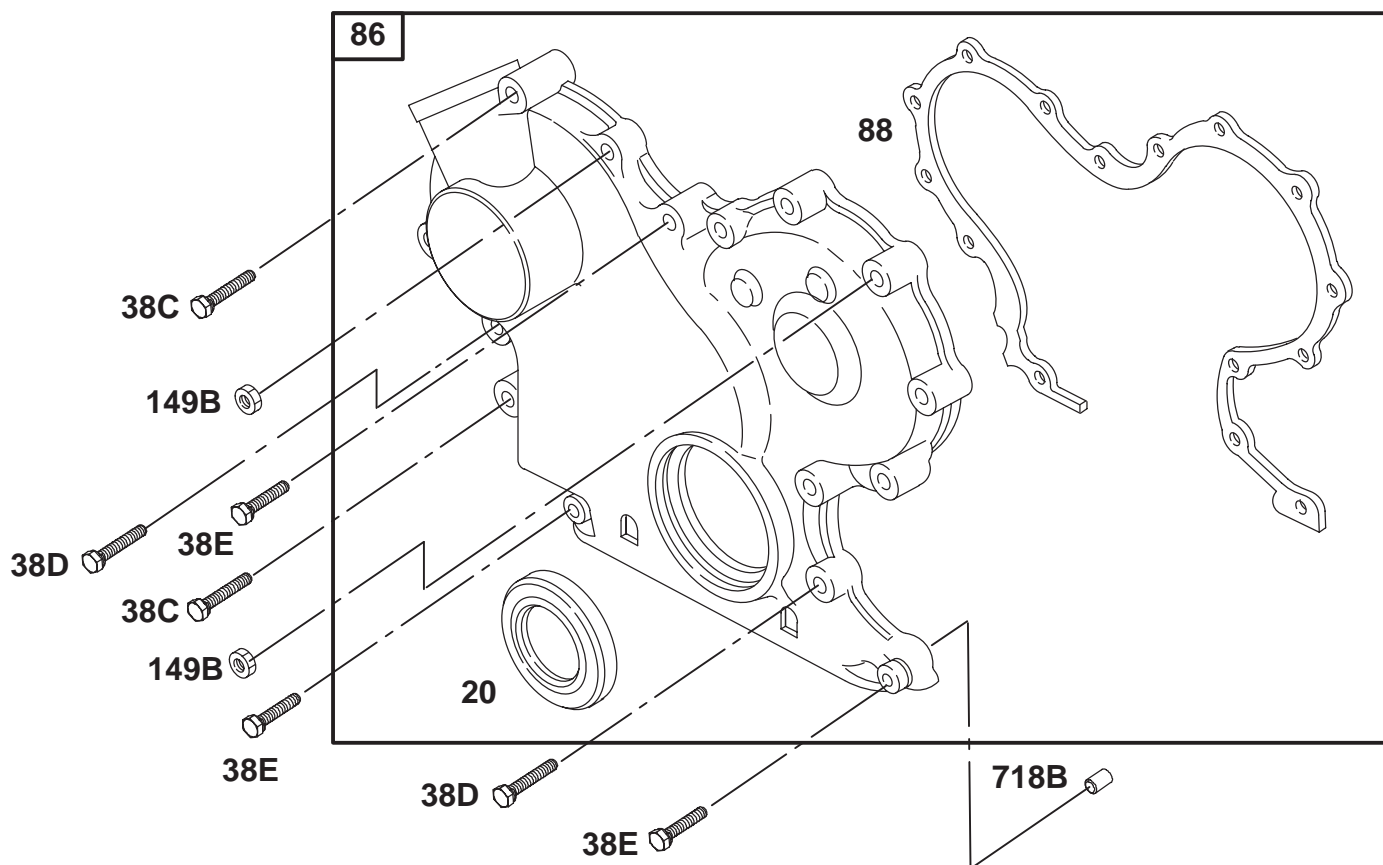
Ref. No.	Part No.	Qty.	Description
	615A	2	Retainer
★	△868	6	Seal-Valve

∇ Refer To Repair Manual MS 1055 For Assembly and/or Torque Requirements.

★ Included in Gasket Set - Part Number 99-9667

△ Included in Valve Overhaul Kit - Part Number 99-9668

Assemblies include all parts shown in frames.



522447-0107-E2 TORO DIESEL

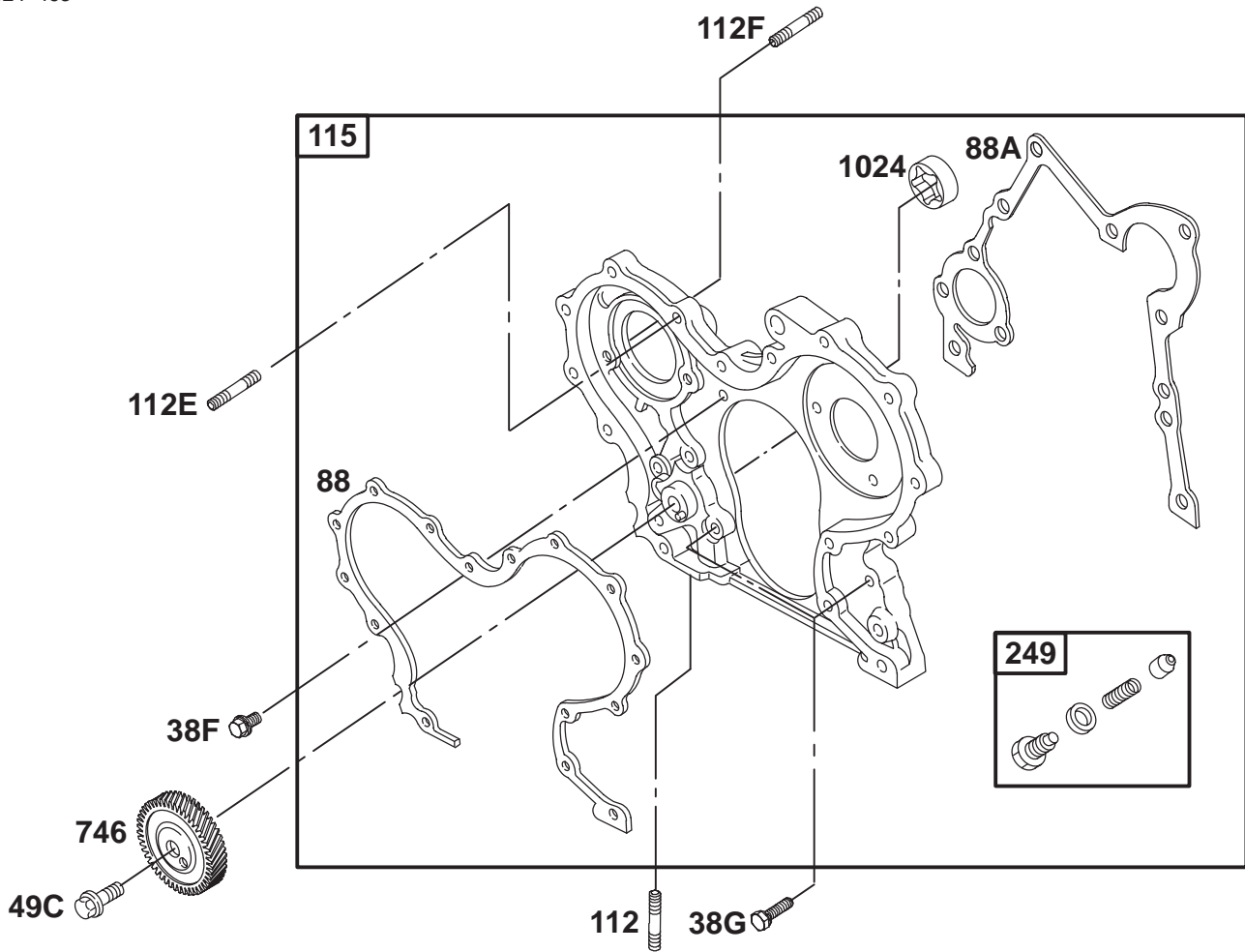
Ref. No.	Part No.	Qty.	Description	Ref. No.	Part No.	Qty.	Description
149B	99-9114	2	Nut-Metric Hex				
★20	99-9126	1	Seal-Oil				
38C	99-9651	2	Screw-6mm Hex				
38D	99-9128	9	Screw-6mm Hex				
38E	99-9129	3	Screw-6mm Hex				
718B	99-9014	1	Pin-Locating				
▽86	99-9652	1	Cover-Assembly-Gear				
★88	99-9653	1	Gasket-Gear Cover				

▽ Refer To Repair Manual MS 1055 For Assembly and/or Torque Requirements.

★ Included in Gasket Set – Part Number 99-9667

△ Included in Valve Overhaul Kit – Part Number 99-9668

Assemblies include all parts shown in frames.



522447-0107-E2 TORO DIESEL

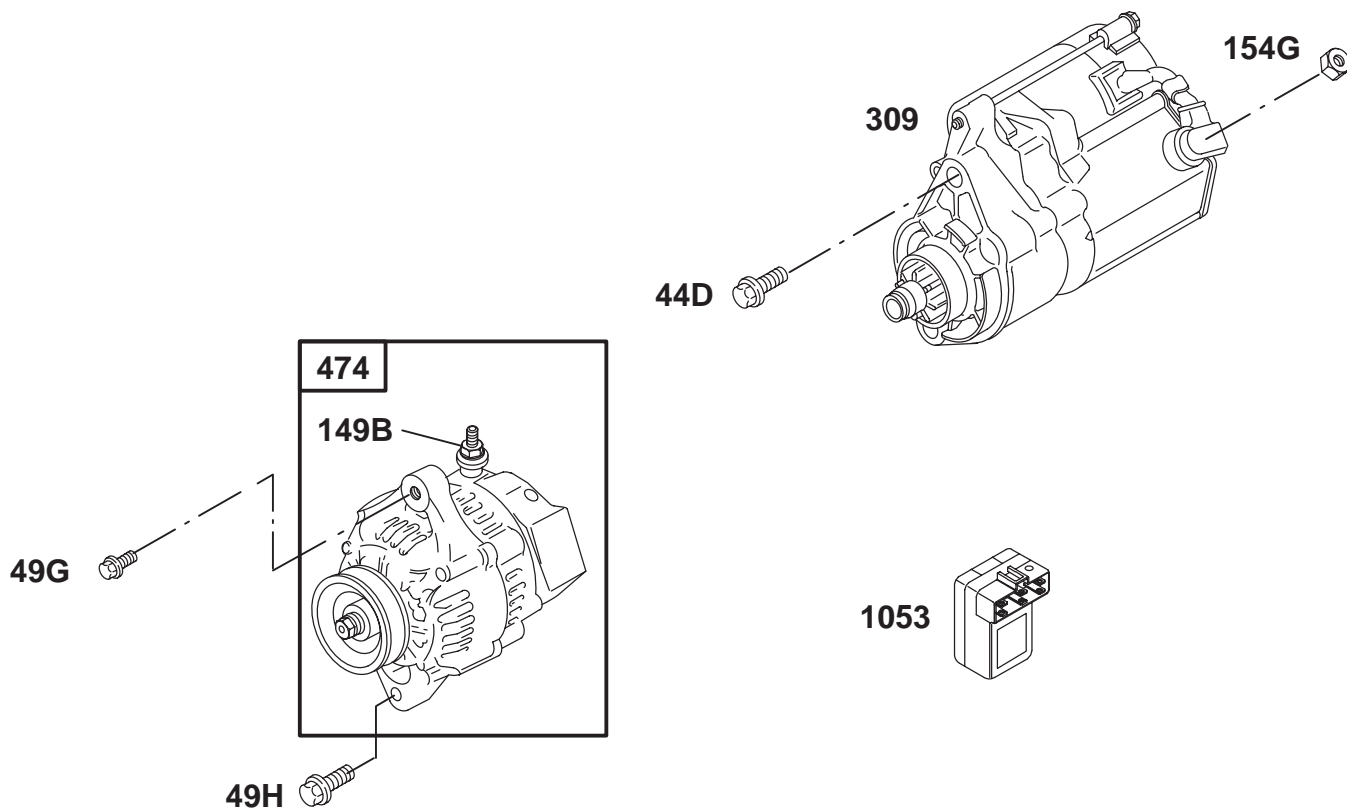
Ref. No.	Part No.	Qty.	Description
112	99-9007	1	Stud-Metric
112E	99-9137	2	Stud-Metric
112F	99-9654	2	Stud-Metric
∇115	99-9655	1	Housing-Gear
∇249	99-9142	1	Valve-Oil Relief
38F	99-9134	1	Screw-6mm Hex
38G	99-9133	4	Screw-6mm Hex
49C	99-9135	1	Screw-8mm Hex
∇746	99-9656	1	Gear-Drive
★88	99-9653	1	Gasket-Gear Cover
★88A	99-9136	1	Gasket-Gear Cover
1024			Gear-Drive Pump-Oil (Sold in Gear Housing Only, Ref. 115)

Ref. No.	Part No.	Qty.	Description

∇ Refer To Repair Manual MS 1055 For Assembly and/or Torque Requirements.

★ Included in Gasket Set – Part Number 99-9667

△ Included in Valve Overhaul Kit – Part Number 99-9668



522447-0107-E2 TORO DIESEL

Ref. No.	Part No.	Qty.	Description
1053	99-9666	1	Module
149B	99-9114	1	Nut-Metric Hex
154G	99-9206	1	Nut-Metric Hex
▽309	99-9693	1	Motor-Starter
44D	99-9201	2	Screw-10mm Hex
474	99-9209	1	Alternator

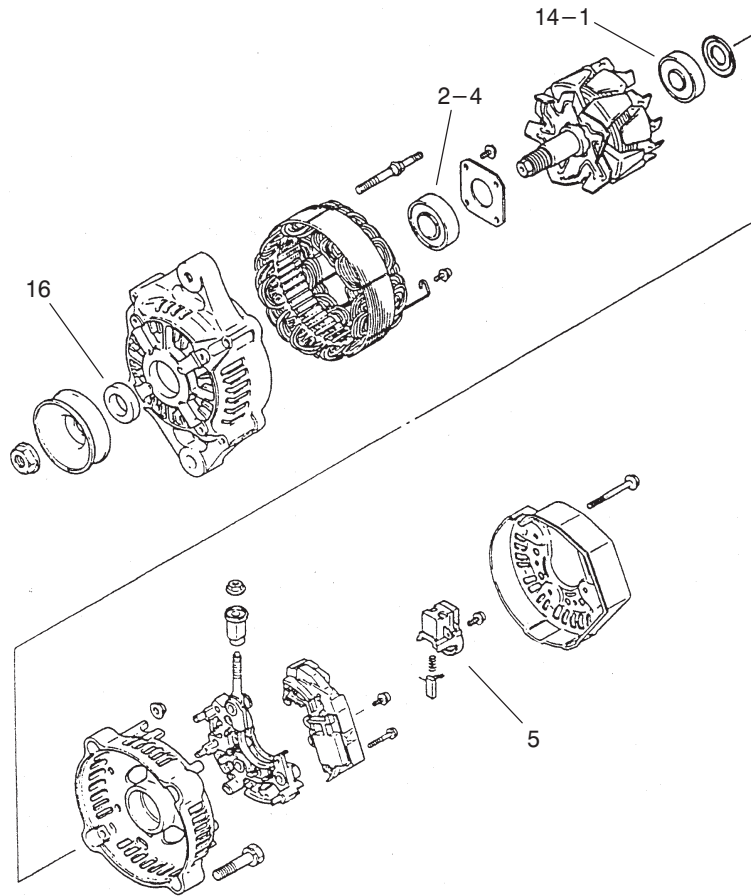
Ref. No.	Part No.	Qty.	Description

▽ Refer To Repair Manual MS 1055 For Assembly and/or Torque Requirements.

★ Included in Gasket Set – Part Number 99-9667

△ Included in Valve Overhaul Kit – Part Number 99-9668

Assemblies include all parts shown in frames.



Sheet No.: 0
T-3540

Alternator Assembly No. 99-9209

Ref. No.	Part No.	Qty.	Description
14-1	100-5317	1	Bearing
16	100-5315	1	Collar
2-4	100-5316	1	Bearing
5	100-5318	1	Brush Holder ASM

Ref. No.	Part No.	Qty.	Description

