



Greensmaster[®] 3250-D

Model No. 04383 - 240000001 and up.

Parts Catalog

Ordering Replacement Parts

To order replacement parts, please supply the part number, the quantity, and the description of each part desired.

Understanding Reference Numbers

Each Identified part in an illustration has a reference number. The reference number for a part also appears in the parts list, along with other information about the part.

This catalog uses two special reference number formats, one to indicate parts in a service assembly and another to indicate the quantity of a given part in an illustration.

Service Assembly Reference Numbers

Parts in service assemblies have reference numbers in the form a:b. The a represents the reference number of the entire service assembly and the b represents a sequential number unique to each part within the service assembly.

For example, a wheel assembly might be identified by reference number 6, the tire by 6:1, the valve by 6:2, and the wheel by 6:3. When you order the assembly identified by reference number 6, you receive all parts identified by reference numbers 6:1, 6:2, and 6:3. However, you may also order any part individually. Reference numbers of this type appear in illustrations and in part lists.

Reference Numbers Indicating Quantity

In an illustration, if a reference number indicates more than one part, the reference number has the form nX y. The n represents the quantity of the part, the X is the multiplication symbol, and the y represents the reference number.

For example, in an illustration, the reference number 2X 37 means that two of the parts identified by reference number 37 are indicated.

Part Description Abbreviations

Part descriptions in this catalog may include the following abbreviations.

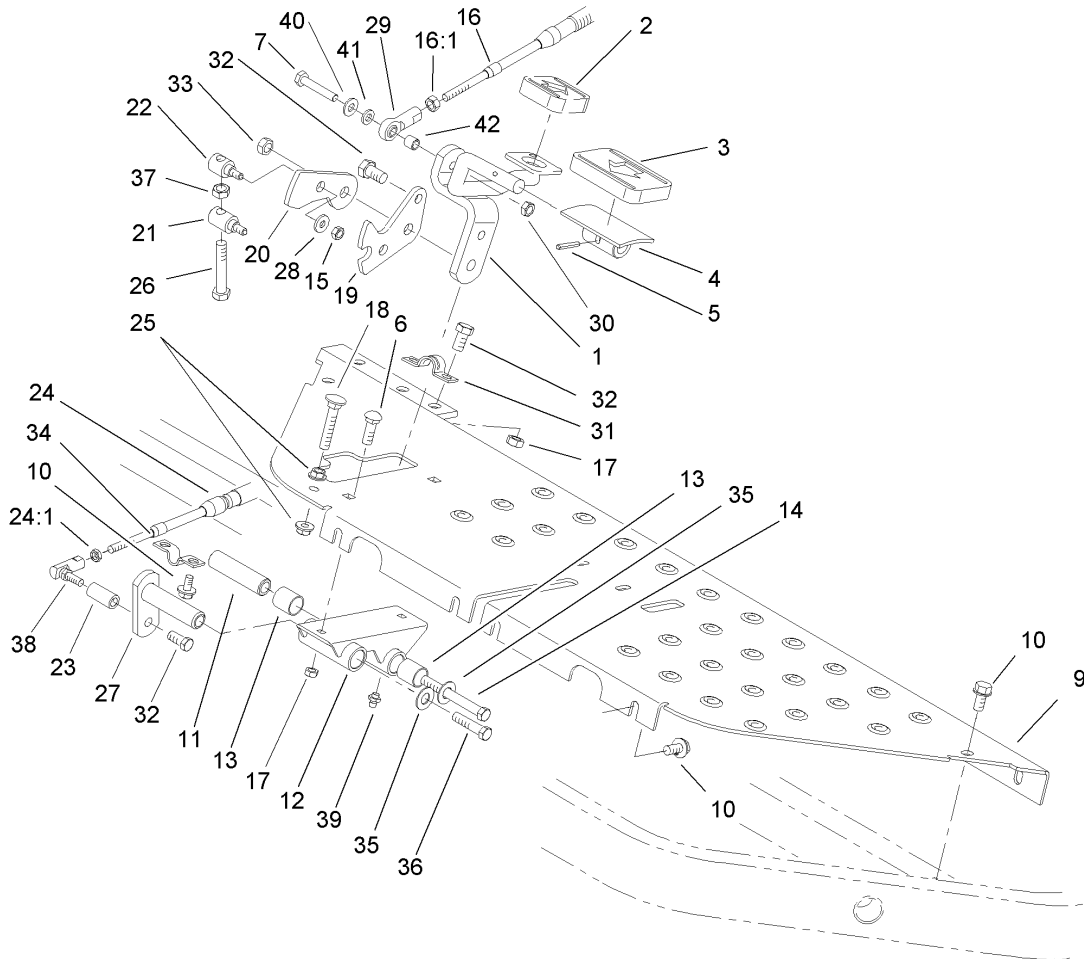
AR.	as required	HYD.	hydraulic
ASM.	assembly	INC.	incorporated
CARR.	carriage	LH.	left hand
DEG.	degrees	NI.	nylon insert
FH.	flat head	PPH.	phillips pan head
GA.	gauge	PTH.	phillips truss head
HF.	hex flange	PTO.	power take off
HH.	hex head	RH.	right hand
HHF.	hex head flange	SFH.	slotted fillister head
HHFTF.	hex head flange thread forming	SHH.	slotted hex head
HJ.	hex jam	SHWH.	slotted hex washer head
HLH.	hex lag head	SPH.	slotted pan head
HOC.	height-of-cut	SQH.	square head
HS.	hex	SRH.	slotted round head
HSBH.	hex socket button head	STD.	standard
HSFH.	hex socket flat head	TAP.	self tapping
HS.	hex socket head	TTH.	torx truss head
HWH.	hex washer head	WH.	wing head
HWHTF.	hex washer head thread forming		

Footnotes

- ❶ Not illustrated
- ❷ Not serviced separately
- ❸ Refer To Repair Manual MS 1055 For Assembly and/or Torque Requirements.
- ❹ Included in Gasket Set-Part Number 99-9667

Contents

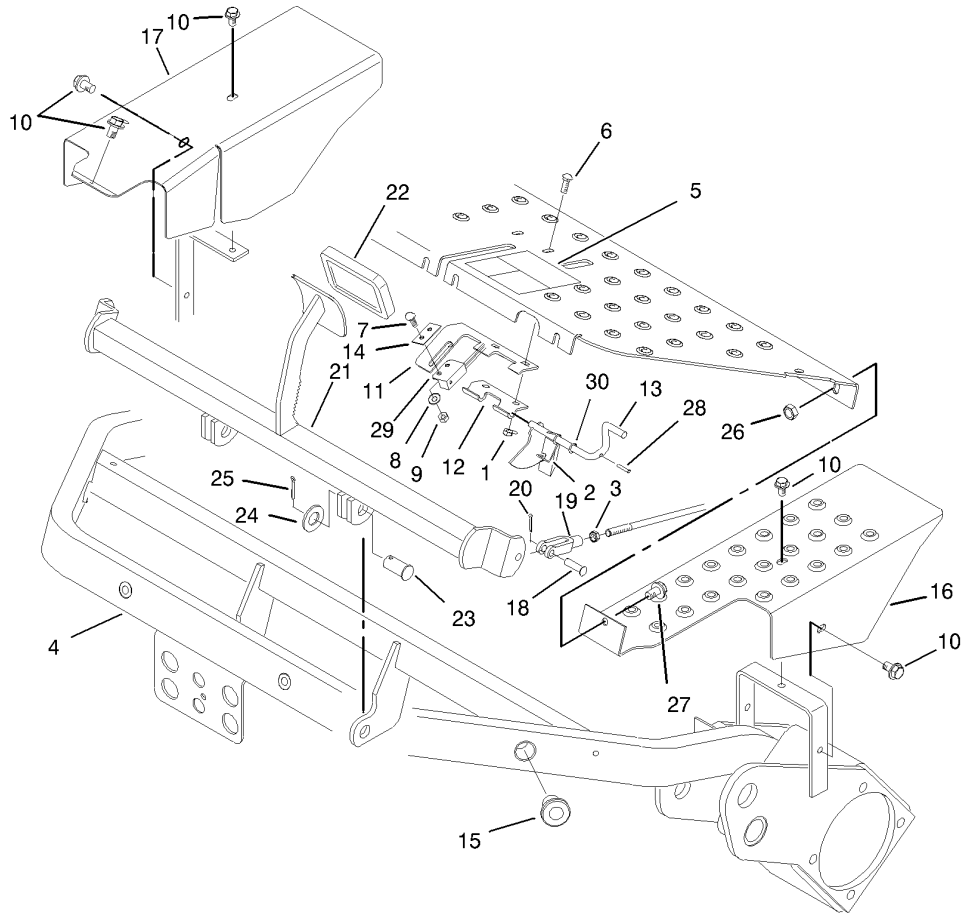
Description	Page	Description	Page
Traction Control Assembly 3	Left Hand and Right Hand Lift Arm Assembly 32
Brake Pedal Assembly 4	Hydraulic Cylinder Assembly No. 105-3821 33
Front Wheel and Brake Assembly 5	Center Lift Arm Assembly 34
Brake Assembly No. 104-7705 6	Hydraulic Cylinder Assembly No. 105-3820 36
Hydraulic Wheel Motor Assembly No. 92-9199 7	Fuel System Assembly 37
Steering Arm Assembly 8	Hydraulic Tank and Filter Assembly 38
Steering Control Valve Assembly No. 105-0424 9	Pull Frame Assembly 39
Rear Wheel Assembly 10	Cylinder Assembly 40
Steering Cylinder Assembly No. 93-2122 11	Crankshaft Assembly 41
Console Assembly 12	Cylinder Head Assembly 42
Functional Control Lever Assembly 14	Injection Assembly 43
Seat Assembly 15	Injection Assembly No. 106-6364 44
Electronics Installation Assembly 17	Rocker Arm Assembly 45
Hydrostat and Gear Pump Drive Assembly 18	Oil Pan Assembly 46
Hydrostat Assembly No. 105-0494 19	Cover Assembly 47
Gear Pump Assembly No. 104-7737 20	Gear Housing Assembly 48
Neutral System Assembly 21	Water Pump Assembly 49
Engine Installation Assembly 22	Manifold Assembly 50
Air Cleaner and Exhaust Assembly 23	Alternator Assembly 51
Air Cleaner Assembly No. 95-5805 24	Alternator Assembly No. 99-9209 52
Radiator Assembly 25	Starter Motor Assembly No. 104-7716 53
Manifold Block Installation Assembly 26	Gasket and Valve Overhaul Kit 54
Mow/Lift Manifold Assembly No. 107-2570 27		
Front Bulkhead and Reel Motor Assembly 29		
Reel Motor Assembly No. 100-6426 30		
Rear Bulkhead and Reel Motor Assembly 31		



Traction Control Assembly

Ref	Part No.	Qty.	Description
1	93-2085-01	1	Rod
2	74-9110	1	Pad-Pedal, Reverse
3	74-9100	1	Pad-Pedal, Forward
4	49-6440-03	1	Pedal-Forward
5	32121-45	1	Pin-Spring
6	33124-020	2	Screw-CARR
7	321-9	1	Screw-HH
9	105-9750-01	1	Plate-Floor
10	32144-14	8	Screw-HWH
11	94-1371	1	Spacer
12	94-1383	1	Pedal-Pivot
13	256-311	4	Bushing-Split
14	33115-090	1	Screw-HH
15	33023-00	2	Nut-Lock
16	107-2550	1	Cable-Control, Traction
16:1	3220-1	2	Nut-Jam
17	33024-00	4	Nut-Lock
18	17-9420	1	Screw-Handle
19	94-1373	1	Bracket-Lock
20	94-1372	1	Bracket-Mow
21	94-1375	1	Trunnion-Bracket, Lock
22	94-1374	1	Trunnion-Bracket, Mow
23	94-1386	1	Shaft-Pedal, Pivot
24	94-1304	1	Cable-Lock, Neutral

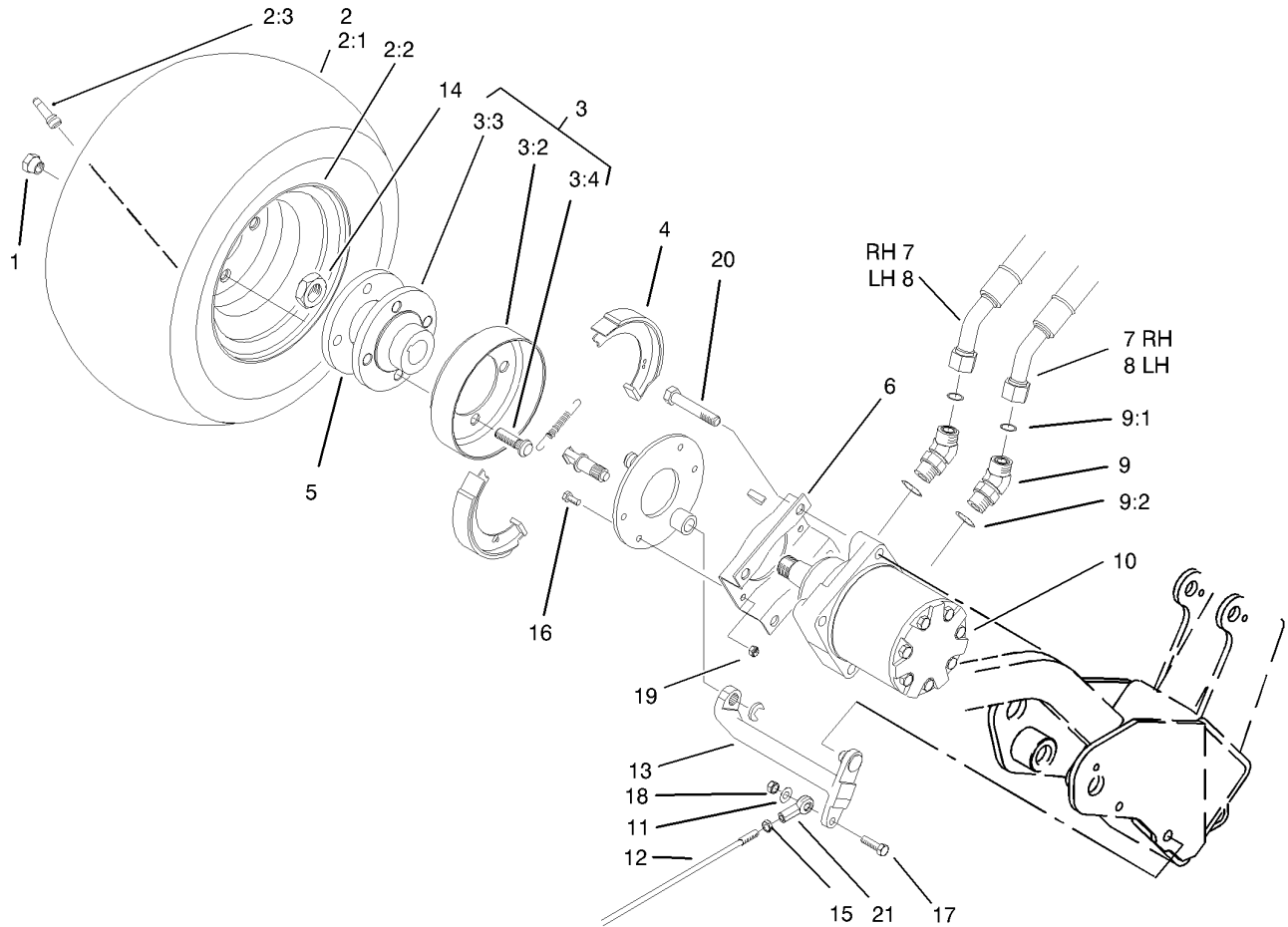
Ref	Part No.	Qty.	Description
24:1	3219-14	2	Nut-Hex
25	32128-20	2	Nut-HF
26	94-3489	1	Capscrew-HH
27	94-1300	1	Lock-Neutral
28	3256-1	2	Washer-Flat
29	2411-41	1	Joint-Ball
30	3296-56	1	Nut-Lock, NI
31	93-2092	1	Clamp-Cable
32	33114-016	4	Screw-HH
33	33025-00	1	Nut-Lock
34	93-2279	1	Clamp-Cable
35	3256-24	2	Washer-Flat
36	33115-016	1	Screw-HH
37	33014-00	1	Nut-Hex
38	2411-38	1	Joint-Ball
39	302-5	1	Fitting-Grease
40	3256-22	1	Washer-Flat
41	33093-00	1	Washer-Flat
42	99-3545	1	Spacer



Brake Pedal Assebmly

Ref	Part No.	Qty.	Description
1	33023-00	2	Nut-Lock
2	104-7704	1	Spring-Latch, Brake
3	3220-2	2	Nut
4	93-2010-01	1	Frame
5	93-8062	1	Decal-Brake, Parking
6	33123-016	2	Screw-CARR
7	33123-016	1	Screw-CARR
8	33093-00	1	Washer-Flat
9	49-7810	1	Nut-Lock
10	32144-14	5	Screw-HWH
11	104-2096	1	Bracket-Switch
12	104-7703	1	Hinge-Lower
13	104-2094	1	Brake-Latch
14	104-7702	1	Plate-Switch
15	83-1700	3	Bushing-Flange
16	93-2073-01	1	Shield-Wheel, LH
17	93-2072-01	1	Shield-Wheel, RH
18	283-61	2	Pin-Yoke
19	282-2	2	Yoke
20	3272-6	2	Pin-Cotter
21	93-2075-01	1	Pedal-Brake
22	93-7629	1	Pad-Foot, Brake
23	283-87	2	Pin-Clevis
24	3256-27	2	Washer-Flat

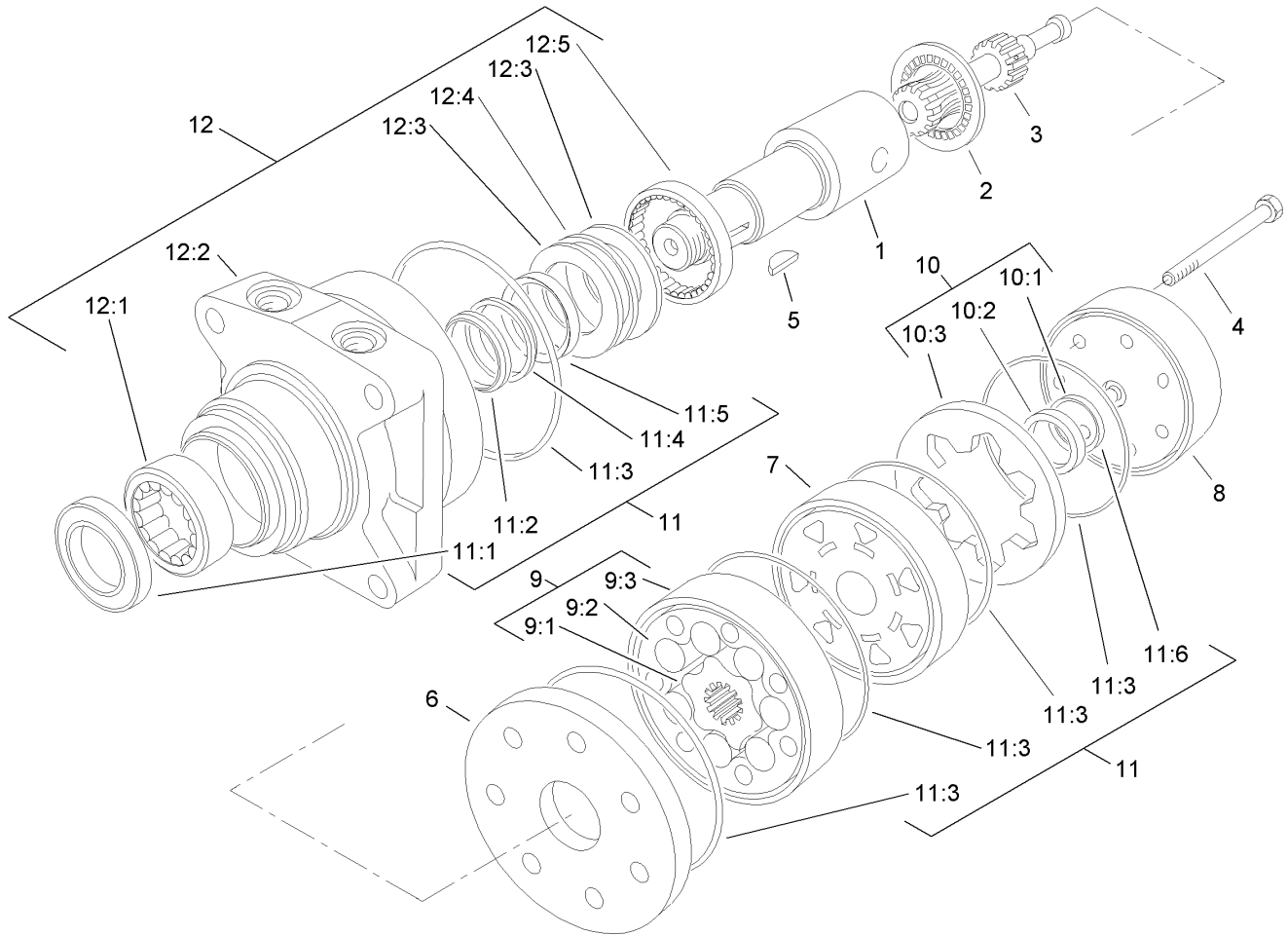
Ref	Part No.	Qty.	Description
25	3272-11	2	Pin-Cotter
26	33024-00	1	Nut-Lock
27	33114-020	1	Screw-HH
28	32121-50	1	Pin-Spring
29	104-2057	1	Sensor
30	75-5470	1	Spacer-Bearing



Front Wheel and Brake Assembly

Ref	Part No.	Qty.	Description
1	242-50	8	Nut-Lug
2		2	Wheel And Tire ASM
2:1	70-8500	1	Tire
2:2	94-6116	1	Wheel-Rear
2:3	232-27	1	Stem-Valve
3	10-6821	2	Brake Drum ASM
3:2	10-6850	1	Drum-Brake
3:3	10-6870-03	1	Hub-Wheel
3:4	85-6540	4	Stud-Drive
4	104-7705	2	Brake ASM
5	92-9154-03	2	Plate-Bearing
6	84-2000-03	2	Bracket-Brake
7	94-5357	2	Hose ASM
8	94-5358	2	Hose ASM
9	340-14	4	Fitting-Hyd, 45 DEG
9:1	237-65	1	O-Ring
9:2	237-80	1	O-Ring
10	92-9199	2	Motor-Wheel, HYD
11	3256-23	2	Washer-Flat
12	93-2069	2	Rod-Brake
13	93-2096	2	Lever-Brake
14	26-3790	2	Nut-Lock
15	3220-20	2	Nut-Jam
16	33113-020	8	Screw-HH

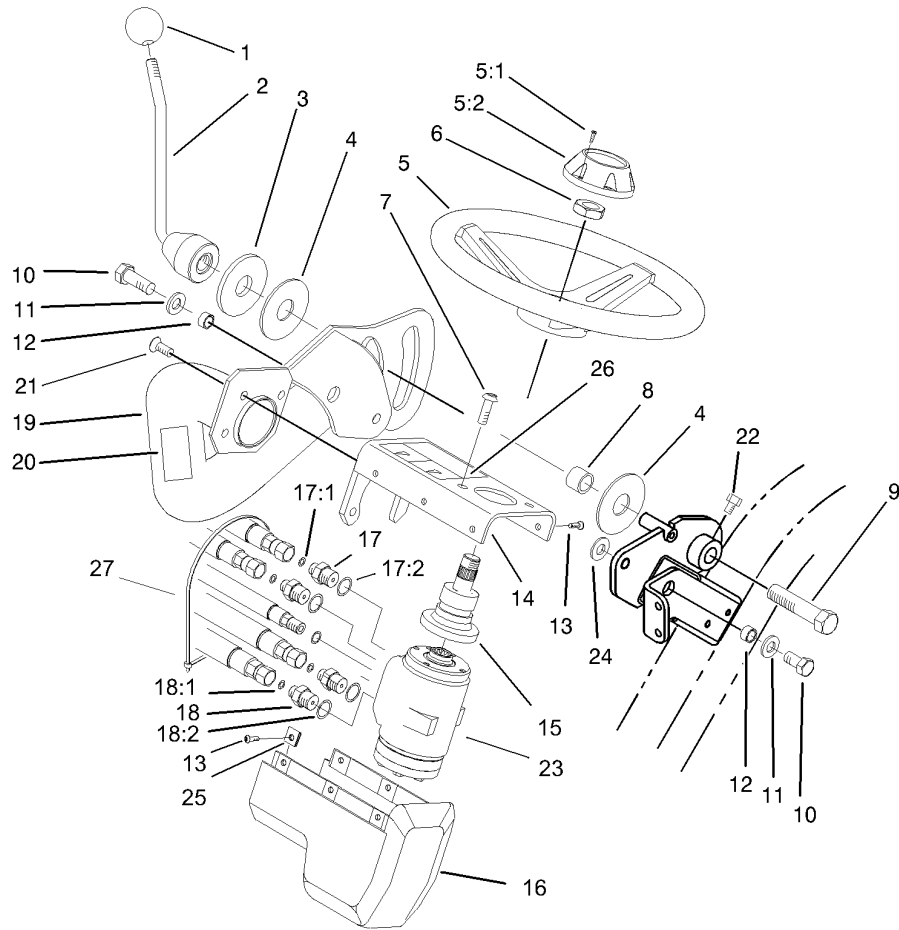
Ref	Part No.	Qty.	Description
17	33114-030	2	Screw-HH
18	33024-00	2	Nut-Lock
19	33023-00	8	Nut-Lock
20	33116-060	8	Screw-HH
21	93-2070	2	Clevis-Swivel



Hydraulic Wheel Motor Assembly No. 92-9199

Ref	Part No.	Qty.	Description
1	76-0860	1	Shaft-Coupling
2	76-0850	1	Bearing-Thrust
3	92-9761	1	Link-Drive
4	92-9762	7	Screw-HH
5	3257-42	1	Key-Woodruff
6	76-0870	1	Plate-Wear
7	76-0840	1	Manifold
8	76-0940	1	End Cover ASM
9	92-9763	1	Rotor Set
●9:1		1	Rotor
●9:2		1	Vane
●9:3		1	Stator
10	76-0880	1	Commutator ASM
●10:1		1	Seal-Commutator
●10:2		1	Commutator
●10:3		1	Ring-Commutator
11	94-8178	1	Seal Kit
●11:1		1	Seal-Dirt & Water
●11:2		1	Washer-Backup
●11:3		5	Seal-Ring
●11:4		1	Washer-Backup
●11:5		1	Seal-Inner
●11:6		1	Seal-Commutator
12	76-0810	1	Housing ASM

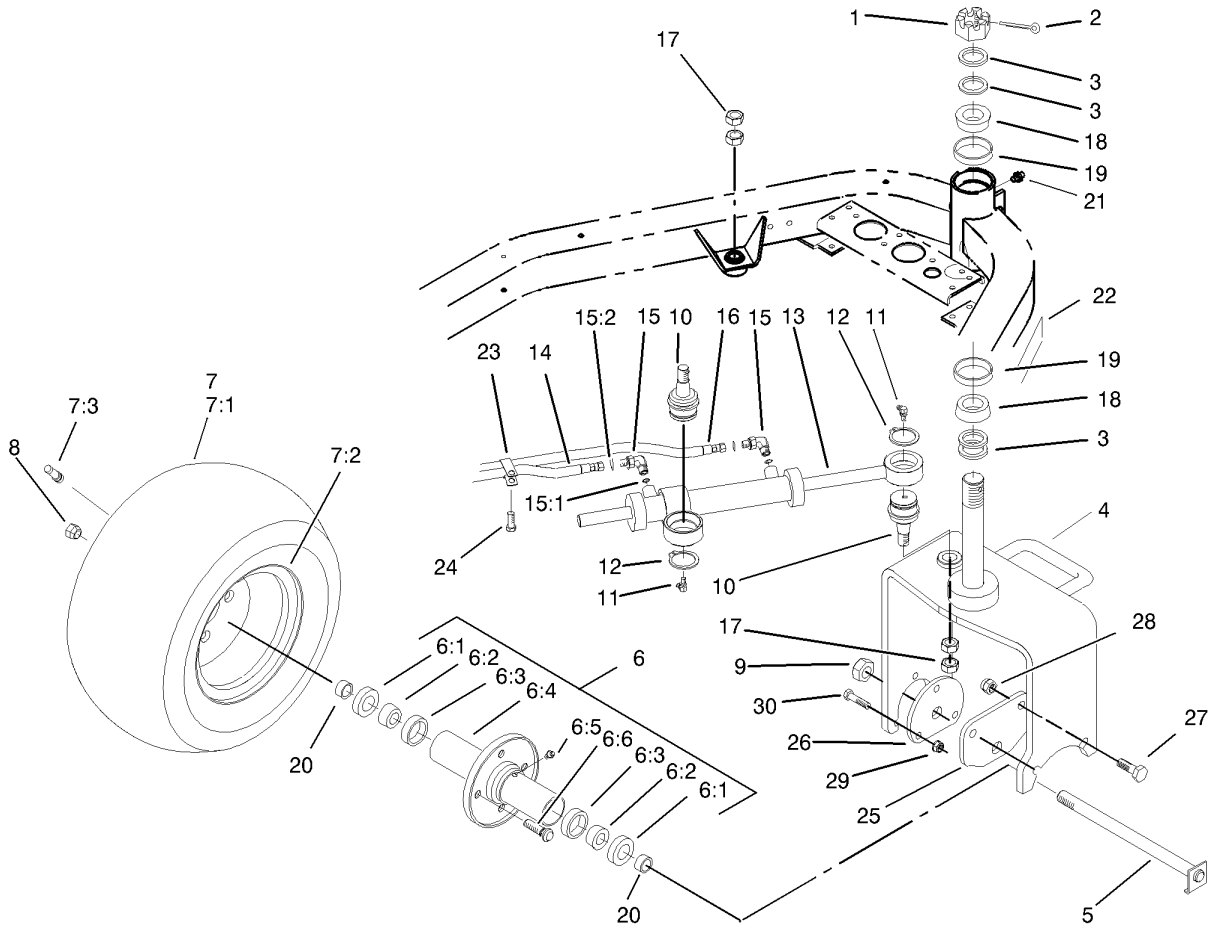
Ref	Part No.	Qty.	Description
●12:1		1	Bearing
●12:2		1	Housing
●12:3		2	Washer-Thrust
●12:4		1	Bearing-Thrust
●12:5		1	Bearing



Steering Arm Assembly

Ref	Part No.	Qty.	Description
1	233-48	1	Knob
2	93-2400-03	1	Handle-Lockup
3	83-0760	1	Spacer-Plate, Lockup
4	83-0740	2	Disc-Friction
5	75-0560	1	Wheel-Steering
5:1	32144-21	1	Screw
5:2	68-5140	1	Cap-Wheel, Steering
6	107-2562	1	Nut-Hex
7	33103-016	4	Screw-HHF
8	83-0730	1	Spacer-Lockup
9	93-2199	1	Screw-Hh, RH
10	325-4	2	Screw-HH
11	3256-26	2	Washer-Flat
12	47-2890	2	Bushing
13	3274-39	6	Screw-HSBH
14	105-9791-03	1	Steering Cover ASM
15	105-0425	1	Steering Column ASM
16	83-0810	1	Cover-Steering
17	340-1	2	Adapter
17:1	237-21	1	O-Ring
17:2	237-42	1	O-Ring
18	340-2	2	Fitting-Hyd, Straight
18:1	237-22	1	O-Ring
18:2	237-42	1	O-Ring

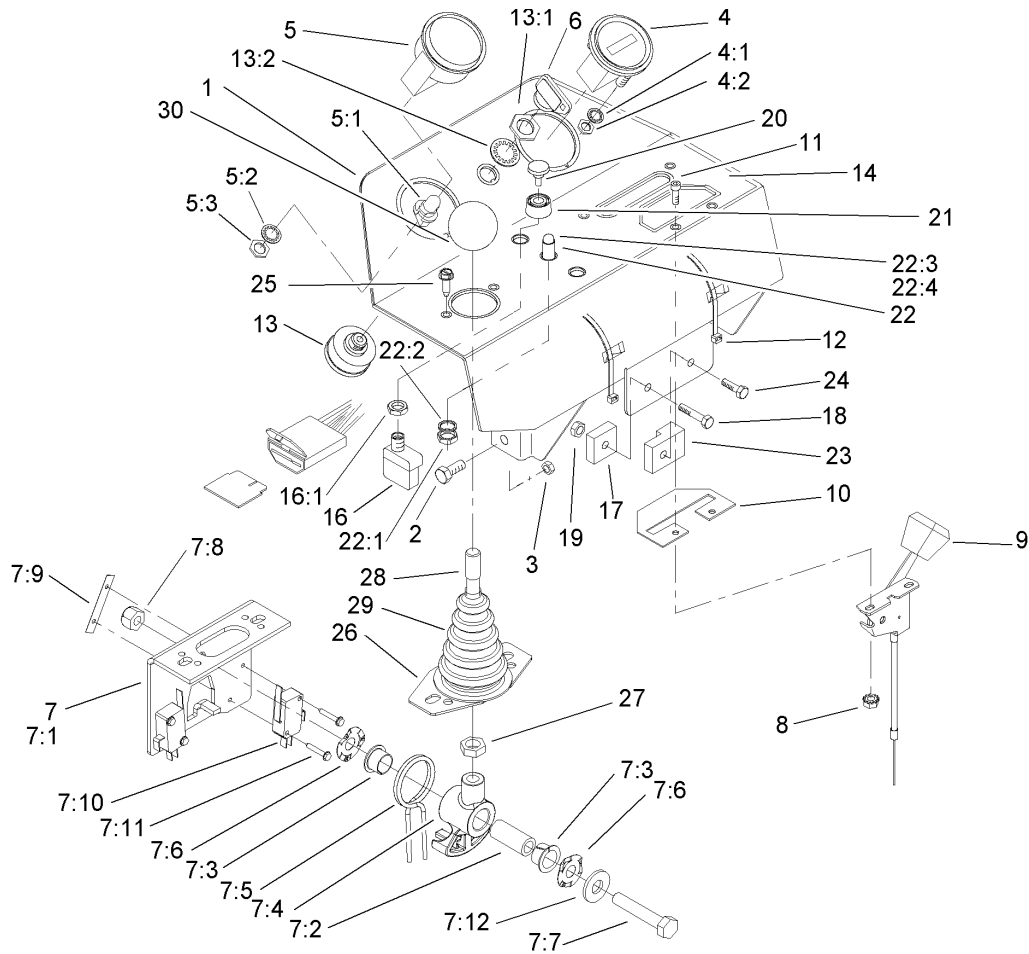
Ref	Part No.	Qty.	Description
19	93-2115-01	1	Arm-Steering
20	93-8068	1	Decal-Arm, Steering
21	3274-80	3	Screw-HH
22	3242-2	1	Screw-SQH
23	105-0424	1	Valve-Control, Steering
24	65-6390	1	Washer-Thrust, Plain
25	3290-277	6	Nut-Speed
26	104-2053	1	Decal-Warning
26	93-8063	1	Decal-Caution, Ce
27	3290-379	1	Tie-Cable



Rear Wheel Assembly

Ref	Part No.	Qty.	Description
1	32136-9	1	Nut-SHH
2	3272-37	1	Pin-Cotter
3	18-6320	4	Washer-Steering
4	99-1492-01	1	Castor Fork ASM
5	70-8370	1	Bolt
6	72-9710	1	Hub-Tire, Sulky
6:1	253-111	2	Seal-Oil
6:2	254-78	2	Bearing-Cone
6:3	254-79	2	Bearing-Roller, Cup
6:4	75-9440	1	Hub ASM
6:5	302-11	1	Fitting-Lube, 45 DEG
6:6	10-6830	4	Stud-Type, Drive
7		1	Wheel And Tire ASM
7:1	70-8500	1	Tire
7:2	94-6116	1	Wheel-Rear
7:3	232-27	1	Stem-Valve
8	242-50	4	Nut-Lug
9	3296-67	1	Nut-Lock NI
10	106-6774	2	Joint-Ball
11	302-60	2	Fitting-Grease
12	32151-104	2	Ring-Retaining, External
13	93-2122	1	Steering Cylinder ASM
14	93-2270	1	HYD Hose ASM
15	340-132	2	Fitting-Hyd, 90 DEG

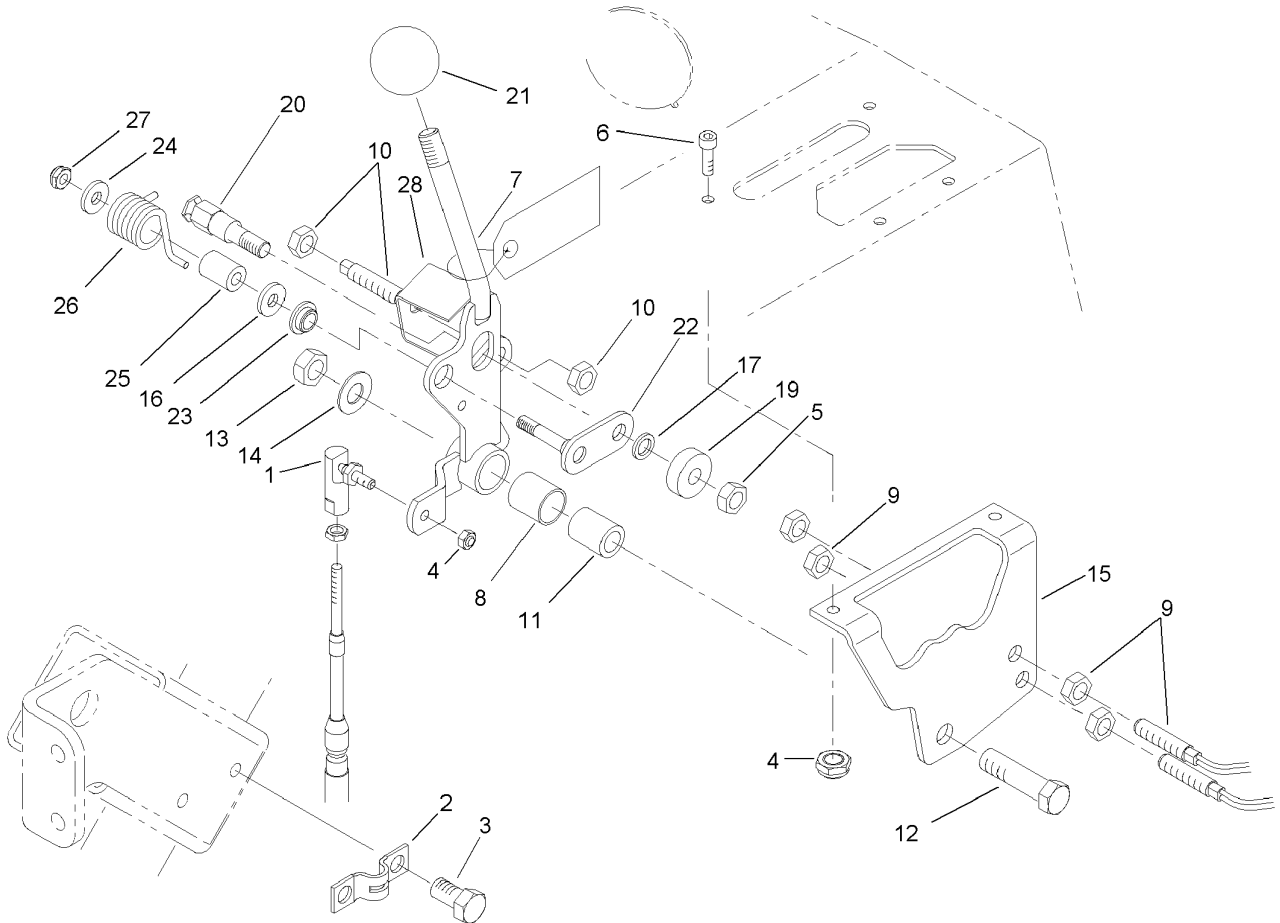
Ref	Part No.	Qty.	Description
15:1	237-78	1	O-Ring
15:2	237-21	1	O-Ring
16	93-2269	1	HYD Hose ASM
17	3220-6	4	Nut-Jam
18	254-70	2	Bearing-Cone
19	254-61	2	Bearing-Cup
20	70-8490	2	Spacer-Spindle, Rear
21	302-5	1	Fitting-Grease
22	99-1493	1	Decal
23	92-5753	1	Clamp-Hose
24	32144-14	1	Screw-HWH
25	99-1485-01	1	Plate-Adapter, Motor
26	99-1486-01	1	Plate-Adapter
27	325-6	2	Screw-HH
28	3296-23	2	Nut-Lock, NI
29	3296-39	3	Nut-Lock, NI
30	323-8	3	Screw-HH



Console Assembly

Ref	Part No.	Qty.	Description
1	100-3185-03	1	Console ASM
2	33114-020	4	Screw-HH
3	33024-00	4	Nut-Lock
4	66-2950	1	Gauge-Hourmeter
4:1	3255-20	2	Washer-Lock
4:2	3217-25	2	Nut-Hex
5	93-7053	1	Cluster-Lamp, Warning
5:1	219-17	4	Bulb
5:2	3254-1	1	Washer-Lock, Int
5:3	3217-26	1	Nut-Hex
6	63-8360	1	Key-Ignition
7	106-4167	1	Joystick Bracket ASM
7:1	106-4168-03	1	Bracket-Joystick
7:2	106-4192	1	Spacer
7:3	93-5547	2	Bushing-Nylon
7:4	105-7507	1	Hub-Pivot, Joystick
7:5	105-8289	1	Spring-Torsion
7:6	106-4193	2	Washer-Finger, Spring
7:7	322-9	1	Screw-HH
7:8	3296-29	1	Nut-Lock, NI
7:9	3290-354	2	Nut-Speed
7:10	111332	2	Switch
7:11	95-3003	4	Screw-HH
7:12	3256-3	1	Washer-Flat

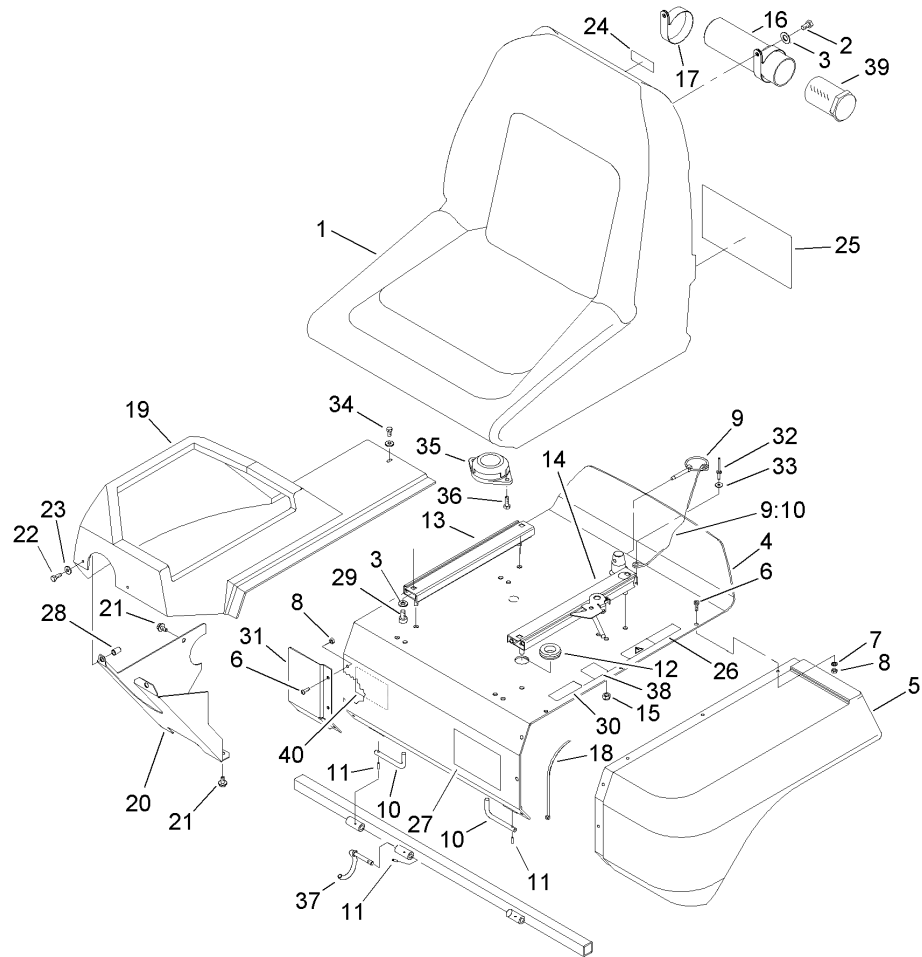
Ref	Part No.	Qty.	Description
8	32149-8	2	Nut-Keps
9	99-8150	1	Control-Throttle
10	99-8195-03	1	Plate-Cover
11	3273-26	2	Screw-HSH
12	3290-378	2	Tie-Cable
13	27-2360	1	Switch-Key
13:1	218-446	1	Nut-Hex
13:2	218-447	1	Washer-Lock
14	100-3183	1	Decal-Panel, Control
16	72-9760	1	Switch
16:1	218-498	1	Locknut
17	92-2538	1	Timer-Plug, Glow
18	33113-030	1	Screw-HH
19	33023-00	2	Nut-Lock
20	43-6280	1	Button-Push
21	43-6420	1	Bezel
22	44-2212	1	Amber Indicator Light ASM
22:1	218-535	1	Nut-Hex
22:2	218-536	1	Washer-Lock
22:3		1	Bulb
22:4	218-562	1	Lens
23	99-9666	1	Module
24	33113-020	1	Screw-HH
25	32144-19	2	Screw-SHWH



Functional Control Lever Assembly

Ref	Part No.	Qty.	Description
1	2411-38	1	Joint-Ball
2	93-2279	1	Clamp-Cable
3	32144-14	2	Screw-HWH
4	3296-27	2	Nut-Lock NI
5	33024-00	1	Nut-Lock
6	3273-26	2	Screw-HSH
7	94-9611	1	Handle
8	256-311	1	Bushing-Split
9	93-2055	2	Sensor-Switch, Reed
10	93-2056	1	Actuator-Switch, Reed
11	94-1378	1	Tube-Pivot, Handle
12	33115-040	1	Screw-HH
13	33025-00	1	Nut-Lock
14	3256-24	1	Washer-Flat
15	94-6398	1	Bracket-Traction
16	3256-23	1	Washer-Flat
17	75-5470	1	Spacer-Bearing
19	251-259	1	Bearing-Ball
20	94-9617	1	Pin-Spring
21	233-42	1	Knob
22	94-9614	1	Pivot-Roller
23	94-9619	1	Bushing
24	3256-67	1	Washer-Flat
25	94-9618	1	Spacer-Spring

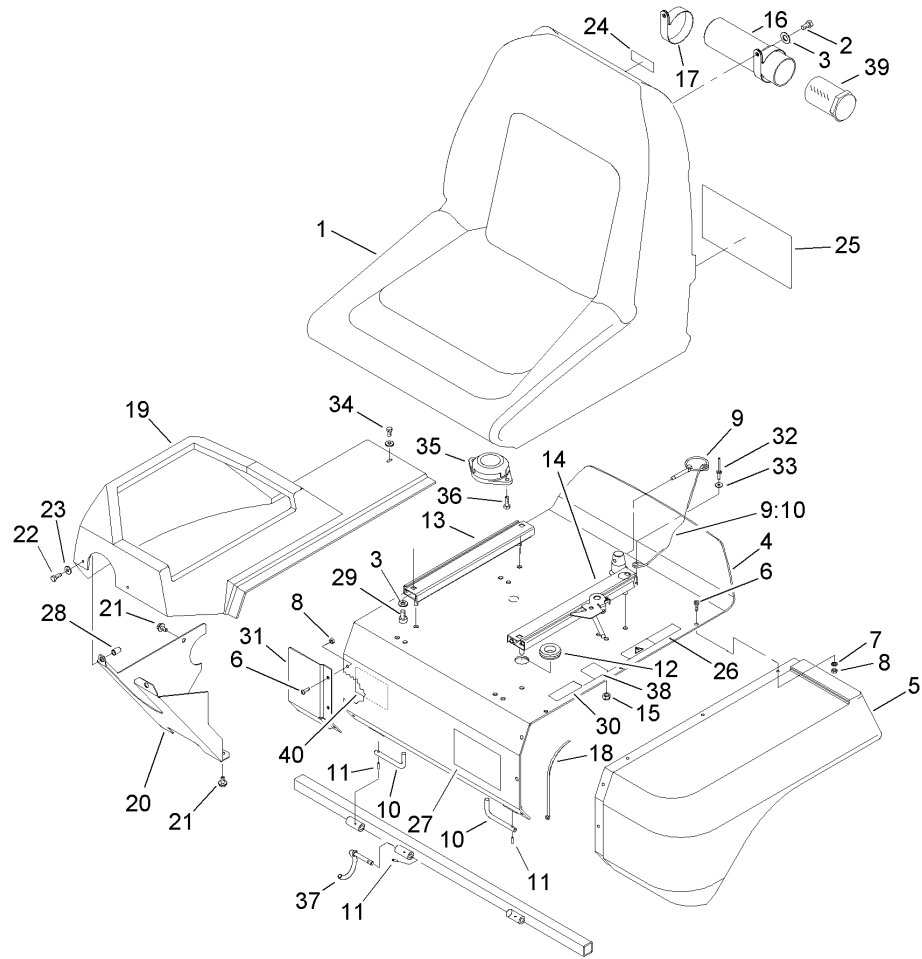
Ref	Part No.	Qty.	Description
26	94-9620	1	Spring-Torsion
27	33023-00	1	Nut-Lock
28	106-6356	1	Shield-Switch



Seat Assembly

Ref	Part No.	Qty.	Description
1	100-3187	1	Seat ASM
2	322-2	2	Screw-HH
3	3256-23	6	Washer-Flat
4	93-2135-03	1	Support-Seat
5	93-2128	1	Panel-Base, Seat
6	3274-39	9	Screw-HSBH
7	3256-77	6	Washer-Flat
8	3296-12	9	Nut-Lock
9	77-3780	1	Pin ASM
9:10	28-8070	1	Lanyard
10	93-2422	2	Rod-Pivot, Seat
11	32121-7	3	Pin-Spring
12	237-100	1	Grommet
13	92-8990	1	Adjuster-7in
14	92-8991	1	Adjuster W/latch
15	3296-29	4	Nut-Lock, NI
16	104-7050	1	Housing-Manual
17	2412-133	2	R-Clamp
18	3290-378	1	Tie-Cable
19	99-4208	1	Shroud-Console
20	94-4547-03	1	Panel-Lower, RH
21	32144-14	2	Screw-HWH
22	33113-016	2	Screw-HH
23	3256-1	3	Washer-Flat

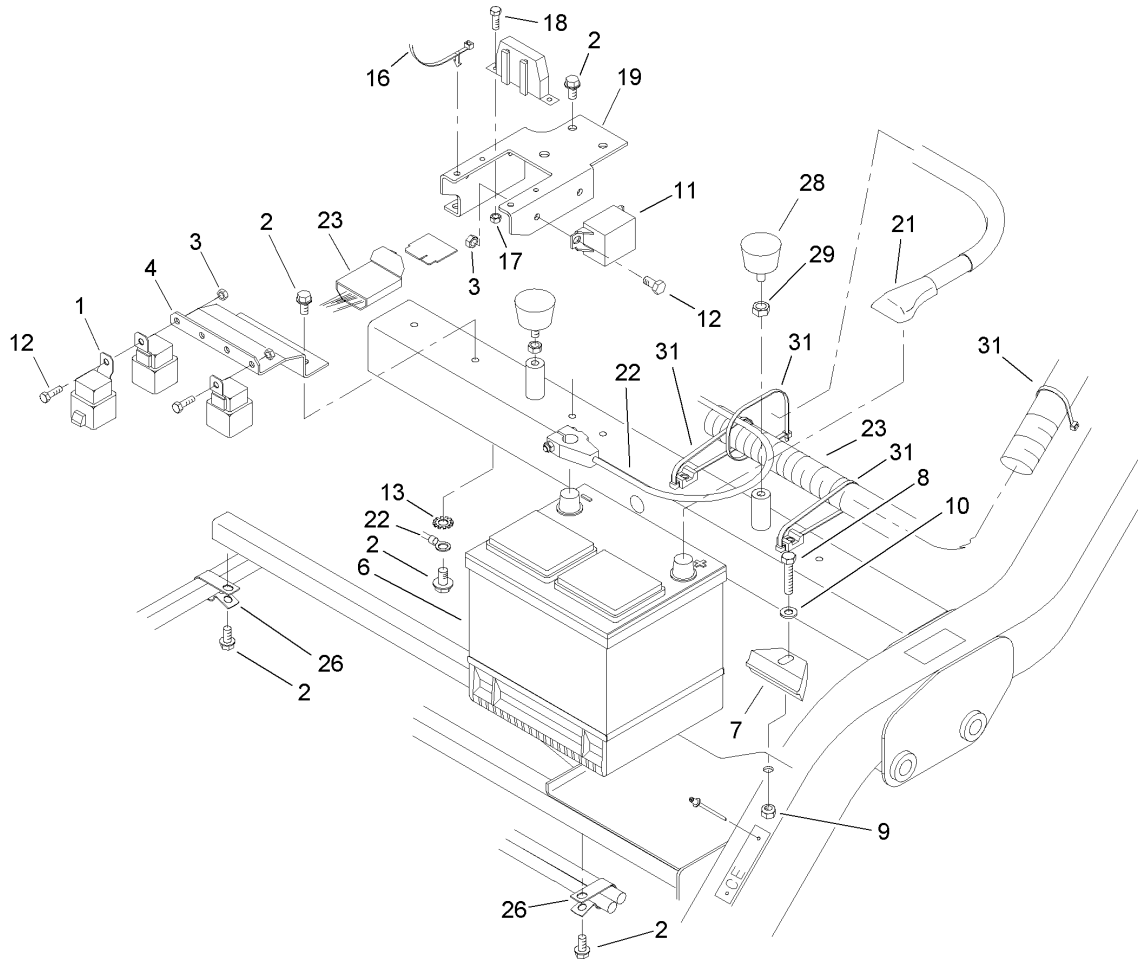
Ref	Part No.	Qty.	Description
24	93-6686	1	Decal-Oil, HYD
25	106-6379	1	Decal-Service
25	106-6380	1	Decal-Service, Spanish
25	106-6381	1	Decal-Service, French
25	106-6382	1	Decal-Service, German
25	106-6383	1	Decal-Service, Swedish
25	106-6384	1	Decal-Service, Italian
25	106-6386	1	Decal-Service, Norwegian
25	106-6387	1	Decal-Service, Finnish
25	106-6388	1	Decal-Service, Danish
25	106-6389	1	Decal-Service, Dutch
25	106-6390	1	Decal-Service, Japanese
25	106-6385	1	Decal-Service, Portuguese
26	93-6689	1	Decal-No Riders
27	94-2579	1	Decal
28	93-5447	2	Nut-Clinch
29	3274-12	4	Screw-HSH
30	93-7252	1	Decal
31	94-4546-03	1	Panel-Extension
32	3290-282	1	Rivet-Pop
33	3256-49	1	Washer-Flat
34	33113-012	1	Screw-HH
35	92-6282	1	Switch-Seat
36	32144-10	2	Screw-HWH



Seat Assembly (continued)

Ref	Part No.	Qty.	Description
37	99-4247	1	Wire-Hook
38	105-4674	1	Decal-Noise, Ce
39	104-7048	1	Cap-Housing
40	105-8324	1	Decal-Backlap Instructions

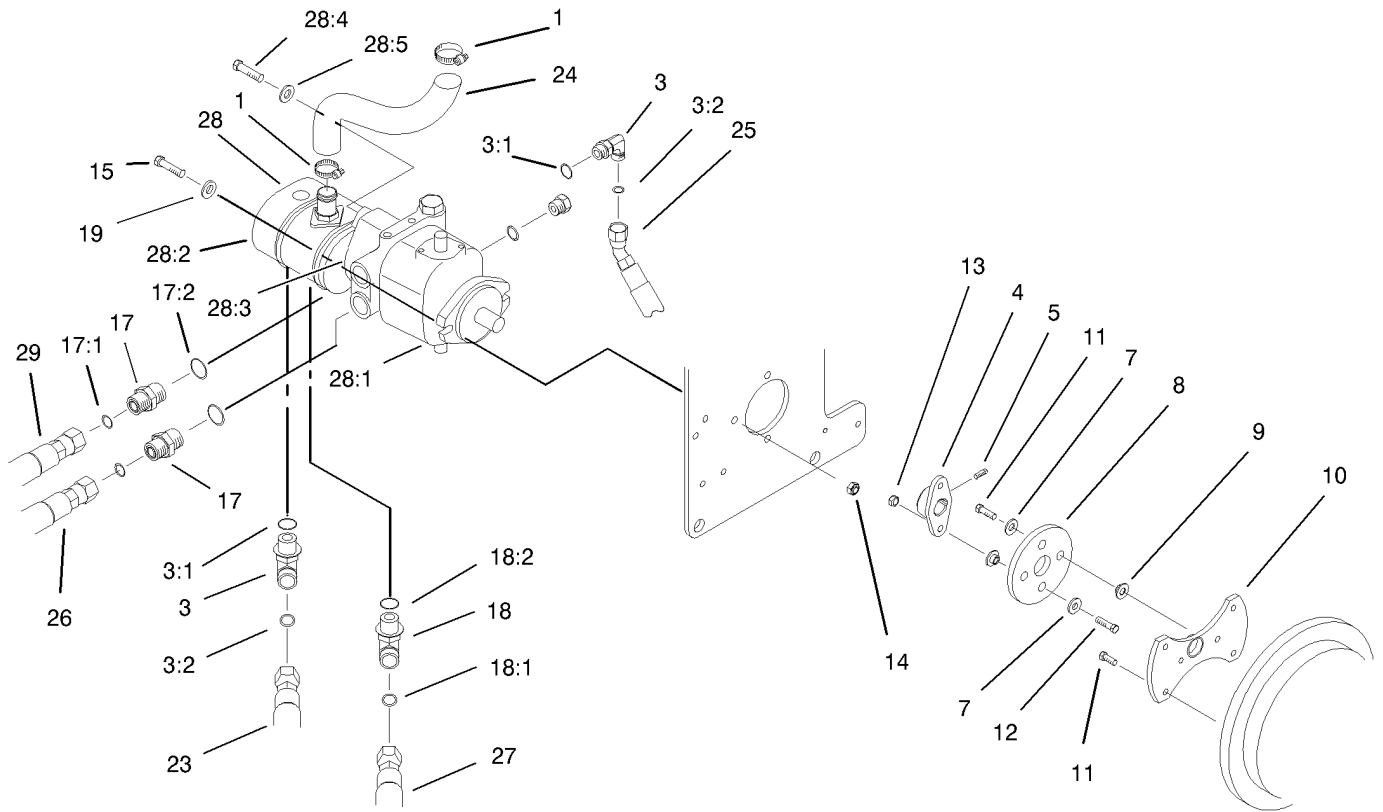
--	--	--	--



Electronics Installation Assembly

Ref	Part No.	Qty.	Description
1	70-1480	8	Relay
2	32144-11	7	Screw-TAP
3	33023-00	6	Nut-Lock
4	93-2169-01	1	Bracket-Relay
6	106-5187	1	Battery-12 Volt, Dry
7	66-2490	1	Retainer-Battery
8	33115-040	1	Screw-HH
9	33025-00	1	Nut-Lock
10	3256-24	1	Washer-Flat
11	66-8800	1	Relay
12	33113-016	6	Screw-HH
13	3254-2	1	Washer-Lock, Int
16	94-1325	2	Tie-Mount, Push
17	3296-2	2	Nut-Lock
18	32105-13	2	Screw-SHH
19	100-3186-03	1	Bracket-Holder, Fuse
21	95-8853	1	Cable-Battery, Positive
22	99-8167	1	Cable-Battery, Negative
23	106-9007	1	Harness-Wire
26	92-5753	2	Clamp-Hose
28	68-3270	2	Bumper-Rubber
29	3218-2	2	Nut-Jam
31	3290-378	6	Tie-Cable

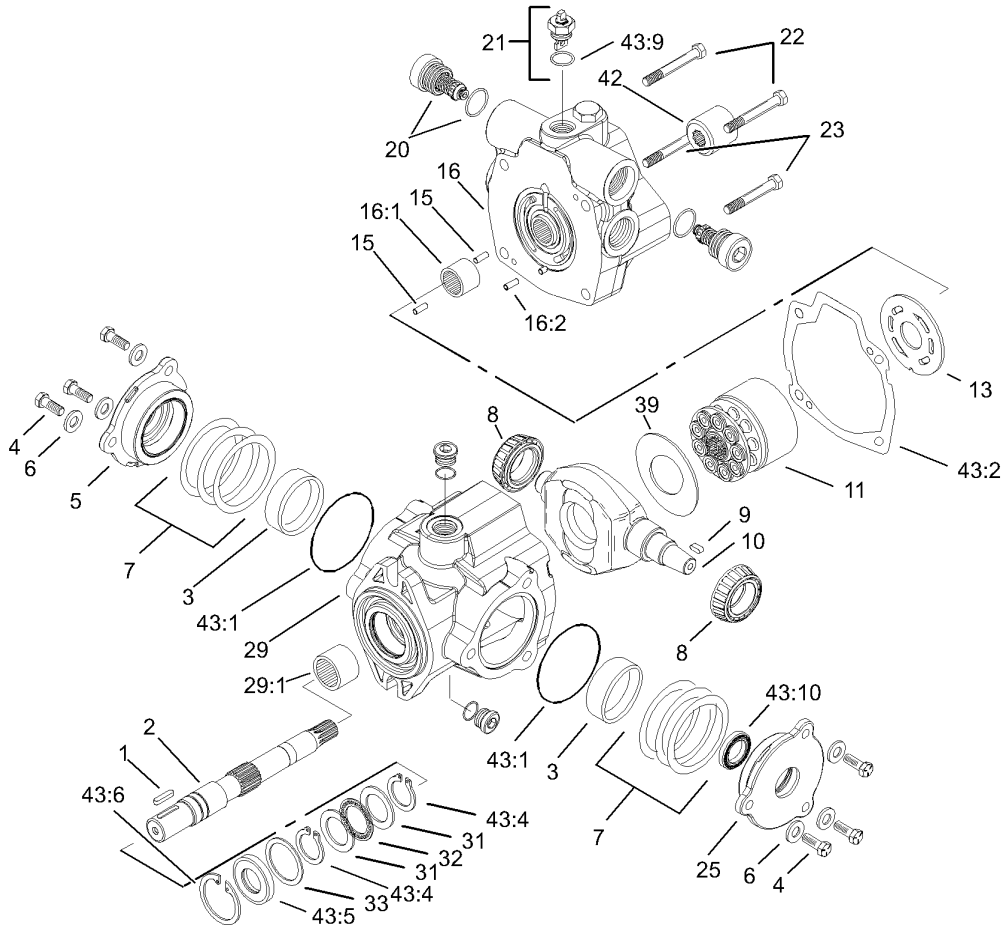
--	--	--	--



Hydrostat and Gear Pump Drive Assembly

Ref	Part No.	Qty.	Description
1	2412-34	2	Clamp-Hose
3	340-18	2	Fitting-Hyd, 90 DEG
3:1	237-79	1	O-Ring
3:2	237-22	1	O-Ring
4	93-2589	1	Hub-Pump
5	3241-6	2	Screw-SQH
7	3256-3	2	Washer-Flat
8	80-8650	1	Coupling-Drive
9	27-6600	4	Spacer-Coupling
10	93-2220-03	1	Adapter-Pump
11	33114-020	6	Screw-HH
12	33114-030	1	Screw-HH
13	33024-00	2	Nut-Lock
14	33025-00	2	Nut-Lock
15	33115-040	2	Screw-HH
17	340-8	2	Adapter
17:1	237-65	1	O-Ring
17:2	237-81	1	O-Ring
18	340-17	1	Fitting-Hyd, 90 DEG
18:1	237-65	1	O-Ring
18:2	237-80	1	O-Ring
19	100-4852	2	Washer-Hardened
23	105-4339	1	Hose ASM
24	99-1905	1	Hose-Inlet, Pump

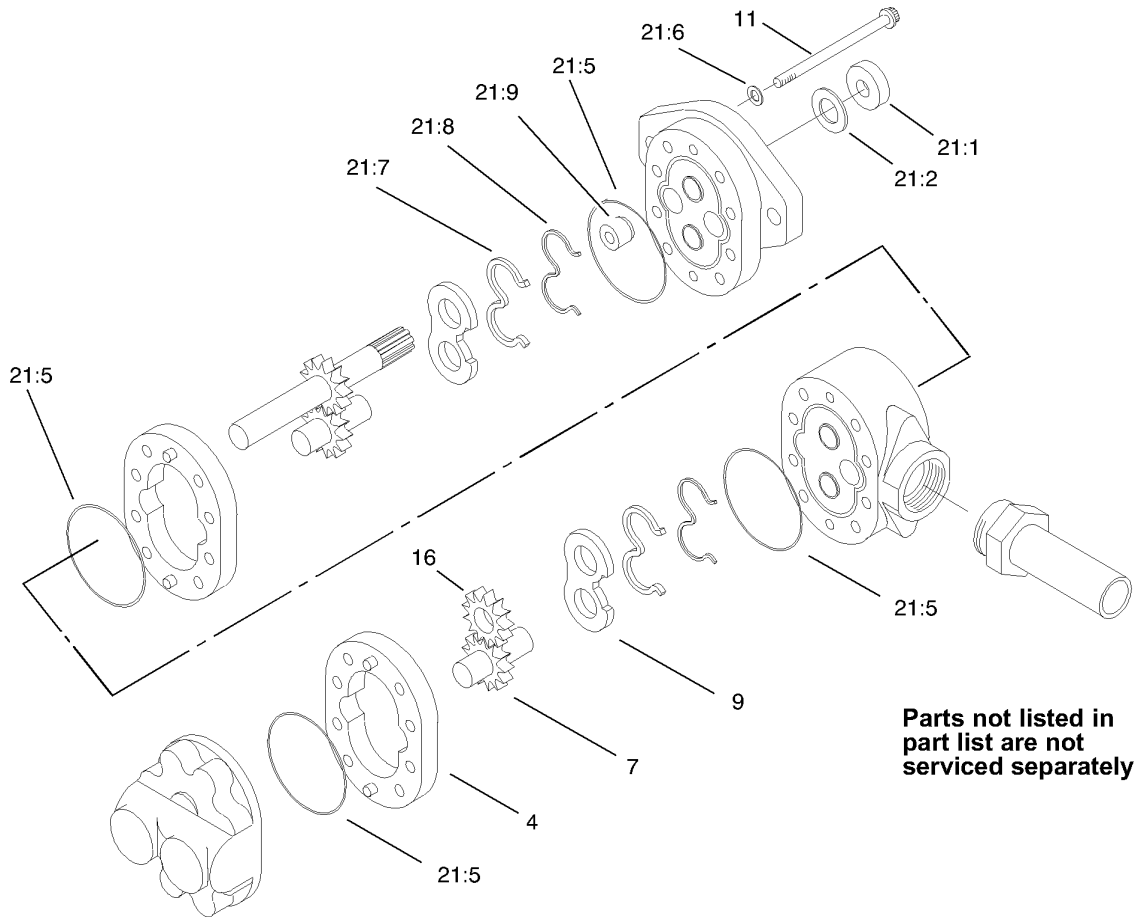
Ref	Part No.	Qty.	Description
25	105-9794	1	Hose ASM
26	99-4220	1	Hose ASM
27	99-4216	1	Hose ASM
28		1	Hydrostat/gear Pump ASM
28:1	105-0494	1	Hydrostat ASM
28:2	104-7737	1	Gear Pump ASM
28:3	60-3520	1	O-Ring
28:4	3274-1	2	Screw-HSH
28:5	3256-24	2	Washer-Flat
29	99-4217	1	Hose ASM



Hydrostat Assembly No. 105-0494

Ref	Part No.	Qty.	Description
1	94-3645	1	Key
2	94-6359	1	Shaft-Drive
3	104-4046	2	Bearing-Cup
4	98-4640	6	Screw-Cap
5	98-4644	1	Plate-Cover
6	105-9762	6	Washer
7	100-3182	2	Shim Kit
8	98-4639	2	Bearing-Cone
9	94-3646	1	Key
10	100-3175	1	Camplate
11	76-6070	1	Rotating Kit
13	100-3180	1	Valve-Plate
15	76-6150	2	Pin-Dowel
16	105-3813	1	Endcover Sub ASM
16:1	94-6368	1	Bearing
●16:2		1	Pin-Roll
20	105-3812	2	Valve-Check
21	105-3811	1	Valve-Bypass
22	76-6170	2	Capscrew
23	76-6160	2	Capscrew
25	98-4645	1	Plate-Cover
29	100-3176	1	Housing ASM
29:1	94-6363	1	Bearing
31	252-71	2	Washer-Thrust

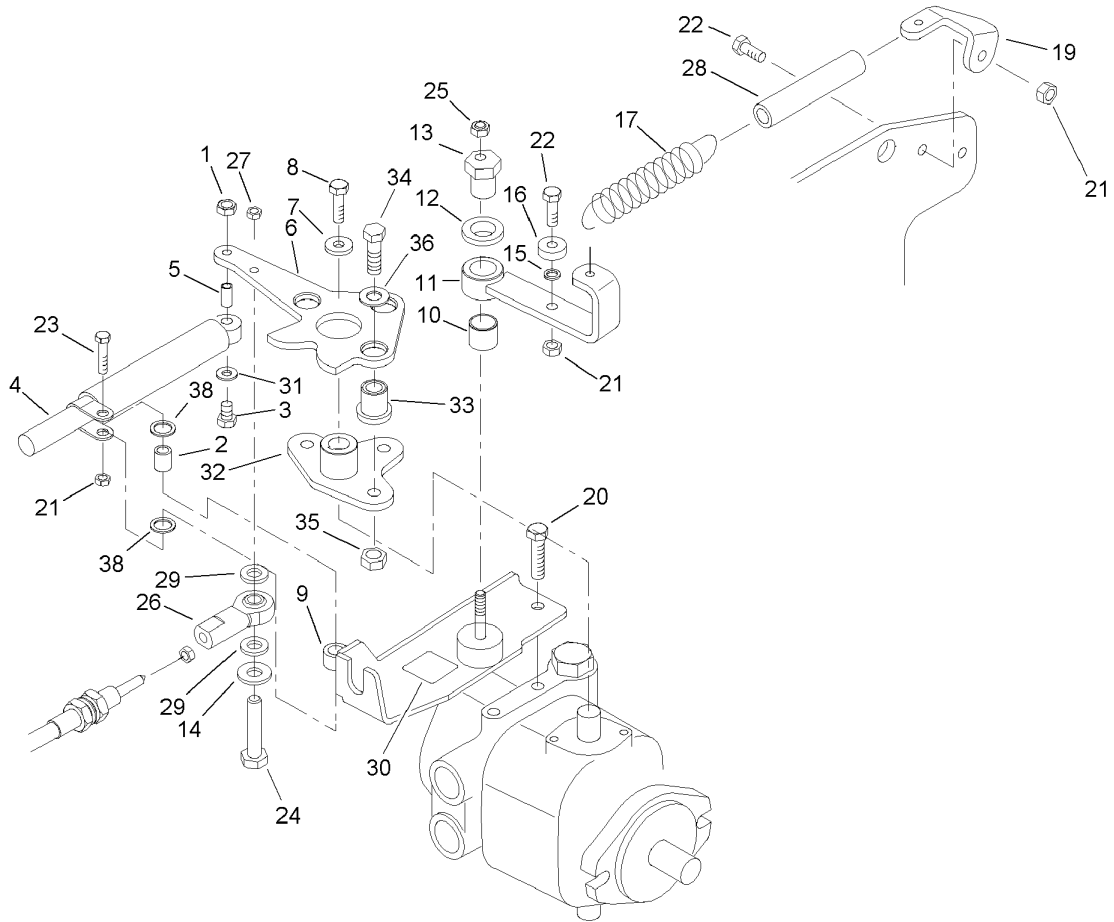
Ref	Part No.	Qty.	Description
32	252-66	1	Bearing-Thrust
33	33-3720	1	Washer
39	98-4635	1	Insert-Plate, Cam
42	74-9040	1	Coupler
43	105-3844	1	Seal Repair Kit
43:1	100-3179	2	O-Ring
43:2	33-4930	1	Gasket-Housing
43:4	32151-29	2	Ring-Retaining
43:5	104-4861	1	Seal-Shaft
43:6	32151-13	1	Ring-Retaining
●43:9		1	O-Ring
●43:10		1	Seal-Shaft



Gear Pump Assembly No. 104-7737

Ref	Part No.	Qty.	Description
4	95-4364	1	Body
7	95-4366	1	Gear-Idler
9	95-4368	2	Plate-Wear
11	94-8158	8	Screw-Cap
16	95-4373	1	Gear-Fit, Slip
21	94-8161	1	Seal Repair Kit
21:1	49-2640	1	Seal-Shaft
21:2	60-5890	1	Washer
21:5		4	O-Ring
21:6	94-8160	4	Washer
21:7	95-4369	2	Seal
21:8	95-4367	2	Gasket
21:9	94-3011	1	Plug

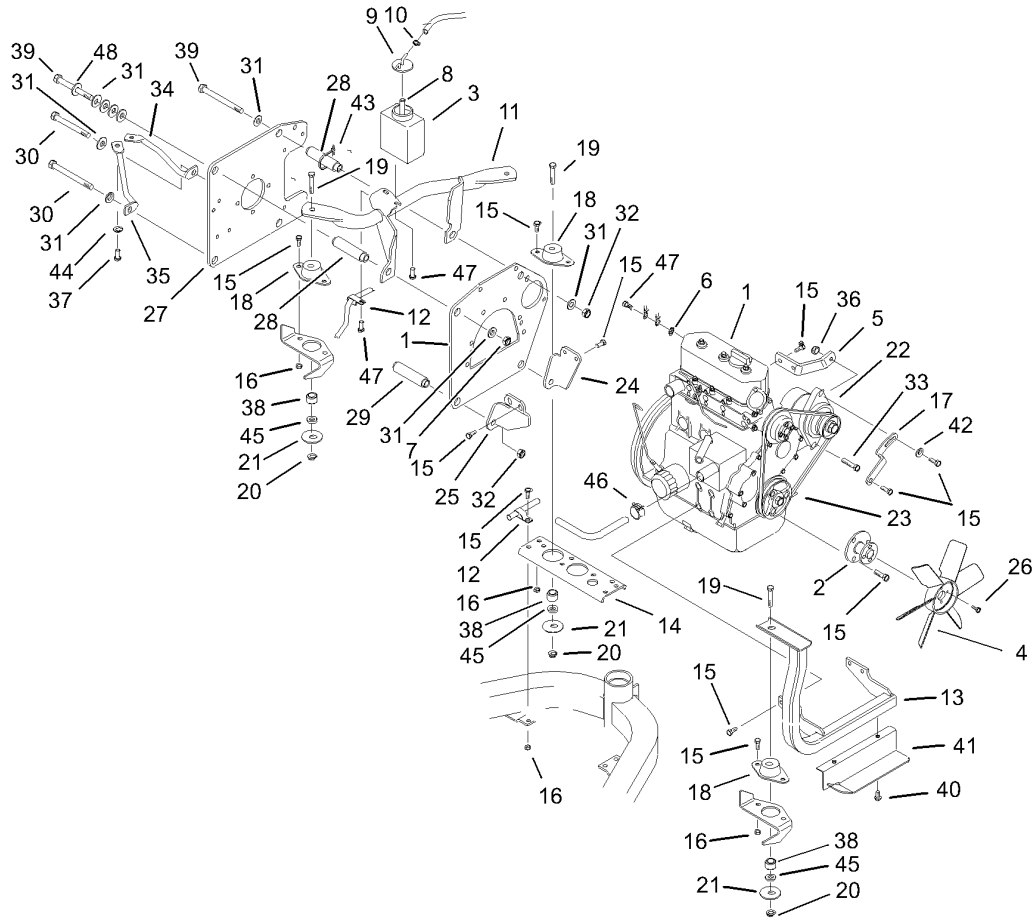
--	--	--	--



Neutral System Assembly

Ref	Part No.	Qty.	Description
1	33023-00	1	Nut-Lock
2	94-8197	1	Tube-Pivot
3	33113-035	1	Screw-HH
4	76-8870	1	Lever Damper ASM
5	94-1312	1	Spacer-Pivot
6	94-3488-03	1	Lever-Pump
7	88-7200	1	Washer-Flat
8	3210-6	1	Screw-HH
9	100-9846	1	Support-Cable
10	94-9609	1	Bushing-Straight
11	94-4527	1	Arm-Neutral
12	3-6498	1	Washer-Thrust
13	93-2111	1	Stud-Traction
14	3256-22	1	Washer-Flat
15	75-5470	1	Spacer-Bearing
16	251-259	1	Bearing-Ball
17	99-4254	1	Spring-Extension
19	99-4276	1	Bracket-Spring
20	323-4	2	Screw-HH
21	33024-00	3	Nut-Lock
22	33114-025	2	Screw-HH
23	33114-030	1	Screw-HH
24	321-8	1	Screw-HH
25	3296-29	1	Nut-Lock, NI

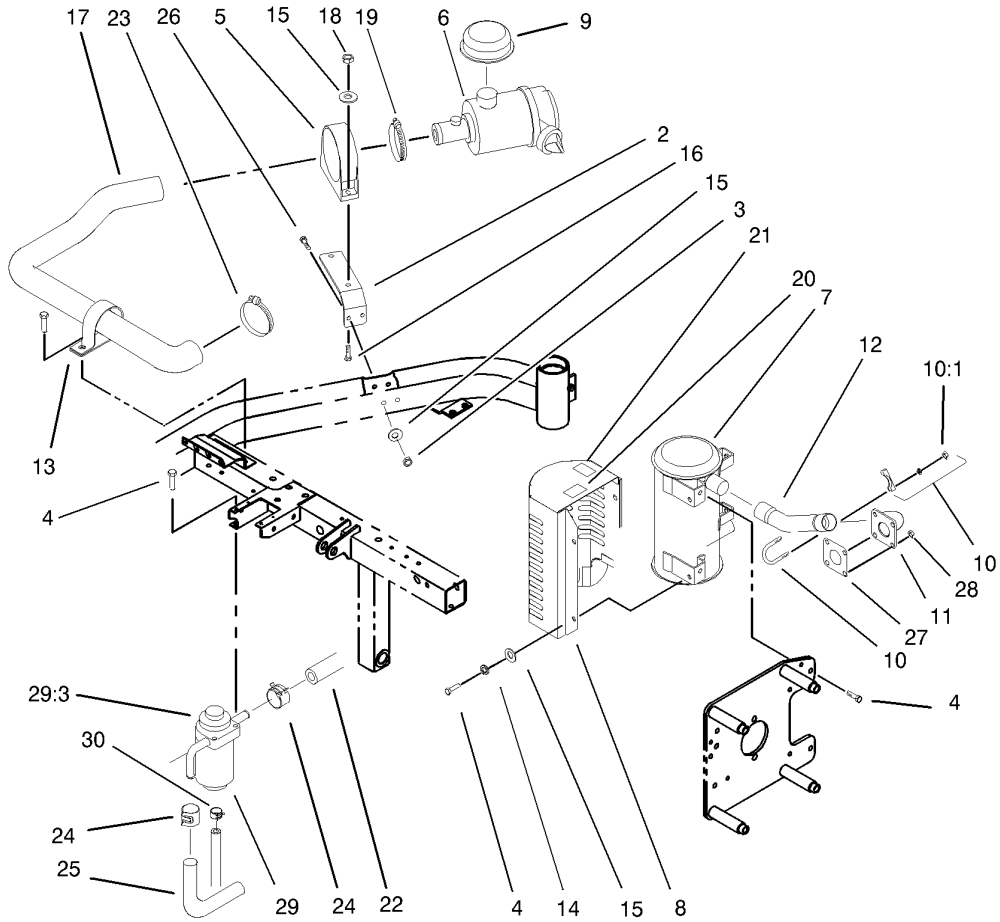
Ref	Part No.	Qty.	Description
26	2411-41	1	Joint-Ball
27	3296-42	1	Nut-Lock, NI
28	99-4251	1	Hose-Dampener
29	33093-00	2	Washer-Flat
30	93-9051	1	Decal-Bolt, Eccentric
31	3256-22	1	Washer-Flat
32	94-3486	1	Plate
33	63-9750	3	Mount
34	33115-035	3	Screw-HH
35	33025-00	3	Nut-Lock
36	2844	3	Washer
38	94-8196	2	Washer-Nylon



Engine Installation Assembly

Ref	Part No.	Qty.	Description
1	99-1481	1	Engine
2	99-1495	1	Adapter-Fan
3	93-2049	1	Tank-Overflow
4	93-2090	1	Fan-Engine
5	93-2445	1	Bracket-Alternator, Upper
6	3254-2	1	Washer-Lock, Int
7	51-2070	1	Nut
8	94-1348	1	Hose-Fuel
9	93-2048	1	Cap-Tank, Overflow
10	2412-108	1	Clamp-Worm
11	100-3190-03	1	Engine Mount ASM
12	92-5753	2	Clamp-Hose
13	99-1473-03	1	Mount-Engine, Front
14	93-2020-01	1	Bracket-Support
15	33114-020	26	Screw-HH
16	33024-00	4	Nut-Lock
17	93-2446	1	Bracket-Alternator, Lower
18	83-1030	3	Mount-Engine
19	323-11	3	Screw-HH
20	3290-357	3	Nut-HHF
21	83-1040	3	Washer-Flat
22	99-9209	1	Alternator
23	99-8153	1	Belt-V
24	99-4189-03	1	Bracket-Engine, LH

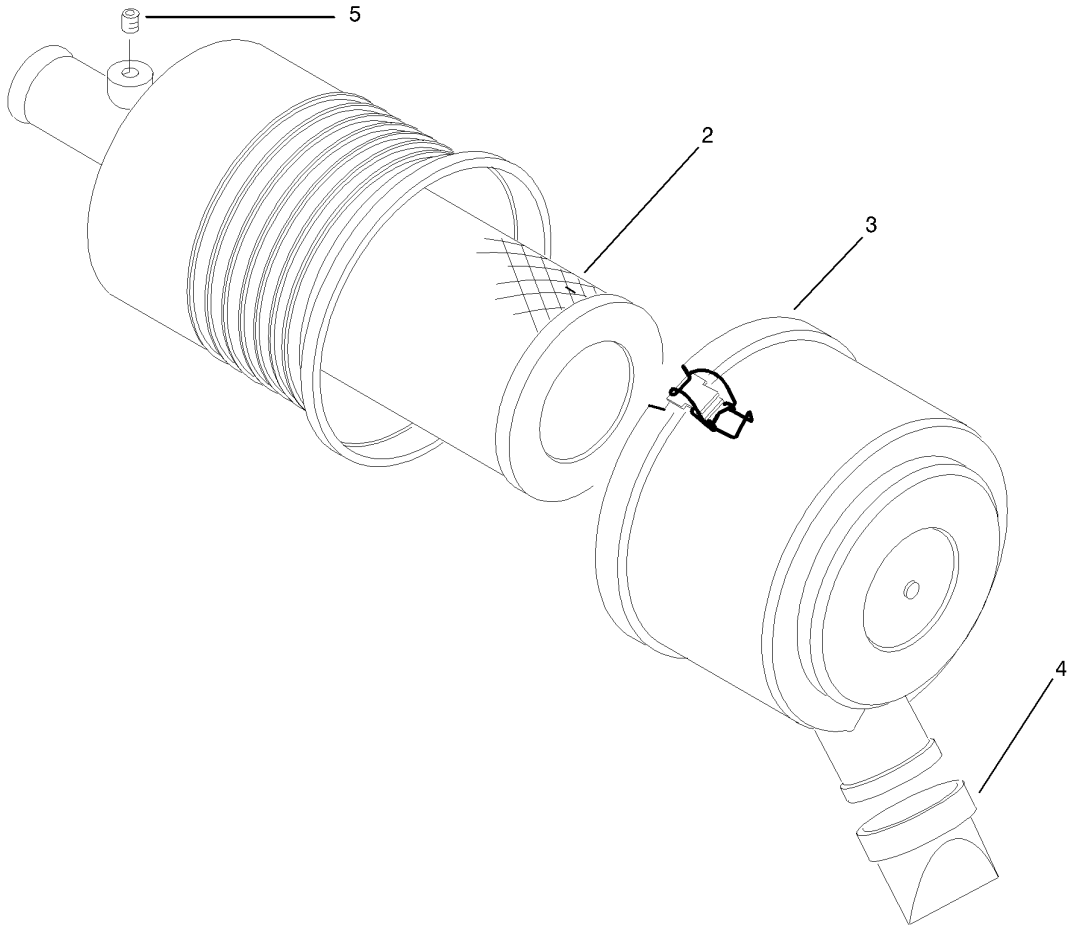
Ref	Part No.	Qty.	Description
25	99-4188-03	1	Bracket-Engine, RH
26	33113-016	4	Screw-HH
27	99-4190-03	1	Plate-Pump
28	93-2588	2	Spacer-Upper
29	93-2174	2	Spacer
30	33116-130	2	Screw-HH
31	87-7270	9	Washer-Thrust
32	33026-00	3	Nut-Lock
33	33115-050	1	Screw-HH
34	99-4240	1	Brace-Wireform, LH
35	99-4238	1	Brace-Wireform, RH
36	33025-00	1	Nut-Lock
37	323-4	2	Screw-HH
38	94-4538	3	Spacer-Mount
39	33116-120	2	Screw-HH
40	32144-14	2	Screw-HWH
41	94-8156-03	1	Deflector-Fan
42	3256-3	1	Washer-Flat
43	3290-378	2	Tie-Cable
44	3256-24	2	Washer-Flat
45	66-6480	3	Washer
46	92-2379	2	Clamp-Hose
47	33114-016	3	Screw-HH
48	73-0040	1	Washer-Thrust



Air Cleaner and Exhaust Assembly

Ref	Part No.	Qty.	Description
2	99-4203-03	1	Bracket-Cleaner, Air
3	33024-00	2	Nut-Lock
4	33114-020	8	Screw-HH
5	95-5806	1	Bracket-Mounting
6	95-5805	1	Air Cleaner ASM
7	94-8153	1	Muffler
8	94-8182-03	1	Shield-Muffler
9	46-7510	1	Hood-Inlet, Air
10	2112-9	2	Clamp
10:1	32128-20	2	Nut-HF
11	99-1472	1	Plate-Exhaust
12	99-1494	1	Pipe-Exhaust
13	2412-107	1	Clamp-R
14	3253-4	4	Washer-Lock
15	3256-23	4	Washer-Flat
16	322-16	2	Screw-HH
17	99-4204	1	Hose-Cleaner, Air
18	3296-29	2	Nut-Lock, NI
19	2412-92	1	Clamp-Hose
20	93-8069	1	Decal-Surface, Hot
21	93-7275	1	Decal-Fluid, Starting
22	92-9283	1	Hose-Fuel
23	2412-130	1	Clamp-Hose
24	92-2379	2	Clamp-Hose

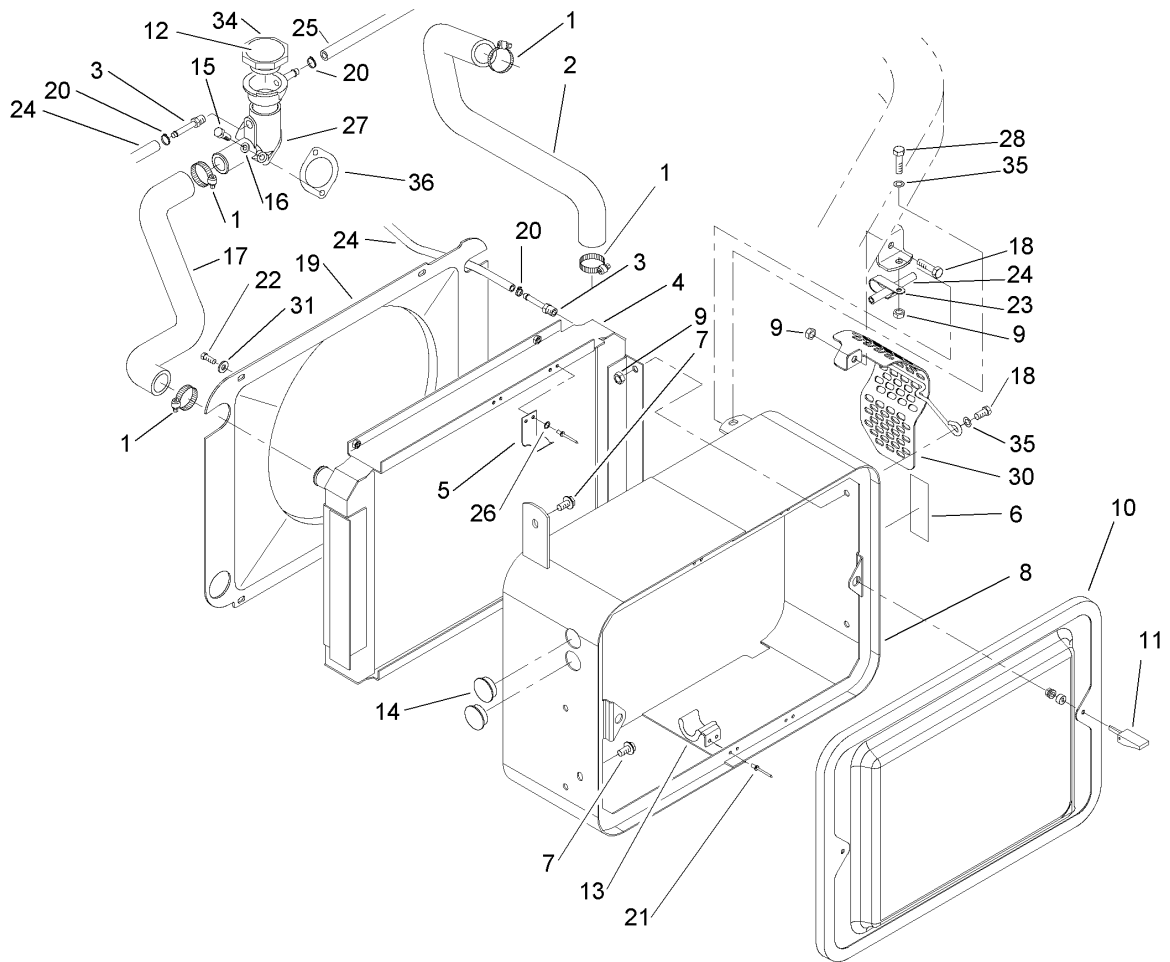
Ref	Part No.	Qty.	Description
25	95-5936	1	Hose-Fuel
26	33114-080	2	Screw-HH
27	99-9179	1	Gasket-Exhaust
28	99-9176	4	Nut-Hex
29	100-3191	1	Separator-Fuel
●29:1	100-3192	1	Element-Filter, Fuel
●29:2	100-6409	1	Sensor-Filter, Fuel
29:3	100-6408	1	Cover-Filter
30	94-8189	1	Clamp-Hose



Air Cleaner Assembly No. 95-5805

Ref	Part No.	Qty.	Description
2	93-2195	1	Filter
3	94-3652	1	Cover ASM
4	87-9400	1	Valve-Vacuator
5	285-17	1	Plug-Pipe

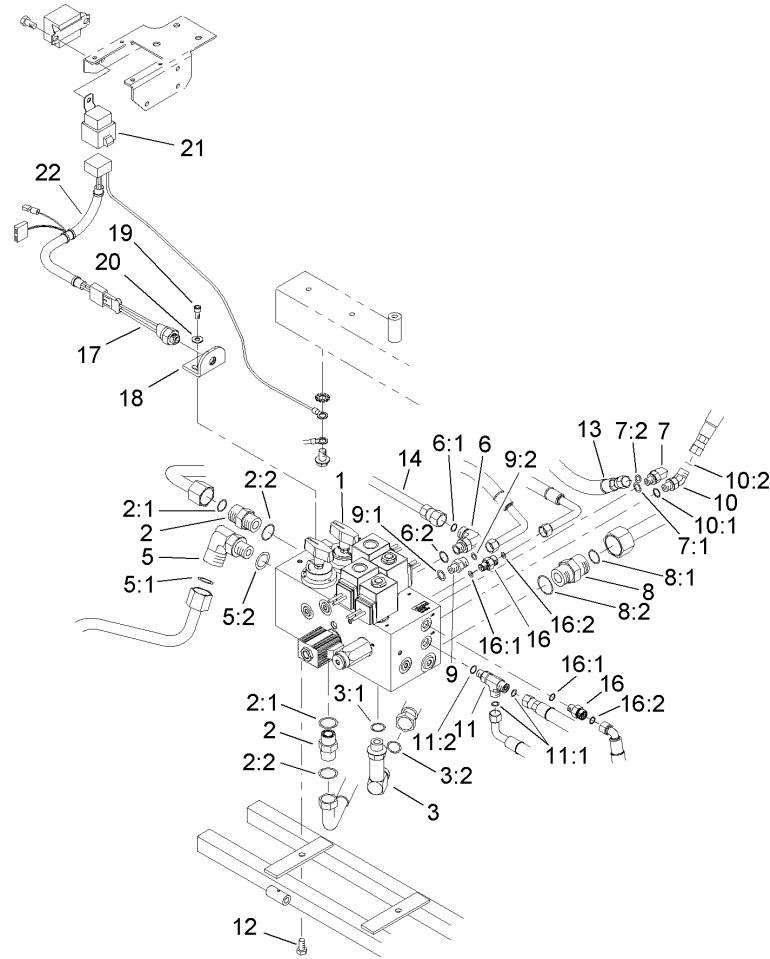
--	--	--	--



Radiator Assembly

Ref	Part No.	Qty.	Description
1	2412-34	4	Clamp-Hose
2	99-1469	1	Hose-Radiator
3	304-73	2	Connector-Hose
4	99-8193	1	Radiator
5	104-7736	1	Bracket-Cooler, Upper
6	93-6681	1	Decal-Warning, Fan
7	32144-14	2	Screw-HWH
8	106-9056-01	1	Radiator Support ASM
9	33024-00	6	Nut-Lock
10	100-3172-03	1	Screen ASM
11	74-5950	2	Latch-Swell
12	106-5976	1	Decal-Warning
13	93-2424	2	Bracket-Cooler, Lower
14	94-4528	2	Plug
15	33113-025	2	Screw-HH
16	3253-3	2	Washer-Lock
17	93-2018	1	Hose-Radiator
18	33114-020	5	Screw-HH
19	93-2320	1	Shroud-Fan
20	2412-108	3	Clamp-Worm
21	3269-15	6	Rivet
22	33113-016	4	Screw-HH
23	92-5753	1	Clamp-Hose
24	27-4480	1	Hose-Fuel

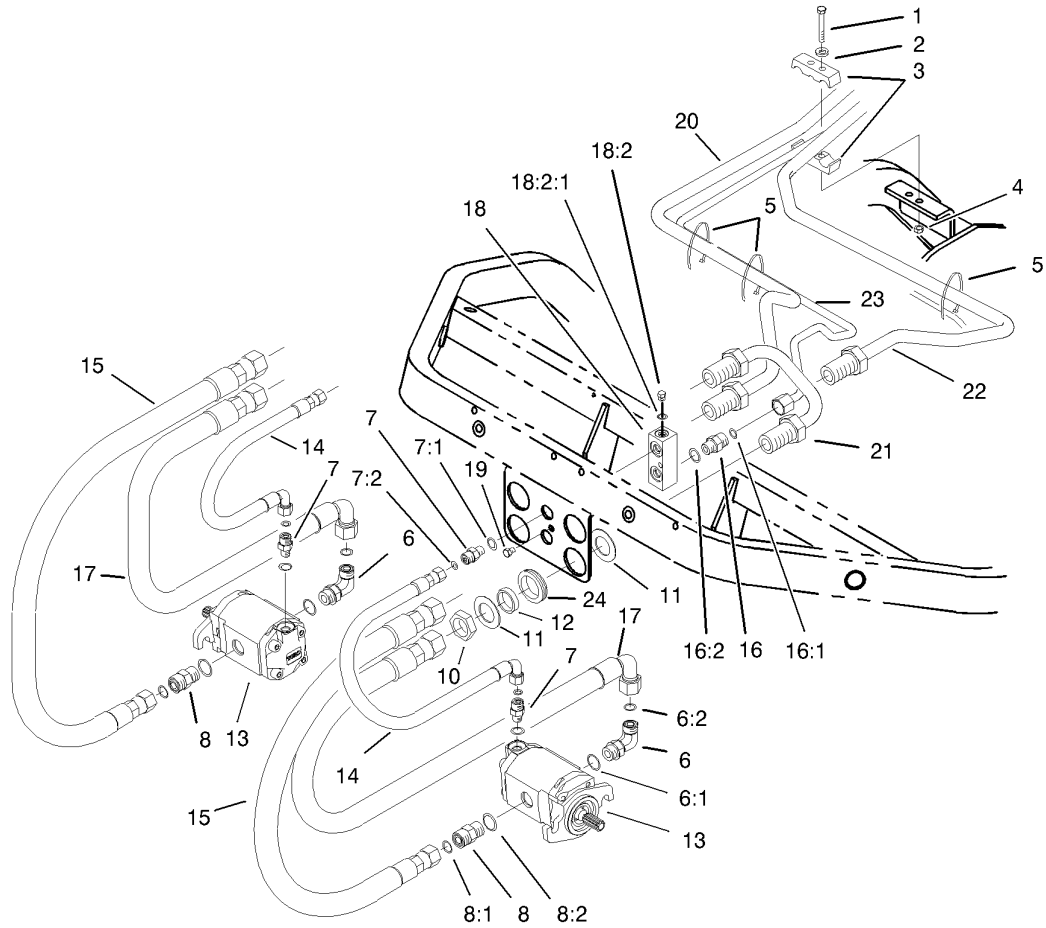
Ref	Part No.	Qty.	Description
25	92-9283	1	Hose-Fuel
26	3269-6	2	Washer
27	93-2448	1	Thermostat Housing ASM
28	33114-025	1	Screw-HH
30	100-3164-03	1	Guard-Alternator
31	3256-22	4	Washer-Flat
34	66-3240	1	Cap-Radiator
35	3256-23	2	Washer-Flat
36	99-9163	1	Gasket-Outlet



Manifold Block Installation Assembly

Ref	Part No.	Qty.	Description
1	107-2570	1	Mow/lift Manifold ASM
2	340-7	2	Adapter
2:1	237-65	1	O-Ring
2:2	237-80	1	O-Ring
3	99-4214	1	Fitting-HYD
3:1	237-79	1	O-Ring
3:2	237-30	1	O-Ring
5	340-17	1	Fitting-Hyd, 90 DEG
5:1	237-65	1	O-Ring
5:2	237-80	1	O-Ring
6	340-77	1	Fitting-Hyd, 90 DEG
6:1	237-22	1	O-Ring
6:2	237-42	1	O-Ring
7	340-132	1	Fitting-Hyd, 90 DEG
7:1	237-78	1	O-Ring
7:2	237-21	1	O-Ring
8	340-9	1	Fitting-Hyd, Straight
8:1	237-58	1	O-Ring
8:2	237-81	1	O-Ring
9	340-92	1	Fitting-Hyd, Straight
9:1	237-78	1	O-Ring
9:2	237-21	1	O-Ring
10	340-103	1	Fitting-Hyd, 45 DEG
10:1	237-78	1	O-Ring

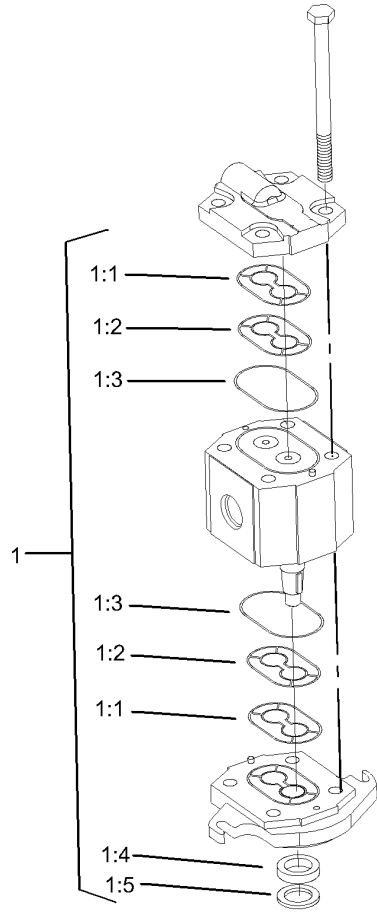
Ref	Part No.	Qty.	Description
10:2	237-21	1	O-Ring
11	340-140	1	Adapter-Tee
11:1	237-21	2	O-Ring
11:2	237-78	1	O-Ring
12	33114-016	2	Screw-HH
13	93-2271	1	HYD Hose ASM
14	105-9790	1	Hose ASM
16	95-1639	2	Fitting-HYD
16:1	237-78	1	O-Ring
16:2	237-21	1	O-Ring
17	72-4320	1	Switch-Ball, N.o.
18	94-1357	1	Bracket-Backlap
19	3274-24	2	Screw-HSH
20	3256-22	2	Washer-Flat
21	70-1480	1	Relay
22	95-2905	1	Backlap Harness Kit



Front Bulkhead and Reel Motor Assembly

Ref	Part No.	Qty.	Description
1	33113-050	2	Screw-HH
2	3256-1	2	Washer-Flat
3	93-2509	2	Clamp-Tube
4	33023-00	2	Nut-Lock
5	3290-378	3	Tie-Cable
6	340-98	2	Fitting-Hyd, 90 DEG
6:1	237-79	1	O-Ring
6:2	237-30	1	O-Ring
7	340-92	4	Fitting-Hyd, Straight
7:1	237-78	1	O-Ring
7:2	237-21	1	O-Ring
8	340-4	2	Fitting-Hyd, Sraight
8:1	237-30	1	O-Ring
8:2	237-79	1	O-Ring
10	340-74	2	Locknut-Bulkhead
11	69-9010	4	Washer
12	69-9000	2	Spacer
13	100-6426	2	HYD Motor ASM
14	93-2264	2	Hose ASM
15	95-2908	2	Hose ASM
16	340-2	1	Fitting-Hyd, Straight
16:1	237-22	1	O-Ring
16:2	237-42	1	O-Ring
17	95-2909	2	Hose ASM

Ref	Part No.	Qty.	Description
18	93-2238	1	T-Block
18:2	353-991	1	Plug-Hex, Hollow
18:2:1	237-156	1	O-Ring
19	33113-008	1	Screw-HH
20	94-1318	1	Tube-HYD
21	94-1319	1	Tube-HYD
22	94-1320	1	Tube-HYD
23	94-1321	1	Tube-HYD
24	240-3	2	Grommet-Rubber

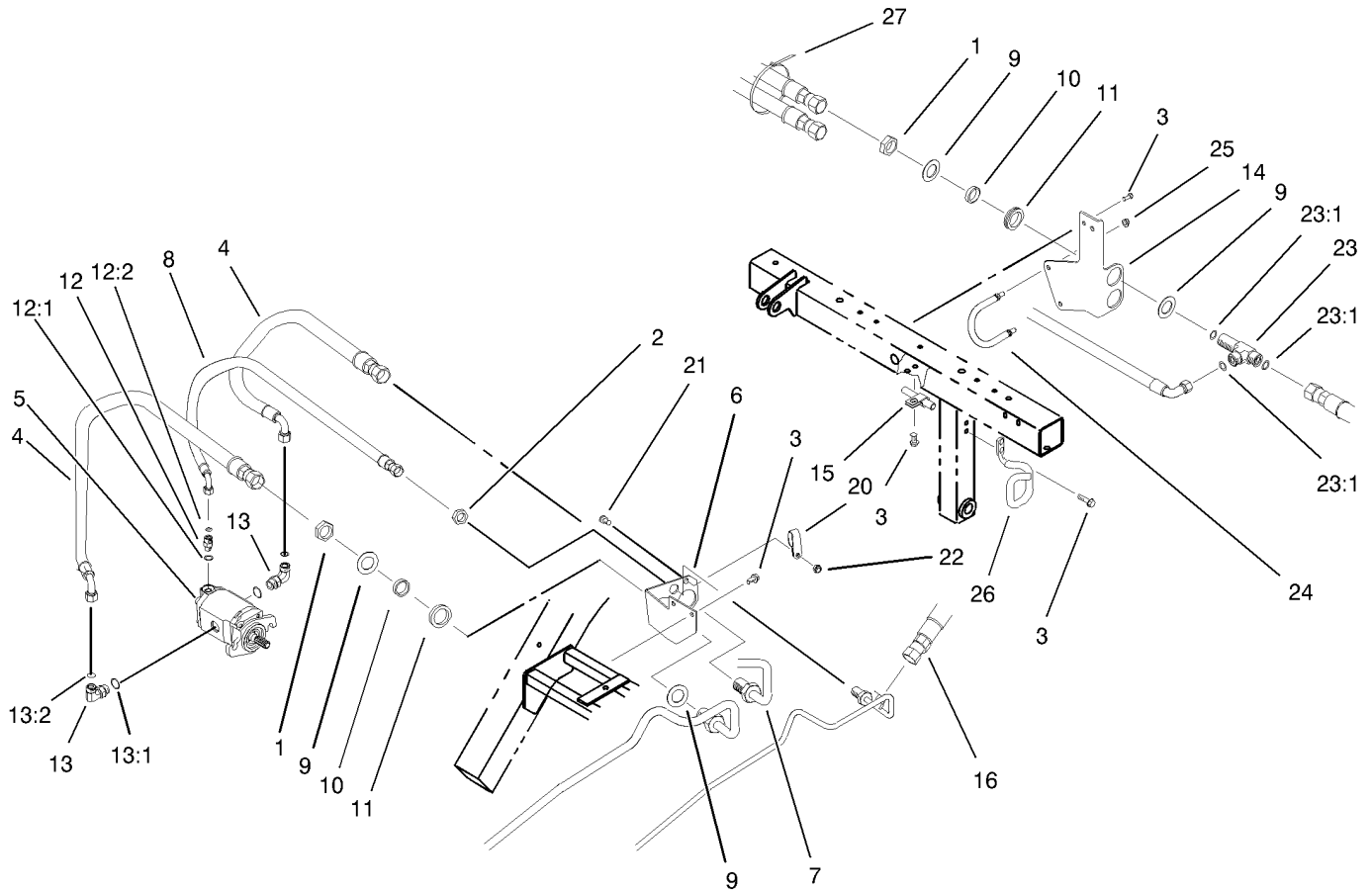


Parts not listed in part list are not serviced separately

Reel Motor Assembly No. 100-6426

Ref	Part No.	Qty.	Description
1	105-9758	1	Seal Kit
② 1:1		2	Seal-Extrusion, Anti
② 1:2		2	Seal-Pressure
② 1:3		2	O-Ring
② 1:4		1	Seal-Shaft
② 1:5		1	Washer-Backup

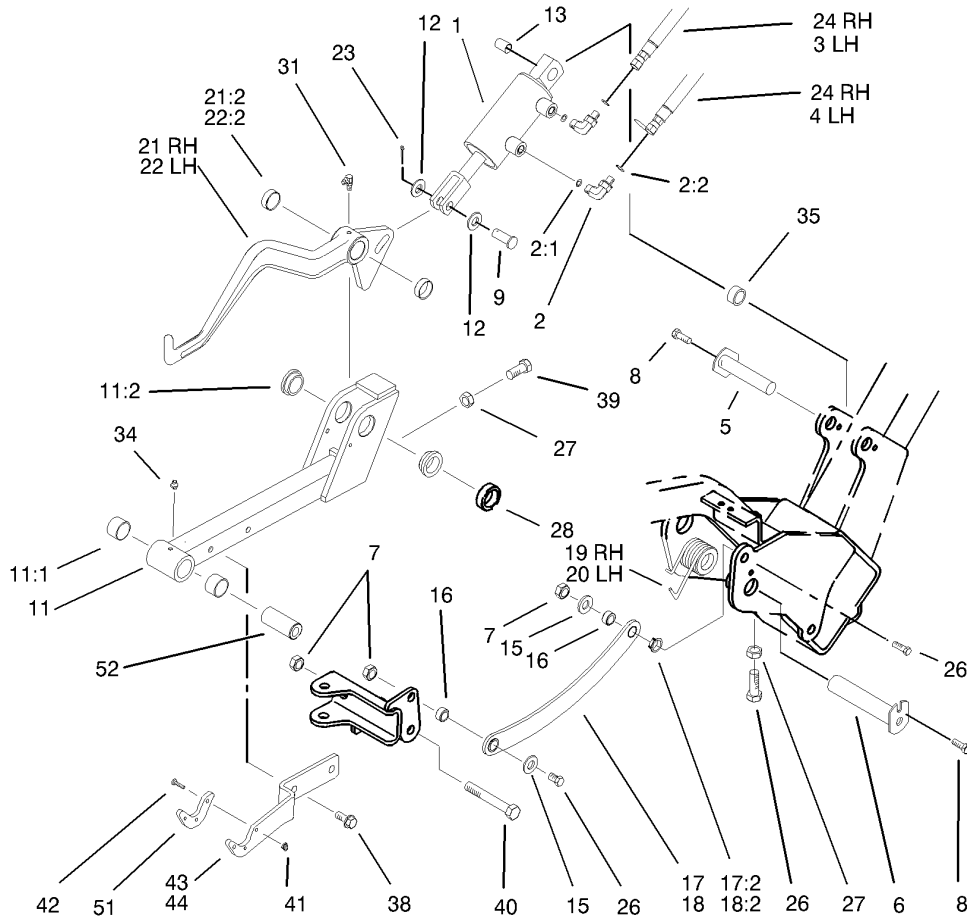
--	--	--	--



Rear Bulkhead and Reel Motor Assembly

Ref	Part No.	Qty.	Description
1	340-74	4	Locknut-Bulkhead
2	340-70	1	Nut-Lock
3	32144-14	7	Screw-HWH
4	95-2907	2	Hose ASM
5	100-6426	1	HYD Motor ASM
6	94-1316	1	Bracket-Bulkhead
7	94-1317	1	Tube-HYD
8	94-1328	1	Hose ASM
9	69-9010	8	Washer
10	69-9000	4	Spacer
11	240-3	4	Grommet-Rubber
12	340-92	1	Fitting-Hyd, Straight
12:1	237-78	1	O-Ring
12:2	237-21	1	O-Ring
13	340-98	2	Fitting-Hyd, 90 DEG
13:1	237-79	1	O-Ring
13:2	237-30	1	O-Ring
14	99-4222-03	1	Bracket-Hose
15	2412-4	1	Clamp
16	94-4539	1	Hose ASM
20	2412-137	1	Clamp-Tube
21	33114-020	1	Screw-HH
22	33024-00	1	Nut-Lock
23	94-5350	2	Tee-Bulkhead

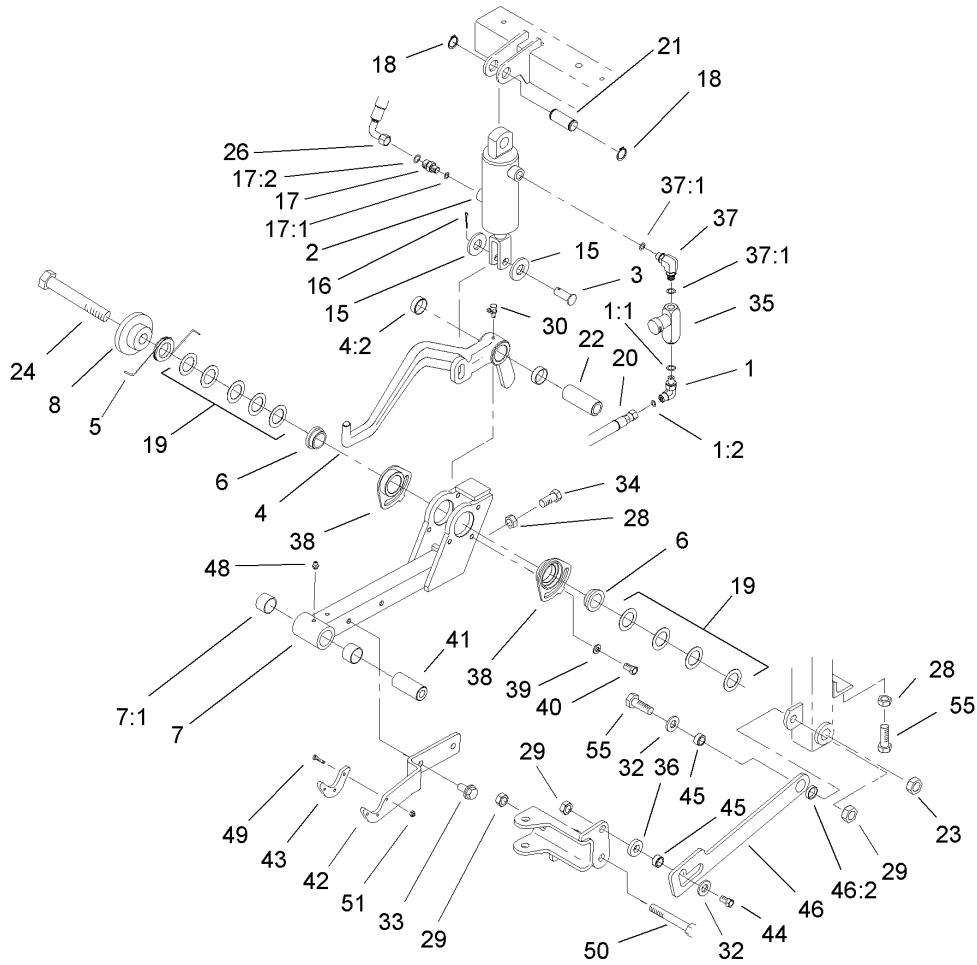
Ref	Part No.	Qty.	Description
23:1	237-65	3	O-Ring
24	99-4221	1	Retainer-Hose
25	3296-29	2	Nut-Lock, NI
26	94-5352	1	Retainer-Hose
27	3290-378	1	Tie-Cable



Left Hand and Right Hand Lift Arm Assembly

Ref	Part No.	Qty.	Description
1	105-3821	2	HYD Cylinder ASM
2	340-132	4	Fitting-Hyd, 90 DEG
2:1	237-78	1	O-Ring
2:2	237-21	1	O-Ring
3	93-2255	1	HYD Hose ASM
4	93-2256	1	HYD Hose ASM
5	10-6060	2	Pin-Pivot, Ram
6	94-8198	2	Pin
7	3296-25	6	Nut-Lock, NI
8	32144-14	4	Screw-HWH
9	283-68	2	Pin-Clevis
11	99-4115	2	Front Lift Frame ASM
11:1	98-4166	2	Bushing
11:2	94-9610	2	Bushing-Flange
12	33096-00	4	Washer-Flat
13	105-3838	2	Spacer
15	3256-26	4	Washer-Flat
16	99-4201	4	Tube-Spacer
17	99-4258	1	RH Link Bracket ASM
17:2	99-4243	2	Bushing-Flange
18	99-4260	1	LH Link Bracket ASM
18:2	99-4243	2	Bushing-Flange
19	105-3809	1	Spring-Torsion, RH
20	105-3818	1	Spring-Torsion, LH

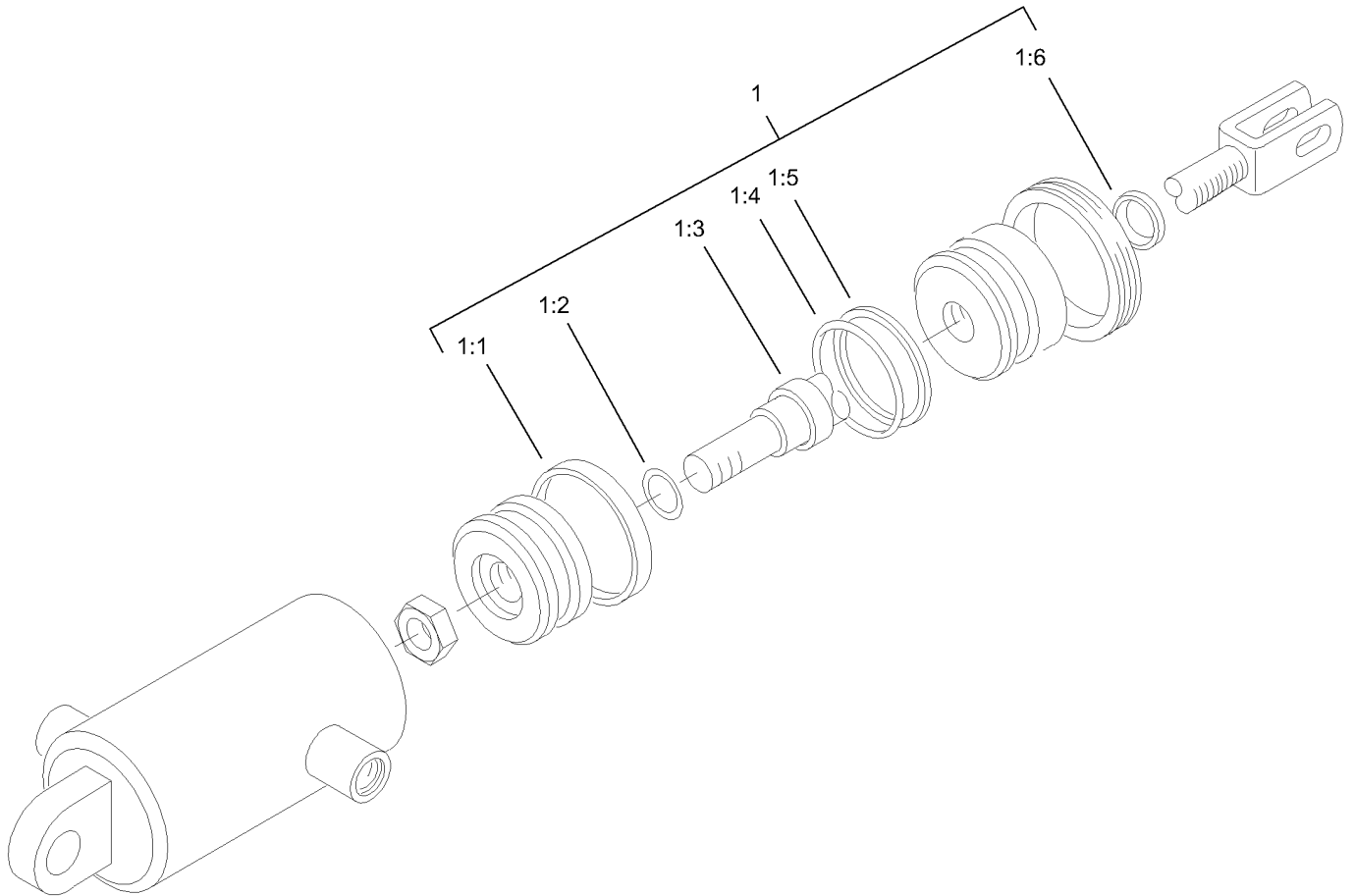
Ref	Part No.	Qty.	Description
21	99-4213	1	RH Lift Arm ASM
21:2	92-8995	2	Bushing
22	99-4212	1	LH Lift Arm ASM
22:2	92-8995	2	Bushing
23	3272-11	2	Pin-Cotter
24	93-2254	2	HYD Hose ASM
26	325-6	5	Screw-HH
27	3218-5	3	Nut-Jam
28	93-2384	2	Spacer-Carrier
31	302-60	2	Fitting-Grease
34	302-5	2	Fitting-Grease
35	74-3730	2	Spacer-Spindle, Rear
38	32144-69	4	Screw-HH
39	325-4	2	Screw-HH
40	325-14	2	Screw-HH
41	3296-54	6	Nut-Lock, NI
42	3250-17	6	Screw-PPH
43	99-4111-01	1	Plate-Transport, 1 And 3
44	99-4112-01	1	Plate-Transport, 2
51	99-4225	2	Pad-Wear
52	99-4072	2	Spacer-Frame, Pull



Center Lift Arm Assembly

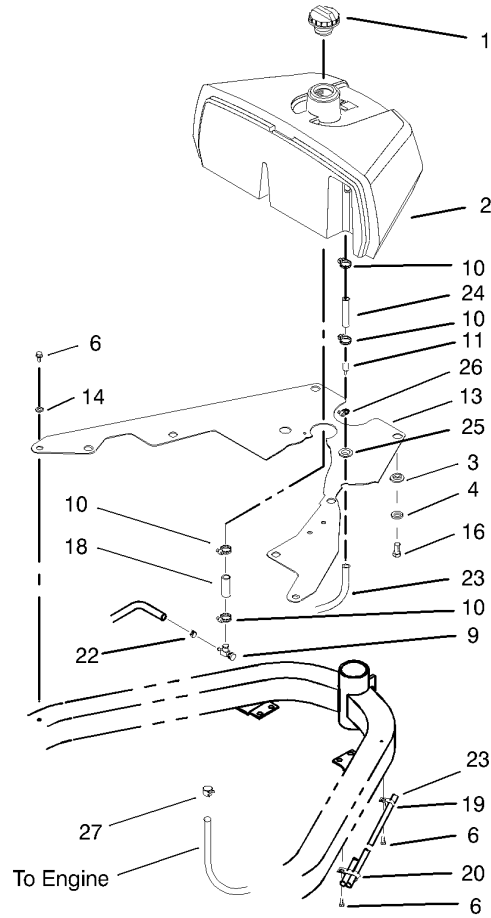
Ref	Part No.	Qty.	Description
1	340-132	1	Fitting-Hyd, 90 DEG
1:1	237-78	1	O-Ring
1:2	237-21	1	O-Ring
2	105-3820	1	HYD Cylinder ASM
3	283-68	1	Pin-Clevis
4	99-4126	1	Center Lift Arm ASM
4:2	92-8995	2	Bushing
5	105-9781	1	Spring-Torsion
6	98-2197	2	Bushing-Flange
7	99-4116	1	Rear Lift Frame ASM
7:1	98-4166	2	Bushing
8	105-9779	1	Guide-Spring
15	33096-00	2	Washer-Flat
16	3272-11	1	Pin-Cotter
17	95-1639	1	Fitting-HYD
17:1	237-78	1	O-Ring
17:2	237-21	1	O-Ring
18	32120-72	2	Ring-Snap
19	63-2290	9	Washer-Thrust
20	93-2258	1	HYD Hose ASM
21	94-3452	1	Pin
22	94-8199	1	Tube-Pivot
23	3296-53	1	Nut-Lock, NI
24	327-25	1	Screw-HH

Ref	Part No.	Qty.	Description
26	94-3477	1	HYD Hose ASM
28	3218-5	2	Nut-Jam
29	3296-25	3	Nut-Lock, NI
30	302-60	1	Fitting-Grease
32	3256-26	2	Washer-Flat
33	32144-69	2	Screw-HH
34	325-5	1	Screw-HH
35	93-7489	1	Orifice Valve ASM
36	99-4248	1	Spacer
37	95-2927	1	Fitting-Elbow
37:1	237-78	2	O-Ring
38	98-4618	2	Bushing-Eccentric
39	3256-74	2	Washer-Flat
40	33114-016	2	Screw-HH
41	99-4072	1	Spacer-Frame, Pull
42	99-4111-01	1	Plate-Transport, 1 And 3
43	99-4225	1	Pad-Wear
44	325-7	1	Screw-HH
45	99-4201	2	Tube-Spacer
46	99-4246	1	Link Bracket ASM
46:2	99-4243	1	Bushing-Flange
48	302-5	1	Fitting-Grease
49	3250-17	3	Screw-PPH
50	325-14	1	Screw-HH



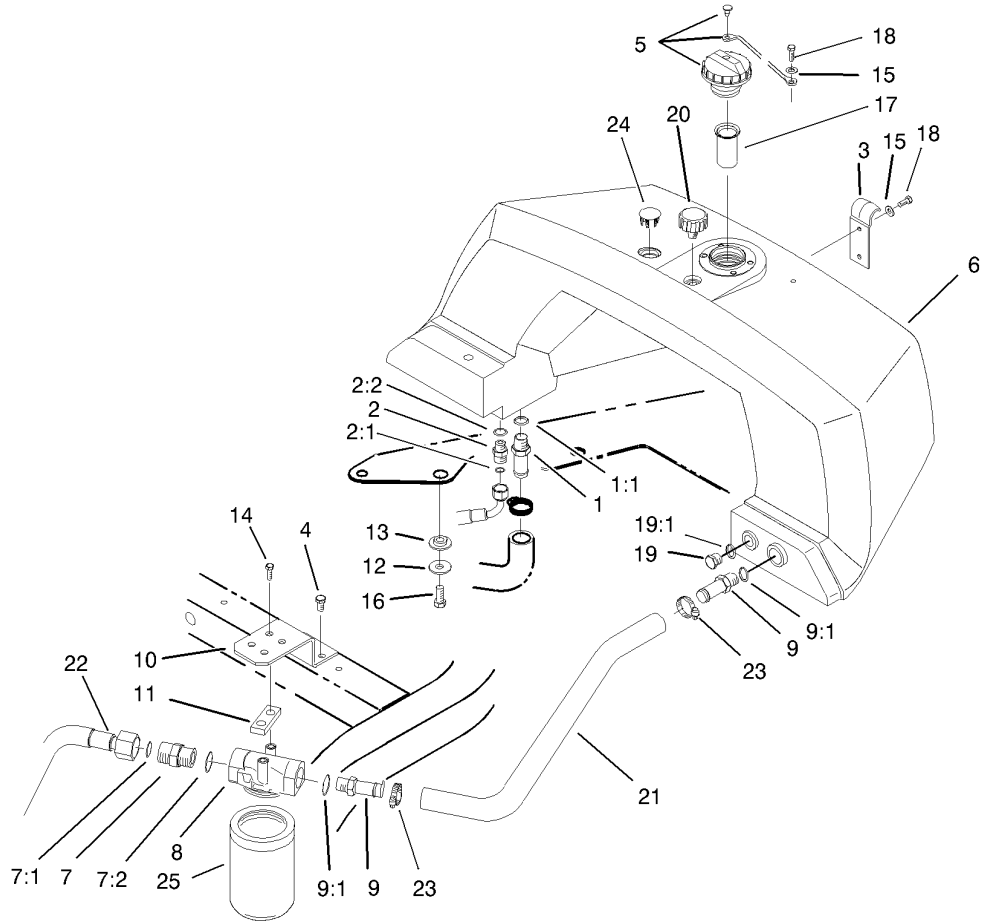
Hydraulic Cylinder Assembly No. 105-3820

Ref	Part No.	Qty.	Description
1	105-3836	1	Seal Kit
● 1:1		1	T-Seal
● 1:2		1	O-Ring
● 1:3		1	Seal-Rod
● 1:4		1	O-Ring
● 1:5		1	Backup
● 1:6		1	Seal-Dust



Fuel System Assembly

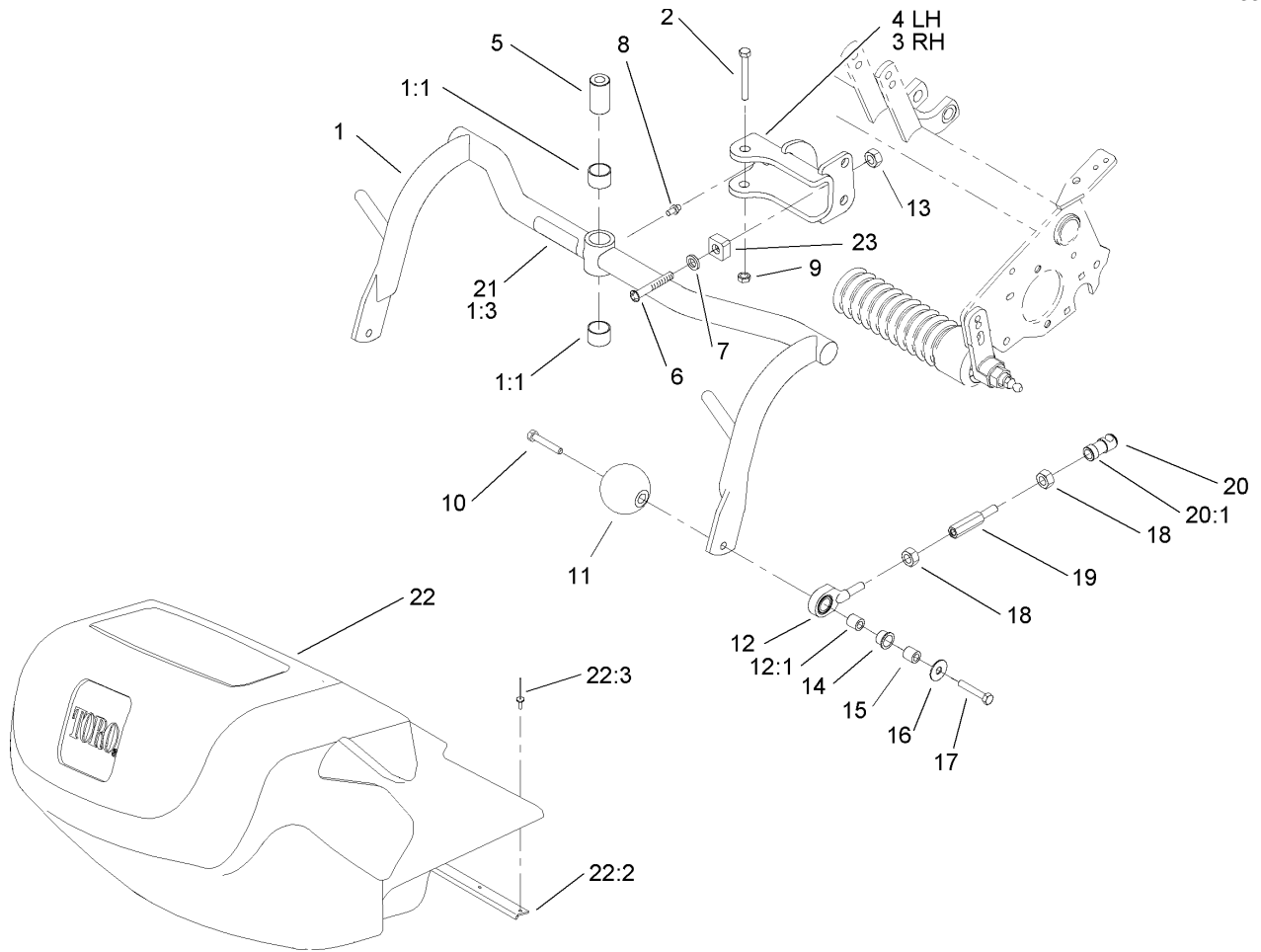
Ref	Part No.	Qty.	Description				
1	93-3102	1	Cap-Fuel				
2	93-2225	1	Tank-Fuel				
3	240-11	3	Bushing-Flange				
4	93-4637	3	Washer-Flat				
6	32144-14	5	Screw-HWH				
9	56-2520	1	Fitting-Shut Off, Fuel				
10	2412-36	4	Clamp-Hose				
11	93-2299	1	Fitting-Fuel				
13	94-1364-03	1	Plate				
14	3256-23	2	Washer-Flat				
16	33115-020	3	Screw-HH				
18	94-4353	1	Hose-Line, Fuel				
19	2412-41	1	Clamp				
20	92-5753	1	Clamp-Hose				
22	92-2379	1	Clamp-Hose				
23	93-2298	1	Hose-Fuel				
24	56-2230	1	Hose-Fuel				
25	237-124	1	Grommet				
26	2412-108	1	Clamp-Worm				
27	94-8189	1	Clamp-Hose				



Hydraulic Tank and Filter Assembly

Ref	Part No.	Qty.	Description
1	354-78	1	Connector-Hose
1:1	237-146	1	O-Ring
2	340-2	1	Fitting-Hyd, Straight
2:1	237-22	1	O-Ring
2:2	237-42	1	O-Ring
3	93-2438	1	Clamp-Tank, Fuel
4	32144-14	2	Screw-HWH
5	93-7160	1	Cap-Oil, HYD
6	93-2235	1	Tank-HYD
7	340-9	1	Fitting-Hyd, Straight
7:1	237-58	1	O-Ring
7:2	237-81	1	O-Ring
8	92-5821	1	Filter Head ASM
9	354-73	2	Fitting
9:1	237-81	1	O-Ring
10	105-9793-03	1	Mount-Filter, Oil
11	105-4309	1	Plate-Filter
12	93-4637	4	Washer-Flat
13	240-11	4	Bushing-Flange
14	321-6	2	Screw-HH
15	3256-1	3	Washer-Flat
16	33115-020	4	Screw-HH
17	93-2275	1	Screen-Filler
18	33113-016	3	Screw-HH

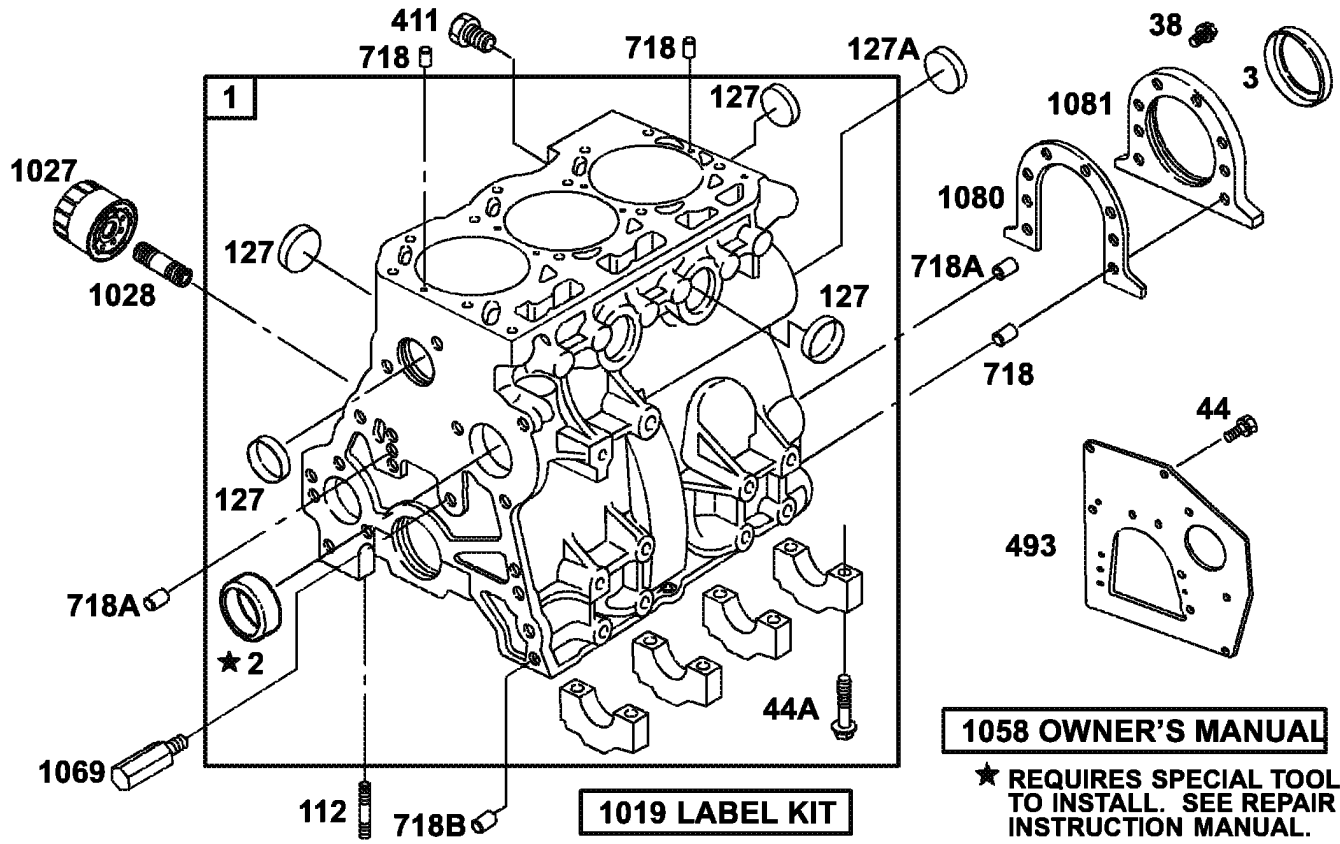
Ref	Part No.	Qty.	Description
19	353-988	1	Plug-Hex, Hollow
19:1	237-79	1	O-Ring
20	68-6150	1	Breather
21	94-9607	1	Hose-Return
22	94-4518	1	Tube ASM
23	2412-129	2	Clamp-Hose
24	93-2437	1	Plug-Serrated
25	105-0438	1	Element-Filter



Pull Frame Assembly

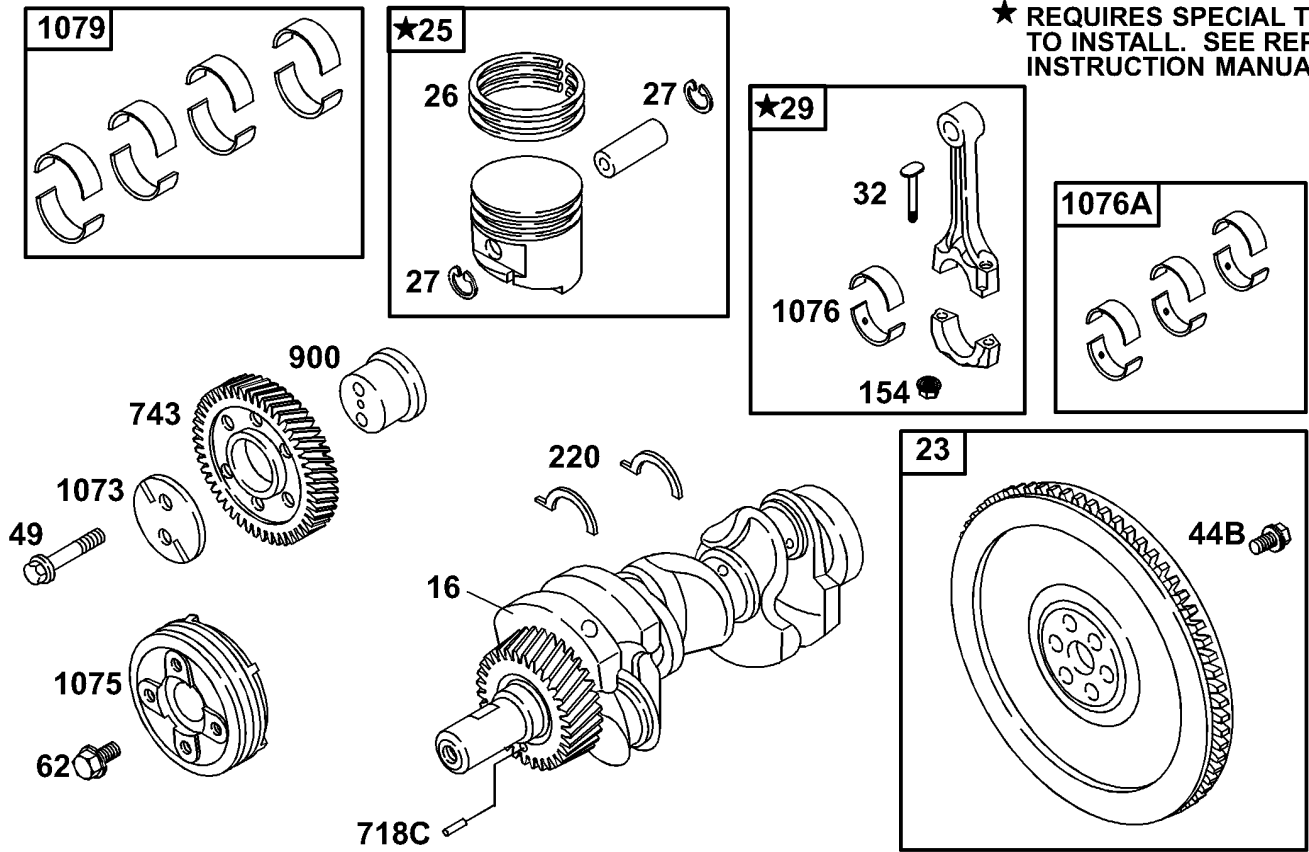
Ref	Part No.	Qty.	Description
1	99-4114	3	Pull Frame ASM
1:1	98-4166	2	Bushing
1:3	104-7728	1	Decal-Danger
2	325-13	3	Screw-HH
3	99-4183-01	2	RH Clevis ASM
4	99-4182-01	1	LH Clevis ASM
5	99-4109	3	Spacer-Pivot
6	78-8710	3	Screw
7	3256-77	3	Washer-Flat
8	302-5	3	Fitting-Grease
9	3296-25	3	Nut-Lock, NI
10	99-4209	6	Shaft-Roller
11	99-4210	6	Roller-Anti Scalp
12	100-6440	6	Pull Link And Bushing ASM
12:1	95-0532	1	Rubber Bushing ASM
13	3296-12	3	Nut-Lock
14	104-7738	6	Bushing-Flange
15	75-5270	6	Spacer-Knob, Seat
16	80-6990	6	Washer-Hardened
17	323-8	6	Screw-HH
18	3220-3	12	Nut-Jam
19	99-4270	6	Extension-Pull Arm
20	99-1460	6	Ball Joint Receiver ASM
20:1	99-1461	1	Sleeve-Joint, Ball

Ref	Part No.	Qty.	Description
21	104-7729	3	Decal-Danger (Europe)
22	106-4689	3	Grass Basket ASM
22:2	104-2607	1	Strip-Basket
22:3	3290-382	8	Rivet-Pop
23	94-1392	3	Pad-Rubber



Cylinder Assembly

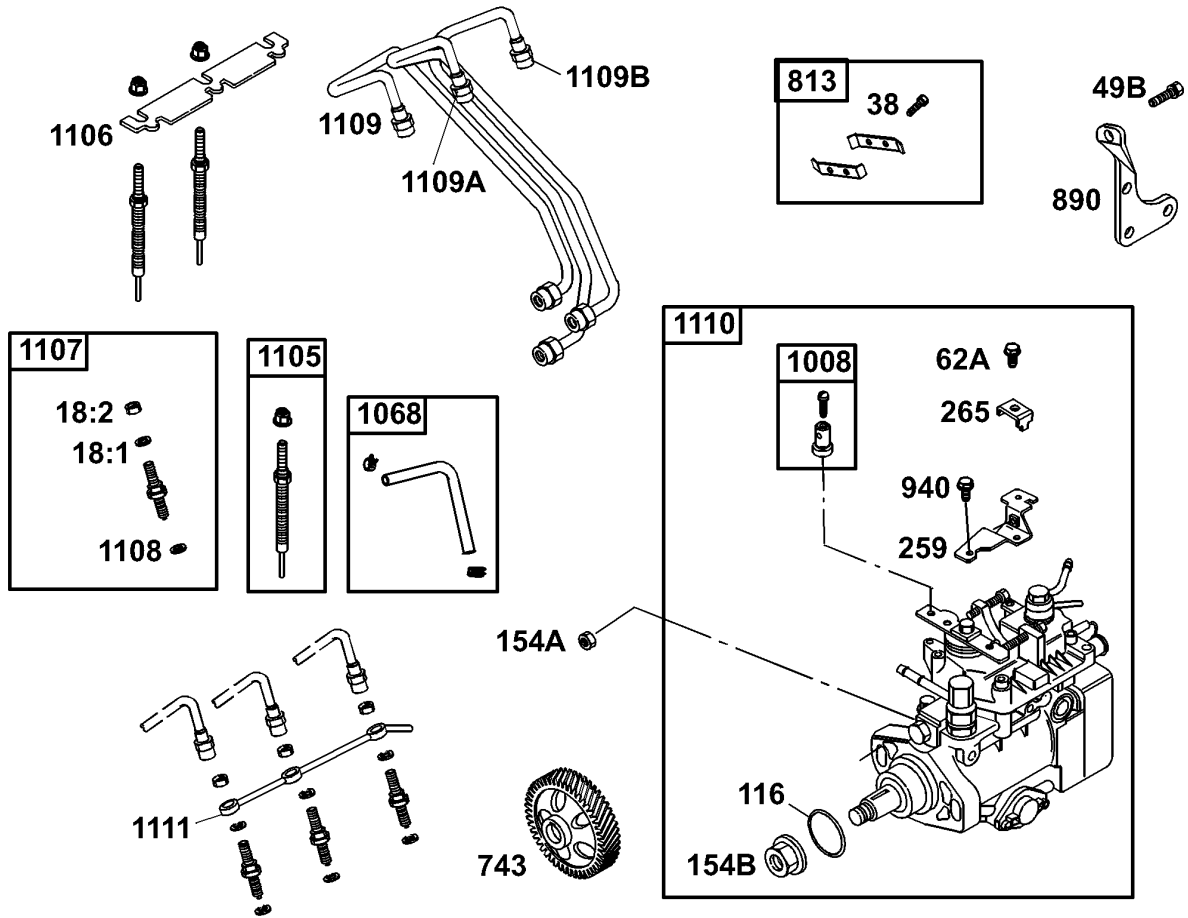
Ref	Part No.	Qty.	Description
1	100-6401	1	Cylinder ASM
2	99-9002	1	Bushing
3	99-9003	1	Seal-Oil
1019	99-9015	1	Label Kit
1058	99-9602	1	Manual-Owners
1069	99-9020	1	Nozzle-Oil
1080	99-9021	1	Gasket-Retainer
1081	99-9022	1	Retainer-Seal
112	99-9007	1	Stud-Metric
1027	99-9017	1	Filter-Oil
127	99-9008	7	Plug-Welch
127A	99-9010	1	Plug-Welch
1028	99-9018	1	Adapter-Filter, Oil
38	99-9004	6	Screw-Hex
411	99-9601	1	Plug (Cylinder Block)
44	99-9005	3	Screw-Hex
44A	99-9006	8	Screw-Hex
493	100-3195	1	Bracket-Mounting
718	99-9012	4	Pin-Locating
718A	99-9013	3	Pin-Locating
718B	99-9014	2	Pin-Locating



Crankshaft Assembly

Ref	Part No.	Qty.	Description
16	99-9252	1	Crankshaft
23	99-9267	1	Flywheel
25	99-9605	3	Piston ASM
25	99-9268	3	Piston ASM-.010" Oversized
26	99-9606	3	Ring Set
26	99-9269	3	Ring Set-.010" Oversized
27	99-9607	6	Lock-Pin, Piston
29	99-9608	3	Rod-Connecting
32	99-9030	6	Screw-Rod, Connecting
49	99-9032	2	Screw-Hex
62	99-9033	1	Screw-Hex
154	99-9034	6	Nut-Hex
220	99-9035	1	Washer-Thrust
220	99-9036	1	Washer-Thrust, .005 Oversize
44B	99-9031	6	Screw-Hex
743	99-9609	1	Gear-Drive
900	99-9039	1	Shaft-Gear
1073	99-9040	1	Plate-Gear, Idler
1075	99-9692	1	Pully-Crankshaft
1076	99-9042	1	Bearing-Rod
1079	99-9045	1	Bearing Set (Main)set Of 8
1079	99-9046	1	Bearing Set (.010 Undersize)
718C	99-9037	1	Pin-Locating
1076A	99-9043	3	Rod Bearing Set

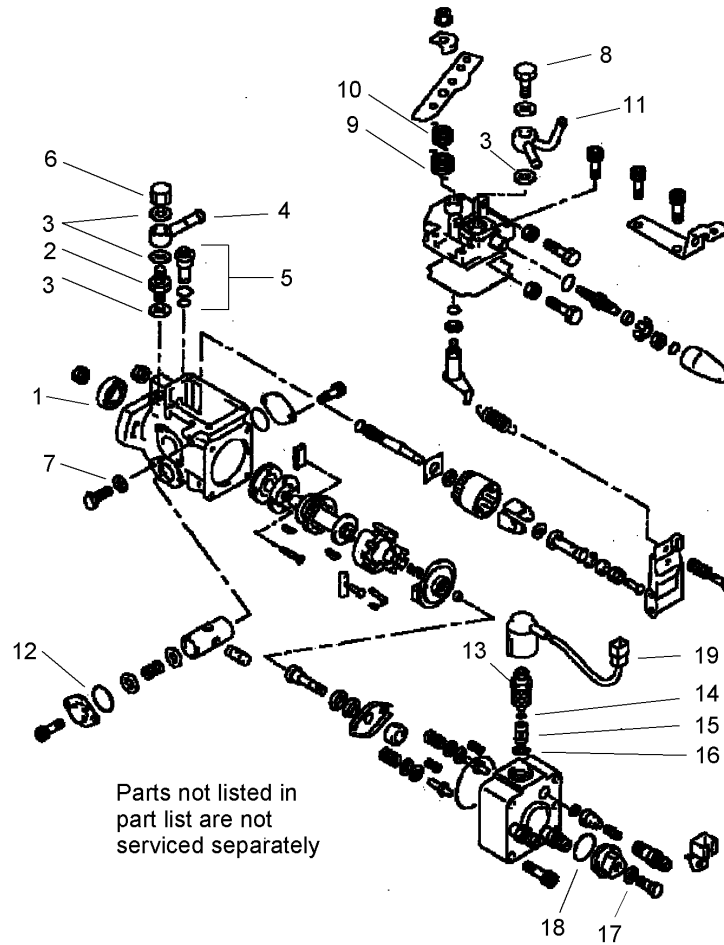
Ref	Part No.	Qty.	Description
1076A	99-9044	3	Rod Bearing Set (.010 Undersize)



Injection Assembly

Ref	Part No.	Qty.	Description
38	99-9004	2	Screw-Hex
116	99-9618	1	O-Ring
259	99-9621	1	Bracket-Clamp, Casing
265	99-9622	1	Clamp-Casing
49B	99-9616	4	Screw-Hex
62A	100-6403	1	Screw-Metric
743	99-9624	1	Gear-Drive
813	99-9625	1	Clamp
890	99-9626	1	Bracket-Support
940	100-6410	2	Screw-Hex
1008	99-9628	1	Clamp-Swivel
1068	99-9629	1	Hose/clamp ASM
1105	99-9630	3	Plug-Glow
1106	99-9631	1	Strap-Plug, Glow
1107	105-9789	3	Injection Nozzle
1108	99-9633	3	Seat-Injector
1109	99-9690	1	Pipe-Injector, #1
1110	106-6364	1	Pump-Injection
1111	99-9637	1	Pipe-Return, Fuel
154A	99-9619	2	Nut-Hex, Metric
154B	99-9620	1	Nut-Hex, Metric
1109A	99-9634	1	Pipe-Injector, #2
1109B	99-9635	1	Pipe-Injector, #3
18:1	100-5148	1	Washer

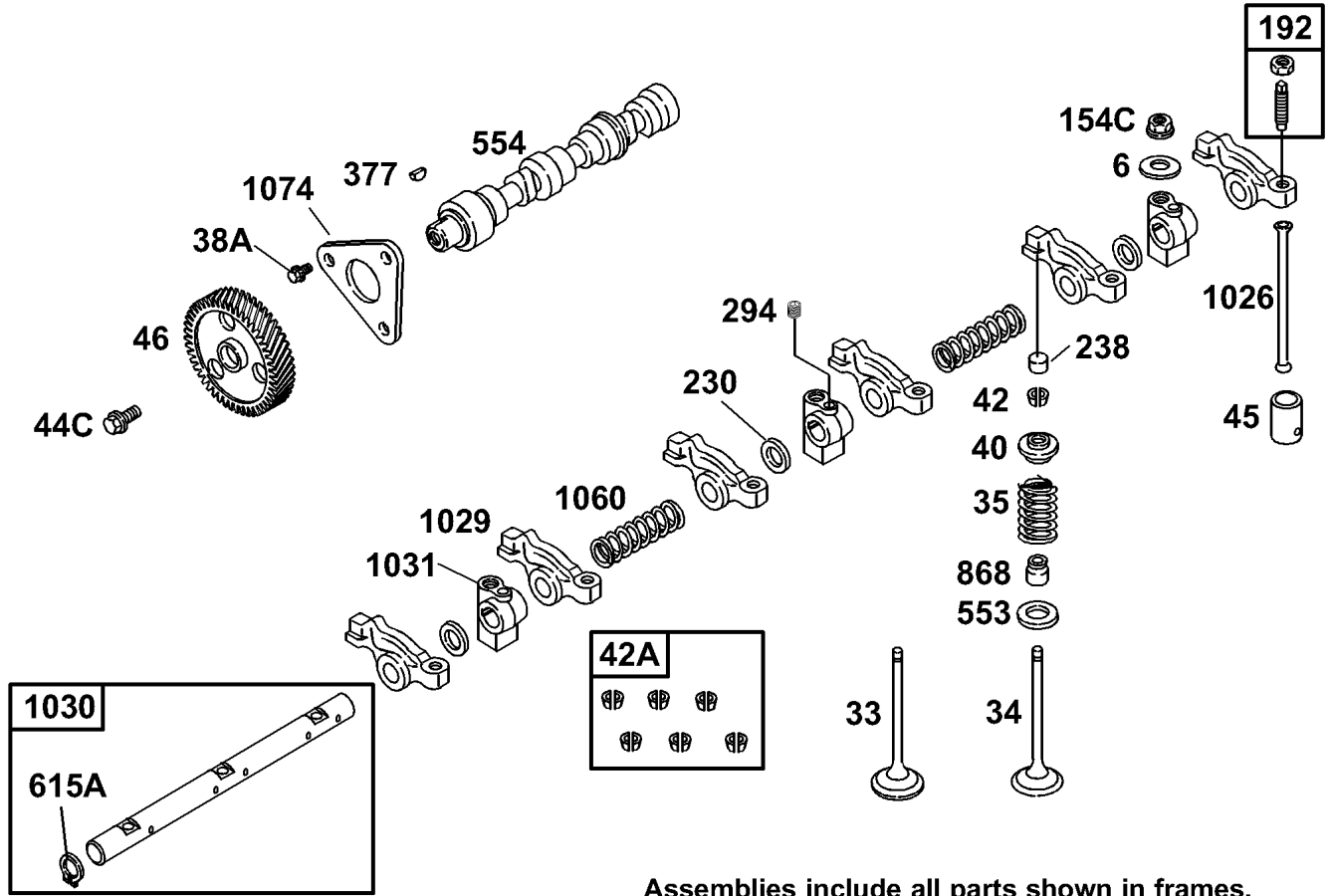
Ref	Part No.	Qty.	Description
18:2	100-5149	1	Nut-Hex



Injection Assembly No. 106-6364

Ref	Part No.	Qty.	Description
1	100-5190	1	Seal-Oil
2	100-5234	1	Screw-Hollow
3	100-5221	5	Washer, Air Bleede
4	100-5222	1	Nipple ASM
5	100-5230	1	Valve ASM
6	100-5302	1	Nut-Cap
7	100-5314	2	Gasket-Delivery
8	100-5220	1	Screw ASM
9	100-5226	1	Spring-Return
10	100-5228	1	Spring-Return
11	100-5307	1	Nipple ASM
12	100-5202	2	O-Ring
13	100-5161	1	Solenoid ASM
14	100-5162	1	O-Ring
15	100-5303	1	Filter ASM
16	100-5304	1	Washer
17	100-5205	1	Gasket-Delivery
18	100-5206	1	O-Ring
19	100-5212	1	Wire ASM

--	--	--	--

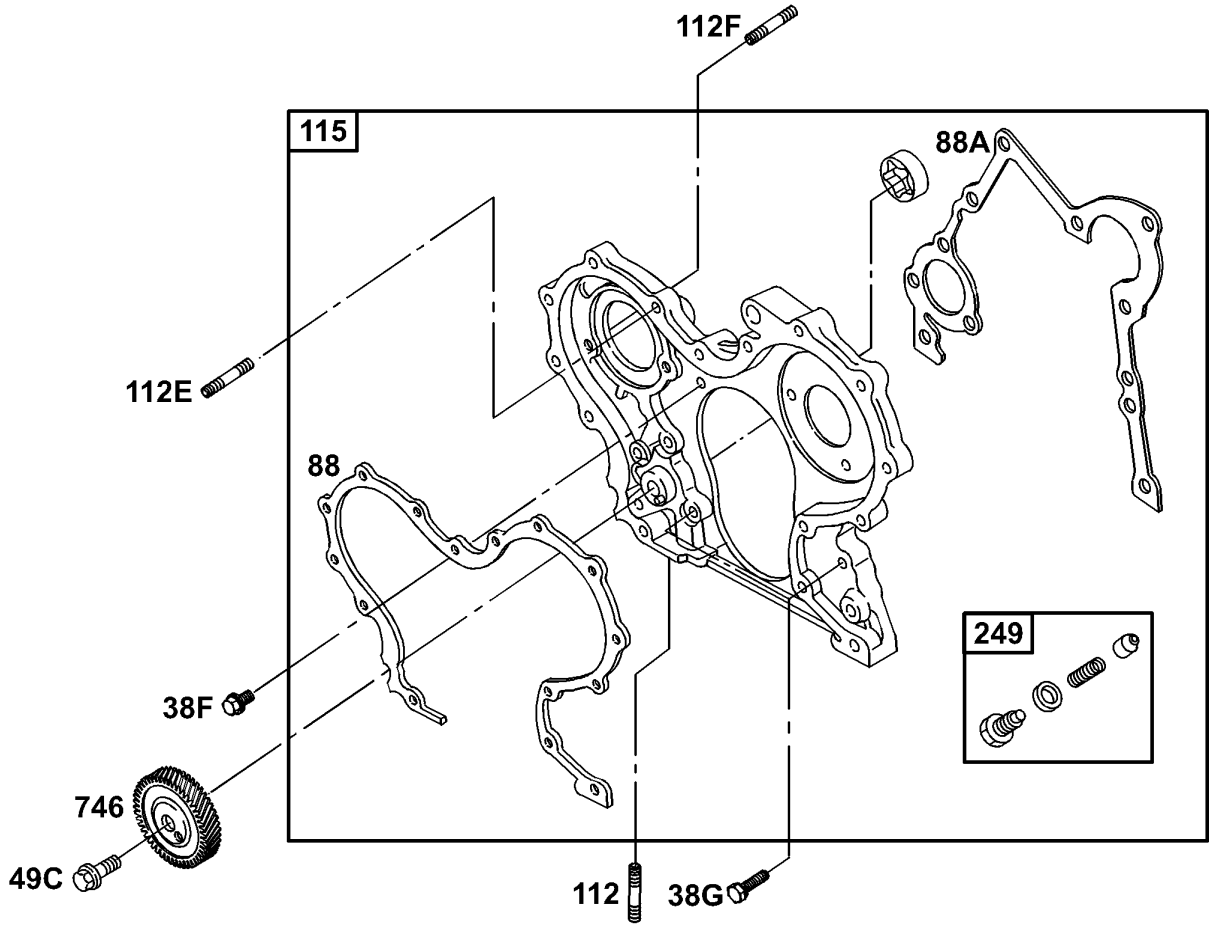


Assemblies include all parts shown in frames.

Rocker Arm Assembly

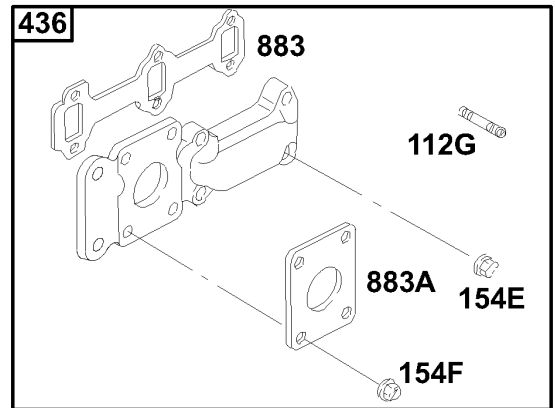
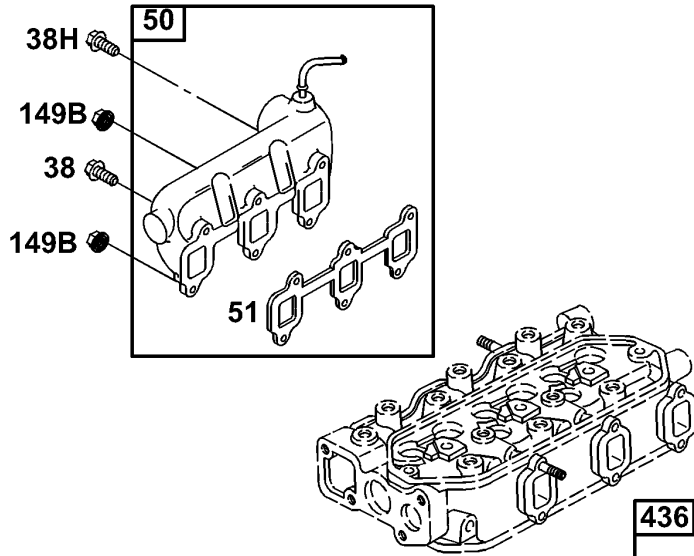
Ref	Part No.	Qty.	Description
6	99-9079	3	Washer-Flat
33	99-9638	3	Valve-Exhaust
34	99-9639	3	Valve-Intake
35	99-9640	6	Spring-Valve
40	99-9084	6	Retainer-Valve
42	99-9086	1	Keeper-Valve
45	99-9088	6	Tappet-Valve
46	99-9641	1	Gear-Cam
192	99-9092	6	Adjuster-Arm, Rocker
230	99-9093	3	Washer-Spacer
238	99-9094	6	Cap-Valve
294	99-9090	1	Screw-Metric
377	99-9642	1	Key-Timing
38A	99-9083	3	Screw-Hex
42A	99-9087	6	Keeper-Valve (Set Of Six)
44C	99-9085	1	Screw-Metric
553	99-9096	6	Seat-Spring, Valve
554	99-9097	1	Shaft-Cam
868	99-9643	6	Seal-Valve
1026	99-9103	6	Rod-Push
1029	99-9104	1	Arm-Rocker
1030	99-9106	1	Shaft-Arm, Rocker
1031	99-9107	3	Support-Arm, Rocker
1060	99-9108	2	Spring-Shaft, Rocker

Ref	Part No.	Qty.	Description
1074	99-9109	1	Retainer-Camshaft
154C	99-9091	3	Nut-Hex, Metric
615A	99-9099	2	Retainer



Gear Housing Assembly

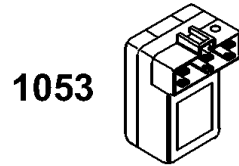
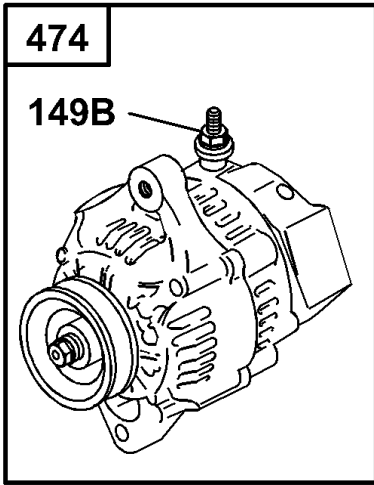
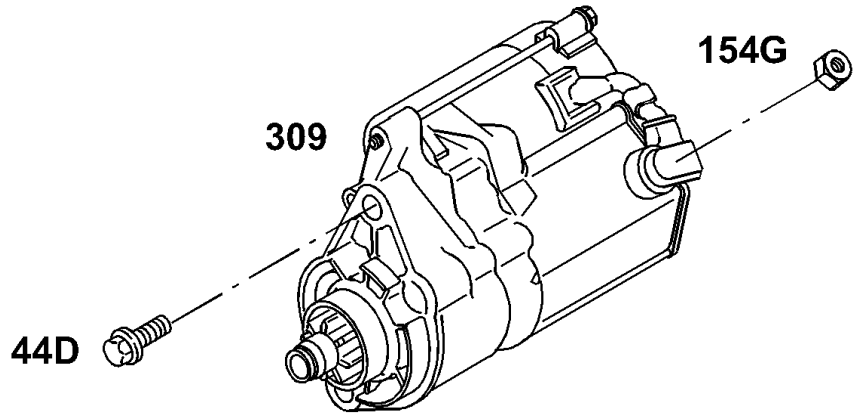
Ref	Part No.	Qty.	Description
88	99-9653	1	Gasket-Cover, Gear
112	99-9007	1	Stud-Metric
115	99-9655	1	Housing-Gear
249	99-9142	1	Valve-Relief, Oil
38F	99-9134	1	Screw-Hex
38G	99-9133	4	Screw-Hex
49C	99-9135	1	Screw-Hex
746	99-9656	1	Gear-Drive
88A	99-9136	1	Gasket-Cover, Gear
112E	99-9137	2	Stud-Metric
112F	99-9654	2	Stud-Metric



Manifold Assembly

Ref	Part No.	Qty.	Description
38	99-9004	1	Screw-Hex
50	99-9661	1	Manifold-Intake
51	99-9662	1	Gasket-Intake
38H	99-9660	3	Screw-Hex
436	99-9177	1	Manifold-Exhaust
883	99-9178	1	Gasket-Exhaust
112G	100-6407	4	Stud-Manifold, Exhaust
149B	99-9114	2	Nut-Hex, Metric
154E	99-9175	6	Nut-Hex, Metric
154F	99-9176	4	Nut-Hex
883A	99-9179	1	Gasket-Exhaust

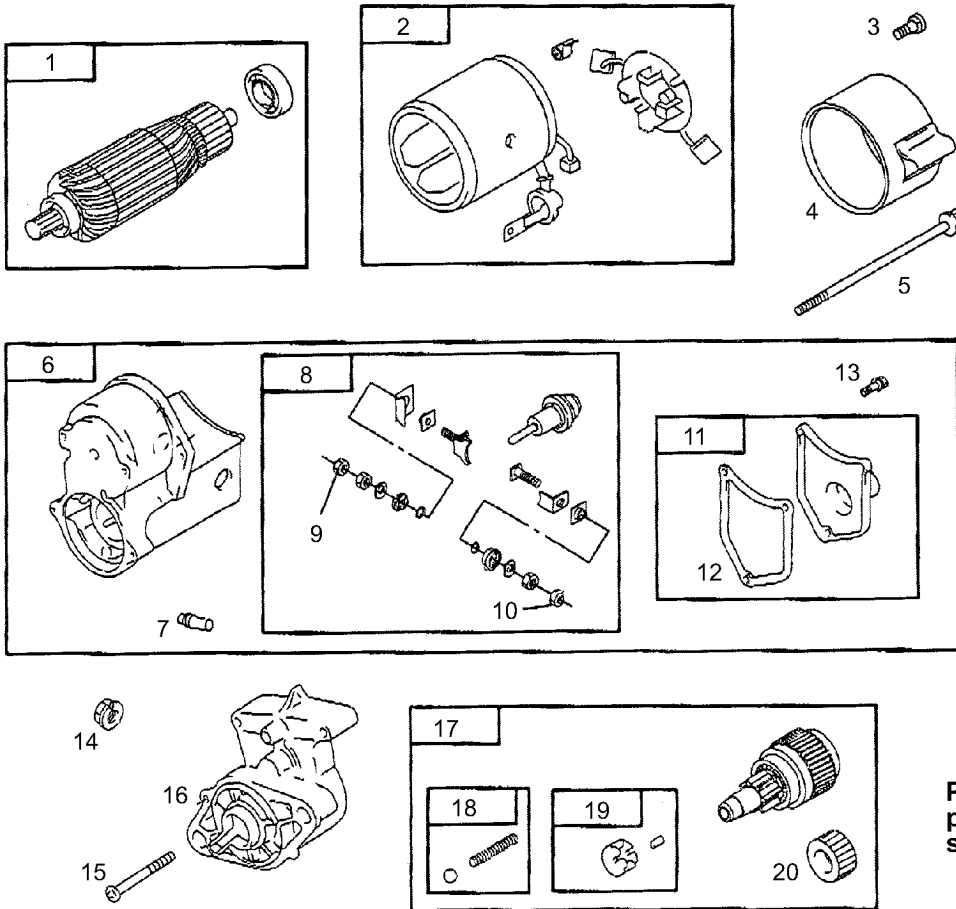
--	--	--	--



Alternator Assembly

Ref	Part No.	Qty.	Description
309	104-7716	1	Motor-Starter
44D	99-9201	2	Screw-Hex
474	99-9209	1	Alternator
1053	99-9666	1	Module
149B	99-9114	1	Nut-Hex, Metric
154G	99-9206	1	Nut-Hex, Metric

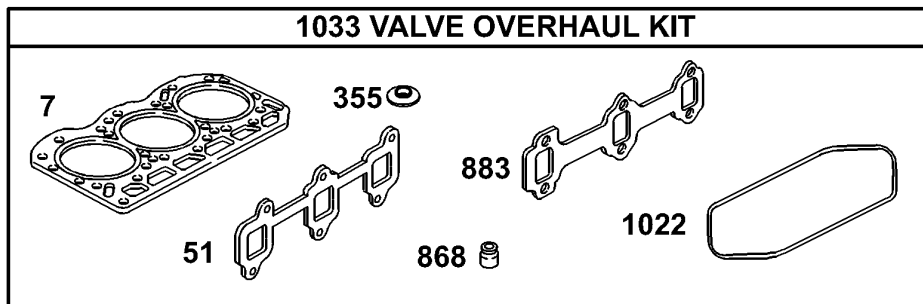
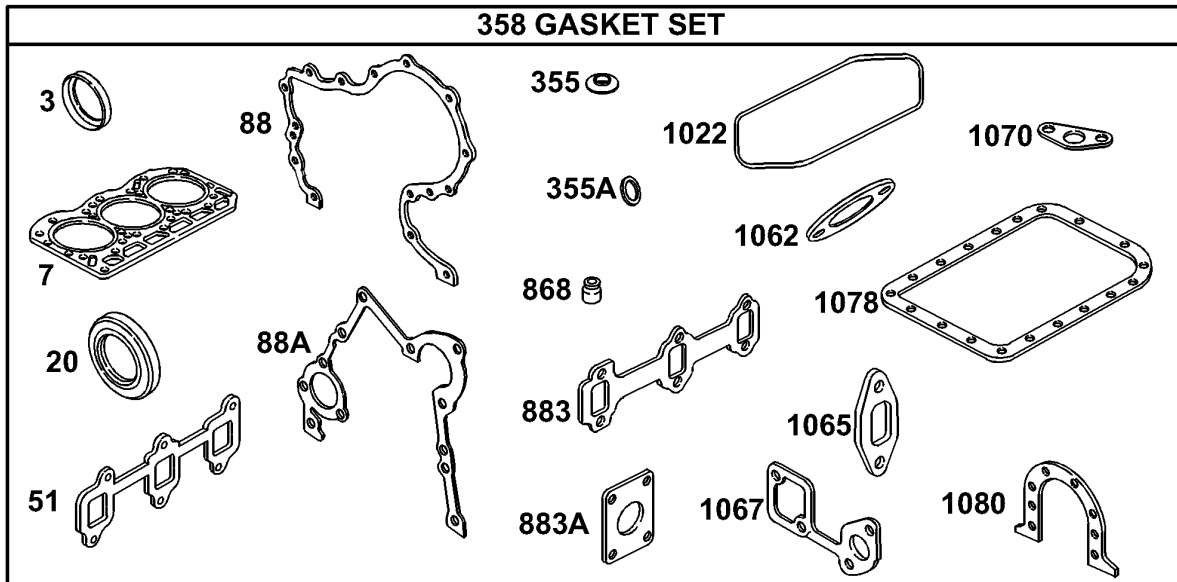
--	--	--	--



Parts not listed in part list are not serviced separately

Starter Motor Assembly No. 104-7716

Ref	Part No.	Qty.	Description
1	105-8638	1	Armature-Starter
2	105-8639	1	Housing-Starter
3		1	Screw
4		1	End Cap
5		1	Screw
6	105-8640	1	Solenoid-Starter
7		1	Vent Plug
8	105-8636	1	Plunger/terminal Kit
9		2	Nut
10		2	Nut
11		1	Solenoid Cover
12		1	Gasket-Solenoid Cover
13		1	Screw
14		1	Nut
15		1	Screw
16		1	Drive Cap
17	105-8637	1	Drive-Starter
18		1	Spring Detent
19		1	Clutch Roller
20		1	Starter Drive Gear



Gasket and Valve Overhaul Kit

Ref	Part No.	Qty.	Description
3	99-9003	1	Seal-Oil
7	99-9612	1	Gasket-Head, Cylinder
20	99-9126	1	Seal-Oil
51	99-9662	1	Gasket-Intake
88	99-9653	1	Gasket-Cover, Gear
355	99-9063	1	Washer-Seal
358	99-9667	1	Gasket-Set
868	99-9643	6	Seal-Valve
883	99-9178	1	Gasket-Exhaust
88A	99-9136	1	Gasket-Cover, Gear
1022	99-9073	1	Gasket-Cover, Rocker
1033	99-9668	1	Valve Overhaul Kit
1062	99-9163	1	Gasket-Outlet
1065	99-9166	1	Gasket-Housing, Inlet
1067	99-9168	1	Gasket-Pump, Water
1070	99-9120	1	Gasket-Strainer, Oil
1078	99-9121	1	Gasket-Pan, Oil
1080	99-9021	1	Gasket-Retainer
355A	99-9645	1	Washer-Seal
883A	99-9179	1	Gasket-Exhaust

--	--	--	--

NOTES

