



Count on it.

Parts Catalog

14-Blade DPA Reel Mower

Greensmaster® 3000 Series

Model No. 04616—Serial No. 311000001 and Up

Ordering Replacement Parts

To order replacement parts, please supply the part number, the quantity, and the description of each part desired.

Understanding Reference Numbers

Each identified part in an illustration has a reference number. The reference number for a part also appears in the parts list, along with other information about the part.

This catalog uses two special reference number formats, one to indicate parts in a service assembly and another to indicate the quantity of a given part in an illustration.

Service Assembly Reference Numbers

Parts in service assemblies have reference numbers in the form a:b. The a represents the reference number of the entire service assembly and the b represents a sequential number unique to each part within the service assembly.

For example, a wheel assembly might be identified by reference number 6, the tire by 6:1, the valve by 6:2, and the wheel by 6:3. When you order the assembly identified by reference number 6, you receive all parts identified by reference numbers 6:1, 6:2, and 6:3. However, you may also order any part individually. Reference numbers of this type appear in illustration and in parts lists.

Reference Numbers Indicating Quantity

In an illustration, if a reference number indicates more than one part, the reference number has the form nX y. The n represents the quantity of the part, the X is the multiplication symbol, and the y represents the reference number.

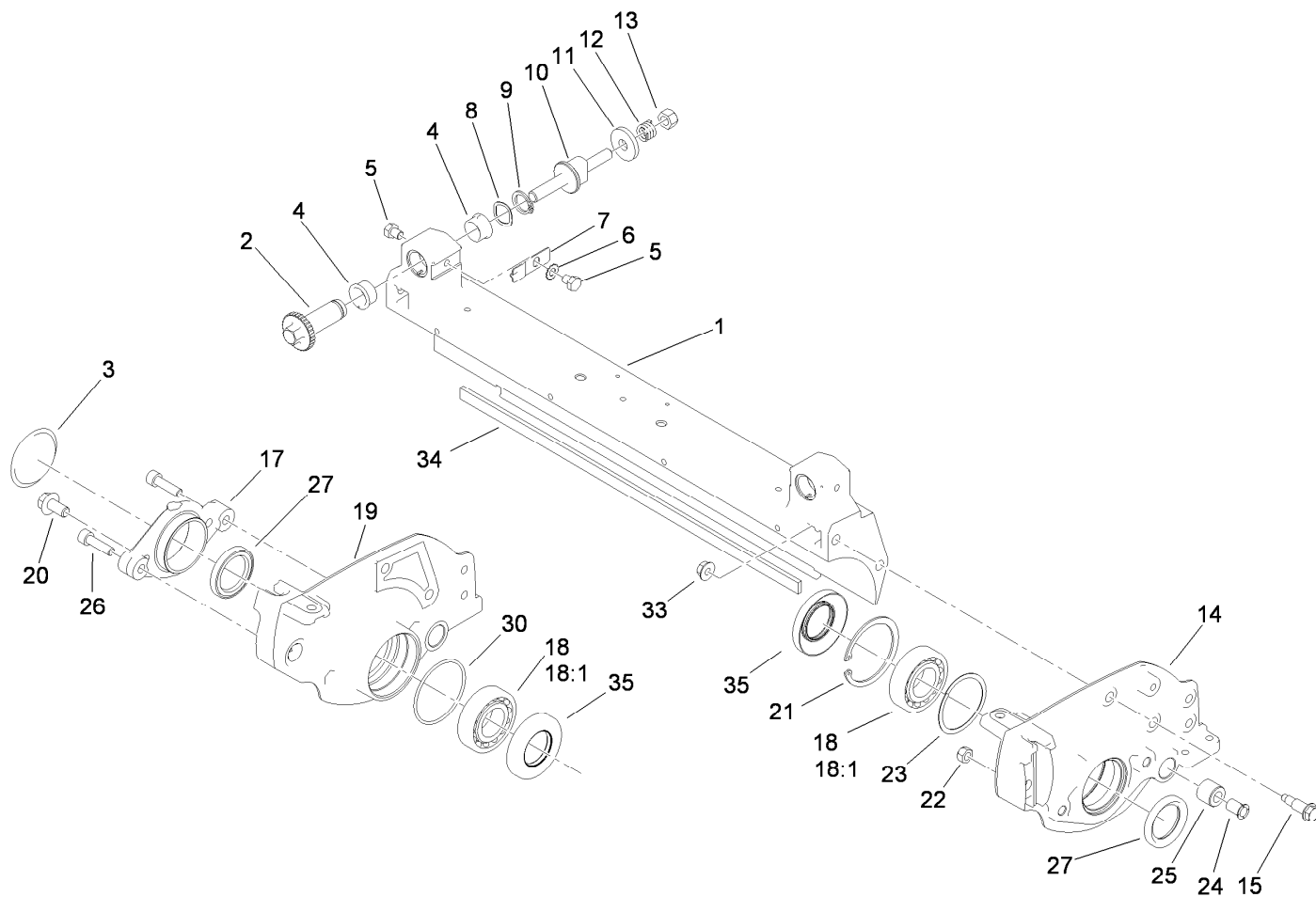
For example, in an illustration, the reference number 2X 37 means that two of the parts identified by reference number 37 are indicated.

List of Abbreviations

| | | |
|--|--|--------------------------------------|
| AR: as required | HSBH: hex socket button head | SFH: slotted fillister head |
| ASM: assembly | HSFH: hex socket flat head | SHH: slotted hex head |
| BBC: blade brake control | HSH: hex socket head | SHWH: slotted hex washer head |
| BHTF: button head thread forming | HWH: hex washer head | SPH: slotted pan head |
| CARR: carriage | HWHTF: hex washer head thread forming | SQH: square head |
| CCW: counter clockwise | HYD: hydraulic | SRH: slotted round head |
| CW: clockwise | LH: left hand | STD: standard |
| DEG: degrees | LP: Liquid Propane | TAP: self tapping |
| ECM: electronic control module | NI: nylon insert | TTH: torx truss head |
| EXT: external | NPTF: national pipe thread fine | |
| FH: flat head | PFH: phillips flat head | |
| GA: gauge | PPH: phillips pan head | |
| HD: heavy-duty | PPHTF: phillips pan head thread forming | |
| HF: hex flange | PRH: phillips round head | |
| HH: hex head | PTH: phillips truss head | |
| HHF: hex head flange | PTO: power-take-off | |
| HHFTF: hex head flange thread forming | RH: right hand | |
| HJ: hex jam | ROPS: roll-over protection system | |
| HLH: hex lag head | RRB: rear roller brush | |
| HOC: height-of-cut | | |

Contents

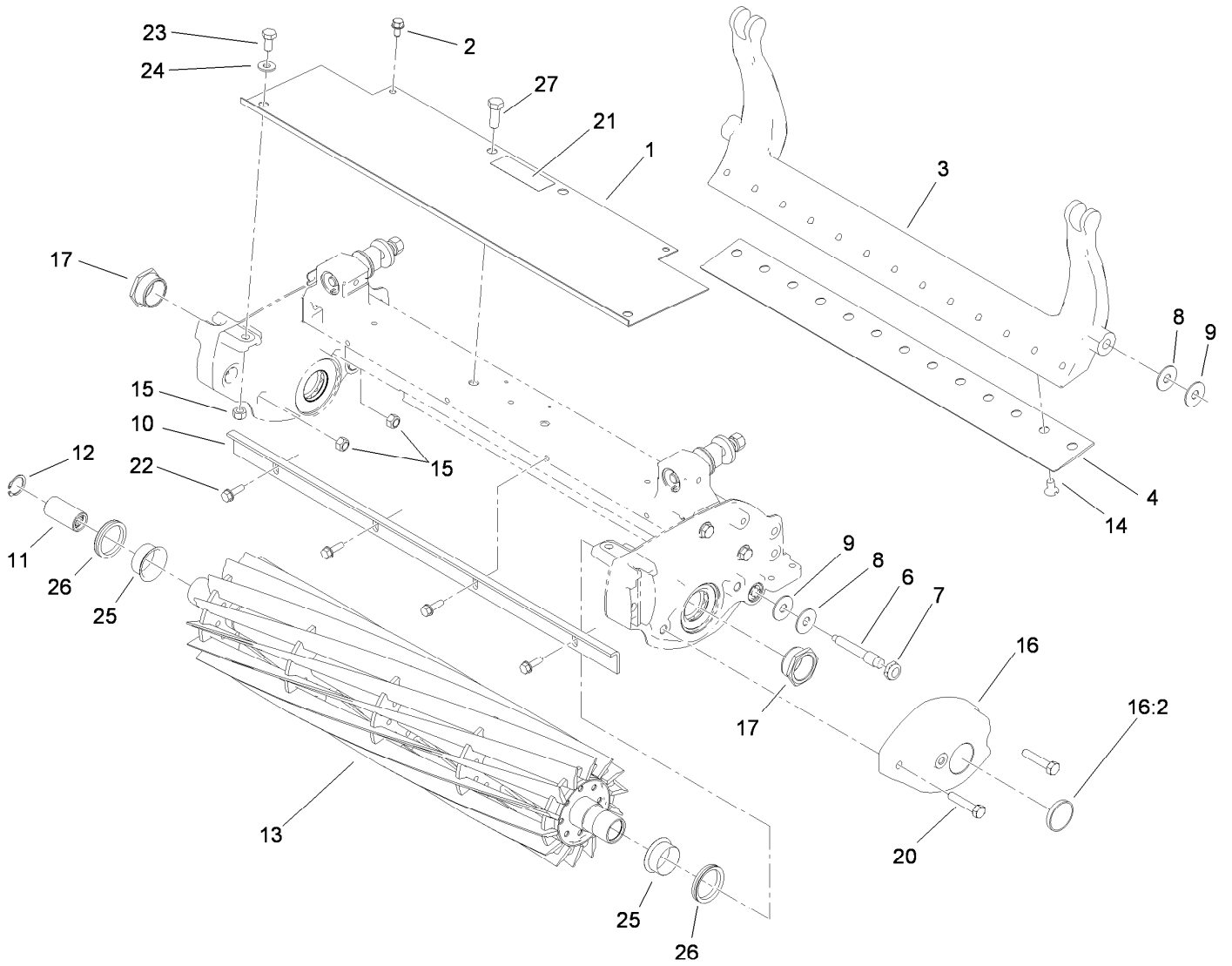
- Frame Assembly..... 4
- Bedbar and Reel Assembly 5
- Rear Roller Assembly 6
- Roller Seal Rebuild Kit Assembly No. 107-1594 7
- Attachments and Accessories 8



Frame Assembly

| Ref. | Part Number | Qty. | Description | Ref. | Part Number | Qty. | Description |
|------|-------------|------|------------------------|------|-------------|------|--------------------------|
| 1 | 119-9303 | 1 | Crossmember | 18 | | 2 | Bearing-Packed, Grease ● |
| 2 | 106-5363 | 2 | Shaft-Adjuster | 18:1 | 93-2489 | 1 | Bearing |
| 3 | 2410-30 | 1 | Cap-Plastic | 19 | 105-5797 | 1 | Plate-Side, RH |
| 4 | 106-5344 | 4 | Bushing-Flange, Keyed | 20 | 106-2633 | 2 | Screw-HHF |
| 5 | 322-26 | 4 | Screw-HH | 21 | 106-6914 | 1 | Ring-Snap, Internal |
| 6 | 3255-8 | 2 | Washer-Lock | 22 | 33024-00 | 2 | Nut-Lock |
| 7 | 99-2097 | 2 | Detent | 23 | 105-5700 | 1 | Washer-Wave |
| 8 | 106-5335 | 2 | Washer-Wave | 24 | 52-2890 | 2 | Bushing-Nylon |
| 9 | 32120-93 | 2 | Ring-Retaining | 25 | 63-9510 | 2 | Bushing |
| 10 | 99-2096 | 2 | Screw-Adjuster, Bedbar | 26 | 94-3559 | 2 | Screw-HSH |
| 11 | 99-2098 | 2 | Washer | 27 | 253-134 | 2 | Seal-Grease |
| 12 | 99-3755 | 2 | Spring-Compression | 30 | 106-2607 | 1 | O-Ring |
| 13 | 33025-00 | 2 | Nut-Lock, NI | 33 | 98-0668 | 4 | Nut |
| 14 | 105-5795 | 1 | Plate-Side, LH | 34 | 106-2619 | 1 | Strip-Seal |
| 15 | 105-5774 | 4 | Bolt-Shoulder | 35 | 106-6926 | 2 | Seal-Grease |
| 17 | 104-9447 | 1 | Adapter-Motor | | | | |

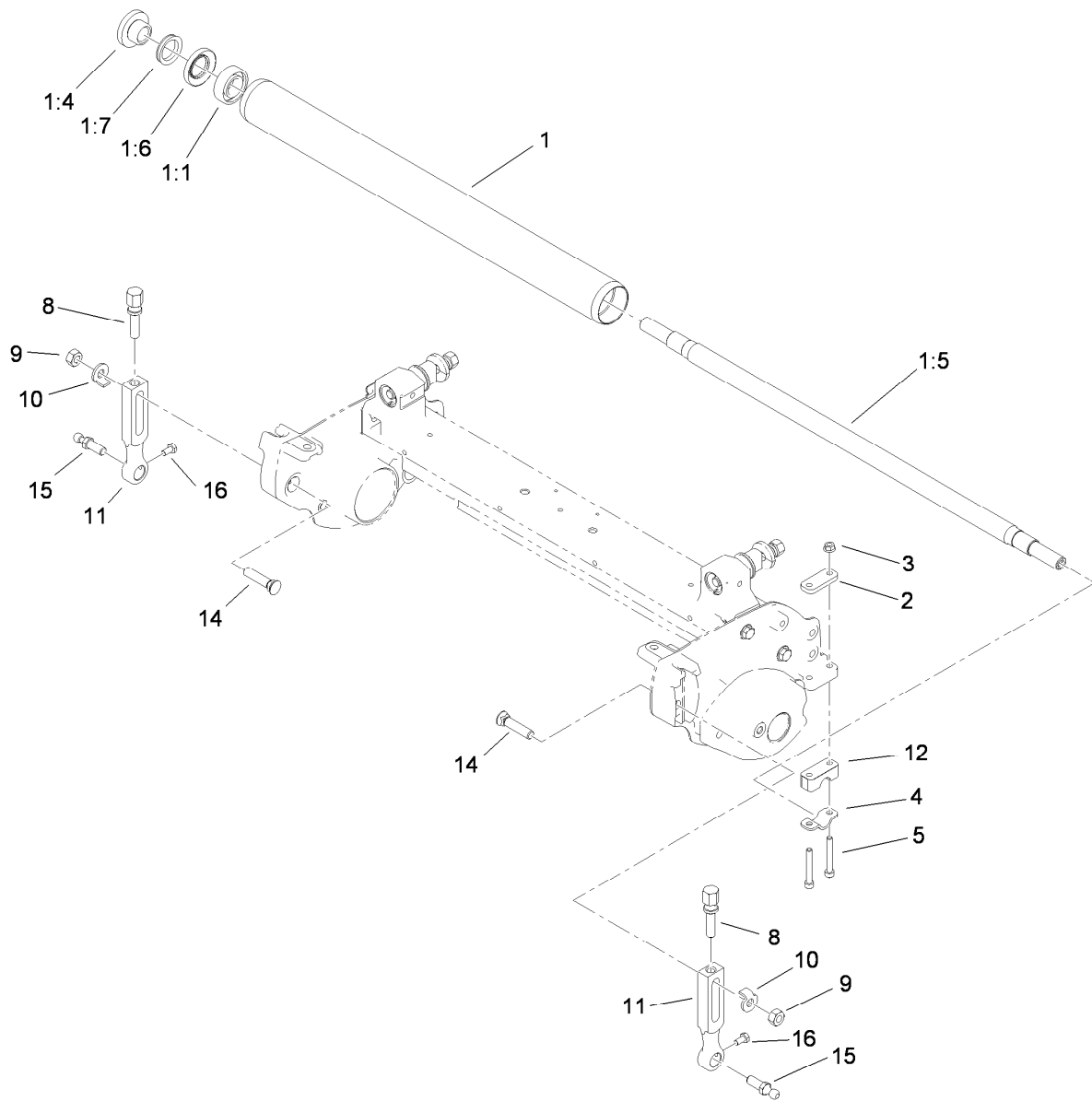
● Not serviced separately



Bedbar and Reel Assembly

| Ref. | Part Number | Qty. | Description | Ref. | Part Number | Qty. | Description |
|------|-------------|------|-----------------------------------|------|-------------|------|-------------------|
| 1 | 119-3577-01 | 1 | Shield-Grass | 12 | 105-5775 | 1 | Ring-Retaining |
| 2 | 104-2628 | 2 | Screw-HWH | 13 | 115-5370 | 1 | Reel-14 Blade |
| 3 | 106-2648-01 | 1 | Bedbar | 14 | 57-4910 | 13 | Screw-Special |
| 4 | 115-1880 | 1 | Bedknife-Edgemax, Microcut ● | 15 | 33024-00 | 4 | Nut-Lock |
| 4 | 115-1881 | 1 | Bedknife-Edgemax, Tournament ● | 16 | 105-5709 | 1 | Weight ASM |
| 4 | 93-4262 | 1 | Bedknife-Microcut ● | 16:2 | 105-5708 | 1 | Plug-Expansion |
| 4 | 93-4263 | 1 | Bedknife-Tournament Cut ● | 17 | 105-5706 | 2 | Nut-Lock, Bearing |
| 4 | 93-4264 | 1 | Bedknife-Low Cut ● | 20 | 33114-040 | 2 | Screw-HH |
| 6 | 117-9493 | 2 | Bolt-Bedbar | 21 | 119-3504 | 1 | Decal-Regulatory |
| 7 | 3296-28 | 2 | Nut-Lock, NI | 22 | 110-3986 | 4 | Screw |
| 8 | 52-2860 | 4 | Washer | 23 | 33114-016 | 2 | Screw-HH |
| 9 | 52-2900 | 4 | Washer-Plastic | 24 | 3256-2 | 2 | Washer-Flat |
| 10 | 106-6924-03 | 1 | Bar-Cutoff | 25 | 106-6927 | 2 | Sleeve |
| 11 | 94-4507 | 1 | Coupler-Splined | 26 | 106-6929 | 2 | V-Ring |
| | | | | 27 | 323-6 | 2 | Screw-HH |

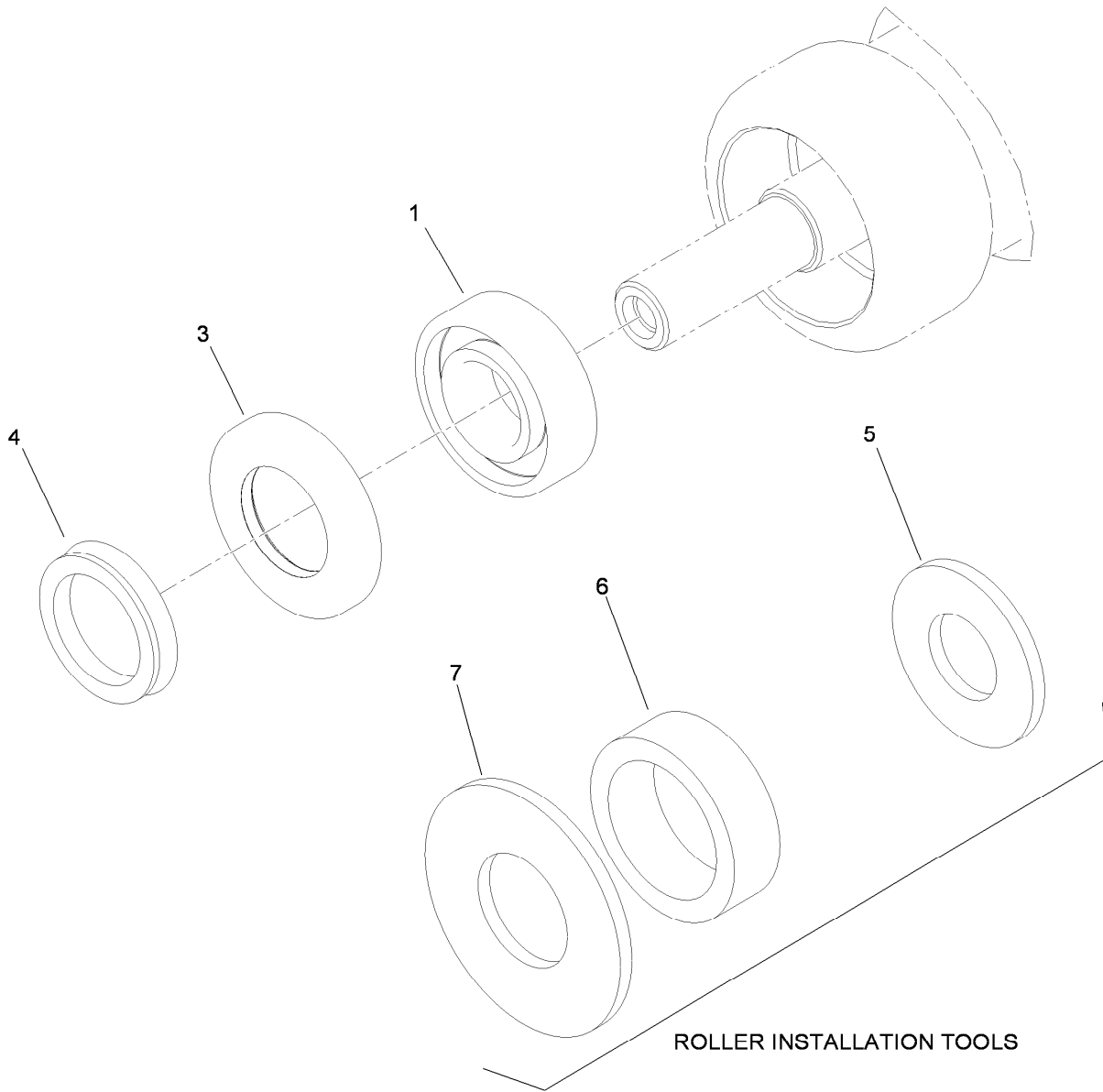
● Optional Equipment



Rear Roller Assembly

| Ref. | Part Number | Qty. | Description |
|------|-------------|------|-------------------------|
| 1 | 106-6945 | 1 | 21 Inch Full Roller ASM |
| 1:1 | 251-347 | 2 | Bearing-Ball |
| 1:4 | 108-3151 | 2 | Nut-Lock, Bearing |
| 1:5 | 106-6940 | 1 | Shaft-Roller |
| 1:6 | 106-6941 | 2 | Seal |
| 1:7 | 106-6942 | 2 | V-Ring |
| 2 | 105-5711 | 2 | Shim-Roller |
| 3 | 33003-00 | 4 | Nut-HF |
| 4 | 105-5712 | 2 | Retainer-Shaft |

| Ref. | Part Number | Qty. | Description |
|------|-------------|------|---------------|
| 5 | 106-2603 | 4 | Screw-HSH |
| 8 | 110-7352 | 2 | Screw-HOC |
| 9 | 106-4668 | 2 | Nut-Lock |
| 10 | 104-2603 | 2 | Washer-HOC |
| 11 | 110-7351 | 2 | Arm-HOC |
| 12 | 105-5710 | 2 | Spacer-Roller |
| 14 | 105-5342 | 2 | Bolt-Plow |
| 15 | 94-2958 | 2 | Stud-Ball |
| 16 | 33113-012 | 2 | Screw-HH |



Roller Seal Rebuild Kit Assembly No. 107-1594

| <i>Ref.</i> | <i>Part Number</i> | <i>Qty.</i> | <i>Description</i> |
|-------------|--------------------|-------------|---------------------|
| 1 | 251-347 | 2 | Bearing-Ball |
| 3 | 106-6941 | 2 | Seal |
| 4 | 106-6942 | 2 | V-Ring |
| 5 | 107-8133 | 2 | Washer-Flat |
| 6 | 107-3505 | 2 | Spacer-Tool, Roller |
| 7 | 104-6126 | 2 | Washer-Flat |

Attachments and Accessories

For 04616 14-Blade DPA Reel Mower Greensmaster 3000 Series

| Product Name | Model/Part |
|--|-------------------|
| Full Roller Kit | 04625 |
| Narrow Wiehle Roller Kit..... | 04626 |
| Wide Wiehle Roller Kit | 04627 |
| Steel Roller Kit..... | 04628 |
| Dampening Roller Kit..... | 04629 |
| DPA Reel Mower Rear Roller Brush, Greensmaster 3150 | 04640 |
| DPA Reel Mower Rear Roller Brush, Greensmaster 3250-D..... | 04641 |
| DPA Reel Mower Rear Roller Scraper Kit | 04646 |
| Heavy Duty 5 Blade Reel ASM | 106-2626 |
| High Height-of-Cut Kit..... | 106-4699 |
| Shim | 106-6923 |
| Replacement Seal Kit | 106-6937 |
| Extended Grass Shield ASM | 107-3503-01 |
| Wiehle DPA Steel Roller ASM..... | 107-3510 |
| Heavy Duty 8 Blade Reel ASM | 107-9522 |
| Roller Scraper Kit..... | 107-9561 |
| Bedknife-Tournament, Extended | 108-4302 |
| Bedknife-Microcut, Extended..... | 108-4303 |
| Front Scraper Kit for Narrow Wiehle Roller | 108-6468 |
| Front Scraper Kit for Wide Wiehle Roller..... | 110-3961 |
| Front Scraper Kit for Full Roller..... | 110-3962 |
| Front Brush Kit for Narrow Wiehle Roller | 110-3963 |
| Front Brush Kit for Wide Wiehle Roller..... | 110-3964 |
| Front Brush Kit for Full Roller | 110-3965 |
| Front Comb Kit for Narrow Wiehle Roller | 110-3966 |
| Front Comb Kit for Wide Wiehle Roller..... | 110-3967 |
| Front Comb Kit for Full Roller..... | 110-3968 |
| Rear Roller Extension Kit..... | 112-9294 |
| Rear Roller Scraper Kit..... | 112-9353 |
| Rear Roller Adjustment Kit..... | 114-4630 |
| Rear Roller Brush Service Kit | 114-4631 |
| Bedknife-Fairway..... | 63-8600 |
| Wiehle Roller ASM (Cast Iron)..... | 71-1550 |
| Bedknife-Microcut..... | 93-4262 |
| Bedknife-Tournament Cut..... | 93-4263 |
| Bedknife-Low Cut | 93-4264 |
| Bedknife-Highcut | 94-6392 |
| Bedbar-Aggressive | 99-3794-03 |

Notes:

Notes:

Notes:



Count on it.